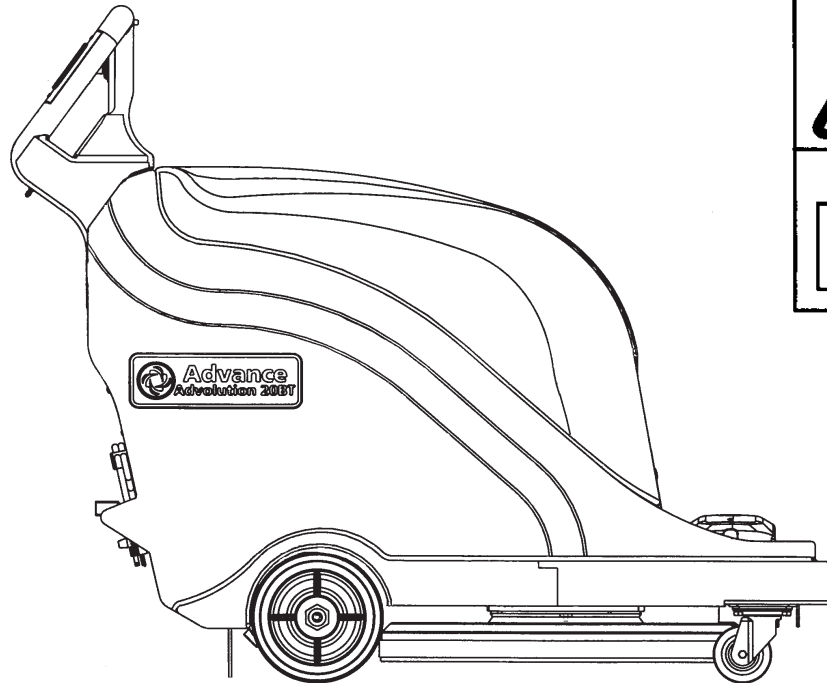


# Advolution 20B

# Advolution 20BT



## Instructions For Use and Parts List

## Instrucciones para el uso y lista de piezas

## Guides d'utilisation et liste des pièces

**Advance Models:** 01594A (20BT 195AH), 01595A (20B 195AH),  
01596A (20BT 234AH AGM), 01597A (20B 234AH AGM)

**Advance Models (w/Active Vac):** 01584A (20BT 195AH), 01585A (20B 195AH),  
01586A (20BT 234AH AGM), 01587A (20B 234AH AGM)

**EN** English (2 - 9)

**ES** Español (10 - 17)

**FR** Français (18 - 25)

**PARTS LIST (27 - 49)**



# TABLE OF CONTENTS

Safety Instructions .....	3
Know Your Machine .....	4
Introduction .....	5
Parts and Service .....	5
Nameplate .....	5
Uncrating the Machine .....	5
Preparing the Machine for Use .....	5
Servicing Batteries .....	5
Battery Installation .....	7
Pad Installation .....	7
Dust Bag Installation .....	7
Adjusting Pad Pressure .....	7
Maintenance .....	8
Maintenance Schedule .....	8
Battery Maintenance .....	8
Troubleshooting .....	8
Machine Vibration .....	8
Swirl Marks .....	8
Reduced Running Time .....	8
Specifications .....	9
Section II Parts List .....	27

## IMPORTANT SAFETY INSTRUCTIONS

This machine is only suitable for commercial use, for example in hotels, schools, hospitals, factories, shops and offices other than normal residential housekeeping purposes.

When using this appliance, basic precautions should always be followed, including the following:

### **WARNING!**

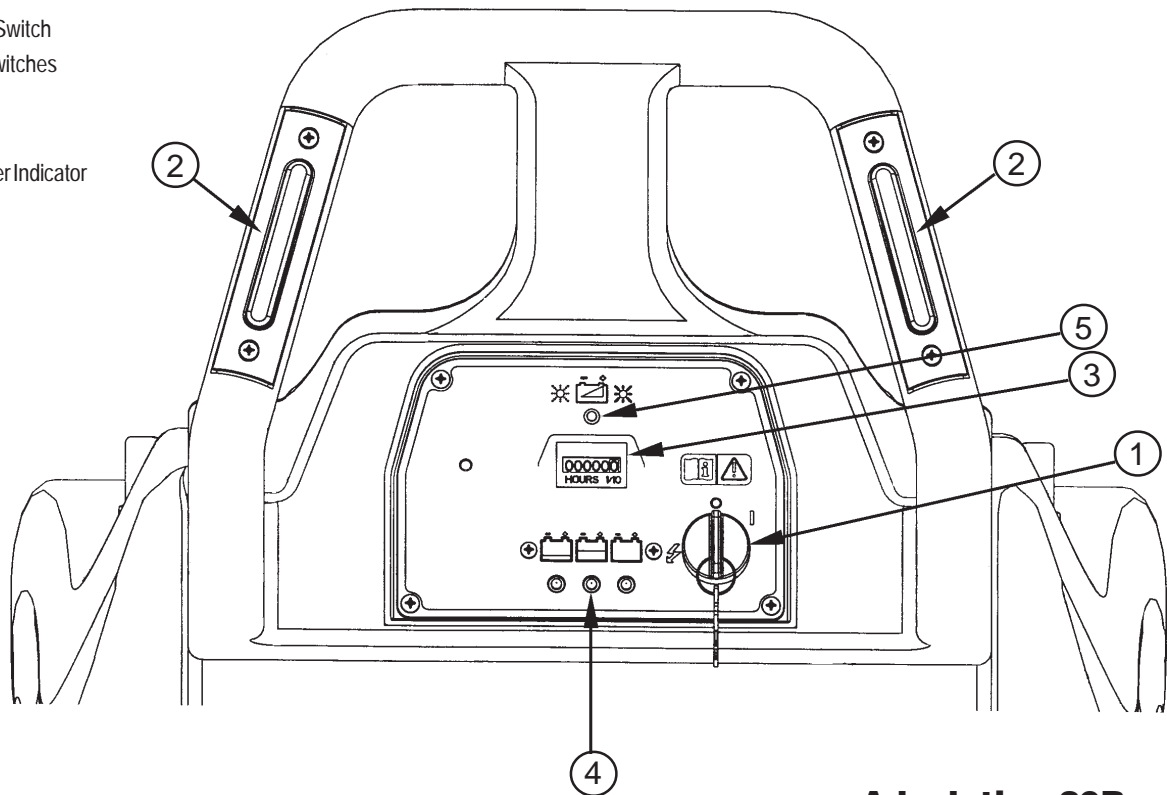
To reduce risk of fire, electric shock, injury or property damage, read all instructions before using.

- \* Do not operate this machine until it is completely assembled. Inspect the machine carefully before operation.
- \* Machines can cause an explosion when operated near flammable materials and vapors. Do not use this machine with or near fuels, grain dust, solvents, thinners, or other flammable materials.
- \* Lead acid batteries generate gases which can cause an explosion. Keep sparks and flames away from batteries. Do not smoke around the machine. Charge the batteries only in an area with good ventilation. Make sure that you unplug the AC charger from the wall outlet before disconnecting from the machine.
- \* Waste Disposal Method: Dispose as hazardous waste. Observe all federal, state and local environmental regulations for acid or lead scrap. Send batteries to lead smelter for reclamation following applicable federal, state and local regulations.
- \* Working with batteries can be dangerous! Always wear eye protection and protective clothing when working near batteries. Remove all jewelry. Do not put tools or other metal objects across the battery terminals, or the tops of the batteries.
- \* Using a charger with a damaged power cord could result in an electrocution. Do not use the charger if the power cord is damaged.
- \* Operating this machine from anywhere other than the back of the machine could result in injury or damage.
- \* This machine is heavy. Get assistance before attempting to transport or move it. Use two able persons to move the machine on a ramp or incline. Always move slowly. Do not turn the machine on a ramp. If operating machine on a gradient over 2%, do not stop, turn, or park.
- \* Machines can topple over if guided over the edges of stairs or loading docks and cause injury or damage. Stop and leave this machine only on a level surface. When you stop the machine, turn the key "OFF".
- \* Alterations or modifications not authorized by the manufacturer voids any and all warranties and liabilities and could result in damage to the machine or injury to the operator or other bystanders.
- \* Maintenance and repairs performed by unauthorized personnel could result in damage or injury.
- \* Keep the electrical components of the machine dry. Wipe the machine down after each use. For storage, keep the machine in a dry building.
- \* Read all machine labels before attempting to operate. Make sure all of the labels and instructional information are attached or fastened to the machine.
- \* Use only commercially available floor cleaners and waxes intended for machine operation. Do not use flammable materials.
- \* When cleaning, servicing or maintaining the machine, replacing parts or converting to another function, the power source should be switched off.
- \* Use of this machine to move other objects or to climb on could result in injury or damage. Do not use this machine as a step or furniture. Do not ride on this machine.
- \* Your machine warranty will be voided if anything other than Nilfisk-Advance parts are used on your machine.

## SAVE THESE INSTRUCTIONS

### KNOW YOUR MACHINE

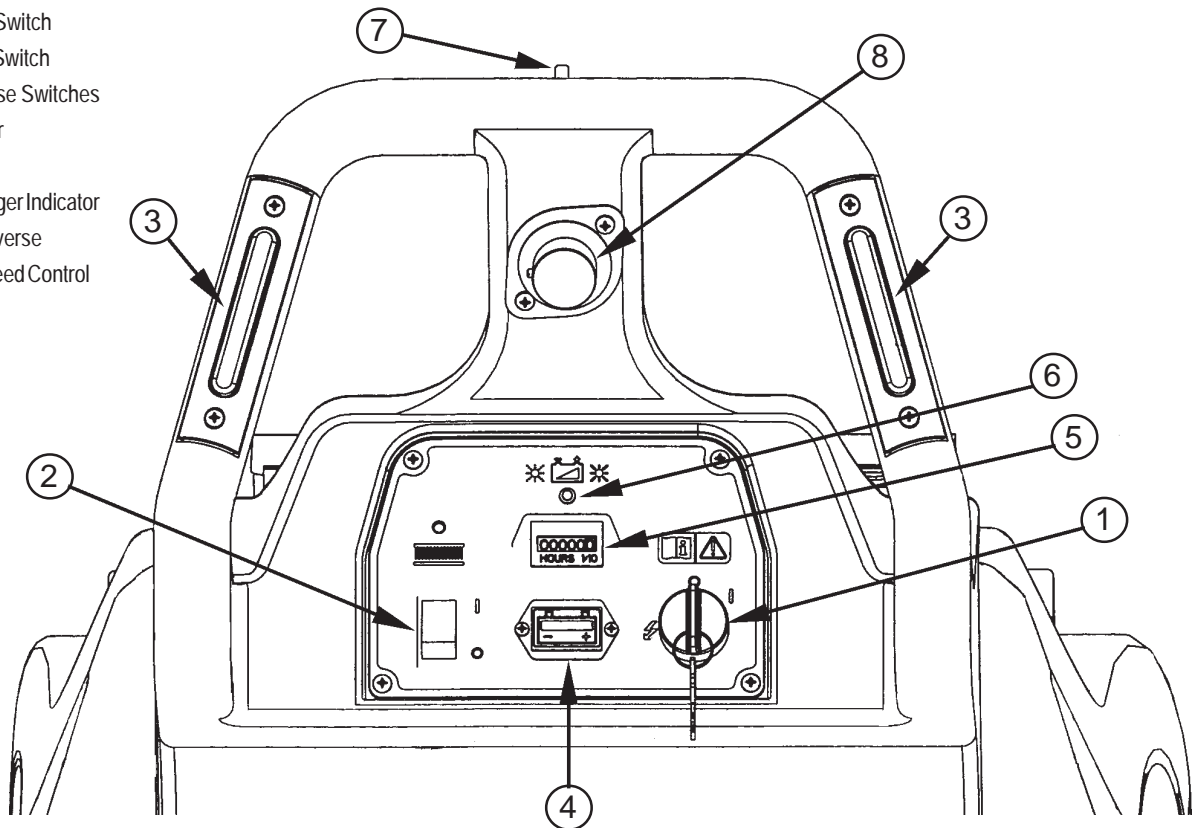
- 1 On / Off Key Switch
- 2 Pad Power Switches
- 3 Hour Meter
- 4 Battery Meter
- 5 Battery Charger Indicator



**Advolution 20B**

### KNOW YOUR MACHINE

- 1 On/Off Key Switch
- 2 Pad Power Switch
- 3 Pad / Traverse Switches
- 4 Battery Meter
- 5 Hour Meter
- 6 Battery Charger Indicator
- 7 Traverse Reverse
- 8 Traverse Speed Control



**Advolution 20BT**

## INTRODUCTION

This manual will help you get the most from your Nilfisk-Advance floor machine. Read it thoroughly before operating the machine.

This product is intended for commercial use only.

### PARTS AND SERVICE

Repairs, when required, should be performed by your Authorized Nilfisk-Advance Service Center, who employs factory trained service personnel, and maintains an inventory of Nilfisk-Advance original replacement parts and accessories.

Call the Nilfisk-Advance dealer named below for repair parts or service. Please specify the Model and Serial Number when discussing your machine.

(Dealer, affix service sticker here.)

### NAME PLATE

The Model Number and Serial Number of your machine are shown on the Nameplate on the bottom of the machine. This information is needed when ordering repair parts for the machine. Use the space below to note the Model Number and Serial Number of your machine for future reference.

MODEL NUMBER \_\_\_\_\_

SERIAL NUMBER \_\_\_\_\_

### UNCRATE THE MACHINE

When the machine is delivered, carefully inspect the shipping carton and the machine for damage. If damage is evident, save the shipping carton so that it can be inspected. Contact the Nilfisk-Advance Customer Service Department immediately to file a freight damage claim (phone number is provided on the back cover of this manual).

## PREPARING THE MACHINE FOR USE

### WARNING!

Use extreme caution when working with batteries. Sulfuric acid in batteries can cause severe injury if allowed to contact the skin or eyes. Explosive hydrogen gas is vented from inside the batteries through openings in the battery caps. This gas can be ignited by any arc, spark or flame.

#### WHEN SERVICING BATTERIES....

- Remove all jewelry
- Do not smoke
- Wear safety glasses
- Work in a well-ventilated area
- Do not allow tools to touch more than one battery terminal at a time.

### CAUTION!

Electrical components in this machine can be severely damaged if the batteries are not installed and connected properly. Batteries should be installed by your local Nilfisk-Advance dealer or by a qualified electrician.

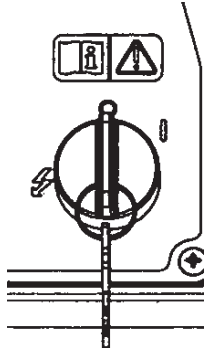
The Advolution 20B and 20BT may be used with three 12 volt 185 amp hour batteries or three 12 volt 234 amp hour AGM batteries.

### CAUTION!

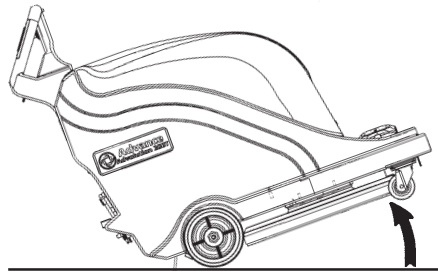
The battery charger must be reprogrammed when switching from lead acid to AGM batteries. See the Charger Manual for instructions.

C

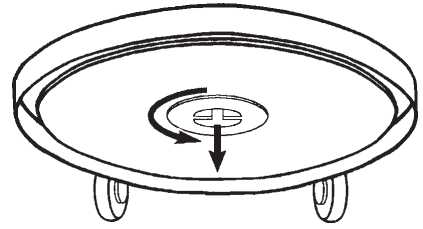
1



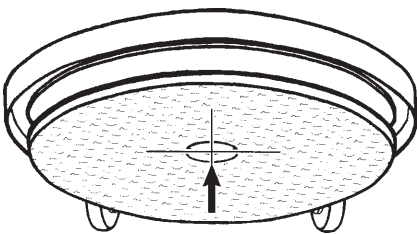
2



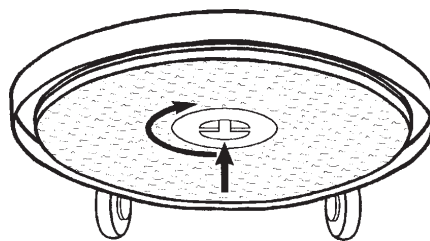
3



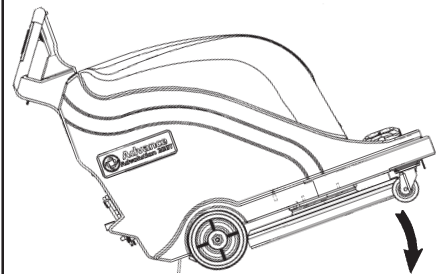
4



5

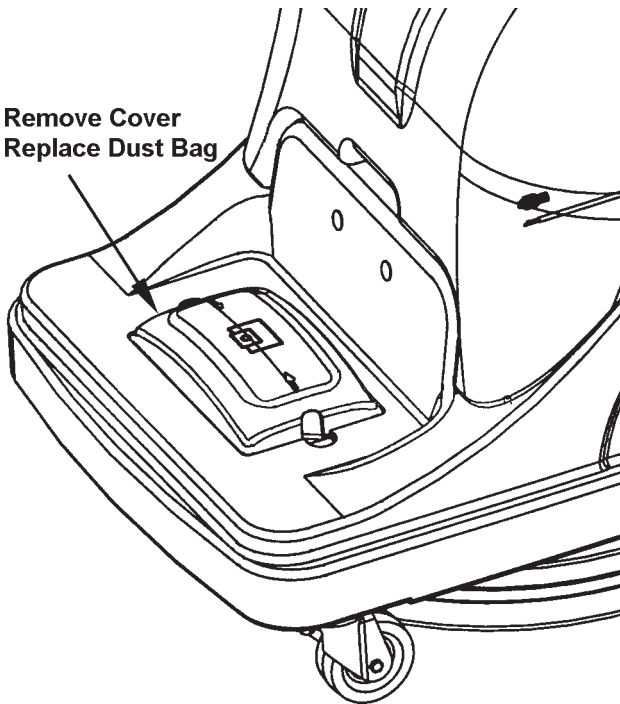


6

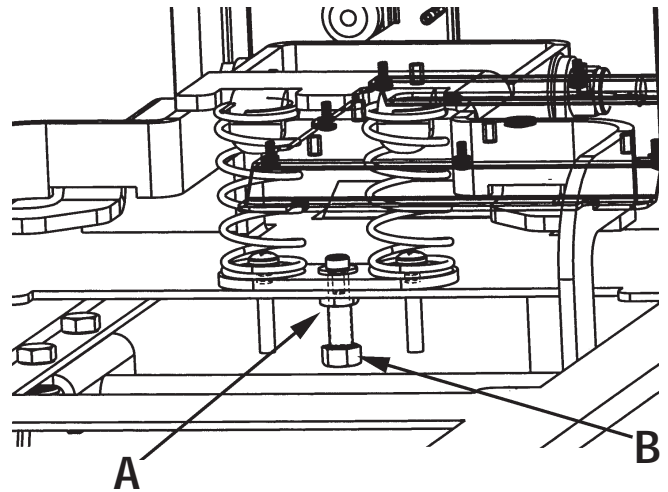


D

Remove Cover  
Replace Dust Bag



E

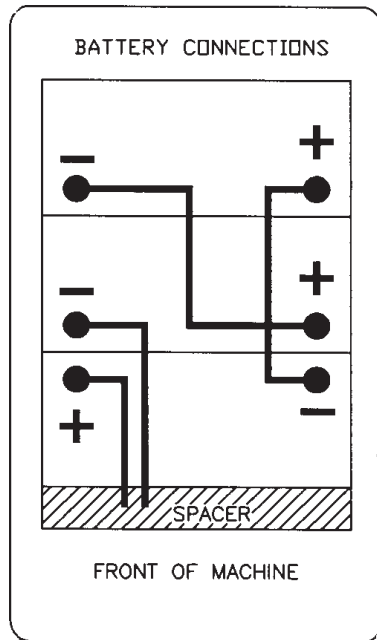


# PREPARING THE MACHINE FOR USE

## (B)-INSTALLING THE BATTERIES

- Carefully lift the batteries into the battery tray. Arrange as shown in Figure B.

### B



- Make sure the key switch is in the OFF position.
- Install the battery cables as shown in figure B, with the terminals marked "P" on the positive battery posts and the terminals marked "N" on the negative battery posts. Position the cables so that the caps can be easily removed when it is necessary to add water to the batteries.
- Tighten the nut on each battery terminal just enough to keep the terminal from being turned on the battery post. Then tighten the nut one more full turn.
- Coat all the terminals and posts with grease, petroleum jelly or spray-on battery coating (available at most auto parts stores).
- Put on the black rubber "boots" over each of the terminals and use the plastic tie straps to hold them in place.
- Join the connector from the battery pack to the connector on the control panel.
- Reassemble machine.

**NOTE: Charge the batteries before using the machine.**

## (C)-PAD INSTALLATION

Your local Nilfisk-Advance distributor can provide the proper pads and floor finishes for use with this machine.

### ⚠ CAUTION!

Using the wrong kind of pad on this machine can damage the floor. The pad must be centered properly on the pad holder to prevent machine vibration.

For pad installation, follow the steps below (see steps 1 - 6 in Figure C):

- Turn the key switch off.
- Put the machine in the position shown, to access the pad retainer.
- Go to the front of the machine. While holding the pad retainer with one hand, rotate the pad and pad driver counter clockwise to loosen the pad retainer.
- Remove the old pad and install a new one, being careful to center it on the outside diameter of the pad driver. **NOTE: Vibration could occur if you center the hole in the pad to the opening for the pad retainer. Always use a high quality pad rated to operate at 2000 rpm.**
- Retighten the pad retainer as tight as possible.
- Raise the back of the machine to lower the pad housing by lifting as shown.

## (D)-DUST BAG INSTALLATION

Your local Nilfisk-Advance distributor can provide the proper pads and floor finishes for use with this machine.

### IMPORTANT!

Install dust collector bag (part number 56201569) on top of control housing (see Figure D). The dust collection system will not operate properly if the collector bag is full or torn.

## (E)-ADJUSTING PAD PRESSURE

The pad pressure is set at the factory for optimal burnishing with most pad and finish combinations. If unique pad or finish conditions require pad pressure adjustments, adjust by following the procedure below. **NOTE:** Pad pressure adjustments should be performed by a qualified service technician.

- Turn key switch off (O).
- From underneath burnisher, loosen jam nut (A).
- To decrease pad pressure, turn bolt (B) clockwise.
- To increase pad pressure, turn bolt (B) counterclockwise.
- Re-tighten jam nut (A).

# MAINTENANCE

## MAINTENANCE SCHEDULE

Maintenance Item	Daily	Monthly	Yearly
Charge Batteries	x		
Check/Replace Dust Bags	x		
Check/Replace Skirt	x		
Clean Pad	x		
Lubrication		x	
Check/Service Pad Motor Brushes		x	
Service Drive Motor Brushes			x

## BATTERY MAINTENANCE

Charge the batteries each time the machine is used for 1 hour or longer, or whenever the Battery Meter reads in the red area.

### To Charge the Batteries...

- 1 Remove cover.
- 2 Plug charger in.
- 3 Check the fluid level in all battery cells after charging the batteries. Add distilled water, if necessary, to bring the fluid level up to the bottom of the filler tubes.

### CAUTION!

To avoid damage to floor surfaces, wipe water and acid from the top of the batteries after charging.

### CAUTION!

Acid can spill onto the floor if the batteries are overfilled.

## IMPORTANT

Motor damage resulting from failure to service carbon brushes is not covered under warranty. See the Limited Warranty statement.

# TROUBLESHOOTING

## MACHINE VIBRATION

- 1 Pad is not centered properly.
- 2 Defective pad. Replace.

## SWIRL MARKS

- 1 Pad is too aggressive for the floor finish.
- 2 Pad is dirty, Check and replace.

## REDUCED RUNNING TIME

- 1 Battery needs to be charged.
- 2 Batteries need water. Add just enough to cover the plates in each cell. Then charge the batteries and check the water level again.



# SPECIFICATIONS

## SPECIFICATIONS:

Model	Advolution 20B	Advolution 20BT	Advolution 20B	Advolution 20BT
<b>Model Number</b>	01595A 01585A (w/active vac)	01594A 01584A (w/active vac)	01597A 01587A (w/active vac)	01596A 01586A (w/active vac)
<b>Power Supply</b>	36 volt 195AH	36 volt 195AH	36 volt 234AH AGM	36 volt 234AH AGM
<b>Motor, Pad</b>	2.5 hp (1.9 kW) 65 amp	2.5 hp (1.9 kW) 65 amp	2.5 hp (1.9 kW) 65 amp	2.5 hp (1.9 kW) 65 amp
<b>Motor Traction</b>		.5 hp PM / .37 kW		.5 hp PM / .37 kW
<b>Drive System</b>	Pad Assist	Direct Drive	Pad Assist	Direct Drive
<b>Pad</b>	20" (51cm)	20" (51cm)	20" (51cm)	20" (51cm)
<b>Pad Speed</b>	2000 rpm	2000 rpm	2000 rpm	2000 rpm
<b>Pad Pressure</b>	0-30 lbs.	0-30 lbs	0-30 lbs.	0-30 lbs
<b>Speed, Forward</b>	Pad Assist	0 - 240 ft/min.	Pad Assist	0 - 240 ft/min.
<b>Speed, Reverse</b>	Pad Assist	0 - 170 ft/min.	Pad Assist	0 - 170 ft/min.
<b>Vibration</b>	<2.5 m/s <sup>2</sup>	<2.5 m/s <sup>2</sup>	<2.5 m/s <sup>2</sup>	<2.5 m/s <sup>2</sup>
<b>Sound Level (dbA)</b>	68	68	68	68
<b>Drive Wheel</b>	1.62"x8.00" (4cmx20cm)	1.62"x8.00" (4cmx20cm)	1.62"x8.00" (4cmx20cm)	1.62"x8.00" (4cmx20cm)
<b>Charger</b>	36V, 25A, 115V/60hz	36V, 25A, 115V/60hz	36V, 25A, 115V/60hz	36V, 25A, 115V/60hz
<b>Length</b>	53.5 inches (136cm)	53.5 inches (136cm)	53.5 inches (136cm)	53.5 inches (136cm)
<b>Width</b>	22 inches (56cm)	22 inches (56cm)	22 inches (56cm)	22 inches (56cm)
<b>Height</b>	42 inches (106cm)	42 inches (106cm)	42 inches (106cm)	42 inches (106cm)
<b>Burnishing Swath</b>	20 inch (51cm)	20 inch (51cm)	20 inch (51cm)	20 inch (51cm)
<b>Polishing Rate</b>	24,000 sq. ft./hr.	24,000 sq. ft./hr.	24,000 sq. ft./hr.	24,000 sq. ft./hr.
<b>Weight (w/3 - 195AH)</b>	500 lbs./ 227 kg	515 lbs./234 kg	600 lbs./ 272 kg	615 lbs./279 kg
<b>Shipping Weight</b>	545 lbs./247 kg	560 lbs./254 kg	645 lbs./293 kg	660 lbs./299 kg

# INDICE

Instrucciones de seguridad .....	11
Conozca su máquina .....	12
Introducción .....	13
Piezas y servicio .....	13
Placa de identificación .....	13
Desempacar la máquina .....	13
Preparación de la máquina para su funcionamiento .....	13
Hacer el servicio de las baterías .....	13
Instalación de las baterías .....	15
Instalación de la almohadilla .....	15
Instalación de la bolsa de polvo .....	15
Ajustar la presión de la almohadilla .....	15
Mantenimiento .....	16
Programa de mantenimiento .....	16
Mantenimiento de las baterías .....	16
Resolución de problemas .....	16
Vibración de la máquina .....	16
Marcas de remolinos .....	16
Tiempo de ejecución reducido .....	16
Especificaciones .....	17
Sección II Listado de piezas .....	27

## INSTRUCCIONES DE SEGURIDAD PARA EL OPERADOR

Esta máquina únicamente es apropiada para el uso comercial, por ejemplo, en hoteles, escuelas, hospitales, fábricas, negocios y oficinas y no para ser utilizada en la limpieza doméstica normal.

Al usar este artefacto eléctrico es necesario tomar precauciones básicas en todo momento, incluyendo:

### ¡ADVERTENCIA!

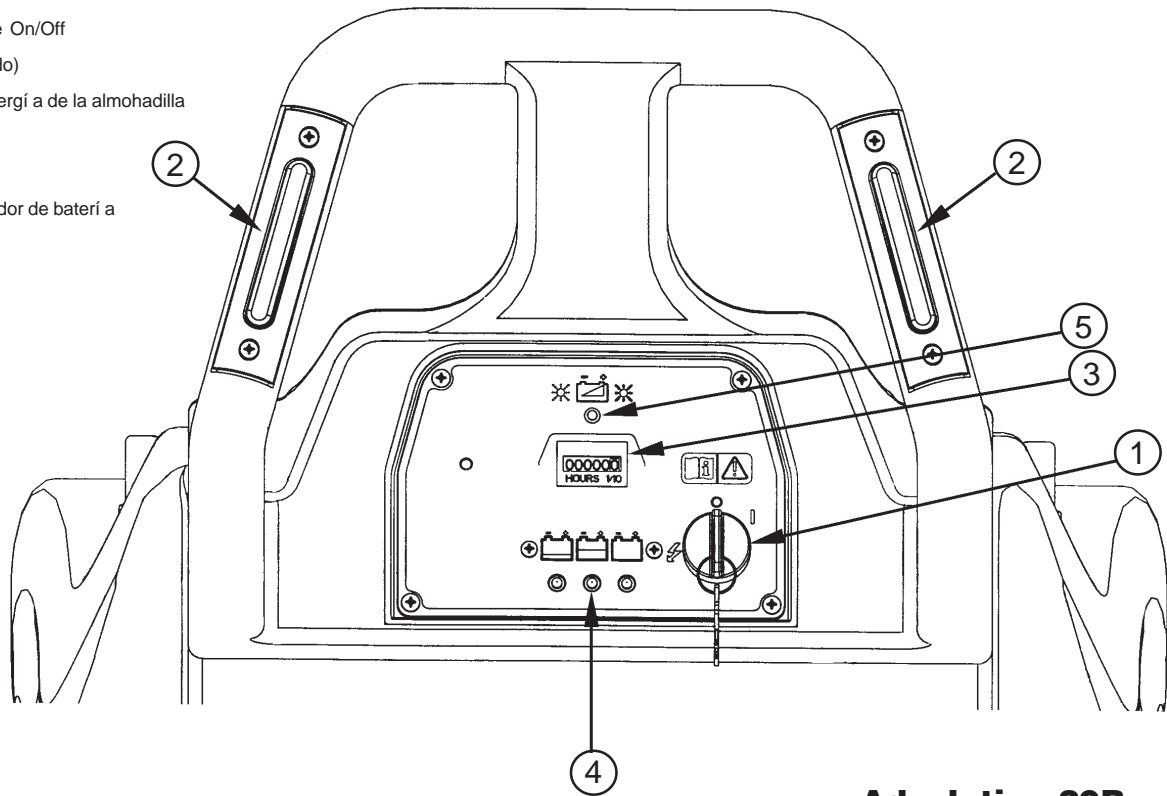
Antes de usar el artefacto, lea todas las instrucciones a fin de reducir el riesgo de incendio, descarga eléctrica, lesiones o daño a la propiedad.

- \* No opere la máquina antes de que esté completamente montada. Compruebe cuidadosamente el estado de la máquina antes de cada utilización.
- \* Riesgo de explosión y de incendio. No use nunca la máquina con o cerca de combustibles, polvo de granos, disolventes, diluyentes u otros materiales inflamables.
- \* Las baterías ácido/plomo generan gases que pueden originar una explosión. Procure que no haya ninguna llama ni chispa cerca de las baterías. No fume. Cargue las baterías sólo en un local perfectamente ventilado. Antes de desconectar el cargador de la máquina, compruebe que el enchufe del cargador CA está desconectada de la toma de red.
- \* Método de eliminación de desechos: Eliminar como desechos peligrosos. Cumplir con todas las reglamentaciones ambientales nacionales, provinciales/estatales y locales con relación a los desechos de plomo y ácidos. Enviar las baterías a una fundición de plomo para su reciclaje de acuerdo con las reglamentaciones nacionales, provinciales/estatales y locales aplicables.
- \* Cuando trabaja cerca de las baterías, siempre lleve gafas o ropas de protección. Quite su reloj y sus joyas. No introduzca ninguna herramienta ni otros objetos metálicos entre las bornas o sobre la tapa de las baterías.
- \* Riesgo de electrocución si Ud. utilice un cargador cuyo cable de alimentación está dañado. No use nunca un cargador cuyo cable de alimentación está dañado.
- \* La única posición correcta para el operador es la posición de pie, detrás de la máquina.
- \* Esta máquina pesa. No intente transportarla o desplazarla sin la ayuda de otra persona. Se necesitan dos personas para desplazarla sobre una rampa de carga. Siempre desplace la máquina despacio. No gire la máquina sobre una rampa. No deje nunca la máquina parada sobre un plano inclinado. Si está manejando la máquina en una superficie con una pendiente superior a 2%, no la detenga, gire ni estacione.
- \* Las máquinas pueden volcar y causar lesiones o daños si se las conduce por bordes de escalones o de muelles de carga. Detenga la máquina y déjela solamente en superficies uniformes. Cuando detenga la máquina coloque todos los interruptores en la posición "OFF" (apagado).
- \* Las alteraciones o modificaciones no autorizadas por el fabricante invalidan cualquier garantía y responsabilidad y podrá ocasionar daños en la máquina o lesiones en el operador o cualquier otra persona que se encuentre en el lugar.
- \* Sólo el personal cualificado y autorizado por Nilfisk Advance puede efectuar el mantenimiento y las reparaciones de nuestras máquinas. ¡ Se trata de su seguridad !
- \* Procure que el sistema eléctrico sea siempre seco. Seque cuidadosamente la máquina después de cada utilización. Guarde la máquina en un local seco.
- \* Es indispensable leer todas las instrucciones escritas en la máquina antes de la primera utilización. Compruebe que todos los adhesivos y todas las instrucciones estén colocados en los sitios previstos.
- \* Use sólo productos de limpieza y ceras especialmente concebidos para máquinas. No use productos inflamables.
- \* Durante la limpieza, la reparación o el mantenimiento de la máquina, durante el reemplazo de partes o durante el cambio de función, debe desconectarse la fuente de energía.
- \* No use la máquina como taburete o escabel. No úsela como medio de transporte o mueble. Corre el peligro de causar lesiones o daños materiales
- \* Se anulará la garantía a de la máquina si se utiliza piezas que no son piezas originales Nilfisk-Advance. Sólo use recambios Nilfisk-Advance.

## GUARDE ESTAS INSTRUCCIONES

## CONOZCA SU MÁQUINA

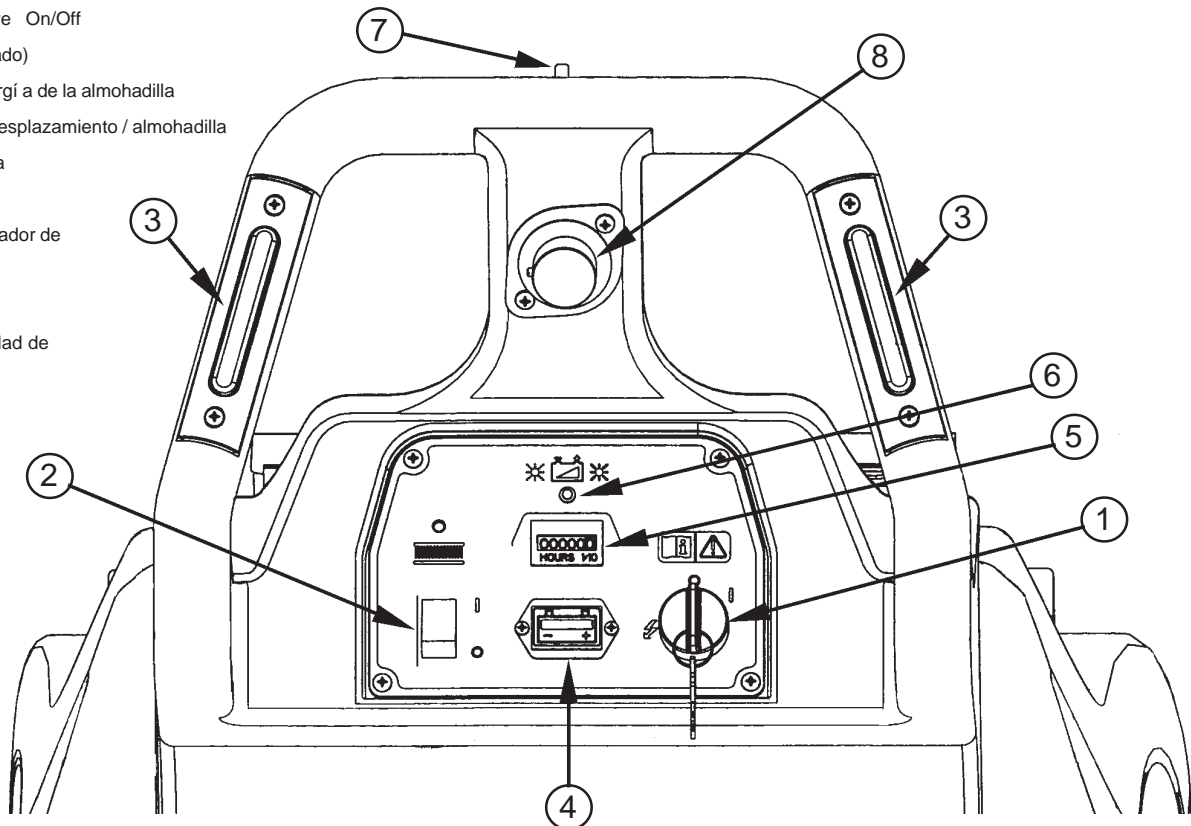
- 1 Interruptor de llave On/Off  
(encendido/apagado)
- 2 Interruptores de energía de la almohadilla
- 3 Cuentavueltas
- 4 Medidor de batería
- 5 Indicador del cargador de batería



**Advolution 20B**

## CONOZCA SU MÁQUINA

- 1 Interruptor de llave On/Off  
(encendido/apagado)
- 2 Interruptor de energía de la almohadilla
- 3 Interruptores de desplazamiento / almohadilla
- 4 Medidor de batería
- 5 Cuentavueltas
- 6 Indicador del cargador de batería
- 7 Marcha atrás
- 8 Control de velocidad de desplazamiento



**Advolution 20BT**

## INTRODUCTION

Este manual lo ayudará a aprovechar al máximo su máquina para pisos Nilfisk-Advance. Léalo a fondo antes de poner la máquina en funcionamiento.

Este producto está diseñado para uso comercial solamente.

## PIEZAS Y MANTENIMIENTO

Cuando sea necesario realizar reparaciones, las mismas deben ser efectuadas por el Centro de Servicios autorizado de Nilfisk-Advance, el cual emplea personal de mantenimiento capacitado en fábrica y dispone de un inventario de piezas de recambio y accesorios originales Nilfisk-Advance.

Llame al distribuidor Nilfisk-Advance citado más adelante para obtener piezas de reemplazo o servicios de mantenimiento. Al referirse a la máquina, por favor especifique el modelo y número de serie de la misma.

(Distribuidor, pegue la calcomanía de mantenimiento aquí)

## PLACA DE IDENTIFICACIÓN

El número de modelo y el número de serie de su máquina aparecen en la placa de identificación ubicada en la parte inferior de la máquina. Es necesario contar con esta información para realizar pedidos de piezas de recambio para la máquina. Use el espacio provisto o a continuación para anotar el número de modelo y el número de serie de su máquina para referencia futura.

NÚMERO DE MODELO \_\_\_\_\_

NÚMERO DE SERIE \_\_\_\_\_

## DESEMBALAJE DE LA MÁQUINA

Cuando reciba la máquina, inspeccione con cuidado la caja de embarque y la máquina, para verificar si hay algún daño. Si hay algún daño evidente, guarde la caja de embarque de modo que se la pueda inspeccionar. Comuníquese con el Departamento de Atención al Cliente de Nilfisk-Advance inmediatamente para presentar un reclamo por daños en el flete (el número de teléfono aparece en la contratapa de este manual.)

## PREPARACIÓN DE LA MÁQUINA PARA SU FUNCIONAMIENTO

### ¡ADVERTENCIA!

Tome suma precaución cuando trabaje con baterías. El ácido sulfúrico en las baterías puede causar graves lesiones si entra en contacto con la piel o los ojos. Las baterías emiten gas hidrógeno explosivo a través de las aberturas de las tapas. Este gas puede encenderse con cualquier arco eléctrico, chispa o llama.

### CUANDO HAGA EL SERVICIO DE LAS BATERÍAS...

- Sáquese todas las joyas.
- No fume
- Use gafas de seguridad
- Trabaje en un área bien ventilada.
- No permita que las herramientas toquen más de un terminal de la batería a la vez.

### ¡PRECAUCIÓN!

Los componentes eléctricos de esta máquina pueden sufrir serios daños si las baterías no se instalan y conectan de manera adecuada. Las baterías deben ser instaladas por su representante local de Nilfisk-Advance o por un electricista calificado.

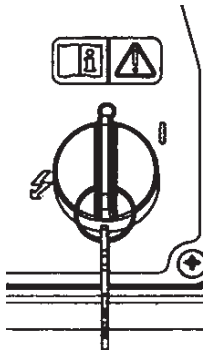
Advolution 20B y 20BT pueden usarse con tres baterías de 12 voltios 185 amperios hora o tres baterías AGM de 12 voltios 234 amperios hora.

### ¡PRECAUCIÓN!

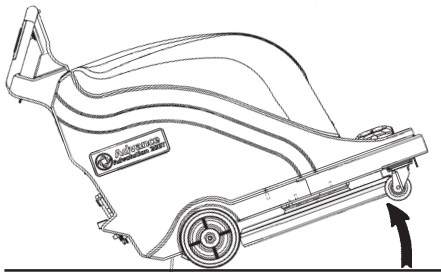
Es necesario reprogramar el cargador de baterías cuando se pasa de baterías de plomo a baterías AGM. Consulte el Manual del Cargador para ver las instrucciones correspondientes.

**C**

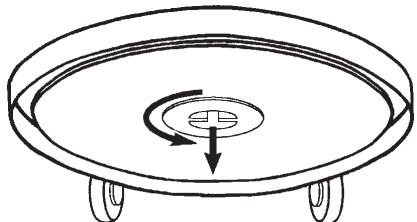
1



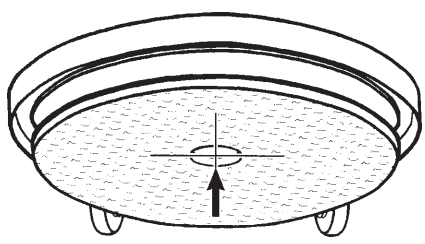
2



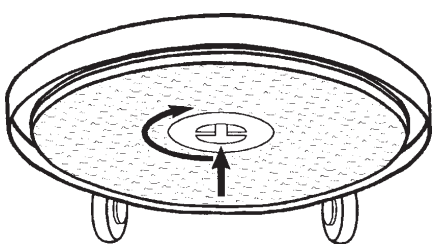
3



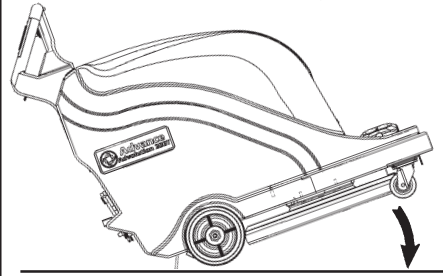
4



5

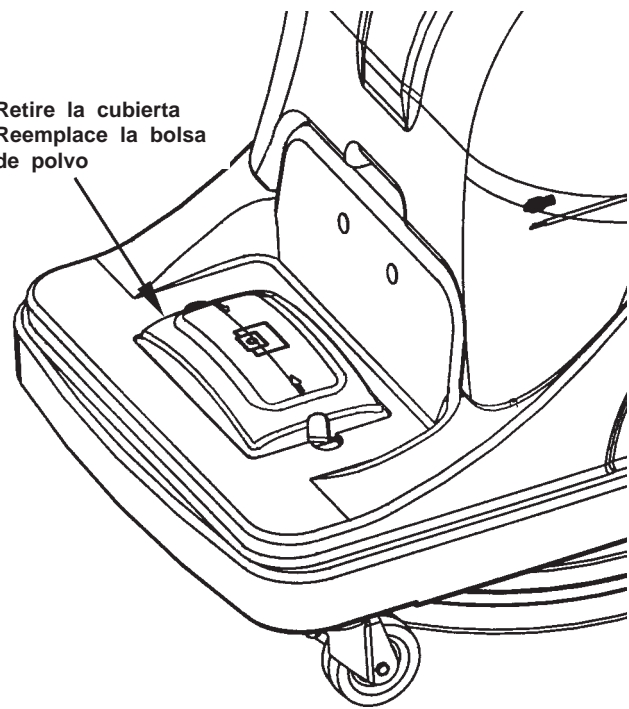


6

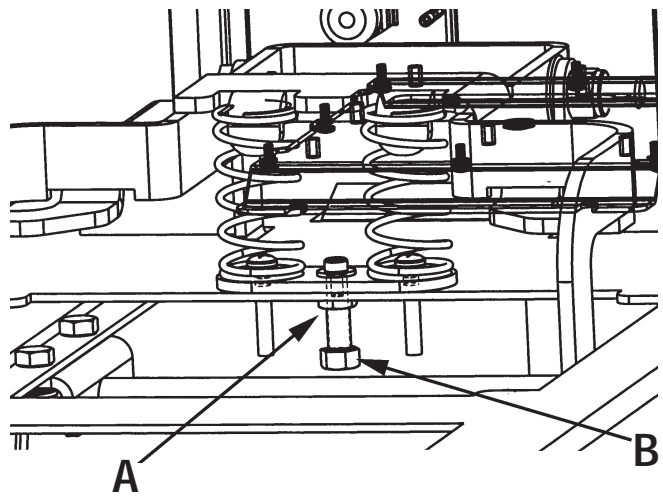


**D**

Retire la cubierta  
Reemplace la bolsa  
de polvo



**E**

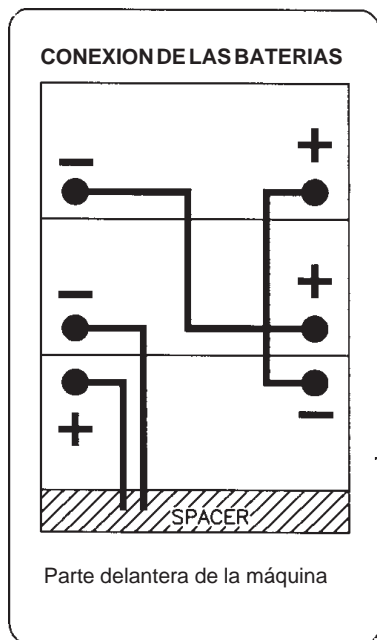


# PREPARACIÓN DE LA MÁQUINA PARA SU FUNCIONAMIENTO

## (B)-INSTALACIÓN DE LAS BATERÍAS

- 1 Coloque cuidadosamente las baterías en la bandeja de baterías. Ordénelas de la forma que se muestra en la figura B.

**B**



- 2 Asegúrese de que el interruptor de llave se encuentre en la posición "OFF" (O).
- 3 Instale los cables de la batería como se muestra en la figura B, con los terminales marcados con la letra "P" en los bornes positivos de la batería y los terminales marcados con la letra "N" en los bornes negativos. Coloque los cables de manera tal que se puedan quitar las tapas fácilmente cuando sea necesario agregar agua a las baterías.
- 4 Apriete la tuerca de cada terminal de la batería justo lo suficiente como para evitar que el terminal se vuelva sobre el borne de la batería. Luego apriete la tuerca una vuelta más.
- 5 Cubra todos los terminales y los bornes con grasa, vaselina o rocíe sobre el revestimiento de la batería (disponible en la mayoría de los negocios de repuestos).
- 6 Coloque las "botas" de goma negra sobre cada uno de los terminales y utilice las tiras de amarres plásticos para sostenerlas en su lugar.
- 7 Una el conector del paquete de baterías al conector del panel de control.
- 8 Vuelva a ensamblar la máquina.

**NOTA :** Cargue las baterías antes de utilizar la máquina.

## (C)-INSTALACIÓN DE LA ALMOHADILLA

Su distribuidor local de Nilfisk-Advance le puede proveer las almohadillas y los acabados de piso adecuados para utilizar con esta máquina.

### ⚠ ¡PRECAUCIÓN!

Si utiliza un tipo de almohadilla equivocada en esta máquina, puede dañar el piso. La almohadilla debe estar correctamente centrada en el soporte para evitar que la máquina vibre.

Para instalar la almohadilla, siga los pasos de abajo (ver pasos 1 - 6 en la figura C):

- 1 Gire el interruptor de llave hasta la posición "OFF" (apagado).
- 2 Coloque la máquina en la posición que se muestra (2) para tener acceso al retenedor de almohadilla.
- 3 Póngase delante de la máquina. Manteniendo con una mano la sujeción del disco, gire el disco y el portadisco en el sentido contrario de las agujas del reloj para aflojar la sujeción.
- 4 Extraiga el disco usado e instale uno nuevo, teniendo cuidado de centrarlo sobre el diámetro exterior del motor del disco. **NOTA: Podría ocurrir vibración si centra el orificio del disco en la abertura del retén del disco. Siempre utilice un disco de alta calidad adecuado para operar a 2000 rpm.**
- 5 Vuelva a apretar la sujeción al máximo.
- 6 Levante la parte trasera de la máquina para bajar el alojamiento del disco, tirando de las empuñaduras hacia arriba como indicado en la figura C (6).

## (D)-INSTALACIÓN DE LA BOLSA DE POLVO

### ¡IMPORTANTE!

Instale la bolsa colectora de polvo (pieza número 56201569) encima del alojamiento del control (figura D). El sistema de recolección de polvo no funcionará correctamente si la bolsa colectora está llena o rota.

## (E)-AJUSTE DE LA PRESIÓN DE LA ALMOHADILLA

La presión de la almohadilla se configura de fábrica para un bruído óptimo con la mayoría de las combinaciones de almohadilla y acabado. Si existieran condiciones de acabado o de almohadilla únicas que requirieran ajustes en la presión de la almohadilla, realice los ajustes de acuerdo con el siguiente procedimiento. **NOTA: Un técnico calificado debe ser quien realice los ajustes de presión de la almohadilla.**

- 1 Gire el interruptor de llave hasta la posición "O" (apagado).
- 2 Desde abajo de la bruñidora, afloje la contratuerca (A).
- 3 Para disminuir la presión de la almohadilla, gire el perno (B) en el sentido de las agujas del reloj.
- 4 Para aumentar la presión de la almohadilla, gire el perno (B) en sentido contrario a las agujas del reloj.
- 5 Vuelva a ajustar la contratuerca (A).

# MANTENIMIENTO

## PROGRAMA DE MANTENIMIENTO

Elemento de mantenimiento	Diariamente	Mensualmente	Anualmente
Cargar las baterías	x		
Controlar/reemplazar las bolsas de polvo	x		
Controlar/reemplazar el faldón	x		
Limpiar la almohadilla	x		
Lubricación		x	
Controlar/ Hacer el servicio de los cepillos del motor de la almohadilla		x	
Hacer el servicio de los cepillos del motor de accionamiento			x

## MANTENIMIENTO DE LA BATERÍA

Cargue las baterías cada vez que utilice la máquina durante una hora o más, o siempre que el medidor de baterías indique el área roja.

### Para cargar las baterías...

- 1 Retirar la cubierta.
- 2 Enchufar el cargador.
- 3 Controlar el nivel de líquido de todos los elementos de las baterías después de cargarlas. Si es necesario, agregue agua destilada para llevar el nivel de líquido hasta la parte inferior de los tubos de llenado.

## ¡PRECAUCIÓN!

Para evitar que se dañen las superficies de los pisos, limpie el agua y el ácido de la parte de arriba de las baterías después de cargarlas.

## ¡PRECAUCIÓN!

El ácido puede derramarse en el piso si las baterías están sobrecargadas.

## IMPORTANTE

La garantía no cubre los daños del motor que resulten de una falla al hacer el servicio de las escobillas de carbono. Consulte la declaración de Garantía Limitada.

# RESOLUCIÓN DE PROBLEMAS

## VIABRACIÓN DE LA MÁQUINA

- 1 La almohadilla no está centrada de manera adecuada.
- 2 Almohadilla defectuosa. Reemplácela

## MARCAS DE REMOLINOS

- 1 La almohadilla es demasiado agresiva para el acabado del piso.
- 2 La almohadilla está sucia. Contrólela y reemplácela.

## TIEMPO DE EJECUCIÓN REDUCIDO

- 1 Es necesario cargar la batería
- 2 Las baterías necesitan agua. Agregue justo el agua suficiente para cubrir las placas de cada elemento. Luego cargue las baterías y controle el nivel de agua nuevamente.



## CARACTERÍSTICAS TÉCNICAS

Modelo	Advolution 20B	Advolution 20BT
Número modelo	01595A 01585A (con Vacío o Activo)	01594A 01584A (con Vacío o Activo)
Alimentación	36V 195 Ah	36V 195 Ah
Motor del disco	1,9 kW, 65 Amp	1,9 kW, 65 Amp
Tracción del motor		.5 potencia PM / .37 kW
Sistema conductor	con asistencia del disco	Accionamiento directo
Disco	51 cm	51 cm
Velocidad de rotación del disco	2.000 r/min.	2.000 r/min.
Presión del disco	0 - 13,6 kg	0 - 13,6 kg
Velocidad marcha adelante	(con asistencia del disco)	0 - 75 m/min.
Velocidad marcha atrás	(con asistencia del disco)	0 - 52 m/min.
Vibración	<2,5 m/s <sup>2</sup>	<2,5 m/s <sup>2</sup>
Nivel acústico (dba)	68	68
Rueda motriz	4 cm x 20 cm	4 cm x 20 cm
Cargador	36V, 25A, 115V/60Hz	36V, 25A, 115V/60Hz
Longitud	136 cm	136 cm
Anchura	56 cm	56 cm
Altura	106 cm	106 cm
Anchura faja pulida	51 cm	51 cm
Rendimiento	2.230 m <sup>2</sup> /h	2.230 m <sup>2</sup> /h
Peso (con 3-195Ah)	227 kg	234 kg
Peso entregado	247 kg	254 kg

Modelo	Advolution 20B	Advolution 20BT
Número modelo	01597A 01587A (con Vacío o Activo)	01596A 01586A (con Vacío o Activo)
Alimentación	36V 234 Ah (AGM)	36V 234 Ah (AGM)
Motor del disco	1,9 kW, 65 Amp	1,9 kW, 65 Amp
Tracción del motor		.5 potencia PM / .37 kW
Sistema conductor	con asistencia del disco	Accionamiento directo
Disco	51 cm	51 cm
Velocidad de rotación del disco	2.000 r/min.	2.000 r/min.
Presión del disco	0 - 13,6 kg	0 - 13,6 kg
Velocidad marcha adelante	(con asistencia del disco)	0 - 75 m/min.
Velocidad marcha atrás	(con asistencia del disco)	0 - 52 m/min.
Vibración	<2,5 m/s <sup>2</sup>	<2,5 m/s <sup>2</sup>
Nivel acústico (dba)	68	68
Rueda motriz	4 cm x 20 cm	4 cm x 20 cm
Cargador	36V, 25A, 115V/60Hz	36V, 25A, 115V/60Hz
Longitud	136 cm	136 cm
Anchura	56 cm	56 cm
Altura	106 cm	106 cm
Anchura faja pulida	51 cm	51 cm
Rendimiento	2.230 m <sup>2</sup> /h	2.230 m <sup>2</sup> /h
Peso (con 3-195Ah)	272 kg	279 kg
Peso entregado	293 kg	299 kg

# INDEX

Consignes de sécurité .....	19
A la découverte de votre machine .....	20
Introduction .....	21
Liste des pièces et entretien .....	21
Plaque signalétique .....	21
Déballer la machine .....	21
Préparer la machine en vue de son utilisation .....	21
Entretien des batteries .....	21
Installation des batteries .....	23
Installation du disque .....	23
Installation du sac à poussières .....	23
Réglage de la pression du disque .....	23
Maintenance .....	24
Programme de maintenance .....	24
Maintenance des batteries .....	24
Dépannage .....	24
Vibrations de la machine .....	24
Marques circulaires .....	24
Temps de fonctionnement réduit .....	24
Spécifications .....	25
Section II Liste des pièces .....	27

## INSTRUCTIONS POUR LA SECURITE DE L'OPÉRATEUR

Cette machine est conçue uniquement pour une utilisation commerciale comme dans des hôtels, des écoles, des hôpitaux, des usines, des magasins et des bureaux, tout ce qui ne concerne pas les travaux ménagers.

Lors de l'utilisation de cette machine, il convient de toujours respecter des précautions élémentaires, dont les suivantes :

### **AVERTISSEMENT !**

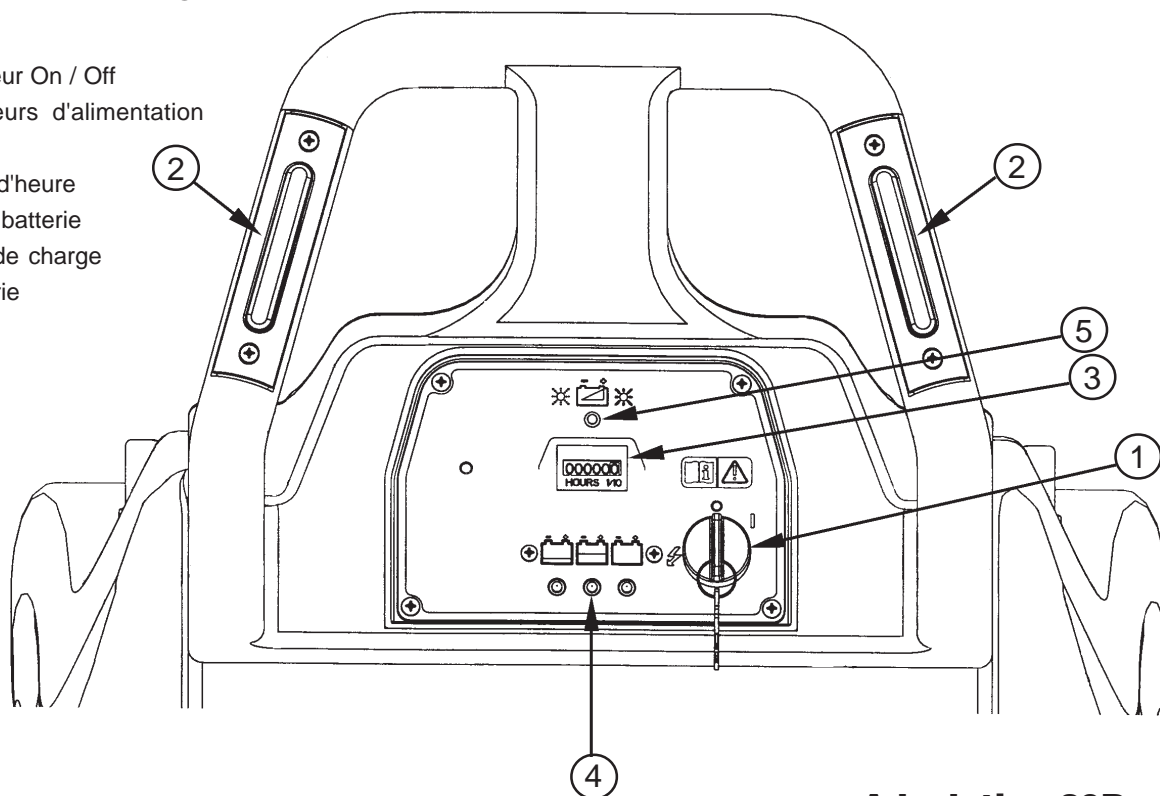
Pour réduire le risque d'incendie, de choc électrique, de blessure ou de dégâts de biens, lisez toutes les instructions avant d'utiliser cette machine.

- \* Ne mettez pas la machine en service avant qu'elle ne soit complètement montée. Vérifiez soigneusement l'état de la machine avant chaque utilisation.
- \* Risque d'explosion et d'incendie. N'utilisez jamais la machine avec ou près de combustibles, de grains de poussière, de solvants, de diluants ou d'autres matériaux inflammables.
- \* Les batteries acide-plomb dégagent des gaz qui peuvent provoquer une explosion. Veillez à ce qu'il n'y ait ni étincelle ni flamme à proximité des batteries. **NE FUMEZ PAS.** Procédez à la charge des batteries dans un endroit bien ventilé. Avant de déconnecter le chargeur de la machine, vérifiez que la fiche du chargeur CA est bien débranchée de la prise réseau.
- \* Mise au rebut: Considérer le produit comme un déchet dangereux. Suivre tous les règlements nationaux, provinciaux et locaux sur l'environnement concernant les déchets de plomb et les acides. Envoyer les batteries à une fonderie traitant le plomb en vue de récupération selon les règlements nationaux, provinciaux et locaux sur la valorisation des déchets.
- \* Quand vous travaillez à proximité des batteries, portez toujours des lunettes ou des vêtements de protection. Enlevez montres et bijoux. N'introduisez pas d'outils ou autres objets métalliques entre les bornes ou sur le couvercle des batteries.
- \* Risque d'électrocution si vous utilisez un chargeur dont le câble d'alimentation est endommagé. N'utilisez jamais un chargeur dont le câble d'alimentation est endommagé.
- \* La seule position correcte pour l'opérateur est debout, derrière la machine. Toute autre position de conduite risque de provoquer des blessures ou des dégâts.
- \* Cette machine est lourde. Faites-vous aider avant d'essayer de la transporter ou de la déplacer. Faites appel à deux personnes solides pour la déplacer le long d'une rampe ou d'un plan incliné. Procédez toujours en douceur. Ne retournez pas la machine sur une rampe. Lors d'un transfert, ne vous arrêtez pas et ne laissez pas la machine toute seule sur un rampe ou un plan incliné. En cas d'utilisation de la machine sur une pente de degré supérieur à 2%, ne pas s'arrêter, tourner ou stationner.
- \* La machine peut basculer si elle est en porte-à-faux sur un escalier ou une rampe de chargement et provoquer des blessures ou des dégâts matériels. N'abandonnez la machine que si vous l'avez arrêtée sur une surface plane et si vous avez placé l'interrupteur principal à clé sur "O".
- \* Les modifications et changements qui n'ont pas été expressément autorisés par le fabricant annihilent toute garantie et peuvent endommager la machine ou blesser l'opérateur ou d'autres personnes se trouvant à proximité.
- \* Seul un personnel qualifié a le droit d'effectuer les réparations et l'entretien de nos machines. Il y va de votre sécurité!
- \* Veillez à ce qu'il soit toujours bien sec. Essuyez la machine après utilisation. Entrez la machine à l'abri de l'humidité.
- \* Il est indispensable de lire toutes les indications figurant sur la machine avant de procéder à la mise en service. Vérifier que tous les adhésifs et toutes les instructions sont placés aux endroits corrects.
- \* Seuls des nettoyants et cires du commerce spéciaux pour machines peuvent être utilisés. Ne pas utiliser de produits inflammables.
- \* Lors du nettoyage, de la réparation ou de l'entretien des machines, du remplacement de pièce ou de changement de fonction, le commutateur devrait être en position d'arrêt.
- \* Ne pas utiliser cette machine comme tabouret ou escabeau. Ne pas l'utiliser comme moyen de transport ou comme meuble. Risque de blessures ou de dégâts.
- \* La garantie sera annulée si d'autres pièces que les pièces d'origine Nilfisk-Advance sont montées sur la machine.

## CONSERVEZ CES CONSIGNES

## A LA DECOUVERTE DE VOTRE MACHINE

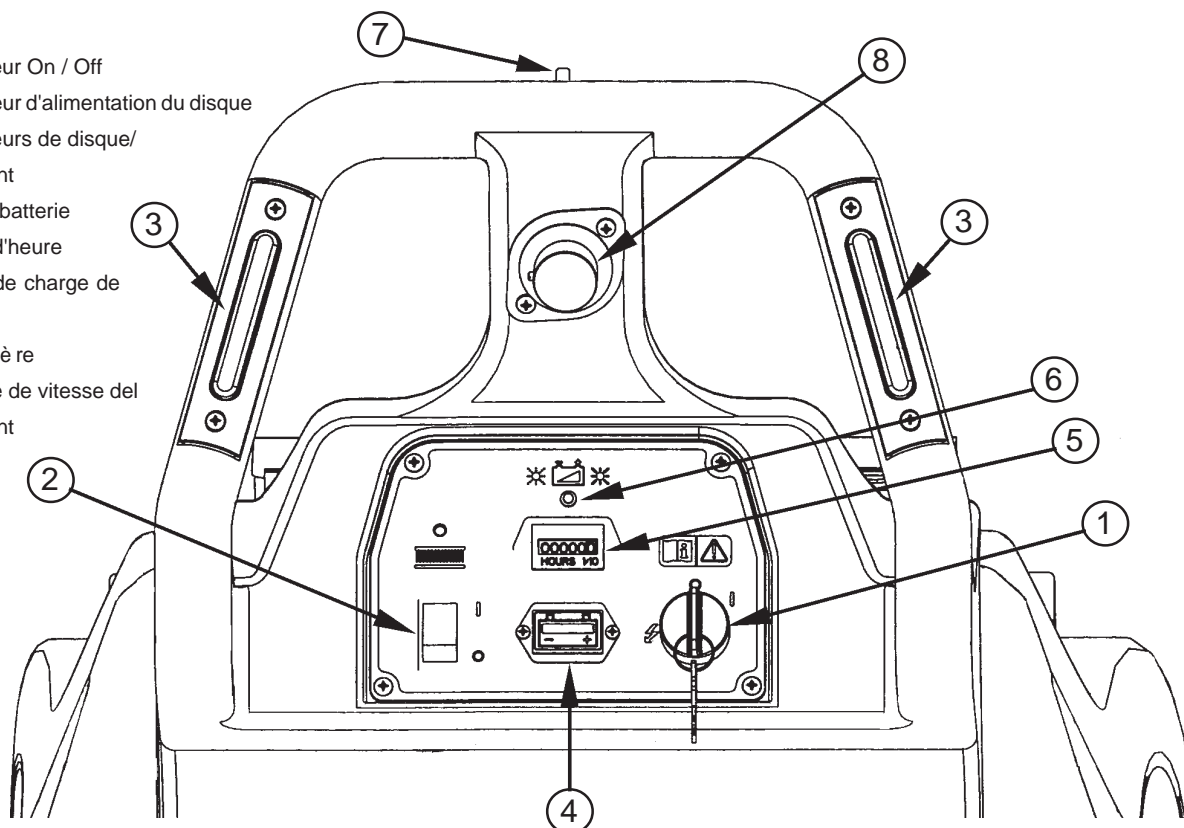
- 1 Commutateur On / Off
- 2 Commutateurs d'alimentation du disque
- 3 Compteur d'heure
- 4 Cadran de batterie
- 5 Indicateur de charge de la batterie



**Advolution 20B**

## A LA DECOUVERTE DE VOTRE MACHINE

- 1 Commutateur On / Off
- 2 Commutateur d'alimentation du disque
- 3 Commutateurs de disque/déplacement
- 4 Cadran de batterie
- 5 Compteur d'heure
- 6 Indicateur de charge de la batterie
- 7 Marche arrière
- 8 Commande de vitesse del déplacement



**Advolution 20BT**

## INTRODUCTION

Ce manuel vous permettra de tirer le maximum de profit de votre machine Nilfisk-Advance de nettoyage de sols. Lisez-le attentivement avant d'utiliser la machine. Ce produit est conçu pour un usage commercial uniquement.

## PIÈCES ET ENTRETIEN

Les réparations, lorsqu'elles sont requises, devront être réalisées par votre centre d'entretien agréé Nilfisk-Advance qui emploie un personnel d'entretien formé en usine, et stocke un inventaire de pièces de remplacement et d'accessoires originaux Nilfisk-Advance.

Contactez le concessionnaire Nilfisk-Advance indiqué ci-dessous pour toute réparation, pièce ou entretien. Veuillez spécifier le Modèle et le Numéro de série relatif à votre machine.

(Concessionnaire, placez ici l'adhésif de votre service d'entretien.)

## PLAQUE SIGNALÉTIQUE

Le numéro du modèle et numéro de série de votre machine sont indiqués sur la plaque signalétique audessous de la machine. Ces informations sont nécessaires lorsque vous commandez des pièces de remplacement pour la machine. Utilisez l'espace ci-dessous pour noter le numéro du modèle et numéro de série de votre machine pour consultation ultérieure.

NUMÉRO DU MODÈLE \_\_\_\_\_

NUMÉRO DE SÉRIE \_\_\_\_\_

## DÉBALLER LA MACHINE

Lorsque la machine vous est livrée, contrôlez minutieusement que la boîte d'emballage et la machine ne présentent aucun dommage. Si elles sont endommagées, conservez la boîte d'emballage afin qu'elle puisse être inspectée. Contactez immédiatement le service d'entretien Nilfisk-Advance pour déposer une demande de remboursement des dégâts de transport (le numéro de téléphone est indiqué au dos de ce manuel).

## PRÉPARER LA MACHINE EN VUE DE SON UTILISATION

### AVERTISSEMENT !

Soyez très prudent lorsque vous manipulez les batteries. L'acide sulfurique contenu dans les batteries peut engendrer des blessures graves s'il entre en contact avec la peau ou les yeux. De l'hydrogène explosif sort de l'intérieur des batteries par les orifices ménagés dans les bouchons de batterie. Ce gaz peut être allumé par un arc, une étincelle ou une flamme.

#### LORS DE L'ENTRETIEN DES BATTERIES...

- Retirez tous vos bijoux
- Ne fumez pas
- Portez des lunettes de protection
- Travaillez dans un espace bien aéré
- Ne laissez pas des outils entrer en contact avec les deux bornes de la batterie en même temps.

### ATTENTION !

Les composants électriques de cette machine peuvent être gravement endommagés si les batteries ne sont pas installées et branchées correctement. Les batteries doivent être installées par votre revendeur Nilfisk-Advance local ou par un électricien qualifié.

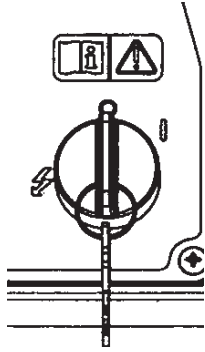
Les modèles Advolution 20B et 20BT peuvent être utilisés avec trois batteries de 12 volt 185 amp ou trois batteries de 12 volt 234 amp AGM.

### ATTENTION !

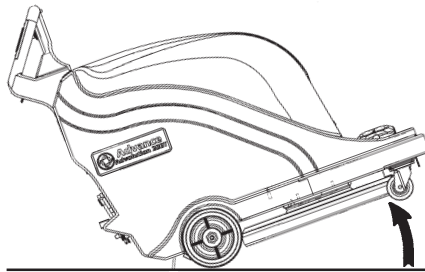
Le chargeur de batterie doit être reprogrammé lors d'un changement des batteries plomb-acide pour des batteries AGM. Se référer au Manuel du chargeur pour les consignes.

C

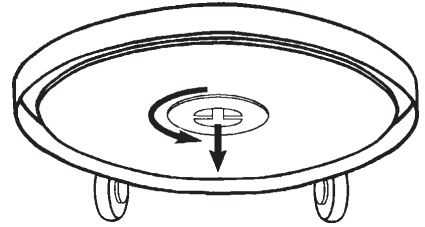
1



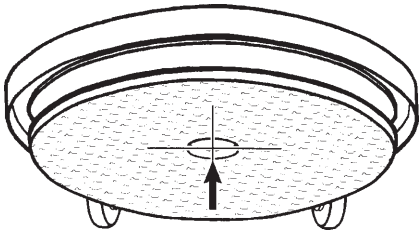
2



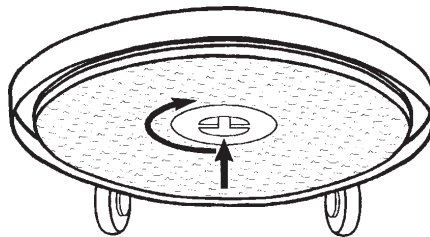
3



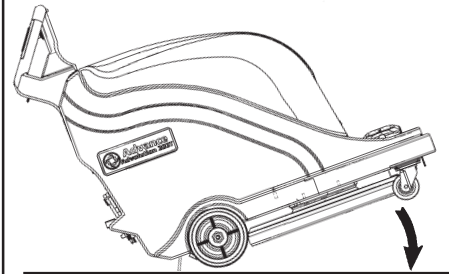
4



5

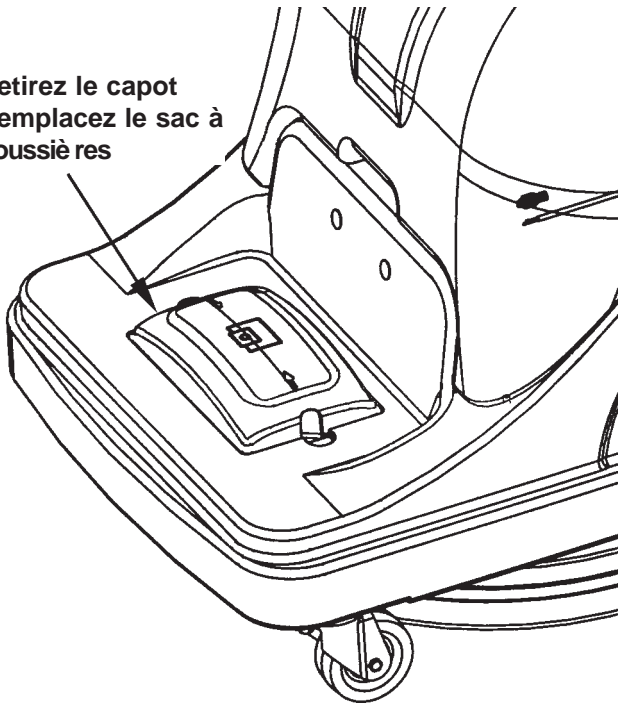


6

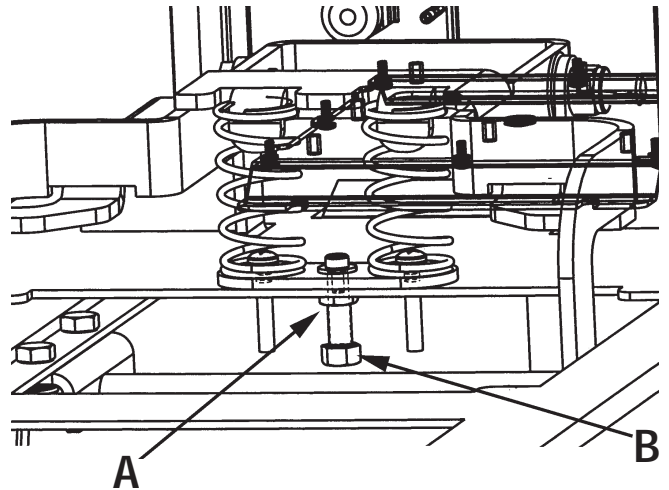


D

Retirez le capot  
Remplacez le sac à  
poussière



E

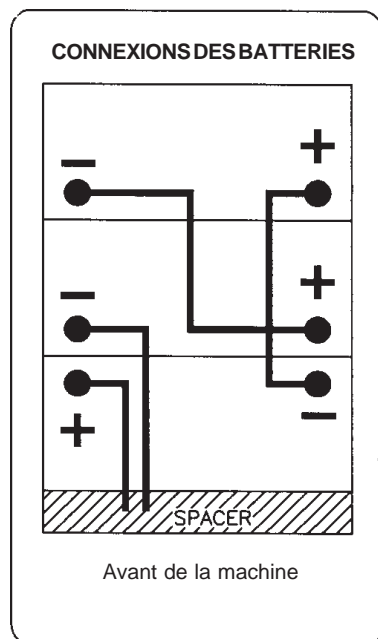


# PREPARER LA MACHINE EN VUE DE SON UTILISATION

## (B)-INSTALLATION DES BATTERIES

- 1 Placez les batteries avec précaution dans le compartiment des batteries. Disposez-le comme illustré à la figure B.

**B**



- 2 Assurez-vous que le commutateur se trouve en position OFF (O).
- 3 Installez les câbles de batterie comme illustré à la figure B, les bornes marquées "P" sur les bornes positives de la batterie et les bornes marquées "N" sur les bornes négatives de la batterie. Placez les câbles de manière à pouvoir retirer facilement les caches lorsqu'il faut ajouter de l'eau aux batteries.
- 4 Serrez la cosse sur chaque borne de la batterie juste assez pour éviter que la borne ne se désolidarise de la borne de la batterie. Tournez ensuite la cosse d'un tour complet.
- 5 Appliquez sur toutes les bornes et les cosses de la graisse, de la gelée ou un aérosol à base de pétrole (disponibles dans tous les magasins de vente de pièces pour automobile).
- 6 Placez le capuchon en caoutchouc noir sur chacune des bornes et utilisez de l'adhésif pour le maintenir en place.
- 7 Reliez le connecteur de l'ensemble batterie au connecteur sur le tableau de commande.
- 8 Remontez la machine.

**REMARQUE :** Chargez les batteries avant d'utiliser la machine.

## (C)- INSTALLATION DU DISQUE

Votre distributeur Nilfisk-Advance local peut vous fournir les disques et les produits de finition de sol adaptés à cette machine.

### ⚠ ATTENTION !

Si vous utilisez un type de disque incorrect sur cette machine, vous risquez d'endommager le sol. Le disque doit être correctement centré sur le support de disque pour éviter que la machine ne vibre.

Pour installer le disque, suivez les étapes ci-dessous (voir étapes 1 - 6 dans la figure C):

- 1 Placez le commutateur sur off.
- 2 Placez la machine dans la position illustrée (2) pour accéder au dispositif de retenue du disque.
- 3 Allez à l'avant de la machine. Tout en maintenant d'une main la fixation du disque, faites tourner le disque et le porte-disque dans le sens anti-horlogique pour desserrer la fixation.
- 4 Retirez l'ancien disque et installez un disque neuf en prenant soin de le centrer sur le diamètre externe du porte-disque. **REMARQUE: Des vibrations peuvent se produire si vous centrez l'orifice du disque avec l'ouverture de la fixation du disque. Utilisez toujours un disque de haute qualité prévu pour une vitesse de 2000 tr./min.**
- 5 Resserrez la fixation au maximum.
- 6 Leve la parte trasera de la máquina para bajar el alojamiento del disco, tirando de las empuñaduras hacia arriba como indicado en la figura C (6).

## (D)-INSTALLATION DU SAC À POUSSIÈRES

### IMPORTANT!

Installez le sac à poussières (numéro de pièce 54195A) au sommet du logement de commande. Le système de collecte de la poussière ne fonctionnera pas correctement si le sac à poussières est plein ou déchiré.

## (E)-RÉGLAGE DE LA PRESSIION DU DISQUE

La pression du disque est définie en usine pour un polissage optimal avec les combinaisons de disque et de finition les plus courantes. Si une combinaison de disque et de finition nécessite le réglage de la pression du disque, exécutez ce réglage en procédant comme suit.

**REMARQUE :** Le réglage de la pression du disque doit être effectué par un technicien de maintenance qualifié. (voir figure E):

- 1 Placez le commutateur sur off "O".
- 2 En dessous de la polisseuse, serrez le contre-écrou (A).
- 3 Pour diminuer la pression du disque, tournez le boulon (B) dans le sens des aiguilles d'une montre.
- 4 Pour augmenter la pression du disque, tournez le boulon (B) dans le sens inverse des aiguilles d'une montre.
- 5 Resserrez le contre-écrou (A).

## PROGRAMME DE MAINTENANCE

Type de maintenance	Tous les jours	Tous les mois	Tous les ans
Charger les batteries	x		
Vérifier/remplacer les sacs à poussières	x		
Vérifier/remplacer la jupe	x		
Nettoyer le disque	x		
Lubrification		x	
Vérifier/entretenir les brosses du moteur de disque		x	
Entretenir les brosses du moteur d'entraînement			x

### MAINTENANCE DES BATTERIES

Chargez les batteries à chaque fois que la machine est utilisée pendant une heure ou plus, ou à chaque fois que l'indicateur de batterie se trouve dans la zone rouge.

#### Pour charger les batteries...

- 1 Retirez le capot.
- 2 Branchez le chargeur.
- 3 Vérifiez le niveau d'eau dans toutes les cellules de la batterie après l'avoir chargée. Le cas échéant, ajoutez de l'eau distillée, pour que le niveau d'eau dépasse le haut des tubes de remplissage.

### ATTENTION !

Pour éviter d'endommager les surfaces du sol, essuyez l'eau et l'acide de la partie supérieure des batteries après le chargement.

### ATTENTION !

De l'acide peut être projeté sur le sol si les batteries sont trop remplies.

### IMPORTANT

Si le moteur est endommagé car vous avez négligé d'entretenir les brosses en carbone, la garantie ne fonctionne pas. Consultez le certificat de garantie limitée.

## DIAGNOSTIC DE PANNES

### VIBRATIONS DE LA MACHINE

- 1 Le disque n'est pas centré correctement.
- 2 Defective pad. Replace.

### MARQUES CIRCULAIRES

- 1 Le disque est trop agressif par rapport à la surface du sol.
- 2 Le disque est sale. Vérifiez et remplacez le.

### TEMPS DE FONCTIONNEMENT RÉDUIT

- 1 Les batteries doivent être chargées.
- 2 Les batteries ont besoin d'eau. Ajoutez suffisamment d'eau pour couvrir les plaques dans chaque cellule. Ensuite, chargez les batteries, puis vérifiez à nouveau le niveau d'eau.

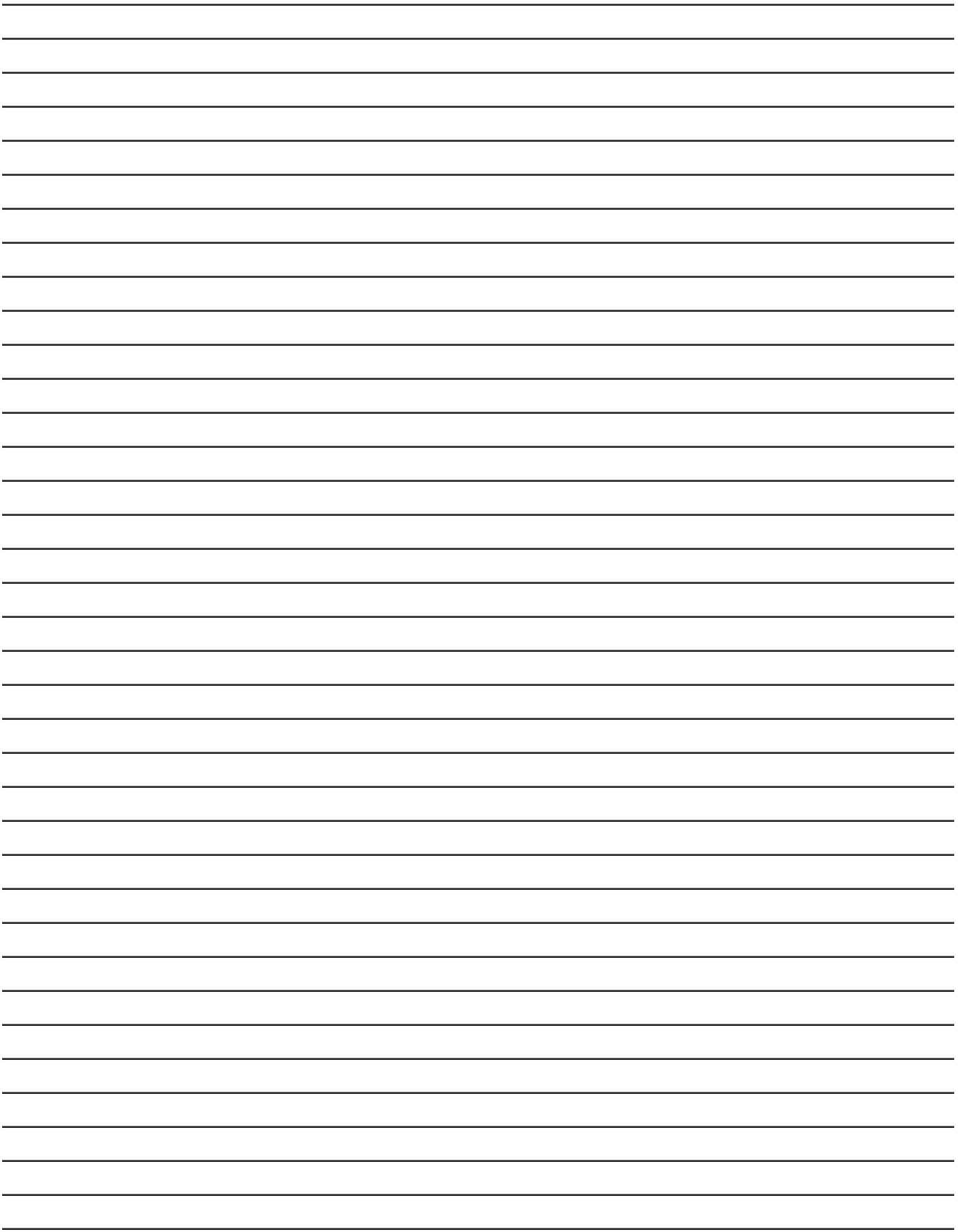


# CARACTERISTIQUES TECHNIQUES

## Caractéristiques techniques

Modèle	Advolution 20B	Advolution 20BT
Nombre modèle	01595A 01585A (avec/Vide Actif)	01594A 01584A (avec/Vide Actif)
Alimentation	36V 195 Ah	36V 195 Ah
Moteur du disque	1,9 kW, 65 Amp	1,9 kW, 65 Amp
Démarrage du moteur de traction		.5 hp PM / .37 kW
Démarrage du système de commande	Avec assistance du disque	Commande directe
Disque	51 cm	51 cm
Vitesse rotation disque	2.000 t/min	2.000 t/min
Pression disque	0 - 13,6 kg	0 - 13,6 kg
Vitesse M/AV	Avec assistance du disque	0 - 75m/min
Vitesse M/AR	Avec assistance du disque	0 - 52m/min
Vibration	<2,5 m/s <sup>2</sup>	<2,5 m/s <sup>2</sup>
Niveau de bruit (dba)	68	68
Roue motrice	4 cm x 20 cm	4 cm x 20 cm
Chargeur	36V, 25A, 115V/60Hz	36V, 25A, 115V/60Hz
Longueur	136 cm	136 cm
Largeur	56 cm	56 cm
Hauteur	106 cm	106 cm
Largeur bande polie	51 cm	51 cm
Rendement	2 230 m <sup>2</sup> /h	2 230 m <sup>2</sup> /h
Poids (avec 3-195Ah)	227 kg	234 kg
Poids livré	247 kg	254 kg

Modèle	Advolution 20B	Advolution 20BT
Nombre modèle	01597A 01587A (avec/Vide Actif)	01596A 01586A (avec/Vide Actif)
Alimentation	36V 234 Ah (AGM)	36V 234 Ah (AGM)
Moteur du disque	1,9 kW, 65 Amp	1,9 kW, 65 Amp
Démarrage du moteur de traction		.5 hp PM / .37 kW
Démarrage du système de commande	Avec assistance du disque	Commande directe
Disque	51 cm	51 cm
Vitesse rotation disque	2.000 t/min	2.000 t/min
Pression disque	0 - 13,6 kg	0 - 13,6 kg
Vitesse M/AV	Avec assistance du disque	0 - 75m/min
Vitesse M/AR	Avec assistance du disque	0 - 52m/min
Vibration	<2,5 m/s <sup>2</sup>	<2,5 m/s <sup>2</sup>
Niveau de bruit (dba)	68	68
Roue motrice	4 cm x 20 cm	4 cm x 20 cm
Chargeur	36V, 25A, 115V/60Hz	36V, 25A, 115V/60Hz
Longueur	136 cm	136 cm
Largeur	56 cm	56 cm
Hauteur	106 cm	106 cm
Largeur bande polie	51 cm	51 cm
Rendement	2 230 m <sup>2</sup> /h	2 230 m <sup>2</sup> /h
Poids (avec 3-195Ah)	272 kg	279 kg
Poids livré	293 kg	299 kg



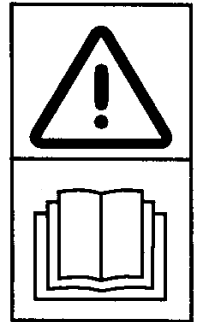
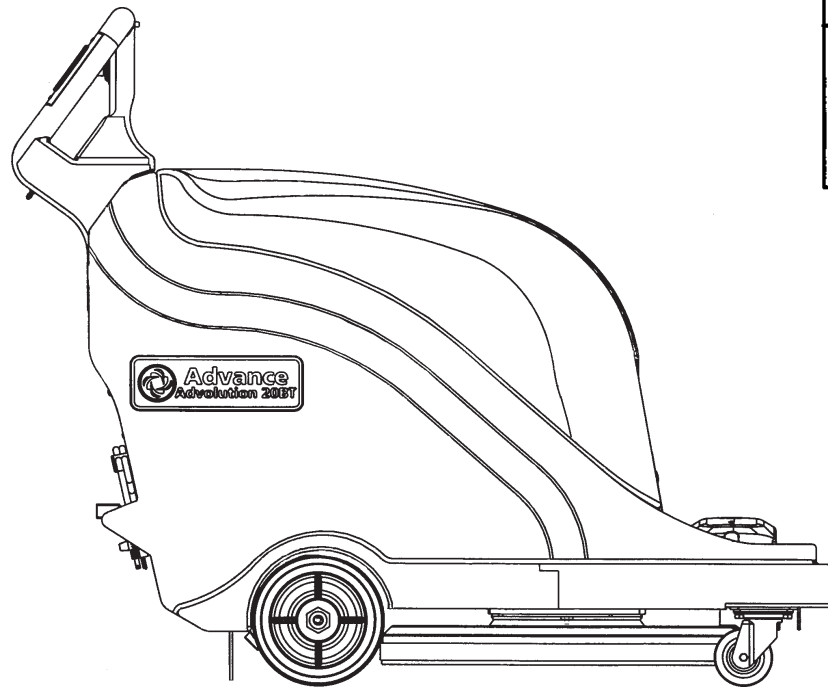
---

# Advolution 20B

---

# Advolution 20BT

---



## SECTION II: PARTS LIST

**Advance Models:** 01594A (20BT 195AH), 01595A (20B 195AH),  
01596A (20BT 234AH AGM), 01597A (20B 234AH AGM)

**Advance Models (w/Active Vac):** 01584A (20BT 195AH), 01585A (20B 195AH),  
01586A (20BT 234AH AGM), 01587A (20B 234AH AGM)



**Advance**  
*by Nilfisk-Advance*

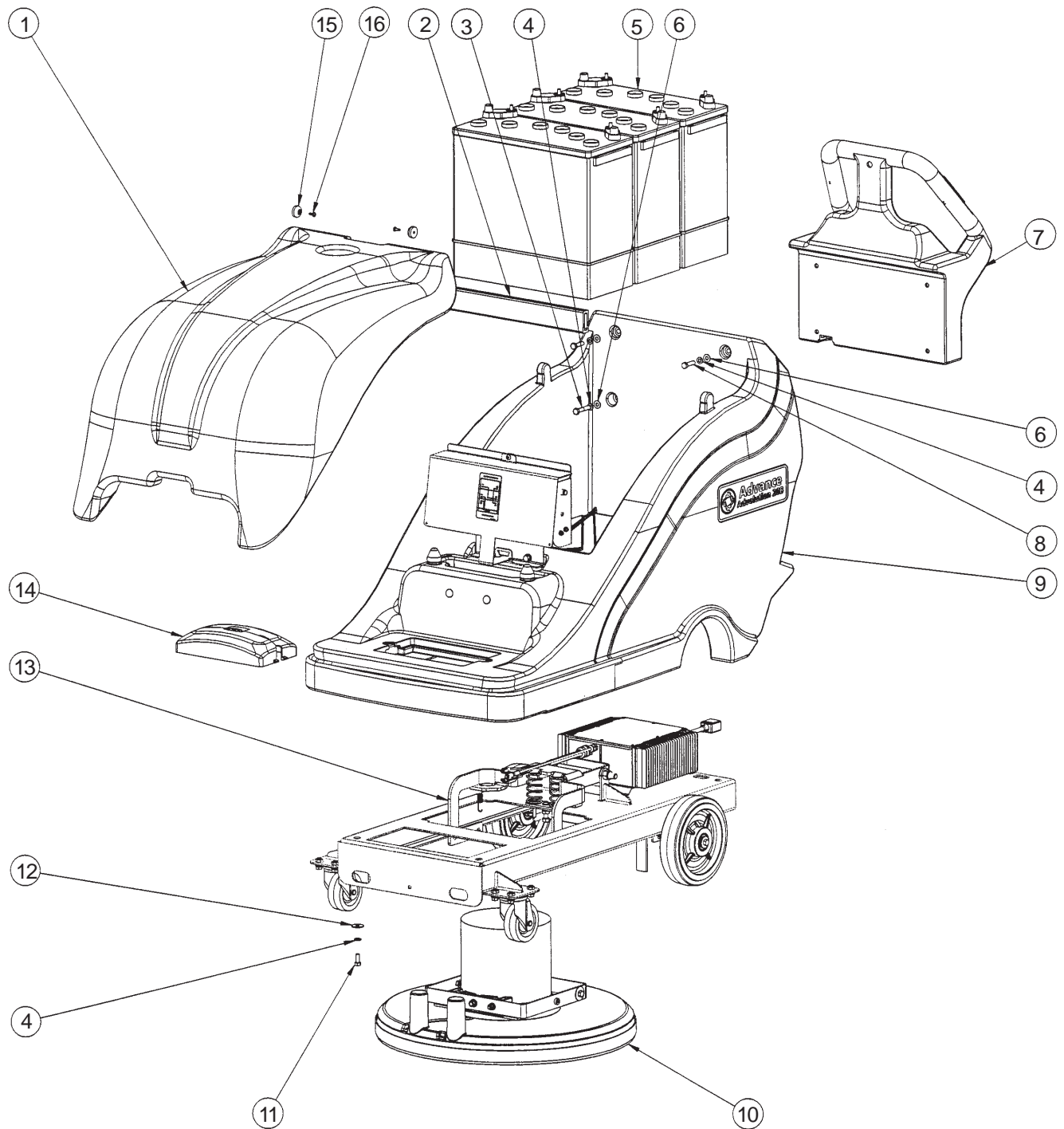
<b>DESCRIPTION</b>	<b>PAGE</b>
Note Page .....	29
Assembly Drawing Advolution 20B .....	30
Assembly Parts List Advolution 20B .....	31
Assembly Drawing Advolution 20BT .....	32
Assembly Parts List Advolution 20BT .....	33
Frame Assembly Drawing Advolution 20B .....	34
Frame Assembly Parts List Advolution 20B .....	35
Frame Assembly Drawing Advolution 20BT .....	36
Frame Assembly Parts List Advolution 20BT .....	37
Handle Assembly Drawing Advolution 20B .....	38
Handle Assembly Parts List Advolution 20B .....	39
Body Assembly Drawing Advolution 20B .....	42
Body Assembly Parts List Advolution 20B .....	43
Body Assembly Drawing Advolution 20BT .....	44
Body Assembly Parts List Advolution 20BT .....	45
Head Assembly Drawing .....	46
Head Assembly Parts List .....	47
Active Vac Kit Drawing .....	48
Active Vac Kit Parts List .....	49
Transaxle Drawing .....	50
Transaxle Parts List .....	51
Wiring Schematic Advolution 20B .....	52
Wiring Schematic Advolution 20BT .....	53

**WHEN ORDERING PARTS**

- \* Use the 6 or 8 digit numbers from the "Part No." columns in this parts list.
- \* Specify the model and serial number of the machine.
- \* Use the space below to record the model and serial number for future reference.

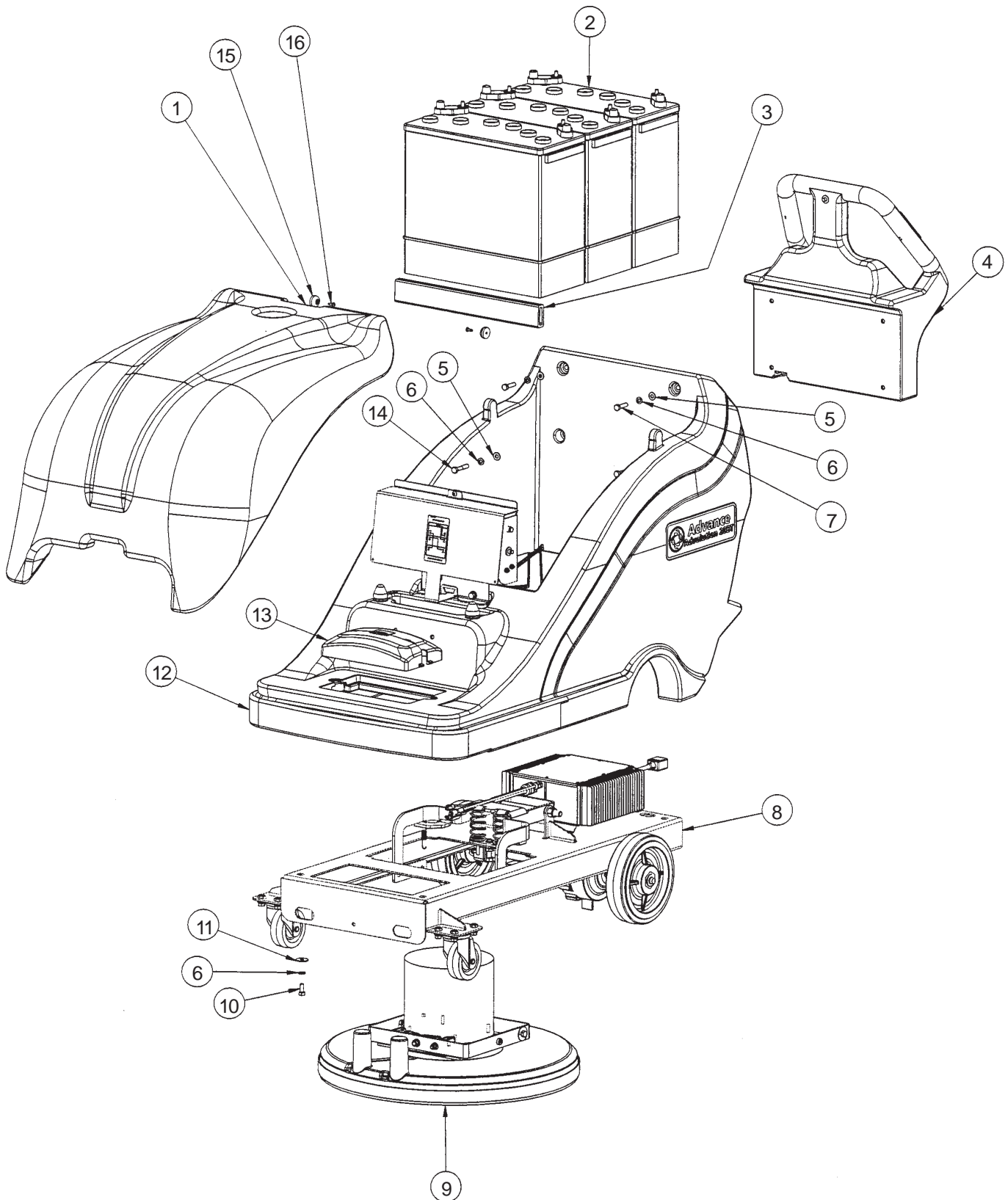
Model \_\_\_\_\_ Serial No. \_\_\_\_\_





Ref. #	Part No.	Description	Qty.
1	30780A	Cover, Top	1
2	30787A	Spacer, Battery	1
3	85816A	Screw, 5/16-18 x 1.75 Hex Hd	2
4	980652	Washer, 5/16 Lock	8
5	871334	Battery, 195 AH Wet 12 Volt	3
	56393912	Battery, 230 AH AGM 12 Volt	3
6	980651	Washer, 5/16 Flat	4
7	11181A	Handle Assembly, 20B	1
8	85814A	Screw, 5/16-18 x 1 1/4 HH	2
9	11198A	Body Assembly, 20B	1
10	11162A	Head Assembly, 20"	1
11	85811A	Screw, 5.16-18 x 3/4 Hex Hd	4
12	980205	Washer, .31 I.D. x 1.06 O.D.	4
13	11179A	Frame Assembly, 20"	1
14	30741A	Cover, Dust Bag	1
15	51609A	Bumper	2
16	962957	Screw, 10-16 x 1/2 HiLo	2
NI	41271A	Cable, Battery Series	2
NI	41051A	Battery Cable Series Pos	1
NI	41050A	Battery Cable Neg Series	1
NI	41023A	Battery 234 AH AGM	3

ACCESSORIES AVAILABLE	
DESCRIPTION	PART NO.
Dust Bag - Package of 10	56201569
Burnishing Pads - Case of 5:	
Natural Blend, Tan HS 20"	976352
Aqua 20"	976240
Natural Blend	976327
Active Vac Kit	11223A

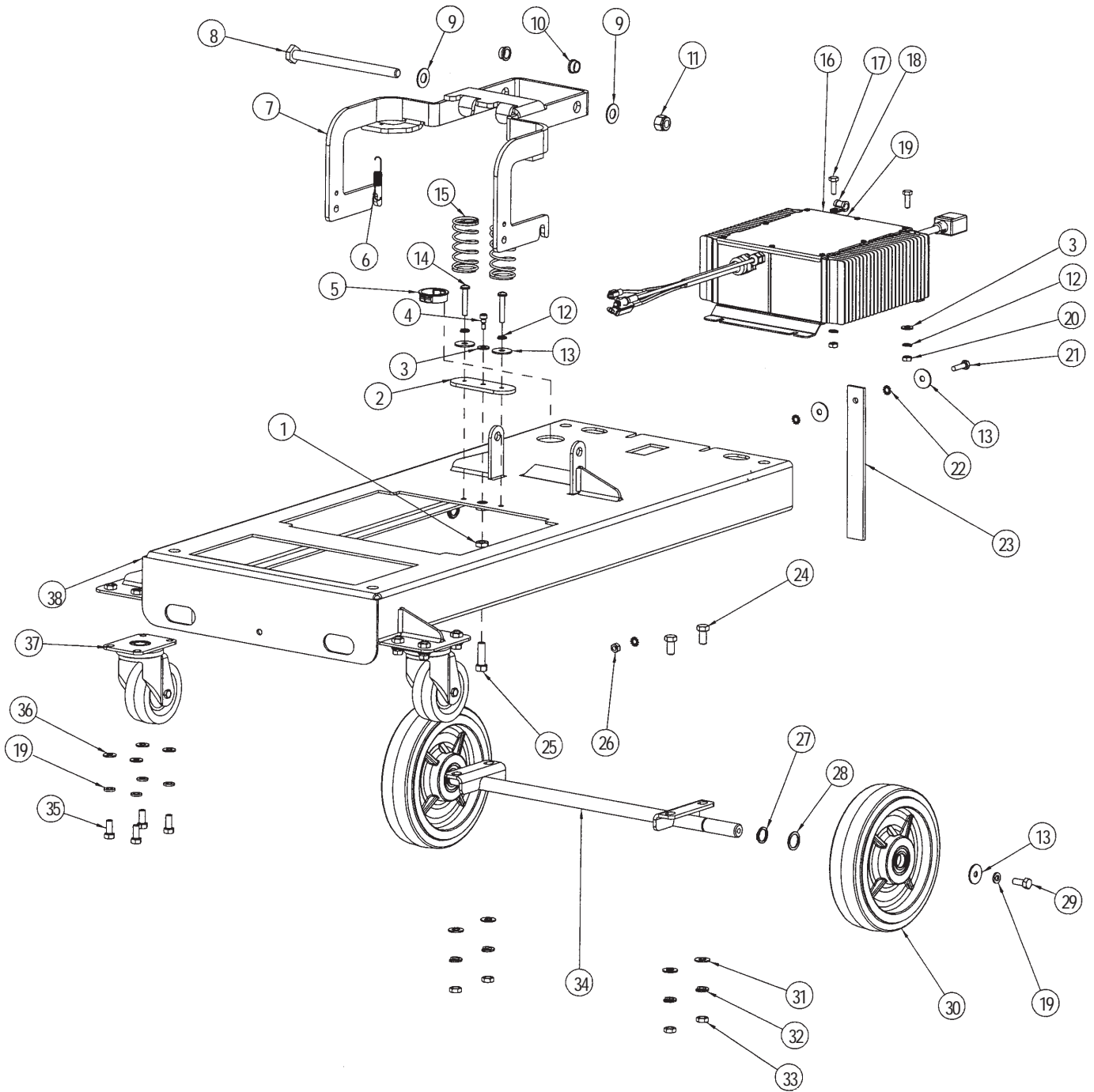




Ref. #	Part No.	Description	Qty.
1	30780A	Cover, Top	1
2	871334	Battery, 195 AH Wet 12 Volt	3
	56393912	Battery, 234 AH AGM 12 Volt	3
3	30787A	Spacer, Battery	1
4	11167A	Handle, Asm. Advolution 20BT	1
5	980651	Washer, 5/16 Flat	4
6	980652	Washer, 5/16 Lock	8
7	85814A	Screw, 5/16-18 c 1/4 HH	2
8	11163A	Frame Assembly, 20" Traverse	1
9	11162A	Head Assembly, 20"	1
10	85811A	Screw, 5/16-18 x 3/4 Hex Hd.	4
11	980205	Washer, .311 I.D. x 1.06 O.D.	4
12	11165A	Body Assembly	1
13	30741A	Cover, Dust Bag	1
14	85816A	Screw, 5/16-18 x 1.75 Hex Hd.	2
15	51609A	Bumper	2
16	962957	Screw, 10-16 x 1/2 HiLo	2
NI	41217A	Cable, Battery Series	2
NI	41051A	Battery Cable Series Pos.	1
NI	41050A	Battery Cable Neg. Series	1
NI	41023A	Battery 234 AH AGM	3

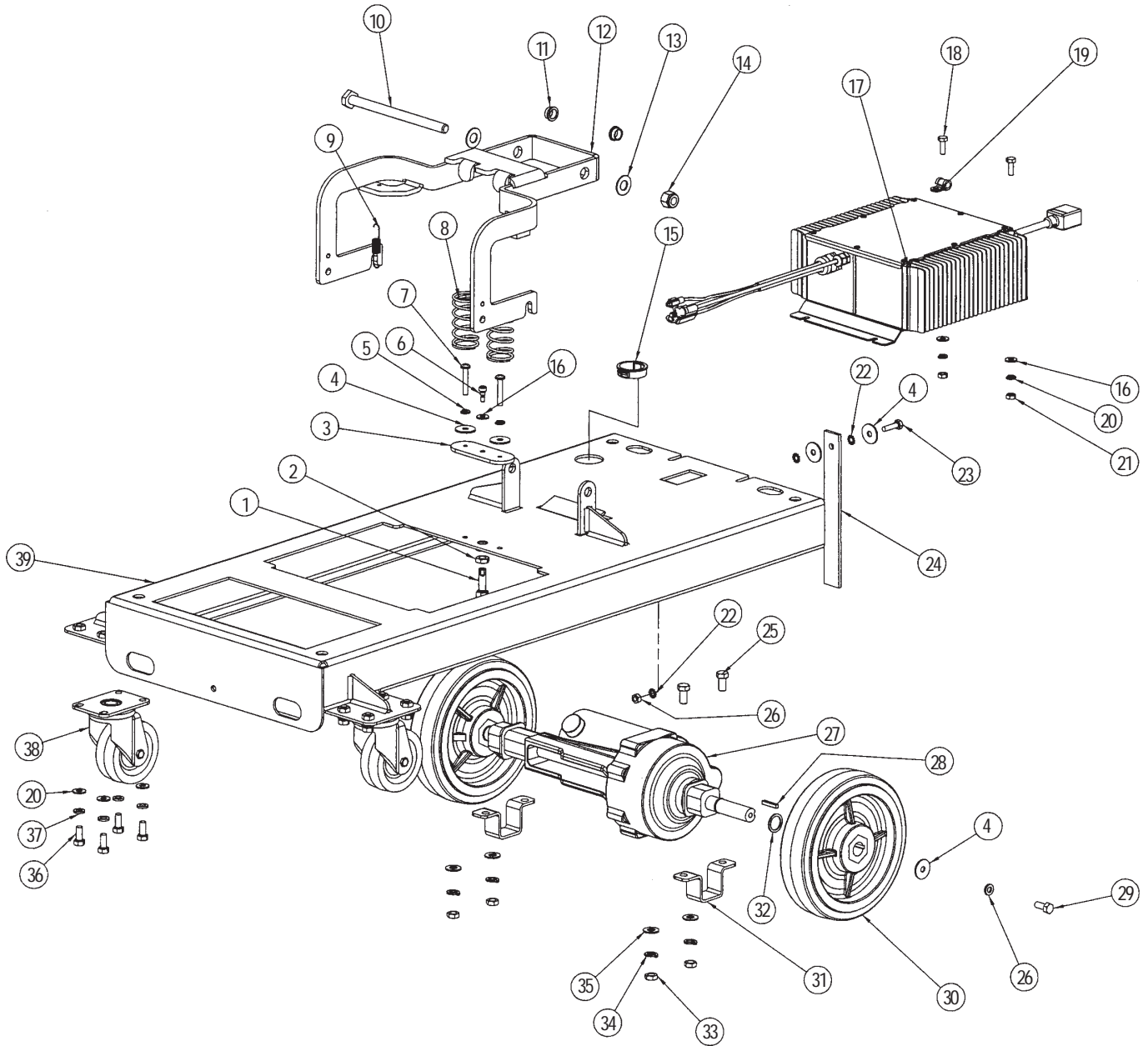
**ACCESSORIES AVAILABLE**

DESCRIPTION	PARTNO.
Dust Bag - Package of 10	56201569
Burnishing Pads - Case of 5:	
Natural Blend, Tan HS 20"	976352
Aqua 20"	976240
Natural Blend	976327
Active Vac Kit	11223A

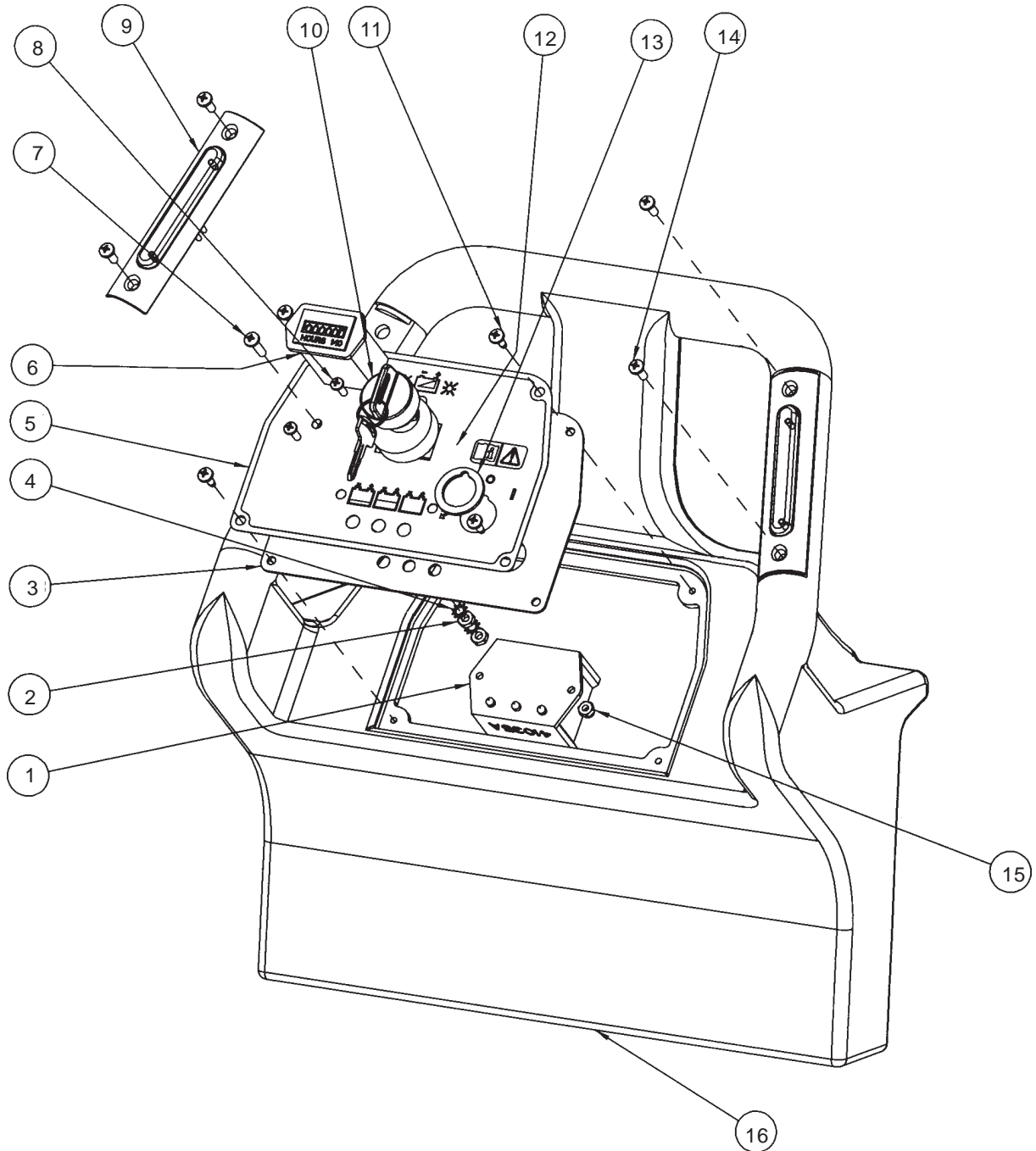


Ref. #	Part No.	Description	Qty.
1	920148	Nut, 3/8-16 Hex Jam	1
2	61918A	Base, Two Spring	1
3	980646	Waher, 1/4" Flat	3
4	80018A	Screw, Shoulder 1/4" Dia.	1
5	87060A	Insulating, Bushing	1
6	54698A	Spring, Extension .420 x 2.39 Zinc	1
7	61903A	Arm, Head Lift (Flat)	1
8	80376A	Screw, 1/2-13 x 7 H.H.C.S.	1
9	980648	Washer, Flat 1/2	2
10	54453A	Bushing, 3/8 x 1/2 Nominal	2
11	920365	Nut, 1/2-13 Nylock	1
12	980657	Washer, Lock 1/4	4
13	980205	Washer, .31 I.D. x 1.06 O.D.	6
14	962989	Screw, 1/4-20 x 1 1/2 P.H.	2
15	54452A	Spring, 5.75 Compression	2
16	41036A	Charger, Battery 36VDC/25A	1
17	85806A	Screw, 1/4-20 x 3/4 Hex SZ	2
18	54768A	Clamp, P5/16 Steel	1
19	980652	Washer, 5/16 Lock	10
20	920208	Nut, 1/4-20 Hex	2
21	85700A	Screw, 1/4-20 x 1 H.H. C.S.	1
22	980614	Washer, 1/4" Starlock Ext.	3
23	69639A	Strap, Static	1
24	962244	Screw, 3/8-16 x .75 Hex	4
25	80375A	Screw, 3/8-16 x 1 1/4 Hex Hd.	1
26	81104A	Nut, 1/4" Nylock	1
27	57423A	Retaining Ring, Ext.	2
28	87616A	Washer, Flat 1 x .75 x .06 Nylon	2
29	962620	Screw, 5/16-24 x 3/4" Hex Hd.	2
30	54691A	Wheel, 8"	2
31	980645	Washer, 3/8" S.A.E. Flat	4
32	170883	Washer, Lock 3/8"	4
33	920260	Nut, 3/8-16 Hex	5
34	61917A	Weldment, Non-Transpose Axle	1
35	85811A	Screw, 5/16-18 x 3/4 Hex Hd.	8
36	980651	Washer, 5/16 Flat	8
37	54454A	Caster, 3 1/2 Front Swivel	2
38	61904A	Mainframe, 20"	1
NI	193951	Trim, Vinyl Lock - 8.50" Long	1

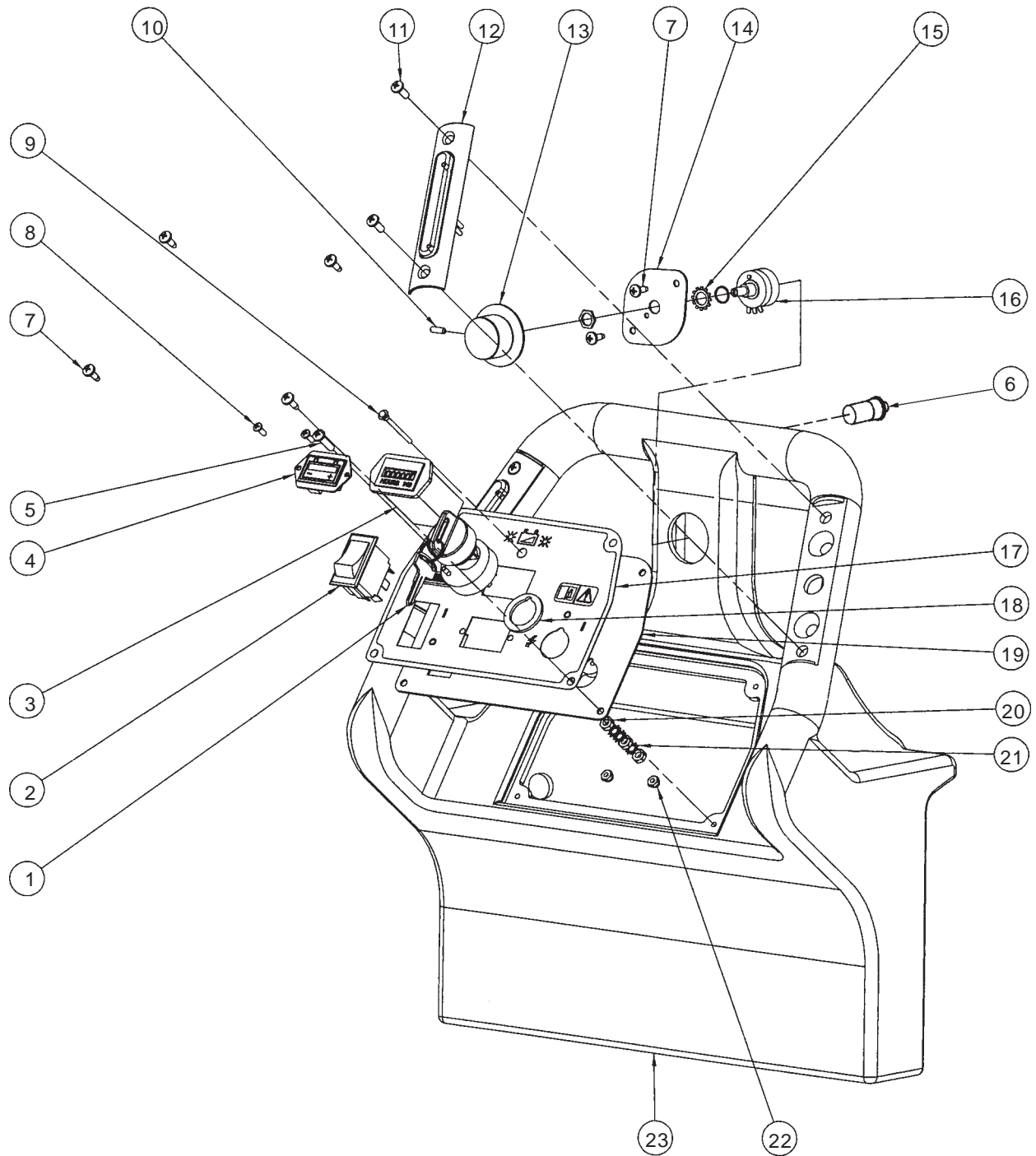
NI = not illustrated



Ref. #	Part No.	Description	Qty.
1	80375A	Screw, 3/8-16 x 1 1/4 Hex Hd	1
2	920148	Nut, 3/8-16 Hex Jam	1
3	61918A	Base, Two Springs	1
4	980205	Washer, .31 I.D. x 1.06 O.D.	6
5	980657	Washer, Lock 1/4	4
6	80018A	Screw, Shoulder 1/4" dia.	1
7	962989	Screw, 1/4-20 x 1 1/2 P.H.	2
8	54452A	Spring, 5.75 Compression	2
9	54698A	Spring, Extension .420 x 2.39 Zinc	1
10	80376A	Screw, 1/2-13 x 7 H.H.C.S.	1
11	54453A	Bushing, 3/8 x 1/2 Nominal	2
12	61903A	Arm, Head Lift (Flat)	1
13	980648	Washer, 17/32 x 1/16 Plain	2
14	920365	Nut, 1/2-13 Nylock	1
15	87060A	Insulating Bushing	1
16	980646	Washer, 1/4" Flat	3
17	41036A	Charger, Battery 36VDC/25A	1
18	85806A	Screw, 1/4-20 x 3/4 Hex SZ	2
19	54768A	Clamp, P5/16 Steel	1
20	980651	Washer, 5/16" Flat	8
21	920208	Nut, 1/4-20 Hex	2
22	980614	Washer, 1/4" Starlock External	3
23	85700A	Screw, 1/4-20 x 1 H.H. C.S.	1
24	69639A	Strap, Static	1
25	962244	Screw, 3/8-16 x .75 Hex	4
26	81104A	Nut, 1/4" Nylock	1
27	41043A	Transaxle	1
28	915044	Key, 3/16" Sq.	1
29	962620	Screw, 5/16-24 x 3/4" Hex Hd.	2
30	54692A	Wheel, 8"	2
31	62435A	Clamp, Transaxle	2
32	87616A	Washer, Flat 1 x .75 x .06 Nylon	2
33	920260	Nut, 3/8-16 Hex	4
34	170883	Washer, Lock 3/8"	4
35	980645	Washer, 3/8" S.A.E. Flat	4
36	85811A	Screw, 5/16-18 x 3/4 Hex	8
37	980652	Washer, 5/16 Lock	10
38	54454A	Caster, 3 1/2 Front Swivel	2
39	61904A	Mainframe, 20" (Weldment)	1
NI	193951	Trim, Vinyl Lock-8.50 Lg.	2

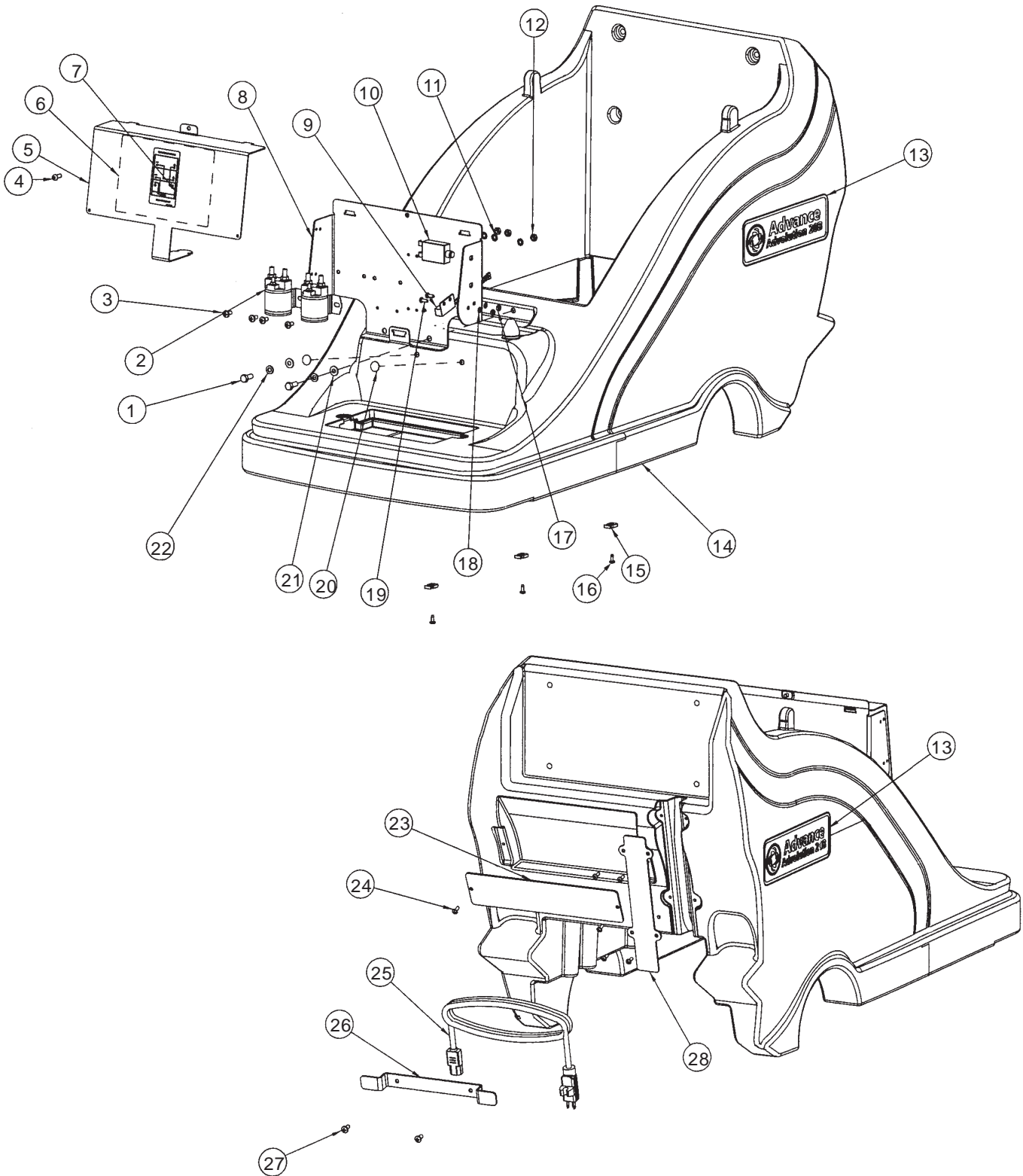


Ref. #	Part No.	Description	Qty.
1	41035A	Meter, Battery / Low Voltage	1
2	920224	Nut, 10-32 Hex	2
3	61919A	Panel, Control	1
4	980603	Washer, #10 Lock Ext. Tooth	2
5	71423A	Label, Control Panel	1
6	912226	Meter, Hour 12V DC	1
7	85383A	Screw, 10-32 x 3/4 P.H.	1
8	962027	Screw, 8-32 x 1/2 PH	2
9	11178A	Switch Assembly, Handle	1
10	40786A	Switch, Key	1
11	962957	Screw, 10-16 x 1/2 Self Tap	4
12	41036A	LED, Battery Charger	1
13	40786S	Spacer, Key Switch	1
14	80104A	Screw, 10-32 x 1/2 S.S.	4
15	920065	Nut, 8-32 E.S.N.A.	2
16	30684A	Handle	1



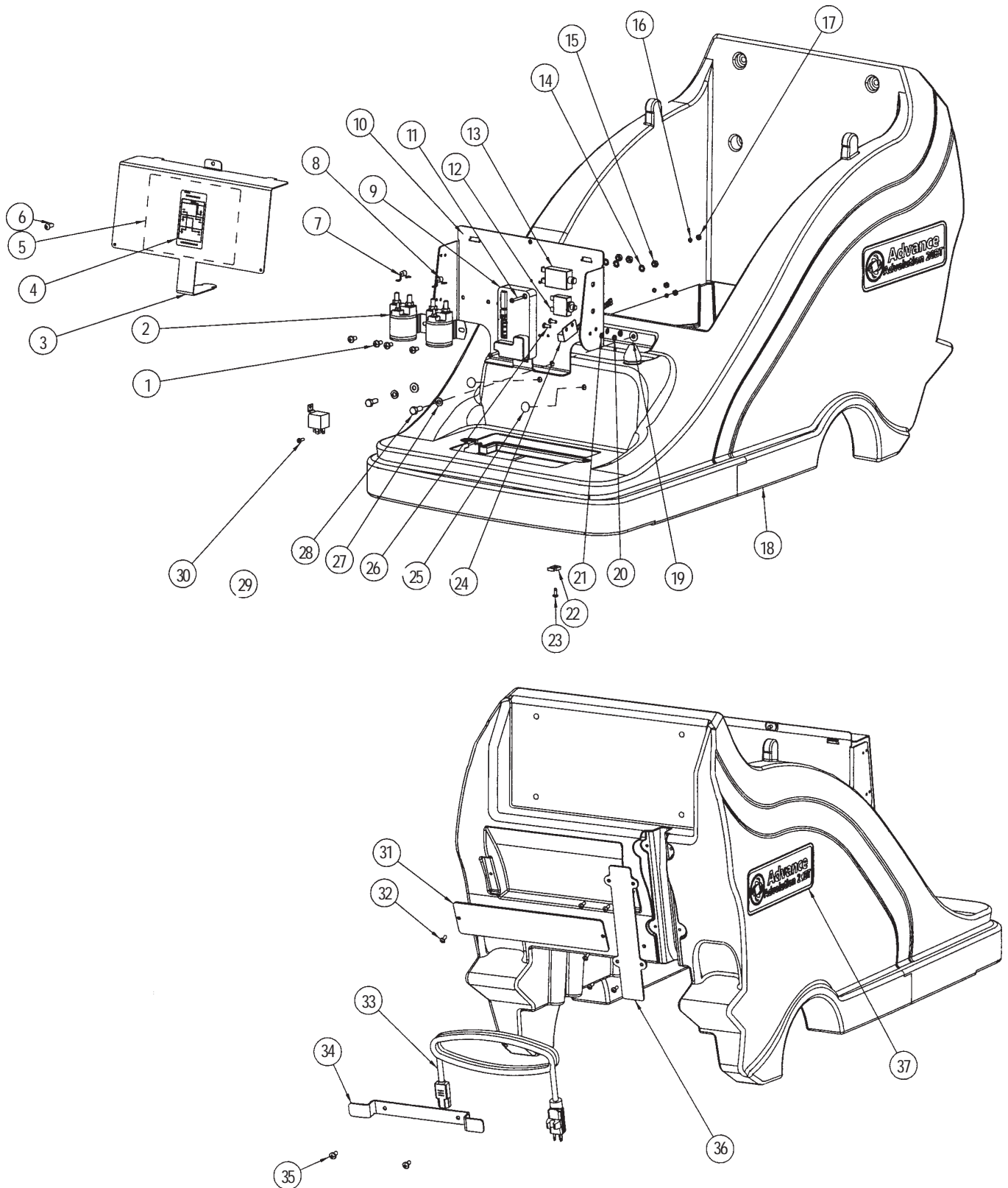


Ref. #	Part No.	Description	Qty.
1	40786A	Switch, Key	1
2	47381B	Switch, Rocker	1
3	912226	Meter, Hour 12V DC	1
4	41008A	Display, Tru-Charge	1
5	85383C	Screw, 10-32 x 3/4 P.H.	1
6	52556A	Switch, Push Button	1
7	962957	Screw, 10-16 x 1/2 Self Tap	6
8	85313C	Screw, PHMS 6-32 x 3/8	2
9	41036A	LED, Battery Charger	1
10	962262	Screw, Set 8-32 x 1/2"	1
11	80104A	Screw, 10-32 x 1/2 S.S.	4
12	11178A	Switch, Assembly Handle	2
13	50962A	Knob, Speed Control	1
14	61922A	Retainer, 5K Potentiometer	1
15	980666	Washer, 3/8 Starlock External	1
16	40750A	Harness, Potentiometer Asm.	1
17	71424A	Label, Control Panel	1
18	40786S	Spacer, Key Switch	1
19	61906A	Panel, Control	1
20	920224	Nut, 10-32 Hex	3
21	980603	Washer, #10 Lock Ext. Tooth	4
22	920056	Nut, 6-32 E.S.N.A. Nylock	2
23	30684A	Handle, Advolution BT	1



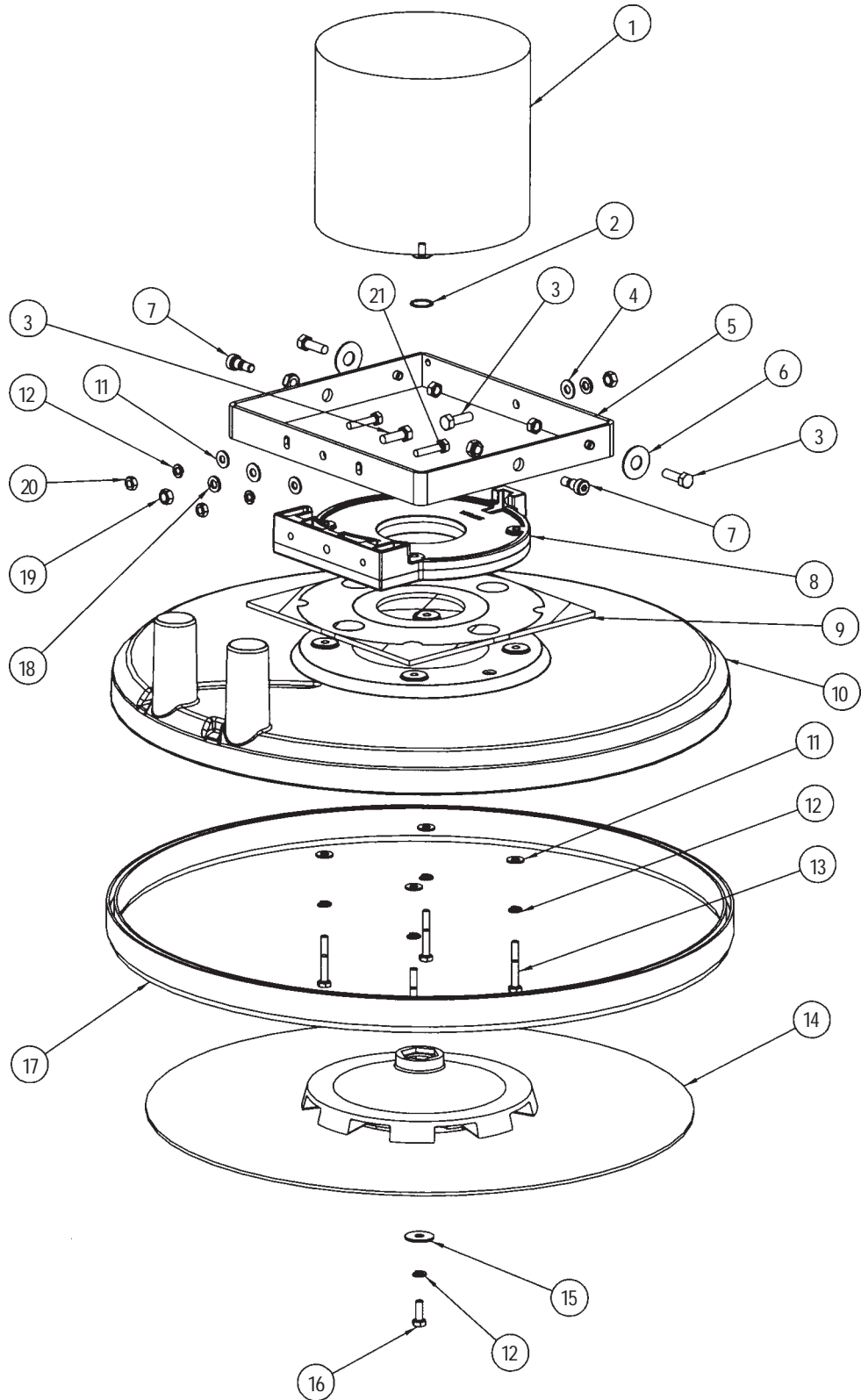
Ref. #	Part No.	Description	Qty.
1	85811A	Screw, 5/16-18 x 3/4 Hex Hd.	2
2	41801A	Contactor, Main 36V	2
3	962823	Screw, 1/4-20 x 1/2 P.H.	4
4	962822	Screw, 1/4-20 x 5/8 BTST Soc	1
5	61909A	Cover, Front Elec. Plate	1
6	79987A	Label, Connection Diagram	1
7	79985A	Label, Battery Connection	1
8	61905A	Plate, Electrical Weldment	1
9	41039A	Switch, Tilt	1
10	41402C	Breaker, 70A Circuit, Cntrl/Act	1
11	980614	Washer, 1/4" Starlock Ext.	4
12	920208	Nut, 1/4 - 20 Hex	4
13	71382A	Label, Advolution 20B	2
14	30778A	Cover, Lower	1
15	52548A	Tab, 1/4" Screw	3
16	962957	Screw, 10-16 x 1/2 Self Tap	3
17	920224	Nut, 10-32 Hex	2
18	980603	Washer, #10 Lock Ext. Tooth	2
19	962350	Screw, 10-32 x .500	2
20	54770A	Fastener Ratchet	2
21	980651	Washer, 5/16 Flat	2
22	980652	Washer, 5/16 Lock	2
23	38740A	Strap, Retention (Dust Bags)	1
24	84237A	Screw, 10-32 x .50 P.H.	2
25	40740A	Cord, Charger NEMA	1
26	61598A	Bracket, Cord Wrap	1
27	85395A	Screw, 1/4-20 x 1/2" P.H.	2
28	38739A	Cover, Harness	1
NI	41037A	Harness, Power 20"	1
NI	193951	Trim, 3" Flexible	1

NI = Not Illustrated



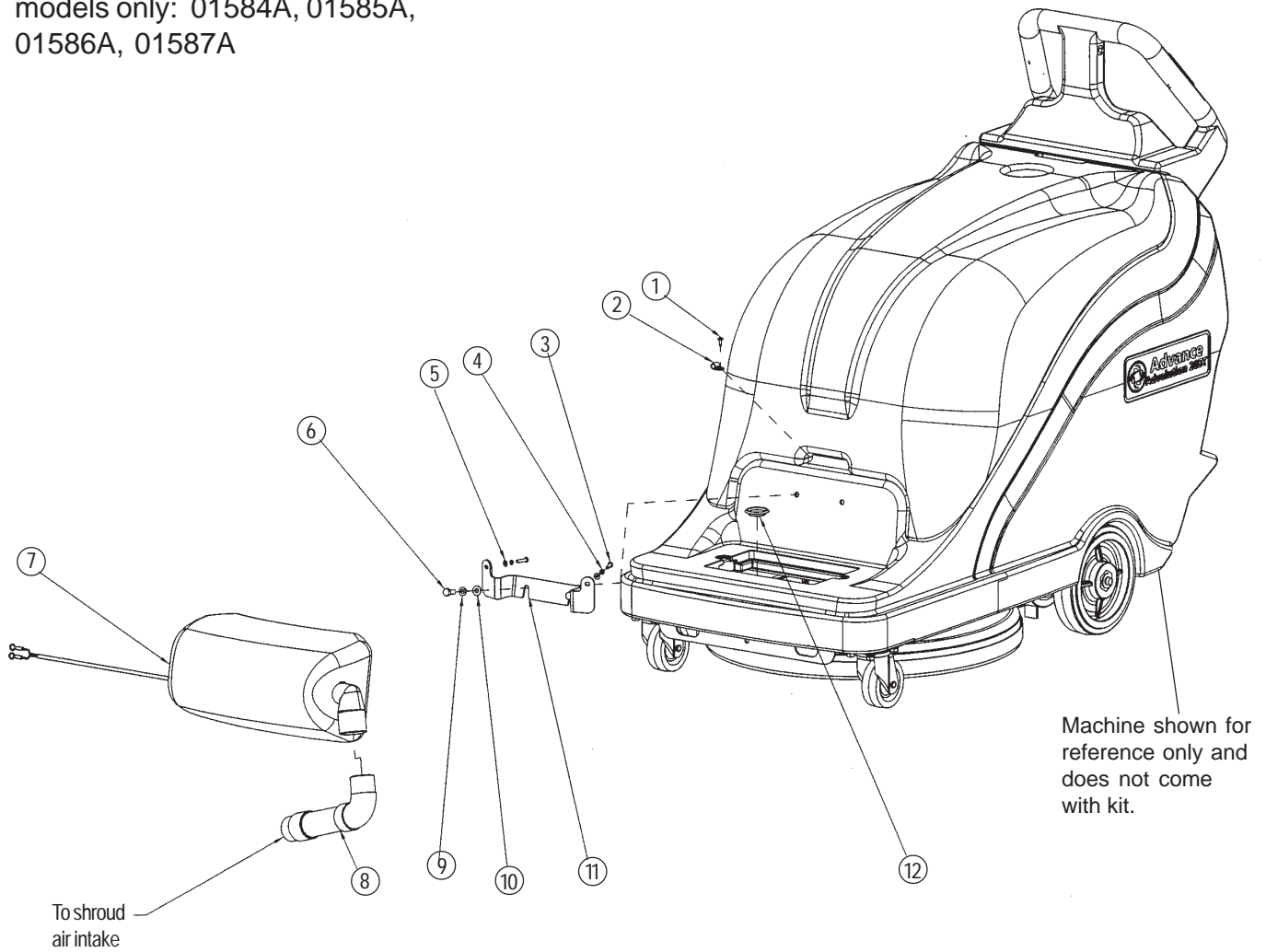
Ref. #	Part No.	Description	Qty.
1	962823	Screw, 1/4-20X 1/2 P.H.	4
2	41801A	Contactora, Main 36V	2
3	61909A	Cover, Front Electric Plate	1
4	79985A	Label, Battery Conn.	1
5	79984A	Label, Connection Dia.	1
6	962822	Screw, 1/4-20 x 5/8 BT ST Socl	1
7	42401A	Diode, Asm. Contactora	1
8	41022A	Diode, Avalanche Asm.	1
9	41042A	Controller, i-Drive 36V Traverse	1
10	61905A	Plate, Electrical Weldment	1
11	80380A	Screw, 8-32 x 1 1/4" P.H.	2
12	41448B	Breaker, 30A Circuit	1
13	41402C	Breaker, 70A Circuit Cntrl/Act	1
14	980614	Washer, 1/4" Starlock Ext.	4
15	920208	Nut, 1/4-20 Hex	4
16	87200A	Washer, Lock #8	4
17	920108	Nut, 8-32	4
18	30778A	Cover, Lower	1
19	980651	Washer, 5/16 Flat	2
20	920224	Nut, 10-32 Hex	2
21	980603	Washer, #10 Lock Ext. Tooth	2
22	52548A	Tab, 1/4" Screw	3
23	962957	Screw, 10-16 x 1/2 Self Tap	3
24	41039A	Switch, Tilt	1
25	19395A	Fatener, Ratchet	2
26	962350	Screw, 10-32 x .500	2
27	980652	Washer, 5/16 Lock	2
28	85811A	Screw, 5/16-18 x 3/4" Hex Hd.	2
29	41007A	Relay, Traverse Power	1
30	962027	Screw, 8-32 x 1/2 P.H.	2
31	38740A	Strap, Retention (Dust Bags)	1
32	84237A	Screw, 10-32 x .50 P.H.	6
33	40740A	Cord, Charger NEMA	1
34	61598A	Bracket, Cord Wrap	1
35	85395A	Screw, 1/4-20 x 1/2" P.H.	2
36	38739A	Cover, Harness	1
37	71381A	Label, Advolution 20BT	2
NI	41041A	Harness, Power 20" Traverse	1
NI	41038A	Harness, Logic 20" Traverse	1
NI	193951	Trim, 3" Flexible	1

NI = Not illustrated.



Ref. #	Part No.	Description	Qty.
1	41040A	Motor	1
	56407500	Carbon Brush/Spring Set	1
2	80378A	Ring, Retaining External 0.750"	1
3	85813A	Screw, 5/16-18 x 1.00 Hex Hd.	4
4	980651	Washer, 5/16 Flat	2
5	61916A	Frame, Motor (Weldment)	1
6	87607A	Washer, Nylon 1.25 x .52 x .06 Flat	2
7	80040A	Screw, Shoulder 3/8x 3/8	2
8	30783A	Mount, Motor	1
9	54435A	Gasket, 2 Piece	1
10	30739A	Shroud, Dust	1
11	980646	Washer, 1/4" Flat	6
12	980657	Washer, Lock 1/4	7
13	85702A	Screw, 1/4-20 x 1-3/4 Hex Cap	4
14	54198A	Pad Driver	1
15	980205	Washer, .31 I.D. x 1.06 O.D.	1
16	85806A	Screw, 1/4-20 x 3/4 Hex Sz.	1
17	56393565	Skirt Assembly	1
18	980652	Washer, 5/16 Lock	2
19	170854	Nut, 5/18 Hex	4
20	920208	Nut, 1/4-20 Hex	2
21	962481	Screw, 1/4-20 x 1 1/4 H.H.C.S.	2

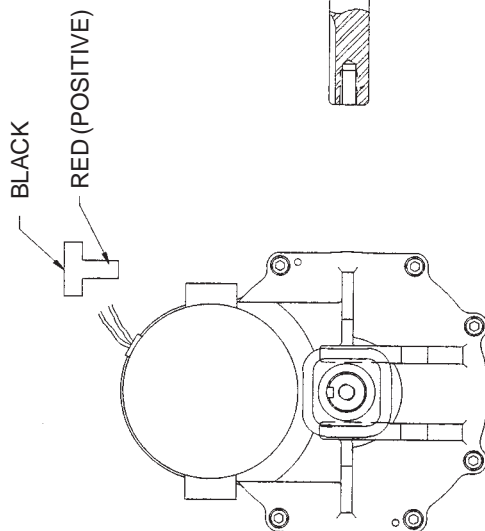
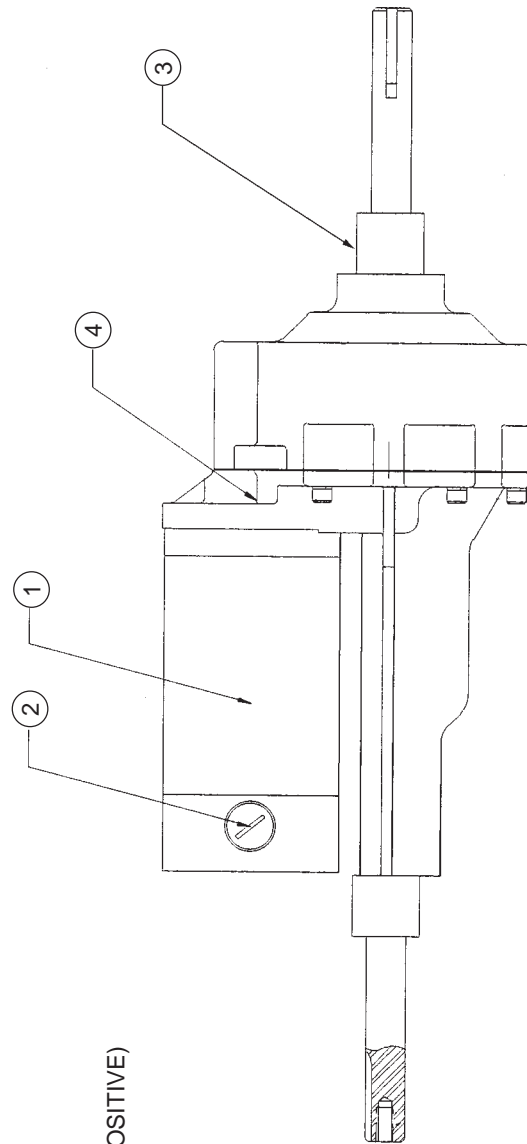
NOTE: This is offered as an optional kit but comes standard on the following models only: 01584A, 01585A, 01586A, 01587A





Ref. #	Part No.	Description	Qty.
1	962957	Screw, 10-16 x 1/2 Self Tap	1
2	872102	Clamp, Wire .312 ID	1
3	80205A	Screw, M5 x 0.8 x 20MM Pan Head	2
4	980650	Washer, #10 Lock	2
5	980982	Washer, #10 SAE Flat	2
6	85811A	Screw, 5/16-18 x 3/4 Hex Hd	2
7	11224A	Vacuum, Active	1
8	38044A	Hose, Vacuum	1
9	980652	Washer, 5/16 Lock	2
10	980651	Washer, 5/16 Flat	2
11	61921A	Bracket, Acuvac	1
12	38045A	Cap, Shroud	1

ACTIVE VAC ACCESSORIES AVAILABLE	
DESCRIPTION	PART NO.
Dust Bag, .58 Gallon - Pack of 5	1406554010
Round Motor Protection Filter - Pack of 1	1406794010
Exhaust Filter - Pack of 3	1406597500
Cloth Dust Bag, Reusable/Shake out	1406908000
Active Vac Kit	11223A



**MOTOR SPECIFICATIONS:**

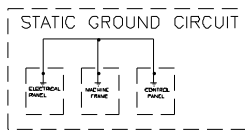
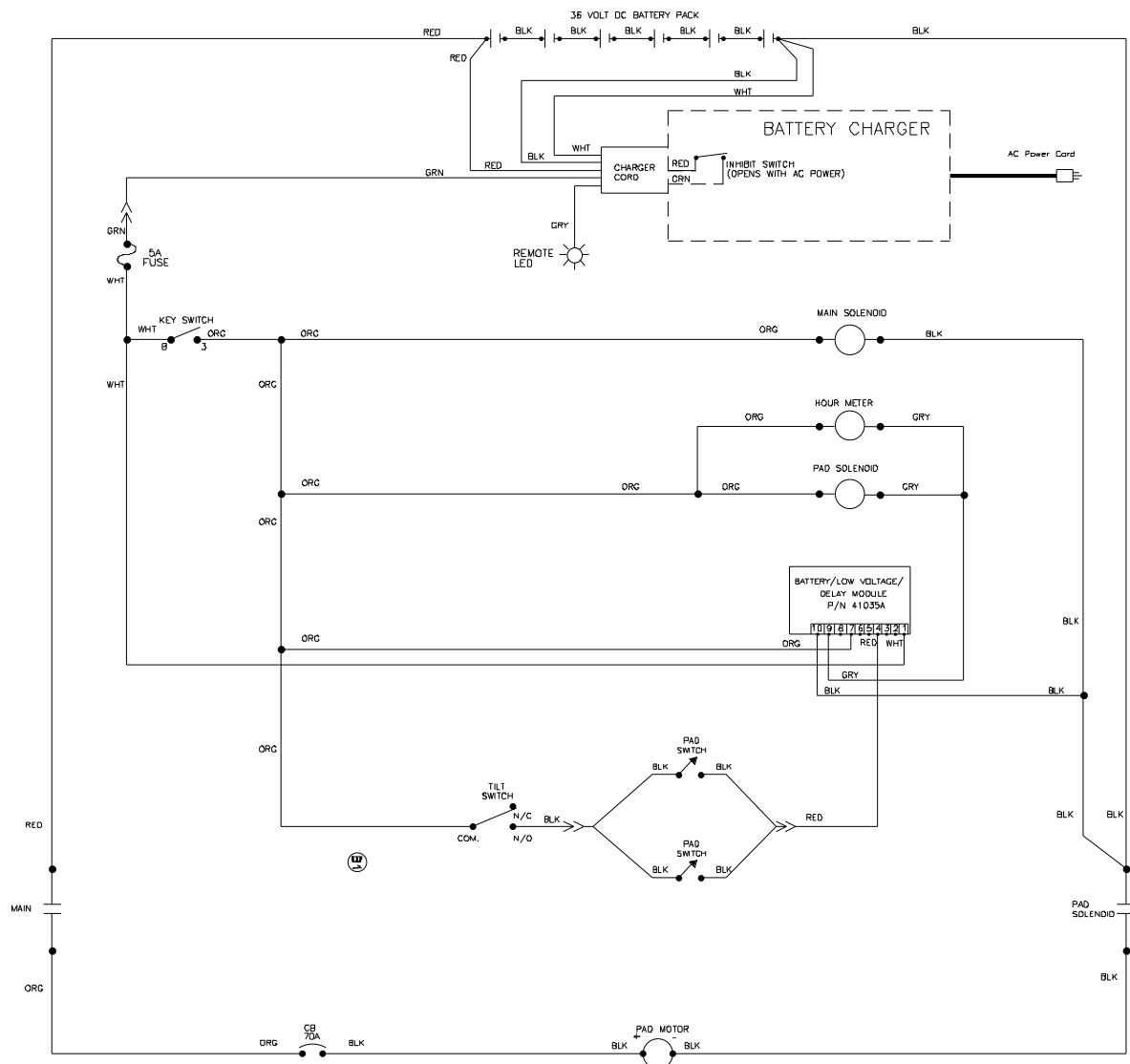
Voltage: 36 VDC

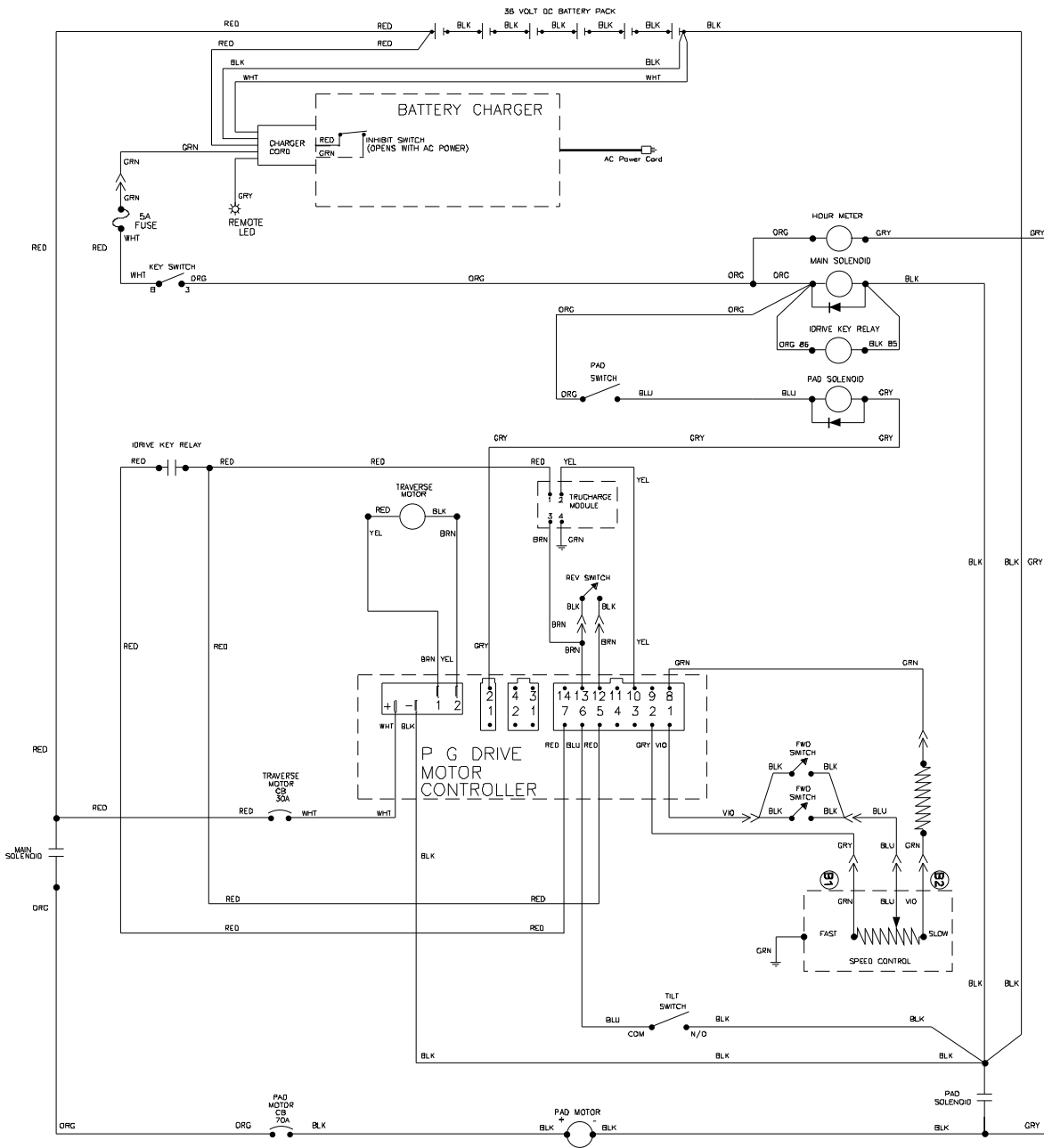
Free Speed: ~ 130 RPM

Torque: 140 in-lbs @ 110 RPM (Ref. Only)

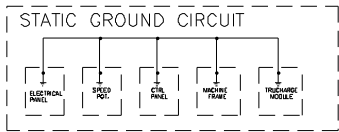
**PARTS LIST**

Ref. #	Part No.	Description	Qty.
1	52804A	Motor, Transaxle	1
2	52803A	Brush, Asm.	2
3	51056A	Elastomeric Sleeve	2
4	52801A	Coupler, Transaxle	1





- PENNY & GILES  
CONTROL CONNECTIONS
- 1 THROTTLE WIPER
  - 2 THROTTLE HIGH
  - 3 AUX 2 OUT
  - 4 SLOW/FAST SWT
  - 5 KEY SW
  - 6 INHIBIT 1 PROGRAM TO INHIBIT TRAV AND PAD WHEN TILT SWITCH IS CLOSED
  - 7 FUSED 36V OUT
  - 8 THROTTLE LOW
  - 9 BELLY SWT
  - 10 STATUS IND.
  - 11 AUX 3 OUT
  - 12 REV SWT
  - 13 0 VOLT
  - 14 INHIBIT 2 CHARGER





**Nilfisk  
Advance**

*setting standards*

Nilfisk-Advance, Inc.  
14600 21st Avenue North  
Plymouth, MN 55447-3408  
[www.nilfisk-advance.com](http://www.nilfisk-advance.com)  
Phone: 800-989-2235  
Fax: 800-989-6566  
©2005 Nilfisk-Advance, Inc.