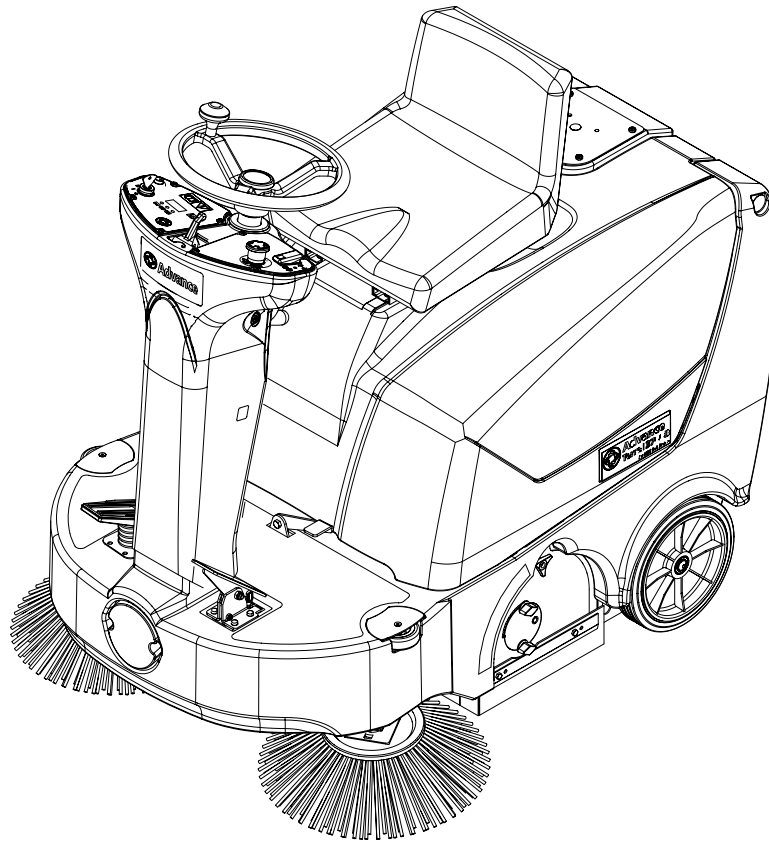


# Terra™ 3700B

---



---

## PARTS LIST

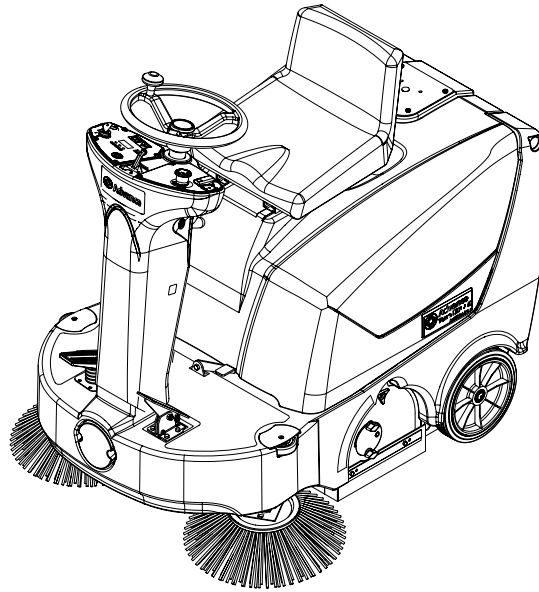
Advance model: 908 4203 010



**Advance**  
by Nilfisk-Advance

146 1964 000(3)2006-06





## DESCRIPTION

## PLAN

CHASSIS SYSTEM	2 - 3
BONNET SYSTEM	4 - 5
MAIN BROOM ASSEMBLY	6 - 7
RIGHT-LEFT HUB ASSEMBLIES	8 - 9
SIDE BROOM ASSEMBLIES	10 - 13
STEERING SYSTEM	14 - 17
DRIVE SYSTEM	18 - 21
PEDAL ASSEMBLIES	22 - 25
CONTROL PANEL SYSTEMS	26 - 27
TRANSMISSION SYSTEM	28 - 29
REDUCTION MOTOR ASSEMBLY	30 - 31
DUST CONTROL SYSTEM	32 - 33
HOPPER SYSTEM	34 - 35
ELECTRICAL COMPONENTS	36 - 37
DECALS	38 - 39
BATTERY CHARGER ASSEMBLY	40 - 41
ACCESSORIES	42 - 49
RECOMMENDED SPARE PARTS	50 - 51
WIRING DIAGRAM	52

### WHEN ORDERING PARTS

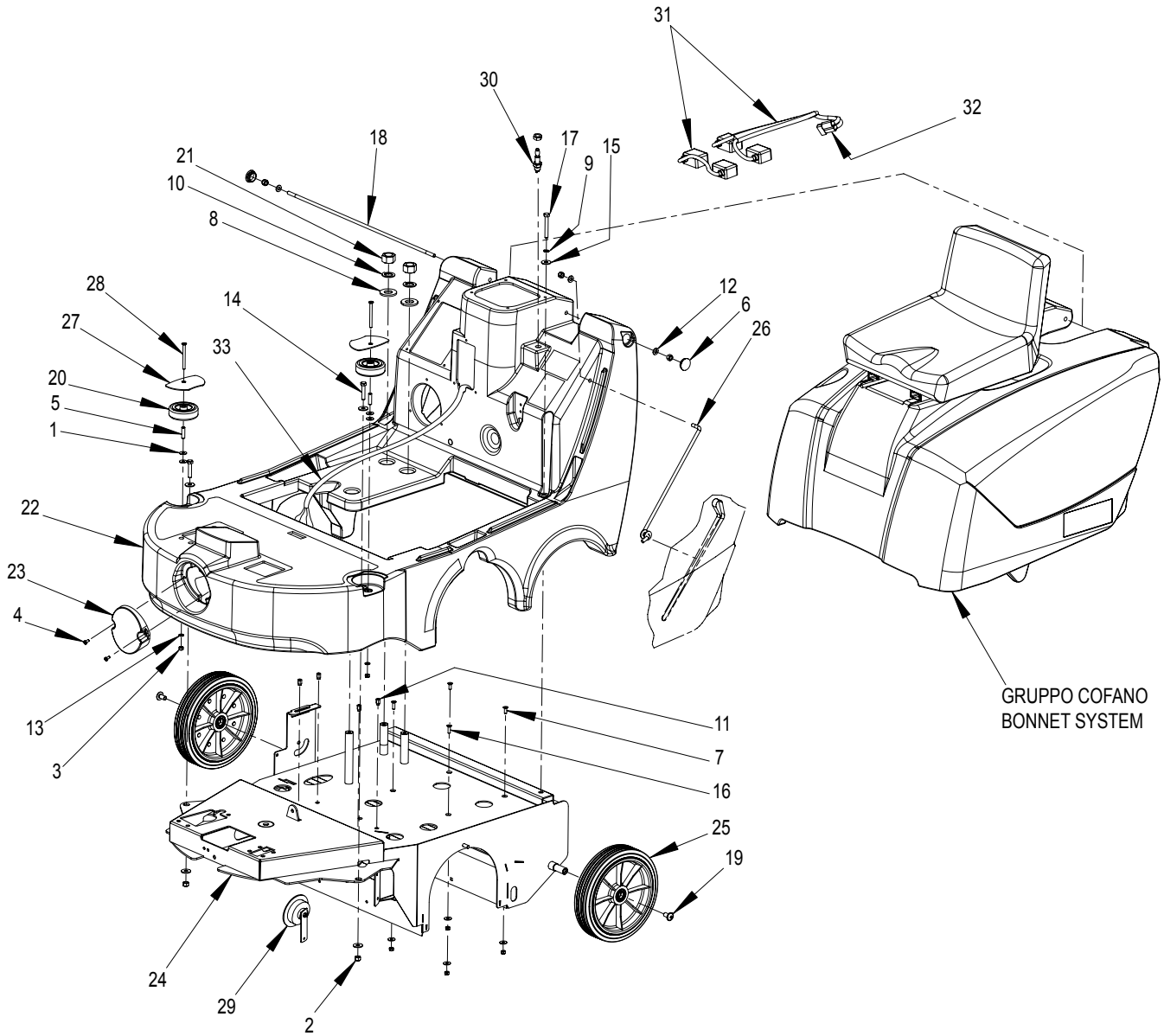
- \* Use the 8, 9 or 10 digit numbers from the "Ref. No." columns in this parts list.
- \* Specify the model and serial number of the machine.
- \* Use the space below to record the model and serial number for future reference.

Model \_\_\_\_\_ Serial No. \_\_\_\_\_

**\* = Optional**

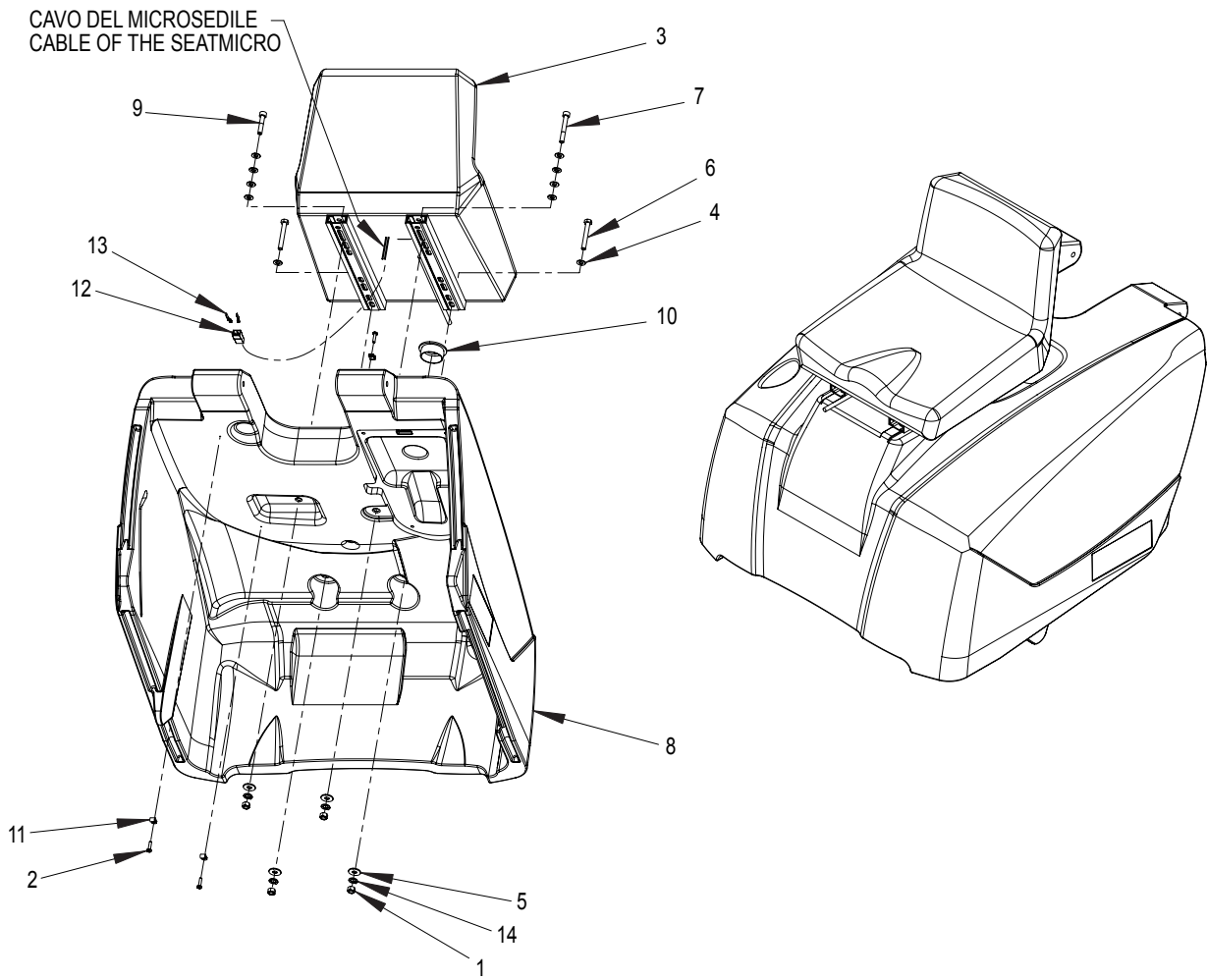
**# = Modified Item no. or New Item no.**

**[ ] = Not shown**

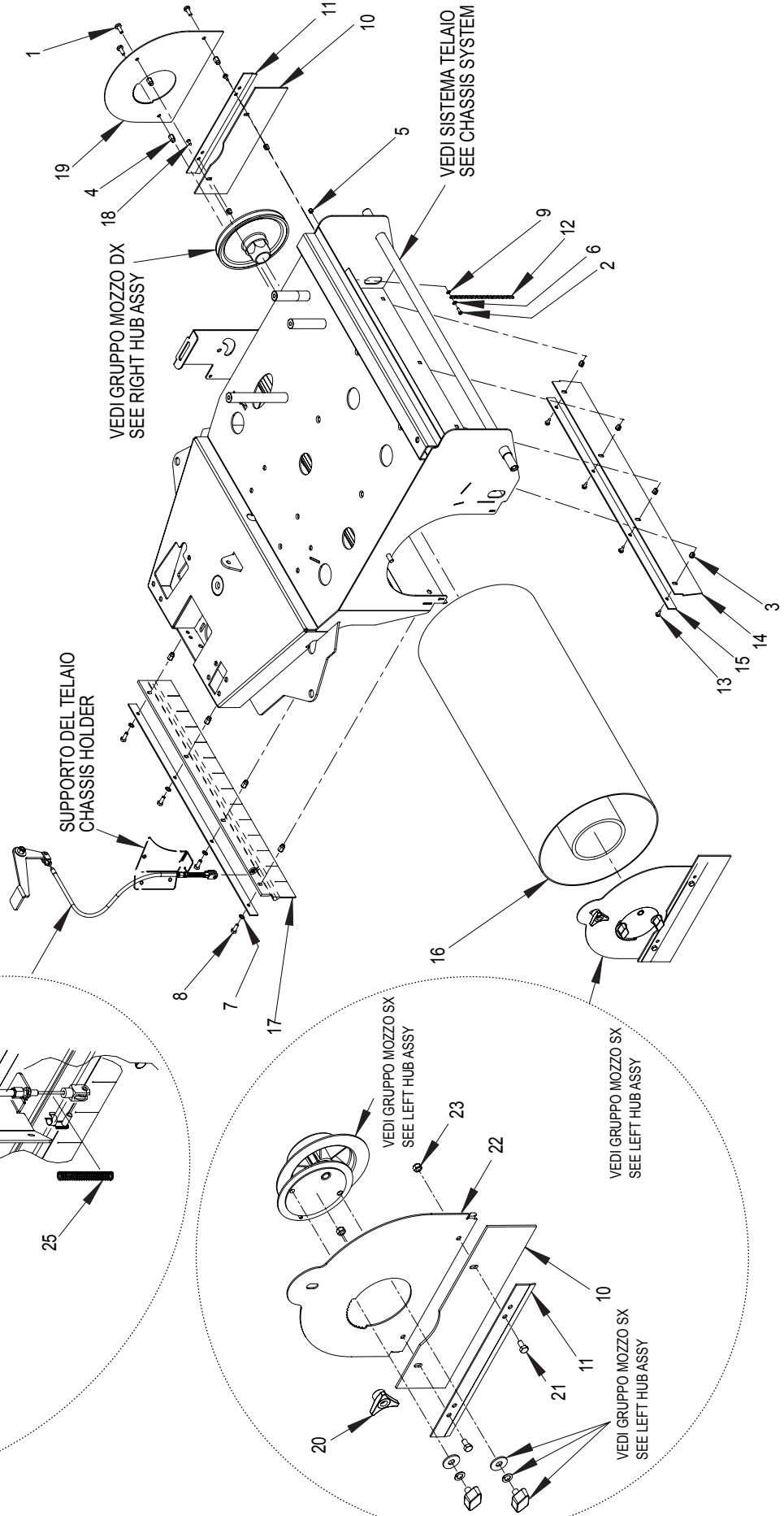




Item No.	Ref. No.	Qty	Description
1	xxxxxxx	4	Washer at M6x18 (Roller bumper kit)
2	xxxxxxx	5	Nut self locking M8 (Chassis system Hardware kit)
3	xxxxxxx	6	Nut self locking M6 (Chassis system Hardware kit)
4	xxxxxxx	2	Screw M5x10 (Chassis system Hardware kit)
5	xxxxxxx	2	Spacer (Roller bumper kit)
6#	L08812999	2	Bumper roller cap
7	xxx xxx xxx	2	Screw M6x16 (Chassis system Hardware kit)
8	xxx xxx xxx	2	Washer at M20x43 (Chassis system Hardware kit)
9	xxx xxx xxx	1	Washer split M8 (Chassis system Hardware kit)
10	xxx xxx xxx	2	Washer split M8 (Chassis system Hardware kit)
11	xxx xxx xxx	4	Insert M6 (Chassis system Hardware kit)
12	xxx xxx xxx	3	Washer at M8x17 (Chassis system Hardware kit)
13	xxx xxx xxx	2	Washer at 6x12,5 (Chassis system Hardware kit)
14	xxx xxx xxx	2	Screw M8x40 (Chassis system Hardware kit)
15	xxx xxx xxx	5	Washer at M8x24 (Chassis system Hardware kit)
16	xxx xxx xxx	2	Screw M6x20 (Chassis system Hardware kit)
17	xxx xxx xxx	1	Screw M8x60 (Chassis system Hardware kit)
18	146 0534 000	1	Handle shaft
19	xxx xxx xxx	2	Screw M10x20 (Chassis system Hardware kit)
20	xxx xxx xxx	2	Roller bumper (Roller bumper kit)
21	xxx xxx xxx	2	Hexagonal Nut M20 (Chassis system Hardware kit)
22	146 1681 000	1	Chassis rotomolded
23	146 1704 000	1	Light cover
24	146 2965 000	1	Frame
25	146 1899 000	2	Rear wheel
26	146 1900 000	1	Bonnet supporting rod
27	xxx xxx xxx	2	Plate (Roller bumper kit)
28	xxx xxx xxx	2	Screw M6x70 (Roller bumper kit)
29	145 8881 000	1	Horn 24V
30	146 0565 000	1	Hood safety switch
31	146 2084 000	1	Battery harness
32	146 1986 000	1	Connector 120A
33	146 2240 000	1	Machine harness
[34]	146 2222 000	1	Chassis System Hardware Kit (2,3,4,7,8,9,10,11,12,13,14,15,16,17,19,21)
[35]	146 2223 000	2	Roller bumper Kit (1, 3, 5, 13, 20,27,28)



Item No.	Ref. No.	Qty	Description
1	xxxxxxx	4	Nut self locking M8 (Bonnet System Hardware Kit)
2	xxxxxxx	3	Screw 4.6x19.2 (Bonnet System Hardware Kit)
3	145 1782 000	1	Seat with microswitch
4	xxx xxxx xxx	10	Washer at M8x17 (Bonnet System Hardware Kit)
5	xxx xxxx xxx	4	Washer at M8x24 (Bonnet System Hardware Kit)
6	xxx xxxx xxx	2	Screw M8x60 (Bonnet System Hardware Kit)
7	xxx xxxx xxx	1	Screw M8x60 (Bonnet System Hardware Kit)
8	146 1682 000	1	Battery hood rotomolded
9	xxx xxxx xxx	1	Screw M8x40 (Bonnet System Hardware Kit)
10	146 1970 000	1	Cap Ø46
11	xxx xxxx xxx	3	Cable clamp (Bonnet System Hardware Kit)
12	145 3740 000	2	Terminal
13	145 3733 000	1	Connector
14	xxxxxxx	4	Washer split M8
[15]	146 2224 000	1	Bonnet System Hardware Kit (1,2,4,5,6,7,9,11,14)

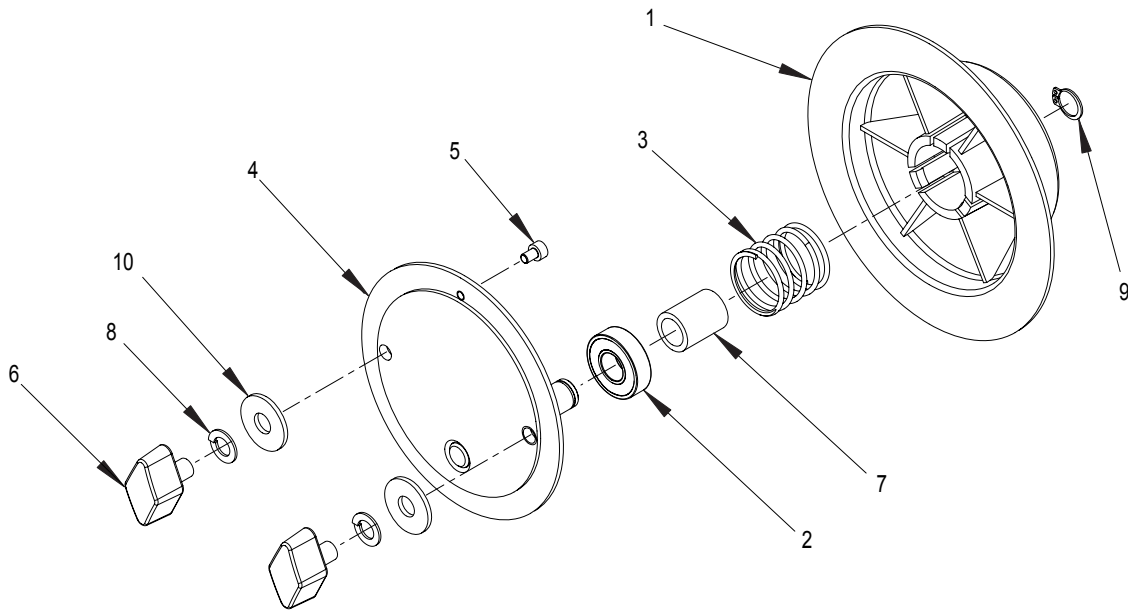


Item No.	Ref. No.	Qty	Description
1	xxxxxxx	3	Screw M6x16 (Main Broom Hardware Kit)
2	xxxxxxx	1	Screw 4x12 (Main Broom Hardware Kit)
3	xxx xxxx xxx	6	Nut screw (Main Broom Hardware Kit)
4	xxx xxxx xxx	7	Insert M6 (Main Broom Hardware Kit)
5	xxx xxxx xxx	1	Nut sel ocking M8 (Main Broom Hardware Kit)
6	xxx xxxx xxx	1	Washer at 4x9 (Main Broom Hardware Kit)
7	xxx xxxx xxx	4	Washer split 6 (Main Broom Hardware Kit)
8	xxx xxxx xxx	4	Screw M6x16 (Main Broom Hardware Kit)
9	xxx xxxx xxx	1	Toothed washer 4 (Main Broom Hardware Kit)
10	146 0587 000	2	Non marking side skirt
<b>10</b>	<b>146 0555 000*</b>	<b>2</b>	<b>Skirt side</b>
11	146 0557 000	2	Plate side skirt
12	146 0611 000	1	Chain
13	xxx xxxx xxx	5	Screw 3,9x13 (Main Broom Hardware Kit)
14	146 0743 000	1	Non marking rear skirt
14	146 0738 000*	1	Skirt rear/front
15	146 0739 000	2	Front skirt plate
16	146 0752 000	1	Main broom nylon standard Ø 245x600
<b>16</b>	<b>146 0753 000*</b>	<b>1</b>	<b>Main broom natural fibre Ø 245x600</b>
<b>16</b>	<b>146 0751 000*</b>	<b>1</b>	<b>Main broom PPL Ø 245x600</b>
<b>16</b>	<b>146 0754 000*</b>	<b>1</b>	<b>Main broom steel mix Ø 245x600</b>
<b>16</b>	<b>146 0748 000*</b>	<b>1</b>	<b>Main broom PPL Ø 265x600</b>
<b>16</b>	<b>146 0750 000*</b>	<b>1</b>	<b>Main broom steel mix Ø 265x600</b>
<b>16</b>	<b>146 0749 000*</b>	<b>1</b>	<b>Main broom natural fibre Ø 265x600</b>
17	146 0756 000	1	Soft front skirt
<b>17</b>	<b>146 0742 000*</b>	<b>1</b>	<b>Non marking front skirt</b>
18	xxx xxxx xxx	1	Screw 3.9x13 (Main Broom Hardware Kit)
19	146 2137 000	1	Main broom right hatch
20	145 5035 000	1	Knob
21	xxx xxxx xxx	2	Screw hex. M6x12 (Main Broom Hardware Kit)
22	146 2136 000	1	Left hatch
23	xxxxxxx	2	Nut hex sel ocking M6 (Main Broom Hardware Kit)
24	145 4536 000	2	Clips
25	145 1935 000	1	Spring (see KIT SKIRT RAISING PEDAL)
26	145 1975 000	1	Skirt raising device cable
27	146 2161 000	2	Kit skirt raising pedal (25)
[28]	146 0817 000	1	Right hub assembly kit (see RIGHT - LEFT HUB ASSEMBLIES)
[29]	146 0818 000	1	Left hub assembly kit (see RIGHT - LEFT HUB ASSEMBLIES)
[30]	146 2225 000	1	Main Broom Hardware Kit ( 1,2,3,4,5,6,7,8,9,13,18,21,23)

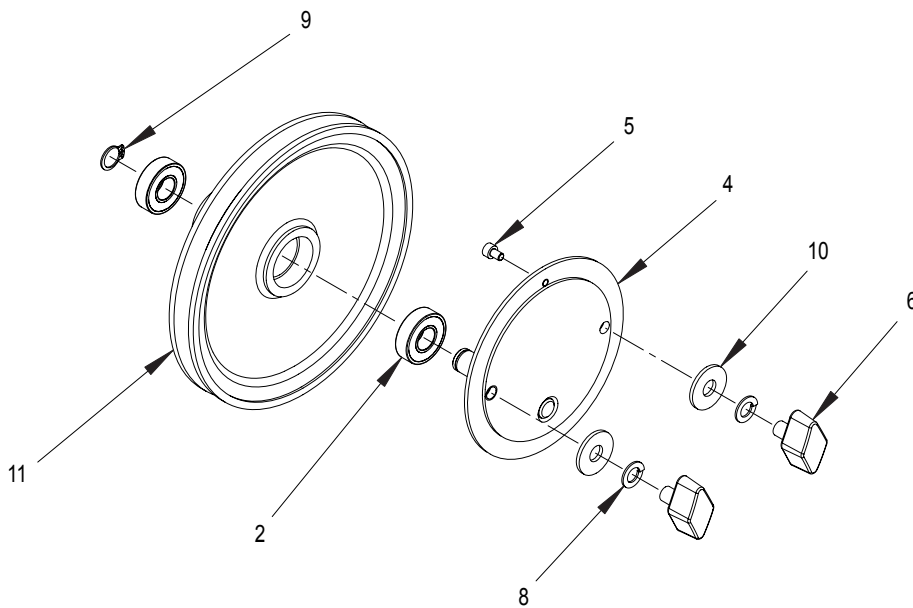
8

Terra™ 3700B

12 KIT GRUPPO MOZZO SX  
LEFT HUB ASSEMBLY KIT



13 KIT GRUPPO MOZZO DX  
RIGHT HUB ASSEMBLY KIT



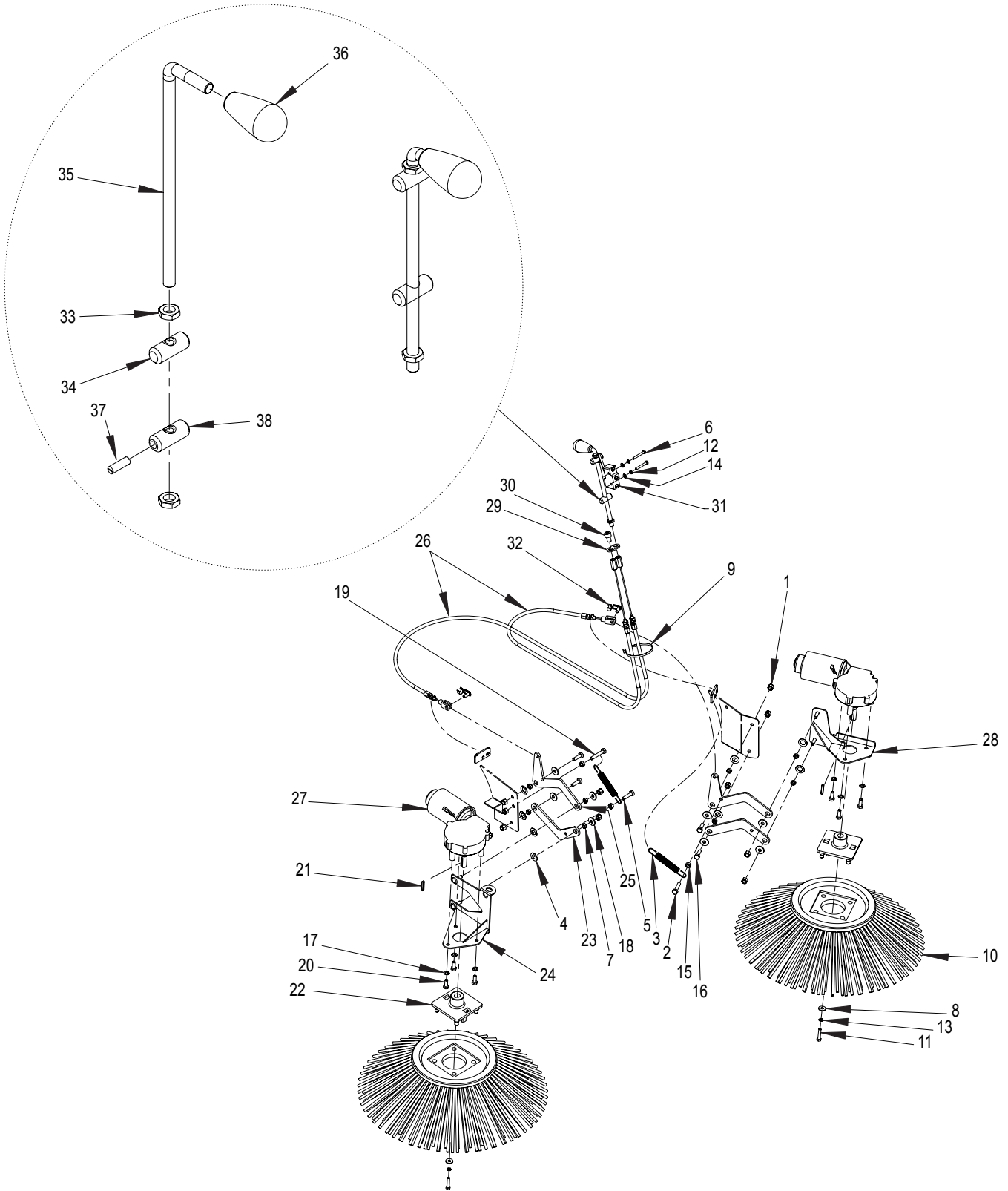
Item No.	Ref. No.	Qty	Description
1	xxx xxxx xxx	1	Left hub
2	xxx xxxx xxx	3	Ball bearing
3	xxx xxxx xxx	1	Spring
4	xxx xxxx xxx	2	Pin
5	xxx xxxx xxx	2	Screw hex hd M4x6
6	xxx xxxx xxx	4	Knob
7	xxx xxxx xxx	1	Spacer
8	xxx xxxx xxx	4	Washer
9	xxx xxxx xxx	2	Retaining ring
10	xxx xxxx xxx	4	Washer at
11	xxx xxxx xxx	1	Pulley
12	146 0818 000	1	Left hub assy kit (1, 2, 3, 4, 5, 6, 7, 8, 9, 10)
13	146 0817 000	1	Right hub assy kit (2, 4, 5, 6, 8, 9, 10, 11)

SIDE BROOM ASSEMBLIES

2004-08

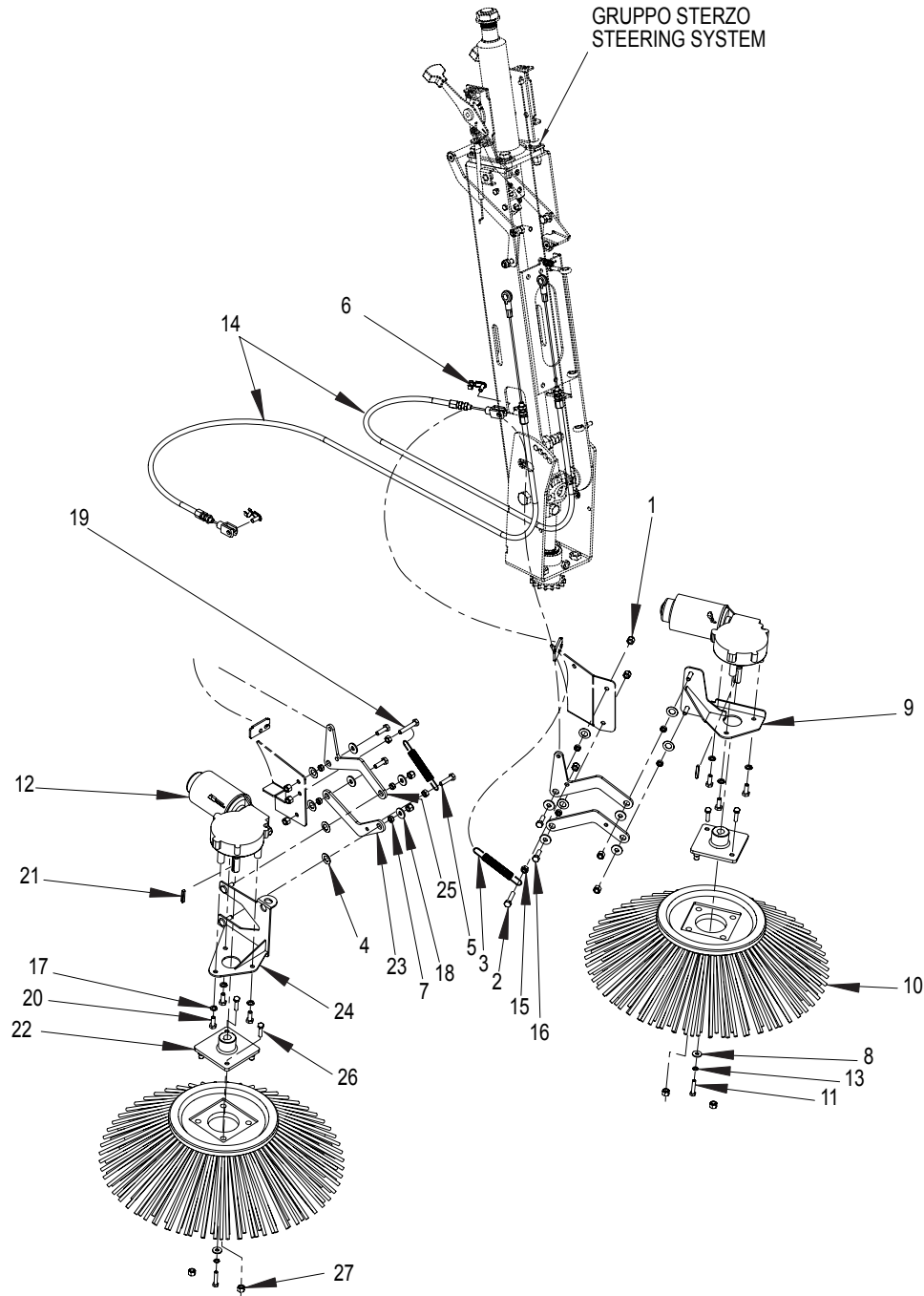
10

Terra™ 3700B - before 2006 June

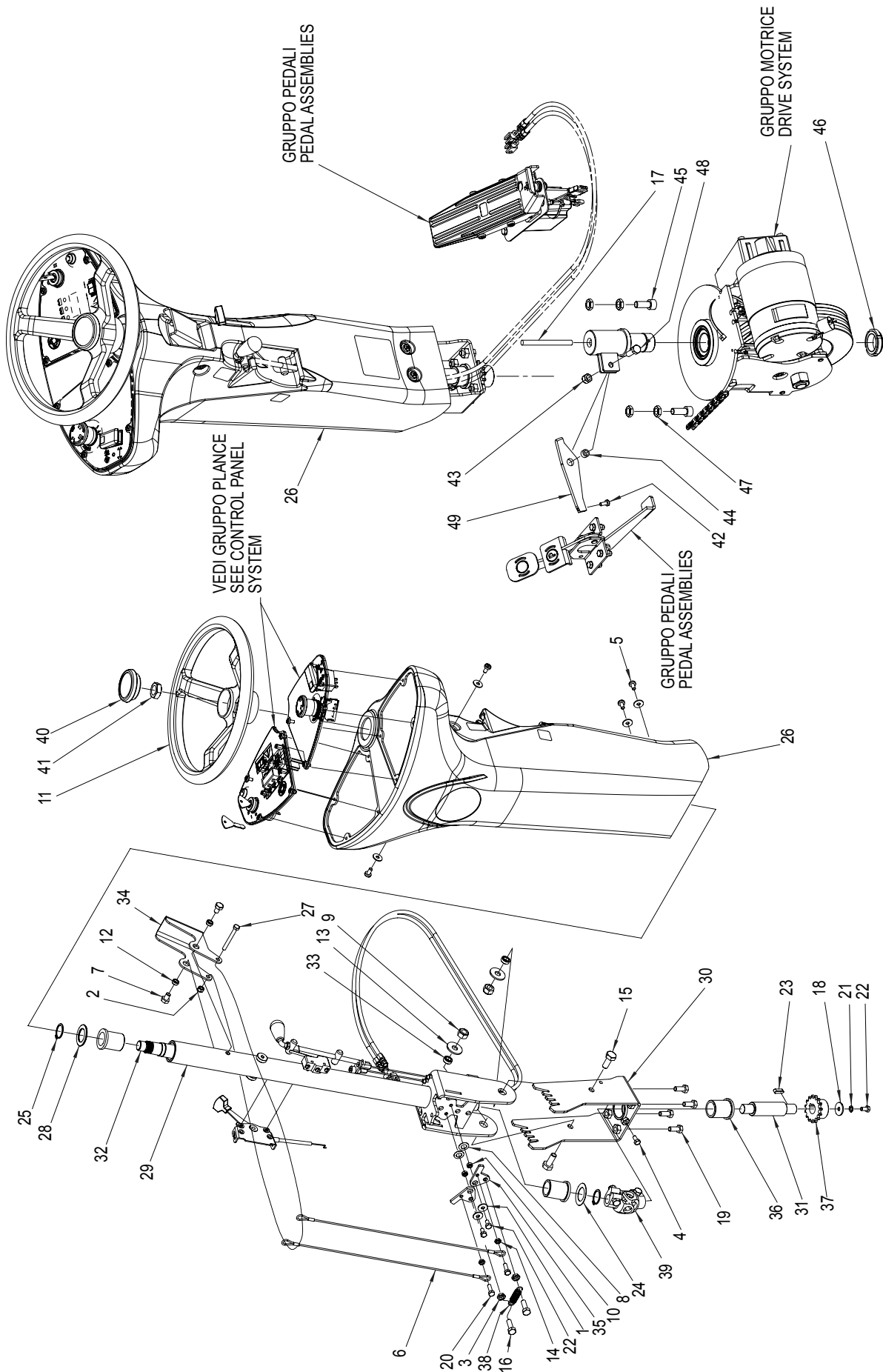




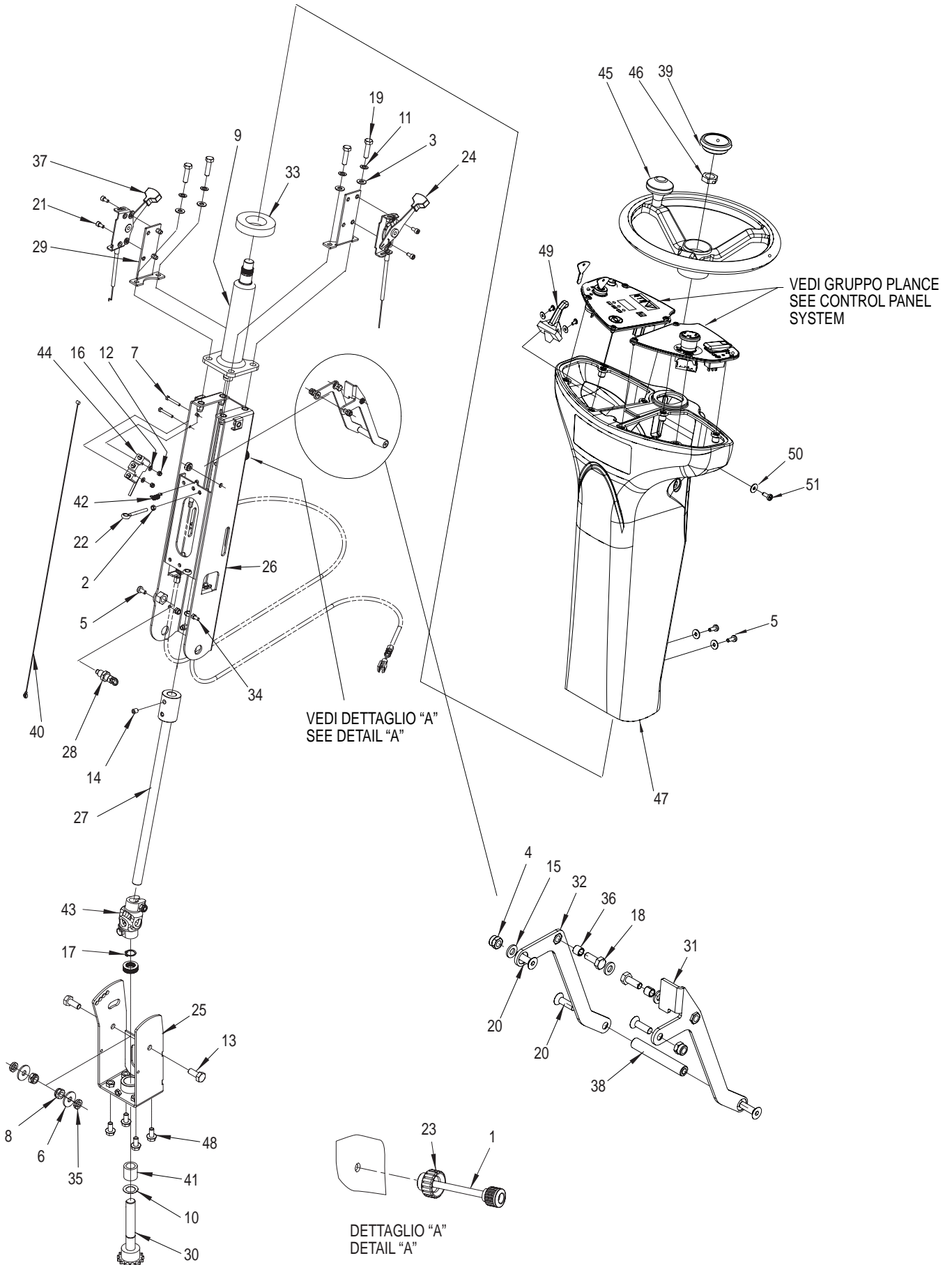
Item No.	Ref. No.	Qty	Description
1	xxxxxxx	10	Nut self locking M6 (Side Broom Assemblies Hardware Kit)
2	xxx xxxx xx	1	Screw M6x30 (Side Broom Assemblies Hardware Kit)
3	145 0274 000	2	Spring
4	145 1147 000	8	Spring
5	xxx xxxx xxx	1	Screw M6x25 (Side Broom Assemblies Hardware Kit)
6	xxx xxxx xxx	2	Screw M4x30 (Side Broom Assemblies Hardware Kit)
7	xxx xxxx xxx	8	Spacer (Side Broom Assemblies Hardware Kit)
8	xxx xxxx xxx	2	Washer at 5x15 (Side Broom Assemblies Hardware Kit)
9	xxx xxxx xxx	1	Clamp 3.6x140 (Side Broom Assemblies Hardware Kit)
10	146 0678 000	2	Broom side nylon standard Ø 180x347
<b>10</b>	<b>145 1899 000*</b>	<b>2</b>	<b>Broom side PPL Ø 180x420</b>
<b>10</b>	<b>145 4959 000*</b>	<b>2</b>	<b>Broom side steel mix Ø180x420</b>
<b>10</b>	<b>145 4976 000*</b>	<b>2</b>	<b>Broom side natural fiber Ø 180x420</b>
11	xxx xxxx xxx	2	Screw M5x25 (Side Broom Assemblies Hardware Kit)
12	xxx xxxx xxx	2	Washer split (Side Broom Assemblies Hardware Kit)
13	xxx xxxx xxx	2	Washer split (Side Broom Assemblies Hardware Kit)
14	xxx xxxx xxx	2	Washer at M4x9 (Side Broom Assemblies Hardware Kit)
15	xxxxxxx	3	Nut M6 (Side Broom Assemblies Hardware Kit)
16	xxx xxxx xxx	4	Screw M6x20 (Side Broom Assemblies Hardware Kit)
17	xxx xxxx xxx	6	Washer split (Side Broom Assemblies Hardware Kit)
18	xxxxxxx	8	Washer at M6x18 (Side Broom Assemblies Hardware Kit)
19	xxx xxxx xxx	1	Screw M6x35 (Side Broom Assemblies Hardware Kit)
20	xxx xxxx xxx	6	Screw M6x16 (Side Broom Assemblies Hardware Kit)
21	xxx xxxx xxx	2	Key (Side Broom Assemblies Hardware Kit)
22	146 0519 000	2	Side broom hub
23	146 0558 000	2	Side broom arm
24	146 0559 000	1	Side broom bracket
25	146 1894 000	2	Side broom arm
26	146 1895 000	2	Side broom cable
27	146 1897 000	2	Reduction gear motor 24V/60W
28	146 1898 000	1	Side broom bracket
29	146 2107 000	1	Plate
30	xxx xxxx xxx	1	Screw M8x12 (Side Broom Assemblies Hardware Kit)
31	145 9679 000	1	Microswitch
32	145 4536 000	2	Clips M6
33	xxxxxxx	2	Nut M8 (Side Broom Assemblies Hardware Kit)
34#	L08601509	1	Support pin
35	146 1955 000	1	Pin
36	145 9319 000	1	Knob M8
37	146 2314 000	1	Dowel M5x10
38	146 2313 000	1	Side Broom pin
[39]	146 2226 000	1	Side Broom Assemblies Hardware Kit (1,2,5,6,7,8,9,11,12,13,14,15,16,17,18,19,20,21,30,33)



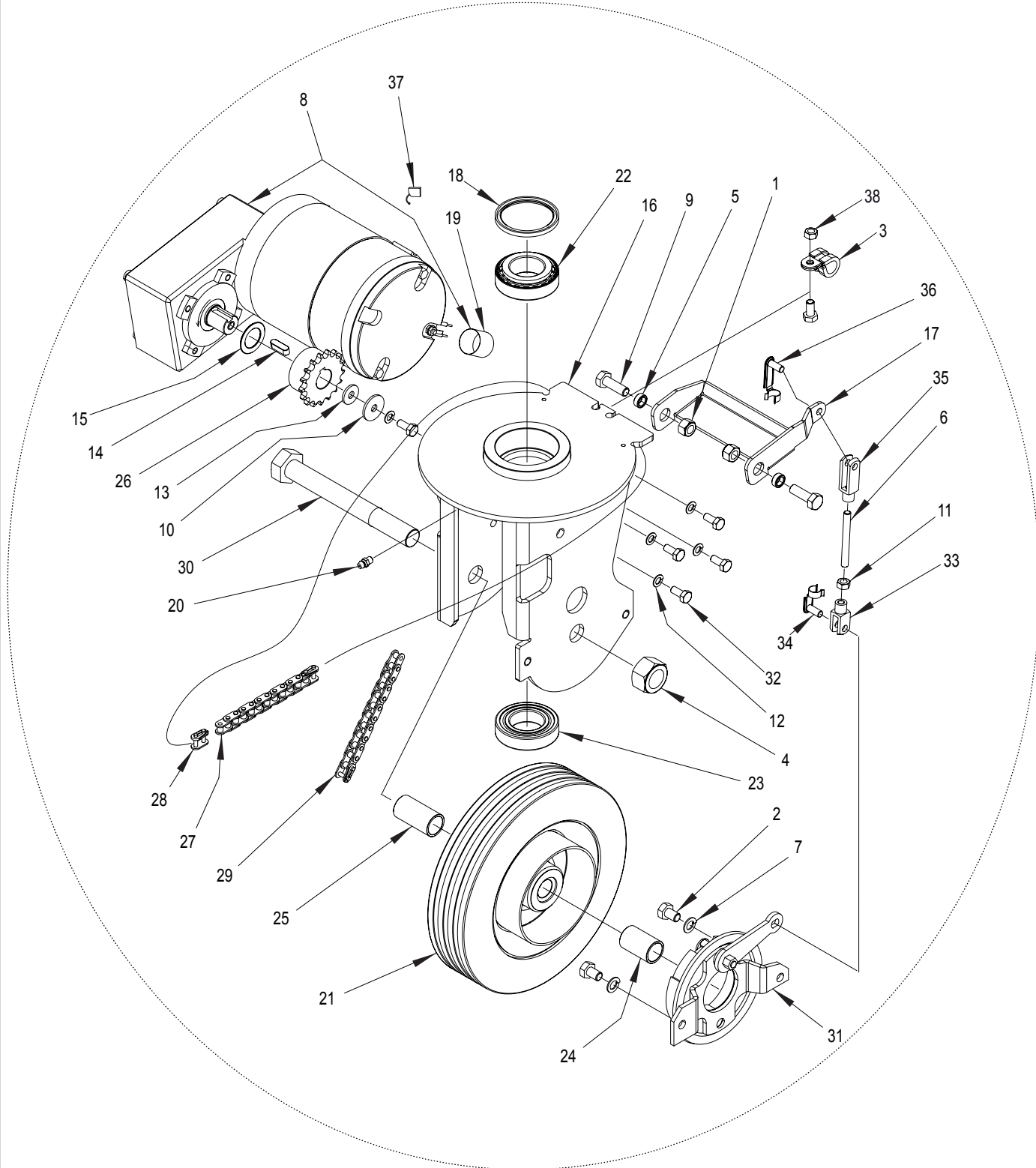
Item No.	Ref. No.	Qty	Description
1	xxxxxxx	10	Nut self locking M6 (Side Broom Assemblies Hardware Kit)
2	xxx xxxx xx	1	Screw M6x30 (Side Broom Assemblies Hardware Kit)
3	145 0274 000	2	Spring
4	145 1147 000	8	Spring
5	xxx xxxx xxx	1	Screw M6x25 (Side Broom Assemblies Hardware Kit)
6	145 4536 000	2	Clips M6
7	xxx xxxx xxx	8	Spacer (Side Broom Assemblies Hardware Kit)
8	xxx xxxx xxx	2	Washer at 5x15 (Side Broom Assemblies Hardware Kit)
9	146 2972 000	1	Side broom bracket
10	146 0678 000	2	Broom side nylon standard Ø 180x347
<b>10</b>	<b>145 1899 000*</b>	<b>2</b>	<b>Broom side PPL Ø 180x420</b>
<b>10</b>	<b>145 4959 000*</b>	<b>2</b>	<b>Broom side steel mix Ø180x420</b>
<b>10</b>	<b>146 4976 000*</b>	<b>2</b>	<b>Broom side natural fiber Ø 180x420</b>
11	xxx xxxx xxx	2	Screw M5x25 (Side Broom Assemblies Hardware Kit)
12	146 1897 000	2	Red. gear motor 24V/60W
13	xxx xxxx xxx	2	Washer split (Side Broom Assemblies Hardware Kit)
14	146 2970 000	2	Side broom cable
15	xxxxxxx	3	Nut M6 (Side Broom Assemblies Hardware Kit)
16	xxx xxxx xxx	4	Screw M6x20 (Side Broom Assemblies Hardware Kit)
17	xxx xxxx xxx	6	Washer split (Side Broom Assemblies Hardware Kit)
18	xxxxxxx	8	Washer at M6x18 (Side Broom Assemblies Hardware Kit)
19	xxx xxxx xxx	1	Screw M6x35 (Side Broom Assemblies Hardware Kit)
20	xxx xxxx xxx	6	Screw M6x16 (Side Broom Assemblies Hardware Kit)
21	xxx xxxx xxx	2	Key (Side Broom Assemblies Hardware Kit)
22	146 2918 000	2	Side broom hub
23	146 0558 000	2	Side broom arm
24	146 2971 000	1	Side broom bracket
25	146 1894 000	2	Side broom arm
26	xxx xxxx xxx	4	Screw M8x25 (Side Broom Assemblies Hardware Kit)
27	xxxxxxx	4	Nut M8 (Side Broom Assemblies Hardware Kit)
[28]	146 3091 000	1	Side Broom Assemblies Hardware Kit (1,2,5,7,8,11,13,15,16,17,18,19,20,21,26,27)



Item No.	Ref. No.	Qty	Description
1	xxxxxxx	6	Washer M6x18 (Steering System Hardware Kit)
2	xxxxxxx	1	Nut self locking M6 (Steering System Hardware Kit)
3	xxxxxxx	2	Nut M8 (Steering System Hardware Kit)
4	xxxxxxx	1	Screw M6x16 (Steering System Hardware Kit)
5	xxxxxxx	4	Screw cyl hd M6x12 (Steering System Hardware Kit)
6	56325711	2	Lift cable
7	xxx xxxx xx	2	Screw M8x12 (Steering System Hardware Kit)
8	xxx xxxx xxx	2	Spring (Steering System Hardware Kit)
9	xxx xxxx xxx	2	Nut self locking M10 (Steering System Hardware Kit)
10	xxx xxxx xxx	2	Spacer (Steering System Hardware Kit)
11	146 2106 000	1	Steering wheel Ø320
12	xxx xxxx xxx	2	Spacer (Steering System Hardware Kit)
13	xxx xxxx xxx	2	Washer M10x30 (Steering System Hardware Kit)
14	xxx xxxx xxx	2	Nut M6 (Steering System Hardware Kit)
15	xxx xxxx xxx	2	Screw M10x25 (Steering System Hardware Kit)
16	xxx xxxx xxx	2	Screw M8x25 (Steering System Hardware Kit)
17	146 1886 000	1	Pin
18	xxx xxxx xxx	1	Washer M6x24 (Steering System Hardware Kit)
19	xxx xxxx xxx	4	Screw M8x16 (Steering System Hardware Kit)
20	xxx xxxx xxx	2	Screw M6x20 (Steering System Hardware Kit)
21	xxx xxxx xxx	1	Washer (Steering System Hardware Kit)
22	xxx xxxx xxx	3	Screw M6x12 (Steering System Hardware Kit)
23	xxx xxxx xxx	1	Key (Steering System Hardware Kit)
24	145 9875 000	1	Spring
25	xxx xxxx xxx	2	Retaining ring (Steering System Hardware Kit)
26	146 1686 000	1	Rotomolded front cover
27	xxx xxxx xxx	1	Screw M6x55 (Steering System Hardware Kit)
28	xxx xxxx xxx	1	Spacer (Steering System Hardware Kit)
29	146 1906 000	1	Steering column
30	146 1907 000	1	Steering column support
31	146 1908 000	1	Pinion steering shaft
32	146 1909 000	1	Steering shaft
33	xxx xxxx xxx	2	Spacer (Steering System Hardware Kit)
34	146 1911 000	1	Lever
35	146 1912 000	2	Lever
36	146 1913 000	3	Bearing with angle
37	145 2601 000	1	Pinion
38	xxx xxxx xxx	1	Spring (Steering System Hardware Kit)
39	145 9619 000	1	Joint Ø17
40	145 8753 000	1	Cap
41	xxx xxxx xxx	1	Nut M8x1,5 (Drive System Hardware Kit - [38], page 19)
42	xxx xxxx xxx	1	Screw cyl hd M5x12 SS (Drive System Hardware Kit - [38], page 19)
43	xxxxxxx	1	Nut M8 (Drive System Hardware Kit - [38], page 19)
44	xxxxxxx	1	Spacer (Drive System Hardware Kit - [38], page 19)
45	xxx xxxx xxx	2	Screw M10x25 (Drive System Hardware Kit - [38], page 19)
46	xxx xxxx xxx	1	Nut ring self locking (Drive System Hardware Kit - [38], page 19)
47	xxx xxxx xxx	4	Nut M10 (Drive System Hardware Kit - [38], page 19)
48	xxx xxxx xxx	1	Screw M8x25 (Drive System Hardware Kit - [38], page 19)
49	146 1885 000	1	Lever
[50]	146 2227 000	1	Steering System Hardware Kit (1,2,3,4,5,7,8,9,10,12,13,14,15,16,18,19,20,21,22,23,25,27,28,33,38,41)

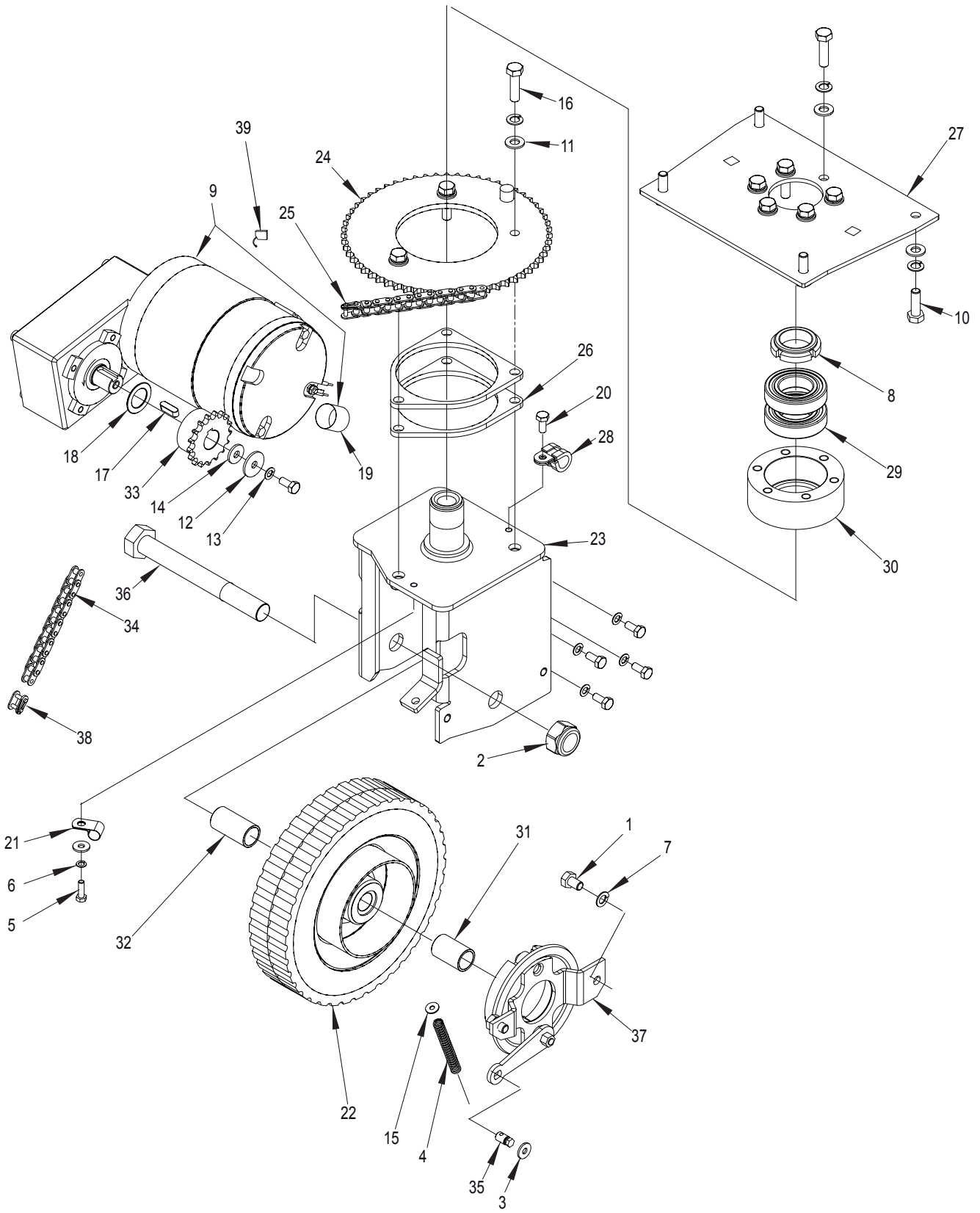


Item No.	Ref. No.	Qty	Description
1	145 1354 000	1	Knob M6 x 55
2	xxxxxxx	4	Nut hex M5 (Steering System Hardware Kit)
3	xxxxxxx	4	Washer at 8x17 (Steering System Hardware Kit)
4	xxxxxxx	3	Nut hex sel ocking M6 (Steering System Hardware Kit)
5	xxxxxxx	5	Screw M6x12 (Steering System Hardware Kit)
6	xxxxxxx	2	Washer at 10x30 (Steering System Hardware Kit)
7	xxx xxxx xxx	2	Screw hex hd M4x30 (Steering System Hardware Kit)
8	xxx xxxx xxx	2	Nut
9	145 1946 000	1	Steering column
10	xxx xxxx xxx	7	Spring (Steering System Hardware Kit)
11	xxx xxxx xxx	4	Washer split 8 (Steering System Hardware Kit)
12	xxx xxxx xxx	2	Nut (Steering System Hardware Kit)
13	xxx xxxx xxx	2	Screw (Steering System Hardware Kit)
14	xxx xxxx xxx	1	Screw soc set (Steering System Hardware Kit)
15	xxx xxxx xxx	3	Washer at 6x12,5 (Steering System Hardware Kit)
16	xxx xxxx xxx	2	Washer at 4x9 (Steering System Hardware Kit)
17	145 9191 000	1	Retaining ring
18	xxx xxxx xxx	2	Screw hex. Hd M6x16 (Steering System Hardware Kit)
19	xxxxxxx	4	Screw hex hd M8x30 (Steering System Hardware Kit)
20	xxx xxxx xxx	4	Screw M6x20 (Steering System Hardware Kit)
21	xxx xxxx xxx	4	Screw M5x10 (Steering System Hardware Kit)
22	146 2450 000	1	Rod tension M5x52
23	146 2471 000	1	Handwheel
24	146 2939 000	1	Locking brake lever assy
25	146 2945 000	1	Steering column support
26	146 2947 000	1	Steering column
27	146 2948 000	1	Steering shaft
28	146 2950 000	1	Indexing plunger M12
29	146 2951 000	2	Vacum lever support
30	146 2953 000	1	Steering shaft with sprocket
31	146 2954 000	1	Left side broom lever
32	146 2955 000	1	Right side broom lever
33	146 2956 000	1	Steering gasket
34	146 2957 000	2	Tie rod M5x25
35	xxx xxxx xxx	2	Spacer (Steering System Hardware Kit)
36	146 2959 000	2	Bushing
37	146 2960 000	1	Lever assy
38	146 2961 000	1	Side brooms handle
39	146 8753 000	1	Cap
40	146 2974 000	1	Steering cable
41	145 9505 000	1	Bushing
42	145 9619 000	1	Flap spring
43	145 9679 000	1	Joint
44	146 1686 000	1	Microswitch
45	145 1854 000	1	Steering wheel
46	xxx xxxx xxx	1	Nut hex low M18x1.5 (Steering System Hardware Kit)
47	146 2906 000	1	Rotomolded front cover
48	xxx xxxx xxx	4	Screw hex thd to hd (Steering System Hardware Kit)
49	146 2458 000	1	Lever
50	xxxxxxx	4	Washer at 6x18 (Steering System Hardware Kit)
51	xxxxxxx	4	Screw pan phil M6x16 (Steering System Hardware Kit)
[52]	146 3092 000	1	Steering System Hardware Kit (2,3,4,5,6,7,8,10,11,12,13,14,15,16,18,19,20,21,35,46,48,50,51)

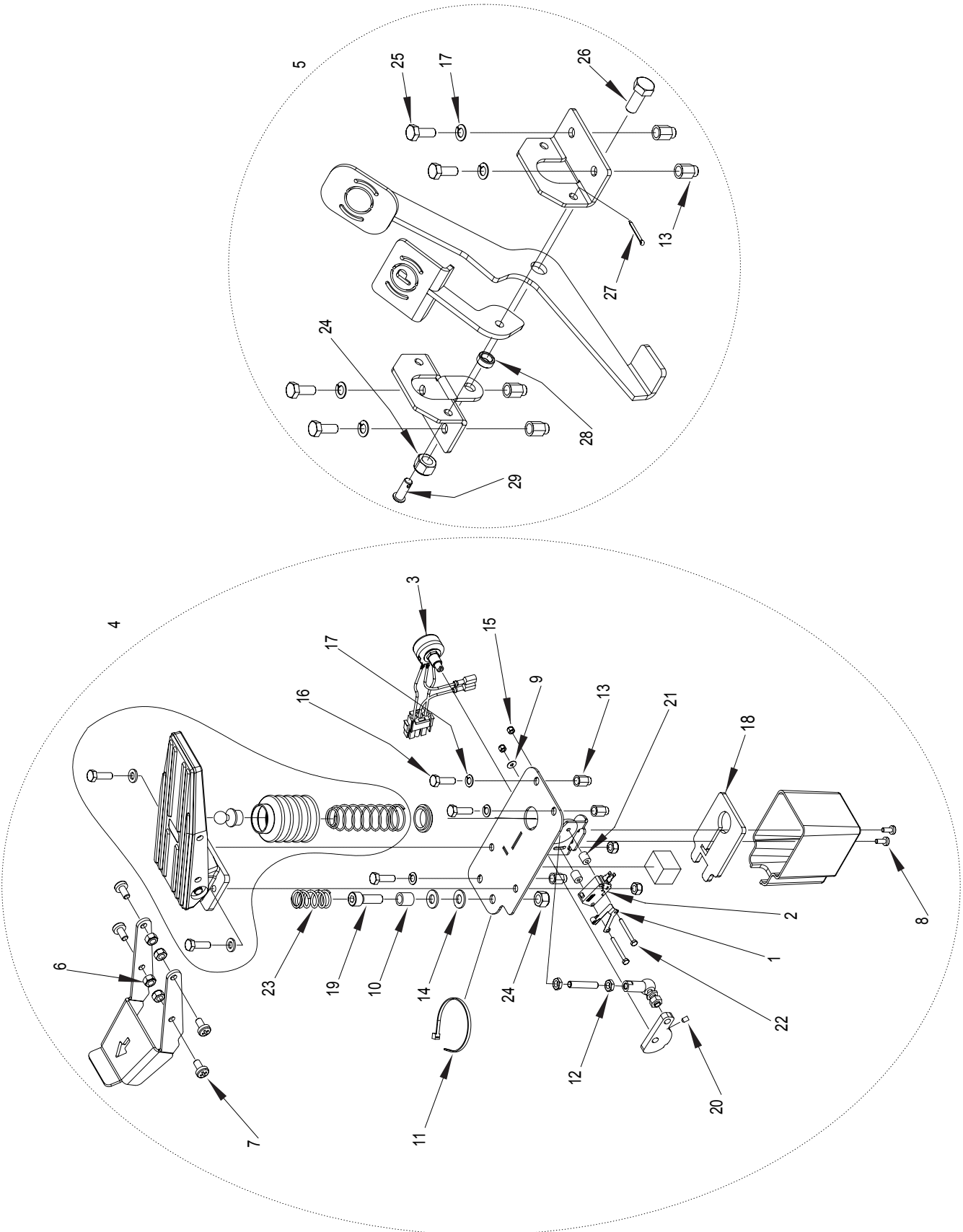




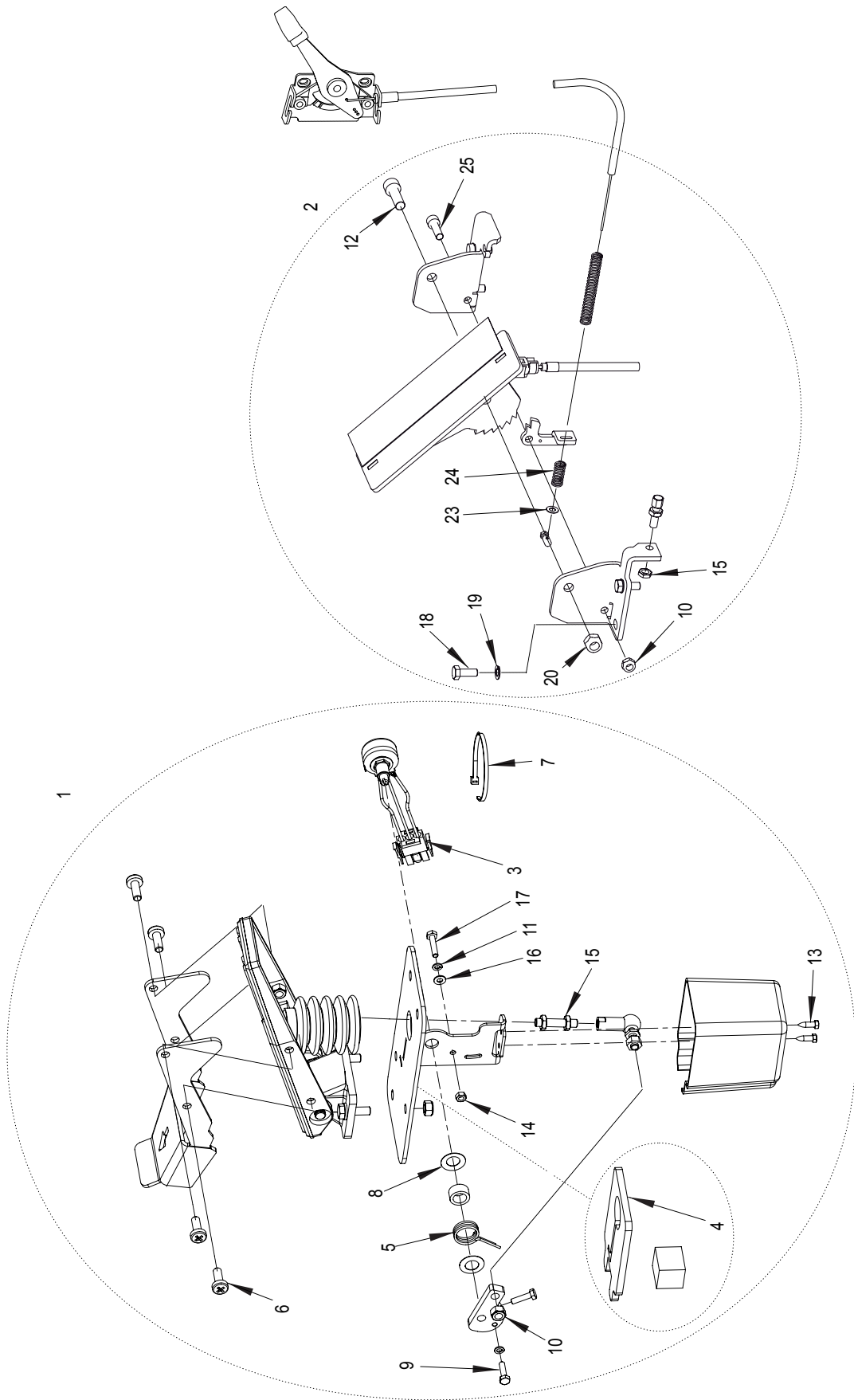
Item No.	Ref. No.	Qty	Description
1	xxxxxxx	2	Nut sel ocking M8 (Drive System Hardware Kit)
2	xxx xxxx xx	2	Screw M8x12 (Drive System Hardware Kit)
3	909 5896 000	1	Clamp
4	xxx xxxx xxx	1	Nut sel ocking M18 (Drive System Hardware Kit)
5	xxx xxxx xxx	2	Spacer (Drive System Hardware Kit)
6	145 2529 000	1	Tension rod M6x55
7	xxx xxxx xxx	2	Washersplit M8 (Drive System Hardware Kit)
8	146 2166 000	1	Reduction gear motor cpl 24V/400W
9	xxx xxxx xxx	2	Screw M8x25 (Drive System Hardware Kit)
10	xxx xxxx xxx	1	Washer at M6x24 (Drive System Hardware Kit)
11	xxxxxxx	1	Nut M6 (Drive System Hardware Kit)
12	xxx xxxx xxx	5	Washer split 6 (Drive System Hardware Kit)
13	xxxxxxx	1	Washer at 6x18 (Drive System Hardware Kit)
14	xxx xxxx xxx	1	Key 6x6x20 (Drive System Hardware Kit)
15	xxx xxxx xxx	1	Spacer (Drive System Hardware Kit)
16	146 1926 000	1	Front wheel support
17	146 1927 000	1	Bracket
18	146 1928 000	1	Gasket
19	146 1929 000	1	Sheath
20	xxx xxxx xxx	1	Greaser nipple M6 (Drive System Hardware Kit)
21	146 2867 000	1	Front wheel
22	145 4691 000	1	Ball bearing
23	145 0225 000	1	Ball bearing
24	145 2574 000	1	Spacer
25	145 2575 000	1	Spacer
26	145 0221 000	1	Pinion
27	145 2713 000	1	Chain
28	145 9604 000	1	Link
29	145 0222 000	1	Chain
30	145 2576 000	1	Pin
31	145 8066 000	1	Front wheel brake
32	xxx xxxx xxx	6	Screw M6x14 (Drive System Hardware Kit)
33	145 4535 000	1	Fork M6
34	145 4536 000	1	Clips M6
35	145 9409 000	1	Fork M6
36	145 9410 000	1	Clip M6
37	145 8360 000	4	Carbon brush
38	xxxxxxx	1	Nut hex. sel ocking low M6
[39]	146 2229 000	1	Drive System Hardware Kit (41,42,43,44,45,46,47,48 - page 15 + 1,2,4,5,7,9,10,11,12,13,14,15,20,32,38)



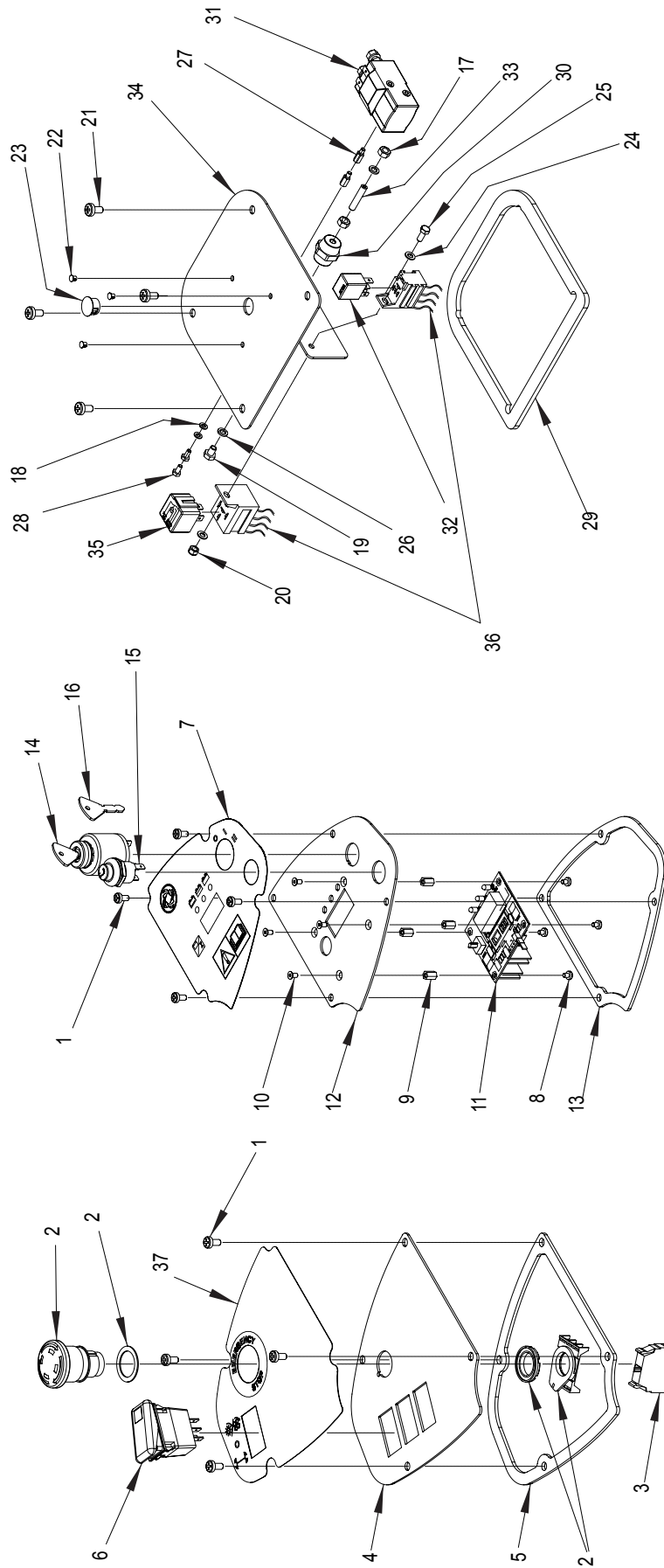
Item No.	Ref. No.	Qty	Description
1	xxx xxxx xx	2	Screw m8x12 (Drive System Hardware Kit)
2	xxx xxxx xxx	1	Nut sel ocking M18 (Drive System Hardware Kit)
3	xxx xxxx xxx	2	Washer (Drive System Hardware Kit)
4	145 1935 000	1	Spring
5	xxx xxxx xxx	1	Screw hex hd M5x16 (Drive System Hardware Kit)
6	xxx xxxx xxx	1	Washer (Drive System Hardware Kit)
7	xxx xxxx xxx	15	Washer split 8 (Drive System Hardware Kit)
8	xxx xxxx xxx	1	Nut ring sel ocking (Drive System Hardware Kit)
9	146 2166 000	1	Motor gearbox 24v/400w
10	xxx xxxx xxx	4	Screw hex hd M8x25 (Drive System Hardware Kit)
11	xxx xxxx xxx	13	Washer at 8x17 (Drive System Hardware Kit)
12	xxx xxxx xxx	1	Washer at 6x24 (Drive System Hardware Kit)
13	xxx xxxx xxx	5	Washer split 6 (Drive System Hardware Kit)
14	xxxxxxx	1	Washer at 6x18 (Drive System Hardware Kit)
15	xxx xxxx xxx	1	Washer at 4x12 (Drive System Hardware Kit)
16	xxxxxxx	9	Screw hex hd M8x30 (Drive System Hardware Kit)
17	xxx xxxx xxx	1	Key (Drive System Hardware Kit)
18	xxx xxxx xxx	1	Spacer (Drive System Hardware Kit)
19	146 1929 000	1	Sheath
20	xxx xxxx xxx	6	Screw hex hd 6x14 (Drive System Hardware Kit)
21	146 2417 000	1	Clamp i.D.10
22	146 2867 000	1	Front wheel
23	146 2934 000	1	Wheel support weldt
24	146 2935 000	1	Steering gear
25	146 2936 000	1	Chain, 3/8" - 69 links close
26	146 2937 000	2	Steering gear spacer
27	146 2938 000	1	Wheel support plate
28	909 5896 000	1	Hose clamp
29	145 0225 000	2	Ball bearing
30	145 2568 000	1	Bearing housing
31	145 2574 000	1	Spacer
32	145 2575 000	1	Spacer
33	145 0221 000	1	Pinion
34	145 0222 000	1	Chain
35	145 9366 000	1	Cable clamp
36	145 2576 000	1	Pin
37	145 8066 000	1	Front wheel brake
38	145 9604 000	1	Link
39	146 8360 000	4	Carbon brush
[40]	146 3098 000	1	Drive System Hardware Kit (1,2,3,5,6,7,8,10,11,12,13,14,15,16,17,18,20)



Item No.	Ref. No.	Qty	Description
1#	L08812377	1	Contact for microswitch (see SPEED CONTROL PEDAL KIT)
2#	L08812580	1	Microswitch 16A 250V (see SPEED CONTROL PEDAL KIT)
3	146 2480 000	1	Potentiometer (see SPEED CONTROL PEDAL KIT)
4	146 2570 000	1	Speed control pedal kit (1, 2, 3)
5	146 2122 000	1	Brake pedal kit (13,17,24,25,26,27,28,29)
6	xxxxxxx	6	Nut self locking low M6 (Pedal assemblies Hardware Kit)
7	xxxxxxx	4	Screw cyl hd M6x12 (Pedal assemblies Hardware Kit)
8	xxxxxxx	2	Screw pan hd phil M4x10 (Pedal assemblies Hardware Kit)
9	xxxxxxx	1	Washer at 3x9 SS (Pedal assemblies Hardware Kit)
10	xxxxxxx	1	Bushing (Pedal assemblies Hardware Kit)
11	xxx xxxx xxx	1	Clamp (Pedal assemblies Hardware Kit)
12	xxx xxxx xxx	2	Nut hex low M6 (Pedal assemblies Hardware Kit)
13	xxx xxxx xxx	7	Insert M6 (Pedal assemblies Hardware Kit)
14	xxx xxxx xxx	2	Washer at 8x17 (Pedal assemblies Hardware Kit)
15	xxx xxxx xxx	2	Nut hex self locking M3 (Pedal assemblies Hardware Kit)
16	xxx xxxx xxx	3	Screw hex hd M6x20 (Pedal assemblies Hardware Kit)
17	xxx xxxx xxx	7	Washer split 6 (Pedal assemblies Hardware Kit)
18	xxx xxxx xxx	1	Pedal gasket (Pedal assemblies Hardware Kit)
19	xxx xxxx xxx	1	Screw M8x25 (Pedal assemblies Hardware Kit)
20	xxx xxxx xxx	1	Dowel (Pedal assemblies Hardware Kit)
21	xxx xxxx xxx	2	Spacer (Pedal assemblies Hardware Kit)
22	xxx xxxx xxx	2	Screw hex hd M3x30 (Pedal assemblies Hardware Kit)
23	xxx xxxx xxx	1	Spring (Pedal assemblies Hardware Kit)
24	xxxxxxx	2	Nut hex low sel ocking M8 (Pedal assemblies Hardware Kit)
25	xxx xxxx xxx	4	Screw hex hd M6x16 (Pedal assemblies Hardware Kit)
26	xxx xxxx xxx	1	Screw hex hd M8x20 (Pedal assemblies Hardware Kit)
27	xxx xxxx xxx	1	Split pin 2x15 (Pedal assemblies Hardware Kit)
28	xxx xxxx xxx	1	Spacer (Pedal assemblies Hardware Kit)
29	xxx xxxx xxx	1	Pin (Pedal assemblies Hardware Kit)
[30]	146 2234 000	1	Pedal assemblies Hardware Kit (6,7,8,9,10,11,12,13,14,15,16,17,18,19,20,21,22,23,24,25,26,27,28,29)

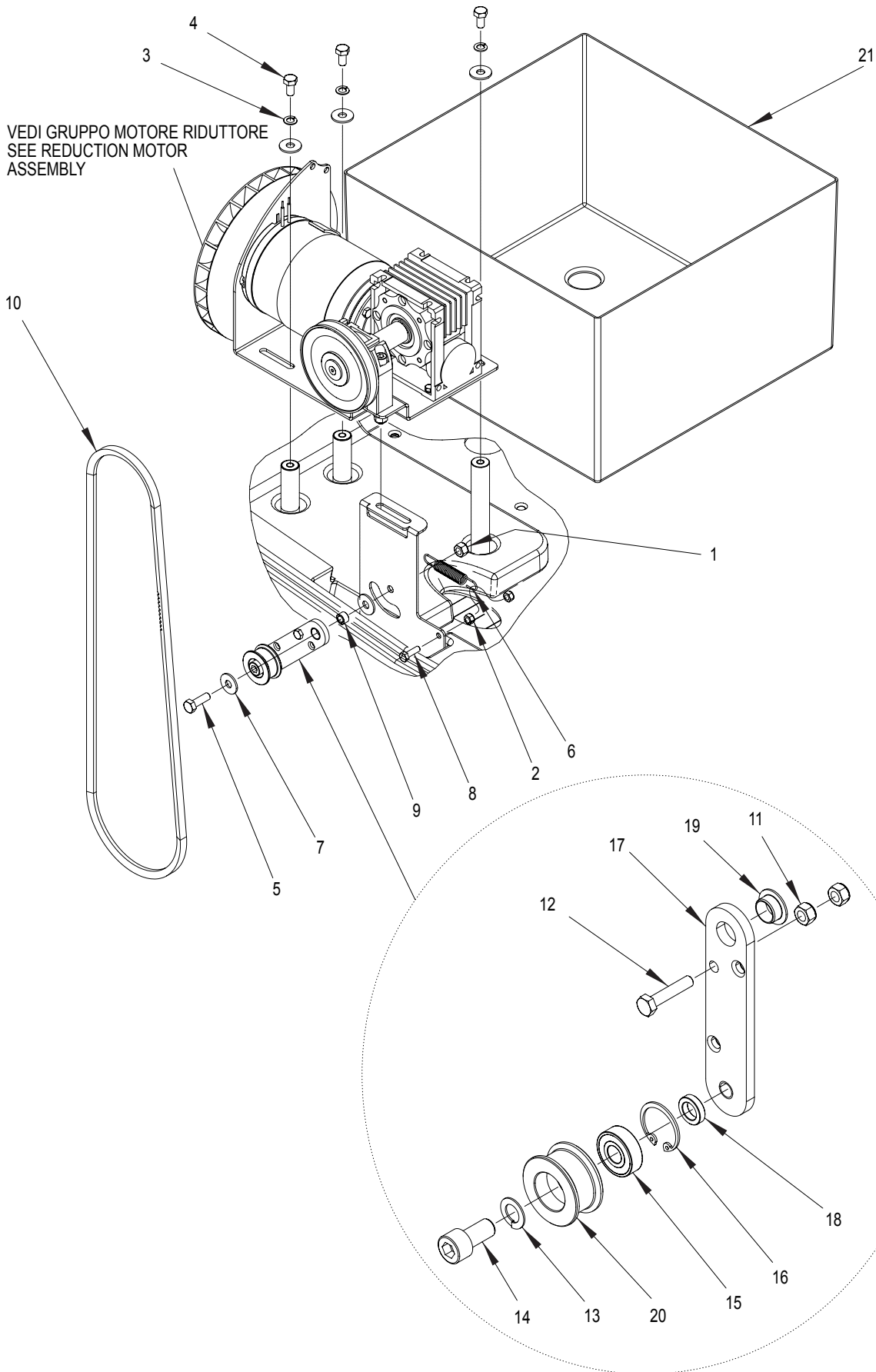


Item No.	Ref. No.	Qty	Description
1	146 2952 000	1	Speed control pedal kit (3)
2	146 3120 000	1	Brake pedal kit (12,18,19,20,21,22,23,24,25,26)
3	146 2480 000	1	Harness drive pedal (see SPEED CONTROL PEDAL KIT)
4	xxx xxxx xxx	1	Pedal gasket (Pedal assemblies Hardware Kit)
5	xxx xxxx xxx	1	Pedal spring 1.5 (Pedal assemblies Hardware Kit)
6	xxxxxxxx	4	Screw hex M6x16 (Pedal assemblies Hardware Kit)
7	xxx xxxx xxx	1	Tie, cable 2,9x130 (Pedal assemblies Hardware Kit)
8	xxx xxxx xxx	2	Washer, belleville (Pedal assemblies Hardware Kit)
9	xxx xxxx xxx	2	Screw, hex thd to hd M4x16 (Pedal assemblies Hardware Kit)
10	xxx xxxx xxx	8	Nut hex self lock low M6 (Pedal assemblies Hardware Kit)
11	xxx xxxx xxx	2	Helical spring lock washer (Pedal assemblies Hardware Kit)
12	xxx xxxx xxx	1	Screw hex M8x25 (Pedal assemblies Hardware Kit)
13	xxx xxxx xxx	2	Screw hex thd form (Pedal assemblies Hardware Kit)
14	xxxxxxxx	1	Nut hex M4 (Pedal assemblies Hardware Kit)
15	xxx xxxx xxx	3	Nut hex low M6 (Pedal assemblies Hardware Kit)
16	xxx xxxx xxx	1	Washer at 4.3x9.0 (Pedal assemblies Hardware Kit)
17	xxx xxxx xxx	1	Screw hex thd to hd M4x20 (Pedal assemblies Hardware Kit)
18	xxx xxxx xxx	4	Screw hex thd to hd M6x16 (Pedal assemblies Hardware Kit)
19	xxx xxxx xxx	4	Helical spring lock washer (Pedal assemblies Hardware Kit)
20	xxxxxxxx	1	Nut hex self lock low M8 (Pedal assemblies Hardware Kit)
21	xxx xxxx xxx	1	Washer at 5x10 (Pedal assemblies Hardware Kit)
22	xxx xxxx xxx	1	Parking brake spring (Pedal assemblies Hardware Kit)
23	xxx xxxx xxx	1	Screw hex M6x20 (Pedal assemblies Hardware Kit)
[24]	146 3099 000	1	Pedal assemblies Hardware Kit (4,5,6,7,8,9,10,11,12,13,14,15,16,17,18,19,20,21,22,23)

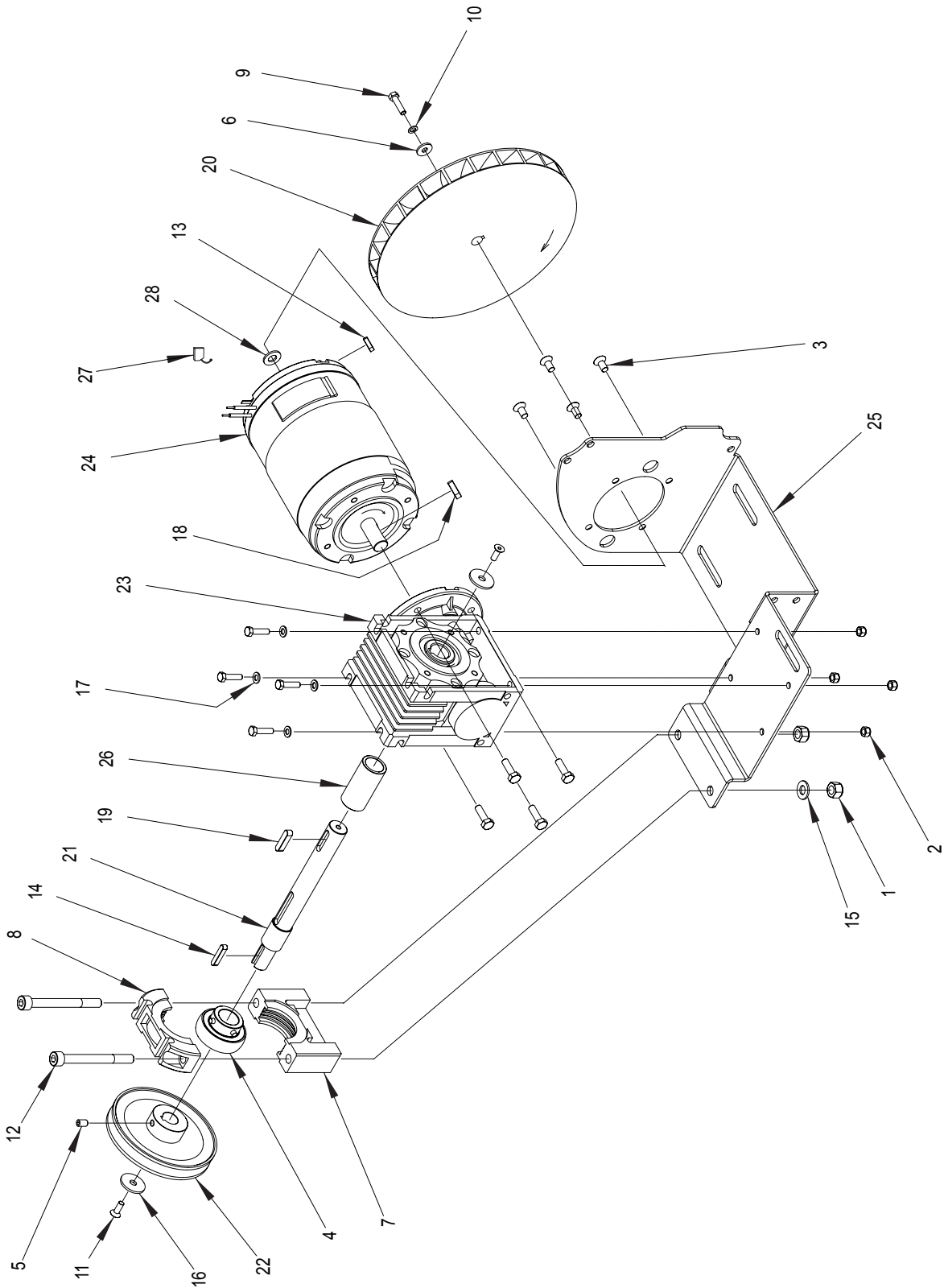




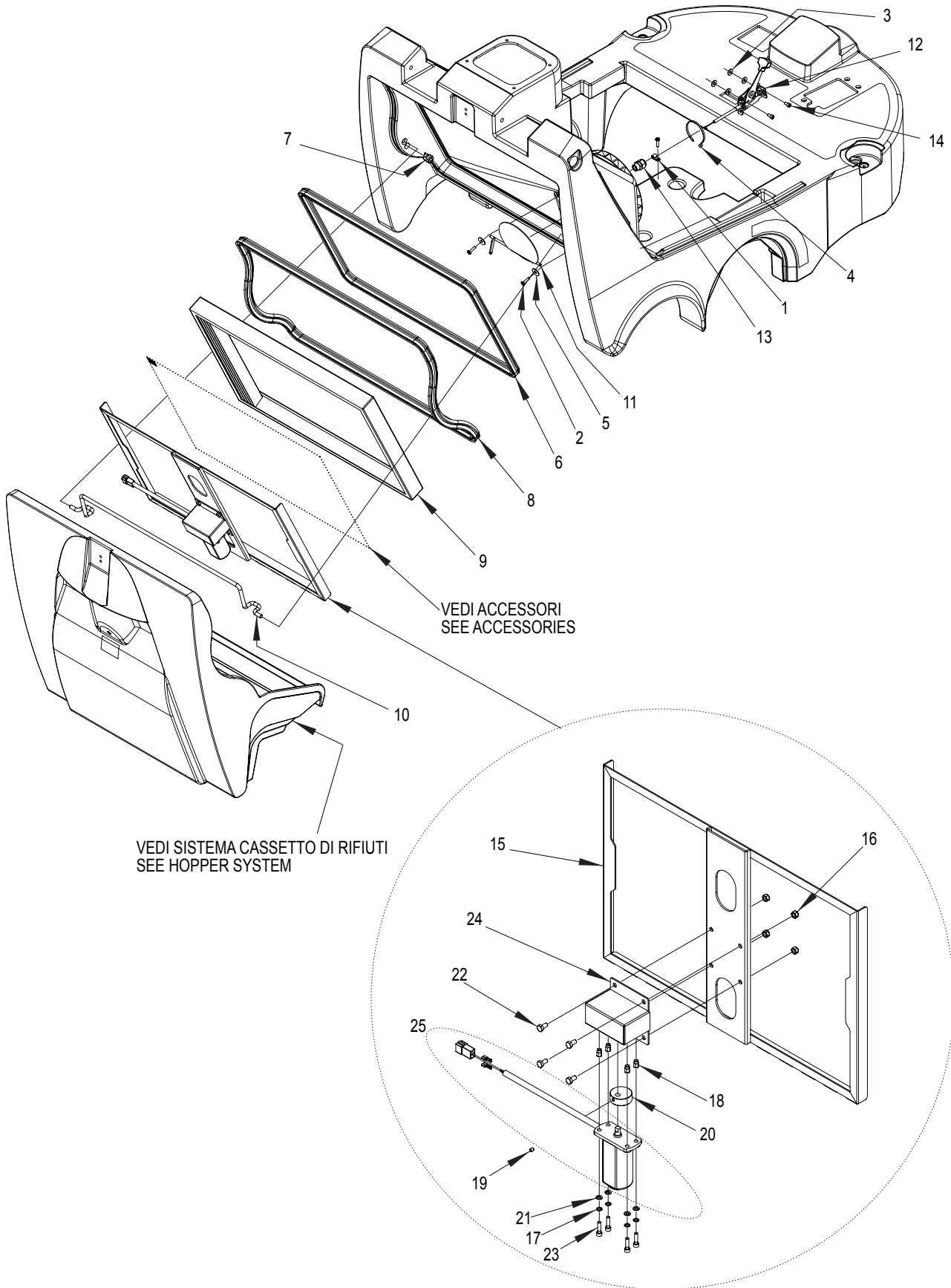
Item No.	Ref. No.	Qty	Description
1	xxxxxxx	8	Screw M5x10 (Control panel systems Hardware Kit)
2	146 1727 000	1	Emergency switch
3	146 1728 000	1	Red contact
4	146 1930 000	1	Left control panel
5	146 1932 000	1	Control panel left gasket
6	146 1935 000	1	Switch
7	146 1882 000	1	Control panel right decal
8	xxxxxxx	4	Screw cy hd M4x5 (Control panel systems Hardware Kit)
9	xxx xxxx xxx	4	Spacer (Control panel systems Hardware Kit)
10	xxx xxxx xxx	4	Screw M4x8 (Control panel systems Hardware Kit)
11	146 1721 000	1	Display electronic board
12	146 1931 000	1	Right control panel
13	146 1933 000	1	Control panel right gasket
14	145 9373 000	1	Starter switch
15	145 9678 000	1	Horn
16	146 0073 00	1	Key
17	xxxxxxx	2	Nut M6 (Control panel systems Hardware Kit)
18	xxxxxxx	2	Washer Ø4 (Control panel systems Hardware Kit)
19	xxxxxxx	1	Screw hex hd M6x8 (Control panel systems Hardware Kit)
20	xxxxxxx	1	Nut sel ocking M5 (Control panel systems Hardware Kit)
21	xxxxxxx	4	Screw M6x12 (Control panel systems Hardware Kit)
22	xxx xxxx xxx	3	Cap (Control panel systems Hardware Kit)
23	145 8008 000	1	Cap
24	xxx xxxx xxx	2	Washer at 5x10 (Control panel systems Hardware Kit)
25	xxx xxxx xxx	1	Screw M5x12 (Control panel systems Hardware Kit)
26	xxx xxxx xxx	2	Washer Ø6 (Control panel systems Hardware Kit)
27	xxx xxxx xxx	2	Spacer (Control panel systems Hardware Kit)
28	xxx xxxx xxx	2	Screw M4x8 (Control panel systems Hardware Kit)
29	146 0697 000	1	Gasket
30	146 0708 000	1	Insulator M6 white
31	146 0719 000	1	Electromagnetic switch 24V
32	146 1646 000	1	Relay 24V
33	146 1678 000	1	Dowel
34	146 1936 000	1	Control panel
35	145 3712 000	1	Relay 24V
36	146 1903 000	1	Rear panel harness
37	146 1883 000	1	Control panel left decal
[38]	146 1902 000	1	Control panel harness
[39]	146 2230 000	1	Control panel systems Hardware Kit (1,8,9,10,17,18,19,20,21,22,24,25,26,27,28)



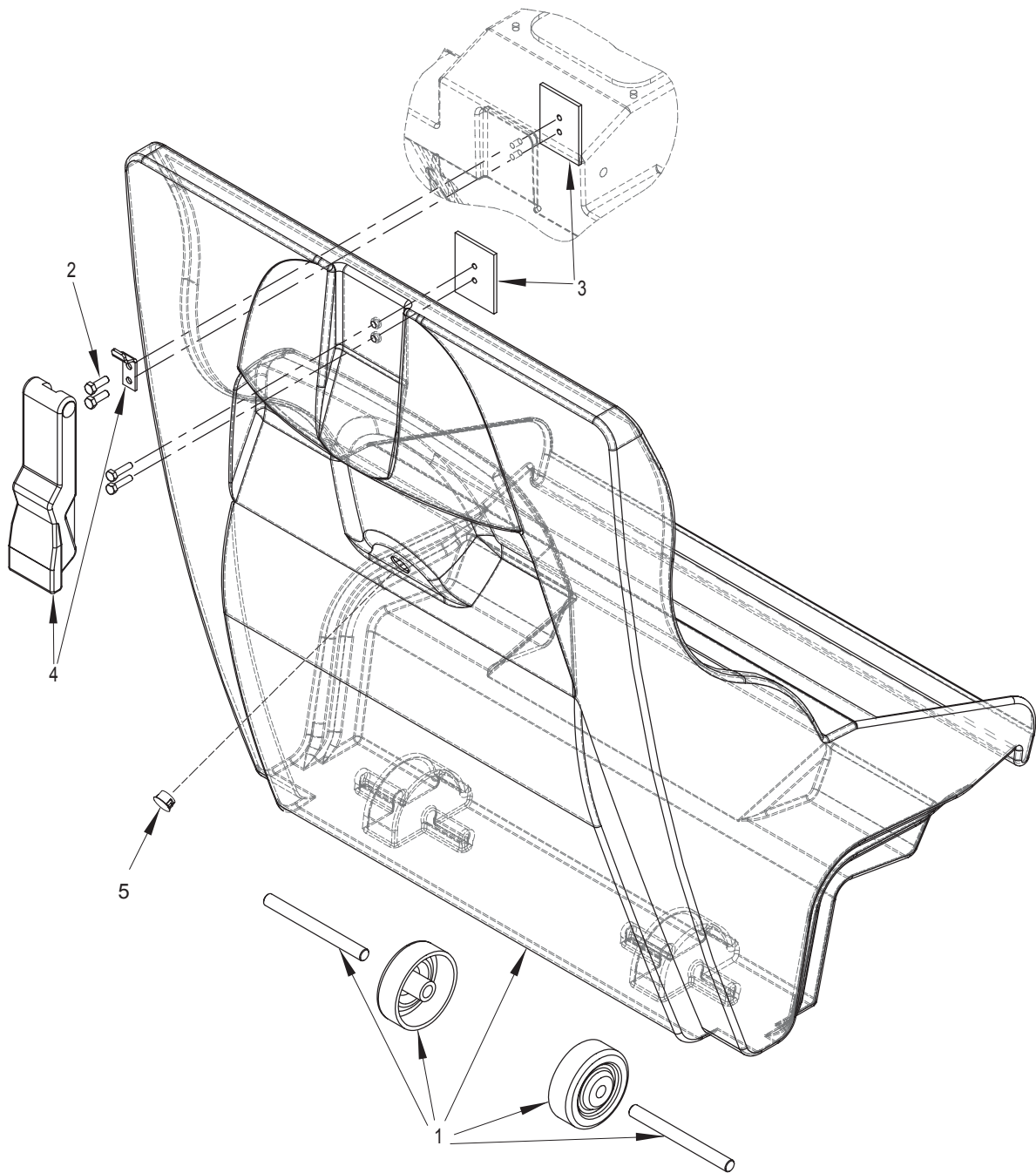
Item No.	Ref. No.	Qty	Description
1	xxxxxxx	1	Nut self locking M8 (Transmission System Hardware Kit)
2	xxxxxxx	2	Nut self locking M6 (Transmission System Hardware Kit)
3	xxx xxxx xxx	3	Washer split 8 (Transmission System Hardware Kit)
4	xxx xxxx xxx	3	Screw M8x16 (Transmission System Hardware Kit)
5	xxx xxxx xxx	1	Screw M8x25 (Transmission System Hardware Kit)
6	145 9184 000	1	Belt tensioner spring
7	xxx xxxx xxx	5	Washer flat 8x24 (Transmission System Hardware Kit)
8	xxx xxxx xxx	1	Screw M6x20 (Transmission System Hardware Kit)
9	xxx xxxx xxx	1	Spacer (Transmission System Hardware Kit)
10	146 1917 000	1	Belt
11	xxxxxxx	2	Nut self locking M6 (Transmission System Hardware Kit)
12	xxx xxxx xx	1	Screw M6x30 (Transmission System Hardware Kit)
13	xxx xxxx xxx	1	Washer split 10 (Transmission System Hardware Kit)
14	xxx xxxx xxx	1	Screw M10x20 (Transmission System Hardware Kit)
15	xxx xxxx xxx	1	Ball bearing (Transmission System Hardware Kit)
16	xxx xxxx xxx	1	Retaining ring (Transmission System Hardware Kit)
17	xxx xxxx xxx	1	Belt tensioner arm (Transmission System Hardware Kit)
18	xxx xxxx xxx	1	Spacer (Transmission System Hardware Kit)
19	xxx xxxx xxx	1	Bearing with flange (Transmission System Hardware Kit)
20	xxx xxxx xxx	1	Belt tensioner roller (Transmission System Hardware Kit)
21	146 1684 000	1	Battery container
[22]	146 2231 000	1	Transmission System Hardware Kit (1,2,3,4,5,7,8,9,11,12,13,14,15,16,17,18,19,20)



Item No.	Ref. No.	Qty	Description
1	xxxxxxx	2	Nut self locking M8 (Reduction motor Hardware Kit)
2	xxxxxxx	4	Nut self locking M5 (Reduction motor Hardware Kit)
3	xxx xxxx xx	4	Screw M6x12 (Reduction motor Hardware Kit)
4	145 1123 000	1	Ball bearing
5	xxx xxxx xxx	1	Dowel (Reduction motor Hardware Kit)
6	xxx xxxx xxx	1	Washer flat 5x15 (Reduction motor Hardware Kit)
7	145 1976 000	1	Bearing low support
8	145 1977 000	1	Bearing upper support
9	xxx xxxx xxx	5	Screw M5x20 (Reduction motor Hardware Kit)
10	xxx xxxx xxx	1	Washer split 5 (Reduction motor Hardware Kit)
11	xxx xxxx xxx	2	Screw M5x14 (Reduction motor Hardware Kit)
12	xxx xxxx xxx	2	Screw M8x80 (Reduction motor Hardware Kit)
13	xxx xxxx xxx	1	Key (Reduction motor Hardware Kit)
14	xxx xxxx xxx	1	Key (Reduction motor Hardware Kit)
15	xxx xxxx xxx	1	Washer flat M8x17 (Reduction motor Hardware Kit)
16	xxx xxxx xxx	2	Washer flat M6x24 (Reduction motor Hardware Kit)
17	xxx xxxx xxx	4	Washer flat M5x10 (Reduction motor Hardware Kit)
18	xxx xxxx xxx	1	Key (Reduction motor Hardware Kit)
19	xxx xxxx xxx	1	Key (Reduction motor Hardware Kit)
20	146 0537 000	1	Fan
21	146 0540 000	1	Transmission shaft
22	146 1921 000	1	Pulley
23	146 1922 000	1	Reduction gear complete
24	146 1923 000	1	Electric motor 24V 600W
25	146 1924 000	1	Supporting plate
26	146 1925 000	1	Spacer
27	145 5042 000	4	Carbon brush
28	146 2814 000	1	Washer
[29]	146 2232 000	1	Reduction motor Hardware Kit (1,2,3,5,6,9,10,11,12,13,14,15,16,17,18,19)



Item No.	Ref. No.	Qty	Description
1	xxxxxxx	1	Clamp grey (Dust control System Hardware Kit)
2	xxxxxxx	3	Screw M4.6x19.2 (Dust control System Hardware Kit)
3	xxx xxxx xxx	4	Washer at 5x15 (Dust control System Hardware Kit)
4	xxx xxxx xxx	1	Clamp (Dust control System Hardware Kit)
5	xxx xxxx xxx	2	Washer at 5x20 (Dust control System Hardware Kit)
6	146 0630 000	1	Hopper gasket
7	146 0661 000	1	Grommet
8	146 0741 000	1	Hopper gasket
9	146 1888 000	1	Paper lter
<b>9</b>	<b>146 1988 000*</b>	<b>1</b>	<b>Polyester filter</b>
<b>9</b>	<b>146 1989 000*</b>	<b>1</b>	<b>Antistatic polyester filter</b>
10	146 1889 000	1	Hook lter
11	146 1890 000	1	Throttle valve
12	146 1891 000	1	Cable
13	146 1892 000	1	Clamp cable
14	xxx xxxx xxx	2	Screw M5x10 (Dust control System Hardware Kit)
15	146 1947 000	1	Filter frame
16	xxxxxxx	4	Nut sel ocking M6 (Dust control System Hardware Kit)
17	xxx xxxx xxx	4	Washer split 5 (Dust control System Hardware Kit)
18	xxx xxxx xxx	4	Insert hex 5 (Dust control System Hardware Kit)
19	xxx xxxx xxx	1	Dowel (Dust control System Hardware Kit)
20	145 8376 000	1	Cam
21	xxx xxxx xxx	4	Washer at M5x10 (Dust control System Hardware Kit)
22	xxx xxxx xxx	4	Screw M6x12 (Dust control System Hardware Kit)
23	xxx xxxx xxx	4	Screw M5x20 (Dust control System Hardware Kit)
24	146 0577 000	1	Bracket
25	146 2130 000	1	Filter shaker motor cpl 24V
26	146 1893 000	1	Pre- lter
[27]	146 2233 000	1	Dust control System Hardware Kit (1,2,3,4,5,14,16,17,18,19,21,22,23)





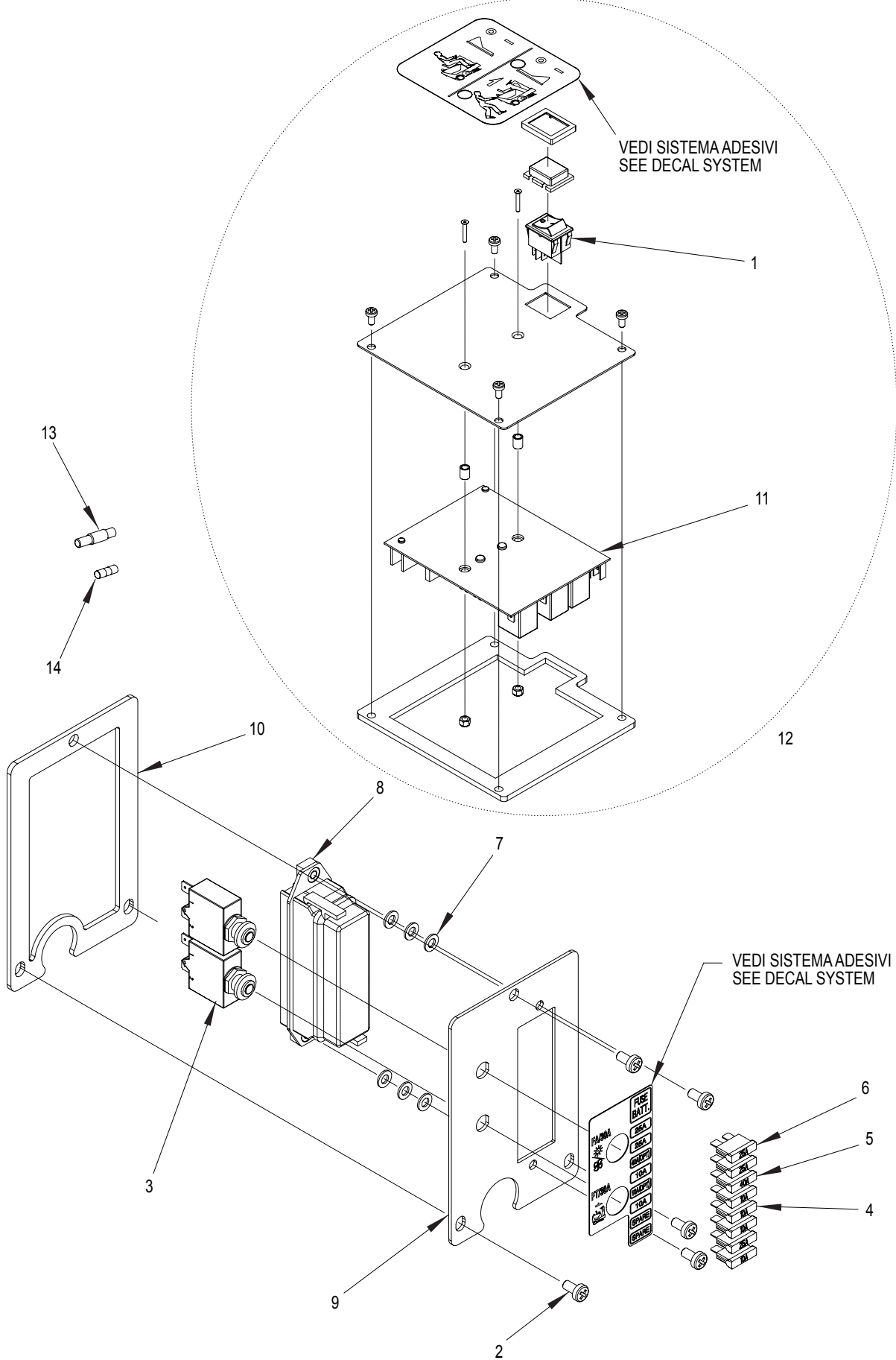
2004-08

**HOPPER SYSTEM**

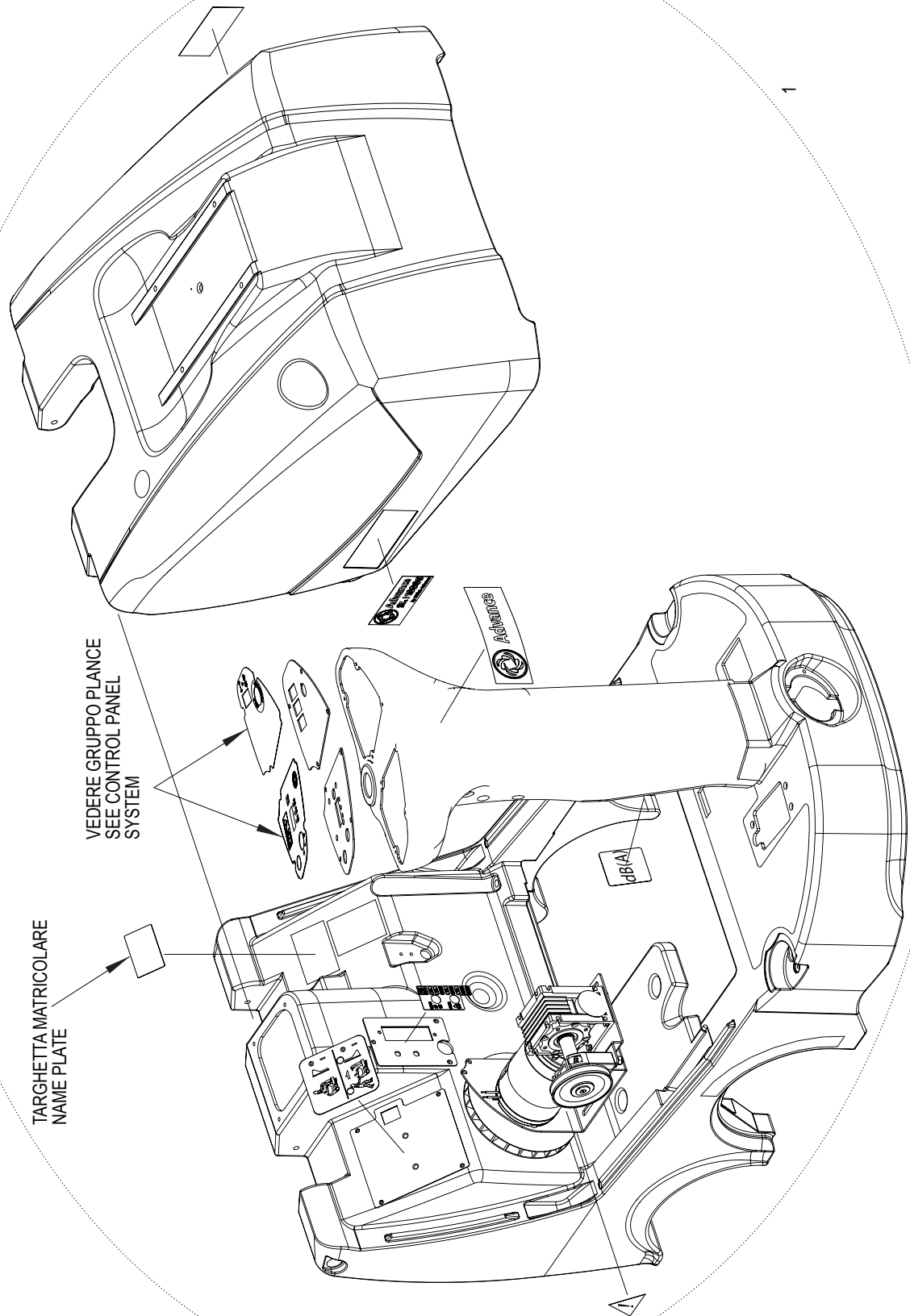
**Terra™ 3700B**

35

Item No.	Ref. No.	Qty	Description
1	146 0740 000	1	Hopper complete
2	145 4481 000	4	Screw
3	146 0562 000	2	Fixing plate
4	146 0520 000	1	Rubber hook
5	145 4259 000	1	Cap

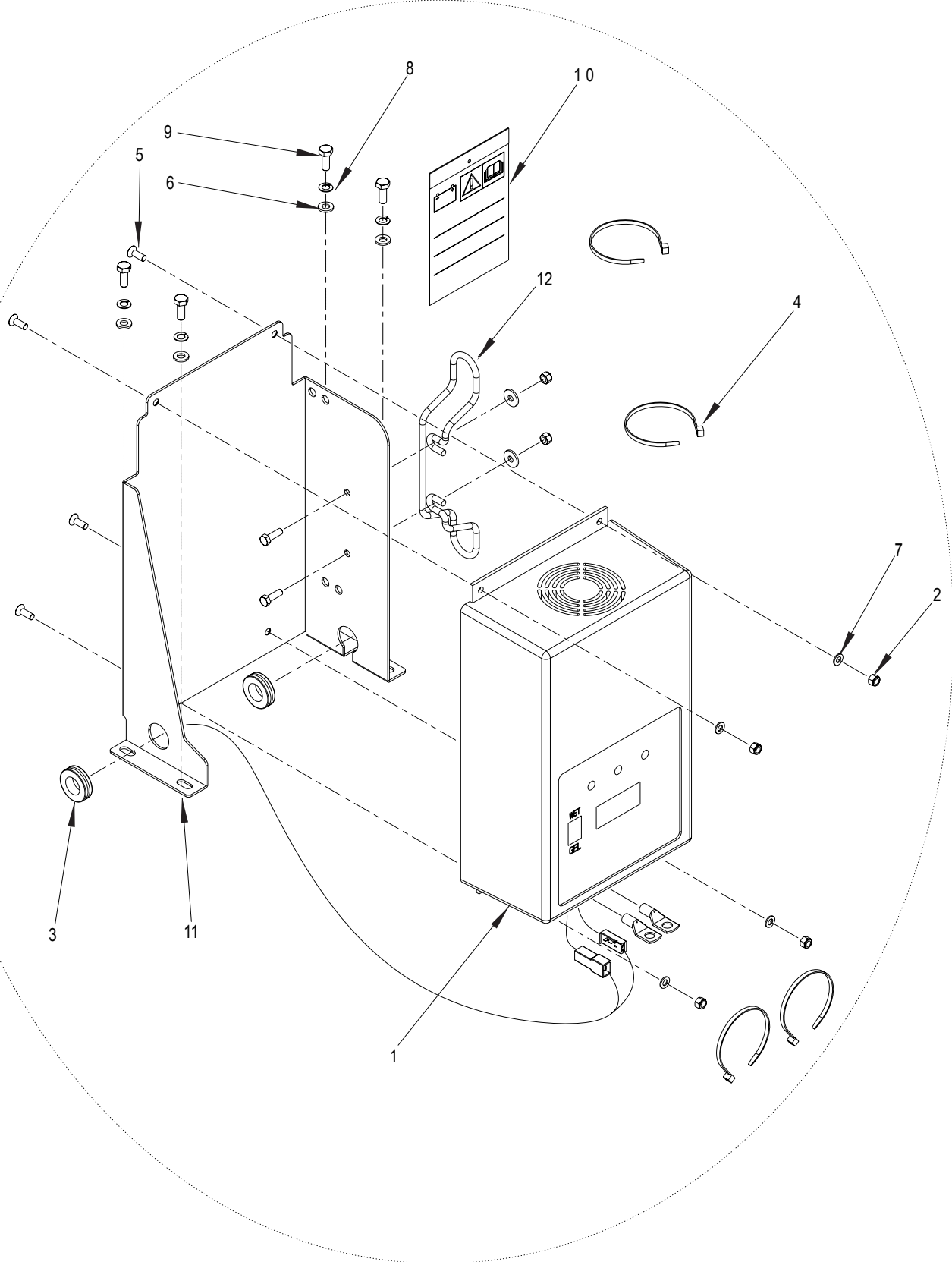


Item No.	Ref. No.	Qty	Description
1	56340197	1	Main switch 20 A 250 V (see ELECTRONIC DRIVE CARD KIT)
2	L08603041	4	Screw M5x10
3	909 5706 000	2	Circuit breaker 30A
4	146 0068 00	3	Fuse 10A
5	145 0227 000	1	Fuse 40A
6	145 8514 000	2	Fuse 25A
7	145 9133 000	6	Washer at M5x10
8	146 1170 000	1	Fuse holder 8 ways
9	146 1952 000	1	Electric components panel
10	146 1953 000	1	Gasket
11	146 2880 000	1	Electronic drive card (see ELECTRONIC DRIVE CARD KIT)
12	146 2135 000	1	Electronic drive card kit (1, 11)
13	146 2243 000	1	Electronic drive card fuse holder
14	145 8369 000	1	Drive card fuse 3A



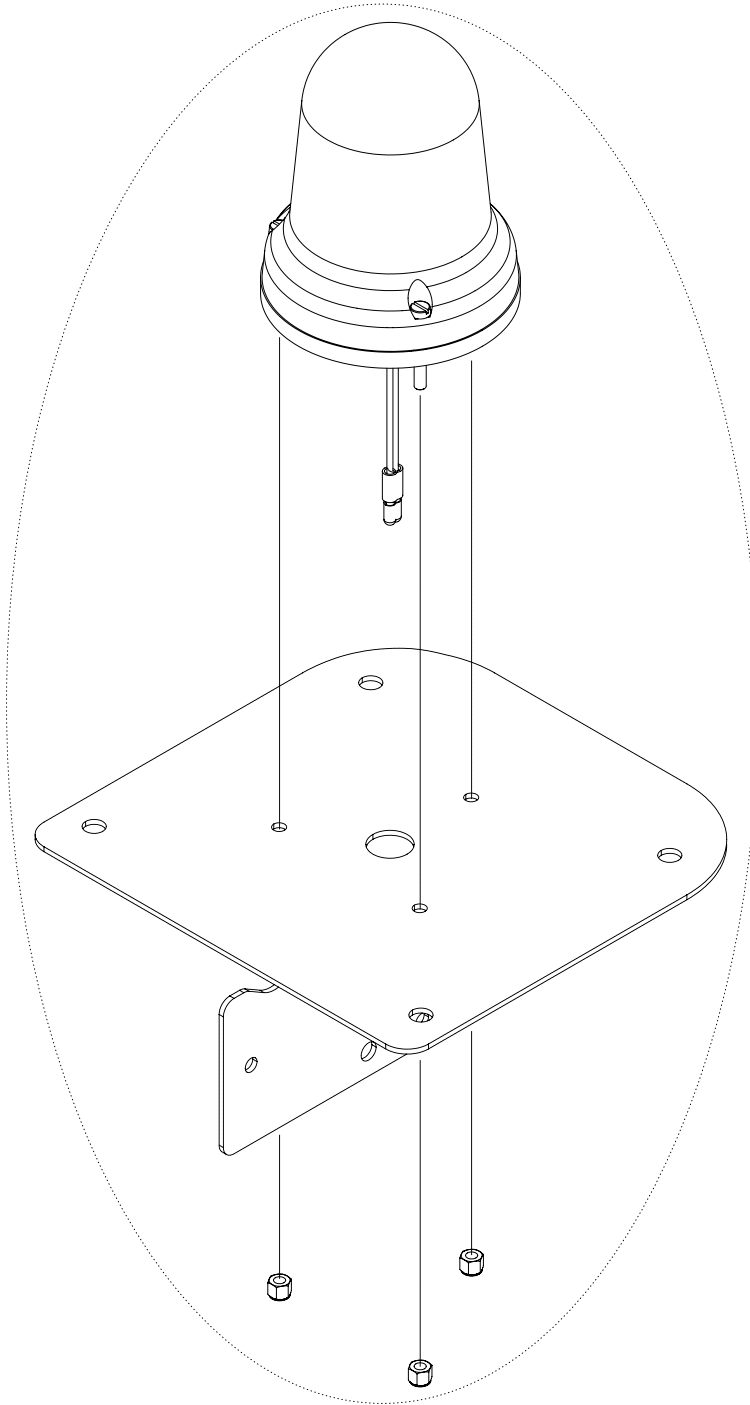
2004-08	DECALS			
	Terra™ 3700B			39

Item No.	Ref. No.	Qty	Description
1	146 2172 000	1	Kit decals



Item No.	Ref. No.	Qty	Description
1	146 2132 000	1	Battery charger cpl 110V
2#	L08603704	4	Nut hex self locking M5
3	145 1237 000	2	Chock Ø22
4	145 1449 000	4	Clamp 3.6x140
5	145 5065 000	4	Screw M5x14
6	145 9128 000	4	Washer at 6x12.5
7	145 9133 000	4	Washer at 5x10
8	145 9228 000	4	Washer split 6
9	145 9261 000	6	Screw hex. HD M6x16
10	146 0803 000	1	Battery charger instruction card
11	146 2311 000	1	Bracket
12	909 5149 000	1	Battery charger support
[13]	146 2141 000	1	Fuse 15A
[15]	146 2140 000	1	Electronic battery charger card
[15]	146 2143 000	1	Display card
[16]	146 2145 000	1	Cable
[17]	146 2142 000	1	Cooling fan
[18]	146 0801 000	1	WET/GEL switch

FLASHING BEACON KIT

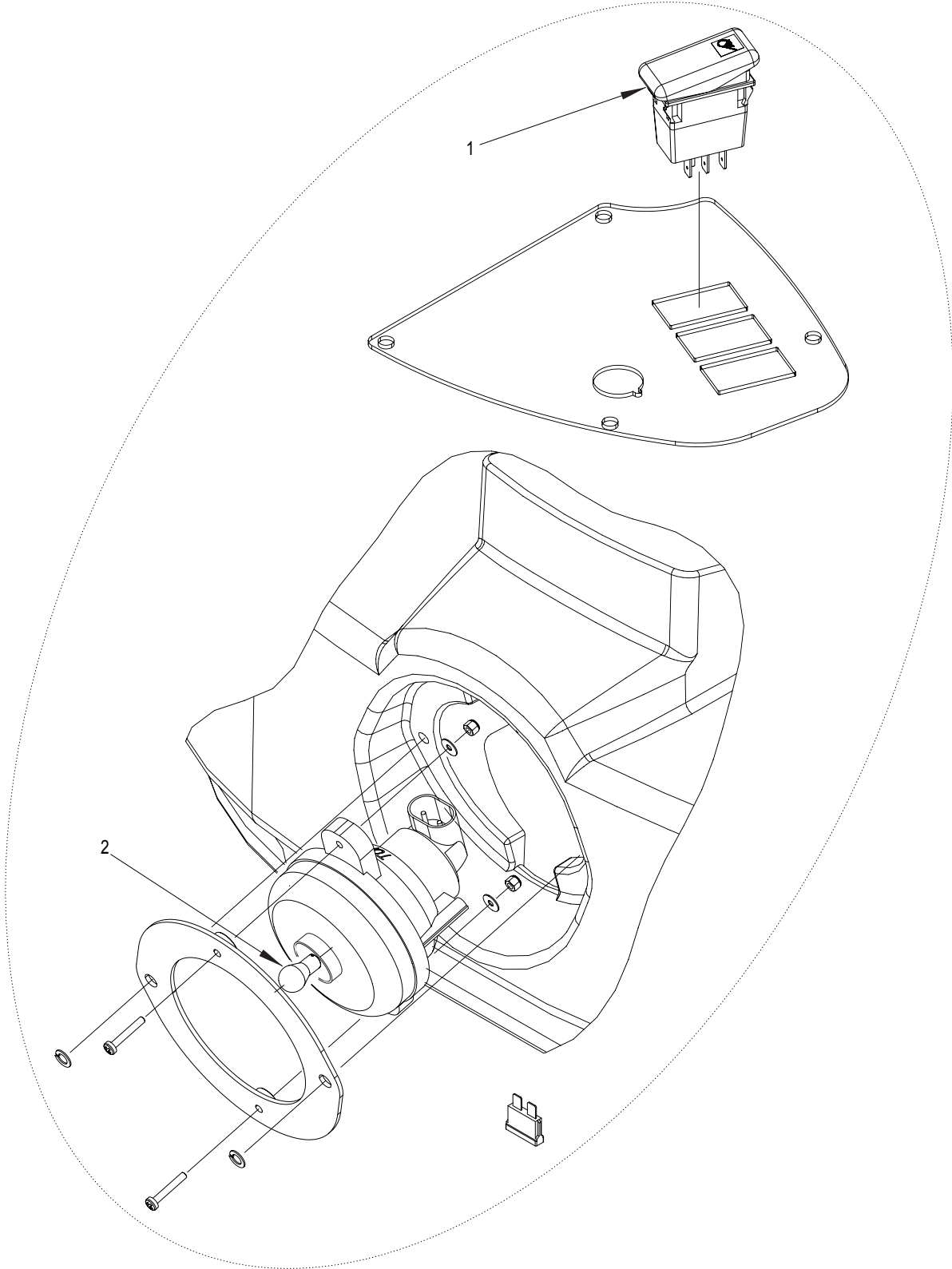




2004-08	ACCESSORIES			
	Terra™ 3700B			43

Item No.	Ref. No.	Qty	Description
	146 2051 000	1	Flashing beacon kit

WORKING LIGHT KIT



2004-08

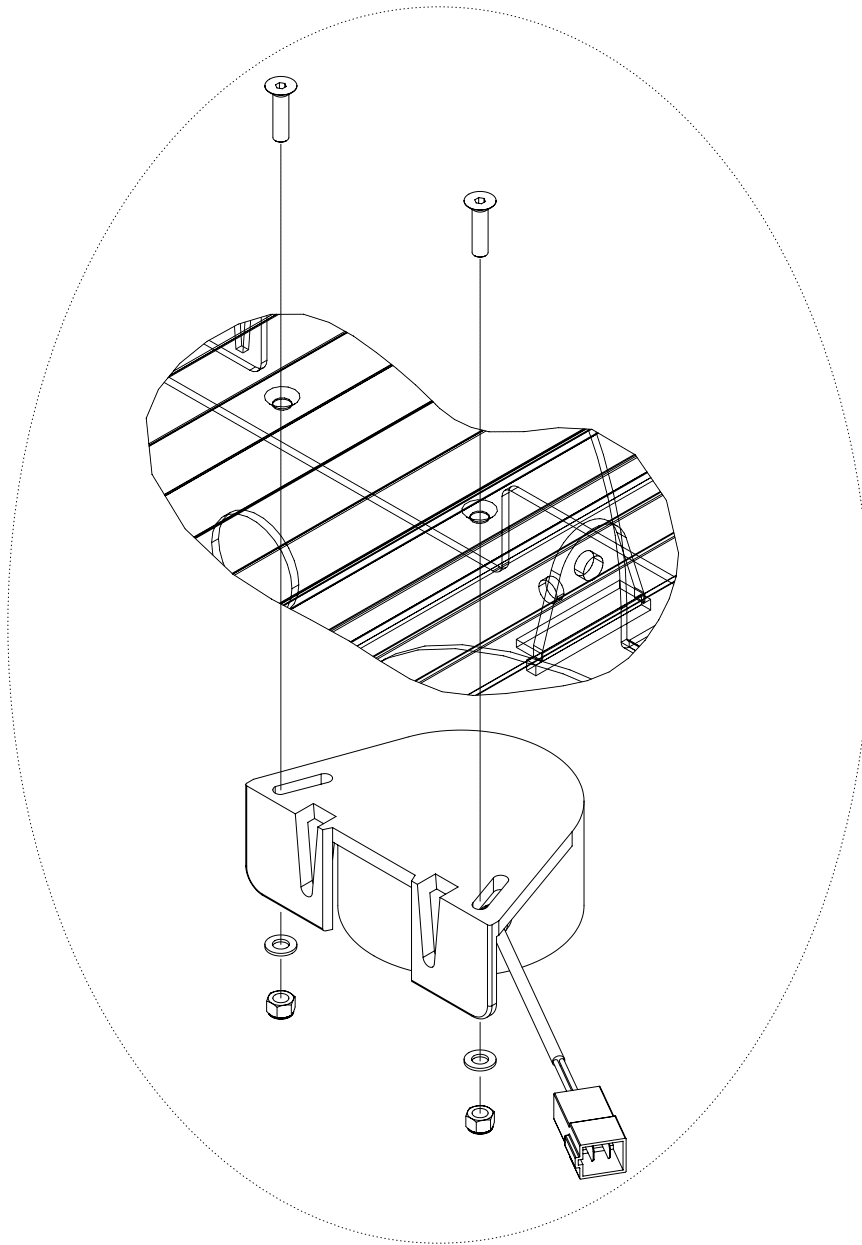
**ACCESSORIES**

**Terra™ 3700B**

45

Item No.	Ref. No.	Qty	Description
	146 2050 000	1	Working light kit
1	146 1974 000	1	Switch
2	145 5518 000	1	Lamp 24V

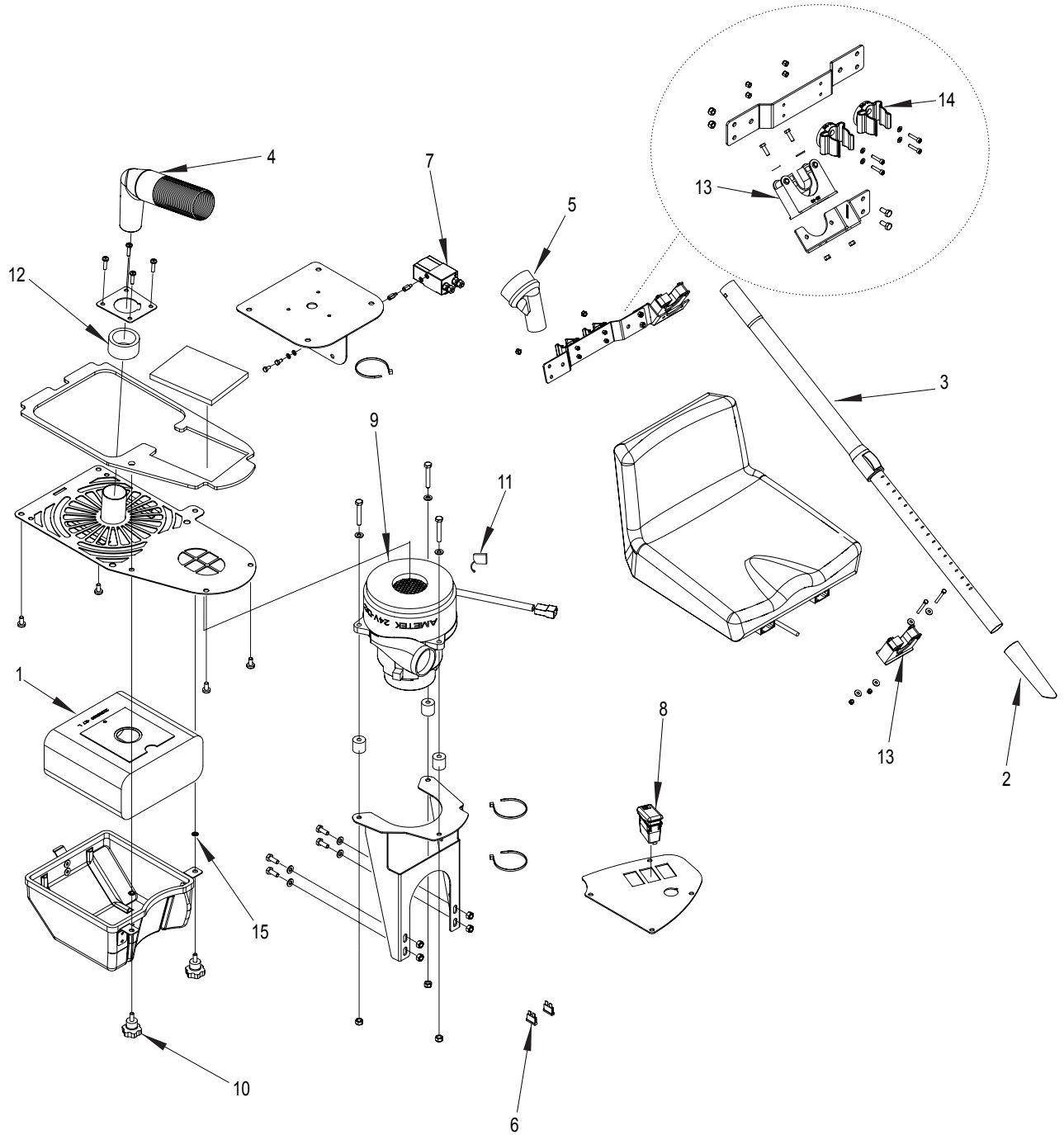
BACK UP ALARM KIT



2004-08	ACCESSORIES			
	Terra™ 3700B			47

Item No.	Ref. No.	Qty	Description
	146 2063 000	1	Back up alarm kit

VACUUM CLEANER KIT



Item No.	Ref. No.	Qty	Description
	146 2048 000	1	Vacuum cleaner kit
1	22380901	1	Dust bag
2	81140900	1	Nozzle exible
3	L011 8130 500	1	Telescopic tube alum.
4	140 5691 000	1	Pipe
5	140 8244 000	1	Brush nozzle
6	145 0227 000	2	Fuse 40A
7	146 0719 000	1	Electromagnetic switch
8	146 1973 000	1	Switch
9	146 2133 000	1	Vacuum motor cpl 24V
10	145 2244 000	2	Knob M6x15
11	909 5074 000	1	Carbon brush kit
12	146 1981 000	1	Gasket vacuum hose
13	146 2289 000	2	Clamp
14	146 2288 000	2	Clamp
15	146 2081 000	2	Washer retainer
[16]	146 2303 000	1	Hardware kit
[17]	146 2666 000	1	Installation instruction for vacuum cleaner kit

**RECOMMENDED SPARE PARTS**

**2004-08**

**50**

**Terra™ 3700B**

Item No.	Ref. No.	Qty	Description
<b>WEAR PARTS</b>			
1	146 1888 000	1	Paper lter
2	146 0743 000	1	Non marking rear skirt std
3	146 0756 000	1	Soft front skirt std
4	146 0587 000	2	Non marking side skirt std
5	146 0752 000	1	Main broom nylon std (Ø 245x600 bristle Ø = 0.7mm)
6	146 0678 000	2	Side broom nylon std (Ø 180x347 bristle Ø = 0.8mm)
7	145 8514 000	2	Fuse 25 A
8	145 0227 000	1	Fuse 40 A
9	146 0068 00	4	Fuse 10 A
10	145 8369 000	1	Drive card fuse 3A

**ORDINARY MAINTENANCE**

11	145 9184 000	1	Belt tensioner spring
12	146 1917 000	1	Belt
13	146 0519 000	2	Side broom hub
14	145 8360 000	4	Carbon brush
15	145 5042 000	4	Carbon brush

**EXTRAORDINARY MAINTENANCE**

16	146 1899 000	2	Rear wheel
17	145 0247 000	1	Front wheel
18	145 4536 000	2	Clips M6
19	145 1975 000	1	Skirt rais. device cable
20	145 1935 000	1	Spring
21	145 8066 000	1	Front wheel brake
22	146 2122 000	1	Brake pedal kit
23	145 2713 000	1	Chain 3/8 59 links
24	145 9604 000	1	Link
25	145 0222 000	1	Chain 3/8 35 links
26	146 2166 000	1	Reduction gear motor cpl 24V/400W
27	146 1897 000	2	Reduction gear motor 24V/60W
28	145 0274 000	2	Spring
29	146 1895 000	2	Side broom cable
30	146 0719 000	1	Electromagnetic switch 24V
31	146 1646 000	1	Relay 24 V 10/15 A
32	145 3712 000	1	Relay 24 V 10/20 A
33	146 1721 000	1	Display electronic board
34	146 0565 000	1	Hood safety switch
35	145 4691 000	1	Ball bearing
36	145 0225 000	1	Ball bearing
37	146 1928 000	1	Gasket
38	145 0221 000	1	Pinion
39	146 0741 000	1	Hopper Gasket
40	146 0630 000	1	Hopper Gasket
41	146 1891 000	1	Cable
42	146 2130 000	1	Filter shaker motor cpl 24V
43	56340197	1	Main switch 20 A 250V
44	146 2134 000	1	Speed control pedal kit
45	146 1943 000	1	Potentiometer
46#	L08812580	1	Microswitch 16A/250V
47#	L08812377	1	Contact for microswitch
48	146 0073 00	1	Key
49	146 1944 000	1	Speed controller
50	145 9679 000	1	Microswitch
51	909 5706 000	2	Circuit breaker 30 A



Item No.	Ref. No.	Qty	Description
----------	----------	-----	-------------

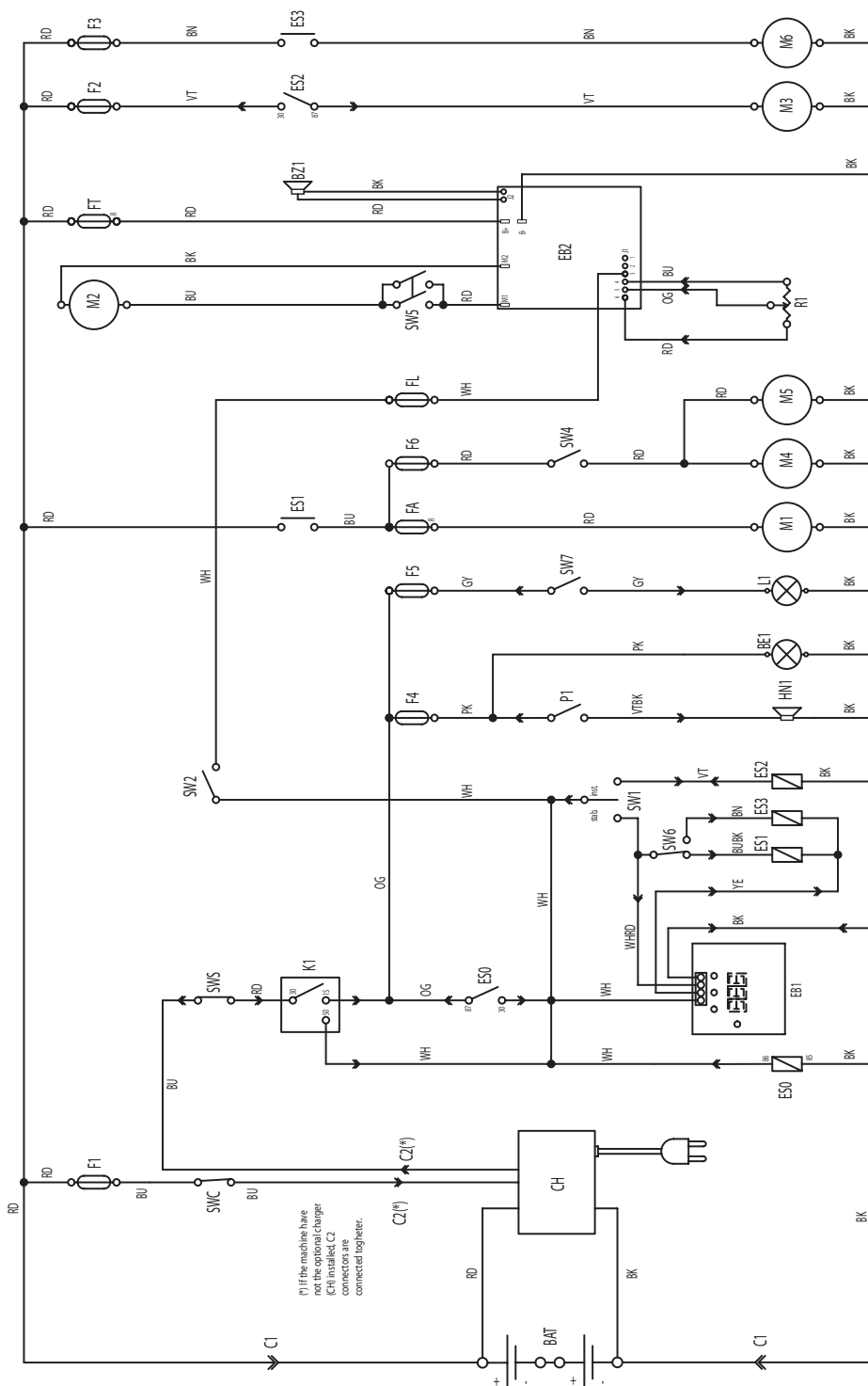
## OPTIONS

52	146 1988 000	1	Polyester lter -
53	146 1989 000	1	Polyester lter - antistatic
54	146 0748 000	1	Main broom opt (Ø 265 mm - PPL)
55	146 0749 000	1	Main broom opt (Ø 265 mm - natural ber)
56	146 0750 000	1	Main broom opt (Ø 265 mm - steel mix)
57	146 0751 000	1	Main broom opt (Ø 245 mm - PPL )
58	146 0753 000	1	Main broom opt (Ø 245 mm - natural ber)
59	146 0754 000	1	Main broom opt (Ø 245 mm - steel mix)
60	145 1899 000	2	Side broom opt (Ø 420mm - PPL)
61	145 4976 000	2	Side broom opt (Ø 420mm - natural ber)
62	145 4959 000	2	Side broom opt (Ø 420mm - steel mix)
63	146 2051 000	1	Flashing beacon kit
64	146 2050 000	1	Working light kit
65	146 2048 000	1	Vacuum cleaner kit
66	146 2063 000	1	Backup alarm kit
67	146 0555 000	2	Skirt side
68	146 0738 000	1	Skirt front/rear

WIRING DIAGRAM  
SR1000S B

146 2006 000 Rev.C

COMPONENTS	
BAT	24V BATTERY
BE1	BEACON (OPT)
BZ1	REWBUZZER
C1	BATTERY CONNECTOR
CH	BATTERY CHARGER (OPT)
EB1	HOUR METER & BATT. DISPLAY
EB2	DRIVE ELECTRONIC BOARD
ES0	START RELAYS
ES1	MAIN BRUSH/ELECTROM. SWITCH
ES2	SHAKER RELAYS
ES3	VACUUM ELECTROM. SWITCH (OPT)
FA	MAIN BRUSH CIRCUIT BREAKER
FL	DRIVE BOARD FUSE (3A)
FT	DRIVE CIRCUIT BREAKER
F1	SERVICES (MAIN) FUSE (25A)
F2	SHEAKER FUSE (25A)
F3	VACUUM FUSE (40A) (OPT)
F4	HORN AND BEACON FUSE (10A)
F5	WORKING LIGHT FUSE (10A) (OPT)
F6	SIDE BRUSHES FUSE (10A)
HN1	HORN
K1	KEY
L1	WORKING LIGHT (OPT)
M1	MAIN BRUSH MOTOR
M2	DRIVE MOTOR
M3	SHEAKER MOTOR
M4	RIGHT BRUSH MOTOR
M5	LEFT BRUSH MOTOR (OPT)
M6	VACUUM MOTOR (OPT)
P1	HORN BUTTON
R1	DRIVE SPEED POTENTIOMETER
SWC	HOOD SAFETY MICROSWITCH
SWS	SAFETY SWITCH
SW1	BRUSHES AND SHEAKER SWITCH
SW2	SEAT SAFETY SWITCH
SW4	SIDE BRUSHES MICROSWITCH
SW5	DRIVE SWITCH
SW6	VACUUM SWITCH (OPT)
SW7	WORKING LIGHT SWITCH (OPT)



(\*) If the machine have not the optional charger (CH) installed, C2 connectors are connected together.





**Nilfisk-Advance, Inc.**

14600 21st Avenue North  
Plymouth, MN, 55447-3408

[www.nil-sk-advance.com](http://www.nil-sk-advance.com)

Phone: 800-989-2235

Fax: 800-989-6566

©2006 Nil sk-Advance, Inc.,

Plymouth, MN 55447-3408

Printed in Italy