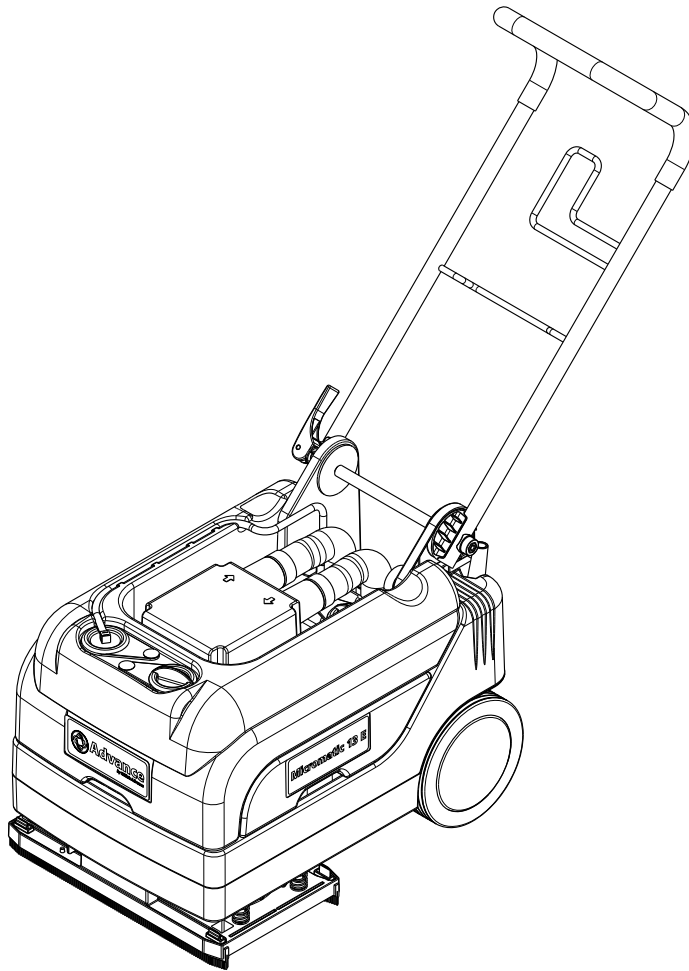


Micromatic™ 13 E



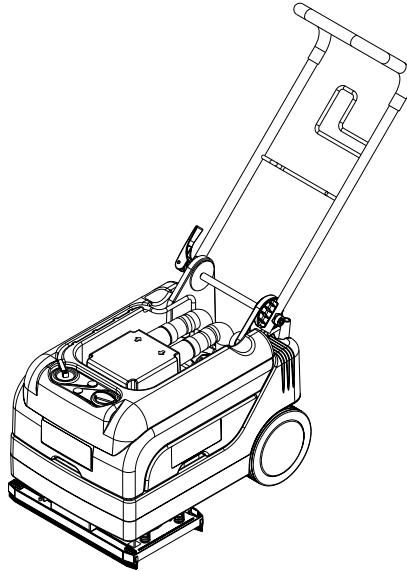
PARTS LIST

Advance model: 9087233020



Advance
by Nilfisk-Advance

9097509000(1)2008-03



DESCRIPTION

PLAN

TANKS SYSTEM	2 - 3
FRAME UPPER SYSTEM	4 - 5
FRAME LOWER SYSTEM	6 - 7
TRANSMISSION SYSTEM	8 - 9
BRUSHES-SQUEEGEES DECK	10 - 11
PANEL SYSTEM	12 - 13
ACCESSORIES	14 - 15
WIRING DIAGRAM	16
RECOMMENDED SPARE PARTS	17
ACCESSORIES	17

WHEN ORDERING PARTS

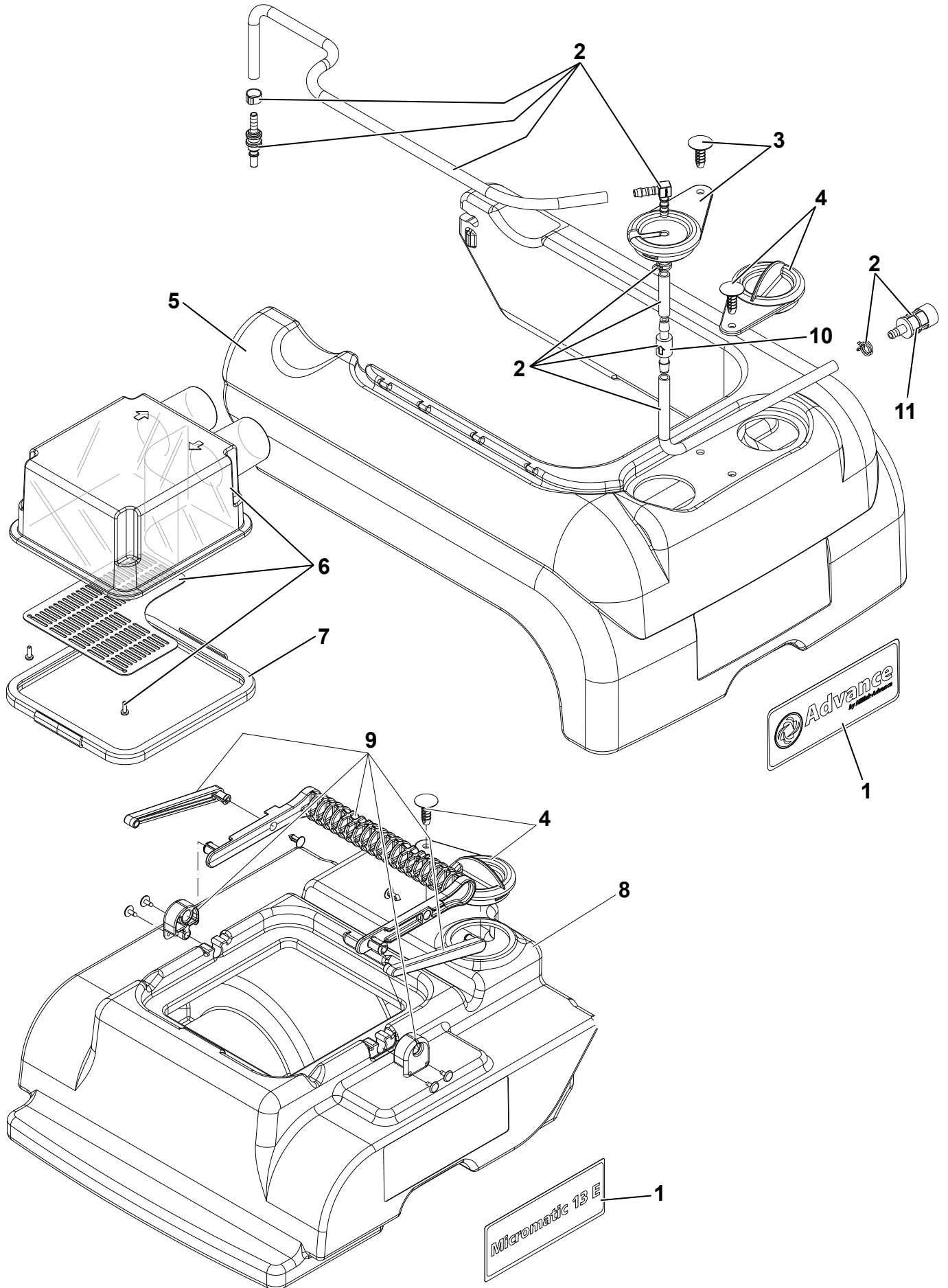
- * Use the 8, 9 or 10 digit numbers from the "Ref. No." columns in this parts list.
- * Specify the model and serial number of the machine.
- * Use the space below to record the model and serial number for future reference.

Model _____ Serial No. _____

*** = Optional**

= Modified item No. or New item No.

[] = Not shown



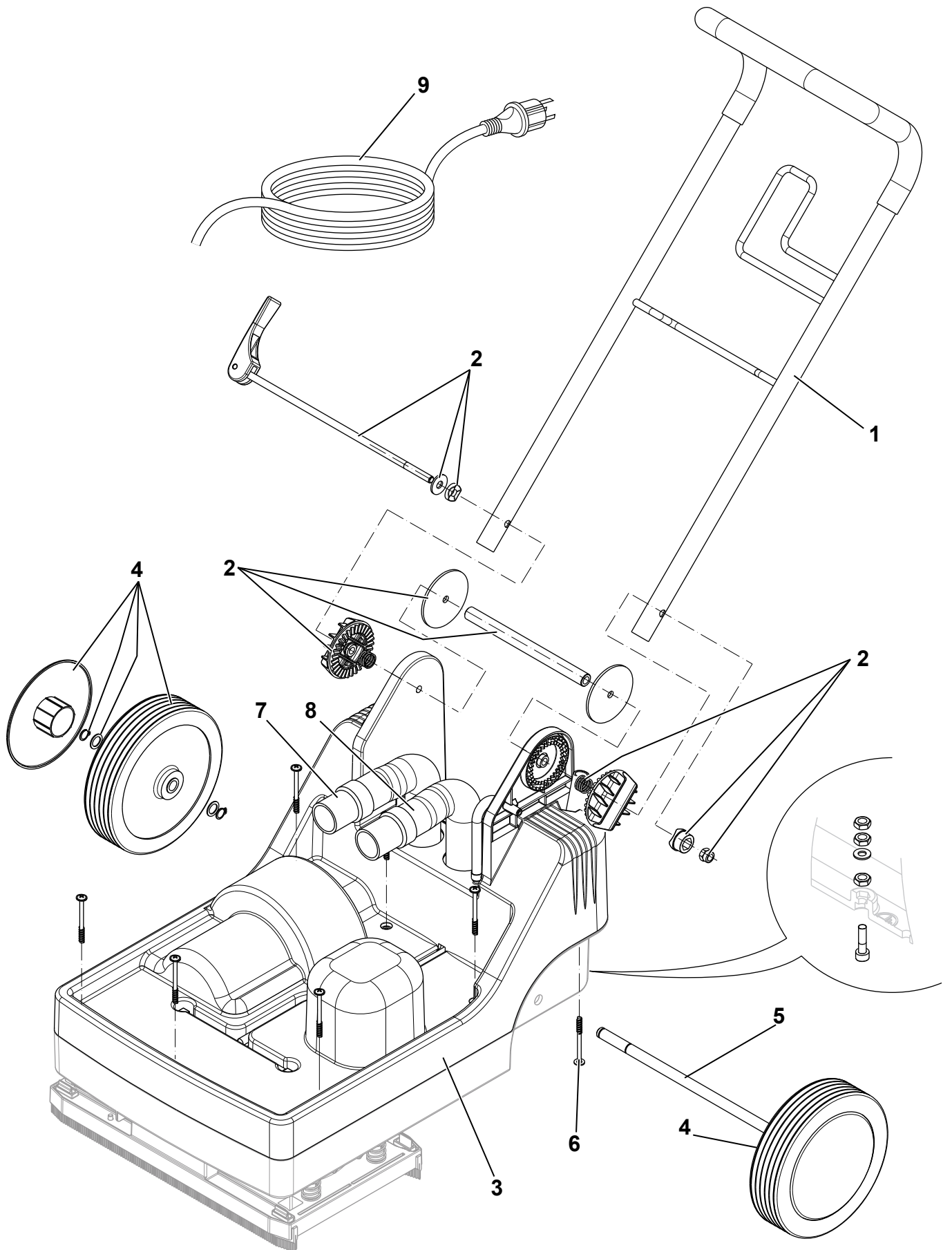
2008-03

TANKS SYSTEM

Micromatic™ 13 E

3

Item	Ref. No.	Qty	Description
1	9097703000	1	DECALS KIT MICROMATIC 13 E
2	9097438000	1	VACUUM SOLUTION KIT
3	9097516000	1	CAP TANK WITH HOLE KIT
4	9097515000	2	CAP TANK KIT
5	9097217000	1	TANK SOLUTION
6	9097441000	1	COVER TANK KIT
7	9097236000	1	GASKET TANK COVER
8	9097218000	1	TANK RECOVERY
9	9097591000	1	KIT HANDLE
10	9097277000	1	VALVE ONE-WAY
11	L08603126	1	FILTER SOLUTION



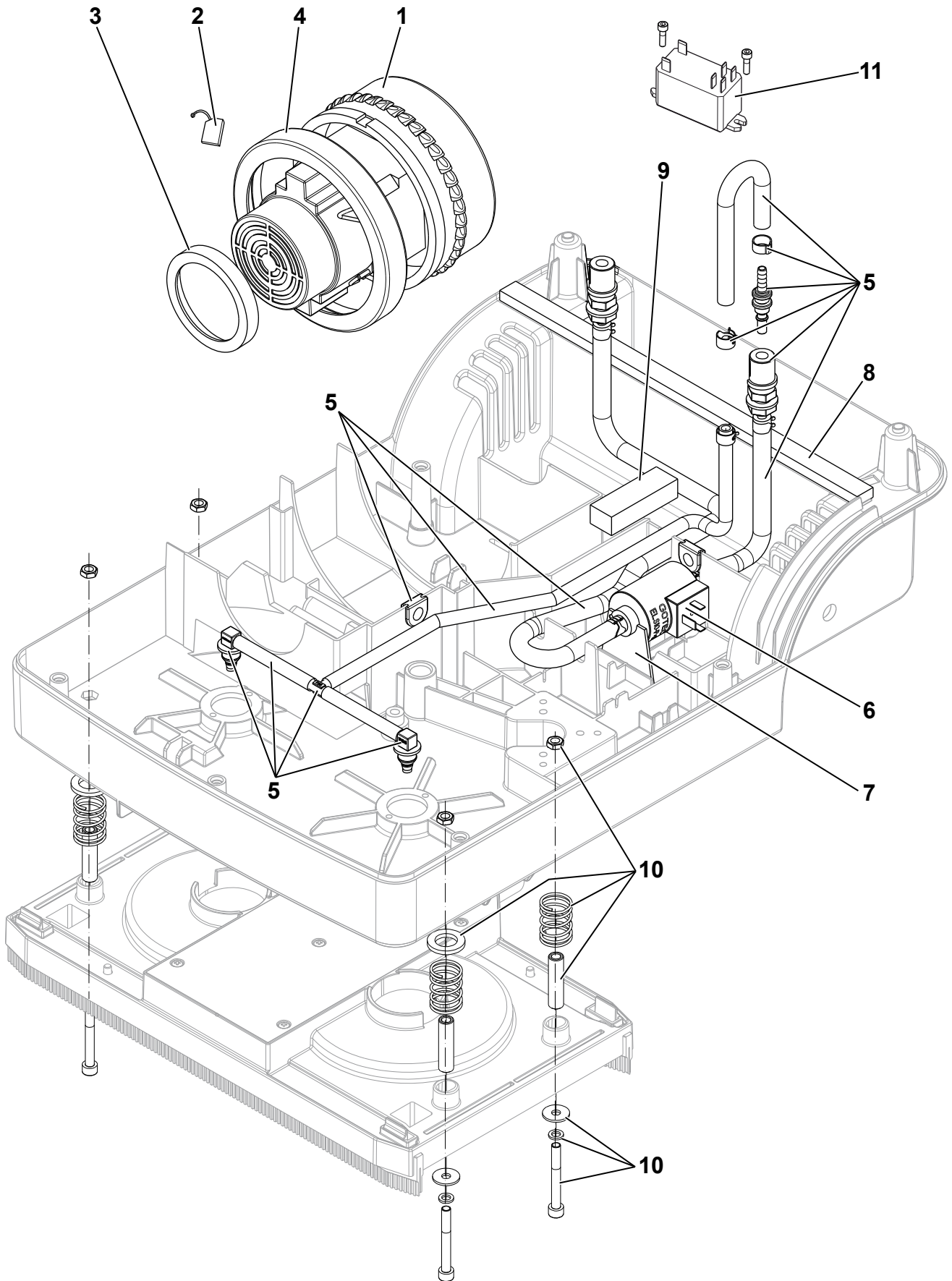
2008-03

FRAME UPPER SYSTEM

Micromatic™ 13 E

5

Item	Ref. No.	Qty	Description
1	9097224000	1	HANDLE BAR
2	9097437000	1	FIXING HANDLE BAR KIT
3	9097216000	1	FRAME UPPER
4	9097440000	1	WHEELS KIT
5	9097231000	1	SHAFT WHEELS
6	909 5893 000	8	SCREW
7	9097252000	1	HOSE VACUUM BLACK
8	9097253000	1	HOSE SQUEEGEE VACUUM BLACK
9	9097505000	1	CABLE POWER SUPPLY UL



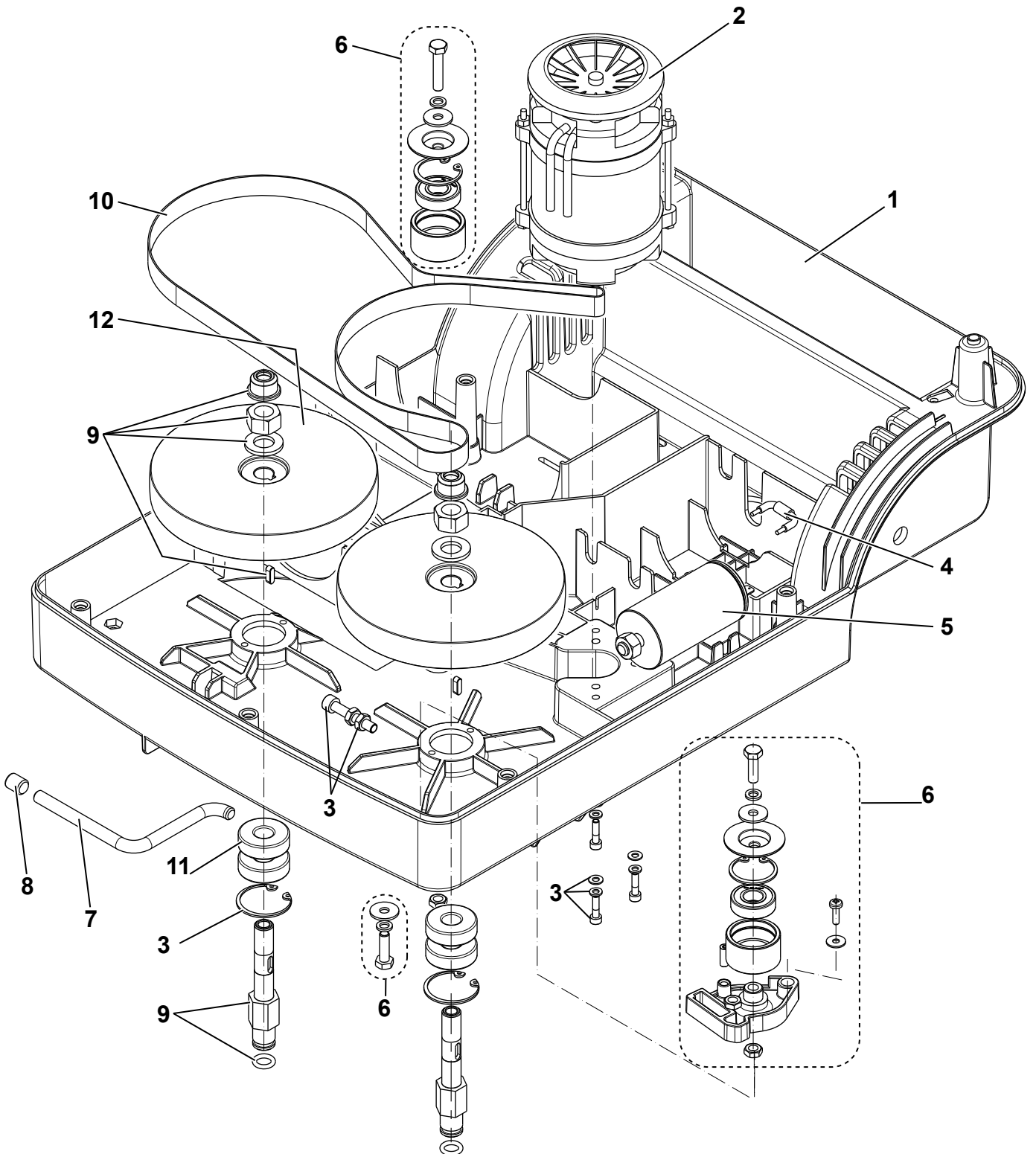
2008-03

FRAME LOWER SYSTEM

Micromatic™ 13 E

7

Item	Ref. No.	Qty	Description
1	9097504000	1	MOTOR VACUUM 110/120V 450W
2	909 5719 000	2	CARBON BRUSH
3	9097251000	1	GASKET VACUUM MOTOR
4	9097250000	1	GASKET VACUUM MOTOR
5	9097493000	1	PIPE SOLUTION KIT
6	9097262000	1	PUMP WATER 110V 30W
7	9097275000	1	SUPPORT PUMP NYLON
8	146 0410 000	1	GASKET ADHESIVE 15X10X340 L=0,340 MT
9	9097583000	1	GASKET ADHESIVE 20X15X70 L=0,07 MT
10	9097431000	1	HARDWARE DECK FIXING KIT
11	909 6779 000	1	RELAY 120V 20A



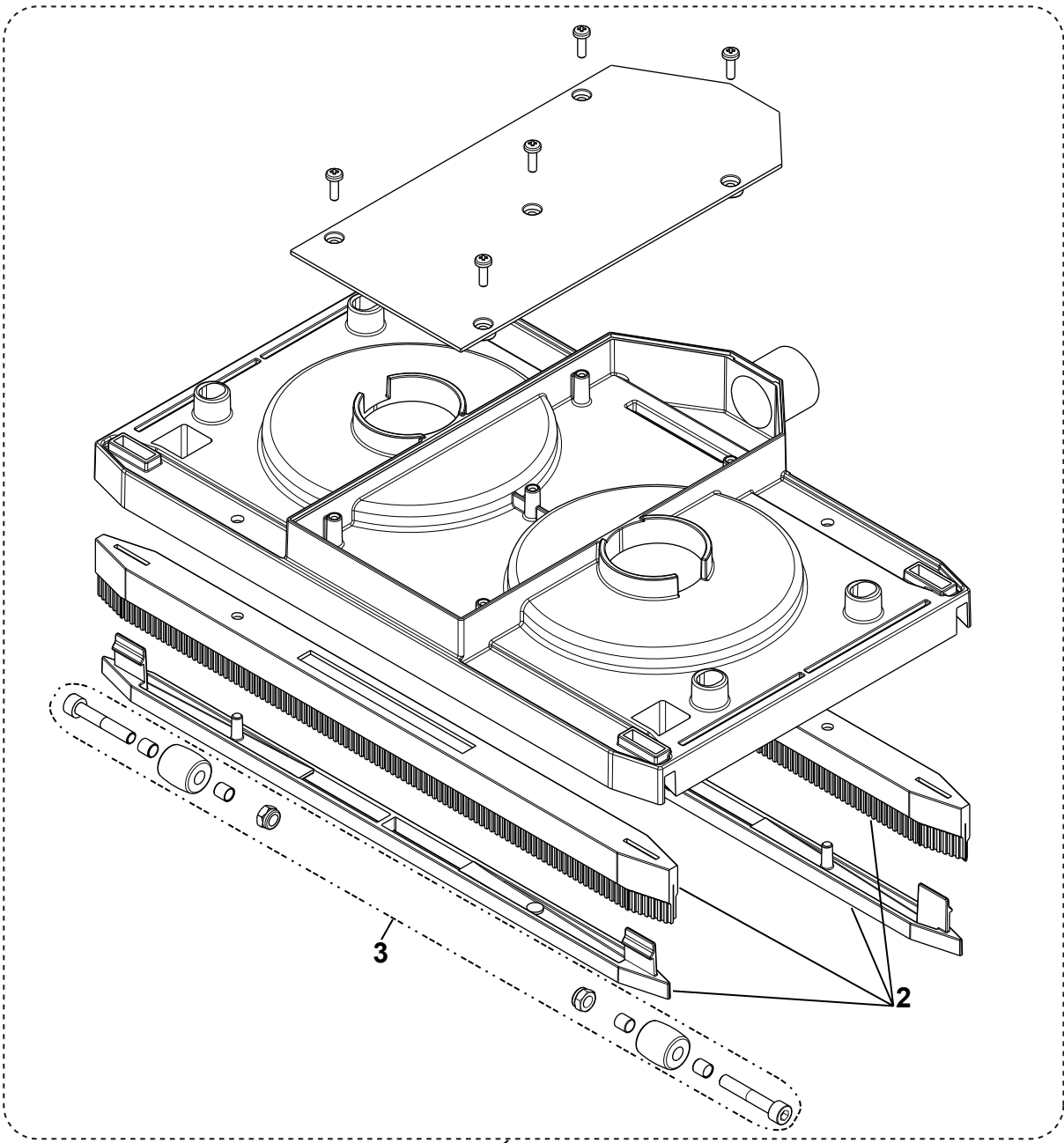
2008-03

TRANSMISSION SYSTEM

Micromatic™ 13 E

9

Item	Ref. No.	Qty	Description
1	9097215000	1	FRAME LOWER
2	9097503000	1	MOTOR ELECTRIC 100W 115V
3	9097467000	1	HARDWARE TRASMISSION SYSTEM KIT
4	33009099	1	DIODE 1N4007
5	9097506000	1	CAPACITOR 20uF
6	9097436000	1	TENSIONER BELT KIT
7	9097223000	1	LEVER SUPPORT
8	L08603935	1	CAP BLACK
9	9097435000	1	PIN BRUSH KIT
10	9097245000	1	BELT FLAT 1060 MAXIFLEX
11	909 5763 000	4	BALL BEARING
12	9097240000	2	PULLEY BRUSH



3

2

1

4

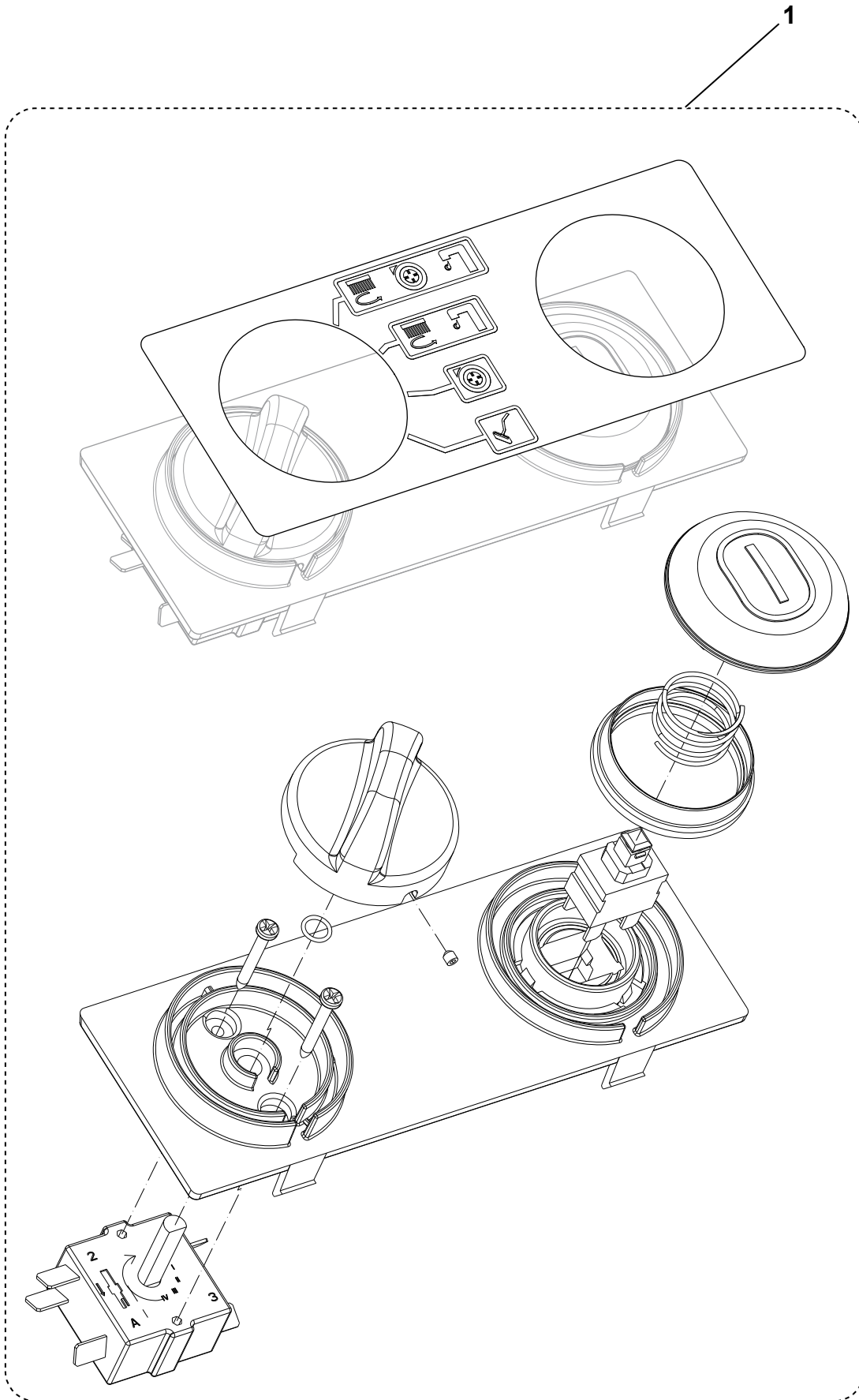
2008-03

BRUSHES - SQUEEGEES DECK

Micromatic™ 13 E

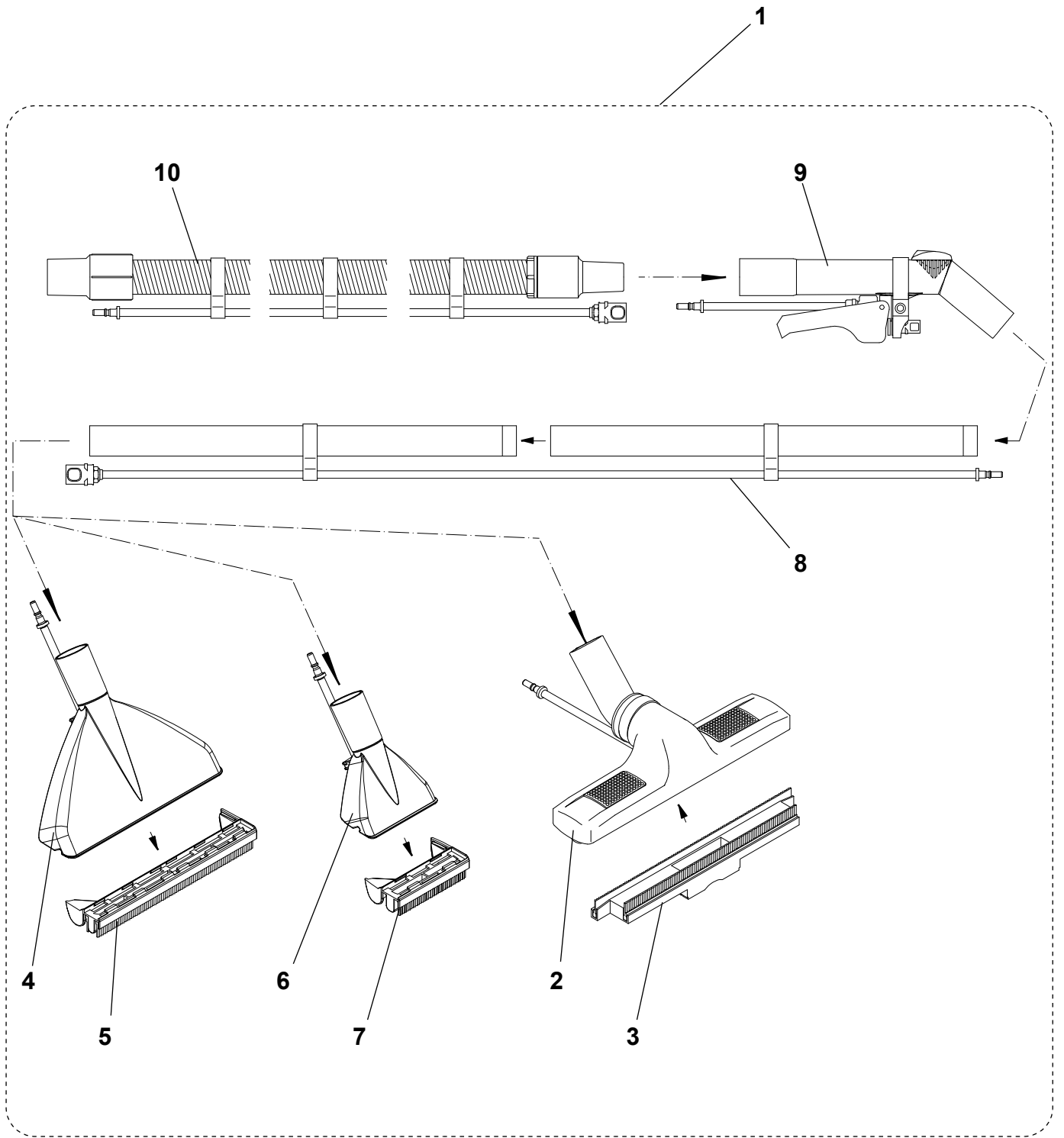
11

Item	Ref. No.	Qty	Description
1	9097432000	1	DECK BRUSH KIT
2	9097542000	1	BLADES PU KIT 385MM/15"
3	9097434000	1	ROLLER DECK KIT
4	9097242000	2	PROLITE BRUSH
4*	9097543000	2	PROLENE BRUSH



2008-03	CONTROL PANEL SYSTEM			
	Micromatic™ 13 E			13

Item	Ref. No.	Qty	Description
1	9097439000	1	PANEL CONTROL W / DECAL KIT
0	9097507000	1	HARNESS MACHINE UL



2008-03

CARPET KIT (OPTIONAL)

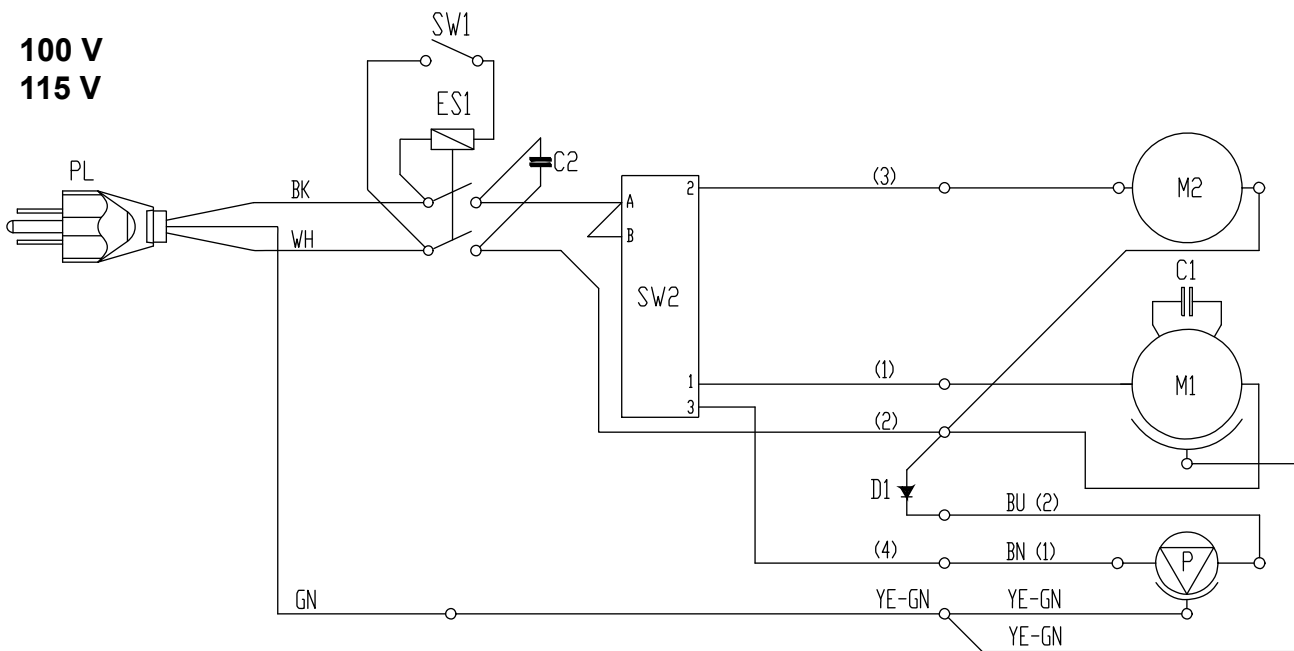
Micromatic™ 13 E

15

Item	Ref. No.	Qty	Description
1	9097575000	1	WASHING CARPET KIT
2	9097566000	1	NOZZLE D13
3	9097567000	1	FRAME BRUSH D13
4	9097568000	1	NOZZLE 230
5	9097569000	1	FRAME BRUSH 230
6	9097570000	1	NOZZLE 100
7	9097571000	1	NOZZLE 100
8	9097572000	2	EXTENSION HOSE
9	9097573000	1	HANDLE D2
10	9097574000	1	HOSE MT.3

COMPONENTS / COMPONENTI		
C1	BRUSH MOTOR CAPACITOR	CONDENSATORE MOTORE SPAZZOLE
C2	FILTER CAPACITOR	CONDENSATORE DI FILTRAGGIO
D1	PUMP DIODE	DIODO PER POMPA
ES1	RELAIS	RELE'
M1	BRUSH MOTOR	MOTORE SPAZZOLA
M2	VACUUM MOTOR	MOTORE ASPIRATORE
P	WATER PUMP	POMPA ACQUA
PL1	MAINS PLUG	SPINA DI RETE
SW1	MAIN SWITCH	INTERRUTTORE PRINCIPALE
SW2	ROTARY SWITCH	INTERRUTTORE ROTATIVO

COLOR CODES					
BK	BLACK	nero	PK	PINK	rosa
BU	BLUE	azzurro	RD	RED	rosso
BN	BROWN	marrone	VT	VIOLET	viola
GN	GREEN	verde	WH	WHITE	bianco
GY	GREY	grigio	YE	YELLOW	giallo
DG	ORANGE	arancio			



Ref. No.	Qty	Description
WEAR PARTS		
9097242000	2	BRUSH ø165 PROLITE
9097542000	1	BLADES PU KIT 385MM/15"
9097251000	1	GASKET VACUUM MOTOR
9097591000	1	HANDLE KIT
ORDINARY MAINTENANCE		
909 5719 000	2	CARBON BRUSH
9097245000	1	BELT FLAT 1060 MAXIFLEX
L08603126	1	FILTER SOLUTION
9097252000	1	HOSE VACUUM BLACK
9097253000	1	HOSE SQUEEGEE VACUUM BLACK
9097434000	1	ROLLER DECK KIT
EXTRAORDINARY MAINTENANCE		
9097439000	1	PANEL CONTROL W / DECAL KIT
9097503000	1	MOTOR ELECTRIC 100W 115V
9097506000	1	CAPACITOR 20uF
9097262000	1	PUMP WATER 110V 30W
9097277000	1	VALVE ONE-WAY
9097250000	1	GASKET VACUUM MOTOR
9097440000	1	WHEELS KIT
ACCESSORIES		
9097575000	1	WASHING CARPET KIT
9097543000	2	PROLENE BRUSH



Nilfisk-Advance, Inc.

14600 21st Avenue North
Plymouth, MN, 55447-3408
www.nilfisk-advance.com

Phone: 800-989-2235

Fax: 800-989-6566

©2008 Nilfisk-Advance, Inc.,
Plymouth, MN 55447-3408

Printed in Italy