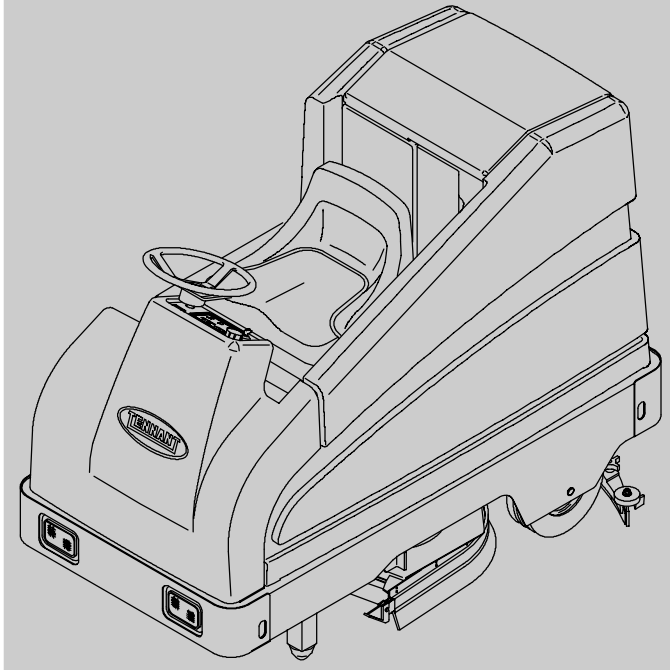




7200

Rider Scrubber Parts Manual



FAST
Foam Scrubbing Technology

The Safe Scrubbing Alternative®

North America / International

www.tennantco.com

330040
Rev. 12 (4-2007)



When ordering replacement parts, use the illustrated parts list section in this manual. Before ordering parts or supplies, be sure to have your machine model number and serial number available. Parts and supplies may be ordered online, by phone, or mail from any authorized parts and service center, distributor or from any of the manufacturer's subsidiaries.

This machine will provide excellent service. However, the best results will be obtained at minimum costs if:

- The machine is operated with reasonable care.
- The machine is maintained regularly - per the machine maintenance instructions provided.
- The machine is maintained with manufacturer supplied or equivalent parts.

MACHINE DATA

Please fill out at time of installation for future reference.

Model No.- **7200**

Serial No. - _____

Machine Options - _____

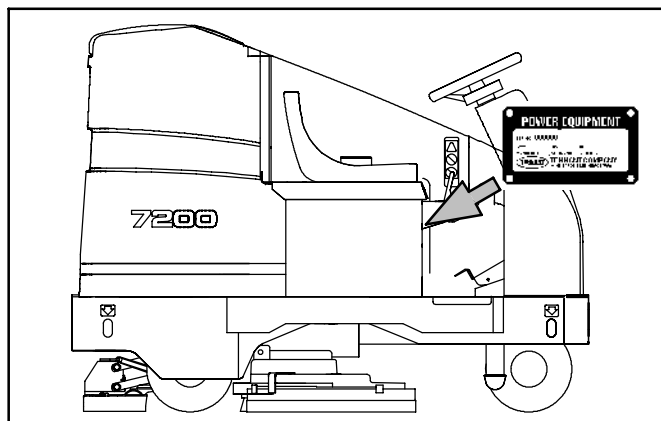
Sales Rep. - _____

Sales Rep. phone no. - _____

Customer Number - _____

Installation Date - _____

Machine Data Plate



Tennant Company

PO Box 1452

Minneapolis, MN 55440

Phone: (800) 553-8033 or (763) 523-2850

www.tennantco.com

ES is a United States registered trademark of the Tennant Company

Pre-Sweep, FaST and "The safe scrubbing alternative" are United States trademarks of Tennant Company.

Specifications and parts are subject to change without notice.

Copyright © 1997-2002, 2004-2007 TENNANT, Printed in U.S.A.

HOW TO USE THIS MANUAL

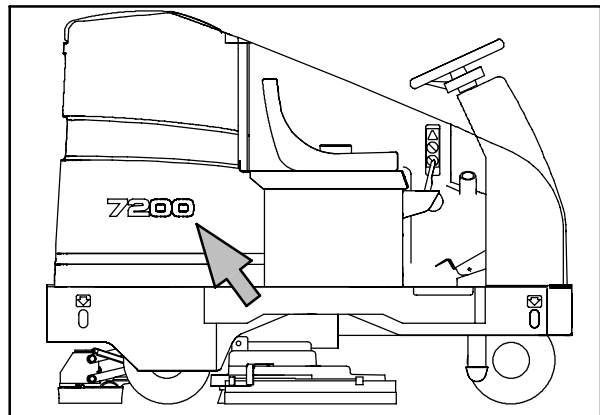
This section on *HOW TO USE THIS MANUAL* will tell you how to:

- Find important machine information for ordering correct repair parts.
- Find TENNANT part numbers.
- Order TENNANT parts and supplies.

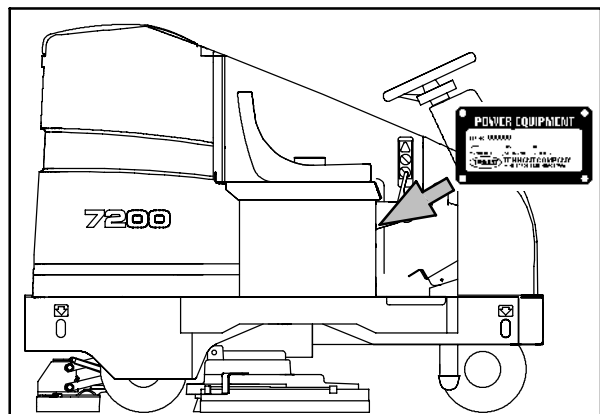
IMPORTANT INFORMATION

When placing an order for parts, the machine model and machine serial number are important. Refer to the *MACHINE DATA* box which is filled out during the installation of your machine. The *MACHINE DATA* box is located on the inside of the front cover of this manual.

The model number of your machine is on the side of the machine.



The serial number of your machine is printed on the machine data plate located as shown.



HOW TO USE THIS MANUAL

FINDING A TENNANT PART NUMBER

This manual contains the following sections:

- HOW TO USE THIS MANUAL
- STANDARD PARTS
- OPTIONS
- BREAKDOWNS
- CROSS REFERENCE

The STANDARD PARTS section lists repair parts for standard machines. They are grouped in this general order:

- General wear parts.
- Machine frame and related parts.
- Machine propelling system.
- Scrubbing components.
- Electrical parts.

The OPTION section lists repair parts of options.

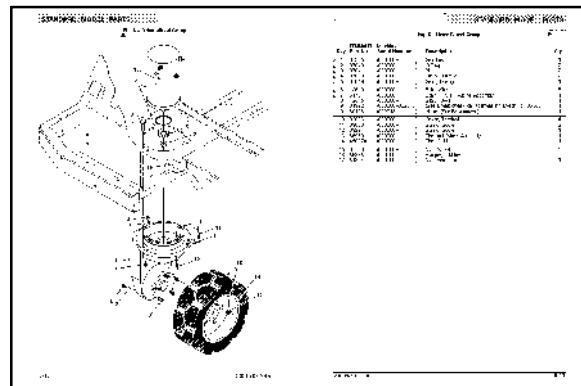
The BREAKDOWN section lists available repair parts of major components.

All sections in this manual consist of parts illustrations and corresponding parts lists.

The parts illustrations are numbered with **Ref** numbers which refer to corresponding parts lists.

The parts lists include a number of columns of information:

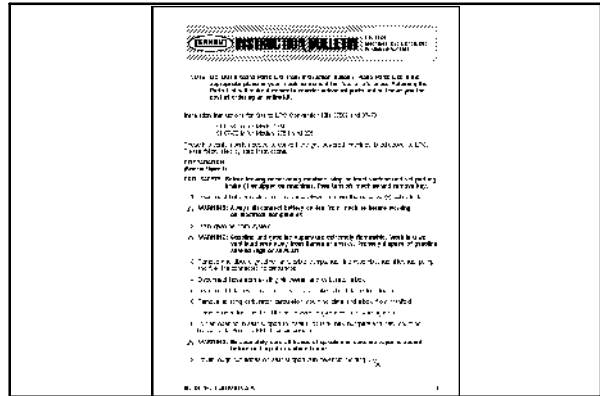
- **Ref** - column refers to the reference number on the parts illustration.
- ▽ - indicates the part is an assembly.
- ▲ - indicates the part is included in the assembly listed just before it.
- **TENNANT Part No.** - column lists the TENNANT part number for the part.
- **Serial Number** - column indicates the set of machines the part number is applicable to. Serial numbers change when the machine design has been modified. The most current design of the machine is shown in the main illustration, older designs are boxed in a corner of the illustration.
- **Description** - column is a brief description of the part.
- **Qty.** - column lists the quantity of that part used in that area of the machine.



| Key | TENNANT Part No. | Machine Serial Number | Description | Qty. |
|-----|------------------|-----------------------|---|------|
| ▽ | 1 87255 | Q000C0 | Gearbox | 1 |
| ▲ | 2 87640 | Q000C0 | O-Ring | 1 |
| ▲ | 3 87641 | Q000C0 | Plug | 1 |
| ▲ | 4 87539 | Q000C0 | Fitting, Grasp | 1 |
| ▲ | 5 87640 | Q000C0 | Gear, Driving | 1 |
| ▲ | 6 12610 | Q000C0 | Bolt, Wheel | 5 |
| ▲ | 7 61791 | Q000C0 | Bearing and Housing Assembly | 1 |
| ▲ | 8 12649 | Q000C0 | Seal, O-Ring | 1 |
| ▲ | 9 31592 | Q000C0-C03C17 | See Breakdowns; Replacement Kit Motor For 86366 | 1 |
| ▲ | 9 63196 | Q02018- | Motor (See Breakdowns) | 1 |
| 1C | 02C76 | Q000C0- | Cover, Terminal | 4 |
| 11 | 09C00 | Q000C0- | Screw, Socket | 2 |
| 12 | 09294 | Q000C0- | Screw, Socket | 1 |
| 15 | R5C70 | Q000C0- | Tire and Wheel Assembly | 1 |
| 14 | 45C27A | Q000C0- | Tire, Solid | 1 |
| 1E | 87750 | Q000C0- | Mnt, Wheel | 5 |
| 1E | 55655 | Q000C0 | Bumper, Rubber | 2 |
| 17 | 61624 | Q000C0- | Rub, Pat, Thin | 1 |

NOTE: If a service kit is installed on your machine, be sure to keep the **INSTRUCTION BULLETIN** which came with the kit. It contains repair parts numbers needed for ordering future parts.

NOTE: Fasteners used in this machine may be metric or non-metric. Take care when replacing hardware to replace with same thread size.



PLACING AN ORDER

Orders may be placed by phone, fax, or by mail. Phone orders may need written confirmation. Follow the steps below to insure prompt delivery:

1. Identify the model number of your machine.
2. Identify the serial number of your machine.
3. Find the part number of the part you need. Do not order by page number or reference number. If you are not able to find the part number, call your TENNANT representative for help or send the old part as a sample.
4. Determine the quantity of the part you need.
5. Provide the following company information:
 - Company name
 - Customer ID Number
 - Shipping address
 - Billing address
 - First and last name of person ordering parts
 - Telephone number
 - Purchase order number
6. Provide definitive shipping instructions.

HOW TO USE THIS MANUAL

Any claim for loss or damage to a shipment in transit should be filed promptly with the transportation company making the delivery. Shipments will be complete unless the packing list or order acknowledgement indicates items back ordered.

If parts received are suspected to be incorrect or defective, please contact the TENNANT representative from whom you ordered the part. They will give authorization for return and/or handle replacement shipments when required.

SECTION 2

| Contents | Page | Contents | Page |
|---|------|--|------|
| Fig. 1 - General Recommended Maintenance Items | 2-3 | Fig. 36 - Electrical Schematic (000000-008237) | 2-70 |
| Fig. 2 - Replacement Brushes, 700 mm (28 in) | 2-4 | Fig. 37 - Electrical Schematic (008238-) | 2-72 |
| Fig. 3 - Replacement Brushes, 900 mm (36 in) | 2-6 | Fig. 38 - Wire Harnesses Group (000000-008237) | 2-74 |
| Fig. 4 - Main Frame Group | 2-8 | Fig. 39 - Wire Harnesses Group (008238-) | 2-78 |
| Fig. 5 - Seat Group | 2-10 | Fig. 40 - Label Group | 2-82 |
| Fig. 6 - Steering Group | 2-12 | | |
| Fig. 7 - Instrument Panel Group | 2-14 | | |
| Fig. 8 - Electrical Panel Group | 2-16 | | |
| Fig. 9 - Front Drive Wheel Group | 2-18 | | |
| Fig. 10 - Brake Group | 2-20 | | |
| Fig. 11 - Rear Wheel Group | 2-22 | | |
| Fig. 12 - Directional Pedal Group | 2-24 | | |
| Fig. 13 - Scrub Head Lift Group | 2-26 | | |
| Fig. 14 - Disk Scrub Head Drive Motor Group, 900 mm (36 in) | 2-28 | | |
| Fig. 15 - Disk Scrub Head Squeegee Group, 900 mm (36 in) | 2-30 | | |
| Fig. 16 - Cylindrical Scrub Head Frame Group, 900 mm (36 in) | 2-32 | | |
| Fig. 17 - Cylindrical Scrub Head Drive Motor Group, 900 mm (36 in) | 2-34 | | |
| Fig. 18 - Cylindrical Scrub Head Squeegee Group, 900 mm (36 in) | 2-36 | | |
| Fig. 19 - Recovery Tank Group (000000-010021) | 2-38 | | |
| Fig. 20 - Recovery Tank Group (010022-) | 2-40 | | |
| Fig. 21 - Vacuum Fan Kit, Single | 2-42 | | |
| Fig. 22 - Solution Tank Group | 2-44 | | |
| Fig. 23 - Solution Control Group | 2-46 | | |
| Fig. 24 - FaST Air Pump and Detergent Group | 2-48 | | |
| Fig. 25 - FaST Solution Pump Group | 2-50 | | |
| Fig. 26 - FaST Foam Filter Group, Disk Scrub Head, 900mm (36 in) | 2-52 | | |
| Fig. 27 - FaST Foam Filter Group, Cylindrical Scrub Head, 900mm (36 in) | 2-54 | | |
| Fig. 28 - FaST Instrument and Electrical Panel Group | 2-56 | | |
| Fig. 29 - FaST Wire Harness Group | 2-58 | | |
| Fig. 30 - FaST Electrical Schematic | 2-59 | | |
| Fig. 31 - Battery Cable Group | 2-60 | | |
| Fig. 32 - Rear Squeegee Lift Group | 2-62 | | |
| Fig. 33 - Rear Squeegee Linkage Group (000000-006071) | 2-64 | | |
| Fig. 34 - Rear Squeegee Linkage Group (006072-) | 2-66 | | |
| Fig. 35 - Rear Squeegee Group, 900 mm (36 in) | 2-68 | | |

Fig. 1 - General Recommended Maintenance Items

| Ref. | Part No. | Serial Number | Description | Qty. |
|------|----------|---------------|---|------|
| | 223606 | (000000- |) Blade, Sqge, Front, 47.41l Rbr [900mm] Linard (5 slot) | 1 |
| | 222415 | (000000- |) Blade, Sqge, Rear, 49.37l Linatex[900mm] | 1 |
| ▽ | 223608 | (000000- |) Blade Kit, Sqge, Rbr [900mm] Tile | 1 |
| ▲ | 223607 | (000000- |) Blade, Sqge, Front, 47.41l Rbr [36"] Linatex (1 slot) | 1 |
| ▲ | 222416 | (000000- |) Blade, Sqge, Rear, 49.37l Gum [36"] | 1 |
| ▽ | 222433 | (000000- |) Sqge Kit, Ure [900mm] | 1 |
| ▲ | 222434 | (000000- |) Blade, Sqge, Front, 47.41l Oil-Rstrn[36"] Urethane (5 slot) | 1 |
| ▲ | 222435 | (000000- |) Blade, Sqge, Rear, 49.37l Pyu [36"] Urethane | 1 |
| | 223593 | (000000- |) Caster, Swivel, 2.5d 1.3w, .50-13 Stem | 2 |
| | 82138 | (000000- |) Nut, Spd, Clip, .25-20 [.025-.150] | 2 |
| | 223568 | (000000- |) Deflector, Water | 2 |
| | 86859 | (000000- |) Squeegee Assy, Side [Linatex] | 2 |
| | 223519 | (000000- |) Skirt, Rbr, .12, 03.75w 37.64l, 06/ SI | 1 |
| | 223520 | (000000- |) Skirt, Rbr, .12, 03.75w 28.00l, 04/ SI | 1 |
| | 86865 | (000000- |) Guide, Sqge, Side | 1 |
| | 223532 | (000000- |) Filter Assy, Panl, Scrbr [7200] | 1 |
| | 223527 | (000000- |) Seal, Rbr, Clsd, 0.75, Tank, Recvy | 1 |
| | 223228 | (000000- |) Hose Assy, W/1cuff, 1.5d 063l 1.5/ | 1 |
| | 1031699 | (000000- |) Gasket, 4.05id 5.29od .19 [Buna] | 2 |
| | 223264 | (000000- |) Seal, Rbr, Clsd, 0.25, 5.8d 03.3h | 1 |
| | 223525 | (000000- |) Seal, Fan | 1 |
| | 377505 | (000000- |) Belt Kit, Drive, Brush, F/222201, Replmt | 1 |
| | 223569 | (000000- |) Gasket, Shield | 1 |
| | 222381 | (000000- |) Blade, Sqge, Front, 38.97l Rbr [700mm] | 1 |
| | 222382 | (000000- |) Blade, Sqge, Rear, 40.93l Linatex[700mm] | 1 |
| ▽ | 222422 | (000000- |) Blade Kit, Sqge, Rbr [700] | 1 |
| ▲ | 222385 | (000000- |) Blade, Sqge, Tile, 38.97l [Linard, 28"] | 1 |
| ▲ | 222387 | (000000- |) Blade, Sqge, Rear, 40.93l Gum [28"] | 1 |
| ▽ | 222428 | (000000- |) Sqge Kit, Oil Res Ure [700] | 1 |
| ▲ | 222391 | (000000- |) Blade, Sqge, Front, 38.97l [700mm] | 1 |
| ▲ | 222389 | (000000- |) Blade, Sqge, Rear, 40.93l Pyu [28"] | 1 |
| | 223623 | (000000- |) Strip, Retainer, Skirt, Front, Lh | 2 |
| | 223669 | (000000- |) Strip, Retainer, 0.12 01.00w 19.0l | 1 |
| | 1017015 | (000000- |) Detergent, Pkg, 2 Liter, Sgl [365] | - |
| | 1017022 | (000000- |) Detergent, Pkg, 2 Liter, Sgl [665] | - |
| | 9002021 | (000000- |) Detergent, 2 Liter [Fast 965] | - |

Fig. 2 - Replacement Brushes, 700 mm (28 in)

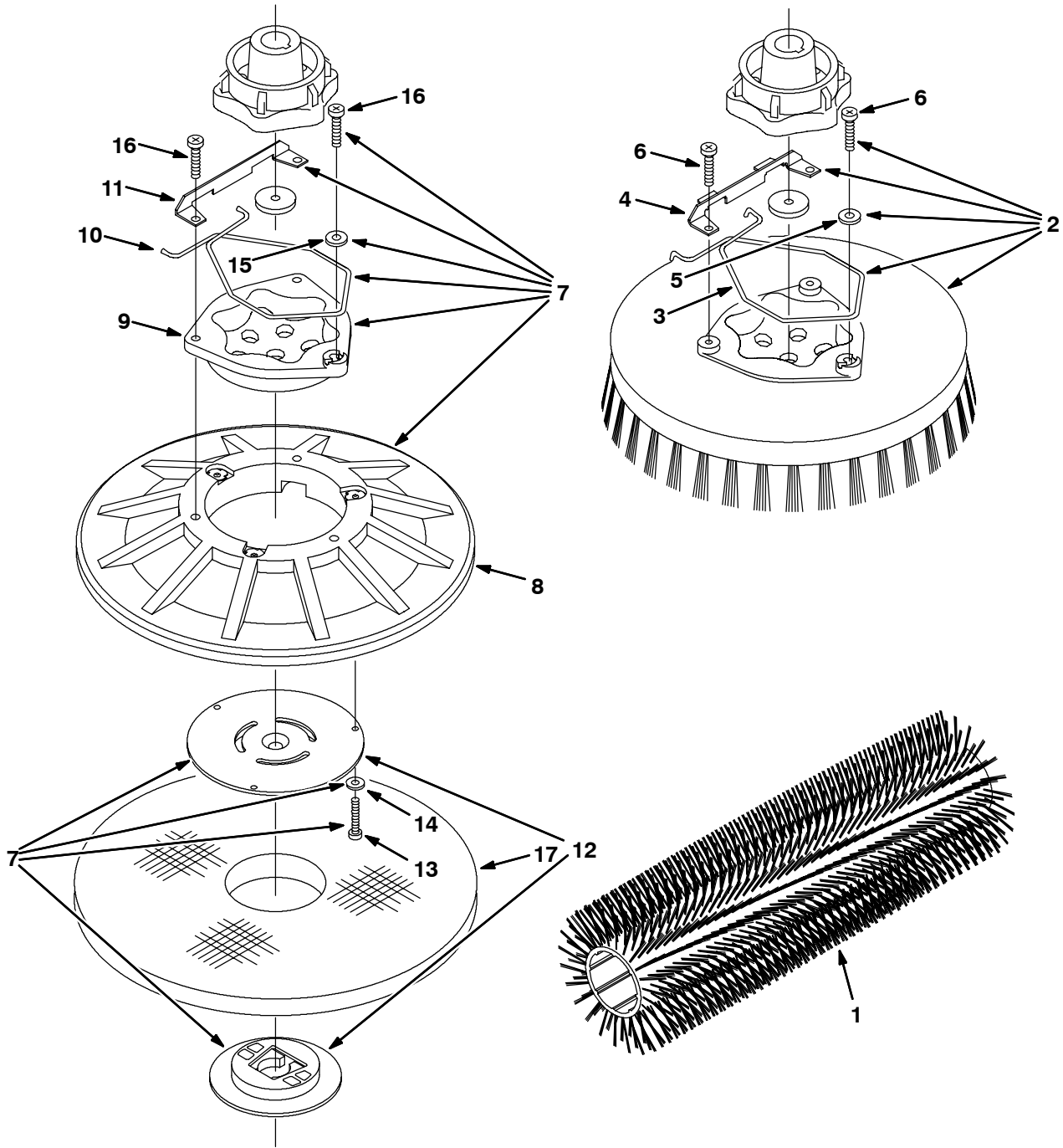


Fig. 2 - Replacement Brushes, 700 mm (28 in)

| Ref. | Part No. | Serial Number | Description | Qty. |
|------|----------|------------------|---|------|
| 1 | 222304 | (000000-008237) | Brush, Scb, 28l, Polypropylene Grout | 2 |
| 1 | 374041 | (000000-008237) | Brush, Scb, 28l, Polypropylene | 2 |
| 1 | 222305 | (000000-008237) | Brush, Scb, 28l, Soft Nylon | 2 |
| 1 | 222306 | (000000-008237) | Brush, Scb, 28l, Abrasive | 2 |
| ▽ | 2 | 222321 | (000000-008237) Brush Assy, Disk, Scb, 14.0 D, Nylon | 2 |
| ▲ | 3 | 14838 | (000000-008237) Spring, Wir, 0.16d, Brush Retaining | 1 |
| ▲ | 4 | 24299 | (000000-008237) Bracket, Retainer, Spring | 1 |
| ▲ | 5 | 01684 | (000000-008237) Washer, Flat, 0.27b 0.69d .05, Ss | 1 |
| ▲ | 6 | 32746 | (000000-008237) Screw, Pan, M6 X 1.0 X 35, Ss | 3 |
| ▽ | 2 | 222320 | (000000-008237) Brush Assy, Disk, Scb, 14.0 D, Polypropylene | 2 |
| ▲ | 3 | 14838 | (000000-008237) Spring, Wir, 0.16d, Brush Retaining | 1 |
| ▲ | 4 | 24299 | (000000-008237) Bracket, Retainer, Spring | 1 |
| ▲ | 5 | 01684 | (000000-008237) Washer, Flat, 0.27b 0.69d .05, Ss | 1 |
| ▲ | 6 | 32746 | (000000-008237) Screw, Pan, M6 X 1.0 X 35, Ss | 3 |
| ▽ | 2 | 222322 | (000000-008237) Brush Assy, Disk, Scb, 14.0d, Super Abrasive | 2 |
| ▲ | 3 | 14838 | (000000-008237) Spring, Wir, 0.16d, Brush Retaining | 1 |
| ▲ | 4 | 24299 | (000000-008237) Bracket, Retainer, Spring | 1 |
| ▲ | 5 | 01684 | (000000-008237) Washer, Flat, 0.27b 0.69d .05, Ss | 1 |
| ▲ | 6 | 32746 | (000000-008237) Screw, Pan, M6 X 1.0 X 35, Ss | 3 |
| ▽ | 7 | 397914 | (000000-008237) Driver Assy, Pad, 14.0d | 2 |
| ▲ | 8 | 397974 | (000000-008237) Disk, Driver, Pad, W/ Face, 14.0d | 1 |
| ▲ | 9 | 15539 | (000000-008237) Hub, Drive, Brush, Disk, 3hole 5.8bc[6t] | 1 |
| ▲ | 10 | 14838 | (000000-008237) Spring, Wir, 0.16d, Brush Retaining | 1 |
| ▲ | 11 | 24299 | (000000-008237) Bracket, Retainer, Spring | 1 |
| ▲ | 12 | 370090 | (000000-008237) Retainer, Centering, Pad Rep.By370095 | 1 |
| ▲ | 13 | 09198 | (000000-008237) Screw, Pan, M4 X 0.7 X 35, Ss | 3 |
| ▲ | 14 | 41579 | (000000-008237) Washer, Flat, #08, Ss | 3 |
| ▲ | 15 | 01684 | (000000-008237) Washer, Flat, 0.27b 0.69d .05, Ss | 1 |
| ▲ | 16 | 32746 | (000000-008237) Screw, Pan, M6 X 1.0 X 35, Ss | 3 |
| | 17 | 222324 | (000000-008237) Pad, Polish, 14.0d, White [1pad=1pc] | 2 |
| | 17 | 222325 | (000000-008237) Pad, Buff, 14.0d, Red | 2 |
| | 17 | 222326 | (000000-008237) Pad, Scb, 14.0d, Blu [1pad=1pc] | 2 |
| | 17 | 222327 | (000000-008237) Pad, Stripping, 14.0d, Brown [1pad=1pc] | 2 |
| | 17 | 370091 | (000000-008237) Pad, High Productivity Stripping, 14.0d, Blk | 2 |

Fig. 3 - Replacement Brushes, 900 mm (36 in)

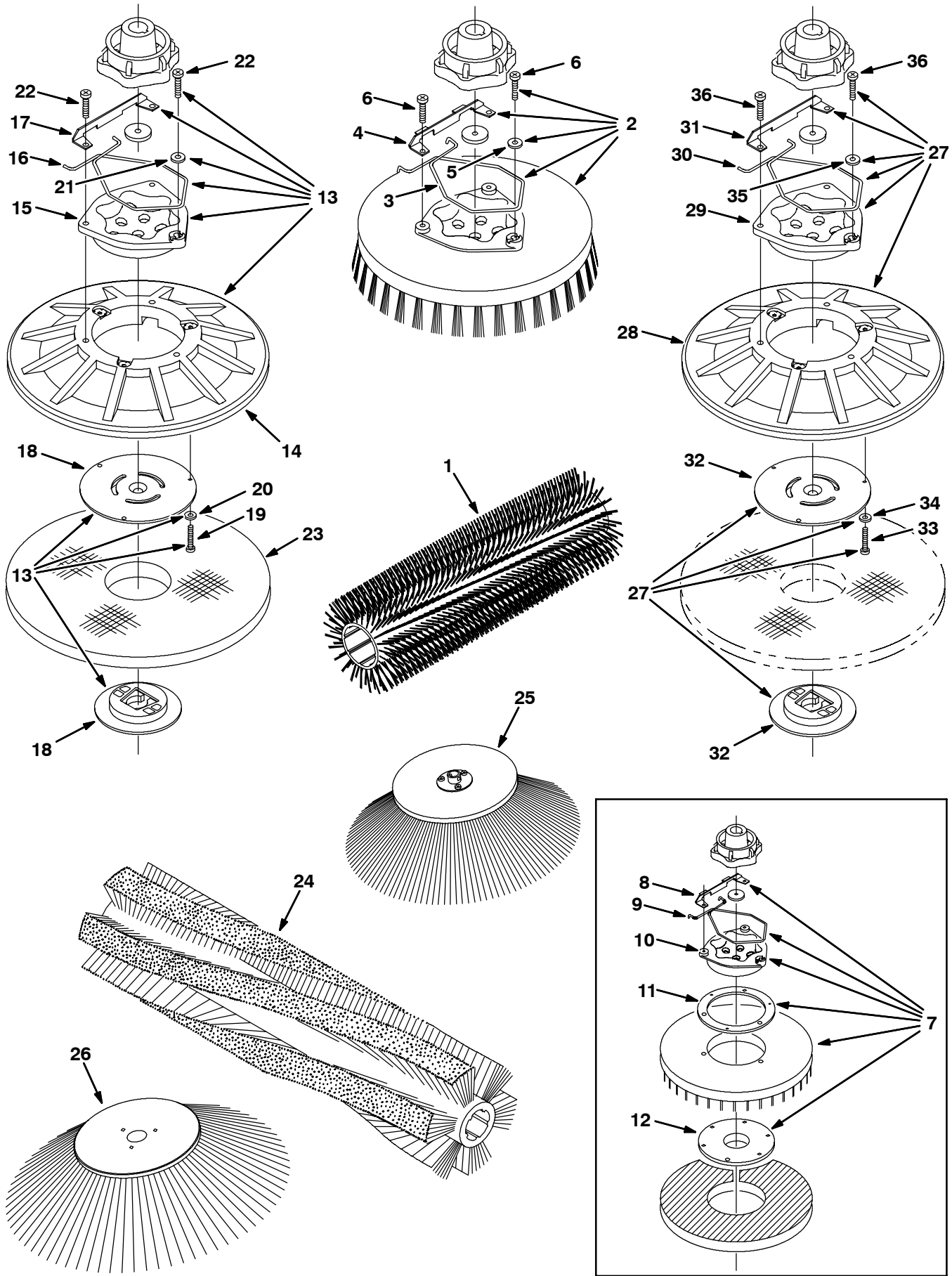


Fig. 3 - Replacement Brushes, 900 mm (36 in)

| Ref. | Part No. | Serial Number | Description | Qty. |
|------|----------|---------------|---|------|
| 1 | 222310 | (000000- |) Brush, Scb, 36l, Polypropylene Grout | 2 |
| 1 | 374043 | (000000- |) Brush, Scb, 36l, Polypropylene | 2 |
| 1 | 222311 | (000000- |) Brush, Scb, 36l, Soft Nylon | 2 |
| 1 | 222312 | (000000- |) Brush, Scb, 36l, Abrasive | 2 |
| ▽ | 2 | 11773 | (000000-) Brush Assy, Disk, Scb, Nylon | 2 |
| ▲ | 3 | 14838 | (000000-) Spring, Wir, 0.16d, Brush Retaining | 1 |
| ▲ | 4 | 24299 | (000000-) Bracket, Retainer, Spring | 1 |
| ▲ | 5 | 01684 | (000000-) Washer, Flat, 0.27b 0.69d .05, Ss | 1 |
| ▲ | 6 | 32746 | (000000-) Screw, Pan, M6 X 1.0 X 35, Ss | 3 |
| ▽ | 2 | 11771 | (000000-) Brush Assy, Disk, Scb, Polypropylene | 2 |
| ▲ | 3 | 14838 | (000000-) Spring, Wir, 0.16d, Brush Retaining | 1 |
| ▲ | 4 | 24299 | (000000-) Bracket, Retainer, Spring | 1 |
| ▲ | 5 | 01684 | (000000-) Washer, Flat, 0.27b 0.69d .05, Ss | 1 |
| ▲ | 6 | 32746 | (000000-) Screw, Pan, M6 X 1.0 X 35, Ss | 3 |
| ▽ | 2 | 11772 | (000000-) Brush Assy, Disk, Scb, Super Abrasive | 2 |
| ▲ | 3 | 14838 | (000000-) Spring, Wir, 0.16d, Brush Retaining | 1 |
| ▲ | 4 | 24299 | (000000-) Bracket, Retainer, Spring | 1 |
| ▲ | 5 | 01684 | (000000-) Washer, Flat, 0.27b 0.69d .05, Ss | 1 |
| ▲ | 6 | 32746 | (000000-) Screw, Pan, M6 X 1.0 X 35, Ss | 3 |
| ▽ | 7 | 11776 | (000000- xxxxxx) Pad Driver Rep.By370018 | 2 |
| ▲ | 8 | 24299 | (000000- xxxxxx) Bracket, Retainer, Spring | 1 |
| ▲ | 9 | 14838 | (000000- xxxxxx) Spring, Wir, 0.16d, Brush Retaining | 1 |
| ▲ | 10 | 15539 | (000000- xxxxxx) Hub, Drive, Brush, Disk, 3hole 5.8bc[6t] | 1 |
| ▲ | 11 | 11218 | (000000- xxxxxx) Disc, Spacer, Brush | 1 |
| ▲ | 12 | 19783 | (000000- xxxxxx) Pad, Holder | 1 |
| ▽ | 13 | 397918 | (xxxxxx-) Driver Assy, Pad, 18.0d | 2 |
| ▲ | 14 | 397978 | (xxxxxx-) Disk, Driver, Pad, W/ Face, 18.0d | 1 |
| ▲ | 15 | 15539 | (xxxxxx-) Hub, Drive, Brush, Disk, 3hole 5.8bc[6t] | 1 |
| ▲ | 16 | 14838 | (xxxxxx-) Spring, Wir, 0.16d, Brush Retaining | 1 |
| ▲ | 17 | 24299 | (xxxxxx-) Bracket, Retainer, Spring | 1 |
| ▲ | 18 | 370095 | (xxxxxx-) Device, Centering, Clip On, TI [Gf Pp] | 1 |
| ▲ | 19 | 09198 | (xxxxxx-) Screw, Pan, M4 X 0.7 X 35, Ss | 3 |
| ▲ | 20 | 41579 | (000000-) Washer, Flat, #08, Ss | 3 |
| ▲ | 21 | 01684 | (000000-) Washer, Flat, 0.27b 0.69d .05, Ss | 1 |
| ▲ | 22 | 32746 | (000000-) Screw, Pan, M6 X 1.0 X 35, Ss | 3 |
| | 23 | 11777 | (000000-) Pad, Stripping, 18.0d, Brown [1pad=1pc] | 2 |
| | 23 | 370093 | (000000-) Pad, Stripping, 18.0d, Blk [1pad=1pc] | 2 |
| | 23 | 11778 | (000000-) Pad, Scb, 18.0d, Blu [1pad=1pc] | 2 |
| | 23 | 11780 | (000000-) Pad, Buff, 18.0d, Red [1pad=1pc] | 2 |
| | 23 | 11781 | (000000-) Pad, Polish, 18.0d, White [1pad=1pc] | 2 |
| | 24 | 392222 | (000000-) Brush, Swp, 32l, 6dr, Polypropylene | 1 |
| | 25 | 28096P | (000000-) Brush Assy, Disk, Swp, 15.0 D, Polypropylene (Pre-Sweep SB) | 1 |
| | 26 | 397056 | (000000-) Brush Assy, Disk, Swp, 17.5d, Polypropylene (Side Brush) | 1 |
| ▽ | 27 | 377391 | (000000-) Driver Assy, Pad, 17.0d [432mm] | 2 |
| ▲ | 28 | 377384 | (000000-) Disk, Driver, Pad, W/ Face, 17.0d | 1 |
| ▲ | 29 | 15539 | (000000-) Hub, Drive, Brush, Disk, 3hole 5.8bc[6t] | 1 |
| ▲ | 30 | 14838 | (000000-) Spring, Wir, 0.16d, Brush Retaining | 1 |
| ▲ | 31 | 24299 | (000000-) Bracket, Retainer, Spring | 1 |
| ▲ | 32 | 370095 | (000000-) Device, Centering, Clip On, TI [Gf Pp] | 1 |
| ▲ | 33 | 09198 | (000000-) Screw, Pan, M4 X 0.7 X 35, Ss | 3 |
| ▲ | 34 | 41579 | (000000-) Washer, Flat, #08, Ss | 3 |
| ▲ | 35 | 01684 | (000000-) Washer, Flat, 0.27b 0.69d .05, Ss | 1 |
| ▲ | 36 | 32746 | (000000-) Screw, Pan, M6 X 1.0 X 35, Ss | 3 |

Fig. 4 - Main Frame Group

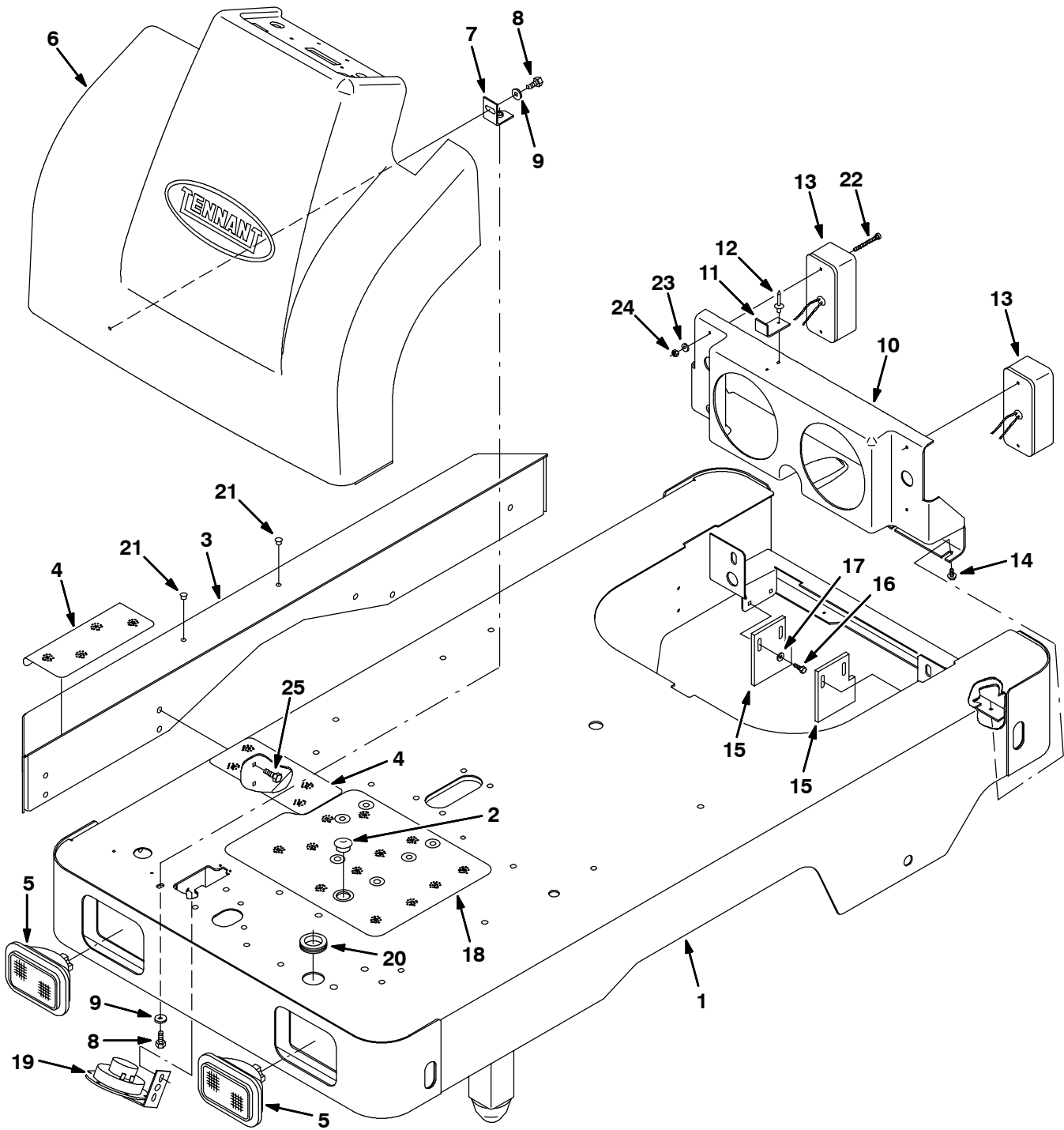


Fig. 4 - Main Frame Group

| Ref. | Part No. | Serial Number | Description | Qty. | |
|------|----------|---------------|---|--|---|
| 1 | 399000 | (000000- |) Frame Wldt, Main [7200] | 1 | |
| 2 | 82727 | (000000- |) Plug, Hole, Rnd, 0.88h .03-.12, Blk Nyl | 1 | |
| 3 | 385606 | (000000- |) Bumper Wldt, Side, Scb | 1 | |
| 4 | 223350 | (000000- |) Tread, Non-Skid, 04.5w 10.0l | 2 | |
| ▽ | 5 | 223044 | (000000- |) Headlight, 36vdc, 15cp 0.7a [0534242] | 2 |
| ▲ | 360518 | (000000- |) Lamp, 36vdc, .72a, 32cp [#Sp7] | 1 | |
| 6 | 223254 | (000000- |) Cover, Front, Oprtr Station [7200] | 1 | |
| 7 | 223257 | (000000- |) Bracket, Angle, Mtg | 1 | |
| 8 | 09740 | (000000- |) Screw, Hex, M8 X 1.25 X 20, Ss | 2 | |
| 9 | 01685 | (000000- |) Washer, Flat, 0.38b 0.88d .08, Ss | 2 | |
| ▽ | 223534 | (000000- |) Tray, Drip | 1 | |
| ▲ | 10 | 223253 | (000000- |) Tray, Drip | 1 |
| ▲ | 11 | 223290 | (000000- |) Bracket, Angle, Tray | 1 |
| ▲ | 12 | 32548 | (000000- |) Rivet, Blind, .188d X 0.45 X .62d, Alm | 2 |
| ▽ | 13 | 223043 | (000000- |) Taillight, 36vdc, 6.6 X 3.1 | 2 |
| ▲ | 223353 | (000000- |) Lamp, 36vdc [Sp5-36v] | 1 | |
| 14 | 74455 | (000000- |) Screw, Hex, M6 X 1.0 X 12, Fmg | 4 | |
| 15 | 223546 | (000000- |) Skirt, Rbr, .31, 04.62w 03.87l, 02/ SI | 2 | |
| 16 | 15678 | (000000- |) Screw, Hex, M6 X 1.0 X 16, Ss | 4 | |
| 17 | 41178 | (000000- |) Washer, Flat, 0.25, Fendr | 4 | |
| 18 | 369454 | (000000- |) Tread, Non-Skid, 12.8w 15.0l | 1 | |
| 19 | 369702 | (000000- |) Horn, 36vdc, Dba | 1 | |
| 20 | 10632-13 | (000000- |) Grommet, Rbr, 1.50id, F/1.8h, .19 Matl | 1 | |
| 21 | 01314 | (000000- |) Plug, Hole, Rnd, 0.38h .03-.12, Blk Nyl | 2 | |
| 22 | 54093 | (000000- |) Screw, Chz, M5 X 0.8 X 60, 4.8 | 4 | |
| 23 | 01683 | (000000- |) Washer, Flat, 0.22b 0.50d .05, Ss [#10] | 4 | |
| 24 | 09739 | (000000- |) Nut, Hex, Lock, M5 X 0.80, NI, Ss | 4 | |
| 25 | 16931 | (000000- |) Screw, Hex, M8 X 1.25 X 20, 8.8 | 6 | |

Fig. 5 - Seat Group

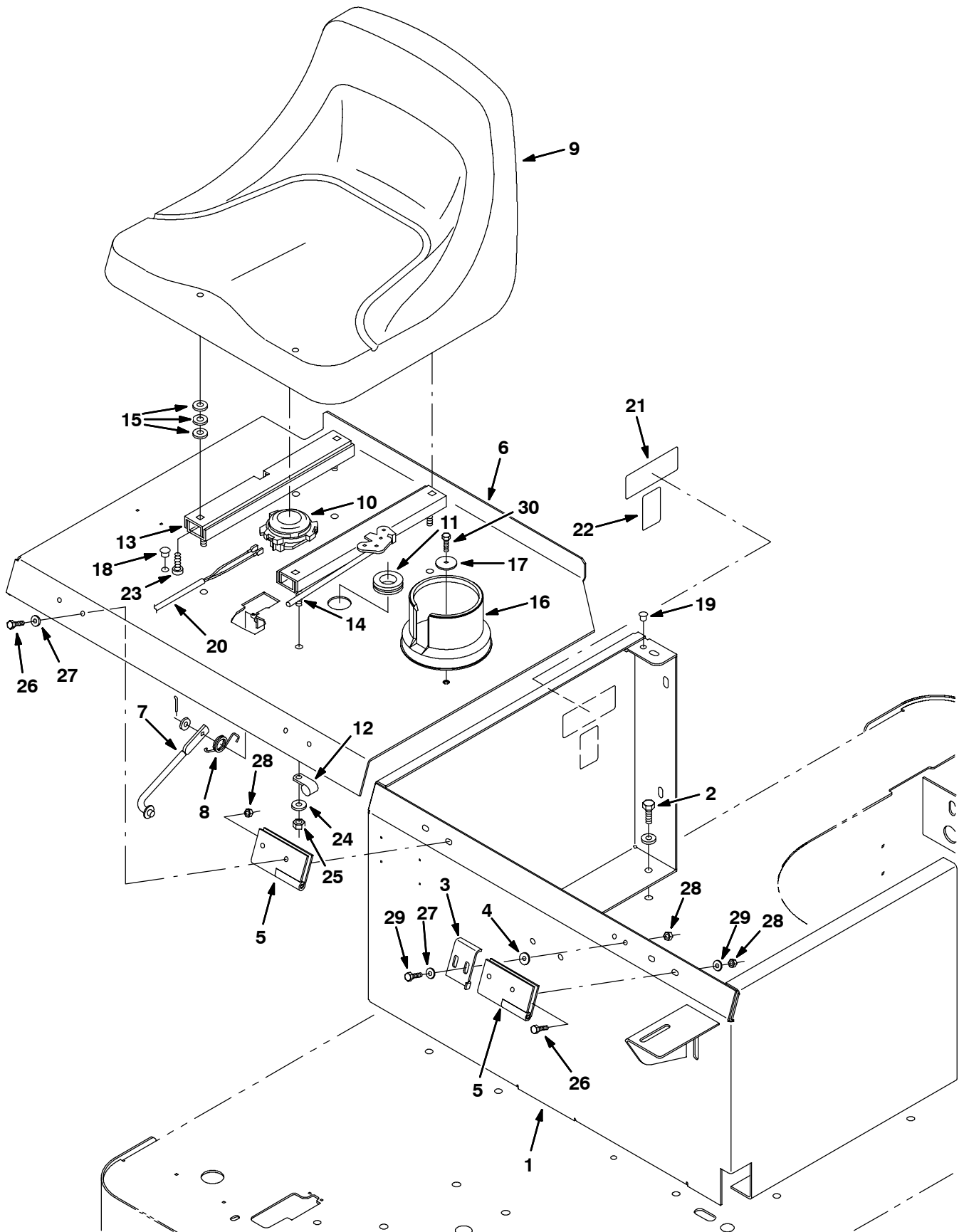


Fig. 5 - Seat Group

| Ref. | Part No. | Serial Number | Description | Qty. |
|------|----------|---------------|--|------|
| 1 | 223650 | (000000- |) Support, Seat | 1 |
| 2 | 09740 | (000000- |) Screw, Hex, M8 X 1.25 X 20, Ss | 9 |
| 3 | 223249 | (000000- |) Bracket, Lock, Seat | 1 |
| 4 | 16236 | (000000- |) Washer, Flat, 0.26b 0.72d .06, Nyl | 2 |
| 5 | 223248 | (000000- |) Hinge, .25pin .12 4.0w 04.0l, 4/0.30h | 2 |
| 6 | 223549 | (000000- |) Support, Seat, W/ Label | 1 |
| 7 | 223080 | (000000- |) Arm Wldt, Safety, Sppt, Seat, .38d 06.5d | 1 |
| 8 | 59009 | (000000- |) Spring, Tors, 0.75id .06wir 02.8coil | 1 |
| 9 | 375411 | (000000- |) Seat, Std [Michigan, Model V-1500] | 1 |
| 10 | 223078 | (000000- |) Switch, Seat, No [Delta 6500] | 1 |
| 11 | 10632-14 | (000000- |) Grommet, Rbr, 1.00id, F/1.4h, .12 Matl | 1 |
| 12 | 67767 | (000000- |) Clamp, Cable, Stl, 0.69d X 0.62w, 1hole | 1 |
| 13 | 360369 | (000000- |) Track, Slide, Seat Adj, 12.5l | 1 |
| 14 | 360370 | (000000- |) Track, Slide, Seat Adj, 12.5l, W/Latch | 1 |
| 15 | 69461 | (000000- |) Washer, Flat, 0.38b 0.88d .12, Stl, PI | 12 |
| 16 | 223599 | (000000- |) Cup Holder, Rwk | 1 |
| 17 | 41178 | (000000- |) Washer, Flat, 0.25, Fendr | 1 |
| 18 | 33807 | (000000- |) Plug, Hole, Rnd, 0.44h .03-.12, Blk Nyl | 2 |
| 19 | 33806 | (000000- |) Plug, Hole, Rnd, 0.38h .03-.12, Nyl[Wht] | 1 |
| 20 | 223330 | (000000- |) Harness, Switch, Seat [7200] | 1 |
| 21 | 1005416 | (000000- |) Label [Fast] | 1 |
| 22 | 1015012 | (000000- |) Label [Nfsi Certification] | 1 |
| 23 | 25537 | (000000- |) Screw, Pan, .31-18 X 0.75, G2 | 4 |
| 24 | 32491 | (000000- |) Washer, Flat, 0.31, Std | 4 |
| 25 | 32983 | (000000- |) Nut, Hex, Lock, .31-18, NI | 4 |
| 26 | 06942 | (000000- |) Screw, Hex, M6 X 1.0 X 16, 8.8 | 8 |
| 27 | 32483 | (000000- |) Washer, Flat, 0.25, Sae | 10 |
| 28 | 08708 | (000000- |) Nut, Hex, Lock, M6 X 1.00, NI | 10 |
| 29 | 06943 | (000000- |) Screw, Hex, M6 X 1.0 X 20, 8.8 | 2 |
| 30 | 06944 | (000000- |) Screw, Hex, M6 X 1.0 X 25, 8.8 | 1 |

Fig. 6 - Steering Group

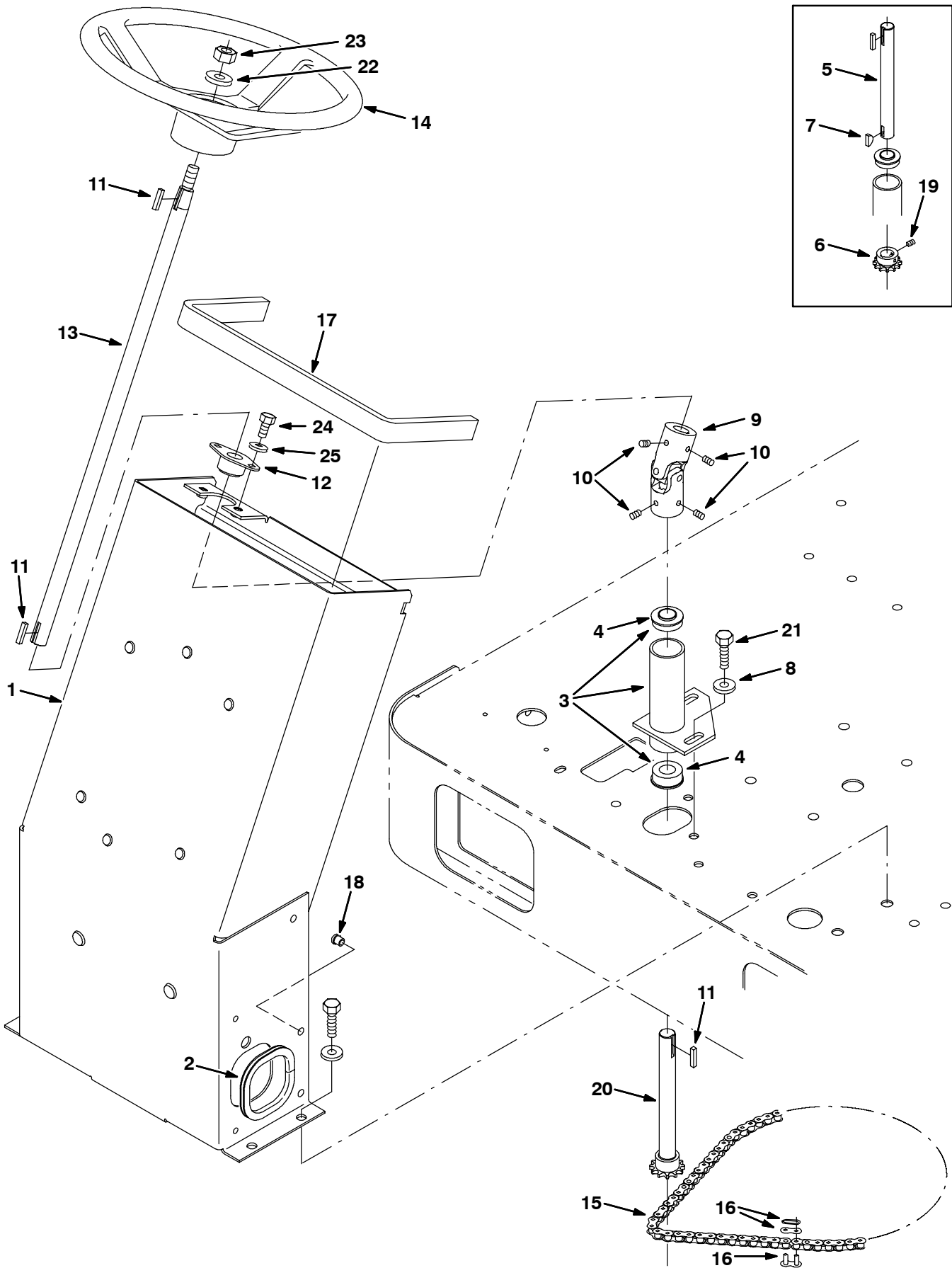


Fig. 6 - Steering Group

| Ref. | Part No. | Serial Number | Description | Qty. |
|------|----------|---------------|--|------|
| | 1 | 223099 | (000000-) Channel Wldt, Front | 1 |
| | 2 | 62595-4 | (000000-) Molding, Trim, Pvc, .08-.11 10.0l | 1 |
| ▽ | 3 | 223603 | (000000-) Housing Assy, Steering [7200] | 1 |
| ▲ | 4 | 223073 | (000000-) Bearing, Ball, 0.75b 1.38d 0.50w | 2 |
| | 5 | 223068 | (000000-008551) Shaft, Steering, Lower Repby 391401 | 1 |
| | 6 | 223070 | (000000-008551) Sprocket, #35, 12tooth, 0.75b 0.75w | 1 |
| | 7 | 00500-10 | (000000-008551) Key, Woodruff, 0.19 0.75 [Asa#0606] | 1 |
| | 8 | 41187 | (000000-) Washer, Flat, Belleville, .38 | 2 |
| | 9 | 223072 | (000000-) Joint, U, 0.75id | 1 |
| | 10 | 46820 | (000000-) Screw, Set, .31-18 X 0.38, NI | 4 |
| | 11 | 00912 | (000000-) Key, Sq, 0.19 X 0.19, 1.00l | 3 |
| | 12 | 223065 | (000000-) Bearing, Flng, 2hole, 0.75b [Nyl] | 1 |
| | 13 | 223061 | (000000-) Shaft, Steering, Upper, Mach, .75d 24.1l | 1 |
| | 14 | 1036490 | (000000-) Wheel, Steering | 1 |
| | 15 | 223074 | (000000-) Chain, Rlr, #35, 104 Pitches | 1 |
| | 16 | 14799 | (000000-) Link, Chain, Rlr, #35 | 1 |
| | 17 | 223508 | (000000-) Seal, Rbr, Clsd, 0.50, 1.0w 23.0l Adh | 1 |
| | 18 | 33806 | (000000-) Plug, Hole, Rnd, 0.38h .03-.12, Nyl[Wht] | 2 |
| | 19 | 39326 | (000000-008551) Screw, Set, .25-20 X 0.25, Al | 2 |
| | 20 | 391401 | (008552-) Sprocket, #35, 12tooth, W /.75d Shaft | 1 |
| | 21 | 03192 | (000000-) Screw, Hex, M10 X 1.5 X 30, 8.8 | 2 |
| | 22 | 32493 | (000000-) Washer, Flat, 0.50, Std | 1 |
| | 23 | 08711 | (000000-) Nut, Hex, Lock, M12 X 1.75,NI | 1 |
| | 24 | 16735 | (000000-) Screw, Hex, M8 X 1.25 X 16, 8.8 | 2 |
| | 25 | 32491 | (000000-) Washer, Flat, 0.31, Std | 2 |

Fig. 7 - Instrument Panel Group

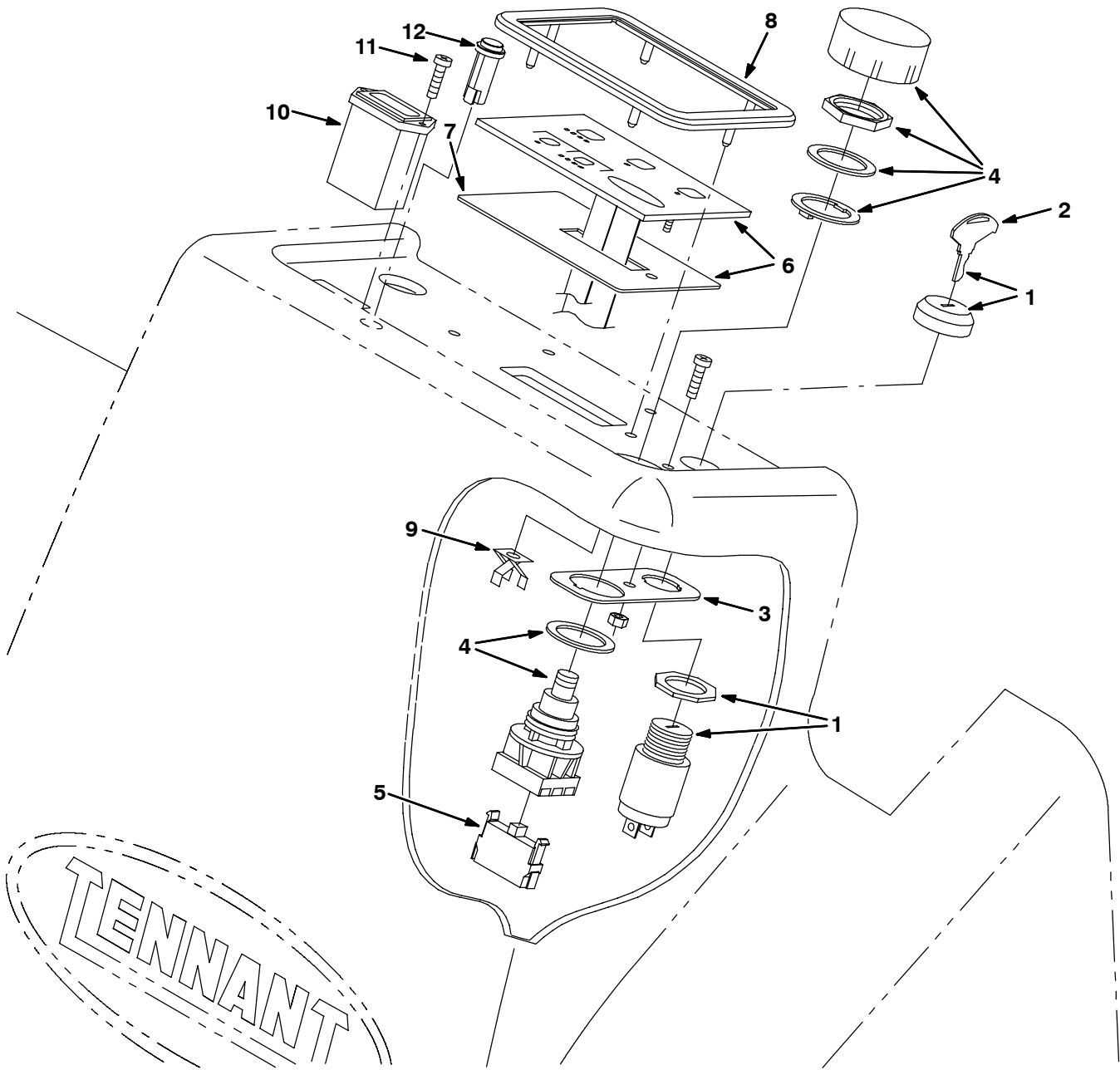


Fig. 7 - Instrument Panel Group

| | Ref. | Part No. | Serial Number | Description | Qty. |
|---|------|----------|---------------|--|------|
| ▽ | 1 | 361076 | (000000- |) Switch, Ignition [Merit Gmbh] | 1 |
| ▲ | 2 | 361144 | (000000- |) Key, Ignition, Sgl | 1 |
| | 3 | 223285 | (000000- |) Plate, Mtg, Switch | 1 |
| | 4 | 78553 | (000000- |) Switch, Push | 1 |
| | 5 | 65665 | (000000- |) Switch, Contact, 12vdc 10a Nc | 1 |
| ▽ | 6 | 223045 | (000000- |) Panel Assy, Touch | 1 |
| ▲ | 7 | 223332 | (000000- |) Gasket, Panl, Touch | 1 |
| | 8 | 16906 | (000000- |) Bezel, Panl, Touch | 1 |
| | 9 | 05280 | (000000- |) Clip, Stud | 6 |
| | 10 | 377433 | (000000- |) Gauge, Hourmeter, 12-60vdc, Analog [10k] | 1 |
| | 11 | 222267 | (000000- |) Screw, Pan, #06-20 X 0.50, Fmg, [Ab] | 2 |
| | 12 | 374122 | (010515- |) Light, Indicator, 36vdc, 0.5d, Red | 1 |

Fig. 8 - Electrical Panel Group

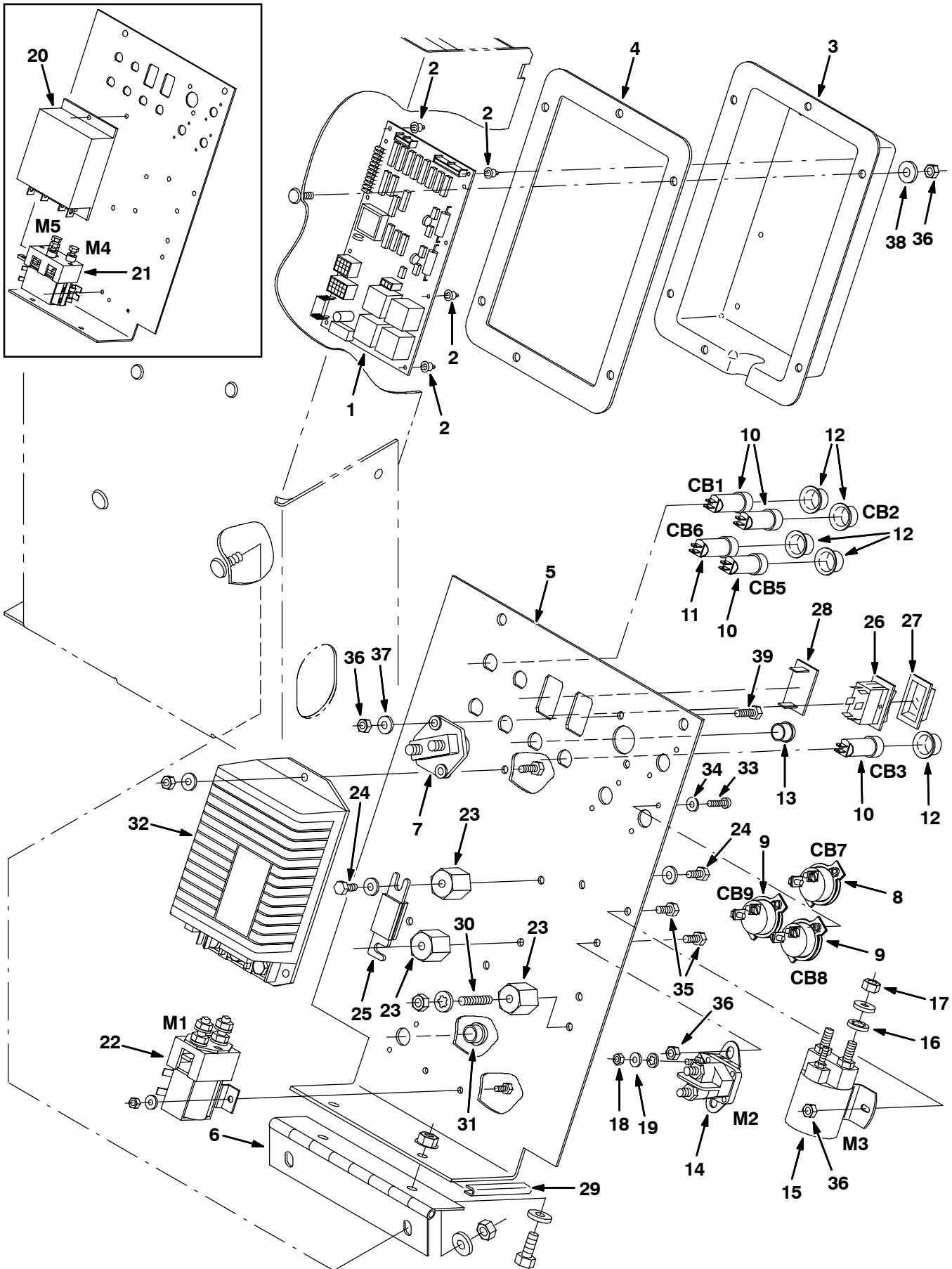


Fig. 8 - Electrical Panel Group

| Ref. | Part No. | Serial Number | Description | Qty. |
|------|----------|---------------|---|------|
| | 1 | 370173 | (000000-008237) Controller Kit, Mach, Replmt [7200] | 1 |
| ▽ | 1 | 393057 | (008238-) Controller Kit, W/O Pre-Sweep, Replmt | 1 |
| ▲ | | 069760639 | (008238-) Fuse, 015a, Slow Blow [3ag] | 1 |
| ▲ | | 1015150 | (008238-) Memory, Flash [7200 Sepex] | 1 |
| ▽ | 1 | 393058 | (008300-) Controller Kit, W/ Pre-Sweep, Replmt | 1 |
| ▲ | | 069760639 | (008300-) Fuse, 015a, Slow Blow [3ag] | 1 |
| ▲ | | 1015150 | (008300-) Memory, Flash [7200 Sepex] | 1 |
| | 2 | 222493 | (000000-) Clip, Circuitboard | 6 |
| | 3 | 223046 | (000000-) Cover, Ele | 1 |
| | 4 | 223047 | (000000-) Gasket, Cover | 1 |
| | 5 | 223550 | (000000-008237) Plate, Ele, W/ Label | 1 |
| | 5 | 392248 | (008238-) Panel, Ele, W/ Label | 1 |
| | 6 | 223058 | (000000-) Hinge, .25pin .07 3.5w 08.0l, 4/0.38h | 1 |
| | 7 | 44078 | (000000-) Switch, Push, Spst, No | 1 |
| | 8 | 222296 | (000000-) Circuitbreaker, 20.0a, Resetable | 1 |
| | 9 | 222297 | (000000-) Circuitbreaker, 25.0a, Resetable | 2 |
| | 10 | 57164 | (000000-) Circuitbreaker, 10.0a, Resetable | 4 |
| | 11 | 57803 | (000000-) Circuitbreaker, 15.0a, Resetable | 1 |
| | 12 | 57751 | (000000-) Boot, Dome, .72id .72l, Clear | 5 |
| | 13 | 57167 | (000000-) Plug, Hole, Rnd, 0.62h .03-.12, Blk Nyl | 1 |
| | 14 | 386810 | (000000-) Contactor, 36vdc, 100a, Sp, No | 1 |
| | 15 | 45405 | (000000-) Relay, 36vdc, 100a, Spdt No [White] | 1 |
| | 16 | 32984 | (000000-) Washer, Lock, Int, 0.31 | 4 |
| | 17 | 20170 | (000000-) Nut, Hex, Jam, .31-24 | 4 |
| | 18 | 01713 | (000000-) Nut, Hex, Std, #10-32, 2 | 4 |
| | 19 | 19324 | (000000-) Washer, Flat, #10, Sae | 4 |
| | 20 | 223049 | (000000-008237) Controller, Motor, 36vdc 100a [Curt1207] | 1 |
| | 21 | 397608 | (000000-008237) Relay, 36vdc, 150a, No [Curtis] | 1 |
| | 22 | 397609 | (000000-) Contactor, 36vdc, No | 1 |
| | 23 | 76062 | (000000-) Stand-Off, Wir, M6, Insulator, Panel | 3 |
| | 24 | 58670 | (000000-) Screw, Hex, .25-20 X 0.50, NI | 5 |
| | 25 | 87318 | (000000-) Fuse, 080a 125volt 0.88 X 3.2l | 1 |
| | 26 | 65561 | (000000-) Switch, Rocker, Spst, On / Off | 1 |
| | 27 | 57807 | (000000-) Cover, Seal, Rocker Switch | 1 |
| | 28 | 57772 | (000000-) Plug, Hole, Rt, 1.45 X 0.83, Blk Nyl | 1 |
| | 29 | 50850 | (000000-) Molding, Trim, Pvc, .08-.11 03.2l | 1 |
| | 30 | 41702 | (000000-) Rod, Thrd, Full, .25-20 01.5l | 1 |
| | 31 | 57167 | (008238-) Plug, Hole, Rnd, 0.62h .03-.12, Blk Nyl | 1 |
| | 32 | 374260 | (008238-) Controller, Motor, 36vdc 090a | 1 |
| | 33 | 25006 | (000000-) Screw, Pan, #08-32 X 0.88, G1 | 6 |
| | 34 | 19065 | (000000-) Washer, Flat, #08 | 6 |
| | 35 | 06942 | (000000-) Screw, Hex, M6 X 1.0 X 16, 8.8 | 4 |
| | 36 | 08708 | (000000-) Nut, Hex, Lock, M6 X 1.00, NI | 12 |
| | 37 | 19066 | (000000-) Washer, Flat, #10 | 10 |
| | 38 | 32490 | (000000-) Washer, Flat, 0.25, Std | 6 |
| | 39 | 06944 | (000000-) Screw, Hex, M6 X 1.0 X 25, 8.8 | 2 |

Fig. 9 - Front Drive Wheel Group

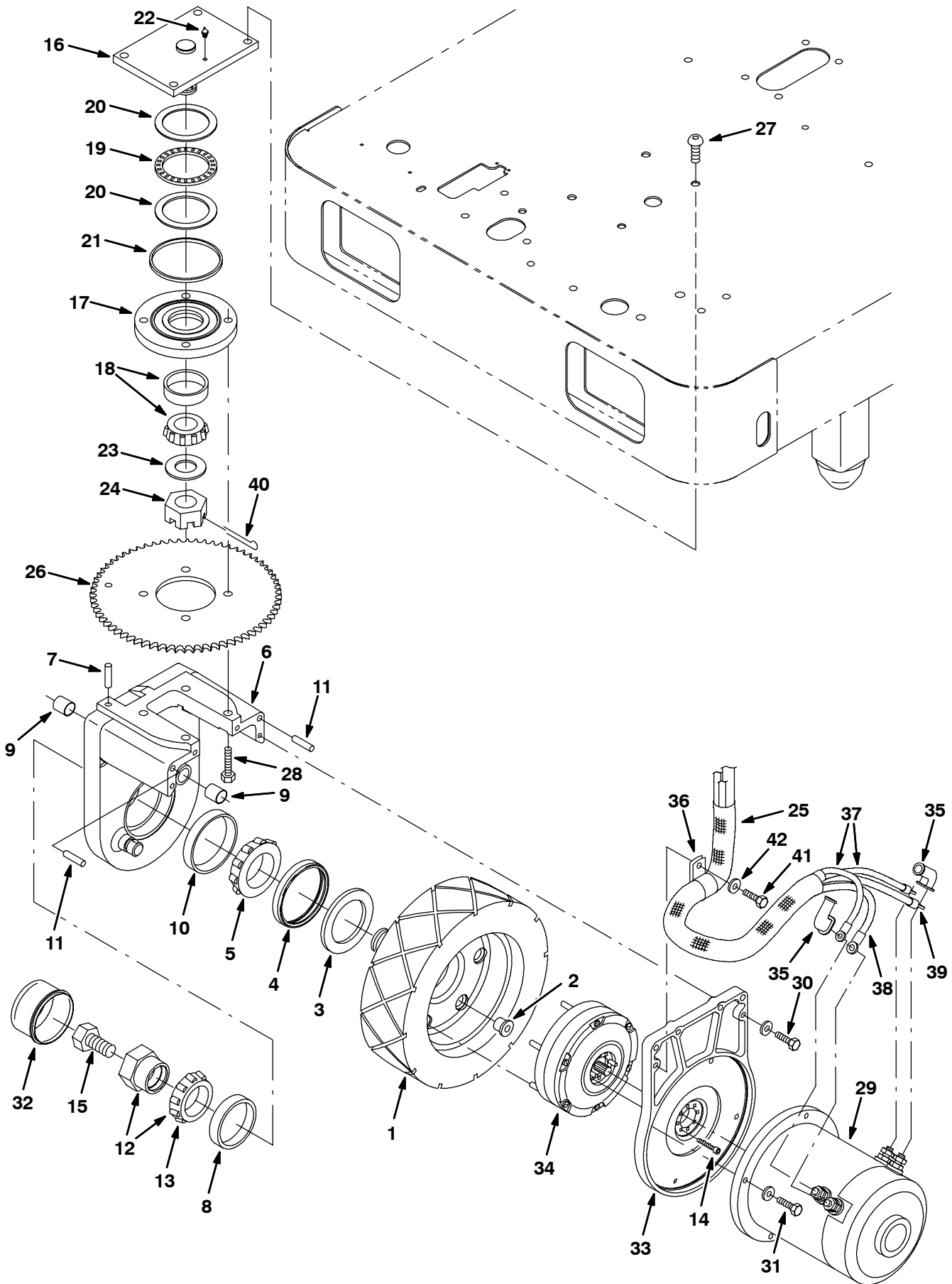


Fig. 9 - Front Drive Wheel Group

| | Ref. | Part No. | Serial Number | Description | Qty. |
|---------|------|---------------------|----------------|---|------|
| 1048380 | ▽ | 223559 | (000000- |) Tire Assy, Solid, 12.0x4.0, W/ Isolator | 1 |
| 1036685 | ▲ | 1 223196 | (000000- |) Tire Assy, Solid, 12.0x4.0 2.3d Hub [Nm] | 1 |
| | ▲ | 2 223181 | (000000- |) Isolator, Vib, Bshg, 1.0d 0.8l .4b 0.75h | 6 |
| | ▲ | 3 223193 | (000000- |) Washer, Flat, 2.27b 4.06d .25, Stl, Oil | 1 |
| | ▲ | 4 223631 | (000000- |) Seal, Oil, 0.56w 4.1d 3.6b | 1 |
| | ▲ | 5 223168 | (000000- |) Bearing, Cone, 2.25b 0.86w | 1 |
| | ▽ | 6 223150 | (000000- |) Housing Assy, Sppt, Front Drive Wheel | 1 |
| | ▲ | 7 56106 | (000000- |) Pin, Dowel, 0.5002d X 1.50l | 1 |
| | ▲ | 8 223169 | (000000- |) Bearing, Cup, 3.23d 0.67w | 1 |
| | ▲ | 9 360271 | (000000- |) Bushing, Sleeve, 0.78b 0.86d 0.93l, Bnz | 2 |
| | ▲ | 10 223167 | (000000- |) Bearing, Cup, 3.81d 0.63w | 1 |
| | ▲ | 11 223610 | (000000- |) Pin, Dowel, 0.3752d X 2.00l, Ss | 2 |
| | ▽ | 12 223151 | (000000- |) Bearing Assy, Cone, W/ Sleeve | 1 |
| | ▲ | 13 223170 | (000000- |) Bearing, Cone, 1.97b 0.85w | 1 |
| | | 14 57824 | (000000- |) Screw, Soc, M6 X 1.00 X 20, 12.9, NI | 6 |
| | | 15 223162 | (000000- |) Screw, Hex, M20 X 2.5 X 35, 8.8, NI | 1 |
| | ▽ | 223152 | (000000- |) Caster Assy | 1 |
| | ▲ | 16 223158 | (000000- |) Plate Wldt, Swivel | 1 |
| | ▲ | 17 223157 | (000000- |) Housing, Brg, Wheel, Front, Swivel | 1 |
| | ▲▽ | 374299 | (000000- |) Bearing Kit, Wheel, Front Drive, Ci | 1 |
| | ▲▲ | 18 49225 | (000000- |) Bearing Assy, 2.33d 1.25b Cup / Cone Kit | 1 |
| | ▲▲ | 19 223154 | (000000- |) Bearing, Thrust, 2.75b 3.63d 0.13w | 1 |
| | ▲▲ | 20 223161 | (000000- |) Washer, Thrust, 2.75b 3.62d 0.03 | 2 |
| | ▲▲ | 21 223160 | (000000- |) Seal, Felt, 0.19th, 4.3d 04.0h | 1 |
| | ▲ | 22 07259 | (000000- |) Fitting, Grease, Str Pm04 .47l | 1 |
| | ▲ | 23 223153 | (000000- |) Washer, Flat, 1.27b 2.38d .08, Crs, PI | 1 |
| | ▲ | 24 223159 | (000000- |) Nut, Hex, Slted, 1.25-12 | 1 |
| | | 25 223545 | (000000- |) Sleeve, Nyl, #17 30.0l | 1 |
| | | 26 385650 | (000000- |) Sprocket, #35, 92tooth, 3.625b | 1 |
| | | 27 223197 | (000000- |) Screw, Btn, M12 X 1.75 X 30, 10.9 NI | 4 |
| | | 28 223164 | (000000- |) Screw, Hex, M12 X 1.75 X 50, NI | 4 |
| | | 29 223057 | (000000-008237 |) Motor, Ele, 36vdc 1400rpm 1.50hp (See Breakdowns) | 1 |
| | | 29 383699 | (008238- |) Motor, Ele, 36vdc 1400rpm 1.50hp (See Breakdowns) | 1 |
| | | 30 223163 | (000000- |) Screw, Hex, M8 X 1.25 X 30, 8.8, NI | 4 |
| | | 31 12333 | (000000- |) Screw, Hex, M8 X 1.25 X 25, Ss, NI | 4 |
| | | 32 223166 | (000000- |) Cap, Hub, Dust, 3.22d 2.13l | 1 |
| | | 33 223208 | (000000- |) Plate, Mtg | 1 |
| | | 34 223171 | (000000- |) Gearbox, Str, 11:1ratio | 1 |
| | | 35 02076 | (000000- |) Boot, 90deg .50id .57id X .84id 1.0l, Blk | 4 |
| | | 36 58366 | (000000- |) Clamp, Cable, Stl, 1.25d X 1.00w, 1hole | 1 |
| | | 37 383707 | (008238- |) Harness, Motor | 1 |
| | | 38 383712 | (008238- |) Cable, 06ga 48.0l Blk .34ring /.34ring | 1 |
| | | 39 383713 | (008238- |) Cable, 06ga 46.0l Blk .34ring /.34ring | 1 |
| | | 40 08171 | |) Pin, Cotter, .156 X 2.00 | 1 |
| | | 41 59658 | |) Screw, Hex, M8 X 1.25 X 35, Ss, NI | 1 |
| | | 42 32491 | |) Washer, Flat, 0.31, Std | 1 |

Fig. 10 - Brake Group

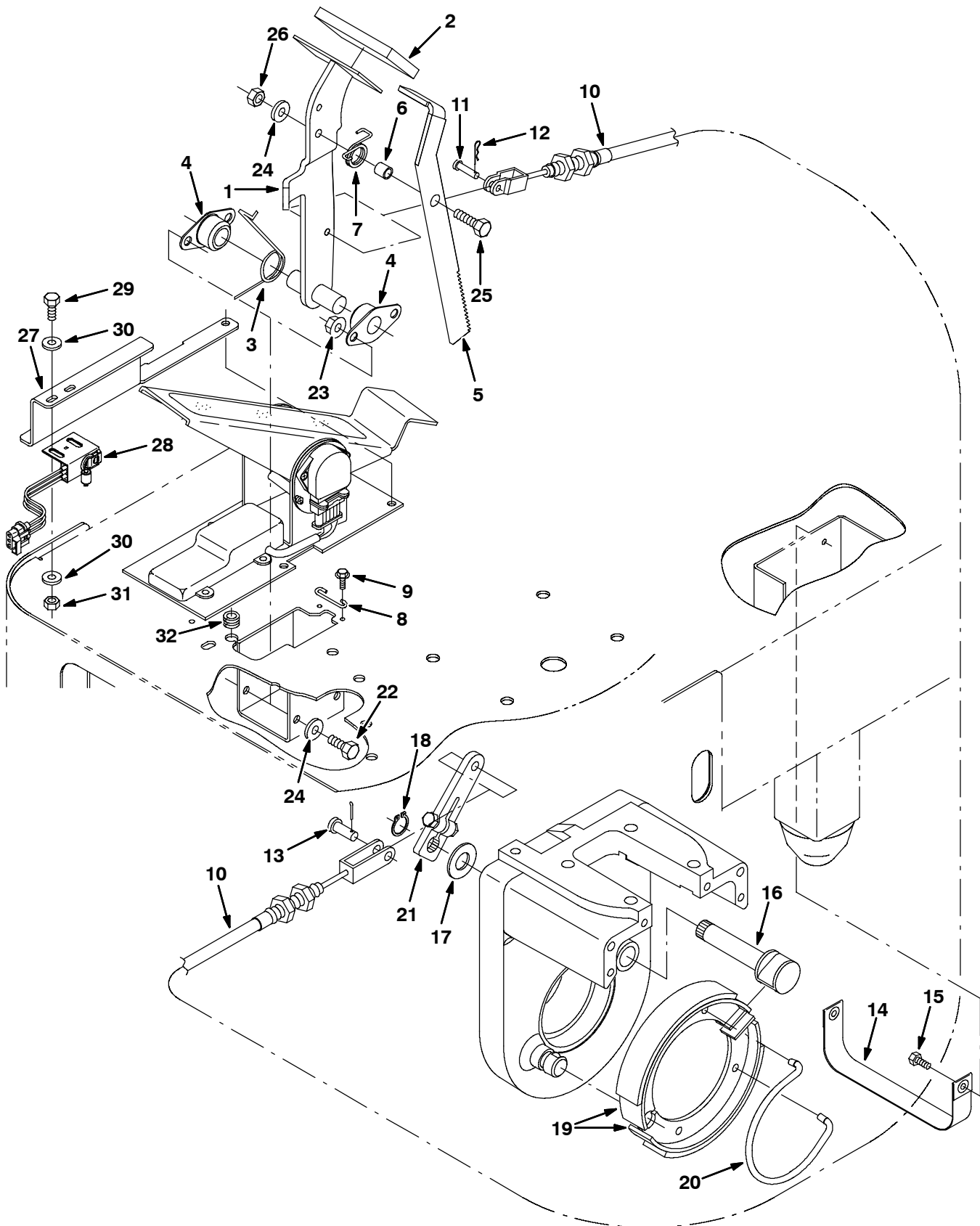


Fig. 10 - Brake Group

| Ref. | Part No. | Serial Number | Description | Qty. |
|------|----------|------------------|---|------|
| 1 | 223201 | (000000-010514) | Pedal Wldt, Brake | 1 |
| 1 | 1023123 | (010515- | Pedal Wldt, Brake [7200] | 1 |
| 2 | 51109 | (000000- | Pad, Pedal, Brake, 3.96l 2.36w 0.75 | 1 |
| 3 | 54607 | (000000- | Spring, Tors, 1.13id .12wir 2.3coil, Rh | 1 |
| 4 | 223065 | (000000- | Bearing, Flng, 2hole, 0.75b [Nyl] | 2 |
| 5 | 22731 | (000000- | Pedal, Brake, Lock [Ce] | 1 |
| 6 | 46563 | (000000- | Bushing, Sleeve, 0.37b 0.50d 0.50l, Oib | 1 |
| 7 | 59009 | (000000- | Spring, Tors, 0.75id .06wir 02.8coil | 1 |
| 8 | 97031 | (000000- | Spring, Wir, 0.08d, Parking Brake | 1 |
| 9 | 223198 | (000000- | Screw, Hex, M5 X 0.8 X 10, Fmg | 2 |
| 10 | 1024331 | (000000- | Cable, Pull, 061.0l, Clevis / Clevis | 1 |
| 11 | 14605 | (000000- | Pin, Clevis, 0.25d X 0.75l | 1 |
| 12 | 08085 | (000000- | Pin, Cotter, Hair, 0.31d .058 Wir | 1 |
| 13 | 09088 | (000000- | Pin, Clevis, 0.37d X 1.00l | 1 |
| 14 | 223209 | (000000- | Strap, Nyl, 1.00w 11.3l | 1 |
| 15 | 74455 | (000000- | Screw, Hex, M6 X 1.0 X 12, Fmg | 2 |
| 16 | 223186 | (000000- | Cam, Brake | 1 |
| 17 | 360273 | (000000- | Washer, Flat, M21.0b X 37d X 3 | 1 |
| 18 | 360274 | (000000- | Retainer, Ring, Brake | 1 |
| 19 | 360275 | (000000- | Shoe, Brake, 180 X 30mm | 2 |
| 20 | 360276 | (000000- | Spring, Wir, 0.25d, Brake Return | 1 |
| 21 | 223204 | (000000- | Lever, Brake, 102mml | 1 |
| 22 | 16931 | (000000- | Screw, Hex, M8 X 1.25 X 20, 8.8 | 4 |
| 23 | 07791 | (000000- | Nut, Hex, Flng, M8 X 1.25 | 4 |
| 24 | 32491 | (000000- | Washer, Flat, 0.31, Std | 5 |
| 25 | 06955 | (000000- | Screw, Hex, M8 X 1.25 X 35, 8.8 | 1 |
| 26 | 08709 | (000000- | Nut, Hex, Lock, M8 X 1.25, NI | 1 |
| 27 | 1023044 | (010515- | Bracket, Mtg, Brake Pedal Switch | 1 |
| 28 | 1023232 | (010515- | Switch, Snap, 15a Spdt, Rlr | 1 |
| 29 | 06942 | (010515- | Screw, Hex, M6 X 1.0 X 16, 8.8 | 2 |
| 30 | 32490 | (010515- | Washer, Flat, 0.25, Std | 4 |
| 31 | 08708 | (010515- | Nut, Hex, Lock, M6 X 1.00, NI | 2 |
| 32 | 10632-12 | (010515- | Grommet, Rbr, 0.38id, F/0.5h, .12 Matl | 1 |

Fig. 11 - Rear Wheel Group

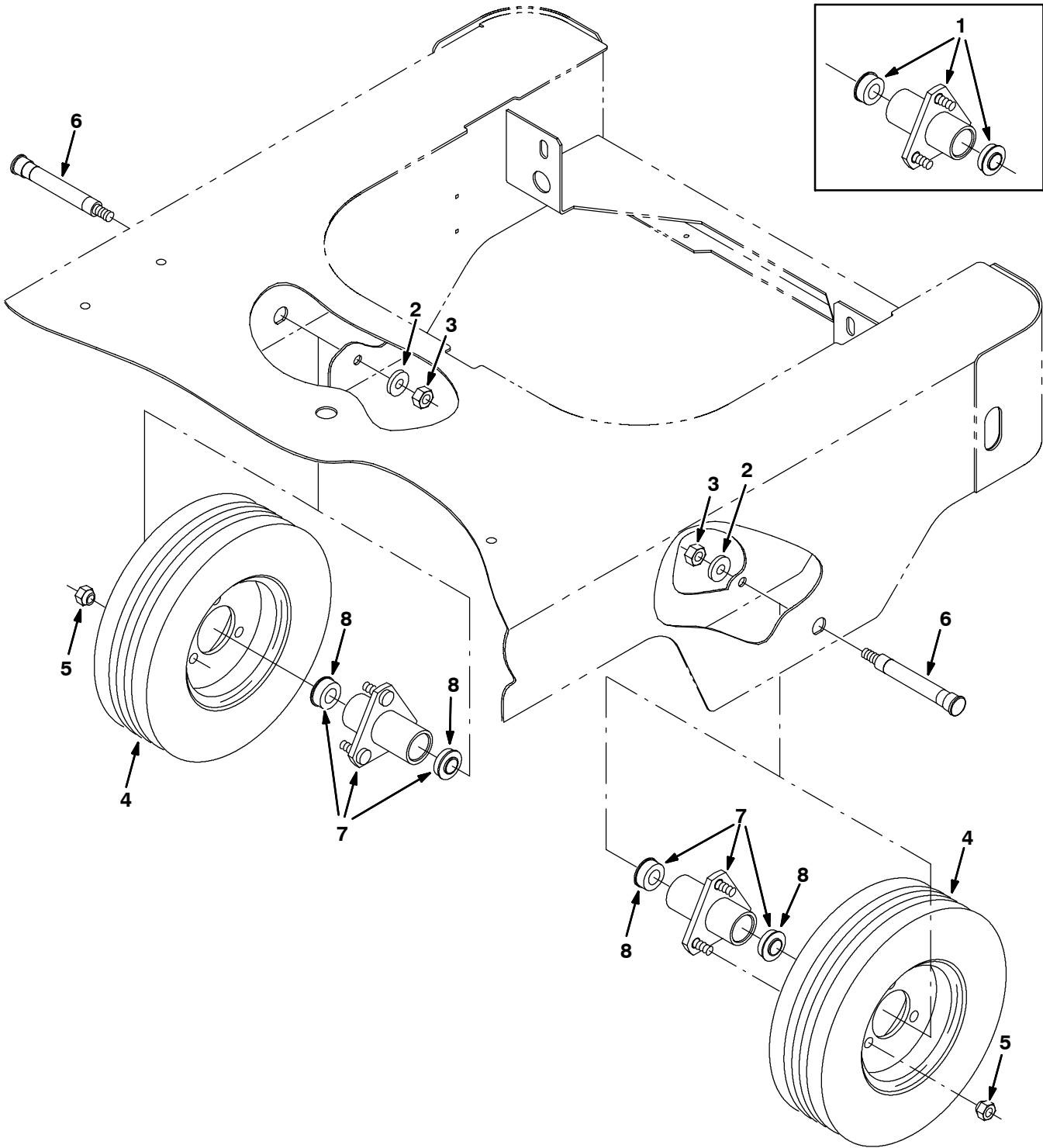


Fig. 11 - Rear Wheel Group

| Ref. | Part No. | Serial Number | Description | Qty. | |
|------|----------|------------------|--|----------------------------------|---|
| 1 | 369323 | (000000-005375) | Housing Kit, Wheel, Replmt [7200] | 1 | |
| 2 | 33925 | (000000- | Washer, Flat, M12, Ss | 2 | |
| 3 | 09741 | (000000- | Nut, Hex, Lock, M12 X 1.75, NI, Ss | 2 | |
| 4 | 369345 | (000000- | Tire Assy, Solid, 12.3x3.5 3.5bc/3bolt | 2 | |
| 5 | 11109 | (000000- | Nut, Wheel, .44-20 X 60 Angle | 6 | |
| 6 | 223142 | (000000- | Shaft, Axle, 0.8d 06.1l | 2 | |
| ▽ | 7 | 369403 | (005376- | Housing Assy, Wheel, Rear [7200] | 2 |
| ▲ | 8 | 369319 | (005376- | Bearing, Ball, 0.75b 1.57d 0.47w | 2 |

Fig. 12 - Directional Pedal Group

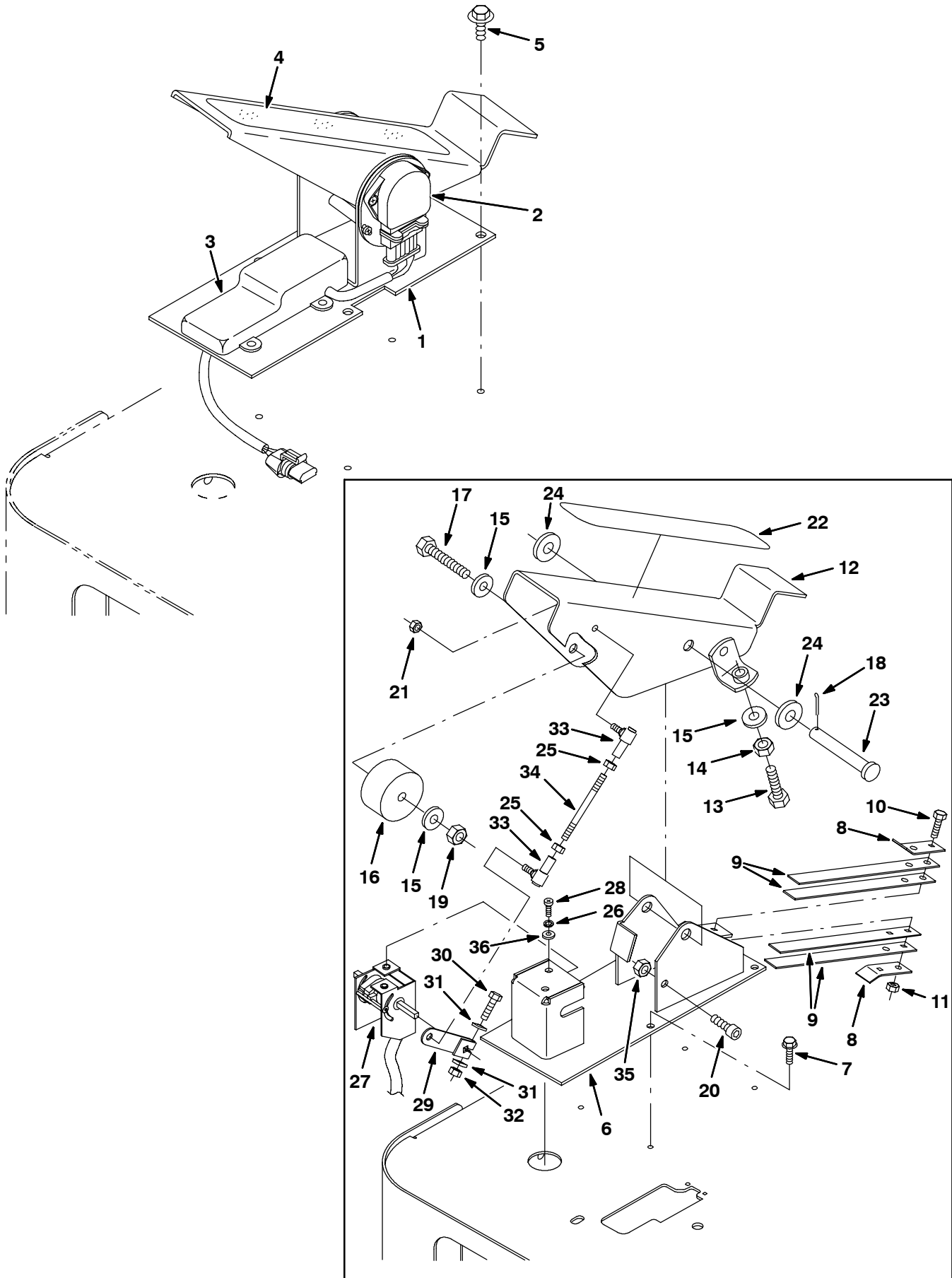


Fig. 12 - Directional Pedal Group

| | Ref. | Part No. | Serial Number | Description | Qty. |
|---|------|----------|----------------|---|------|
| ▽ | 1 | 387700 | (008519- |) Pedal Assy, Propel, Ele Mach | 1 |
| ▲ | 2 | 385726 | (008519- |) Sensor, Position, Pedal | 1 |
| ▲ | 3 | 385727 | (008519- |) Circuitboard, Pedal | 1 |
| ▲ | 4 | 82839 | (008519- |) Tread, Non-Skid, 02.2w 11.5l | 1 |
| | 5 | 74455 | (008519- |) Screw, Hex, M6 X 1.0 X 12, Fmg | 4 |
| | 6 | 223093 | (000000-008518 |) Plate Wldt, Cntrl, Dir | 1 |
| | 7 | 74455 | (000000-008518 |) Screw, Hex, M6 X 1.0 X 12, Fmg | 4 |
| | 8 | 223601 | (000000-008518 |) Retainer, Spring, .06 .88w 2/.3h | 2 |
| | 9 | 223600 | (000000-008518 |) Strip, Stl, 0.05 00.75w 07.80l | 4 |
| | 10 | 06944 | (000000-008518 |) Screw, Hex, M6 X 1.0 X 25, 8.8 | 2 |
| | 11 | 08708 | (000000-008518 |) Nut, Hex, Lock, M6 X 1.00, NI | 2 |
| | 12 | 223320 | (000000-008518 |) Pedal Wldt, Propel | 1 |
| | 13 | 39284 | (000000-008518 |) Screw, Hex, M10 X 1.5 X 35, 8.8 | 1 |
| | 14 | 39312 | (000000-008518 |) Nut, Hex, Std, M10 X 1.50 | 1 |
| | 15 | 32485 | (000000-008518 |) Washer, Flat, 0.38, Sae | 3 |
| | 16 | 87725 | (000000-008518 |) Spacer, Plstc, 0.41b 2.25d 1.30l, Nyl | 1 |
| | 17 | 06963 | (000000-008518 |) Screw, Hex, M10 X 1.5 X 60, 8.8 | 1 |
| | 18 | 08182 | (000000-008518 |) Pin, Cotter, .125 X 1.00 | 1 |
| | 19 | 41430 | (000000-008518 |) Nut, Hex, Lock, M10 X 1.5, NI | 1 |
| | 20 | 49609 | (000000-008518 |) Screw, Soc, M8 X 1.25 X 16, 12.9 | 2 |
| | 21 | 13513 | (000000-008518 |) Nut, Hex, Lock, .25-28, NI | 2 |
| | 22 | 82839 | (000000-008518 |) Tread, Non-Skid, 02.2w 11.5l | 1 |
| | 23 | 06474A | (000000-008518 |) Pin, Clevis, 0.50d X 3.50l | 1 |
| | 24 | 32486 | (000000-008518 |) Washer, Flat, 0.50, Sae | 2 |
| | 25 | 01714 | (000000-008518 |) Nut, Hex, Std, .25-28 | 2 |
| | 26 | 32980 | (000000-008518 |) Washer, Lock, Int, #10 | 2 |
| | 27 | 223094 | (000000-008518 |) Controller, Speed, 31-46vdc [Curtis] | 1 |
| | 28 | 06931 | (000000-008518 |) Screw, Pan, M5 X 0.80 X 6, 4.8 | 2 |
| | 29 | 223239 | (000000-008518 |) Arm, Cntrl, Throttle, Electronic | 1 |
| | 30 | 25047 | (000000-008518 |) Screw, Hex, .25-20 X 1.25, G5 | 1 |
| | 31 | 32490 | (000000-008518 |) Washer, Flat, 0.25, Std | 2 |
| | 32 | 32981 | (000000-008518 |) Nut, Hex, Lock, .25-20, NI | 1 |
| | 33 | 14601 | (000000-008518 |) Balljoint, .25-28 Fem, .25-28 Mal | 2 |
| | 34 | 223090 | (000000-008518 |) Rod, Thrd, 2 End, .25-28 04.4l | 1 |
| | 35 | 08709 | (000000-008518 |) Nut, Hex, Lock, M8 X 1.25, NI | 2 |
| | 36 | 01683 | (000000-008518 |) Washer, Flat, 0.22b 0.50d .05, Ss [#10] | 2 |

Fig. 13 - Scrub Head Lift Group

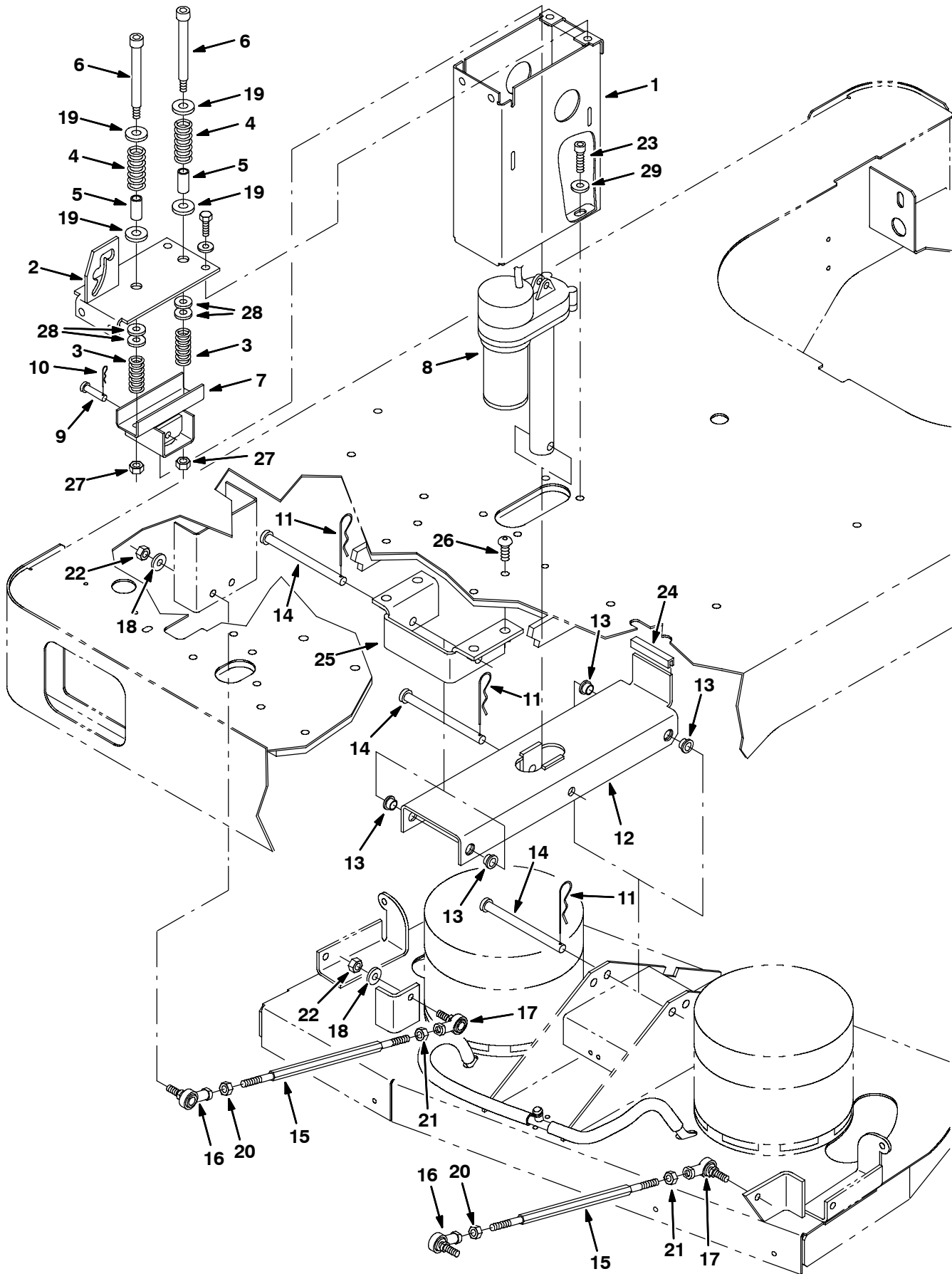


Fig. 13 - Scrub Head Lift Group

| Ref. | Part No. | Serial Number | Description | Qty. |
|------|----------|---------------|---|------|
| 1 | 223133 | (000000- |) Bracket Wldt, Actuator, Sppt | 1 |
| 2 | 223469 | (000000- |) Bracket Wldt, Mtg, Seat Prop & Spring | 1 |
| 3 | 223517 | (000000- |) Spring, Cmpr, 0.84od .11wir 02.0l | 2 |
| 4 | 223518 | (000000- |) Spring, Cmpr, 0.98od .14wir 02.5l | 2 |
| 5 | 50682 | (000000- |) Sleeve, P/M, 0.50b 0.62d 1.3l, Pl | 2 |
| 6 | 45960 | (000000- |) Bolt, Shld, .50d X 4.25, .38-16 | 2 |
| 7 | 223512 | (000000- |) Channel Wldt, Mtg, Actuator / Spring | 1 |
| 8 | 390992 | (000000- |) Actuator, 36vdc, 05.0strk, 600lb | 1 |
| 9 | 17461 | (000000- |) Pin, Clevis, 0.37d X 1.75l | 1 |
| 10 | 86866 | (000000- |) Pin, Cotter, Hair, 0.38d .072 Wir | 1 |
| 11 | 02942 | (000000- |) Pin, Cotter, Hair, 0.62d .120 Wir | 3 |
| 12 | 223459 | (000000- |) Channel Wldt, Lift, Tool | 1 |
| 13 | 15648 | (000000- |) Bushing, Flng, 0.50b 0.59d 0.38l | 4 |
| 14 | 51225-1 | (000000- |) Pin, Clevis, 0.50d X 6.00l | 3 |
| 15 | 223464 | (000000- |) Rod, Thrld, 2 End, .38-24 14.1l 1left,Hex | 2 |
| 16 | 86781 | (000000- |) Rod-End, 0.38-24rh Fem 0.38-24stud | 2 |
| 17 | 86780 | (000000- |) Rod-End, .38-24lh Fem 0.38-24stud | 2 |
| 18 | 01686 | (000000- |) Washer, Flat, 0.44b 1.00d .08, Ss | 4 |
| 19 | 32486 | (000000- |) Washer, Flat, 0.50, Sae | 4 |
| 20 | 20171 | (000000- |) Nut, Hex, Jam, .38-24 | 2 |
| 21 | 82889 | (000000- |) Nut, Hex, Jam, .38-24, Lh | 2 |
| 22 | 67312 | (000000- |) Nut, Hex, Lock, .38-24, NI | 4 |
| 23 | 41358 | (000000- |) Screw, Soc, M10 X 1.50 X 35, 12.9 | 4 |
| 24 | 223645 | (000000- |) Molding, Trim, Rbr, .13 03.0l | 1 |
| 25 | 369401 | (005892- |) Bracket, Lift, Mtg | 1 |
| 26 | 369408 | (005892- |) Screw, Btn, M10 X 1.5 X 30, 10.9 NI | 4 |
| 27 | 50902 | (000000- |) Nut, Hex, Lock, .38-16, NI | 2 |
| 28 | 32493 | (000000- |) Washer, Flat, 0.50, Std | 2 |
| 29 | 32492 | (000000- |) Washer, Flat, 0.38, Std | 4 |

Fig. 14 - Disk Scrub Head Drive Motor Group, 900 mm (36 in)

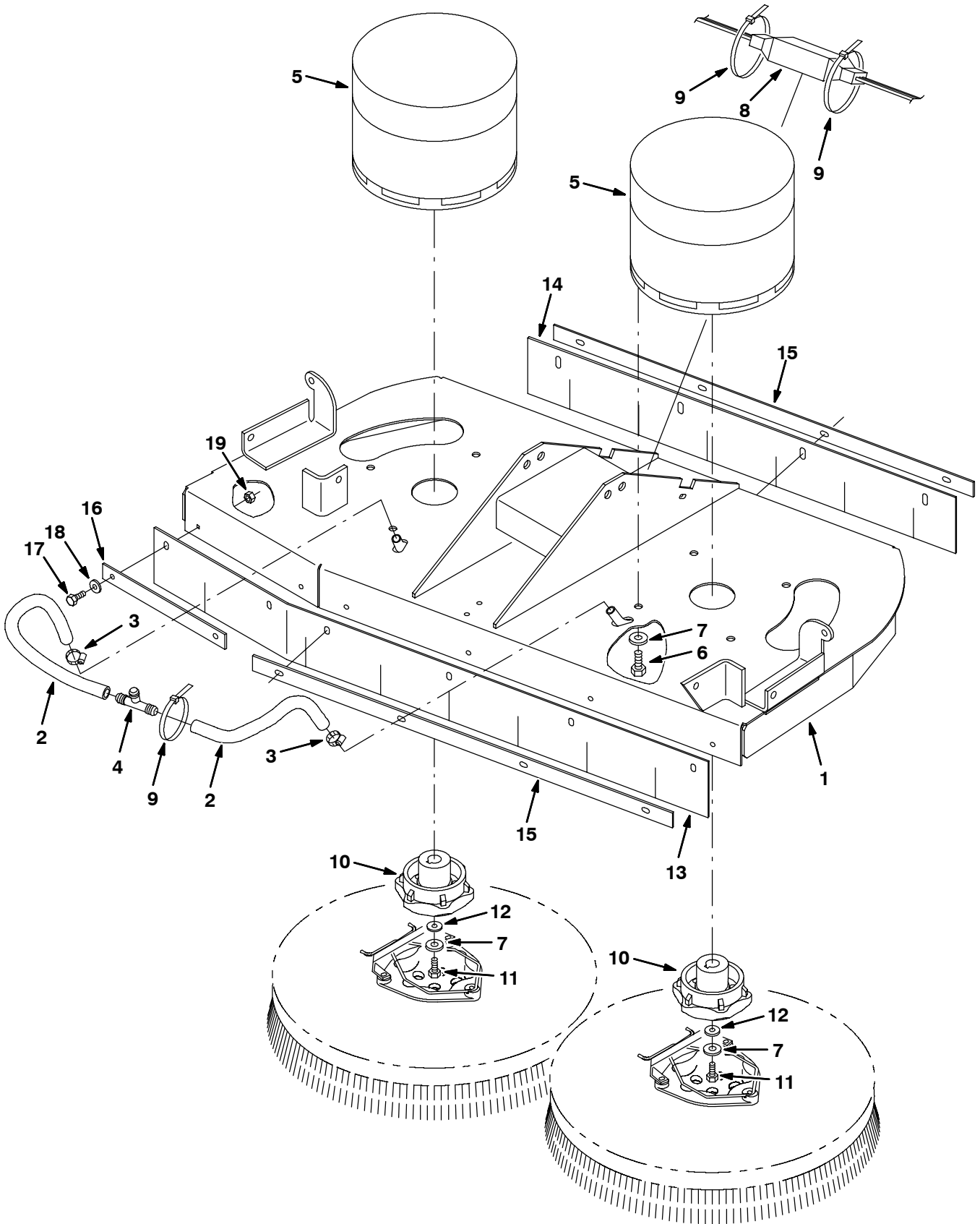


Fig. 14 - Disk Scrub Head Drive Motor Group, 900 mm (36 in)

NOTE: Disk Scrub Head Kit, Tennant Part Number 223017, includes Fig. 14, and Fig. 15.

| Ref. | Part No. | Serial Number | Description | Qty. |
|------|----------|---------------|---|------|
| 1 | 223478 | (000000- |) Head Wldt, Disk, 36/34inch Scrbr | 1 |
| 2 | 223516 | (000000- |) Hose, Pvc, Brd, 0.50id 0.73od 009.6l,Clr | 2 |
| 3 | 54333 | (000000- |) Clamp, Hose, Wormdrive, 0.31-0.88d, .31w | 2 |
| 4 | 63245-1 | (000000- |) Fitting, Plstc, Tee, Bm08/Bm08/Bm08 | 1 |
| 5 | 223358 | (000000- |) Motor, Ele, 36vdc 0.80hp 0320rpm (See Breakdowns) | 2 |
| 6 | 42384 | (000000- |) Screw, Hex, .38-16 X 0.62, Ss | 8 |
| 7 | 01686 | (000000- |) Washer, Flat, 0.44b 1.00d .08, Ss | 10 |
| 8 | 222836 | (000000- |) Shunt Assy, Disk Head, 40mv /35a | 1 |
| 9 | 44961 | (000000- |) Tie, Cable, Nyl, 14.5l .30w 4.0 Max D | 6 |
| 10 | 377364 | (000000- |) Hub, Drive, Brush, Disk, 0.75b [6t] | 2 |
| 11 | 32124 | (000000- |) Screw, Hex, .31-18 X 1.00, Ss, NI | 2 |
| 12 | 41186 | (000000- |) Washer, Flat, Belleville, .31 | 2 |
| 13 | 223519 | (000000- |) Skirt, Rbr, .12, 03.75w 37.64l, 06/ SI | 1 |
| 14 | 223520 | (000000- |) Skirt, Rbr, .12, 03.75w 28.00l, 04/ SI | 1 |
| 15 | 223537 | (000000- |) Strip, Retainer, Skirt, Front, Lh | 2 |
| 16 | 223538 | (000000- |) Strip, Retainer | 1 |
| 17 | 15678 | (000000- |) Screw, Hex, M6 X 1.0 X 16, Ss | 10 |
| 18 | 01684 | (000000- |) Washer, Flat, 0.27b 0.69d .05, Ss | 10 |
| 19 | 08712 | (000000- |) Nut, Hex, Lock, M6 X 1.00, Ss, NI | 10 |

Fig. 15 - Disk Scrub Head Squeegee Group, 900 mm (36 in)

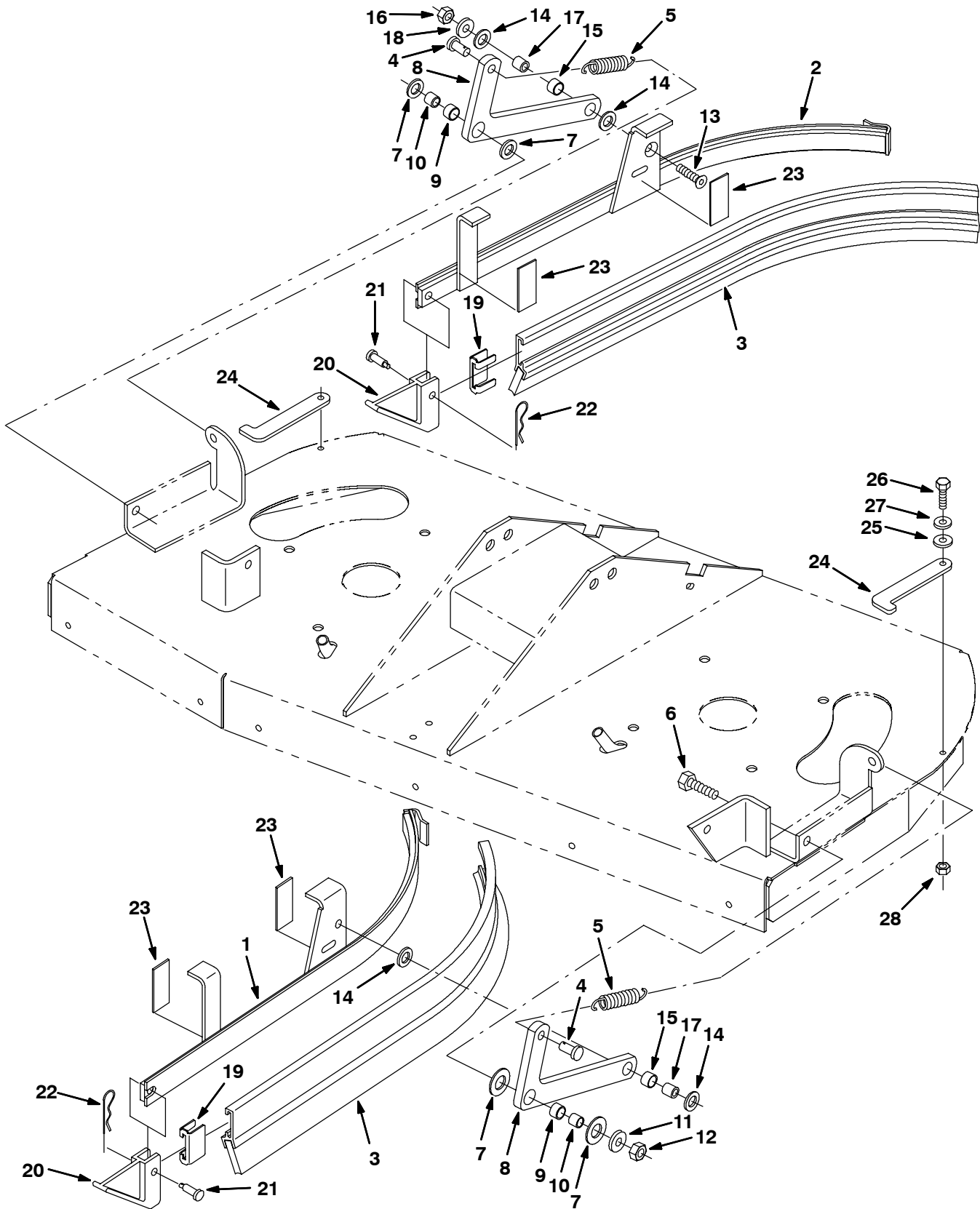


Fig. 15 - Disk Scrub Head Squeegee Group, 900 mm (36 in)

NOTE: Disk Scrub Head Kit, Tennant Part Number 223017, includes Fig. 14, and Fig. 15.

| Ref. | Part No. | Serial Number | Description | Qty. |
|------|----------|---------------|---|------|
| 1 | 223637 | (000000- |) Bladeholder Wldt, Sqge, Disk, Lh | 1 |
| 2 | 223489 | (000000- |) Bladeholder Wldt, Sqge, Disk, Rh | 1 |
| 3 | 86859 | (000000- |) Squeegee Assy, Side [Linatex] | 2 |
| 4 | 39019 | (000000- |) Pin, Clevis, 0.37d X 0.75l | 2 |
| 5 | 15047 | (000000- |) Spring, Extn, 0.62od 0.08wir 03.0l | 2 |
| 6 | 77347 | (000000- |) Screw, Hex, M10 X 1.5 X 35, Ss | 2 |
| 7 | 64425 | (000000- |) Washer, Thrust, 0.61b 1.25d .06, Fgl | 4 |
| 8 | 25709 | (000000- |) Bellcrank, Lift, Sqge | 2 |
| 9 | 71607 | (000000- |) Bushing, Sleeve, 0.63b 0.72d 0.38l | 2 |
| 10 | 71608 | (000000- |) Tube, 0.41id 0.62od 00.5l, Ss | 2 |
| 11 | 01686 | (000000- |) Washer, Flat, 0.44b 1.00d .08, Ss | 2 |
| 12 | 08714 | (000000- |) Nut, Hex, Lock, M10 X 1.5, NI, Ss | 2 |
| 13 | 79506 | (000000- |) Screw, Flt, M8 X 1.25 X 30, Ss | 2 |
| 14 | 86860 | (000000- |) Bearing, Thrust, 0.50b 0.87d 0.06w | 4 |
| 15 | 64173 | (000000- |) Bushing, Sleeve, 0.50b 0.59d 0.38l, Stl | 2 |
| 16 | 08713 | (000000- |) Nut, Hex, Lock, M8 X 1.25, NI, Ss | 2 |
| 17 | 223609 | (000000- |) Sleeve, P/M, 0.31b 0.50d 0.5l [430ss] | 2 |
| 18 | 01685 | (000000- |) Washer, Flat, 0.38b 0.88d .08, Ss | 2 |
| 19 | 86759 | (000000- |) Retainer, Sqge | 2 |
| 20 | 86865 | (000000- |) Guide, Sqge, Side | 2 |
| 21 | 69582 | (000000- |) Pin, Clevis, 0.31d X 1.00l | 2 |
| 22 | 44906 | (000000- |) Pin, Cotter, Hair, 0.69d .092 Wir | 2 |
| 23 | 223672 | (000000- |) Tape, .0080, 1.0w, 2.5l [Protective] | 4 |
| 24 | 369343 | (000000- |) Plate, Side, Sqge | 2 |
| 25 | 16236 | (000000- |) Washer, Flat, 0.26b 0.72d .06, Nyl | 2 |
| 26 | 08716 | (000000- |) Screw, Hex, M6 X 1.0 X 20, Ss | 2 |
| 27 | 01684 | (000000- |) Washer, Flat, 0.27b 0.69d .05, Ss | 2 |
| 28 | 08712 | (000000- |) Nut, Hex, Lock, M6 X 1.00, Ss, NI | 2 |

Fig. 16 - Cylindrical Scrub Head Frame Group, 900 mm (36 in)

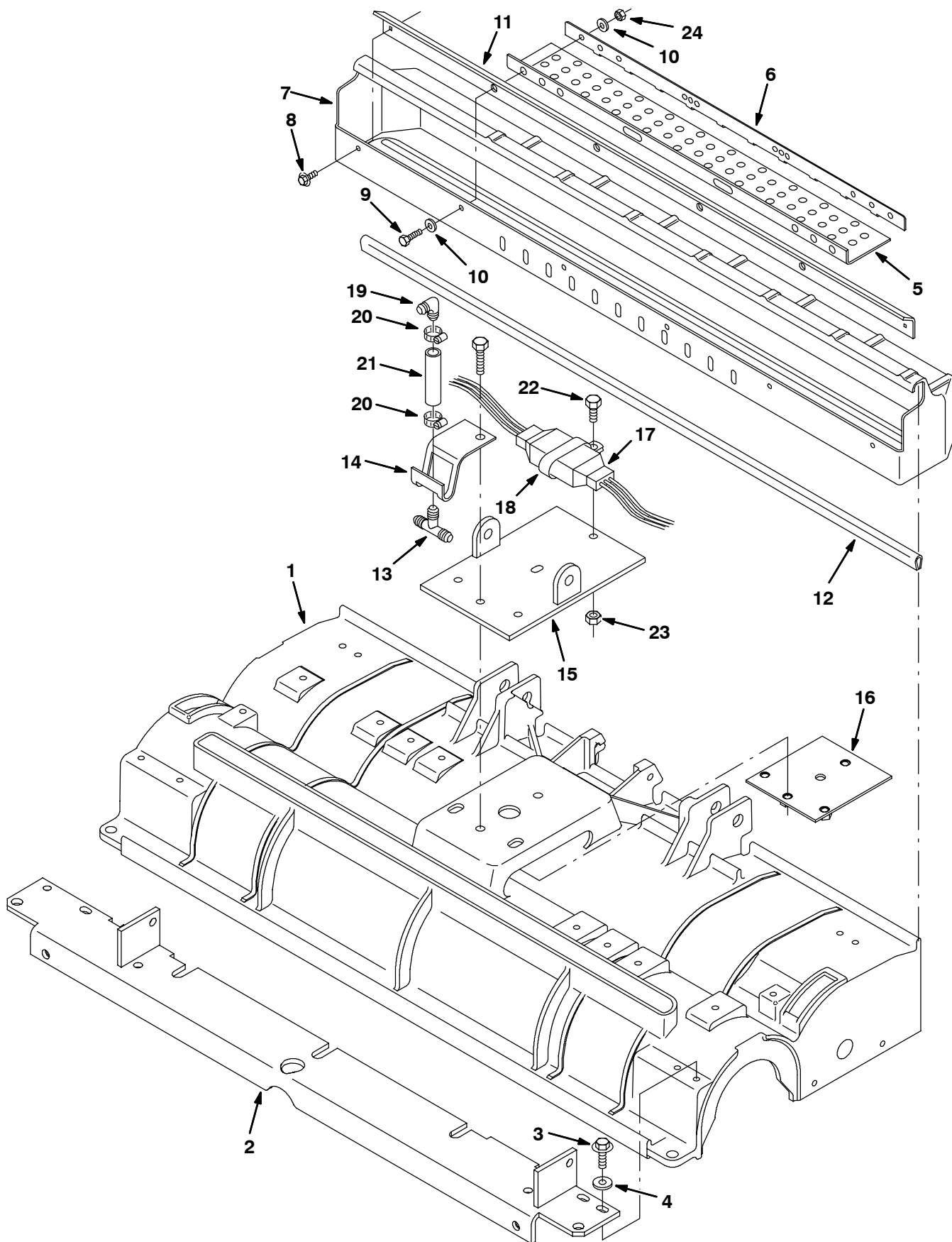


Fig. 16 - Cylindrical Scrub Head Frame Group, 900 mm (36 in)

NOTE: Cylindrical Scrub Head Kit, Tennant Part Number 223016, includes Fig. 16, Fig. 17, and Fig. 18.

| Ref. | Part No. | Serial Number | Description | Qty. | |
|------|----------|---------------|-------------------------------------|--|---|
| 1 | 1022252 | (000000- |) Housing, Cyl, Mach, 900mm | 1 | |
| 2 | 223580 | (000000- |) Angle Wldt, Mtg, Cyl Head, Scr | 1 | |
| 3 | 76099 | (000000- |) Screw, Hex, M8 X 1.25 X 25, Fmg | 4 | |
| 4 | 01685 | (000000- |) Washer, Flat, 0.38b 0.88d .08, Ss | 4 | |
| ▽ | 222826 | (000000- |) Tray Kit, Debris, 36.0, Ci | 1 | |
| ▲ | 5 | 222669 | (000000- |) Skirt, Rbr, .12, 03.50w 22.00l, 102/ H&S | 1 |
| ▲ | 6 | 222670 | (000000- |) Strip, Tray, Debris | 1 |
| ▲ | 7 | 223400 | (000000- |) Tray, Debris, 36.0l | 1 |
| ▲ | 8 | 74455 | (000000- |) Screw, Hex, M6 X 1.0 X 12, Fmg | 2 |
| ▲ | 9 | 09007 | (000000- |) Screw, Hex, M6 X 1.0 X 25, Ss | 4 |
| ▲ | 10 | 01684 | (000000- |) Washer, Flat, 0.27b 0.69d .05, Ss | 8 |
| ▲ | 11 | 222205 | (000000- |) Lip, Tray, Debris, 36.0inch | 1 |
| | 12 | 374008 | (000000- |) Channel, .18, 0.4w 0.5 37.0l | 1 |
| | 13 | 63245-1 | (000000- |) Fitting, Plstc, Tee, Bm08/Bm08/Bm08 | 1 |
| | 14 | 222523 | (000000- |) Bracket, Guide, Hose | 1 |
| | 15 | 223442 | (000000- |) Plate Wldt, Mtg, Tool | 1 |
| | 16 | 223412 | (000000- |) Plate, Mtg, Tool Lift | 1 |
| | 17 | 222835 | (000000- |) Shunt Assy, Cyl Head, 40mv /35a | 1 |
| | 18 | 67366 | (000000- |) Clamp, Cable, Stl, 1.0x2.0x0.62w, 1hole | 1 |
| | 19 | 63987-1 | (000000- |) Fitting, Plstc, E90, Bm08/Bm08 | 1 |
| | 20 | 54333 | (000000- |) Clamp, Hose, Wormdrive, 0.31-0.88d, .31w | 2 |
| | 21 | 05711 | (000000- |) Hose, Pvc, Clr, 0.50id 0.69od 003.1l | 1 |
| | 22 | 09740 | (000000- |) Screw, Hex, M8 X 1.25 X 20, Ss | 1 |
| | 23 | 08713 | (000000- |) Nut, Hex, Lock, M8 X 1.25, NI, Ss | 1 |
| | 24 | 08713 | (000000- |) Nut, Hex, Lock, M8 X 1.25, NI, Ss | 4 |

STANDARD PARTS

Fig. 17 - Cylindrical Scrub Head Drive Motor Group, 900 mm (36 in)

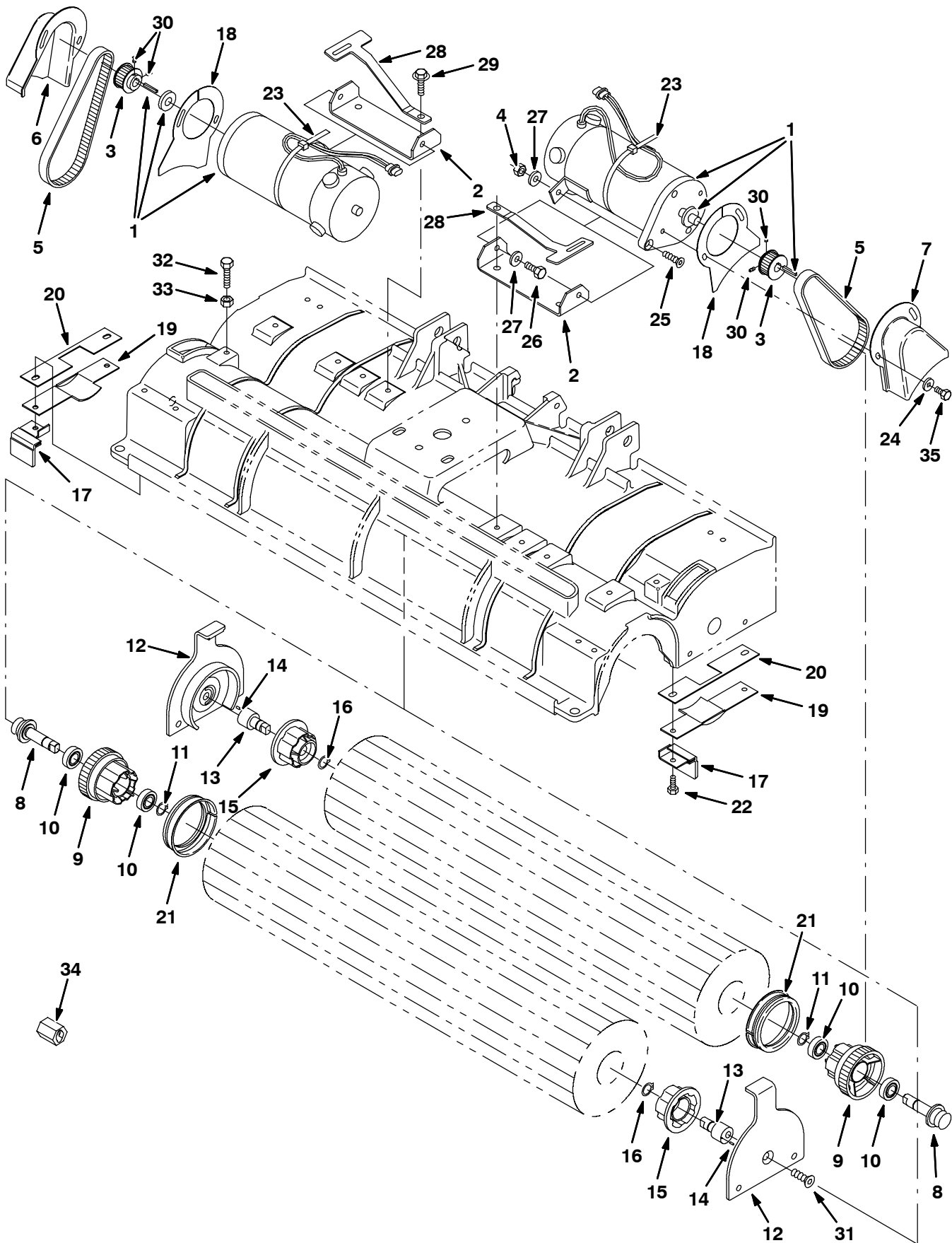


Fig. 17 - Cylindrical Scrub Head Drive Motor Group, 900 mm (36 in)

NOTE: Cylindrical Scrub Head Kit, Tennant Part Number 223016, includes Fig. 16, Fig. 17, and Fig. 18.

| Ref. | Part No. | Serial Number | Description | Qty. |
|-------|-----------------|------------------|--|------|
| 1 | 222753 | (000000-007861) | Motor Ele, 36vdc, 0.75hp, Rep.By374175 (See Breakdowns) | 2 |
| 1 | 374175 | (007862- |) Motor, Ele, 36vdc 1700rpm 0.75hp (See Breakdowns) | 2 |
| 2 | 223564 | (000000- |) Bracket, Mtg, Motor | 2 |
| 3 | 375195 | (000000- |) Sprocket, Timing, 22tooth, 0.50b, [Gt/2] | 2 |
| 4 | 08713 | (000000- |) Nut, Hex, Lock, M8 X 1.25, NI, Ss | 4 |
| 5 | 377505 | (000000- |) Belt Kit, Drive, Brush, F/222201, Replmt | 2 |
| 6 | 223560 | (000000- |) Guard, Belt, Rh [5700] | 1 |
| 7 | 223561 | (000000- |) Guard, Belt, Lh | 1 |
| ▽ | 222751 | (000000- |) Plug Assy, Drive, Brush, [48 Tooth-Gt/2] | 2 |
| ▲ | 8 | 222176 | (000000-) Shaft, Drive, Plug | 1 |
| ▲ | 9 | 222062 | (000000-) Plug, Drive, Brush Rep.By377333 | 1 |
| ▲ | 10 | 41360 | (000000-) Bearing, Ball, 0.59b 1.26d 0.35w[2seal] | 2 |
| ▲ | 11 | 01516 | (000000-) Ring, Retaining, Ext, 0.59d, Basic | 1 |
| 12 | 369460 | (000000- |) Door, Brush | 2 |
| ▽ | 222752 | (000000- |) Plug Assy, Idler, Brush | 2 |
| ▲ | 13 | 222177 | (000000-) Shaft, Plug, Idler | 1 |
| ▲ | 14 | 222184 | (000000-) Pin, Roll, .094d X 0.25l, .094/.097 | 1 |
| ▲ | 15 | 379202 | (000000-) Plug, Idler, Brush [Sgl Brg] | 1 |
| ▲ | 16 | 01516 | (000000-) Ring, Retaining, Ext, 0.59d, Basic | 1 |
| 17 | 223568 | (000000- |) Deflector, Water | 2 |
| 18 | 223563 | (000000- |) Guard, Belt, Drive, Head, Scrbr, Lh | 2 |
| 19 | 223566 | (000000- |) Bracket, Shield | 2 |
| 20 | 223569 | (000000- |) Gasket, Shield | 2 |
| 21 | 222820 | (000000- |) Seal, Ring M8 | 2 |
| 15675 | 22 <u>15678</u> | (000000- |) Screw, Hex, M6 X 1.0 X 16, Ss | 4 |
| 23 | 44961 | (000000- |) Tie, Cable, Nyl, 14.5l .30w 4.0 Max D | 2 |
| 24 | 01684 | (000000- |) Washer, Flat, 0.27b 0.69d .05, Ss | 4 |
| 25 | 74077 | (000000- |) Screw, Flt, M8 X 1.25 X 25 | 2 |
| 26 | 09740 | (000000- |) Screw, Hex, M8 X 1.25 X 20, Ss | 2 |
| 27 | 01685 | (000000- |) Washer, Flat, 0.38b 0.88d .08, Ss | 6 |
| 28 | 222209 | (000000- |) Spring, Flat, Door, Scrbr Head | 2 |
| 29 | 76099 | (000000- |) Screw, Hex, M8 X 1.25 X 25, Fmg | 4 |
| 30 | 222818 | (000000- |) Screw, Set, #08-32 X 0.25, NI | 4 |
| 31 | 390996 | (000000- |) Screw, Flt, M10 X 1.5 X 20, 10.9, NI | 2 |
| 32 | 09023 | (000000- |) Screw, Hex, M8 X 1.25 X 35, Ss, FI | 2 |
| 33 | 08713 | (000000- |) Nut, Hex, Lock, M8 X 1.25, NI, Ss | 2 |
| 34 | 1010506 | (000000- |) Tool, Removal, Shaft, F/222176 | 1 |
| 35 | 09744 | (000000- |) Screw, Hex, M6 X 1.0 X 12, Ss | 4 |

STANDARD PARTS

Fig. 18 - Cylindrical Scrub Head Squeegee Group, 900 mm (36 in)

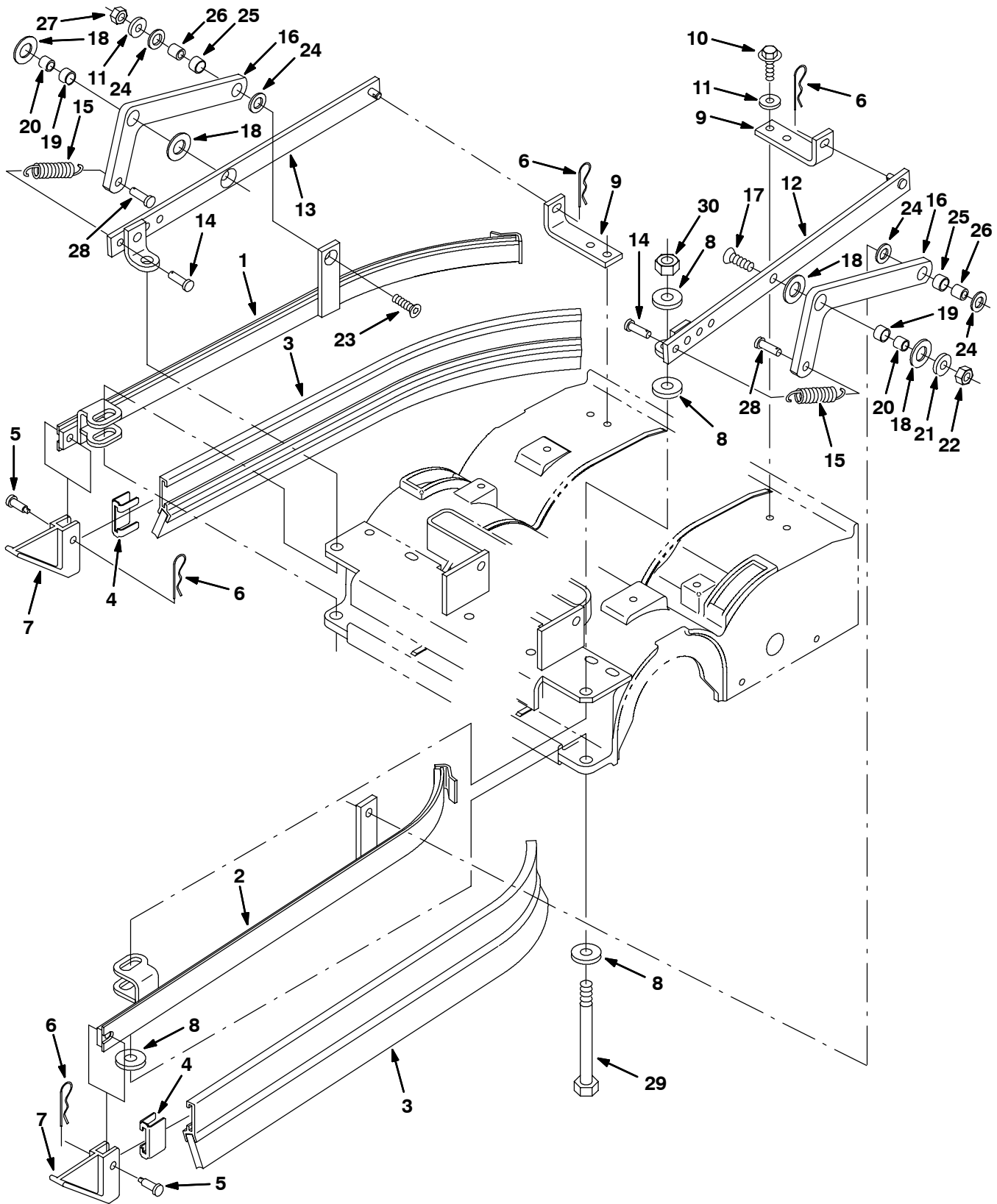


Fig. 18 - Cylindrical Scrub Head Squeegee Group, 900 mm (36 in)

NOTE: Cylindrical Scrub Head Kit, Tennant Part Number 223016, includes Fig. 16, Fig. 17, and Fig. 18.

| Ref. | Part No. | Serial Number | Description | Qty. |
|------|----------|---------------|---|------|
| 1 | 223291 | (000000- |) Frame Wldt, Sqge, Rh, Cyl | 1 |
| 2 | 223304 | (000000- |) Frame Wldt, Sqge, Lh, Cyl | 1 |
| 3 | 86859 | (000000- |) Squeegee Assy, Side [Linatex] | 2 |
| 4 | 86759 | (000000- |) Retainer, Sqge | 2 |
| 5 | 69582 | (000000- |) Pin, Clevis, 0.31d X 1.00l | 2 |
| 6 | 44906 | (000000- |) Pin, Cotter, Hair, 0.69d .092 Wir | 4 |
| 7 | 86865 | (000000- |) Guide, Sqge, Side | 2 |
| 8 | 33925 | (000000- |) Washer, Flat, M12, Ss | 8 |
| 9 | 223293 | (000000- |) Bracket, Angle, Mtg, Sqge | 2 |
| 10 | 76099 | (000000- |) Screw, Hex, M8 X 1.25 X 25, Fmg | 4 |
| 11 | 01685 | (000000- |) Washer, Flat, 0.38b 0.88d .08, Ss | 6 |
| 12 | 223654 | (000000- |) Bar Wldt, Mtg, Sqge, Lh | 1 |
| 13 | 223589 | (000000- |) Bar Wldt, Mtg, Sqge, Rh | 1 |
| 14 | 69582 | (000000- |) Pin, Clevis, 0.31d X 1.00l | 2 |
| 15 | 15047 | (000000- |) Spring, Extn, 0.62od 0.08wir 03.0l | 2 |
| 16 | 25709 | (000000- |) Bellcrank, Lift, Sqge | 2 |
| 17 | 369338 | (000000- |) Screw, Flt, M10 X 1.5 X 30, 10.9 | 2 |
| 18 | 64425 | (000000- |) Washer, Thrust, 0.61b 1.25d .06, Fgl | 4 |
| 19 | 71607 | (000000- |) Bushing, Sleeve, 0.63b 0.72d 0.38l | 2 |
| 20 | 71608 | (000000- |) Tube, 0.41id 0.62od 00.5l, Ss | 2 |
| 21 | 01686 | (000000- |) Washer, Flat, 0.44b 1.00d .08, Ss | 2 |
| 22 | 08714 | (000000- |) Nut, Hex, Lock, M10 X 1.5, NI, Ss | 2 |
| 23 | 74077 | (000000- |) Screw, Flt, M8 X 1.25 X 25 | 2 |
| 24 | 86860 | (000000- |) Bearing, Thrust, 0.50b 0.87d 0.06w | 2 |
| 25 | 64173 | (000000- |) Bushing, Sleeve, 0.50b 0.59d 0.38l, Stl | 2 |
| 26 | 223609 | (000000- |) Sleeve, P/M, 0.31b 0.50d 0.5l [430ss] | 2 |
| 27 | 08713 | (000000- |) Nut, Hex, Lock, M8 X 1.25, NI, Ss | 2 |
| 28 | 39019 | (000000- |) Pin, Clevis, 0.37d X 0.75l | 2 |
| 29 | 45280 | (000000- |) Screw, Hex, .50-13 X 5.50, G5 | 2 |
| 30 | 02931 | (000000- |) Nut, Hex, Lock, .50-13, NI, Ss | 2 |

STANDARD PARTS

Fig. 19 - Recovery Tank Group (000000-010021)

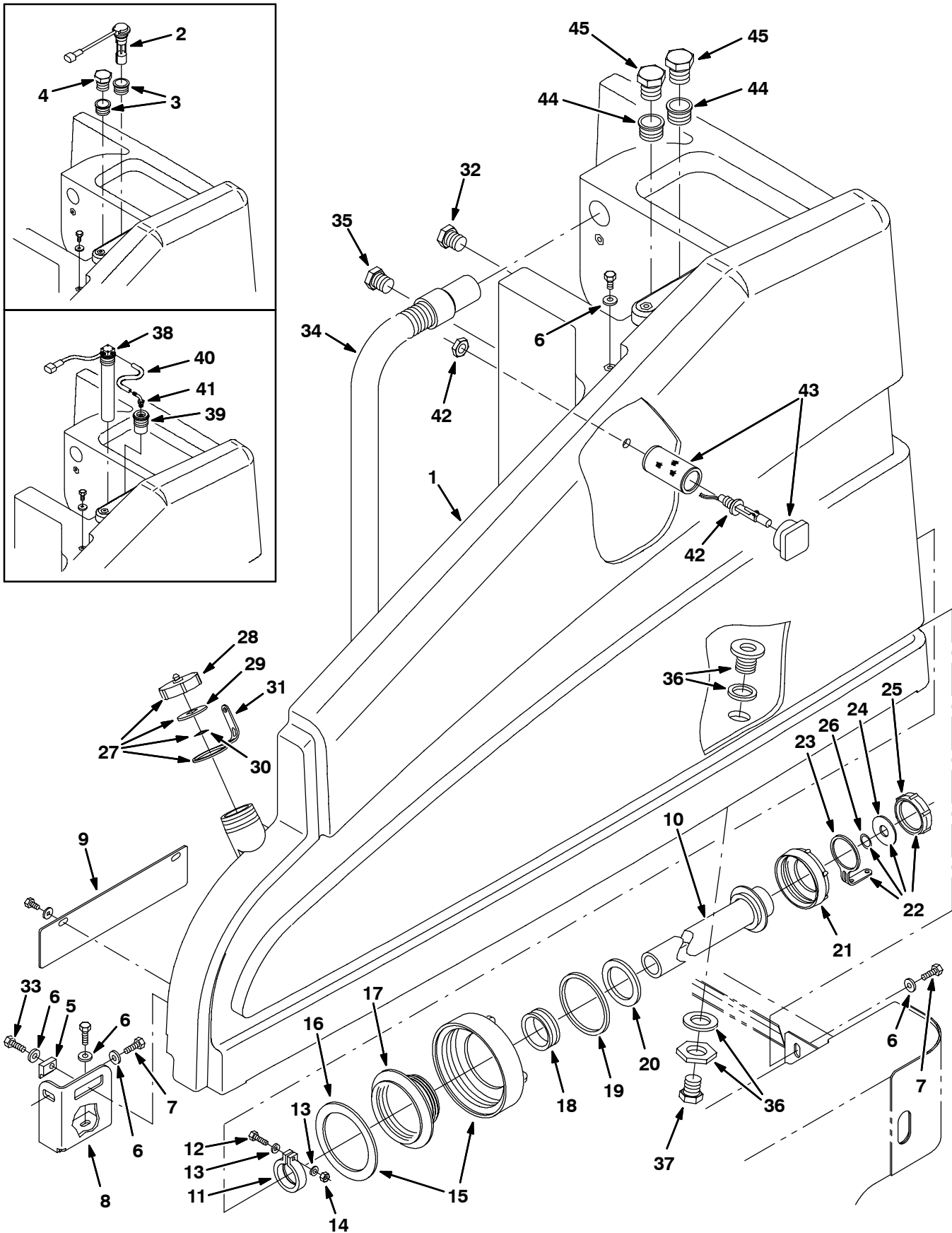


Fig. 19 - Recovery Tank Group (000000-010021)

| Ref. | Part No. | Serial Number | Description | Qty. |
|------|------------|-------------------|--|------|
| 1 | 223250 | (000000-010021) | Tank, Recvy | 1 |
| 2 | 369894 | (000000-007061) | Switch Kit, Sensor, Level, W/O Es [7200] | 1 |
| 3 | 223528 | (000000-007061) | Grommet, Level Sensing, 1.6d 9.6l F/1.4h | 2 |
| 4 | 49745 | (000000-007061) | Fitting, Plstc, Plug, Pm16 | 1 |
| 5 | 73142 | (000000-010021) | Clamp, Mtg, Tank | 1 |
| 6 | 01685 | (000000-010021) | Washer, Flat, 0.38b 0.88d .08, Ss | 6 |
| 7 | 49826 | (000000-010021) | Screw, Hex, M8 X 1.25 X 16, Ss, NI | 2 |
| 8 | 223256 | (000000-010021) | Bracket, Mtg | 1 |
| 9 | 223509 | (000000-010021) | Plate, Cover | 1 |
| ▽ | 223533 | (000000-010021) | Hose Assy, Drain, 0.31id X 24.3l, Pvc | 1 |
| ▲ | 10 24174 | (000000-010021) | Hose Assy, Pvc, 1.3id 1.7od 24.3l | 1 |
| ▲ | 11 41454 | (000000-010021) | Clamp, Hose, Plstc, 1.60d X 0.62w | 1 |
| ▲ | 12 12316 | (000000-010021) | Screw, Hex, M5 X 0.8 X 25, Ss | 1 |
| ▲ | 13 01683 | (000000-010021) | Washer, Flat, 0.22b 0.50d .05, Ss [#10] | 2 |
| ▲ | 14 09739 | (000000-010021) | Nut, Hex, Lock, M5 X 0.80, NI, Ss | 1 |
| ▲▽ | 15 24358 | (000000-010021) | Cap Assy, Tank, Drain | 1 |
| ▲▲ | 16 1031699 | (000000-010021) | Gasket, 4.05id 5.29od .19 [Buna] | 1 |
| ▲ | 17 14864 | (000000-010021) | Cover, Insert | 1 |
| ▲ | 18 41421 | (000000-010021) | Seal | 1 |
| ▲ | 19 79320 | (000000-010021) | Gasket, Cap, Drain | 1 |
| ▲ | 20 41451 | (000000-010021) | Gasket, Lid | 1 |
| ▲ | 21 14880 | (000000-010021) | Cap, Tank, Drain, 3.85 Thread Pye | 1 |
| ▲▽ | 22 32501 | (000000-010021) | Drain Kit, Cap | 1 |
| ▲▲ | 23 32508 | (000000-010021) | Strap | 1 |
| ▲▲ | 24 32614 | (000000-010021) | Gasket, Cap | 1 |
| ▲▲ | 25 32613 | (000000-010021) | Cap, Tank, Drain, 2.25 Thread Pye | 1 |
| ▲▲ | 26 32669 | (000000-010021) | Ring, Retaining, Ext, 0.75d, Ss | 1 |
| ▽ | 27 32501 | (000000-010021) | Drain Kit, Cap | 1 |
| ▲ | 28 32613 | (000000-010021) | Cap, Tank, Drain, 2.25 Thread Pye | 1 |
| ▲ | 29 32614 | (000000-010021) | Gasket, Cap | 1 |
| ▲ | 30 32669 | (000000-010021) | Ring, Retaining, Ext, 0.75d, Ss | 1 |
| ▲ | 31 32508 | (000000-010021) | Strap | 1 |
| | 32 75611 | (000000-010021) | Fitting, Plstc, Plug, Pm12 | 1 |
| | 33 12273 | (000000-010021) | Screw, Hex, M8 X 1.25 X 20, Ss, NI | 1 |
| | 34 223228 | (000000-010021) | Hose Assy, W/1cuff, 1.5d 063l 1.5/ | 1 |
| | 35 75611 | (005440-010021) | Fitting, Plstc, Plug, Pm12 | 1 |
| | 36 377349 | (006140-010021) | Fitting, Plstc, Pf12/Pf12, Bh | 1 |
| | 37 75611 | (006140-010021) | Fitting, Plstc, Plug, Pm12 | 1 |
| | 38 375426 | (007062-008974) | Switch, Press, 3.0inch 02pf 08inch Tube | 1 |
| | 39 385750 | (007062-008974) | Tube, Sensor, Level, Soltn, 2.0l | 1 |
| | 40 57578 | (007062-008974) | Hose, Vacuum, 0.16id X 008.0l | 1 |
| | 41 32183 | (007062-008974) | Fitting, Brs, E90, Bm03/Pm02 | 1 |
| | 42 385685 | (008975-010021) | Sensor, Level, Liq, 14vdc 01a .62-11 | 1 |
| | 43 375302 | (008975-010021) | Strainer, Switch, Grd Rep.By1023713 | 1 |
| | 44 223528 | (008975- xxxxxx) | Grommet, Level Sensing, 1.6d 9.6l F/1.4h | 2 |
| | 45 49745 | (008975- xxxxxx) | Fitting, Plstc, Plug, Pm16 | 2 |

Fig. 20 - Recovery Tank Group (010022-)

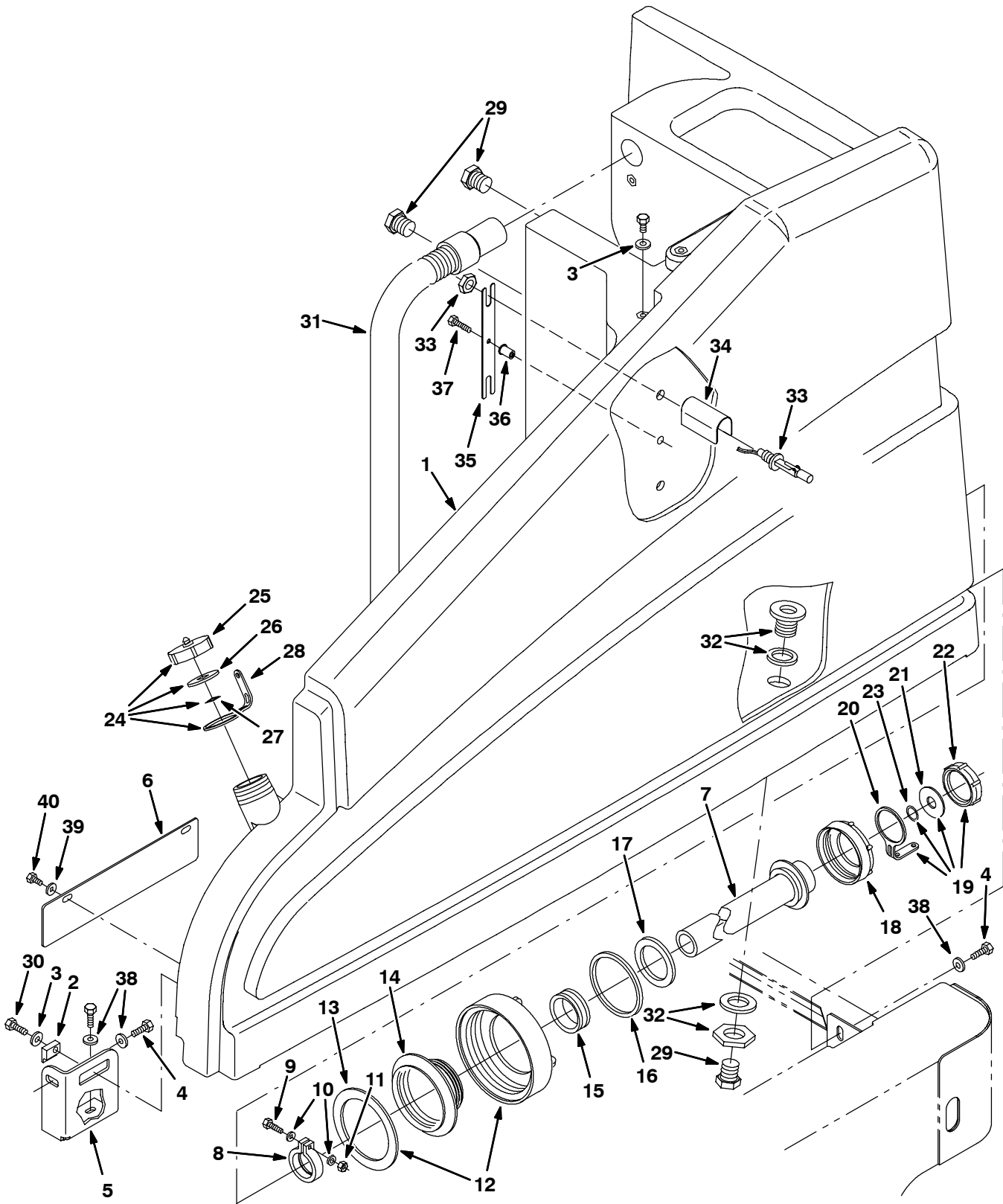


Fig. 20 - Recovery Tank Group (010022-)

| Ref. | Part No. | Serial Number | Description | Qty. | |
|------|----------|---------------|---|---|---|
| 1 | 223250 | (010022- |) Tank, Recvy | 1 | |
| 2 | 73142 | (010022- |) Clamp, Mtg, Tank | 1 | |
| 3 | 01685 | (010022- |) Washer, Flat, 0.38b 0.88d .08, Ss | 2 | |
| 4 | 49826 | (010022- |) Screw, Hex, M8 X 1.25 X 16, Ss, NI | 2 | |
| 5 | 223256 | (010022- |) Bracket, Mtg | 1 | |
| 6 | 223509 | (010022- |) Plate, Cover | 1 | |
| ▽ | 223533 | (010022- |) Hose Assy, Drain, 0.31id X 24.3l, Pvc | 1 | |
| ▲ | 7 | 24174 | (010022- |) Hose Assy, Pvc, 1.3id 1.7od 24.3l | 1 |
| ▲ | 8 | 41454 | (010022- |) Clamp, Hose, Plstc, 1.60d X 0.62w | 1 |
| ▲ | 9 | 12316 | (010022- |) Screw, Hex, M5 X 0.8 X 25, Ss | 1 |
| ▲ | 10 | 01683 | (010022- |) Washer, Flat, 0.22b 0.50d .05, Ss [#10] | 2 |
| ▲ | 11 | 09739 | (010022- |) Nut, Hex, Lock, M5 X 0.80, NI, Ss | 1 |
| ▲▽ | 12 | 24358 | (010022- |) Cap Assy, Tank, Drain | 1 |
| ▲▲ | 13 | 1031699 | (010022- |) Gasket, 4.05id 5.29od .19 [Buna] | 1 |
| ▲ | 14 | 14864 | (010022- |) Cover, Insert | 1 |
| ▲ | 15 | 41421 | (010022- |) Seal | 1 |
| ▲ | 16 | 79320 | (010022- |) Gasket, Cap, Drain | 1 |
| ▲ | 17 | 41451 | (010022- |) Gasket, Lid | 1 |
| ▲ | 18 | 14880 | (010022- |) Cap, Tank, Drain, 3.85 Thread Pye | 1 |
| ▲▽ | 19 | 32501 | (010022- |) Drain Kit, Cap | 1 |
| ▲▲ | 20 | 32508 | (010022- |) Strap | 1 |
| ▲▲ | 21 | 32614 | (010022- |) Gasket, Cap | 1 |
| ▲▲ | 22 | 32613 | (010022- |) Cap, Tank, Drain, 2.25 Thread Pye | 1 |
| ▲▲ | 23 | 32669 | (010022- |) Ring, Retaining, Ext, 0.75d, Ss | 1 |
| ▽ | 24 | 32501 | (010022- |) Drain Kit, Cap | 1 |
| ▲ | 25 | 32613 | (010022- |) Cap, Tank, Drain, 2.25 Thread Pye | 1 |
| ▲ | 26 | 32614 | (010022- |) Gasket, Cap | 1 |
| ▲ | 27 | 32669 | (010022- |) Ring, Retaining, Ext, 0.75d, Ss | 1 |
| ▲ | 28 | 32508 | (010022- |) Strap | 1 |
| 29 | 75611 | (010022- |) Fitting, Plstc, Plug, Pm12 | 3 | |
| 30 | 12273 | (010022- |) Screw, Hex, M8 X 1.25 X 20, Ss, NI | 1 | |
| 31 | 223228 | (010022- |) Hose Assy, W/1cuff, 1.5d 063l 1.5/ | 1 | |
| 32 | 377349 | (010022- |) Fitting, Plstc, Pf12/Pf12, Bh | 1 | |
| 33 | 385685 | (010022- |) Sensor, Level, Liq, 14vdc 01a .62-11 | 1 | |
| 34 | 1019285 | (010022- |) Bracket, Protector, Float Switch | 1 | |
| 35 | 1023365 | (010022- |) Plate, Align, Switch, Level [7200] | 1 | |
| 36 | 397644 | (010022- |) Nut, Isolator, .25-20 Wall Th .187-.343 | 1 | |
| 37 | 16951 | (010022- |) Screw, Hex, .25-20 X 1.25, Sems | 1 | |
| 38 | 1017218 | (010022- |) Washer, Flat, 0.32b 1.00d .12, Ss | 4 | |
| 39 | 01683 | (010022- |) Washer, Flat, 0.22b 0.50d .05, Ss [#10] | 2 | |
| 40 | 09738 | (010022- |) Screw, Hex, M5 X 0.8 X 12, Ss | 2 | |

Fig. 21 - Vacuum Fan Kit, Single

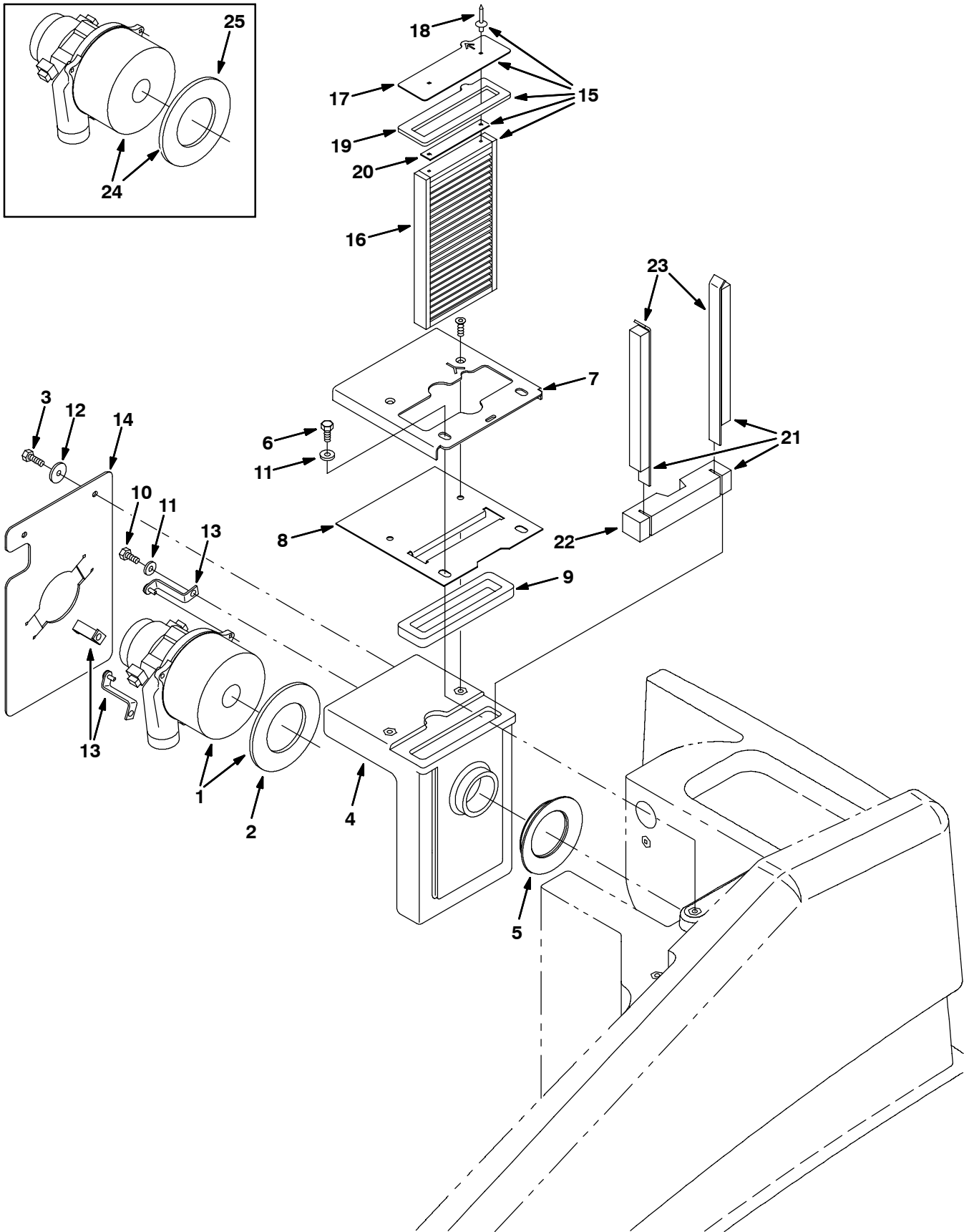


Fig. 21 - Vacuum Fan Kit, Single

| | Ref. | Part No. | Serial Number | Description | Qty. |
|----|------|----------|----------------|---|------|
| ▽ | | 223041 | (000000- |) Vacfan Kit, Ci, Sgl [7200] | 1 |
| ▲▽ | 1 | 398520 | (008452- |) Fan Assy, Vacuum, 5.7d, 036vdc, 3 Stage (See Breakdowns) | 1 |
| ▲▲ | 2 | 223264 | (008452- |) Seal, Rbr, Clsd, 0.25, 5.8d 03.3h | 1 |
| ▲ | 3 | 09740 | (000000- |) Screw, Hex, M8 X 1.25 X 20, Ss | 2 |
| ▲ | 4 | 223259 | (000000- |) Tank, Demister | 1 |
| ▲ | 5 | 223525 | (000000- |) Seal, Fan | 1 |
| ▲ | 6 | 15675 | (000000- |) Screw, Hex, M8 X 1.25 X 16, Ss | 2 |
| ▲ | 7 | 223261 | (000000- |) Bracket, Demister | 1 |
| ▲ | 8 | 223506 | (000000- |) Bracket, Demister | 1 |
| ▲ | 9 | 223507 | (000000- |) Seal, Rbr, Clsd, 0.63, Demister | 1 |
| ▲ | 10 | 49826 | (000000- |) Screw, Hex, M8 X 1.25 X 16, Ss, NI | 3 |
| ▲ | 11 | 01685 | (000000- |) Washer, Flat, 0.38b 0.88d .08, Ss | 5 |
| ▲ | 12 | 30013 | (000000- |) Washer, Flat, 0.31, Fendr | 2 |
| ▲ | 13 | 222124 | (000000- |) Bracket, Mtg, Vacfan | 3 |
| ▲ | 14 | 223262 | (000000- |) Skirt, Neo, .12, 06/ Hole, Motor, Fan | 1 |
| ▲▽ | 15 | 223532 | (000000- |) Filter Assy, Panl, Scrbr [7200] | 1 |
| ▲▲ | 16 | 223267 | (000000- |) Filter, Panl, Dust, 1.0 X 06.0 X 11.0 | 1 |
| ▲▲ | 17 | 223279 | (000000- |) Plate, Top | 1 |
| ▲▲ | 18 | 393074 | (000000- |) Rivet, Blind, .188d X 0.47 X .38d, Alm | 2 |
| ▲▲ | 19 | 223266 | (000000- |) Seal, Rbr, Clsd, 0.25, Fltr, Panl | 1 |
| ▲▲ | 20 | 385617 | (000000- |) Plate, Spacer, Fltr | 1 |
| ▲▽ | 21 | 369453 | (000000- |) Seal Kit, Vacfan & Panl Fltr | 1 |
| ▲▲ | 22 | 369451 | (000000- |) Seal, Rbr, Clsd, 1.41, Demister | 1 |
| ▲▲ | 23 | 369449 | (000000- |) Seal Assy, Vacfan | 2 |
| ▽ | 24 | 17363 | (000000-008451 |) Fan Assy, Vacuum Rep By 398520 (See Breakdowns) | 1 |
| ▲ | 25 | 223264 | (000000-008451 |) Seal, Rbr, Clsd, 0.25, 5.8d 03.3h | 1 |

Fig. 22 - Solution Tank Group

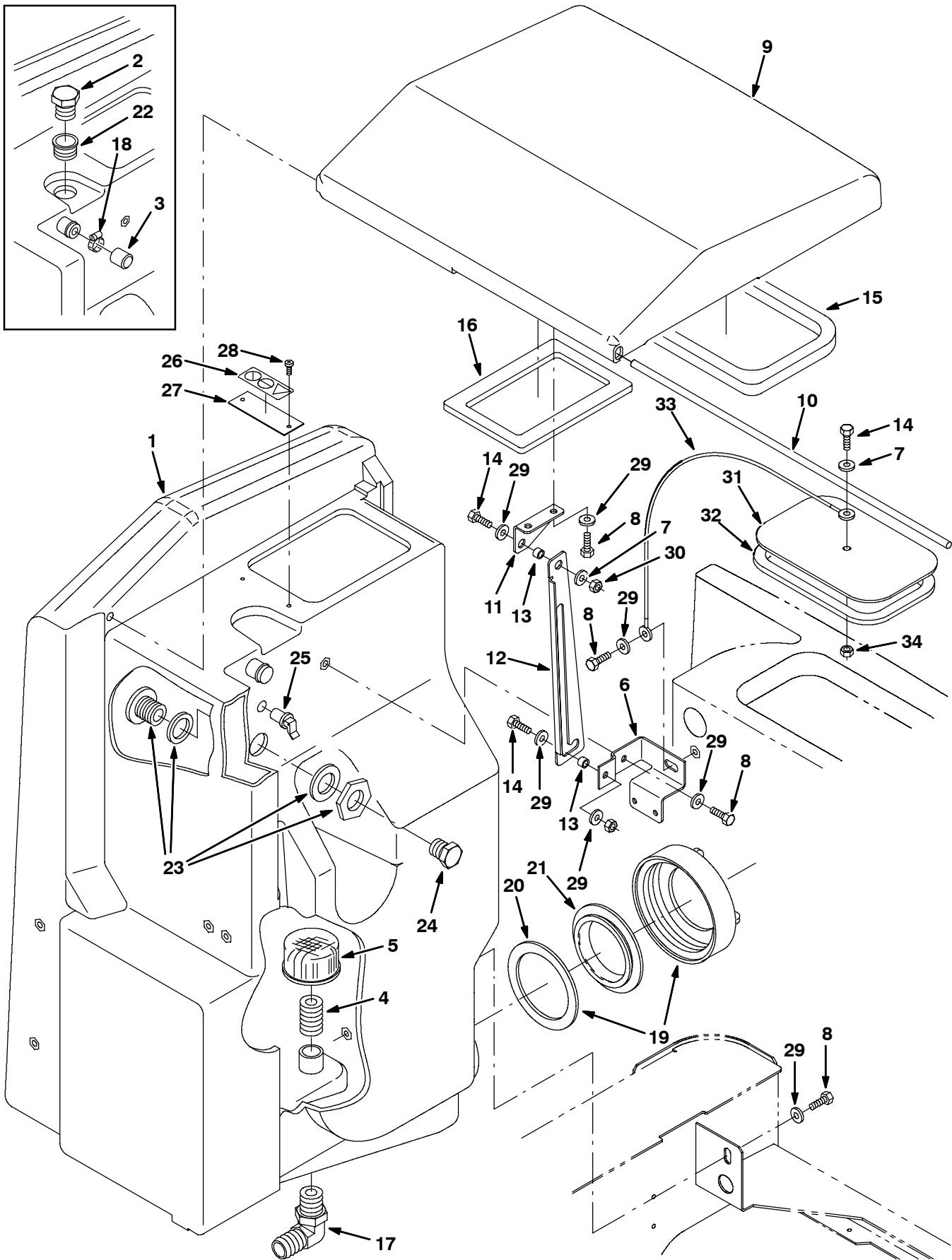


Fig. 22 - Solution Tank Group

| Ref. | Part No. | Serial Number | Description | Qty. | |
|------|----------|----------------|--|------------------------------------|---|
| 1 | 223251 | (000000- |) Tank, Soltn | 1 | |
| 2 | 49745 | (000000-006549 |) Fitting, Plstc, Plug, Pm16 | 1 | |
| 3 | 32790 | (000000-005439 |) Cap, Vyl, 0.94id 1.00l Blk | 1 | |
| 4 | 223499 | (000000- |) Fitting, Plstc, Str, Pm16/Pm16 Close | 1 | |
| 5 | 20810 | (000000- |) Filter, Soltn, 20mesh, Pf16 3.1d 02.3l | 1 | |
| 6 | 223255 | (000000- |) Bracket, Mtg | 1 | |
| 7 | 01685 | (000000- |) Washer, Flat, 0.38b 0.88d .08, Ss | 2 | |
| 8 | 49826 | (000000- |) Screw, Hex, M8 X 1.25 X 16, Ss, NI | 5 | |
| 9 | 223252 | (000000- |) Cover, Tank, Soltn / Recvy | 1 | |
| 10 | 223258 | (000000- |) Bar, Rnd, Plstc, 0.38d 25.0l | 1 | |
| 11 | 223284 | (000000- |) Bracket, Angle, Cover | 1 | |
| 12 | 223283 | (000000- |) Bracket, Sppt, Tank, Soltn | 1 | |
| 13 | 222516 | (000000- |) Sleeve, P/M, 0.31b 0.50d 0.3l [430ss] | 2 | |
| 14 | 09740 | (000000- |) Screw, Hex, M8 X 1.25 X 20, Ss | 3 | |
| 15 | 223527 | (000000- |) Seal, Rbr, Clsd, 0.75, Tank, Recvy | 1 | |
| 16 | 223271 | (000000- |) Seal, Foam, Open, 0.50, Tank, Soltn | 1 | |
| 17 | 223497 | (000000- |) Fitting, Plstc, E90, Bm12/Pm16 | 1 | |
| 18 | 86824 | (000000-005439 |) Clamp, Hose, Wormdrive, 0.50-1.06d, .50w | 1 | |
| ▽ | 19 | 24358 | (000000- |) Cap Assy, Tank, Drain | 1 |
| ▲ | 20 | 1031699 | (000000- |) Gasket, 4.05id 5.29od .19 [Buna] | 1 |
| 21 | 86636 | (000000- |) Cover, Tank | 1 | |
| 22 | 223528 | (000000-006549 |) Grommet, Level Sensing, 1.6d 9.6l F/1.4h | 1 | |
| 23 | 377349 | (005440- |) Fitting, Plstc, Pf12/Pf12, Bh | 1 | |
| 24 | 75611 | (005440- |) Fitting, Plstc, Plug, Pm12 | 1 | |
| 25 | 369889 | (006550- |) Plug, Expandable, Rnd 0.625h 0.7l | 1 | |
| 26 | 391451 | (000000- |) Label [Attention Fast Users, 5400s] | 1 | |
| 27 | 1017101 | (000000- |) Plate, Label, Soltn Tank | 1 | |
| 28 | 360973 | (000000- |) 361333 Pan, #12-16 X 0.50, F/ Plstc | 1 | |
| 29 | 1017218 | (000000- |) Washer, Flat, 0.32b 1.00d .12, Ss | 6 | |
| 30 | 08709 | (000000- |) Nut, Hex, Lock, M8 X 1.25, NI | 2 | |
| 31 | 1024488 | (010570- |) Plate, Mtg, Seal, Tank, Recvy [7200] | 1 | |
| 32 | 1024692 | (010570- |) Seal, Tank, Recvy [7200] | 1 | |
| 33 | 1024784 | (010570- |) Cable, Cover, Recvy Tank [7200] | 1 | |
| 34 | 07786 | (010570- |) Nut, Hex, Std, M8 X 1.25, Ss | 1 | |

Fig. 23 - Solution Control Group

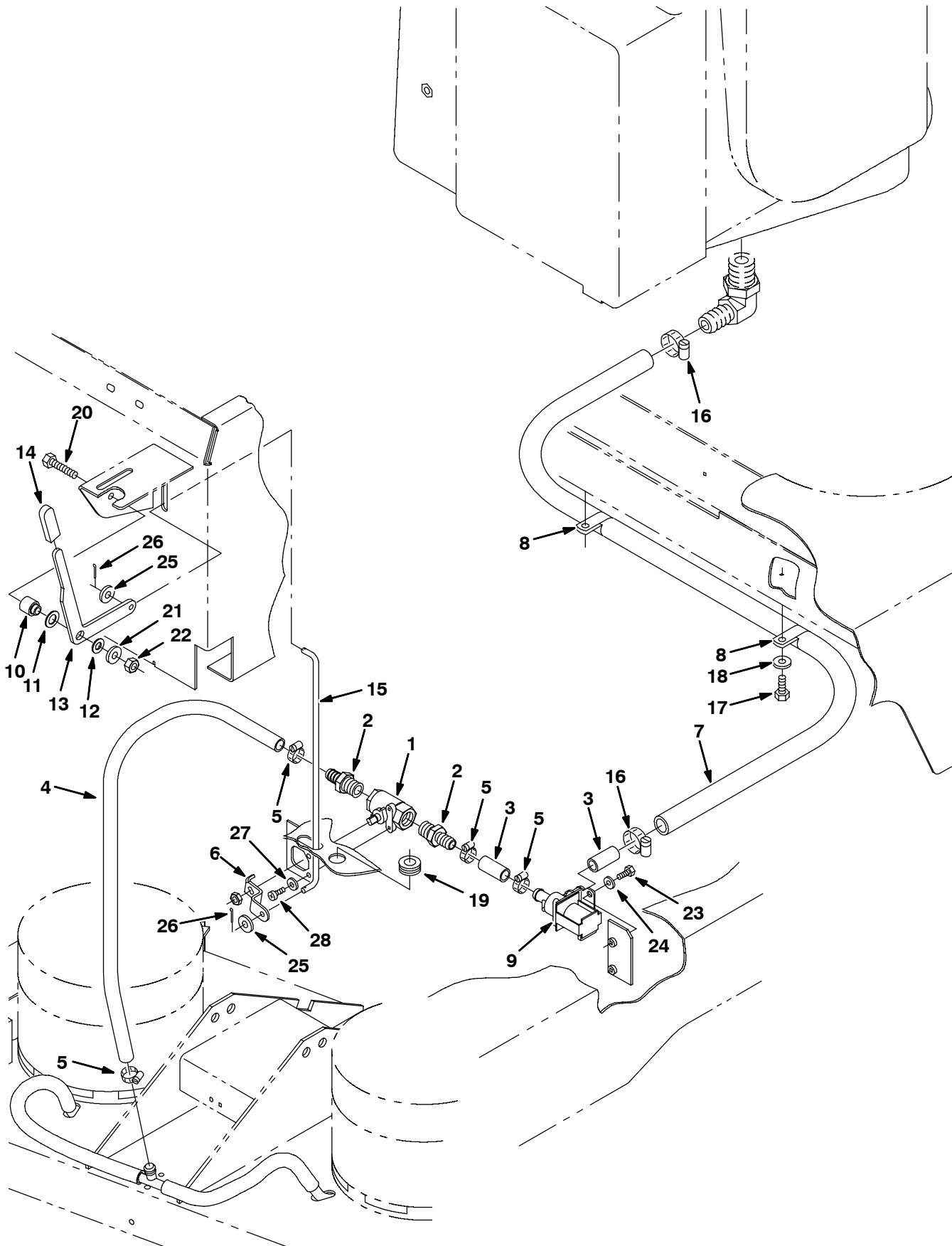


Fig. 23 - Solution Control Group

| Ref. | Part No. | Serial Number | Description | Qty. |
|------|----------|---------------|---|------|
| 1 | 12083 | (000000- |) Valve, Ball, Pf08, Ss | 1 |
| 2 | 79273-4 | (000000- |) Fitting, Plstc, Str, Bm08/Pm08 | 2 |
| 3 | 71793 | (000000- |) Hose, Pvc, Clr, 0.50id 0.75od 001.50l | 2 |
| 4 | 223515 | (000000- |) Hose, Pvc, Brd, 0.50id 0.73od 015.6l,Clr | 1 |
| 5 | 54333 | (000000- |) Clamp, Hose, Wormdrive, 0.31-0.88d, .31w | 4 |
| 6 | 223238 | (000000- |) Arm, Valve, Water, 1.6 Sl /.27h, Offset | 1 |
| 7 | 223247 | (000000- |) Hose, Pvc, Brd, 0.75id 1.03od 058.0l,Clr | 1 |
| 8 | 69234 | (000000- |) Clamp, Cable, Stl, 1.00d X 0.75w, 1hole | 2 |
| 9 | 222113 | (000000- |) Valve, Water, Solenoid, 36vdc Bm10/Bm10 | 1 |
| 10 | 223235 | (000000- |) Sleeve, Fling, 0.32b 0.75/0.49d 0.9l, Stl | 1 |
| 11 | 86860 | (000000- |) Bearing, Thrust, 0.50b 0.87d 0.06w | 1 |
| 12 | 43611 | (000000- |) Washer, Flat, 0.39b 0.75d .06, Nyl | 1 |
| 13 | 223232 | (000000- |) Lever, Cntrl | 1 |
| 14 | 222190 | (000000- |) Grip, Handle | 1 |
| 15 | 223233 | (000000- |) Rod, Valve | 1 |
| 16 | 86824 | (000000- |) Clamp, Hose, Wormdrive, 0.50-1.06d, .50w | 2 |
| 17 | 09740 | (000000- |) Screw, Hex, M8 X 1.25 X 20, Ss | 2 |
| 18 | 01686 | (000000- |) Washer, Flat, 0.44b 1.00d .08, Ss | 2 |
| 19 | 10632-9 | (000000- |) Grommet, Rbr, 0.63id, F/0.8h, .12 Matl | 1 |
| 20 | 06956 | (000000- |) Screw, Hex, M8 X 1.25 X 45, 8.8 | 1 |
| 21 | 01685 | (000000- |) Washer, Flat, 0.38b 0.88d .08, Ss | 1 |
| 22 | 08709 | (000000- |) Nut, Hex, Lock, M8 X 1.25, NI | 1 |
| 23 | 39648 | (000000- |) Screw, Pan, #10-24 X 0.38, G1 | 2 |
| 24 | 32980 | (000000- |) Washer, Lock, Int, #10 | 2 |
| 25 | 01684 | (000000- |) Washer, Flat, 0.27b 0.69d .05, Ss | 2 |
| 26 | 08170 | (000000- |) Pin, Cotter, .062 X 0.50 | 2 |
| 27 | 32980 | (000000- |) Washer, Lock, Int, #10 | 2 |
| 28 | 39648 | (000000- |) Screw, Pan, #10-24 X 0.38, G1 | 2 |
| | 614265 | | Kit, Water, Valve, Rebuild | 1 |

Fig. 24 - FaST Air Pump and Detergent Group

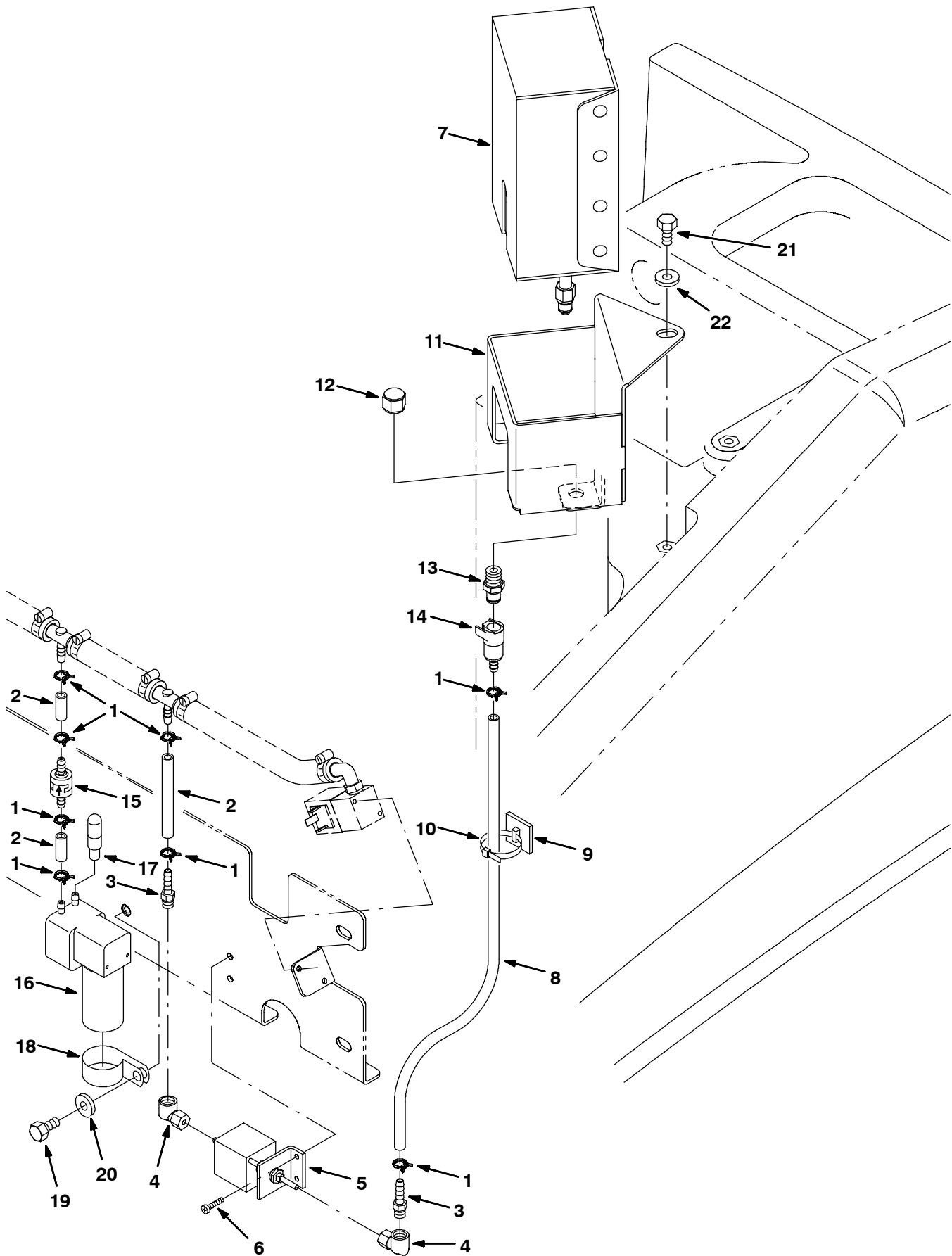


Fig. 24 - FaST Air Pump and Detergent Group

| Ref. | Part No. | Serial Number | Description | Qty. |
|------|----------|---------------|---|------|
| 1 | 613735 | (000000- |) Clamp, Hose, Wir, .40 - .42 [Dbl Wire] | 8 |
| 2 | 1014987 | (000000- |) Hose, Afmkt, Pvc, Clr, 0.25id, 01ft | 1 |
| 3 | 150525 | (000000- |) Fitting, Brs, Str, Bm04/Pm02 | 2 |
| 4 | 1014082 | (000000- |) Fitting, Brs, E90, Cf03/Pf02 | 2 |
| 5 | 1013789 | (000000- |) Pump, Detgt [560s] | 1 |
| 6 | 24265 | (000000- |) Screw, Pan, M4 X 0.7 X 16, Ss | 2 |
| 7 | 1017015 | (000000- |) Detergent, Pkg, 2 Liter, Sgl [365] | - |
| 7 | 1017022 | (000000- |) Detergent, Pkg, 2 Liter, Sgl [665] | - |
| 7 | 9002021 | (000000- |) Detergent, 2 Liter [Fast 965] | - |
| 8 | 1014985 | (000000- |) Hose, Afmkt, Pvc, Clr, 0.25id, 08ft | 1 |
| 9 | 55248 | (000000- |) Mount, Cable Tie | 2 |
| 10 | 49266 | (000000- |) Tie, Cable, Nyl, 07.3l .19w 1.8 Max D | 2 |
| 11 | 1014854 | (000000- |) Bracket Wldt, Box, Detgt | 1 |
| 12 | 1005435 | (000000- |) Fitting, Plstc, Pipe, Cap, Pf04 | 1 |
| 13 | 1002899 | (000000- |) Fitting, Plstc, Str, Pm04, Cplg, Mal | 1 |
| 14 | 1002898 | (000000- |) Fitting, Plstc, Str, Bm04, Cplg, Fem | 1 |
| 15 | 1013902 | (000000- |) Valve, Check, 0002psi Bm04/Bm04 | 1 |
| 16 | 1008211 | (000000- |) Pump, Air, Ele, 36vdc | 1 |
| 17 | 1005255 | (000000- |) Filter Assy, Air, Mold, Ure | 1 |
| 18 | 86328 | (000000- |) Clamp, Cable, Stl, 1.50d X 0.75w, 1hole | 1 |
| 19 | 09740 | (000000- |) Screw, Hex, M8 X 1.25 X 20, Ss | 1 |
| 20 | 01685 | (000000- |) Washer, Flat, 0.38b 0.88d .08, Ss | 1 |
| 21 | 16931 | (000000- |) Screw, Hex, M8 X 1.25 X 20, 8.8 | 1 |
| 22 | 32491 | (000000- |) Washer, Flat, 0.31, Std | 1 |

Fig. 25 - FaST Solution Pump Group

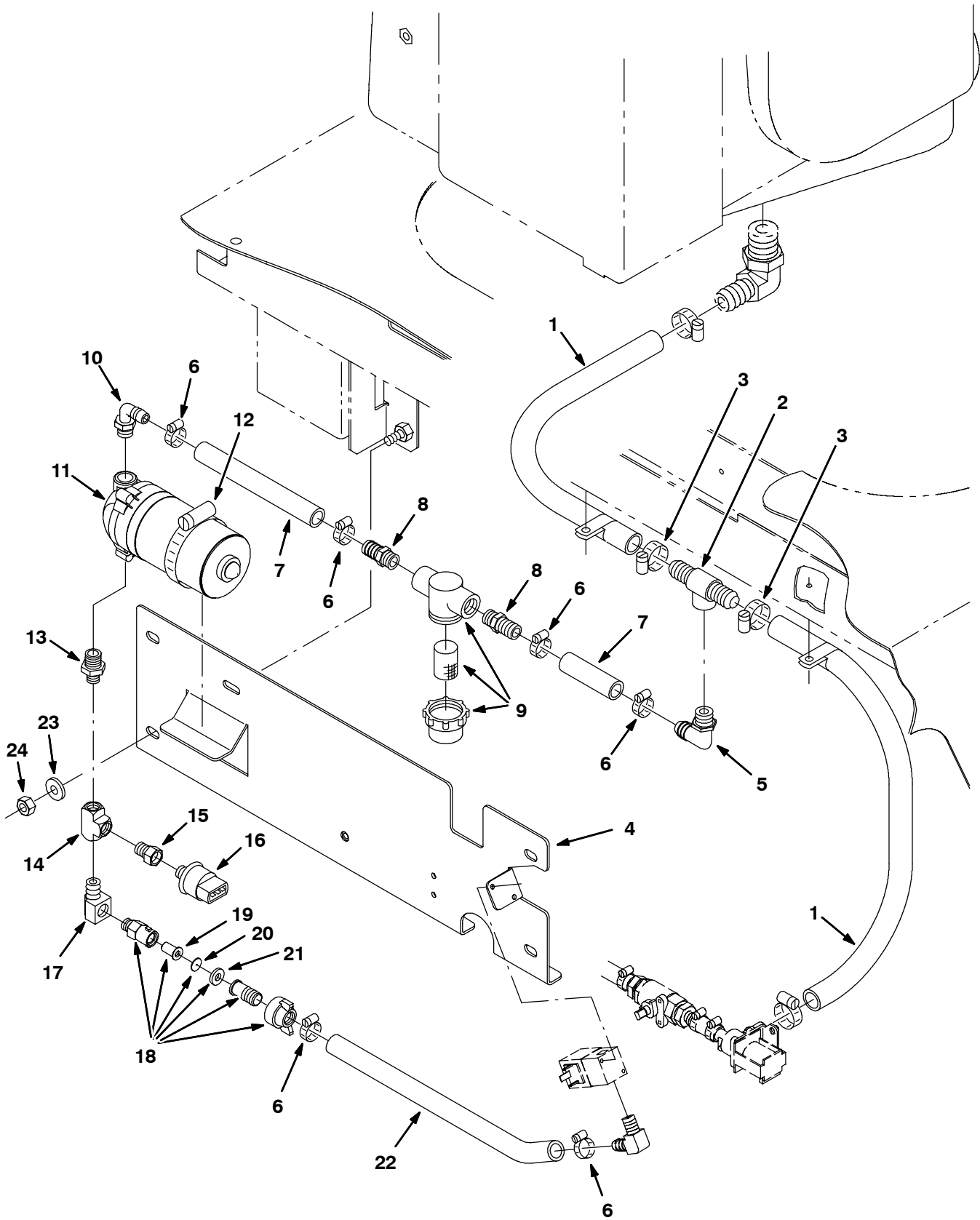


Fig. 25 - FaST Solution Pump Group

| Ref. | Part No. | Serial Number | Description | Qty. | |
|------|----------|---------------|--|--|---|
| 1 | 1015163 | (000000- |) Hose, Pvc, Brd, 0.75id 1.03od 028.0l,Clr | 2 | |
| 2 | 64740 | (000000- |) Fitting, Plstc, Tee, Bm12/Bm12/Pf08, Br | 1 | |
| 3 | 86824 | (000000- |) Clamp, Hose, Wormdrive, 0.50-1.06d, .50w | 2 | |
| 4 | 1014750 | (000000- |) Plate, Mtg, Pump | 1 | |
| 5 | 86509 | (000000- |) Fitting, Plstc, E90, Bm08/Pm08, Nyl | 1 | |
| 6 | 54333 | (000000- |) Clamp, Hose, Wormdrive, 0.31-0.88d, .31w | 6 | |
| 7 | 1011403 | (000000- |) Hose, Afmkt, Pvc, Brd, 0.50id, 01ft, Clr | 1 | |
| 8 | 64743 | (000000- |) Fitting, Plstc, Str, Bm08/Pm06 | 2 | |
| 9 | 1005302 | (000000- |) Filter, In-Line, Pf06/Pf06, 80 Mesh | 1 | |
| 10 | 64778 | (000000- |) Fitting, Plstc, E90, Bm08/Pm06 | 1 | |
| 11 | 1005866 | (000000- |) Pump, Soltn, Ele, 36vdc | 1 | |
| 12 | 17188 | (000000- |) Clamp, Hose, Wormdrive, 2.50-3.50d, .50w | 1 | |
| 13 | 1010835 | (000000- |) Fitting, Brs, Str, Pm04/Pm06 | 1 | |
| 14 | 398474 | (000000- |) Fitting, Brs, Tee, Pf04/Pf04/Pf04 | 1 | |
| 15 | 150100 | (000000- |) Fitting, Brs, Str, Pf02/Pm04 | 1 | |
| 16 | 1028582 | (000000- |) Switch, Press, 0010psi Spst | 1 | |
| 17 | 27048 | (000000- |) Fitting, Brs, E90, Pf04/Pm04 | 1 | |
| ▽ | 18 | 1014851 | (000000- |) Fitting Assy, Cap, 0.054b, Bm08/Pm04 | 1 |
| ▲ | 19 | 1006447 | (000000- |) Filter, Screen, 050 Mesh .59d .8l Ss | 1 |
| ▲ | 20 | 1014852 | (000000- |) Plate, Orifice, 0.054id | 1 |
| ▲ | 21 | 1005508 | (000000- |) Washer, Flat, 0.34b 0.75d .12 [Viton] | 1 |
| | 22 | 1011521 | (000000- |) Hose, Afmkt, Pvc, Brd, 0.50id, 02ft, Clr | 1 |
| | 23 | 01686 | (000000- |) Washer, Flat, 0.44b 1.00d .08, Ss | 4 |
| | 24 | 08714 | (000000- |) Nut, Hex, Lock, M10 X 1.5, NI, Ss | 4 |

STANDARD PARTS

Fig. 26 - FaST Foam Filter Group, Disk Scrub Head, 900mm (36 in)

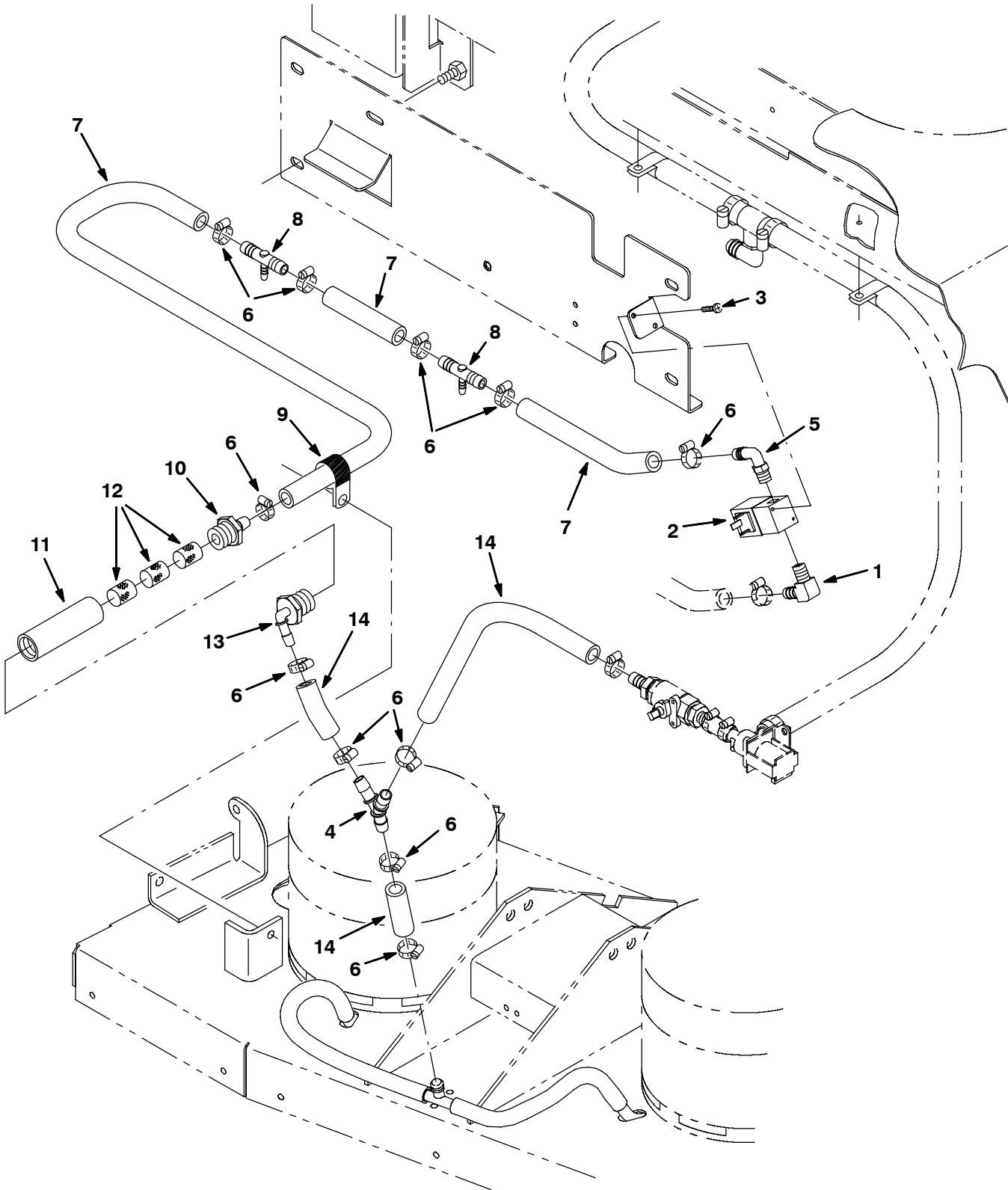


Fig. 26 - FaST Foam Filter Group, Disk Scrub Head, 900mm (36 in)

| Ref. | Part No. | Serial Number | Description | Qty. |
|------|----------|---------------|--|------|
| 1 | 1010836 | (000000- |) Fitting, Brs, E90, Bm08/Pm04 | 1 |
| 2 | 1028579 | (000000- |) Valve, Water, Solenoid, 36vdc Pf02 | 1 |
| 3 | 09200 | (000000- |) Screw, Pan, M5 X 0.8 X 12, Ss | 2 |
| 4 | 1010668 | (000000- |) Fitting, Plstc, Y, Bm08/Bm08/Bm08, Nyl | 1 |
| 5 | 1010713 | (000000- |) Fitting, Plstc, E90, Bm08/Pm04, Nyl | 1 |
| 6 | 54333 | (000000- |) Clamp, Hose, Wormdrive, 0.31-0.88d, .31w | 11 |
| 7 | 1011412 | (000000- |) Hose, Afmkt, Pvc, Brd, 0.50id, 08ft, Clr | 1 |
| 8 | 1010684 | (000000- |) Fitting, Plstc, Tee, Bm04/Bm08/Bm08, Br | 1 |
| 9 | 58366 | (000000- |) Clamp, Cable, Stl, 1.25d X 1.00w, 1hole | 1 |
| 10 | 79273-1 | (000000- |) Fitting, Plstc, Str, Bm08/Pm12 | 1 |
| 11 | 1005086 | (000000- |) Hose, Pvc, Clr, 0.94id 1.29od 04.0l | 1 |
| 12 | 1002789 | (000000- |) Filter, Foam, Rbr, 1.20d, 1.0l | 3 |
| 13 | 1005552 | (000000- |) Fitting, Plstc, E90, Bm08/Pm12, Nyl | 1 |
| 14 | 1011521 | (000000- |) Hose, Afmkt, Pvc, Brd, 0.50id, 02ft, Clr | 1 |

Fig. 27 - FaST Foam Filter Group, Cylindrical Scrub Head, 900mm (36 in)

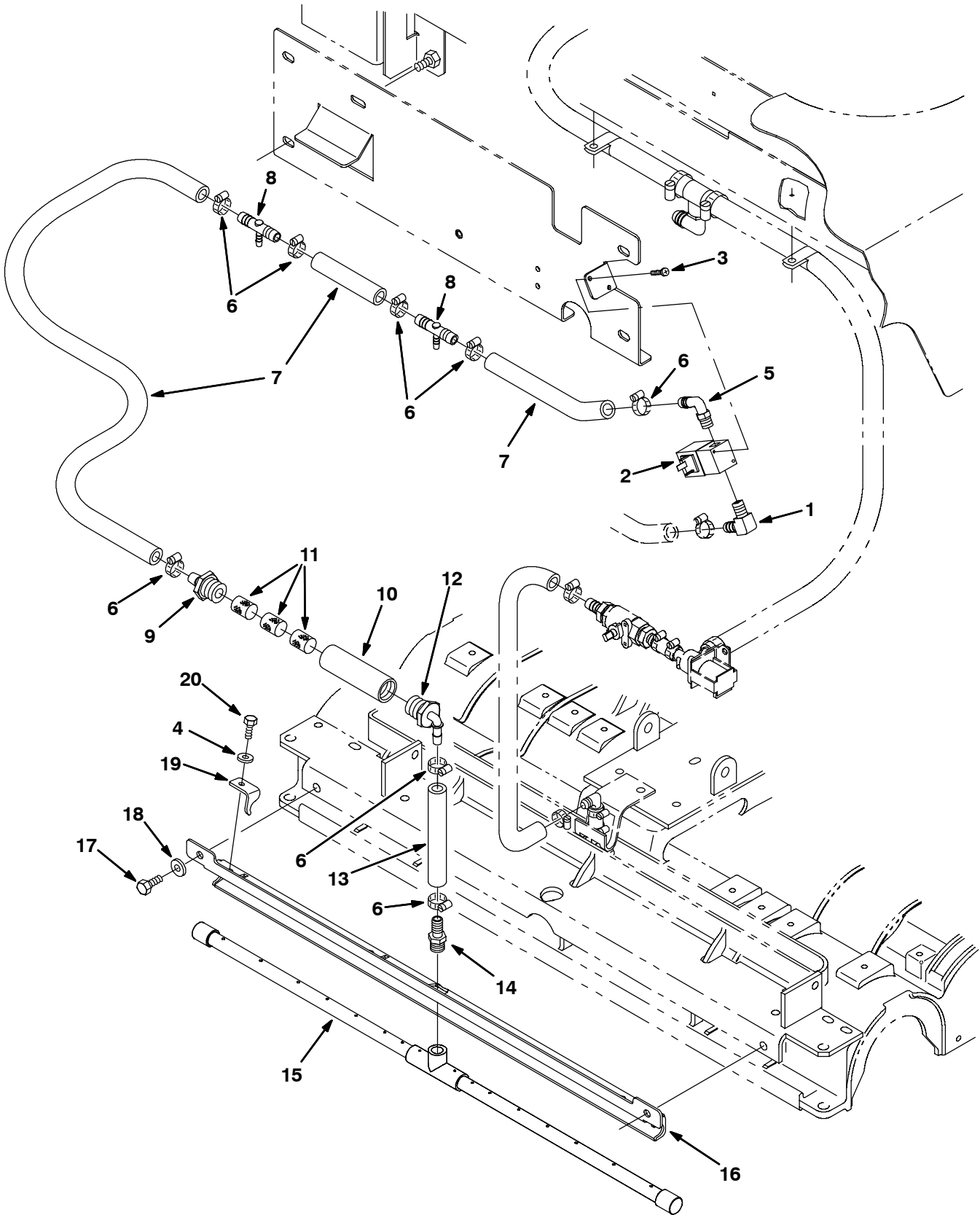


Fig. 27 - FaST Foam Filter Group, Cylindrical Scrub Head, 900mm (36 in)

| Ref. | Part No. | Serial Number | Description | Qty. |
|------|----------|---------------|--|------|
| 1 | 1010836 | (000000- |) Fitting, Brs, E90, Bm08/Pm04 | 1 |
| 2 | 1009603 | (000000- |) Valve, Water, Solenoid, 36vdc 02pf | 1 |
| 3 | 09200 | (000000- |) Screw, Pan, M5 X 0.8 X 12, Ss | 2 |
| 4 | 01684 | (000000- |) Washer, Flat, 0.27b 0.69d .05, Ss | 1 |
| 5 | 1010713 | (000000- |) Fitting, Plstc, E90, Bm08/Pm04, Nyl | 1 |
| 6 | 54333 | (000000- |) Clamp, Hose, Wormdrive, 0.31-0.88d, .31w | 8 |
| 7 | 1011412 | (000000- |) Hose, Afmkt, Pvc, Brd, 0.50id, 08ft, Clr | 1 |
| 8 | 1010684 | (000000- |) Fitting, Plstc, Tee, Bm04/Bm08/Bm08, Br | 1 |
| 9 | 79273-1 | (000000- |) Fitting, Plstc, Str, Bm08/Pm12 | 1 |
| 10 | 1005086 | (000000- |) Hose, Pvc, Clr, 0.94id 1.29od 04.0l | 1 |
| 11 | 1002789 | (000000- |) Filter, Foam, Rbr, 1.20d, 1.0l | 3 |
| 12 | 1005552 | (000000- |) Fitting, Plstc, E90, Bm08/Pm12, Nyl | 1 |
| 13 | 1011403 | (000000- |) Hose, Afmkt, Pvc, Brd, 0.50id, 01ft, Clr | 1 |
| 14 | 64743 | (000000- |) Fitting, Plstc, Str, Bm08/Pm06 | 1 |
| 15 | 1015139 | (000000- |) Tube Assy, Spray, Cyl, 0900mm [7200] | 1 |
| 16 | 1015147 | (000000- |) Bracket Wldt, Bar, Spray, 900mm [7200] | 1 |
| 17 | 12273 | (000000- |) Screw, Hex, M8 X 1.25 X 20, Ss, NI | 1 |
| 18 | 01685 | (000000- |) Washer, Flat, 0.38b 0.88d .08, Ss | 1 |
| 19 | 1014673 | (000000- |) Bracket, Bar, Spray | 1 |
| 20 | 11635 | (000000- |) Screw, Hex, M6 X 1.0 X 12, Ss, NI | 1 |

Fig. 28 - FaST Instrument and Electrical Panel Group

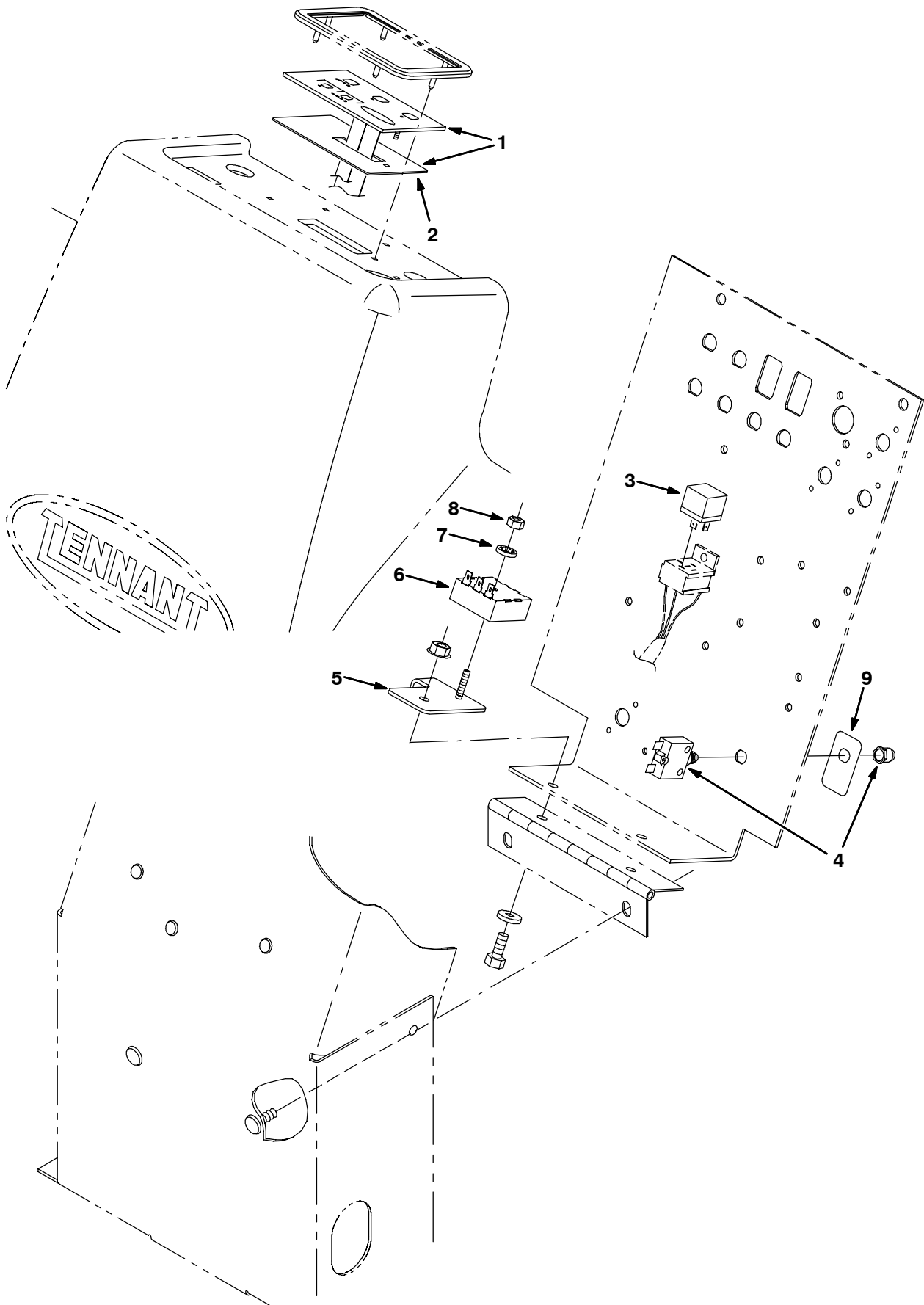
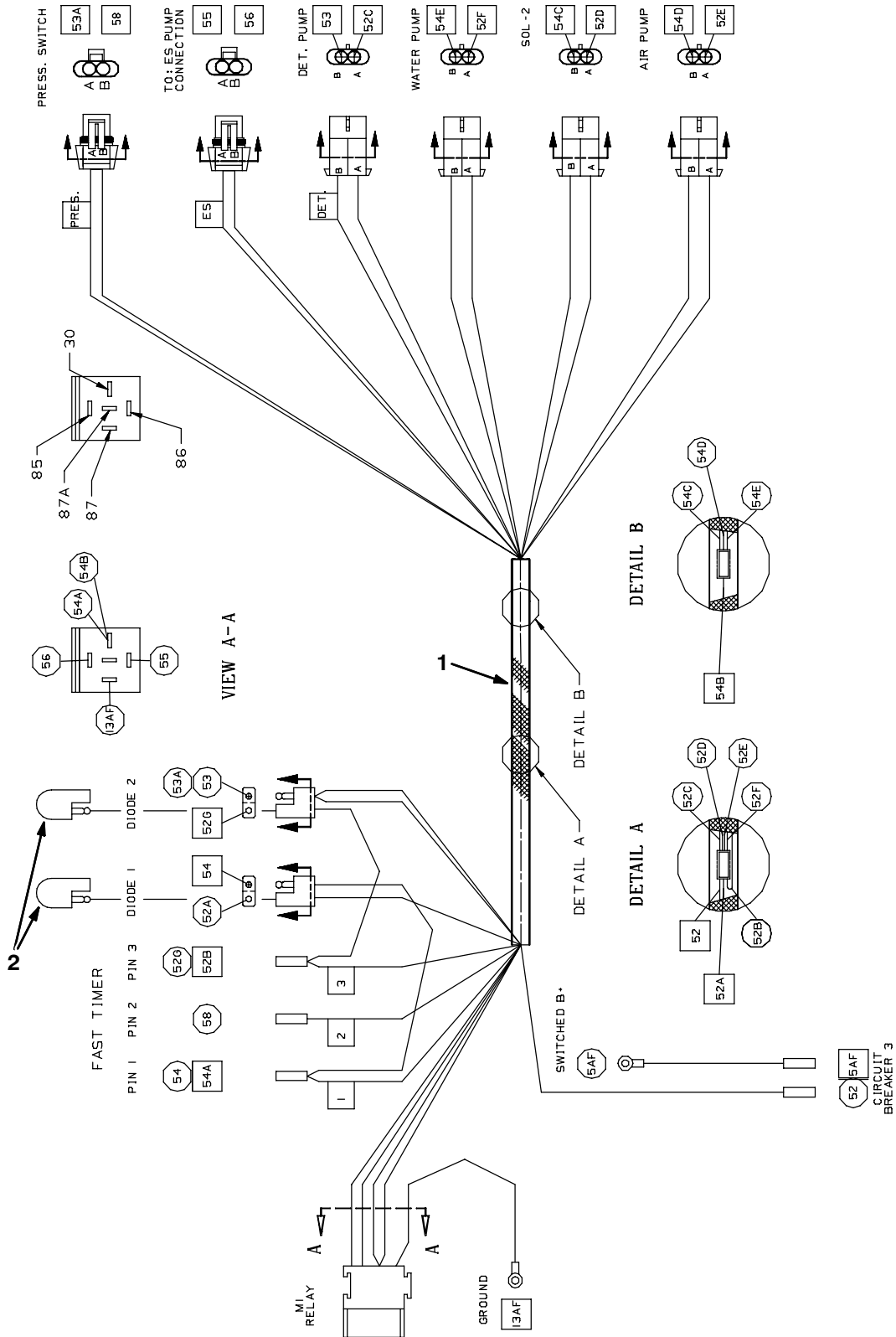


Fig. 28 - FaST Instrument and Electrical Panel Group

| | Ref. | Part No. | Serial Number | Description | Qty. |
|---|------|----------|---------------|---|------|
| ▽ | 1 | 1014898 | (000000- |) Panel Assy, Touch [7200 Fast] | 1 |
| ▲ | 2 | 223332 | (000000- |) Gasket, Panl, Touch | 1 |
| | 3 | 398526 | (000000- |) Relay, 36vdc, 005a, Spdt No [Greenwich] | 1 |
| | 4 | 383721 | (000000- |) Circuitbreaker, 10.0a | 1 |
| | 5 | 1014853 | (000000- |) Bracket, Timer | 1 |
| | 6 | 1028586 | (000000- |) Timer, 36vdc, Detgt [.5on/1.17off] | 1 |
| | 7 | 32989 | (000000- |) Washer, Lock, Int, 0.50 | 1 |
| | 8 | 08708 | (000000- |) Nut, Hex, Lock, M6 X 1.00, NI | 1 |
| | 9 | 1015087 | (000000- |) Label, Opertnl, Circuitbreaker | 1 |

Fig. 29 - FaST Wire Harness Group



354214

| Ref. | Part No. | Serial Number | Description | Qty. |
|------|----------|---------------|-----------------------|------|
| 1 | 391920 | (000000- |) Harness [7200 Fast] | 1 |
| 2 | 222290 | (000000- |) Diode, Ele, Plug | 2 |

Fig. 30 - FaST Electrical Schematic

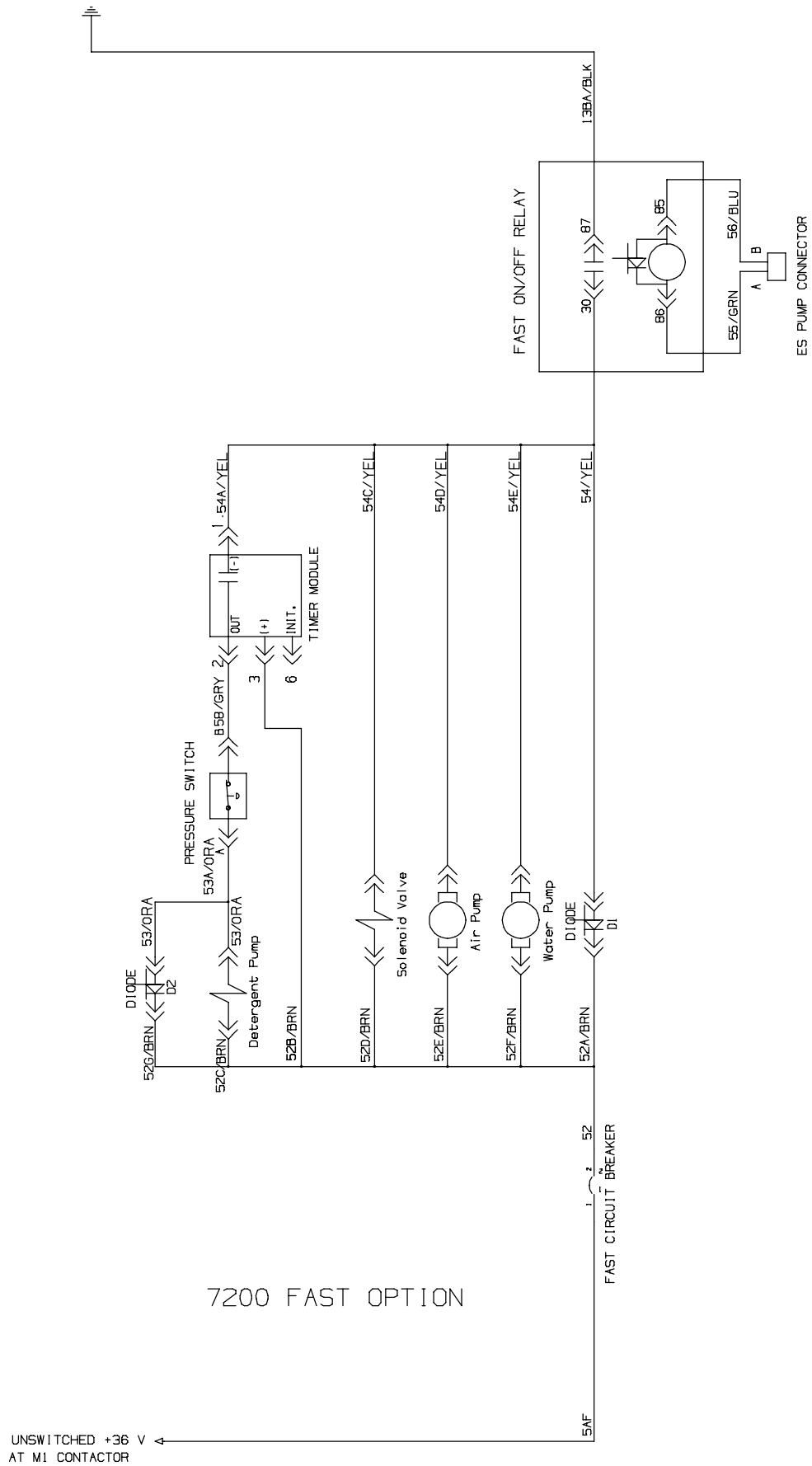


Fig. 31 - Battery Cable Group

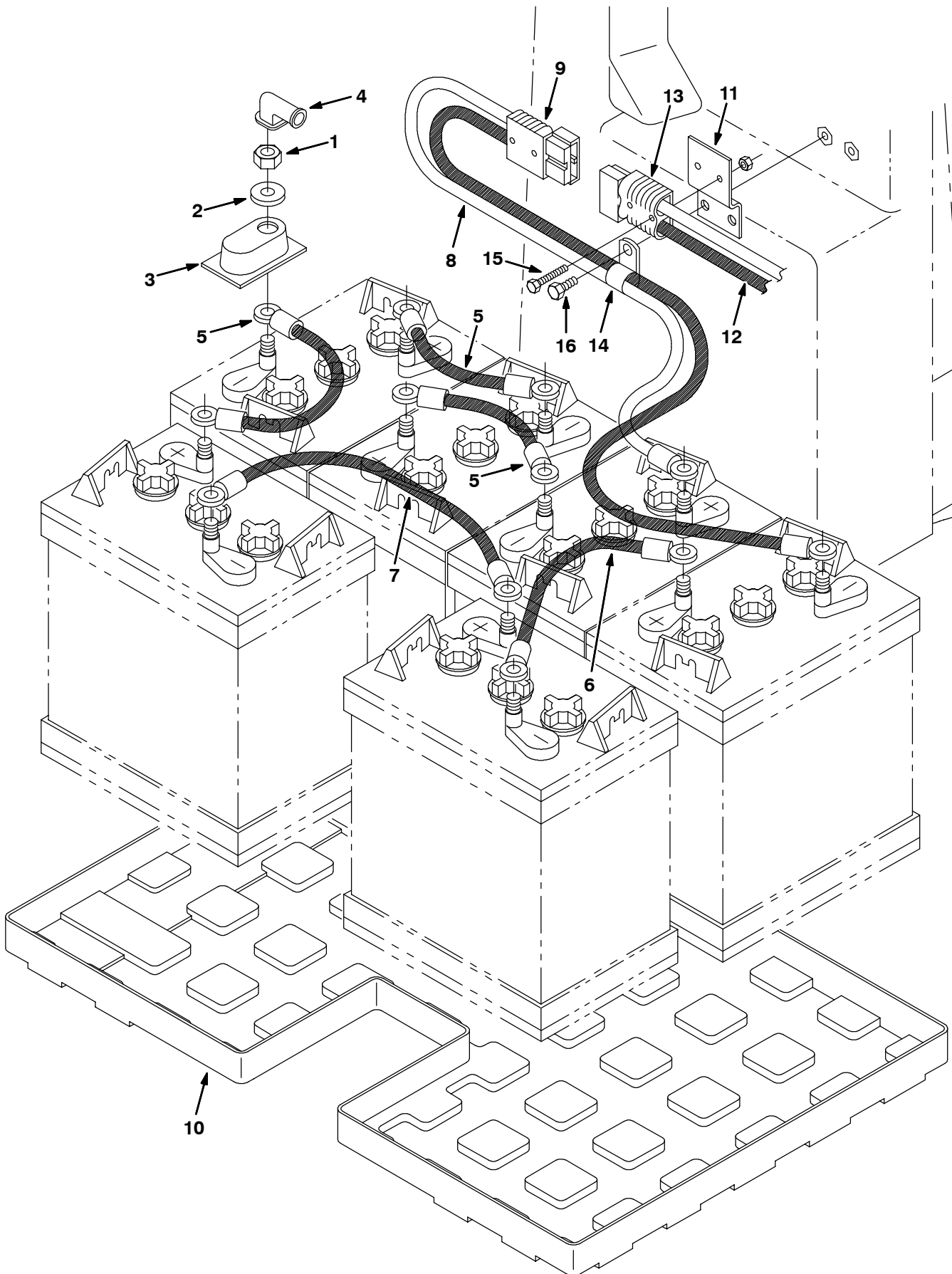


Fig. 31 - Battery Cable Group

| Ref. | Part No. | Serial Number | Description | Qty. | |
|------|----------|---------------|--|---|---|
| 1 | 87435 | (000000- |) Nut, Hex, Flexlock, .31-18 | 12 | |
| 2 | 01685 | (000000- |) Washer, Flat, 0.38b 0.88d .08, Ss | 12 | |
| 3 | 45962 | (000000- |) Cap, Plstc, .04 1.38 X 2.30 0.5l | 12 | |
| 4 | 02076 | (000000- |) Boot, 90deg .50id .57id X .84id 1.0l,Blk | 12 | |
| 5 | 223355 | (000000- |) Cable, 04ga 08.0l Blk .34ring /.34ring | 3 | |
| 6 | 223356 | (000000- |) Cable, 04ga 12.0l Blk .34ring /.34ring | 1 | |
| 7 | 223364 | (000000- |) Cable, 04ga 18.0l Blk .34ring /.34ring | 1 | |
| ▽ | 8 | 223361 | (000000- |) Cable Assy, 04ga .34ring /.34ring, 175a | 1 |
| ▲ | 9 | 22892 | (000000- |) Connector, Anderson, 175a, Gray | 1 |
| 10 | 223246 | (000000- |) Tray, Battery | 1 | |
| 11 | 223366 | (000000- |) Bracket, Connector | 1 | |
| ▽ | 12 | 223362 | (000000- |) Harness, Controller [7200] | 1 |
| ▲ | 13 | 22892 | (000000- |) Connector, Anderson, 175a, Gray | 1 |
| 14 | 49287 | (000000- |) Clamp, Cable, Stl, 0.75d X 0.88w, 1hole | 1 | |
| 15 | 33944 | (000000- |) Screw, Pan, M6 X 1.00 X 35, 4.8 | 2 | |
| 16 | 49826 | (000000- |) Screw, Hex, M8 X 1.25 X 16, Ss, NI | 2 | |

Fig. 32 - Rear Squeegee Lift Group

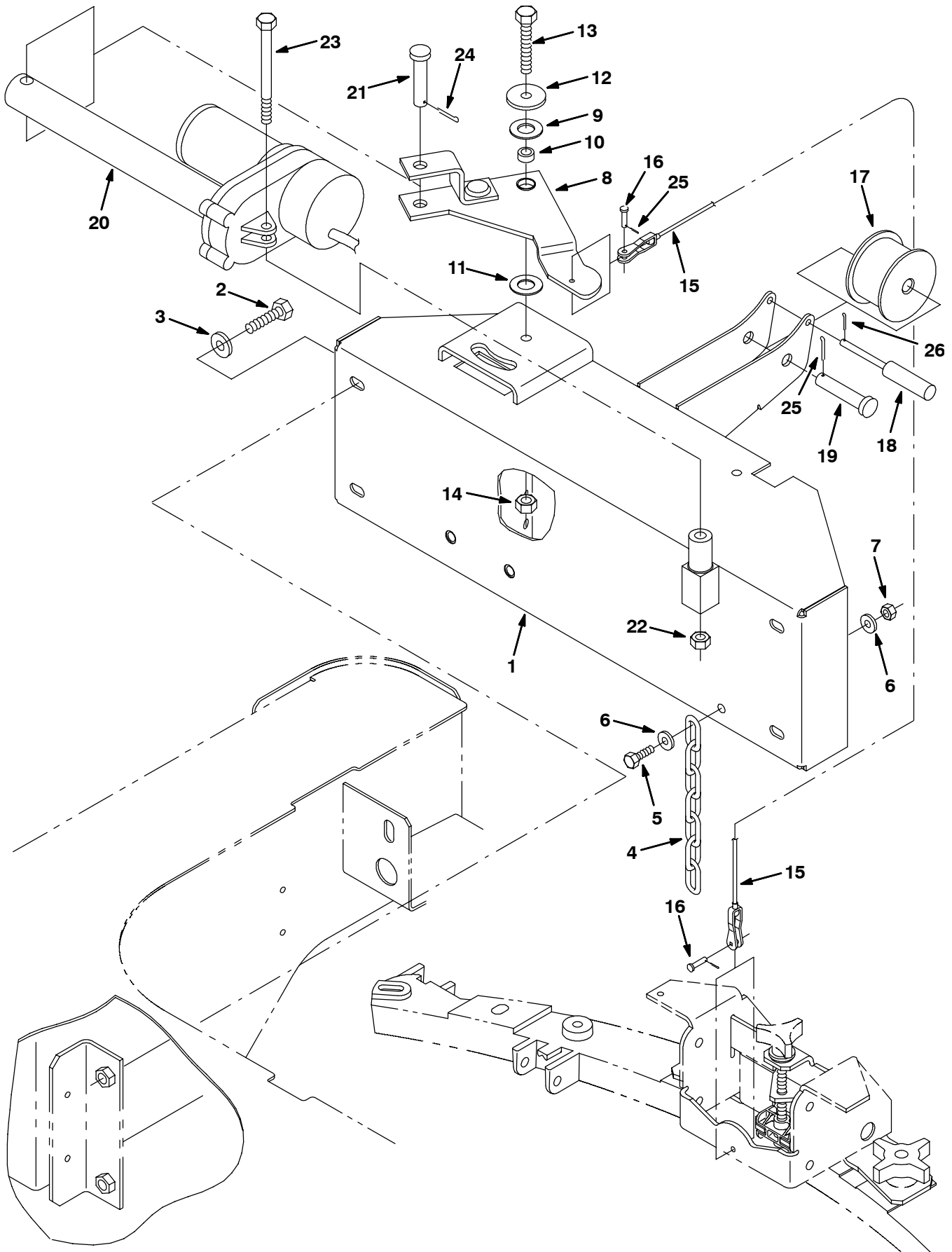


Fig. 32 - Rear Squeegee Lift Group

| Ref. | Part No. | Serial Number | Description | Qty. |
|------|----------|-------------------|--|------|
| 1 | 223210 | (000000-006071) | Channel Wldt, Mtg, Sqge | 1 |
| 1 | 385622 | (006072- xxxxxx) | Channel Wldt, Mtg, Sqge | 1 |
| 1 | 385680 | (xxxxxx-) | Channel Wldt, Mtg, Sqge | 1 |
| 2 | 05720 | (000000-) | Screw, Hex, M10 X 1.5 X 40, Ss, Fl | 4 |
| 3 | 01686 | (000000-) | Washer, Flat, 0.44b 1.00d .08, Ss | 4 |
| 4 | 40758 | (000000-) | Chain, Coil, Str, 2/0, 06.9l 05 Link | 1 |
| 5 | 09011 | (000000-) | Screw, Hex, M8 X 1.25 X 30, Ss | 1 |
| 6 | 01685 | (000000-) | Washer, Flat, 0.38b 0.88d .08, Ss | 2 |
| 7 | 08713 | (000000-) | Nut, Hex, Lock, M8 X 1.25, NI, Ss | 1 |
| 8 | 223218 | (000000-) | Bellcrank Wldt, Lift, Sqge, Rear | 1 |
| 9 | 64425 | (000000-) | Washer, Thrust, 0.61b 1.25d .06, Fgl | 1 |
| 10 | 71658 | (000000-) | Sleeve, P/M, 0.40b 0.62d 0.3l [304ss] | 1 |
| 11 | 07450 | (000000-) | Bearing, Thrust, 0.66b 1.25d 0.06w | 1 |
| 12 | 33948 | (000000-) | Washer, Flat, 0.38, Fendr | 1 |
| 13 | 04417 | (000000-) | Screw, Hex, M10 X 1.5 X 60, Ss | 1 |
| 14 | 08714 | (000000-) | Nut, Hex, Lock, M10 X 1.5, NI, Ss | 1 |
| 15 | 223227 | (000000-) | Cable, Ss .12d 015.6l .2clevis /.2clevis | 1 |
| 16 | 77488 | (000000-) | Pin, Clevis, 0.19d X 0.63l | 2 |
| 17 | 223054 | (000000-) | Drum, Cable, Lift | 1 |
| 18 | 223547 | (000000-) | Pin, 0.62d/0.25d 04.8l | 1 |
| 19 | 06279 | (000000-) | Pin, Clevis, 0.50d X 2.50l | 1 |
| 20 | 223360 | (000000-) | Actuator, 36vdc, 06.0strk, 300lb | 1 |
| 21 | 11211 | (000000-) | Pin, Clevis, 0.50d X 2.25l | 1 |
| 22 | 36643 | (000000-) | Nut, Hex, Lock, .38-16, NI, Thin | 1 |
| 23 | 20175 | (000000-) | Screw, Hex, .38-16 X 4.50, G5 | 1 |
| 24 | 08175 | (000000-) | Pin, Cotter, .125 X 1.25 | 1 |
| 25 | 39005 | (000000-) | Pin, Cotter, .094 X 0.75 | 2 |
| 26 | 08178 | (000000-) | Pin, Cotter, .062 X 0.75 | 1 |

Fig. 33 - Rear Squeegee Linkage Group (000000-006071)

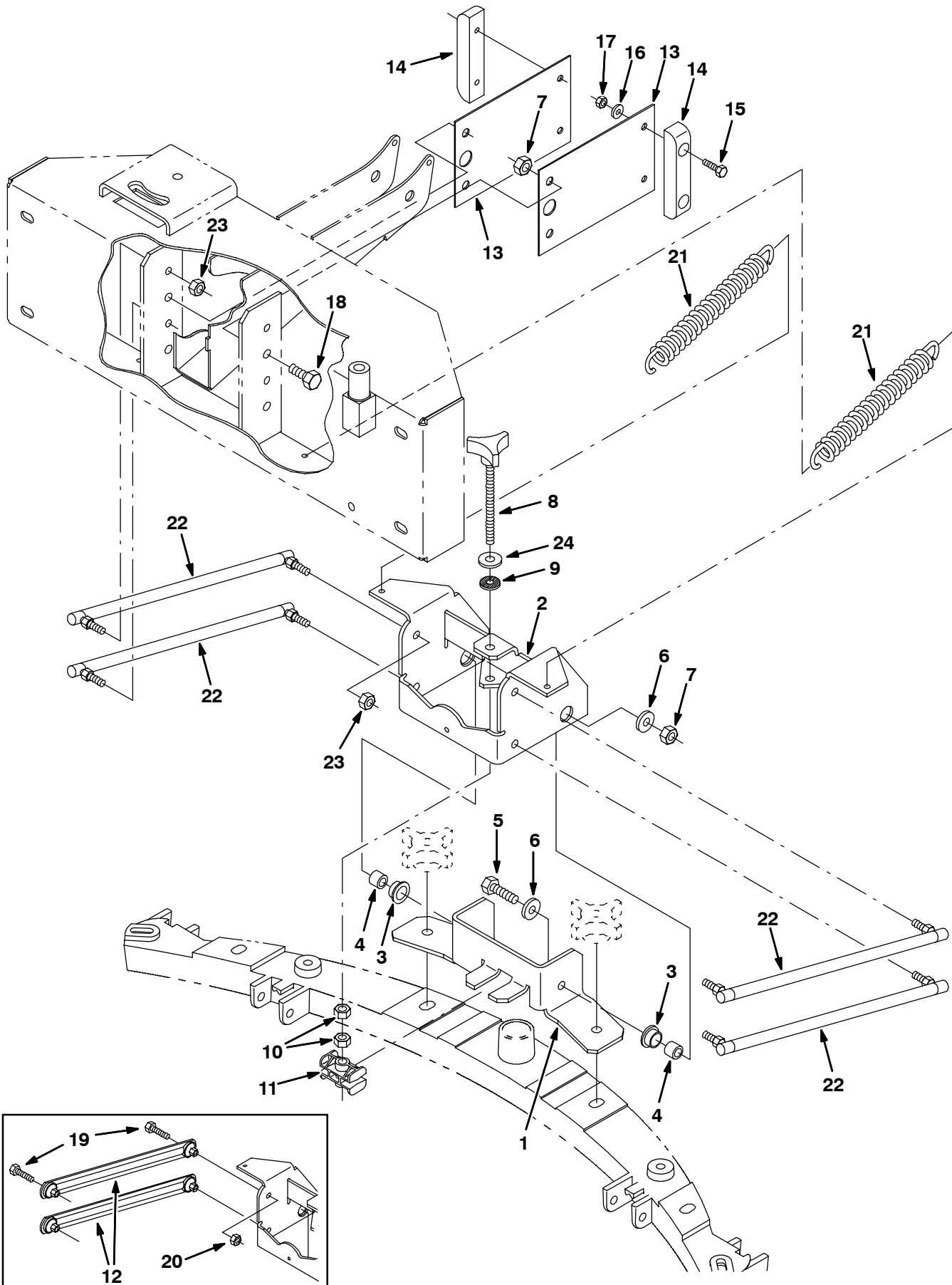


Fig. 33 - Rear Squeegee Linkage Group (000000-006071)

| Ref. | Part No. | Serial Number | Description | Qty. |
|------|----------|------------------|-------------------------------------|------|
| 1 | 223225 | (000000-006071) | Bracket, Mtg, Pivot, Sqge | 1 |
| 2 | 223226 | (000000-006071) | Bracket Wldt, Lift, Sqge | 1 |
| 3 | 25735 | (000000-006071) | Bushing, FIng, 0.63b 0.75d 0.38l | 2 |
| 4 | 71257 | (000000-006071) | Tube, 0.41id 0.62od 00.5l, Ss, Cham | 2 |
| 5 | 77347 | (000000-006071) | Screw, Hex, M10 X 1.5 X 35, Ss | 2 |
| 6 | 01686 | (000000-006071) | Washer, Flat, 0.44b 1.00d .08, Ss | 4 |
| 7 | 08714 | (000000-006071) | Nut, Hex, Lock, M10 X 1.5, NI, Ss | 6 |
| 8 | 71090 | (000000-006071) | Assy, Star, 2.00d 3ear M08x1.25 4.3 | 1 |
| 9 | 63416 | (000000-006071) | Washer, Flat, 0.31b 0.88d .12, Rbr | 1 |
| 10 | 07786 | (000000-006071) | Nut, Hex, Std, M8 X 1.25, Ss | 2 |
| 11 | 222233 | (000000-006071) | Block, Sqge, Adj | 1 |
| 12 | 223230 | (000000-006071) | Link, Square Rep.By369407 | 4 |
| 13 | 223541 | (000000-006071) | Spring, Flat, .06, 4.50w X 07.0l | 2 |
| 14 | 71211 | (000000-006071) | Block, Centering | 2 |
| 15 | 08716 | (000000-006071) | Screw, Hex, M6 X 1.0 X 20, Ss | 4 |
| 16 | 01684 | (000000-006071) | Washer, Flat, 0.27b 0.69d .05, Ss | 4 |
| 17 | 08712 | (000000-006071) | Nut, Hex, Lock, M6 X 1.00, Ss, NI | 4 |
| 18 | 09291 | (000000-006071) | Screw, Hex, M10 X 1.5 X 20, Ss | 4 |
| 19 | 09023 | (000000-006071) | Screw, Hex, M8 X 1.25 X 35, Ss, FI | 8 |
| 20 | 08713 | (000000-006071) | Nut, Hex, Lock, M8 X 1.25, NI, Ss | 8 |
| 21 | 223229 | (000000-006071) | Spring, Extn, 1.00od 0.13wir 09.0l | 2 |
| 22 | 369407 | (000000-006071) | Link, Squeegee Rep.By 385648 | 4 |
| 23 | 32960 | (000000-006071) | Nut, Hex, Lock, .31-24, NI | 8 |
| 24 | 32490 | (000000-006071) | Washer, Flat, 0.25, Std | 1 |

STANDARD PARTS

Fig. 34 - Rear Squeegee Linkage Group (006072-)

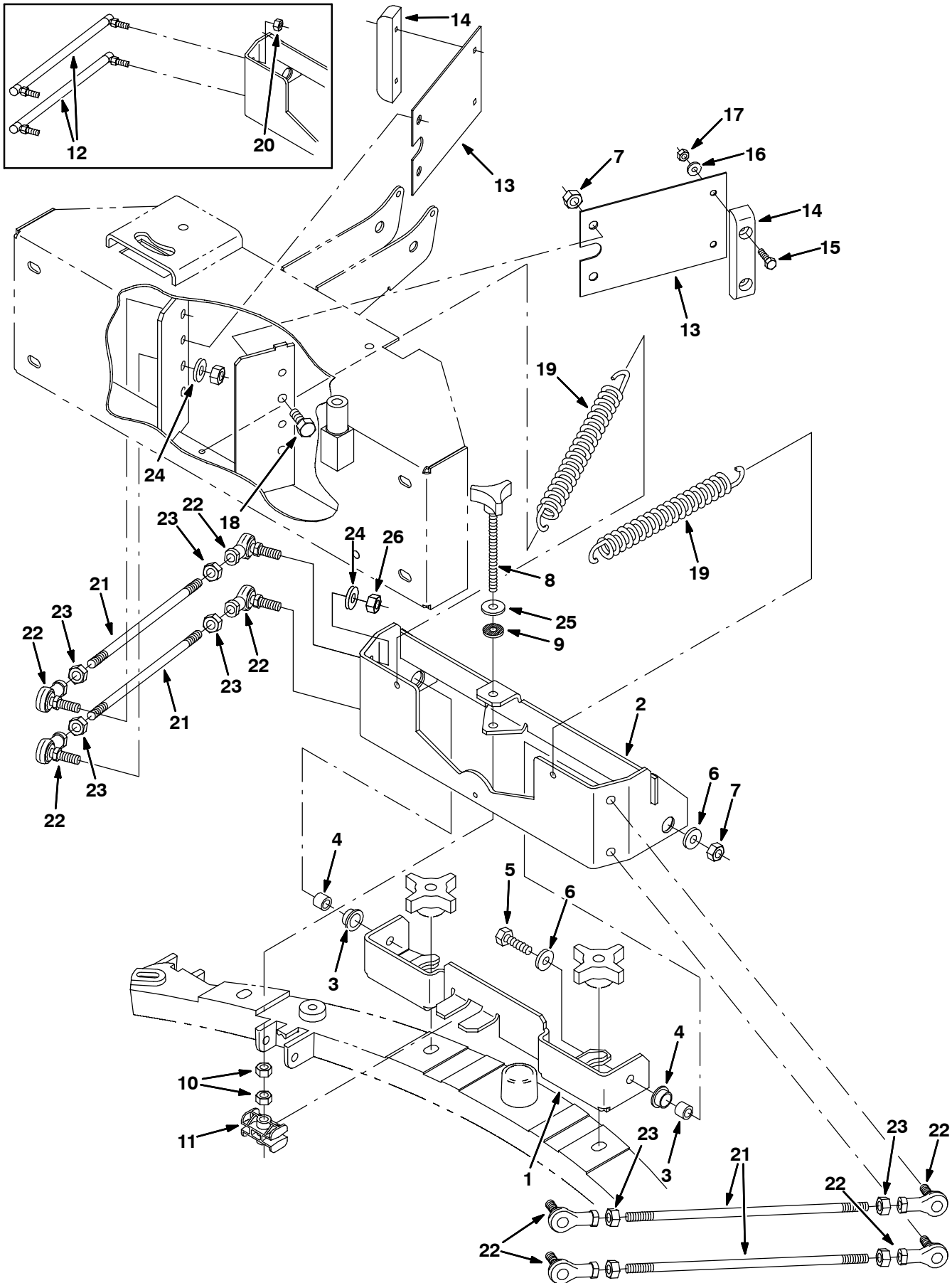


Fig. 34 - Rear Squeegee Linkage Group (006072-)

| Ref. | Part No. | Serial Number | Description | Qty. |
|------|----------|-------------------|---|------|
| 1 | 398309 | (006072-007999) | Conv Kit, Sqge, 700mm [Breakaway, 7200] | 1 |
| 1 | 398310 | (006072-007999) | Conv Kit, Sqge, 900mm [Breakaway, 7200] | 1 |
| 1 | 398307 | (008000-) | Bracket Wldt, Pivot | 1 |
| 2 | 369459 | (006072-007999) | Bracket Wldt, Lift, Sqge | 1 |
| 2 | 385678 | (008000-) | Bracket Wldt, Lift, Sqge | 1 |
| 3 | 25735 | (006072-) | Bushing, Flng, 0.63b 0.75d 0.38l | 2 |
| 4 | 71257 | (006072-) | Tube, 0.41id 0.62od 00.5l, Ss, Cham | 2 |
| 5 | 77347 | (006072-) | Screw, Hex, M10 X 1.5 X 35, Ss | 2 |
| 6 | 01686 | (006072-) | Washer, Flat, 0.44b 1.00d .08, Ss | 4 |
| 7 | 08714 | (006072-) | Nut, Hex, Lock, M10 X 1.5, NI, Ss | 6 |
| 8 | 71090 | (006072-) | Assy, Star, 2.00d 3ear M08x1.25 4.3 | 1 |
| 9 | 63416 | (006072-) | Washer, Flat, 0.31b 0.88d .12, Rbr | 1 |
| 10 | 07786 | (006072-) | Nut, Hex, Std, M8 X 1.25, Ss | 2 |
| 11 | 222233 | (006072-) | Block, Sqge, Adj | 1 |
| 12 | 385648 | (006072- xxxxxx) | Link Kit, Sqge, Repair | 1 |
| 13 | 223541 | (006072-) | Spring, Flat, .06, 4.50w X 07.0l | 2 |
| 14 | 71211 | (006072-) | Block, Centering | 2 |
| 15 | 08716 | (006072-) | Screw, Hex, M6 X 1.0 X 20, Ss | 4 |
| 16 | 01684 | (006072-) | Washer, Flat, 0.27b 0.69d .05, Ss | 4 |
| 17 | 08712 | (006072-) | Nut, Hex, Lock, M6 X 1.00, Ss, NI | 4 |
| 18 | 09291 | (006072-) | Screw, Hex, M10 X 1.5 X 20, Ss | 4 |
| 19 | 223229 | (006072-) | Spring, Extn, 1.00od 0.13wir 09.0l | 2 |
| 20 | 32960 | (006072- xxxxxx) | Nut, Hex, Lock, .31-24, NI | 8 |
| 21 | 385646 | (xxxxxx-) | Rod, Thrd, 2 End, .38-24 11.3l | 4 |
| 22 | 86781 | (xxxxxx-) | Rod-End, 0.38-24rh Fem 0.38-24stud | 8 |
| 23 | 20171 | (xxxxxx-) | Nut, Hex, Jam, .38-24 | 8 |
| 24 | 43953 | (xxxxxx-) | Washer, Lock, Int, 0.38, Ss | 8 |
| 25 | 32490 | (006072-) | Washer, Flat, 0.25, Std | 1 |
| 26 | 67312 | (xxxxxx-) | Nut, Hex, Lock, .38-24, NI | 8 |

Fig. 35 - Rear Squeegee Group, 900 mm (36 in)

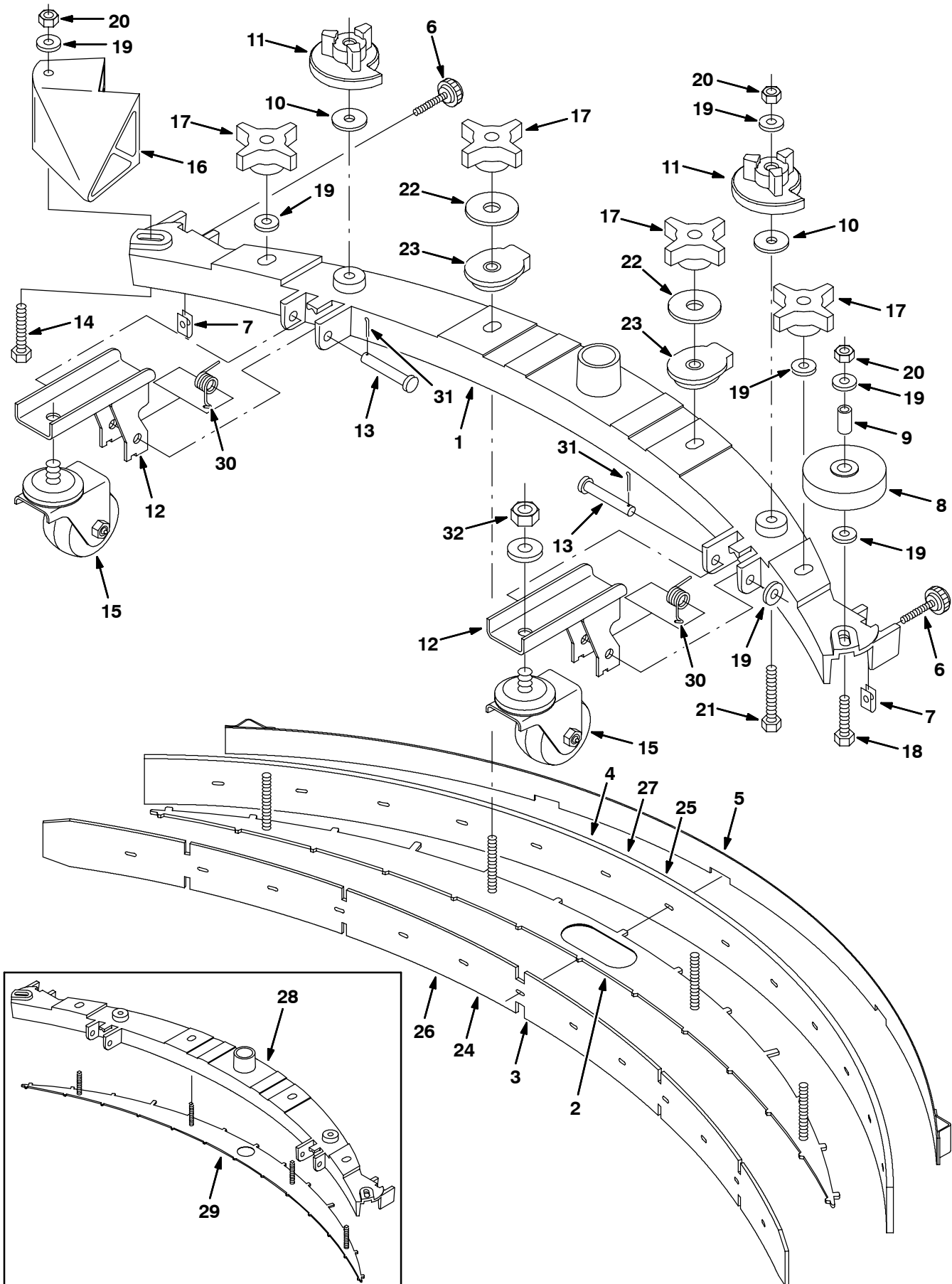


Fig. 35 - Rear Squeegee Group, 900 mm (36 in)

| Ref. | Part No. | Serial Number | Description | Qty. |
|------|-----------|------------------|--|------|
| ▽ | 389865 | (000000- |) Squeegee Assy, 900mm [7200 Linatex | 1 |
| ▲ | 1 392206 | (008344- |) Frame, Sqge, 114cm [90cm/36, 5700] | 1 |
| ▲ | 2 392220 | (008344- |) Plate, Retainer, Blade, 36.0inch /900mm | 1 |
| ▲ | 3 223606 | (000000- |) Blade, Sqge, Front, 47.41l Rbr [900mm] Linard (5 slot) | 1 |
| ▲ | 4 222415 | (000000- |) Blade, Sqge, Rear, 49.37l Linatex[900mm] | 1 |
| ▲ | 5 222417 | (000000- |) Retainer Wldt, Sqge, 36.0 [5700] | 1 |
| ▲ | 6 222794 | (000000- |) Knob Assy, Rnd, 1.00d 0.66l .25-20 1.5l | 2 |
| ▲ | 7 82138 | (000000- |) Nut, Spd, Clip, .25-20 [.025-.150] | 2 |
| ▲ | 8 222066 | (000000- |) Wheel, 03.0d 0.88w 0.50b | 1 |
| ▲ | 9 222496 | (000000- |) Sleeve, P/M, 0.31b 0.50d 0.9l [430ss] | 1 |
| ▲ | 10 222268 | (000000- |) Washer, Flat, 0.38b 1.25d .12, Neo | 2 |
| ▲ | 11 222244 | (000000- |) Cam, Adj, Sqge | 2 |
| ▲ | 12 223590 | (000000- |) Bracket Wldt, Wheel, Sqge | 2 |
| ▲ | 13 222260 | (000000- |) Pin, Clevis, 0.37d X 2.25l | 2 |
| ▲ | 14 49694 | (000000- |) Screw, Hex, M8 X 1.25 X 50, Ss | 1 |
| ▲ | 15 223593 | (000000- |) Caster, Swivel, 2.5d 1.3w, .50-13 Stem | 2 |
| ▲ | 16 223297 | (000000- |) Bumper, Sqge | 1 |
| ▲ | 17 370100 | (000000- |) Knob, Star, 2.80d 4ear 1.1l .31-18, Pyp | 4 |
| ▲ | 18 09026 | (000000- |) Screw, Hex, M8 X 1.25 X 40, Ss | 1 |
| ▲ | 19 01685 | (000000- |) Washer, Flat, 0.38b 0.88d .08, Ss | 9 |
| ▲ | 20 08713 | (000000- |) Nut, Hex, Lock, M8 X 1.25, NI, Ss | 4 |
| ▲ | 21 09767 | (000000- |) Screw, Hex, M8 X 1.25 X 70, Ss | 2 |
| ▲ | 22 04414 | (008000- |) Washer, Flat, 0.53b 1.88d .12, Stl, Pl | 2 |
| ▲ | 23 398304 | (008000- |) Ring, Mtg, Sqge, .38l | 2 |
| ▽ | 223608 | (000000- |) Blade Kit, Sqge, Rbr [900mm] Tile | 1 |
| ▲ | 24 223607 | (000000- |) Blade, Sqge, Front, 47.41l Rbr [36"] Linatex (1 slot) | 1 |
| ▲ | 25 222416 | (000000- |) Blade, Sqge, Rear, 49.37l Gum [36"] | 1 |
| ▽ | 222433 | (000000- |) Sqge Kit, Ure [900mm] | 1 |
| ▲ | 26 222434 | (000000- |) Blade, Sqge, Front, 47.41l Oil Retn [36"] Urethane (5 slot) | 1 |
| ▲ | 27 222435 | (000000- |) Blade, Sqge, Rear, 49.37l Pyu [36"] Urethane | 1 |
| | 28 392221 | (000000-008343) | Frame Kit, Sqge, F/222411, Replmt | 1 |
| | 29 398303 | (000000-008343) | Plate, Retainer, Blade, 36.0inch /900mm | 1 |
| | 30 222130 | (000000- |) Spring, Tors, 0.50id .07wir 07.9coil | 2 |
| | 31 39005 | (000000- |) Pin, Cotter, .094 X 0.75 | 2 |
| | 32 25015 | (000000- |) Nut, Hex, Std, .50-13 | 2 |

Fig. 36 - Electrical Schematic (000000-008237)

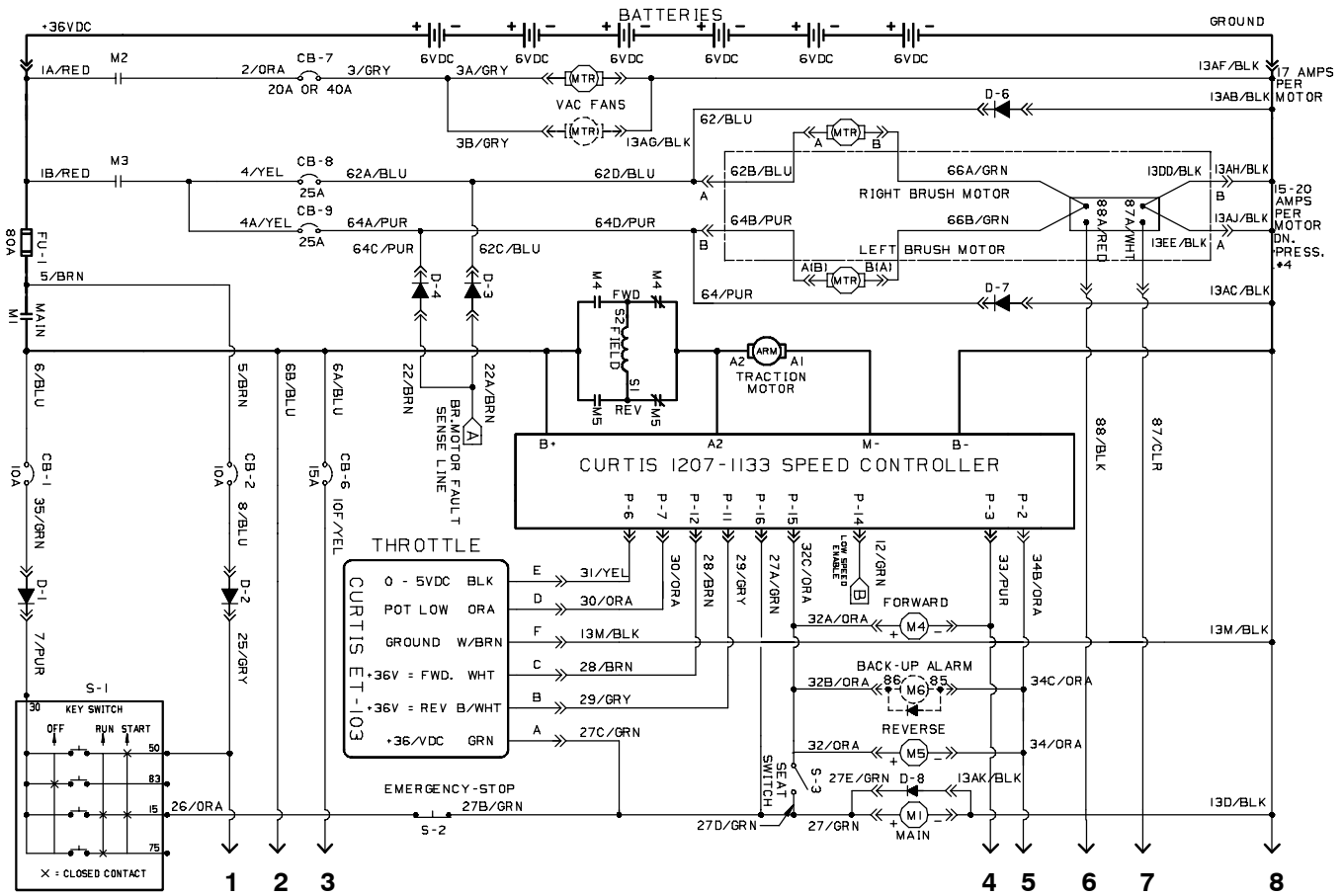


Fig. 36 - Electrical Schematic (000000-008237)

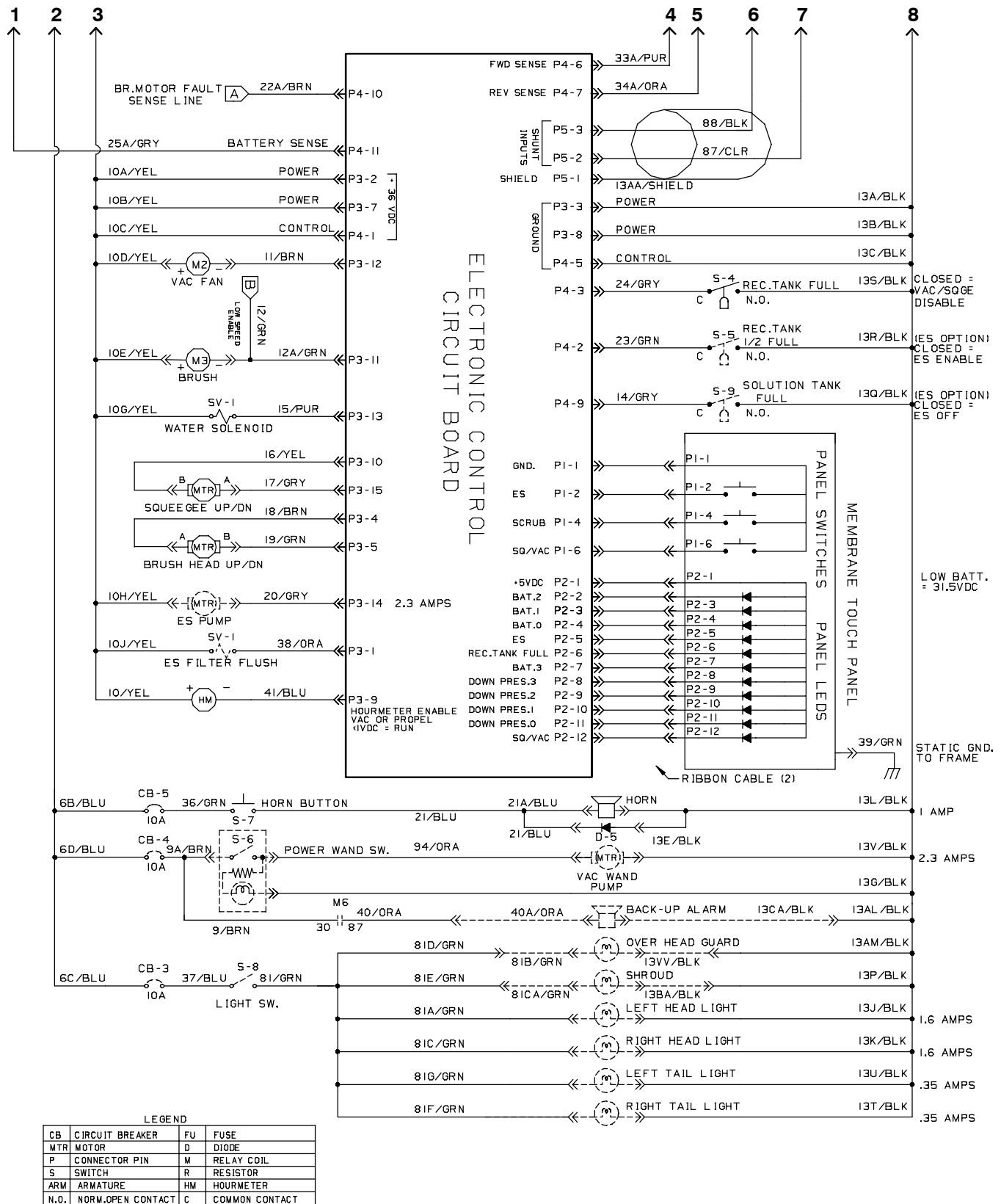


Fig. 37 - Electrical Schematic (008238-)

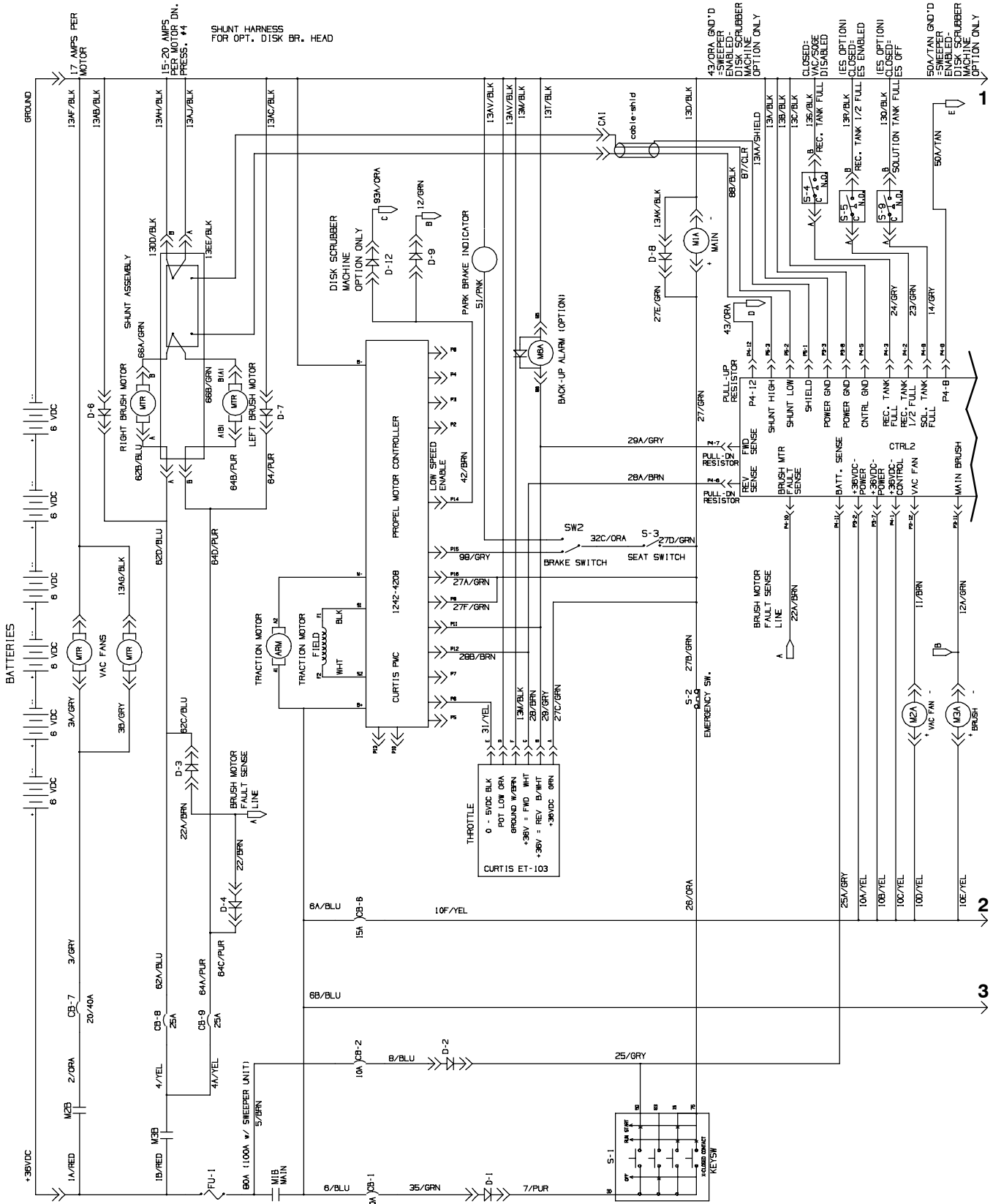
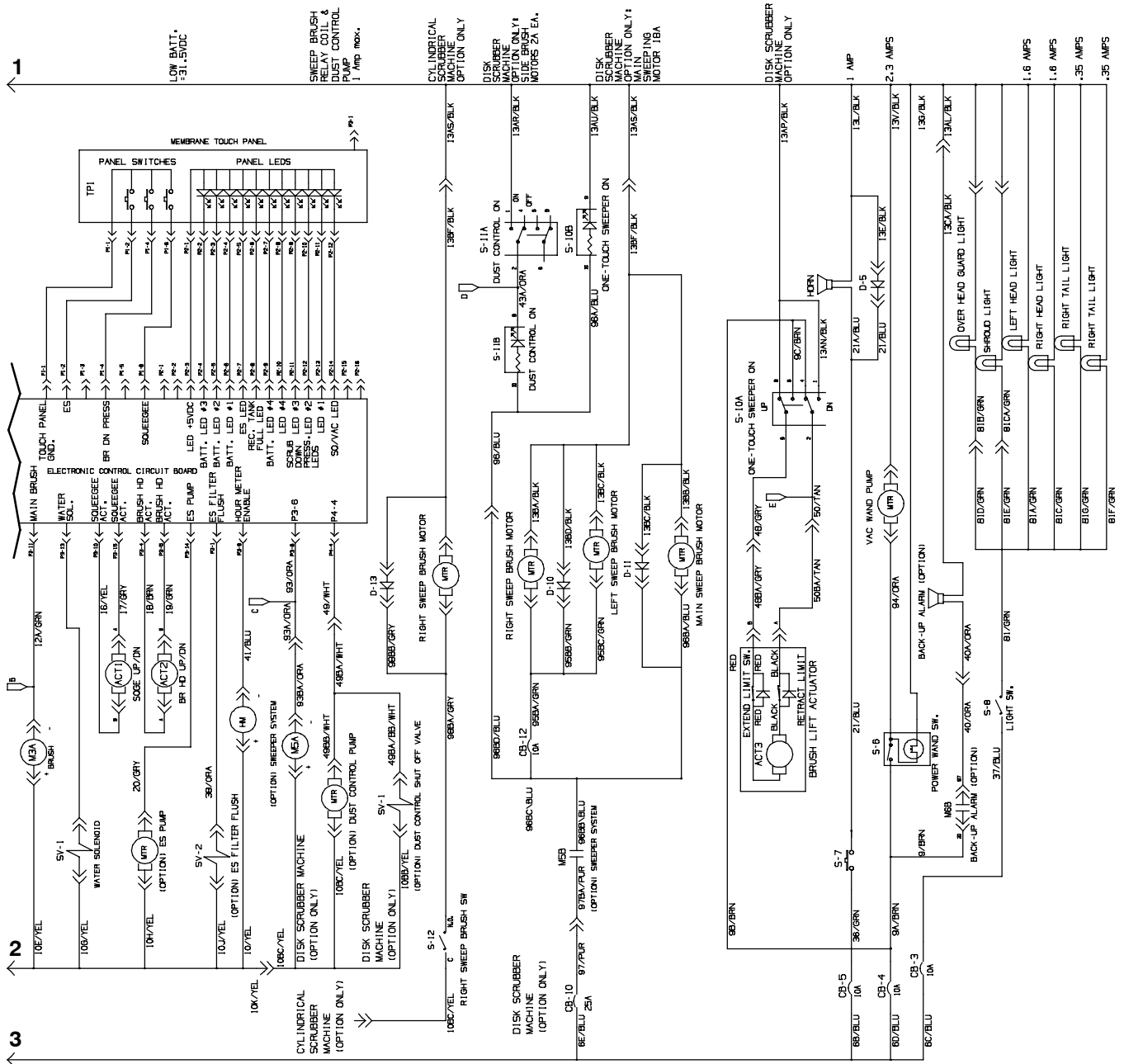


Fig. 37 - Electrical Schematic (008238-)



LEGEND

| | | | |
|------|--------------------|----|----------------|
| CB | CIRCUIT BREAKER | FU | FUSE |
| MTR | MOTOR | D | DIODE |
| P | CONNECTOR PIN | M | RELAY |
| S | SWITCH | R | RESISTOR |
| ARM | ARMATURE | HM | HOUR METER |
| N.D. | NORM. OPEN CONTACT | C | COMMON CONTACT |

STANDARD PARTS

Fig. 38 - Wire Harnesses Group (000000-008237)

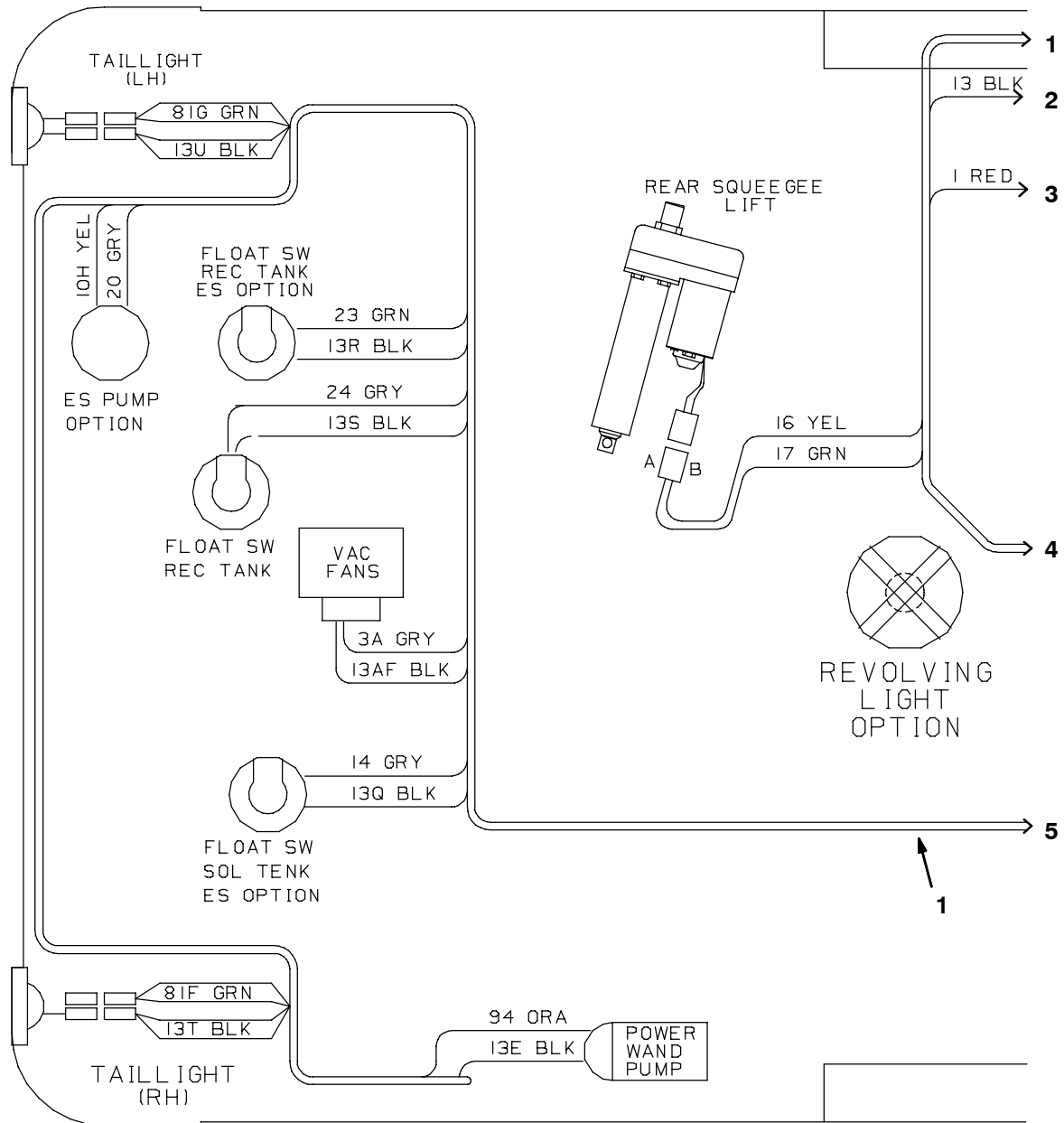


Fig. 38 - Wire Harnesses Group (000000-008237)

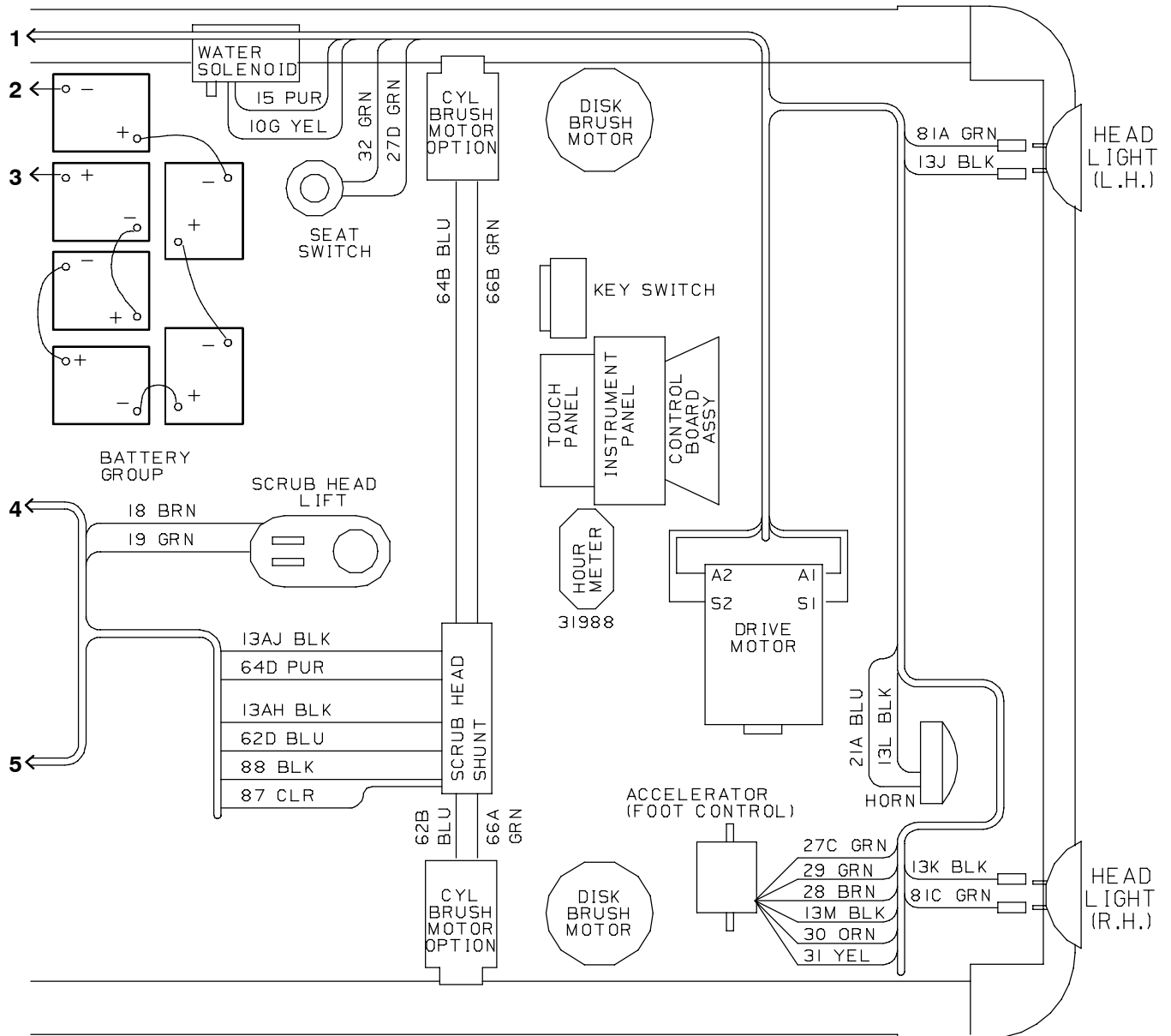


Fig. 38 - Wire Harnesses Group (000000-008237)

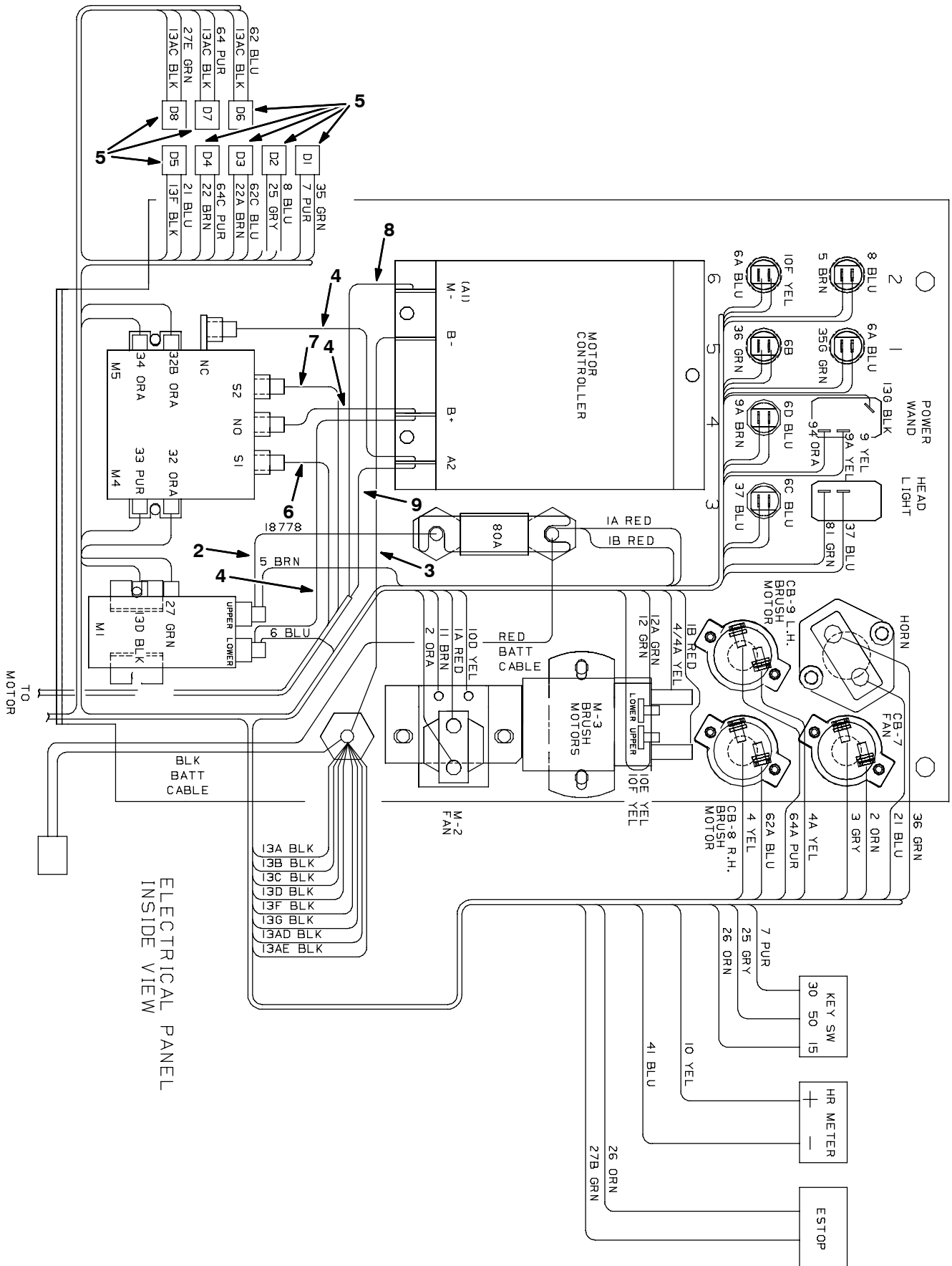


Fig. 38 - Wire Harnesses Group (000000-008237)

| Ref. | Part No. | Serial Number | Description | Qty. |
|------|----------|------------------|--|------|
| 1 | 223329 | (000000-006139) | Harness, Main [7200] | 1 |
| 1 | 385640 | (006140-008237) | Harness, Main [7200scrbr] | 1 |
| 2 | 18778 | (000000-008237) | Cable, 06ga 07.0l Blk .28ring /.34ring | 1 |
| 3 | 18779 | (000000-008237) | Cable, 06ga 09.0l Blk .28ring /.34ring | 1 |
| 4 | 223365 | (000000-008237) | Cable, 06ga 07.0l Blk .34ring /.34ring | 3 |
| 5 | 222290 | (000000-008237) | Diode, Ele, Plug | 8 |
| 6 | 223367 | (000000-008237) | Cable, 06ga 45.0l Blk .34ring /.41ring | 1 |
| 7 | 223368 | (000000-008237) | Cable, 06ga 46.0l Blk .34ring /.41ring | 1 |
| 8 | 223369 | (000000-008237) | Cable, 06ga 50.0l Blk .34ring /.41ring | 1 |
| 9 | 223370 | (000000-008237) | Cable, 06ga 47.0l Blk .34ring /.41ring | 1 |

STANDARD PARTS

Fig. 39 - Wire Harnesses Group (008238-)

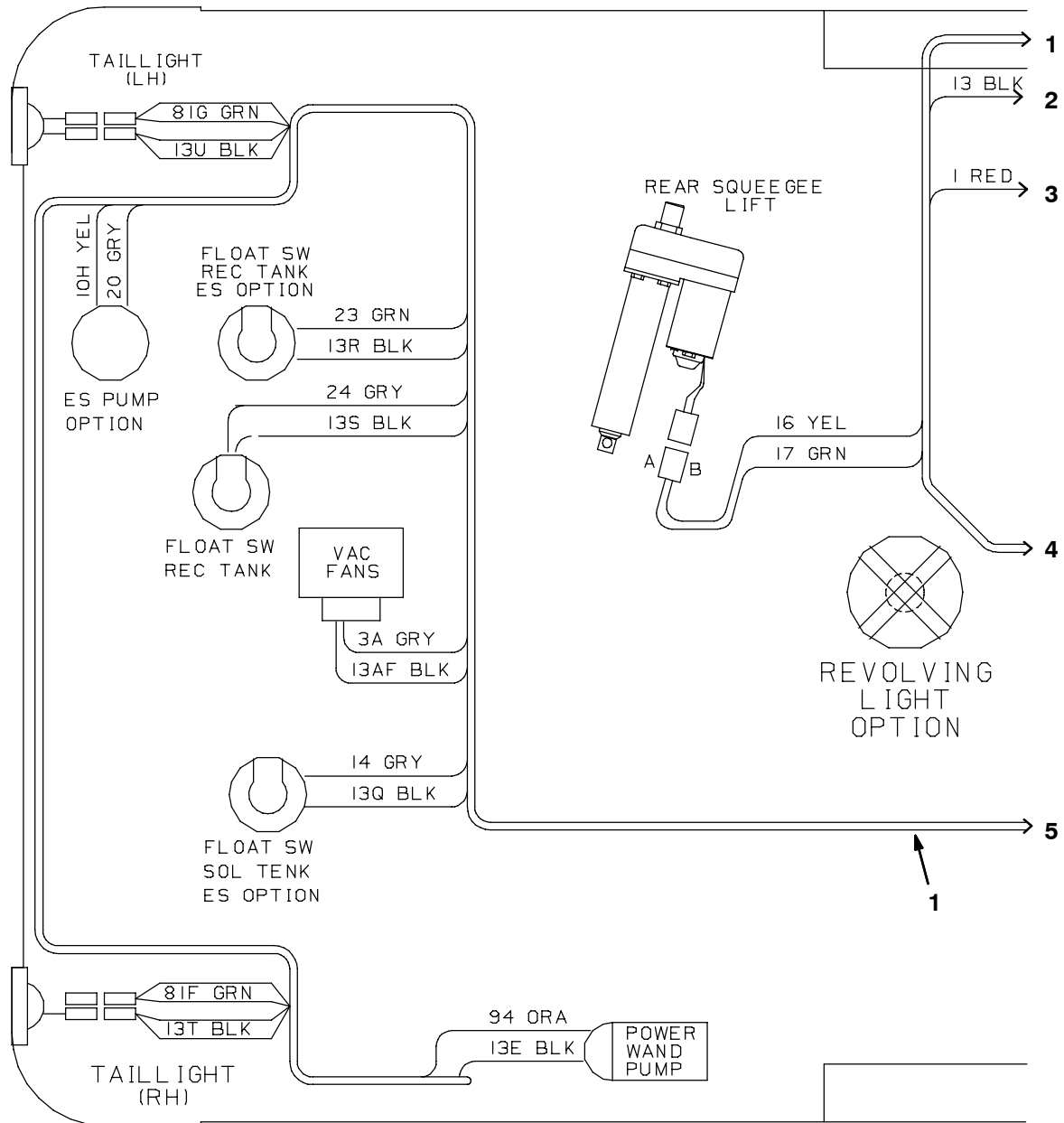


Fig. 39 - Wire Harnesses Group (008238-)

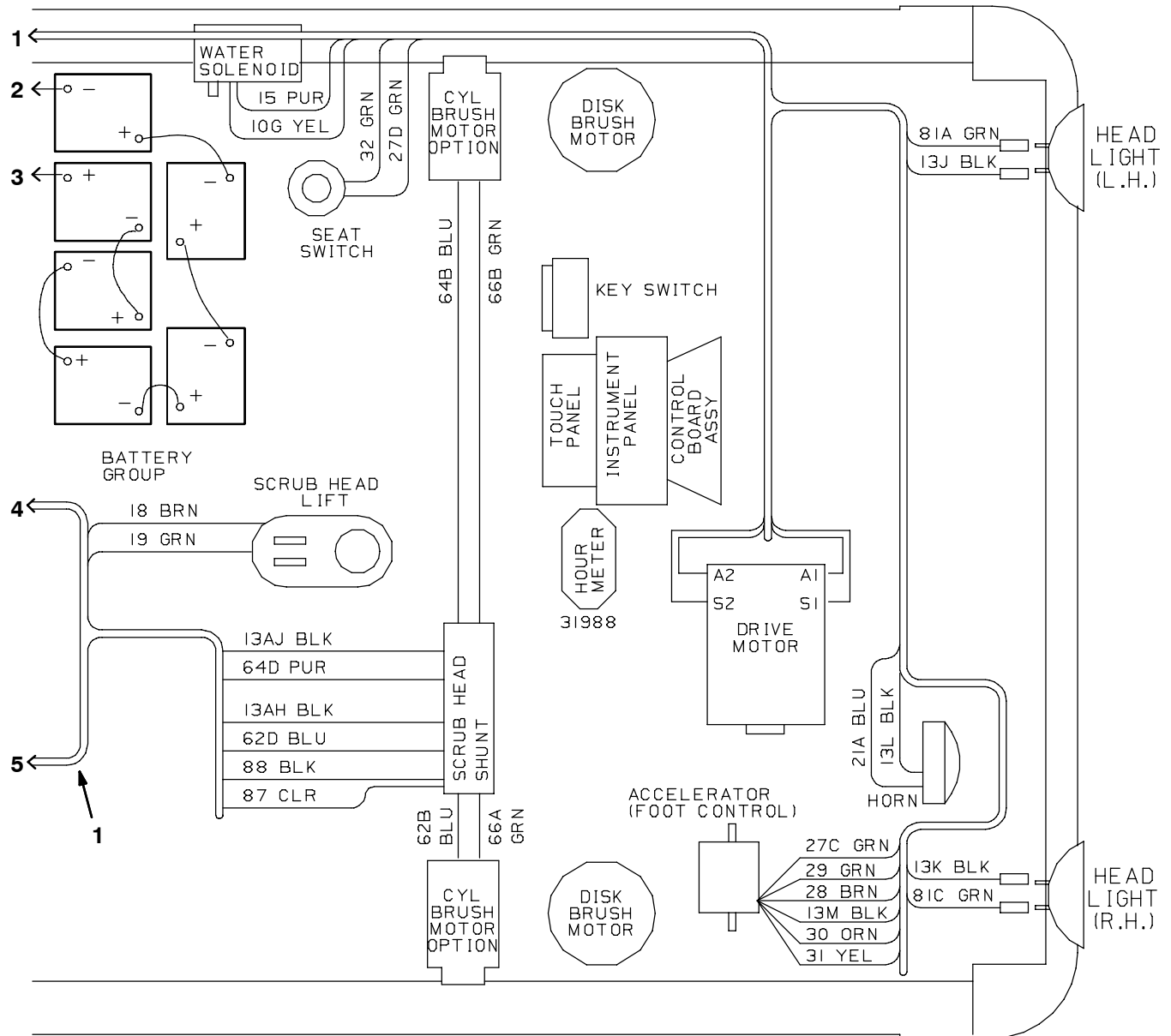


Fig. 39 - Wire Harnesses Group (008238-)

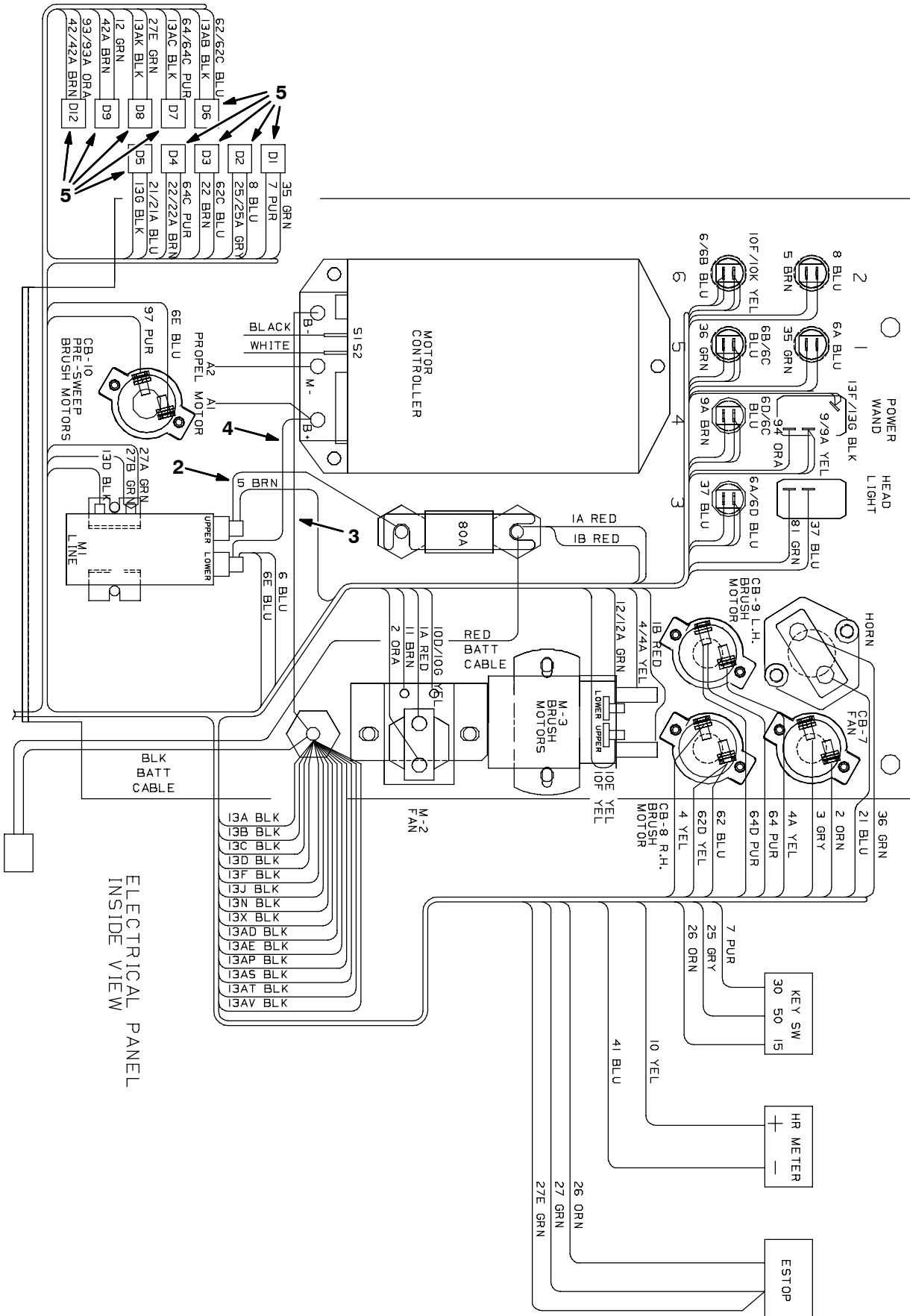
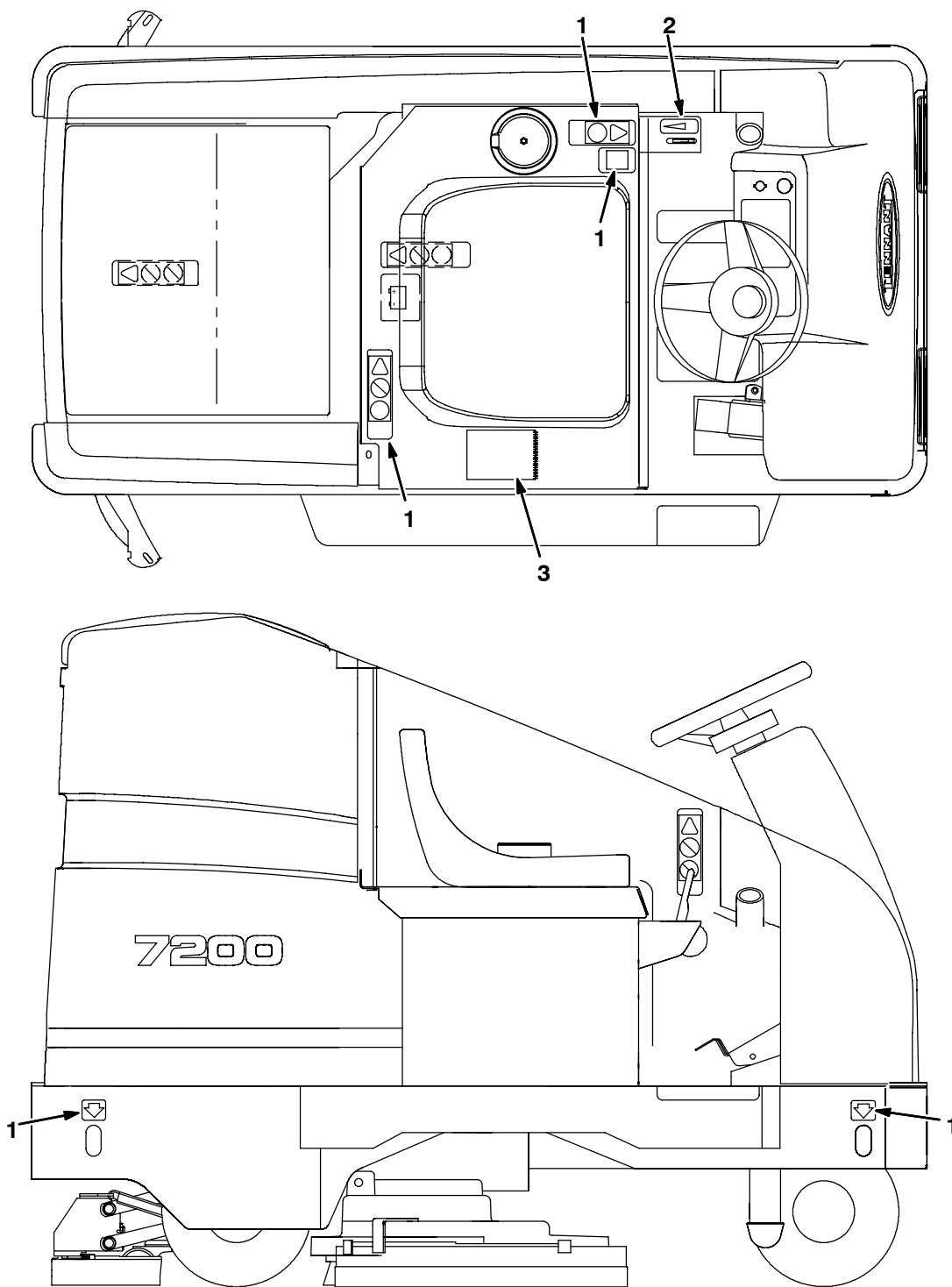


Fig. 39 - Wire Harnesses Group (008238-)

| Ref. | Part No. | Serial Number | Description | Qty. |
|------|----------|---------------|--|------|
| 1 | 392181 | (008238- |) Harness, Main [7200] | 1 |
| 2 | 18778 | (008238- |) Cable, 06ga 07.0l Blk .28ring /.34ring | 1 |
| 3 | 15846 | (008238- |) Cable, 06ga 11.0l Blk .28ring /.34ring | 1 |
| 4 | 223365 | (008238- |) Cable, 06ga 07.0l Blk .34ring /.34ring | 1 |
| 5 | 222290 | (008238- |) Diode, Ele, Plug | 10 |

Fig. 40 - Label Group



350790 - NA

| Ref. | Part No. | Serial Number | Description | Qty. |
|------|----------|---------------|-------------------------------|------|
| 1 | 223316 | (000000- |) Label Set, Info/Hzrd [7200] | 1 |
| 2 | 223317 | (000000- |) Label Set, Opertnl [7200] | 1 |
| 3 | 223555 | (000000- |) Instr, Use And Care [7200] | 1 |

SECTION 3

| Contents | Page | Contents | Page |
|--|------|---|-------|
| Fig. 1 - Revolving Light Kit | 3-2 | Fig. 43 - Pre-Sweep Frame and Hopper Group (008300-) | 3-82 |
| Fig. 2 - Flashing Light Kit | 3-4 | Fig. 44 - Pre-Sweep Brush Lift Group (008300-) | 3-84 |
| Fig. 3 - Revolving Light Kit, Overhead Guard | 3-6 | Fig. 45 - Pre-Sweep Brush Housing and Skirts Group (008300-) | 3-86 |
| Fig. 4 - Flashing Light Kit, Overhead Guard | 3-8 | Fig. 46 - Pre-Sweep Brush Drive Group (008300-) | 3-88 |
| Fig. 5 - Overhead Guard Kit | 3-10 | Fig. 47 - Pre-Sweep Brush Idler Group (008300-) | 3-90 |
| Fig. 6 - ES Pump Group (000000-005439) | 3-12 | Fig. 48 - Pre-Sweep Side Brush Group (008300-) | 3-92 |
| Fig. 7 - ES Pump Group (005440-006139) | 3-14 | Fig. 49 - Pre-Sweep Dust Control Group (008300-) | 3-94 |
| Fig. 8 - ES Pump Group (006140-006497) | 3-16 | Fig. 50 - Pre-Sweep Electrical Group (008300-) | 3-96 |
| Fig. 9 - ES Pump Group (006498-007061) | 3-18 | Fig. 51 - Pre-Sweep Bumper Group (008300-) | 3-98 |
| Fig. 10 - ES Pump Group (007062-) | 3-20 | Fig. 52 - Pre-Sweep Wire Harnesses Group (008300-) | 3-100 |
| Fig. 11 - ES Filter Backflush Kit (007062-) | 3-22 | Fig. 53 - Pre-Sweep Side Brush Kit, Left Hand (008300-) | 3-102 |
| Fig. 12 - ES Drain Group | 3-24 | Fig. 54 - Pre-Sweep Dolly Kit, (008300-) | 3-104 |
| Fig. 13 - Backup Alarm Kit | 3-26 | Fig. 55 - Side Brush Lift Group | 3-106 |
| Fig. 14 - Heavy Duty Vacuum Fan Kit | 3-28 | Fig. 56 - Side Brush Motor Group | 3-108 |
| Fig. 15 - Power Wand Pump and Fittings Group | 3-30 | Fig. 57 - Side Brush Bumper Group | 3-110 |
| Fig. 16 - Power Wand Mount Group, Scrub Head, 900 mm (36 in) | 3-32 | Fig. 58 - Side Brush Wire Harnesses Group | 3-111 |
| Fig. 17 - Power Wand Mount Group, Scrub Head, 700 mm (28 in) | 3-34 | Fig. 59 - Suspension Seat Kit | 3-112 |
| Fig. 18 - Power Wand Mount Group, Rollout Battery | 3-36 | Fig. 60 - Seat Belt Kit | 3-113 |
| Fig. 19 - Power Wand Hose Assembly | 3-38 | Fig. 61 - Cup Holder Kit | 3-114 |
| Fig. 20 - Power Wand Assembly | 3-40 | Fig. 62 - Fire Extinguisher Kit | 3-115 |
| Fig. 21 - Vacuum Wand Kit | 3-42 | Fig. 63 - Solid Non-Marking Tire Assembly, Rear | 3-116 |
| Fig. 22 - Side Roller Bumper Kit | 3-44 | Fig. 64 - Documentation Group | 3-117 |
| Fig. 23 - Positive Solution Control Drain Kit, Std | 3-46 | | |
| Fig. 24 - Positive Solution Control Drain Kit, ES | 3-48 | | |
| Fig. 25 - Battery Kit, Wet, 235AH | 3-50 | | |
| Fig. 26 - Heavy Duty Battery Kit, Wet, 335AH | 3-52 | | |
| Fig. 27 - Battery Charger Group | 3-54 | | |
| Fig. 28 - Battery Charger and Harness Group, International Only | 3-55 | | |
| Fig. 29 - Disk Scrub Head Drive Motor Group, 700 mm (28 in) | 3-56 | | |
| Fig. 30 - Disk Scrub Head Squeegee Group, 700 mm (28 in) | 3-58 | | |
| Fig. 31 - Cylindrical Scrub Head Frame Group, 700 mm (28 in) | 3-60 | | |
| Fig. 32 - Cylindrical Scrub Head Drive Motor Group, 700 mm (28 in) | 3-62 | | |
| Fig. 33 - Cylindrical Scrub Head Squeegee Group, 700 mm (28 in) | 3-64 | | |
| Fig. 34 - Rear Squeegee Group, 700 mm (28 in) | 3-66 | | |
| Fig. 35 - Rollout Battery Scrub Head Lift Group | 3-68 | | |
| Fig. 36 - Rollout Battery Seat Support Group | 3-70 | | |
| Fig. 37 - Rollout Battery Case Group | 3-72 | | |
| Fig. 38 - Rollout Battery Side Bumper Group, 700 mm (28 in) | 3-74 | | |
| Fig. 39 - Rollout Battery Side Bumper Group, 900 mm (36 in) | 3-75 | | |
| Fig. 40 - Rollout Battery Overhead Guard Kit | 3-76 | | |
| Fig. 41 - Rollout Battery Cart Kit | 3-78 | | |
| Fig. 42 - Rollout Battery Pack Kit | 3-80 | | |

Fig. 1 - Revolving Light Kit

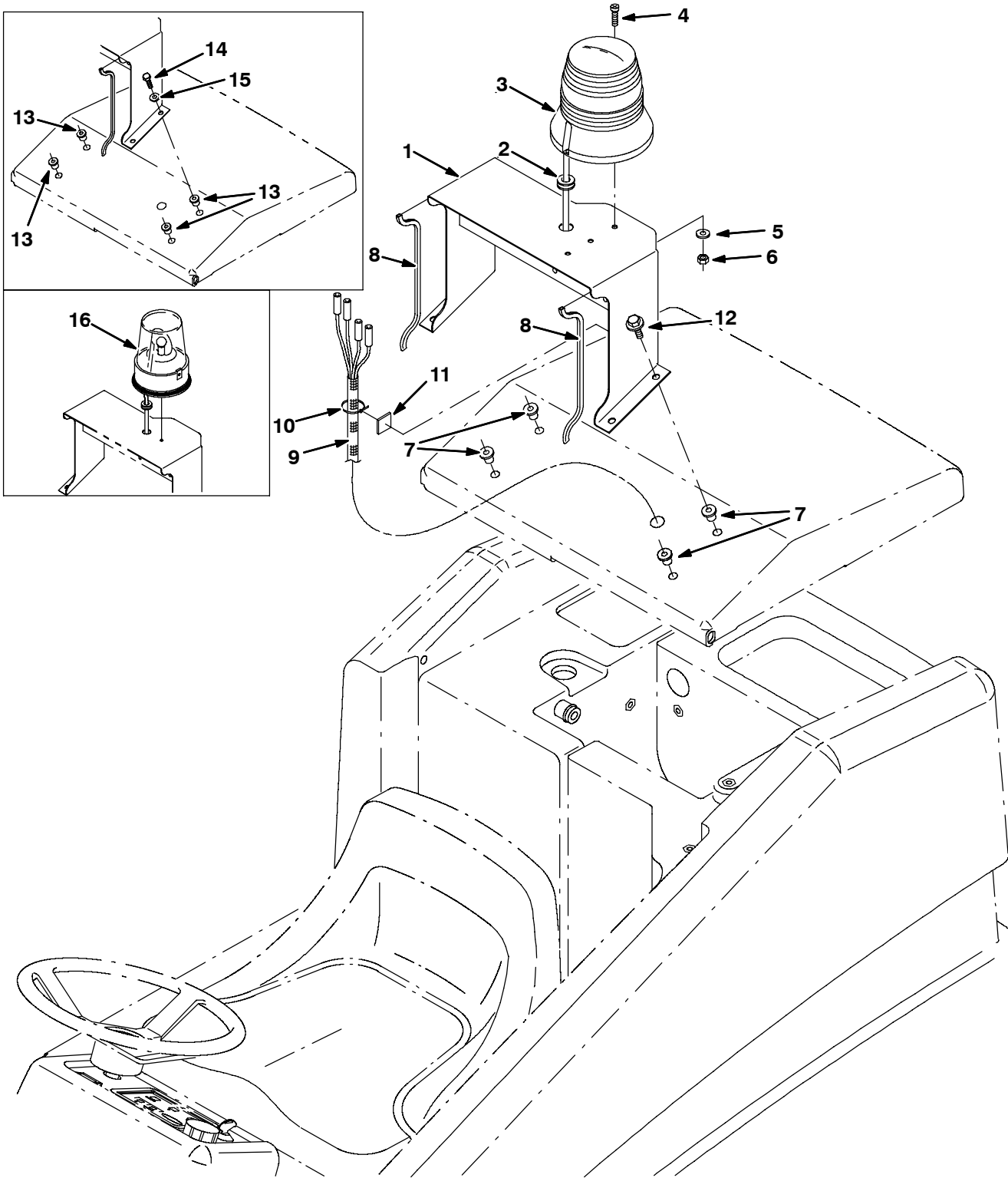


Fig. 1 - Revolving Light Kit

| | Ref. | Part No. | Serial Number | Description | Qty. |
|---------|------|--------------------|-------------------|---|------|
| ▽ | | 223029 | (000000- |) Light Kit, Revl, Ci [7200] | 1 |
| ▲ | 1 | 369381 | (000000- |) Bracket Wldt, Light / Alarm | 1 |
| ▲ | 2 | 10632-2 | (000000- |) Grommet, Rbr, 0.62id, F/0.9h, .12 Matl | 1 |
| ▲▽ | 3 | 1017250 | (010116- |) Light, Strobe, Amb, 12-48vdc | 1 |
| ▲▲ | | 9000879 | (010116- |) Lens, Amb, F/ Revl / Flasher | 1 |
| 9000845 | ▲▲ | 9000846 | (010116- |) Lamp, Bulb, Strobe | 1 |
| | ▲ | 55272 | (010116- |) Terminal, Bullet, Mal, .157d, 12ga | 2 |
| | ▲ | 4 09244 | (010116- |) Screw, Hex, M5 X 0.8 X 16, 8.8 | 2 |
| | ▲ | 5 19066 | (010116- |) Washer, Flat, #10 | 2 |
| | ▲ | 6 06549 | (010116- |) Nut, Hex, Lock, M5 X 0.80, NI | 2 |
| | ▲ | 7 397644 | (xxxxxx- |) Nut, Isolator, .25-20 Wall Th .187-.343 | 4 |
| | ▲ | 8 62595-4 | (000000- |) Molding, Trim, Pvc, .08-.11 10.0l | 2 |
| | ▲ | 9 369400 | (000000- |) Harness, Alarm, Backup [7200] | 1 |
| | ▲ | 10 49266 | (000000- |) Tie, Cable, Nyl, 07.3l .19w 1.8 Max D | 1 |
| | ▲ | 11 55248 | (000000- |) Mount, Cable Tie | 1 |
| | ▲ | 12 16951 | (xxxxxx- |) Screw, Hex, .25-20 X 1.25, Sems | 4 |
| | | 13 397649 | (000000- xxxxxx) | Nut Kit, Isolator, F/369344, Replmt | 1 |
| | | 14 39612 | (000000- xxxxxx) | Screw, Hex, .31-18 X 2.00, FI | 4 |
| | | 15 32491 | (000000- xxxxxx) | Washer, Flat, 0.31, Std | 4 |
| ▽ | 16 | 44683-1 | (000000-010115) | Light, Revl, 36vdc, Amb | 1 |
| ▲ | | 44681-1 | (000000-010115) | Lens, Light, Revl, Amb | 1 |
| ▲ | | 45283 | (000000-010115) | Lamp, 40vdc, 0.9a, 50cp [1062] | 1 |
| | | 44681 | (000000-010115) | Lens, Light, Revl, Red | 1 |
| | | 44681-2 | (000000-010115) | Lens, Light, Revl, Blu | 1 |

Fig. 2 - Flashing Light Kit

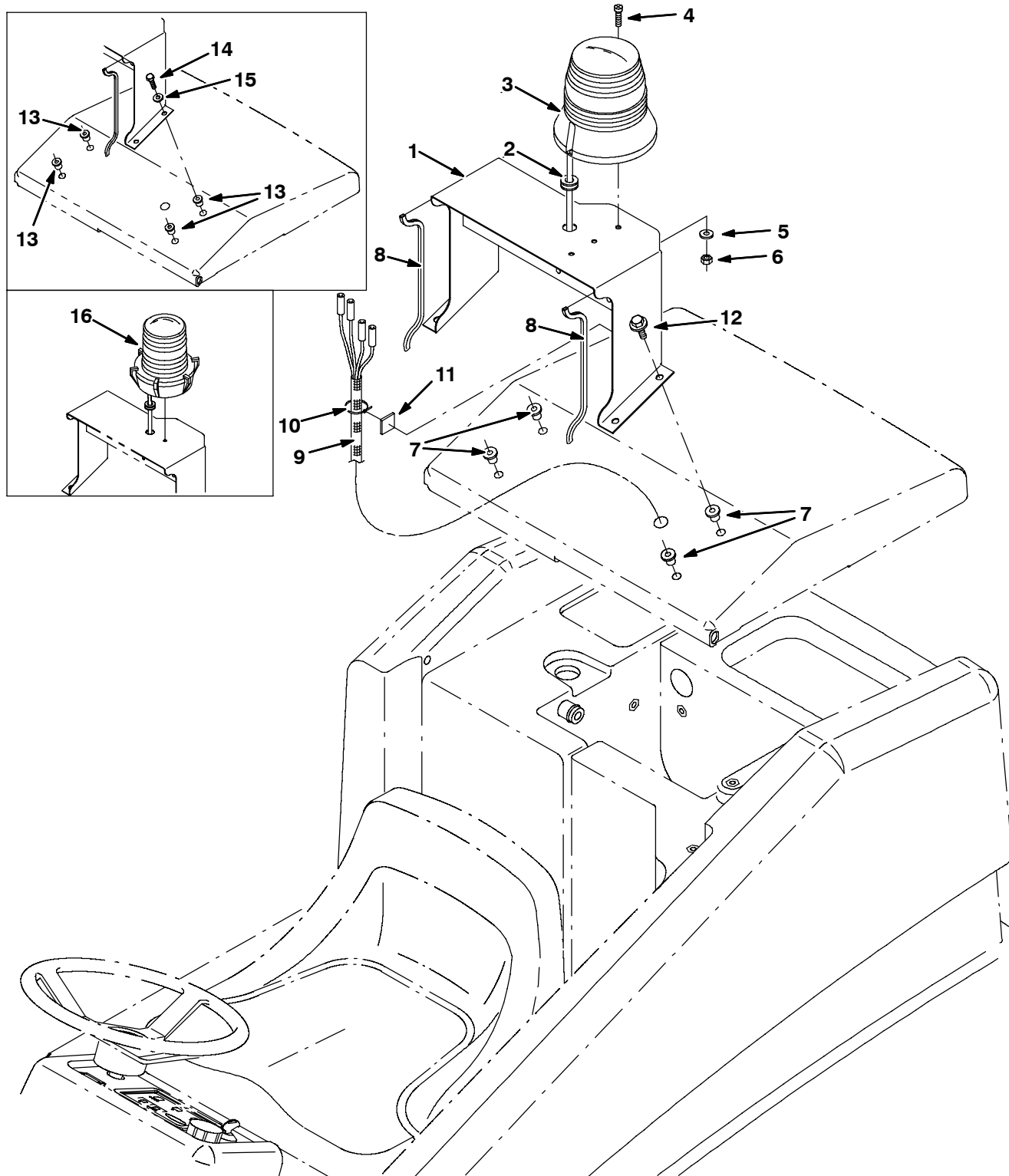


Fig. 2 - Flashing Light Kit

| | Ref. | Part No. | Serial Number | Description | Qty. |
|---------|------|--------------------|-------------------|---|------|
| ▽ | | 223027 | (000000- |) Light Kit, Flsh, Ci [7200] | 1 |
| ▲ | 1 | 369381 | (000000- |) Bracket Wldt, Light / Alarm | 1 |
| ▲ | 2 | 10632-2 | (000000- |) Grommet, Rbr, 0.62id, F/0.9h, .12 Matl | 1 |
| ▲▽ | 3 | 1017248 | (010116- |) Light, Flsh, Amb, 12-48vdc | 1 |
| ▲▲ | | 9000879 | (010116- |) Lens, Amb, F/ Revl / Flasher | 1 |
| 9000846 | ▲▲ | 9000845 | (010116- |) Lamp, Bulb, Flsh | 1 |
| | ▲ | 55272 | (010116- |) Terminal, Bullet, Mal, .157d, 12ga | 2 |
| | ▲ | 4 09244 | (010116- |) Screw, Hex, M5 X 0.8 X 16, 8.8 | 2 |
| | ▲ | 5 19066 | (010116- |) Washer, Flat, #10 | 2 |
| | ▲ | 6 06549 | (010116- |) Nut, Hex, Lock, M5 X 0.80, NI | 2 |
| | ▲ | 7 397644 | (xxxxxx- |) Nut, Isolator, .25-20 Wall Th .187-.343 | 4 |
| | ▲ | 8 62595-4 | (000000- |) Molding, Trim, Pvc, .08-.11 10.0l | 2 |
| | ▲ | 9 369400 | (000000- |) Harness, Alarm, Backup [7200] | 1 |
| | ▲ | 10 49266 | (000000- |) Tie, Cable, Nyl, 07.3l .19w 1.8 Max D | 1 |
| | ▲ | 11 55248 | (000000- |) Mount, Cable Tie | 1 |
| | ▲ | 12 16951 | (xxxxxx- |) Screw, Hex, .25-20 X 1.25, Sems | 4 |
| | | 13 397649 | (000000- xxxxxx) | Nut Kit, Isolator, F/369344, Replmt | 1 |
| | | 14 39612 | (000000- xxxxxx) | Screw, Hex, .31-18 X 2.00, FI | 4 |
| | | 15 32491 | (000000- xxxxxx) | Washer, Flat, 0.31, Std | 4 |
| ▽ | 16 | 60373 | (000000-010115) | Light, Flsh, 36vdc, Amb | 1 |
| | ▲ | 58520 | (000000-010115) | Lens, Amb, Flsh Light [Fr207] | 1 |
| | ▲ | 45283 | (000000-010115) | Lamp, 40vdc, 0.9a, 50cp [1062] | 1 |
| | | 58518 | (000000-010115) | Lens, Red, Flsh Light [Fr207] | 1 |
| | | 58519 | (000000-010115) | Lens, Blu, Flsh Light [Fr207] | 1 |

Fig. 3 - Revolving Light Kit, Overhead Guard

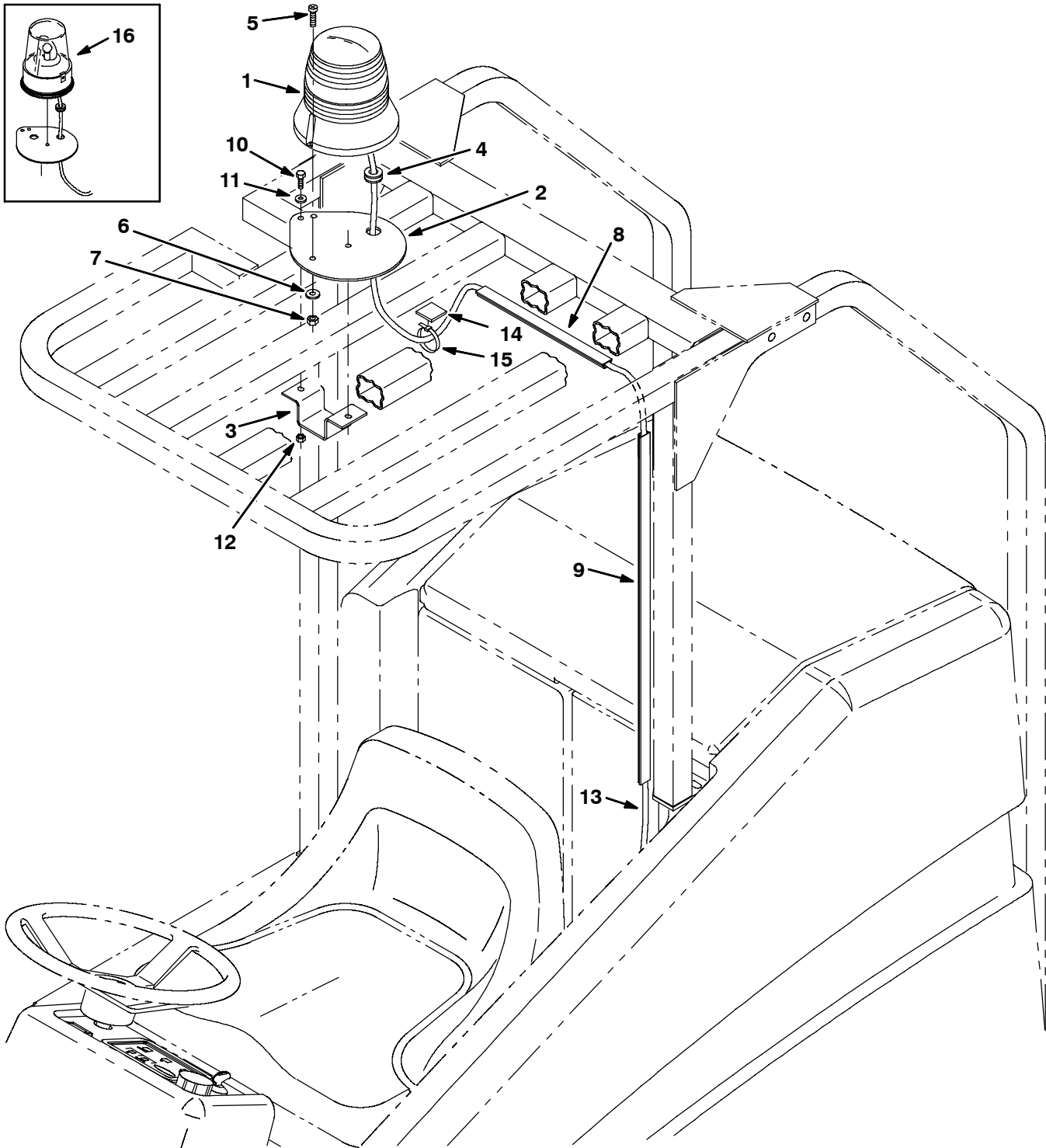


Fig. 3 - Revolving Light Kit, Overhead Guard

| | Ref. | Part No. | Serial Number | Description | Qty. |
|------------|------|--------------------|----------------|--|------|
| ▽ | | 223025 | (000000- |) Light Kit, Revl, Ohg, Ci [7200] | 1 |
| ▲▽ | 1 | 1017250 | (010116- |) Light, Strobe, Amb, 12-48vdc | 1 |
| ▲▲ | | 9000879 | (010116- |) Lens, Amb, F/ Revl / Flasher | 1 |
| 9000845 ▲▲ | | 9000846 | (010116- |) Lamp, Bulb, Strobe | 1 |
| ▲ | | 55272 | (010116- |) Terminal, Bullet, Mal, .157d, 12ga | 2 |
| ▲ | 2 | 57220 | (000000- |) Plate, Mtg, Light | 1 |
| ▲ | 3 | 59447 | (000000- |) Bracket, Mtg, Light, Ohg | 1 |
| ▲ | 4 | 10632-2 | (000000- |) Grommet, Rbr, 0.62id, F/0.9h, .12 Matl | 1 |
| ▲ | 5 | 09244 | (010116- |) Screw, Hex, M5 X 0.8 X 16, 8.8 | 2 |
| ▲ | 6 | 19066 | (010116- |) Washer, Flat, #10 | 2 |
| ▲ | 7 | 06549 | (010116- |) Nut, Hex, Lock, M5 X 0.80, NI | 2 |
| ▲ | 8 | 86330 | (000000- |) Duct, Vyl, 0.40 X 0.75 .25d 10.0l | 1 |
| ▲ | 9 | 86332 | (000000- |) Duct, Vyl, 0.40 X 0.75 .25d 26.0l | 1 |
| ▲ | 10 | 06942 | (000000- |) Screw, Hex, M6 X 1.0 X 16, 8.8 | 2 |
| ▲ | 11 | 32483 | (000000- |) Washer, Flat, 0.25, Sae | 2 |
| ▲ | 12 | 07790 | (000000- |) Nut, Hex, Fing, M6 X 1.00 | 2 |
| ▲ | 13 | 71525 | (000000- |) Harness, Light, Flsh, Revl [355e] | 1 |
| ▲ | 14 | 55248 | (000000- |) Mount, Cable Tie | 2 |
| ▲ | 15 | 49266 | (000000- |) Tie, Cable, Nyl, 07.3l .19w 1.8 Max D | 2 |
| ▽ | 16 | 44683-1 | (000000-010115 |) Light, Revl, 36vdc, Amb | 1 |
| ▲ | | 44681-1 | (000000-010115 |) Lens, Light, Revl, Amb | 1 |
| ▲ | | 45283 | (000000-010115 |) Lamp, 40vdc, 0.9a, 50cp [1062] | 1 |
| | | 44681 | (000000-010115 |) Lens, Light, Revl, Red | 1 |
| | | 44681-2 | (000000-010115 |) Lens, Light, Revl, Blu | 1 |

Fig. 4 - Flashing Light Kit, Overhead Guard

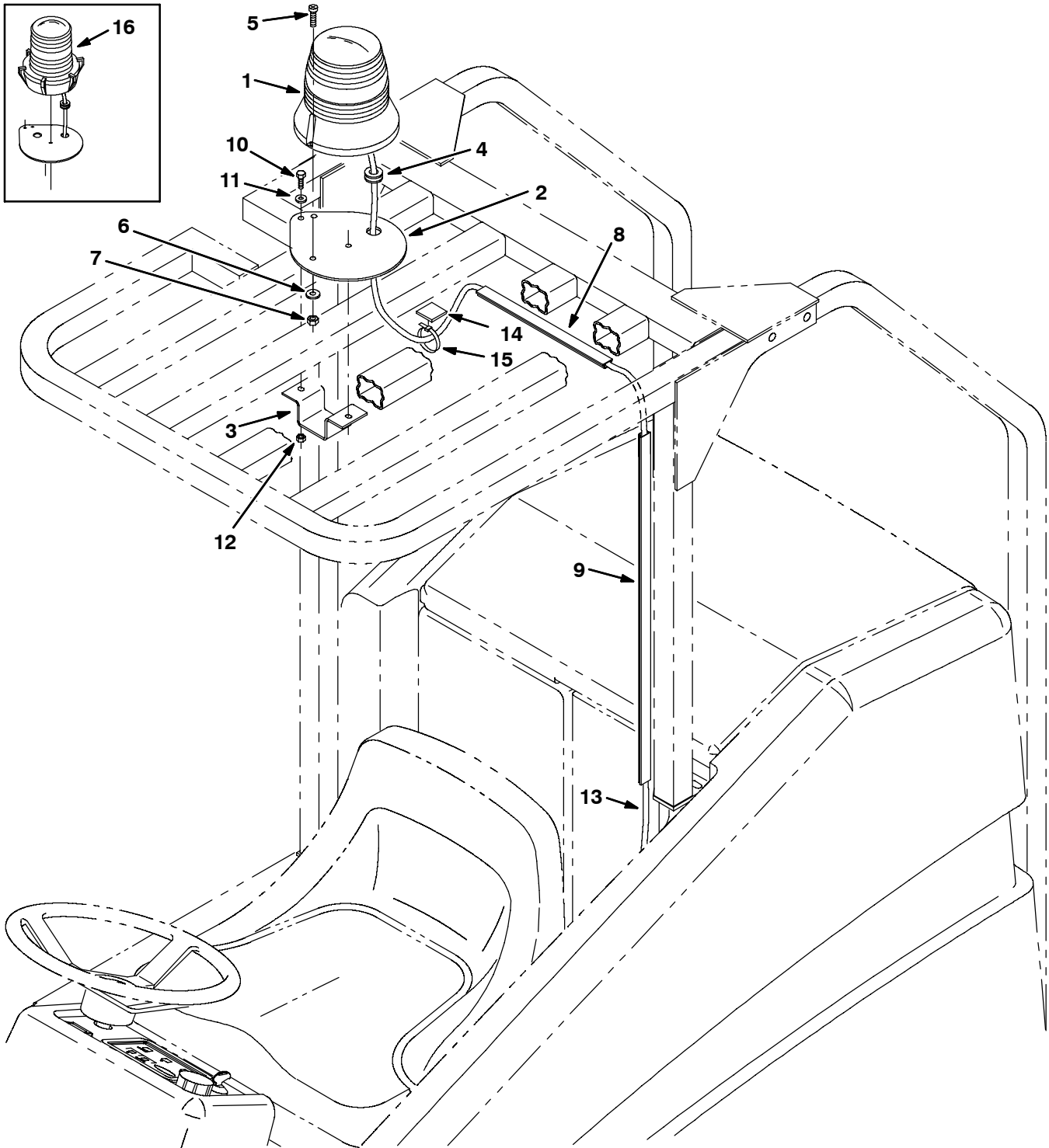


Fig. 4 - Flashing Light Kit, Overhead Guard

| | Ref. | Part No. | Serial Number | Description | Qty. |
|------------|------|--------------------|----------------|--|------|
| ▽ | | 223023 | (000000- |) Light Kit, Revl, Ohg, Ci [7200] | 1 |
| ▲▽ | 1 | 1017248 | (010116- |) Light, Flsh, Amb, 12-48vdc | 1 |
| ▲▲ | | 9000879 | (010116- |) Lens, Amb, F/ Revl / Flasher | 1 |
| 9000846 ▲▲ | | 9000845 | (010116- |) Lamp, Bulb, Flsh | 1 |
| ▲ | | 55272 | (010116- |) Terminal, Bullet, Mal, .157d, 12ga | 2 |
| ▲ | 2 | 57220 | (000000- |) Plate, Mtg, Light | 1 |
| ▲ | 3 | 59447 | (000000- |) Bracket, Mtg, Light, Ohg | 1 |
| ▲ | 4 | 10632-2 | (000000- |) Grommet, Rbr, 0.62id, F/0.9h, .12 Matl | 1 |
| ▲ | 5 | 09244 | (010116- |) Screw, Hex, M5 X 0.8 X 16, 8.8 | 2 |
| ▲ | 6 | 19066 | (010116- |) Washer, Flat, #10 | 2 |
| ▲ | 7 | 06549 | (010116- |) Nut, Hex, Lock, M5 X 0.80, NI | 2 |
| ▲ | 8 | 86330 | (000000- |) Duct, Vyl, 0.40 X 0.75 .25d 10.0l | 1 |
| ▲ | 9 | 86332 | (000000- |) Duct, Vyl, 0.40 X 0.75 .25d 26.0l | 1 |
| ▲ | 10 | 06942 | (000000- |) Screw, Hex, M6 X 1.0 X 16, 8.8 | 2 |
| ▲ | 11 | 32483 | (000000- |) Washer, Flat, 0.25, Sae | 2 |
| ▲ | 12 | 07790 | (000000- |) Nut, Hex, Fing, M6 X 1.00 | 2 |
| ▲ | 13 | 71525 | (000000- |) Harness, Light, Flsh, Revl [355e] | 1 |
| ▲ | 14 | 55248 | (000000- |) Mount, Cable Tie | 2 |
| ▲ | 15 | 49266 | (000000- |) Tie, Cable, Nyl, 07.3l .19w 1.8 Max D | 2 |
| ▽ | 16 | 60373 | (000000-010115 |) Light, Revl, 36vdc, Amb | 1 |
| ▲ | | 58520 | (000000-010115 |) Lens, Light, Revl, Amb | 1 |
| ▲ | | 45283 | (000000-010115 |) Lamp, 40vdc, 0.9a, 50cp [1062] | 1 |
| | | 58518 | (000000-010115 |) Lens, Light, Revl, Red | 1 |
| | | 58519 | (000000-010115 |) Lens, Light, Revl, Blu | 1 |

Fig. 5 - Overhead Guard Kit

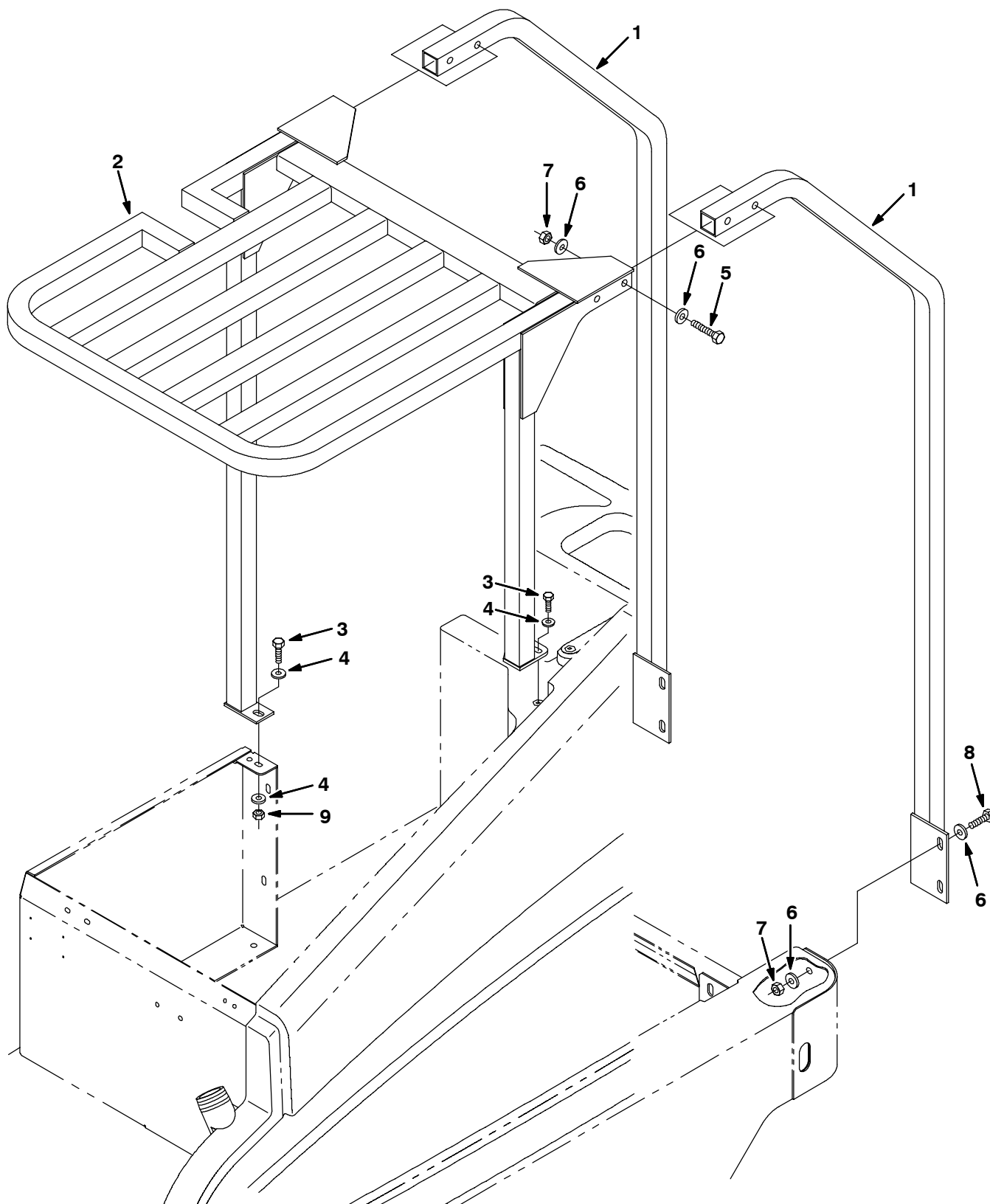


Fig. 5 - Overhead Guard Kit

| | Ref. | Part No. | Serial Number | Description | Qty. |
|---|-------------|-----------------|----------------------|--------------------------------------|-------------|
| ▽ | | 223035 | (000000- |) Ohg Kit, Ci [7200] | 1 |
| ▲ | 1 | 223390 | (000000- |) Tube Wldt, Leg, Ohg, Rear [7200] | 2 |
| ▲ | 2 | 223385 | (000000- |) Guard Wldt, Ohg, Top | 1 |
| ▲ | 3 | 12273 | (000000- |) Screw, Hex, M8 X 1.25 X 20, Ss, NI | 2 |
| ▲ | 4 | 01685 | (000000- |) Washer, Flat, 0.38b 0.88d .08, Ss | 3 |
| ▲ | 5 | 33950 | (000000- |) Screw, Hex, M12 X 1.75 X 80, Ss | 4 |
| ▲ | 6 | 32486 | (000000- |) Washer, Flat, 0.50, Sae | 16 |
| ▲ | 7 | 08711 | (000000- |) Nut, Hex, Lock, M12 X 1.75,NI | 8 |
| ▲ | 8 | 09029 | (000000- |) Screw, Hex, M12 X 1.75 X 40, Ss | 4 |
| ▲ | 9 | 08709 | (000000- |) Nut, Hex, Lock, M8 X 1.25, NI | 1 |

Fig. 6 - ES Pump Group (000000-005439)

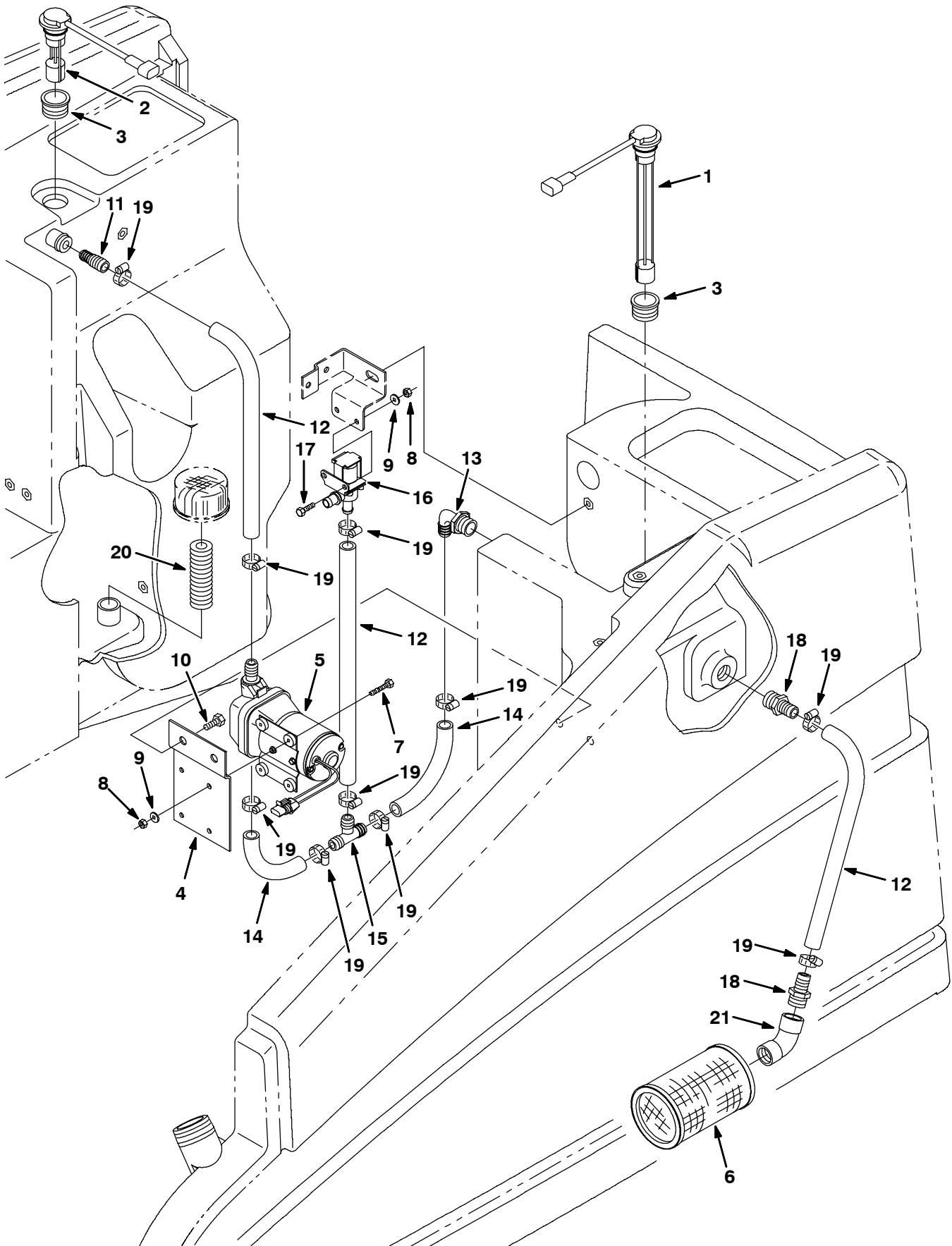


Fig. 6 - ES Pump Group (000000-005439)

| Ref. | Part No. | Serial Number | Description | Qty. |
|-------------|-----------------|----------------------|--|-------------|
| 1 | 223183 | (000000-005439) | Sensor, Level, 10 Inch | 1 |
| 2 | 369895 | (000000-005439) | Switch Kit, Sensor, Level, Es [7200] | 1 |
| 3 | 223528 | (000000-005439) | Grommet, Level Sensing, 1.6d 9.6l F/1.4h | 2 |
| 4 | 223268 | (000000-005439) | Bracket, Mtg, Pump | 1 |
| 5 | 223359 | (000000-005439) | Pump Assy, Es (See Breakdowns) | 1 |
| 6 | 223524 | (000000-005439) | Strainer, Soltn, 35mesh, Cyl, 4.0d 06.0l | 1 |
| 7 | 07805 | (000000-005439) | Screw, Hex, M6 X 1.0 X 35, Ss | 4 |
| 8 | 08708 | (000000-005439) | Nut, Hex, Lock, M6 X 1.00, NI | 6 |
| 9 | 01684 | (000000-005439) | Washer, Flat, 0.27b 0.69d .05, Ss | 6 |
| 10 | 49826 | (000000-005439) | Screw, Hex, M8 X 1.25 X 16, Ss, NI | 2 |
| 11 | 223498 | (000000-005439) | Fitting, Plstc Rep.Bynone | 1 |
| 12 | 223495 | (000000-005439) | Hose, Pvc, Brd, 0.63id 0.91od 016.0l,Clr | 3 |
| 13 | 73468 | (000000-005439) | Fitting, Plstc, E90, Bm10/Pm12 | 1 |
| 14 | 223526 | (000000-005439) | Hose, Pvc, Brd, 0.63id 0.91od 008.0l,Clr | 2 |
| 15 | 16356 | (000000-005439) | Fitting, Plstc, Tee, Bm10/Bm10/Bm10 | 1 |
| 16 | 369313 | (000000-005439) | Valve, Air, Solenoid, 36vdc, 10bm/10bm | 1 |
| 17 | 08716 | (000000-005439) | Screw, Hex, M6 X 1.0 X 20, Ss | 2 |
| 18 | 71628 | (000000-005439) | Fitting, Plstc, Str, Bm10/Pm12 [Nylon] | 2 |
| 19 | 86824 | (000000-005439) | Clamp, Hose, Wormdrive, 0.50-1.06d, .50w | 10 |
| 20 | 223500 | (000000-005439) | Fitting, Plstc, Str, Pm16/Pm16 4.0l | 1 |
| 21 | 10575 | (000000-005439) | Fitting, Plstc, E45, Pf12/Pf12 | 1 |

Fig. 7 - ES Pump Group (005440-006139)

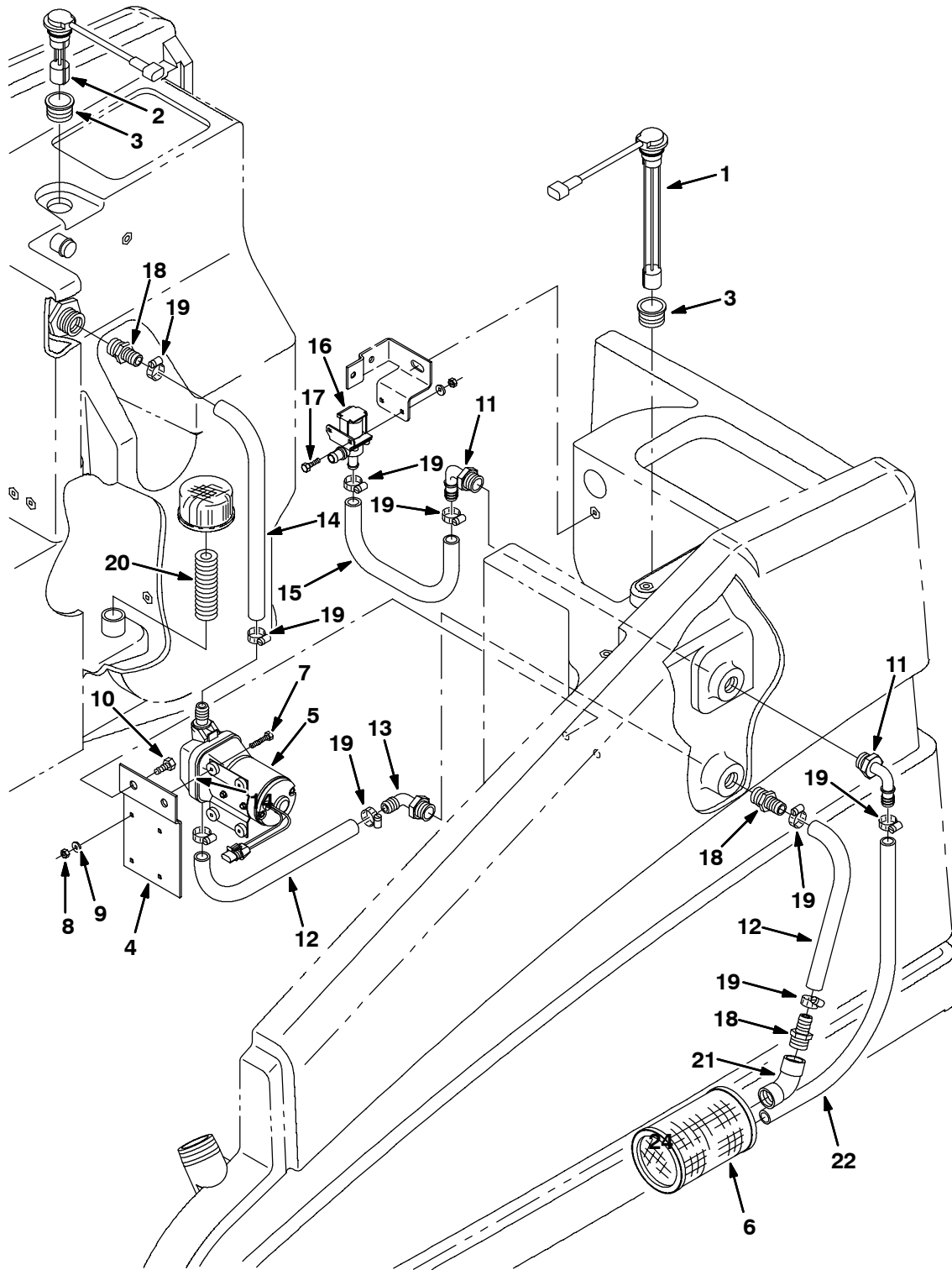


Fig. 7 - ES Pump Group (005440-006139)

| Ref. | Part No. | Serial Number | Description | Qty. |
|-------------|-----------------|----------------------|--|-------------|
| 1 | 223183 | (005440-006139) | Sensor, Level, 10 Inch | 1 |
| 2 | 369895 | (005440-006139) | Switch Kit, Sensor, Level, Es [7200] | 1 |
| 3 | 223528 | (005440-006139) | Grommet, Level Sensing, 1.6d 9.6l F/1.4h | 2 |
| 4 | 223268 | (005440-006139) | Bracket, Mtg, Pump | 1 |
| 5 | 223359 | (005440-006139) | Pump Assy, Es (See Breakdowns) | 1 |
| 6 | 369331 | (005440-006139) | Strainer, Soltn, 35mesh, Cyl, 4.0d 06.0l | 1 |
| 7 | 07805 | (005440-006139) | Screw, Hex, M6 X 1.0 X 35, Ss | 4 |
| 8 | 08708 | (005440-006139) | Nut, Hex, Lock, M6 X 1.00, NI | 6 |
| 9 | 01684 | (005440-006139) | Washer, Flat, 0.27b 0.69d .05, Ss | 6 |
| 10 | 49826 | (005440-006139) | Screw, Hex, M8 X 1.25 X 16, Ss, NI | 2 |
| 11 | 63244-3 | (005440-006139) | Fitting, Plstc, E90, Bm08/Pm12 | 2 |
| 12 | 73473 | (005440-006139) | Hose, Pvc, Brd, 0.62id 0.88od 014.0l,Clr | 2 |
| 13 | 73468 | (005440-006139) | Fitting, Plstc, E90, Bm10/Pm12 | 1 |
| 14 | 223699 | (005440-006139) | Hose, Pvc, Brd, 0.63id 0.91od 010.3l,Clr | 1 |
| 15 | 223515 | (005440-006139) | Hose, Pvc, Brd, 0.50id 0.73od 015.6l,Clr | 1 |
| 16 | 369313 | (005440-006139) | Valve, Air, Solenoid, 36vdc, 10bm/10bm | 1 |
| 17 | 08716 | (005440-006139) | Screw, Hex, M6 X 1.0 X 20, Ss | 2 |
| 18 | 71628 | (005440-006139) | Fitting, Plstc, Str, Bm10/Pm12 [Nylon] | 3 |
| 19 | 86824 | (005440-006139) | Clamp, Hose, Wormdrive, 0.50-1.06d, .50w | 9 |
| 20 | 223500 | (005440-006139) | Fitting, Plstc, Str, Pm16/Pm16 4.0l | 1 |
| 21 | 10575 | (005440-006139) | Fitting, Plstc, E45, Pf12/Pf12 | 1 |
| 22 | 369332 | (005440-006139) | Hose, Pvc, Brd, 0.50id 0.73od 024.0l,Clr | 1 |

Fig. 8 - ES Pump Group (006140-006497)

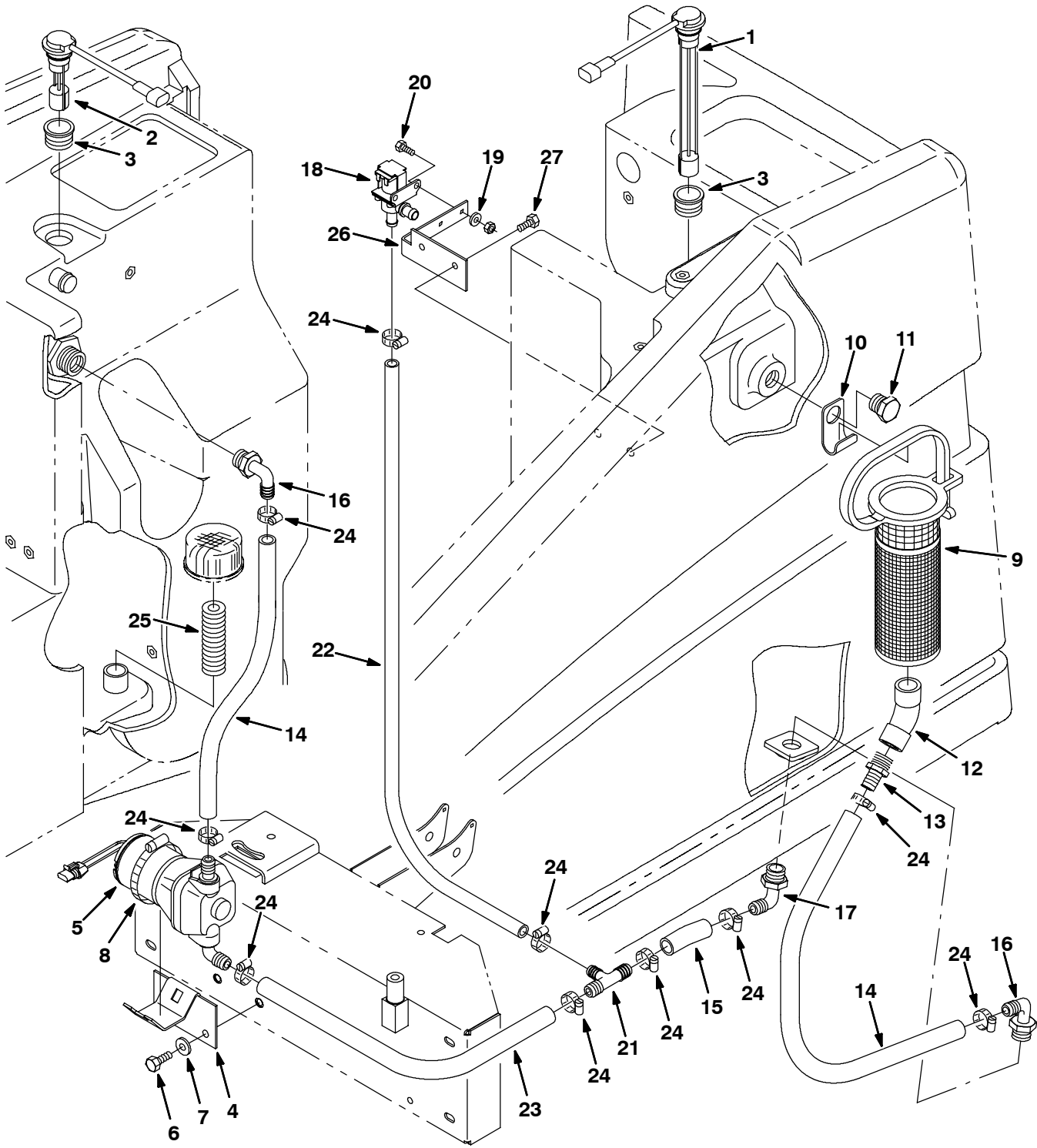


Fig. 8 - ES Pump Group (006140-006497)

| Ref. | Part No. | Serial Number | Description | Qty. |
|-------------|-----------------|----------------------|--|-------------|
| 1 | 223183 | (006140-006497) | Sensor, Level, 10 Inch | 1 |
| 2 | 369895 | (006140-006497) | Switch Kit, Sensor, Level, Es [7200] | 1 |
| 3 | 223528 | (006140-006497) | Grommet, Level Sensing, 1.6d 9.6l F/1.4h | 2 |
| 4 | 385618 | (006140-006497) | Bracket, Mtg, Pump | 1 |
| 5 | 385628 | (006140-006497) | Pump Assy, Water, 36vdc Rep.By369890 (See Breakdowns) | 1 |
| 6 | 10959 | (006140-006497) | Screw, Hex, M10 X 1.5 X 20, Ss, NI | 2 |
| 7 | 01686 | (006140-006497) | Washer, Flat, 0.44b 1.00d .08, Ss | 2 |
| 8 | 17188 | (006140-006497) | Clamp, Hose, Wormdrive, 2.50-3.50d, .50w | 1 |
| 9 | 385667 | (006140-006497) | Strainer, Soltn, 40mesh, Cyl, 3.5d 07.5l | 1 |
| 10 | 385639 | (006140-006497) | Hook | 1 |
| 11 | 75611 | (006140-006497) | Fitting, Plstc, Plug, Pm12 | 1 |
| 12 | 10575 | (006140-006497) | Fitting, Plstc, E45, Pf12/Pf12 | 1 |
| 13 | 71628 | (006140-006497) | Fitting, Plstc, Str, Bm10/Pm12 [Nylon] | 1 |
| 14 | 385624 | (006140-006497) | Hose, Pvc, Brd, 0.63id 0.88od 035.0l,Clr | 2 |
| 15 | 14734 | (006140-006497) | Hose, Pvc, Brd, 0.75id 1.03od 002.6l,Clr | 1 |
| 16 | 73468 | (006140-006497) | Fitting, Plstc, E90, Bm10/Pm12 | 2 |
| 17 | 14877 | (006140-006497) | Fitting, Plstc, E90, Bm12/Pm12 | 1 |
| 18 | 369313 | (006140-006497) | Valve, Air, Solenoid, 36vdc, 10bm/10bm | 1 |
| 19 | 01684 | (006140-006497) | Washer, Flat, 0.27b 0.69d .05, Ss | 2 |
| 20 | 08716 | (006140-006497) | Screw, Hex, M6 X 1.0 X 20, Ss | 2 |
| 21 | 385644 | (006140-006497) | Fitting, Plstc, Tee, Bm08/Bm12/Bm12, Br | 1 |
| 22 | 385682 | (006140-006497) | Hose, Pvc, Brd, 0.50id 0.73od 033.0l,Clr | 1 |
| 23 | 385625 | (006140-006497) | Hose, Pvc, Brd, 0.75id 1.03od 023.0l,Clr | 1 |
| 24 | 63810 | (006140-006497) | Clamp, Hose, Wormdrive, 0.56-1.06d, .56w | 10 |
| 25 | 223500 | (006140-006497) | Fitting, Plstc, Str, Pm16/Pm16 4.0l | 1 |
| 26 | 385649 | (006140-006497) | Bracket, Solenoid, Es | 1 |
| 27 | 49826 | (006140-006497) | Screw, Hex, M8 X 1.25 X 16, Ss, NI | 2 |

Fig. 9 - ES Pump Group (006498-007061)

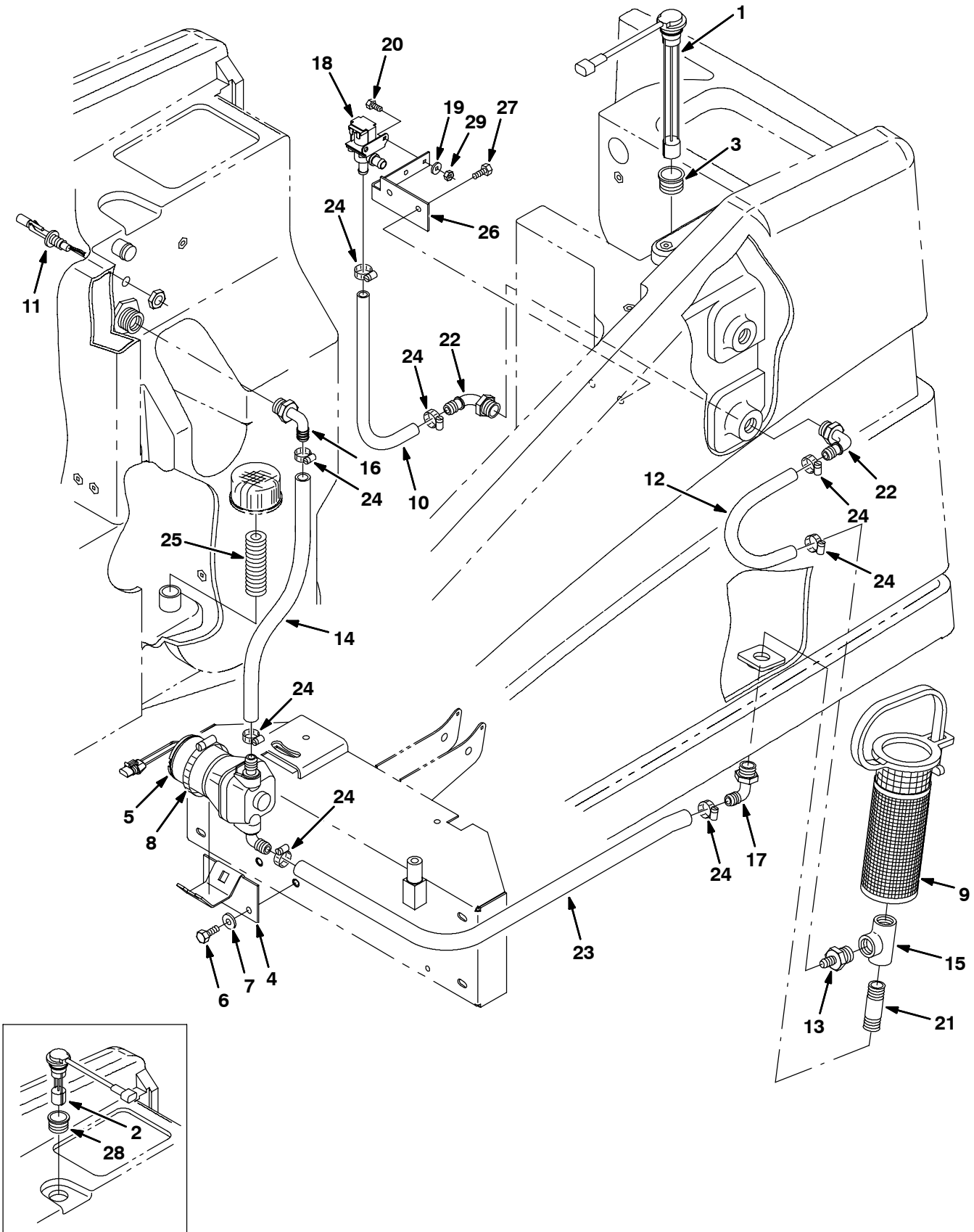


Fig. 9 - ES Pump Group (006498-007061)

| Ref. | Part No. | Serial Number | Description | Qty. |
|------|----------|------------------|--|------|
| 1 | 223183 | (006498-007061) | Sensor, Level, 10 Inch | 1 |
| 2 | 369895 | (006498-006549) | Switch Kit, Sensor, Level, Es [7200] | 1 |
| 3 | 223528 | (006498-007061) | Grommet, Level Sensing, 1.6d 9.6l F/1.4h | 1 |
| 4 | 385618 | (006498-007061) | Bracket, Mtg, Pump | 1 |
| 5 | 385628 | (006498-007061) | Pump Assy, Water, 36vdc Rep.By369890 (See Breakdowns) | 1 |
| 6 | 10959 | (006498-007061) | Screw, Hex, M10 X 1.5 X 20, Ss, NI | 2 |
| 7 | 01686 | (006498-007061) | Washer, Flat, 0.44b 1.00d .08, Ss | 2 |
| 8 | 17188 | (006498-007061) | Clamp, Hose, Wormdrive, 2.50-3.50d, .50w | 1 |
| 9 | 385667 | (006498-007061) | Strainer, Soltn, 40mesh, Cyl, 3.5d 07.5l | 1 |
| 10 | 16361 | (006498-007061) | Hose, Pvc, Brd, 0.50id 0.72od 015.0l,Clr | 1 |
| 11 | 385685 | (006550-007061) | Sensor, Level, Liq, 14vdc 01a .62-11 | 1 |
| 12 | 49142 | (006498-007061) | Hose, Pvc, Brd, 0.50id 0.75od 018.0l,Clr | 1 |
| 13 | 79273-1 | (006498-007061) | Fitting, Plstc, Str, Bm08/Pm12 | 1 |
| 14 | 385624 | (006498-007061) | Hose, Pvc, Brd, 0.63id 0.88od 035.0l,Clr | 1 |
| 15 | 42133A | (006498-007061) | Fitting, Plstc, Tee, Pf12/Pf12/Pf12 | 1 |
| 16 | 73468 | (006498-007061) | Fitting, Plstc, E90, Bm10/Pm12 | 1 |
| 17 | 14877 | (006498-007061) | Fitting, Plstc, E90, Bm12/Pm12 | 1 |
| 18 | 369313 | (006498-007061) | Valve, Air, Solenoid, 36vdc, 10bm/10bm | 1 |
| 19 | 01684 | (006498-007061) | Washer, Flat, 0.27b 0.69d .05, Ss | 2 |
| 20 | 08716 | (006498-007061) | Screw, Hex, M6 X 1.0 X 20, Ss | 2 |
| 21 | 385665 | (006498-007061) | Fitting, Plstc, Str, Pm12/Pm12 03.0l | 1 |
| 22 | 63244-3 | (006498-007061) | Fitting, Plstc, E90, Bm08/Pm12 | 2 |
| 23 | 385666 | (006498-007061) | Hose, Pvc, Brd, 0.75id 1.03od 026.0l,Clr | 1 |
| 24 | 63810 | (006498-007061) | Clamp, Hose, Wormdrive, 0.56-1.06d, .56w | 8 |
| 25 | 223500 | (006498-007061) | Fitting, Plstc, Str, Pm16/Pm16 4.0l | 1 |
| 26 | 385649 | (006498-007061) | Bracket, Solenoid, Es | 1 |
| 27 | 49826 | (006498-007061) | Screw, Hex, M8 X 1.25 X 16, Ss, NI | 2 |
| 28 | 223528 | (006498-006549) | Grommet, Level Sensing, 1.6d 9.6l F/1.4h | 1 |
| 29 | 08708 | (006498-007061) | Nut, Hex, Lock, M6 X 1.00, NI | 2 |

Fig. 10 - ES Pump Group (007062-)

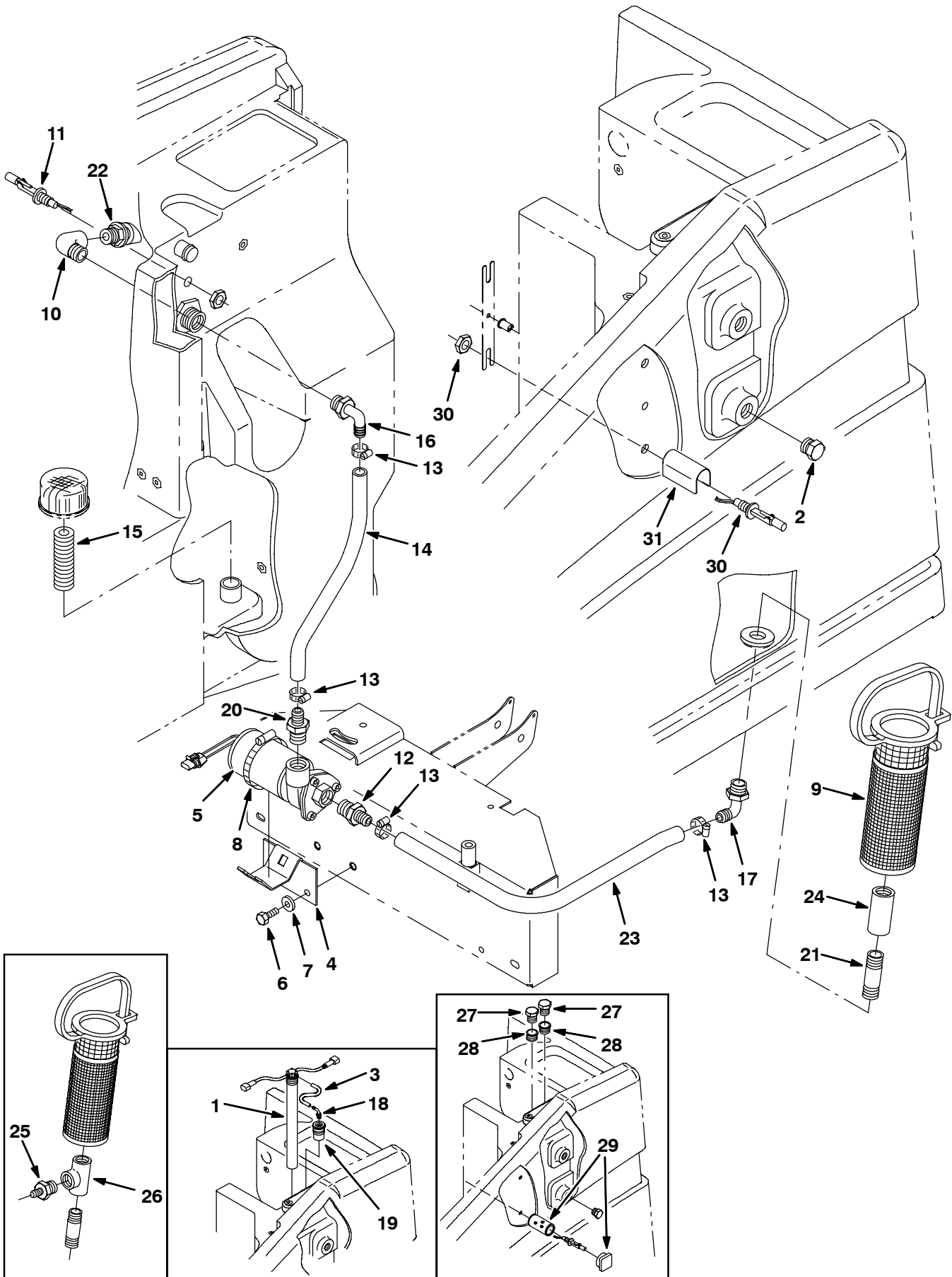


Fig. 10 - ES Pump Group (007062-)

| Ref. | Part No. | Serial Number | Description | Qty. |
|-------------|-----------------|----------------------|--|-------------|
| 1 | 375427 | (007062-008974) | Switch, Press, Dual, 02pf 14inch Tube | 1 |
| 2 | 75611 | (007062-) | Fitting, Plstc, Plug, Pm12 | 1 |
| 3 | 57578 | (007062-008974) | Hose, Vacuum, 0.16id X 008.0l | 1 |
| 4 | 385618 | (007062-) | Bracket, Mtg, Pump | 1 |
| 5 | 369865 | (007062-) | Pump, Soltn, Ele, 36vdc, Impeller | 1 |
| 6 | 10959 | (007062-) | Screw, Hex, M10 X 1.5 X 20, Ss, NI | 2 |
| 7 | 01686 | (007062-) | Washer, Flat, 0.44b 1.00d .08, Ss | 2 |
| 8 | 17188 | (007062-) | Clamp, Hose, Wormdrive, 2.50-3.50d, .50w | 1 |
| 9 | 385667 | (007062-) | Strainer, Soltn, 40mesh, Cyl, 3.5d 07.5l | 1 |
| 10 | 69785 | (007062-) | Fitting, Plstc, E90, Pf12/Pm12 | 1 |
| 11 | 385685 | (006550-) | Sensor, Level, Liq, 14vdc 01a .62-11 | 1 |
| 12 | 79273-2 | (007062-) | Fitting, Plstc, Str, Bm12/Pm12 | 1 |
| 13 | 63810 | (007062-) | Clamp, Hose, Wormdrive, 0.56-1.06d, .56w | 4 |
| 14 | 385624 | (007062-) | Hose, Pvc, Brd, 0.63id 0.88od 035.0l,Clr | 1 |
| 15 | 223500 | (007062-) | Fitting, Plstc, Str, Pm16/Pm16 4.0l | 1 |
| 16 | 73468 | (007062-) | Fitting, Plstc, E90, Bm10/Pm12 | 1 |
| 17 | 14877 | (007062-) | Fitting, Plstc, E90, Bm12/Pm12 | 1 |
| 18 | 386425 | (007062-008974) | Fitting, Plstc, E90 Rep.By397697 | 1 |
| 19 | 385750 | (007062-008974) | Tube, Sensor, Level, Soltn, 2.0l | 1 |
| 20 | 365095 | (007062-) | Fitting, Plstc, Str, Bm10/Pm12 | 1 |
| 21 | 385665 | (007062-) | Fitting, Plstc, Str, Pm12/Pm12 03.0l | 1 |
| 22 | 369869 | (007062-) | Valve, Check, Soltn, Pm12 | 1 |
| 23 | 385666 | (007062-) | Hose, Pvc, Brd, 0.75id 1.03od 026.0l,Clr | 1 |
| 24 | 05134 | (007062-) | Fitting, Plstc, Str, Pf12/Pf12 | 1 |
| 25 | 79273-1 | (007062- xxxxxx) | Fitting, Plstc, Str, Bm08/Pm12 | 1 |
| 26 | 42133A | (007062- xxxxxx) | Fitting, Plstc, Tee, Pf12/Pf12/Pf12 | 1 |
| 27 | 49745 | (008975- xxxxxx) | Fitting, Plstc, Plug, Pm16 | 2 |
| 28 | 223528 | (008975- xxxxxx) | Grommet, Level Sensing, 1.6d 9.6l F/1.4h | 2 |
| 29 | 375302 | (008975-010021) | Strainer, Switch, Grd Rep.By1023713 | 1 |
| 30 | 385685 | (008975-) | Sensor, Level, Liq, 14vdc 01a .62-11 | 1 |
| 31 | 1019285 | (010022-) | Bracket, Protector, Float Switch | 1 |

Fig. 11 - ES Filter Backflush Kit (007062-)

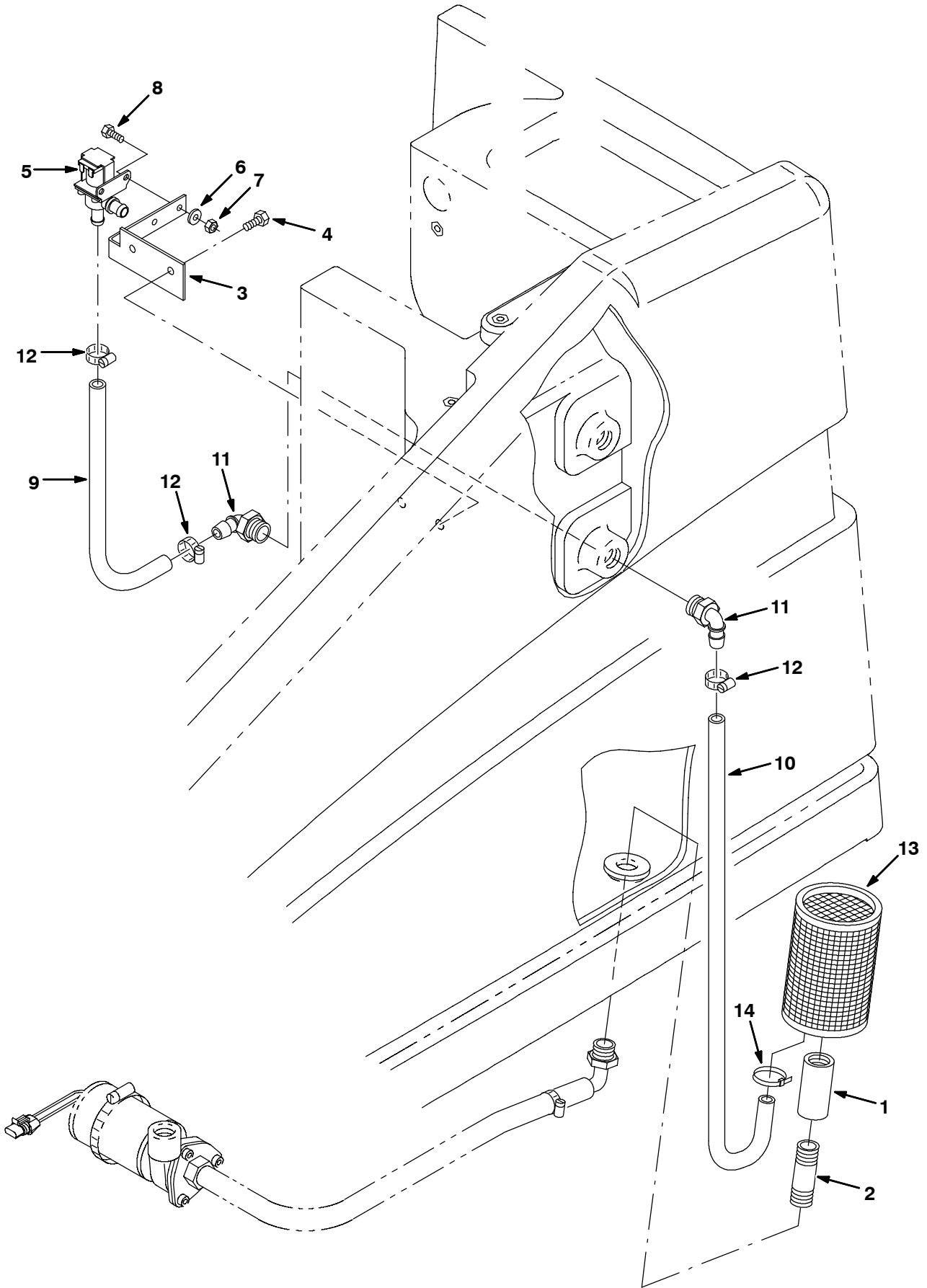


Fig. 11 - ES Filter Backflush Kit (007062-)

| | Ref. | Part No. | Serial Number | Description | Qty. |
|---|-------------|-----------------|----------------------|--|-------------|
| ▽ | | 397684 | (007062- |) Filter Kit, Backflush, Es, Ci [7200] | 1 |
| ▲ | 1 | 05134 | (007062- |) Fitting, Plstc, Str, Pf12/Pf12 | 1 |
| ▲ | 2 | 385665 | (007062- |) Fitting, Plstc, Str, Pm12/Pm12 03.0l | 1 |
| ▲ | 3 | 385649 | (007062- |) Bracket, Solenoid, Es | 1 |
| ▲ | 4 | 49826 | (007062- |) Screw, Hex, M8 X 1.25 X 16, Ss, NI | 2 |
| ▲ | 5 | 369313 | (007062- |) Valve, Air, Solenoid, 36vdc, 10bm/10bm | 1 |
| ▲ | 6 | 01684 | (007062- |) Washer, Flat, 0.27b 0.69d .05, Ss | 2 |
| ▲ | 7 | 08708 | (007062- |) Nut, Hex, Lock, M6 X 1.00, NI | 2 |
| ▲ | 8 | 08716 | (007062- |) Screw, Hex, M6 X 1.0 X 20, Ss | 2 |
| ▲ | 9 | 16361 | (007062- |) Hose, Pvc, Brd, 0.50id 0.72od 015.0l,Clr | 1 |
| ▲ | 10 | 369332 | (007062- |) Hose, Pvc, Brd, 0.50id 0.73od 024.0l,Clr | 1 |
| ▲ | 11 | 1005552 | (007062- |) Fitting, Plstc, E90, Bm08/Pm12, Nyl | 2 |
| ▲ | 12 | 63810 | (007062- |) Clamp, Hose, Wormdrive, 0.56-1.06d, .56w | 3 |
| ▲ | 13 | 369331 | (007062- |) Strainer, Soltn, 35mesh, Cyl, 4.0d 06.0l | 1 |
| ▲ | 14 | 49266 | (007062- |) Tie, Cable, Nyl, 07.3l .19w 1.8 Max D | 1 |

Fig. 12 - ES Drain Group

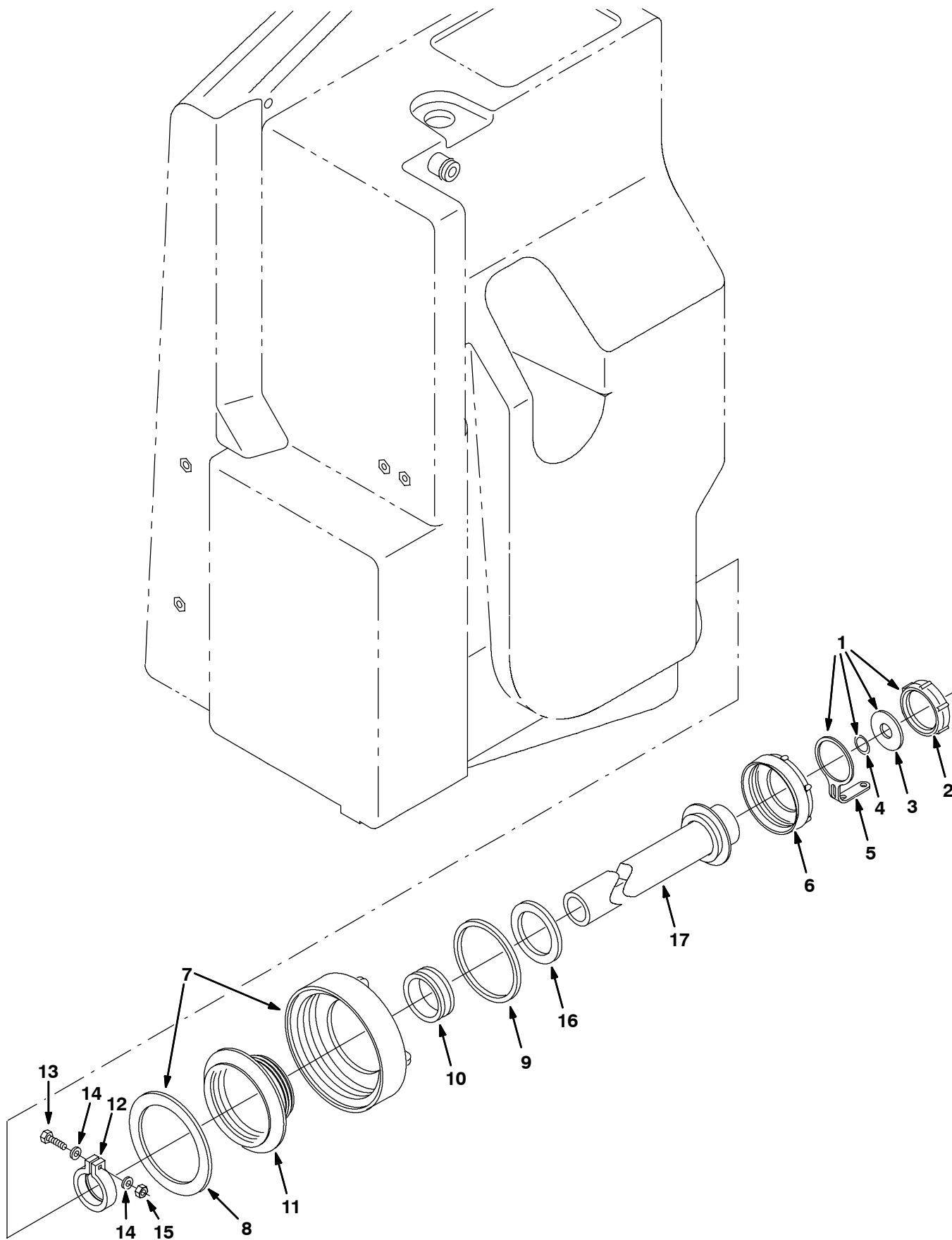


Fig. 12 - ES Drain Group

| | Ref. | Part No. | Serial Number | Description | Qty. |
|----|-------------|-----------------|----------------------|---|-------------|
| ▽ | | 223533 | (000000- |) Hose Assy, Drain, 0.31id X 24.3l, Pvc | 1 |
| ▲▽ | 1 | 32501 | (000000- |) Drain Kit, Cap | 1 |
| ▲▲ | 2 | 32613 | (000000- |) Cap, Tank, Drain, 2.25 Thread Pye | 1 |
| ▲▲ | 3 | 32614 | (000000- |) Gasket, Cap | 1 |
| ▲▲ | 4 | 32669 | (000000- |) Ring, Retaining, Ext, 0.75d, Ss | 1 |
| ▲▲ | 5 | 32508 | (000000- |) Strap | 1 |
| ▲ | 6 | 14880 | (000000- |) Cap, Tank, Drain, 3.85 Thread Pye | 1 |
| ▲▽ | 7 | 24358 | (000000- |) Cap Assy, Tank, Drain | 1 |
| ▲▲ | 8 | 1031699 | (000000- |) Gasket, 4.05id 5.29od .19 [Buna] | 1 |
| ▲ | 9 | 79320 | (000000- |) Gasket, Cap, Drain | 1 |
| ▲ | 10 | 41421 | (000000- |) Seal | 1 |
| ▲ | 11 | 14864 | (000000- |) Cover, Insert | 1 |
| ▲ | 12 | 41454 | (000000- |) Clamp, Hose, Plstc, 1.60d X 0.62w | 1 |
| ▲ | 13 | 12316 | (000000- |) Screw, Hex, M5 X 0.8 X 25, Ss | 1 |
| ▲ | 14 | 01683 | (000000- |) Washer, Flat, 0.22b 0.50d .05, Ss [#10] | 1 |
| ▲ | 15 | 09739 | (000000- |) Nut, Hex, Lock, M5 X 0.80, NI, Ss | 1 |
| ▲ | 16 | 41451 | (000000- |) Gasket, Lid | 1 |
| ▲ | 17 | 24174 | (000000- |) Hose Assy, Pvc, 1.3id 1.7od 24.3l | 1 |

Fig. 13 - Backup Alarm Kit

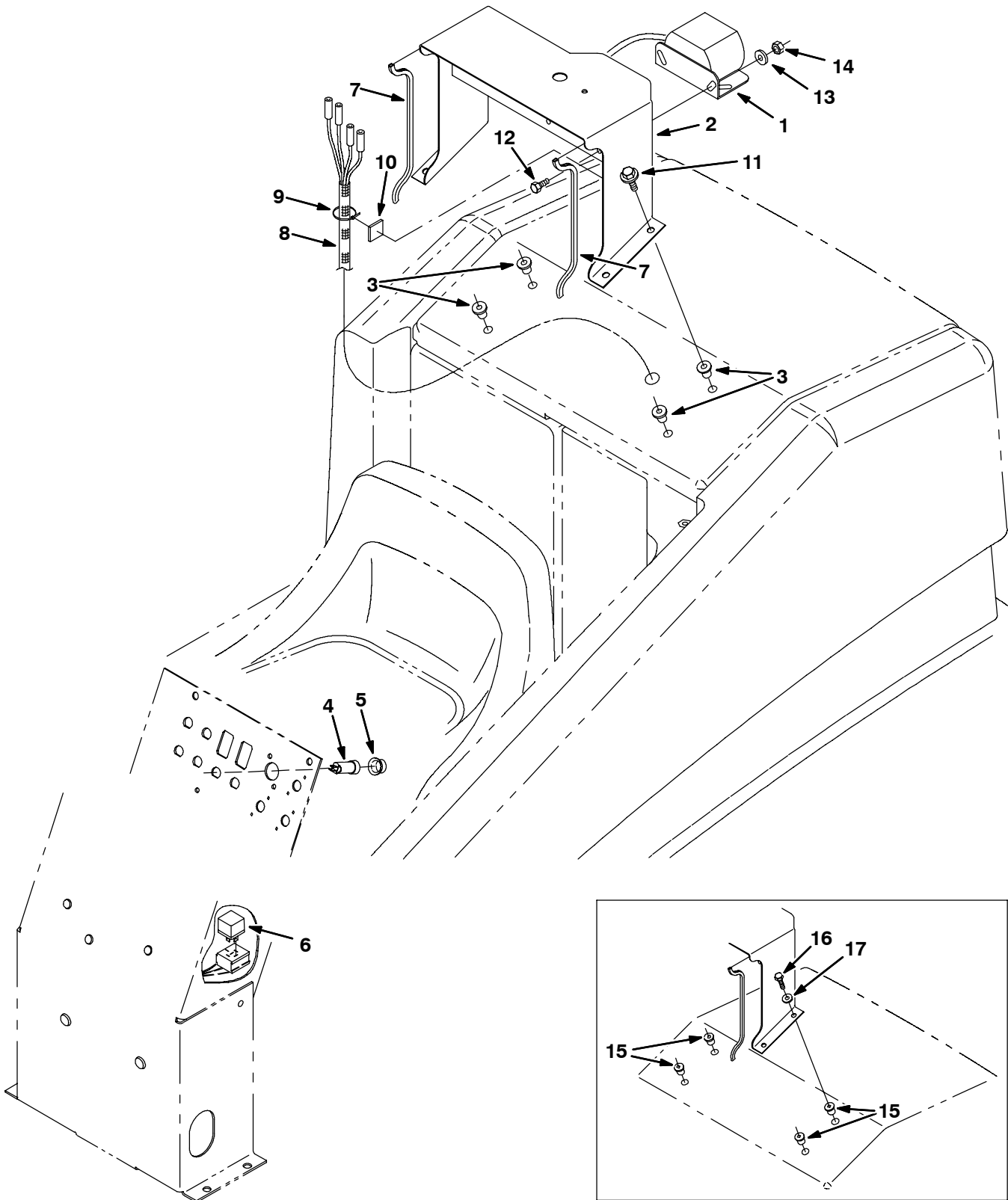


Fig. 13 - Backup Alarm Kit

| | Ref. | Part No. | Serial Number | Description | Qty. |
|---|-------------|-----------------|----------------------|---|-------------|
| ▽ | | 223021 | (000000- |) Alarm Kit, Backup, Ci [7200] | 1 |
| ▲ | 1 | 369349 | (000000- |) Alarm Assy, Backup, 12-48vdc 82-102dba | 1 |
| ▲ | 2 | 369381 | (000000- |) Bracket Wldt, Light / Alarm | 1 |
| ▲ | 3 | 397644 | (xxxxxx- |) Nut, Isolator, .25-20 Wall Th .187-.343 | 4 |
| ▲ | 4 | 57164 | (000000- |) Circuitbreaker, 10.0a, Resetable | 1 |
| ▲ | 5 | 57751 | (000000- |) Boot, Dome, .72id .72l, Clear | 1 |
| ▲ | 6 | 398526 | (000000- |) Relay, 36vdc, 005a, Spdt No [Greenwich] | 1 |
| ▲ | 7 | 62595-4 | (000000- |) Molding, Trim, Pvc, .08-.11 10.0l | 2 |
| ▲ | 8 | 369400 | (000000- |) Harness, Alarm, Backup [7200] | 1 |
| ▲ | 9 | 49266 | (000000- |) Tie, Cable, Nyl, 07.3l .19w 1.8 Max D | 1 |
| ▲ | 10 | 55248 | (000000- |) Mount, Cable Tie | 1 |
| ▲ | 11 | 16951 | (xxxxxx- |) Screw, Hex, .25-20 X 1.25, Sems | 4 |
| ▲ | 12 | 06942 | (000000- |) Screw, Hex, M6 X 1.0 X 16, 8.8 | 2 |
| ▲ | 13 | 19066 | (000000- |) Washer, Flat, #10 | 2 |
| ▲ | 14 | 07790 | (000000- |) Nut, Hex, Flng, M6 X 1.00 | 2 |
| | 15 | 397649 | (000000- xxxxxx |) Nut Kit, Isolator, F/369344, Replmt | 1 |
| | 16 | 39612 | (000000- xxxxxx |) Screw, Hex, .31-18 X 2.00, Fl | 4 |
| | 17 | 32491 | (000000- xxxxxx |) Washer, Flat, 0.31, Std | 4 |

Fig. 14 - Heavy Duty Vacuum Fan Kit

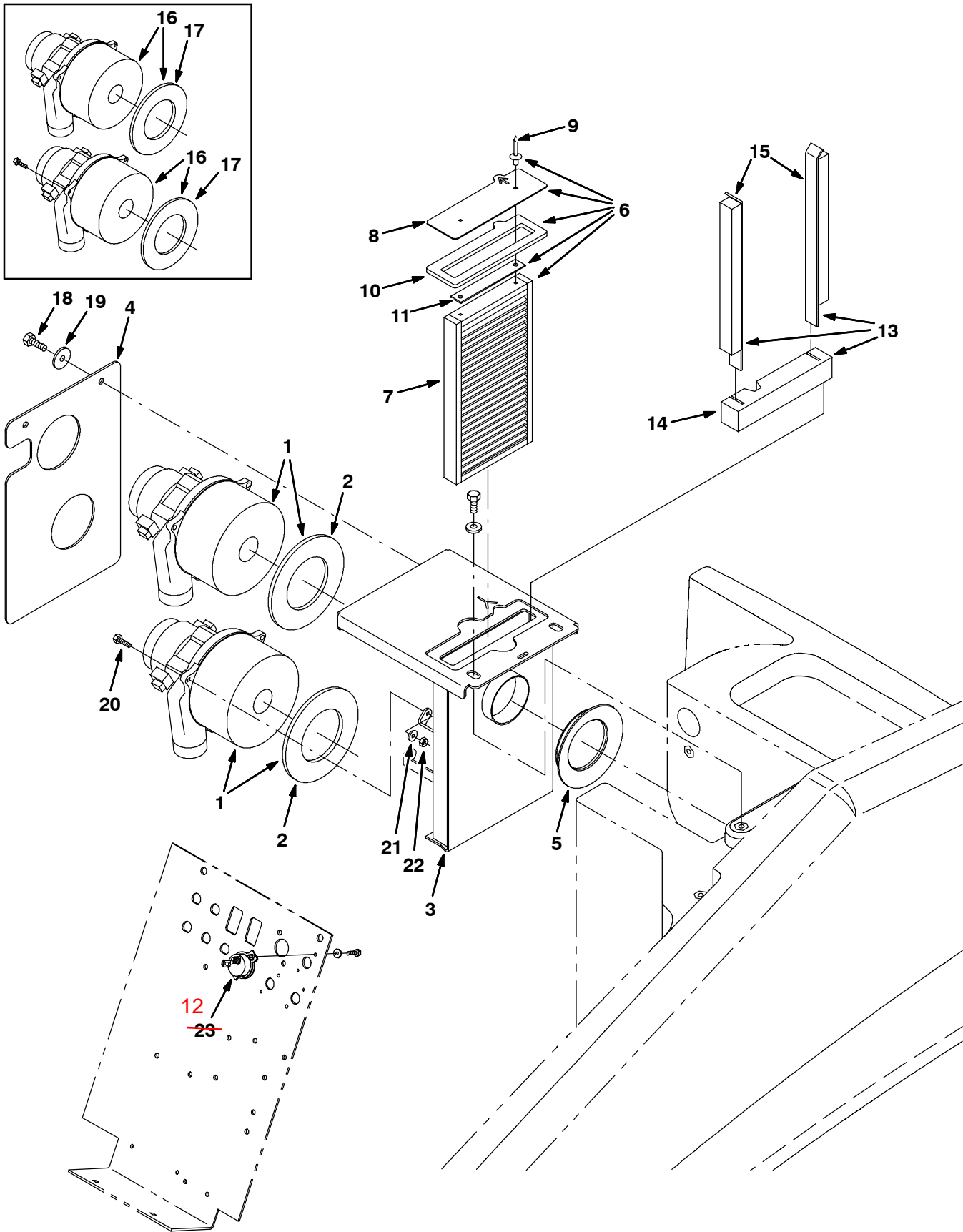


Fig. 14 - Heavy Duty Vacuum Fan Kit

| | Ref. | Part No. | Serial Number | Description | Qty. |
|--------|------|----------------------|----------------|---|------|
| | | 223031 | (000000- |) Vacfan Kit, Ci, Dual [7200] | 1 |
| | ▲▽ | 1 398520 | (008452- |) Fan Assy, Vacuum, 5.7d, 036vdc, 3 Stage (See Breakdowns) | 2 |
| | ▲▲ | 2 223264 | (008452- |) Seal, Rbr, Clsd, 0.25, 5.8d 03.3h | 1 |
| | ▲ | 3 223272 | (000000- |) Bracket Wldt, Mtg, Fan | 1 |
| | ▲ | 4 223286 | (000000- |) Skirt, Fan, Dual, Neo, .12, Trimmed | 1 |
| | ▲ | 5 223525 | (000000- |) Seal, Fan | 1 |
| | ▲▽ | 6 223532 | (000000- |) Filter Assy, Panl, Scrbr [7200] | 1 |
| | ▲▲ | 7 223267 | (000000- |) Filter, Panl, Dust, 1.0 X 06.0 X 11.0 | 1 |
| | ▲▲ | 8 223279 | (000000- |) Plate, Top | 1 |
| | ▲▲ | 9 393074 | (000000- |) Rivet, Blind, .188d X 0.47 X .38d, Alm | 2 |
| | ▲▲ | 10 223266 | (000000- |) Seal, Rbr, Clsd, 0.25, Fltr, Panl | 1 |
| | ▲▲ | 11 385617 | (000000- |) Plate, Spacer, Fltr | 1 |
| 383728 | ▲ | 12 222283 | (000000- |) Circuitbreaker, 40.0a , Resetable 50A | 1 |
| | ▲▽ | 13 369456 | (000000- |) Seal Kit, Vacfan & Panl Fltr, Modif | 1 |
| | ▲▲ | 14 369455 | (000000- |) Seal, Rbr, Clsd, 1.41, Fltr, Hd | 1 |
| | ▲▲ | 15 369449 | (000000- |) Seal Assy, Vacfan | 2 |
| | ▽ | 16 17363 | (000000-008451 |) Fan Assy, Vacuum Rep By 398520 | 2 |
| | ▲ | 17 223264 | (000000-008451 |) Seal, Rbr, Clsd, 0.25, 5.8d 03.3h | 1 |
| | ▲ | 18 49826 | (000000- |) Screw, Hex, M8 X 1.25 X 16, Ss, NI | 1 |
| | ▲ | 19 30013 | (000000- |) Washer, Flat, 0.31, Fendr | 2 |
| | ▲ | 20 12316 | (000000- |) Screw, Hex, M5 X 0.8 X 25, Ss | 2 |
| | ▲ | 21 01683 | (000000- |) Washer, Flat, 0.22b 0.50d .05, Ss [#10] | 6 |
| | ▲ | 22 09739 | (000000- |) Nut, Hex, Lock, M5 X 0.80, NI, Ss | 6 |

Fig. 15 - Power Wand Pump and Fittings Group

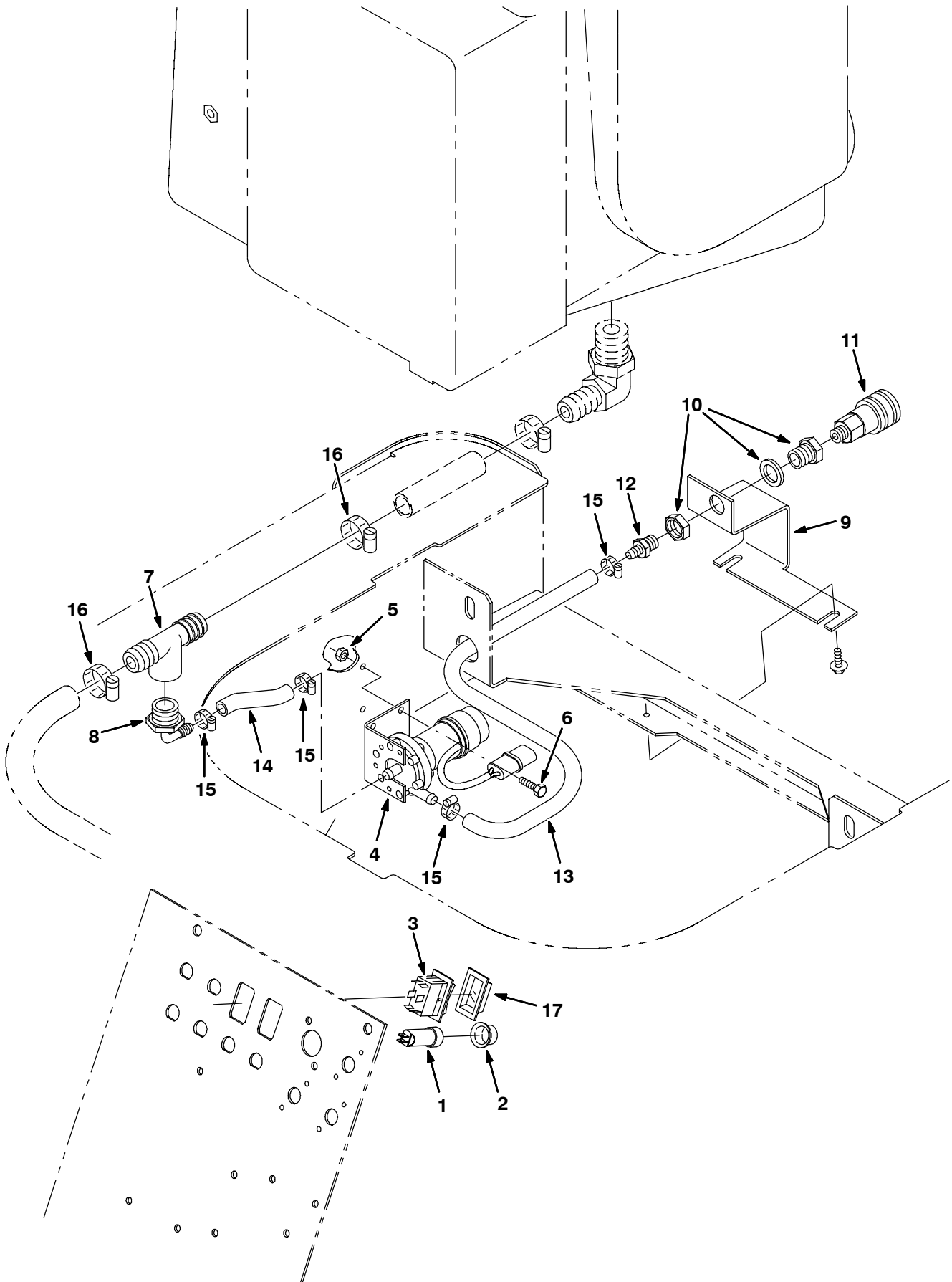


Fig. 15 - Power Wand Pump and Fittings Group

NOTE: Power Wand Kit, Scrub Head 900 mm (36 in), Tennant Part Number 223282, includes; Fig. 15, Fig. 16, Fig. 19, and Fig. 20.

NOTE: Power Wand Kit, Rollout Battery, Tennant Part Number 385634, includes; Fig. 15, Fig. 18, Fig. 19, and Fig. 20.

| Ref. | Part No. | Serial Number | Description | Qty. |
|-------------|-----------------|----------------------|--|-------------|
| 1 | 57164 | (000000- |) Circuitbreaker, 10.0a, Resetable | 1 |
| 2 | 57751 | (000000- |) Boot, Dome, .72id .72l, Clear | 1 |
| 3 | 65557 | (000000- |) Switch, Rocker, Spst, On / Off | 1 |
| 4 | 223496 | (000000- |) Pump, Water, 36vdc | 1 |
| 5 | 09739 | (000000- |) Nut, Hex, Lock, M5 X 0.80, NI, Ss | 2 |
| 6 | 09738 | (000000- |) Screw, Hex, M5 X 0.8 X 12, Ss | 2 |
| 7 | 76075 | (000000- |) Fitting, Plstc, Tee, Bm12/Pf12/Bm12, Br | 1 |
| 8 | 79484 | (000000- |) Fitting, Plstc, E90, Bm06/Pm12, Nyl | 1 |
| 9 | 223521 | (000000- |) Bracket, Mtg | 1 |
| 10 | 78122 | (000000- |) Fitting, Brs, Str, Pf04/Pf04, Bh | 1 |
| 11 | 65342 | (000000- |) Fitting, Brs, Qdc, Pm04/Qf06 | 1 |
| 12 | 49186 | (000000- |) Fitting, Plstc, Str, Bm06/Pm04, Nyl | 1 |
| 13 | 223523 | (000000- |) Hose, Pvc, Brd, 0.38id 0.60od 013.0l,Clr | 1 |
| 14 | 223640 | (000000- |) Hose, Pvc, Brd, 0.38id 0.60od 003.5l,Clr | 1 |
| 15 | 43844 | (000000- |) Clamp, Hose, Wormdrive, 0.25-0.62d, .31w | 4 |
| 16 | 86824 | (000000- |) Clamp, Hose, Wormdrive, 0.50-1.06d, .50w | 2 |
| 17 | 57807 | (000000- |) Cover, Seal, Rocker Switch | 1 |

Fig. 16 - Power Wand Mount Group, Scrub Head, 900 mm (36 in)

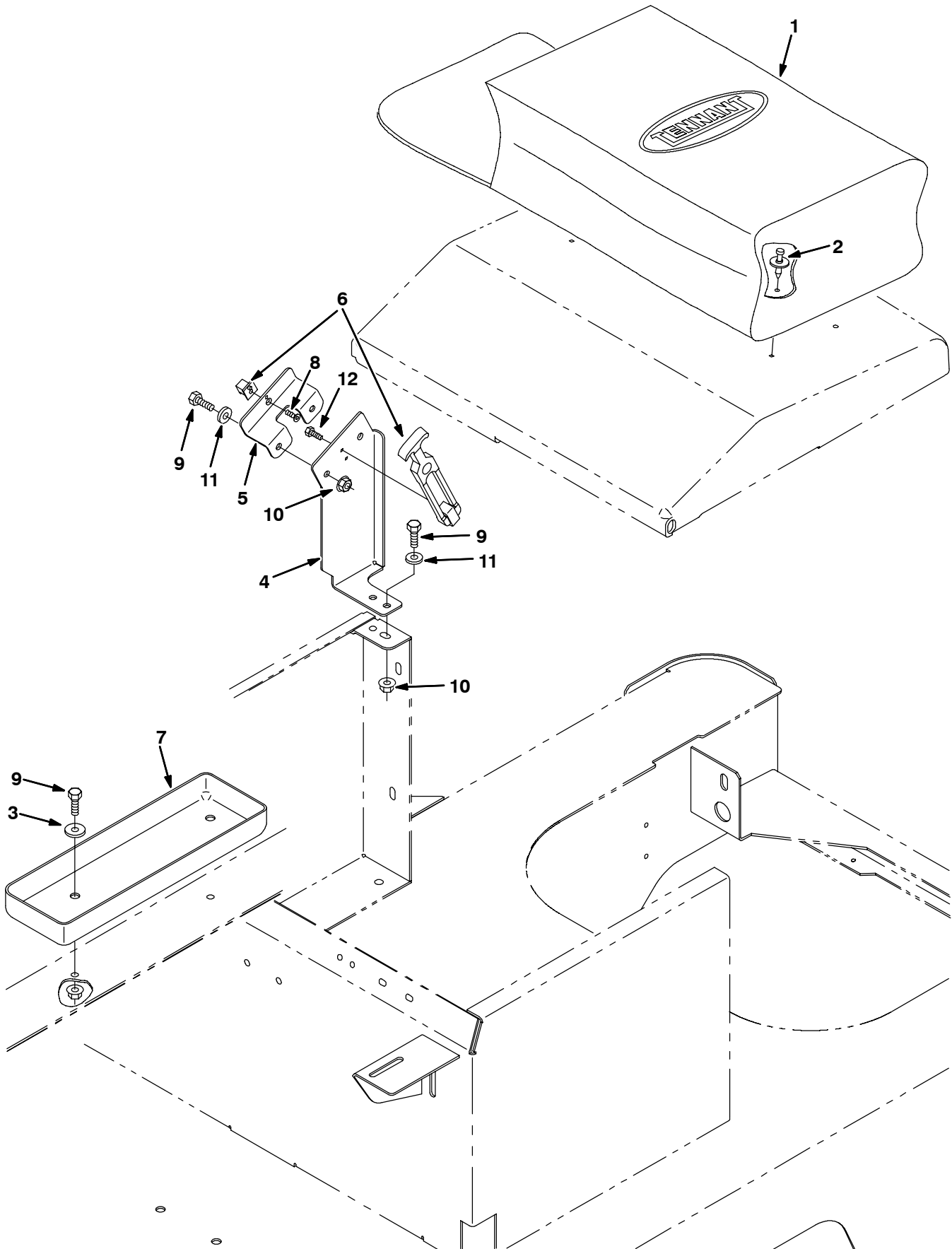


Fig. 16 - Power Wand Mount Group, Scrub Head, 900 mm (36 in)

NOTE: Power Wand Kit, Scrub Head 900 mm (36 in), Tennant Part Number 223282, includes; Fig. 15, Fig. 16, Fig. 19, and Fig. 20.

| Ref. | Part No. | Serial Number | Description | Qty. |
|-------------|-----------------|----------------------|-----------------------------------|-------------|
| 1 | 65580 | (000000- |) Bag, Power | 1 |
| 2 | 72968 | (000000- |) Rivet, Plstc, .250d X 0.90 | 4 |
| 3 | 30013 | (000000- |) Washer, Flat, 0.31, Fendr | 2 |
| 4 | 223649 | (000000- |) Bracket Wldt, Wand, Power | 1 |
| 5 | 223490 | (000000- |) Bracket, Wand, Power | 1 |
| 6 | 223522 | (000000- |) Latch, Flexible Draw | 1 |
| 7 | 223492 | (000000- |) Tray, Brush | 1 |
| 8 | 09120 | (000000- |) Screw, Flt, M5 X 0.8 X 16, 10.9 | 1 |
| 9 | 16931 | (000000- |) Screw, Hex, M8 X 1.25 X 20, 8.8 | 6 |
| 10 | 07791 | (000000- |) Nut, Hex, Flng, M8 X 1.25 | 4 |
| 11 | 32491 | (000000- |) Washer, Flat, 0.31, Std | 4 |
| 12 | 09244 | (000000- |) Screw, Hex, M5 X 0.8 X 16, 8.8 | 2 |
| 13 | 07791 | (000000- |) Nut, Hex, Flng, M8 X 1.25 | 2 |

Fig. 17 - Power Wand Mount Group, Scrub Head, 700 mm (28 in)

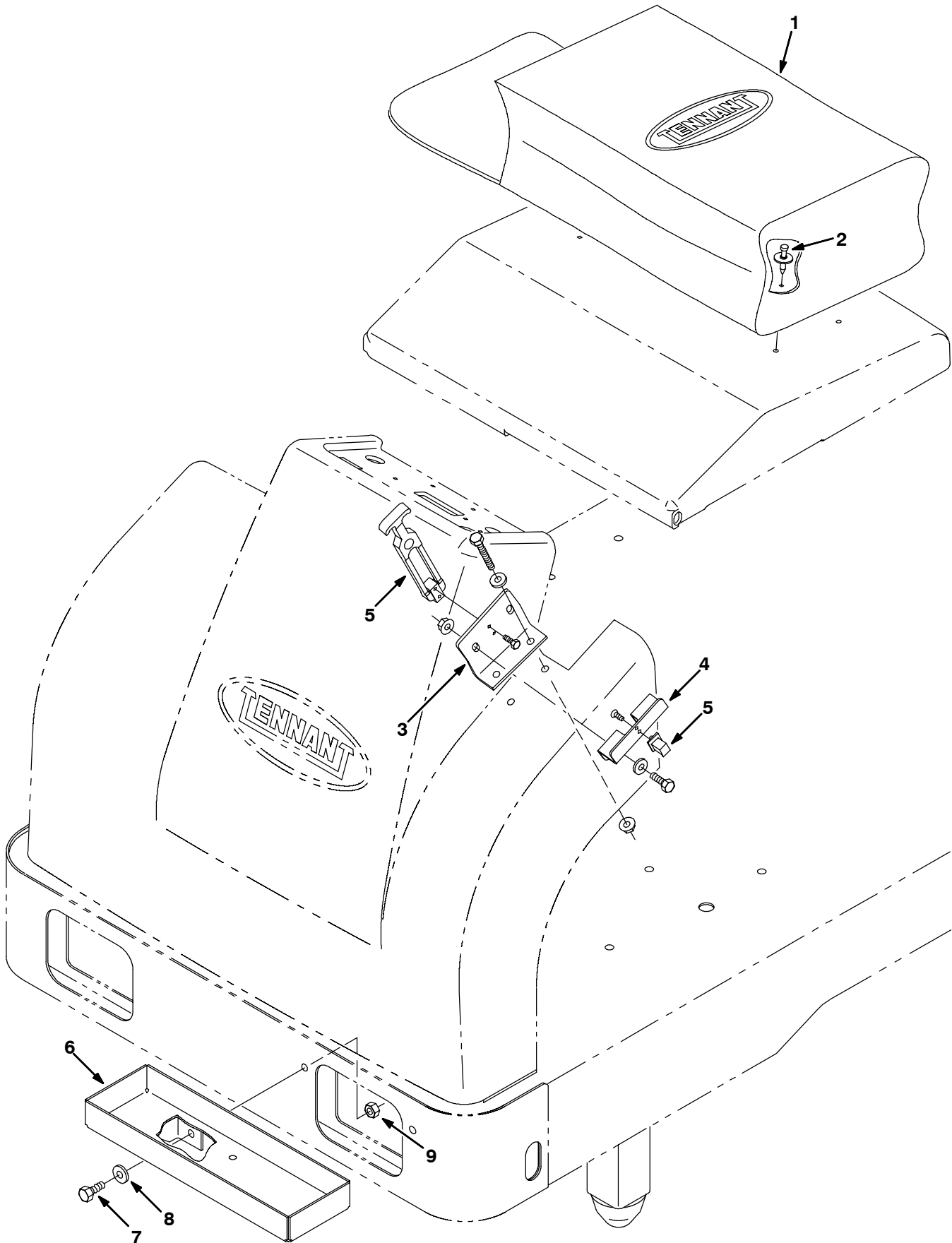


Fig. 17 - Power Wand Mount Group, Scrub Head, 700 mm (28 in)

| Ref. | Part No. | Serial Number | Description | Qty. |
|-------------|-----------------|----------------------|-----------------------------------|-------------|
| 1 | 65580 | (000000-008237) | Bag, Power | 1 |
| 2 | 72968 | (000000-008237) | Rivet, Plstc, .250d X 0.90 | 4 |
| 3 | 385658 | (000000-008237) | Bracket, Wand, Power | 1 |
| 4 | 223490 | (000000-008237) | Bracket, Wand, Power | 1 |
| 5 | 223522 | (000000-008237) | Latch, Flexible Draw | 1 |
| 6 | 385654 | (000000-008237) | Tray, Wand, Power | 1 |
| 7 | 09291 | (000000-008237) | Screw, Hex, M10 X 1.5 X 20, Ss | 2 |
| 8 | 01686 | (000000-008237) | Washer, Flat, 0.44b 1.00d .08, Ss | 2 |
| 9 | 08714 | (000000-008237) | Nut, Hex, Lock, M10 X 1.5, NI, Ss | 2 |

Fig. 18 - Power Wand Mount Group, Rollout Battery

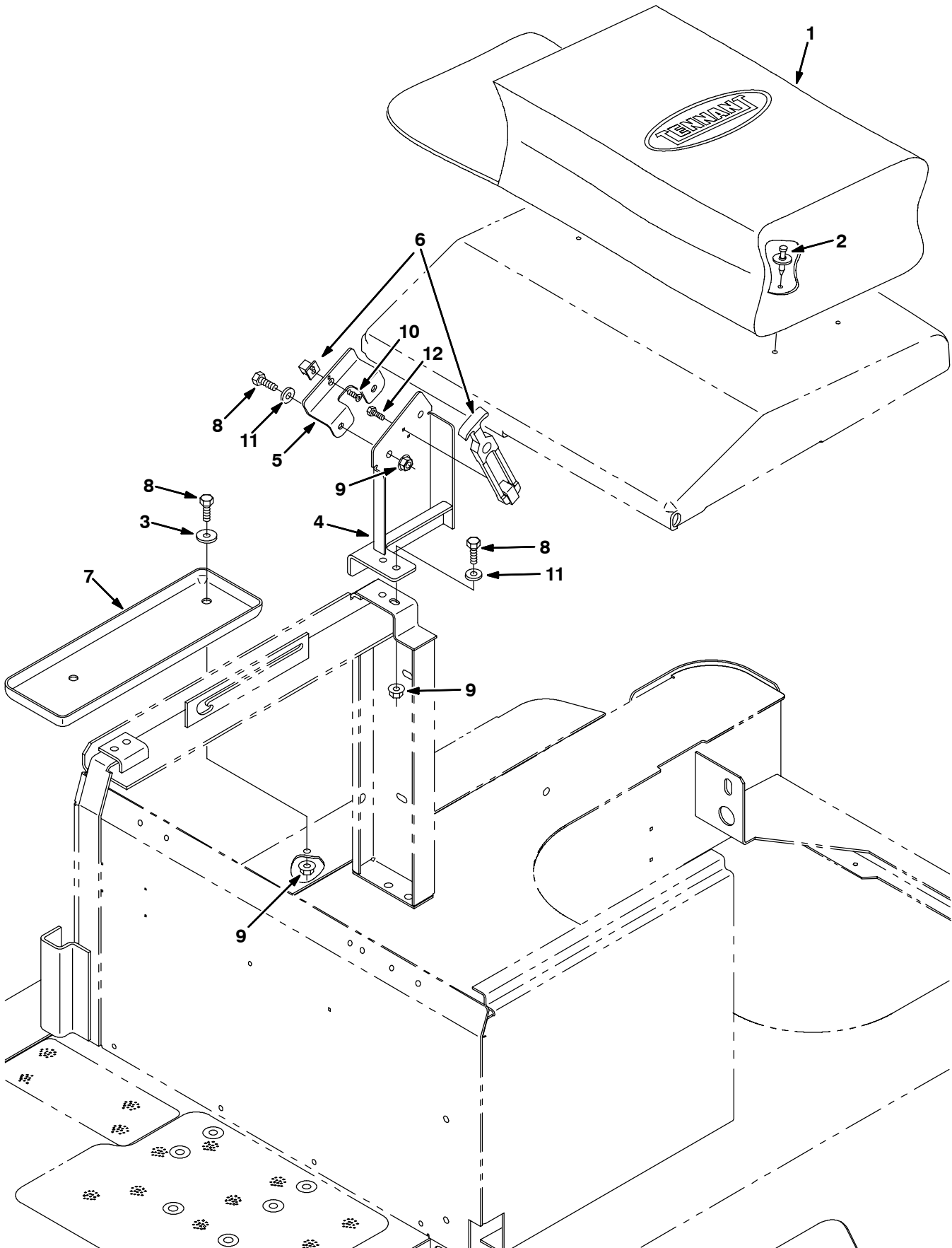


Fig. 18 - Power Wand Mount Group, Rollout Battery

NOTE: Power Wand Kit, Rollout Battery, Tennant Part Number 385634, includes; Fig. 15, Fig. 18, Fig. 19, and Fig. 20.

| Ref. | Part No. | Serial Number | Description | Qty. |
|-------------|-----------------|----------------------|-----------------------------------|-------------|
| 1 | 65580 | (000000- |) Bag, Power | 1 |
| 2 | 72968 | (000000- |) Rivet, Plstc, .250d X 0.90 | 4 |
| 3 | 30013 | (000000- |) Washer, Flat, 0.31, Fendr | 2 |
| 4 | 385651 | (000000- |) Bracket Wldt, Wand, Power | 1 |
| 5 | 223490 | (000000- |) Bracket, Wand, Power | 1 |
| 6 | 223522 | (000000- |) Latch, Flexible Draw | 1 |
| 7 | 385632 | (000000- |) Tray, Brush, Rwk | 1 |
| 8 | 16931 | (000000- |) Screw, Hex, M8 X 1.25 X 20, 8.8 | 6 |
| 9 | 07791 | (000000- |) Nut, Hex, Fing, M8 X 1.25 | 6 |
| 10 | 09120 | (000000- |) Screw, Flt, M5 X 0.8 X 16, 10.9 | 1 |
| 11 | 32491 | (000000- |) Washer, Flat, 0.31, Std | 4 |
| 12 | 09244 | (000000- |) Screw, Hex, M5 X 0.8 X 16, 8.8 | 2 |

Fig. 19 - Power Wand Hose Assembly

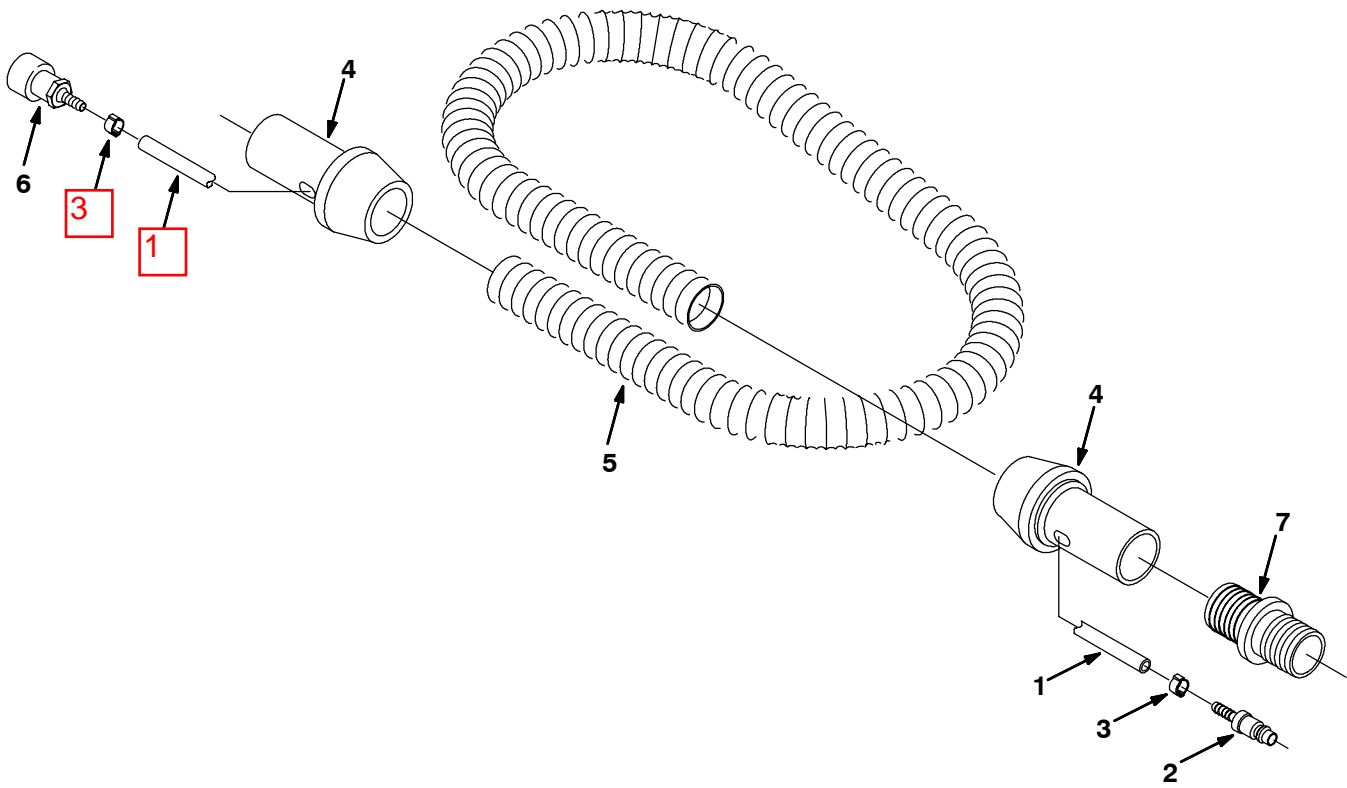


Fig. 19 - Power Wand Hose Assembly

NOTE: Power Wand Kit, Scrub Head 900 mm (36 in), Tennant Part Number 223282, includes; Fig. 15, Fig. 16, Fig. 19, and Fig. 20.

NOTE: Power Wand Kit, Rollout Battery, Tennant Part Number 385634, includes; Fig. 15, Fig. 18, Fig. 19, and Fig. 20.

| | Ref. | Part No. | Serial Number | Description | Qty. |
|---|------|-------------|---------------|--|------|
| ▽ | | 65341 | (000000- |) Hose Assy, Wand, Power | 1 |
| ▲ | 2 | 4 578318000 | (000000- |) Fitting, Stl, Qdc, Bm04 | 1 |
| ▲ | 3 | 2 578160000 | (000000- |) Clamp, Hose, Ear, 11-13mm, Ss | 2 |
| ▲ | 1 | 3 578820000 | (000000- |) Hose, Pvc, Brd, 0.25id 0.44od 157.2l,Clr | 1 |
| ▲ | | 4 578072000 | (000000- |) Cuff, Swivel, 1.5 Blk | 2 |
| ▲ | | 5 578276000 | (000000- |) Hose, Vacuum, 1.50id X 10ft, Gray | 1 |
| ▲ | | 6 578071000 | (000000- |) Fitting, Brs, Qdc, Bm04/Pf04 | 1 |
| | | 7 12694 | (000000- |) Fitting, Plstc, Str, Bm24/Bm24 | 1 |

Fig. 20 - Power Wand Assembly

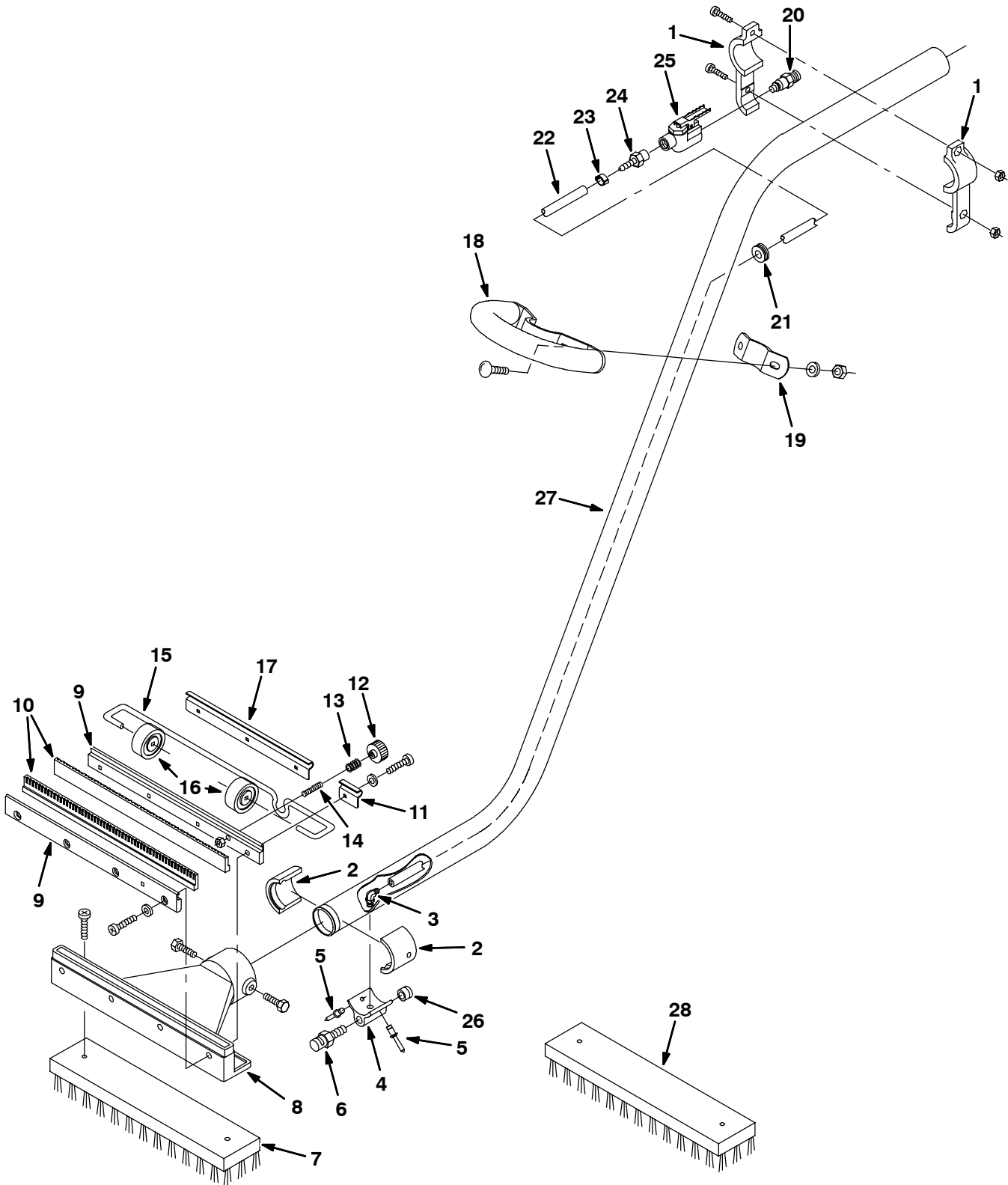


Fig. 20 - Power Wand Assembly

NOTE: Power Wand Kit, Scrub Head 900 mm (36 in), Tennant Part Number 223282, includes; Fig. 15, Fig. 16, Fig. 19, and Fig. 20.

NOTE: Power Wand Kit, Rollout Battery, Tennant Part Number 385634, includes; Fig. 15, Fig. 18, Fig. 19, and Fig. 20.

| Ref. | Part No. | Serial Number | Description | Qty. |
|------|--------------|---------------|--|------|
| ▽ | 65340 | (000000- |) Wand Assy, Power | 1 |
| ▲ | 1 578077000 | (000000- |) Bracket, Wand, Valve Mtg | 1 |
| ▲ | 2 578061000 | (000000- |) Adapter, Head / Wand [17b/E] | 2 |
| ▲ | 3 578214000 | (000000- |) Fitting, Plstc, E90, Bm04/Pm02 | 1 |
| ▲ | 4 579112 | (000000- |) Fitting Spray Nozzle Adapter | 1 |
| ▲ | 5 602036000 | (000000- |) Rivet, Blind [S2500 Drvblock] | 2 |
| ▲ | 6 578066000 | (000000- |) Fitting, Brs, Tip [75, .125k-Jet] | 1 |
| ▲ | 7 65610 | (000000- |) Brush, Power Wand, W/ Fastener, Pyp | 1 |
| ▲ | 8 578063000 | (000000- |) Head, Wand [17b/E] | 1 |
| ▲ | 9 578078000 | (000000- |) Retainer, Sqge, Wand [17b/E] | 2 |
| ▲ | 10 578074000 | (000000- |) Blade, Sqge, 300.8mml, Wand [17b/E, G] | 2 |
| ▲ | 11 578124000 | (000000- |) Bracket, Axle, 1 Hole [17b/E] | 1 |
| ▲ | 12 578439 | (000000- |) Nut, Thumb, M6 X 1.0, 30d | 1 |
| ▲ | 13 613732 | (000000- |) Spring, Cmpr, 15mm [Conical] | 1 |
| ▲ | 14 578143000 | (000000- |) Screw, Set, M6 X 1.00 X 40, Ss [Cuppt] | 1 |
| ▲ | 15 578126000 | (000000- |) Axle, Wand [17b/E] | 1 |
| ▲ | 16 578125000 | (000000- |) Wheel, 41.3d 19.1w, Rbr | 2 |
| ▲ | 17 578123000 | (000000- |) Bracket, Axle, 3 Hole [17b/E] | 1 |
| ▲ | 18 578155000 | (000000- |) Handle Wldt, Wand | 1 |
| ▲ | 19 578154000 | (000000- |) Bracket, Wand, Handle | 1 |
| ▲ | 20 578091000 | (000000- |) Fitting, Brs, Qdc, Pm04, Plug | 1 |
| ▲ | 21 578164000 | (000000- |) Grommet, 0.38id, F/0.6h, .06 Matl | 1 |
| ▲ | 22 578821000 | (000000- |) Hose, Pyu, 0.25id 0.38od 1220mml, Blk | 1 |
| ▲ | 23 578161000 | (000000- |) Clamp, Hose, Ear, 8-11mm, Ss | 2 |
| ▲ | 24 578094000 | (000000- |) Fitting, Nyl, Str, Bm04/Pm04 | 1 |
| ▲ | 25 578064000 | (000000- |) Valve, Cntrl, Water | 1 |
| ▲ | 26 150208 | (000000- |) Fitting, Brs, Str, Pm02, Plug [Skhd] | 1 |
| ▲ | 27 578060000 | (000000- |) Wand, Dbl Bend, 38.1mmd | 1 |
| ▲ | 28 65582 | (000000- |) Brush, Power Wand, W/ Fastener, Abr | 1 |

Fig. 21 - Vacuum Wand Kit

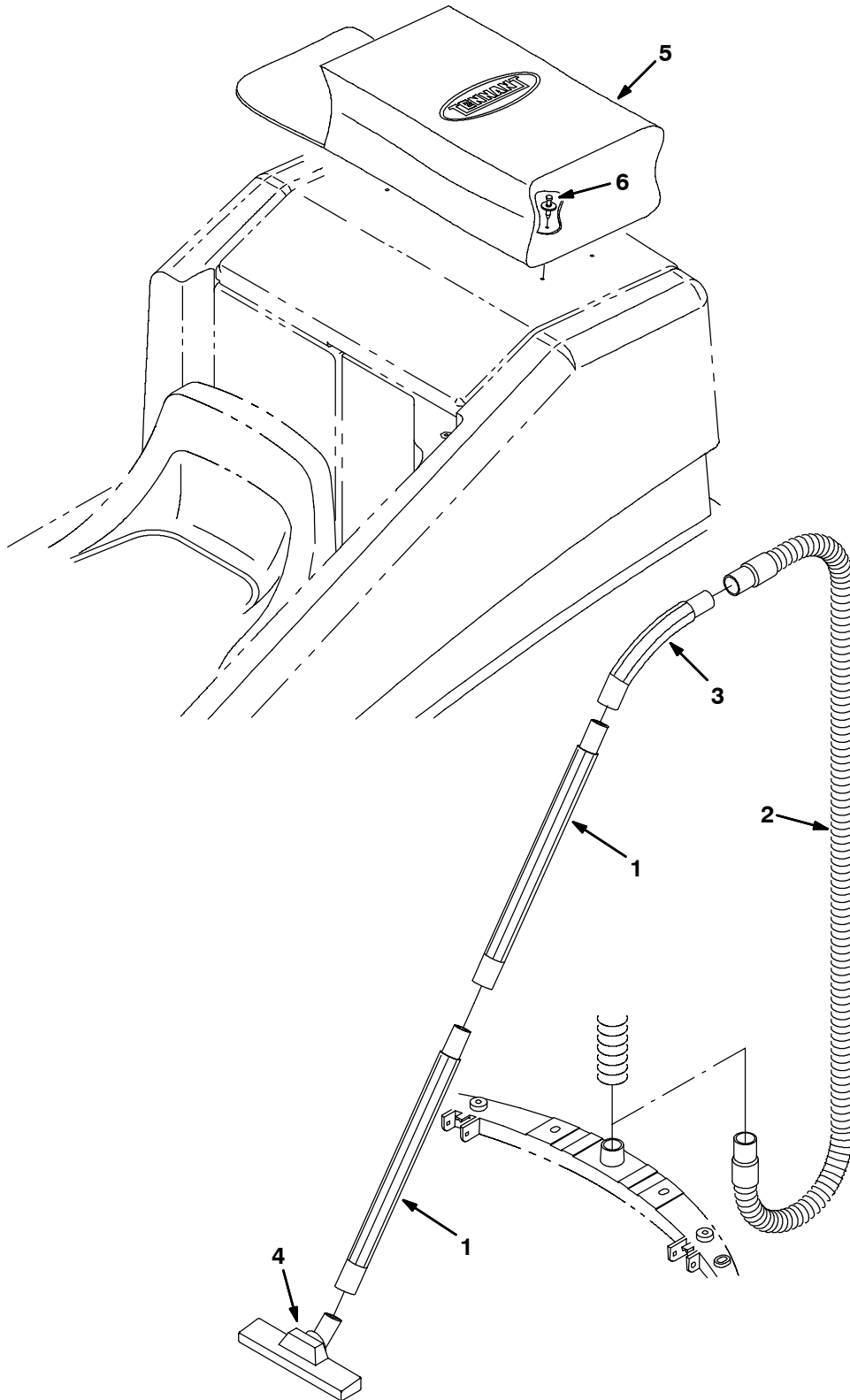


Fig. 21 - Vacuum Wand Kit

| | Ref. | Part No. | Serial Number | Description | Qty. |
|---|-------------|-----------------|----------------------|---|-------------|
| ▽ | | 222349 | (000000- |) Wand Kit, Vacuum [5700/7200] | 1 |
| ▲ | 1 | 05579 | (000000- |) Tube, Wand, Vacuum, 1.3d 19.4l | 2 |
| ▲ | 2 | 05594 | (000000- |) Hose Assy, W/2cuff, 1.5d 089l 1.5/1.5 | 1 |
| ▲ | 3 | 05584 | (000000- |) Tube, Wand, Vacuum, 1.3d | 1 |
| ▲ | 4 | 374077 | (000000- |) Nozzle, Wand, Vacuum | 1 |
| ▲ | 5 | 65580 | (000000- |) Bag, Power | 1 |
| ▲ | 6 | 72968 | (000000- |) Rivet, Plstc, .250d X 0.90 | 4 |

Fig. 22 - Side Roller Bumper Kit

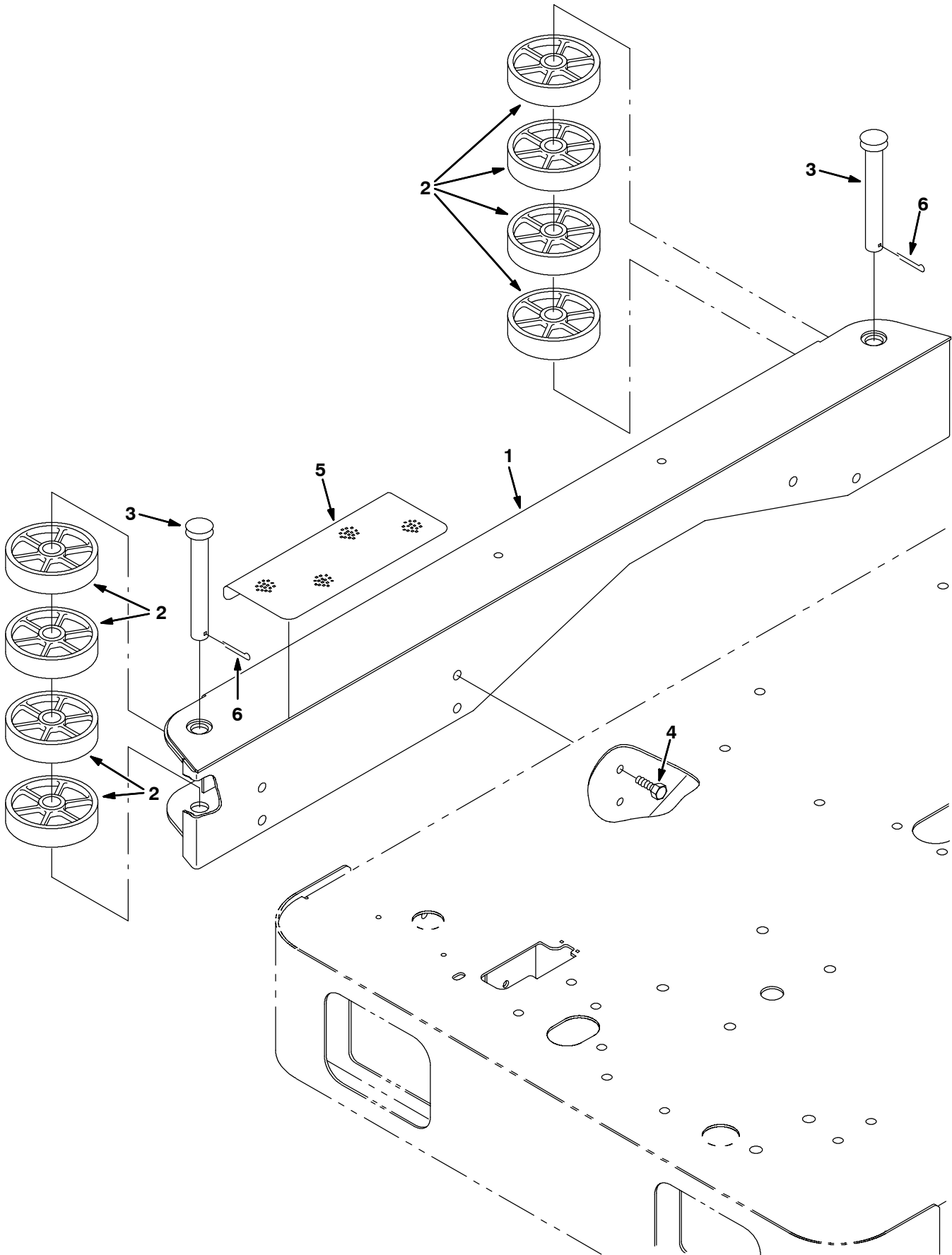


Fig. 22 - Side Roller Bumper Kit

| | Ref. | Part No. | Serial Number | Description | Qty. |
|---|-------------|-----------------|----------------------|------------------------------------|-------------|
| ▽ | | 223578 | (000000- |) Bumper Kit, Rlr, Side, Ci [7200] | 1 |
| ▲ | 1 | 385603 | (000000- |) Bumper Wldt, Battery, R/O | 1 |
| ▲ | 2 | 364085 | (000000- |) Wheel, 04.0d 0.98w 0.78b | 8 |
| ▲ | 3 | 54660 | (000000- |) Pin, Clevis, 0.75d X 5.50l | 2 |
| ▲ | 4 | 09010 | (000000- |) Screw, Hex, M8 X 1.25 X 25, Ss | 7 |
| ▲ | 5 | 223350 | (000000- |) Tread, Non-Skid, 04.5w 10.0l | 1 |
| ▲ | 6 | 08181 | (000000- |) Pin, Cotter, .094 X 1.50 | 2 |

Fig. 23 - Positive Solution Control Drain Kit, Std

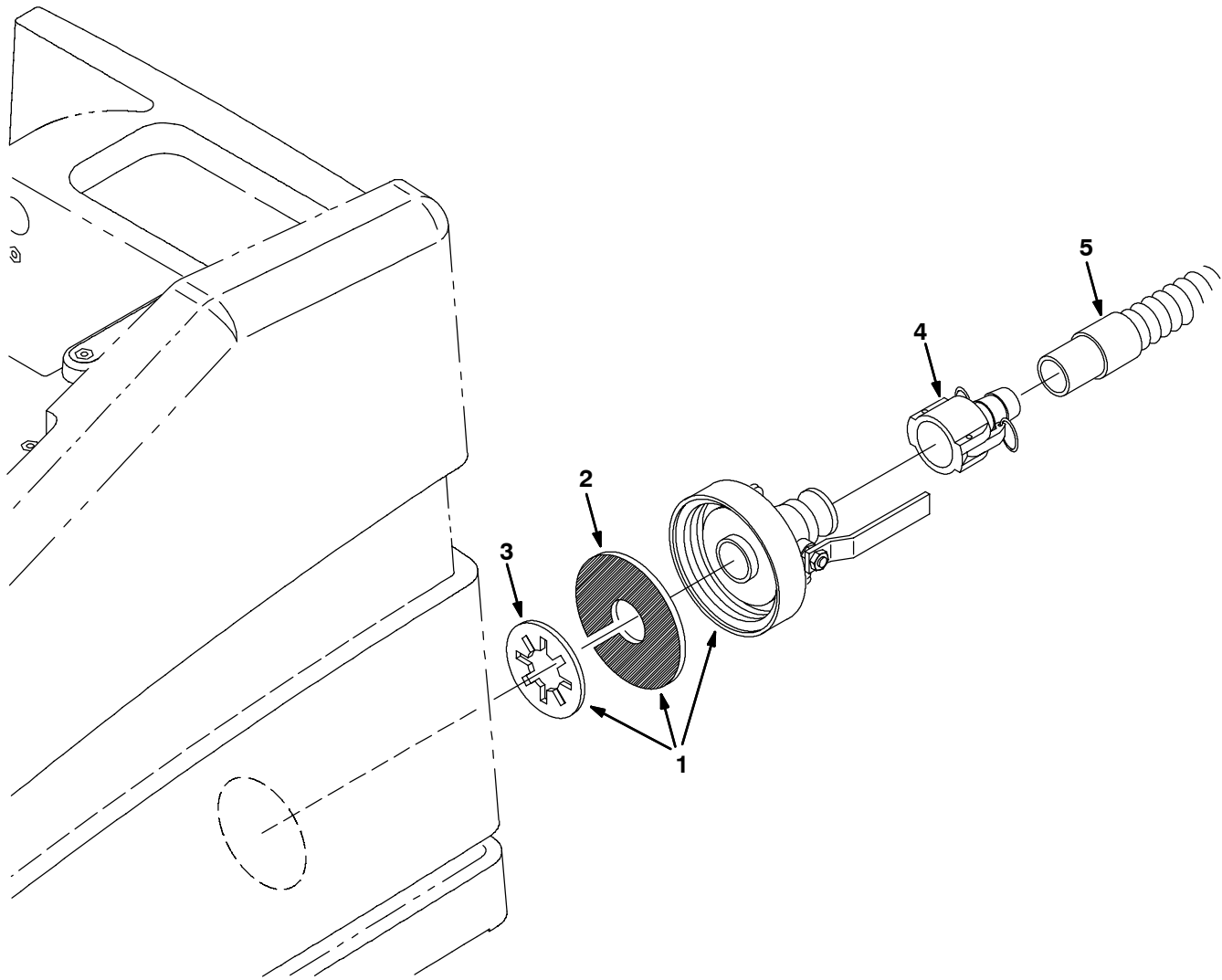


Fig. 23 - Positive Solution Control Drain Kit, Std

| | Ref. | Part No. | Serial Number | Description | Qty. |
|----|-------------|-----------------|----------------------|--|-------------|
| ▽ | | 25778 | (000000- |) Drain Kit, Soltn, Std [Posi Cntrl] | 1 |
| ▲▽ | 1 | 25783 | (000000- |) Cap Assy, Soltn, W/ Valve [Posi Cntrl] | 1 |
| ▲▲ | | 23456 | (000000- |) Cap, Tank, Drain, 6.17 Thread Pye | 1 |
| ▲▲ | | 375014 | (000000- |) Handle Kit, Valve | 1 |
| ▲▲ | 2 | 1031700 | (000000- |) Gasket, 2.00id 5.38od .19 [Buna] | 1 |
| ▲▲ | 3 | 20932 | (000000- |) Washer, Flat, 1.91b 4.38d .13, Pye | 1 |
| ▲ | 4 | 48734 | (000000- |) Fitting, Coupler, Hose, Shank, Fem | 1 |
| ▲ | 5 | 75635 | (000000- |) Hose Assy, W/1cuff, 1.5d 120l 1.5/ | 1 |

Fig. 24 - Positive Solution Control Drain Kit, ES

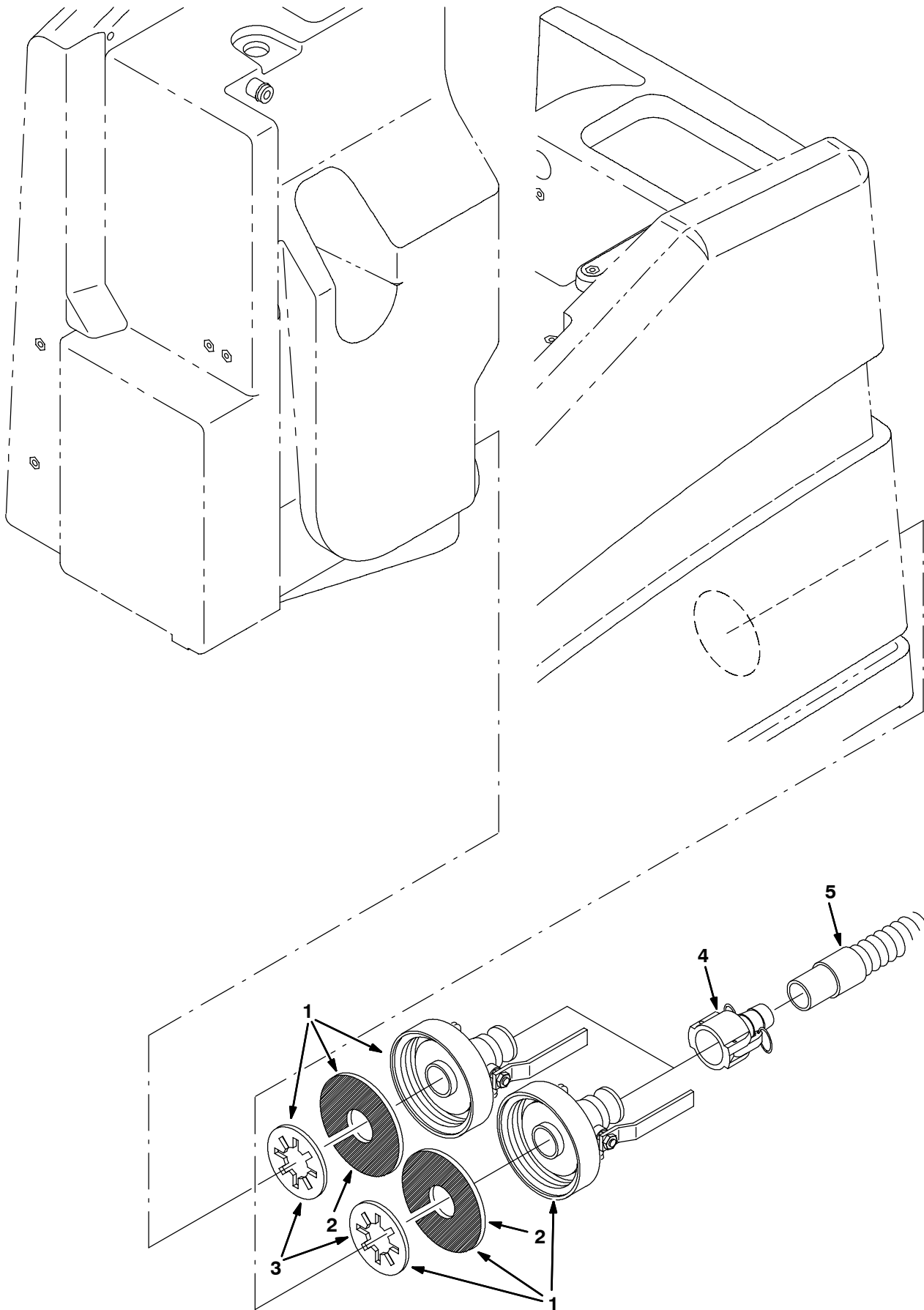


Fig. 24 - Positive Solution Control Drain Kit, ES

| | Ref. | Part No. | Serial Number | Description | Qty. |
|----|-------------|-----------------|----------------------|--|-------------|
| ▽ | | 25781 | (000000- |) Drain Kit, Posi Cntrl / Dual, Ci | 1 |
| ▲▽ | 1 | 25783 | (000000- |) Cap Assy, Soltn, W/ Valve [Posi Cntrl] | 2 |
| ▲▲ | | 23456 | (000000- |) Cap, Tank, Drain, 6.17 Thread Pye | 1 |
| ▲▲ | | 375014 | (000000- |) Handle Kit, Valve | 1 |
| ▲▲ | 2 | 1031700 | (000000- |) Gasket, 2.00id 5.38od .19 [Buna] | 1 |
| ▲▲ | 3 | 20932 | (000000- |) Washer, Flat, 1.91b 4.38d .13, Pye | 1 |
| ▲ | 4 | 48734 | (000000- |) Fitting, Coupler, Hose, Shank, Fem | 1 |
| ▲ | 5 | 75635 | (000000- |) Hose Assy, W/1cuff, 1.5d 120l 1.5/ | 1 |

Fig. 25 - Battery Kit, Wet, 235AH

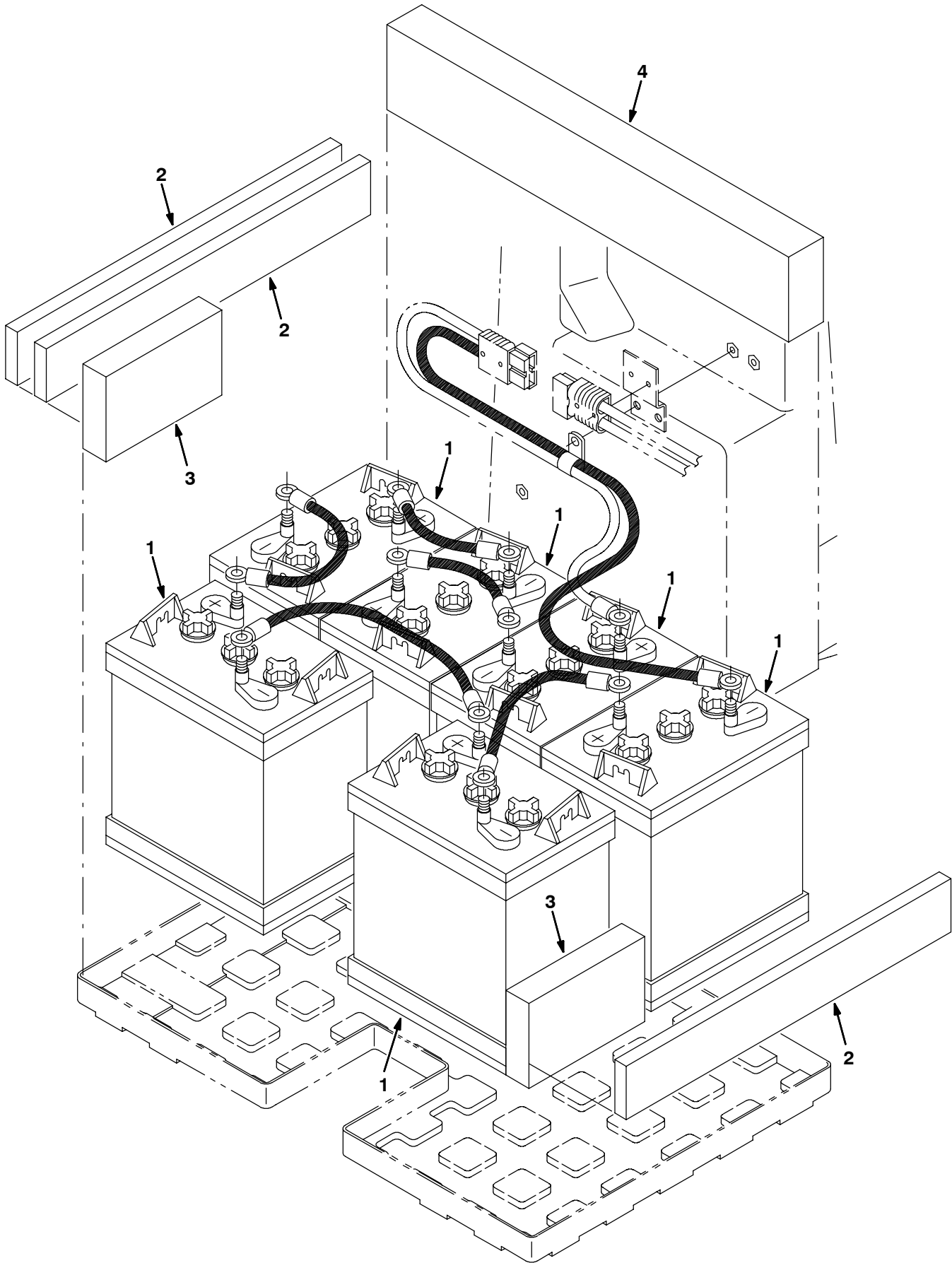


Fig. 25 - Battery Kit, Wet, 235AH

| | Ref. | Part No. | Serial Number | Description | Qty. |
|---|-------------|-----------------|----------------------|--|-------------|
| ▽ | | 223373 | (000000- |) Battery Kit, Wet, 6-06vdc 0235ah, Ci | 1 |
| ▲ | 1 | 222280 | (000000- |) Battery, Wet, 06vdc 0235ah | 6 |
| ▲ | 2 | 222473 | (000000- |) Spacer, Battery, 0.75 X 3.0 X 21.0 | 3 |
| ▲ | 3 | 223639 | (000000- |) Spacer, Battery, 1.50 X 4.8 X 07.5 | 2 |
| ▲ | 4 | 223638 | (000000- |) Spacer, Battery, 2.25 X 4.8 X 26.0 | 1 |

Fig. 26 - Heavy Duty Battery Kit, Wet, 335AH

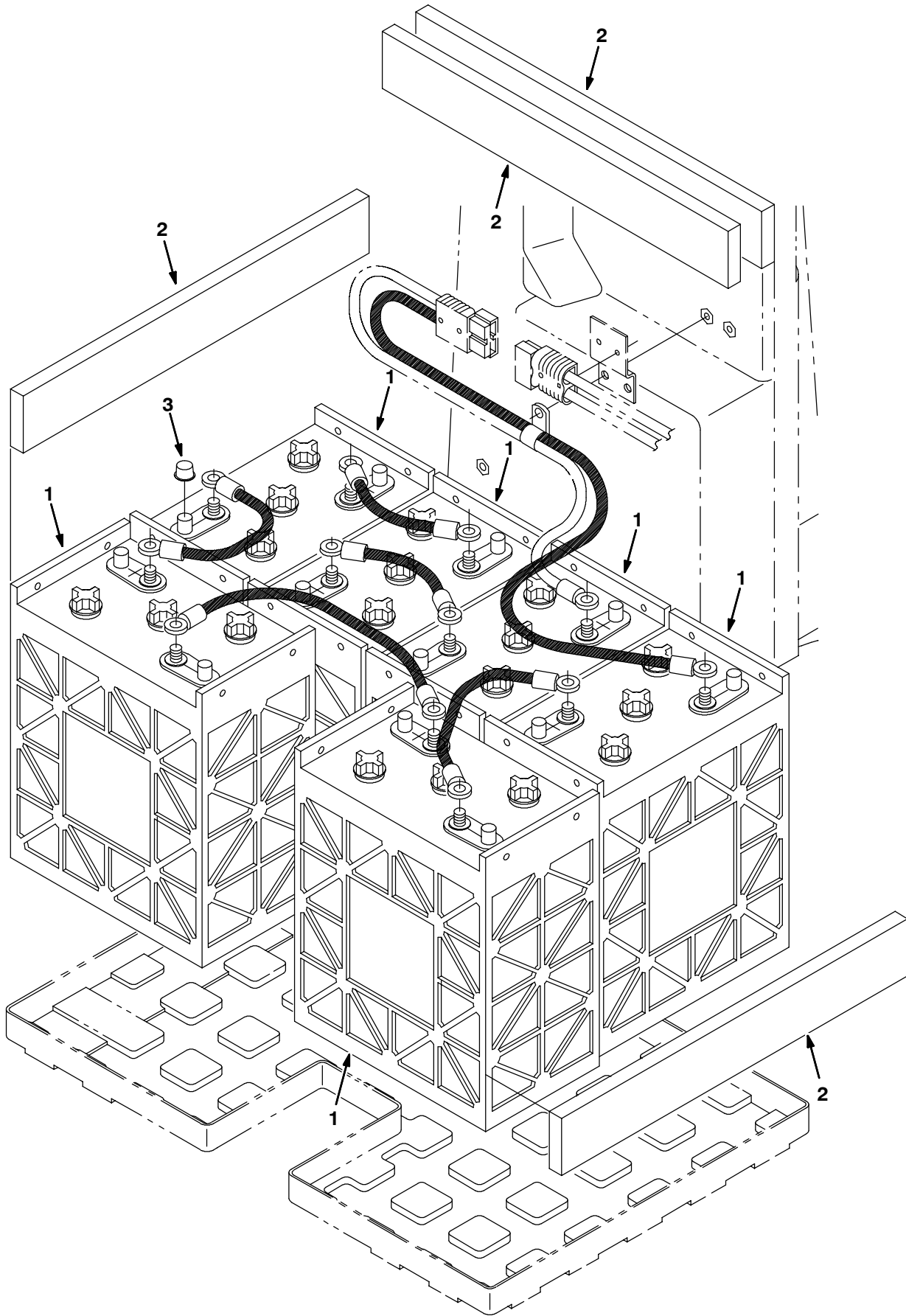
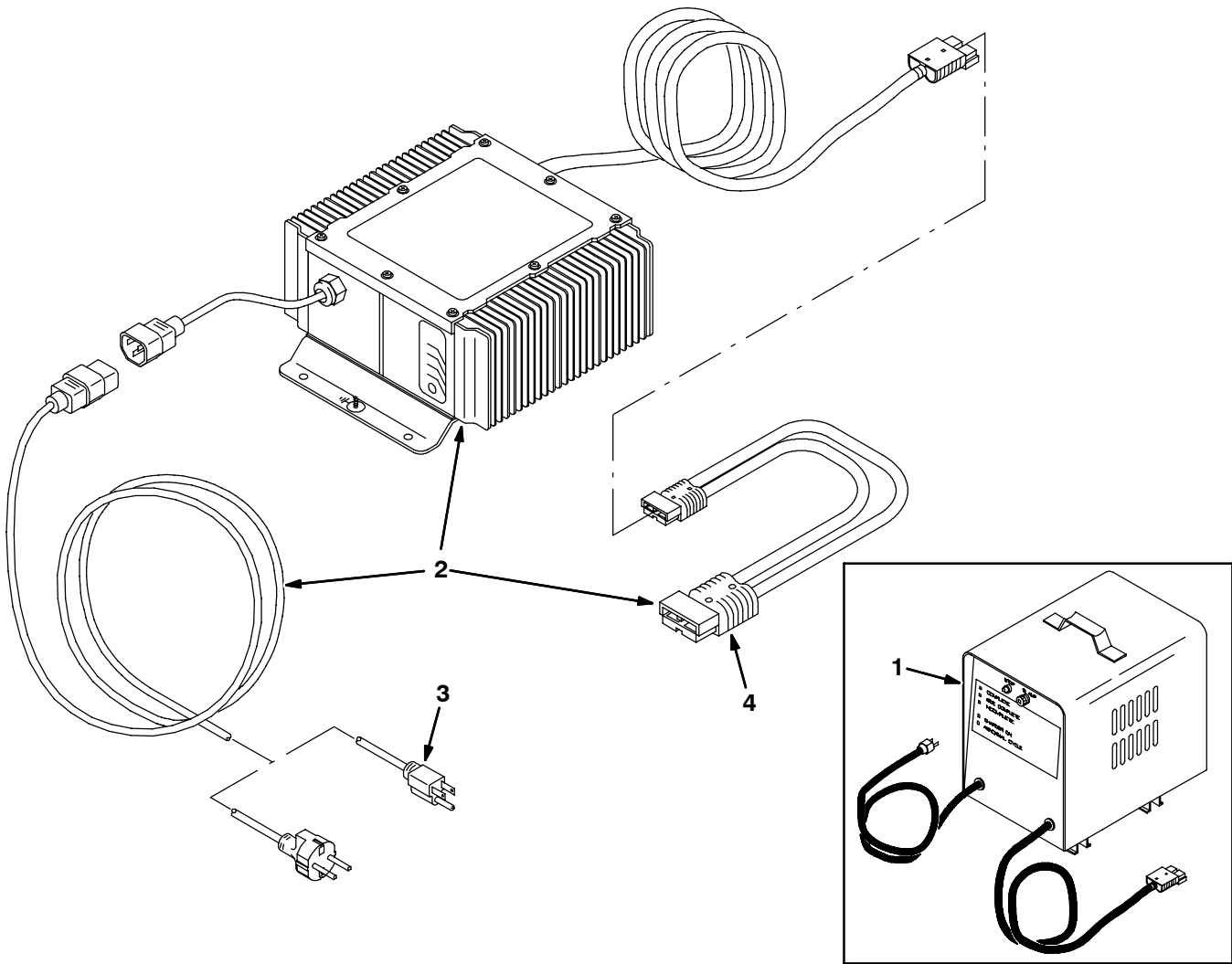


Fig. 26 - Heavy Duty Battery Kit, Wet, 335AH

| | Ref. | Part No. | Serial Number | Description | Qty. |
|---|-------------|-----------------|----------------------|--------------------------------------|-------------|
| ▽ | | 223377 | (000000- |) Battery Kit, Wet, 36vdc 0335ah, Ci | 1 |
| ▲ | 1 | 222846 | (000000- |) Battery, Wet, 06vdc 0335ah | 6 |
| ▲ | 2 | 222473 | (000000- |) Spacer, Battery, 0.75 X 3.0 X 21.0 | 4 |
| ▲ | 3 | 223641 | (000000- |) Cap, Battery | 6 |

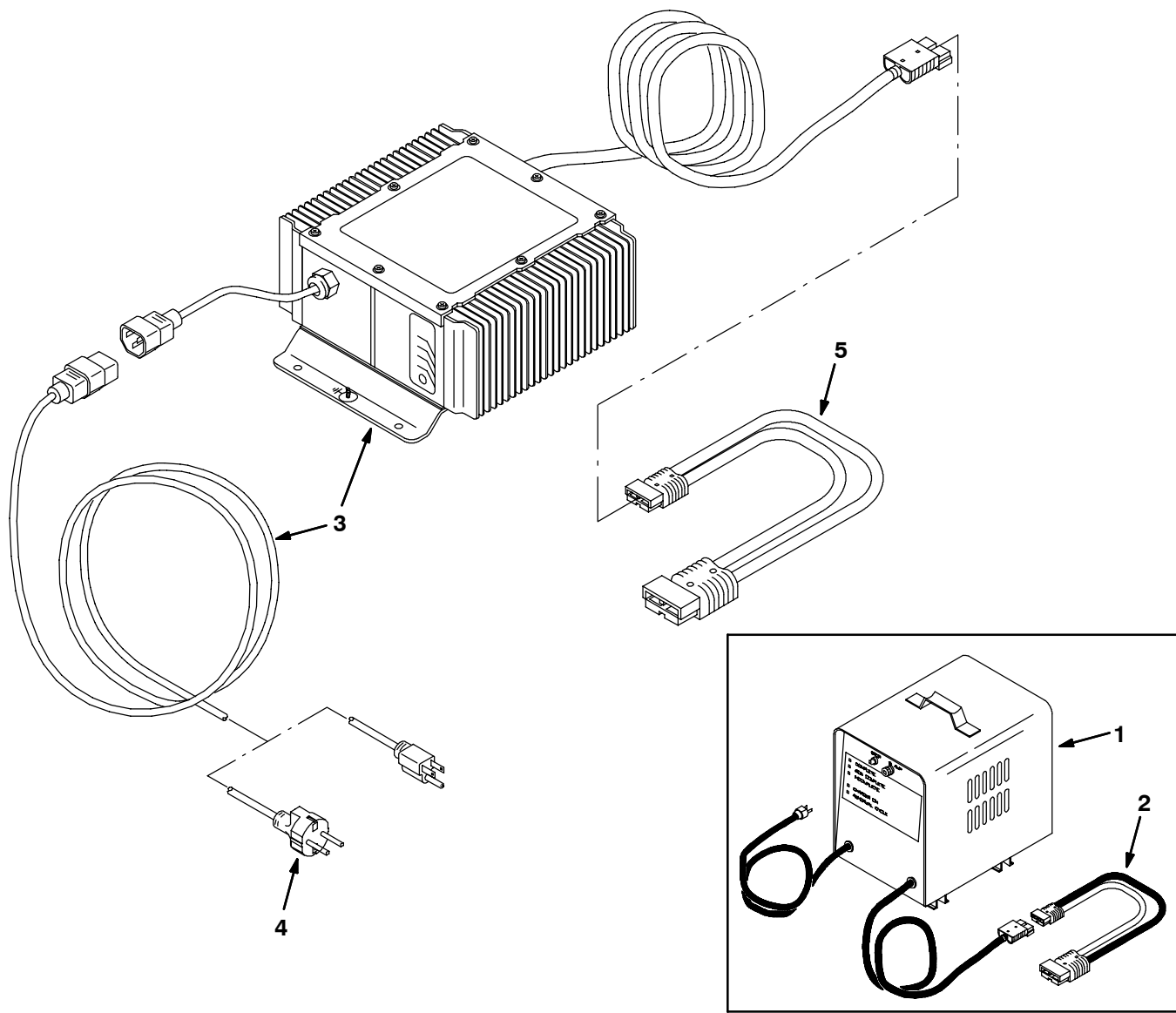
Fig. 27 - Battery Charger Group



08080 - NA

| Ref. | Part No. | Serial Number | Description | Qty. |
|------|----------|-------------------|--|------|
| 1 | 223681 | (000000- xxxxxx) | Charger, 36vdc 20a 120vac 1ph 60hz (See Breakdowns) | 1 |
| 1 | 223683 | (000000- xxxxxx) | Charger, 36vdc 30a 120vac 1ph 60hz (See Breakdowns) | 1 |
| ▽ | 2 | 9001056 | (xxxxxx-) Charger Kit, 36vdc, Ci [Domestic/Export] | 1 |
| ▲ | 3 | 1017079 | (xxxxxx-) Cord, Extn, 16ga /3, 010ft [Sjt] | 1 |
| ▲ | 4 | 223679 | (xxxxxx-) Cable Assy, 06ga Red / Blk, 050a /175a | 1 |

Fig. 28 - Battery Charger and Harness Group, International Only



354367, 350771 - NA

| Ref. | Part No. | Serial Number | Description | Qty. |
|------|-----------|-------------------|---|------|
| ▽ | 223685 | (000000- xxxxxx) | Charger Kit, 36vdc 020a 230vac, Ci | 1 |
| ▲ | 1 65540 | (000000- xxxxxx) | Charger, 36vdc 20a 230vac 1ph 50hz (See Breakdowns) | 1 |
| ▲ | 2 223679 | (000000- xxxxxx) | Cable Assy, 06ga Red / Blk, 050a /175a | 1 |
| ▽ | 223687 | (000000- xxxxxx) | Charger Kit, 36vdc 020a 245vac, Ci | 1 |
| ▲ | 1 65740 | (000000- xxxxxx) | Charger, 36vdc 20a 245vac 1ph 50hz (See Breakdowns) | 1 |
| ▲ | 2 223679 | (000000- xxxxxx) | Cable Assy, 06ga Red / Blk, 050a /175a | 1 |
| ▽ | 223689 | (000000- xxxxxx) | Charger Kit, 36vdc 030a 230vac, Ci | 1 |
| ▲ | 1 222595 | (000000- xxxxxx) | Charger, 36vdc 30a 230vac 1ph 50hz (See Breakdowns) | 1 |
| ▲ | 2 223679 | (000000- xxxxxx) | Cable Assy, 06ga Red / Blk, 050a /175a | 1 |
| ▽ | 223691 | (000000- xxxxxx) | Charger Kit, 36vdc 030a 245vac, Ci | 1 |
| ▲ | 1 222691 | (000000- xxxxxx) | Charger, 36vdc 30a 245vac 1ph 50hz (See Breakdowns) | 1 |
| ▲ | 2 223679 | (000000- xxxxxx) | Cable Assy, 06ga Red / Blk, 050a /175a | 1 |
| ▽ | 3 9001061 | (xxxxxx-) | Charger Kit, 36vdc, Ci[Export/Euro/Asia] | 1 |
| ▲ | 4 1019242 | (xxxxxx-) | Cord, Chrgr, Ele [European] | 1 |
| ▲ | 5 223679 | (xxxxxx-) | Cable Assy, 06ga Red / Blk, 050a /175a | 1 |

Fig. 29 - Disk Scrub Head Drive Motor Group, 700 mm (28 in)

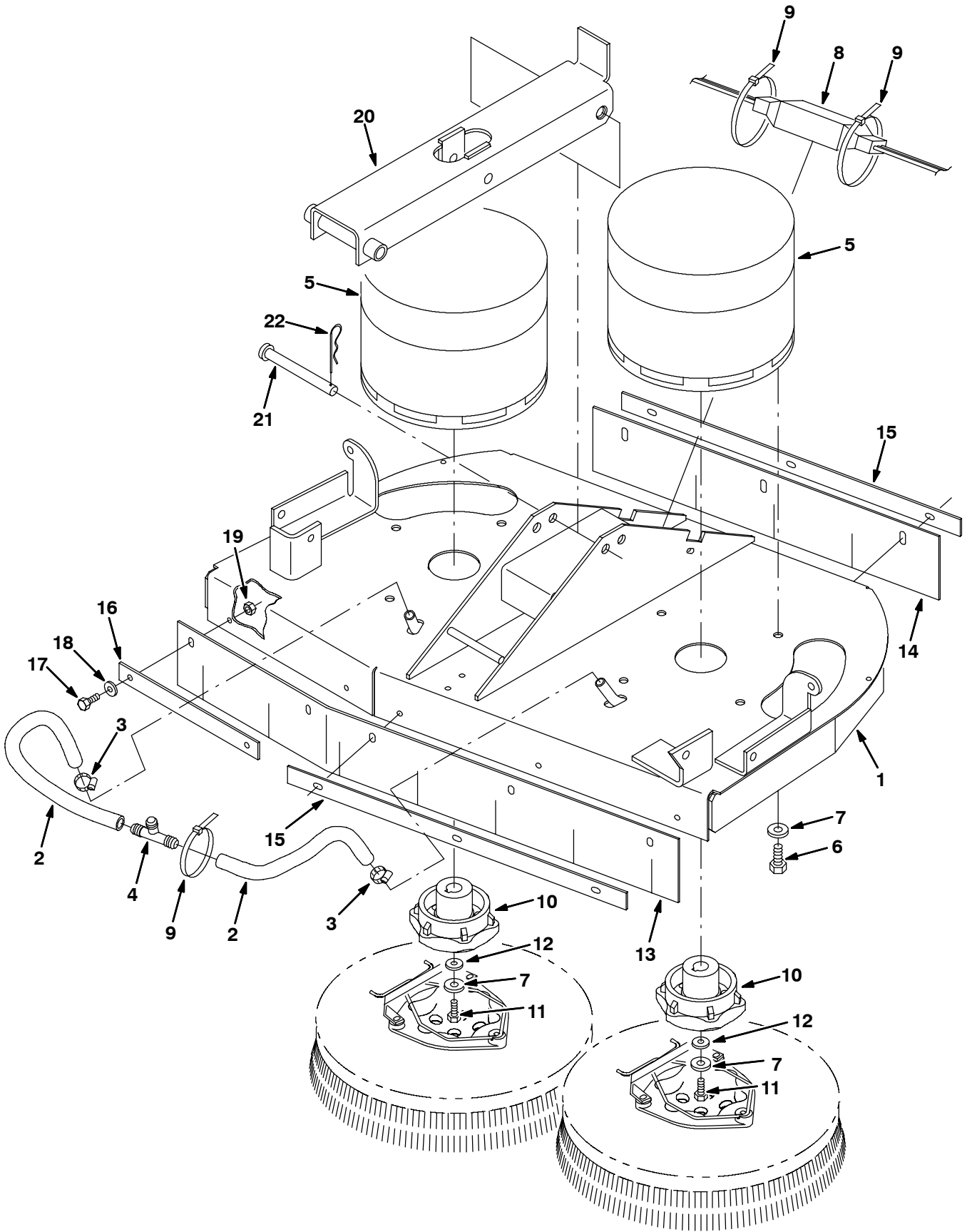


Fig. 29 - Disk Scrub Head Drive Motor Group, 700 mm (28 in)

| Ref. | Part No. | Serial Number | Description | Qty. |
|-------------|-----------------|----------------------|---|-------------|
| 1 | 223539 | (000000-008237) | Head Wldt, Disk, 28inch Scrbr | 1 |
| 2 | 223516 | (000000-008237) | Hose, Pvc, Brd, 0.50id 0.73od 009.6l,Clr | 2 |
| 3 | 54333 | (000000-008237) | Clamp, Hose, Wormdrive, 0.31-0.88d, .31w | 2 |
| 4 | 63245-1 | (000000-008237) | Fitting, Plstc, Tee, Bm08/Bm08/Bm08 | 1 |
| 5 | 223358 | (000000-008237) | Motor, Ele, 36vdc 0.80hp 0320rpm (See Breakdowns) | 2 |
| 6 | 42384 | (000000-008237) | Screw, Hex, .38-16 X 0.62, Ss | 8 |
| 7 | 01686 | (000000-008237) | Washer, Flat, 0.44b 1.00d .08, Ss | 10 |
| 8 | 222836 | (000000-008237) | Shunt Assy, Disk Head, 40mv /35a | 1 |
| 9 | 44961 | (000000-008237) | Tie, Cable, Nyl, 14.5l .30w 4.0 Max D | 6 |
| 10 | 222506 | (000000-008237) | Hub, Drive, Brush, Disc, Repby 377364 | 2 |
| 11 | 32124 | (000000-008237) | Screw, Hex, .31-18 X 1.00, Ss, NI | 2 |
| 12 | 41186 | (000000-008237) | Washer, Flat, Belleville, .31 | 2 |
| 13 | 223618 | (000000-008237) | Skirt, Rbr, .12, 03.75w 30.25l, 05/ SI | 1 |
| 14 | 223612 | (000000-008237) | Skirt, Rbr, .12, 03.75w 19.92l, 03/ SI | 1 |
| 15 | 223623 | (000000-008237) | Strip, Retainer, Skirt, Front, Lh | 2 |
| 16 | 223669 | (000000-008237) | Strip, Retainer, 0.12 01.00w 19.0l | 1 |
| 17 | 15678 | (000000-008237) | Screw, Hex, M6 X 1.0 X 16, Ss | 8 |
| 18 | 01684 | (000000-008237) | Washer, Flat, 0.27b 0.69d .05, Ss | 8 |
| 19 | 08712 | (000000-008237) | Nut, Hex, Lock, M6 X 1.00, Ss, NI | 8 |
| 20 | 223666 | (000000-008237) | Channel Wldt, Lift, Tool | 1 |
| 21 | 59668 | (000000-008237) | Pin, Clevis, 0.50d X 4.50l | 1 |
| 22 | 44906 | (000000-008237) | Pin, Cotter, Hair, 0.69d .092 Wir | 1 |

Fig. 30 - Disk Scrub Head Squeegee Group, 700 mm (28 in)

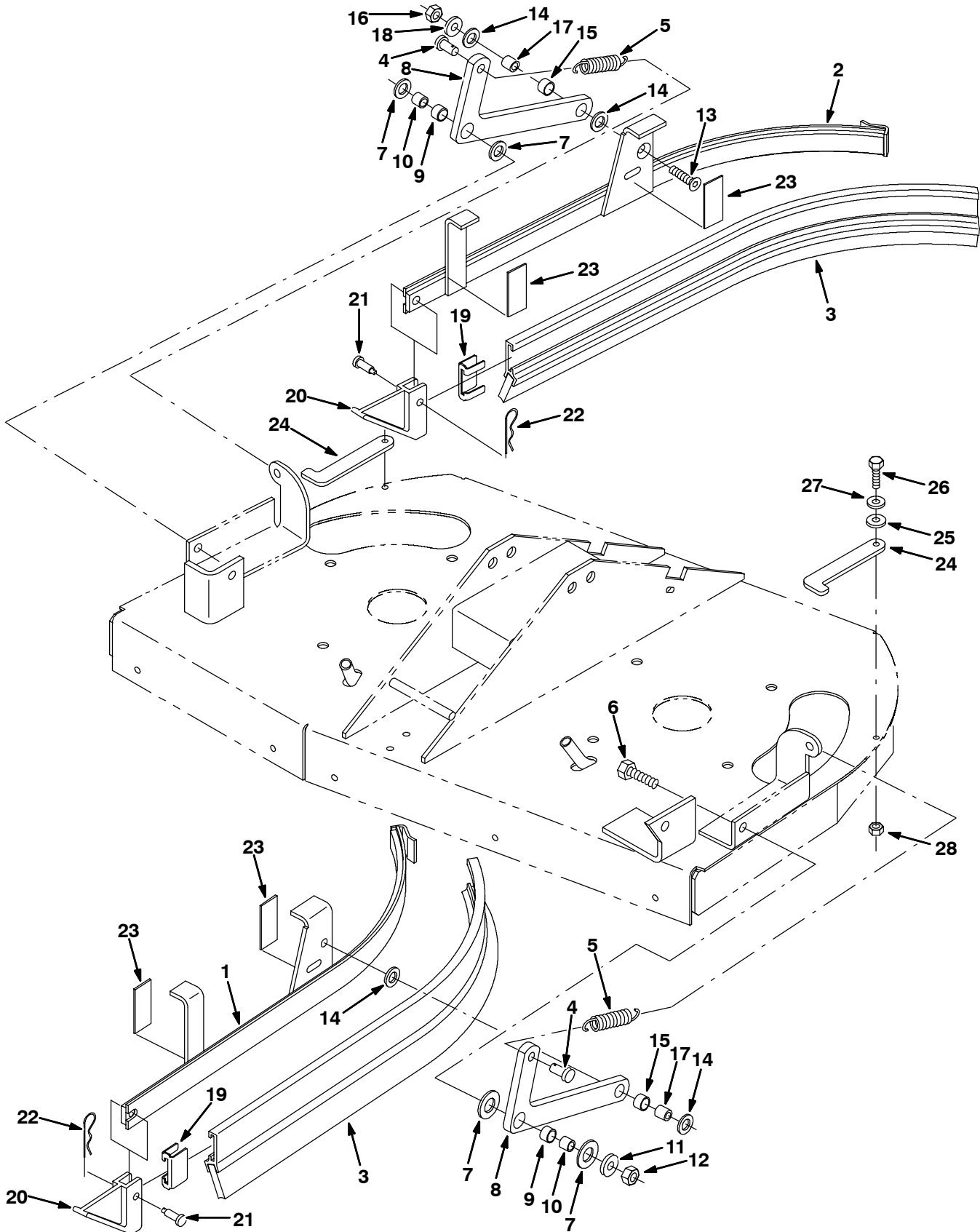


Fig. 30 - Disk Scrub Head Squeegee Group, 700 mm (28 in)

| Ref. | Part No. | Serial Number | Description | Qty. |
|-------------|-----------------|----------------------|---|-------------|
| 1 | 223637 | (000000-008237) | Bladeholder Wldt, Sqge, Disk, Lh | 1 |
| 2 | 223489 | (000000-008237) | Bladeholder Wldt, Sqge, Disk, Rh | 1 |
| 3 | 86859 | (000000-008237) | Squeegee Assy, Side [Linatex] | 2 |
| 4 | 39019 | (000000-008237) | Pin, Clevis, 0.37d X 0.75l | 2 |
| 5 | 15047 | (000000-008237) | Spring, Extn, 0.62od 0.08wir 03.0l | 2 |
| 6 | 77347 | (000000-008237) | Screw, Hex, M10 X 1.5 X 35, Ss | 2 |
| 7 | 64425 | (000000-008237) | Washer, Thrust, 0.61b 1.25d .06, Fgl | 4 |
| 8 | 25709 | (000000-008237) | Bellcrank, Lift, Sqge | 2 |
| 9 | 71607 | (000000-008237) | Bushing, Sleeve, 0.63b 0.72d 0.38l | 2 |
| 10 | 71608 | (000000-008237) | Tube, 0.41id 0.62od 00.5l, Ss | 2 |
| 11 | 01686 | (000000-008237) | Washer, Flat, 0.44b 1.00d .08, Ss | 2 |
| 12 | 08714 | (000000-008237) | Nut, Hex, Lock, M10 X 1.5, NI, Ss | 2 |
| 13 | 79506 | (000000-008237) | Screw, Flt, M8 X 1.25 X 30, Ss | 2 |
| 14 | 86860 | (000000-008237) | Bearing, Thrust, 0.50b 0.87d 0.06w | 4 |
| 15 | 64173 | (000000-008237) | Bushing, Sleeve, 0.50b 0.59d 0.38l, Stl | 2 |
| 16 | 08713 | (000000-008237) | Nut, Hex, Lock, M8 X 1.25, NI, Ss | 2 |
| 17 | 223609 | (000000-008237) | Sleeve, P/M, 0.31b 0.50d 0.5l [430ss] | 2 |
| 18 | 01685 | (000000-008237) | Washer, Flat, 0.38b 0.88d .08, Ss | 2 |
| 19 | 86759 | (000000-008237) | Retainer, Sqge | 2 |
| 20 | 86865 | (000000-008237) | Guide, Sqge, Side | 2 |
| 21 | 69582 | (000000-008237) | Pin, Clevis, 0.31d X 1.00l | 2 |
| 22 | 44906 | (000000-008237) | Pin, Cotter, Hair, 0.69d .092 Wir | 2 |
| 23 | 223672 | (000000-008237) | Tape, .0080, 1.0w, 2.5l [Protective] | 4 |
| 24 | 369343 | (000000-008237) | Plate, Side, Sqge | 2 |
| 25 | 16236 | (000000-008237) | Washer, Flat, 0.26b 0.72d .06, Nyl | 2 |
| 26 | 08716 | (000000-008237) | Screw, Hex, M6 X 1.0 X 20, Ss | 2 |
| 27 | 01684 | (000000-008237) | Washer, Flat, 0.27b 0.69d .05, Ss | 2 |
| 28 | 08712 | (000000-008237) | Nut, Hex, Lock, M6 X 1.00, Ss, NI | 2 |

Fig. 31 - Cylindrical Scrub Head Frame Group, 700 mm (28 in)

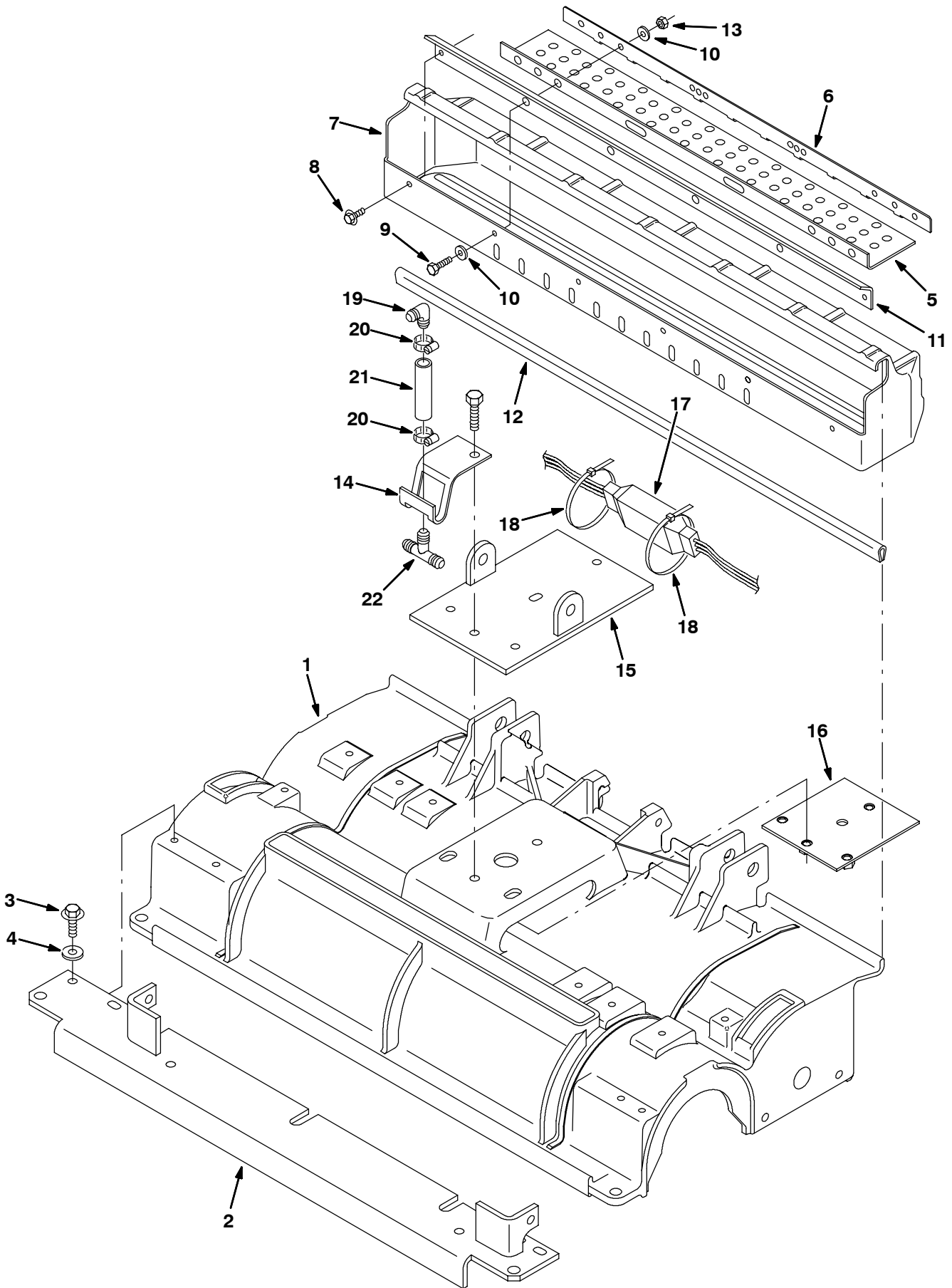


Fig. 31 - Cylindrical Scrub Head Frame Group, 700 mm (28 in)

| Ref. | Part No. | Serial Number | Description | Qty. |
|------|----------|------------------|---|------|
| 1 | 1022254 | (000000-008237) | Housing, Cyl, Mach, 700mm | 1 |
| 2 | 223670 | (000000-008237) | Angle Wldt, Mtg | 1 |
| 3 | 76099 | (000000-008237) | Screw, Hex, M8 X 1.25 X 25, Fmg | 4 |
| 4 | 01685 | (000000-008237) | Washer, Flat, 0.38b 0.88d .08, Ss | 4 |
| ▽ | 222824 | (000000-008237) | Tray Kit, Debris, 28.0, Ci | 1 |
| ▲ | 5 | 222669 | (000000-008237) Skirt, Rbr, .12, 03.50w 22.00l, 102/ H&S | 1 |
| ▲ | 6 | 222670 | (000000-008237) Strip, Tray, Debris | 1 |
| ▲ | 7 | 222167 | (000000-008237) Tray, Debris, 28.0l | 1 |
| ▲ | 8 | 74455 | (000000-008237) Screw, Hex, M6 X 1.0 X 12, Fmg | 2 |
| ▲ | 9 | 09007 | (000000-008237) Screw, Hex, M6 X 1.0 X 25, Ss | 4 |
| ▲ | 10 | 01684 | (000000-008237) Washer, Flat, 0.27b 0.69d .05, Ss | 8 |
| ▲ | 11 | 222203 | (000000-008237) Lip, Tray, Debris, 28.0inch | 1 |
| ▲ | 12 | 374006 | (000000-008237) Channel, Nyl, 0.5h 0.27w 29.0l | 1 |
| ▲ | 13 | 08712 | (000000-008237) Nut, Hex, Lock, M6 X 1.00, Ss, NI | 4 |
| ▲ | 14 | 222523 | (000000-008237) Bracket, Guide, Hose | 1 |
| 15 | 223442 | (000000-008237) | Plate Wldt, Mtg, Tool | 1 |
| 16 | 223412 | (000000-008237) | Plate, Mtg, Tool Lift | 1 |
| 17 | 222835 | (000000-008237) | Shunt Assy, Cyl Head, 40mv /35a | 1 |
| 18 | 49263 | (000000-008237) | Tie, Cable, Nyl, 11.4l .19w 3.0 Max D | 2 |
| 19 | 63987-1 | (000000-008237) | Fitting, Plstc, E90, Bm08/Bm08 | 1 |
| 20 | 54333 | (000000-008237) | Clamp, Hose, Wormdrive, 0.31-0.88d, .31w | 2 |
| 21 | 05711 | (000000-008237) | Hose, Pvc, Clr, 0.50id 0.69od 003.1l | 1 |
| 22 | 63245-1 | (000000-008237) | Fitting, Plstc, Tee, Bm08/Bm08/Bm08 | 1 |

OPTIONS

Fig. 32 - Cylindrical Scrub Head Drive Motor Group, 700 mm (28 in)

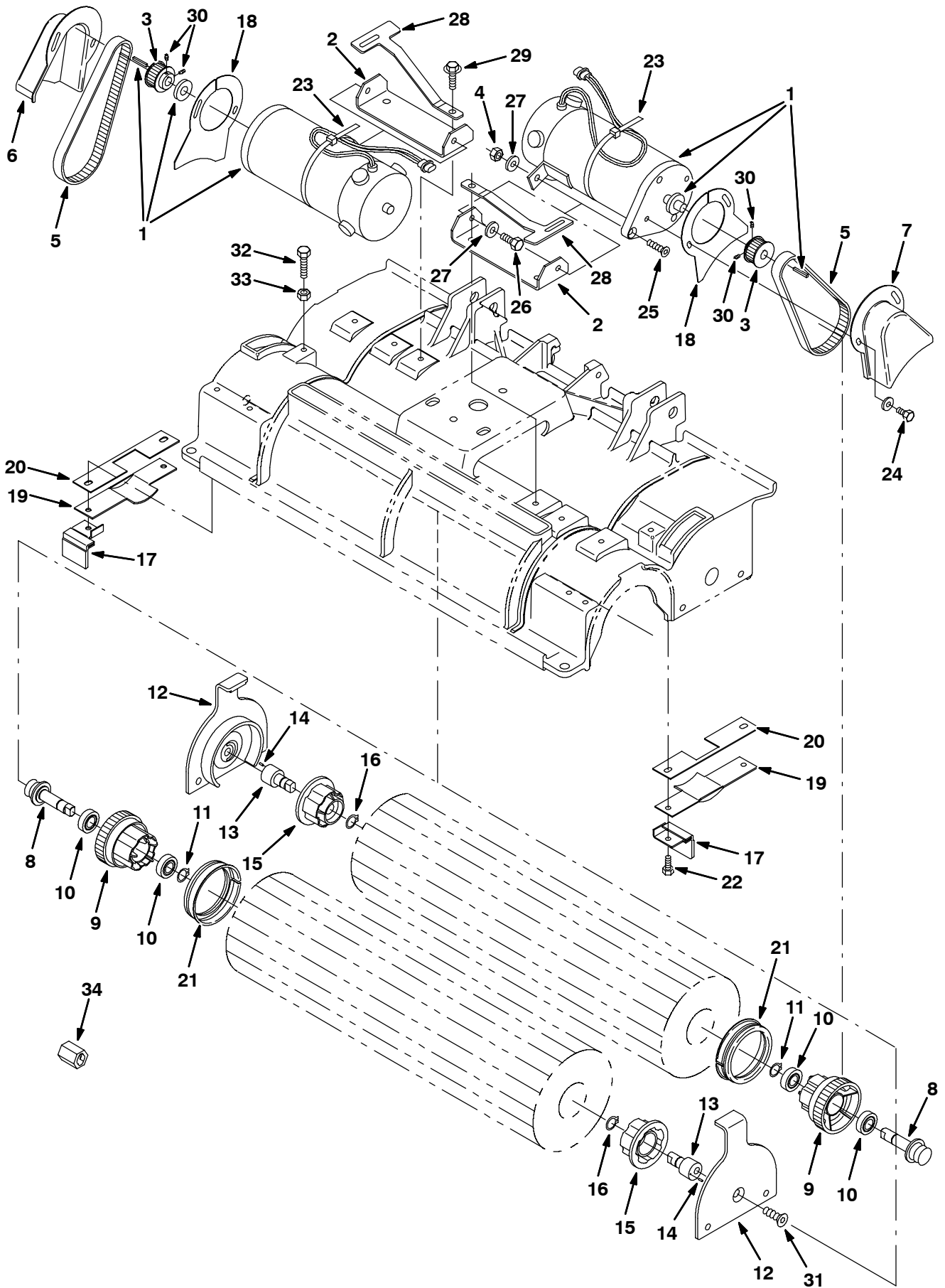


Fig. 32 - Cylindrical Scrub Head Drive Motor Group, 700 mm (28 in)

| Ref. | Part No. | Serial Number | Description | Qty. | |
|-------|------------------|------------------|--|---|---|
| 1 | 222753 | (000000-007861) | Motor Ele, 36vdc, 0.75hp, Rep.By374175 (See Breakdowns) | 2 | |
| 1 | 374175 | (007862-008237) | Motor, Ele, 36vdc 1700rpm 0.75hp (See Breakdowns) | 2 | |
| 2 | 223564 | (000000-008237) | Bracket, Mtg, Motor | 2 | |
| 3 | 375195 | (000000-008237) | Sprocket, Timing, 22tooth, 0.50b, [Gt/2] | 2 | |
| 4 | 08713 | (000000-008237) | Nut, Hex, Lock, M8 X 1.25, NI, Ss | 4 | |
| 5 | 222201 | (000000-008237) | Belt, Synchronous, 15mm 05p 500l [Gt2 K] | 2 | |
| 6 | 223560 | (000000-008237) | Guard, Belt, Rh [5700] | 1 | |
| 7 | 223561 | (000000-008237) | Guard, Belt, Lh | 1 | |
| ▽ | 222751 | (000000-008237) | Plug Assy, Drive, Brush, [48 Tooth-Gt/2] | 2 | |
| ▲ | 8 | 222176 | (000000-008237) | Shaft, Drive, Plug | 1 |
| ▲ | 9 | 222062 | (000000-008237) | Plug, Drive, Brush Rep.By377333 | 1 |
| ▲ | 10 | 41360 | (000000-008237) | Bearing, Ball, 0.59b 1.26d 0.35w[2seal] | 2 |
| ▲ | 11 | 01516 | (000000-008237) | Ring, Retaining, Ext, 0.59d, Basic | 1 |
| 12 | 369460 | (000000-008237) | Door, Brush | 2 | |
| ▽ | 222752 | (000000-008237) | Plug Assy, Idler, Brush | 2 | |
| ▲ | 13 | 222177 | (000000-008237) | Shaft, Plug, Idler | 1 |
| ▲ | 14 | 222184 | (000000-008237) | Pin, Roll, .094d X 0.25l, .094/.097 | 1 |
| ▲ | 15 | 379202 | (000000-008237) | Plug, Idler, Brush [Sgl Brg] | 1 |
| ▲ | 16 | 01516 | (000000-008237) | Ring, Retaining, Ext, 0.59d, Basic | 1 |
| 17 | 223568 | (000000-008237) | Deflector, Water | 2 | |
| 18 | 223563 | (000000-008237) | Guard, Belt, Drive, Head, Scrbr, Lh | 2 | |
| 19 | 223566 | (000000-008237) | Bracket, Shield | 2 | |
| 20 | 223569 | (000000-008237) | Gasket, Shield | 2 | |
| 21 | 222820 | (000000-008237) | Seal, Ring M8 | 2 | |
| 15675 | 15678 | (000000-008237) | Screw, Hex, M6 X 1.0 X 16, Ss | 4 | |
| 23 | 44961 | (000000-008237) | Tie, Cable, Nyl, 14.5l .30w 4.0 Max D | 2 | |
| 24 | 01684 | (000000-008237) | Washer, Flat, 0.27b 0.69d .05, Ss | 4 | |
| 25 | 74077 | (000000-008237) | Screw, Flt, M8 X 1.25 X 25 | 2 | |
| 26 | 09740 | (000000-008237) | Screw, Hex, M8 X 1.25 X 20, Ss | 2 | |
| 27 | 01685 | (000000-008237) | Washer, Flat, 0.38b 0.88d .08, Ss | 6 | |
| 28 | 222209 | (000000-008237) | Spring, Flat, Door, Scrbr Head | 2 | |
| 29 | 76099 | (000000-008237) | Screw, Hex, M8 X 1.25 X 25, Fmg | 4 | |
| 30 | 222818 | (000000-008237) | Screw, Set, #08-32 X 0.25, NI | 4 | |
| 31 | 390996 | (000000-008237) | Screw, Flt, M10 X 1.5 X 20, 10.9, NI | 2 | |
| 32 | 09023 | (000000-008237) | Screw, Hex, M8 X 1.25 X 35, Ss, Fl | 2 | |
| 33 | 08713 | (000000-008237) | Nut, Hex, Lock, M8 X 1.25, NI, Ss | 2 | |
| 34 | 1010506 | (000000-008237) | Tool, Removal, Shaft, F/222176 | 1 | |

Fig. 33 - Cylindrical Scrub Head Squeegee Group, 700 mm (28 in)

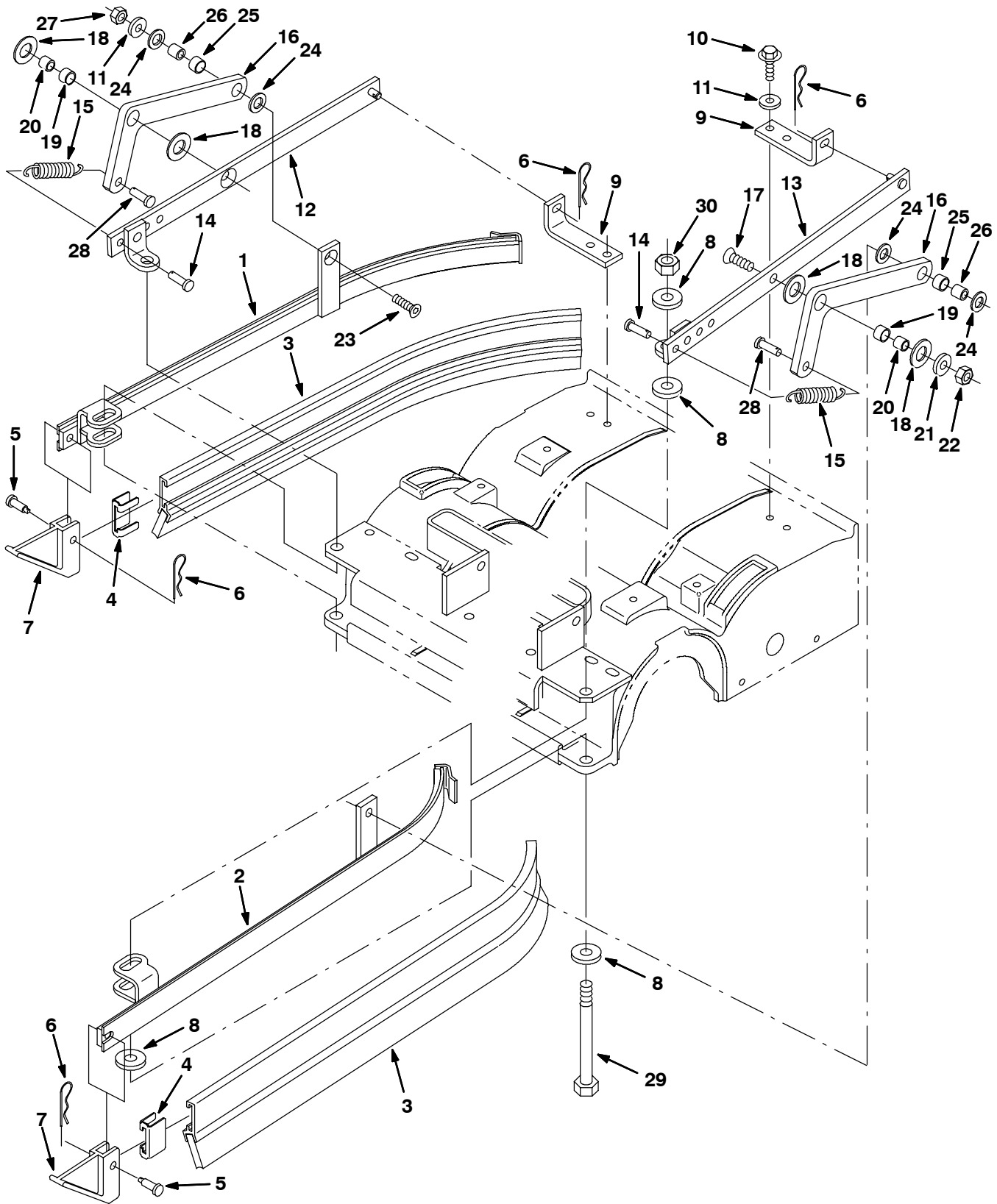


Fig. 33 - Cylindrical Scrub Head Squeegee Group, 700 mm (28 in)

| Ref. | Part No. | Serial Number | Description | Qty. |
|-------------|-----------------|----------------------|---|-------------|
| 1 | 223413 | (000000-008237) | Frame Wldt, Sqge, Rh, Cyl | 1 |
| 2 | 223304 | (000000-008237) | Frame Wldt, Sqge, Lh, Cyl | 1 |
| 3 | 86859 | (000000-008237) | Squeegee Assy, Side [Linatex] | 2 |
| 4 | 86759 | (000000-008237) | Retainer, Sqge | 2 |
| 5 | 69582 | (000000-008237) | Pin, Clevis, 0.31d X 1.00l | 2 |
| 6 | 44906 | (000000-008237) | Pin, Cotter, Hair, 0.69d .092 Wir | 4 |
| 7 | 86865 | (000000-008237) | Guide, Sqge, Side | 2 |
| 8 | 41619 | (000000-008237) | Washer, Flat, 0.56b 1.38d .11, Ss | 8 |
| 9 | 223293 | (000000-008237) | Bracket, Angle, Mtg, Sqge | 2 |
| 10 | 76099 | (000000-008237) | Screw, Hex, M8 X 1.25 X 25, Fmg | 4 |
| 11 | 01685 | (000000-008237) | Washer, Flat, 0.38b 0.88d .08, Ss | 6 |
| 12 | 223589 | (000000-008237) | Bar Wldt, Mtg, Sqge, Rh | 1 |
| 13 | 223654 | (000000-008237) | Bar Wldt, Mtg, Sqge, Lh | 1 |
| 14 | 69582 | (000000-008237) | Pin, Clevis, 0.31d X 1.00l | 2 |
| 15 | 15047 | (000000-008237) | Spring, Extn, 0.62od 0.08wir 03.0l | 2 |
| 16 | 25709 | (000000-008237) | Bellcrank, Lift, Sqge | 2 |
| 17 | 360347 | (000000-008237) | Screw, Flt, M10 X 1.5 X 25, Ss | 2 |
| 18 | 64425 | (000000-008237) | Washer, Thrust, 0.61b 1.25d .06, Fgl | 4 |
| 19 | 71607 | (000000-008237) | Bushing, Sleeve, 0.63b 0.72d 0.38l | 2 |
| 20 | 71608 | (000000-008237) | Tube, 0.41id 0.62od 00.5l, Ss | 2 |
| 21 | 01686 | (000000-008237) | Washer, Flat, 0.44b 1.00d .08, Ss | 2 |
| 22 | 08714 | (000000-008237) | Nut, Hex, Lock, M10 X 1.5, NI, Ss | 2 |
| 23 | 74077 | (000000-008237) | Screw, Flt, M8 X 1.25 X 25 | 2 |
| 24 | 86860 | (000000-008237) | Bearing, Thrust, 0.50b 0.87d 0.06w | 2 |
| 25 | 64173 | (000000-008237) | Bushing, Sleeve, 0.50b 0.59d 0.38l, Stl | 2 |
| 26 | 223609 | (000000-008237) | Sleeve, P/M, 0.31b 0.50d 0.5l [430ss] | 2 |
| 27 | 08713 | (000000-008237) | Nut, Hex, Lock, M8 X 1.25, NI, Ss | 2 |
| 28 | 39019 | (000000-008237) | Pin, Clevis, 0.37d X 0.75l | 2 |
| 29 | 19588 | (000000-008237) | Screw, Hex, .50-13 X 5.00, G5 | 2 |
| 30 | 02931 | (000000-008237) | Nut, Hex, Lock, .50-13, NI, Ss | 2 |

Fig. 34 - Rear Squeegee Group, 700 mm (28 in)

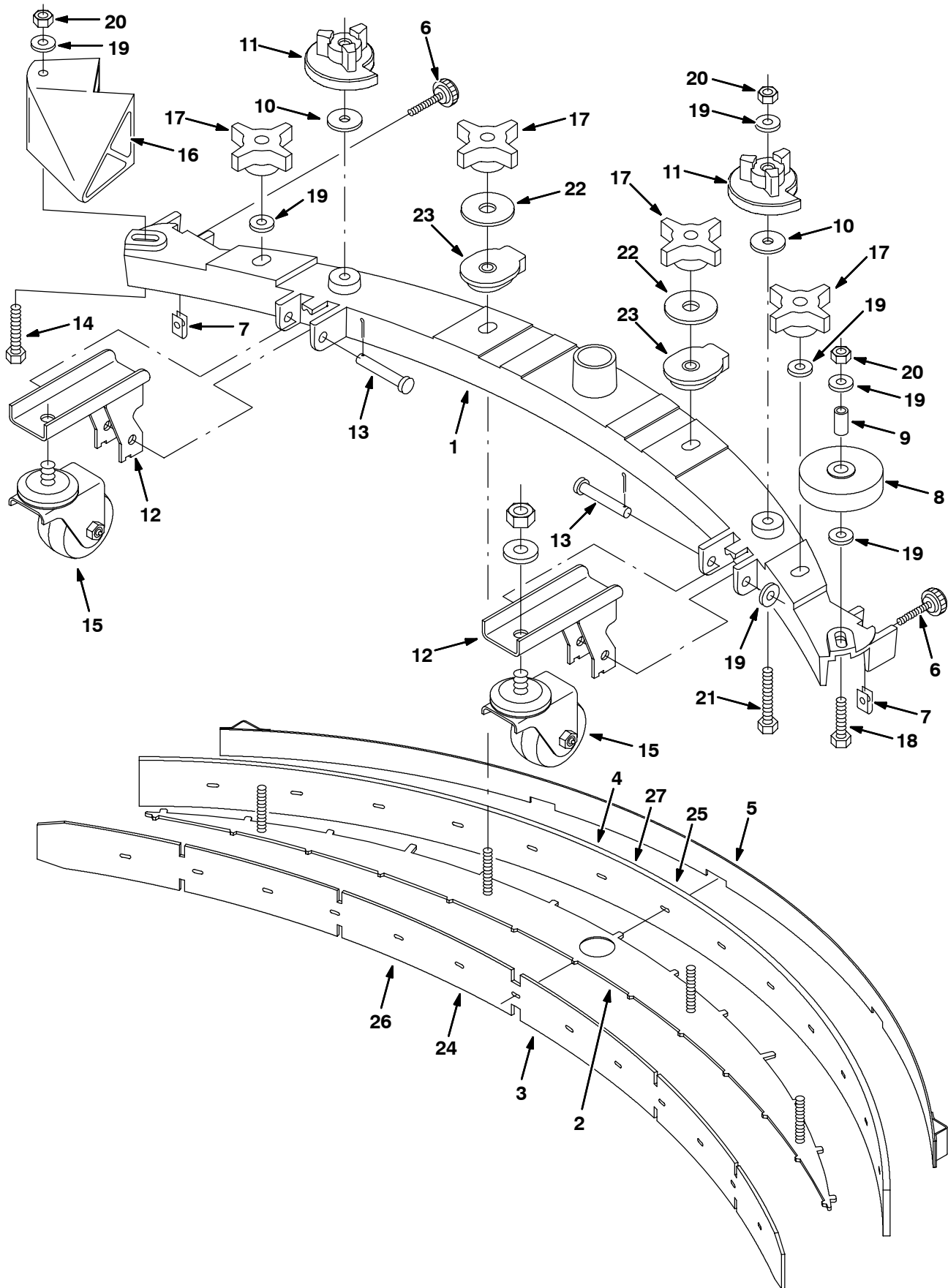


Fig. 34 - Rear Squeegee Group, 700 mm (28 in)

| Ref. | Part No. | Serial Number | Description | Qty. |
|------|-----------|-------------------|--|------|
| ▽ | 389867 | (000000-008237) | Squeegee Assy, 700mm [7200] | 1 |
| ▲ | 1 222131 | (000000-008237) | Frame, Sqge [28] | 1 |
| ▲ | 2 398308 | (000000-008237) | Plate, Retainer, Blade, 28.0inch /700mm | 1 |
| ▲ | 3 222381 | (000000-008237) | Blade, Sqge, Front, 38.97l Rbr [700mm] | 1 |
| ▲ | 4 222382 | (000000-008237) | Blade, Sqge, Rear, 40.93l Linatex[700mm] | 1 |
| ▲ | 5 222378 | (000000-008237) | Retainer Wldt, Sqge, 28.0 [5700] | 1 |
| ▲ | 6 222794 | (000000-008237) | Knob Assy, Rnd, 1.00d 0.66l .25-20 1.5l | 2 |
| ▲ | 7 82138 | (000000-008237) | Nut, Spd, Clip, .25-20 [.025-.150] | 2 |
| ▲ | 8 222066 | (000000-008237) | Wheel, 03.0d 0.88w 0.50b | 1 |
| ▲ | 9 222496 | (000000-008237) | Sleeve, P/M, 0.31b 0.50d 0.9l [430ss] | 1 |
| ▲ | 10 222268 | (000000-008237) | Washer, Flat, 0.38b 1.25d .12, Neo | 2 |
| ▲ | 11 222244 | (000000-008237) | Cam, Adj, Sqge | 2 |
| ▲ | 12 223590 | (000000-008237) | Bracket Wldt, Wheel, Sqge | 2 |
| ▲ | 13 222260 | (000000-008237) | Pin, Clevis, 0.37d X 2.25l | 2 |
| ▲ | 14 49694 | (000000-008237) | Screw, Hex, M8 X 1.25 X 50, Ss | 1 |
| ▲ | 15 223593 | (000000-008237) | Caster, Swivel, 2.5d 1.3w, .50-13 Stem | 2 |
| ▲ | 16 223297 | (000000-008237) | Bumper, Sqge | 1 |
| ▲ | 17 370100 | (000000-008237) | Knob, Star, 2.80d 4ear 1.1l .31-18, Pyp | 4 |
| ▲ | 18 09026 | (000000-008237) | Screw, Hex, M8 X 1.25 X 40, Ss | 1 |
| ▲ | 19 01685 | (000000-008237) | Washer, Flat, 0.38b 0.88d .08, Ss | 9 |
| ▲ | 20 08713 | (000000-008237) | Nut, Hex, Lock, M8 X 1.25, NI, Ss | 4 |
| ▲ | 21 09767 | (000000-008237) | Screw, Hex, M8 X 1.25 X 70, Ss | 2 |
| ▲ | 22 04414 | (xxxxxx-008237) | Washer, Flat, 0.53b 1.88d .12, Stl, Pl | 2 |
| ▲ | 23 398304 | (xxxxxx-008237) | Ring, Mtg, Sqge, .38l | 2 |
| ▽ | 222422 | (000000-008237) | Blade Kit, Sqge, Rbr [700] | 1 |
| ▲ | 24 222385 | (000000-008237) | Blade, Sqge, Tile, 38.97l [Linard, 28"] | 1 |
| ▲ | 25 222387 | (000000-008237) | Blade, Sqge, Rear, 40.93l Gum [28"] | 1 |
| ▽ | 222428 | (000000-008237) | Sqge Kit, Oil Res Ure [700] | 1 |
| ▲ | 26 222391 | (000000-008237) | Blade, Sqge, Front, 38.97l [700mm] | 1 |
| ▲ | 27 222389 | (000000-008237) | Blade, Sqge, Rear, 40.93l Pyu [28"] | 1 |

Fig. 35 - Rollout Battery Scrub Head Lift Group

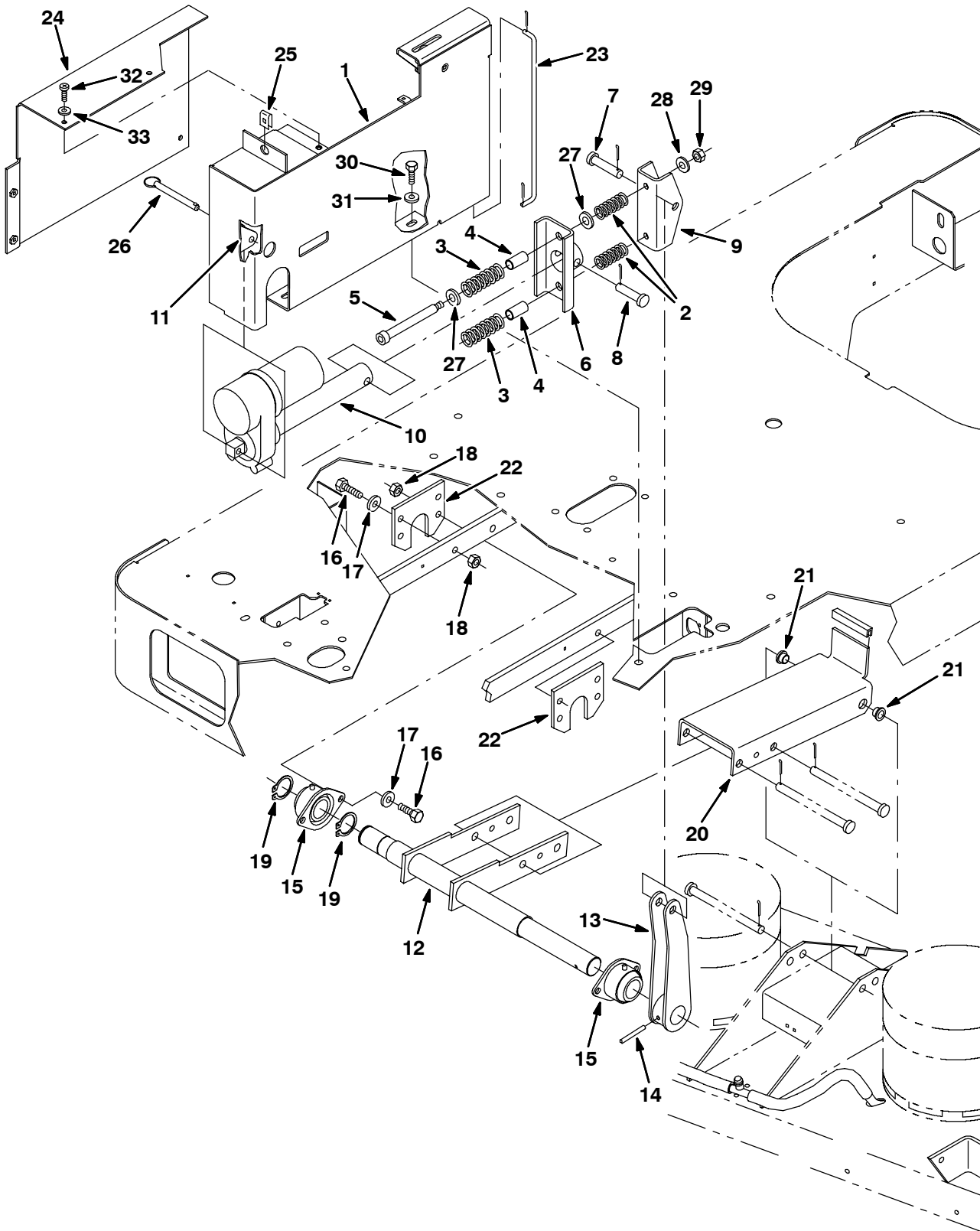


Fig. 35 - Rollout Battery Scrub Head Lift Group

| Ref. | Part No. | Serial Number | Description | Qty. |
|-------------|-----------------|----------------------|--|-------------|
| 1 | 369431 | (000000- |) Panel Wldt, Mtg, Tool Lift | 1 |
| 2 | 223517 | (000000- |) Spring, Cmpr, 0.84od .11wir 02.0l | 2 |
| 3 | 223518 | (000000- |) Spring, Cmpr, 0.98od .14wir 02.5l | 2 |
| 4 | 50682 | (000000- |) Sleeve, P/M, 0.50b 0.62d 1.3l, PI | 2 |
| 5 | 45960 | (000000- |) Bolt, Shld, .50d X 4.25, .38-16 | 2 |
| 6 | 223450 | (000000- |) Channel Wldt, Mtg, Actuator | 1 |
| 7 | 11211 | (000000- |) Pin, Clevis, 0.50d X 2.25l | 1 |
| 8 | 51534 | (000000- |) Pin, Clevis, 0.50d X 2.00l | 1 |
| 9 | 390665 | (000000- |) Channel, .18, 1.9w 2.3 05.3l, 4hole | 1 |
| 10 | 390992 | (000000- |) Actuator, 36vdc, 05.0strk, 600lb | 1 |
| 11 | 36959 | (000000- |) Ear, Pivot, Bmpr | 1 |
| 12 | 223430 | (000000- |) Shaft Wldt, Lift, Tool | 1 |
| 13 | 223433 | (000000- |) Arm Wldt, Lift, Tool | 1 |
| 14 | 51317 | (000000- |) Pin, Roll, .375d X 2.00l, .375/.382 | 1 |
| 15 | 369337 | (000000- |) Bearing, Flng, 2hole, 1.25b [Indiv Pkg] | 2 |
| 16 | 09291 | (000000- |) Screw, Hex, M10 X 1.5 X 20, Ss | 8 |
| 17 | 01686 | (000000- |) Washer, Flat, 0.44b 1.00d .08, Ss | 8 |
| 18 | 08714 | (000000- |) Nut, Hex, Lock, M10 X 1.5, NI, Ss | 8 |
| 19 | 59861 | (000000- |) Ring, Retaining, Ext, 1.25d | 2 |
| 20 | 223414 | (000000- |) Channel Wldt, Tool, Lift | 1 |
| 20 | 397638 | (000000- |) Channel Wldt, Tool, Lift[700mm R/O Disk] | 1 |
| 21 | 15648 | (000000- |) Bushing, Flng, 0.50b 0.59d 0.38l | 2 |
| 22 | 369402 | (000000- |) Plate, Brg, Mtg | 2 |
| 23 | 223428 | (000000- |) Rod, Valve, Water Cntrl | 1 |
| 24 | 369490 | (000000- |) Angle, Cover, Tool Lift | 1 |
| 25 | 58595 | (000000- |) Nut, U, M8 X 1.25 | 1 |
| 26 | 369359 | (000000- |) Pin, Hitch, .375d X 3.12l, PI | 1 |
| 27 | 32486 | (000000- |) Washer, Flat, 0.50, Sae | 4 |
| 28 | 32492 | (000000- |) Washer, Flat, 0.38, Std | 2 |
| 29 | 50902 | (000000- |) Nut, Hex, Lock, .38-16, NI | 2 |
| 30 | 16931 | (000000- |) Screw, Hex, M8 X 1.25 X 20, 8.8 | 3 |
| 31 | 32491 | (000000- |) Washer, Flat, 0.31, Std | 3 |
| 32 | 09164 | (000000- |) Screw, Pan, M6 X 1.00 X 20, 4.8 | 6 |
| 33 | 32490 | (000000- |) Washer, Flat, 0.25, Std | 6 |

Fig. 36 - Rollout Battery Seat Support Group

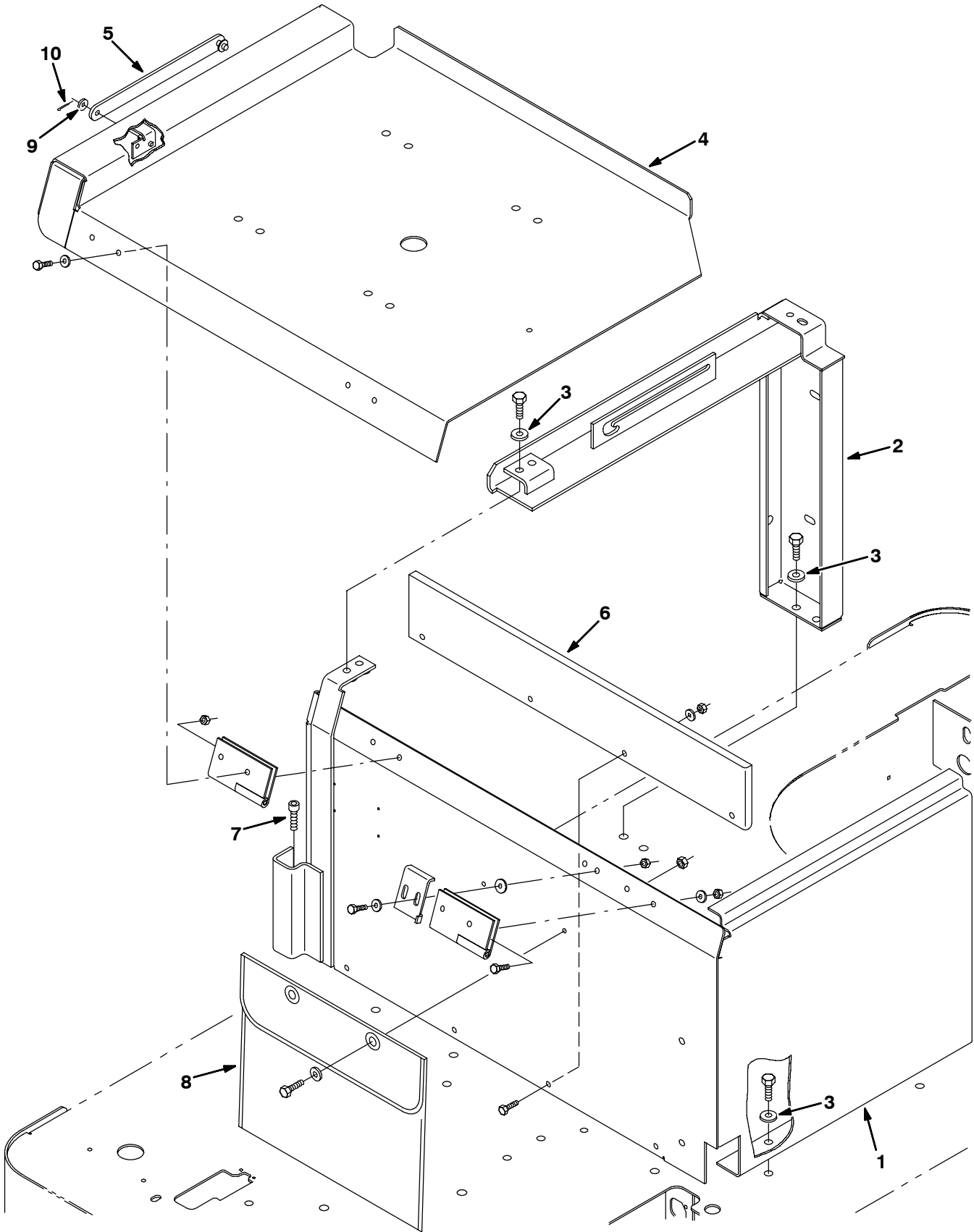


Fig. 36 - Rollout Battery Seat Support Group

| Ref. | Part No. | Serial Number | Description | Qty. |
|-------------|-----------------|----------------------|-------------------------------------|-------------|
| 1 | 369426 | (000000- |) Support Wldt, Seat | 1 |
| 2 | 369421 | (000000- |) Brace Wldt, Mtg, Seat, Ohg | 1 |
| 3 | 01685 | (000000- |) Washer, Flat, 0.38b 0.88d .08, Ss | 8 |
| 4 | 369418 | (000000- |) Pan, Mtg, Seat | 1 |
| 5 | 369434 | (000000- |) Arm Wldt, Safety, Seat | 1 |
| 6 | 369386 | (000000- |) Plate, 0.50 X 04.0 X 025.0 [Hdpe] | 1 |
| 7 | 09278 | (000000- |) Screw, Soc, M8 X 1.25 X 30, 12.9 | 1 |
| 8 | 48790 | (000000- |) Pouch | 1 |
| 9 | 32483 | (000000- |) Washer, Flat, 0.25, Sae | 1 |
| 10 | 39005 | (000000- |) Pin, Cotter, .094 X 0.75 | 1 |

Fig. 37 - Rollout Battery Case Group

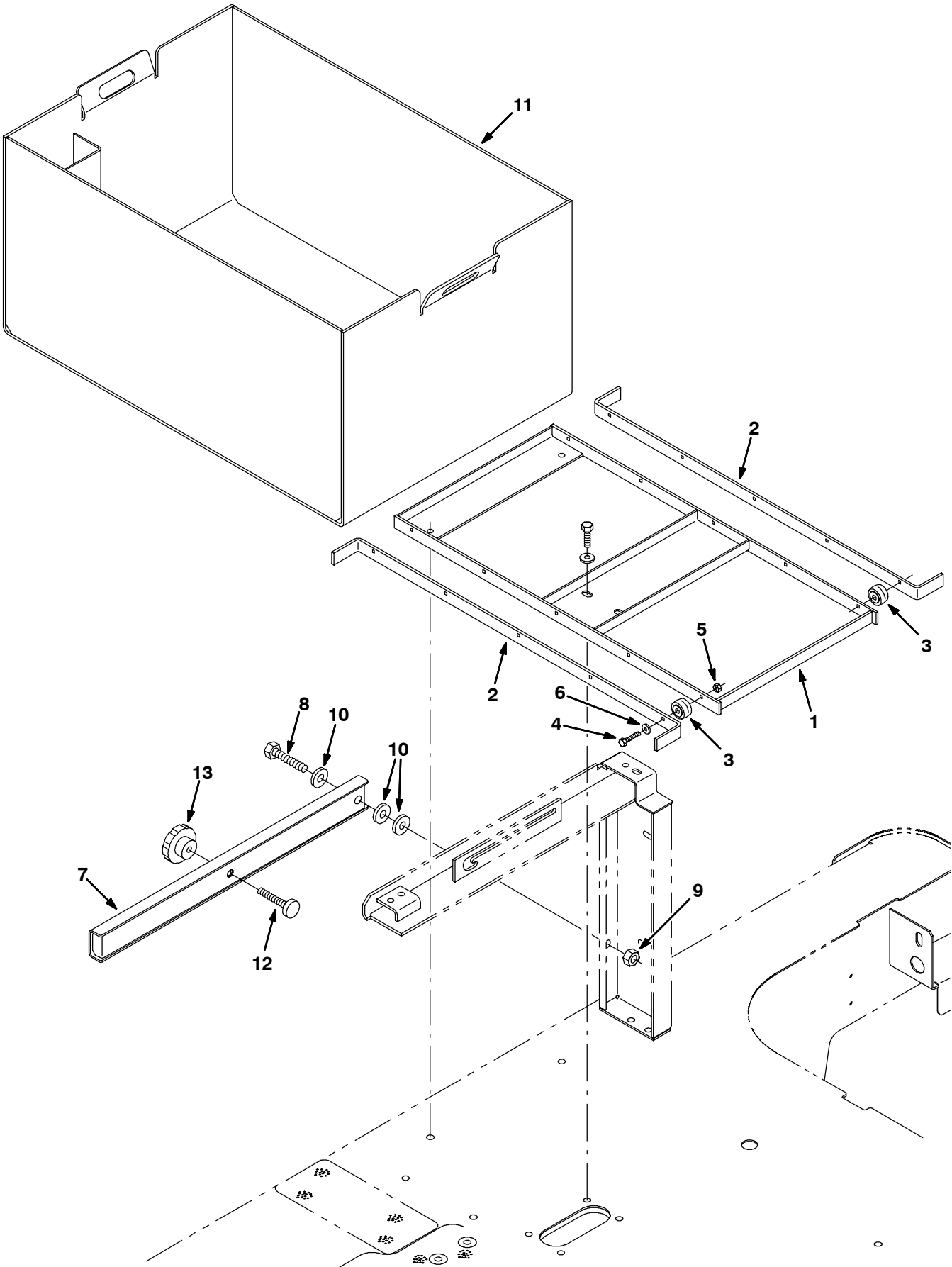
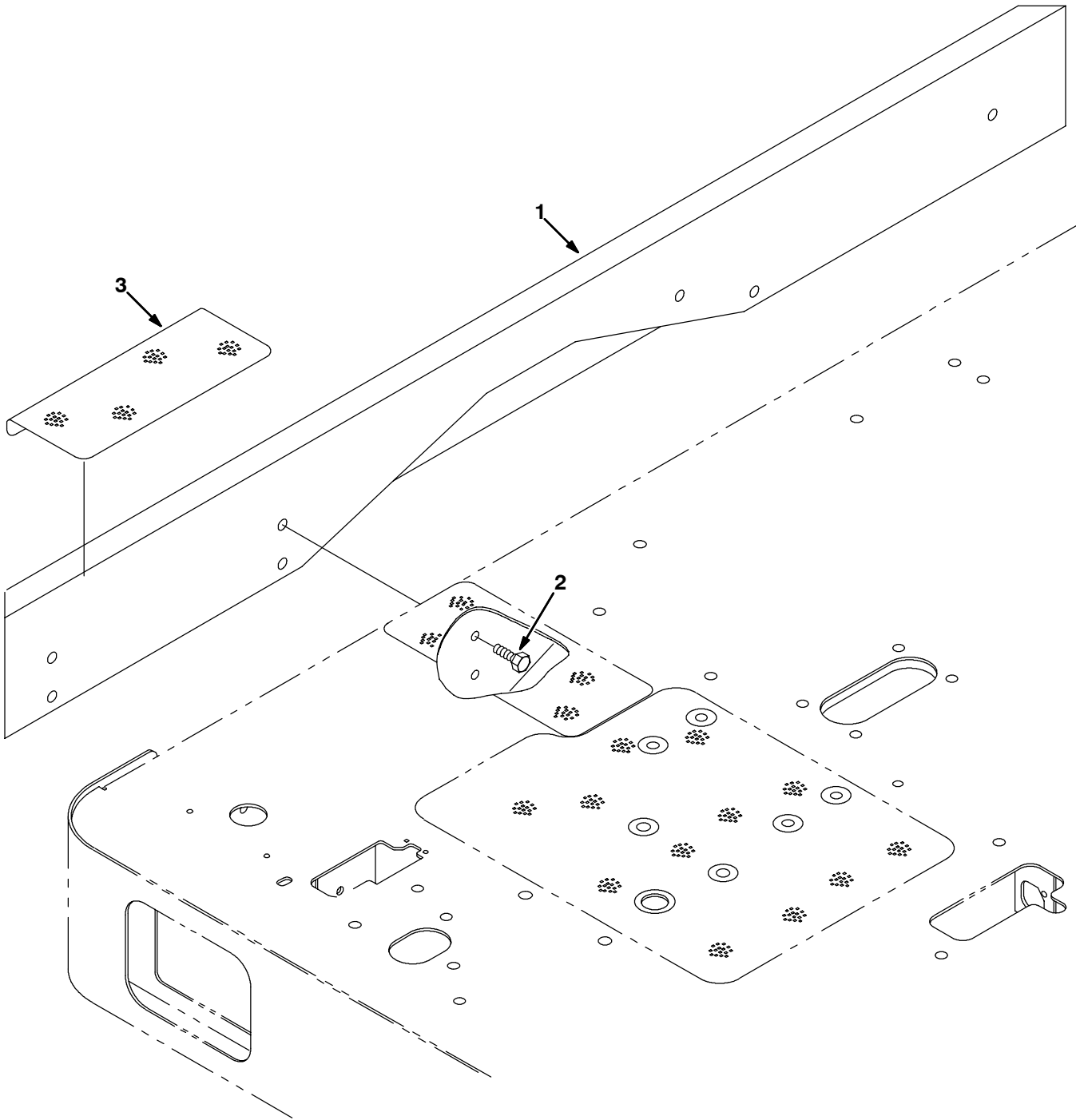


Fig. 37 - Rollout Battery Case Group

| Ref. | Part No. | Serial Number | Description | Qty. |
|-------------|-----------------|----------------------|--|-------------|
| 1 | 223466 | (000000- |) Bar Wldt, Mtg, Battery [Rlr] | 1 |
| 2 | 223476 | (000000- |) Channel, .18, 27.8w 2.3 0.9l, 5/0.3h | 2 |
| 3 | 369415 | (000000- |) Bearing, Needle, 0.25b 0.88d 0.50w | 10 |
| 4 | 01699 | (000000- |) Screw, Hex, .25-20 X 1.25, Ss | 10 |
| 5 | 41169 | (000000- |) Nut, Hex, Lock, .25-20, NI, Ss | 10 |
| 6 | 01684 | (000000- |) Washer, Flat, 0.27b 0.69d .05, Ss | 10 |
| 7 | 385600 | (000000- |) Arm Wldt, Stop, Battery | 1 |
| 8 | 02930 | (000000- |) Screw, Hex, .50-13 X 2.50, Ss | 1 |
| 9 | 02931 | (000000- |) Nut, Hex, Lock, .50-13, NI, Ss | 1 |
| 10 | 41619 | (000000- |) Washer, Flat, 0.56b 1.38d .11, Ss | 3 |
| 11 | 369483 | (000000- |) Box Wldt, Battery, R/O [No Battery] | 1 |
| 12 | 369488 | (000000- |) Stop, Leveler | 1 |
| 13 | 06506 | (000000- |) Knob, Rnd, 2.37d 1.30l 0.38h, Plstc | 1 |

OPTIONS

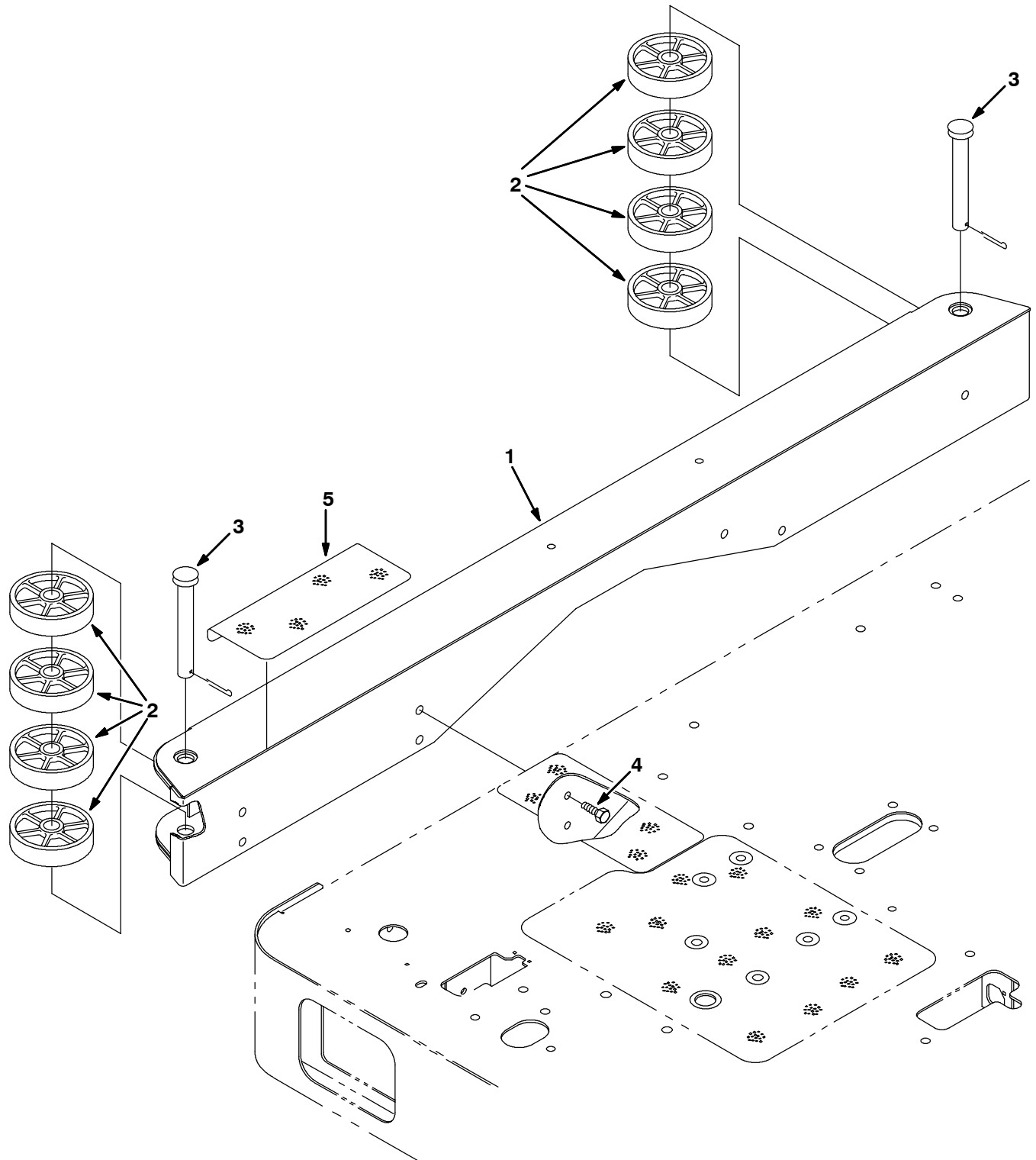
Fig. 38 - Rollout Battery Side Bumper Group, 700 mm (28 in)



353526 - NA

| Ref. | Part No. | Serial Number | Description | Qty. |
|------|----------|------------------|-----------------------------------|------|
| 1 | 385739 | (000000-008237) | Bumper Wldt, Battery, R/O [700mm] | 1 |
| 2 | 09010 | (000000-008237) | Screw, Hex, M8 X 1.25 X 25, Ss | 7 |
| 3 | 223350 | (000000-008237) | Tread, Non-Skid, 04.5w 10.0l | 1 |

Fig. 39 - Rollout Battery Side Bumper Group, 900 mm (36 in)



351328 - NA, CE

| Ref. | Part No. | Serial Number | Description | Qty. |
|------|----------|---------------|----------------------------------|------|
| 1 | 385603 | (000000- |) Bumper Wldt, Battery, R/O | 1 |
| 2 | 364085 | (000000- |) Wheel, 04.0d 0.98w 0.78b | 8 |
| 3 | 54660 | (000000- |) Pin, Clevis, 0.75d X 5.50l | 2 |
| 4 | 09010 | (000000- |) Screw, Hex, M8 X 1.25 X 25, Ss | 7 |
| 5 | 223350 | (000000- |) Tread, Non-Skid, 04.5w 10.0l | 1 |

Fig. 40 - Rollout Battery Overhead Guard Kit

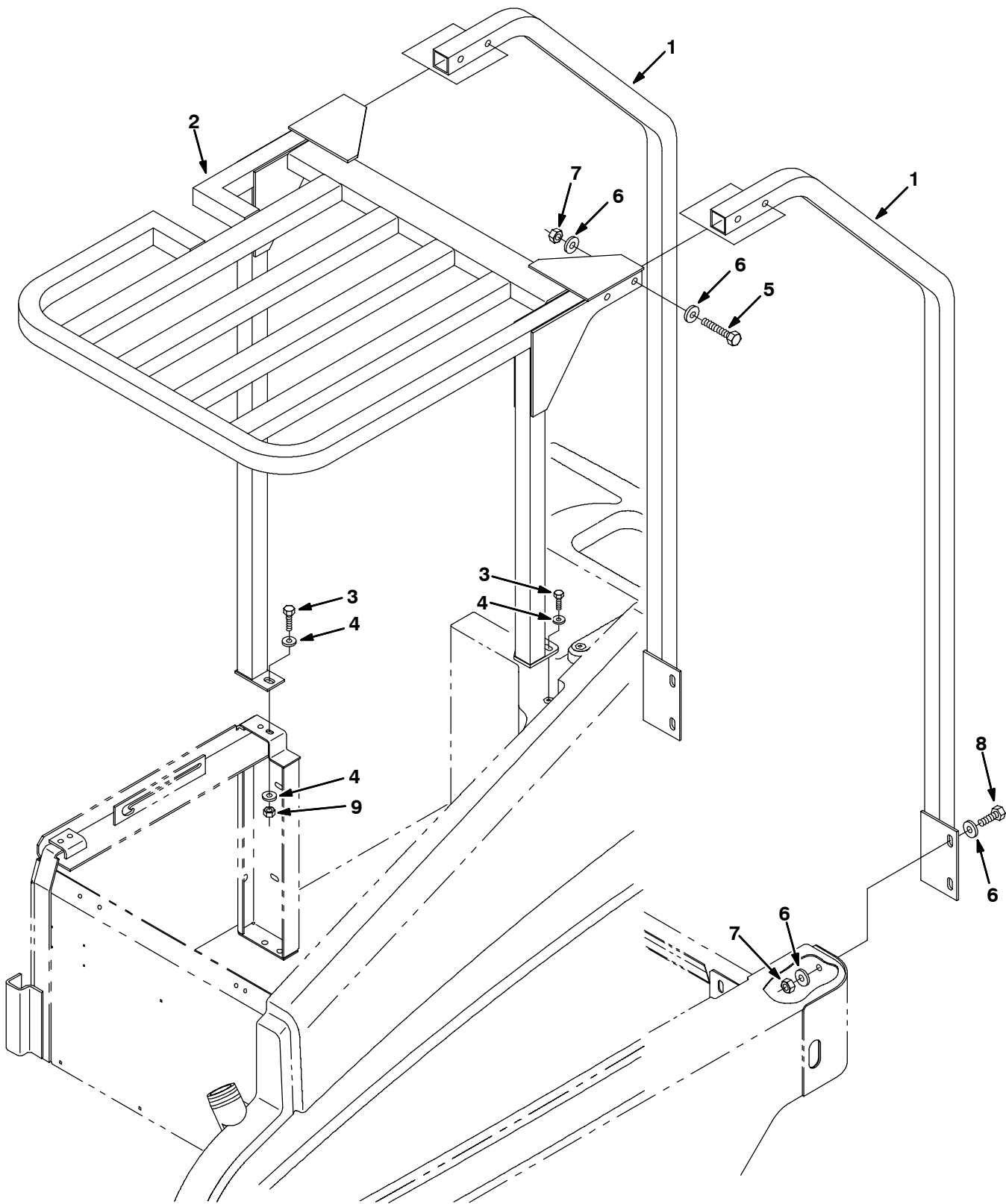


Fig. 40 - Rollout Battery Overhead Guard Kit

| | Ref. | Part No. | Serial Number | Description | Qty. |
|---|-------------|-----------------|----------------------|--------------------------------------|-------------|
| ▽ | | 385616 | (000000- |) Ohg Kit, Ci [7200 R/O] | 1 |
| ▲ | 1 | 223390 | (000000- |) Tube Wldt, Leg, Ohg, Rear [7200] | 2 |
| ▲ | 2 | 385610 | (000000- |) Guard, Overhead, Top, R/O | 1 |
| ▲ | 3 | 12273 | (000000- |) Screw, Hex, M8 X 1.25 X 20, Ss, NI | 2 |
| ▲ | 4 | 01685 | (000000- |) Washer, Flat, 0.38b 0.88d .08, Ss | 3 |
| ▲ | 5 | 33950 | (000000- |) Screw, Hex, M12 X 1.75 X 80, Ss | 4 |
| ▲ | 6 | 32486 | (000000- |) Washer, Flat, 0.50, Sae | 16 |
| ▲ | 7 | 08711 | (000000- |) Nut, Hex, Lock, M12 X 1.75,NI | 8 |
| ▲ | 8 | 09029 | (000000- |) Screw, Hex, M12 X 1.75 X 40, Ss | 4 |
| ▲ | 9 | 08709 | (000000- |) Nut, Hex, Lock, M8 X 1.25, NI | 1 |

Fig. 41 - Rollout Battery Cart Kit

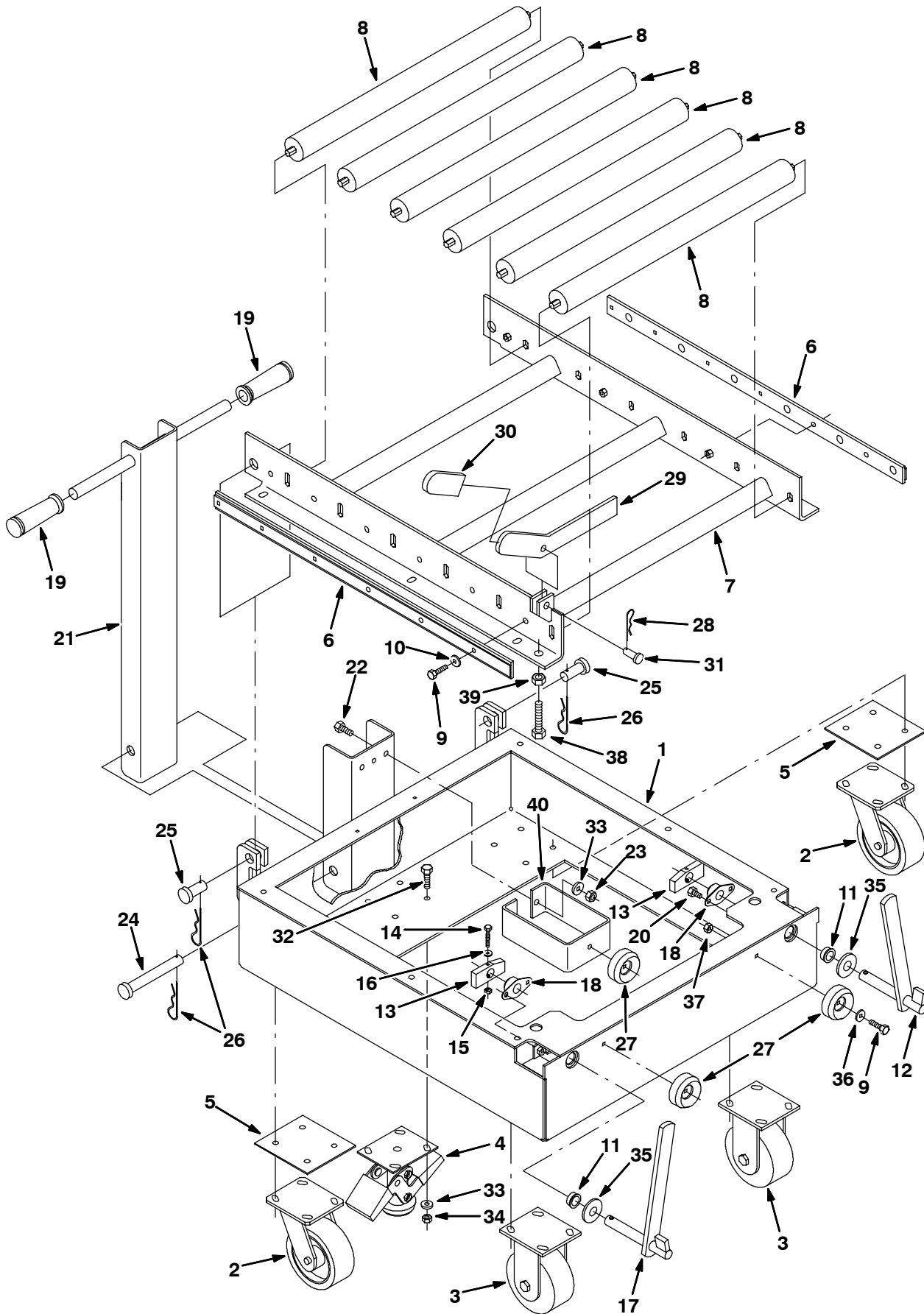


Fig. 41 - Rollout Battery Cart Kit

| | Ref. | Part No. | Serial Number | Description | Qty. |
|---|-------------|-----------------|----------------------|--|-------------|
| ▽ | | 369362 | (000000- |) Cart Kit, Battery, Ci, R/O [6100] | 1 |
| ▲ | 1 | 369435 | (000000- |) Frame, Cart, Battery [7200] | 1 |
| ▲ | 2 | 222467 | (000000- |) Caster, Swivel, 5.0d 2.0w, 4hole, Gray | 2 |
| ▲ | 3 | 369373 | (000000- |) Caster, Rigid, 5.0d X 2.0w, 4hole | 2 |
| ▲ | 4 | 377328 | (000000- |) Lock, Floor | 1 |
| ▲ | 5 | 369372 | (000000- |) Plate, Spacer | 2 |
| ▲ | 6 | 369466 | (000000- |) Retainer, Shaft, Rlr | 2 |
| ▲ | 7 | 369462 | (000000- |) Frame Wldt, Mtg, Rlr | 1 |
| ▲ | 8 | 369371 | (000000- |) Roller Assy, 1.90d 23.66l, Stl | 6 |
| ▲ | 9 | 09010 | (000000- |) Screw, Hex, M8 X 1.25 X 25, Ss | 12 |
| ▲ | 10 | 01685 | (000000- |) Washer, Flat, 0.38b 0.88d .08, Ss | 12 |
| ▲ | 11 | 369487 | (000000- |) Grommet, Nyl, 0.75id, F/1.0h, .12 Matl | 2 |
| ▲ | 12 | 369473 | (000000- |) Lock Wldt, Cart, Battery, Lh | 1 |
| ▲ | 13 | 369478 | (000000- |) Block, Stop, Lock, Battery Cart | 2 |
| ▲ | 14 | 06947 | (000000- |) Screw, Hex, M6 X 1.0 X 40, 8.8 | 2 |
| ▲ | 15 | 08708 | (000000- |) Nut, Hex, Lock, M6 X 1.00, NI | 2 |
| ▲ | 16 | 01684 | (000000- |) Washer, Flat, 0.27b 0.69d .05, Ss | 2 |
| ▲ | 17 | 369474 | (000000- |) Lock Wldt, Cart, Battery, Rh | 1 |
| ▲ | 18 | 223065 | (000000- |) Bearing, Flng, 2hole, 0.75b [Nyl] | 2 |
| ▲ | 19 | 222648 | (000000- |) Grip, Handle, Rnd | 2 |
| ▲ | 20 | 15675 | (000000- |) Screw, Hex, M8 X 1.25 X 16, Ss | 4 |
| ▲ | 21 | 369470 | (000000- |) Handle Wldt, Battery Cart | 1 |
| ▲ | 22 | 39283 | (000000- |) Screw, Hex, M10 X 1.5 X 25, 8.8 | 2 |
| ▲ | 23 | 66185 | (000000- |) Nut, Hex, Std, M10 X 1.25 | 2 |
| ▲ | 24 | 54660 | (000000- |) Pin, Clevis, 0.75d X 5.50l | 1 |
| ▲ | 25 | 02141 | (000000- |) Pin, Clevis, 0.75d X 1.69l | 2 |
| ▲ | 26 | 55094 | (000000- |) Pin, Cotter, Hair, 0.75d .148 Wir | 3 |
| ▲ | 27 | 369481 | (000000- |) Bumper, Rbr, 2.5d X 1.00 | 3 |
| ▲ | 28 | 21120 | (000000- |) Pin, Cotter, Hair, 0.43d .079 Wir | 1 |
| ▲ | 29 | 369496 | (000000- |) Arm, Flat, Stop, Battery, 0.31 | 1 |
| ▲ | 30 | 385612 | (000000- |) Grip, Handle | 1 |
| ▲ | 31 | 58078 | (000000- |) Pin, Clevis, 0.50d X 1.25l | 1 |
| ▲ | 32 | 03192 | (000000- |) Screw, Hex, M10 X 1.5 X 30, 8.8 | 20 |
| ▲ | 33 | 32492 | (000000- |) Washer, Flat, 0.38, Std | 22 |
| ▲ | 34 | 41430 | (000000- |) Nut, Hex, Lock, M10 X 1.5, NI | 20 |
| ▲ | 35 | 39350 | (000000- |) Washer, Flat, 0.75, Sae | 2 |
| ▲ | 36 | 32491 | (000000- |) Washer, Flat, 0.31, Std | 3 |
| ▲ | 37 | 08709 | (000000- |) Nut, Hex, Lock, M8 X 1.25, NI | 3 |
| ▲ | 38 | 06416 | (000000- |) Screw, Hex, M12 X 1.75 X 50, FI | 2 |
| ▲ | 39 | 39313 | (000000- |) Nut, Hex, Std, M12 X 1.75 | 2 |
| ▲ | 40 | 83380 | (000000- |) Bracket, Stop, Battery Case | 1 |

Fig. 42 - Rollout Battery Pack Kit

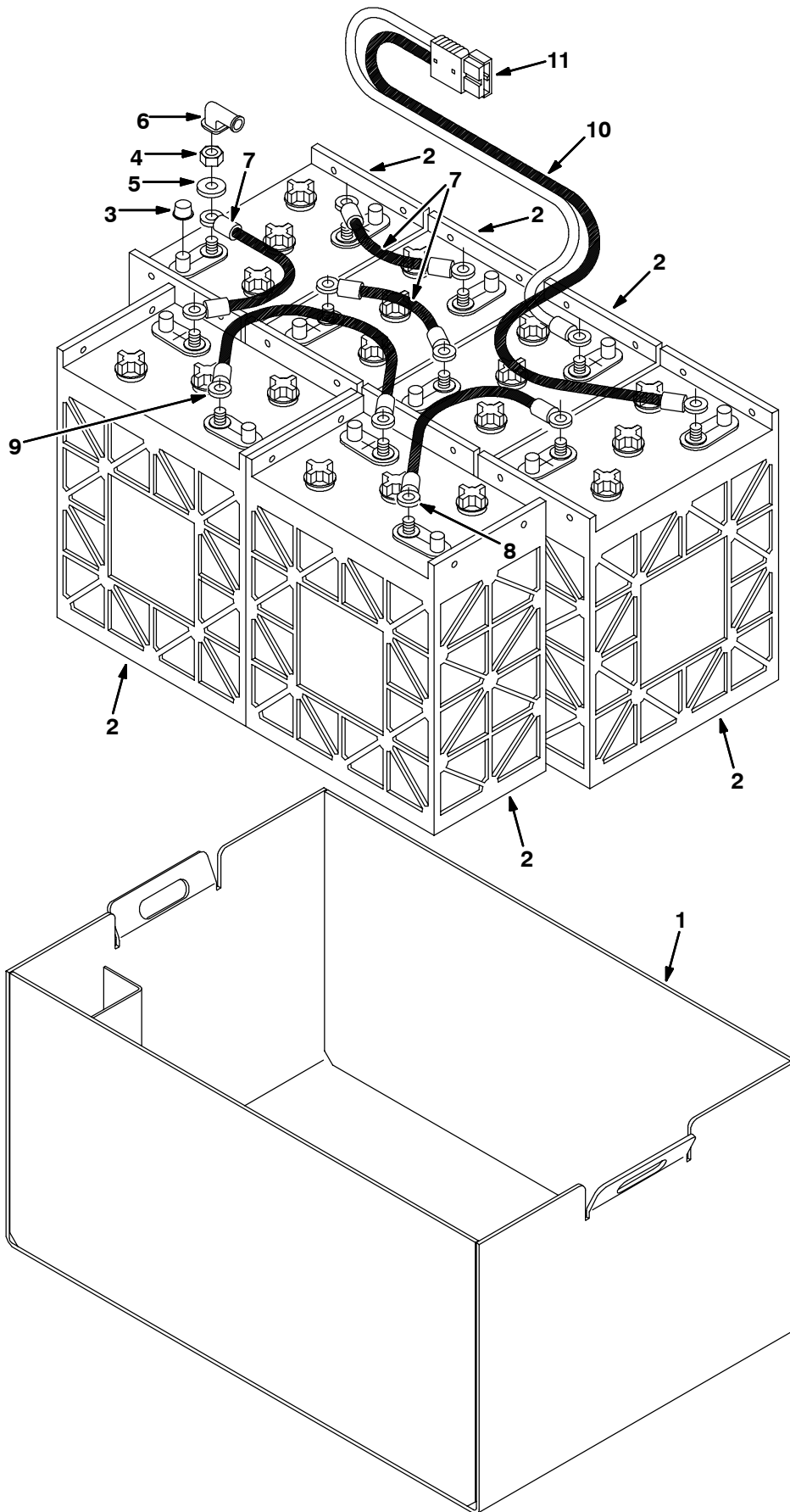


Fig. 42 - Rollout Battery Pack Kit

| | Ref. | Part No. | Serial Number | Description | Qty. |
|----|-------------|-----------------|----------------------|--|-------------|
| ▽ | | 369447 | (000000- |) Battery Kit, R/O, Ci [7200] | 1 |
| ▲ | 1 | 369483 | (000000- |) Box Wldt, Battery, R/O [No Battery] | 1 |
| ▲ | 2 | 222846 | (000000- |) Battery, Wet, 06vdc 0335ah | 6 |
| ▲ | 3 | 223641 | (000000- |) Cap, Battery | 6 |
| ▲ | 4 | 87435 | (000000- |) Nut, Hex, Flexlock, .31-18 | 12 |
| ▲ | 5 | 01685 | (000000- |) Washer, Flat, 0.38b 0.88d .08, Ss | 12 |
| ▲ | 6 | 02076 | (000000- |) Boot, 90deg .50id .57id X .84id 1.0l,Blk | 12 |
| ▲ | 7 | 223355 | (000000- |) Cable, 04ga 08.0l Blk .34ring /.34ring | 3 |
| ▲ | 8 | 223356 | (000000- |) Cable, 04ga 12.0l Blk .34ring /.34ring | 1 |
| ▲ | 9 | 223364 | (000000- |) Cable, 04ga 18.0l Blk .34ring /.34ring | 1 |
| ▲▽ | 10 | 223361 | (000000- |) Cable Assy, 04ga .34ring /.34ring, 175a | 1 |
| ▲▲ | 11 | 22892 | (000000- |) Connector, Anderson, 175a, Gray | 1 |

Fig. 43 - Pre-Sweep Frame and Hopper Group (008300-)

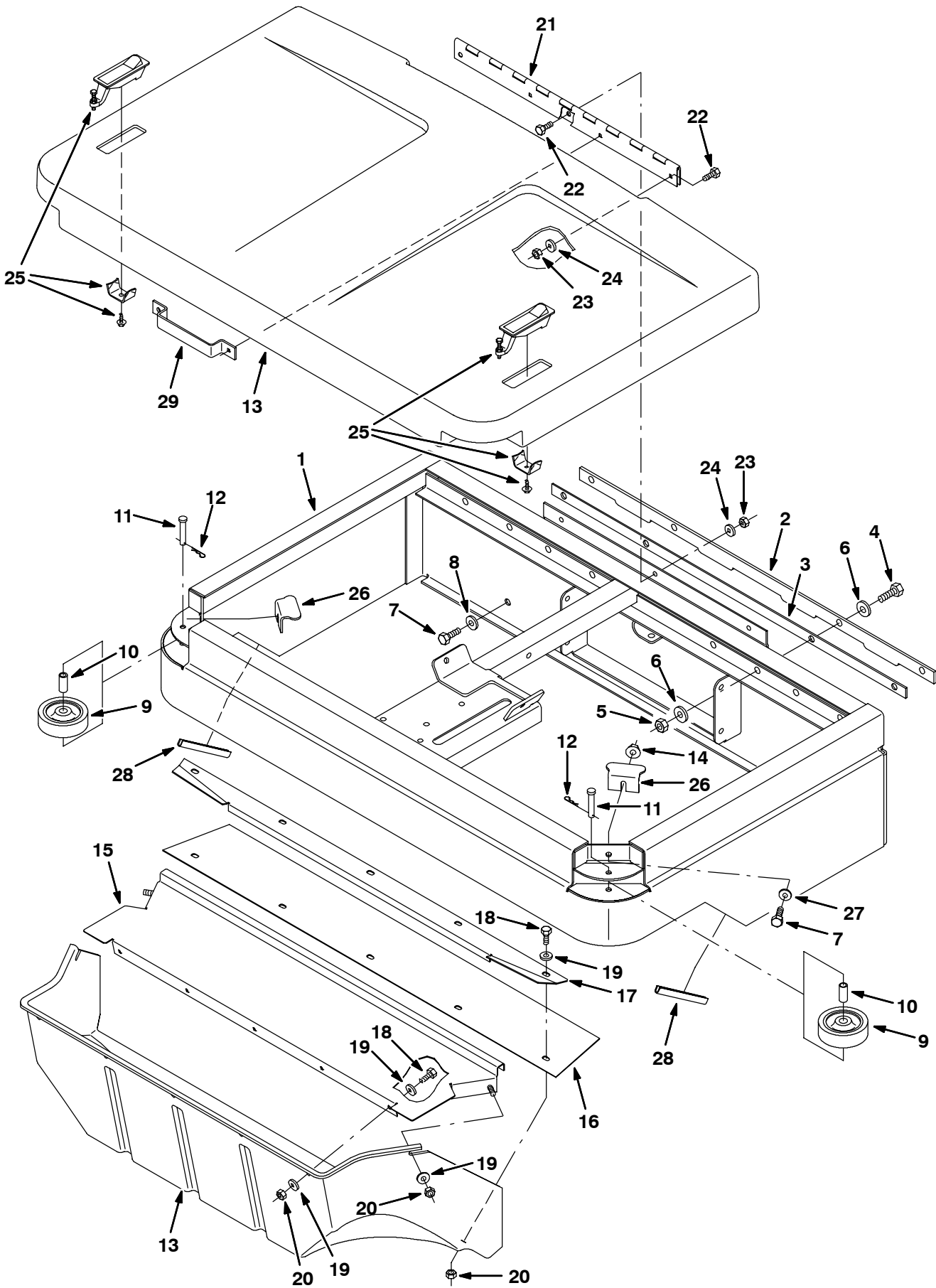


Fig. 43 - Pre-Sweep Frame and Hopper Group (008300-)

| Ref. | Part No. | Serial Number | Description | Qty. |
|-------------|-----------------|----------------------|---|-------------|
| 1 | 392135 | (008300- |) Frame Wldt, Pre-Sweep | 1 |
| 2 | 392128 | (008300- |) Plate, Clamp | 1 |
| 3 | 392129 | (008300- |) Plate, Clamp | 1 |
| 4 | 03192 | (008300- |) Screw, Hex, M10 X 1.5 X 30, 8.8 | 4 |
| 5 | 41430 | (008300- |) Nut, Hex, Lock, M10 X 1.5, NI | 4 |
| 6 | 32485 | (008300- |) Washer, Flat, 0.38, Sae | 8 |
| 7 | 16931 | (008300- |) Screw, Hex, M8 X 1.25 X 20, 8.8 | 4 |
| 8 | 41186 | (008300- |) Washer, Flat, Belleville, .31 | 2 |
| 9 | 81580 | (008300- |) Wheel, Pyp, 04.0d 0.87w 0.44b | 2 |
| 10 | 383910 | (008300- |) Sleeve, P/M, 0.31b 0.44d 1.1l [430ss] | 2 |
| 11 | 81581 | (008300- |) Pin, Clevis, 0.31d X 1.75l | 2 |
| 12 | 08085 | (008300- |) Pin, Cotter, Hair, 0.31d .058 Wir | 2 |
| 13 | 392194 | (008300- |) Hopper Kit, W/ Cover | 1 |
| 14 | 07791 | (008300- |) Nut, Hex, Flng, M8 X 1.25 | 2 |
| 15 | 392145 | (008300- |) Cover, Hppr | 1 |
| 16 | 392143 | (008300- |) Skirt, Neo, .06, 04.69w 33.56l, 05/ SI | 1 |
| 17 | 392144 | (008300- |) Retainer, Lip, Hppr | 1 |
| 18 | 08716 | (008300- |) Screw, Hex, M6 X 1.0 X 20, Ss | 10 |
| 19 | 01684 | (008300- |) Washer, Flat, 0.27b 0.69d .05, Ss | 17 |
| 20 | 08712 | (008300- |) Nut, Hex, Lock, M6 X 1.00, Ss, NI | 12 |
| 21 | 392151 | (008300- |) Hinge, .18pin .06 2.5w 19.0l, 7/0.29h&S | 1 |
| 22 | 06943 | (008300- |) Screw, Hex, M6 X 1.0 X 20, 8.8 | 7 |
| 23 | 08708 | (008300- |) Nut, Hex, Lock, M6 X 1.00, NI | 7 |
| 24 | 32483 | (008300- |) Washer, Flat, 0.25, Sae | 7 |
| 25 | 398806 | (008300- |) Latch | 2 |
| 26 | 392195 | (008300- |) Angle, Latch Strike | 2 |
| 27 | 32490 | (008300- |) Washer, Flat, 0.25, Std | 2 |
| 28 | 393065 | (008300- |) Molding, Trim, .08-.11 05.0l | 2 |
| 29 | 393063 | (008300- |) Bracket, Cover | 1 |

Fig. 44 - Pre-Sweep Brush Lift Group (008300-)

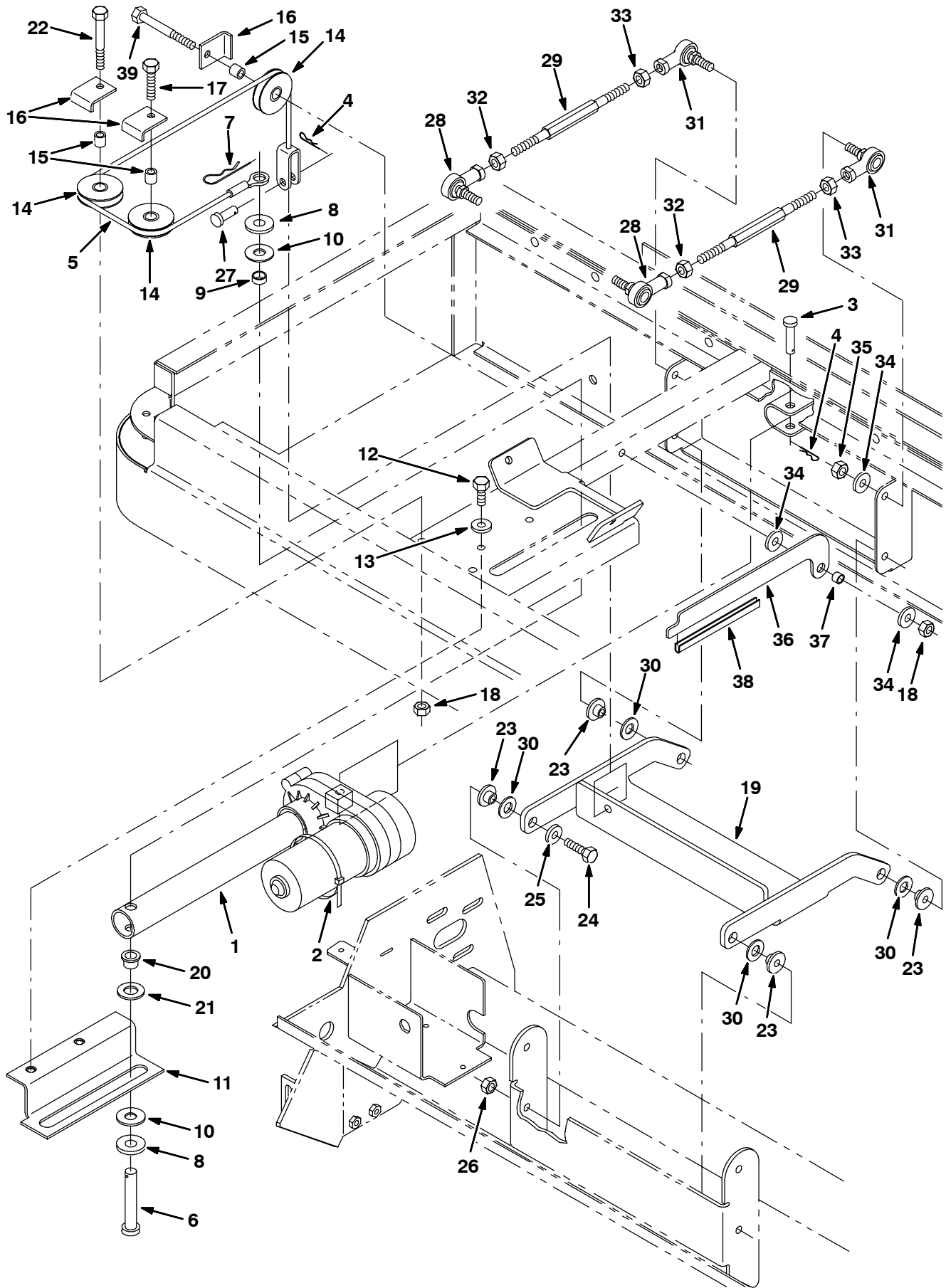


Fig. 44 - Pre-Sweep Brush Lift Group (008300-)

| Ref. | Part No. | Serial Number | Description | Qty. |
|------|----------|---------------|---|------|
| 1 | 393056 | (008300- |) Actuator, 36vdc, 03.4strk, 600 Lb | 1 |
| 2 | 49263 | (008300- |) Tie, Cable, Nyl, 11.4l .19w 3.0 Max D | 1 |
| 3 | 29558 | (008300- |) Pin, Clevis, 0.37d X 1.50l | 1 |
| 4 | 86866 | (008300- |) Pin, Cotter, Hair, 0.38d .072 Wir | 2 |
| 5 | 392233 | (008300- |) Cable, Glv .19d 028.3l .4clevis /.55eye | 1 |
| 6 | 23683 | (008300- |) Pin, Clevis, 0.50d X 3.00l | 1 |
| 7 | 02942 | (008300- |) Pin, Cotter, Hair, 0.62d .120 Wir | 1 |
| 8 | 32493 | (008300- |) Washer, Flat, 0.50, Std | 2 |
| 9 | 140145 | (008300- |) Sleeve, P/M, 0.50b 0.63d 0.3l, Stl Pl | 1 |
| 10 | 86952 | (008300- |) Washer, Flat, 0.52b 1.25d .06, Nyl | 2 |
| 11 | 392286 | (008300- |) Bracket, Actuator | 1 |
| 12 | 16931 | (008300- |) Screw, Hex, M8 X 1.25 X 20, 8.8 | 2 |
| 13 | 32491 | (008300- |) Washer, Flat, 0.31, Std | 2 |
| 14 | 369781 | (008300- |) Pulley, Cable, 1.5d Nyl | 3 |
| 15 | 222460 | (008300- |) Sleeve, P/M, 0.31b 0.50d 0.5l [430ss] | 3 |
| 16 | 54400 | (008300- |) Bracket, Angle, Keeper, Cable | 3 |
| 17 | 06955 | (008300- |) Screw, Hex, M8 X 1.25 X 35, 8.8 | 3 |
| 18 | 08709 | (008300- |) Nut, Hex, Lock, M8 X 1.25, NI | 3 |
| 19 | 392198 | (008300- |) Arm, Lower | 1 |
| 20 | 393059 | (008300- |) Bushing, Flng, 0.50b 0.66d 0.38l, Ss | 1 |
| 21 | 20536-1 | (008300- |) Washer, Flat, 0.64b 1.19d .06, Nyl | 1 |
| 22 | 39279 | (008300- |) Screw, Hex, M8 X 1.25 X 70, 8.8 | 1 |
| 23 | 397060 | (008300- |) Sleeve, Flng, 0.32b 1.00/0.49d 0.4l, Ss | 4 |
| 24 | 76570 | (008300- |) Screw, Hex, M8 X 1.25 X 30, 8.8 | 4 |
| 25 | 32490 | (008300- |) Washer, Flat, 0.25, Std | 4 |
| 26 | 08709 | (008300- |) Nut, Hex, Lock, M8 X 1.25, NI | 4 |
| 27 | 09088 | (008300- |) Pin, Clevis, 0.37d X 1.00l | 1 |
| 28 | 86781 | (008300- |) Rod-End, 0.38-24rh Fem 0.38-24stud | 2 |
| 29 | 392158 | (008300- |) Rod, Thrd, 2 End, .38-24 07.0l, Lh Hex | 2 |
| 30 | 630447 | (008300- |) Washer, Flat, M12.7x25.4 Rep.By20536-2 | 4 |
| 31 | 86780 | (008300- |) Rod-End, .38-24lh Fem 0.38-24stud | 2 |
| 32 | 20171 | (008300- |) Nut, Hex, Jam, .38-24 | 2 |
| 33 | 82889 | (008300- |) Nut, Hex, Jam, .38-24, Lh | 2 |
| 34 | 32492 | (008300- |) Washer, Flat, 0.38, Std | 6 |
| 35 | 67312 | (008300- |) Nut, Hex, Lock, .38-24, NI | 4 |
| 36 | 393060 | (008300- |) Bracket, Rod, Prop | 1 |
| 37 | 54623 | (008300- |) Tube, 0.34id 0.44od 00.3l, Ss | 1 |
| 38 | 393065 | (008300- |) Molding, Trim, .08-.11 05.0l | 1 |
| 39 | 06958 | (008300- |) Screw, Hex, M8 X 1.25 X 80, 8.8 | 1 |

Fig. 45 - Pre-Sweep Brush Housing and Skirts Group (008300-)

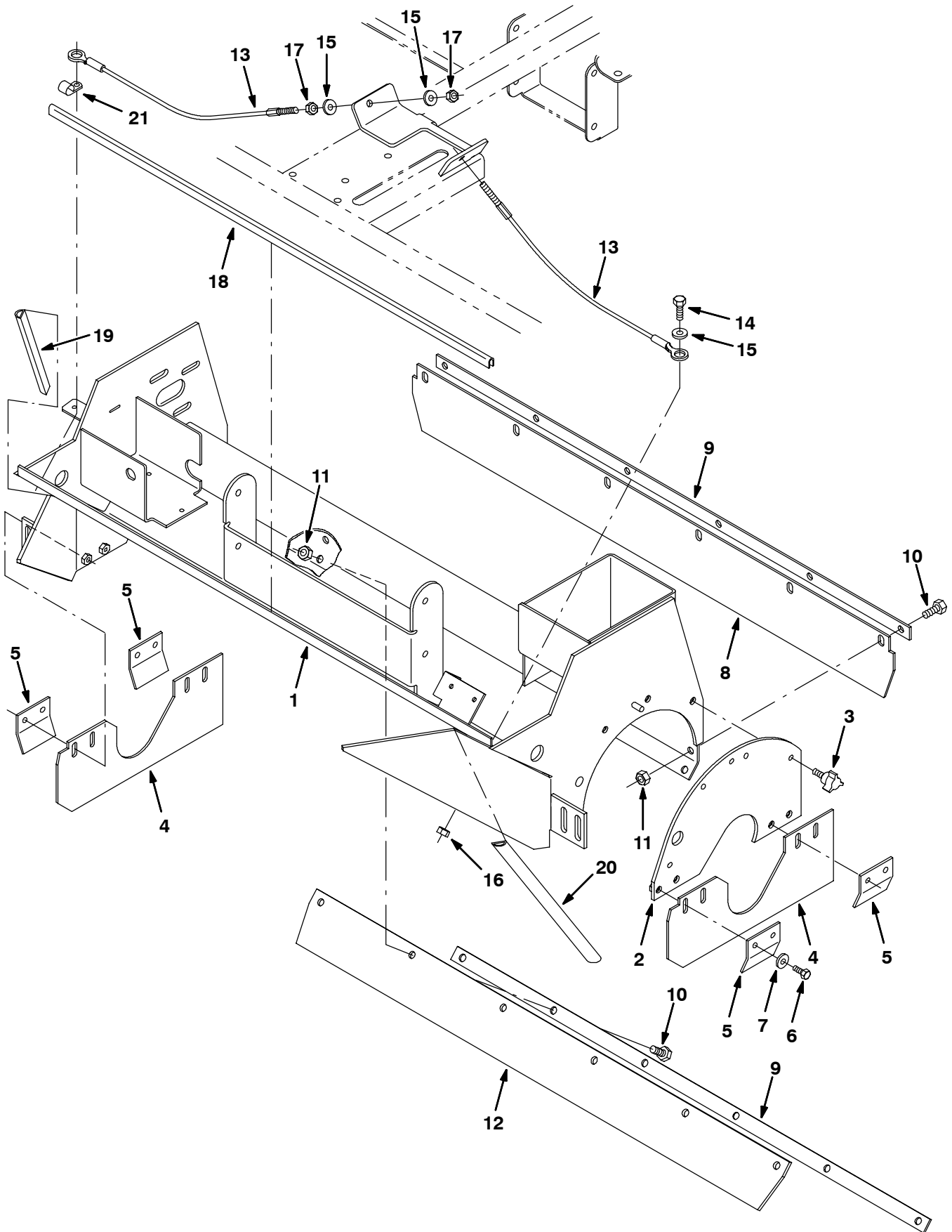


Fig. 45 - Pre-Sweep Brush Housing and Skirts Group (008300-)

| Ref. | Part No. | Serial Number | Description | Qty. |
|-------------|-----------------|----------------------|--|-------------|
| 1 | 392231 | (008300- |) Housing Wldt, Brush | 1 |
| 2 | 392226 | (008300- |) Plate, Removal, Brush | 1 |
| 3 | 397225 | (008300- |) Knob Assy, Star, 1.12d 3ear M06x1.0 0.8l | 4 |
| 4 | 392200 | (008300- |) Skirt, Neo, .12, 04.31w 11.62l, 04/ SI | 2 |
| 5 | 392261 | (008300- |) Retainer, Skirt | 4 |
| 6 | 11329 | (008300- |) Screw, Hex, M6 X 1.0 X 16, Ss, NI | 8 |
| 7 | 01684 | (008300- |) Washer, Flat, 0.27b 0.69d .05, Ss | 8 |
| 8 | 392202 | (008300- |) Skirt, Neo, .12, 03.87w 33.87l, 06/ SI | 1 |
| 9 | 392203 | (008300- |) Retainer, Skirt | 2 |
| 10 | 09740 | (008300- |) Screw, Hex, M8 X 1.25 X 20, Ss | 12 |
| 11 | 08713 | (008300- |) Nut, Hex, Lock, M8 X 1.25, NI, Ss | 12 |
| 12 | 392204 | (008300- |) Skirt, Neo, .18, 02.87w 33.32l, 06/ Hole | 1 |
| 13 | 392239 | (008300- |) Cable, Ss .13d 015.7l .25eye / M06-1.0 | 2 |
| 14 | 06943 | (008300- |) Screw, Hex, M6 X 1.0 X 20, 8.8 | 2 |
| 15 | 32483 | (008300- |) Washer, Flat, 0.25, Sae | 6 |
| 16 | 08708 | (008300- |) Nut, Hex, Lock, M6 X 1.00, NI | 2 |
| 17 | 41359 | (008300- |) Nut, Hex, Std, M6 X 1.00, 8 | 4 |
| 18 | 392291 | (008300- |) Molding, Trim, .08-.11 30.0l | 1 |
| 19 | 392287 | (008300- |) Seal, Hppr, Rh | 1 |
| 20 | 392288 | (008300- |) Seal, Hppr, Lh | 1 |
| 21 | 26395-1 | (008300- |) Clamp, Cable, Stl, 0.56d X 0.38w, 1hole | 1 |

Fig. 46 - Pre-Sweep Brush Drive Group (008300-)

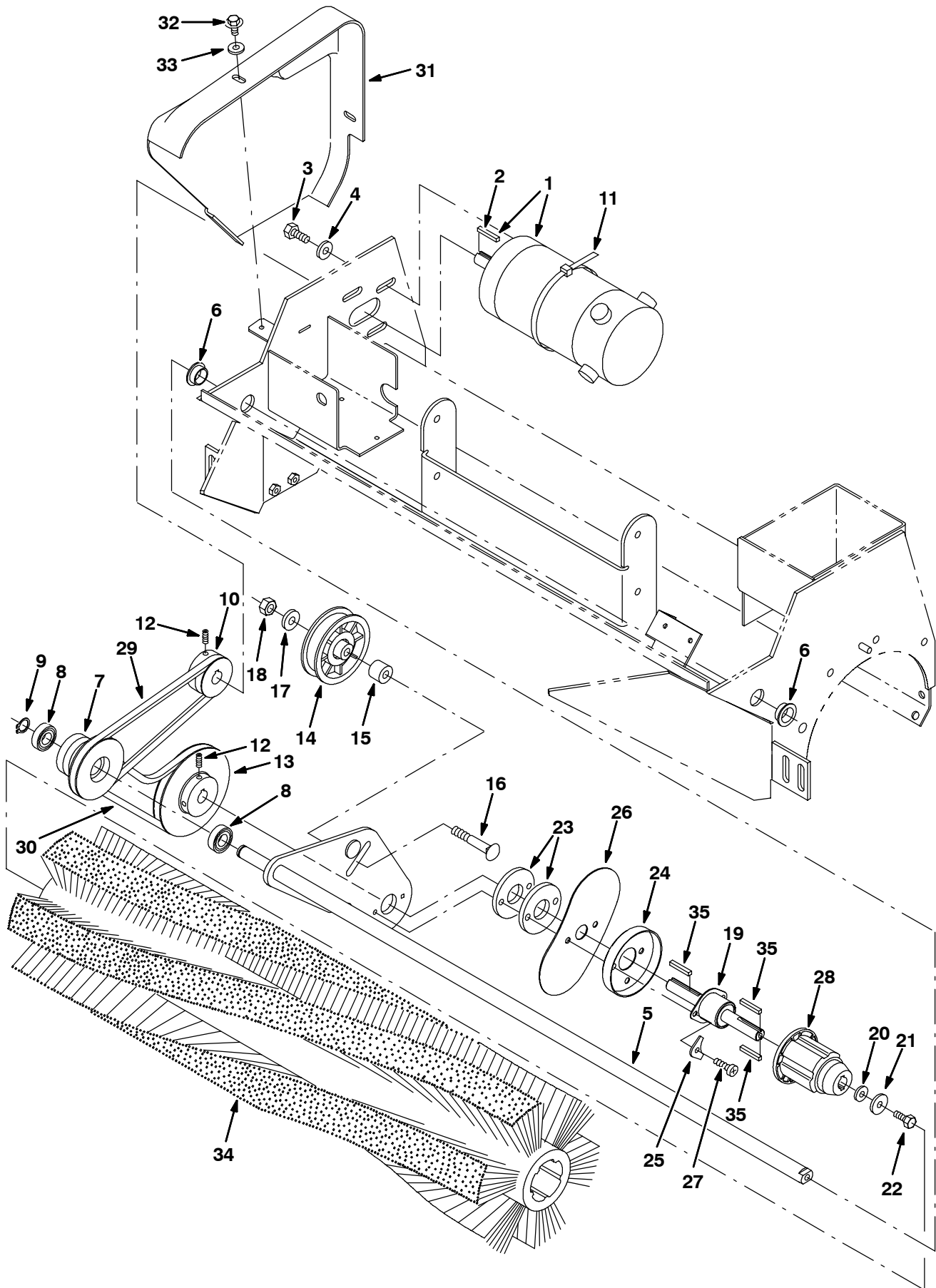


Fig. 46 - Pre-Sweep Brush Drive Group (008300-)

| Ref. | Part No. | Serial Number | Description | Qty. |
|------|----------|---------------|--|------|
| | 1 | 81940 | (008300-) Motor, Ele, 36vdc 0.60hp 1800rpm . A (See Breakdowns) | 1 |
| ▽ | 1 | 374266 | (008300-) Motor, Ele, 36vdc 1800rpm 0.60hp (See Breakdowns) | 1 |
| ▲ | 2 | 00916 | (008300-) Key, Sq, 0.19 X 0.19, 1.50l | 4 |
| | 3 | 16931 | (008300-) Screw, Hex, M8 X 1.25 X 20, 8.8 | 4 |
| | 4 | 41186 | (008300-) Washer, Flat, Belleville, .31 | 4 |
| | 5 | 392213 | (008300-) Arm Wldt, Brush, Main, Drive | 1 |
| | 6 | 04928 | (008300-) Bushing, Flng, 0.50b 0.59d 0.38l | 2 |
| | 7 | 392209 | (008300-) Sheave, 02grv, 01.9/03.0pd 01.3b [3l] | 1 |
| | 8 | 41360 | (008300-) Bearing, Ball, 0.59b 1.26d 0.35w | 2 |
| | 9 | 01516 | (008300-) Ring, Retaining, Ext, 0.59d, Basic | 1 |
| | 10 | 392208 | (008300-) Sheave, 01grv, 01.9pd 0.62b [3l] | 1 |
| | 11 | 763116 | (008300-) Tie, Cable, Nyl, 15.3l . W 4.5 Max D | 1 |
| | 12 | 01750 | (008300-) Screw, Set, M6 X 1.0 X 16, Soc | 4 |
| | 13 | 392207 | (008300-) Sheave, 01grv, 04.5pd 0.62b [3l] | 1 |
| | 14 | 02356 | (008300-) Pulley, Idler W/ Bearing, Plstc | 1 |
| | 15 | 392219 | (008300-) Tube, 0.38id 0.88od 00.7l, Stl, Pl | 1 |
| | 16 | 01150 | (008300-) Bolt, Carriage, .38-16 X 2.50, 5 | 1 |
| | 17 | 01686 | (008300-) Washer, Flat, 0.44b 1.00d .08, Ss | 1 |
| | 18 | 59156 | (008300-) Nut, Hex, Lock, .38-16, Nl, Ss | 1 |
| | 19 | 48748 | (008300-) Bearing Assy, W/ Shaft | 1 |
| | 20 | 41185 | (008300-) Washer, Flat, Belleville, .25 | 1 |
| | 21 | 29570 | (008300-) Washer, Flat, 0.28b 1.00d .06, Stl | 1 |
| | 22 | 11329 | (008300-) Screw, Hex, M6 X 1.0 X 16, Ss, Nl | 1 |
| | 23 | 392215 | (008300-) Spacer, Arm, Brush | 2 |
| | 24 | 32720 | (008300-) Shield, Plug, Drive | 1 |
| | 25 | 32408 | (008300-) Plate, Hold-Down | 2 |
| | 26 | 392252 | (008300-) Plate, Seal, Dust | 1 |
| | 27 | 382726 | (008300-) Screw, Pan, M6 X 1.00 X 25, 4.8 | 2 |
| | 28 | 12269 | (008300-) Plug, Drive, Brush, Nyl | 1 |
| | 29 | 392240 | (008300-) Belt, V, 24.0l [3l] | 1 |
| | 30 | 392241 | (008300-) Belt, V, 29.3l [3l] | 1 |
| | 31 | 392234 | (008300-) Guard, Belt | 1 |
| | 32 | 74455 | (008300-) Screw, Hex, M6 X 1.0 X 12, Fmg | 2 |
| | 33 | 01684 | (008300-) Washer, Flat, 0.27b 0.69d .05, Ss | 2 |
| | 34 | 392222 | (008300-) Brush, Swp, 32l, 6dr, Pyp, Spl | 1 |
| | 35 | 00918 | (008300-) Key, Sq, 0.19 X 0.19, 1.25l | 3 |

Fig. 47 - Pre-Sweep Brush Idler Group (008300-)

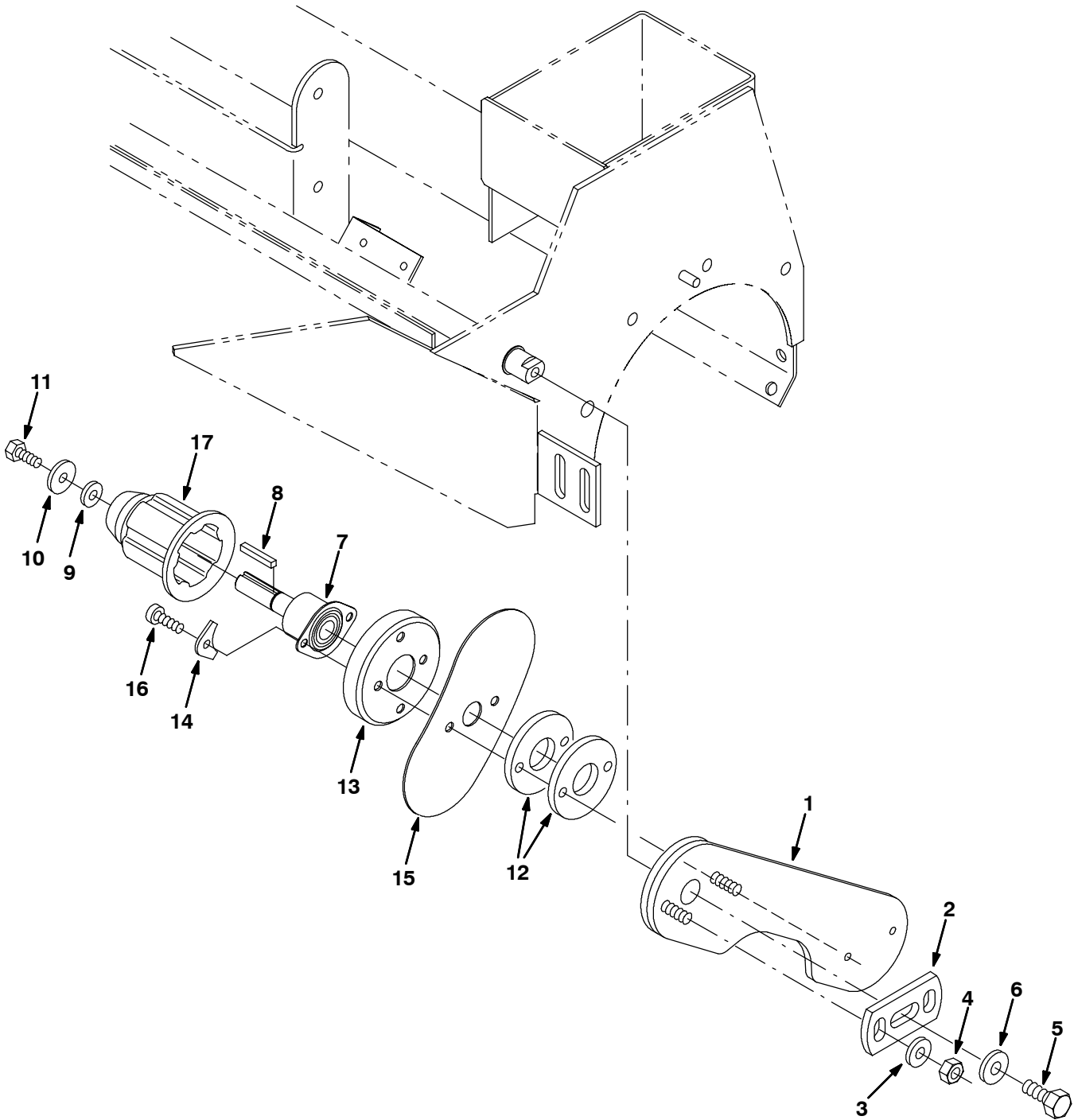


Fig. 47 - Pre-Sweep Brush Idler Group (008300-)

| Ref. | Part No. | Serial Number | Description | Qty. |
|-------------|-----------------|----------------------|--------------------------------------|-------------|
| 1 | 392214 | (008300- |) Arm, Brush, Pre-Sweep, Idler, Lh | 1 |
| 2 | 392216 | (008300- |) Plate, Adj | 1 |
| 3 | 32491 | (008300- |) Washer, Flat, 0.31, Std | 2 |
| 4 | 08713 | (008300- |) Nut, Hex, Lock, M8 X 1.25, NI, Ss | 2 |
| 5 | 10959 | (008300- |) Screw, Hex, M10 X 1.5 X 20, Ss, NI | 1 |
| 6 | 01686 | (008300- |) Washer, Flat, 0.44b 1.00d .08, Ss | 1 |
| 7 | 48749 | (008300- |) Bearing Assy, W/ Shaft | 1 |
| 8 | 00918 | (008300- |) Key, Sq, 0.19 X 0.19, 1.25l | 1 |
| 9 | 41185 | (008300- |) Washer, Flat, Belleville, .25 | 1 |
| 10 | 29570 | (008300- |) Washer, Flat, 0.28b 1.00d .06, Stl | 1 |
| 11 | 11329 | (008300- |) Screw, Hex, M6 X 1.0 X 16, Ss, NI | 1 |
| 12 | 392215 | (008300- |) Spacer, Arm, Brush | 2 |
| 13 | 32720 | (008300- |) Shield, Plug, Drive | 1 |
| 14 | 32408 | (008300- |) Plate, Hold-Down | 2 |
| 15 | 392252 | (008300- |) Plate, Seal, Dust | 1 |
| 16 | 382726 | (008300- |) Screw, Pan, M6 X 1.00 X 25, 4.8 | 2 |
| 17 | 12269 | (008300- |) Plug, Drive, Brush, Nyl | 1 |

Fig. 48 - Pre-Sweep Side Brush Group (008300-)

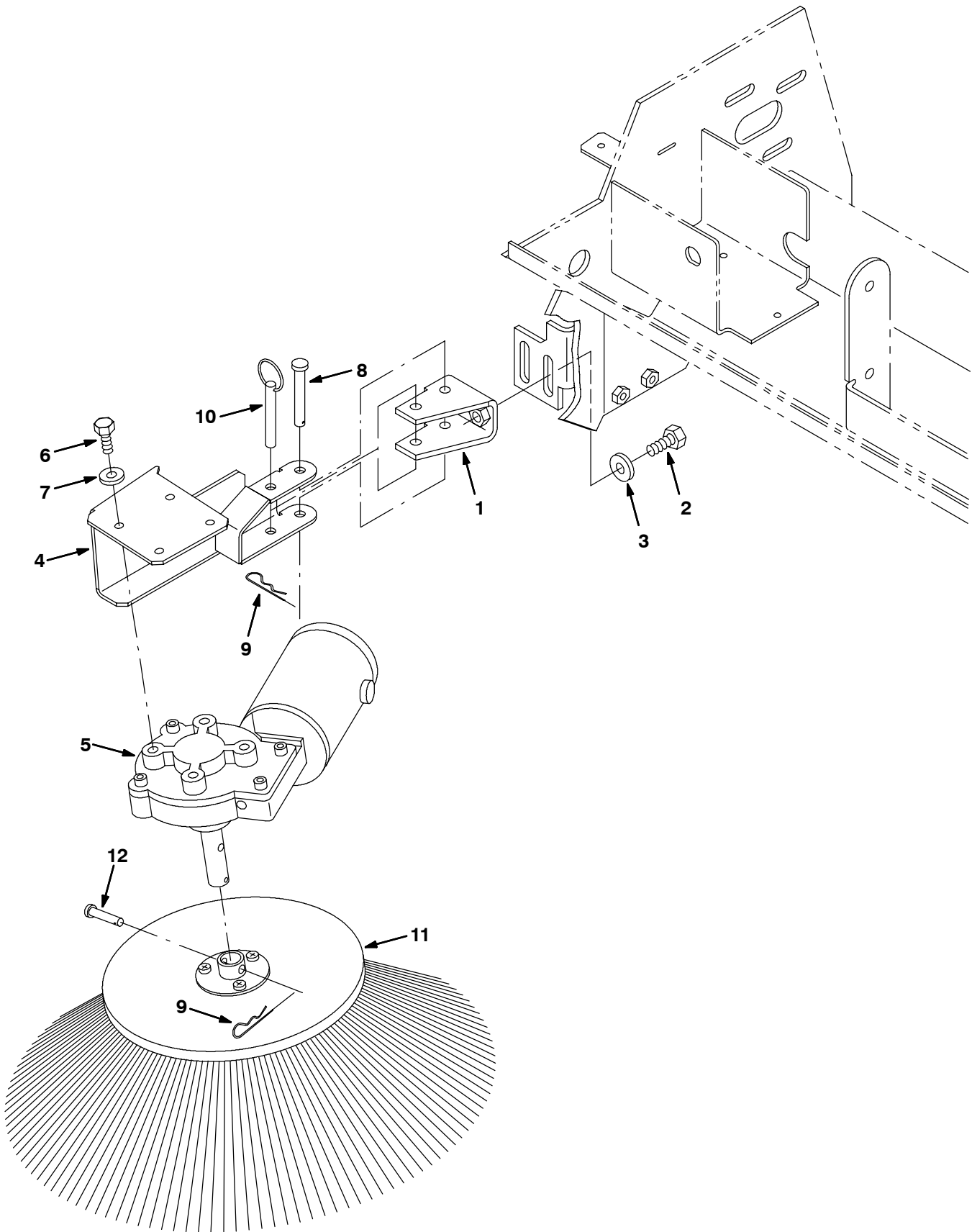


Fig. 48 - Pre-Sweep Side Brush Group (008300-)

| Ref. | Part No. | Serial Number | Description | Qty. | |
|------|----------|---------------|---------------------------------------|---|---|
| 1 | 392154 | (008300- |) Channel, .18, 1.5w 2.6 01.9l, 2/ M8 | 1 | |
| 2 | 09740 | (008300- |) Screw, Hex, M8 X 1.25 X 20, Ss | 2 | |
| 3 | 41186 | (008300- |) Washer, Flat, Belleville, .31 | 2 | |
| 4 | 392238 | (008300- |) Arm Wldt, Brush, Side, Rh | 1 | |
| ▽ | 5 | 1008274 | (008300- |) Motor, Ele, 36vdc 0068rpm 0.08hp Gear | 1 |
| ▲ | 81919 | (008300- |) Brush Assy, Carbon, Motor, Ele | 2 | |
| ▲ | 80127 | (008300- |) Cap, Brush, Motor, Ele | 2 | |
| ▲ | 369795 | (008300- |) Brushholder, Motor, Ele | 2 | |
| ▲ | 369796 | (008300- |) Clip, Motor, Ele | 2 | |
| 6 | 15678 | (008300- |) Screw, Hex, M6 X 1.0 X 16, Ss | 4 | |
| 7 | 32483 | (008300- |) Washer, Flat, 0.25, Sae | 4 | |
| 8 | 392244 | (008300- |) Pin, Clevis, 0.31d X 2.12l | 1 | |
| 9 | 08085 | (008300- |) Pin, Cotter, Hair, 0.31d .058 Wir | 2 | |
| 10 | 392232 | (008300- |) Pin, Detent, 0.31d X 02.1l | 1 | |
| 11 | 28096P | (008300- |) Brush Assy, Disk, Swp, 15.0 D, Pyp | 1 | |
| 12 | 15173 | (008300- |) Pin, Clevis, 0.25d X 1.25l | 1 | |

Fig. 49 - Pre-Sweep Dust Control Group (008300-)

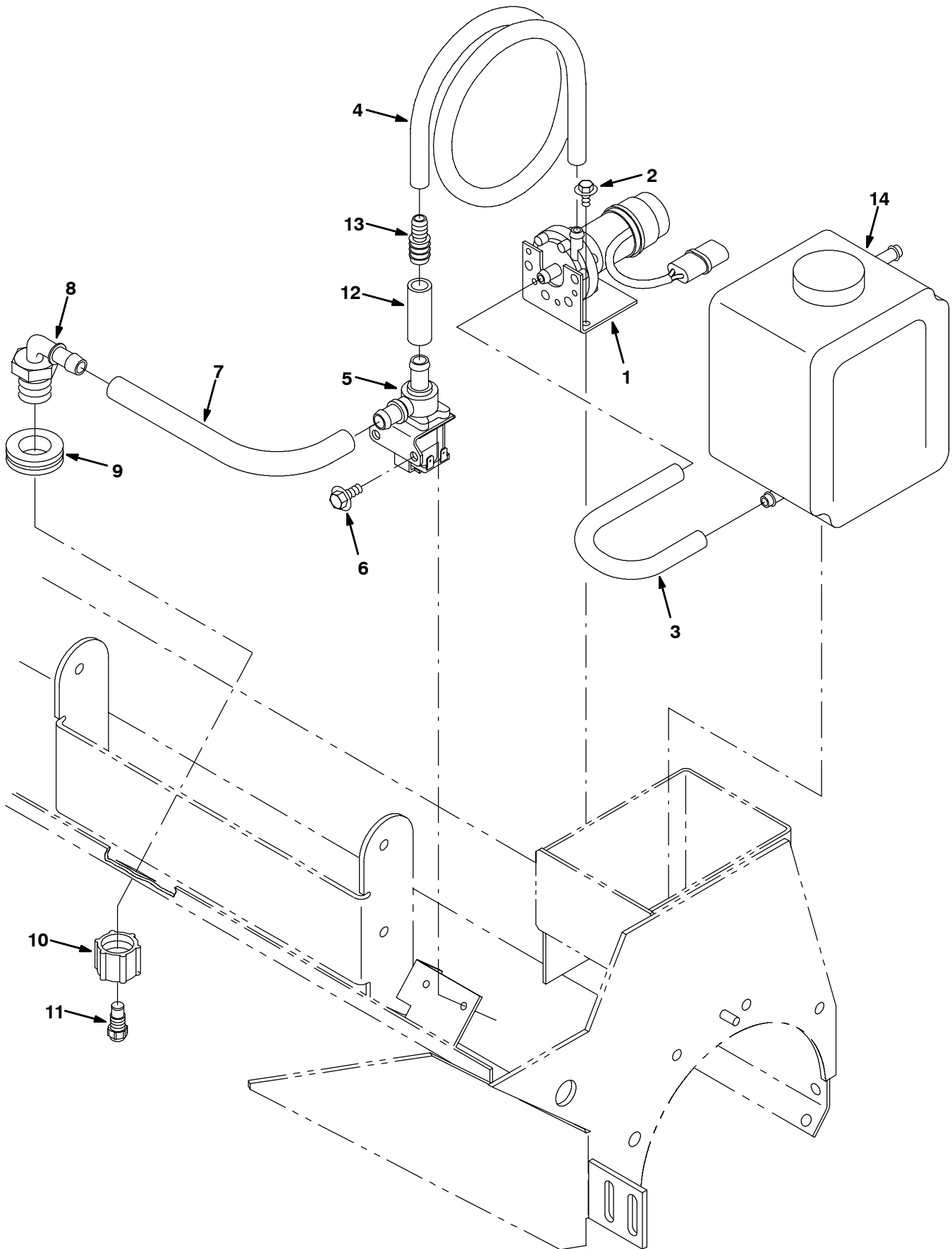


Fig. 49 - Pre-Sweep Dust Control Group (008300-)

| Ref. | Part No. | Serial Number | Description | Qty. |
|------|----------|---------------|--|------|
| 1 | 223496 | (008300- |) Pump, Water, 36vdc | 1 |
| 2 | 223198 | (008300- |) Screw, Hex, M5 X 0.8 X 10, Fmg | 2 |
| 3 | 392258 | (008300- |) Hose, Pvc, Clr, 0.38id 0.56od 013.0l | 1 |
| 4 | 73471 | (008300- |) Hose, Pvc, Clr, 0.38id 0.56od 022.0l | 1 |
| 5 | 222113 | (008300- |) Valve, Water, Solenoid, 36vdc Bm10/Bm10 | 1 |
| 6 | 222158 | (008300- |) Screw, Hex, M6 X 1.0 X 10, Fmg | 2 |
| 7 | 392254 | (008300- |) Hose, Pvc, Brd, 0.50id 0.73od 012.0l,Clr | 1 |
| 8 | 63244-3 | (008300- |) Fitting, Plstc, E90, Bm08/Pm12 | 1 |
| 9 | 10632-14 | (008300- |) Grommet, Rbr, 1.00id, F/1.4h, .12 Matl | 1 |
| 10 | 79451 | (008300- |) Fitting, Plstc, Cap, Pf02/Pf12, Spcl | 1 |
| 11 | 392173 | (008300- |) Nozzle, Spray | 1 |
| 12 | 392256 | (008300- |) Hose, Pvc, Brd, 0.50id 0.73od 002.0l,Clr | 1 |
| 13 | 222375 | (008300- |) Fitting, Plstc, Str, Bm06/Bm08 | 1 |
| 14 | 768897 | (008300- |) Tank, Recvy, Coolant, 2.5qt | 1 |
| | 614265 | | Kit, Water, Valve, Rebuild | 1 |

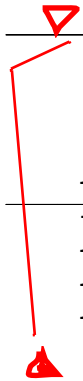


Fig. 50 - Pre-Sweep Electrical Group (008300-)

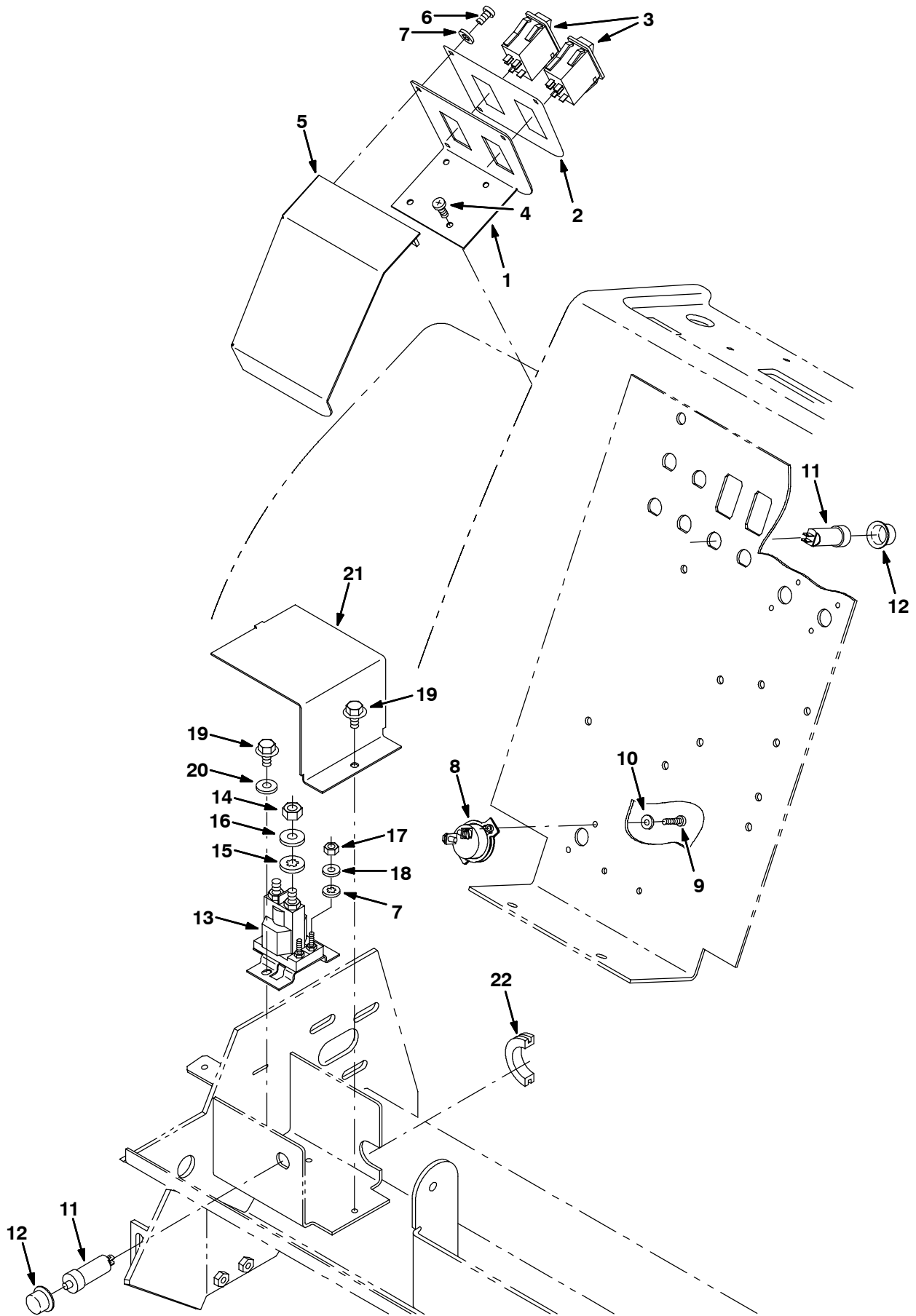


Fig. 50 - Pre-Sweep Electrical Group (008300-)

| Ref. | Part No. | Serial Number | Description | Qty. |
|------|----------|---------------|--|------|
| 1 | 392146 | (008300- |) Panel, Switch | 1 |
| 2 | 392152 | (008300- |) Label, Opertnl, Pre-Sweep | 1 |
| 3 | 398500 | (008300- |) Switch, Rocker, Dpdt, On / None / On | 2 |
| 4 | 222481 | (008300- |) Screw, Pan, #10-14 X 0.50, F/ Plstc | 4 |
| 5 | 392147 | (008300- |) Cover, Panl | 1 |
| 6 | 39648 | (008300- |) Screw, Pan, #10-24 X 0.38, G1 | 3 |
| 7 | 32980 | (008300- |) Washer, Lock, Int, #10 | 5 |
| 8 | 222297 | (008300- |) Circuitbreaker, 25.0a, Resetable | 1 |
| 9 | 32516 | (008300- |) Screw, Pan, #08-32 X 0.50, G1 | 2 |
| 10 | 19065 | (008300- |) Washer, Flat, #08 | 2 |
| 11 | 57164 | (008300- |) Circuitbreaker, 10.0a, Resetable | 2 |
| 12 | 57751 | (008300- |) Boot, Dome, .72id .72l, Clear | 2 |
| 13 | 386810 | (008300- |) Contactor, 36vdc, 100a, Sp, No | 1 |
| 14 | 20170 | (008300- |) Nut, Hex, Jam, .31-24 | 2 |
| 15 | 32984 | (008300- |) Washer, Lock, Int, 0.31 | 2 |
| 16 | 39349 | (008300- |) Washer, Flat, 0.31, Sae | 2 |
| 17 | 01713 | (008300- |) Nut, Hex, Std, #10-32, 2 | 2 |
| 18 | 19324 | (008300- |) Washer, Flat, #10, Sae | 2 |
| 19 | 74455 | (008300- |) Screw, Hex, M6 X 1.0 X 12, Fmg | 3 |
| 20 | 32483 | (008300- |) Washer, Flat, 0.25, Sae | 2 |
| 21 | 392247 | (008300- |) Cover, Relay | 1 |
| 22 | 04051 | (008300- |) Grommet, Rbr, 1.31id, F/1.6h, .12 Matl | 1 |

Fig. 51 - Pre-Sweep Bumper Group (008300-)

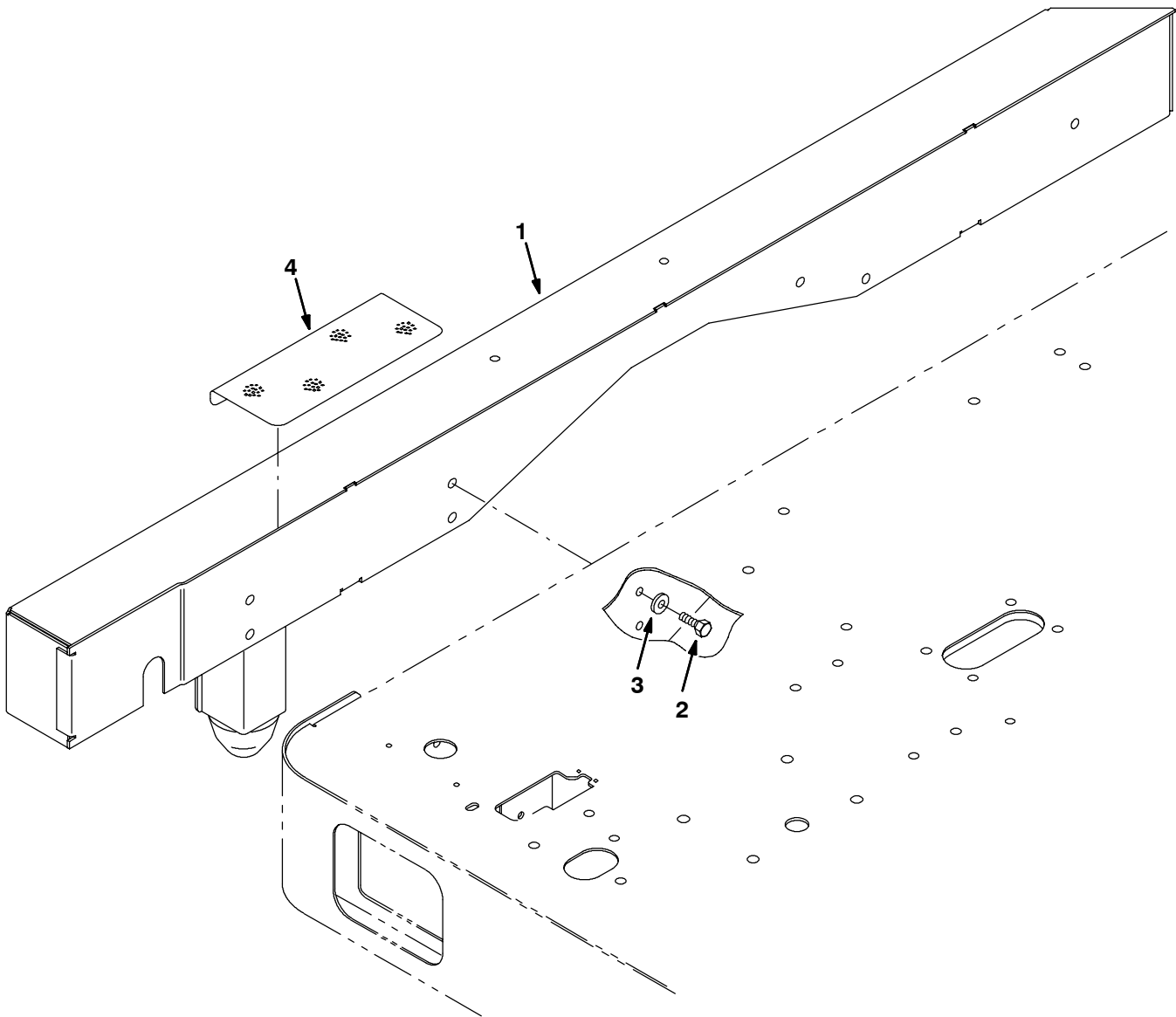


Fig. 51 - Pre-Sweep Bumper Group (008300-)

| Ref. | Part No. | Serial Number | Description | Qty. |
|-------------|-----------------|----------------------|----------------------------------|-------------|
| 1 | 392169 | (008300- |) Bumper Wldt, Side | 1 |
| 2 | 09010 | (008300- |) Screw, Hex, M8 X 1.25 X 25, Ss | 7 |
| 3 | 32491 | (008300- |) Washer, Flat, 0.31, Std | 7 |
| 4 | 223350 | (008300- |) Tread, Non-Skid, 04.5w 10.0l | 1 |

Fig. 52 - Pre-Sweep Wire Harness Group (008300-)

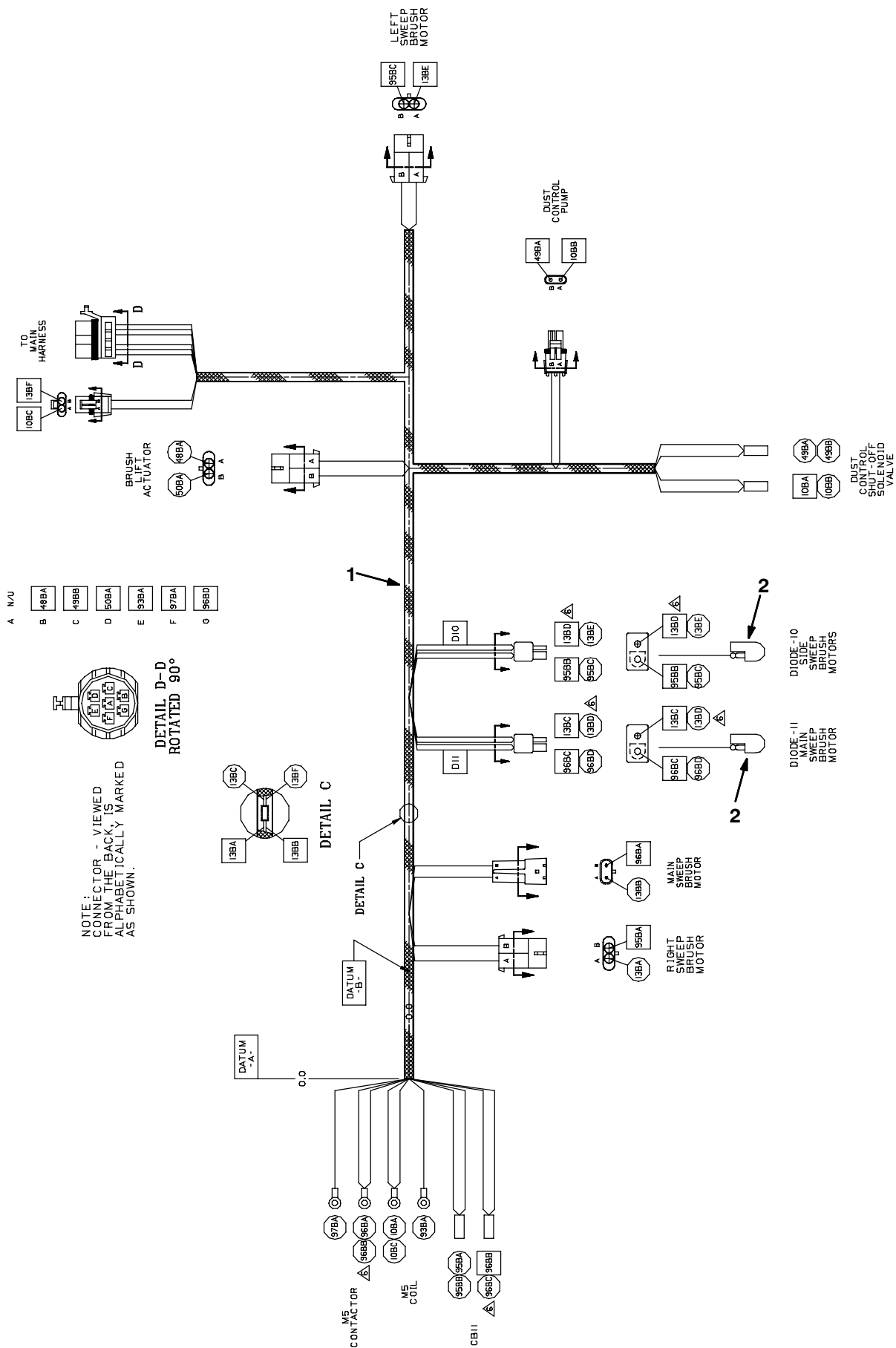


Fig. 52 - Pre-Sweep Wire Harnesses Group (008300-)

| Ref. | Part No. | Serial Number | Description | Qty. |
|-------------|-----------------|----------------------|-------------------------------|-------------|
| 1 | 392182 | (008300- |) Harness, Swpr [7200 N.W.] | 1 |
| 2 | 222290 | (008300- |) Diode, Ele, Plug | 2 |
| | 763115 | (008300- |) Tie, Cable, 6.0l, 1.25d Max | 3 |

Fig. 53 - Pre-Sweep Side Brush Kit, Left Hand (008300-)

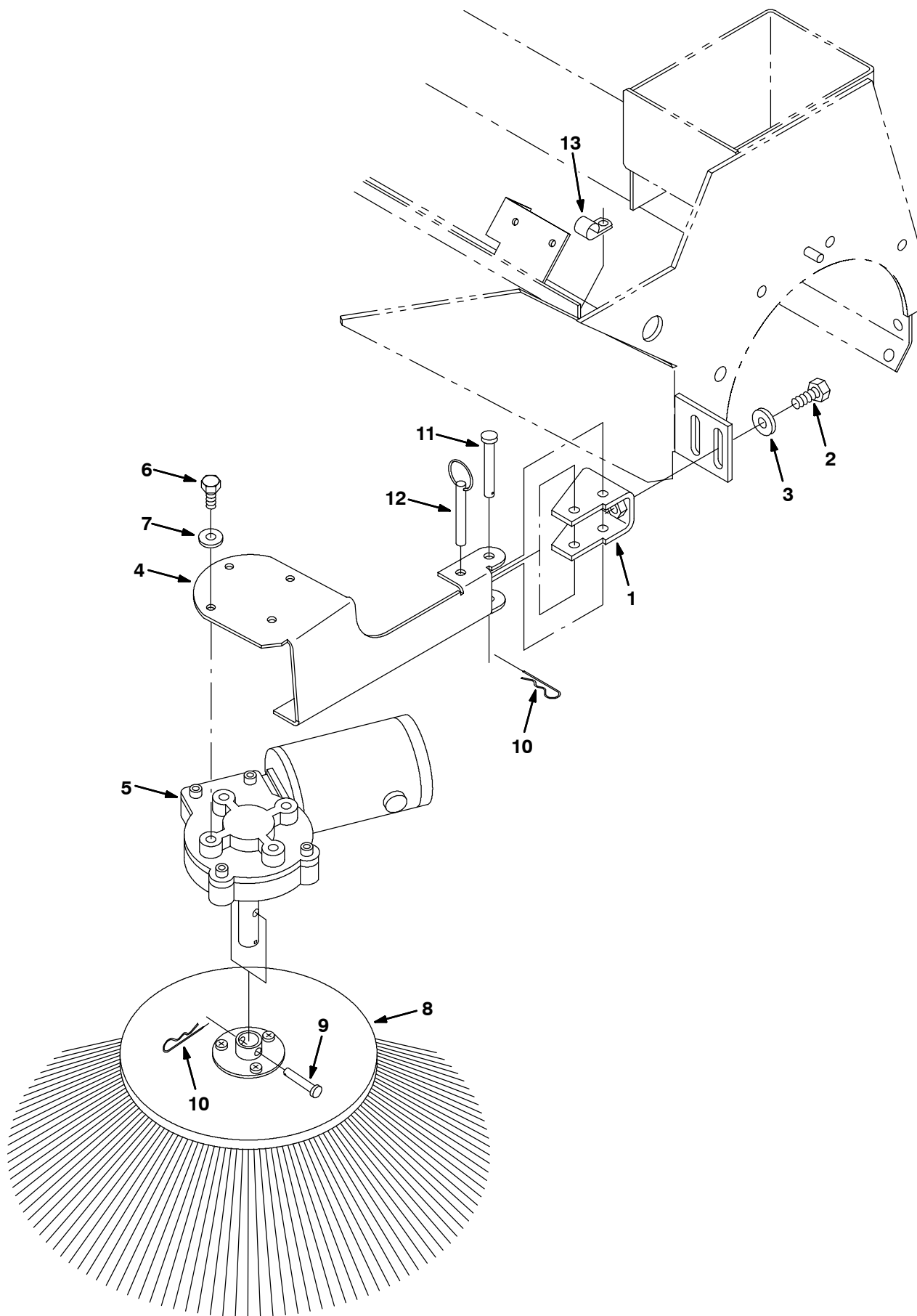


Fig. 53 - Pre-Sweep Side Brush Kit, Left Hand (008300-)

| | Ref. | Part No. | Serial Number | Description | Qty. |
|----|-------------|-----------------|----------------------|---|-------------|
| ▽ | | 392104 | (008300- |) Brush Kit, Side, Lh, Ci | 1 |
| ▲ | 1 | 392154 | (008300- |) Channel, .18, 1.5w 2.6 01.9l, 2/ M8 | 1 |
| ▲ | 2 | 09740 | (008300- |) Screw, Hex, M8 X 1.25 X 20, Ss | 2 |
| ▲ | 3 | 41186 | (008300- |) Washer, Flat, Belleville, .31 | 2 |
| ▲ | 4 | 392166 | (008300- |) Arm, Brush, Side, Lh | 1 |
| ▲▽ | 5 | 1008275 | (008300- |) Motor, Ele, 36vdc 0068rpm 0.08hp Gear | 1 |
| ▲▲ | | 81919 | (008300- |) Brush Assy, Carbon, Motor, Ele | 1 |
| ▲▲ | | 80127 | (008300- |) Cap, Brush, Motor, Ele | 2 |
| ▲▲ | | 369795 | (008300- |) Brushholder, Motor, Ele | 2 |
| ▲▲ | | 369796 | (008300- |) Clip, Motor, Ele | 2 |
| ▲ | 6 | 15678 | (008300- |) Screw, Hex, M6 X 1.0 X 16, Ss | 4 |
| ▲ | 7 | 32483 | (008300- |) Washer, Flat, 0.25, Sae | 4 |
| ▲ | 8 | 28096P | (008300- |) Brush Assy, Disk, Swp, 15.0 D, Pyp | 1 |
| ▲ | 9 | 15173 | (008300- |) Pin, Clevis, 0.25d X 1.25l | 1 |
| ▲ | 10 | 08085 | (008300- |) Pin, Cotter, Hair, 0.31d .058 Wir | 2 |
| ▲ | 11 | 392244 | (008300- |) Pin, Clevis, 0.31d X 2.12l | 1 |
| ▲ | 12 | 392232 | (008300- |) Pin, Detent, 0.31d X 02.1l | 1 |
| ▲ | 13 | 26395-1 | (008300- |) Clamp, Cable, Stl, 0.56d X 0.38w, 1hole | 1 |

Fig. 54 - Pre-Sweep Dolly Kit, (008300-)

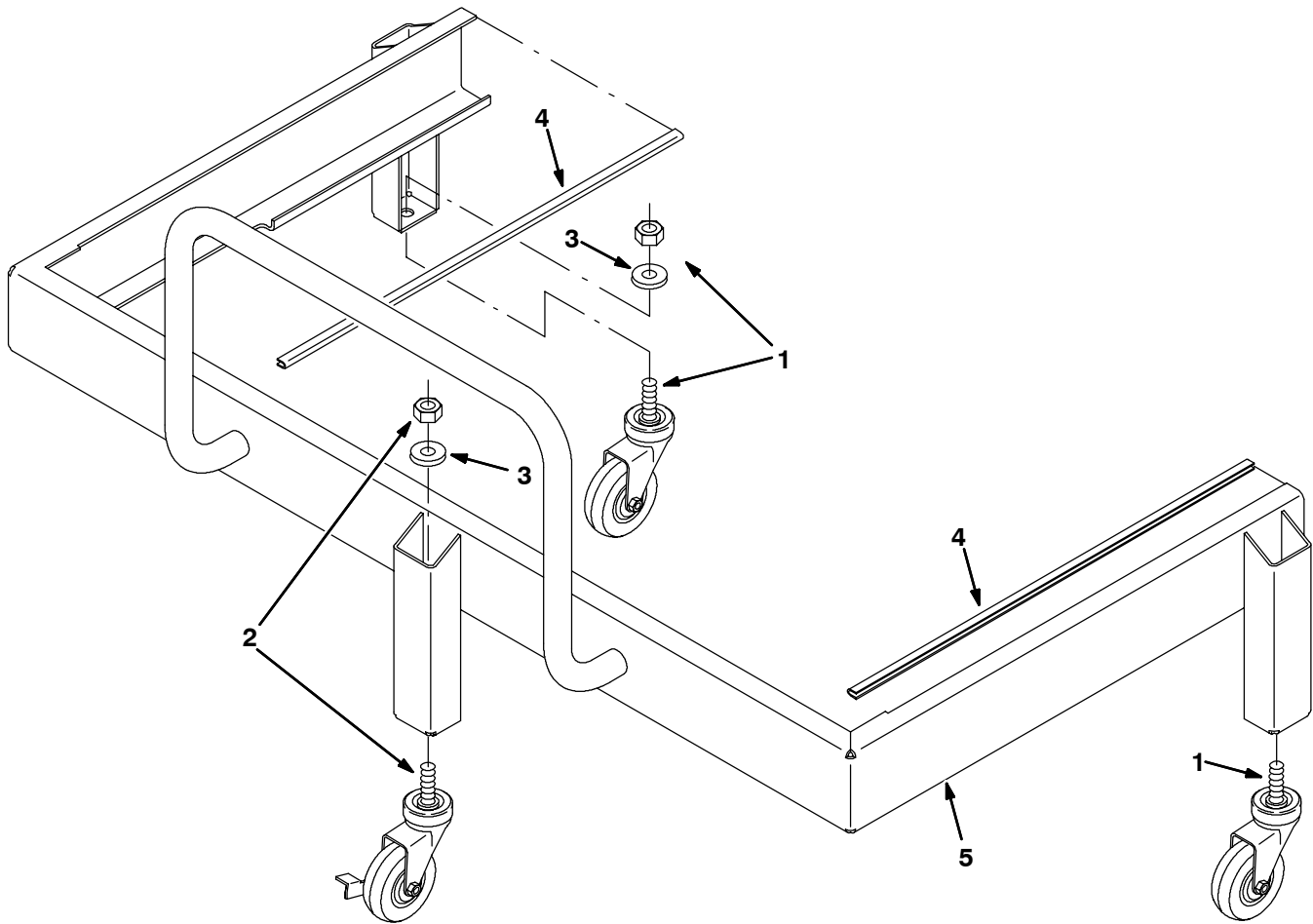


Fig. 54 - Pre-Sweep Dolly Kit, (008300-)

| | Ref. | Part No. | Serial Number | Description | Qty. |
|---|-------------|-----------------|----------------------|--|-------------|
| ▽ | | 393080 | (008300- |) Dolly Assy Kit, Ci [Pre-Sweep 7200] | 1 |
| ▲ | 1 | 393077 | (008300- |) Caster, Swivel, 3.0d 1.0w, .50-13 Stem | 2 |
| ▲ | 2 | 393078 | (008300- |) Caster, Swivel, 3.0d 1.0w, Stem W/ Brake | 1 |
| ▲ | 3 | 32493 | (008300- |) Washer, Flat, 0.50, Std | 3 |
| ▲ | 4 | 393083 | (008300- |) Molding, Trim, .08-.11 20.0l | 2 |
| ▲ | 5 | 393071 | (008300- |) Channel Wldt, Dolly | 1 |

Fig. 55 - Side Brush Lift Group

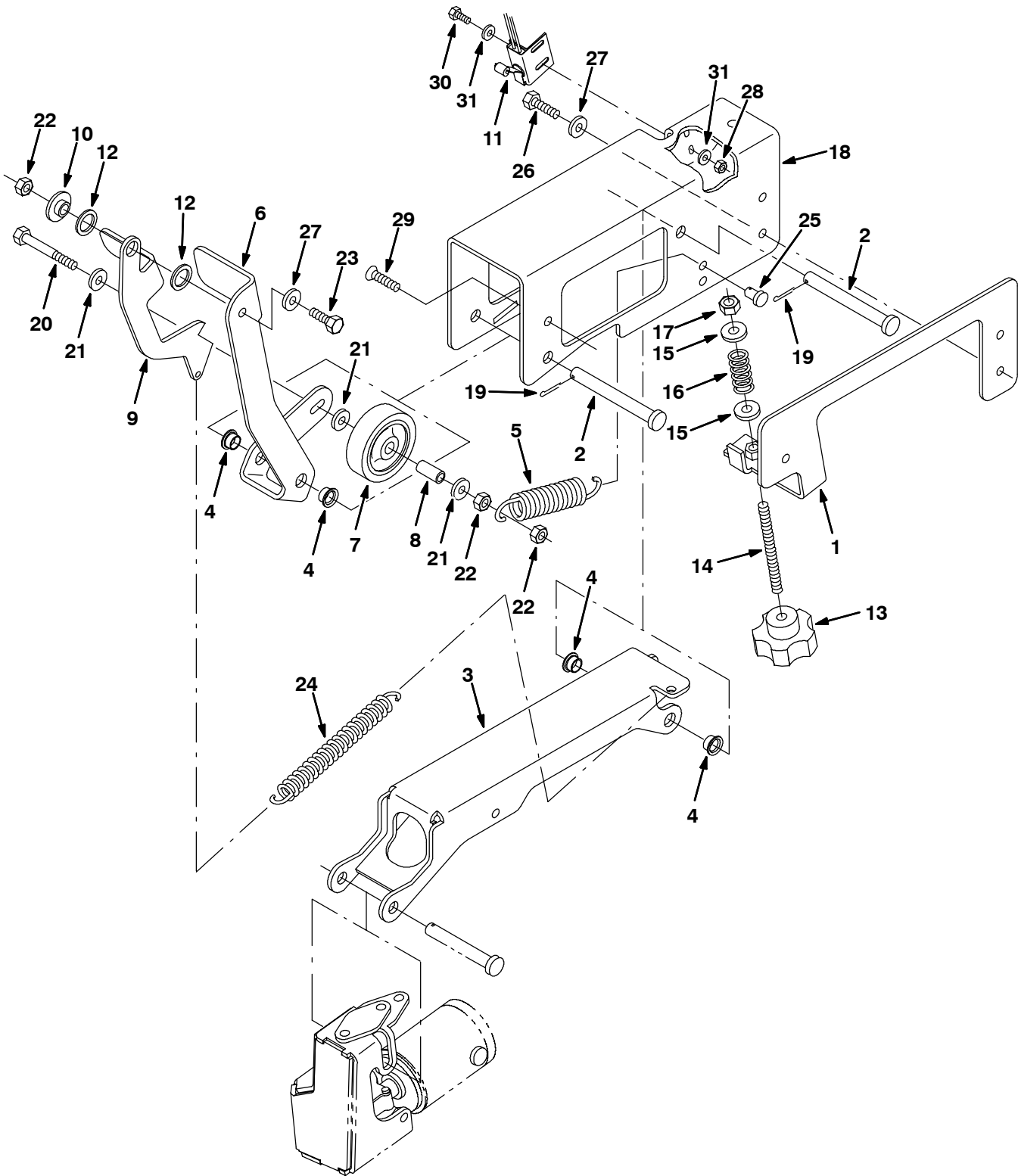


Fig. 55 - Side Brush Lift Group

NOTE: Right Hand Side Brush Kit, Part Number 392106, includes Fig. 55, Fig. 56, Fig. 57, and Fig. 58.

| Ref. | Part No. | Serial Number | Description | Qty. |
|-------------|-----------------|----------------------|--|-------------|
| 1 | 392277 | (000000- |) Plate, Brush, Side | 1 |
| 2 | 59668 | (000000- |) Pin, Clevis, 0.50d X 4.50l | 2 |
| 3 | 392267 | (000000- |) Arm, Brush, Side | 1 |
| 4 | 15648 | (000000- |) Bushing, Flng, 0.50b 0.59d 0.38l | 4 |
| 5 | 41698 | (000000- |) Spring, Extn, 0.75od 0.08wir 04.5l | 1 |
| 6 | 392268 | (000000- |) Arm, Brush, Side, Lift | 1 |
| 7 | 81582 | (000000- |) Wheel, 03.0d 0.87w 0.44b, Rbr, Pp Core | 1 |
| 8 | 383910 | (000000- |) Sleeve, P/M, 0.31b 0.44d 1.1l [430ss] | 1 |
| 9 | 392269 | (000000- |) Arm, Brake, Side Brush | 1 |
| 10 | 363087 | (000000- |) Bushing, Flng, 0.44b 1.25d 0.25l | 1 |
| 11 | 59965 | (000000- |) Switch, Snap, 15a No, Rlr | 1 |
| 12 | 630358 | (000000- |) Washer, Flat, 0.75b 1.00d .03, Nyl | 2 |
| 13 | 41341 | (000000- |) Knob, Star, 2.50d 5ear 1.5l .38-16,Plstc | 1 |
| 14 | 387151 | (000000- |) Shaft, Thrd | 1 |
| 15 | 41187 | (000000- |) Washer, Flat, Belleville, .38 | 2 |
| 16 | 22290 | (000000- |) Spring, Cmpr, 0.72od .06wir 02.3l | 1 |
| 17 | 59156 | (000000- |) Nut, Hex, Lock, .38-16, NI, Ss | 1 |
| 18 | 392270 | (000000- |) Plate, Brush, Side | 1 |
| 19 | 08182 | (000000- |) Pin, Cotter, .125 X 1.00 | 2 |
| 20 | 222504 | (000000- |) Screw, Hex, M8 X 1.25 X 55, Ss | 1 |
| 21 | 32490 | (000000- |) Washer, Flat, 0.25, Std | 3 |
| 22 | 08709 | (000000- |) Nut, Hex, Lock, M8 X 1.25, NI | 3 |
| 23 | 09010 | (000000- |) Screw, Hex, M8 X 1.25 X 25, Ss | 1 |
| 24 | 36619 | (000000- |) Spring, Extn, 0.50od 0.06wir 05.0l | 1 |
| 25 | 41305 | (000000- |) Pin, Clevis, 0.37d X 0.75l | 1 |
| 26 | 39277 | (000000- |) Screw, Hex, M8 X 1.25 X 25, 8.8 | 2 |
| 27 | 32490 | (000000- |) Washer, Flat, 0.25, Std | 3 |
| 28 | 09739 | (000000- |) Nut, Hex, Lock, M5 X 0.80, NI, Ss | 2 |
| 29 | 79246 | (000000- |) Screw, Flt, M8 X 1.25 X 20, Ss 18-8 | 1 |
| 30 | 24199 | (000000- |) Screw, Hex, M5 X 0.8 X 16, Ss | 2 |
| 31 | 01683 | (000000- |) Washer, Flat, 0.22b 0.50d .05, Ss [#10] | 4 |

Fig. 56 - Side Brush Motor Group

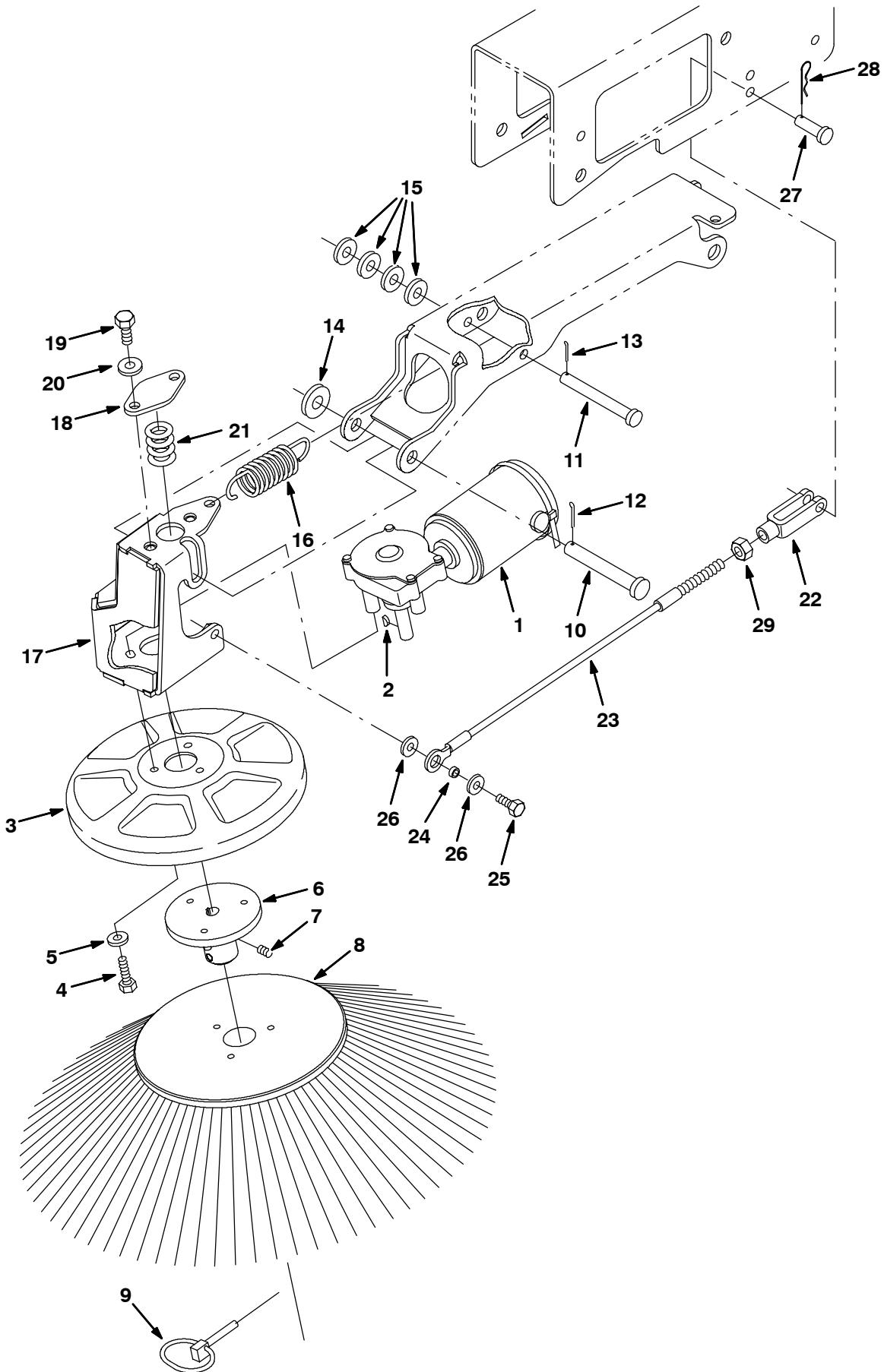
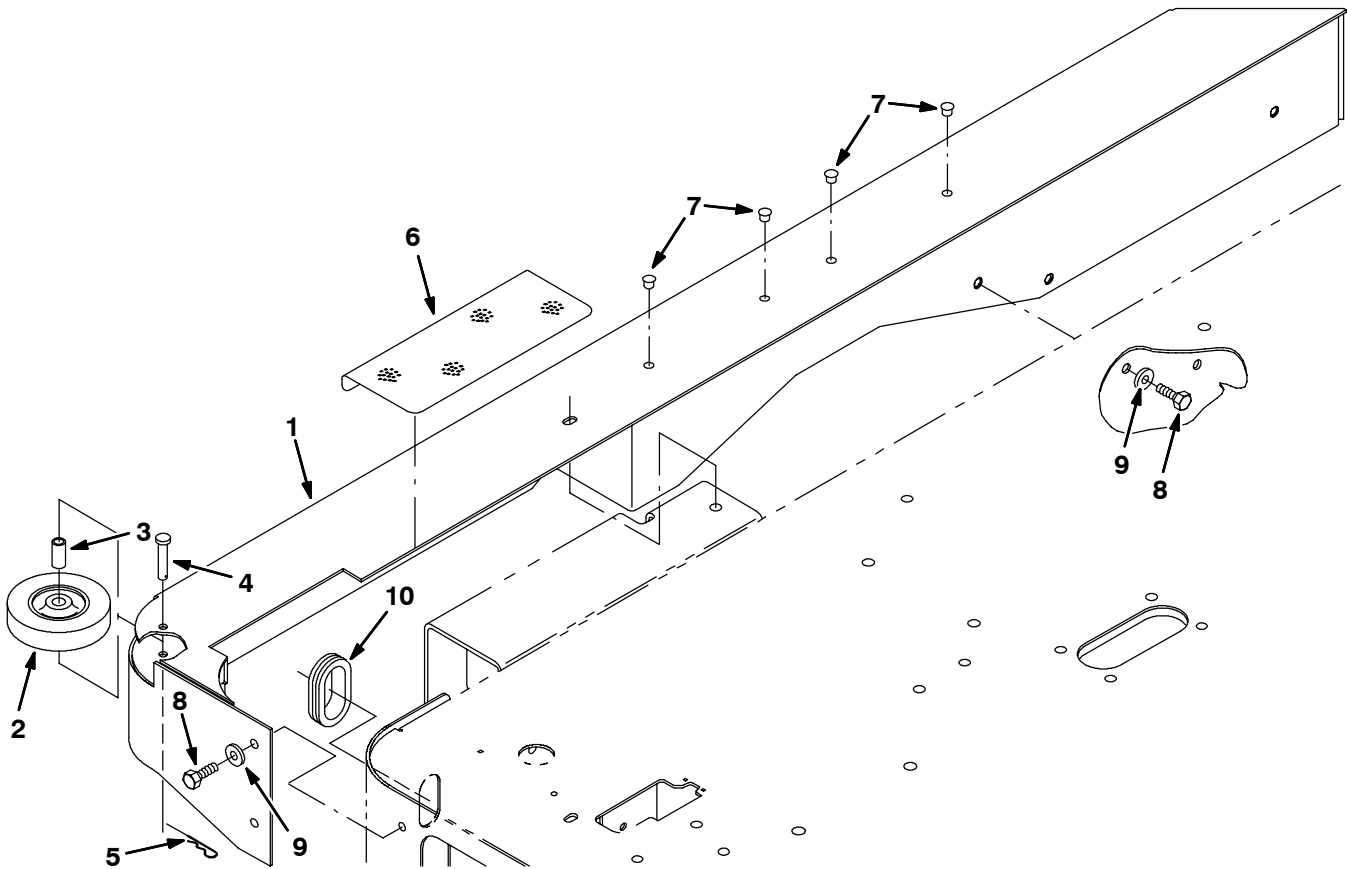


Fig. 56 - Side Brush Motor Group

NOTE: Right Hand Side Brush Kit, Part Number 392106, includes Fig. 55, Fig. 56, Fig. 57, and Fig. 58.

| Ref. | Part No. | Serial Number | Description | Qty. |
|-------------|-----------------|----------------------|--|-------------|
| 1 | 399524 | (000000-011045) | Motor, Ele, 36vdc 67rpm, Rh Side (Repl by 9003011) | 1 |
| 1 | 1034262 | (011046-) | Motor, Ele, 36vdc 0067rpm, Gear | 1 |
| 2 | 397061 | (000000-) | Key, Woodruff, 3mm 3.7mm | 1 |
| 3 | 397034 | (000000-) | Guard, Bmpr, Brush | 1 |
| 4 | 06944 | (000000-) | Screw, Hex, M6 X 1.0 X 25, 8.8 | 3 |
| 5 | 32490 | (000000-) | Washer, Flat, 0.25, Std | 3 |
| 6 | 397200 | (000000-) | Hub, Broom, Side | 1 |
| 7 | 09162 | (000000-) | Screw, Set, M6 X 1.0 X 8, NI | 1 |
| 8 | 397056 | (000000-) | Brush Assy, Disk, Swp, 17.5d, Pyp | 1 |
| 9 | 397064 | (000000-) | Pin, Retainer | 1 |
| 10 | 06474A | (000000-) | Pin, Clevis, 0.50d X 3.50l | 1 |
| 11 | 72084 | (000000-) | Pin, Clevis, 0.37d X 3.50l | 1 |
| 12 | 08182 | (000000-) | Pin, Cotter, .125 X 1.00 | 1 |
| 13 | 08179 | (000000-) | Pin, Cotter, .094 X 1.00 | 1 |
| 14 | 32486 | (000000-) | Washer, Flat, 0.50, Sae | 1 |
| 15 | 32491 | (000000-) | Washer, Flat, 0.31, Std | 4 |
| 16 | 09480 | (000000-) | Spring, Extn, 1.10od 0.15wir 03.2l | 1 |
| 17 | 1031717 | (000000-) | Bracket Wldt, Mtg, Motor | 1 |
| 18 | 392266 | (000000-) | Plate, Brush, Side | 1 |
| 19 | 16931 | (000000-) | Screw, Hex, M8 X 1.25 X 20, 8.8 | 2 |
| 20 | 32490 | (000000-) | Washer, Flat, 0.25, Std | 2 |
| 21 | 360357 | (000000-) | Spring, Dsl, 1.00od 0.50id 1.25l | 1 |
| 22 | 12267 | (000000-) | Clevis, Adj, 0.38pin, M10x1.5 | 1 |
| 23 | 77335 | (000000-) | Cable, Glv .13d 014.9l .41eye / M10 | 1 |
| 24 | 80491 | (000000-) | Sleeve, P/M, 0.25b 0.38d 0.2l [430ss] | 1 |
| 25 | 12274 | (000000-) | Screw, Hex, M6 X 1.0 X 20, 8.8, NI | 1 |
| 26 | 32483 | (000000-) | Washer, Flat, 0.25, Sae | 2 |
| 27 | 46657 | (000000-) | Pin, Clevis, 0.37d X 1.25l | 1 |
| 28 | 86866 | (000000-) | Pin, Cotter, Hair, 0.38d .072 Wir | 1 |
| 29 | 39312 | (000000-) | Nut, Hex, Std, M10 X 1.50 | 1 |

Fig. 57 - Side Brush Bumper Group

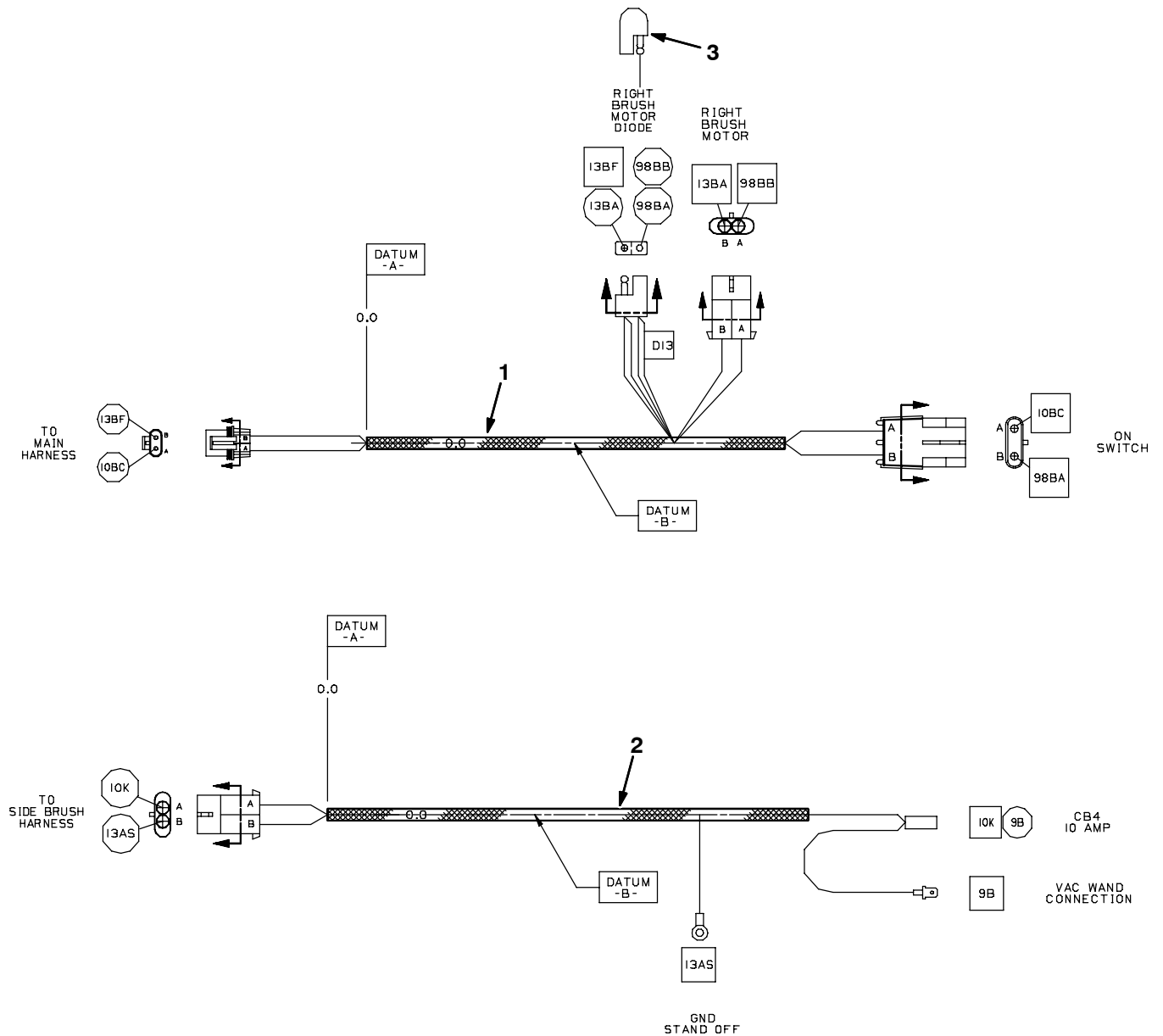


353424 - NA

NOTE: Right Hand Side Brush Kit, Part Number 392106, includes Fig. 55, Fig. 56, Fig. 57, and Fig. 58.

| Ref. | Part No. | Serial Number | Description | Qty. |
|------|----------|---------------|---|------|
| 1 | 392283 | (000000- |) Housing Wldt, Bmpr, Side | 1 |
| 2 | 81580 | (000000- |) Wheel, Pyp, 04.0d 0.87w 0.44b | 1 |
| 3 | 383910 | (000000- |) Sleeve, P/M, 0.31b 0.44d 1.1l [430ss] | 1 |
| 4 | 81581 | (000000- |) Pin, Clevis, 0.31d X 1.75l | 1 |
| 5 | 08085 | (000000- |) Pin, Cotter, Hair, 0.31d .058 Wir | 1 |
| 6 | 223350 | (000000- |) Tread, Non-Skid, 04.5w 10.0l | 1 |
| 7 | 01314 | (000000- |) Plug, Hole, Rnd, 0.38h .03-.12, Blk Nyl | 4 |
| 8 | 09010 | (000000- |) Screw, Hex, M8 X 1.25 X 25, Ss | 6 |
| 9 | 32491 | (000000- |) Washer, Flat, 0.31, Std | 6 |
| 10 | 10632-13 | (000000- |) Grommet, Rbr, 1.50id, F/1.8h, .19 Matl | 1 |

Fig. 58 - Side Brush Wire Harnesses Group

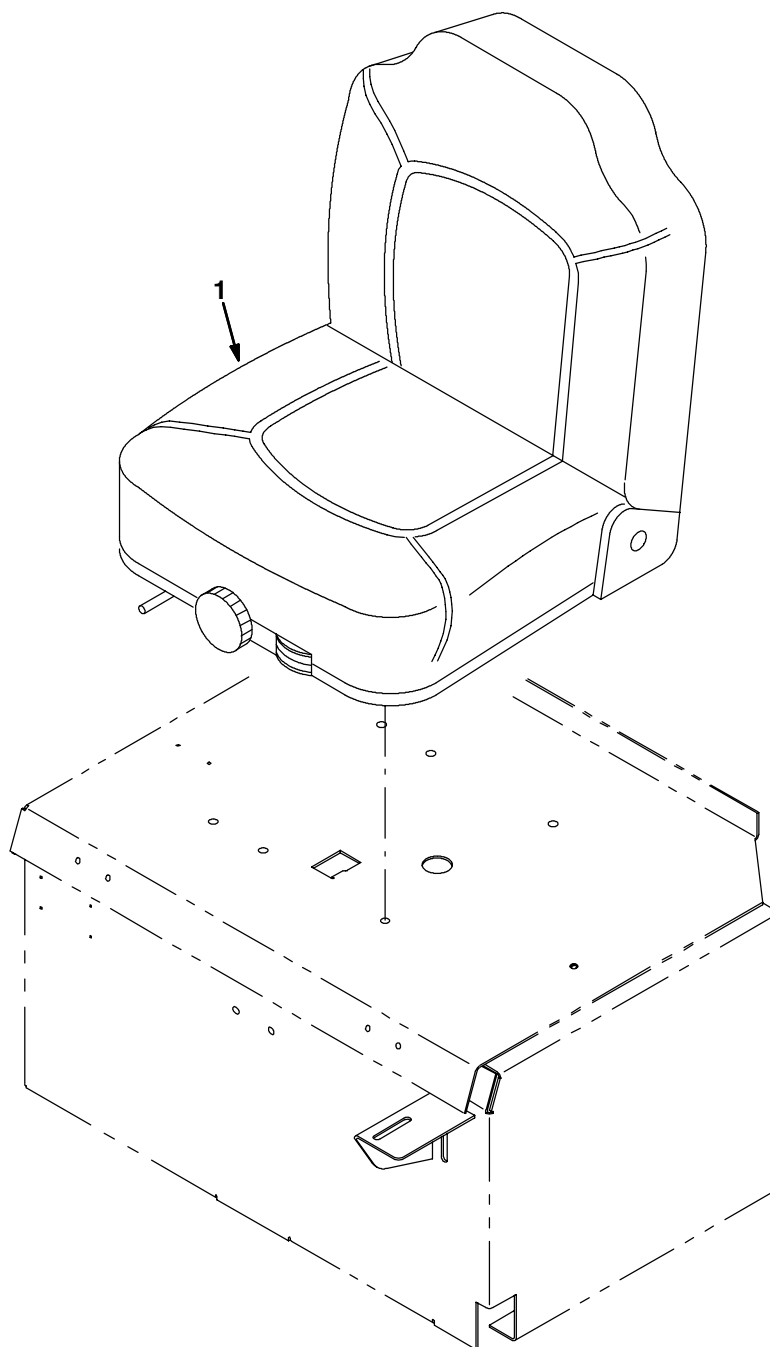


353425 - NA

NOTE: Right Hand Side Brush Kit, Part Number 392106, includes Fig. 55, Fig. 56, Fig. 57, and Fig. 58.

| Ref. | Part No. | Serial Number | Description | Qty. |
|------|----------|---------------|-------------------------------|------|
| 1 | 392183 | (000000-) | Harness, Sba, Rh [7200] | 1 |
| 2 | 392293 | (000000-) | Harness, Sba, Retrofit [7200] | 1 |
| 3 | 222290 | (000000-) | Diode, Ele, Plug | 1 |
| | 763115 | (000000-) | Tie, Cable, 6.0l, 1.25d Max | 4 |

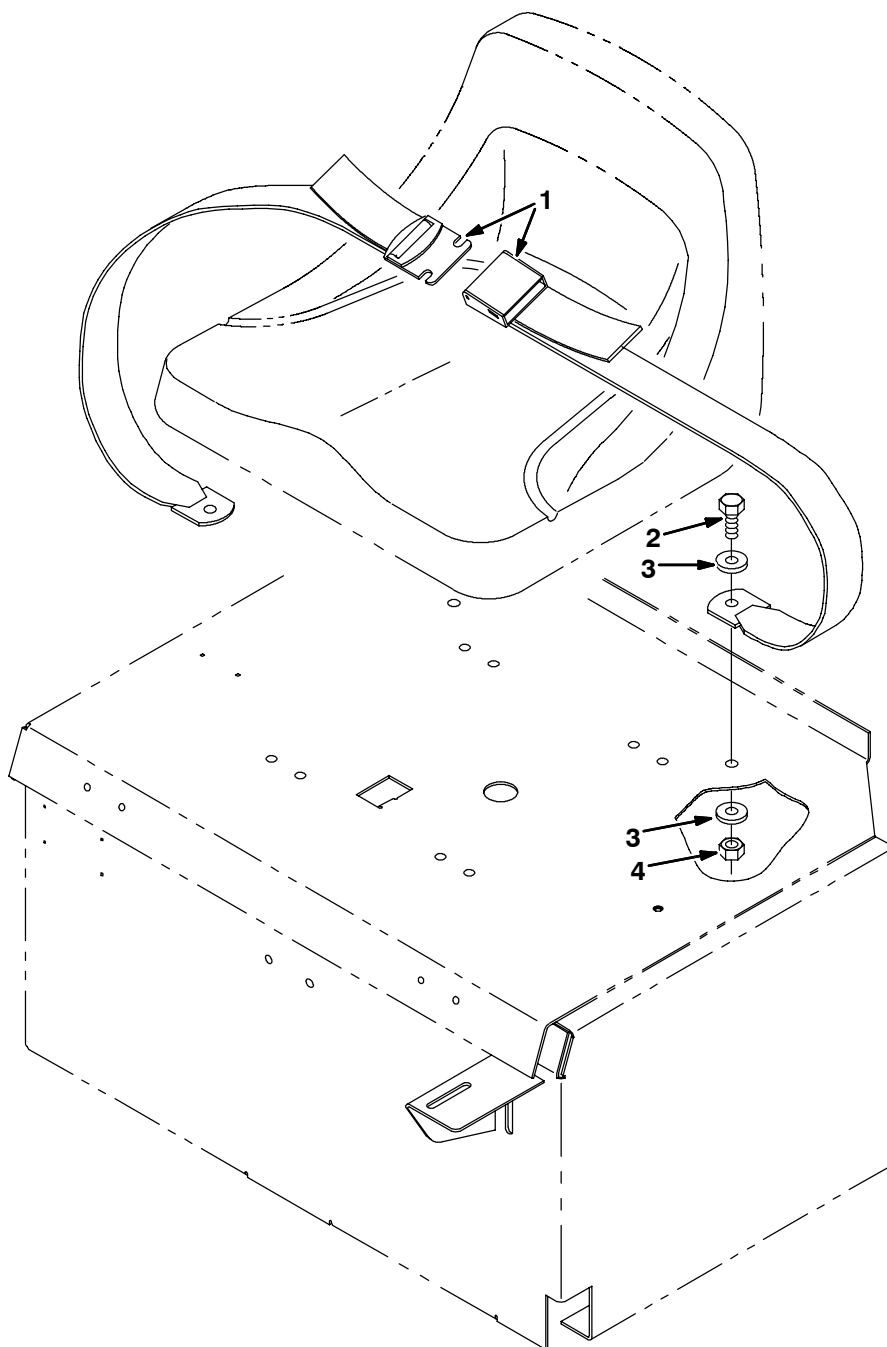
Fig. 59 - Suspension Seat Kit



350794 - ALL

| | Ref. | Part No. | Serial Number | Description | Qty. |
|---|-------------|-----------------|----------------------|--|-------------|
| ▽ | | 223597 | (000000- |) Seat Kit, Suspension, Ci [7200] | 1 |
| ▲ | 1 | 223595 | (000000- |) Seat, Suspension [Michigan Model V-5200] | 1 |

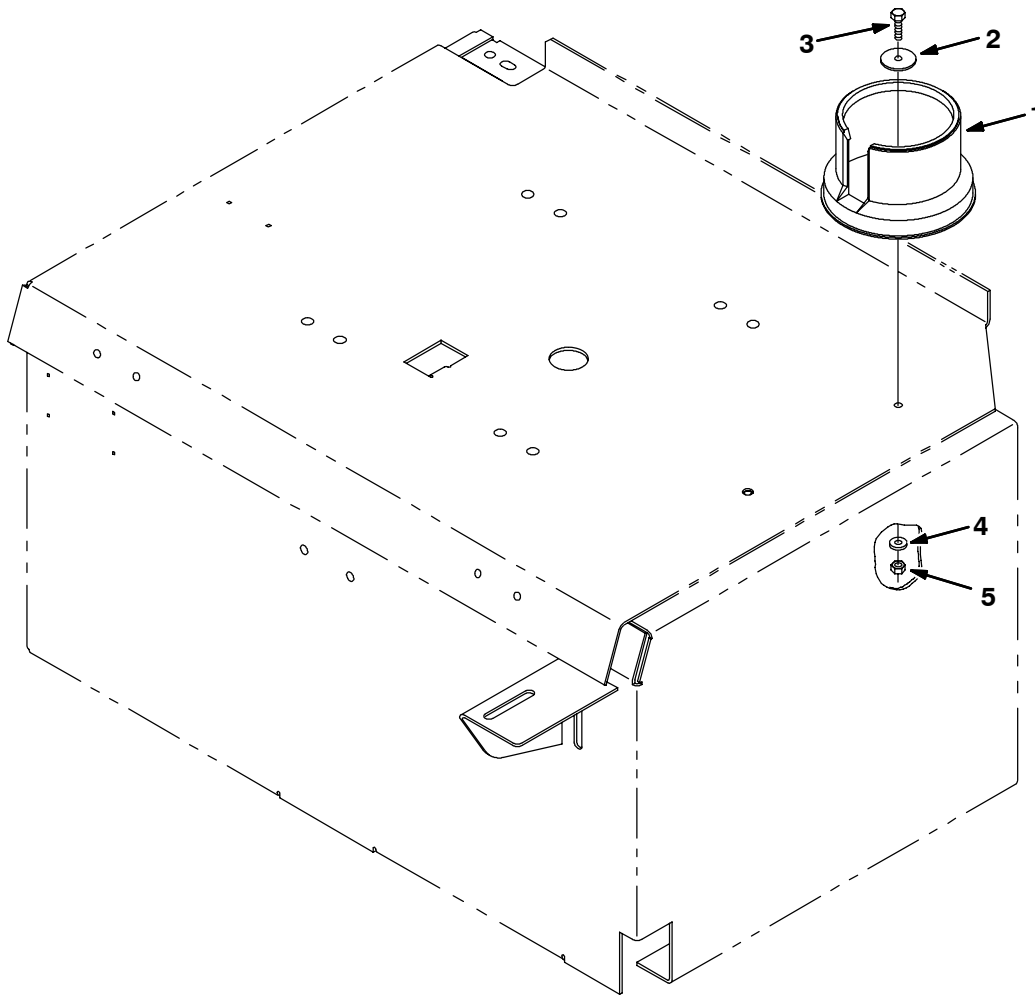
Fig. 60 - Seat Belt Kit



352766 - NA

| | Ref. | Part No. | Serial Number | Description | Qty. |
|---|------|----------|---------------|------------------------------------|------|
| ▽ | | 223695 | (000000- |) Seatbelt Kit, Ci [7200] | 1 |
| ▲ | 1 | 30533 | (000000- |) Seatbelt, 60.0l | 1 |
| ▲ | 2 | 41345 | (000000- |) Screw, Hex, M12 X 1.75 X 25, 8.8 | 2 |
| ▲ | 3 | 32486 | (000000- |) Washer, Flat, 0.50, Sae | 4 |
| ▲ | 4 | 08711 | (000000- |) Nut, Hex, Lock, M12 X 1.75,NI | 2 |

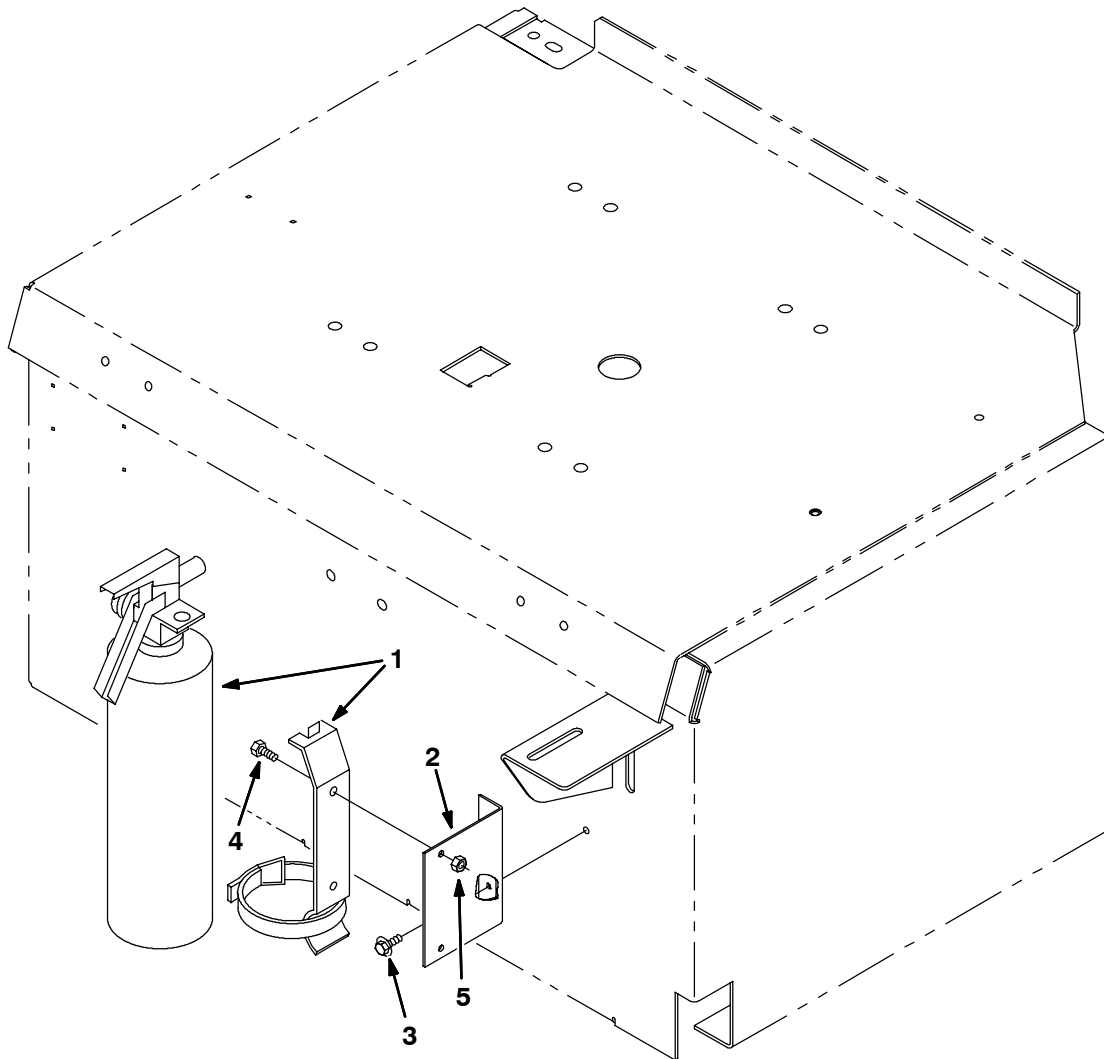
Fig. 61 - Cup Holder Kit



350805 - ALL

| Ref. | Part No. | Serial Number | Description | Qty. |
|------|----------|---------------|--|------|
| ▽ | 223605 | (000000- |) Holder Kit, Cup / Sprayer, Ci [7200] | 1 |
| ▲ | 1 223599 | (000000- |) Cup Holder, Rwk | 1 |
| ▲ | 2 41178 | (000000- |) Washer, Flat, 0.25, Fendr | 1 |
| ▲ | 3 06944 | (000000- |) Screw, Hex, M6 X 1.0 X 25, 8.8 | 1 |
| ▲ | 4 32483 | (000000- |) Washer, Flat, 0.25, Sae | 1 |
| ▲ | 5 08708 | (000000- |) Nut, Hex, Lock, M6 X 1.00, NI | 1 |

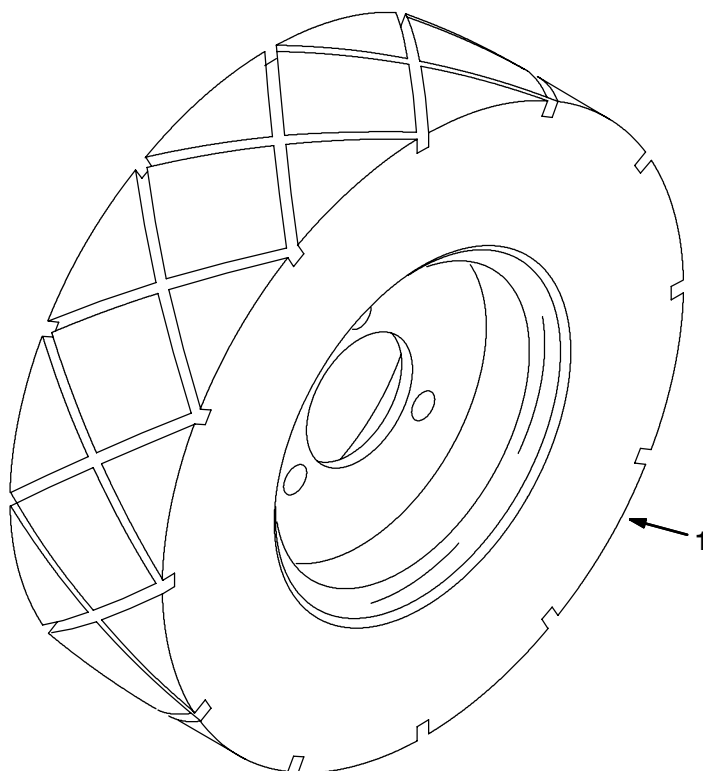
Fig. 62 - Fire Extinguisher Kit



350802 - NA

| Ref. | Part No. | Serial Number | Description | Qty. |
|------|----------|---------------|-------------------------------------|------|
| ▽ | 223039 | (000000- |) Extinguisher Kit, Fire, Ci [7200] | 1 |
| ▲ | 1 25312 | (000000- |) Extinguisher, Fire, 2.5 Lb Dry | 1 |
| ▲ | 2 223644 | (000000- |) Bracket, Extinguisher, Fire | 1 |
| ▲ | 3 223198 | (000000- |) Screw, Hex, M5 X 0.8 X 10, Fmg | 2 |
| ▲ | 4 12312 | (000000- |) Screw, Hex, M5 X 0.8 X 12, 8.8 | 2 |
| ▲ | 5 06459 | (000000- |) Head, Cutter, 4.50 4.75 Cutter | 2 |

Fig. 63 - Solid Non-Marking Tire Assembly, Rear



352896 - NA

| Ref. | Part No. | Serial Number | Description | Qty. |
|-------------|-----------------|----------------------|--|-------------|
| 1 | 385766 | (000000- |) Tire Assy, Solid, 12.0x3.5 3.5bc/3bolt | 2 |

Fig. 64 - Documentation Group

NA

| Ref. | Part No. | Serial Number | Description | Qty. |
|-------------|-----------------|----------------------|---|-------------|
| | 330040 | (000000- |) Manual Pkg [7200 Ele, Na] | 1 |
| | 330044 | (000000- |) Manual, Oprtr [7200 Ele, Jp] | 1 |
| | 330710 | (000000- |) Manual, Cd-Rom, Oprtr / Parts [All, Na] | 1 |
| | 330045 | (000000- |) Manual, Service [7200 Ele, Na] | 1 |
| | 223696 | (000000- |) Video, Oprtr, Vhs, Ntsc [7200] | 1 |
| | 330042 | (000000- |) Manual, Oprtr [7200 Ele, Es, Na] | 1 |
| | 330043 | (000000- |) Manual, Oprtr [7200 Ele, Fr, Na] | 1 |

SECTION 4

| Contents | Page |
|--|------|
| Fig. 1 - Electric Motor Breakdown, 17363 | 4-2 |
| Fig. 2 - Electric Motor Breakdown, 398520 | 4-4 |
| Fig. 3 - Electric Motor Breakdown, 223358 | 4-6 |
| Fig. 4 - Electric Motor Breakdown, 223057 | 4-7 |
| Fig. 5 - Electric Motor Breakdown, 222753 | 4-8 |
| Fig. 6 - Electric Motor Breakdown, 374175 | 4-9 |
| Fig. 7 - Electric Motor Breakdown, 81940 | 4-10 |
| Fig. 8 - Electric Motor Breakdown, 383699 | 4-11 |
| Fig. 9 - Electric Motor Breakdown, 374266 | 4-12 |
| Fig. 10 - Water Pump Breakdown, 223359 | 4-13 |
| Fig. 11 - Water Pump Breakdown, 385628 | 4-14 |
| Fig. 12 - Battery Charger Breakdown, 60 Hz, 120V (235 Ah batteries), 223681 | 4-15 |
| Fig. 13 - Battery Charger Breakdown, 60 Hz, 120V (335 Ah batteries), 223683 | 4-16 |
| Fig. 14 - Battery Charger Breakdown, 50 Hz, 230V (235 Ah batteries), 65540 | 4-17 |
| Fig. 15 - Battery Charger Breakdown, 50 Hz, 245V (235 Ah batteries), 65740 | 4-18 |
| Fig. 16 - Battery Charger Breakdown, 50 Hz, (305 Ah batteries), 222595 | 4-19 |
| Fig. 17 - Battery Charger Breakdown, 50 Hz, (305 Ah batteries), 222691 | 4-20 |

Fig. 1 - Electric Motor Breakdown, 17363

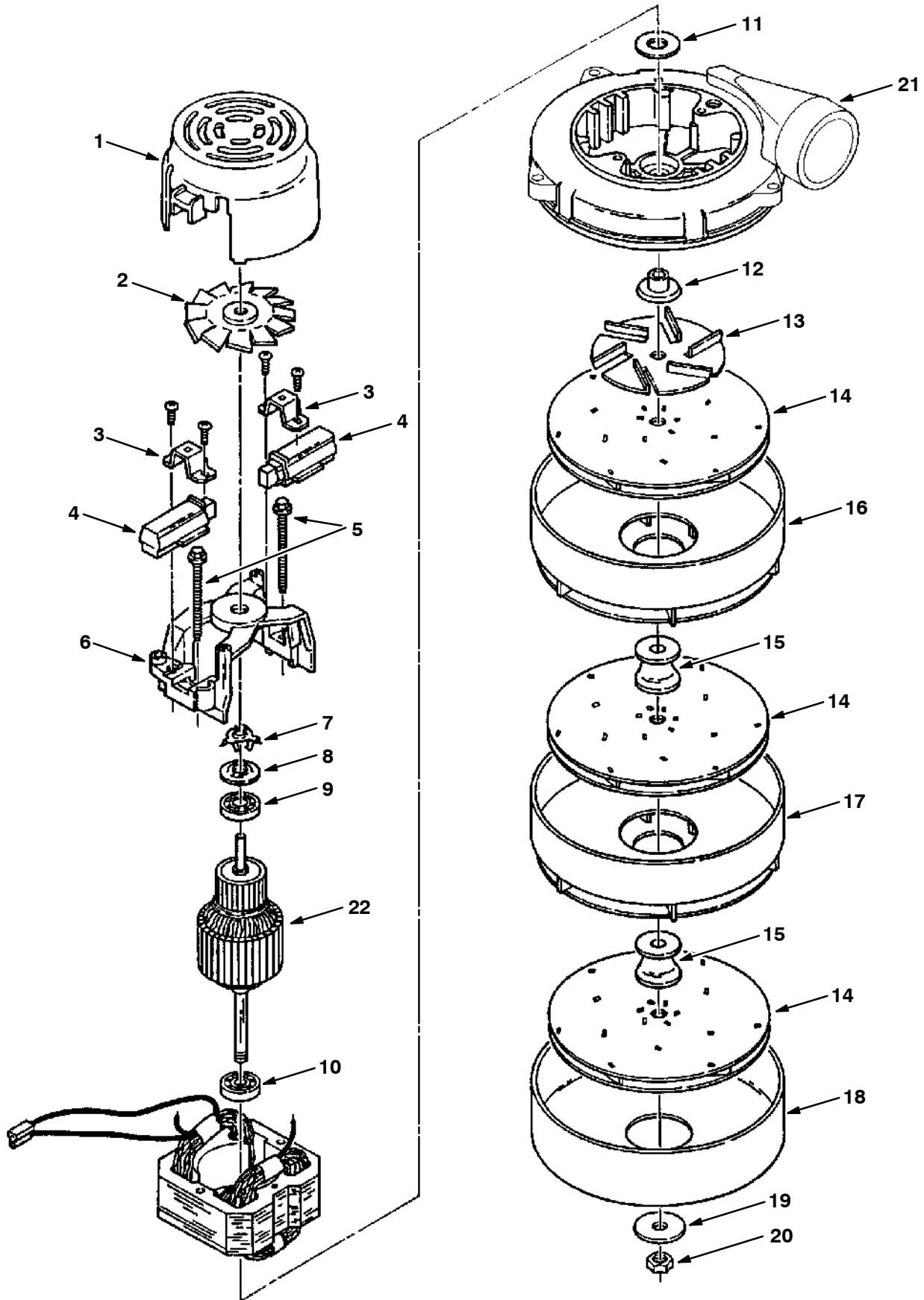


Fig. 1 - Electric Motor Breakdown, 17363

| | Ref. | Part No. | Serial Number | Description | Qty. |
|---|------|----------|---------------|--|------|
| ▽ | | 17363 | (000000- |) Fan Assy, Vacuum Rep By 398520 | 1 |
| ▲ | 1 | 37926 | (000000- |) Housing, Fan, Vac | 1 |
| ▲ | 2 | 61298 | (000000- |) Fan, Motor, Vacfan | 1 |
| ▲ | 3 | 01982 | (000000- |) Clamp, Brushholder | 2 |
| ▲ | 4 | 11756 | (000000- |) Brush Kit, Motor, Fan [Kit=2brushes] | 2 |
| ▲ | 5 | 01969 | (000000- |) Screw, Motor, Vacfan | 2 |
| ▲ | 6 | 01983 | (000000- |) Bracket, Motor, Vacfan | 1 |
| ▲ | 7 | 01856 | (000000- |) Spring, Brg, Motor, Vacfan | 1 |
| ▲ | 8 | 37909 | (000000- |) Disc, Armature, Motor, Vacfan | 1 |
| ▲ | 9 | 01842 | (000000- |) Bearing, Motor, Vacfan | 1 |
| ▲ | 10 | 01837 | (000000- |) Bearing, Motor, Vacfan | 1 |
| ▲ | 11 | 37912 | (000000- |) Washer, Neo, Vacfan | 1 |
| ▲ | 12 | 18627 | (000000- |) Spacer, Impeller, Vacfan | 1 |
| ▲ | 13 | 01971 | (000000- |) Impeller, Vacfan | 1 |
| ▲ | 14 | 18628 | (000000- |) Impeller, Vacfan | 3 |
| ▲ | 15 | 18630 | (000000- |) Spacer, Impeller, Vacfan | 2 |
| ▲ | 16 | 61300 | (000000- |) Housing, Impeller, Vacfan | 1 |
| ▲ | 17 | 61297 | (000000- |) Housing, Impeller, Vacfan | 1 |
| ▲ | 18 | 18631 | (000000- |) Shell, Vacfan | 1 |
| ▲ | 19 | 378983 | (000000- |) Washer | 1 |
| ▲ | 20 | 37929 | (000000- |) Nut, Impeller, Vacfan | 1 |
| ▲ | 21 | 60386 | (000000- |) Housing, Outlet, Vacfan | 1 |
| ▲ | 22 | 21765 | (000000- |) Armature, Motor [Ametek] | 1 |
| ▲ | | 223264 | (000000- |) Seal, Rbr, Clsd, 0.25, 5.8d 03.3h | 1 |
| ▲ | | 10925 | (000000- |) Connector, Fem, 2cav, Mp630 Sealed | 1 |
| ▲ | | 10926 | (000000- |) Terminal, Fem, Mp630, 14ga [P2s] | 2 |

Fig. 2 - Electric Motor Breakdown, 398520

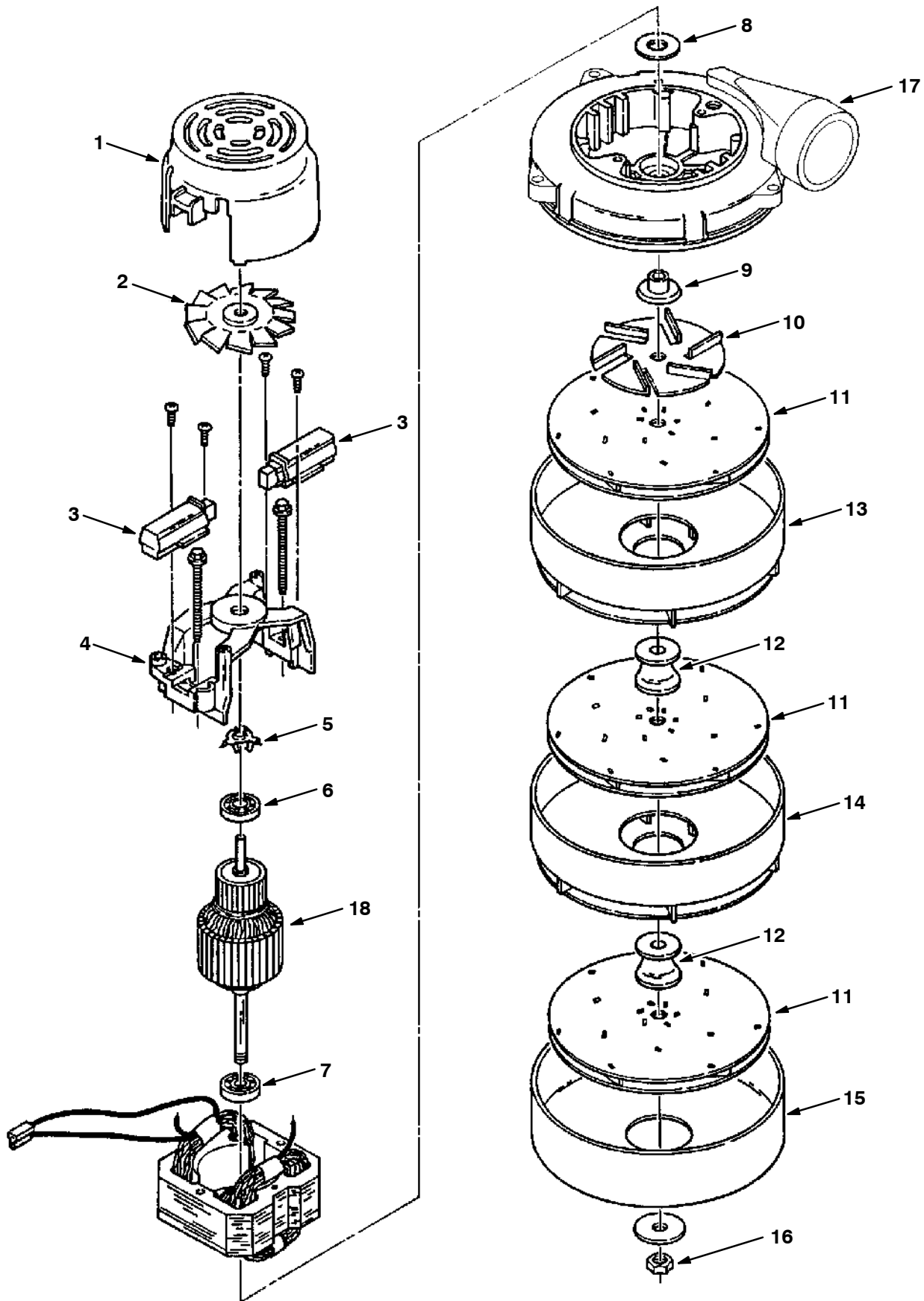
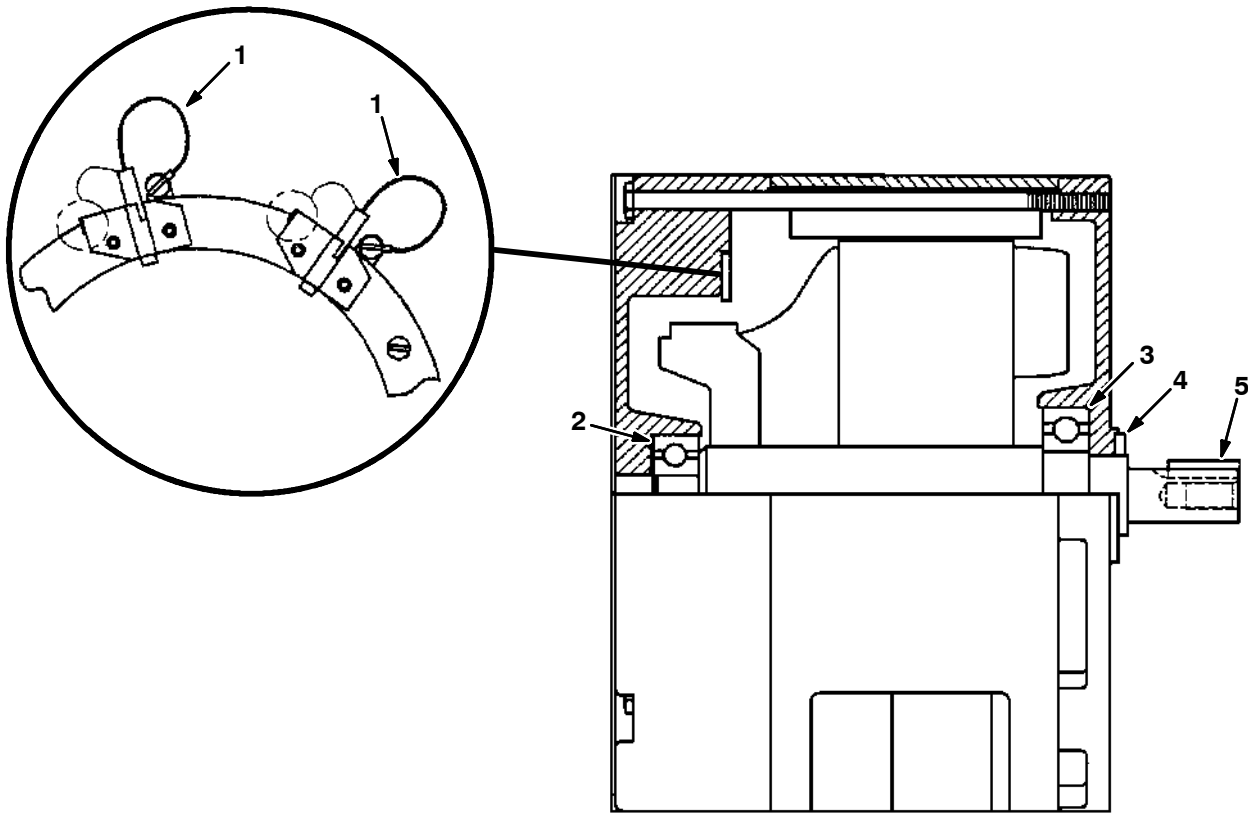


Fig. 2 - Electric Motor Breakdown, 398520

| | Ref. | Part No. | Serial Number | Description | Qty. |
|---|------|----------|---------------|---|------|
| ▽ | | 398520 | (000000- |) Fan Assy, Vacuum, 5.7d, 036vdc, 3 Stage | 1 |
| ▲ | 1 | 398511 | (000000- |) Housing | 1 |
| ▲ | 2 | 398512 | (000000- |) Fan | 1 |
| ▲ | 3 | 398513 | (000000- |) Brush Kit, Motor, Fan [1 Kit=2 Brsh] | 2 |
| ▲ | 4 | 398514 | (000000- |) Bracket | 1 |
| ▲ | 5 | 01856 | (000000- |) Spring, Brg, Motor, Vacfan | 1 |
| ▲ | 6 | 398515 | (000000- |) Bearing | 1 |
| ▲ | 7 | 01837 | (000000- |) Bearing, Motor, Vacfan | 1 |
| ▲ | 8 | 37912 | (000000- |) Washer, Neo, Vacfan | 1 |
| ▲ | 9 | 398516 | (000000- |) Spacer | 1 |
| ▲ | 10 | 01971 | (000000- |) Impeller, Vacfan | 1 |
| ▲ | 11 | 18628 | (000000- |) Impeller, Vacfan | 3 |
| ▲ | 12 | 398517 | (000000- |) Spacer | 2 |
| ▲ | 13 | 61300 | (000000- |) Housing, Impeller, Vacfan | 1 |
| ▲ | 14 | 61297 | (000000- |) Housing, Impeller, Vacfan | 1 |
| ▲ | 15 | 398518 | (000000- |) Shell, Fan | 1 |
| ▲ | 16 | 37929 | (000000- |) Nut, Impeller, Vacfan | 1 |
| ▲ | 17 | 60386 | (000000- |) Housing, Outlet, Vacfan | 1 |
| ▲ | 18 | 398519 | (000000- |) Armature, Motor [Ametex] | 1 |
| ▲ | | 223264 | (000000- |) Seal, Rbr, Clsd, 0.25, 5.8d 03.3h | 1 |
| ▲ | | 10925 | (000000- |) Connector, Fem, 2cav, Mp630 Sealed | 1 |
| ▲ | | 10926 | (000000- |) Terminal, Fem, Mp630, 14ga [P2s] | 2 |

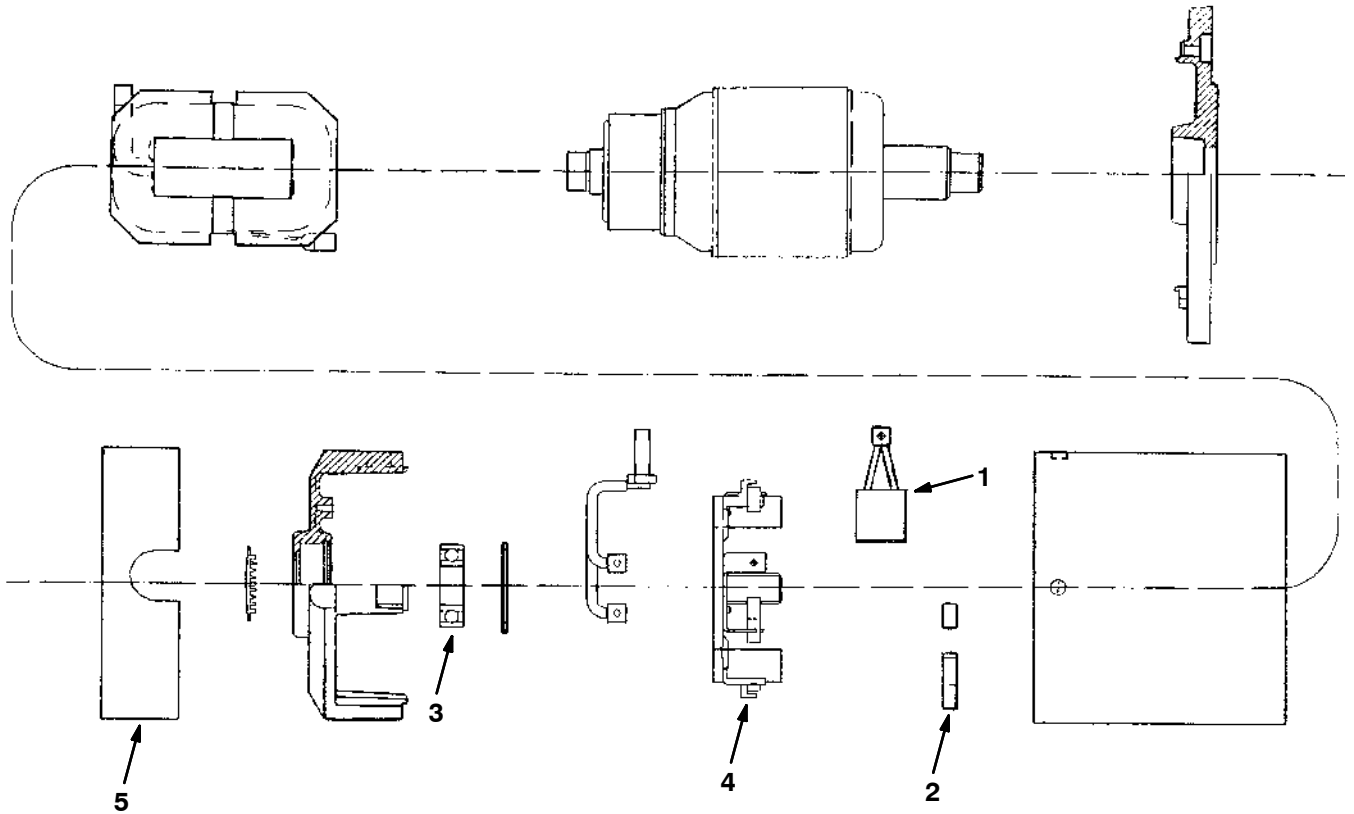
Fig. 3 - Electric Motor Breakdown, 223358



350783 - ALL

| Ref. | Part No. | Serial Number | Description | Qty. |
|------|----------|---------------|---------------------------------------|------|
| ▽ | 223358 | (000000- |) Motor, Ele, 36vdc 0.80hp 0320rpm | 1 |
| ▲ | 1 222606 | (000000- |) Brush Kit, Motor, Ele [lp] | 1 |
| ▲ | 2 222618 | (000000- |) Bearing | 1 |
| ▲ | 3 223351 | (000000- |) Bearing | 1 |
| ▲ | 4 223352 | (000000- |) Seal, Oil | 1 |
| ▲ | 5 00928 | (000000- |) Key, Sq, 0.25 X 0.25, 1.00l | 1 |
| ▲ | 10925 | (000000- |) Connector, Fem, 2cav, Mp630 Sealed | 1 |
| ▲ | 24537 | (000000- |) Terminal, Fem, Mp630, 12-10ga [P2s] | 2 |

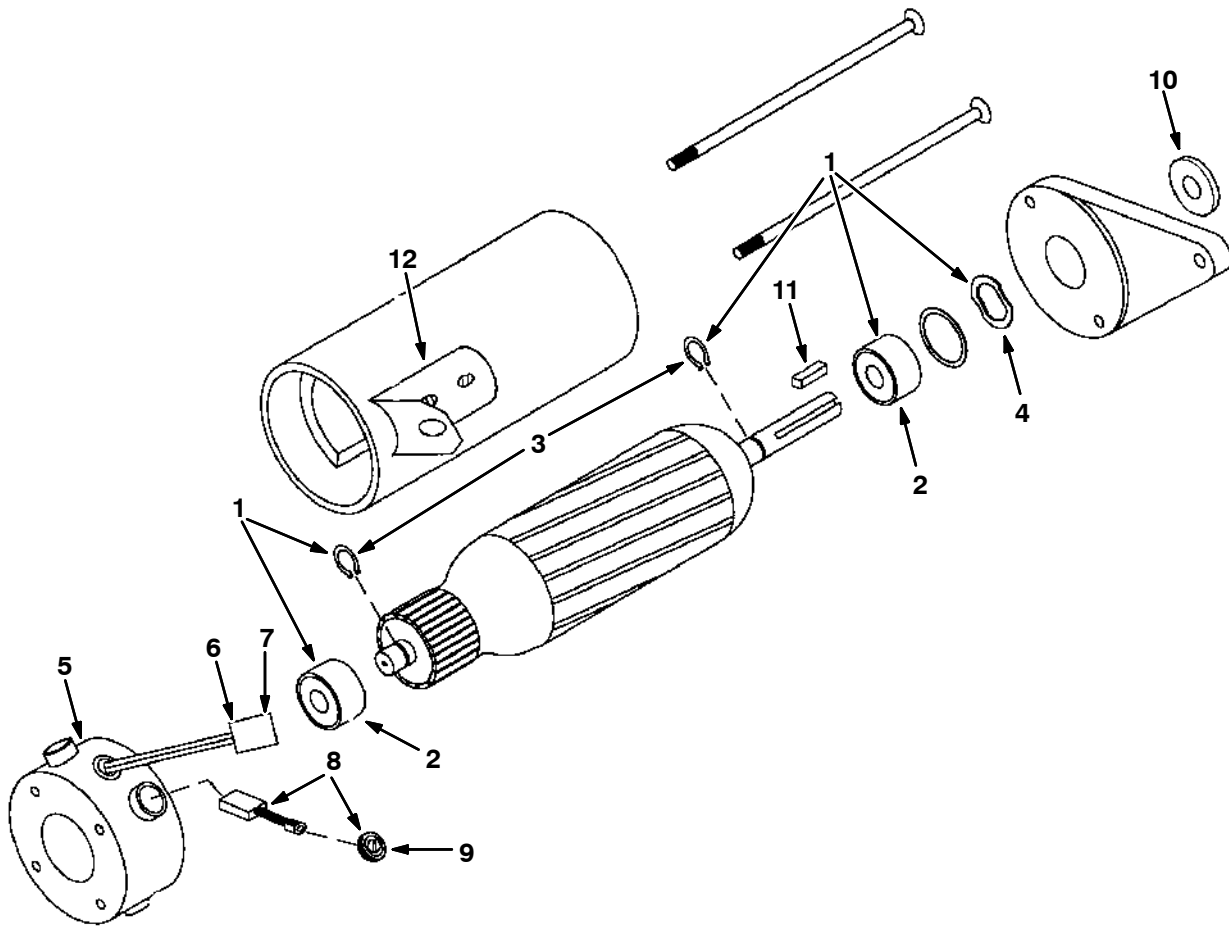
Fig. 4 - Electric Motor Breakdown, 223057



350786 - ALL

| Ref. | Part No. | Serial Number | Description | Qty. |
|------|----------|---------------|------------------------------------|----------------|
| ▽ | 223057 | (000000- |) Motor, Ele, 36vdc 1400rpm 1.50hp | 1 |
| ▲ | 1 385742 | (000000- |) Brush, Motor, Ele [Av] | 4 X |
| ▲ | 2 48755 | (000000- |) Spring, Brush, Motor, Ele [Av] | 4 |
| ▲ | 3 48758 | (000000- |) Bearing, Ball, Motor, Ele [Av] | 1 |
| ▲ | 4 223677 | (000000- |) Plate, Brush [Av] | 1 |
| ▲ | 5 223678 | (000000- |) Strap, Band, Head [Advance Dc] | 1 |

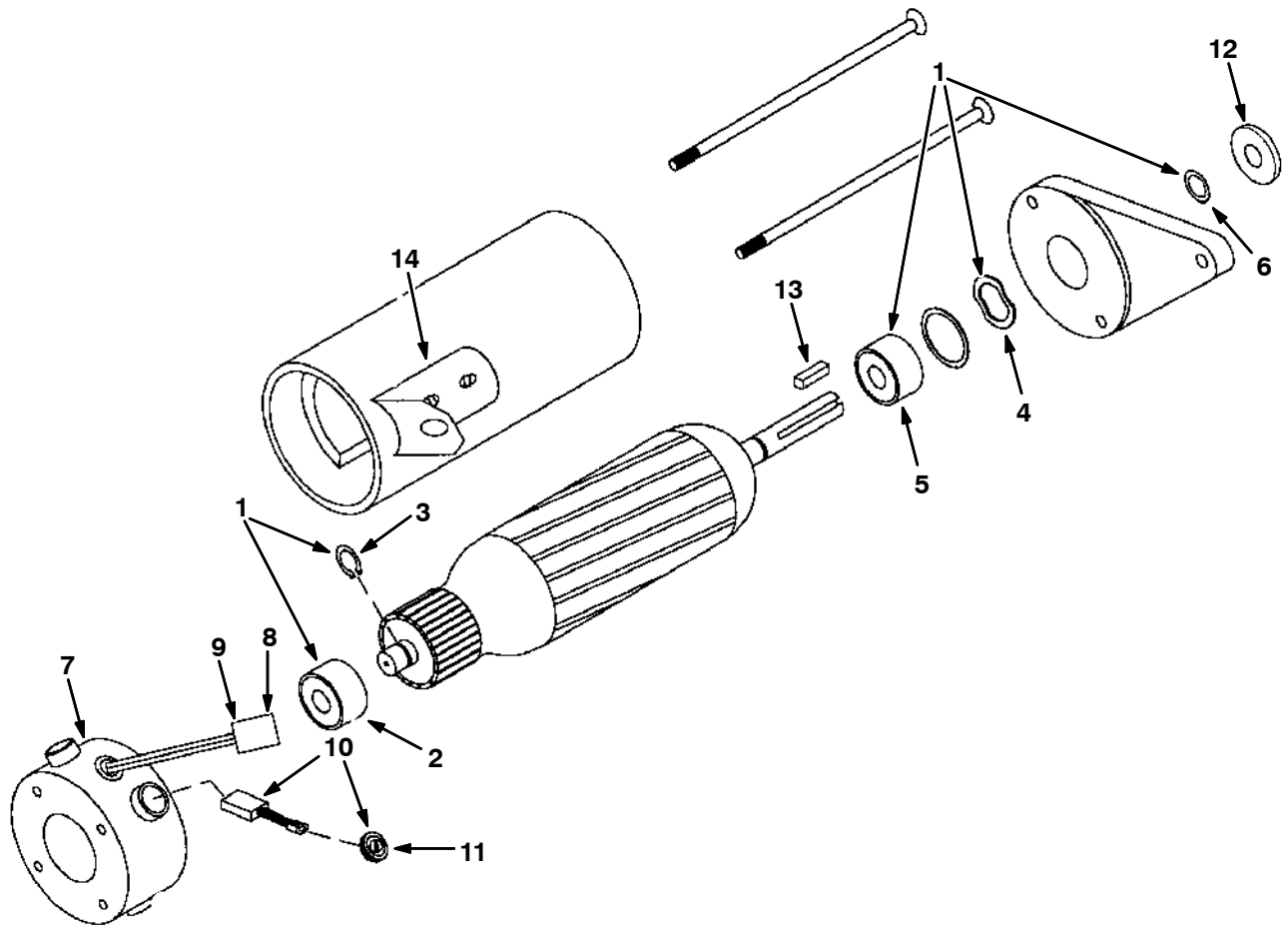
Fig. 5 - Electric Motor Breakdown, 222753



10301 - ALL

| Ref. | Part No. | Serial Number | Description | Qty. | |
|------|----------|---------------|--|--|---|
| ▽ | 222753 | (000000- |) Motor Ele, 36vdc, 0.75hp, Rep.By374175 | 1 | |
| ▲▽ | 1 | 222623 | (000000- |) Ring Kit, Motor, Ele [Magnetek] | 1 |
| ▲▲ | 2 | 222635 | (000000- |) Bearing, Motor, Ele [Magnetek] | 2 |
| ▲▲ | 3 | 222637 | (000000- |) Ring, Retaining, Motor, Ele[Magnetek] | 2 |
| ▲▲ | 4 | 222638 | (000000- |) Washer, Wavy, Motor, Ele [Magnetek] | 1 |
| ▲▽ | 5 | 374004 | (000000- |) End Assy, Mount, Brush | 1 |
| ▲▲ | 6 | 10925 | (000000- |) Connector, Fem, 2cav, Mp630 Sealed | 1 |
| ▲▲ | 7 | 24537 | (000000- |) Terminal, Fem, Mp630, 12-10ga [P2s] | 2 |
| ▲▽ | 8 | 222625 | (000000- |) Brush Kit, Motor, Ele [Magnetk] | 1 |
| ▲▲ | 9 | 222629 | (000000- |) Cap,Brush Holder, Motor, Ele[Magnetek] | 4 |
| ▲ | 10 | 20536-2 | (000000- |) Washer, Flat, 0.47b 1.19d .03, Nyl | 1 |
| ▲ | 11 | 00954 | (000000- |) Key, Sq, 0.12 X 0.12, 1.00l | 1 |
| ▲ | 12 | 222877 | (000000- |) Brace Kit, Motor, Ele [Magnatek] | 1 |

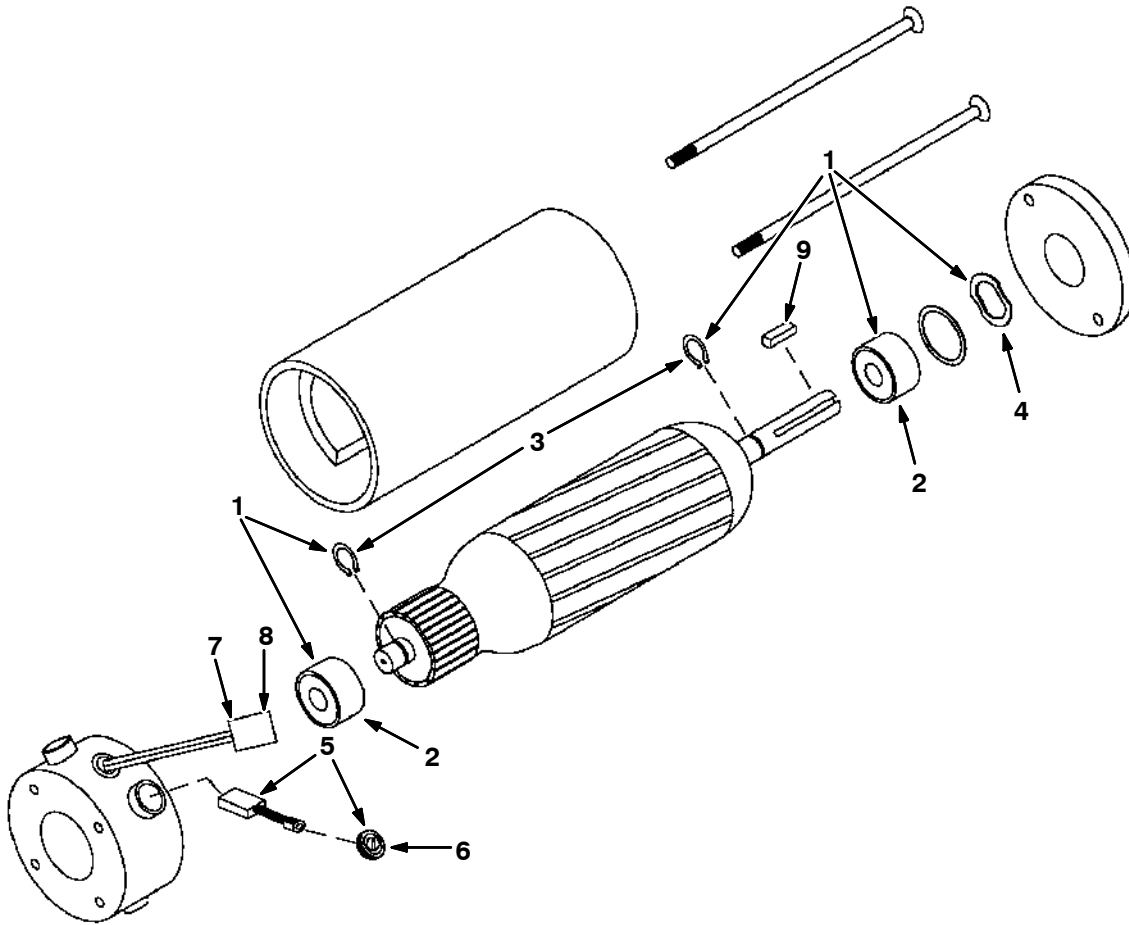
Fig. 6 - Electric Motor Breakdown, 374175



| Ref. | Part No. | Serial Number | Description | Qty. |
|------|------------|---------------|--|------|
| ▽ | 374175 | (000000- |) Motor, Ele, 36vdc 1700rpm 0.75hp | 1 |
| ▲▽ | 1 375176 | (000000- |) Bearing Kit, Motor, Ele, Hd F/375175 | 1 |
| ▲▲ | 2 222635 | (000000- |) Bearing, Motor, Ele [Magnetek] | 1 |
| ▲▲ | 3 222637 | (000000- |) Ring, Retaining, Motor, Ele[Magnetek] | 1 |
| ▲▲ | 4 375177 | (000000- |) Washer, Wavy, Motor, Ele [Magnetek] | 1 |
| ▲▲ | 5 375178 | (000000- |) Bearing, Motor, Ele, Hd [Magnetek] | 1 |
| ▲▲ | 6 375179 | (000000- |) Seal, Shaft, Motor, Ele [Magnetek] | 1 |
| ▲▽ | 7 374004 | (000000- |) End Assy, Mount, Brush | 1 |
| ▲▲ | 8 10925 | (000000- |) Connector, Fem, 2cav, Mp630 Sealed | 1 |
| ▲▲ | 9 24537 | (000000- |) Terminal, Fem, Mp630, 12-10ga [P2s] | 2 |
| ▲▽ | 10 222625 | (000000- |) Brush Kit, Motor, Ele [Magnetk] | 1 |
| ▲▲ | 11 222629 | (000000- |) Cap,Brush Holder, Motor, Ele[Magnetek] | 4 |
| ▲ | 12 20536-2 | (000000- |) Washer, Flat, 0.47b 1.19d .03, Nyl | 1 |
| ▲ | 13 00954 | (000000- |) Key, Sq, 0.12 X 0.12, 1.00l | 1 |
| ▲ | 14 222877 | (000000- |) Brace Kit, Motor, Ele [Magnatek] | 1 |

ALL

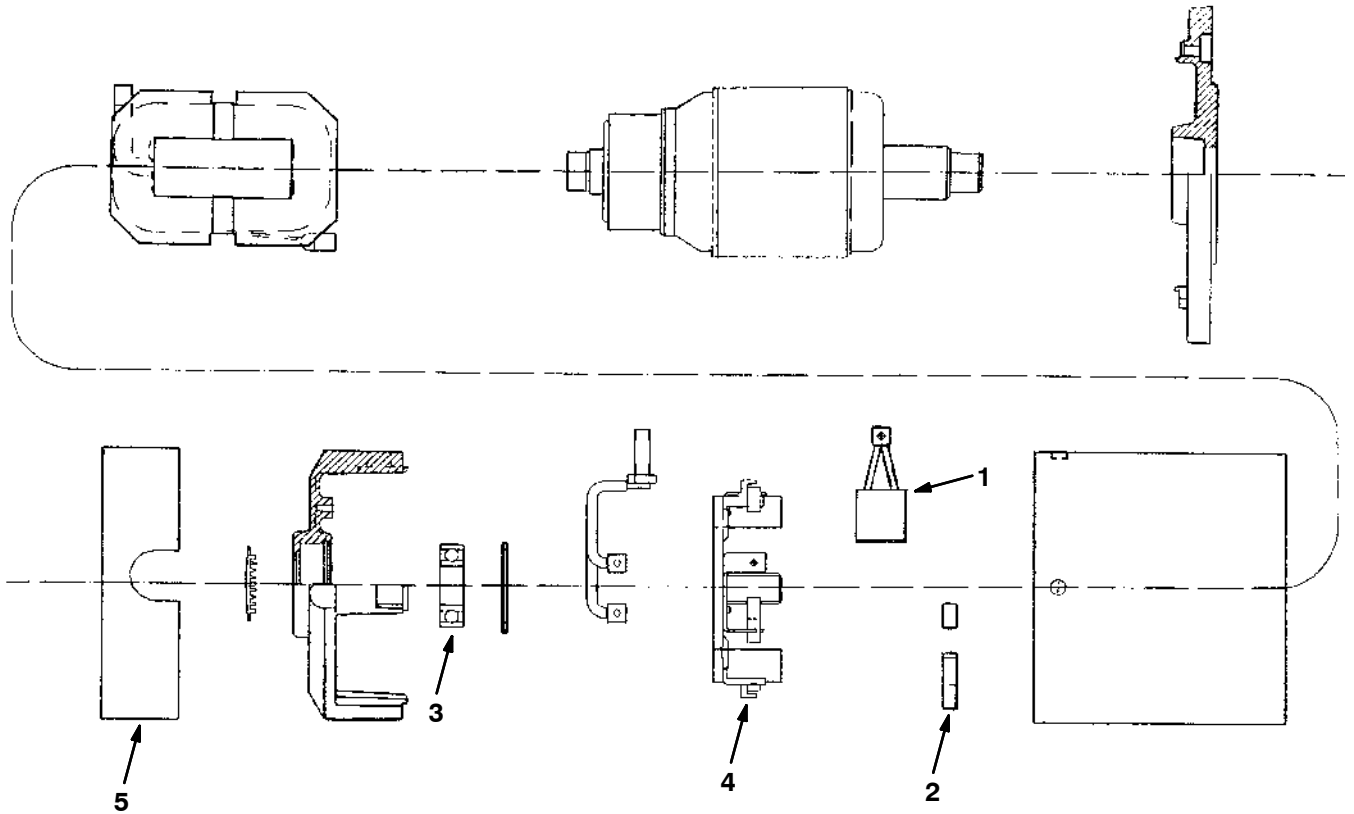
Fig. 7 - Electric Motor Breakdown, 81940



10426-E

| Ref. | Part No. | Serial Number | Description | Qty. |
|------|----------|---------------|---|------|
| ▽ | 81940 | (000000- |) Motor, Ele, 36vdc 0.60hp 1800rpm . A | 1 |
| ▲▽ | 1 222623 | (000000- |) Ring Kit, Motor, Ele [Magnetek] | 1 |
| ▲▲ | 2 222635 | (000000- |) Bearing, Motor, Ele [Magnetek] | 2 |
| ▲▲ | 3 222637 | (000000- |) Ring, Retaining, Motor, Ele[Magnetek] | 2 |
| ▲▲ | 4 222638 | (000000- |) Washer, Wavy, Motor, Ele [Magnetek] | 1 |
| ▲▽ | 5 222625 | (000000- |) Brush Kit, Motor, Ele [Magnetk] | 1 |
| ▲▲ | 6 222629 | (000000- |) Cap, Brush Holder, Motor, Ele[Magnetek] | 4 |
| ▲ | 7 10925 | (000000- |) Connector, Fem, 2cav, Mp630 Sealed | 1 |
| ▲ | 8 24537 | (000000- |) Terminal, Fem, Mp630, 12-10ga [P2s] | 2 |
| ▲ | 9 00916 | (000000- |) Key, Sq, 0.19 X 0.19, 1.50l | 1 |

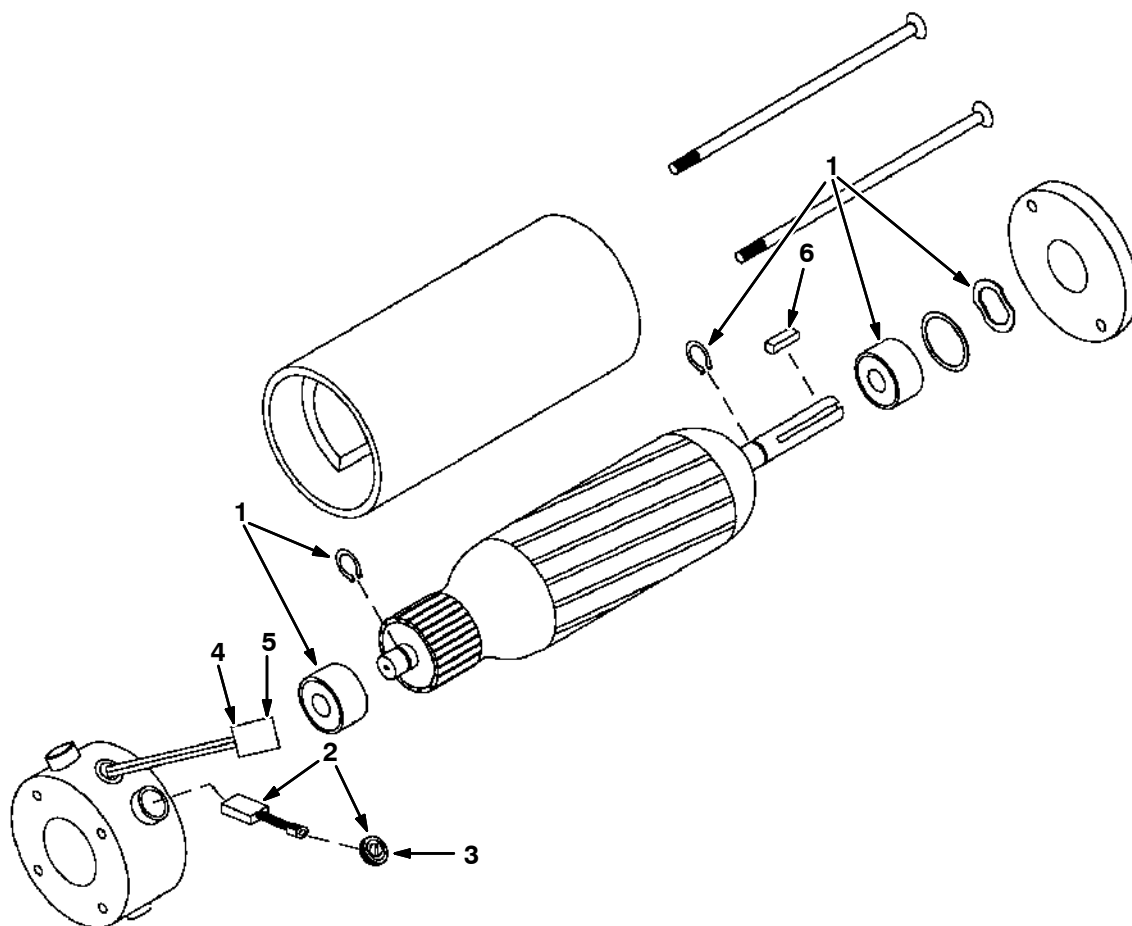
Fig. 8 - Electric Motor Breakdown, 383699



350786 - E

| Ref. | Part No. | Serial Number | Description | Qty. |
|------|----------|---------------|------------------------------------|------|
| ▽ | 383699 | (000000- |) Motor, Ele, 36vdc 1400rpm 1.50hp | 1 |
| ▲ | 1 385742 | (000000- |) Brush, Motor, Ele [Av] | 1 |
| ▲ | 2 48755 | (000000- |) Spring, Brush, Motor, Ele [Av] | 4 |
| ▲ | 3 48758 | (000000- |) Bearing, Ball, Motor, Ele [Av] | 1 |
| ▲ | 4 223677 | (000000- |) Plate, Brush [Av] | 1 |
| ▲ | 5 223678 | (000000- |) Strap, Band, Head [Advance Dc] | 1 |

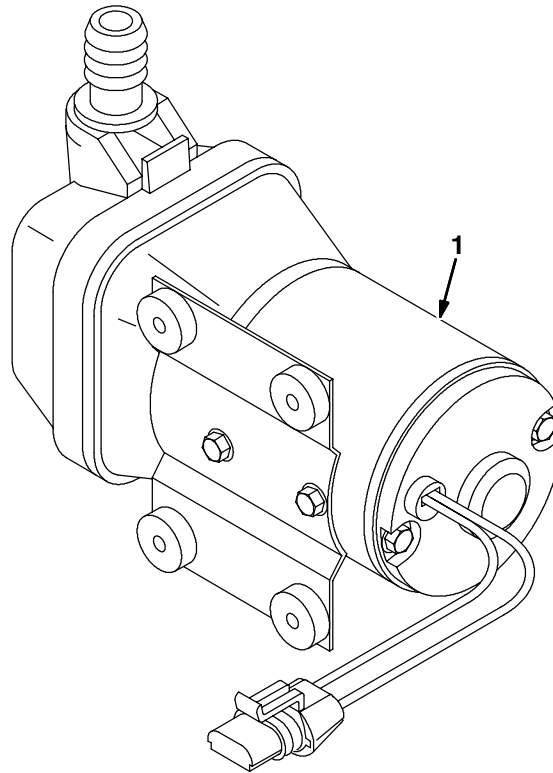
Fig. 9 - Electric Motor Breakdown, 374266



10426 - ALL

| Ref. | Part No. | Serial Number | Description | Qty. |
|------|----------|---------------|--|------|
| ▽ | 374266 | (000000- |) Motor, Ele, 36vdc 1800rpm 0.60hp | 1 |
| ▲ | 1 374273 | (000000- |) Bearing Kit, Motor, Ele [Magnetek] | 1 |
| ▲▽ | 2 222625 | (000000- |) Brush Kit, Motor, Ele [Magnetk] | 1 |
| ▲▲ | 3 222629 | (000000- |) Cap,Brush Holder,Motor,Ele[Magnetek] | 4 |
| ▲ | 4 10925 | (000000- |) Connector, Fem, 2cav, Mp630 Sealed | 1 |
| ▲ | 5 24537 | (000000- |) Terminal, Fem, Mp630, 12-10ga [P2s] | 2 |
| ▲ | 6 00916 | (000000- |) Key, Sq, 0.19 X 0.19, 1.50l | 1 |

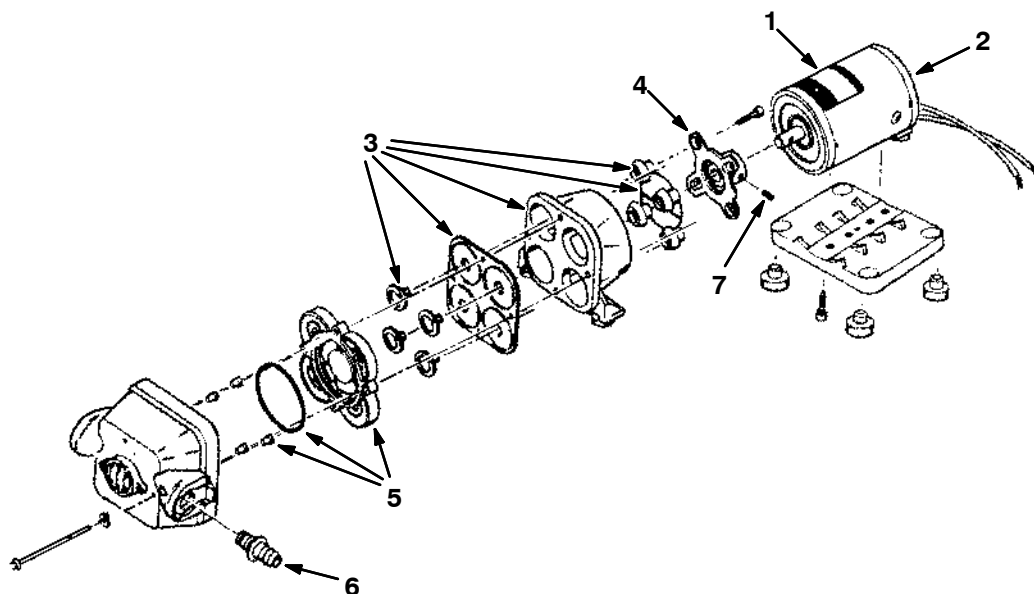
Fig. 10 - Water Pump Breakdown, 223359



350807 - NA, JP, CE

| Ref. | Part No. | Serial Number | Description | Qty. |
|------|----------|---------------|---|------|
| ▽ | 1 | 223359 | (000000-) Pump Assy, Es | 1 |
| ▲ | 41309 | (000000-) | Motor, Ele, 36vdc, Water Pump | 1 |
| ▲ | 41311 | (000000-) | Diaphragm Kit, Pump, Water, Repair | 1 |
| ▲ | 41312 | (000000-) | Cam, Brg Kit, Pump, Water | 1 |
| ▲ | 375010 | (000000-) | Valve, Check, Pump, Water | 1 |
| ▲ | 375011 | (000000-) | Port Kit, Pump, Water | 2 |
| ▲ | 78950 | (000000-) | Connector, Fem, 2cav, Mp280 Sealed | 1 |
| ▲ | 78951 | (000000-) | Terminal, Fem, Mp280, Sealed, 18-16ga | 2 |
| ▲ | 10917 | (000000-) | Seal, Wire, 14/16ga [Wp / Mp280 Sealed] | 2 |
| ▲ | 78952 | (000000-) | Lock, Secondary, 2cav, Mp280 Sealed | 1 |

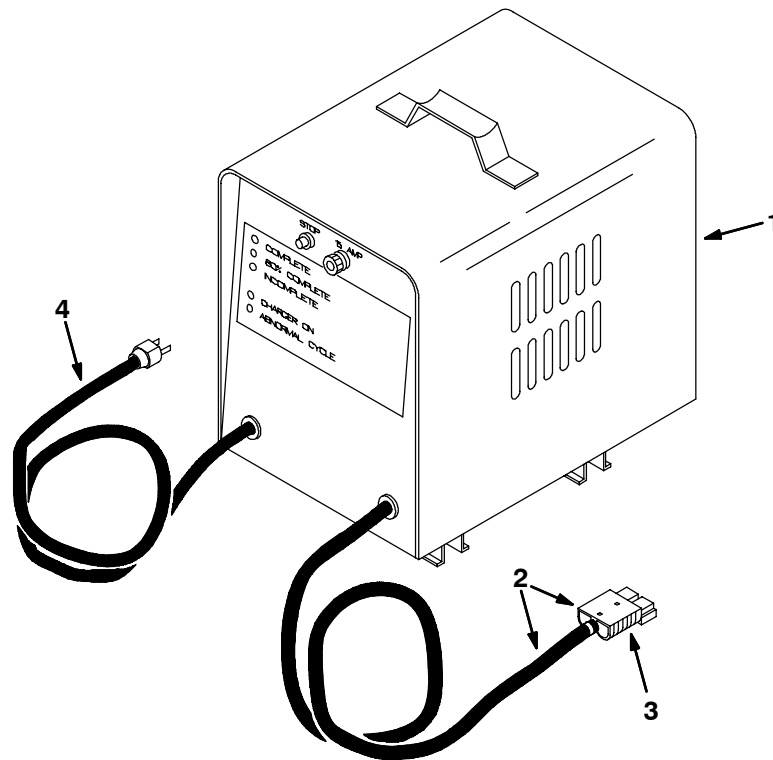
Fig. 11 - Water Pump Breakdown, 385628



352016 - ALL

| Ref. | Part No. | Serial Number | Description | Qty. |
|------|----------|---------------|---|------|
| ▽ | 385628 | (000000- |) Pump Assy, Water, 36vdc Rep.By369890 | 1 |
| ▲ | 1 41309 | (000000- |) Motor, Ele, 36vdc, Water Pump | 1 |
| ▲ | 2 41310 | (000000- |) Brush Endbell, Pump Water | 1 |
| ▲ | 3 41311 | (000000- |) Diaphragm Kit, Pump, Water, Repair | 1 |
| ▲ | 4 41312 | (000000- |) Cam, Brg Kit, Pump, Water | 1 |
| ▲ | 5 375010 | (000000- |) Valve, Check, Pump, Water | 1 |
| ▲ | 6 385638 | (000000- |) Fitting, Str, 90deg, .62 X .75 | 2 |
| ▲ | 7 65668 | (000000- |) Screw, Set, Cam / Brg | 1 |
| ▲ | 10918 | (000000- |) Connector, Mal, 2cav, Wp Sealed | 1 |
| ▲ | 10919 | (000000- |) Terminal, Mal, Wp, Sealed, 16-14ga | 2 |
| ▲ | 10917 | (000000- |) Seal, Wire, 14/16ga [Wp / Mp280 Sealed] | 2 |

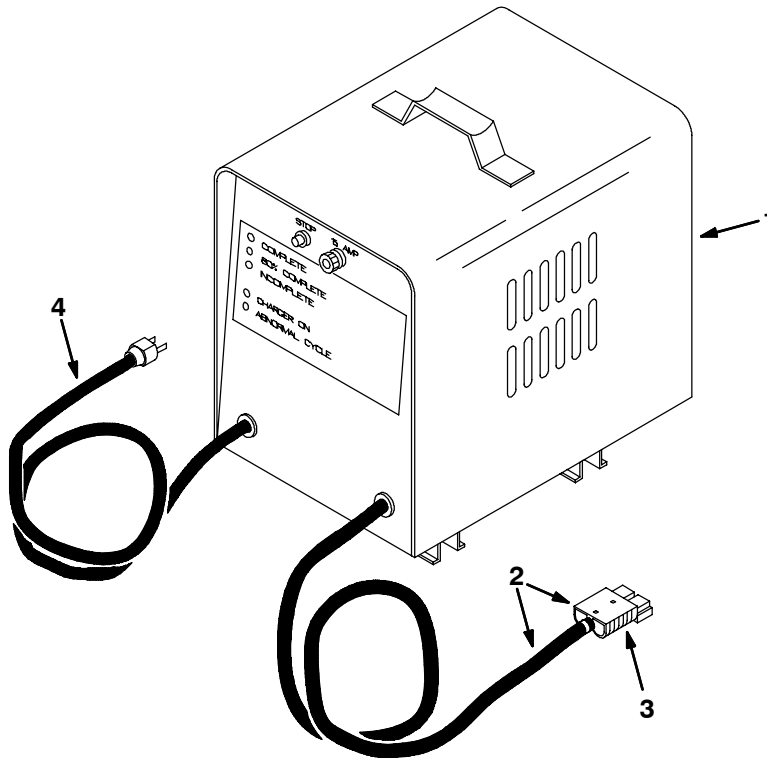
Fig. 12 - Battery Charger Breakdown, 60 Hz, 120V (235 Ah batteries), 223681



08080 - NA

| Ref. | Part No. | Serial Number | Description | Qty. |
|------|----------|---------------|--|------|
| ▽ | 1 | 223681 | (000000-) Charger, 36vdc 20a 120vac 1ph 60hz | 1 |
| ▲▽ | 2 | 223349 | (000000-) Cord Assy, Dc | 1 |
| ▲▲ | 3 | 22892 | (000000-) Connector, Anderson, 175a, Gray | 1 |
| ▲ | 4 | 223345 | (000000-) Cord Assy, Ac | 1 |
| ▲ | | 374017 | (000000-) Circuitbreaker, 15.0a | 1 |
| ▲ | | 65954 | (000000-) Circuitbreaker | 1 |
| ▲ | | 374018 | (000000-) Control, Circuit, Battery Chrgr | 1 |
| ▲ | | 223347 | (000000-) Rectifier | 2 |
| ▲ | | 374022 | (000000-) Rectifier, Scr, 20a, Chrgr, Battery | 2 |
| ▲ | | 21776 | (000000-) Strainrelief, Wire, Chrgr, Battery | 1 |
| ▲ | | 21775 | (000000-) Strainrelief, Wire, Chrgr, Battery | 1 |
| ▲ | | 374023 | (000000-) Switch, Red, Stop, Chrgr, Battery | 1 |
| ▲ | | 65630 | (000000-) Varistor, Chrgr, Battery | 1 |

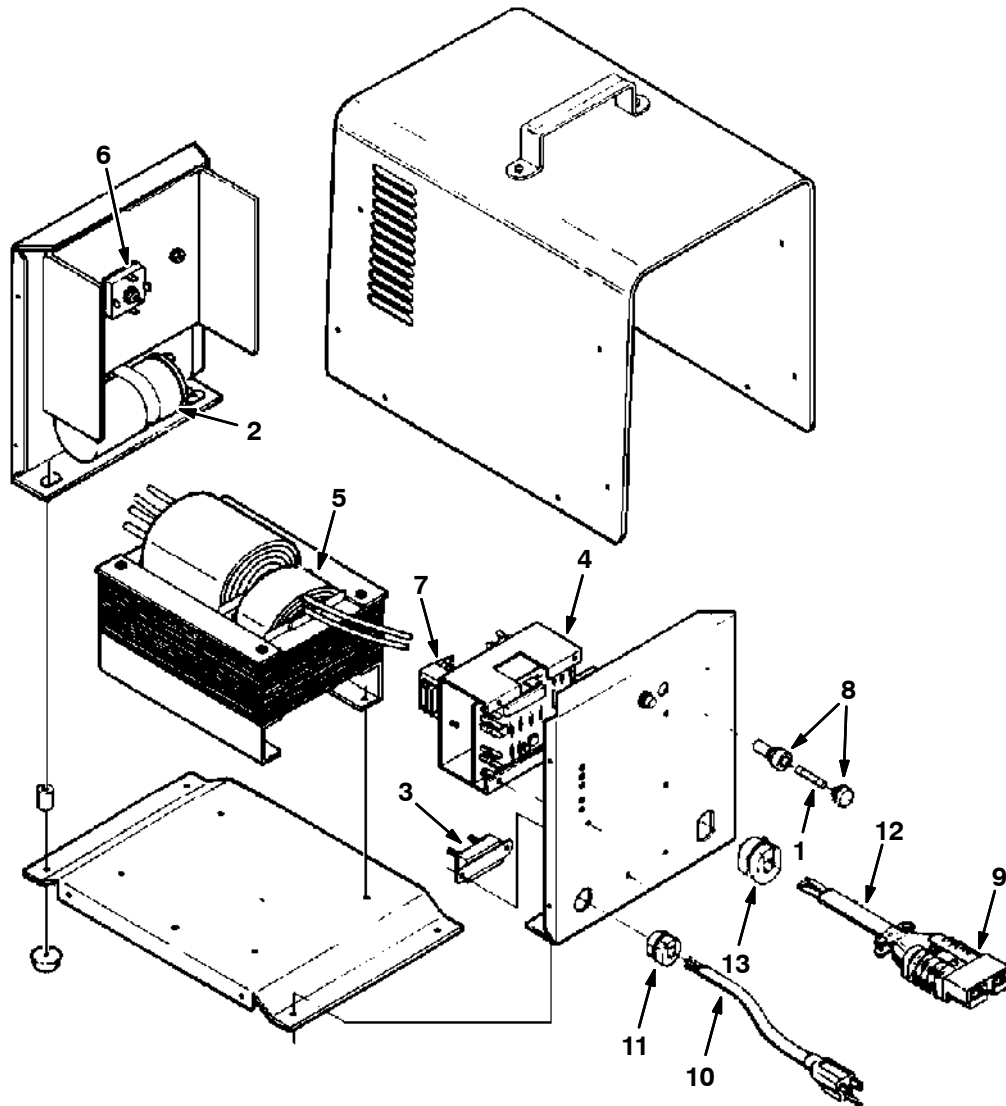
Fig. 13 - Battery Charger Breakdown, 60 Hz, 120V (335 Ah batteries), 223683



08080 - NA

| Ref. | Part No. | Serial Number | Description | Qty. |
|------|----------|---|---|------|
| ▽ | 1 | 223683 | (000000-) Charger, 36vdc 30a 120vac 1ph 60hz | 1 |
| ▲▽ | 2 | 223341 | (000000-) Cord Assy, Dc | 1 |
| ▲▲ | 3 | 22892 | (000000-) Connector, Anderson, 175a, Gray | 1 |
| ▲ | 4 | 223342 | (000000-) Cord Assy [Ac] | 1 |
| ▲ | 223344 | (000000-) Circuitbreaker | 1 | |
| ▲ | 65954 | (000000-) Circuitbreaker | 1 | |
| ▲ | 374027 | (000000-) Controller, Chrgr, Battery | 1 | |
| ▲ | 374029 | (000000-) Rectifier Assy | 2 | |
| ▲ | 21776 | (000000-) Strainrelief, Wire, Chrgr, Battery | 1 | |
| ▲ | 21775 | (000000-) Strainrelief, Wire, Chrgr, Battery | 1 | |
| ▲ | 374023 | (000000-) Switch, Red, Stop, Chrgr, Battery | 1 | |
| ▲ | 65630 | (000000-) Varistor, Chrgr, Battery | 1 | |

Fig. 14 - Battery Charger Breakdown, 50 Hz, 230V (235 Ah batteries), 65540

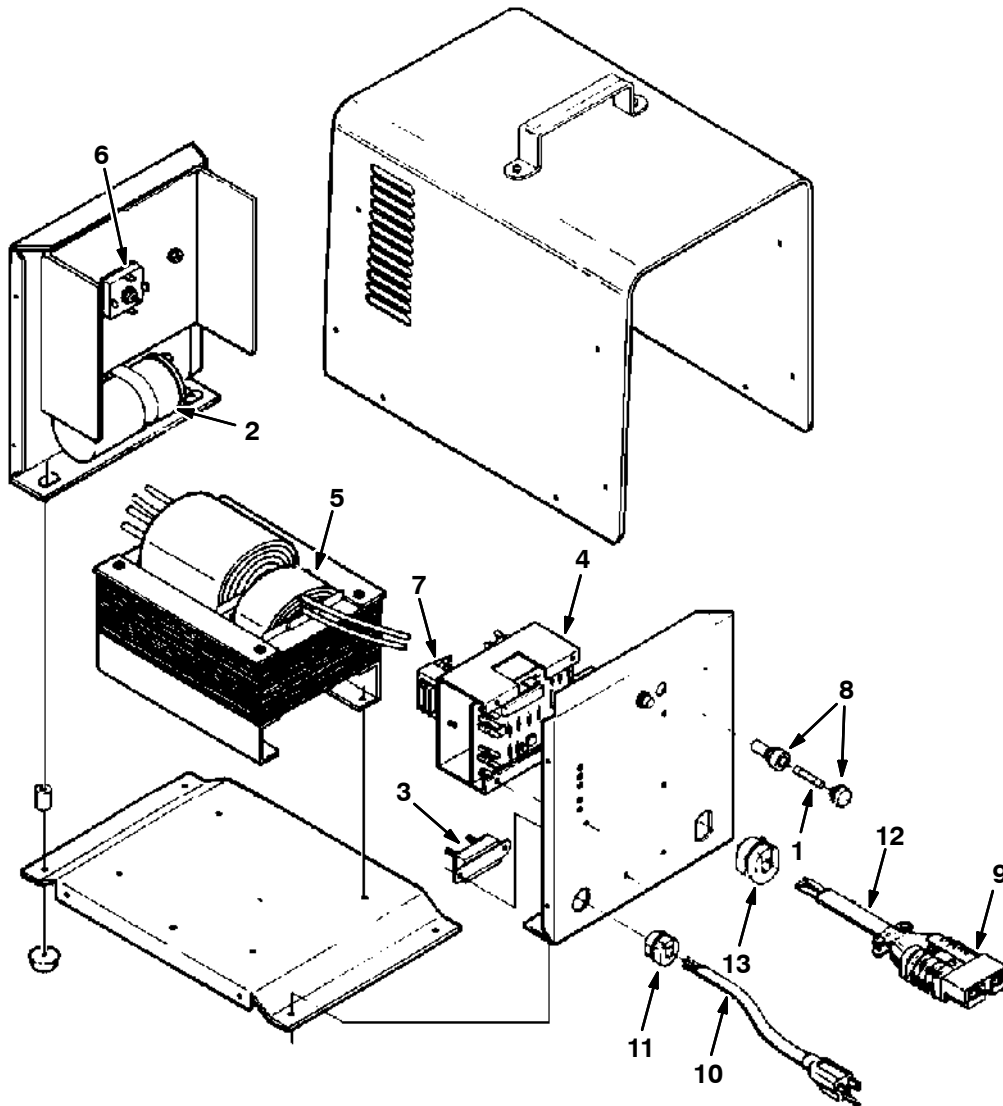


10262 - NA

| | Ref. | Part No. | Serial Number | Description | Qty. |
|---|-------------|-----------------|----------------------|---|-------------|
| ▽ | | 65540 | (000000- |) Charger, 36vdc 20a 230vac 1ph 50hz | 1 |
| ▲ | 1 | 65632 | (000000- |) Fuse, Chrgr, Battery | 1 |
| ▲ | 2 | 65958 | (000000- |) Condenser, Chrgr, Battery | 1 |
| ▲ | 3 | 65954 | (000000- |) Circuitbreaker | 1 |
| ▲ | 4 | 65620 | (000000- |) Control, Chrgr, Battery | 1 |
| ▲ | 5 | 65634 | (000000- |) Transformer | 1 |
| ▲ | 6 | 61837 | (000000- |) Rectifier | 1 |
| ▲ | 7 | 65959 | (000000- |) Control, Transformer | 1 |
| ▲ | 8 | 30058 | (000000- |) Fuseholder, Chrgr, Battery | 1 |
| ▲ | 9 | 24881 | (000000- |) Connector, Cable, Anderson, 50a, Gray | 1 |
| ▲ | 10 | 21770 | (000000- |) Wire, 120vac, W/ Plug | 1 |
| ▲ | 11 | 21775 | (000000- |) Strainrelief, Wire, Chrgr, Battery | 1 |
| ▲ | 12 | 21772 | (000000- |) Wire Assy, 36vdc, Chrgr, Battery | 1 |
| ▲ | 13 | 21776 | (000000- |) Strainrelief, Wire, Chrgr, Battery | 1 |

BREAKDOWNS

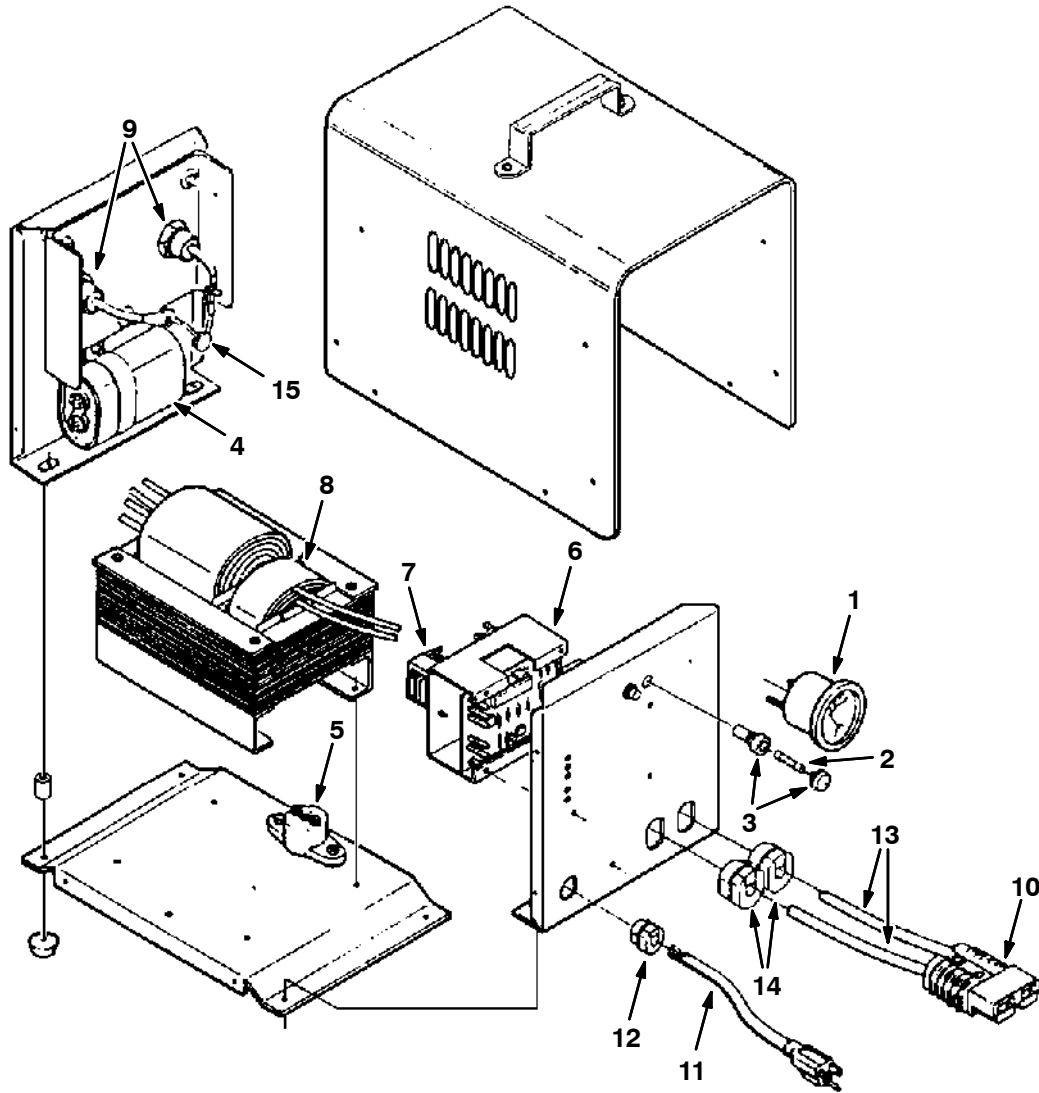
Fig. 15 - Battery Charger Breakdown, 50 Hz, 245V (235 Ah batteries), 65740



10262 - NA

| Ref. | Part No. | Serial Number | Description | Qty. | |
|------|----------|---------------|--------------------------------------|---|---|
| ▽ | 65740 | (000000- |) Charger, 36vdc 20a 245vac 1ph 50hz | 1 | |
| ▲ | 1 | 65632 | (000000- |) Fuse, Chrgr, Battery | 1 |
| ▲ | 2 | 65958 | (000000- |) Condenser, Chrgr, Battery | 1 |
| ▲ | 3 | 65954 | (000000- |) Circuitbreaker | 1 |
| ▲ | 4 | 65620 | (000000- |) Control, Chrgr, Battery | 1 |
| ▲ | 5 | 65724 | (000000- |) Transformer, Power | 1 |
| ▲ | 6 | 61837 | (000000- |) Rectifier | 1 |
| ▲ | 7 | 65959 | (000000- |) Control, Transformer | 1 |
| ▲ | 8 | 30058 | (000000- |) Fuseholder, Chrgr, Battery | 1 |
| ▲ | 9 | 24881 | (000000- |) Connector, Cable, Anderson, 50a, Gray | 1 |
| ▲ | 10 | 21770 | (000000- |) Wire, 120vac, W/ Plug | 1 |
| ▲ | 11 | 21775 | (000000- |) Strainrelief, Wire, Chrgr, Battery | 1 |
| ▲ | 12 | 21772 | (000000- |) Wire Assy, 36vdc, Chrgr, Battery | 1 |
| ▲ | 13 | 21776 | (000000- |) Strainrelief, Wire, Chrgr, Battery | 1 |

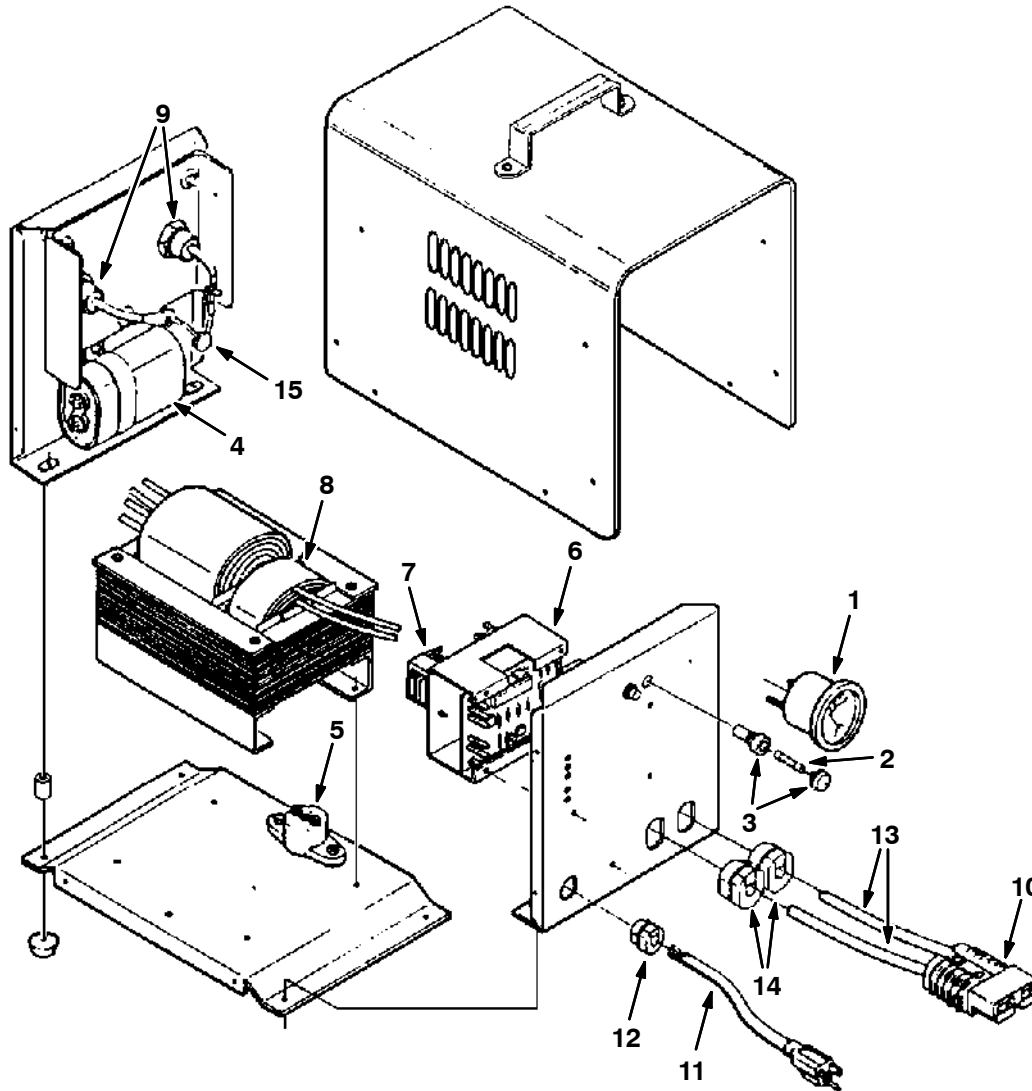
Fig. 16 - Battery Charger Breakdown, 50 Hz, (305 Ah batteries), 222595



10263 - NA

| Ref. | Part No. | Serial Number | Description | Qty. | |
|------|----------|---------------|--------------------------------------|---|---|
| ▽ | 222595 | (000000- |) Charger, 36vdc 30a 230vac 1ph 50hz | 1 | |
| ▲ | 1 | 38889 | (000000- |) Gauge, Ammeter, Chrgr, Battery | 1 |
| ▲ | 2 | 65614 | (000000- |) Fuse, Chrgr, Battery | 1 |
| ▲ | 3 | 30058 | (000000- |) Fuseholder, Chrgr, Battery | 1 |
| ▲ | 4 | 65613 | (000000- |) Condenser, Chrgr, Battery | 1 |
| ▲ | 5 | 65619 | (000000- |) Circuitbreaker, Chrgr, Battery | 1 |
| ▲ | 6 | 65620 | (000000- |) Control, Chrgr, Battery | 1 |
| ▲ | 7 | 65959 | (000000- |) Control, Transformer | 1 |
| ▲ | 8 | 65618 | (000000- |) Transformer, Power | 1 |
| ▲ | 9 | 65616 | (000000- |) Diode, Chrgr, Battery | 2 |
| ▲ | 10 | 24881 | (000000- |) Connector, Cable, Anderson, 50a, Gray | 1 |
| ▲ | 11 | 21770 | (000000- |) Wire, 120vac, W/ Plug | 1 |
| ▲ | 12 | 21775 | (000000- |) Strainrelief, Wire, Chrgr, Battery | 1 |
| ▲ | 13 | 21773 | (000000- |) Wire, 36vdc, W/ Connector [Sb50] | 1 |
| ▲ | 14 | 21776 | (000000- |) Strainrelief, Wire, Chrgr, Battery | 2 |
| ▲ | 15 | 65630 | (000000- |) Varistor, Chrgr, Battery | 1 |

Fig. 17 - Battery Charger Breakdown, 50 Hz, (305 Ah batteries), 222691



10263 - NA

| Ref. | Part No. | Serial Number | Description | Qty. | |
|------|----------|---------------|--------------------------------------|---|---|
| ▽ | 222691 | (000000- |) Charger, 36vdc 30a 245vac 1ph 50hz | 1 | |
| ▲ | 1 | 38889 | (000000- |) Gauge, Ammeter, Chrgr, Battery | 1 |
| ▲ | 2 | 65614 | (000000- |) Fuse, Chrgr, Battery | 1 |
| ▲ | 3 | 30058 | (000000- |) Fuseholder, Chrgr, Battery | 1 |
| ▲ | 4 | 65726 | (000000- |) Capacitor [15uf] | 1 |
| ▲ | 5 | 65619 | (000000- |) Circuitbreaker, Chrgr, Battery | 1 |
| ▲ | 6 | 65620 | (000000- |) Control, Chrgr, Battery | 1 |
| ▲ | 7 | 65959 | (000000- |) Control, Transformer | 1 |
| ▲ | 8 | 65727 | (000000- |) Power Transformer | 1 |
| ▲ | 9 | 65616 | (000000- |) Diode, Chrgr, Battery | 2 |
| ▲ | 10 | 24881 | (000000- |) Connector, Cable, Anderson, 50a, Gray | 1 |
| ▲ | 11 | 21770 | (000000- |) Wire, 120vac, W/ Plug | 1 |
| ▲ | 12 | 21775 | (000000- |) Strainrelief, Wire, Chrgr, Battery | 1 |
| ▲ | 13 | 21773 | (000000- |) Wire, 36vdc, W/ Connector [Sb50] | 1 |
| ▲ | 14 | 21776 | (000000- |) Strainrelief, Wire, Chrgr, Battery | 2 |
| ▲ | 15 | 65630 | (000000- |) Varistor, Chrgr, Battery | 1 |

SECTION 5

CONTENTS

PAGE

PART NUMBER TO PAGE NUMBER CROSS REFERENCE LIST 5-2
PART DESCRIPTION TO PAGE NUMBER CROSS REFERENCE LIST 5-10

CROSS REFERENCE

PART NUMBER TO PAGE NUMBER CROSS REFERENCE LIST

| Part Number | Page Number | Part Number | Page Number | Part Number | Page Number |
|-------------|---|-------------|--|-------------|--|
| 00500-10 | 2-13 | 06416 | 3-79 | 09088 | 2-21, 3-85 |
| 00912 | 2-13 | 06459 | 3-115 | 09120 | 3-33, 3-37 |
| 00916 | 3-89, 4-10, 4-12 | 06474A | 2-25, 3-109 | 09162 | 3-109 |
| 00918 | 3-89, 3-91 | 06506 | 3-73 | 09164 | 3-69 |
| 00928 | 4-6 | 06549 | 3-3, 3-5, 3-7, 3-9 | 09198 | 2-5, 2-7 |
| 00954 | 4-8, 4-9 | 06931 | 2-25 | 09200 | 2-53, 2-55 |
| 01150 | 3-89 | 06942 | 2-11, 2-17, 2-21, 3-7, 3-9, 3-27 | 09244 | 3-3, 3-5, 3-7, 3-9, 3-33, 3-37 |
| 01314 | 2-9, 3-110 | 06943 | 2-11, 3-83, 3-87 | 09278 | 3-71 |
| 01516 | 2-35, 3-63, 3-89 | 06944 | 2-11, 2-17, 2-25, 3-109, 3-114 | 09291 | 2-65, 2-67, 3-35, 3-69 |
| 01683 | 2-9, 2-25, 2-39, 2-41, 3-25, 3-29, 3-107 | 06947 | 3-79 | 09480 | 3-109 |
| 01684 | 2-5, 2-7, 2-29, 2-31, 2-33, 2-35, 2-47, 2-55, 2-65, 2-67, 3-13, 3-15, 3-17, 3-19, 3-23, 3-57, 3-59, 3-61, 3-63, 3-73, 3-79, 3-83, 3-87, 3-89 | 06955 | 2-21, 3-85 | 09738 | 2-41, 3-31 |
| 01685 | 2-9, 2-31, 2-33, 2-35, 2-37, 2-39, 2-41, 2-43, 2-45, 2-47, 2-49, 2-55, 2-61, 2-63, 2-69, 3-11, 3-59, 3-61, 3-63, 3-65, 3-67, 3-71, 3-77, 3-79, 3-81 | 06956 | 2-47 | 09739 | 2-9, 2-39, 2-41, 3-25, 3-29, 3-31, 3-107 |
| 01686 | 2-27, 2-29, 2-31, 2-37, 2-47, 2-51, 2-63, 2-65, 2-67, 3-17, 3-19, 3-21, 3-35, 3-57, 3-59, 3-65, 3-69, 3-89, 3-91 | 06958 | 3-85 | 09740 | 2-9, 2-11, 2-33, 2-35, 2-43, 2-45, 2-47, 2-49, 3-63, 3-87, 3-93, 3-103 |
| 01699 | 3-73 | 06963 | 2-25 | 09741 | 2-23 |
| 01713 | 2-17, 3-97 | 069760639 | 2-17 | 09744 | 2-35 |
| 01714 | 2-25 | 07259 | 2-19 | 09767 | 2-69, 3-67 |
| 01750 | 3-89 | 07450 | 2-63 | 1002789 | 2-53, 2-55 |
| 01837 | 4-3, 4-5 | 07786 | 2-45, 2-65, 2-67 | 1002898 | 2-49 |
| 01842 | 4-3 | 07790 | 3-7, 3-9, 3-27 | 1002899 | 2-49 |
| 01856 | 4-3, 4-5 | 07791 | 2-21, 3-33, 3-37, 3-83 | 1005086 | 2-53, 2-55 |
| 01969 | 4-3 | 07805 | 3-13, 3-15 | 1005255 | 2-49 |
| 01971 | 4-3, 4-5 | 08085 | 2-21, 3-83, 3-93, 3-103, 3-110 | 1005302 | 2-51 |
| 01982 | 4-3 | 08170 | 2-47 | 1005416 | 2-11 |
| 01983 | 4-3 | 08171 | 2-19 | 1005435 | 2-49 |
| 02076 | 2-19, 2-61, 3-81 | 08175 | 2-63 | 1005508 | 2-51 |
| 02141 | 3-79 | 08178 | 2-63 | 1005552 | 2-53, 2-55, 3-23 |
| 02356 | 3-89 | 08179 | 3-109 | 1005866 | 2-51 |
| 02930 | 3-73 | 08181 | 3-45 | 1006447 | 2-51 |
| 02931 | 2-37, 3-65, 3-73 | 08182 | 2-25, 3-107, 3-109 | 1008211 | 2-49 |
| 02942 | 2-27, 3-85 | 08708 | 2-11, 2-17, 2-21, 2-25, 2-57, 3-13, 3-15, 3-19, 3-23, 3-79, 3-83, 3-87, 3-114 | 1008274 | 3-93 |
| 03192 | 2-13, 3-79, 3-83 | 08709 | 2-21, 2-25, 2-45, 2-47, 3-11, 3-77, 3-79, 3-85, 3-107 | 1008275 | 3-103 |
| 04051 | 3-97 | 08711 | 2-13, 3-11, 3-77, 3-113 | 1009603 | 2-55 |
| 04414 | 2-69, 3-67 | 08712 | 2-29, 2-31, 2-65, 2-67, 3-57, 3-59, 3-61, 3-83 | 1010506 | 2-35, 3-63 |
| 04417 | 2-63 | 08713 | 2-31, 2-33, 2-35, 2-37, 2-63, 2-65, 2-69, 3-59, 3-63, 3-65, 3-67, 3-87, 3-91 | 1010668 | 2-53 |
| 04928 | 3-89 | 08714 | 2-31, 2-37, 2-51, 2-63, 2-65, 2-67, 3-35, 3-59, 3-65, 3-69 | 1010684 | 2-53, 2-55 |
| 05134 | 3-21, 3-23 | 08716 | 2-31, 2-65, 2-67, 3-13, 3-15, 3-17, 3-19, 3-23, 3-59, 3-83 | 1010713 | 2-53, 2-55 |
| 05280 | 2-15 | 09007 | 2-33, 3-61 | 1010835 | 2-51 |
| 05579 | 3-43 | 09010 | 3-45, 3-74, 3-75, 3-79, 3-99, 3-107, 3-110 | 1010836 | 2-53, 2-55 |
| 05584 | 3-43 | 09011 | 2-63 | 1011403 | 2-51, 2-55 |
| 05594 | 3-43 | 09023 | 2-35, 2-65, 3-63 | 1011412 | 2-53, 2-55 |
| 05711 | 2-33, 3-61 | 09026 | 2-69, 3-67 | 1011521 | 2-51, 2-53 |
| 05720 | 2-63 | 09029 | 3-11, 3-77 | 1013789 | 2-49 |
| 06279 | 2-63 | | | 1013902 | 2-49 |
| | | | | 1014082 | 2-49 |
| | | | | 1014673 | 2-55 |
| | | | | 1014750 | 2-51 |
| | | | | 1014851 | 2-51 |
| | | | | 1014852 | 2-51 |
| | | | | 1014853 | 2-57 |
| | | | | 1014854 | 2-49 |
| | | | | 1014898 | 2-57 |
| | | | | 1014985 | 2-49 |
| | | | | 1014987 | 2-49 |
| | | | | 1015012 | 2-11 |
| | | | | 1015087 | 2-57 |

CROSS REFERENCE

| Part Number | Page Number | Part Number | Page Number | Part Number | Page Number |
|-------------|-------------------------------------|-------------|--|-------------|------------------------------------|
| 1015139 | 2-55 | 12269 | 3-89, 3-91 | 21120 | 3-79 |
| 1015147 | 2-55 | 12273 | 2-39, 2-41, 2-55, 3-11, 3-77 | 21765 | 4-3 |
| 1015150 | 2-17 | | | 21770 | 4-17, 4-18, 4-19, 4-20 |
| 1015163 | 2-51 | 12274 | 3-109 | 21772 | 4-17, 4-18 |
| 1017015 | 2-3, 2-49 | 12312 | 3-115 | 21773 | 4-19, 4-20 |
| 1017022 | 2-3, 2-49 | 12316 | 2-39, 2-41, 3-25, 3-29 | 21775 | 4-15, 4-16, 4-17, 4-18, 4-19, 4-20 |
| 1017079 | 3-54 | 12333 | 2-19 | 21776 | 4-15, 4-16, 4-17, 4-18, 4-19, 4-20 |
| 1017101 | 2-45 | 12694 | 3-39 | | |
| 1017218 | 2-41, 2-45 | 13513 | 2-25 | 222062 | 2-35, 3-63 |
| 1017248 | 3-5, 3-9 | 140145 | 3-85 | 222066 | 2-69, 3-67 |
| 1017250 | 3-3, 3-7 | 14601 | 2-25 | 222113 | 2-47, 3-95 |
| 1019242 | 3-55 | 14605 | 2-21 | 222124 | 2-43 |
| 1019285 | 2-41, 3-21 | 14734 | 3-17 | 222130 | 2-69 |
| 1022252 | 2-33 | 14799 | 2-13 | 222131 | 3-67 |
| 1022254 | 3-61 | 14838 | 2-5, 2-7 | 222158 | 3-95 |
| 1023044 | 2-21 | 14864 | 2-39, 2-41, 3-25 | 222167 | 3-61 |
| 1023123 | 2-21 | 14877 | 3-17, 3-19, 3-21 | 222176 | 2-35, 3-63 |
| 1023232 | 2-21 | 14880 | 2-39, 2-41, 3-25 | 222177 | 2-35, 3-63 |
| 1023365 | 2-41 | 150100 | 2-51 | 222184 | 2-35, 3-63 |
| 1024331 | 2-21 | 150208 | 3-41 | 222190 | 2-47 |
| 1024488 | 2-45 | 15047 | 2-31, 2-37, 3-59, 3-65 | 222201 | 3-63 |
| 1024692 | 2-45 | 150525 | 2-49 | 222203 | 3-61 |
| 1024784 | 2-45 | 15173 | 3-93, 3-103 | 222205 | 2-33 |
| 1028579 | 2-53 | 15539 | 2-5, 2-7 | 222209 | 2-35, 3-63 |
| 1028582 | 2-51 | 15648 | 2-27, 3-69, 3-107 | 222233 | 2-65, 2-67 |
| 1028586 | 2-57 | 15675 | 2-43, 3-79 | 222244 | 2-69, 3-67 |
| 1031699 | 2-3, 2-39, 2-41, 2-45, 3-25 | 15678 | 2-9, 2-29, 2-35, 3-57, 3-63, 3-93, 3-103 | 222260 | 2-69, 3-67 |
| 1031700 | 3-47, 3-49 | 15846 | 2-81 | 222267 | 2-15 |
| 1031717 | 3-109 | 16236 | 2-11, 2-31, 3-59 | 222268 | 2-69, 3-67 |
| 1034262 | 3-109 | 16356 | 3-13 | 222280 | 3-51 |
| 10575 | 3-13, 3-15, 3-17 | 16361 | 3-19, 3-23 | 222283 | 3-29 |
| 10632-12 | 2-21 | 16735 | 2-13 | 222290 | 2-58, 2-77, 2-81, 3-101, 3-111 |
| 10632-13 | 2-9, 3-110 | 16906 | 2-15 | | |
| 10632-14 | 2-11, 3-95 | 16931 | 2-9, 2-21, 2-49, 3-33, 3-37, 3-69, 3-83, 3-85, 3-89, 3-109 | 222296 | 2-17 |
| 10632-2 | 3-3, 3-5, 3-7, 3-9 | | | 222297 | 2-17, 3-97 |
| 10632-9 | 2-47 | | | 222304 | 2-5 |
| 10917 | 4-13, 4-14 | 16951 | 2-41, 3-3, 3-5, 3-27 | 222305 | 2-5 |
| 10918 | 4-14 | 17188 | 2-51, 3-17, 3-19, 3-21 | 222306 | 2-5 |
| 10919 | 4-14 | 17363 | 2-43, 3-29, 4-3 | 222310 | 2-7 |
| 10925 | 4-3, 4-5, 4-6, 4-8, 4-9, 4-10, 4-12 | 17461 | 2-27 | 222311 | 2-7 |
| 10926 | 4-3, 4-5 | 18627 | 4-3 | 222312 | 2-7 |
| 10959 | 3-17, 3-19, 3-21, 3-91 | 18628 | 4-3, 4-5 | 222320 | 2-5 |
| 11109 | 2-23 | 18630 | 4-3 | 222321 | 2-5 |
| 11211 | 2-63, 3-69 | 18631 | 4-3 | 222322 | 2-5 |
| 11218 | 2-7 | 18778 | 2-77, 2-81 | 222324 | 2-5 |
| 11329 | 3-87, 3-89, 3-91 | 18779 | 2-77 | 222325 | 2-5 |
| 11635 | 2-55 | 19065 | 2-17, 3-97 | 222326 | 2-5 |
| 11756 | 4-3 | 19066 | 2-17, 3-3, 3-5, 3-7, 3-9, 3-27 | 222327 | 2-5 |
| 11771 | 2-7 | 19324 | 2-17, 3-97 | 222349 | 3-43 |
| 11772 | 2-7 | 19588 | 3-65 | 222375 | 3-95 |
| 11773 | 2-7 | 19783 | 2-7 | 222378 | 3-67 |
| 11776 | 2-7 | 20170 | 2-17, 3-97 | 222381 | 2-3, 3-67 |
| 11777 | 2-7 | 20171 | 2-27, 2-67, 3-85 | 222382 | 2-3, 3-67 |
| 11778 | 2-7 | 20175 | 2-63 | 222385 | 2-3, 3-67 |
| 11780 | 2-7 | 20175 | 2-63 | 222387 | 2-3, 3-67 |
| 11781 | 2-7 | 20536-1 | 3-85 | 222389 | 2-3, 3-67 |
| 12083 | 2-47 | 20536-2 | 4-8, 4-9 | 222391 | 2-3, 3-67 |
| 12267 | 3-109 | 20810 | 2-45 | 222415 | 2-3, 2-69 |
| | | 20932 | 3-47, 3-49 | 222416 | 2-3, 2-69 |

CROSS REFERENCE

| Part Number | Page Number | Part Number | Page Number | Part Number | Page Number |
|-------------|----------------------|-------------|------------------------|-------------|------------------------------------|
| 222417 | 2-69 | 223061 | 2-13 | 223248 | 2-11 |
| 222422 | 2-3, 3-67 | 223065 | 2-13, 2-21, 3-79 | 223249 | 2-11 |
| 222428 | 2-3, 3-67 | 223068 | 2-13 | 223250 | 2-39, 2-41 |
| 222433 | 2-3, 2-69 | 223070 | 2-13 | 223251 | 2-45 |
| 222434 | 2-3, 2-69 | 223072 | 2-13 | 223252 | 2-45 |
| 222435 | 2-3, 2-69 | 223073 | 2-13 | 223253 | 2-9 |
| 222460 | 3-85 | 223074 | 2-13 | 223254 | 2-9 |
| 222467 | 3-79 | 223078 | 2-11 | 223255 | 2-45 |
| 222473 | 3-51, 3-53 | 223080 | 2-11 | 223256 | 2-39, 2-41 |
| 222481 | 3-97 | 223090 | 2-25 | 223257 | 2-9 |
| 222493 | 2-17 | 223093 | 2-25 | 223258 | 2-45 |
| 222496 | 2-69, 3-67 | 223094 | 2-25 | 223259 | 2-43 |
| 222504 | 3-107 | 223099 | 2-13 | 223261 | 2-43 |
| 222506 | 3-57 | 223133 | 2-27 | 223262 | 2-43 |
| 222516 | 2-45 | 223142 | 2-23 | 223264 | 2-3, 2-43, 3-29, 4-3, 4-5 |
| 222523 | 2-33, 3-61 | 223150 | 2-19 | 223266 | 2-43, 3-29 |
| 222595 | 3-55, 4-19 | 223151 | 2-19 | 223267 | 2-43, 3-29 |
| 222606 | 4-6 | 223152 | 2-19 | 223268 | 3-13, 3-15 |
| 222618 | 4-6 | 223153 | 2-19 | 223271 | 2-45 |
| 222623 | 4-8, 4-10 | 223154 | 2-19 | 223272 | 3-29 |
| 222625 | 4-8, 4-9, 4-10, 4-12 | 223157 | 2-19 | 223279 | 2-43, 3-29 |
| 222629 | 4-8, 4-9, 4-10, 4-12 | 223158 | 2-19 | 223283 | 2-45 |
| 222635 | 4-8, 4-9, 4-10 | 223159 | 2-19 | 223284 | 2-45 |
| 222637 | 4-8, 4-9, 4-10 | 223160 | 2-19 | 223285 | 2-15 |
| 222638 | 4-8, 4-10 | 223161 | 2-19 | 223286 | 3-29 |
| 222648 | 3-79 | 223162 | 2-19 | 223290 | 2-9 |
| 222669 | 2-33, 3-61 | 223163 | 2-19 | 223291 | 2-37 |
| 222670 | 2-33, 3-61 | 223164 | 2-19 | 223293 | 2-37, 3-65 |
| 222691 | 3-55, 4-20 | 223166 | 2-19 | 223297 | 2-69, 3-67 |
| 222751 | 2-35, 3-63 | 223167 | 2-19 | 223304 | 2-37, 3-65 |
| 222752 | 2-35, 3-63 | 223168 | 2-19 | 223316 | 2-82 |
| 222753 | 2-35, 3-63, 4-8 | 223169 | 2-19 | 223317 | 2-82 |
| 222794 | 2-69, 3-67 | 223170 | 2-19 | 223320 | 2-25 |
| 222818 | 2-35, 3-63 | 223171 | 2-19 | 223329 | 2-77 |
| 222820 | 2-35, 3-63 | 223181 | 2-19 | 223330 | 2-11 |
| 222824 | 3-61 | 223183 | 3-13, 3-15, 3-17, 3-19 | 223332 | 2-15, 2-57 |
| 222826 | 2-33 | 223186 | 2-21 | 223341 | 4-16 |
| 222835 | 2-33, 3-61 | 223193 | 2-19 | 223342 | 4-16 |
| 222836 | 2-29, 3-57 | 223196 | 2-19 | 223344 | 4-16 |
| 222846 | 3-53, 3-81 | 223197 | 2-19 | 223345 | 4-15 |
| 222877 | 4-8, 4-9 | 223198 | 2-21, 3-95, 3-115 | 223347 | 4-15 |
| 22290 | 3-107 | 223201 | 2-21 | 223349 | 4-15 |
| 223021 | 3-27 | 223204 | 2-21 | 223350 | 2-9, 3-45, 3-74, 3-75, 3-99, 3-110 |
| 223023 | 3-9 | 223208 | 2-19 | 223351 | 4-6 |
| 223025 | 3-7 | 223209 | 2-21 | 223352 | 4-6 |
| 223027 | 3-5 | 223210 | 2-63 | 223353 | 2-9 |
| 223029 | 3-3 | 223218 | 2-63 | 223355 | 2-61, 3-81 |
| 223031 | 3-29 | 223225 | 2-65 | 223356 | 2-61, 3-81 |
| 223035 | 3-11 | 223226 | 2-65 | 223358 | 2-29, 3-57, 4-6 |
| 223039 | 3-115 | 223227 | 2-63 | 223359 | 3-13, 3-15, 4-13 |
| 223041 | 2-43 | 223228 | 2-3, 2-39, 2-41 | 223360 | 2-63 |
| 223043 | 2-9 | 223229 | 2-65, 2-67 | 223361 | 2-61, 3-81 |
| 223044 | 2-9 | 223230 | 2-65 | 223362 | 2-61 |
| 223045 | 2-15 | 223232 | 2-47 | 223364 | 2-61, 3-81 |
| 223046 | 2-17 | 223233 | 2-47 | 223365 | 2-77, 2-81 |
| 223047 | 2-17 | 223235 | 2-47 | 223366 | 2-61 |
| 223049 | 2-17 | 223238 | 2-47 | 223367 | 2-77 |
| 223054 | 2-63 | 223239 | 2-25 | 223368 | 2-77 |
| 223057 | 2-19, 4-7 | 223246 | 2-61 | | |
| 223058 | 2-17 | 223247 | 2-47 | | |

CROSS REFERENCE

| Part Number | Page Number | Part Number | Page Number | Part Number | Page Number |
|-------------|--|-------------|------------------------|-------------|--|
| 223369 | 2-77 | 223547 | 2-63 | 22892 | 2-61, 3-81, 4-15, 4-16 |
| 223370 | 2-77 | 223549 | 2-11 | 23456 | 3-47, 3-49 |
| 223373 | 3-51 | 223550 | 2-17 | 23683 | 3-85 |
| 223377 | 3-53 | 223555 | 2-82 | 24174 | 2-39, 2-41, 3-25 |
| 223385 | 3-11 | 223559 | 2-19 | 24199 | 3-107 |
| 223390 | 3-11, 3-77 | 223560 | 2-35, 3-63 | 24265 | 2-49 |
| 223400 | 2-33 | 223561 | 2-35, 3-63 | 24299 | 2-5, 2-7 |
| 223412 | 2-33, 3-61 | 223563 | 2-35, 3-63 | 24358 | 2-39, 2-41, 2-45, 3-25 |
| 223413 | 3-65 | 223564 | 2-35, 3-63 | 24537 | 4-6, 4-8, 4-9, 4-10, 4-12 |
| 223414 | 3-69 | 223566 | 2-35, 3-63 | 24881 | 4-17, 4-18, 4-19, 4-20 |
| 223428 | 3-69 | 223568 | 2-3, 2-35, 3-63 | 25006 | 2-17 |
| 223430 | 3-69 | 223569 | 2-3, 2-35, 3-63 | 25015 | 2-69 |
| 223433 | 3-69 | 223578 | 3-45 | 25047 | 2-25 |
| 223442 | 2-33, 3-61 | 223580 | 2-33 | 25312 | 3-115 |
| 223450 | 3-69 | 223589 | 2-37, 3-65 | 25537 | 2-11 |
| 223459 | 2-27 | 223590 | 2-69, 3-67 | 25709 | 2-31, 2-37, 3-59, 3-65 |
| 223464 | 2-27 | 223593 | 2-3, 2-69, 3-67 | 25735 | 2-65, 2-67 |
| 223466 | 3-73 | 223595 | 3-112 | 25778 | 3-47 |
| 223469 | 2-27 | 223597 | 3-112 | 25781 | 3-49 |
| 223476 | 3-73 | 223599 | 2-11, 3-114 | 25783 | 3-47, 3-49 |
| 223478 | 2-29 | 223600 | 2-25 | 26395-1 | 3-87, 3-103 |
| 223489 | 2-31, 3-59 | 223601 | 2-25 | 27048 | 2-51 |
| 223490 | 3-33, 3-35, 3-37 | 223603 | 2-13 | 28096P | 2-7, 3-93, 3-103 |
| 223492 | 3-33 | 223605 | 3-114 | 29558 | 3-85 |
| 223495 | 3-13 | 223606 | 2-3, 2-69 | 29570 | 3-89, 3-91 |
| 223496 | 3-31, 3-95 | 223607 | 2-3, 2-69 | 30013 | 2-43, 3-29, 3-33, 3-37 |
| 223497 | 2-45 | 223608 | 2-3, 2-69 | 30058 | 4-17, 4-18, 4-19, 4-20 |
| 223498 | 3-13 | 223609 | 2-31, 2-37, 3-59, 3-65 | 30533 | 3-113 |
| 223499 | 2-45 | 223610 | 2-19 | 32124 | 2-29, 3-57 |
| 223500 | 3-13, 3-15, 3-17, 3-19, 3-21 | 223612 | 3-57 | 32183 | 2-39 |
| 223506 | 2-43 | 223618 | 3-57 | 32408 | 3-89, 3-91 |
| 223507 | 2-43 | 223623 | 2-3, 3-57 | 32483 | 2-11, 3-7, 3-9, 3-71, 3-83, 3-87, 3-93, 3-97, 3-103, 3-109, 3-114 |
| 223508 | 2-13 | 223631 | 2-19 | 32485 | 2-25, 3-83 |
| 223509 | 2-39, 2-41 | 223637 | 2-31, 3-59 | 32486 | 2-25, 2-27, 3-11, 3-69, 3-77, 3-109, 3-113 |
| 223512 | 2-27 | 223638 | 3-51 | 32490 | 2-17, 2-21, 2-25, 2-65, 2-67, 3-69, 3-83, 3-85, 3-107, 3-109 |
| 223515 | 2-47, 3-15 | 223639 | 3-51 | 32491 | 2-11, 2-13, 2-19, 2-21, 2-49, 3-3, 3-5, 3-27, 3-33, 3-37, 3-69, 3-79, 3-85, 3-91, 3-99, 3-109, 3-110 |
| 223516 | 2-29, 3-57 | 223640 | 3-31 | 32492 | 2-27, 3-69, 3-79, 3-85 |
| 223517 | 2-27, 3-69 | 223641 | 3-53, 3-81 | 32493 | 2-13, 2-27, 3-85, 3-105 |
| 223518 | 2-27, 3-69 | 223644 | 3-115 | 32501 | 2-39, 2-41, 3-25 |
| 223519 | 2-3, 2-29 | 223645 | 2-27 | 32508 | 2-39, 2-41, 3-25 |
| 223520 | 2-3, 2-29 | 223649 | 3-33 | 32516 | 3-97 |
| 223521 | 3-31 | 223650 | 2-11 | 32548 | 2-9 |
| 223522 | 3-33, 3-35, 3-37 | 223654 | 2-37, 3-65 | 32613 | 2-39, 2-41, 3-25 |
| 223523 | 3-31 | 223666 | 3-57 | 32614 | 2-39, 2-41, 3-25 |
| 223524 | 3-13 | 223669 | 2-3, 3-57 | 32669 | 2-39, 2-41, 3-25 |
| 223525 | 2-3, 2-43, 3-29 | 223670 | 3-61 | 32720 | 3-89, 3-91 |
| 223526 | 3-13 | 223672 | 2-31, 3-59 | 32746 | 2-5, 2-7 |
| 223527 | 2-3, 2-45 | 223677 | 4-7, 4-11 | 32790 | 2-45 |
| 223528 | 2-39, 2-45, 3-13, 3-15, 3-17, 3-19, 3-21 | 223678 | 4-7, 4-11 | 32960 | 2-65, 2-67 |
| 223532 | 2-3, 2-43, 3-29 | 223679 | 3-54, 3-55 | | |
| 223533 | 2-39, 2-41, 3-25 | 223681 | 3-54, 4-15 | | |
| 223534 | 2-9 | 223683 | 3-54, 4-16 | | |
| 223537 | 2-29 | 223685 | 3-55 | | |
| 223538 | 2-29 | 223687 | 3-55 | | |
| 223539 | 3-57 | 223689 | 3-55 | | |
| 223541 | 2-65, 2-67 | 223691 | 3-55 | | |
| 223545 | 2-19 | 223695 | 3-113 | | |
| 223546 | 2-9 | 223696 | 3-117 | | |
| | | 223699 | 3-15 | | |
| | | 22731 | 2-21 | | |

CROSS REFERENCE

| Part Number | Page Number | Part Number | Page Number | Part Number | Page Number |
|-------------|------------------------------|-------------|------------------------|-------------|--------------------|
| 32980 | 2-25, 2-47, 3-97 | 369418 | 3-71 | 374299 | 2-19 |
| 32981 | 2-25 | 369421 | 3-71 | 375010 | 4-13, 4-14 |
| 32983 | 2-11 | 369426 | 3-71 | 375011 | 4-13 |
| 32984 | 2-17, 3-97 | 369431 | 3-69 | 375014 | 3-47, 3-49 |
| 32989 | 2-57 | 369434 | 3-71 | 375176 | 4-9 |
| 330040 | 3-117 | 369435 | 3-79 | 375177 | 4-9 |
| 330042 | 3-117 | 369447 | 3-81 | 375178 | 4-9 |
| 330043 | 3-117 | 369449 | 2-43, 3-29 | 375179 | 4-9 |
| 330044 | 3-117 | 369451 | 2-43 | 375195 | 2-35, 3-63 |
| 330045 | 3-117 | 369453 | 2-43 | 375302 | 2-39, 3-21 |
| 330710 | 3-117 | 369454 | 2-9 | 375411 | 2-11 |
| 33806 | 2-11, 2-13 | 369455 | 3-29 | 375426 | 2-39 |
| 33807 | 2-11 | 369456 | 3-29 | 375427 | 3-21 |
| 33925 | 2-23, 2-37 | 369459 | 2-67 | 377328 | 3-79 |
| 33944 | 2-61 | 369460 | 2-35, 3-63 | 377349 | 2-39, 2-41, 2-45 |
| 33948 | 2-63 | 369462 | 3-79 | 377364 | 2-29 |
| 33950 | 3-11, 3-77 | 369466 | 3-79 | 377384 | 2-7 |
| 360271 | 2-19 | 369470 | 3-79 | 377391 | 2-7 |
| 360273 | 2-21 | 369473 | 3-79 | 377433 | 2-15 |
| 360274 | 2-21 | 369474 | 3-79 | 377505 | 2-3, 2-35 |
| 360275 | 2-21 | 369478 | 3-79 | 378983 | 4-3 |
| 360276 | 2-21 | 369481 | 3-79 | 37909 | 4-3 |
| 360347 | 3-65 | 369483 | 3-73, 3-81 | 37912 | 4-3, 4-5 |
| 360357 | 3-109 | 369487 | 3-79 | 379202 | 2-35, 3-63 |
| 360369 | 2-11 | 369488 | 3-73 | 37926 | 4-3 |
| 360370 | 2-11 | 369490 | 3-69 | 37929 | 4-3, 4-5 |
| 360518 | 2-9 | 369496 | 3-79 | 382726 | 3-89, 3-91 |
| 360973 | 2-45 | 36959 | 3-69 | 383699 | 2-19, 4-11 |
| 361076 | 2-15 | 369702 | 2-9 | 383707 | 2-19 |
| 361144 | 2-15 | 369781 | 3-85 | 383712 | 2-19 |
| 363087 | 3-107 | 369795 | 3-93, 3-103 | 383713 | 2-19 |
| 364085 | 3-45, 3-75 | 369796 | 3-93, 3-103 | 383721 | 2-57 |
| 365095 | 3-21 | 369865 | 3-21 | 383910 | 3-83, 3-107, 3-110 |
| 36619 | 3-107 | 369869 | 3-21 | 384937 | 2-13 |
| 36643 | 2-63 | 369889 | 2-45 | 385600 | 3-73 |
| 369313 | 3-13, 3-15, 3-17, 3-19, 3-23 | 369894 | 2-39 | 385603 | 3-45, 3-75 |
| 369319 | 2-23 | 369895 | 3-13, 3-15, 3-17, 3-19 | 385606 | 2-9 |
| 369323 | 2-23 | 370090 | 2-5 | 385610 | 3-77 |
| 369331 | 3-15, 3-23 | 370091 | 2-5 | 385612 | 3-79 |
| 369332 | 3-15, 3-23 | 370093 | 2-7 | 385616 | 3-77 |
| 369337 | 3-69 | 370095 | 2-7 | 385617 | 2-43, 3-29 |
| 369338 | 2-37 | 370100 | 2-69, 3-67 | 385618 | 3-17, 3-19, 3-21 |
| 369343 | 2-31, 3-59 | 370173 | 2-17 | 385622 | 2-63 |
| 369345 | 2-23 | 374004 | 4-8, 4-9 | 385624 | 3-17, 3-19, 3-21 |
| 369349 | 3-27 | 374006 | 3-61 | 385625 | 3-17 |
| 369359 | 3-69 | 374008 | 2-33 | 385628 | 3-17, 3-19, 4-14 |
| 369362 | 3-79 | 374017 | 4-15 | 385632 | 3-37 |
| 369371 | 3-79 | 374018 | 4-15 | 385638 | 4-14 |
| 369372 | 3-79 | 374022 | 4-15 | 385639 | 3-17 |
| 369373 | 3-79 | 374023 | 4-15, 4-16 | 385640 | 2-77 |
| 369381 | 3-3, 3-5, 3-27 | 374027 | 4-16 | 385644 | 3-17 |
| 369386 | 3-71 | 374029 | 4-16 | 385646 | 2-67 |
| 369400 | 3-3, 3-5, 3-27 | 374041 | 2-5 | 385648 | 2-67 |
| 369401 | 2-27 | 374043 | 2-7 | 385649 | 3-17, 3-19, 3-23 |
| 369402 | 3-69 | 374077 | 3-43 | 385650 | 2-19 |
| 369403 | 2-23 | 374122 | 2-15 | 385651 | 3-37 |
| 369407 | 2-65 | 374175 | 2-35, 3-63, 4-9 | 385654 | 3-35 |
| 369408 | 2-27 | 374260 | 2-17 | 385658 | 3-35 |
| 369415 | 3-73 | 374266 | 3-89, 4-12 | 385665 | 3-19, 3-21, 3-23 |
| | | 374273 | 4-12 | 385666 | 3-19, 3-21 |

CROSS REFERENCE

| Part Number | Page Number | Part Number | Page Number | Part Number | Page Number |
|-------------|------------------------|-------------|----------------|-------------|-------------------------------------|
| 385667 | 3-17, 3-19, 3-21 | 392219 | 3-89 | 397061 | 3-109 |
| 385678 | 2-67 | 392220 | 2-69 | 397064 | 3-109 |
| 385680 | 2-63 | 392221 | 2-69 | 397200 | 3-109 |
| 385682 | 3-17 | 392222 | 2-7, 3-89 | 397225 | 3-87 |
| 385685 | 2-39, 2-41, 3-19, 3-21 | 392226 | 3-87 | 397608 | 2-17 |
| 385726 | 2-25 | 392231 | 3-87 | 397609 | 2-17 |
| 385727 | 2-25 | 392232 | 3-93, 3-103 | 397638 | 3-69 |
| 385739 | 3-74 | 392233 | 3-85 | 397644 | 2-41, 3-3, 3-5, 3-27 |
| 385742 | 4-7, 4-11 | 392234 | 3-89 | 397649 | 3-3, 3-5, 3-27 |
| 385750 | 2-39, 3-21 | 392238 | 3-93 | 397684 | 3-23 |
| 385766 | 3-116 | 392239 | 3-87 | 397914 | 2-5 |
| 386425 | 3-21 | 392240 | 3-89 | 397918 | 2-7 |
| 386810 | 2-17, 3-97 | 392241 | 3-89 | 397974 | 2-5 |
| 387151 | 3-107 | 392244 | 3-93, 3-103 | 397978 | 2-7 |
| 387700 | 2-25 | 392247 | 3-97 | 398303 | 2-69 |
| 38889 | 4-19, 4-20 | 392248 | 2-17 | 398304 | 2-69, 3-67 |
| 389865 | 2-69 | 392252 | 3-89, 3-91 | 398307 | 2-67 |
| 389867 | 3-67 | 392254 | 3-95 | 398308 | 3-67 |
| 39005 | 2-63, 2-69, 3-71 | 392256 | 3-95 | 398309 | 2-67 |
| 39019 | 2-31, 2-37, 3-59, 3-65 | 392258 | 3-95 | 398310 | 2-67 |
| 390665 | 3-69 | 392261 | 3-87 | 398474 | 2-51 |
| 390992 | 2-27, 3-69 | 392266 | 3-109 | 398500 | 3-97 |
| 390996 | 2-35, 3-63 | 392267 | 3-107 | 398511 | 4-5 |
| 391401 | 2-13 | 392268 | 3-107 | 398512 | 4-5 |
| 391451 | 2-45 | 392269 | 3-107 | 398513 | 4-5 |
| 391920 | 2-58 | 392270 | 3-107 | 398514 | 4-5 |
| 392104 | 3-103 | 392277 | 3-107 | 398515 | 4-5 |
| 392128 | 3-83 | 392283 | 3-110 | 398516 | 4-5 |
| 392129 | 3-83 | 392286 | 3-85 | 398517 | 4-5 |
| 392135 | 3-83 | 392287 | 3-87 | 398518 | 4-5 |
| 392143 | 3-83 | 392288 | 3-87 | 398519 | 4-5 |
| 392144 | 3-83 | 392291 | 3-87 | 398520 | 2-43, 3-29, 4-5 |
| 392145 | 3-83 | 392293 | 3-111 | 398526 | 2-57, 3-27 |
| 392146 | 3-97 | 39277 | 3-107 | 398806 | 3-83 |
| 392147 | 3-97 | 39279 | 3-85 | 399000 | 2-9 |
| 392151 | 3-83 | 39283 | 3-79 | 399524 | 3-109 |
| 392152 | 3-97 | 39284 | 2-25 | 40758 | 2-63 |
| 392154 | 3-93, 3-103 | 393056 | 3-85 | 41169 | 3-73 |
| 392158 | 3-85 | 393057 | 2-17 | 41178 | 2-9, 2-11, 3-114 |
| 392166 | 3-103 | 393058 | 2-17 | 41185 | 3-89, 3-91 |
| 392169 | 3-99 | 393059 | 3-85 | 41186 | 2-29, 3-57, 3-83, 3-89, 3-93, 3-103 |
| 392173 | 3-95 | 393060 | 3-85 | 41187 | 2-13, 3-107 |
| 392181 | 2-81 | 393063 | 3-83 | 41305 | 3-107 |
| 392182 | 3-101 | 393065 | 3-83, 3-85 | 41309 | 4-13, 4-14 |
| 392183 | 3-111 | 393071 | 3-105 | 41310 | 4-14 |
| 392194 | 3-83 | 393074 | 2-43, 3-29 | 41311 | 4-13, 4-14 |
| 392195 | 3-83 | 393077 | 3-105 | 41312 | 4-13, 4-14 |
| 392198 | 3-85 | 393078 | 3-105 | 41341 | 3-107 |
| 392200 | 3-87 | 393080 | 3-105 | 41345 | 3-113 |
| 392202 | 3-87 | 393083 | 3-105 | 41358 | 2-27 |
| 392203 | 3-87 | 39312 | 2-25, 3-109 | 41359 | 3-87 |
| 392204 | 3-87 | 39313 | 3-79 | 41360 | 2-35, 3-63, 3-89 |
| 392206 | 2-69 | 39326 | 2-13 | 41421 | 2-39, 2-41, 3-25 |
| 392207 | 3-89 | 39349 | 3-97 | 41430 | 2-25, 3-79, 3-83 |
| 392208 | 3-89 | 39350 | 3-79 | 41451 | 2-39, 2-41, 3-25 |
| 392209 | 3-89 | 39612 | 3-3, 3-5, 3-27 | 41454 | 2-39, 2-41, 3-25 |
| 392213 | 3-89 | 39648 | 2-47, 3-97 | 41579 | 2-5, 2-7 |
| 392214 | 3-91 | 397034 | 3-109 | 41619 | 3-65, 3-73 |
| 392215 | 3-89, 3-91 | 397056 | 2-7, 3-109 | 41698 | 3-107 |
| 392216 | 3-91 | 397060 | 3-85 | | |

CROSS REFERENCE

| Part Number | Page Number | Part Number | Page Number | Part Number | Page Number |
|-------------|--|-------------|------------------------|-------------|------------------------------|
| 41702 | 2-17 | 57164 | 2-17, 3-27, 3-31, 3-97 | 61837 | 4-17, 4-18 |
| 42133A | 3-19, 3-21 | 57167 | 2-17 | 62595-4 | 2-13, 3-3, 3-5, 3-27 |
| 42384 | 2-29, 3-57 | 57220 | 3-7, 3-9 | 630358 | 3-107 |
| 43611 | 2-47 | 57578 | 2-39, 3-21 | 630447 | 3-85 |
| 43844 | 3-31 | 57751 | 2-17, 3-27, 3-31, 3-97 | 63244-3 | 3-15, 3-19, 3-95 |
| 43953 | 2-67 | 57772 | 2-17 | 63245-1 | 2-29, 2-33, 3-57, 3-61 |
| 44078 | 2-17 | 57803 | 2-17 | 63416 | 2-65, 2-67 |
| 44681-1 | 3-3, 3-7 | 578060000 | 3-41 | 63810 | 3-17, 3-19, 3-21, 3-23 |
| 44681-2 | 3-3, 3-7 | 578061000 | 3-41 | 63987-1 | 2-33, 3-61 |
| 44681 | 3-3, 3-7 | 578063000 | 3-41 | 64173 | 2-37, 3-59, 3-65 |
| 44683-1 | 3-3, 3-7 | 578064000 | 3-41 | 64173 | 2-31 |
| 44906 | 2-31, 2-37, 3-57, 3-59, 3-65 | 578066000 | 3-41 | 64425 | 2-31, 2-37, 2-63, 3-59, 3-65 |
| 44961 | 2-29, 2-35, 3-57, 3-63 | 57807 | 2-17, 3-31 | 64740 | 2-51 |
| 45280 | 2-37 | 578071000 | 3-39 | 64743 | 2-51, 2-55 |
| 45283 | 3-3, 3-5, 3-7, 3-9 | 578072000 | 3-39 | 64778 | 2-51 |
| 45405 | 2-17 | 578074000 | 3-41 | 65340 | 3-41 |
| 45960 | 2-27, 3-69 | 578077000 | 3-41 | 65341 | 3-39 |
| 45962 | 2-61 | 578078000 | 3-41 | 65342 | 3-31 |
| 46563 | 2-21 | 578091000 | 3-41 | 65540 | 3-55, 4-17 |
| 46657 | 3-109 | 578094000 | 3-41 | 65557 | 3-31 |
| 46820 | 2-13 | 578123000 | 3-41 | 65561 | 2-17 |
| 48734 | 3-47, 3-49 | 578124000 | 3-41 | 65580 | 3-33, 3-35, 3-37, 3-43 |
| 48748 | 3-89 | 578125000 | 3-41 | 65582 | 3-41 |
| 48749 | 3-91 | 578126000 | 3-41 | 65610 | 3-41 |
| 48755 | 4-7, 4-11 | 578143000 | 3-41 | 65613 | 4-19 |
| 48758 | 4-7, 4-11 | 578154000 | 3-41 | 65614 | 4-19, 4-20 |
| 48790 | 3-71 | 578155000 | 3-41 | 65616 | 4-19, 4-20 |
| 49142 | 3-19 | 578160000 | 3-39 | 65618 | 4-19 |
| 49186 | 3-31 | 578161000 | 3-41 | 65619 | 4-19, 4-20 |
| 49225 | 2-19 | 578164000 | 3-41 | 65620 | 4-17, 4-18, 4-19, 4-20 |
| 49263 | 3-61, 3-85 | 578214000 | 3-41 | 65630 | 4-15, 4-16, 4-19, 4-20 |
| 49266 | 2-49, 3-3, 3-5, 3-7, 3-9, 3-23, 3-27 | 57824 | 2-19 | 65632 | 4-17, 4-18 |
| 49287 | 2-61 | 578276000 | 3-39 | 65634 | 4-17 |
| 49609 | 2-25 | 578318000 | 3-39 | 65665 | 2-15 |
| 49694 | 2-69, 3-67 | 578439 | 3-41 | 65668 | 4-14 |
| 49745 | 2-39, 2-45, 3-21 | 578820000 | 3-39 | 65724 | 4-18 |
| 49826 | 2-39, 2-41, 2-43, 2-45, 2-61, 3-13, 3-15, 3-17, 3-19, 3-23, 3-29 | 578821000 | 3-41 | 65726 | 4-20 |
| 50682 | 2-27, 3-69 | 579112 | 3-41 | 65727 | 4-20 |
| 50850 | 2-17 | 58078 | 3-79 | 65740 | 3-55, 4-18 |
| 50902 | 2-27, 3-69 | 58366 | 2-19, 2-53 | 65954 | 4-15, 4-16, 4-17, 4-18 |
| 51109 | 2-21 | 58518 | 3-5, 3-9 | 65958 | 4-17, 4-18 |
| 51225-1 | 2-27 | 58519 | 3-5, 3-9 | 65959 | 4-17, 4-18, 4-19, 4-20 |
| 51317 | 3-69 | 58520 | 3-5, 3-9 | 66185 | 3-79 |
| 51534 | 3-69 | 58595 | 3-69 | 67312 | 2-27, 2-67, 3-85 |
| 54093 | 2-9 | 58670 | 2-17 | 67366 | 2-33 |
| 54333 | 2-29, 2-33, 2-47, 2-51, 2-53, 2-55, 3-57, 3-61 | 59009 | 2-11, 2-21 | 67767 | 2-11 |
| 54400 | 3-85 | 59156 | 3-89, 3-107 | 69234 | 2-47 |
| 54607 | 2-21 | 59447 | 3-7, 3-9 | 69461 | 2-11 |
| 54623 | 3-85 | 59658 | 2-19 | 69582 | 2-31, 2-37, 3-59, 3-65 |
| 54660 | 3-45, 3-75, 3-79 | 59668 | 3-57, 3-107 | 69785 | 3-21 |
| 55094 | 3-79 | 59861 | 3-69 | 71090 | 2-65, 2-67 |
| 55248 | 2-49, 3-3, 3-5, 3-7, 3-9, 3-27 | 59965 | 3-107 | 71211 | 2-65, 2-67 |
| 55272 | 3-3, 3-5, 3-7, 3-9 | 602036000 | 3-41 | 71257 | 2-65, 2-67 |
| 56106 | 2-19 | 60373 | 3-5, 3-9 | 71525 | 3-7, 3-9 |
| | | 60386 | 4-3, 4-5 | 71607 | 2-31, 2-37, 3-59, 3-65 |
| | | 61297 | 4-3, 4-5 | 71608 | 2-31, 2-37, 3-59, 3-65 |
| | | 61298 | 4-3 | 71628 | 3-13, 3-15, 3-17 |
| | | 61300 | 4-3, 4-5 | 71658 | 2-63 |
| | | 613732 | 3-41 | 71793 | 2-47 |
| | | 613735 | 2-49 | | |

| Part Number | Page Number | Part Number | Page Number |
|--------------------|---|--------------------|------------------------------|
| 72084 | 3-109 | 86859 | 2-3, 2-31, 2-37, 3-59, 3-65 |
| 72968 | 3-33, 3-35, 3-37, 3-43 | 86860 | 2-31, 2-37, 2-47, 3-59, 3-65 |
| 73142 | 2-39, 2-41 | 86865 | 2-3, 2-31, 2-37, 3-59, 3-65 |
| 73468 | 3-13, 3-15, 3-17, 3-19, 3-21 | 86866 | 2-27, 3-85, 3-109 |
| 73471 | 3-95 | 86952 | 3-85 |
| 73473 | 3-15 | 87318 | 2-17 |
| 74077 | 2-35, 2-37, 3-63, 3-65 | 87435 | 2-61, 3-81 |
| 74455 | 2-9, 2-21, 2-25, 2-33, 3-61, 3-89, 3-97 | 87725 | 2-25 |
| 75611 | 2-39, 2-41, 2-45, 3-17, 3-21 | 9000845 | 3-5, 3-9 |
| 75635 | 3-47, 3-49 | 9000846 | 3-3, 3-7 |
| 76062 | 2-17 | 9000879 | 3-3, 3-5, 3-7, 3-9 |
| 76075 | 3-31 | 9001056 | 3-54 |
| 76099 | 2-33, 2-35, 2-37, 3-61, 3-63, 3-65 | 9001061 | 3-55 |
| 763115 | 3-101, 3-111 | 9002021 | 2-3, 2-49 |
| 763116 | 3-89 | 97031 | 2-21 |
| 76570 | 3-85 | | |
| 768897 | 3-95 | | |
| 77335 | 3-109 | | |
| 77347 | 2-31, 2-65, 2-67, 3-59 | | |
| 77488 | 2-63 | | |
| 78122 | 3-31 | | |
| 78553 | 2-15 | | |
| 78950 | 4-13 | | |
| 78951 | 4-13 | | |
| 78952 | 4-13 | | |
| 79246 | 3-107 | | |
| 79273-1 | 2-53, 2-55, 3-19, 3-21 | | |
| 79273-2 | 3-21 | | |
| 79273-4 | 2-47 | | |
| 79320 | 2-39, 2-41, 3-25 | | |
| 79451 | 3-95 | | |
| 79484 | 3-31 | | |
| 79506 | 2-31, 3-59 | | |
| 80127 | 3-93, 3-103 | | |
| 80491 | 3-109 | | |
| 81580 | 3-83, 3-110 | | |
| 81581 | 3-83, 3-110 | | |
| 81582 | 3-107 | | |
| 81919 | 3-93, 3-103 | | |
| 81940 | 3-89, 4-10 | | |
| 82138 | 2-3, 2-69, 3-67 | | |
| 82727 | 2-9 | | |
| 82839 | 2-25 | | |
| 82889 | 2-27, 3-85 | | |
| 83380 | 3-79 | | |
| 86328 | 2-49 | | |
| 86330 | 3-7, 3-9 | | |
| 86332 | 3-7, 3-9 | | |
| 86509 | 2-51 | | |
| 86636 | 2-45 | | |
| 86759 | 2-31, 2-37, 3-59, 3-65 | | |
| 86780 | 2-27, 3-85 | | |
| 86781 | 2-27, 2-67, 3-85 | | |
| 86824 | 2-45, 2-47, 2-51, 3-13, 3-15, 3-31 | | |

PART DESCRIPTION TO PAGE NUMBER CROSS REFERENCE LIST

A

Actuator, 36vdc, 03.4strk, 600 Lb, 3-85
 Actuator, 36vdc, 03.4strk, 600 Lb, 3-85
 Actuator, 36vdc, 05.0strk, 600lb, 2-27, 3-69
 Actuator, 36vdc, 06.0strk, 300lb, 2-63
 Adapter, Head / Wand [17b/E], 3-41
 Alarm Assy, Backup, 12-48vdc
 82-102dba, 3-27
 Alarm Kit, Backup, Ci [7200], 3-27
 Angle Wldt, Mtg, Cyl Head, Scr, 2-33
 Angle Wldt, Mtg, 3-61
 Angle, Cover, Tool Lift, 3-69
 Angle, Latch Strike, 3-83
 Arm Wldt, Brush, Main, Drive, 3-89
 Arm Wldt, Brush, Side, Rh, 3-93
 Arm Wldt, Lift, Tool, 3-69
 Arm Wldt, Safety, Seat, 3-71
 Arm Wldt, Safety, Sppt, Seat, .38d 06.5d,
 2-11
 Arm Wldt, Stop, Battery, 3-73
 Arm, Brake, Side Brush, 3-107
 Arm, Brush, Pre-Sweep, Idler, Lh, 3-91
 Arm, Brush, Side, Lh, 3-103
 Arm, Brush, Side, Lift, 3-107
 Arm, Brush, Side, 3-107
 Arm, Cntrl, Throttle, Electronic, 2-25
 Arm, Flat, Stop, Battery, 0.31, 3-79
 Arm, Lower, 3-85
 Arm, Valve, Water, 1.6 Sl / .27h, Offset,
 2-47
 Armature, Motor [Ametek], 4-3
 Armature, Motor [Ametex], 4-5
 Assy, Star, 2.00d 3ear M08x1.25 4.3, 2-65,
 2-67
 Axle, Wand [17b/E], 3-41

B

Bag, Power, 3-33, 3-35, 3-37, 3-43
 Balljoint, .25-28 Fem, .25-28 Mal, 2-25
 Bar Wldt, Mtg, Battery [Rlr], 3-73
 Bar Wldt, Mtg, Sqge, Lh, 2-37, 3-65
 Bar Wldt, Mtg, Sqge, Rh, 2-37, 3-65
 Bar, Rnd, Plstc, 0.38d 25.0l, 2-45
 Battery Kit, R/O, Ci [7200], 3-81
 Battery Kit, Wet, 36vdc 0335ah, Ci, 3-53
 Battery Kit, Wet, 6-06vdc 0235ah, Ci, 3-51
 Battery, Wet, 06vdc 0235ah, 3-51
 Battery, Wet, 06vdc 0335ah, 3-53, 3-81
 Bearing Assy, 2.33d 1.25b Cup / Cone Kit,
 2-19
 Bearing Assy, Cone, W/ Sleeve, 2-19
 Bearing Assy, W/ Shaft, 3-89, 3-91
 Bearing Kit, Motor, Ele [Magnetek], 4-12
 Bearing Kit, Motor, Ele, Hd F/375175, 4-9
 Bearing Kit, Wheel, Front Drive, Ci, 2-19
 Bearing, Ball, 0.59b 1.26d 0.35w[2seal],
 2-35, 3-63

Bearing, Ball, 0.59b 1.26d 0.35w, 3-89
 Bearing, Ball, 0.75b 1.38d 0.50w, 2-13
 Bearing, Ball, 0.75b 1.57d 0.47w, 2-23
 Bearing, Ball, Motor, Ele [Av], 4-7, 4-11
 Bearing, Cone, 1.97b 0.85w, 2-19
 Bearing, Cone, 2.25b 0.86w, 2-19
 Bearing, Cup, 3.23d 0.67w, 2-19
 Bearing, Cup, 3.81d 0.63w, 2-19
 Bearing, Flng, 2hole, 0.75b [Nyl], 2-13,
 2-21, 3-79
 Bearing, Flng, 2hole, 1.25b [Indiv Pkg],
 3-69
 Bearing, Motor, Ele [Magnetek], 4-8, 4-9,
 4-10
 Bearing, Motor, Ele, Hd [Magnetek], 4-9
 Bearing, Motor, Vacfan, 4-3, 4-5
 Bearing, Needle, 0.25b 0.88d 0.50w, 3-73
 Bearing, Thrust, 0.50b 0.87d 0.06w, 2-31,
 2-37, 2-47, 3-59, 3-65
 Bearing, Thrust, 0.66b 1.25d 0.06w, 2-63
 Bearing, Thrust, 2.75b 3.63d 0.13w, 2-19
 Bearing, 4-5, 4-6
 Bellcrank Wldt, Lift, Sqge, Rear, 2-63
 Bellcrank, Lift, Sqge, 2-31, 2-37, 3-59, 3-65
 Belt Kit, Drive, Brush, F/222201, Replmt,
 2-3, 2-35
 Belt, Synchronous, 15mm 05p 500l [Gt2
 K], 3-63
 Belt, V, 24.0l [3l], 3-89
 Belt, V, 29.3l [3l], 3-89
 Bezel, Panl, Touch, 2-15
 Blade Kit, Sqge, Rbr [700], 2-3, 3-67
 Blade Kit, Sqge, Rbr [900mm], 2-3, 2-69
 Blade, Sqge, 300.8mml, Wand [17b/E, G],
 3-41
 Blade, Sqge, Front, 38.97l [700mm], 2-3,
 3-67
 Blade, Sqge, Front, 38.97l Rbr [700mm],
 2-3, 3-67
 Blade, Sqge, Front, 47.41l Oil-Rstn[36"],
 2-3, 2-69
 Blade, Sqge, Front, 47.41l Rbr [36"], 2-3,
 2-69
 Blade, Sqge, Front, 47.41l Rbr [900mm],
 2-3, 2-69
 Blade, Sqge, Rear, 40.93l Gum [28"], 2-3,
 3-67
 Blade, Sqge, Rear, 40.93l Linatex[700mm],
 2-3, 3-67
 Blade, Sqge, Rear, 40.93l Pyu [28"], 2-3,
 3-67
 Blade, Sqge, Rear, 49.37l Gum [36"], 2-3,
 2-69
 Blade, Sqge, Rear, 49.37l Linatex[900mm],
 2-3, 2-69
 Blade, Sqge, Rear, 49.37l Pyu [36"], 2-3,
 2-69
 Blade, Sqge, Tile, 38.97l [Linard, 28"], 2-3,
 3-67
 Bladeholder Wldt, Sqge, Disk, Lh, 2-31,
 3-59

Bladeholder Wldt, Sqge, Disk, Rh, 2-31,
 3-59
 Block, Centering, 2-65, 2-67
 Block, Sqge, Adj, 2-65, 2-67
 Block, Stop, Lock, Battery Cart, 3-79
 Bolt, Carriage, .38-16 X 2.50, 5, 3-89
 Bolt, Shld, .50d X 4.25, .38-16, 2-27, 3-69
 Boot, 90deg .50id .57id X .84id 1.0l,Blk,
 2-19, 2-61, 3-81
 Boot, Dome, .72id .72l, Clear, 2-17, 3-27,
 3-31, 3-97
 Box Wldt, Battery, R/O [No Battery], 3-73,
 3-81
 Brace Kit, Motor, Ele [Magnatek], 4-8, 4-9
 Brace Wldt, Mtg, Seat, Ohg, 3-71
 Bracket Wldt, Actuator, Sppt, 2-27
 Bracket Wldt, Bar, Spray, 900mm [7200],
 2-55
 Bracket Wldt, Box, Detgt, 2-49
 Bracket Wldt, Lift, Sqge, 2-65, 2-67
 Bracket Wldt, Light / Alarm, 3-3, 3-5, 3-27
 Bracket Wldt, Mtg, Fan, 3-29
 Bracket Wldt, Mtg, Motor, 3-109
 Bracket Wldt, Mtg, Seat Prop & Spring,
 2-27
 Bracket Wldt, Pivot, 2-67
 Bracket Wldt, Wand, Power, 3-33, 3-37
 Bracket Wldt, Wheel, Sqge, 2-69, 3-67
 Bracket, Actuator, 3-85
 Bracket, Angle, Cover, 2-45
 Bracket, Angle, Keeper, Cable, 3-85
 Bracket, Angle, Mtg, Sqge, 2-37, 3-65
 Bracket, Angle, Mtg, 2-9
 Bracket, Angle, Tray, 2-9
 Bracket, Axle, 1 Hole [17b/E], 3-41
 Bracket, Axle, 3 Hole [17b/E], 3-41
 Bracket, Bar, Spray, 2-55
 Bracket, Connector, 2-61
 Bracket, Cover, 3-83
 Bracket, Demister, 2-43
 Bracket, Extinguisher, Fire, 3-115
 Bracket, Guide, Hose, 2-33, 3-61
 Bracket, Lift, Mtg, 2-27
 Bracket, Lock, Seat, 2-11
 Bracket, Motor, Vacfan, 4-3
 Bracket, Mtg, Brake Pedal Switch, 2-21
 Bracket, Mtg, Light, Ohg, 3-7, 3-9
 Bracket, Mtg, Motor, 2-35, 3-63
 Bracket, Mtg, Pivot, Sqge, 2-65
 Bracket, Mtg, Pump, 3-13, 3-15, 3-17,
 3-19, 3-21
 Bracket, Mtg, Vacfan, 2-43
 Bracket, Mtg, 2-39, 2-41, 2-45, 3-31
 Bracket, Protector, Float Switch, 2-41, 3-21
 Bracket, Retainer, Spring, 2-5, 2-7
 Bracket, Rod, Prop, 3-85
 Bracket, Shield, 2-35, 3-63
 Bracket, Solenoid, Es, 3-17, 3-19, 3-23
 Bracket, Sppt, Tank, Soltn, 2-45
 Bracket, Stop, Battery Case, 3-79
 Bracket, Timer, 2-57

Bracket, Wand, Handle, 3-41
 Bracket, Wand, Power, 3-33, 3-35, 3-37
 Bracket, Wand, Valve Mtg, 3-41
 Bracket, 4-5
 Brush Assy, Carbon, Motor, Ele, 3-93, 3-103
 Brush Assy, Disk, Scb, 14.0 D, Nylon, 2-5
 Brush Assy, Disk, Scb, 14.0 D, Polypropylene, 2-5
 Brush Assy, Disk, Scb, 14.0d, Super Abrasive, 2-5
 Brush Assy, Disk, Scb, Nylon, 2-7
 Brush Assy, Disk, Scb, Polypropylene, 2-7
 Brush Assy, Disk, Scb, Super Abrasive, 2-7
 Brush Assy, Disk, Swp, 15.0 D, Polypropylene, 2-7
 Brush Assy, Disk, Swp, 15.0 D, Pyp, 3-93, 3-103
 Brush Assy, Disk, Swp, 17.5d, Polypropylene, 2-7
 Brush Assy, Disk, Swp, 17.5d, Pyp, 3-109
 Brush Endbell, Pump Water, 4-14
 Brush Kit, Motor, Ele [lp], 4-6
 Brush Kit, Motor, Ele [Magnetk], 4-8, 4-9, 4-10, 4-12
 Brush Kit, Motor, Fan [1 Kit=2 Brsh], 4-5
 Brush Kit, Motor, Fan [Kit=2brushes], 4-3
 Brush Kit, Side, Lh, Ci, 3-103
 Brush, Motor, Ele [Av], 4-7, 4-11
 Brush, Power Wand, W/ Fastener, Abr, 3-41
 Brush, Power Wand, W/ Fastener, Pyp, 3-41
 Brush, Scb, 28l, Abrasive, 2-5
 Brush, Scb, 28l, Polypropylene Grout, 2-5
 Brush, Scb, 28l, Polypropylene, 2-5
 Brush, Scb, 28l, Soft Nylon, 2-5
 Brush, Scb, 36l, Abrasive, 2-7
 Brush, Scb, 36l, Polypropylene Grout, 2-7
 Brush, Scb, 36l, Polypropylene, 2-7
 Brush, Scb, 36l, Soft Nylon, 2-7
 Brush, Swp, 32l, 6dr, Polypropylene, 2-7
 Brush, Swp, 32l, 6dr, Pyp, Spl, 3-89
 Brushholder, Motor, Ele, 3-93, 3-103
 Bumper Kit, Rlr, Side, Ci [7200], 3-45
 Bumper Wldt, Battery, R/O [700mm], 3-74
 Bumper Wldt, Battery, R/O, 3-45, 3-75
 Bumper Wldt, Side, Scb, 2-9
 Bumper Wldt, Side, 3-99
 Bumper, Rbr, 2.5d X 1.00, 3-79
 Bumper, Sqge, 2-69, 3-67
 Bushing, Flng, 0.44b 1.25d 0.25l, 3-107
 Bushing, Flng, 0.50b 0.59d 0.38l, 2-27, 3-69, 3-89, 3-107
 Bushing, Flng, 0.50b 0.66d 0.38l, Ss, 3-85
 Bushing, Flng, 0.63b 0.75d 0.38l, 2-65, 2-67
 Bushing, Sleeve, 0.37b 0.50d 0.50l, Oib, 2-21
 Bushing, Sleeve, 0.50b 0.59d 0.38l, Stil, 2-31, 2-37, 3-59, 3-65
 Bushing, Sleeve, 0.63b 0.72d 0.38l, 2-31, 2-37, 3-59, 3-65

Bushing, Sleeve, 0.78b 0.86d 0.93l, Bnz, 2-19

C

Cable Assy, 04ga .34ring /.34ring, 175a, 2-61, 3-81
 Cable Assy, 06ga Red / Blk, 050a /175a, 3-54, 3-55
 Cable, 04ga 08.0l Blk .34ring /.34ring, 2-61, 3-81
 Cable, 04ga 12.0l Blk .34ring /.34ring, 2-61, 3-81
 Cable, 04ga 18.0l Blk .34ring /.34ring, 2-61, 3-81
 Cable, 06ga 07.0l Blk .28ring /.34ring, 2-77, 2-81
 Cable, 06ga 07.0l Blk .34ring /.34ring, 2-77, 2-81
 Cable, 06ga 09.0l Blk .28ring /.34ring, 2-77
 Cable, 06ga 11.0l Blk .28ring /.34ring, 2-81
 Cable, 06ga 45.0l Blk .34ring /.41ring, 2-77
 Cable, 06ga 46.0l Blk .34ring /.34ring, 2-19
 Cable, 06ga 46.0l Blk .34ring /.41ring, 2-77
 Cable, 06ga 47.0l Blk .34ring /.41ring, 2-77
 Cable, 06ga 48.0l Blk .34ring /.34ring, 2-19
 Cable, 06ga 50.0l Blk .34ring /.41ring, 2-77
 Cable, Cover, Recvy Tank [7200], 2-45
 Cable, Glv .13d 014.9l .41eye / M10, 3-109
 Cable, Glv .19d 028.3l .4clevis /.55eye, 3-85
 Cable, Pull, 061.0l, Clevis / Clevis, 2-21
 Cable, Ss .12d 015.6l .2clevis /.2clevis, 2-63
 Cable, Ss .13d 015.7l .25eye / M06-1.0, 3-87
 Cam, Adj, Sqge, 2-69, 3-67
 Cam, Brake, 2-21
 Cam, Brg Kit, Pump, Water, 4-13, 4-14
 Cap Assy, Soltn, W/ Valve [Posi Cntrl], 3-47, 3-49
 Cap Assy, Tank, Drain, 2-39, 2-41, 2-45, 3-25
 Cap, Battery, 3-53, 3-81
 Cap, Brush, Motor, Ele, 3-93, 3-103
 Cap, Hub, Dust, 3.22d 2.13l, 2-19
 Cap, Plstc, .04 1.38 X 2.30 0.5l, 2-61
 Cap, Tank, Drain, 2.25 Thread Pye, 2-39, 2-41, 3-25
 Cap, Tank, Drain, 3.85 Thread Pye, 2-39, 2-41, 3-25
 Cap, Tank, Drain, 6.17 Thread Pye, 3-47, 3-49
 Cap, Vyl, 0.94id 1.00l Blk, 2-45
 Cap, Brush Holder, Motor, Ele [Magnetek], 4-8, 4-9, 4-10, 4-12
 Capacitor [15uf], 4-20
 Cart Kit, Battery, Ci, R/O [6100], 3-79
 Caster Assy, 2-19
 Caster, Rigid, 5.0d X 2.0w, 4hole, 3-79
 Caster, Swivel, 2.5d 1.3w, .50-13 Stem, 2-3, 2-69, 3-67

Caster, Swivel, 3.0d 1.0w, .50-13 Stem, 3-105
 Caster, Swivel, 3.0d 1.0w, Stem W/ Brake, 3-105
 Caster, Swivel, 5.0d 2.0w, 4hole, Gray, 3-79
 Chain, Coil, Str, 2/0, 06.9l 05 Link, 2-63
 Chain, Rlr, #35, 104 Pitches, 2-13
 Channel Wldt, Dolly, 3-105
 Channel Wldt, Front, 2-13
 Channel Wldt, Lift, Tool, 2-27, 3-57
 Channel Wldt, Mtg, Actuator / Spring, 2-27
 Channel Wldt, Mtg, Actuator, 3-69
 Channel Wldt, Mtg, Sqge, 2-63
 Channel Wldt, Tool, Lift[700mm R/O Disk], 3-69
 Channel Wldt, Tool, Lift, 3-69
 Channel, .18, 0.4w 0.5 37.0l, 2-33
 Channel, .18, 1.5w 2.6 01.9l, 2/ M8, 3-93, 3-103
 Channel, .18, 1.9w 2.3 05.3l, 4hole, 3-69
 Channel, .18, 27.8w 2.3 0.9l, 5/0.3h, 3-73
 Channel, Nyl, 0.5h 0.27w 29.0l, 3-61
 Charger Kit, 36vdc 020a 230vac, Ci, 3-55
 Charger Kit, 36vdc 020a 245vac, Ci, 3-55
 Charger Kit, 36vdc 030a 230vac, Ci, 3-55
 Charger Kit, 36vdc 030a 245vac, Ci, 3-55
 Charger Kit, 36vdc, Ci [Domestic/Export], 3-54
 Charger Kit, 36vdc, Ci[Export/Euro/Asia], 3-55
 Charger, 36vdc 20a 120vac 1ph 60hz (See Breakdowns), 3-54
 Charger, 36vdc 20a 120vac 1ph 60hz, 4-15
 Charger, 36vdc 20a 230vac 1ph 50hz (See Breakdowns), 3-55
 Charger, 36vdc 20a 230vac 1ph 50hz, 4-17
 Charger, 36vdc 20a 245vac 1ph 50hz (See Breakdowns), 3-55
 Charger, 36vdc 20a 245vac 1ph 50hz, 4-18
 Charger, 36vdc 30a 120vac 1ph 60hz (See Breakdowns), 3-54
 Charger, 36vdc 30a 120vac 1ph 60hz, 4-16
 Charger, 36vdc 30a 230vac 1ph 50hz (See Breakdowns), 3-55
 Charger, 36vdc 30a 230vac 1ph 50hz, 4-19
 Charger, 36vdc 30a 245vac 1ph 50hz (See Breakdowns), 3-55
 Charger, 36vdc 30a 245vac 1ph 50hz, 4-20
 Circuitboard, Pedal, 2-25
 Circuitbreaker, 10.0a, Resetable, 2-17, 3-27, 3-31, 3-97
 Circuitbreaker, 10.0a, 2-57
 Circuitbreaker, 15.0a, Resetable, 2-17
 Circuitbreaker, 15.0a, 4-15
 Circuitbreaker, 20.0a, Resetable, 2-17
 Circuitbreaker, 25.0a, Resetable, 2-17, 3-97
 Circuitbreaker, 40.0a, Resetable, 3-29
 Circuitbreaker, Chrgr, Battery, 4-19, 4-20
 Circuitbreaker, 4-15, 4-16, 4-17, 4-18
 Clamp, Brushholder, 4-3

CROSS REFERENCE

Clamp, Cable, Stl, 0.56d X 0.38w, 1hole, 3-87, 3-103
Clamp, Cable, Stl, 0.69d X 0.62w, 1hole, 2-11
Clamp, Cable, Stl, 0.75d X 0.88w, 1hole, 2-61
Clamp, Cable, Stl, 1.00d X 0.75w, 1hole, 2-47
Clamp, Cable, Stl, 1.0x2.0x0.62w, 1hole, 2-33
Clamp, Cable, Stl, 1.25d X 1.00w, 1hole, 2-19, 2-53
Clamp, Cable, Stl, 1.50d X 0.75w, 1hole, 2-49
Clamp, Hose, Ear, 11-13mm, Ss, 3-39
Clamp, Hose, Ear, 8-11mm, Ss, 3-41
Clamp, Hose, Plstc, 1.60d X 0.62w, 2-39, 2-41, 3-25
Clamp, Hose, Wir, .40 - .42 [Dbl Wire], 2-49
Clamp, Hose, Wormdrive, 0.25-0.62d, .31w, 3-31
Clamp, Hose, Wormdrive, 0.31-0.88d, .31w, 2-29, 2-33, 2-47, 2-51, 2-53, 2-55, 3-57, 3-61
Clamp, Hose, Wormdrive, 0.50-1.06d, .50w, 2-45, 2-47, 2-51, 3-13, 3-15, 3-31
Clamp, Hose, Wormdrive, 0.56-1.06d, .56w, 3-17, 3-19, 3-21, 3-23
Clamp, Hose, Wormdrive, 2.50-3.50d, .50w, 2-51, 3-17, 3-19, 3-21
Clamp, Mtg, Tank, 2-39, 2-41
Clevis, Adj, 0.38pin, M10x1.5, 3-109
Clip, Circuitboard, 2-17
Clip, Motor, Ele, 3-93, 3-103
Clip, Stud, 2-15
Condenser, Chrgr, Battery, 4-17, 4-18, 4-19
Connector, Anderson, 175a, Gray, 2-61, 3-81, 4-15, 4-16
Connector, Cable, Anderson, 50a, Gray, 4-17, 4-18, 4-19, 4-20
Connector, Fem, 2cav, Mp280 Sealed, 4-13
Connector, Fem, 2cav, Mp630 Sealed, 4-3, 4-5, 4-6, 4-8, 4-9, 4-10, 4-12
Connector, Mal, 2cav, Wp Sealed, 4-14
Contactor, 36vdc, 100a, Sp, No, 2-17, 3-97
Contactor, 36vdc, No, 2-17
Control, Chrgr, Battery, 4-17, 4-18, 4-19, 4-20
Control, Circuit, Battery Chrgr, 4-15
Control, Transformer, 4-17, 4-18, 4-19, 4-20
Controller Kit, Mach, Replmt [7200], 2-17
Controller Kit, W/ Pre-Sweep, Replmt, 2-17
Controller Kit, W/O Pre-Sweep, Replmt, 2-17
Controller, Chrgr, Battery, 4-16
Controller, Motor, 36vdc 090a, 2-17
Controller, Motor, 36vdc 100a [Curt1207], 2-17

Controller, Speed, 31-46vdc [Curtis], 2-25
Conv Kit, Sqge, 700mm [Breakaway, 7200], 2-67
Conv Kit, Sqge, 900mm [Breakaway, 7200], 2-67
Cord Assy [Ac], 4-16
Cord Assy, Ac, 4-15
Cord Assy, Dc, 4-15, 4-16
Cord, Chrgr, Ele [European], 3-55
Cord, Extn, 16ga /3, 010ft [Sjt], 3-54
Cover, Ele, 2-17
Cover, Front, Oprtr Station [7200], 2-9
Cover, Hpr, 3-83
Cover, Insert, 2-39, 2-41, 3-25
Cover, Panl, 3-97
Cover, Relay, 3-97
Cover, Seal, Rocker Switch, 2-17, 3-31
Cover, Tank, Soltn / Recvy, 2-45
Cover, Tank, 2-45
Cuff, Swivel, 1.5 Blk, 3-39
Cup Holder, Rwk, 2-11, 3-114

D

Deflector, Water, 2-3, 2-35, 3-63
Detergent, 2 Liter [Fast 965], 2-3, 2-49
Detergent, Pkg, 2 Liter, Sgl [365], 2-3, 2-49
Detergent, Pkg, 2 Liter, Sgl [665], 2-3, 2-49
Device, Centering, Clip On, Tl [Gf Pp], 2-7
Diaphragm Kit, Pump, Water, Repair, 4-13, 4-14
Diode, Chrgr, Battery, 4-19, 4-20
Diode, Ele, Plug, 2-58, 2-77, 2-81, 3-101, 3-111
Disc, Armature, Motor, Vacfan, 4-3
Disc, Spacer, Brush, 2-7
Disk, Driver, Pad, W/ Face, 14.0d, 2-5
Disk, Driver, Pad, W/ Face, 17.0d, 2-7
Disk, Driver, Pad, W/ Face, 18.0d, 2-7
Dolly Assy Kit, Ci [Pre-Sweep 7200], 3-105
Door, Brush, 2-35, 3-63
Drain Kit, Cap, 2-39, 2-41, 3-25
Drain Kit, Posi Cntrl / Dual, Ci, 3-49
Drain Kit, Soltn, Std [Posi Cntrl], 3-47
Driver Assy, Pad, 14.0d, 2-5
Driver Assy, Pad, 17.0d [432mm], 2-7
Driver Assy, Pad, 18.0d, 2-7
Drum, Cable, Lift, 2-63
Duct, Vyl, 0.40 X 0.75 .25d 10.0l, 3-7, 3-9
Duct, Vyl, 0.40 X 0.75 .25d 26.0l, 3-7, 3-9

E

Ear, Pivot, Bmpr, 3-69
End Assy, Mount, Brush, 4-8, 4-9
Extinguisher Kit, Fire, Ci [7200], 3-115
Extinguisher, Fire, 2.5 Lb Dry, 3-115

F

Fan Assy, Vacuum Rep By 398520 (See Breakdowns), 2-43
Fan Assy, Vacuum Rep By 398520, 3-29, 4-3
Fan Assy, Vacuum, 5.7d, 036vdc, 3 Stage □(See Breakdowns), 2-43, 3-29
Fan Assy, Vacuum, 5.7d, 036vdc, 3 Stage, 4-5
Fan, Motor, Vacfan, 4-3
Fan, 4-5
Filter Assy, Air, Mold, Ure, 2-49
Filter Assy, Panl, Scrbr [7200], 2-3, 2-43, 3-29
Filter Kit, Backflush, Es, Ci [7200], 3-23
Filter, Foam, Rbr, 1.20d, 1.0l, 2-53, 2-55
Filter, In-Line, Pf06/Pf06, 80 Mesh, 2-51
Filter, Panl, Dust, 1.0 X 06.0 X 11.0, 2-43, 3-29
Filter, Screen, 050 Mesh .59d .8l Ss, 2-51
Filter, Soltn, 20mesh, Pf16 3.1d 02.3l, 2-45
Fitting Assy, Cap, 0.054b, Bm08/Pm04, 2-51
Fitting Spray Nozzle Adapter, 3-41
Fitting, Brs, E90, Bm03/Pm02, 2-39
Fitting, Brs, E90, Bm08/Pm04, 2-53, 2-55
Fitting, Brs, E90, Cf03/Pf02, 2-49
Fitting, Brs, E90, Pf04/Pm04, 2-51
Fitting, Brs, Qdc, Bm04/Pf04, 3-39
Fitting, Brs, Qdc, Pm04, Plug, 3-41
Fitting, Brs, Qdc, Pm04/Qf06, 3-31
Fitting, Brs, Str, Bm04/Pm02, 2-49
Fitting, Brs, Str, Pf02/Pm04, 2-51
Fitting, Brs, Str, Pf04/Pf04, Bh, 3-31
Fitting, Brs, Str, Pm02, Plug [Skhd], 3-41
Fitting, Brs, Str, Pm04/Pm06, 2-51
Fitting, Brs, Tee, Pf04/Pf04/Pf04, 2-51
Fitting, Brs, Tip [75, .125k-Jet], 3-41
Fitting, Coupler, Hose, Shank, Fem, 3-47, 3-49
Fitting, Grease, Str Pm04 .47l, 2-19
Fitting, Nyl, Str, Bm04/Pm04, 3-41
Fitting, Plstc Rep.Bynone, 3-13
Fitting, Plstc, Cap, Pf02/Pf12, Spcl, 3-95
Fitting, Plstc, E45, Pf12/Pf12, 3-13, 3-15, 3-17
Fitting, Plstc, E90 Rep.By397697, 3-21
Fitting, Plstc, E90, Bm04/Pm02, 3-41
Fitting, Plstc, E90, Bm06/Pm12, Nyl, 3-31
Fitting, Plstc, E90, Bm08/Bm08, 2-33, 3-61
Fitting, Plstc, E90, Bm08/Pm04, Nyl, 2-53, 2-55
Fitting, Plstc, E90, Bm08/Pm06, 2-51
Fitting, Plstc, E90, Bm08/Pm08, Nyl, 2-51
Fitting, Plstc, E90, Bm08/Pm12, Nyl, 2-53, 2-55, 3-23
Fitting, Plstc, E90, Bm08/Pm12, 3-15, 3-19, 3-95
Fitting, Plstc, E90, Bm10/Pm12, 3-13, 3-15, 3-17, 3-19, 3-21
Fitting, Plstc, E90, Bm12/Pm12, 3-17, 3-19, 3-21

Fitting, Plstc, E90, Bm12/Pm16, 2-45
 Fitting, Plstc, E90, Pf12/Pm12, 3-21
 Fitting, Plstc, Pf12/Pf12, Bh, 2-39, 2-41, 2-45
 Fitting, Plstc, Pipe, Cap, Pf04, 2-49
 Fitting, Plstc, Plug, Pm12, 2-39, 2-41, 2-45, 3-17, 3-21
 Fitting, Plstc, Plug, Pm16, 2-39, 2-45, 3-21
 Fitting, Plstc, Str, Bm04, Cplg, Fem, 2-49
 Fitting, Plstc, Str, Bm06/Bm08, 3-95
 Fitting, Plstc, Str, Bm06/Pm04, Nyl, 3-31
 Fitting, Plstc, Str, Bm08/Pm06, 2-51, 2-55
 Fitting, Plstc, Str, Bm08/Pm08, 2-47
 Fitting, Plstc, Str, Bm08/Pm12, 2-53, 2-55, 3-19, 3-21
 Fitting, Plstc, Str, Bm10/Pm12 [Nylon], 3-13, 3-15, 3-17
 Fitting, Plstc, Str, Bm10/Pm12, 3-21
 Fitting, Plstc, Str, Bm12/Pm12, 3-21
 Fitting, Plstc, Str, Bm24/Bm24, 3-39
 Fitting, Plstc, Str, Pf12/Pf12, 3-21, 3-23
 Fitting, Plstc, Str, Pm04, Cplg, Mal, 2-49
 Fitting, Plstc, Str, Pm12/Pm12 03.0l, 3-19, 3-21, 3-23
 Fitting, Plstc, Str, Pm16/Pm16 4.0l, 3-13, 3-15, 3-17, 3-19, 3-21
 Fitting, Plstc, Str, Pm16/Pm16 Close, 2-45
 Fitting, Plstc, Tee, Bm04/Bm08/Bm08, Br, 2-53, 2-55
 Fitting, Plstc, Tee, Bm08/Bm08/Bm08, 2-29, 2-33, 3-57, 3-61
 Fitting, Plstc, Tee, Bm08/Bm12/Bm12, Br, 3-17
 Fitting, Plstc, Tee, Bm10/Bm10/Bm10, 3-13
 Fitting, Plstc, Tee, Bm12/Bm12/Pf08, Br, 2-51
 Fitting, Plstc, Tee, Bm12/Pf12/Bm12, Br, 3-31
 Fitting, Plstc, Tee, Pf12/Pf12/Pf12, 3-19, 3-21
 Fitting, Plstc, Y, Bm08/Bm08/Bm08, Nyl, 2-53
 Fitting, Stl, Qdc, Bm04, 3-39
 Fitting, Str, 90deg, .62 X .75, 4-14
 Frame Kit, Sqge, F/222411, Replmt, 2-69
 Frame Wldt, Main [7200], 2-9
 Frame Wldt, Mtg, Rlr, 3-79
 Frame Wldt, Pre-Sweep, 3-83
 Frame Wldt, Sqge, Lh, Cyl, 2-37, 3-65
 Frame Wldt, Sqge, Rh, Cyl, 2-37, 3-65
 Frame, Cart, Battery [7200], 3-79
 Frame, Sqge [28], 3-67
 Frame, Sqge, 114cm [90cm/36, 5700], 2-69
 Fuse, 015a, Slow Blow [3ag], 2-17
 Fuse, 080a 125volt 0.88 X 3.2l, 2-17
 Fuse, Chrgr, Battery, 4-17, 4-18, 4-19, 4-20
 Fuseholder, Chrgr, Battery, 4-17, 4-18, 4-19, 4-20

G

Gasket, 2.00id 5.38od .19 [Buna], 3-47, 3-49
 Gasket, 4.05id 5.29od .19 [Buna], 2-3, 2-39, 2-41, 2-45, 3-25
 Gasket, Cap, Drain, 2-39, 2-41, 3-25
 Gasket, Cap, 2-39, 2-41, 3-25
 Gasket, Cover, 2-17
 Gasket, Lid, 2-39, 2-41, 3-25
 Gasket, Panl, Touch, 2-15, 2-57
 Gasket, Shield, 2-3, 2-35, 3-63
 Gauge, Ammeter, Chrgr, Battery, 4-19, 4-20
 Gauge, Hourmeter, 12-60vdc, Analog [10k], 2-15
 Gearbox, Str, 11:1ratio, 2-19
 Grip, Handle, Rnd, 3-79
 Grip, Handle, 2-47, 3-79
 Grommet, 0.38id, F/0.6h, .06 Matl, 3-41
 Grommet, Level Sensing, 1.6d 9.6l F/1.4h, 2-39, 2-45, 3-13, 3-15, 3-17, 3-19, 3-21
 Grommet, Nyl, 0.75id, F/1.0h, .12 Matl, 3-79
 Grommet, Rbr, 0.38id, F/0.5h, .12 Matl, 2-21
 Grommet, Rbr, 0.62id, F/0.9h, .12 Matl, 3-3, 3-5, 3-7, 3-9
 Grommet, Rbr, 0.63id, F/0.8h, .12 Matl, 2-47
 Grommet, Rbr, 1.00id, F/1.4h, .12 Matl, 2-11, 3-95
 Grommet, Rbr, 1.31id, F/1.6h, .12 Matl, 3-97
 Grommet, Rbr, 1.50id, F/1.8h, .19 Matl, 2-9, 3-110
 Guard Wldt, Ohg, Top, 3-11
 Guard, Belt, Drive, Head, Scrbr, Lh, 2-35, 3-63
 Guard, Belt, Lh, 2-35, 3-63
 Guard, Belt, Rh [5700], 2-35, 3-63
 Guard, Belt, 3-89
 Guard, Bmpr, Brush, 3-109
 Guard, Overhead, Top, R/O, 3-77
 Guide, Sqge, Side, 2-3, 2-31, 2-37, 3-59, 3-65

H

Handle Kit, Valve, 3-47, 3-49
 Handle Wldt, Battery Cart, 3-79
 Handle Wldt, Wand, 3-41
 Harness [7200 Fast], 2-58
 Harness, Alarm, Backup [7200], 3-3, 3-5, 3-27
 Harness, Controller [7200], 2-61
 Harness, Light, Flsh, Revl [355e], 3-7, 3-9
 Harness, Main [7200], 2-77, 2-81
 Harness, Main [7200scrbr], 2-77
 Harness, Motor, 2-19
 Harness, Sba, Retrofit [7200], 3-111
 Harness, Sba, Rh [7200], 3-111

Harness, Switch, Seat [7200], 2-11
 Harness, Swpr [7200 N.W.], 3-101
 Head Wldt, Disk, 28inch Scrbr, 3-57
 Head Wldt, Disk, 36/34inch Scrbr, 2-29
 Head, Cutter, 4.50 4.75 Cutter, 3-115
 Head, Wand [17b/E], 3-41
 Headlight, 36vdc, 15cp 0.7a [0534242], 2-9
 Hinge, .18pin .06 2.5w 19.0l, 7/0.29h&S, 3-83
 Hinge, .25pin .07 3.5w 08.0l, 4/0.38h, 2-17
 Hinge, .25pin .12 4.0w 04.0l, 4/0.30h, 2-11
 Holder Kit, Cup / Sprayer, Ci [7200], 3-114
 Hook, 3-17
 Hopper Kit, W/ Cover, 3-83
 Horn, 36vdc, Dba, 2-9
 Hose Assy, Drain, 0.31id X 24.3l, Pvc, 2-39, 2-41, 3-25
 Hose Assy, Pvc, 1.3id 1.7od 24.3l, 2-39, 2-41, 3-25
 Hose Assy, W/1cuff, 1.5d 063l 1.5/, 2-3, 2-39, 2-41
 Hose Assy, W/1cuff, 1.5d 120l 1.5/, 3-47, 3-49
 Hose Assy, W/2cuff, 1.5d 089l 1.5/1.5, 3-43
 Hose Assy, Wand, Power, 3-39
 Hose, Afmkt, Pvc, Brd, 0.50id, 01ft, Clr, 2-51, 2-55
 Hose, Afmkt, Pvc, Brd, 0.50id, 02ft, Clr, 2-51, 2-53
 Hose, Afmkt, Pvc, Brd, 0.50id, 08ft, Clr, 2-53, 2-55
 Hose, Afmkt, Pvc, Clr, 0.25id, 01ft, 2-49
 Hose, Afmkt, Pvc, Clr, 0.25id, 08ft, 2-49
 Hose, Pvc, Brd, 0.25id 0.44od 157.2l, Clr, 3-39
 Hose, Pvc, Brd, 0.38id 0.60od 003.5l, Clr, 3-31
 Hose, Pvc, Brd, 0.38id 0.60od 013.0l, Clr, 3-31
 Hose, Pvc, Brd, 0.50id 0.72od 015.0l, Clr, 3-19, 3-23
 Hose, Pvc, Brd, 0.50id 0.73od 002.0l, Clr, 3-95
 Hose, Pvc, Brd, 0.50id 0.73od 009.6l, Clr, 2-29, 3-57
 Hose, Pvc, Brd, 0.50id 0.73od 012.0l, Clr, 3-95
 Hose, Pvc, Brd, 0.50id 0.73od 015.6l, Clr, 2-47, 3-15
 Hose, Pvc, Brd, 0.50id 0.73od 024.0l, Clr, 3-15, 3-23
 Hose, Pvc, Brd, 0.50id 0.73od 033.0l, Clr, 3-17
 Hose, Pvc, Brd, 0.50id 0.75od 018.0l, Clr, 3-19
 Hose, Pvc, Brd, 0.62id 0.88od 014.0l, Clr, 3-15
 Hose, Pvc, Brd, 0.63id 0.88od 035.0l, Clr, 3-17, 3-19, 3-21
 Hose, Pvc, Brd, 0.63id 0.91od 008.0l, Clr, 3-13

CROSS REFERENCE

Hose, Pvc, Brd, 0.63id 0.91od 010.3l,Clr, 3-15
Hose, Pvc, Brd, 0.63id 0.91od 016.0l,Clr, 3-13
Hose, Pvc, Brd, 0.75id 1.03od 002.6l,Clr, 3-17
Hose, Pvc, Brd, 0.75id 1.03od 023.0l,Clr, 3-17
Hose, Pvc, Brd, 0.75id 1.03od 026.0l,Clr, 3-19, 3-21
Hose, Pvc, Brd, 0.75id 1.03od 028.0l,Clr, 2-51
Hose, Pvc, Brd, 0.75id 1.03od 058.0l,Clr, 2-47
Hose, Pvc, Clr, 0.38id 0.56od 013.0l, 3-95
Hose, Pvc, Clr, 0.38id 0.56od 022.0l, 3-95
Hose, Pvc, Clr, 0.50id 0.69od 003.1l, 2-33, 3-61
Hose, Pvc, Clr, 0.50id 0.75od 001.50l, 2-47
Hose, Pvc, Clr, 0.94id 1.29od 04.0l, 2-53, 2-55
Hose, Pyu, 0.25id 0.38od 1220mml, Blk, 3-41
Hose, Vacuum, 0.16id X 008.0l, 2-39, 3-21
Hose, Vacuum, 1.50id X 10ft, Gray, 3-39
Housing Assy, Sppt, Front Drive Wheel, 2-19
Housing Assy, Steering [7200], 2-13
Housing Assy, Wheel, Rear [7200], 2-23
Housing Kit, Wheel, Replmt [7200], 2-23
Housing Wldt, Bmpr, Side, 3-110
Housing Wldt, Brush, 3-87
Housing, Brg, Wheel, Front, Swivel, 2-19
Housing, Cyl, Mach, 700mm, 3-61
Housing, Cyl, Mach, 900mm, 2-33
Housing, Fan, Vac, 4-3
Housing, Impeller, Vacfan, 4-3, 4-5
Housing, Outlet, Vacfan, 4-3, 4-5
Housing, 4-5
Hub, Broom, Side, 3-109
Hub, Drive, Brush, Disc, Repby 377364, 3-57
Hub, Drive, Brush, Disk, 0.75b [6t], 2-29
Hub, Drive, Brush, Disk, 3hole 5.8bc[6t], 2-5, 2-7

I

Impeller, Vacfan, 4-3, 4-5
Instr, Use And Care [7200], 2-82
Isolator, Vib, Bshg, 1.0d 0.8l .4b 0.75h, 2-19

J

Joint, U, 0.75id, 2-13

K

Key, Ignition, Sgl, 2-15
Key, Sq, 0.12 X 0.12, 1.00l, 4-8, 4-9
Key, Sq, 0.19 X 0.19, 1.00l, 2-13

Key, Sq, 0.19 X 0.19, 1.25l, 3-89, 3-91
Key, Sq, 0.19 X 0.19, 1.50l, 3-89, 4-10, 4-12
Key, Sq, 0.25 X 0.25, 1.00l, 4-6
Key, Woodruff, 0.19 0.75 [Asa#0606], 2-13
Key, Woodruff, 3mm 3.7mm, 3-109
Knob Assy, Rnd, 1.00d 0.66l .25-20 1.5l, 2-69, 3-67
Knob Assy, Star, 1.12d 3ear M06x1.0 0.8l, 3-87
Knob, Rnd, 2.37d 1.30l 0.38h, Plstc, 3-73
Knob, Star, 2.50d 5ear 1.5l .38-16,Plstc, 3-107
Knob, Star, 2.80d 4ear 1.1l .31-18, Pyp, 2-69, 3-67

L

Label [Attention Fast Users, 5400s], 2-45
Label [Fast], 2-11
Label [Nfsi Certification], 2-11
Label Set, Info/Hzrd [7200], 2-82
Label Set, Opertnl [7200], 2-82
Label, Opertnl, Circuitbreaker, 2-57
Label, Opertnl, Pre-Sweep, 3-97
Lamp, 36vdc [Sp5-36v], 2-9
Lamp, 36vdc, .72a, 32cp [#Sp7], 2-9
Lamp, 40vdc, 0.9a, 50cp [1062], 3-3, 3-5, 3-7, 3-9
Lamp, Bulb, Flsh, 3-5, 3-9
Lamp, Bulb, Strobe, 3-3, 3-7
Latch, Flexible Draw, 3-33, 3-35, 3-37
Latch, 3-83
Lens, Amb, F/ Revl / Flasher, 3-3, 3-5, 3-7, 3-9
Lens, Amb, Flsh Light [Fr207], 3-5
Lens, Blu, Flsh Light [Fr207], 3-5
Lens, Light, Revl, Amb, 3-3, 3-7, 3-9
Lens, Light, Revl, Blu, 3-3, 3-7, 3-9
Lens, Light, Revl, Red, 3-3, 3-7, 3-9
Lens, Red, Flsh Light [Fr207], 3-5
Lever, Brake, 102mml, 2-21
Lever, Cntrl, 2-47
Light Kit, Flsh, Ci [7200], 3-5
Light Kit, Revl, Ci [7200], 3-3
Light Kit, Revl, Ohg, Ci [7200], 3-7, 3-9
Light, Flsh, 36vdc, Amb, 3-5
Light, Flsh, Amb, 12-48vdc, 3-5, 3-9
Light, Indicator, 36vdc, 0.5d, Red, 2-15
Light, Revl, 36vdc, Amb, 3-3, 3-7, 3-9
Light, Strobe, Amb, 12-48vdc, 3-3, 3-7
Link Kit, Sqge, Repair, 2-67
Link, Chain, Rlr, #35, 2-13
Link, Square Rep.By369407, 2-65
Link, Squeeegee Rep.By 385648, 2-65
Lip, Tray, Debris, 28.0inch, 3-61
Lip, Tray, Debris, 36.0inch, 2-33
Lock Wldt, Cart, Battery, Lh, 3-79
Lock Wldt, Cart, Battery, Rh, 3-79
Lock, Floor, 3-79
Lock, Secondary, 2cav, Mp280 Sealed, 4-13

M

Manual Pkg [7200 Ele, Na], 3-117
Manual, Cd-Rom, Oprtr / Parts [All, Na], 3-117
Manual, Oprtr [7200 Ele, Es, Na], 3-117
Manual, Oprtr [7200 Ele, Fr, Na], 3-117
Manual, Oprtr [7200 Ele, Jp], 3-117
Manual, Service [7200 Ele, Na], 3-117
Memory, Flash [7200 Sepex], 2-17
Molding, Trim, .08-.11 05.0l, 3-83, 3-85
Molding, Trim, .08-.11 20.0l, 3-105
Molding, Trim, .08-.11 30.0l, 3-87
Molding, Trim, Pvc, .08-.11 03.2l, 2-17
Molding, Trim, Pvc, .08-.11 10.0l, 2-13, 3-3, 3-5, 3-27
Molding, Trim, Rbr, .13 03.0l, 2-27
Motor Ele, 36vdc, 0.75hp, Rep.By374175
□(See Breakdowns), 2-35, 3-63
Motor Ele, 36vdc, 0.75hp, Rep.By374175, 4-8
Motor, Ele, 36vdc 0.60hp 1800rpm . A (See Breakdowns), 3-89
Motor, Ele, 36vdc 0.60hp 1800rpm . A, 4-10
Motor, Ele, 36vdc 0.80hp 0320rpm (See Breakdowns), 2-29, 3-57
Motor, Ele, 36vdc 0.80hp 0320rpm, 4-6
Motor, Ele, 36vdc 0067rpm, Gear, 3-109
Motor, Ele, 36vdc 0068rpm 0.08hp Gear, 3-93, 3-103
Motor, Ele, 36vdc 1400rpm 1.50hp (See Breakdowns), 2-19
Motor, Ele, 36vdc 1400rpm 1.50hp, 4-7, 4-11
Motor, Ele, 36vdc 1700rpm 0.75hp (See Breakdowns), 2-35, 3-63
Motor, Ele, 36vdc 1700rpm 0.75hp, 4-9
Motor, Ele, 36vdc 1800rpm 0.60hp (See Breakdowns), 3-89
Motor, Ele, 36vdc 1800rpm 0.60hp, 4-12
Motor, Ele, 36vdc 67rpm, Rh Side (Repl by 9003011), 3-109
Motor, Ele, 36vdc, Water Pump, 4-13, 4-14
Mount, Cable Tie, 2-49, 3-3, 3-5, 3-7, 3-9, 3-27

N

Nozzle, Spray, 3-95
Nozzle, Wand, Vacuum, 3-43
Nut Kit, Isolator, F/369344, Replmt, 3-3, 3-5, 3-27
Nut, Hex, Flexlock, .31-18, 2-61, 3-81
Nut, Hex, Flng, M6 X 1.00, 3-7, 3-9, 3-27
Nut, Hex, Flng, M8 X 1.25, 2-21, 3-33, 3-37, 3-83
Nut, Hex, Jam, .31-24, 2-17, 3-97
Nut, Hex, Jam, .38-24, Lh, 2-27, 3-85
Nut, Hex, Jam, .38-24, 2-27, 2-67, 3-85
Nut, Hex, Lock, .25-20, NI, Ss, 3-73
Nut, Hex, Lock, .25-20, NI, 2-25
Nut, Hex, Lock, .25-28, NI, 2-25

Nut, Hex, Lock, .31-18, NI, 2-11
 Nut, Hex, Lock, .31-24, NI, 2-65, 2-67
 Nut, Hex, Lock, .38-16, NI, Ss, 3-89, 3-107
 Nut, Hex, Lock, .38-16, NI, Thin, 2-63
 Nut, Hex, Lock, .38-16, NI, 2-27, 3-69
 Nut, Hex, Lock, .38-24, NI, 2-27, 2-67, 3-85
 Nut, Hex, Lock, .50-13, NI, Ss, 2-37, 3-65, 3-73
 Nut, Hex, Lock, M10 X 1.5, NI, Ss, 2-31, 2-37, 2-51, 2-63, 2-65, 2-67, 3-35, 3-59, 3-65, 3-69
 Nut, Hex, Lock, M10 X 1.5, NI, 2-25, 3-79, 3-83
 Nut, Hex, Lock, M12 X 1.75, NI, Ss, 2-23
 Nut, Hex, Lock, M12 X 1.75, NI, 2-13, 3-11, 3-77, 3-113
 Nut, Hex, Lock, M5 X 0.80, NI, Ss, 2-9, 2-39, 2-41, 3-25, 3-29, 3-31, 3-107
 Nut, Hex, Lock, M5 X 0.80, NI, 3-3, 3-5, 3-7, 3-9
 Nut, Hex, Lock, M6 X 1.00, NI, 2-11, 2-17, 2-21, 2-25, 2-57, 3-13, 3-15, 3-19, 3-23, 3-79, 3-83, 3-87, 3-114
 Nut, Hex, Lock, M6 X 1.00, Ss, NI, 2-29, 2-31, 2-65, 2-67, 3-57, 3-59, 3-61, 3-83
 Nut, Hex, Lock, M8 X 1.25, NI, Ss, 2-31, 2-33, 2-35, 2-37, 2-63, 2-65, 2-69, 3-59, 3-63, 3-65, 3-67, 3-87, 3-91
 Nut, Hex, Lock, M8 X 1.25, NI, 2-21, 2-25, 2-45, 2-47, 3-11, 3-77, 3-79, 3-85, 3-107
 Nut, Hex, Sltd, 1.25-12, 2-19
 Nut, Hex, Std, .25-28, 2-25
 Nut, Hex, Std, .50-13, 2-69
 Nut, Hex, Std, #10-32, 2, 2-17, 3-97
 Nut, Hex, Std, M10 X 1.25, 3-79
 Nut, Hex, Std, M10 X 1.50, 2-25, 3-109
 Nut, Hex, Std, M12 X 1.75, 3-79
 Nut, Hex, Std, M6 X 1.00, 8, 3-87
 Nut, Hex, Std, M8 X 1.25, Ss, 2-45, 2-65, 2-67
 Nut, Impeller, Vacfan, 4-3, 4-5
 Nut, Isolator, .25-20 Wall Th .187-.343, 2-41, 3-3, 3-5, 3-27
 Nut, Spd, Clip, .25-20 [.025-.150], 2-3, 2-69, 3-67
 Nut, Thumb, M6 X 1.0, 30d, 3-41
 Nut, U, M8 X 1.25, 3-69
 Nut, Wheel, .44-20 X 60 Angle, 2-23

O

Ohg Kit, Ci [7200 R/O], 3-77
 Ohg Kit, Ci [7200], 3-11

P

Pad Driver Rep.By370018, 2-7
 Pad, Buff, 14.0d, Red, 2-5
 Pad, Buff, 18.0d, Red [1pad=1pc], 2-7

Pad, High Productivity Stripping, 14.0d, Blk, 2-5
 Pad, Holder, 2-7
 Pad, Pedal, Brake, 3.96l 2.36w 0.75, 2-21
 Pad, Polish, 14.0d, White [1pad=1pc], 2-5
 Pad, Polish, 18.0d, White [1pad=1pc], 2-7
 Pad, Scb, 14.0d, Blu [1pad=1pc], 2-5
 Pad, Scb, 18.0d, Blu [1pad=1pc], 2-7
 Pad, Stripping, 14.0d, Brown [1pad=1pc], 2-5
 Pad, Stripping, 18.0d, Blk [1pad=1pc], 2-7
 Pad, Stripping, 18.0d, Brown [1pad=1pc], 2-7
 Pan, Mtg, Seat, 3-71
 Panel Assy, Touch [7200 Fast], 2-57
 Panel Assy, Touch, 2-15
 Panel Wldt, Mtg, Tool Lift, 3-69
 Panel, Ele, W/ Label, 2-17
 Panel, Switch, 3-97
 Pedal Assy, Propel, Ele Mach, 2-25
 Pedal Wldt, Brake [7200], 2-21
 Pedal Wldt, Brake, 2-21
 Pedal Wldt, Propel, 2-25
 Pedal, Brake, Lock [Ce], 2-21
 Pin, 0.62d/0.25d 04.8l, 2-63
 Pin, Clevis, 0.19d X 0.63l, 2-63
 Pin, Clevis, 0.25d X 0.75l, 2-21
 Pin, Clevis, 0.25d X 1.25l, 3-93, 3-103
 Pin, Clevis, 0.31d X 1.00l, 2-31, 2-37, 3-59, 3-65
 Pin, Clevis, 0.31d X 1.75l, 3-83, 3-110
 Pin, Clevis, 0.31d X 2.12l, 3-93, 3-103
 Pin, Clevis, 0.37d X 0.75l, 2-31, 2-37, 3-59, 3-65, 3-107
 Pin, Clevis, 0.37d X 1.00l, 2-21, 3-85
 Pin, Clevis, 0.37d X 1.25l, 3-109
 Pin, Clevis, 0.37d X 1.50l, 3-85
 Pin, Clevis, 0.37d X 1.75l, 2-27
 Pin, Clevis, 0.37d X 2.25l, 2-69, 3-67
 Pin, Clevis, 0.37d X 3.50l, 3-109
 Pin, Clevis, 0.50d X 1.25l, 3-79
 Pin, Clevis, 0.50d X 2.00l, 3-69
 Pin, Clevis, 0.50d X 2.25l, 2-63, 3-69
 Pin, Clevis, 0.50d X 2.50l, 2-63
 Pin, Clevis, 0.50d X 3.00l, 3-85
 Pin, Clevis, 0.50d X 3.50l, 2-25, 3-109
 Pin, Clevis, 0.50d X 4.50l, 3-57, 3-107
 Pin, Clevis, 0.50d X 6.00l, 2-27
 Pin, Clevis, 0.75d X 1.69l, 3-79
 Pin, Clevis, 0.75d X 5.50l, 3-45, 3-75, 3-79
 Pin, Cotter, .062 X 0.50, 2-47
 Pin, Cotter, .062 X 0.75, 2-63
 Pin, Cotter, .094 X 0.75, 2-63, 2-69, 3-71
 Pin, Cotter, .094 X 1.00, 3-109
 Pin, Cotter, .094 X 1.50, 3-45
 Pin, Cotter, .125 X 1.00, 2-25, 3-107, 3-109
 Pin, Cotter, .125 X 1.25, 2-63
 Pin, Cotter, .156 X 2.00, 2-19
 Pin, Cotter, Hair, 0.31d .058 Wir, 2-21, 3-83, 3-93, 3-103, 3-110
 Pin, Cotter, Hair, 0.38d .072 Wir, 2-27, 3-85, 3-109

Pin, Cotter, Hair, 0.43d .079 Wir, 3-79
 Pin, Cotter, Hair, 0.62d .120 Wir, 2-27, 3-85
 Pin, Cotter, Hair, 0.69d .092 Wir, 2-31, 2-37, 3-57, 3-59, 3-65
 Pin, Cotter, Hair, 0.75d .148 Wir, 3-79
 Pin, Detent, 0.31d X 02.1l, 3-93, 3-103
 Pin, Dowel, 0.3752d X 2.00l, Ss, 2-19
 Pin, Dowel, 0.5002d X 1.50l, 2-19
 Pin, Hitch, .375d X 3.12l, Pl, 3-69
 Pin, Retainer, 3-109
 Pin, Roll, .094d X 0.25l, .094/.097, 2-35, 3-63
 Pin, Roll, .375d X 2.00l, .375/.382, 3-69
 Plate Wldt, Cntrl, Dir, 2-25
 Plate Wldt, Mtg, Tool, 2-33, 3-61
 Plate Wldt, Swivel, 2-19
 Plate, 0.50 X 04.0 X 025.0 [Hdpe], 3-71
 Plate, Adj, 3-91
 Plate, Align, Switch, Level [7200], 2-41
 Plate, Brg, Mtg, 3-69
 Plate, Brush [Av], 4-7, 4-11
 Plate, Brush, Side, 3-107, 3-109
 Plate, Clamp, 3-83
 Plate, Cover, 2-39, 2-41
 Plate, Ele, W/ Label, 2-17
 Plate, Hold-Down, 3-89, 3-91
 Plate, Label, Soltn Tank, 2-45
 Plate, Mtg, Light, 3-7, 3-9
 Plate, Mtg, Pump, 2-51
 Plate, Mtg, Seal, Tank, Recvy [7200], 2-45
 Plate, Mtg, Switch, 2-15
 Plate, Mtg, Tool Lift, 2-33, 3-61
 Plate, Mtg, 2-19
 Plate, Orifice, 0.054id, 2-51
 Plate, Removal, Brush, 3-87
 Plate, Retainer, Blade, 28.0inch /700mm, 3-67
 Plate, Retainer, Blade, 36.0inch /900mm, 2-69
 Plate, Seal, Dust, 3-89, 3-91
 Plate, Side, Sqge, 2-31, 3-59
 Plate, Spacer, Fltr, 2-43, 3-29
 Plate, Spacer, 3-79
 Plate, Top, 2-43, 3-29
 Plug Assy, Drive, Brush, [48 Tooth-Gt/2], 2-35, 3-63
 Plug Assy, Idler, Brush, 2-35, 3-63
 Plug, Drive, Brush Rep.By377333, 2-35, 3-63
 Plug, Drive, Brush, Nyl, 3-89, 3-91
 Plug, Expandable, Rnd 0.625h 0.7l, 2-45
 Plug, Hole, Rnd, 0.38h .03-.12, Blk Nyl, 2-9, 3-110
 Plug, Hole, Rnd, 0.38h .03-.12, Nyl[Whit], 2-11, 2-13
 Plug, Hole, Rnd, 0.44h .03-.12, Blk Nyl, 2-11
 Plug, Hole, Rnd, 0.62h .03-.12, Blk Nyl, 2-17
 Plug, Hole, Rnd, 0.88h .03-.12, Blk Nyl, 2-9
 Plug, Hole, Rt, 1.45 X 0.83, Blk Nyl, 2-17

CROSS REFERENCE

Plug, Idler, Brush [Sgl Brg], 2-35, 3-63
Port Kit, Pump, Water, 4-13
Pouch, 3-71
Power Transformer, 4-20
Pulley, Cable, 1.5d Nyl, 3-85
Pulley, Idler W/ Bearing, Plstc, 3-89
Pump Assy, Es (See Breakdowns), 3-13, 3-15
Pump Assy, Es, 4-13
Pump Assy, Water, 36vdc
Rep.By369890 □(See Breakdowns), 3-17, 3-19
Pump Assy, Water, 36vdc
Rep.By369890, 4-14
Pump, Air, Ele, 36vdc, 2-49
Pump, Detgt [560s], 2-49
Pump, Soltn, Ele, 36vdc, Impeller, 3-21
Pump, Soltn, Ele, 36vdc, 2-51
Pump, Water, 36vdc, 3-31, 3-95

R

Rectifier Assy, 4-16
Rectifier, Scr, 20a, Chrgr, Battery, 4-15
Rectifier, 4-15, 4-17, 4-18
Relay, 36vdc, 005a, Spdt No [Greenwich], 2-57, 3-27
Relay, 36vdc, 100a, Spdt No [White], 2-17
Relay, 36vdc, 150a, No [Curtis], 2-17
Retainer Wldt, Sqge, 28.0 [5700], 3-67
Retainer Wldt, Sqge, 36.0 [5700], 2-69
Retainer, Centering, Pad Rep.By370095, 2-5
Retainer, Lip, Hppr, 3-83
Retainer, Ring, Brake, 2-21
Retainer, Shaft, Rlr, 3-79
Retainer, Skirt, 3-87
Retainer, Spring, .06 .88w 2/.3h, 2-25
Retainer, Sqge, Wand [17b/E], 3-41
Retainer, Sqge, 2-31, 2-37, 3-59, 3-65
Ring Kit, Motor, Ele [Magnetek], 4-8, 4-10
Ring, Mtg, Sqge, .38l, 2-69, 3-67
Ring, Retaining, Ext, 0.59d, Basic, 2-35, 3-63, 3-89
Ring, Retaining, Ext, 0.75d, Ss, 2-39, 2-41, 3-25
Ring, Retaining, Ext, 1.25d, 3-69
Ring, Retaining, Motor, Ele[Magnetek], 4-8, 4-9, 4-10
Rivet, Blind [S2500 Drvblock], 3-41
Rivet, Blind, .188d X 0.45 X .62d, Alm, 2-9
Rivet, Blind, .188d X 0.47 X .38d, Alm, 2-43, 3-29
Rivet, Plstc, .250d X 0.90, 3-33, 3-35, 3-37, 3-43
Rod, Thrd, 2 End, .25-28 04.4l, 2-25
Rod, Thrd, 2 End, .38-24 07.0l, Lh Hex, 3-85
Rod, Thrd, 2 End, .38-24 11.3l, 2-67
Rod, Thrd, 2 End, .38-24 14.1l 1left, Hex, 2-27
Rod, Thrd, Full, .25-20 01.5l, 2-17
Rod, Valve, Water Cntrl, 3-69

Rod, Valve, 2-47
Rod-End, .38-24lh Fem 0.38-24stud, 2-27, 3-85
Rod-End, 0.38-24rh Fem 0.38-24stud, 2-27, 2-67, 3-85
Roller Assy, 1.90d 23.66l, Stil, 3-79

S

Screw, Btn, M10 X 1.5 X 30, 10.9 NI, 2-27
Screw, Btn, M12 X 1.75 X 30, 10.9 NI, 2-19
Screw, Chz, M5 X 0.8 X 60, 4.8, 2-9
Screw, Flt, M10 X 1.5 X 20, 10.9, NI, 2-35, 3-63
Screw, Flt, M10 X 1.5 X 25, Ss, 3-65
Screw, Flt, M10 X 1.5 X 30, 10.9, 2-37
Screw, Flt, M5 X 0.8 X 16, 10.9, 3-33, 3-37
Screw, Flt, M8 X 1.25 X 20, Ss 18-8, 3-107
Screw, Flt, M8 X 1.25 X 25, 2-35, 2-37, 3-63, 3-65
Screw, Flt, M8 X 1.25 X 30, Ss, 2-31, 3-59
Screw, Hex, .25-20 X 0.50, NI, 2-17
Screw, Hex, .25-20 X 1.25, G5, 2-25
Screw, Hex, .25-20 X 1.25, Sems, 2-41, 3-3, 3-5, 3-27
Screw, Hex, .25-20 X 1.25, Ss, 3-73
Screw, Hex, .31-18 X 1.00, Ss, NI, 2-29, 3-57
Screw, Hex, .31-18 X 2.00, Fl, 3-3, 3-5, 3-27
Screw, Hex, .38-16 X 0.62, Ss, 2-29, 3-57
Screw, Hex, .38-16 X 4.50, G5, 2-63
Screw, Hex, .50-13 X 2.50, Ss, 3-73
Screw, Hex, .50-13 X 5.00, G5, 3-65
Screw, Hex, .50-13 X 5.50, G5, 2-37
Screw, Hex, M10 X 1.5 X 20, Ss, NI, 3-17, 3-19, 3-21, 3-91
Screw, Hex, M10 X 1.5 X 20, Ss, 2-65, 2-67, 3-35, 3-69
Screw, Hex, M10 X 1.5 X 25, 8.8, 3-79
Screw, Hex, M10 X 1.5 X 30, 8.8, 2-13, 3-79, 3-83
Screw, Hex, M10 X 1.5 X 35, 8.8, 2-25
Screw, Hex, M10 X 1.5 X 35, Ss, 2-31, 2-65, 2-67, 3-59
Screw, Hex, M10 X 1.5 X 40, Ss, Fl, 2-63
Screw, Hex, M10 X 1.5 X 60, 8.8, 2-25
Screw, Hex, M10 X 1.5 X 60, Ss, 2-63
Screw, Hex, M12 X 1.75 X 25, 8.8, 3-113
Screw, Hex, M12 X 1.75 X 40, Ss, 3-11, 3-77
Screw, Hex, M12 X 1.75 X 50, Fl, 3-79
Screw, Hex, M12 X 1.75 X 50, NI, 2-19
Screw, Hex, M12 X 1.75 X 80, Ss, 3-11, 3-77
Screw, Hex, M20 X 2.5 X 35, 8.8, NI, 2-19
Screw, Hex, M5 X 0.8 X 10, Fmg, 2-21, 3-95, 3-115
Screw, Hex, M5 X 0.8 X 12, 8.8, 3-115
Screw, Hex, M5 X 0.8 X 12, Ss, 2-41, 3-31
Screw, Hex, M5 X 0.8 X 16, 8.8, 3-3, 3-5, 3-7, 3-9, 3-33, 3-37
Screw, Hex, M5 X 0.8 X 16, Ss, 3-107
Screw, Hex, M5 X 0.8 X 25, Ss, 2-39, 2-41, 3-25, 3-29
Screw, Hex, M6 X 1.0 X 10, Fmg, 3-95
Screw, Hex, M6 X 1.0 X 12, Fmg, 2-9, 2-21, 2-25, 2-33, 3-61, 3-89, 3-97
Screw, Hex, M6 X 1.0 X 12, Ss, NI, 2-55
Screw, Hex, M6 X 1.0 X 12, Ss, 2-35
Screw, Hex, M6 X 1.0 X 16, 8.8, 2-11, 2-17, 2-21, 3-7, 3-9, 3-27
Screw, Hex, M6 X 1.0 X 16, Ss, NI, 3-87, 3-89, 3-91
Screw, Hex, M6 X 1.0 X 16, Ss, 2-9, 2-29, 2-35, 3-57, 3-63, 3-93, 3-103
Screw, Hex, M6 X 1.0 X 20, 8.8, NI, 3-109
Screw, Hex, M6 X 1.0 X 20, 8.8, 2-11, 3-83, 3-87
Screw, Hex, M6 X 1.0 X 20, Ss, 2-31, 2-65, 2-67, 3-13, 3-15, 3-17, 3-19, 3-23, 3-59, 3-83
Screw, Hex, M6 X 1.0 X 25, 8.8, 2-11, 2-17, 2-25, 3-109, 3-114
Screw, Hex, M6 X 1.0 X 25, Ss, 2-33, 3-61
Screw, Hex, M6 X 1.0 X 35, Ss, 3-13, 3-15
Screw, Hex, M6 X 1.0 X 40, 8.8, 3-79
Screw, Hex, M8 X 1.25 X 16, 8.8, 2-13
Screw, Hex, M8 X 1.25 X 16, Ss, NI, 2-39, 2-41, 2-43, 2-45, 2-61, 3-13, 3-15, 3-17, 3-19, 3-23, 3-29
Screw, Hex, M8 X 1.25 X 16, Ss, 2-43, 3-79
Screw, Hex, M8 X 1.25 X 20, 8.8, 2-9, 2-21, 2-49, 3-33, 3-37, 3-69, 3-83, 3-85, 3-89, 3-109
Screw, Hex, M8 X 1.25 X 20, Ss, NI, 2-39, 2-41, 2-55, 3-11, 3-77
Screw, Hex, M8 X 1.25 X 20, Ss, 2-9, 2-11, 2-33, 2-35, 2-43, 2-45, 2-47, 2-49, 3-63, 3-87, 3-93, 3-103
Screw, Hex, M8 X 1.25 X 25, 8.8, 3-107
Screw, Hex, M8 X 1.25 X 25, Fmg, 2-33, 2-35, 2-37, 3-61, 3-63, 3-65
Screw, Hex, M8 X 1.25 X 25, Ss, NI, 2-19
Screw, Hex, M8 X 1.25 X 25, Ss, 3-45, 3-74, 3-75, 3-79, 3-99, 3-107, 3-110
Screw, Hex, M8 X 1.25 X 30, 8.8, NI, 2-19
Screw, Hex, M8 X 1.25 X 30, 8.8, 3-85
Screw, Hex, M8 X 1.25 X 30, Ss, 2-63
Screw, Hex, M8 X 1.25 X 35, 8.8, 2-21, 3-85
Screw, Hex, M8 X 1.25 X 35, Ss, Fl, 2-35, 2-65, 3-63
Screw, Hex, M8 X 1.25 X 35, Ss, NI, 2-19
Screw, Hex, M8 X 1.25 X 40, Ss, 2-69, 3-67
Screw, Hex, M8 X 1.25 X 45, 8.8, 2-47
Screw, Hex, M8 X 1.25 X 50, Ss, 2-69, 3-67
Screw, Hex, M8 X 1.25 X 55, Ss, 3-107
Screw, Hex, M8 X 1.25 X 70, 8.8, 3-85

- Screw, Hex, M8 X 1.25 X 70, Ss, 2-69, 3-67
- Screw, Hex, M8 X 1.25 X 80, 8.8, 3-85
- Screw, Motor, Vacfan, 4-3
- Screw, Pan, .31-18 X 0.75, G2, 2-11
- Screw, Pan, #06-20 X 0.50, Fmg, [Ab], 2-15
- Screw, Pan, #08-32 X 0.50, G1, 3-97
- Screw, Pan, #08-32 X 0.88, G1, 2-17
- Screw, Pan, #10-14 X 0.50, F/ Plstc, 3-97
- Screw, Pan, #10-24 X 0.38, G1, 2-47, 3-97
- Screw, Pan, M4 X 0.7 X 16, Ss, 2-49
- Screw, Pan, M4 X 0.7 X 35, Ss, 2-5, 2-7
- Screw, Pan, M5 X 0.8 X 12, Ss, 2-53, 2-55
- Screw, Pan, M5 X 0.80 X 6, 4.8, 2-25
- Screw, Pan, M6 X 1.0 X 35, Ss, 2-5, 2-7
- Screw, Pan, M6 X 1.00 X 20, 4.8, 3-69
- Screw, Pan, M6 X 1.00 X 25, 4.8, 3-89, 3-91
- Screw, Pan, M6 X 1.00 X 35, 4.8, 2-61
- Screw, Set, .25-20 X 0.25, Al, 2-13
- Screw, Set, .31-18 X 0.38, NI, 2-13
- Screw, Set, #08-32 X 0.25, NI, 2-35, 3-63
- Screw, Set, Cam / Brg, 4-14
- Screw, Set, M6 X 1.0 X 16, Soc, 3-89
- Screw, Set, M6 X 1.0 X 8, NI, 3-109
- Screw, Set, M6 X 1.00 X 40, Ss [Cuppt], 3-41
- Screw, Soc, M10 X 1.50 X 35, 12.9, 2-27
- Screw, Soc, M6 X 1.00 X 20, 12.9, NI, 2-19
- Screw, Soc, M8 X 1.25 X 16, 12.9, 2-25
- Screw, Soc, M8 X 1.25 X 30, 12.9, 3-71
- Seal Assy, Vacfan, 2-43, 3-29
- Seal Kit, Vacfan & Panl Fltr, Modif, 3-29
- Seal Kit, Vacfan & Panl Fltr, 2-43
- Seal, Fan, 2-3, 2-43, 3-29
- Seal, Felt, 0.19th, 4.3d 04.0h, 2-19
- Seal, Foam, Open, 0.50, Tank, Soltn, 2-45
- Seal, Hppr, Lh, 3-87
- Seal, Hppr, Rh, 3-87
- Seal, Oil, 0.56w 4.1d 3.6b, 2-19
- Seal, Oil, 4-6
- Seal, Rbr, Clsd, 0.25, 5.8d 03.3h, 2-3, 2-43, 3-29, 4-3, 4-5
- Seal, Rbr, Clsd, 0.25, Fltr, Panl, 2-43, 3-29
- Seal, Rbr, Clsd, 0.50, 1.0w 23.0l Adh, 2-13
- Seal, Rbr, Clsd, 0.63, Demister, 2-43
- Seal, Rbr, Clsd, 0.75, Tank, Recvy, 2-3, 2-45
- Seal, Rbr, Clsd, 1.41, Demister, 2-43
- Seal, Rbr, Clsd, 1.41, Fltr, Hd, 3-29
- Seal, Ring, 2-35, 3-63
- Seal, Shaft, Motor, Ele [Magnetek], 4-9
- Seal, Tank, Recvy [7200], 2-45
- Seal, Wire, 14/16ga [Wp / Mp280 Sealed], 4-13, 4-14
- Seal, 2-39, 2-41, 3-25
- Seat Kit, Suspension, Ci [7200], 3-112
- Seat, Std [Michigan, Model V-1500], 2-11
- Seat, Suspension [Michigan Model V-5200], 3-112
- Seatbelt Kit, Ci [7200], 3-113
- Seatbelt, 60.0l, 3-113
- Sensor, Level, 10 Inch, 3-13, 3-15, 3-17, 3-19
- Sensor, Level, Liq, 14vdc 01a .62-11, 2-39, 2-41, 3-19, 3-21
- Sensor, Position, Pedal, 2-25
- Shaft Wldt, Lift, Tool, 3-69
- Shaft, Axle, 0.8d 06.1l, 2-23
- Shaft, Drive, Plug, 2-35, 3-63
- Shaft, Plug, Idler, 2-35, 3-63
- Shaft, Steering, Lower Repby 391401, 2-13
- Shaft, Steering, Upper, Mach, .75d 24.1l, 2-13
- Shaft, Thrd, 3-107
- Sheave, 01grv, 01.9pd 0.62b [3l], 3-89
- Sheave, 01grv, 04.5pd 0.62b [3l], 3-89
- Sheave, 02grv, 01.9/03.opd 01.3b [3l], 3-89
- Shell, Fan, 4-5
- Shell, Vacfan, 4-3
- Shield, Plug, Drive, 3-89, 3-91
- Shoe, Brake, 180 X 30mm, 2-21
- Shunt Assy, Cyl Head, 40mv /35a, 2-33, 3-61
- Shunt Assy, Disk Head, 40mv /35a, 2-29, 3-57
- Skirt, Fan, Dual, Neo, .12, Trimmed, 3-29
- Skirt, Neo, .06, 04.69w 33.56l, 05/ Sl, 3-83
- Skirt, Neo, .12, 03.87w 33.87l, 06/ Sl, 3-87
- Skirt, Neo, .12, 04.31w 11.62l, 04/ Sl, 3-87
- Skirt, Neo, .12, 06/ Hole, Motor, Fan, 2-43
- Skirt, Neo, .18, 02.87w 33.32l, 06/ Hole, 3-87
- Skirt, Rbr, .12, 03.50w 22.00l, 102/ H&S, 2-33, 3-61
- Skirt, Rbr, .12, 03.75w 19.92l, 03/ Sl, 3-57
- Skirt, Rbr, .12, 03.75w 28.00l, 04/ Sl, 2-3, 2-29
- Skirt, Rbr, .12, 03.75w 30.25l, 05/ Sl, 3-57
- Skirt, Rbr, .12, 03.75w 37.64l, 06/ Sl, 2-3, 2-29
- Skirt, Rbr, .31, 04.62w 03.87l, 02/ Sl, 2-9
- Sleeve, Flng, 0.32b 0.75/0.49d 0.9l, Stl, 2-47
- Sleeve, Flng, 0.32b 1.00/0.49d 0.4l, Ss, 3-85
- Sleeve, Nyl, #17 30.0l, 2-19
- Sleeve, P/M, 0.25b 0.38d 0.2l [430ss], 3-109
- Sleeve, P/M, 0.31b 0.44d 1.1l [430ss], 3-83, 3-107, 3-110
- Sleeve, P/M, 0.31b 0.50d 0.3l [430ss], 2-45
- Sleeve, P/M, 0.31b 0.50d 0.5l [430ss], 2-31, 2-37, 3-59, 3-65, 3-85
- Sleeve, P/M, 0.31b 0.50d 0.9l [430ss], 2-69, 3-67
- Sleeve, P/M, 0.40b 0.62d 0.3l [304ss], 2-63
- Sleeve, P/M, 0.50b 0.62d 1.3l, Pl, 2-27, 3-69
- Sleeve, P/M, 0.50b 0.63d 0.3l, Stl Pl, 3-85
- Spacer, Arm, Brush, 3-89, 3-91
- Spacer, Battery, 0.75 X 3.0 X 21.0, 3-51, 3-53
- Spacer, Battery, 1.50 X 4.8 X 07.5, 3-51
- Spacer, Battery, 2.25 X 4.8 X 26.0, 3-51
- Spacer, Impeller, Vacfan, 4-3
- Spacer, Plstc, 0.41b 2.25d 1.30l, Nyl, 2-25
- Spacer, 4-5
- Spring, Brg, Motor, Vacfan, 4-3, 4-5
- Spring, Brush, Motor, Ele [Av], 4-7, 4-11
- Spring, Cmpr, 0.72od .06wir 02.3l, 3-107
- Spring, Cmpr, 0.84od .11wir 02.0l, 2-27, 3-69
- Spring, Cmpr, 0.98od .14wir 02.5l, 2-27, 3-69
- Spring, Cmpr, 15mm [Conical], 3-41
- Spring, Dsl, 1.00od 0.50id 1.25l, 3-109
- Spring, Extn, 0.50od 0.06wir 05.0l, 3-107
- Spring, Extn, 0.62od 0.08wir 03.0l, 2-31, 2-37, 3-59, 3-65
- Spring, Extn, 0.75od 0.08wir 04.5l, 3-107
- Spring, Extn, 1.00od 0.13wir 09.0l, 2-65, 2-67
- Spring, Extn, 1.10od 0.15wir 03.2l, 3-109
- Spring, Flat, .06, 4.50w X 07.0l, 2-65, 2-67
- Spring, Flat, Door, Scrbr Head, 2-35, 3-63
- Spring, Tors, 0.50id .07wir 07.9coil, 2-69
- Spring, Tors, 0.75id .06wir 02.8coil, 2-11, 2-21
- Spring, Tors, 1.13id .12wir 2.3coil, Rh, 2-21
- Spring, Wir, 0.08d, Parking Brake, 2-21
- Spring, Wir, 0.16d, Brush Retaining, 2-5, 2-7
- Spring, Wir, 0.25d, Brake Return, 2-21
- Sprocket, #35, 12tooth, 0.75b 0.75w, 2-13
- Sprocket, #35, 12tooth, W / .75d Shaft, 2-13
- Sprocket, #35, 92tooth, 3.625b, 2-19
- Sprocket, Timing, 22tooth, 0.50b, [Gt/2], 2-35, 3-63
- Sqge Kit, Oil Res Ure [700], 2-3, 3-67
- Sqge Kit, Ure [900mm], 2-3, 2-69
- Squeeege Assy, 700mm [7200], 3-67
- Squeeege Assy, 900mm [7200], 2-69
- Squeeege Assy, Side [Linatex], 2-3, 2-31, 2-37, 3-59, 3-65
- Stand-Off, Wir, M6, Insulator, Panel, 2-17
- Stop, Leveler, 3-73
- Strainer, Soltn, 35mesh, Cyl, 4.0d 06.0l, 3-13, 3-15, 3-23
- Strainer, Soltn, 40mesh, Cyl, 3.5d 07.5l, 3-17, 3-19, 3-21
- Strainer, Switch, Grd Rep.By1023713, 2-39, 3-21
- Strainrelief, Wire, Chrgr, Battery, 4-15, 4-16, 4-17, 4-18, 4-19, 4-20
- Strap, Band, Head [Advance Dc], 4-7, 4-11
- Strap, Nyl, 1.00w 11.3l, 2-21
- Strap, 2-39, 2-41, 3-25
- Strip, Retainer, 0.12 01.00w 19.0l, 2-3, 3-57
- Strip, Retainer, Skirt, Front, Lh, 2-3, 2-29, 3-57

CROSS REFERENCE

Strip, Retainer, 2-29
Strip, Stl, 0.05 00.75w 07.80l, 2-25
Strip, Tray, Debris, 2-33, 3-61
Support Wldt, Seat, 3-71
Support, Seat, W/ Label, 2-11
Support, Seat, 2-11
Switch Kit, Sensor, Level, Es [7200], 3-13, 3-15, 3-17, 3-19
Switch Kit, Sensor, Level, W/O Es [7200], 2-39
Switch, Contact, 12vdc 10a Nc, 2-15
Switch, Ignition [Merit Gmbh], 2-15
Switch, Press, 0010psi Spst, 2-51
Switch, Press, 3.0inch 02pf 08inch Tube, 2-39
Switch, Press, Dual, 02pf 14inch Tube, 3-21
Switch, Push, Spst, No, 2-17
Switch, Push, 2-15
Switch, Red, Stop, Chrgr, Battery, 4-15, 4-16
Switch, Rocker, Dpdt, On / None / On, 3-97
Switch, Rocker, Spst, On / Off, 2-17, 3-31
Switch, Seat, No [Delta 6500], 2-11
Switch, Snap, 15a No, Rlr, 3-107
Switch, Snap, 15a Spdt, Rlr, 2-21

T

Taillight, 36vdc, 6.6 X 3.1, 2-9
Tank, Demister, 2-43
Tank, Recvy, Coolant, 2.5qt, 3-95
Tank, Recvy, 2-39, 2-41
Tank, Soltn, 2-45
Tape, .0080, 1.0w, 2.5l [Protective], 2-31, 3-59
Terminal, Bullet, Mal, .157d, 12ga, 3-3, 3-5, 3-7, 3-9
Terminal, Fem, Mp280, Sealed, 18-16ga, 4-13
Terminal, Fem, Mp630, 12-10ga [P2s], 4-6, 4-8, 4-9, 4-10, 4-12
Terminal, Fem, Mp630, 14ga [P2s], 4-3, 4-5
Terminal, Mal, Wp, Sealed, 16-14ga, 4-14
Tie, Cable, 6.0l, 1.25d Max, 3-101, 3-111
Tie, Cable, Nyl, 07.3l .19w 1.8 Max D, 2-49, 3-3, 3-5, 3-7, 3-9, 3-23, 3-27
Tie, Cable, Nyl, 11.4l .19w 3.0 Max D, 3-61, 3-85
Tie, Cable, Nyl, 14.5l .30w 4.0 Max D, 2-29, 2-35, 3-57, 3-63
Tie, Cable, Nyl, 15.3l . W 4.5 Max D, 3-89
Timer, 36vdc, Detgt [.5on/1.17off], 2-57
Tire Assy, Solid, 12.0x3.5 3.5bc/3bolt, 3-116
Tire Assy, Solid, 12.0x4.0 2.3d Hub [Nm], 2-19
Tire Assy, Solid, 12.0x4.0, W/ Isolator, 2-19
Tire Assy, Solid, 12.3x3.5 3.5bc/3bolt, 2-23
Tool, Removal, Shaft, F/222176, 2-35, 3-63

Track, Slide, Seat Adj, 12.5l, W/Latch, 2-11
Track, Slide, Seat Adj, 12.5l, 2-11
Transformer, Power, 4-18, 4-19
Transformer, 4-17
Tray Kit, Debris, 28.0, Ci, 3-61
Tray Kit, Debris, 36.0, Ci, 2-33
Tray, Battery, 2-61
Tray, Brush, Rwk, 3-37
Tray, Brush, 3-33
Tray, Debris, 28.0l, 3-61
Tray, Debris, 36.0l, 2-33
Tray, Drip, 2-9
Tray, Wand, Power, 3-35
Tread, Non-Skid, 02.2w 11.5l, 2-25
Tread, Non-Skid, 04.5w 10.0l, 2-9, 3-45, 3-74, 3-75, 3-99, 3-110
Tread, Non-Skid, 12.8w 15.0l, 2-9
Tube Assy, Spray, Cyl, 0900mm [7200], 2-55
Tube Wldt, Leg, Ohg, Rear [7200], 3-11, 3-77
Tube, 0.34id 0.44od 00.3l, Ss, 3-85
Tube, 0.38id 0.88od 00.7l, Stl, Pl, 3-89
Tube, 0.41id 0.62od 00.5l, Ss, Cham, 2-65, 2-67
Tube, 0.41id 0.62od 00.5l, Ss, 2-31, 2-37, 3-59, 3-65
Tube, Sensor, Level, Soltn, 2.0l, 2-39, 3-21
Tube, Wand, Vacuum, 1.3d 19.4l, 3-43
Tube, Wand, Vacuum, 1.3d, 3-43

V

Vacfan Kit, Ci, Dual [7200], 3-29
Vacfan Kit, Ci, Sgl [7200], 2-43
Valve, Air, Solenoid, 36vdc, 10bm/10bm, 3-13, 3-15, 3-17, 3-19, 3-23
Valve, Ball, Pf08, Ss, 2-47
Valve, Check, 0002psi Bm04/Bm04, 2-49
Valve, Check, Pump, Water, 4-13, 4-14
Valve, Check, Soltn, Pm12, 3-21
Valve, Cntrl, Water, 3-41
Valve, Water, Solenoid, 36vdc 02pf, 2-55
Valve, Water, Solenoid, 36vdc Bm10/Bm10, 2-47, 3-95
Valve, Water, Solenoid, 36vdc Pf02, 2-53
Varistor, Chrgr, Battery, 4-15, 4-16, 4-19, 4-20
Video, Oprtr, Vhs, Ntsc [7200], 3-117

W

Wand Assy, Power, 3-41
Wand Kit, Vacuum [5700/7200], 3-43
Wand, Dbl Bend, 38.1mmd, 3-41
Washer, Flat, #08, Ss, 2-5, 2-7
Washer, Flat, #08, 2-17, 3-97
Washer, Flat, #10, Sae, 2-17, 3-97
Washer, Flat, #10, 2-17, 3-3, 3-5, 3-7, 3-9, 3-27

Washer, Flat, 0.22b 0.50d .05, Ss [#10], 2-9, 2-25, 2-39, 2-41, 3-25, 3-29, 3-107
Washer, Flat, 0.25, Fendr, 2-9, 2-11, 3-114
Washer, Flat, 0.25, Sae, 2-11, 3-7, 3-9, 3-71, 3-83, 3-87, 3-93, 3-97, 3-103, 3-109, 3-114
Washer, Flat, 0.25, Std, 2-17, 2-21, 2-25, 2-65, 2-67, 3-69, 3-83, 3-85, 3-107, 3-109
Washer, Flat, 0.26b 0.72d .06, Nyl, 2-11, 2-31, 3-59
Washer, Flat, 0.27b 0.69d .05, Ss, 2-5, 2-7, 2-29, 2-31, 2-33, 2-35, 2-47, 2-55, 2-65, 2-67, 3-13, 3-15, 3-17, 3-19, 3-23, 3-57, 3-59, 3-61, 3-63, 3-73, 3-79, 3-83, 3-87, 3-89
Washer, Flat, 0.28b 1.00d .06, Stl, 3-89, 3-91
Washer, Flat, 0.31, Fendr, 2-43, 3-29, 3-33, 3-37
Washer, Flat, 0.31, Sae, 3-97
Washer, Flat, 0.31, Std, 2-11, 2-13, 2-19, 2-21, 2-49, 3-3, 3-5, 3-27, 3-33, 3-37, 3-69, 3-79, 3-85, 3-91, 3-99, 3-109, 3-110
Washer, Flat, 0.31b 0.88d .12, Rbr, 2-65, 2-67
Washer, Flat, 0.32b 1.00d .12, Ss, 2-41, 2-45
Washer, Flat, 0.34b 0.75d .12 [Viton], 2-51
Washer, Flat, 0.38, Fendr, 2-63
Washer, Flat, 0.38, Sae, 2-25, 3-83
Washer, Flat, 0.38, Std, 2-27, 3-69, 3-79, 3-85
Washer, Flat, 0.38b 0.88d .08, Ss, 2-9, 2-31, 2-33, 2-35, 2-37, 2-39, 2-41, 2-43, 2-45, 2-47, 2-49, 2-55, 2-61, 2-63, 2-69, 3-11, 3-59, 3-61, 3-63, 3-65, 3-67, 3-71, 3-77, 3-79, 3-81
Washer, Flat, 0.38b 0.88d .12, Stl, Pl, 2-11
Washer, Flat, 0.38b 1.25d .12, Neo, 2-69, 3-67
Washer, Flat, 0.39b 0.75d .06, Nyl, 2-47
Washer, Flat, 0.44b 1.00d .08, Ss, 2-27, 2-29, 2-31, 2-37, 2-47, 2-51, 2-63, 2-65, 2-67, 3-17, 3-19, 3-21, 3-35, 3-57, 3-59, 3-65, 3-69, 3-89, 3-91
Washer, Flat, 0.47b 1.19d .03, Nyl, 4-8, 4-9
Washer, Flat, 0.50, Sae, 2-25, 2-27, 3-11, 3-69, 3-77, 3-109, 3-113
Washer, Flat, 0.50, Std, 2-13, 2-27, 3-85, 3-105
Washer, Flat, 0.52b 1.25d .06, Nyl, 3-85
Washer, Flat, 0.53b 1.88d .12, Stl, Pl, 2-69, 3-67
Washer, Flat, 0.56b 1.38d .11, Ss, 3-65, 3-73
Washer, Flat, 0.64b 1.19d .06, Nyl, 3-85
Washer, Flat, 0.75, Sae, 3-79
Washer, Flat, 0.75b 1.00d .03, Nyl, 3-107

Washer, Flat, 1.27b 2.38d .08, Crs, Pl,
2-19
Washer, Flat, 1.91b 4.38d .13, Pye, 3-47,
3-49
Washer, Flat, 2.27b 4.06d .25, Stil, Oil,
2-19
Washer, Flat, Belleville, .25, 3-89, 3-91
Washer, Flat, Belleville, .31, 2-29, 3-57,
3-83, 3-89, 3-93, 3-103
Washer, Flat, Belleville, .38, 2-13, 3-107
Washer, Flat, M12.7x25.4
Rep.By20536-2, 3-85
Washer, Flat, M12, Ss, 2-23, 2-37
Washer, Flat, M21.0b X 37d X 3, 2-21
Washer, Lock, Int, #10, 2-25, 2-47, 3-97
Washer, Lock, Int, 0.31, 2-17, 3-97
Washer, Lock, Int, 0.38, Ss, 2-67
Washer, Lock, Int, 0.50, 2-57
Washer, Neo, Vacfan, 4-3, 4-5
Washer, Thrust, 0.61b 1.25d .06, Fgl, 2-31,
2-37, 2-63, 3-59, 3-65
Washer, Thrust, 2.75b 3.62d 0.03, 2-19
Washer, Wavy, Motor, Ele [Magnetek], 4-8,
4-9, 4-10
Washer, 4-3
Wheel, 03.0d 0.87w 0.44b, Rbr, Pp Core,
3-107
Wheel, 03.0d 0.88w 0.50b, 2-69, 3-67
Wheel, 04.0d 0.98w 0.78b, 3-45, 3-75
Wheel, 41.3d 19.1w, Rbr, 3-41
Wheel, Pyp, 04.0d 0.87w 0.44b, 3-83,
3-110
Wheel, Steering, 2-13
Wire Assy, 36vdc, Chrgr, Battery, 4-17,
4-18
Wire, 120vac, W/ Plug, 4-17, 4-18, 4-19,
4-20
Wire, 36vdc, W/ Connector [Sb50], 4-19,
4-20



We Need Your Help...

As part of Tennant's Zero Defects Program, we want to know about errors you have found or suggestions you may have regarding our machine manuals. If you find an error or have a suggestion, please complete this postage-paid form and mail it to us. Thank you for helping us make zero defects a way of life at Tennant.

Manual No. _____ Rev. No. _____ Publish Date _____ Page _____
Machine _____ Report Error Suggestion

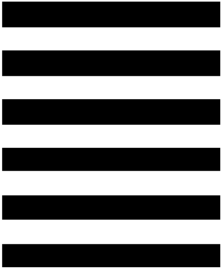
Name _____ Date _____
Customer Number _____
Company _____
Address _____
City/State/Zip Code _____



TENNANT COMPANY
 Technical Publications #15
 701 North Lilac Drive
 P.O. Box 1452
 Minneapolis, MN 55440-9947

POSTAGE WILL BE PAID BY ADDRESSEE

BUSINESS REPLY MAIL
 FIRST CLASS MAIL PERMIT NO. 94 MINNEAPOLIS, MN



NO POSTAGE
 NECESSARY
 IF MAILED
 IN THE
 UNITED STATES



Fold along dotted lines

Tape here





We Need Your Help...

As part of Tennant's Zero Defects Program, we want to know about errors you have found or suggestions you may have regarding our machine manuals. If you find an error or have a suggestion, please complete this postage-paid form and mail it to us. Thank you for helping us make zero defects a way of life at Tennant.

Manual No. _____ Rev. No. _____ Publish Date _____ Page _____
 Machine _____ Report Error Suggestion

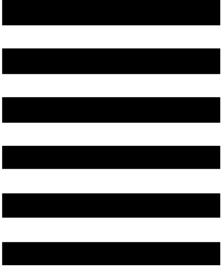
Name _____ Date _____
 Customer Number _____
 Company _____
 Address _____
 City/State/Zip Code _____



TENNANT COMPANY
 Technical Publications #15
 701 North Lilac Drive
 P.O. Box 1452
 Minneapolis, MN 55440-9947

POSTAGE WILL BE PAID BY ADDRESSEE

BUSINESS REPLY MAIL
 FIRST CLASS MAIL PERMIT NO. 94 MINNEAPOLIS, MN



NO POSTAGE
 NECESSARY
 IF MAILED
 IN THE
 UNITED STATES



Fold along dotted lines

Tape here

