

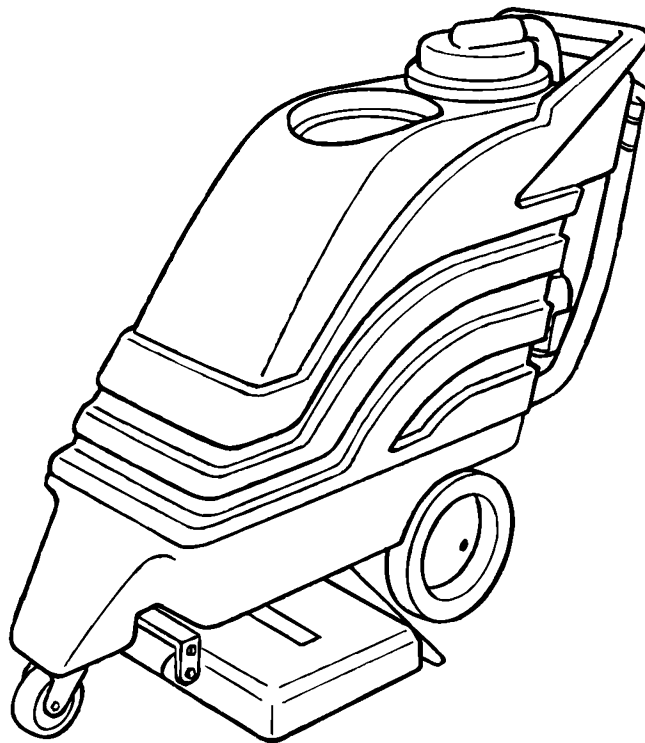


Model Part No.:
608549 - 120V
609236 - 120V CSA SI

FRONTIER®

SELF-CONTAINED CARPET EXTRACTOR
ASPIRADOR PARA MOQUETAS CON DEPÓSITO INCORPORADO
NETTOYEUR DE MOQUETTES AUTONOME

OPERATOR AND PARTS MANUAL
MANUAL DEL OPERADOR Y REPUESTOS
MANUEL OPÉRATEUR ET PIÈCES



OPERATION


This manual is furnished with each new model. It provides necessary operation and maintenance instructions and an illustrated parts list.

Read this manual completely to understand the machine before operating or servicing it.

When ordering replacement parts, use the illustrated parts lists section in this manual. Before ordering parts or supplies, be sure to have your machine model number and serial number available. Parts and supplies may be ordered by phone or mail from any authorized parts and service center, distributor or from any of the manufacturer's subsidiaries.


This machine will provide excellent service. However, the best results will be obtained at minimum costs if:

- The machine is operated with reasonable care.
- The machine is maintained regularly - per the machine maintenance instructions provided.
- The machine is maintained with manufacturer supplied or equivalent parts.



PROTECT THE ENVIRONMENT

Please dispose of packaging materials, old machine components such as batteries, hazardous fluids such as antifreeze and oil, in a safe environmentally way according to your local waste disposal regulations.



Always remember to recycle.

MACHINE DATA

Please fill out at time of installation for future reference.

Model No.- _____

Install. Date - _____

Serial No.- _____

Tennant Company

PO Box 1452

Minneapolis, MN 55440

Phone: (800) 553-8033 or (763) 513-2850

www.nobles.com

Specifications and parts are subject to change without notice.

Copyright ©1999, 2001, 2005, 2007 Tennant Company. All rights reserved.
Printed in U.S.A.

TABLE OF CONTENTS	(ESPAÑOL....15)	(FRANÇAIS....29)	
SAFETY PRECAUTIONS	4	SPECIFICATIONS	13
GROUNDING INSTRUCTIONS	5	MACHINE DIMENSIONS	14
SAFETY LABEL	5	ELECTRICAL DIAGRAMS	43
MACHINE COMPONENTS	6	PARTS LIST	44
MACHINE SETUP	7	RECOVERY TANK GROUP	44
MACHINE OPERATION	7	CHASSIS GROUP	46
PRE-OPERATION	7	CONTROL CONSOLE GROUP	
CLEANING CARPETS	8	(120V MODEL)	48
WHILE OPERATING	8	BRUSH HOUSING GROUP	50
OPERATING ACCESSORY TOOLS		BRUSH BREAKDOWN	52
(OPTIONAL)	8	BRUSH HOUSING LIFT LEVER GROUP ...	53
ADJUSTING BRUSH HEIGHT	9	PLUMBING GROUP	54
DRAINING TANKS	9	PUMP BREAKDOWN	55
DRAINING RECOVERY TANK	9	OPTIONS	56
DRAINING LEFTOVER CLEANING		HAND TOOL, 127 mm (5 in)	56
SOLUTION	9	CREVICE TOOL, 76 mm (3 in)	56
MACHINE MAINTENANCE	10	HAND TOOL, UPHOLSTERY	
DAILY MAINTENANCE	10	LOW PRESSURE	57
WEEKLY MAINTENANCE	10	FLOOR TOOL, LOW PRESSURE	
MONTHLY MAINTENANCE	10	330 mm (13 in)	58
QUARTERLY MAINTENANCE	11	FLOOR TOOL, LOW PRESSURE	
SERVICING MACHINE	11	406 mm (16 in)	60
STORING MACHINE	11	SOLUTION AND VACUUM HOSES	62
RECOMMENDED STOCK ITEMS	11	PUMP-UP CARPET SPRAYER	62
TROUBLE SHOOTING	12		


OPERATION

SAFETY PRECAUTIONS

This machine is intended for commercial use. It is designed exclusively to clean carpet and upholstery in an indoor environment and is not constructed for any other use. Use only recommended accessory tools and commercially available carpet cleaners intended for machine application.

All operators must read, understand and practice the following safety precautions.

The following warning alert symbol and the "FOR SAFETY" heading are used throughout this manual as indicated in their description:

 **WARNING:** To warn of hazards or unsafe practices which could result in severe personal injury or death.

FOR SAFETY: To identify actions which must be followed for safe operation of equipment.

Failure to follow these warnings may result in personal injury, electrical shock, fire or explosion.

 **WARNING:** Fire Or Explosion Hazard:

- **Never Use Flammable Liquids Or Operate Machine in Or Near Flammable Liquids, Vapors Or Combustible Dusts.**

This machine is not equipped with explosion proof motors. The electric motors will spark upon start up and during operation which could cause a flash fire or explosion if machine is used in an area where flammable vapors/liquids or combustible dusts are present.

- **Do Not Pick Up Flammable Materials Or Reactive Metals.**

 **WARNING:** Electrical Hazard. Do Not Operate With Damaged Power Cord. Do Not Modify Plug. Unplug power Cord Before Servicing Machine.

If the supply cord is damaged or broken, it must be replaced by the manufacturer or it's service agent or a similarly qualified person in order to avoid a hazard.

 **WARNING:** Spinning Brush. Keep Hands Away. Turn Off Power Before Working On Machine.

 **WARNING:** Electrical Shock Hazard. Do Not Use Outdoors. Do Not Expose To Rain. Store Indoors.

The following information signals potentially dangerous conditions to the operator or equipment:

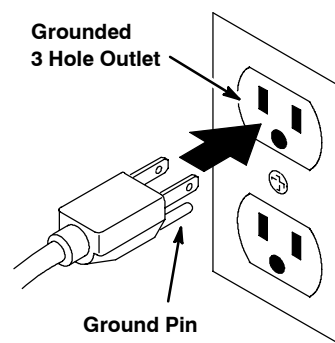
FOR SAFETY:

1. **Do not operate machine:**
 - With flammable liquids or near flammable vapors as an explosion or flash fire may occur.
 - Unless trained and authorized.
 - Unless operator manual is read and understood.
 - Unless cord is properly grounded.
 - With damaged cord or plug.
 - If not in proper operating condition.
 - In outdoor areas.
 - In standing water.
 - With the use of additional extension cords. Only use manufacturer's extension cord equipped with machine which has proper capacity and is grounded.
2. **Before operating machine:**
 - Make sure all safety devices are in place and operate properly.
 - Place wet floor signs as needed.
3. **When using machine:**
 - Do not run machine over cord.
 - Do not pull machine by plug or cord.
 - Do not pull cord around sharp edges or corners.
 - Do not unplug by pulling on cord.
 - Do not stretch cord.
 - Do not handle plug with wet hands.
 - Keep cord away from heated surfaces.
 - Report machine damage or faulty operation immediately.
 - Follow mixing and handling instructions on chemical containers
 - Never allow children to play on or around.

4. Before leaving or servicing machine:
 - Turn off machine.
 - Unplug cord from wall outlet.
5. When servicing machine:
 - Unplug cord from wall outlet.
 - Avoid moving parts. Do not wear loose jackets, shirts, or sleeves.
 - Do not power spray or hose off machine. Electrical malfunction may occur.
 - Use manufacturer supplied or approved replacement parts.
 - All repairs must be performed by a qualified service person.
 - Do not modify the machine from its original design.
6. When transporting machine:
 - Get assistance when lifting machine.
 - Unplug cord from wall outlet.
 - Use tie-down straps to secure machine to truck or trailer.

GROUNDING INSTRUCTIONS

Machine must be grounded. If it should malfunction or breakdown, grounding provides a path of least resistance for electrical current to reduce the risk of electrical shock. This machine is equipped with a cord having an equipment-grounding conductor and grounding plug. The plug must be plugged into an appropriate outlet that is properly installed in accordance with all local codes and ordinances. Do not remove ground pin; if missing, replace plug before use.



SAFETY LABEL

The safety label appears on the machine in the location indicated. Replace label if it is missing or becomes damaged or illegible.

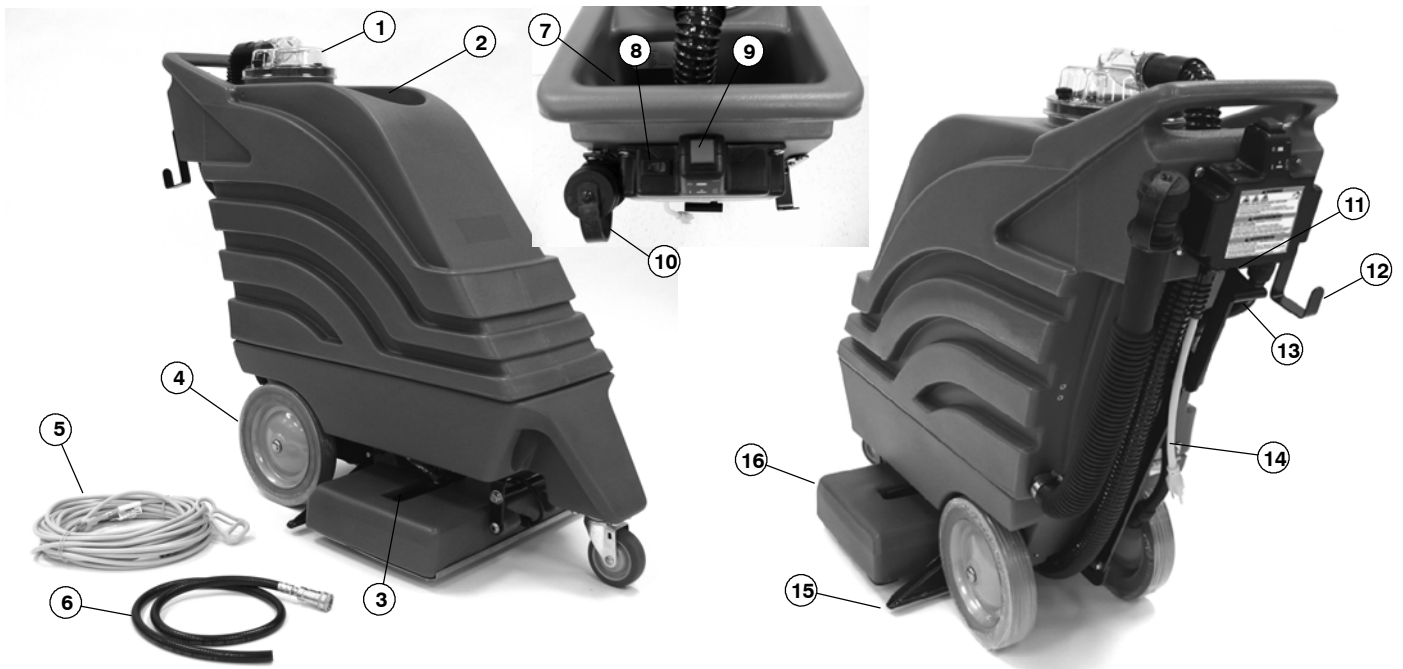


WARNING LABEL - Located on backside of control console.

⚠ WARNING	
EXPLOSION, FIRE AND SHOCK HAZARD. AVOID INJURY.	
<ul style="list-style-type: none"> • Do Not Use or Pick Up Flammable Materials. • Do Not Use Near Flammable Liquids, Vapors or Combustible Dusts. • Do Not Operate With Damaged Power Cord. Do Not Modify Plug. Unplug Power Cord Before Servicing Machine. • Do Not Use Outdoors. Do Not Expose to Rain. Store Indoors. 	
⚠ AVERTISSEMENT	
RISQUE D'EXPLOSION, D'INCENDIE ET DE DÉCHARGE. ÉVITEZ LES BLESSURES.	
<ul style="list-style-type: none"> • N'utilisez Pas ou Ne Ramassez Pas de Matériaux Inflammables. • N'utilisez Pas Près de Liquides, Vapeurs ou Poussières Inflammables. • N'utilisez Pas la Machine Avec un Cordon d'Alimentation Endommagé. Ne Modifiez Pas la Prise. Débranchez le Cordon d'Alimentation Avant d'Entretenir la Machine. • N'utilisez Pas en Extérieur. N'Exposez Pas à la Pluie. Entrez à l'Intérieur. 	
⚠ ADVERTENCIA	
PELIGRO DE EXPLOSIÓN, FUEGO, DESCARGA EVITE LESIONES.	
<ul style="list-style-type: none"> • No Use Ó Recoja Materiales Flamables. • No Use Cerca De Líquidos Flamables, Vapores Ó Materiales Combustibles. • No Use Con Cable De Corriente Dañado. No Altere El Enchufe. Desconecte Cable De Corriente Antes Del Mantenimiento. • No Use Al Aire Libre. No Exponga A La Lluvia. Guarde Bajo Techo. 	
1026384	

OPERATION

MACHINE COMPONENTS



1. Recovery Tank Dome
2. Solution Tank Lid
3. Spray Bar
4. 254 mm (10 in) Stair Climbing Wheels
5. Extension Power Cord (120V Model)
6. Bleeder Hose
7. Accessory Tool Solution Hose Quick Coupler
8. Main Power Switch

9. Brush/Spray Switch
10. Recovery Tank Drain Hose
11. Circuit Breakers (under switch box)
12. Power Cord Storing Hook
13. Brush/Vacuum Head Lift Lever
14. Power Cord Pigtail (120V Model)
15. Vacuum Head
16. Brush Housing

MACHINE SETUP

1. Carefully check carton for signs of damage. Report damages at once to carrier. The machine is shipped fully assembled and is ready for operation.
2. Remove solution tank lid and fill tank with 38 liters (10 gallons) of hot water, 60°C (140°F) maximum (Figure 1).

NOTE: The water must **not** be hotter than 60°C (140°F) or tank damage may occur.

NOTE: When filling solution tank with a bucket, make sure that the bucket is clean. Do not use the same bucket for filling and emptying the machine.



FIG. 1

⚠ WARNING: Fire or Explosion Hazard. Never Use Flammable Liquids.

3. Add a recommended cleaning solution. Follow bottle's mixing instructions.

FOR SAFETY: When using machine, follow mixing and handling instructions on chemical containers.

ATTENTION: If using powdered cleaning chemicals, mix prior to adding.

NOTE: If desired, hot water alone achieves excellent cleaning results.

4. Replace lid securely after filling.
5. Connect extension cord to machine.

6. Plug power cord into a grounded wall outlet (Figure 2).

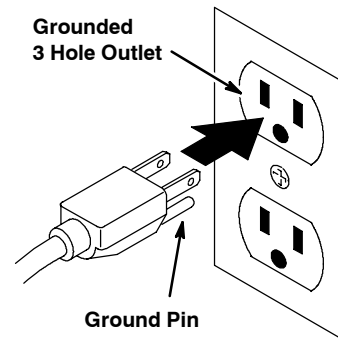


FIG. 2

FOR SAFETY: Do not operate machine unless cord is properly grounded.

FOR SAFETY: Do not operate machine with the use of additional extension cords. Only use manufacturer's extension cord equipped with machine which has proper capacity and is grounded.

MACHINE OPERATION

FOR SAFETY: Do not operate machine unless operator manual is read and understood.

⚠ WARNING: Fire Or Explosion Hazard. Never Use Flammable Liquids Or Operate Machine in Or Near Flammable Liquids, Vapors Or Combustible Dusts.

PRE-OPERATION

1. Vacuum carpet to remove particles and other debris.
2. Inspect power cord for damage.

⚠ WARNING: Electrical Hazard. Do Not Operate With Damaged Power Cord. Do Not Modify Plug. Unplug power Cord Before Servicing Machine.

If the supply cord is damaged or broken, it must be replaced by the manufacturer or it's service agent or a similarly qualified person in order to avoid a hazard.

OPERATION

CLEANING CARPETS

1. Turn on main power switch.
2. Lower brush/vacuum head lift lever (Figure 3).

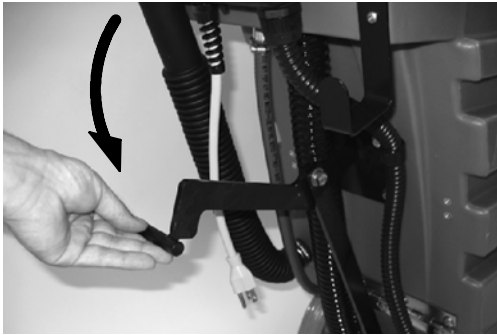


FIG. 3

3. To begin cleaning, hold down the brush/spray button and push machine forward at a pace of approximately 23 m (75 ft) per minute. For heavily soiled areas, push machine at a slower pace (Figure 4).

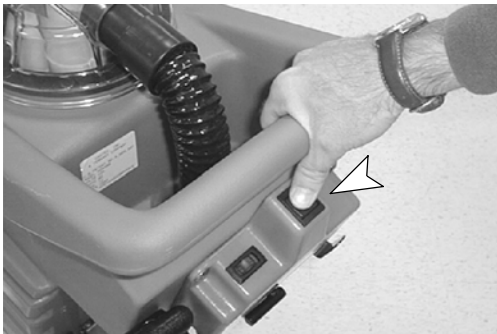


FIG. 4

⚠ WARNING: Fire Or Explosion Hazard. Do Not Pick Up Flammable Materials Or Reactive Metals.

4. Release button at end of path and continue to push machine forward to pick up excess solution.
5. After cleaning, perform the daily maintenance instructions.

NOTE: Allow up to one hour for carpet to dry. Use air movers to reduce drying time.

WHILE OPERATING

1. If necessary, adjust brush height to accommodate type of carpet (See ADJUSTING BRUSH HEIGHT).
2. Overlap each path by 51 mm (2 in).
3. Work away from wall outlet and power cord to prevent cord damage.
4. When turning machine around, release spray/brush button, push down on handle and pivot machine on rear wheels.

5. Check for excessive foam buildup in recovery tank. Use a recommended foam control solution to prevent motor damage.

ATTENTION: Foam will not activate the float shut-off screen. Motor damage due to foam or water is not covered by warranty.

6. When the float shut-off screen is activated, water pickup will stop. Drain recovery tank at this point and refill solution tank (See DRAINING TANKS).
7. If brush or vacuum motor should stop, circuit breaker may have tripped. Shut off machine, unplug power cord and check for any obstructions. Let motor cool and manually reset circuit breaker button, located on switch box.
8. Raise brush/vacuum head when transporting machine to draining area.

OPERATING ACCESSORY TOOLS (OPTIONAL)

1. Disconnect vacuum hose from recovery dome and connect accessory vacuum hose (Figure 5).
2. Connect accessory solution hose to the quick coupler located in front of the handle (Figure 5).



FIG. 5

3. Attach desired accessory tool to hoses.
4. Turn on main power switch.
5. Begin operating accessory tool (Figure 6).



FIG. 6

⚠ WARNING: Fire Or Explosion Hazard. Do Not Pick Up Flammable Materials Or Reactive Metals.

NOTE: When cleaning upholstery, always check cleaning instructions sewn in furniture by manufacturer.

- After operating accessory tool, relieve water pressure from tool before disconnecting hose. Squeeze trigger for five seconds after turning off switches.

ADJUSTING BRUSH HEIGHT

- Turn off machine and unplug power cord from wall outlet.

⚠ WARNING: Spinning Brush. Keep Hands Away. Turn Off Power Before Working On Machine.

⚠ WARNING: Electrical Hazard. Unplug power Cord Before Leaving Or Servicing Machine.

- To adjust brush height, use a standard screwdriver and turn brush height adjustment lever in 1/4 turn increments, 4 settings (Figure 7).

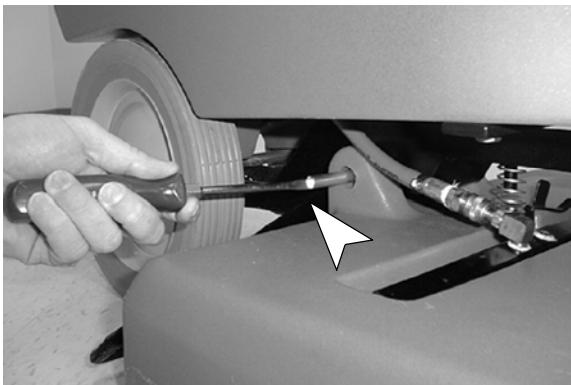


FIG. 7

DRAINING TANKS

⚠ WARNING: Electrical Hazard. Unplug power Cord Before Leaving Or Servicing Machine.

NOTE: Always use separate buckets when draining and filling machine.

DRAINING RECOVERY TANK

- Turn off power switch and unplug power cord. Raise brush lift handle and transport machine to draining area.
- Remove the recovery tank drain hose cap by turning it counter-clockwise and drain the tank (Figure 8).

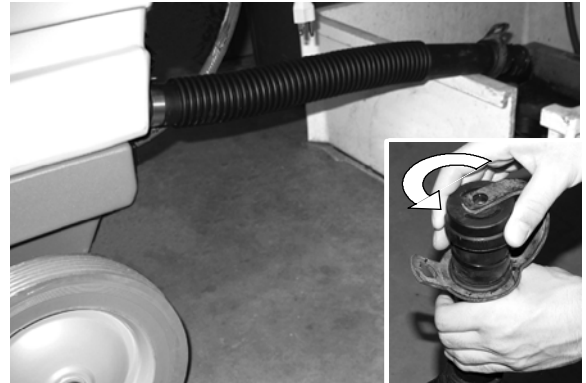


FIG. 8

- After draining, replace drain hose cap securely.

DRAINING LEFTOVER CLEANING SOLUTION

- Connect the 1m (3 ft) bleeder hose, supplied with machine, to machine's quick coupler (Figure 9).



FIG. 9

- Direct the hose into a bucket or floor drain.
- Turn on main power switch.

NOTE: You can also use the bleeder hose to rinse out recovery tank when there's leftover water.

OPERATION

MACHINE MAINTENANCE

To keep machine in good working condition, simply follow machine's daily, weekly and monthly maintenance procedures.

⚠ WARNING: Electrical Hazard. Unplug power Cord Before Leaving Or Servicing Machine.

Contact an Authorized Service Center for machine repairs.

FOR SAFETY: When servicing machine, all repairs must be performed by a qualified service person.

DAILY MAINTENANCE (After Every Use)

1. Rinse out recovery tank and recovery dome thoroughly after every use.
2. Remove float shut-off screen and clean. Screen is located in recovery tank (Figure 10).



FIG. 10

3. Vacuum out any leftover solution from solution tank, using the 1m (3 ft) bleeder hose.
4. Remove and rinse off solution tank screen.
5. Remove any entangled carpet fibers and debris in brush.
6. Remove any clogged debris in vacuum head.
7. Check power cord for damage, replace if necessary. Coil cord neatly after each use.

If the supply cord is damaged or broken, it must be replaced by the manufacturer or it's service agent or a similarly qualified person in order to avoid a hazard.

8. Clean machine with a nonabrasive, non-solvent cleaner.

FOR SAFETY: When cleaning machine, do not power spray or hose off machine. Electrical malfunction may occur.

WEEKLY MAINTENANCE (Every 20 Hours of Use)

1. Inspect vacuum hose for holes and loose cuffs.
2. Inspect spray pattern for plugging. If plugged, remove spray tips and soak in acetic acid solution for up to six hours. Do not use pointed objects to unplug tips, damage will occur.

FOR SAFETY: When using machine, follow mixing and handling instructions on chemical containers.

3. Inspect power cord and cord grip for damage. Replace immediately if damaged.

If the supply cord is damaged or broken, it must be replaced by the manufacturer or it's service agent or a similarly qualified person in order to avoid a hazard.

MONTHLY MAINTENANCE (Every 80 Hours of Use)

1. Flush pump system with an acetic acid solution to dissolve normal alkaline chemical buildup. Follow instructions below:

FOR SAFETY: When using machine, follow mixing and handling instructions on chemical containers.

- a. Premix .5 L (16 oz) of an acetic acid solution with 7.5 L (2 gal) of hot water, 60° C (140° F) maximum, and pour into solution tank.

NOTE: The water must *not* be hotter than 60° C (140° F) or tank damage may occur.

NOTE: If filling with a bucket be certain that bucket is clean. This will prevent possible solution line clogs.

- b. Turn on main power switch.
 - c. Position brush housing over floor drain and activate the brush/spray button for one minute.
 - d. Shut off machine and allow remaining solution to break down alkaline buildup overnight.
 - e. Next day, spray out remaining solution and flush system with 11 L (3 gal) of clean water.
2. Lubricate wheels and caster with a water resistant oil.
 3. Inspect machine for water leaks.
 4. Inspect machine for loose screws.
-

QUARTERLY MAINTENANCE (Every 250 Hours of Use)

Check the vacuum motor for carbon brush wear. Replace carbon brushes when worn to a length of 10 mm (0.38 in) or less.

Contact an Authorized Service Center for machine repairs.

FOR SAFETY: When servicing machine, all repairs must be performed by a qualified service person.

SERVICING MACHINE

⚠ WARNING: Electrical Hazard. Unplug power Cord Before Leaving Or Servicing Machine.

To access internal components for repair:

1. Remove screw from lift handle linkage as shown, 0.5 inch wrench required (Figure 11).



FIG. 11

ATTENTION: Make sure tanks are empty before opening.

2. Remove two hex-head bolts at front of machine, 9/16" wrench required.
3. Hinge tank backwards away from chassis (Figure 12).

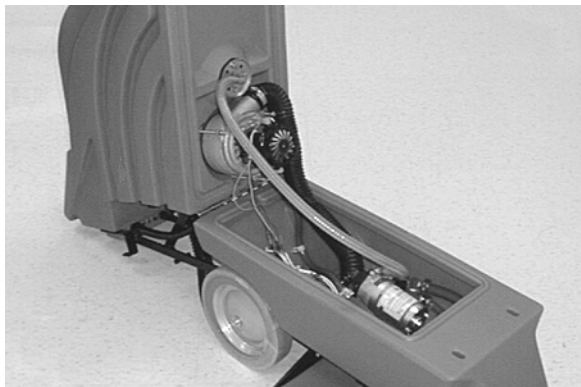


FIG. 12

4. When closing machine, be careful not to pinch any internal hoses or wiring.

STORING MACHINE

1. Before storing machine, be certain to flush tanks and drain machine of all water.
2. Store machine in a dry area in the upright position with brush/vacuum head raised off floor.
3. Remove recovery tank dome to promote air circulation.

ATTENTION: If storing machine in freezing temperatures, be sure that machine, pump and spraying system are completely drained and dry. Damage due to freezing temperatures is not covered by warranty.

⚠ WARNING: Electrical Shock Hazard. Do Not Use Outdoors. Do Not Expose To Rain. Store Indoors.

RECOMMENDED STOCK ITEMS

Refer to the Parts List section of this manual for recommended stock items. Stock Items are clearly identified with a bullet preceding the parts description. See example below:

Ref.	Part No.	Description	Qty.
1	701100	ASM., STANDPIPE	1
2	180613	• FLOAT, SHUTOFF	1
3	230197	NIPPLE	1
4	101714	• GASKET	1
5	210240	NUT, FLANGED	1

OPERATION

TROUBLE SHOOTING

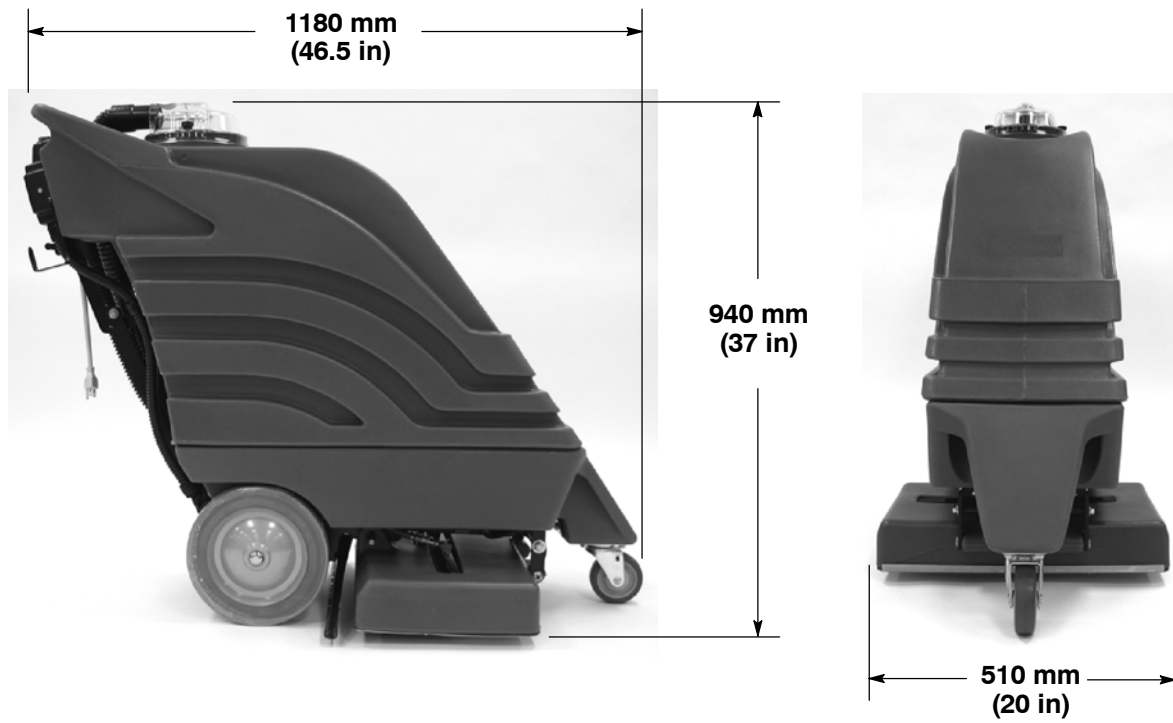
PROBLEM	CAUSE	SOLUTION
Machine does not operate.	Faulty main power switch or wiring.	Contact Service Center.
	Tripped machine circuit breaker.	Reset circuit breaker.
	Faulty power cord.	Contact Service Center.
	Building circuit breaker tripped.	Reset breaker.
Solution pump does not operate.	Overheated pump.	Determine cause, wait 20 minutes for pump to cool and reset breaker.
	Faulty solution pump.	Contact Service Center.
	Faulty solenoid.	Contact Service Center.
	Faulty brush/spray switch.	Contact Service Center.
	Loose or broken wiring.	Contact Service Center.
Vacuum motor does not operate.	Vacuum motor thermal overload tripped.	Check air flow for obstruction and wait 20 minutes for motor to cool.
	Loose or broken wiring.	Contact Service Center.
	Faulty main power switch.	Contact Service Center.
	Defective vacuum motor.	Contact Service Center.
	Worn carbon brushes.	Replace brushes or call for service.
Brush motor does not operate.	Brush motor circuit breaker tripped.	Remove brush obstruction. Reset brush breaker button on switch box.
	Brush/spray button not pressed.	Push brush/spray button.
	Faulty brush motor.	Contact Service Center.
	Loose or broken brush belt.	Contact Service Center.
	Faulty switch or wiring.	Contact Service Center.
Poor pick up.	Loose drain hose plug.	Cap drain hose securely.
	Full recovery tank.	Drain recovery tank.
	Clogged float shut-off screen.	Remove recovery dome and clean lint off screen.
	Air leakage around recovery dome.	Tighten recovery dome knobs or replace gaskets.
	Loose vacuum hose connections.	Secure connections.
	Defective vacuum hose.	Replace hose.
	Loose vacuum hose cuffs.	Secure cuffs to hose.
	Clogged vacuum head.	Dislodge debris from vacuum head.
	Pushing machine too fast.	Slow down cleaning process.
Uneven or no spray.	Dirty or plugged spray tips.	Clean or replace tips.
	Improper spray tip size or spray angle.	Replace with proper tips.
	Worn spray tips.	Replace spray tips.
	Solution tank low or empty.	Refill solution tank.
	Faulty solution pump.	Contact Service Center.
	Plugged solution tank filter.	Clean filter.

SPECIFICATIONS

Model	Frontier®
LENGTH	1180mm (46.5 in)
WIDTH	510mm (20 in)
HEIGHT	940mm (37 in)
WEIGHT	54 Kg (120 lbs)
CLEANING PATH WIDTH	510mm (20 in)
SOLUTION TANK CAPACITY	38 ltr (10 gal)
RECOVERY TANK CAPACITY	55 ltr (14.5 gal)
SOLUTION PUMP	120V, 6.9 bar (100 psi), 1 amp
SPRAY NOZZLES	5- 80015 Quickjet
VACUUM MOTOR	120V, 3-stage, 1.8 hp, 13 amp, 1560 watts
SEALED WATER LIFT	3.5m (137 in)
BRUSH MOTOR	120V, .1 hp, 1800 rpm, .75 A, 90 W
POWER CORD LENGTH	120V - 23 m (75 ft.)
TOTAL POWER CONSUMPTION	120V, 14.2 A, 1710 W
DECIBEL RATING AT OPERATOR'S EAR, INDOORS ON CARPET	80dB(A)

OPERATION

MACHINE DIMENSIONS



Este manual se incluye en todos los modelos nuevos. Proporciona la información necesaria para su utilización y mantenimiento.

Lea todo el manual detenidamente para comprender la máquina antes de utilizarla o revisarla.

Use la Lista de Piezas incluida en este manual al ordenar piezas de repuesto. Antes de ordenar piezas o suministros, asegúrese de tener el número de modelo y el número de serie de su máquina. Las piezas y los suministros pueden ordenarse por teléfono o por correo de cualquier centro autorizado de piezas y servicios, distribuidor de piezas o de cualquier subsidiaria del fabricante.

Esta máquina le proporcionará excelentes resultados. Sin embargo, los resultados serán óptimos a un coste mínimo si:

- Utiliza la máquina con un cuidado razonable.
- Realiza las operaciones de mantenimiento de acuerdo con las instrucciones adjuntas.
- Las operaciones de mantenimiento de la máquina se realizan con piezas suministradas por el fabricante o equivalentes.

DATOS DE LA MÁQUINA

Por favor complete al momento de la instalación para referencia futura.

No. de Modelo- _____

Fecha de instalación - _____

No. de Serie- _____

PROTECCIÓN DEL MEDIO AMBIENTE



Deseche el material de embalaje, los componentes usados de la máquina como las baterías y los líquidos peligrosos como el anticongelante y el aceite, de forma segura para el medio ambiente, de acuerdo con las normativas o disposiciones locales.



No olvide reciclar.

OPERACIÓN

INDICE

MEDIDAS DE SEGURIDAD	17	ESPECIFICACIONES	28
INSTRUCCIONES DE CONEXION A TIERRA	18	DIMENSIONES DE LA MÁQUINA	28
ADHESIVO DE SEGURIDAD	18	DIAGRAMAS ELECTRICAS	43
COMPONENTES DE LA MÁQUINA	19	LISTA DE PIEZAS	44
PREPARACION DE LA MÁQUINA	20	CONJUNTO DESPOSITO RECUPERAR ...	44
OPERACIÓN DE LA MÁQUINA	20	CONJUNTO TELAIO	46
PREOPERACION	20	CONJUNTO CONSOLA DE CONTROLES (120V MODELO)	48
LIMPIEZA DE ALFOMBRAS	21	GRUPO DEL BASTIDOR DEL CEPILLO ...	50
AL OPERAR	21	CONJUNTO DE CEPILLO	52
OPERACIÓN DE LAS HERRAMIENTAS DE ACCESORIOS (OPCIONAL)	21	GRUPO DE PALANCA PARA ELEVAR LA COJA DE CEPILLO	53
AJUSTE DE LA ALTURA DEL CEPILLO	22	GRUPO DE TUBERÍAS	54
VACIADO DE LOS DEPÓSITOS	22	CLASIFICACIÓN DE LA BOMBA	55
VACIADO DEL DEPÓSITO DE RECUPERACIÓN	22	OPCIONES	56
VACIADO DE LA DISOLUCIÓN LIMPIADORA SOBRANTE	23	ACCESORIO MANUAL 127 mm (5 pulg.)	56
MANTENIMIENTO DE LA MÁQUINA	23	ACCESORIO PARA HENDIDURAS 76 mm (3 pulg.)	56
MANTENIMIENTO DIARIO	23	ACCESORIO PARA TAPICERÍA	57
MANTENIMIENTO SEMANAL	23	ACCESORIO PARA EL SUELO 330 mm (13 pulg.)	58
MANTENIMIENTO MENSUAL	24	ACCESORIO PARA EL SUELO 406 mm (16 pulg.)	60
MANTENIMIENTO TRIMESTRAL	24	MANGUERAS DE DISOLUCIÓN Y ASPIRACIÓN	62
SERVICIO A LA MÁQUINA	24	ROCIADOR PARA LA ALFOMBRA	62
ALMACENAMIENTO DE LA MÁQUINA	25		
ARTICULOS RECOMENDADOS PARA MANTENER EN STOCK	25		
LOCALIZACION DE FALLAS	26		

MEDIDAS DE SEGURIDAD

Esta máquina está diseñada para el uso comercial. Se ha diseñado exclusivamente para limpiar alfombras y tapizados en un ambiente interior y no se fabrica para ningún otro uso. Use sólo herramientas de accesorios recomendados y limpiadores de alfombras comercialmente disponibles formulados para la aplicación de la máquina.

Todos los operarios deben leer, comprender y cumplir las siguientes medidas de seguridad.

A lo largo de todo el manual se utilizan los siguientes símbolos de advertencia y encabezados "PARA SU SEGURIDAD" descritos a continuación:

⚠ ADVERTENCIA: Advierte sobre riesgos o prácticas inseguras que podrían provocar lesiones personales graves o fatales.

PARA SU SEGURIDAD: Identifica las operaciones que debe realizar para una utilización segura del equipo.

El no cumplimiento de estas advertencias puede causar lesiones personales, descargas eléctricas, incendios y explosiones.

⚠ ADVERTENCIA: Peligro de incendio o explosión:

- Nunca utilice líquidos inflamables ni haga funcionar la máquina en las proximidades de líquidos, vapores o polvos inflamables.

La máquina no está equipada con motores a prueba de explosiones. Los motores eléctricos producirán chispas tanto durante el arranque y como durante su utilización que pueden provocar incendios o explosiones si utiliza la máquina en presencia de líquidos o vapores inflamables o partículas combustibles.

- No recoja materiales inflamables ni metales reactivos.

⚠ ADVERTENCIA: Peligro eléctrico. No opere con un cordón eléctrico dañado. No modifique el enchufe. Desenchufe el cordón eléctrico antes de reparar la máquina.

Si el cordón del suministro se daña o se rompe, debe ser reemplazado por el fabricante o su agente de servicio o una persona similarmente calificada para evitar un riesgo.

⚠ ADVERTENCIA: Cepillo giratorio. Mantenga alejadas las manos. Apague la máquina antes de trabajar en ella.

⚠ ADVERTENCIA: Peligro choque eléctrico. No use al aire libre. No exponga a la lluvia. Almacén bajo techo.

La siguiente información indica las condiciones potencialmente peligrosas para el operario o equipo:

PARA SU SEGURIDAD:

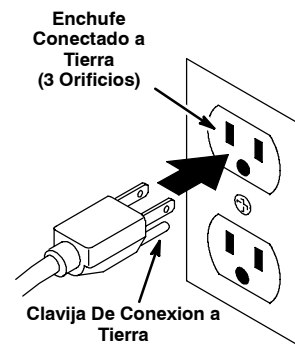
1. No opere la máquina:
 - Con líquidos inflamables o cerca de gases inflamables, ya que podría provocar explosiones o llamaradas.
 - A menos que esté capacitado y autorizado.
 - A menos que se haya leído y entendido el manual del funcionamiento.
 - A menos que el cordón se conecte apropiadamente a tierra.
 - Con un cordón o enchufe dañados.
 - Si no está en condición de ejecutar una operación apropiada.
 - En áreas al aire libre.
 - En agua estancada.
 - Con cables alargadores adicionales. Utilice únicamente los alargadores proporcionados por el fabricante junto a la máquina para asegurarse de que presentan la capacidad y toma de tierra adecuadas.
2. Antes de operar máquina:
 - Asegúrese que todos los dispositivos de seguridad están en su lugar y operando apropiadamente.
 - Coloque señales de piso húmedo según se necesite.
3. Al utilizar la máquina:
 - No pase la máquina encima del cordón.
 - No tire de la máquina por el enchufe o el cordón.
 - Evite pasar el cable por bordes agudos o esquinas.
 - No desenchufe tirando del cordón.
 - No estire el cordón.
 - No maneje el enchufe con las manos húmedas.
 - Mantenga el cordón lejos de las superficies calientes.
 - Informe inmediatamente acerca de daños o un funcionamiento defectuoso.

OPERACIÓN

- Siga las instrucciones de mezcla y manejo indicados en los recipientes químicos.
 - Nunca permita que los niños jueguen en o alrededor de la máquina.
4. Antes de salir de o reparar la máquina:
- Apague la máquina.
 - Desenchufe cordón del tomacorriente de la pared.
5. Al prestar servicio a la máquina:
- Desenchufe cordón del tomacorriente de la pared.
 - Evite las partes en movimiento. No utilice chaquetas, camisas o mangas sueltas.
 - Utilice repuestos suministrados o aprobados por el fabricante.
 - Todas las reparaciones deben ser realizadas por personal técnico cualificado.
 - No modifique el diseño original de la máquina.
6. Al transportar la máquina:
- Pida ayuda para levantar la máquina.
 - Desenchufe cordón del tomacorriente de la pared.
 - Utilice las cintas para fijar la máquina al camión o remolque.

INSTRUCCIONES DE CONEXION A TIERRA

La máquina debe conectarse a tierra. En caso de mal funcionamiento o desarreglo, la conexión a tierra provee un recorrido de menor resistencia para la corriente eléctrica para reducir el riesgo de choque eléctrico. Esta máquina está equipada con un cordón con un conductor de conexión a tierra del equipo y enchufe de conexión a tierra. El enchufe debe enchufarse en un tomacorrientes apropiado correctamente instalado de acuerdo con todos los códigos y ordenanzas locales. No extraer la clavija de conexión a tierra; si falta, reemplazar el enchufe antes de usar.



ADHESIVO DE SEGURIDAD

La adhesivo de seguridad aparece en la máquina en la localización indicada. Sustituya el adhesivo si se ha desprendido, o está deteriorado o son ilegible.



ADHESIVO DE ADVERTENCIA - Situado en la parte trasera de la máquina.

⚠ WARNING	
EXPLOSION, FIRE AND SHOCK HAZARD. AVOID INJURY.	
• Do Not Use or Pick Up Flammable Materials.	
• Do Not Use Near Flammable Liquids, Vapors or Combustible Dusts.	
• Do Not Operate With Damaged Power Cord. Do Not Modify Plug. Unplug Power Cord Before Servicing Machine.	
• Do Not Use Outdoors. Do Not Expose to Rain. Store Indoors.	
⚠ AVERTISSEMENT	
RISQUE D'EXPLOSION, D'INCENDIE ET DE DÉCHARGE. ÉVITEZ LES BLESSURES.	
• N'utilisez Pas ou Ne Ramassez Pas de Matériaux Inflammables.	
• N'utilisez Pas Près de Liquides, Vapeurs ou Poussières Inflammables.	
• N'utilisez Pas la Machine Avec un Cordon d'Alimentation Endommagé. Ne Modifiez Pas la Prise. Débranchez le Cordon d'Alimentation Avant d'Entretenir la Machine.	
• N'utilisez Pas en Extérieur. N'Exposez Pas à la Pluie. Entrezposez à l'Intérieur.	
⚠ ADVERTENCIA	
PELIGRO DE EXPLOSIÓN, FUEGO, DESCARGA EVITE LESIONES.	
• No Use Ó Recoja Materiales Flamables.	
• No Use Cerca De Líquidos Flamables, Vapores Ó Materiales Combustibles.	
• No Use Con Cable De Corriente Dañado. No Altere El Enchufe. Desconecte Cable De Corriente Antes Del Mantenimiento.	
• No Use Al Aire Libre. No Exponga A La Lluvia. Guarde Bajo Techo.	
1026384	

COMPONENTES DE LA MÁQUINA



1. Cúpula del tanque de recuperación
2. Tapa del tanque de solución
3. Barra rociadora
4. Ruedas para subir escaleras de 254 mm
5. Cordón de energía separable (120V Modelo)
6. Manguera de drenaje del tanque de solución
7. Soporte para el accesorio de la manguera para la disolución.
8. Conmutador de energía principal
9. Botón de cepillo/rociador

10. Manguera de drenaje del tanque de recuperación
11. Interruptores de circuito (debajo de la caja de conmutadores)
12. Gancho para enrollar el cordón de energía
13. Palanca elevadora del cepillo/cabezal de aspiración
14. Cordón flexible de energía (120V Modelo)
15. Cabezal de aspiración
16. Bastidor del cepillo

OPERACIÓN

PREPARACION DE LA MÁQUINA

1. Inspeccione cuidadosamente la caja por indicios de daño. Reporte inmediatamente cualquier daño al transportista. La máquina se envía completamente ensamblada y está lista para operar.
2. Extraiga la tapa del tanque de solución y llene el tanque con 38 litros (10 galones) de agua caliente, 60° C (140° F) máximo (Figura 1).

NOTA: La temperatura del agua **NO** debe ser superior a los 60° C (140° F) ya que se podría dañar el tanque.

NOTA: Si utiliza un cubo para llenar el depósito, asegúrese de que dicho cubo esté limpio para evitar que se obstruyan las tuberías de la disolución.



FIG. 1

⚠ ADVERTENCIA: Peligro de incendio o explosión. No use líquidos inflamables.

3. Agregue una solución limpiadora recomendada. Siga las instrucciones de mezcla de la botella.

PARA SU SEGURIDAD: Al usar la máquina, observe las instrucciones de mezcla y manejo de los recipientes de sustancias químicas.

ATENCIÓN: Si usa sustancias químicas limpiadoras en polvo, mezcle antes de agregar.

NOTA: Si se prefiere, el agua caliente sola logra resultados excelentes de limpieza.

4. Vuelva a colocar bien la tapa después de llenar.
5. Conecte el cordón separable de energía a la máquina, use la correa sujetadora del cordón provista.

6. Enchufe el cordón a un tomacorrientes de pared conectado a tierra (Figura 2).

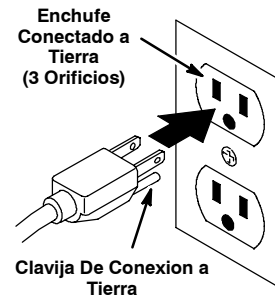


FIG. 2

PARA SU SEGURIDAD: No opere la máquina a menos que el cordón esté bien conectado a tierra.

PARA SU SEGURIDAD: No opere la máquina usando cordones de extensión adicionales. Use sólo el cordón de extensión del fabricante equipado con la máquina que tenga una capacidad apropiada y esté conectado a tierra.

OPERACIÓN DE LA MÁQUINA

PARA SU SEGURIDAD: No opere la máquina a menos que haya leído y entendido el manual del operador.

⚠ ADVERTENCIA: Peligro de incendio o explosión. Nunca utilice líquidos inflamables ni haga funcionar la máquina en las proximidades de líquidos, vapores o polvos inflamables.

PREOPERACION

1. Aspire la alfombra para extraer las partículas y otros desechos.
2. Inspeccione el cordón de energía por daños.

⚠ ADVERTENCIA: Peligro eléctrico. No opere con un cordón eléctrico dañado. No modifique el enchufe. Desenchufe el cordón eléctrico antes de reparar la máquina.

Si el cordón del suministro se daña o se rompe, debe ser reemplazado por el fabricante o su agente de servicio o una persona similarmente calificada para evitar un riesgo.

LIMPIEZA DE ALFOMBRAS

1. Conecte el conmutador de energía principal.
2. Baje la palanca de elevación del cepillo/cabezal de aspiración (Figura 3).



FIG. 3

3. Para comenzar a limpiar, oprima el botón del cepillo/rociador y empuje la máquina hacia adelante a una velocidad de 23 m (75 pies) por minuto. Para áreas muy sucias, empuje la máquina más lentamente (Figura 4).

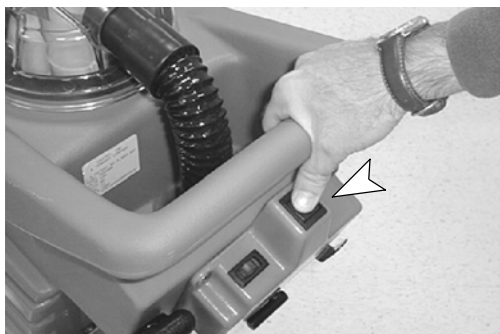


FIG. 4

⚠ ADVERTENCIA: Peligro de incendio o explosión. No recoja materiales inflamables ni metales reactivos.

4. Suelte el botón al final del recorrido y continúe empujando la máquina hacia adelante para aspirar el exceso de solución.
5. Después de limpiar, siga las instrucciones de mantenimiento diario.

NOTA: Permita hasta una hora para que la alfombra se seque. Use ventiladores para reducir el tiempo de secado

AL OPERAR

1. Si fuera necesario, ajuste la altura del cepillo para acomodar los diferentes tipos de alfombras (Vea AJUSTE DE LA ALTURA DEL CEPILLO).
2. Superponga cada recorrido en 51 mm (2 pulg.).

3. Trabaje alejado del tomacorrientes de pared y del cordón de energía para prevenir daños al cordón.
4. Al girar la máquina, suelte el botón de rociado/cepillo, empuje la manija hacia abajo y pivotee la máquina sobre las ruedas posteriores.
5. Inspeccione por acumulación excesiva de espuma en el tanque de recuperación. Use una solución recomendada de control de espuma para prevenir daños al motor.

ATENCIÓN: La espuma no activa el tamiz flotante de corte. Los daños al motor debidos a la espuma o agua no están cubiertos por la garantía.

6. Cuando se activa el tamiz flotante de corte, se interrumpe la aspiración de agua. En este punto drene el tanque de recuperación y vuelva a llenar el tanque de solución. (Vea TANQUES DE DRENAJE).
7. Si el motor del cepillo o de aspiración se para, puede haberse activado un interruptor de circuito. Apague la máquina, desenchufe el cordón de potencia e inspeccione por obstrucciones. Permita que el motor se enfríe y regradúe manualmente el botón del interruptor de circuito, ubicado en la caja del conmutador.
8. Eleve el cepillo/cabezal de aspiración al transportar la máquina al área de drenaje.

OPERACIÓN DE LAS HERRAMIENTAS DE ACCESORIOS (OPCIONAL)

1. Desconecte la manguera de vacío de la cúpula de recuperación y conecte la herramienta de accesorio de la manguera de aspiración (Figura 5).
2. Conecte la herramienta de accesorio de la manguera de solución al acople rápido, ubicado al frente de la manija (Figura 5).



FIG. 5

3. Fije la herramienta de accesorio deseado a la manguera.
4. Conecte el conmutador de energía principal.

OPERACIÓN

5. Comience a operar la herramienta de los accesorios (Figura 6).



FIG. 6

⚠ ADVERTENCIA: Peligro de incendio o explosión. No recoja materiales inflamables ni metales reactivos.

NOTA: Al limpiar tapicería, consulte siempre las instrucciones de limpieza cosidas en el mueble por el fabricante.

6. Después de operar la herramienta de accesorio y antes de desconectar la manguera, elimine la presión del agua de la herramienta. Oprima el gatillo por cinco segundos después de desconectar los conmutadores.

AJUSTE DE LA ALTURA DEL CEPILLO

1. Apague la máquina y desenchufe el cordón de energía del tomacorrientes de pared.

⚠ ADVERTENCIA: Cepillo giratorio. Mantenga alejadas las manos. Apague la máquina antes de trabajar en ella.

⚠ ADVERTENCIA: Peligro eléctrico. Desenchufe el cordón eléctrico antes de reparar la máquina.

2. Para ajustar la altura del cepillo, use un destornillador estándar y gire la palanca de ajuste de altura del cepillo en incrementos de 1/4 de vuelta, 4 graduaciones (Figura 7).

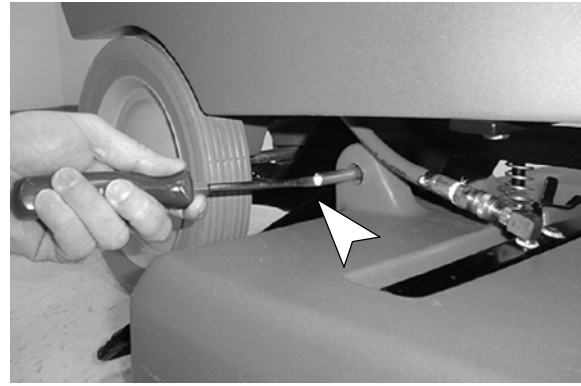


FIG. 7

VACIADO DE LOS DEPÓSITOS

⚠ ADVERTENCIA: Peligro eléctrico. Desenchufe el cordón eléctrico antes de reparar la máquina.

NOTA: Si utiliza un cubo para llenar el depósito, asegúrese de que dicho cubo esté limpio para evitar que se obstruyan las tuberías de la disolución.

VACIADO DEL DEPÓSITO DE RECUPERACIÓN

1. Desconecte el conmutador de energía y desenchufe el cordón de energía. Eleve la manija elevadora del cepillo y transporte la máquina al área de drenaje.
2. Retire el tapón de la manguera de vaciado del depósito de recuperación girándolo en sentido contrario a las agujas del reloj y vacíe el depósito (Figura 8).

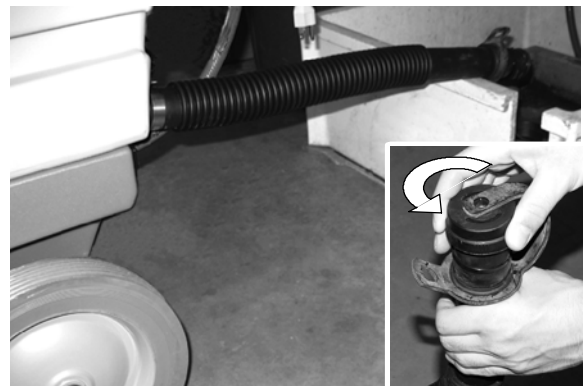


FIG. 8

3. Después de drenar, vuelva a colocar bien la tapón de la manguera de drenaje.

VACIADO DE LA DISOLUCIÓN LIMPIADORA SOBRENTE

1. Conecte 1 m (3 pies) de la manguera de bombeo, provista con la máquina, al acople de solución de la máquina (Figura 9).



FIG. 9

2. Dirija la manguera a un balde o drenaje de piso.
3. Conecte el conmutador de energía principal.

NOTA: Usted puede usar también la manguera de bombeo para enjuagar el tanque de recuperación cuando hay agua restante.

MANTENIMIENTO DE LA MÁQUINA

Para mantener la máquina en buen estado de funcionamiento, simplemente observe los procedimientos de mantenimiento diarios, semanales y mensuales de la máquina.

⚠ ADVERTENCIA: Peligro eléctrico. Desenchufe el cordón eléctrico antes de reparar la máquina.

Póngase en contacto con un Centro de Servicio autorizado para reparar las reparaciones necesarias.

PARA SU SEGURIDAD: Todas las reparaciones deben ser realizadas por una persona de servicio calificada.

MANTENIMIENTO DIARIO (Después de cada uso)

1. Después de cada uso enjuague bien el tanque y la cúpula de recuperación.
2. Extraiga el tamiz flotante de corte y limpie. El tamiz está ubicado en el tanque de recuperación (Figura 10).



FIG. 10

3. Aspire la solución restante del tanque de solución, usando la manguera de limpieza de 1 m (3 pies).
4. Extraiga y enjuague el diafragma del tamiz del tanque.
5. Extraiga las fibras y los desechos atrapados de la alfombra en el cepillo.
6. Extraiga los desechos taponados en el cabezal de aspiración.
7. Inspeccione por daños el cordón de energía, reemplace si es necesario. Enrolle prolijamente el cordón después de cada uso.

Si el cordón del suministro se daña o se rompe, debe ser reemplazado por el fabricante o su agente de servicio o una persona similarmente calificada para evitar un riesgo.

8. Limpie la máquina con un limpiador no abrasivo y sin solvente.

PARA SU SEGURIDAD: Cuando limpie la máquina, no moje la máquina rociándola o utilizando una manguera. Pueden producirse fallos eléctricos.

MANTENIMIENTO SEMANAL (Cada 20 horas de uso)

1. Inspeccione la manguera de vacío por orificios y bandas sujetadoras flojas.
2. Inspeccione el patrón de rociado por taponamiento. De estar taponado, extraiga las puntas rociadoras y sumerja en solución de ácido acético por hasta seis horas. No use objetos aguzados para destapar las puntas ya que puede resultar en daños.

PARA SU SEGURIDAD: Al usar la máquina, siga las instrucciones de mezcla y manejo en los recipientes de sustancias químicas.

3. Inspeccione por daños el cordón flexible, la empuñadura del cordón y el cordón separable de energía. Si está dañado reemplace inmediatamente.

OPERACIÓN

Si el cordón del suministro se daña o se rompe, debe ser reemplazado por el fabricante o su agente de servicio o una persona similarmente calificada para evitar un riesgo.

MANTENIMIENTO MENSUAL (Cada 80 horas de uso)

1. Para disolver la acumulación normal de sustancias químicas alcalinas lave el sistema de la bomba con solución de ácido acético. Siga las instrucciones de abajo:

PARA PROTECCION: Al usar la máquina, siga las instrucciones de mezcla y manejo en los recipientes de sustancias químicas.

- a. Premezcle .5 L (16 oz) de una solución de ácido acético con 7.5 L (2 gal) de agua caliente, 60° C (140° F) máximo y vierta en el tanque de solución.

NOTA: La temperatura del agua **NO** debe ser superior a los 60° C (140° F) ya que se podría dañar el tanque.

NOTA: Al llenar el tanque de la solución con un balde, asegúrese que el balde esté limpio. No use el mismo balde para llenar y vaciar la máquina.

- b. Conecte el conmutador de energía principal.
 - c. Coloque en posición el cepillo/cabezal de vacío sobre el drenaje de piso y active el botón de cepillo/rociado por un minuto.
 - d. Apague la máquina y permita que la solución restante disuelva la acumulación alcalina durante la noche.
 - e. Al día siguiente, rocíe la solución restante y lave el sistema con 11 L (3 gal) de agua limpia.
2. Lubrique las ruedas y rueda metálica con un aceite resistente al agua.
 3. Inspeccione la máquina por pérdidas de agua.
 4. Inspeccione la máquina por tornillos flojos.

MANTENIMIENTO TRIMESTRAL (Cada 250 horas de operación)

Verifique si están desgastadas las escobillas de carbono en los motores de los cepillos. Reemplace las escobillas de carbono cuando el desgaste las haya dejado con una longitud de 10 mm (0.38 pulg.) o menos.

Consulte con un Centro de Servicio Autorizado si necesita efectuar reparaciones de la máquina.

PARA SU SEGURIDAD: Todas las reparaciones de máquina deben ser realizadas por un técnico calificado.

SERVICIO A LA MÁQUINA

⚠ ADVERTENCIA: Peligro eléctrico. Desenchufe el cordón eléctrico antes de reparar la máquina.

Para obtener acceso a los componentes internos para reparar:

1. Extraiga el tornillo del acople de la manija elevadora según se muestra, se requiere una llave de 0.5 pulgadas (Figura 11).



FIG. 11

ATENCIÓN: Antes de abrir asegúrese que los tanques estén vacíos.

2. Extraiga dos pernos de cabeza hexagonal al frente de la máquina, se requiere una llave de 9/16".
3. Gire el tanque hacia atrás alejado del bastidor (Figura 12).

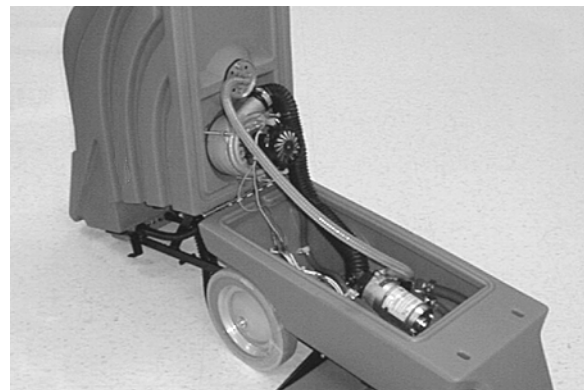


FIG. 12

4. Al cerrar la máquina, tenga cuidado en no presionar las mangueras o el cableado interno.

ALMACENAMIENTO DE LA MÁQUINA

1. Asegúrese de limpiar los tanques y drenar la máquina de todo el agua, antes de almacenar la misma.
2. Almacenar la máquina en un área seca en posición vertical con el cepillo/cabezal de aspiración elevado sobre el piso.
3. Extraiga la cúpula de recuperación para promover la circulación de aire.

ATENCIÓN: Si se almacena la máquina a temperaturas de congelación, asegúrese que la bomba y el sistema rociador de la máquina estén completamente drenados y secos. Los daños debidos a temperaturas de congelación no están cubiertos por la garantía.

⚠️ ADVERTENCIA: Peligro choque eléctrico. No use al aire libre. No exponga a la lluvia. Almacén bajo techo.

ARTICULOS RECOMENDADOS PARA MANTENER EN STOCK

Para los artículos recomendados para mantener en existencia, referirse la al Lista de Piezas. Los artículos para mantener en stock están claramente identificados con una bala delante de la descripción de las piezas. Vea el ejemplo de abajo:

Ref.	Part No.	Description	Qty.
1	701103	ASM.,STANDPIPE	1
2	180618	●FLOAT, SHUTOFF	1
3	230197	NIPPLE	1
4	101714	●GASKET	1
5	210240	NUT, FLANGED	1

OPERACIÓN

LOCALIZACION DE FALLAS

PROBLEMA	CAUSA	SOLUCION
La máquina no funciona.	Conmutador de energía principal o cableado defectuoso.	Consulte con el Centro de Servicio.
	Interruptor de circuito de la máquina activado.	Regradúe el interruptor de circuito.
	Cordón de energía defectuoso.	Consulte con el Centro de Servicio.
	Interruptor de circuito del edificio activado.	Regradúe el interruptor.
La bomba de solución no funciona.	Bomba recalentada.	Determine la causa, espere 20 minutos para que la bomba se enfríe y regradúe el interruptor.
	Bomba de solución defectuosa.	Consulte con el Centro de Servicio.
	Solenoide defectuoso.	Consulte con el Centro de Servicio.
	Conmutador de cepillo/rociador defectuoso.	Consulte con el Centro de Servicio.
	Cableado flojo o roto.	Consulte con el Centro de Servicio.
El motor de vacío no funciona.	Recalentador térmico del motor de vacío activado.	Inspeccione el flujo de aire por obstrucción y espere 20 minutos para que el motor se enfríe.
	Cableado flojo o roto.	Consulte con el Centro de Servicio.
	Conmutador de energía principal defectuoso.	Consulte con el Centro de Servicio.
	Motor de vacío defectuoso.	Consulte con el Centro de Servicio.
	Escobillas de carbón desgastadas.	Reemplace las escobillas o llame para el servicio.
El motor del cepillo no funciona.	Interruptor de circuito del motor del cepillo activado.	Extraiga la obstrucción del cepillo. Regradúe el botón del interruptor del circuito en la caja del conmutador.
	Botón del cepillo/rociador no se ha oprimido.	Oprima el botón del cepillo/rociador.
	Motor del cepillo defectuoso.	Consulte con el Centro de Servicio.
	Correa del cepillo floja o rota.	Consulte con el Centro de Servicio.
	Conmutador o cableado defectuoso.	Consulte con el Centro de Servicio.

LOCALIZACION DE FALLAS - CONTINUADO

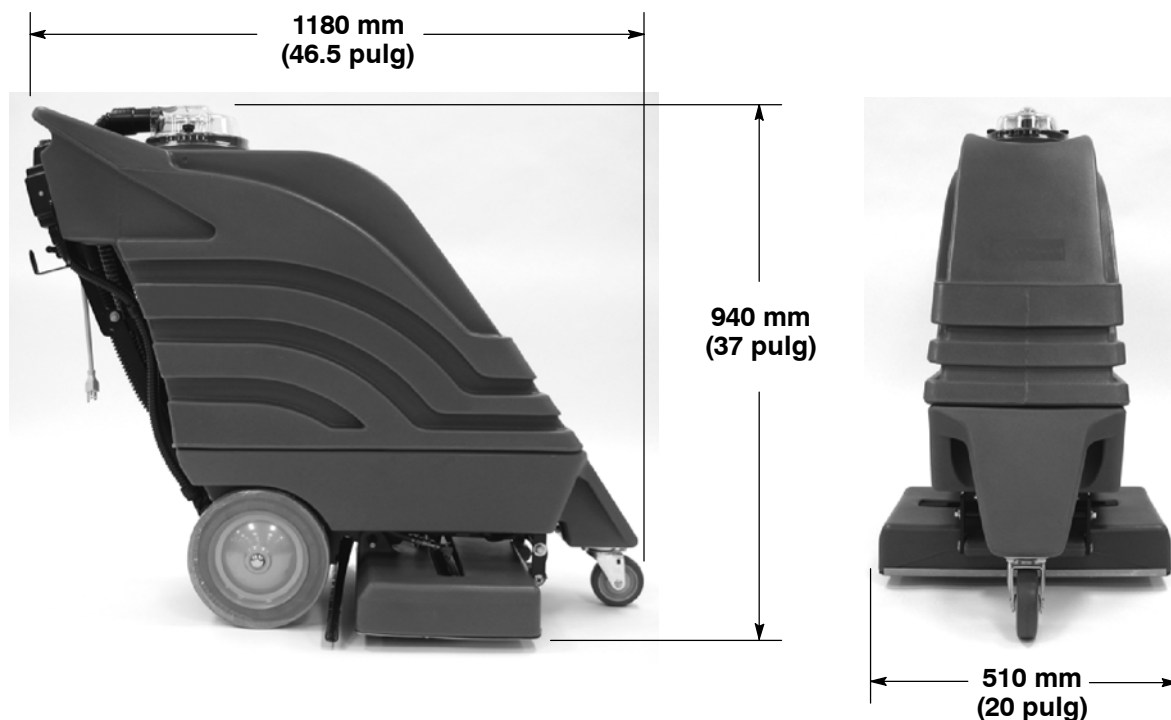
Mala aspiración.	Tapón de la manguera de drenaje flojo.	Tape bien la manguera de drenaje.
	Tanque de recuperación lleno.	Drene el tanque de recuperación.
	Tamiz flotante de corte taponado.	Extraiga la cúpula de recuperación y limpie la pelusa del tamiz.
	Pérdida de aire alrededor de la cúpula de recuperación.	Ajuste las perillas de la cúpula de recuperación o reemplace las juntas.
	Conexiones de la manguera de vacío flojas.	Asegure las conexiones.
	Manguera de vacío defectuosa.	Reemplace la manguera.
	Bandas sujetadoras de la manguera de vacío flojas.	Asegure las bandas sujetadoras a la manguera.
	Cabezal de vacío taponado.	Desprenda los desechos del cabezal de vacío.
	Empuja la máquina demasiado rápido.	Limpie a menos velocidad.
Rociado irregular o faltante.	Puntas de rociado sucias o taponadas.	Limpie o reemplace las puntas.
	Tamaño de la punta de rociado o ángulo de rociado incorrectos.	Reemplazar con puntas apropiadas.
	Puntas de rociado gastadas.	Reemplace las puntas de rociado.
	Tanque de solución bajo o vacío.	Llene el tanque de solución.
	Bomba de solución defectuosa.	Consulte con el Centro de Servicio.
	Filtro del tanque de solución taponado.	Limpie el filtro.

OPERACIÓN

ESPECIFICACIONES

Modelo	Frontier®
LARGO	1180 mm (46.5 pulg.)
ANCHO	510 mm (20 pulg.)
ALTO	940 mm (37 pulg.)
PESO	54 Kg (120 lbs)
ANCHO DEL RECORRIDO DE LIMPIEZA	510 mm (20 pulg.)
CAPACIDAD DEL TANQUE DE SOLUCION	38 ltr (10 gal)
CAPACIDAD DEL TANQUE DE RECUPERACION	55 ltr (14.5 gal)
BOMBAS DE SOLUCION	120V, 6.9 barías/100 psi, 1 amperio
BOQUILLAS ROCIADORAS	5- 80015 Quickjet
MOTOR DE VACIO	120V, 3-etapas, 1.8 hp, 13 amp, 1560 vatios
ELEVADOR SELLADO DE AGUA	3.5 m (137 pulg.)
MOTOR DEL CEPILLO	120V, .1 hp, 1800 rpm, .75 A, 90 Vatios
LARGO DEL CORDON DE ENERGIA	120V -23 m (75 ft)
CONSUMO TOTAL DE ENERGIA	120V, 14.2 A, 1710 Vatios
CLASIFICACION NOMINAL DE DECIBELES AL OIDO DEL OPERADOR, BAJO TECHO SOBRE LA ALFOMBRA	80dB(A)

DIMENSIONES DE LA MÁQUINA



Ce manuel est fourni avec chaque nouveau modèle. Il fournit les instructions nécessaires au fonctionnement et à l'entretien. Il est muni d'une liste complète de pièces détachées illustrée.

Lisez complètement ce manuel et familiarisez-vous avec la machine avant de l'utiliser ou de l'entretenir.

Utilisez la liste de pièces détachées pour commander des pièces de rechange. Avant de commander des pièces ou des fournitures, soyez sûr d'avoir avec vous le numéro de modèle de la machine et le numéro de série. Les pièces et les fournitures se commandent par téléphone ou par courrier auprès de tout centre de dépannage agréé, de tout distributeur ou de l'une des filiales du fabricant.

Cette machine vous fournira d'excellents services. Toutefois, vous obtiendrez les meilleurs résultats pour un prix de revient minimum si:

- La machine est manipulée avec un certain soin.
- La machine fait l'objet d'un entretien régulier conformément aux instructions d'entretien de ce manuel.
- L'entretien de la machine est effectué avec des pièces fournies par le fabricant ou des pièces équivalentes.

DONNÉES DE LA MACHINE

A remplir au moment de l'installation à titre de référence.

Modèle n° _____

Date d'installation - _____

N° série - _____



PROTECTION DE L'ENVIRONNEMENT

Veillez éliminer les matériaux d'emballage, les composants d'anciennes machines comme les batteries, les fluides dangereux tels que l'antigel ou l'huile, d'une manière sûre au point de vue environnemental, suivant la réglementation locale en vigueur en matière d'élimination des déchets.



N'oubliez pas de toujours recycler.

FONCTIONNEMENT

TABLE DES MATIÈRES

MESURES DE SÉCURITÉ	31	DONNÉES TECHNIQUES	42
INSTRUCTIONS DE MISE À LA TERRE ...	32	DIMENSIONS DE LA MACHINE	42
ÉTIQUETTES DE MISE EN GARDE	33	SYSTÈM ÉLECTRIQUE	43
COMPOSANTS DE LA MACHINE	34	LISTE DES PIÈCES	44
MISE EN SERVICE DE LA MACHINE	35	GROUPE RESERVOIR DE RECUPERATION	44
FONCTIONNEMENT DE L'APPAREIL	35	GROUPE DU CHASSIS	46
OPÉRATIONS PRÉLIMINAIRES	35	GROUPE TABLEAU DE COMMANDE (120V)	48
NETTOYAGE DES MOQUETTES	36	GROUPE LOGEMENT DE BROSSÉ	50
PENDANT LE FONCTIONNEMENT	36	ENSEMBLE DE LA BROSSÉ	52
FONCTIONNEMENT DES ACCESSOIRES		GROUPE DE LEVIER D'ASCENSEUR DE	
(EN OPTION)	36	CARTER DE BROSSÉ	53
RÉGLAGE DE LA HAUTEUR DE BROSSÉ	37	GROUPE DE TUYAUTERIE	54
VIDANGE DES RÉSERVOIRS	37	ENSEMBLE DE LA BROSSÉ	55
VIDANGE DU RÉSERVOIR DE		ÉQUIPEMENT AU CHOIX	56
RÉCUPÉRATION	37	OUTIL A MAIN, 127 mm (5 in)	56
VIDANGE DE LA SOLUTION NETTOYANTE		OUTIL POUR FISSURES, 76 mm (3 in)	56
RESTANTE	38	OUTIL À MAIN À BASSE PRESSION POUR	
ENTRETIEN DE LA MACHINE	38	TISSUS D'AMEUBLEMENT	57
ENTRETIEN QUOTIDIEN	38	OUTIL DE SOL À BASSE	
ENTRETIEN HEBDOMADAIRE	39	PRESSION 330 mm (13 in)	58
ENTRETIEN MENSUEL	39	OUTIL DE SOL À BASSE	
ENTRETIEN TRIMESTRIEL	39	PRESSION 406 mm (16 in)	60
ENTRETIEN DE LA MACHINE:	39	TUYAUX DE SOLUTION ET D'EXTRACTION	62
ENTREPOSAGE DE LA MACHINE	40	PULVÉRISATEUR DE POMPAGE POUR	
ARTICLES DE STOCK RECOMMANDÉS	40	MOQUETTES	62
DÉPISTAGE DES PANNES	40		
DÉPISTAGE DES PANNES	41		

MESURES DE SÉCURITÉ

Cette machine est conçue pour un usage commercial. Elle est destinée exclusivement au nettoyage des moquettes et tissus d'ameublement dans un environnement intérieur et ne convient pas à un quelconque autre usage. Utilisez uniquement des accessoires et des produits nettoyants pour moquettes disponibles dans le commerce, prévus pour l'utilisation de la machine.

Tous les opérateurs sont tenus de lire et comprendre les consignes de sécurité suivantes et de se familiariser avec celles-ci.

Le symbole de mise en garde suivant et l'en-tête « POUR VOTRE SECURITE » sont utilisés tout au long de ce manuel comme indiqué dans leur description :

⚠ MISE EN GARDE : identifie la présence de dangers ou les opérations dangereuses susceptibles de blesser grièvement ou de provoquer la mort.

POUR VOTRE SECURITÉ : identifie les instructions qui doivent être suivies afin de garantir la sécurité lors de l'utilisation de l'équipement.

Le fait de ne pas respecter ces avertissements peut entraîner des blessures, un choc électrique, un incendie ou une explosion.

⚠ MISE EN GARDE : danger d'incendie ou d'explosion :

- N'utilisez jamais de liquides inflammables ou n'utilisez pas la machine dans ou près de liquides ou vapeurs inflammables ou de poussières combustibles.

Cette machine n'est pas équipée de moteurs protégés contre les explosions. Les moteurs électriques émettent des étincelles au moment du démarrage et pendant leur fonctionnement, ce qui peut entraîner un incendie instantané ou une explosion si la machine est utilisée dans une zone où des vapeurs/liquides inflammables ou des poussières combustibles, sont présents.

- Ne ramassez pas de matériaux inflammables ou de métaux réactifs.

⚠ MISE EN GARDE : danger électrique. N'utilisez pas la machine avec un cordon d'alimentation endommagé. Ne modifiez pas la prise. Débranchez le cordon d'alimentation avant d'entretenir la machine.

Si le cordon d'alimentation est endommagé ou rompu, il doit être remplacé par le fabricant ou son agent de maintenance ou toute autre personne qualifiée, afin d'éviter tout danger.

⚠ MISE EN GARDE : brosse en rotation. Eloignez vos mains. Coupez le contact avant de travailler sur la machine.

⚠ MISE EN GARDE: Risque d'électrocution. Ne pas utiliser à l'extérieur. N'exposez pas à la pluie. Entreposez à l'intérieur.

Les signaux d'information ci-après indiquent les situations potentiellement dangereuses pour l'opérateur ou l'équipement :

POUR VOTRE SECURITÉ :

1. N'utilisez pas la machine :

- avec des liquides inflammables ou près de vapeurs inflammables, afin d'éviter le risque d'explosion ou d'incendie instantané.
- Si vous n'y êtes pas formé et autorisé.
- Avant d'avoir lu et compris le manuel opérateur.
- Si le cordon n'est pas correctement relié à la terre.
- Avec des cordons ou prises endommagés.
- Si elle n'est pas en bon état de marche.
- À l'extérieur.
- Dans l'eau stagnante.
- Modèles 240 V - Avec une rallonge.
- Modèles 120 V - Avec des rallonges de cordons supplémentaires. Utilisez uniquement les rallonges de cordons équipées avec la machine ; celles-ci possèdent la capacité adéquate et sont reliées à la terre.

2. Avant d'utiliser la machine :

- Assurez-vous que tous les dispositifs de sécurité se trouvent à leur place et fonctionnent correctement.
- Placez les signes SOL HUMIDE si nécessaire.

3. Lors de l'utilisation de la machine :

- Ne roulez pas sur le cordon avec l'appareil.
- Ne tirez pas la machine par la prise ou le cordon.
- Ne tirez pas le cordon près des bords ou des coins vifs.
- Ne débranchez pas l'appareil en tirant sur le cordon.
- N'étirez pas le cordon.

FONCTIONNEMENT

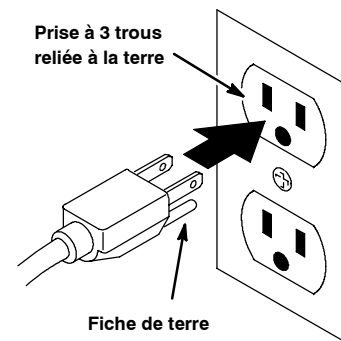
- Ne manipulez pas la prise avec des mains mouillées.
 - Éloignez le cordon des surfaces chaudes.
 - Signalez immédiatement tout dommage occasionné à la machine ou tout mauvais fonctionnement.
 - Suivez les instructions de mélange et de manipulation indiquées sur les conteneurs chimiques.
 - Empêchez les enfants de jouer à proximité de la machine.
4. Avant de quitter ou d'entretenir la machine :
- Coupez le contact de la machine.
 - Débranchez le cordon de la prise murale.
5. Lors de l'entretien de la machine :
- Débranchez le cordon de la prise murale.
 - Évitez les pièces mobiles. Ne portez pas de veste ou de chemise large ou de manches amples.
 - Utilisez des pièces de rechanges fournies ou agréées par le fabricant.
 - Toutes les réparations doivent être effectuées uniquement par un technicien qualifié.
 - Ne modifiez pas le design d'origine de la machine.

6. Lors du transport de la machine :

- Demandez de l'aide pour soulever la machine.
- Débranchez le cordon de la prise murale.
- Utilisez des sangles pour arrimer la machine sur le camion ou la remorque.

INSTRUCTIONS DE MISE À LA TERRE

La machine doit être mise à la terre. En cas de dysfonctionnement ou de panne, la mise à la terre offre une voie de moindre résistance au courant électrique, afin de réduire le risque de décharge électrique. Cette machine est équipée d'un cordon muni d'un conducteur de terre principale et d'une fiche avec mise à la terre. La fiche doit être branchée sur une prise appropriée montée correctement, conformément aux réglementations et codes en vigueur au niveau local. Ne supprimez pas la fiche de mise à la terre ; si celle-ci manque, remplacez la prise avant d'utiliser la machine.



ÉTIQUETTES DE MISE EN GARDE

L'étiquette de mise en garde apparaît sur la machine à l'emplacement indiqué. Remplacez l'étiquette lorsqu'elle est endommagée ou qu'elle devient illisible.



ÉTIQUETTE MISE EN GARDE – Située au dos du panneau de commande.

⚠ WARNING	
  	
EXPLOSION, FIRE AND SHOCK HAZARD. AVOID INJURY. <ul style="list-style-type: none"> • Do Not Use or Pick Up Flammable Materials. • Do Not Use Near Flammable Liquids, Vapors or Combustible Dusts. • Do Not Operate With Damaged Power Cord. Do Not Modify Plug. Unplug Power Cord Before Servicing Machine. • Do Not Use Outdoors. Do Not Expose to Rain. Store Indoors. 	
⚠ AVERTISSEMENT	
RISQUE D'EXPLOSION, D'INCENDIE ET DE DÉCHARGE. ÉVITEZ LES BLESSURES. <ul style="list-style-type: none"> • N'utilisez Pas ou Ne Ramassez Pas de Matériaux Inflammables. • N'utilisez Pas Près de Liquides, Vapeurs ou Poussières Inflammables. • N'utilisez Pas la Machine Avec un Cordon d'Alimentation Endommagé. Ne Modifiez Pas la Prise. Débranchez le Cordon d'Alimentation Avant d'Entretenir la Machine. • N'utilisez Pas en Extérieur. N'Exposez Pas à la Pluie. Entrezposez à l'Intérieur. 	
⚠ ADVERTENCIA	
PELIGRO DE EXPLOSIÓN, FUEGO, DESCARGA EVITE LESIONES. <ul style="list-style-type: none"> • No Use Ó Recoja Materiales Flamables. • No Use Cerca De Líquidos Flamables, Vapores Ó Materiales Combustibles. • No Use Con Cable De Corriente Dañado. No Altere El Enchufe. Desconecte Cable De Corriente Antes Del Mantenimiento. • No Use Al Aire Libre. No Exponga A La Lluvia. Guarde Bajo Techo. 	
1026384	

FONCTIONNEMENT

COMPOSANTS DE LA MACHINE



1. Couvercle du réservoir de récupération
2. Couvercle du réservoir de solution
3. Barre de diffusion
4. Roulettes de montée d'escalier 254 mm
5. Rallonge de cordon d'alimentation (modèle 120 V)
6. Tuyau de purge
7. Raccord rapide du tuyau de solution de l'accessoire
8. Commutateur principal

9. Commutateur de brosse/pulvérisateur
10. Tuyau de vidange du réservoir de récupération
11. Coupe-circuit (sous le boîtier de manœuvre)
12. Crochet de stockage du câble d'alimentation
13. Levier de soulèvement de la tête de brosse/d'extracteur
14. Toron de raccordement d'alimentation (modèle 120 V)
15. Tête d'extracteur
16. Logement de brosse

MISE EN SERVICE DE LA MACHINE

1. Vérifiez soigneusement si le carton ne présente pas de dommages. Signalez immédiatement tout dommage au transporteur. La machine est expédiée montée et prête à l'emploi.
2. Retirez le couvercle du réservoir de solution et remplissez le réservoir de 38 litres d'eau chaude, à une température maximale de 60°C (Figure 1).

REMARQUE : La température de l'eau ne doit **pas** excéder 60°C, afin d'éviter tout endommagement du réservoir.

REMARQUE : lorsque vous remplissez le réservoir de solution avec un seau, assurez-vous que le seau est propre. N'utilisez pas le même seau pour remplir et pour vider la machine.



FIG. 1

⚠ MISE EN GARDE : danger d'incendie ou d'explosion. N'utilisez jamais de liquides inflammables.

3. Ajoutez une solution de nettoyage recommandée. Suivez les instructions de dosage figurant sur le flacon.

POUR VOTRE SECURITÉ : lorsque vous utilisez la machine, suivez les instructions de mélange et de manipulation indiquées sur les conteneurs chimiques.

ATTENTION : Si vous utilisez des nettoyants chimiques en poudre, mélangez avant d'ajouter les produits.

REMARQUE : Si vous le souhaitez, utilisez de l'eau chaude uniquement : vous obtiendrez un excellent résultat.

4. Remettez le couvercle fermement après le remplissage.
5. Branchez la rallonge de cordon sur la machine (modèle 120 V).

6. Branchez le cordon d'alimentation dans une prise murale munie d'une broche de terre (Figure 2).

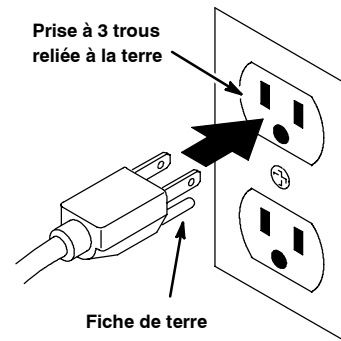


FIG. 2

POUR VOTRE SECURITÉ : N'utilisez la machine que si le cordon est correctement relié à la terre.

FONCTIONNEMENT DE L'APPAREIL

POUR VOTRE SECURITÉ : n'utilisez pas la machine avant d'avoir lu et compris le manuel opérateur.

⚠ MISE EN GARDE : danger d'incendie ou d'explosion. N'utilisez jamais de liquides inflammables ou n'utilisez pas la machine dans ou près de liquides ou vapeurs inflammables ou de poussières combustibles.

OPÉRATIONS PRÉLIMINAIRES

1. Aspirez la moquette pour enlever les particules et les autres débris.
2. Vérifiez si le cordon d'alimentation n'est pas endommagé.

⚠ MISE EN GARDE : danger électrique. N'utilisez pas la machine avec un cordon d'alimentation endommagé. Ne modifiez pas la prise. Débranchez le cordon d'alimentation avant d'entretenir la machine.

Si le cordon d'alimentation est endommagé ou rompu, il doit être remplacé par le fabricant ou son agent de maintenance ou toute autre personne qualifiée, afin d'éviter tout danger.

FONCTIONNEMENT

NETTOYAGE DES MOQUETTES

1. Activez le commutateur principal.
2. Abaissez le levier de soulèvement de la tête de brossage/d'extracteur (Figure 3).



FIG. 3

3. Pour commencer le nettoyage, maintenez enfoncé le commutateur de brosse/pulvérisateur et poussez la machine vers l'avant à une allure de 23 m par minute. Pour les zones particulièrement sales, poussez la machine plus lentement (Figure 4).

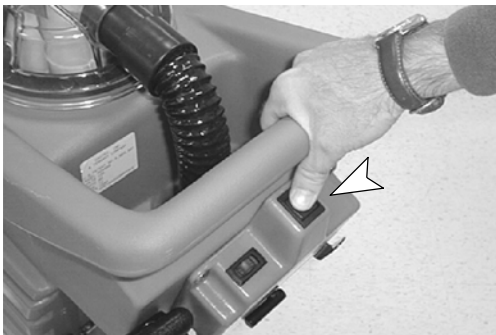


FIG. 4

⚠ MISE EN GARDE : danger d'incendie ou d'explosion. Ne ramassez pas de matériaux inflammables ou de métaux réactifs.

4. Relâchez le bouton à la fin du couloir et continuez à pousser la machine vers l'avant afin de ramasser l'excédent de solution.
5. Après le nettoyage, effectuez la procédure d'entretien quotidien de la machine.

REMARQUE : Laissez sécher la moquette pendant une heure maximum. Utilisez des systèmes de soufflerie pour réduire le temps de séchage.

PENDANT LE FONCTIONNEMENT

1. Si nécessaire, ajustez la hauteur de la brosse pour l'adapter au type de moquette (voir RÉGLAGE DE LA HAUTEUR DE BROSSE).
2. Faites chevaucher de 51 mm chaque couloir de nettoyage.

3. Restez à l'écart de la prise murale et du cordon d'alimentation pour éviter d'endommager le cordon d'alimentation.
4. Lorsque vous faites tourner la machine, relâchez le commutateur de brosse/pulvérisateur, poussez la poignée vers le bas et faites pivoter la machine sur les roues arrière.
5. Vérifiez si une quantité importante de mousse ne s'est pas formée dans le réservoir de récupération. Utilisez un désémulsifiant recommandé pour prévenir tout dommage du moteur.

ATTENTION : La mousse n'active pas le filtre d'arrêt à flotteur. Les dommages du moteur de l'extracteur occasionnés par de la mousse ou de l'eau ne sont pas couverts par la garantie.

6. Lorsque le filtre d'arrêt à flotteur est activé, le ramassage de l'eau s'arrête. À ce moment, videz le réservoir de récupération et remplissez le réservoir de solution (Voir VIDANGE DES RÉSERVOIRS).
7. Si la brosse ou le moteur d'extraction s'arrêtent, il se peut que le coupe-circuit ait été déclenché. Coupez l'alimentation de la machine, débranchez le cordon d'alimentation et vérifiez la présence d'obstructions. Laissez refroidir le moteur et réenclenchez manuellement le bouton du coupe-circuit, situé sur le boîtier de manœuvre.
8. Soulevez la tête de brossage/extraction lorsque vous transportez la machine vers une zone de vidange.

FONCTIONNEMENT DES ACCESSOIRES (EN OPTION)

1. Débranchez le tuyau d'aspiration du couvercle du réservoir de récupération et branchez le tuyau d'aspiration de l'instrument à la place (Figure 5).
2. Branchez le tuyau de solution de l'instrument au raccord rapide qui se trouve à l'avant de la poignée (Figure 5).



FIG. 5

3. Fixez l'instrument de votre choix aux tuyaux.
4. Activez le commutateur principal.

5. Commencez à utiliser l'accessoire (Figure 6).



FIG. 6

⚠ MISE EN GARDE : danger d'incendie ou d'explosion. Ne ramassez pas de matériaux inflammables ou de métaux réactifs.

REMARQUE : Lorsque vous nettoyez des tissus d'ameublement, vérifiez toujours les instructions de nettoyage du fabricant cousues dans le meuble.

6. Après avoir utilisé l'instrument accessoire, réduisez la pression d'eau dans l'instrument, avant de débrancher le tuyau. Appuyez sur le déclencheur pendant cinq secondes après avoir coupé l'alimentation.

RÉGLAGE DE LA HAUTEUR DE BROSSE

1. Coupez l'alimentation de la machine et débranchez le cordon d'alimentation de la prise murale.

⚠ MISE EN GARDE : brosse en rotation. Eloignez vos mains. Coupez le contact avant de travailler sur la machine.

⚠ MISE EN GARDE : danger électrique. Débranchez le cordon d'alimentation avant de quitter ou d'entretenir la machine.

2. Pour régler la hauteur de brosse, utilisez un tournevis standard et tournez le levier de réglage de la hauteur de brosse par paliers de 1/4 de tour, sur l'une des 4 positions (Figure 7).

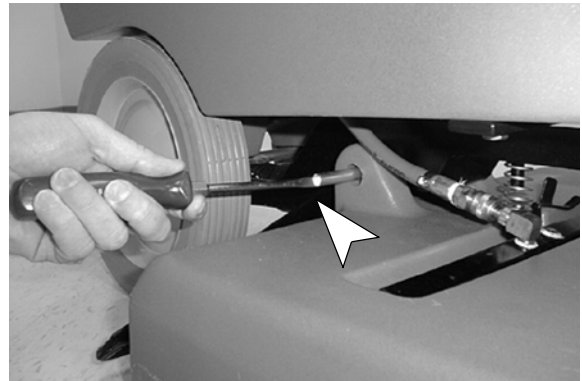


FIG. 7

VIDANGE DES RÉSERVOIRS

⚠ MISE EN GARDE : danger électrique. Débranchez le cordon d'alimentation avant de quitter ou d'entretenir la machine.

REMARQUE : Utilisez toujours des seaux différents pour vider et remplir la machine.

VIDANGE DU RÉSERVOIR DE RÉCUPÉRATION

1. Désactivez le commutateur d'alimentation et débranchez le cordon d'alimentation. Soulevez la poignée de levage de la tête de brossage lorsque vous transportez la machine vers une zone de vidange.
2. Retirez le bouchon du tuyau de drainage du réservoir de récupération en le tournant dans le sens contraire des aiguilles d'une montre et videz le réservoir (Figure 8).



FIG. 8

3. Après la vidange, revissez fermement le bouchon du tuyau de vidange.

FONCTIONNEMENT

VIDANGE DE LA SOLUTION NETTOYANTE RESTANTE

1. Branchez le raccord rapide de la machine, le tuyau de purge de 1 m fourni avec la machine (Figure 9).



FIG. 9

2. Dirigez le tuyau dans un seau ou un siphon de sol.
3. Activez le commutateur principal.

REMARQUE : Vous pouvez également utiliser le tuyau de purge pour rincer le réservoir de récupération lorsqu'il y a un restant d'eau.

ENTRETIEN DE LA MACHINE

Pour maintenir la machine en bonne condition de fonctionnement, suivez simplement les procédures d'entretien quotidiennes, hebdomadaires et mensuelles de la machine.

⚠ MISE EN GARDE : danger électrique.
Débranchez le cordon d'alimentation avant de quitter ou d'entretenir la machine.

Contactez un service de réparation agréé pour les réparations de la machine.

POUR VOTRE SECURITÉ : Lors du dépannage de la machine, toutes les réparations doivent être effectuées uniquement par un technicien qualifié.

ENTRETIEN QUOTIDIEN (Après chaque utilisation)

1. Rincez le réservoir de récupération et le couvercle du réservoir de récupération après l'emploi.
2. Retirez et nettoyez le filtre d'arrêt à flotteur. Le filtre est situé dans le réservoir de récupération (Figure 10).



FIG. 10

3. Aspirez le reste de solution dans le réservoir de solution, à l'aide du tuyau de purge de 1 m.
4. Retirez et rincez le filtre du réservoir de solution.
5. Retirez toute fibre de moquette et tout débris coincé dans la brosse.
6. Retirez tout débris coincé dans la tête d'extraction.
7. Vérifiez si le câble d'alimentation n'est pas endommagé et remplacez-le si nécessaire. Enroulez soigneusement le cordon après chaque utilisation.
8. Nettoyez la machine avec un produit non-abrasif et non-solvant.

Si le cordon d'alimentation est endommagé ou rompu, il doit être remplacé par le fabricant ou son agent de maintenance ou toute autre personne qualifiée, afin d'éviter tout danger.

POUR VOTRE SECURITÉ : lorsque vous nettoyez la machine, n'utilisez pas de jet de pression sur la machine. Un dysfonctionnement électrique risque de se produire.

ENTRETIEN HEBDOMADAIRE (Toutes les 20 heures de service)

1. Vérifiez si le tuyau d'aspiration n'est pas endommagé ou détaché.
2. Vérifiez si le système de diffusion n'est pas obstrué. S'il est obstrué, enlevez les gicleurs et faites-les tremper dans une solution d'acide acétique pendant six heures maximum. N'utilisez pas d'objet pointu pour enlever les gicleurs pour éviter tout dommage.

POUR VOTRE SECURITÉ : lorsque vous utilisez la machine, suivez les instructions de mélange et de manipulation indiquées sur les conteneurs chimiques.

3. Vérifiez si le cordon d'alimentation et la poignée du cordon ne sont pas endommagés. Remplacez-les immédiatement en cas de dommage.

Si le cordon d'alimentation est endommagé ou rompu, il doit être remplacé par le fabricant ou son agent de maintenance ou toute autre personne qualifiée, afin d'éviter tout danger.

ENTRETIEN MENSUEL (Toutes les 80 heures de service)

1. Rincez le système de pompage avec une solution d'acide acétique pour dissoudre la formation normale de produits chimiques alcalins. Suivez les instructions ci-après:

POUR VOTRE SECURITÉ : lorsque vous utilisez la machine, suivez les instructions de mélange et de manipulation indiquées sur les conteneurs chimiques.

- a. Mélangez 0,5 l d'une solution d'acide acétique avec 7,5 l d'eau chaude, à une température maximale de 60° C , puis versez le mélange dans le réservoir de solution.

REMARQUE : La température de l'eau ne doit **pas** excéder 60° C, afin d'éviter tout endommagement du réservoir.

REMARQUE : Si vous remplissez le réservoir avec un seau, assurez-vous que le seau est propre. Ce, afin d'éviter tout risque d'obstruction des conduites du système de distribution de la solution.

- b. Activez le commutateur principal.
- c. Positionnez le carter de la brosse au-dessus d'un trou de vidange et activez pendant une minute le commutateur de brosse/pulvérisateur.

- d. Coupez la machine et laissez la solution restante décomposer les dépôts alcalins toute la nuit.
 - e. Le lendemain, vidangez le reste de solution et rincez le système avec 11 l d'eau claire.
2. Lubrifiez les roues et la roulette avec une huile résistant à l'eau.
 3. Vérifiez si la machine n'a pas de fuite.
 4. Contrôlez si les vis de la machine sont bien serrées.

ENTRETIEN TRIMESTRIEL (Toutes les 250 heures de service)

Vérifiez le degré d'usure des balais en charbon du moteur de l'extracteur. Remplacez les balais lorsqu'ils mesurent 10 mm ou moins.

Contactez un service de réparation agréé pour les réparations de la machine.

POUR VOTRE SECURITÉ : Lors du dépannage de la machine, toutes les réparations doivent être effectuées uniquement par un technicien qualifié.

ENTRETIEN DE LA MACHINE:

⚠ MISE EN GARDE : danger électrique. Débranchez le cordon d'alimentation avant de quitter ou d'entretenir la machine.

Pour accéder aux composants interne pour une réparation:

1. Retirez la vis de la tige de la poignée de levage comme illustré ; une clé de 13 mm (1/2 in) est requise (Figure 11).



FIG. 11

ATTENTION: Assurez-vous que les réservoirs sont vides avant de les ouvrir.

2. A l'aide d'une clé de 14 mm (9/16 in), retirez les deux boulons à tête hexagonale à l'avant de la machine pour ouvrir la machine.

FONCTIONNEMENT

- Faites basculer le réservoir vers l'arrière en l'écartant du châssis (Figure 12).

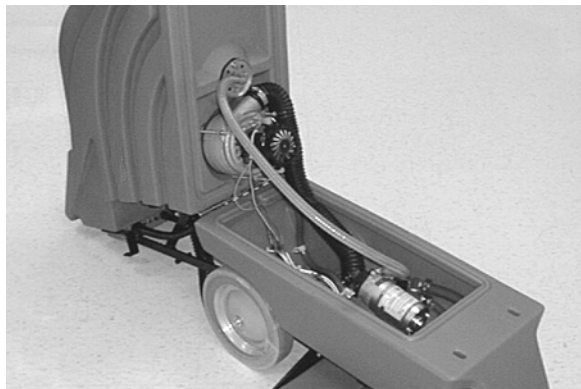


FIG. 12

- Veillez à ne pas pincer de tuyaux ou de fils internes en refermant la machine.

ENTREPOSAGE DE LA MACHINE

- Avant d'entreposer la machine, veillez à rincer les réservoirs et à faire la vidange de toute l'eau de la machine.
- Entreposez la machine verticalement à l'abri de l'humidité en veillant à ce que la tête de brosseage/extraction soit en position relevée.

- Retirez le couvercle du réservoir de récupération pour favoriser la circulation d'air.

ATTENTION: En cas d'entreposage de la machine à des températures inférieures à 0°C, veillez à ce que la machine, la pompe et le système de pulvérisation soient tout à fait vides et secs. Les dommages occasionnés par le gel ne sont pas couverts par la garantie.

⚠ MISE EN GARDE : Risque d'électrocution. Ne pas utiliser à l'extérieur. N'exposez pas à la pluie. Entreposez à l'intérieur.

ARTICLES DE STOCK RECOMMANDÉS

Reportez-vous à la section Liste des pièces de ce manuel pour les pièces de stock recommandées. Les articles de stock sont clairement identifiés à l'aide d'un point précédant la description de la pièce. Voir l'exemple ci-dessous :

Ref.	Part No.	Description	Qty.
1	701103	ASM.,STANDPIPE	1
2	180613	●FLOAT, SHUTOFF	1
3	230197	NIPPLE	1
4	101714	●GASKET	1
5	210240	NUT, FLANGED	1

DÉPISTAGE DES PANNES

PROBLÈME	CAUSE	REMÈDE
La machine ne fonctionne pas.	Commutateur principal ou câblage défectueux.	Contactez le service de dépannage.
	Coupe-circuit de la machine déclenché.	Réenclenchez le coupe-circuit
	Cordon d'alimentation défectueux.	Contactez le service de dépannage.
	Coupe-circuit du bâtiment déclenché.	Réenclenchez le coupe-circuit.
La pompe à solution ne fonctionne pas.	Surchauffe de la pompe.	Déterminez la cause, laissez refroidir la pompe 20 minutes, puis réenclenchez le coupe-circuit.
	Pompe à solution défectueuse.	Contactez le service de dépannage.
	Solénoïde défectueux.	Contactez le service de dépannage.
	Commutateur de brosse/pulvérisateur défectueux.	Contactez le service de dépannage.
	Câblage lâche ou cassé.	Contactez le service de dépannage.

DÉPISTAGE DES PANNES - CONTINUÉ

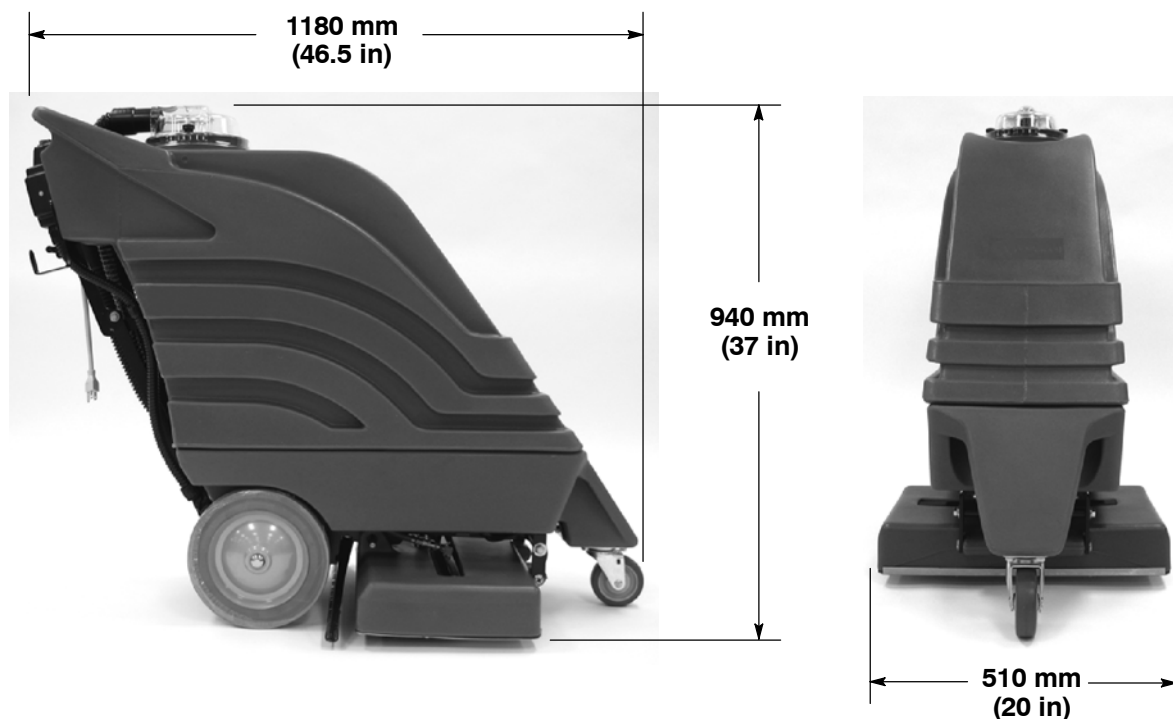
PROBLÈME	CAUSE	REMÈDE
Le moteur de l'extracteur ne fonctionne pas.	Dispositif de surcharge thermique du moteur de l'extracteur déclenché.	Vérifiez si le passage d'air n'est pas obstrué et laissez le moteur refroidir 20 minutes.
	Câblage lâche ou cassé.	Contactez le service de dépannage.
	Commutateur principal défectueux.	Contactez le service de dépannage.
	Moteur d'aspiration défectueux.	Contactez le service de dépannage.
	Balais de charbon usés.	Remplacez les balais ou faites faire un entretien.
Le moteur de la brosse ne fonctionne pas.	Coupe-circuit du moteur de la brosse déclenché.	Éliminez l'obstruction au niveau de la brosse. Réenclenchez le bouton du coupe-circuit sur le boîtier de manœuvre.
	Bouton de brosse/pulvérisation pas enfoncé.	Appuyez sur le bouton de brosse/pulvérisation.
	Moteur de brosse défectueux.	Contactez le service de dépannage.
	Courroie de la brosse lâche ou cassée.	Contactez le service de dépannage.
	Bouton ou fil défectueux.	Contactez le service de dépannage.
Ramassage non satisfaisant de l'eau.	Bouchon du tuyau de vidange desserré.	Mettez le bouchon fermement sur le tuyau de vidange.
	Réservoir de récupération plein.	Faites la vidange du réservoir de récupération.
	Filtre de coupure à flotteur obstrué.	Retirez le couvercle du réservoir de récupération et débarrassez-le des peluches.
	Fuite d'air autour du couvercle du réservoir de récupération.	Resserrez les boutons du couvercle du réservoir de récupération ou remplacez les joints.
	Raccords du tuyau d'aspiration détachés.	Attachez fermement les raccords.
	Tuyau d'aspiration défectueux.	Remplacez le tuyau.
	Raccords du tuyau d'aspiration détachés.	Rattachez fermement les raccords au tuyau.
	Tête d'extraction obstruée.	Délogez les débris de la tête d'extraction.
	Déplacement trop rapide de la machine.	Réduisez la vitesse du processus de nettoyage.
Diffusion irrégulière ou nulle.	Gicleurs sales ou obstrués.	Nettoyez ou remplacez les gicleurs.
	Taille du gicleur ou angle d'aspersion inapproprié.	Remplacez par des gicleurs appropriés.
	Gicleurs usés.	Remplacez les gicleurs.
	Réservoir de solution plus assez rempli ou vide.	Remplissez le réservoir de solution.
	Pompe à solution défectueuse.	Contactez le service de dépannage.
	Filtre du réservoir obstrué.	Nettoyez le filtre.

FONCTIONNEMENT

DONNÉES TECHNIQUES

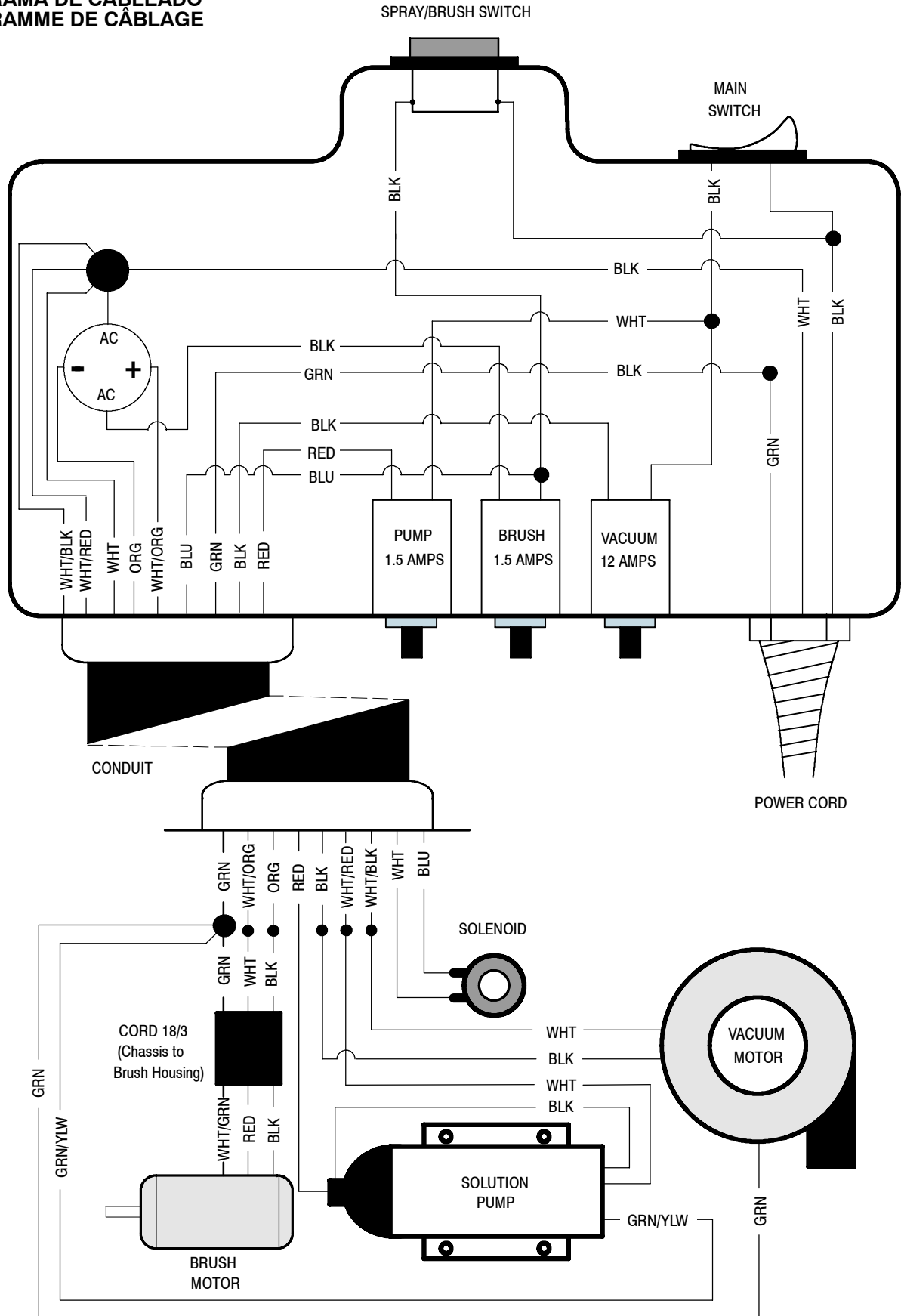
Modèle	Extracteur de moquettes Frontier
LONGUEUR	1.180mm (46.5 in)
LARGEUR	510 mm (20 in)
HAUTEUR	940 mm (37 in)
POIDS	54 kg (120 lbs)
LARGEUR DE LA TRACE DE NETTOYAGE	510 mm (20 in)
CAPACITÉ DU RÉSERVOIR DE SOLUTION	38 l (10 gal)
CAPACITÉ DU RÉSERVOIR DE RÉCUPÉRATION	55 l (14.5 gal)
POMPE À SOLUTION	120 V, 6,9 bar, 1 amp
PULVERISATEURS	5- 80015 Quickjet
MOTEUR D'EXTRACTION	120 volts, 3 étages, 1,8 CV, 13 amp, 1.560 watts
HAUTEUR D'ASPIRATION SCELLÉE	3,5 m (137 in)
MOTEUR DE BROSSE	120 V, 0,1 CV, 1.800 tr/min, 0,75 A, 90 W
LONGUEUR DU CORDON D'ALIMENTATION	120 V - 23 m (75 ft.)
CONSOMMATION ÉLECTRIQUE TOTALE	120 V, 14,2 A, 1.710 W
NIVEAU SONORE AU NIVEAU DE L'OREILLE DE L'OPÉRATEUR, À L'INTERIEUR SUR DE LA MOQUETTE	80 dB(A)

DIMENSIONS DE LA MACHINE



ELECTRICAL DIAGRAMS - DIAGRAMAS ELECTRICAS - SYSTEM ÉLECTRIQUE

120V WIRING DIAGRAM DIAGRAMA DE CABLEADO DIAGRAMME DE CÂBLAGE



PARTS LIST - LISTA DE PIEZAS - LISTE DES PIÈCES

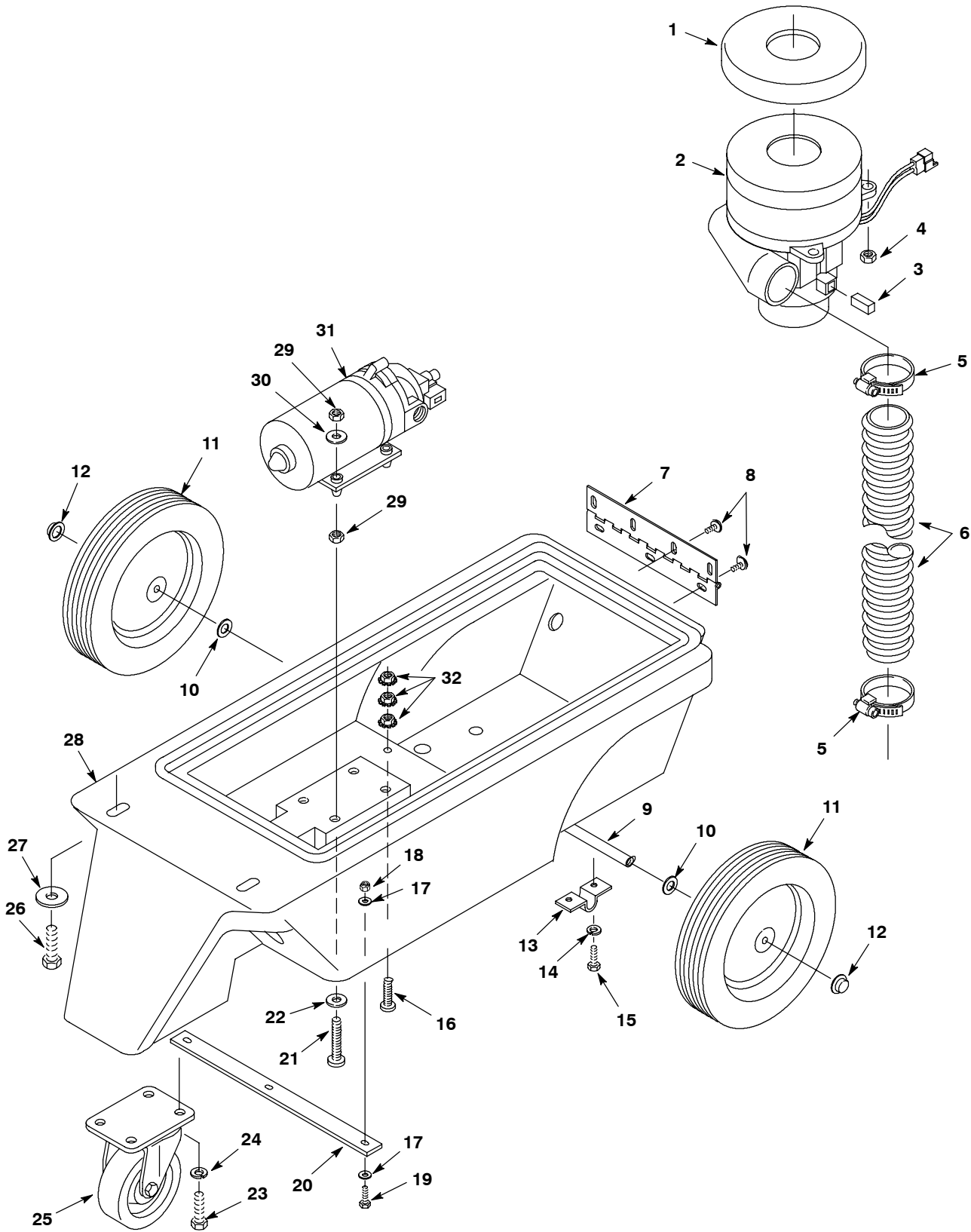
RECOVERY TANK GROUP / CONJ. DEPOSITO RECUPERAR / GROUPE RESERVOIR DE RECUPERATION

REF	PART #	DESCRIPTION	QTY.
▽ 1	100103	ASM., LID	1
▲ 2	600812	LID, OUTER RING	1
▲ 3	100105	●LID, CENTER	1
4	140900	SCREW,10-24X3/4 TRSPHL	6
5	1006364	BLADDER, 10 GALLON	1
6	140000	WASHER, FLAT 0.28B 0.62D .04	6
▽ 7	602448	STANDPIPE W/NIPPLE	1
▲ 8	606088	NIPPLE, 1-1/2" CPVC	1
9	230159	O-RING, STANDPIPE	1
10	210240	NUT, FLANGED METAL	1
11	180613	●FLOAT, SHUT-OFF	1
▽ 12	603123	ASM., DOME W/ELBOW	1
▲ 13	240217	●KNOB, RND	2
▲ 14	140037	WASHER, NYLON	2
▲ 15	100042	●GASKET, RECOVERY DOME	1
▲ 16	120399	DECAL, DO NOT ALLOW FOAM	1
17	603547	HOSE, VAC, 135CM	1
18	N/A	DRAIN ASSEMBLY - REPLACED BY ITEM #19	1
▽ 19	1007072	●HOSE, DRAIN, ASSY, 1.5D X 21.9L, BLK	1
▲▽ 20	1008639	●ASM., CAP, DRAIN HOSE	1
▲ 21	1019563	●STRAP, DRAIN CAP	1
▲ 22	1008637	●O RING, 1.48" ID, 1.76" OD	1
23	614157	CLAMP, HOSE, WORMDRIVE, 1.06-2.00D, .50W	1
24	1009610	SLEEVE, HOSE ADAPTER 1.5-1.25	1

REF	PART #	DESCRIPTION	QTY.
25	608472	DECAL, FRONTIER	2
26	1006890	CLIP, HANGER HOSE 16D 2HOLES	1
27	140825	SCREW, #6-1/2 PANPHL	2
28	230844	BRACKET, TANK BRACE W/HOLES	1
29	230843	BRACKET, TANK BRACE W/ THREADS	1
30	01697	SCREW, HEX, .25-20 X 0.62	1
31	230955	CLAMP, TANK BRACE	2
32	01696	SCREW, HEX, .25-20 X 0.62	1
33	140016	WASHER, 1/4 LOCK	2
34	140000	WASHER, 1/4 FLAT	2
35	102569	GRIP, HANDLE, FOAM, .75ID X 4.25L BLK	1
36	140227	SCREW, 1/4-20X5 STUD	3
37	608186	DECAL, "NOBLES"	1
38	608807	TANK, RECOVERY, GREEN	1
39	160424	HOSE, VACUUM 1.5D X 36L 2-CUFFS	1
40	120906	LABEL, IMPORTANT DRAIN	1
41	120907	LABEL, IMPORTANT ALWAYS CLOSE	1
42	140637	NUT, WELL 10-32	2
43	230755.BK	BRACKET, CORD HANGER BLACK	1
44	140887	SCREW, 1024X3/8 PANPHL	2

- ▽ ASSEMBLY / CONJUNTO / ENSEMBLE
- ▲ INCLUDED IN ASSEMBLY / INCLUIDO A CONJUNTA / Y COMPRIS EN ENSEMBLE
- RECOMMENDED STOCK ITEM / PIEZAS RECOMENDADAS EN ALMACÉN / ÉLÉMENTS DE STOCK RECOMMANDÉS

CHASSIS GROUP / CONJUNTO TELAIO / GROUPE DU CHASSIS



PARTS LIST - LISTA DE PIEZAS - LISTE DES PIÈCES

CHASSIS GROUP / CONJUNTO TELAIO / GROUPE DU CHASSIS

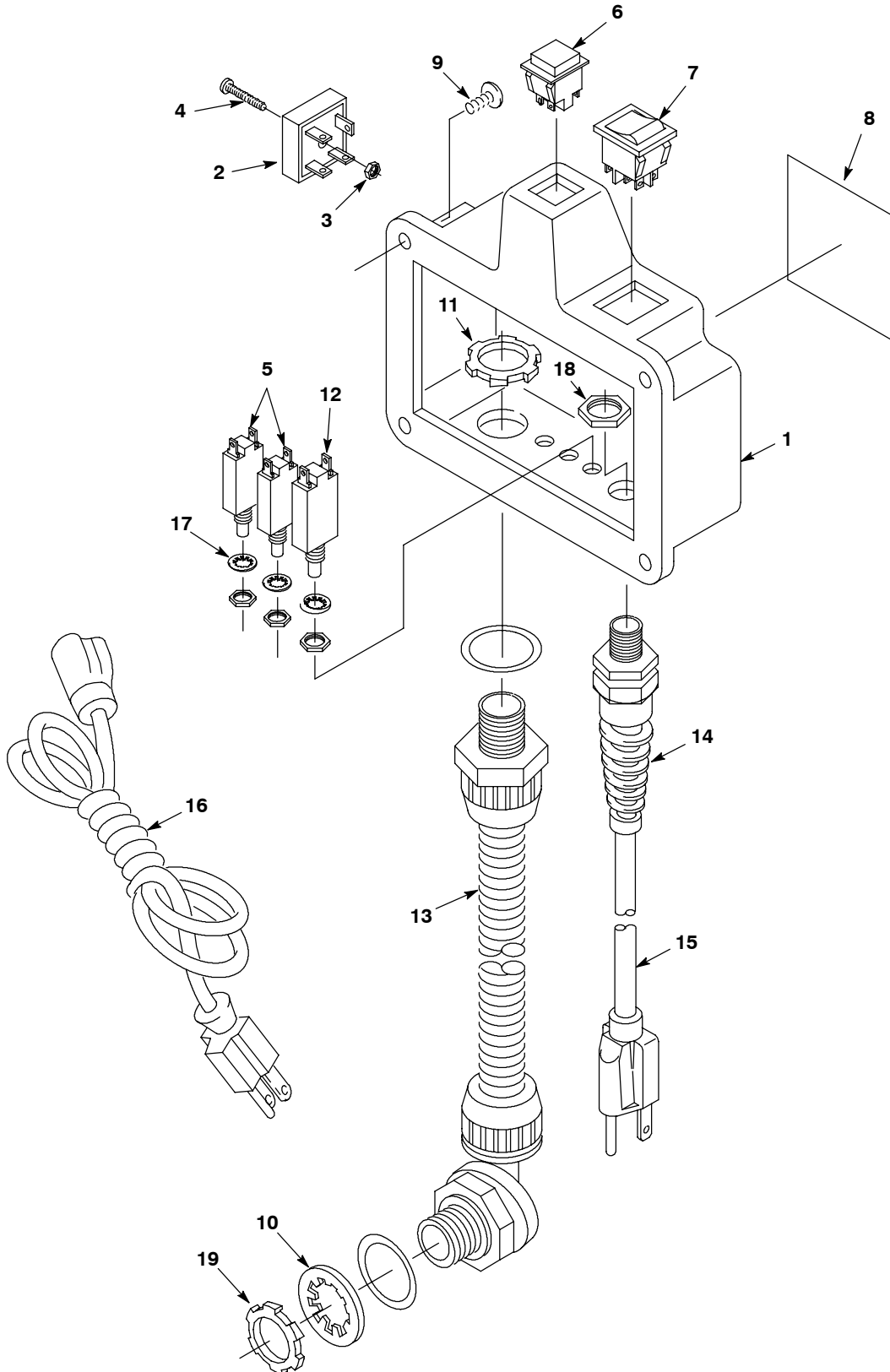
REF	PART #	DESCRIPTION	QTY.
1	100118	●GASKET, VAC MOTOR (120V)	1
∇ 2	130996	●MOTOR, VAC (120V)	1
▲ 3	602741	●BRUSH, CARBON 2/PK (120V)	2
▲	130486	FAN SHELL, MOTOR (120V)	1
4	140501	NUT 1/4-20 NYLOCK	4
5	140308	CLAMP, HOSE 1-5/16 TO 2-1/4	2
6	1022164	HOSE, EXHAUST 2.0" ID, 26" LG.	1
7	230390	HINGE, TANK	1
8	140885	SCREW, 1/4-20X1/2 TRSPHL	7
9	230739	AXLE	1
10	140008	WASHER, 1/2 FLAT	2
11	103068	WHEEL, 10" X 1.75"	2
12	103019	CAP, HUB	2
13	230746	BRACKET, AXLE OFFSET	2
14	140016	WASHER, 1/4 LOCK	4
15	01697	SCREW, HEX, .25-20 X 0.62, SS	4
16	140804	SCREW, 10-24X1	1
17	140000	WASHER, 1/4 FLAT	6
18	41169	NUT, HEX, LOCK, .25-20, NL, SS	3

REF	PART #	DESCRIPTION	QTY.
19	140208	SCREW, 1/4-20X1	3
20	604640	BRACKET, CHASSIS SUPPORT	1
21	1014262	SCREW, PAN, #10-24 X 1.5, PHL	4
22	140011	WASHER, 3/16 FLAT	4
23	140226	SCREW, 5/16-18X3/4 HXHDCP	4
24	140015	WASHER, 5/16 SPLITLOCK	4
25	103065	●CASTER, SWIVEL 4"	1
26	140256	SCREW, 3/8-16XX2-1/2	2
27	140028	WASHER, FLAT	2
28	608831	CHASSIS, GREEN	1
29	140519	NUT, 10-24 KEP	8
30	19066	WASHER, #10 FLAT	4
31	180103	PUMP, 100PSI (120V)	1
32	140519	NUT, 10-24 KEP	3

- ∇ ASSEMBLY / CONJUNTO / ENSEMBLE
- ▲ INCLUDED IN ASSEMBLY / INCLUIDO A CONJUNTA / Y COMPRIS EN ENSEMBLE
- RECOMMENDED STOCK ITEM / PIEZAS RECOMENDADAS EN ALMACÉN / ÉLÉMENTS DE STOCK RECOMMANDÉS

PARTS LIST - LISTA DE PIEZAS - LISTE DES PIÈCES

CONTROL CONSOLE GROUP (120V) / CONJUNTO CONSOLA DE CONTROLES (120V) / GROUPE TABLEAU DE COMMANDE (120V)



PARTS LIST - LISTA DE PIEZAS - LISTE DES PIÈCES

CONTROL CONSOLE GROUP (120V) / CONJUNTO CONSOLA DE CONTROLES (120V) / GROUPE TABLEAU DE COMMANDE (120V)

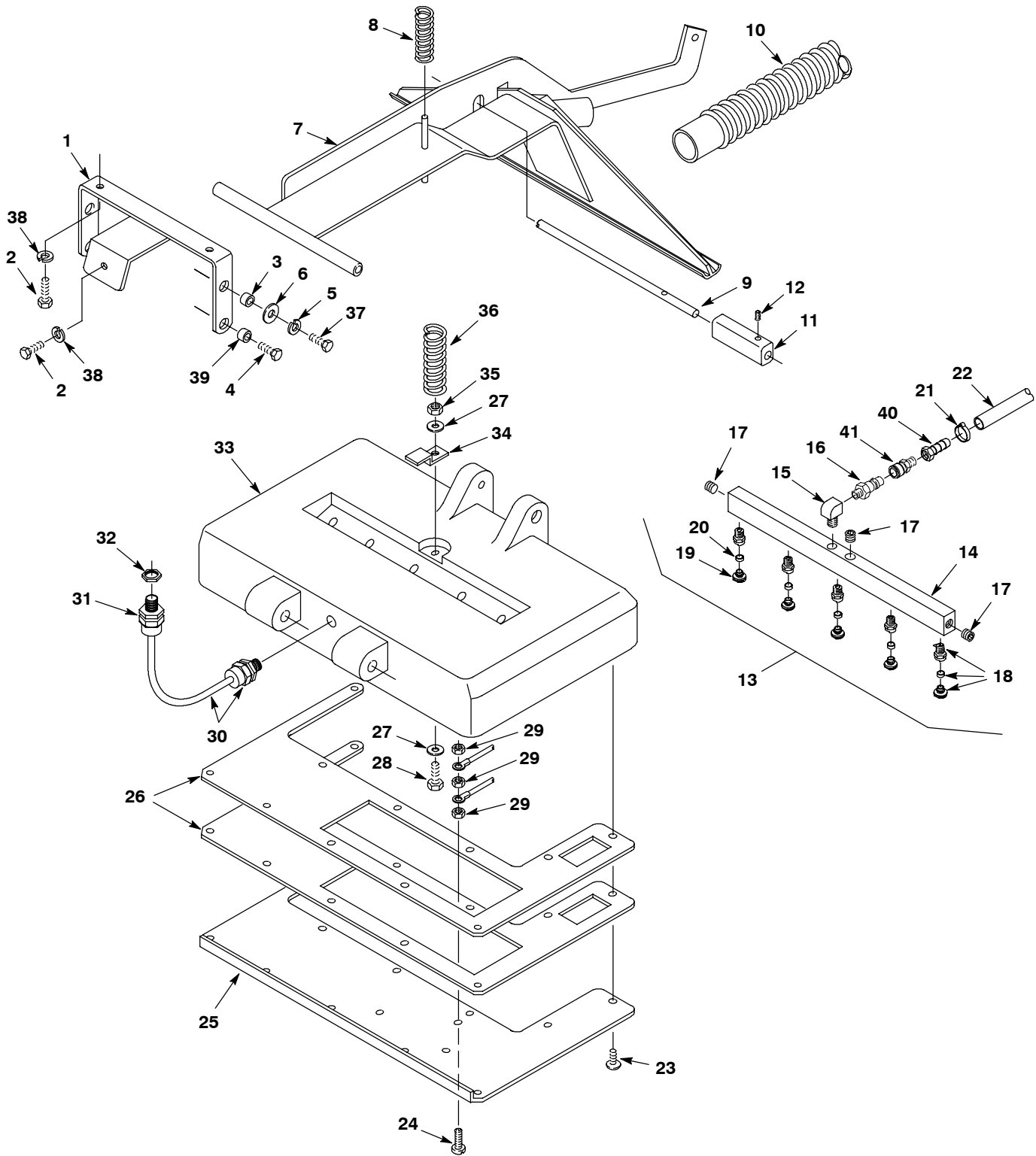
REF	PART #	DESCRIPTION	QTY.
▽	612274	ASM, SWITCHBOX, BLACK	1
▲ 1	611416	SWITCHBOX, RM BLK / C-O	1
▲ 2	130304	●RECTIFIER, MINIBRIDGE 600V	1
▲ 3	140336	NUT, HEX, 10-24 NY	1
▲ 4	140335	SCREW, RND, 10-24 X 1 SLOT NY	1
▲ 5	578337000AM	●BREAKER, CIRCUIT 1.5AMP	2
▲ 6	606713	●SWITCH, ALTERNATING	1
▲ 7	130717AM	●SWITCH, ROCKER	1
▲ 8	1026384	LABEL, WARNING [EXPL,FIRE,SHK EN/FR/ES]	1

REF	PART #	DESCRIPTION	QTY.
9	140824	SCREW 1/4-20X5/8	4
10	140044	WASHER 13/16 INT	1
▲ 11	140504	NUT, CONDUIT	1
▲ 12	130670AM	●BREAKER, CIRCUIT 12.0A	1
▲ 13	130977	HARNESS, WIRE	1
▲ 14	130166	●GRIP, STRAINRELIEF W/NUT NY	1
▲ 15	130237	●CORD, ASSY, 14/3 X 18 YELLOW	1
16	130250	CORD, POWER, 16/3 X 50' EXT SJT	1
▲ 17	140022	WASHER, INT 3/8 SS	3
▲ 18	612922	NUT, HEX PG11 CORDGRIP METAL	1
19	140504	NUT, CONDUIT	1

- ▽ ASSEMBLY / CONJUNTO / ENSEMBLE
- ▲ INCLUDED IN ASSEMBLY / INCLUIDO A CONJUNTA / Y COMPRIS EN ENSEMBLE
- RECOMMENDED STOCK ITEM / PIEZAS RECOMENDADAS EN ALMACÉN / ÉLÉMENTS DE STOCK RECOMMANDÉS

PARTS LIST - LISTA DE PIEZAS - LISTE DES PIÈCES

BRUSH BASE GROUP / GRUPO DE LA BASE DEL CEPILLO / GROUPE LOGEMENT DE BROSSE



PARTS LIST - LISTA DE PIEZAS - LISTE DES PIÈCES

BRUSH BASE GROUP / GRUPO DE LA BASE DEL CEPILLO / GROUPE LOGEMENT DE BROSSE

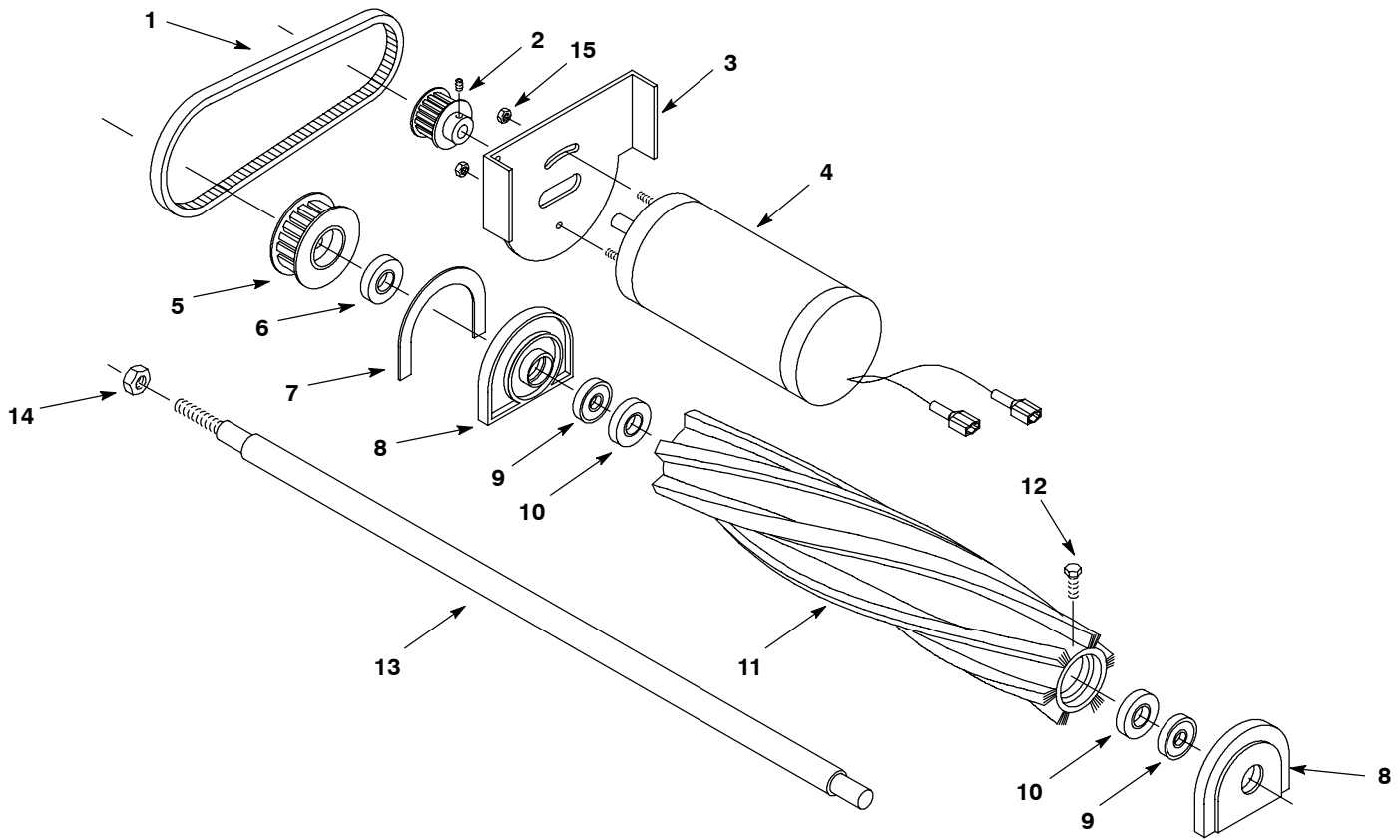
REF	PART #	DESCRIPTION	QTY.
1	603175	BRACKET, MOUNT	1
2	140226	SCREW, 5/16-18X5/8 HXHDCP	3
3	140136	BUSHING, 3/8ID X 1/2OD	2
4	140898	SCREW, 3/8-16X3/4 TRSPHL	2
5	140017	WASHER, 3/8 SPLITLOCK	2
6	140028	WASHER, 3/8 FLAT	2
7	603184	TOOL, PICKUP W/LEVER	1
8	603448	SPRING, TOOL PRESSURE	1
9	603177	LEVER, CAM ADJUSTER	1
10	603547	HOSE, VACUUM 1.5D X 46L 2-CUFFS, BLK	1
11	603178	CAM ADJUSTER	1
12	140859	SCREW, SET 1/4-20X1/4	1
▽ 13	609052	ASM, SPRAYBAR, 20"	1
▲ 14	230379	MANIFOLD, SPRAYBAR, 20"	1
▲ 15	150407	FITTING, BRS E90 PM02/PF02 STR	1
▲ 16	150921	●FITTING, 1/8M QD CPLR, BRS	1
▲ 17	150208	FITTING, 1/8M PLUG	3
▲▽ 18	201011	●NOZZLE, BRASS	5
▲ 19	201013	●FITTING, BRS, TIP 80015 FOR 201011	5
▲ 20	201015	●SEAL, SPRAY NOZZLE (201011)	5
21	140325	CLAMP, EAR, 1/2"	1
22	606453	HOSE, PVC, BRD, 0.25ID 0.50OD 14.4L, GRAY	1
23	140887	SCREW, PAN #10-24 X 0.38 PHL	12
24	140900	SCREW, 10-24X3/4	1
25	611918	PLATE, BRUSH BASE, 20" YELLOW CHROMATE	1

REF	PART #	DESCRIPTION	QTY.
26	1027687	GASKET, 20" BASE PLATE (120V)	1
27	140028	WASHER, 3/8 FLAT	2
28	140233	SCREW, 3/8-16X1-3/4 HXHDCP	1
29	140519	NUT, KEP	3
30	603561	ASM BASE CORD	1
31	130181	GRIP, CORD, STRAINRELIEF 1/2N NYL BK	1
32	140504	NUT, CONDUIT	1
33	604494	BASE, BRUSH, 20" BLACK	1
34	606712	LATCH, SPRAYBAR	1
35	59156	NUT, HEX, LOCK, .38-16, NL	1
36	140407	SPRING, .845OD	1
37	02994	SCREW, HEX, .38-16 X 0.75, SS	2
38	140015	WASHER, 5/16 SPLTLCK	3
39	140914	SPACER, .38X.50X.25	2
40	150520	FITTING, 1/8FX1/4H BARB	1
41	150915	●FITTING, 1/8 QD CPLR BRASS	1

- ▽ ASSEMBLY / CONJUNTO / ENSEMBLE
- ▲ INCLUDED IN ASSEMBLY / INCLUIDO A CONJUNTA / Y COMPRIS EN ENSEMBLE
- RECOMMENDED STOCK ITEM / PIEZAS RECOMENDADAS EN ALMACÉN / ÉLÉMENTS DE STOCK RECOMMANDÉS

PARTS LIST - LISTA DE PIEZAS - LISTE DES PIÈCES

PUMP BREAKDOWN / CLASIFICACIÓN DEL CEPILLO / ENSEMBLE DE LA BROSSE



REF	PART #	DESCRIPTION	QTY.
1	230507	●BELT, BRUSH DRIVE	1
2	230506	●PULLEY, MOTOR	1
3	230366	BRACKET, MOTOR (120V)	1
4	1019015	●MOTOR, ELE 115VDC, .125HP 3D (120V)	1
▽	700094	ASSEMBLY, BRUSH	1
▲	230505	●PULLEY, BRUSH	1
▲	230363	SPACER	1

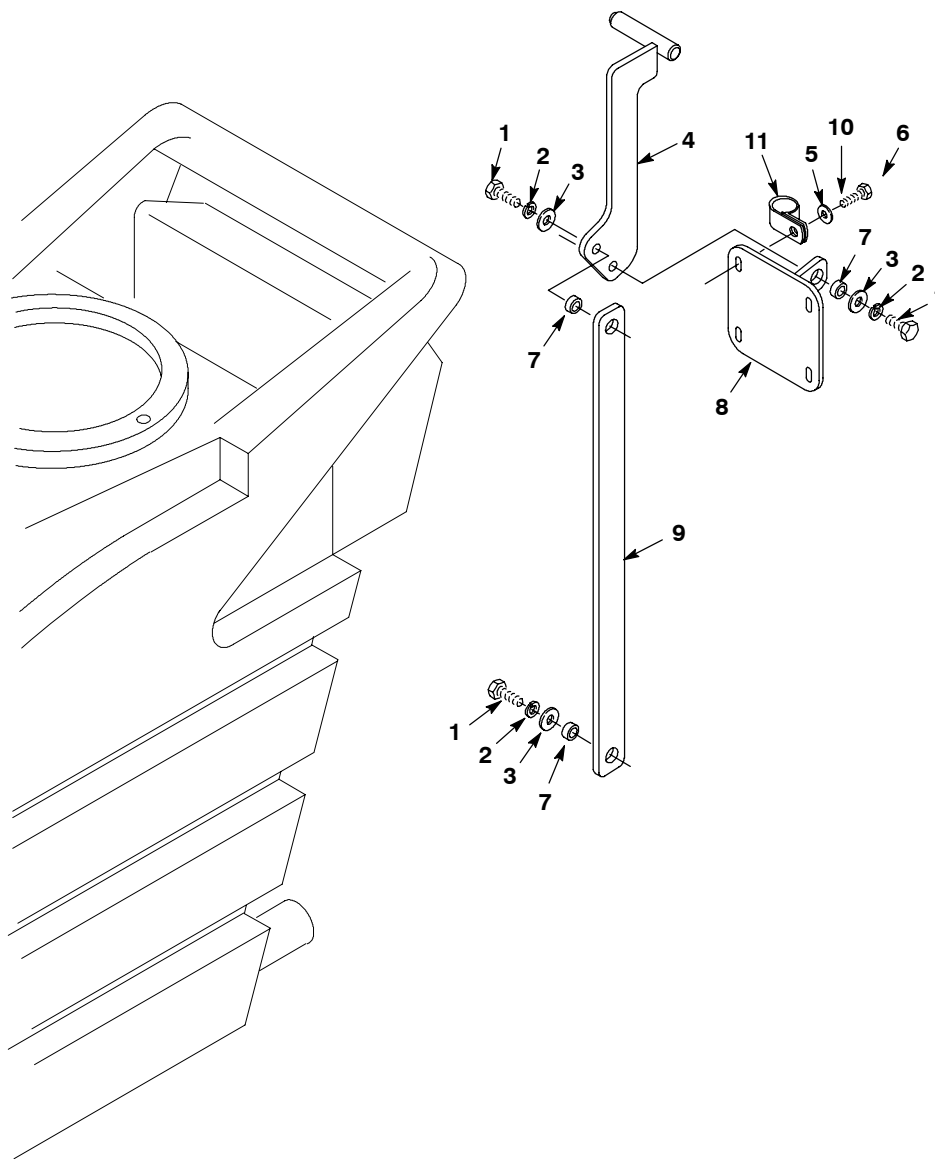
▽ ASSEMBLY / CONJUNTO / ENSEMBLE
 ▲ INCLUDED IN ASSEMBLY / INCLUIDO A CONJUNTA / Y COMPRIS EN ENSEMBLE

● RECOMMENDED STOCK ITEM / PIEZAS RECOMENDADAS EN ALMACÉN / ÉLÉMENTS DE STOCK RECOMMANDÉS

REF	PART #	DESCRIPTION	QTY.
▲	7	100005 ●GASKET, BEARING BLOCK	1
▲	8	230261 ●BLOCK, BEARING	2
▲	9	140125 ●BEARING, BRUSH	2
▲	10	100049 ●SEAL, BRUSH BEARING	2
▲	11	240050 ●BRUSH, CYLINDER	1
▲	12	24672 SCREW, HEX, .25-20 X 0.75, SS	4
▲	13	230362 ●SHAFT, BRUSH	1
▲	14	140548 NUT, 5/16 FINJAM	1
	15	140518 NUT, KEP 10-32	2

PARTS LIST - LISTA DE PIEZAS - LISTE DES PIÈCES

BRUSH HOUSING LIFT LEVER GROUP / GRUPO DE PALANCA PARA ELEVAR LA COJA DE CEPILLO / GROUPE DE LEVIER D'ASCENSEUR DE CARTER DE BROSE

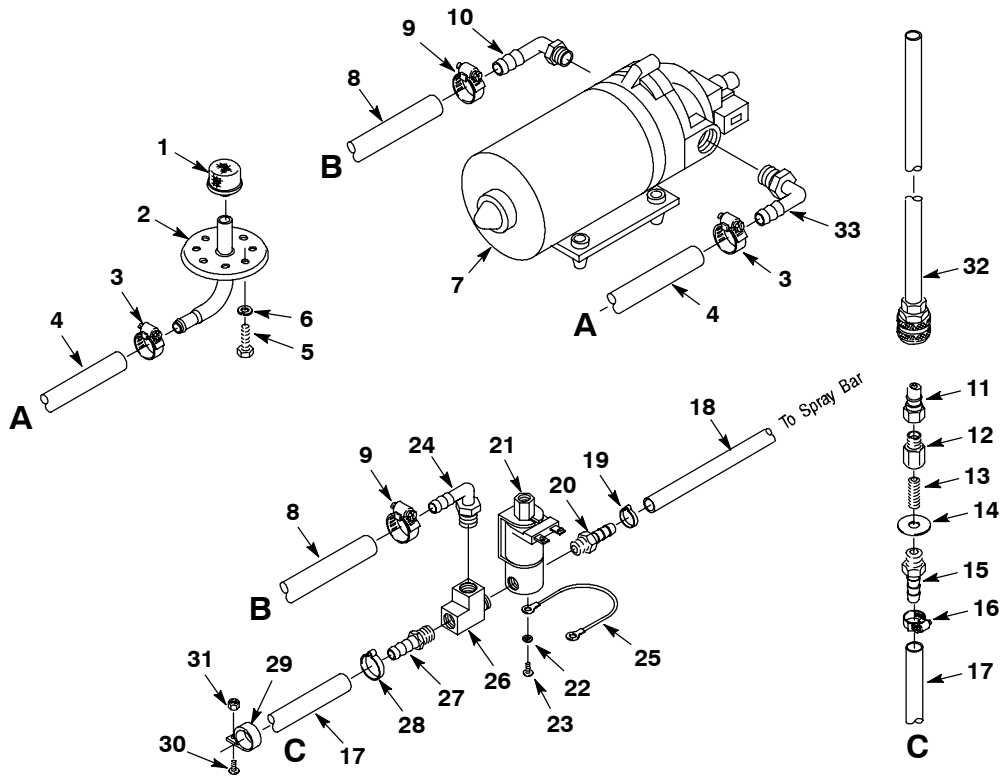


REF	PART #	DESCRIPTION	QTY.
1	140226	SCREW, 5/16 18X5/8 HXHD	3
2	140015	WASHER, 5/16 SPLITLOCK	3
3	140027	WASHER, 5/16 FLAT	3
4	603414	HANDLE, LIFT	1
5	140000	WASHER, 1/4 FLAT	4
6	01697	SCREW, HEX, .25-20 X 0.62 SS	4

REF	PART #	DESCRIPTION	QTY.
7	603415	BUSHING, PIVOT	3
8	603413	BRACKET, LIFT MOUNT	1
9	603412	PLATE, LIFT	1
10	140016	WASHER, LOCK	4
11	140314	CLAMP, CABLE, STL 0.75D X 0.75W, IH VYL	1

PARTS LIST - LISTA DE PIEZAS - LISTE DES PIÈCES

PLUMBING GROUP / GRUPO DE TUBERÍAS / GROUPE DE TUYAUTERIE



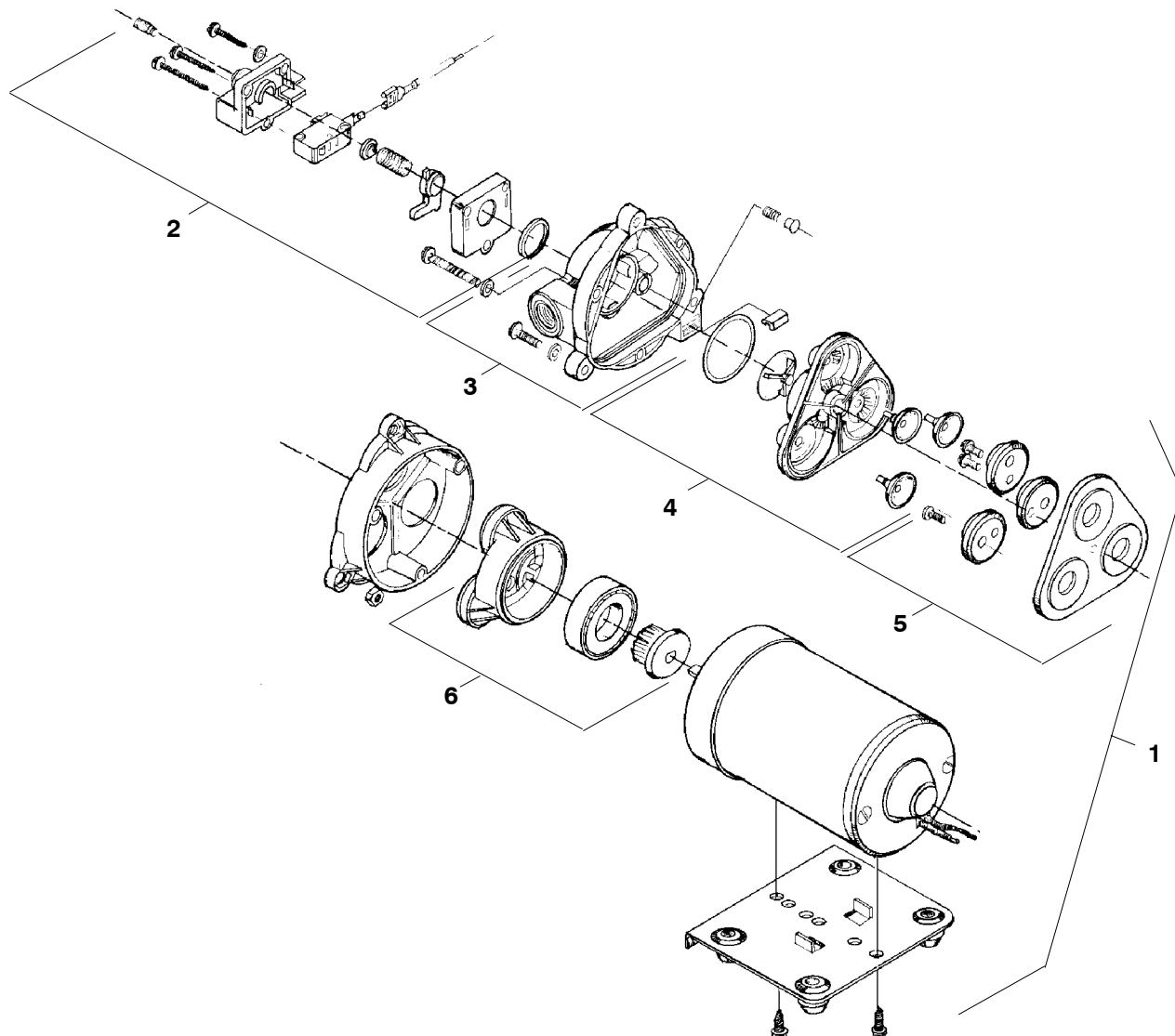
REF	PART #	DESCRIPTION	QTY.
1	180628	●SCREEN, TANK	1
2	600451	BLADDER PLATE	1
3	54333	CLAMP, HOSE, WORMDRIVE, 0.31-0.88D .31W	2
4	606452	HOSE, PVC, BRD, 0.38ID 0.62OD 33.0L, GRAY	1
5	01697	SCREW, HEX, .25-20 X 0.62, SS	4
6	140016	WASHER, LOCK	4
7	180103	●PUMP, 100PSI (120V)	1
8	606162	HOSE, RBR, DBL, 0.50ID 0.75OD, 26.0L, RED	1
9	630369	CLAMP	2
10	150425	ELBOW, 3/8M X 1/2H	1
11	150933	QUICK COUPLER	1
12	150000	ADAPTER, 1/4FX1/4M	1
13	150600	NIPPLE, 1/4 X 2 - BRASS	1
14	140008	WASHER, FLAT	1
15	150511	FITTING, BARB, 1/4FX3/8H	1
16	54333	CLAMP, HOSE, WORMDRIVE, 0.31-0.88D .31W	1
17	606451	HOSE, PVC, BRD, 0.38ID 0.62OD 52.0L, GRAY	1

REF	PART #	DESCRIPTION	QTY.
18	606453	HOSE, PVC, BRD, 0.25ID 0.50OD 14.4L, GRAY	1
19	140325	CLAMP, HOSE, EAR 0.50D	2
20	150515	FITTING, BARB, 1/4MX1/4H	1
21	210033	●VALVE, SOLENOID (120V 60HZ)	1
22	02938	WASHER, LOCK, INT, 08	2
23	140801	SCREW, 8-32X3/8	2
24	150415	FITTING, PLSTC, E90, BM06/PM04	1
25	700551	ASM., WIRE GROUND 9" 10X10	1
26	150709	TEE, 1/4"	1
27	150517	FITTING, BARB, 1/4MX1/2H	1
28	140301	CLAMP, HOSE, EAR 0.62D	1
29	140916	CLAMP, CABLE, NYL, 0.62D NAT.	1
30	140895	SCREW, 10-24X3/4	1
31	140552	NUT, LOCK	1
32	700141	HOSE, SOLTN BLEEDER SERIES 60	1
33	150412	ELBOW, 3.8MX3/8H	1

- RECOMMENDED STOCK ITEM / PIEZAS RECOMENDADAS EN ALMACÉN / ÉLÉMENTS DE STOCK RECOMMANDÉS

PARTS LIST - LISTA DE PIEZAS - LISTE DES PIÈCES

PUMP BREAKDOWN / CLASIFICACIÓN DE LA BOMBA / ENSEMBLE DE LA BROSE



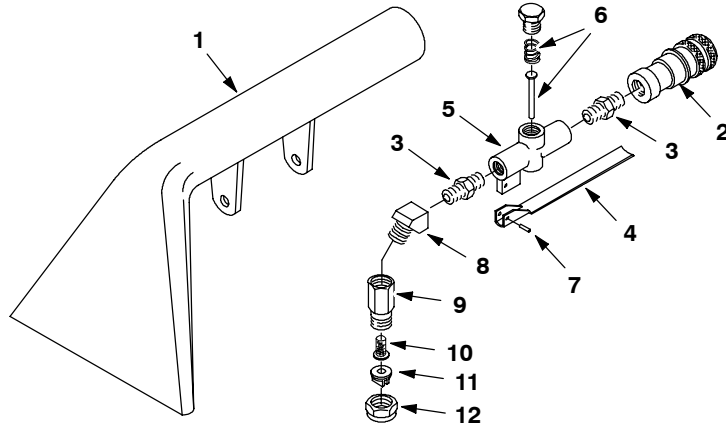
REF	PART #	DESCRIPTION	QTY.
▽ 1	180103	●PUMP, 100 PSI 120V (COMPLETE)	1
▲ 2	190129	●KIT, PUMP PRESSURE SWITCH	1
	190172	●KIT, PUMP PRS SWITCH (VITON)	1
	190134	●KIT, PUMP DIAPHRAGM ONLY	1
▲ 3	190128	●KIT, PUMP UPPER HOUSING	1
	190124	●KIT, PUMP CHECK VALVE ONLY	1

REF	PART #	DESCRIPTION	QTY.
▲ 4	190171	●KIT, PUMP VALVE (VITON)	1
▲ 5	190131	●KIT, PUMP SERVICE	1
▲ 6	190130	●KIT, PUMP LOWER HOUSING	1

- ▽ ASSEMBLY / CONJUNTO / ENSEMBLE
- ▲ INCLUDED IN ASSEMBLY / INCLUIDO A CONJUNTA / Y COMPRIS EN ENSEMBLE
- RECOMMENDED STOCK ITEM / PIEZAS RECOMENDADAS EN ALMACÉN / ÉLÉMENTS DE STOCK RECOMMANDÉS

OPTIONS - OPCIONES - ÉQUIPEMENT AU CHOIX

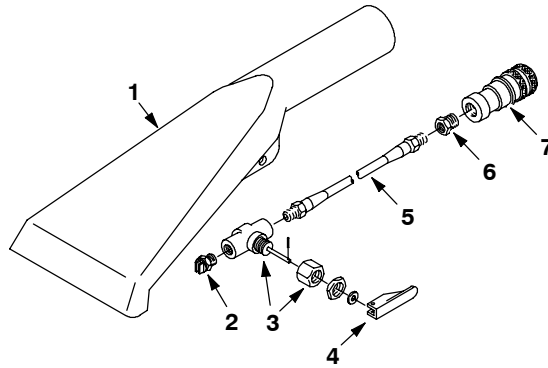
HAND TOOL, 127 mm (5 in) / HERRAMIENTA MANUAL / OUTIL A MAIN



REF	PART #	DESCRIPTION	QTY.	
▽	200505	●ASM., HAND TOOL 5" SERIES 60	1	
▲	1	200431.BK	TOOL, HAND BLACK	1
▲	2	150913	FITTING, BRS QDC PF04 SER60	1
▲	3	150606	FITTING, BRS STR PF04 HEX NIP	2
▲	4	200905	LEVER, K-VALVE W/PIN	1
▲	5	210210	●VALVE, FLOW CONTROL 04PF	1
▲	6	190600	KIT, K-VALVE REPAIR	1

REF	PART #	DESCRIPTION	QTY.	
▲	7	140609	PIN, ROLL 0.187D X 0.56L	1
▲	8	150403	FITTING, BRS E45 PF04/PF04	1
▲	9	200992	FITTING, BRS STR PF02 SWIVEL	1
▲	10	200996	FILTER, SCREEN 100MESH	1
▲	11	200965	●FITTING, BRS TIP, 8002 T-JET	1
▲	12	200994	CAP, NOZZLE SPRAY (8002)	1

CREVICE TOOL, 76 mm (3 in) / HERRAMIENTA MANUAL, HENDIDURAS / OUTIL POUR FISSURES



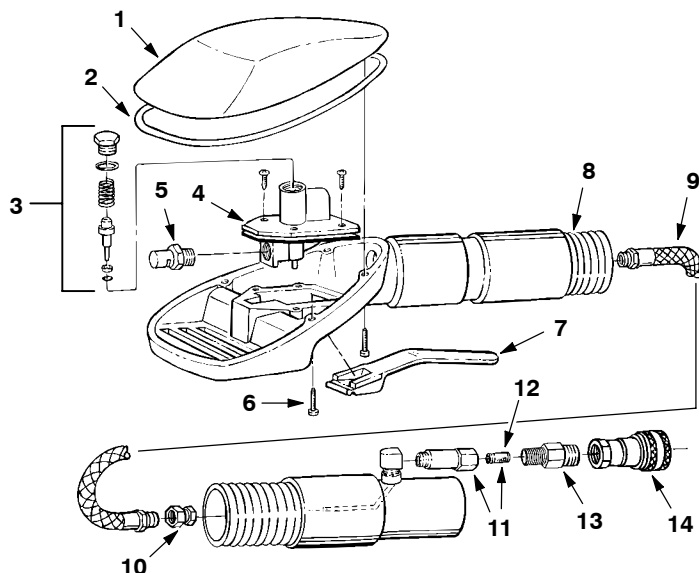
REF	PART #	DESCRIPTION	QTY.	
▽	200517	●TOOL, CREVICE LP/HP SER 60	1	
▲	1	200436.BK	TOOL, CREVICE BLACK	1
▲	2	200975	●FITTING, BRS TIP #5002 1/8V-JET	1
▲	3	210014	●VALVE, TOGGLE 02PF W/NUT	1

REF	PART #	DESCRIPTION	QTY.	
▲	4	210020	POSITIONER, VALVE HANDLE	1
▲	5	160106	HOSE, SOLUTION CREVICE TOOL	1
▲	6	150100	FITTING, BRS STR PF04/PF02	1
▲	7	150913	FITTING, BRS QDC PF04 SER 60	1

- ▽ ASSEMBLY / CONJUNTO / ENSEMBLE
- ▲ INCLUDED IN ASSEMBLY / INCLUIDO A CONJUNTA / Y COMPRIS EN ENSEMBLE
- RECOMMENDED STOCK ITEM / PIEZAS RECOMENDADAS EN ALMACÉN / ÉLÉMENTS DE STOCK RECOMMANDÉS

OPTIONS - OPCIONES - ÉQUIPEMENT AU CHOIX

HAND TOOL, UPHOLSTERY LOW PRESSURE / HERRAMIENTA MANUAL, TAPICERIA BAJA PRESION / OUTIL À MAIN À BASSE PRESSION POUR TISSUS D'AMEUBLEMENT



REF	PART #	DESCRIPTION	QTY.
∇	200540	●TOOL, UPHOLSTERY LP SER 60	1
▲ 1	200845	COVER, UPHOLSTERY TOOL	1
▲ 2	200843	GASKET, COVER	1
▲ 3	190631	●KIT, SERVICE LP UPHOLSTERY	1
▲ 4	210226	●VALVE, WATER/SOL 120VAC LP	1
▲ 5	200991	●FITTING, SS TIP 1/8K-JET	1
▲ 6	200838	SCREW, #06-32 X 0.75	4
▲ 7	200840	TRIGGER, UPHOLSTERY TOOL	1

REF	PART #	DESCRIPTION	QTY.
▲ 8	200844	●HOSE, VAC UPHOLSTERY TOOL W/O CUFFS	1
▲ 9	200837	●HOSE, UPHOLSTERY TOOL	1
▲ 10	200848	FITTING, BRASS (3 PCS)	1
▲ 11	200842	FILTER, INLINE COMPLETE	1
▲ 12	200841	SCREEN ONLY, INLINE FILTER	1
▲ 13	150606	FITTING, BRS STR PF04 HEX NIP	1
▲ 14	150913	●FITTING , BRS QDC PF04 SER 60	1

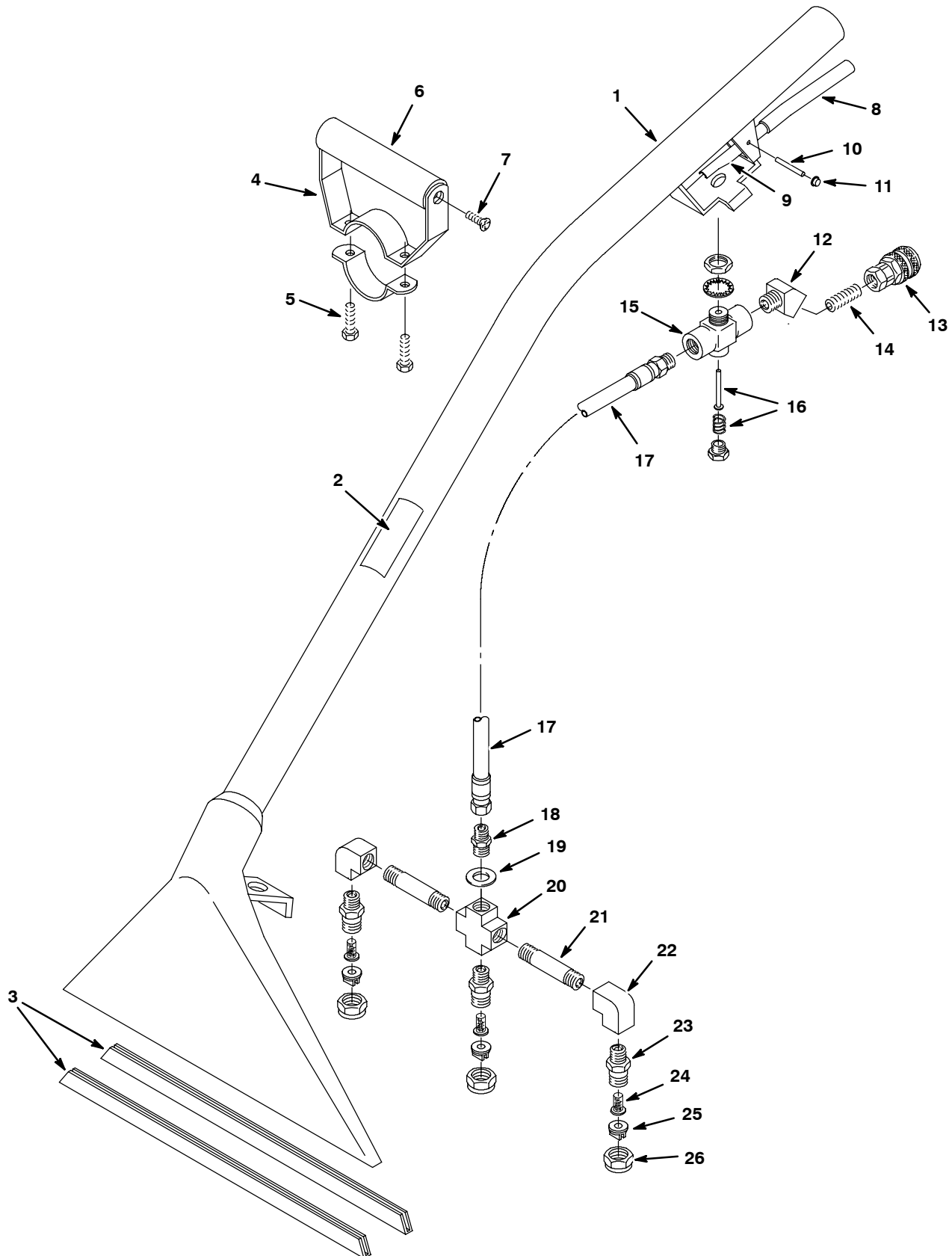
∇ ASSEMBLY / CONJUNTO / ENSEMBLE

▲ INCLUDED IN ASSEMBLY / INCLUIDO A CONJUNTA / Y COMPRIS EN ENSEMBLE

● RECOMMENDED STOCK ITEM / PIEZAS RECOMENDADAS EN ALMACÉN / ÉLÉMENTS DE STOCK RECOMMANDÉS

OPTIONS - OPCIONES - ÉQUIPEMENT AU CHOIX

FLOOR TOOL, LOW PRESSURE 330 mm (13 in) / HERRAMIENTA DE PISO, BAJA PRESION 330 mm (13 in) /
OUTIL DE SOL À BASSE PRESSION 330 mm (13 in)



OPTIONS - OPCIONES - ÉQUIPEMENT AU CHOIX

FLOOR TOOL, LOW PRESSURE 330 mm (13 in) / HERRAMIENTA DE PISO, BAJA PRESION 330 mm (13 in) / OUTIL DE SOL À BASSE PRESSION 330 mm (13 in)

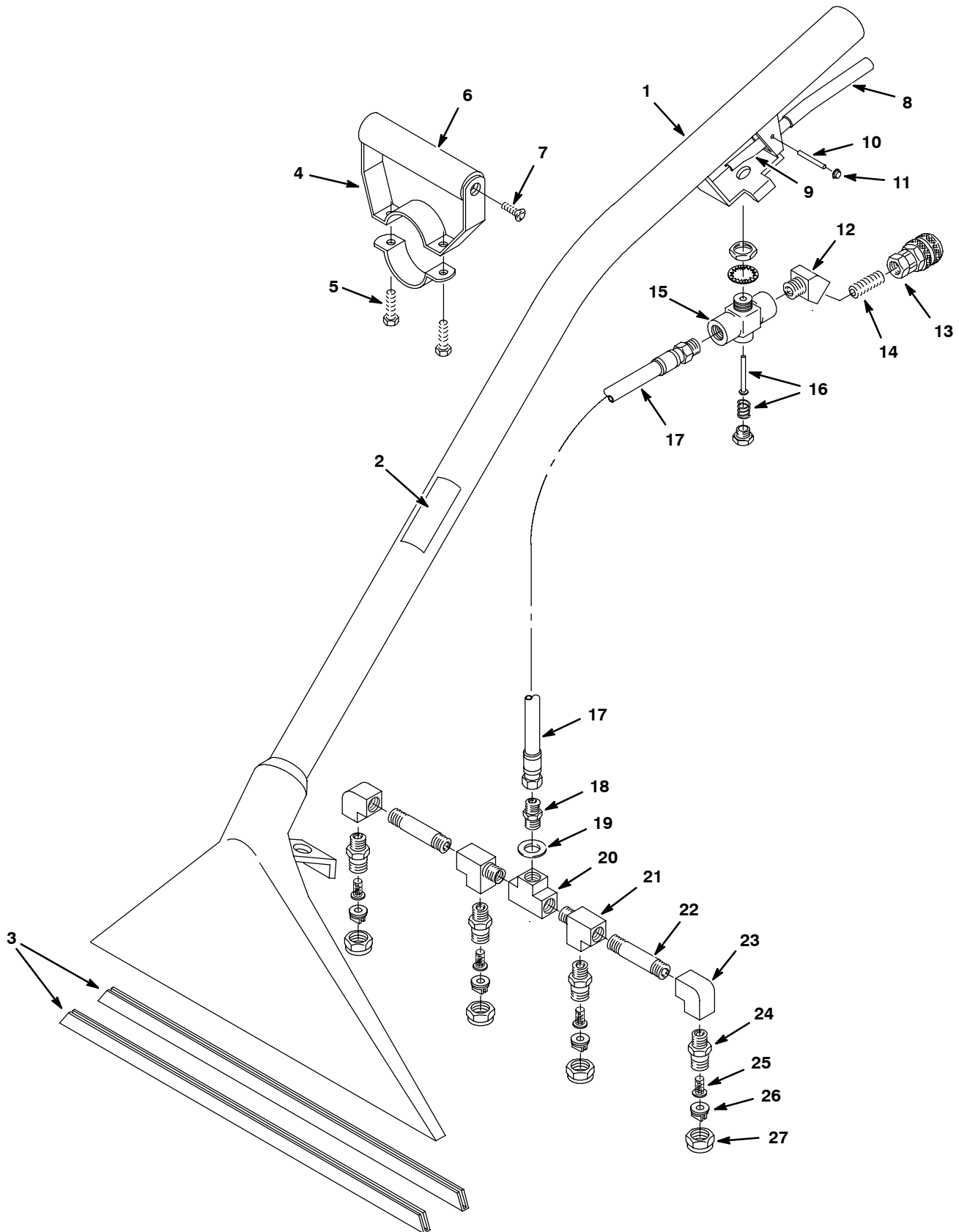
REF	PART #	DESCRIPTION	QTY.
▽	600048	●TOOL, 330MM (13 IN) FLOOR LP SER 60	1
▲ 1	200403.BK	TOOL, FLOOR BLACK	1
▲ 2	120846	DECAL, LOW PRESSURE TOOL	1
▲ 3	200939	●SHOE, 330MM (13 IN) FLR TOOL	2
▲▽ 4	200927AM	●GRIP, HAND ADJ. COMPLETE	1
▲ 5	01697	SCREW, HEX .25-20 X 0.62	2
▲ 6	200912	●GRIP, HANDLE FOAM	1
▲ 7	140834	SCREW, FLT .25-20 X 0.62 PHL	2
▲ 8	200809	SLEEVE, HANDLE FLOOR TOOL	1
▲ 9	200902	HANDLE, IMPERIAL VALVE	1
▲ 10	140605	PIN, HANDLE IMPERIAL	1
▲ 11	140520	NUT, 1/4 PUSH BLK	2
▲ 12	150403	FITTING, BRS E45 PM04/PF04	1
▲ 13	150913	●FITTING, BRS QDC PF04 SER 60	1

REF	PART #	DESCRIPTION	QTY.
▲ 14	150615	FITTING, BRS STR PM04 CLOSE	1
▲▽ 15	210150	●VALVE, FLOW CONTROL PF04	1
▲ 16	190603	●KIT, REPAIR IMPERIAL	1
▲ 17	160170	WAND, HOSE ASSEMBLY 46"	1
▲ 18	150606	FITTING, BRS STR PM04 HEX NIP	1
▲ 19	140058	WASHER, .54B X .88D X .06 WAND	1
▲▽	700062	ASM., SPRAYBAR WO/TIPS	1
▲ 20	150700	FITTING, BRS TEE PF04 CROSS	1
▲ 21	150600	FITTING, 1/4MX2" NIPPLE BRS	2
▲ 22	150401	FITTING, BRS E90 PF04/PF04	2
▲ 23	200993	SPRAY BODY, 1/4" MALE BRASS	3
▲ 24	200996	●FILTER, SCREEN 100 MESH	3
▲ 25	200964	●FITTING, TIP 11003 T-JET BRS	3
▲ 26	200994	●CAP, NOZZLE SPRAY (8002)	3

- ▽ ASSEMBLY / CONJUNTO / ENSEMBLE
- ▲ INCLUDED IN ASSEMBLY / INCLUIDO A CONJUNTA / Y COMPRIS EN ENSEMBLE
- RECOMMENDED STOCK ITEM / PIEZAS RECOMENDADAS EN ALMACÉN / ÉLÉMENTS DE STOCK RECOMMANDÉS

OPTIONS - OPCIONES - ÉQUIPEMENT AU CHOIX

FLOOR TOOL, LOW PRESSURE 406 mm (16 in) / HERRAMIENTA DE PISO, BAJA PRESION 406 mm (16 in) /
OUTIL DE SOL À BASSE PRESSION 406 mm (16 in)



OPTIONS - OPCIONES - ÉQUIPEMENT AU CHOIX

FLOOR TOOL, LOW PRESSURE 406 mm (16 in) / HERRAMIENTA DE PISO, BAJA PRESION 406 mm (16 in) / OUTIL DE SOL À BASSE PRESSION 406 mm (16 in)

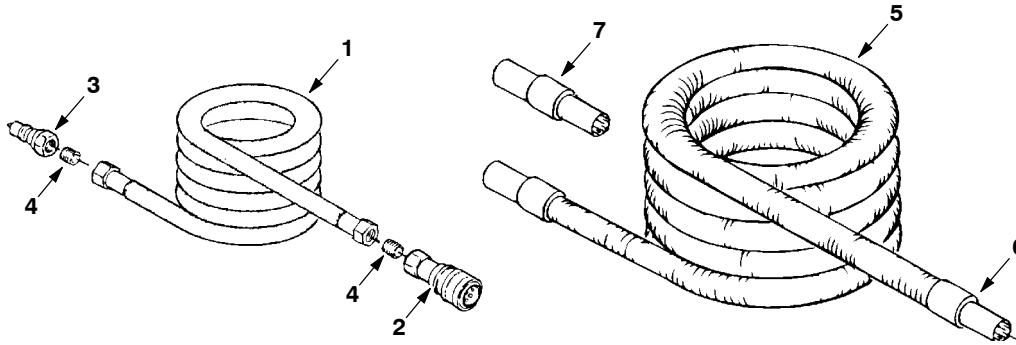
REF	PART #	DESCRIPTION	QTY.
▽	200503	●TOOL, 406MM (16 IN) FLOOR LP SER 60	1
▲ 1	200411.BK	TOOL, FLOOR 406MM (16 IN)	1
▲ 2	120846	DECAL, LOW PRESSURE TOOL	1
▲ 3	200956	●SHOE, 406MM (16 IN) FLR TOOL	2
▲▽ 4	200927AM	●GRIP, HAND ADJ. COMPLETE	1
▲ 5	01697	SCREW, HEX .25-20 X 0.62	2
▲ 6	200912	●GRIP, HANDLE FOAM	1
▲ 7	140834	SCREW, FLT .25-20 X 0.62 PHL	2
▲ 8	200809	SLEEVE, HANDLE FLOOR TOOL	1
▲ 9	200902	HANDLE, IMPERIAL VALVE	1
▲ 10	140605	PIN, HANDLE IMPERIAL	1
▲ 11	140520	NUT, 1/4 PUSH BLK	2
▲ 12	150403	FITTING, BRS E45 PM04/PF04	1
▲ 13	150913	●FITTING, BRS QDC PF04 SER 60	1
▲ 14	150615	FITTING, BRS STR PM04 CLOSE	1

REF	PART #	DESCRIPTION	QTY.
▲▽ 15	210150	●VALVE, FLOW CONTROL PF04	1
▲ 16	190603	●KIT, REPAIR IMPERIAL	1
▲ 17	160170	WAND, HOSE ASSEMBLY 46"	1
▲ 18	150606	FITTING, BRS STR PM04 HEX NIP	1
▲ 19	140058	WASHER, .54B X .88D X .06 WAND	1
▲▽	700656	ASM., SPRAYBAR 16" WO/TIPS	1
▲ 20	150706	FITTING, BRS TEE PF04	1
▲ 21	150709	FITTING, BRS TEE PM04/PF04/PF04	2
▲ 22	150600	FITTING, 1/4MX2" NIPPLE BRS	2
▲ 23	150401	FITTING, BRS E90 PF04/PF04	2
▲ 24	200993	SPRAY BODY, 1/4" MALE BRASS	4
▲ 25	200996	●FILTER, SCREEN 100 MESH	4
▲ 26	200964	●FITTING, TIP 11003 T-JET BRS	4
▲ 27	200994	CAP, NOZZLE SPRAY (8002)	4

- ▽ ASSEMBLY / CONJUNTO / ENSEMBLE
- ▲ INCLUDED IN ASSEMBLY / INCLUIDO A CONJUNTA / Y COMPRIS EN ENSEMBLE
- RECOMMENDED STOCK ITEM / PIEZAS RECOMENDADAS EN ALMACÉN / ÉLÉMENTS DE STOCK RECOMMANDÉS

OPTIONS - OPCIONES - ÉQUIPEMENT AU CHOIX

SOLUTION AND VACUUM HOSES GROUP / MANGUERAS DE DISOLUCIÓN Y ASPIRACIÓN / TUYAUX DE SOLUTION ET D'EXTRACTION



REF	PART #	DESCRIPTION	QTY.
▽ 1	160185	HOSE, SOLUTION 4.6M (15')	1
	610792	HOSE, SOLUTION 7.6M (25')	1
	160192	HOSE, SOLUTION 15.2M (50')	1
▲ 2	150913	●FITTING, BRS QDC PF04 SER 60	1
▲ 3	150933	FITTING, BRS QDC PM04 SER 60	1
▲ 4	150615	FITTING, BRS STR PM04 CLOSE	2

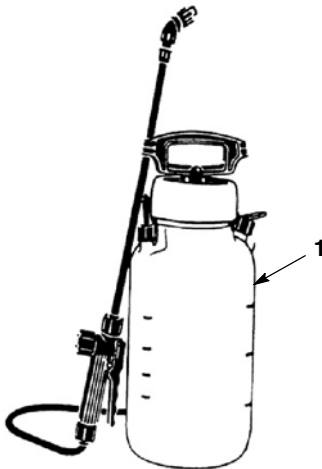
REF	PART #	DESCRIPTION	QTY.
▽ 5	160400	HOSE, VACUUM 4.6M (15')	1
	160401	HOSE, VACUUM 7.6M (25')	1
	160402	HOSE, VACUUM 15.2M (50')	1
▲ 6	160430	●CUFF, HOSE 1.5 X 1.5 BLACK	2
7	160451	●CONNECTOR, VAC HOSE 38MM (1.5IN)	1
N/S	220040	●BAG, HOSE NYLON MESH W/DRAWSTRING	1

▽ ASSEMBLY / CONJUNTO / ENSEMBLE

▲ INCLUDED IN ASSEMBLY / INCLUIDO A CONJUNTA / Y COMPRIS EN ENSEMBLE

● RECOMMENDED STOCK ITEM / PIEZAS RECOMENDADAS EN ALMACÉN / ÉLÉMENTS DE STOCK RECOMMANDÉS

PUMP-UP CARPET SPRAYER / ROCIADOR DE ALFOMBRA A BOMBA / PULVÉRISATEUR DE POMPAGE POUR MOQUETTES



REF	PART #	DESCRIPTION	QTY.
1	605848	●SPRAYER 2GAL PUMP-UP HEAVY DUTY	1

● RECOMMENDED STOCK ITEM / PIEZAS RECOMENDADAS EN ALMACÉN / ÉLÉMENTS DE STOCK RECOMMANDÉS