



READY SPACE®

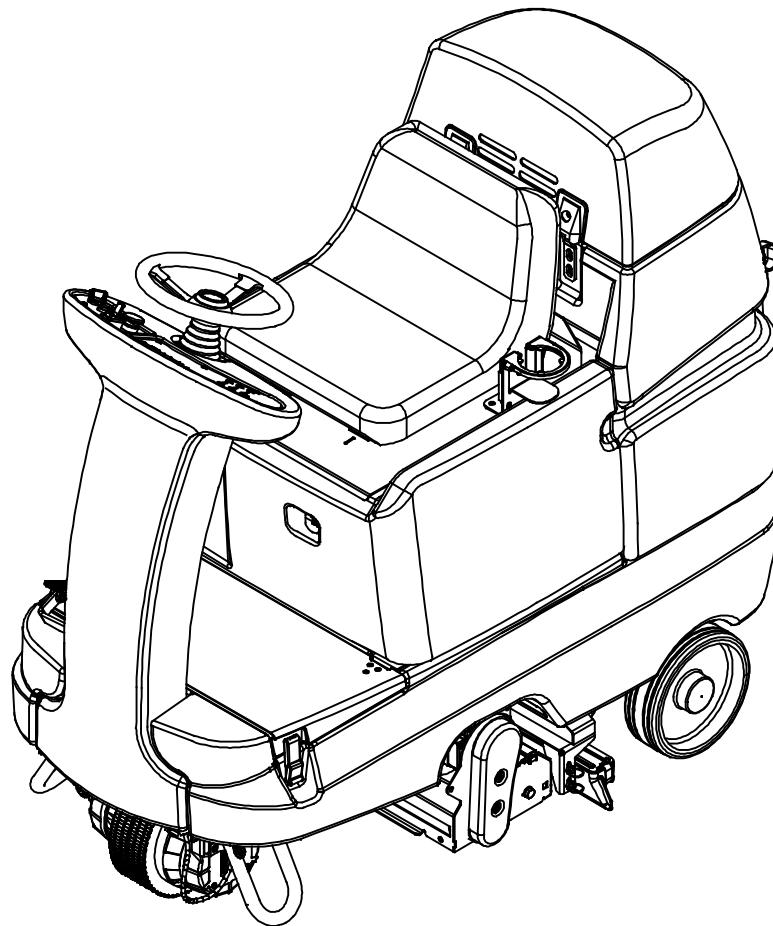
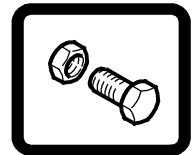
More than clean, it's ReadySpace.®

Hygenic® Fully Cleanable Tanks

STRIVE® RIDER

DUAL TECHNOLOGY
RIDER CARPET CLEANER

PARTS MANUAL



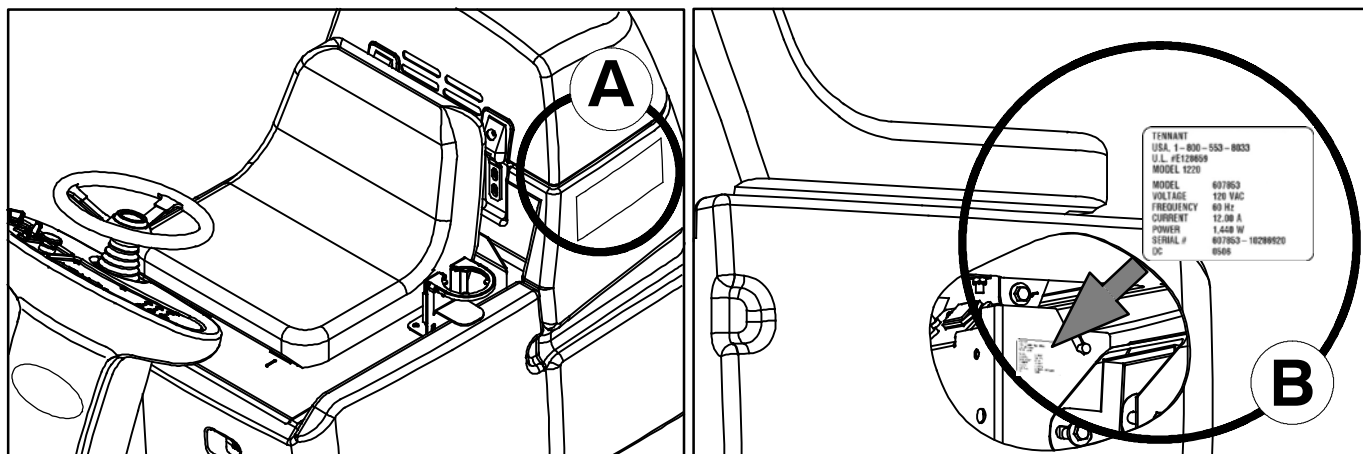
To view, print or download
the latest manual, visit:

www.nobles.com/manuals

www.nobles.com

1032134
Rev. 05 (03-2013)





Ref	Part No.	Serial Number	Description	Qty.
1	82681	(000000-)	Bracket Wldt, Lpg Mount	1
▽ 2	63810	(000000-)	Ch Assy, Lpg Tank Mtg, W/Nut	4
▲ 3	51839	(000000-)	Kit Adjustable, Lpg Tank Mtg	2
4	49263	(000000-)	Tie, Cable	3
(D) 82556	(000000-001039)		Bracket, Vaporizer	1
(C) 54930	(000000-)		Vaporizer, LPG	1

HOW TO ORDER PARTS - See diagram above

Only use TENNANT Company supplied or equivalent parts. Parts and supplies may be ordered online, by phone, by fax or by mail.

Follow the steps below to ensure prompt delivery.

1. (A) Identify the machine model.
2. (B) Identify the machine serial number from the data label.
3. (C) Ensure the proper serial number is used from the parts list.
4. Identify the part number and quantity.
Do not order by page or reference numbers.
5. Provide your name, company name, customer ID number, billing and shipping address, phone number and purchase order number.
6. Provide detail shipping instructions.

- (D) ▽ - identifies an assembly
 ▲ - identifies parts included in assembly
 (E) ● - identifies a recommended stock item

Please fill out at time of installation for future reference.

Model No. - _____
 Serial No. - _____
 Machine Options - _____
 Sales Rep. - _____
 Sales Rep. phone no. - _____
 Customer ID Number - _____
 Installation Date - _____

Tennant Company

PO Box 1452
 Minneapolis, MN 55440
 Phone: (800) 553-8033 or (763) 513-2850

www.nobles.com

FaST-PAK is a US registered and unregistered trademark of Tennant Company.

Specifications and parts are subject to change without notice.

Copyright © 2006-2013 TENNANT Company, Printed in U.S.A.

STANDARD PARTS

REPLACEMENT BRUSH AND PAD DRIVER GROUP	4
REPLACEMENT ROLLERS AND BRUSHES GROUP	5
MAIN FRAME GROUP	6
SEAT GROUP	8
STEERING GROUP	10
INSTRUMENT PANEL GROUP	12
FRONT DRIVE WHEEL GROUP	14
BRAKE PEDAL AND ACCELERATOR PEDAL GROUP (S/N SEPT2012-)	16
BRAKE PEDAL AND ACCELERATOR PEDAL GROUP (S/N 10508137-AUG2012)	18
BRAKE PEDAL AND ACCELERATOR PEDAL GROUP (S/N 00000000-10508136)	20
RECOVERY TANK GROUP	22
VACUUM FAN GROUP	24
SOLUTION TANK GROUP	26
TANKS DRAIN GROUP	28
CIRCUIT BOARD GROUP	30
ELECTRICAL GROUP	32
VACUUM FLOOR TOOL GROUP	34
SCRUB HEAD GROUP	36
SCRUB HEAD GROUP - CONT'D	38
SCRUB HEAD LIFT GROUP	40
VACUUM SHOE AND SOLUTION FLUSH LINE GROUP	42
SOLUTION GROUP	44
SOLUTION GROUP - CONT'D	46
BATTERY GROUP, 360 Ah	48
LABEL GROUP	50
ELECTRICAL DIAGRAM	52
ELECTRICAL WIRE HARNESS GROUP - SECTION 1 OF 5	54
ELECTRICAL WIRE HARNESS GROUP - SECTION 2 OF 5	55

ELECTRICAL WIRE HARNESS GROUP - SECTION 3 OF 5 (S/N 10389602-)	56
ELECTRICAL WIRE HARNESS GROUP - SECTION 3 OF 5 (S/N 00000000-10389601)	57
ELECTRICAL WIRE HARNESS GROUP - SECTION 4 OF 5	58
ELECTRICAL WIRE HARNESS GROUP - SECTION 5 OF 5	59

OPTIONS

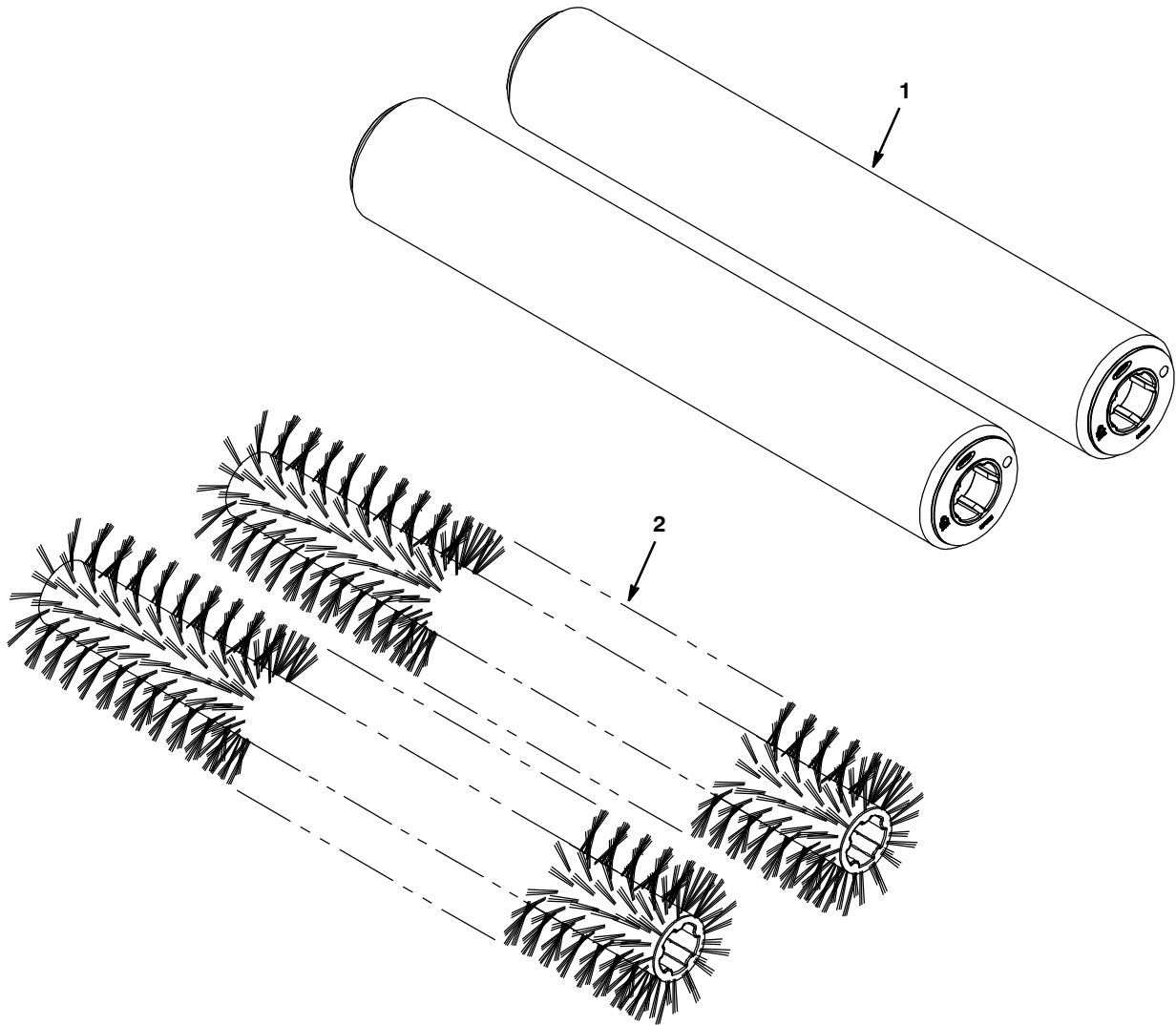
HYDROLINK® BATTERY WATERING SYSTEM KIT	60
BATTERY CHARGER GROUP	61
FLASHING LIGHT KIT	62
BASKET KIT	63
WAND GROUP, LOW PRESSURE 13 in / 330 mm	64
WAND GROUP, LOW PRESSURE 16 in / 406 mm	66
HAND TOOL, 5 in / 127 mm	68
HAND TOOL, CREVICE 3 in / 76 mm	69
HAND TOOL, UPHOLSTERY, LOW PRESSURE	70
HOSES, SOLUTION AND VACUUM GROUP ...	71
SPRAYER GROUP	72
DOCUMENTATION GROUP	72

BREAKDOWNS

STEERING CONTROL BREAKDOWN, 1019724	73
FRONT DRIVE WHEEL GEARBOX BREAKDOWN, 9003021	74
PUMP BREAKDOWN, 1022343	76

TABLE OF CONTENTS

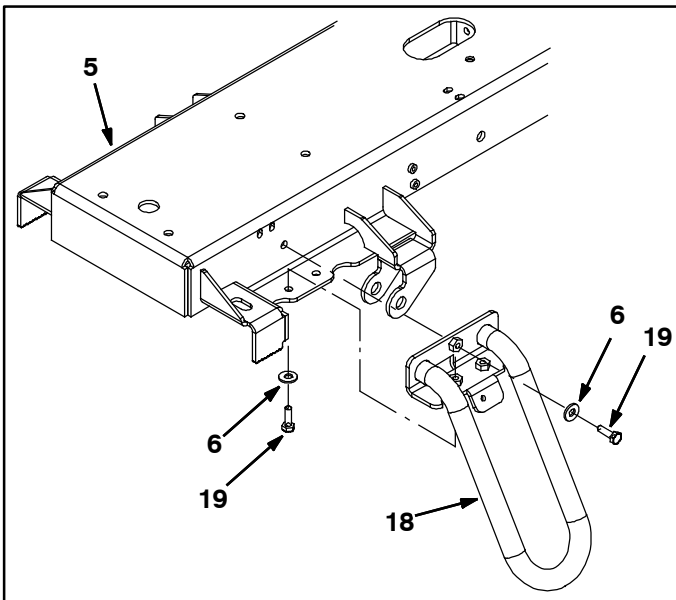
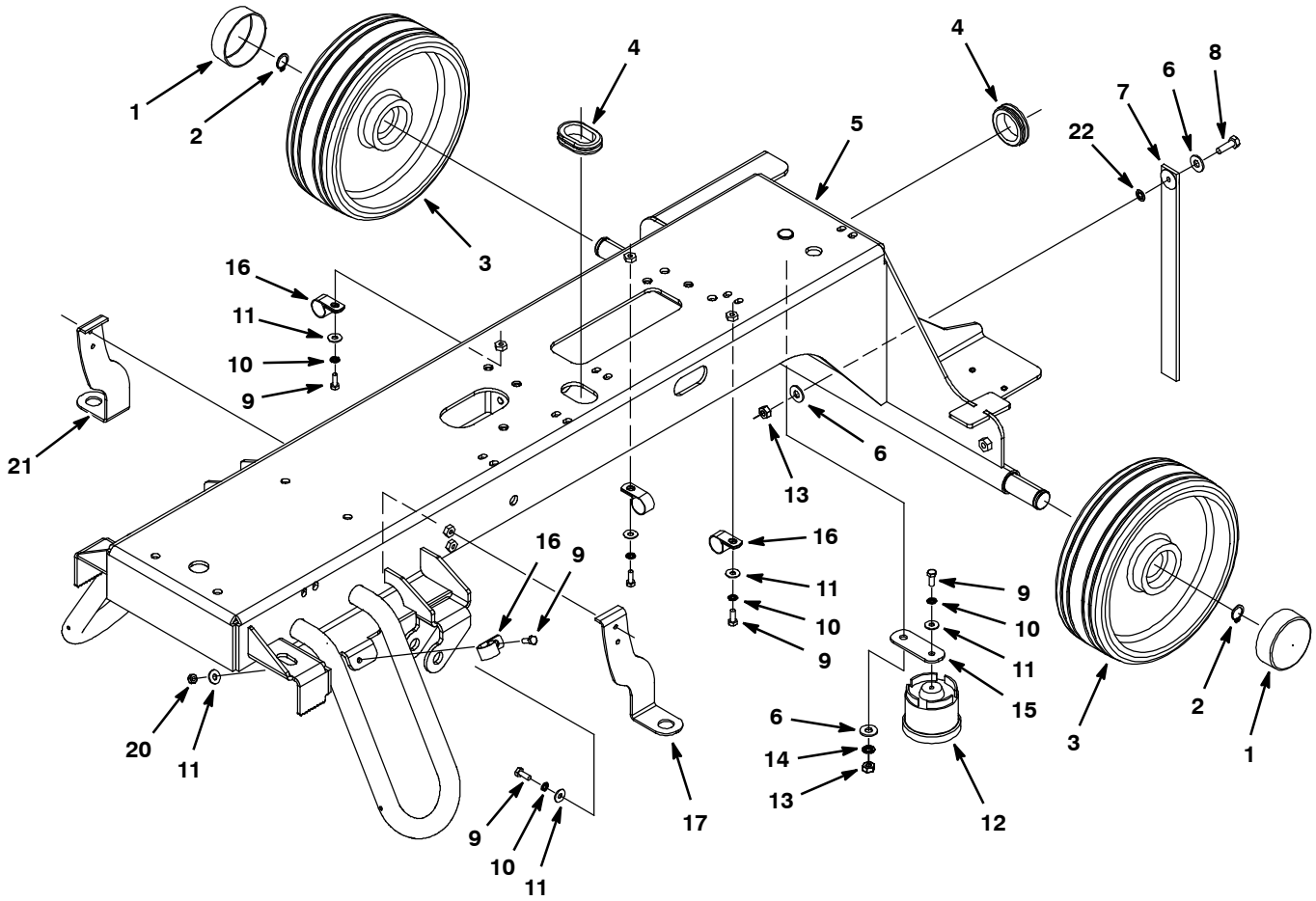
REPLACEMENT ROLLERS AND BRUSHES GROUP



Ref.	Part No.	Serial Number	Description	Qty.
1	1020798	(00000000-)● Roller Assy, Soil Transfer, 700mm	2
2	1021342	(00000000-)● Brush, Scb, 700mm, 10sr, Nyl, Spl	2

● RECOMMENDED STOCK ITEMS

MAIN FRAME GROUP

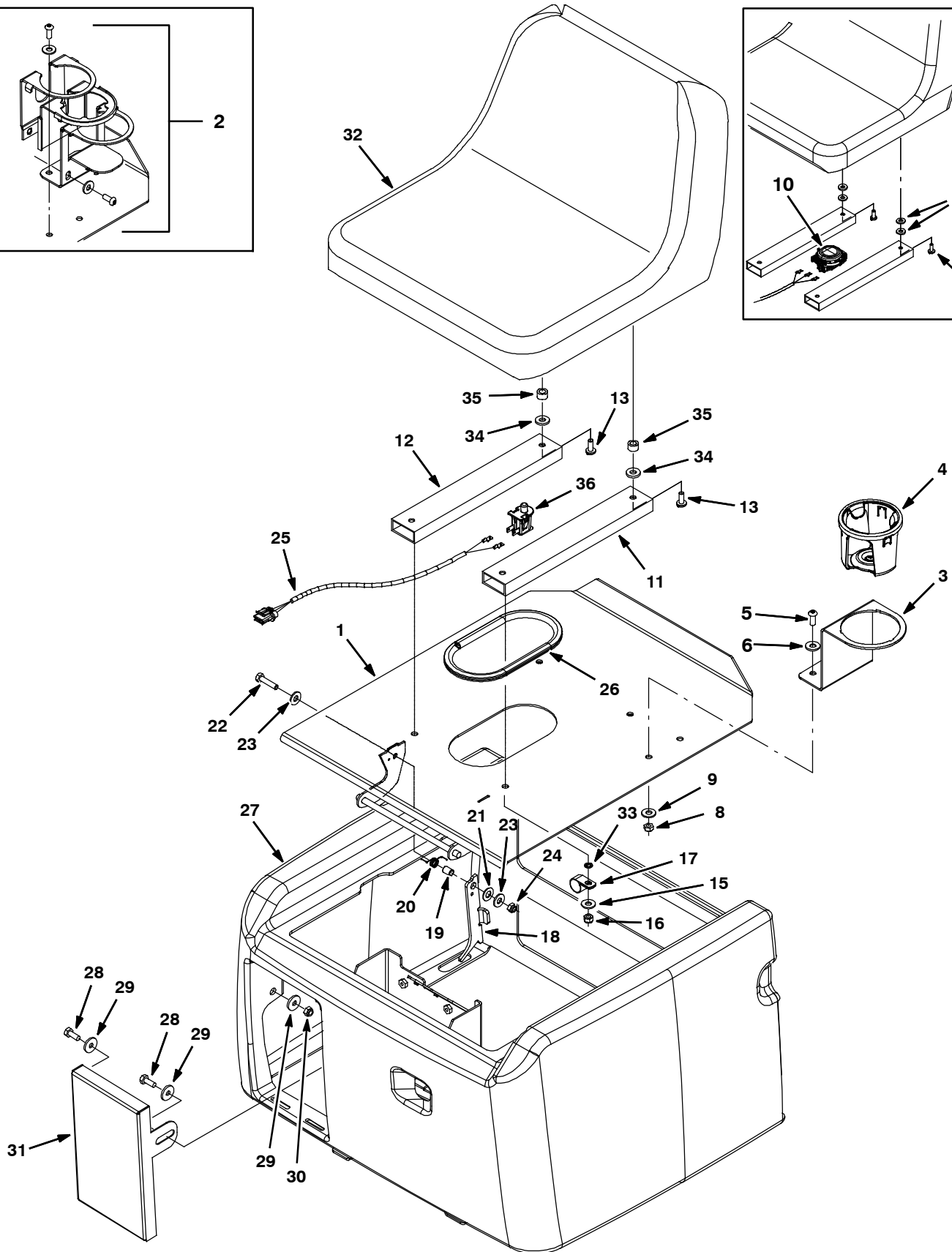
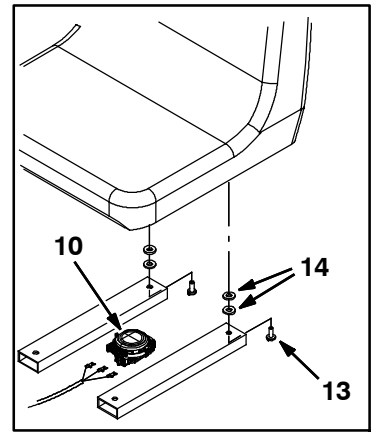
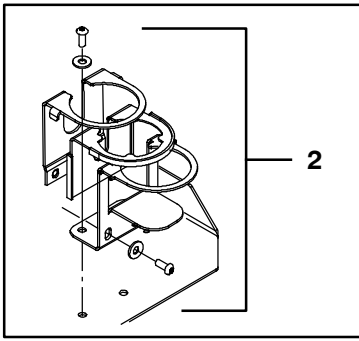


MAIN FRAME GROUP

Ref.	Part No.	Serial Number	Description	Qty.
1	1016957	(00000000-)● Cap, Vyl, 70mmid X 25mml	2
2	09005	(00000000-) Ring, Retaining, Ext, 1.00d, Basic	2
3	1038560	(00000000-)● Tire Assy, Solid, 250mmx80mm, 25mm Id	2
4	10632-13	(00000000-) Grommet, Rbr, 1.50id, F/1.8h, .19 Matl	2
5	1054035	(10448499-) Frame Wldt, Main [R14, T7 Cyl]	1
5	1023551	(00000000-10448498) Frame, Wldt (Replaced By 1054035)	1
6	01685	(10448499-) Washer, Flat, 0.31, Ss	3
6	01685	(00000000-10448498) Washer, Flat, 0.31, Ss	9
7	1014318	(00000000-)● Strap, Static, 10.3l [Afmkt]	1
8	09010	(00000000-) Screw, Hex, M8 X 1.25 X 25, Ss	1
9	08716	(00000000-) Screw, Hex, M6 X 1.0 X 20, Ss	9
10	07515	(00000000-) Washer, Lock, Int, 0.25, Ss	8
11	01684	(00000000-) Washer, Flat, 0.25, Ss	9
12	1018505	(00000000-)● Horn, 12-48vdc	1
13	08713	(00000000-) Nut, Hex, Lock, M8 X 1.25, NI, Ss	2
14	43952	(00000000-) Washer, Lock, Int, 0.31, Ss	1
15	1025354	(00000000-) Plate, Mtg, Horn	1
16	40678-1	(00000000-) Clamp, Cable, Stl, 0.88d X 0.62w, 1hole	4
17	1025383	(00000000-) Bracket, Jet, Spray, Lh	1
18	1025473	(00000000-10448498) Stabilizer Wldt (Replaced By 1054035)	2
19	09740	(00000000-10448498) Screw, Hex, M8 X 1.25 X 20, Ss	6
20	08712	(00000000-) Nut, Hex, Lock, M6 X 1.00, Ss, NI	1
21	1025389	(00000000-) Bracket, Jet, Spray, Rh	1
22	41141	(00000000-) Washer, Lock, Int-Ext, 0.31	1

● RECOMMENDED STOCK ITEMS

SEAT GROUP

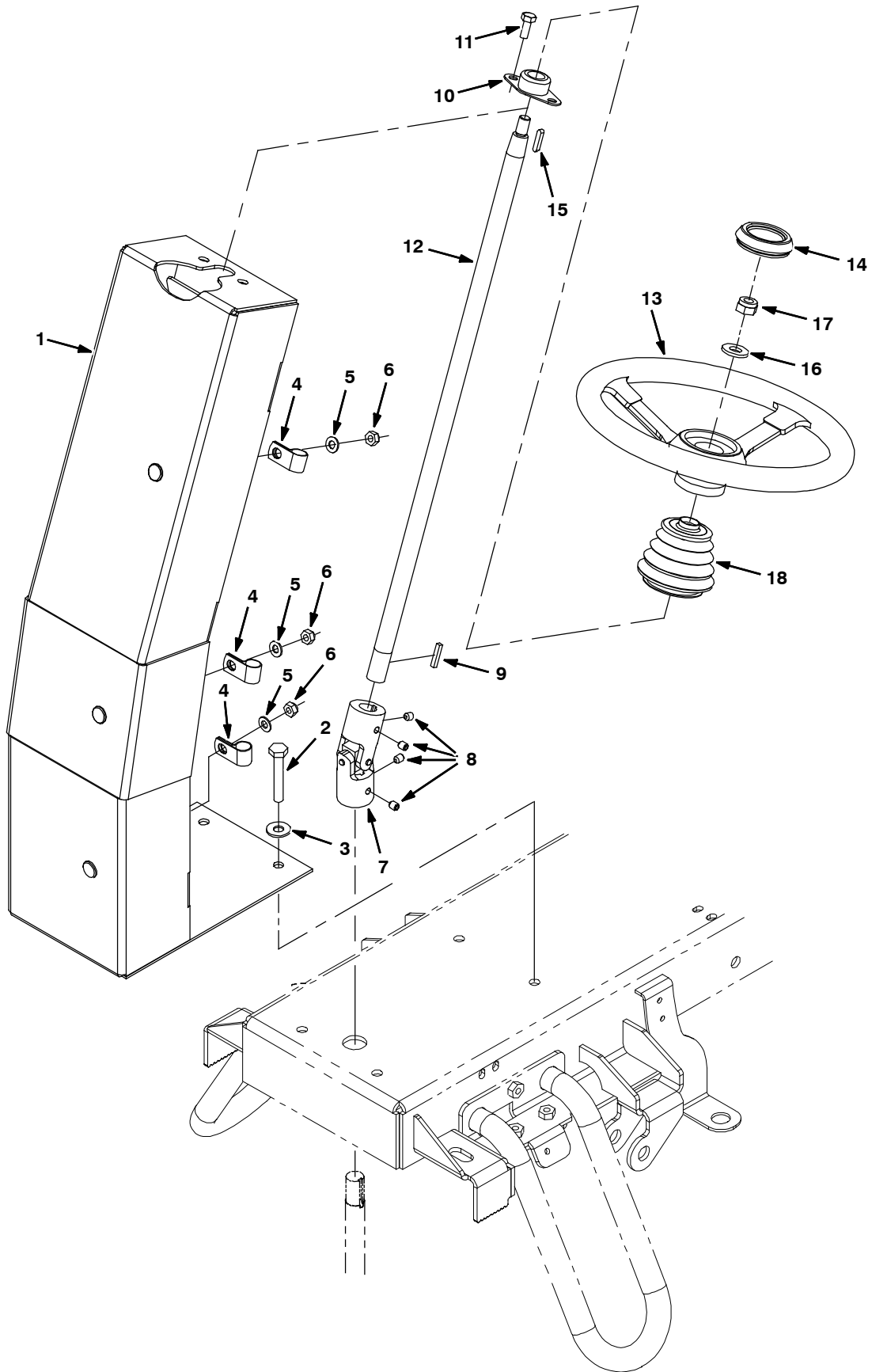


SEAT GROUP

Ref.	Part No.	Serial Number	Description	Qty.
1	1015406	(00000000-) Plate, Seat, W/ Label	1
2	1038062	(00000000-10382115) Holder Kit, Cup, Assy [T7]	1
3	1038081	(10382116-) Holder, Cup, Brkt, Blk, [T7]	1
4	1025867	(10382116-) Holder, Cup, Blk [T7]	1
5	1016430	(00000000-) Screw, Btn, M8 X 1.25 X 25, 10.9, Blk	2
6	1016435	(00000000-) Washer, Flat, 0.38b 0.90d .08, Stl, Blk	2
7	393135	(00000000-) Screw, Btn, M8 X 1.25 X 20, Blk	2
8	08713	(00000000-) Nut, Hex, Lock, M8 X 1.25, NI, Ss	2
9	01685	(00000000-) Washer, Flat, 0.31, Ss	2
10	223078	(00000000-10400496)● Switch, Seat, No [Delta 6500]	1
11	1017053	(00000000-) Rail, Adj, Slide, Seat, 11.5l	1
12	1017054	(00000000-) Rail, Adj, Slide, Seat, 11.5l, W/ Latch	1
13	25537	(00000000-) Screw, Pan, .31-18 X 0.75, G2	4
14	69461	(00000000-10400496) Washer, Flat, 0.38b 0.88d .12, Stl, PI	8
15	32491	(00000000-) Washer, Flat, 0.31, Std	4
16	01760	(00000000-) Nut, Hex, Lock, .31-18, NI, Thin	4
17	46236	(00000000-) Clamp, Cable, Stl, 0.25d X 0.56w, 1h	1
18	1016000	(00000000-) Plate, Stop, Seat	1
19	1017699	(00000000-) Sleeve, P/M, 0.31b 0.44d 0.6l [430ss]	1
20	10928	(00000000-) Spring, Tors, 0.49id .05wir 05.0coil	1
21	1018151	(00000000-) Washer, Flat, 0.44b 0.88d .06, Nyl	1
22	09023	(00000000-) Screw, Hex, M8 X 1.25 X 35, Ss, FI	1
23	01685	(00000000-) Washer, Flat, 0.31, Ss	2
24	08713	(00000000-) Nut, Hex, Lock, M8 X 1.25, NI, Ss	1
25	391951	(00000000-)● Harness, Seat [T7/Ssr]	1
26	1020170	(00000000-) Molding, Afmkt, Trim, Pvc, .08 .11, 2ft	1
27	9002899	(00000000-) Cover, Box, Battery, Afmkt [Strv Rdr]	1
28	09740	(00000000-) Screw, Hex, M8 X 1.25 X 20, Ss	2
29	1017218	(00000000-) Washer, Flat, 0.32b 1.00d .12, Ss	3
30	08713	(00000000-) Nut, Hex, Lock, M8 X 1.25, NI, Ss	1
31	1023549	(00000000-) Bracket, Fill [Fast Opng]	1
32	1048932	(10400497-)● Seat, Std [Michigan, Model V-2505]	1
32	9005082	(00000000-10400496)● Seat Kit, Std, Replmt	1
33	41141	(00000000-) Washer, Lock, Int-Ext, 0.31	1
34	69461	(10400497-) Washer, Flat, 0.38b 0.88d .12, Stl, PI	4
35	1051052	(10400497-)● Spacer, Rnd, .38b .88d .38l	4
36	1048955	(10400497-)● Switch, Seat, No [Delta 6440-04]	1

● RECOMMENDED STOCK ITEMS

STEERING GROUP

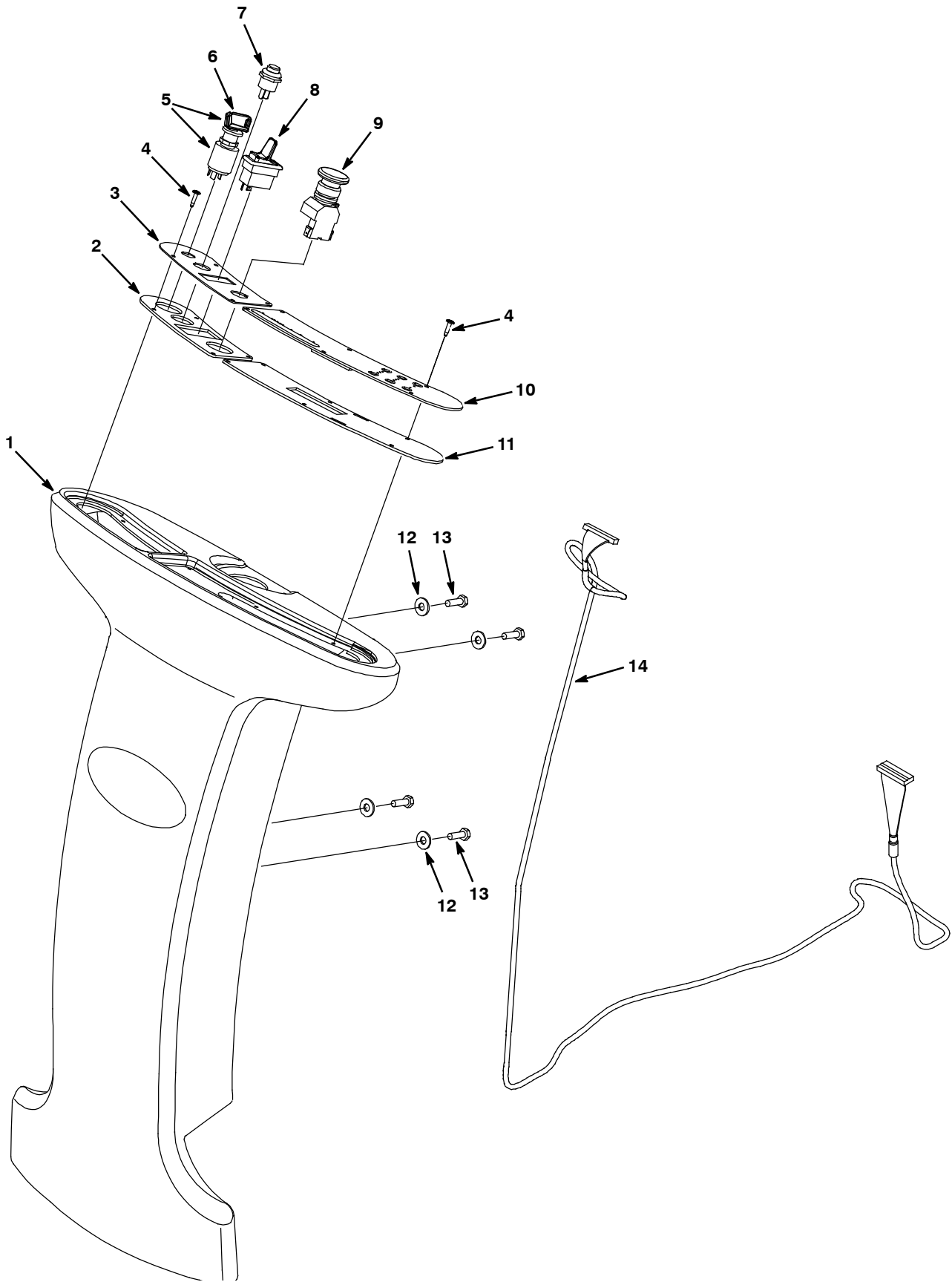


STEERING GROUP

Ref.	Part No.	Serial Number	Description	Qty.
1	1018561	(00000000-) Support Wldt, Steering	1
2	14529	(00000000-) Screw, Hex, M10 X 1.5 X 70, Ss	4
3	01686	(00000000-) Washer, Flat, 0.44b 1.00d .08, Ss	4
4	69234	(00000000-) Clamp, Cable, Stl, 1.00d X 0.75w, 1h	3
5	32490	(00000000-) Washer, Flat, 0.25, Std	3
6	08709	(00000000-) Nut, Hex, Lock, M8 X 1.25, NI	3
7	1040295	(00000000-) Joint, U, 0.75id	1
8	46820	(00000000-) Screw, Set, .31-18 X 0.38, NI	4
9	00912	(00000000-) Key, Sq, 0.19 X 0.19, 1.00l	1
10	223065	(00000000-) Bearing, Flng, 2hole, 0.75b [Nyl]	1
11	09740	(00000000-) Screw, Hex, M8 X 1.25 X 20, Ss	2
12	1013164	(00000000-) Shaft, Steering, Wheel	1
13	1012002	(00000000-)● Wheel, Steering, 300mm	1
14	1019706	(00000000-)● Cap, Wheel, Steering	1
15	1014328	(00000000-) Key, Sq, 05mm X 05mm X 25mml	1
16	64154	(00000000-) Washer, Flat, 0.53b 1.12d .11, Stl, Pl	1
17	08711	(00000000-) Nut, Hex, Lock, M12 X 1.75,NI	1
18	1012437	(00000000-) Bellows, Shaft, Steering	1

● RECOMMENDED STOCK ITEMS

INSTRUMENT PANEL GROUP



INSTRUMENT PANEL GROUP

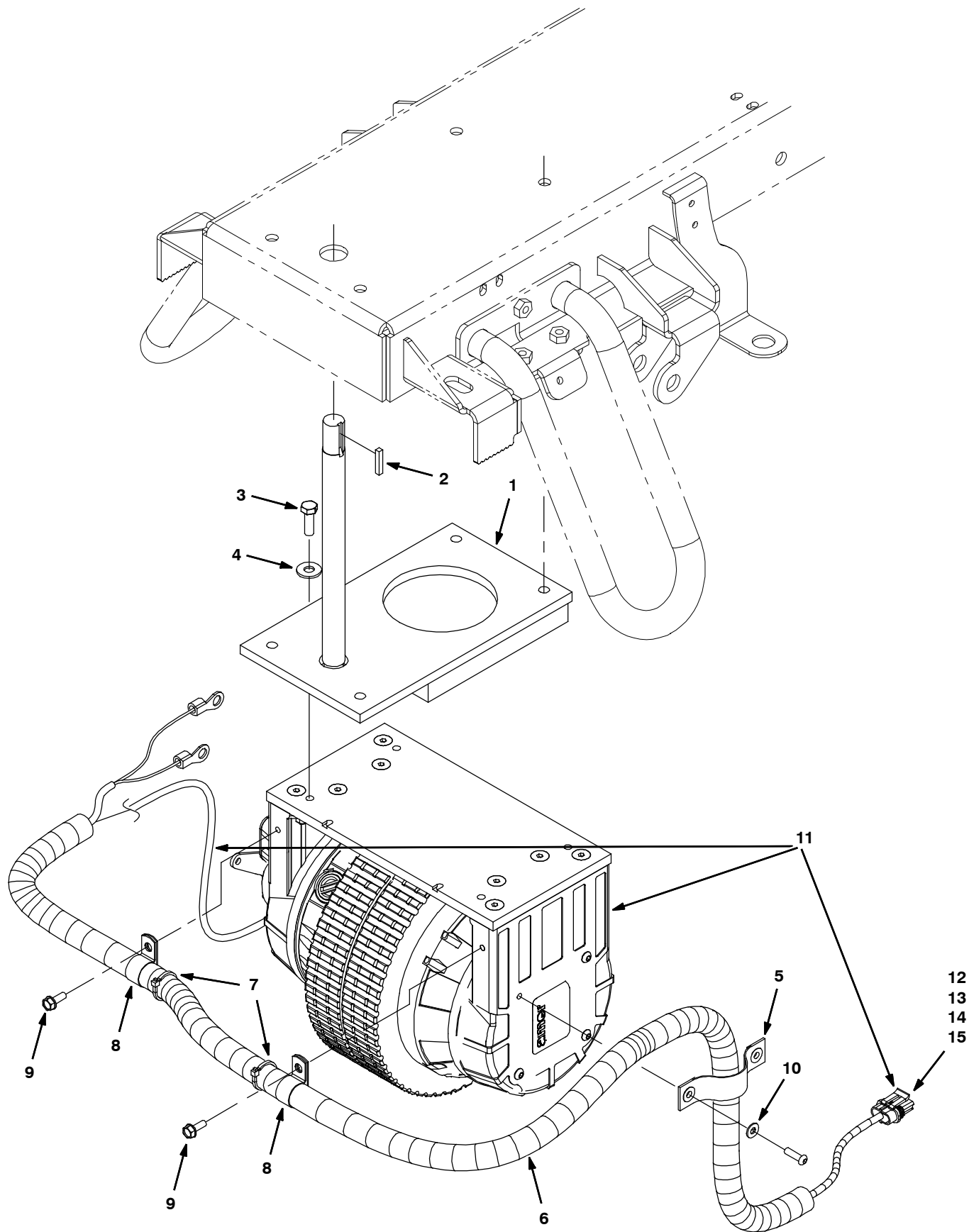
Ref.	Part No.	Serial Number	Description	Qty.	
1	1017924	(00000000-) Column, Steering, W/ Label [Nobles]	1	
2	1014080	(00000000-) Gasket, Panl, Instmt, Rh, .13, Foam, Adh	1	
3	1046313	(10403819-)● Panel, Instmt, Rh	1	
3	9004968	(00000000-10403818)● Switch Kit, Key, [T7/Ssr/R14/Strv Rdr]	1	
4	72969	(00000000-) Rivet, Plstc, .181d X 0.720	10	
▽	5	1011402	(10403819-)● Switch, Key	1
▲	6	1017696	(10403819-)● Key Set, Replmt [F/ Keyswitch 1011402]	1
▽	5	9004968	(00000000-10403818)● Switch Kit, Key, [T7/Ssr/R14/Strv Rdr]	1
▲	6	361144	(00000000-10403818)● Key, Ignition [Set Of 2] (For Key Switch 1016789)	1
7	1014832	(00000000-)● Switch, Horn	1	
8	1072040	(00000000-)● Switch, Rocker, Spst, Paddle	1	
9	1011735	(00000000-)● Switch, Safety, Shutoff	1	
10	1024154	(00000000-)● Panel, Instmt, Lh [Tco]	1	
11	1013939	(00000000-) Gasket, Panl, Instmt, Lh, .13, Foam, Adh	1	
12	01685	(00000000-) Washer, Flat, 0.31, Ss	4	
13	39277	(00000000-) Screw, Hex, M8 X 1.25 X 25, 8.8	4	
14	1016865	(00000000-)● Cable, Ribbon, 90.6l	1	

▽ ASSEMBLY

▲ INCLUDED IN ASSEMBLY

● RECOMMENDED STOCK ITEMS

FRONT DRIVE WHEEL GROUP



FRONT DRIVE WHEEL GROUP

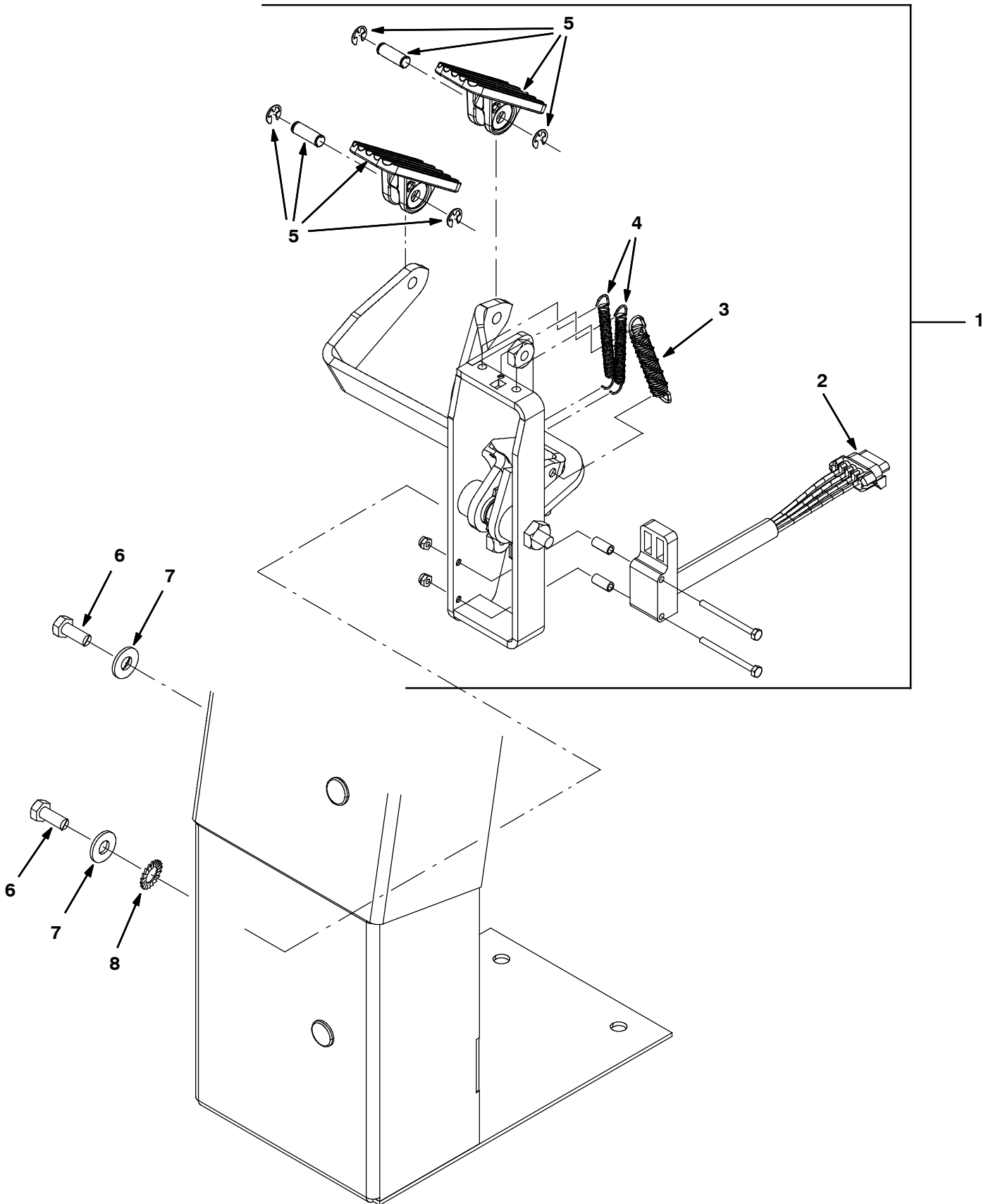
Ref.	Part No.	Serial Number	Description	Qty.
1	1019724	(00000000-) Steer-Control Assy, Wheel Drive	1
2	00912	(00000000-) Key, Sq, 0.19 X 0.19, 1.00l	1
3	09740	(00000000-) Screw, Hex, M8 X 1.25 X 20, Ss	4
4	01685	(00000000-) Washer, Flat, 0.31, Ss	4
5	1019224	(00000000-) Strap, Nyl	1
6	1015761	(00000000-) Sleeve, Afmkt, Nyl, #13, 03ft	1
7	49263	(00000000-) Tie, Cable, Nyl, 11.4l .19w 3.0 Max D	2
8	40678-1	(00000000-) Clamp, Cable, Stl, 0.88d X 0.62w, 1hole	2
9	361339	(00000000-) Screw, Hex, M6 X 1.0 X 16, Fmg	2
10	19066	(00000000-) Washer, Flat, #10	2
▽	11	9003021	(00000000-)● Gearbox Kit, Wheel, 250mm, W/Connector	1
▲	12	78950	(00000000-)● Connector, Fem, 2cav, Mp280 Sealed	1
▲	13	78952	(00000000-)● Lock, Secondary, 2cav, Mp280 Sealed	1
▲	14	25837	(00000000-)● Terminal, Fem, Mp280, Sealed, 22-20ga	2
▲	15	25830	(00000000-)● Seal, Wire, 14ga [Wp / Mp280 Sealed]	2

▽ ASSEMBLY

▲ INCLUDED IN ASSEMBLY

● RECOMMENDED STOCK ITEMS

BRAKE PEDAL AND ACCELERATOR PEDAL GROUP (S/N SEPT2012-)



BRAKE PEDAL AND ACCELERATOR PEDAL GROUP (S/N SEPT2012-)

Ref.	Part No.	Serial Number	Description	Qty.
▽	1	1072477	(SEPT2012-) Pedal Assy, Accelerator, Brake	1
▲	2	1058687	(10508137-)● Vr, Sensor, Position [Hall]	1
▲	3	1031716	(10508137-) Spring, Extn, 0.50od 0.07wir 03.0l	1
▲	4	1061049	(10508137-) Vr, Spring, Extn, 0.35od 0.05wir 02.8l	2
▲	5	1072478	(SEPT2012-) Vr, Pedal, Foot, W/ Tread	2
	6	09740	(00000000-) Screw, Hex, M8 X 1.25 X 20, Ss	2
	7	01685	(00000000-) Washer, Flat, 0.38b 0.88d .08, Ss	2
	8	41141	(00000000-) Washer, Lock, Int-Ext, 0.31	1

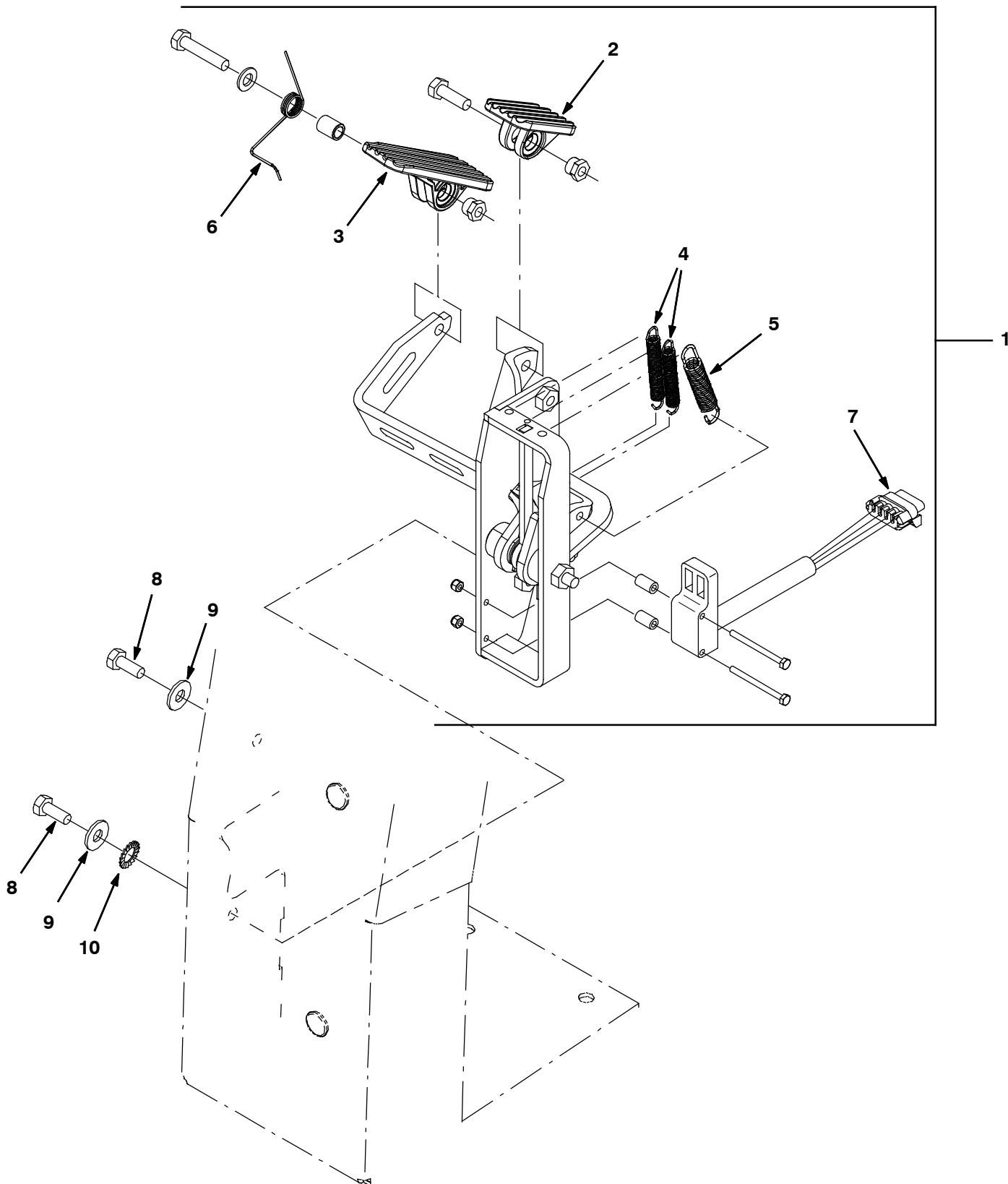
▽ ASSEMBLY

▲ INCLUDED IN ASSEMBLY

● RECOMMENDED STOCK ITEMS

STANDARD PARTS

BRAKE PEDAL AND ACCELERATOR PEDAL GROUP (S/N 10508137-AUG2012)



BRAKE PEDAL AND ACCELERATOR PEDAL GROUP (S/N 10508137-AUG2012)

	Ref.	Part No.	Serial Number	Description	Qty.
▽	1	1051837	(10508137-AUG2012)	Pedal Assy, Accelerator, Brake	1
▲	2	1058687	(10508137-)	● Vr, Sensor, Position [Hall]	1
▲	3	1014548	(10508137-AUG2012)	Vr, Pedal, Brake, W/ Tread	1
▲	4	1051836	(10508137-AUG2012)	Vr, Pedal, Propel, W/ Tread	1
▲	5	1061049	(10508137-)	Vr, Spring, Extn, 0.35od 0.05wir 02.8l	2
▲	6	1031716	(10508137-)	Spring, Extn, 0.50od 0.07wir 03.0l	1
▲	7	1064665	(10508137-AUG2012)	Vr, Spring, Tors, 0.55id .05wir 04.0coil	1
	8	09740	(00000000-)	Screw, Hex, M8 X 1.25 X 20, Ss	2
	9	01685	(00000000-)	Washer, Flat, 0.38b 0.88d .08, Ss	2
	10	41141	(00000000-)	Washer, Lock, Int-Ext, 0.31	1

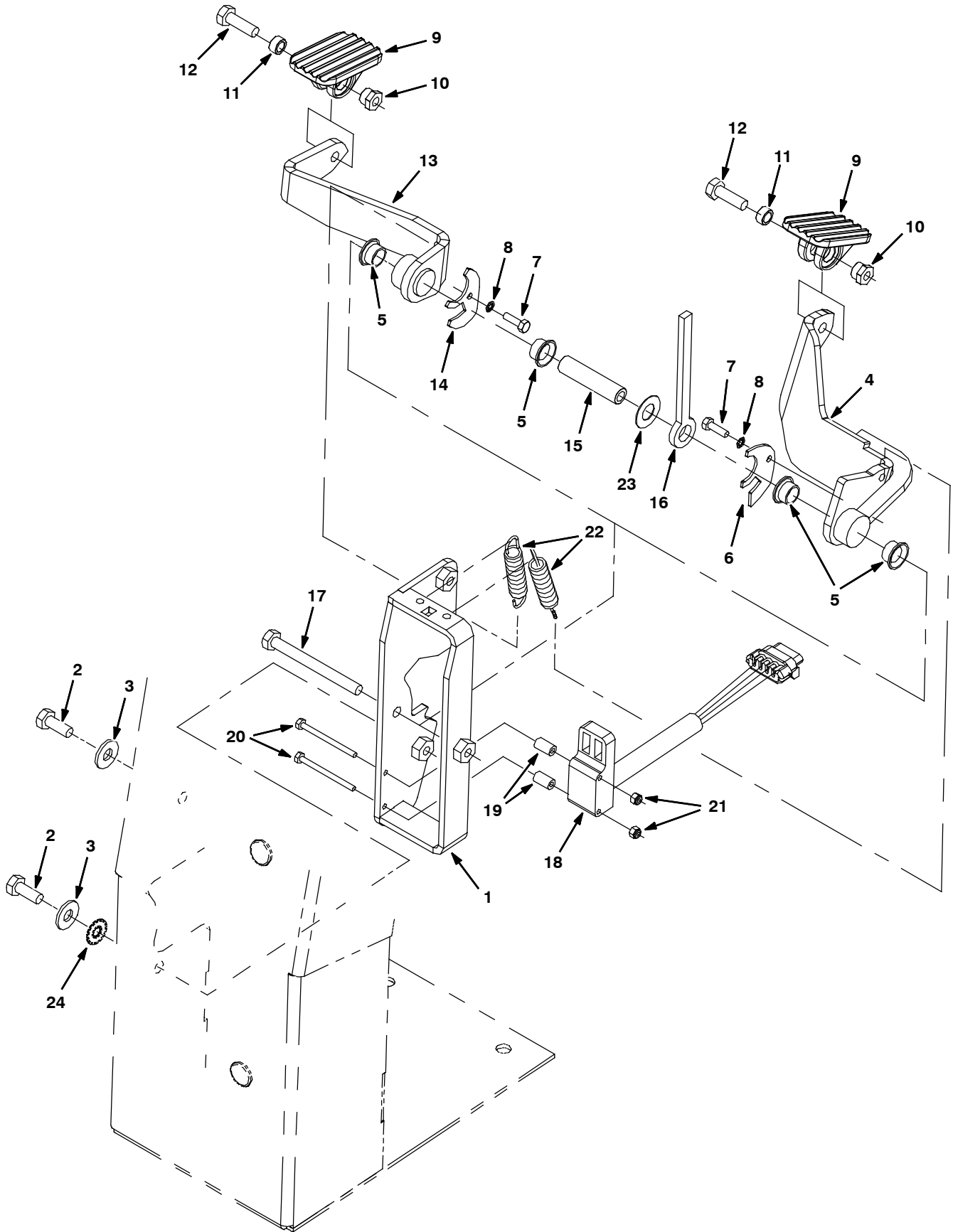
▽ ASSEMBLY

▲ INCLUDED IN ASSEMBLY

● RECOMMENDED STOCK ITEMS

STANDARD PARTS

BRAKE PEDAL AND ACCELERATOR PEDAL GROUP (S/N 0000000-10508136)

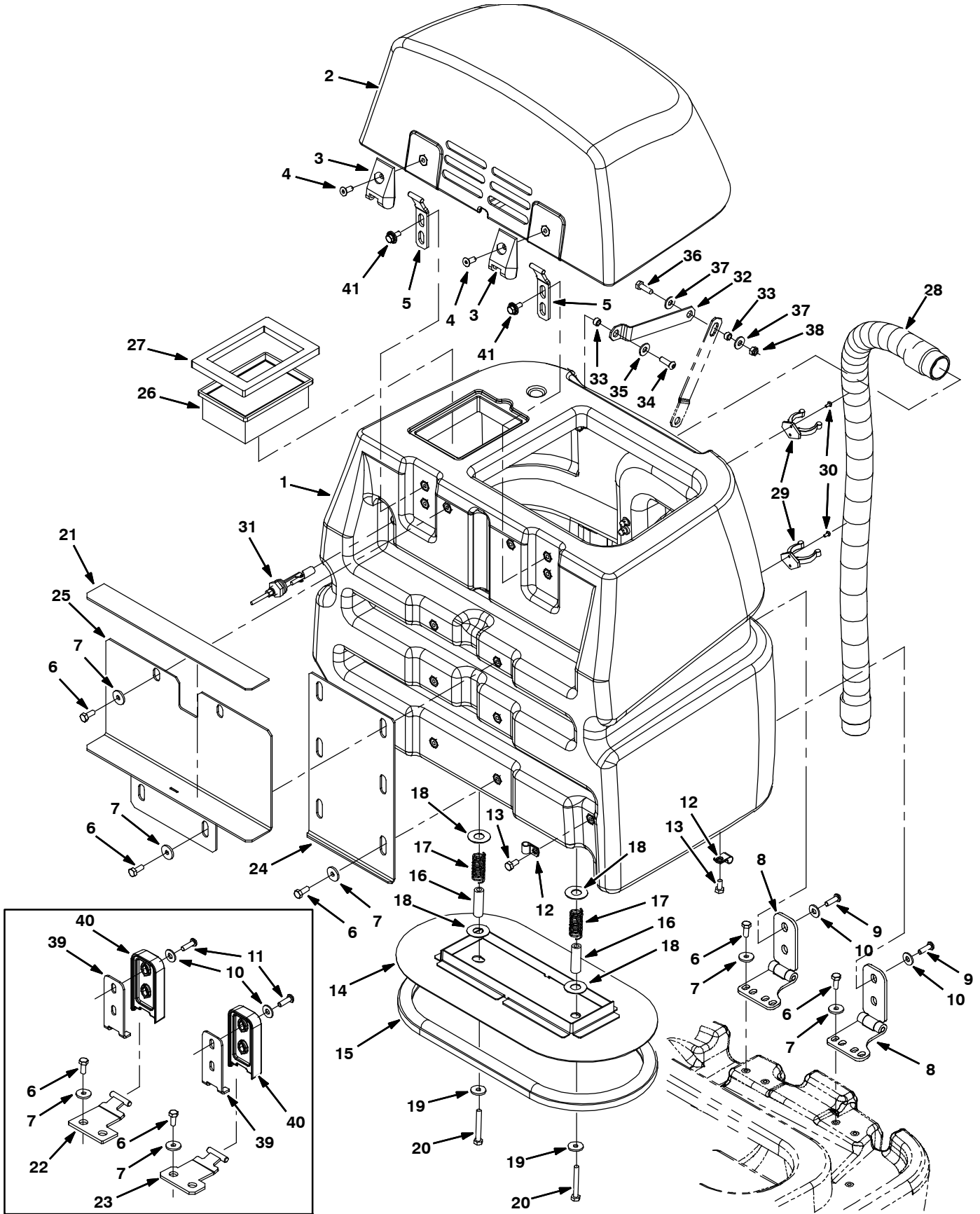


BRAKE PEDAL AND ACCELERATOR PEDAL GROUP (S/N 0000000-10508136)

Ref.	Part No.	Serial Number	Description	Qty.
1	1011970	(00000000-10508136)	Frame Wldt, Pedal (Replaced By 1051837)	1
2	09740	(00000000-	Screw, Hex, M8 X 1.25 X 20, Ss	2
3	01685	(00000000-	Washer, Flat, 0.31, Ss	2
4	1019766	(00000000-	Arm Wldt, Brake	1
5	15648	(00000000-	Bushing, Flng, 0.50b 0.59d 0.38l	4
6	1011955	(00000000-	Plate, Brake	1
7	24199	(00000000-	Screw, Hex, M5 X 0.8 X 16, Ss	2
8	07514	(00000000-10508136)	Washer, Lock, Int, #10, Ss	2
9	1014548	(00000000-10508136)	Pedal, Rest, Foot	2
10	1014582	(00000000-	Nut, T, M8 X 1.25 X 11.90od X 6.2l	2
11	1014668	(00000000-10508136)	Bushing, Sleeve, 8mmb 12mmd 6mml	2
12	09010	(00000000-	Screw, Hex, M8 X 1.25 X 25, Ss	2
13	1013898	(00000000-10508136)	Arm Wldt, Accelerator	1
14	1011951	(00000000-	Plate, Accelerator	1
15	1011865	(00000000-	Pivot, Tube	1
16	1011880	(00000000-	Bearing, Thrust	1
17	06958	(00000000-	Screw, Hex, M8 X 1.25 X 80, 8.8	1
18	1011562	(00000000-10508136)	● Sensor, Position [Hall] (Replaced By 1058687)	1
19	1011957	(00000000-	Tube, Rnd, 0.32d 0.17b 00.6l, Ss, P/M	2
20	32509	(00000000-	Screw, Hex, M4 X 0.7 X 50, Ss	2
21	33932	(00000000-	Nut, Hex, Lock, M4 X 0.70, NI, Ss	2
22	1031716	(00000000-10508136)	Spring, Extn, 0.50od X 0.07wir, 3.0l	2
23	20536-2	(00000000-10508136)	Washer, Flat, 0.47b 1.19d .03, Nyl	1
24	41141	(00000000-	Washer, Lock, Int-Ext, 0.31	1

● RECOMMENDED STOCK ITEMS

RECOVERY TANK GROUP

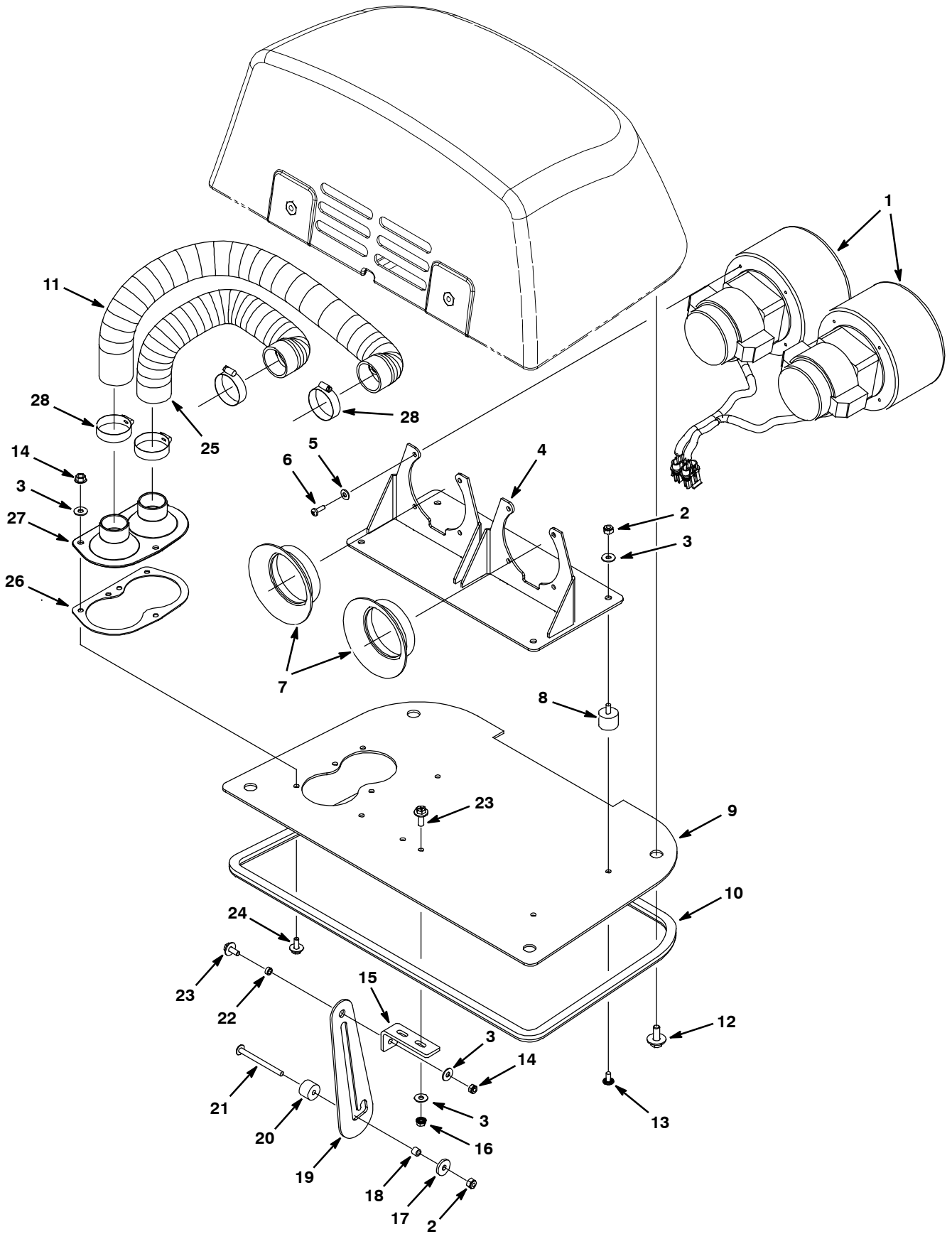


RECOVERY TANK GROUP

Ref.	Part No.	Serial Number	Description	Qty.
1	9002904	(00000000-) Tank, Recvy, W/ Label, Afmkt [Strve Rdr]	1
2	9002909	(00000000-) Cover, Tank, Recvy, Afmkt [Strive Rider]	1
3	222529	(00000000-) Hinge, Leaf	2
4	222463	(00000000-) Screw, Flt, M8 X 1.25 X 20, Blk	2
5	1012055	(00000000-) Hinge Wldt, Cover	2
6	09740	(00000000-) Screw, Hex, M8 X 1.25 X 20, Ss	12
7	1017218	(00000000-) Washer, Flat, 0.32b 1.00d .12, Ss	12
8	1018304	(10346364-) Hinge, 10mm Pin, Crs, Blk [T7]	2
9	393135	(10346364-) Screw, Btn, M8 X 1.25 X 20, Blk	4
10	1016435	(00000000-) Washer, Flat, 0.38b 0.90d .08, Stl, Blk	4
11	1016430	(00000000-10346363) Screw, Btn, M8 X 1.25 X 25, 10.9, Blk	4
12	82829	(00000000-) Clamp, Cable, Stl, 0.63d X 0.75w, 1h	4
13	15675	(00000000-) Screw, Hex, M8 X 1.25 X 16, Ss	4
14	1016855	(00000000-) Plate Wldt, Seal, Tank	1
15	1020301	(00000000-)● Seal, Afmkt, Bulb, Clsd Cell, Adh, 08ft	1
16	1016871	(00000000-) Tube, Pvc, 0.63d 0.35b 02.0l	2
17	397255	(00000000-) Spring, Cmpr, 0.90d .080wir 02.0l	2
18	605385	(00000000-) Washer, Flat, 0.69b 1.50d .05, Ss	4
19	1017218	(00000000-) Washer, Flat, 0.32b 1.00d .12, Ss	2
20	1014163	(00000000-) Screw, Hex, M8 X 1.25 X 60, Fl, Ss	2
21	1017705	(00000000-)● Pad, Rbr	1
22	1011752	(00000000-10346363) Hinge Wldt, Tank	1
23	1011753	(00000000-10346363) Hinge Wldt, Tank	1
24	1017670	(00000000-) Angle, Sppt, Tank	1
25	1025647	(00000000-) Bracket Wldt, Tank, Sppt	1
26	1037821	(00000000-)● Filter, Panl, Dust, 2.3 X 04.5 X 06.4	1
27	1016392	(00000000-) Gasket, 05.31 X 03.74 X .50, Ure, Adh	1
28	1025587	(00000000-)● Hose, Vacuum, 1.5d X 32l, 2-Short Cuff	1
29	1001992	(00000000-)● Clip, Grip, Hose, 1.75id, Blk Ny	2
30	607006	(00000000-) Screw, Trs, M4 X 0.70 X 12, Phl, Pl	4
31	385685	(00000000-)● Sensor, Level, Liq, 14vdc 01a .62-11	1
32	1011853	(00000000-) Arm, Tank, Retaining	1
33	222516	(00000000-) Sleeve, P/M, 0.31b 0.50d 0.3l [430ss]	2
34	1016430	(00000000-) Screw, Btn, M8 X 1.25 X 25, 10.9, Blk	2
35	1016435	(00000000-) Washer, Flat, 0.38b 0.90d .08, Stl, Blk	1
36	09010	(00000000-) Screw, Hex, M8 X 1.25 X 25, Ss	1
37	01685	(00000000-) Washer, Flat, 0.31, Ss	2
38	08713	(00000000-) Nut, Hex, Lock, M8 X 1.25, Ni, Ss	1
39	1017590	(00000000-10346363) Plate, Hinge	2
40	1011536	(00000000-10346363) Hinge, Tank	2
41	1020341	(00000000-) Screw, Hex, M8 X 1.25 X 20, Ss, Sems	4

● RECOMMENDED STOCK ITEMS

VACUUM FAN GROUP



VACUUM FAN GROUP

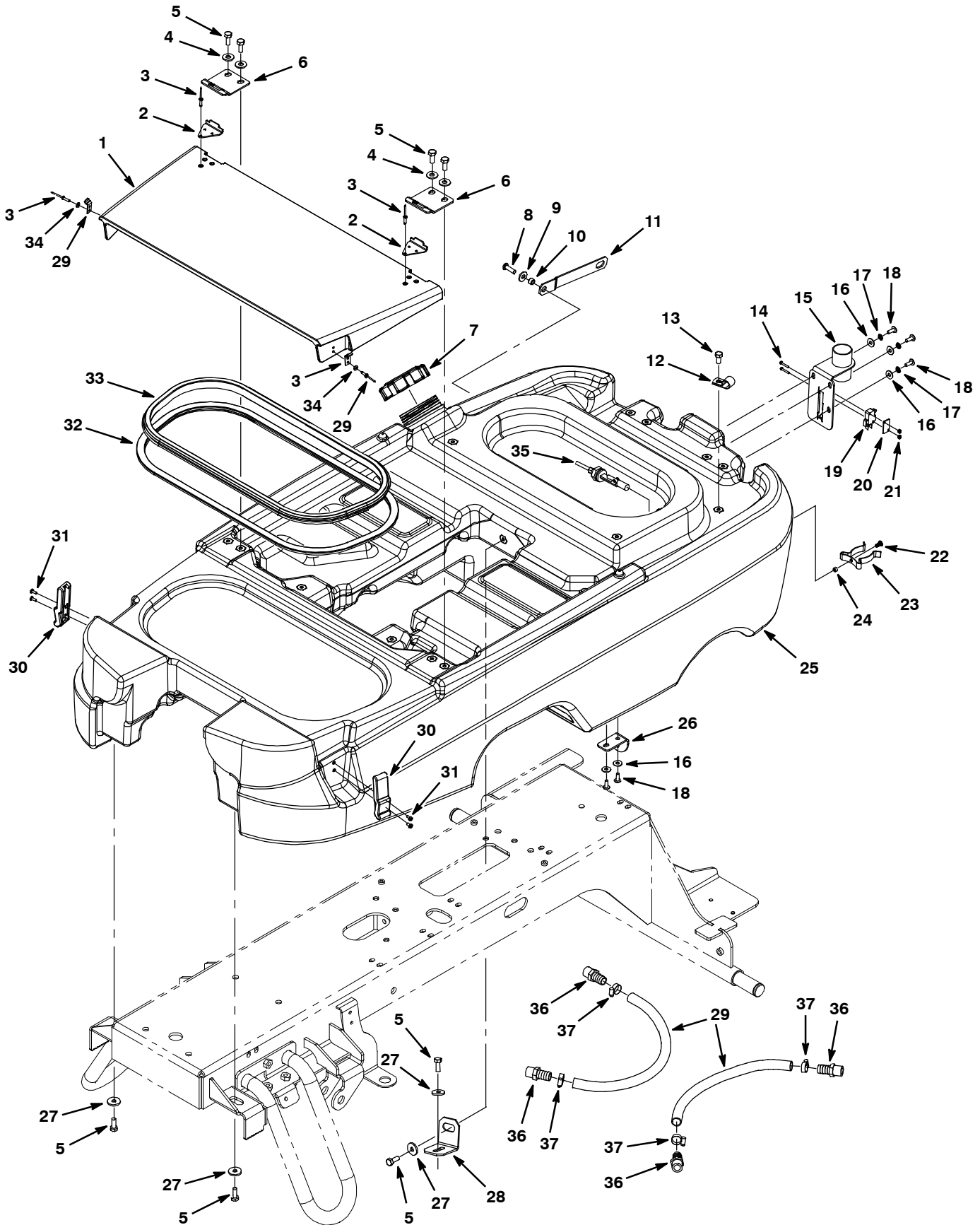
Ref.	Part No.	Serial Number	Description	Qty.
▽	1	1013432	(00000000-)● Fan, Vacuum, 5.7d 3stage 024vdc [Bpp]	2
▲	1	372883	(00000000-)● Vr, Brush Kit, Motor, Ele	2
▲	1	398511	(00000000-)● Vr, Housing	2
	2	41169	(00000000-) Nut, Hex, Lock, .25-20, NI, Ss	5
	3	01684	(00000000-) Washer, Flat, 0.25, Ss	11
	4	1024100	(00000000-) Bracket Wldt, Mtg, Fan	1
	5	19066	(00000000-) Washer, Flat, #10	8
	6	1015506	(00000000-) Screw, Pan, M5 X 16	8
	7	1011140	(00000000-)● Seal, Fan	2
	8	1000409	(00000000-) Mount, Stud / Plate	4
	9	1027532	(00000000-) Plate, Wldt, Fan	1
	10	9002910	(00000000-)● Seal, Bulb, Str, 0.5h 0.5w 2.014m, Afmkt	1
	11	1024230	(00000000-)● Hose, Vacuum, Wir, 1.50id X 024.0l, Clr	1
	12	1020341	(00000000-) Screw, Hex, M8 X 1.25 X 20, Ss, Sems	4
	13	140195	(00000000-) Screw, Trs, .25-20 X 0.50, Phl, Ss, Sems	4
	14	07790	(00000000-) Nut, Hex, Flng, M6 X 1.00	4
	15	1026322	(00000000-) Bracket, Mtg, Stop	1
	16	1007108	(00000000-) Nut, Hex, Lock, M6 X 1.00, Kep, Ext	2
	17	140053	(00000000-) Washer, Flat, 0.28b 0.88d .12, Ss	1
	18	140154	(00000000-) Sleeve, P/M, 0.25b 0.38d 0.3l, PI	1
	19	1026270	(00000000-) Bracket, Arm, Prop	1
	20	578579	(00000000-) Spacer, 0.25b 0.88d 0.50l	1
	21	1026986	(00000000-) Screw, Trs, .25-20 X 3.00, Phl, Ss	1
	22	80491	(00000000-) Sleeve, P/M, 0.25b 0.38d 0.2l [430ss]	1
	23	1034731	(00000000-) Screw, Hex, M6 X 1.00 X 16, Ss, Sems	3
	24	1034731	(00000000-) Screw, Hex, M6 X 1.00 X 16, Ss, Sems	3
	25	1024233	(00000000-)● Hose, Vacuum, Wir, 1.50id X 012.3l, Clr	1
	26	1025538	(00000000-)● Gasket, Adapter	1
	27	1024787	(00000000-) Adapter, Hose	1
	28	79381	(00000000-) Clamp, Hose, Wormdrive, 1.25-2.00d, .50w	4

▽ ASSEMBLY

▲ INCLUDED IN ASSEMBLY

● RECOMMENDED STOCK ITEMS

SOLUTION TANK GROUP

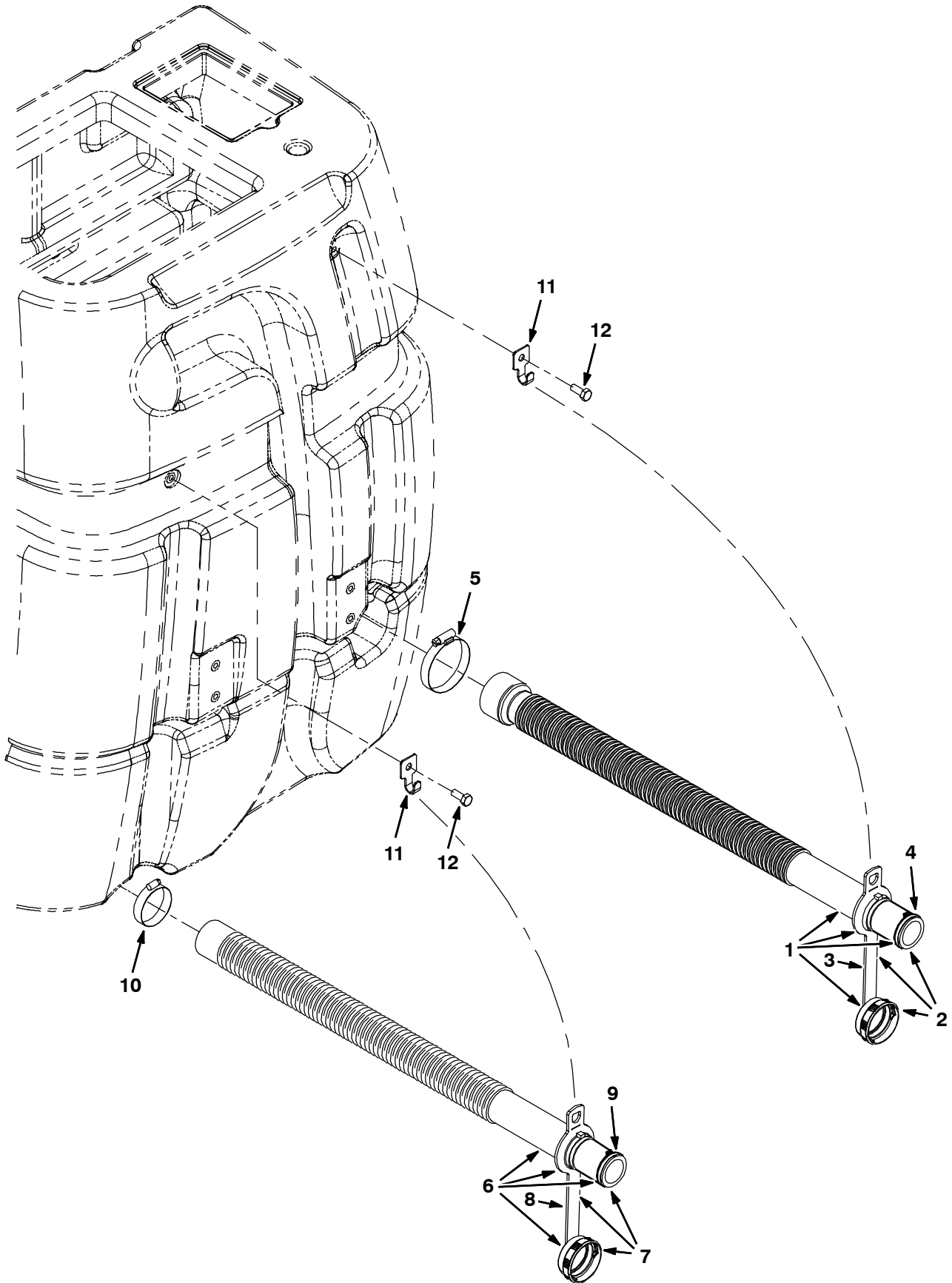


SOLUTION TANK GROUP

Ref.	Part No.	Serial Number	Description	Qty.
1	1017374	(00000000-) Cover, Tank, Soltn [Ssr]	1
2	1020534	(00000000-) Plate, Cover, Tab [Ssr]	2
3	1021677	(00000000-) Rivet, Blind, .154d X 0.55 X .38d, Ss	10
4	01685	(00000000-) Washer, Flat, 0.31, Ss	4
5	09740	(00000000-) Screw, Hex, M8 X 1.25 X 20, Ss	4
6	1020535	(00000000-) Catch, Cover [Ssr]	1
7	1011885	(00000000-)● Cap, Tank	4
8	1016430	(00000000-) Screw, Btn, M8 X 1.25 X 25, 10.9, Blk	1
9	1016435	(00000000-) Washer, Flat, 0.38b 0.90d .08, Stl, Blk	1
10	222516	(00000000-) Sleeve, P/M, 0.31b 0.50d 0.3l [430ss]	1
11	1011852	(00000000-) Arm, Tank, Retaining	1
12	82829	(00000000-) Clamp, Cable, Stl, 0.63d X 0.75w, 1hole	2
13	15675	(00000000-) Screw, Hex, M8 X 1.25 X 16, Ss	2
14	06922	(00000000-) Screw, Pan, M3 X 0.50 X 20, 4.8	2
15	1024246	(00000000-) Bracket, Hose, Vacuum	1
16	01684	(00000000-) Washer, Flat, 0.25, Ss	5
17	07515	(00000000-) Washer, Lock, Int, 0.25, Ss	3
18	608322	(00000000-) Screw, Trs, M6 X 1.00 X 16, Phl, Ss	5
19	9002907	(00000000-)● Switch Kit, Afmkt [Gator]	1
20	601359	(00000000-) Plate, Backing, Switch	1
21	579211	(00000000-) Nut, Hex, Lock, M3 X 0.50, Ss	2
22	140287	(00000000-) Screw, Pan, M4 X 0.7 X 16, Phl, Ss	1
23	1030368	(00000000-) Clip, Adj, Tool Clip, 1 To 1.78 Dia.	1
24	630452	(00000000-) Spacer, Plstc, 4.3b 8.0d 5.0l, Ny Blk	1
25	9002906	(00000000-) Tank, Soltn W/ Label, Afmkt [Strve Rdr]	1
26	1027562	(00000000-) Bracket, Hose, Qdc	1
27	1017218	(00000000-) Washer, Flat, 0.32b 1.00d .12, Ss	4
28	1014072	(00000000-) Bracket, Mtg, Tank	1
29	9002919	(00000000-) Hose, Pvc, Clr, 0.62id 0.88od, 36l	1
30	49800	(00000000-)● Latch	2
31	607006	(00000000-) Screw, Trs, M4 X 0.70 X 12, Phl, Pl	4
32	1020727	(00000000-)● Seal, Afmkt, Bulb, Clsd Cell, Adh, 08ft	2
33	1020719	(00000000-)● Seal, Afmkt, Bulb, Clsd Cell, Adh, 08ft	5
34	140026	(00000000-) Washer, Flat, #06, Sae Pl	4
35	385685	(00000000-)● Sensor, Level, Liq, 14vdc 01a .62-11	1
36	41440	(00000000-) Fitting, Plstc, Str, Bm10/Pm08	4
37	54333	(00000000-) Clamp, Hose, Wormdrive, 0.31-0.88d, .31w	4

● RECOMMENDED STOCK ITEMS

TANKS DRAIN GROUP



TANKS DRAIN GROUP

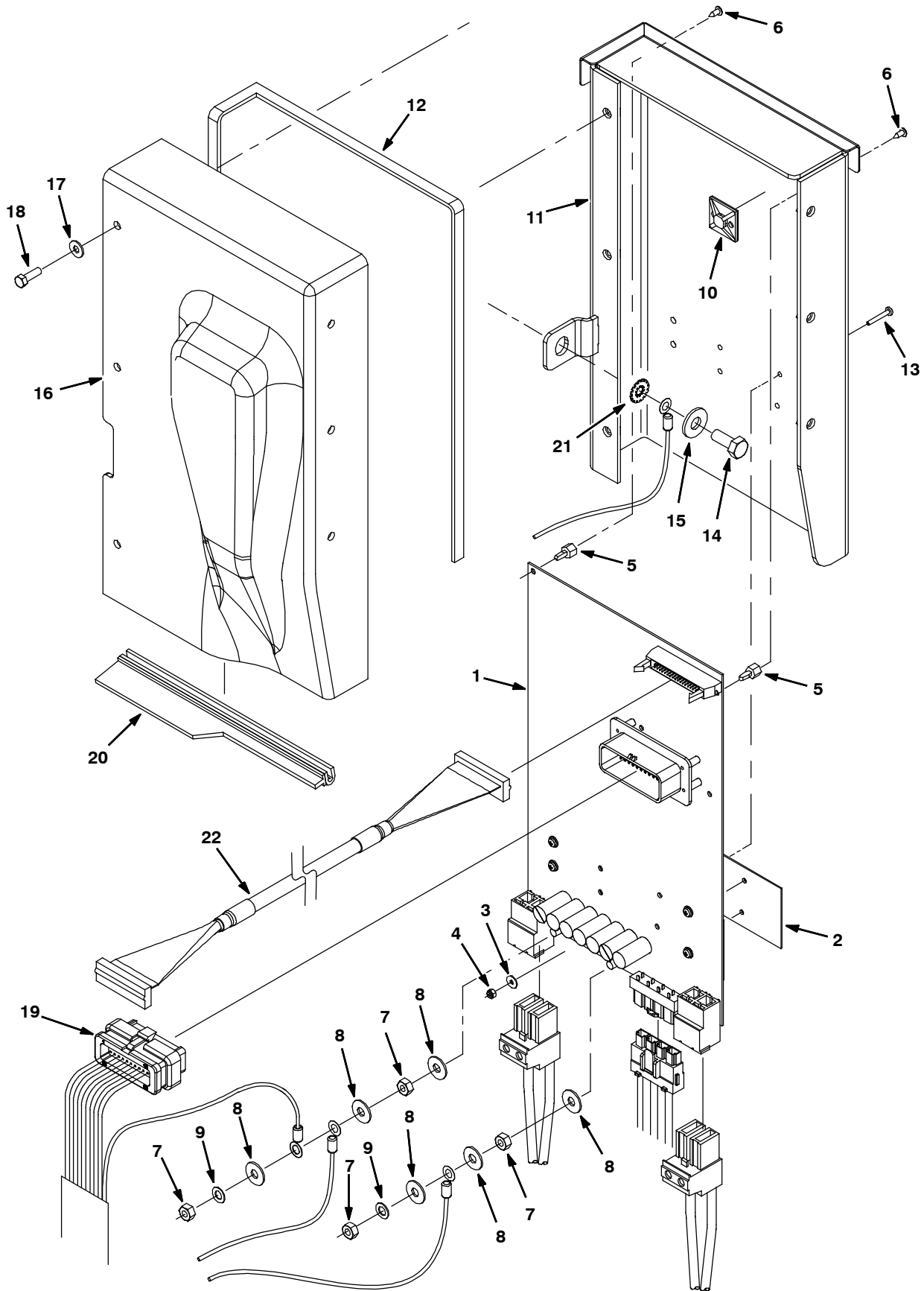
	Ref.	Part No.	Serial Number	Description	Qty.
▽	1	1014274	(00000000-)● Hose Assy, Drain, 1.5d X 27.8l, Blk, 2id	1
▲▽	2	1008639	(00000000-)● Cap, Drain Assy	1
▲▲	3	1019563	(00000000-)● Strap, Cap, Drain	1
▲▲	4	1008637	(00000000-)● Seal, Org, 1.48id 1.76od	1
	5	14432	(00000000-) Clamp, Hose, Wormdrive, 1.81-2.75d, .50w	1
▽	6	1014268	(00000000-)● Hose Assy, Drain, 1.5d X 27.0l, Blk	1
▲▽	7	1008639	(00000000-)● Cap, Drain Assy	1
▲▲	8	1019563	(00000000-)● Strap, Cap, Drain	1
▲▲	9	1008637	(00000000-)● Seal, Org, 1.48id 1.76od	1
	10	11531	(00000000-) Clamp, Hose, Wormdrive, 1.06-2.00d, .56w	1
	11	222793	(00000000-)● Clip, Hanger, Hose, .38d Hole, Ss	2
	12	15675	(00000000-) Screw, Hex, M8 X 1.25 X 16, Ss	2

▽ ASSEMBLY

▲ INCLUED IN ASSEMBLY

● RECOMMENDED STOCK ITEMS

CIRCUIT BOARD GROUP



CIRCUIT BOARD GROUP

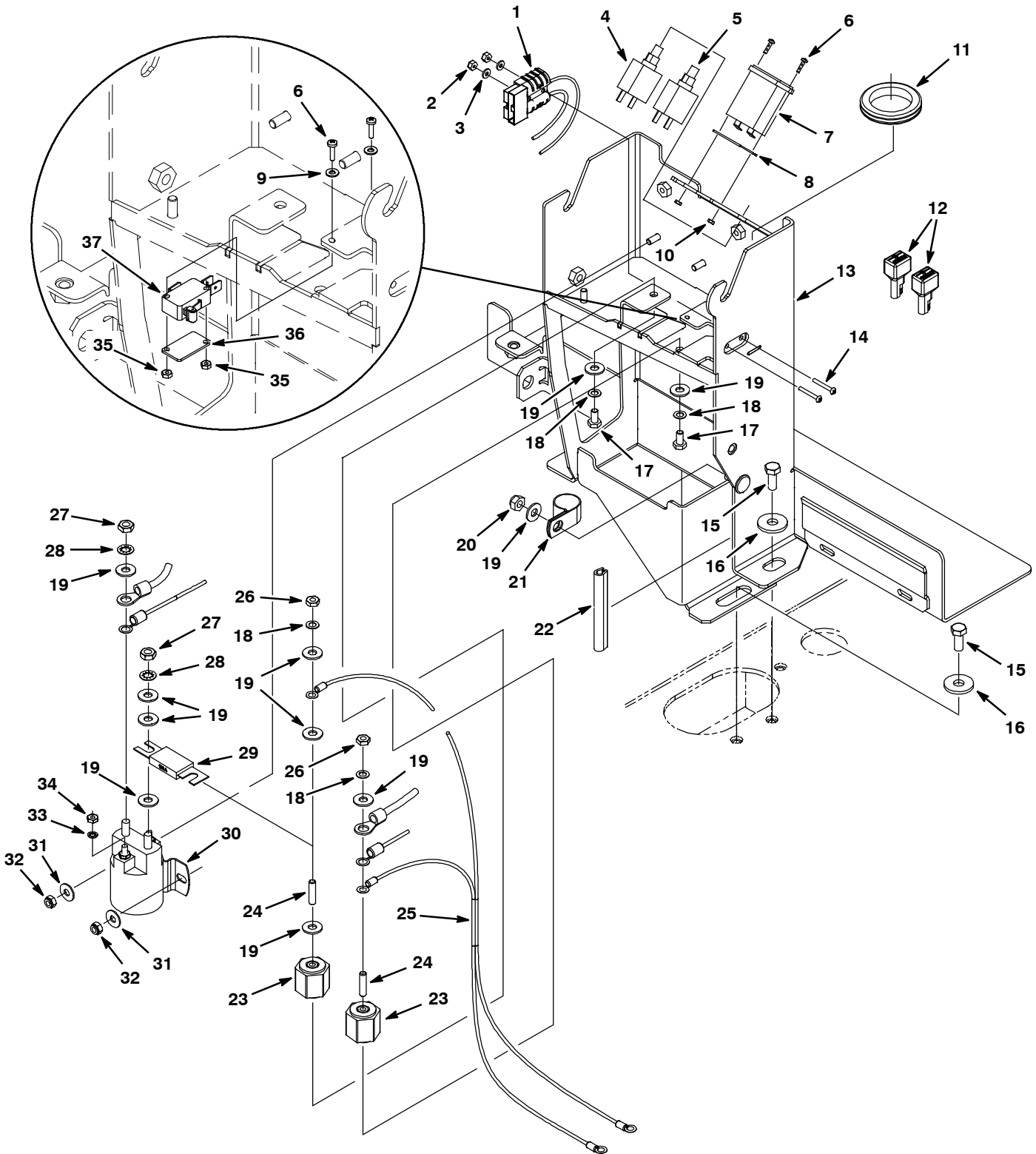
Ref.	Part No.	Serial Number	Description	Qty.
▽	1	9006883	(00000000-)● Controller Kit, Replmt, Ci [R14]	1
▲		27964	(00000000-)● Strap, Static Ground, Disposable	1
▲	2	1016816	(00000000-)● Pad, Thermal, Heat Sink	1
▲	3	1019218	(00000000-) Washer, Flat, 0.14b 0.31d .03, Nyl	4
▲	4	579211	(00000000-) Nut, Hex, Lock, M3 X 0.50, Ss	4
▲	5	1016825	(00000000-) Support, Circuitboard	2
▲	6	3701.6	(00000000-) Screw, Pan, #06-32 X 0.38, Phl Ss Shtmtl	2
▲	7	07785	(00000000-) Nut, Hex, Std, M6 X 1.00, A2, Ss	4
▲	8	01684	(00000000-) Washer, Flat, 0.25, Ss	6
▲	9	32982	(00000000-) Washer, Lock, Int, 0.25	2
▲	10	55248	(00000000-) Mount, Cable Tie	1
▲	11	1017754	(00000000-) Panel Wldt, Cntrl	1
▲	12	1017880	(00000000-)● Seal, Strip, Adh	1
▲	13	06922	(00000000-) Screw, Pan, M3 X 0.50 X 20, 4.8	4
	14	09740	(00000000-) Screw, Hex, M8 X 1.25 X 20, Ss	1
	15	01685	(00000000-) Washer, Flat, 0.31, Ss	1
	16	1017812	(00000000-) Cover, Panl, Ele	1
	17	76426	(00000000-) Washer, Sealing, 0.28b 0.75d Ss, Neo	6
	18	24199	(00000000-) Screw, Hex, M5 X 0.8 X 16, Ss	6
	19	1044984	(00000000-) Harness, Main [R14]	1
	20	1019083	(00000000-)● Seal, Cut	1
	21	41141	(00000000-) Washer, Lock, Int-Ext, 0.31	1
	22	1016865	(00000000-)● Cable, Ribbon, 90.6l	1

▽ ASSEMBLY

▲ INCLUDED IN ASSEMBLY

● RECOMMENDED STOCK ITEMS

ELECTRICAL GROUP

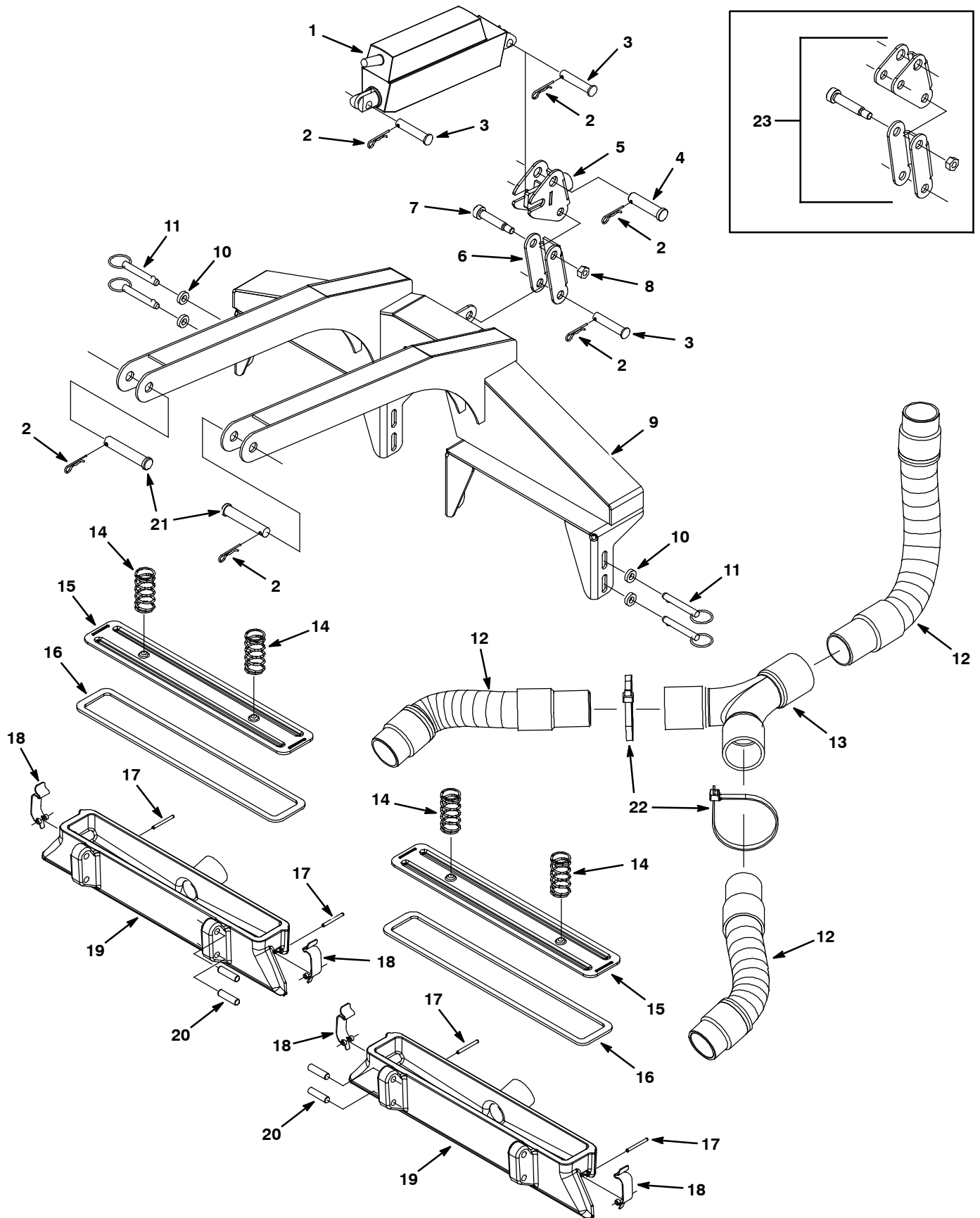


ELECTRICAL GROUP

Ref.	Part No.	Serial Number	Description	Qty.
1	391915	(00000000-)● Harness, Chrgr [T7]	1
2	75939	(00000000-) Nut, Hex, Lock, #06-32, NI	2
3	19064	(00000000-) Washer, Flat, #06	2
4	383722	(00000000-)● Circuitbreaker, 15.0a	1
5	383720	(00000000-)● Circuitbreaker, 05.0a	1
6	09146	(00000000-) Screw, Pan, M3 X 0.50 X 12, 4.8	4
7	377433	(00000000-)● Gauge, Hourmeter, 12-60vdc, Analog [10k]	1
8	222683	(00000000-)● Gasket, Hourmeter	1
9	1035394	(00000000-) Washer, Flat, 0.17b 0.38d .04, Ss	2
10	579211	(00000000-) Nut, Hex, Lock, M3 X 0.50, Ss	2
11	54345	(00000000-) Grommet, Rbr, 1.62id, F/1.9h, .13 Matl	1
12	222290	(00000000-)● Diode, Ele, Plug	2
13	1021531	(00000000-) Support Wldt, Actuator	1
14	25005	(00000000-) Screw, Pan, #06-32 X 1.00, G1	2
15	09740	(00000000-) Screw, Hex, M8 X 1.25 X 20, Ss	5
16	1017218	(00000000-) Washer, Flat, 0.32b 1.00d .12, Ss	5
17	58670	(00000000-) Screw, Hex, .25-20 X 0.50, NI	2
18	32982	(00000000-) Washer, Lock, Int, 0.25	4
19	32490	(00000000-) Washer, Flat, 0.25, Std	11
20	08713	(00000000-) Nut, Hex, Lock, M8 X 1.25, NI, Ss	1
21	69234	(00000000-) Clamp, Cable, Stl, 1.00d X 0.75w, 1hole	1
22	1020168	(00000000-)● Molding, Afmkt, Trim, Pvc, .08 .11, 01ft	1
23	76062	(00000000-)● Stand-Off, Wir, M6, Insulator, Panel	2
24	1017807	(00000000-) Rod, Thrd, Full, .25-20 01.0l	2
25	391916	(00000000-)● Harness, Power [T7]	1
26	32520	(00000000-) Nut, Hex, Jam, .25-20	2
27	20170	(00000000-) Nut, Hex, Jam, .31-24	2
28	32984	(00000000-) Washer, Lock, Int, 0.31	2
29	86379	(00000000-)● Fuse, 100a 125volt 0.88 X 3.2l	1
30	02424	(00000000-)● Relay, 24vdc, 100a, No [White]	1
31	01684	(00000000-) Washer, Flat, 0.25, Ss	2
32	08712	(00000000-) Nut, Hex, Lock, M6 X 1.00, Ss, NI	2
33	07514	(00000000-) Washer, Lock, Int, #10, Ss	2
34	01689	(00000000-) Nut, Hex, Std, #10-32, Ss	2
35	579211	(00000000-) Nut, Hex, Lock, M3 X 0.50, Ss	2
36	601359	(00000000-) Plate, Backing, Switch	1
37	600437	(00000000-)● Switch, Snap, 16a, Rlr	1

● RECOMMENDED STOCK ITEMS

VACUUM FLOOR TOOL GROUP



VACUUM FLOOR TOOL GROUP

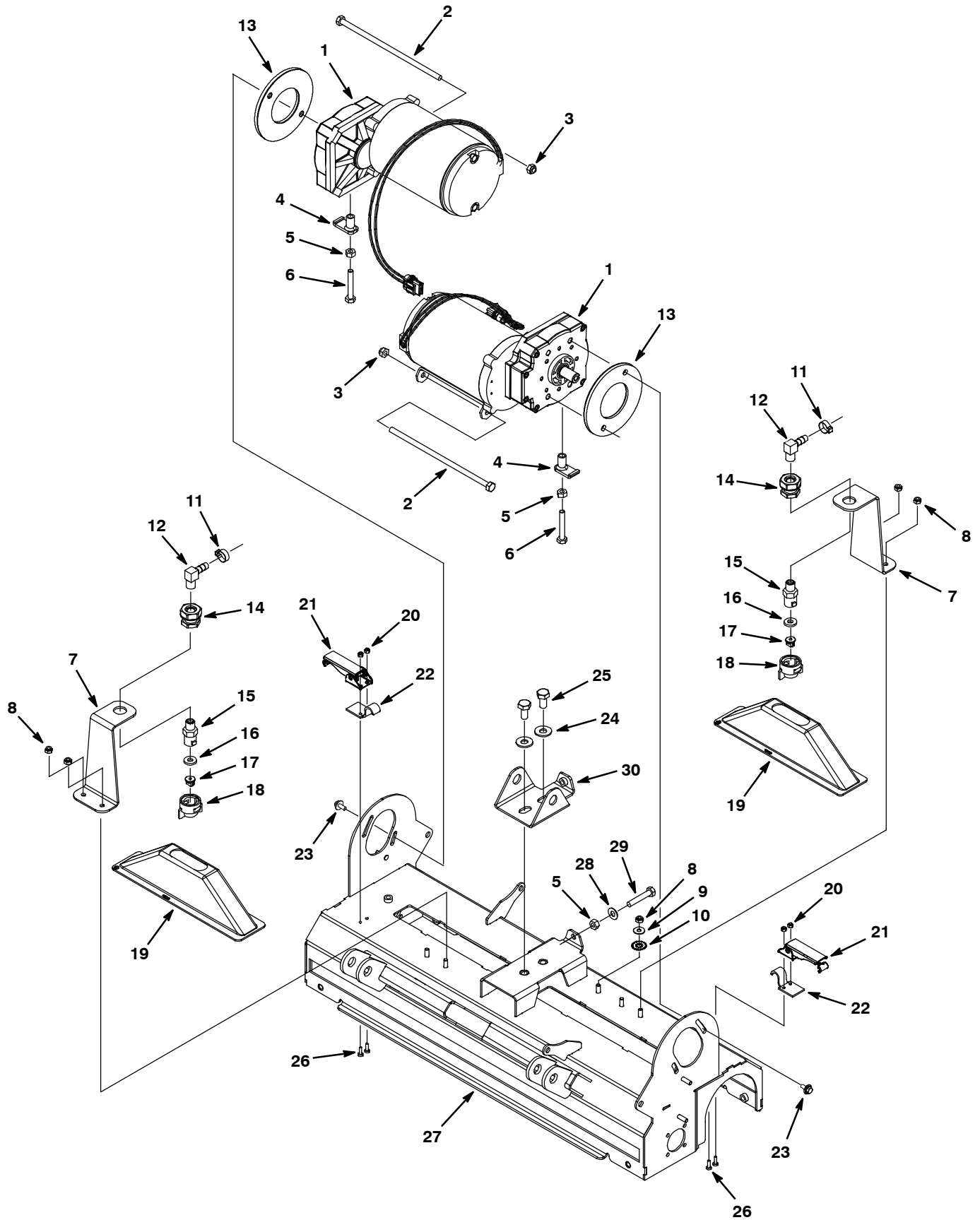
Ref.	Part No.	Serial Number	Description	Qty.	
1	1009268	(00000000-)● Actuator, 12vdc, 40mm Strk [750n]	1	
2	86866	(00000000-) Pin, Cotter, Hair, 0.38d .072 Wir	6	
3	94877	(00000000-) Pin, Clevis, 10mmd X 050mml	3	
4	51534	(00000000-) Pin, Clevis, 0.50d X 2.00l	1	
▽	5	1043939	(10419189-) Link Assy, Bellcrank, W/ Spring Relief	1
▲	6	1043604	(10419189-) Link, Floor Tool	1
▲	7	1030114	(00000000-) Screw, Shld, 10mmd X 40mml	1
▲	8	08713	(00000000-) Nut, Hex, Lock, M8 X 1.25, NI, Ss	1
9	1023886	(00000000-) Wldt, Frame, Split Lopro Floor Tool	1	
10	230363	(00000000-) Spacer, 0.33b 0.62d 0.16l, PI	4	
11	1015989	(00000000-) Pin, Hitch, .312d X 2.00l	4	
12	1026472	(00000000-)● Hose, Vacuum, 1.50id X 012.2l, Blk	3	
13	1024285	(00000000-) Fitting, Hose, 1.51d [Wye]	1	
14	1025892	(00000000-) Spring, Cmpr, 24.64mm X 2.16w X 50.80l	4	
15	1022912	(00000000-) Plate, Cover, Carpet Tool [Lo-Pro]	2	
16	1025430	(00000000-)● Gasket, Cover, Floor Tool	2	
17	1029957	(00000000-) Pin, Roll, .133d X 1.38l, Ss	4	
18	1027993	(00000000-) Clip, Cover, Vacuum	4	
19	1025564	(00000000-) Tool, Floor, Lo-Profile Machined	2	
20	1025455	(00000000-) Pin, Dowel, 08mmd	4	
21	601471	(00000000-) Pin, Clevis, 0.50d X 2.50l	2	
22	44961	(00000000-) Tie, Cable, Nyl, 14.5l .30w 4.0 Max D	2	
23	1043939	(00000000-10419188) Link Assy, Bellcrank, W/ Spring Relief	1	

▽ ASSEMBLY

▲ INCLUDED IN ASSEMBLY

● RECOMMENDED STOCK ITEMS

SCRUB HEAD GROUP



SCRUB HEAD GROUP

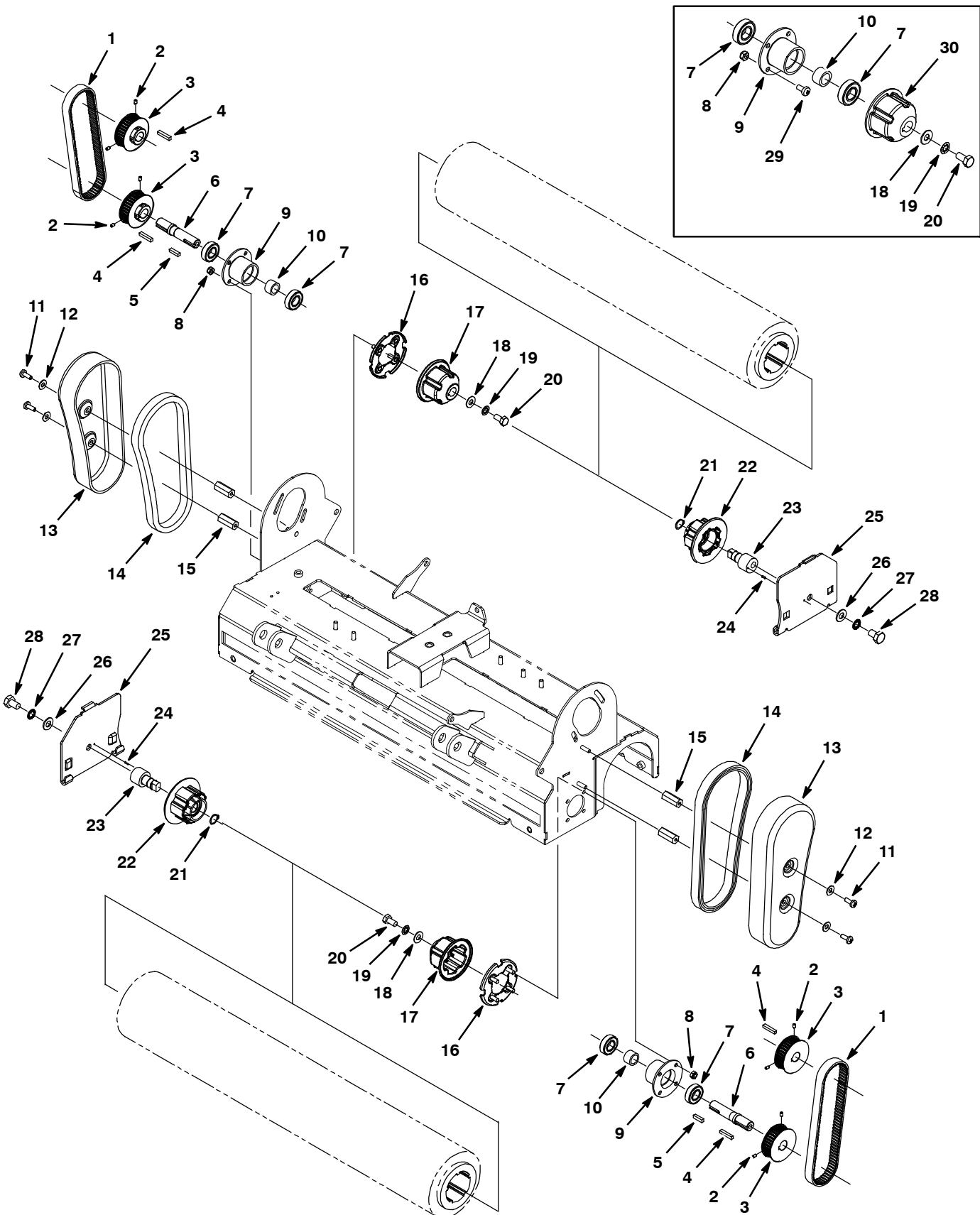
Ref.	Part No.	Serial Number	Description	Qty.
▽	1	1068557	(10583279-)● Motor Kit, Ele, 24vdc 0270rpm 0.50hp	2
▲	1	1066574	(10583279-)● Vr, Brush Kit, Motor	2
	2	1070307	(10583279-) Bolt, Hex, M8-1.25 X 220mm, Pln Gr8.8	2
▽	1	1023355	(00000000-10583278)● Motor, Ele, 24vdc 0.50hp 0270rpm 20.0a (Replaced By 1068557)	2
▲	1	1034117	(00000000-10583278)● Brush, Carbon, Motor, Ele	2
	2	1019942	(00000000-10583278) Screw, Hex, M8 X 1.25 X 210, 8.8	2
	3	08713	(00000000-) Nut, Hex, Lock, M8 X 1.25, NI, Ss	2
	4	1024008	(00000000-) Bracket, Lift, Motor Mount	2
	5	07786	(00000000-) Nut, Hex, Std, M8 X 1.25, Ss	3
	6	578717	(00000000-) Screw, Hex, M8 X 1.25 X 50, Ss	2
	7	1021224	(00000000-) Bracket, Mounting, Spray Nozzle	2
	8	08712	(00000000-) Nut, Hex, Lock, M6 X 1.00, Ss, NI	5
	9	01684	(00000000-) Washer, Flat, 0.25, Ss	1
	10	41141	(00000000-) Washer, Lock, Int-Ext, 0.31	1
	11	140301	(00000000-) Clamp, Hose, Ear, 0.62d	2
	12	150419	(00000000-) Fitting, Brs, E90, Bm06/Pm04 [Taped]	2
	13	1033039	(00000000-)● Gasket, Motor, Brush, W/ Hdpe	2
	14	78122	(00000000-)● Fitting, Brs, Str, Pf04/Pf04, Bh	2
	15	575281000	(00000000-)● Fitting, Spray, Body [Quick-Jet]	2
	16	575276000	(00000000-)● Fitting, Gasket [Quick-Jet]	2
	17	575283000	(00000000-)● Fitting, Brs, Tip [11002, T-Jet]	2
	18	575282000	(00000000-)● Fitting, Cap [Q-Jet]	2
	19	1021642	(00000000-) Shroud, Splash	2
	20	33932	(00000000-) Nut, Hex, Lock, M4 X 0.70, NI, Ss	4
	21	1006086	(00000000-) Latch [Over-Center]	2
	22	1017780	(00000000-) Clip, Hanger, Hose, .17d, 2hole	2
	23	1034731	(00000000-) Screw, Hex, M6 X 1.00 X 16, Ss, Sems	4
	24	01686	(00000000-) Washer, Flat, 0.44b 1.00d .08, Ss	2
	25	09291	(00000000-) Screw, Hex, M10 X 1.5 X 20, Ss	2
	26	579237	(00000000-) Screw, Pan, M4 X 0.7 X 12, Phl, Ss	4
	27	1020783	(00000000-) Housing Wldt	1
	28	140027	(00000000-) Washer, Flat, 0.35b 0.75d .04, Ss	1
	29	222505	(00000000-) Screw, Hex, M8 X 1.25 X 45, Ss	1
	30	1024184	(00000000-) Bracket, Lift [Manual Head Leveling]	1

▽ ASSEMBLY

▲ INCLUDED IN ASSEMBLY

● RECOMMENDED STOCK ITEMS

SCRUB HEAD GROUP - CONT'D

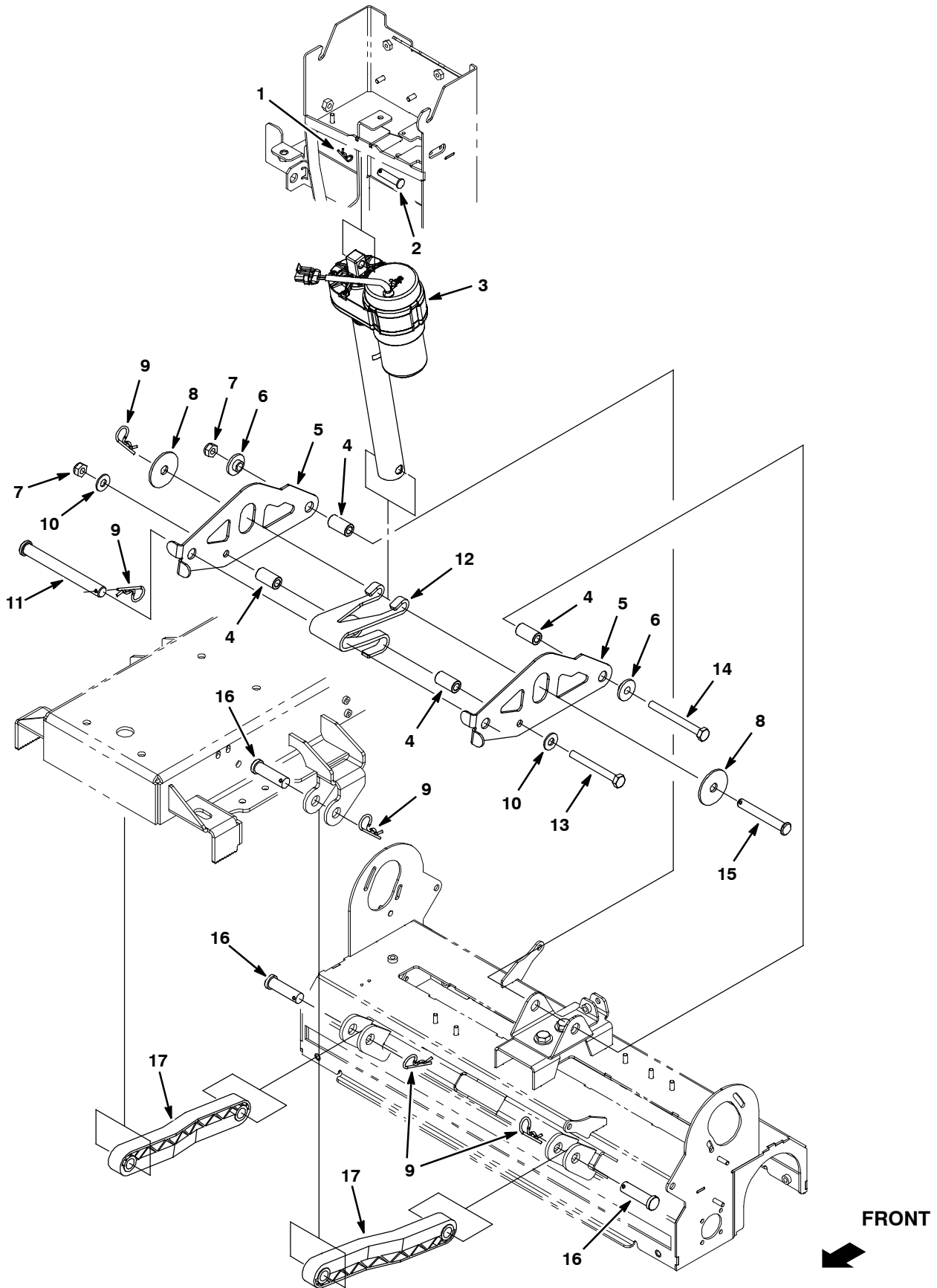


SCRUB HEAD GROUP - CONT'D

Ref.	Part No.	Serial Number	Description	Qty.
1	377500	(00000000-)● Belt, Synchronous, 05mm 500l[05p,Plychn]	2
2	222818	(00000000-) Screw, Set, #08-32 X 0.25, NI	8
3	1022407	(00000000-) Sprocket, Timing, 34tooth	4
4	00912	(00000000-) Key, Sq, 0.19 X 0.19, 1.00l	4
5	00911	(00000000-) Key, Sq, 0.19 X 0.19, 0.75l	2
6	1023435	(00000000-) Shaft, Drive	2
7	41360	(00000000-)● Bearing, Ball, 0.59b 1.26d 0.35w[2seal]	4
8	08712	(00000000-) Nut, Hex, Lock, M6 X 1.00, Ss, NI	8
9	1001792	(00000000-) Housing, Brg	2
10	1002077	(00000000-) Tube, 0.59id 0.81od 00.5l	2
11	367770	(00000000-) Screw, Pan, M6 X 1.0 X 16, Ss	4
12	140000	(00000000-) Washer, Flat, 0.28b 0.62d .04, Ss	8
13	1022557	(00000000-) Cover, Belt	2
14	1008675	(00000000-)● Gasket, Edge, Foam, 24.00l [Fr]	2
15	1002078	(00000000-) Spacer, 0.50hex X 1.25l, M6 Thread Thru	4
16	1037864	(10423748-) Guard, Thread	2
17	1037873	(10423748-) Plug, Drive, Brush, Casting	2
18	140027	(00000000-) Washer, Flat, 0.35b 0.75d .04, Ss	2
19	43952	(00000000-) Washer, Lock, Int, 0.31, Ss	2
20	15675	(00000000-) Screw, Hex, M8 X 1.25 X 16, Ss	2
21	01516	(00000000-) Ring, Retaining, Ext, 0.59d, Basic	2
22	1057629	(00000000-) Plug, Idler, Brush [Sgl Brg]	2
23	222177	(00000000-) Shaft, Plug, Idler	2
24	222184	(00000000-) Pin, Roll, .094d X 0.25l, .094/.097	2
25	1024808	(00000000-) Door, Rlr	2
26	32485	(00000000-) Washer, Flat, 0.38, Sae	2
27	140022	(00000000-) Washer, Int, .38, Ss	2
28	140276	(00000000-) Screw, Hex, M10 X 1.5 X 16, Ss	2
29	363503	(00000000-10423747) Screw, Pan, M6 X 1.0 X 12, Ss	8
30	9006405	(00000000-10423747) R14 Drive Plug And Thread Guard	2

● RECOMMENDED STOCK ITEMS

SCRUB HEAD LIFT GROUP

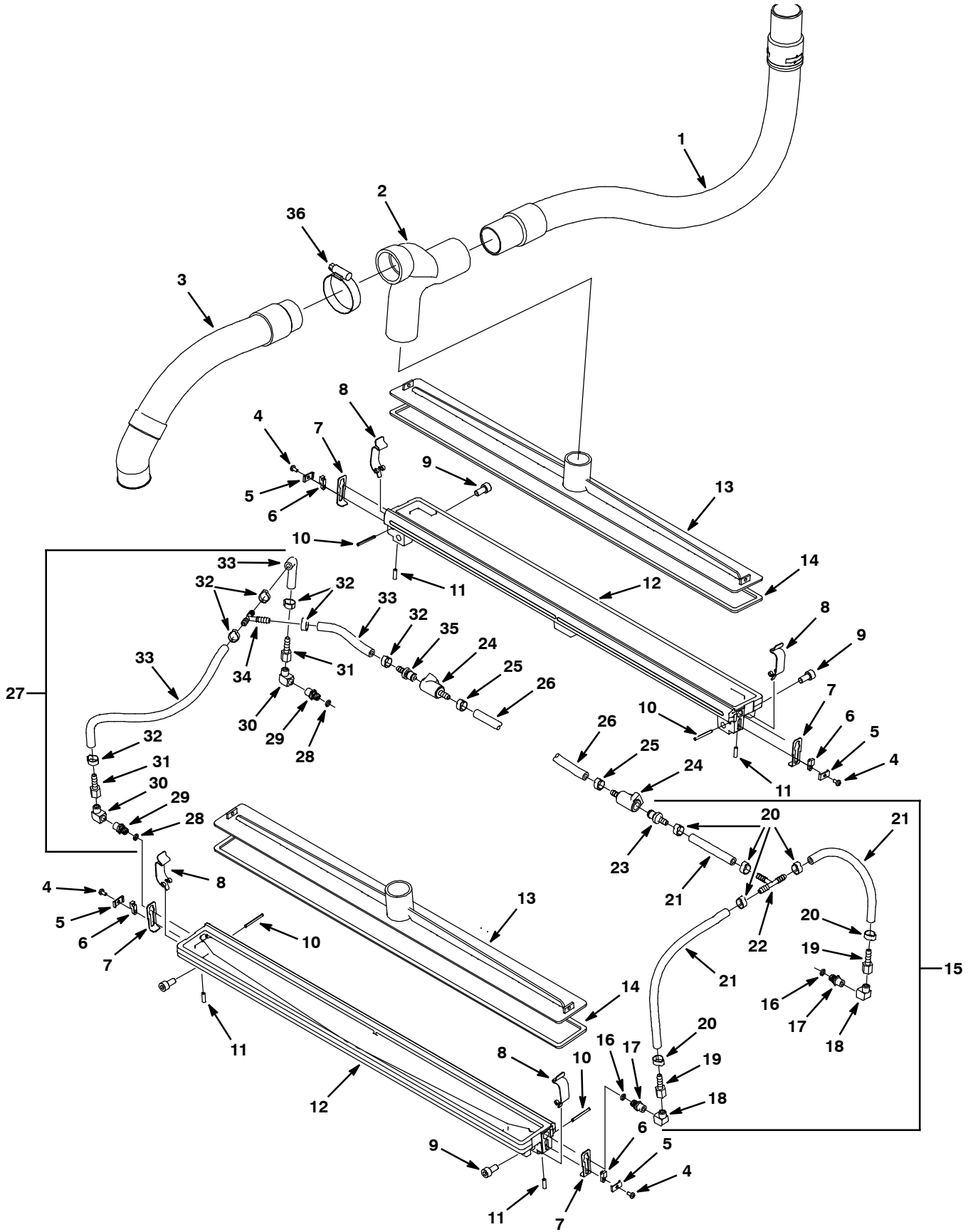


SCRUB HEAD LIFT GROUP

Ref.	Part No.	Serial Number	Description	Qty.
1	86866	(00000000-) Pin, Cotter, Hair, 0.38d .072 Wir	1
2	1009356	(00000000-) Pin, Clevis, 10mmd X 040mml	1
3	1056622	(00000000-)● Actuator, 24vdc, 04.5strk, 0600lb	1
4	1013281	(00000000-) Sleeve, P/M, 0.41b 0.73d 1.3l [430 Ss]	4
5	1013278	(00000000-) Plate, Arm, Cntr, Lift, Scb Head	2
6	363087	(00000000-) Bushing, Flng, 0.44b 1.25d 0.25l	2
7	08714	(00000000-) Nut, Hex, Lock, M10 X 1.5, NI, Ss	2
8	57048	(00000000-) Washer, Flat, 0.53b 2.13d .11, Stl, Pl	2
9	02942	(00000000-) Pin, Cotter, Hair, 0.62d .120 Wir	6
10	01686	(00000000-) Washer, Flat, 0.44b 1.00d .08, Ss	2
11	1010401	(00000000-) Pin, Clevis, 16mmd X 150mml	1
12	1015413	(00000000-) Spring, Lift, Head, Scb	1
13	09746	(00000000-) Screw, Hex, M10 X 1.5 X 90, Ss	1
14	05631	(00000000-) Screw, Hex, M10 X 1.5 X 100, Ss	1
15	1013356	(00000000-) Pin, Clevis, 12mmd X 090mml	1
16	222210	(00000000-) Pin, Clevis, 0.62d X 2.12l	4
17	222027	(00000000-) Arm, Lift, Head [5700]	2

● RECOMMENDED STOCK ITEMS

VACUUM SHOE AND SOLUTION FLUSH LINE GROUP



VACUUM SHOE AND SOLUTION FLUSH LINE GROUP

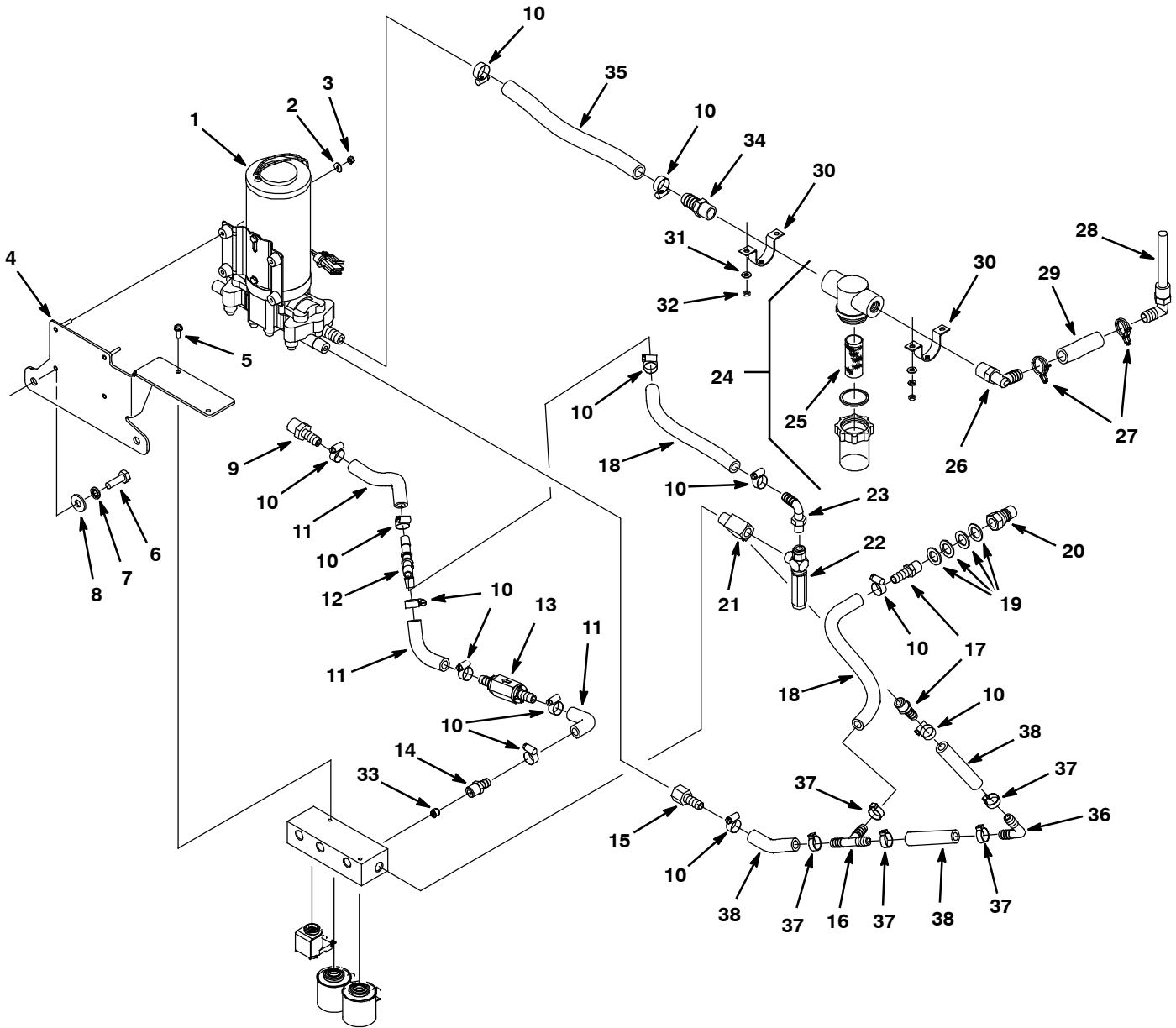
Ref.	Part No.	Serial Number	Description	Qty.	
1	1024248	(00000000-)● Hose, Vacuum, 1.50id X 029.0l, 2cuff[Rs]	1	
2	1025842	(00000000-) Fitting, Pvc, Y, 1.50 Vacuum Hose]	1	
3	1025779	(00000000-)● Hose, Vacuum, 1.50id X 017.0l, 2cuff	1	
4	49697	(00000000-) Screw, Pan, M4 X 0.7 X 10, Ss	4	
5	1017044	(00000000-) Retainer, Latch	4	
6	1017855	(00000000-) Key, Timing, Latch	4	
7	1017840	(00000000-) Latch, Retaining, Nozzle	4	
8	1027993	(00000000-) Clip, Cover, Vacuum	4	
9	49609	(00000000-) Screw, Soc, M8 X 1.25 X 16, 12.9	4	
10	1029957	(00000000-) Pin, Roll, .133d X 1.38l, Ss	4	
11	1017871	(00000000-) Spring, Cmpr, 0.2od .020wir 00.8l	4	
12	1023890	(00000000-) Tool, Vacuum, Str Rlr [Finish Mach'D]	2	
13	1023800	(00000000-) Cover, Tool, Str Roll Vacuum 700mm	2	
14	1021110	(00000000-)● Gasket, Cover, Str Roll Vacuum Tool	2	
∇	15	9002902	(00000000-) Hose Assy, Lh, Afmkt [Gator]	1
▲	16	1017902	(00000000-)● Seal, Org, .070 X 00.24id, 75d [Viton]	2
▲	17	1017841	(00000000-)● Fitting, Brs, Tip, Spcl [2505 H1/8vv]	2
▲	18	150407	(00000000-) Fitting, Brs, E90, Pf02/Pm02 [Street]	2
▲	19	150520	(00000000-) Fitting, Brs, Str, Bm04/Pf02	2
▲	20	140325	(00000000-) Clamp, Hose, Ear, 0.50d, Ss	6
▲	21	9002916	(00000000-) Hose, Pvc, Gray, 0.25id 0.5od, 3l (160204)	1
▲	22	150713	(00000000-) Fitting, Plstc, Tee, Bm04/Bm04/Bm04	1
▲	23	1017317	(00000000-) Fitting, Plstc, Str, Bm04, Cplg, Mal	1
	24	1002898	(00000000-) Fitting, Plstc, Str, Bm04, Cplg, Fem	2
	25	140325	(00000000-) Clamp, Hose, Ear, 0.50d, Ss	2
	26	9002916	(00000000-) Hose, Pvc, Gray, 0.25id 0.5od, 3l (160204)	1
∇	27	9002901	(00000000-) Hose Assy, Rh, Afmkt [Gator]	1
▲	28	1017902	(00000000-)● Seal, Org, .070 X 00.24id, 75d [Viton]	2
▲	29	1017841	(00000000-) Fitting, Brs, Tip, Spcl [2505 H1/8vv]	2
▲	30	150407	(00000000-) Fitting, Brs, E90, Pf02/Pm02 [Street]	2
▲	31	150520	(00000000-) Fitting, Brs, Str, Bm04/Pf02	2
▲	32	140325	(00000000-) Clamp, Hose, Ear, 0.50d, Ss	6
▲	33	9002916	(00000000-) Hose, Pvc, Gray, 0.25id 0.5od, 3l (160204)	1
▲	34	150713	(00000000-)● Fitting, Plstc, Tee, Bm04/Bm04/Bm04	1
▲	35	1017317	(00000000-) Fitting, Plstc, Str, Bm04, Cplg, Mal	1
	36	11531	(00000000-) Clamp, Hose, Wormdrive, 1.06-2.00d, .56w	1

∇ ASSEMBLY

▲ INCLUDED IN ASSEMBLY

● RECOMMENDED STOCK ITEMS

SOLUTION GROUP



SOLUTION GROUP

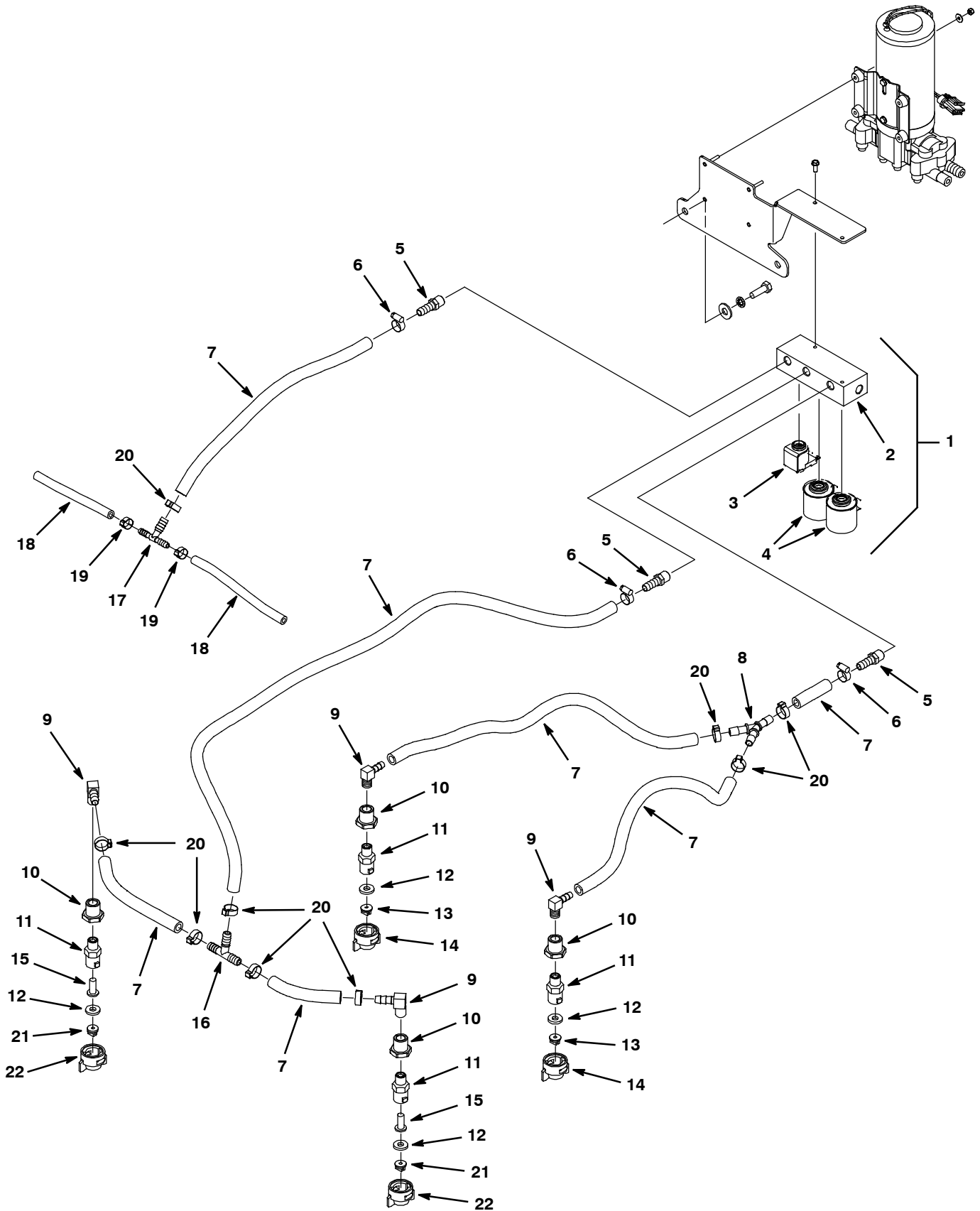
Ref.	Part No.	Serial Number	Description	Qty.
1	1022343	(00000000-)● Pump, Water, 24vdc, 2.0gpm 250psi (See Breakdowns)	1
2	578186000	(00000000-) Washer, Flat, M4, PI	4
3	33932	(00000000-) Nut, Hex, Lock, M4 X 0.70, NI, Ss	4
4	1024596	(00000000-) Bracket, Mount, Manifold / Pump	1
5	140751	(00000000-) Screw, Hex, #10-32 X 0.50, PI	2
6	09740	(00000000-) Screw, Hex, M8 X 1.25 X 20, Ss	2
7	43952	(00000000-) Washer, Lock, Int, 0.31, Ss	2
8	01685	(00000000-) Washer, Flat, 0.31, Ss	2
9	61118	(00000000-) Fitting, Plstc, Str, Bm06/Pm06, Nyl	1
10	54333	(00000000-) Clamp, Hose, Wormdrive, 0.31-0.88d, .31w	13
11	9002921	(00000000-) Hose, Pvc, Wir, 0.38id 0.62 Od, Clr, 36l (611261)	1
12	1017255	(00000000-) Fitting, Plstc, Y, Bm06/Bm06/Bm06, Nyl	1
13	210044	(00000000-)● Valve, Check, 0001psi Bm06/Bm06	1
14	150016	(00000000-) Fitting, Brs, Str, Bm06/Pf02, Spcl	1
15	150511	(00000000-) Fitting, Brs, Str, Bm06/Pf04	1
16	160310	(00000000-) Fitting, Plstc, Tee, Bm06/Bm06/Bm06	1
17	150516	(00000000-) Fitting, Brs, Str, Bm06/Pm05	2
18	9002920	(00000000-) Hose, Pvc, Brd, 0.38id 0.62 Od, 36l (160207)	1
19	140058	(00000000-) Washer, Flat, 0.54b 0.88d .06, Ss [Wand]	4
20	150933	(00000000-) Fitting, Brs, Qdc, Pm04 [Ser60]	1
21	150709	(00000000-) Fitting, Brs, Tee, Pm04/Pf04/Pf04, Run	1
22	210211	(00000000-)● Valve, Water, Relief, Press, 050-450psi	1
23	1005564	(00000000-) Fitting, Plstc, E90, Bm06/Pm02, Nyl	1
▽	24	1007428	(00000000-)● Filter, Screen, 080 Mesh, Ss Bowl, Pf06	1
▲	25	180632	(00000000-)● Filter, Screen, In-Line Strainer	1
26	1017532	(00000000-) Fitting, Plstc, E90, Bm08/Pm06	1
27	607776	(00000000-) Clamp, Hose, Wir, .73 - .77, Silver	2
28	1006924	(00000000-)● Filter, Soltn, W/ E90 Ftg	1
29	9002922	(00000000-) Hose, Pvc, Clr, 0.50id 0.75od, 36l	1
30	605056	(00000000-) Bracket, Mtg, Fltr	2
31	140011	(00000000-) Washer, Flat, 0.21b 0.45d .03, Ss	2
32	09739	(00000000-) Nut, Hex, Lock, M5 X 0.80, NI, Ss	2
33	1013823	(00000000-)● Plug, Pipe, Ss 1/8npt W/ Hole	1
34	64743	(00000000-) Fitting, Plstc, Str, Bm08/Pm06	1
35	9002995	(00000000-) Hose, Pvc, Wir, 0.50id 0.75od, 36l Clr	1
36	20951	(00000000-) Fitting, Plstc, E90, Bm06/Bm06	1
37	140301	(00000000-) Clamp, Hose, Ear, 0.62d	5
38	613482	(00000000-) Hose, Pvc, Brd, 0.38id 0.62od 12.0l, Gray (160207)	1

▽ ASSEMBLY

▲ INCLUDED IN ASSEMBLY

● RECOMMENDED STOCK ITEMS

SOLUTION GROUP - CONT'D



SOLUTION GROUP - CONT'D

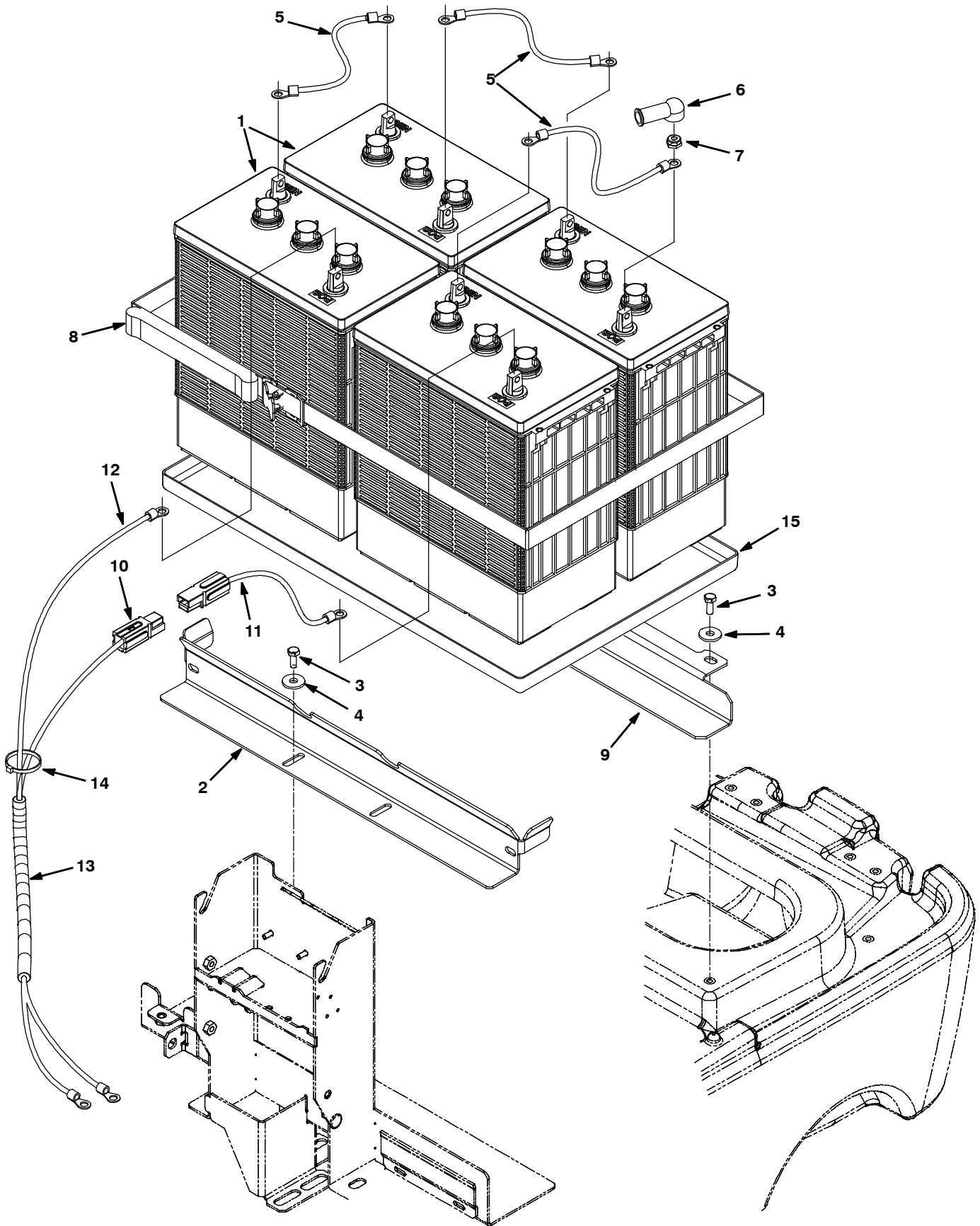
	Ref.	Part No.	Serial Number	Description	Qty.
▽	1	1023693	(00000000-)● Valve, Solenoid 24v, 3 Station	1
▲	2	1034116	(00000000-) Block, Manifold Afmkt	1
▲▽	3	1034114	(00000000-)● Valve, Solenoid Series 3, 24v, Afmkt	1
▲▲	3	1034115	(00000000-)● Seal, Org, Solenoid, Series 3, Afmkt	1
▲▽	4	1034112	(00000000-)● Valve, Solenoid Series 6, 24v, Afmkt	2
▲▲	4	1034113	(00000000-)● Seal, Org, Solenoid, Series 6, Afmkt	2
	5	150516	(00000000-) Fitting, Brs, Str, Bm06/Pm05	3
	6	54333	(00000000-) Clamp, Hose, Wormdrive, 0.31-0.88d, .31w	4
	7	9002920	(00000000-) Hose, Pvc, Brd, 0.38id 0.62 Od, 36l	1
	8	1017255	(00000000-) Fitting, Plstc, Y, Bm06/Bm06/Bm06, Nyl	1
	9	150419	(00000000-) Fitting, Brs, E90, Bm06/Pm04 [Taped]	4
	10	78122	(00000000-) Fitting, Brs, Str, Pf04/Pf04, Bh	4
	11	575281000	(00000000-)● Fitting, Spray, Body [Quick-Jet]	4
	12	575276000	(00000000-)● Fitting, Gasket [Quick-Jet]	4
	13	575283000	(00000000-)● Fitting, Brs, Tip [11002, T-Jet]	2
	14	575282000	(00000000-)● Fitting, Cap [Q-Jet]	2
	15	575603	(00000000-)● Filter, Screen, 024 Mesh, Check Valve	2
	16	160310	(00000000-) Fitting, Plstc, Tee, Bm06/Bm06/Bm06	1
	17	1014441	(00000000-) Fitting, Plstc, Tee, Bm04/Bm04/Bm06, Br	1
	18	9002916	(00000000-) Hose, Pvc, Gray, 0.25id 0.5od, 3l	1
	19	140325	(00000000-) Clamp, Hose, Ear, 0.50d, Ss	2
	20	140301	(00000000-) Clamp, Hose, Ear, 0.62d	8
	21	1022378	(00000000-)● Fitting, Brs, Tip [11006e, Unijet]	2
	22	1022715	(00000000-)● Cap, White [Quick-Jet]	2

▽ ASSEMBLY

▲ INCLUDED IN ASSEMBLY

● RECOMMENDED STOCK ITEMS

BATTERY GROUP, 360Ah

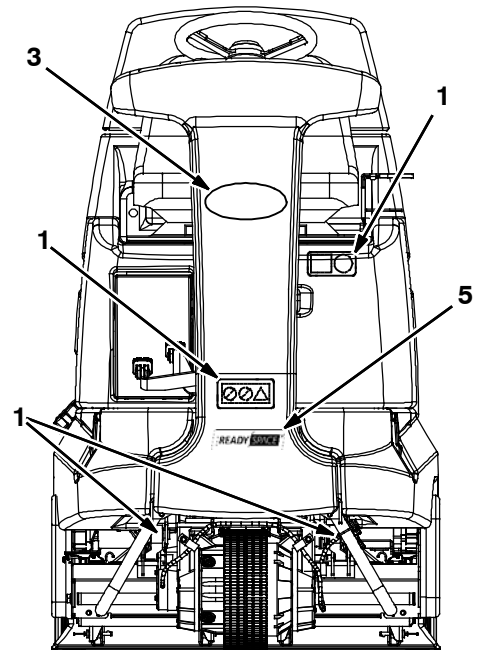
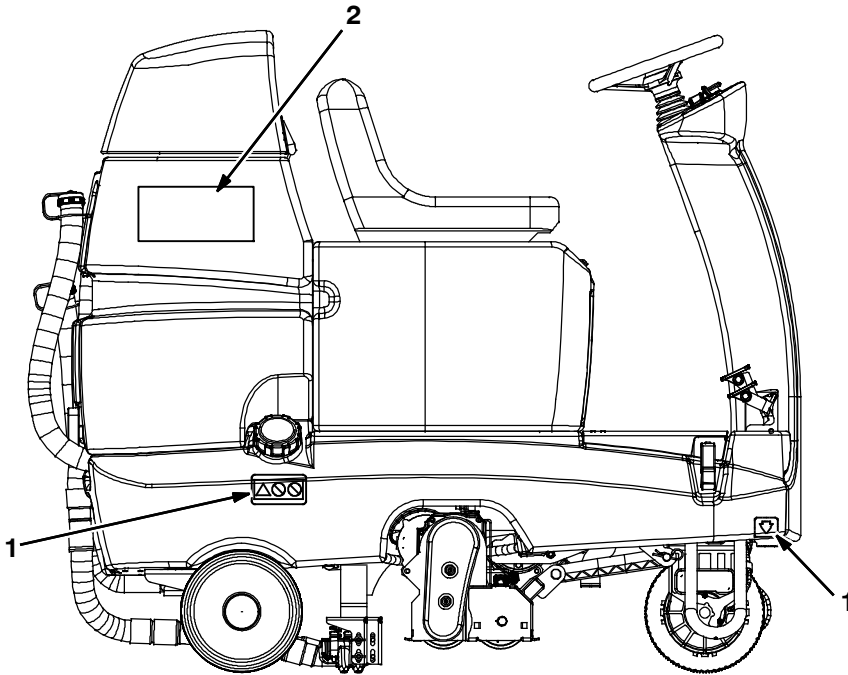
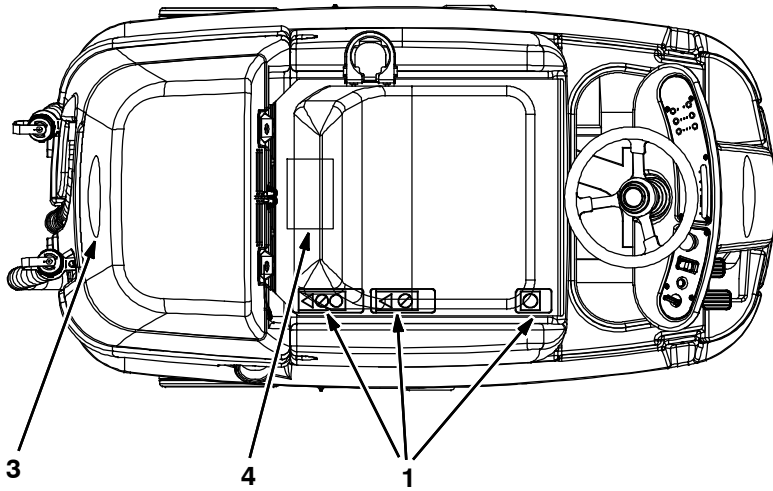


BATTERY GROUP, 360Ah

Ref.	Part No.	Serial Number	Description	Qty.
1	1070587	(00000000-)● Battery, Wet, 06vdc, 0360ah, W/ Carton	4
2	1015039	(00000000-) Bracket, Battery	1
3	15675	(00000000-) Screw, Hex, M8 X 1.25 X 16, Ss	4
4	1017218	(00000000-) Washer, Flat, 0.32b 1.00d .12, Ss	4
5	223356	(00000000-) Cable, 04ga 12.0l Blk .34ring /.34ring	3
6	611221	(00000000-)● Boot, Terminal, Battery, 25.4mm, Blk	8
7	87435	(00000000-) Nut, Hex, Flexlock, .31-18	8
8	222682	(00000000-)● Strap, Poly, Webbing 1.0 X 100.0	1
9	1010771	(00000000-) Angle, Sppt, Battery	1
10	397907	(00000000-) Cable, 04ga 30.0l Red .34ring / [Pp120]	1
11	397908	(00000000-) Cable, 04ga 08.0l Red .34ring / [Pp120]	1
12	223364	(00000000-) Cable, 04ga 18.0l Blk .34ring /.34ring	1
13	1020105	(00000000-) Sleeve, Afmkt, Nyl, #13, 01ft	1
14	49263	(00000000-) Tie, Cable, Nyl, 11.4l .19w 3.0 Max D	4
15	1025155	(00000000-)● Tray, Battery, 605x370x25	1

● RECOMMENDED STOCK ITEMS

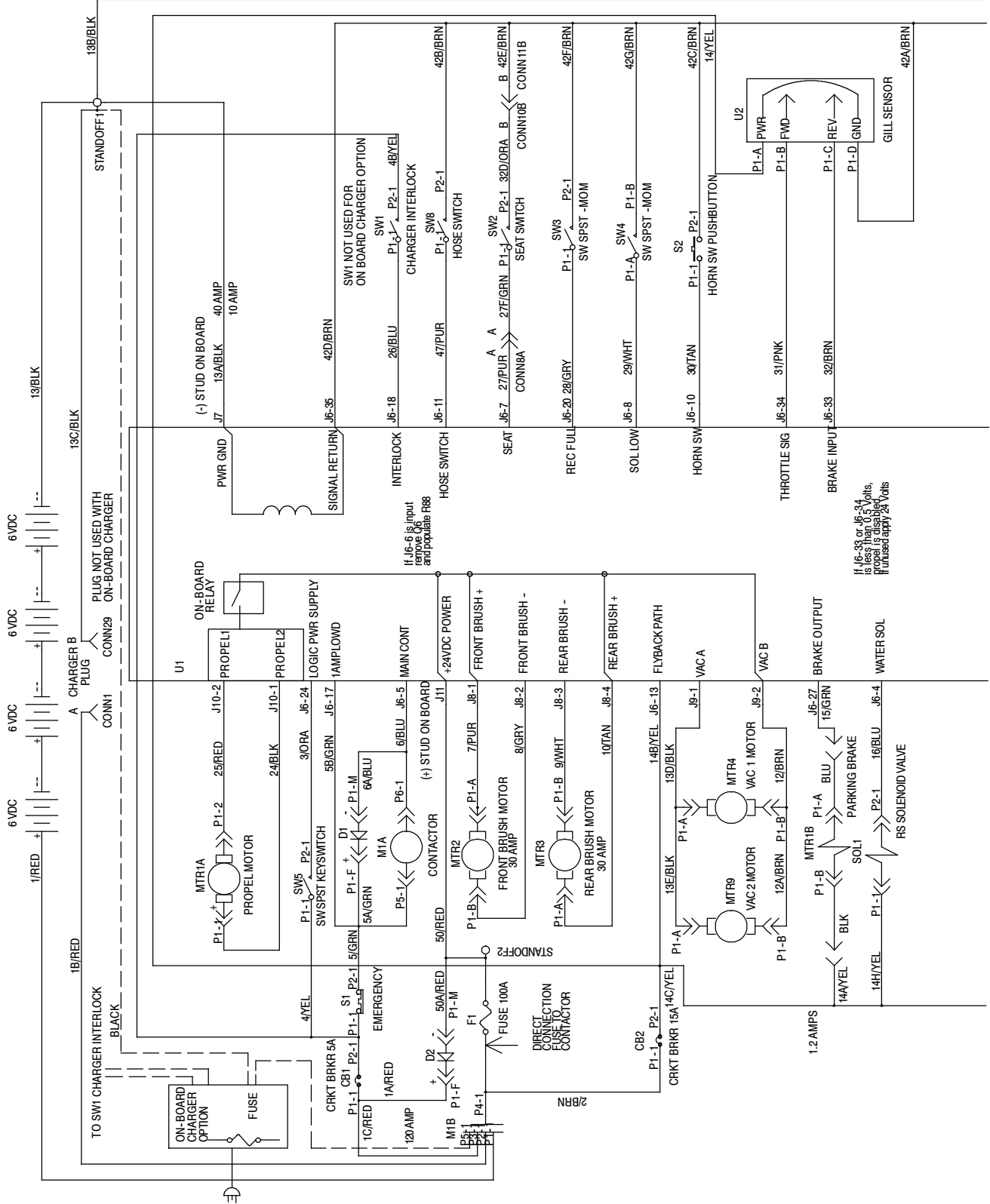
LABEL GROUP



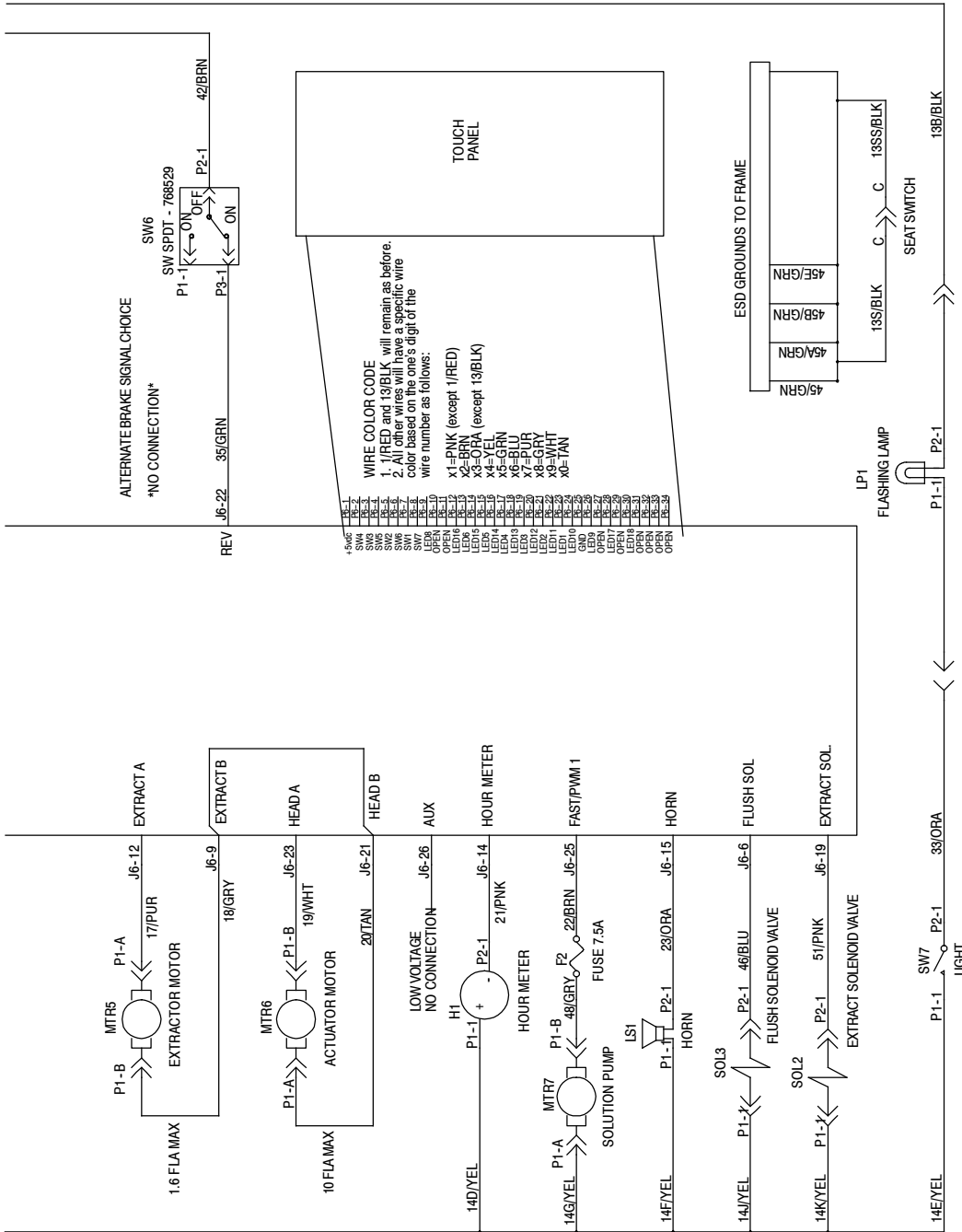
Ref.	Part No.	Serial Number	Description	Qty.
1	1015167	(00000000-) Label Set, Info/Hzrd	1
2	1025755	(00000000-) Label, Model, Side [Strive Rider]	2
3	1034637	(00000000-) Label, Front, 3.50 [Nobles Icon]	2
4	1026686	(00000000-) Label, Battery, Diagram 335 Ah	1
5	1034927	(00000000-) Label, Logo, 5.718l [Readyspace]	1

ELECTRICAL DIAGRAM

1035160



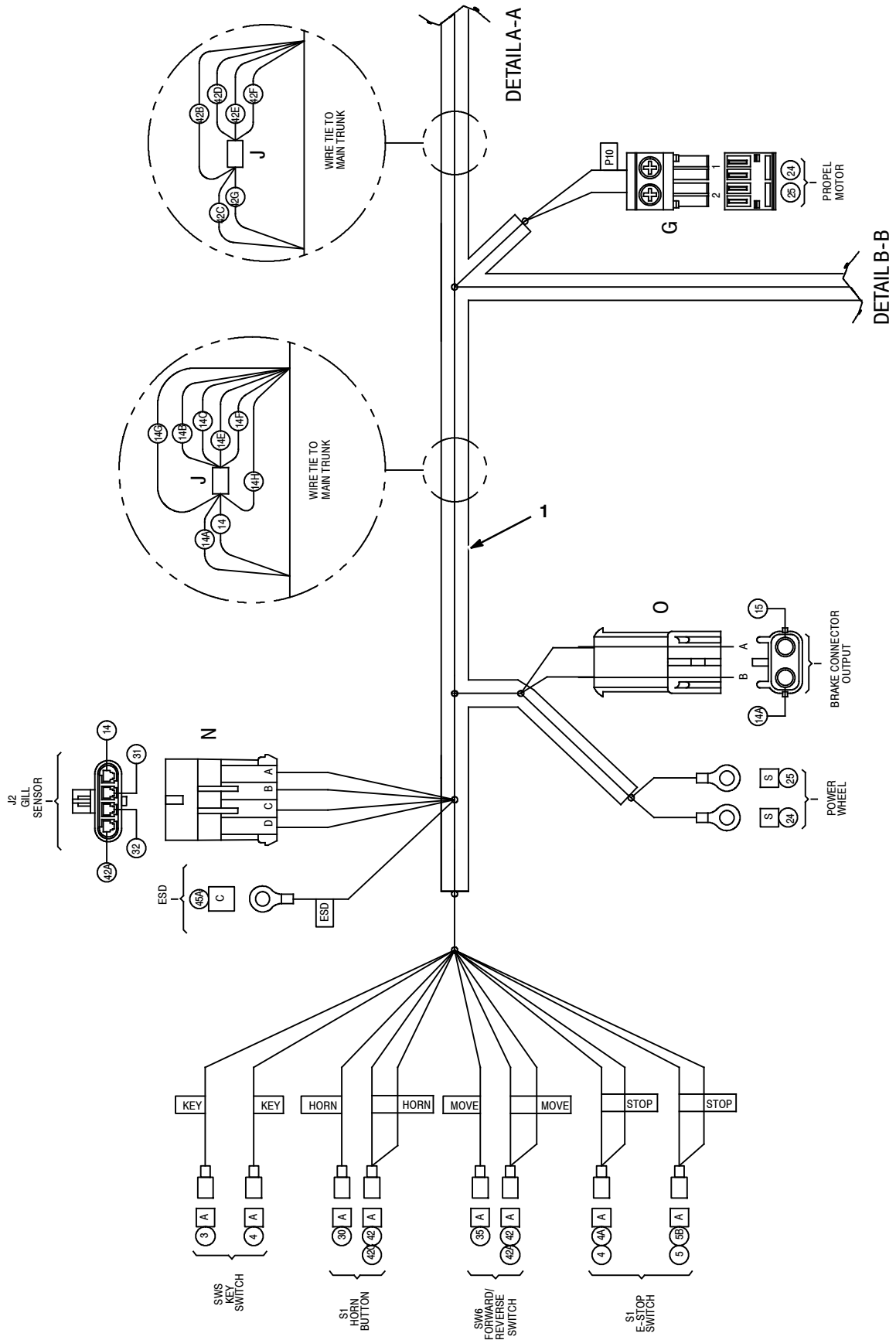
ELECTRICAL DIAGRAM



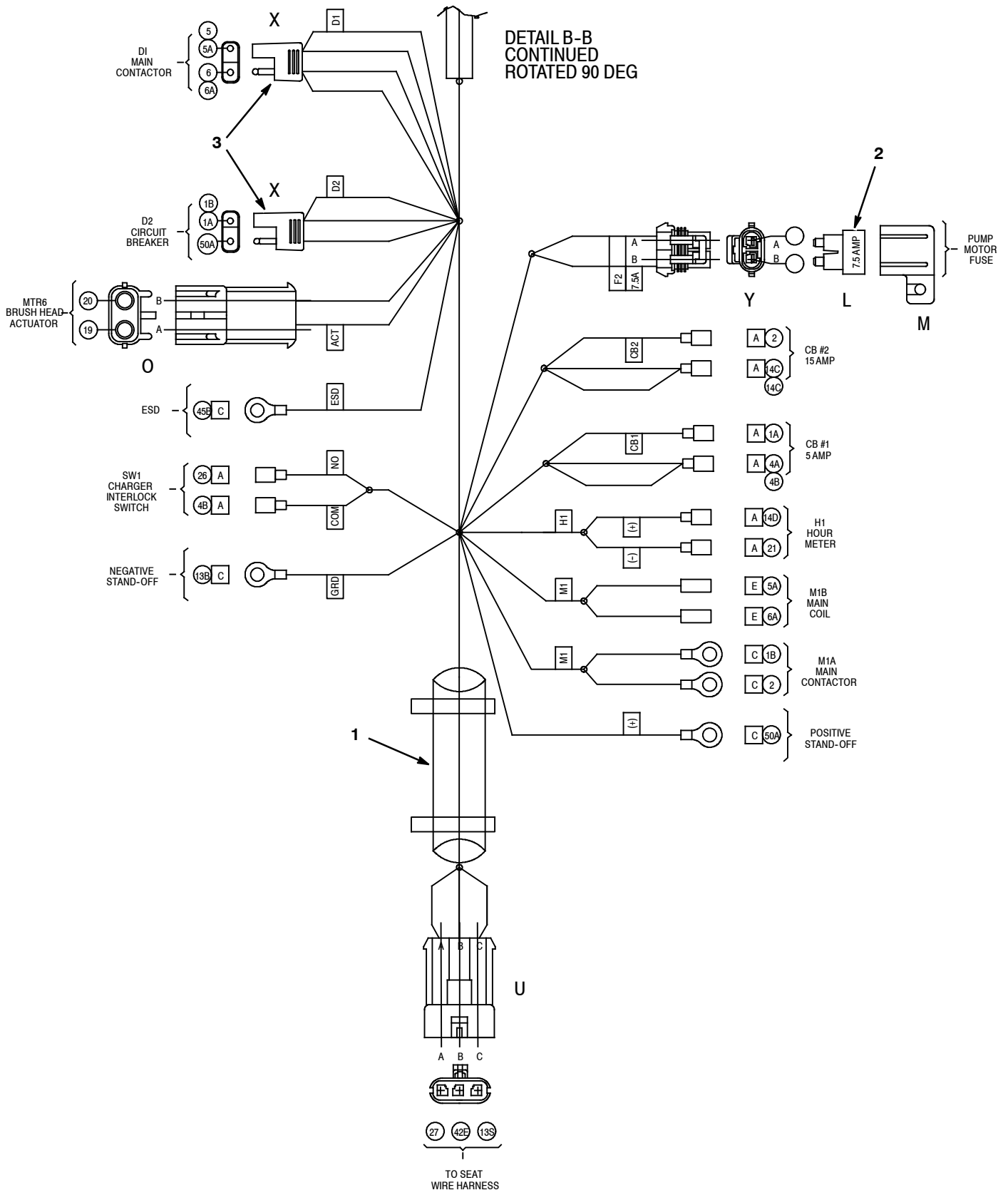
LEGEND

- | | | |
|---------------------------|-----------------------------|---------------------------------|
| CB1 = CIRCUIT BREAKER 5A | MTR2 = FRONT BRUSH MOTOR | SOL3 = FLUSH SOLENOID VALVE |
| CB2 = CIRCUIT BREAKER 15A | MTR3 = REAR BRUSH MOTOR | SW1 = CHRGR INTRLCK SWITCH |
| D1 = DIODE | MTR4 = VACUUM MOTOR 1 | SW2 = SEAT SWITCH |
| D2 = DIODE | MTR5 = EXTRACTOR MOTOR (PM) | SW3 = SOL REC FULL FLOAT SWITCH |
| F1 = FUSE 100A | MTR6 = ACTUATOR MOTOR (PM) | SW4 = SOL LOW FLOAT SWITCH |
| F2 = FUSE 7.5A | MTR7 = SOLUTION PUMP | SW5 = KEY SWITCH |
| H1 = HOUR METER | MTR9 = VACUUM MOTOR 2 | SW6 = DIRECTIONAL SWITCH |
| LP1 = FLASHING LAMP | S1 = EMERGENCY SWITCH | SW7 = LIGHT SWITCH |
| LS1 = HORN | S2 = HORN SWITCH PUSH BTN | U1 = CONTROL BOARD |
| M1A = CONTACTOR | SOL1 = RS SOLENOID VALVE | U2 = GILL SENSOR |
| MTR1A = PROPEL MOTOR | SOL2 = EXTR SOLENOID VALVE | |
| MTR1B = PARKING BRAKE | | |

ELECTRICAL WIRE HARNESS GROUP - SECTION 1 OF 5



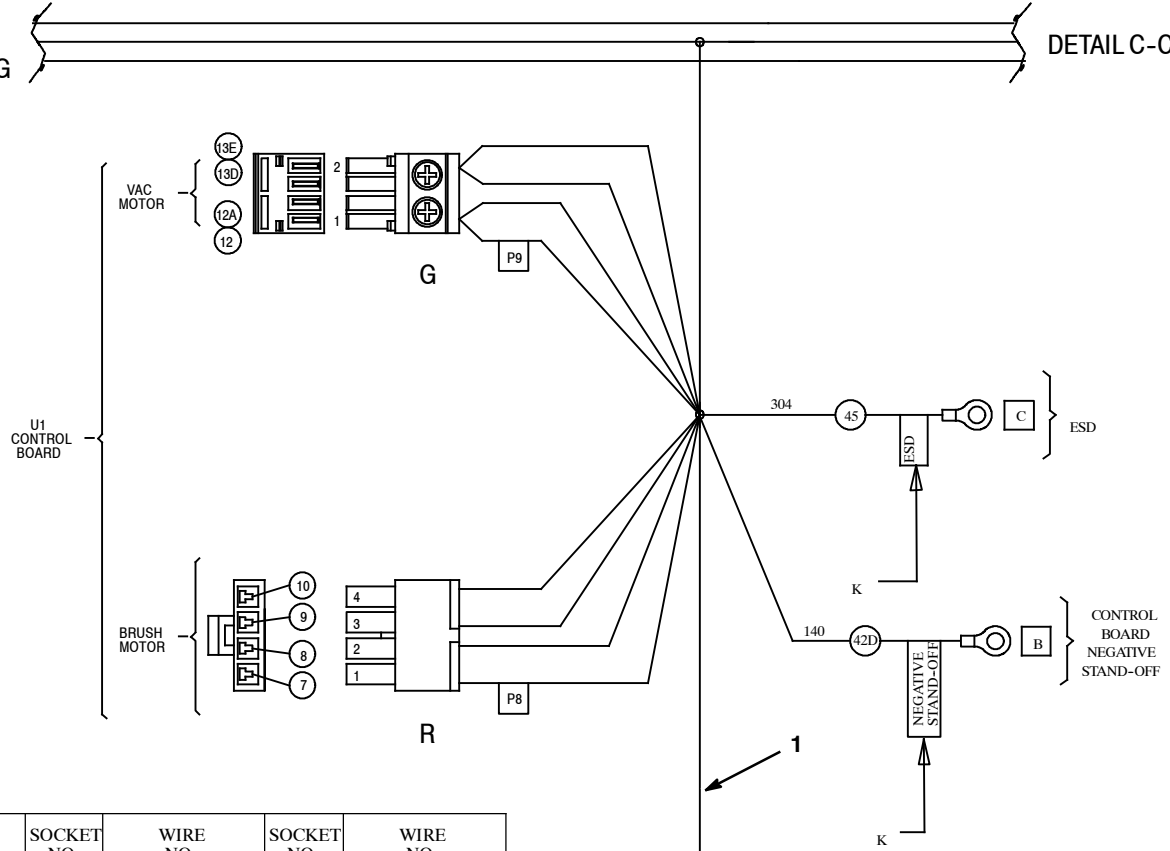
ELECTRICAL WIRE HARNESS GROUP - SECTION 2 OF 5



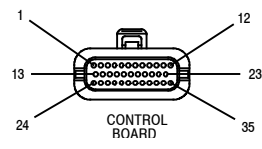
STANDARD PARTS

ELECTRICAL WIRE HARNESS GROUP - SECTION 3 OF 5 (S/N 10389602-)

DETAIL A-A CONTINUED ROTATED 90 DEG DETAIL C-C



SOCKET NO.	WIRE NO.	SOCKET NO.	WIRE NO.	SOCKET NO.	WIRE NO.
1	PLUG CAVITY	13	14B	24	3
2	PLUG CAVITY	14	21	25	22
3	PLUG CAVITY	15	23	26	PLUG CAVITY
4	16	16	PLUG CAVITY	27	15
5	6	17	5B	28	PLUG CAVITY
6	46	18	26	29	PLUG CAVITY
7	27	19	51	30	PLUG CAVITY
8	29	20	28	31	PLUG CAVITY
9	18	21	20	32	PLUG CAVITY
10	30	22	35	33	32
11	47	23	19	34	31
12	17	-	-	35	PLUG CAVITY

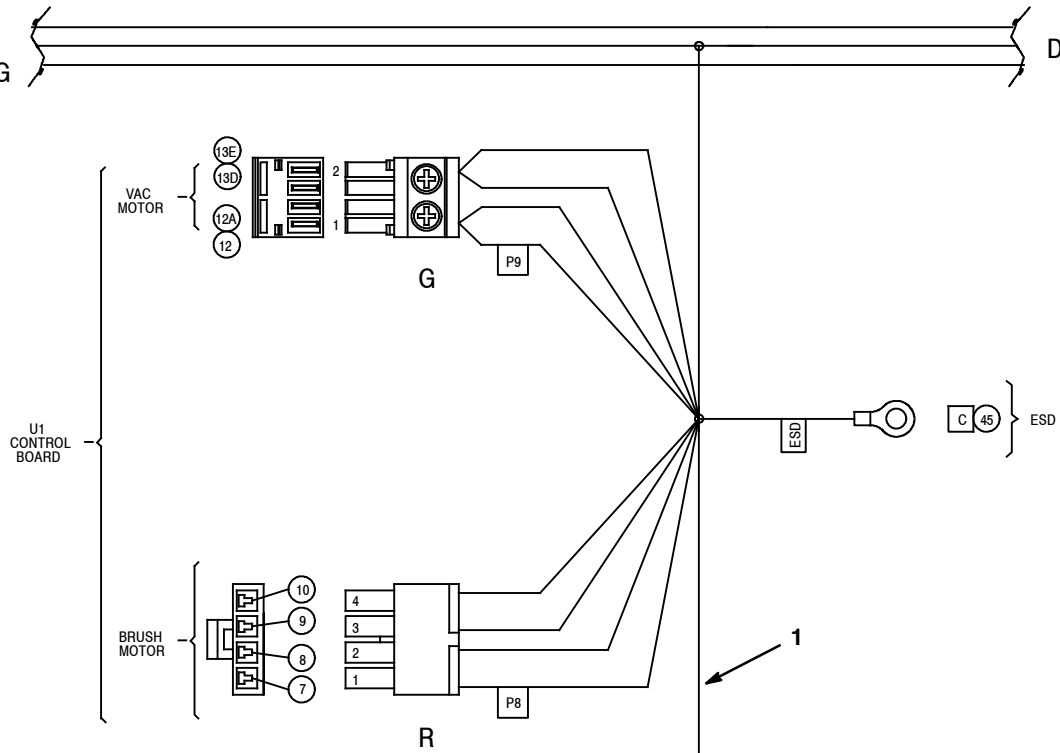


Ref.	Part No.	Serial Number	Description	Qty.
▽	1	1044984	(10389602-) ● Harness, Main [R14]	1
▲	2	1016039	(00000000-) ● Fuse, Blade, 007.5a, 32vdc	1
▲	3	222290	(00000000-) ● Diode, Ele, Plug	2

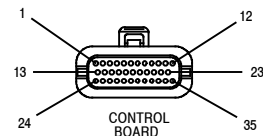
- ▽ ASSEMBLY
- ▲ INCLUDED IN ASSEMBLY
- RECOMMENDED STOCK ITEMS

ELECTRICAL WIRE HARNESS GROUP - SECTION 3 OF 5 (S/N 0000000-10389601)

DETAIL A-A CONTINUED ROTATED 90 DEG DETAIL C-C



SOCKET NO.	WIRE NO.	SOCKET NO.	WIRE NO.	SOCKET NO.	WIRE NO.
1	PLUG CAVITY	13	14B	24	3
2	PLUG CAVITY	14	21	25	22
3	PLUG CAVITY	15	23	26	PLUG CAVITY
4	16	16	PLUG CAVITY	27	15
5	6	17	5B	28	PLUG CAVITY
6	46	18	26	29	PLUG CAVITY
7	27	19	51	30	PLUG CAVITY
8	29	20	28	31	PLUG CAVITY
9	18	21	20	32	PLUG CAVITY
10	30	22	35	33	32
11	47	23	19	34	31
12	17	-	-	35	42D



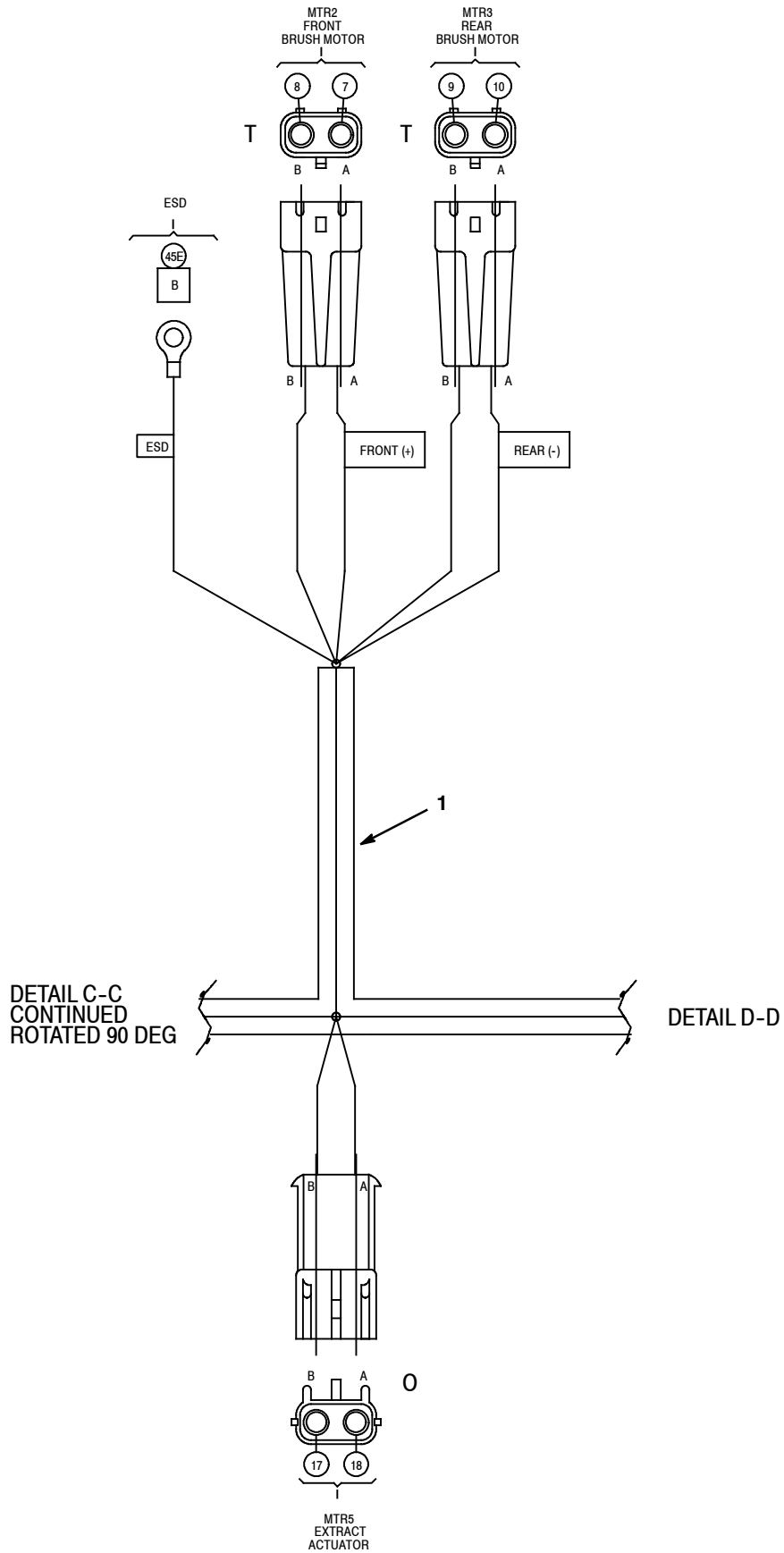
Ref.	Part No.	Serial Number	Description	Qty.
▽	1	1025451	(00000000-10389601) ● Harness, Main Rep.By 1044984	1
▲	2	1016039	(00000000-) ● Fuse, Blade, 007.5a, 32vdc	1
▲	3	222290	(00000000-) ● Diode, Ele, Plug	2

▽ ASSEMBLY

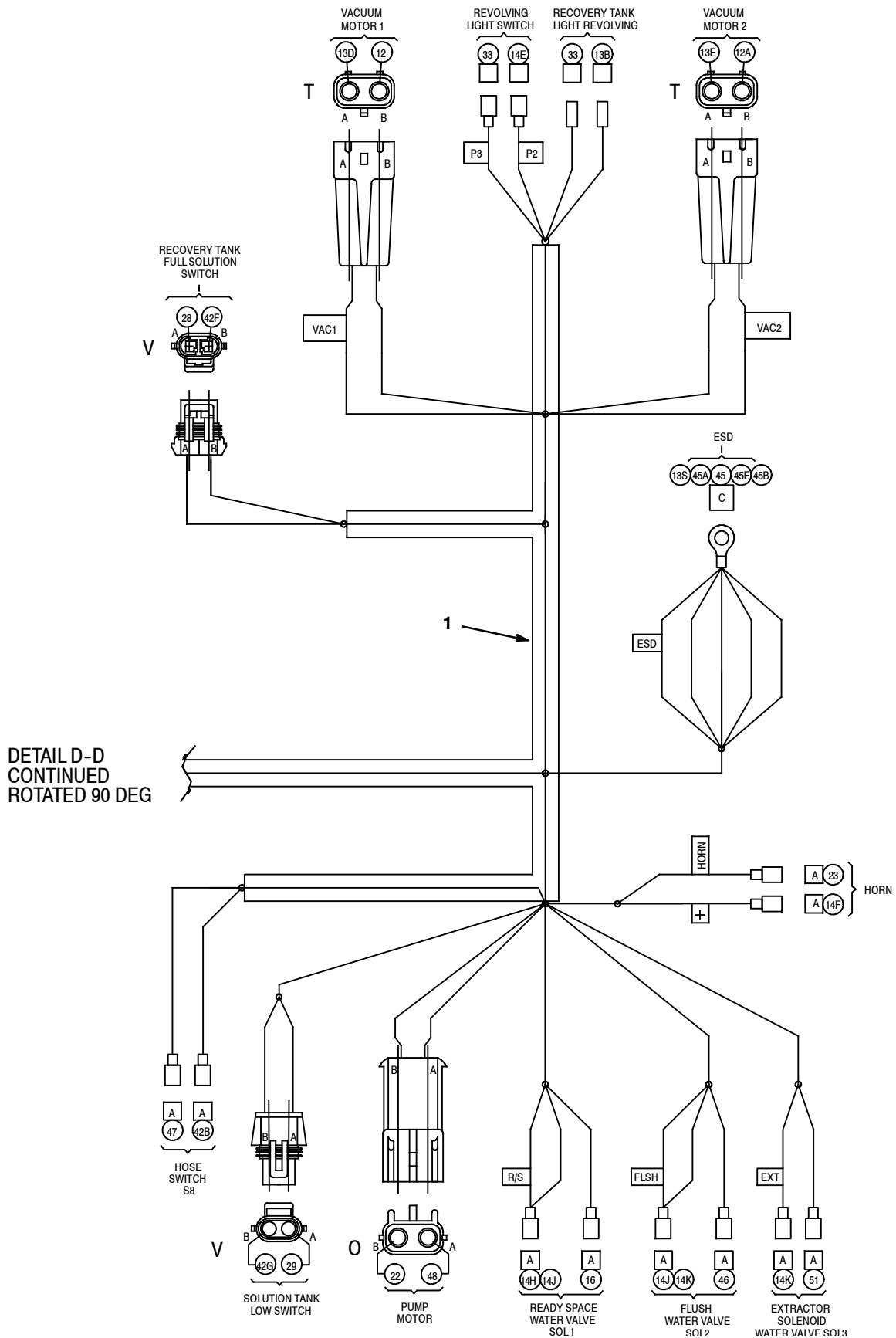
▲ INCLUDED IN ASSEMBLY

● RECOMMENDED STOCK ITEMS

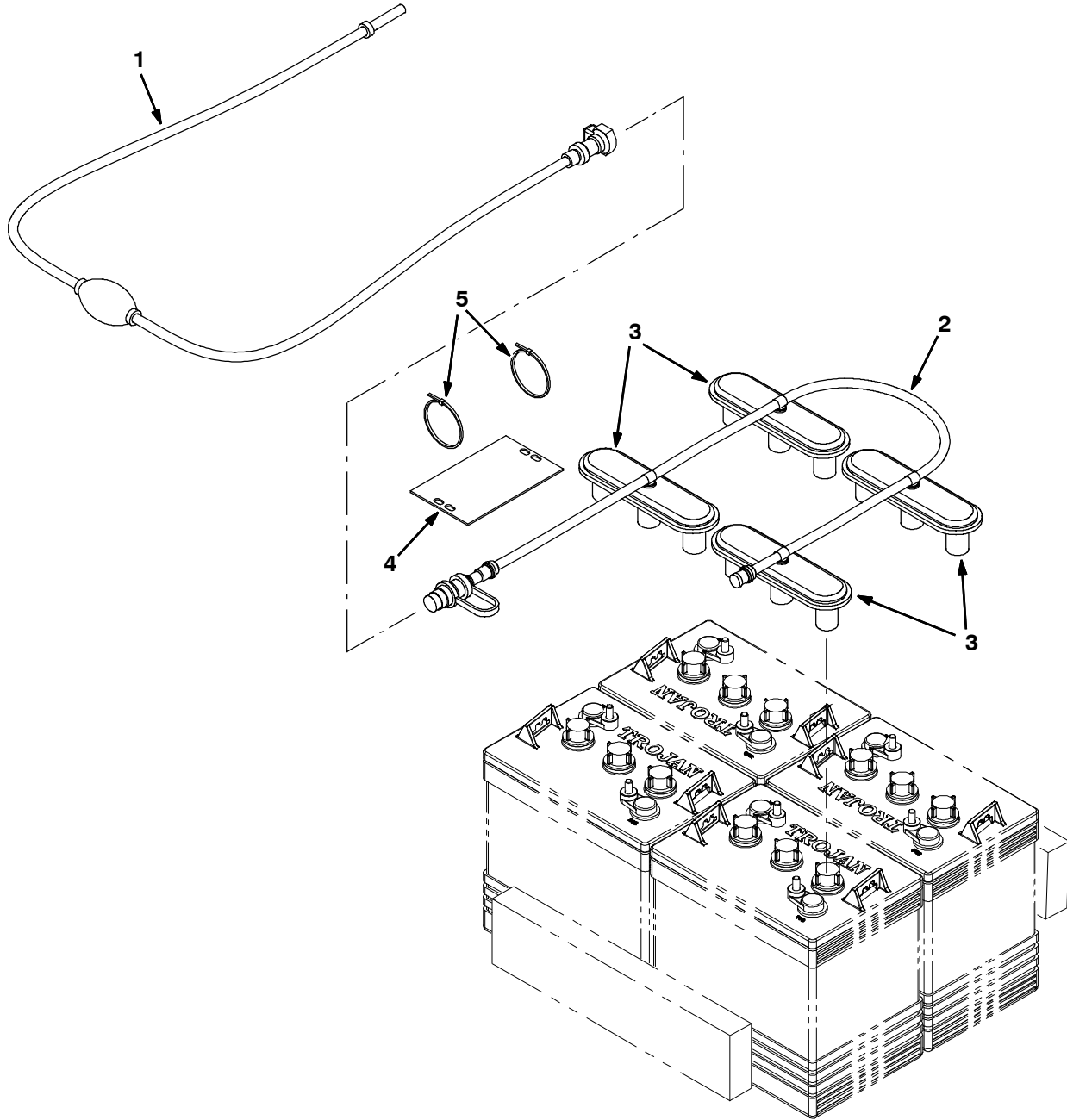
ELECTRICAL WIRE HARNESS GROUP - SECTION 4 OF 5



ELECTRICAL WIRE HARNESS GROUP - SECTION 5 OF 5



HYDROLINK® BATTERY WATERING SYSTEM KIT



Ref.	Part No.	Serial Number	Description	Qty.
▽	9010300	(00000000-)	Pump Kit, Fill, Battery,24vdc,Ci[Trojan]	1
▲ 1	1058939	(00000000-)	Pump Kit, Fill, Battery	1
▲ 2	1070394	(00000000-)	Tube, Water, Battery, 24vdc [Trojan]	1
▲ 3	1204142	(00000000-)	Cap, Fill, Battery [Trojan]	4
▲ 4	1071084	(00000000-)	Label, Tag, Battery [Hydrolink Watering]	1
▲ 5	130773	(00000000-)	Tie, Cable, Nyl, 11.0l, .14w, 3.0 Max. D	2

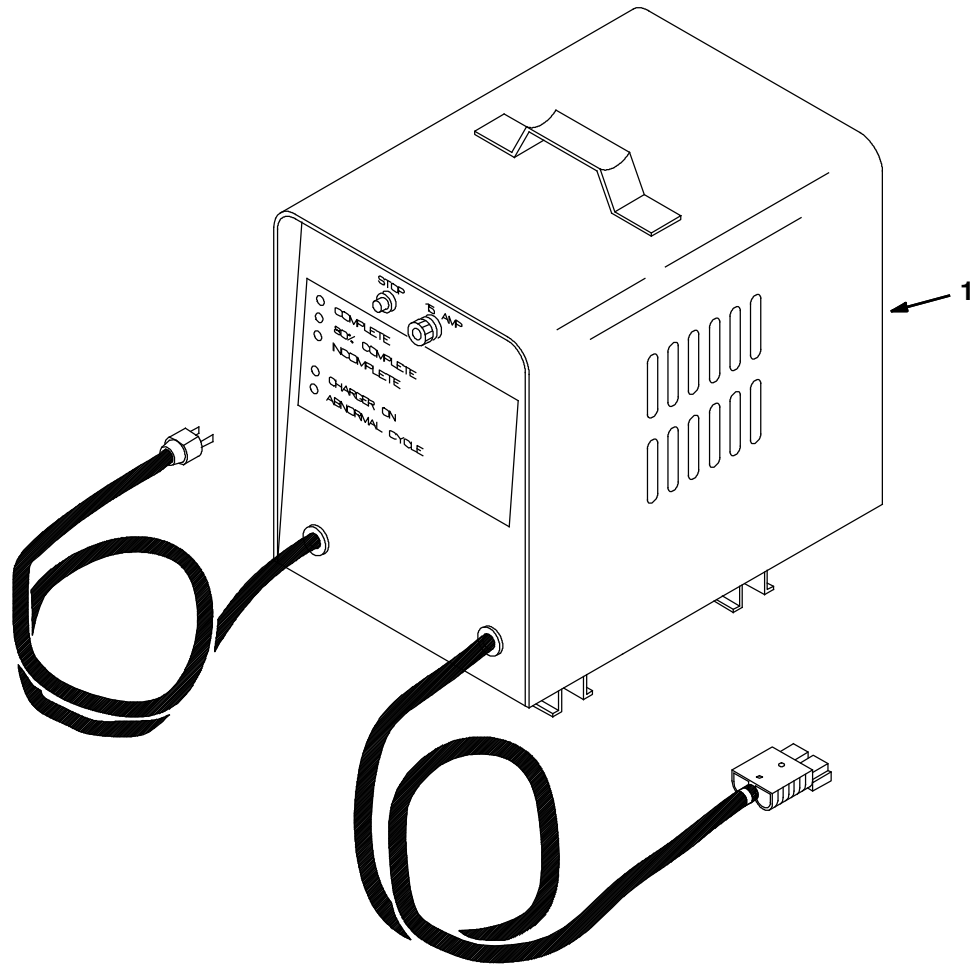
▽ ASSEMBLY

▲ INCLUDED IN ASSEMBLY

*THIS KIT IS INTENDED FOR USE WITH TROJAN® LEAD ACID BATTERIES ONLY.

HYDROLINK® IS A REGISTERED TRADEMARK OF TROJAN® BATTERY COMPANY.

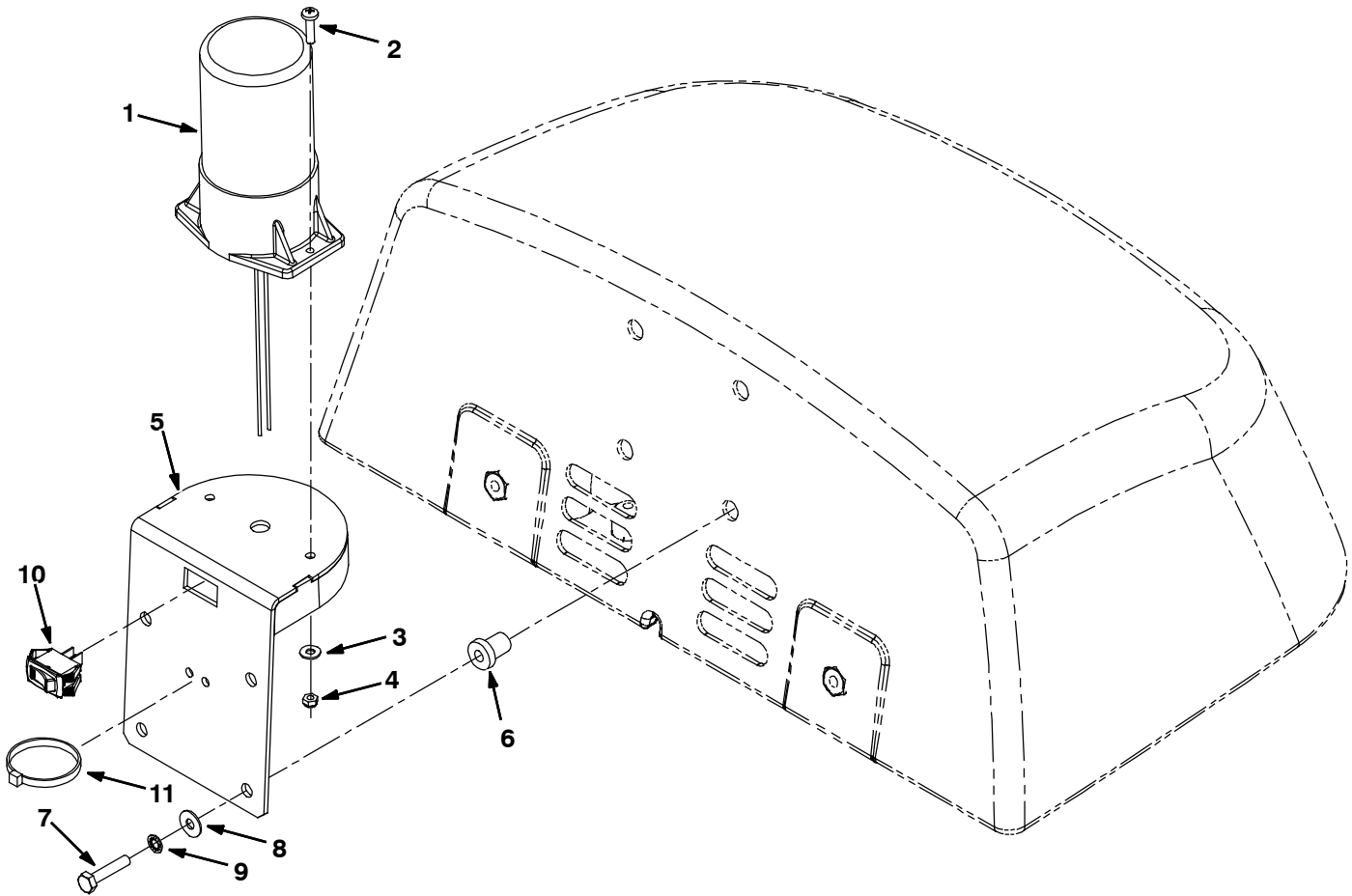
BATTERY CHARGER GROUP



Ref.	Part No.	Serial Number	Description	Qty.
1	604282	(00000000-) • Charger, 24vdc 30a Dual Vac 1ph 50/60hz	1

• RECOMMENDED STOCK ITEMS

FLASHING LIGHT KIT



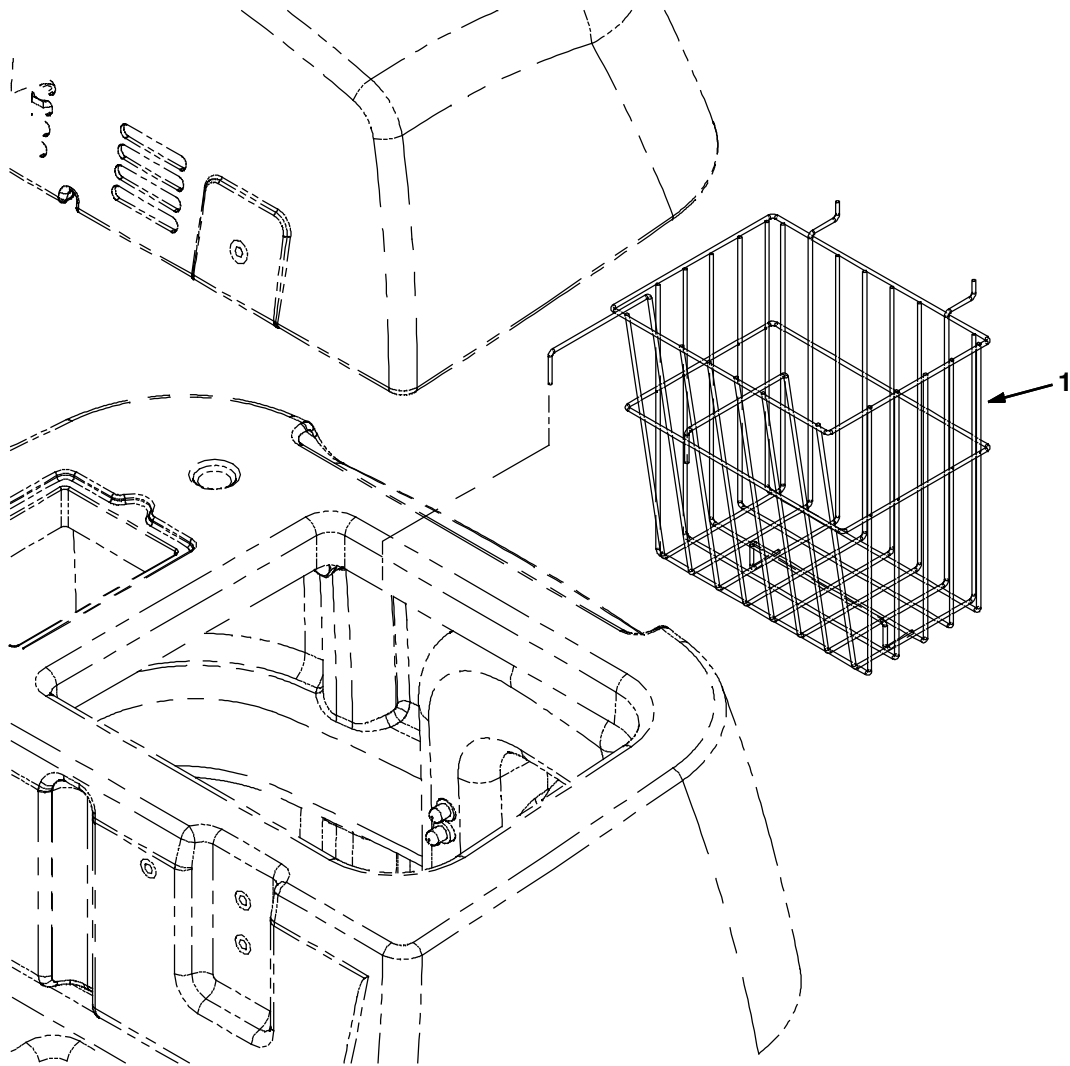
Ref.	Part No.	Serial Number	Description	Qty.
▽	9000581	(00000000-)	● Light Kit, Flsh, Ci [T7/Ssr]	1
▲▽	1 1015170	(00000000-)	● Light Assy, Flsh, 24vdc	1
▲▲	1014564	(00000000-)	● Light, Strobe, 12-80vdc, 4watt	1
▲	2 24196	(00000000-)) Screw, Pan, M5 X 0.8 X 20, Ss	2
▲	3 01683	(00000000-)) Washer, Flat, #10, Ss	2
▲	4 09739	(00000000-)) Nut, Hex, Lock, M5 X 0.80, NI, Ss	2
▲	5 1014527	(00000000-)) Bracket Wldt, Light, Flsh	1
▲	6 61913	(00000000-)) Nut, Isolator, .25-20 Wall Th .031-.187	4
▲	7 01699	(00000000-)) Screw, Hex, .25-20 X 1.25, Ss	4
▲	8 01684	(00000000-)) Washer, Flat, 0.25, Ss	4
▲	9 07515	(00000000-)) Washer, Lock, Int, 0.25, Ss	4
▲	10 130717	(00000000-)	● Switch, Rocker, Spst On-Off	1
▲	11 130040	(00000000-)) Tie, Cable, Nyl, 06.0l .12w	1

▽ ASSEMBLY

▲ INCLUDED IN ASSEMBLY

● RECOMMENDED STOCK ITEMS

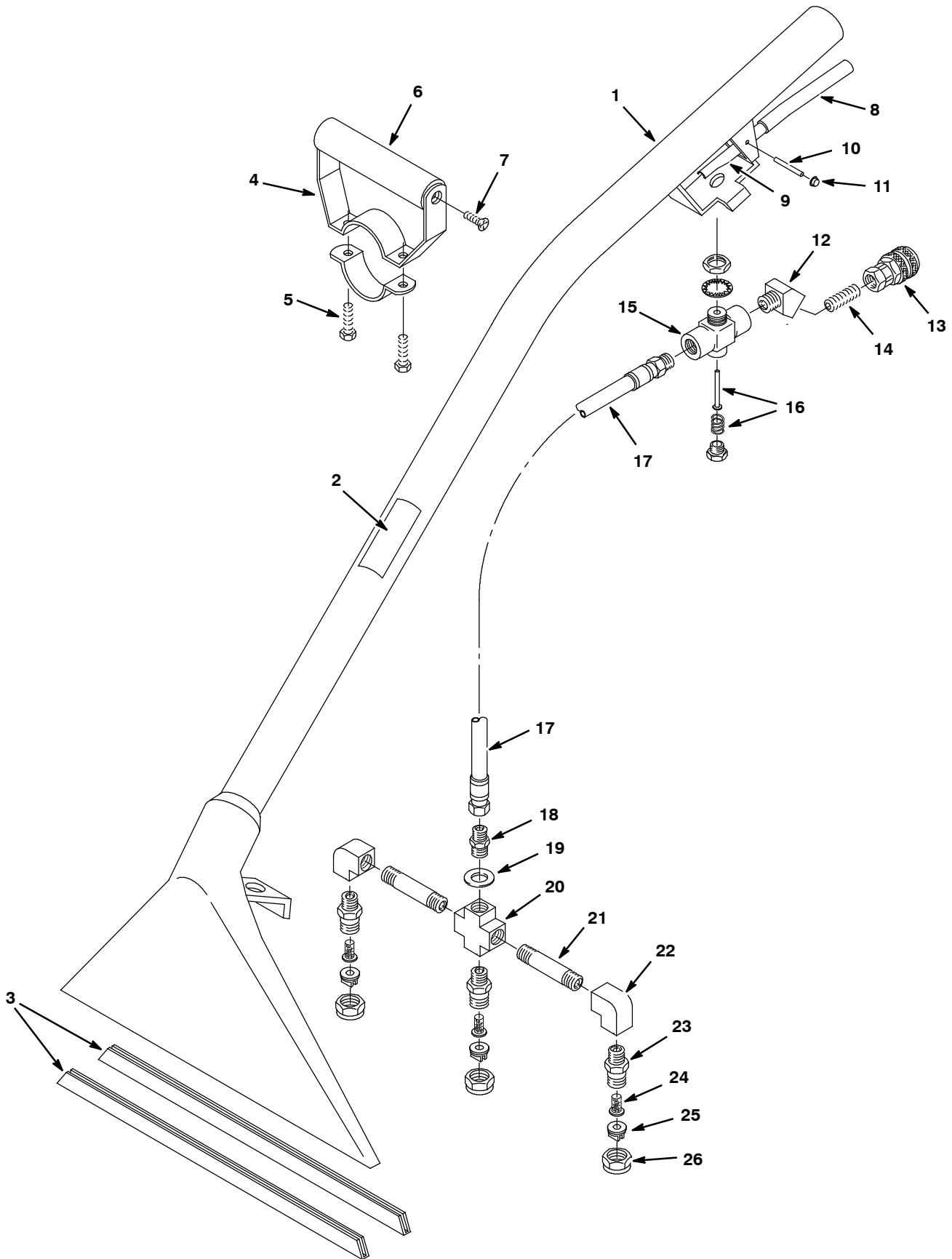
BASKET KIT



Ref.	Part No.	Serial Number	Description	Qty.
1	9001004	(00000000-)● Basket Kit, Ci	1

● RECOMMENDED STOCK ITEMS

WAND GROUP, LOW PRESSURE 13 in / 330 mm



WAND GROUP, LOW PRESSURE 13 in / 330 mm

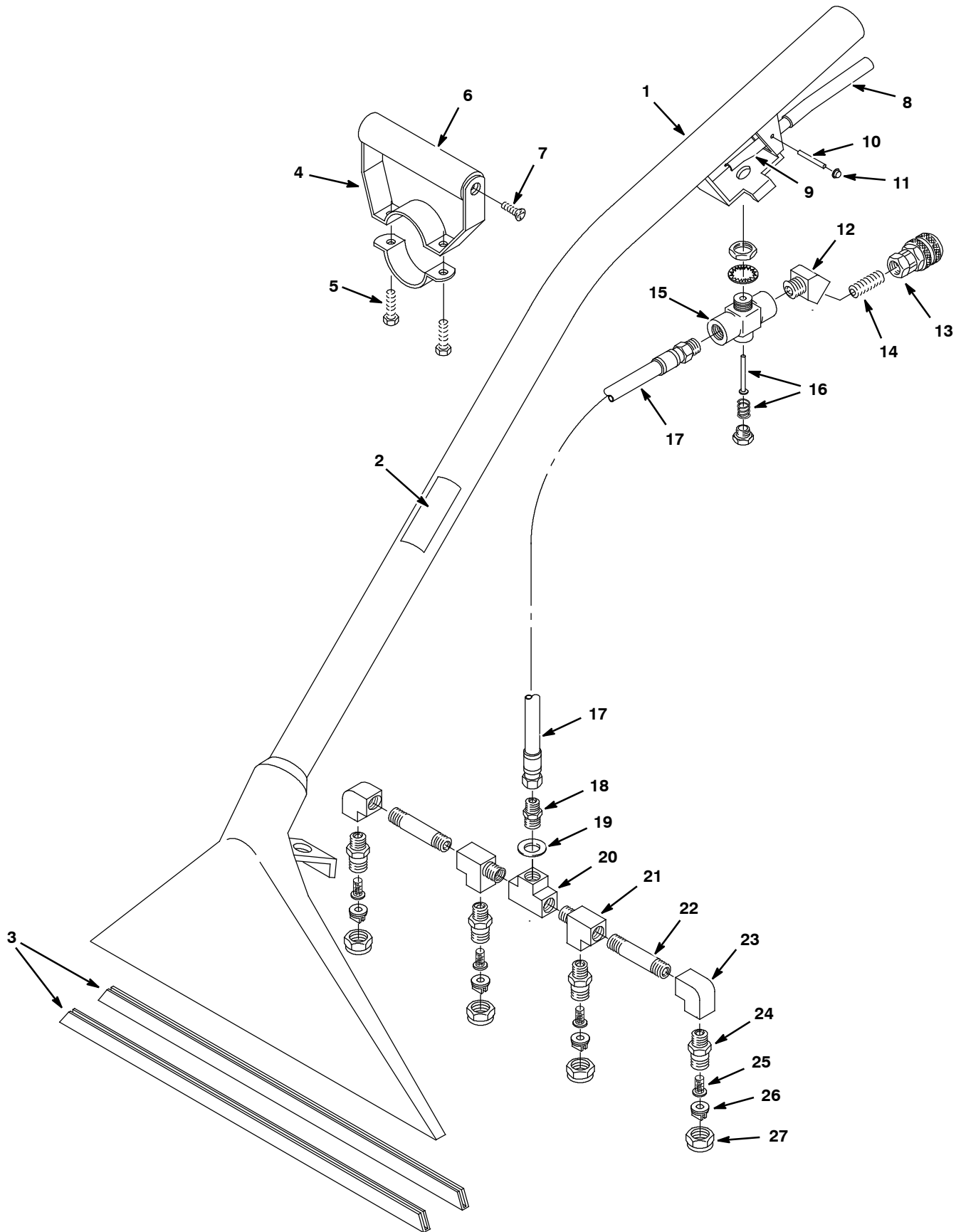
Ref.	Part No.	Serial Number	Description	Qty.
▽	600048	(00000000-)● Tool, Floor, 13.0w, 33cm [W/3 Nozzles]	1
▲	1 200403.BK	(00000000-)● Tool, Pickup, Floor, 12w, Blk	1
▲	2 120846	(00000000-) Label, Low-Press Floor Tool	1
▲	3 200939	(00000000-) Plate, Tool, Floor, 13.00 [Shoe]	2
▲▽	4 200927	(00000000-) Grip, Hand, Adj, Complt	1
▲▲	5 01697	(00000000-) Screw, Hex, .25-20 X 0.62, Ss	2
▲▲	6 200912	(00000000-)● Grip, Handle, Foam	1
▲▲	7 140834	(00000000-) Screw, Flt, .25-20 X 0.62, Phl, Ss	2
▲	8 200809	(00000000-) Sleeve, Handle / Floor Tool	1
▲	9 200902	(00000000-) Handle, Valve [Imperial]	1
▲	10 140605	(00000000-) Pin, Handle [Imperial Eastman]	1
▲	11 140520	(00000000-)● Nut, Push, .25id, Blk, PI	2
▲	12 150403	(00000000-) Fitting, Brs, E45, Pf04/Pm04 [Taped]	1
▲	13 150913	(00000000-) Fitting, Brs, Qdc, Pf04 [Ser60]	1
▲	14 150615	(00000000-) Fitting, Brs, Str, Pm04, Close, T	1
▲▽	15 210150	(00000000-)● Valve, Water, Flow Cntrl, Pf04/Pf04	1
▲▲	16 190603	(00000000-)● Imperial Eastman Kit, Repair	1
▲	17 160170	(00000000-) Hose Assy, Wand, 47.34 [Endtoend, 42059]	1
▲	18 150606	(00000000-) Fitting, Brs, Str, Pm04/Pm04 X1.38 [Nip]	1
▲	19 140058	(00000000-) Washer, Flat, 0.54b 0.88d .06, Ss [Wand]	1
▲▽	700062	(00000000-) Bar Assy, Spray, 12inch, W/O Tip[Flr TI]	1
▲▲	20 150700	(00000000-)● Fitting, Brs, Cross, Pf04/Pf04/Pf04/Pf04	1
▲▲	21 150600	(00000000-) Fitting, Brs, Nipple, .25qm X 2.0[Taped]	2
▲▲	22 150401	(00000000-) Fitting, Brs, E90, Pf04/Pf04	2
▲▲	23 200993	(00000000-) Fitting, Brs, Pm04 [Spray Body]	3
▲	24 200996	(00000000-)● Filter, Screen, 100 Mesh, Check Valve	3
▲	25 200964	(00000000-)● Fitting, Brs, Tip [11003, T-Jet]	3
▲	26 200994	(00000000-) Cap, Nozzle, Spray [#8002]	3

▽ ASSEMBLY

▲ INCLUDED IN ASSEMBLY

● RECOMMENDED STOCK ITEMS

WAND GROUP, LOW PRESSURE 16 in / 406 mm



WAND GROUP, LOW PRESSURE 16 in / 406 mm

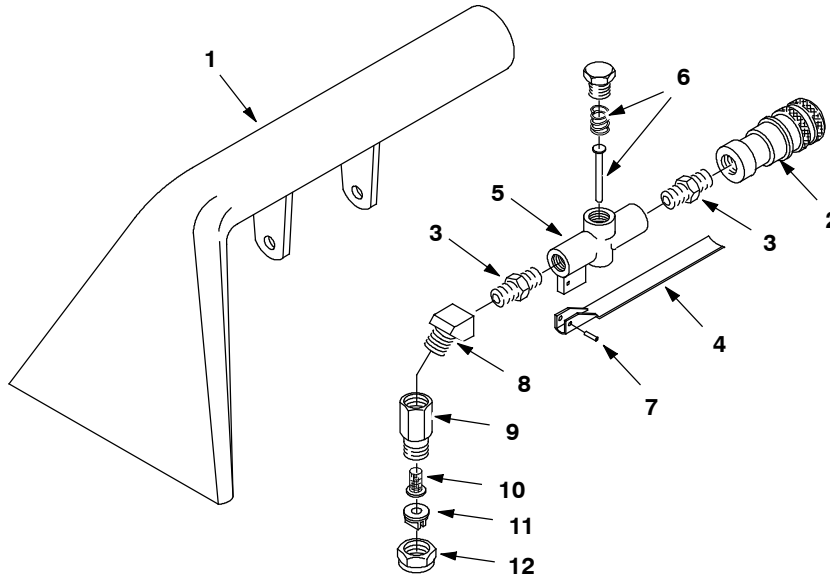
Ref.	Part No.	Serial Number	Description	Qty.
▽	200503	(00000000-)● Tool, Pickup, Floor, 16w [Lp Series 60]	1
▲	1 200411.BK	(00000000-)● Tool, Pickup, Floor, 16w, Blk	1
▲	2 120846	(00000000-) Label, Low-Press Floor Tool	1
▲	3 200956	(00000000-) Plate, Floor, 16.00, Ss [Shoe]	2
▲▽	4 200927	(00000000-) Grip, Hand, Adj, Complt	1
▲▲	5 01697	(00000000-) Screw, Hex, .25-20 X 0.62, Ss	2
▲▲	6 200912	(00000000-)● Grip, Handle, Foam	1
▲▲	7 140834	(00000000-) Screw, Flt, .25-20 X 0.62, Phl, Ss	2
▲	8 200809	(00000000-) Sleeve, Handle / Floor Tool	1
▲	9 200902	(00000000-) Handle, Valve [Imperial]	1
▲	10 140605	(00000000-) Pin, Handle [Imperial Eastman]	1
▲	11 140520	(00000000-)● Nut, Push, .25id, Blk, PI	2
▲	12 150403	(00000000-) Fitting, Brs, E45, Pf04/Pm04 [Taped]	1
▲	13 150913	(00000000-) Fitting, Brs, Qdc, Pf04 [Ser60]	1
▲	14 150615	(00000000-) Fitting, Brs, Str, Pm04, Close, T	1
▲▽	15 210150	(00000000-)● Valve, Water, Flow Cntrl, Pf04/Pf04	1
▲▲	16 190603	(00000000-)● Imperial Eastman Kit, Repair	1
▲	17 160170	(00000000-) Hose Assy, Wand, 47.34 [Endtoend, 42059]	1
▲	18 150606	(00000000-) Fitting, Brs, Str, Pm04/Pm04 X1.38 [Nip]	1
▲	19 140058	(00000000-) Washer, Flat, 0.54b 0.88d .06, Ss [Wand]	1
▲▽	700656	(00000000-) Bar Assy, Spray, 16inch, W/O Tip	1
▲▲	20 150706	(00000000-)● Fitting, Brs, Tee, Pf04/Pf04/Pf04	1
▲▲	21 150709	(00000000-) Fitting, Brs, Tee, Pm04/Pf04/Pf04, Run	2
▲▲	22 150600	(00000000-) Fitting, Brs, Nipple, .25qm X 2.0[Taped]	2
▲▲	23 150401	(00000000-) Fitting, Brs, E90, Pf04/Pf04	2
▲	24 200993	(00000000-) Fitting, Brs, Pm04 [Spray Body]	4
▲	25 200996	(00000000-)● Filter, Screen, 100 Mesh, Check Valve	4
▲	26 200964	(00000000-)● Fitting, Brs, Tip [11003, T-Jet]	4
▲	27 200994	(00000000-) Cap, Nozzle, Spray [#8002]	4

▽ ASSEMBLY

▲ INCLUDED IN ASSEMBLY

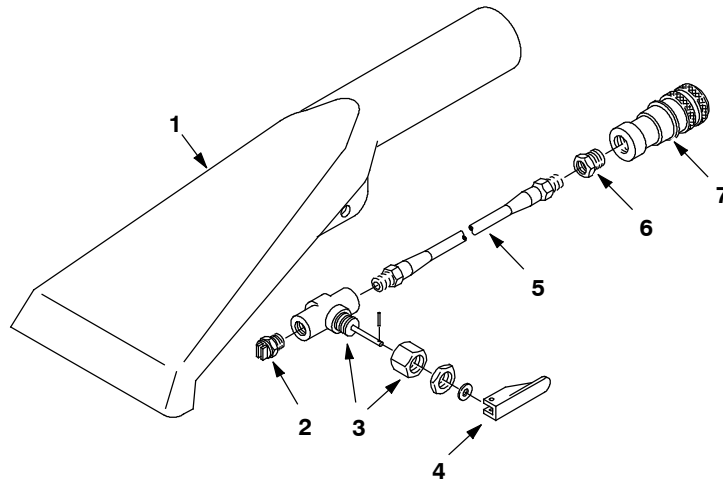
● RECOMMENDED STOCK ITEMS

HAND TOOL, 5 in / 127 mm



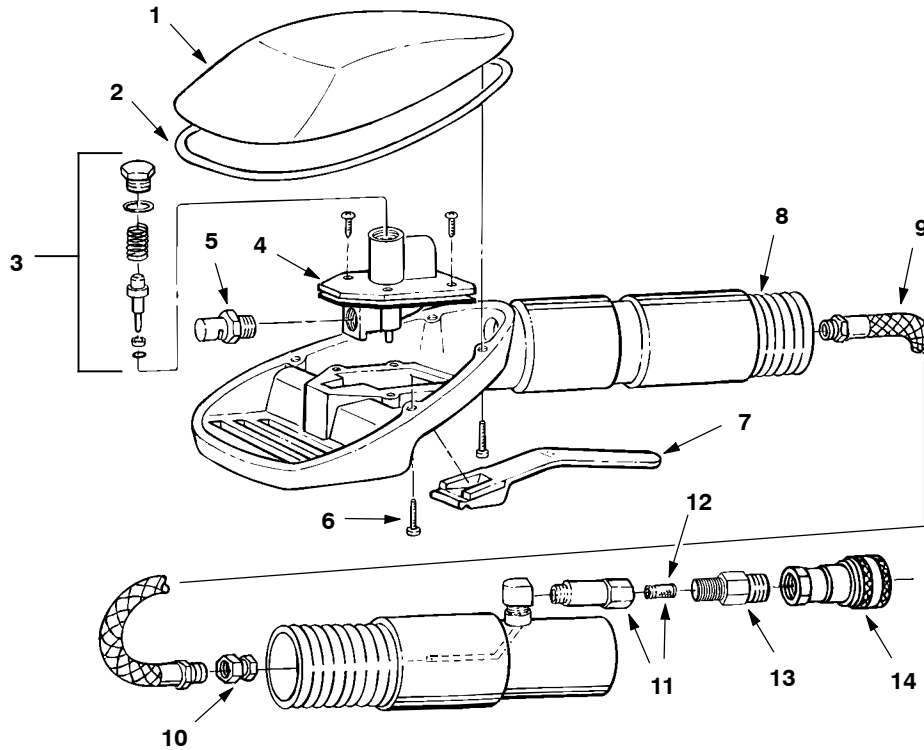
Ref.	Part No.	Serial Number	Description	Qty.
▽	200505	(00000000-)● Tool, Hand, 127mm 5.0w	1
▲	1 200431.BK	(00000000-)● Tool, Hand, Blk	1
▲	2 150913	(00000000-) Fitting, Brs, Qdc, Pf04 [Ser60]	1
▲	3 150606	(00000000-) Fitting, Brs, Str, Pm04/Pm04 X1.38 [Nip]	2
▲	4 200905	(00000000-) Lever [K-Valve W/ Pin]	1
▲	5 210210	(00000000-)● Valve, Water, Flow Cntrl, Pf04/Pf04	1
▲	6 190600	(00000000-)● K-Valve Kit, Repair	1
▲	7 140609	(00000000-) Pin, Roll, .187d X 0.56l, PI	1
▲	8 150403	(00000000-) Fitting, Brs, E45, Pf04/Pm04 [Taped]	1
▲	9 200992	(00000000-) Fitting, Brs, Str, Pf02, Swivel	1
▲	10 200996	(00000000-)● Filter, Screen, 100 Mesh, Check Valve	1
▲	11 200965	(00000000-)● Fitting, Brs, Tip [8002, T-Jet]	1
▲	12 200994	(00000000-) Cap, Nozzle, Spray [#8002]	1

HAND TOOL, CREVICE 3 in / 76 mm



Ref.	Part No.	Serial Number	Description	Qty.
▽	200517	(00000000-)● Tool [Crevice Lp/Hp Series 60]	1
▲	1	200436.BK) Tool, Blk [Crevice]	1
▲	2	200975)● Fitting, Brs, Jet [.125 V-Jet]	1
▲	3	210014)● Valve, Water, Toggle, Pf02, W/ Nut	1
▲	4	210020) Handle, Valve [Positioner]	1
▲	5	160106) Hose, Soltn, Crevice Tool	1
▲	6	150100) Fitting, Brs, Str, Pf02/Pm04	1
▲	7	150913) Fitting, Brs, Qdc, Pf04 [Ser60]	1

HAND TOOL, UPHOLSTERY, LOW PRESSURE



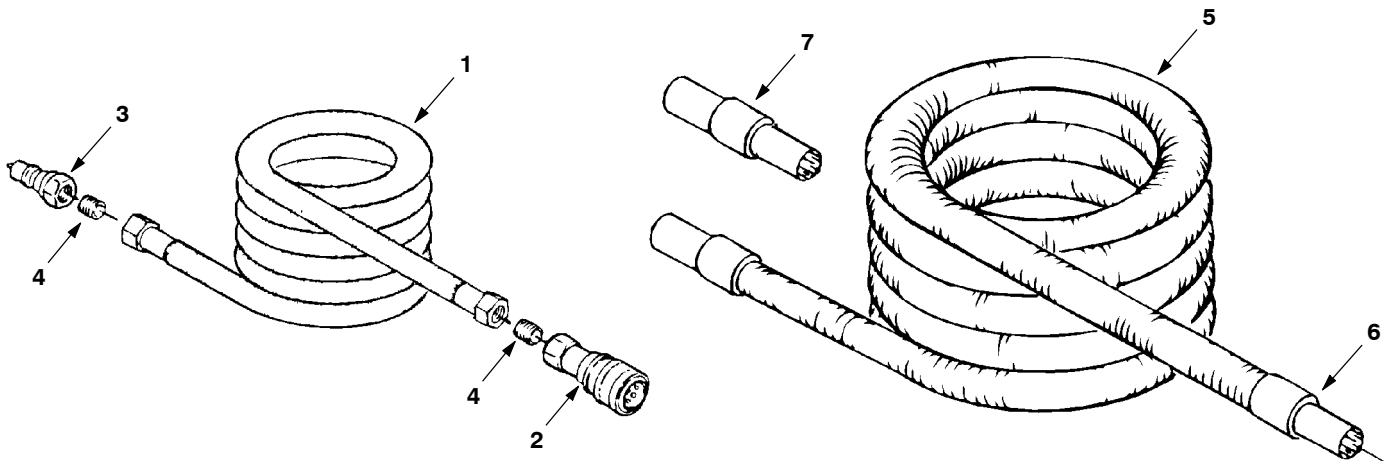
Ref.	Part No.	Serial Number	Description	Qty.
▽	200540	(00000000-)	● Tool [Upholstery Lp Series 60]	1
▲	1	200845) Cover, Tool [Upholstery]	1
▲	2	200843) Gasket, Cover	1
▲	3	190631	● Service Kit [Upholstery, Lp]	1
▲	4	210226	● Valve, Water, Solenoid, 120vac Low Press	1
▲	5	200991	● Fitting, Ss, Jet, 1/8k-Jet	1
▲	6	200838) Screw, #06-32 X 0.75	4
▲	7	200840) Trigger Upholstery Tool	1
▲	8	200844	● Hose, Vacuum [Upholstery Tool W/O Cuffs]	1
▲	9	200837	● Hose [Hp Upholstery Tool]	1
▲	10	200848) Fitting, Brs [3 Pcs]	1
▲	11	200842) Filter, In-Line, Complt	1
▲	12	200841) Screen, Fltr, Inline	1
▲	13	150606) Fitting, Brs, Str, Pm04/Pm04 X1.38 [Nip]	1
▲	14	150913	● Fitting, Brs, Qdc, Pf04 [Ser60]	1

▽ ASSEMBLY

▲ INCLUDED IN ASSEMBLY

● RECOMMENDED STOCK ITEMS

HOSES, SOLUTION AND VACUUM GROUP



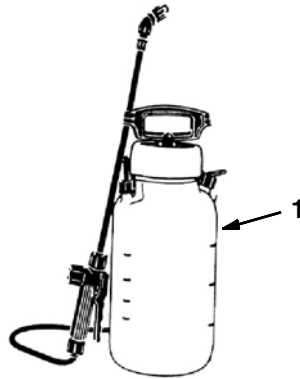
Ref.	Part No.	Serial Number	Description	Qty.
▽	1	160185	(00000000-) Hose, Soltn, .38id X 15ft [Series 60,Lp]	1
▽	1	160186	(00000000-) Hose, Soltn, .38id X 25ft [Series 60,Lp]	1
▽	1	160187	(00000000-) Hose, Soltn, .38id X 50ft [Series 60,Lp]	1
▲	2	150913	(00000000-) ● Fitting, Brs, Qdc, Pf04 [Ser60]	1
▲	3	150933	(00000000-) Fitting, Brs, Qdc, Pm04 [Ser60]	1
▲	4	150615	(00000000-) Fitting, Brs, Str, Pm04, Close, T	2
▽	5	160400	(00000000-) Hose, Vacuum, 1.50id X 15ft	1
▽	5	160401	(00000000-) Hose Kit, Vacuum, 1.50id X 25ft, 2cuff	1
▽	5	160402	(00000000-) Hose, Vacuum, 1.50id X 50ft	1
▲	6	160430	(00000000-) ● Cuff, 1.5d Hose, 1.5id	2
	7	160451	(00000000-) ● Connector, Hose, Vacuum, 1.50	1
	N/S	220040	(00000000-) ● Bag, Hose, Accssry, 24x36[W/Draw String]	1

▽ ASSEMBLY

▲ INCLUDED IN ASSEMBLY

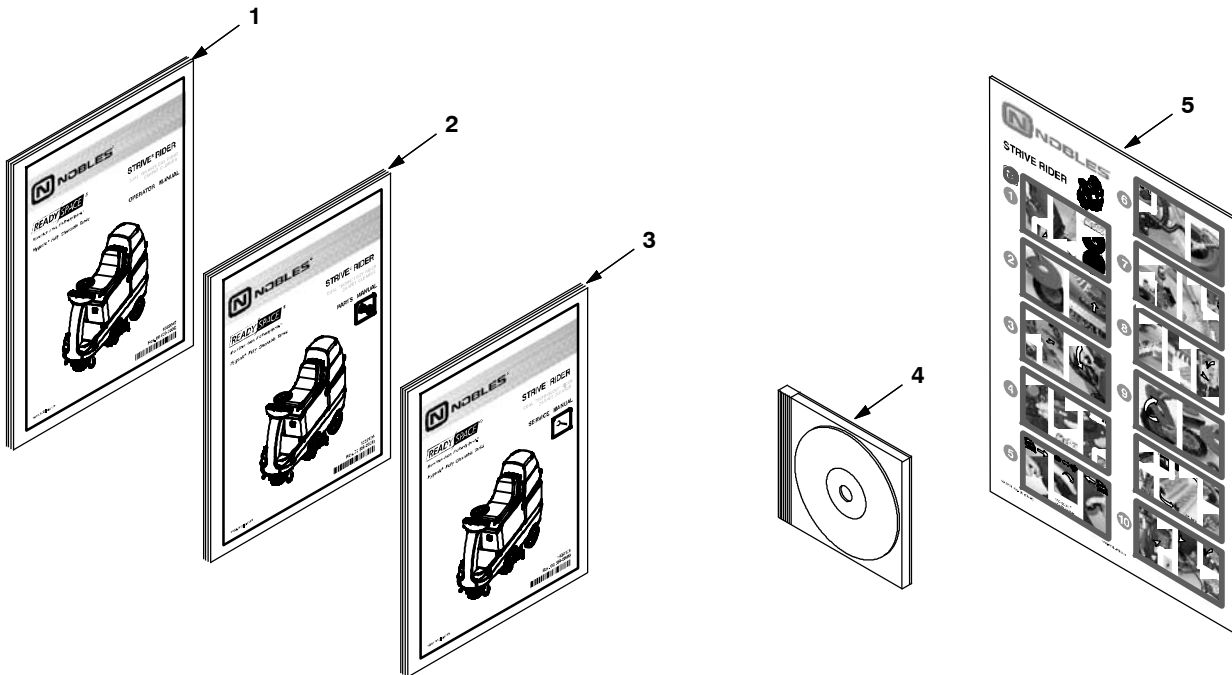
● RECOMMENDED STOCK ITEMS

SPRAYER GROUP



Ref.	Part No.	Serial Number	Description	Qty.
1	605848	(00000000-)• Sprayer 2gal Pumpup Hd	1

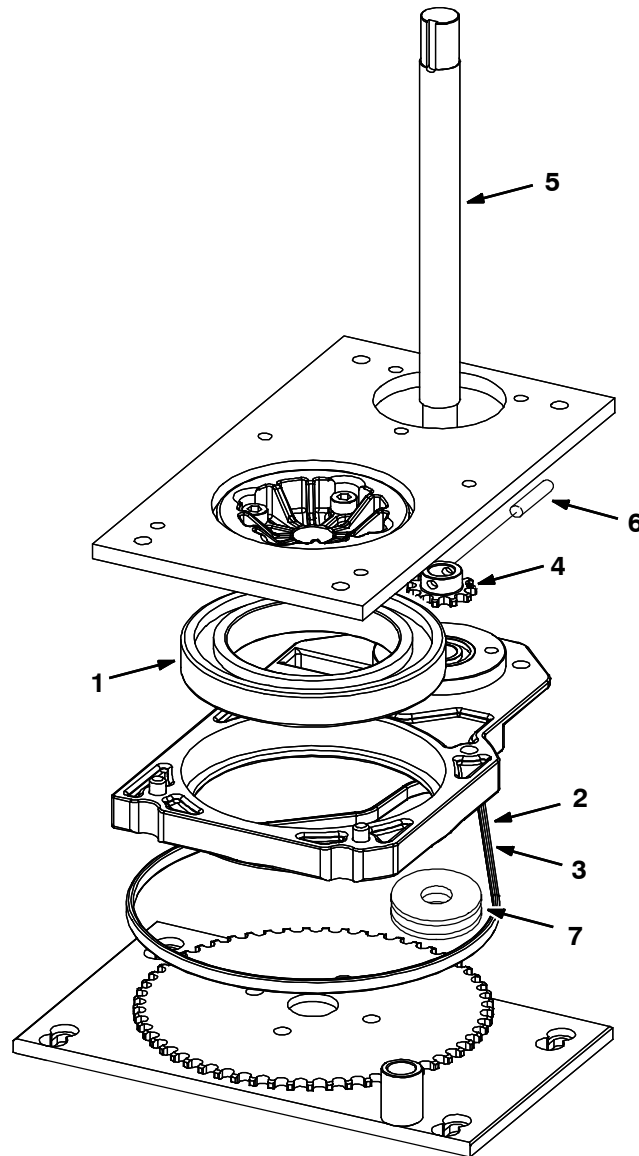
DOCUMENTATION GROUP



Ref.	Part No.	Serial Number	Description	Qty.
1	1032130	(00000000-)• Manual, Oprtr [Strive Rider, En]	1
1	1032132	(00000000-)• Manual, Oprtr [Strive Rider, Es]	1
1	1032133	(00000000-)• Manual, Oprtr [Strive Rider, Fr]	1
2	1032134	(00000000-)• Manual, Parts [Strive Rider]	1
3	1032139	(00000000-)• Manual, Service [Strive Rider]	1
4	1026713	(00000000-)• Manual, Cd-Rom, Training [Interactive]	1
5	1032135	(00000000-)• Instr, Use & Care, En [Strive Rider]	1

• RECOMMENDED STOCK ITEMS

STEERING CONTROL BREAKDOWN, 1019724



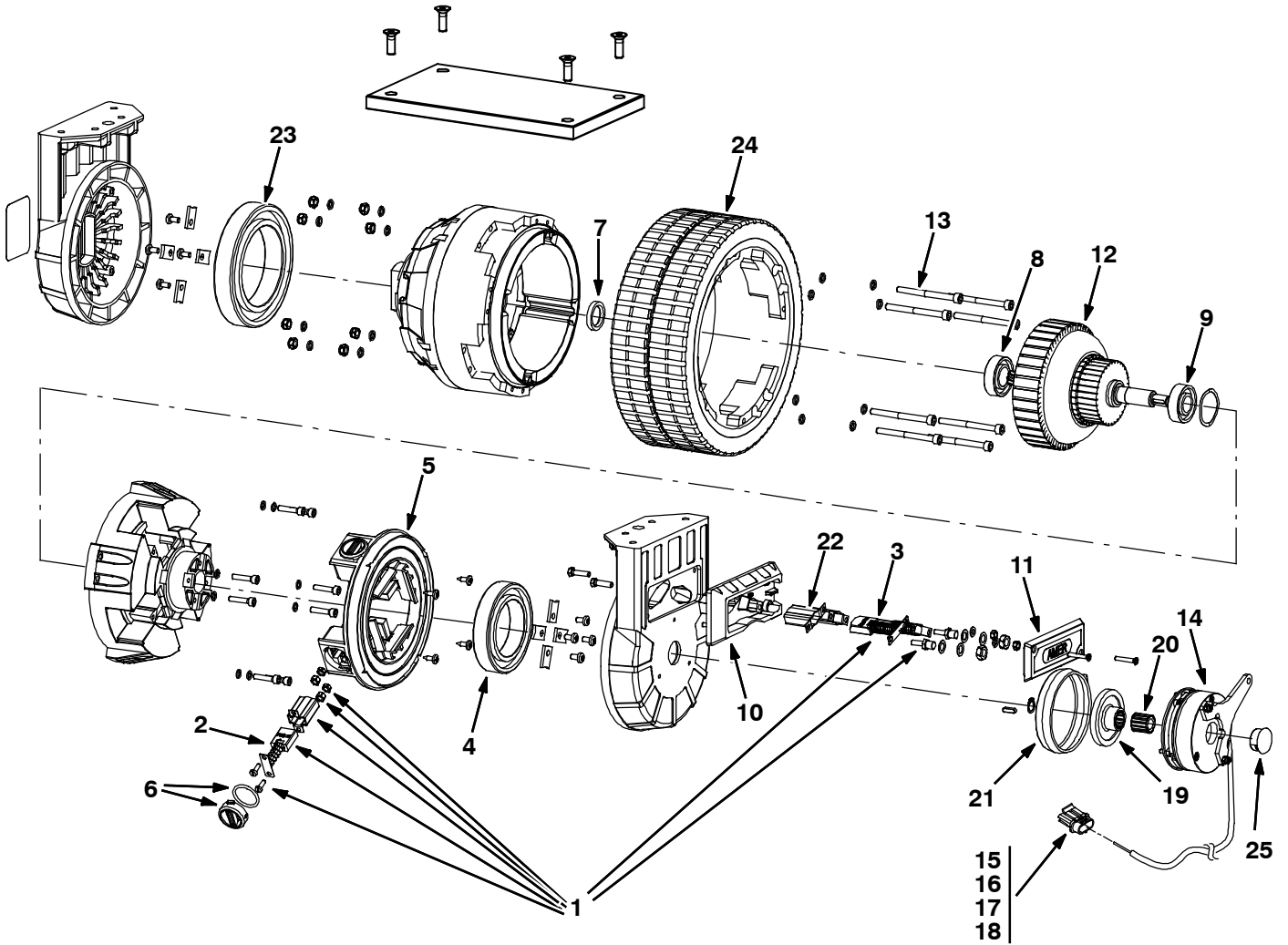
Ref.	Part No.	Serial Number	Description	Qty.	
▽	1019724	(00000000-)● Steer-Control Assy, Wheel Drive	1	
▲	1	372874	(00000000-)● Vr, Bearing, Steering	1
▲	2	372875	(00000000-)● Vr, Chain, Steering	1
▲	3	372876	(00000000-)● Vr, Link, Master	1
▲	4	372881	(00000000-)● Vr, Sprocket	1
▲	5	1029229	(00000000-)● Shaft, Steering	1
▲	6	1038313	(00000000-)● Pin, Roll, 06Mm X 28MmL	1
▲	7	1043371	(00000000-)● Pulley, Tens [T7/R14 Steering Assy]	1

▽ ASSEMBLY

▲ INCLUDED IN ASSEMBLY

● RECOMMENDED STOCK ITEMS

FRONT DRIVE WHEEL GEARBOX BREAKDOWN, 9003021



FRONT DRIVE WHEEL GEARBOX BREAKDOWN, 9003021

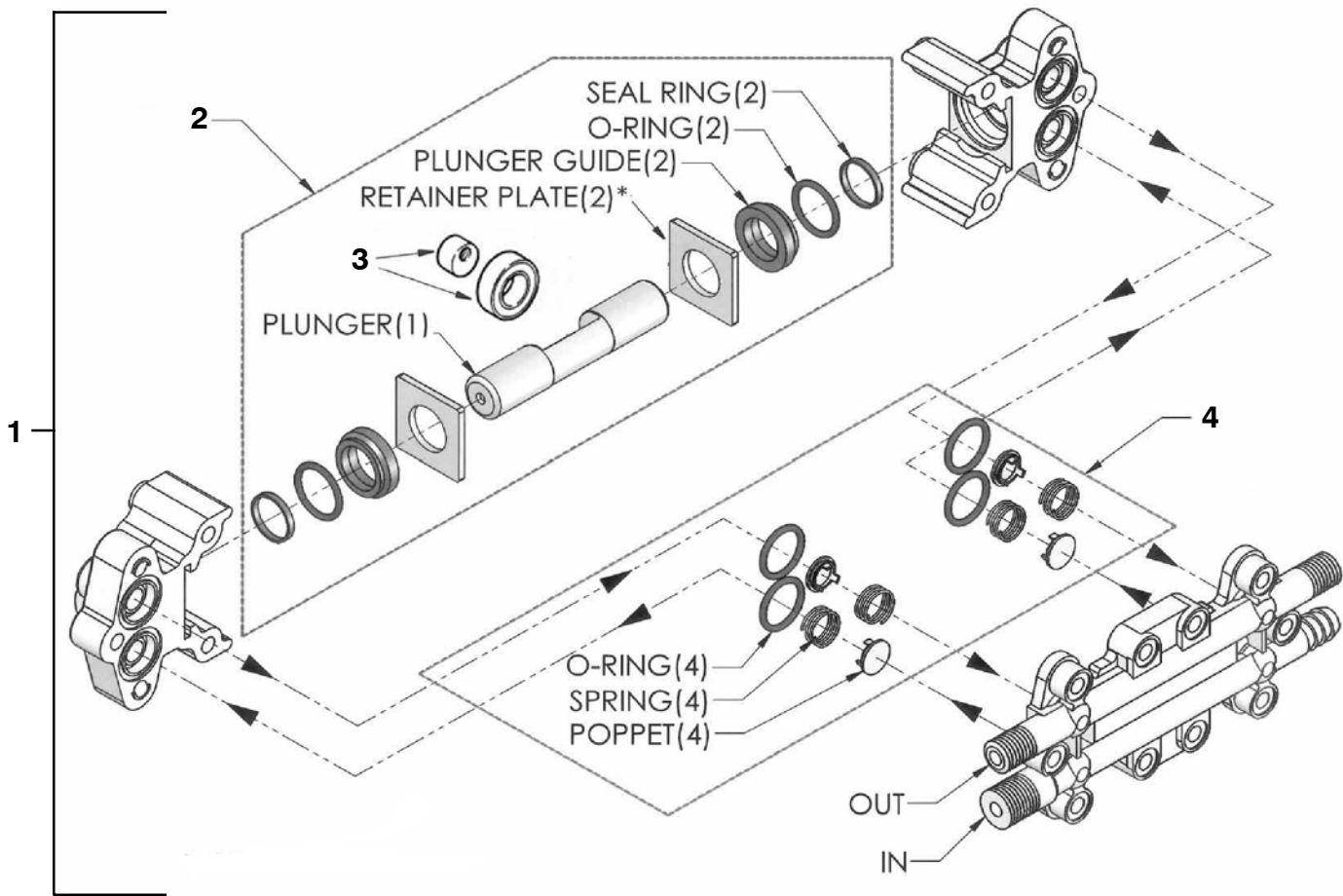
Ref.	Part No.	Serial Number	Description	Qty.
▽	9003021	(00000000-)● Gearbox Kit, Wheel, 250mm, W/Connector	1
▲	1 1034379	(00000000-)● Brush Kit, Motor [Amer, 1pick=1bag] (1 Kit = 4 Brushes)	1
▲▽	1 1034382	(00000000-)● Brush Kit, Carbon	1
▲▲	2 1034411	(00000000-)● Brush, Carbon	4
▲▽	2 1034383	(00000000-)● Brush Kit, Carbon Curve	1
▲▲	3 1034410	(00000000-)● Brush, Carbon Curved	2
▲	4 1029227	(00000000-)● Vr, Bearing, Ball, Brush Side	1
▲	5 1034385	(00000000-) Ring, Brsh Holder, Afmkt	1
▲	6 391262	(00000000-) Brush Kit, Cover [Amer]	4
▲	7 391263	(00000000-) Seal, Ring [Amer]	1
▲	8 391264	(00000000-) Bearing, Gearbox Side [Amer]	1
▲	9 391265	(00000000-) Bearing, Motor Side [Amer]	1
▲	10 391467	(00000000-) Box, Ele, Connection	1
▲	11 391468	(00000000-) Cover, Ele, Connection	11
▲	12 1034384	(00000000-) Armature	1
▲	13 1034386	(00000000-) Screws, Wheel Mount, Afmkt	8
▲▽	14 9001644	(00000000-)● Brake Kit, Gearbox, W/ Connector	1
▲▲	15 78950	(00000000-)● Connector, Fem, 02cav, Mp280 Sealed	2
▲▲	16 78952	(00000000-)● Lock, Secondary, 2cav, Mp280 Sealed	2
▲▲	17 25837	(00000000-)● Terminal, Fem, Mp280, Sealed, 22-20ga	2
▲▲	18 25830	(00000000-)● Seal, Wire, 14ga [Wp / Mp280 Sealed]	2
▲▲	19 372870	(00000000-)● Disc, Brake	1
▲▲	20 372871	(00000000-) Adapter, Brake, Spl	1
▲	21 372872	(00000000-) Sleeve, Rbr	1
▲	22 372877	(00000000-) Guide, Brushholder, Slip Ring [Amer]	1
▲	23 372874	(00000000-)● Bearing, Steering	1
▲	24 391259	(00000000-)● Tire, Solid, 250mm X 90mm Red (Standard)	1
▲	25 130161	(00000000-)● Plug, Hole, Rnd, 0.88d, Blk	1

▽ ASSEMBLY

▲ INCLUDED IN ASSEMBLY

● RECOMMENDED STOCK ITEMS

PUMP BREAKDOWN, 1022343



* Not Included with kit 9002988

Ref.	Part No.	Serial Number	Description	Qty.
▽	1022343	(00000000-)● Pump, Water, 24vdc, 2.0gpm 250psi (Complete)	1
▲	1034052	(00000000-)● Motor, 24vdc, Pump, Replmt [R14]	1
▲▽	1 1034050	(00000000-)● Head, Pump, Replmt [R14]	1
▲▲	2 9002988	(00000000-)● Plunger & Seal Kit, Replmt [R14]	1
▲▲	3 1034051	(00000000-)● Bearing, Cam, 100in Offset, Replmt [R14]	1
▲▲	4 9002989	(00000000-)● Valve Kit, W/ Org, Replmt [R14]	1

▽ ASSEMBLY

▲ INCLUDED IN ASSEMBLY

● RECOMMENDED STOCK ITEMS

