



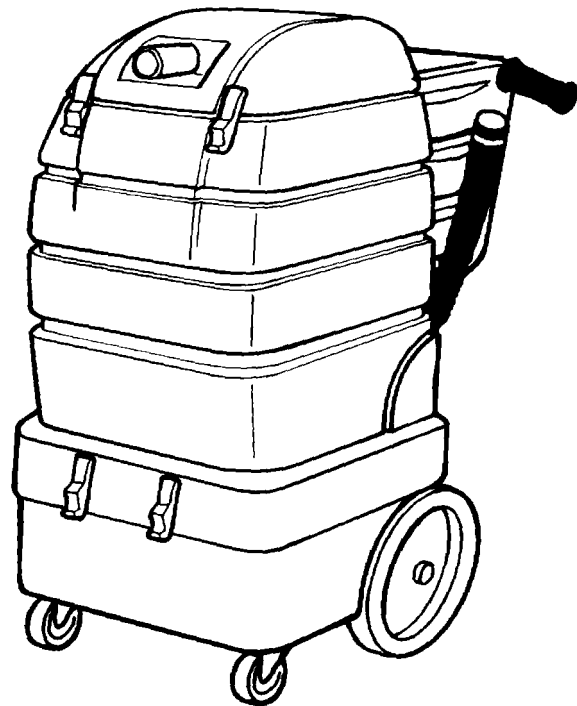
# Typhoon™ 16B

Wet/Dry Battery Vacuum

Batería en aspiración húmeda/seca

Model No.:  
608817  
608818 - PAC

Operator and Parts Manual  
Manual del Operador y Piezas



608819  
Rev. 02 (12-04)

# OPERATION

---

This manual is furnished with each new model. It provides necessary operation and maintenance instructions and an illustrated parts list.

**Read this manual completely and understand the machine before operating or servicing it.**

Use the illustrated Parts Lists to order parts. Before ordering parts or supplies, be sure to have your machine model number and serial number handy. Parts and supplies may be ordered by phone or mail from any authorized parts and service center, distributor or from any of the manufacturer's subsidiaries.

This machine will provide excellent service. However, the best results will be obtained at minimum costs if:

- The machine is operated with reasonable care.
- The machine is maintained regularly - per the machine care instructions provided.
- The machine is maintained with manufacturer supplied or equivalent parts.

---

## MACHINE DATA

---

Please fill out at time of installation for future reference.

Model No.- \_\_\_\_\_

Install. Date - \_\_\_\_\_

Serial No.- \_\_\_\_\_

©1999, 2003, 2004 Tennant Company Printed in the U.S.A.

Nobles is a registered United States trademark of Tennant Company.

Typhoon is a United States trademark of Tennant Company.

### Tennant Company

PO Box 1452

Minneapolis, MN 55440

Phone: (800) 553-8033 or (763) 513-2850

[www.nobles.com](http://www.nobles.com)

**TABLE OF CONTENTS (ESPAÑOL ÍNDICE....18)**

<b>SAFETY PRECAUTIONS</b> .....	<b>4</b>	<b>TRANSPORTING MACHINE</b> .....	<b>14</b>
<b>SAFETY LABELS</b> .....	<b>5</b>	<b>STORING MACHINE</b> .....	<b>14</b>
<b>MACHINE COMPONENTS</b> .....	<b>6</b>	<b>RECOMMENDED STOCK ITEMS</b> .....	<b>14</b>
<b>MACHINE INSTALLATION</b> .....	<b>7</b>	<b>TROUBLE SHOOTING</b> .....	<b>15</b>
UNCRATING MACHINE .....	7	<b>MACHINE SPECIFICATIONS</b> .....	<b>16</b>
INSTALLING BATTERIES .....	7	<b>MACHINE DIMENSIONS</b> .....	<b>16</b>
ATTACHING OPTIONAL SQUEEGEE KIT ..	7	<b>ELECTRICAL DIAGRAM</b> .....	<b>33</b>
<b>MACHINE SETUP</b> .....	<b>9</b>	<b>PARTS LIST</b> .....	<b>34</b>
WET VACUUMING .....	9	TANK GROUP .....	34
DRY VACUUMING .....	9	BASE GROUP .....	36
<b>MACHINE OPERATION</b> .....	<b>9</b>	<b>OPTIONS</b> .....	<b>38</b>
VACUUM MOTOR THERMAL PROTECTOR	9	SQUEEGEE KIT ASSEMBLY .....	38
OPERATING ACCESSORY TOOLS .....	10	WET/DRY TOOL KIT .....	40
OPERATING SQUEEGEE KIT OPTION ....	10	DRY TOOL KIT .....	41
<b>DRAINING RECOVERY TANK</b> .....	<b>10</b>	FLOOR & CARPET TOOL KIT .....	42
<b>CHARGING BATTERIES</b> .....	<b>11</b>	WET PICK-UP TOOL KIT .....	43
<b>MACHINE MAINTENANCE</b> .....	<b>12</b>		
DAILY MAINTENANCE .....	12		
MONTHLY MAINTENANCE .....	13		
QUARTERLY MAINTENANCE .....	13		
BATTERY MAINTENANCE .....	13		

---


## SAFETY PRECAUTIONS

---

This machine is intended for commercial use. It is designed for wet/dry vacuuming in an indoor environment and is not constructed for any other use. Use only recommended accessory tools.

All operators must read, understand and practice the following safety precautions.

The following warning alert symbol and the "FOR SAFETY" heading are used throughout this manual as indicated in their description:

 **WARNING:** To warn of hazards or unsafe practices which could result in severe personal injury or death.

**FOR SAFETY:** To identify actions which must be followed for safe operation of equipment.

---

Failure to follow these warnings may result in: personal injury, electrical shock, fire or explosion.

 **WARNING:** Fire Or Explosion Hazard:

- **Do Not Operate Machine In Or Near Flammable Liquids, Vapors Or Combustible Dusts.**

*This machine is not equipped with an explosion proof motor. The electric motor will spark upon start up and during operation which could cause a flash fire or explosion if machine is used in an area where flammable vapors/liquids or combustible dusts are present.*

- **Do Not Pick Up Flammable Or Toxic Materials, Burning Or Smoking Debris.**
- **Batteries Emit Hydrogen Gas. Keep Sparks And Open Flame Away. Keep Battery Compartment Open When Charging.**

 **WARNING:** Electrical Shock Hazard. Disconnect Battery Cables Before Servicing Machine.

---

The following information signals potentially dangerous conditions to the operator or equipment:

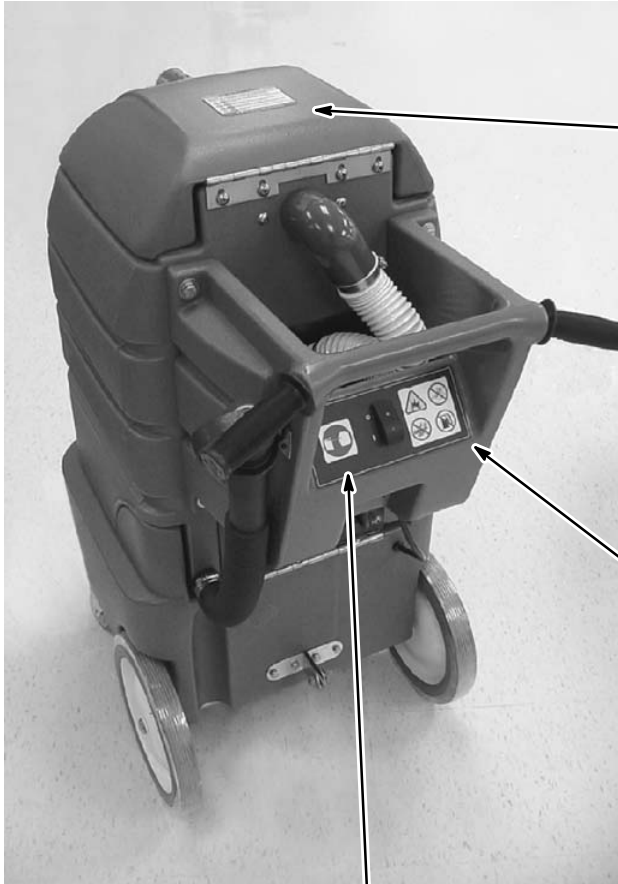
### FOR SAFETY:

1. **Do not operate machine:**
  - With flammable liquids or near flammable vapors as an explosion or flash fire may occur.
  - Unless trained and authorized.
  - Unless operator manual is read and understood.
  - If not in proper operating condition.
  - In standing water.
  - Without bag and/or filters in place.
2. **Before operating machine:**
  - Make sure all safety devices are in place and operate properly.
3. **When using machine:**
  - Do not pick up burning or smoking debris, such as cigarettes, matches or hot ashes.
  - Report machine damage or faulty operation immediately.
  - Never allow children to play on or around.
4. **Before leaving or servicing machine:**
  - Stop on level surface.
  - Turn machine off.
5. **When servicing machine:**
  - Disconnect battery connections before working on machine.
  - Wear protective gloves and eye protection when handling batteries or battery cables.
  - Avoid contact with battery acid.
  - Use manufacturer supplied or approved replacement parts.
  - All repairs must be performed by a qualified service person.
  - Do not modify the machine from its original design.
6. **When transporting machine:**
  - Turn machine off.
  - Do not lift machine when batteries are installed.
  - Get assistance when lifting machine.
  - Use a recommended ramp when loading/unloading on/off truck or trailer.
  - Use tie-down straps to secure machine to truck or trailer.

**SAFETY LABELS**

The safety labels appear on the machine in the locations indicated. Replace labels if they are missing or become damaged or illegible.

**WARNING LABEL -**  
LOCATED ON TOP OF MACHINE.



**⚠ WARNING**

**FAILURE TO FOLLOW THESE WARNINGS MAY RESULT IN: PERSONAL INJURY, ELECTROCUTION, ELECTRICAL SHOCK, FIRE OR EXPLOSION.**

-   Do Not Operate Machine In Or Near Flammable Liquids, Vapors Or Combustible Dusts.
-   Do Not Pick Up Flammable Or Toxic Materials, Burning Or Smoking Debris.
-   Keep Sparks And Open Flame Away. Keep Battery Hood Open When Charging.
-   Disconnect Battery Cables Before Servicing Machine.

613290

 **FOR SAFETY: READ THE OWNER'S MANUAL BEFORE USING MACHINE.**

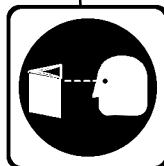
**WARNING LABEL -**  
LOCATED ON BACK SIDE OF MACHINE.



**⚠ WARNING: FAILURE TO FOLLOW THESE WARNINGS MAY RESULT IN: PERSONAL INJURY, ELECTRICAL SHOCK, FIRE OR EXPLOSION.**

**Do Not Operate Machine In Or Near Flammable Liquids, Vapors Or Combustible Dusts.**

**Do Not Pick Up Flammable Or Toxic Materials, Burning Or Smoking Debris.**

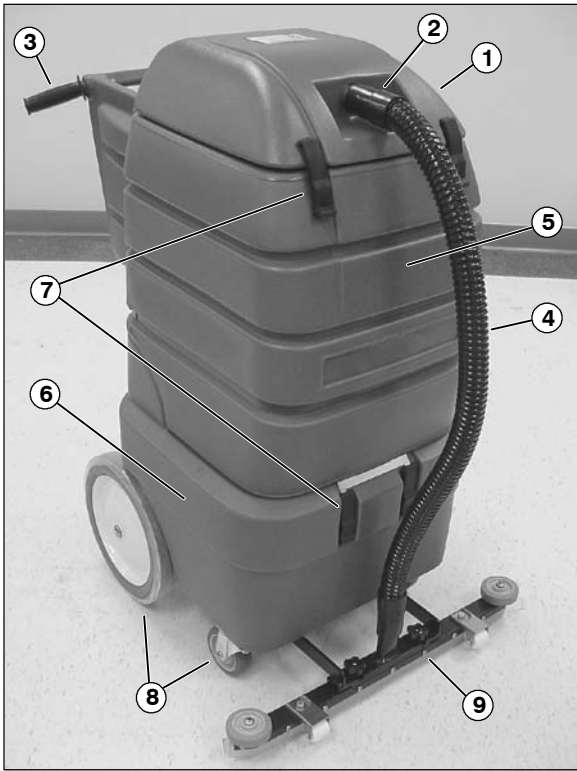


**FOR SAFETY LABEL -**  
LOCATED ON BACK SIDE OF MACHINE.

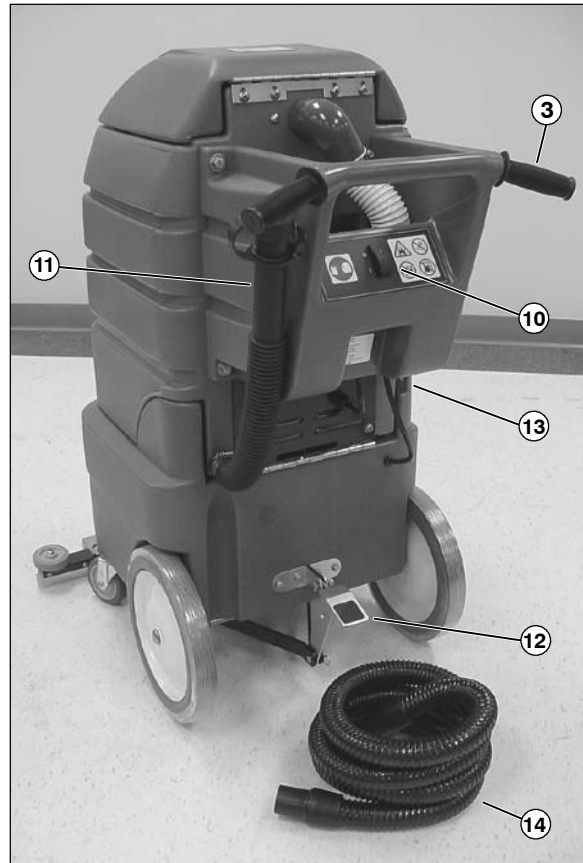
**FOR SAFETY:**  
**Read the owner's manual before using machine.**

# OPERATION

## MACHINE COMPONENTS



1. Bag Compartment Cover
2. Vacuum Hose Snout
3. Control Grips
4. 109 cm (43 in) Vacuum Hose
5. Vacuum Bag Compartment / Recovery Tank
6. Battery Compartment
7. Compartment Latches
8. Swivel Casters & 300 mm (12 in) Rear Wheels
9. Squeegee Kit (Optional)



10. Machine ON/OFF Switch
11. Drain Hose
12. Squeegee Kit Lift Pedal (Optional)
13. Charger Plug
14. 3 m (10 ft) Vacuum Hose

---

## MACHINE INSTALLATION

---

### UNCRATING MACHINE

Carefully check carton for signs of damage. Report damages at once to carrier.

Check Machine Contents to ensure package is complete. Contact distributor for missing items.

#### Machine Contents:

- 1 - Battery Cable #130364
- 4 - Battery Post Caps #45962
- 2 - Red Battery Boots #611222
- 2 - Black Battery Boots #611221
- 1 - 3m (10 ft) Vacuum Hose #160481
- 1 - 109 cm (43 in) Vacuum Hose #160630
- 1 - Paper Bag #611785
- 1 - Cloth Bag #900105
- 2 - 12VDC 105AH Batteries #578426 (included with machine PAC #607623)
- 1 - Battery Charger, 24DC/12A 120V #603553 (included with machine PAC #607623)

**NOTE:** Squeegee and Accessory Tools Kits are optional, they must be ordered separately (See **OPTIONS** section).

---

### INSTALLING BATTERIES

**NOTE:** If planning to install Optional Squeegee Kit, wait to install the batteries until kit is installed (See **ATTACHING OPTIONAL SQUEEGEE KIT**).

**⚠ WARNING: Fire Or Explosion Hazard. Batteries Emit Hydrogen Gas. Keep Sparks And Open Flame Away. Keep Battery Compartment Open When Charging.**

**FOR SAFETY:** When servicing machine, wear protective gloves and eye protection when handling batteries or battery cables. Avoid contact with battery acid.

#### Recommended Battery Specifications:

Two 12 volt 105/130 amp hour deep cycle batteries. Maximum battery dimensions are 340 mm (13.5 in) L x 180 mm (7 in) W x 250 mm (10 in) H.

1. Turn ON/OFF switch to off.

**ATTENTION:** Make sure tanks are empty before opening.

2. Open battery compartment, unlatch lower latches and carefully tilt upper housing backwards to floor. Remove loose battery cables at bottom of compartment (Figure 1).



FIG. 1

3. Carefully install batteries into compartment and arrange battery posts as shown. Connect the battery cables to the battery posts as shown, RED TO POSITIVE & BLACK TO NEGATIVE. Use the battery post covers and rubber boots supplied (Figure 2).

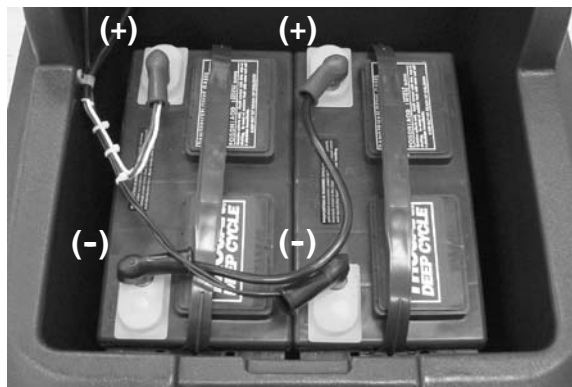


FIG. 2

**ATTENTION:** Do not drop batteries into compartment. Battery and machine housing damage may result.

4. Apply a light coating of non-metallic grease or protective spray on the cable connections to prevent battery corrosion.

---

### ATTACHING OPTIONAL SQUEEGEE KIT

**NOTE:** Kit installation is made easy if batteries are not installed. However, kit can be installed with batteries in place.

1. Remove vacuum bags and/or empty recovery tank.
2. Tip machine on backside - **only if batteries are removed from machine.**

# OPERATION

3. Remove two unused squeegee mounting screws from bottom of machine.
4. Install squeegee mounting bracket as shown. Secure with screw and washers that you removed (Figure 3).

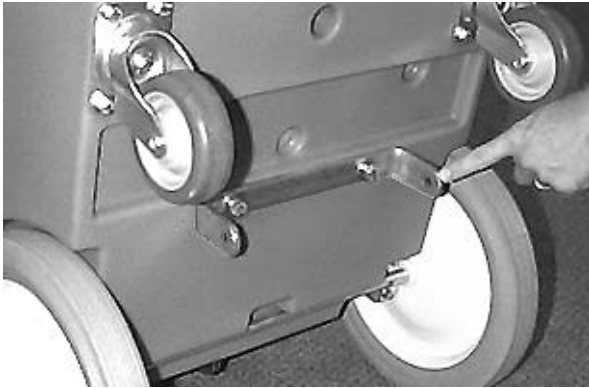


FIG. 3

5. Fasten squeegee bracket to mounting bracket. Use two (2) clevis and cotter pins provided (Figure 4).



FIG. 4

6. Stand machine upright.
7. Insert spacer through hole in pedal then position pedal between two holes in squeegee bracket. Secure with hardware provided (Figure 5).

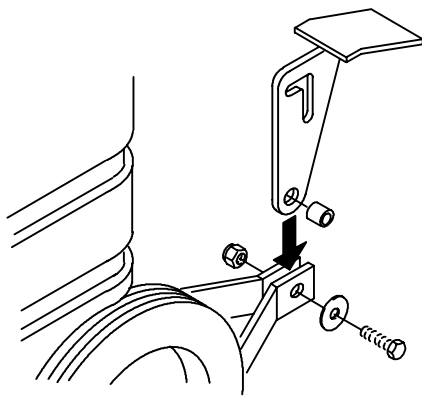


FIG. 5

8. Slide pedal between the two mounting arms on back of machine. Align and insert clevis pin through arms and slot in pedal, secure with cotter pin (Figure 6).



FIG. 6

9. Attach squeegee assembly to bracket as shown and secure with two thumb screws (Figure 7).

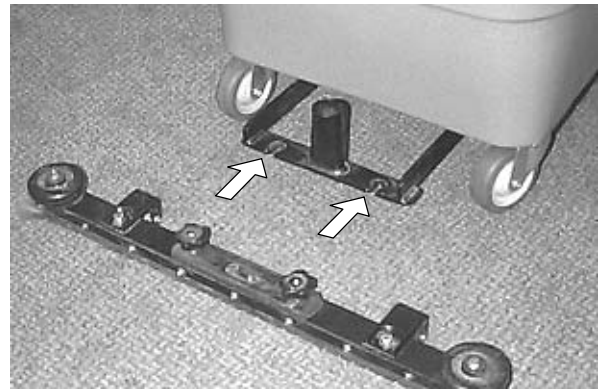


FIG. 7

10. Connect the 1090 mm (43 in) vacuum hose to the squeegee assembly and to cover snout (Figure 8).

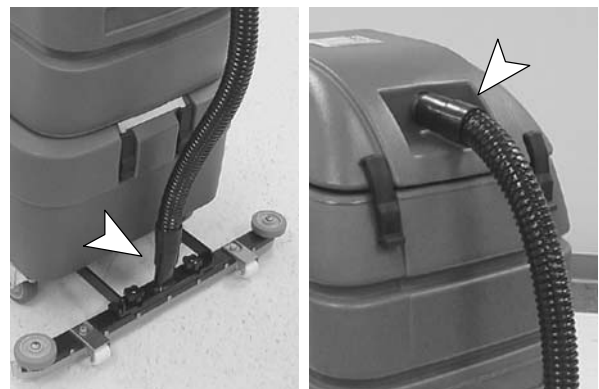


FIG. 8



## MACHINE SETUP

### WET VACUUMING

1. Open machine cover and remove vacuum bag from recovery tank (Figure 9).



FIG. 9

2. Make sure automatic float shut-off screen is in place (Figure 10).



FIG. 10

**ATTENTION:** To prevent vacuum motor damage, automatic float shut-off screen must be in place.

### DRY VACUUMING

1. Open machine cover and install cloth filter bag, make sure that the bag edge is properly seated on compartment rim (Figure 11).

For easy debris disposal and to increase the life of cloth filter bag, use a paper vacuum bag with the cloth bag. Place the paper bag inside of cloth bag and tuck the top of paper bag around outside rim of cloth bag. Never use paper bag without cloth filter bag in place. Do not reuse paper bags - always dispose.



FIG. 11

**ATTENTION:** Always make sure that a bag is in place before dry vacuuming. Operating machine without bag in place will damage vacuum motor. This damage is NOT covered by warranty.

2. Close cover and fasten latches.
3. Leave automatic float shut-off screen in place when dry vacuuming. It can provide limited vacuum motor protection for a faulty bag.

## MACHINE OPERATION

**FOR SAFETY:** Do not operate machine unless operator manual is read and understood.

**⚠ WARNING:** Fire Or Explosion Hazard. Do Not Operate Machine In Or Near Flammable Liquids, Vapors Or Combustible Dusts.

**⚠ WARNING:** Fire Or Explosion Hazard. Do Not Pick Up Flammable Or Toxic Materials, Burning Or Smoking Debris.

### VACUUM MOTOR THERMAL PROTECTOR

The vacuum motor is thermally protected by a temperature sensor device. It will trip if motor has an overload. If motor should quit, wait 20 minutes for motor to cool and remove obstruction before continuing.

# OPERATION

## OPERATING ACCESSORY TOOLS

1. Connect 3m (10 ft) vacuum hose to machine cover snout.
2. Select desired accessory tool and connect to vacuum hose (Figure 12).



FIG. 12

3. Activate ON/OFF switch and operate accessory tool as normal.
4. During DRY vacuuming, check bag periodically for fullness. For best suction performance, empty bag at 3/4 full.

During WET vacuuming, the float shut-off screen will automatically stop water intake when recovery tank becomes full (See DRAINING RECOVERY TANK).

**ATTENTION: If you are vacuuming up liquids that may cause foaming inside recovery tank, use a quality defoamer chemical to eliminate the foam. Foam will NOT shut off automatic float and will damage vacuum motor. Damage due to foam is NOT covered by warranty.**

## OPERATING SQUEEGEE KIT OPTION

1. Lower squeegee to floor, lightly kick the pedal forward to release from transport position (Figure13).



FIG. 13

2. Activate the ON/OFF switch.
3. Begin operating by pushing and pulling machine in either direction.
4. During operation, the float shut-off screen will automatically stop water intake when recovery tank becomes full (See DRAINING RECOVERY TANK).

**ATTENTION: If you are vacuuming up liquids that may cause foaming inside recovery tank, use a quality defoamer chemical to eliminate the foam. Foam will NOT shut off automatic float and will damage vacuum motor. Damage due to foam is NOT covered by warranty.**

5. To raise squeegee, step downward on pedal until pedal engages in the transport position (Figure 14).



FIG. 14

**NOTE: Squeegee Kit can be used to pick up fine particles (dust, sand, sawdust, etc...). The squeegee is not recommended for ordinary dry pick up.**

## DRAINING RECOVERY TANK

1. Push machine to nearest floor drain, if not available use a bucket to drain machine.
2. Remove drain hose from holder and twist off drain hose cap and drain. Raise hose to stop flow of water (Figure15).



FIG. 15

3. After draining recovery tank, open cover and thoroughly rinse out tank with clean water.
4. Replace drain hose knob securely and return to holder.

**ATTENTION:** Be certain drain hose knob is secure to prevent suction loss.

## CHARGING BATTERIES

**ATTENTION:** To prolong the life of the batteries and to provide optimum machine performance, **ONLY** recharge the batteries after a total of 30 minutes of use or more. Do not leave batteries discharged for lengthy periods.

The following charging instructions are intended for battery chargers supplied with the machine. Only use a battery charger with the following specifications to prevent battery damage.

### CHARGER SPECIFICATIONS:

- OUTPUT VOLTAGE - 24 VOLTS
- OUTPUT CURRENT - 15 AMPS
- AUTOMATIC SHUTOFF CIRCUIT
- FOR DEEP CYCLE BATTERY CHARGING

1. Push the machine to a flat, dry surface in a well-ventilated area for charging.

**⚠ WARNING: Fire Or Explosion Hazard. Batteries Emit Hydrogen Gas. Keep Sparks And Open Flame Away. Keep Battery Compartment Open When Charging.**

2. Open battery compartment. Unlatch lower latches at front of machine and carefully tilt upper housing backwards to floor (Figure 16).

**NOTE:** Make sure to drain the tank prior to accessing the batteries.



FIG. 16

3. Before charging the batteries, check the electrolyte level in each battery cell (Figure 17).

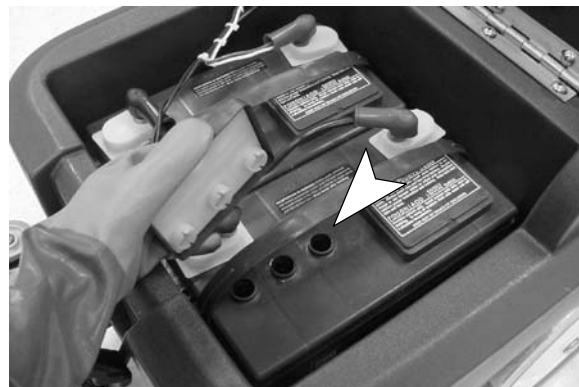


FIG. 17

**FOR SAFETY:** When servicing machine, wear protective gloves and eye protection when handling batteries or battery cables. Avoid contact with battery acid.

The electrolyte level (A) should slightly cover the battery plates (B). Add distilled water as needed. DO NOT OVERFILL, the fluid may expand and overflow while charging. Replace cell caps before charging (Figure 18).

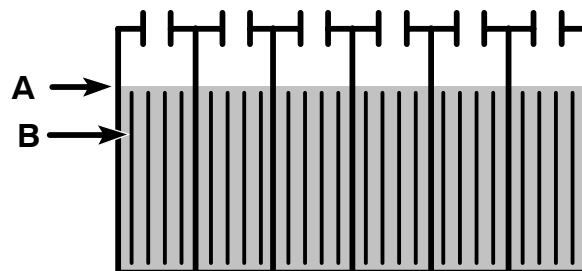


FIG. 18

4. Connect the charger's AC power supply cord to a properly grounded receptacle (Figure 19).

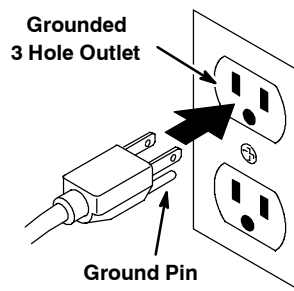


FIG. 19

# OPERATION

5. Connect the battery charger into the machine's charging receptacle as shown (Figure 20).

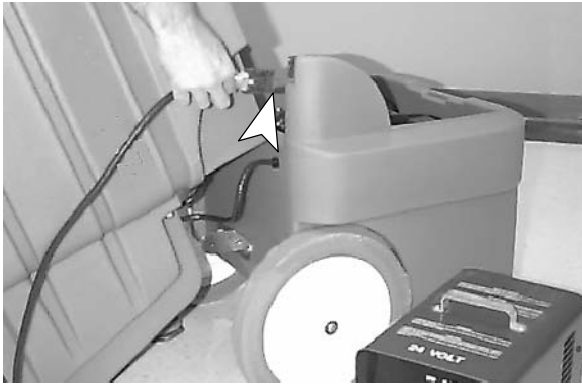


FIG. 20

6. The charger will automatically begin charging and shut off when fully charged.

**ATTENTION: Do not disconnect the charger's DC cord from the machine's receptacle when the charger is operating. Arcing may result. If the charger must be interrupted during charging, disconnect the AC power supply cord first.**

**⚠ WARNING: Fire Or Explosion Hazard. Batteries Emit Hydrogen Gas. Keep Sparks And Open Flame Away. Keep Battery Compartment Open When Charging.**

7. After charging, check the electrolyte level (A) again. The level should be approximately 1 cm (0.38 in) from the bottom of the fill-port (B) (Figure 21). Add distilled water if needed. **DO NOT OVERFILL.**

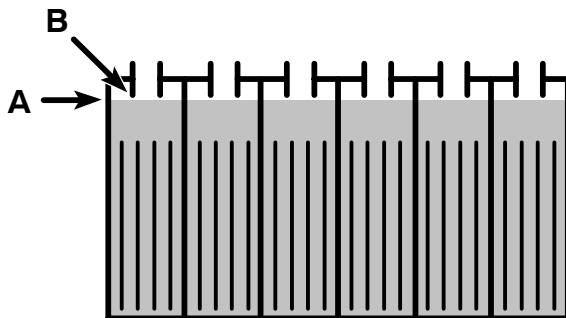


FIG. 21

## MACHINE MAINTENANCE

To keep machine in good working condition, simply follow the daily, monthly and quarterly maintenance procedures.

**⚠ WARNING: Electrical Shock Hazard. Disconnect Battery Cables Before Servicing Machine.**

### DAILY MAINTENANCE (After Every Use)

1. Drain and rinse out recovery tank after wet vacuuming.
2. Remove and rinse off the float shut-off screen located in recovery tank (Figure 22).



FIG. 22

**ATTENTION: Always have float shut-off screen in place before operating. During wet operation, the float shut-off screen protects the vacuum motor from water. During dry vacuuming, the float shut-off screen can provide limited protection for a faulty filter bag.**

3. Clean squeegee blades with a cloth. Replace blades when they become worn.
4. Check bag for fullness, empty bag at 3/4 full.
5. Clean machine with an all purpose cleaner and damp cloth.

**FOR SAFETY: When cleaning machine, do not power spray or hose off machine. Electrical malfunction may occur.**

6. Recharge the batteries after a total of 30 minutes of use or more (See CHARGING BATTERIES).
7. Inspect vacuum hose regularly for holes, loose cuff or clogged debris.

**MONTHLY MAINTENANCE  
(Every 80 Hours of Use)**

1. Check the fluid level in each battery cell (See BATTERY MAINTENANCE).
2. Clean battery tops to prevent corrosion (See BATTERY MAINTENANCE).
3. Check for loose or corroded battery cables.
4. To maintain maximum performance, wash the cloth filter bag by hand with a mild detergent. Let bag dry thoroughly before replacing.
5. Lubricate wheels and front swivel casters with a water resistant oil.
6. Check machine for loose nuts and bolts.

**QUARTERLY MAINTENANCE  
(Every 250 Hours of Use)**

Check the motor for carbon brush wear. Replace carbon brushes when worn to a length of 10 mm (0.38 in) or less.

**Contact an Authorized Service Center for machine repairs.**

**⚠ WARNING: Electrical Hazard. Disconnect Battery Cables Before Servicing Machine.**

**BATTERY MAINTENANCE**

**⚠ WARNING: Fire Or Explosion Hazard. Batteries Emit Hydrogen Gas. Keep Sparks And Open Flame Away. Keep Battery Compartment Open When Charging.**

**FOR SAFETY: When servicing machine, wear protective gloves and eye protection when handling batteries and battery cables. Avoid contact with battery acid.**

1. Check the specific gravity using a hydrometer to determine the charge level and the condition of the batteries (Figure 23). If one or more of the battery cells read lower than the other battery cells (0.050 or more), the cell is damaged, shorted, or is about to fail. Check the hydrometer readings against the following chart to determine the remaining battery charge level.

**NOTE:** Do not take readings immediately after adding distilled water. If the water and acid are not thoroughly mixed, the readings may not be accurate.



FIG. 23

SPECIFIC GRAVITY at 27°C (80°F)	BATTERY CHARGE
1.265	100% CHARGED
1.223	75% CHARGED
1.185	50% CHARGED
1.148	25% CHARGED
1.110	DISCHARGED

**NOTE:** If the readings are taken when the battery electrolyte is any temperature other than 27°C (80°F), the reading must be temperature corrected. Add or subtract to the specific gravity reading 0.004, 4 points, for each 6°C (43°F) above or below 27°C (80°F).

2. Always follow proper charging instructions (See CHARGING BATTERIES).
3. Check the electrolyte level (A) in each battery cell **after charging batteries**. The level should be approximately 1 cm (0.38 in) from the bottom of the fill-port (B) (Figure 24). Add distilled water if needed. DO NOT OVERFILL.

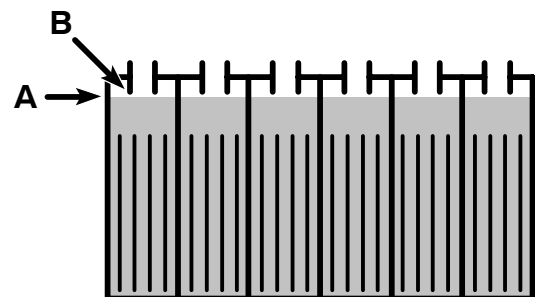


FIG. 24

## OPERATION

- Keep the battery tops clean to prevent battery corrosion.

To clean batteries:

**FOR SAFETY: When servicing machine, wear protective gloves and eye protection when handling batteries and battery cables. Avoid contact with battery acid.**

- Mix a strong solution of baking soda and water (Figure 25).



FIG. 25

- Brush the solution sparingly over the battery tops and cable connectors.

**NOTE:** Do not allow baking soda solution to enter battery cells.

- Use a wire brush to clean the battery terminals and cable connectors.
- After cleaning, apply a coating of clear battery post protectant to the terminals and cable connectors.

- Check for loose or worn cables. Replace if worn.

## TRANSPORTING MACHINE

When transporting machine by use of trailer or truck, be certain to follow tie-down procedures below:

**FOR SAFETY: When using machine, go slow on inclines and slippery surfaces.**

- Load the machine using a recommended loading ramp.
- Position the front of machine up against the front of the trailer or truck.

- Place a block behind each rear wheel to prevent machine from rolling.
- Place tie-down straps over top of machine to prevent it from tipping. It may be necessary to install tie-down brackets to the floor of your trailer or truck.

**FOR SAFETY: When transporting machine, use a recommended ramp when loading/unloading on/off truck or trailer, use tie-down straps to secure machine to truck or trailer.**

## STORING MACHINE

Before storing the machine perform the following instructions below:

- Empty and rinse out recovery tank and accessory tools.
- Empty or replace vacuum bag.
- Raise or remove squeegee assembly.
- Store machine in a dry area in the upright position.
- Disconnect battery cables if storing for a lengthy period.

**ATTENTION: Do Not Expose Machine To Rain. Store Indoors.**

**ATTENTION: If storing machine in freezing temperatures, be certain to drain machine of all water. Damage due to freezing is not covered by warranty.**

## RECOMMENDED STOCK ITEMS

Refer to the Parts List section in this manual for recommended stock items. Stock Items are clearly identified with a bullet preceding the parts description. See example below:

Ref.	Part No.	Description	Qty.
1	701103	ASSEMBLY, STANDPIPE	1
2	180613	● FLOAT, SHUTOFF	1
3	230187	NIPPLE	1
4	101714	● GASKET	1
5	210240	NUT, FLANGED	1

## TROUBLE SHOOTING

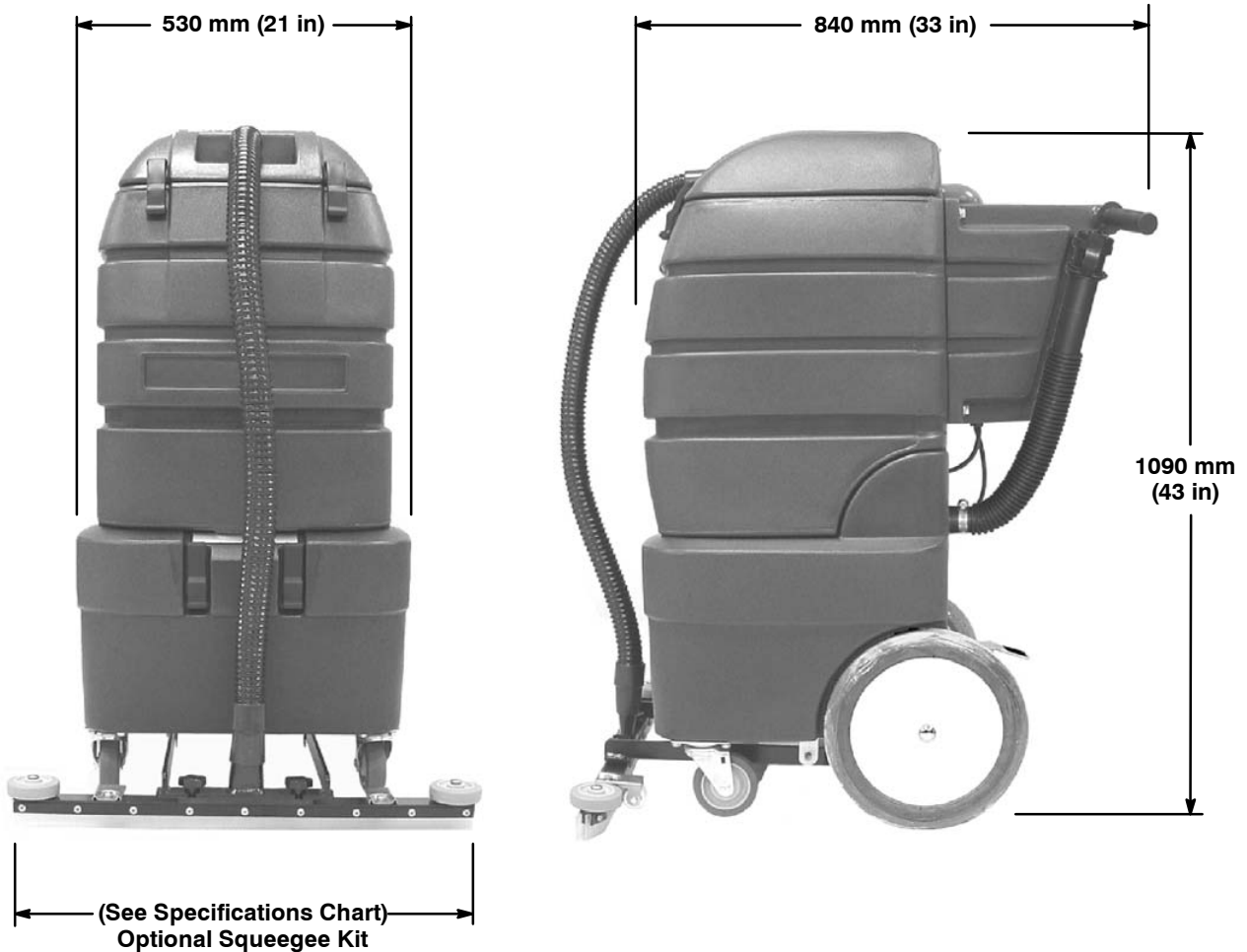
PROBLEM	CAUSE	SOLUTION
No power.	Faulty ON/OFF switch.	Contact Service Center.
	Batteries need charging.	See CHARGING BATTERIES.
	Faulty battery(s).	Replace battery(s).
	Loose battery cable.	Tighten loose cables.
	Improper battery cable connection.	See INSTALLING BATTERIES.
	Vacuum motor thermal overload tripped.	Check air flow for obstruction, wait 20 minutes for motor to cool.
	Faulty vacuum motor wiring.	Contact Service Center.
Poor pickup.	Air flow obstruction.	Remove obstruction from float shut-off screen, vacuum hose, accessory tool or squeegee.
	Vacuum bag is full.	Empty or replace bag.
	Float shut-off screen is activated.	Drain recovery tank.
	Drain hose plug is loose or off.	Secure drain hose plug.
	Cover latches are not engaged.	Engage cover latches.
	Batteries need charging.	Charge batteries.
	Worn cover gasket.	Replace gasket.
	Vacuum motor carbon brushes worn.	Contact Service Center.
Short run time.	Batteries not fully charged.	Charge batteries.
	Faulty battery(s).	Replace battery(s).
	Batteries need maintenance.	See BATTERY MAINTENANCE.
	Faulty charger.	Replace charger.

# OPERATION

## MACHINE SPECIFICATIONS

<b>Model</b>	<b>TYPHOON™ 16B</b>
LENGTH	840 mm (33 in)
WIDTH	530 mm (21 in)
HEIGHT	1090 mm (43 in)
WEIGHT / WEIGHT WITH BATTERIES	41 Kg (90 lbs) / 107 Kg (235 lbs)
RECOVERY TANK CAPACITY	60.75 L (16 Gal)
VACUUM BAG CAPACITY	Cloth 15.5 cubic liters (0.44 bushels) Paper 22.7 cubic liters (0.65 bushels)
VACUUM MOTOR	24V, 3-stage, .75hp, 23A, 566W
OPTIONAL SQUEEGEE PATH WIDTH	685 mm (27 in)
	864 mm (34 in)
	1016 mm (40 in)
AIRFLOW / SEALED WATER LIFT	70 cfm (1.98 m <sup>3</sup> /h) / 1780 mm (70 in)
BATTERIES	2-12V deep cycle lead acid, 105AH or 130AH
RUN TIME, CONTINUOUS	up to 4 hours
DECIBEL RATING AT OPERATOR'S EAR, INDOORS ON TILE	>70dB(A)

## MACHINE DIMENSIONS





Este manual se proporciona con cada nuevo modelo. Proporciona instrucciones necesarias de mantenimiento y lista ilustrada de piezas.

**Antes de operar o prestar servicio a la máquina, lea completamente este manual y entienda la máquina.**

Para ordenar piezas use las Listas Ilustradas de las Piezas. Asegúrese de tener listo el número de modelo y de serie de la máquina, antes de ordenar piezas o suministros. Las piezas y suministros pueden ordenarse por teléfono o por correo de cualquier centro autorizado de piezas y servicio, distribuidor o de cualquiera de las subsidiarias del fabricante.

Esta máquina proporcionará un servicio excelente. Sin embargo, los mejores resultados se obtienen a un costo mínimo si:

- La máquina se opera con un cuidado razonable.
- La máquina se mantiene con regularidad, según las instrucciones de mantenimiento provistas.
- La máquina se mantiene con las piezas provistas por el fabricante o equivalentes.

## DATOS DE LA MÁQUINA

Por favor complete al momento de la instalación para referencia futura.

No. de Modelo- \_\_\_\_\_

Fecha de instalación - \_\_\_\_\_

No. de Serie- \_\_\_\_\_

### Tennant Company

PO Box 1452

Minneapolis, MN 55440

Phone: (800) 553-8033 or (763) 513-2850

[www.nobles.com](http://www.nobles.com)

# OPERACIÓN

---

## ÍNDICE

---

<b>MEDIDAS DE SEGURIDAD</b> .....	<b>19</b>	<b>MANTENIMIENTO DE LA MÁQUINA</b> .....	<b>28</b>
<b>ADHESIVOS DE SEGURIDAD</b> .....	<b>20</b>	MANTENIMIENTO DIARIO .....	28
<b>COMPONENTES DE LA MÁQUINA</b> .....	<b>21</b>	MANTENIMIENTO MENSUAL .....	28
<b>INSTALACIÓN DE LA MÁQUINA</b> .....	<b>22</b>	MANTENIMIENTO TRIMESTRAL .....	28
DESEMPAQUE DE LA MÁQUINA .....	22	MANTENIMIENTO DE LA BATERÍA .....	28
INSTALACIÓN DE LAS BATERÍAS .....	22	<b>TRANSPORTE DE LA MÁQUINA</b> .....	<b>30</b>
ADICION DE EQUIPO ESCURRIDOR		<b>ALMACENAMIENTO DE LA MÁQUINA</b> .....	<b>30</b>
OPCIONAL .....	23	<b>STOCK RECOMENDADO DE REPUESTOS</b> ...	<b>30</b>
<b>PREPARACIÓN DE LA MÁQUINA</b> .....	<b>24</b>	<b>LOCALIZACIÓN DE FALLAS</b> .....	<b>31</b>
ASPIRACIÓN DE LÍQUIDOS .....	24	<b>ESPECIFICACIONES DE LA MÁQUINA</b> .....	<b>32</b>
ASPIRACIÓN EN SECO .....	24	<b>DIMENSIONES DE LA MÁQUINA</b> .....	<b>32</b>
<b>OPERACIÓN DE LA MÁQUINA</b> .....	<b>25</b>	<b>DIAGRAMAS ELECTRICAS</b> .....	<b>33</b>
PROTECTOR TÉRMICO DEL MOTOR DE		<b>LISTA DE PIEZAS</b> .....	<b>34</b>
ASPIRACIÓN .....	25	CONJUNTO DEL TANQUE .....	34
HERRAMIENTAS ADICIONALES DE		GRUPO BASE .....	36
OPERACIÓN .....	25	<b>OPCIONES</b> .....	<b>38</b>
OPERACIÓN DE LA OPCION DEL JUEGO		PIEZAS DE LA RASQUETA DE CAUCHO ..	38
ESCURRIDOR .....	25	KIT DE HERRAMIENTA SECO MOJADO ...	40
<b>VACIADO DEL DEPÓSITO DE</b>		KIT DE HERRAMIENTA SECO .....	41
<b>RECUPERACIÓN</b> .....	<b>26</b>	KIT DE HERRAMIENTA PARA LOS PISOS	
<b>CARGA DE LAS BATERÍAS</b> .....	<b>26</b>	Y LA ALFOMBRA .....	42
		KIT DE HERRAMIENTA MOJADO .....	43

---

## MEDIDAS DE SEGURIDAD

---

Esta máquina es para el uso comercial. Se ha diseñado para aspiración húmeda/seca en un ambiente interior y no se construye para ningún otro uso. Use sólo las herramientas adicionales recomendadas.

Todos los operadores deben leer, entender y practicar las precauciones siguientes de seguridad.

A lo largo de todo el manual se utilizan los siguientes símbolos de advertencia y encabezados "PARA SU SEGURIDAD" descritos a continuación:

**⚠ ADVERTENCIA:** Para advertir de riesgos o prácticas inseguras que podrían resultar en lesiones personales graves o la muerte.

**PARA SU SEGURIDAD:** Para identificar acciones que deben seguirse para el funcionamiento seguro del equipo.

---

El no cumplimiento de estas advertencias puede causar lesiones personales, descargas eléctricas, incendios y explosiones.

**⚠ ADVERTENCIA:** Peligro de incendio o explosión:

- No opere la máquina en o cerca de líquidos, vapores inflamables o polvos combustibles.

*Esta máquina no está equipada con motor a prueba de explosión. El motor eléctrico emite chispas al arrancar y durante el funcionamiento lo que podría causar un fuego explosivo o explosión si la máquina se usa en una área donde están presentes vapores/líquidos inflamables o polvos combustibles.*

- No recoja materiales tóxicos o inflamables ni residuos humeantes o ardiendo.
- Las baterías emiten hidrógeno. Mantenga chispas y llamas alejadas de la máquina. Mantenga el compartimento de la batería abierto mientras realiza la operación de carga.

**⚠ ADVERTENCIA:** Peligro choque eléctrico. Desconecte los cables de la batería antes de realizar reparaciones en la máquina.

---

La información siguiente señala condiciones potencialmente peligrosas para el operador o el equipo:

**PARA SU SEGURIDAD:**

1. No opere la máquina:
  - Con líquidos inflamables o cerca de los vapores inflamables ya que puede ocurrir una explosión o fuego explosivo.
  - A menos que está capacitado y autorizado.
  - A menos que se haya leído y entendido el manual del funcionamiento.
  - Si no está en condición de ejecutar una operación apropiada.
  - En agua estancada.
  - Sin haber colocado los filtros y/o la bolsa.
2. Antes de arrancar la máquina:
  - Asegúrese que todos los dispositivos de seguridad están en su lugar y operando apropiadamente.
3. Al usar máquina:
  - No recoja restos ardiendo o humeantes como cigarrillos, cerillas o cenizas calientes.
  - Informe inmediatamente acerca de daños o una operación defectuosa de la máquina.
  - Nunca permita que los niños jueguen en o alrededor de la máquina.
4. Antes de salir de o reparar la máquina:
  - Deténgala en una superficie nivelada.
  - Apague la máquina.
5. Al prestar servicio a la máquina:
  - Desconecte las conexiones de la batería antes de trabajar en la máquina.
  - Utilice guantes y gafas de protección al trabajar con las baterías o sus cables.
  - Evite el contacto con el ácido de la batería.
  - Use piezas de repuesto provistas o aprobadas por el fabricante.
  - Todas las reparaciones deben ser realizadas por una persona de servicio calificada.
  - No modifique la máquina de su diseño original.
6. Al transportar máquina:
  - Apague la máquina.
  - No levante la máquina con las baterías instaladas.
  - Obtenga ayuda al alzar la máquina.
  - Utilice una rampa al cargar/descargar la máquina en/de un camión o remolque.
  - Use correas de amarre para asegurar la máquina al camión o remolque.

## ADHESIVOS DE SEGURIDAD

Los adhesivos de seguridad se encuentran en las posiciones indicadas a continuación. Sustituya los adhesivos si se han desprendido, están deteriorados o son ilegibles.

### ADHESIVO DE ADVERTENCIA -

Situado en la parte trasera de la máquina.



**⚠ WARNING**

**FAILURE TO FOLLOW THESE WARNINGS MAY RESULT IN: PERSONAL INJURY, ELECTROCUTION, ELECTRICAL SHOCK, FIRE OR EXPLOSION.**

-   Do Not Operate Machine In Or Near Flammable Liquids, Vapors Or Combustible Dusts.
-   Do Not Pick Up Flammable Or Toxic Materials, Burning Or Smoking Debris.
-   Keep Sparks And Open Flame Away. Keep Battery Hood Open When Charging.
-   Disconnect Battery Cables Before Servicing Machine.

613290

 FOR SAFETY: READ THE OWNER'S MANUAL BEFORE USING MACHINE.

### ADHESIVO DE ADVERTENCIA -

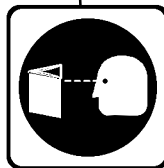
Situado en la parte trasera de la máquina.



**⚠ ADVERTENCIA:** El no seguir estas advertencias puede resultar en: lesiones personales, electrocución, choque eléctrico, fuego o explosión.

No opere la máquina en o cerca de líquidos, vapores inflamables o polvos combustibles.

No recoja materiales tóxicos o inflamables ni residuos humeantes o ardiendo.



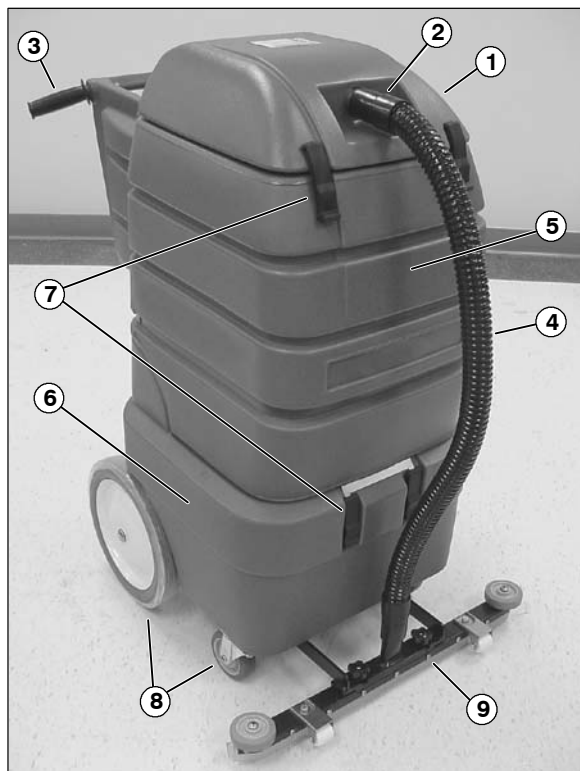
### ADHESIVO DE PARA SU SEGURIDAD -

Situado en la parte trasera de la máquina.

#### PARA SU SEGURIDAD:

Lea el manual antes de utilizar la máquina.

## COMPONENTES DE LA MÁQUINA



1. Tapa del compartimento de la bolsa
2. Tubo de la manguera de aspiración
3. Mandos de control
4. Manguera de aspiración de 109 cm (43 pulg)
5. Compartimento de la bolsa de aspiración / Depósito de recuperación
6. Compartimento de la batería
7. Pestillos de los compartimentos
8. Ruedecillas pivotantes y ruedas posteriores de 30 cm (12 pulg)
9. Conjunto de la escobilla de goma (opcional)



10. Interruptor de ENCENDIDO/APAGADO de la máquina.
11. Manguera de vaciado
12. Pedal de elevación del conjunto de la escobilla de goma (opcional)
13. Enchufe del cargador
14. Manguera de vacío

# OPERACIÓN

## INSTALACIÓN DE LA MÁQUINA

### DESEMPAQUE DE LA MÁQUINA

Inspeccione cuidadosamente la caja por señales de daño. Informe inmediatamente al transportista en caso de daños.

Inspeccione el contenido de la máquina para asegurarse que el envío está completo. Consultar con el distribuidor por artículos faltantes.

#### Contenidos de la máquina:

- 1 - Cable para las baterías #130364
- 4 - Tapas para los bornes de la batería #45962
- 2 - Protector rojo de la batería #611222
- 2 - Protector negro de la batería #611221
- 1 - Manguera de aspiración de 3 m (10 ft) #160481
- 1 - Manguera de aspiración de 109 cm (43 pulg.) #160630
- 1 - Bolsa recolectora de papel #611785
- 1 - Bolsa recolectora de tela #900105
- 2 - 12VDC 105AH Baterías #578426 (incluido con el paquete de la máquina #607623)
- 1 - Cargador De Batería, 24DC/12A 120V #603553 (incluido con el paquete de la máquina #607623)

**NOTA:** El juego de rasqueta de caucho y los accesorios no son piezas estándar y deben ser ordenados por separado.

### INSTALACIÓN DE LAS BATERÍAS

**NOTA:** Si está planeando instalar el juego escurridor opcional, espere para instalar las baterías hasta que se instale el juego (Consulte ADICION DEL JUEGO ESCURRIDOR OPCIONAL).

**⚠ ADVERTENCIA:** Peligro de incendio o explosión. Las baterías emiten hidrógeno. Mantenga chispas y llamas alejadas de la máquina. Mantenga la tapa del compartimento de la batería abierto mientras realiza la operación de carga.

**PARA SU SEGURIDAD:** Al revisar la máquina, utilice guantes y gafas de protección cuando manipule las baterías y sus cables. Evite el contacto con el ácido de la batería.

### Especificaciones recomendadas de la batería:

Dos baterías de carga profunda de 12 voltios, 105/130 amp/hora. Las dimensiones máximas de la batería son 340 mm (longitud) x180 mm (anchura) x 250 mm (altura).

1. Coloque el interruptor de ENCENDIDO/APAGADO en la posición de apagado (OFF).

**ATENCIÓN:** Asegúrese de que los depósitos estén vacíos antes de abrirlos.

2. Abra el compartimento de la batería, quite los pestillos inferiores y incline hacia atrás el soporte superior hasta el suelo cuidadosamente. Extraiga los cables sueltos de la batería del fondo del compartimento (Figura 1).



FIG. 1

3. Instale cuidadosamente las baterías en el compartimento y coloque los bornes de la batería como se indica. Conecte los cables de la batería a los postes de la batería según se muestra, ROJO A POSITIVO y NEGRO A NEGATIVO. Use las cubiertas de los bornes de la batería y las botas de goma provistos (Figura 2).

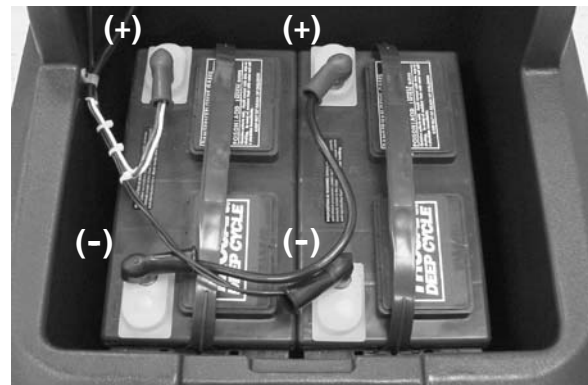


FIG. 2

**ATENCIÓN:** No deje caer las baterías dentro del compartimento. Esto puede resultar en daños a la batería y al cerramiento de la máquina.

4. Aplique un recubrimiento ligero de grasa no metálica o rociado protector a las conexiones del cable para evitar la corrosión de la batería.

## ADICION DE EQUIPO ESCURRIDOR OPCIONAL

**NOTA:** La instalación del conjunto es más sencilla si las baterías no están instaladas. Sin embargo, el conjunto también puede instalarse con las baterías instaladas.

1. Retire las bolsas de aspiración y/o vacíe el depósito de recuperación.
2. Tumbé la máquina sobre la parte posterior. Sólo si ha extraído las baterías de la máquina.
3. Retire de la parte inferior de la máquina los dos tornillos de fijación de la escobilla de goma no utilizados.
4. Instale la abrazadera de montaje de la escobilla de goma como se indica. Fíjelo con el tornillo y las arandelas que retiró antes (Figura 3).

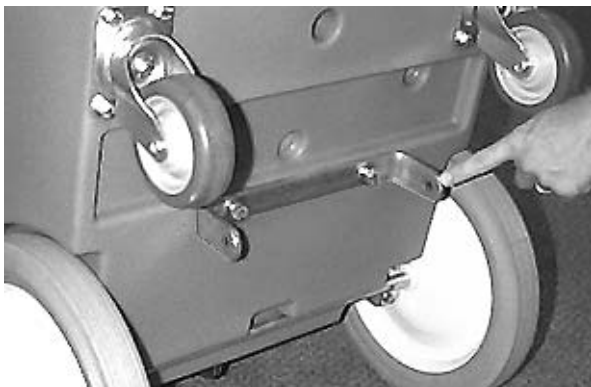


FIG. 3

5. Fije la rasqueta de caucho en la ménsula de montaje. Use (2) pasadores (Figura 4).



FIG. 4

6. Coloque la aspiradora en posición vertical.
7. Introduzca el espaciador a través del orificio en el pedal y a continuación coloque el pedal entre los dos orificios de la abrazadera de la escobilla de goma (Figura 5).

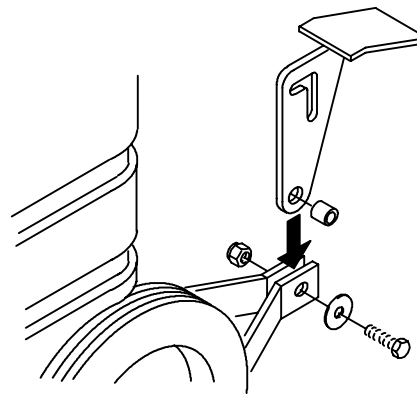


FIG. 5

8. Introduzca el pedal entre los dos brazos de montaje en la parte posterior de la máquina. Alinee e introduzca el pasador a través de los brazos y la ranura del pedal (Figura 6).



FIG. 6

9. Monte el conjunto de la escobilla de goma como se muestra y fíjelo con los dos tornillo de orejas (Figura 7).

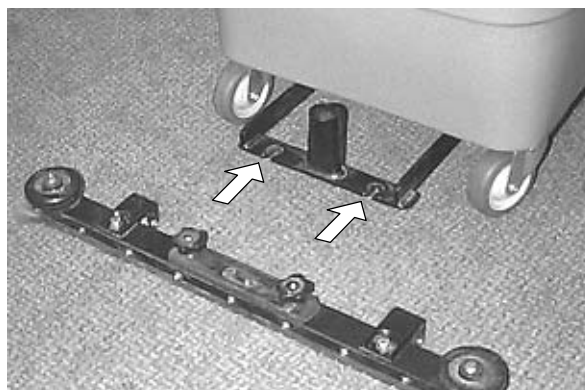


FIG. 7

10. Conecte la manguera de aspiración de 109 cm al conjunto de la escobilla de goma y al tubo de la tapa (Figura 8).

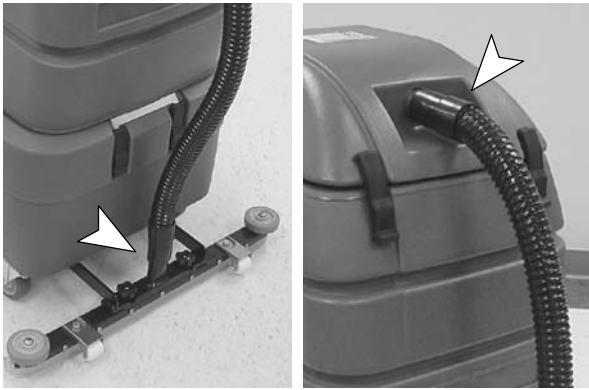


FIG. 8

## PREPARACIÓN DE LA MÁQUINA

### ASPIRACIÓN DE LÍQUIDOS

1. Abra la tapa de la máquina y retire la bolsa de aspiración del depósito de recuperación (Figura 9).

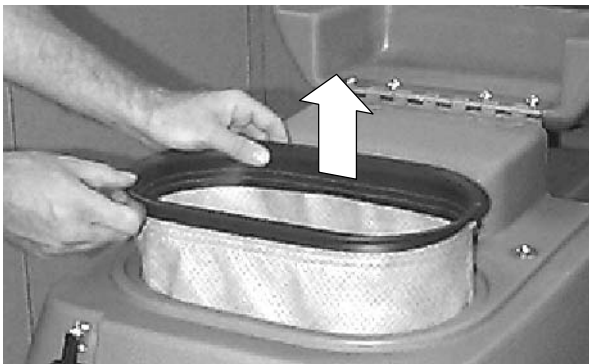


FIG. 9

2. Asegúrese de que el filtro del flotador de cierre automático se encuentra en su sitio (Figura 10).



FIG. 10

**ATENCIÓN:** Para prevenir daños al motor de vacío, el tamiz de apagado automático del flotador debe estar en su lugar.

### ASPIRACIÓN EN SECO

1. Abra la tapa de la máquina e instale la bolsa de tela del filtro, asegúrese de que el borde de la bolsa están adecuadamente instalado en la corona del compartimento (Figura 11).

Para una fácil eliminación de los desperdicios y para aumentar la vida útil de la bolsa del filtro de tela, utilice una bolsa de papel con la bolsa de tela. Coloque la bolsa de papel en el interior de la bolsa de tela e introduzca la parte de arriba de la bolsa de papel alrededor de la corona exterior de la bolsa de tela. No utilice nunca bolsas de papel sin que la bolsa de tela del filtro esté instalada. No reutilice las bolsas de papel. Tírelas siempre.

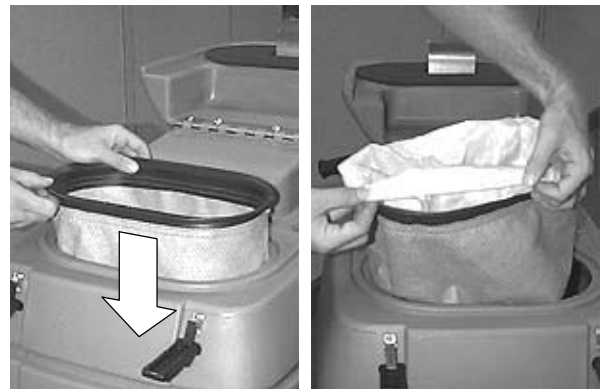


FIG. 11

**ATENCIÓN:** Asegúrese de que haya una bolsa en su lugar antes de aspirar en seco. Al aspirar en seco sin una bolsa en su lugar se daña el motor de la aspiradora. Estos daños NO están cubiertos por la garantía.

2. Cierre la tapa y ponga los pestillos.
3. Deje el filtro del flotador de cierre automático en su sitio al aspirar en seco. Puede proporcionar algo de protección al motor en caso de que la bolsa esté deteriorada.



## OPERACIÓN DE LA MÁQUINA

**PARA SU SEGURIDAD:** No opere la máquina a menos que haya leído y entendido el manual del operador.

**⚠ ADVERTENCIA:** Peligro de incendio o explosión. No opere la máquina en o cerca de líquidos, vapores inflamables o polvos combustibles.

**⚠ ADVERTENCIA:** Peligro de incendio o explosión. No recoja materiales tóxicos o inflamables ni residuos humeantes o ardiendo.

### PROTECTOR TÉRMICO DEL MOTOR DE ASPIRACIÓN

El motor de aspiración está térmicamente protegido por un sensor de temperatura. Se activará cuando el motor esté sobrecargado. Si el motor se detiene, espere 20 minutos a que el motor se enfríe y retire la obstrucción antes de continuar.

### HERRAMIENTAS ADICIONALES DE OPERACIÓN

1. Conecte la manguera de aspiración de 3m al tubo de la tapa de la máquina.
2. Seleccione el accesorio deseado y conéctelo a la manguera de aspiración (Figura 12).



FIG. 12

3. Encienda el interruptor de ENCENDIDO/APAGADO y utilice el accesorio normalmente.
4. Durante la aspiración en seco, compruebe periódicamente si la bolsa está llena. Para una aspiración óptima, vacíe la bolsa cuando 3/4 de la misma estén llenos.

Durante la aspiración de líquidos, el filtro del flotador de cierre automático detendrá automáticamente la entrada de agua cuando el depósito de la disolución esté lleno (consulte el apartado de VACIADO DEL DEPÓSITO DE RECUPERACIÓN).

**ATENCIÓN:** Si está aspirando líquidos que pudieran causar espuma dentro del tanque de recuperación, utilice un producto químico que evita la formación de espuma para eliminarla. La espuma NO cierra el flotador automático, y ocasiona daños al motor del sistema de aspiración. Los daños causados por espuma NO están cubiertos por la garantía.

### OPERACIÓN DE LA OPCION DEL JUEGO ESCURRIDOR

1. Baje la escobilla de goma hasta el suelo, golpee ligeramente con el pie y desplace hacia delante el pedal para liberarlo de su posición de transporte (Figura 13).



FIG. 13

2. Encienda el interruptor de ENCENDIDO/APAGADO.
3. Comience la operación empujando y tirando de la máquina en cualquier dirección.
4. Durante la operación, el filtro del flotador de cierre automático detendrá automáticamente la entrada de agua cuando el depósito de la disolución esté lleno (consulte el apartado de VACIADO DEL DEPÓSITO DE RECUPERACIÓN).

**ATENCIÓN:** Si está aspirando líquidos que pudieran causar espuma dentro del tanque de recuperación, utilice un producto químico que evita la formación de espuma para eliminarla. La espuma NO cierra el flotador automático, y ocasiona daños al motor del sistema de aspiración. Los daños causados por espuma NO están cubiertos por la garantía.

# OPERACIÓN

5. Para elevar la escobilla de goma, pise el pedal hasta que se inmobilice en la posición de transporte (Figura 14).



FIG. 14

**NOTA:** El conjunto de la escobilla de goma puede utilizarse para recoger partículas finas (polvo, arena, serrín, etc...) No se recomienda la utilización de la escobilla de goma para la aspiración en seco normal.

## VACIADO DEL DEPÓSITO DE RECUPERACIÓN

1. Dirija la máquina al desagüe del suelo más cercano. Si no hay desagües, utilice un cubo para vaciar la máquina.
2. Extraiga la manguera de vaciado de su soporte, quite el tapa de la manguera de vaciado y vacíe la máquina. Levante la manguera de vaciado para detener el flujo de agua (Figura 15).



FIG. 15

3. Después de vaciar el depósito de la disolución, abra la pata y aclare bien el depósito con agua limpia.
4. Coloque de nuevo el tapón de la manguera de vaciado y devuélvala a su soporte.

**ATENCIÓN:** Asegúrese de que el tapón de la manguera de vaciado está bien cerrado para evitar pérdidas de aspiración.

## CARGA DE LAS BATERÍAS

**ATENCIÓN:** Para prolongar la vida útil de las baterías y obtener un rendimiento óptimo de la máquina, recargue ÚNICAMENTE las baterías si se ha utilizado la máquina más de 30 minutos. No deje nunca las baterías descargadas durante periodos largos.

Las siguientes instrucciones de carga se refieren sólo a los cargadores suministrados con la máquina. Utilice únicamente cargadores de baterías de las siguientes características para evitar el deterioro de las baterías.

### CARACTERÍSTICAS DEL CARGADOR DE BATERÍAS:

- VOLTAJE DE SALIDA - 24 VOLTIOS
- CORRIENTE DE SALIDA - 15 AMP
- CIRCUITO DE CIERRE AUTOMÁTICO
- PARA CARGAR BATERÍAS DE CICLO PROFUNDO

1. Empuje la máquina a una superficie plana, seca, en un área bien ventilada para cargar.

**⚠ ADVERTENCIA: Peligro de incendio o explosión. Las baterías emiten hidrógeno. Mantenga chispas y llamas alejadas de la máquina. Mantenga el compartimento de la batería abierto mientras realiza la operación de carga.**

2. Abra el compartimento de la batería. Quite los pestillos inferiores de la parte delantera de la máquina e incline hacia atrás y con cuidado el soporte superior hasta el suelo (Figura 16).

**NOTA:** Asegúrese de drenar el tanque previo a obtener acceso a las baterías.



FIG. 16

3. Antes de cargar las baterías, compruebe el nivel de electrolito en cada elemento de la batería (Figura 17).

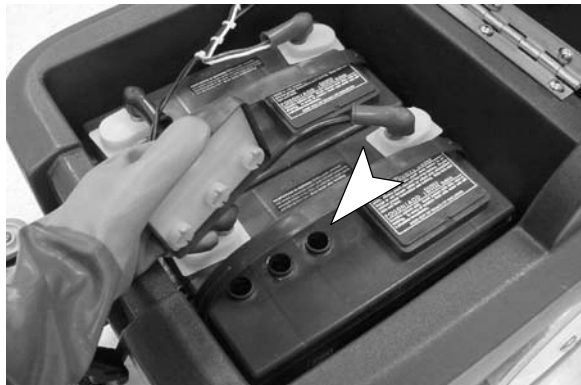


FIG. 17

**PARA SU SEGURIDAD: Al revisar la máquina, utilice guantes y gafas de protección cuando manipule las baterías y sus cables. Evite el contacto con el ácido de la batería.**

El nivel del electrolito (A) debe cubrir ligeramente los electrodos de la batería (B). Añada agua destilada si es necesario. **NO LLENE EN EXCESO**, el nivel del líquido puede expandirse y desbordarse al cargar. Coloque de nuevo las tapas de los elementos antes de la operación de carga (Figura 18).

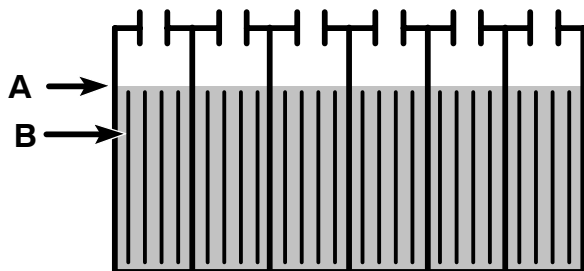
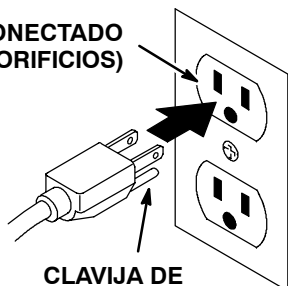


FIG. 18

4. Conecte el cable de alimentación eléctrica de CA del cargador a un enchufe con toma de tierra adecuada (Figura 19).

**ENCHUFE CONECTADO A TIERRA (3 ORIFICIOS)**



**CLAVIJA DE CONEXION A TIERRA**

FIG. 19

5. Conecte el cargador de la batería al receptáculo de carga de la máquina según se muestra (Figura 20).



FIG. 20

6. El cargador comenzará la carga automáticamente y se apagará cuando la carga sea completa.

**ATENCIÓN: No desenchufe del receptáculo de la máquina el cable de CC del cargador cuando esté en funcionamiento. Pueden producirse arcos voltaicos. Si es necesario interrumpir la carga, desenchufe el cable de alimentación de CA primero.**

**⚠ ADVERTENCIA: Peligro de incendio o explosión. Las baterías emiten hidrógeno. Mantenga chispas y llamas alejadas de la máquina. Mantenga el compartimento de la batería abierto mientras realiza la operación de carga.**

7. Después de realizar la carga, compruebe el nivel del electrolito (A) de nuevo. El nivel debe estar a aproximadamente 1 cm (0.38 pulg) de la parte inferior del orificio de llenado (B) (Figura 21). Añada agua destilada en caso necesario. **NO LLENE EN EXCESO.**

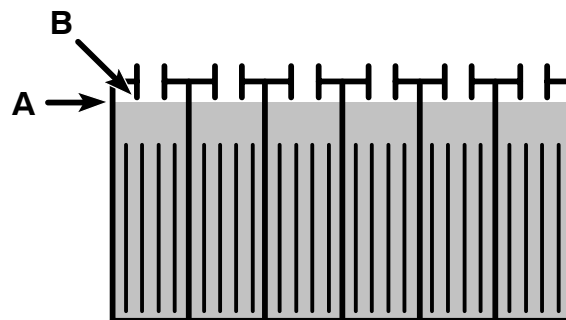


FIG. 21

# OPERACIÓN

---

---

## MANTENIMIENTO DE LA MÁQUINA

---

Para mantener la máquina en buenas condiciones de funcionamiento bastará realizar las siguientes operaciones de mantenimiento diaria, mensual o trimestralmente.

**⚠ ADVERTENCIA: Peligro eléctrico. Desconecte los cables de la batería antes de realizar reparaciones en la máquina.**

---

### MANTENIMIENTO DIARIO (Después de cada uso)

1. Drene y enjuague el tanque de recuperación después de una aspiración húmeda.
2. Extraiga y enjuague el tamiz flotante de corte ubicada en el tanque de recuperación (Figura 22).



FIG. 22

**ATENCIÓN:** Siempre tenga el tamiz de apagado del flotador en su lugar antes de operar. Durante el funcionamiento húmedo, el tamiz de apagado del flotador protege el motor de vacío del agua. Durante la aspiración en seco, el tamiz de apagado del flotador puede proporcionar protección limitada para una bolsa del filtro defectuosa.

3. Limpie las hojas del escurridor con una tela. Reemplace las hojas cuando estén desgastadas.
4. Inspeccione la bolsa por llenado, vacíe la bolsa cuando esté 3/4 llena.
5. Limpie la máquina con un limpiador general y con un paño húmedo.

**PARA SU SEGURIDAD:** Cuando limpie la máquina, no moje la máquina rociándola o utilizando una manguera. Pueden producirse fallos eléctricos.

6. Recargue las baterías después de haberlas utilizado durante un tiempo mínimo de 30 minutos (Consulte CARGA DE LAS BATERÍAS.)
7. Revise regularmente si la manguera de aspiración tiene orificios, extremos sueltos o basura atorada.

---

### MANTENIMIENTO MENSUAL (Cada 80 horas de uso)

1. Inspeccione el nivel de fluido en cada célula de la batería (Consulte MANTENIMIENTO DE LA BATERÍA).
2. Limpie los bornes de la batería para evitar corrosión (Consulte MANTENIMIENTO DE LA BATERÍA).
3. Inspeccione por cables de batería flojos o corroídos.
4. Para que los resultados sean óptimos, lave la bolsa de tela del filtro a mano con un detergente suave. Deje que la bolsa se seque totalmente antes de volver a instalarla.
5. Lubrique las ruedas y las ruedas giratorias delanteras con un aceite resistente al agua.
6. Inspeccione la máquina por tuercas y pernos flojos.

---

### MANTENIMIENTO TRIMESTRAL (Cada 250 horas de uso)

Inspeccione el motor por desgaste de las escobillas de carbón. Reemplace todas las escobillas si se han desgastado a un largo de 10 mm (0.38 pulg) o menos.

**Póngase en contacto con un Centro de Servicio autorizado para reparar las reparaciones necesarias.**

**⚠ ADVERTENCIA: Peligro eléctrico. Desconecte los cables de la batería antes de realizar reparaciones en la máquina.**

---

### MANTENIMIENTO DE LA BATERÍA

**⚠ ADVERTENCIA: Peligro de incendio o explosión. Las baterías emiten hidrógeno. Mantenga chispas y llamas alejadas de la máquina. Mantenga el compartimento de la batería abierto mientras realiza la operación de carga.**

**PARA SU SEGURIDAD:** Al revisar la máquina, utilice guantes y gafas de protección cuando manipule las baterías y sus cables. Evite el contacto con el ácido de la batería.

1. Compruebe la densidad específica utilizando un densímetro para determinar el nivel de carga y el estado de las baterías (Figura 23). Si el valor de uno o más elementos de la batería es inferior al de los otros elementos de la batería (0,050 ó más), este elemento está deteriorado, en cortocircuito o a punto de fallar. Compare los valores obtenidos con el densímetro con los del siguiente esquema para determinar el nivel de carga que queda en la batería.

**NOTA:** No tome medidas inmediatamente después de añadir agua destilada. Si el agua y el ácido no están bien mezclados, es posible que el valor medido puede no sea correcto.



FIG. 23

DENSIDAD ESPECÍFICA a 27°C (80°F)	CARGA DE LA BATERÍA
1,265	100% DE CARGA
1,223	75% DE CARGA
1,185	50% DE CARGA
1,148	25% DE CARGA
1,110	DESCARGADA

**NOTA:** Si la temperatura del electrolito de la batería a la que se miden los valores no es de 27°C (80°F), deberá corregir el valor dependiendo de la temperatura. Sume o reste 0,004, 4 puntos, al valor de la densidad específica por cada 6°C (43°F) de diferencia por encima o debajo de 27°C (80°F).

2. Siga siempre las instrucciones de la operación de carga (Consulte CARGA DE LAS BATERÍAS).
3. Controle el nivel de electrolito (A) en todos los elementos de las baterías después de realizar la operación de carga. El nivel debe estar a aproximadamente 1 cm (0.38 pulg) de la parte inferior del orificio de llenado (B) (Figura 24). Añada agua destilada en caso necesario. **NO LLENE EN EXCESO.**

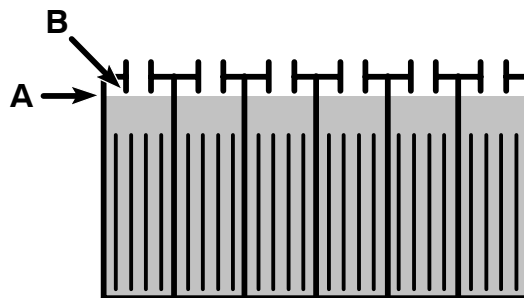


FIG. 24

4. Mantenga limpias las partes superiores de las baterías para evitar la corrosión.

Limpieza de las baterías:

**PARA SU SEGURIDAD:** Al revisar la máquina, utilice guantes y gafas de protección cuando manipule las baterías y sus cables. Evite el contacto con el ácido de la batería.

- a. Haga una solución concentrada de bicarbonato y agua (Figura 25).



FIG. 25

- b. Rocíe ligeramente las partes superiores de las baterías y conectores de cables con la disolución.

**NOTA:** No permita que la solución de bicarbonato se introduzca en los elementos de las baterías.

- c. Utilice un cepillo de cerdas metálicas para limpiar los bornes y conectores de cables.
  - d. Después de la limpieza, aplique una capa de protector transparente de bornes de baterías a los bornes y conectores de cables.
5. Controle si existen cables gastados o sueltos. Sustitúyalos si están gastados.

# OPERACIÓN

## TRANSPORTE DE LA MÁQUINA

Al transportar la máquina en un acoplado o camión, asegúrese de seguir los procedimientos de amarre de abajo:

**PARA SU SEGURIDAD: Al usar la máquina avance lentamente en pendientes y superficies resbaladizas.**

1. Cargue la máquina usando una rampa recomendada de carga.
2. Coloque en posición el frente de la máquina contra el frente del acoplado o camión.
3. Coloque un bloque detrás de cada ruedas traseras para evitar que la máquina ruede.
4. Coloque correas de amarre sobre el tope de la máquina para evitar que vuelque. Puede ser necesario instalar soportes de amarre en el piso de su acoplado o camión.

**PARA SU SEGURIDAD: Al transportar la máquina, use una rampa recomendada cuando cargue al/descargue del camión o acoplado, use correas de amarre para asegurar la máquina al camión o acoplado.**

## ALMACENAMIENTO DE LA MÁQUINA

Antes de guardar la máquina realice las siguientes operaciones:


1. Vacíe y aclara el depósito de recuperación y los accesorios.
2. Vacíe o sustituya la bolsa de aspiración.
3. Eleve o desmonte el conjunto de la escobilla de goma.
4. Almacene la máquina en un área seca en posición vertical.
5. Desconecte los cables de la batería si va a guardar la máquina durante un periodo de tiempo largo.

**ATENCIÓN: No exponga la máquina a la lluvia. Almacén bajo techo.**

**ATENCIÓN: Si guarda la máquina con temperaturas iguales o inferiores a 00C, asegúrese de vaciar todo el agua de la misma. La garantía no cubre las averías causadas por heladas.**

## STOCK RECOMENDADO DE REPUESTOS

Para los artículos recomendados para mantener en existencia, referirse a la Lista de Piezas. Los artículos para mantener en stock están claramente identificados con una bala delante de la descripción de las piezas. Vea el ejemplo de abajo:



Ref.	Part No.	Description	Qty.
1	701103	ASM., STANDPIPE	1
2	180618	●FLOAT, SHUTOFF	1
3	230197	NIPPLE	1
4	101714	●GASKET	1
5	210240	NUT, FLANGED	1

**LOCALIZACIÓN DE FALLAS**

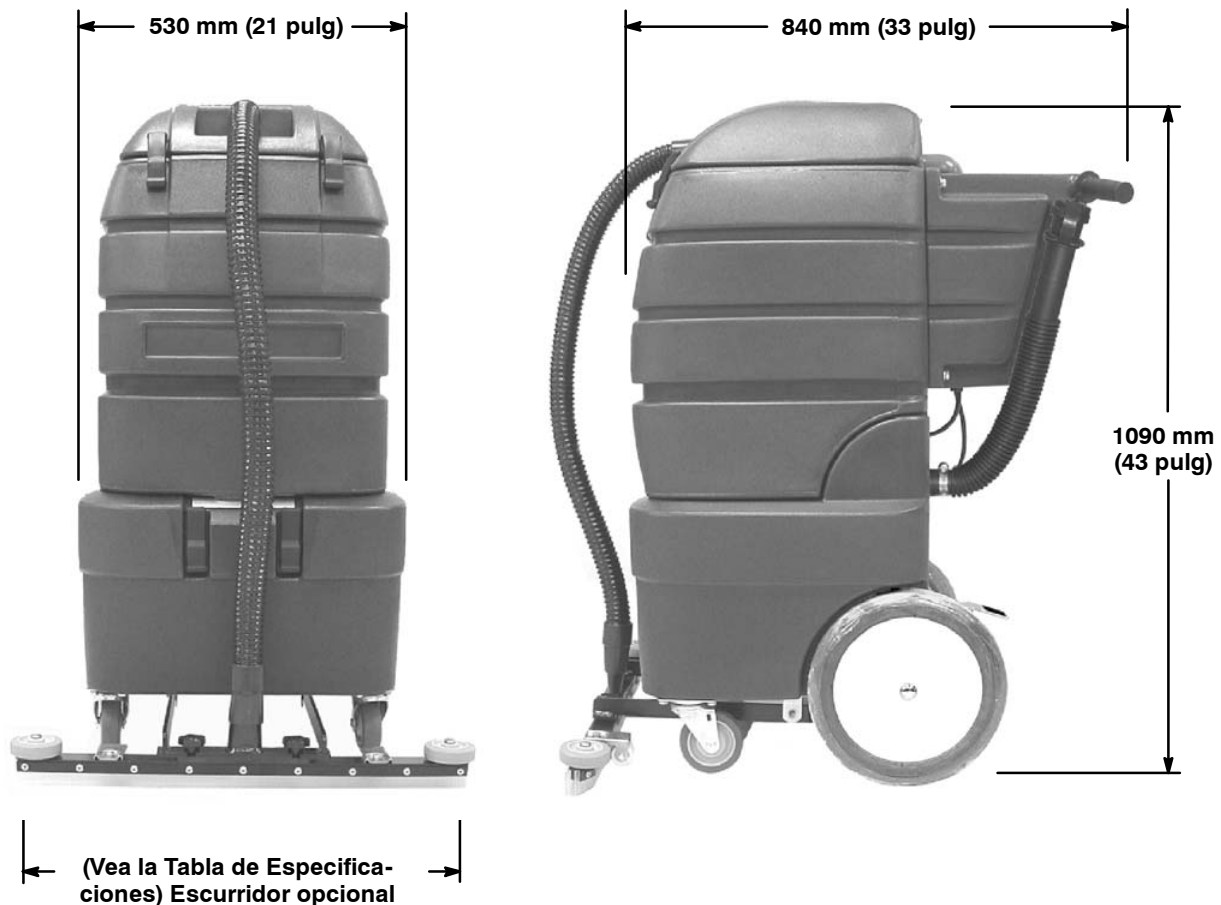
<b>PROBLEM</b>	<b>CAUSE</b>	<b>SOLUTION</b>
Sin electricidad.	Interruptor de ENCENDIDO/APAGADO defectuoso.	Consulte con el Centro de Servicio.
	Las baterías necesitan ser cargadas.	Consulte CARGA DE LAS BATERÍAS.
	Batería(s) defectuosa.	Reemplace la batería(s).
	Cable flojo de la batería.	Ajuste los cables flojos.
	Conexión inapropiada del cable de la batería.	Consulte INSTALACIÓN DE LAS BATERÍAS.
	Protector térmico del motor de aspiración activado por sobrecarga.	Comprobar si el flujo de aire está bloqueado, esperar 20 minutos a que se enfríe el motor.
	Cableado del motor de aspiración defectuoso.	Consulte con el Centro de Servicio.
Recogida pobre.	Flujo de aire bloqueado.	Retirar la obstrucción del filtro del flotador, manguera de aspiración, accesorio o escobilla de goma.
	Bolsa de aspiración llena.	Vaciar o sustituir la bolsa.
	Filtro del flotador activado.	Vaciar el depósito de recuperación.
	El tapón de la manguera de vaciado está flojo o quitado.	Apretar el tapón de la manguera de recuperación.
	Pestillos de las tapas sin poner.	Poner los pestillos de las tapas.
	Las baterías necesitan ser cargadas.	Cargar las baterías.
	Junta de la tapa gastada.	Sustituir la junta de la tapa.
	Cepillos de carbón del motor de aspiración gastados.	Consulte con el Centro de Servicio.
Tiempo limitado de funcionamiento.	Carga baja de la batería.	Cargue las baterías.
	Celda(s) defectuosa de la batería.	Reemplace la batería.
	Las baterías requieren mantenimiento.	Consulte MANTENIMIENTO DE LA BATERÍA.
	Cargador de batería defectuoso.	Reemplace el cargador.

# OPERACIÓN

## ESPECIFICACIONES DE LA MÁQUINA

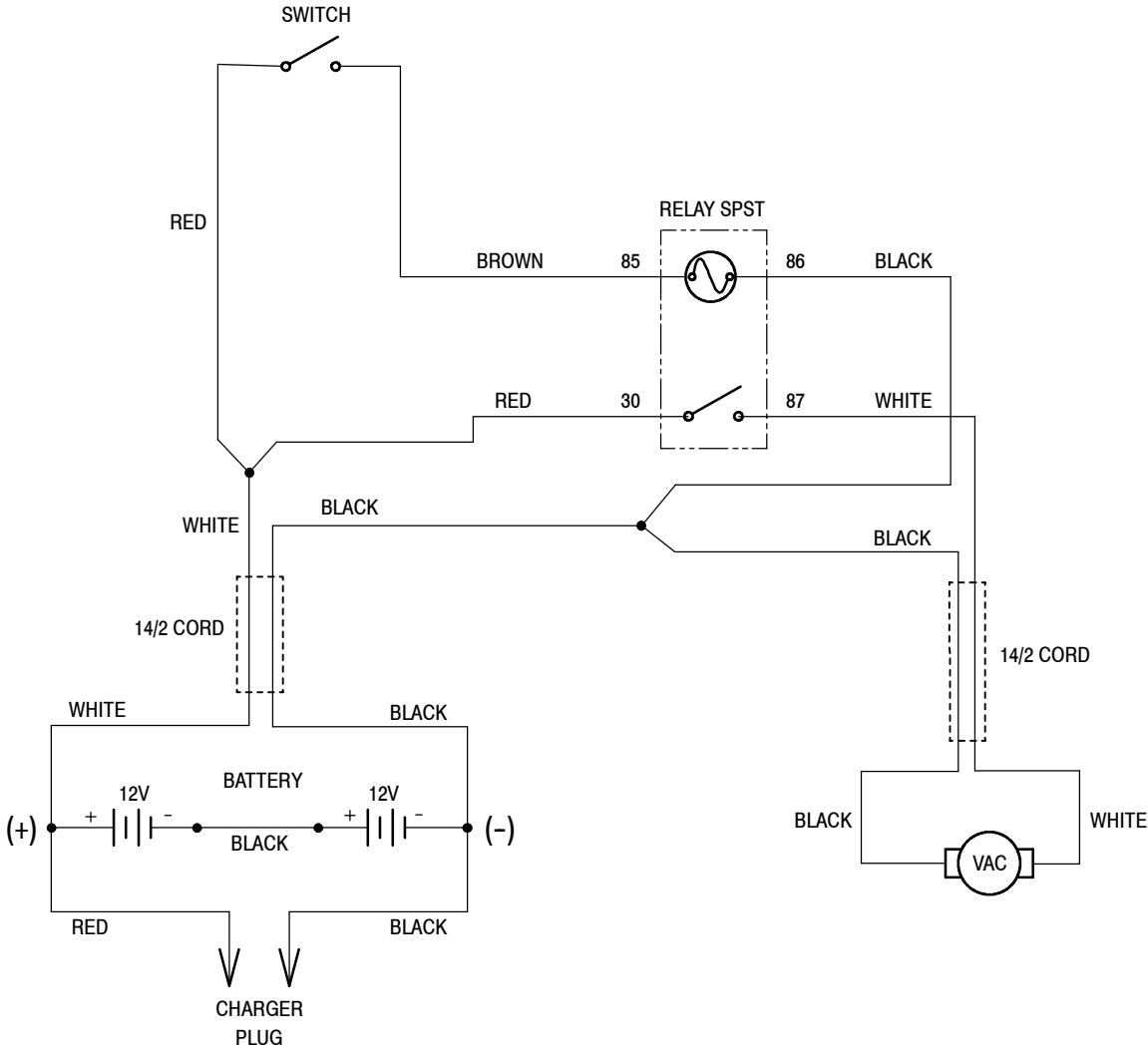
<b>Modelo</b>	<b>TYPHOON™ 16B</b>
LARGO	840 mm (33 pulg)
ANCHO	530 mm (21 pulg)
ALTO	1090 mm (43 pulg)
PESO / PESO CON BATERÍAS	41 Kg (90 lbs) / 107 Kg (235 lbs)
CAPACIDAD DEL DEPÓSITO DE RECUPERACIÓN	60.75 L (16 Gal)
CAPIDAD DE BOLSA DE ASPIRACIÓN	Trapo 15.5 L <sup>3</sup> (0.44 fanegas) Papel 22.7 L <sup>3</sup> (0.65 fanegas)
MOTOR DE ASPIRACIÓN	24V, 3-fases, .75hp, 23A, 566W
ANCHO DE RECORRIDO DEL ESCURRIDOR OPCIONAL	685 mm (27 pulg) 864 mm (34 pulg) 1016 mm (40 pulg)
FLUJO DE AIRE / ELEVACIÓN SELLADA DE AGUA	70 cfm (1.98 m <sup>3</sup> /h) / 1780 mm (70 pulg)
BATERÍAS	2-12V carga profunda, ácido de plomo, 105AH or 130AH
TIEMPO DE FUNCIONAMIENTO, CONTINUO	Hasta 4 horas
CLASIFICACION NOMINAL DE DECIBELES EN EL OIDO DEL OPERADOR, BAJO TECHO SOBRE BALDOSAS	>70dB(A)

## DIMENSIONES DE LA MÁQUINA

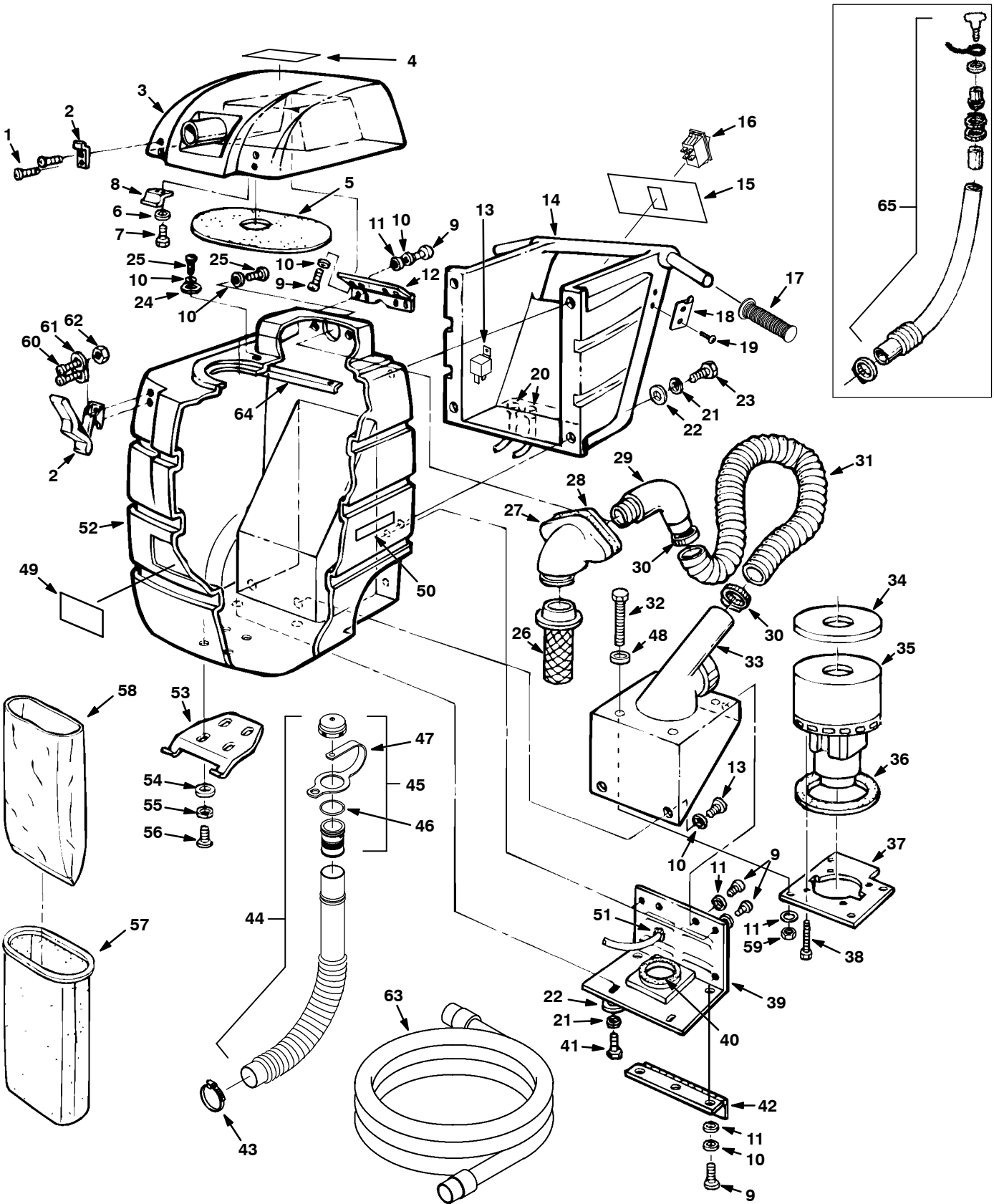




WIRING DIAGRAM  
DIAGRAMA DE CABLEADO



TANK GROUP  
CONJUNTO DEL TANQUE



### TANK GROUP CONJUNTO DEL TANQUE

REF	PART #	DESCRIPTION	QTY.
1	609980	SCREW, #8-32X3/8 TRSPHL	4
2	140932	●LATCH, RUBBER, W/ KEEPER	2
▽ 3	614126	ASSEMBLY, COVER WITH LABEL, GREEN	1
▲ 4	613290	LABEL, WARNING	1
▲ 5	613233	●GASKET, COVER	1
6	140031	WASHER, #10 LOCK	2
7	140197	SCREW, #10-24X3/8 TRSPHL	2
8	230497	BRACKET, AIR DEFLECTOR	1
9	140195	SCREW, 1/4-20X1/2 TRSPHL	20
10	578244000	WASHER, M6.4 LOCK	20
11	140000	WASHER, 1/4 FLAT	20
12	230318	HINGE, COVER	1
13	9000731	KIT, RELAY MACHINE SERIAL NO. (00000000-10181520)	1
13	1012216	RELAY, ELE, 24VDC, VF7 MACHINE SERIAL NO. (10181521- )	1
14	608461	HANDLE, GREEN	1
15	600654	DECAL, DASH	1
16	608605	●SWITCH, ROCKER	1
17	200823	GRIP, HANDLE	2
18	1006890	BRACKET, DRAIN HOSE HANGER	1
19	140825	SCREW, #6X1/2 PANPHL	2
20	605395	STRAINRELIEF, BUSHING, SR7P-2	2
21	140017	WASHER, 3/8 LOCK	6
22	140028	WASHER, 3/8 FLAT	6
23	140231	SCREW, 3/8-16X1-1/2 HEXHD	4
24	140003	WASHER, 1/4x1 FENDER	2
25	140824	SCREW, 1/4-20X5/8 TRSPHL	6
26	180613	●FLOAT, SHUT-OFF SCREEN	1
27	100381	ELBOW, VAC TUBE	1
28	100096	●GASKET, VAC TUBE ELBOW	1
29	700435	ASSEMBLY, PVC ELBOW	1
30	140308	CLAMP, HOSE	2
31	160482	●HOSE, VACUUM, 2.0X13 IN	1
32	140199	SCREW, 1/4-20X4-1/2 HXHDCP	4

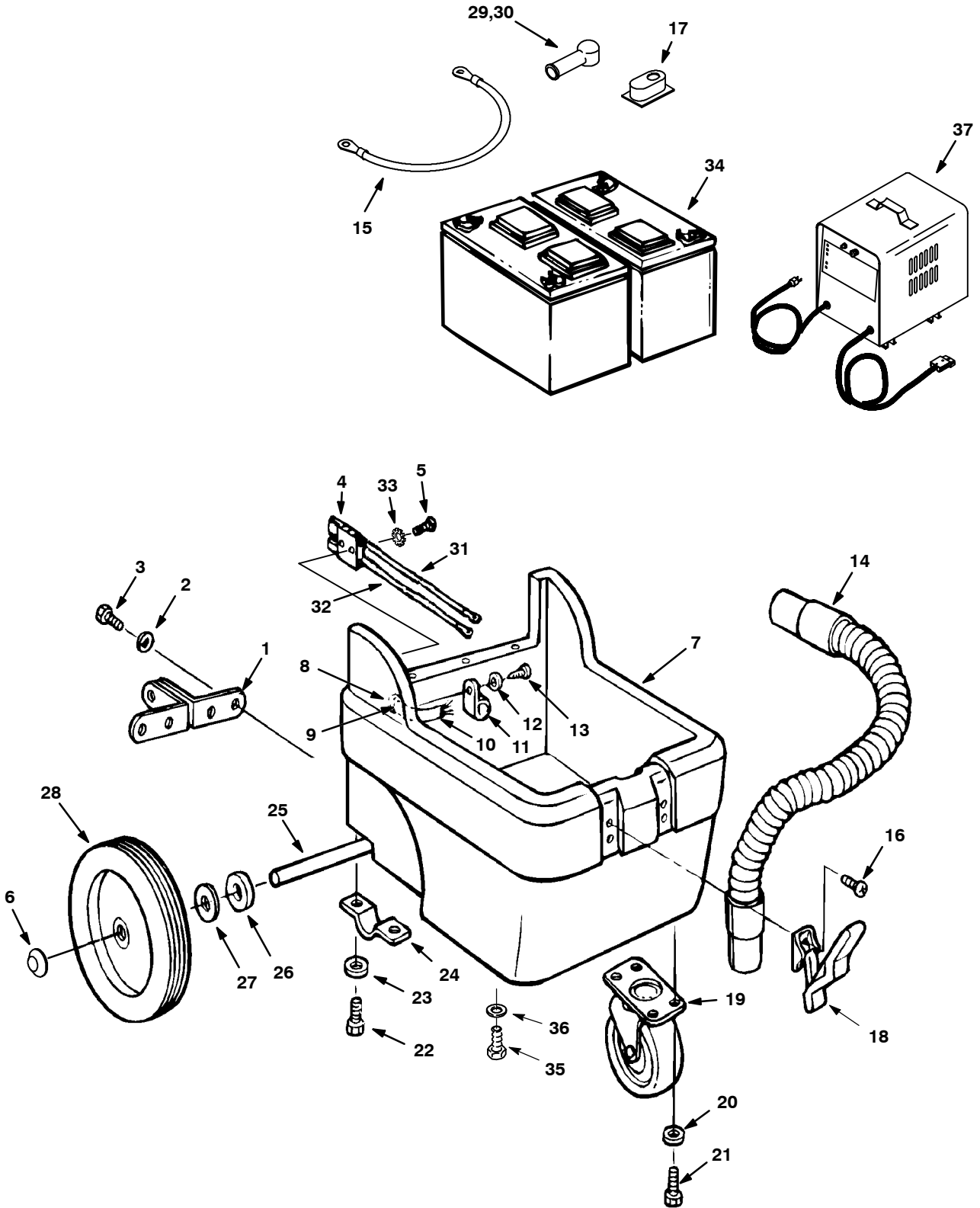
REF	PART #	DESCRIPTION	QTY.
33	100380	MOUNT, VAC MOTOR	1
34	100038	●GASKET, VAC MOTOR	1
▽ 35	130397	●MOTOR, VACUUM, 24VDC	1
▲	190163	●BRUSH, CARBON (2/PK)	1
36	100143	●GASKET, VAC MOTOR	1
37	230522	PLATE, MOTOR MOUNT	1
38	140340	SCREW, #10X5/8 PANPHL	4
39	230980.BK	PLATE, COVER, MOTOR	1
40	100831	●GASKET, VAC MOTOR END	1
41	02994	SCREW, 3/8-16X3/4 HEXHD	2
42	230951	HINGE	1
43	614157	CLAMP, HOSE	1
▽ 44	1007072	HOSE, DRAIN, ASSY, 1.5D X 21.9L	1
▲▽ 45	1008639	CAP, DRAIN ASSY	1
▲ 46	1008637	●O-RING, 1.48"ID, 1.76"OD	1
▲ 47	1019563	●STRAP, DRAIN CAP	1
48	140003	WASHER, 1/4x1 FENDER	4
49	608185	LABEL, NOBLES LOGO	1
50	608494	DECAL, "TYPHOON 16B"	2
51	140504	NUT, CONDUIT, 1/2 NPT	1
52	608616	TANK, RECOVERY, GREEN	1
53	230949	PLATE, LATCH	1
54	140027	WASHER, 5/16 FLAT	4
55	140015	WASHER, 5/16 LOCK	4
56	140226	SCREW, 5/16-18X5/8 HEXHD	4
57	900105	●FILTER, BAG, CLOTH	1
58	611785	●BAG, FILTER, PAPER (PKG OF 10)	1
59	41169	NUT, 1/4-20 LOCK	4
60	140287	SCREW, M4X.7X16 PANPHL	4
61	140011	WASHER, 3/16 FLAT	4
62	33932	NUT, HEX, LOCK, M4X0.7, NL, SS	4
63	160481	●HOSE, VACUUM, 1-1/2x10 FT	1
64	230482.BK	BRACKET, SUPPORT	1
65	N/A	DRAIN HOSE & CAP ASSEMBLY - REPLACED BY ASSY. ITEM #44	1

▽ ASSEMBLY / CONJUNTO

▲ INCLUDED IN ASSEMBLY / INCLUIDO EN EL CONJUNTO

● RECOMMENDED STOCK ITEMS / ARTICULOS RECOMENDADOS PARA  
MANTENER EN EXISTENCIA

BASE GROUP  
GRUPO BASE



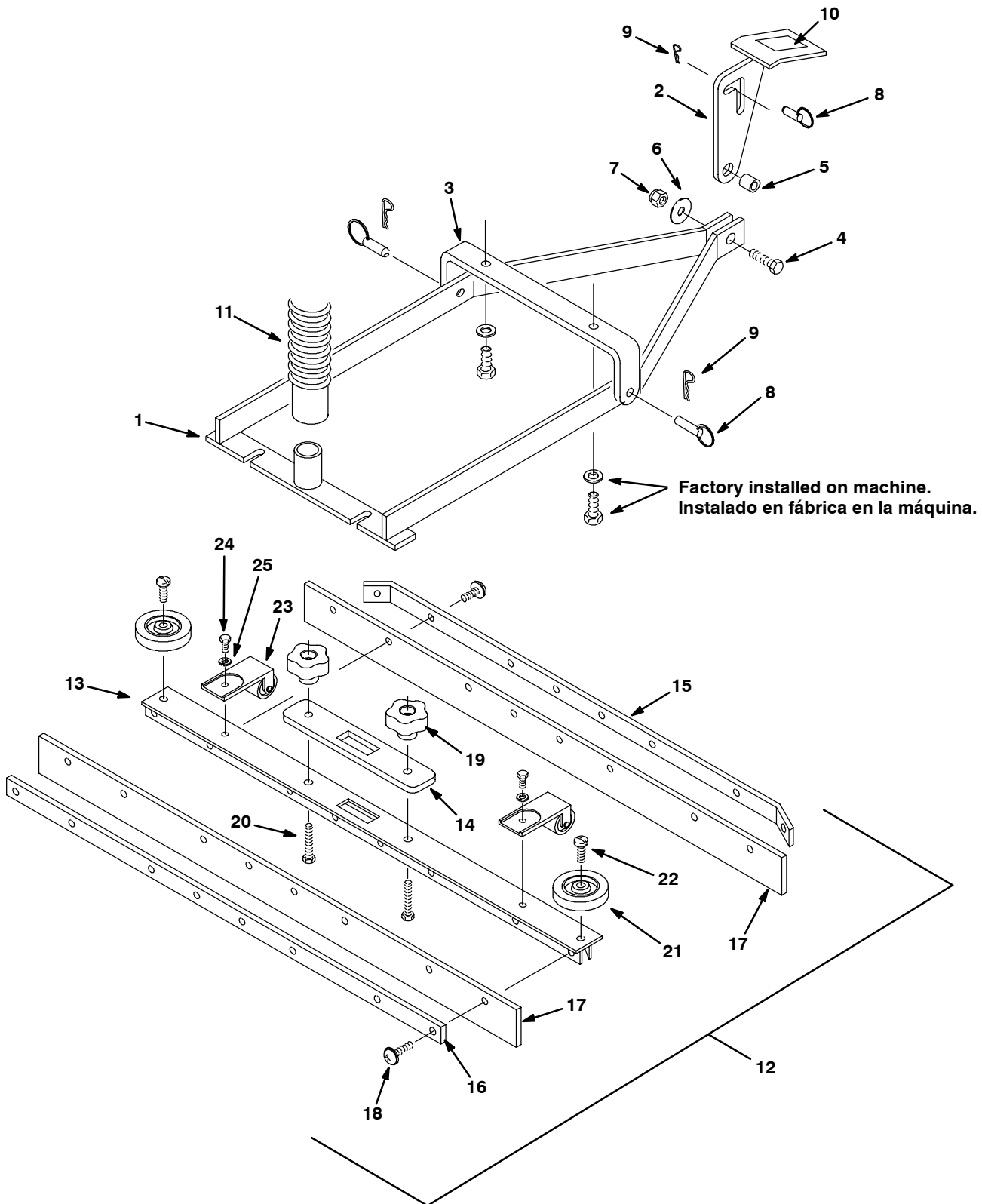
**BASE GROUP**  
**GRUPO BASE**

REF	PART #	DESCRIPTION	QTY.
1	230950	BRACKET, SQUEEGEE	2
2	140016	WASHER, 1/4 LOCK	4
3	01696	SCREW, 1/4-20X1/2 HEXHD	4
4	605387	CONNECTOR	1
5	2728.12	SCREW, #6-32X3/4 PANPHL	2
6	103019	CAP, HUB, WHEEL	2
7	608820	BATTERY BASE HOUSING, GREEN	1
8	605395	STRAINRELIEF, BUSHING, SR7P-2	1
9	240220	GROMMET	1
10	130385	ASM. WIRE 14/2X45"	1
11	140328	CLAMP, CABLE, NYL, 0.38D, BLACK	1
12	140011	WASHER, 3/16 FLAT	1
13	140825	SCREW, #6X1/2 PANPHL	1
14	160630	●HOSE, VACUUM, 1-1/2X43 IN	1
15	130364	CABLE, BATTERY	1
16	609980	SCREW, #8-32X3/8 TRSPHL	4
17	45962	CAP	4
18	140932	LATCH, RUBBER, W/ KEEPER	2
19	103065	●CASTER, 4" SWIVEL	2

REF	PART #	DESCRIPTION	QTY.
20	140015	WASHER, 5/16 LOCK	8
21	140226	SCREW, 5/16-18X5/8 HEXHD	8
22	01696	SCREW, 1/4-20X1/2 HEXHD	4
23	140016	WASHER, 1/4 LOCK	4
24	230746	BRACKET, AXLE	2
25	608907	AXLE	1
26	140063	WASHER, 1/2 FLAT, NYLON	2
27	140045	WASHER, 1/2 FLAT	2
28	103009	●WHEEL, 12"X1.75	2
29	611221	BOOT, CABLE, BATTERY, BLACK	2
30	611222	BOOT, CABLE, BATTERY, RED	2
31	701163	ASSEMBLY, WIRE, #14X17" RED	1
32	701164	ASSEMBLY, WIRE, #14X22" BLACK	1
33	140019	WASHER, #6 LOCK	2
34	578426	BATTERY, 12V, 105AH	2
	130869	BATTERY, 12V, 130AH	2
35	02994	SCREW, 3/8-16X3/4 HEXHD	2
36	140017	WASHER, 3/8 LOCK	2
37	603553	CHARGER, 24VDC, 12 AMP	1

● RECOMMENDED STOCK ITEMS / ARTICULOS RECOMENDADOS PARA MANTENER EN EXISTENCIA

**SQUEEGEE KIT ASSEMBLY**  
**PIEZAS DE LA RASQUETA DE CAUCHO**



**SQUEEGEE KIT ASSEMBLY  
PIEZAS DE LA RASQUETA DE CAUCHO**

REF	PART #	DESCRIPTION	QTY.
▽	190108	KIT, SQUEEGEE, 685 MM (27 IN)	1
	190972	KIT, SQUEEGEE, 864 MM (34 IN)	1
	190958	KIT, SQUEEGEE, 1016 MM (40 IN)	1
▲ 1	230453.BK	WELDMENT, SQUEEGEE LIFT	1
▲ 2	230456	PEDAL, LIFT	1
▲ 3	230454	BRACKET, SQUEEGEE MOUNT	1
▲ 4	611048	SCREW, 3/8-16X1-1/4 HEXHD	1
▲ 5	140925	SPACER, CHASSIS, 3/16	1
▲ 6	140028	WASHER, 3/8 FLAT	1
▲ 7	59156	NUT, 3/8-16 HXLCK	1
▲ 8	630258	PIN, CLEVIS	3
▲ 9	612254000	PIN, HAIR	3
▲ 10	102560	PAD, NON-SLIP	1
▲ 11	*160462	HOSE, VACUUM 1-1/2X33 IN	1
▲▽ 12	602831	ASM., SQUEEGEE, 685 MM (27 IN)	1
	603494	ASM., SQUEEGEE, 864 MM (34 IN)	1
	603496	ASM., SQUEEGEE, 1016 MM (40 IN)	1
▲ 13	230727.BK	CHANNEL, SQUEEGEE, 685 MM (27 IN)	1
	230682.BK	CHANNEL, SQUEEGEE, 864 MM (34 IN)	1
	230692.BK	CHANNEL, SQUEEGEE, 1016 MM (40 IN)	1

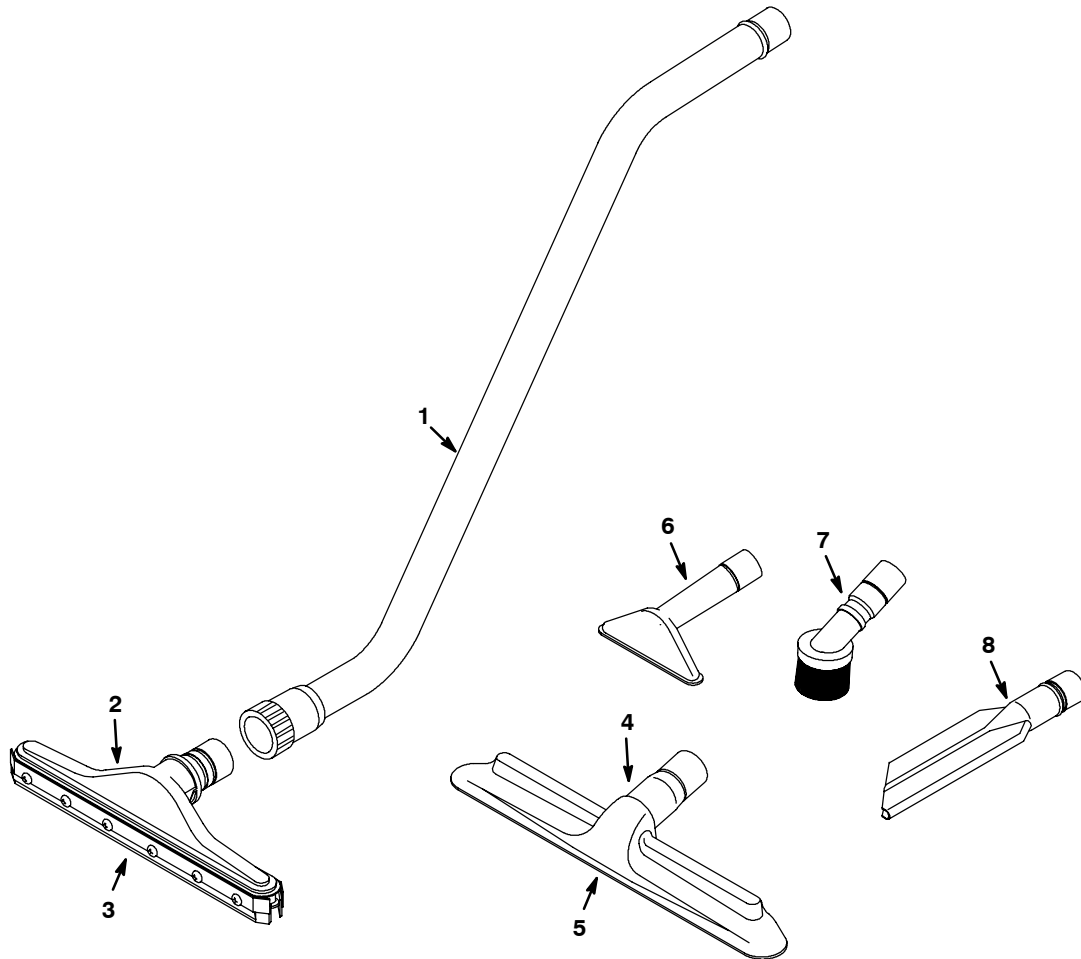
REF	PART #	DESCRIPTION	QTY.
▲ 14	100150	GASKET, SQUEEGEE	1
▲ 15	230725.BK	PLATE, REAR, 685 MM (27 IN)	1
	230669.BK	PLATE, REAR, 864 MM (34 IN)	1
	230685.BK	PLATE, REAR, 1016 MM (40 IN)	1
▲ 16	230723.BK	PLATE, FRONT, 685 MM (27 IN)	1
	230670.BK	PLATE, FRONT, 864 MM (34 IN)	1
	230686.BK	PLATE, FRONT, 1016 MM (40 IN)	1
▲ 17	603659	BLADE, SQUEEGEE, 685 MM (27 IN)	2
	603661	BLADE, SQUEEGEE, 864 MM (34 IN)	2
	603662	BLADE, SQUEEGEE, 1016 MM (40 IN)	2
▲ 18	605975	SCREW, #10-24X1/2 TRSPHL SEMS	18-28
▲ 19	1011094	KNOB, STAR, 1.50D 5EAR .31-18 THRU BK	2
▲ 20	140221	SCREW, 5/16-18X1-1/4 HXHDCP	2
▲ 21	1014918	WHEEL, RBR, 3"X1" W/BUSHING	2
▲ 22	140799	SCREW, 5/16-18X1-1/2 TRSPHL	2
▲ 23	700844	ASM., SQUEEGEE ROLLER	2
▲ 24	140226	SCREW, 5/16-18X5/8 HEXHD	2
▲ 25	140015	WASHER, 5/16 LOCK	2

▽ ASSEMBLY / CONJUNTO

▲ INCLUDED IN ASSEMBLY / INCLUIDO EN EL CONJUNTO

\* Use 109 cm (43 in) vacuum hose, 160630, supplied with machine / Utilice la manguera 109 cm (43 in) 160630, que se provee de la máquina

WET/DRY TOOL KIT  
KIT DE HERRAMIENTA SECO MOJADO



REF	PART #	DESCRIPTION	QTY.
▽	605178	●KIT, VACUUM & FLOOR, 406 MM (16 IN)	1
▲▽ 1	6108.1	●WAND, TWO BEND ALUMINUM	1
▲	605257	●RING, LOCK	1
▲	600828	●NUT, WAND COUPLING	1
▲▽ 2	13840	●SQUEEGEE ASSEMBLY, PUSH/PULL, 355 MM (14 IN)	1
▲ 3	605137	●BLADES, REPLACEMENT (SET/4)	1

REF	PART #	DESCRIPTION	QTY.
▲▽ 4	14043	●TOOL, FLOOR & RUG, 406 MM (16 IN)	1
▲ 5	605141	●BRUSH, REPLACEMENT	1
▲ 6	6057	●TOOL, UPHOLSTERY, 127 MM (5 IN)	1
▲ 7	6117	●BRUSH, DUSTING, 76 MM (3 IN)	1
▲ 8	6170	●TOOL, CREVICE, 279 MM (11 IN)	1

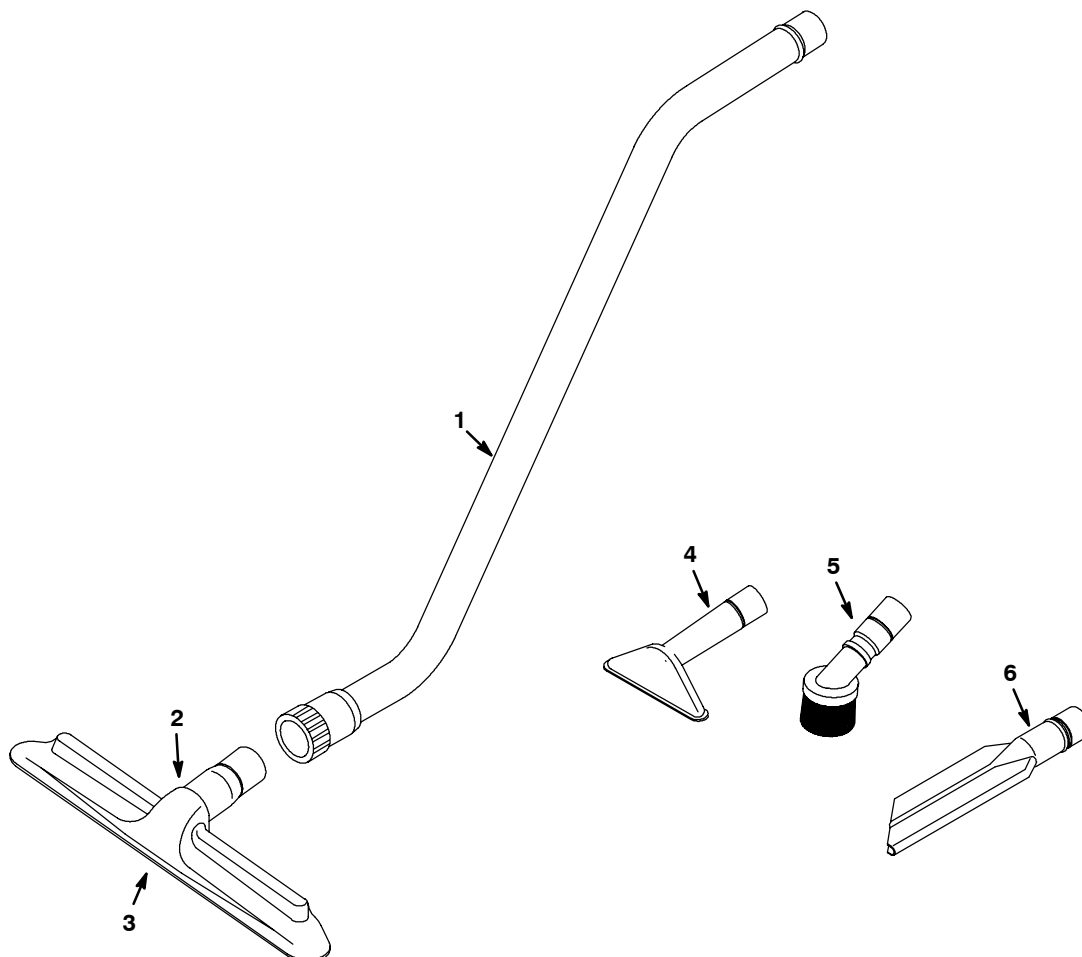
▽ ASSEMBLY / CONJUNTO

▲ INCLUDED IN ASSEMBLY / INCLUIDO EN EL CONJUNTO

● RECOMMENDED STOCK ITEMS / ARTICULOS RECOMENDADOS PARA  
MANTENER EN EXISTENCIA



**DRY TOOL KIT  
KIT DE HERRAMIENTA SECO**



REF	PART #	DESCRIPTION	QTY.
▽	605177	●KIT, FLOOR & VACUUM, 279 MM (11 IN) DRY	1
▲▽ 1	6108.1	●WAND, TWO BEND ALUMINUM	1
▲	605257	●RING, LOCK	1
▲	600828	●NUT, WAND COUPLING	1

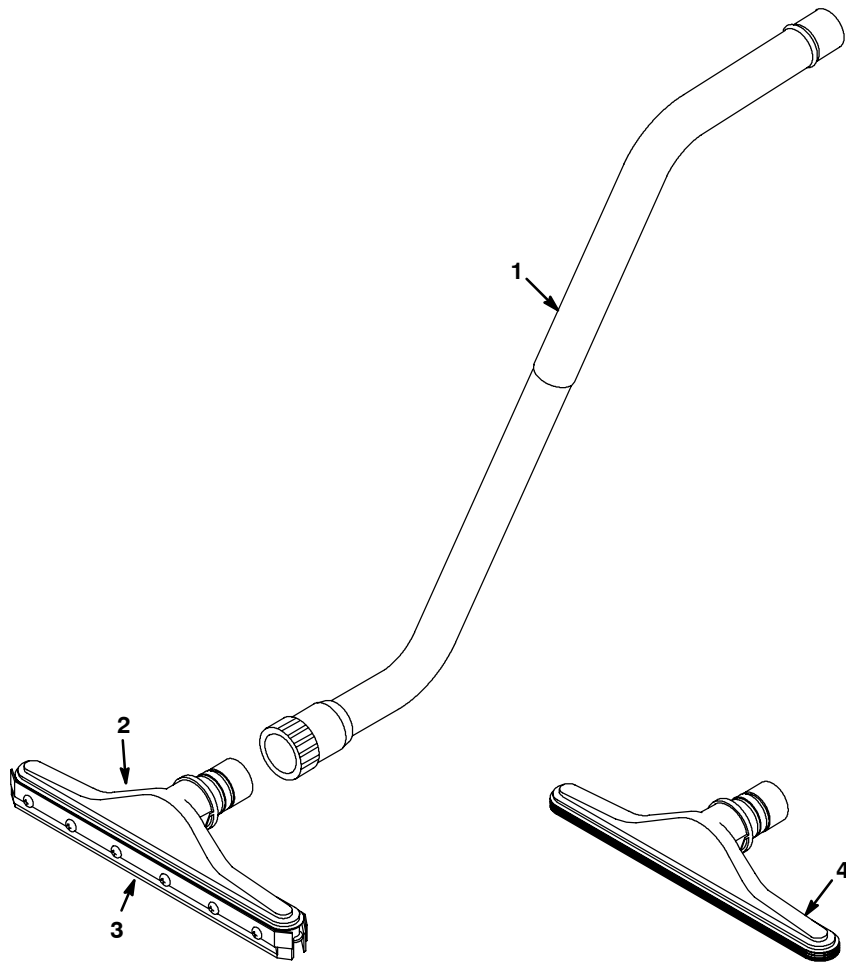
▽ ASSEMBLY / CONJUNTO

▲ INCLUDED IN ASSEMBLY / INCLUIDO EN EL CONJUNTO

● RECOMMENDED STOCK ITEMS / ARTICULOS RECOMENDADOS PARA MANTENER EN EXISTENCIA

REF	PART #	DESCRIPTION	QTY.
▲▽ 2	605136	●TOOL, FLOOR & RUG, 279 MM (11 IN)	1
▲ 3	605138	●BRUSH, REPLACEMENT	1
▲ 4	6057	●TOOL, UPHOLSTERY, 127 MM (5 IN)	1
▲ 5	6117	●BRUSH, DUSTING, 76 MM (3 IN)	1
▲ 6	6170	●TOOL, CREVICE, 279 MM (11 IN)	1

**FLOOR & CARPET TOOL KIT  
KIT DE HERRAMIENTA PARA LOS PISOS Y LA ALFOMBRA**



REF	PART #	DESCRIPTION	QTY.
▽	190142	●KIT, FLOOR/CARPET TOOL	1
▲▽ 1	190722	●WAND, TWO BEND, 2PC CHROME	1
▲	605257	●RING, LOCK	1
▲	600828	●NUT, WAND COUPLING	1

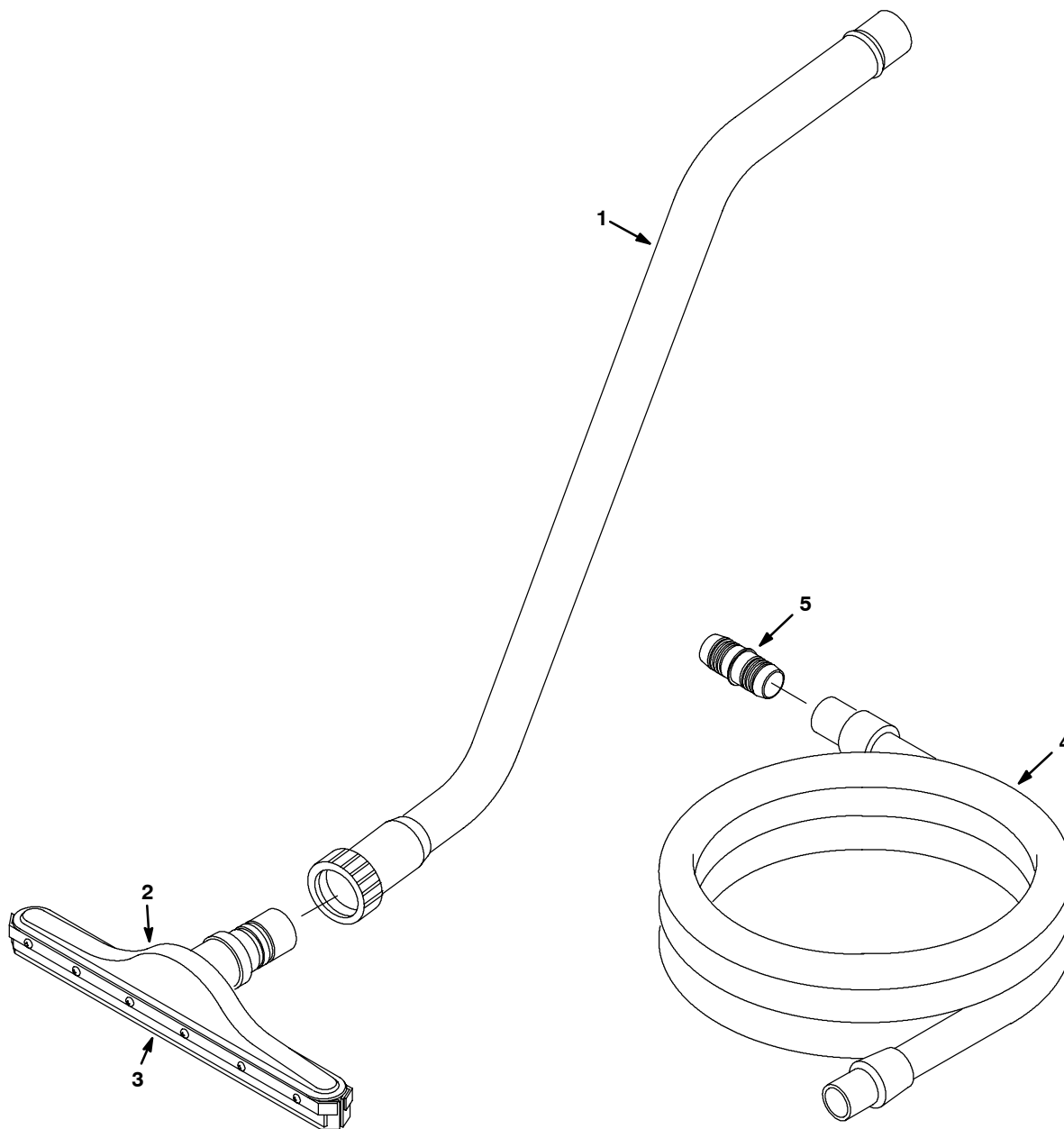
REF	PART #	DESCRIPTION	QTY.
▲▽ 2	13840	●SQUEEGEE ASSEMBLY, PUSH/PULL, 355 MM (14 IN)	1
▲ 3	605137	●BLADES, REPLACEMENT (SET/4)	1
▲ 4	603840	●TOOL, CARPET, SCALLOPED FACE, 355 MM (14 IN)	1

▽ ASSEMBLY / CONJUNTO

▲ INCLUDED IN ASSEMBLY / INCLUIDO EN EL CONJUNTO

● RECOMMENDED STOCK ITEMS / ARTICULOS RECOMENDADOS PARA MANTENER EN EXISTENCIA

WET PICK-UP TOOL KIT  
KIT DE HERRAMIENTA MOJADO



REF	PART #	DESCRIPTION	QTY.
▽	190928	●KIT, WET PICK-UP	1
▲▽ 1	6108.1	●WAND, TWO BEND ALUMINUM	1
▲	605257	●RING, LOCK	1
▲	600828	●NUT, WAND COUPLING	1
▲▽ 2	13840	●SQUEEGEE ASSEMBLY, PUSH/PULL, 355 MM (14 IN)	1
▲ 3	605137	●BLADES, REPLACEMENT (SET/4)	1

REF	PART #	DESCRIPTION	QTY.
▲ 4	160481	●HOSE, VAC, 1-1/2X3 M (10 FT)	1
▲ 5	160451	●CONNECTOR, 1-1/2 VAC HOSE	1

▽ ASSEMBLY / CONJUNTO

▲ INCLUDED IN ASSEMBLY / INCLUIDO EN EL CONJUNTO

● RECOMMENDED STOCK ITEMS / ARTICULOS RECOMENDADOS PARA MANTENER EN EXISTENCIA