

MM 105

6-84



280 **Parts Section**

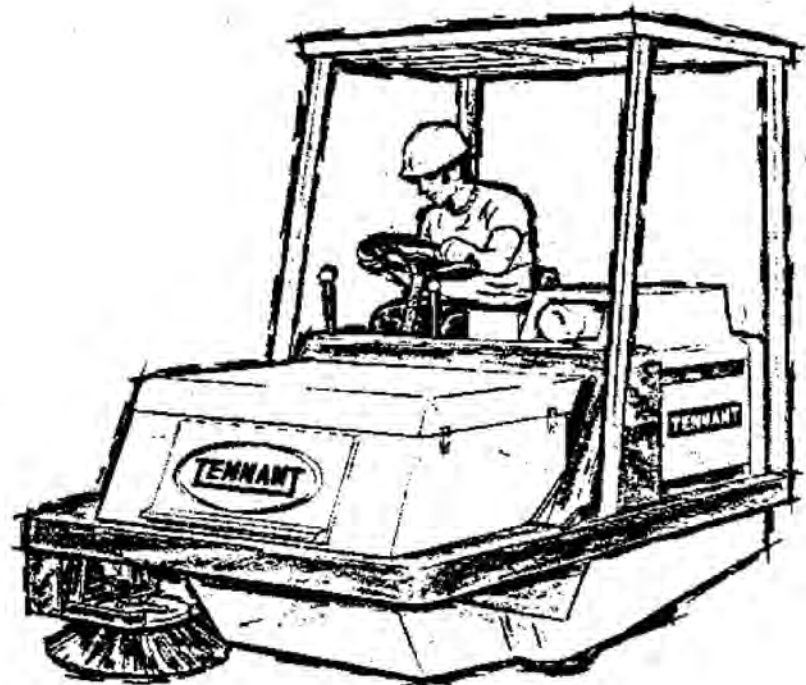
POWER SWEEPER

Operation, Maintenance, and Parts Manual

Gasoline, LPG, and Diesel Engine

Includes High Dump Model

First Serial Number 2206



SPECIALIZED MAINTENANCE EQUIPMENT
SWEEPERS • SCRUBBERS • SCARIFIERS • FLOOR COATINGS



280 POWER SWEEPER

This manual is furnished with each new TENNANT® Model 280. The machine operators will easily learn how to operate the machine and understand its mechanical functions by following the directions and absorbing the information in the Operation section.

This machine will give excellent service and sweeping results, and save maintenance expenses. However, as with all specially engineered mechanical equipment, best results are obtained at minimum costs if:

- The machine is operated with reasonable care and
- The machine is maintained regularly — per the maintenance instructions provided.
- Components used in this machine have been carefully selected for performance and safety. Use only Tennant Company supplied or equivalent parts.

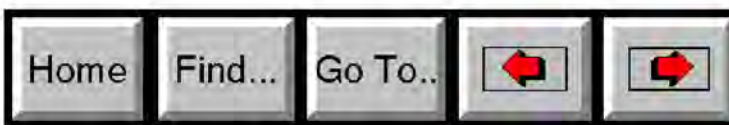
Parts and supplies may be ordered by phone or mail from any Tennant Company parts and service center, distributor, or from any of the Tennant Company subsidiaries.

The telephone, telex, mailing addresses, and locations are listed on the last page of the manual.

MANUAL NO. MM105
Published: 6-84

Trademark Registered in: Austria, Bolivia, Denmark, England, France, Germany, Italy, Spain, Switzerland, United States, Argentina, Australia, Canada, Japan, Mexico, Sweden, by TENNANT COMPANY, Minneapolis, Minnesota, U.S.A.

©1984, Tennant Company, Printed in U.S.A.



TENNANT COMPANY WARRANTY POLICY

Tennant Company warrants to the original purchaser, for the period of one (1) year from the date of delivery, that goods manufactured by it will be free from defects of workmanship and material, provided such goods are installed, operated, and maintained in accordance with Tennant Company written manuals or other instructions.

Tennant Company's sole obligation, and Purchaser's sole remedy under this warranty for all claims arising out of the purchase and use of the goods, shall be limited to the repair or replacement, at Tennant Company's option, of parts that do not conform to this Warranty.

For thirty (30) days from date of installation, Tennant Company will, at its option, provide labor for repair, pay for outside repair service, or pay the customer straight time in accordance with Tennant Company's flat rate schedule for particular warranty repairs. Thereafter, Tennant Company's sole obligation shall be limited to the repair or replacement, at Tennant Company's option, of parts that do not conform to this Warranty.

Repair parts supplied by Tennant Company are warranted for the period of thirty (30) days following installation. Tennant Company's obligation is limited to the replacement of the warranted part, and Tennant Company shall not be obligated to provide labor in installing such part.

Battery and tires will be replaced if failure occurs due to defective material or workmanship within 90 days from date of purchase. Thereafter, a pro rata adjustment from date of purchase to 12 months will be made. The pro rata adjustment price of the new battery and/or the new tire will be the Tennant Company current price as of the adjustment request less 1/12th of that price for each month remaining in the 12-month period. All warranty applies only to batteries and tires purchased from Tennant Company and installed in vehicles used in normal service.

Brushes that fail due to defective material or workmanship will be replaced on a pro rata basis within the first 12 months of purchase. The replacement price will be calculated by multiplying the current Tennant Company price by the percentage of usable bristle remaining at the time of adjustment.

No Warranty is made with respect to items made by others when such items are warranted by their respective makers or when they are supplied by Tennant Company on special order.

This Warranty shall not cover:

- A. Floor materials or application, and models 140 and 140E.
- B. Maintenance items, adjustments, or installation of machines.
- C. Repairs required as a result of failure due to normal wear, accidents, misuse, abuse, negligence, or improperly installed repair parts.
- D. Products altered or modified in a manner not authorized by Tennant Company in writing.

THIS WARRANTY IS EXPRESSLY IN LIEU OF ALL OTHER EXPRESSED OR IMPLIED WARRANTIES INCLUDING THE WARRANTIES OF MERCHANTABILITY AND FITNESS AND OF ALL OTHER OBLIGATIONS AND LIABILITIES ON THE PART OF TENNANT COMPANY, INCLUDING LIABILITIES FOR DIRECT, IMMEDIATE, SPECIAL, INDIRECT, OR CONSEQUENTIAL DAMAGES ARISING OUT OF THE FAILURE OF ANY MACHINE OR PART OF IT TO OPERATE PROPERLY, INCLUDING THE COST OR EXPENSE OF PROVIDING SUBSTITUTE EQUIPMENT OR SERVICE DURING PERIODS OF MALFUNCTION OR NON-USE.

This Warranty cannot be extended, changed, or modified by any representative of Tennant Company.

Dear Customer,

Keeping you as a satisfied customer is our primary concern. If for any reason you are not satisfied, please contact anyone of the persons listed below.

One of the addresses is your local engine dealer. We will handle replacements on all parts of our equipment but this dealer probably carries a more complete stock of engine parts than we do and should be able to give you faster service in this area. Try him first for engine parts. Also, your engine dealer should be contacted first for warranty claims pertaining to the engine.

If you find that you need an experienced mechanic, please contact anyone listed below and he will be happy to recommend a mechanic to you.

To get maximum trouble free service from your machine, you must perform maintenance checks as specified in the machine manual and arrange for maintenance on a regular basis. Remember that breakdowns are directly related to maintenance.

TENNANT COMPANY

Tennant Company
P. O. Box 1452
Minneapolis, MN 55440
(612) 540-1200

TENNANT COMPANY REPRESENTATIVE

ENGINE DEALER

POWER SWEEPER - 280 MM105 (9-83) LITHO IN U.S.A.

SECTION 5 STANDARD PARTS

CONTENTS

	Page
Ordering Repair Parts.....	5-1
Fig. 1 - Main Frame Group.....	5-2
Fig. 2 - Engine Cover and Door Group.....	5-4
Fig. 3 - Instrument Panel Group.....	5-5
Fig. 4 - Seat and Support Group.....	5-6
Fig. 5 - Battery Group.....	5-7
Fig. 6 - Engine Group.....	5-8
Fig. 7 - Air Cleaner Group.....	5-10
Fig. 8 - Muffler Group.....	5-11
Fig. 9 - Radiator Group.....	5-12
Fig. 10 - Fuel Tank Group.....	5-14
Fig. 11 - Overhead Guard Group.....	5-15
Fig. 12 - Hopper Group.....	5-16
Fig. 13 - Filter Bag and Shaker Motor Group.....	5-17
Fig. 14 - Vacuum Fan Group.....	5-18
Fig. 15 - Steering Wheel Group.....	5-19
Fig. 16 - Front Wheels and Brake Group.....	5-20
Fig. 17 - Rear Wheel Assembly.....	5-23
Fig. 18 - Rear Wheel Support Group.....	5-24
Fig. 19 - Side Brush Group.....	5-25
Fig. 20 - Main Brush Lift and Drive Group.....	5-26
Fig. 21 - Hydraulic System.....	5-28
Fig. 22 - Hydraulic Reservoir Assembly.....	5-29
Fig. 23 - Hydraulic Reservoir Group.....	5-30
Fig. 24 - Rear Wheel Drive Motor Group.....	5-31
Fig. 25 - Control Valve, Lift Cylinder and Filter Group.....	5-32
Fig. 26 - Brush Drive Motor and Valve Group.....	5-34
Fig. 27 - Propelling Pump Group.....	5-36

NOTE: Section 5, Standard Parts, lists every repair part of a gasoline powered, standard, Model 280. This section also contains parts common to all models of the 280. See Section 6, LPG Parts, or Section 7, Diesel Parts for repair parts unique to machines powered by those fuels.

ORDERING REPAIR PARTS

To avoid errors or delays in filling parts orders, please furnish all of the following information.

1. Always specify the machine model number and the machine serial number shown on the machine data plate.



2. Give the part number, description, and quantity needed of each item on the order. Do not order by the reference number or the figure number of the illustrated parts.
3. Indented items indicate parts of assemblies. Standard hardware is furnished only when part of a purchased assembly. Please order hardware from a local hardware supplier.
4. If the old part cannot be identified, send it to us with the quantity needed specified on the order.
5. State definite shipping instructions to include the shipping address and/or the billing address if there is a difference. Any claim for loss or damage to a shipment in transit should be filed promptly against the transportation company making the delivery. Shipments will be complete unless the packing list or order acknowledgment indicate items back ordered.

If parts received are suspected to be incorrect or defective, please write, wire, or phone the Tennant Company representative from whom you ordered the part. They will give authorization for return and/or handle replacement shipment when required.

SI (INTERNATIONAL SYSTEM) UNITS OF MEASURE

Metric equivalents have been included, where applicable, throughout this parts catalog.

BOLT AND CAP SCREW STRENGTH IDENTIFICATION

Bolts and cap screws required to have high-strength qualities equivalent to SAE Grade 8 are identified throughout this catalog by the description GR 8. Unless identified by this description, all standard bolts and cap screws are SAE Grade 5.

SERIAL NUMBER INFORMATION EXPLANATION

Serial number information is listed parenthetically to show on which machines each part can be used. These listings are explained by the following examples.

() The part can be used on all machines.

(0000001234-) The part can be used on all machines beginning with the serial number listed.

(0000000000-0000001234) The part can be used on all machines up to and including serial number listed.

(0000001234-0000005678) The part can be used on all machines between and including the serial numbers listed.

Where XXXXX's are listed in place of a serial number, it indicates a serial number change was made but the exact serial number had not been established when the catalog went to press.

(Specifications and design subject to change without notice.)

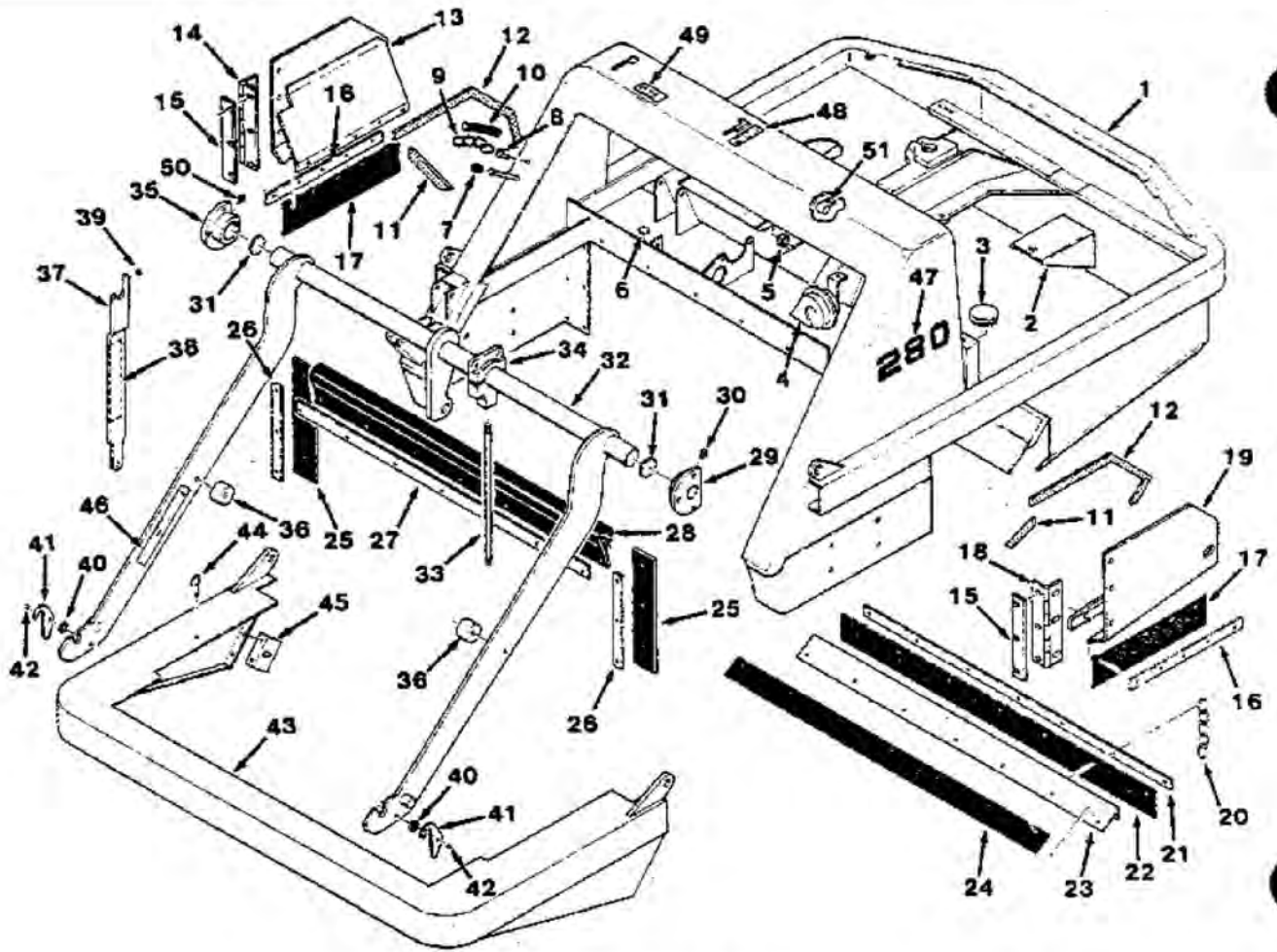


FIG. 1 - MAIN FRAME GROUP

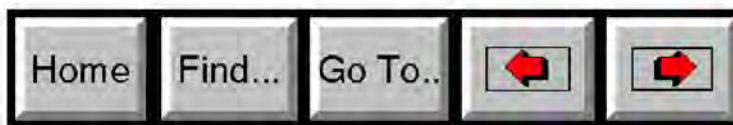
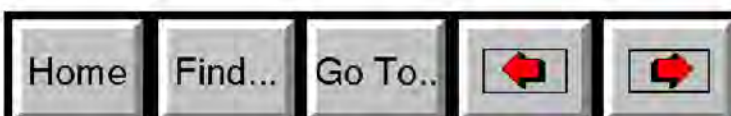


FIG. 1 - MAIN FRAME GROUP

01845

KEY	TENNANT® PART NO.	MACHINE SERIAL NUMBER	DESCRIPTION	QTY.
1	33504	(0000002206-) FRAME, Main	1
2	54863	(0000002206-) PLATE, Engine mount	1
3	47178-18	(0000002206-) PLUGBUTTON	1
4	14138A	(0000002206-) HORN	1
5	10632-15	(0000002206-) GROMMET	1
6	46213	(0000002206-) PLUGBUTTON	1
7	43250	(0000002206-) TIP, Rubber	1
8	11893	(0000002206-) BOLT, Eye	1
9	46307	(0000002206-) CHAIN, Link	1
10	46567	(0000002206-) HOSE, Neoprene	1
11	53974	(0000002206-) SEAL, Foam rubber	2
12	53052	(0000002206-) SEAL, Foam rubber	2
13	SK2515	(0000002206-xxxxxxx)	REPLACEMENT KIT, Brush door, R.H., for weld-on hinge	1
13	SK2726	(xxxxxxx-0000005555)	REPLACEMENT KIT, Brush door, R.H.	1
13	33761	(0000005556-) DOOR, Brush, R.H.	1
14	32885	(xxxxxxx-)) HINGE, Door, R.H.	1
15	23752-2	(0000002206-xxxxxxx)	SHIM	2
16	45857	(0000002206-) STRIP, Skirt retainer	2
17	23275	(0000002206-) SKIRT, Shroud	2
18	32886	(xxxxxxx-)) HINGE, Door, L.H.	1
19	SK2514	(0000002206-xxxxxxx)	REPLACEMENT KIT, Brush door, L.H., for weld-on hinge	1
19	SK2724	(xxxxxxx-0000005555)	REPLACEMENT KIT, Brush door, L.H.	1
19	33759	(0000005556-) DOOR, Brush, L.H.	1
20	09342	(0000002206-) CHAIN LINK	1
21	23268-1	(0000002206-) STRIP	1
22	53137	(0000002206-) SKIRT	1
23	53219	(0000002206-) ANGLE, Skirt mounting	1
24	53298	(0000002206-) SKIRT	1
25	23382	(0000002206-) SEAL, Side pan	2
26	23384-2	(0000002206-) STRIP	2
27	53143	(0000002206-) STRIP	1
28	23386	(0000002206-) SEAL, Top pan	1
29	23455-2	(0000002206-) BEARING, Torque tube, L.H.	1
30	07259	(0000002206-) FITTING, Grease	1
31	23138	(0000002206-) SHIM	2
32	53056	(0000002206-) ARM, Lift	1
33	23583-2A	(0000002206-) STUD	1
34	23580-2	(0000002206-) BEARING, Torque tube, center	1
35	23454-2	(0000002206-) BEARING, Torque tube, R.H.	1
36	23452-2	(0000002206-) CAM, Pan adjustment	2
37	47907	(0000002206-) ARM ASSEMBLY, Hopper stop	1
38	47892	(0000002206-) DECAL, Caution	1
39	56855	(0000002206-) BUMPER, Rubber	1
40	46147	(0000002206-) WASHER, Neoprene	2
41	46132	(0000002206-) HOOK	2
42	46137	(0000002206-) SLEEVE	2
43	53847	(0000002206-) BUMPER, Hinged	1
44	21097	(0000002206-) HOOK, Eyebolt	1
45	24528	(0000002206-) BRACKET, L	1
46	47892	(0000002206-) DECAL, Caution	1
47	53333	(0000002206-) DECAL, 280	2
48	51773	(0000002206-) DECAL, Main brush lift	1
49	23144	(0000002206-) DECAL, Tire pressure	1
50	08407	(0000002206-) FITTING, Grease	1
51	06777	(0000002206-) CLAMP, Cable	1



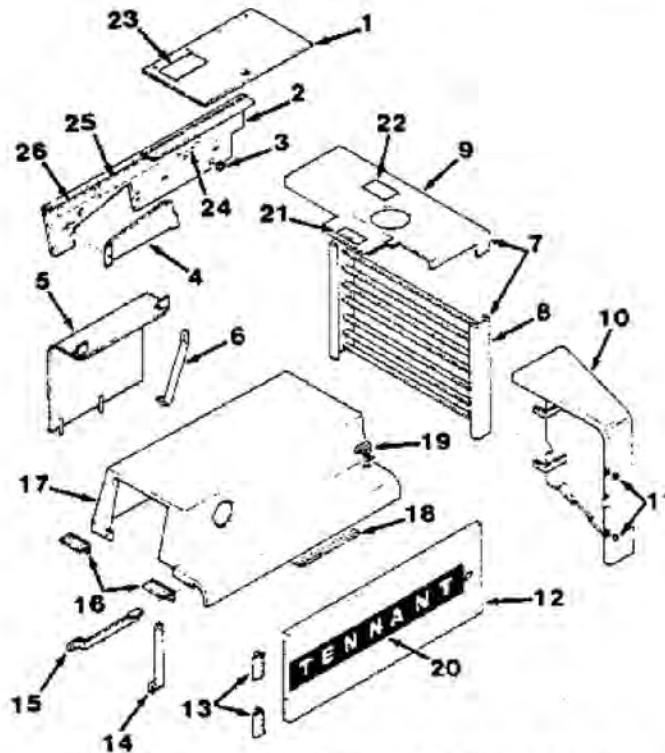


FIG. 2 - ENGINE COVER AND DOOR GROUP

01848

KEY	TENNANT* PART NO.	MACHINE SERIAL NUMBER	DESCRIPTION	QTY
1	53800	(-)	DOOR, Instrument panel	1
2	SK1544	(0000000000-xxxxxxxxxx)	REPLACEMENT KIT, Engine cover panel	1
2	47590	(xxxxxxxxxx-)	PANEL, Engine cover	1
3	10632-9	(-)	GROMMET	1
4	54371-1	(-)	PANEL, Access	1
5	32820	(-)	PANEL	1
6	54157	(-)	BRACE	1
7	SK1500	(0000000000-0000004666)	REPLACEMENT KIT, Grille and top	1
8	39228	(0000004667-)	GRILLE	1
9	48647	(0000004667-)	TOP, Rear	1
10	53849A	(-)	PANEL, Corner, L.H.	1
11	51787	(-)	BUMPER, Rubber	4
12	50847	(-)	DOOR, Engine side	1
13	47692	(-)	HINGE	2
14	37093	(-)	ARM, Hinge	1
15	37091	(-)	ARM, Hinge	1
16	47700	(-)	HINGE	2
17	SK2427	(0000000000-0000004666)	REPLACEMENT KIT, Engine cover	1
17	53807B	(0000004667-)	COVER, Engine	1
18	53970	(-)	INSULATION, Cover	1
19	51375	(0000004667-)	FASTENER	1
20	46193	(-)	DECAL, TENNANT®	1
21	62088	(-)	DECAL, Caution, rotating fan	1
22	51368	(-)	DECAL, Warning, keep radiator fins	1
23	48242	(-)	DECAL, Alternator	1
24	36603	(-)	DECAL, Patent, power sweeper	1
25	47892	(-)	DECAL, Caution	1
26	47682	(-)	DECAL, Valve	1

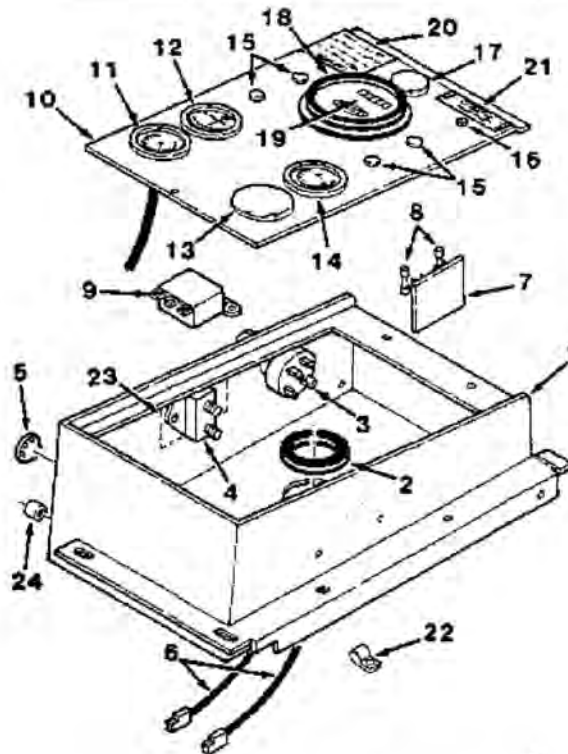


FIG. 3 - INSTRUMENT PANEL GROUP

01849

KEY	TENNANT® PART NO.	MACHINE SERIAL NUMBER	DESCRIPTION	QTY.
1	54721	(-)	PANEL, Instrument	1
2	56390	(-)	GROMMET	1
3	62530	(-)	SWITCH, Ignition	1
4	62530-1	(-)	KEY SET, Ignition	1
4	44078	(-)	SWITCH, Pushbutton	1
5	47178-2	(-)	PLUGBUTTON	1
6	24108	(-)	LEAD, Shaker motor	2
7	44080	(-)	BLOCK, Fuse	1
8	14215	(-)	FUSE, 20 A	2
9	32300	(-)	RELAY, Horn	1
10	53513	(-)	COVER, Instrument panel	1
11	52528	(-)	GAUGE, Temperature	1
12	54180	(-)	AMMETER	1
13	47178-12	(-)	PLUGBUTTON	1
14	47436	(-)	GAUGE, Oil pressure	1
15	47178-4	(-)	PLUGBUTTON	4
16	47178-11	(-)	PLUGBUTTON	1
17	47178-13	(-)	PLUGBUTTON	1
18	28838	(-)	DAMPNER, Engine hour meter	1
19	24518	(-)	METER, Engine hour	1
20	47852	(-)	DECAL, Caution, battery leads	1
21	53299	(-)	DECAL, Throttle	1
22	09385	(-)	CLAMP, Cable	1
23	53920	(-)	DECAL, Filter shaker	1
	54418B	(-)	WIRE HARNESS	1
	49287	(-)	CLAMP, Cable	1
24	53051A	(-)	SPACER	1

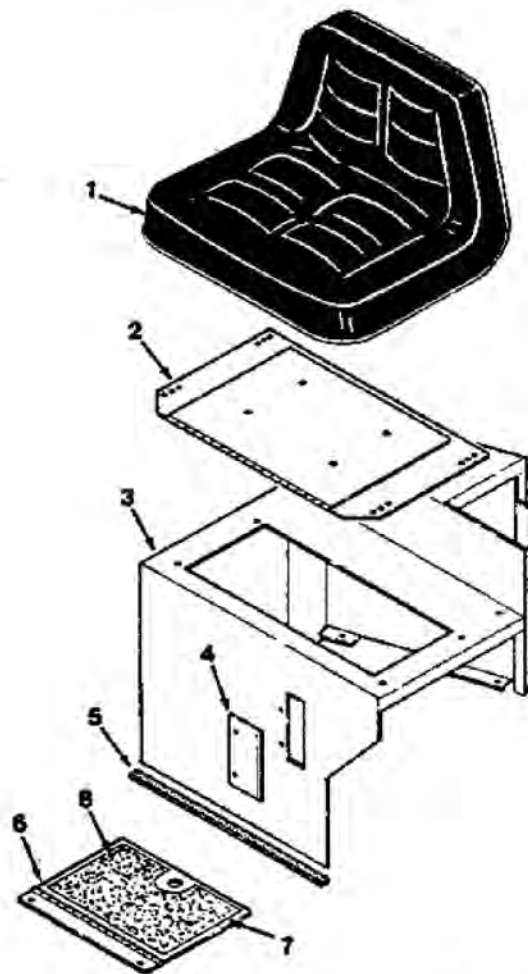
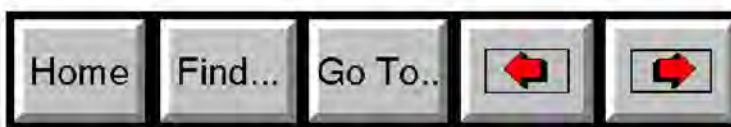


FIG. 4 - SEAT AND SUPPORT GROUP

01847

KEY	TENNANT® PART NO.	MACHINE SERIAL NUMBER	DESCRIPTION	QTY.
	48324	(-)	SEAT ASSEMBLY	1
1	53871	(-)	SEAT	1
2	53844	(-)	MOUNT, Seat	1
3	53729A	(-)	SUPPORT, Seat	1
4	53128	(-)	PLATE, Cover	1
5	23826	(-)	SEAL, Seat support	1
6	53465-2	(-)	COVER, Battery	1
7	32270	(-)	TREAD, Floor	1
8	47852	(-)	DECAL, Caution, battery leads	1



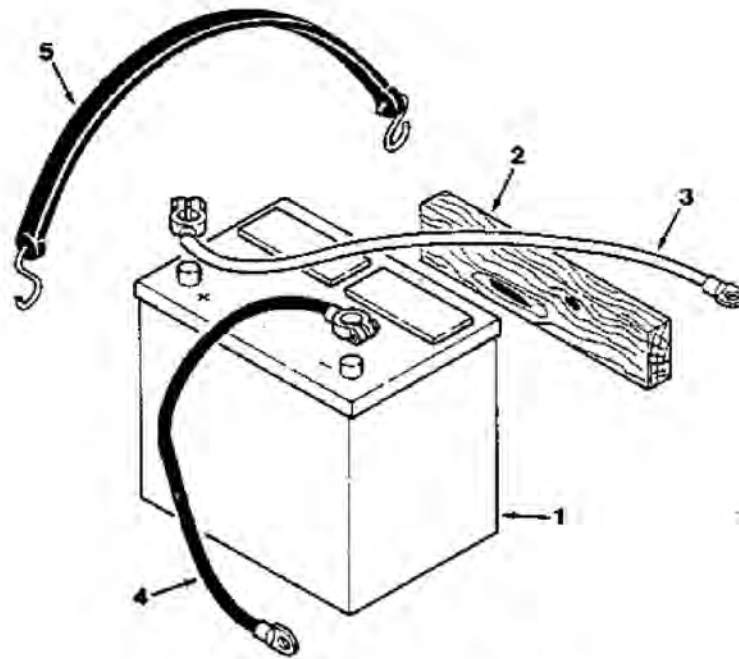
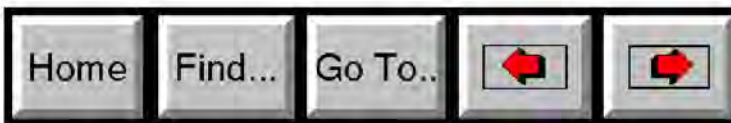


FIG. 5 - BATTERY GROUP

01852

KEY	TENNANT® PART NO.	MACHINE SERIAL NUMBER	DESCRIPTION	QTY.
1	37183	(-)	BATTERY	1
2	46391	(-)	SPACER, Wood	1
3	76313	(-)	CABLE, Battery, positive	1
4	40681-1	(-)	CABLE, Battery, negative	1
5	33671	(-)	STRAP, Rubber	1



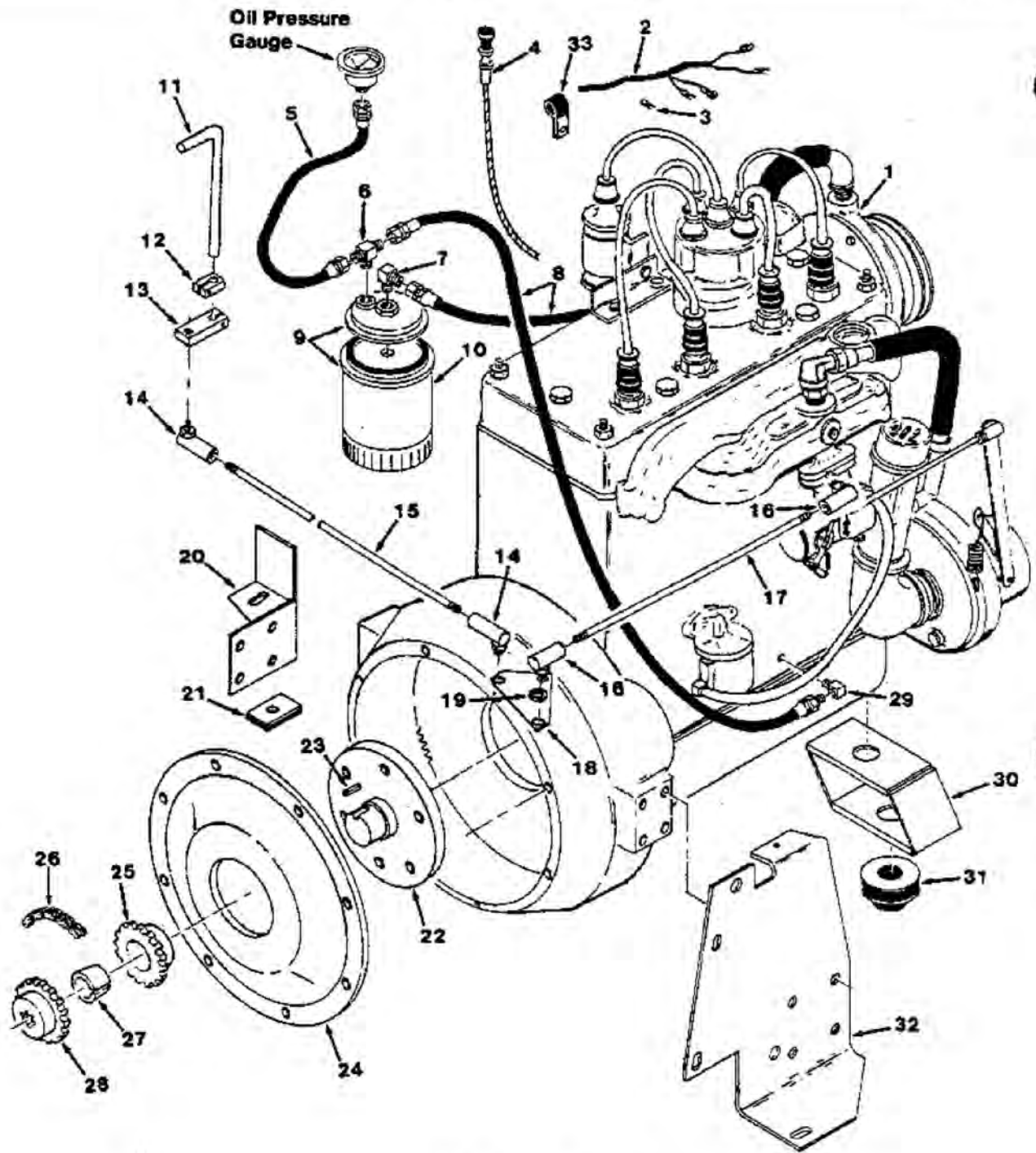


FIG. 6 - ENGINE GROUP

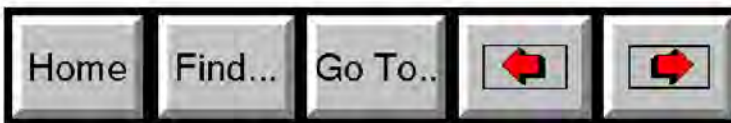


FIG. 6 - ENGINE GROUP

01873

KEY	TENNANT* PART NO.	MACHINE SERIAL NUMBER	DESCRIPTION	QTY.
1	SK2246	(0000000000-0000004517)	REPLACEMENT KIT, Engine	1
1	53988D-1	(0000004518-)	ENGINE	1
2	54414A	(0000002206-)	WIRE HARNESS, Engine	1
3	45333	(0000002206-)	TERMINAL	1
4	53140	(0000002206-)	CABLE ASSEMBLY, Choke	1
5	53074	(0000002206-)	HOSE	1
6	53071	(0000002206-)	FITTING, Tee	1
7	06507	(0000002206-)	FITTING, Elbow	1
8	11987	(0000002206-)	HOSE	2
9	53055	(0000002206-)	FILTER ASSEMBLY, Oil	1
10	53055-2	(0000002206-)	ELEMENT, Oil filter	1
11	53267	(0000002206-)	LEVER, Throttle	1
12	53290	(0000002206-)	CLAMP, Stop	1
13	53270	(0000002206-)	PIVOT, Arm	1
14	14601	(0000002206-)	BALL JOINT	2
15	53925	(0000002206-)	STUD	1
16	53414	(0000002206-)	BALL JOINT	2
17	53926	(0000002206-)	STUD	1
18	53940	(0000002206-)	PIVOT, Throttle	1
19	54160	(0000002206-)	SLEEVE	1
20	53863	(0000002206-)	MOUNT, Engine, R.H.	1
21	53544	(0000002206-)	ISOLATOR, Rear vibration	1
22	47691	(0000002206-)	ADAPTOR, Drive pump	1
23	00926	(0000002206-)	KEY, Square	1
24	53012	(0000002206-)	HOUSING, Drive	1
25	53531-2	(0000002206-)	COUPLING, Chain	1
26	53392-3	(0000002206-)	CHAIN, Coupling	1
27	15280-1	(0000002206-)	BUSHING	1
	39330	(0000002206-)	SCREW, Set	2
28	53386-1	(0000002206-)	COUPLING, Spline	1
29	11984	(0000002206-)	FITTING, Elbow	1
30	54151	(0000002206-)	ADAPTOR, Engine	1
31	53543	(0000002206-)	ISOLATOR, Rear vibration	1
32	53862A	(0000002206-)	BRACKET, Mounting	1
33	40678-1	(0000002206-)	CLAMP, Cable	1

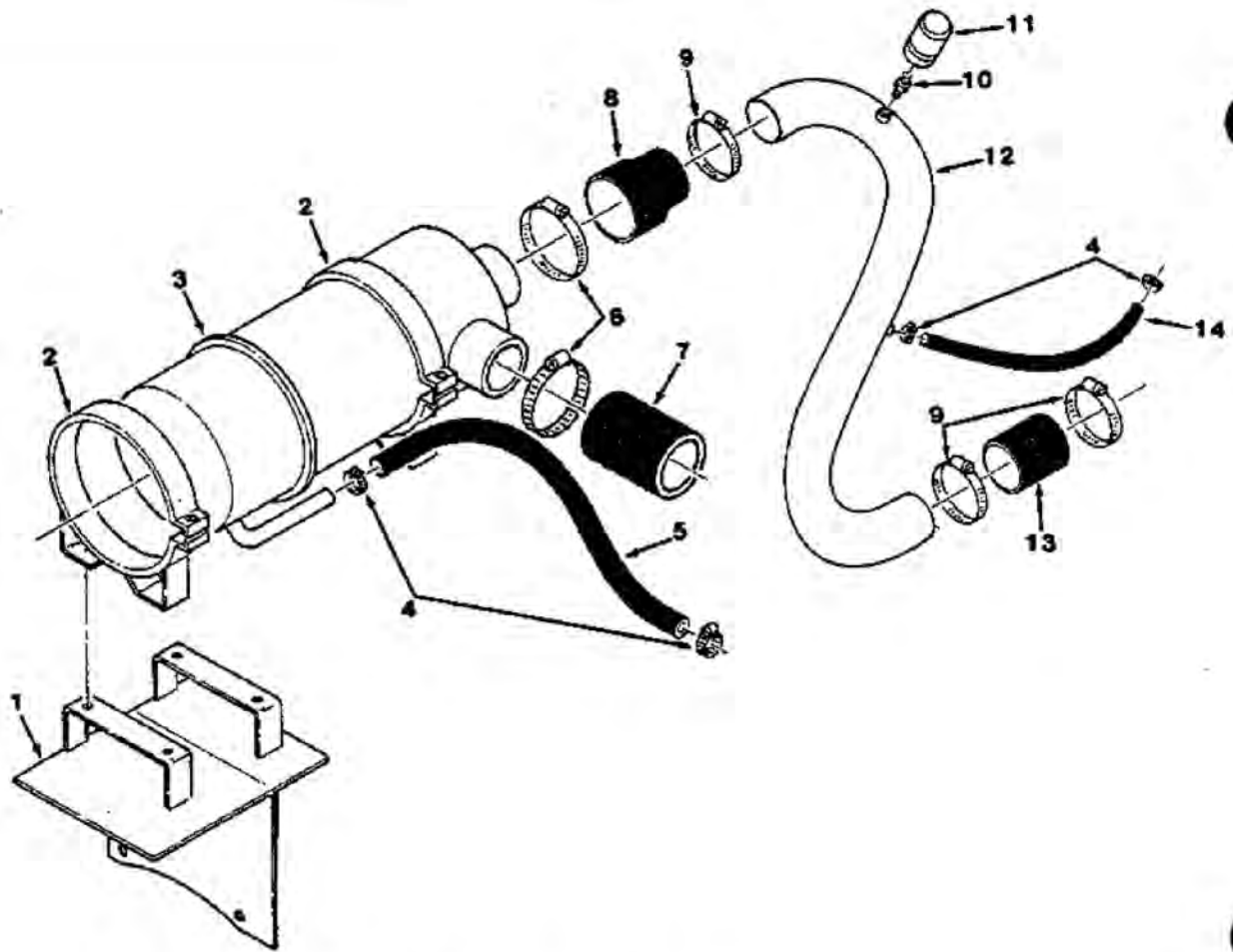
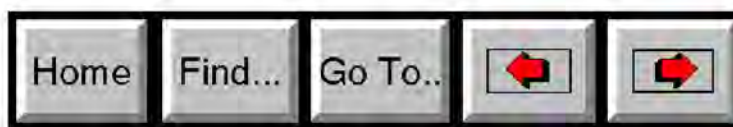


FIG. 7 - AIR CLEANER GROUP

01854

KEY	TENNANT* PART NO.	MACHINE SERIAL NUMBER	DESCRIPTION	QTY.
1	54145	(0000002206-) MOUNT, Air cleaner	1
2	51560-3	(0000002206-) CLAMP, Mounting	2
3	54141	(0000002206-) BODY, Air cleaner	1
	51561	(0000002206-) ELEMENT, Air cleaner	1
4	54333	(0000002206-) CLAMP, Worm drive	4
5	54286	(0000002206-) HOSE, Rubber	1
6	22297	(0000002206-) CLAMP, Worm drive	2
7	15543	(0000002206-) COUPLING, Air cleaner tube	1
8	54159	(0000002206-) ADAPTOR, Molded	1
9	11531	(0000002206-) CLAMP, Worm drive	3
10	51560-5	(0000002206-) FILTER, Service indicator	1
11	52033	(0000002206-) INDICATOR, Filter service	1
12	SK1473	(0000002206-xxxxxxxxxx)) REPLACEMENT KIT, Tube	1
12	47666	(xxxxxxxxxxx-) TUBE, Air cleaner	1
13	53921	(0000002206-) HOSE, Radiator	1
14	47667	(0000002206-) HOSE, Rubber	1



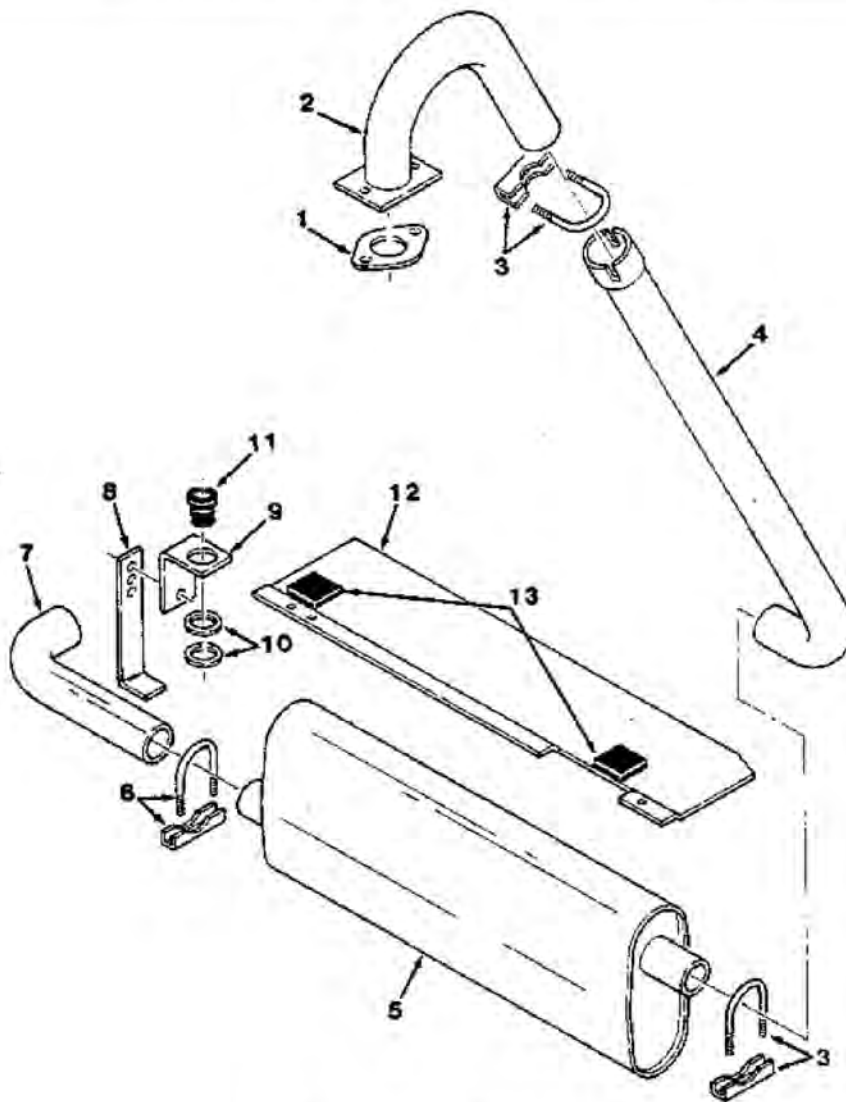


FIG. 8 - MUFFLER GROUP

01866

KEY	TENNANT® PART NO.	MACHINE SERIAL NUMBER	DESCRIPTION	QTY.
1	53988-4	(-)	GASKET, Exhaust outlet	1
2	53823	(-)	TUBE, Exhaust	1
3	24012	(-)	CLAMP, Muffler	2
4	24011	(-)	PIPE, Exhaust	1
5	53820	(-)	MUFFLER	1
6	23693	(-)	CLAMP, Muffler	1
7	53884	(-)	PIPE, Tail	1
8	47990	(-)	BRACKET, L	1
9	47989	(-)	BRACKET, L	1
10	09832	(-)	WASHER	2
11	54274	(-)	ISOLATOR, Vibration	1
12	50963	(-)	SHIELD ASSEMBLY, Muffler	1
13	50962	(-)	PAD, Neoprene	2

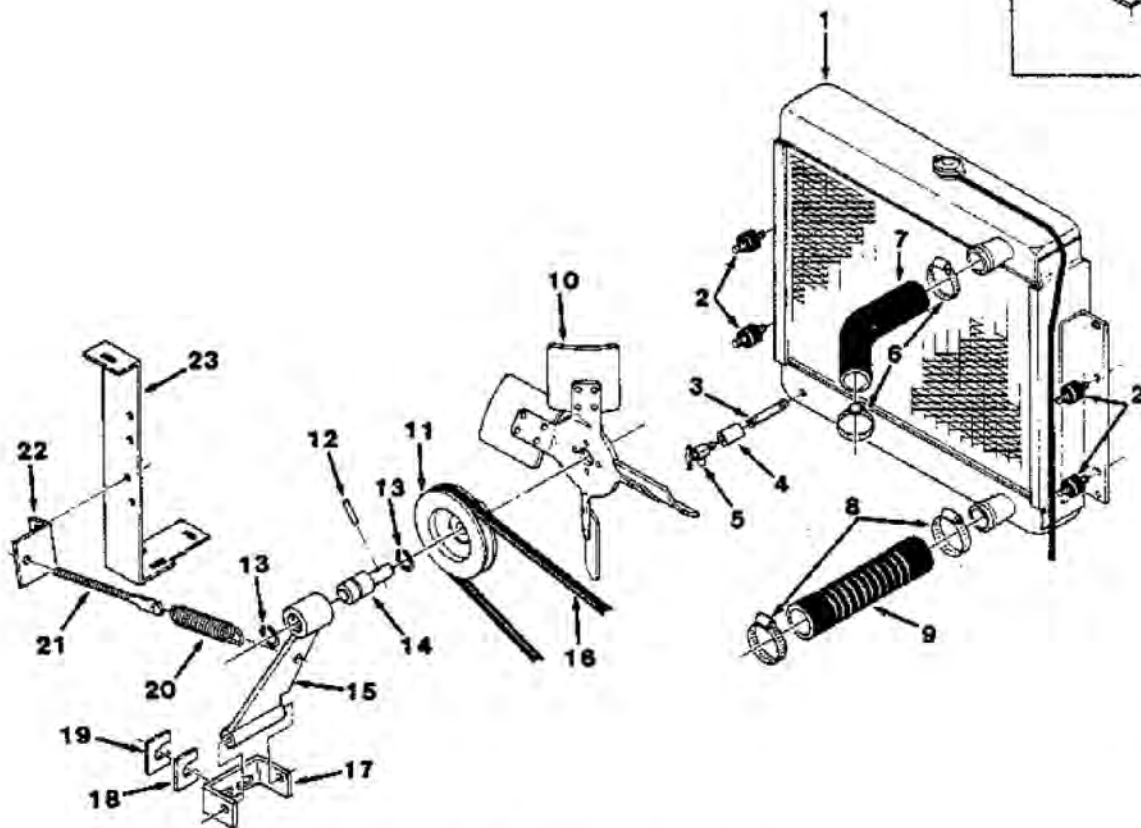


FIG. 9 - RADIATOR GROUP

FIG. 9 - RADIATOR GROUP

00358

KEY	TENNANT® PART NO.	MACHINE SERIAL NUMBER	DESCRIPTION	QTY.
1	SK2411	(0000002206-0000004660)	REPLACEMENT KIT, Radiator, grill and fan	1
1	SK2487	(0000002206-0000004660)	REPLACEMENT KIT, Radiator	1
1	48652	(0000004661-)	RADIATOR	1
	48655	(0000004661-)	CAP, Radiator	1
2	51322	(0000002206-)	DAMPNER, Radiator	4
3	26385	(0000002206-)	FITTING, Nipple	1
4	26897	(0000002206-)	FITTING, Coupling	1
5	51305	(0000002206-)	DRAIN COCK	1
6	11531	(0000002206-)	CLAMP, Worm drive	2
7	69744	(0000002206-)	HOSE, Radiator	1
8	11531	(0000002206-)	CLAMP, Worm drive	2
9	10323	(0000002206-)	HOSE, Radiator	1
10	48648	(0000002206-)	FAN, Radiator	1
	53803	(0000002206-)	MOUNT ASSEMBLY, Fan	1
11	53867	(0000002206-)	SHEAVE	1
12	11398	(0000002206-)	PIN, Roll	1
13	23217	(0000002206-)	RING, Retaining, internal	2
14	28868	(0000002206-)	BEARING AND SHAFT	1
15	53673	(0000002206-)	ARM, Fan	1
16	50862	(0000002206-)	V-BELT	1
17	53792	(0000002206-)	BRACKET, Fan	1
18	14896-1	(0000002206-)	SHIM, 0.05" (1.0 mm)	1
19	14896-3	(0000002206-)	SHIM, 0.01" (0.5 mm)	1
20	50864	(0000005381-)	SPRING, Tension	1
21	42331-1	(0000005381-)	BOLT, Eye	1
22	50825	(0000005381-)	BRACKET, Fan drive spring	1
23	50824	(0000005381-)	BRACKET, Support	1
24	SK2564	(0000002206-0000005380)	SPRING LOADED FAN DRIVE KIT	1



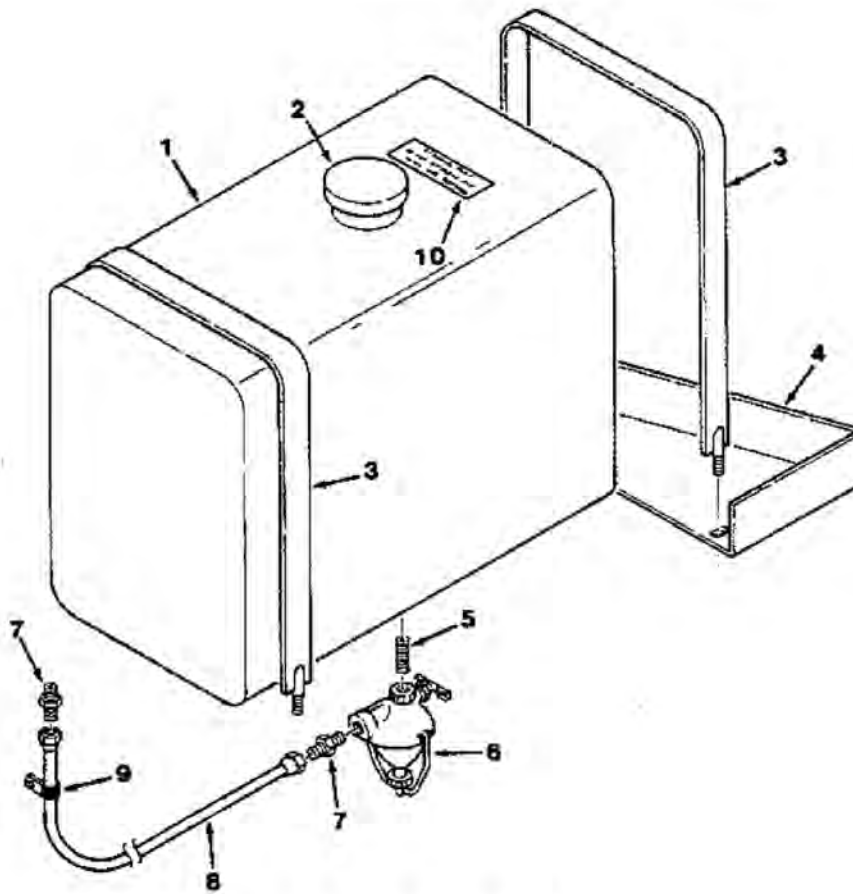


FIG. 10 - FUEL TANK GROUP

01871

KEY	TENNANT® PART NO.	MACHINE SERIAL NUMBER	DESCRIPTION	QTY.
1	23390	{ - }	TANK, Fuel	1
2	48267	{ - }	CAP, Fuel tank	1
3	23254	{ - }	STRAP, Tank	1
4	53014	{ - }	SHIELD, Fuel	1
5	17413	{ - }	FITTING, Nipple	1
6	04601	{ - }	STRAINER, Fuel	1
7	22383	{ - }	FITTING, Straight	2
8	53390	{ - }	FUEL LINE ASSEMBLY	1
9	46236	{ - }	CLAMP, Cable	1
10	19048	{ - }	DECAL, Gasoline only	1

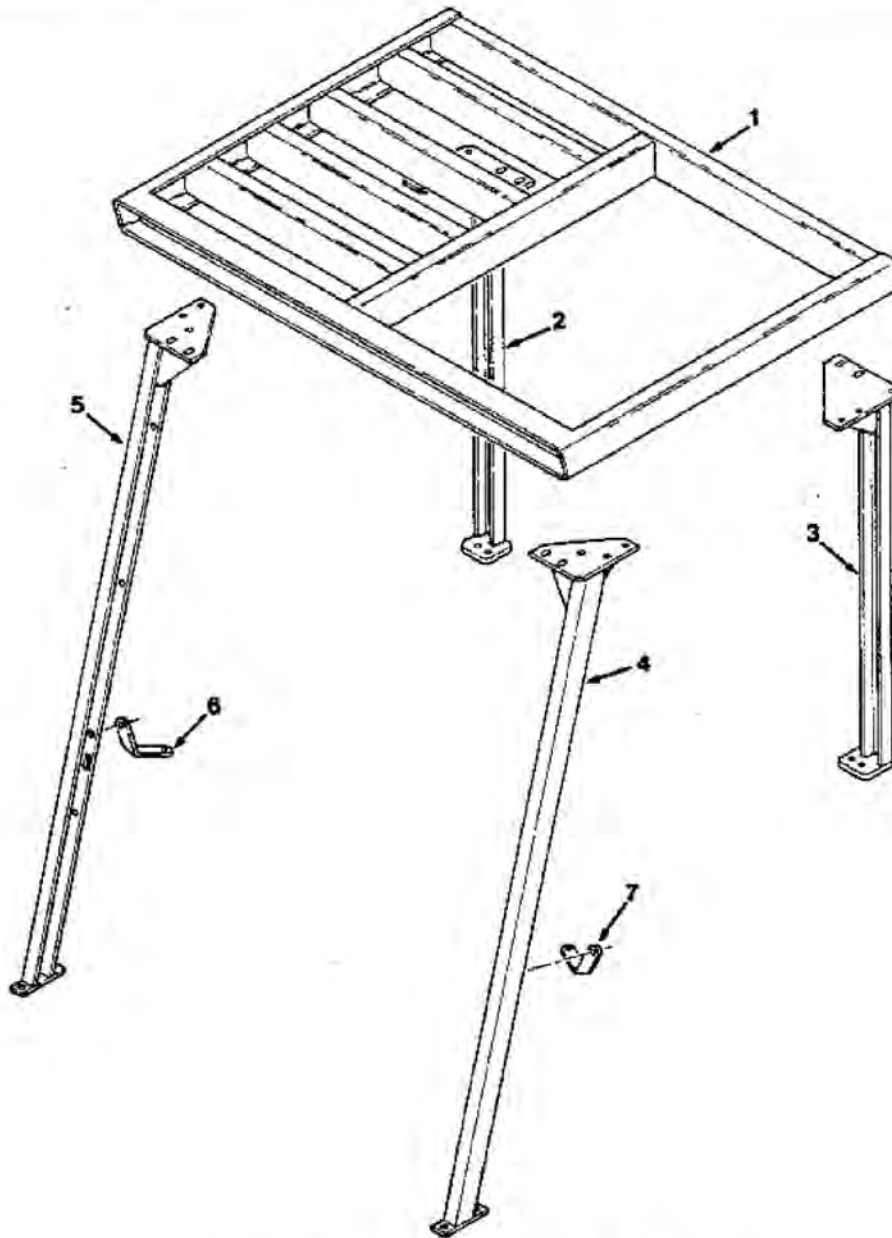


FIG. 11 - OVERHEAD GUARD GROUP

01893

KEY	TENNANT® PART NO.	MACHINE SERIAL NUMBER	DESCRIPTION	QTY.
1	50401	(-)	GUARD, Top	1
2	50403A	(-)	LEG, Rear, R.H.	1
3	50402A	(-)	LEG, Rear, L.H.	1
4	50405	(-)	LEG, Front, L.H.	1
5	50404	(-)	LEG, Front, R.H.	1
6	47644	(-)	BRACE, Front, guard, R.H.	1
7	47645	(-)	BRACE, Front, guard, L.H.	1

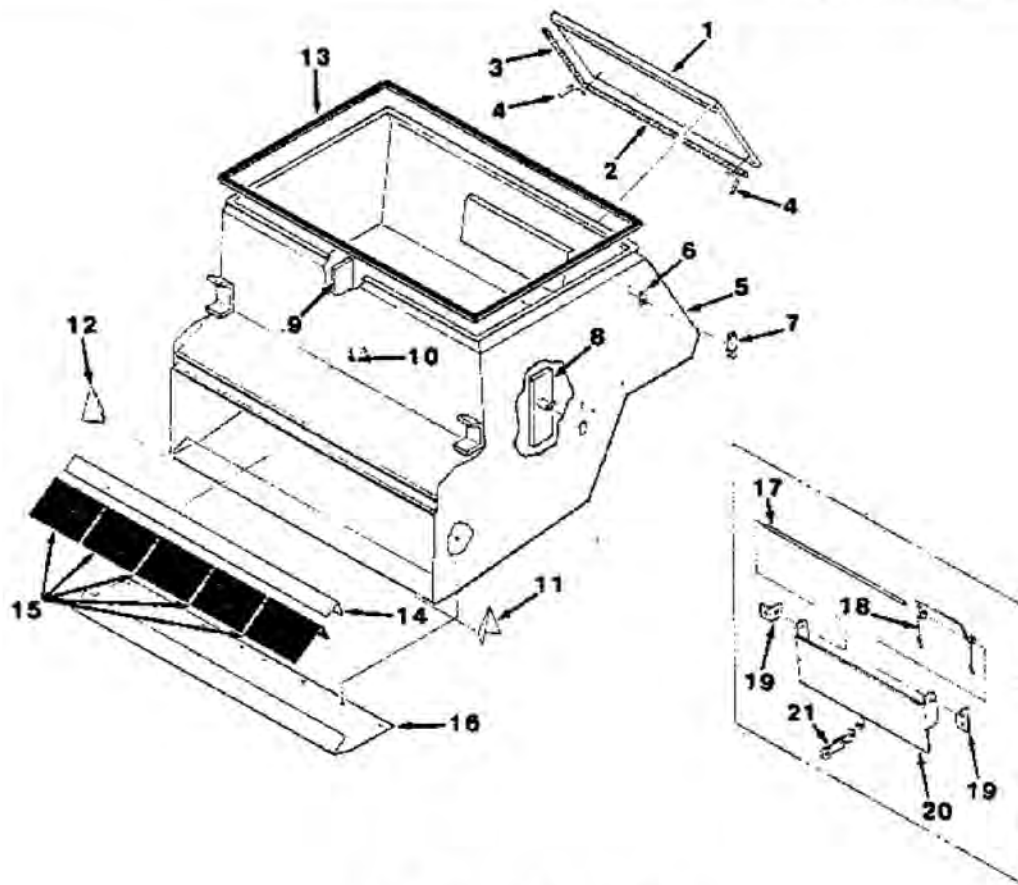
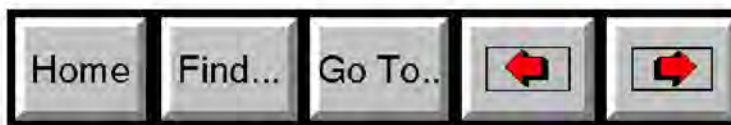


FIG. 12 - HOPPER GROUP

KEY	TENNANT® PART NO.	MACHINE SERIAL NUMBER	DESCRIPTION	QTY.
1	53462	(-)	DOOR, Hopper	1
2	53461-2	(-)	SEAL, Foam rubber	2
3	53461-1	(-)	SEAL, Foam rubber	2
4	53697	(-)	CATCH, Spring	2
5	53183	(-)	FILTER BOX	1
6	23515	(-)	STRIP	8
7	48048	(-)	CATCH	4
8	24097	(-)	SUPPORT, Front pan, R.H.	1
9	24096	(-)	SUPPORT, Front pan, L.H.	1
10	47591	(-)	STRAIN RELIEF	1
11	46595	(-)	DEFLECTOR, Dirt, R.H.	1
12	46596	(-)	DEFLECTOR, Dirt, L.H.	1
13	53244	(-)	SEAL, Extrusion	1
14	46080	(-)	ANGLE, Backing	1
15	46060 48060	(-)	SKIRT, Front rest	5
16	48028	(-)	PLATE, Wear	1
17	46088	(-)	PIN, Door hinge	1
18	51372	(-)	SPRING	1
19	46087	(-)	BRACKET, L	2
20	51149	(-)	DOOR, Fire	1
21	SK1511	(-)	REPLACEMENT KIT, Fusible link	1



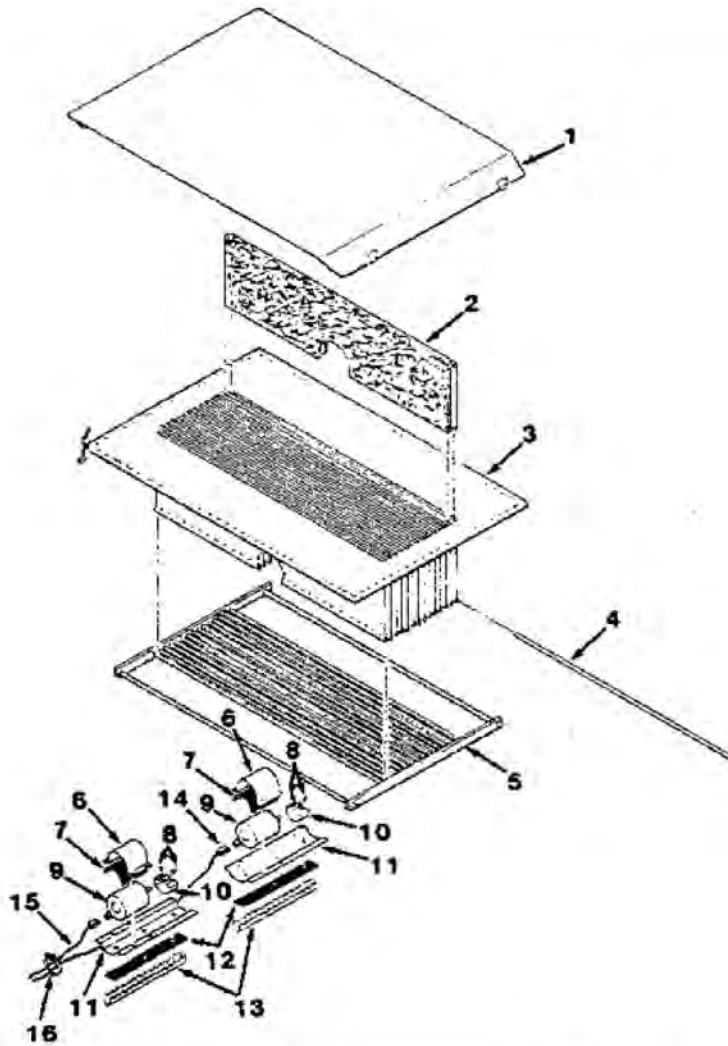


FIG. 13 - FILTER BAG AND SHAKER MOTOR GROUP

01877

KEY	TENNANT® PART NO.	MACHINE SERIAL NUMBER	DESCRIPTION	QTY.
1	53338	(0000002206-) COVER, Filter box	1
2	53260	(0000002206-) SEPARATOR	13
3	53387	(0000002206-) BAG, Filter	1
4	53934	(0000002206-) BAR	26
5	46096	(0000002206-) RACK, Bag	1
	54106	(0000002206-) SHAKER MOTOR ASSEMBLY	2
6	44979	(0000002206-) STRAP, Shaker motor	1
7	44893	(0000002206-) PAD, Rubber	1
8	39317	(0000002206-) SCREW, Set	2
9	54121	(0000002206-) MOTOR, Electric	1
10	53264	(0000002206-) ECCENTRIC, Weight	1
11	54108	(0000002206-) SUPPORT	1
12	53951	(0000002206-) STRIP, Rod clamp	2
	46236	(0000002206-) CLAMP, Cable	1
13	53423	(0000002206-) CHANNEL, Clamp	2
14	53028	(0000002206-) LEAD, Shaker motor	1
15	53028-1	(0000002206-) LEAD, Shaker motor	1
16	49266	(0000002206-) TIE, Cable	1

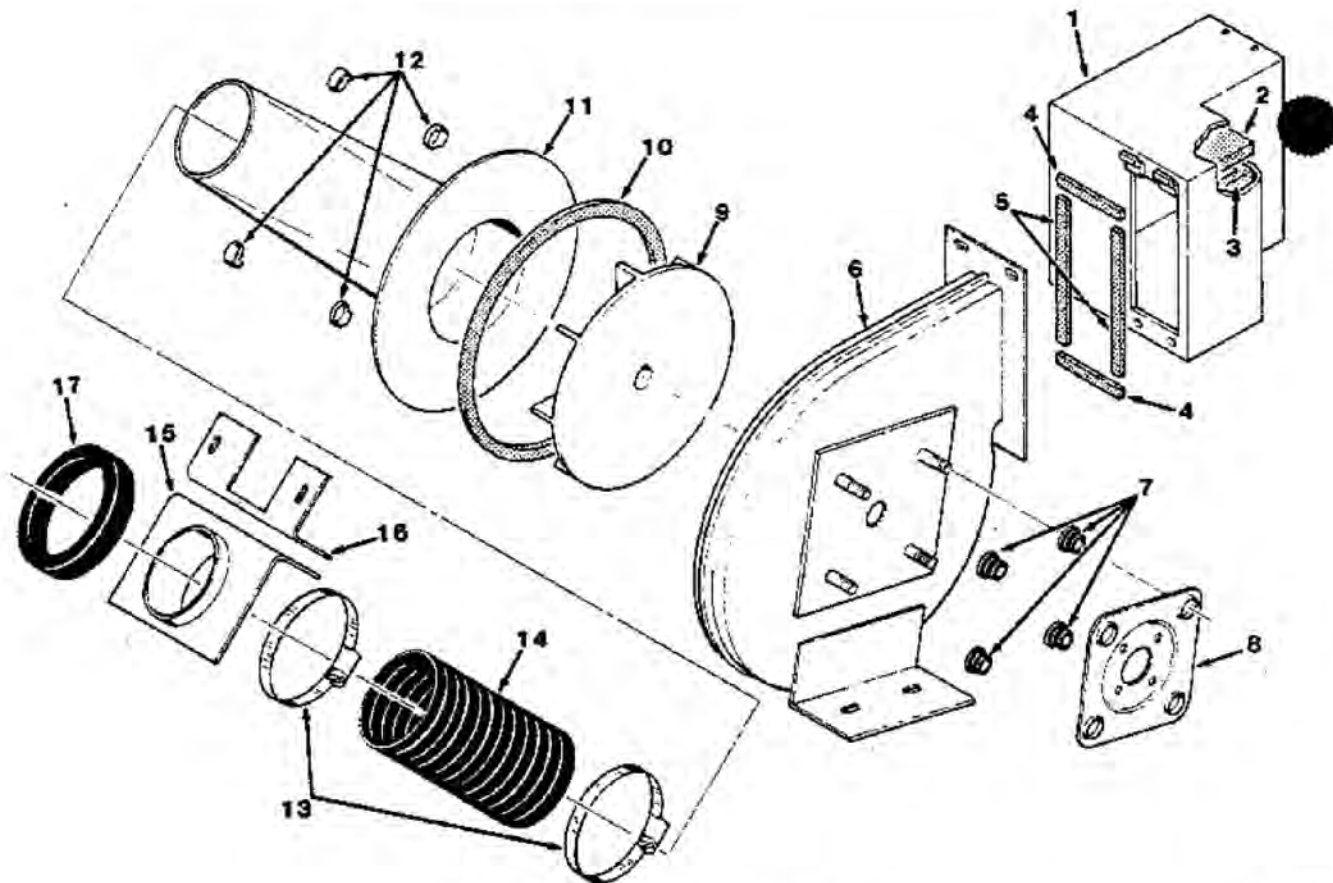
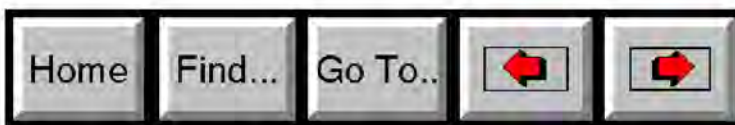


FIG. 14 - VACUUM FAN GROUP

KEY	TENNANT® PART NO.	MACHINE SERIAL NUMBER	DESCRIPTION	QTY.
	55017	(-)	MUFFLER ASSEMBLY, Vacuum fan	1
1	55726	(-)	MUFFLER, Fan	1
2	54268	(-)	INSULATION, Foam	2
3	54270	(-)	INSULATION, Foam	2
4	54271	(-)	SEAL, Foam rubber	2
5	54272	(-)	SEAL, Foam rubber	2
6	SK2111	(0000002206-xxxxxxxxxx)	REPLACEMENT KIT, Impeller housing	1
6	54304A	(xxxxxxxxxx-)	HOUSING, Impeller	1
7	54274	(-)	ISOLATOR, Vibration	4
8	54275A	(-)	BRACKET, Motor mounting	1
9	56481	(-)	IMPELLER	1
10	23542	(-)	SEAL, Foam rubber	1
11	53148-1	(-)	MANIFOLD, Intake	1
12	03467A	(-)	CLIP, Vacuum housing	4
13	23498	(-)	CLAMP, Worm drive	2
14	23481	(-)	HOSE	1
15	53353	(0000002206-xxxxxxxxxx)	ADAPTOR, Hose	1
15	36907	(xxxxxxxxxx-)	ADAPTOR, Hose	1
16	23676-1	(0000002206-xxxxxxxxxx)	BRACKET, Hose mount	1
16	36906	(xxxxxxxxxx-)	BRACKET, Hose mount	1
17	47069	(-)	SLEEVE	1



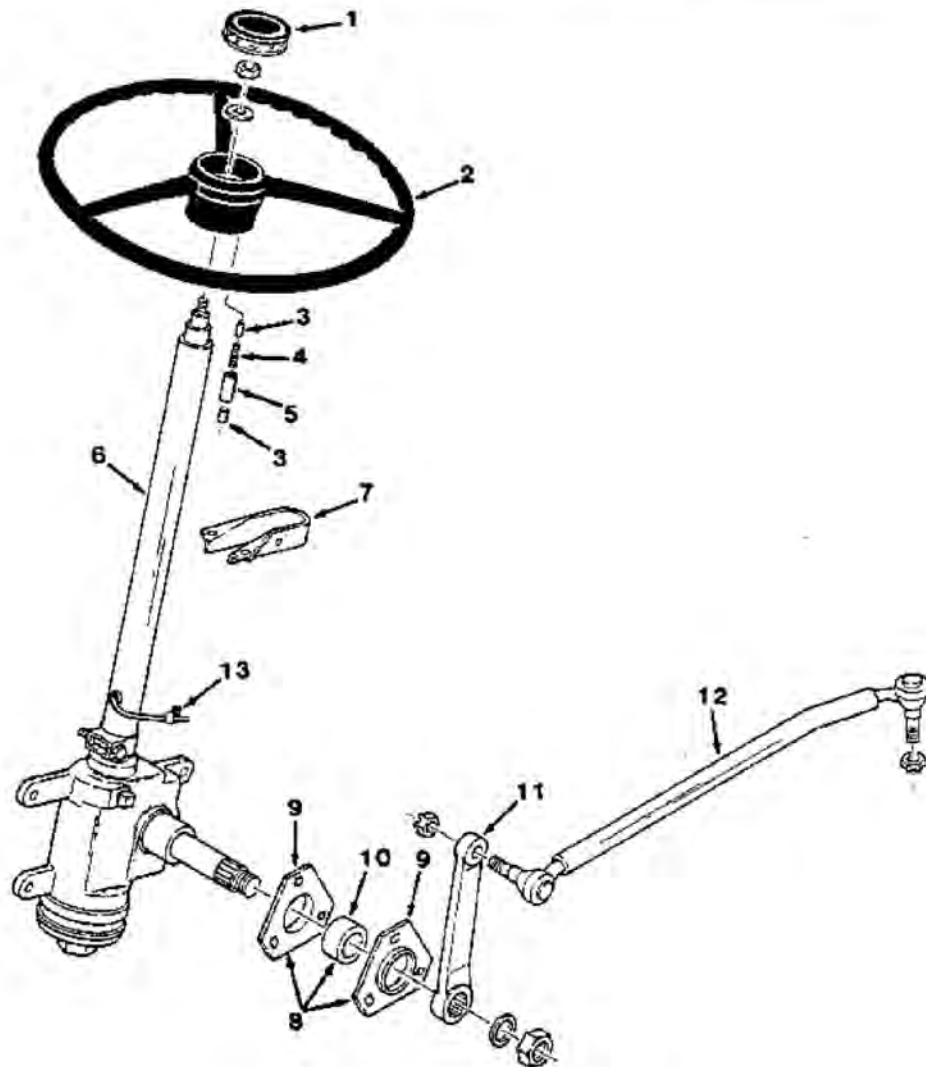


FIG. 15 - STEERING WHEEL GROUP

01879

KEY	TENNANT® PART NO.	MACHINE SERIAL NUMBER	DESCRIPTION	QTY.
1	47010	(-)	HORN BUTTON KIT	1
2	47008	(-)	WHEEL, Steering	1
	47011	(-)	HORN BRUSH UNIT ASSEMBLY	1
3	46311	(-)	BRUSH, Horn	2
4	46313	(-)	SPRING, Compression	1
5	46312	(-)	TUBE, Acrylic	1
6	47007	(-)	GEAR AND COLUMN ASSEMBLY	1
7	23315-2	(-)	SUPPORT, Steering column	1
8	SK2360	(0000000000-0000004449)	REPLACEMENT KIT, Bearing and flange	1
9	51449	(0000004450-)	FLANGE, Bearing	2
10	48050-1	(0000004450-)	BEARING, Ball	1
11	53482	(-)	ARM, Pitman	1
12	53481	(-)	LINK, Drag	1
13	09385	(-)	CLAMP, Cable	1

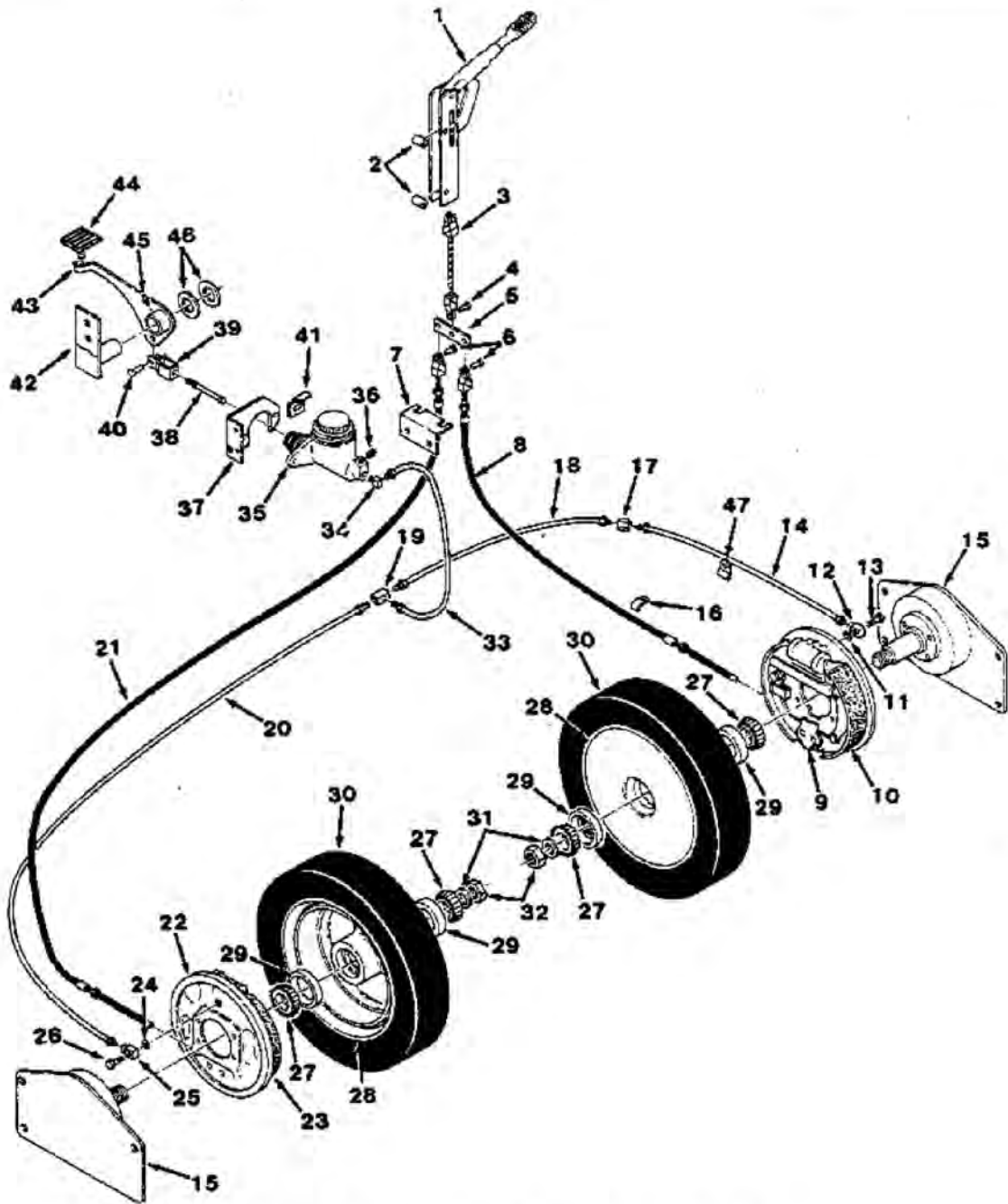


FIG. 16 - FRONT WHEELS AND BRAKE GROUP

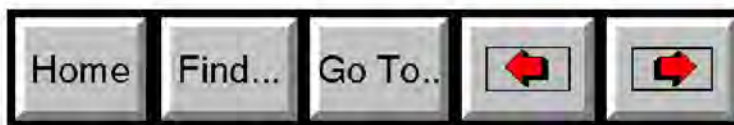
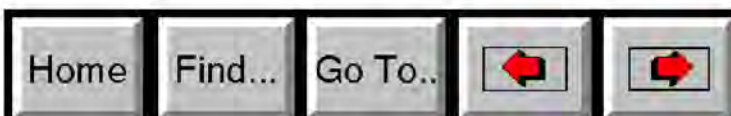




FIG. 16 - FRONT WHEELS AND BRAKE GROUP

01875

KEY	TENNANT® PART NO.	MACHINE SERIAL NUMBER	DESCRIPTION	QTY.
	48325	(-)	LEVER ASSEMBLY, Brake	1
1	51545	(-)	LEVER, Brake	1
2	51562	(-)	SLEEVE	2
3	06691	(-)	CABLE ASSEMBLY	1
4	10120	(-)	PIN, Clevis	1
5	40354	(-)	STRIP	1
6	10120	(-)	PIN, Clevis	2
7	53416	(-)	PLATE, Brake support	1
	53572	(-)	BRAKE ASSEMBLY, Front, L.H.	1
8	51383	(-)	CABLE ASSEMBLY	1
9	51389	(-)	BRAKE ASSEMBLY	1
10	52007	(-)	SHOE, Brake, set of 4 for 2 wheels	1
11	13962	(-)	WASHER, Copper	1
12	13960	(-)	CONNECTOR, Wheel	1
13	13961	(-)	BOLT, Fitting	1
14	76059	(-)	TUBE ASSEMBLY, Brake line	1
15	50425	(-)	AXLE	2
16	04681	(-)	BRACKET, Cable clamp	1
17	50640	(-)	FITTING, Brake line union	1
18	76059	(-)	TUBE ASSEMBLY, Brake line	1
19	53079	(-)	FITTING, Tee	1
	53573	(-)	BRAKE ASSEMBLY, Front, R.H.	1
20	76059	(-)	TUBE ASSEMBLY, Brake line	1
21	51382	(-)	CABLE ASSEMBLY	1
22	51370	(-)	BRAKE ASSEMBLY	1
23	52007	(-)	SHOE, Brake, set of 4 for 2 wheels	1
24	13962	(-)	WASHER, Copper	1
25	13960	(-)	CONNECTOR, Wheel	1
26	13961	(-)	BOLT, Fitting	1
27	53881	(-)	BEARING, Cone	4
28	53015	(-)	FRONT WHEEL ASSEMBLY	2
29	53880	(-)	CUP, Bearing	2
30	25197A	(-)	TIRE	1
31	53904	(-)	WASHER	2
32	39527	(-)	NUT, Slotted	2
	48328	(-)	CYLINDER ASSEMBLY, Master brake	1
33	42241	(-)	TUBE ASSEMBLY, Brake line	1
34	53078	(-)	FITTING, Elbow	1
35	51544	(-)	CYLINDER, Brake	1
	52031	(-)	REPAIR KIT	1
36	10552	(-)	FITTING, Plug	1
37	SK2489	(0000000000-0000005120)	REPLACEMENT KIT, Master cylinder bracket	1
37	32583	(0000005121-	SUPPORT, Master cylinder	1
38	52163	(-)	PUSH ROD, Brake	1
39	14330	(-)	CLEVIS, Adjustable	1
40	14331	(-)	PIN, Clevis	1
41	32581	(-)	BRACKET, Support	1
	48320	(-)	PEDAL ASSEMBLY, Brake	1
42	53787	(-)	SHAFT, Brake pedal	1



KEY	TENNANT® PART NO.	MACHINE SERIAL NUMBER	DESCRIPTION	QTY.
43	53749	(-)	PEDAL, Brake	1
44	07142	(-)	PAD, Pedal	1
45	07259	(-)	FITTING, Grease	1
46	32969	(-)	WASHER	2
47	09092-1	(-)	CLAMP, Holddown	1

Home Find... Go To..  

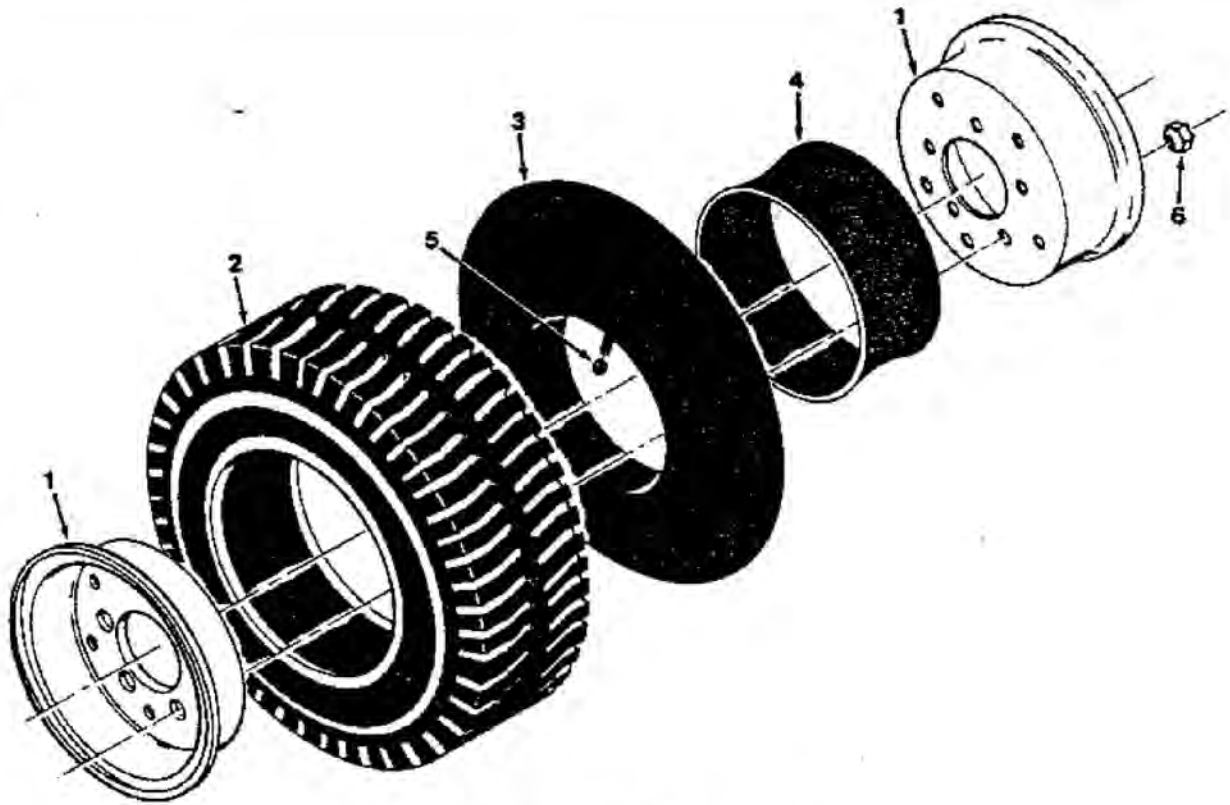


FIG. 17 - REAR WHEEL ASSEMBLY

01874

KEY	TENNANT® PART NO.	MACHINE SERIAL NUMBER	DESCRIPTION	QTY.
	53640	(-)	TIRE AND WHEEL ASSEMBLY	1
1	53818	(-)	RIM ASSEMBLY, Set of 2	1
	53819	(-)	TIRE, Tube and flap assembly	1
2	53819-3	(-)	TIRE	1
3	53819-1	(-)	TUBE, Inner	1
4	53819-2	(-)	FLAP, Tube	1
5	45786	(-)	CAP, Valve stem	1
6	24339	(-)	NUT, Wheel	5

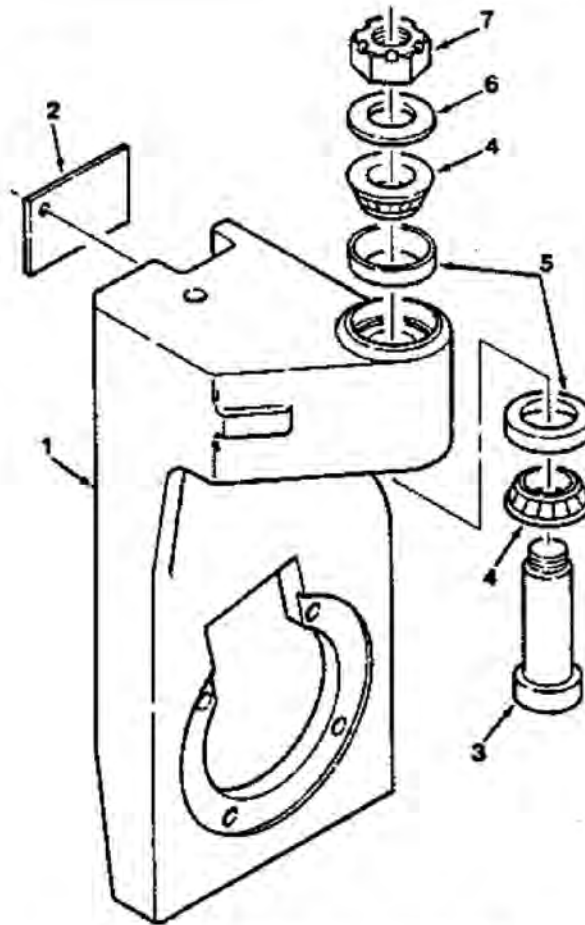
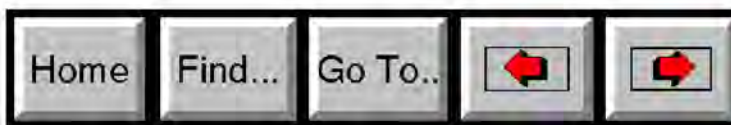


FIG. 18 - REAR WHEEL SUPPORT GROUP

01876

KEY	TENNANT® PART NO.	MACHINE SERIAL NUMBER	DESCRIPTION	QTY.
1	SK1796	(0000000000-xxxxxxxxxx)	REPLACEMENT KIT, Rear wheel support	1
1	53525A	(xxxxxxxxxx-)	SUPPORT, Drive wheel	1
2	53528	(-)	BAR, Support	1
3	24984	(-)	PIN, Support	1
	49225	(-)	BEARING, Cup and cone assembly	2
4	24988	(-)	BEARING, Cone	1
5	24989	(-)	CUP, Bearing	1
6	47719	(-)	WASHER	1
7	14242	(-)	NUT, Slotted	1



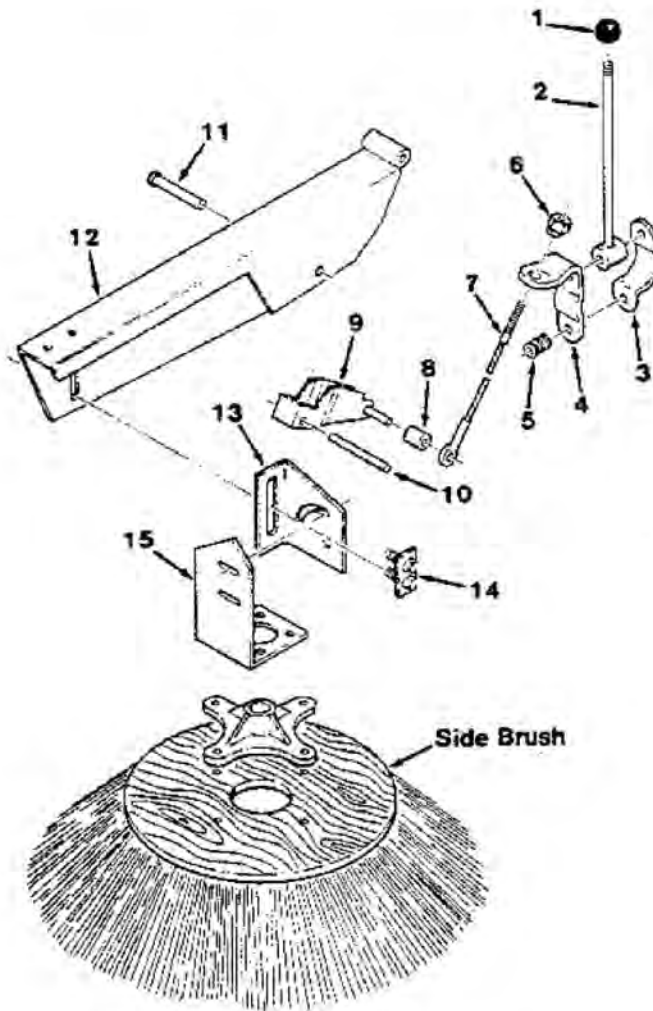


FIG. 19 - SIDE BRUSH GROUP

01659

KEY	TENNANT® PART NO.	MACHINE SERIAL NUMBER	DESCRIPTION	QTY.
1	26156	(-)	KNOB	1
2	23304	(-)	HANDLE	1
	48323	(-)	ARM ASSEMBLY, Side brush lift	1
3	23306-1	(-)	BRACKET, Clip	1
4	23307-1	(-)	LEVER, Lift handle	1
5	14174	(-)	SPRING, Compression	1
6	23293	(-)	NUT, Hex, special	1
7	23294	(-)	CABLE ASSEMBLY	1
8	22143	(-)	SLEEVE	1
9	23503A	(-)	LIFT LEVER ASSEMBLY	1
10	23536	(-)	PIN	1
11	23191	(-)	PIN, Clevis	1
	53125-1	(-)	ARM ASSEMBLY, Side brush	1
12	48062	(-)	ARM, Side brush	1
13	24207	(-)	BRACKET, Adjustment	1
14	46347	(-)	LUG, Side brush	1
15	43228	(-)	BRACKET, Motor mounting	1

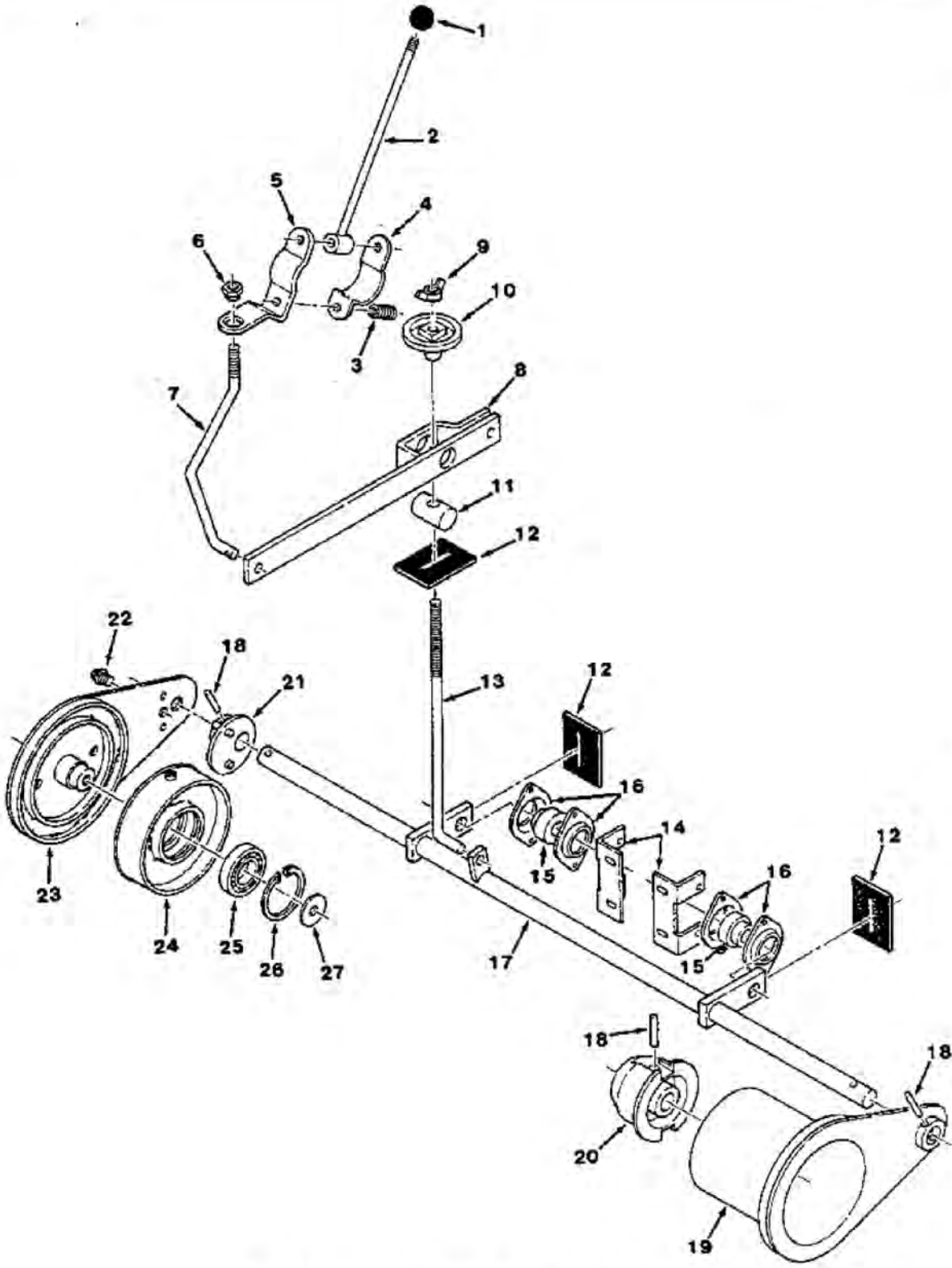


FIG. 20 - MAIN BRUSH LIFT AND DRIVE GROUP

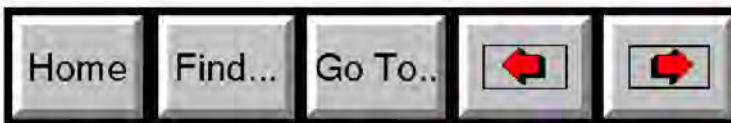
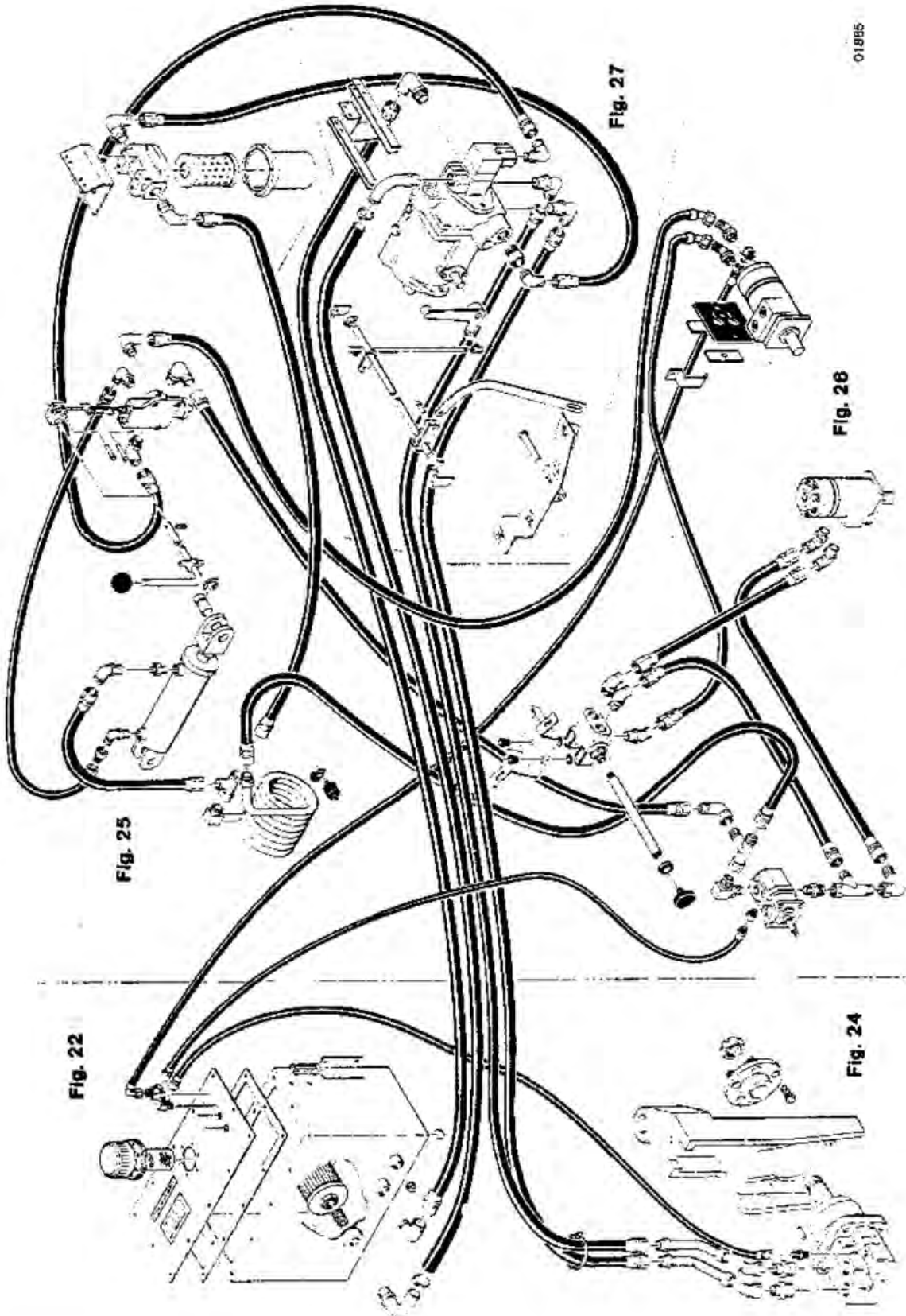


FIG. 20 - MAIN BRUSH LIFT AND DRIVE GROUP

01961

KEY	TENNANT® PART NO.	MACHINE SERIAL NUMBER	DESCRIPTION	QTY.
1	26156	(-)	KNOB	1
2	23304	(-)	HANDLE	1
	48322	(-)	ARM ASSEMBLY, Main brush lift	1
3	14174	(-)	SPRING, Compression	1
4	23306-1	(-)	BRACKET, Clip	1
5	23307-1	(-)	LEVER, Lift handle	1
6	24339	(-)	NUT, Wheel	1
7	53182	(-)	ROD, Lift	1
8	53876	(-)	ARM, Lift	1
9	39274	(-)	NUT, Wing	1
10	51452	(-)	KNOB	1
11	51391	(-)	PIN, Swivel	1
12	53906	(-)	SEAL, Brush wrap	3
13	35677	(-)	ROD, L	1
14	SK2361	(000000000-xxxxxxxxxx)	REPLACEMENT KIT, Flange and bearing	2
14	48329	(xxxxxxxxxx-	BEARING ASSEMBLY, Flange and Bracket	2
15	35973	(-)	FLANGE, Bearing	2
16	23624	(-)	BEARING AND COLLAR	1
17	35674	(-)	SHAFT, Counter	1
18	20050	(-)	PIN, Roll	3
19	53169	(-)	ARM, Brush, L.H.	1
20	51036	(-)	PLUG, Brush drive	1
21	53138	(-)	HUB, Brush	1
	53187	(-)	ARM AND PLUG ASSEMBLY, Brush, R.H.	1
22	53985	(-)	PLUG, Thread	1
23	53168	(-)	ARM, Brush, R.H.	1
24	51984	(-)	PLUG ASSEMBLY, Brush idler	1
25	24899	(-)	BEARING, Ball	1
26	51046	(-)	RING, Retaining, internal	1
27	51564	(-)	WASHER	1





01885

FIG. 21 - HYDRAULIC SYSTEM

Home	Find...	Go To..		
------	---------	---------	--	--

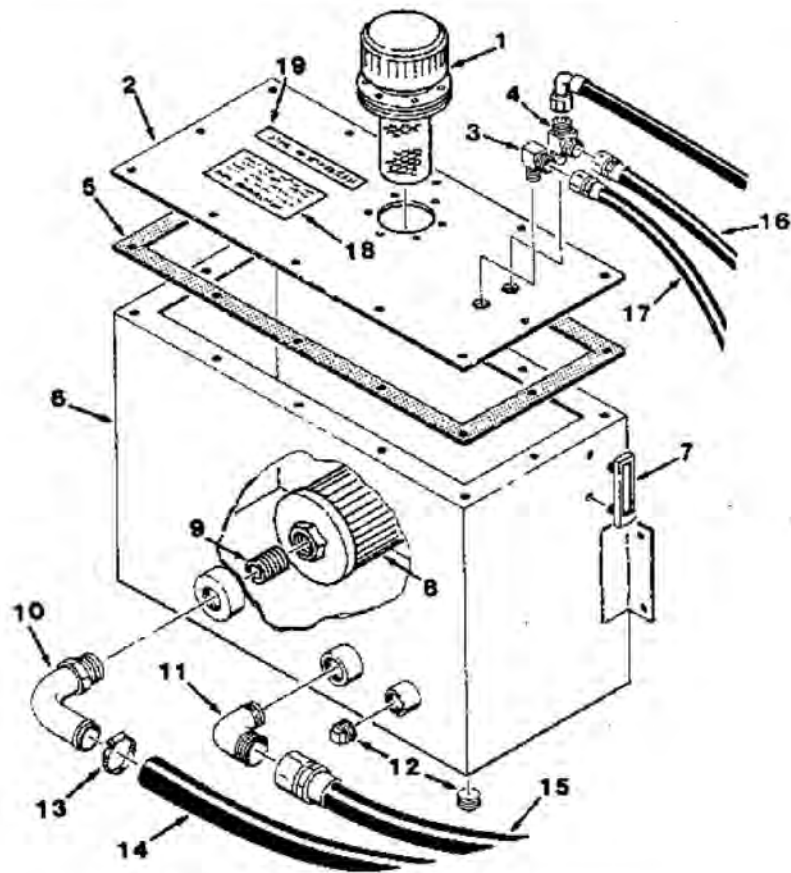
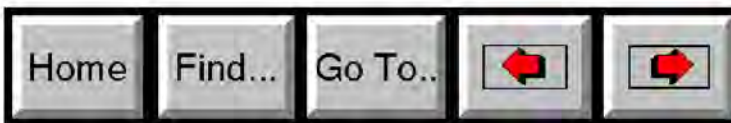


FIG. 22 - HYDRAULIC RESERVOIR ASSEMBLY

01887

KEY	TENNANT® PART NO.	MACHINE SERIAL NUMBER	DESCRIPTION	QTY.
1	34306	(xxxxxxxxxx-)	CAP, Filler breather	1
2	33549	(xxxxxxxxxx-)	COVER	1
3	45476	(000002206-)	FITTING, Elbow	1
4	34369	(000005596-)	FITTING, Tee	1
5	33752	(000002206-)	GASKET	1
6	47575	(000002353-)	RESERVOIR	1
7	48081	(000002206-)	GAUGE, Sight	1
8	51885	(000002206-)	FILTER, Oil sump	1
9	02546	(000002206-)	FITTING, Nipple	1
10	47695	(000002206-)	FITTING, Elbow	1
11	54139	(xxxxxxxxxx-)	FITTING, Elbow	1
12	40362	(xxxxxxxxxx-)	FITTING, Plug	2
13	11531	(000002206-)	CLAMP, Worm drive	1
14	32378	(000002206-)	HOSE, Rubber	1
15	54138	(000002206-)	HOSE	1
16	56322	(xxxxxxxxxx-)	HOSE	1
17	76693	(xxxxxxxxxx-)	HOSE	1
18	32399	(000002206-)	DECAL, Hydraulic fluid	1
19	45851	(000002206-)	DECAL, Hydraulic oil only	1
	32397-5	(000002206-)	HYDRAULIC FLUID, TENNANT® 10W-40 5 gal (18.9 L)	1
	32398-5	(000002206-)	HYDRAULIC FLUID, TENNANT® 20W-60 5 gal (18.9 L)	1



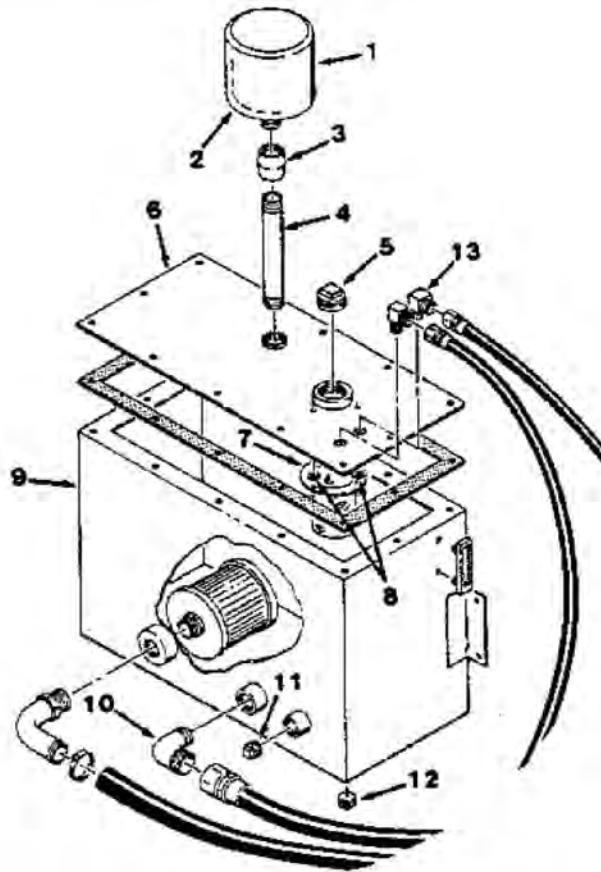
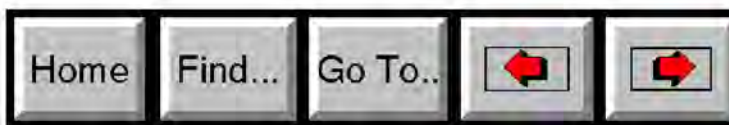


FIG. 23 - HYDRAULIC RESERVOIR GROUP

01902

KEY	TENNANT® PART NO.	MACHINE SERIAL NUMBER	DESCRIPTION	QTY.
1	53430	(0000002206-xxxxxxxxxx)	FILTER ASSEMBLY, Pressure relief	1
2	53431	(0000002206-xxxxxxxxxx)	ELEMENT, Filter	1
3	10222	(0000002206-xxxxxxxxxx)	FITTING, Coupling	1
4	17400-20	(0000002206-xxxxxxxxxx)	FITTING, Nipple	1
5	48117	(0000002206-xxxxxxxxxx)	FITTING, Plug	1
6	SK2721	(0000002206-xxxxxxxxxx)	REPLACEMENT KIT, Reservoir cover	1
7	48086	(0000002206-xxxxxxxxxx)	SCREEN, Reservoir	1
8	50022	(0000002206-xxxxxxxxxx)	WASHER, Nylon	3
9	SK1677	(0000002206-0000002352)	REPLACEMENT KIT, Reservoir	1
10	42263	(0000002206-xxxxxxxxxx)	FITTING, Elbow	1
11	17521	(0000002206-xxxxxxxxxx)	FITTING, Plug	1
12	46107	(0000002206-xxxxxxxxxx)	FITTING, Plug	1
13	06507	(0000002206-0000005595)	FITTING, Elbow	1



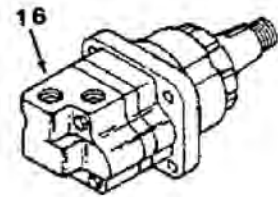
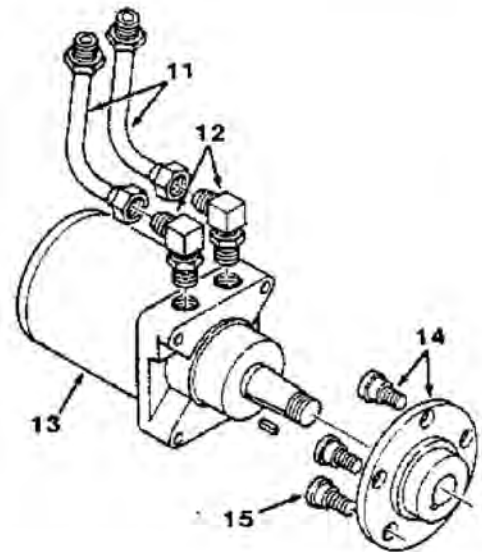
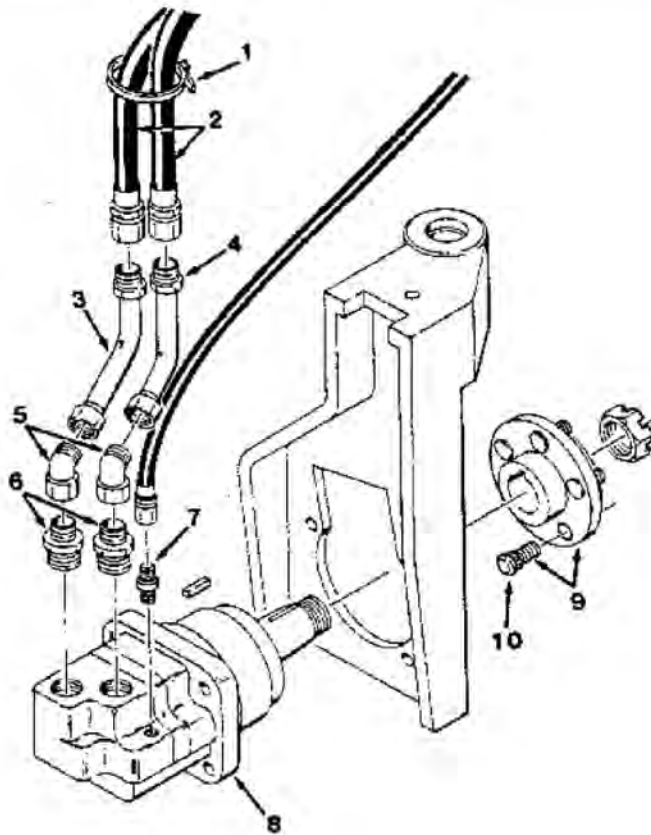
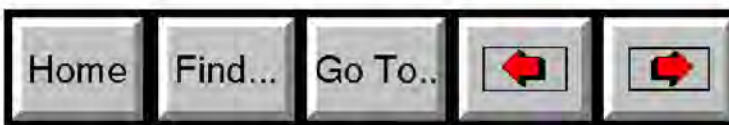


FIG. 24 - REAR WHEEL DRIVE MOTOR GROUP

01689

KEY	TENNANT® PART NO.	MACHINE SERIAL NUMBER	DESCRIPTION	QTY.
1	49266	{ - }	TIE, Cable	8
2	53084-3	{ - }	HOSE	2
3	54172	{ - }	TUBE ASSEMBLY, Hydraulic	1
4	54171	{ - }	TUBE ASSEMBLY, Hydraulic	1
5	54017	{ - }	FITTING, Elbow, 45°	2
6	42223	{ - }	FITTING, Straight	2
7	50960	{XXXXXXXX- }	FITTING, Straight	1
	SK2567	{XXXXXXXX- }	CASE DRAIN KIT	1
8	48663	{XXXXXXXX- }	MOTOR, Drive	1
	33579	{XXXXXXXX- }	SEAL KIT, Shaft	1
	33580	{XXXXXXXX- }	SEAL KIT, Rear	1
9	54134	{XXXXXXXX- }	HUB AND STUD ASSEMBLY	1
10	24338	{XXXXXXXX- }	STUD, Wheel	5
11	53004	{000002206-XXXXXXXX }	TUBE ASSEMBLY, Hydraulic	2
12	51782	{000002206-XXXXXXXX }	FITTING, Elbow	2
13	53032	{000002206-XXXXXXXX }	MOTOR, Drive	1
	SK1140A	{000002206-XXXXXXXX }	SEAL KIT	1
14	53893	{000002206-XXXXXXXX }	HUB AND STUD ASSEMBLY	1
15	24338	{000002206-XXXXXXXX }	STUD, Wheel	5
16	47739	{XXXXXXXX-XXXXXXXX }	MOTOR, Drive	1
	SK1311	{XXXXXXXX-XXXXXXXX }	SEAL KIT, Shaft	1
	SK1312	{XXXXXXXX-XXXXXXXX }	SEAL KIT, Rear	1



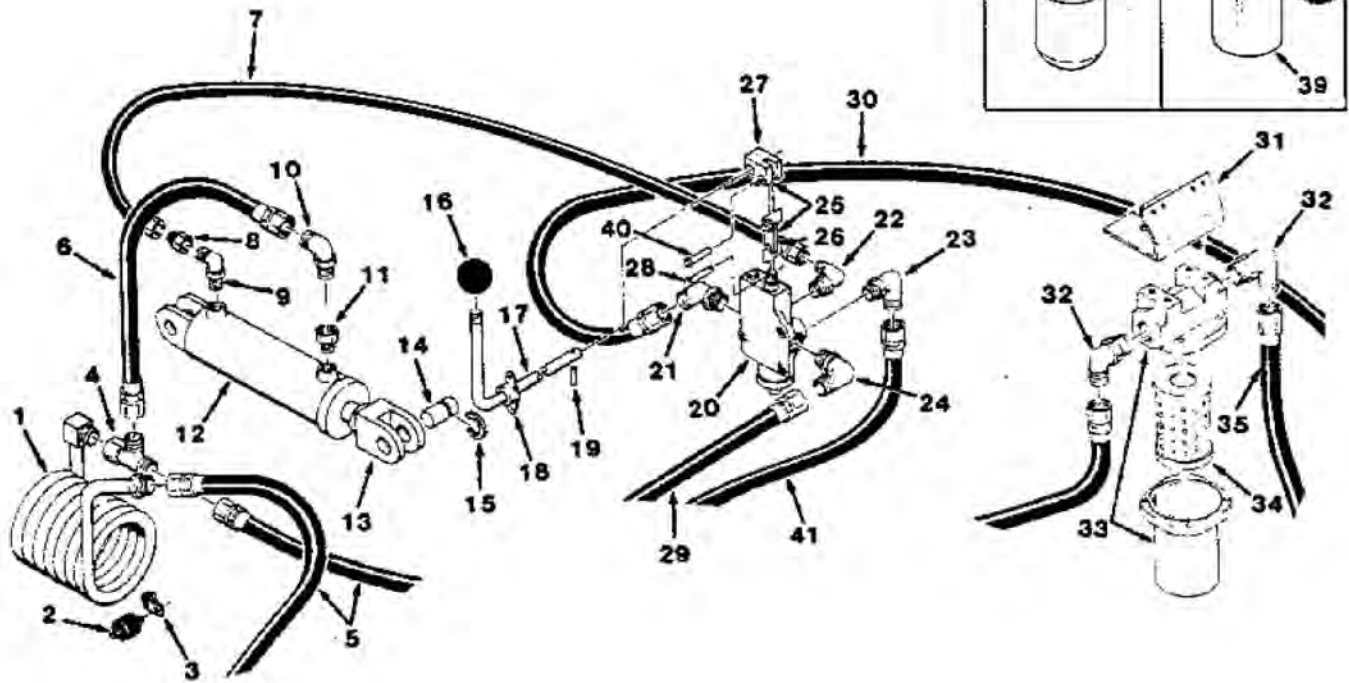


FIG. 25 - CONTROL VALVE, LIFT CYLINDER AND FILTER GROUP

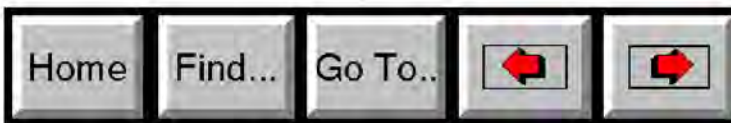
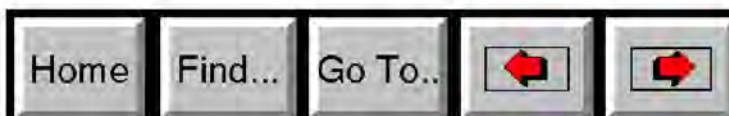


FIG. 25 - CONTROL VALVE, LIFT CYLINDER AND FILTER GROUP

D1888

KEY	TENNANT® PART NO.	MACHINE SERIAL NUMBER	DESCRIPTION	QTY.
1	53086	(000002206-) EXCHANGER, Heat	1
2	33582	(000002206-) ISOLATOR	3
3	33584	(000002206-) CLAMP, Cable	3
4	51779	(000002206-) FITTING, Tee	1
5	53083-5	(000002206-) HOSE	2
6	53083-3	(000002206-) HOSE	1
7	47825	(000002206-) HOSE	1
8	32754	(000005435-) FITTING, Restrictor	1
9	SK2703	(000002206-000005434)	REPLACEMENT KIT, Fitting	1
9	56820	(000005435-) FITTING, Elbow	1
10	56827	(000002206-) FITTING, Elbow	1
11	47524	(000002206-) FITTING, Straight	1
12	69330-5	(000002206-xxxxxxxxxx)	CYLINDER, Hydraulic	1
	SK1573	(000002206-xxxxxxxxxx)	SEAL KIT	1
12	53477	(xxxxxxxxxxx-) CYLINDER, Hydraulic	1
	SK1522	(xxxxxxxxxxx-) SEAL KIT	1
13	48929	(000002206-) CLEVIS, Adjustable	1
14	23145	(000002206-) PIN, Clevis	2
15	23788	(000002206-) RING, Retaining, external	2
16	26156	(000002206-) KNOB	1
17	54054	(000002206-) HANDLE, Valve control	1
18	47585	(000002206-) BEARING, Flange	1
19	28270	(000002206-) PIN, Roll	1
20	62550	(000002206-000003327)	VALVE, Control (Replacement for 48337)	1
	SK1540	(000002206-000003327)	SEAL KIT (for 48337 valve)	1
20	SK2552	(000003328-000005251)	REPLACEMENT KIT, Cross valve	1
	SK1842	(000003328-000005251)	SEAL KIT	1
20	62550	(000005252-) VALVE, Control, Dukes	1
	SK1863	(000005252-) SEAL KIT	1
21	44936	(000002206-) FITTING, Elbow, 45°	1
22	47512	(000002206-) FITTING, Elbow	1
23	56827	(000002206-000005595)	FITTING, Elbow	1
23	32385	(000005596-) FITTING, Elbow	1
24	51782	(000005252-) FITTING, Elbow	1
24	53076	(000003328-000005251)	FITTING, Elbow	1
25	SK2563	(000002206-000005301)	REPLACEMENT KIT, Valve linkage	1
26	32751	(000005302-) STRIP	1
27	32750	(000005302-) LEVER, Control valve	1
28	14605	(000005302-) PIN, Clevis	1
29	51753-1	(000005302-) HOSE	1
30	53083-14	(000002206-) HOSE	1
	37034	(xxxxxxxxxxx-) FILTER ASSEMBLY, Oil	1
31	69037	(xxxxxxxxxxx-) BRACKET, Filter mount	1
32	53076	(xxxxxxxxxxx-) FITTING, Elbow	2
33	53348B	(xxxxxxxxxxx-) FILTER ASSEMBLY, Oil	1
34	53348-1	(xxxxxxxxxxx-) ELEMENT, Oil filter	1
35	53083-20	(000002206-) HOSE	1
36	67718	(xxxxxxxxxxx-xxxxxxxxxx)	FILTER ASSEMBLY, Oil	1
37	67718-2	(xxxxxxxxxxx-xxxxxxxxxx)	ELEMENT, Oil filter	1
38	44921A	(000002206-xxxxxxxxxx)	FILTER ASSEMBLY, Oil	1
39	52582	(000002206-xxxxxxxxxx)	ELEMENT, Oil filter	1
40	51727	(000005302-) PIN, Clevis	1
41	53083-3	(000002206-000005595)	HOSE	1
41	16473	(000005596-) HOSE	1



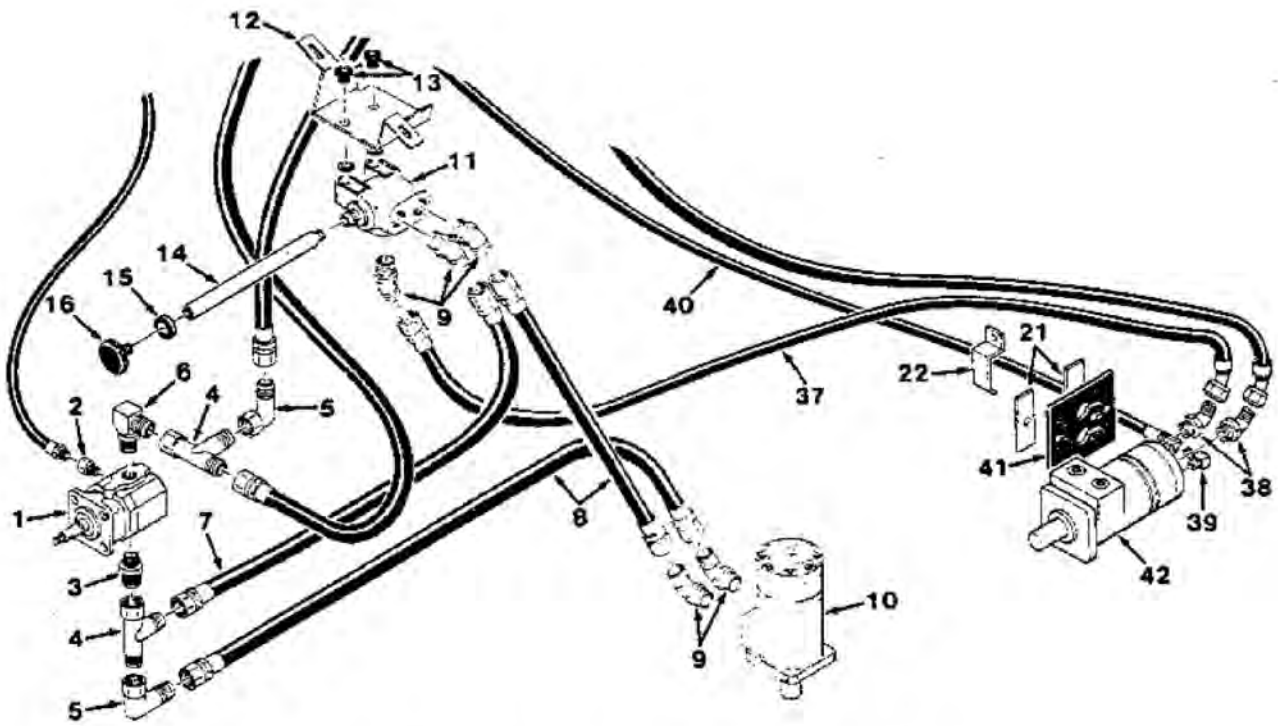
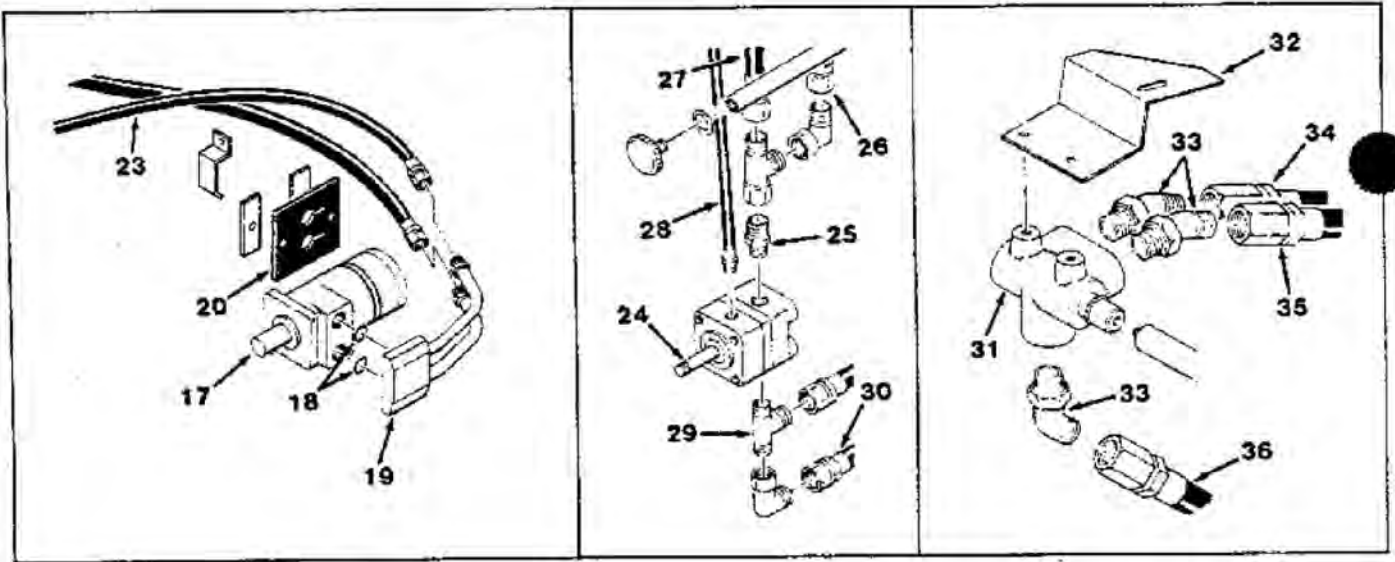


FIG. 26 - BRUSH DRIVE MOTOR AND VALVE GROUP

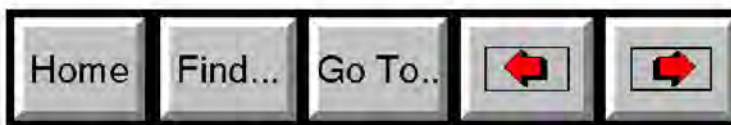
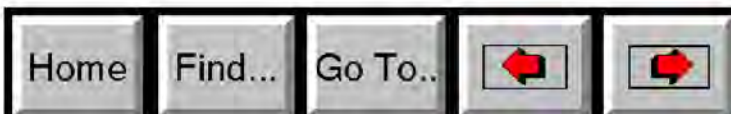


FIG. 26 - BRUSH DRIVE MOTOR AND VALVE GROUP

01890

KEY	TENNANT® PART NO.	MACHINE SERIAL NUMBER	DESCRIPTION	QTY.
1	77110	(0000005252-)	MOTOR, Vacuum fan	1
	SK2561	(0000005252-)	SEAL KIT	1
2	76835	(0000005252-)	FITTING, Straight	1
3	47518	(0000005252-)	FITTING, Straight	1
4	51779	(0000002206-)	FITTING, Tee	2
5	54194	(0000005252-)	FITTING, Elbow	2
6	56827	(0000005252-)	FITTING, Elbow	1
7	52908	(0000002206-)	HOSE	1
8	53083-18	(0000005252-)	HOSE	2
9	44936	(0000002206-)	FITTING, Elbow, 45°	5
10	47650-12	(0000002206-xxxxxxxx)	MOTOR, Side brush, Char-Lynn	1
	SK1600	(0000002206-xxxxxxxx)	SEAL KIT	1
10	47542	(xxxxxxxxxx-)	MOTOR, Side brush, Ross	1
	SK1694	(xxxxxxxxxx-)	SEAL KIT	1
11	48108A	(xxxxxxxxxx-)	VALVE, Side brush	1
12	54722A	(0000002206-)	BRACKET, Valve	1
13	54274	(0000002206-)	ISOLATOR, Vibration	2
14	32165	(0000002206-)	ROD, Valve control	1
15	10632-9	(0000002206-)	GROMMET	1
16	48108A-1	(0000002206-)	KNOB	1
17	SK2810	(0000002206-xxxxxxxx)	MOTOR, Main brush, Char-Lynn	1
	SK1600	(0000002206-xxxxxxxx)	SEAL KIT	1
17	SK2810	(xxxxxxxxxxx-0000005595)	MOTOR, Main brush, Ross	1
	SK1694	(xxxxxxxxxxx-0000005595)	SEAL KIT	1
18	51403	(xxxxxxxxxxx-0000005595)	O-RING	2
19	62302	(0000002206-0000005595)	BLOCK, Porting	1
20	32103	(0000002206-0000005595)	SEAL, Diaphragm	1
21	53489	(0000002206-)	STRIP	2
22	54217	(0000002206-)	BRACKET, Hose clamp	1
23	53083-2	(0000002206-0000005595)	HOSE	1
24	SK2560	(0000002206-0000005251)	REPLACEMENT KIT, Vacuum fan motor	1
	SK1274	(0000002206-0000005251)	SEAL KIT	1
25	46607	(0000002206-0000005251)	FITTING, Straight	1
26	53083-14	(0000002206-0000005251)	HOSE	1
27	62157	(0000002206-0000005251)	HOSE	1
28	17873	(0000002206-0000005251)	HOSE	1
29	15700	(0000002206-0000005251)	FITTING, Tee	1
30	53083-6	(0000002206-0000005251)	HOSE	1
31	SK1609A	(0000002206-xxxxxxxxxx)	REPLACEMENT KIT, Side brush valve	1
	SK1695	(0000002206-xxxxxxxxxx)	SEAL KIT	1
32	SK2071	(0000002206-xxxxxxxxxx)	REPLACEMENT KIT, Valve mount	1
33	42226	(0000002206-xxxxxxxxxx)	FITTING, Elbow, 45°	3
34	47517-2	(0000002206-xxxxxxxxxx)	HOSE	1
35	47517-3	(0000002206-xxxxxxxxxx)	HOSE	1
36	47517-1	(0000002206-xxxxxxxxxx)	HOSE	1
37	16463	(0000005596-)	HOSE	1
38	42226	(0000005596-)	ELBOW, 45°	2
39	82825	(0000005596-)	ELBOW	1
40	16474	(0000005596-)	HOSE	1
41	82799	(0000005596-)	SEAL, Diaphragm	1
42	34423	(0000005596-)	MOTOR, Main brush, Char-Lynn	1
	SK1600	(0000005596-)	SEAL KIT	1



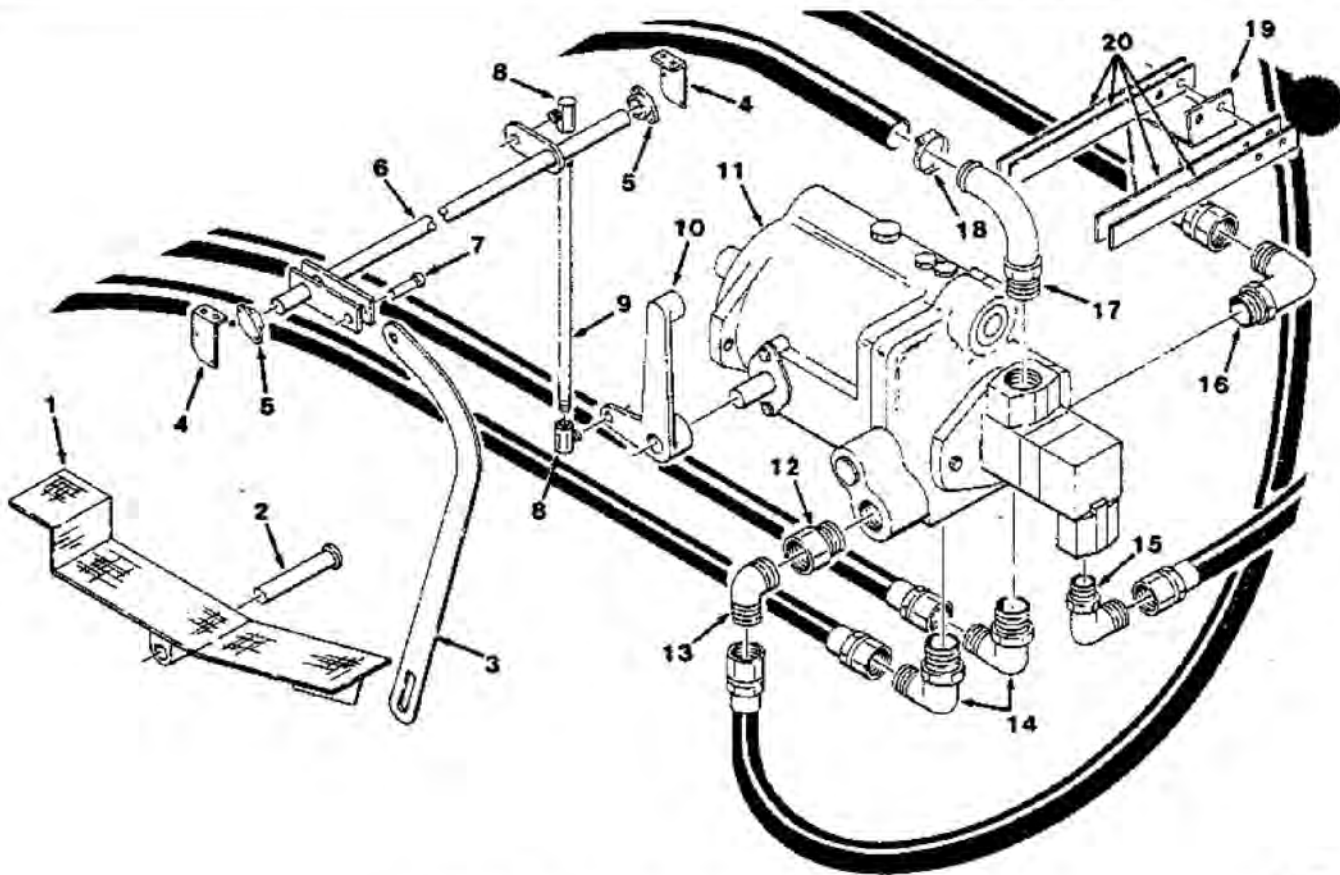
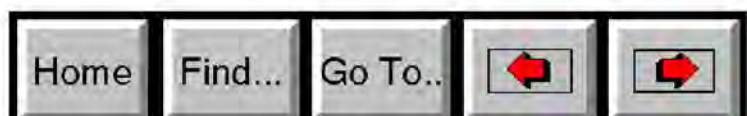


FIG. 27 - PROPELLING PUMP GROUP

KEY	TENNANT® PART NO.	MACHINE SERIAL NUMBER	DESCRIPTION	QTY.
1	42240	(-)	PEDAL, Directional control	1
2	06474A	(-)	PIN, Clevis	1
3	36956	(-)	ARM, Control	1
4	53351A	(-)	SUPPORT, Control rod	2
5	53352	(-)	BEARING, Flange	2
6	35679	(-)	ROD, Connecting	1
7	09088	(-)	PIN, Clevis	1
8	14506	(-)	BALL JOINT	2
9	53030	(-)	ROD, Pump control	1
10	54128	(-)	LEVER, Pump control	1
11	47920	(-)	PUMP, Propelling	1
	SK1344	(-)	SEAL KIT	1
	SK1345	(-)	SEAL KIT, Shaft	1
12	54136	(-)	FITTING, Straight	1
13	46611	(-)	FITTING, Elbow	1
14	53076	(-)	FITTING, Elbow	2
15	56827	(-)	FITTING, Elbow	1
16	54139	(-)	FITTING, Elbow	1
17	47696	(-)	FITTING, Elbow	1
18	11531	(-)	CLAMP, Worm drive	1
19	54127	(-)	ANGLE, Spring mount	1
20	49681	(-)	PLATE, Spring	4



SECTION 6 LPG PARTS

CONTENTS

	Page
Ordering Repair Parts.....	6-1
Fig. 1 - Engine and Fuel Tank Group, LPG	6-2
Fig. 2 - Bumper Chain Assembly, LPG	6-4

NOTE: Section 6, LPG Parts, lists repair parts unique to an LPG powered machine.

ORDERING REPAIR PARTS

To avoid errors or delays in filling parts orders, please furnish all of the following information.

1. Always specify the machine model number and the machine serial number shown on the machine data plate.



2. Give the part number, description, and quantity needed of each item on the order. Do not order by the reference number or the figure number of the illustrated parts.
3. Indented items indicate parts of assemblies. Standard hardware is furnished only when part of a purchased assembly. Please order hardware from a local hardware supplier.
4. If the old part cannot be identified, send it to us with the quantity needed specified on the order.
5. State definite shipping instructions to include the shipping address and/or the billing address if there is a difference. Any claim for loss or damage to a shipment in transit should be filed promptly against the transportation company making the delivery. Shipments will be complete unless the packing list or order acknowledgement indicate items back ordered.

If parts received are suspected to be incorrect or defective, please write, wire, or phone the Tennant Company representative from whom you ordered the part. They will give authorization for return and/or handle replacement shipment when required.

SI (INTERNATIONAL SYSTEM) UNITS OF MEASURE

Metric equivalents have been included, where applicable, throughout this parts catalog.

BOLT AND CAP SCREW STRENGTH IDENTIFICATION

Bolts and cap screws required to have high-strength qualities equivalent to SAE Grade 8 are identified throughout this catalog by the description GR 8. Unless identified by this description, all standard bolts and cap screws are SAE Grade 5.

SERIAL NUMBER INFORMATION EXPLANATION

Serial number information is listed parenthetically to show on which machines each part can be used. These listings are explained by the following examples.

() - The part can be used on all machines.

(0000001234-) The part can be used on all machines beginning with the serial number listed.

(0000000000-0000001234) The part can be used on all machines up to and including serial number listed.

(0000001234-0000005678) The part can be used on all machines between and including the serial numbers listed.

Where XXXXX's are listed in place of a serial number, it indicates a serial number change was made but the exact serial number had not been established when the catalog went to press.

(Specifications and design subject to change without notice.)

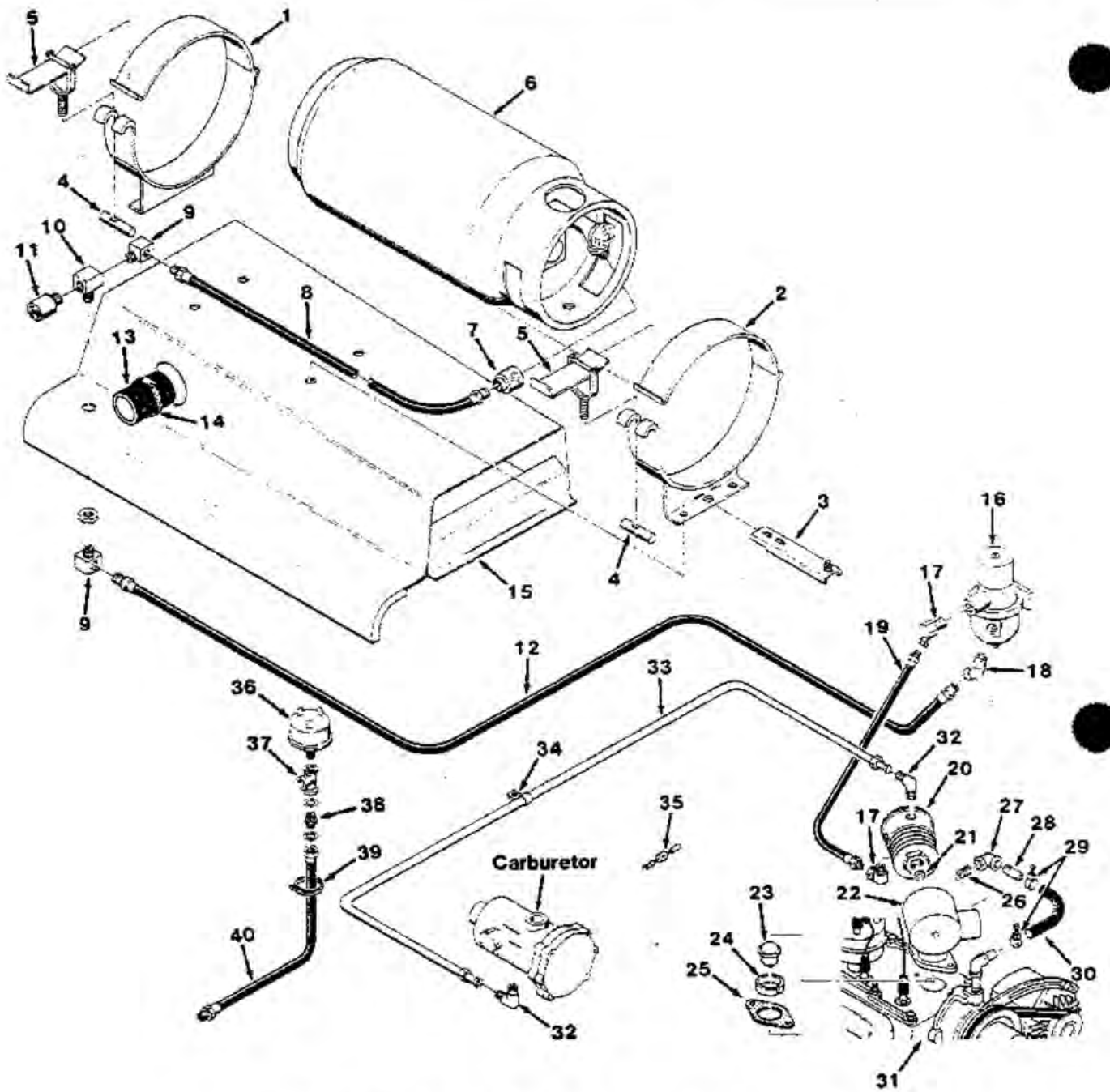


FIG. 1 - ENGINE AND FUEL TANK GROUP, LPG

FIG. 1 - ENGINE AND FUEL TANK GROUP, LPG

01884

KEY	TENNANT® PART NO.	MACHINE SERIAL NUMBER	DESCRIPTION	QTY.
	53400	(-)	MOUNT, LPG tank	1
1	32317	(-)	STRAP ASSEMBLY, R.H.	1
2	32318	(-)	STRAP ASSEMBLY, L.H.	1
3	32319	(-)	LOCATING PIN ASSEMBLY	1
4	53400-4	(-)	LUG	2
5	53400-1	(-)	LATCH	1
6	24928	(-)	TANK, LPG, 33 lb (15 kg)	1
	24928-1	(-)	TANK, LPG, 33 lb (15 kg), includes level gauge	1
7	26496	(-)	COUPLING, LPG	1
8	22308-3	(-)	HOSE, LPG	1
9	27048	(-)	FITTING, Elbow	2
10	54216	(-)	FITTING, Tee	1
11	24047	(-)	VALVE, Pressure relief	1
12	47192	(-)	HOSE, LPG	1
13	32164	(-)	TUBE, Air cleaner	1
14	22297	(-)	CLAMP, Worm drive	2
15	SK2427	(0000000000-0000004662)	REPLACEMENT KIT, Engine cover	1
15	53807B	(0000004663-)	COVER, Engine	1
16	53395-2	(-)	FUEL FILTER LOCK, LPG	1
17	11442-1	(-)	FITTING, Elbow	2
18	23301	(-)	FITTING, Elbow, 45°	1
19	10756	(-)	HOSE, LPG	1
20	SK2668	(0000000000-xxxxxxxxxx)	VAPORIZER, LPG, Bendix-Zenith	1
20	33600	(xxxxxxxxxx-)	VAPORIZER, LPG, J & S Company	1
	33602	(xxxxxxxxxx-)	REPAIR KIT, Vaporizer, LPG	1
21	32429	(-)	WASHER, Copper	1
22	54165	(-)	ELBOW, Water outlet	1
23	53988-13	(-)	THERMOSTAT	1
24	53988-14	(-)	RING, Retaining	1
25	53988-12	(-)	GASKET, Thermostat	1
26	53988-18	(-)	ADAPTOR, Pipe	1
27	53988-17	(-)	ELBOW, Pipe	1
28	53988-19	(-)	NIPPLE, Pipe	1
29	53988-15	(-)	CLAMP, Hose	2
30	53988-16	(-)	HOSE	1
31	SK2250	(0000000000-0000004490)	REPLACEMENT KIT, Engine	1
31	53989D-1	(0000004491-)	ENGINE	1
32	52241	(-)	GUIDE, Pump mount	2
33	54239	(-)	FUEL LINE ASSEMBLY	1
34	76736	(-)	CLAMP, Cable	2
35	50565	(-)	DIODE ASSEMBLY	1
36	51805	(-)	SWITCH, Oil pressure	1
37	22309	(-)	FITTING, Tee	1
38	22383	(-)	FITTING, Straight	1
39	49266	(-)	TIE, Cable	2
40	53530	(-)	HOSE	1



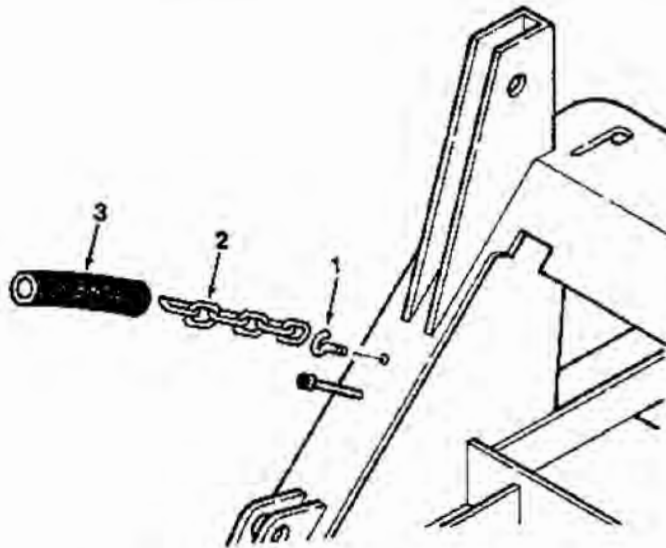
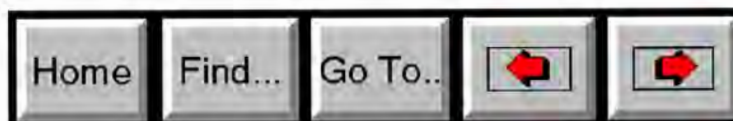


FIG. 2 - BUMPER CHAIN ASSEMBLY, LPG

01957

KEY	TENNANT® PART NO.	MACHINE SERIAL NUMBER	DESCRIPTION	QTY.
	47280	(-)	CHAIN ASSEMBLY	1
1	11893	(-)	BOLT, Eye	1
2	47277	(-)	CHAIN	1
3	47278	(-)	TUBE, Chain cover	1



SECTION 7 DIESEL PARTS

CONTENTS

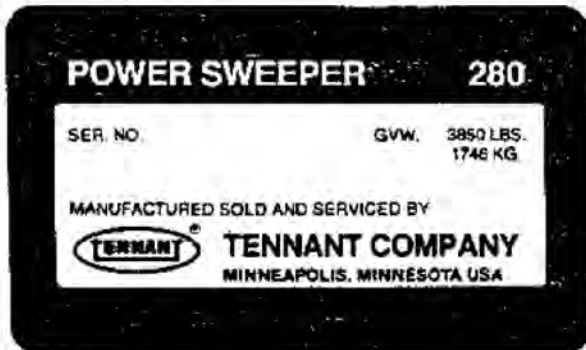
	Page
Ordering Repair Parts.....	7-1
Fig. 1 - Engine and Radiator Cover Group, Diesel...	7-2
Fig. 2 - Instrument Panel Group, Diesel	7-3
Fig. 3 - Vacuum Fan Shim Group, Diesel	7-4
Fig. 4 - Battery Group, Diesel	7-4
Fig. 5 - Air Cleaner Group, Diesel	7-5
Fig. 6 - Engine Group, Diesel.....	7-6
Fig. 7 - Radiator Group, Diesel	7-9
Fig. 8 - Radiator Group, Diesel	7-10
Fig. 9 - Muffler Group, Diesel.....	7-11
Fig. 10 - Fuel Tank Group, Diesel.....	7-12
Fig. 11 - Hydraulic Hose Group, Diesel	7-13

NOTE: Section 7, Diesel Parts, lists repair parts unique to a diesel powered machine.

ORDERING REPAIR PARTS

To avoid errors or delays in filling parts orders, please furnish all of the following information.

1. Always specify the machine model number and the machine serial number shown on the machine data plate.



2. Give the part number, description, and quantity needed of each item on the order. Do not order by the reference number or the figure number of the illustrated parts.
3. Indented items indicate parts of assemblies. Standard hardware is furnished only when part of a purchased assembly. Please order hardware from a local hardware supplier.
4. If the old part cannot be identified, send it to us with the quantity needed specified on the order.
5. State definite shipping instructions to include the shipping address and/or the billing address if there is a difference. Any claim for loss or damage to a shipment in transit should be filed promptly against the transportation company making the delivery. Shipments will be complete unless the packing list or order acknowledgement indicate items back ordered.

If parts received are suspected to be incorrect or defective, please write, wire, or phone the Tennant Company representative from whom you ordered the part. They will give authorization for return and/or handle replacement shipment when required.

SI (INTERNATIONAL SYSTEM) UNITS OF MEASURE

Metric equivalents have been included, where applicable, throughout this parts catalog.

BOLT AND CAP SCREW STRENGTH IDENTIFICATION

Bolts and cap screws required to have high-strength qualities equivalent to SAE Grade 8 are identified throughout this catalog by the description GR 8. Unless identified by this description, all standard bolts and cap screws are SAE Grade 5.

SERIAL NUMBER INFORMATION EXPLANATION

Serial number information is listed parenthetically to show on which machines each part can be used. These listings are explained by the following examples.

(-) The part can be used on all machines.

(0000001234-) The part can be used on all machines beginning with the serial number listed.

(0000000000-0000001234) The part can be used on all machines up to and including serial number listed.

(0000001234-0000005678) The part can be used on all machines between and including the serial numbers listed.

Where XXXXX's are listed in place of a serial number, it indicates a serial number change was made but the exact serial number had not been established when the catalog went to press.

(Specifications and design subject to change without notice.)

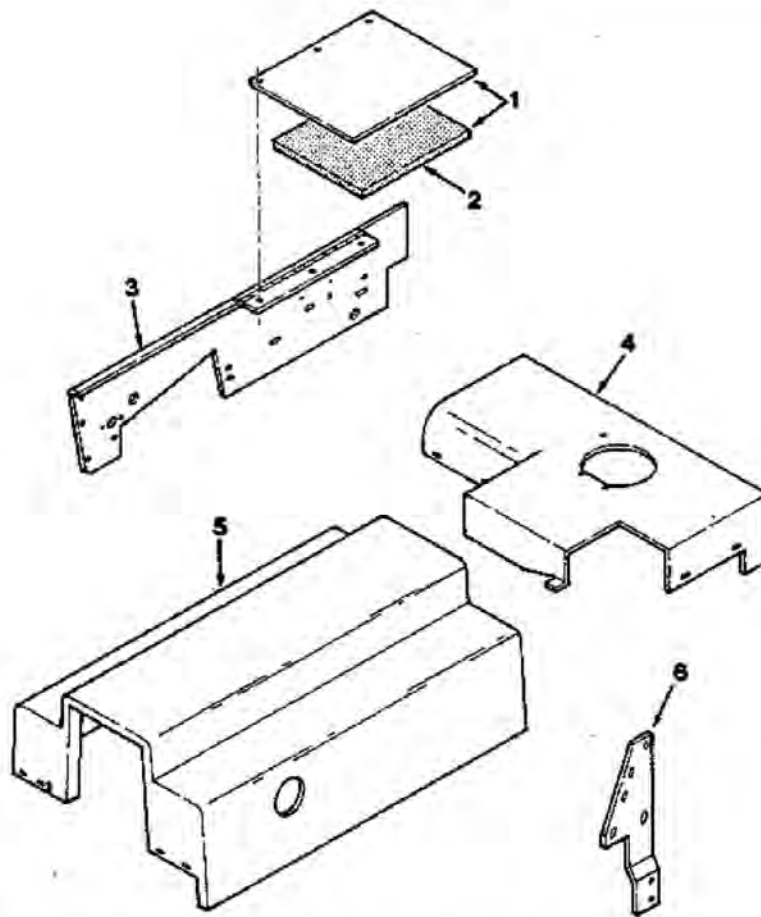
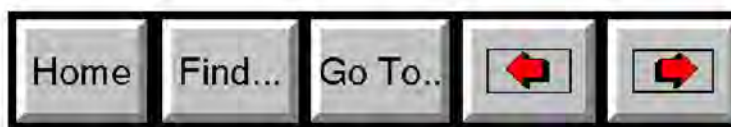


FIG. 1 - ENGINE AND RADIATOR COVER GROUP, DIESEL

01856

KEY	TENNANT® PART NO.	MACHINE SERIAL NUMBER	DESCRIPTION	QTY.
1	54729-1	(-)	DOOR ASSEMBLY, Instrument panel	1
2	54822	(-)	INSULATION, Foam	1
3	54731	(-)	PANEL, Engine cover	1
4	50776	(-)	COVER, Top rear	1
5	54466	(-)	COVER, Engine	1
6	54537	(-)	BRACKET, Valve	1



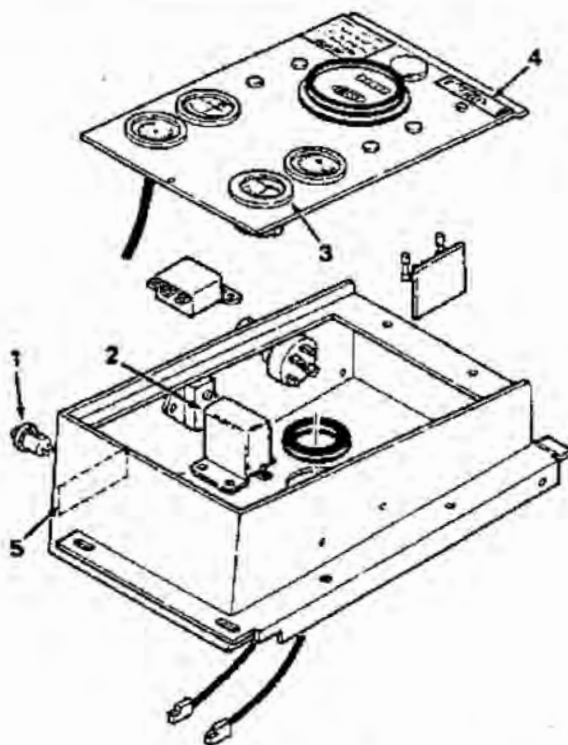
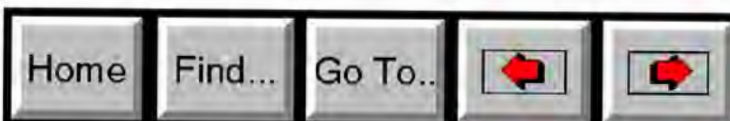


FIG. 2 - INSTRUMENT PANEL GROUP, DIESEL

01850

KEY	TENNANT® PART NO.	MACHINE SERIAL NUMBER	DESCRIPTION	QTY.
1	44828	(-)	SWITCH, Pushbutton	1
2	17877	(-)	RELAY	1
3	47472	(-)	GAUGE, Fuel level	1
4	54807	(-)	DECAL, Throttle	1
5	62690	(-)	DECAL, Fuel level check	1
	54715	(-)	WIRE KIT	1
	09385	(-)	CLAMP, Cable	2
	26395-2	(-)	CLAMP, Cable	1
	51408	(-)	TERMINAL, Female	4



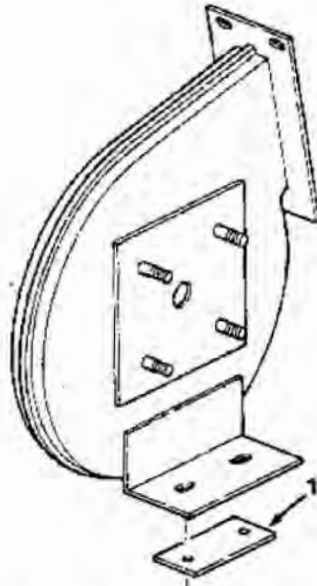


FIG. 3 - VACUUM FAN SHIM GROUP, DIESEL

01853

KEY	TENNANT® PART NO.	MACHINE SERIAL NUMBER	DESCRIPTION	QTY.
1	33796	(-)	SPACER, Vacuum fan	1

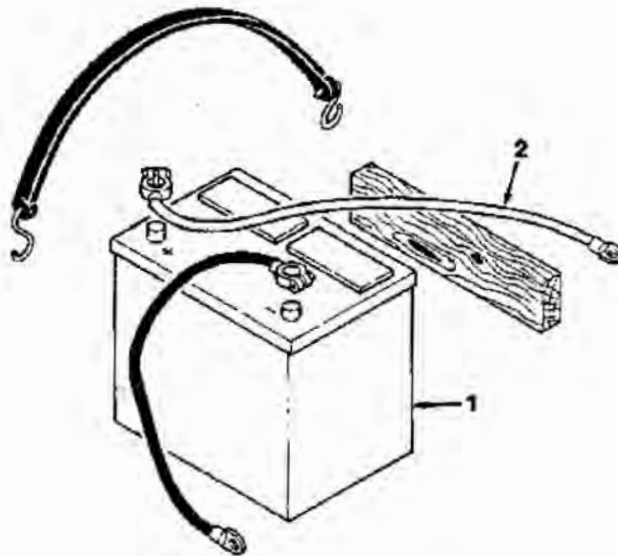
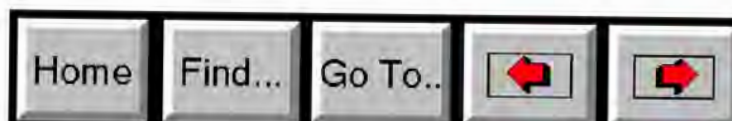


FIG. 4 - BATTERY GROUP, DIESEL

01851

KEY	TENNANT® PART NO.	MACHINE SERIAL NUMBER	DESCRIPTION	QTY.
1	61034	(-)	BATTERY	1
2	29830-12	(-)	CABLE, Positive, low dump	1
2	29830-8	(-)	CABLE, Positive, high dump	1



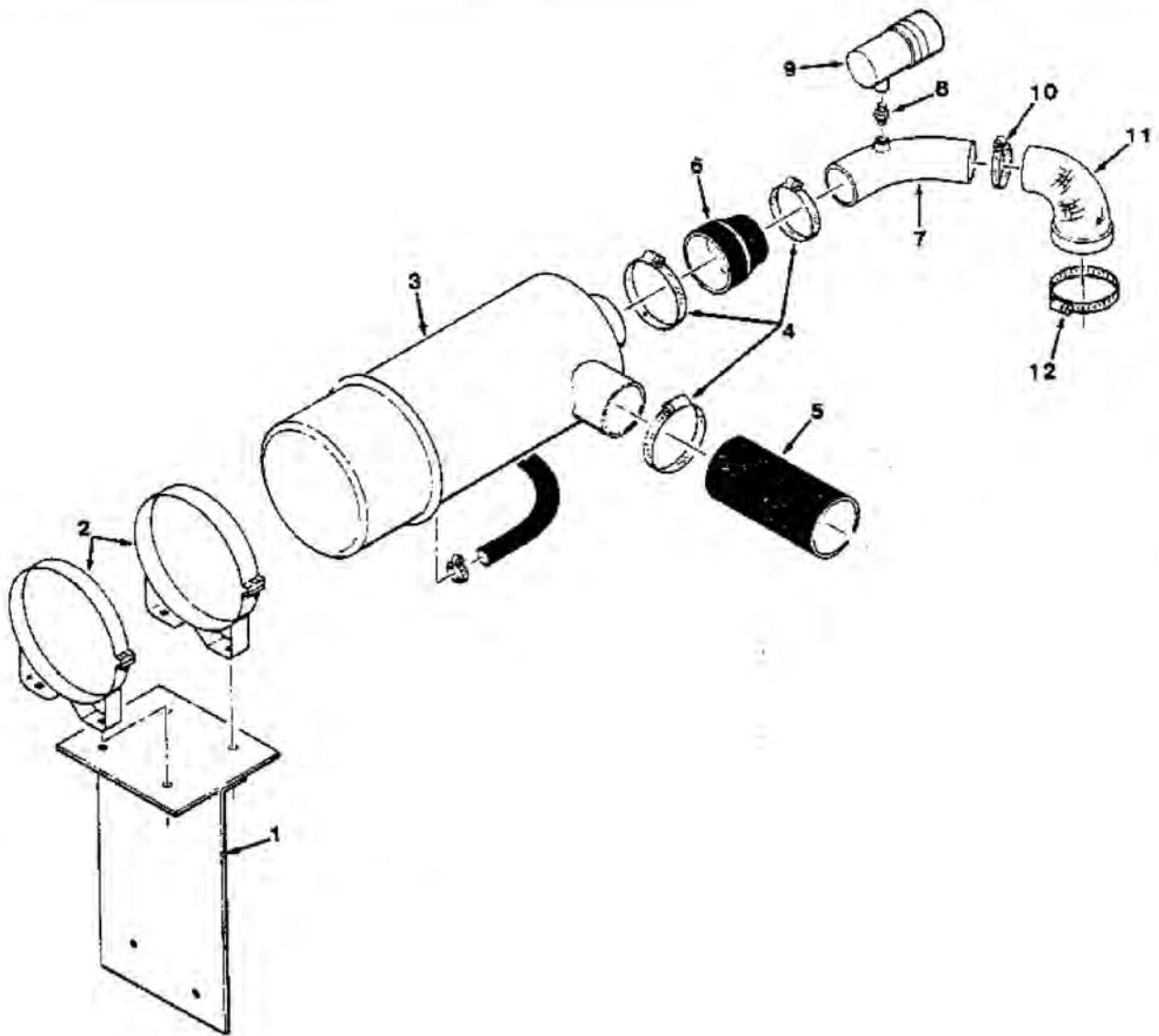
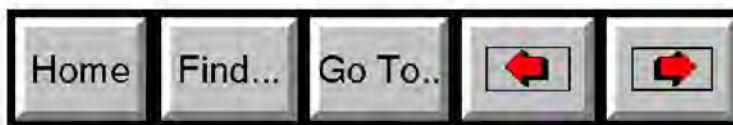


FIG. 5 - AIR CLEANER GROUP, DIESEL

01865

KEY	TENNANT® PART NO.	MACHINE SERIAL NUMBER	DESCRIPTION	QTY.
1	54489	(-)	MOUNT, Filter	1
2	51560-3	(-)	CLAMP, Mounting	2
3	54141	(-)	BODY, Air cleaner	1
	51561	(-)	ELEMENT, Air cleaner	1
4	22297	(-)	CLAMP, Worm drive	3
5	15543-2	(-)	COUPLING, Air cleaner tube	1
6	54159	(-)	ADAPTOR, Molded	1
7	54544	(-)	TUBE, Air cleaner	1
8	51560-5	(-)	FILTER, Service indicator	1
9	51658-5	(-)	INDICATOR, Filter service	1
10	11531	(-)	CLAMP, Worm drive	1
11	52770-11	(-)	ELBOW, Inlet	1
12	14432	(-)	CLAMP, Worm drive	1



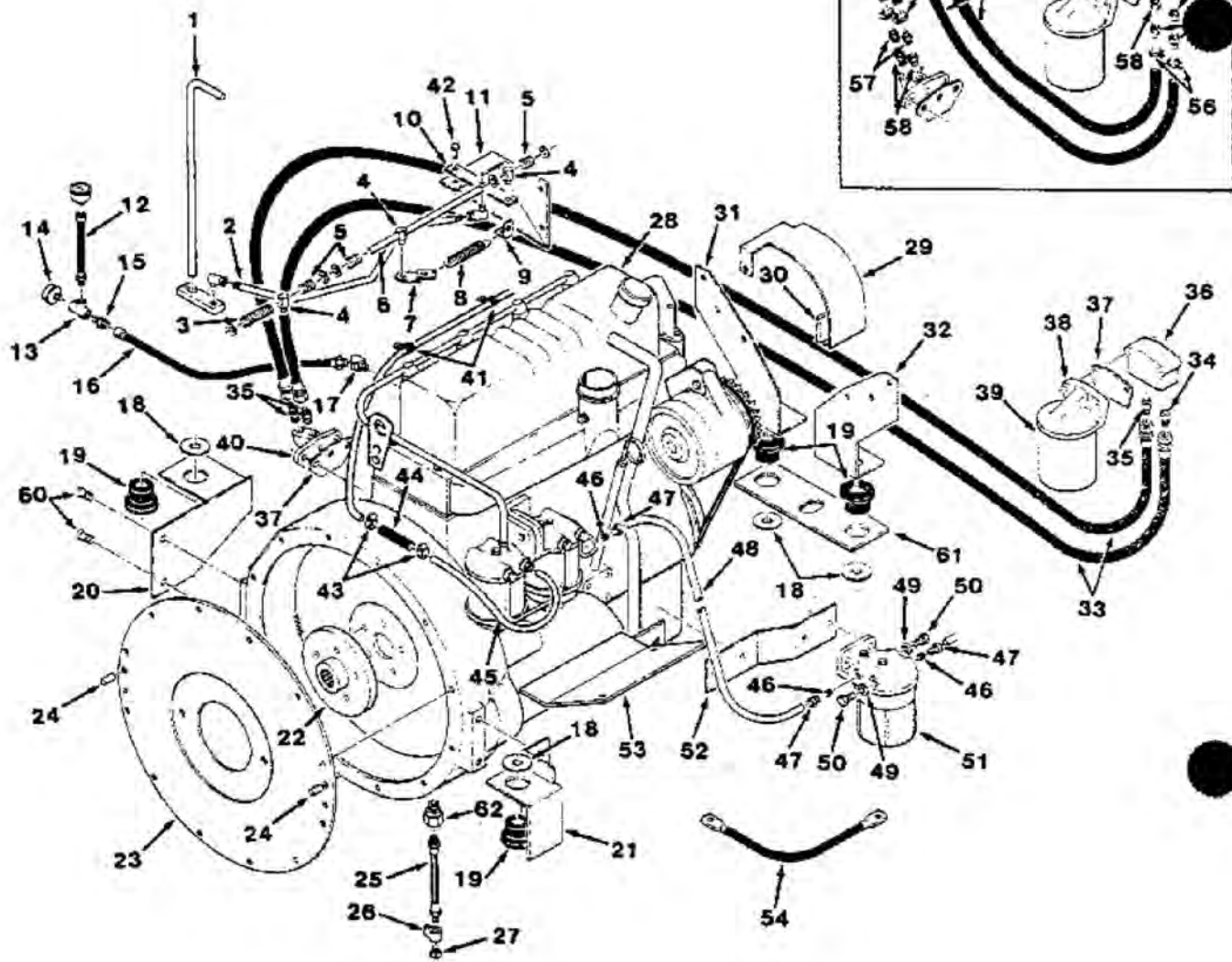


FIG. 6 - ENGINE GROUP, DIESEL

FIG. 6 - ENGINE GROUP, DIESEL

01872

KEY	TENNANT® PART NO.	MACHINE SERIAL NUMBER	DESCRIPTION	QTY.
1	54495	(-)	LEVER, Throttle	1
2	54494	(-)	ROD, Throttle	1
3	54743	(-)	SPRING, Compression	1
4	54742	(-)	CONNECTOR	3
5	62341	(-)	SPRING, Compression	3
6	54741	(-)	ROD, Throttle, fuel shutoff	1
7	54740	(-)	ARM, Fuel shutoff	1
8	54745	(-)	SPRING, Tension	1
9	54744	(-)	BRACKET, Fuel shutoff	1
10	54739	(-)	ARM, Pivot	1
11	54738	(-)	BRACKET, Support, throttle pivot	1
12	53074	(-)	HOSE	1
13	22309	(-)	FITTING, Tee	1
14	51805	(-)	SWITCH, Oil pressure	1
15	22383	(-)	FITTING, Straight	1
16	53530	(-)	HOSE	1
17	52915	(-)	FITTING, Elbow	1
18	51564	(-)	WASHER	4
19	61176	(-)	DAMPNER, Engine	4
20	54542	(-)	MOUNT, Engine, R.H.	1
21	54546	(-)	MOUNT, Engine, L.H.	1
22	62215B	(-)	COUPLING, Pump drive	1
23	76290	(-)	PLATE, Pump mounting	1
24	23999-8	(-)	PIN, Roll	2
25	17400-28	(-)	HOSE	1
26	62380	(-)	ADAPTOR	1
27	17521	(-)	FITTING, Plug	1
28	SK2528	(0000000000-0000005145)	REPLACEMENT KIT, Engine	1
28	32585	(0000005146-	ENGINE	1
29	54756-1	(-)	SHIELD ASSEMBLY	1
30	56515	(-)	SEAL, Foam rubber	1
31	54499	(-)	MOUNT, Engine, R.H.	1
32	54500	(-)	MOUNT, Engine, L.H.	1
33	69433	(0000005355-	HOSE	2
34	06743	(0000005355-	FITTING, Straight	1
35	15687	(0000005355-	FITTING, Straight	3
36	52770-3	(-)	ADAPTOR, Oil filter	1
37	32588	(-)	GASKET, Oil	2
38	52770-4	(-)	HEAD, Oil filter	1
39	52770-5	(-)	ELEMENT, Oil filter	1
40	52770-2	(-)	ADAPTOR, Oil filter	1
41	46236	(-)	CLAMP, Cable	2
42	28296	(-)	PIN, Clevis	1
43	43844	(-)	CLAMP, Worm drive	2
44	32808	(-)	HOSE, Fuel line	1
45	32809	(-)	TUBE	1
46	32590	(-)	OLIVE, Rubber	3
47	32587	(-)	NUT, Water trap	3
48	62049-3	(-)	TUBE	1
49	32435	(-)	WASHER, Sealing	2
50	32436	(-)	PLUG, Sealing	2
51	52770-8	(-)	WATER TRAP, Fuel	1
52	54540	(-)	BRACKET, Water trap	1
53	SK2540	(0000000000-xxxxxxxxxx)	DEFLECTOR KIT	1

KEY	TENNANT* PART NO.	MACHINE SERIAL NUMBER	DESCRIPTION	QTY.
53	19892	(xxxxxxxxxx-)	PANEL, Deflector	1
54	29832-7	(-)	CABLE ASSEMBLY	1
55	54695	(0000000000-0000005354)	HOSE, Rubber	2
56	54333	(0000000000-0000005354)	CLAMP, Worm drive	4
57	43246	(0000000000-0000005354)	CONNECTOR, Hose	4
58	09114	(0000000000-0000005354)	FITTING, Straight	3
59	17400-22	(0000000000-0000005354)	FITTING, Reducer	1
60	50037	(-)	SCREW	2
61	54498	(-)	BAR, Engine mount	1
62	50354	(xxxxxxxxxx-)	FITTING, Straight	1

Home Find... Go To..  

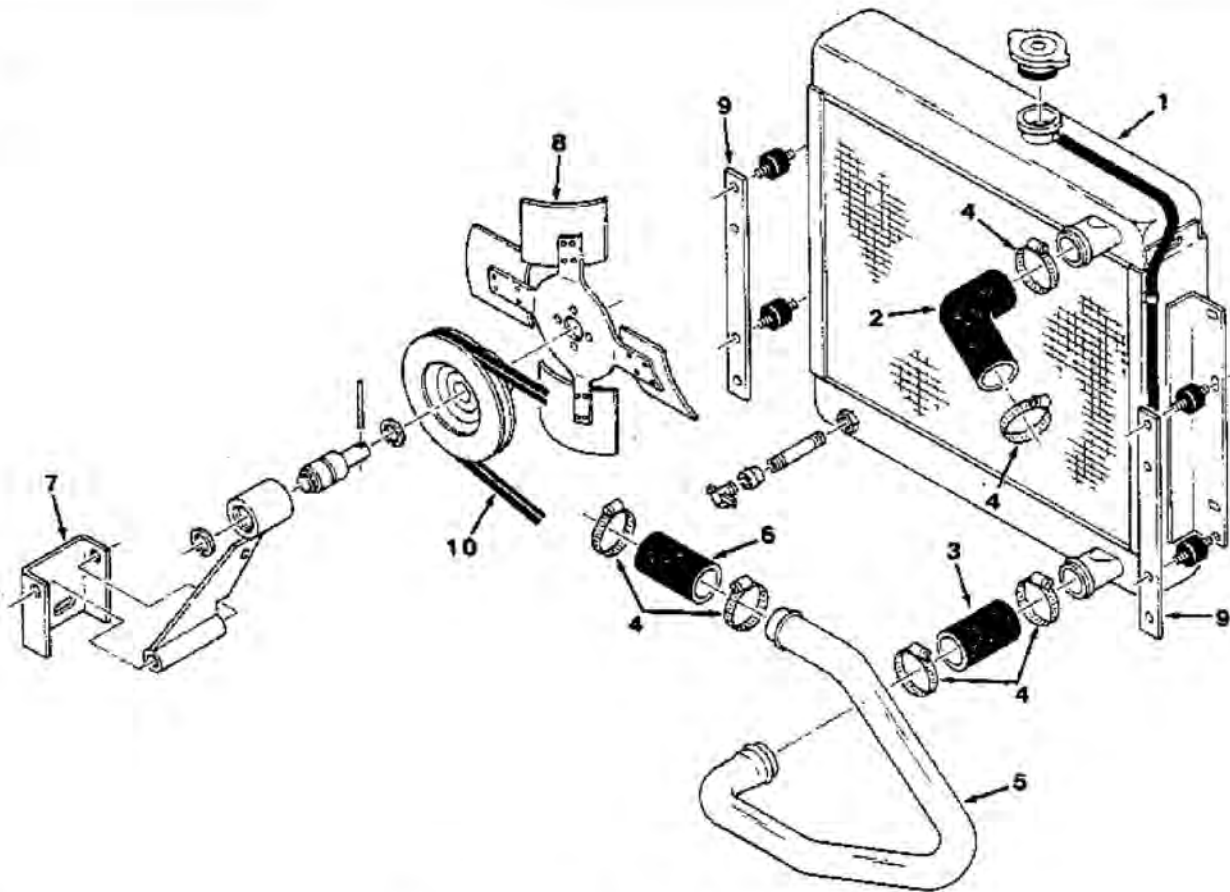


FIG. 7 - RADIATOR GROUP, DIESEL

00359

KEY	TENNANT® PART NO.	MACHINE SERIAL NUMBER	DESCRIPTION	QTY.
1	48652	(0000005041-) RADIATOR	1
2	50794	(0000005041-) HOSE, Radiator	1
3	62377	(0000005041-) HOSE, Radiator	1
4	11531	(-) CLAMP, Worm drive	6
5	50780	(0000005041-) TUBE, Radiator	1
6	62378	(0000005041-) HOSE, Radiator	1
7	50777	(0000005041-) CHANNEL, Fan mount	1
8	53345	(-) FAN, Pusher	1
9	50779	(0000005041-) STRIP	1
10	50861	(0000005041-) V-BELT	1

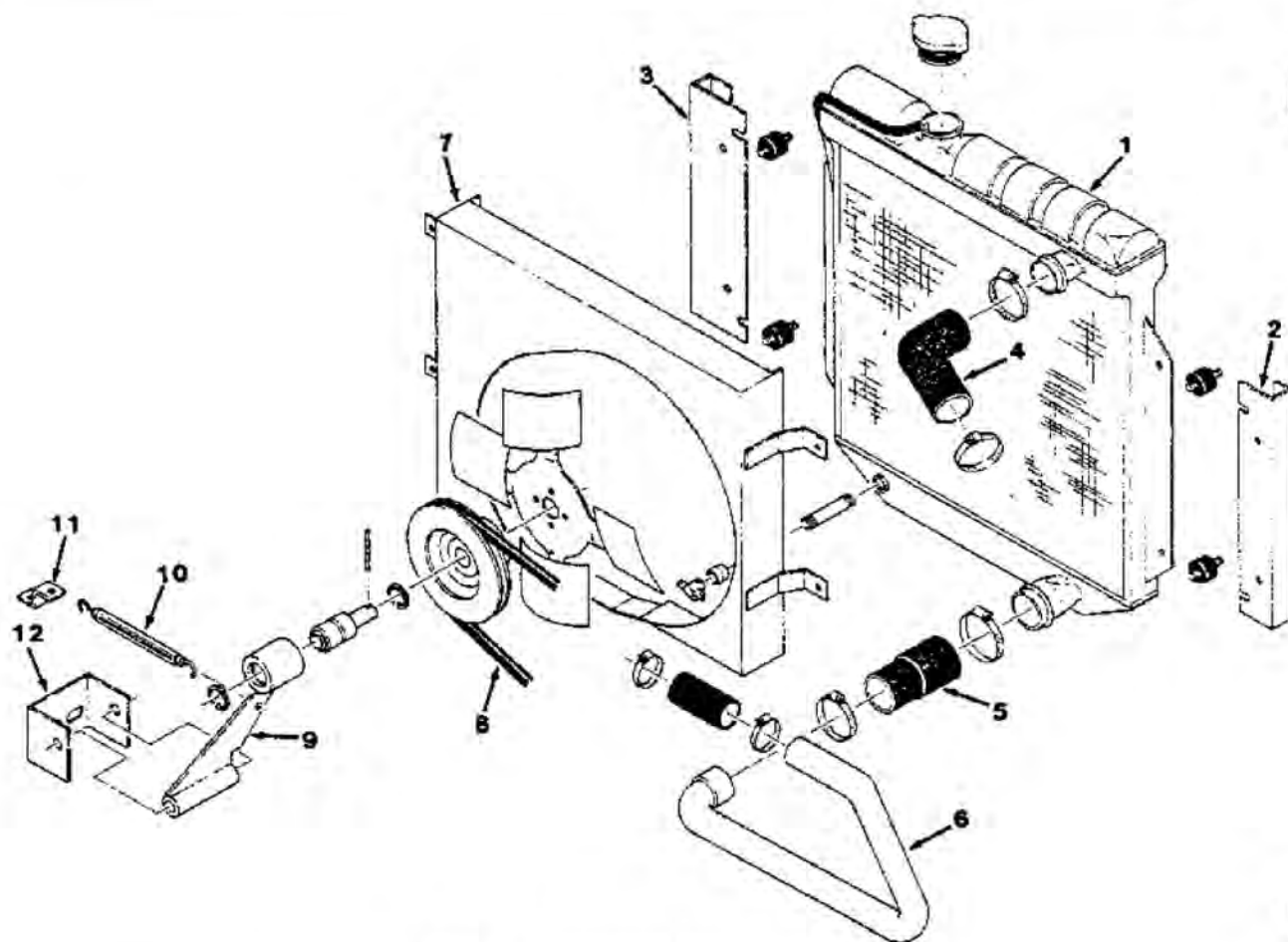


FIG. 8 - RADIATOR GROUP, DIESEL

00360

KEY	TENNANT* PART NO.	MACHINE SERIAL NUMBER	DESCRIPTION	QTY.
1	SK2477	(0000002206-0000005040)	REPLACEMENT KIT, Radiator	1
2	54728-1	(0000002206-0000005040)	BRACKET, Radiator mount, L.H.	1
3	54727	(0000002206-0000005040)	BRACKET, Radiator mount, R.H.	1
4	50794	(0000002206-0000005040)	HOSE, Radiator	1
5	54792	(0000002206-0000005040)	REDUCER	1
6	54543	(0000002206-0000005040)	TUBE, Radiator	1
7	54716	(0000002206-0000005040)	SHROUD, Radiator	1
8	53165A	(0000002206-0000005040)	V-BELT	4
9	53673	(0000002206-0000005040)	ARM, Fan	1
10	25494	(0000002206-0000005040)	TURNBUCKLE	1
11	54795	(0000002206-0000005040)	BRACKET, Turnbuckle mounting	1
12	53792	(0000002206-0000005040)	BRACKET, Fan	1

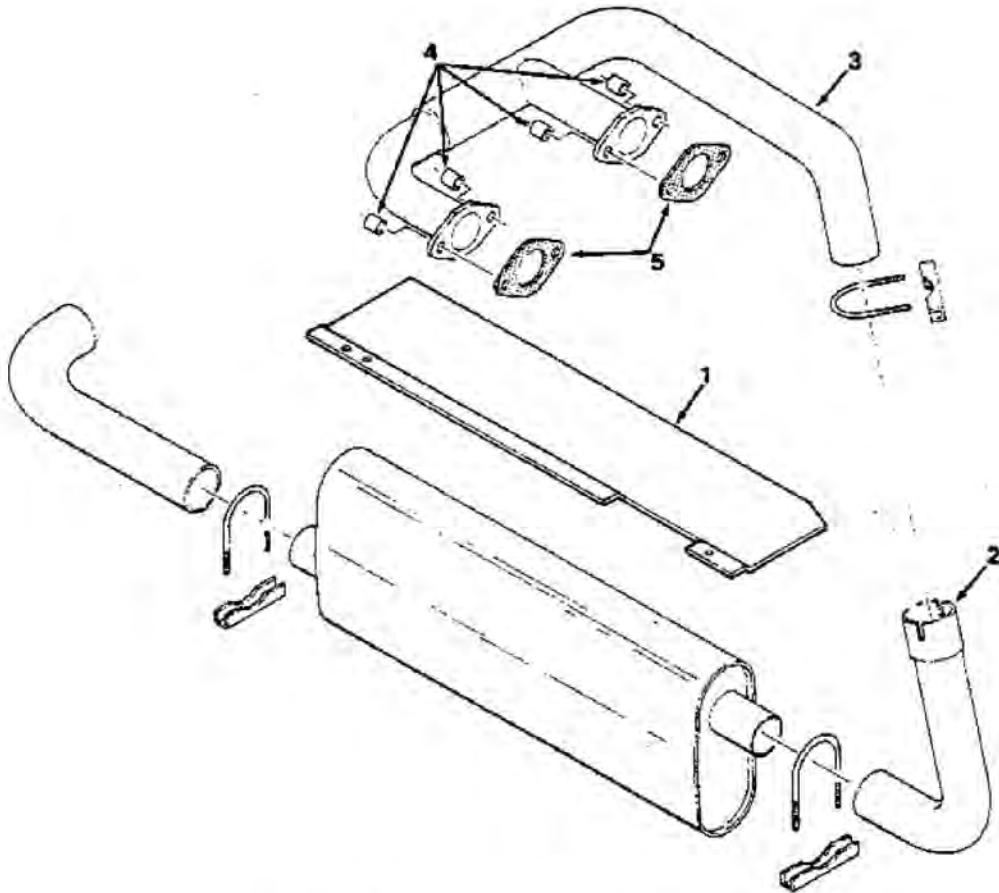


FIG. 9 - MUFFLER GROUP, DIESEL

01867

KEY	TENNANT® PART NO.	MACHINE SERIAL NUMBER	DESCRIPTION	QTY.
1	50830	(-)	SHIELD, Muffler	1
2	54538	(-)	TUBE, Exhaust	1
3	54539	(-)	MANIFOLD, Exhaust	1
4	40716	(-)	SLEEVE	4
5	54692	(-)	GASKET	2

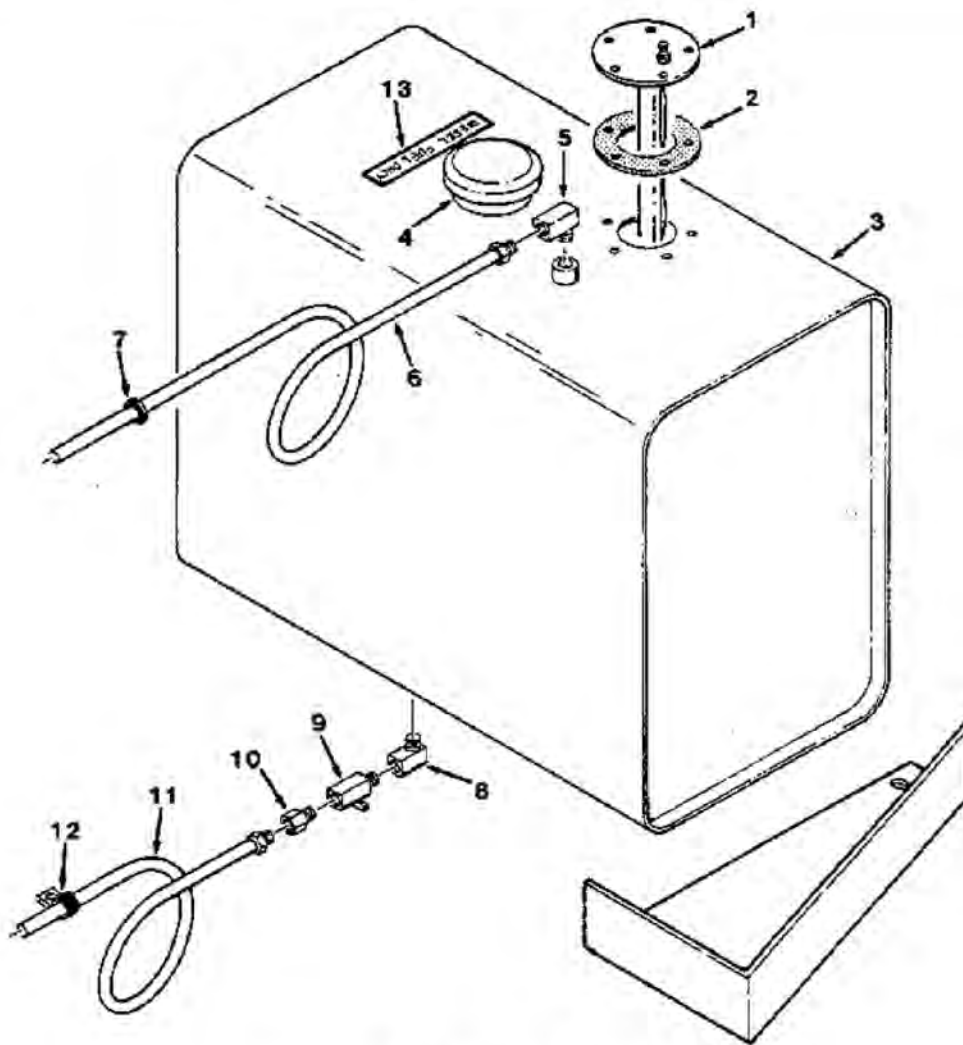
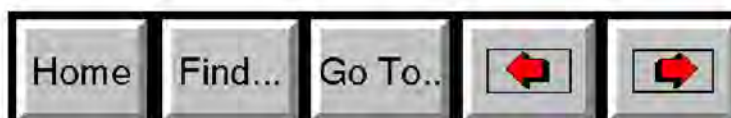


FIG. 10 - FUEL TANK GROUP, DIESEL

Dr570

KEY	TENNANT® PART NO.	MACHINE SERIAL NUMBER	DESCRIPTION	QTY.
1	47473	(-)	SENDING UNIT, Fuel tank	1
2	14131	(-)	GASKET	1
3	54472	(-)	TANK, Fuel	1
4	48267	(-)	CAP, Fuel tank	1
5	15555	(-)	FITTING, Elbow	1
6	32824	(-)	FUEL LINE ASSEMBLY	1
7	10632-9	(-)	GROMMET	1
8	24976	(-)	FITTING, Elbow, 45°	1
9	13988	(-)	COCK	1
10	40585	(-)	FITTING, Straight	1
11	62359	(-)	FUEL LINE ASSEMBLY	1
12	09385	(-)	CLAMP, Cable	2
13	45850	(-)	DECAL, Diesel fuel only	1



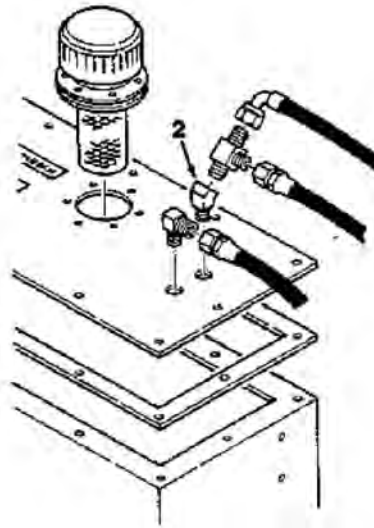
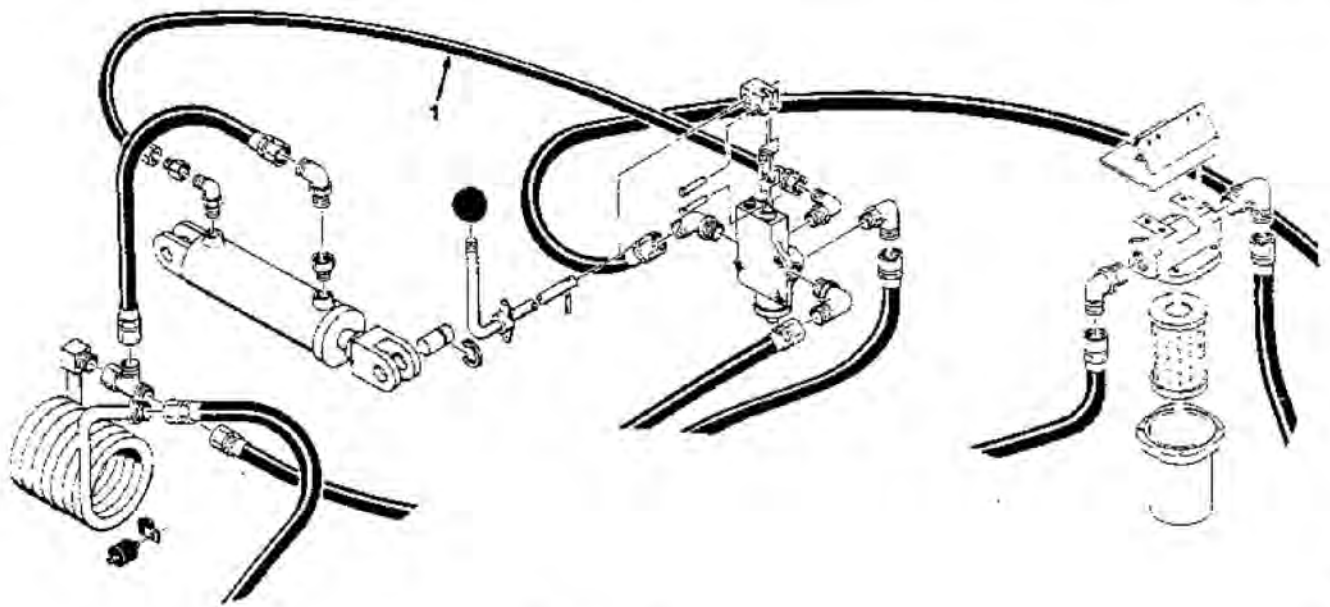
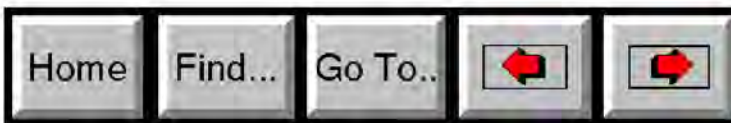


FIG. 11 - HYDRAULIC HOSE AND FITTING GROUP, DIESEL

02001

KEY	TENNANT® PART NO.	MACHINE SERIAL NUMBER	DESCRIPTION	QTY
1	32108	(0000002206-) HOSE	1
2	32376	(0000005596-) FITTING, Elbow, 45°	1



SECTION 8 HIGH DUMP PARTS

CONTENTS

	Page
Ordering Repair Parts.....	8-1
Fig. 1 - Main Frame Group, High Dump.....	8-2
Fig. 2 - Stabilizer Leg Assembly, High Dump.....	8-3
Fig. 3 - Stabilizer Leg Group, High Dump.....	8-4
Fig. 4 - Vacuum Fan Bracket Assembly, High Dump.....	8-5
Fig. 5 - Hopper Lift Arms Group, High Dump.....	8-6
Fig. 6 - Hopper Group, High Dump.....	8-8
Fig. 7 - Overhead Guard Group, High Dump.....	8-10
Fig. 8 - Steering Arm Group, High Dump.....	8-11
Fig. 9 - Main Brush Lift Lever Assembly, High Dump.....	8-12
Fig. 10 - Side Brush Group, High Dump.....	8-13
Fig. 11 - Hydraulic System, High Dump.....	8-14
Fig. 12 - Speed Limiter Group, High Dump.....	8-15
Fig. 13 - Rollout Cylinder and Valve Group, High Dump.....	8-18
Fig. 14 - Dump Cylinder Group, High Dump.....	8-18
Fig. 15 - Side Brush Motor Group, High Dump.....	8-19

NOTE: Section 8, High Dump Parts, lists repair parts unique to a High Dump Model 280. To find parts not listed here, see Section 5, Standard Parts.

Home

Find...

Go To..



ORDERING REPAIR PARTS

To avoid errors or delays in filling parts orders, please furnish all of the following information.

1. Always specify the machine model number and the machine serial number shown on the machine data plate.



2. Give the part number, description, and quantity needed of each item on the order. Do not order by the reference number or the figure number of the illustrated parts.
3. Indented items indicate parts of assemblies. Standard hardware is furnished only when part of a purchased assembly. Please order hardware from a local hardware supplier.
4. If the old part cannot be identified, send it to us with the quantity needed specified on the order.
5. State definite shipping instructions to include the shipping address and/or the billing address if there is a difference. Any claim for loss or damage to a shipment in transit should be filed promptly against the transportation company making the delivery. Shipments will be complete unless the packing list or order acknowledgment indicate items back ordered.

If parts received are suspected to be incorrect or defective, please write, wire, or phone the Tennant Company representative from whom you ordered the part. They will give authorization for return and/or handle replacement shipment when required.

SI (INTERNATIONAL SYSTEM) UNITS OF MEASURE

Metric equivalents have been included, where applicable, throughout this parts catalog.

BOLT AND CAP SCREW STRENGTH IDENTIFICATION

Bolts and cap screws required to have high-strength qualities equivalent to SAE Grade 8 are identified throughout this catalog by the description GR 8. Unless identified by this description, all standard bolts and cap screws are SAE Grade 5.

SERIAL NUMBER INFORMATION EXPLANATION

Serial number information is listed parenthetically to show on which machines each part can be used. These listings are explained by the following examples.

() The part can be used on all machines.

(0000001234-) The part can be used on all machines beginning with the serial number listed.

(0000000000-0000001234) The part can be used on all machines up to and including serial number listed.

(0000001234-0000005678) The part can be used on all machines between and including the serial numbers listed.

Where XXXXX's are listed in place of a serial number, it indicates a serial number change was made but the exact serial number had not been established when the catalog went to press.

(Specifications and design subject to change without notice.)

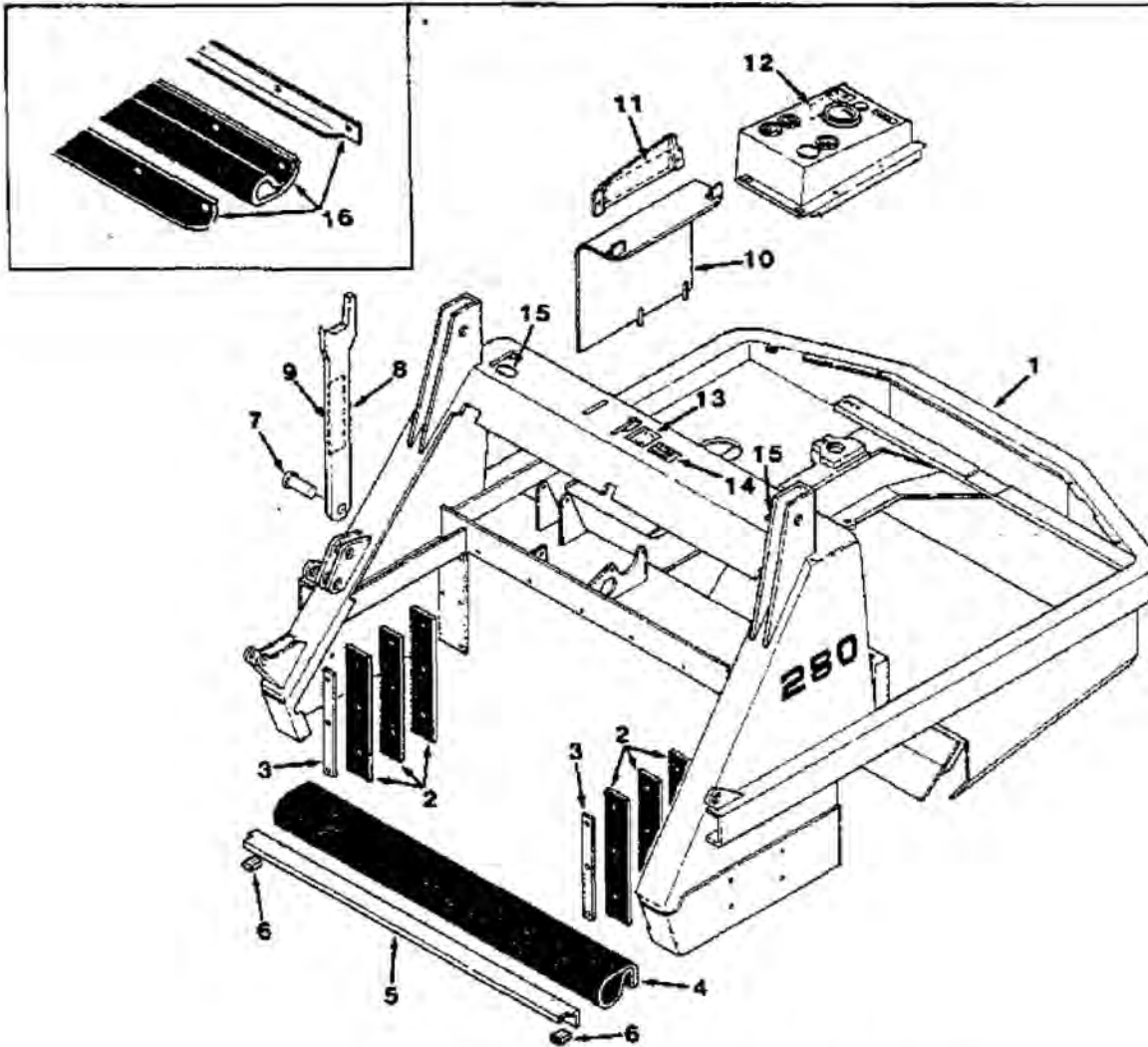
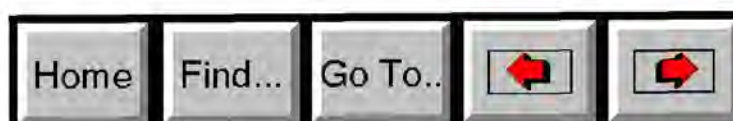


FIG. 1 - MAIN FRAME GROUP, HIGH DUMP

01881

KEY	TENNANT® PART NO.	MACHINE SERIAL NUMBER	DESCRIPTION	QTY.
1	33505	(-)	FRAME, Main	1
2	23382	(-)	SEAL, Side pan	6
3	23384-2	(-)	STRIP	2
4	23386	(xxxxxxxxx-)	SEAL, Top pan	1
5	50447	(xxxxxxxxx-)	RETAINER ASSEMBLY, Top seal	1
6	54338-6	(xxxxxxxxx-)	SEAL, Foam rubber	2
7	36994	(-)	PIN, Clevis	1
8	32368	(-)	ARM ASSEMBLY, Safety	1
9	55373	(-)	DECAL, Warning, hopper safety	1
10	32820	(-)	PANEL	1
11	55373	(-)	DECAL, Warning, hopper safety	1
12	37089	(-)	DECAL, Caution, travel slowly on inclines	1
13	54517	(-)	DECAL, Roll in-out	1
14	65072	(-)	DECAL, Caution, hopper	1
15	10632-13	(-)	GROMMET	2
16	SK2125	(0000000000-xxxxxxxxx)	HOPPER SEAL KIT	1



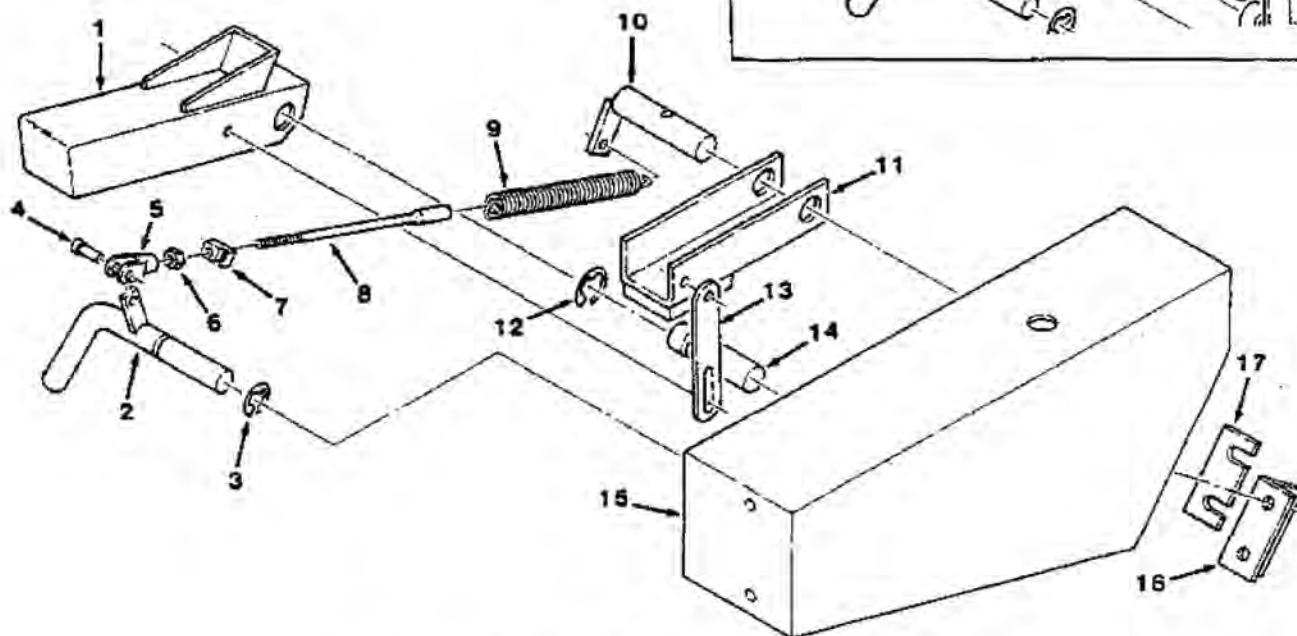
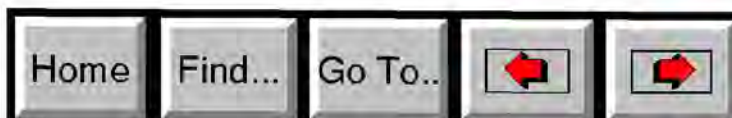


FIG. 2 - STABILIZER LEG ASSEMBLY, HIGH DUMP

00625

KEY	TENNANT® PART NO.	MACHINE SERIAL NUMBER	DESCRIPTION	QTY.
	32286	(0000005147-) BUMPER ASSEMBLY, Stability, L.H.	1
1	35591	(-) LEG, Safety	1
2	33568	(0000005355-) LEVER, Stabilizer leg	1
3	23788-1	(0000005147-) RING, Retaining, external	1
4	51727	(0000005147-) PIN, Clevis	1
5	14595-1	(0000005147-) CLEVIS, Adjustable	1
6	32899	(0000005147-) NUT, Hex	1
7	33565	(0000005449-) LUG, Spring adjustment	1
8	33563	(0000005449-) ROD, Spring adjustment	1
9	33523	(0000005449-) SPRING, Tension	1
10	33763	(0000005147-) SHAFT, Safety leg stop	1
11	35533	{ -) SUPPORT, Safety leg	1
12	23788	{ -) RING, Retaining, external	1
13	35527	{ -) LINK	1
14	38972	{ -) PIN, Grooved	1
15	32282	(0000005147-) BUMPER, L.H.	1
16	24528	(0000005147-) BRACKET, L	1
17	14895	(0000005147-) SHIM	1
18	SK2606	(0000005147-0000005354)	STABILIZER LEG SPRING KIT	1
19	SK2607	(0000005147-0000005448)	STABILIZER LEG SPRING KIT	1



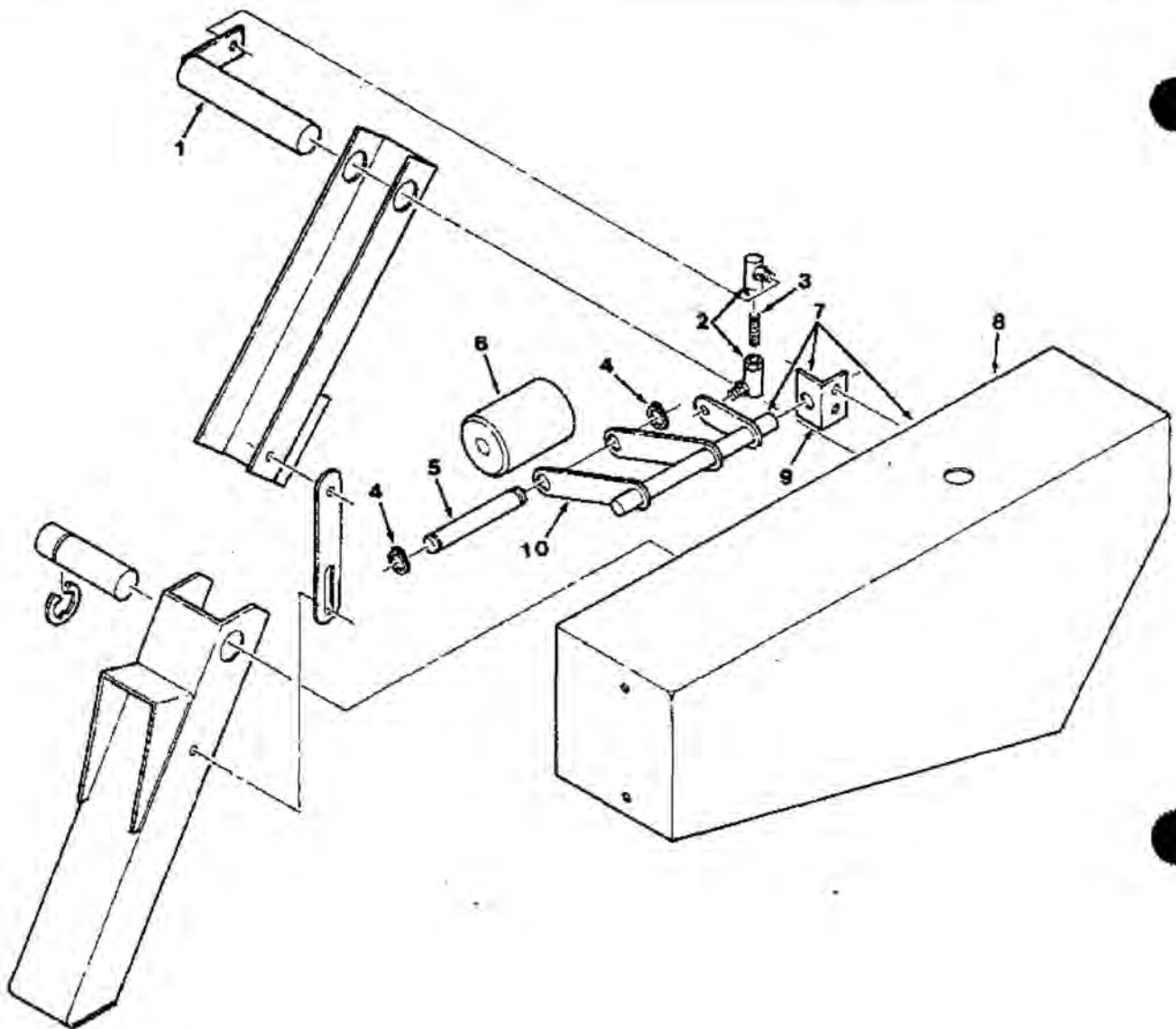
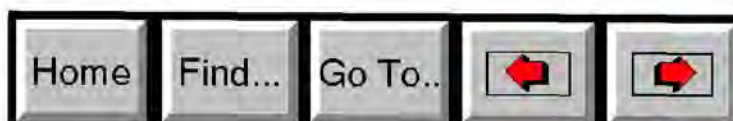


FIG. 3 - STABILIZER LEG GROUP, HIGH DUMP

01863

KEY	TENNANT® PART NO.	MACHINE SERIAL NUMBER	DESCRIPTION	QTY.
1	48968	(000000000-0000005146)	SHAFT, Pivot	1
2	14601	(000000000-0000005146)	BALL JOINT	2
3	36971	(000000000-0000005146)	STUD	1
4	23524	(000000000-0000005146)	RING, Retaining, external	2
5	48954	(000000000-0000005146)	PIN, Grooved	1
6	48957	(000000000-0000005146)	ROLLER, Nylon	1
7	SK2064	(000000000-0000003711)	REPLACEMENT KIT, Bumper	1
8	45797	(0000003712-0000005146)	BUMPER, L.H.	1
9	45795	(0000003712-0000005146)	BRACKET, L	1
10	45794	(0000003712-0000005146)	SHAFT, Roller	1



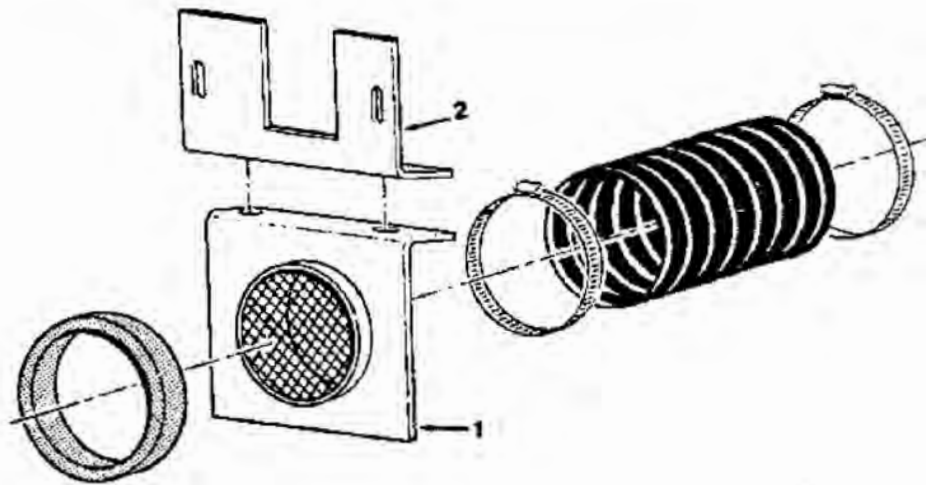
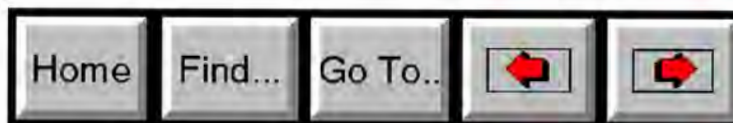


FIG. 4 - VACUUM FAN BRACKET ASSEMBLY, HIGH DUMP

01699

KEY	TENNANT® PART NO.	MACHINE SERIAL NUMBER	DESCRIPTION	QTY.
	36911-1	(-)	BRACKET ASSEMBLY, Hose	1
1	36907-1	(-)	ADAPTOR, Hose	1
2	36906	(-)	BRACKET, Hose mount	1



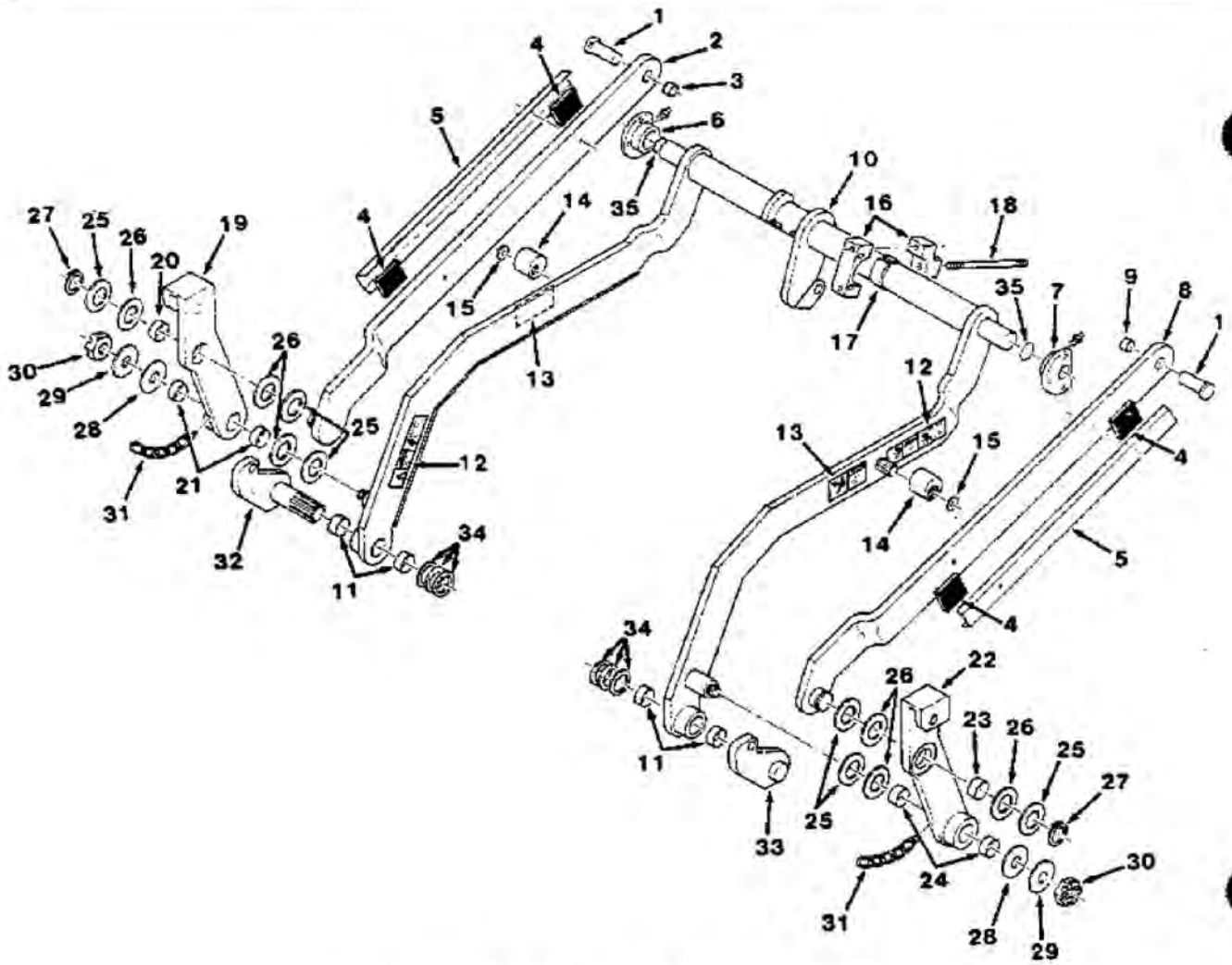
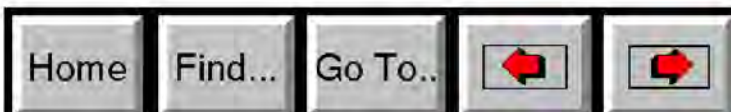


FIG. 5 - HOPPER LIFT ARMS GROUP, HIGH DUMP

FIG. 5 - HOPPER LIFT ARMS GROUP, HIGH DUMP

02000

KEY	TENNANT® PART NO.	MACHINE SERIAL NUMBER	DESCRIPTION	QTY.
1	04733-5	(-)	PIN, Clevis	2
2	55203	(-)	ARM ASSEMBLY, R.H.	1
3	35529	(-)	BEARING, Journal	1
	36988	(-)	CLAMP ASSEMBLY, Hose	2
4	36989	(-)	PAD, Neoprene	2
5	36985	(-)	CLAMP, Hose	1
6	35631	(-)	BEARING, Lift arm, R.H.	1
7	35631-1	(-)	BEARING, Lift arm, L.H.	1
8	55204	(-)	ARM ASSEMBLY, L.H.	1
9	35529	(-)	BEARING, Journal	1
10	35512-1	(-)	ARM ASSEMBLY, Lift	1
11	35561	(-)	BEARING, Journal	4
12	55373	(-)	DECAL, Warning, hopper safety	2
13	55375	(-)	DECAL, Caution, hopper lift arm	2
14	33541	(-)	HUB, Splined	2
15	36996	(-)	WASHER	2
	36948	(-)	BEARING ASSEMBLY, Center	1
16	35630	(-)	BEARING, Center	1
17	35668	(-)	BEARING, Journal	1
18	35696	(-)	STUD	1
19	35621-1	(-)	ARM ASSEMBLY, Front pivot, R.H.	1
20	35666	(-)	BEARING, Journal	1
21	35561	(-)	BEARING, Journal	2
22	35620-1	(-)	ARM ASSEMBLY, Front pivot, L.H.	1
23	35666	(-)	BEARING, Journal	1
24	35561	(-)	BEARING, Journal	2
25	35615	(-)	WASHER	6
26	37139	(-)	BEARING, Thrust	6
27	35686	(-)	RING, Retaining, external	2
28	35666	(-)	BEARING, Thrust	2
29	35614	(-)	WASHER	2
30	14242	(-)	NUT, Slotted	2
31	32448	(-)	CHAIN AND EYE BOLT ASSEMBLY	2
32	35640	(-)	SHAFT, Splined, R.H.	1
33	35636	(-)	SHAFT, Splined, L.H.	1
34	35629	(-)	WASHER	6
35	23138	(-)	SHIM	2



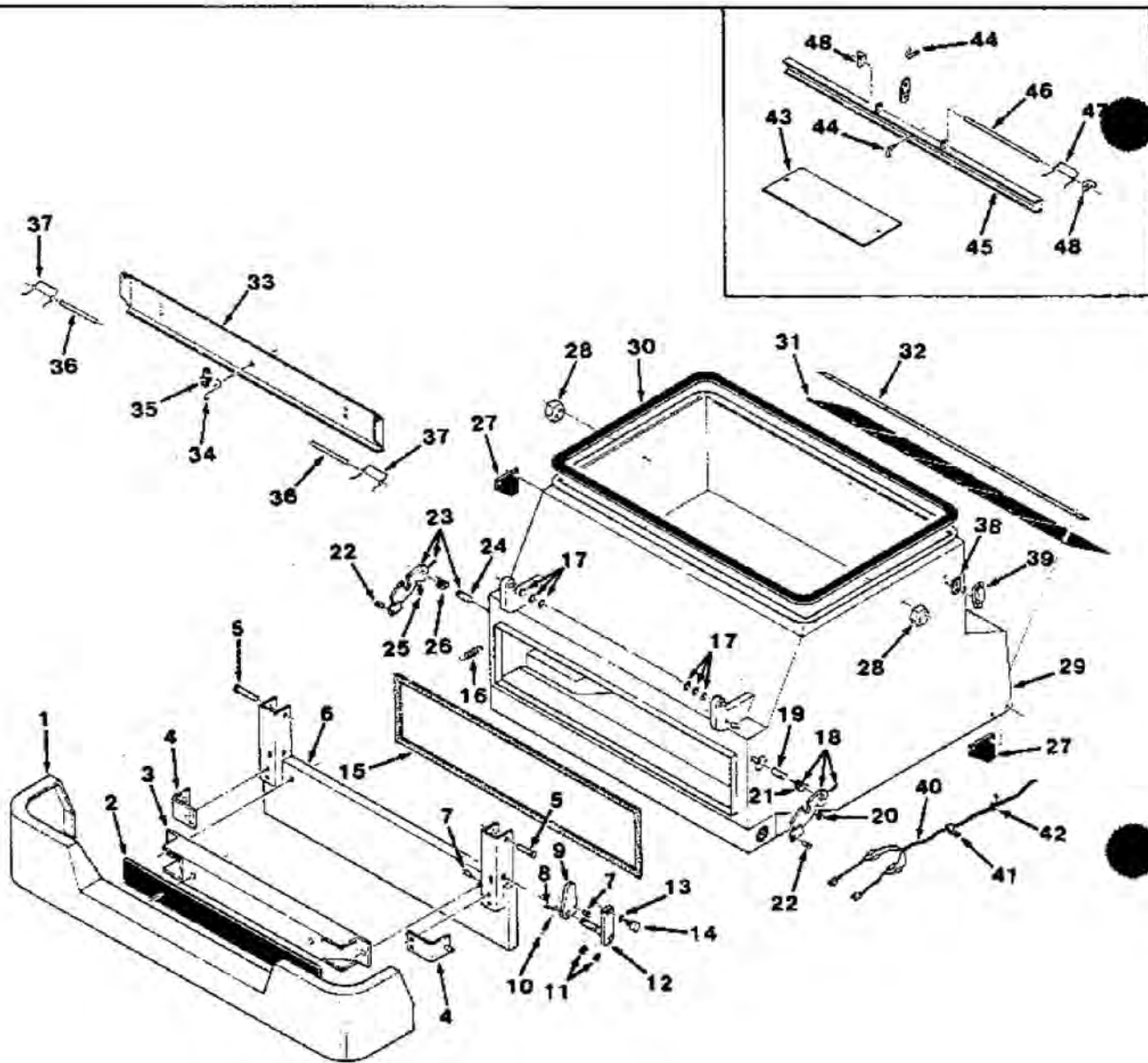


FIG. 6 - HOPPER GROUP, HIGH DUMP

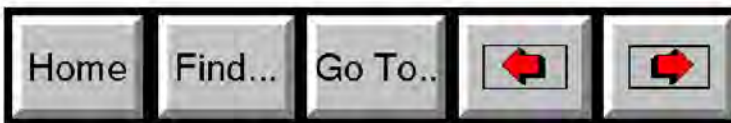
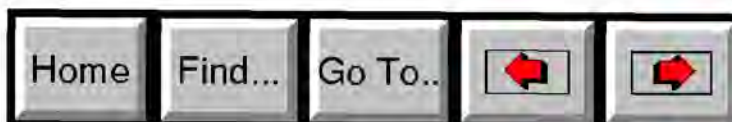


FIG. 6 - HOPPER GROUP, HIGH DUMP

01582

KEY	TENNANT® PART NO.	MACHINE SERIAL NUMBER	DESCRIPTION	QTY.
1	48692	(-)	BUMPER, Front	1
2	36979	(-)	SKIRT	1
3	36980	(-)	SUPPORT, Bumper	1
4	36984	(-)	BRACKET, Door latch	2
5	04733-3	(-)	PIN, Clevis	2
	35669	(-)	DOOR ASSEMBLY, Hopper	1
6	35526	(-)	DOOR, Hopper	1
7	51727	(-)	PIN, Clevis	2
8	23146	(000000000-xxxxxxxxxx)	PIN, Roll	1
8	46585	(xxxxxxxxxx-	PIN, Roll	1
9	SK2003	(000000000-xxxxxxxxxx)	REPLACEMENT KIT, Pivot shaft	1
9	37074	(xxxxxxxxxx-	BRACE, Hopper door	1
10	28387	(-)	SPRING, Tension	1
11	23788-1	(-)	RING, Retaining, external	2
12	SK2003	(000000000-xxxxxxxxxx)	SHAFT, Pivot	1
12	37073	(xxxxxxxxxx-	SHAFT, Pivot	1
13	35546	(-)	SLEEVE	1
14	48930	(-)	FOLLOWER, Cam	1
15	37061	(-)	SEAL KIT, Dump door	1
16	29545	(-)	SPRING, Tension	1
17	35540	(-)	SHIM, Washer	6
18	37078	(-)	LATCH ASSEMBLY, Hopper door, L.H.	1
19	35578	(-)	ROD, Door latch pivot	1
20	07259	(-)	FITTING, Grease	1
21	48927	(-)	SPRING, Latch torsion, L.H.	1
22	10120	(-)	PIN, Clevis	2
23	37079	(-)	LATCH ASSEMBLY, Hopper door, R.H.	1
24	35578	(-)	ROD, Door latch pivot	1
25	07259	(-)	FITTING, Grease	1
26	48928	(-)	SPRING, Latch torsion, R.H.	1
27	37021	(-)	LIP, Side	2
28	36995	(-)	CAM, Eccentric	2
29	SK2060	(000000000-xxxxxxxxxx)	REPLACEMENT KIT, Filter box	1
29	37057	(xxxxxxxxxx-	FILTER BOX	1
30	53244	(-)	SEAL, Extrusion	1
31	35607	(-)	LIP ASSEMBLY	5
32	53758	(-)	STRIP	1
33	SK2398	(0000005286-	REPLACEMENT KIT, Fire door	1
34	35559A	(0000005286-	HOOK, Fire door	1
35	SK1511	(-)	REPLACEMENT KIT, Fusible link	1
36	35555	(-)	PIN, Drilled	2
37	51372	(-)	SPRING	2
38	37085	(-)	STRIP	8
39	37083-1	(-)	CATCH	4
40	47882	(-)	CORD ASSEMBLY, Shaker motor	1
41	09385	(-)	CLAMP, Cable	1
42	20154	(-)	STRAIN RELIEF	1
43	53693	(000000000-0000005285)	PLATE, Baffle	1
44	53698	(000000000-0000005285)	HOOK, Fuse link	2
45	53703	(000000000-0000005285)	CHANNEL, Fire door	1
46	46088	(000000000-0000005285)	PIN, Door hinge	1
47	28564	(000000000-0000005285)	SPRING, Torsion	1
48	46087	(000000000-0000005285)	BRACKET, L	2



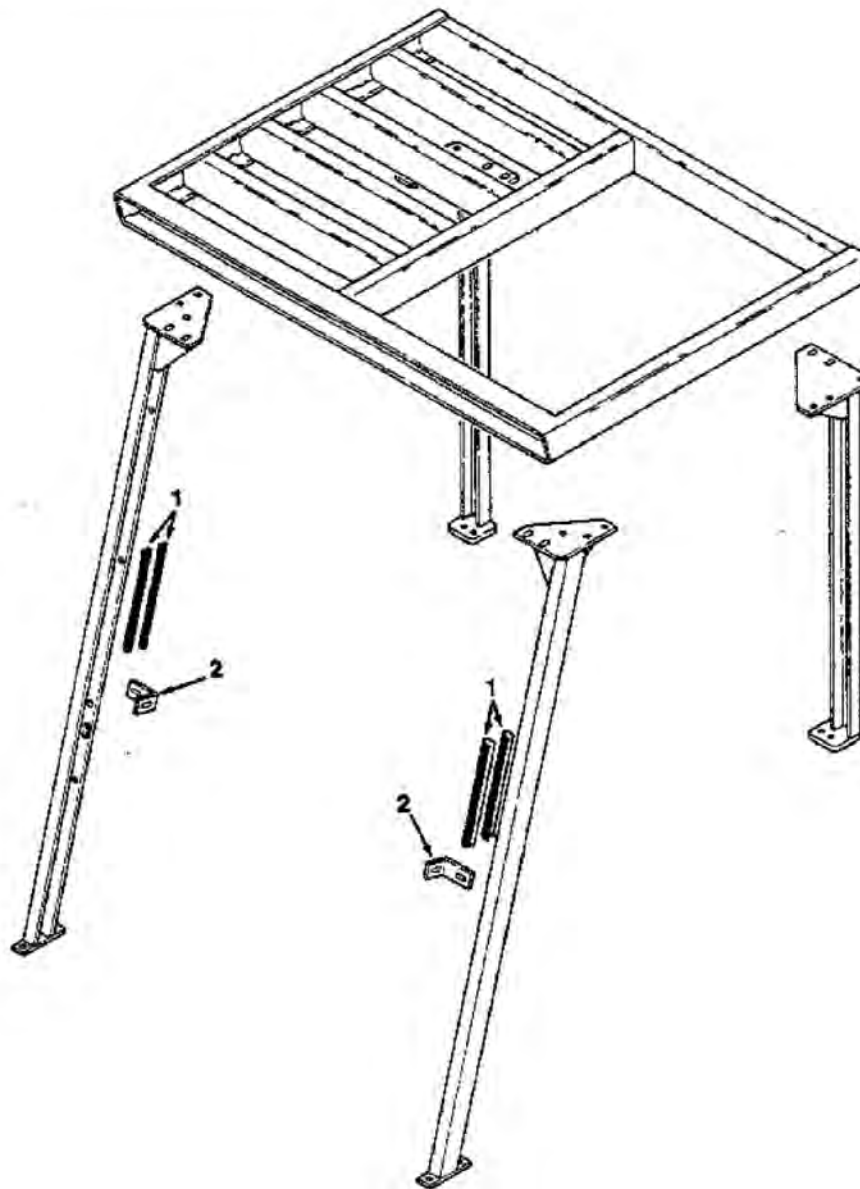
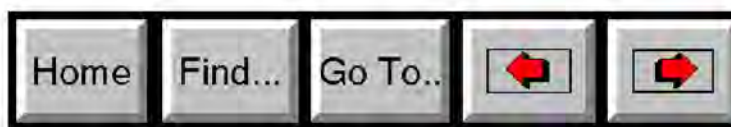


FIG. 7 - OVERHEAD GUARD GROUP, HIGH DUMP

01854

KEY	TENNANT® PART NO.	MACHINE SERIAL NUMBER	DESCRIPTION	QTY.
1	62170-4	(-)	MOLDING, Rigid	4
2	33676	(-)	ANGLE, Support	2



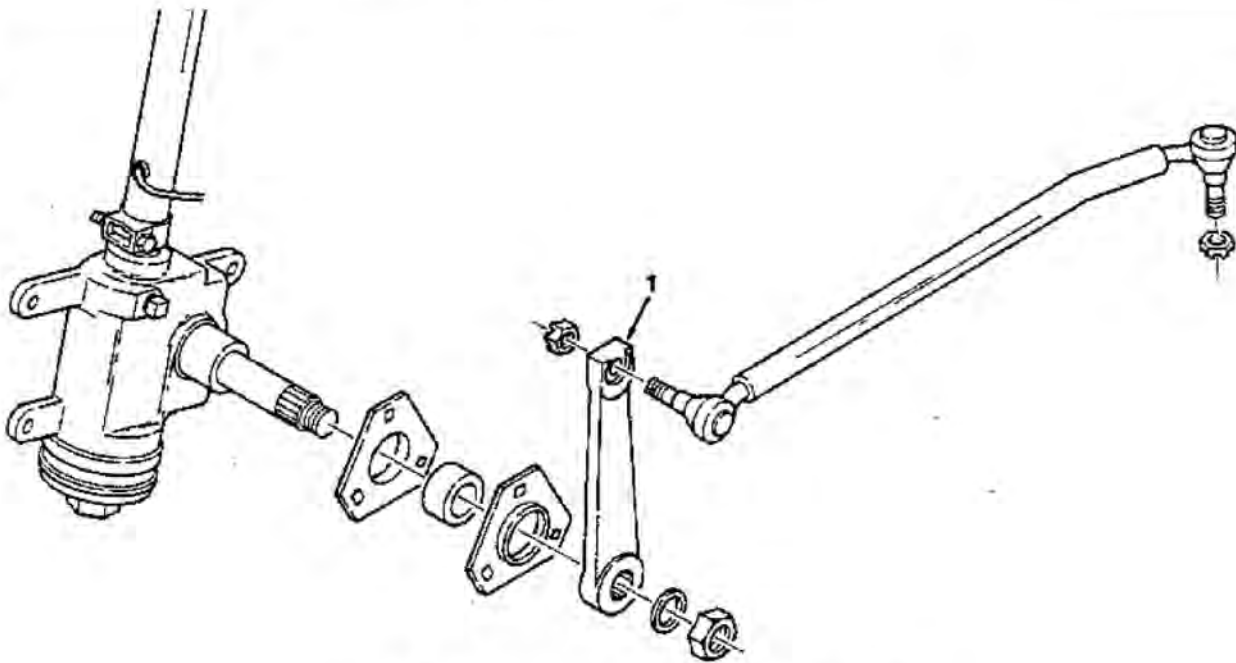


FIG. 8 - STEERING ARM GROUP, HIGH DUMP

Q1860

KEY	TENNANT® PART NO.	MACHINE SERIAL NUMBER	DESCRIPTION	QTY.
1	35618	(-)	ARM, Pitman	1

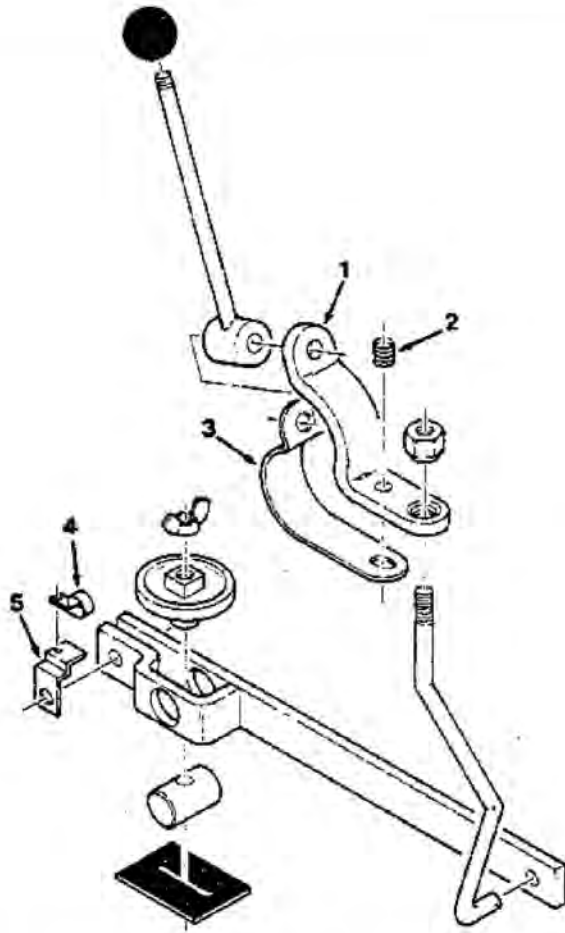
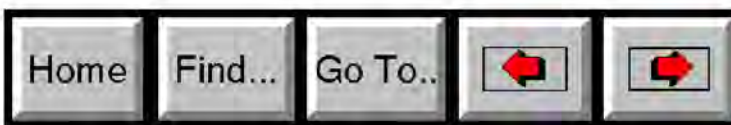


FIG. 9 - MAIN BRUSH LIFT LEVER ASSEMBLY, HIGH DUMP

01852

KEY	TENNANT® PART NO.	MACHINE SERIAL NUMBER	DESCRIPTION	QTY.
	36949	(-)	ARM ASSEMBLY, Main brush lift	1
1	53907	(-)	LEVER, Lift handle	1
2	14174	(-)	SPRING, Compression	1
3	53899	(-)	CLIP, Lift handle	1
4	26395-2	(-)	CLAMP, Cable	1
5	35593	(-)	BRACKET, Battery cable	1



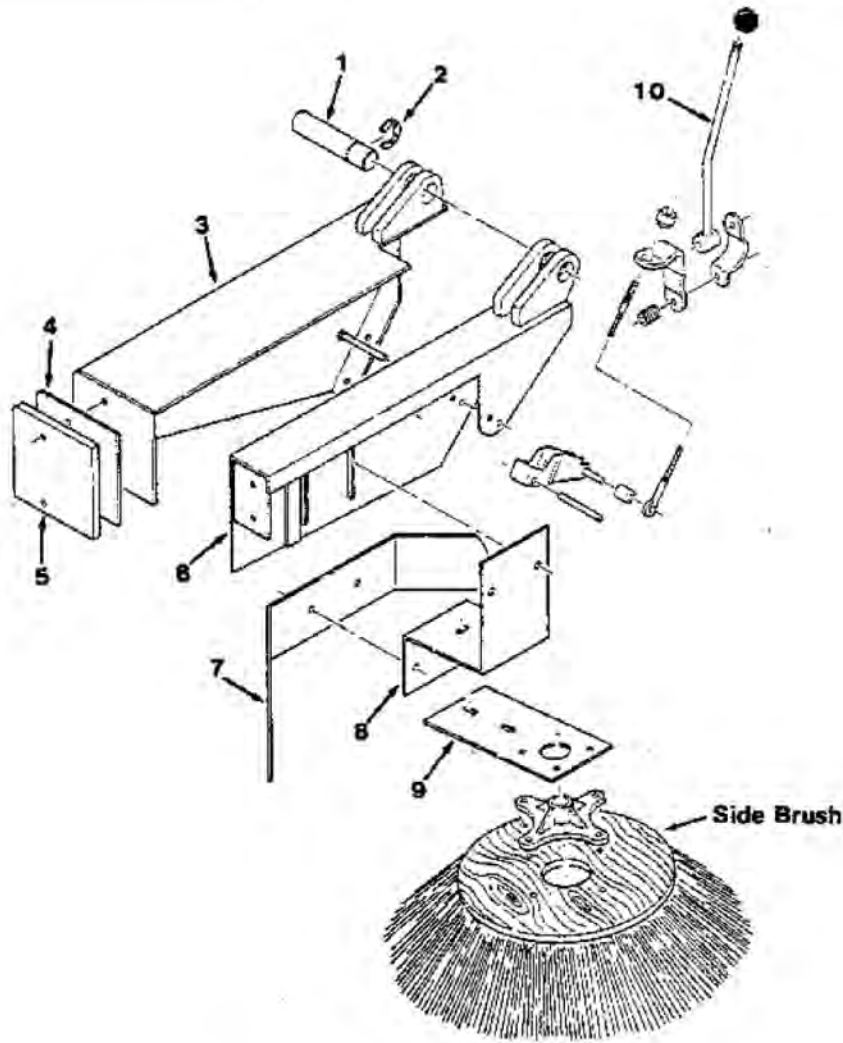
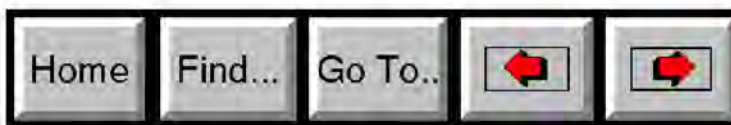
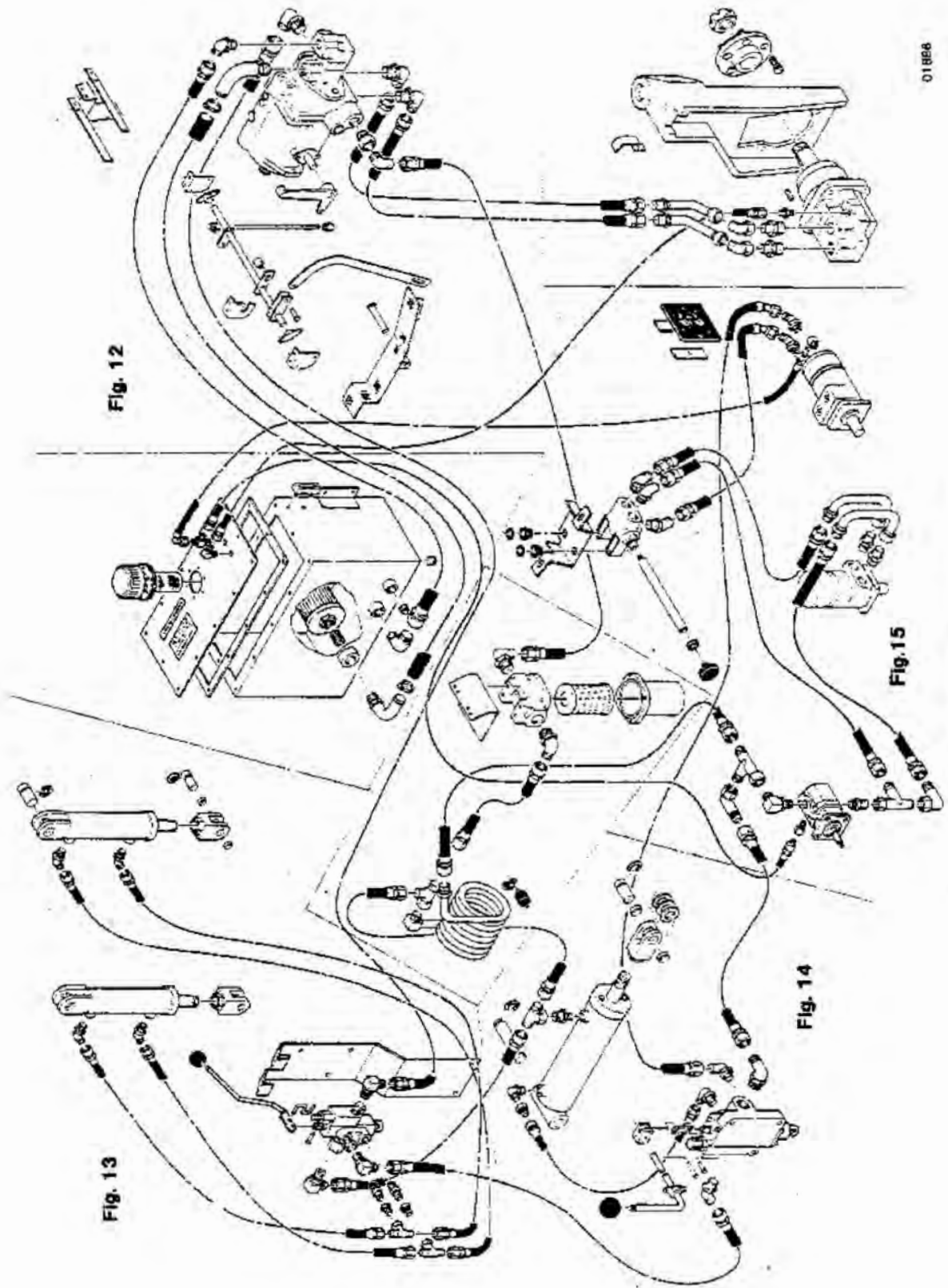


FIG. 10 - SIDE BRUSH GROUP, HIGH DUMP

01860

KEY	TENNANT® PART NO.	MACHINE SERIAL NUMBER	DESCRIPTION	QTY.
1	36993	(-)	PIN, Grooved	1
2	23788	(-)	RING, Retaining, external	1
3	36958	(-)	BUMPER, R.H.	1
4	48951-1	(-)	PLATE, End	4
5	36986	(-)	PLATE	4
6	55664	(-)	ARM ASSEMBLY, Side brush	1
7	55662	(-)	ARM, Brush	1
8	53826	(-)	BUMPER, Side brush	1
9	53773	(-)	BRACKET, Bumper	1
10	53772	(-)	PLATE, Motor mounting	1
	35649	(-)	HANDLE	1





01868

Fig. 12

Fig. 15

Fig. 14

Fig. 13

FIG. 11 - HYDRAULIC SYSTEM, HIGH DUMP

Home	Find...	Go To..		
------	---------	---------	--	--

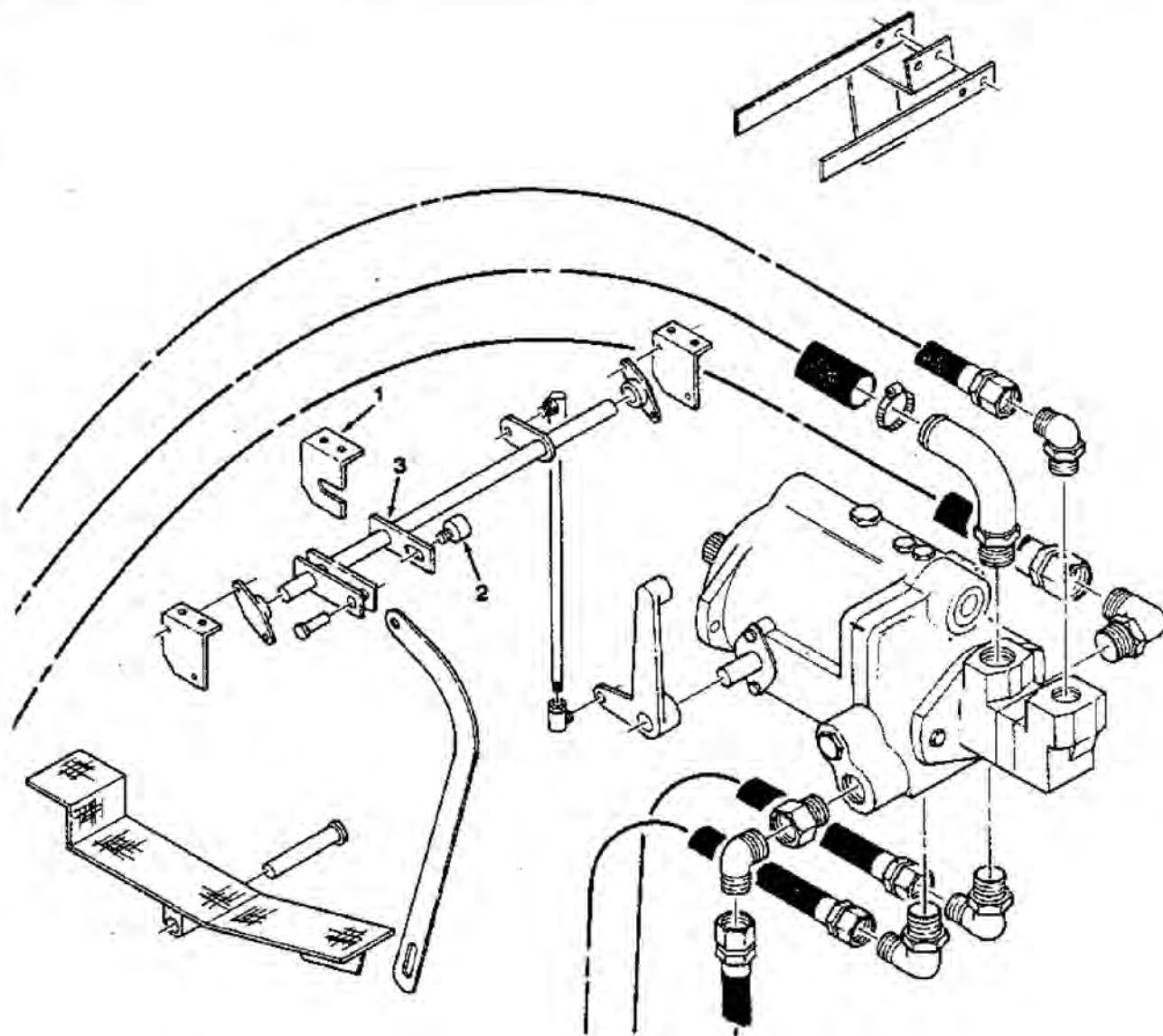
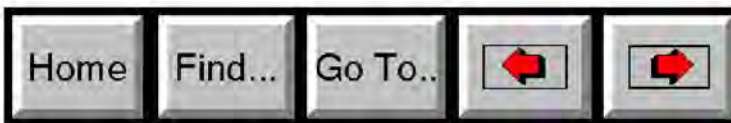


FIG. 12 - SPEED LIMITER GROUP, HIGH DUMP

01993

KEY	TENNANT* PART NO.	MACHINE SERIAL NUMBER	DESCRIPTION	QTY.
1	36600	(-)	BRACKET	1
2	48930	(-)	FOLLOWER, Cam	1
3	37013	(-)	ROD, Connecting	1



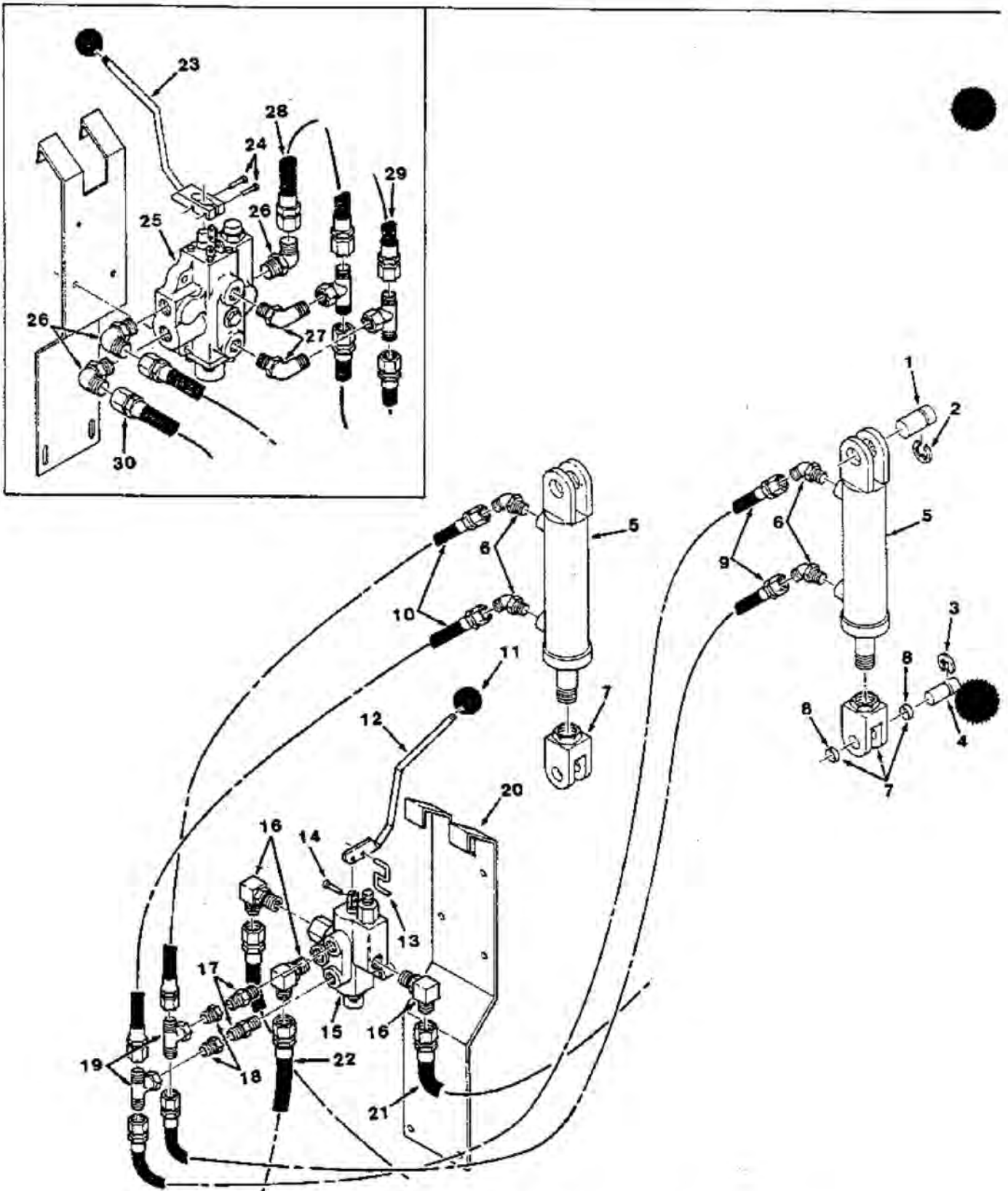


FIG. 13 - ROLLOUT CYLINDER AND VALVE GROUP, HIGH DUMP

FIG. 13 - ROLLOUT CYLINDER AND VALVE GROUP, HIGH DUMP

01992

KEY	TENNANT® PART NO.	MACHINE SERIAL NUMBER	DESCRIPTION	QTY.
1	23145	(-)	PIN, Clevis	2
2	23788	(-)	RING, Retaining, external	2
3	23788-1	(-)	RING, Retaining, external	2
4	37016	(-)	PIN, Grooved	2
	SK2026	(0000000000-0000003379)	REPLACEMENT KIT, Cylinder assembly	2
	37081	(0000003380-)	CYLINDER ASSEMBLY, Rollout	2
5	37080	(-)	CYLINDER, Hydraulic	1
	SK1869	(-)	SEAL KIT	1
6	47522	(-)	FITTING, Elbow, 45°	2
7	37015	(-)	CLEVIS	1
8	37014	(-)	BEARING, Journal	2
9	35583	(-)	HOSE	2
10	32760	(-)	HOSE	2
11	26565	(-)	KNOB	1
12	32757	(0000005461-)	HANDLE, Valve	1
13	32759	(0000005461-)	LINK, S hook	1
14	14605	(0000005461-)	PIN, Clevis	1
15	32752	(0000005461-)	VALVE, Control	1
	34186	(0000005461-)	SEAL KIT	1
16	44868	(0000005461-)	FITTING, Elbow	3
17	56690	(0000005461-)	FITTING, Straight	2
18	32754	(0000005461-)	FITTING, Restrictor	2
19	35586	(0000005461-)	FITTING, Tee	2
20	48940	(0000005461-)	BRACKET, Valve mount	1
21	47517-1	(0000005461-)	HOSE	1
22	68437	(0000005461-)	HOSE	1
23	36999	(0000000000-0000005460)	HANDLE, Valve	1
24	50498	(0000000000-0000005460)	PIN, Clevis	2
25	SK2615	(0000000000-0000005460)	REPLACEMENT KIT, Valve	1
	SK1842	(0000000000-0000005460)	SEAL KIT	1
26	51782	(0000000000-0000005460)	FITTING, Elbow	3
27	SK2666	(0000000000-0000005460)	REPLACEMENT KIT, Restrictor fitting	2
28	53083-5	(0000000000-0000005460)	HOSE	1
29	54043-2	(0000000000-0000005460)	HOSE	1
30	53083-6	(0000000000-0000005460)	HOSE	1

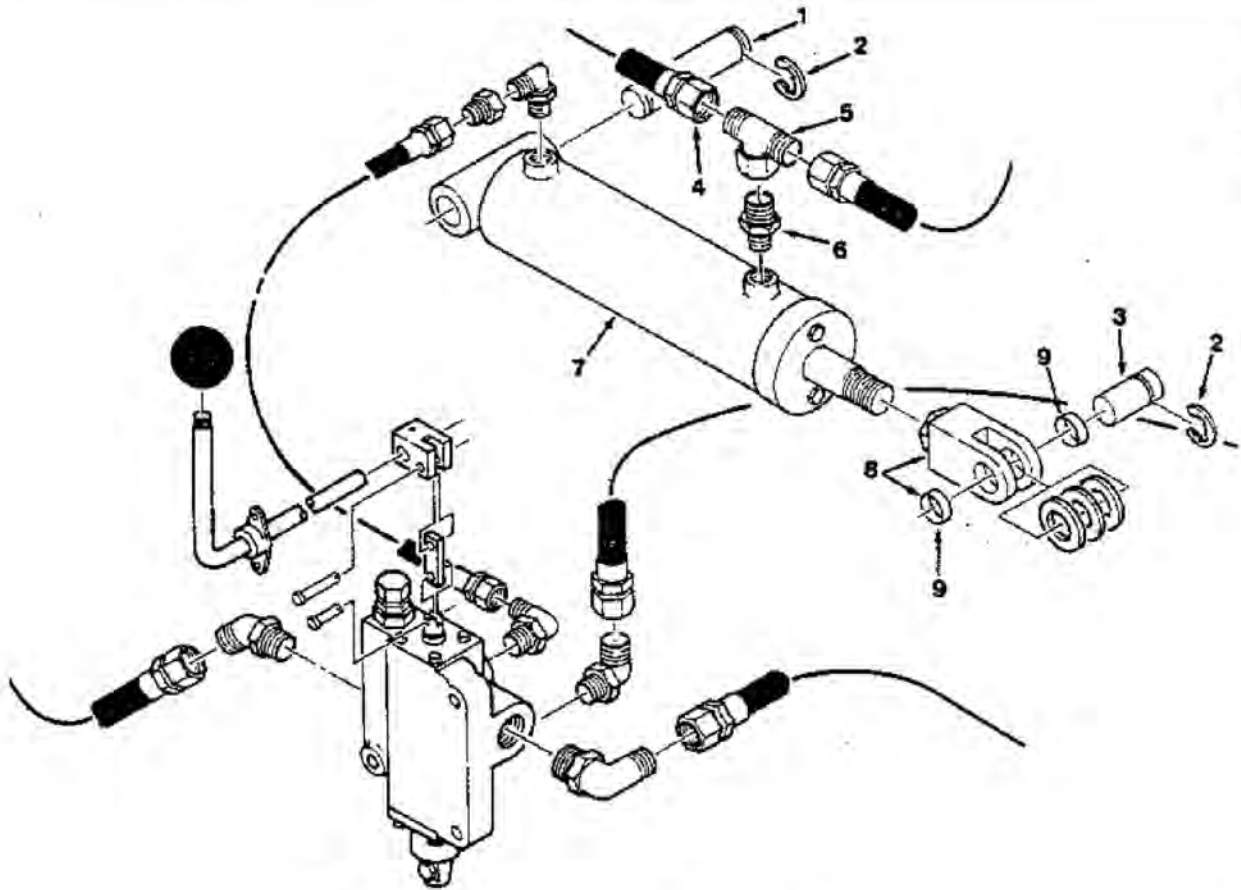
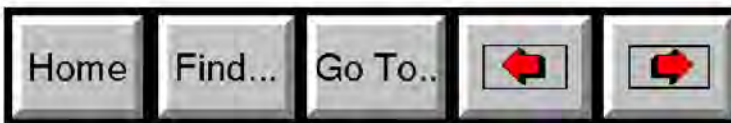


FIG. 14 - DUMP CYLINDER GROUP, HIGH DUMP

KEY	TENNANT® PART NO.	MACHINE SERIAL NUMBER	DESCRIPTION	QTY.
1	35516	(-)	PIN, Grooved	1
2	23788	(-)	RING, Retaining, external	3
3	32941	(-)	PIN, Grooved	1
4	47517-3	(-)	HOSE	1
5	50421	(-)	FITTING, Tee	1
6	35587	(-)	FITTING, Straight	1
7	48981	(-)	CYLINDER, Hydraulic	1
	SK1805	(-)	SEAL KIT	1
8	32942	(-)	CLEVIS ASSEMBLY	1
9	35688	(-)	BEARING, Journal	2



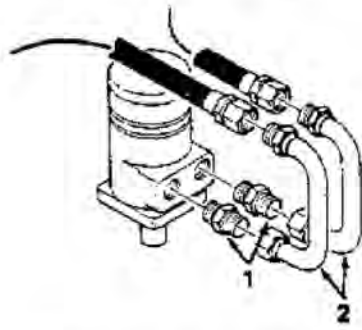
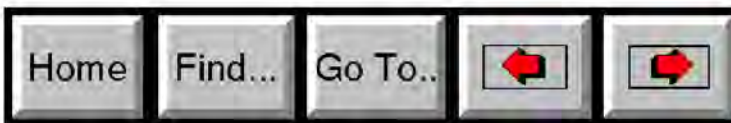
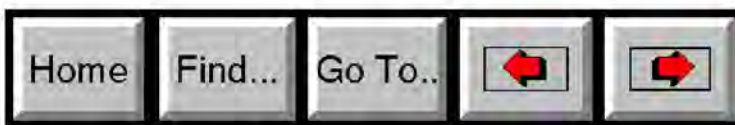


FIG. 15 - SIDE BRUSH MOTOR GROUP, HIGH DUMP

01995

KEY	TENNANT® PART NO.	MACHINE SERIAL NUMBER	DESCRIPTION	QTY.
1	46480	(-)	FITTING, Straight	2
2	54044	(-)	TUBE ASSEMBLY	2





SECTION 9 ACCESSORIES

CONTENTS

	Page
Ordering Repair Parts.....	9-1
Fig. 1 - Flashing Light Kit, Engine Cover.....	9-2
Fig. 2 - Flashing Light Kit, Overhead Guard.....	9-3
Fig. 3 - Flashing Light Kit, Cab.....	9-4
Fig. 4 - Revolving Light Kit, Engine Cover.....	9-5
Fig. 5 - Revolving Light Kit, Overhead Guard.....	9-6
Fig. 6 - Revolving Light Kit, Cab.....	9-7
Fig. 7 - Operating Light Kit, Cab.....	9-8
Fig. 8 - Operating Light Kit, Lintel.....	9-9
Fig. 9 - Operating Light Kit, Hopper.....	9-10
Fig. 10 - Operating Light Kit, Hopper, High Dump.....	9-11
Fig. 11 - Stop Light Kit.....	9-12
Fig. 12 - Instrument Panel Light Kit.....	9-12
Fig. 13 - Air Bypass Kit.....	9-13
Fig. 14 - Air Cleaner Kit.....	9-13
Fig. 15 - Vacuum Wand Kit.....	9-14
Fig. 16 - Vacuum Wand Group, High Dump.....	9-15
Fig. 17 - Cab Kit Gasoline, Low Dump, Sweeper... ..	9-16
Fig. 18 - Cab Kit, Gasoline, High Dump.....	9-18
Fig. 19 - Cab Kit, Low Dump, Scrubber.....	9-20
Fig. 20 - Cab Kit, Diesel, Low Dump, Sweeper.....	9-22
Fig. 21 - Cab Kit, Diesel, High Dump.....	9-24
Fig. 22 - Operator Shield Kit.....	9-26
Fig. 23 - Battery Hold Down Kit.....	9-26
Fig. 24 - Fire Extinguisher Kit.....	9-27
Fig. 25 - Protectoseal Gasoline Tank Cap.....	9-27
Fig. 26 - Hopper Dolly Kit.....	9-28
Fig. 27 - Spark Arrest Muffler Kit.....	9-28
Fig. 28 - Foam Filled Tire Kit.....	9-29
Fig. 29 - Tire and Wheel Kit, Rear.....	9-29
Fig. 30 - Fuel Gauge Kit.....	9-29
Fig. 31 - Side Brush Dust Control Group.....	9-30
Fig. 32 - Prep For Scrub Kit.....	9-32
Fig. 33 - Main Scrub Brush Drive Group.....	9-34
Fig. 34 - Scrub Tank Frame Group.....	9-36
Fig. 35 - Detergent Distribution Group.....	9-38
Fig. 36 - Solution and Recovery Tank Group.....	9-40
Fig. 37 - Rear Squeegee Group.....	9-42
Fig. 38 - Side Squeegee Group.....	9-44

NOTE: Section 9, Accessories, lists repair parts included as part of the available accessories.

ORDERING REPAIR PARTS

To avoid errors or delays in filling parts orders, please furnish all of the following information.

1. Always specify the machine model number and the machine serial number shown on the machine data plate.



2. Give the part number, description, and quantity needed of each item on the order. Do not order by the reference number or the figure number of the illustrated parts.
3. Indented items indicate parts of assemblies. Standard hardware is furnished only when part of a purchased assembly. Please order hardware from a local hardware supplier.
4. If the old part cannot be identified, send it to us with the quantity needed specified on the order.
5. State definite shipping instructions to include the shipping address and/or the billing address if there is a difference. Any claim for loss or damage to a shipment in transit should be filed promptly against the transportation company making the delivery. Shipments will be complete unless the packing list or order acknowledgement indicate items back ordered.

If parts received are suspected to be incorrect or defective, please write, wire, or phone the Tennant Company representative from whom you ordered the part. They will give authorization for return and/or handle replacement shipment when required.

SI (INTERNATIONAL SYSTEM) UNITS OF MEASURE

Metric equivalents have been included, where applicable, throughout this parts catalog.

BOLT AND CAP SCREW STRENGTH IDENTIFICATION

Bolts and cap screws required to have high-strength qualities equivalent to SAE Grade 8 are identified throughout this catalog by the description GR 8. Unless identified by this description, all standard bolts and cap screws are SAE Grade 5.

SERIAL NUMBER INFORMATION EXPLANATION

Serial number information is listed parenthetically to show on which machines each part can be used. These listings are explained by the following examples.

(-) The part can be used on all machines.

(0000001234-) The part can be used on all machines beginning with the serial number listed.

(0000000000-0000001234) The part can be used on all machines up to and including serial number listed.

(0000001234-0000005678) The part can be used on all machines between and including the serial numbers listed.

Where XXXXX's are listed in place of a serial number, it indicates a serial number change was made but the exact serial number had not been established when the catalog went to press.

(Specifications and design subject to change without notice.)



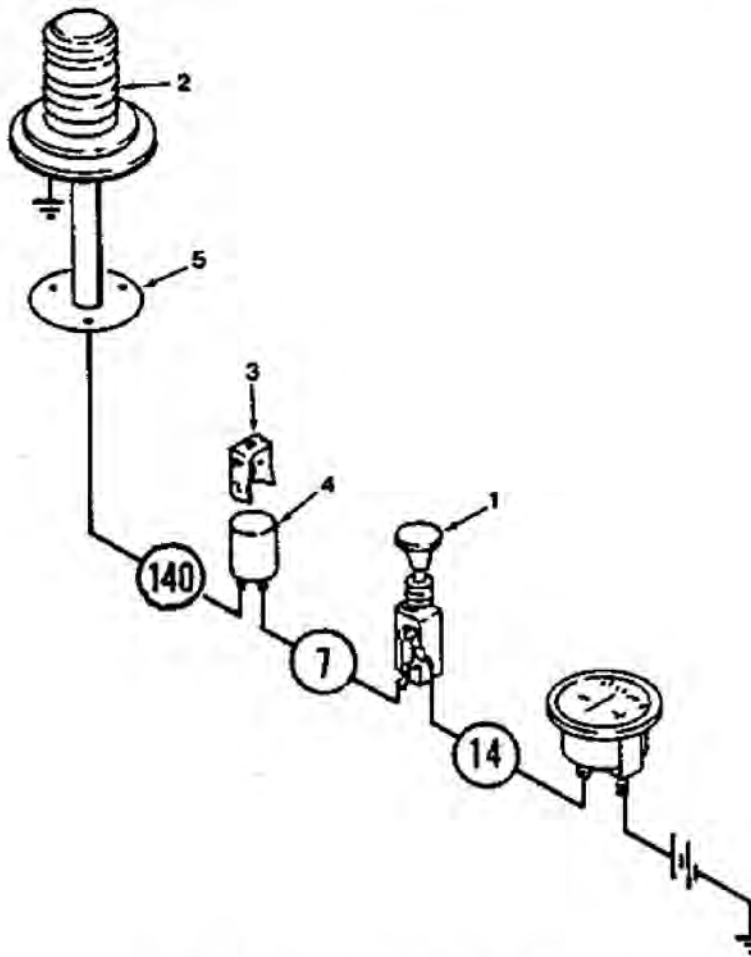
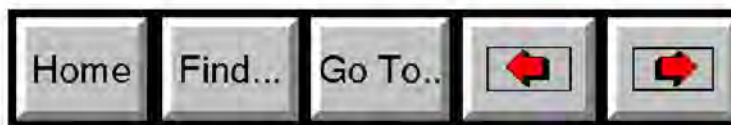


FIG. 1 - FLASHING LIGHT KIT, ENGINE COVER

01987

KEY	TENNANT® PART NO.	MACHINE SERIAL NUMBER	DESCRIPTION	QTY.
	53475	(-)	LIGHT KIT, Flashing, red	1
1	14137	(-)	SWITCH	1
2	47535-2	(-)	LIGHT ASSEMBLY, Flashing, red	1
	47535-1	(-)	LENS, Red	1
	22640	(-)	LAMP	1
3	24576-1	(-)	BRACKET, Flasher	1
4	24576	(-)	FLASHER	1
5	53174	(-)	SUPPORT	1
	47750	(-)	WIRE KIT	1
	01574	(-)	GROMMET	1
	47536-2	(-)	LIGHT ASSEMBLY, Flashing, amber	1
	47536-1	(-)	LENS, Amber	1
	47537-2	(-)	LIGHT ASSEMBLY, Flashing, blue	1
	47537-1	(-)	LENS Blue	1



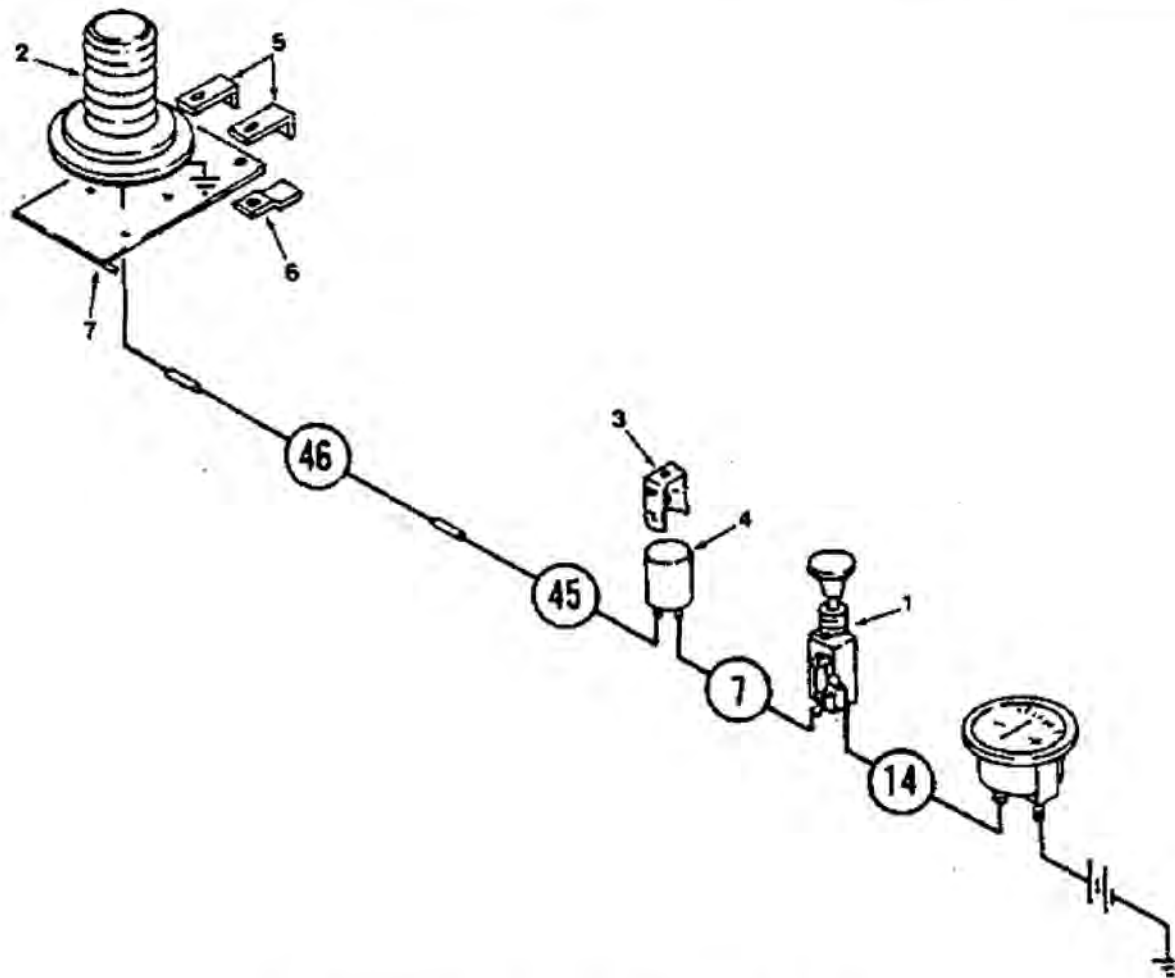
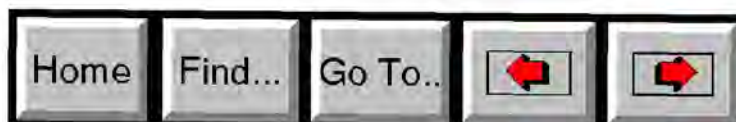


FIG. 2 - FLASHING LIGHT KIT, OVERHEAD GUARD

01988

KEY	TENNANT® PART NO.	MACHINE SERIAL NUMBER	DESCRIPTION	QTY.
	54424	(-)	LIGHT KIT, Flashing, red	1
1	14137	(-)	SWITCH	1
2	47535-2	(-)	LIGHT ASSEMBLY, Flashing, red	1
	47535-1	(-)	LENS, Red	1
	22640	(-)	LAMP	1
3	24576-1	(-)	BRACKET, Flasher	1
4	24576	(-)	FLASHER	1
5	62149	(-)	BRACKET, L	2
6	62045	(-)	CLIP	2
7	62044	(-)	PLATE, Mounting	1
	01574	(-)	GROMMET	1
	46314	(-)	GROMMET	1
	47750	(-)	WIRE KIT	1
	09384	(-)	CLAMP, Cable	4
	47778	(-)	SLEEVE, Vinyl	1
	47536-2	(-)	LIGHT ASSEMBLY, Flashing, amber	1
	47536-1	(-)	LENS, Amber	1
	47537-2	(-)	LIGHT ASSEMBLY, Flashing, blue	1
	47537-1	(-)	LENS, Blue	1



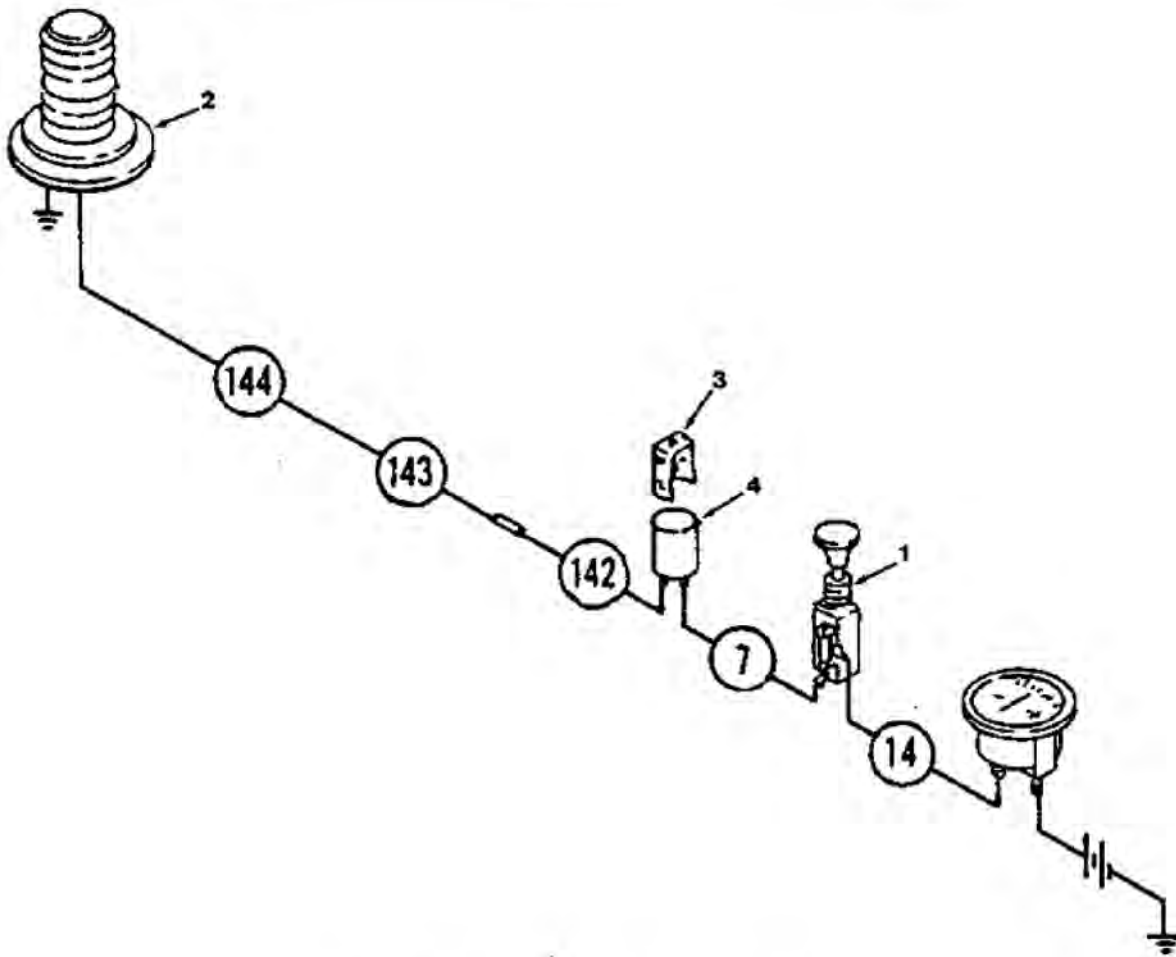


FIG. 3 - FLASHING LIGHT KIT, CAB

01982

KEY	TENNANT® PART NO.	MACHINE SERIAL NUMBER	DESCRIPTION	QTY.
	24508	(-)	LIGHT KIT, Flashing, red	1
1	14137	(-)	SWITCH	1
2	47535-2	(-)	LIGHT ASSEMBLY, Flashing, red	1
	47535-1	(-)	LENS, Red	1
	22640	(-)	LAMP	1
3	24576-1	(-)	BRACKET, Flasher	1
4	24576	(-)	FLASHER	1
	15006	(-)	TERMINAL, Connector	1
	24511	(-)	WIRE KIT	1
	47536-2	(-)	LIGHT ASSEMBLY, Flashing, amber	1
	47536-1	(-)	LENS, Amber	1
	47537-2	(-)	LIGHT ASSEMBLY, Flashing, blue	1
	47537-1	(-)	LENS, Blue	1

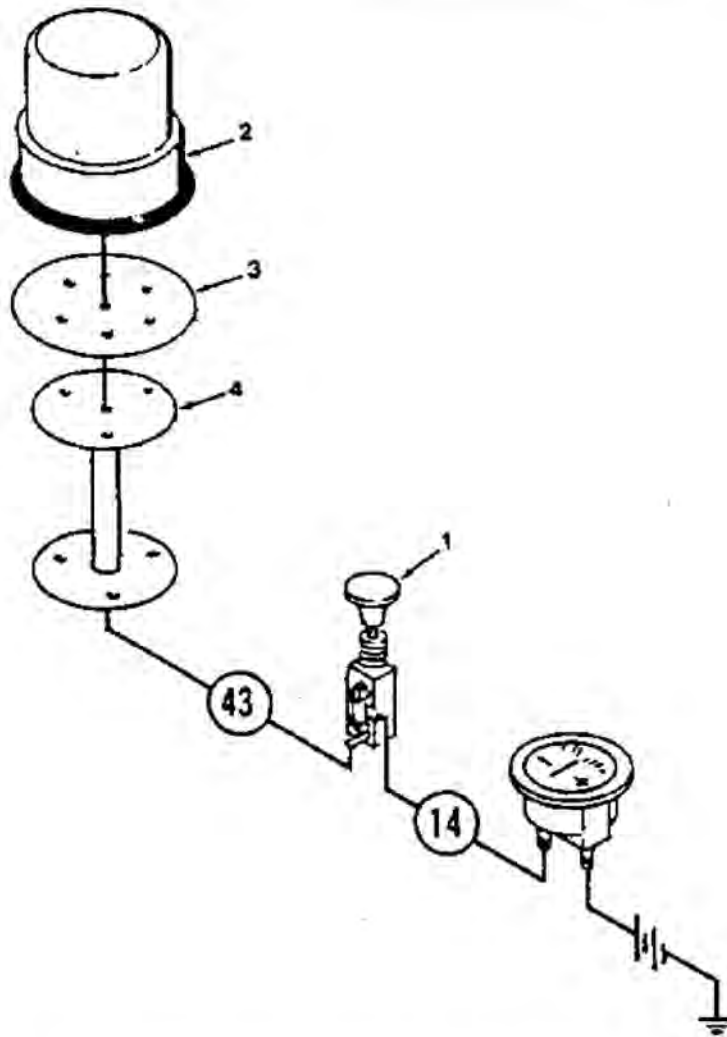


FIG. 4 - REVOLVING LIGHT KIT, ENGINE COVER

31950

KEY	TENNANT® PART NO.	MACHINE SERIAL NUMBER	DESCRIPTION	QTY.
	53476	(-)	LIGHT KIT, Revolving, red	1
1	14137	(-)	SWITCH	1
2	46928	(-)	LIGHT ASSEMBLY, Revolving, red	1
	46928-1	(-)	LENS, Red	1
	45670	(-)	BULB	1
3	46930	(-)	PLATE, Adapter	1
4	53174	(-)	SUPPORT	1
	47750	(-)	WIRE KIT	1
	01574	(-)	GROMMET	2
	47239	(-)	LIGHT ASSEMBLY, Revolving, amber	1
	46928-3	(-)	LENS, Amber	1
	47273	(-)	LIGHT ASSEMBLY, Revolving, blue	1
	46928-2	(-)	LENS, Blue	1

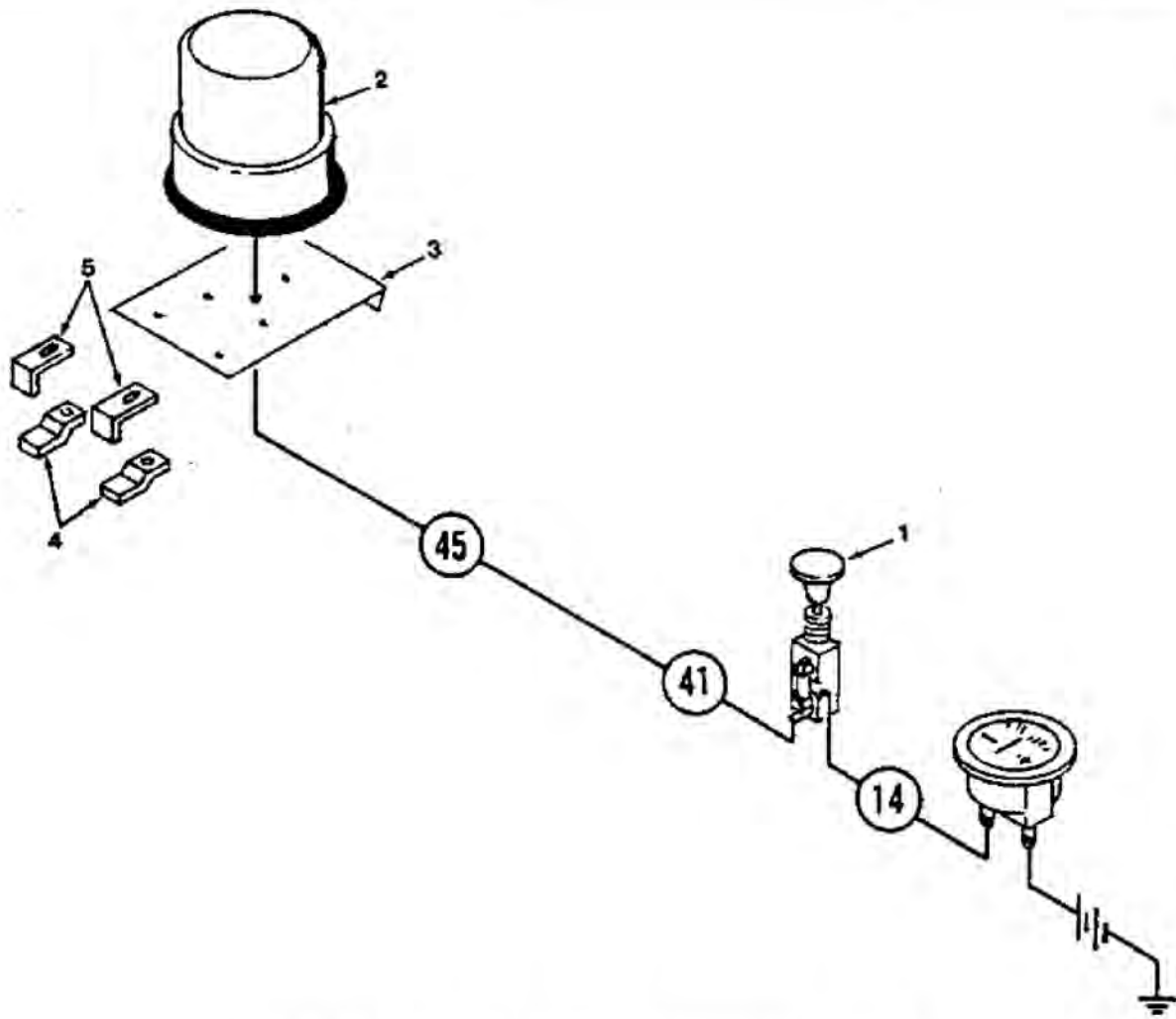


FIG. 5 - REVOLVING LIGHT KIT, OVERHEAD GUARD

01989

KEY	TENNANT® PART NO.	MACHINE SERIAL NUMBER	DESCRIPTION	QTY.
	54425	(-)	LIGHT KIT, Revolving, red	1
1	14137	(-)	SWITCH	1
2	46928	(-)	LIGHT ASSEMBLY, Revolving, red	1
	46928-1	(-)	LENS, Red	1
	45670	(-)	BULB	1
3	62044	(-)	PLATE, Mounting	1
4	62045	(-)	CLIP	2
5	62149	(-)	BRACKET, L	2
	01574	(-)	GROMMET	1
	46314	(-)	GROMMET	1
	47750	(-)	WIRE KIT	1
	06384	(-)	CLAMP, Cable	4
	47778	(-)	SLEEVE, Vinyl	1
	47239	(-)	LIGHT ASSEMBLY, Revolving, amber	1
	46928-3	(-)	LENS, Amber	1
	47273	(-)	LIGHT ASSEMBLY, Revolving, blue	1
	46928-2	(-)	LENS, Blue	1

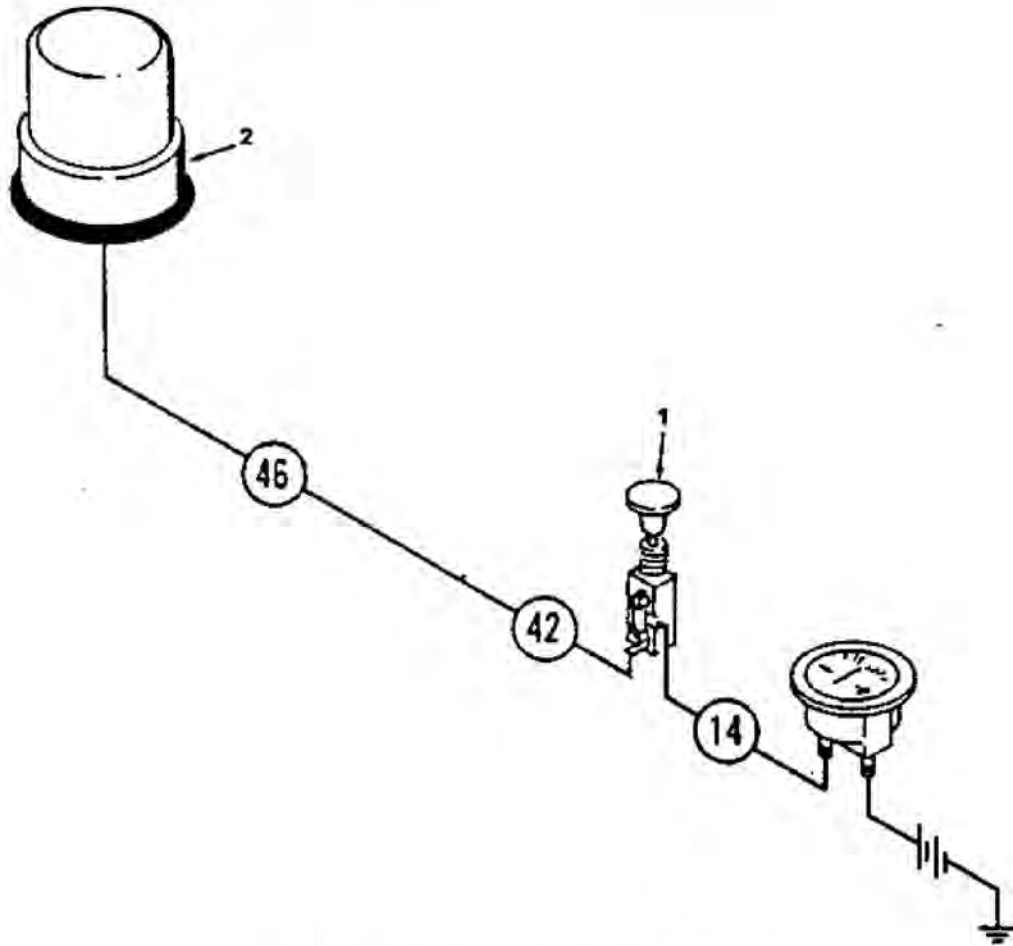


FIG. 6 - REVOLVING LIGHT KIT, CAB

02082

KEY	TENNANT® PART NO.	MACHINE SERIAL NUMBER	DESCRIPTION	QTY.
	46933	(-)	LIGHT KIT, Revolving, red	1
1	14137	(-)	SWITCH	1
2	46928	(-)	LIGHT ASSEMBLY, Revolving, red	1
	46928-1	(-)	LENS, Red	1
	45670	(-)	BULB	1
	01574	(-)	GROMMET	1
	47242	(-)	WIRE KIT	1
	47239	(-)	LIGHT ASSEMBLY, Revolving, amber	1
	46928-3	(-)	LENS, Amber	1
	47273	(-)	LIGHT ASSEMBLY, Revolving, blue	1
	46928-2	(-)	LENS, Blue	1

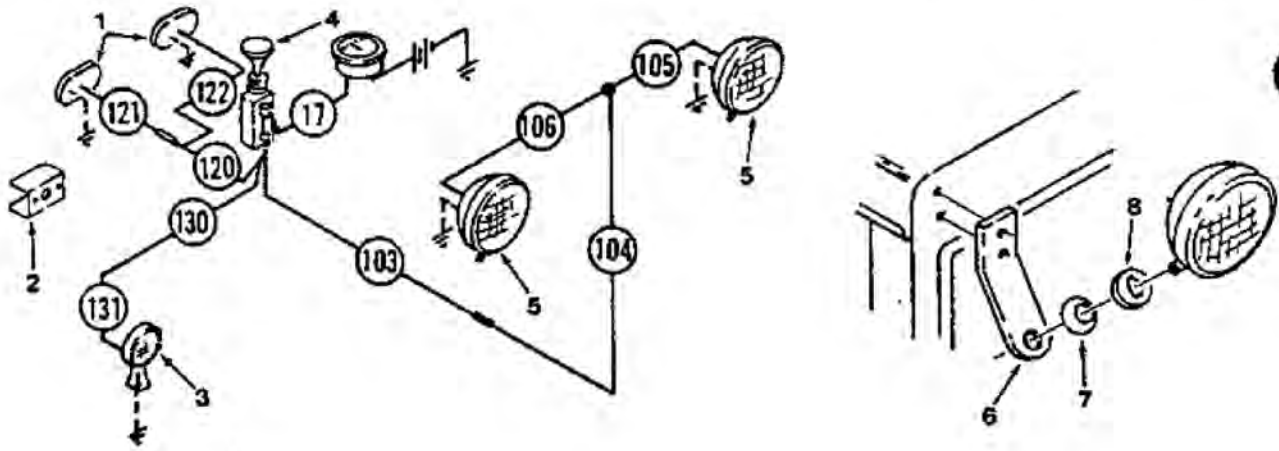


FIG. 7 - OPERATING LIGHT KIT, CAB

D2083

KEY	TENNANT® PART NO.	MACHINE SERIAL NUMBER	DESCRIPTION	QTY.
	54677	{ - }	LIGHT KIT, Operating	1
1	51572	{ - }	TAILLIGHT ASSEMBLY	2
	45780	{ - }	BULB	2
2	53245	{ - }	GUARD, Light	2
3	22465	{ - }	SPOTLIGHT ASSEMBLY	1
	32827	{ - }	BULB	1
4	14137	{ - }	SWITCH	1
5	24298	{ - }	HEADLIGHT ASSEMBLY	2
	51570	{ - }	LAMP	1
6	50448	{ - }	BRACKET, Headlight	2
7	24227	{ - }	WASHER, Dished	2
8	24142	{ - }	WASHER, Spherical	4
	43942	{ - }	TERMINAL	2
	15006	{ - }	TERMINAL	1
	47440	{ - }	TERMINAL	1
	01574	{ - }	GROMMET	2
	54420	{ - }	WIRE HARNESS, Taillights	1
	49287	{ - }	CLAMP, Cable	1
	49266	{ - }	TIE, Cable	1

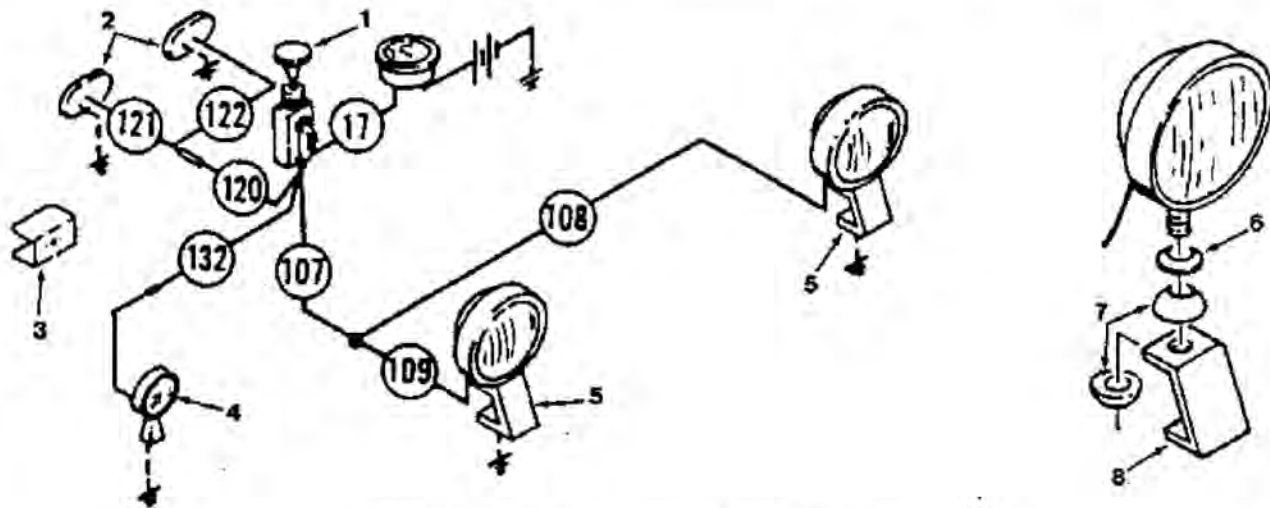


FIG. 8 - OPERATING LIGHT KIT, LINTEL

02084

KEY	TENNANT® PART NO.	MACHINE SERIAL NUMBER	DESCRIPTION	QTY.
	54676	(-)	LIGHT KIT, Operating	1
1	14137	(-)	SWITCH	1
2	51572	(-)	TAILLIGHT ASSEMBLY	2
	45780	(-)	BULB	2
3	53245	(-)	GUARD, Light	2
4	22465	(-)	SPOTLIGHT ASSEMBLY	1
	32827	(-)	BULB	1
5	24298	(-)	HEADLIGHT ASSEMBLY	2
	51570	(-)	LAMP	2
6	24227	(-)	WASHER, Dished	2
7	24142	(-)	WASHER, Spherical	4
8	33545	(-)	BRACKET, Headlight	2
	54415	(-)	WIRE HARNESS, Headlights	1
	46236	(-)	CLAMP, Cable	1
	01574	(-)	GROMMET	2
	54420	(-)	WIRE HARNESS, Taillights	1
	49287	(-)	CLAMP, Cable	1
	49266	(-)	TIE, Cable	1
	14347	(-)	STRIP, Terminal	1

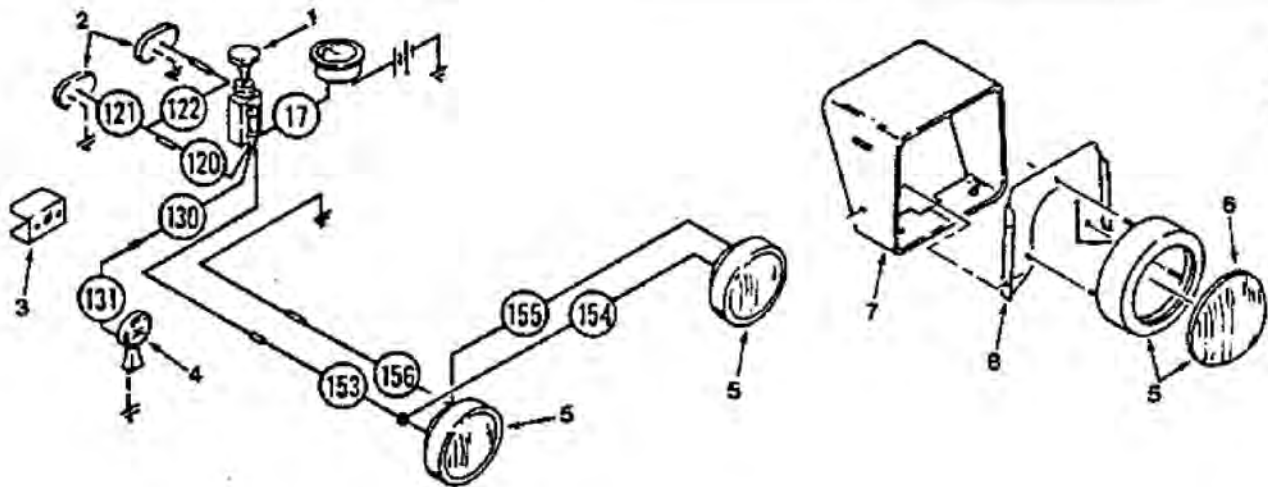
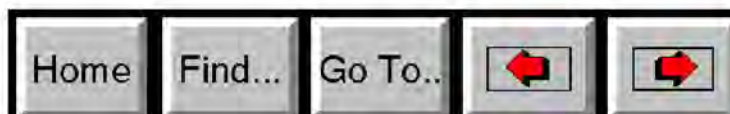


FIG. 9 - OPERATING LIGHT KIT, HOPPER

02087

KEY	TENNANT® PART NO.	MACHINE SERIAL NUMBER	DESCRIPTION	QTY.
	54679	(-)	LIGHT KIT, Operating	1
1	14137	(-)	SWITCH	1
2	51572	(-)	TAILLIGHT ASSEMBLY	2
	45780	(-)	BULB	2
3	53245	(-)	GUARD, Light	2
4	22465	(-)	SPOTLIGHT ASSEMBLY	1
	32827	(-)	BULB	1
5	46108	(-)	HEADLIGHT ASSEMBLY	2
6	10801	(-)	LAMP	1
7	51665	(-)	WRAP, Headlight	2
8	46110	(-)	PLATE, Headlight	2
	54417	(-)	WIRE HARNESS, Headlights	1
	49287	(-)	CLAMP, Cable	1
	46236	(-)	CLAMP, Cable	2
	43942	(-)	TERMINAL	1
	47440	(-)	TERMINAL	1
	47591	(-)	STRAINRELIEF	3
	54420	(-)	WIRE HARNESS, Taillights	1
	44289	(-)	GROMMET	2



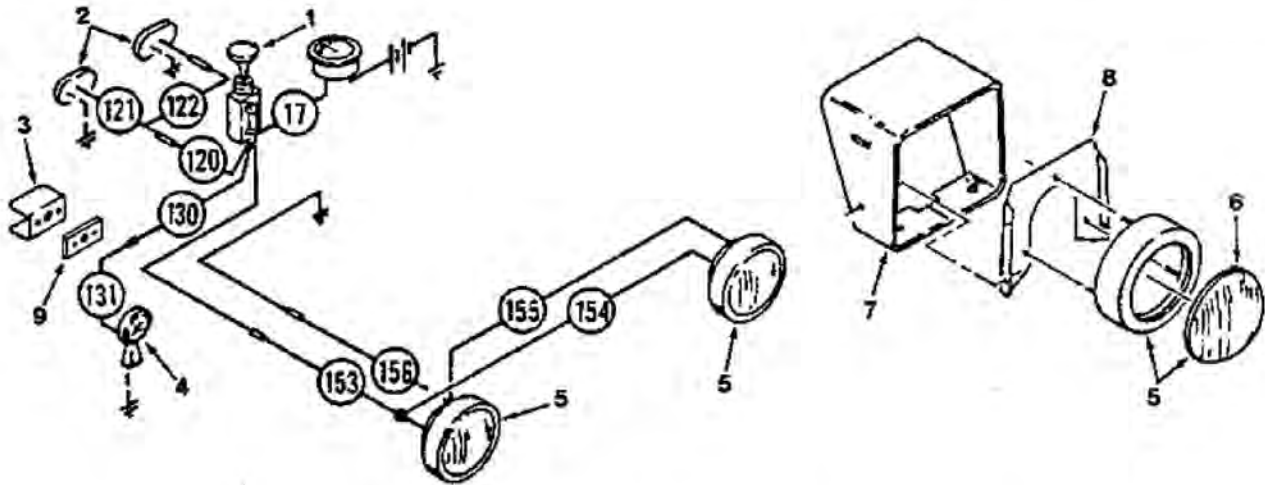


FIG. 10 - OPERATING LIGHT KIT, HOPPER, HIGH DUMP

02098

KEY	TENNANT® PART NO.	MACHINE SERIAL NUMBER	DESCRIPTION	QTY.
	50473	(-)	LIGHT KIT, Operating	1
1	14137	(-)	SWITCH	1
2	51572	(-)	TAILLIGHT ASSEMBLY	2
	45780	(-)	BULB	2
3	53245	(-)	GUARD, Light	2
4	22465	(-)	SPOTLIGHT ASSEMBLY	1
	32827	(-)	BULB	1
5	51569	(-)	HEADLIGHT ASSEMBLY	2
6	32826	(-)	BULB	1
7	51665	(-)	WRAP, Headlight	2
8	46110	(-)	PLATE, Headlight	2
	47591	(-)	STRAINRELIEF	2
	50469	(-)	CORD ASSEMBLY, 97" (2464 mm)	1
	50468	(-)	CORD ASSEMBLY, 40" (1016 mm)	1
	06777	(-)	CLAMP, Cable	1
9	52403	(-)	PLATE, Taillight	1
	54420	(-)	WIRE HARNESS, Taillights	1
	15006	(-)	TERMINAL	2
	01574	(-)	GROMMET	2
	09384	(-)	CLAMP, Cable	1
	09385	(-)	CLAMP, Cable	3
	46236	(-)	CLAMP, Cable	3
	49266	(-)	TIE, Cable	1

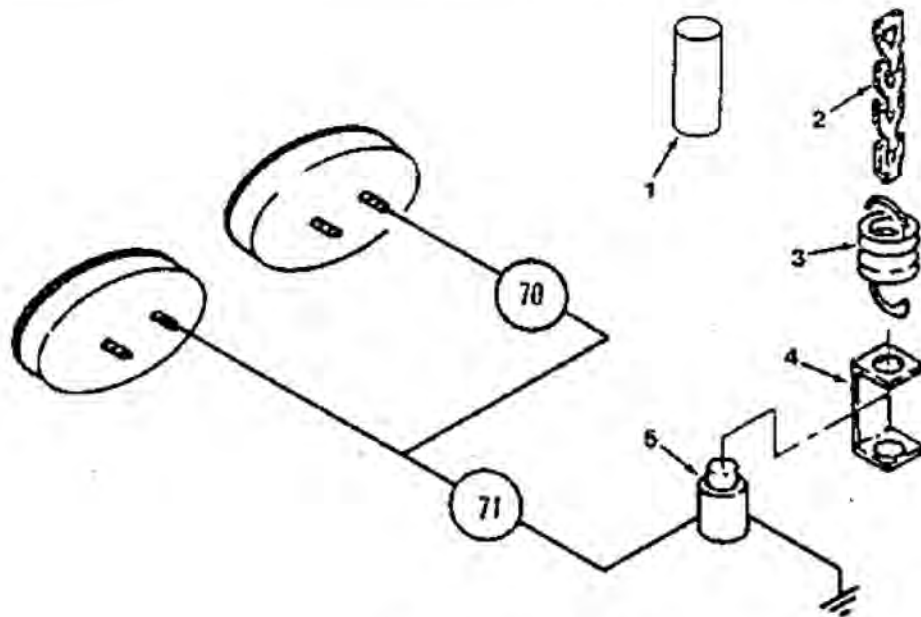


FIG. 11 - STOP LIGHT KIT

02088

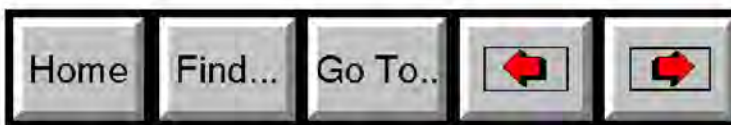
KEY	TENNANT® PART NO.	MACHINE SERIAL NUMBER	DESCRIPTION	QTY.
	54112	(-)	LIGHT KIT, Stop	1
1	47954	(-)	SLEEVE, Vinyl	1
2	28499	(-)	CHAIN	1
3	43672	(-)	SPRING, Tension	1
4	44539	(-)	BRACKET, Switch	1
5	43673	(-)	SWITCH	1
	19824	(-)	WIRE KIT	1



FIG. 12 - INSTRUMENT PANEL LIGHT KIT

02085

KEY	TENNANT® PART NO.	MACHINE SERIAL NUMBER	DESCRIPTION	QTY.
	46712	(-)	LIGHT KIT, Instrument panel	1
1	47768	(-)	LIGHT ASSEMBLY, Instrument panel	1
	24427	(-)	LAMP	1
	14137	(-)	SWITCH	1
	47769	(-)	WIRE ASSEMBLY	1



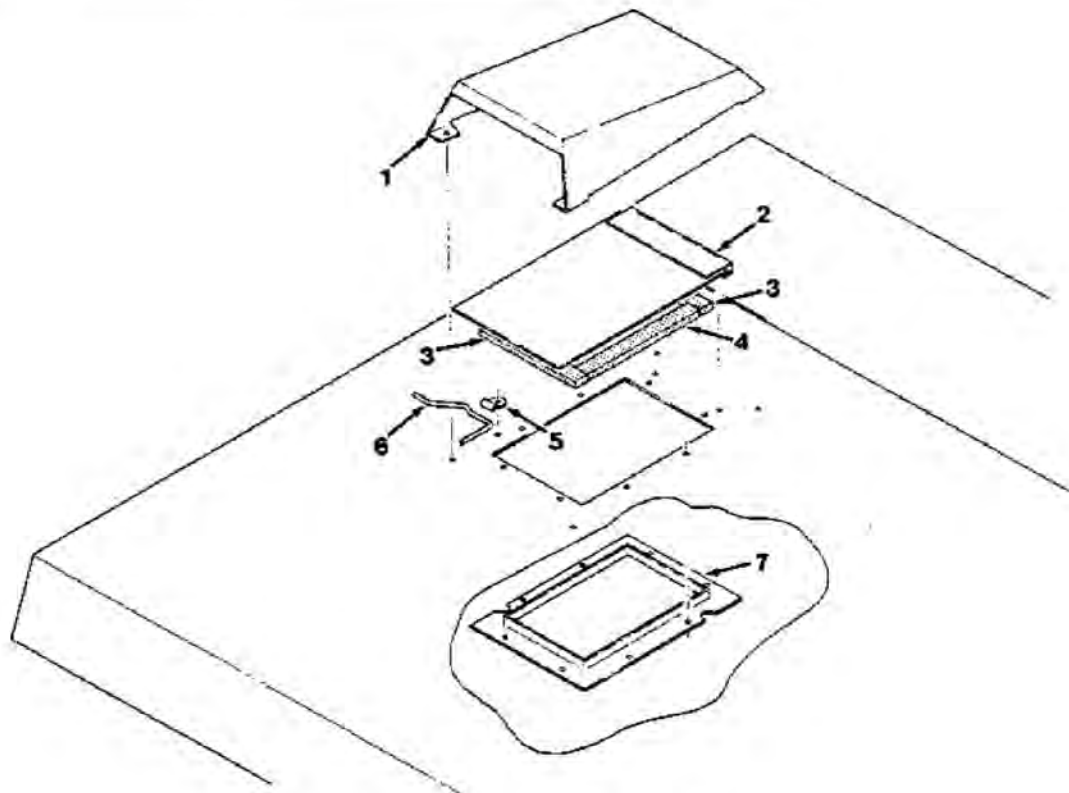


FIG. 13 - AIR BYPASS KIT

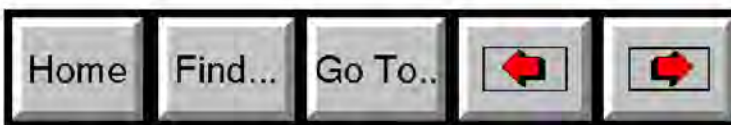
01001

KEY	TENNANT® PART NO.	MACHINE SERIAL NUMBER	DESCRIPTION	QTY.
	39550	(-)	AIR BYPASS KIT	1
1	56202	(-)	SCOOP, Air	1
2	39554	(-)	DOOR ASSEMBLY, Air bypass	1
3	39558	(-)	SEAL, Foam vinyl	2
4	50616	(-)	SEAL, Foam vinyl	2
5	09092-1	(-)	CLAMP	1
6	39559	(-)	ARM, Control	1
7	39551	(-)	STIFFENER, Door seal	1
	08317	(-)	SEALANT, Sifastic, 3 oz (89 cc)	1

FIG. 14 - AIR CLEANER KIT

02090

KEY	TENNANT® PART NO.	MACHINE SERIAL NUMBER	DESCRIPTION	QTY.
	53059	(-)	AIR CLEANER KIT	1
	53060	(-)	TUBE, Air cleaner	1
	53265	(-)	PANEL, Pre-cleaner	1
	48127	(-)	ELEMENT, Filter	1
	52033	(-)	INDICATOR, Service	1
	54169	(-)	RADIATOR, Hose	1
	53042-1	(-)	BRACKET, Filter	1
	54148	(-)	HOSE, Rubber	1
	54333	(-)	CLAMP, Worm drive	2
	49196	(-)	FASTENER	2



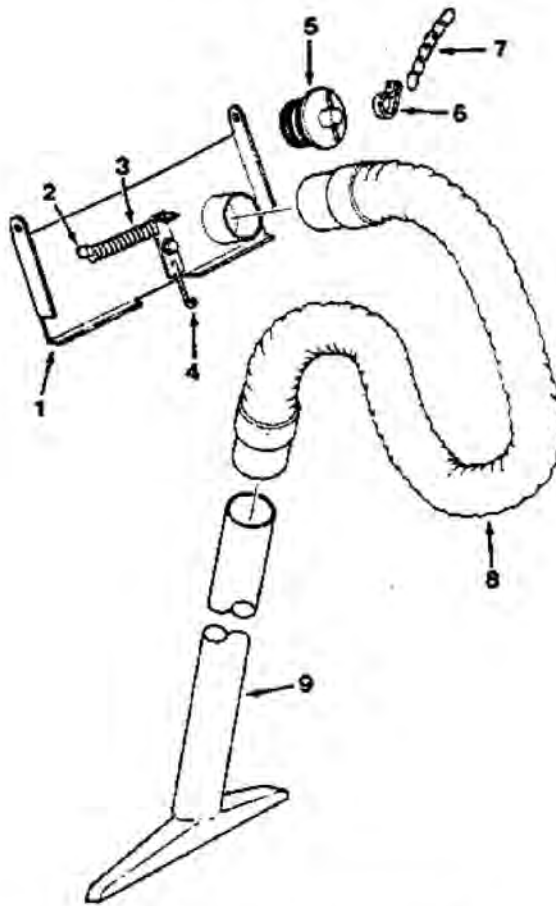


FIG. 15 - VACUUM WAND KIT

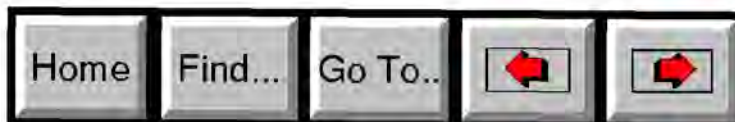
01985

KEY	TENNANT® PART NO.	MACHINE SERIAL NUMBER	DESCRIPTION	QTY.
	54016	(-)	WAND KIT, Vacuum	1
1	49026	(-)	DOOR, Fire	1
2	51727	(-)	PIN, Clevis	1
3	01053	(-)	SPRING, Tension	1
4	54007	(-)	LEVER	1
5	42124	(-)	PLUG, Expandable	1
6	26395-2	(-)	CLAMP, Cable	1
7	49028	(-)	CHAIN	1
8	54009	(-)	HOSE AND CUFF ASSEMBLY, Vinyl	1
9	54012	(-)	WAND	1
	08232-1	(-)	SLEEVE	1
	54135	(-)	DECAL, Vacuum attachment	1

FIG. 16 - VACUUM WAND GROUP, HIGH DUMP

01986

KEY	TENNANT® PART NO.	MACHINE SERIAL NUMBER	DESCRIPTION	QTY.
	32812	(-)	DOOR, Fire	1
	42124	(-)	PLUG, Expandable	1
	50594	(-)	LEVER, Fire door	1
	53697	(-)	CATCH, Spring	1
	50590	(-)	DOOR, Access	1
	50592	(-)	SEAL SET, Access door	1
	50597	(-)	BOX, Filter	1
	37088-1	(-)	COVER, Filter box	1
	51727	(-)	PIN, Clevis	1
	01053	(-)	SPRING, Tension	1
	26395-2	(-)	CLAMP, Cable	1
	49028	(-)	CHAIN	1
	54009	(-)	HOSE AND CUFF ASSEMBLY, Vinyl	1
	54012	(-)	WAND	1
	08232-1	(-)	SLEEVE	1
	54135	(-)	DECAL, Vacuum attachment	1
	28613-2	(-)	DECAL, TENNANT®	1



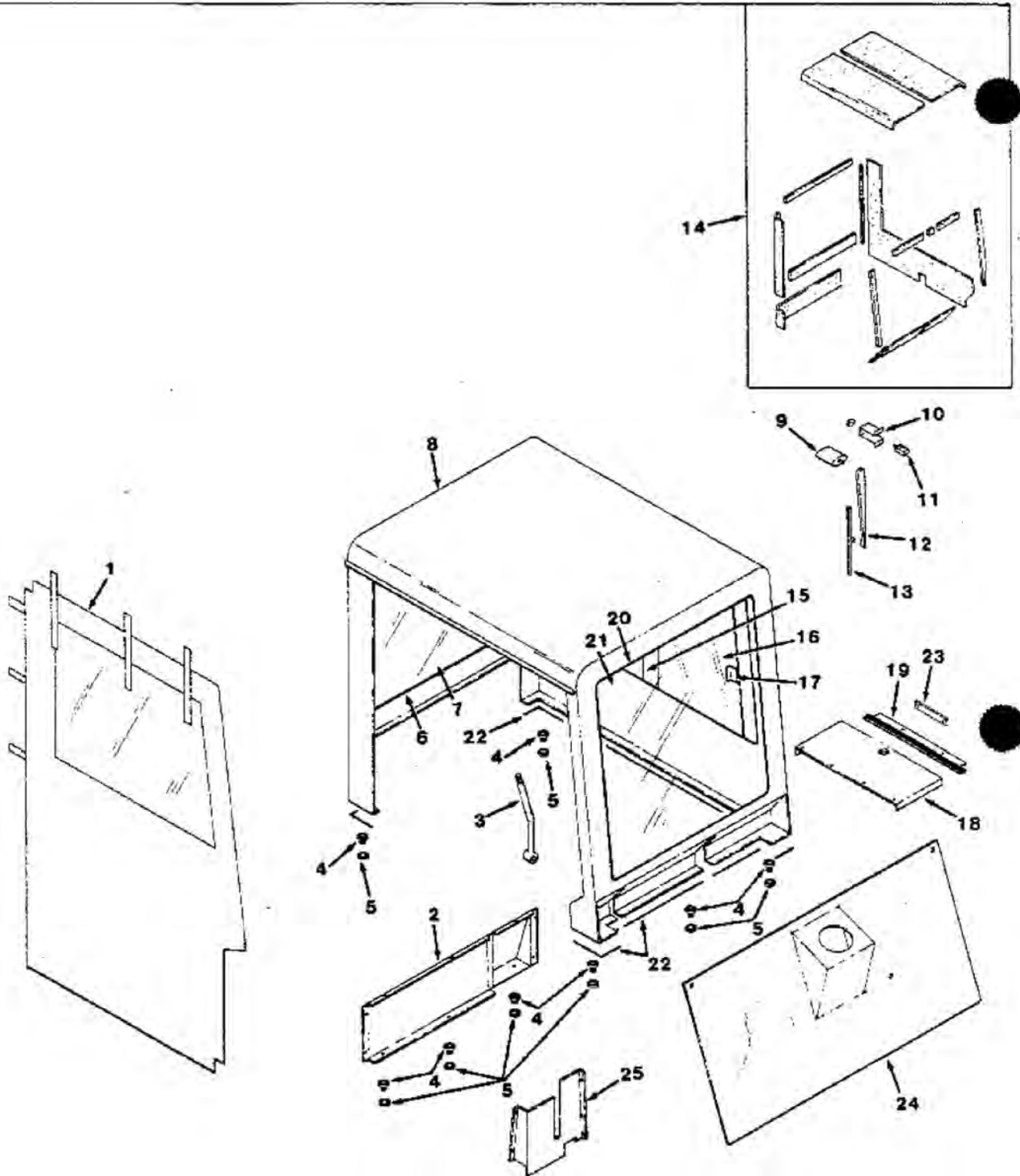


FIG. 17 - CAB KIT, GASOLINE, LOW DUMP, SWEEPER

FIG. 17 - CAB KIT, GASOLINE, LOW DUMP, SWEEPER

02077

KEY	TENNANT® PART NO.	MACHINE SERIAL NUMBER	DESCRIPTION	QTY.
	53979	(-)	CAB KIT, Sweeper	1
1	24106	(-)	DOOR, Cab	1
2	50737	(-)	PANEL, Rear	1
3	24464	(-)	HANDLE	1
4	54528	(-)	BUSHING, Rubber	8
5	54527	(-)	RING, Rubber	8
6	23934	(-)	EXTRUSION	1
7	23869	(-)	GLASS, Rear	1
8	53986	(-)	CAB	1
	23940-2	(-)	WINDSHIELD WIPER KIT	1
9	23945	(-)	MOTOR, Electric	1
10	23948-1	(-)	BRACKET	1
11	14137	(-)	SWITCH	1
12	15121	(-)	ARM, Windshield wiper	1
13	23947	(-)	BLADE, Windshield wiper	1
	09384	(-)	CLAMP, Cable	3
	47999	(-)	WIRE KIT	1
	45223	(-)	TERMINAL	1
14	53885	(-)	NOISE REDUCTION KIT	1
15	23870	(-)	GLASS, Stationary	1
16	23871	(-)	GLASS, Sliding	1
17	15066	(-)	PULL AND LOCK SET	1
18	48540	(-)	PANEL, Instrument panel	1
19	48542-1	(-)	BRACKET ASSEMBLY, Panel support	1
20	23867	(-)	EXTRUSION	1
21	23868	(-)	GLASS, Windshield	1
22	54526-13	(-)	SEAL, Foam rubber	1
23	54248	(-)	STRIP	1
24	23942	(-)	SHIELD, Operator leg	1
25	54436	(-)	SHIELD, Corner, R.H.	1
	23866	(-)	WEATHERSTRIP, Rubber	1
	23864	(-)	CHANNEL, Rigid	1
	23865	(-)	CHANNEL, Glass run	1
	23863	(-)	STRIP, Rubber	1
	14741	(-)	STUD, Snap on	12
	01574	(-)	GROMMET	1
	44289	(-)	GROMMET	1
	59118-6	(-)	MOLDING, Rigid	1
	59118-7	(-)	MOLDING, Rigid	1



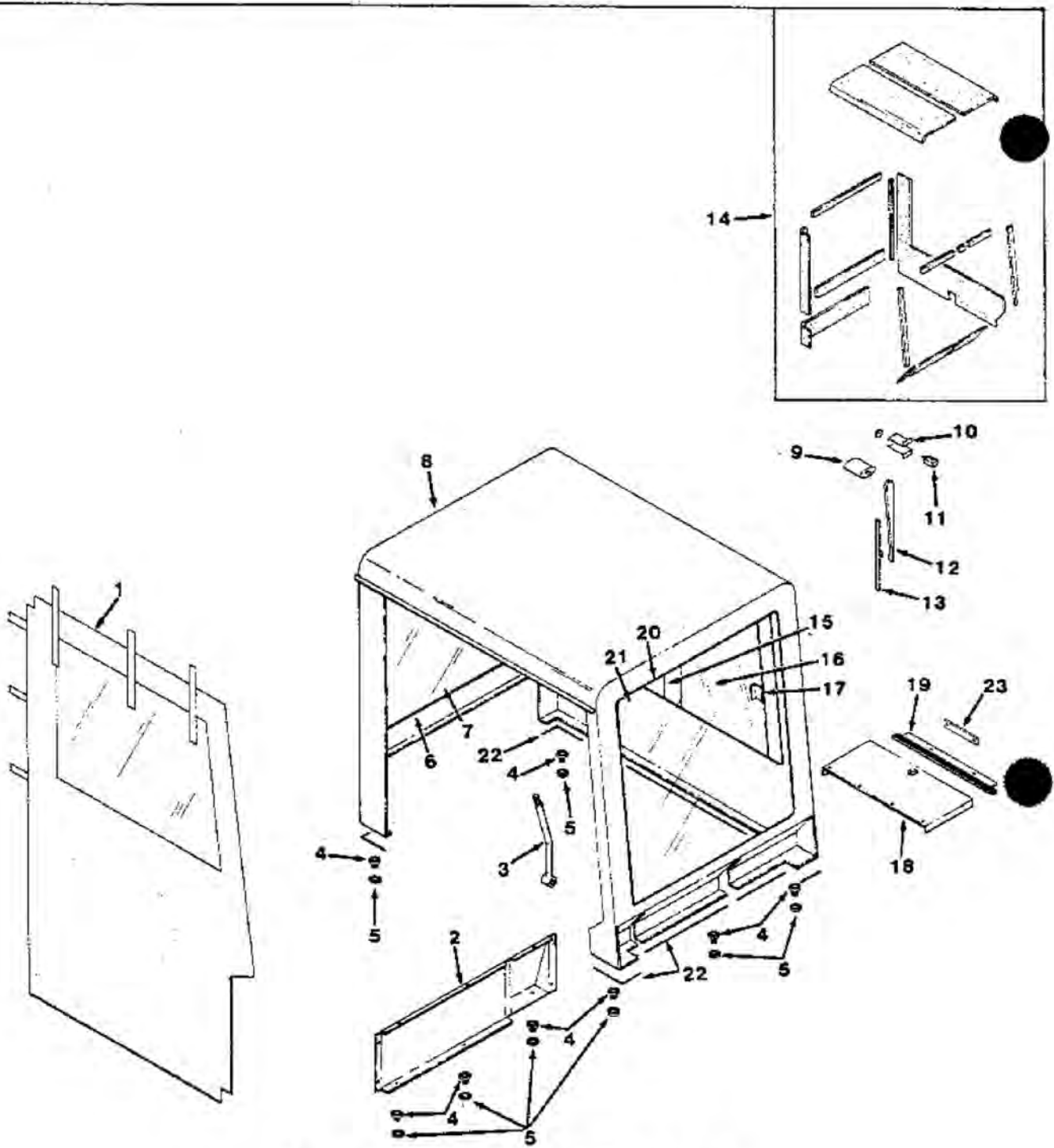
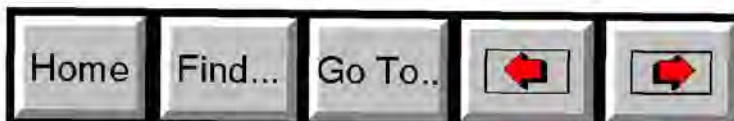


FIG. 18 - CAB KIT, GASOLINE, HIGH DUMP

FIG. 18 - CAB KIT, GASOLINE, HIGH DUMP

02081

KEY	TENNANT® PART NO.	MACHINE SERIAL NUMBER	DESCRIPTION	QTY.
	35502	(-)	CAB KIT	1
1	24106	(-)	DOOR, Cab	1
2	50737	(-)	PANEL, Rear	1
3	24464	(-)	HANDLE	2
4	54528	(-)	BUSHING, Rubber	8
5	54527	(-)	RING, Rubber	8
6	23934	(-)	EXTRUSION	1
7	23869	(-)	GLASS, Rear	1
8	48975	(-)	CAB	1
	23940-2	(-)	WINDSHIELD WIPER KIT	1
9	23945	(-)	MOTOR, Electric	1
10	23948-1	(-)	BRACKET	1
11	14137	(-)	SWITCH	1
12	15121	(-)	ARM, Windshield wiper	1
13	23947	(-)	BLADE, Windshield wiper	1
	09384	(-)	CLAMP, Cable	3
	47999	(-)	WIRE KIT	1
	45223	(-)	TERMINAL	1
14	53885	(-)	NOISE REDUCTION KIT	1
15	23870	(-)	GLASS, Stationary	1
16	23871	(-)	GLASS, Sliding	1
17	15066	(-)	PULL AND LOCK SET	1
18	48540	(-)	PANEL, Instrument panel	1
19	48542-1	(-)	BRACKET ASSEMBLY, Panel support	1
20	23867	(-)	EXTRUSION	1
21	23868	(-)	GLASS, Windshield	1
22	54526-13	(-)	SEAL, Foam rubber	1
23	54248	(-)	STRIP	1
	23866	(-)	WEATHERSTRIP, Rubber	1
	23864	(-)	CHANNEL, Rigid	1
	23865	(-)	CHANNEL, Glass run	1
	23863	(-)	STRIP, Rubber	1
	14741	(-)	STUD, Snap on	12
	01574	(-)	GROMMET	1
	44289	(-)	GROMMET	1
	59118-6	(-)	MOLDING, Rigid	1
	59118-7	(-)	MOLDING, Rigid	1



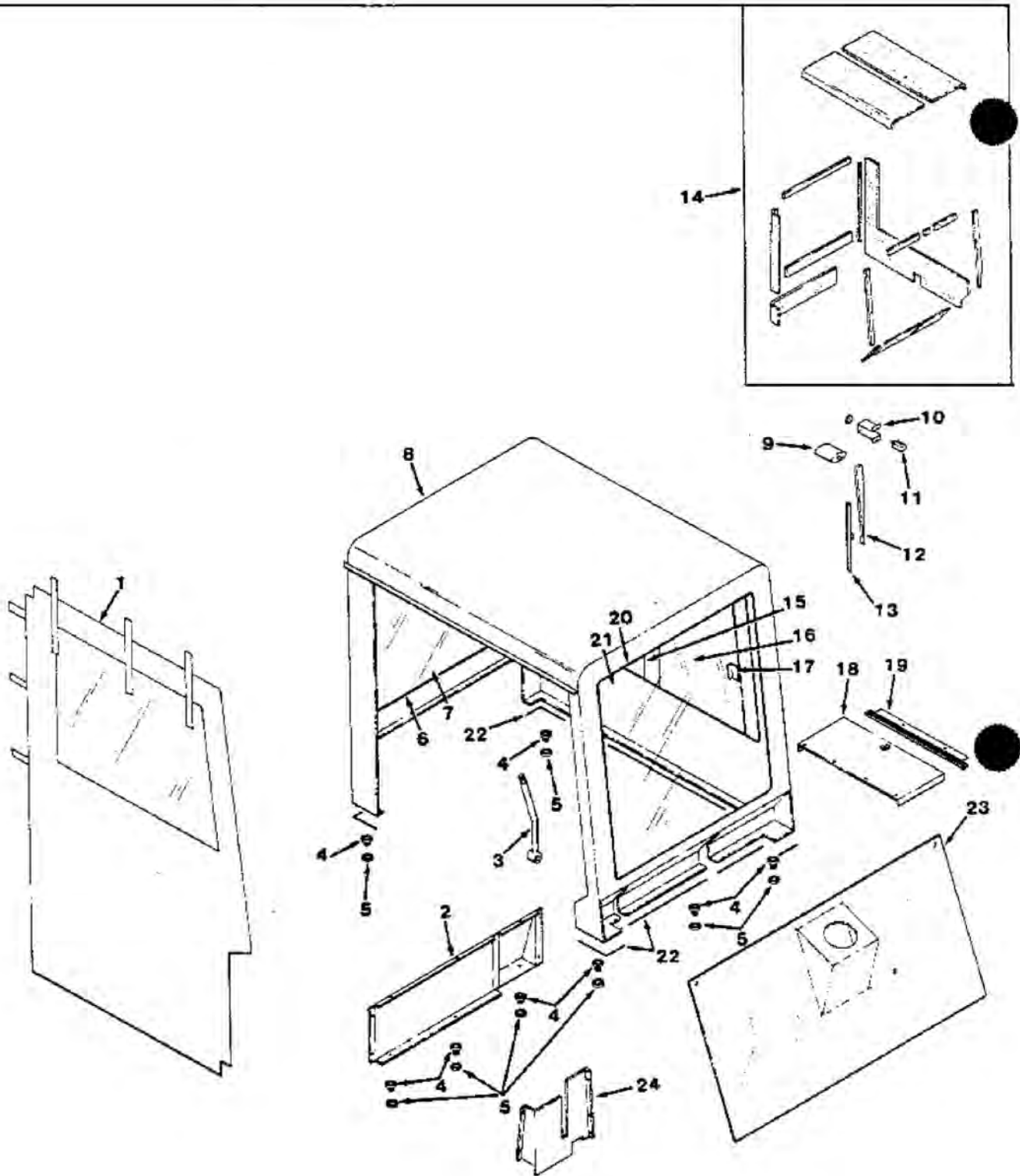
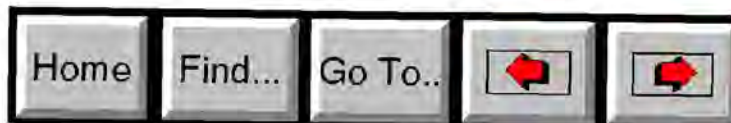


FIG. 19 - CAB KIT, LOW DUMP, SCRUBBER

FIG. 19 - CAB KIT, LOW DUMP, SCRUBBER

02078

KEY	TENNANT® PART NO.	MACHINE SERIAL NUMBER	DESCRIPTION	QTY.
	53858	(-)	CAB KIT, Scrubber	1
1	24106	(-)	DOOR, Cab	1
3	24464	(-)	HANDLE	1
4	54528	(-)	BUSHING, Rubber	8
5	54527	(-)	RING, Rubber	8
6	23934	(-)	EXTRUSION	1
7	23869	(-)	GLASS, Rear	1
8	53855	(-)	CAB	1
	23940-2	(-)	WINDSHIELD WIPER KIT	1
9	23945	(-)	MOTOR, Electric	1
10	23948-1	(-)	BRACKET	1
11	14137	(-)	SWITCH	1
12	15121	(-)	ARM, Windshield wiper	1
13	23947	(-)	BLADE, Windshield wiper	1
	09384	(-)	CLAMP, Cable	3
	47999	(-)	WIRE KIT	1
	45223	(-)	TERMINAL	1
14	53885	(-)	NOISE REDUCTION KIT	1
15	23870	(-)	GLASS, Stationary	1
16	23871	(-)	GLASS, Sliding	1
17	15066	(-)	PULL AND LOCK SET	1
18	48540	(-)	PANEL, Instrument panel	1
19	48542-1	(-)	BRACKET ASSEMBLY, Panel support	1
20	23867	(-)	EXTRUSION	1
21	23868	(-)	GLASS, Windshield	1
22	54526-13	(-)	SEAL, Foam rubber	1
23	23942	(-)	SHIELD, Operator leg	1
24	54436	(-)	SHIELD, Corner, R.H.	1
	23866	(-)	WEATHERSTRIP, Rubber	1
	23864	(-)	CHANNEL, Rigid	1
	23865	(-)	CHANNEL, Glass run	1
	23863	(-)	STRIP, Rubber	1
	14741	(-)	STUD, Snap on	12
	01574	(-)	GROMMET	1
	44289	(-)	GROMMET	1
	59118-6	(-)	MOLDING, Rigid	1
	59118-7	(-)	MOLDING, Rigid	1



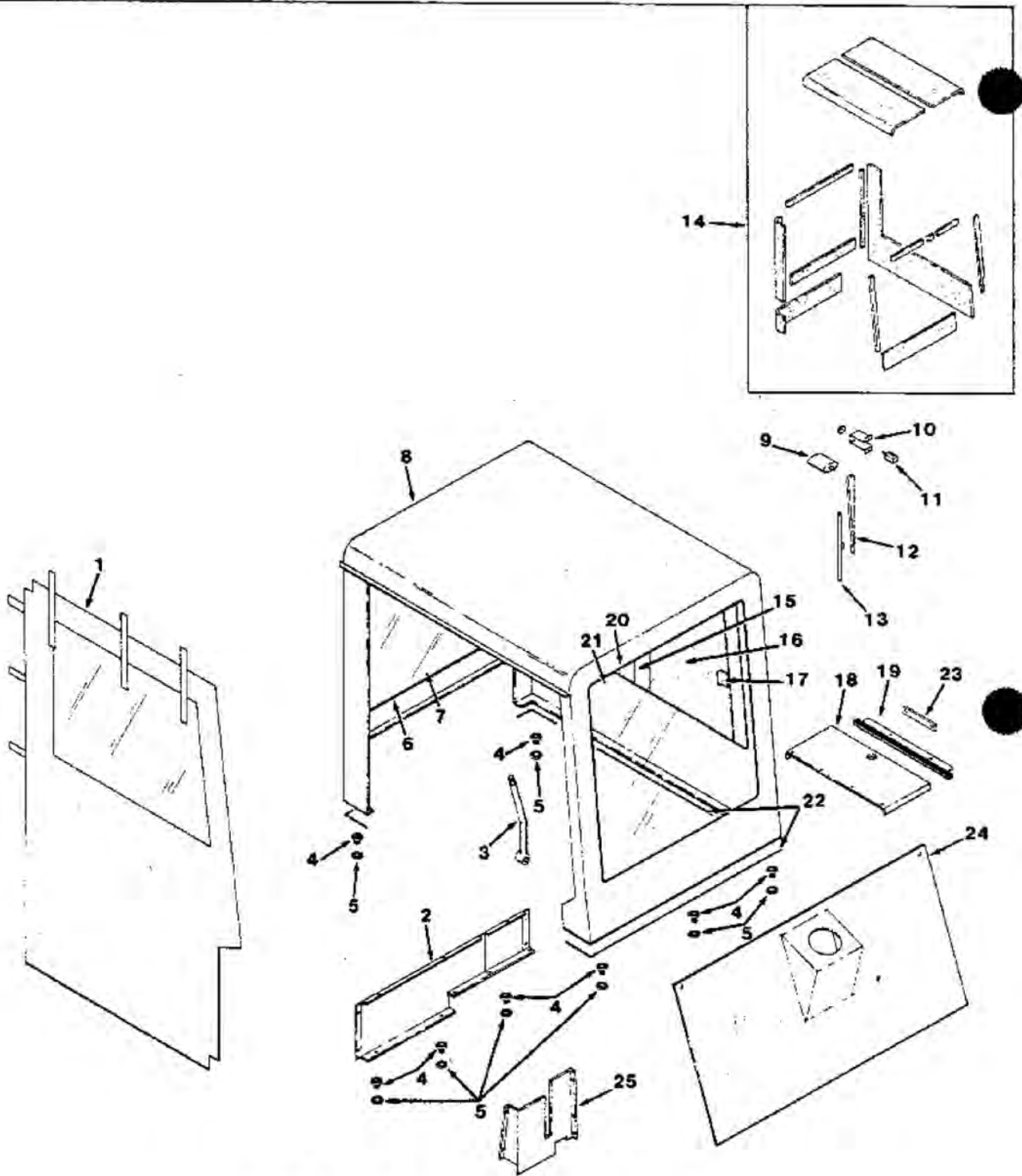
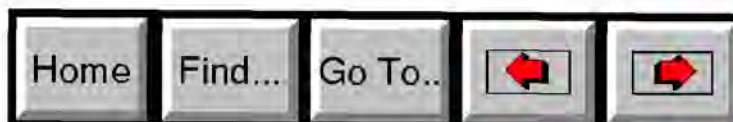


FIG. 20 - CAB KIT, DIESEL, LOW DUMP, SWEEPER

FIG. 20 - CAB KIT, DIESEL, LOW DUMP, SWEEPER

02080

KEY	TENNANT® PART NO.	MACHINE SERIAL NUMBER	DESCRIPTION	QTY.
	54804	(-)	CAB KIT, Diesel, sweeper	1
1	24106	(-)	DOOR, Cab	1
2	50784	(-)	PANEL, Rear	1
3	24464	(-)	HANDLE	1
4	54528	(-)	BUSHING, Rubber	8
5	54527	(-)	RING, Rubber	8
6	23934	(-)	EXTRUSION	1
7	23869	(-)	GLASS, Rear	1
8	54791	(-)	CAB	1
	23940-2	(-)	WINDSHIELD WIPER KIT	1
9	23945	(-)	MOTOR, Electric	1
10	23948-1	(-)	BRACKET	1
11	14137	(-)	SWITCH	1
12	15121	(-)	ARM, Windshield wiper	1
13	23947	(-)	BLADE, Windshield wiper	1
	09384	(-)	CLAMP, Cable	3
	47999	(-)	WIRE KIT	1
	45223	(-)	TERMINAL	1
14	53885	(-)	NOISE REDUCTION KIT	1
15	23870	(-)	GLASS, Stationary	1
16	23871	(-)	GLASS, Sliding	1
17	15066	(-)	PULL AND LOCK SET	1
18	54757-1	(-)	DOOR ASSEMBLY, Instrument panel	1
19	54759-1	(-)	BRACKET ASSEMBLY, Support panel	1
20	23867	(-)	EXTRUSION	1
21	23868	(-)	GLASS, Windshield	1
22	54526-13	(-)	SEAL, Foam rubber	1
23	54248	(-)	STRIP	1
24	23942	(-)	SHIELD, Operator leg	1
25	54436	(-)	SHIELD, Corner, R.H.	1
	23866	(-)	WEATHERSTRIP, Rubber	1
	23864	(-)	CHANNEL, Rigid	1
	23865	(-)	CHANNEL, Glass run	1
	23863	(-)	STRIP, Rubber	1
	14741	(-)	STUD, Snap on	12
	01574	(-)	GROMMET	1
	44289	(-)	GROMMET	1
	59118-6	(-)	MOLDING, Rigid	1
	59118-7	(-)	MOLDING, Rigid	1



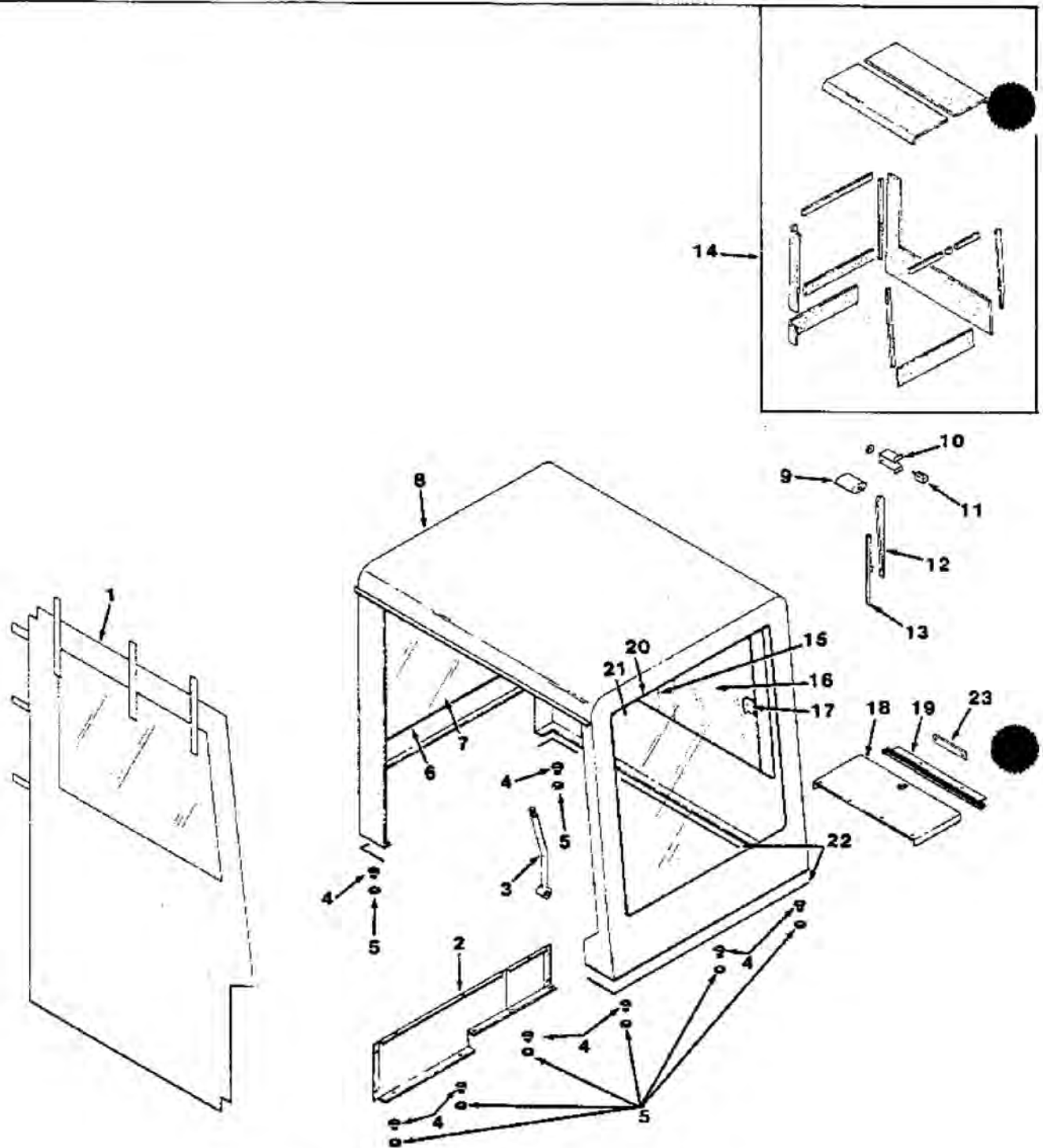
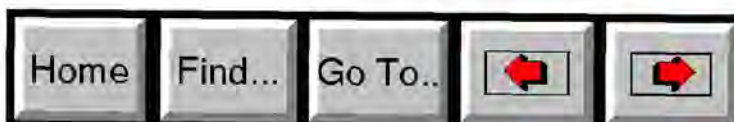


FIG. 21 - CAB KIT, DIESEL, HIGH DUMP

FIG. 21 - CAB KIT, DIESEL, HIGH DUMP

02079

KEY	TENNANT* PART NO.	MACHINE SERIAL NUMBER	DESCRIPTION	QTY.
	48953	(-)	CAB KIT, Diesel, high dump	1
1	24106	(-)	DOOR, Cab	1
2	50784	(-)	PANEL, Rear	1
3	24464	(-)	HANDLE	2
4	54528	(-)	BUSHING, Rubber	8
5	54527	(-)	RING, Rubber	8
6	23934	(-)	EXTRUSION	1
7	23869	(-)	GLASS, Rear	1
8	36992	(-)	CAB	1
	23940-2	(-)	WINDSHIELD WIPER KIT	1
9	23945	(-)	MOTOR, Electric	1
10	23948-1	(-)	BRACKET	1
11	14137	(-)	SWITCH	1
12	15121	(-)	ARM, Windshield wiper	1
13	23947	(-)	BLADE, Windshield wiper	1
	09384	(-)	CLAMP, Cable	3
	47999	(-)	WIRE KIT	1
	45223	(-)	TERMINAL	1
14	53886	(-)	NOISE REDUCTION KIT	1
15	23870	(-)	GLASS, Stationary	1
16	23871	(-)	GLASS, Sliding	1
17	15066	(-)	PULL AND LOCK SET	1
18	54757-1	(-)	DOOR ASSEMBLY, instrument panel	1
19	54759-1	(-)	BRACKET ASSEMBLY, Support panel	1
20	23867	(-)	EXTRUSION	1
21	23868	(-)	GLASS, Windshield	1
22	54526-13	(-)	SEAL, Foam rubber	1
23	54248	(-)	STRIP	1
	23866	(-)	WEATHERSTRIP, Rubber	1
	23864	(-)	CHANNEL, Rigid	1
	23865	(-)	CHANNEL, Glass run	1
	23863	(-)	STRIP, Rubber	1
	14741	(-)	STUD, Snap on	12
	01574	(-)	GROMMET	1
	44289	(-)	GROMMET	1
	59118-6	(-)	MOLDING, Rigid	1
	59118-7	(-)	MOLDING, Rigid	1



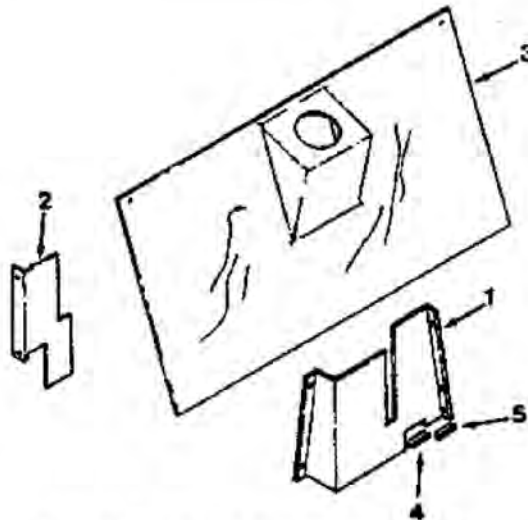


FIG. 22 - OPERATOR SHIELD KIT

01984

KEY	TENNANT® PART NO.	MACHINE SERIAL NUMBER	DESCRIPTION	QTY.
	47553	(-)	OPERATOR SHIELD KIT	1
1	54436	(-)	SHIELD, Corner, R.H.	1
2	23942	(-)	SHIELD, Operator leg	1
3	14741	(-)	STUD, Snap on	2
4	59118-6	(-)	MOLDING, Rigid	1
5	59118-7	(-)	MOLDING, Rigid	1

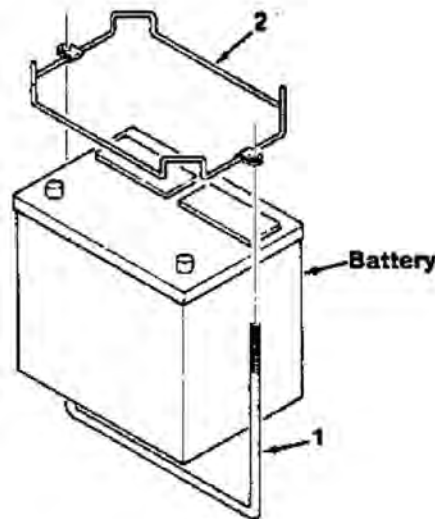


FIG. 23 - BATTERY HOLD DOWN KIT

00715

KEY	TENNANT® PART NO.	MACHINE SERIAL NUMBER	DESCRIPTION	QTY.
	43590	(-)	HOLD DOWN KIT, Battery	1
1	13013	(-)	ROD, Battery hold down	1
2	13016	(-)	BRACKET, Hold down, battery	1



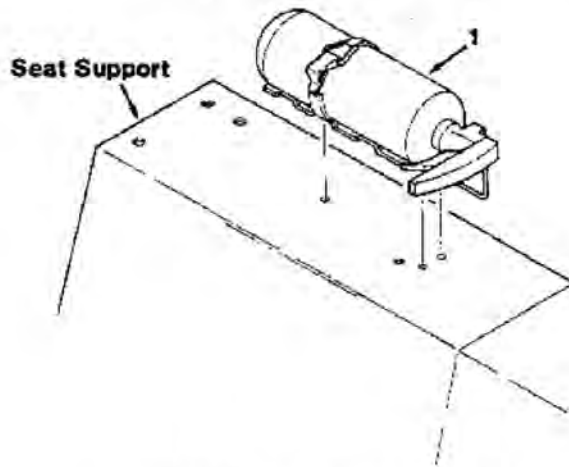


FIG. 24 - FIRE EXTINGUISHER KIT

00713

KEY	TENNANT® PART NO.	MACHINE SERIAL NUMBER	DESCRIPTION	QTY.
1	46938	(-)	EXTINGUISHER KIT, Fire	1
	25312	(-)	EXTINGUISHER, Fire	1

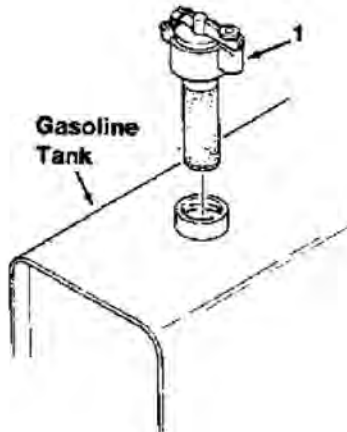
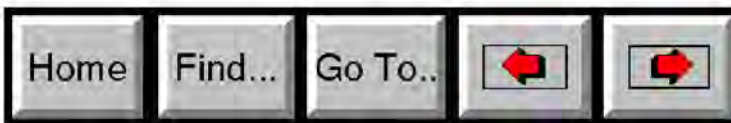


FIG. 25 - PROTECTOSEAL GASOLINE TANK CAP

00714

KEY	TENNANT® PART NO.	MACHINE SERIAL NUMBER	DESCRIPTION	QTY.
1	02506-6	(-)	CAP, Tank, Gasoline, Protectoseal	1



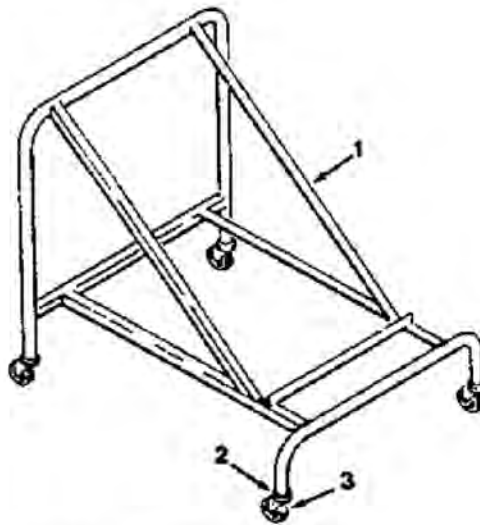


FIG. 26 - HOPPER DOLLY KIT

D1935

KEY	TENNANT® PART NO.	MACHINE SERIAL NUMBER	DESCRIPTION	QTY.
1	24147	(-)	DOLLY KIT, Hopper	1
2	24149	(-)	SOCKET, Caster	4
3	24259A	(-)	CASTER	4

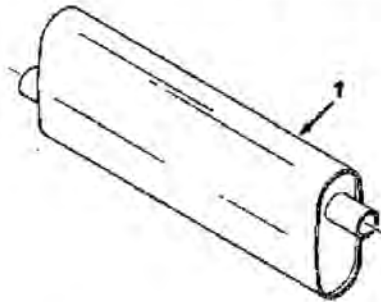
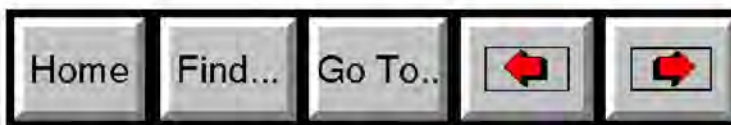


FIG. 27 - SPARK ARREST MUFFLER KIT

Q1980

KEY	TENNANT® PART NO.	MACHINE SERIAL NUMBER	DESCRIPTION	QTY.
1	53295	(-)	MUFFLER, Spark arrest	1



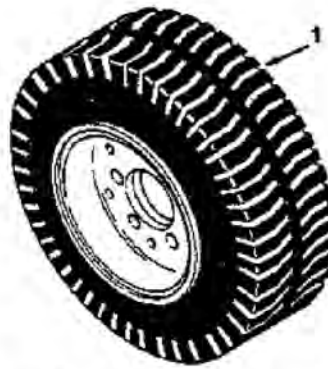


FIG. 28 - FOAM FILLED TIRE KIT

02095

KEY	TENNANT® PART NO.	MACHINE SERIAL NUMBER	DESCRIPTION	QTY.
1	50611	(-)	TIRE KIT, Foam filled	1

FIG. 29 - TIRE AND WHEEL KIT, REAR

01981

KEY	TENNANT® PART NO.	MACHINE SERIAL NUMBER	DESCRIPTION	QTY.
	53817	(-)	TIRE AND WHEEL ASSEMBLY, Rear	1
	53818	(-)	RIM ASSEMBLY	1
	53816	(-)	TIRE, Solid	1
	24507	(-)	DECAL, Caution, this side out	1

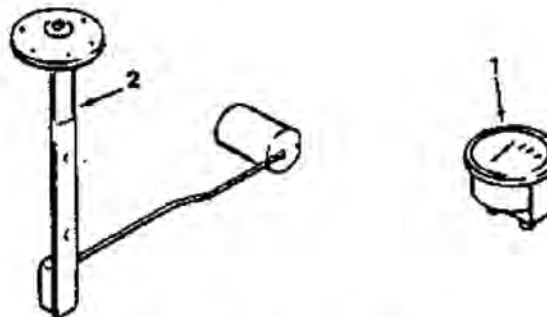


FIG. 30 - FUEL GAUGE KIT

01983

KEY	TENNANT® PART NO.	MACHINE SERIAL NUMBER	DESCRIPTION	QTY.
	53195	(-)	FUEL GAUGE KIT	1
1	47472	(-)	GAUGE, Fuel level	1
2	47473	(-)	SENDING UNIT	1
	14131	(-)	GASKET	1
	14215	(-)	FUSE, 20 A	1

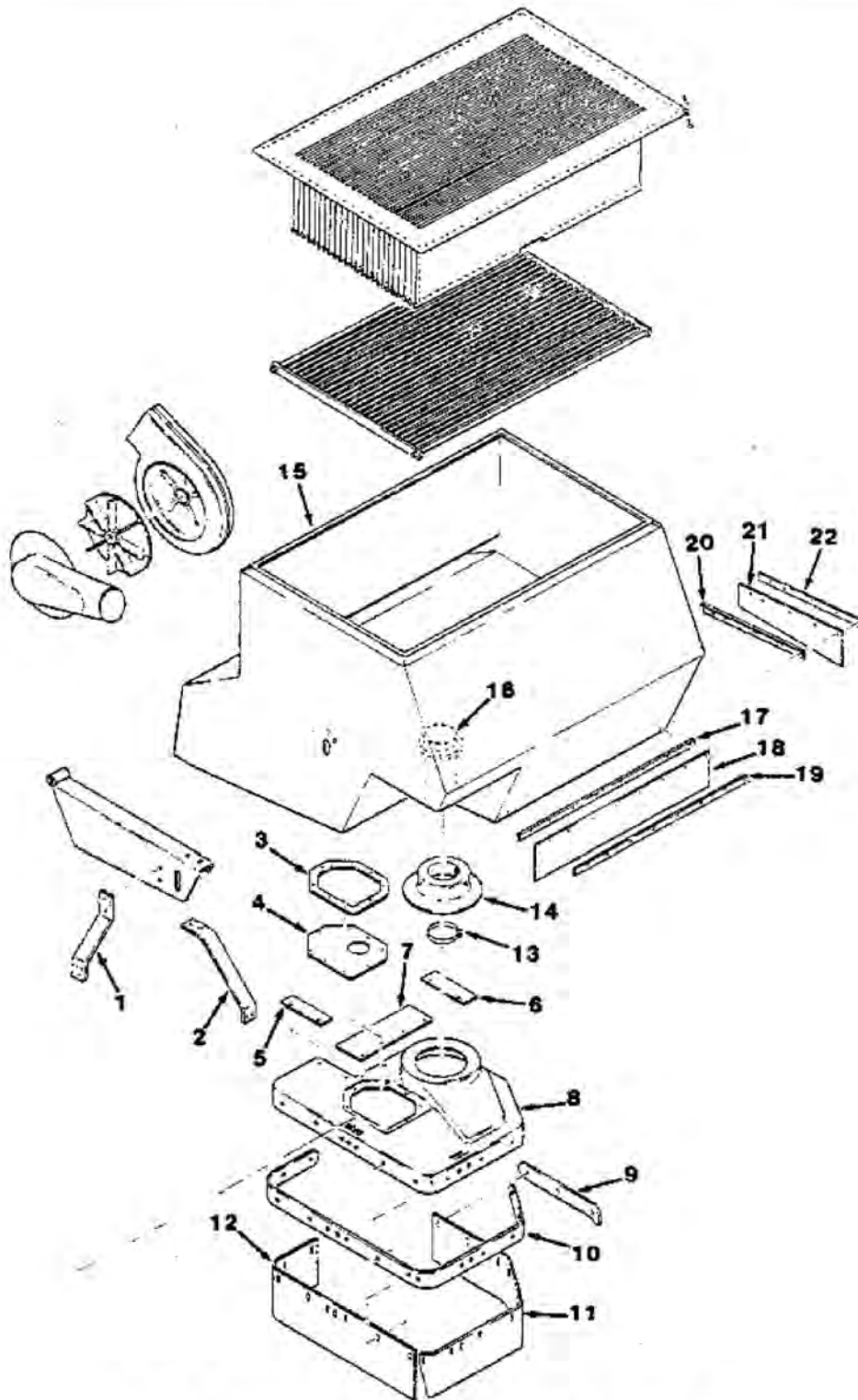


FIG. 31 - SIDE BRUSH DUST CONTROL GROUP

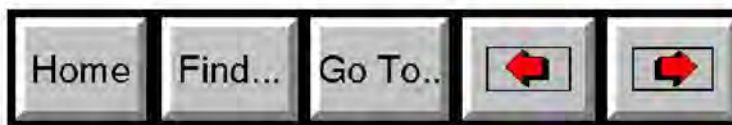


FIG. 31 - SIDE BRUSH DUST CONTROL GROUP

02089

KEY	TENNANT® PART NO.	MACHINE SERIAL NUMBER	DESCRIPTION	QTY.
	53509	(-)	SHROUD ASSEMBLY, Side brush	1
1	53039	(-)	SUPPORT, Bumper, side	1
2	53038	(-)	SUPPORT, Bumper, front	1
3	53212	(-)	RETAINER, Seal	1
4	53407	(-)	SEAL, Shroud	1
5	53110	(-)	SEAL, Hopper	1
6	53109	(-)	SEAL, Hopper	1
7	53108	(-)	SEAL, Hopper	1
8	53098-1	(-)	SHROUD AND SEAL ASSEMBLY	1
9	53107	(-)	RETAINER, Skirt	1
10	53099	(-)	BUMPER, Shroud	1
11	53101	(-)	SKIRT, Front	1
12	53106	(-)	SKIRT	1
13	23498	(-)	CLAMP, Worm drive	1
14	53501	(-)	SEAL, Vacuum	1
15	53233	(-)	BOX, Filter	1
16	53120	(-)	SEAL, Fire baffle	1
17	53151	(-)	ANGLE, Mounting	1
18	53105	(-)	SKIRT	1
19	53104	(-)	RETAINER, Skirt	1
20	53149	(-)	ANGLE, Mounting	1
21	53103	(-)	SKIRT	1
22	53102	(-)	RETAINER, Skirt	1
	53269	(-)	BUMPER	1
	47635	(-)	BRACKET, Support	1
	26201	(-)	NUT, Low crown	1

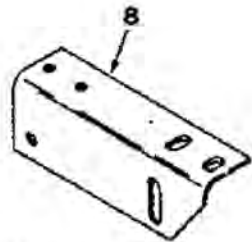
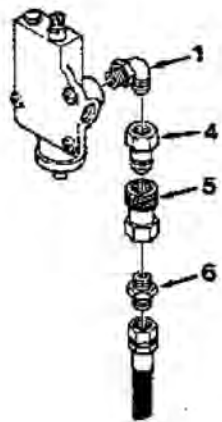
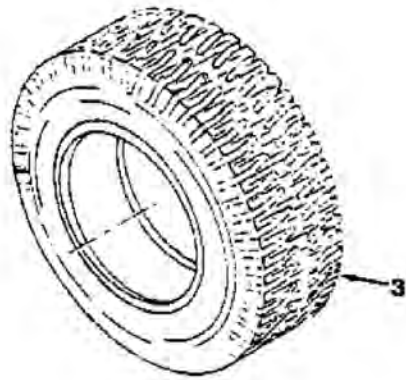


FIG. 32 - PREP FOR SCRUB KIT

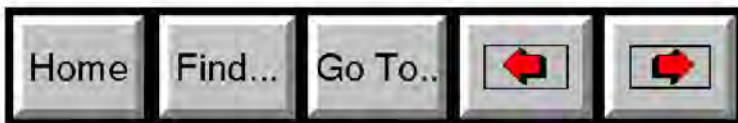
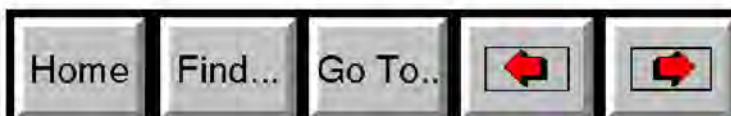


FIG. 32 - PREP FOR SCRUB KIT

02091

KEY	TENNANT® PART NO.	MACHINE SERIAL NUMBER	DESCRIPTION	QTY.
	45760	(0000002206-)	PREP FOR SCRUB KIT	1
1	*32385	(0000002206-xxxxxxxxxx)	DECAL, Warning, when scrubbing	1
2	54299	(0000002206-)	DECAL, Tire pressure	1
3	47525	(0000002206-)	TIRE	1
4	65084-2	(0000002206-)	COUPLING, Male	1
5	65084-1	(0000002206-)	COUPLING, Female	1
6	47518	(0000002206-)	FITTING, Straight	1
7	43348A	(0000002206-)	GUARD, Motor	1
8	46093	(0000002206-)	EXTENSION, Side brush arm	1
	*53445	(0000002206-xxxxxxxxxx)	FITTING, Elbow	1
	*44961	(0000002206-xxxxxxxxxx)	TIE, Cable	1
	*56781	(0000002206-xxxxxxxxxx)	BAND, Tube	1
	*15687	(0000002206-xxxxxxxxxx)	FITTING, Straight	1
	*77006	(0000002206-xxxxxxxxxx)	O-RING	1

*These parts used for older machines.



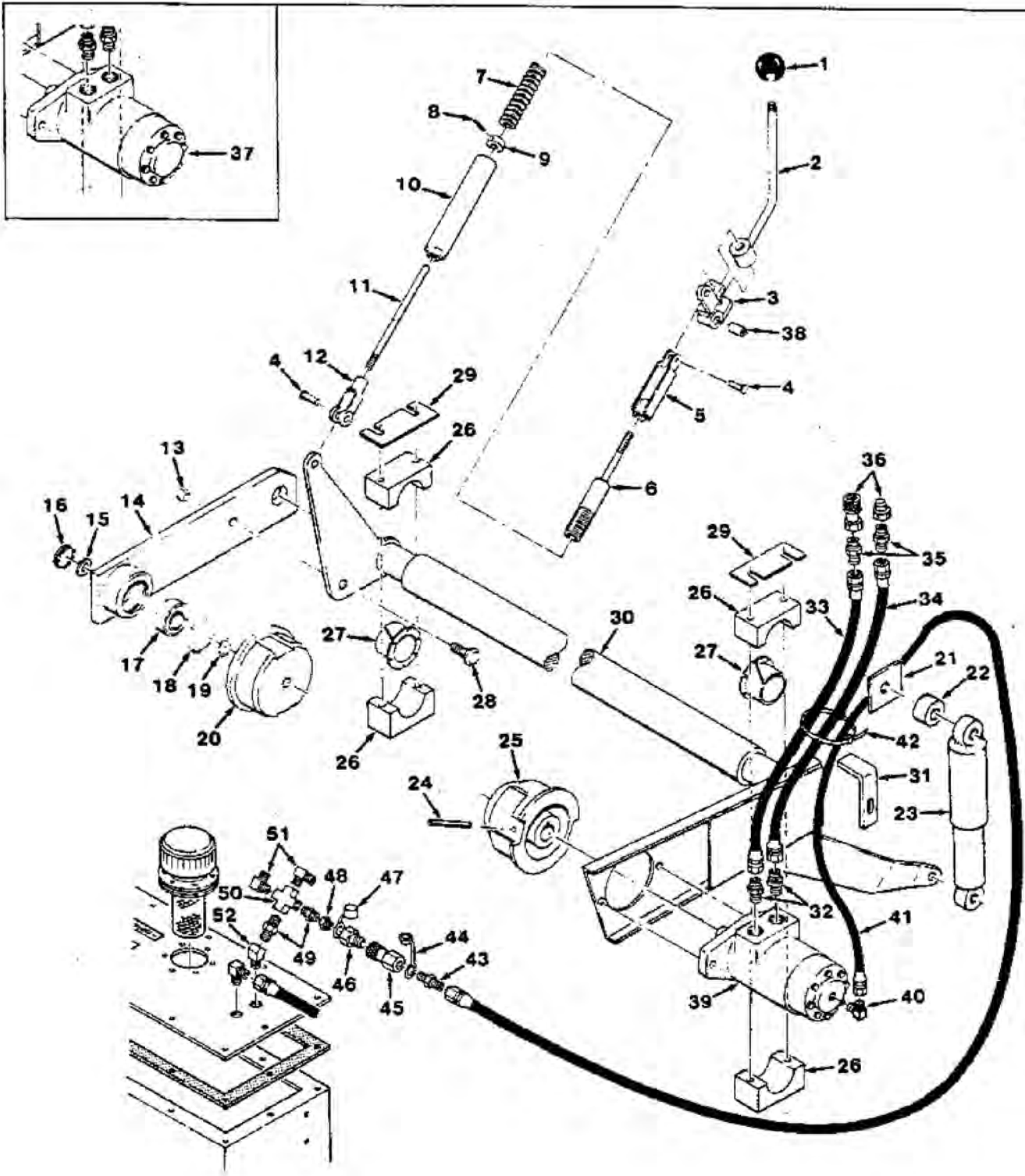


FIG. 33 - MAIN SCRUB BRUSH DRIVE GROUP

FIG. 33 - MAIN SCRUB BRUSH DRIVE GROUP

01979

NOTE: Scrub Attachment Kit, TENNANT® Part 53313, includes Fig. 33, Fig. 34, Fig. 35, and Fig. 36.

KEY	TENNANT® PART NO.	SCRUB ATTACHMENT SERIAL NUMBER	DESCRIPTION	QTY.
1	26156	(0000002206-) KNOB	1
2	50457	(0000002206-) HANDLE	1
3	43086	(0000002206-) CRANK	1
4	14331	(0000002206-) PIN, Clevis	2
5	43502	(0000002206-) CLEVIS	1
6	43505	(0000002206-) END, Cylinder	1
7	43164	(0000002206-) SPRING, Compression	1
8	20021	(0000002206-) PIN, Roll	1
9	43116	(0000002206-) COLLAR	1
10	43096	(0000002206-) CYLINDER, Spring	1
11	43503	(0000002206-) ROD, Brush lift	1
12	14330	(0000002206-) CLEVIS, Adjustable	1
13	46646	(0000002206-) NUT, Wheel	1
14	46644	(0000002206-) ARM AND PLUG ASSEMBLY, Brush	1
15	07026	(0000002206-) SLEEVE	1
16	47178-13	(0000002206-) PLUGBUTTON	1
17	46390	(0000002206-) BEARING, Ball	1
18	10464	(0000002206-) RING, Retaining, internal	1
19	10459	(0000002206-) WASHER	1
20	07037	(0000002206-) PLUG, Brush	1
21	43656	(0000002206-) STRIP	1
22	43653	(0000002206-) SLEEVE	1
23	43652	(0000002206-) ABSORBER, Shock	1
24	11398	(0000002206-) PIN, Roll	1
25	24743	(0000002206-) PLUG, Brush drive	1
26	46605	(0000002206-) BLOCK, Bearing	2
27	46443	(0000002206-) BUSHING, Flange	2
28	24338	(0000002206-) STUD, Wheel	1
29	46642-2	(0000002206-) SHIM	2
30	43491	(0000002206-) ARM AND SHAFT, Brush lift	1
31	43457	(0000002206-) ANGLE	1
32	46480	(0000002206-) FITTING, Straight	2
33	32377	(0000002206-) HOSE	1
34	53083-8	(0000002206-) HOSE	1
35	47518	(0000002206-) FITTING, Straight	2
36	65084	(0000002206-) COUPLING, Hydraulic	2
37	SK2811	(0000002206-0000005595)) MOTOR, Drive	1
	SK1600	(0000002206-0000005595)) SEAL KIT	1
38	26065	(0000002206-) BUSHING	1
39	33795	(0000005596-) MOTOR, Drive	1
	SK1600	(0000005596-) SEAL KIT	1
40	77097	(0000005596-) ELBOW	1
41	33810	(0000005596-) HOSE	1
42	49263	(0000005596-) TIE, Cable	1
43	06678	(0000005596-) FITTING, Straight	1
44	33797	(0000005596-) CAP, Dust	1
45	34414	(0000005596-) COUPLING, Female	1
46	34413	(0000005596-) COUPLING, Male	1
47	33798	(0000005596-) CAP, Dust	1
48	47810	(0000005596-) FITTING, Reducer	1
49	47566	(0000005596-) FITTING, Straight	1
50	55622	(0000005596-) FITTING, Cross	1
51	55455	(0000005596-) FITTING, Elbow	2
52	32376	(0000005596-) FITTING, Elbow, 45° (diesel only)	1

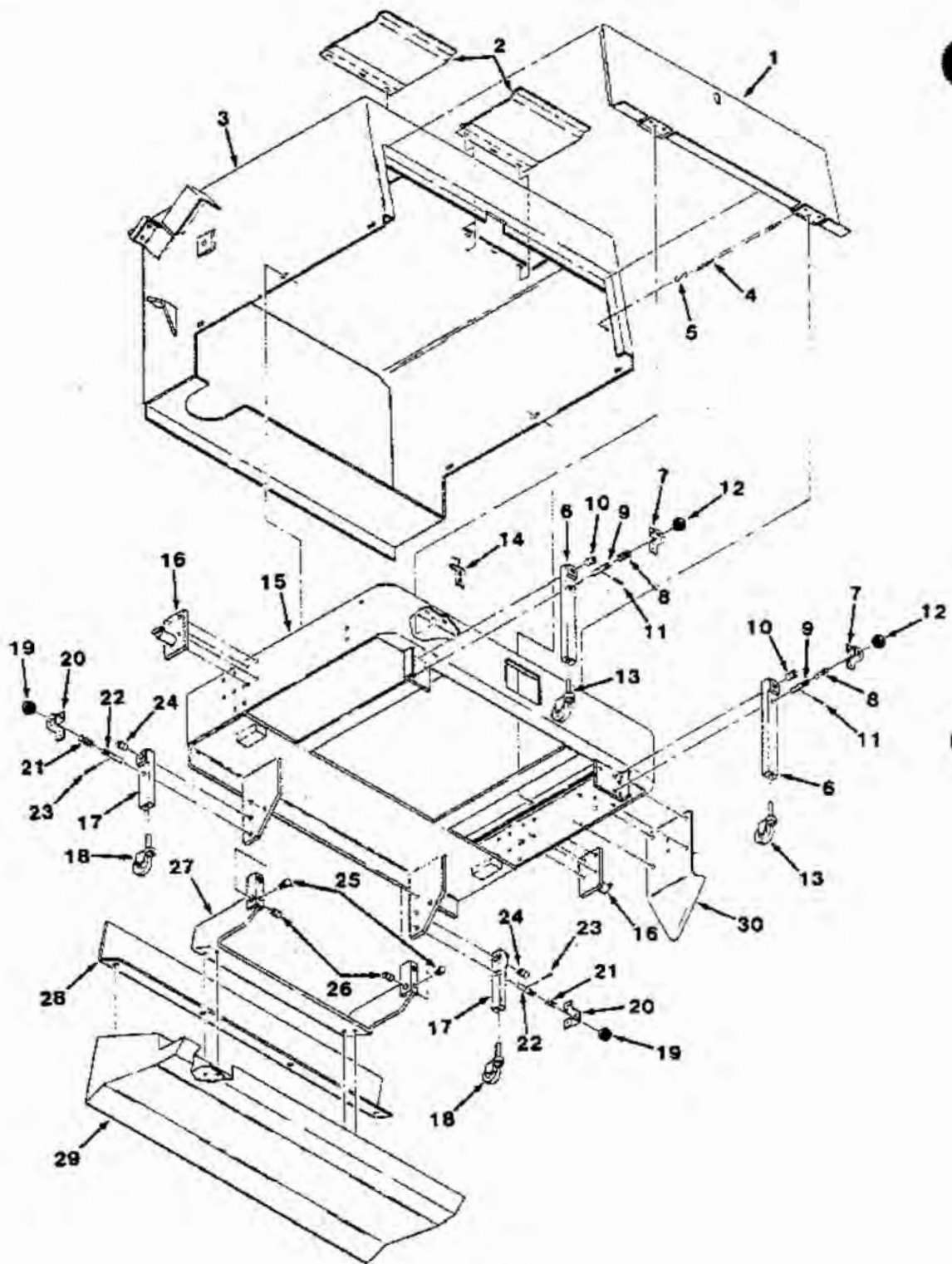


FIG. 34 - SCRUB TANK FRAME GROUP

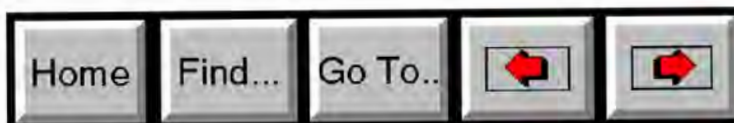


FIG. 34 - SCRUB TANK FRAME GROUP

01977

NOTE: Scrub Attachment Kit, TENNANT® Part 53313, includes Fig. 33, Fig. 34, Fig. 35, and Fig. 36.

KEY	TENNANT® PART NO.	SCRUB ATTACHMENT SERIAL NUMBER	DESCRIPTION	QTY.
1	43079	(-)	PANEL, Access	1
2	43287	(-)	LID	2
3	43564	(-)	FRAME, Main	1
4	43203	(-)	CHAIN	1
5	43363	(-)	HOOK, S	1
6	43660	(-)	FRONT LEG ASSEMBLY	2
7	43030	(-)	BRACKET, Pin	1
8	04428A	(-)	SPRING, Compression	1
9	32449	(-)	PIN, Threaded	1
10	43609	(-)	SLEEVE	1
11	20160	(-)	PIN, Roll	1
12	26565	(-)	KNOB	1
13	43616	(-)	CASTER	1
14	43249	(-)	SUPPORT, L.H.	2
15	45459	(-)	BUMPER	1
16	43039	(-)	SUPPORT	2
17	43661	(-)	REAR LEG ASSEMBLY	2
18	43616	(-)	CASTER	1
19	26565	(-)	KNOB	1
20	43030	(-)	BRACKET, Pin	1
21	04428A	(-)	SPRING, Compression	1
22	32449	(-)	PIN, Threaded	1
23	20160	(-)	PIN, Roll	1
24	43609	(-)	SLEEVE	1
25	11048	(-)	FITTING, Grease	2
26	26065	(-)	BUSHING, Sleeve	2
27	43005	(-)	SUPPORT, Trough	1
28	53368	(-)	SHIELD, Spray	1
29	43004	(-)	TROUGH, Pickup	1
	46276	(-)	DECAL, Scrubber	1
	44024	(-)	DECAL, Horn blows	1
	43566	(-)	DECAL, Water control	1
	46847	(-)	DECAL, Detergent recommended	1
	44695	(-)	DECAL, Scrubbing instructions	1
	43192	(-)	CAM, Pan lock	1
30	43346B	(-)	GUARD, Motor	1



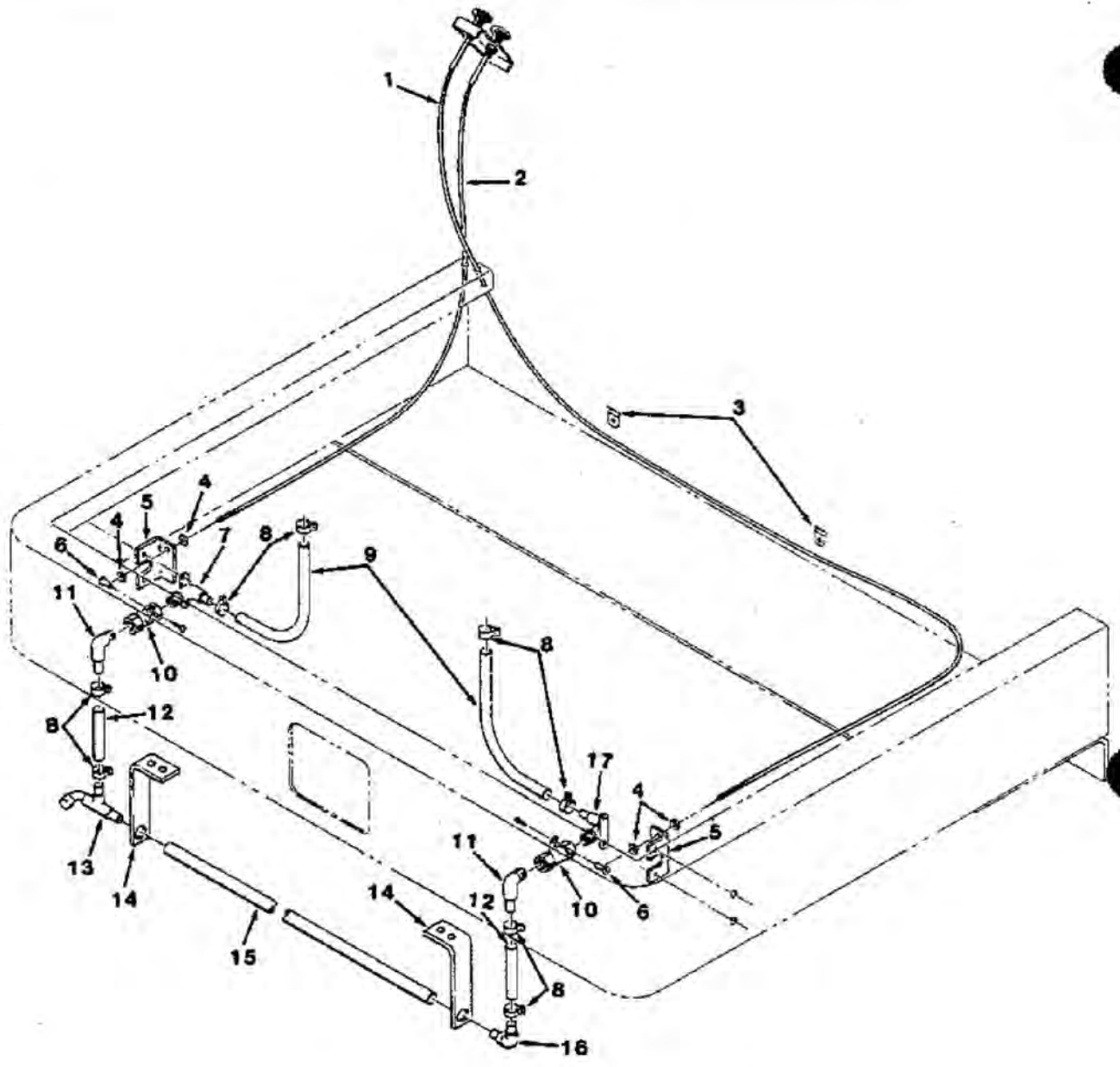


FIG. 35 - DETERGENT DISTRIBUTION GROUP

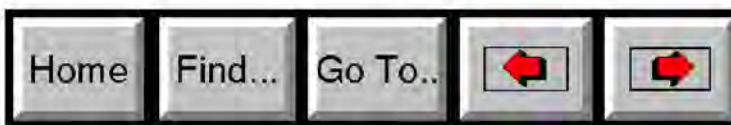
Home	Find...	Go To..		
------	---------	---------	--	--

FIG. 35 - DETERGENT DISTRIBUTION GROUP

02007

NOTE: Scrub Attachment Kit, TENNANT® Part 53313, includes Fig. 33, Fig. 34, Fig. 35, and Fig. 36.

KEY	TENNANT® PART NO.	SCRUB ATTACHMENT SERIAL NUMBER	DESCRIPTION	QTY.
1	43558A	(-)	CABLE ASSEMBLY	1
2	43557A	(-)	CABLE ASSEMBLY	1
3	09092-1	(-)	CLAMP, Holddown	2
4	26683	(-)	CLAMP, Cable	4
5	43591	(-)	SUPPORT, Valve	2
6	43242	(-)	SWIVEL	2
7	43372-1	(-)	ELBOW	1
8	54333	(-)	CLAMP, Worm drive	8
9	43413	(-)	HOSE, Vinyl	2
10	43379	(-)	VALVE ASSEMBLY	2
11	43376	(-)	ELBOW	2
12	43377	(-)	HOSE, Vinyl	2
13	43539	(-)	DIVIDER ASSEMBLY	1
14	43507	(-)	HANGER	2
15	43506	(-)	TUBE, Spreader	1
16	43411	(-)	ELBOW	1
17	19867	(-)	FITTING ASSEMBLY, Elbow	1
	43560	(-)	CLAMP, Cable	1



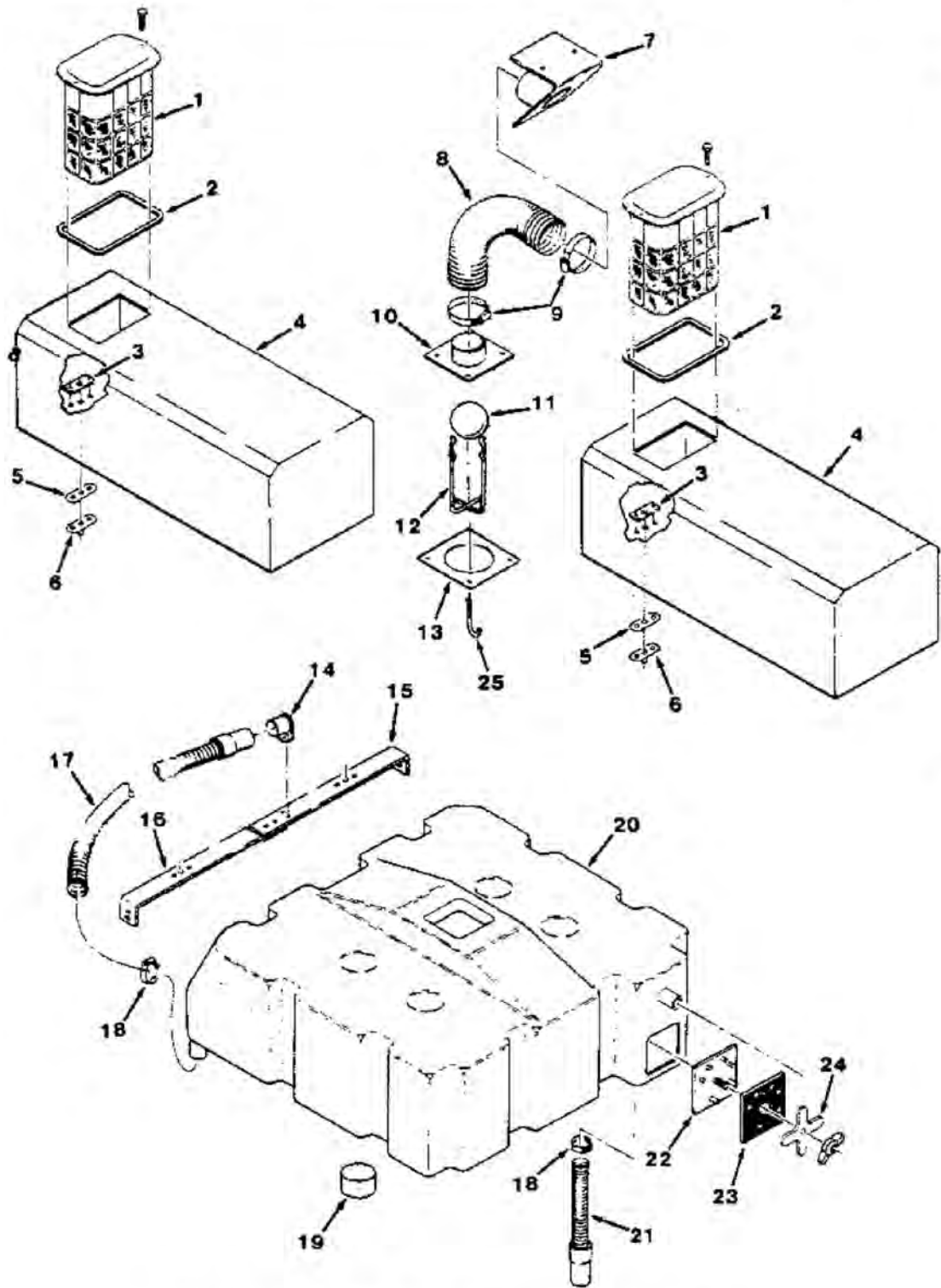


FIG. 36 - SOLUTION AND RECOVERY TANK GROUP

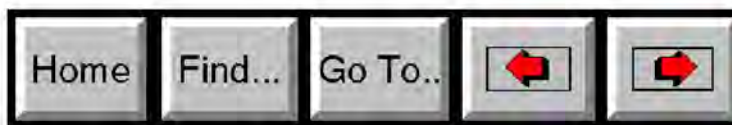


FIG. 36 - SOLUTION AND RECOVERY TANK GROUP

01978

NOTE: Scrub Attachment Kit, TENNANT® Part 53313, includes Fig. 33, Fig. 34, Fig. 35, and Fig. 36.

KEY	TENNANT® PART NO.	SCRUB ATTACHMENT SERIAL NUMBER	DESCRIPTION	QTY.
1	43516A	(0000002206-) BASKET, Soap	2
2	43382	(0000002206-) GASKET, Lid	2
3	43056	(0000002206-) FLANGE	2
4	43677	(0000002206-) TANK, Solution	2
5	43016	(0000002206-) GASKET	2
6	43057	(0000002206-) CONNECTOR	2
7	43469-1	(0000002206-) BRACKET ASSEMBLY, Hose	1
8	43490	(0000002206-) HOSE	1
9	43555	(0000002206-) CLAMP, Worm drive	2
10	47475	(0000002206-) COLLAR, Float	1
11	43170	(0000002206-) FLOAT, Ball	1
12	56489	(0000002206-) GUIDE, Float	1
13	43552	(0000002206-) GASKET	1
14	20215	(0000002206-) PLUG	1
15	43344-1	(0000002206-) BRACKET, Tank mounting, R.H.	1
16	43344-2	(0000002206-) BRACKET, Tank mounting, L.H.	1
17	43208	(0000002206-) HOSE AND CUFF ASSEMBLY, Vinyl	1
	20236	(0000002206-) CUFF, Hose	1
18	29696	(0000002206-) CLAMP, Worm drive	2
19	32677	(0000002206-) TUBE, Tank locating	2
20	43007B	(0000002206-0000017901)	TANK, Recovery	2
20	32267	(0000017902-) TANK, Recovery	2
21	43207	(0000002206-) HOSE AND CUFF ASSEMBLY, Vinyl	1
	43259	(0000002206-) CUFF, Hose	1
22	43519	(0000000000-0000017901)	COVER ASSEMBLY, Tank	2
22	32690	(0000017902-) DOOR ASSEMBLY, Clean out	2
23	32683	(0000017902-) SEAL, Door	1
24	32680	(0000017902-) CAM, Locking	1
25	32685	(0000002206-) BOLT, "J"	4



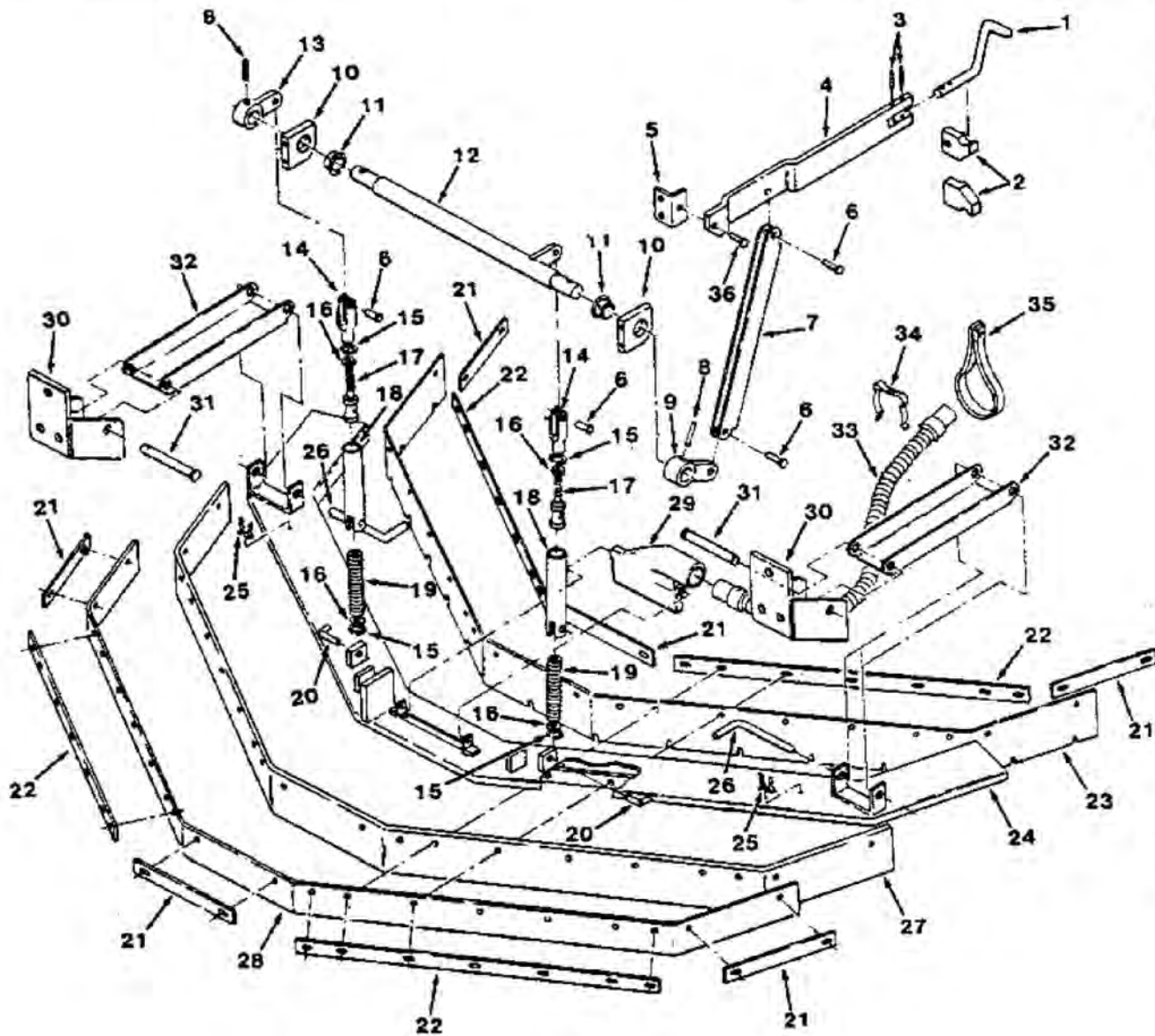


FIG. 37 - REAR SQUEEGEE GROUP

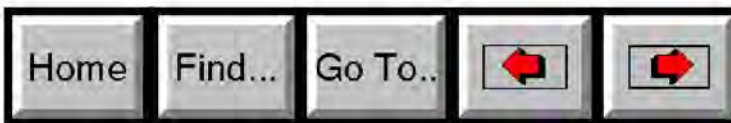


FIG. 37 - REAR SQUEEGEE GROUP

02093

NOTE: Squeegee and Controls Kit, TENNANT® Part 53294, includes Fig. 37 and Fig. 38.

KEY	TENNANT® PART NO.	MACHINE SERIAL NUMBER	DESCRIPTION	QTY.
1	54249	(-)	HANDLE	1
2	47965	(-)	STOP, Adjustable	2
3	11398	(-)	PIN, Roll	2
4	53284	(-)	ARM, Squeegee, lift	1
5	53286	(-)	BRACKET, Arm	1
6	46657	(-)	PIN, Clevis	4
7	46423	(-)	CHANNEL, Link	1
8	14854	(-)	PIN, Roll	2
9	46438	(-)	PIVOT, Cross shaft	1
10	46415	(-)	SUPPORT	2
11	46417	(-)	BUSHING, Flange	2
12	46424	(-)	SHAFT, Cross	1
13	46416	(-)	PIVOT, Squeegee	1
	53297	(-)	REAR SQUEEGEE LIFT ROD ASSEMBLY	2
14	14330	(-)	CLEVIS, Adjustable	1
15	46419	(-)	RING, Retaining, internal	2
16	43611	(-)	WASHER, Nylon	2
17	53283	(-)	PISTON AND ROD ASSEMBLY	1
18	43543	(-)	TUBE, Spring	1
19	43164	(-)	SPRING, Compression	1
20	43325	(-)	PIN	2
	44485	(-)	SQUEEGEE ASSEMBLY, Rear	1
21	43316	(-)	RETAINER	6
22	43314	(-)	RETAINER	4
23	43322	(-)	BLADE, Front, rubber	1
24	46432	(-)	FRAME, Squeegee	1
25	23446	(-)	CLIP, Finger grip	2
26	43321	(-)	PIN	2
27	43323	(-)	BLADE, Squeegee	1
28	43324	(-)	BLADE, Back up, neoprene	1
29	46453	(-)	NOZZLE, Suction	1
	43662	(-)	REAR SQUEEGEE SUPPORT ASSEMBLY	2
30	43472	(-)	BRACKET, Squeegee pivot	1
31	06474A	(-)	PIN, Clevis	1
32	46428	(-)	CHANNEL, Link	1
33	43209	(-)	HOSE AND CUFF ASSEMBLY, Vinyl	1
34	22473	(-)	CLIP, Finger grip	1
35	47795-1	(-)	STRAP, Rubber	3
	43192	(-)	CAM, Pan lock	1
36	09088	(-)	PIN, Clevis	1

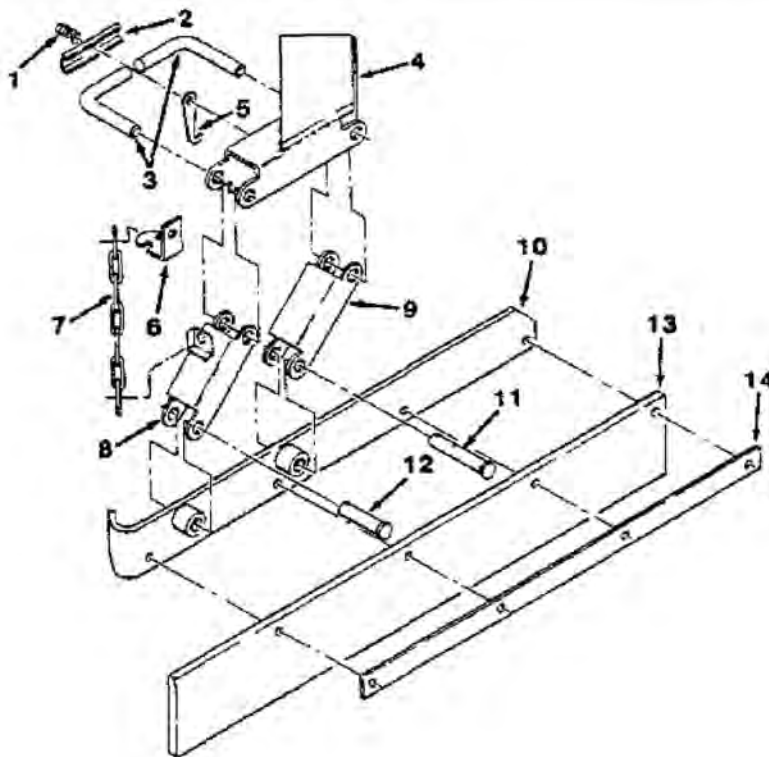
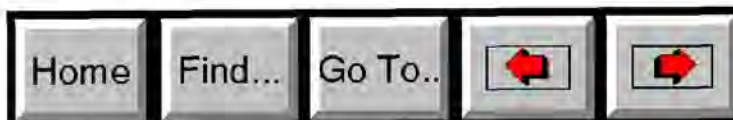


FIG. 38 - SIDE SQUEEGEE GROUP

C1947

NOTE: Squeegee and Controls Kit, TENNANT® Part 53294, includes Fig. 37 and Fig. 38.

KEY	TENNANT® PART NO.	MACHINE SERIAL NUMBER	DESCRIPTION	QTY.
1	04428A	{ - }	SPRING, Compression	1
2	43204	{ - }	CHANNEL	1
3	43299	{ - }	PIN	2
4	43497	{ - }	SUPPORT, Squeegee	1
5	43549	{ - }	CATCH	1
6	43499	{ - }	BRACKET, Clip	1
	43667	{ - }	SIDE BRUSH SQUEEGEE ASSEMBLY	1
7	43500	{ - }	CHAIN	1
8	43317	{ - }	LINK	1
9	43295	{ - }	LINK	1
10	43291	{ - }	SUPPORT, Squeegee, back	1
11	43553	{ - }	PIN, Clevis, special	1
12	43290	{ - }	PIN, Clevis	1
13	43292	{ - }	BLADE, Squeegee	1
14	43294	{ - }	RETAINER	1
	22473	{ - }	CLIP, Finger grip	1



SECTION 10 HYDRAULIC COMPONENTS

CONTENTS

	Page
Ordering Repair Parts.....	10-1
Fig. 1 - Pump Breakdown	10-2
Fig. 2 - Propelling Motor Breakdown.....	10-5
Fig. 3 - Main Brush Motor Breakdown.....	10-6
Fig. 4 - Main Brush Motor Breakdown.....	10-7
Fig. 5 - Main Brush Motor Breakdown.....	10-8
Fig. 6 - Side Brush Motor Breakdown.....	10-9
Fig. 7 - Side Brush Motor Breakdown.....	10-10
Fig. 8 - Hydraulic Motor Breakdown	10-11
Fig. 9 - Scrub Brush Motor Breakdown.....	10-12
Fig. 10 - Wheel Drive Motor Breakdown.....	10-13
Fig. 11 - Propelling Motor Breakdown.....	10-14

NOTE: Section 10, Hydraulic Components, lists the repair parts for each of the repairable hydraulic components.

Home

Find...

Go To..



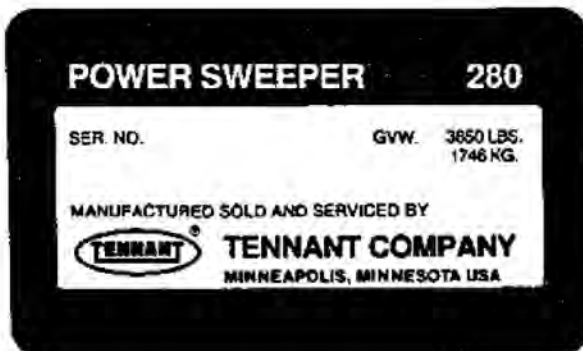
ORDERING REPAIR PARTS

The components used in this machine have been carefully selected for performance and safety. Use only Tennant Company supplied or equivalent parts.

To receive prompt service in filling your parts orders, please direct all parts orders with Tennant Company part numbers to the Tennant Company, and all parts orders with vendor part numbers to the local supplier of the respective vendor.

To avoid errors or delays in filling your parts orders, please furnish all of the following information.

1. Refer to Tennant Company data plate. Always specify the machine model number and the machine serial number shown on the machine data plate.



2. Refer to the vendor part data plate. Always specify the model number and serial number shown on the data plate.
3. Give the part number, description, and the quantity needed of each item on the order. Do not order by reference number or the figure number of the illustrated parts.
4. Indented items indicate parts of assemblies. Standard hardware is furnished only when part of a purchased assembly. Please order hardware from a local hardware supplier.
5. If the old part cannot be identified, send it to us with the quantity needed specified on the order.
6. State definite shipping instructions to include the shipping address and/or the billing address if there is a difference. Any claim for loss or damage to a shipment in transit should be filed promptly against the transportation company making the delivery. Shipments will be complete unless the packing list or order acknowledgement indicate items back ordered.

If parts received are suspected to be incorrect or defective, please write, wire, or phone the parts supplier from whom you ordered the part. They will give authorization for return and/or handle replacement shipments when required.

SI (INTERNATIONAL SYSTEM) UNITS OF MEASURE

Metric equivalents have been included, where applicable, throughout this parts catalog.

BOLT AND CAP SCREW STRENGTH IDENTIFICATION

Bolts and cap screws required to have high-strength qualities equivalent to SAE Grade 8 are identified throughout this catalog by the description GR 8. Unless identified by this description, all standard bolts and cap screws are SAE Grade 5.

SERIAL NUMBER INFORMATION EXPLANATION

Serial number information is listed parenthetically to show on which machines each part can be used. These listings are explained by the following examples:

() The part can be used on all machines.

(0000001234-) The part can be used on all machines beginning with the serial number listed.

(0000000000-0000001234) The part can be used on all machines up to and including serial number listed.

(0000001234-0000005678) The part can be used on all machines between and including the serial numbers listed.

Where XXXXX's are listed in place of a serial number, it indicates a serial number change was made but the exact serial number had not been established when the catalog went to press.

(Specifications and design subject to change without notice.)

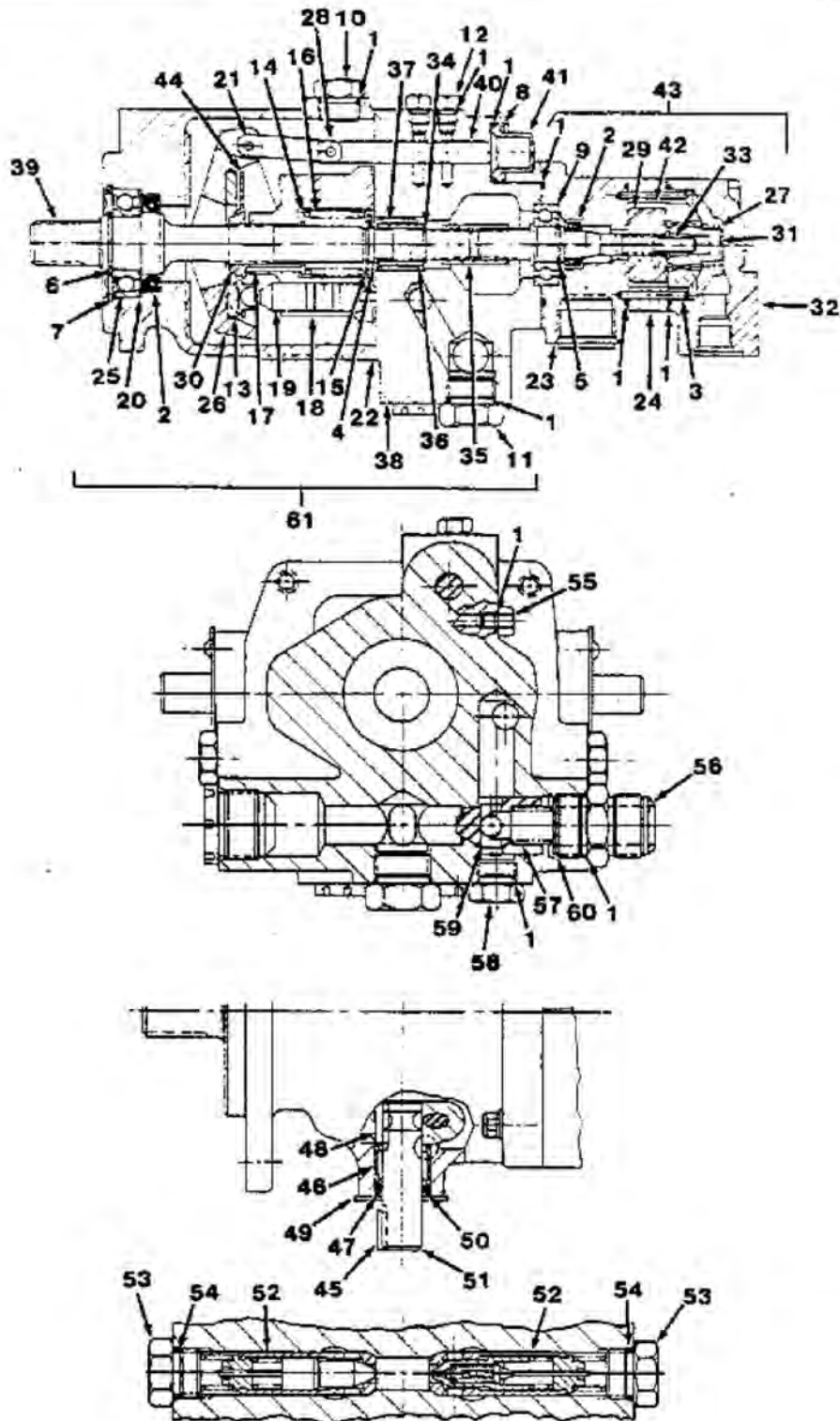


FIG. 1 - PUMP BREAKDOWN

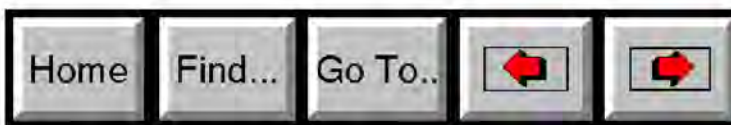
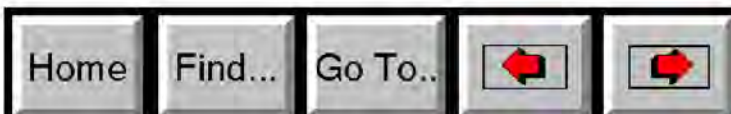


FIG. 1 - PUMP BREAKDOWN

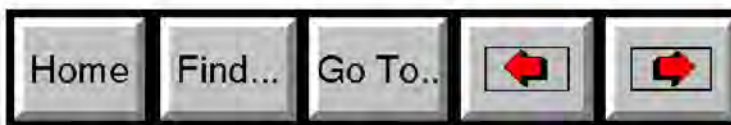
01976

KEY	TENNANT® PART NO.	MACHINE SERIAL NUMBER	DESCRIPTION	QTY.
	54130	(0000002206-xxxxxxxxxx)	PUMP, Hydraulic	1
	47920	(xxxxxxxxxx-)	PUMP, Hydraulic	1
1	SK1344	(-)	SEAL KIT	1
2	SK1345	(-)	SEAL KIT, Shaft	1
3	*039640	(-)	PIN	2
4	*093509	(-)	SNAP-RING	1
5	*98653	(-)	RING, Retainer	1
6	*119982	(-)	RING, Retainer	1
7	*120428	(-)	RING, Retainer	1
8	*120787	(-)	RING, Retainer	1
9	*1704	(-)	BEARING	1
10	*181792	(-)	PLUG	1
11	*187087	(-)	PLUG	1
12	*189087	(-)	PLUG	2
13	*239077	(-)	PLATE, Swash	1
14	*241954	(-)	WASHER, Thrust	1
15	*245223	(-)	WASHER	1
16	*247294	(-)	SPRING	1
17	*248811	(-)	PIN, Spring	3
18	*260860	(-)	CYLINDER, Block	1
19	37552	(-)	PISTON KIT	1
20	*274382	(-)	RETAINER, Shaft seal	1
21	*402627	(-)	LINK	1
22	*317162	(-)	GASKET	1
23	*397741	(-)	BODY, Vane pump	1
24	*317878	(-)	RING	1
25	*326805	(-)	BEARING, Ball	1
26	*343443	(-)	YOKE	1
27	*345262	(-)	SPRING	1
28	*349488	(-)	PIN	2
29	*351247	(-)	ROTOR	1
30	*423324	(xxxxxxxxxx-)	WASHER, Spherical (For 47920 pump)	1
	*261477	(0000002206-xxxxxxxxxx)	WASHER, Spherical (For 54130 pump)	1
31	*374343	(-)	PRESSURE PLATE SUB-ASSEMBLY	1
32	*372865	(-)	COVER	1
33	*397742	(-)	SHAFT	1
34	*390218	(-)	RING, Retainer	1
35	*389354	(-)	COUPLING	1
36	*389355	(-)	RACE, Inner	1
37	*390219	(-)	BEARING, Needle	1
38	*397735	(-)	VALVE, Plate	1
39	*397737	(-)	SHAFT, Drive	1
40	*397738	(-)	SPOOL	1
41	*397739	(-)	VALVE, Cover	1
42	*923500	(-)	VANE KIT	1
43	SK2128	(-)	REPLACEMENT KIT, Accessory pump	1
44	*275961	(-)	PLATE, Shoe	1
45	*09966	(-)	KEY, Lever	2
46	*012016	(-)	BEARING, Needle	2
47	*154014	(-)	O-RING	4
48	*474963	(-)	KEY, Pintle	2
49	37556	(-)	PLATE, Pintle cover	2



KEY	TENNANT® PART NO.	MACHINE SERIAL NUMBER	DESCRIPTION	QTY.
50	*397698	(-)	WASHER, Felt	2
51	*424520	(-)	PINTLE, Long	2
52	*318399	(-)	RELIEF VALVE ASSEMBLY, Char Lynn	2
52	54350	(-)	RELIEF VALVE ASSEMBLY, Ross	2
53	*307354	(-)	PLUG	2
54	*154129	(-)	O-RING	2
55	*185459	(-)	PLUG	1
56	*406716	(-)	FITTING	1
57	*402618	(-)	SPRING	1
58	*307354	(-)	PLUG	1
59	*399412	(-)	POPPET, Check valve	1
60	*399413	(-)	SPRING, Retainer	1
61	38442	(-)	PUMP, Propelling	1

*VICKERS PART NUMBER



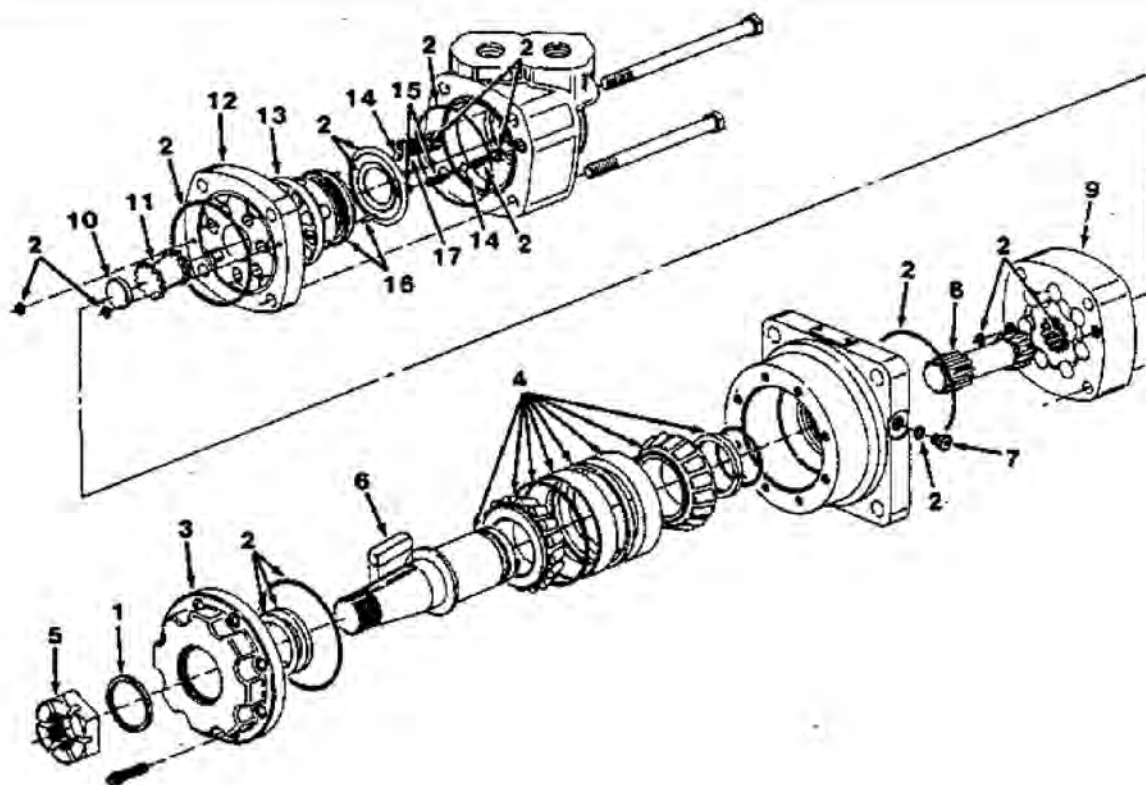
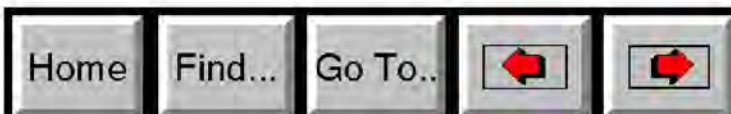


FIG. 2 - PROPELLING MOTOR BREAKDOWN

01972

KEY	TENNANT® PART NO.	MACHINE SERIAL NUMBER	DESCRIPTION	QTY.
	47739	(-)	MOTOR, Hydraulic	1
1	SK1311	(-)	SEAL KIT, Shaft	1
2	SK1312	(-)	SEAL KIT, Rear	1
3	37896	(-)	RETAINER, Front	1
4	SK1828	(-)	SHAFT AND BEARING KIT	1
5	45622	(-)	NUT	1
6	45623	(-)	KEY	1
7	*6833	(-)	PLUG	1
8	*6949	(-)	DRIVE	1
9	*7960-5	(-)	GEROLER ASSEMBLY	1
10	*7072	(-)	SPACER, Geroler	1
11	*6946	(-)	DRIVE, Valve	1
12	*7413	(-)	PLATE, Drive	1
13	*6944	(-)	VALVE	1
14	37766	(-)	BALL, Steel	2
15	*6476	(-)	SPRING	3
16	*6942	(-)	PLATE, Balancing	1
17	*6464	(-)	SPRING	2

*CHAR-LYNN PART NUMBLR



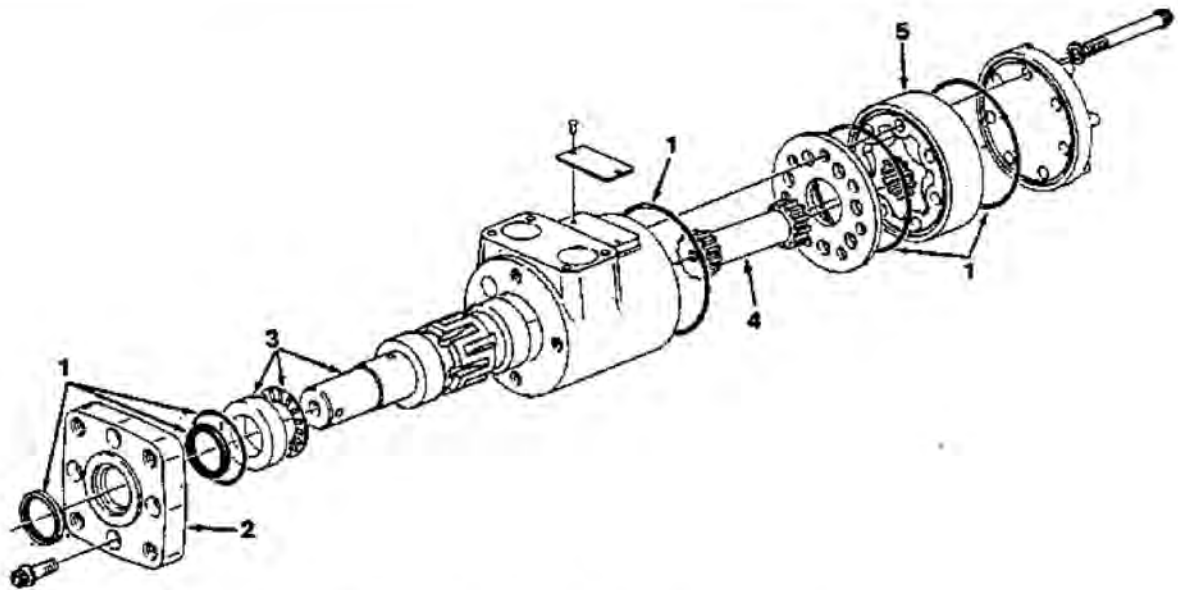
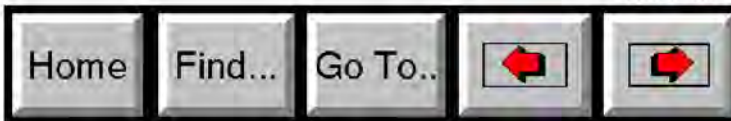


FIG. 3 - MAIN BRUSH MOTOR BREAKDOWN

01969

KEY	TENNANT* PART NO.	MACHINE SERIAL NUMBER	DESCRIPTION	QTY.
	47650	(0000002206-xxxxxxxxxx)	MOTOR, Hydraulic	1
1	SK1600	(0000002206-xxxxxxxxxx)	SEAL KIT	1
2	34174	(0000002206-xxxxxxxxxx)	FLANGE, Mounting	1
3	34175	(0000002206-xxxxxxxxxx)	SHAFT, Output	1
4	34176	(0000002206-xxxxxxxxxx)	DRIVE	1
5	34177	(0000002206-xxxxxxxxxx)	GEROTOR SET	1



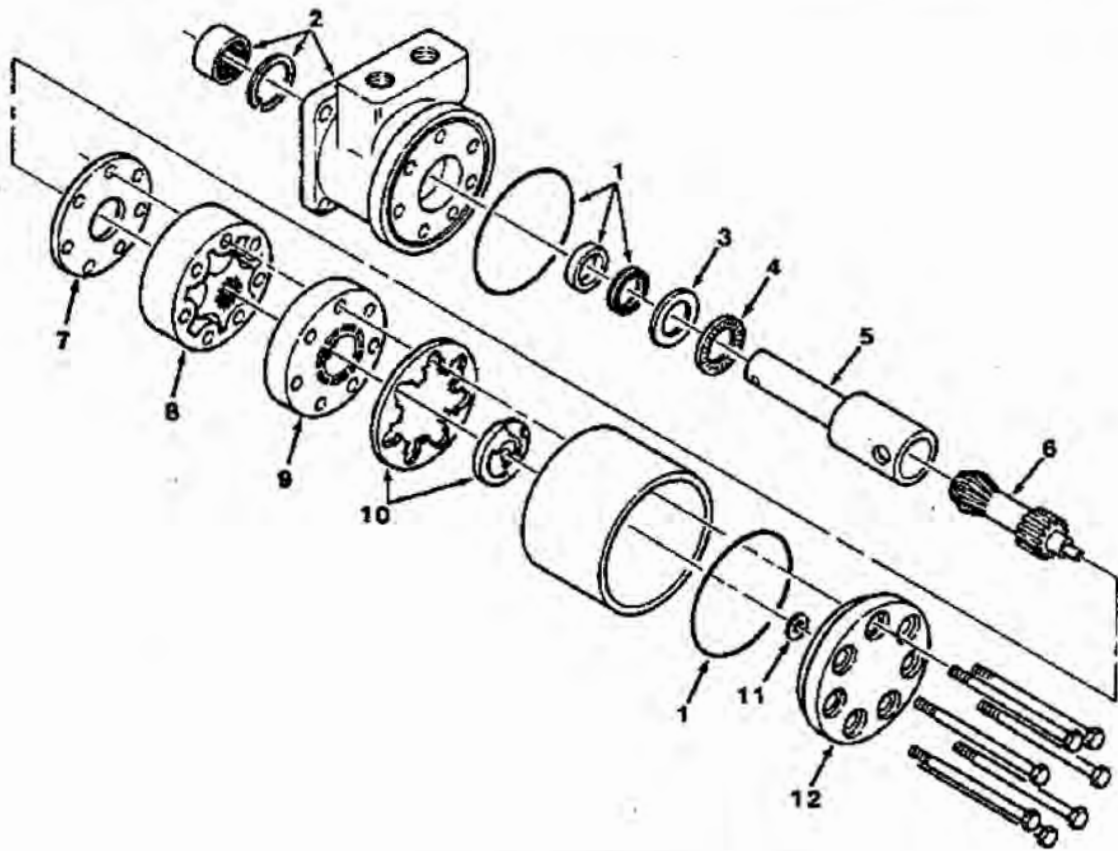
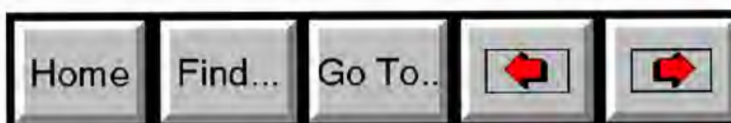


FIG. 4 - MAIN BRUSH MOTOR BREAKDOWN

01974

KEY	TENNANT* PART NO.	MACHINE SERIAL NUMBER	DESCRIPTION	QTY.
	47514	(xxxxxxxxxx-0000005595)	MOTOR, Hydraulic	1
1	SK1694	(xxxxxxxxxx-0000005595)	SEAL KIT	1
2	*MAC012007A1	(xxxxxxxxxx-0000005595)	HOUSING ASSEMBLY	1
3	*400108	(xxxxxxxxxx-0000005595)	WASHER, Thrust	1
4	*066980	(xxxxxxxxxx-0000005595)	BEARING, Thrust	1
5	*091430	(xxxxxxxxxx-0000005595)	SHAFT	1
6	37388	(xxxxxxxxxx-0000005595)	LINK, Drive	1
7	*477255	(xxxxxxxxxx-0000005595)	SPACER	1
8	37389	(xxxxxxxxxx-0000005595)	ROTOR SET	1
9	37385	(xxxxxxxxxx-0000005595)	MANIFOLD	1
10	37384	(xxxxxxxxxx-0000005595)	COMMUTATOR ASSEMBLY	1
11	*028395	(xxxxxxxxxx-0000005595)	WASHER	1
12	*402364A1	(xxxxxxxxxx-0000005595)	END COVER ASSEMBLY	1

*TRW-ROSS PART NUMBER



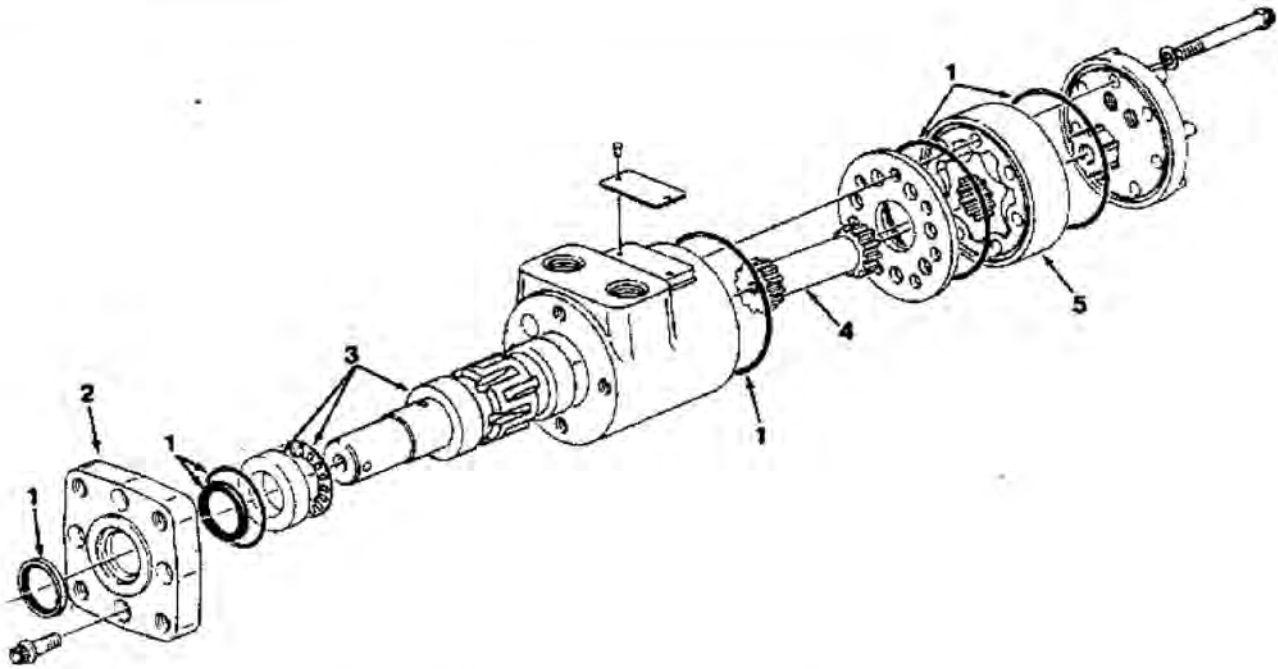
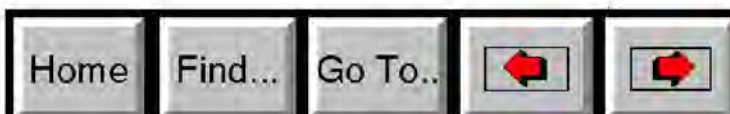


FIG. 5 - MAIN BRUSH MOTOR BREAKDOWN

01658

KEY	TENNANT® PART NO.	MACHINE SERIAL NUMBER	DESCRIPTION	QTY.
1	34423	(0000005596-)	MOTOR, Hydraulic	1
	SK1600	(0000005596-)	SEAL KIT	1
2	34174	(0000005596-)	FLANGE, Mounting	1
3	34175	(0000005596-)	SHAFT ASSEMBLY, Output	1
4	34176	(0000005596-)	DRIVE	1
5	34177	(0000005596-)	GEROTOR SET	1



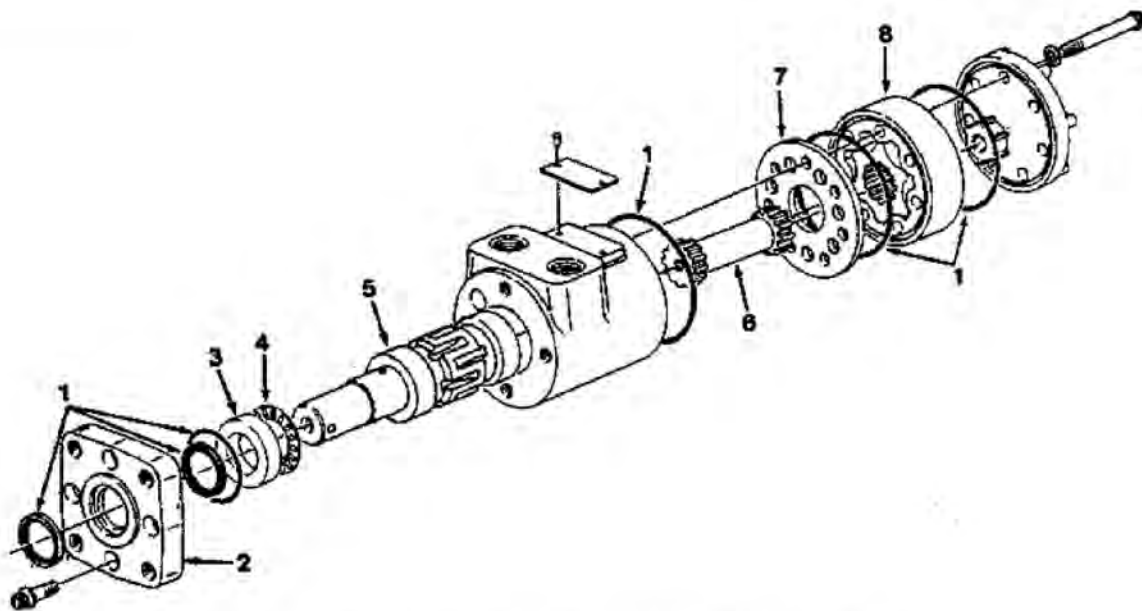


FIG. 6 - SIDE BRUSH MOTOR BREAKDOWN

01971

KEY	TENNANT* PART NO.	MACHINE SERIAL NUMBER	DESCRIPTION	QTY.
	47650-12	(0000002206-xxxxxxxxxx)	MOTOR, Hydraulic	1
1	SK1600	(0000002206-xxxxxxxxxx)	SEAL KIT	1
2	34174	(0000002206-xxxxxxxxxx)	FLANGE, Mounting	1
3	*7462	(0000002206-xxxxxxxxxx)	RACE, Bearing	1
4	45628	(0000002206-xxxxxxxxxx)	BEARING, Thrust	1
5	*7360-13	(0000002206-xxxxxxxxxx)	SHAFT, Output	1
6	34172	(0000002206-xxxxxxxxxx)	DRIVE	1
7	*7358	(0000002206-xxxxxxxxxx)	PLATE, Spacer	1
8	*7357-6	(0000002206-xxxxxxxxxx)	GEROTOR SET	1

*CHAR-LYNN PART NUMBER

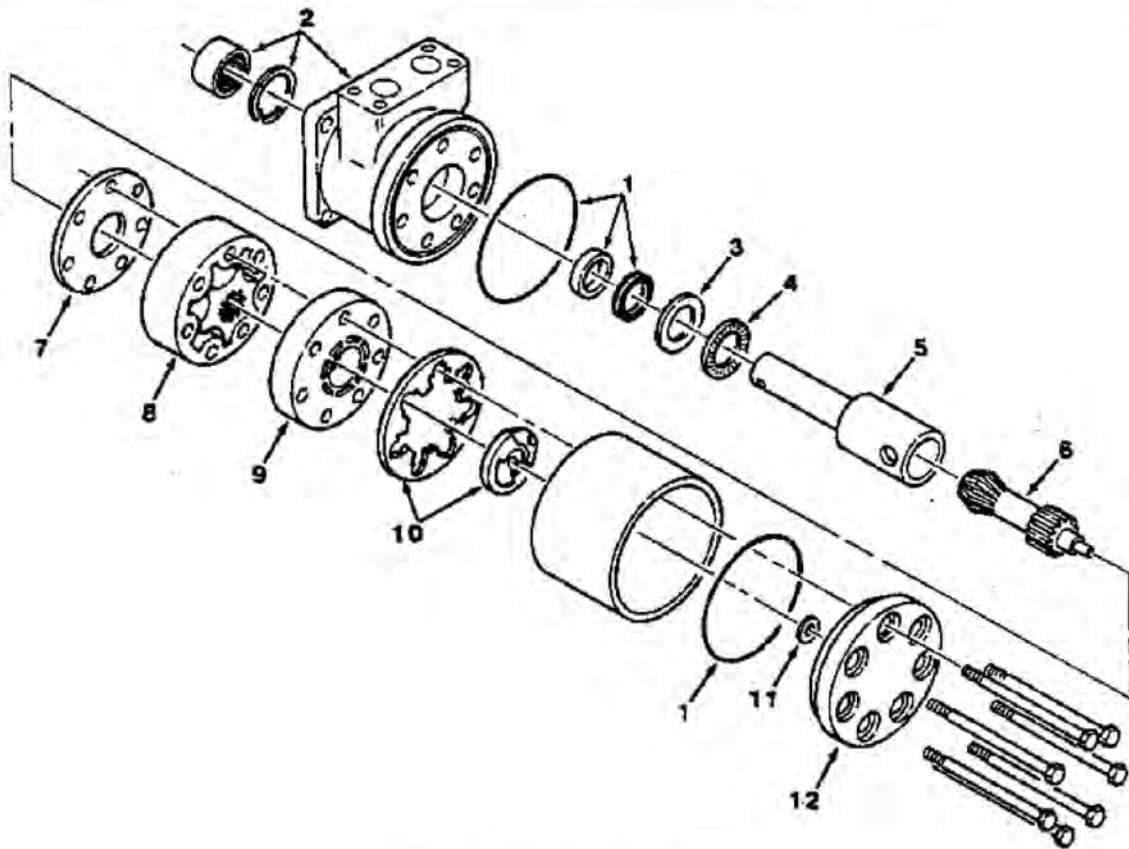
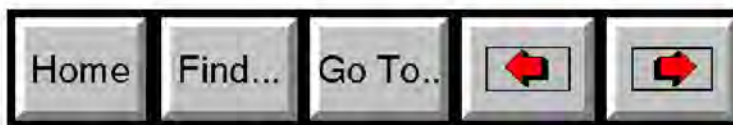


FIG. 7 - SIDE BRUSH MOTOR BREAKDOWN

01

KEY	TENNANT® PART NO.	MACHINE SERIAL NUMBER	DESCRIPTION	QTY.
	47542	(xxxxxxxxxx-) MOTOR, Hydraulic	1
1	SK1894	(xxxxxxxxxx-) SEAL KIT	1
2	*MAC012008A1	(xxxxxxxxxx-) HOUSING ASSEMBLY	1
3	*400108	(xxxxxxxxxx-) WASHER, Thrust	1
4	*066980	(xxxxxxxxxx-) BEARING, Thrust	1
5	*091438	(xxxxxxxxxx-) SHAFT	1
6	37681	(xxxxxxxxxx-) LINK, Drive	1
7	*477255	(xxxxxxxxxx-) SPACER	1
8	37390	(xxxxxxxxxx-) ROTOR SET	1
9	37386	(xxxxxxxxxx-) MANIFOLD	1
10	37384	(xxxxxxxxxx-) COMMUTATOR ASSEMBLY	1
11	*028395	(xxxxxxxxxx-) WASHER	1
12	*402364A1	(xxxxxxxxxx-) END COVER ASSEMBLY	1

*TRW-ROSS PART NUMBER



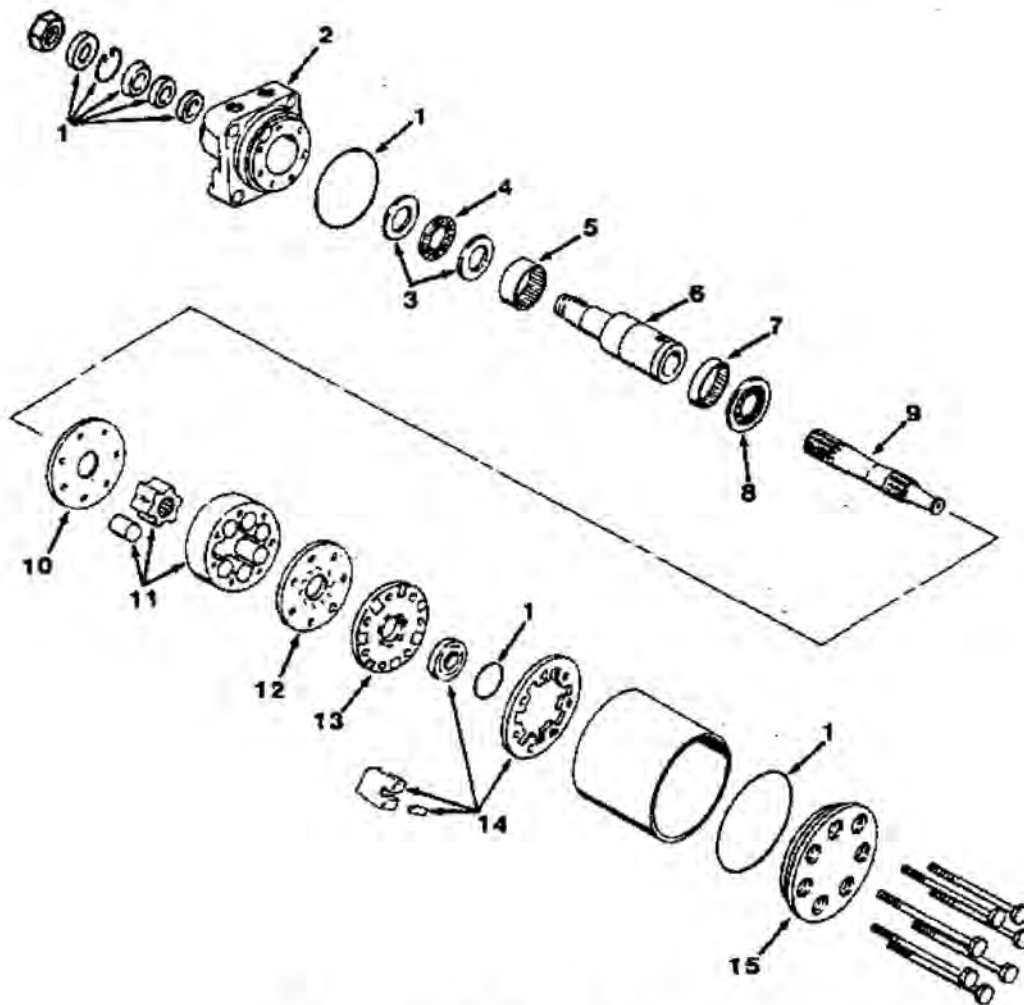
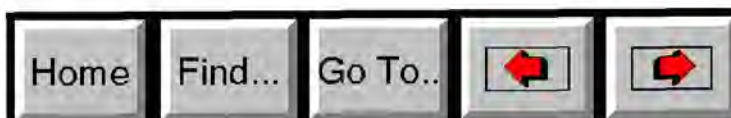


FIG. 8 - HYDRAULIC MOTOR BREAKDOWN

01964

KEY	TENNANT* PART NO.	MACHINE SERIAL NUMBER	DESCRIPTION	QTY.
	53032	{ - }	MOTOR, Hydraulic	1
1	SK1140A	{ - }	SEAL KIT	1
2	*MAB012002A1	{ - }	HOUSING ASSEMBLY	1
3	*400103	{ - }	WASHER, Thrust	2
4	*067029	{ - }	BEARING, Thrust	1
5	*070502	{ - }	BEARING	1
6	*091404	{ - }	SHAFT, Coupling	1
7	*070501	{ - }	BEARING	1
8	*067031	{ - }	BEARING, Thrust	1
9	37381	{ - }	LINK, Drive	1
10	*477237	{ - }	PLATE, Wear	1
11	47734	{ - }	ROTOR SET	1
12	*477256	{ - }	PLATE, Manifold	1
13	37374	{ - }	MANIFOLD	1
14	*MAB018000S1	{ - }	COMMUTATOR ASSEMBLY	1
15	37375	{ - }	END COVER ASSEMBLY	1

*TRW-ROSS PART NUMBER



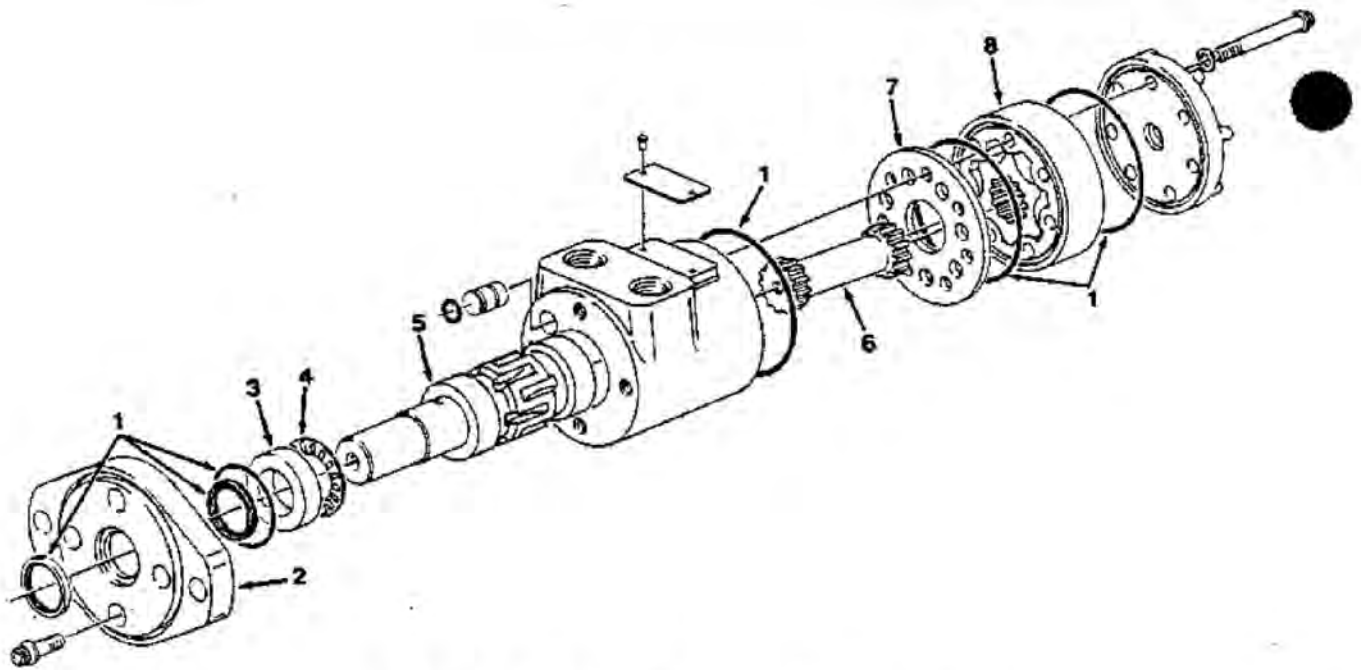
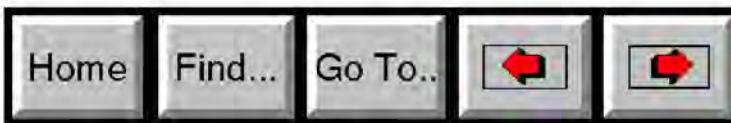


FIG. 9 - SCRUB BRUSH MOTOR BREAKDOWN

01370

KEY	TENNANT® PART NO.	MACHINE SERIAL NUMBER	DESCRIPTION	QTY.
	47650-6	(0000002206-0000005595)	MOTOR, Hydraulic	1
	33795	(0000005596-)	MOTOR, Hydraulic	1
1	SK1600	(0000002206-)	SEAL KIT	1
2	*7620	(0000002206-)	FLANGE, Mounting	1
3	*7462	(0000002206-)	RACE, Bearing	1
4	45628	(0000002206-)	BEARING, Thrust	1
5	*7360-5	(0000002206-)	SHAFT, Output	1
6	34176	(0000002206-)	DRIVE	1
7	*7358	(0000002206-)	PLATE, Spacer	1
8	34177	(0000002206-)	GEROTOR SET	1

*CHAR-LYNN PART NUMBER



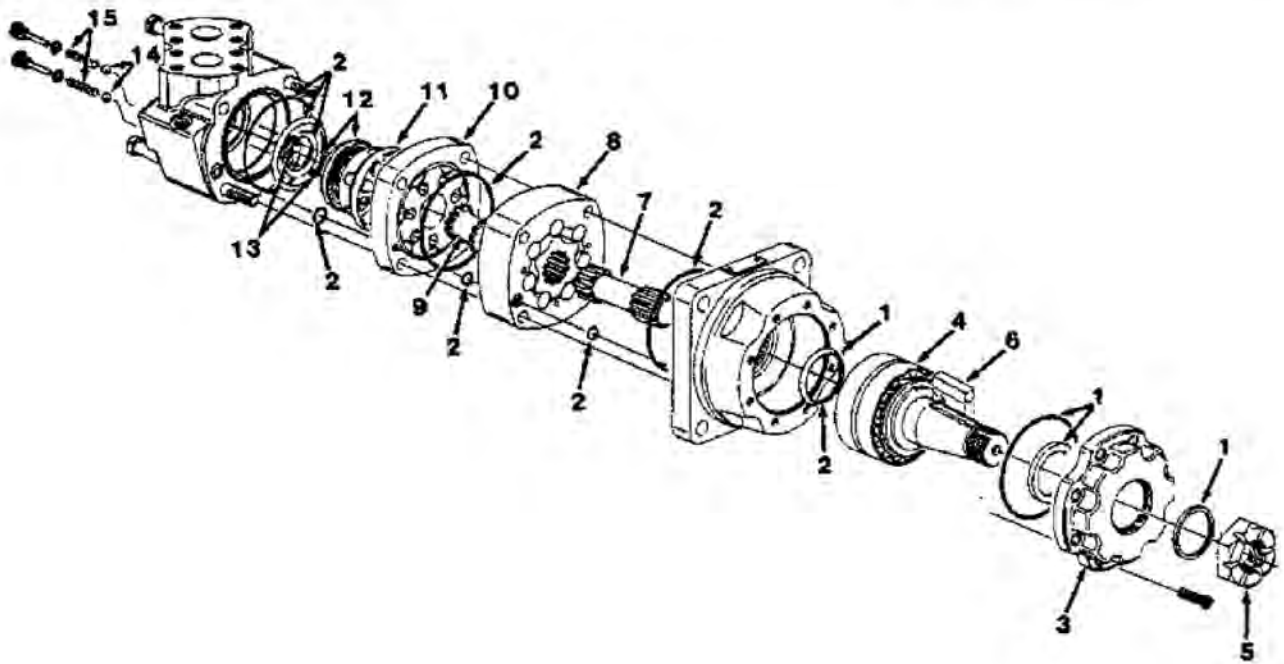


FIG. 10 - WHEEL DRIVE MOTOR BREAKDOWN

01737

KEY	TENNANT® PART NO.	MACHINE SERIAL NUMBER	DESCRIPTION	QTY.
	48663	(-)	HYDRAULIC MOTOR, Wheel drive	1
1	33579	(-)	SEAL KIT, Shaft	1
2	33580	(-)	SEAL KIT, Rear section	1
3	37955	(-)	RETAINER, Front	1
4	SK2688	(-)	SHAFT & BEARING ASSEMBLY	1
5	45622	(-)	NUT, Hex	1
6	45623	(-)	KEY	1
7	37616	(-)	DRIVE	1
8	37756	(-)	GEROLER ASSEMBLY	1
9	*8510	(-)	DRIVE, Valve	1
10	*8504	(-)	PLATE, Valve	1
11	*8500	(-)	VALVE	1
12	*8515	(-)	PLATE, Balancing	1
13	*6203	(-)	SPRING	3
14	37766	(-)	BALL, Steel	2
15	*6464	(-)	SPRING	2

*CHAR-LYNN PART NUMBER

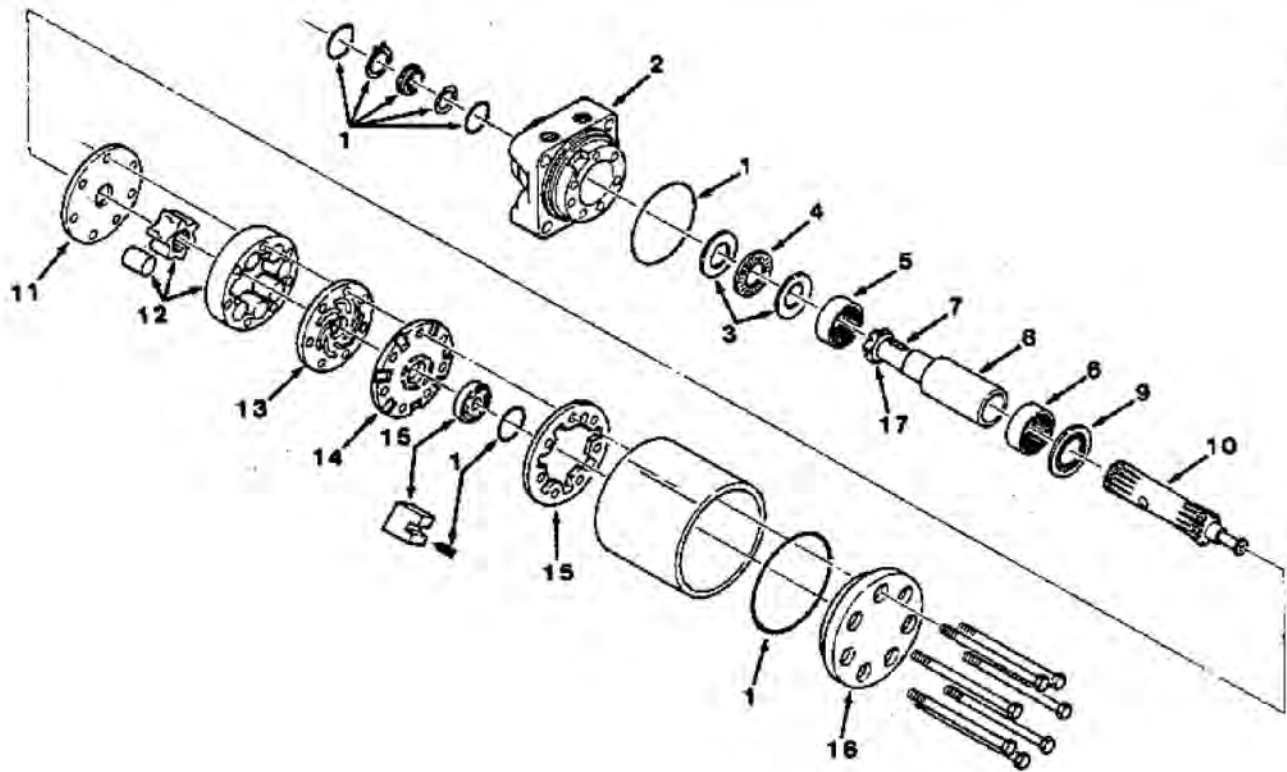
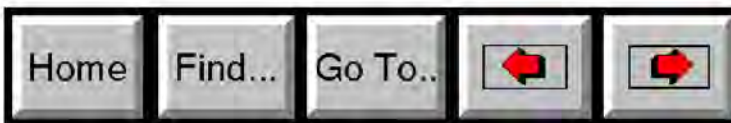


FIG. 11 - PROPELLING MOTOR BREAKDOWN

01893

KEY	TENNANT® PART NO.	MACHINE SERIAL NUMBER	DESCRIPTION	QTY.
	37041	(-)	MOTOR, Hydraulic	1
1	SK1140A	(-)	SEAL KIT	1
2	37373	(-)	HOUSING AND BEARING KIT	1
3	*400103	(-)	WASHER, Thrust	2
4	*067029	(-)	BEARING, Thrust	1
5	*070502	(-)	BEARING, Needle	1
6	*070501	(-)	BEARING, Needle	1
7	*039027	(-)	KEY	1
8	*091442	(-)	SHAFT	1
9	*067031	(-)	BEARING, Thrust	1
10	*MAE243000	(-)	LINK, Drive	1
11	38260	(-)	PLATE, Wear	1
12	37906	(-)	ROTOR SET	1
13	*477260	(-)	PLATE, Manifold	1
14	*MAE15000	(-)	MANIFOLD	1
15	*MAB018000	(-)	COMMUTATOR KIT	1
16	*MAE016000A1	(-)	COVER, End	1
17	*025113	(-)	NUT	1

*TRW-ROSS Part Number



SECTION 11 ENGINE PARTS, GASOLINE, LPG

CONTENTS

	Parts
Ordering Repair Parts.....	11-1
Fig. 1 - Cylinder Head, Crankcase, Oil Pan, and Flywheel Housing Group	11-2
Fig. 2 - Piston, Crankshaft, and Flywheel Group...	11-4
Fig. 3 - Valve and Camshaft Group	11-6
Fig. 4 - Front End Plate and Gear Cover Group	11-7
Fig. 5 - Intake and Exhaust Manifold Group	11-8
Fig. 6 - Governor Group	11-9
Fig. 7 - Water Pump Group.....	11-10
Fig. 8 - Distributor Group.....	11-11
Fig. 9 - Starter and Alternator Parts Group.....	11-12
Fig. 10 - Gasoline Carburetor Group.....	11-13
Fig. 11 - LPG Carburetor Group.....	11-14
Fig. 12 - Oil Pump Group.....	11-14

NOTE: Section 11, Engine Parts, Gasoline, LPG, lists the repair parts for the gasoline and LPG powered engines.

ORDERING REPAIR PARTS

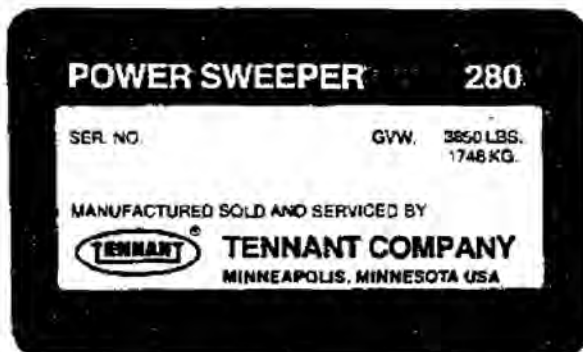
FOR GASOLINE ENGINE TENNANT® PART NO. 53988B-1, 53988C-1, 53988D-1
FOR LPG ENGINE TENNANT® PART NO. 53989B-1, 53989C-1, 53989D-1

The components used in this machine have been carefully selected for performance and safety. Use only Tennant Company supplied or equivalent parts.

To receive prompt service in filling your parts orders, please direct all parts orders with Tennant Company part numbers to the Tennant Company, and all parts orders with vendor part numbers to the local supplier of the respective vendor.

To avoid errors or delays in filling your parts orders, please furnish all of the following information.

1. Refer to Tennant Company data plate. Always specify the machine model number and the machine serial number shown on the machine data plate.



2. Refer to the vendor part data plate. Always specify the model number and serial number shown on the data plate.
3. Give the part number, description, and the quantity needed of each item on the order. Do not order by reference number or the figure number of the illustrated parts.
4. Indented items indicate parts of assemblies. Standard hardware is furnished only when part of a purchased assembly. Please order hardware from a local hardware supplier.
5. If the old part cannot be identified, send it to us with the quantity needed specified on the order.
6. State definite shipping instructions to include the shipping address and/or the billing address if there is a difference. Any claim for loss or damage to a shipment in transit should be filed promptly against the transportation company making the delivery. Shipments will be complete unless the packing list or order acknowledgement indicate items back ordered.

If parts received are suspected to be incorrect or defective, please write, wire, or phone the Tennant Company representative from whom you ordered the parts. They will give authorization for return and/or handle replacement shipments when required.

SI (INTERNATIONAL SYSTEM) UNITS OF MEASURE

Metric equivalents have been included, where applicable, throughout this parts catalog.

BOLT AND CAP SCREW STRENGTH IDENTIFICATION

Bolts and cap screws required to have high-strength qualities equivalent to SAE Grade 8 are identified throughout this catalog by the description GR 8. Unless identified by this description, all standard bolts and cap screws are SAE Grade 5.

SERIAL NUMBER INFORMATION EXPLANATION

Serial number information is listed parenthetically to show on which machines each part can be used. These listings are explained by the following examples:

() The part can be used on all machines.

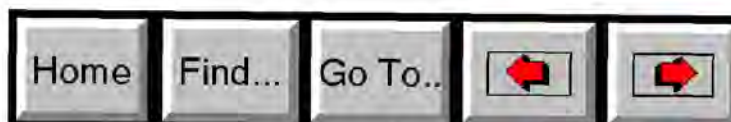
(0000001234-) The part can be used on all machines beginning with the serial number listed.

(0000000000-0000001234) The part can be used on all machines up to and including serial number listed.

(0000001234-0000005678) The part can be used on all machines between and including the serial numbers listed.

Where XXXXX's are listed in place of a serial number, it indicates a serial number change was made but the exact serial number had not been established when the catalog went to press.

(Specifications and design subject to change without notice.)



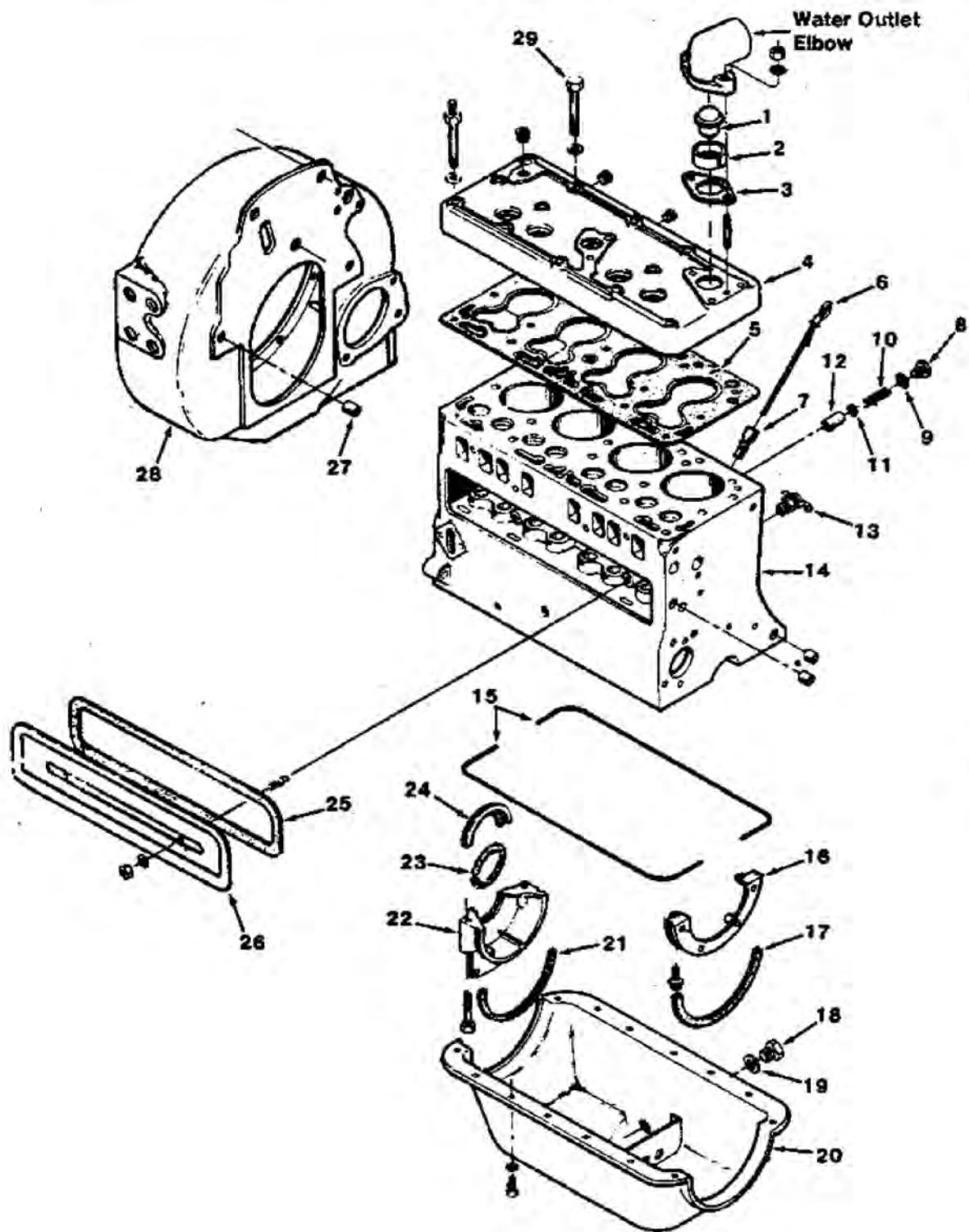


FIG. 1 - CYLINDER HEAD, CRANKCASE, OIL PAN, AND FLYWHEEL HOUSING GROUP

FIG. 1 - CYLINDER HEAD, CRANKCASE, OIL PAN, AND FLYWHEEL HOUSING GROUP

02108

KEY	TENNANT® PART NO.	TELEDYNE CONTINENTAL PART NUMBER	ENGINE SERIAL NUMBER	DESCRIPTION	QTY.
1	53988-13	F401K00303	(-)	THERMOSTAT, 180° (82° C)	1
2	53988-14	F218K00202	(-)	RING, Thermostat adapter	1
3	53988-12	C400K00215	(-)	GASKET, Water outlet elbow	1
4		Y112A03561	(-)	HEAD, Cylinder	1
5	38180	Y400A00416	(-)	GASKET, Cylinder head	1
6		Y400L4280	(-)	ROD, Oil gauge	1
7		F400L02911	(-)	SUPPORT, Oil gauge rod	1
8		41AL00200	(-)	PLUG, Oil relief valve	1
9	38025	X00365	(-)	GASKET, Copper	1
10		10ELO0230	(-)	SPRING, Oil pressure relief valve	1
11		X14324	(-)	WASHER, Plain	As Req
12		15SL00211	(-)	PLUNGER, Relief valve	1
13		X01015	(-)	VALVE, Cylinder water drain	1
14		Y400A617610R	(-)	SHORT BLOCK ASSEMBLY, Includes: Cylinder block, connecting rods, camshaft bushings, bearing caps, valve train, tappets, camshaft, main and rod bearings, crankshaft, pistons, front end plate, thrust plate, cam gear, crankshaft gear, oil gauge rod, oil guard-rear bearing, and service gasket set.	1
		Y4U601003	(-)	GASKET SET, Top	1
15		Y400B00343	(-)	GASKET, Oil pan, specs. 4258, 4259, 4271, 4272, 4274, 4276	1
15		X-7813	(-)	GASKET, Oil pan	1
		F4U03002	(-)	GASKET SET, Bottom	1
16		Y401B00255	(-)	BLOCK, Filler, front	1
17		F400B00255	(-)	GASKET, Filler block-to-oil pan front	1
18		F400B00282	(-)	PLUG, Oil drain	1
19		X14583	(-)	WASHER, Drain plug	1
20		Y400B04831	(-)	PAN, Oil	1
21		F400B00255	(-)	GASKET, Filler block-to-oil pan, rear	1
22		D600B00406	(-)	BLOCK, Filler, rear, spec. 4258, 4259, 4271, 4272, 4274, 4276	1
22		Y401B00400	(-)	BLOCK, Filler, rear	1
23	37793	T427B00201	(-)	SEAL, Rear bearing, oil	2
24	38253	D600B00305	(-)	GUARD, Rear bearing, oil	1
25		Y400A00475	(-)	GASKET, Valve chamber cover	1
26		Y400A00244	(-)	COVER, Valve chamber, spec. 4258, 4259	1
26	37819	Y400A00366	(-)	COVER, Valve chamber	1
27		X07005	(-)	DOWEL, Ring	2
28		Y400B00458	(-)	HOUSING, Flywheel	1
29	38171	X22123026	(-)	SCREW, Cylinder head to crankcase	12
		X22125	(-)	SCREW, Cylinder head to crankcase, (No. 5, 12, & 15)	3
		F400C00206	(-)	COVER, Timing hole	1

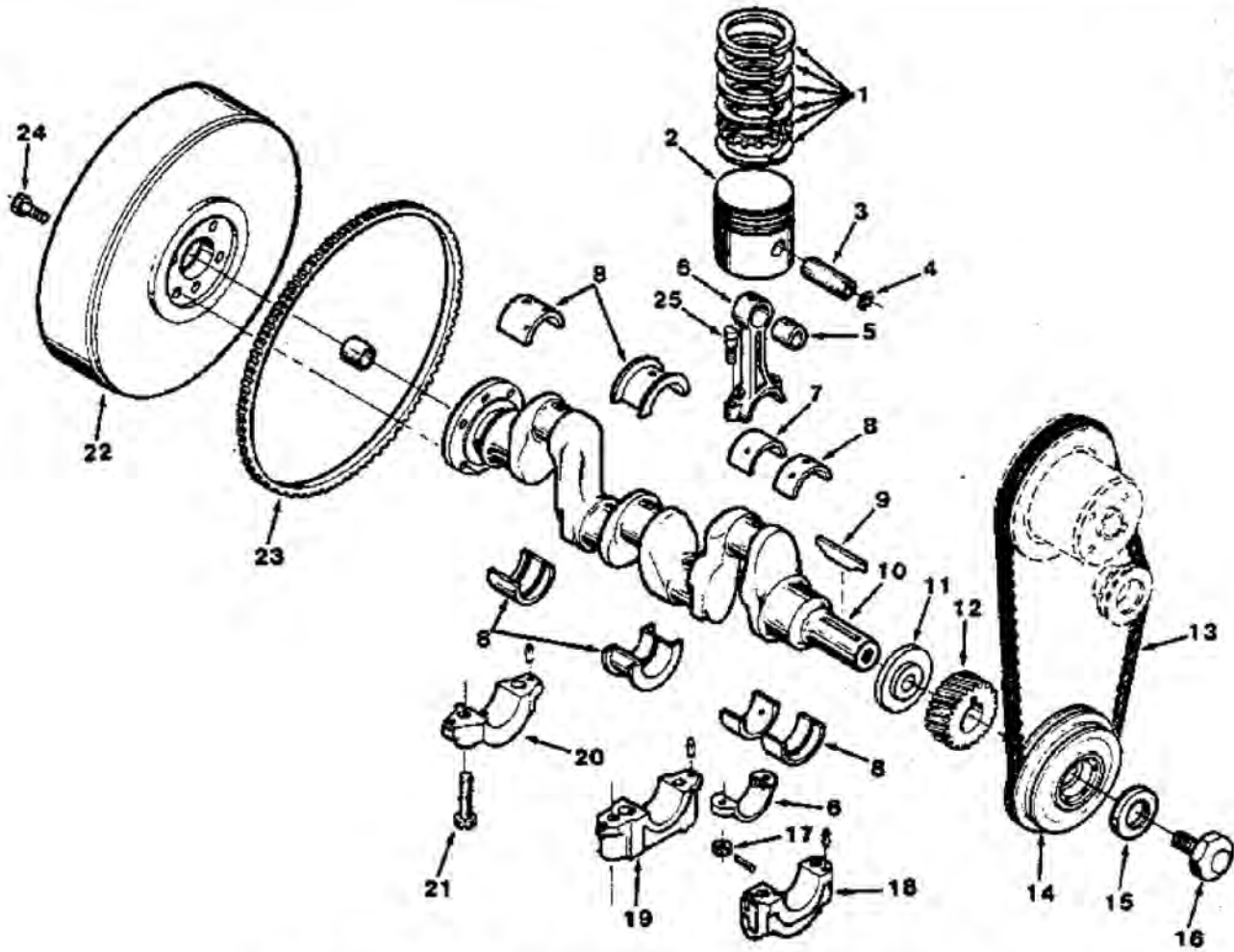
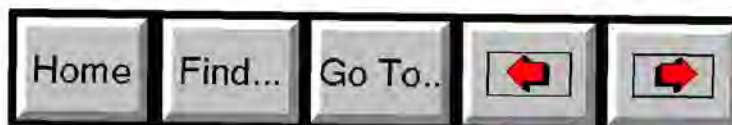


FIG. 2 - PISTON, CRANKSHAFT, AND FLYWHEEL GROUP

FIG. 2 - PISTON, CRANKSHAFT, AND FLYWHEEL GROUP

01773

KEY	TENNANT® PART NO.	TELEDYNE CONTINENTAL PART NUMBER	ENGINE SERIAL NUMBER	DESCRIPTION	QTY.
1	38178	Y112T00162	(-)	RING KIT, Re-ring available in standard, 0.020, 0.030, 0.040, and 0.060 oversize	1
2		Y400A4721E	(-)	PISTON, Includes piston, piston pin, retaining ring; available in standard, 0.020, 0.030, 0.040, 0.060 oversize and semifinished	4
3	37820	Y400A00225	(-)	PIN, Piston, available in standard, 0.003 and 0.005 oversize	4
4		PYA00202	(-)	RING, Retaining, piston pin	8
5	38191	Y400G00235	(-)	BUSHING, Piston pin	4
6		Y400D04033	(-)	ROD AND CAP ASSEMBLY	4
7		Y400T00258	(-)	BEARING KIT, Connecting rod	1
8	16117	Y400T00263	(-)	BEARING KIT, Crankshaft	1
9		X00682	(-)	KEY, Crankshaft, timing gear	1
10		Y400C03861	(-)	CRANKSHAFT	1
11		Y400C00389	(-)	PLATE, Crankshaft thrust	1
12		Y400H00205	(-)	GEAR, Crankshaft	1
13		X27019424	(-)	BELT, Fan	1
14	38188	Y400C00378	(-)	PULLEY, Crankshaft	1
15		X14228	(-)	WASHER	1
16		X06973	(-)	SCREW	1
17		X18547	(-)	NUT	8
18	37818	Y400B00332	(-)	CAP, Crankshaft bearing, front	1
19		Y400B00352	(-)	CAP, Crankshaft bearing, center	1
20		Y400B00331	(-)	CAP, Crankshaft bearing, rear	1
21		X06955	(-)	BOLT, Bearing cap	6
22		Y400C04240	(-)	FLYWHEEL	1
23	38187	Y400C00374	(-)	GEAR, Ring	1
24		X06828	(-)	BOLT, Flywheel	6
25		Y400D00208	(-)	BOLT, connecting rod	8



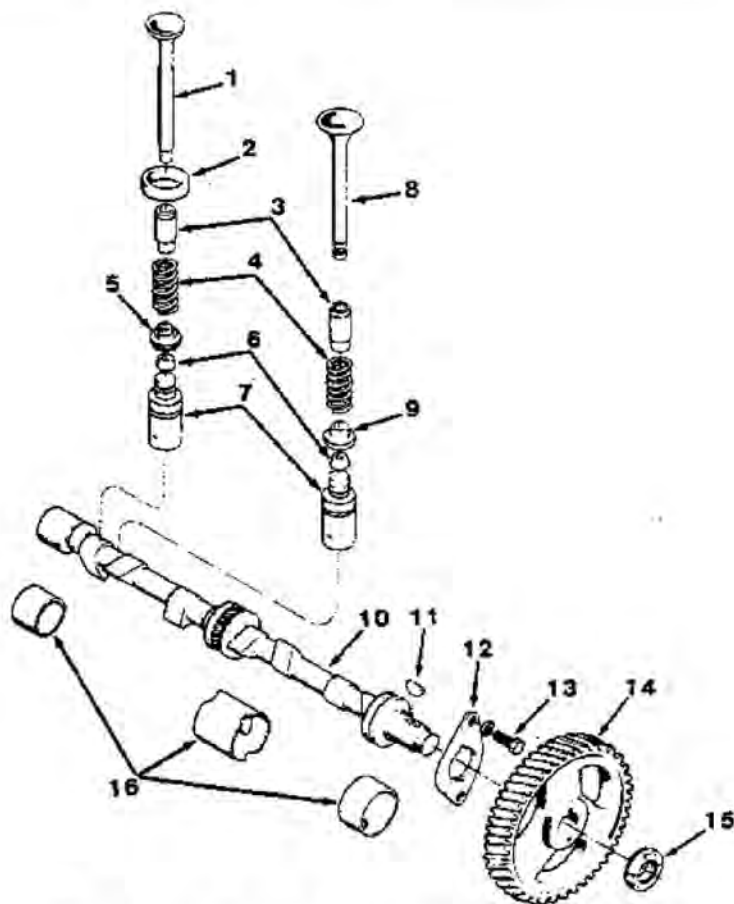
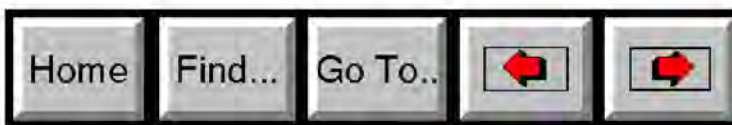


FIG. 3 - VALVE AND CAMSHAFT GROUP

KEY	TENNANT® PART NO.	TELEDYNE CONTINENTAL PART NUMBER	ENGINE SERIAL NUMBER	DESCRIPTION	QTY.
1	38198	Y400I00324	(-)	VALVE, Exhaust	4
2	38D28	Y400A00243010	(-)	INSERT, Valve seat, exhaust (0.010 oversize for service)	4
3	38195	TC56I00203	(-)	GUIDE, Valve stem, intake and exhaust	8
4		Y400I00233	(-)	SPRING, Valve, intake and exhaust	8
5		F400I03410	(-)	ROTO COIL, Exhaust	4
6		Z120I00235	(-)	LOCK, Valve spring retainer, intake and exhaust	16
7	16170	F600I02520	(-)	TAPPET, Valve, available in standard, 0.001, 0.003, 0.005, 0.010, 0.015, and 0.020 oversize	8
8	38199	Y400I00332	(-)	VALVE, Intake	4
9		F400I00250	(-)	RETAINER, Valve spring, intake	4
10		Y400I00246	(-)	CAMSHAFT	1
11		X00506	(-)	KEY, Cam gear to camshaft	1
12		Y400I00246	(-)	PLATE, Camshaft thrust	1
13		X03203A	(-)	SCREW, Thrust plate to crankcase	2
14		Y400H00304	(-)	GEAR, Camshaft	1
15		X18521	(-)	NUT, Cam gear to camshaft	1
16	38207	Y400T00252	(-)	BUSHING KIT, Camshaft	1



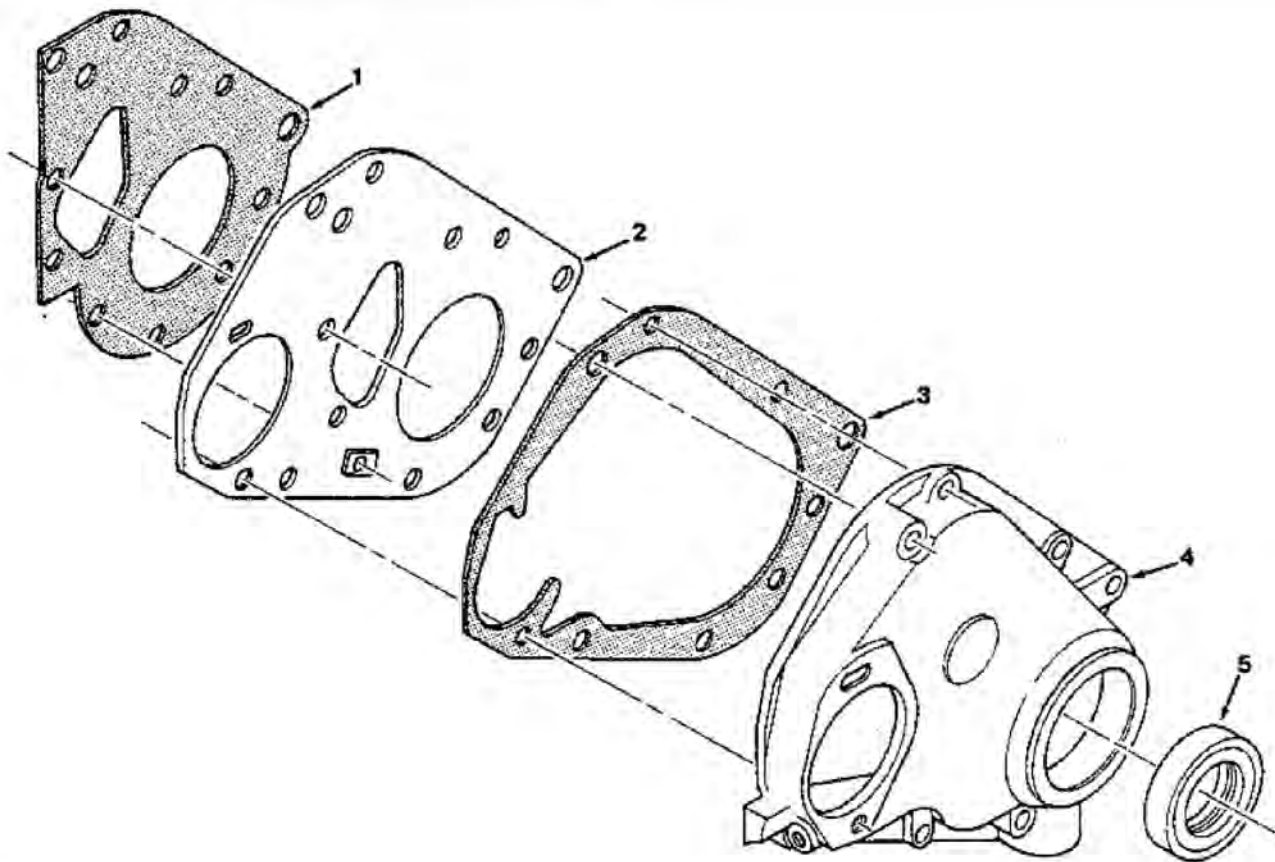


FIG. 4 - FRONT END PLATE AND GEAR COVER GROUP

01774

KEY	TENNANT* PART NO.	TELEDYNE CONTINENTAL PART NUMBER	ENGINE SERIAL NUMBER	DESCRIPTION	QTY.
1	38210	Y69B00305	(-)	GASKET, Front end plate	1
2	38212	Y69B04060	(-)	PLATE, Front end	1
3	38027	Y112B00428	(-)	GASKET, Gear cover	1
4		Y112B00206	(-)	COVER, Gear	1
5		X07812	(-)	SEAL, Crankshaft oil	1
		Y400B00351	(-)	POINTER, Timing	1
		Y4U02008	(-)	GASKET SET, Front end	1

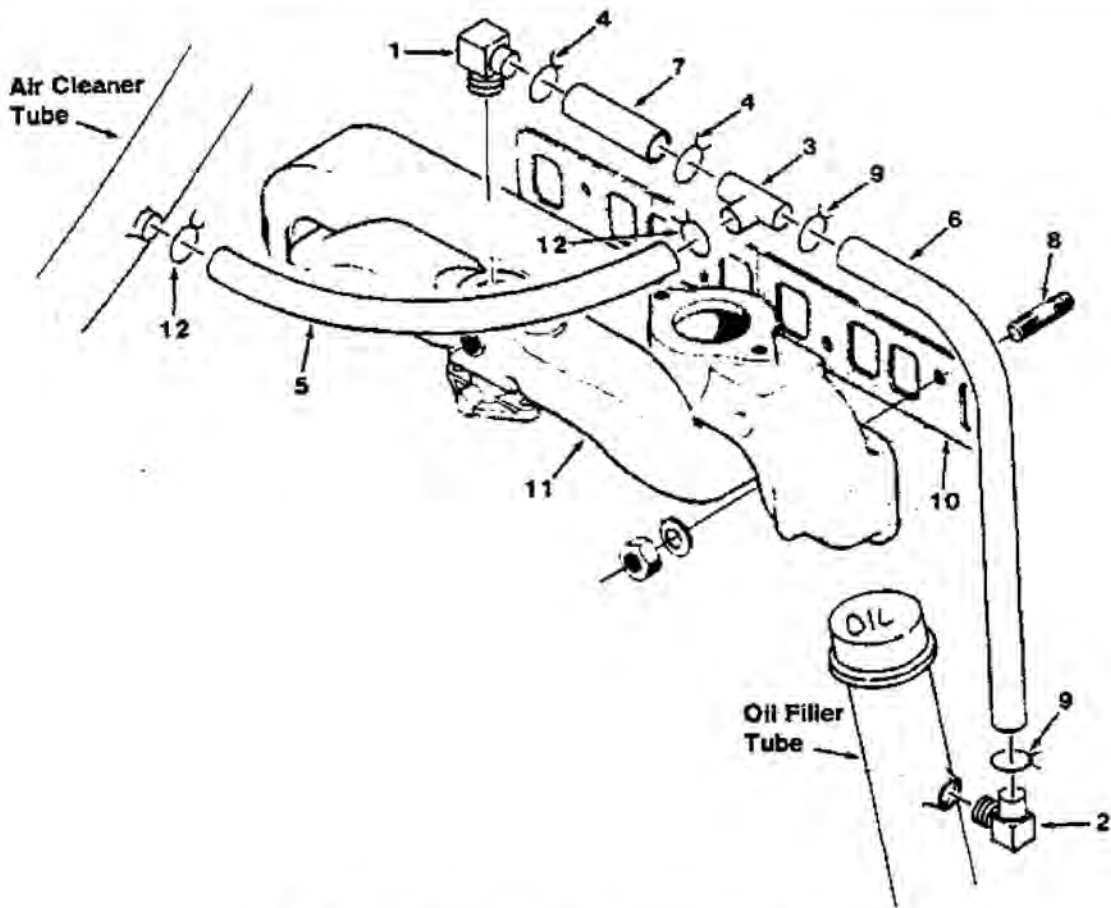


FIG. 5 - INTAKE AND EXHAUST MANIFOLD GROUP

02109

KEY	TENNANT® PART NO.	TELEDYNE CONTINENTAL PART NUMBER	ENGINE SERIAL NUMBER	DESCRIPTION	QTY.
1	45662		(-)	ELBOW, Restrictor	1
2		X26029	(-)	ELBOW	1
3	47679	X126124	(-)	TEE	1
4		X2751	(-)	CLAMP, Hose	2
5	47667		(-)	HOSE	1
6		F601F00206	(-)	HOSE	1
7		X08253030	(-)	HOSE	2
8		X04057	(-)	STUD	4
9		X02708	(-)	CLAMP	2
10		Y400E00302	(-)	GASKET, Manifold	1
11		Y400E00421	(-)	MANIFOLD	1
12	51843		(-)	CLAMP	2
	53988-4	Y91E209	(-)	GASKET, Exhaust	1



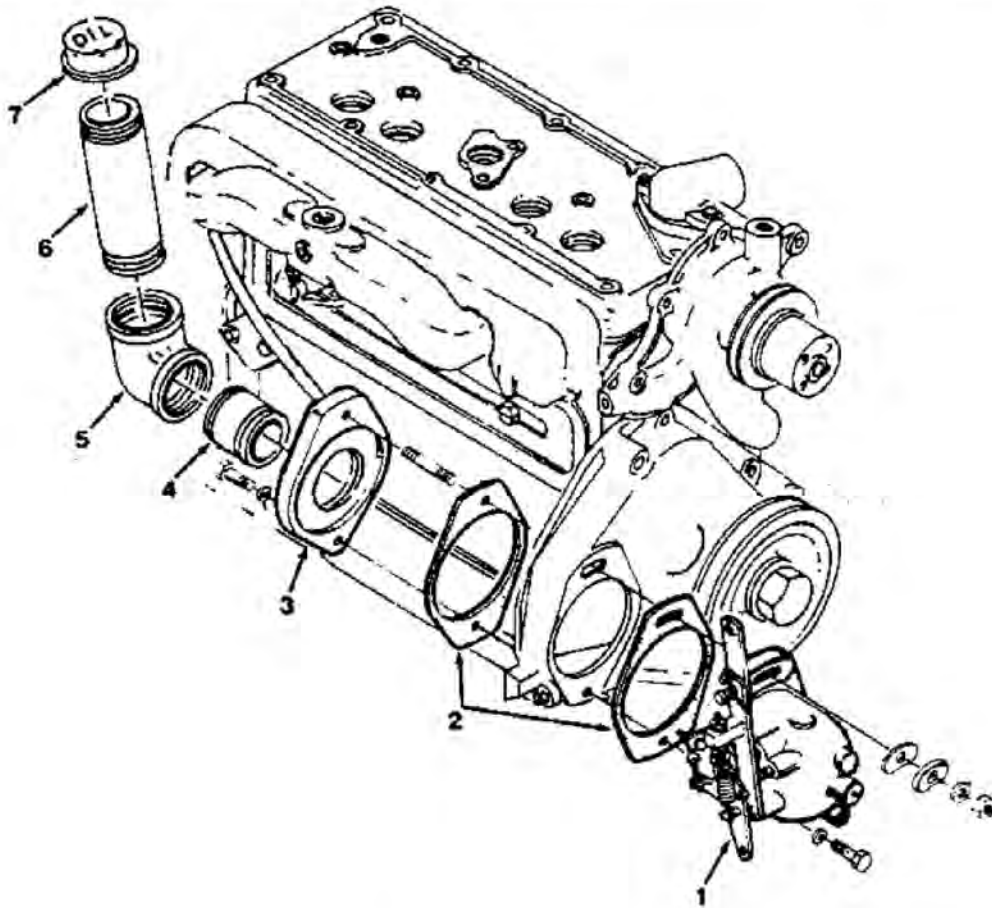


FIG. 6 - GOVERNOR GROUP

02110

KEY	TENNANT* PART NO.	TELEDYNE CONTINENTAL PART NUMBER	ENGINE SERIAL NUMBER	DESCRIPTION	QTY.
1	55943	Y401S00403	(-)	GOVERNOR	1
2		X07811	(-)	GASKET	1
3		F162L00325	(-)	ADAPTER	1
4		X12210	(-)	NIPPLE	1
5		X12484	(-)	ELBOW	1
6		Y112L04110	(-)	TUBE, Oil fill	1
7	16140	D600L02270	(-)	CAP, Oil fill	1
		Y401H00300	(-)	GEAR, Governor	1
		F401S00230	(-)	SPRING, Governor	1
		X13201	(-)	BALL JOINT	1
	16116	Y400S00327	(-)	ROD, Control	1
		X05696	(-)	CLIP, Control rod	1

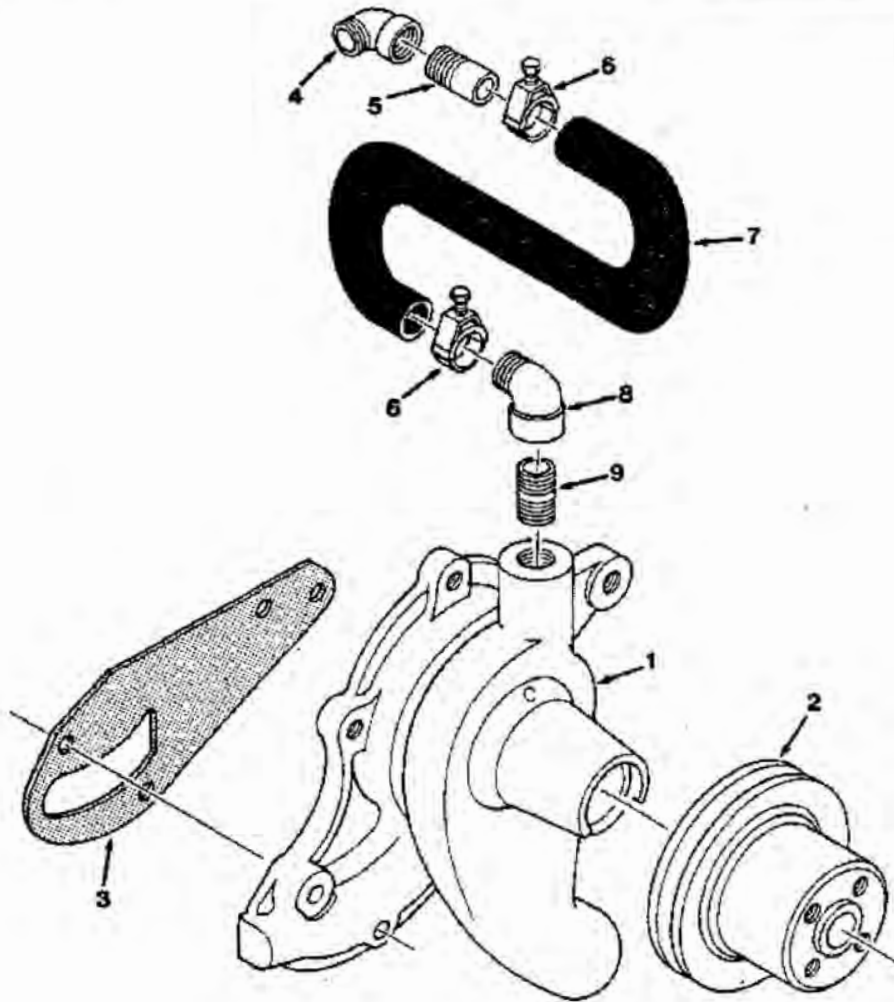
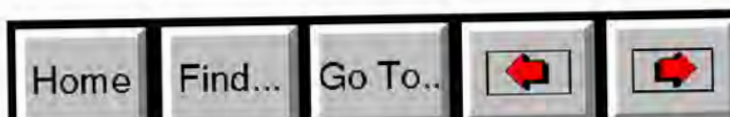


FIG. 7 - WATER PUMP GROUP

02111

KEY	TENNANT® PART NO.	TELEDYNE CONTINENTAL PART NUMBER	ENGINE SERIAL NUMBER	DESCRIPTION	QTY.
		Y400K03697	(-)	PUMP, Water	1
	38206	Y400T00251	(-)	REPAIR KIT, Water pump	1
2		F140K00242	(-)	PULLEY	1
3	55944	Y400K00340	(-)	GASKET	1
4		X12191	(-)	ELBOW	1
5	53988-19	X12517	(-)	NIPPLE	1
6	53988-15	X02376	(-)	CLAMP	2
7	53988-16	X02441	(-)	HOSE	1
8	53988-17	X05062	(-)	ELBOW	1
9		X05067	(-)	NIPPLE	1



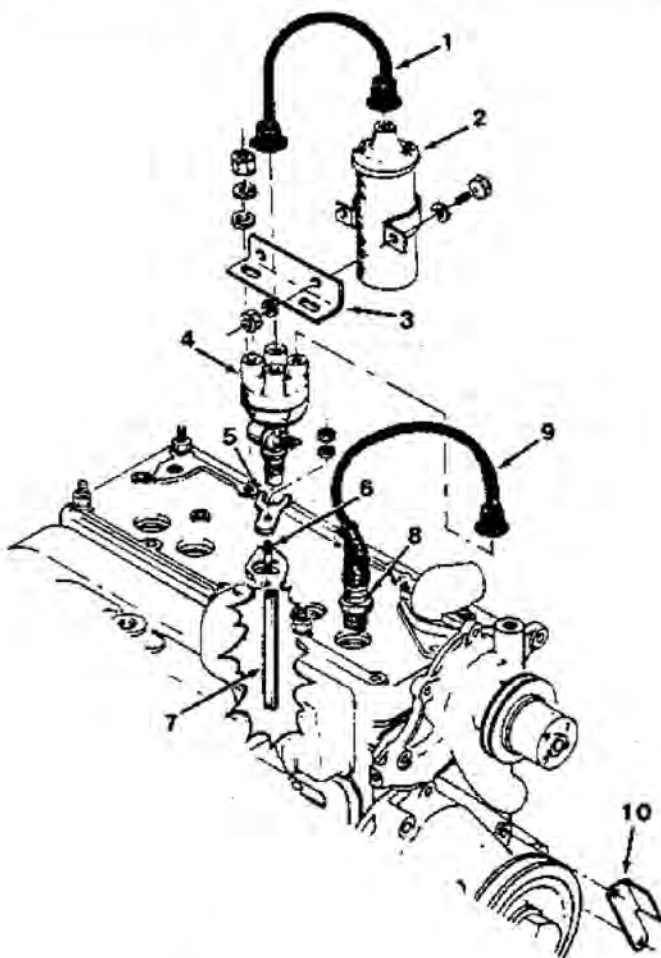


FIG. 8 - DISTRIBUTOR GROUP

02112

KEY	TENNANT® PART NO.	TELEDYNE CONTINENTAL PART NUMBER	ENGINE SERIAL NUMBER	DESCRIPTION	QTY.
1		HW00248080	(-)	WIRE, Coil	1
2		22RM00303	(-)	COIL, Ignition	1
3		Y69M00342	(-)	BRACKET, Coil	1
4		F401M00405	(-)	DISTRIBUTOR	1
	37422		(-)	CAP, Distributor	1
	37421		(-)	ROTOR	1
	37420		(-)	POINT SET	1
	45631		(-)	CONDENSER	1
5		F400M00L93	(-)	CLAMP	1
6		X19002	(-)	STUD	1
7	38176	Y112M00255	(-)	SHAFT, Drive	1
8		SP201S00016D	(-)	SPARK PLUG	4
9		HW00204100	(-)	WIRE, Ignition	3
		HW00300100	(-)	WIRE, Ignition	1
10		Y400B00351	(-)	POINTER, Timing	1

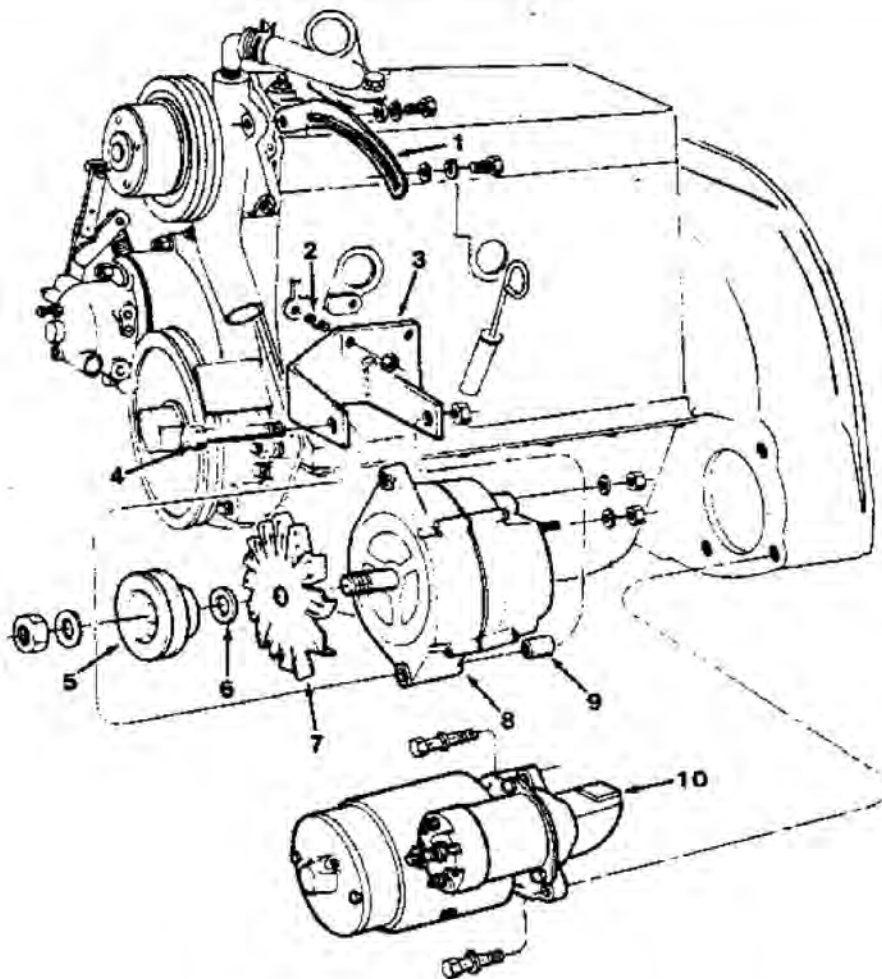
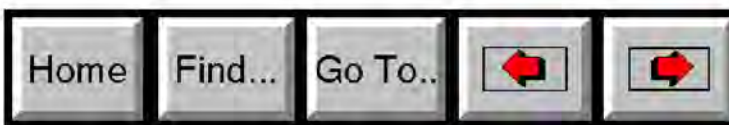


FIG. 9 - STARTER AND ALTERNATOR PARTS GROUP

02113

KEY	TENNANT® PART NO.	TELEDYNE CONTINENTAL PART NUMBER	ENGINE SERIAL NUMBER	DESCRIPTION	QTY.
1		F401M00201	(-)	STRAP, Alternator	1
2		X19002	(-)	STUD	2
3		F401M00407	(-)	BRACKET, Alternator	1
4		X03270A	(-)	SCREW	1
5		F600M00379	(-)	PULLEY	1
6		X14531	(-)	SPACER	1
7	37794	HD277M00407	(-)	FAN, Alternator	1
8	38445	F401M00405	(-)	ALTERNATOR	1
9		X14234	(-)	SPACER	1
10		F401M00348	(-)	STARTER	1
		F401M00332	(-)	HARNESS, Alternator	1
	53988-2	F400T00406	(-)	REGULATOR	1



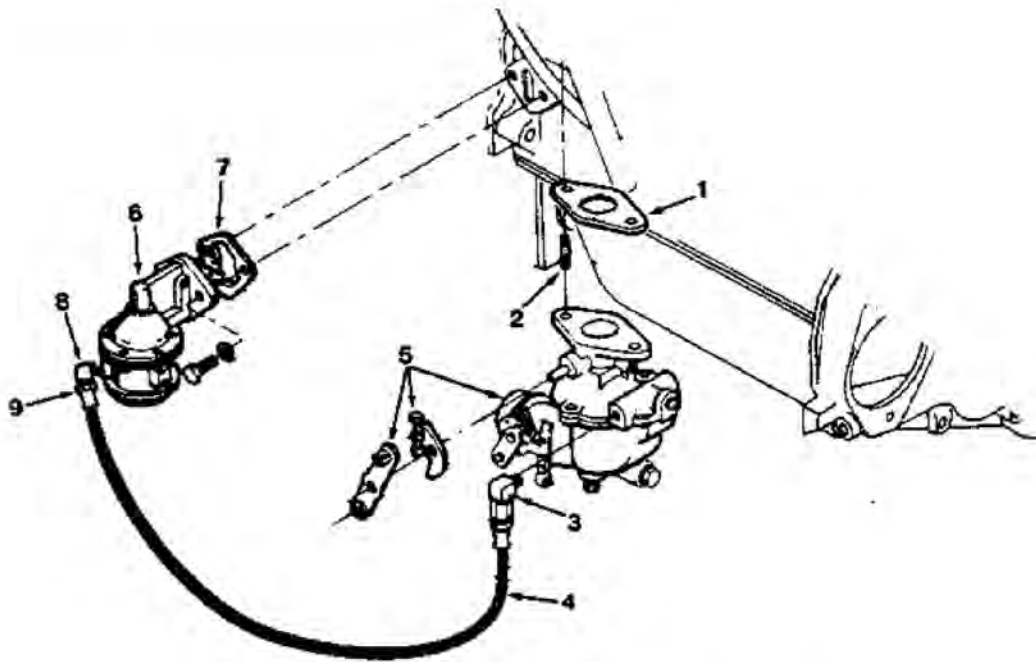


FIG. 10 - GASOLINE CARBURETOR GROUP

02114

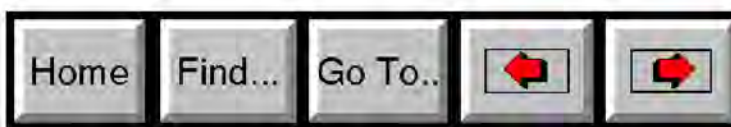
KEY	TENNANT® PART NO.	TELEDYNE CONTINENTAL PART. NUMBER	ENGINE SERIAL NUMBER	DESCRIPTION	QTY.
1	55980	F162F00243	(-)	GASKET	1
2		X20063	(-)	STUD	2
3		X12489	(-)	ELBOW	1
4		Y112F03370	(-)	HOSE	1
5		CA8F00354	(-)	CARBURETOR	1
		K-2112	(-)	REPAIR KIT, Carburetor	1
6	45676	F600F00461	(-)	PUMP, Fuel	1
7		Y400V00200	(-)	GASKET	1
8		X12393	(-)	ELBOW	1
9		X12502	(-)	ELBOW	1

FIG. 11 - LPG CARBURETOR GROUP

KEY	TENNANT® PART NO.	TELEDYNE CONTINENTAL PART NUMBER	ENGINE SERIAL NUMBER	DESCRIPTION	QTY.
		CA8F00321	(-)	CARBURETOR, LPG	1
		K-2944	(-)	REPAIR KIT, Carburetor	1
		Y400B00220	(-)	COVER, Fuel pump	1

FIG. 12 - OIL PUMP GROUP

KEY	TENNANT® PART NO.	TELEDYNE CONTINENTAL PART NUMBER	ENGINE SERIAL NUMBER	DESCRIPTION	QTY.
		Y400L04093	(-)	PUMP, Oil complete	1
		X19002	(-)	STUD, Oil pump mounting	1
		X18387	(-)	NUT, Oil pump mounting	1
		Y400T00205	(-)	REPAIR KIT, Oil pump	1
		Y400L00245	(-)	SHAFT, Oil pump drive	1
		21UL00210	(-)	STUD, Oil pump idler gear	1



SECTION 12

DIESEL ENGINE PARTS

CONTENTS

	Page
Ordering Repair Parts.....	12-1
Fig. 1 - Cylinder Block Group	12-2
Fig. 2 - Crankshaft Group.....	12-4
Fig. 3 - Cylinder Head Group	12-6
Fig. 4 - Manifolds Group.....	12-7
Fig. 5 - Cylinder Head Cover Group.....	12-8
Fig. 6 - Timing Gear Group.....	12-10
Fig. 7 - Oil Sump Group.....	12-12
Fig. 8 - Water Pump Group.....	12-14
Fig. 9 - Alternator Group.....	12-15
Fig. 10 - Fuel Filter and Pump Group (32585 Engine)	12-16
Fig. 11 - Fuel Filter and Pump Group (54549-1 Engine)	12-18
Fig. 12 - Fuel Injection Group	12-20
Fig. 13 - Flywheel and Housing Group	12-22
Fig. 14 - Engine Oil Pump Group.....	12-23

NOTE: Section 12, Diesel Engine Parts, lists the repair parts for diesel powered engines.

Home

Find...

Go To..



ORDERING REPAIR PARTS

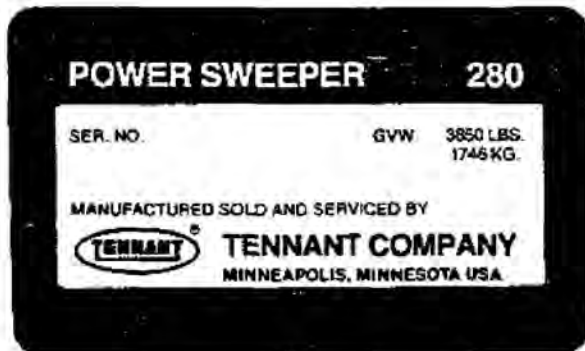
FOR DIESEL ENGINE TENNANT® PART NO. 54549-1, 32585

The components used in this machine have been carefully selected for performance and safety. Use only Tennant Company supplied or equivalent parts.

To receive prompt service in filling your parts orders, please direct all parts orders with Tennant Company part numbers to the Tennant Company, and all parts orders with vendor part numbers to the local supplier of the respective vendor.

To avoid errors or delays in filling your parts orders, please furnish all of the following information.

1. Refer to Tennant Company data plate. Always specify the machine model number and the machine serial number shown on the machine data plate.



2. Refer to the vendor part data plate. Always specify the model number and serial number shown on the data plate.
3. Give the part number, description, and the quantity needed of each item on the order. Do not order by reference number or the figure number of the illustrated parts.
4. Indented items indicate parts of assemblies. Standard hardware is furnished only when part of a purchased assembly. Please order hardware from a local hardware supplier.
5. If the old part cannot be identified, send it to us with the quantity needed specified on the order.
6. State definite shipping instructions to include the shipping address and/or the billing address if there is a difference. Any claim for loss or damage to a shipment in transit should be filed promptly against the transportation company making the delivery. Shipments will be complete unless the packing list or order acknowledgement indicate items back ordered.

If parts received are suspected to be incorrect or defective, please write, wire, or phone the Tennant Company representative from whom you ordered the parts. They will give authorization for return and/or handle replacement shipments when required.

SI (INTERNATIONAL SYSTEM) UNITS OF MEASURE

Metric equivalents have been included, where applicable, throughout this parts catalog.

BOLT AND CAP SCREW STRENGTH IDENTIFICATION

Bolts and cap screws required to have high-strength qualities equivalent to SAE Grade 8 are identified throughout this catalog by the description GR 8. Unless identified by this description, all standard bolts and cap screws are SAE Grade 5.

SERIAL NUMBER INFORMATION EXPLANATION

Serial number information is listed parenthetically to show on which machines each part can be used. These listings are explained by the following examples:

() The part can be used on all machines.

(0000001234-) The part can be used on all machines beginning with the serial number listed.

(0000000000-0000001234) The part can be used on all machines up to and including serial number listed.

(0000001234-0000005678) The part can be used on all machines between and including the serial numbers listed.

Where XXXXX's are listed in place of a serial number, it indicates a serial number change was made but the exact serial number had not been established when the catalog went to press.

(Specifications and design subject to change without notice.)

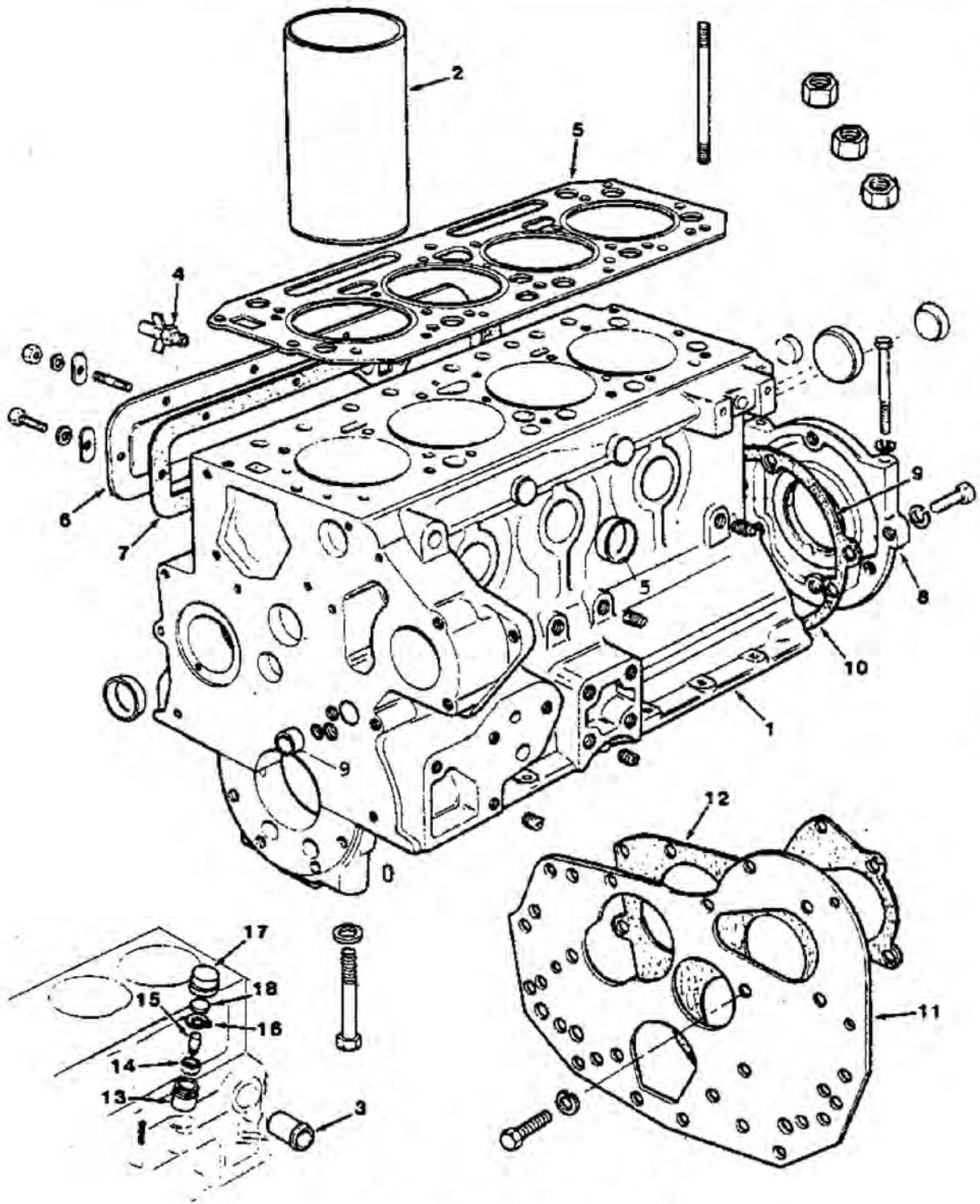
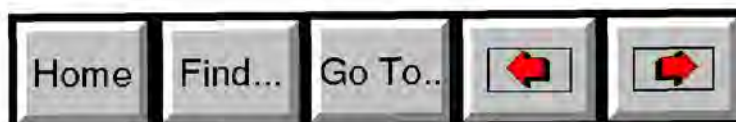


FIG. 1 - CYLINDER BLOCK GROUP

FIG. 1 - CYLINDER BLOCK GROUP

01240

KEY	TENNANT® PART NO.	PERKINS PART NUMBER	ENGINE SERIAL NUMBER	DESCRIPTION	QTY.
		093654	(-)	CYLINDER BLOCK ASSEMBLY	1
2		31358117	(-)	LINER, Cylinder block	4
3		0201297	(-)	CONNECTION, Water	1
4		031419	(-)	DRAINCOCK	1
5		36812134	(-)	GASKET, Cylinder head	1
6		37554591	(-)	COVER, Tappet	1
7		36846412	(-)	GASKET	1
8		90990	(-)	HOUSING ASSEMBLY, Crankshaft, rear	1
9		36883107	(-)	SEAL, Oil	2
10		36826114	(-)	GASKET	1
11		36256717	(-)	PLATE, Mounting	1
12		0490740	(-)	GASKET	1
13		0770101	(-)	SLEEVE	1
14		0050358	(-)	BEARING	1
15		33473107	(-)	SHAFT, Tachometer drive	1
16		0170052	(-)	RING, Retaining	1
17		32813106	(-)	CAPNUT, Blanking	1
18		32811104	(-)	WASHER, Capnut	1
		083416	(-)	GASKET SET, Top overhaul	1
		086994	(-)	GASKET SET, Bottom overhaul	1



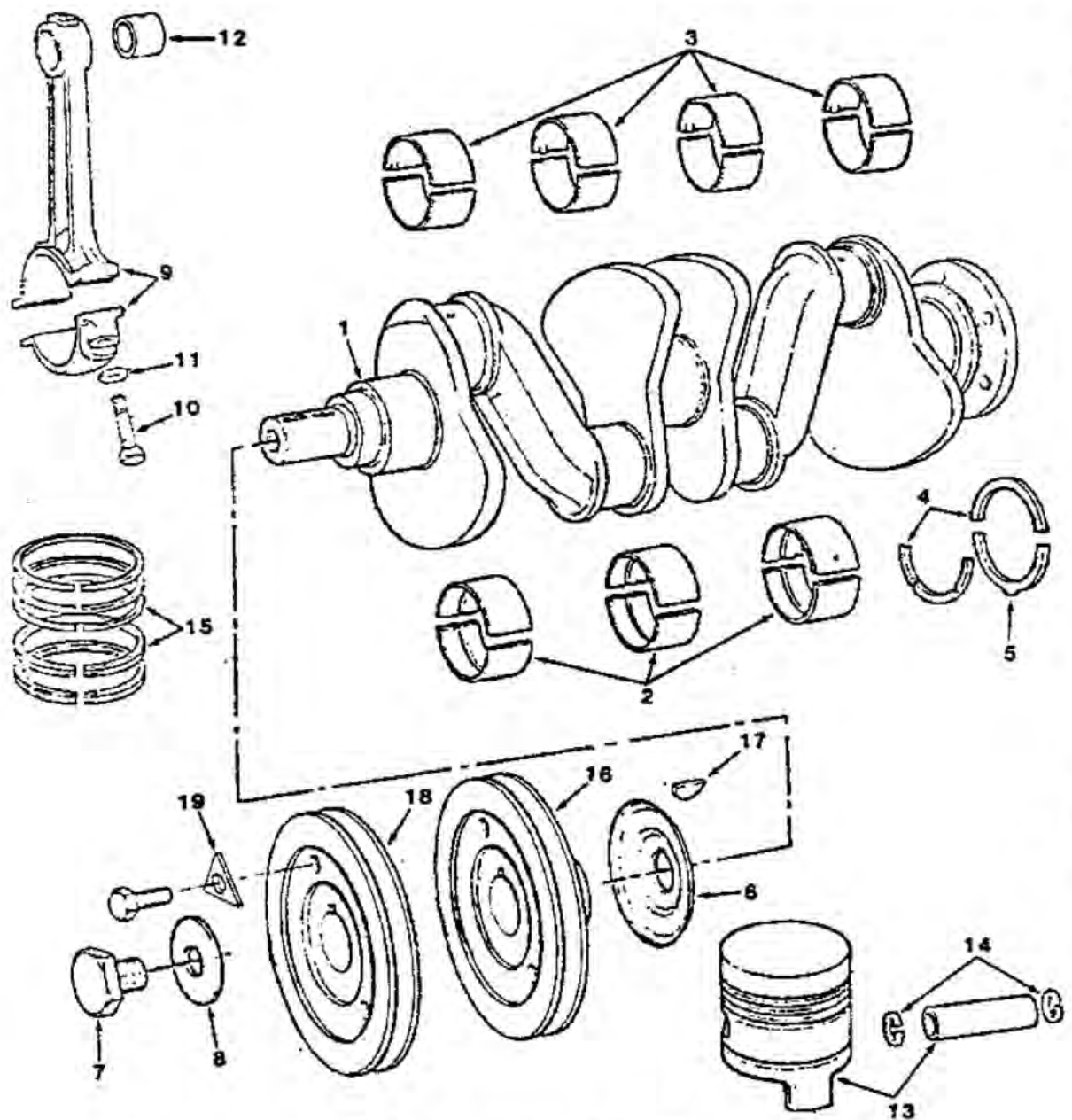


FIG. 2 - CRANKSHAFT GROUP

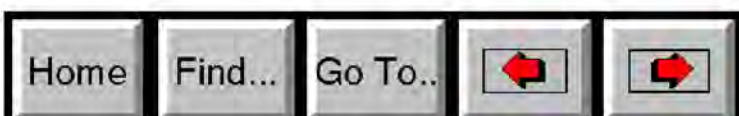
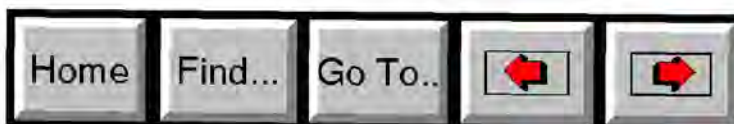


FIG. 2 - CRANKSHAFT GROUP

01241

KEY	TENNANT® PART NO.	PERKINS PART NUMBER	ENGINE SERIAL NUMBER	DESCRIPTION	QTY.
1		084417	(-)	CRANKSHAFT KIT	1
2		084992	(-)	BEARINGS, Main, standard	1
2		084992A	(-)	BEARINGS, Main, -0.010"	1
2		084992B	(-)	BEARINGS, Main, -0.020"	1
2		084992C	(-)	BEARINGS, Main, -0.030"	1
3		085037	(-)	BEARINGS, Rod, standard	1
3		085037A	(-)	BEARINGS, Rod, -0.010"	1
3		085037B	(-)	BEARINGS, Rod, -0.020"	1
3		085037C	(-)	BEARINGS, Rod, -0.030"	1
4		0921120	(-)	WASHER, Standard	2
4		0921120A	(-)	WASHER, +0.007"	2
5		0921118	(-)	WASHER, Standard	2
5		0921118A	(-)	WASHER, +0.007"	2
6		33474003	(-)	FLANGE	1
7		32162316	(-)	SCREW	1
8		33124119	(-)	WASHER	1
9		083417	(-)	ROD ASSEMBLY	4
10		0095314	(-)	BOLT	8
11		33115121	(-)	WASHER	8
12		31134145	(-)	BUSHING	4
13		069491	(-)	PISTON ASSEMBLY	4
14		2721124	(-)	CIRCLIP	8
15		41158088	(-)	RING SET	4
16		31147633	(-)	PULLEY	1
17		0500006	(-)	KEY	1
18		31147741	(-)	PULLEY	1
19		31733116	(-)	TABWASHER	3



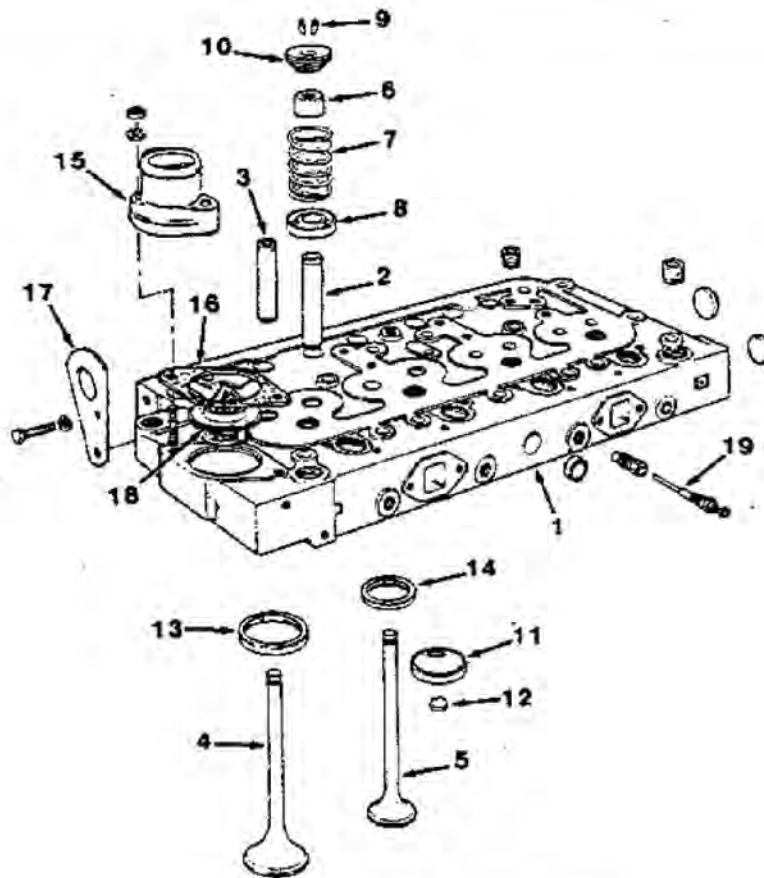


FIG. 3 - CYLINDER HEAD GROUP

KEY	TENNANT® PART NO.	PERKINS PART NUMBER	ENGINE SERIAL NUMBER	DESCRIPTION	QTY.
1		089232	(-)	CYLINDER HEAD ASSEMBLY	1
2		33261723	(-)	GUIDE, Exhaust valve	4
3		33261741	(-)	GUIDE, Inlet valve	4
4		0910060	(-)	VALVE, Inlet	4
5		0910061	(-)	VALVE, Exhaust	4
6		33817403	(-)	SEAL, Oil deflector	8
7		0780144	(-)	SPRING, Inlet & exhaust valve	8
8		0921117	(-)	SEAT, Valve spring	8
9		0230001	(-)	COTTER, Spring retaining, set	8
10		0150129	(-)	CAP, Valve spring	8
11		37443591	(-)	INSERT, Combustion chamber	4
12		0921249	(-)	WASHER, Combustion chamber insert	4
13		33124424	(-)	INSERT, Inlet valve	4
14		33123411	(-)	INSERT, Exhaust valve	4
15		37736921	(-)	CONNECTION, Water outlet	1
16		0490184	(-)	GASKET	1
17		0940990	(-)	PLATE, Engine lifting, front	1
18		2485666	(-)	THERMOSTAT	1
19		2666407	(-)	GLOWPLUG, Cylinder head heater	4

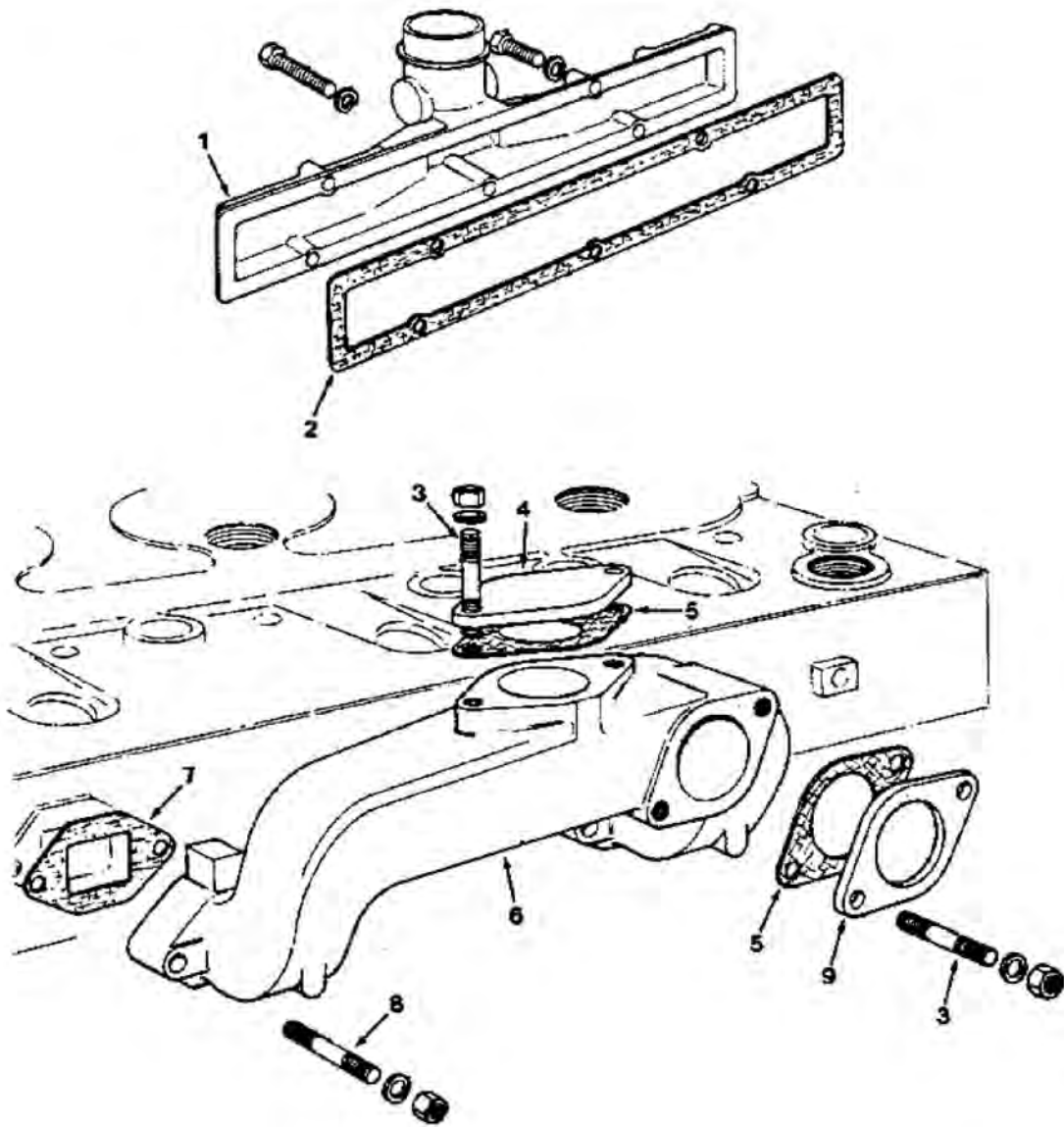


FIG. 4 - MANIFOLDS GROUP

02101

KEY	TENNANT® PART NO.	PERKINS PART NUMBER	ENGINE SERIAL NUMBER	DESCRIPTION	QTY.
1		37786166	(000000-002974)	MANIFOLD, Induction	1
2		37786175	(002975-)	MANIFOLD, Induction	1
2		0490652	(000000-002974)	GASKET, Manifold	1
2		36846415	(002975-)	GASKET, Manifold	1
3		0826242	(-)	STUD	4
4		0940357	(-)	PLATE	1
5		0490228	(-)	GASKET	2
6		37783543	(-)	MANIFOLD, Exhaust	1
7		0490656	(-)	GASKET	4
8		0826260	(-)	STUD	4
9		0380068	(-)	FLANGE	1

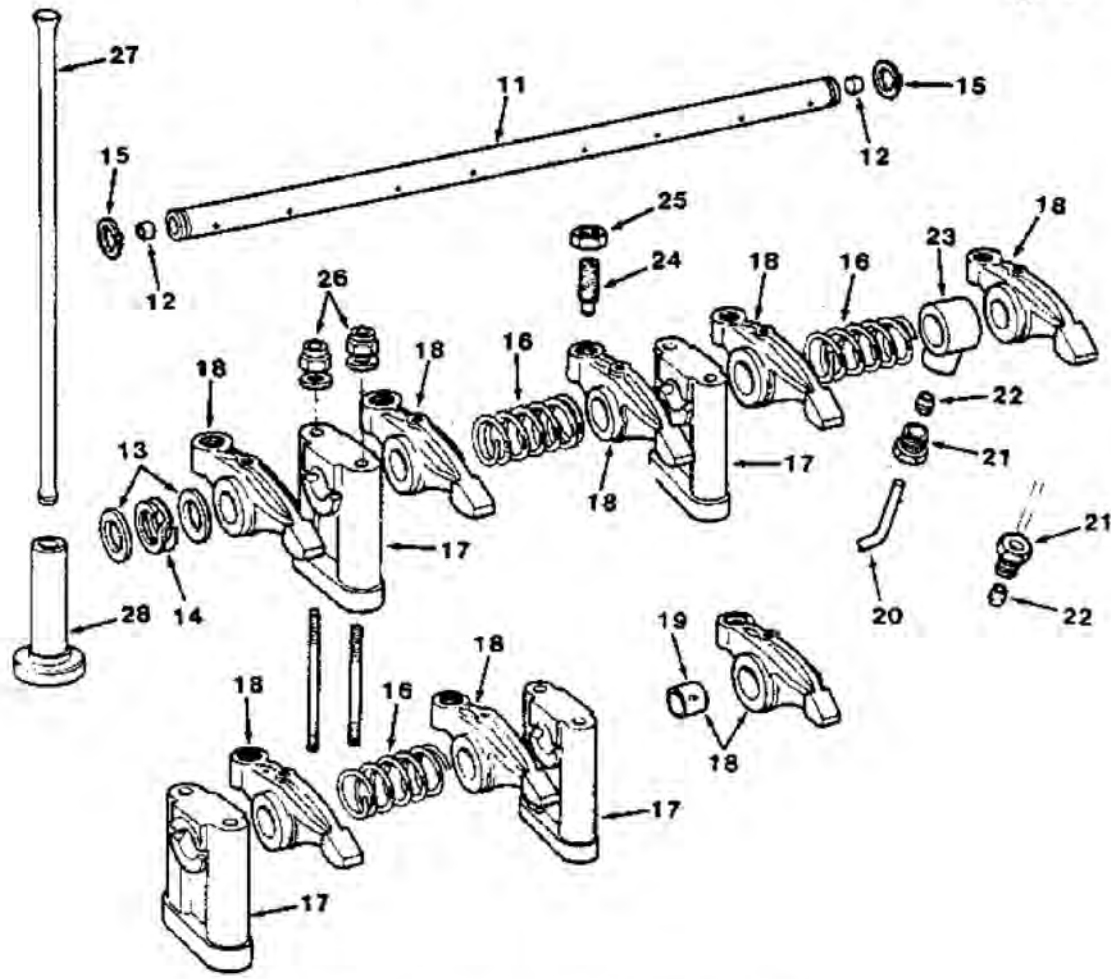
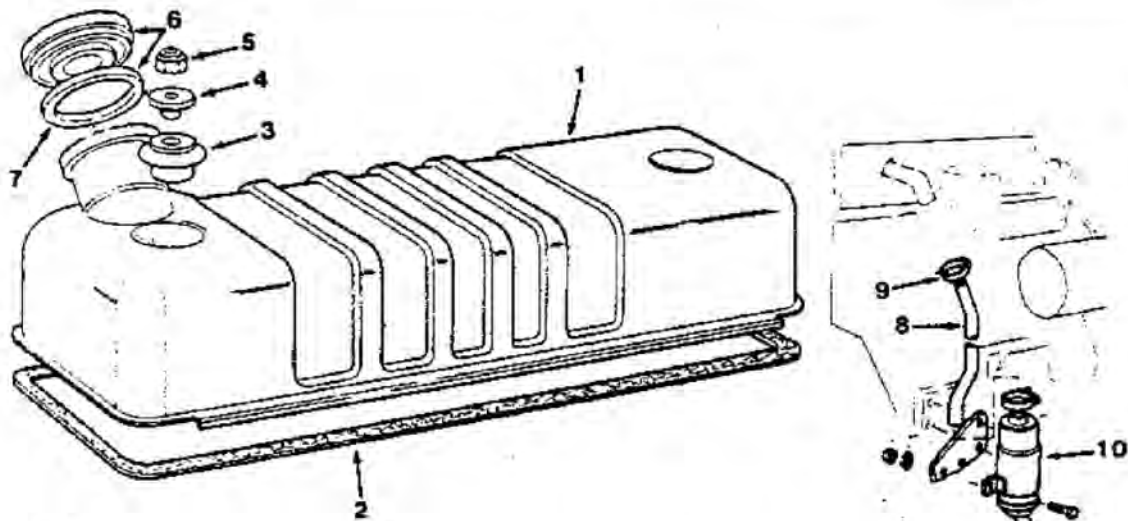


FIG. 5 - CYLINDER HEAD COVER GROUP

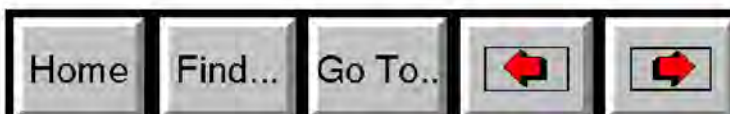
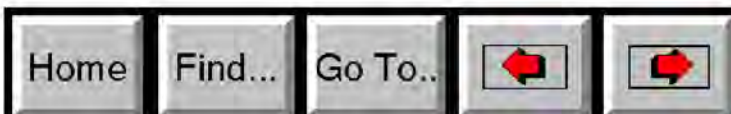


FIG. 5 - CYLINDER HEAD COVER GROUP

01244

KEY	TENNANT® PART NO.	PERKINS PART NUMBER	ENGINE SERIAL NUMBER	DESCRIPTION	QTY.
1		37188137	(-)	COVER, Cylinder head	1
2		0490724	(-)	GASKET	1
3		0730116	(-)	SEAL, Cover	2
4		0921116	(-)	WASHER, Cover seal	2
5		0576102	(-)	NUT, Cover retaining	2
6		2487841	(-)	CAP, Lube oil filler	1
7		24870001	(-)	GASKET, Filler cap	1
8		35731143	(-)	PIPE, Breather extension	1
9		0180103	(-)	CLIP, Breather extension pipe	1
10		2652845	(-)	BODY, Breather	1
		058529	(-)	ROCKER SHAFT ASSEMBLY	1
11		055286	(-)	SHAFT, Rocker	1
12		0660507	(-)	PLUG, Rocker shaft end	2
13		0920485	(-)	WASHER, Plain, rocker shaft end	4
14		0921122	(-)	WASHER, Double coil	2
15		0170033	(-)	RING, Retaining	2
16		0780261	(-)	SPRING, Rocker shaft	3
17		0102202	(-)	BRACKET, Rocker shaft	4
18		41151448	(-)	LEVER, Rocker	8
19		0050132	(-)	BUSHING, Rocker level	1
20		34414122	(-)	PIPE, Oil feed	1
21		0571351	(-)	NUT, Pipe	2
22		0566002	(-)	FERRULE, Pipe	2
23		0201318	(-)	CONNECTION	1
24		0720790	(-)	SCREW, Tappet adjusting	8
25		0576151	(-)	LOCKNUT, Screw	8
26		0576302	(-)	NUT	8
27		31434306	(-)	ROD, Push	8
28		31434152	(-)	TAPPET	8



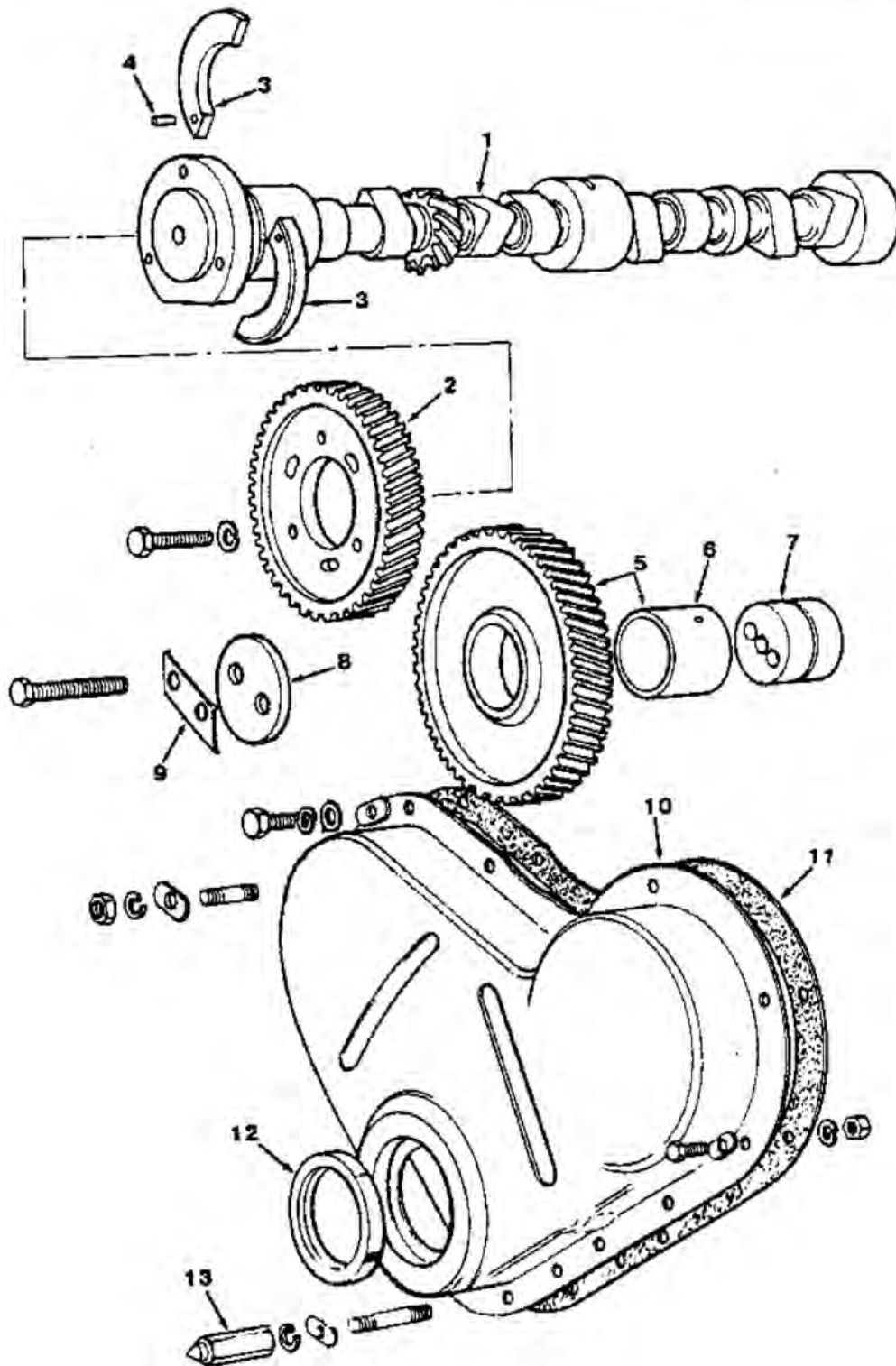
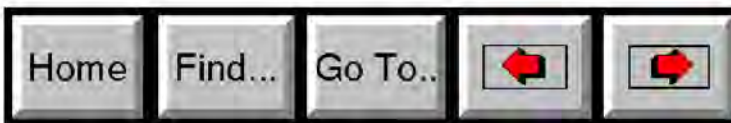


FIG. 6 - TIMING GEAR GROUP

FIG. 6 - TIMING GEAR GROUP

01245

KEY	TENNANT® PART NO.	PERKINS PART NUMBER	ENGINE SERIAL NUMBER	DESCRIPTION	QTY.
1		31415303	(-)	CAMSHAFT	1
2		31171541	(-)	GEAR, Camshaft	1
3		36178509	(-)	THRUSTPLATE, Camshaft	2
4		0610844	(-)	PIN, Thrustplate locating	1
5		41115036	(-)	GEAR ASSEMBLY, Idler	1
6		31134137	(-)	BUSHING, Idler gear	1
7		33426516	(-)	HUB, Idler gear	1
8		0941044	(-)	PLATE, Idler gear	1
9		0921159	(-)	TABWASHER	1
10		37161104	(-)	HOUSING, Timing gear	1
11		36813145	(-)	GASKET	1
12		0730098	(-)	SEAL, Oil	1
13		32726511	(-)	PIN, Timing	1



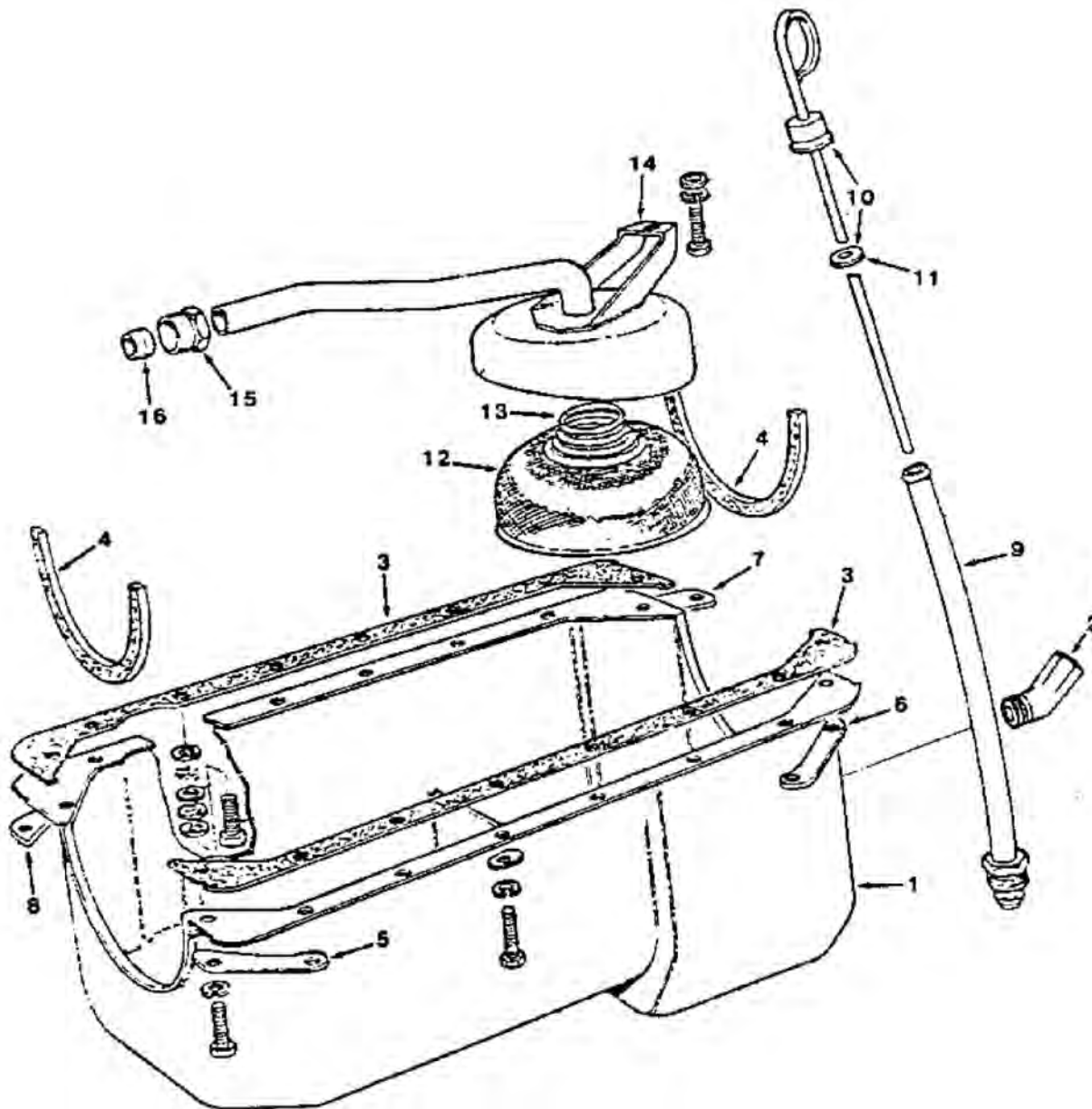
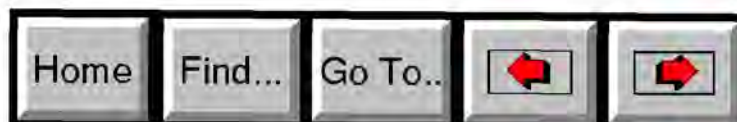


FIG. 7 - OIL SUMP GROUP

FIG. 7 - OIL SUMP GROUP

01246

KEY	TENNANT® PART NO.	PERKINS PART NUMBER	ENGINE SERIAL NUMBER	DESCRIPTION	QTY.
1		37171116	(-)	SUMP	1
2		NA004833	(-)	ELBOW	1
3		41424207	(-)	JOINT ASSEMBLY	1
4		0490775	(-)	JOINT	2
5		0941039	(-)	PLATE	1
6		0941040	(-)	PLATE	1
7		0941041	(-)	PLATE	1
8		0941042	(-)	PLATE	1
9		35772607	(-)	TUBE	1
10		31785417	(-)	DIPSTICK ASSEMBLY	1
11		33811407	(-)	WASHER	1
12		37725448	(-)	STRAINER	1
13		0780310	(-)	SPRING	1
14		35736145	(-)	PIPE	1
15		33532121	(-)	NUT	1
16		0560244	(-)	OLIVE	1



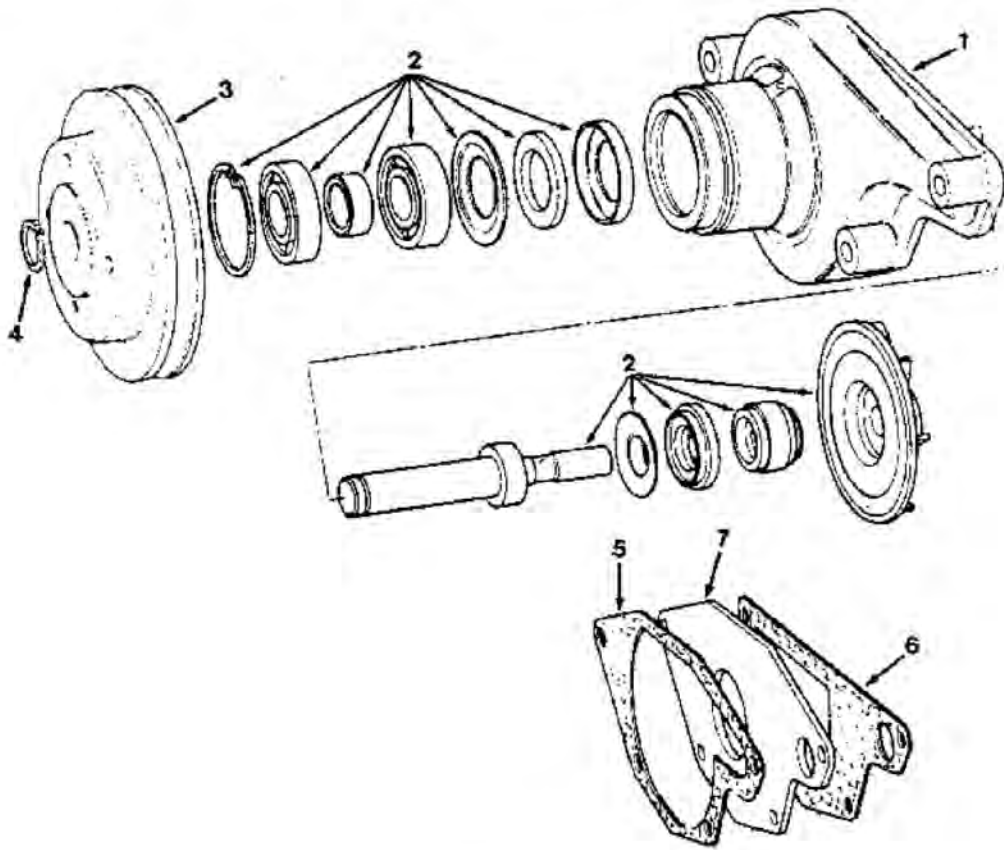
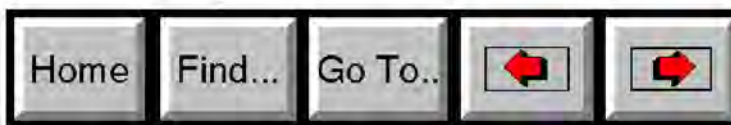


FIG. 8 - WATER PUMP GROUP

012

KEY	TENNANT® PART NO.	PERKINS PART NUMBER	ENGINE SERIAL NUMBER	DESCRIPTION	QTY
1		41312471	(-)	WATER PUMP	1
2		089029	(-)	REPAIR KIT, Water pump	1
3		31145803	(-)	PULLEY, Water pump	1
4		0170051	(-)	RING, Retaining	1
5		36866421	(-)	GASKET, Water pump to backplate	1
6		36866713	(-)	GASKET, Backplate	1
7		36243515	(-)	BACKPLATE, Water pump	1



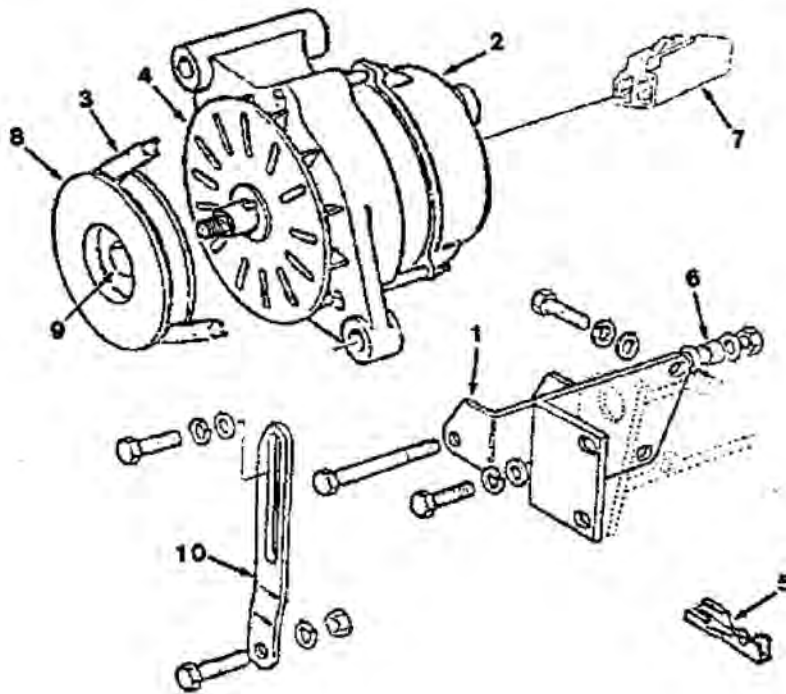


FIG. 9 - ALTERNATOR GROUP

D1248

KEY	TENNANT® PART NO.	PERKINS PART NUMBER	ENGINE SERIAL NUMBER	DESCRIPTION	QTY.
1		38163113	(-)	BRACKET	1
2		NA001904	(-)	ALTERNATOR	1
3		2612019	(-)	BELT	1
4		2871954	(-)	FAN	1
5		NA000904	(-)	CONNECTION	3
6		33283514	(-)	BUSHING	1
7		NA003400	(-)	CONNECTION	1
8		31141645	(-)	PULLEY	1
9		0040054	(-)	BEARING	1
10		36548423	(-)	LEVER	1



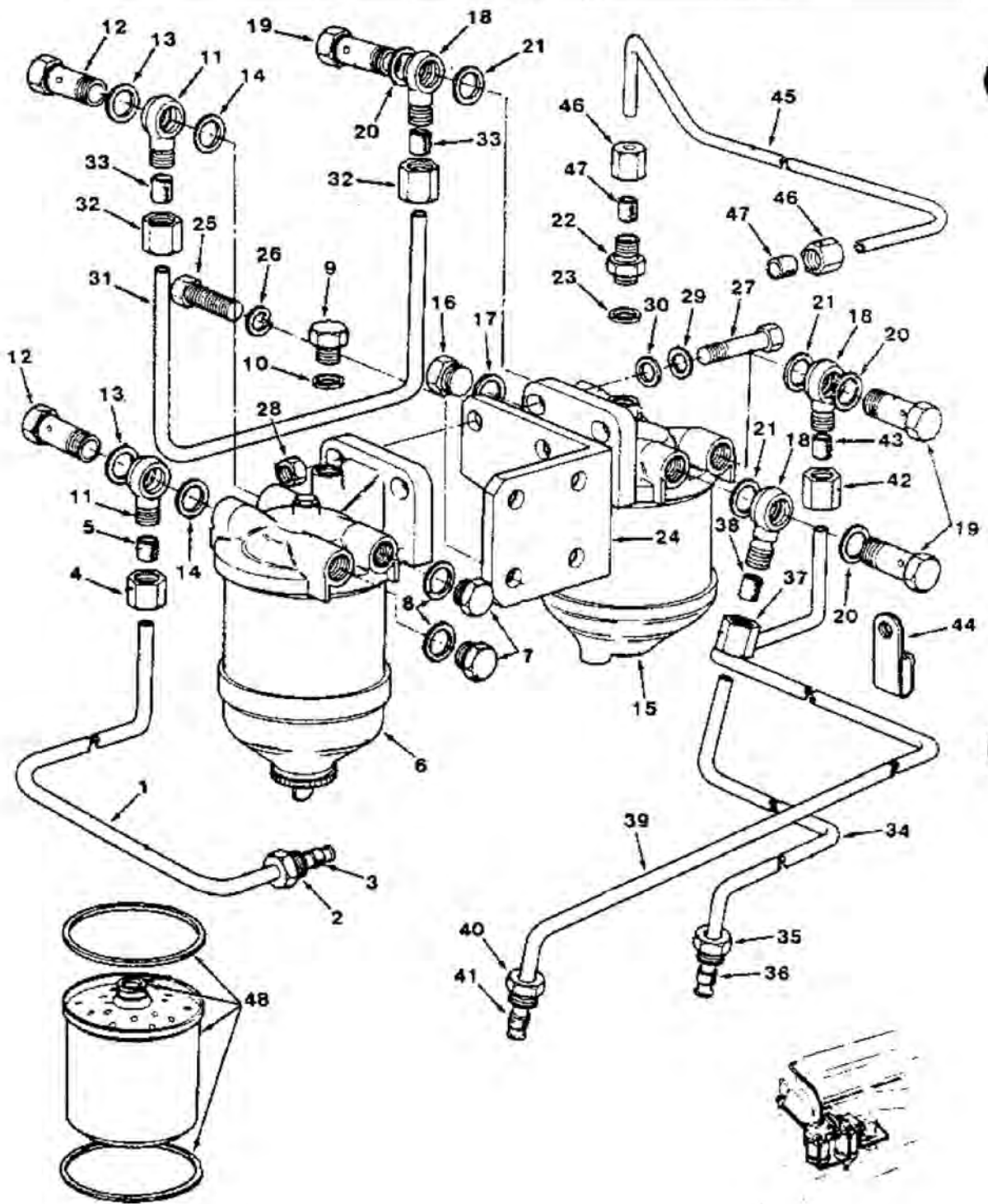


FIG. 10 - FUEL FILTERS AND PUMP GROUP (32585 ENGINE)

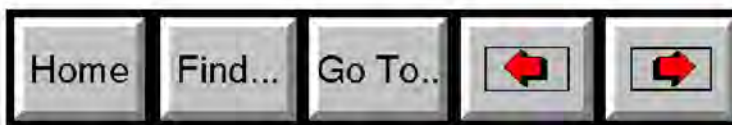
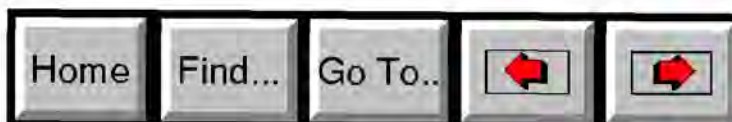


FIG. 10 - FUEL FILTERS AND PUMP GROUP (32585 ENGINE)

02100

KEY	TENNANT® PART NO.	PERKINS PART NUMBER	ENGINE SERIAL NUMBER	DESCRIPTION	QTY.
1		35842006	(-)	PIPE ASSEMBLY	1
2		33532128	(-)	NUT	1
3		33811113	(-)	FERRULE	1
4		33225413	(-)	NUT	1
5		33811115	(-)	FERRULE	1
6		2656617	(-)	FILTER	1
7		0650204	(-)	PLUG	2
8		0920112	(-)	WASHER	2
9		32161113	(-)	PLUG	1
10		0920155	(-)	WASHER	1
11		0201091	(-)	CONNECTION	2
12		0095332	(-)	BOLT	2
13		0920127	(-)	WASHER	2
14		0920154	(-)	WASHER	2
15		2656613	(-)	FILTER	1
16		0660204	(-)	PLUG	1
17		0920112	(-)	WASHER	1
18		0201091	(-)	CONNECTION	3
19		0095332	(-)	BOLT	3
20		0920127	(-)	WASHER	3
21		0920154	(-)	WASHER	3
22		33555338	(-)	ADAPTOR	1
23		0920146	(-)	WASHER	1
24		36444318	(-)	BRACKET	1
25		0746453	(-)	SCREW, Cap	2
26		0920054	(-)	WASHER	2
27		0096434	(-)	BOLT	2
28		0576051	(-)	NUT	2
29		0920054	(-)	WASHER	2
30		0920004	(-)	WASHER	2
31		34237308	(-)	PIPE	1
32		33225413	(-)	NUT	2
33		33811115	(-)	FERRULE	2
34		35842068	(-)	PIPE ASSEMBLY	1
35		33532128	(-)	NUT	1
36		33811113	(-)	FERRULE	1
37		33225413	(-)	NUT	1
38		33811115	(-)	FERRULE	1
39		35843081	(-)	PIPE ASSEMBLY	1
40		33532128	(-)	NUT	1
41		33811113	(-)	FERRULE	1
42		33225413	(-)	NUT	1
43		33811115	(-)	FERRULE	1
44		0181029	(-)	CLIP	1
45		34416314	(-)	PIPE	1
46		33225412	(-)	NUT	2
47		33811112	(-)	FERRULE	2
48	52770-9	2656007	(-)	ELEMENT KIT, Replacement	2
		2641702	(-)	PUMP, Fuel lift	1
		26410096	(-)	REPAIR KIT, Fuel lift pump	1
		0700279	(-)	ROD ASSEMBLY, Push	1
		36851113	(-)	GASKET, Pump	1



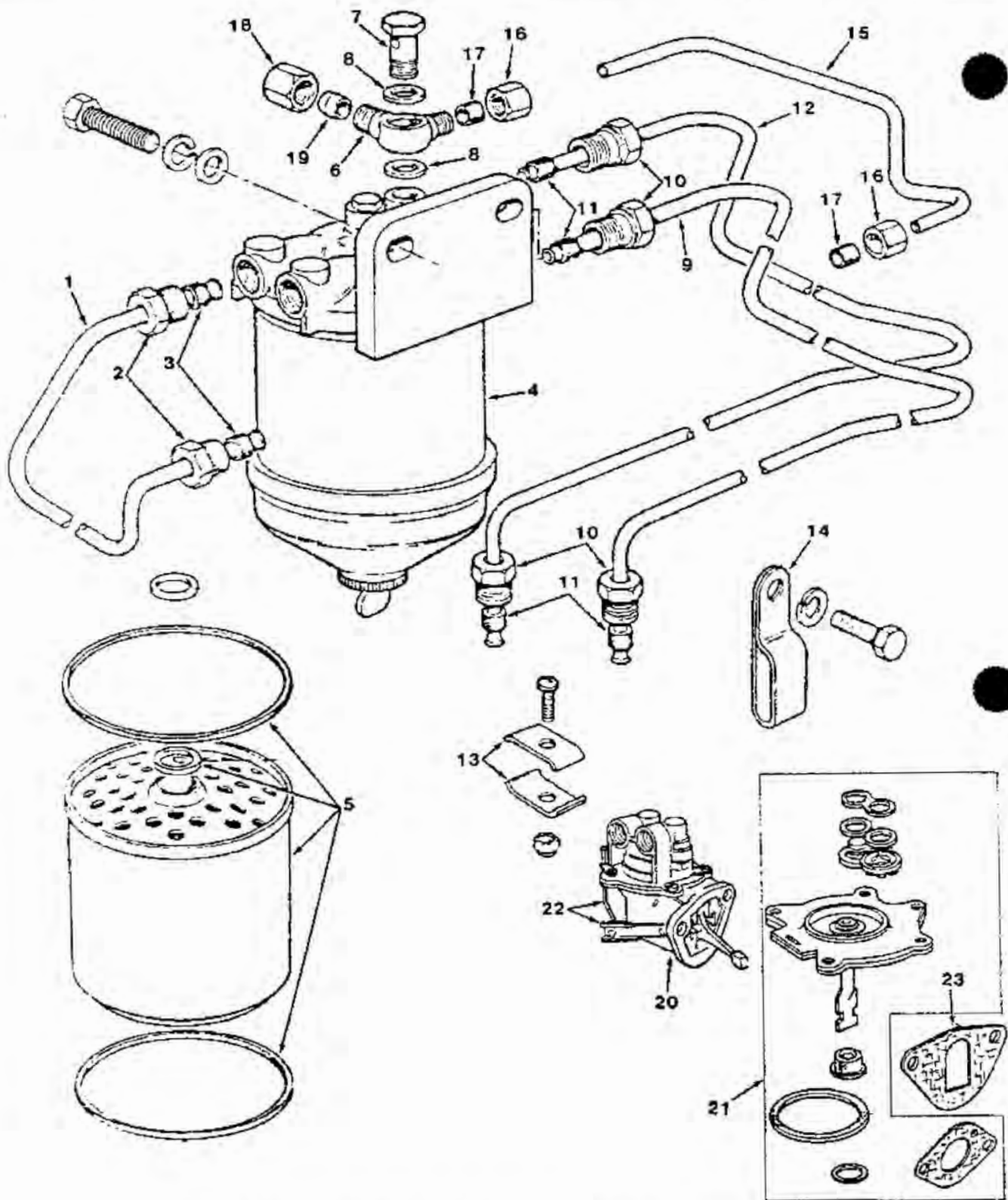


FIG. 11 - FUEL FILTER AND PUMP GROUP (54549-1 ENGINE)

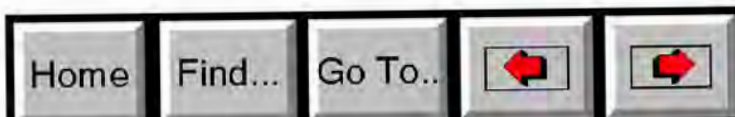
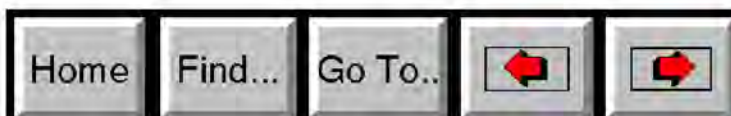


FIG. 11 - FUEL FILTER AND PUMP GROUP (54549-1 ENGINE)

01249

KEY	TENNANT® PART NO.	PERKINS PART NUMBER	ENGINE SERIAL NUMBER	DESCRIPTION	QTY.
1		35844057	(-)	PIPE	1
2		33532128	(-)	NUT	2
3		33811113	(-)	OLIVE	2
4		2658617	(-)	FILTER	1
5	52770-9	26560017	(-)	ELEMENT KIT	1
6		0201397	(-)	CONNECTION	1
7		0095344	(-)	BOLT	1
8		0920146	(-)	WASHER	2
9		35846213	(-)	PIPE	1
10		33532128	(-)	NUT	4
11		33811113	(-)	OLIVE	4
12		35847304	(-)	PIPE	1
13		0180637	(-)	CLIP	2
14		36651119	(-)	CUP	1
15		34422136	(-)	PIPE	1
16		33225412	(-)	NUT	2
17		33811112	(-)	OLIVE	2
18		0576112	(-)	NUT	1
19		0566003	(-)	OLIVE	1
20		2641702	(-)	PUMP, Fuel lift	1
21		26410096	(-)	REPAIR KIT, Fuel lift pump	1
22		0700279	(-)	ROD ASSEMBLY, Push	1
23		36851113	(-)	GASKET, Pump	1



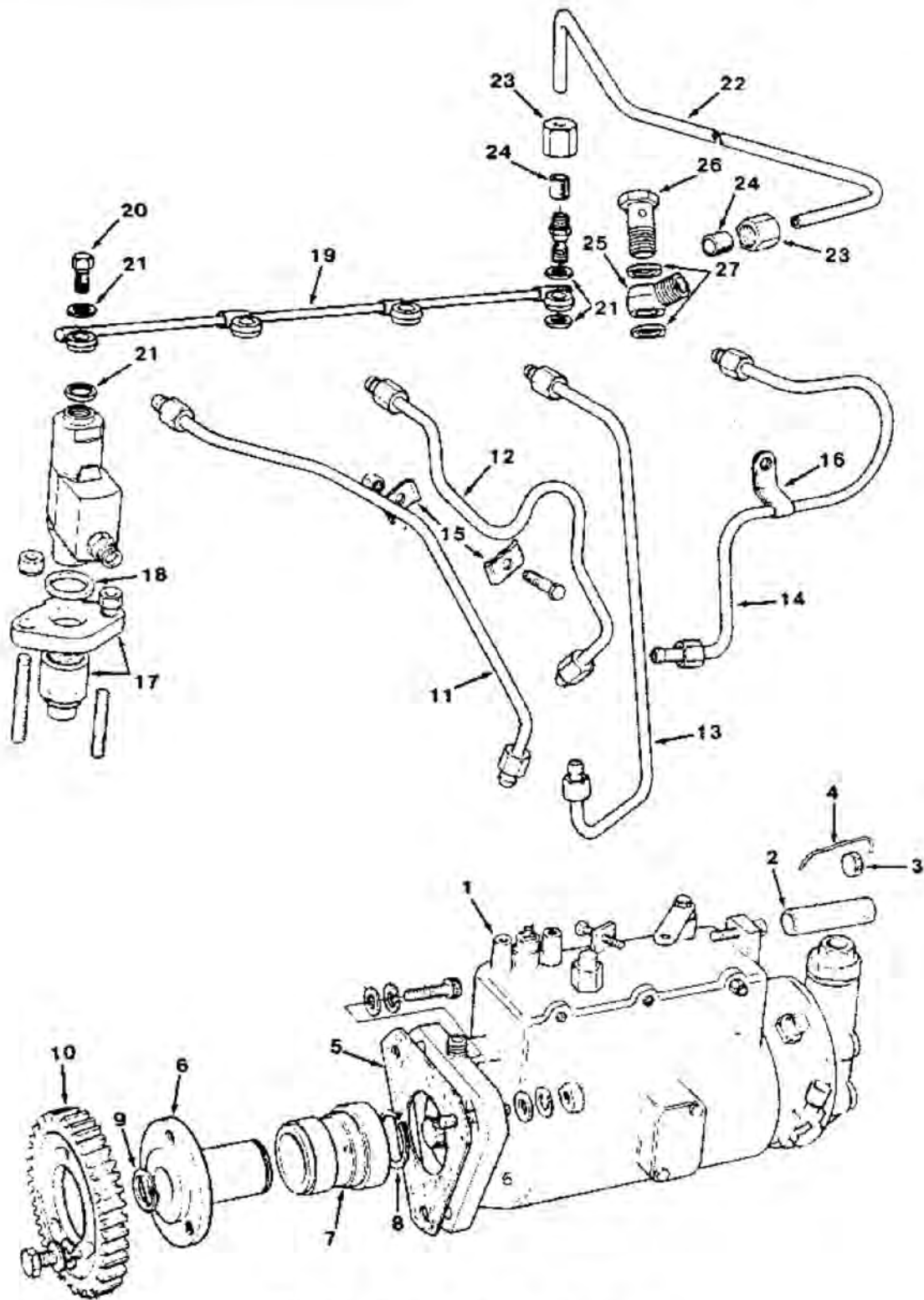


FIG. 12 - FUEL INJECTION GROUP

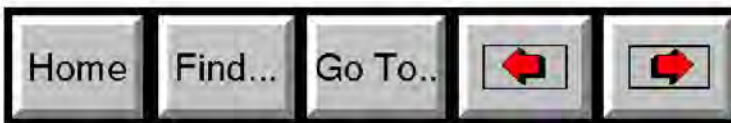
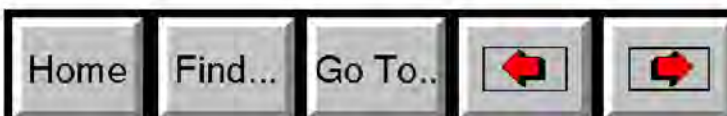


FIG. 12 - FUEL INJECTION GROUP

D1250

KEY	TENNANT® PART NO.	PERKINS PART NUMBER	ENGINE SERIAL NUMBER	DESCRIPTION	QTY.
1		37902	(-)	PUMP, Fuel injection	1
2		2644951	(-)	SLEEVE, Screw	1
3		31718104	(-)	SEAL, Sleeve	1
4		31718105	(-)	WIRE, Seal	1
5		0490685	(-)	GASKET	1
6		33472491	(-)	HUB, Fuel pump	1
7		0050323	(-)	BEARING, Fuel pump	1
8		0170148	(-)	RING, Retaining	1
9		0170048	(-)	RING, Retaining	1
10		31171542	(-)	GEAR, Driving	1
11		35353247	(-)	PIPE, Fuel injection, No. 1	1
12		35354242	(-)	PIPE, Fuel injection, No. 2	1
13		35354243	(-)	PIPE, Fuel injection, No. 3	1
14		35354244	(-)	PIPE, Fuel injection, No. 4	1
15		0180637	(-)	CLIP, Fuel injection pipe	4
16		36644132	(-)	CLIP, Fuel injection pipe, No. 4	1
17		2645559	(-)	INJECTOR ASSEMBLY, Fuel	4
18		0920113	(-)	WASHER, Seating	4
19		35587355	(-)	PIPE, Leak-off	1
20		0095315	(-)	BOLT, Banjo	4
21		0921176	(-)	WASHER, Banjo	8
22		34422136	(-)	PIPE, Leak-off rail to fuel filter	1
23		33225412	(-)	NUT, Pipe	2
24		33181112	(-)	FERRULE, Pipe	2
25		0201397	(-)	CONNECTION, Banjo	1
26		0095344	(-)	BOLT, Banjo	1
27		0920146	(-)	WASHER, Banjo	2



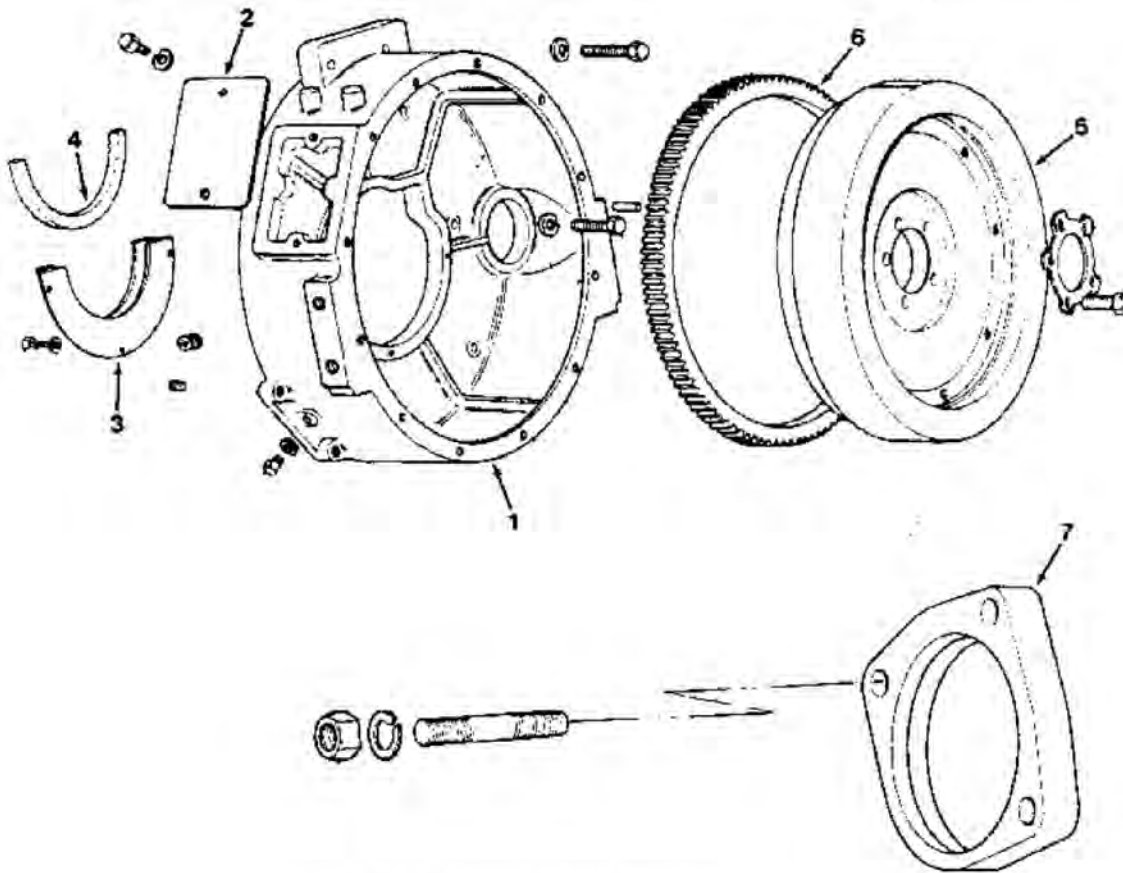


FIG. 13 - FLYWHEEL AND HOUSING GROUP

KEY	TENNANT® PART NO.	PERKINS PART NUMBER	ENGINE SERIAL NUMBER	DESCRIPTION	QTY.
1		3713802	(-)	HOUSING, Flywheel	1
2		0941221	(-)	PLATE, Inspection, flywheel housing	1
3		0994788	(-)	COVER, Dust	1
4		0730144	(-)	SEAL, Dust cover	1
5		41112762	(-)	FLYWHEEL ASSEMBLY	1
6		0410277	(-)	RING, Starter	1
7		37444693	(-)	SPACER, Starter motor	1
		NA000034	(-)	STARTER	1

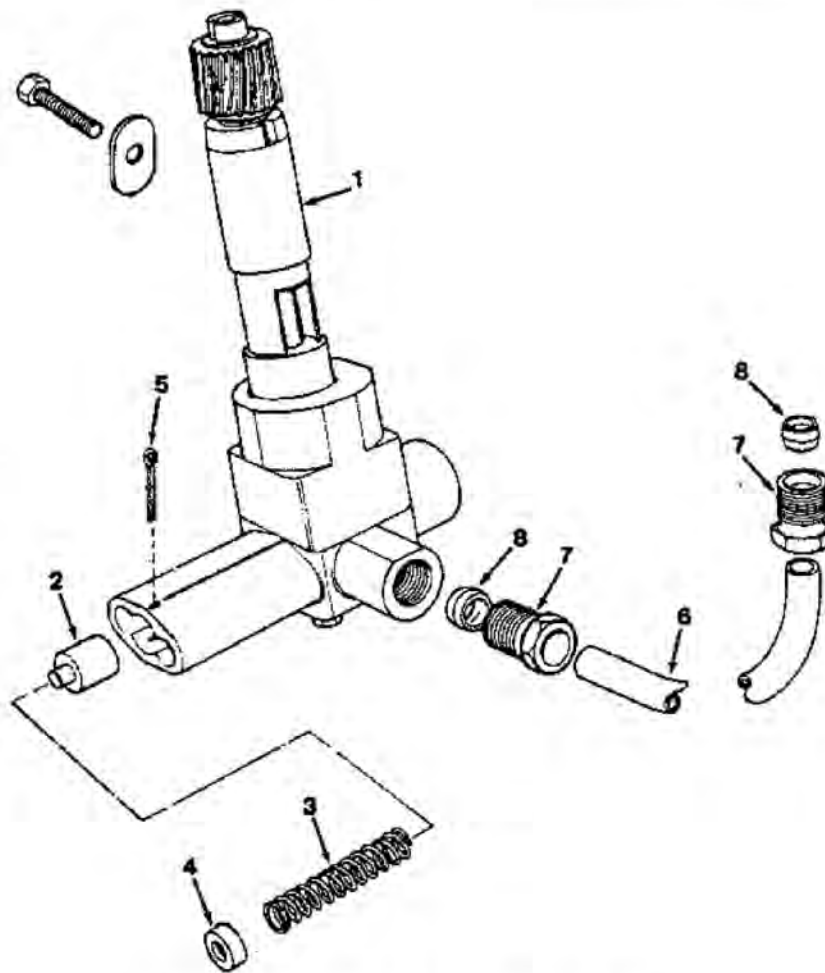


FIG. 14 - ENGINE OIL PUMP GROUP

02099

KEY	TENNANT® PART NO.	PERKINS PART NUMBER	ENGINE SERIAL NUMBER	DESCRIPTION	QTY.
1		41314092	(-)	PUMP ASSEMBLY	1
2		32712715	(-)	PLUNGER	1
3		31742128	(-)	SPRING	1
4		0150144	(-)	CAP	1
5		0610011	(-)	PIN	1
6		0623293	(-)	PIPE	1
7		0571352	(-)	NUT	2
8		0566007	(-)	FERRULE	2

