



255 Series II

(Operator Manual)

**Sweeper/
Scrubber**



This manual is furnished with each new TENNANT® (Model 255 Series II). It provides necessary operating and preventive maintenance instructions. Read this manual completely and understand the machine before operating or servicing it.

This manual covers all machine variations and standard accessories. The tabbed instruction portion of the manual consists of the Specification, Operation, Maintenance, and Appendix sections. The tabbed parts section consists of the (Low Dump Model Parts, Multi-Level Dump Model Parts, Accessories, Hydraulic Components, and Engine Parts sections). The tabbed Cross Reference section identifies the page numbers on which each of the part numbers listed in the manual can be found.

All right side and left side references to the machine are determined by facing the direction of forward travel. All hardware considered to be of a common nature or locally available has been omitted from the parts sections. Be aware that this machine may contain metric hardware. Make sure you use equivalent hardware when replacement becomes necessary.

This machine will provide excellent service. However, the best results will be obtained at minimum costs if:

- The machine is operated with reasonable care.
- The machine is maintained regularly – per the maintenance instructions provided.
- The machine is maintained with Tennant Company supplied or equivalent parts.

Parts and supplies may be ordered by phone or mail from any Tennant Company parts and service center, distributor, or from any of the Tennant Company subsidiaries. Before ordering parts or supplies, be sure to have your machine model number and serial number handy. Fill out the data block below for future reference. The telephone numbers, telex numbers, mailing addresses, and locations of those outlets are listed in the Customer Documents section of the manual.

MACHINE DATA	
<i>Please fill out at time of installation.</i>	
Machine Serial Number –	_____
Engine Serial Number –	_____
Sales Representative –	_____
Date of Installation –	_____
Manual Number –	MM189
Revision:	06
Published:	6–90
04631	

Trademark Registered in: Austria, Benelux, Denmark, England, France, Germany, Italy, Spain, Switzerland, United States, Argentina, Australia, Canada, Japan, Mexico, Sweden, by TENNANT COMPANY, Minneapolis, Minnesota, U.S.A.

Acknowledgements: Technical information and/or illustrations supplied by Ford Motor Company; Cessna Fluid Power Division; Eaton Corporation, Hydraulics Division.

Copyright 1987, 1988, 1989, 1990 Tennant Company, Printed in U.S.A.

ABOUT THIS MANUAL

The machine manual that you received with your TENNANT machine contains valuable information about the operation and maintenance, and numerous sections filled with TENNANT part numbers for the repair of the machine. Please read through this section titled *ABOUT THIS MANUAL* to become familiar with the contents of the machine manual, making the information you are looking for easier to find.

The machine manual consists of several sections of reference information, and the remainder contain part number information for ordering repair parts for the machine. Each section has a shaded bar at the top of the page with the name of that section. Just as this section has the title *ABOUT THIS MANUAL* on the top of each page. This way you can tell which section you are in at all times.

REFERENCE SECTIONS

The reference information sections of the manual are; General Information, Specifications, Operation, Maintenance, and Appendix.

GENERAL INFORMATION – The General Information section of the manual contains the safety precautions, the location of the safety labels on the machine, and a table of contents of the entire manual. The Safety Precautions are an overview of the safety measures to be observed when operating and maintaining your machine. The location of the safety labels show the mounting location of the safety labels for use in the replacement of the labels. The table of contents in this section is a list of all the table of contents that appear in the front of each section in the manual. This can be used for easy reference to locate information in a particular section of the manual.

SPECIFICATIONS – The Specifications section of the manual contains machine specification information useful in the operation and maintenance of the machine. This section gives you specification information on the engine, electric motors, brake system, hydraulics, fluid capacities, and machine weight to mention a few. The section also has a illustration of the top and side view of the machine with the height and width dimensions displayed.

OPERATION – The Operation section of the manual contains information needed to operate the machine. This section will list the controls and instruments on the machine, overview the machine operation, and tell you how to transport and store the machine.

MAINTENANCE – The Maintenance section contains information on the suggested maintenance procedures and adjustments to keep your machine in top operating condition. The section includes a Maintenance Chart listing the maintenance schedule and the areas of the machine to be addressed. Each subject of maintenance is covered in more detail in such areas as Lubrication, Hydraulics, Engine, and Electrical System.

APPENDIX – The Appendix contains hardware and hydraulic information. Standard hardware torques and identification information is included, plus hydraulic torques if your machine is hydraulically controlled.

PART SECTIONS

The remaining sections of the manual contain part number information for ordering repair parts for your machine. The manual contains part number information on every type of machine model available in the model size of your particular machine. Therefore there will be part number information in your manual you will not need to refer to when wanting to place an order.

The main thing you need to know about your machine is what type of model is it. Is the machine powered by an engine or batteries? If the machine has an engine, is it fueled from gasoline, LPG, or gasoline? If it is a mid-sized or larger sweeper, is it multi-level or low dump? For the scrubbers, is it SRS® or standard. Determining this information about your machine will help guide you through the separate parts sections to find the repair part you need.

ABOUT THIS MANUAL

The smaller line of sweeper and scrubbers have less complicated part section arrangement, and are easier to find your way through the parts sections. The larger machines can have quite a variety of model types which significantly increases the size to the machine manual. Because of this, on the larger machine we made the first part section, Section 5, a part section which contains parts common to all type of the machine. If the machine has an engine, this section contains parts information on a gasoline powered machine.

The remaining sections contain only parts information which is unique to that particular machine type, such as unique diesel parts on the machine, or unique SRS® parts. Knowing the machine model type you have is important when searching for that part information you need for ordering repair parts. Start in that unique section first when looking for a part, then go to the first parts section, Section 5, if the part can't be found in the unique section.

MACHINE SERIAL NUMBERS

When a design change takes place to a machine, the changes are indicated in the parts sections with machine serial numbers. Know the serial number of your machine which can be found on the machine data plate mounted on the machine. Record this number on the inside front cover of your manual along with your customer number.

Machine number usage is recorded in the *Machine Serial Number* column of the parts lists in the parts sections of the manual. If the machine serial number column lists zeros on the left side of the dash, then this part is used on all machines; such as (000000–).

If the column lists zeros on the left of the dash and a number on the right of the dash, then the part is used on machines up to and including that machine serial number; such as (00000–002345).

For parts that are used on machines beginning at and continuing on from a certain serial number, the column would list a serial number on the left of the dash and have blank spaces on the right side of the dash; such as (002346–). This part would be used on machines starting with that machine serial number and greater.

Finally, parts can be used on machines with serial numbers in a certain block of numbers. In this situation there is a serial number on the left and right side of the dash. The part is then used on a machine with a serial number starting at the number on the left and up to and including the number on the right; such as (002346–008900).

PARTS ASSEMBLIES

A part assembly has parts within the assembly, such as a parking brake consisting of other smaller parts. What parts are contained in a part assembly can be determined by an indentation arrangement in the description column of the parts lists.

Here is an example of a part assembly, in this case we will use the parking brake mentioned previously:

Machine		
Serial Number	Description	Qty.
(000000–)	Parking Brake	1
(000000–)	Pin, Roll	1
(000000–)	Link	1
(000000–)	Spring, Compression	1
(000000–)	Pin, Roll	1
(000000–)	Support	1
(000000–)	Lever, Release	1
(000000–)	Rod, Parking Brake	1
(000000–)	Washer, 0.50"	3

In this example, the parts whose descriptions are indented under the parking brake are all parts of the parking brake. When you order the parking brake you will receive all the parts listed under it. You also can order any of the individual parts listed under the parking brake if it is the only part you need.

SUPPLIER COMPONENT BREAKDOWNS

TENNANT purchases certain components of the machine from suppliers. Some of these components are engines, hydraulic pumps and motors, electric motors, and solution pumps.


For those purchased components that are repairable, lists of parts for them appear in the later part of the parts sections. These are the supplier breakdowns. The engine breakdown contains both supplier and TENNANT parts numbers for repair parts. Breakdowns for hydraulic and electrical components have TENNANT part numbers for the parts TENNANT supplies. The serial numbers listed in any of the parts lists in these sections is a serial number the manufacturer uses to identify design changes in their particular component.

ORDERING REPAIR PARTS

Once you have located a part to order, there are several things you need to have to place the order. At the beginning of each parts section is an Ordering Repair Parts page which lists the information you will need to place your order. Review this list before placing the order.

SAFETY PRECAUTIONS

The following symbols are used throughout this manual as indicated in their descriptions:

 **WARNING: To warn of hazards or unsafe practices which could result in severe personal injury or death.**

FOR SAFETY: To identify actions which must be followed for safe operation.


The following information signals potentially dangerous conditions to the operator or equipment. Read this manual carefully. Know when these conditions can exist. Locate all safety devices on the machine. Then take necessary steps to train machine operating personnel. Report machine damage or faulty operation immediately. Do not use the machine if it is not in proper operating condition.


FOR SAFETY:


1. **Do not operate machine:**
 - Unless trained and authorized.
 - Unless operation manual is read and understood.
 - In flammable or explosive areas unless modified for use in those areas.
 - In areas with possible falling objects unless equipped with overhead guard.
2. **Before starting machine:**
 - Check for fuel leaks (gasoline, LPG).
 - Make sure all safety devices are in place and operate properly. See Operation section.
 - Check brakes and steering for proper operation.
3. **When starting machine:**
 - Keep foot on brake and directional pedal in neutral.
4. **When using machine:**
 - Go slow on grades and slippery surfaces.
 - Use care when backing machine.
 - Do not carry riders on machine.
 - Always follow safety and traffic rules.


5. **Before leaving or servicing machine:**
 - Stop on level surface.
 - Set parking brake.
 - Turn off machine and remove key.


6. **When servicing machine:**
 - Avoid moving parts. Do not wear loose jackets, shirts, or sleeves when working on machine.
 - Use Tennant Company supplied or equivalent replacement parts.


 **WARNING: Machine emits toxic gases. Severe respiratory damage or asphyxiation can result. Provide adequate ventilation. Consult with your regulatory agency for exposure limits. Keep engine properly tuned.**


 **WARNING: Brush throws debris. Severe personal injury can result. Stop motor before lifting hopper.**

 **WARNING: Machine can emit excessive noise. Consult with your regulatory agency for exposure limits. Hearing loss can result. Wear hearing protection.**


 **WARNING: Machine hopper lifts to 108 in (2745 mm) when high dumping. Hopper can hit overhead wires or object. Electrical shock or falling debris can result. Be sure adequate clearance is available before raising hopper.**


 **WARNING: Machine can have static electricity charge. When pouring fuel, spark can ignite fuel causing fire or explosion. Connect wire attached to fuel can to machine to discharge spark before pouring fuel.**

 **WARNING: Machine moves when directional pedal linkage is out of adjustment. Severe personal injury or death can result. If machine creeps when the directional pedal is in neutral, adjust pedal linkage. Engage parking brake when stopped.**


 **WARNING: Falling hopper. Engage hopper support bar before working under hopper.**


GENERAL INFORMATION


 **WARNING:** Fuel vapor is present when servicing fuel system. Fire or explosion can result. Keep flames and sparks away.


 **WARNING:** Hot engine coolant. Scalding can result. Do not open radiator cap or service cooling system until radiator and engine is cool to the touch.


 **WARNING:** Flammable materials can cause an explosion or fire. Do not use flammable materials in solution tank.


 **WARNING:** The solution and recovery tanks must be empty during scrub attachment installation and removal to avoid personal injury.

 **WARNING:** Machine is unstable on jack. Jack machine up at designated locations only. Block machine up with jack stands.

 **WARNING:** Machine is unstable on jack. Block machine tires before jacking machine up.

 **WARNING:** Leaking hydraulic fluid under pressure can penetrate skin. Severe infection or death can result. Do not use body to locate leak. Use cardboard to locate leak.

 **WARNING:** Air or water under pressure. Severe eye or ear injury can result. Wear eye and ear protection.

 **WARNING:** LPG fuel is very cold. Frostbite can result. Wear gloves when connecting or disconnecting LPG hoses.

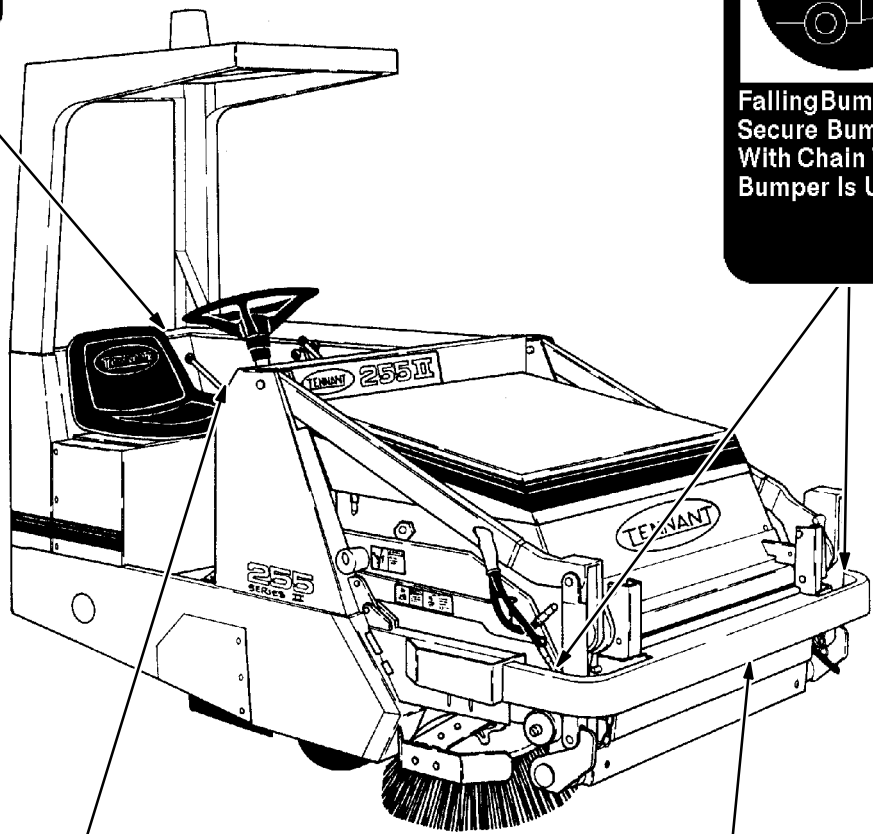
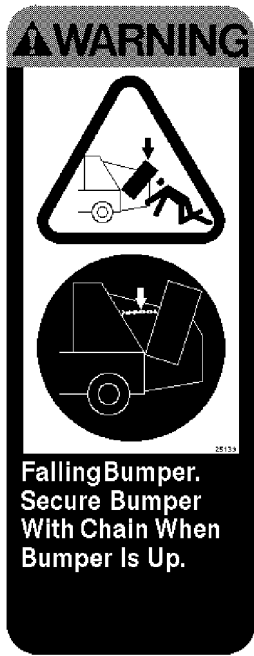
 **WARNING:** Battery acid causes severe burns. Avoid contact. Wash immediately and get medical attention if contact occurs.

 **WARNING:** Stay clear of hopper lift arms when they are in motion.

The following safety labels are mounted on the machine in the locations indicated. If these, or any, labels become damaged or illegible, install a new label in its place.

ENGINE FAN LABEL – LOCATED ON ENGINE FAN SHROUD.

BUMPER CHAIN LABEL – LOCATED ON UNDERSIDE OF BUMPER, LOW DUMP MODEL ONLY.



NOISE LABEL – LOCATED ON FRONT RIGHT OF OPERATOR COMPARTMENT.


HEAVY BUMPER LABEL – LOCATED ON UNDERSIDE OF BUMPER, LOW DUMP MODEL ONLY.

GENERAL INFORMATION

EMISIONS LABEL – LOCATED ON LEFT SIDE OF OPERATOR COMPARTMENT.


HOPPER LIFT ARMS LABEL – LOCATED ON HOPPER LIFT ARMS, MULTI-LEVEL DUMP MODEL ONLY.

WARNING

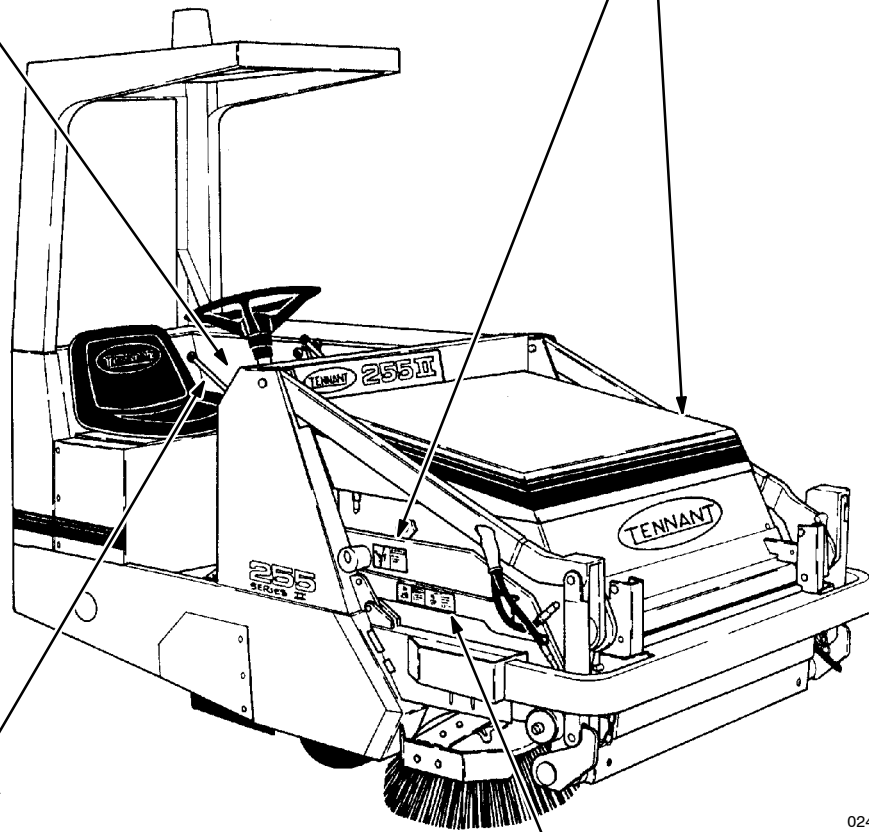


Machine Emits Toxic Gases. Serious Injury Or Death Can Result. Provide Adequate Ventilation.

WARNING

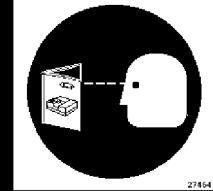


Stay Clear Of Hopper Lift Arms.




02453

FOR SAFETY



Read Manual Before Operating Machine.

WARNING



Falling Hopper. Engage Hopper Support Bar. Read Manual.

FOR SAFETY LABEL – LOCATED ON LEFT SIDE OF OPERATOR COMPARTMENT.

HOPPER SUPPORT BAR LABEL – LOCATED ON HOPPER SUPPORT BAR.

CONTENTS

	Page		Page
GENERAL INFORMATION	i	ENGINE COOLANT TEMPERATURE	
SAFETY PRECAUTIONS	i	GAUGE	2-11
SPECIFICATIONS	1-1	ENGINE OIL PRESSURE GAUGE	2-11
MACHINE SPECIFICATIONS	1-3	BATTERY CONDITION GAUGE	2-11
POWER TYPE	1-3	CLOGGED FILTER LAMP	2-11
POWER TRAIN	1-3	IGNITION SWITCH	2-11
STEERING	1-3	SIDE BRUSH POSITION LEVER	2-11
HYDRAULIC SYSTEM	1-3	HOPPER SUPPORT BAR	2-11
BRAKING SYSTEM	1-4	TO ENGAGE HOPPER	
SUSPENSION SYSTEM	1-4	SUPPORT BAR	2-11
SYSTEM FLUID CAPACITIES	1-4	TO DISENGAGE HOPPER	
GENERAL MACHINE		SUPPORT BAR	2-12
DIMENSIONS/CAPACITIES	1-4	SCRUB BRUSH POSITION LEVER	2-13
MACHINE WEIGHTS	1-4	SOLUTION FLOW KNOB	2-13
GENERAL MACHINE PERFORMANCE	1-4	CIRCUIT BREAKERS	2-13
MACHINE DIMENSIONS	1-5	MACHINE OPERATION	2-14
OPERATION	2-1	NORMAL SWEEPING OPERATION	2-14
PREPARATION FOR OPERATION	2-3	PRE-START CHECKLIST	2-14
AFTER UNLOADING AND BEFORE		TO START MACHINE	2-14
OPERATING THE MACHINE:	2-3	TO SWEEP	2-15
OPERATION OF CONTROLS	2-4	TO DUMP HOPPER	2-15
MACHINE COMPONENTS –		POST OPERATION CHECKLIST –	
MULTI-LEVEL DUMP		ENGINE OPERATING	2-16
MODEL SHOWN	2-4	TO STOP MACHINE	2-16
INSTRUMENT PANEL SYMBOLS	2-5	POST OPERATION CHECKLIST –	
CONTROLS AND INSTRUMENTS	2-7	ENGINE STOPPED	2-16
BRAKE PEDAL	2-8	NORMAL SCRUBBING OPERATION ...	2-16
DIRECTIONAL PEDAL	2-8	PRE-START CHECKLIST	2-16
PARKING BRAKE LEVER	2-8	TO START MACHINE	2-17
OPERATOR SEAT	2-8	TO SCRUB	2-17
SQUEEGEE SWITCH	2-8	TO DRAIN RECOVERY TANK AND	
WATER VALVE SWITCH	2-8	EMPTY DEBRIS HOPPER	2-18
FUEL LEVEL GAUGE	2-8	POST OPERATION CHECKLIST –	
THROTTLE LEVER	2-8	ENGINE OPERATING	2-18
THROTTLE SWITCH	2-9	TO STOP MACHINE	2-19
HAZARD LIGHT SWITCH	2-9	POST OPERATION CHECKLIST –	
DRIVE LIGHTS SWITCH	2-9	ENGINE STOPPED	2-19
ENGINE CHOKE KNOB	2-9	DOUBLE SCRUBBING OPERATION ...	2-19
HOPPER DUMP LEVER	2-9	OPERATION ON GRADES	2-19
HOPPER LIFT AND		VACUUM WAND	2-19
SIDE BRUSH LEVER	2-9	TO OPERATE VACUUM WAND	2-19
MAIN BRUSH POSITION LEVER	2-10	HOPPER DOLLY	2-21
STEERING WHEEL	2-10	TO REMOVE HOPPER WITH DOLLY	2-21
MAIN BRUSH, VACUUM FAN AND		TO INSTALL HOPPER WITH DOLLY	2-22
FILTER SHAKER SWITCH	2-10	SCRUB ATTACHMENT	2-22
MAIN BRUSH HEIGHT ADJUSTMENT		TO MOUNT SCRUB ATTACHMENT	2-22
KNOB	2-10	TO REMOVE SCRUB ATTACHMENT	2-25
ENGINE HOUR METER	2-10	SNOW BLADE	2-27
		TO INSTALL SNOW BLADE	2-27
		TO OPERATE SNOW BLADE	2-28
		TO REMOVE SNOW BLADE	2-29

GENERAL INFORMATION

	Page		Page
SNOW BROOM	2-29	ENGINE	3-19
TO INSTALL SNOW BROOM		ENGINE LUBRICATION	3-19
ASSEMBLY	2-29	COOLING SYSTEM	3-19
TO OPERATE SNOW BROOM	2-31	AIR INTAKE SYSTEM	3-20
TO REMOVE SNOW BROOM		AIR FILTER RESTRICTION	
ASSEMBLY	2-32	INDICATOR	3-20
MACHINE TROUBLESHOOTING –		AIR FILTER	3-20
SWEEPING	2-33	TO REPLACE AIR FILTER ELEMENT	3-21
MACHINE TROUBLESHOOTING –		FUEL SYSTEM – GASOLINE	3-22
SCRUBBING	2-34	FUEL FILTER	3-22
TRANSPORTING MACHINE	2-35	CARBURETOR	3-22
PUSHING OR TOWING MACHINE	2-35	FUEL SYSTEM – LPG	3-23
MACHINE JACKING	2-35	LPG FUEL SYSTEM	3-23
TO JACK UP MACHINE	2-35	FUEL TANKS	3-24
MACHINE TIE-DOWNS	2-36	TO CHANGE AN LPG FUEL TANK ..	3-25
MACHINE STORAGE	2-37	FUEL FILTER LOCK	3-25
STORING MACHINE	2-37	VAPORIZER-REGULATOR	3-25
MAINTENANCE	3-1	CARBURETOR	3-25
RECOMMENDED FIRST 50-HOUR		OIL PRESSURE SWITCH	3-25
MACHINE INSPECTION	3-3	LPG FUEL TROUBLESHOOTING ...	3-26
MAINTENANCE CHART	3-4	GOVERNOR (For machines below	
LUBRICATION	3-6	serial number 038000)	3-27
ENGINE	3-6	TO ADJUST GOVERNOR	
REAR WHEEL SUPPORT	3-6	(For machines below	
STEERING GEAR	3-6	serial number 038000)	3-27
FRONT WHEEL BEARINGS	3-6	GOVERNOR (For machines serial	
HOPPER LIFT ARM PIVOTS	3-7	number 038000 and above)	3-27
HOPPER DOOR LATCHES	3-7	IGNITION SYSTEM	3-28
SCRUB ATTACHMENT LEG		SPARK PLUGS	3-28
CASTERS	3-8	DISTRIBUTOR (For machines	
SCRUB ATTACHMENT		below serial number 038000)	3-28
DEBRIS HOPPER	3-8	ENGINE IGNITION TIMING	
HYDRAULICS	3-9	(For machines below	
HYDRAULIC FLUID	3-9	serial number 038000)	3-28
HYDRAULIC FLUID RESERVOIR	3-9	TO CHECK AND ADJUST IGNITION	
TO DRAIN HYDRAULIC FLUID		TIMING (For machines below	
RESERVOIR AND REPLACE		serial number 038000)	3-28
FILTER ELEMENT	3-10	ENGINE IGNITION TIMING	
TO FILL HYDRAULIC		(For machines serial number	
FLUID RESERVOIR	3-11	038000 and above)	3-29
HYDRAULIC PUMPS	3-11	CYLINDER HEAD	3-29
DIRECTIONAL PEDAL	3-11	CYLINDER HEAD	3-29
TO ADJUST DIRECTIONAL PEDAL ..	3-12	VALVE TAPPET CLEARANCE	3-30
LIFT ARM SPEED LIMITER	3-13	CRANKCASE VENTILATION SYSTEM ..	3-30
HYDRAULIC FLUID LEAKS	3-13	TUNE-UP CHART – GASOLINE, LPG ..	3-30
HYDRAULIC SCHEMATIC –		ELECTRICAL SYSTEM	3-31
LOW DUMP MODEL	3-14	BATTERY	
HYDRAULIC SCHEMATIC –		3-31	
MULTI-LEVEL DUMP MODEL	3-15	ELECTRICAL SCHEMATIC	
HYDRAULIC SYSTEM		(For machines below	
TROUBLESHOOTING	3-16	serial number 038000)	3-32
HYDRAULIC COMPONENTS		ELECTRICAL SCHEMATIC	
TROUBLESHOOTING	3-18	(For machines serial number	
		038000 and above)	3-33
		ELECTRICAL SCHEMATIC,	
		ACCESSORIES	3-34

	Page		Page
ELECTRICAL SCHEMATIC, AUTO		DEBRIS HOPPER	3-57
SHAKER, RFS	3-35	SIDE SQUEEGEE	3-58
BELTS AND CHAINS	3-37	TO REPLACE SIDE SQUEEGEE	
ENGINE FAN BELT	3-37	BLADE	3-58
GOVERNOR BELT (For machines		REAR SQUEEGEE	3-59
below serial number 038000)	3-37	TO REPLACE OR ROTATE	
STATIC DRAG CHAIN	3-37	REAR BLADE	3-59
DEBRIS HOPPER	3-38	TO REPLACE OR ROTATE	
HOPPER DUST FILTER	3-38	FRONT BLADE	3-60
TO REMOVE HOPPER DUST FILTER	3-38	TO CHECK AND ADJUST REAR	
TO INSTALL HOPPER DUST FILTER	3-39	SQUEEGEE	3-61
DEBRIS HOPPER	3-39	SNOW BROOM	3-63
TO ADJUST LOW DUMP		SNOW BROOM	3-63
MODEL HOPPER	3-39	TO REPLACE SNOW BROOM	3-63
TO ADJUST MULTI-LEVEL DUMP			
MODEL HOPPER	3-40	APPENDIX	4-1
THERMO SENTRY™	3-43	HARDWARE INFORMATION	4-3
BRUSHES	3-44	STANDARD BOLT TORQUE CHART	4-3
MAIN BRUSH	3-44	METRIC BOLT TORQUE CHART	4-3
TO REPLACE MAIN BRUSH	3-44	BOLT IDENTIFICATION	4-3
TO CHECK AND ADJUST		THREAD SEALANT AND LOCKING	
MAIN BRUSH PATTERN	3-45	COMPOUNDS	4-3
SIDE BRUSH		HYDRAULIC FITTING INFORMATION	4-4
3-46		HYDRAULIC TAPERED PIPE FITTING	
TO REPLACE SIDE BRUSH	3-47	(NPT) TORQUE CHART	4-4
SKIRTS AND SEALS	3-48	HYDRAULIC TAPERED SEAT FITTING	
HOPPER LIP SKIRTS	3-48	(JIC) TORQUE CHART	4-4
TO REPLACE HOPPER LIP SKIRTS	3-48	HYDRAULIC O-RING FITTING TORQUE	
BRUSH DOOR SKIRTS	3-48	CHART	4-4
TO REPLACE AND ADJUST			
BRUSH DOOR SKIRTS	3-49	LOW DUMP MODEL PARTS	5-1
REAR SKIRTS	3-49	ORDERING REPAIR PARTS	5-3
TO REPLACE AND ADJUST		Fig. 1 – Recommended General	
THE REAR SKIRTS	3-49	Maintenance Items	5-4
MAIN BRUSH DOOR SEALS	3-50	Fig. 2 – Replacement Brushes	5-6
HOPPER SEALS	3-50	Fig. 3 – Main Frame Group	5-8
HOPPER INSPECTION DOOR SEAL	3-50	Fig. 4 – Seat and Radiator Group	5-10
HOPPER DOOR SEALS	3-51	Fig. 5 – Seat Group, Distributorless (DIS)	5-12
HOPPER COVER SEAL	3-51	Fig. 6 – Radiator Group, Distributorless	
HOPPER VACUUM FAN SEAL	3-51	(DIS)	5-14
BRAKES AND TIRES	3-52	Fig. 7 – Engine Cover and Side	
SERVICE BRAKES	3-52	Door Group	5-16
TO ADJUST BRAKE LINKAGE	3-52	Fig. 8 – Hopper Group	5-18
PARKING BRAKES	3-52	Fig. 9 – Hopper Cover and Filter Group	5-20
TIRES	3-52	Fig. 10 – Hopper Lift Arms Group	5-22
SCRUB ATTACHMENT	3-53	Fig. 11 – Side Brush Group	5-24
SCRUB ATTACHMENT	3-53	Fig. 12 – Front Wheel and Brakes Group	5-26
SOLUTION TANKS	3-53	Fig. 13 – Steering Control Group	5-28
SOLUTION DISTRIBUTION SYSTEM	3-53	Fig. 14 – Rear Wheel Drive Group	5-30
SCRUB BRUSHES	3-53	Fig. 15 – Main Brush Drive Group	5-32
TO REPLACE SCRUB BRUSH	3-54	Fig. 16 – Main Brush Lift Group	5-33
TO CHECK AND ADJUST SCRUB		Fig. 17 – Access and Kick Panels Group	5-34
BRUSH PATTERN	3-54	Fig. 18 – Vacuum Fan Group	5-35
RECOVERY TANK	3-56	Fig. 19 – Instrument and Control	
TO DRAIN THE RECOVERY TANK	3-56	Panels Group	5-36
TO CLEAN THE RECOVERY TANK	3-56		

GENERAL INFORMATION

	Page		Page
Fig. 20 – Battery Group	5-37	Fig. 9 – Main Brush Lift Group, Multi–Level Dump	6-14
Fig. 21 – Wire Harnesses Group	5-38	Fig. 10 – Front Wheel and Brakes Group, Multi–Level Dump	6-15
Fig. 22 – Hydraulic Hoses Group	5-40	Fig. 11 – Hydraulic Hoses Group, Multi–Level Dump	6-16
Fig. 23 – Hydraulic Pumps Group	5-42	Fig. 12 – Hydraulic Control Valve Group, Multi–Level Dump	6-17
Fig. 24 – Hydraulic Reservoir Group	5-43	Fig. 13 – Wire Harnesses Group, Multi–Level Dump	6-18
Fig. 25 – Hydraulic Control Valve Group	5-44	ACCESSORIES	7-1
Fig. 26 – Hydraulic Solenoid Valve Group	5-45	ORDERING REPAIR PARTS	7-3
Fig. 27 – Hydraulic Filter Group	5-46	Fig. 1 – Cab Kit	7-4
Fig. 28 – Hydraulic Couplings Group	5-47	Fig. 2 – Snow Blade Kit	7-6
Fig. 29 – Engine Group	5-48	Fig. 3 – Snow Broom Kit	7-8
Fig. 30 – Engine Group, Distributorless (DIS)	5-50	Fig. 4 – Mount Frame Kit	7-10
Fig. 31 – Carburetor Group, Distributorless (DIS)	5-52	Fig. 5 – Tire Chain Kit	7-11
Fig. 32 – Fuel Tank Bumper Group, LPG	5-54	Fig. 6 – Front Wheel Assembly, Low Dump	7-11
Fig. 33 – Fuel Tank Bumper Group, Distributorless (DIS) LPG	5-56	Fig. 7 – Headlight, Taillight, and Spotlight Kit, Lintel	7-12
Fig. 34 – Sheaves and Belts Group	5-58	Fig. 8 – Revolving Light Kit, Overhead Guard	7-14
Fig. 35 – Carburetor Group, LPG	5-59	Fig. 9 – Flashing Light Kit, Overhead Guard	7-15
Fig. 36 – Carburetor Group, Distributorless (DIS) LPG	5-60	Fig. 10 – Revolving Light Kit, Shroud	7-16
Fig. 37 – Engine Fan and Alternator Group, Distributorless (DIS)	5-62	Fig. 11 – Flashing Light Kit, Shroud	7-17
Fig. 38 – Air Cleaner Group	5-63	Fig. 12 – Revolving Light Kit, Cab	7-18
Fig. 39 – Air Cleaner Group, Distributorless (DIS)	5-64	Fig. 13 – Flashing Light Kit, Cab	7-19
Fig. 40 – Directional Control Group	5-65	Fig. 14 – Rear Squeegee Group	7-20
Fig. 41 – Directional Control Group, Distributorless (DIS)	5-66	Fig. 15 – Side Squeegee Group	7-22
Fig. 42 – Flywheel Housing Group	5-68	Fig. 16 – Tire and Wheel Assembly	7-23
Fig. 43 – Flywheel Housing Group, Distributorless (DIS)	5-70	Fig. 17 – Front Wheel Assembly	7-23
Fig. 44 – Throttle Linkage Group	5-71	Fig. 18 – Scrub Brush Drive Group	7-24
Fig. 45 – Muffler Group	5-72	Fig. 19 – Solution Tanks Group	7-26
Fig. 46 – Muffler Group, Distributorless (DIS)	5-73	Fig. 20 – Recovery Tank Group	7-28
Fig. 47 – Fuel Tank Group	5-74	Fig. 21 – Scrub Attachment Cam Group	7-30
Fig. 48 – Labels Group	5-75	Fig. 22 – Main Scrubber Brush Group	7-31
MULTI–LEVEL DUMP MODEL PARTS	6-1	Fig. 23 – Instrument Panel Group	7-31
ORDERING REPAIR PARTS	6-3	Fig. 24 – Air Filter Safety Element Kit	7-32
Fig. 1 – Main Frame Group, Multi–Level Dump	6-4	Fig. 25 – Clogged Filter Indicator Kit	7-33
Fig. 2 – Hopper Door Assembly, Multi–Level Dump	6-5	Fig. 26 – Hopper Dolly Assembly	7-34
Fig. 3 – Hopper Group, Multi–Level Dump	6-6	Fig. 27 – Dry Battery Kit	7-35
Fig. 4 – Hopper Lift Arms Group, Multi–Level Dump	6-8	Fig. 28 – Vacuum Wand Kit, Low Dump	7-36
Fig. 5 – Hopper Cover and Filter Carrier Group, Multi–Level Dump	6-10	Fig. 29 – Vacuum Wand Group, Multi–level Dump	7-38
Fig. 6 – Hydraulic Lift Cylinder Group, Multi–Level Dump	6-11	Fig. 30 – Fuel Gauge Kit	7-40
Fig. 7 – Stabilizer Leg Group, Multi–Level Dump	6-12	Fig. 31 – Battery Hold Down Kit	7-41
Fig. 8 – Side Brush Group, Multi–Level Dump	6-13	Fig. 32 – Overhead Guard Kit	7-42
		Fig. 33 – Fire Extinguisher Kit	7-43
		Fig. 34 – Alternator Kit	7-43
		Fig. 35 – Suspension Seat Kit	7-44
		Fig. 36 – Spark Arresting Muffler Kit	7-44
		Fig. 37 – Hood Latch and Machine Tie–Down Kit	7-45

	Page
Fig. 38 – Protectoseal Fuel Tank Cap Kit ..	7-46
Fig. 39 – Fuel Tanks Group, LPG	7-46
Fig. 40 – Extra Reach Side Brush Group, Low Dump	7-47
Fig. 41 – Extra Reach Side Brush Group, Multi–Level Dump	7-48
Fig. 42 – Rear Wheel Assembly, Foam filled	7-49
Fig. 43 – Rear Wheel Assembly, Solid	7-49
Fig. 44 – Rear Wheel Assembly, Steelguard	7-50
Fig. 45 – Heavy Duty Radiator Group	7-51
Fig. 46 – Maximum Path Side Brush Group	7-52
Fig. 47 – Hopper and Cover Group, RFS ..	7-54
Fig. 48 – Filter and Shaker Group, RFS ...	7-56
Fig. 49 – Vacuum System Group, RFS	7-58
Fig. 50 – Electrical and Hydraulic Group, RFS	7-60
Fig. 51 – Switch and Circuit Group, RFS ..	7-62
Fig. 52 – Wire Harnesses Group, RFS	7-63
HYDRAULIC COMPONENTS	8-1
ORDERING REPAIR PARTS	8-3
Fig. 1 – Hydraulic Piston Pump Breakdown 02703	8-4
Fig. 2 – Pump Hydraulic Gear Breakdown 82205	8-6
Fig. 3 – Hydraulic Motor Breakdown 02641	8-7
Fig. 4 – Hydraulic Motor Breakdown 13106	8-8
Fig. 5 – Hydraulic Motor Breakdown 27800	8-9
Fig. 6 – Hydraulic Motor Breakdown 13105	8-10
Fig. 7 – Hydraulic Motor Breakdown 28808	8-11
Fig. 8 – Hydraulic Motor Breakdown 77101	8-12
Fig. 9 – Hydraulic Motor Breakdown 27796	8-13
Fig. 10 – Hydraulic Motor Breakdown 27787	8-14
Fig. 11 – Hydraulic Valve Breakdown 62550	8-15
Fig. 12 – Hydraulic Valve Breakdown 34319	8-16
Fig. 13 – Hydraulic Solenoid Valve Breakdown 82754	8-17
Fig. 14 – Hydraulic Cylinder Breakdown 04468	8-18
Fig. 15 – Hydraulic Cylinder Breakdown 82757	8-19
Fig. 16 – Hydraulic Cylinder Breakdown 04471	8-20

	Page
ENGINE PARTS, GASOLINE, LPG	9-1
ORDERING REPAIR PARTS	9-3
Fig. 1 – Cylinder Head Group	9-4
Fig. 2 – Cylinder Block Group	9-6
Fig. 3 – Camshaft Group	9-8
Fig. 4 – Crankshaft and Piston Group	9-10
Fig. 5 – Oil Pump and Oil Pan Group	9-12
Fig. 6 – Intake and Exhaust Manifold Group	9-14
Fig. 7 – Front Cover Group	9-15
Fig. 8 – Water Pump Group	9-16
Fig. 9 – Distributor Group	9-18
Fig. 10 – Gaskets Group	9-20
Fig. 11 – Flywheel Group	9-22
ENGINE PARTS, DIS, GASOLINE, LPG	10-1
ORDERING REPAIR PARTS	10-3
Fig. 1 – Cylinder Head, Valves Group	10-4
Fig. 2 – Cylinder Block Group	10-6
Fig. 3 – Camshaft and Valve Control Group	10-8
Fig. 4 – Crankshaft and Piston Group	10-10
Fig. 5 – Oil Pump and Oil Pan Group	10-12
Fig. 6 – Intake Manifold Group	10-14
Fig. 7 – Front Cover Assembly Group	10-15
Fig. 8 – Water Pump Group	10-16
Fig. 9 – Distributorless Ignition Group	10-17
Fig. 10 – Gaskets Group	10-18
Fig. 11 – Flywheel Group	10-19
CROSS REFERENCE	11-1
PART NUMBER TO PAGE NUMBER CROSS REFERENCE LIST	11-3
CUSTOMER DOCUMENTS	12-1
TENNANT COMPANY LIMITED WARRANTY	12-3
TENNANT COMPANY, TENNANT COMPANY SUBSIDIARIES, AND MAJOR PARTS AND SERVICE LOCATIONS DIRECTORY	12-5

SECTION 1**CONTENTS**

	Page
MACHINE SPECIFICATIONS	1-3
POWER TYPE	1-3
POWER TRAIN	1-3
STEERING	1-3
HYDRAULIC SYSTEM	1-3
BRAKING SYSTEM	1-4
SUSPENSION SYSTEM	1-4
SYSTEM FLUID CAPACITIES	1-4
GENERAL MACHINE	
DIMENSIONS/CAPACITIES	1-4
MACHINE WEIGHTS	1-4
GENERAL MACHINE PERFORMANCE	1-4
MACHINE DIMENSIONS	1-5

MACHINE SPECIFICATIONS

POWER TYPE

Engine for machines below serial number 038000.
 Type – piston
 Ignition – breakerless–type spark
 Cycle – 4
 Aspiration – natural
 Cylinders – 4
 Bore – 2.91 in (74 mm)
 Stroke – 2.56 in (65 mm)
 Displacement – 67 cu in (1100 cc)
 Net power – 25 hp (18.6 kw) @ 2200 rpm,
 governed
 Net power – 31 hp (23.1 kw) @ 2650 rpm,
 governed
 Net power – 44.6 hp (32.3 kw) @ 3600 rpm,
 maximum
 Fuel – gasoline, 87 octane minimum, unleaded or
 LPG
 Cooling system – water/ethylene glycol antifreeze
 Electrical system – 12 V nominal, 37 A alternator

Engine for machines serial number 038000 and
 above.
 Type – piston
 Ignition – breakerless–type spark
 Cycle – 4
 Aspiration – natural
 Cylinders – 4
 Bore – 2.70 in (69 mm)
 Stroke – 2.97 in (76 mm)
 Displacement – 67 cu in (1100 cc)
 Net power – 25 hp (18.6 kw) @ 2200 rpm,
 governed
 Net power – 31 hp (23.1 kw) @ 2650 rpm,
 governed
 Net power – 44.6 hp (32.3 kw) @ 3600 rpm,
 maximum
 Fuel – gasoline, 87 octane minimum, unleaded or
 LPG
 Cooling system – water/ethylene glycol antifreeze
 Electrical system – 12 V nominal, 37 A alternator

POWER TRAIN

Propelling – hydraulic drive motor, rear wheel
 Main brush – hydraulic drive motor
 Side brush – hydraulic drive motor
 Vacuum fan – hydraulic drive motor

STEERING

Type – rear wheel controlled, automotive worm and
 sector gear
 Power source – manual

HYDRAULIC SYSTEM

Function – operates propelling, hopper lift, hopper
 dump, main brush drive, side brush drive, and
 vacuum fan drive.
 Control valve, low dump model, side brush drive,
 hopper lift – open center type, single spool.
 Control valve, multi–level dump model, side brush
 drive, hopper lift, hopper dump – open center
 type, two spool.
 Control valve, vacuum fan drive, main brush drive –
 open center type, single spool, solenoid
 operated.
 Pump, propelling – variable displacement piston
 type, 1.24 cu in (20 cc) maximum displacement
 per revolution,
 11.8 gpm (45 L/min) @ 2200 rpm,
 14.2 gpm (54 L/min) @ 2650 rpm
 Propelling system relief pressure – 2750 psi
 (18,960 kPa)
 Pump, accessories – gear type,
 1.02 cu in (14 cc) displacement,
 9.5 gpm (36 L/min) @ 2200 rpm,
 12.3 gpm (47 L/min) @ 2650 rpm.
 Side brush and lift cylinder system relief
 pressure – 1900 psi (13,100 kPa)
 Vacuum fan and main brush motor system relief
 pressure – 2150 psi (14,825 kPa)
 Motor, propelling – internal gear type,
 18.6 cu in (305 cc) displacement per revolution,
 4500 psi (31,030 kPa) maximum rated
 pressure.
 Motor, main brush – internal gear type,
 4.5 cu in (75 cc) displacement per revolution,
 2500 psi (17,240 kPa) maximum rated pressure
 Motor, side brush – internal gear type,
 2.8 cu in (45 cc) displacement per revolution,
 1500 psi (10,340 kPa) maximum rated pressure
 Motor, vacuum fan – external gear type,
 0.26 cu in (5 cc) displacement per revolution,
 3000 psi (20,685 kPa) maximum rated
 pressure

SPECIFICATIONS

Cylinder, hopper lift, low dump model – single action type, 2.5 in (65 mm) bore x 6 in (150 mm) stroke, 1.12 in (29 mm) diameter rod, 2500 psi (17,240 kPa) maximum rated pressure

Cylinder, hopper lift, multi-level dump model – single action type, 3.5 in (90 mm) bore x 8 in (205 mm) stroke, 1.25 in (32 mm) diameter rod, 2500 psi (17,240 kPa) maximum rated pressure

Cylinder, hopper dump, multi-level dump model – double action type, 2 in (50 mm) bore x 5.38 in (135 mm) stroke, 1 in (25 mm) diameter rod, 2500 psi (17,240 kPa) maximum rated pressure

BRAKING SYSTEM

Service brakes – mechanical drum brakes (2), one per front wheel, linkage actuated

Parking brakes – utilize service brakes, linkage actuated

SUSPENSION SYSTEM

Front, low dump model – two 4 x 16 semi-pneumatic tires

Front, multi-level dump model – two 4 x 16 solid tires

Rear – one 5.70 x 8 pneumatic tire

Rear – one 5.00 x 8 solid tire accessory

SYSTEM FLUID CAPACITIES

Engine cooling system, radiator – 4 qt (3.8 L)

Engine cooling system, total – 16 qt (15 L)

Engine lubricating oil – 3.5 qt (3.3 L) with filter

Fuel tank, gasoline – 7.8 gal (30 L)

Fuel tank, LPG – 33 lb (15 kg)

Hydraulic system, reservoir – 5 gal (19 L)

Hydraulic system, total – 6.3 gal (24 L)

GENERAL MACHINE DIMENSIONS/CAPACITIES

Length, low dump model – 96 in (2440 mm)

Length, multi-level dump model – 98 in (2490 mm)

Width, low dump model – 56 in (1420 mm)

Width, multi-level dump model – 59 in (1500 mm)

Height – 52 in (1320 mm)

Height with overhead guard – 79 in (2005 mm)

Height with overhead guard and hazard lamp – 85 in (2160 mm)

Height with cab – 77 in (1955 mm)

Height with cab and hazard lamp – 83 in (2110 mm)

Track – 46 in (1170 mm)

Wheelbase – 38 in (965 mm)

Main brush diameter – 14 in (355 mm)

Main brush length – 42 in (1065 mm)

Side brush diameter – 21 in (535 mm)

Sweeping path width – 42 in (1065 mm)

Sweeping path width with side brush – 53 in (1345 mm)

Hopper capacity – 1000 lb (455 kg)

Hopper capacity – 14 cu ft (0.4 m³)

Dust filter area – 110 sq ft (10.2 m²)

MACHINE WEIGHTS

Net weight, low dump model – 2150 lb (975 kg)

Net weight, multi-level dump model – 2800 lb (1270 kg)

GVWR, low dump model – 3200 lb (1450 kg)

GVWR, multi-level dump model – 3800 lb (1725 kg)

GENERAL MACHINE PERFORMANCE

Maximum forward speed – 8.5 mph (13.7 km/h)

Maximum reverse speed – 4.2 mph (6.8 km/h)

Minimum isle turn width, right, low dump model – 154 in (3910 mm)

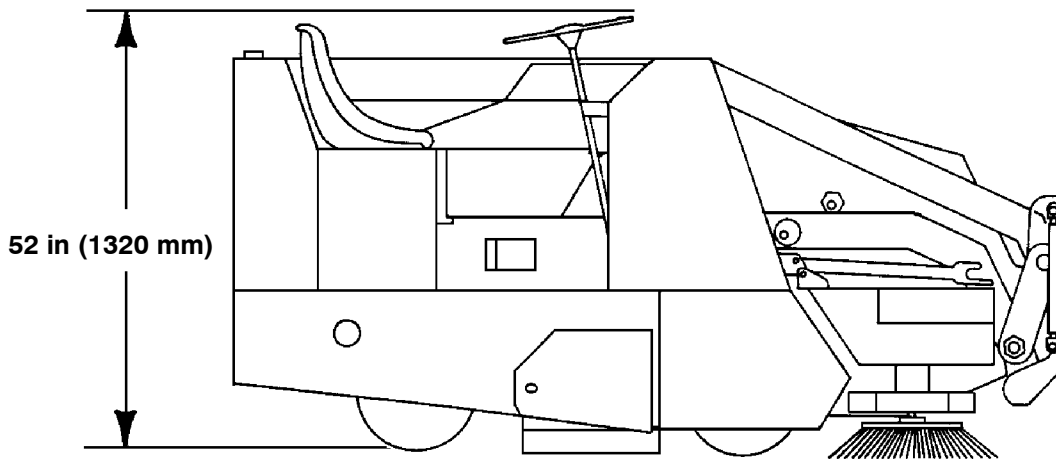
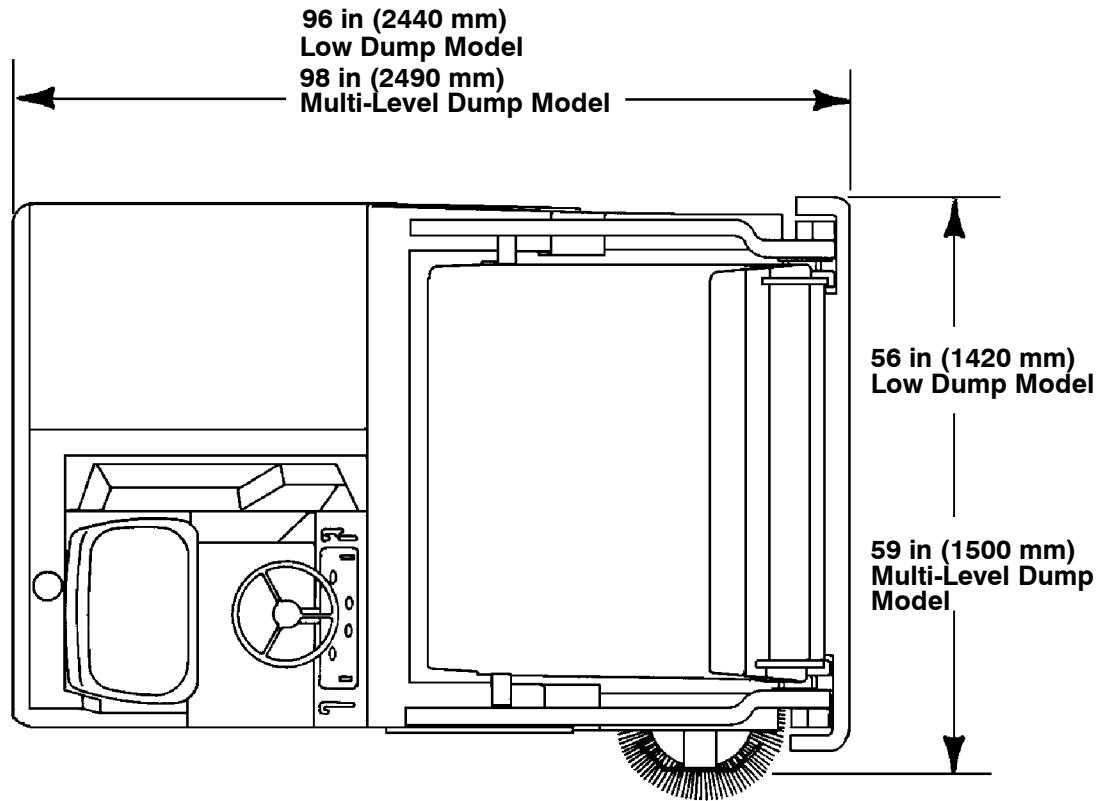
Minimum isle turn width, left, low dump model – 101 in (2565 mm)

Minimum isle turn width, right, multi-level dump model – 161 in (4090 mm)

Minimum isle turn width, left, multi-level dump model – 111 in (2820 mm)

Maximum rated climb/descent angle – 10° with full hopper, 15° with an empty hopper

MACHINE DIMENSIONS



02452

SECTION 2

CONTENTS

	Page		Page
PREPARATION FOR OPERATION	2-3	POST OPERATION CHECKLIST –	
AFTER UNLOADING AND BEFORE		ENGINE OPERATING	2-16
OPERATING THE MACHINE:	2-3	TO STOP MACHINE	2-16
OPERATION OF CONTROLS	2-4	POST OPERATION CHECKLIST –	
MACHINE COMPONENTS –		ENGINE STOPPED	2-16
MULTI-LEVEL DUMP		NORMAL SCRUBBING OPERATION	2-16
MODEL SHOWN	2-4	PRE-START CHECKLIST	2-16
INSTRUMENT PANEL SYMBOLS	2-5	TO START MACHINE	2-17
CONTROLS AND INSTRUMENTS	2-7	TO SCRUB	2-17
BRAKE PEDAL	2-8	TO DRAIN RECOVERY TANK AND	
DIRECTIONAL PEDAL	2-8	EMPTY DEBRIS HOPPER	2-18
PARKING BRAKE LEVER	2-8	POST OPERATION CHECKLIST –	
OPERATOR SEAT	2-8	ENGINE OPERATING	2-18
SQUEEGEE SWITCH	2-8	TO STOP MACHINE	2-19
WATER VALVE SWITCH	2-8	POST OPERATION CHECKLIST –	
FUEL LEVEL GAUGE	2-8	ENGINE STOPPED	2-19
THROTTLE LEVER	2-8	DOUBLE SCRUBBING OPERATION	2-19
THROTTLE SWITCH	2-9	OPERATION ON GRADES	2-19
HAZARD LIGHT SWITCH	2-9	VACUUM WAND	2-19
DRIVE LIGHTS SWITCH	2-9	TO OPERATE VACUUM WAND	2-19
ENGINE CHOKE KNOB	2-9	HOPPER DOLLY	2-21
HOPPER DUMP LEVER	2-9	TO REMOVE HOPPER WITH DOLLY ...	2-21
HOPPER LIFT AND		TO INSTALL HOPPER WITH DOLLY ...	2-22
SIDE BRUSH LEVER	2-9	SCRUB ATTACHMENT	2-22
MAIN BRUSH POSITION LEVER	2-10	TO MOUNT SCRUB ATTACHMENT ...	2-22
STEERING WHEEL	2-10	TO REMOVE SCRUB ATTACHMENT ...	2-25
MAIN BRUSH, VACUUM FAN AND		SNOW BLADE	2-27
FILTER SHAKER SWITCH	2-10	TO INSTALL SNOW BLADE	2-27
MAIN BRUSH HEIGHT ADJUSTMENT		TO OPERATE SNOW BLADE	2-28
KNOB	2-10	TO REMOVE SNOW BLADE	2-29
ENGINE HOUR METER	2-10	SNOW BROOM	2-29
ENGINE COOLANT TEMPERATURE		TO INSTALL SNOW BROOM	
GAUGE	2-11	ASSEMBLY	2-29
ENGINE OIL PRESSURE GAUGE	2-11	TO OPERATE SNOW BROOM	2-31
BATTERY CONDITION GAUGE	2-11	TO REMOVE SNOW BROOM	
CLOGGED FILTER LAMP	2-11	ASSEMBLY	2-32
IGNITION SWITCH	2-11	MACHINE TROUBLESHOOTING –	
SIDE BRUSH POSITION LEVER	2-11	SWEEPING	2-33
HOPPER SUPPORT BAR	2-11	MACHINE TROUBLESHOOTING –	
TO ENGAGE HOPPER		SCRUBBING	2-34
SUPPORT BAR	2-11	TRANSPORTING MACHINE	2-35
TO DISENGAGE HOPPER		PUSHING OR TOWING MACHINE	2-35
SUPPORT BAR	2-12	MACHINE JACKING	2-35
SCRUB BRUSH POSITION LEVER	2-13	TO JACK UP MACHINE	2-35
SOLUTION FLOW KNOB	2-13	MACHINE TIE-DOWNS	2-36
CIRCUIT BREAKERS	2-13	MACHINE STORAGE	2-37
MACHINE OPERATION	2-14	STORING MACHINE	2-37
NORMAL SWEEPING OPERATION	2-14		
PRE-START CHECKLIST	2-14		
TO START MACHINE	2-14		
TO SWEEP	2-15		
TO DUMP HOPPER	2-15		

PREPARATION FOR OPERATION

AFTER UNLOADING AND BEFORE OPERATING THE MACHINE:

1. Check the machine for shipping damage.
2. Read this manual carefully before operating or servicing the machine.

FOR SAFETY: Do not operate the machine unless operation manual is read and understood.

3. Check the hydraulic fluid level in the hydraulic fluid reservoir, using the dipstick provided. TENNANT® hydraulic fluid is recommended. If TENNANT® hydraulic fluid is not available, use only new, approved hydraulic fluid. See *HYDRAULICS* in the *MAINTENANCE* section.
4. Check the engine oil level.
5. Check the radiator coolant level.



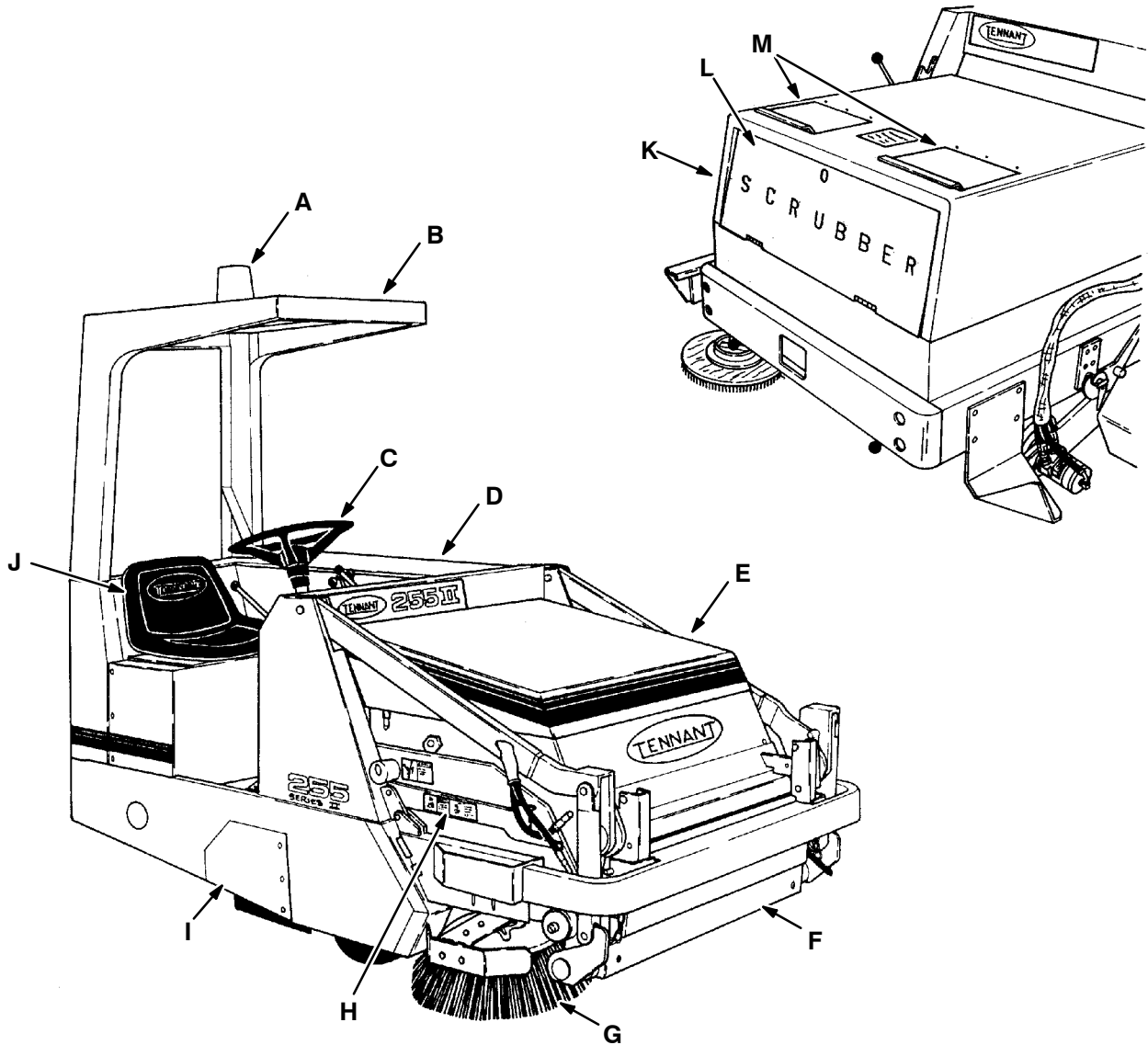
WARNING: Hot engine coolant. Scalding can result. Do not open radiator cap or service cooling system until radiator and engine is cool to the touch.

6. Check the main brush adjustment, as described in *BRUSHES* in the *MAINTENANCE* section.
7. Check the air pressure of the rear tire.
8. Fill the fuel tank, or install an LPG fuel tank on the machine.



WARNING: Machine can have static electricity charge. When pouring fuel, spark can ignite fuel causing fire or explosion. Connect wire attached to fuel can to machine to discharge spark before pouring fuel.

OPERATION OF CONTROLS



MACHINE COMPONENTS – MULTI-LEVEL DUMP MODEL SHOWN

- | | |
|--------------------------|----------------------------------|
| A. Hazard Light | H. Hopper Support Bar |
| B. Overhead Guard | I. Main Brush Access Door |
| C. Steering Wheel | J. Operator Seat |
| D. Engine Cover | K. Scrub Attachment |
| E. Hopper Cover | L. Front Access Door |
| F. Hopper Door | M. Solution Tank Covers |
| G. Side Brush | |

02746
02453

INSTRUMENT PANEL SYMBOLS

The symbols are used to identify controls and displays on the machine:



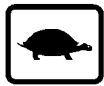
Squeegee Up



Squeegee Down



Solution Flow



Idle



Fast 1



Fast 2



Engine Start



Hopper Roll Out



Hopper Roll In/Out Hold



Hopper Roll In



Side Brush On



Hopper Up



Hopper Down



Hopper Hold



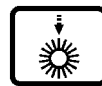
Headlights



Hazard Light



Main Brush Free-Float



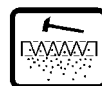
Main Brush Down



Main Brush Up



Main Brush On



Filter Shaker



Filter Clogged



Key Switch



Side Brush Down



Side Brush Up

OPERATION

INSTRUMENT PANEL SYMBOLS (cont.)



Circuit Breaker 1



Circuit Breaker 2



Circuit Breaker 3



Circuit Breaker 4



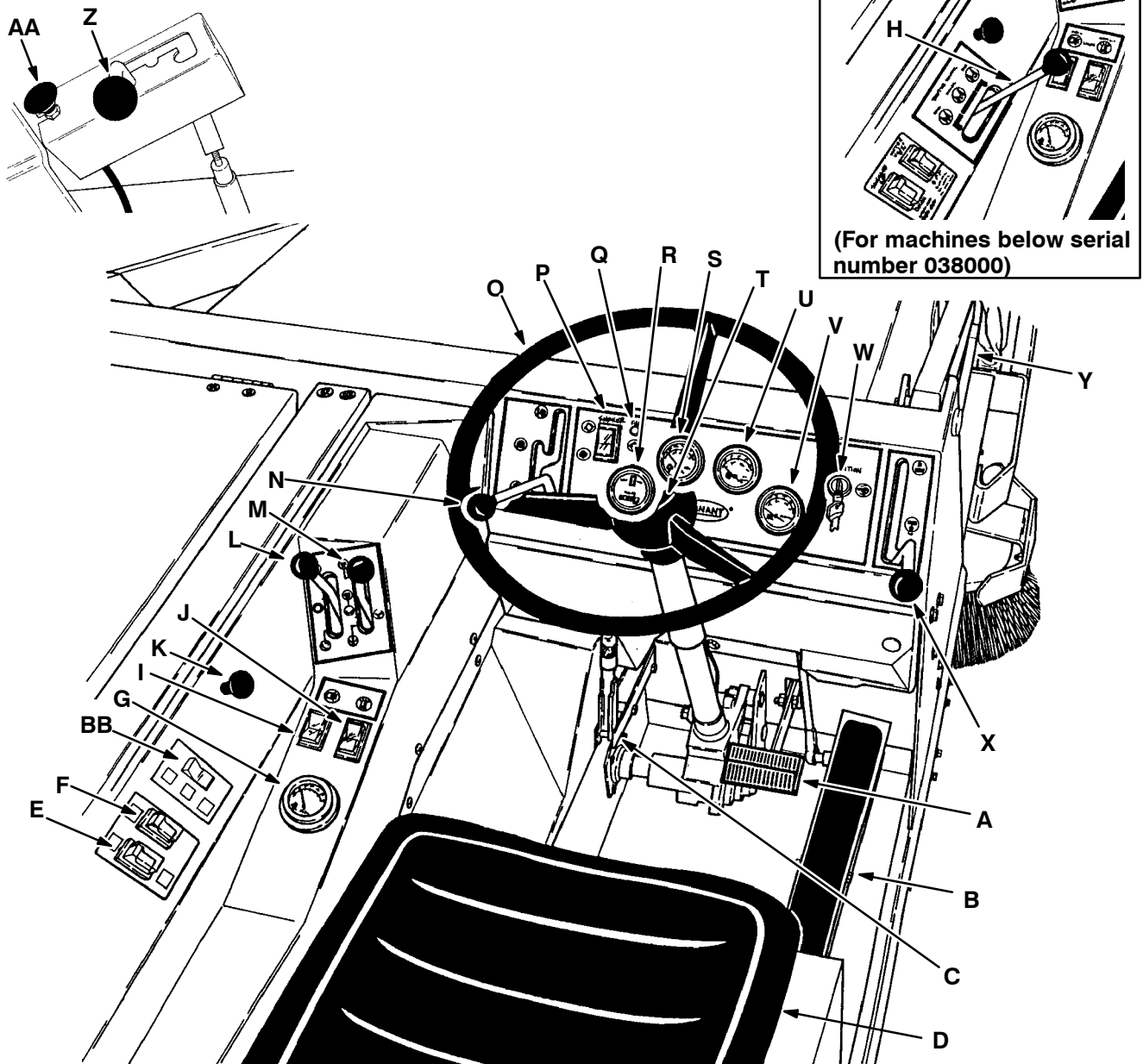
Circuit Breaker 5



Circuit Breaker 6



Circuit Breaker 7



(For machines below serial number 038000)

CONTROLS AND INSTRUMENTS

- | | |
|--|---|
| <ul style="list-style-type: none"> A. Brake Pedal B. Directional Pedal C. Parking Brake Lever D. Operator Seat E. Squeegee Switch F. Water Valve Switch G. Fuel Level Gauge H. Throttle Lever I. Hazard Light Switch J. Drive Light Switch K. Engine Choke Knob L. Hopper Dump Lever M. Hopper Lift and Side Brush Lever N. Main Brush Position Lever O. Steering Wheel | <ul style="list-style-type: none"> P. Main Brush, Vacuum Fan And Shaker Switch Q. Clogged Filter Lamp R. Engine Hour Meter S. Engine Coolant Temperature Gauge T. Horn Button U. Engine Oil Pressure Gauge V. Battery Condition Gauge W. Ignition Switch X. Side Brush Position Lever Y. Hopper Support Bar Z. Scrub Brush Position Lever AA. Solution Flow Knob BB. Throttle Switch |
|--|---|

02747
04636

OPERATION

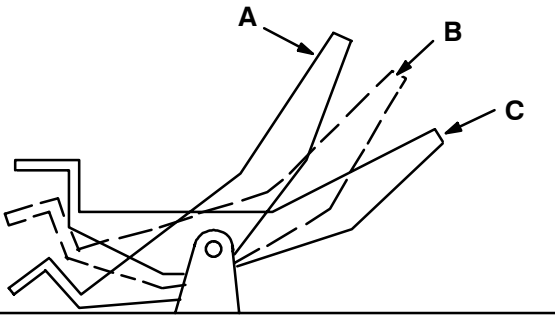
BRAKE PEDAL

The brake pedal operates the mechanical drum brakes on the two front wheels.

To stop the machine, return the directional pedal to neutral; then apply pressure to the brake pedal.

DIRECTIONAL PEDAL

The directional pedal controls the propelling drive. It is used to select the direction of travel and the propelling speed of the machine.



DIRECTIONAL PEDAL

- A. "Reverse" Position
- B. "Neutral" Position
- C. "Forward" Position

00116

To travel forward, press the "toe" portion of the pedal; to travel backward, press the "heel" portion of the pedal. The propelling speed of the machine is regulated by varying the pressure on the pedal.

PARKING BRAKE LEVER



The parking brake lever operates the front wheel brakes. To engage the parking brake, push the parking brake handle down. To disengage the parking brake, pull the brake handle up. Always park on a level surface, stop the engine, and engage the parking brake before leaving the machine unattended and before working on the machine.

OPERATOR SEAT


The operator seat is of a fixed back style with a forward-backward adjustment. To adjust the seat, remove the seat mounting bolts, slide the seat to the position desired, and reinstall and tighten the bolts. The operator seat also tilts forward to allow access to the fuel tank.

SQUEEGEE SWITCH

The squeegee switch is present on machines equipped with the rear squeegee or scrub attachment accessories. The switch controls the position of the rear squeegee.

To raise the rear squeegee, place the switch in the top  (Squeegee Up) position. To lower the rear squeegee, place the switch in the bottom  (Squeegee Down) position.

WATER VALVE SWITCH

The water valve switch  is present on machines equipped with the scrub attachment accessory. The switch controls solution flow to the floor. The solution flow knob mounted on the scrub attachment controls the solution flow rate to the floor.


To start the solution flow to the floor from the scrub attachment tank, place the switch into the top position. To stop the solution flow to the floor, place the switch into the bottom position.


FUEL LEVEL GAUGE


The fuel level gauge is present on machines with the fuel level gauge accessory. It indicates how much fuel is left in the fuel tank. Machines without the instrument panel mounted gauge have a mechanical gauge built into the fuel tank cap.

THROTTLE LEVER

The throttle lever controls the engine governed speed on machines below serial number 038000.

When starting the engine and to slow the engine speed to idle, push the lever to the right into the  (Idle) position.


To pick up normal debris, speed the engine to the normal governed speed by pulling the lever into the middle  (Fast 1) position.


To pick up light litter, speed the engine to the maximum governed speed by pulling the lever to the left into the  (Fast 2) position.


THROTTLE SWITCH

The throttle switch controls engine governed speed on machines serial number 038000 and above.


When starting the engine and to slow the engine speed to idle, place the switch in the top

 (Engine Start) position.

To pick up normal debris, speed the engine to the normal governed speed by placing the switch in the bottom  (Fast 1) position.

To pick up light litter, speed the engine to the maximum governed speed by placing the switch in the middle  (Fast 2) position.

HAZARD LIGHT SWITCH

The hazard light switch  is present on machines with rotating or flashing light accessory. To operate the light, place the switch in the top position. To turn off the light, place the switch in the bottom position.

DRIVE LIGHTS SWITCH

The drive lights switch is present on machines with the operating lights accessory. The switch controls the headlights, taillights, and side brush spot light. To operate the lights, place the switch in the top position. To turn off the lights, place the switch in the bottom position.

ENGINE CHOKE KNOB


The engine choke knob controls the engine choke on gasoline powered machines.


To close the choke for cold starting, pull the choke knob out.


To open the choke, push the knob in.

HOPPER DUMP LEVER

The hopper dump lever is present on multi-level dump model machines. The lever controls the rotation of the hopper into the dump position.


To dump the hopper, raise the hopper to the desired height with the hopper lift and side brush lever. Then push the hopper dump lever forward into the  (Hopper Roll Out) position.


To hold the hopper in the (Hopper Roll Out) position, pull the lever back and release it in the  (Hopper In/Out Hold) position.


To return the hopper to the operating position, pull the hopper dump lever back into the  (Hopper Roll In) position, then release the lever into the (Hopper In/Out Hold) position. Lower the hopper with the hopper lift and side brush lever.


HOPPER LIFT AND SIDE BRUSH LEVER


The hopper lift and side brush lever controls the hopper lift height and side brush rotation.



To lift the hopper, pull the lever back into the  (Hopper Up) position until the hopper reaches the desired lift height. Be sure adequate vertical clearance is available before lifting the hopper.

 **WARNING: Machine hopper lifts to 108 in (2745 mm) when high dumping. Hopper can hit overhead wires or object. Electrical shock or falling debris can result. Be sure adequate clearance is available before raising hopper.**

To hold the hopper up, pull the lever all the way back into the  (Hopper Hold) position. Do not rely on the hydraulic system to keep the hopper raised if work is to be done on the machine. Always engage the hopper support bar.

 **WARNING: Falling hopper. Engage hopper support bar before working under hopper.**


To lower the hopper, push the lever into the  (Hopper Down) position.


To the start the side brush rotation, push the lever into the  (Side Brush On) position. To stop the side brush rotation, pull the lever into the  (Hopper Down) position.


OPERATION

MAIN BRUSH POSITION LEVER

The main brush position lever controls the position of the main brush. There are two positions in which the main brush may be operated. The positions are normal and free-float. The normal sweeping position is used for most sweeping conditions. Operating in the normal position will extend main brush life. The free-float position is used when sweeping extremely uneven areas. The free-float position allows the main brush to follow the uneven surfaces more closely.

To lower the main brush for normal sweeping conditions, pull the lever back and to the left into the  (Main Brush Down) position.

To lower the main brush for sweeping extremely uneven surfaces, pull the lever back and to the right into the  (Main Brush Free Float) position.

To raise the main brush, pull the lever all the way back and to the right into the  (Main Brush Up) position.

NOTE: Always raise the main brush when the machine is not being operated for a period of time to prevent the main brush from taking a set.


STEERING WHEEL


The steering wheel controls the rear wheel through an arm and tie rod. The machine is very responsive to steering wheel movements. Use care until you become more experienced in guiding the machine.

A horn button is located in the center of the steering wheel.

MAIN BRUSH, VACUUM FAN AND FILTER SHAKER SWITCH

The main brush, vacuum fan, and filter shaker switch controls the main brush rotation, the vacuum fan, and filter shaker motor. The switch also controls the scrub brush rotation when the machine is equipped with the scrub attachment, and the snow broom rotation when the machine is equipped with the snow broom accessory.

To start the main brush rotation and turn on the vacuum fan, place the switch in the bottom  (Main Brush On) position. To stop the main brush rotation and shut off the vacuum fan, return the switch to the middle position.

To operate the filter shaker, press and hold the top of the switch in the  (Filter Shaker) position. Hold the switch down for 10 to

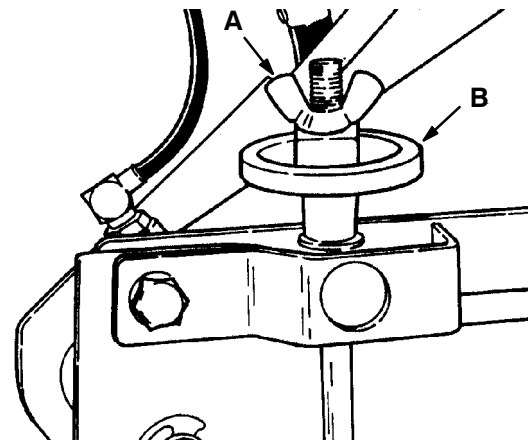
15 seconds. Machines equipped with the clogged filter indicator accessory have a timer that will automatically operate the shaker motor for 15 seconds when the switch has been pressed.

MAIN BRUSH HEIGHT ADJUSTMENT KNOB

The main brush height adjustment knob is located behind an access door next to the operator's left foot. It limits how close to the ground the main brush will operate when the main brush position lever is in the (Main Brush Down) position.

To raise the main brush and reduce the main brush floor contact, loosen the wing nut and thread the knob clockwise.

To lower the main brush and increase main brush floor contact, loosen the locking knob and thread the knob counterclockwise. Retighten the wing nut after making any adjustment.



00563
MAIN BRUSH HEIGHT ADJUSTMENT KNOB

- A. Wing Nut**
- B. Adjustment Knob**

ENGINE HOUR METER

The engine hour meter records the number of hours the machine has been operated. This information is useful in determining when to service the machine.

ENGINE COOLANT TEMPERATURE GAUGE

The engine coolant temperature gauge registers the engine coolant temperature. Normal engine coolant temperatures range up to 200° F (93° C). Temperatures above this level indicate an over-heating engine. This condition may arise due to a low coolant level, a clogged radiator, a loose fan belt, a defective thermostat, or other engine malfunctions. Engine over-heating will always cause a coolant loss. If coolant loss does not occur, check for malfunction of the temperature sending unit.


ENGINE OIL PRESSURE GAUGE

The engine oil pressure gauge registers the engine oil pressure. Normal engine oil pressure ranges from 25 to 45 psi (170 to 310 kPa) at full engine throttle. If the gauge registers an oil pressure reading below this range, stop the engine immediately and determine the cause. Failure to stop the engine will result in engine damage.


BATTERY CONDITION GAUGE

The battery condition gauge indicates the present voltage potential of the battery when engine is not operating. Normal battery voltage is 10 to 14 volts. When the engine is operating, the gauge registers alternator output voltage. If the voltage exceeds 14 volts, it may be overcharging. If the voltage falls below 10 volts, it may not be accepting or getting a charge from the alternator. Overcharging and undercharging are indications that one or more electrical components are in need of repair.

CLOGGED FILTER LAMP

The clogged filter lamp  is present on machines with the clogged filter indicator accessory. The lamp lights when the hopper dust filter is clogged. To unclog the filter, shake it with the filter shaker; see Main Brush, Vacuum Fan, and Filter Shaker Switch. If the filter shaker does not clean the filter enough to turn the lamp off, clean the filter as described in *HOPPER DUST FILTER* in the *MAINTENANCE* section.

IGNITION SWITCH

The key-operated ignition switch  starts the engine. To start the engine, turn the key clockwise. To turn the ignition off, turn the key counter-clockwise.



NOTE: Do not operate the starter motor for more than 10 seconds at a time or after the engine has started. Allow the starter to cool between starting attempts. The starter may be damaged if it is operated

incorrectly.

FOR SAFETY: Before starting machine make sure all safety devices are in place and operate properly.

SIDE BRUSH POSITION LEVER

The side position lever controls the position of the side brush.

To lower the side brush, pull the lever back and to the left into the  (Side Brush Down) position. To raise the side brush, pull the level back and to the right into the  (Side Brush Up) position.

NOTE: Always raise the side brush when the machine is not being operated for a period of time to prevent the side brush from taking a set.

HOPPER SUPPORT BAR

The hopper support bar is located on the operator's side of the hopper. It holds the hopper in a raised position to allow work to be done under the hopper. Do not rely on the machine hydraulic system to keep the hopper raised.



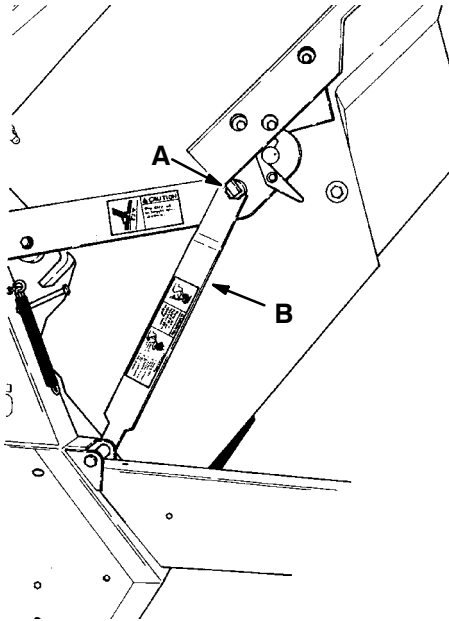
WARNING: Falling hopper. Engage hopper support bar before working under hopper.

TO ENGAGE HOPPER SUPPORT BAR

1. Set the machine parking brake and start the engine.

FOR SAFETY: Before leaving or servicing machine; stop on level surface, set parking brake, and turn off machine.

2. Raise the hopper to the fully raised position.
3. Lift and position the hopper support bar under the hopper lift arm pin on low dump models, or hopper lift arm cam on multi-level dump models.

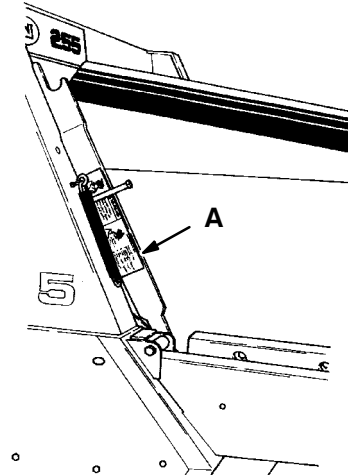


02488
ENGAGED HOPPER SUPPORT BAR – LOW DUMP MODEL

- A. Lift Arm Pin
- B. Support Bar

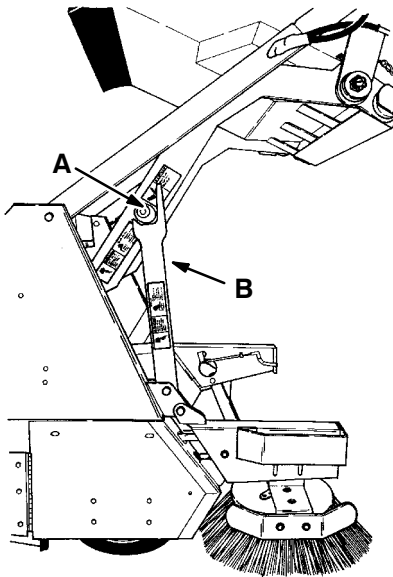
TO DISENGAGE HOPPER SUPPORT BAR

1. Start the engine.
2. Raise the hopper to the fully raised position.
3. Place the support bar in its storage position.



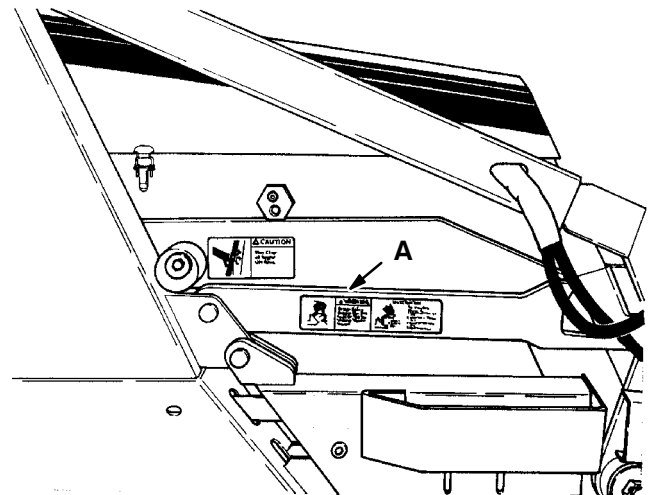
02489
DISENGAGED HOPPER SUPPORT BAR – LOW DUMP MODEL

- A. Support Bar



02467
ENGAGED HOPPER SUPPORT BAR – MULTI-LEVEL DUMP MODEL

- A. Lift Arm Cam
- B. Support Bar



02450
DISENGAGED HOPPER SUPPORT BAR – MULTI-LEVEL DUMP MODEL

- A. Support Bar

4. Slowly lower the hopper so the lift arm pin or cam rests on the support bar.
5. Turn the engine off.
6. Check the support bar to make sure it is securely engaged.

4. Lower the hopper.
5. Turn the engine off.

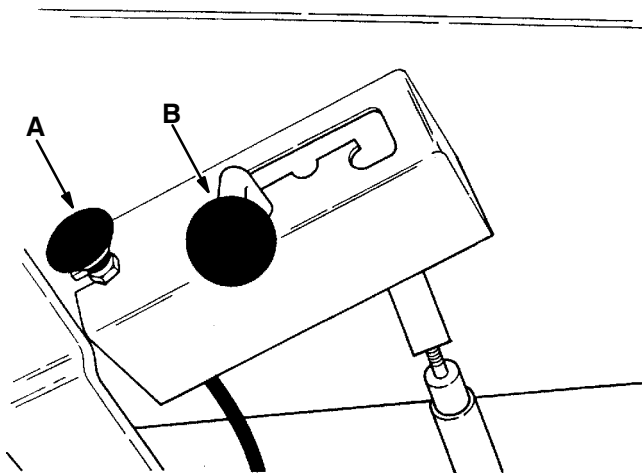
SCRUB BRUSH POSITION LEVER

The scrub brush position lever is located on the right side of the scrub attachment. The lever controls the position of the scrub brush.

The scrub brush may be positioned in either the raised, normal, or restricted down positions. The raised position is used when the scrub attachment is not in use. The normal position is for general scrubbing. The restricted down position is used to remove compacted soilage.

To raise the scrub brush, pull the lever back and to the right into the raised position.

To lower the scrub brush, pull the lever back and lower it into the normal position or push it forward into the restricted down position.



SCRUB BRUSH POSITION LEVER

02747

- A. Solution Flow Knob**
- B. Lever – Raised Position**

SOLUTION FLOW KNOB

The solution flow knob controls the solution flow rate to the floor. The solution flow switch is used to start and stop solution flow.

To increase solution flow, pull the knob out. To decrease solution flow, push the knob in. Pushing the knob all of the way in will stop solution flow.

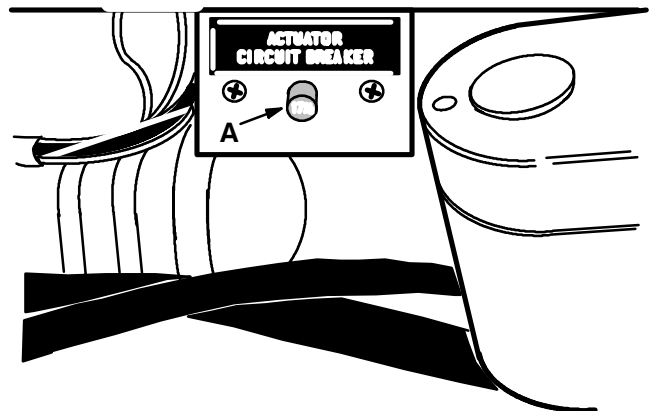
CIRCUIT BREAKERS

Circuit breakers are resettable circuit protection devices designed to stop the flow of current in the event of a circuit overload. Once tripped, circuit breakers must be allowed to cool and then manually reset. If the overload which caused the circuit breaker to trip is still present in the circuit, the circuit breaker will continue to stop current flow until the overload is corrected.

The circuit breakers are located on the lintel, under the engine cover.

The following chart shows the various circuit breakers and the electrical components they protect.

PROTECTIVE DEVICE	RATING	CIRCUIT PROTECTED
CB-1	15 A	Filter Shaker
CB-2	15 A	Horn
CB-3	15 A	Engine Ignition
CB-4	15 A	Operating Lights, Scrub Attachment
CB-5	15 A	Hazard Light, Cab
CB-6	17.5 A	Squeegee Actuator
CB-7	17.5 A	Squeegee Actuator



04630

SQUEEGEE LIFT CIRCUIT BREAKER

- A. Circuit Breaker**

MACHINE OPERATION

NORMAL SWEEPING OPERATION

A normal sweeping operation consists of seven typical operations: pre-start checklist, starting machine, sweeping, dumping hopper, post operation checklist – engine operating, stopping machine, and post operation checklist – engine stopped.

PRE-START CHECKLIST lists things to check before starting the machine.

TO START MACHINE lists the steps required to start the machine.

TO SWEEP lists things to keep in mind before and during the sweeping operation.

TO DUMP HOPPER lists the steps required to dump the hopper.

POST OPERATION CHECKLIST – ENGINE OPERATING lists things to check before stopping the machine engine.

TO STOP MACHINE lists the steps required to stop the machine.

POST OPERATION CHECKLIST – ENGINE STOPPED LISTS things to check after stopping the machine engine.

PRE-START CHECKLIST

Check under machine for leak spots.

Empty the engine air filter dust cap and check the air filter restriction indicator.

Check the engine radiator for debris and clean if needed.

Check the brushes and brush skirts for damage, wear and adjustment.

Check engine lubricating oil level.

Check fuel level.

Check for LPG odor indicating a fuel leak.

Check brakes and controls for proper operation.

Check service records to determine service requirements.

TO START MACHINE

NOTE: Before starting machine, perform the pre-start checks.

1. LPG powered machines: Slowly open the liquid service valve.

NOTE: Opening the service valve too quickly may cause the service valve check valve to stop the flow of LPG fuel. If the check valve stops the flow of fuel, close the valve, wait a few seconds, and slowly open the valve once again.

2. The machine operator must be in the operator's seat with the directional pedal in the "neutral" position and with a foot on the brake pedal or with the parking brake engaged.

FOR SAFETY: Before starting machine make sure all safety devices are in place and operate properly.

3. Gasoline powered machines: When the engine is cold, pull out the choke knob about three-fourths of the way. Push choke in after the engine is running smoothly.

LPG powered machines: When the engine is cold and exposed to cold temperatures, open the engine cover, press the primer button on the LPG vaporizer, close the engine cover.

4. Place the throttle control in the (Idle) position.
5. Turn the ignition switch key clockwise until the engine starts. Do not operate the starter for more than a few seconds at a time or after the engine has started.

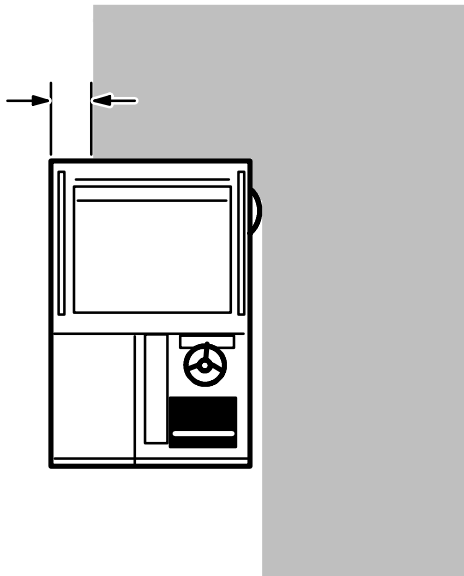
NOTE: Do not operate the starter motor for more than 10 seconds at a time or after the engine has started. Allow the starter to cool between starting attempts. The starter motor may be damaged if it is operated incorrectly.

6. Allow the engine and hydraulic system to warm up three to five minutes.
7. Release the machine parking brake.
8. Place the throttle control in to the (Fast 1) position, and drive the machine to the area to be swept.

TO SWEEP

Plan the sweeping in advance. Try to arrange long runs with minimum stopping and starting. Sweep debris from very narrow aisles into main aisles ahead of time. Do an entire floor or section at one time.

Pick up oversize debris before sweeping. Flatten or remove bulky cartons from aisles before sweeping. Pick up pieces of wire, twine, string, etc., which could become entangled in brush or brush plugs. Overlap brush paths.



OVERLAPPING PATHS

04622

Avoid turning the steering wheel too sharply when the machine is in motion. The machine is very responsive to the movement of the steering wheel. Avoid sudden turns, except in emergencies.

Sweep as straight a path as possible. Avoid bumping into posts or scraping the sides of the sweeper.

Speed up the engine from (Fast 1) to (Fast 2) when light litter is to be picked up. This will improve both litter pickup and hopper loading. Do not overuse the (Fast 2) speed as the machine may dust and clog the hopper filters in dusty environments. Normal debris is best picked up with the engine operating in the (Fast 1) position.

1. Push the hopper lift and side brush lever into the (Side Brush On) position, and place the main brush, vacuum fan and filter shaker switch in the (Main Brush On) position.

2. Move the main brush position lever into the (Main Brush Down) position and the side brush position lever into the (Side Brush Down) position.
3. Sweep as required.

TO DUMP HOPPER

1. Pull the main brush position lever back into the (Main Brush Up) position.
2. Pull the side brush position lever back into the (Side Brush Up) position.
3. Press and hold the main brush, vacuum fan, and filter shaker switch in the (Filter Shaker) position from 10 to 15 seconds.
4. Slowly drive the machine up to the dump site or dumpster.
5. Low dump model machines: Pull the hopper lift and side brush lever back into the (Hopper Up) position to dump the hopper. Pull the lever into the (Hopper Hold) position to keep the hopper in the dumped position.

Multi-level dump model machines: Pull the hopper lift and side brush lever back into the (Hopper Up) position to lift the hopper to the desired height. Be aware, the minimum vertical clearance needed to high dump the hopper 108 in (2745 mm).

! WARNING: Machine hopper lifts to 108 in (2745 mm) when high dumping. Hopper can hit overhead wires or object. Electrical shock or falling debris can result. Be sure adequate clearance is available before raising hopper.

Multi-level dump model machines: Pull the hopper lift and side brush lever back into the (Hopper Hold) position to keep the hopper at the desired height; then push the hopper dump lever into the (Hopper Roll Out) position to dump the hopper.

NOTE: Lowering the hopper into the dumpster may help to control flying dust.

Multi-level dump model machines: Pull the hopper dump lever into the (Hopper Roll In) position to return the hopper to its normal angle, then release the lever.

OPERATION

6. Push the hopper lift and side brush lever into the (Hopper Down) position to return the hopper to its operating position.
7. Slowly back the machine away from the dump site or dumpster.

POST OPERATION CHECKLIST – ENGINE OPERATING

Check brush patterns for width and evenness.

TO STOP MACHINE

1. Return the directional pedal to the “neutral” position. Apply the brake.
2. Pull the main brush position lever into the (Main Brush Up) position and the side brush position lever into the (Side Brush Up) position.
3. Place the hopper lift and side brush lever into the (Hopper Down) position, and the main brush, vacuum fan, and filter shaker switch in the middle position.
4. Turn the operating lights off if used.
5. Place the throttle control in the (Idle) position.
6. Set the machine parking brake.
7. Turn the ignition switch key counter-clockwise. Remove the key.

FOR SAFETY: Before leaving or servicing the machine; stop on level surface, set parking brake, and turn off machine.

8. LPG powered machines: Close the LPG tank liquid service valve.

POST OPERATION CHECKLIST – ENGINE STOPPED

Check skirts for damage, wear, and adjustment.

Check for wire or string tangled on brushes.

Check to make sure LPG tank service valve is closed.

Check for LPG odor indicating a fuel leak.

Check under machine for leak spots.

NORMAL SCRUBBING OPERATION

A normal scrubbing operation consists of seven typical operations: pre-start checklist, starting machine, scrubbing, draining recovery tank and emptying hopper, post operation checklist – engine operating, stopping machine, and post operation checklist – engine stopped.

PRE-START CHECKLIST lists things to check before starting the machine.

TO START MACHINE lists the steps required to start the machine.

TO SCRUB lists things to keep in mind before and during the scrubbing operation.

TO DRAIN RECOVERY TANK AND EMPTY HOPPER lists the steps required to empty the debris hopper and the recovery tank.

POST OPERATION CHECKLIST – Engine Operating lists things to check before stopping the machine engine.

TO STOP MACHINE lists the steps required to stop the machine.

POST OPERATION CHECKLIST – Engine Stopped lists things to check after stopping the machine engine.

PRE-START CHECKLIST

Check under machine for leak spots.

Empty the engine air filter dust cap and check the air filter restriction indicator.

Check the engine radiator for debris and clean if needed.

Check the brushes and brush skirts for damage, wear and adjustment.

Check engine lubricating oil level.

Check fuel level.

Check for LPG odor indicating a fuel leak.

Check brakes and controls for proper operation.

Check service records to determine service requirements.

TO START MACHINE

NOTE: Before starting machine, perform the pre-start checks.

1. LPG powered machines: Slowly open the liquid service valve.

NOTE: Opening the service valve too quickly may cause the service valve check valve to stop the flow of LPG fuel. If the check valve stops the flow of fuel, close the valve, wait a few seconds, and slowly open the valve once again.

2. The machine operator must be in the operator's seat with the directional pedal in the "neutral" position and with a foot on the brake pedal or with the parking brake set.

FOR SAFETY: Before starting machine make sure all safety devices are in place and operate properly.

3. Gasoline powered machines: When the engine is cold, pull out the choke knob about three-fourths of the way. Push choke in after the engine is running smoothly.

LPG powered machines: When the engine is cold and exposed to cold temperatures, open the engine cover, press the primer button on the LPG vaporizer, close the engine cover.

4. Place the throttle control in to the (Idle) position.
5. Turn the ignition switch key clockwise until the engine starts. Do not operate the starter for more than a few seconds at a time or after the engine has started.

NOTE: Do not operate the starter motor for more than 10 seconds at a time or after the engine has started. Allow the starter to cool between starting attempts. The starter motor may be damaged if it is operated incorrectly.

6. Allow the engine and hydraulic system to warm up three to five minutes.
7. Disengage the machine parking brake.
8. Place the throttle lever to the (Fast 1) position and drive the machine to the solution filling site.

TO SCRUB

Plan the scrubbing in advance. Try to arrange long runs with minimum stopping and starting. Do an entire floor or section at one time.

Pick up oversize debris before scrubbing. Remove bulky debris from aisles before scrubbing. Pick up pieces of wire, twine, string, etc., which could become entangled in brush or brush plugs.

Allow a few inches overlap of brush paths.

Do not turn steering wheel too sharply when the machine is in motion. It is very responsive to the movement of the steering wheel. Avoid sudden turns, except in emergencies.

Try to scrub as straight a path as possible. Avoid bumping into posts or scraping the sides of the machine.

Floor conditions, amount of soilage, type of soilage, brush action, and squeegee action all play an important role in determining the type and concentration of detergent to be used. For specific recommendations, consult the local Tennant Company Representative.



WARNING: Flammable materials can cause an explosion or fire. Do not use flammable materials in solution tank.

The recovery tank should be drained after the solution tank is empty and whenever the ball float rises and stops water vacuum. The recovery tank may fill before the solution tank empties if standing water is picked up in addition to the solution put down by the machine.

For best scrubbing results, reduce speed to one-half maximum machine speed. Shut off solution flow to floor 5 ft (1525 mm) before making turns. Adjust solution flow to floor with solution flow knob to match floor conditions.

Always raise the rear squeegee before backing machine.

1. Stop the engine and set the parking brake before filling solution tanks.

FOR SAFETY: Before leaving or servicing the machine; stop on level surface, set parking brake, and turn off machine.

2. Open the solution tank covers.

OPERATION

3. Pour the required amount of detergent into the solution tanks. Fill the tanks with water.
4. Start and drive the machine to the area to be scrubbed.
5. Push the hopper lift and side brush lever into the (Side Brush On) position, and place the main brush, vacuum fan, and filter shaker switch in the bottom (Main Brush On) position.
6. Move the main brush position lever into the (Main Brush Down) position, and the scrub brush position lever into the normal position. Move the side brush position lever into the (Side Brush Down) position.
7. Place the water valve switch in the top position.
8. Place the throttle control in the (Fast 2) position.
9. Place the squeegee switch in the bottom (Squeegee Down) position.
10. Scrub as required. Adjust the solution flow to match floor conditions. When the recovery tank ball float stops vacuum, return to the solution dump/filling site. Drain the recovery tank, empty the hopper, and refill the solution tank.

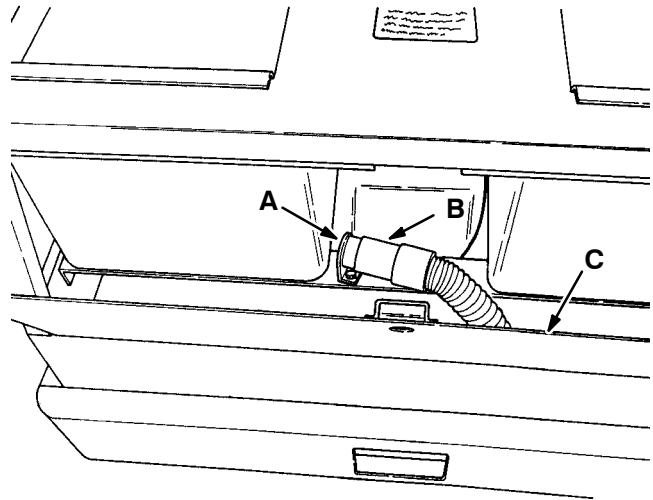
TO DRAIN RECOVERY TANK AND EMPTY DEBRIS HOPPER

1. Place the water valve switch in the bottom position.
2. Pull the main brush into the (Main Brush Up) position, and the scrub brush position lever into the raise position. Move the side brush position lever into the (Side Brush Up) position.
3. Move the hopper lift and side brush lever to the (Hopper Down) position to stop the side brush rotation. Place the main brush, vacuum fan, and filter shaker switch in the middle position.
4. Place the squeegee switch in the top (Squeegee Up) position.
5. Park the machine next to a floor drain. Stop the engine and set the parking brake.

FOR SAFETY: Before leaving or servicing the machine; stop on level surface, set parking brake, and turn off machine.

6. Open the front access door.
7. Remove the tank drain hose from its retention plug. Lower the hose to the floor drain to drain the tank.

NOTE: The tank will not empty with the vacuum fan operating.



02748

RECOVERY TANK DRAIN HOSE

- A. Plug
- B. Drain Hose
- C. Access Door

8. Replace the hose on the retention plug after the tank is empty.
9. Close the front access door.
10. Start the engine and move the hopper lift and side brush lever to the (Hopper Up) position to empty the debris hopper.
11. Move the hopper lift and side brush lever to the (Hopper Down) position to lower the scrub attachment

POST OPERATION CHECKLIST – ENGINE OPERATING

Check scrub brush pattern for width and evenness.

Check squeegees for proper deflection.

TO STOP MACHINE

1. Return the directional pedal to the “neutral” position. Apply the brake.
2. Place the water valve switch in the bottom position.
3. Pull the main brush position lever into the (Main Brush Up) position, and the scrub brush position lever in the raise position. Move the side brush position lever into the (Side Brush Up) position.
4. Move the hopper lift and side brush lever to the (Hopper Down) position to stop the side brush rotation. Place the main brush, vacuum fan, and filter shaker switch in the middle position.
5. Place the squeegee switch in the top (Squeegee Up) position.
6. Turn the operating lights off if used.
7. Place the throttle control in the (Idle) position.
8. Set the machine parking brake.
9. Turn the ignition switch key counter-clockwise. Remove the key.

FOR SAFETY: Before leaving or servicing the machine; stop on level surface, set parking brake, and turn off machine.

10. LPG powered machines: Close the LPG tank liquid service valve.

POST OPERATION CHECKLIST – ENGINE STOPPED

Check skirts for damage, wear, and adjustment.

Check for wire or string tangled on brushes.

Drain and clean recovery tank.

Check vacuum hoses for debris or obstructions.

Check to make sure LPG tank service valve is closed.

Check for LPG odor indicating a fuel leak.

Check under machine for leak spots.

DOUBLE SCRUBBING OPERATION

Double scrubbing is a method of removing heavy accumulations of soilage, dirt, wax, or spills. It involves making two passes over the area to be cleaned. To double scrub, make a single pass over the surface being cleaned with the rear squeegee raised. Allow the solution to soak on the floor for 15 to 20 minutes. Then make a second scrubbing pass in the normal manner with the rear squeegee lowered.

FOR SAFETY: When using machine go slow on grades and slippery surfaces.

OPERATION ON GRADES

Drive the machine slowly on grades. Use the service brakes to control machine speed.

FOR SAFETY: When using machine go slow on grades and slippery surfaces.

The maximum rate ramp climb and descent angle is 15° with an empty hopper, and 10° with a full hopper.

VACUUM WAND

The vacuum wand accessory gives the machine the added flexibility of picking up debris not accessible by the machine. A 120 in (3050 mm) hose utilizes the machine vacuum system.

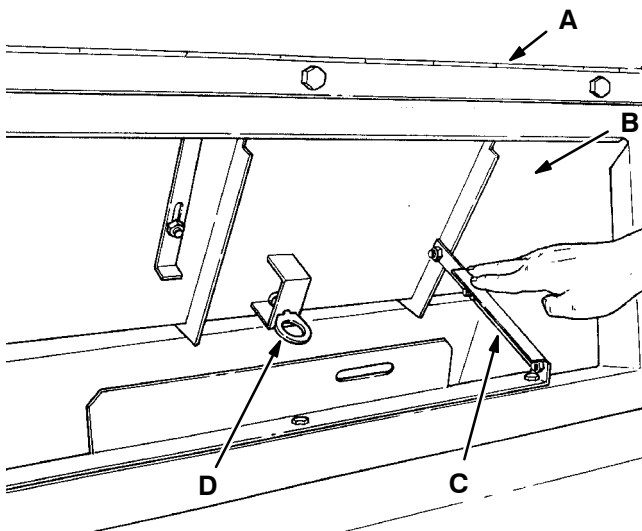
TO OPERATE VACUUM WAND

1. Stop the machine close to the area to be cleaned.
2. Move the main brush position lever into the (Main Brush Up) position. Move the side brush position lever to the (Side Brush Up) position.
3. Stop the engine and set the machine parking brake.

FOR SAFETY: Before leaving or servicing the machine; stop on level surface and set parking brake, and turn off machine.

4. Open the hopper inspection door.
5. Low dump models: Unlatch the vacuum door retainer. Press the vacuum door arms down to close the vacuum door.

OPERATION

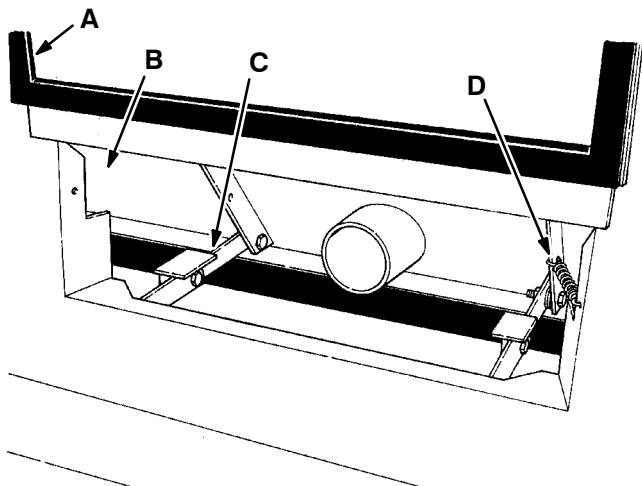


02749

CLOSING VACUUM DOOR

- A. Inspection Door
- B. Vacuum Door
- C. Door Arm
- D. Retainer

Multi-level dump models: Push the vacuum door closed. Press the vacuum door arms down to lock the door shut.



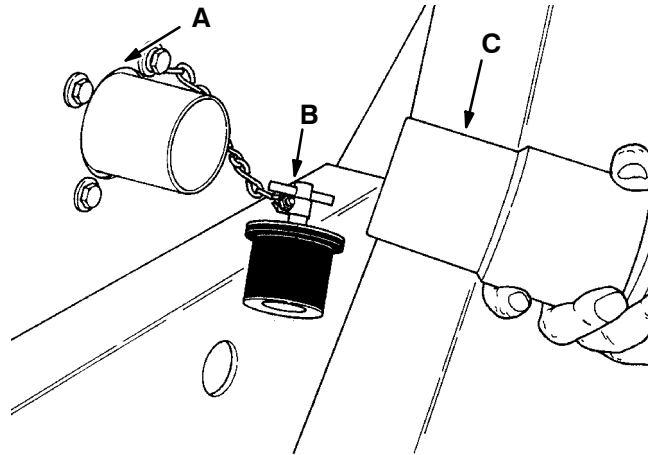
02801

CLOSED VACUUM DOOR

- A. Inspection Door
- B. Vacuum Door
- C. Door Arm
- D. Spring

6. Low dump models: Remove the vacuum plug from the side of the hopper.

7. Assemble the vacuum wand to the vacuum hose.
8. Connect the hose to the vacuum connection.



02750

CONNECTING VACUUM HOSE -- LOW DUMP MODEL

- A. Vacuum Connection
- B. Vacuum Plug
- C. Hose

9. Start the engine and move the throttle control to the (Fast 1) position.
10. Place the main brush, vacuum fan, and filter shaker switch in the (Main Brush On) position.
11. Vacuum the area as required.
12. When finished, stop the engine and place the main brush, vacuum fan, and filter shaker switch in the middle position.
13. Disassemble the vacuum wand and hose. Place them in their storage locations.
14. Low dump models: Replug the vacuum connection.
15. Pull the vacuum door arms up to open the vacuum door.
16. Low dump models: Pull the door retainer through the door brackets and latch to hold the vacuum door open.

Multi-level dump models: Pull the vacuum door open. The spring will keep the door open.
17. Close the hopper inspection door.

HOPPER DOLLY

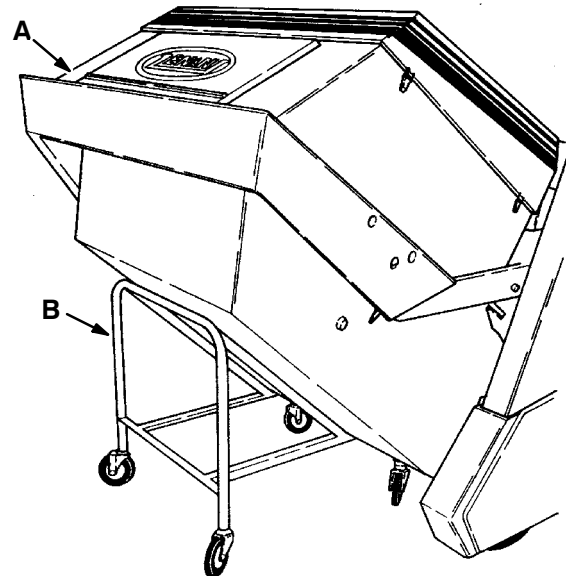
The hopper dolly accessory makes the job of removing the low dump model debris hopper easy. It also is used to store the hopper when it is not mounted on the machine.

TO REMOVE HOPPER WITH DOLLY

1. Empty debris hopper.
2. Stop the engine and set the machine parking brake.

FOR SAFETY: Before leaving or servicing the machine; stop on level surface, set parking brake, and turn off machine.

3. Unlatch and remove the hopper cover.
4. Disconnect all wires and vacuum hoses between the hopper and the machine.
5. Reposition and latch the hopper cover on the hopper.
6. Start the engine, raise the hopper, and place the hopper lift and side brush lever in the (Hopper Hold) position.
7. Stop the engine.
8. Roll the hopper dolly under the hopper so the lip on the short end of the dolly is behind the bottom edge of the hopper.

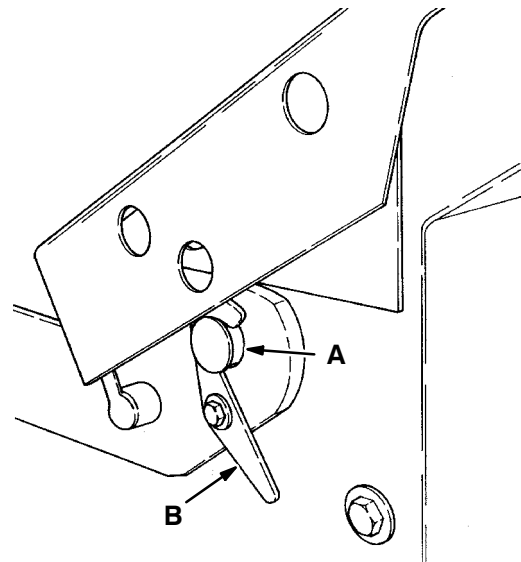


HOPPER DOLLY

02751

- A. Hopper**
B. Dolly

9. Tilt the lift arm hooks back away from the lift arm pins.



LIFT ARM HOOK

02752

- A. Pin**
B. Hook

10. Place the hopper lift and side brush lever in the (Hopper Down) position to lower the hopper onto the dolly.
11. Push the lift arms down to clear the lift arm pins and roll the hopper away from the machine.

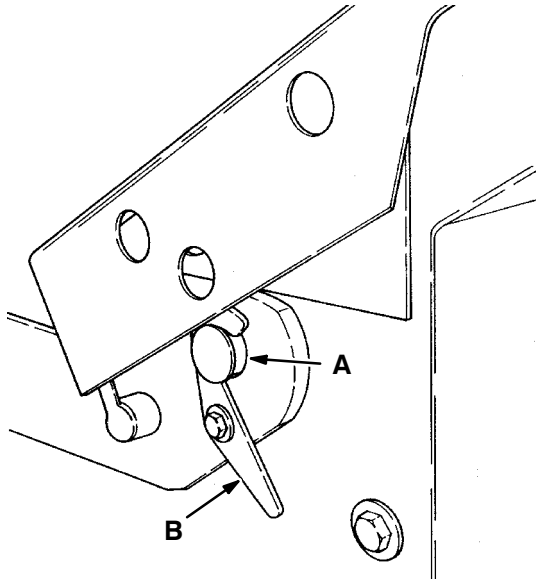
OPERATION

TO INSTALL HOPPER WITH DOLLY

1. Stop the engine and set the machine parking brake.

FOR SAFETY: Before leaving or servicing the machine; stop on level surface, set parking brake, and turn off machine.

2. Roll the hopper into position in the machine.
3. Position the lift arm pins in the lift arm slots. Push the lift arm hooks over the pins.



LIFT ARM HOOK

02752

- A. Pin
- B. Hook

4. Start the engine, raise the hopper, and place the hopper lift and side brush lever in the (Hopper Hold) position.
5. Stop the engine.
6. Roll the hopper dolly away from the machine.
7. Place the hopper lift and side brush lever in the (Hopper Down) position.
8. Unlatch and remove the hopper cover.
9. Connect the wire harness connectors and the vacuum hose(s) between the hopper and the machine.
10. Reposition and latch the hopper cover on the hopper.

SCRUB ATTACHMENT

The scrub attachment accessory gives the machine the added flexibility to scrub floors. It consists of three groups of parts – the scrub attachment, the side scrub brush and squeegee, and the rear squeegee.

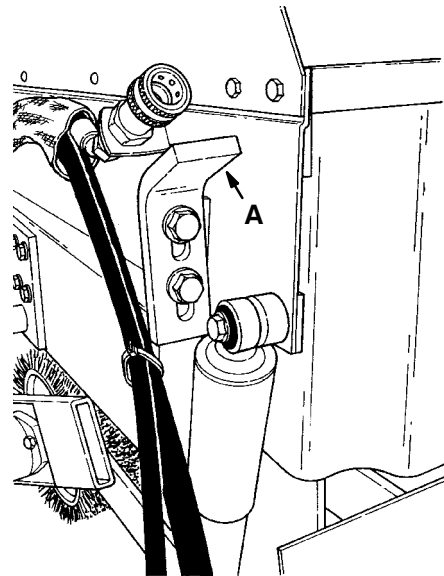
The scrub attachment and side scrub brush and squeegee are to be removed when sweeping. The rear squeegee may be left on the machine in the “raised” position. The scrub attachment takes the place of the sweeping hopper. The side scrub brush and squeegee take the place of the side sweep brush. The main sweeping brush is also exchanged for a scrubbing variety brush in the conversion.

TO MOUNT SCRUB ATTACHMENT

1. Remove debris hopper with hopper dolly as described in *TO REMOVE HOPPER WITH DOLLY*.
2. Stop the engine and set the machine parking brake.

FOR SAFETY: Before leaving or servicing the machine; stop on level surface, set parking brake, and turn off machine.

3. Position top lift arm cams vertically.
4. Position the scrub attachment rear left cam locking bracket in the “top” position.



LOCKING BRACKET

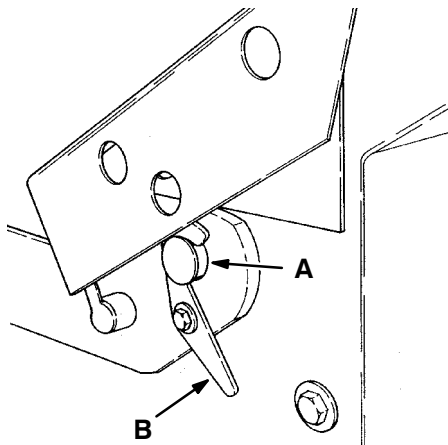
02756

- A. Locking Bracket

- Roll the scrub attachment into position in the machine until it contacts bottom lift arm cams.

! WARNING: The solution and recovery tanks must be empty during scrub attachment installation and removal to avoid personal injury.

- Position the lift arm pins in the lift arm slots. Push the lift arm hooks over the pins.

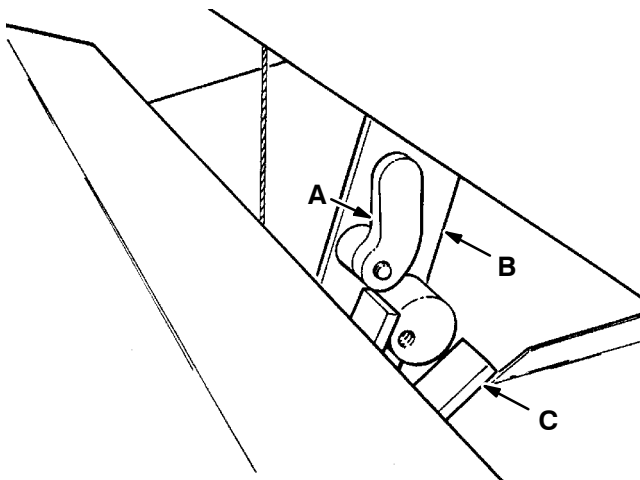


LIFT ARM HOOK

02752

- A. Pin
- B. Hook

- Turn the top lift arm cams, one on each side, so they overlap the scrub attachment brackets. Tighten the cam bolts. Be aware that the left side cam bolt has left hand threads.



TOP LIFT ARM CAM

02753

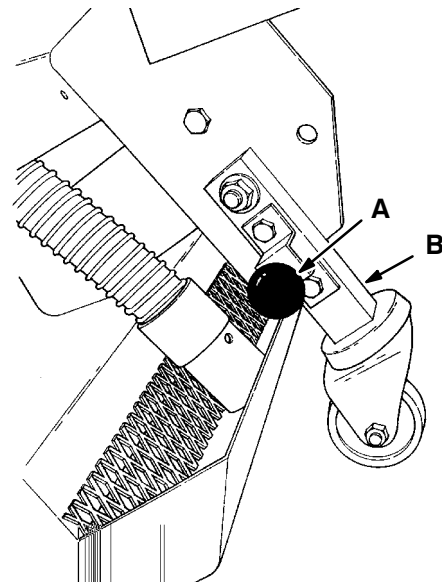
- A. Top Cam
- B. Lift Arm
- C. Bracket

- Start the engine, raise the scrub attachment,

and engage the hopper support bar. Stop the engine.

! WARNING: Falling hopper. Engage hopper support bar before working under hopper.

- Pull the scrub attachment leg locking knobs out, swing the legs up into the "raised" position, and release the knobs.



SCRUB ATTACHMENT LEG

02754

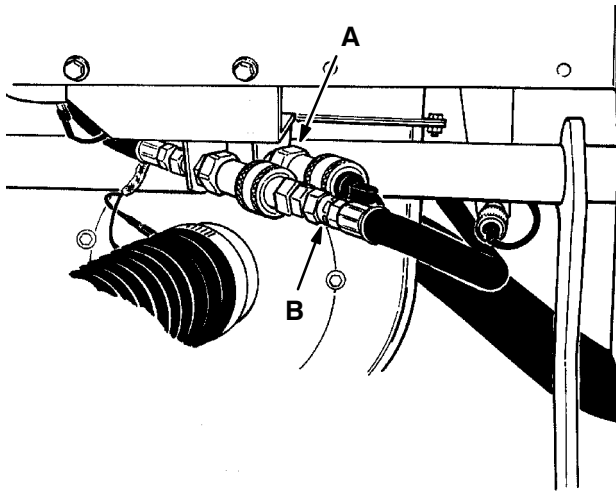
- A. Locking Knob
- B. Leg

- Start the engine, raise the scrub attachment, place the hopper support bar in its storage location, and lower the scrub attachment. Stop the engine.
- Push the rear of the scrub attachment down so the right side cam locking bracket contacts the bottom lift arm cam. Snug the top lift arm cam up to the locking bracket and tighten the cam bolt.
- Push the rear of the scrub attachment down so the left side cam locking bracket contacts the bottom lift arm cam. Snug the top lift arm cam up to the locking bracket and tighten the left-hand threaded cam bolt.
- Connect the wire harness connectors and vacuum hoses between the scrub attachment and the machine.

OPERATION

14. Disconnect the hydraulic hose from the front of the quick-disconnect station and connect it to the quick-disconnect fitting mounted on the scrub attachment.

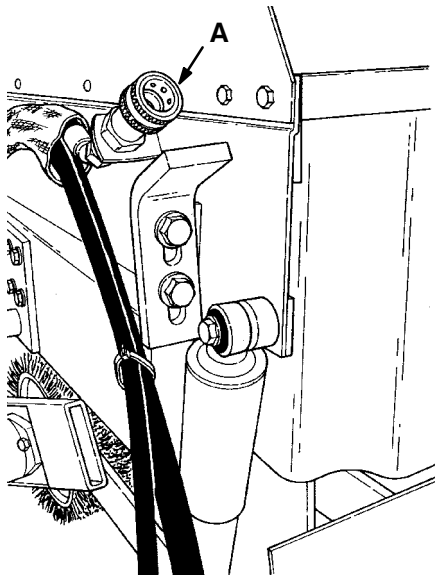
NOTE: Wipe all dirt and oil from couplings before making connections to avoid hydraulic system contamination.



QUICK-DISCONNECT STATION

02755

- A. Quick-Disconnect Station
- B. Hydraulic Hose



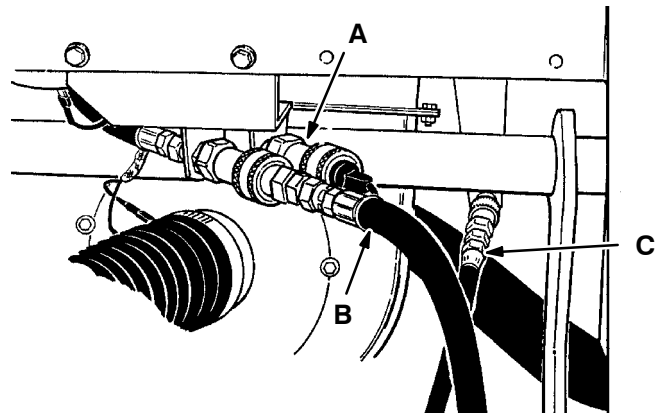
SCRUB ATTACHMENT QUICK-DISCONNECT FITTING

02756

- A. Quick-Disconnect Fitting

15. Connect the large diameter hose from the scrub attachment to the quick-disconnect station port the previous hose was connected to.

16. Connect the small diameter hose from the scrub attachment to the quick-disconnect fitting below the quick-disconnect station.

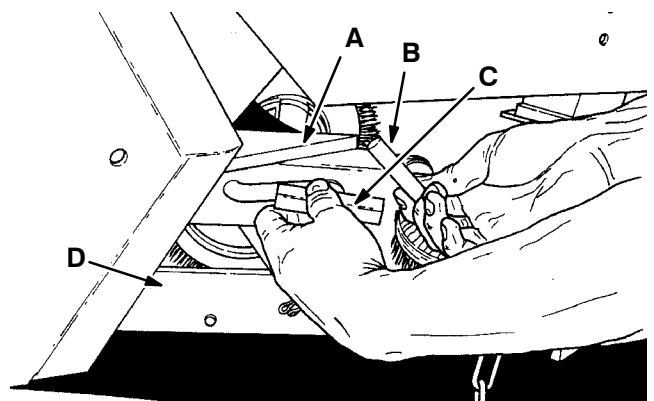


CONNECTED SCRUB ATTACHMENT HOSES

02810

- A. Quick-Disconnect Station
- B. Large Diameter Hose
- C. Small Diameter Hose

17. Slide the side brush squeegee assembly into position in the squeegee bracket.
18. Slide the two squeegee retaining pins through the bracket and squeegee assembly.
19. Pull the pin keeper out, turn the squeegee retaining pins so they are under the pin keeper, and release the keeper.

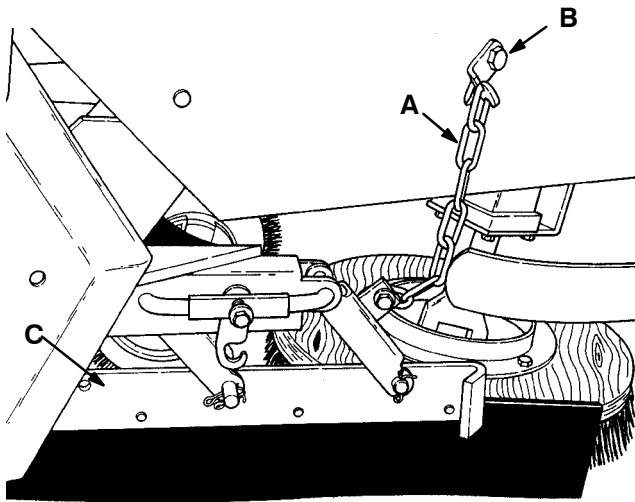


SECURING SQUEEGEE RETAINING PINS

02757

- A. Bracket
- B. Retaining Pin
- C. Pin Keeper
- D. Squeegee Assembly

20. Connect the squeegee assembly chain to the chain hook.



SQUEEGEE ASSEMBLY CHAIN

02758

- A. Chain
- B. Hook
- C. Squeegee Assembly

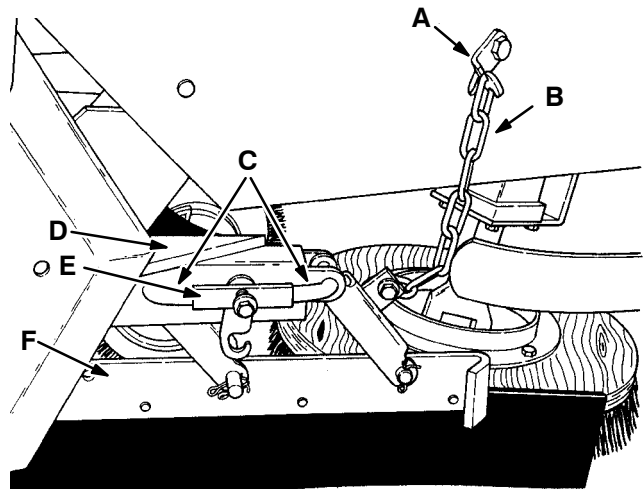
21. Replace the side brush with a scrubbing side brush as described in *TO REPLACE SIDE BRUSH*.
22. Replace the main brush with a scrubbing main brush as described in *TO REPLACE MAIN BRUSH*.
23. Check the rear tire pressure. It should be 70 ± 5 psi (480 ± 35 kPa) for scrubbing.
24. Check the air bleed hole on the rear squeegee pickup hose. The hole should be on the side of the hose next to the squeegee nozzle. The hole should be free of debris or obstructions.

TO REMOVE SCRUB ATTACHMENT

1. Drain the scrub attachment solution and recovery tanks.

! WARNING: The solution and recovery tanks must be empty during scrub attachment installation and removal to avoid personal injury.

2. Drive the machine to the scrub attachment storage area.
3. Disconnect the squeegee assembly chain from the chain hook.



SQUEEGEE ASSEMBLY

02758

- A. Hook
- B. Chain
- C. Retaining Pin
- D. Bracket
- E. Pin Keeper
- F. Squeegee Assembly

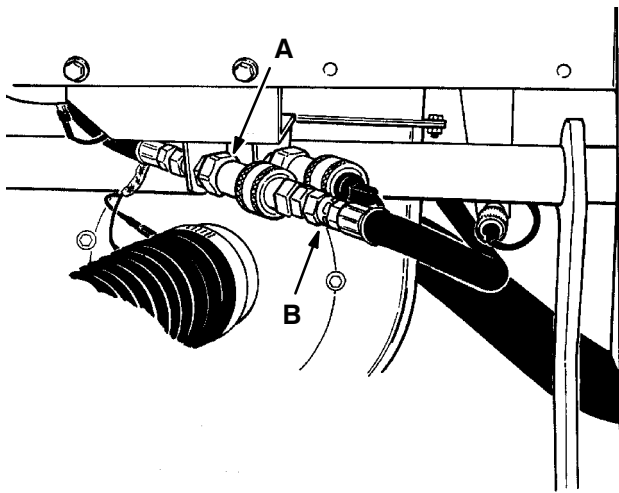
4. Pull the retaining pin keeper out and remove the two squeegee assembly retaining pins. Release the pin keeper.

OPERATION

- Slide the squeegee assembly out from the machine.
- Disconnect the small diameter hose from the quick-disconnect coupling on the machine. Replace the coupling plug.

NOTE: Wipe all dirt and oil from couplings before making connections to avoid hydraulic system contamination.

- Disconnect the large diameter hose from the quick-disconnect station.
- Disconnect the large diameter hose from the quick-disconnect coupling on the side of the scrub attachment. Reconnect it to the operator-side port of the quick-disconnect station.



RECONNECTED HOSE

- A. Operator-Side Port**
- B. Hydraulic Hose**

- Disconnect the wire harness connectors and vacuum hoses between the scrub attachment and the machine.

- Start the engine, raise the scrub attachment, and engage the hopper support bar. Stop the engine.

! WARNING: Falling hopper. Engage hopper support bar before working under hopper.

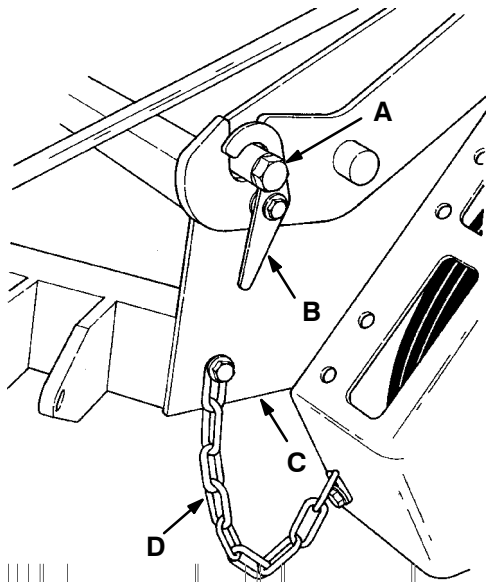
- Pull the scrub attachment leg locking knobs out, swing the legs down into the “down” position, and release the knobs.
- Start the engine, raise the scrub attachment, place the hopper support bar in its storage location, and lower the scrub attachment. Stop the engine.
- Loosen the top lift arm cam bolts, one on each side, to free scrub attachment.
- Tilt the lift arm hooks back away from the lift arm pins.
- Push the lift arms down to clear the lift arm pins.
- Roll the scrub attachment out of the machine to its storage location.
- Replace the side scrub brush with a sweeping variety side brush as described in *TO REPLACE SIDE BRUSH*.
- Replace the main brush with a sweeping variety main brush as described in *TO REPLACE MAIN BRUSH*.
- Check the rear tire pressure. It should be 80 ± 5 psi (550 ± 35 kPa) for sweeping.

SNOW BLADE

The snow blade accessory gives the machine the added flexibility to remove snow from walks and driveways. It consists of two groups of parts – the mounting frame and the blade assembly. The mounting frame is used to mount either the snow blade or snow broom assembly to the machine. The blade assembly may be positioned to push snow straight ahead, to the left, or to the right of the machine at various angles.

TO INSTALL SNOW BLADE

1. Remove hopper as described in *TO REMOVE HOPPER WITH DOLLY*.
2. Raise and chain up the front bumper, if present, and the side brush arm.
3. Position the blade mounting frame lift pins in the lift arm slots. Push the lift arm hooks over the pins.

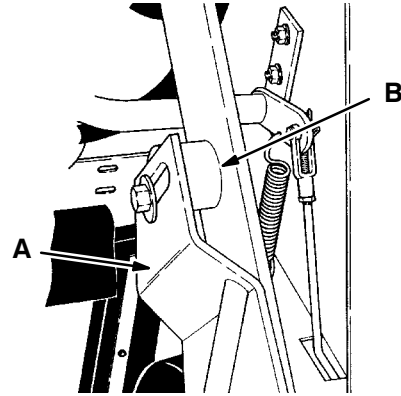


LIFT ARM HOOK

- A. Pin
- B. Hook
- C. Mounting Frame
- D. Limiting Chain

02759

4. Position the upper ends of the mounting frame over the cams.

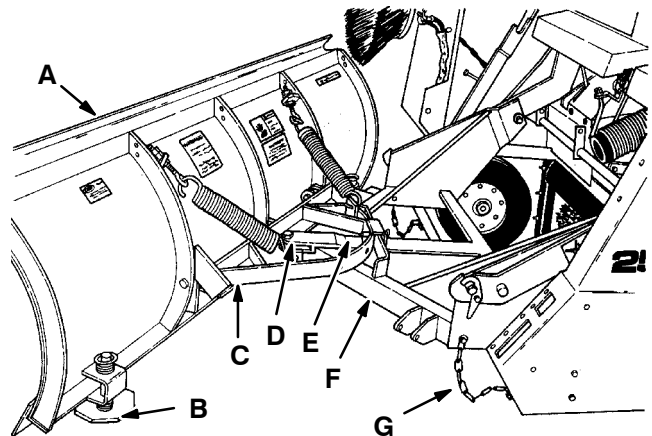


02760

SECURE MOUNTING FRAME UPPER END

- A. Upper End
- B. Cam

5. Secure each upper end of the mounting frame to the cam with a spacer and bolt provided with the accessory.
6. Connect the two limiting chains between the mounting frame and the machine.
7. Connect the snow blade quadrant assembly to the mounting frame with the king pin and the sector pin.



SNOW BLADE INSTALLATION

02761

- A. Snow Blade
- B. Runner Spindle
- C. Quadrant Assembly
- D. King Pin
- E. Sector Pin
- F. Mounting Frame
- G. Limiting Chain

OPERATION

TO OPERATE SNOW BLADE

Operate the machine as normally done using the hopper lift and side brush lever to raise and lower the snow blade.

The main brush and side brush should be raised. The main brush, and vacuum fan should be off.

Begin plowing early when snow reaches 1 to 4 in (25 to 100 mm). Do not allow snow to accumulate. Heavy, wet snow can create hazards at even a 1 in (25 mm) accumulation. In heavier amounts, snow can be extremely difficult to handle. Do not allow snow to become packed and frozen. Crusted snow can hinder traction in future plowing. Choose the proper plowing speed. The heavier the snow, the slower the speed.

The snow blade should be set at the best angle for rolling the snow sideways and in the desired direction. Snow of any considerable depth cannot be pushed straight ahead for more than a short distance.

For best operation, the bottom edge of the snow blade should be slightly above the ground. If adjustments are needed, they can be made by adding flat washers to the runner spindles. Place additional washers under the runner bracket to raise the blade. Remove washers to lower the blade.

To change the angle of the blade, raise the blade as far as the limiting chain will permit. Pull out the sector pin and the blade can be moved to the desired angle. Then replace the sector pin. The sector pin is designed to be a shear pin. If the plow strikes a solid, immovable object, the pin will shear, allowing the blade to swing away from the object before the equipment is damaged. The blade assembly is mounted on the lift arms of the machine which are free to float upward if necessary.

Under some conditions, snow can be pushed to unused areas and stacked to a considerable height. To do this, place the blade in a straight-on position. Push the snow forward by raising the plow as you move into the pile.

Stack snow only with the blade in a straight-on position. Do not create a vertical wall, but slope the piles so that later snow may be pushed up the slope.

Clearing large open areas can be done best by using a combination of snow removal equipment, such as a snow blade and snow blower or loader of some type. The snow can be plowed into windrows or piles and then blown into or loaded onto trucks and carried away. However, if only a blade is available, the area can be cleared by using the proper technique and common sense.

As a guide to help determine how much snow the plow can handle, remember that with a 6 in (150 mm) snowfall, the plow can easily move that amount of snow in two passes. With more snow, it will handle less; with less snow, more.

A suggested method of plowing is as follows:

Make the first pass one blade width in from the outside edge.

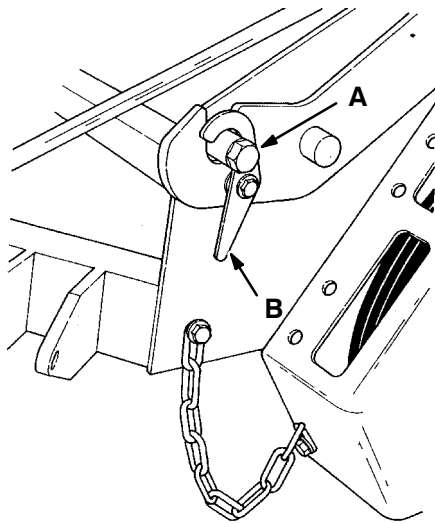
Make the second pass around the outside edge, moving the snow to the edge of the area, then keep moving in. Double the blade width from edge of the snow covered area and move this amount to the outside edge.

TO REMOVE SNOW BLADE

1. Drive the machine to the snow blade storage area.
2. Stop the engine and set the machine parking brake.

FOR SAFETY: Before leaving or servicing the machine; stop on level surface, set parking brake, and turn off machine.

3. Lower the snow blade.
4. Disconnect the two limiting chains from the machine frame.
5. Remove the upper ends of the mounting frame from the lift arm cams.
6. Tilt the lift arm hooks back away from the lift arm pins.



LIFT ARM HOOK

02759

- A. Pin**
- B. Hook**

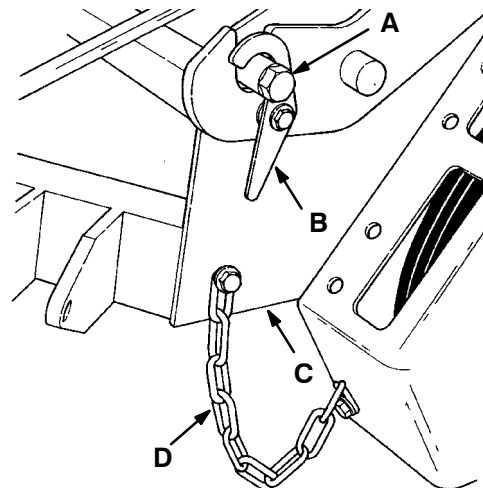
7. Push the lift arms down to clear the lift arm pins.
8. Start the engine, release the parking brake, and back the machine away from the snow blade assembly.

SNOW BROOM

The snow broom accessory gives the machine the added flexibility to remove snow from walks and driveways. It consists of two groups of parts – the mounting frame, and the broom frame and drive assembly. The mounting frame is used to mount either the snow blade or snow broom assembly on the machine. The broom frame and drive assembly may be positioned so as to sweep snow to the left or right of the machine. Check the snow broom for tangled string or wire after each use.

TO INSTALL SNOW BROOM ASSEMBLY

1. Remove hopper as described in *TO REMOVE HOPPER WITH DOLLY*.
2. Raise and chain up the front bumper, if present, and the side brush arm.
3. Position the broom mounting frame lift pins in the lift arm slots. Push the lift arm hooks over the pins.



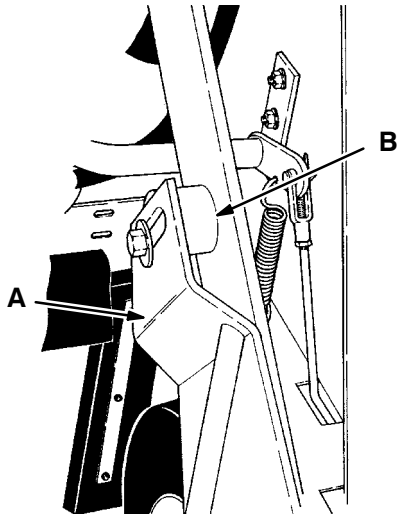
LIFT ARM HOOK

02759

- A. Pin**
- B. Hook**
- C. Mounting Frame**
- D. Limiting Chain**

OPERATION

4. Position the upper ends of the mounting frame over the cams.
5. Secure each upper end of the mounting frame to the cam with a spacer and bolt provided with the accessory.



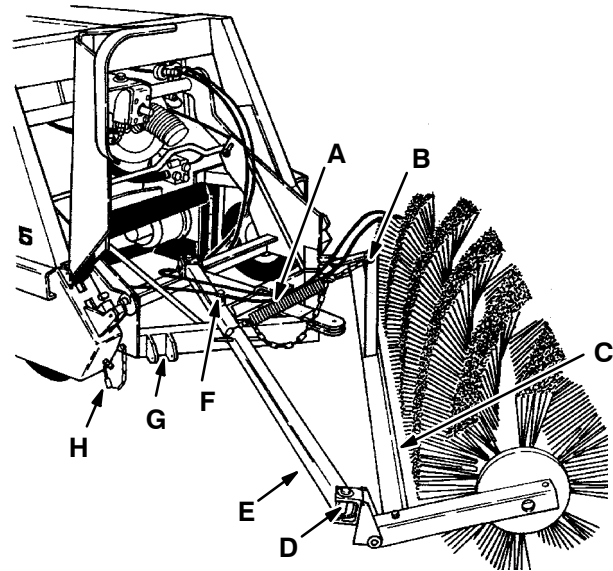
02760

SECURED MOUNTING FRAME UPPER END

- A. Upper End
- B. Cam

6. Connect the two limiting chains between the mounting frame and the machine.
7. Connect the snow broom support arm to the center rear hole in the mounting frame.
8. Connect the snow broom frame to either the right or left side of the mounting frame with a clevis pin depending upon which direction the snow should be swept.

9. Connect the tension chain between the top of the upright arm and the peg on the support arm. The tension chain helps raise or lower the snow broom.

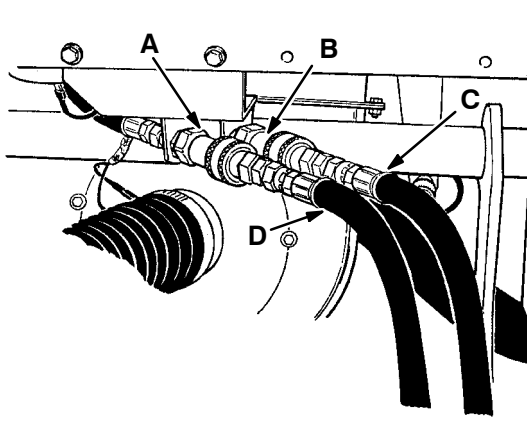


02762

SNOW BROOM INSTALLATION

- A. Tension Chain and Spring
- B. Upright Arm
- C. Support Arm
- D. Clevis Pin
- E. Snow Broom Frame
- F. Hex Set Screw
- G. Mounting Frame
- H. Limiting Chain

10. Disconnect the hydraulic hose from the front of the quick-disconnect station.
11. Connect the hoses from the snow broom to the quick-disconnect station ports – upper hose on snow broom to the engine-side port, lower hose to operator-side port.



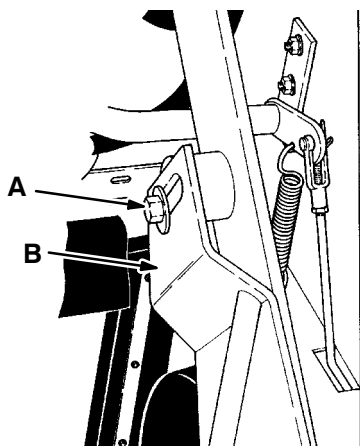
02781

CONNECTED SNOW BROOM HOSES

- A. Operator-Side Port**
- B. Engine-Side Port**
- C. Upper Snow Broom Hose**
- D. Lower Snow Broom Hose**

12. Measure the distance between the floor surface and the snow broom pivots at the ends of the broom. These two distances should be equal.

To adjust, loosen the mounting frame upper end bolts, reposition the frame, and tighten the bolts. Recheck and adjust as necessary.



02760

MOUNTING FRAME UPPER END

- A. Upper End Bolt**
- B. Mounting Frame**

TO OPERATE SNOW BROOM

Operate the machine as normally done using the hopper lift and side brush lever to raise and lower the snow broom. The main brush and side brush should be raised. The main brush, vacuum fan and filter shaker switch should be in the (Main Brush On) position to drive the snow broom. The main brush and vacuum fan will not operate. The hydraulic fluid normally used to drive them is being diverted to the snow broom.

Begin sweeping early and often. Do not allow snow to accumulate or to become packed and frozen. The snow broom becomes ineffective in snow deeper than 4 in (100 mm).

Slow down in deep snow. Snow is thrown at an angle. The deeper the snow, the steeper the angle. When the snow is deep, it is carried over the top of the broom. Although this snow can be swept, slow down so the broom can catch up.

The brush bristles should contact the surface without being bent under. Adjust the tension chain and spring to control contact. The hex set screw on the support arm can be adjusted to raise or lower the snow broom.

In heavy snow, the broom may stall out. The hydraulic system will bypass the snow broom to protect itself. When this occurs, back the machine away and allow the broom to start rotating again. Do not let the snow broom stall for more than 30 seconds. Stalling causes overheating in the hydraulic system. This can seriously damage the hydraulic system.

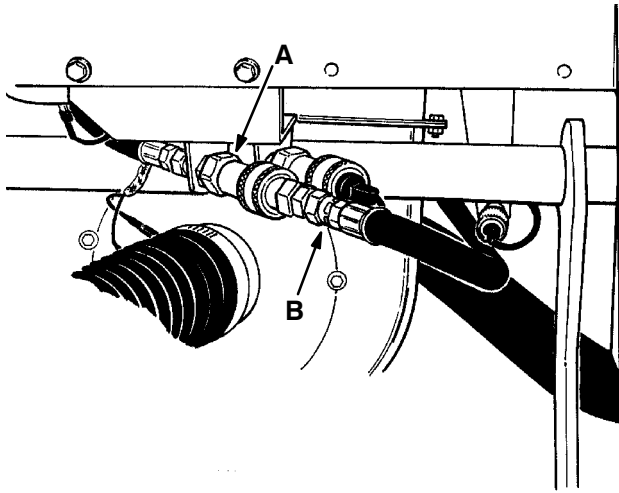
OPERATION

TO REMOVE SNOW BROOM ASSEMBLY

1. Drive the machine to the snow broom storage area.
2. Stop the engine and set the machine parking brake.

FOR SAFETY: Before leaving or servicing the machine; stop on level surface, set parking brake, and turn off machine.

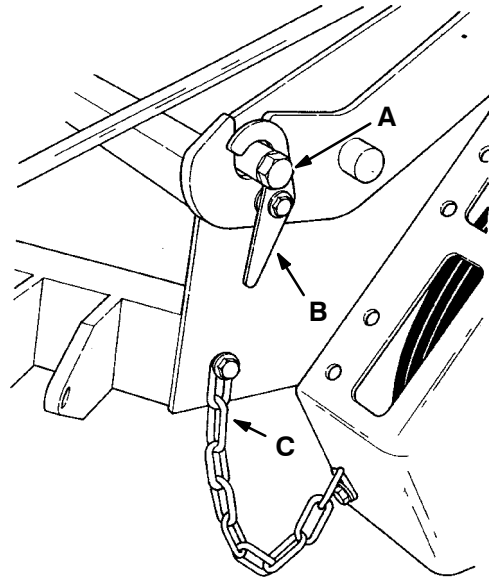
3. Lower the snow broom.
4. Disconnect the hoses from the quick-disconnect station. Replace the coupling caps.
5. Reconnect the hose from the machine to the operator-side port of the quick-disconnect station to reengage the main brush motor.



RECONNECTED HOSE

- A. Operator-Side Port
- B. Hydraulic Hose

6. Disconnect the two limiting chains from the machine frame.



LIMITING CHAIN

- A. Pin
- B. Hook
- C. Limiting Chain

7. Remove the upper ends of the mounting frame from the lift arm cams.
8. Tilt the lift arm hooks back away from the lift arm pins.
9. Push the lift arms down to clear the lift arm pins.
10. Start the engine, release the parking brake, and back the machine away from the snow broom assembly.

02759

02755

MACHINE TROUBLESHOOTING – SWEEPING

Problem	Cause	Remedy
Excessive dusting	Dust skirts and seals worn, damaged, not adjusted properly	Replace or adjust skirts or seals
	Dust filter clogged	Shake and/or clean or replace filter
	Engine operating at “litter” speed	Operate engine at “normal” speed
	Vacuum wand door closed	Open vacuum wand door
	Vacuum hose damaged	Replace vacuum hose
	Vacuum fan failure	See <i>HYDRAULIC SYSTEM TROUBLESHOOTING</i> : Poor or no vacuum to brush compartment
Poor sweeping performance	Brush bristles worn	Replace brushes
	Brushes not adjusted properly	Adjust brushes
	Debris caught in brush drive mechanism	Free mechanism of debris
	Main brush drive failure	See <i>HYDRAULIC SYSTEM TROUBLESHOOTING</i> : Main brush turns slowly or not at all
	Side brush drive failure	See <i>HYDRAULIC SYSTEM TROUBLESHOOTING</i> : Side brush turns slowly or not at all
	Hopper not adjusted properly	Adjust hopper floor clearance
	Hopper full	Empty hopper
	Hopper floor skirts worn, damaged	Replace skirts

NOTE: For more specific electro-hydraulic system troubleshooting information, see HYDRAULIC SYSTEM TROUBLESHOOTING in the MAINTENANCE section.

OPERATION

MACHINE TROUBLESHOOTING – SCRUBBING

Problem	Cause	Remedy
Trailing water – poor or no water pickup speed (for machines below serial number 038000)	Worn rear squeegee	Rotate or replace rear squeegee blade
	Rear squeegee out of adjustment	Adjust rear squeegee
	Vacuum hose clogged	Flush vacuum hoses
	Recovery tank full	Drain tank
	Ball float stuck shutting off vacuum	Clean ball float and float guide
	Engine not operating at governed and readjust governor	Speed up engine to “litter” speed
	Debris caught on squeegee	Remove debris
	Debris hopper full	Empty hopper
	Foam filling recovery tank	Empty recovery tank; change detergent
	Vacuum hose to rear squeegee disconnected or damaged	Reconnect or replace vacuum hose
	Vacuum fan to recovery tank hose damaged	Replace hose
	Little or no solution flow to floor	Solution tank empty
Water valve cable broken or out of adjustment		Replace and/or adjust cable
Solution supply lines and spreader tube clogged		Flush solution supply lines, spreader tube
Water valve switch in “off” position		Move switch to “on” position
Water valve solenoid failure		Clean or replace solenoid valve
Solution flow knob in “off” position		Pull flow knob into “on” position
Poor scrubbing performance	Debris caught on scrub brushes	Remove debris
	Improper detergent or brushes used	Check with TENNANT® representative for advice
	Worn scrub brushes	Replace scrub brushes
	Scrub brushes out of adjustment	Adjust scrub brushes
	Scrub brush drive failure	See <i>HYDRAULIC SYSTEM TROUBLESHOOTING</i> : Main brush turns slowly or not at all
	Debris hopper full	Empty hopper

NOTE: For more specific electro-hydraulic system troubleshooting information, see HYDRAULIC SYSTEM TROUBLESHOOTING in the MAINTENANCE section.

TRANSPORTING MACHINE

PUSHING OR TOWING MACHINE

The machine may be pushed from the front or rear. It may be towed only from the rear.

Place a dolly under the rear wheel to travel distances greater than 1 mile (1 km) or speeds over 1 mph (1 km/h).

ATTENTION! Do not push or tow the machine without placing the rear wheel on a dolly or the machine hydraulic system may be damaged.

MACHINE JACKING

The machine may be jacked up for service at the designated locations. Use a jack of adequate capacity and good working condition. Always stop the machine on a flat, level surface and block the tires before jacking the machine up.

The front jacking locations are on the flat bottom edge of the machine frame next to the front tires.

The rear jacking location is the middle flat bottom edge of the rear bumper.

TO JACK UP MACHINE

1. Empty the debris hopper.
2. Stop the engine and set the machine parking brake.

FOR SAFETY: Before leaving or servicing the machine; stop on level surface, set parking brake, and turn off machine.

3. Block the tires, which are not being jacked up, in order to secure the machine position.

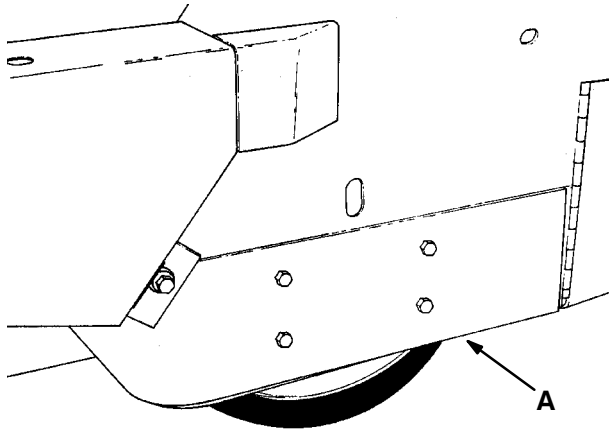


WARNING: Machine is unstable on jack. Block machine tires before jacking machine up.

4. Use a jack of adequate capacity to raise the machine. Jack up the machine only at the designated locations.



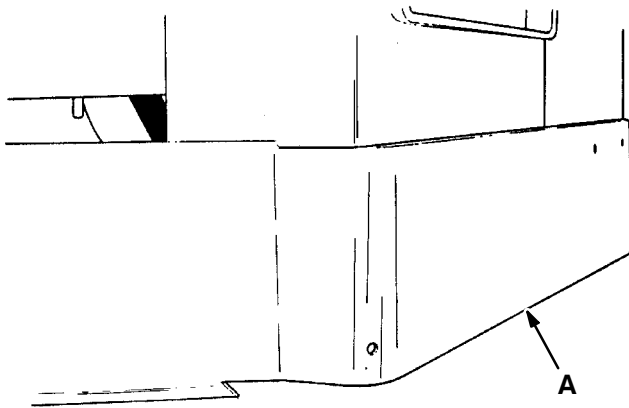
WARNING: Machine is unstable on jack. Jack machine up at designated locations only. Block machine up with jack stands.



00559

FRONT JACKING LOCATION

A. Jacking Location



00571

REAR JACKING LOCATION

A. Jacking Location

5. Block machine up with jack stands or similar devices in the designated locations to secure the machine.
6. Lower the machine onto the jack stands.
7. Check to make sure the machine is secure.
8. Service the machine as required.
9. When finished servicing the machine, raise the machine off the jack stands.
10. Remove the jack stands from under the machine.
11. Lower the machine.
12. Remove the blocks from the tires.

MACHINE TIE-DOWNS

The machine may be tied down at each of the corners of the main frame using tie down brackets supplied in the tie-down kit.

When transporting the machine on a trailer or in a truck, be sure to engage the machine parking brake and block the machine tires to prevent the machine from rolling.

MACHINE STORAGE

STORING MACHINE

When storing the machine for extended periods of time, these procedures must be followed to lessen the chance of rust, sludge, and other undesirable deposits from forming:

1. Empty the debris hopper.
2. Change engine oil.
3. Raise the main brush and side brush.
4. Park the machine on a level surface in a cool, dry area.
5. Stop the engine and set the machine parking brake.
6. Check the hydraulic fluid level. It should be up to the full mark on the dipstick to prevent excessive condensation from forming in the reservoir.

7A. To store the machine 30 to 90 days:

1. Remove the spark plugs.
2. Pour 3 oz (90 cc) of clean engine oil into each spark plug hole.
3. Remove the ignition coil high tension wire. Operate the engine starter motor for at least a dozen revolutions. This distributes the oil over the cylinder walls.

NOTE: Before preparing the engine for storage, allow it to cool down to the surrounding temperature. Oil adheres to cold metal surfaces much better than hot surfaces.

4. Replace the high tension coil wire and spark plugs.
5. Drain the gasoline from the carburetor.

7B. To store the machine for more than 90 days:

1. Remove the spark plugs.
2. Pour 3 oz (90 cc) of clean engine oil into each spark plug hole.
3. Remove the ignition coil high tension wire. Operate the engine starter for at least a dozen revolutions. This distributes the oil over the cylinder walls.

NOTE: Before preparing the engine for storage, allow it to cool down to the surrounding temperature. Oil adheres to cold metal surfaces much better than hot surfaces.

4. Replace the high tension coil wire and spark plugs.
5. Drain the engine oil from the engine oil pan.
6. Drain the coolant from the radiator and engine block.
7. Close the engine cooling system drain cocks.
8. Drain gasoline from the carburetor, fuel tank, and the fuel lines.
9. Seal the air cleaner inlet and the exhaust outlet with weatherproof masking tape.
10. Tighten the engine oil filler cap, the fuel tank cap, and the radiator cap to make certain they are securely in place.

SECTION 3

CONTENTS

	Page		Page
RECOMMENDED FIRST 50-HOUR		LPG FUEL TROUBLESHOOTING	3-26
MACHINE INSPECTION	3-3	GOVERNOR (For machines below	
MAINTENANCE CHART	3-4	serial number 038000)	3-27
LUBRICATION	3-6	TO ADJUST GOVERNOR	
ENGINE	3-6	(For machines below	
REAR WHEEL SUPPORT	3-6	serial number 038000)	3-27
STEERING GEAR	3-6	GOVERNOR (For machines serial	
FRONT WHEEL BEARINGS	3-6	number 038000 and above)	3-27
HOPPER LIFT ARM PIVOTS	3-7	IGNITION SYSTEM	3-28
HOPPER DOOR LATCHES	3-7	SPARK PLUGS	3-28
SCRUB ATTACHMENT LEG CASTERS	3-8	DISTRIBUTOR (For machines	
SCRUB ATTACHMENT DEBRIS HOPPER	3-8	below serial number 038000)	3-28
HYDRAULICS	3-9	ENGINE IGNITION TIMING	
HYDRAULIC FLUID	3-9	(For machines below	
HYDRAULIC FLUID RESERVOIR	3-9	serial number 038000)	3-28
TO DRAIN HYDRAULIC FLUID		TO CHECK AND ADJUST IGNITION	
RESERVOIR AND REPLACE		TIMING (For machines below	
FILTER ELEMENT	3-10	serial number 038000)	3-28
TO FILL HYDRAULIC		ENGINE IGNITION TIMING	
FLUID RESERVOIR	3-11	(For machines serial number	
HYDRAULIC PUMPS	3-11	038000 and above)	3-29
DIRECTIONAL PEDAL	3-11	CYLINDER HEAD	3-29
TO ADJUST DIRECTIONAL PEDAL	3-12	CYLINDER HEAD	3-29
LIFT ARM SPEED LIMITER	3-13	VALVE TAPPET CLEARANCE	3-30
HYDRAULIC FLUID LEAKS	3-13	CRANKCASE VENTILATION SYSTEM	3-30
HYDRAULIC SCHEMATIC –		TUNE-UP CHART – GASOLINE, LPG	3-30
LOW DUMP MODEL	3-14	ELECTRICAL SYSTEM	3-31
HYDRAULIC SCHEMATIC –		BATTERY	
MULTI-LEVEL DUMP MODEL	3-15	3-31	
HYDRAULIC SYSTEM		ELECTRICAL SCHEMATIC	
TROUBLESHOOTING	3-16	(For machines below	
HYDRAULIC COMPONENTS		serial number 038000)	3-32
TROUBLESHOOTING	3-18	ELECTRICAL SCHEMATIC	
ENGINE	3-19	(For machines serial number	
ENGINE LUBRICATION	3-19	038000 and above)	3-33
COOLING SYSTEM	3-19	ELECTRICAL SCHEMATIC,	
AIR INTAKE SYSTEM	3-20	ACCESSORIES	3-34
AIR FILTER RESTRICTION		ELECTRICAL SCHEMATIC, AUTO SHAKER,	
INDICATOR	3-20	RFS	3-35
AIR FILTER	3-20	BELTS AND CHAINS	3-37
TO REPLACE AIR FILTER ELEMENT	3-21	ENGINE FAN BELT	3-37
FUEL SYSTEM – GASOLINE	3-22	GOVERNOR BELT (For machines	
FUEL FILTER	3-22	below serial number 038000)	3-37
CARBURETOR	3-22	STATIC DRAG CHAIN	3-37
FUEL SYSTEM – LPG	3-23	DEBRIS HOPPER	3-38
LPG FUEL SYSTEM	3-23	HOPPER DUST FILTER	3-38
FUEL TANKS	3-24	TO REMOVE HOPPER DUST FILTER	3-38
TO CHANGE AN LPG FUEL TANK	3-25	TO INSTALL HOPPER DUST FILTER	3-39
FUEL FILTER LOCK	3-25	DEBRIS HOPPER	3-39
VAPORIZER-REGULATOR	3-25	TO ADJUST LOW DUMP	
CARBURETOR	3-25	MODEL HOPPER	3-39
OIL PRESSURE SWITCH	3-25		

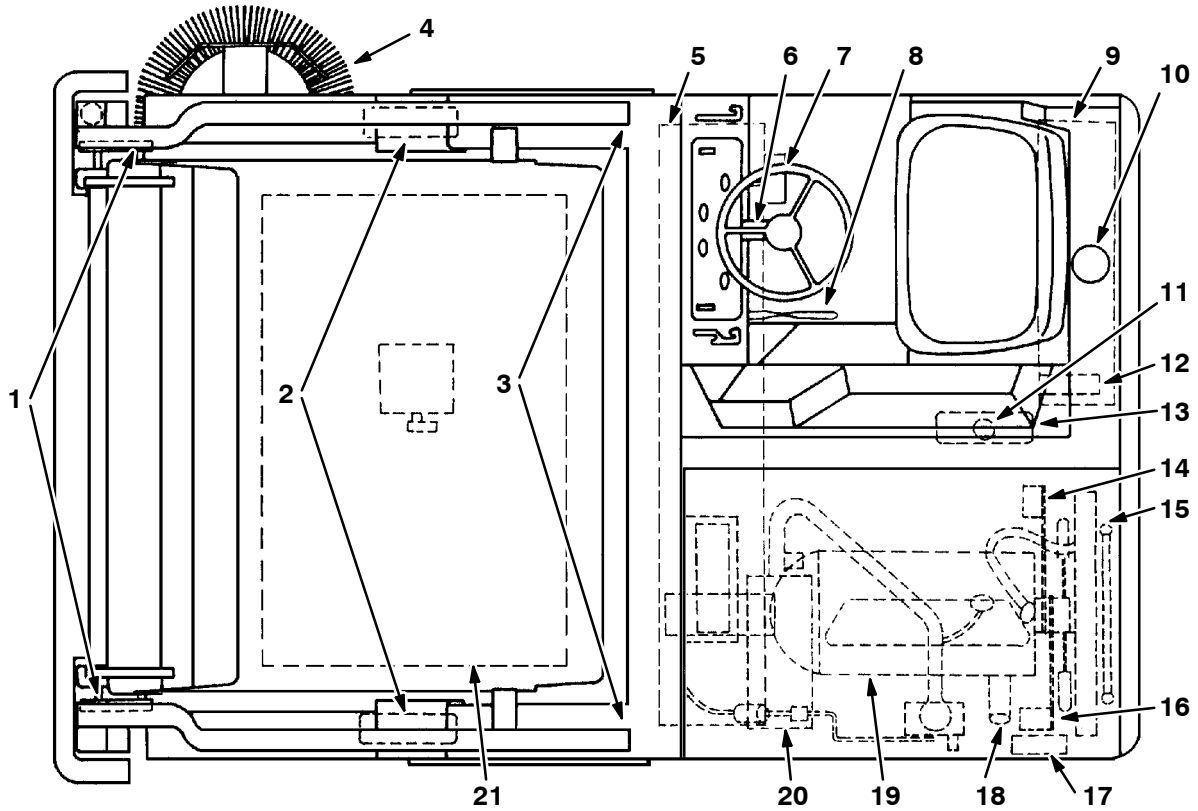
	Page
TO ADJUST MULTI-LEVEL DUMP	
MODEL HOPPER	3-40
THERMO SENTRY™	3-43
BRUSHES	3-44
MAIN BRUSH	3-44
TO REPLACE MAIN BRUSH	3-44
TO CHECK AND ADJUST	
MAIN BRUSH PATTERN	3-45
SIDE BRUSH	
3-46	
TO REPLACE SIDE BRUSH	3-47
SKIRTS AND SEALS	3-48
HOPPER LIP SKIRTS	3-48
TO REPLACE HOPPER LIP SKIRTS	3-48
BRUSH DOOR SKIRTS	3-48
TO REPLACE AND ADJUST	
BRUSH DOOR SKIRTS	3-49
REAR SKIRTS	3-49
TO REPLACE AND ADJUST	
THE REAR SKIRTS	3-49
MAIN BRUSH DOOR SEALS	3-50
HOPPER SEALS	3-50
HOPPER INSPECTION DOOR SEAL	3-50
HOPPER DOOR SEALS	3-51
HOPPER COVER SEAL	3-51
HOPPER VACUUM FAN SEAL	3-51
BRAKES AND TIRES	3-52
SERVICE BRAKES	3-52
TO ADJUST BRAKE LINKAGE	3-52
PARKING BRAKES	3-52
TIRES	3-52
	Page
SCRUB ATTACHMENT	3-53
SCRUB ATTACHMENT	3-53
SOLUTION TANKS	3-53
SOLUTION DISTRIBUTION SYSTEM	3-53
SCRUB BRUSHES	3-53
TO REPLACE SCRUB BRUSH	3-54
TO CHECK AND ADJUST SCRUB	
BRUSH PATTERN	3-54
RECOVERY TANK	3-56
TO DRAIN THE RECOVERY TANK	3-56
TO CLEAN THE RECOVERY TANK	3-56
DEBRIS HOPPER	3-57
SIDE SQUEEGEE	3-58
TO REPLACE SIDE SQUEEGEE BLADE	3-58
REAR SQUEEGEE	3-59
TO REPLACE OR ROTATE	
REAR BLADE	3-59
TO REPLACE OR ROTATE	
FRONT BLADE	3-60
TO CHECK AND ADJUST REAR	
SQUEEGEE	3-61
SNOW BROOM	3-63
SNOW BROOM	3-63
TO REPLACE SNOW BROOM	3-63

RECOMMENDED FIRST 50–HOUR MACHINE INSPECTION

After the first 50 hours of operation, the following procedures are recommended:

1. Check the brush pattern for correct brush adjustment.
2. Machines below serial number 038000:
Check engine ignition timing.
3. Machines below serial number 038000: Torque the cylinder head bolts to the proper specification.
4. Torque the rear wheel nuts.
5. After the first 150 hours of operation, check and adjust the engine valve tappet clearance.

MAINTENANCE CHART



02455

Interval	Key	Description	Procedure	Lubricant	No. of Service Points
Daily	20	Engine air filter	Check restriction indicator	—	1
			Empty dust cap	—	1
	19	Engine crankcase	Check oil level	EO	1
	15	Radiator core exterior	Check for debris and clean	—	1
	5	Floor skirts	Check for damage, wear and adjustment	—	5
	5	Main brush	Check for damage, wear, and adjustment	—	1
	4	Side brush	Check for damage, wear, and adjustment	—	1
	--	Scrub attachment	Check squeegee for damage, wear, and adjustment	—	1
			Check scrub brush for damage, wear, and adjustment	—	1
50 Hours	18	Engine crankcase	Change oil and filter element	EO	1
	5	Main brush	Rotate end-for-end	—	1
100 Hours	21	Hopper dust filter	Inspect, clean or replace	—	1
	15	Radiator	Check coolant level	WG	1
	9	Hydraulic fluid reservoir	Check fluid level	HYDO	1
	13	Rear tire	Check pressure	—	1
	5	Dust seals	Check for damage or wear	—	8

Interval	Key	Description	Procedure	Lubricant	No. of Service Points
200 Hours	14	Alternator and fan belt	Check tension	–	1
	16	Governor belt (For machines below serial number 038000)	Check tension	–	1
	1	Hopper door latches, multi-level dump model	Lubricate	MPGM	2
	8	Parking brake	Check adjustment	–	1
	7	Brake pedal	Check and adjust travel	–	1
	11	Rear wheel support bearing	Lubricate	MPGP	1
	3	Hopper lift arm pivots	Lubricate	MPGM	2
	--	Scrub attachment	Lubricate casters Lubricate hopper pivots	MPGM MPGM	4 2
400 Hours	19	Engine (For machines below serial number 038000)	Check and adjust valve clearance	–	8
			Check and adjust idle speed	–	1
			Check and adjust carburetor idle mixture	–	1
			Clean or replace and adjust spark plugs	–	4
			Check distributor and adjust timing	–	1
			Replace PCV valve. Clean PCV hoses, tubes, and fittings	–	–
	19	Engine (For machines serial number 038000 and above)	Check and adjust valve clearance	–	8
			Check and adjust idle speed	–	1
			Check and adjust carburetor idle mixture	–	1
			Clean or replace and adjust spark plugs	–	4
			Replace PCV valve. Clean PCV hoses, tubes, and fittings	–	–
			Inspect and lubricate	MPGP	2
	2	Front wheel bearings	Inspect and lubricate	MPGP	2
	9	Hydraulic fluid reservoir	Change hydraulic fluid	HYDO	1
	17	Hydraulic fluid filter	Change filter element	–	1
6	Steering gear case	Check grease level	MPG	1	
800 Hours	19	Engine	Torque intake manifold bolts	–	4
	15	Cooling system	Flush	WG	1
	10	Hydraulic reservoir	Replace breather cap	–	1
	12	Hydraulic reservoir	Replace suction strainer	–	1

EO – Engine oil

HYDO – Tennant Company or approved hydraulic fluid

MPG – Multi-purpose, calcium soap base grease

MPGM – Multi-purpose, water resistant, lithium base, moly-disulphide EP grease

MPGP – Multi-purpose grease, paraffin base with organic thickener.

WG – Water and permanent-type ethylene glycol anti-freeze, one-to-one ratio

NOTE: More frequent intervals may be required in extremely dusty conditions.

LUBRICATION

ENGINE

Check the engine oil level daily. Change the engine oil and oil filter after every 50 hours of operation. Use only SAE–SE/SF rated engine oil.

The following SAE–SE/SF rated oil grades are recommended for engines during changing seasonal temperatures:

MULTI-VISCOSITY OILS

Below 32°F (Below 0°C)	-10° to 90°F (-23° to 32°C)	-10° to 90°F (-23° to 32°C)	Above 10°F (Above -12°C)
5W 30	10W 30	10W 40	20W 40

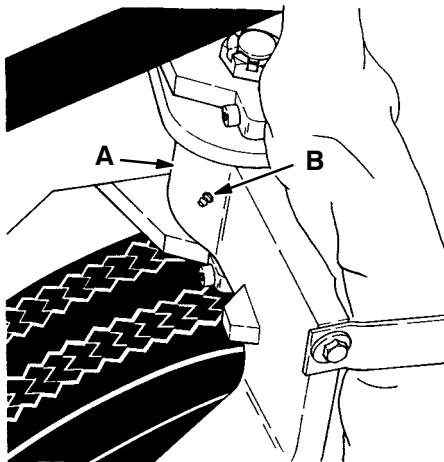
SINGLE VISCOSITY OILS

-10° to 32°F (-23° to 0°C)	10° to 60°F (-12° to 16°C)	32° to 90°F (0° to 32°C)	Above 60°F (Above 16°C)
10W	20W 20	30	40

The engine oil capacity is 3.5 qt (3.3 L) including the oil filter.

REAR WHEEL SUPPORT

The rear wheel support pivots the rear wheel. A grease fitting has been provided on the support bracket for lubrication purposes. Lubricate the rear wheel support bearing with a grease gun after every 200 hours of operation. Use a multipurpose, water resistant, paraffin base grease with organic thickener.



REAR WHEEL SUPPORT

- A. Rear Wheel Support
- B. Grease Fitting

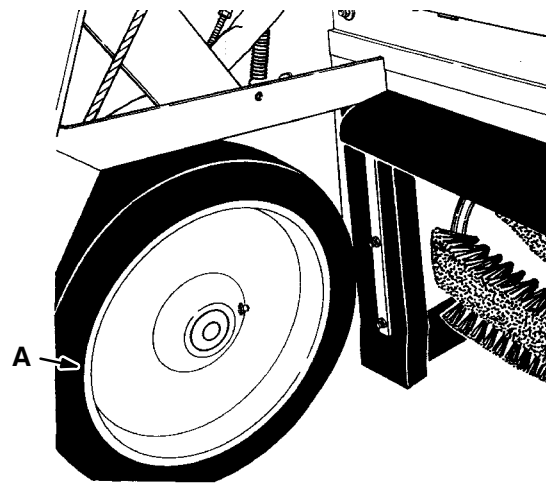
STEERING GEAR

The steering gear controls the steering arm. A square head plug has been provided on the left side of the steering gear to check the grease level and to allow filling.

Check the steering grease level after every 400 hours of operation. Fill the unit with a calcium base soap grease.

FRONT WHEEL BEARINGS

The front wheel bearings support the front half of the machine. Inspect the bearings for contamination, seal damage, and repack after every 400 hours of operation. Use a multipurpose, water resistant, paraffin base grease with organic thickener.



FRONT WHEEL

- A. Wheel

02457

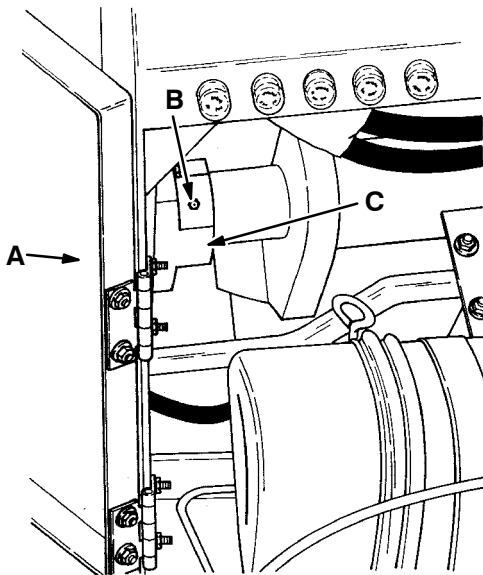
02456

HOPPER LIFT ARM PIVOTS

The hopper lift bearings support the lift arm pivots. Two grease fittings are used to lubricate the hopper lift bearings. One grease fitting is located on each of the hopper lift bearings.

Access to the left side grease fitting is through the left side access door. The right side grease fitting is exposed to the operator compartment through an access hole in the front dash panel.

Lubricate the bearings with a grease gun after every 200 hours of operation. Use a multi-purpose, water resistant, lithium base, moly-disulphide EP grease, or a paraffin base grease with organic thickener.



LEFT SIDE HOPPER LIFT BEARING

- A. Left Side Access Door**
- B. Grease Fitting**
- C. Lift Bearing**

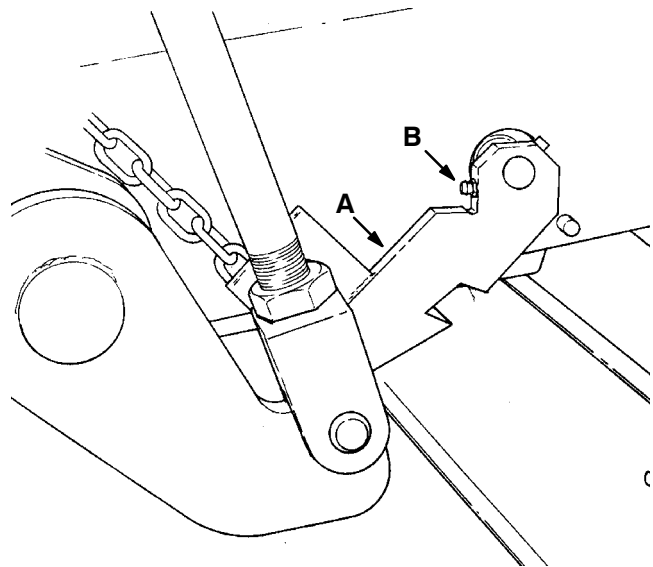
02478

HOPPER DOOR LATCHES

The hopper door latches latch the hopper door on multi-level dump model machines. Two grease fittings are used to lubricate the hopper door latches. One grease fitting is on each of the latches.

To gain access to the latch grease fittings, place the hopper in the “dump” position.

Lubricate the latches with a grease gun after every 200 hours of operation. Use a multi-purpose, water resistant, lithium base, moly-disulphide EP grease, or a paraffin base grease with organic thickener.



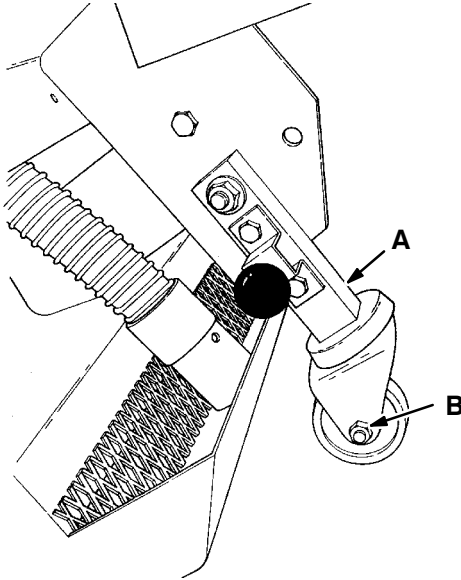
HOPPER DOOR LATCH

- A. Hopper Door Latch**
- B. Grease Fitting**

00550

SCRUB ATTACHMENT LEG CASTERS

The scrub attachment casters support the scrub attachment when it is not mounted to the machine. A grease fitting is mounted to the axle of each of the four casters. Lubricate the casters with a grease gun after every 200 hours of operation. Use a multi-purpose, water resistant, lithium base, moly disulphide EP grease, or a paraffin base grease with organic thickener.



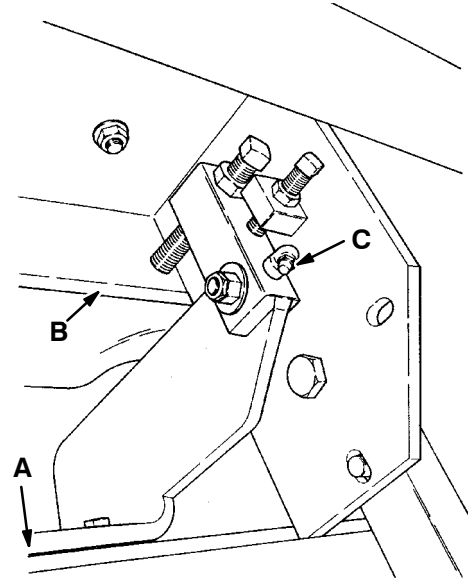
LEG CASTER

02754

- A. Leg**
- B. Grease Fitting**

SCRUB ATTACHMENT DEBRIS HOPPER

The scrub attachment debris hopper collects debris picked up by the scrub brushes. The debris hopper pivots on two bearings. Each bearing is equipped with a grease fitting. Lubricate the bearings with a grease gun after every 200 hours of operation. Use a multi-purpose, water resistant, lithium base, moly disulphide EP grease, or a paraffin base grease with organic thickener.



DEBRIS HOPPER

02764

- A. Hopper**
- B. Scrub Attachment Frame**
- C. Grease Fitting**

HYDRAULICS

HYDRAULIC FLUID

Hydraulic fluid drives most of the moving components of the machine. The quality and condition of the hydraulic fluid play a very important role in how well the machine operates. Tennant Company has developed its own hydraulic fluid to meet the special needs of its machines.

TENNANT® Hydraulic Fluid is a specially compounded oil with the following features not found in many hydraulic fluids:

1. Flat viscosity curve.
2. Additives to prevent corrosion.
3. Additives to prevent oxidation.
4. Rust inhibitors.
5. Foam suppressors.

These features restrict foaming of the hydraulic fluid and provide a high standard of lubrication to the components.

**TENNANT® HYDRAULIC FLUID
VISCOSITY SPECIFICATIONS**

	TENNANT® Hyd. Fluid No. 32397 (HP1040)	TENNANT® Hyd. Fluid No. 32398 (HP2060)
SUS @ 100° F (38° C)	404-445	940-1010
SUS @ 210° F (99° C)	78-84	122-130

TENNANT® Hydraulic Fluids have a very flat viscosity curve (synonymous with “high viscosity index”). The flat viscosity curve means that the thickness of the fluid is very constant over wide temperature ranges.

Hydraulic fluid with the viscosity rating of HP1040 should be used in machines that are operated in areas which have ambient temperatures up to 90° F (32° C). Use the HP2060 rated hydraulic fluid in areas which have ambient temperatures above 90° F (32° C).

ATTENTION! If a locally – available hydraulic fluid is preferred, or if products of only one oil company are used, the hydraulic fluid used must match closely the viscosity specifications given in the chart for TENNANT® Hydraulic Fluid, as well as the other features described. Do not substitute automatic transmission fluid for hydraulic fluid.

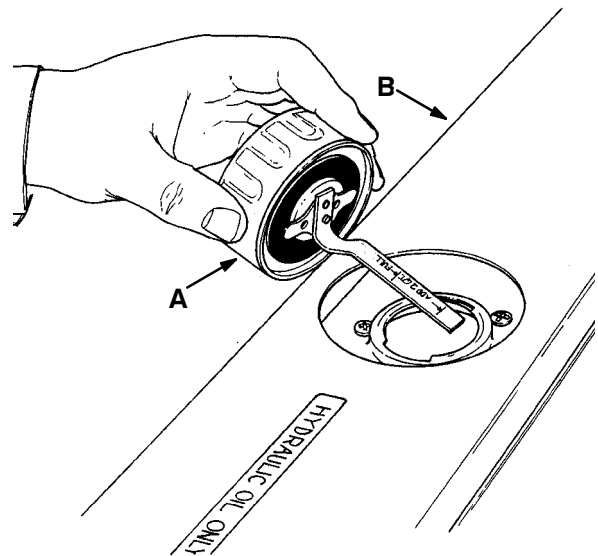
ATTENTION! Hydraulic components depend on system hydraulic fluid for internal lubrication. If

dirt or other contaminants are allowed to enter the hydraulic system, malfunctions, accelerated wear, and damage will result.

HYDRAULIC FLUID RESERVOIR

Hydraulic fluid is stored in the hydraulic fluid reservoir. The reservoir holds 5 gal (19 L) of hydraulic fluid. The reservoir is located behind the operator seat.

A breather-filler cap and fluid level dipstick is mounted on top of the reservoir. The breather relieves excess pressure in the reservoir. The breather is mounted on top of the hydraulic fluid reservoir and seat support. The breather should be replaced after every 800 hours of operation.



RESERVOIR BREATHER-FILLER CAP

02458

- A. Breather-Filler Cap**
- B. Seat Support**

The hydraulic fluid level dipstick is built into the breather-filler cap. The end of the dipstick is marked with “full” and “add” levels. This indicates the level of hydraulic fluid in the reservoir. The hopper must be lowered when checking reservoir fluid level.

MAINTENANCE

Check the hydraulic fluid level after every 100 hours of operation. It should be above the “add” marks on the dipstick, but not above the “full” mark when the hydraulic fluid is warm.

Do not overfill the hydraulic fluid reservoir. Hydraulic fluid expands as it heats to its normal operating temperature. Always allow for expansion when filling the reservoir.

ATTENTION! Do not overfill the hydraulic fluid reservoir or operate the machine with a low level of hydraulic fluid in the reservoir. Damage to the machine hydraulic system may result.

Drain and refill the hydraulic fluid reservoir with hydraulic fluid after every 400 hours of operation.

The hydraulic system is kept clean to a level of 10 microns by a hydraulic fluid filter. The hydraulic fluid filter is located under the radiator. Replace the filter element after every 400 hours of operation.

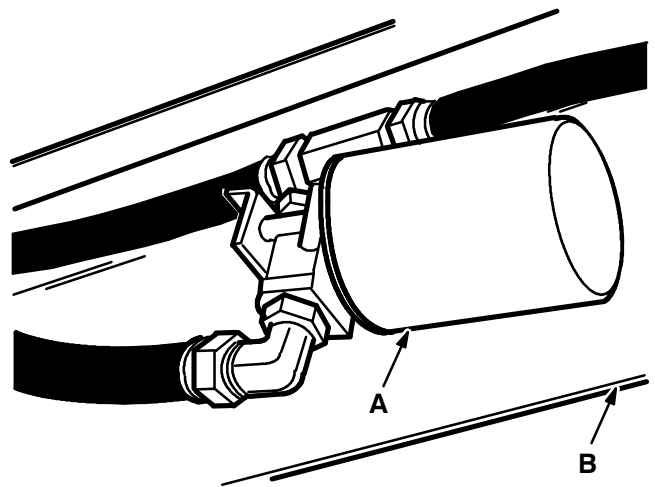
A reservoir outlet strainer is built into the reservoir to filter hydraulic fluid before it enters the system. Replace the strainer after every 800 hours of operation.

TO DRAIN HYDRAULIC FLUID RESERVOIR AND REPLACE FILTER ELEMENT

1. Stop the engine and set the machine parking brake.

FOR SAFETY: Before leaving or servicing machine; stop on level surface, set parking brake, and turn off machine.

2. Allow the hydraulic fluid to cool.
3. Unthread and discard the hydraulic fluid filter element. Hydraulic fluid will drain through the filter head. Discard the used hydraulic fluid.



04623

HYDRAULIC FLUID FILTER

- A. Filter Element**
- B. Machine Frame**

NOTE: Be aware the hydraulic filter is lower than the reservoir. All fluid will drain from the reservoir. Discard all hydraulic fluid drained from the system. It may contain foreign material harmful to the hydraulic system.

4. Apply a thin coat of hydraulic fluid to the seal of the new hydraulic fluid filter element.
5. Thread and hand tighten the new hydraulic fluid filter element on the filter head.
6. Operate the machine and check for leaks. Correct any leaks found.
7. Check the hydraulic fluid reservoir level and fill as required.

TO FILL HYDRAULIC FLUID RESERVOIR

1. Remove the reservoir breather-filler cap.
2. Pour new, approved hydraulic fluid through a 200 mesh screened funnel and into the reservoir filler neck.

ATTENTION! Use only new, approved hydraulic fluid to fill the hydraulic fluid reservoir. Do not overfill.

3. Check the hydraulic fluid level in the reservoir with the reservoir dipstick.
4. Add hydraulic fluid until the level in the reservoir is between the “add” and the “full” range. Do not overfill.

NOTE: Do not overfill the hydraulic fluid reservoir. As hydraulic fluid heats to its normal operating temperature, it expands. Always allow for this expansion when filling the hydraulic fluid reservoir.

5. Place the reservoir breather-filler cap securely on the reservoir filler neck.
6. Start engine and operate all of the hydraulic components. Then recheck the hydraulic fluid level.

HYDRAULIC PUMPS

The machine propelling pump is a variable displacement hydraulic piston pump. It is driven by the engine via a chain coupling.

The machine accessories pump is a hydraulic gear pump. It is tandem mounted to the hydraulic piston pump.

After repairing or replacing a hydraulic pump, or when system contamination is likely, change the hydraulic fluid in the reservoir and the hydraulic fluid filter.

DIRECTIONAL PEDAL

The directional pedal controls the flow of hydraulic fluid to the hydraulic drive motor. The pedal has three positions – “forward,” “neutral,” and “reverse.” The “forward” and “reverse” positions send hydraulic fluid to the drive motor to propel the machine.

The “neutral” position is the position in which the propelling pump sends no hydraulic fluid to the propelling motor. The machine should not creep when the pedal “neutral” position is correctly adjusted. Adjust the pedal linkages, as described in *TO ADJUST DIRECTIONAL PEDAL*, whenever the machine creeps or after replacing the hydraulic propelling pump or pump linkages. The pedal linkages should also be adjusted whenever the reverse speed seems excessive or inadequate.

MAINTENANCE

TO ADJUST DIRECTIONAL PEDAL

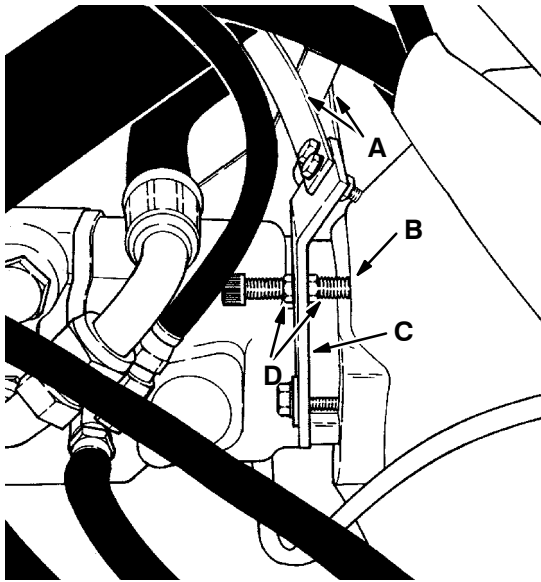
1. Stop the engine and set the machine parking brake.

FOR SAFETY: Before leaving or servicing machine; stop on level surface, set parking brake, and turn off machine.

2. Block the machine tires and jack up the rear of the machine at the designated location.

! WARNING: Machine is unstable on jack. Jack machine up at designated locations only. Block machine up with jack stands.

3. Block up the machine with jack stands in the designated locations. Make sure the rear tire clears the floor by 2 in (50 mm) and all obstacles within a 24 in (610 mm) radius.
4. Loosen the centering spring bracket adjustment bolt jam nuts.

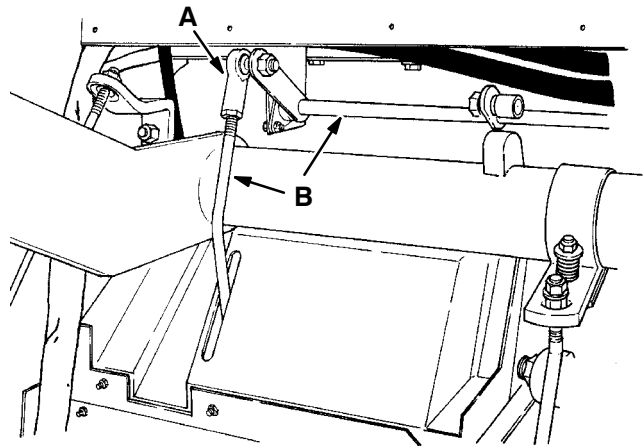


CENTERING SPRINGS

- A. Centering Springs
- B. Adjustment Bolt
- C. Spring Bracket
- D. Jam Nut

5. Start the engine.

6. Move the directional pedal into the “forward” position and release it. The rear wheel should stop rotating as soon as the pedal is released. Stop the engine and adjust the spring bracket as required.
7. Move the directional pedal into the “reverse” position and release it. The rear wheel should stop rotating as soon as the pedal is released. Stop the engine and adjust the spring bracket as required.
8. Tighten the jam nuts.
9. Adjust the directional pedal linkage so it will contact the lintel when the directional pedal is pressed backward. The backward travel of the pedal should be restricted so the machine will not travel faster than 3.5 mph (5.6 km/h) with the throttle lever in the (Fast 1) position, and 4.5 mph (7.2 km/h) with the throttle lever in the (Fast 2) position in reverse. Adjust the pedal linkage connected to the pedal for pedal position. Adjust the pump linkage next to the engine for reverse speed control.



DIRECTIONAL PEDAL LINKAGE

- A. Ball Joint
- B. Pump Linkage

10. Tighten the linkage ball joints and jam nuts.
11. Raise the rear of the machine, remove the jack stands, and lower the machine.

02483

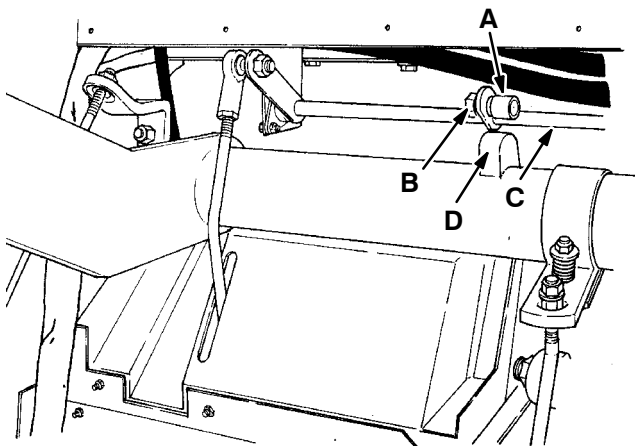
02486

LIFT ARM SPEED LIMITER

The lift arm speed limiter is present on multi-level dump model machines. It limits the forward speed the machine can travel when the hopper is raised. The speed limiter should be adjusted whenever the pump linkage is adjusted. The machine should not travel more than 2 mph (3.2 km/h) with the hopper raised.

The speed limiter consists of a roller bearing which is mounted on the directional linkage, and a cam on the lift arm. When the hopper is raised, the lift arm turns placing the cam under the roller bearing. This limits how far the directional pedal can be pressed, limiting the machine speed.

To adjust the maximum limited speed, loosen the roller bearing nut, reposition the roller bearing in its mounting slot and tighten the nut.



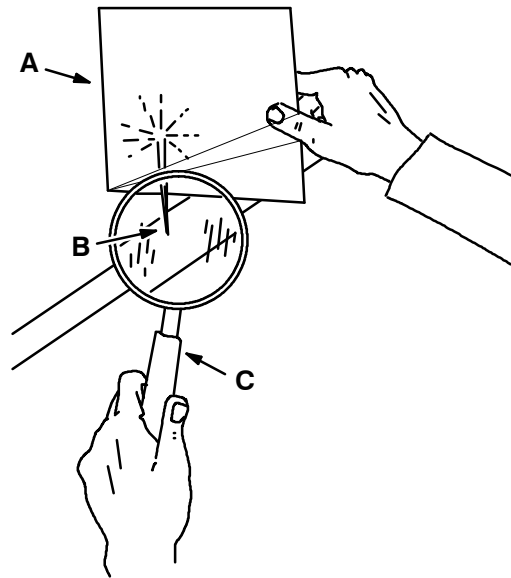
SPEED LIMITER BEARING

- A. Speed Limiter Bearing**
- B. Retaining Nut**
- C. Pump Linkage**
- D. Lift Arm Cam**

02483

HYDRAULIC FLUID LEAKS

Fluid escaping at high pressure from a very small hole can be almost invisible and can cause serious injuries. Use a piece of cardboard or wood, rather than hands, to search for suspected leaks.



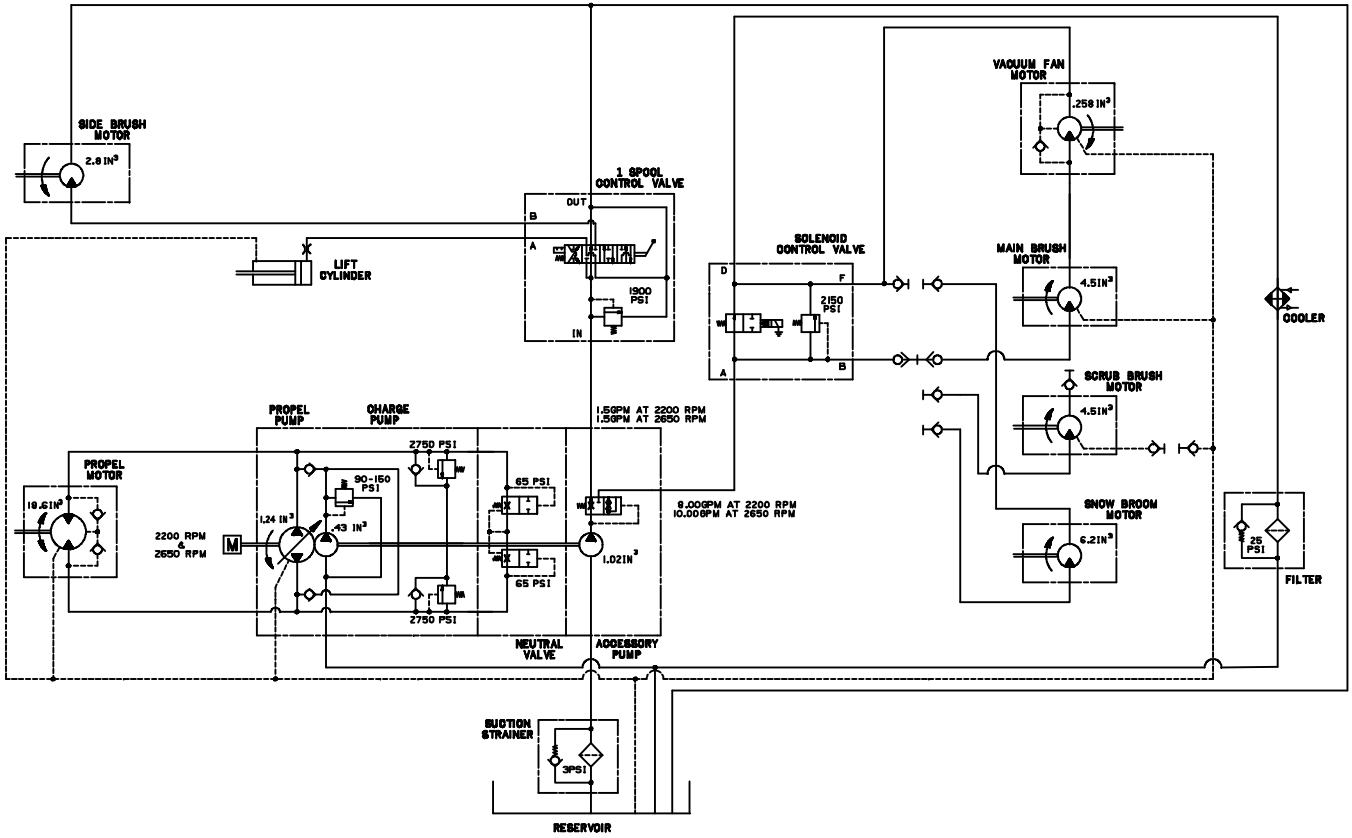
HYDRAULIC PINHOLE LEAK

00002

- A. Cardboard**
- B. Pinhole Leak**
- C. Magnifying Glass**

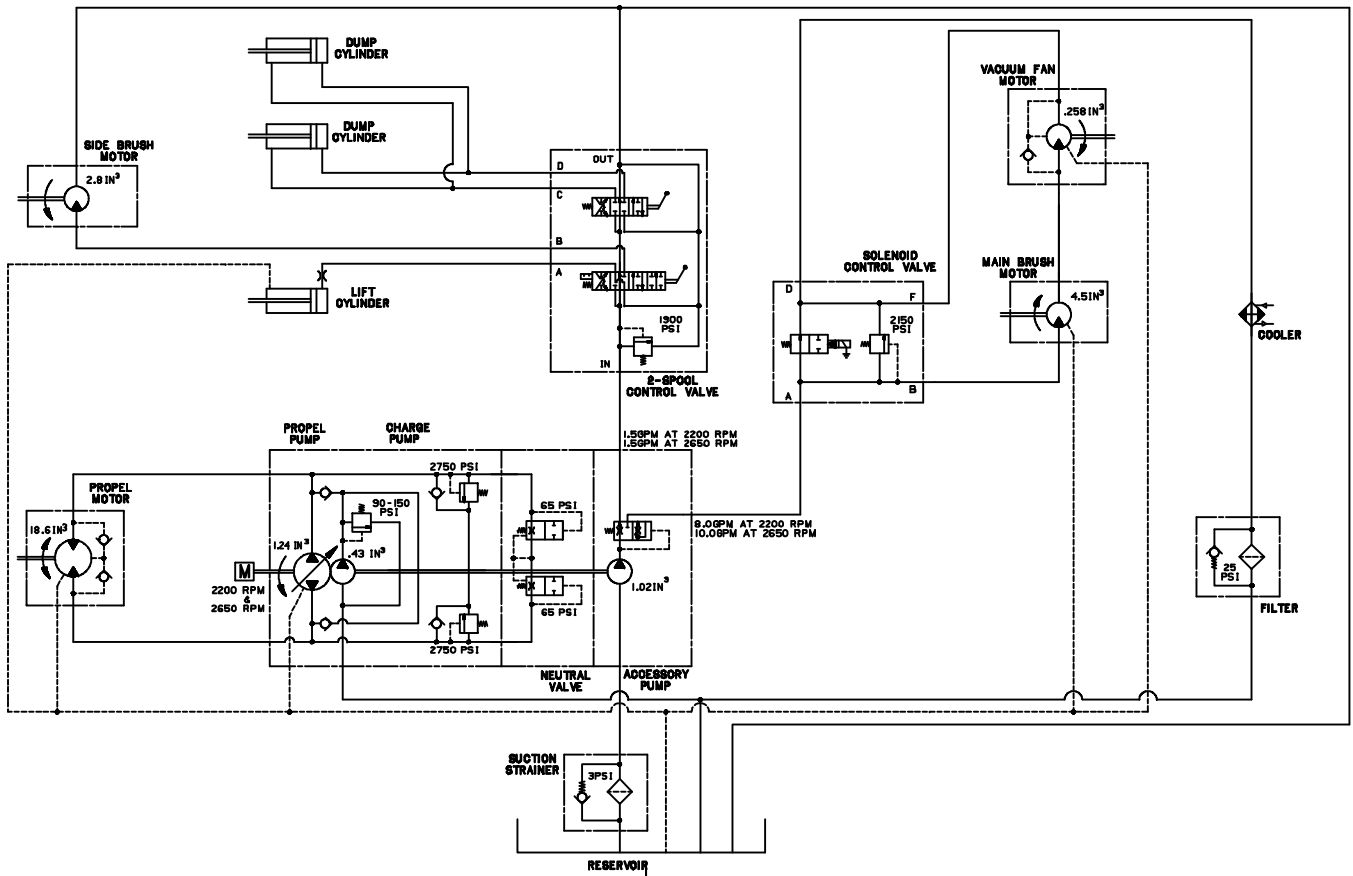
If injured by escaping hydraulic fluid, see a doctor at once. Serious infection or reaction can develop if proper medical treatment is not administered immediately.

! WARNING: Leaking hydraulic fluid under pressure can penetrate skin. Severe infection or death can result. Do not use body to locate leak. Use cardboard to locate leak.



HYDRAULIC SCHEMATIC, LOW DUMP MODEL

04624



HYDRAULIC SCHEMATIC, MULTI-LEVEL DUMP MODEL

04625

MAINTENANCE

HYDRAULIC SYSTEM TROUBLESHOOTING

Problem	Cause	Remedy
Machine travels slowly or not at all	Parking brake engaged	Release parking brake
	Linkage broken or not adjusted properly	Replace and/or adjust linkage
	Relief valve stuck open – (leaking)	Replace relief valve one forward, one reverse
	Motor failure	See <i>HYDRAULIC COMPONENTS TROUBLESHOOTING</i> : Hydraulic motor failure
	Pump failure	See <i>HYDRAULIC COMPONENTS TROUBLESHOOTING</i> : Hydraulic piston pump failure
	Hydraulic fluid level low	Fill hydraulic fluid reservoir
Main brush does not turn	Circuit breaker CB–3 tripped	Reset circuit breaker
	Electric on-off switch S–4 failure	Replace switch
	Hydraulic valve failure	See <i>HYDRAULIC COMPONENTS TROUBLESHOOTING</i> : Solenoid valve failure
	Hydraulic motor failure	See <i>HYDRAULIC COMPONENTS TROUBLESHOOTING</i> : Hydraulic motor failure
	Gear pump failure	See <i>HYDRAULIC COMPONENTS TROUBLESHOOTING</i> : Hydraulic gear pump
	Electric lift arm switch S–9 failure	Adjust or replace switch
	Thermo Sentry™ tripped	Reset or replace Thermo Sentry™
	Relief valve stuck open – (leaking)	Replace relief valve
Side brush turns slowly or not at all	Hydraulic valve failure	See <i>HYDRAULIC COMPONENTS TROUBLESHOOTING</i> : Hydraulic control valve failure
	Hydraulic motor failure	See <i>HYDRAULIC COMPONENTS TROUBLESHOOTING</i> : Hydraulic motor failure
	Relief valve in valve sticking	Clean or replace relief valve
	Gear pump failure	See <i>HYDRAULIC COMPONENTS TROUBLESHOOTING</i> : Hydraulic gear pump

Problem	Cause	Remedy
Poor or no vacuum to brush compartment	Circuit breaker CB–3 tripped	Reset circuit breaker
	Electric on-off switch S–4 failure	Replace switch
	Hydraulic valve failure	See <i>HYDRAULIC COMPONENTS TROUBLESHOOTING</i> : Hydraulic control valve failure
	Hydraulic motor failure	See <i>HYDRAULIC COMPONENTS TROUBLESHOOTING</i> : Hydraulic motor failure
	Gear pump failure	See <i>HYDRAULIC COMPONENTS TROUBLESHOOTING</i> : Hydraulic gear pump
	Electric lift arm switch S–9 failure	Adjust or replace switch
	Thermo Sentry™ tripped	Reset or replace Thermo Sentry™
	Relief valve stuck open – (leaking)	Replace relief valve
Hopper will not lift	Hydraulic valve failure	See <i>HYDRAULIC COMPONENTS TROUBLESHOOTING</i> : Hydraulic control valve failure
	Hydraulic orifice at lift cylinder plugged	Replace orifice
	Lift cylinder failure	See <i>HYDRAULIC COMPONENTS TROUBLESHOOTING</i> : Hydraulic cylinder failure
	Hopper overloaded	Empty hopper
	Lift arms binding	Replace and/or adjust lift arm linkage
	Gear pump failure	See <i>HYDRAULIC COMPONENTS TROUBLESHOOTING</i> : Hydraulic gear pump
Hopper will not lower	Lift cylinder failure	See <i>HYDRAULIC COMPONENTS TROUBLESHOOTING</i> : Hydraulic cylinder failure
	Lift arms binding	Replace and/or adjust lift arm linkage
Hopper will not roll out	Hydraulic valve failure	See <i>HYDRAULIC COMPONENTS TROUBLESHOOTING</i> : Hydraulic control valve failure
	Dump cylinder failure	See <i>HYDRAULIC COMPONENTS TROUBLESHOOTING</i> : Hydraulic cylinder failure
	Gear pump failure	See <i>HYDRAULIC COMPONENTS TROUBLESHOOTING</i> : Hydraulic gear pump
	Lift arms binding	Replace and/or adjust lift arm linkage

MAINTENANCE

HYDRAULIC COMPONENTS TROUBLESHOOTING

Problem	Cause	Remedy
Hydraulic cylinder failure	Piston seals leaking	Install seal kit
	Barrel worn or rod bent	Replace cylinder
Hydraulic control valve failure	Valve seals leaking	Install seal kit
	Relief valve stuck open (leaking)	Clean or replace relief valve cartridge
Solenoid valve failure	Valve leaking	Install seal kit
	Solenoid failure	Replace solenoid coil
	Solenoid spool sticking	Replace valve cartridge
	Relief valve stuck open (leaking)	Clean or replace relief valve cartridge
Hydraulic motor failure	Motor leaking	Install seal kit
	Drive link failure	Replace drive link
	Gerotor worn	Replace gerotor set
	Output shaft failure	Replace output shaft and bearings
Hydraulic gear pump failure	Pump leaking	Install seal kit
	Gear set failure	Replace gear set
	Shaft failure	Replace gear set
	Flow divider failure	Replace back plate assembly
	Engine-to-pump coupling failure	Replace coupling
Hydraulic piston pump failure	Pump leaking	Install seal kit
	Relief valve stuck	Clean or replace relief valve
	Integral charge pump failure	Replace charge pump
	Rotating group worn	Replace rotating group
	Shaft failure	Replace shaft
	Backplate worn	Replace backplate
	Engine-to-pump coupling failure	Replace coupling

ENGINE

ENGINE LUBRICATION

Check the engine oil level daily. Change the engine oil and oil filter after every 50 hours of operation. Use only SAE–SE/SF rated engine oil.

The following SAE–SE/SF rated oil grades are recommended for engines during changing seasonal temperatures:

MULTI-VISCOSITY OILS

Below 32°F (Below 0°C)	-10° to 90°F (-23° to 32°C)	-10° to 90°F (-23° to 32°C)	Above 10°F (Above -12°C)
5W 30	10W 30	10W 40	20W 40

SINGLE VISCOSITY OILS

-10° to 32°F (-23° to 0°C)	10° to 60°F (-12° to 16°C)	32° to 90°F (0° to 32°C)	Above 60°F (Above 16°C)
10W	20W 20	30	40

The engine oil capacity is 3.5 qt (3.3 L) including the oil filter.

COOLING SYSTEM

Maintaining cooling system efficiency is important. Engine temperatures must be brought up to and maintained within the satisfactory range for efficient operation. However, the engine must be kept from overheating in order to prevent damage to the valves, pistons, and bearings. Check the radiator coolant level after every 100 hours of operation.

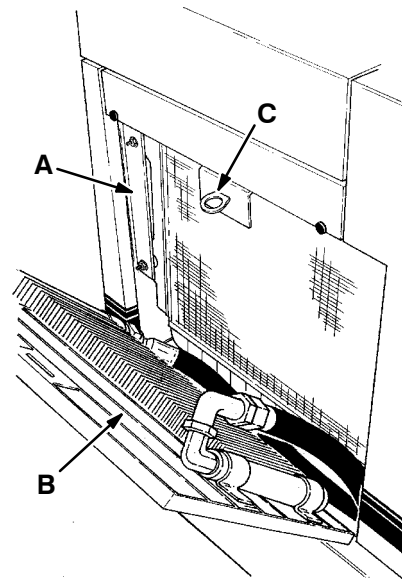
Use soft, clean water mixed with permanent-type, ethylene glycol antifreeze in a one-to-one ratio to fill the cooling system. Deposits of sludge, scale, and rust prevent normal heat transfer. Flush the radiator and the cooling system after every 800 hours of operation, using a dependable cleaning compound. Follow the mixing procedure recommended by the compound manufacturer. This is important because of the difference in concentration and composition of the cleaning compounds. After cleaning, flush the system with clean water.

Whenever a cooling system is badly rust-clogged, as indicated by overflow loss or abnormally high operating temperatures, corrective cleaning by reverse flow flushing will most effectively remove the heavy deposits of sludge, rust, and scale. The reverse flow flushing should be performed immediately after draining the cleaning solution. Flush the radiator first, then the engine, to allow the engine to cool as much as possible.

Engine overheating may also be caused by dirty radiator fins. The exterior fins of the radiator can be cleaned with an air or water hose. Check the radiator core exterior daily for debris.

! WARNING: Air or water under pressure. Severe eye or ear injury can result. Wear eye and ear protection.

Blow or rinse all dust, which may have collected on the radiator, in through the grill and radiator fins, opposite the direction of normal air flow. The grill and hydraulic cooler may be tilted back for easier cleaning. Use care not to bend the cooling fins when cleaning. Clean thoroughly to prevent caking dust. Clean the radiator and cooler only after the radiator has cooled to avoid cracking.



RADIATOR ACCESS

- A. Radiator**
- B. Hydraulic Fluid Cooler**
- C. Retainer**

02468

The engine is equipped with a 180° F (82° C) thermostat. Normal engine temperature is 200° F (93° C). Temperatures up to 220° F (104° C) are allowable. Temperatures over 220° F (104° C) indicate a problem exists.

MAINTENANCE

A pressure cap is used on the radiator to prevent overflow loss of water during normal operation. The spring-loaded valve in the cap closes the outlet to the overflow pipe of the radiator and thus seals the system. Pressure developing within the system raises the boiling point of the coolant and allows higher temperatures without overflow loss from boiling. The pressure valve opens at 7 psi (50 kPa), allowing steam and water to pass out the overflow pipe.

⚠ WARNING: Hot engine coolant. Scalding can result. Do not open radiator cap or service cooling system until radiator and engine is cool to the touch.

ATTENTION! Never pour cold water or cold antifreeze into the radiator of an overheated engine. Allow the engine to cool to avoid cracking the cylinder head or block. Keep the engine running while adding water.

AIR INTAKE SYSTEM

The importance of maintaining an air filter cannot be overemphasized. Dirt ingested through improperly installed, improperly serviced, or inadequate air filter elements wears out more engines than long hours of operation. Even a small amount of dirt will wear out a set of piston rings in just a few hours. Operating with a clogged air filter element also causes the fuel mixture to be richer, which can lead to formation of harmful sludge deposits in the engine. Always cover the air intake when the air filter is removed for servicing. Do not neglect servicing the air filter. Use only approved replacement parts. Keep all other air intake components secure and in good condition to prevent entrance of unfiltered air.

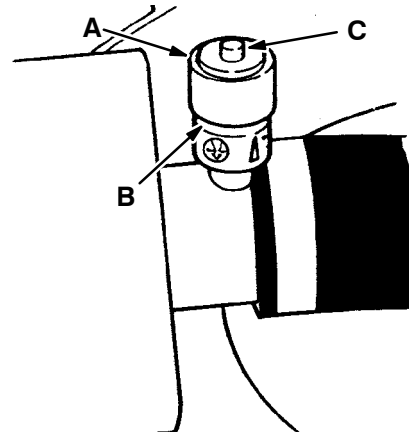
Overmaintenance can cause more damage than good. Removing the air filter element more often than is needed allows contaminants to enter the engine unnecessarily. Clean or replace the air filter element only when the restriction indicator indicates excessive restriction in the system.

AIR FILTER RESTRICTION INDICATOR

The air filter restriction indicator signals when to clean or replace the air filter element. Check the restriction indicator daily. The yellow indicator gradually becomes visible as the air filter element loads with dirt.

Do not clean or replace the air filter element until the yellow indicator reaches the top of the service indicator and reads 20 in (500 mm). The indicator may return to the “no restriction” position when the engine is shut off. It will return to the “visible” position when the engine is started.

Clean or replace the filter element when the yellow indicator reads 20 in (500 mm). After cleaning or replacing the air filter element, reset the service indicator by pushing the “reset” button on the end of the indicator.



02172

AIR FILTER RESTRICTION INDICATOR

- A. Restriction Indicator**
- B. Indicator Window**
- C. Indicator Reset Button**

AIR FILTER

The engine air filter housing includes a dust cap and a dry cartridge-type air filter element. The dust cap must be emptied of dirt daily. The air filter element must be cleaned and inspected or replaced whenever the yellow indicator of the air filter restriction indicator reads 20 in (500 mm). The filter element must be replaced if it is damaged or has been cleaned three times.

Machines with the heavy duty air filter accessory have a safety element. It is located inside of the standard element. This element should be replaced, not cleaned after the regular element has been damaged or has been serviced three times.

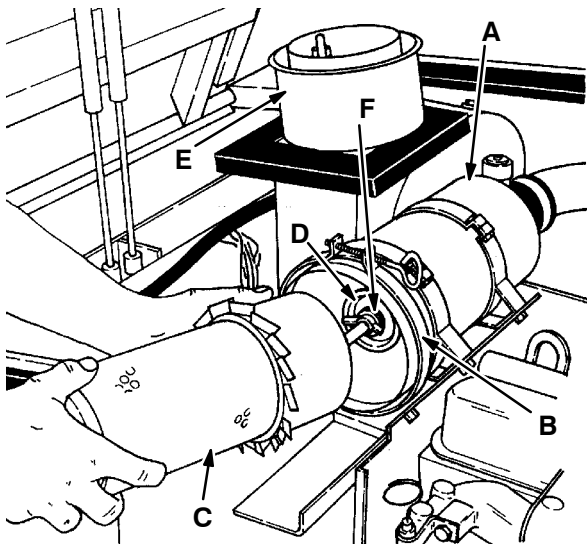
Service the air filter element only when the restriction indicator indicates excessive restriction in the system. Do not remove the air filter element unless it is restricting air flow.

TO REPLACE AIR FILTER ELEMENT

1. Stop the engine and set the machine parking brake.

FOR SAFETY: Before leaving or servicing machine; stop on level surface, set parking brake, and turn off machine.

2. Open the left side and top engine access doors.
3. Unscrew the clamp ring on the filter.
4. Remove the dust cap.
5. Empty the dust cap.
6. Remove the filter wing nut.
7. Gently pull the filter element out of the filter housing.



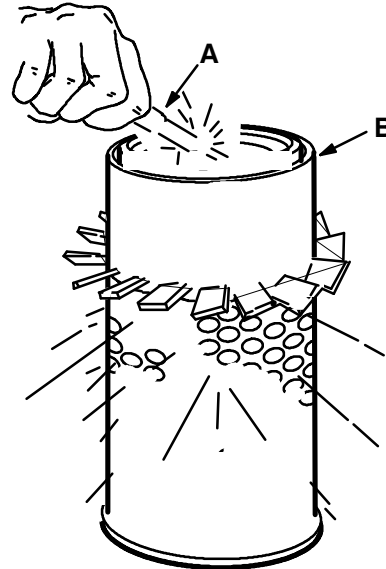
REMOVING AIR FILTER ELEMENT

- A. Filter Housing
- B. Clamp Ring
- C. Filter Element
- D. Safety Air Filter Element (Accessory)
- E. Dust Cap
- F. Wing Nut

02173

8. Clean the interior of the air cleaner housing with a damp cloth. Clean the element housing sealing surfaces.
9. Using an air hose, direct dry, clean air maximum 30 psi (205 kPa) up and down pleats on the inside of the filter. Do not rap, tap, or pound dust out of the element.

! WARNING: Air or water under pressure. Severe eye or ear injury can result. Wear eye and ear protection.

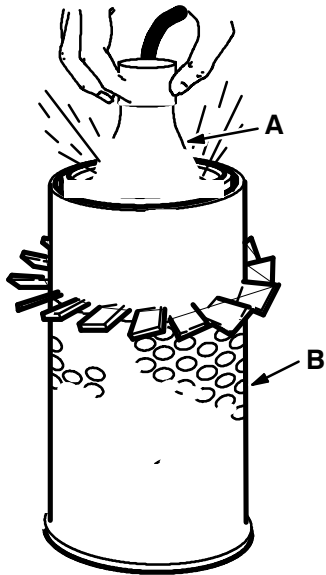


CLEANING AIR FILTER ELEMENT

00051

- A. Air Hose
- B. Filter Element

10. After cleaning the air filter element, inspect it for damage by placing a bright light inside. The slightest rupture requires replacement of the filter. Clean and inspect the seals on the ends of the element. They should be unbroken and flexible. Remember, the element must be replaced after it has been cleaned three times.

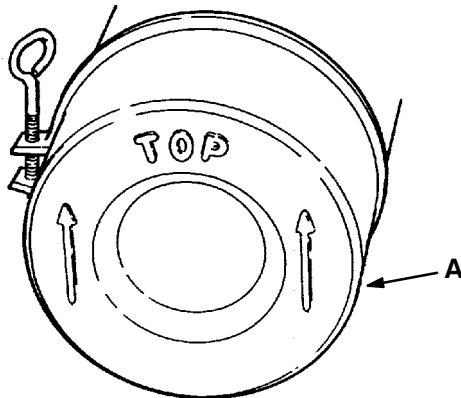


INSPECTING AIR FILTER ELEMENT

03500

- A. Bright Light**
- B. Filter Element**

11. Install the new or cleaned filter element so the fins on the element are at the intake end of the air cleaner. Use care so the fins are not damaged. Make sure the element is seating evenly. Tighten the element wing nut.
12. Install the dust cap with the arrows pointing up. Tighten the clamp ring to hold it in place. Check all intake hose connections for leaks or abrasion.



DUST CAP

02492

- A. Dust Cap**

13. Reset the air filter restriction indicator.
14. Close the access doors.

FUEL SYSTEM – GASOLINE

FUEL FILTER

The fuel filter traps fuel impurities. It is located below the air filter. Replace the filter element as required.

CARBURETOR

The carburetor has two basic adjustments. Those adjustments are idle fuel mixture and idle speed. Check and adjust idle fuel mixture and idle speed after every 400 hours of operation. The idle fuel mixture is controlled by a screw located on the front of the carburetor. Turning the screw in, clockwise, leans the fuel mixture. Turning the screw counterclockwise, richens the fuel mixture.

The idle speed is controlled by a screw located on the side of the carburetor next to the throttle linkage. Turning the screw clockwise increases engine speed. Turning the screw out, counterclockwise, decreases engine speed. Proper idle speed is 950 ± 50 rpm with all accessories in the “off” position.

! WARNING: Fuel vapor is present when servicing fuel system. Fire or explosion can result. Keep flames and sparks away.

FUEL SYSTEM -- LPG

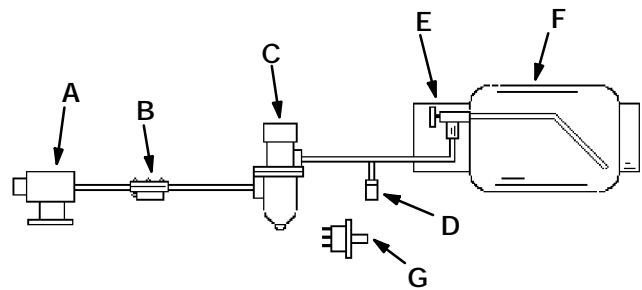
LPG FUEL SYSTEM

The liquid withdrawal LPG fuel system is made up of five components which are: the LPG fuel tank, pressure relief valve, fuel filter lock, vaporizer-regulator, and the carburetor.

Liquid LPG fuel flows from the LPG tank, under its own pressure, to the pressure relief valve. This valve is normally closed, preventing LPG fuel from escaping into the atmosphere. The valve opens to relieve pressure if the fuel pressure exceeds system limits. From the pressure relief valve, the liquid LPG fuel is piped to the fuel filter lock.

The fuel filter lock filters unwanted tank scale and deposits out of the LPG fuel. The fuel filter lock also stops the flow of LPG fuel when the engine is not operating. The oil pressure switch controls the fuel filter lock. When the engine oil pressure is 5 psi (35 kPa) or greater, the oil pressure switch permits an electrical current to open the fuel filter lock which allows LPG fuel to flow on to the vaporizer-regulator. The oil pressure switch is bypassed when the engine is being started, allowing LPG fuel to flow.

The vaporizer section of the vaporizer-regulator converts the liquid LPG fuel into a gaseous LPG fuel. From the vaporizer section, the gaseous LPG fuel is sent to the primary regulator section of the vaporizer-regulator. The primary regulator section reduces the pressure of the LPG fuel. The secondary regulator section reduces the LPG fuel pressure to the level required by the carburetor. From the vaporizer-regulator, the LPG fuel is sent to the carburetor where it is finally metered into the air flow which is sent to the engine combustion chamber.



LPG FUEL SYSTEM

03511

- A. Carburetor**
- B. Vaporizer--Regulator**
- C. Fuel Filter Lock**
- D. Pressure Relief Valve**
- E. Tank Service Valve**
- F. LPG Fuel Tank**
- G. Oil Pressure Switch**

Never operate an LPG powered machine if the LPG fuel system is leaking, or if any component in the fuel system is malfunctioning. Operating the machine under either of these conditions may cause a fire or explosion.

Check for frosting. Frosting does occur before the engine reaches operating temperature. Check after engine reaches operating temperature. If frosting occurs on or near any LPG component, there is a possibility of an LPG fuel leak or a malfunctioning component.

To locate the leak, apply a soapy water solution to the suspected area. Watch for bubbles forming in a confined area. This area may have an LPG fuel leak. Repair or replace the part. Use Loctite brand Stainless Steel PST thread sealant when reassembling. This epoxy-type sealant is not affected by aging or high humidity. Be sure to follow application directions and apply proper torque when reconnecting fittings.

Never bypass safety components except to test. If they are defective, replace them before operating the machine.

Check routings of all LPG hoses. Keep them away from sharp edges, exhaust manifolds, or other hot surfaces. Check for signs of abrasion or deterioration. Replace hoses found to be worn or damaged.

MAINTENANCE

FUEL TANKS

The LPG fuel tanks should be inspected for sharp dents, gouges, leaks, and broken protecting rings whenever the tanks are refilled. All tank valves must be inspected for leaks using a soap solution. Valves must also be checked for dirt, paint, or other debris in the valve openings. The following specific checks must also be made:

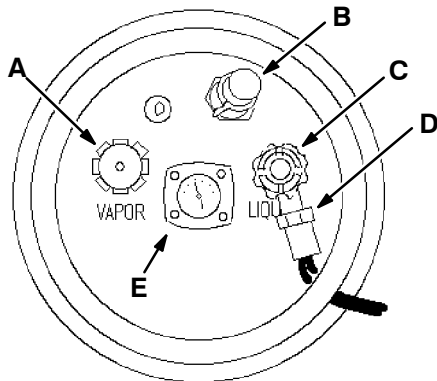
Filler Valve – Check for proper functioning and the presence of the handwheel. Valve must be closed except during filling.

Vapor and Liquid Service Valves – Check for proper functioning and presence of the handwheel. The valve must be closed except when in service.

Tank Service Valve Coupling – Check for proper functioning, thread condition, and damaged or missing washers or o-rings.

Safety Relief Valve – Check for damage. Check for the presence of the relief valve elbow and the proper direction of the elbow. If the rain cap is missing, check for foreign matter and replace cap. Do not tamper with the relief valve setting.

Liquid Level Gauge – Check operation against the maximum filling point as determined by weight.



03485

TYPICAL LPG LIQUID WITHDRAWAL FUEL TANK

- A. Filler Valve**
- B. Safety Relief Valve**
- C. Liquid Service Valve**
- D. Service Valve Coupling**
- E. Liquid Level Gauge**

An LPG fuel tank with any of the stated defects must be removed from service and be repaired or destroyed accordingly.

If an LPG fuel tank is damaged or leaking, it should be removed to a designated safe area, and the proper personnel should be notified. Do not attempt to make repairs to the tank, regardless of condition. Repairs or disposal must only be made by qualified personnel.

The care an LPG fuel tank receives has a direct bearing on how long that tank can be used safely. LPG fuel tanks must not be dropped or dragged across any surface. To move LPG fuel tanks, use a hand truck or roll the tank on its foot ring while it is being held in a position slightly off vertical.

Whether the storage is inside or outside, fuel tanks should not be stored in the vicinity of combustible materials or high temperature sources such as ovens and furnaces, since the heat may raise the pressure of the fuel to a point where the safety relief valves would function. Care should be taken to insure that the tanks are stored in such a manner that if the safety relief valves do function, they will relieve vapor, rather than liquid.

Valves on empty tanks must be closed during storage and transportation.

Similar precautions should be taken in storing machines fitted with LPG fuel tanks. They may be stored or serviced inside buildings, provided there are no leaks in the fuel system and the tanks are not overfilled. While machines are being repaired inside a building, the shut-off valve on the tank must be closed, except when the engine must be operated.

The tank changing operation presents an opportunity for the machine operator to carefully observe the tank, fittings, and the fuel lines and fittings for his own satisfaction. If abnormal wear is detected, the operator should report it to the appropriate personnel for action.

TO CHANGE AN LPG FUEL TANK

1. Park the machine in a designated safe area.



WARNING: Fuel vapor is present when servicing fuel system. Fire or explosion can result. Keep flames and sparks away.

2. Close the tank service valve.
3. Operate the engine until it stops from lack of fuel, then set the machine parking brake.

FOR SAFETY: Before leaving or servicing machine; stop on level surface, set parking brake, and turn off machine.

4. Put on gloves and remove the quick-disconnect tank coupling.



WARNING: LPG fuel is very cold. Frostbite can result. Wear gloves when connecting or disconnecting LPG hoses.

5. Inspect the LPG fuel lines for wear or damage.
6. Remove the empty LPG fuel tank from the machine.
7. Check the tank for damage or wear.
8. Store the tank in a designated safe area.
9. Select a filled LPG fuel tank and inspect it for damage or leaks.

NOTE: Make sure the LPG fuel tank matches the fuel system (liquid tank with liquid system).

10. Carefully place the LPG tank in the machine so that the tank centering pin enters the aligning hole in the tank collar.

NOTE: If the pin cannot be engaged, make sure you have the correct LPG fuel tank and then adjust the pin locator in or out.

11. Fasten the tank hold-down clamp to lock the tank in position.
12. Connect the LPG fuel line to the tank service coupling. Make sure the service coupling is clean and free of damage. Also make sure it matches the machine service coupling.

13. Open the tank service valve slowly and check for leaks. If an LPG leak is found, close the service valve immediately and notify the appropriate personnel.
14. If no leaks are found, the engine is ready to start.

FUEL FILTER LOCK

The fuel filter lock filters the LPG fuel. It also stops the flow of LPG fuel to the engine when the engine is not operating or when the engine oil pressure is less than 5 psi (35 kPa).

Replace the filter pack with the filter pack replacement kit if diminished gas flow indicates the filter is clogged. A drain plug is provided for purging the filter bowl. Clean out the bowl when replacing the filter pack.

VAPORIZER-REGULATOR

If any malfunction is noted, completely disassemble the vaporizer-regulator. Clean all of the parts in alcohol. Inspect all of the parts and replace where needed. Carefully reassemble the vaporizer-regulator with the seal repair kit. Check for proper operation.

CARBURETOR

If any malfunction is noted, completely disassemble the carburetor. Clean all of the parts in alcohol.

Inspect all of the parts and replace when needed. Carefully reassemble the carburetor with the seal repair kit.

OIL PRESSURE SWITCH

The engine oil pressure switch requires no regular maintenance. Never bypass the oil pressure switch as this is a safety feature which prevents LPG fuel from flowing when the engine is not operating properly.

MAINTENANCE

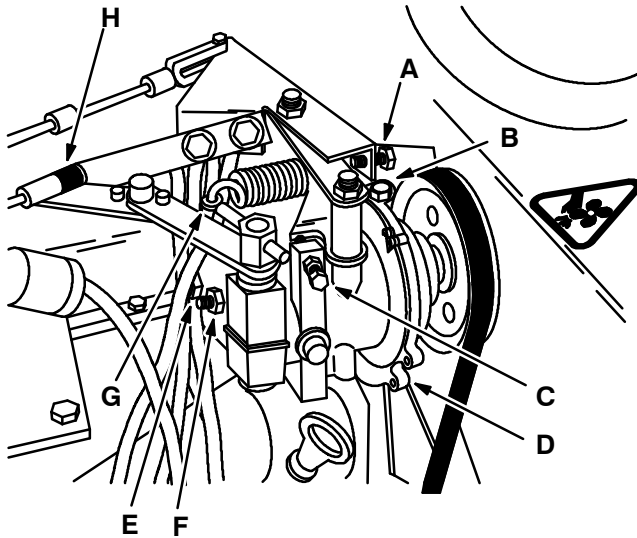
LPG FUEL TROUBLESHOOTING

Problem	Cause	Remedy
Engine will not start	Out of fuel	Replace fuel tank with full one
	Service valve opened too quickly – engaging safety valve	Close valve and reopen slowly
	Plugged fuel filter	Replace filter
	Kinked or restricted fuel line	Straighten or replace fuel line
	Engine out of tune	Tune-up engine
	Oil pressure switch failure	Replace oil pressure switch
	Fuel lock valve failure	Repair or replace fuel filter lock
	Vaporizer-regulator failure	Repair or replace vaporizer-regulator
Engine runs unevenly or lacks power	Wrong type of fuel tank – vapor withdrawal tank	Replace vapor withdrawal tank with liquid withdrawal tank
	Plugged fuel filter	Replace filter
	Kinked or restricted fuel line	Straighten or replace fuel line
	Engine out of tune	Tune-up engine
	Restricted air filter	Clean or replace air filter element
	Vaporizer-regulator maladjusted	Adjust vaporizer-regulator

GOVERNOR (For machines below serial number 038000)

The governor controls engine speed. It is driven by a belt which spans the crankshaft sheave.

The governor is oil filled. It requires no regular inspections. Change the oil when performing major engine work. Use an SAE rated 10W30 or 10W40 engine oil.



GOVERNOR

05957

- A. High Speed Stop Screw**
- B. Oil Fill Plug**
- C. Low Speed Stop Screw**
- D. Governor**
- E. Oil Level Plug**
- F. Surge Screw**
- G. Regulation Screw**
- H. Throttle Rod**

The governor is factory set and should not be adjusted unless the engine speed varies from the specification or if the engine surges. The governor should be set so the engine operates at 2200 ± 50 rpm at “normal” speed setting under load and at 2650 ± 50 at “litter” speed setting under load. A surge screw has been provided to compensate for surging — adjust it with care or governor damage may result. The regulation screw has been factory set and should not be tampered with.

TO ADJUST GOVERNOR (For machines below serial number 038000)

1. Operate the engine until it reaches normal operating temperature.

2. Park on a level surface, stop the engine, and set the machine parking brake.

FOR SAFETY: Before leaving or servicing machine; stop on level surface, set parking brake, and turn off machine.

3. Check the governor belt tension as described in *GOVERNOR BELT*.
4. Place the throttle lever in the “normal” or (Fast 1) position. There should be a 0.03 to 0.06 in (1 to 2 mm) space between the carburetor lever and the lever stop. Adjust the throttle rod as required.
5. Move the throttle lever to the (Idle) position. Start the engine and adjust the engine idle speed screw so the engine operates at 950 ± 50 rpm.
6. Place the throttle lever in the “litter” or (Fast 2) position. Turn the side brush and main brushes on, and adjust the high speed stop screw so the engine operates at 2600 rpm. Then adjust the surge screw so the engine operates at 2650 rpm. Tighten all lock nuts.

FOR SAFETY: When servicing a machine avoid moving parts. Do not wear loose jackets, shirts, or sleeves when working on machine.

7. Place the throttle lever in the “normal” or (Fast 1) position. Adjust the low speed stop screw so the engine operates at 2200 ± 50 rpm.
8. Stop the engine.
9. Check and adjust the throttle cable position and the throttle lever stops to allow full linkage movement.

GOVERNOR (For machines serial number 038000 and above)

The electronic governor controls engine speed. The governor consists of a ignition control assembly and a control box located in front of the engine air cleaner, and an actuator mounted on the engine. The ignition control assembly and control box regulate the actuator, which in turn controls the throttle.

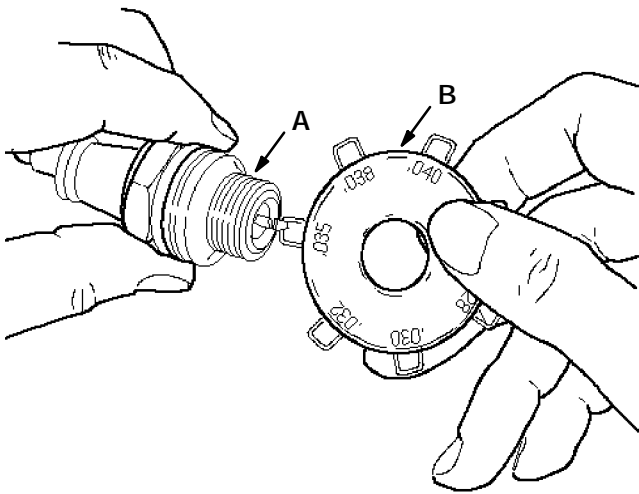
The electronic governor is factory set and is not user serviceable.

IGNITION SYSTEM

SPARK PLUGS

Clean or replace and adjust spark plugs after every 400 hours of operation. Spark plug gaps are best checked with a wire gauge unless the plug is dressed to obtain a correct reading with a flat gauge. The adjustment should always be made on the side electrode and never on the center electrode, which may cause a broken porcelain.

"Gapping" the electrode tip is more easily done with the proper tools.



GAPPING SPARK PLUG

- A. Spark Plug
- B. Gapping Tool

The proper spark plug gap is 0.035 in (0.9 mm) for machines below serial number 038000. The proper spark plug gap is 0.039 in (1 mm) for machines serial number 038000 and above.

Spark plugs must be correctly installed in order to obtain good performance. It is a simple but important matter to follow these procedures when installing plugs:

1. Clean the spark plug seat in the cylinder head.
2. Use a new seat gasket and screw the plug in by hand.
3. Tighten the spark plugs to 22 to 28 ft lb (30 to 38 Nm) with a socket wrench of the correct size.

DISTRIBUTOR (For machines below serial number 038000)

The distributor operation is vital to the operation of the engine. The following items should be carefully inspected after every 400 hours of normal operation; however, dirt, dust, water, and high speed operation may cause more rapid wear and necessitate more frequent inspections:

1. Remove the distributor cap. Clean the cap and examine for cracks, carbon runners, or corroded terminals. If the vertical faces of the inserts are burned, install a new cap. If the horizontal faces of the inserts are burned, replace the cap and the rotor as this condition is caused by the rotor being too short. Inspect cap to distributor seal and the distributor housing breather.
2. Check the centrifugal advance mechanism for "freeness" by turning the breaker cam in the direction of rotation and then releasing it. The advance springs should return the cam to its original position.

ENGINE IGNITION TIMING (For machines below serial number 038000)

The engine ignition timing must be checked with a timing light, using the timing points located on the front of the engine and the timing marks located on the crankshaft pulley. Distributor ignition timing should be checked after the first 50 hours of operation and after every 400 hours of operation thereafter.

To check and adjust the ignition timing with a scope, refer to the scope manufacturer's instructions. To check and adjust the timing with a timing light, proceed as follows:

TO CHECK AND ADJUST IGNITION TIMING (For machines below serial number 038000)

NOTE: Dwell angle must be correct or timing will not be accurate.

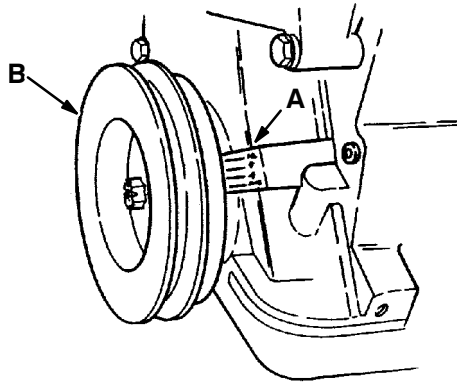
1. Stop the engine and set the machine parking brake.

FOR SAFETY: Before leaving or servicing machine; stop on level surface, set parking brake, and turn off machine.

- Clean and mark the timing marks.

NOTE: Painting a white line on the front pulley timing marks will make them more visible under the timing light.

- Disconnect and plug the vacuum hose from the distributor.



ENGINE TIMING MARKS

00696

- A. Timing Pointer**
- B. Crankshaft Pulley**

- Connect the timing light to the No. 1 cylinder spark plug wire. Connect a tachometer to the engine.

! WARNING: Keep away from fan.

- Start the engine and reduce the idle speed to 600 rpm to be sure that the centrifugal advance is not operating. Adjust the initial ignition timing to 6° BTDC on gasoline engines, and 10° BTDC on LPG engines.

To advance the timing, turn the distributor body clockwise. To retard the timing, turn the distributor body counter-clockwise.

- Check the centrifugal advance for proper operation by starting the engine and accelerating it to approximately 2000 rpm. If the ignition timing advances, the centrifugal advance mechanism is functioning properly. Note the engine speed when the advance begins and the amount of total advance. Stop the engine.

- Unplug the vacuum line and connect it to the distributor vacuum advance unit. Start the engine and accelerate it to approximately 2000 rpm. Note the engine speed when the advance begins and the total amount of advance. Advance of the ignition timing should begin sooner and advance farther than when checking the centrifugal advance alone. Stop the engine.

- If the vacuum advance is not functioning properly, remove the distributor and check it on a distributor tester.

- After adjusting timing, be sure to increase the engine idle speed to its normal setting.

ENGINE IGNITION TIMING (For machines serial number 038000 and above)

The ignition system does not require any mechanical external adjustments, however the spark plug high tension leads must be inserted correctly, if ever removed, at each numbered coil position to the corresponding spark plug number in the cylinder (front to rear #1, 2, 3, and 4).

The ESC module controls the timing position in the start mode at 10° BTDC until the rpm reaches 250 rpm, thereafter the sensors are processed and timing is set to be compatible with engine speed, crankshaft position, engine load, engine coolant temperature and overspeed by the module.

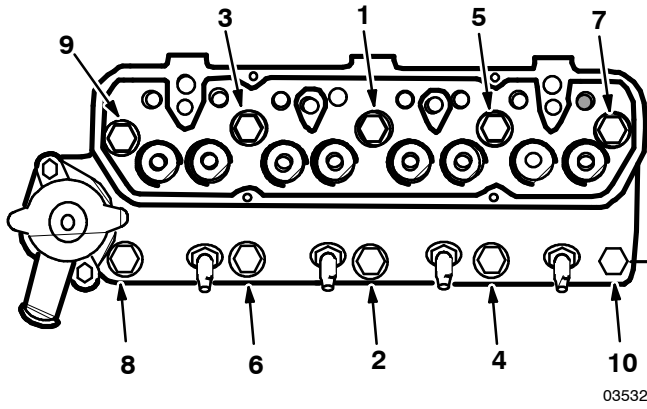
CYLINDER HEAD

CYLINDER HEAD

A three-stage torque procedure should be used when reassembling the cylinder head. The cylinder head bolts must be tightened after the first 50 hours of operation, for machines below serial number 038000, and seasonally thereafter for all machines.

Snug down cylinder head bolts in the proper sequence; first to 7 to 11 ft lb (10 to 15 Nm), then to 30 to 37 ft lb (40 to 50 Nm), then to 60 to 66 ft lb (80 to 90 Nm), and then after ten to fifteen minutes torque to 74 to 81 ft lb (100 to 110 Nm).

Tighten the intake manifold bolts to 15 to 18 ft lb (20 to 24 Nm) after every 800 hours of operation.



CYLINDER HEAD BOLT TIGHTENING SEQUENCE

The cylinder head bolts must be retorqued after the engine is put into operation and brought up to proper operating temperatures. To retorque head bolts, follow the correct sequence. Loosen one head bolt at a time one-quarter turn, 90 degrees; then retorque it to the correct value.

NOTE: Power wrench torque limit must be held at least 10 ft lb (14 Nm) below hand torque specification; then hand torque to the specifications.

VALVE TAPPET CLEARANCE

The valve tappet clearance must be checked and adjusted if necessary after every 400 hours of operation.

To set the valve clearance without the engine operating, rotate the crankshaft until No. 1 cylinder is at the top of the compression stroke. Check the timing marks. It should read 0 or TDC. Both valves on No. 1 cylinder are now closed. Set the valve clearance on both valves. Next, rotate the crankshaft 180°, and set the valve lash on both valves on No. 2 cylinder. Again rotate the crankshaft 180°, and set the valve lash on both valves on No. 4 cylinder. Rotate the crankshaft another 180°, and set the valve lash on both valves on No. 3 cylinder.

Check and adjust, for machines below serial number 038000, the intake valve clearance from 0.009 in (0.22 mm), and the exhaust valve clearance from 0.023 in (0.59 mm) while the engine is cold.

Check and adjust, for machines serial number 038000 and above, the intake valve clearance from 0.009 in (0.22 mm), and the exhaust valve clearance from 0.013 in (0.32 mm) while the engine is cold.

CRANKCASE VENTILATION SYSTEM

Clean the crankcase ventilation hoses, tubes, and fittings and replace the PCV valve after every 400 hours of operation.

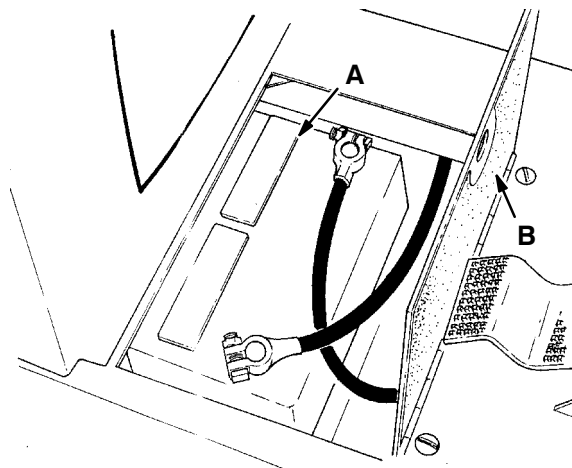
TUNE-UP CHART – GASOLINE, LPG	
Idle speed, no load	950 ± 50 rpm
(Fast 1) governed speed, under load	2200 ± 50 rpm
(Fast 2) governed speed, under load	2650 ± 50 rpm
Spark plug gap (For machines below serial number 038000)	0.035 in (0.9 mm)
Spark plug gap (For machines serial number 038000 and above)	0.039 in (1 mm)
Timing (For machines below serial number 038000)	6° BTDC @ 600 rpm, gasoline
LPG	10° BTDC @ 600 rpm,
Firing order	1–2–4–3, counterclockwise rotation
Valve clearance, cold (For machines below serial number 038000)	0.009 in (0.22 mm) intake 0.023 in (0.59 mm) exhaust
Valve clearance, cold (For machines serial number 038000 and above)	0.009 in (0.22 mm) intake 0.013 in (0.32 mm) exhaust

ELECTRICAL SYSTEM

BATTERY

The battery used in the machine is a low maintenance battery. It has been constructed with special materials and has extra electrolyte to reduce or eliminate maintenance. Its design reduces electrolyte loss and contamination. Do not add water, remove the battery vent plugs, or check the battery specific gravity. For specific instructions, see the battery label.

The battery is rated at 12 V, 475 ccA. It is located under the operator foot plate. When removing battery cables, remove the negative (-) cable before the positive (+) cable.



BATTERY

00586

- A. Battery**
- B. Floor Plate**

Do not allow the battery to remain in discharged condition for any length of time. Do not operate the machine if the battery is in poor condition or discharged beyond 80%, specific gravity below 1.120.

Clean the top surface and the terminals of the battery periodically. Use a strong solution of baking soda and water. Brush the solution sparingly over the battery top, terminals, and cable clamps. Do not allow any baking soda solution to enter the battery. Use a wire brush to clean the terminal posts and the cable connectors. After cleaning, apply a coating of clear petroleum jelly to the terminals and the cable connectors. Keep the top of the battery clean and dry.

Keep all metallic objects off the top of the battery, as they may cause a short circuit. Replace worn or damaged wires.

The electrolyte level in regular nonsealed batteries can be checked. It must always be above the battery plates. Add distilled water to maintain solution at the correct level above the plates, but do not overfill. Never add acid to batteries, only water. Keep vent plugs firmly in place at all times, except when adding water or taking hydrometer readings.

! WARNING: Battery acid causes severe burns. Avoid contact. Wash immediately and get medical attention if contact occurs.

If when checking battery specific gravity, one or more battery cells tests lower than the other battery cells, (0.050 or more) the cell is damaged, shorted, or is about to fail.

NOTE: Do not take readings immediately after adding water— if the water and acid are not thoroughly mixed, the readings may not be accurate. Check the hydrometer readings against this chart:

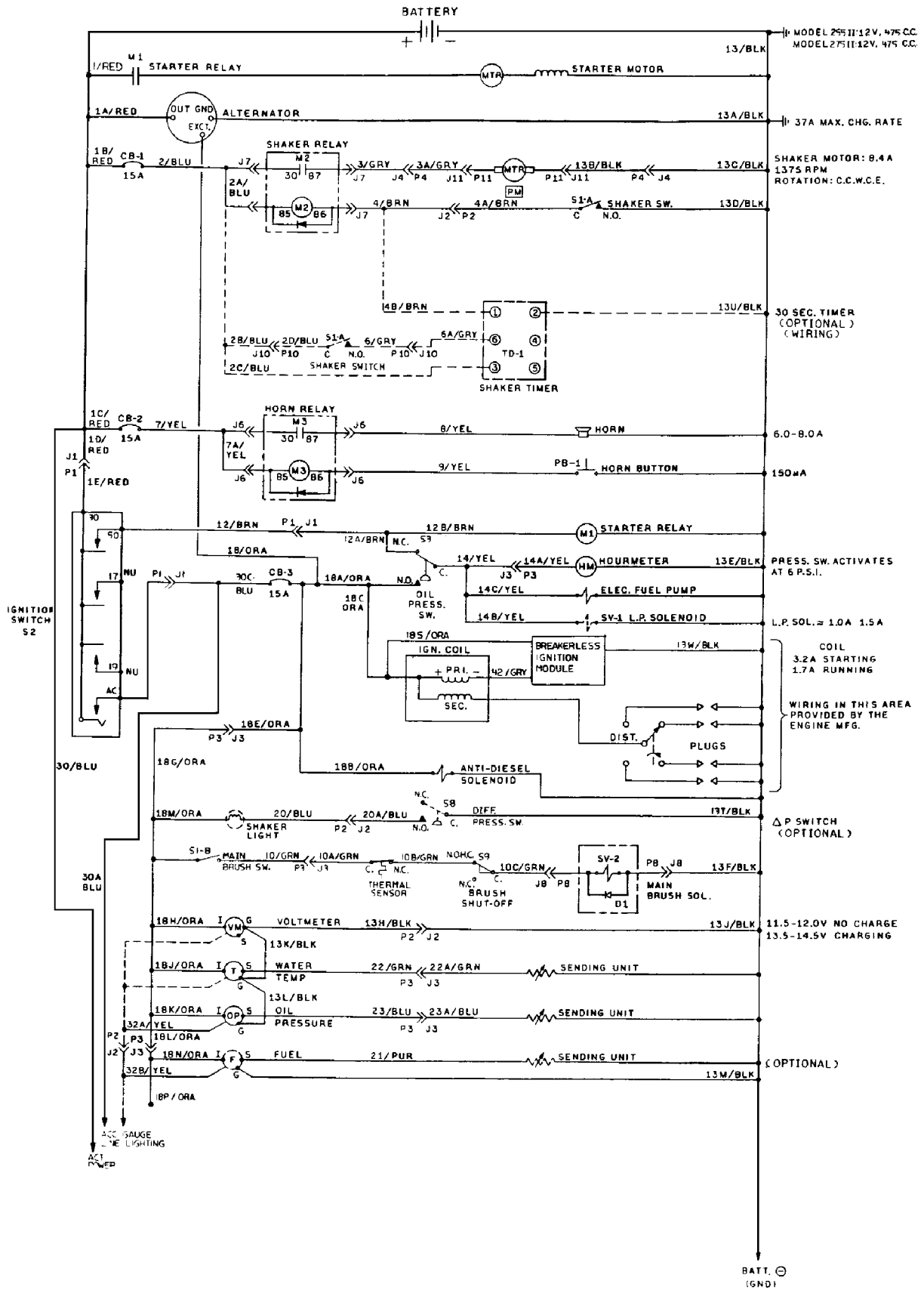
SPECIFIC GRAVITY at 80° F (27° C)	BATTERY CONDITION
1.260 – 1.280	100% charged
1.230 – 1.250	75% charged
1.200 – 1.220	50% charged
1.170 – 1.190	25% charged
1.110 – 1.160	Discharged

NOTE: If the readings are taken when the battery electrolyte is any temperature other than 80° F (27° C), the reading must be temperature corrected.

To determine the corrected specific gravity reading when the temperature of the battery electrolyte is other than 80° F (27° C):

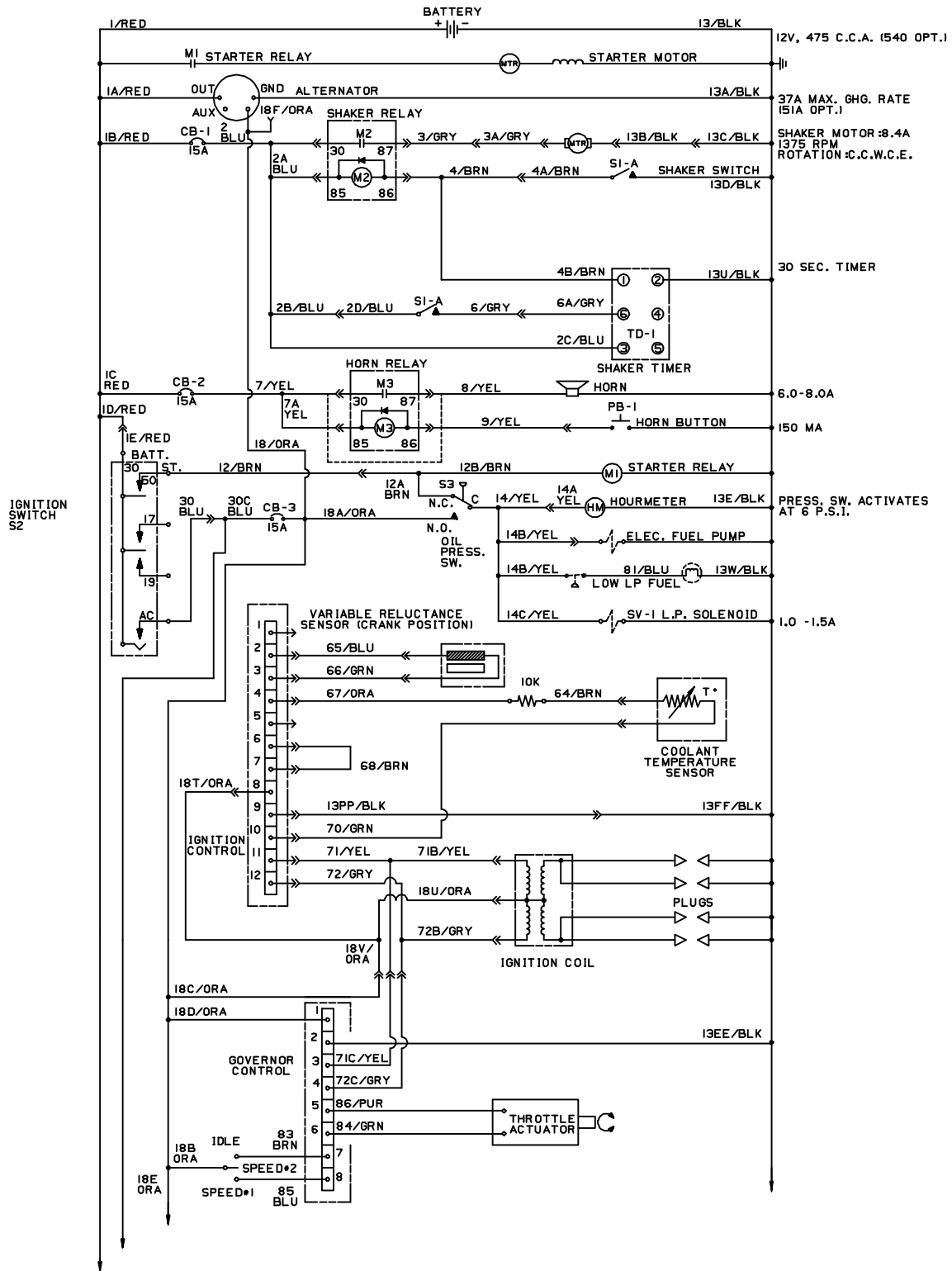
Add to the specific gravity reading 0.004 (4 points) for each 10° F (6° C) above 80° F (27° C).

Subtract from the specific gravity reading 0.004 (4 points) for each 10° F (6° C) below 80° F (27° C).



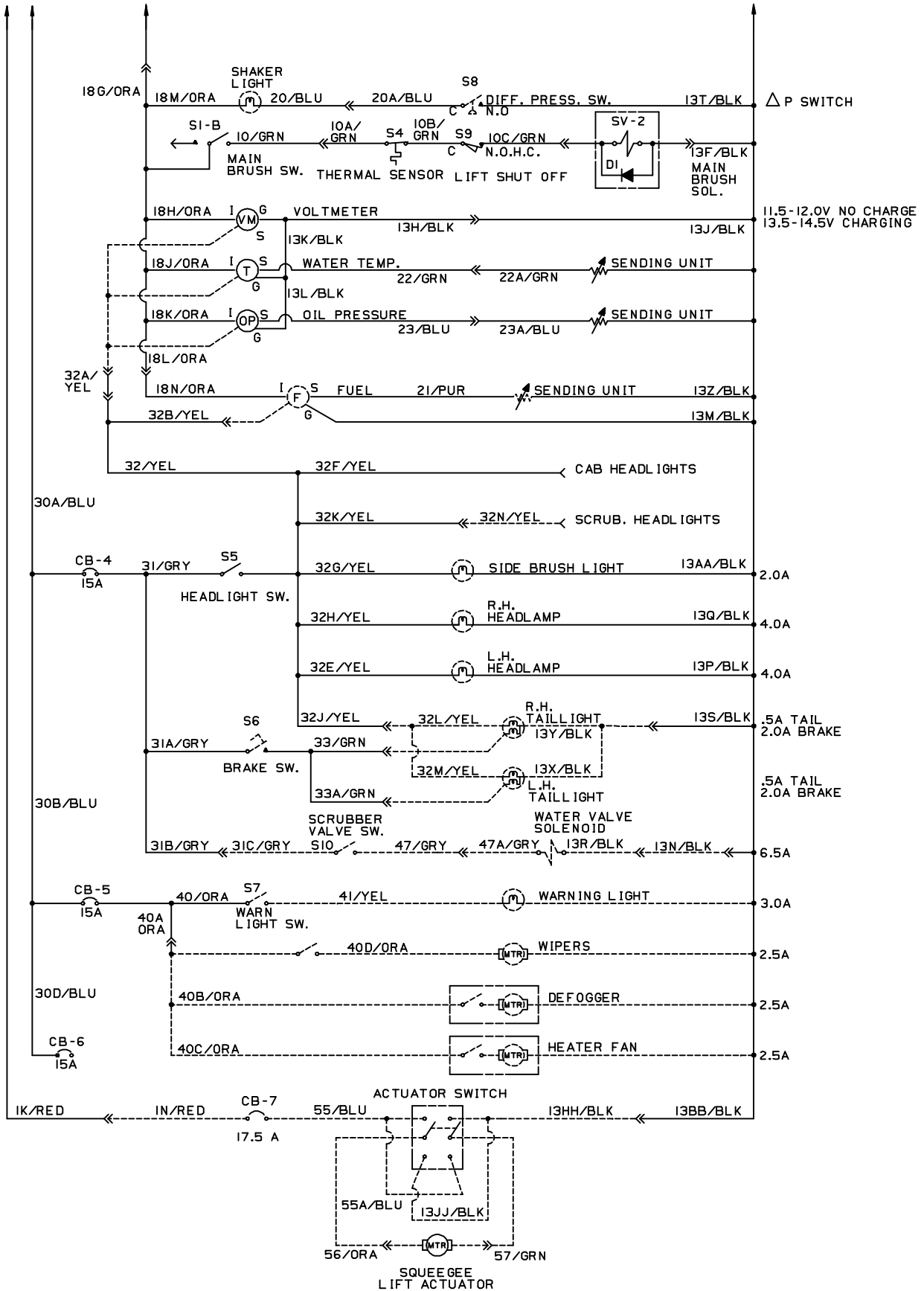
ELECTRICAL SCHEMATIC
(for machines below serial number 038000)

04642



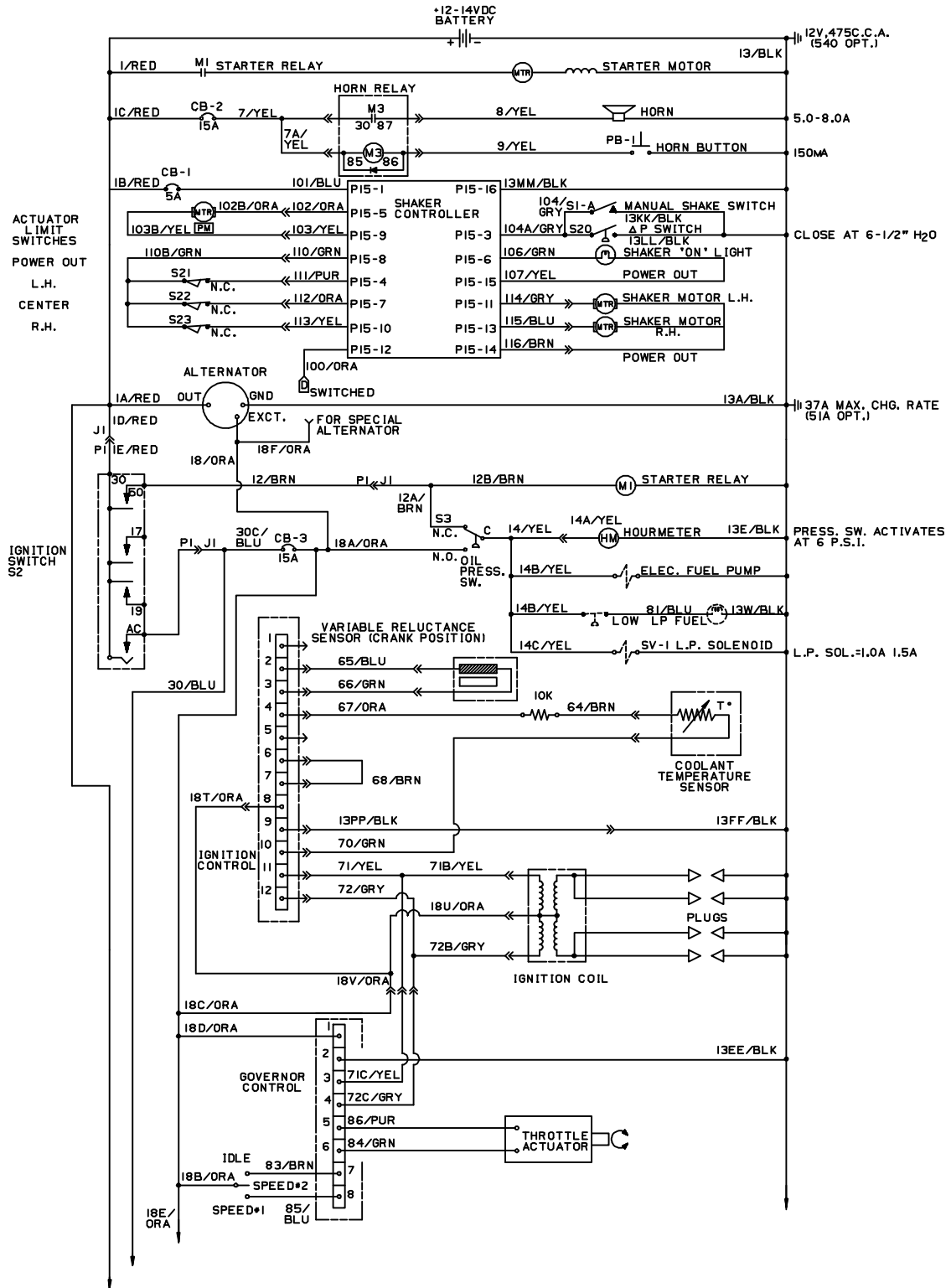
LEGEND	
M	POWER RELAY
MTR	MOTOR
CB	CIRCUIT BREAKER
PM	PERMANENT MAGNET
J	JACK-TERM. SOCKET
P	PLUG-MALE PIN
PB	PUSHBUTTON
VM	VOLTMETER
FU	FUSE
HM	HOURLMETER
SV	SOLENOID VALVE
S	SWITCH
ACC	ACCESSORY
GND	GROUND CHASSIS
C	COMMON
N.O.	NORMALLY OPEN
N.C.	NORMALLY CLOSED

ELECTRICAL SCHEMATIC
(for machines serial number 038000 and above)



ELECTRICAL SCHEMATIC, ACCESSORIES

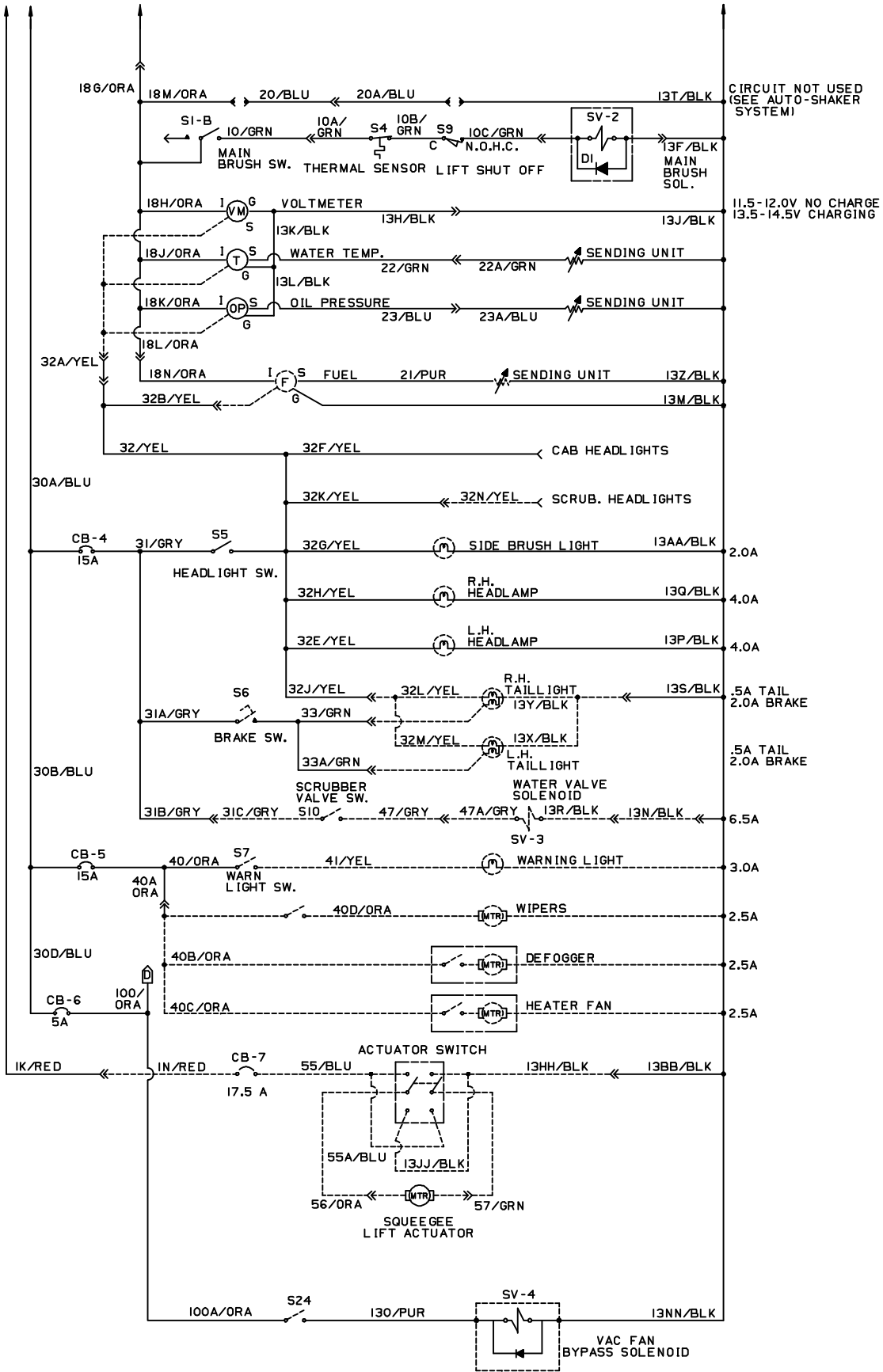
04642



LEGEND			
M	POWER RELAY	HM	HOURLMETER
MTR	MOTOR	SV	SOLENOID VALVE
CB	CIRCUIT BREAKER	S	SWITCH
PM	PERMANENT MAGNET	ACC	ACCESSORY
J	JACK-FEM. SOCKET	GND	GROUND CHASSIS
P	PLUG-MALE PIN	C	COMMON
PB	PUSHBUTTON	N.O.	NORMALLY OPEN
VM	VOLTMETER	N.C.	NORMALLY CLOSED
FU	FUSE		

ELECTRICAL SCHEMATIC, AUTO SHAKER, RFS

06187



ELECTRICAL SCHEMATIC, AUTO SHAKER, RFS

06187

BELTS AND CHAINS

ENGINE FAN BELT

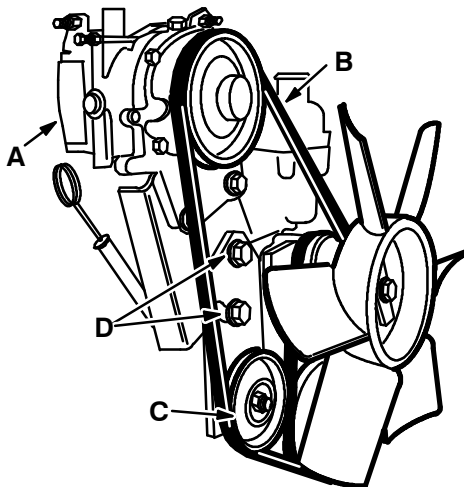
The engine fan belt is driven by the engine crankshaft sheave and drives the engine fan and alternator sheaves. Check and adjust the belt tension after every 200 hours of operation.

To adjust belt tension, loosen the alternator mounting bolts and pull the alternator away from the engine until the belt is snug; then tighten the bolts. Do not use a pry bar on the alternator as it will damage the alternator. Proper belt tension is obtained when the belt deflects 0.05 in (13 mm) from a force of 8 to 10 lb (4 to 5 kg) applied at the mid-point of the longest span.

GOVERNOR BELT (For machines below serial number 038000)

The governor belt is driven by the crankshaft sheave and spans the fan drive sheave. Check and adjust the belt tension after every 200 hours of operation.

To adjust belt tension, loosen the belt idler mounting bolts. Pull the idler away from the machine until the belt is snug; then tighten the bolts. Do not use a pry bar as it may damage the engine. Proper belt tension is obtained when the belt deflects 0.5 in (13 mm) from a force of 8 to 10 lb (4 to 5 kg) applied at belt midpoint of the longest span.



GOVERNOR BELT

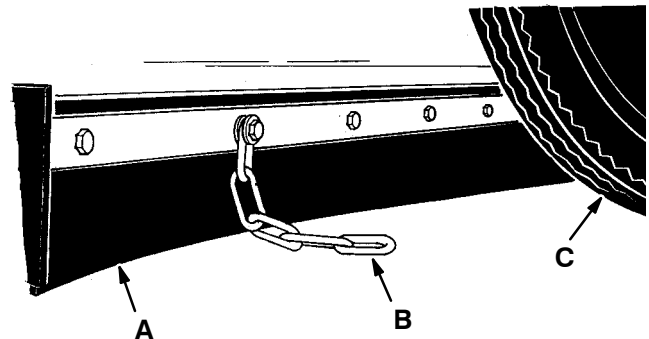
04626

- A. Governor**
- B. Belt**
- C. Idler**
- D. Idler Bolts**

STATIC DRAG CHAIN

A static drag chain is provided to prevent the buildup of static electricity in the machine. The chain is attached to the machine by a rear brush skirt retaining bolt.

The chain should make contact with the floor at all times.



STATIC DRAG CHAIN

00588

- A. Rear Dust Skirt**
- B. Static Drag Chain**
- C. Rear Tire**

DEBRIS HOPPER

HOPPER DUST FILTER

The dust filter filters the air which is drawn up from the main brush compartment through the hopper. The dust filter is equipped with a shaker motor to remove the accumulated loose dust particles. The dust filter shaker motor is operated by the filter shaker switch. Shake the dust filter before dumping the hopper and at the end of every work shift. Inspect and clean or replace the dust filter after every 100 hours of operation.

To clean the dust filter, use one of the following methods:

- * **TAPPING** – Tap the filter gently on a flat surface with the dirty side down. Do not damage the edges of the filter element or the filter will not seat properly in the filter frame.
- * **AIR** – Blow compressed air, 35 psi (240 kPa) maximum, through the dust filter opposite the direction of the arrows. This may be done with the dust filter in the machine. Always wear eye protection when using compressed air.
- * **WATER** – Soak the dust filter in a water and mild detergent solution. Rinse the dust filter until it is clean. The maximum water pressure allowable is 40 psi (275 kPa). Air dry the wet dust filter; do not use compressed air.

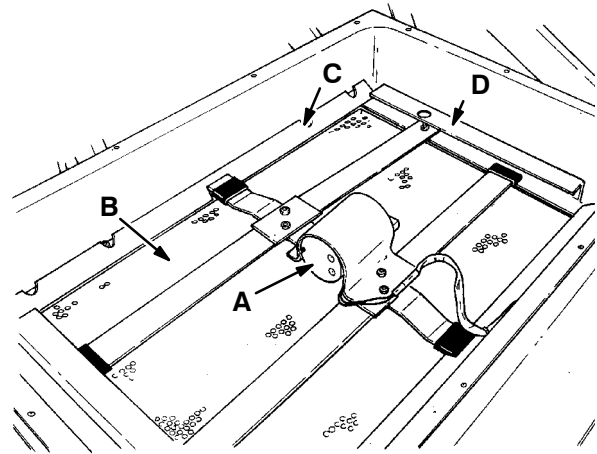
NOTE: Be sure the dust filter is dry before reinstalling it in the machine.

TO REMOVE HOPPER DUST FILTER

1. Stop the engine and set the machine parking brake.

FOR SAFETY: Before leaving or servicing machine; stop on level surface, set parking brake, and turn off machine.

2. Release the hopper cover latches and remove the hopper cover.
3. Disconnect the shaker motor wire connectors.
4. Remove the four shaker frame nuts and shaker frame from the filter frame.



02463

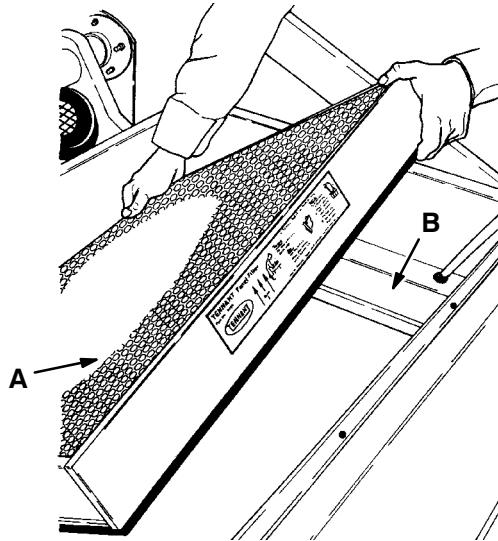
DUST FILTER SHAKER ASSEMBLY

- A. Filter Shaker Motor**
- B. Dust Filter**
- C. Frame Nut**
- D. Shaker Frame**

5. Lift the dust filter element out of the dust filter frame.
6. Clean or discard the dust filter as required.

TO INSTALL HOPPER DUST FILTER

1. Place the cleaned or new dust filter in the hopper dust filter frame with the arrows pointing up.



INSTALLING DUST FILTER

02464

- A. Dust Filter**
- B. Dust Filter Frame**

2. Position the shaker frame on top of the filter frame.
3. Replace and tighten the shaker frame nuts.
4. Position and secure the hopper cover on the hopper with the cover latches.

DEBRIS HOPPER

The debris hopper collects the debris swept up by the machine. The low dump model hopper has one adjustment – floor clearance. The multi-level dump model hopper has five adjustments: lift linkage, lift cylinder, floor clearance, dump cylinders, and dump door latches. All of the adjustments have been made at the factory and require no regular maintenance. If the hopper components are repaired or replaced, the hopper must be readjusted for best performance.

The hopper adjustments must be made in the order given. Make all adjustments with the engine off and parking brake engaged. If the adjustments are made with the hopper raised, be sure to engage the hopper support bar.

TO ADJUST LOW DUMP MODEL HOPPER

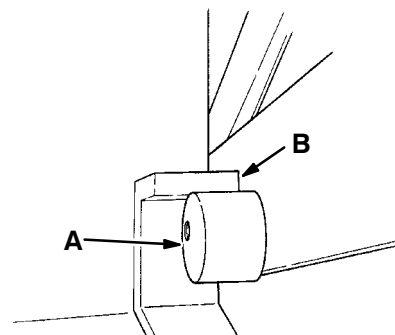
NOTE: Empty the debris hopper before making adjustments.

1. FLOOR CLEARANCE ADJUSTMENT

- A. Stop the engine and set the machine parking brake.

FOR SAFETY: Before leaving or servicing machine; stop on level surface, set parking brake, and turn off machine.

- B. Slide a 0.75 to 0.88 in (20 to 25 mm) thick block under each of the rear metal corners of the hopper.
- C. Check and adjust the cams on the lift arms so the hopper brackets rest on the cams.



HOPPER CAM

02479

- A. Cam**
- B. Hopper Bracket**

MAINTENANCE

TO ADJUST MULTI-LEVEL DUMP MODEL HOPPER

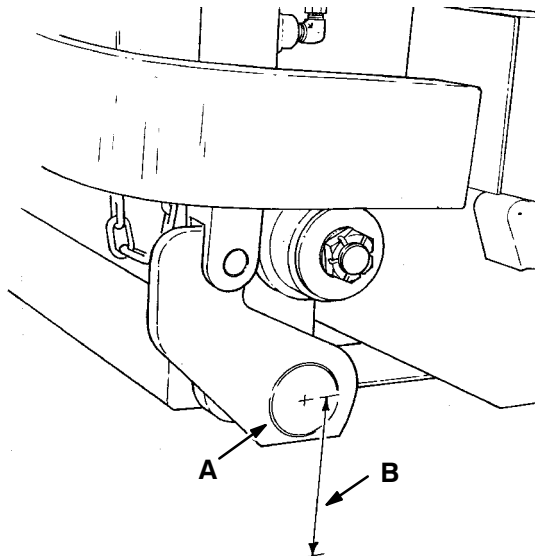
NOTE: Empty the debris hopper before making adjustments.

1. HOPPER LIFT LINKAGE ADJUSTMENT.

- A. Stand clear and cycle the hopper up and down. Watch for signs of binding, sloppiness, or misalignment of the lift arm linkage. Reshim to remove binding, sloppiness, or misalignment of the linkage as necessary.
- B. Stop the engine and set the machine parking brake.

FOR SAFETY: Before leaving or servicing machine; stop on level surface, set parking brake, and turn off machine.

- C. Measure the distance from the center of each of the torque shafts to the floor with the hopper in the “operating” position.

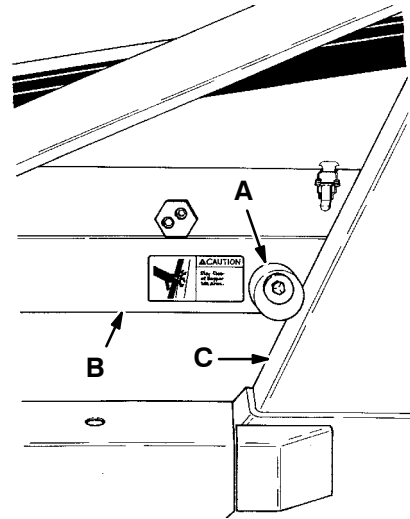


TORQUE SHAFT HEIGHT

00593

- A. Torque Shaft
- B. Measured Distance

The distance measured should be 6.43 ± 0.12 in (160 ± 5 mm). To adjust the height, remove one or both of the splined lift arm cams and rotate it or them until the proper dimension is achieved. The cams must rest on the sloping edge of the lintel.



LIFT ARM CAM

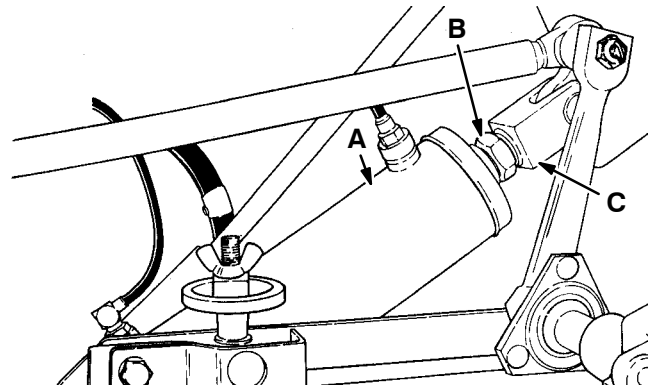
02451

- A. Lift Arm Cam
- B. Lift Arm
- C. Lintel

- D. Tighten the lift arm cam bolt(s).

2. HOPPER LIFT CYLINDER ADJUSTMENT

- A. Loosen the clevis jam nut on the cylinder rod.



HOPPER LIFT CYLINDER

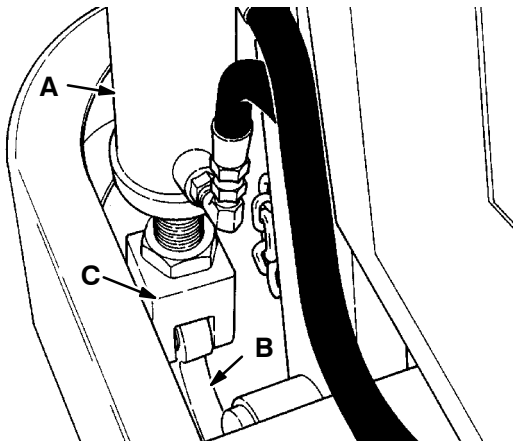
00563

- A. Hopper Lift Cylinder
- B. Jam Nut
- C. Cylinder Clevis

- B. Adjust the cylinder clevis so the cylinder is fully retracted by inserting a pin through the cylinder rod and rotating it.
- C. Tighten the clevis jam nut against the clevis.

3. HOPPER FLOOR CLEARANCE ADJUSTMENT

- A. Remove the clevis pins connecting the clevis of the hopper dump cylinders to the torque arms.

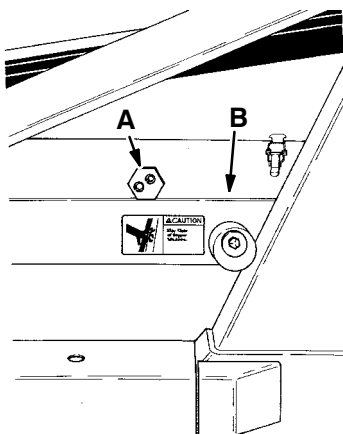


00595

HOPPER DUMP CYLINDER

- A. Hopper Dump Cylinder**
- B. Torque Arm**
- C. Clevis**

- B. Disconnect the dump cylinder clevis ends from the torque arms.
- C. Place a 3.43 ± 0.12 in (90 ± 5 mm) block under each of the rear sides of the hopper.
- D. Check and adjust, if necessary, the hexagon hopper cams on each side of the hopper so they contact the top surface of the hopper lift arms.



02451

HEXAGON HOPPER CAM

- A. Hexagon Hopper Cam**
- B. Hopper Lift Arm**

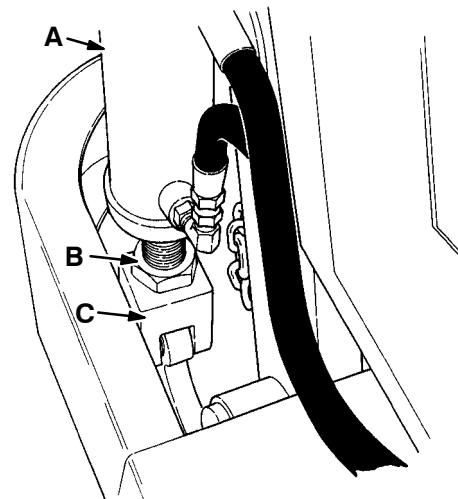
- E. Tighten the hexagon hopper cam bolts.
- F. Reconnect the dump cylinder clevises to the torque arms with the clevis pins removed earlier.

4. DUMP CYLINDERS ADJUSTMENT

- A. Start the engine and completely retract the dump cylinders.
- B. Stop the engine.

FOR SAFETY: Before leaving or servicing machine; stop on level surface, set parking brake, and turn off machine.

- C. Loosen the cylinder clevis jam nuts.



00595

HOPPER DUMP CYLINDER

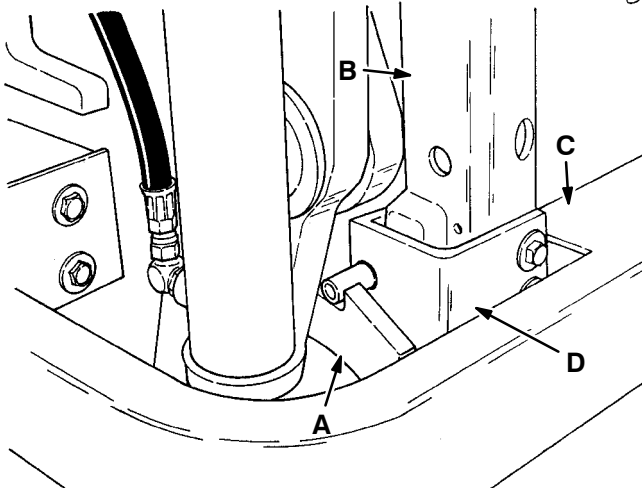
- A. Hopper Dump Cylinder**
- B. Jam Nut**
- C. Cylinder Clevis**

- D. Remove clevis pin retaining rings and clevis pins.
- E. Adjust the cylinder clevis so the dump cylinder clevis and torque arm, and the clevis pin holes align and allow the clevis pin to pass freely through them.
- F. Tighten the clevis jam nuts.
- G. Secure the clevis pins in place with their retaining rings.

MAINTENANCE

5. DUMP DOOR LATCHES ADJUSTMENT

- A. Start the engine and dump the hopper.
- B. Return the hopper to the "operating" position. Stop the engine.
- C. Check the hopper door latches to be sure they are engaged and the hopper door is closed tightly.

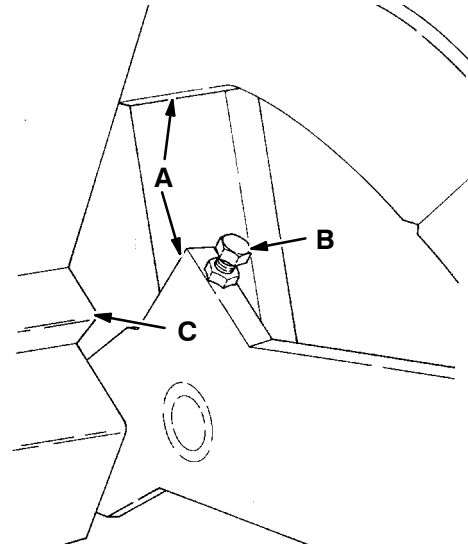


HOPPER DUMP DOOR LATCH

00597

- A. Hopper Dump Door Latch
- B. Hopper Door
- C. Bumper
- D. Latching Bracket

- D. Adjust latching action by adjusting latch stop bolt. Do not position stop bolt too high or the door will close too tightly and damage the seal and latches.



LATCH STOP BOLT

02484

- A. Lift Arm
- B. Stop Bolt
- C. Hopper

- E. Shim the hopper door latching brackets to adjust the hopper door latch engagement and hopper door seal compression. Do not compress the seal too much or the door will close too tightly and damage the seal and latches.
- F. Start the engine.
- G. Dump the hopper and observe the unlatching of the hopper door. The latches should release at the same time. Adjust the latch chain eyebolts if necessary.

6. STABILIZER LEG

The machine stabilizer leg is a safety device which, when the machine is being high dumped, projects forward to act as an anti-tipping device. Check the stabilizer leg to be sure it is projecting forward when the machine is being high dumped and is fully retracted when the hopper is in the "operating" position. To adjust stabilizer leg:

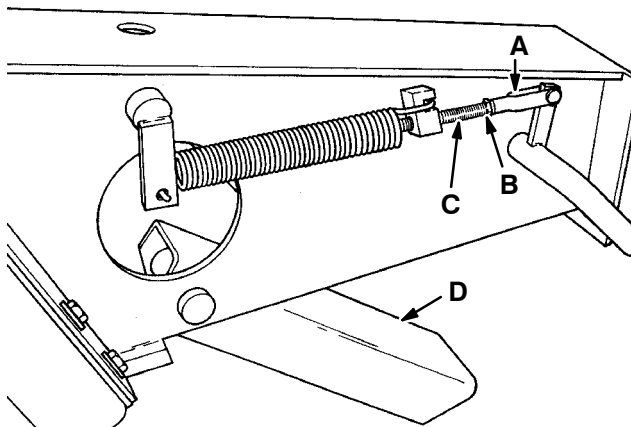
- A. Raise the hopper and engage the hopper support bar.

! WARNING: Falling hopper. Engage hopper support bar before working under hopper.

- B. Stop the engine.

FOR SAFETY: Before leaving or servicing machine; stop on level surface, set parking brake, and turn off machine.

- C. Loosen the clevis jam nut.



STABILIZER LEG

00598

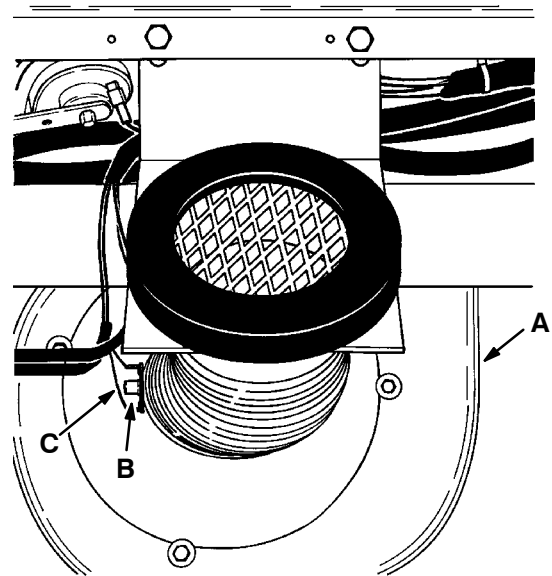
- A. Clevis
- B. Jam Nut
- C. Threaded Rod
- D. Stabilizer Leg

- D. Thread the clevis onto the threaded rod to raise the stabilizer leg or thread the clevis off the threaded rod to lower the stabilizer leg.
- E. Tighten the jam nut against the clevis.
- F. Raise the hopper, disengage the hopper bar and lower the hopper.
- G. Check the position of the stabilizer leg. Readjust as required.

THERMO SENTRY™

The Thermo Sentry™ is a thermostat that senses the temperature of the air drawn into the vacuum fan from the hopper. It controls the solenoid valve which directs hydraulic fluid to the main brush and vacuum fan motors. If there is a fire in the hopper, the high air temperature causes the thermostat to trip, stopping electrical current to the solenoid valve. This stops the fan and main brush motors, cutting off air flow to the fire.

After the thermostat has tripped, it must be manually reset by pushing in its reset button.



THERMO SENTRY™

02465

- A. Vacuum Fan
- B. Thermo Sentry™
- C. Reset Button

BRUSHES

MAIN BRUSH

The main brush is tubular and spans the width of the machine, sweeping debris into the debris hopper. It should be inspected daily for wear or damage. Remove any string or wire found tangled on the main brush, main brush drive hub, or main brush idler hub.

Rotate the main brush end-for-end after every 50 hours of operation for maximum brush life and best sweeping performance.

The main brush pattern should be checked daily. It should be 2.5 in (65 mm) wide for indoor applications and 3.5 in (90 mm) for outdoor applications with the main brush in the "normal" position. Main brush pattern adjustments are made by turning the height adjustment knob behind the side shroud next to the operator's left leg.

The main brush should be replaced when the remaining bristles measure 1.25 in (30 mm) in length.

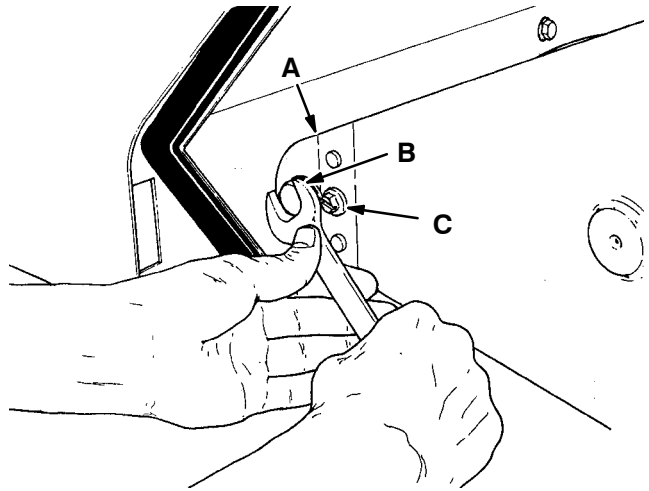
TO REPLACE MAIN BRUSH

1. Stop the engine and set the machine parking brake.

FOR SAFETY: Before leaving or servicing machine; stop on level surface, set parking brake, and turn off machine.

2. Place the main brush position lever in the (Main Brush Down) position.

3. Open the right side main brush door.
4. Remove the brush idler arm retaining bolt from the arm hub.



00599

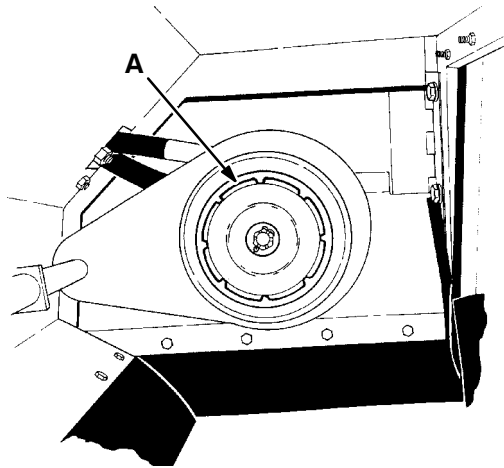
REMOVING BRUSH IDLER ARM

- A. Brush Idler Arm
- B. Arm Retaining Bolt
- C. Plastic Screw

5. Pull the brush idler arm off the arm hub.

NOTE: If the brush idler arm does not come off easily, remove the plastic screw located next to the brush idler arm retaining bolt. Thread the brush idler arm retaining bolt into the threaded hole where the plastic screw was mounted. Tighten the retaining bolt until it forces the brush idler arm loose. Remove the brush idler arm retaining bolt and reinstall the plastic screw.

6. Grasp the main brush; pull it off the brush drive plug and out of the main brush compartment.
7. Place the new or rotated end-for-end main brush on the floor next to the access door.
8. Slide the main brush onto the drive plug. Rotate the brush until it engages the drive plug and push it all of the way onto the plug.



MAIN BRUSH DRIVE PLUG

00600

A. Brush Drive Plug

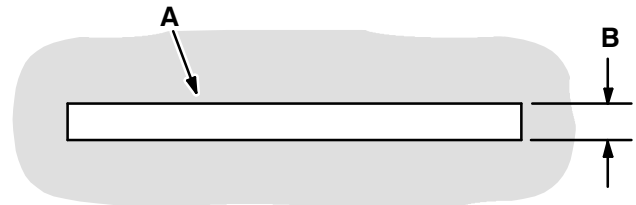
9. Slide the main brush idler plug onto the main brush.
10. Slide the brush idler arm onto the arm hub.
11. Thread the brush idler arm retaining bolt through the idler arm and into the arm hub. Tighten the retaining bolt.
12. Close the right side main brush door.
13. Check and adjust the main brush pattern as described in *TO CHECK AND ADJUST MAIN BRUSH PATTERN*.

TO CHECK AND ADJUST MAIN BRUSH PATTERN

1. Apply chalk, or some other material that will not blow away easily, to a smooth, level floor.
2. With the side brush and main brush raised, position the main brush over the chalked area.
3. Place the hopper lift and side brush lever into the (Side Brush On) position, and the main brush, vacuum fan, and filter shaker switch into the bottom (Main Brush On) position.
4. Place the main brush position lever in the (Main Brush Down) position for 15 to 20 seconds while keeping a foot on the brakes to keep the machine from moving. This will lower the rotating main brush.
5. Place the main brush position lever in the (Main Brush Up) position.

NOTE: If chalk or other material is not available, allow the brushes to spin on the floor for two minutes. A polish mark will remain on the floor.

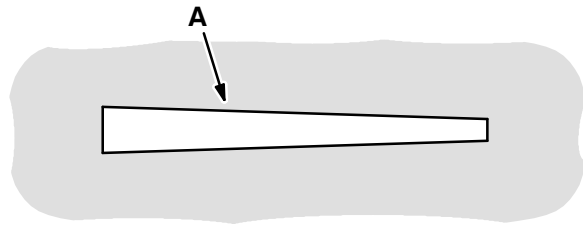
6. Drive the machine off the test area.
7. Observe the width of the brush pattern. The proper brush pattern width is 2.5 in (65 mm) for indoor applications and 3.5 in (90 mm) for outdoor applications.



00582

NORMAL MAIN BRUSH PATTERN

- A. Main Brush Pattern**
- B. Pattern Width**



TAPERED MAIN BRUSH PATTERN

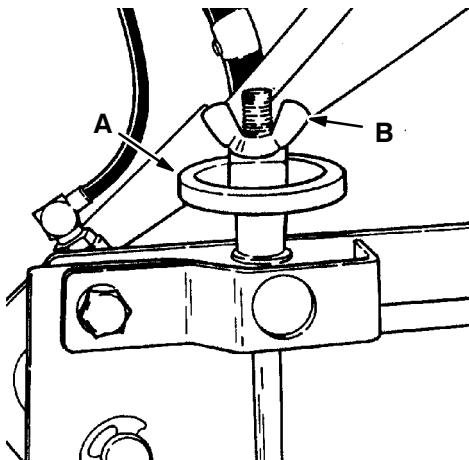
00601

A. Main Brush Pattern

If the main brush pattern is tapered, more than 0.5 in (15 mm) on one end than the other, on a flat, level surface, first loosen the main brush left cross shaft bearing mounting brackets and the bearing flanges. Then pivot the bearing mounting bracket to level the cross shaft. Tighten the bearing mounting bracket and the bearing flanges. Check the main brush pattern and readjust as necessary. Then adjust the width of the main brush pattern.

To widen the main brush pattern, loosen the locking wing nut and turn the adjustment knob counter-clockwise from the top. To reduce the width of the main brush pattern, loosen the locking wing nut and turn the adjustment knob clockwise from the top.

Tighten the locking wing nut and recheck the main brush pattern. Repeat the procedure until the main brush pattern is within the specified range.



MAIN BRUSH HEIGHT ADJUSTMENT KNOB

00563

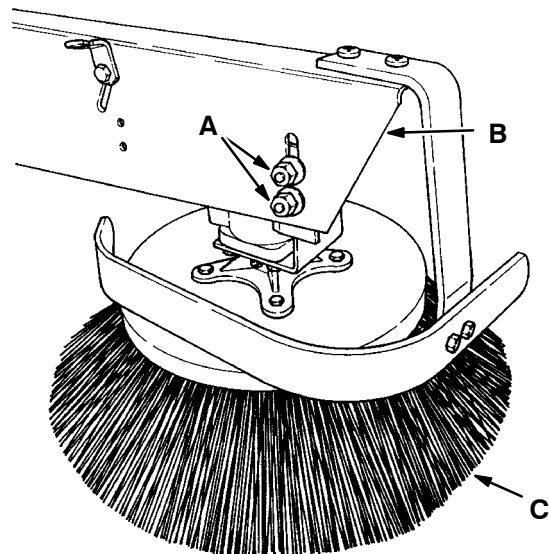
- A. Height Adjustment Knob
- B. Wing Nut

SIDE BRUSH

The side brush sweeps debris from curbs or gutters into the path of the main brush. It should be inspected daily for wear or damage. Remove any string or wire found tangled on the side brush or side brush drive hub.

The side brush pattern should be checked daily. Between one-third and one-half of the side brush bristles should contact the floor when the brush is in motion. The side brush pattern adjustment on low dump model machines is made by loosening the two nuts on the side brush arm, repositioning the side brush assembly, and retightening the nuts.

The side brush should be replaced when the remaining brush bristle measures 2.5 in (65 mm) in length.

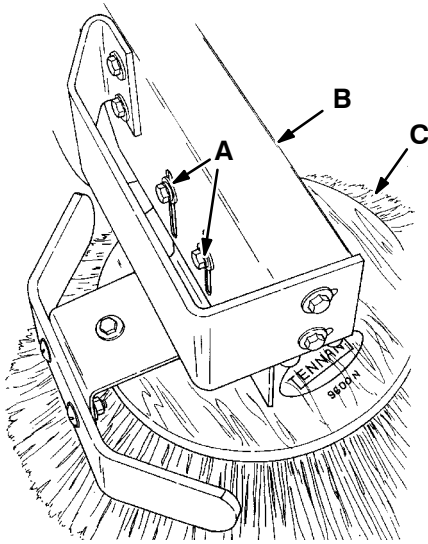


LOW DUMP MODEL SIDE BRUSH

02485

- A. Nut
- B. Side Brush Arm
- C. Side Brush

The side brush pattern adjustment on multi-level dump model machines is made by loosening the two bolts on the side brush arm, repositioning the side brush assembly, and retightening the bolts.



00603

MULTI-LEVEL DUMP MODEL SIDE BRUSH

- A. Bolt**
- B. Side Brush Arm**
- C. Side Brush**

TO REPLACE SIDE BRUSH

1. Empty the debris hopper.
2. Raise the hopper, engage the hopper support bar, and lower the hopper onto the support bar.

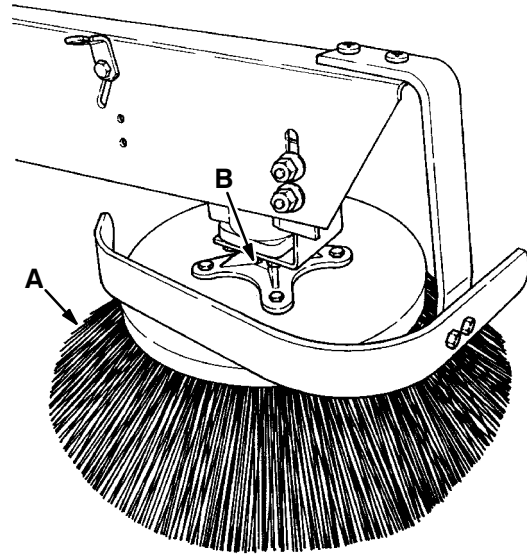
! WARNING: Falling hopper. Engage hopper support bar before working under hopper.

3. Stop the engine and set the machine parking brake.

FOR SAFETY: Before leaving or servicing machine; stop on level surface, set parking brake, and turn off machine.

4. Place the side brush position lever in the (Side Brush Up) position.

5. Remove the side brush retaining pin from the side brush hub and shaft by pulling the pin keeper off over the end of the pin.



02485

SIDE BRUSH

- A. Side Brush**
- B. Retaining Pin**

6. Slide the side brush off the side brush drive shaft.
7. Slide the new side brush onto the side brush drive shaft.
8. Insert the side brush retaining pin through the side brush hub and shaft.
9. Secure the pin by clipping the pin keeper over the end of the pin.
10. Adjust the side brush pattern.
11. Disengage the hopper support bar and lower the hopper.

SKIRTS AND SEALS

HOPPER LIP SKIRTS

The hopper lip skirts are located on the bottom rear of the hopper. They float over debris and help deflect that debris into the hopper. The hopper lip skirts are made up of five bottom lip segments and two additional side lip segments on multi-level dump model machines.

The hopper lip skirts should be inspected for wear or damage daily.

TO REPLACE HOPPER LIP SKIRTS

1. Empty the machine debris hopper.
2. Set the machine parking brake.
3. Raise the hopper, set the hopper support bar, and lower the hopper onto the hopper support bar.



WARNING: Falling hopper. Engage hopper support bar before working under hopper.

4. Stop the engine.

FOR SAFETY: Before leaving or servicing machine; stop on level surface, set parking brake, and turn off machine.

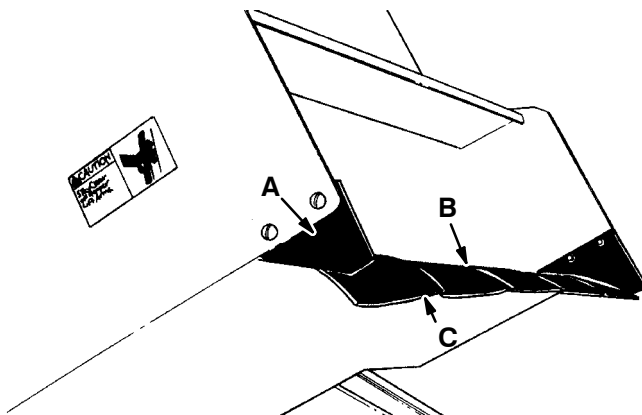
5. Remove the hopper lip retaining strip mounting bolts.

6. Remove the hopper lip retaining strip and worn or damaged hopper lip.
7. Thread the retaining strip mounting bolts through the retaining strip, the hopper lip segment, and into the hopper.
8. Tighten the mounting bolts.
9. Start the engine.
10. Raise the hopper, lower the hopper support bar, and lower the hopper.
11. Stop the engine.

BRUSH DOOR SKIRTS

The brush door skirts are located on the bottom of each of the two main brush doors. They seal the main brush compartment. They should clear the floor up to a maximum of 0.25 in (5 mm).

The skirts should be inspected for wear or damage and adjustment daily.



00604

HOPPER LIP SKIRTS

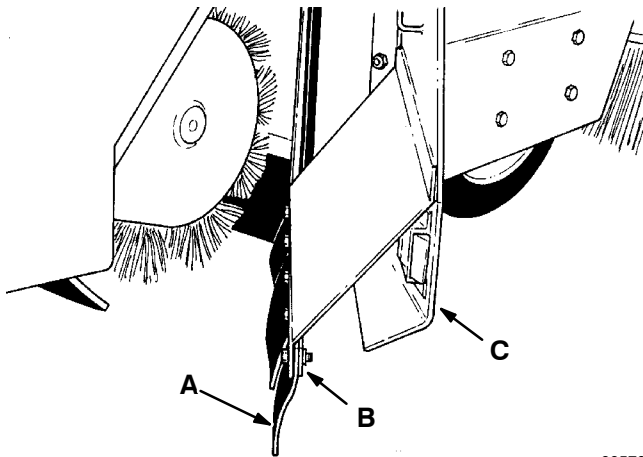
- A. Hopper Lip Side Skirt**
- B. Retaining Strip**
- C. Hopper Lip Skirts**

TO REPLACE AND ADJUST BRUSH DOOR SKIRTS

1. Park the machine on a smooth, level surface.
2. Stop the engine and set the machine parking brake.

FOR SAFETY: Before leaving or servicing machine; stop on level surface, set parking brake, and turn off machine.

3. Open the main brush doors.
4. Remove the brush door skirt retaining bolts.



BRUSH DOOR SKIRT

00570

- A. Brush Door Skirt**
- B. Skirt Retaining Strip**
- C. Brush Door**

5. Remove the skirt retaining strip and the door skirt.
6. Position the new door skirt and skirt retaining strip on the brush door.
7. Thread the skirt retaining bolts through the brush door, the door skirt, and into the skirt retaining strip.

NOTE: The brush door skirts have slotted holes to allow for a ground clearance adjustment. The door must be closed for proper adjustment.

8. Slide the brush door skirt up or down so that the skirt clears the floor by 0.25 in (5 mm).
9. Tighten the skirt retaining bolts.
10. Close the brush doors.

REAR SKIRTS

The rear skirts are located on the bottom rear of the main brush compartment. They seal the main brush compartment. They should clear the floor up to a maximum of 0.25 in (5 mm).

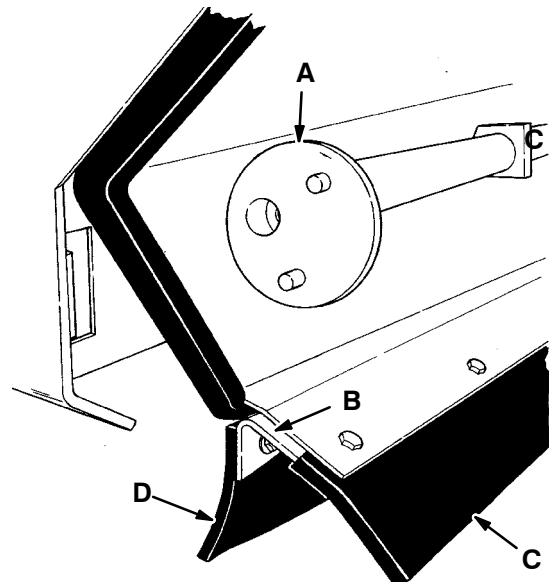
The seals should be inspected for wear or damage and adjustment daily.

TO REPLACE AND ADJUST THE REAR SKIRTS

1. Park the machine on a smooth, level surface.
2. Stop the engine and set the machine parking brake.

FOR SAFETY: Before leaving or servicing machine; stop on level surface, set parking brake, and turn off machine.

3. Open the main brush doors.
4. Remove the main brush as described in *TO REPLACE MAIN BRUSH*.



REAR SKIRTS

00606

- A. Brush Idler Arm Hub**
- B. Skirt Mounting Bracket**
- C. Rear Floor Skirt**
- D. Brush Contact Skirt**

5. Remove the skirt mounting bracket and the brush contact skirt.

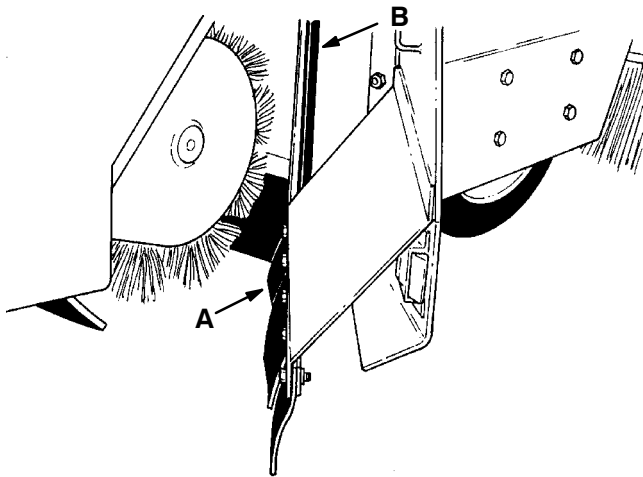
MAINTENANCE

- Remove the rear floor skirt from the skirt mounting bracket.
- Thread the rear floor skirt retaining strip mounting bolts through the retaining strip, the new rear floor skirt, and into the skirt mounting bracket.
- Do not tighten the mounting bolts at this time.
- Thread the retaining bolts through the skirt mounting bracket, the brush contact skirt, and into the machine frame.
- Tighten the retaining bolts.
- Slide the rear floor skirt up or down so that the skirt clears the floor up to a maximum of 0.25 in (5 mm).
- Tighten the rear floor skirt mounting bolts.
- Reinstall the main brush.

MAIN BRUSH DOOR SEALS

The main brush door seals are located on both main brush doors and on corresponding portions of the main frame. They seal the main brush compartment.

The seals should be inspected for wear or damage after every 100 hours of operation.



BRUSH ACCESS DOOR SEALS

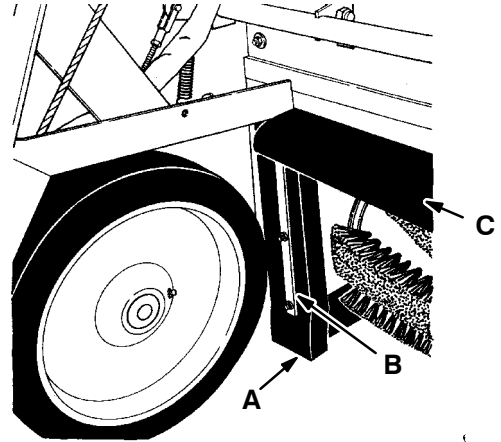
00570

- A. Brush Access Door
- B. Door Seals

HOPPER SEALS

The hopper seals are located on the top and side portions of the machine frame which contact the hopper. They seal the main brush compartment.

The seals should be inspected for wear or damage after every 100 hours of operation.



HOPPER SEALS

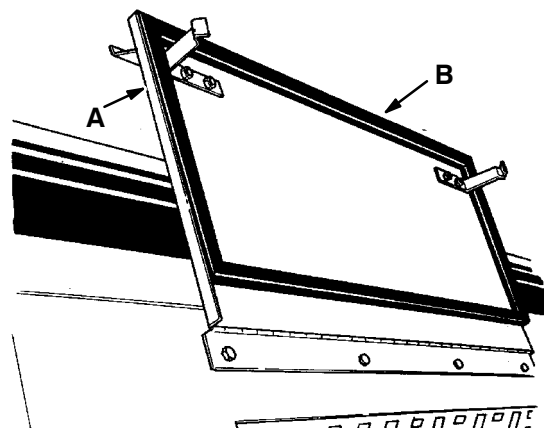
02457

- A. Side Seal
- B. Seal Retaining Strip
- C. Top Seal

HOPPER INSPECTION DOOR SEAL

The hopper inspection door seal is located on the hopper inspection door on low dump model machines. It seals the front of the debris compartment.

The seal should be checked for wear or damage after every 100 hours of operation.



HOPPER INSPECTION DOOR SEAL

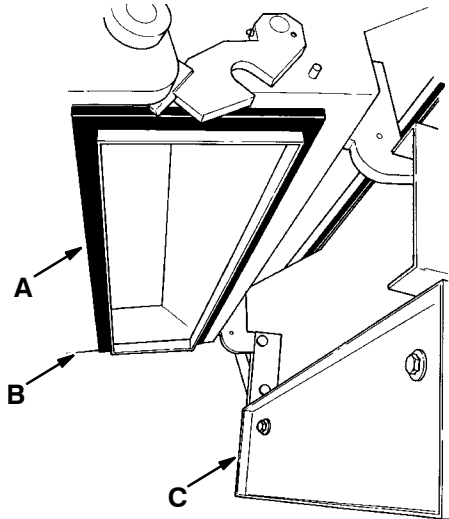
02480

- A. Hopper Inspection Door
- B. Door Seal

HOPPER DOOR SEALS

The hopper door seals are located around the hopper door opening on multi-level dump model machines. They seal the hopper door.

The seals should be checked for wear or damage after every 100 hours of operation.



HOPPER DOOR SEALS

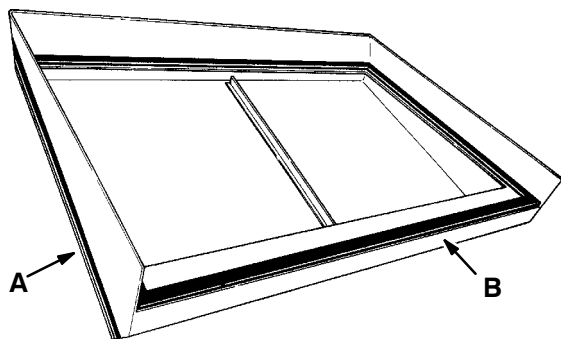
- A. Seal**
- B. Hopper**
- C. Hopper Door**

02481

HOPPER COVER SEAL

The hopper cover seal is located on the top edges of the hopper. It seals the hopper filter compartment.

The seal should be checked for wear or damage after every 100 hours of operation.



HOPPER COVER SEAL

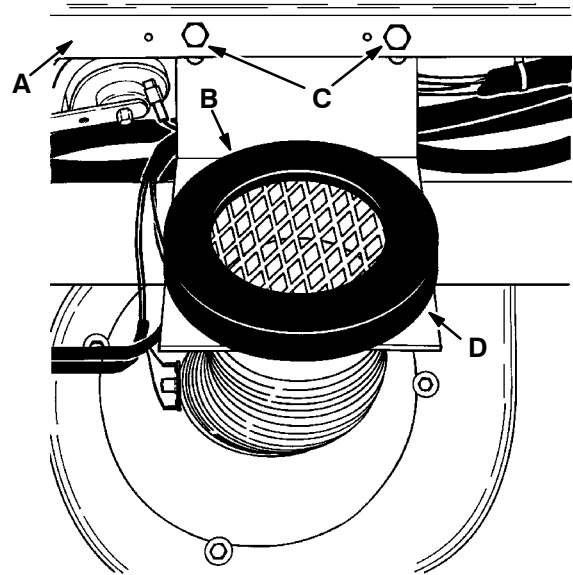
- A. Hopper Cover**
- B. Cover Seal**

02482

HOPPER VACUUM FAN SEAL

The hopper vacuum fan seal is mounted to the lintel on multi-level dump model machines. It seals the hopper filter compartment to the vacuum fan intake bracket.

The seal should be checked for wear or damage after every 100 hours of operation. Check to make sure that the seal is making good contact with the hopper. The seal should be compressed 0.12 in (3 mm) by the contact.



HOPPER VACUUM FAN SEAL

- A. Lintel**
- B. Seal**
- C. Mounting Bolts**
- D. Bracket**

02465

To adjust seal contact, loosen the vacuum fan intake bracket mounting bolts. Pivot the bracket into the correct position and retighten the bolts.

BRAKES AND TIRES

SERVICE BRAKES

The mechanical service brakes are located on the front wheels. They are operated by the foot brake pedal and connecting linkages.

The brake pedal should not travel more than 1 in (25 mm) to fully engage the brakes. Blow the accumulated dirt from between the brake shoes and the hub with compressed air through the slots on the side wheel pockets. Check the brake adjustment after every 200 hours of operation.

TO ADJUST BRAKE LINKAGE

1. Empty the debris hopper.
2. Park machine on a level surface.
3. Raise the hopper, engage the hopper support bar, and lower the hopper onto the support bar.

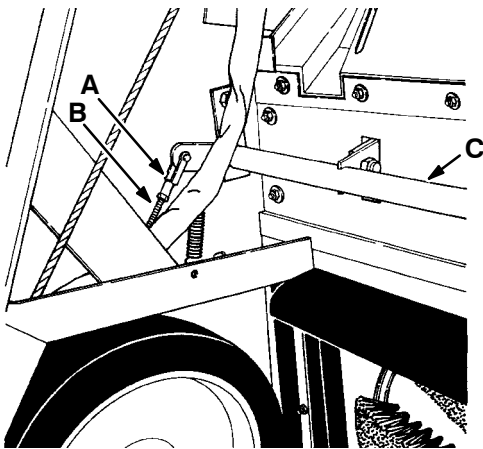


WARNING: Falling hopper. Engage hopper support bar before working under hopper.

4. Stop the engine.

FOR SAFETY: Before leaving or servicing machine; stop on level surface, set parking brake, and turn off machine.

5. Block the machine tires.
6. Remove the clevis pins from the left and right side brake clevises.



BRAKE CLEVIS

02457

- A. Brake Adjusting Clevis**
- B. Threaded Rod**
- C. Brake Cross Shaft**

7. Thread the clevis out to decrease brake pedal height, or in to increase brake pedal height. Both clevises must be turned the same amount.
8. Adjust the brake linkage so that the brake pedal travels no more than 1 in (25 mm) to fully engage the brakes. If the brake pedal travels more than 1 in (25 mm), it indicates the brake clevises are not adjusted the same. Readjust as necessary.
9. Reinstall the brake clevis pins.
10. Start the engine and raise the hopper.
11. Lower the hopper bar.
12. Lower the hopper and stop the engine.
13. Remove the machine tire blocks.

PARKING BRAKES

The parking brakes are engaged by the parking brake lever which activates the service brake linkage.

The parking brakes should be adjusted whenever it becomes very easy to set the parking brake, when the machine rolls after engaging the parking brake, and after every 200 hours of operation. The parking brake may be routinely tightened by turning the knurled knob on the end of the parking brake clockwise. If the knob adjustment is inadequate, fully loosen the knob and adjust the brake linkage as described in *TO ADJUST BRAKE LINKAGE*. Adjust the parking brake so it will hold the machine on a smooth 8° ramp.

TIRES

The standard front machine tires are semi-pneumatic on low dump model machines and are solid on multi-level dump model machines. The standard rear machine tire is pneumatic.

Check the tire pressure after every 100 hours of operation. The proper tire air pressure is 80 ± 5 psi (550 ± 35 kPa). When the machine is equipped with a scrub attachment, the proper air pressure is 70 ± 5 psi (480 ± 35 kPa).

A solid rear tire is available as an accessory.

SCRUB ATTACHMENT

SCRUB ATTACHMENT

The scrub attachment accessory gives the machine the added flexibility to scrub floors. It consists of three groups of parts – the scrub attachment, the side scrub brush and squeegee, and the rear squeegee. The scrub attachment includes two solution tanks, a solution distribution system, three scrub brushes, a recovery tank, and a debris hopper.

SOLUTION TANKS

The two solution tanks supply the scrub brush with a water and detergent solution. They are located in the top right and left sides of the scrub attachment.

Access to the tanks is through the solution tank covers on the top of the scrub attachment.

The solution tanks require no regular maintenance. If detergent cakes on the bottom of the tank, remove the deposits with a strong blast of water.

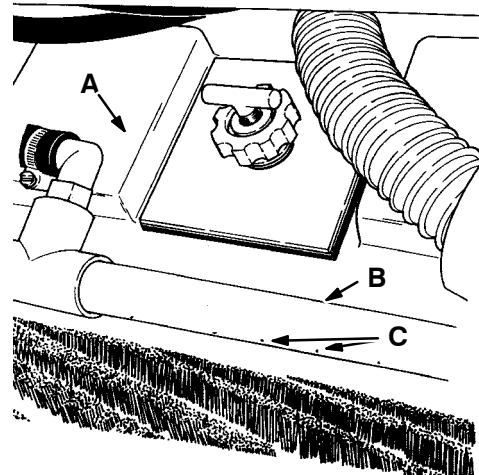
SOLUTION DISTRIBUTION SYSTEM

The solution is distributed by feed lines from the solution tanks to an on-off solenoid valve, to a cable controlled flow-rate valve, then to a solution spreader tube.

The solution spreader tube distributes scrub solution to the scrub brushes. It may be flushed out if it becomes clogged. A drain plug is located on each end of the spreader tube.

Before cleaning the solution spreader tube, make sure that the cable controlled flow-rate valve is opening fully when the solution flow knob is pulled out.

A brush and hot water may be needed to remove stubborn clogs. A sharp instrument may be used to clear the small distribution holes in the spreader tube.



SPREADER TUBE

02769

- A. Recovery Tank**
- B. Spreader Tube**
- C. Distribution Holes**

SCRUB BRUSHES

Three scrub brushes are utilized by the scrub attachment – the side brush, the main brush, and a scrub brush located in the scrub attachment. The side brush scrubs and deflects debris into the path of the scrub brush. The scrub brush scrubs and deflects debris backward, the main brush scrubs and deflects debris into the debris hopper.

The brushes should be inspected daily for damage or wear. Remove any string or wire found tangled on the scrub brushes, drive, or idler hubs.

Replace the scrub brushes when the brush bristle is 0.5 in (15 mm) or less in length. To replace the side brush, see *TO REPLACE SIDE BRUSH*. To replace the scrub brush, see *TO REPLACE SCRUB BRUSH*. To replace the main brush, see *TO REPLACE MAIN BRUSH*.

The scrub brush patterns should be checked daily. They should be 2 to 3 in (50 to 75 mm) wide. The scrub brush pattern is adjusted by changing the position of the clevis on the threaded stud of the lift linkage. See *TO CHECK AND ADJUST SCRUB BRUSH PATTERN*.

MAINTENANCE

TO REPLACE SCRUB BRUSH

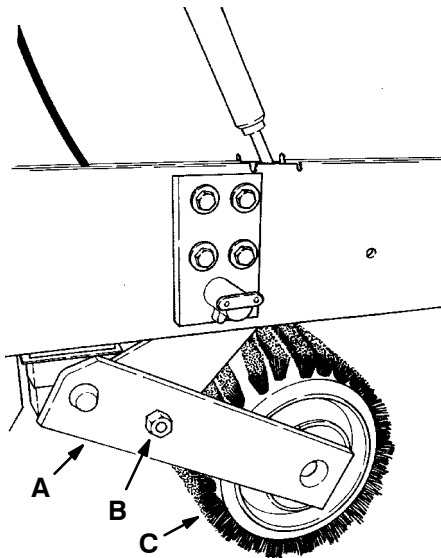
1. Start the engine, raise the scrub attachment, and engage the hopper support bar.

⚠ WARNING: Falling hopper. Engage hopper support bar before working under hopper.

2. Stop engine and set the machine parking brake.

FOR SAFETY: Before leaving or servicing machine; stop on level surface, set parking brake, and turn off machine.

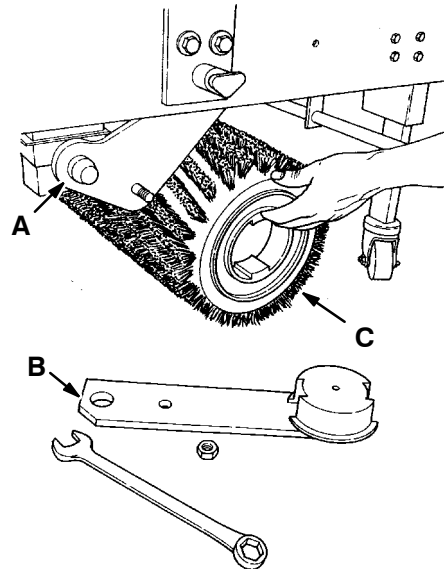
3. Remove the brush idler arm nut.



IDLER ARM

- A. Idler Arm
- B. Nut
- C. Scrub Brush

4. Pull the brush idler arm off the arm bracket.
5. Pull the scrub brush off the drive hub.



REMOVING SCRUB BRUSH

- A. Bracket
- B. Idler Arm
- C. Scrub Brush

6. Align the scrub brush drive slots with the drive keys on the drive nuts.
7. Slide the scrub brush onto the drive hub.
8. Slide the idler hub onto the scrub brush and arm bracket.
9. Secure the idler arm with nut.
10. Check and adjust scrub brush pattern as described in *TO CHECK AND ADJUST SCRUB BRUSH PATTERN*.

TO CHECK AND ADJUST SCRUB BRUSH PATTERN

1. Apply chalk, or some other material that will not blow away easily, on a smooth, level floor.
2. With the scrub brush position lever in the (Side Brush On) position, move the scrub attachment over the test area. Set the parking brake.
3. Place the main brush, vacuum fan and filter shaker switch in the bottom (Main Brush On) position.

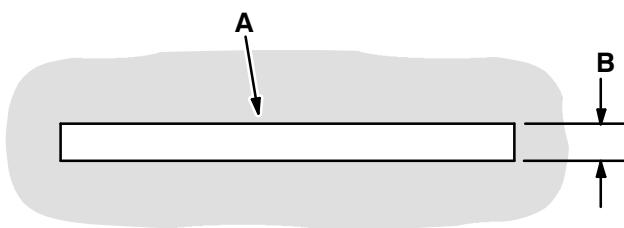
02770

02778

- Place the scrub brush position lever in the "normal" position for 15 to 20 seconds, then return the lever to the "raised" position.

NOTE: If no chalk or other material is available, allow the brushes to spin approximately two minutes. It will make a polish mark on the floor.

- Place the main brush, vacuum fan and filter shaker switch in the middle position.
- Release the parking brake and remove the machine from the test area.
- The scrub brush pattern should be 2 in (50 mm) across the full length of the brush.

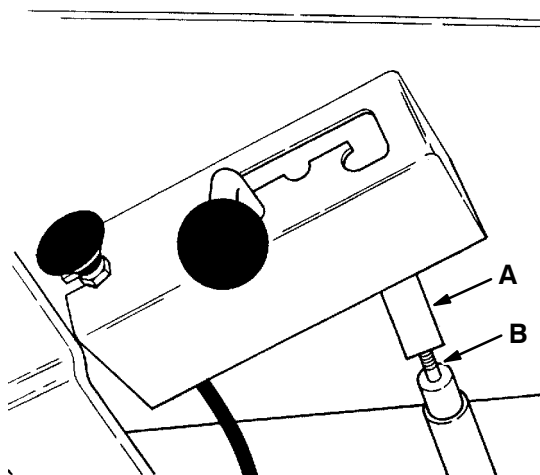


NORMAL SCRUB BRUSH PATTERN

00582

- A. Scrub Brush Pattern**
- B. 2 in (50 mm)**

To adjust the width of the pattern, adjust the position of the lift linkage clevis on the threaded stud. Thread the stud into the clevis to decrease the width. Thread the stud out of the clevis to increase the width.

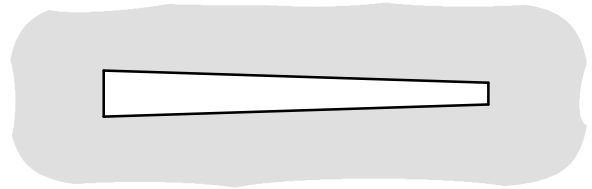


LIFT LINKAGE

02747

- A. Clevis**
- B. Stud**

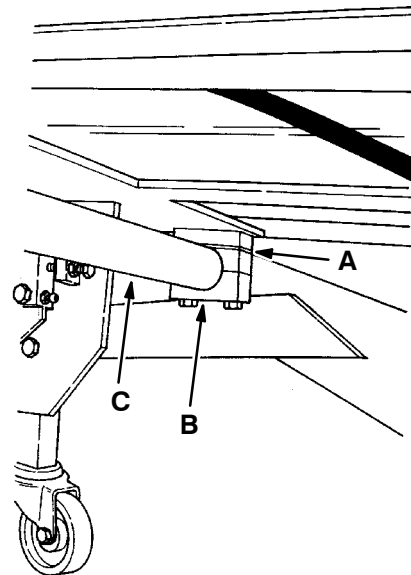
If the brush pattern is tapered more than 0.25 in (5 mm), the scrub brush must be checked to see if it is cone shaped.



TAPERED SCRUB BRUSH PATTERN

00601

If the brush is not cone shaped, the scrub brush drive mechanism must be leveled by adding or removing shims between the scrub brush cross shaft bearing blocks and the scrub attachment frame.



CROSS SHAFT SHIM

02771

- A. Shim**
- B. Bearing Block**
- C. Cross Shaft**

RECOVERY TANK

The machine recovery tank stores the water solution picked up by the machine squeegee and vacuum fan. The recovery tank is located under the solution tanks.

The recovery tank should be drained after the solution tank is empty and whenever the ball float rises and stops the water vacuum.

The recovery tank should be cleaned after every work shift.

Two clean-out doors have been provided to make the tank cleaning job easier. One door is located at the rear of the recovery tank. The other door is located at the front of the recovery tank.

Keep vacuum hoses and nozzles clean. Clogged hoses are a common cause of poor water pickup.

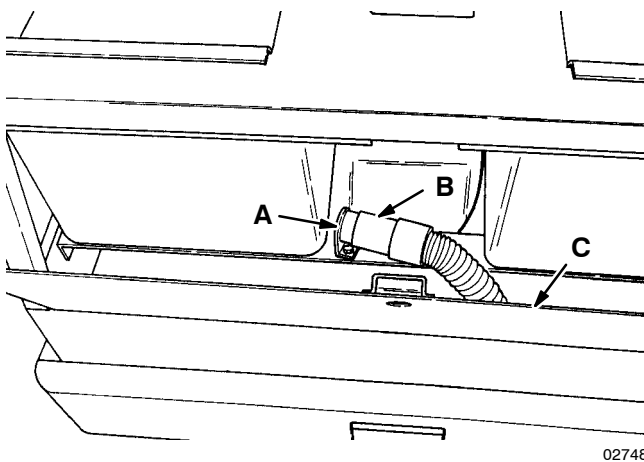
TO DRAIN THE RECOVERY TANK

1. Stop the engine and set the machine parking brake.

FOR SAFETY: Before leaving or servicing machine; stop on level surface, set parking brake, and turn off machine.

2. Open the front access door.
3. Remove the drain hose from its retention plug and lower it to a floor drain.

NOTE: The tank will not empty with the vacuum fan operating.



DRAIN HOSE

- A. Retention Plug**
- B. Drain Hose**

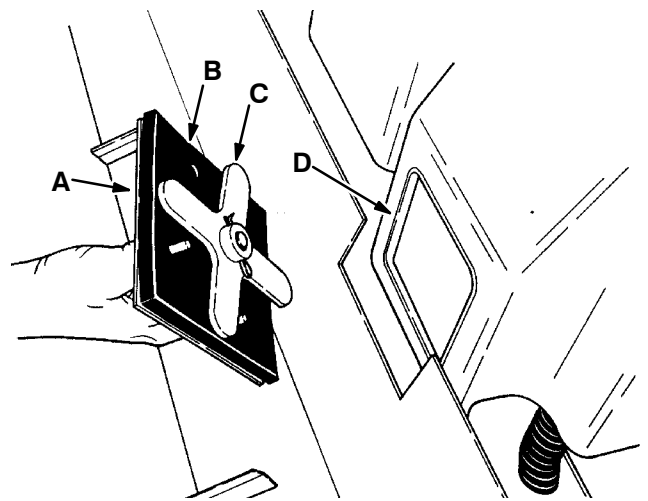
C. Front Access Door

TO CLEAN THE RECOVERY TANK

1. Stop the engine and set the machine parking brake.

FOR SAFETY: Before leaving or servicing machine; stop on level surface, set parking brake, and turn off machine.

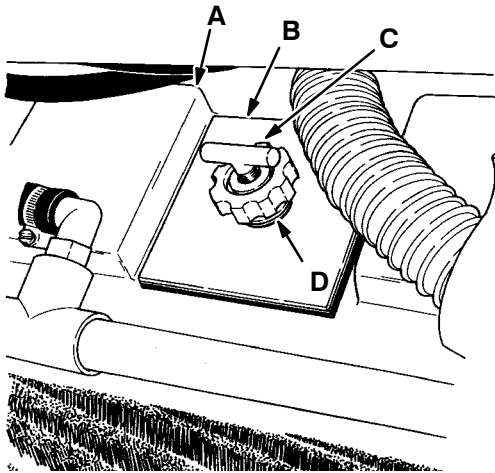
2. Drain the recovery tank.
3. Open the front clean out doors by turning the door handles and pulling the doors away from the recovery tank.



REAR CLEAN-OUT DOOR

- A. Clean-Out Door**
- B. Door Seal**
- C. Door Fingers**
- D. Recovery Tank**

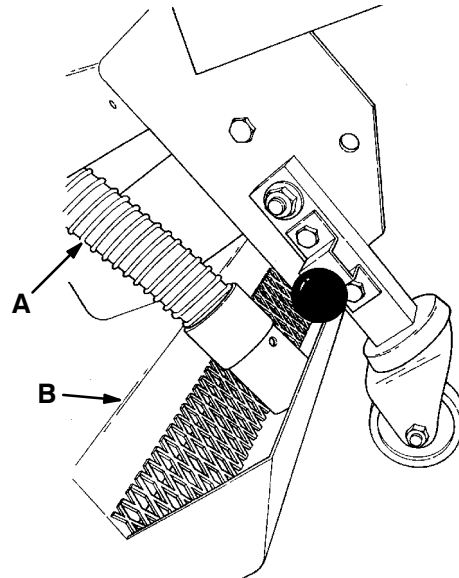
3. Spray the inside of the tank with clean water. Remove all sludge and debris from the bottom of the tank.
4. Spray the ball float. Make sure the float guides are free of dirt and debris which may cause the float to stick.
5. Close the clean-out doors by positioning the doors against the recovery tank, turning the door handles so the four fingers line up behind the tank wall, and tighten the lock knob.



FRONT CLEAN-OUT DOOR

- A. Recovery Tank**
- B. Clean-Out Door**
- C. Door Handle**
- D. Lock Knob**

02769



DEBRIS HOPPER

- A. Vacuum Hose**
- B. Debris Hopper**

02754

DEBRIS HOPPER

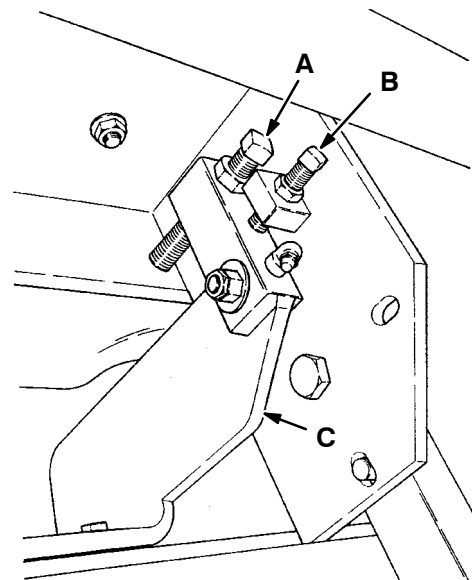
The debris hopper collects debris picked up by the scrub brushes. It is located behind the scrub brushes.

A vacuumized debris screen is located on the bottom of the debris hopper to draw water solution out of the debris collected in the hopper.

The debris hopper should be emptied whenever the recovery tank is drained. It should be sprayed clean daily.

To empty the debris hopper, raise the scrub attachment with the hopper lift and side brush lever. The debris will empty as the unit is lifted and tilted back.

The debris hopper is mounted by two pivoting points to allow it to float over large debris. It is equipped with float limiter. The lower limit bolt should be adjusted so the hopper has 0.3 in (10 mm) clearance with the floor. The upper limit bolt should be set so the hopper will travel up to a maximum of 1 in (25 mm) clearance.



DEBRIS HOPPER LIMIT BOLTS

- A. Lower Limit Bolt**
- B. Upper Limit Bolt**
- C. Debris Hopper**

02764

SIDE SQUEEGEE

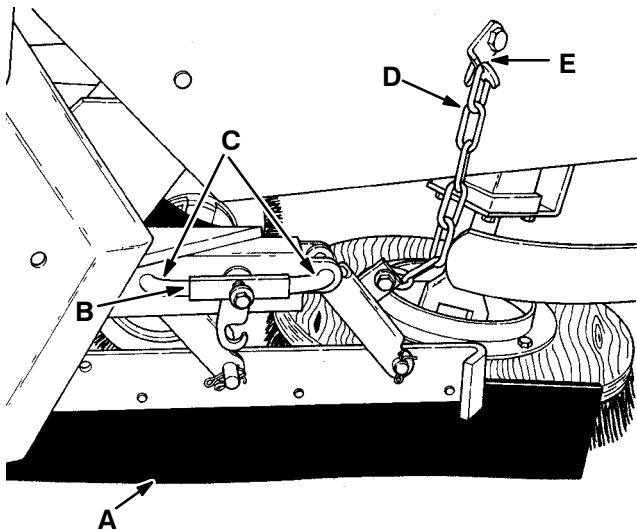
The side squeegee controls water spray and channels water into the path of the rear squeegee. Check the side squeegee for damage, wear and adjustment daily. Replace the squeegee blade whenever it becomes damaged or loses its shape or resiliency.

TO REPLACE SIDE SQUEEGEE BLADE

1. Stop the engine and set the machine parking brake.

FOR SAFETY: Before leaving or servicing machine; stop on level surface, set parking brake, and turn off machine.

2. Disconnect the squeegee assembly chain from the chain hook.



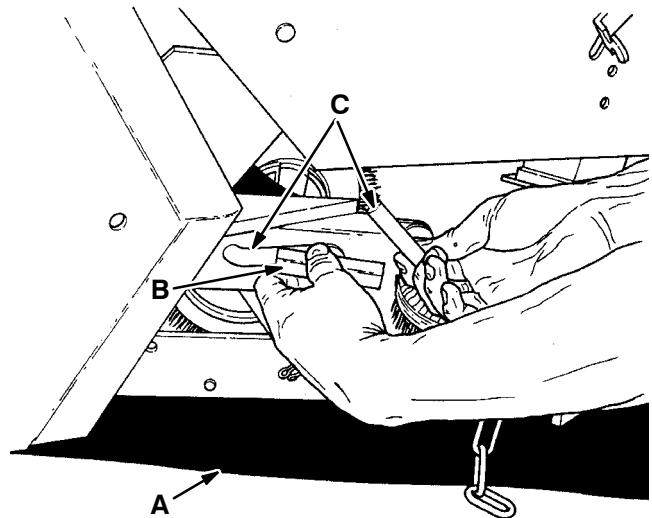
SIDE SQUEEGEE ASSEMBLY

02758

- A. Squeegee Blade
- B. Pin Keeper
- C. Retaining Pin
- D. Chain
- E. Hook

3. Pull the pin keeper out and remove the two squeegee assembly retaining pins. Release the pin keeper.
4. Slide the squeegee assembly out of the machine.

5. Remove the five squeegee retaining bolts from the squeegee assembly.
6. Remove the squeegee blade from the squeegee frame.
7. Position a new squeegee blade on the squeegee frame.
8. Secure the blade with the blade retainer and retaining bolts.
9. Slide the squeegee assembly into position in the squeegee bracket.
10. Slide the two squeegee retaining pins through the bracket and squeegee assembly.



02757

SECURING SQUEEGEE RETAINING PINS

- A. Squeegee Assembly
- B. Pin Keeper
- C. Pin

11. Pull the pin keeper out, turn the squeegee retaining pins so they are under the pin keeper, and release the keeper.
12. Connect the squeegee assembly chain to the chain hook.

REAR SQUEEGEE

The rear squeegee assembly channels water into the vacuum fan suction. The front squeegee blade channels the water, and the rear blade wipes the floor. Check the rear squeegee assembly for damage, wear, and adjustment daily.

Rotate or replace the front or rear blade of the rear squeegee if its leading edge is worn one-half of the way through the thickness of the blade.

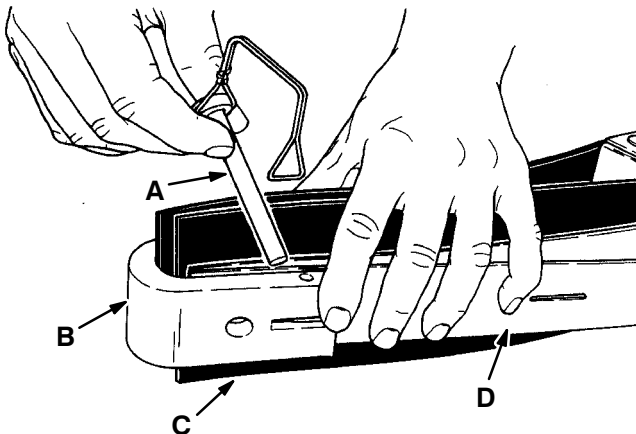
Each front and rear blade has four wiping edges. To use them all, start with one wiping edge. To use the next wiping edge, swap the squeegee end-for-end. To use the next wiping edge, rotate the top edges down, bottom edges up. To use the last edge, swap the squeegee end-for-end. Replace the back-up strips if they become damaged, or if they lose their resiliency.

TO REPLACE OR ROTATE REAR BLADE

1. Press the squeegee switch into the (Squeegee Down) position.
2. Stop the engine and set the machine parking brake.

FOR SAFETY: Before leaving or servicing machine; stop on level surface, set parking brake, and turn off machine.

3. Remove the retaining pin from each end of the squeegee. Remove the end brackets.

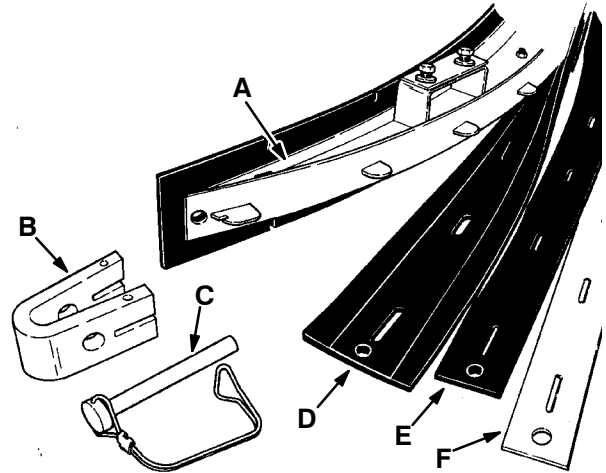


REMOVING RETAINING PINS

02773

- A. Retaining Pin**
- B. End Bracket**
- C. Squeegee Blade**
- D. Band**

4. Open the rear band clamp and remove the squeegee back-up strip and the squeegee blade.
5. Replace or rotate the rear blade to allow a new edge of the blade to face the front of the machine.



02774

DISASSEMBLED REAR SQUEEGEE

- A. Frame**
- B. End Bracket**
- C. Retaining Pin**
- D. Blade**
- E. Back-Up Strip**
- F. Retaining Band**

6. Place the squeegee blade over the pins of the squeegee frame.
7. Place the squeegee back-up strip on the pins.
8. Position the squeegee retaining bands over the back-up strip.
9. Replace the end brackets. Secure with the retaining pins.
10. Adjust the rear squeegee as described in *TO CHECK AND ADJUST REAR SQUEEGEE*.

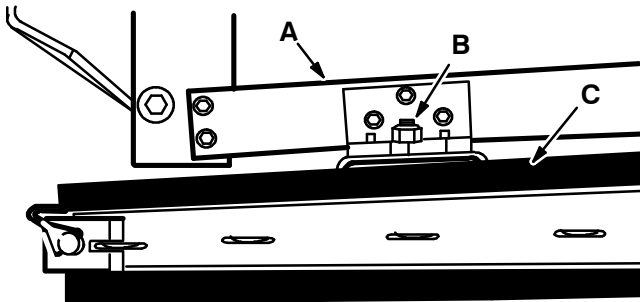
MAINTENANCE

TO REPLACE OR ROTATE FRONT BLADE

1. Press the squeegee switch into the (Squeegee Down) position.
2. Stop the engine and set the machine parking brake.

FOR SAFETY: Before leaving or servicing machine; stop on level surface, set parking brake, and turn off machine.

3. Disconnect the rear squeegee suction hose from the squeegee frame.
4. Remove the two squeegee frame nuts and lower the squeegee assembly from the squeegee cross bar.

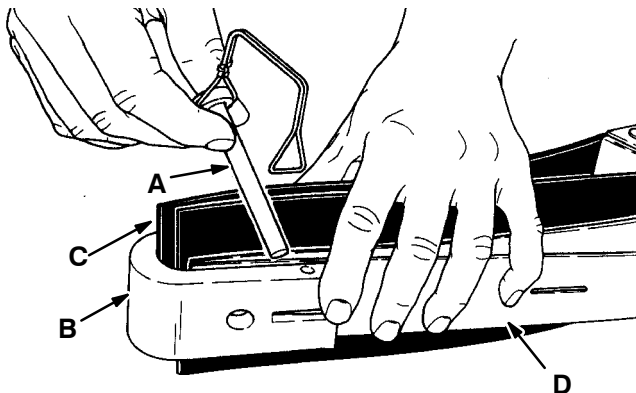


CROSS BAR

04635

- A. Cross Bar
- B. Squeegee Frame Nut
- C. Squeegee Assembly

5. Remove the retaining pins from each end of the squeegee. Remove the end brackets.



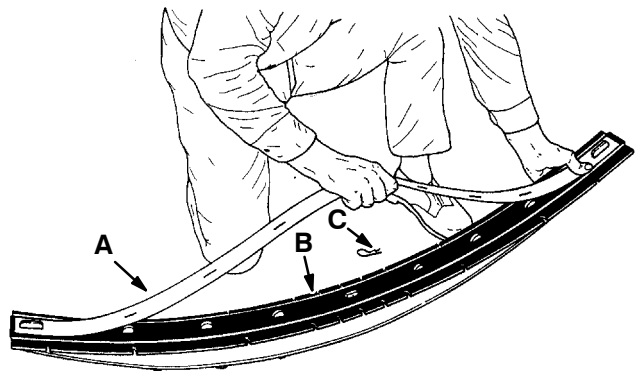
REMOVING RETAINING PINS

02773

- A. Retaining Pin
- B. End Bracket
- C. Squeegee Blade

D. Band

6. Remove the hair cotter pin from the center of the front retaining band.
7. Pull the retaining band, back-up strip, and squeegee blade off the squeegee frame.
8. Replace or rotate the front blade to allow a new edge of the blade to face the front of the machine.
9. Place the squeegee blade over the pins on the squeegee frame.
10. Place the back-up strip on the pins.
11. Position the ends of the retaining band in the slots at the ends of the squeegee frame.
12. Press the center of the retaining band into place.



INSTALLING RETAINING BAND

02775

- A. Retaining Band
- B. Squeegee
- C. Hair Cotter Pin

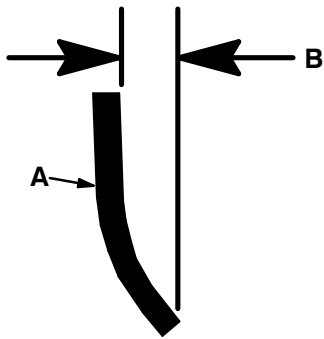
13. Secure the retaining band with the hair cotter pin removed earlier.
14. Replace the end brackets. Secure with the retaining pins.
15. Lift the squeegee frame into position on the cross bar. Secure with the nuts removed earlier.
16. Reconnect the squeegee suction hose to the squeegee frame.

TO CHECK AND ADJUST REAR SQUEEGEE

1. Start the engine.
2. Lower the squeegee and move the machine forward.
3. Stop the engine and set the machine parking brake.

FOR SAFETY: Before leaving or servicing machine; stop on level surface, set parking brake, and turn off machine.

4. Check the squeegee. It should contact the floor evenly side-to-side and deflect 0.88 in (20 mm) for smooth floors and 1.5 in (40 mm) for rough floors. If not, continue with step 5.



SQUEEGEE DEFLECTION

- A. Squeegee
- B. Deflection

NOTE: The squeegee blades must be new or have a new wiping edge contacting the floor to correctly adjust the squeegee.

5. Check the squeegee lift cable. It should be loose when the squeegee actuator is in the extended “lower” position. The squeegee should clear the floor when the lever is in the retracted “lift” position.

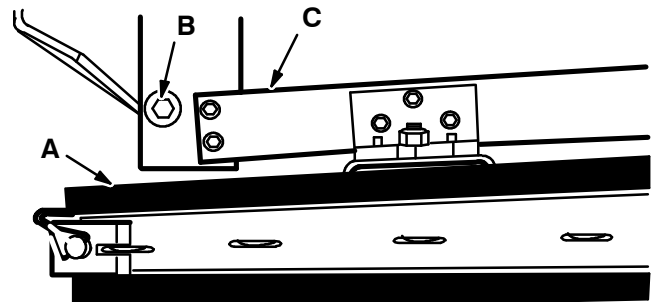
6. Start the engine, release the parking brake, raise and lower the squeegee. Then move the machine forward to deflect the squeegee blades.
7. Stop the engine and set the machine parking brake.

FOR SAFETY: Before leaving or servicing machine; stop on level surface, set parking brake, and turn off machine.

8. Level the squeegee from front to rear with the two squeegee adjustment bolts on the cross bar.

To lower the squeegee tips, thread the adjustment bolts counterclockwise evenly on each side.

To raise the squeegee tips, thread the adjustment bolts clockwise evenly on each side.



03719

TIPS ADJUSTMENT BOLT

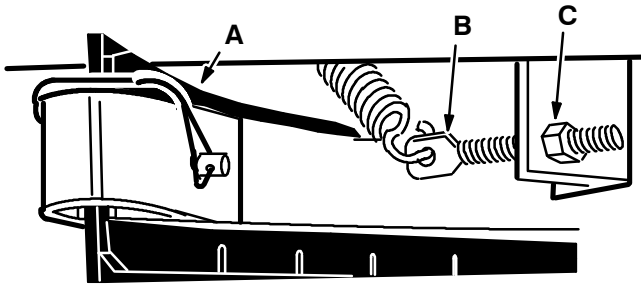
04635

- A. Squeegee Assembly
- B. Adjustment Bolt
- C. Cross Bar

MAINTENANCE

- Adjust the squeegee deflection with the two squeegee adjustment studs.

To increase deflection, increase down pressure by adjusting the stud forward.



SQUEEGEE STUD

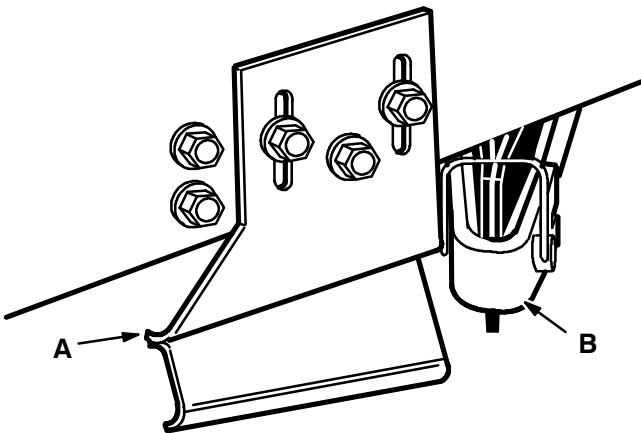
04634

- A. Squeegee**
- B. Stud**
- C. Jam Nut**

To decrease deflection, decrease down pressure by adjusting the stud backward.

Loosen the jam nuts on both ends of the rods before making adjustments. Tighten the jam nuts after making any adjustments.

- Adjust the squeegee guards on each side of the machine so they clear the floor by 1.5 in (40 mm).



SQUEEGEE GUARD

04629

- A. Guard**
- B. Squeegee**

SNOW BROOM

SNOW BROOM

The snow broom accessory gives the machine the added flexibility to remove snow from walks and driveways. It consists of two groups of parts: The mounting frame, and the broom frame and drive assembly. The mounting frame is used to mount either the snow blade or snow broom assembly to the machine. The broom frame and drive assembly may be positioned so as to sweep snow to the left or right of the machine. Check the snow broom for tangled string or wire after each use. Replace the snow broom when the remaining bristles measure 1.25 in (30 mm) or less in length.

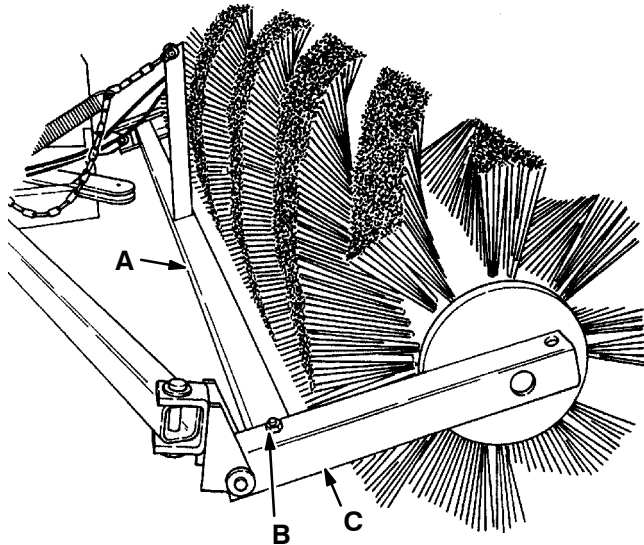
3. Pull the idler plug out of the snow broom.
4. Pull the snow broom off the drive plug.
5. Slide the new snow broom onto the drive plug, making sure the drive keys and slots line up.
6. Slide the idler plug into the snow broom.
7. Secure the idler arm to cross shaft with the bolt.

TO REPLACE SNOW BROOM

1. Stop the engine and set the machine parking brake.

FOR SAFETY: Before leaving or servicing machine; stop on level surface, set parking brake, and turn off machine.

2. Remove the bolt holding the idler arm to the cross shaft.



02763

IDLER ARM

- A. Cross Shaft**
- B. Bolt**
- C. Idler Arm**

SECTION 4

CONTENTS

	Page
HARDWARE INFORMATION	4-3
STANDARD BOLT TORQUE CHART	4-3
METRIC BOLT TORQUE CHART	4-3
BOLT IDENTIFICATION	4-3
THREAD SEALANT AND LOCKING COMPOUNDS	4-3
HYDRAULIC FITTING INFORMATION	4-4
HYDRAULIC TAPERED PIPE FITTING (NPT) TORQUE CHART	4-4
HYDRAULIC TAPERED SEAT FITTING (JIC) TORQUE CHART	4-4
HYDRAULIC O-RING FITTING TORQUE CHART	4-4

HARDWARE INFORMATION

The following charts state standard plated hardware tightening ranges for normal assembly applications. Decrease the specified torque by 20% when using a thread lubricant. Do not substitute lower grade hardware for higher grade hardware. If higher grade hardware than specified is substituted, tighten only to the specified hardware torque value to avoid damaging the threads of the part being threaded into, as when threading into speed nuts or weldments.

NOTE: Decrease torque by 20% when using a thread lubricant.

Exceptions to the above chart:





Check the machine for exceptions!

STANDARD BOLT TORQUE CHART

Thread Size	SAE Grade 5 Torque ft lb (Nm)	SAE Grade 8 Torque ft lb (Nm)
0.25 in	7–10 (9–14)	10–13 (14–38)
0.31 in	15–20 (20–27)	20–26 (27–35)
0.38 in	27–35 (37–47)	36–47 (49–64)
0.44 in	43–56 (58–76)	53–76 (72–103)
0.50 in	65–85 (88–115)	89–116 (121–157)
0.62 in	130–170 (176–231)	117–265 (159–359)
0.75 in	215–280 (291–380)	313–407 (424–552)
1.00 in	500–650 (678–881)	757–984 (1026–1334)

NOTE: Decrease torque by 20% when using a thread lubricant.

BOLT IDENTIFICATION

Identification Grade Marking	Specification and Grade
	SAE–Grade 5
	SAE–Grade 8
	ISO–Grade 8.8
	ISO–Grade 10.9

01395

METRIC BOLT TORQUE CHART

Thread Size	Class 8.8 Torque ft lb (Nm)	Class 10.9 Torque ft lb (Nm)
M4	2 (3)	3 (4)
M5	4 (5)	6 (8)
M6	7 (9)	10 (14)
M8	18 (24)	25 (34)
M10	32 (43)	47 (64)
M12	58 (79)	83 (112)
M14	94 (127)	133 (180)
M16	144 (195)	196 (265)
M20	260 (352)	336 (455)
M24	470 (637)	664 (900)

THREAD SEALANT AND LOCKING COMPOUNDS

Thread sealants and locking compounds may be used on this machine. They include the following:

Loctite 515 sealant – gasket forming material. TENNANT® Part No. 75567, 15 oz (440 ml) cartridge.

Loctite 242 blue – medium strength thread locking compound. TENNANT® Part No. 32676, 0.5 ml tube.

Loctite 271 red – high strength thread locking compound. TENNANT® Part No. 19857, 0.5 ml tube.

HYDRAULIC FITTING INFORMATION

**HYDRAULIC TAPERED PIPE FITTING (NPT)
TORQUE CHART**

NOTE: Ratings listed are when using teflon thread seal.

Size	Minimum Torque	Maximum Torque
1/4 NPT	10 ft lb (14 Nm)	30 ft lb (41 Nm)
1/2 NPT	25 ft lb (34 Nm)	50 ft lb (68 Nm)
3/4 NPT	50 ft lb (68 Nm)	100 ft lb (136 Nm)

**HYDRAULIC TAPERED SEAT FITTING (JIC)
TORQUE CHART**

Tube O.D. (in)	Thread Size	Maximum Torque
0.25	0.44-20	9 ft lb (12 Nm)
0.38	0.56-18	20 ft lb (27 Nm)
0.50	0.75-16	30 ft lb (41 Nm)
0.62	0.88-14	40 ft lb (54 Nm)
0.75	1.12-12	70 ft lb (95 Nm)
1.0	1.31-12	90 ft lb (122 Nm)

HYDRAULIC O-RING FITTING TORQUE CHART

Tube O.D.(in)	Thread Size	Minimum Torque	Maximum Torque
0.25	0.44-20	6 ft lb (8 Nm)	9 ft lb (12 Nm)
0.38	0.56-18	13 ft lb (18 Nm) *10 ft lb (14 Nm)	20 ft lb (27 Nm) 12 ft lb (16 Nm)
0.50	0.75-16	20 ft lb (27 Nm) *21 ft lb (28 Nm)	30 ft lb (41 Nm) 24 ft lb (33 Nm)
0.62	0.88-14	25 ft lb (34 Nm)	40 ft lb (54 Nm)
0.75	1.12-12	45 ft lb (61 Nm)	70 ft lb (95 Nm)
1.0	1.31-12	60 ft lb (81 Nm)	90 ft lb (122 Nm)

NOTE: Do not use sealant on o-ring threads.

*Aluminum bodied components