



**255**

Parts Manual

This machine had an option front scrubbing attachment that almost never got installed. The main sweeping brushes are 42".

MM150



This manual is furnished with each new TENNANT® Model 255. It provides necessary operating and preventive maintenance instructions. Read this manual completely and understand the machine before operating or servicing it.

This manual covers all machine variations and standard accessories. The tabbed instruction portion of the manual consists of the Specification, Operation, Maintenance, and Appendix sections. The tabbed parts section consists of the Low Dump Model Parts; LPG Parts; Multi-Level Dump Model Parts; Accessories; Hydraulic Components; Engine Parts sections.

All right side and left side references to the machine are determined by facing the direction of forward travel. All hardware considered to be of a common nature or locally available has been omitted from the parts sections. Be aware that this machine may contain metric hardware. Make sure you use equivalent hardware when replacement becomes necessary.

This machine will provide excellent service. However, the best results will be obtained at minimum costs if:

- The machine is operated with reasonable care.
- The machine is maintained regularly – per the maintenance instructions provided.
- The machine is maintained with Tennant Company supplied or equivalent parts.

Parts and supplies may be ordered by phone or mail from any Tennant Company parts and service center, distributor, or from any of the Tennant Company subsidiaries. Before ordering parts or supplies, be sure to have your machine model number and serial number handy. Fill out the data block below for future reference. The telephone numbers, telex numbers, mailing addresses, and locations of those outlets are listed in the Customer Documents section of the manual.

<b>MACHINE DATA</b>	
<i>Please fill out at time of installation.</i>	
Machine Serial Number -	_____
Engine Serial Number -	_____
Sales Representative -	_____
Date of Installation -	_____
Manual Number -	MM150
Revision:	05
Published:	1-88
03635	

**Trademark Registered in:** Austria, Benelux, Denmark, England, France, Germany, Italy, Spain, Switzerland, United States, Argentina, Australia, Canada, Japan, Mexico, Sweden, by TENNANT COMPANY, Minneapolis, Minnesota, U.S.A.

**Acknowledgements:** Technical information and/or illustrations supplied by Ford Motor Company; Cessna Fluid Power Division; Eaton Corporation, Hydraulics Division.

Copyright 1986, 1987 Tennant Company, Printed in U.S.A.

# SECTION 5

## LOW DUMP MODEL PARTS

### CONTENTS

	Page	
Ordering Repair Parts .....	5-1	Fig. 34 - Muffler Group .....
Fig. 1 - Recommended General Maintenance		Fig. 35 - Fuel Tank Group .....
Items .....	5-2	Fig. 36 - Labels Group .....
Fig. 2 - Replacement Brushes .....	5-4	
Fig. 3 - Main Frame Group .....	5-6	
Fig. 4 - Seat and Radiator Group .....	5-8	
Fig. 5 - Engine Cover and Side Door Group .....	5-10	
Fig. 6 - Hopper Group .....	5-12	
Fig. 7 - Hopper Cover and Filter Shaker		
Group .....	5-14	
Fig. 8 - Hopper Lift Arms Group .....	5-16	
Fig. 9 - Side Brush Group .....	5-18	
Fig. 10 - Front Wheel and Brakes Group .....	5-20	
Fig. 11 - Steering Control Group .....	5-22	
Fig. 12 - Rear Wheel Drive Group .....	5-24	
Fig. 13 - Main Brush Drive Group .....	5-26	
Fig. 14 - Main Brush Lift Group .....	5-27	
Fig. 15 - Access and Kicks Panels Group .....	5-28	
Fig. 16 - Vacuum Fan Group .....	5-29	
Fig. 17 - Instrument and Control Panels		
Group .....	5-30	
Fig. 18 - Battery Group .....	5-31	
Fig. 19 - Wire Harness Group .....	5-32	
Fig. 20 - Hydraulic Hoses Group .....	5-34	
Fig. 21 - Hydraulic Hoses Group .....	5-36	
Fig. 22 - Hydraulic Pumps Group .....	5-38	
Fig. 23 - Hydraulic Reservoir Group .....	5-39	
Fig. 24 - Hydraulic Control Valve Group .....	5-40	
Fig. 25 - Hydraulic Solenoid Valve Group .....	5-41	
Fig. 26 - Hydraulic Filter Group .....	5-42	
Fig. 27 - Hydraulic Couplings Group .....	5-43	
Fig. 28 - Engine Group .....	5-44	
Fig. 29 - Sheaves and Belts Group .....	5-46	
Fig. 30 - Air Cleaner Group .....	5-47	
Fig. 31 - Flywheel Housing and Coupling		
Group .....	5-48	
Fig. 32 - Directional Control Group .....	5-50	
Fig. 33 - Throttle Linkage Group .....	5-51	

*NOTE: Section 5, Low Dump Model Parts, lists every repair part of a gasoline powered, low dump, Model 255. This section also contains parts common to all models of the 255.*



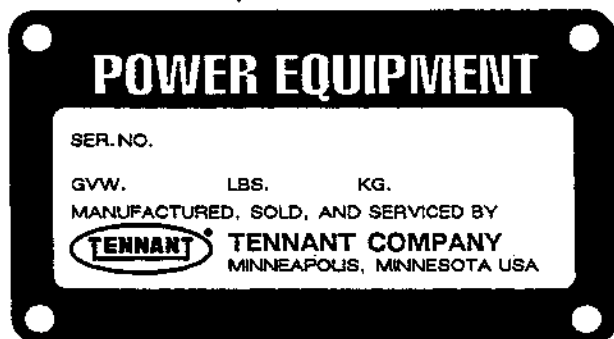
## ORDERING REPAIR PARTS

The components used in this machine have been carefully selected for performance and safety. Use only Tennant Company specified or equivalent parts.

To receive prompt service in filling of your parts orders, please direct all orders for parts with Tennant Company part numbers to the Tennant Company, and all orders for parts with vendor part numbers to the local supplier of the respective vendor.

When ordering parts, please furnish all of the following information:

1. Machine model number - shown on the machine data plate.



2. Machine serial number - shown on the machine data plate.
3. Power source - gasoline, LPG, diesel, electric.
4. Company name.
5. Shipping address.
6. Billing address.
7. Name, first and last - of person ordering parts.
8. Telephone number.
9. Purchase order number.
10. Part number, description, and quantity - of each item on the order.

Do not order parts by key number or the figure number of the illustrated parts. Indented items indicate parts of assemblies. Standard hardware is furnished only when part of a purchased assembly. Please get hardware from a local hardware supplier.

If the old part cannot be identified, send it to us with the quantity needed specified on the order.

Any claim for loss or damage to a shipment in transit should be filed promptly against the transportation company making the delivery. Shipments will be complete unless the packing list or order acknowledgement indicate items back ordered.

If parts received are suspected to be incorrect or defective, please write, wire, or phone the Tennant Company representative from whom you ordered the part. They will give authorization for return and/or handle replacement shipments when required.

### SERIAL NUMBER INFORMATION EXPLANATION

Serial number listings are shown to indicate on which machines each part can be used. These listings are explained by the following examples:

(000000- ) The part can be used on all machines.

(003342- ) The part can be used on all machines beginning with the serial number listed.

(000000-004320) The part can be used on all machines up to and including serial number listed.

(004321-005678) The part can be used on all machines between and including the serial numbers listed.

Where xxxxx's are listed in place of a serial number, it indicates a change was made but the exact serial number had not been established when the catalog went to press.

### SI UNITS OF MEASURE (INTERNATIONAL SYSTEM)

Metric equivalents have been included, where applicable, throughout this parts catalog.

### FASTENER STRENGTH IDENTIFICATION

Fasteners required to have high-strength qualities equivalent to SAE Grade 8 are identified throughout this catalog by the description GR 8. Unless identified by this description, all standard fasteners are SAE Grade 5.

(Specifications and design subject to change without notice.)

Fig. 1 - Recommended General Maintenance Items

02071

Key	Tennant® Part No.	Machine Serial Number	Description	Qty.
	82050	(000000- )	Maintenance Kit, 400 Hour, Gasoline	1
	45770-8	(000000- )	Spark Plug	4
	82525	(000000- )	Filter, Fuel	1
	58506	(000000- )	Points Set	1
	58509	(000000- )	Condenser	1
	82697	(000000- )	Rotor, Overspeed Protection	1
	58507	(000000- )	Cap, Distributor	1
	54911-24	(000000- )	Gasket, Valve Cover	1
	38245	(000000- )	Valve, PCV	1
	58120	(000000- )	Filter, Air	1
	58122	(000000- )	Filter, Oil	8
	32397-1	(000000- )	Hydraulic Fluid, HP1040, 1 Gal (3.8 L)	6
	55740	(000000- )	Filter, Hydraulic	1
	82051	(000000- )	Maintenance Kit, 400 Hour, LPG	1
	SK1444	(000000- )	Repair Kit, Fuel Filter Lock	1
	45770-8	(000000- )	Spark Plug	4
	58506	(000000- )	Points Set	1
	58509	(000000- )	Condenser	1
	82697	(000000- )	Rotor, Overspeed Protection	1
	58507	(000000- )	Cap, Distributor	1
	54911-24	(000000- )	Gasket, Valve Cover	1
	38245	(000000- )	Valve, PCV	1
	58120	(000000- )	Filter, Air	1
	58122	(000000- )	Filter, Oil	8
	32397-1	(000000- )	Hydraulic Fluid, HP1040, 1 Gal (3.8 L)	6
	55740	(000000- )	Filter, Hydraulic	1
	82058	(000000- )	Maintenance Kit, Skirts, Low Dump	1
	23275	(000000- )	Skirt, Shroud	2
	45857	(000000- )	Strip, Skirt Retainer	2
	53298	(000000- )	Skirt	1
	82163	(000000- )	Angle, Mounting Skirt	1
	82164	(000000- )	Skirt	1
	82165	(000000- )	Strip	1
	02485	(000000- )	Nut, Retainer	7
	23382	(000000- )	Seal, Side	2
	23384-2	(000000- )	Strip	2
	23386	(000000- )	Seal, Top	1
	50446	(000000- )	Retainer, Hopper Top Seal	1
	82799	(000000- )	Seal, Dust	1
	53489	(000000- )	Strip	2
	48060	(000000- )	Lip, Rubber	5
	46080	(000000- )	Angle, Backing	1
	82059	(000000- )	Maintenance Kit, Seals, Low Dump	1
	82125	(000000- )	Seal, Foam Rubber	2
	53906	(000000- )	Seal, Brush Wrap	3

Key	Tennant® Part No.	Machine Serial Number	Description	Qty.
	47037	(000000- )	Adhesive, Contact Cement	2
	53974	(000000- )	Seal, Foam Rubber	2
	53052	(000000- )	Seal, Foam Rubber	2
	53461-1	(000000- )	Seal, Foam Rubber	2
	53461-2	(000000- )	Seal, Foam Rubber	2
	82415	(000000- )	Seal, Hopper Cover	2
	82416	(000000- )	Seal, Hopper Cover	2
	82741	(000000- )	Seal, Hopper Dust Tube	1
	82466	(000000- )	Seal, Hopper Dust Tube, Outer	1
	82424	(000000- )	Seal, Vacuum Fan Muffler	1
	82048	(000000- )	Maintenance Kit, Skirts, Multi-level Dump	1
	23275	(000000- )	Skirt, Shroud	2
	45857	(000000- )	Strip, Skirt Retainer	2
	53298	(000000- )	Skirt	1
	82163	(000000- )	Angle, Mounting Skirt	1
	82164	(000000- )	Skirt	1
	82165	(000000- )	Strip	1
	02485	(000000- )	Nut, Retainer	7
	23382	(000000- )	Seal, Side	2
	23384-2	(000000- )	Strip	2
	23386	(000000- )	Seal, Top	1
	50446	(000000- )	Retainer, Hopper Top Seal	1
	82799	(000000- )	Seal, Dust	1
	53489	(000000- )	Strip	2
	35607	(000000- )	Lip	5
	53758	(000000- )	Strip	1
	37021	(000000- )	Lip, Side	2
	82049	(000000- )	Maintenance Kit, Seals, Multi-level Dump	1
	82125	(000000- )	Seal, Foam	2
	53906	(000000- )	Seal, Brush Wrap	3
	47037	(000000- )	Adhesive, Contact Cement	2
	53974	(000000- )	Seal, Foam Rubber	2
	53052	(000000- )	Seal, Foam Rubber	2
	54338-6	(000000- )	Seal, Foam Rubber	2
	37054	(000000- )	Seal, Foam Rubber	2
	37055	(000000- )	Seal, Foam Rubber	2
	82415	(000000- )	Seal, Hopper Cover	2
	82416	(000000- )	Seal, Hopper Cover	2
	82424	(000000- )	Seal, Vacuum Fan Muffler	1
	82425	(000000- )	Seal, Vacuum Fan Inlet	1

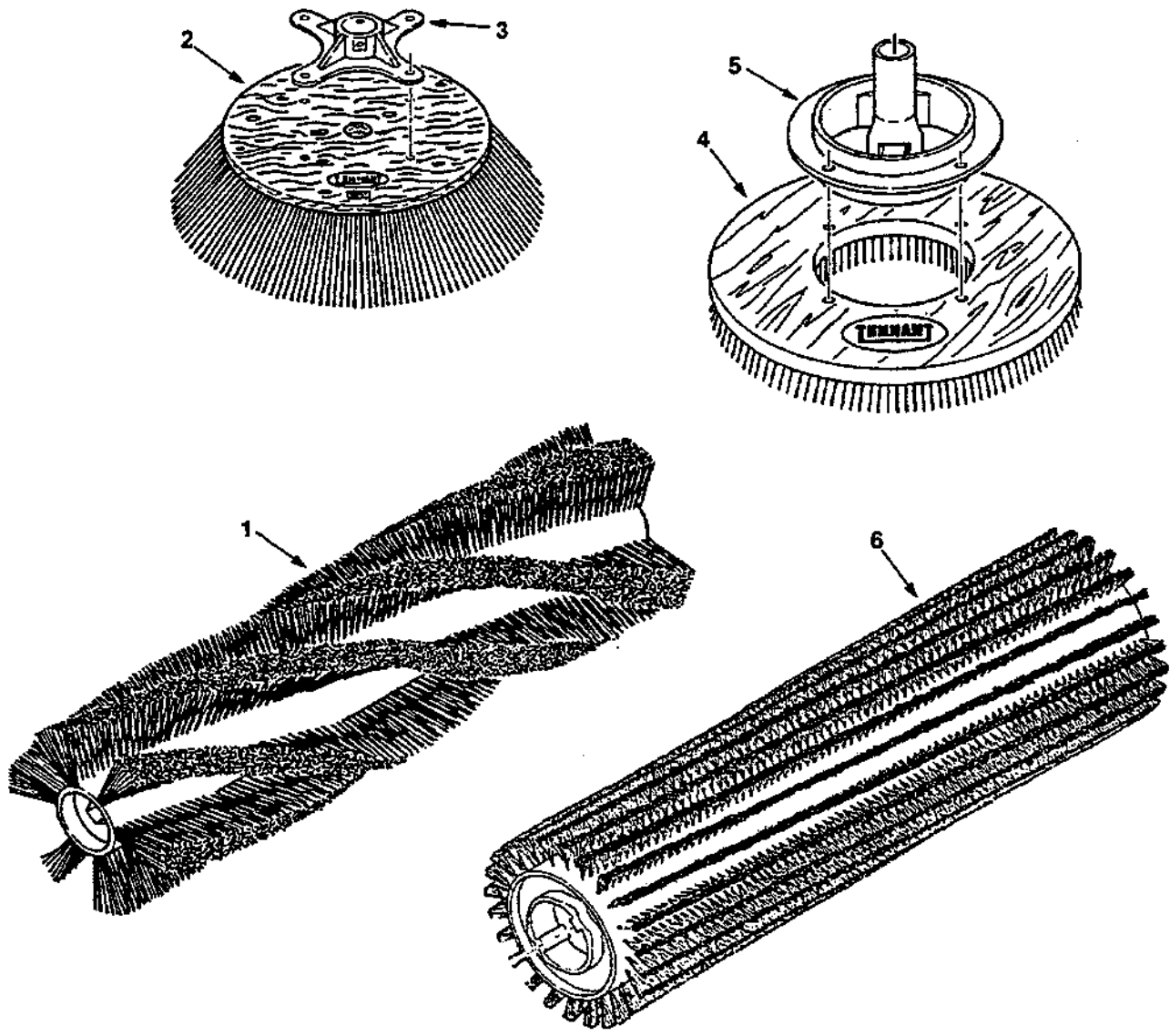


Fig. 2 - Replacement Brushes



Fig. 2 - Replacement Brushes

02794

Key	Tennant Part No.	Machine Serial Number	Description	Qty
1	24741	(000000- )	Main Brush, Snow	1
1	53063	(000000- )	Main Brush, 24 Row Wire and Fiber	1
1	53065	(000000- )	Main Brush, 8 Row Wire	1
1	53067	(000000- )	Main Brush, 8 Row Wire and Fiber	1
1	53068	(000000- )	Main Brush, 8 Row Nylon	1
1	53069	(000000- )	Main Brush, 5 Row Nylon	1
1	53070	(000000- )	Main Brush, 24 Row Nylon	1
1	53221	(000000- )	Main Brush, 8 Row Wire and Fiber	1
1	53231	(000000- )	Main Brush, 8 Row Polypropylene	1
	43708P	(000000- )	Side Brush Assembly, Polypropylene	1
2	09600P	(000000- )	Side Brush, Polypropylene	1
3	47501	(000000- )	Hub, Brush Adaptor	1
	43708N	(000000- )	Side Brush Assembly, Nylon	1
	09600N	(000000- )	Side Brush, Nylon	1
	47501	(000000- )	Hub, Brush Adaptor	1
	43708K	(000000- )	Side Brush Assembly, Flat Wire	1
	10712K	(000000- )	Side Brush, Flat Wire	1
	47501	(000000- )	Hub, Brush Adaptor	1
	46857	(000000- )	Side Brush Assembly, Scrub, Polypropylene	1
4	43148	(000000- )	Side Brush, Scrub, Polypropylene	1
5	43554	(000000- )	U-Joint, Side Brush Drive	1
	46858	(000000- )	Side Brush Assembly, Scrub, Polypropylene	1
	43593	(000000- )	Side Brush, Scrub, Polypropylene	1
	43554	(000000- )	U-Joint, Side Brush Drive	1
	46859	(000000- )	Side Brush Assembly, Scrub, Stainless Steel	1
	43417	(000000- )	Side Brush, Scrub, Stainless Steel	1
	43554	(000000- )	U-Joint, Side Brush Drive	1
6	43424	(000000- )	Scrub Brush, 24 Row Polypropylene	1
6	43428	(000000- )	Scrub Brush, 20 Row Stainless Steel	1
6	43592	(000000- )	Scrub Brush, 24 Row Polypropylene	1
6	43680	(000000- )	Scrub Brush, 24 Row Abrasive	1
	12876		Brush Kit, Flange Repair	1

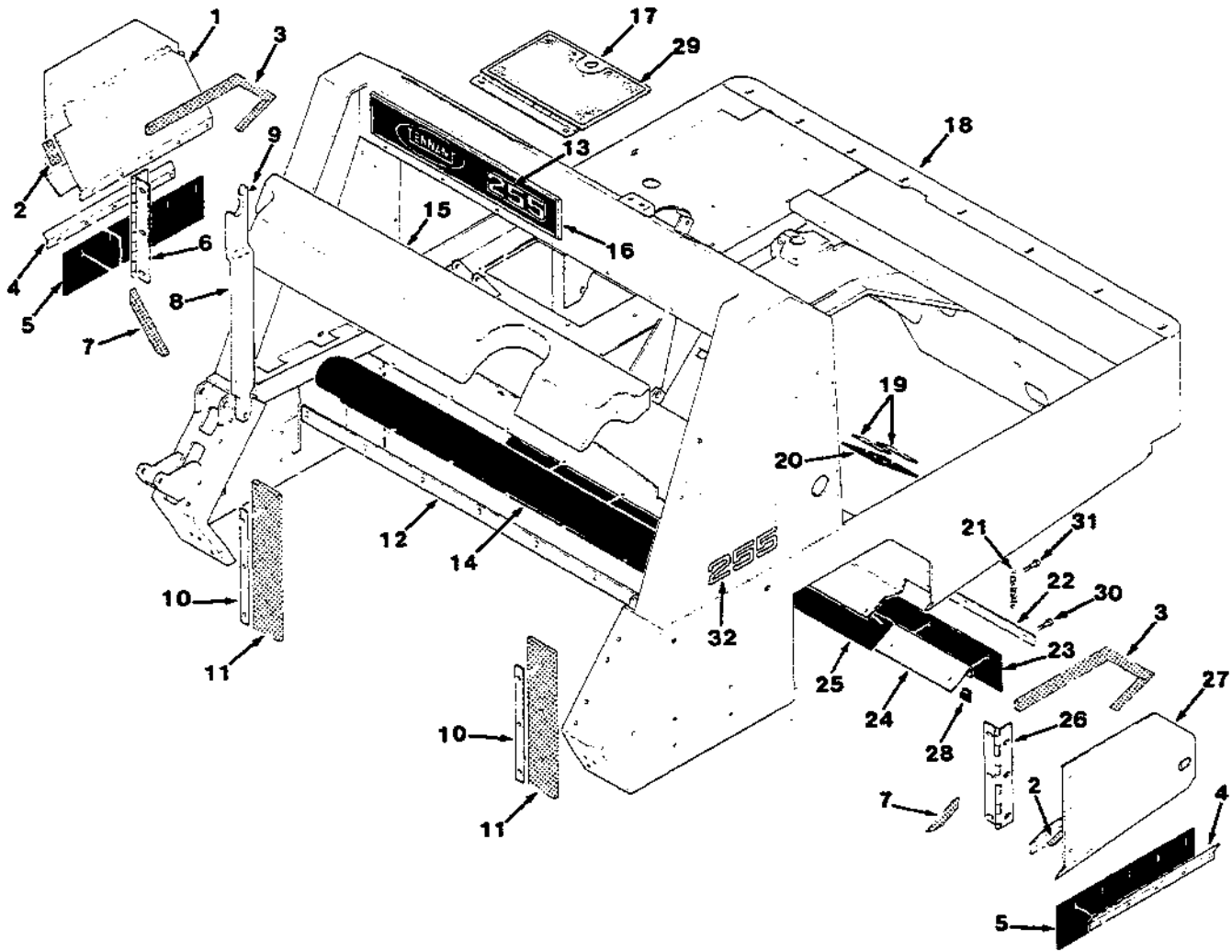


Fig. 3 - Main Frame Group

Fig. 3 - Main Frame Group

02561

Key	Tennant® Part No.	Machine Serial Number	Description	Qty.
1	33762	(000000- )	Door, Brush, R.H.	1
2	82125	(000000- )	Seal, Foam Rubber	2
3	53052	(000000- )	Seal, Foam Rubber	2
4	45857	(000000- )	Strip, Skirt Retainer	2
5	23275	(000000- )	Skirt, Shroud	2
6	32885	(000000- )	Hinge, Door, R.H.	1
7	53974	(000000- )	Seal, Foam Rubber	2
8	82190	(000000- )	Arm Assembly, Hopper Stop	1
9	16786	(000000- )	Bumper, Rubber	1
10	23384-2	(000000- )	Strip	2
11	23382	(000000- )	Seal, Side	2
12	53143	(000000- )	Retainer, Top Seal	1
13	82718	(000000- )	Plate, Numbers	1
14	23386	(000000- )	Seal, Top	1
15	02998	(000000- )	Panel, Filler	1
16	57815	(000000- )	Plate, Front Logo	1
17	53465-2	(000000- )	Cover, Battery	1
18	82100	(000000- )	Frame, Main	1
19	53489	(000000- )	Strip	2
20	82799	(000000- )	Seal, Dust	1
21	09342	(000000- )	Chain, Static	1
22	82165	(000000- )	Strip	1
23	82164	(000000- )	Skirt	1
24	82163	(000000- )	Angle, Skirt Mounting	1
25	53298	(000000- )	Skirt	1
26	32886	(000000- )	Hinge, Door, L.H.	1
27	33760	(000000- )	Door, Brush, L.H.	1
28	02485	(000000- )	Nut, Retainer	7
29	32270	(000000- )	Tread, Floor	1
30	34292	(000000- )	Screw, Hex, Nylon	6
31	34196	(000000- )	Screw, Hex, Nylon	1
32	82654	(000000- )	Label, 255	2

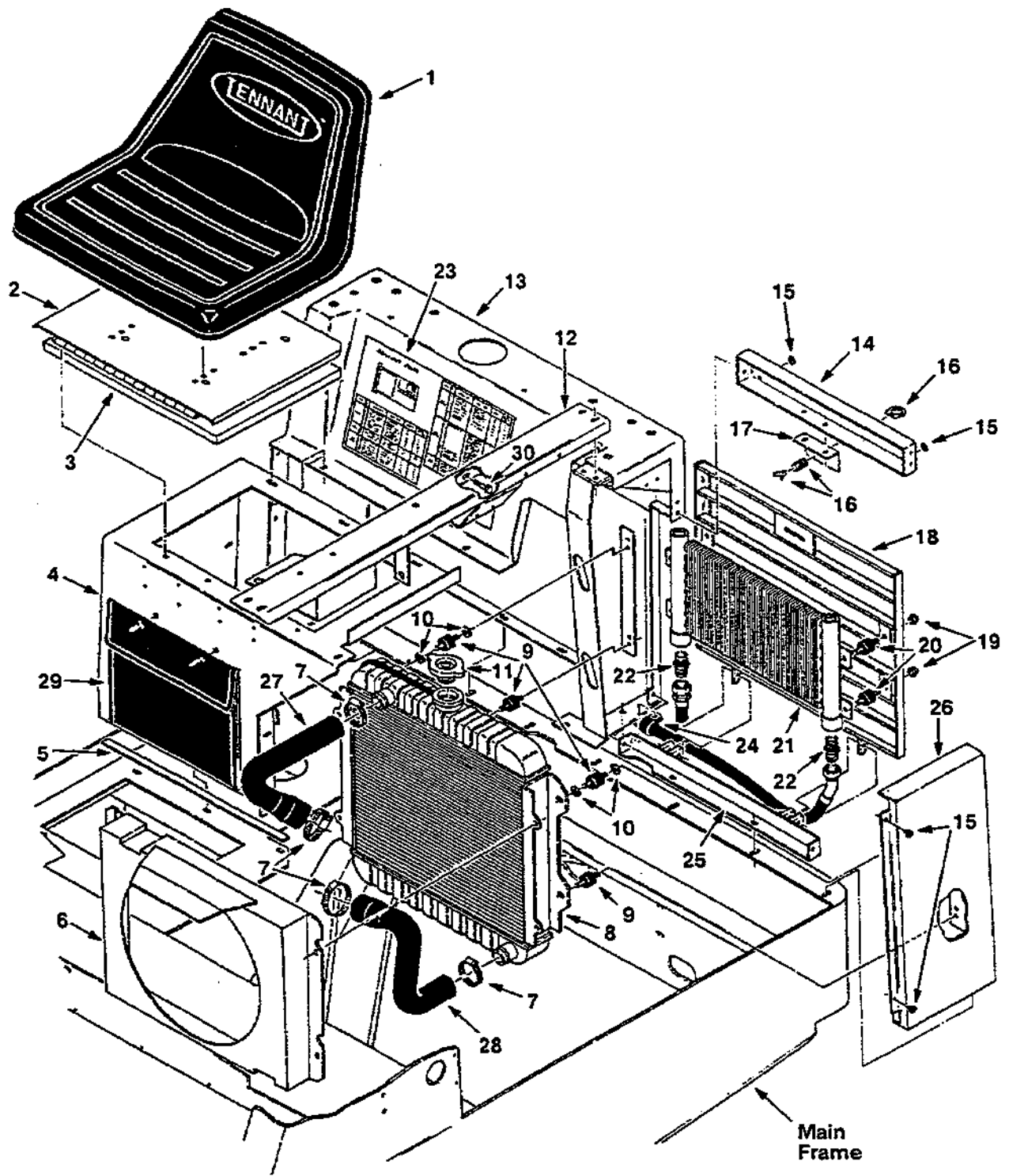


Fig. 4 - Seat and Radiator Group

Fig. 4 - Seat and Radiator Group

02560

Key	Tennant® Part No.	Machine Serial Number	Description	Qty.
1	82342	(000000- )	Seat	1
2	82346	(000000- )	Mount, Seat	1
3	82300	(000000- )	Foam, Acoustic	1
4	82321	(000000- )	Support, Front Seat	1
5	23826	(000000- )	Seal, Support	1
6	82192	(000000- )	Shroud Assembly, Fan	1
7	11531	(000000- )	Clamp, Worm Drive	4
8	58299	(000000- )	Radiator	1
9	82661	(000000- )	Isolator, Vibration	4
10	82662	(000000- )	Spacer	4
11	51321-3	(000000- )	Cap, Radiator	1
12	82768	(000000- )	Support, Valve	1
13	82320	(000000- )	Support, Rear Seat	1
14	82313	(000000- )	Channel, Stiffener	1
15	29233	(000000- )	Bumper, Rubber	4
16	82315	(000000- )	Latch, Quarter Turn	1
17	82311	(000000- )	Bracket, Latch	1
18	82310	(000000- )	Grille	1
19	41128	(000000- )	Nut, Low Crown	4
20	51322	(000000- )	Isolator, Vibration	4
21	82798	(000000- )	Cooler, Hydraulic	1
22	42260	(000000- )	Fitting, Straight	2
23	82722	(000000- )	Label, Maintenance Chart	1
24	58366	(000000- )	Clamp, Support	1
25	82314	(000000- )	Channel, Stiffener	1
26	82316	(000000- )	Panel, Corner	1
27	82588	(000000- )	Hose, Radiator	1
28	82515	(000000- )	Hose, Radiator	1
29	68275	(000000- )	Pouch, Operator's Manual	1
30	34323	(000000- )	Screw, Hex, Nylon	4

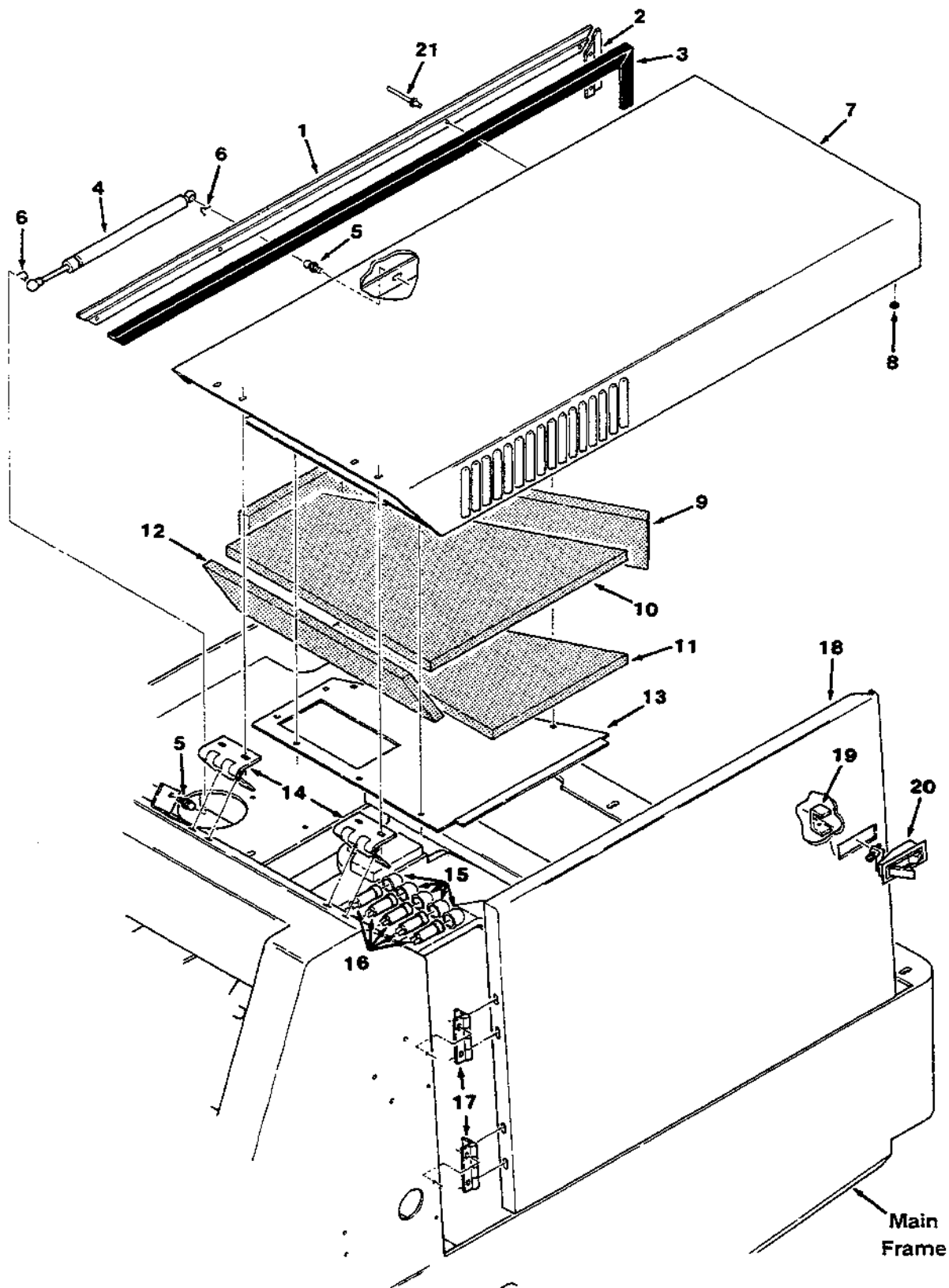


Fig. 5 - Engine Cover and Side Door Group

Fig. 5 - Engine Cover and Side Door Group

02551

Key	Tennant® Part No.	Machine Serial Number	Description	Qty.
1	82377	(000000- )	Retainer, Seal	1
2	82378	(000000- )	Retainer, Seal	1
3	82379	(000000- )	Seal, Engine Cover	1
4	82334	(000000- )	Spring, Gas	1
5	58494	(000000- )	Stud, Ball	2
6	64595	(000000- )	Clip, Safety	2
7	82319	(000000- )	Cover, Engine	1
8	51787	(000000- )	Bumper, Rubber	2
9	82350	(000000- )	Insulation, Foam	1
10	82338	(000000- )	Insulation, Foam	1
11	82352	(000000- )	Insulation, Foam	1
12	82351	(000000- )	Insulation, Foam	1
13	82324	(000000- )	Plate, Chamber	1
14	82348	(000000- )	Hinge	2
15	57751	(000000- )	Boot, Breaker	5
16	57803	(000000- )	Breaker, Circuit	5
17	47692	(000000- )	Hinge	2
18	82234	(000000- )	Panel, Side Door	1
19	57298	(000000- )	Bracket, Latch	1
20	64533	(000000- )	Latch, Trigger	1
21	34738	(000000- )	Rivet	6

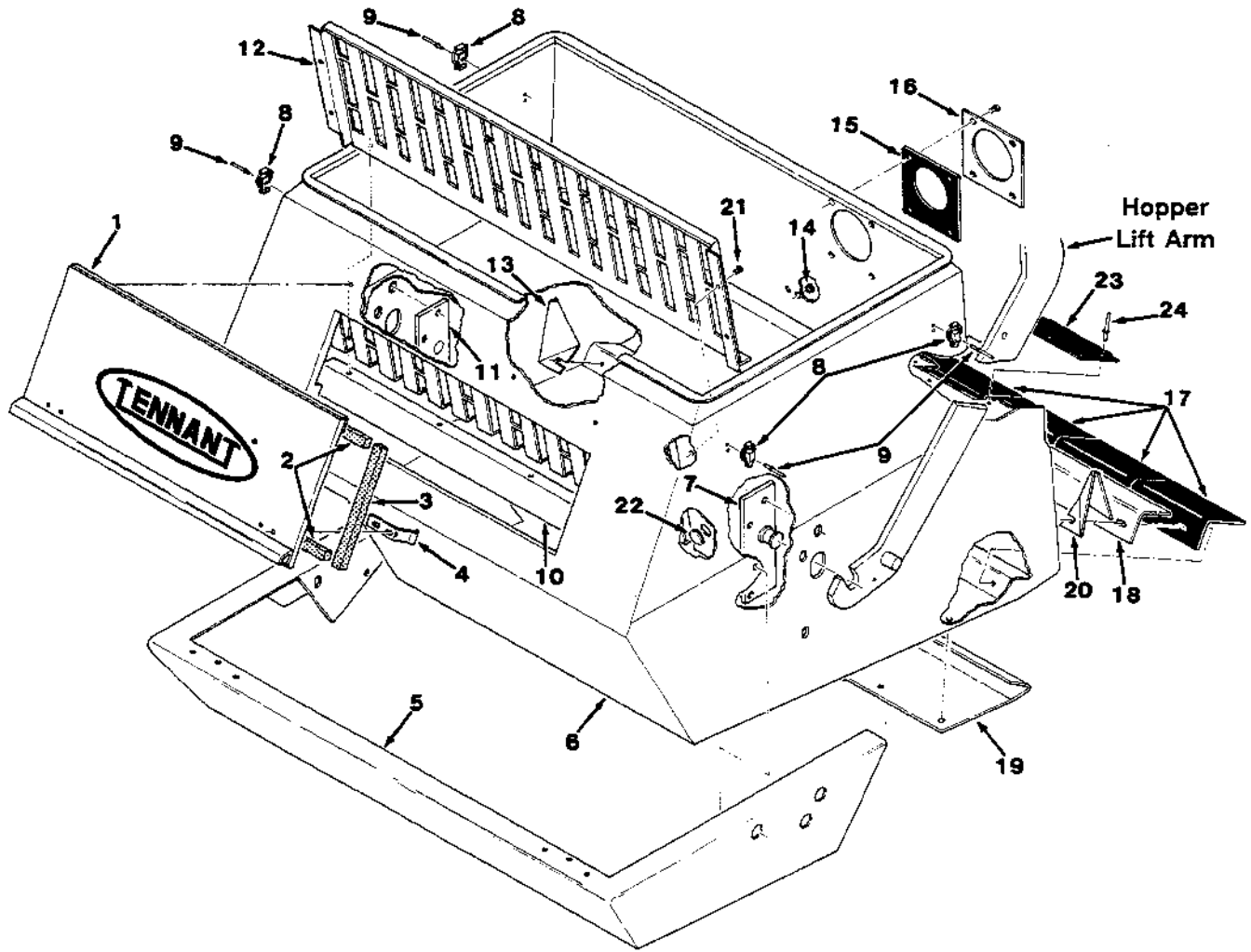


Fig. 6 - Hopper Group



Fig. 6 - Hopper Group

02555

Key	Tennant® Part No.	Machine Serial Number	Description	Qty.
1	53462	(000000- )	Door, Hopper	1
2	53461-2	(000000- )	Seal, Foam Rubber	2
3	53461-1	(000000- )	Seal, Foam Rubber	2
4	53697	(000000- )	Catch, Spring	2
5	08919	(000000- )	Bumper	1
6	82411	(000000- )	Hopper	1
7	24096	(000000- )	Support, L.H.	1
8	37083-1	(000000- )	Catch	4
9	34738	(000000- )	Rivet	8
10	82468	(000000- )	Deflector	1
11	24097	(000000- )	Support, R.H.	1
12	82469	(000000- )	Baffle, Inner	1
13	46595	(000000- )	Deflector, R.H.	1
14	47178-3	(000000- )	Plugbutton	1
15	82466	(000000- )	Seal, Tube	1
16	82467	(000000- )	Plate, Retaining	1
17	48060	(000000- )	Lip, Rubber	5
18	46080	(000000- )	Angle, Backing	1
19	46077	(000000- )	Plate	1
20	46596	(000000- )	Deflector, L.H.	1
21	58670	(000000- )	Screw, Hex, Nylon	13
22	47178-2	(000000- )	Plugbutton	1
23	02886	(000000- )	Seal, Hopper	1
24	56799	(000000- )	Rivet	5

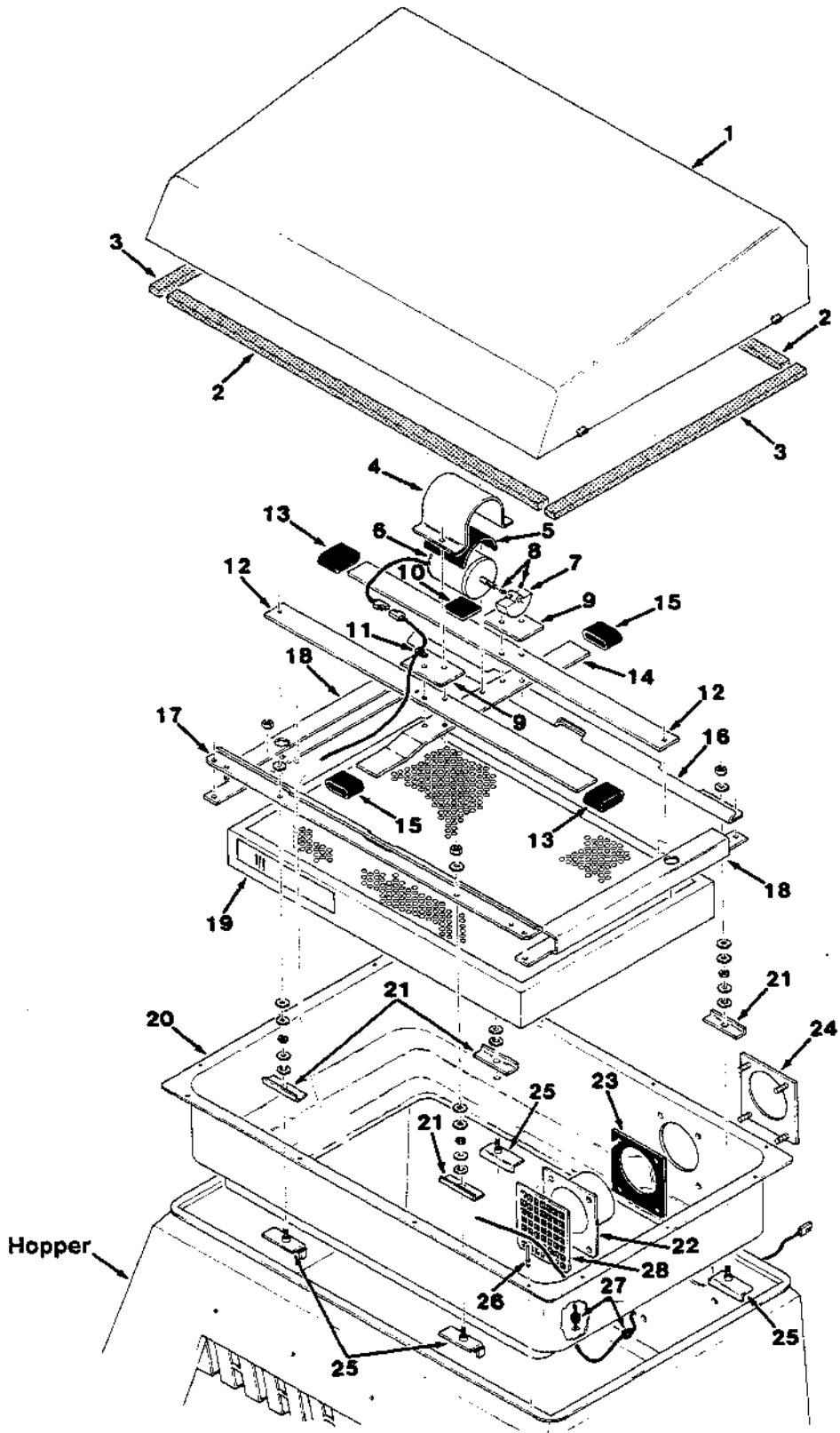


Fig. 7 - Hopper Cover and Filter Shaker Group

Fig. 7 - Hopper Cover and Filter Shaker Group

0255a

Key	Tennant® Part No.	Machine Serial Number	Description	Qty.
1	82407	(000000- )	Cover, Hopper	1
2	82416	(000000- )	Seal	2
3	82415	(000000- )	Seal	2
4	36666	(000000- )	Strap, Shaker Motor	1
5	36658	(000000- )	Pad, Rubber	1
6	54121	(000000- )	Motor, Shaker	1
7	55130	(000000- )	Weight, Eccentric	1
8	39319	(000000- )	Screw, Set	2
9	82475	(000000- )	Bar, Shaker	2
10	36661	(000000- )	Pad, Rubber	2
11	46236	(000000- )	Clamp, Cable	1
12	58482	(000000- )	Spring, Shaker	2
13	36663	(000000- )	Sleeve, Rubber	2
14	58483	(000000- )	Bar, Shaker	1
15	36665	(000000- )	Sleeve, Rubber	2
16	82455	(000000- )	Bracket, Retaining	1
17	82452	(000000- )	Bracket, Retaining	1
18	82453	(000000- )	Bracket, Retaining	2
19	58476	(000000- )	Element, Air Filter	1
20	82460	(000000- )	Carrier, Filter	1
21	82472	(000000- )	Bracket	4
22	82461	(000000- )	Tube, Duct	1
23	82471	(000000- )	Seal, Tube	1
24	82465	(000000- )	Plate, Tube	1
25	82504	(000000- )	Bracket Assembly, Mounting	4
26	82457	(000000- )	Rivet, Steel	14
27	47591	(000000- )	Strain Relief	2
28	82514	(000000- )	Screen, Inlet	1

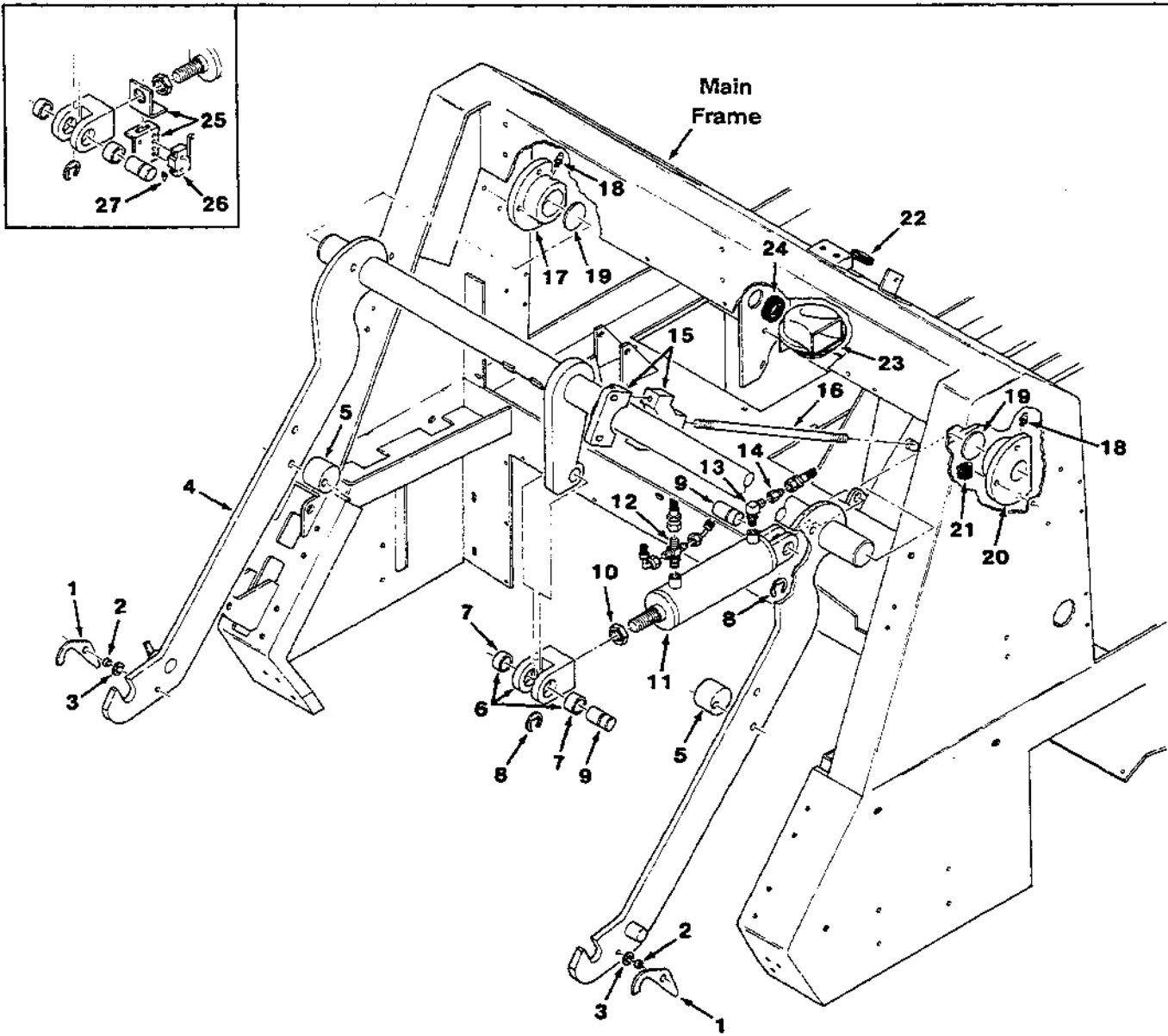


Fig. 8 - Hopper Lift Arms Group

Fig. 8 - Hopper Lift Arms Group

04055

Key	Tennant® Part No.	Machine Serial Number	Description	Qty.
1	46132	(000000- )	Hook	2
2	46137	(000000- )	Sleeve	2
3	46147	(000000- )	Washer, Neoprene	2
4	82191	(000000- )	Arm Assembly, Lift	1
5	23452-2	(000000- )	Cam	2
6	32942	(000000- )	Clevis Assembly	1
7	35688	(000000- )	Bearing, Journal	2
8	23788	(000000- )	Ring, Retaining	2
9	32941	(000000- )	Pin, Grooved	2
10	48988	(000000- )	Nut	1
11	82755	(000000- )	Cylinder, Hydraulic	1
12	82802	(000000- )	Fitting, Cross	1
13	77097	(000000- )	Fitting, Elbow	1
14	16456	(000000- )	Fitting, Restrictor	1
15	23580-2	(000000- )	Bearing, Center	1
16	23583-2A	(000000- )	Stud	1
17	23454-2	(000000- )	Bearing, R.H.	1
18	07259	(000000- )	Fitting, Grease	2
19	23138	(000000- )	Shim	6
20	23455-2	(000000- )	Bearing, L.H.	1
21	82829	(000000- )	Clamp, Support	1
22	10632-14	(000000- )	Grommet	1
23	14138A	(000000- )	Horn	1
24	10632-1	(000000- )	Grommet	1
25	82085	(000000-001764)	Replacement Kit, Switch Bracket	1
26	16582	(000000-001764)	Switch, Roller	1
27	68106	(000000-001764)	Terminal, Tab	2

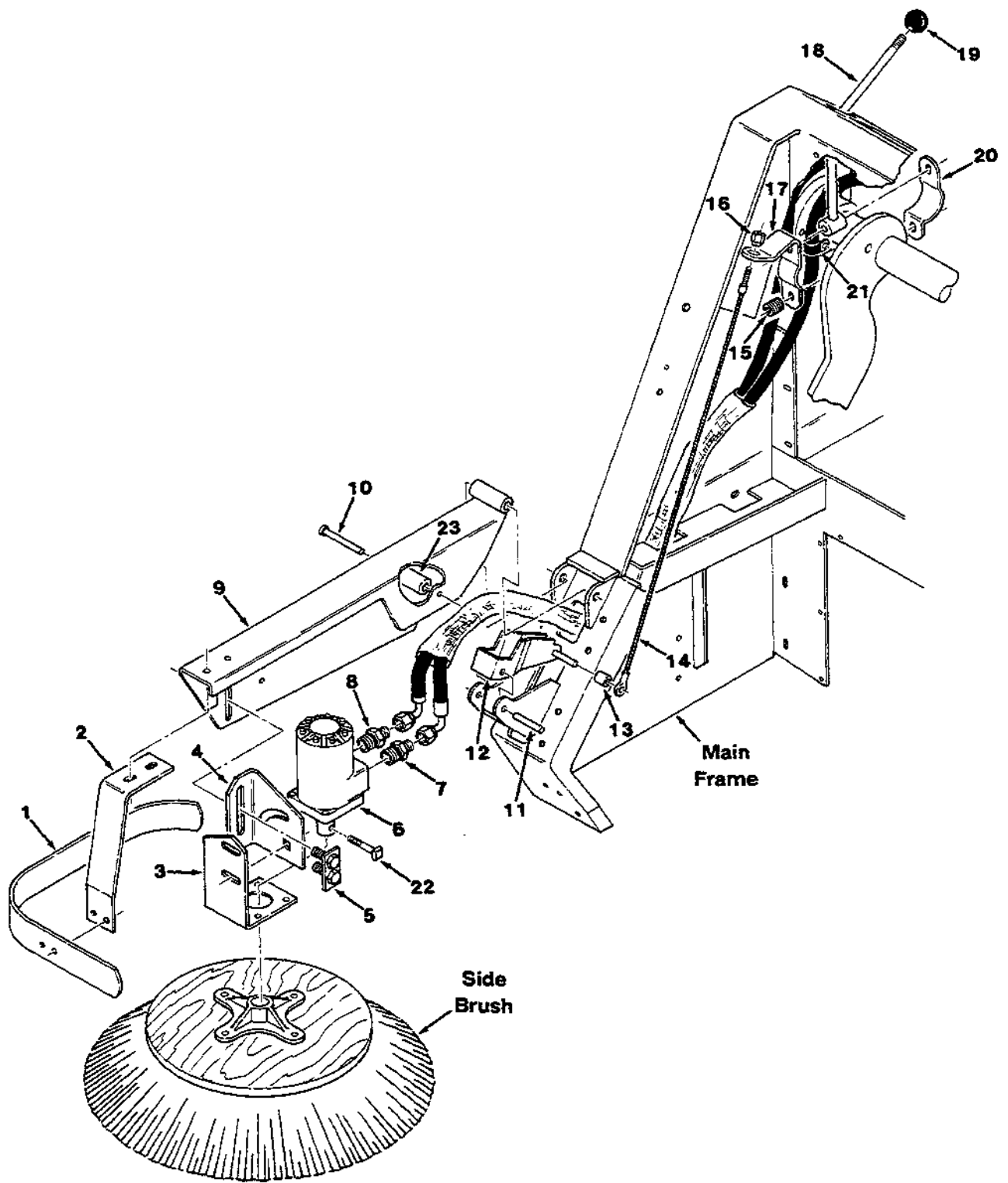


Fig. 9 - Side Brush Group

Fig. 9 - Side Brush Group

02554

Key	Tennant® Part No.	Machine Serial Number	Description	Qty.
1	46034	(000000- )	Bumper, Side Brush	1
2	46033	(000000- )	Support, Bumper	1
3	43228	(000000- )	Bracket, Motor Mounting	1
4	24207	(000000- )	Bracket, Adjustment	1
5	46347	(000000- )	Lug, Side Brush	1
6	82758	(000000- )	Motor, Hydraulic	1
7	57984	(000000- )	Fitting, Straight	1
8	47508	(000000- )	Fitting, Straight	1
9	48062	(000000- )	Arm, Side Brush	1
10	23191	(000000- )	Pin, Clevis	1
11	23536	(000000- )	Pin, Dowel	1
12	23503A	(000000- )	Lever, Lift	1
13	22143	(000000- )	Sleeve	1
14	23294	(000000- )	Cable Assembly	1
15	14174	(000000- )	Spring, Compression	1
16	23293	(000000- )	Nut, Special	1
17	23307-1	(000000- )	Lever, Lift Handle	1
18	82135	(000000- )	Handle, Brush Lift	1
19	26156	(000000- )	Knob	1
20	23306-1	(000000- )	Bracket, Clip	1
21	82829	(000000- )	Clamp, Support	1
22	82250	(000000- )	Screw, Square	1
23	02885	(000000- )	Spacer	1

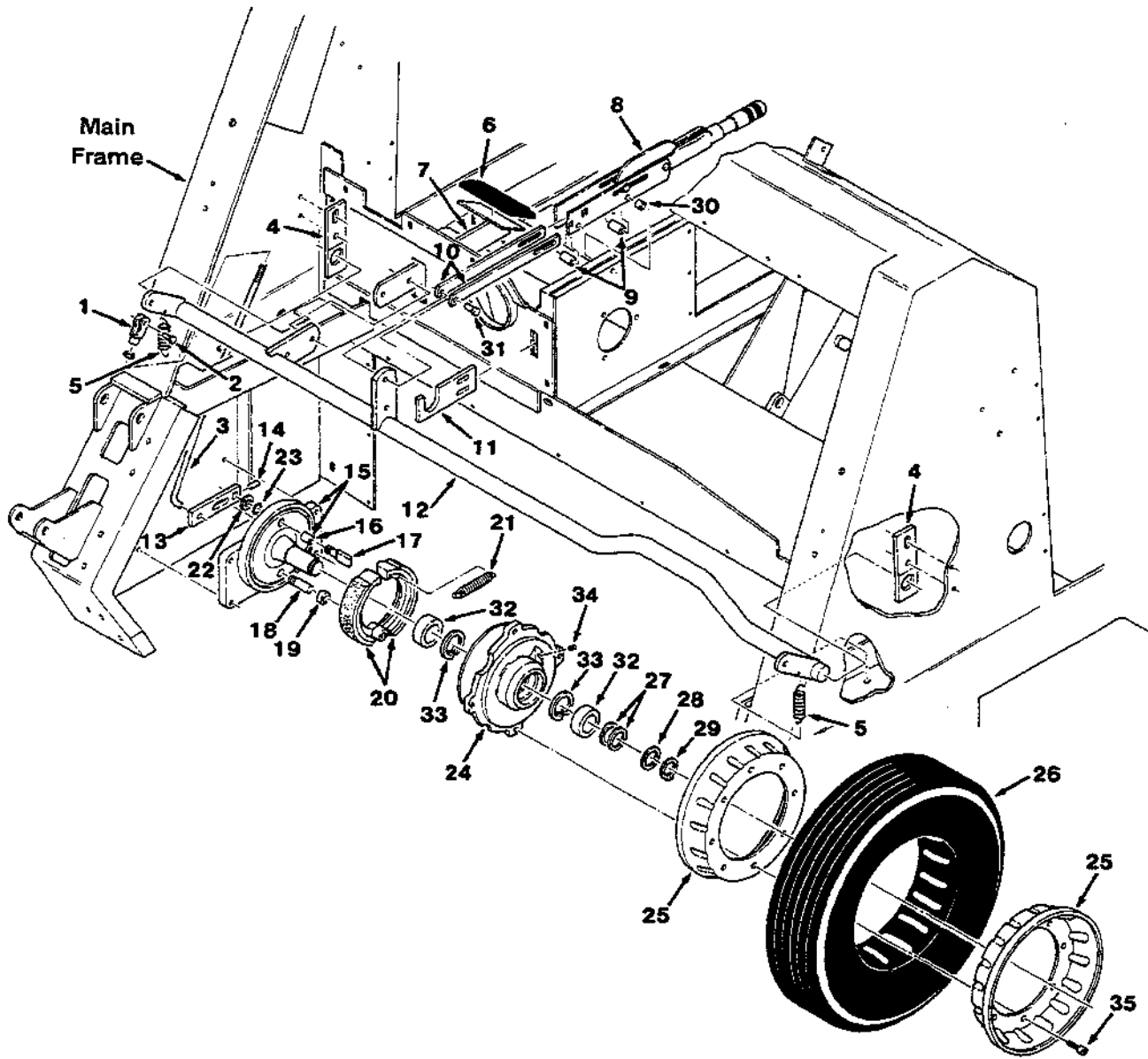


Fig. 10 - Front Wheel and Brakes Group



Fig. 10 - Front Wheel and Brakes Group

02553

Key	Tennant® Part No.	Machine Serial Number	Description	Qty.
1	14595-1	(000000- )	Clevis, Adjustable	2
2	14605	(000000- )	Pin, Clevis	2
3	82218	(000000- )	Rod, Control	2
4	23280-2	(000000- )	Hanger	2
5	03091	(000000- )	Spring, Tension	2
6	51109	(000000- )	Pad	1
7	82244	(000000- )	Arm, Brake Pedal	1
8	51545	(000000- )	Lever, Brake	1
9	51562	(000000- )	Sleeve	2
10	82254	(000000- )	Arm, Extension	2
11	82255	(000000- )	Support, Shaft	1
12	82240	(000000- )	Shaft, Brake	1
	08112	(001811- )	Axle and Brake Assembly, Front	2
13	23484	(000000- )	Arm	1
14	20021	(000000- )	Pin, Roll	1
15	SK2605	(000000-001810 )	Replacement Kit, Axle Assembly	1
15	08104	(001811- )	Axle Assembly, Front	1
16	24992	(000000- )	Bushing, Sleeve	1
17	23272	(000000- )	Cam	1
18	10413	(000000- )	Pin	1
19	10415	(000000- )	Sleeve	1
20	10414	(000000- )	Shoe, Brake	2
21	09758	(000000- )	Spring, Tension	1
22	59633	(000000- )	Washer	1
23	69365-3	(000000- )	O-Ring	1
24	33815	(000000- )	Hub, Front Wheel	2
25	23411	(000000- )	Wheel, Half	4
26	47094	(000000- )	Tire, Semi-Pneumatic	2
27	82226	(000000- )	Washer	4
28	82227	(000000- )	Washer	2
29	06442	(000000- )	Ring, Retaining	2
30	01275	(000000- )	Sleeve	1
31	69582	(000000- )	Pin, Clevis	1
32	33816	(000000- )	Bearing, Ball	4
33	23244	(000000- )	Ring, Retaining	4
34	10552	(000000- )	Fitting, Plug	1
35	02985	(000000- )	Screw, Socket	8

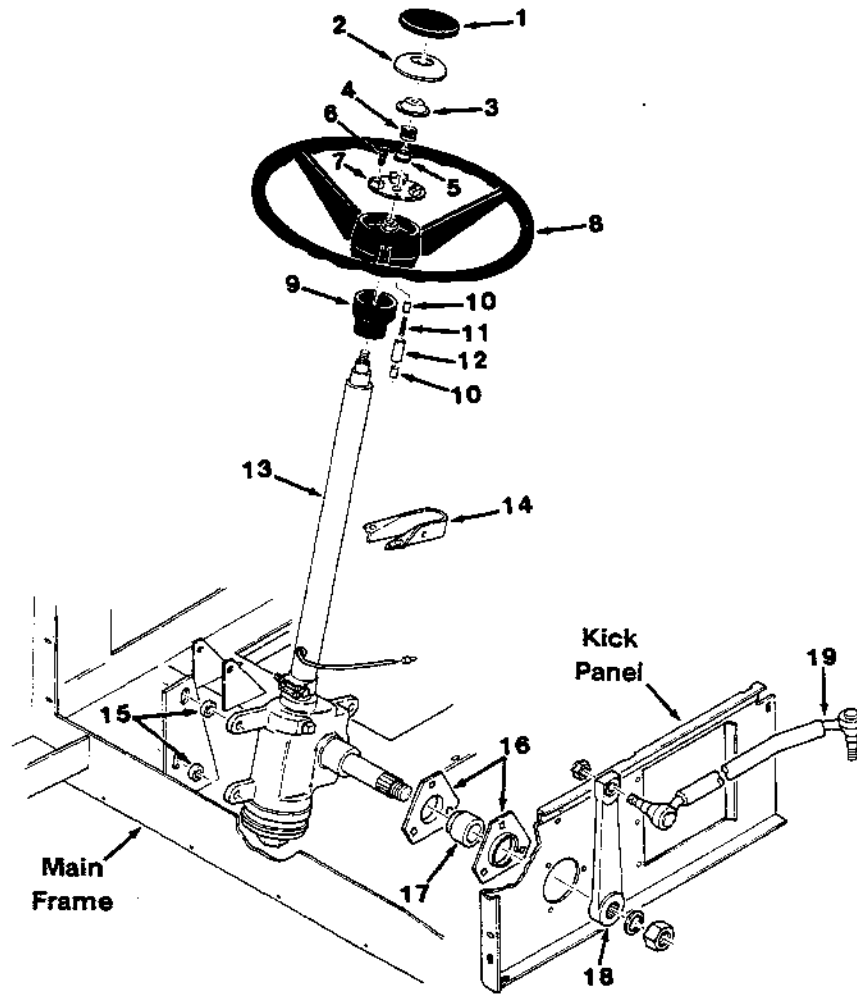


Fig. 11 - Steering Control Group

Fig. 11 - Steering Control Group

02538

Key	Tennant® Part No.	Machine Serial Number	Description	Qty.
1	47010-7	(000000- )	Cover, Horn	1
2	47010-6	(000000- )	Button, Horn	1
3	47010-2	(000000- )	Cup, Contact	1
4	47010-3	(000000- )	Spring, Horn	1
5	47010-1	(000000- )	Cap, Contact	1
6	47010-4	(000000- )	Screw, Wood	3
7	47010-5	(000000- )	Plate Assembly, Base	1
8	82201	(000000- )	Wheel, Steering	1
9	54159	(000000- )	Adaptor, Molded	1
	47011	(000000- )	Horn Brush Unit Assembly	1
10	46311	(000000- )	Brush, Horn	2
11	46313	(000000- )	Spring, Compression	1
12	46312	(000000- )	Tube, Acrylic	1
13	55667	(000000- )	Column Assembly, Steering	1
14	23315-2	(000000- )	Support, Steering Column	1
15	82229	(000000- )	Sleeve	2
16	51449	(000000- )	Flange	2
17	48050-1	(000000- )	Bearing, Ball	1
18	35618	(000000- )	Arm	1
19	53481	(000000- )	Link, Drag	1

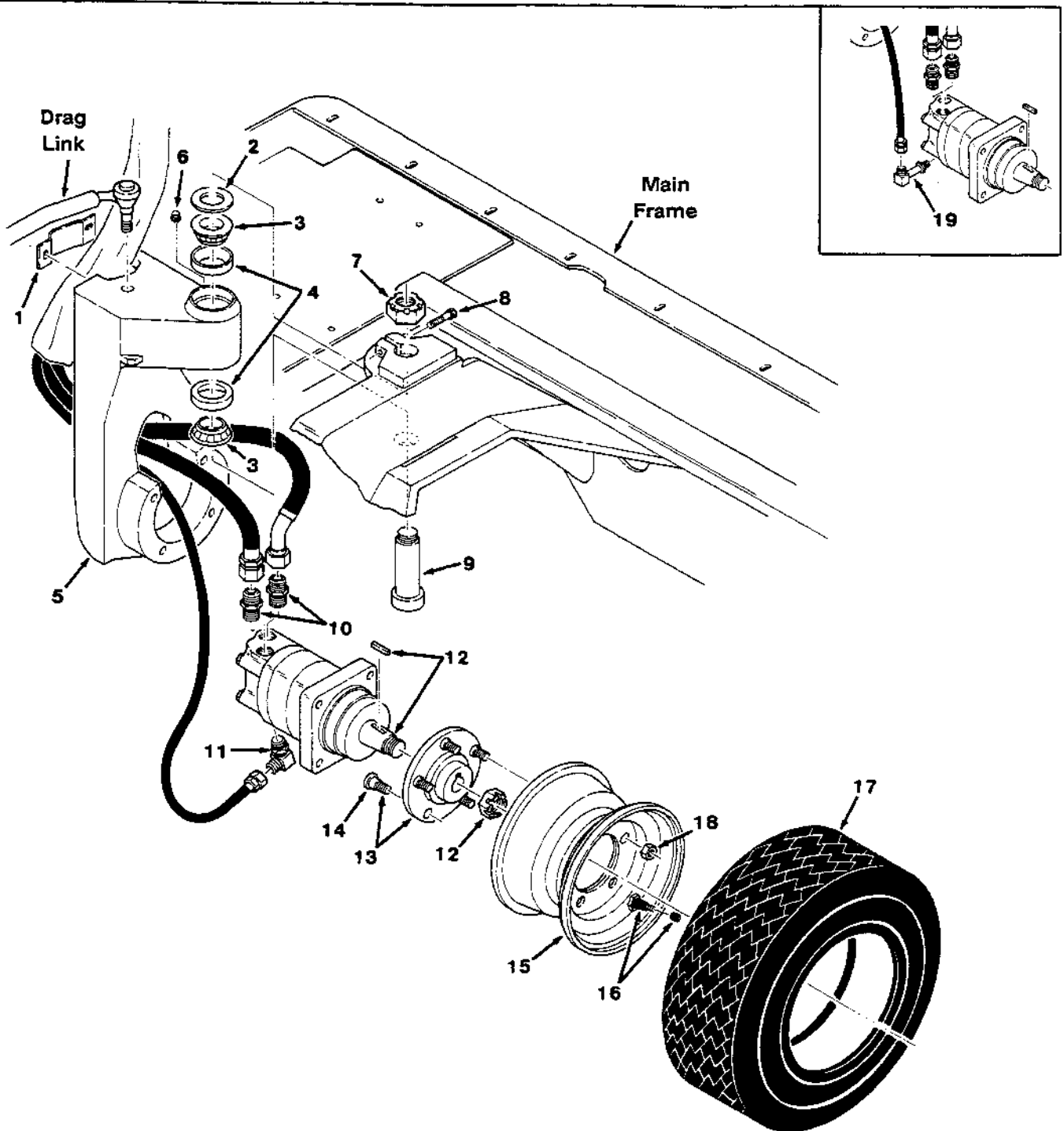


Fig. 12 - Rear Wheel Drive Group

Fig. 12 - Rear Wheel Drive Group

02547

Key	Tennant® Part No.	Machine Serial Number	Description	Qty.
1	82797	(000000- )	Clamp, Hose	1
2	47719	(000000- )	Washer	1
	49225	(000000- )	Bearing and Cup Assembly, Set of Two	1
3	24988	(000000- )	Bearing, Cone	2
4	24989	(000000- )	Bearing, Cup	2
5	82214	(000000- )	Support, Drive	1
6	07259	(000000- )	Fitting, Grease	1
7	14242	(000000- )	Nut, Slotted	1
8	02987	(000000- )	Screw, Socket	1
9	57925	(000000- )	Pin	1
10	06750	(000000- )	Fitting, Straight	2
11	77097	(001373- )	Fitting, Elbow	1
12	82750	(000000-001372)	Motor, Hydraulic, (Replaced By 02649)	1
12	02641	(001373- )	Motor, Hydraulic	1
13	82239	(000000- )	Hub and Stud Assembly	1
14	32126	(000000- )	Stud, Wheel	5
	82245	(000000- )	Tire and Wheel Assembly	1
15	82225	(000000- )	Wheel	1
16	75365	(000000- )	Valve, Tire	1
17	47525	(000000- )	Tire	1
18	24339	(000000- )	Nut, Wheel	5
19	82825	(000000-001372)	Fitting, Elbow	1

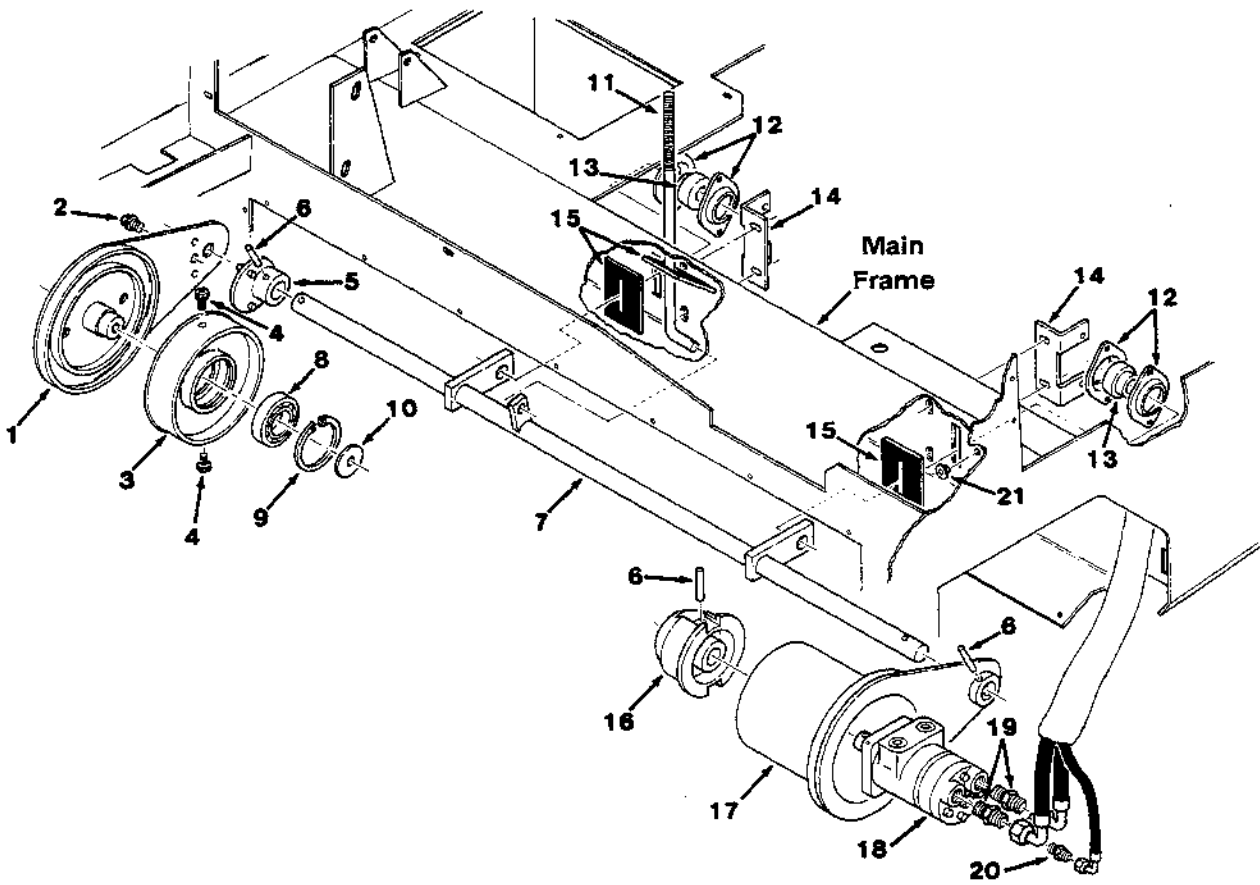


Fig. 13 - Main Brush Drive Group

02537

Key	Tennant® Part No.	Machine Serial Number	Description	Qty.
1	53168	(000000- )	Arm, Brush, R.H.	1
2	53985	(000000- )	Plug	1
3	51984	(000000- )	Plug, Brush Idler	1
4	02984	(000000- )	Screw, Socket	2
5	02653	(000000- )	Hub, Brush	1
6	20050	(000000- )	Pin, Roll	3
7	35674	(000000- )	Shaft, Counter	1
8	24899	(000000- )	Bearing, Ball	1
9	51046	(000000- )	Ring, Retaining	1
10	51564	(000000- )	Washer	1
11	35677	(000000- )	Rod, L	1
12	35973	(000000- )	Flange, Bearing	4
13	23624	(000000- )	Bearing and Collar	2
14	50521	(000000- )	Bracket, Countershaft Support	2
15	53906	(000000- )	Seal, Brush Wrap	3
16	51036	(000000- )	Plug, Brush Drive	1
17	53169	(000000-001527)	Arm, Brush, L.H.	1
17	82752	(001528- )	Arm, Brush, L.H.	1
18	34423	(000000- )	Motor, Hydraulic	1
19	44869	(000000- )	Fitting, Straight	2
20	55586	(000000- )	Fitting, Straight	1
21	82169	(000000- )	Plug	4

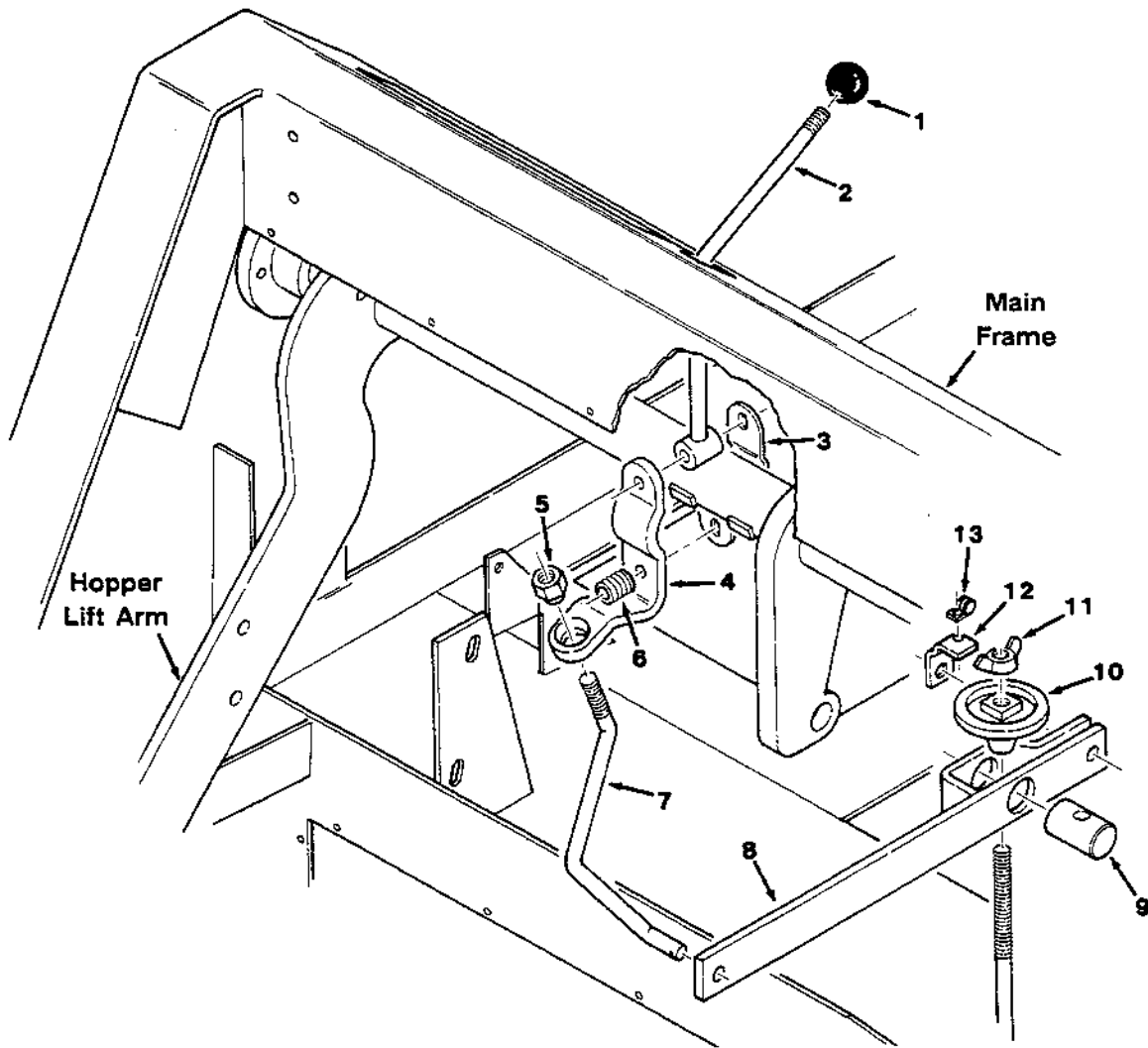


Fig. 14 - Main Brush Lift Group

02569

Key	Tennant® Part No.	Machine Serial Number	Description	Qty.
1	26156	(000000- )	Knob	1
2	82135	(000000- )	Handle, Brush Lift	1
3	23306-1	(000000- )	Bracket, Clip	1
4	23307-1	(000000- )	Lever, Lift Handle	1
5	24339	(000000- )	Nut, Wheel	1
6	14174	(000000- )	Spring, Compression	1
7	53182	(000000- )	Rod, Lift	1
8	53876	(000000- )	Arm, Lift	1
9	51391	(000000- )	Pin, Swivel	1
10	51452	(000000- )	Knob	1
11	39274	(000000- )	Nut, Wing	1
12	35593	(000000- )	Bracket, Battery Cable	1
13	56094	(000000- )	Clamp, Cable	1

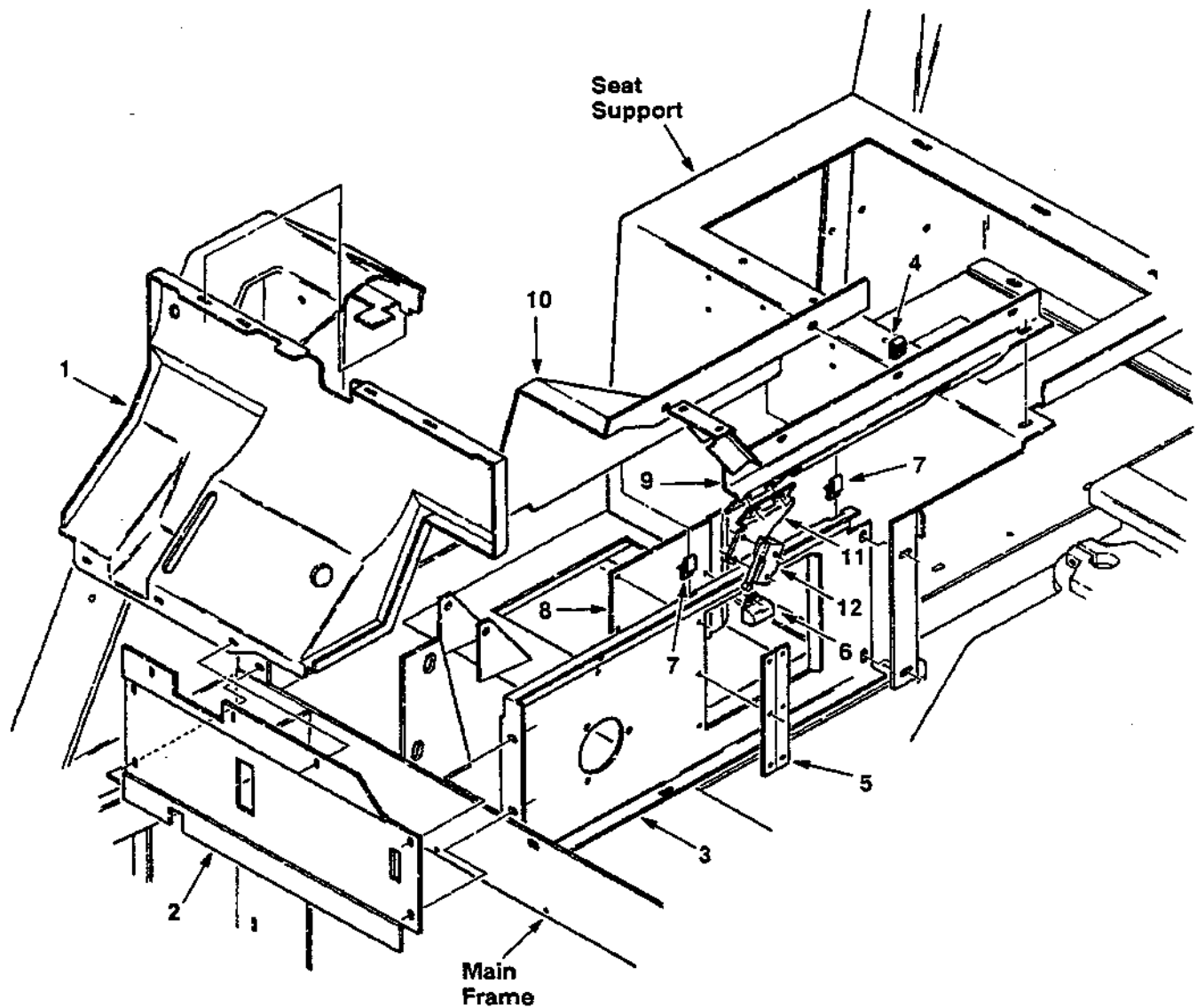


Fig. 15 - Access and Kick Panels Group

02567

Key	Tennant® Part No.	Machine Serial Number	Description	Qty.
1	10869	(000000- )	Panel, Dashboard	1
2	82363	(000000- )	Panel, Front Kick	1
3	82354	(000000- )	Panel, Kick	1
4	61110	(000000- )	Nut, Retainer	3
5	62615	(000000- )	Hinge	1
6	64903	(000000- )	Catch, Roller	1
7	82362	(000000- )	Clip	2
8	82353	(000000- )	Door, Access	1
9	82385	(000000- )	Stiffener, Panel	1
10	82360	(000000- )	Panel, Access	1
11	82084	(001765- )	Bracket, Switch	1
12	82092	(001765- )	Switch, Roller	1



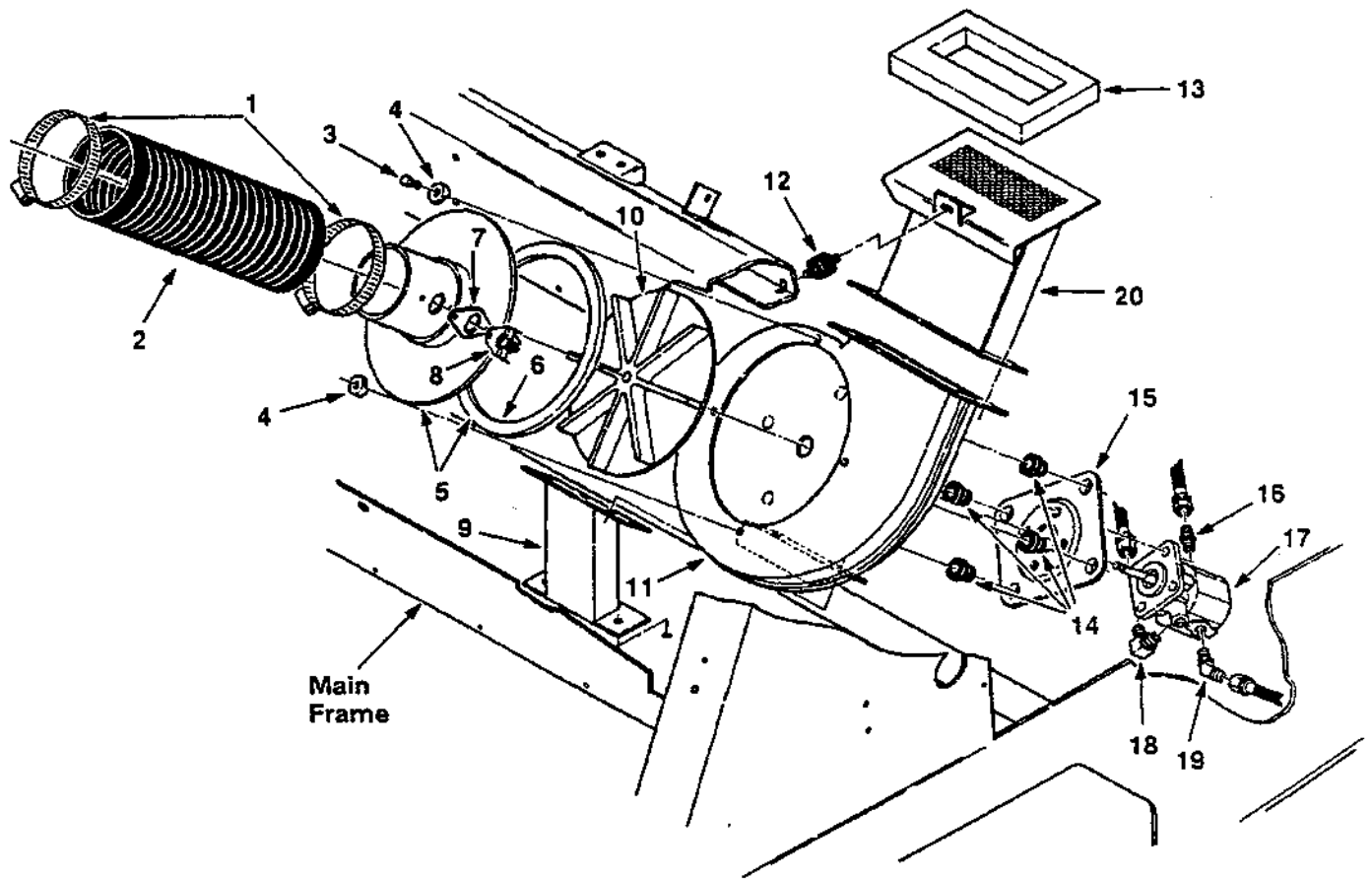


Fig. 16 - Vacuum Fan Group

02570

Key	Tennant® Part No.	Machine Serial Number	Description	Qty.
1	23498	(000000- )	Clamp, Worm Drive	2
2	51881	(000000- )	Hose	1
3	34323	(000000- )	Screw, Hex, Nylon	4
4	03467A	(000000- )	Clip, Vacuum Housing	4
5	82368	(000000- )	Inlet, Vacuum Fan	1
6	23542	(000000- )	Seal, Foam Rubber	1
7	82733	(000000- )	Gasket, Fire Switch	1
8	82782	(000000- )	Thermostat, Sealed	1
9	82391	(000000-001915)	Mount, Fan	1
9	82480	(001916- )	Mount, Fan	1
10	82268	(000000- )	Impeller	1
11	82386	(000000- )	Housing, Impeller	1
12	82661	(000000- )	Isolator, Vibration	1
13	82424	(000000- )	Seal, Muffler	1
14	54274	(000000- )	Isolator, Vibration	4
15	54275A	(000000- )	Bracket, Motor	1
16	44869	(000000- )	Fitting, Straight	1
17	77101	(000000- )	Motor, Hydraulic	1
18	77097	(000000- )	Fitting, Elbow	1
19	42226	(000000- )	Fitting, Elbow, 45°	1
20	82396	(000000- )	Duct, Fan Exhaust	1

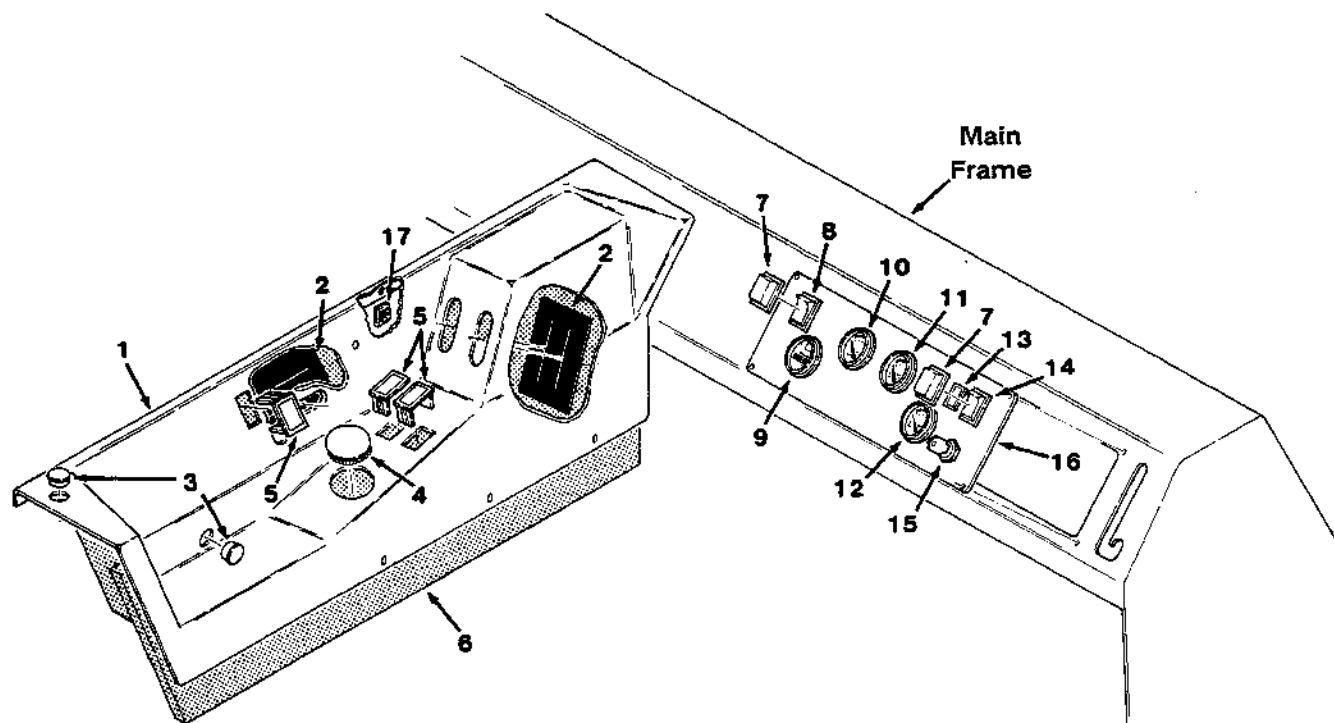


Fig. 17 - Instrument and Control Panels Group

04057

Key	Tennant® Part No.	Machine Serial Number	Description	Qty.
1	82339	(000000- )	Panel, Control	1
2	82299	(000000- )	Seal, Control Panel	2
3	82727	(000000- )	Plugbutton	2
4	82747	(000000- )	Plugbutton	1
5	57772	(000000- )	Plate, Cover	3
6	07642	(000000- )	Foam, Acoustic	1
7	57807	(000000- )	Seal, Switch	2
8	81458	(000000- )	Switch, Rocker	1
9	34810	(000000- )	Meter, Hour	1
10	58591	(000000- )	Gauge, Water Temperature	1
11	34811	(000000-001764 )	Replacement Kit, Oil Pressure Gauge	1
11	82626	(001765- )	Gauge, Oil Pressure	1
12	55557	(000000- )	Gauge, Voltage	1
13	79660	(000000- )	Plugbutton, Rectangular	1
14	81459	(000000- )	Switch, Rocker	1
15	55258	(000000- )	Switch, Ignition	1
	62530-1	(000000- )	Key, Switch	1
16	82207	(000000- )	Panel, Instrument	1
17	61110	(000000- )	Nut, Retainer	4

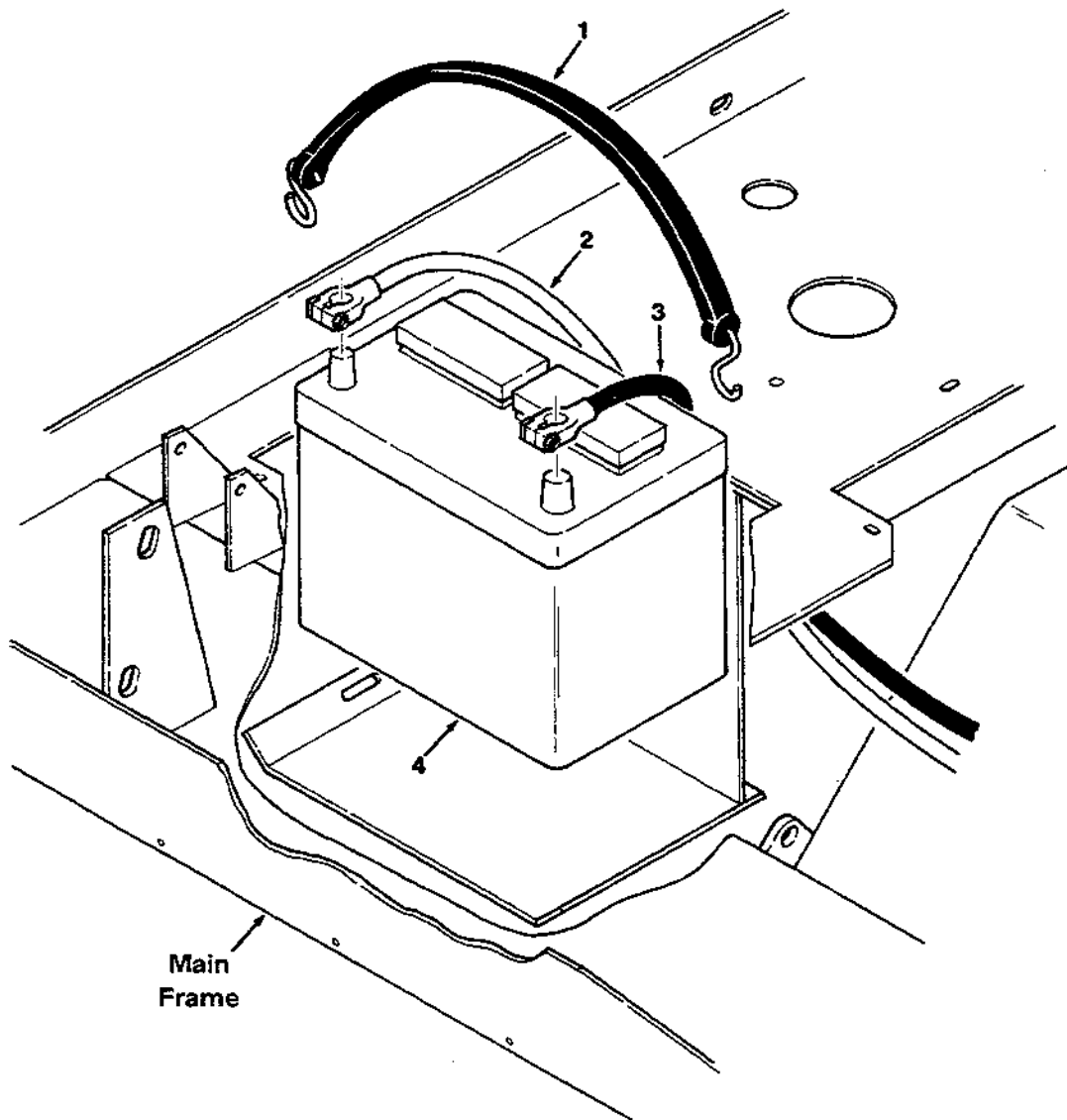


Fig. 18 - Battery Group

Key	Tennant® Part No.	Machine Serial Number	Description	Qty.
1	33671	(000000- )	Strap, Rubber	1
2	82708	(000000- )	Cable, Positive Battery	1
3	82709	(000000- )	Cable, Negative Battery	1
4	10137	(000000- )	Battery, 475 CCA	1

02543

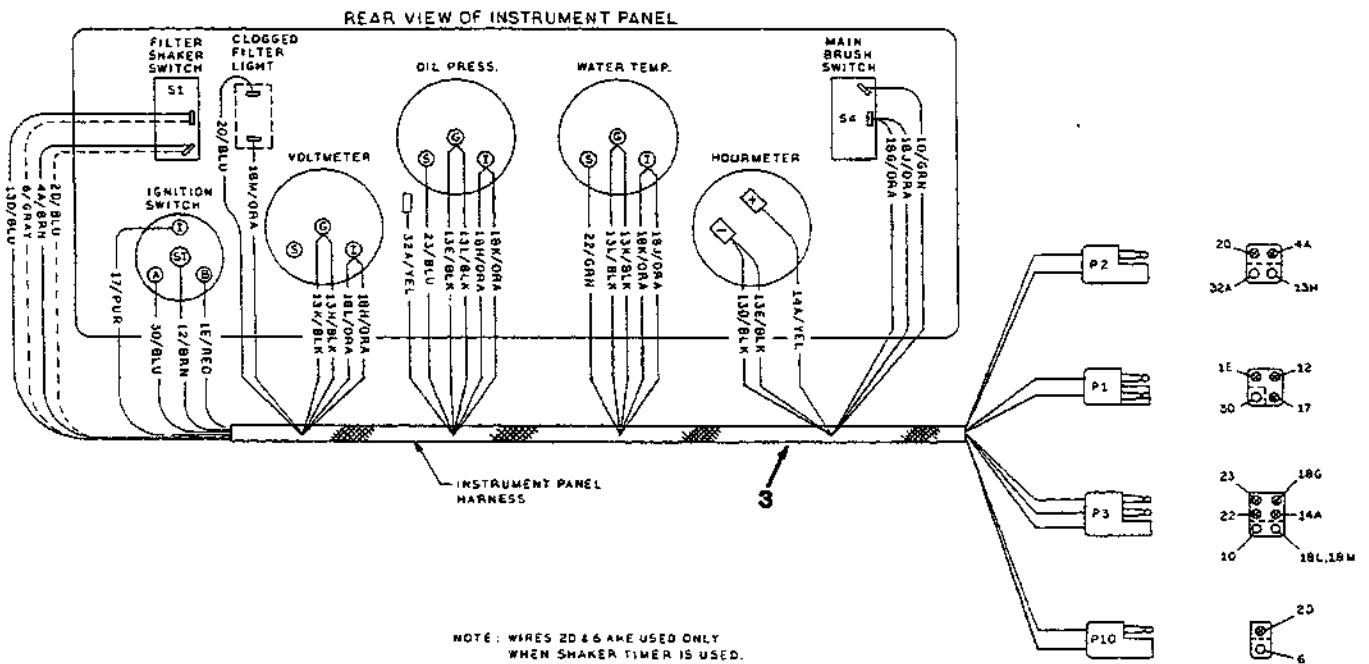
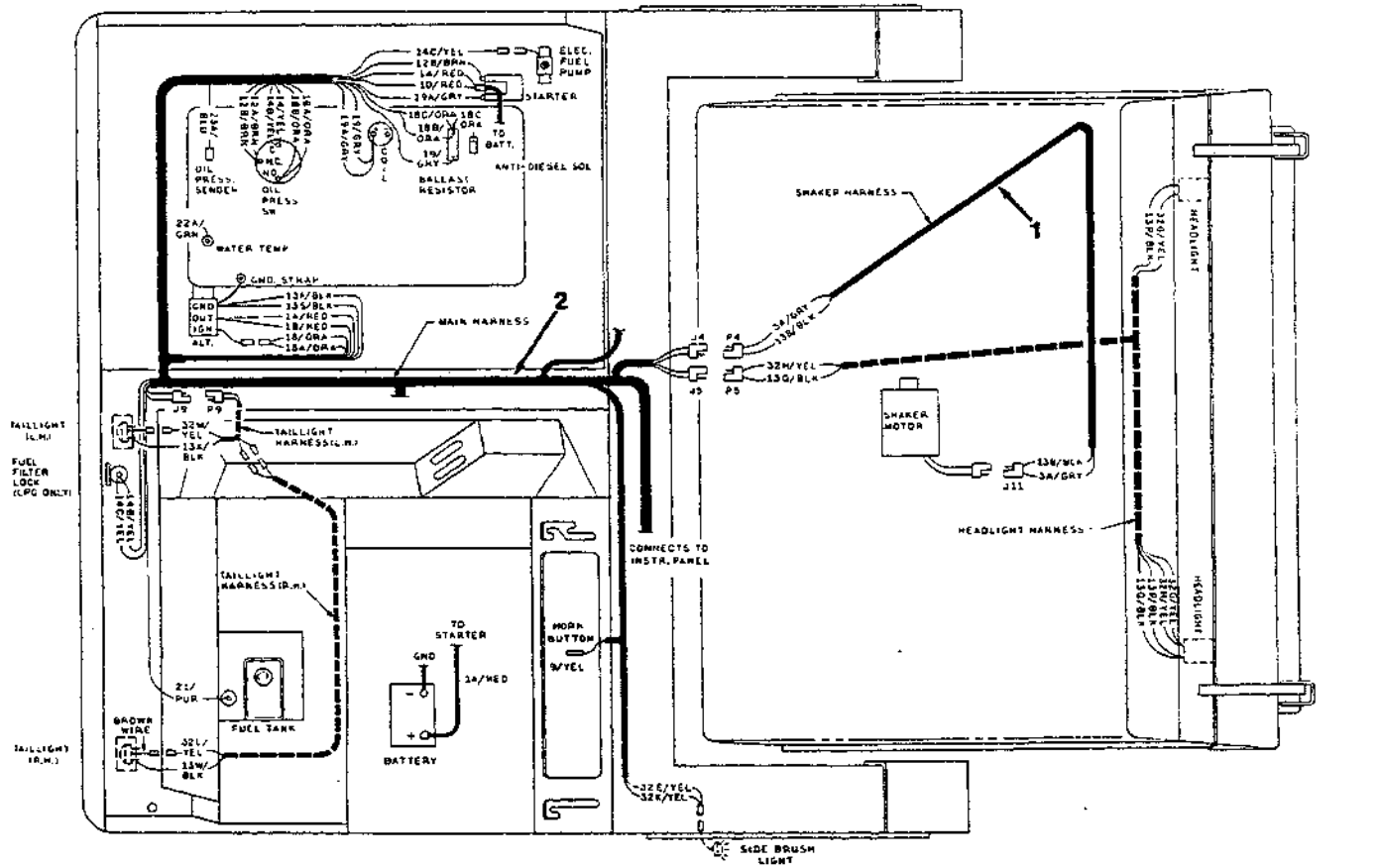
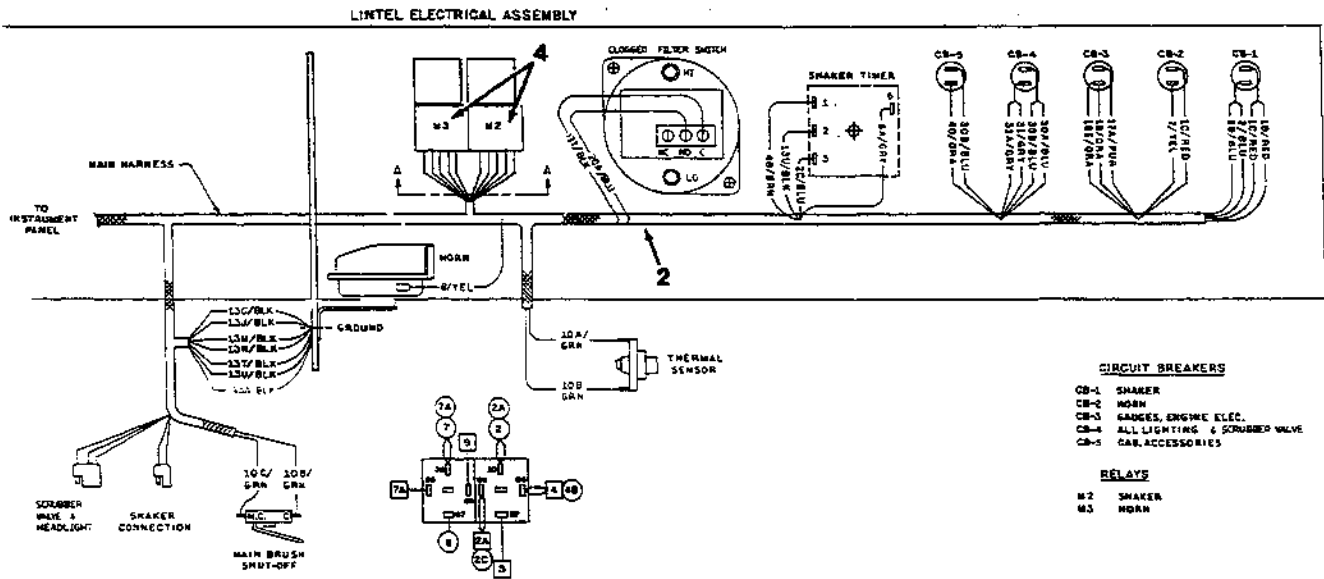
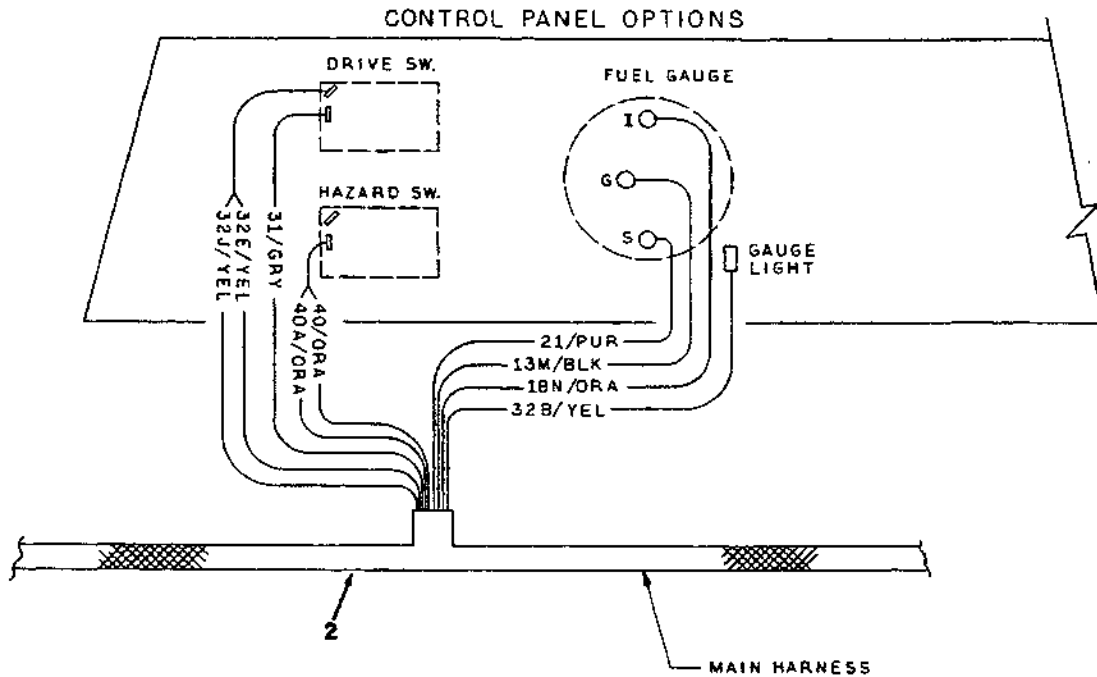


Fig. 19 - Wire Harnesses Group



**Fig. 19 - Wire Harnesses Group**

Key	Tennant® Part No.	Machine Serial Number	Description	Qty.
1	82723	(000000- )	Wire Harness, Shaker	1
2	82702	(000000- )	Wire Harness, Main	1
3	82705	(000000- )	Wire Harness, Instrument Panel	1
4	57804	(000000- )	Relay	2

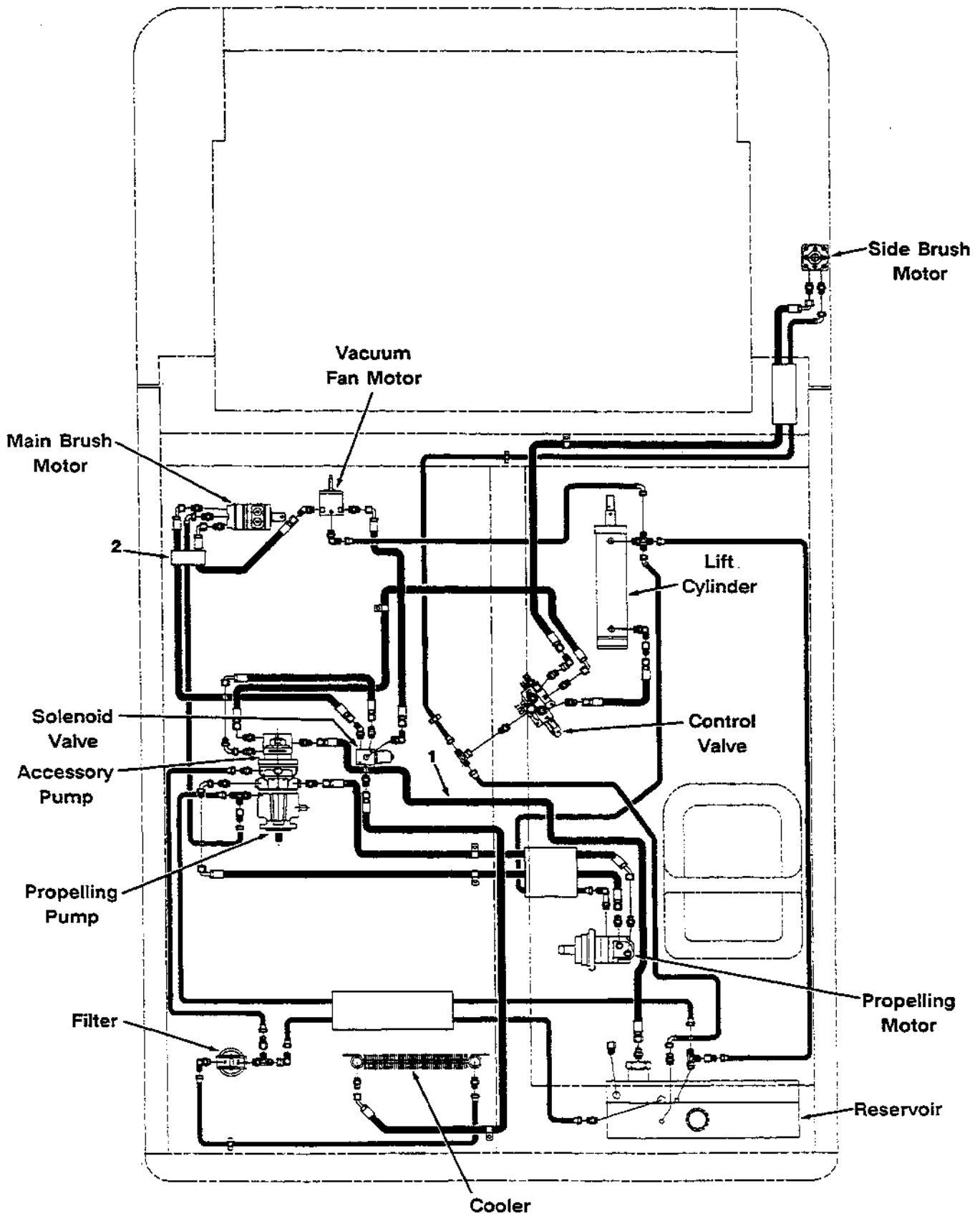


Fig. 20 - Hydraulic Hoses Group

Fig. 20 - Hydraulic Hoses Group

02067

Key	Tennant® Part No.	Machine Serial Number	Description	Qty.
1	82813	(000000-001109)	Hose, Hydraulic	1
2	82830	(000000-001109)	Sleeve, Hose	1

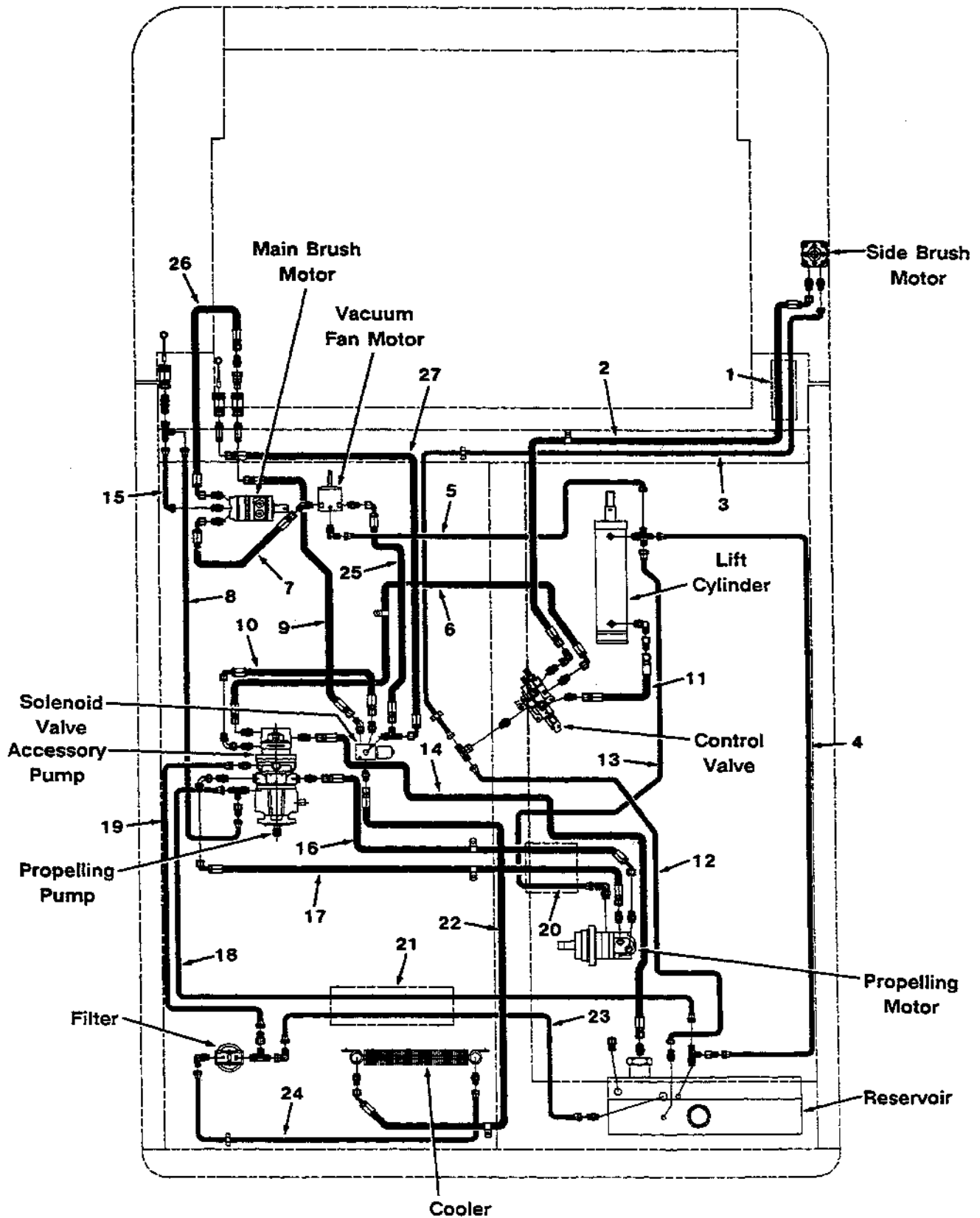


Fig. 21 - Hydraulic Hoses Group



Fig. 21 - Hydraulic Hoses Group

01226

Key	Tennant® Part No.	Machine Serial Number	Description	Qty.
1	82833	(000000- )	Sleeve, Hose	1
2	82819	(000000- )	Hose, Hydraulic	1
3	82810	(000000- )	Hose, Hydraulic	1
4	82803	(000000- )	Hose, Hydraulic	1
5	82805	(000000- )	Hose, Hydraulic	1
6	57582	(000000- )	Hose, Hydraulic	1
7	82820	(000000- )	Hose, Hydraulic	1
8	32550	(001110- )	Hose, Hydraulic	1
9	02999	(001110- )	Hose, Hydraulic	1
10	82822	(000000- )	Hose, Hydraulic	1
11	82814	(000000- )	Hose, Hydraulic	1
12	82809	(000000- )	Hose, Hydraulic	1
13	82804	(000000-001372)	Hose, Hydraulic	1
13	02642	(001373- )	Hose, Hydraulic	1
14	82046	(001110- )	Hose, Hydraulic	1
15	82806	(000000- )	Hose, Hydraulic	1
16	82823	(000000- )	Hose, Hydraulic	1
17	82824	(000000-001915)	Hose, Hydraulic	1
17	82826	(001916- )	Hose, Hydraulic	1
18	82807	(000000- )	Hose, Hydraulic	1
19	82811	(000000- )	Hose, Hydraulic	1
20	82832	(000000-001915)	Sleeve, Hose	1
20	57224	(001916- )	Sleeve, Hose	1
21	82831	(000000- )	Sleeve, Hose	1
22	82821	(000000- )	Hose, Hydraulic	1
23	82835	(000000- )	Hose, Hydraulic	1
24	82649	(000000- )	Hose, Hydraulic	1
25	82840	(000000- )	Hose, Hydraulic	1
26	82818	(000000- )	Hose, Hydraulic	1
27	82844	(001110-001239)	Hose, Hydraulic	1
27	03001	(001240- )	Hose, Hydraulic	1

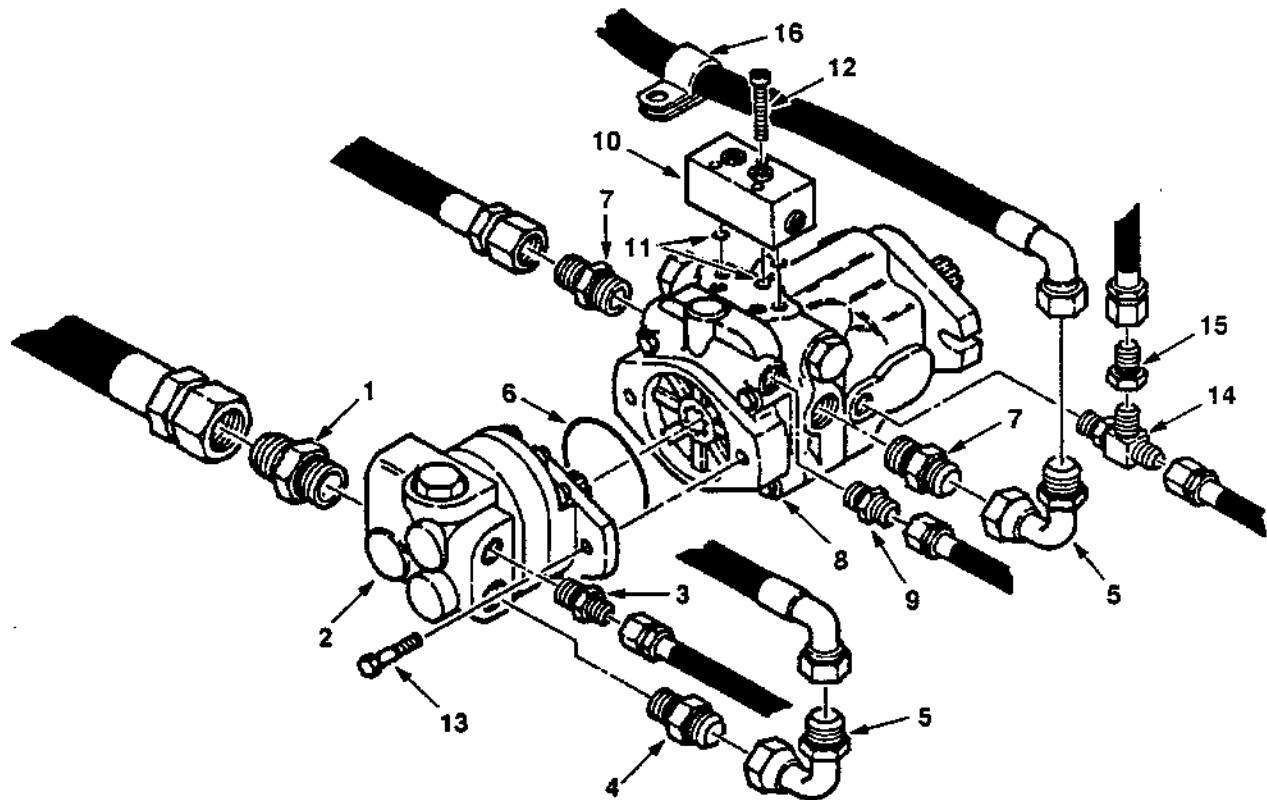


Fig. 22 - Hydraulic Pumps Group

02542

Key	Tennant® Part No.	Machine Serial Number	Description	Qty.
1	52929	(000000- )	Fitting, Straight	1
2	82205	(000000- )	Pump, Hydraulic	1
3	55686	(000000- )	Fitting, Straight	1
4	06750	(000000- )	Fitting, Straight	1
5	57994	(000000- )	Fitting, Elbow	2
6	65145-1	(000000- )	O-Ring	1
7	42260	(000000- )	Fitting, Straight	2
8	02633	(000000- )	Pump, Hydraulic	1
9	44869	(000000- )	Fitting, Straight	1
10	82767	(000000- )	Valve, Hydraulic Neutral	1
11	58395	(000000- )	O-Ring	2
12	82764	(000000- )	Screw, Socket	3
13	82842	(000000- )	Screw, Hex, Nylon	2
14	76316	(000000- )	Fitting, Tee	1
15	47752	(000000- )	Fitting, Straight	1
16	58366	(001916- )	Clamp	1

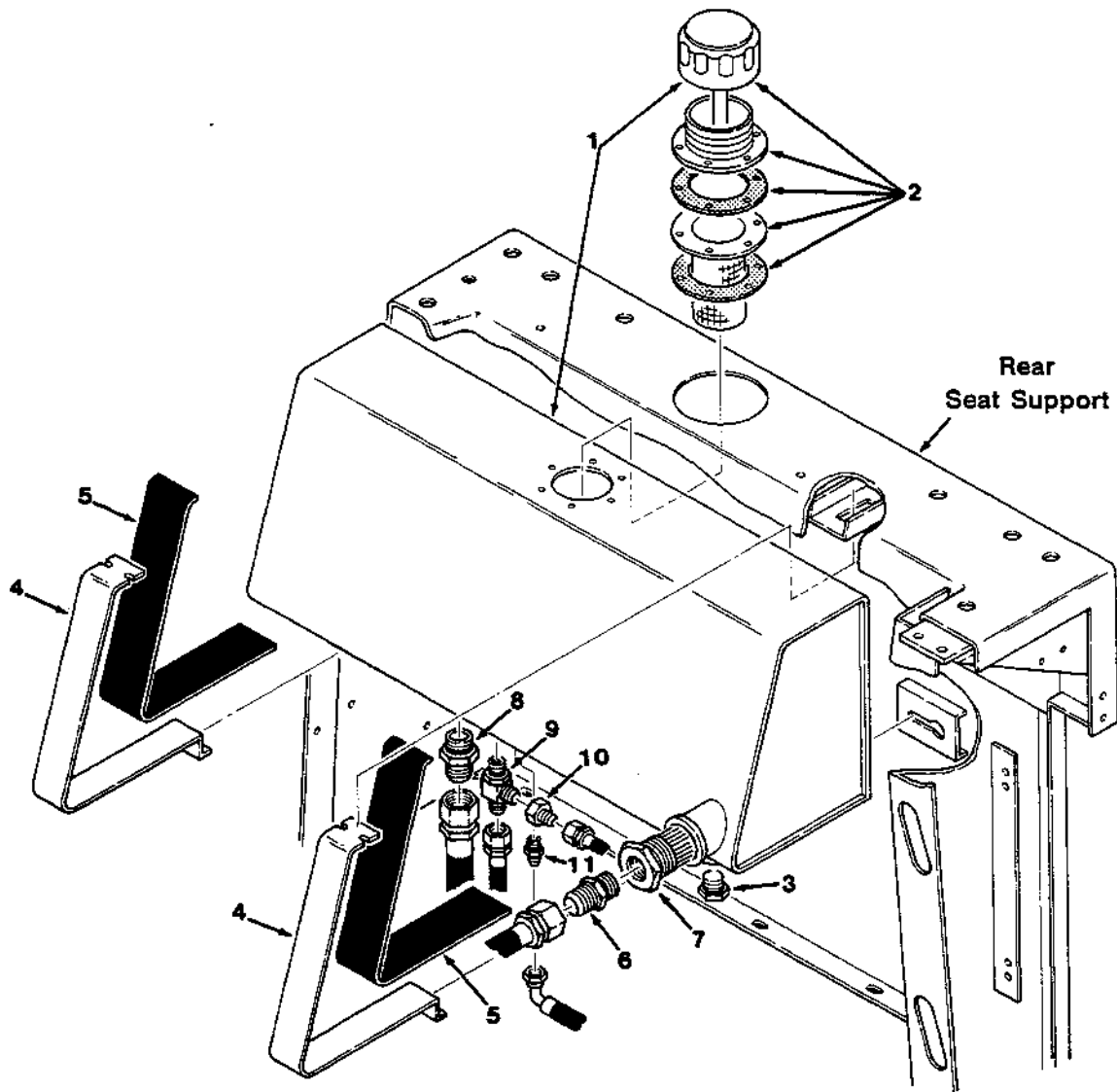


Fig. 23 - Hydraulic Reservoir Group

02571

Key	Tennant® Part No.	Machine Serial Number	Description	Qty.
1	82838	(000000- )	Reservoir Assembly, Hydraulic	1
2	82780	(000000- )	Breather, Filler	1
3	40362	(000000- )	Fitting, Plug	1
4	82779	(000000- )	Strap, Retaining	2
5	82837	(000000- )	Strap, Isolator	2
6	52929	(000000- )	Fitting, Straight	1
7	82784	(000000- )	Strainer, Suction	1
8	82796	(000000- )	Valve, Check	1
9	76316	(000000- )	Fitting, Tee	1
10	47752	(000000- )	Fitting, Straight	1
11	56690	(000000- )	Fitting, Straight	1

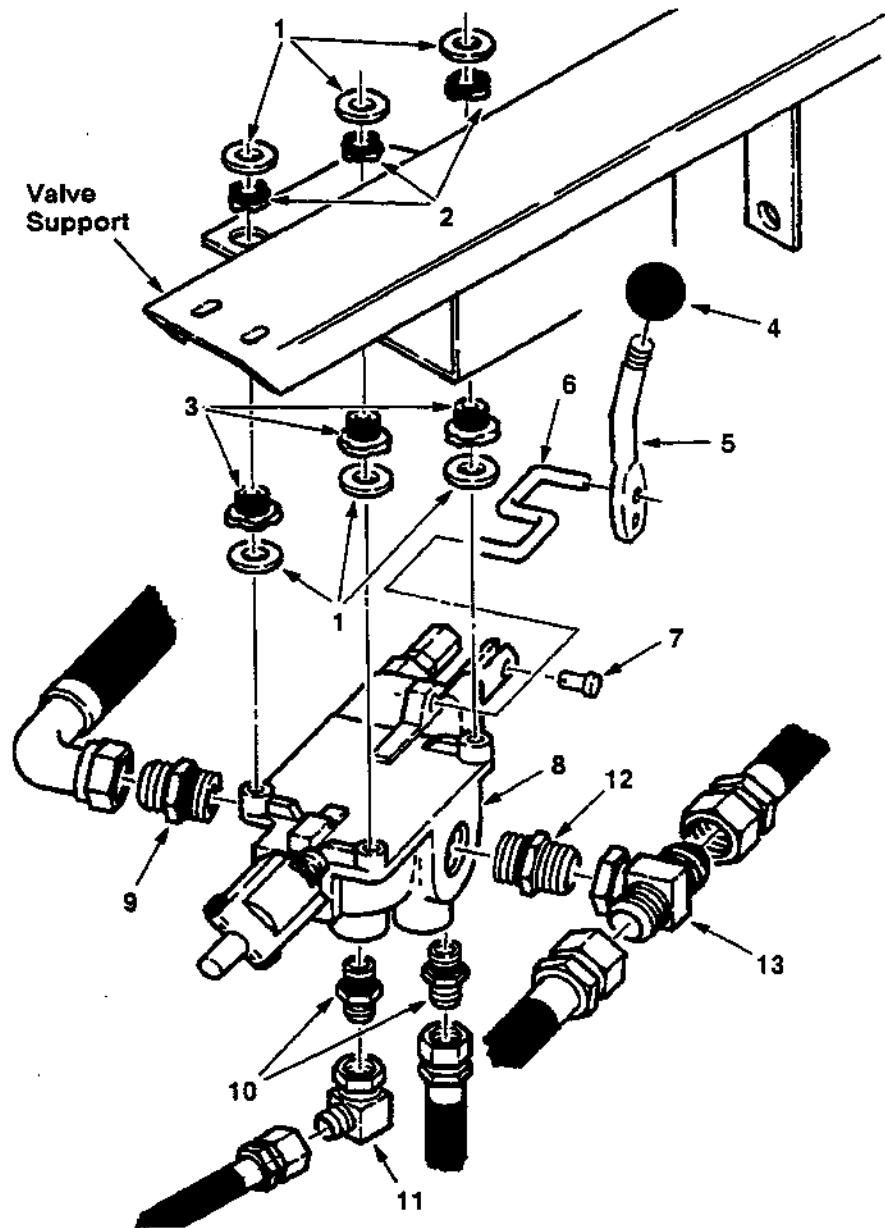
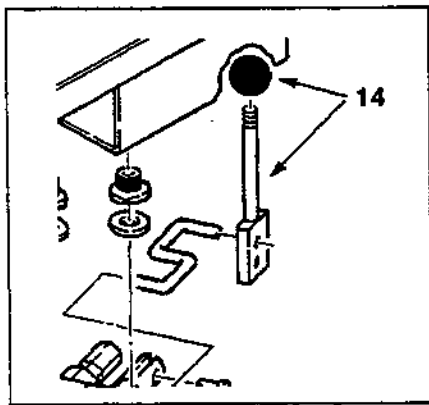


Fig. 24 - Hydraulic Control Valve Group

02544

Key	Tennant® Part No.	Machine Serial Number	Description	Qty.
1	30013	(000000- )	Washer	6
2	62172	(000000- )	Ring	3
3	62173	(000000- )	Bushing	3
4	26156	(002005- )	Knob	1
5	02687	(002005- )	Handle, Valve	1
6	82762	(000000- )	Link, Hook	1
7	14605	(000000- )	Pin, Clevis	1
8	62550	(000000- )	Valve, Hydraulic	1
9	57984	(000000- )	Fitting, Straight	1
10	55686	(000000- )	Fitting, Straight	2
11	39210	(000000- )	Fitting, Elbow	1
12	47508	(000000- )	Fitting, Straight	1
13	35586	(000000- )	Fitting, Tee	1
14	02688	(000000-002004)	Replacement Kit, Handle	1

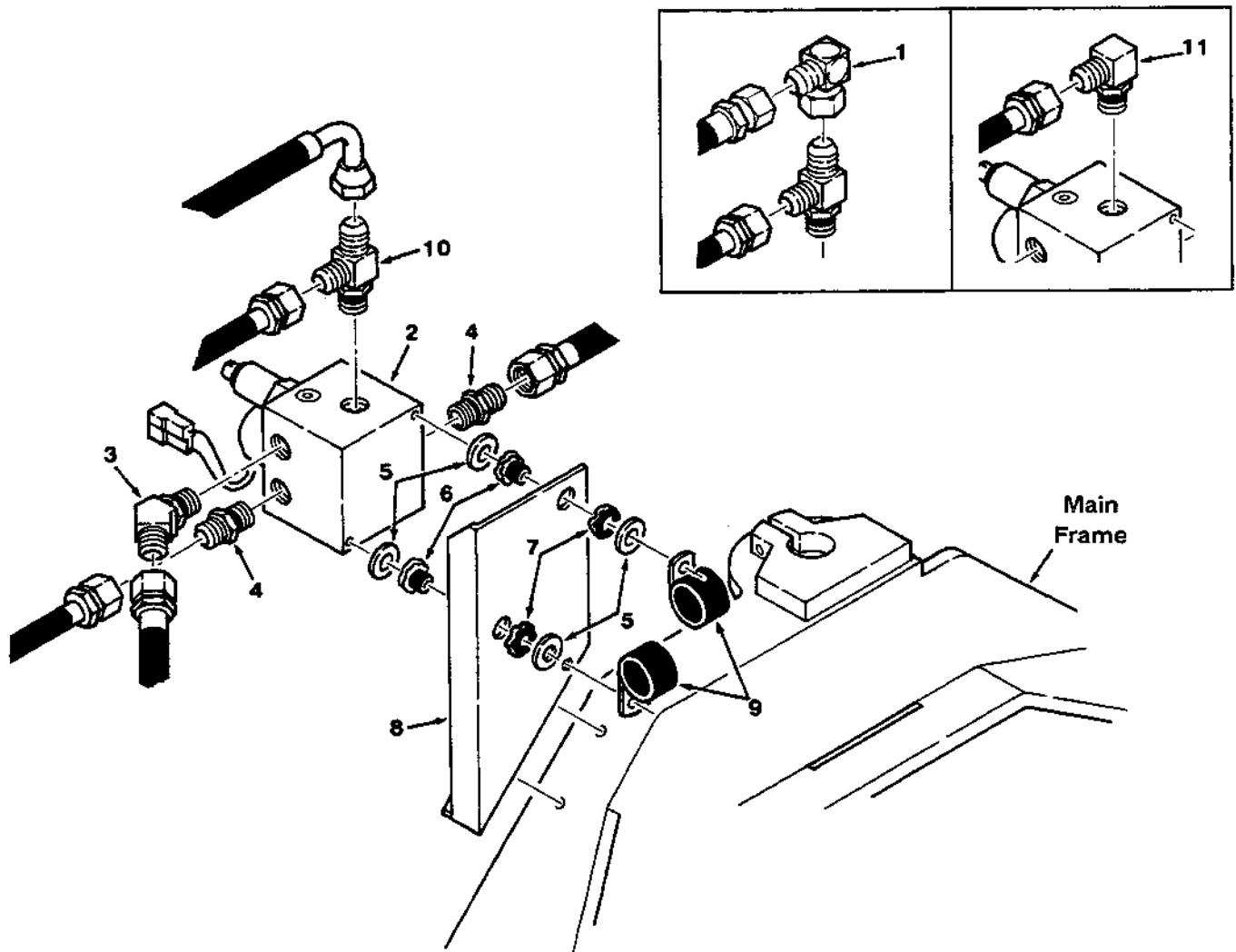


Fig. 25 - Hydraulic Solenoid Valve Group

02826

Key	Tennant® Part No.	Machine Serial Number	Description	Qty.
1	17980	(001110-001239)	Fitting, Elbow	1
2	82754	(000000- )	Valve, Hydraulic Solenoid	1
3	42226	(000000- )	Fitting, Elbow, 45°	1
4	62390	(000000- )	Fitting, Straight	2
5	30013	(000000- )	Washer	4
6	62173	(000000- )	Bushing	2
7	62172	(000000- )	Ring	2
8	82795	(000000- )	Bracket, Valve	1
9	58366	(000000- )	Clamp, Support	2
10	40755	(001110- )	Fitting, Tee	1
11	44868	(000000-001109)	Fitting, Elbow	1

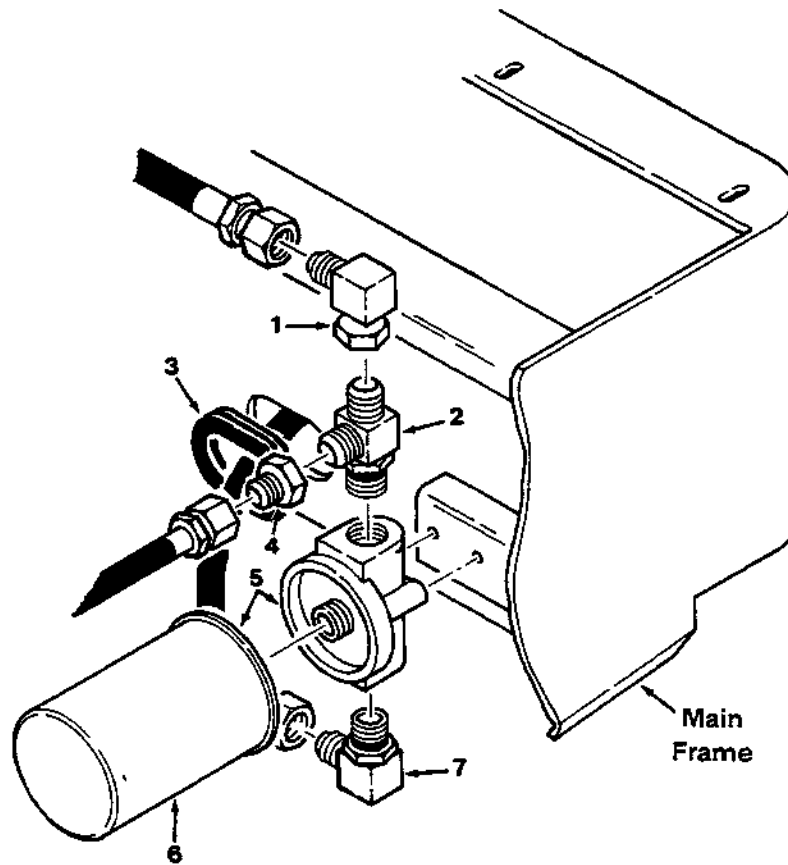


Fig. 26 - Hydraulic Filter Group

02535

Key	Tennant® Part No.	Machine Serial Number	Description	Qty.
1	35033	(000000- )	Fitting, Elbow	1
2	42216	(000000- )	Fitting, Tee	1
3	10632-19	(000000- )	Grommet	1
4	78143	(000000- )	Fitting, Straight	1
5	55619	(000000- )	Filter Assembly, Hydraulic	1
6	55740	(000000- )	Element, Hydraulic Filter	1
7	46481	(000000- )	Fitting, Elbow	1

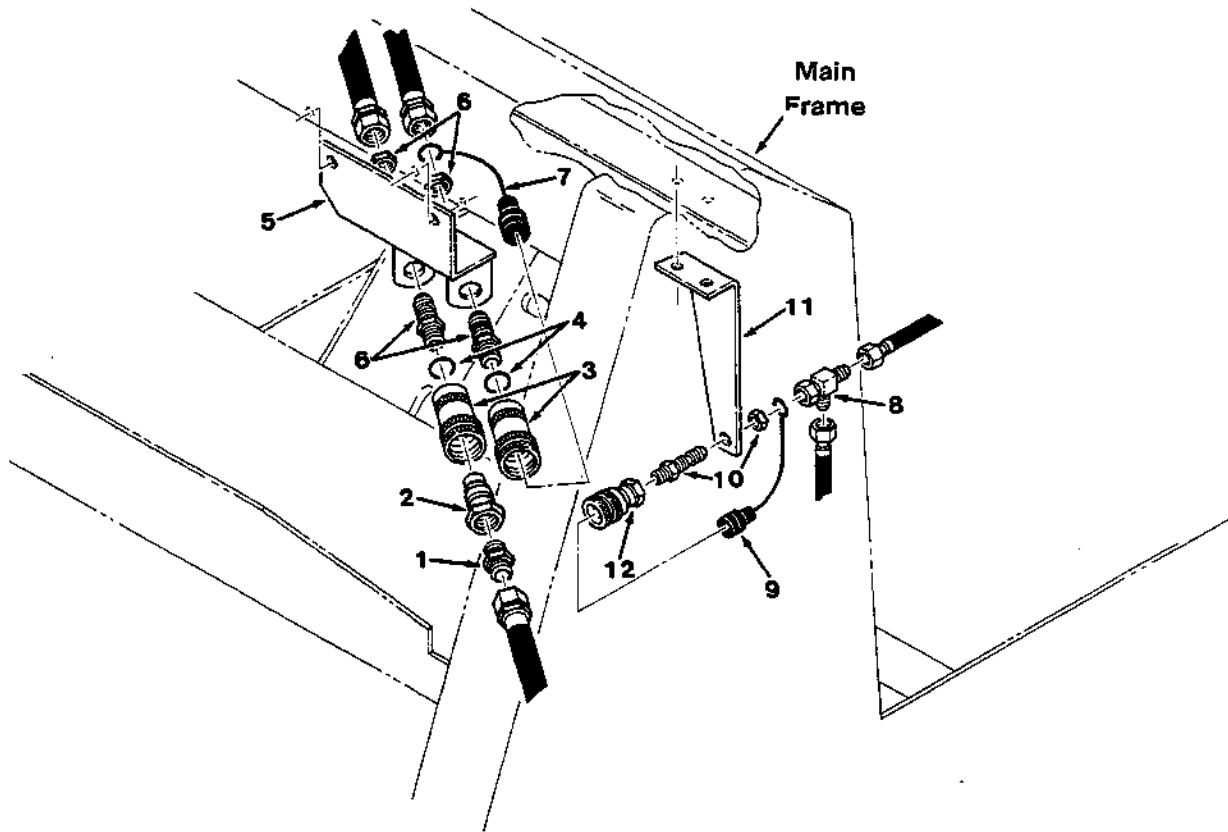


Fig. 27 - Hydraulic Couplings Group

02784

Key	Tennant® Part No.	Machine Serial Number	Description	Qty.
1	44869	(001110- )	Fitting, Straight	1
2	65084-1	(001110- )	Fitting, Coupling, Male	1
3	65084-2	(001110- )	Fitting, Coupling, Female	2
4	77006	(001110- )	O-Ring	2
5	03004	(001110- )	Bracket, Quick-Disconnect	1
6	82918	(001110- )	Fitting, Bulkhead	2
7	82620	(001110- )	Plug, Dust	1
8	57988	(001110- )	Fitting, Tee	1
9	33797	(001110- )	Plug, Dust	1
10	82621	(001110- )	Fitting, Straight	1
11	03006	(001110- )	Bracket, Bulkhead	1
12	34414	(001110- )	Fitting, Coupling, Female	1

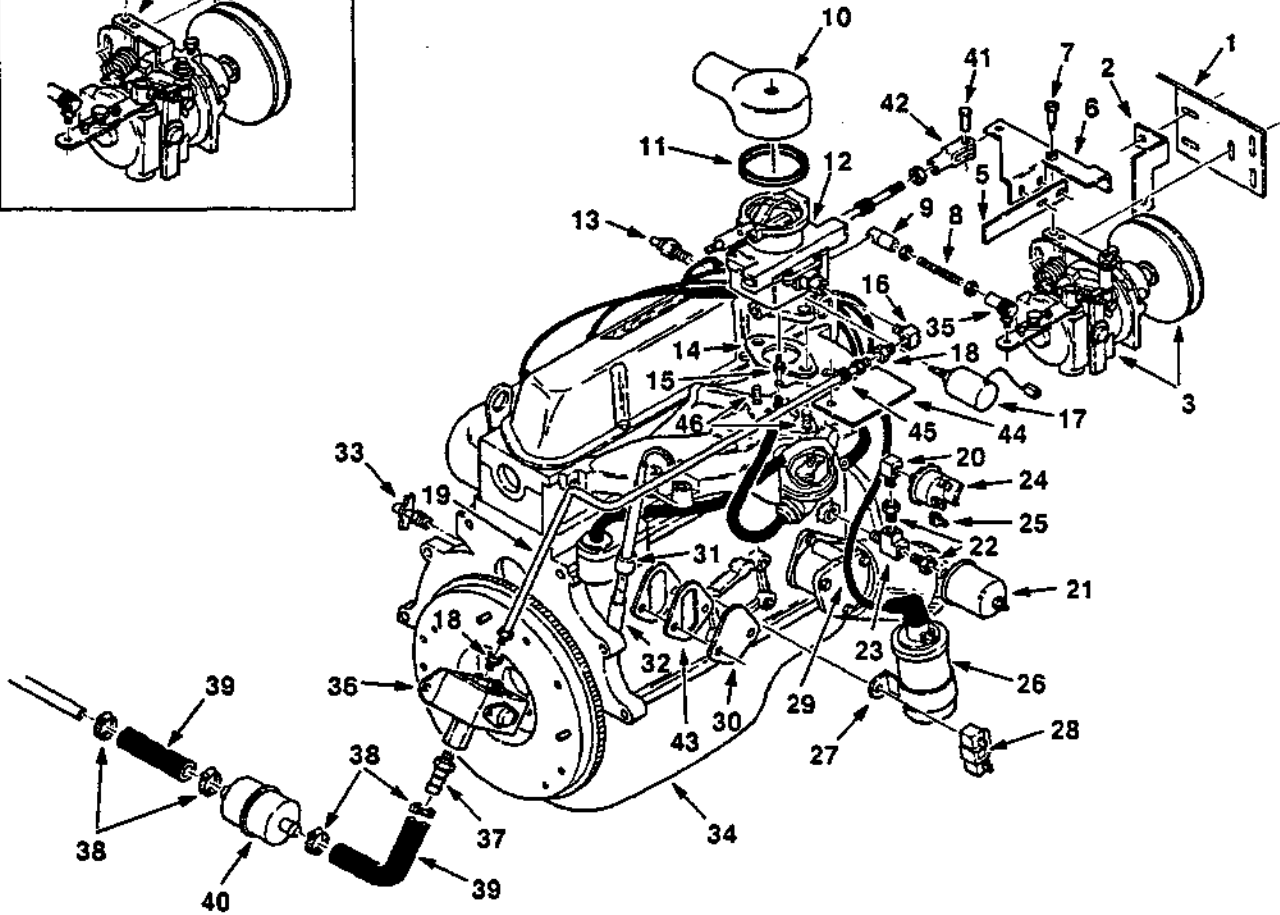
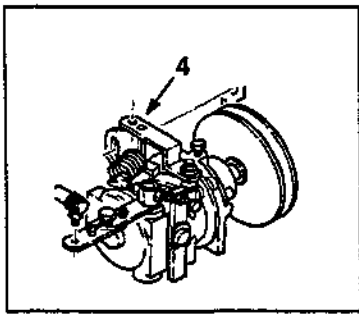


Fig. 28 - Engine Group



Fig. 28 - Engine Group

02559

Key	Tennant® Part No.	Machine Serial Number	Description	Qty.
1	82651	(000000- )	Plate, Mounting	1
2	82673	(000000- )	Bracket, Governor	1
3	82660	(000000- )	Governor, Mechanical	1
4	82264	( xxxxxx - )	Service Kit, Governor Lever	1
5	82678	(000000- )	Spring, Flat	1
6	82655	(000000- )	Arm, Governor	1
7	40823	(000000- )	Screw, Shoulder	1
8	34898	(000000- )	Stud, Throttle	1
9	50332-1	(000000- )	Ball Joint	1
10	34997	(000000- )	Elbow, Carburetor	1
11	16738	(000000- )	Gasket, Carburetor	1
12	12044	(000000- )	Carburetor	1
13	58592	(000000- )	Sender, Temperature	1
14	54912-8	(000000- )	Gasket, Carburetor	1
15	40607	(000000- )	Fitting, Straight, Barbed	1
16	11984	(000000- )	Fitting, Elbow	1
17	68616	(000000- )	Valve, Anti-Dieseling	1
18	40585	(000000- )	Fitting, Straight	2
19	82586	(000000- )	Fuel Line	1
20	11984	(000000- )	Fitting, Elbow	1
21	34808	(000000-001764 )	Sender, Oil Pressure	1
21	82627	(001765- )	Sender, Oil Pressure	1
22	17414	(000000- )	Fitting, Straight	2
23	24929	(000000- )	Fitting, Tee	1
24	51805	(000000- )	Switch, Oil Pressure	1
25	68106	(000000- )	Terminal, Tab	3
26	54911-11	(000000- )	Coil	1
27	54911-30	(000000- )	Strap, Coil	1
28	54911-15	(000000- )	Resistor	1
29	54911-31	(000000- )	Wire	1
30	54911-28	(000000- )	Cover, Fuel Pump	1
31	82535	(000000- )	Dipstick	1
32	03014	(000000- )	Tube, Dipstick	1
33	54911-32	(000000- )	Draincock, Block	1
34	82528	(000000- )	Engine	1
35	14601	(000000- )	Ball Joint	1
36	54230	(000000- )	Pump, Fuel	1
37	82544	(000000- )	Fitting, Straight, Barbed	1
38	43844	(000000- )	Clamp, Worm Drive	4
39	82526	(000000- )	Hose, Fuel Line	2
40	82525	(000000- )	Filter, Fuel	1
41	14605	(000000- )	Pin, Clevis	1
42	14595-1	(000000- )	Clevis, Adjustable	1
43	02887	(000000- )	Gasket, Fuel Pump	1
44	82534	(000000- )	Shield, Drip	1
45	46236	(000000- )	Clamp, Cable	1
46	82570	(000000- )	Stud	2

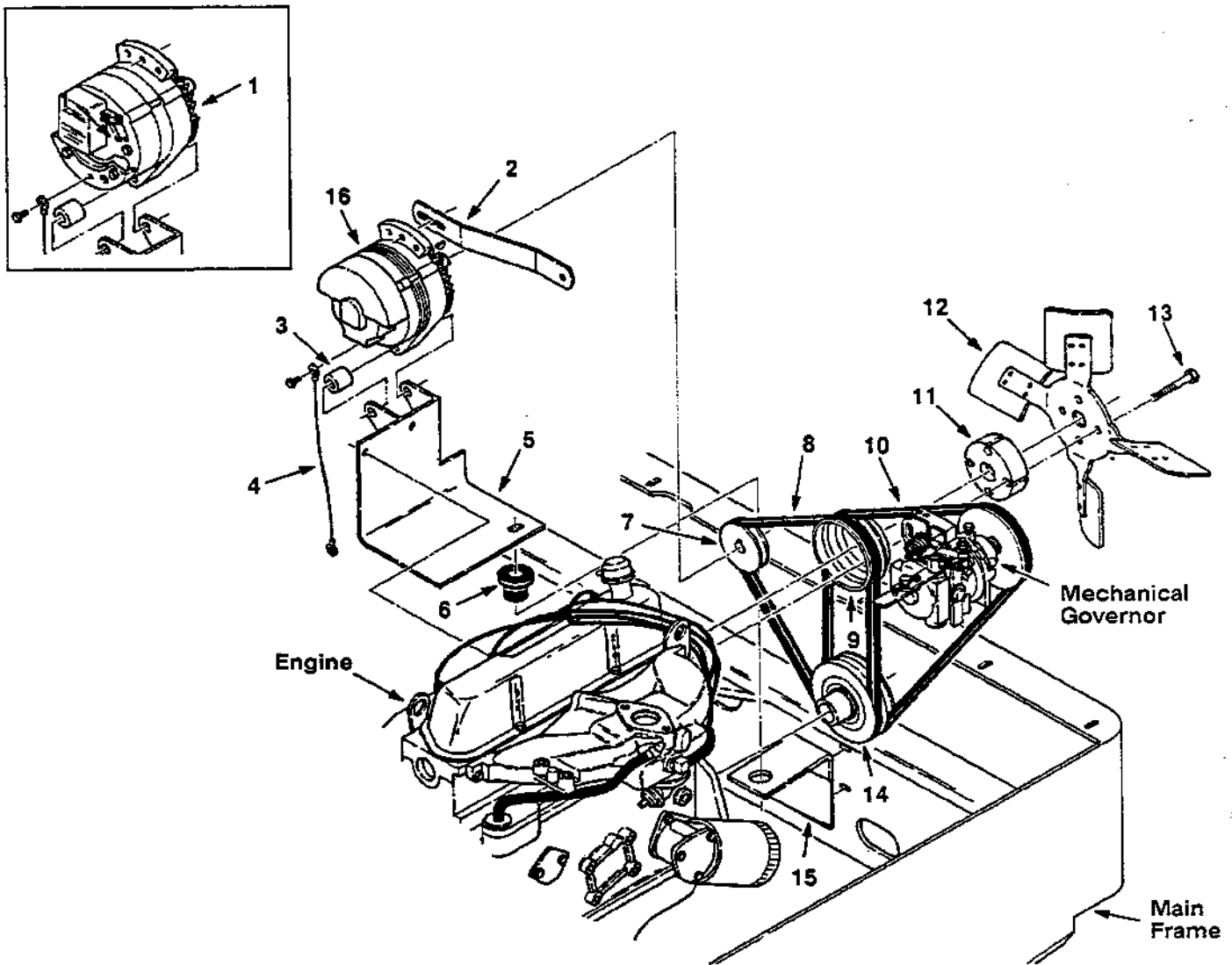


Fig. 29 - Sheaves and Belts Group

02534

Key	Tennant® Part No.	Machine Serial Number	Description	Qty.
1	08894	(000000-001956)	Replacement Kit, Alternator	1
2	50309	(000000- )	Strip, Bracket	1
3	54959	(000000- )	Spacer	1
4	82731	(000000- )	Wire, Alternator Ground	1
5	82523	(000000- )	Bracket, Mounting	1
6	51176	(000000- )	Dampener, Engine	1
7	54914	(000000- )	Sheave	1
8	44561	(000000- )	V-Belt	1
9	82675	(000000- )	Pulley, Water Pump	1
10	24622	(000000- )	V-Belt	1
11	82542	(000000- )	Spacer, Fan	1
12	16805	(000000- )	Fan	1
13	39278	(000000- )	Screw, Hex, M8	4
14	82536	(000000- )	Pulley, Crankshaft	1
15	82583	(000000- )	Bracket, Mount	1
16	03233	(001957- )	Alternator	1
	08889	(001957- )	Jumper Wire	1

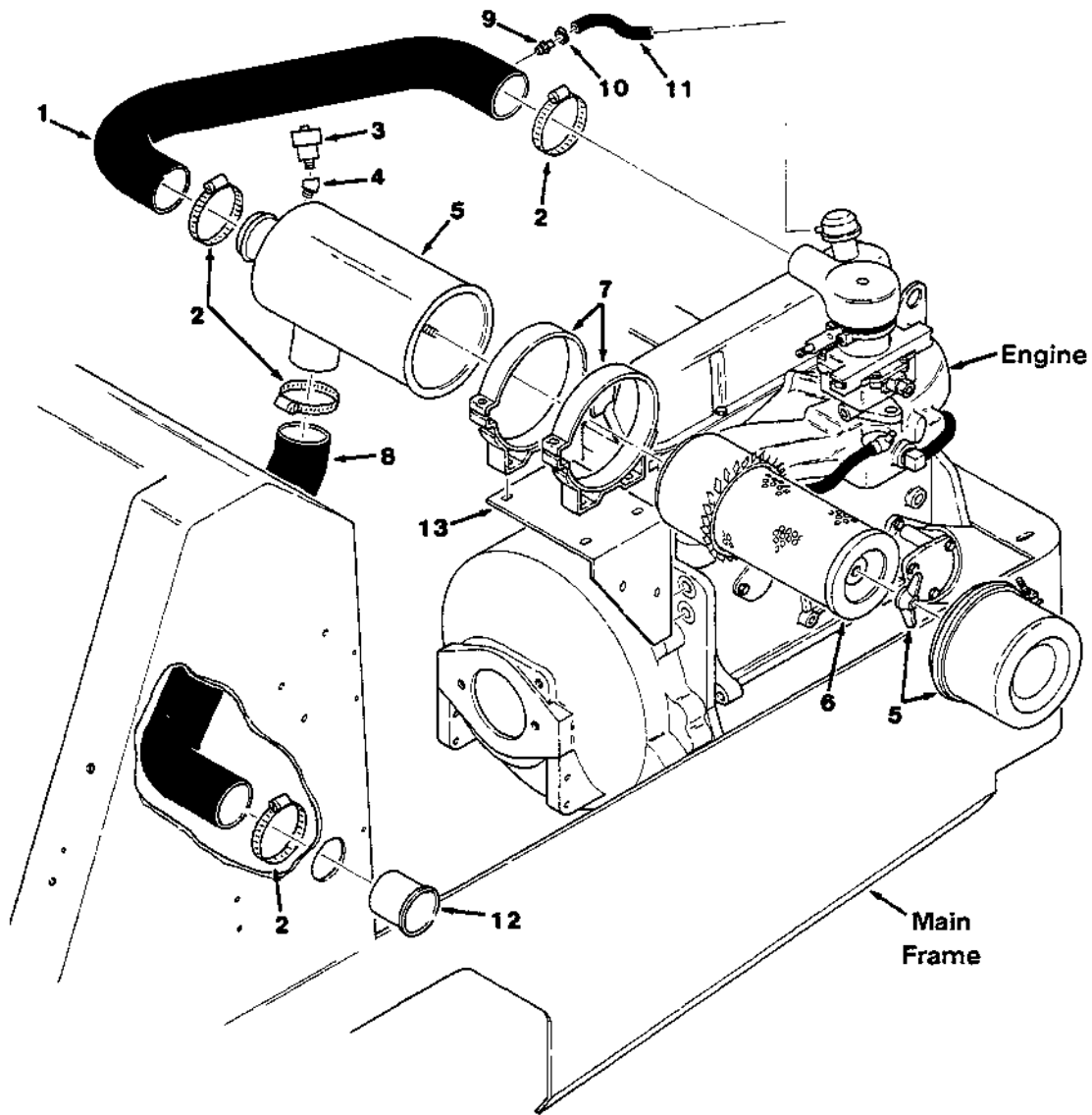


Fig. 30 - Air Cleaner Group

Key	Tennant® Part No.	Machine Serial Number	Description	Qty.
1	82552	(000000- )	Hose, Air Intake	1
2	14432	(000000- )	Clamp, Worm Drive	4
3	82685	(000000- )	Indicator, Filter Service	1
4	24976	(000000- )	Fitting, Elbow 45°	1
5	58538	(000000- )	Air Cleaner	1
6	58120	(000000- )	Filter, Air	1
7	51560-3	(000000- )	Clamp, Mounting	2
8	82676	(000000- )	Hose, Air Intake	1
9	82533	(000000- )	Spud	1
10	54333	(000000- )	Clamp, Worm Drive	1
11	32666	(000000- )	Hose, Rubber	1
12	58346	(000000- )	Tube, Air Intake	1
13	82555	(000000- )	Bracket, Air Cleaner	1

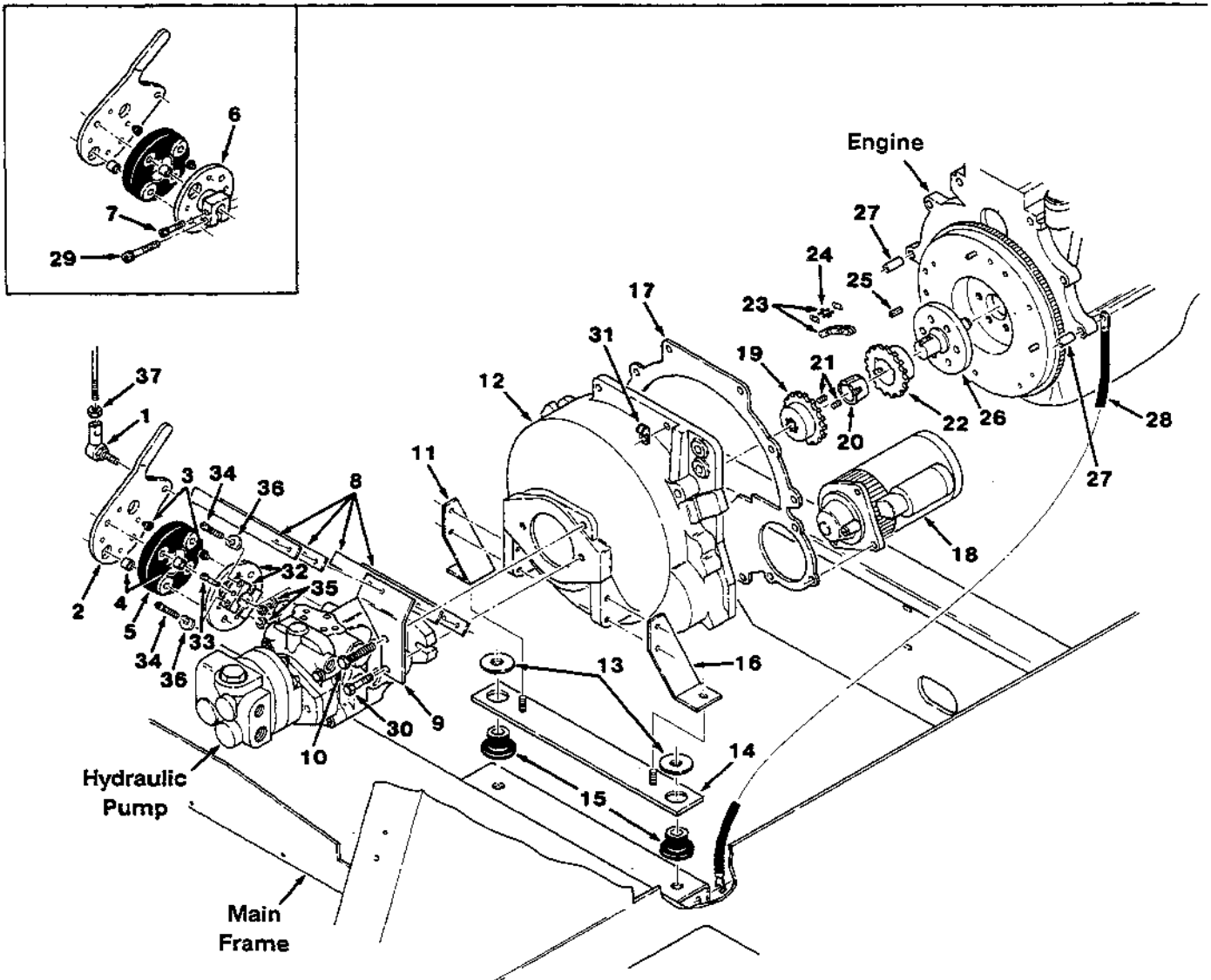


Fig. 31 - Flywheel Housing and Coupling Group

Fig. 31 - Flywheel Housing and Coupling Group

04059

Key	Tennant® Part No.	Machine Serial Number	Description	Qty.
1	50493	(000000-001764)	Ball Joint	1
1	82260	(001765- )	Ball Joint	1
2	82215	(001811- )	Plate, Pump Control	1
3	56855	(000000- )	Bumper, Rubber	8
4	64991	(000000- )	Sleeve	4
5	57875	(000000- )	Coupling, Shaft	1
6	82249	(000000-001810)	Replacement Kit, L.H. Coupling	1
7	31249	(000000-001810)	Screw, Shoulder	1
8	49681	(000000- )	Plate, Spring	4
9	82786	(000000- )	Bracket, Spring	1
10	55347	(000000- )	Screw, Hex	1
11	82519	(000000- )	Angle, Support, R.H.	1
12	33826	(000000- )	Housing, Flywheel	1
13	32492	(000000- )	Washer	2
14	82517	(000000- )	Support, Bell Housing	1
15	51176	(000000- )	Dampener, Engine	2
16	82520	(000000- )	Angle, Support, L.H.	1
17	54911-5	(000000- )	Ring, Locating	1
18	57549	(000000- )	Starter	1
19	53386	(000000- )	Coupling, Spline	1
20	15280-1	(000000- )	Bushing	1
21	39330	(000000- )	Screw, Set	2
22	53531-2	(000000- )	Coupling, Chain	1
23	33778	(000000- )	Chain	1
24	33692	(000000- )	Link, Chain	1
25	00926	(000000- )	Key, Square	1
26	47933	(000000- )	Adaptor, Pump	1
27	54911-16	(000000- )	Pin, Dowel	2
28	57773	(000000- )	Wire, Ground	1
29	31248	(000000-001810)	Screw, Socket	1
30	82842	(000000- )	Screw, Hex, Nylon	2
31	76736	(000000- )	Clamp, Cable	1
32	04081	(001811- )	Coupling Assembly, L.H.	1
33	31249	(001811- )	Screw, Shoulder	1
34	19580	(001811- )	Screw, Socket	2
35	03556	(001811- )	Nut, Self-locking	2
36	09787	(001811- )	Washer, Clipped	2
37	82889	(001765- )	Nut, Jam	1

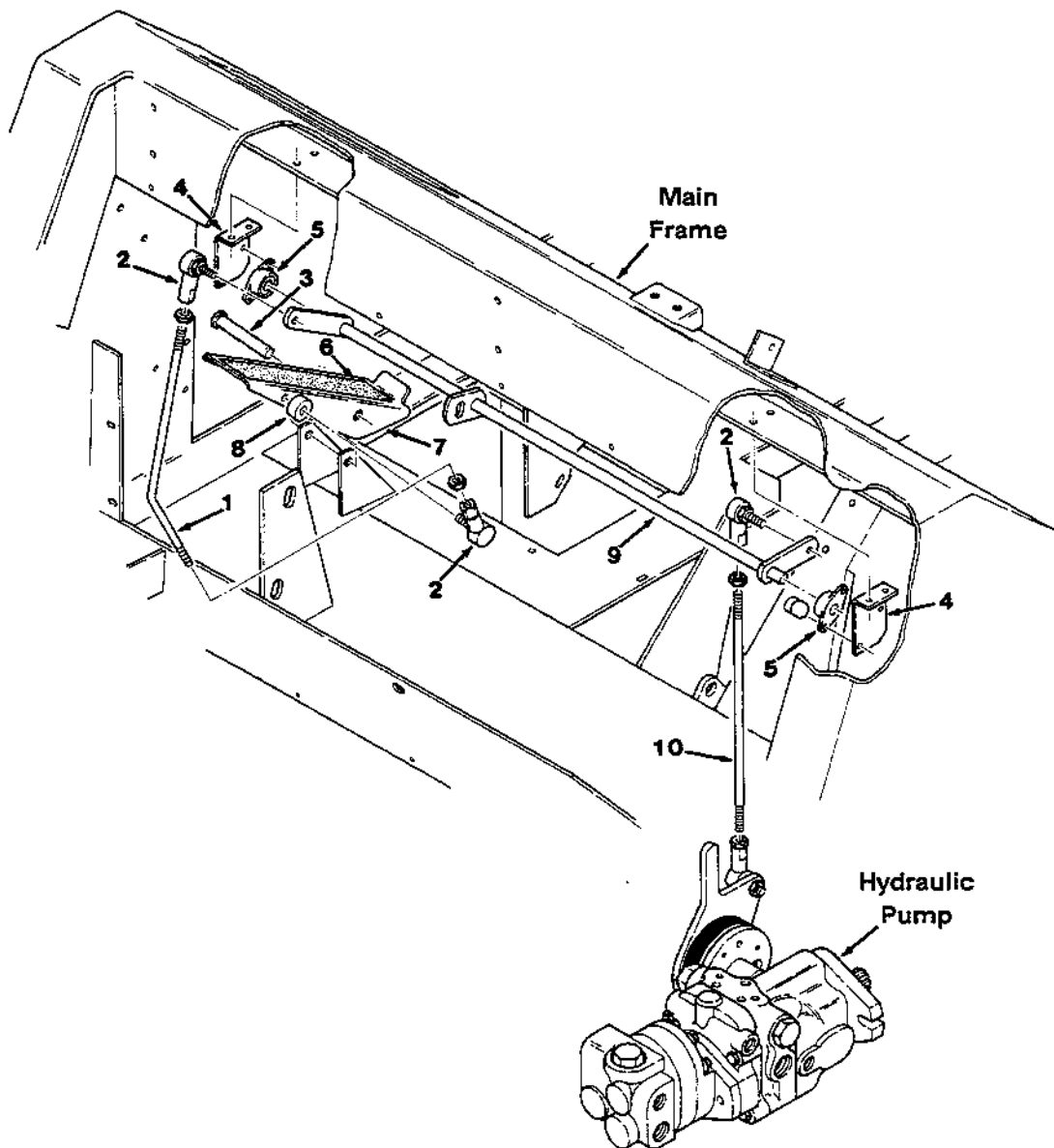


Fig. 32 - Directional Control Group

04061

Key	Tennant® Part No.	Machine Serial Number	Description	Qty.
1	82748	(000000- )	Rod, Accelerator Control	1
2	50493	(000000- )	Ball Joint	3
3	23683	(000000- )	Pin, Clevis	1
4	53351A	(000000- )	Support, Control Rod	2
5	53352	(000000- )	Bearing, Flange	2
6	82839	(000000- )	Pad, Tread	1
7	82836	(000000- )	Pedal	1
8	69462	(000000- )	Sleeve	1
9	82793	(000000- )	Rod, Drive Linkage	1
10	82209	(000000-001764)	Replacement Kit, Stud	1
10	82258	(001765- )	Stud	1

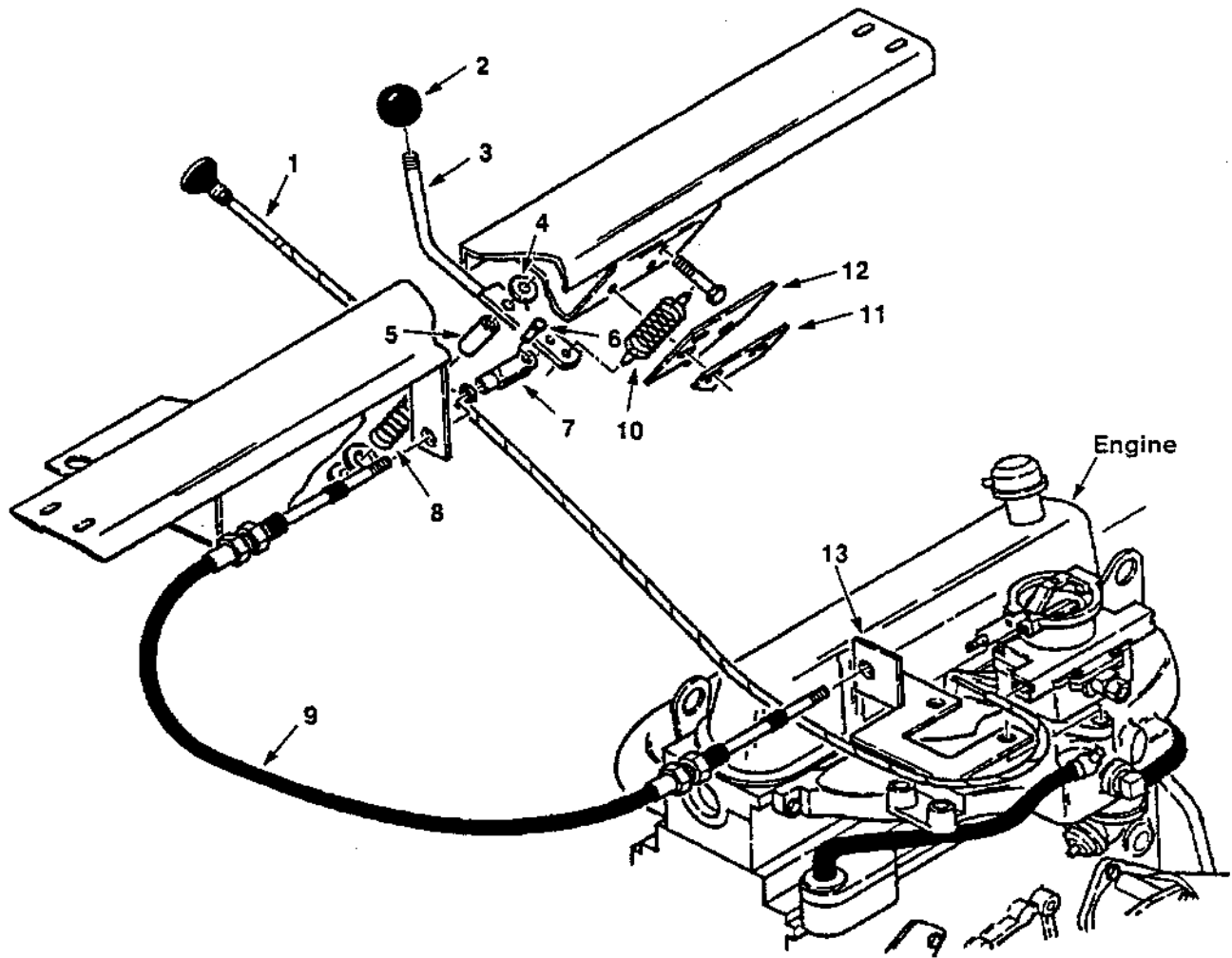


Fig. 33 - Throttle Linkage Group

02577

Key	Tennant® Part No.	Machine Serial Number	Description	Qty.
1	69266	(000000- )	Cable, Choke	1
2	26565	(000000- )	Knob	1
3	07358	(000000- )	Handle	1
4	43611	(000000- )	Washer, Nylon	1
5	68000	(000000- )	Spacer	1
6	14605	(000000- )	Pin, Clevis	1
7	14595-1	(000000- )	Clevis, Adjustable	1
8	39457	(000000- )	Spring, Compression	1
9	67815	(000000- )	Cable	1
10	01053	(000000- )	Spring, Tension	1
11	82677	(000000- )	Plate, Stop	1
12	82669	(000000- )	Plate, Stop	1
13	82672	(000000- )	Bracket, Cable	1

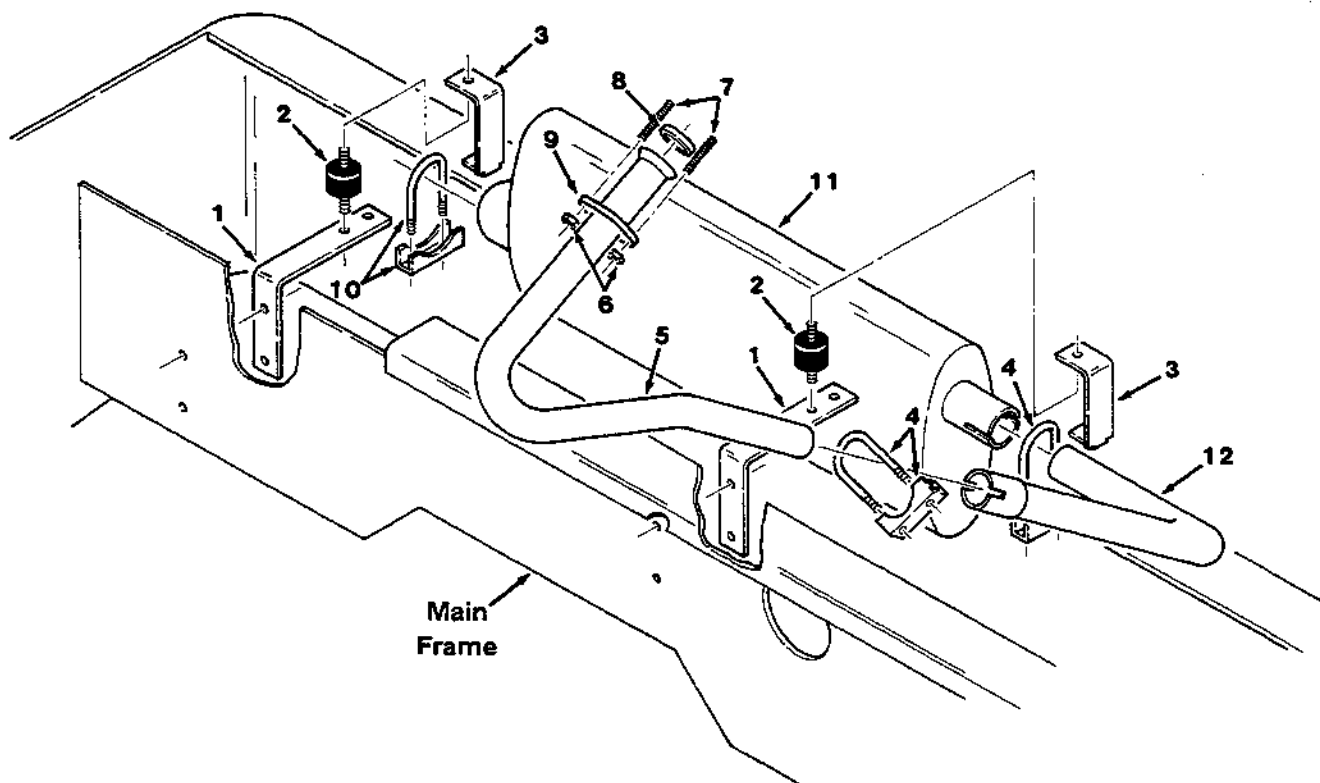


Fig. 34 - Muffler Group

02576

Key	Tennant® Part No.	Machine Serial Number	Description	Qty.
1	82546	(000000- )	Bracket, Hanger	2
2	82661	(000000- )	Isolator, Vibration	2
3	82545	(000000- )	Hanger, Muffler	2
4	24012	(000000- )	Clamp, Muffler	2
5	82540	(000000- )	Tube, Exhaust	1
6	39312	(000000- )	Nut, M10	2
7	32841	(000000- )	Stud	2
8	32840	(000000- )	Gasket, Exhaust	1
9	32839	(000000- )	Flange, Exhaust	1
10	23693	(000000- )	Clamp, Muffler	1
11	82581	(000000- )	Muffler	1
12	82548	(000000- )	Tube, Exhaust	1



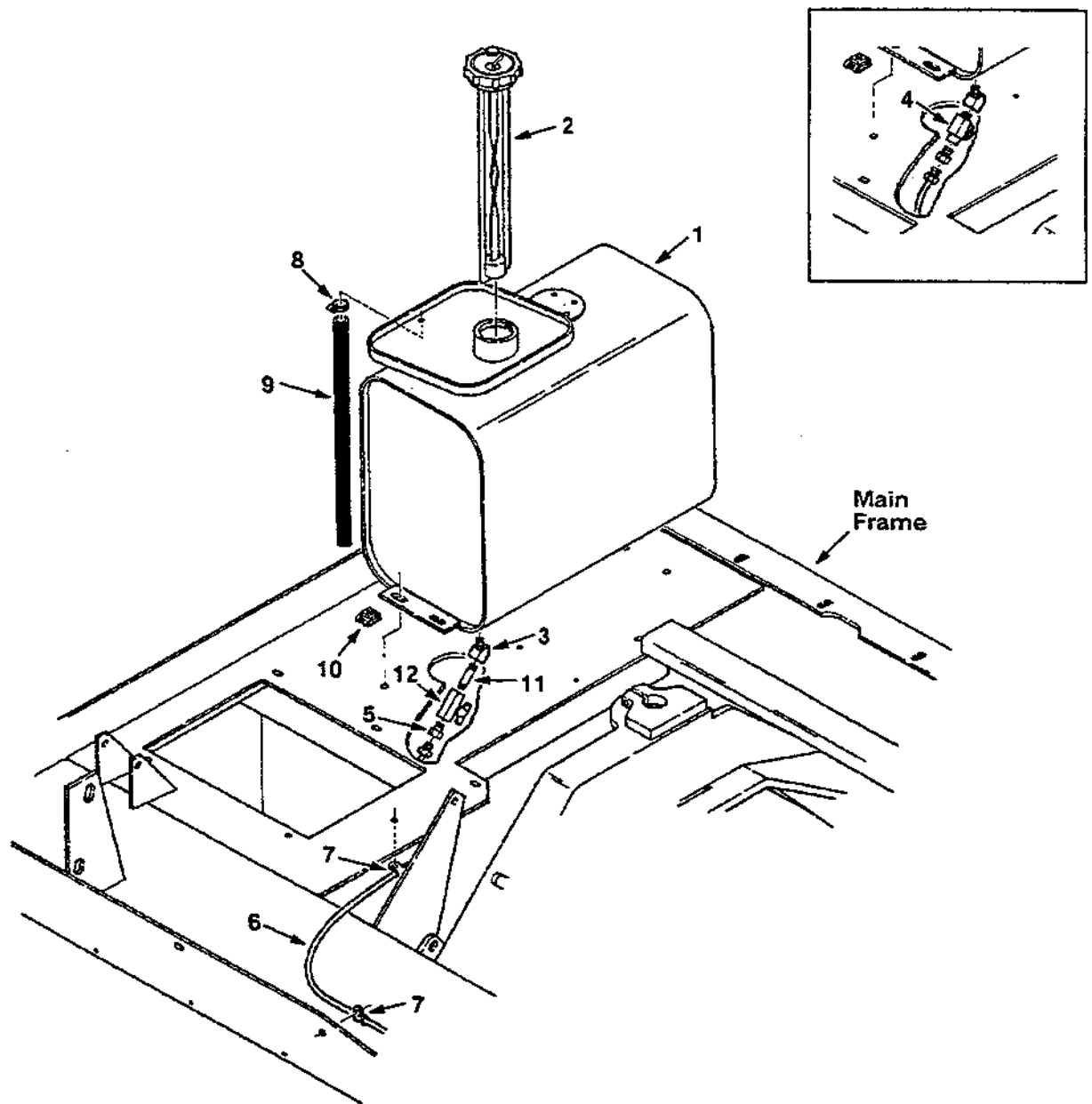


Fig. 35 - Fuel Tank Group

Key	Tennant® Part No.	Machine Serial Number	Description	Qty.
1	82728	(000000- )	Tank, Fuel	1
2	82730	(000000- )	Cap, Tank	1
3	24976	(000000- )	Fitting, Elbow, 45°	1
4	08876	(000000-001911 )	Replacement Kit, Cock	1
5	40585	(000000- )	Fitting, Straight	1
6	82524	(000000- )	Tube Assembly	1
7	46236	(000000- )	Clamp, Cable	3
8	54333	(000000- )	Clamp, Worm Drive	1
9	34258	(000000- )	Hose	1
10	02485	(000000- )	Nut, Retainer	4
11	48144	(001912- )	Fitting, Nipple	1
12	08873	(001912- )	Valve, Ball	1

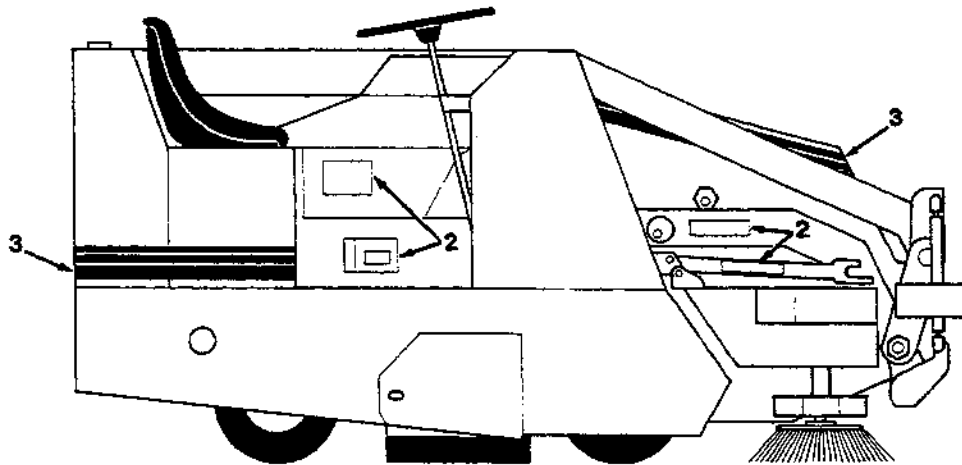
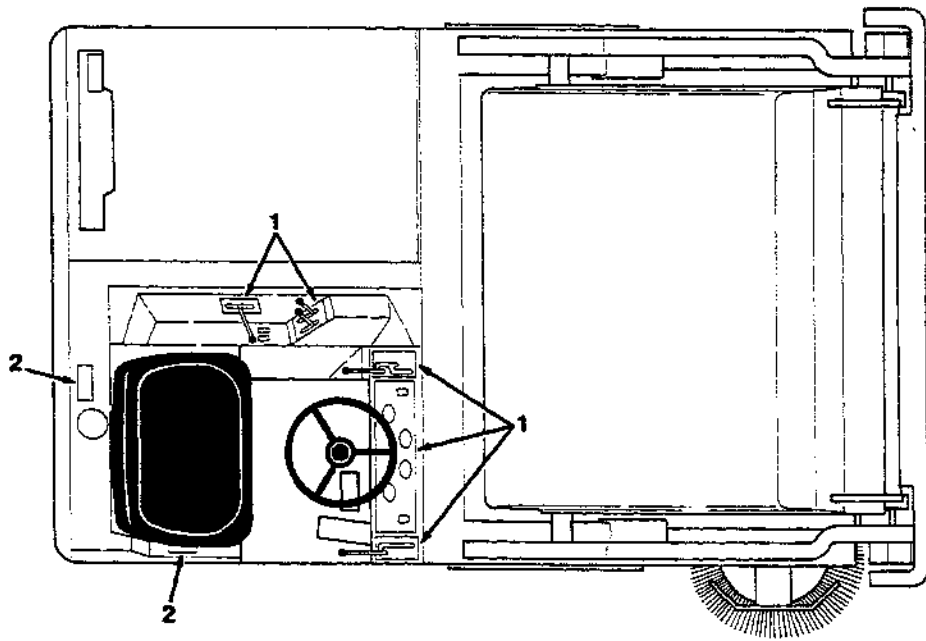


Fig. 36 - Labels Group

02622

Key	Tennant® Part No.	Machine Serial Number	Description	Qty.
1	82713	(000000- )	Label Kit, Operational	1
2	82740	(000000- )	Label Kit, Information and Hazard	1
3	82741	(000000- )	Label Kit, Striping	1

---

# SECTION 6 LPG PARTS

## CONTENTS

	Page
Ordering Repair Parts .....	6-1
Fig. 1 - Fuel Tank and Bumper Group .....	6-2
Fig. 2 - Carburetor Group, LPG .....	6-4

*NOTE: Section 6, LPG Parts, lists repair parts unique to an LPG powered machine.*





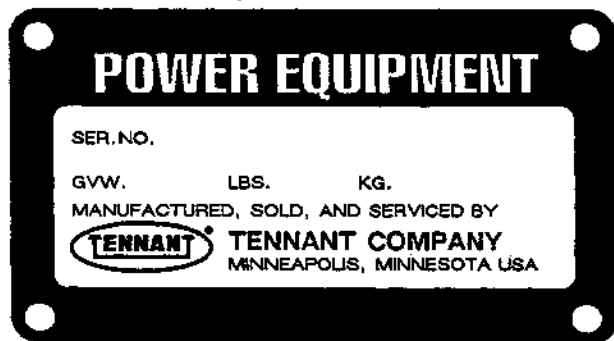
## ORDERING REPAIR PARTS

The components used in this machine have been carefully selected for performance and safety. Use only Tennant Company specified or equivalent parts.

To receive prompt service in filling of your parts orders, please direct all orders for parts with Tennant Company part numbers to the Tennant Company, and all orders for parts with vendor part numbers to the local supplier of the respective vendor.

When ordering parts, please furnish all of the following information:

1. Machine model number - shown on the machine data plate.



2. Machine serial number - shown on the machine data plate.
3. Power source - gasoline, LPG, diesel, electric.
4. Company name.
5. Shipping address.
6. Billing address.
7. Name, first and last - of person ordering parts.
8. Telephone number.
9. Purchase order number.
10. Part number, description, and quantity - of each item on the order.

Do not order parts by key number or the figure number of the illustrated parts. Indented items indicate parts of assemblies. Standard hardware is furnished only when part of a purchased assembly. Please get hardware from a local hardware supplier.

If the old part cannot be identified, send it to us with the quantity needed specified on the order.

Any claim for loss or damage to a shipment in transit should be filed promptly against the transportation company making the delivery. Shipments will be complete unless the packing list or order acknowledgement indicate items back ordered.

If parts received are suspected to be incorrect or defective, please write, wire, or phone the Tennant Company representative from whom you ordered the part. They will give authorization for return and/or handle replacement shipments when required.

### SERIAL NUMBER INFORMATION EXPLANATION

Serial number listings are shown to indicate on which machines each part can be used. These listings are explained by the following examples:

(000000- ) The part can be used on all machines.

(003342- ) The part can be used on all machines beginning with the serial number listed.

(000000-004320) The part can be used on all machines up to and including serial number listed.

(004321-005678) The part can be used on all machines between and including the serial numbers listed.

Where xxxxx's are listed in place of a serial number, it indicates a change was made but the exact serial number had not been established when the catalog went to press.

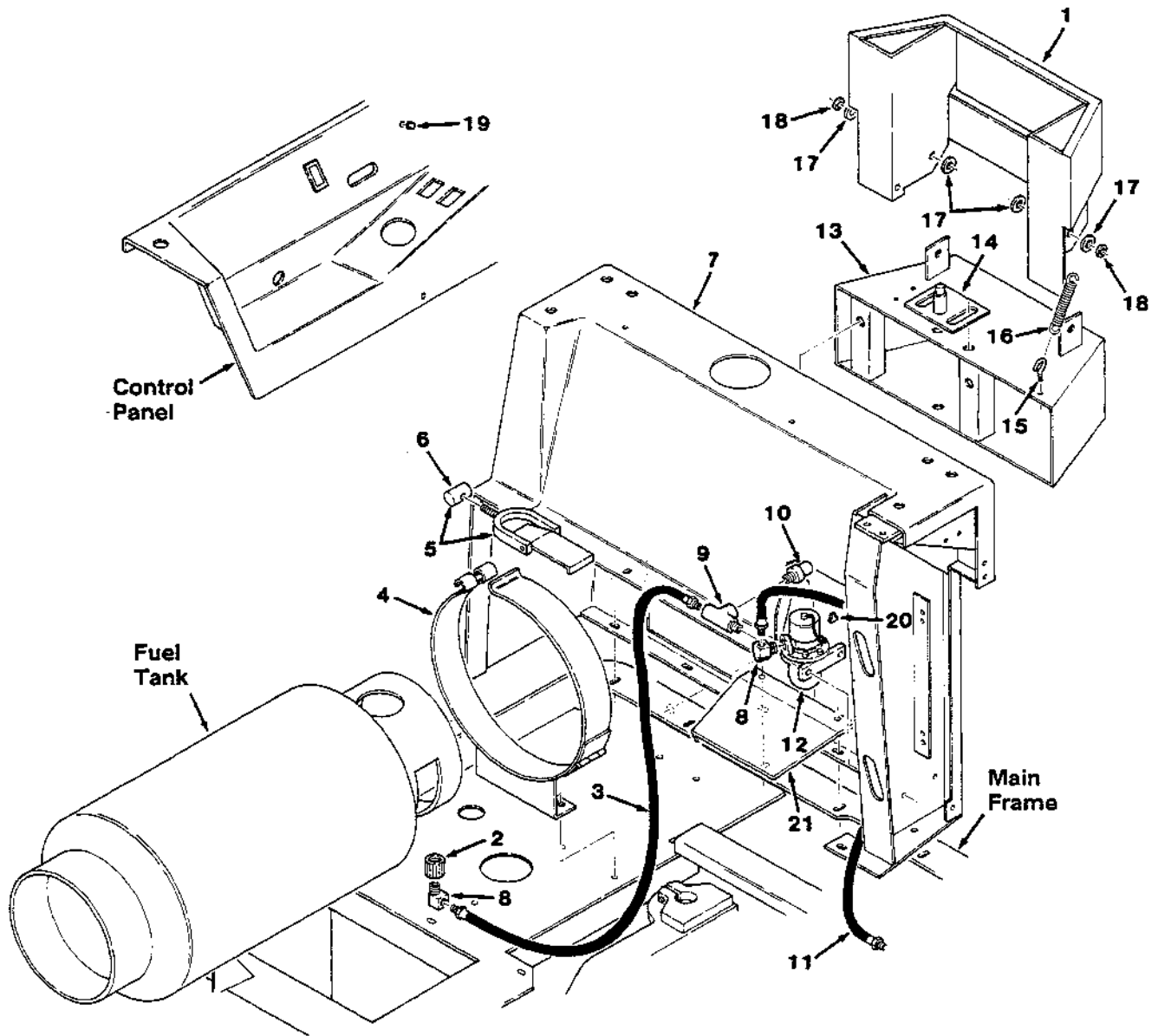
### SI UNITS OF MEASURE (INTERNATIONAL SYSTEM)

Metric equivalents have been included, where applicable, throughout this parts catalog.

### FASTENER STRENGTH IDENTIFICATION

Fasteners required to have high-strength qualities equivalent to SAE Grade 8 are identified throughout this catalog by the description GR 8. Unless identified by this description, all standard fasteners are SAE Grade 5.

(Specifications and design subject to change without notice.)



**Fig. 1 - Fuel Tank And Bumper Group, LPG**

*NOTE: To identify parts shown but not listed here, see Section 5, Low Dump Model Parts, or Section 8, Accessories.*

Fig. 1 - Fuel Tank Bumper Group, LPG

02556

Key	Tennant® Part No.	Machine Serial Number	Description	Qty.
1	55633	(000000- )	Bumper, LPG	1
2	26496	(000000- )	Coupling, LPG	1
3	22308-3	(000000- )	Hose, LPG	1
4	55653	(000000- )	Bracket, Mounting	1
5	53400-1	(000000- )	Latch	1
6	53400-4	(000000- )	Lug	1
7	82340	(000000- )	Support, Seat, LPG	1
8	27048	(000000- )	Fitting, Elbow	2
9	56976A	(000000- )	Fitting, Tee	1
10	24047	(000000- )	Valve, Pressure Relief	1
11	47192	(000000- )	Hose, LPG	1
12	33555	(000000- )	Fuel Filter Lock	1
	SK1444	(000000- )	Repair Kit, Fuel Filter	1
13	82683	(000000- )	Bumper, LPG	1
14	55556	(000000- )	Bracket, Locator Stud	1
15	11893	(000000- )	Bolt, Eye	1
16	29499	(000000- )	Spring, Tension	1
17	20536-1	(000000- )	Washer, Nylon	4
18	46231	(000000- )	Sleeve	2
19	47178-11	(000000- )	Plugbutton	1
20	68106	(000000- )	Terminal, Tab	1
21	02696	(001397- )	Shield, Fuel Line	1

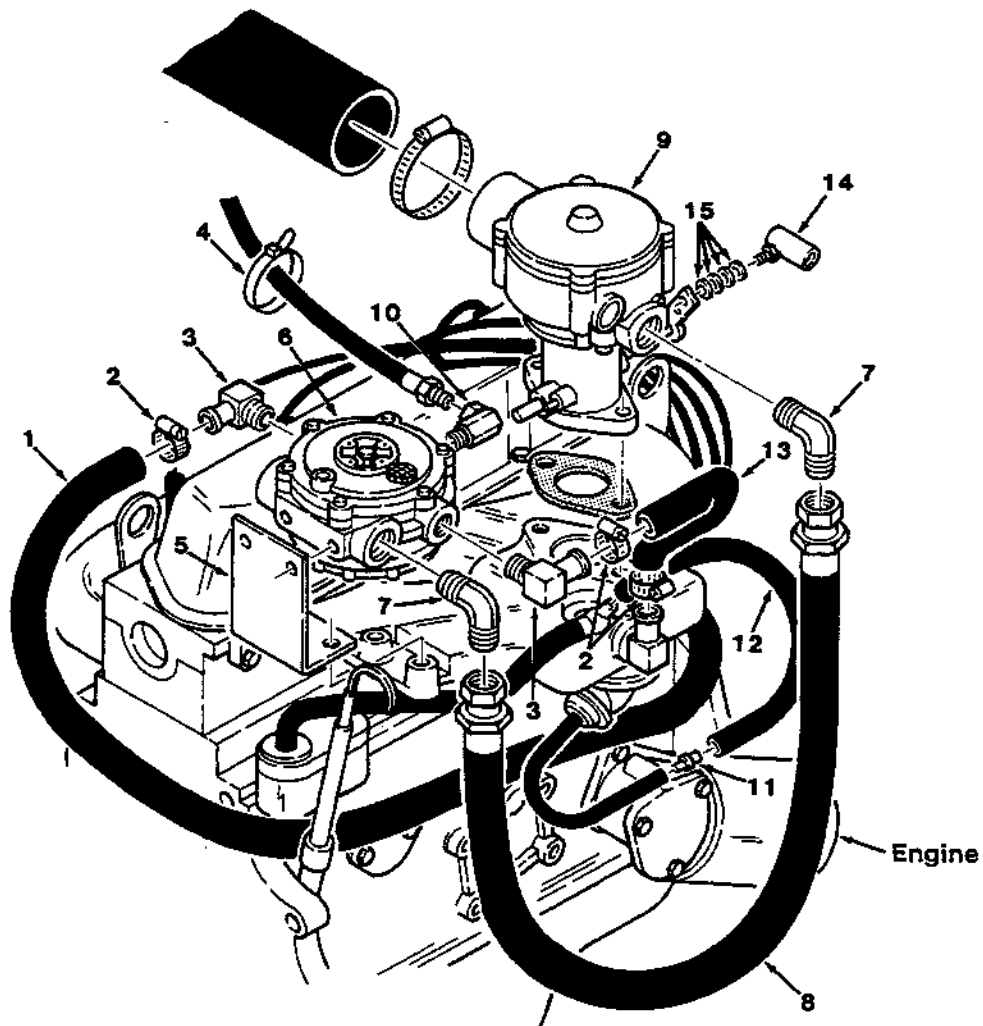


Fig. 2 - Carburetor Group, LPG

02541

Key	Tennant® Part No.	Machine Serial Number	Description	Qty.
1	82681	(000000- )	Hose	1
2	63810	(000000- )	Clamp, Worm Drive	4
3	51839	(000000- )	Fitting, Elbow	2
4	49263	(000000- )	Tie, Cable	3
5	82556	(000000- )	Bracket, Vaporizer	1
6	54930	(000000- )	Vaporizer, LPG	1
	55998	(000000- )	Repair Kit, Vaporizer	1
7	46611	(000000- )	Fitting, Elbow	2
8	82505	(000000- )	Hose, LPG	1
9	82691	(000000- )	Carburetor, LPG	1
10	11442-1	(000000- )	Fitting, Elbow	1
11	82684	(000000- )	Fitting, Straight	1
12	76589-2	(000000- )	Hose	1
13	57871	(000000- )	Hose	1
14	50332	(000000- )	Bail Joint	1
15	32483	(000000- )	Washer	4

NOTE: To identify parts shown but not listed here, see Section 5, Low Dump Model Parts.



---

# SECTION 7

# MULTI-LEVEL DUMP MODEL PARTS

## CONTENTS

	Page
Ordering Repair Parts .....	7-1
Fig. 1 - Main Frame Group, Multi-Level Dump .....	7-2
Fig. 2 - Hopper Door Assembly, Multi-Level Dump .....	7-3
Fig. 3 - Hopper Group, Multi-Level Dump .	7-4
Fig. 4 - Hopper Lift Arms Group, Multi-Level Dump .....	7-6
Fig. 5 - Hopper Cover and Filter Carrier Group, Multi-Level Dump .....	7-8
Fig. 6 - Hydraulic Lift Cylinder Group, Multi-Level Dump .....	7-9
Fig. 7 - Stabilizer Leg Group, Multi-Level Dump .....	7-10
Fig. 8 - Side Brush Group, Multi-Level Dump .....	7-11
Fig. 9 - Main Brush Lift Group, Multi-Level Dump .....	7-12
Fig. 10 - Front Wheel and Brakes Group, Multi-Level Dump .....	7-13
Fig. 11 - Hydraulic Hoses Group, Multi-Level Dump .....	7-14
Fig. 12 - Hydraulic Control Valve Group, Multi-Level Dump .....	7-15
Fig. 13 - Wire Harnesses Group, Multi-Level Dump .....	7-16

*NOTE: Section 7, Multi-Level Dump Parts, lists repair parts unique to a multi-level dump Model 255.*

---



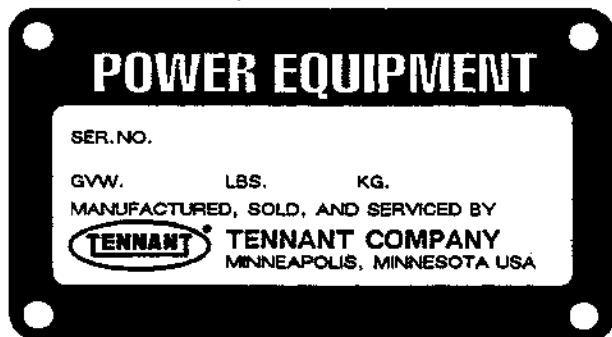
## ORDERING REPAIR PARTS

The components used in this machine have been carefully selected for performance and safety. Use only Tennant Company specified or equivalent parts.

To receive prompt service in filling of your parts orders, please direct all orders for parts with Tennant Company part numbers to the Tennant Company, and all orders for parts with vendor part numbers to the local supplier of the respective vendor.

When ordering parts, please furnish all of the following information:

1. Machine model number - shown on the machine data plate.



2. Machine serial number - shown on the machine data plate.
3. Power source - gasoline, LPG, diesel, electric.
4. Company name.
5. Shipping address.
6. Billing address.
7. Name, first and last - of person ordering parts.
8. Telephone number.
9. Purchase order number.
10. Part number, description, and quantity - of each item on the order.

Do not order parts by key number or the figure number of the illustrated parts. Indented items indicate parts of assemblies. Standard hardware is furnished only when part of a purchased assembly. Please get hardware from a local hardware supplier.

If the old part cannot be identified, send it to us with the quantity needed specified on the order.

Any claim for loss or damage to a shipment in transit should be filed promptly against the transportation company making the delivery. Shipments will be complete unless the packing list or order acknowledgement indicate items back ordered.

If parts received are suspected to be incorrect or defective, please write, wire, or phone the Tennant Company representative from whom you ordered the part. They will give authorization for return and/or handle replacement shipments when required.

### SERIAL NUMBER INFORMATION EXPLANATION

Serial number listings are shown to indicate on which machines each part can be used. These listings are explained by the following examples:

(000000- ) The part can be used on all machines.

(003342- ) The part can be used on all machines beginning with the serial number listed.

(000000-004320) The part can be used on all machines up to and including serial number listed.

(004321-005678) The part can be used on all machines between and including the serial numbers listed.

Where xxxxxx's are listed in place of a serial number, it indicates a change was made but the exact serial number had not been established when the catalog went to press.

### SI UNITS OF MEASURE (INTERNATIONAL SYSTEM)

Metric equivalents have been included, where applicable, throughout this parts catalog.

### FASTENER STRENGTH IDENTIFICATION

Fasteners required to have high-strength qualities equivalent to SAE Grade 8 are identified throughout this catalog by the description GR 8. Unless identified by this description, all standard fasteners are SAE Grade 5.

(Specifications and design subject to change without notice.)

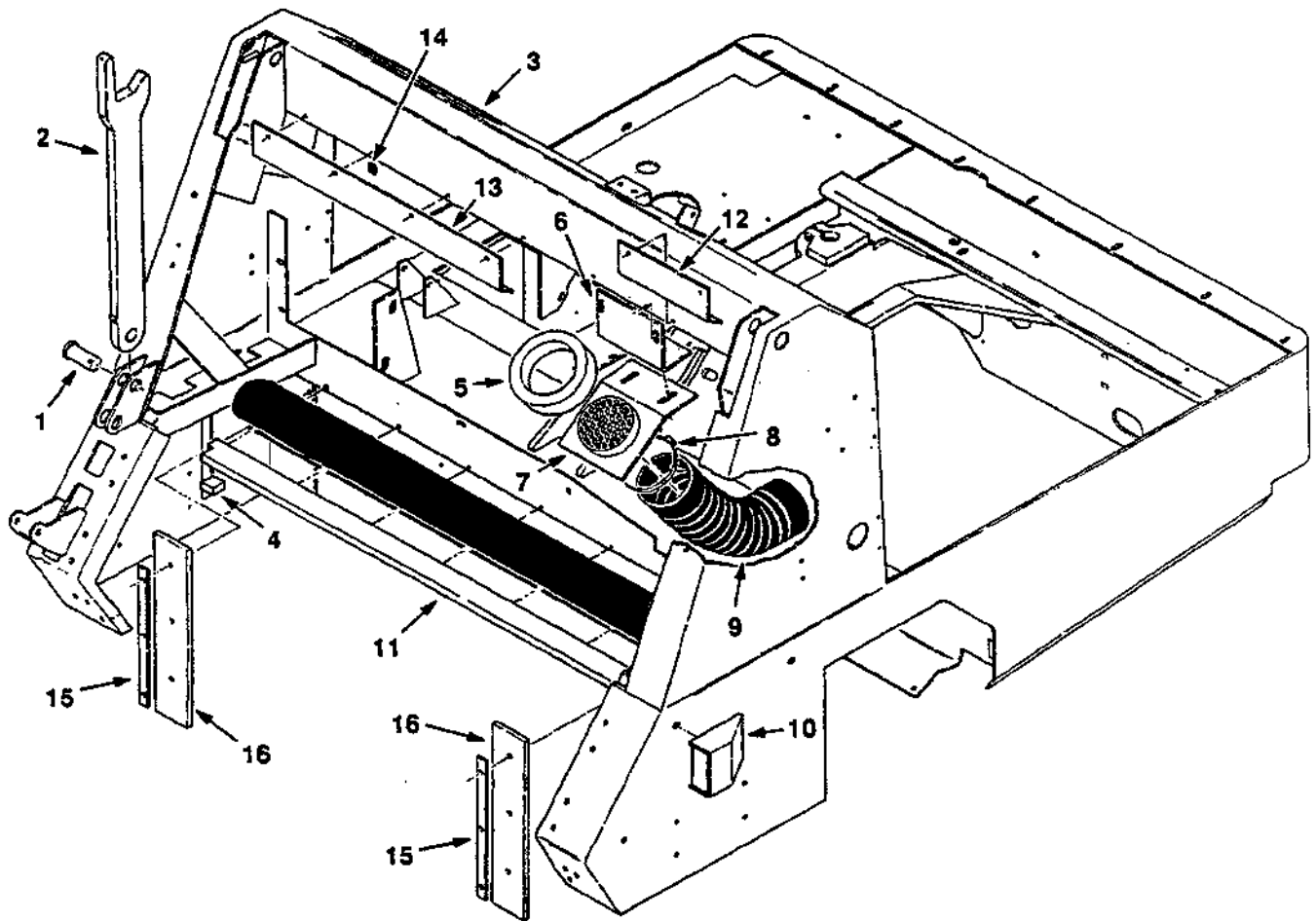


Fig. 1 - Main Frame Group, Multi-Level Dump

02557

Key	Tennant® Part No.	Machine Serial Number	Description	Qty.
1	36994	(000000- )	Pin, Clevis	1
2	82193	(000000- )	Arm Assembly, Safety	1
3	82120	(000000- )	Frame, Main	1
4	54338-6	(000000- )	Seal, Foam Rubber	2
5	82425	(000000- )	Seal, Fan Inlet	1
6	82394	(000000- )	Angle, Hose Adjust	1
7	82393	(000000- )	Connection, Hose	1
8	23498	(000000- )	Clamp, Worm Drive	1
9	51768A	(000000- )	Hose	1
10	82186	(000000- )	Bumper, End	1
11	50446	(000000- )	Retainer, Top Seal	1
12	82776	(000000- )	Shield, Spray	1
13	82777	(000000- )	Shield, Spray	1
14	82138	(000000- )	Nut, Retainer	6
15	23384-2	(000000- )	Strip	2
16	23382	(000000- )	Seal, Side	6

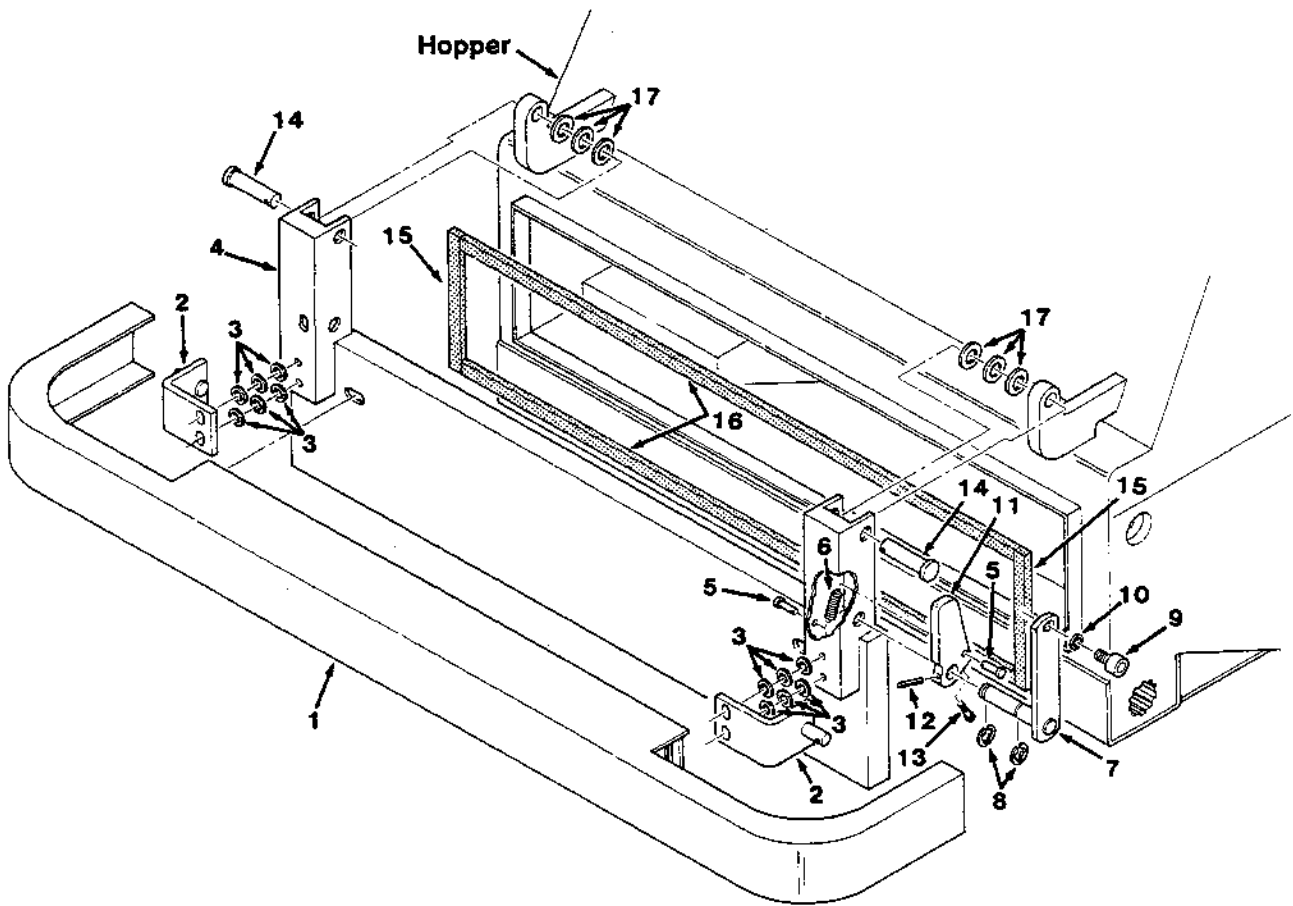


Fig. 2 - Hopper Door Assembly, Multi-Level Dump

02533

Key	Tennant® Part No.	Machine Serial Number	Description	Qty.
1	33710	(000000- )	Bumper	1
2	36984	(000000- )	Bracket, Door Latch	2
3	32492	(000000- )	Washer	12
4	35669	(000000- )	Door Assembly, Hopper	1
	35526	(000000- )	Door, Hopper	1
5	82168	(000000- )	Pin, Clevis	2
6	28387	(000000- )	Spring, Tension	1
7	37073	(000000- )	Shaft, Pivot	1
8	23788-1	(000000- )	Ring, Retaining	2
9	48930	(000000- )	Cam, Follower	1
10	35546	(000000- )	Sleeve	1
11	37074	(000000- )	Brace, Hopper Door	1
12	46585	(000000- )	Pin, Roll	1
13	01681	(000000- )	Screw, Socket	1
14	04733-3	(000000- )	Pin, Clevis	2
15	37055	(000000- )	Seal, Foam Rubber	2
16	37054	(000000- )	Seal, Foam Rubber	2
17	35540	(000000- )	Shim, Washer	6

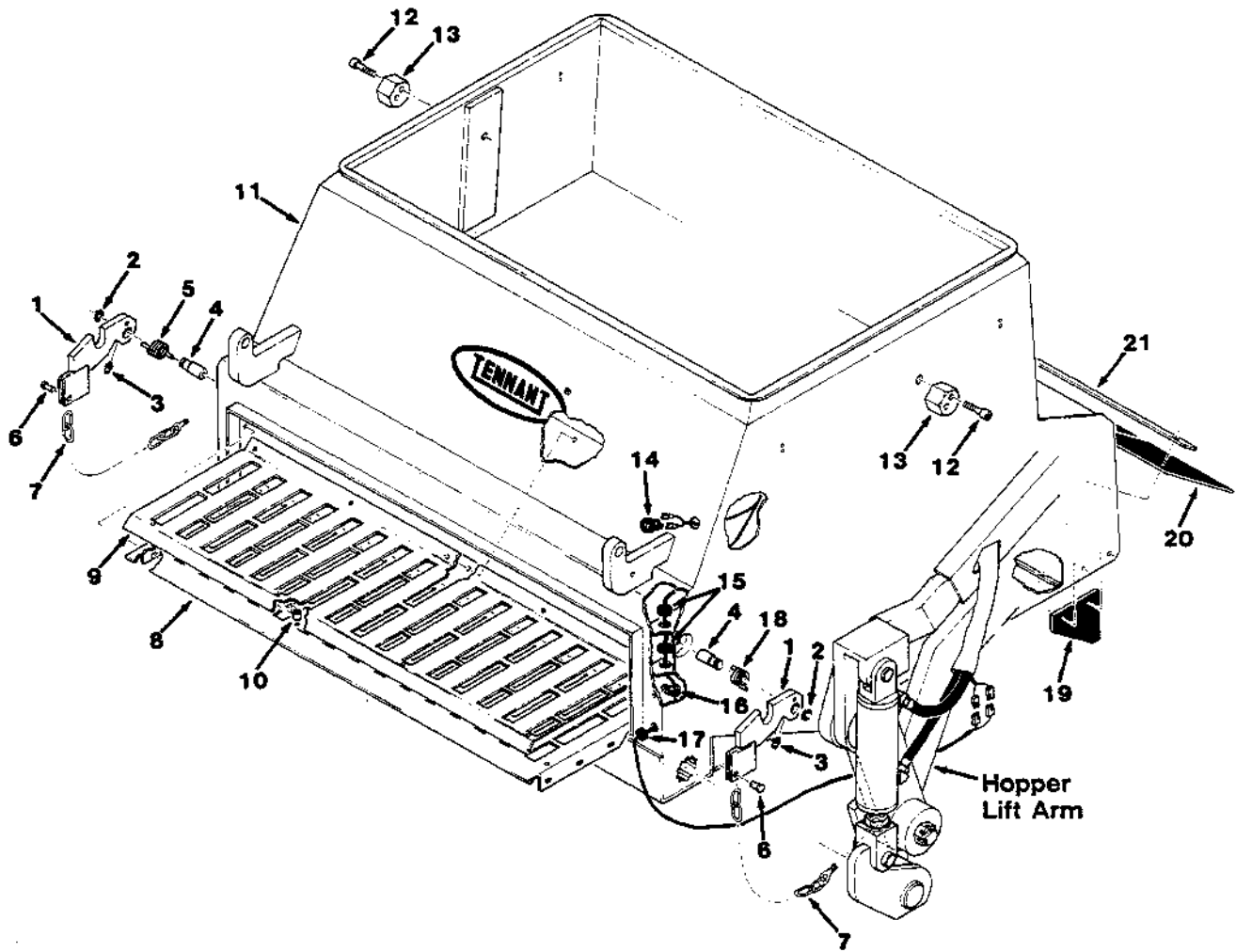
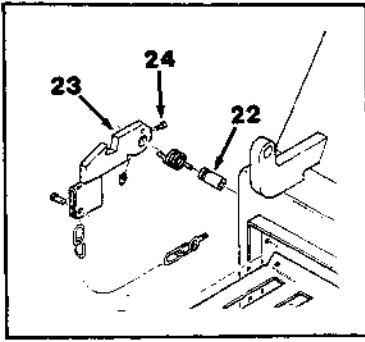
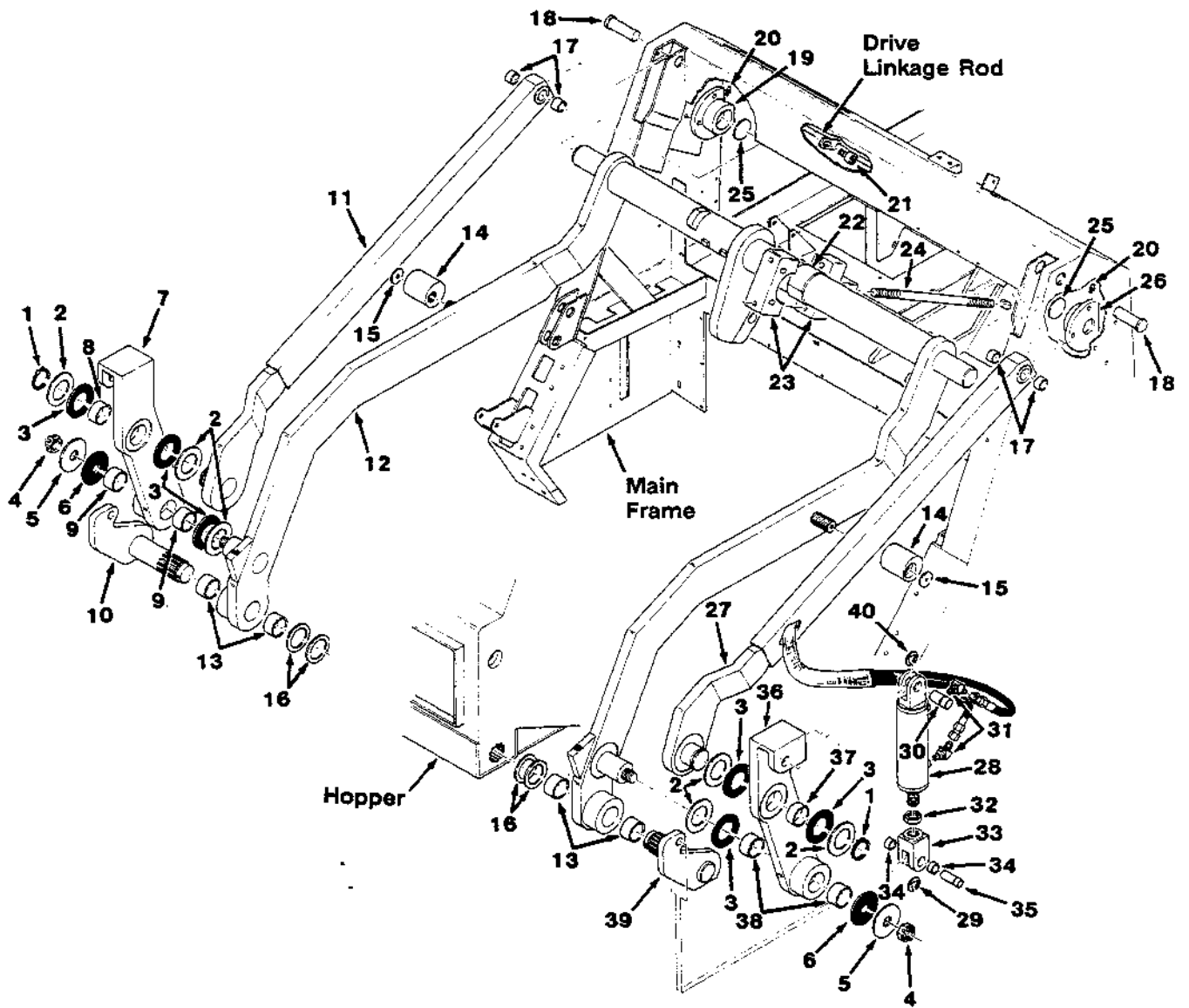


Fig. 3 - Hopper Group, Multi-Level Dump

Fig. 3 - Hopper Group, Multi-Level Dump

02828

Key	Tennant® Part No.	Machine Serial Number	Description	Qty.
1	82501	(001085- )	Latch, Door	2
2	18136	(001085- )	Ring, Retaining	2
3	07259	(000000- )	Fitting, Grease	2
4	82500	(001085- )	Shaft, Latch	2
5	48928	(000000- )	Spring, Torsion	1
6	10120	(000000- )	Pin, Clevis	2
7	32448	(000000- )	Chain Assembly	2
8	82476	(000000- )	Baffle, Lower	1
9	82477	(000000- )	Baffle, Upper	1
10	82483	(000000- )	Tube, Spacer	4
11	08000	(000000- )	Hopper	1
12	82423	(000000- )	Screw, Socket	2
13	82421	(000000- )	Cam, Positioning	2
14	39672	(000000- )	Terminal, Bushing	1
15	10632-4	(000000- )	Grommet	2
16	26395-2	(000000- )	Clamp, Cable	1
17	10632-1	(000000- )	Grommet	1
18	48927	(000000- )	Spring, Torsion	1
19	37021	(000000- )	Lip, Side	2
20	35607	(000000- )	Lip	5
21	53758	(000000- )	Strip	1
22	35578	(000000-001084)	Rod, Pivot	2
23	32444	(000000-001084)	Latch, Door	2
24	01677	(000000-001084)	Screw, Socket	2



**Fig. 4 - Hopper Lift Arms Group, Multi-Level Dump**

*NOTE: To identify parts shown but not listed here, see Section 5, Low Dump Model Parts.*



Fig. 4 - Hopper Lift Arms Group, Multi-Level Dump

02562

Key	Tennant® Part No.	Machine Serial Number	Description	Qty.
1	35686	(000000- )	Ring, Retaining	2
2	35615	(000000- )	Washer	6
3	37139	(000000- )	Bearing, Thrust	6
4	14242	(000000- )	Nut, Slotted	2
5	35614	(000000- )	Washer	2
6	35666	(000000- )	Bearing, Thrust	2
7	35621-1	(000000- )	Arm Assembly, Pivot, R.H.	1
8	35665	(000000- )	Bearing, Journal	1
9	35561	(000000- )	Bearing, Journal	2
10	35640	(000000- )	Shaft, R.H.	1
11	82610	(000000- )	Arm, Upper, R.H.	1
12	82194	(000000- )	Arm Assembly, Lift	1
13	35561	(000000- )	Bearing, Journal	4
14	33541	(000000- )	Hub, Splined	2
15	36996	(000000- )	Washer	2
16	32125	(000000- )	Washer	6
17	35688	(000000- )	Bearing, Journal	4
18	34410	(000000- )	Pin, Clevis	2
19	35631	(000000- )	Bearing, R.H.	1
20	07259	(000000- )	Fitting, Grease	2
21	48930	(000000- )	Cam, Follower	1
22	35668	(000000- )	Bearing, Journal	1
23	35630	(000000- )	Bearing, Center	1
24	35595	(000000- )	Stud	1
25	23138	(000000- )	Shim	6
26	35631-1	(000000- )	Bearing, L.H.	1
27	82611	(000000- )	Arm, Upper, L.H.	1
28	82756	(000000- )	Cylinder, Hydraulic	2
29	23788-1	(000000- )	Ring, Retaining	2
30	23145	(000000- )	Pin, Grooved	2
31	34359	(000000- )	Fitting, Elbow, 45°	4
32	48988	(000000- )	Nut	2
33	37015	(000000- )	Clevis	2
34	37014	(000000- )	Bearing, Journal	2
35	37016	(000000- )	Pin, Grooved	2
36	35620-1	(000000- )	Arm Assembly, Pivot, L.H.	1
37	35665	(000000- )	Bearing, Journal	1
38	35561	(000000- )	Bearing, Journal	2
39	35636	(000000- )	Shaft, L.H.	1
40	23788	(000000- )	Ring, Retaining	2

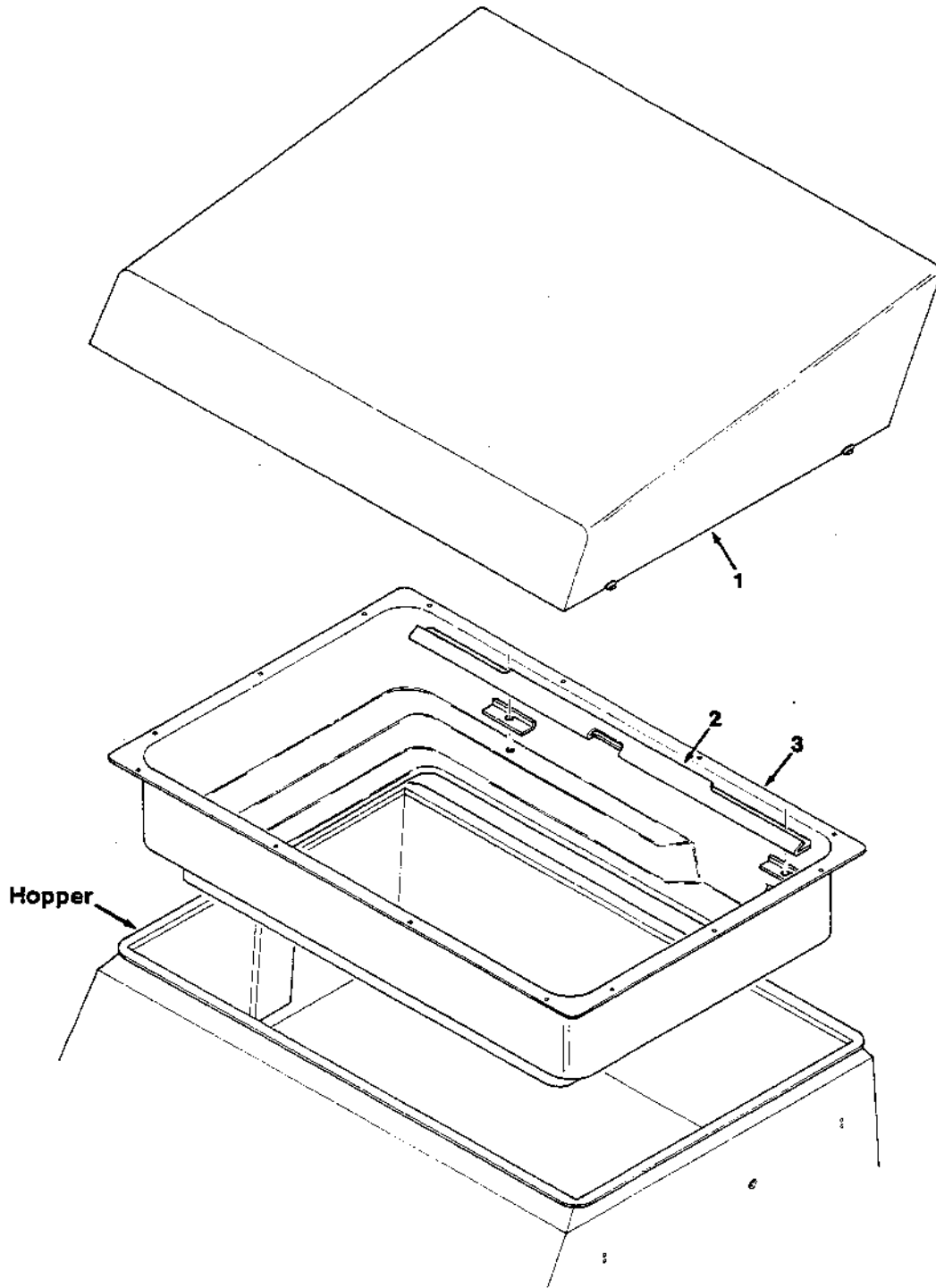


Fig. 5 - Hopper Cover And Filter Carrier Group, Multi-Level Dump

02573

Key	Tennant® Part No.	Machine Serial Number	Description	Qty.
1	82400	(000000- )	Cover, Filter	1
2	82452	(000000- )	Bracket, Filter Retainer	1
3	82451	(000000- )	Carrier, Filter	1

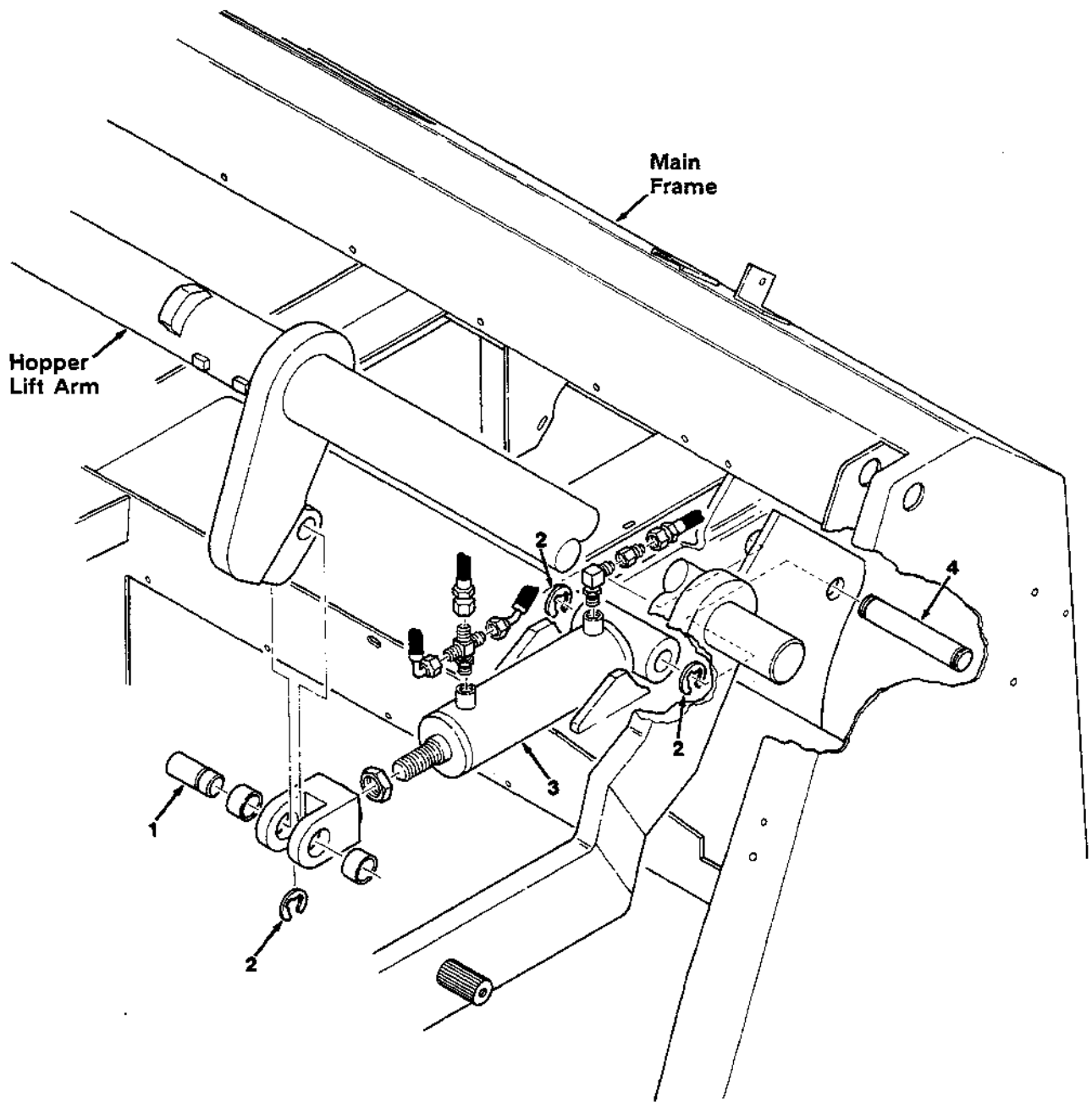


Fig. 6 - Hydraulic Lift Cylinder Group, Multi-Level Dump

02546

Key	Tennant® Part No.	Machine Serial Number	Description	Qty.
1	32941	(000000- )	Pin, Grooved	1
2	23788	(000000- )	Ring, Retaining	3
3	82757	(000000- )	Cylinder, Hydraulic	1
4	35515	(000000- )	Pin, Grooved	1

NOTE: To identify parts shown but not listed here, see Section 5, Low Dump Model Parts.

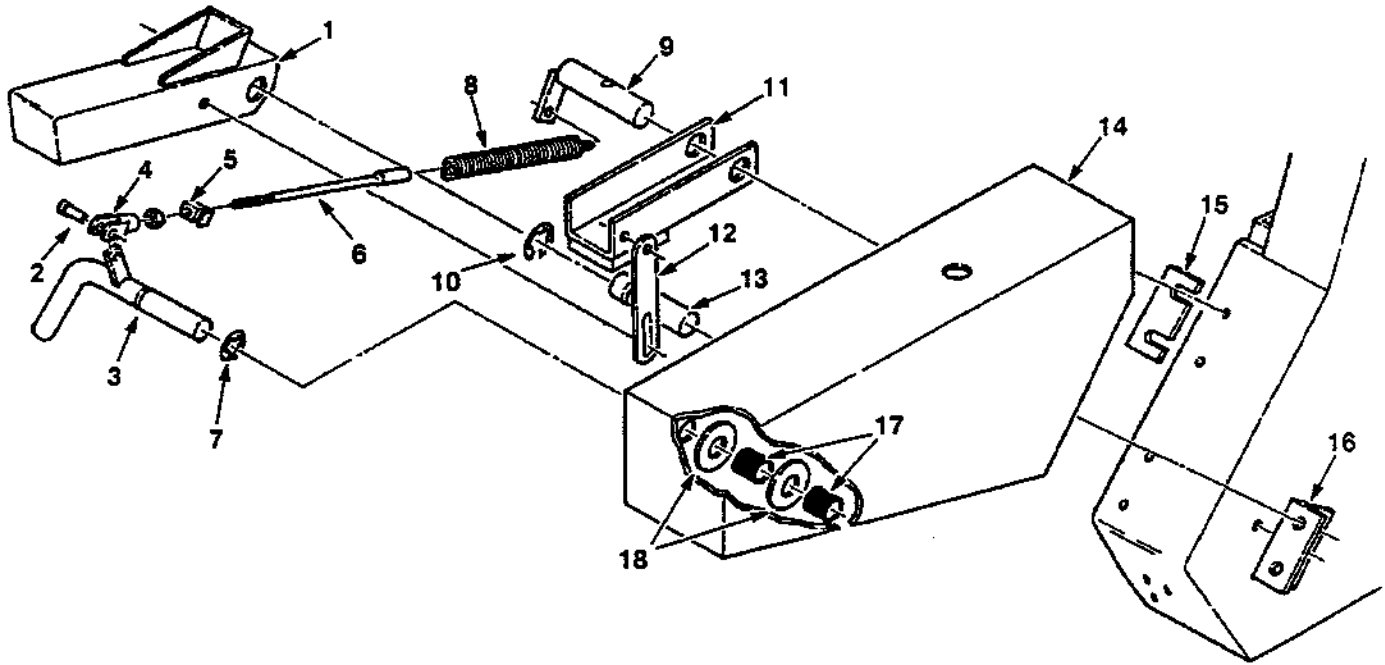


Fig. 7 - Stabilizer Leg Group, Multi-Level Dump

04598

Key	Tennant® Part No.	Machine Serial Number	Description	Qty.
1	35591	(000000- )	Leg, Safety	1
2	51727	(000000- )	Pin, Clevis	1
3	33568	(000000- )	Lever, Leg	1
4	14595-1	(000000- )	Clevis, Adjustable	1
5	33565	(000000- )	Lug, Adjustment	1
6	33563	(000000- )	Rod, Adjustment	1
7	23788-1	(000000- )	Ring, Retaining	1
8	33523	(000000- )	Spring, Tension	1
9	33763	(000000- )	Shaft, Stop	1
10	23788	(000000- )	Ring, Retaining	1
11	35533	(000000- )	Support, Leg	1
12	35527	(000000- )	Link	1
13	36972	(000000- )	Pin, Grooved	1
14	32282	(000000- )	Bumper, L.H.	1
15	14895	(000000- )	Shim	1
16	82189	(000000- )	Bracket, L	1
17	36663	(000000- )	Sleeve	2
18	32495	(000000- )	Washer	2

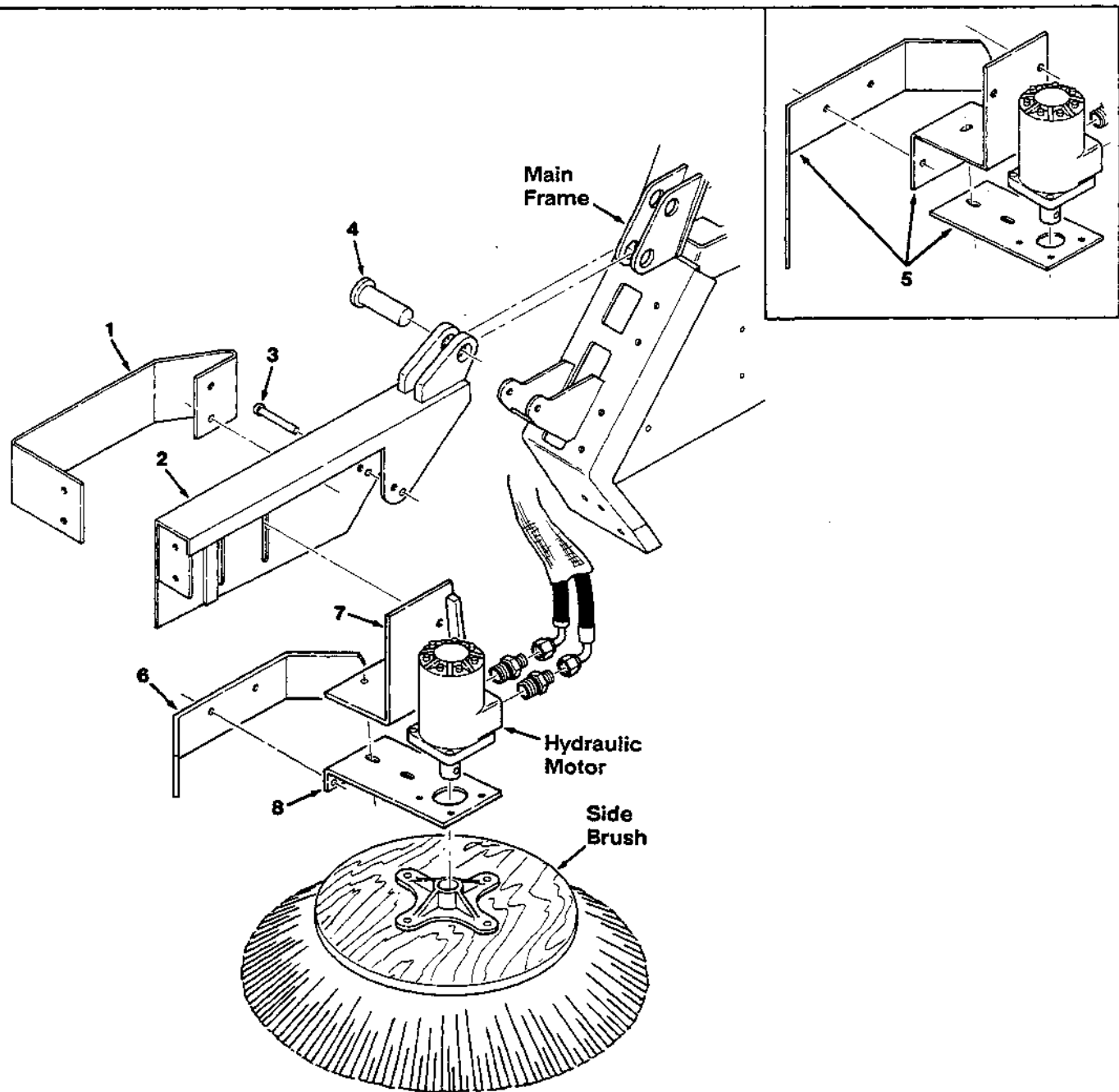


Fig. 8 - Side Brush Group, Multi-Level Dump

02540

Key	Tennant® Part No.	Machine Serial Number	Description	Qty.
1	36955	(000000- )	Guard, Arm	1
2	55662	(000000- )	Arm, Brush	1
3	23191	(000000- )	Pin, Clevis	1
4	04733-11	(000000- )	Pin, Clevis	1
5	33834	(000000-001372)	Replacement Kit, Side Brush Mounting	1
6	82273	(001373- )	Bumper, Side Brush	1
7	02482	(001373- )	Bracket, Bumper	1
8	82272	(001373- )	Plate, Motor Mounting	1

Note: To identify parts shown but not listed here, see Section 5, Low Dump Model Parts.

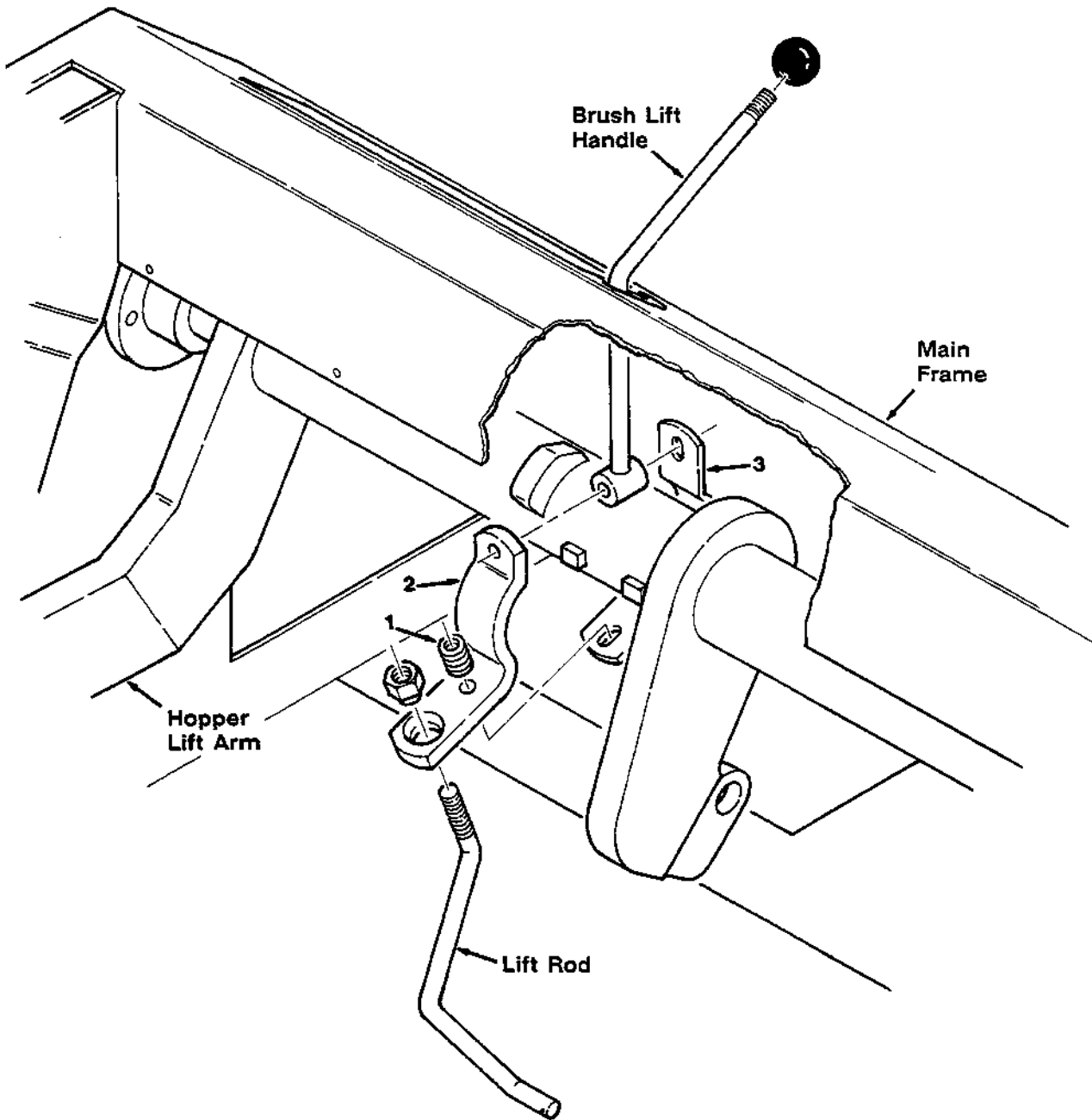


Fig. 9 - Main Brush Lift Group, Multi-Level Dump

02566

Key	Tennant® Part No.	Machine Serial Number	Description	Qty.
1	14174	(000000- )	Spring, Compression	1
2	53907	(000000- )	Lever, Lift Handle	1
3	53899	(000000- )	Clip, Lift Handle	1

NOTE: To identify parts shown but not listed here, see Section 5, Low Dump Model Parts.

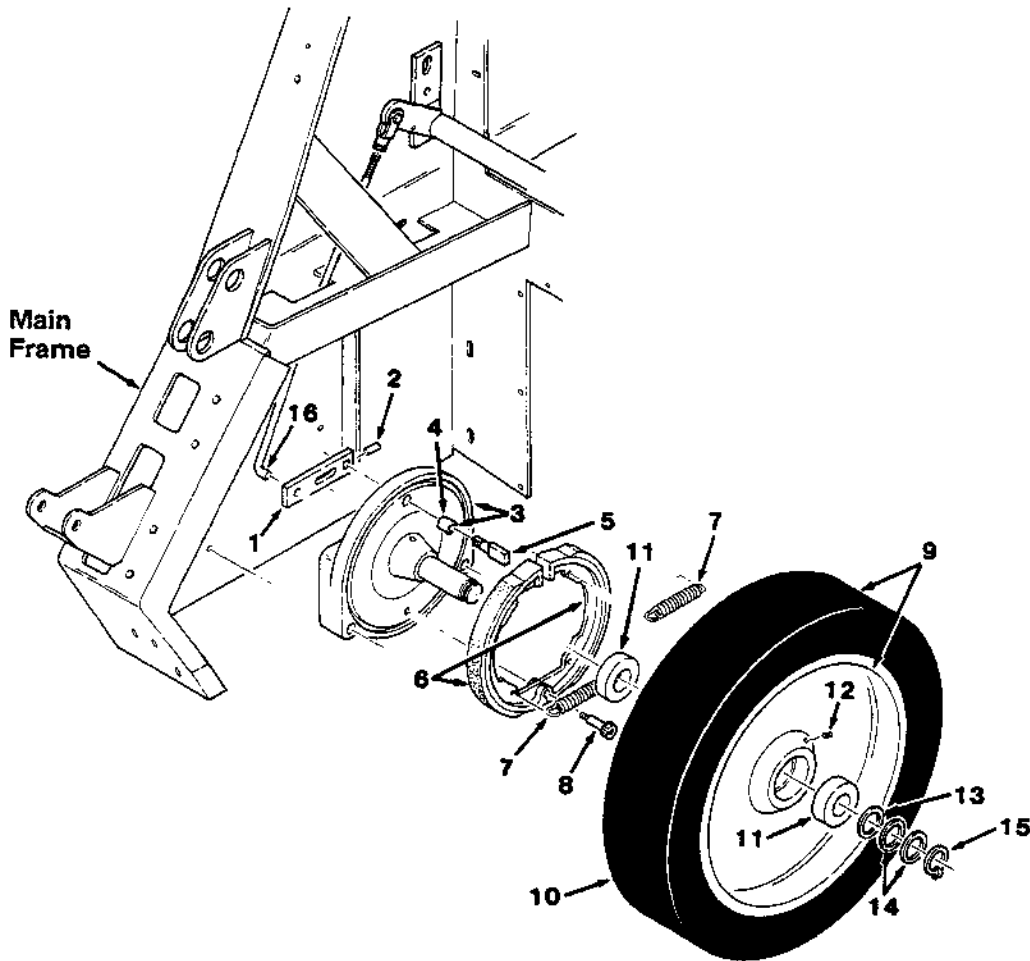


Fig. 10 - Front Wheel And Brakes Group, Multi-Level Dump

02538

Key	Tennant® Part No.	Machine Serial Number	Description	Qty.
	82232	(000000- )	Axle Assembly, Front	2
1	23484	(000000- )	Arm	1
2	20021	(000000- )	Pin, Roll	1
3	08108	(000000-001855 )	Replacement Kit, Front Axle	1
3	08107	(001856- )	Axle, Front	1
4	24992	(000000- )	Bushing, Sleeve	1
5	23272	(000000- )	Cam	1
6	56058	(000000- )	Brake Assembly	2
7	09758	(000000- )	Spring, Tension	2
8	56060	(000000- )	Screw, Shoulder	1
9	82230	(000000- )	Wheel Assembly, Front	2
	82238	(000000- )	Wheel And Tire Assembly	1
10	25197A	(000000- )	Tire	1
11	33816	(000000- )	Bearing, Ball	2
12	10552	(000000- )	Fitting, Plug	1
13	82226	(000000- )	Washer	2
14	82227	(000000- )	Washer	4
15	06442	(000000- )	Ring, Retaining	2
16	82219	(000000- )	Rod, Control	2

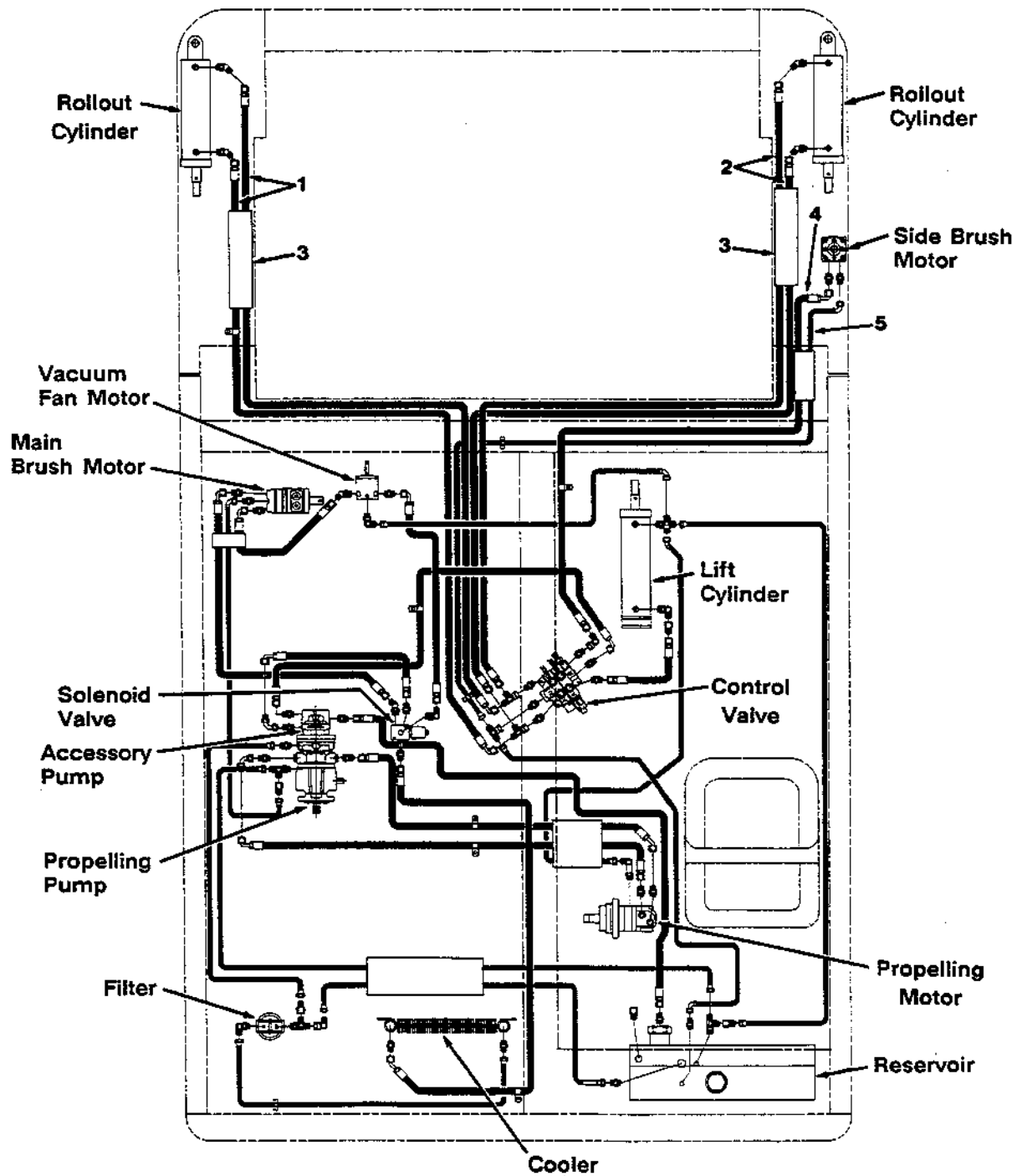


Fig. 11 - Hydraulic Hoses Group, Multi-Level Dump

02583

Key	Tennant® Part No.	Machine Serial Number	Description	Qty.
1	82817	(000000- )	Hose, Hydraulic	2
2	82815	(000000- )	Hose, Hydraulic	2
3	82834	(000000- )	Sleeve, Hose	2
4	82816	(000000- )	Hose, Hydraulic	1
5	82808	(000000- )	Hose, Hydraulic	1

NOTE: To identify parts shown but not listed here, see Section 5, Low Dump Model Parts.



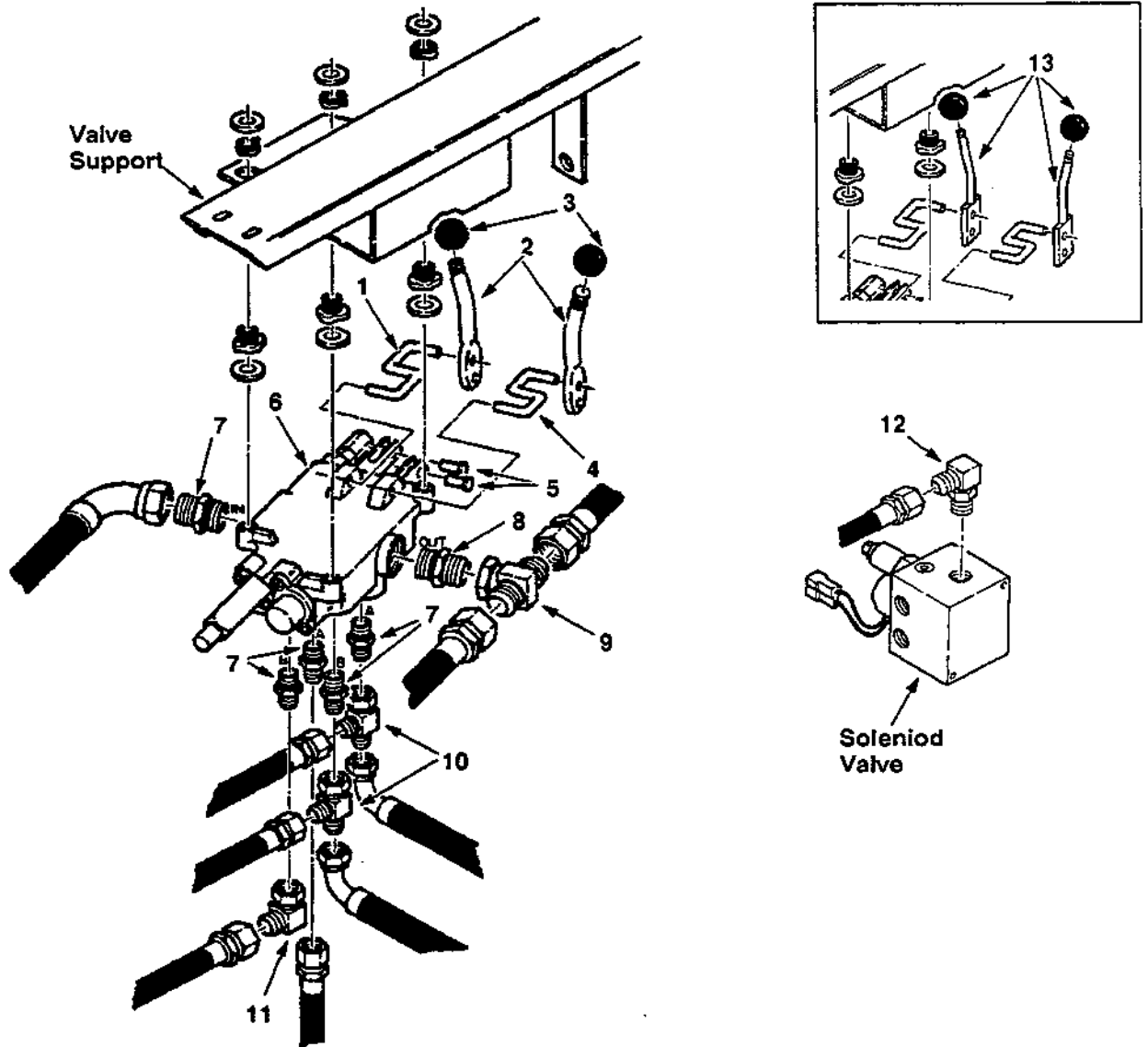


Fig. 12 - Hydraulic Control Valve Group, Multi-Level Dump

Key	Tennant® Part No.	Machine Serial Number	Description	Qty.
1	82762	(000000- )	Link, Hook	1
2	02687	(002005- )	Handle, Valve	2
3	26156	(002005- )	Knob	2
4	32759	(000000- )	Link, Hook	1
5	14605	(000000- )	Pin, Clevis	2
6	34319	(000000- )	Valve, Hydraulic	1
7	55686	(000000- )	Fitting, Straight	5
8	52402	(000000- )	Fitting, Straight	1
9	35586	(000000- )	Fitting, Tee	1
10	57988	(000000- )	Fitting, Tee	2
11	39210	(000000- )	Fitting, Elbow	1
12	44868	(000000- )	Fitting, Elbow	1
13	02688	(000000-002004)	Replacement Kit, Handle	2

NOTE: To identify parts shown but not listed here, see Section 5, Low Dump Model Parts.

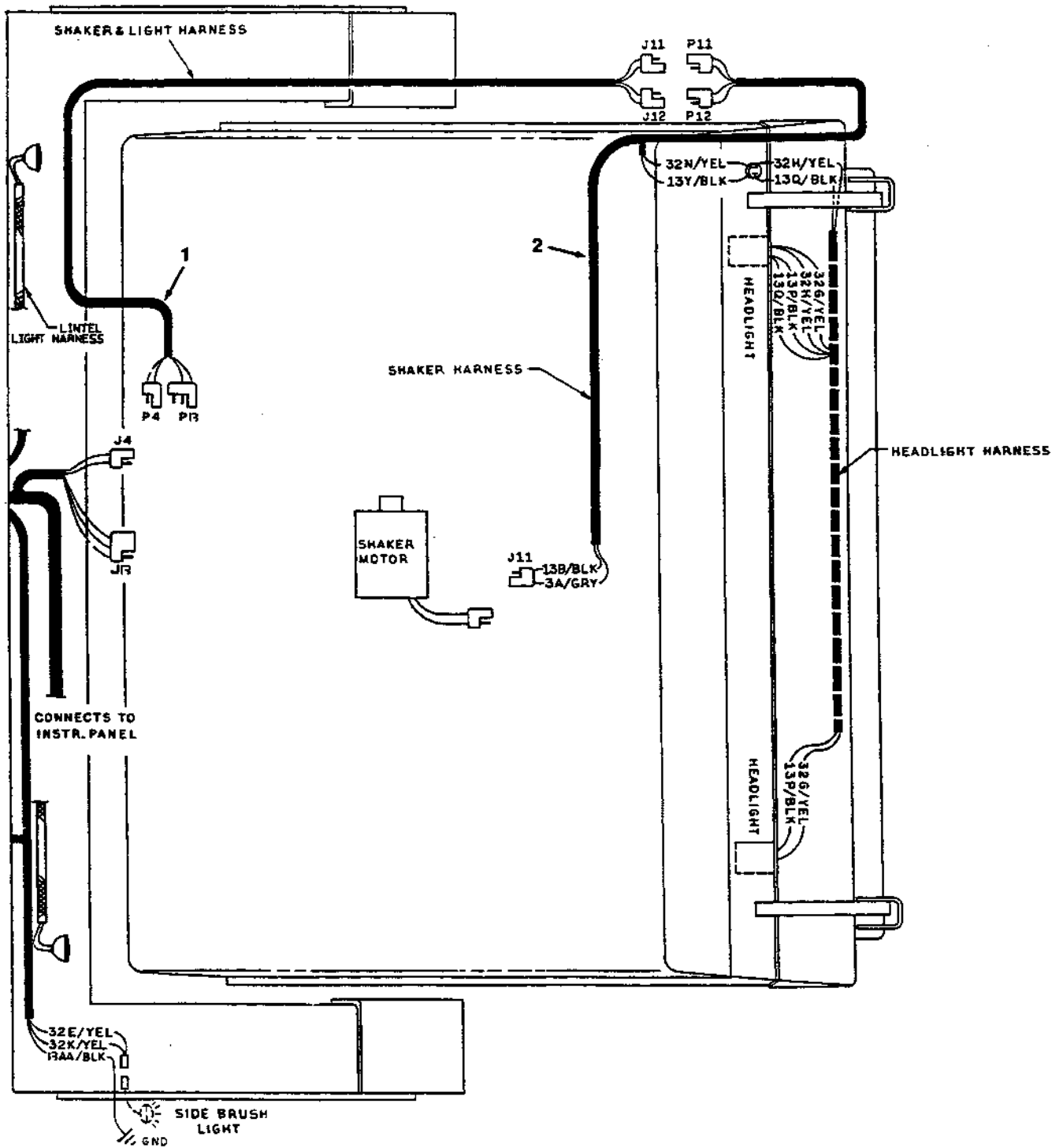


Fig. 13 - Wire Harnesses Group, Multi-Level Dump

02549

Key	Tennant® Part No.	Machine Serial Number	Description	Qty.
1	82704	(000000- )	Wire Harness, Shaker	1
2	82724	(000000- )	Wire Harness, Hopper	1

# SECTION 8 ACCESSORIES

## CONTENTS

	Page	
Ordering Repair Parts .....	8-1	Fig. 35 - Side Brush Dust Control Kit, Multi-Level Dump .....
Fig. 1 - Cab Kit .....	8-2	8-48
Fig. 2 - Snow Blade Kit .....	8-4	Fig. 36 - Fuel Gauge Kit .....
Fig. 3 - Snow Broom Kit .....	8-6	8-50
Fig. 4 - Mount Frame Kit .....	8-8	Fig. 37 - Battery Hold Down Kit .....
Fig. 5 - Tire Chain Kit .....	8-9	8-51
Fig. 6 - Front Wheel Assembly, Low Dump	8-9	Fig. 38 - Overhead Guard Kit .....
Fig. 7 - Headlight, Taillight, and Spotlight Kit, Low Dump .....	8-10	8-52
Fig. 8 - Headlight, Taillight, and Spotlight Kit, Multi-Level Dump .....	8-12	Fig. 39 - Fire Extinguisher Kit .....
Fig. 9 - Headlight, Taillight, and Spotlight Kit, Lintle .....	8-14	8-53
Fig. 10 - Revolving Light Kit, Overhead Guard .....	8-16	Fig. 40 - Alternator Kit .....
Fig. 11 - Flashing Light Kit, Overhead Guard	8-17	8-53
Fig. 12 - Revolving Light Kit, Shroud .....	8-18	Fig. 41 - Suspension Seat Kit .....
Fig. 13 - Flashing Light Kit, Shroud .....	8-19	8-54
Fig. 14 - Revolving Light Kit, Cab .....	8-20	Fig. 42 - Spark Arresting Muffler Kit .....
Fig. 15 - Flashing Light Kit, Cab .....	8-21	8-54
Fig. 16 - Rear Squeegee Group .....	8-22	Fig. 43 - Hood Latch and Machine Tie-Down Kit .....
Fig. 17 - Rear Squeegee Update Group ....	8-24	8-55
Fig. 18 - Side Squeegee Group .....	8-26	Fig. 44 - Protectoseal Fuel Tank Cap Kit ..
Fig. 19 - Tire and Wheel Assembly .....	8-27	8-56
Fig. 20 - Front Wheel Assembly .....	8-27	Fig. 45 - LPG Fuel Tanks Group .....
Fig. 21 - Scrubber Brush Drive Group .....	8-28	8-56
Fig. 22 - Solution Tanks Group .....	8-30	Fig. 46 - Thermostat Kit .....
Fig. 23 - Recovery Tank Group .....	8-32	8-57
Fig. 24 - Scrub Attachment Cam Group ...	8-34	Fig. 47 - Extra Reach Side Brush Group Low Dump .....
Fig. 25 - Main Scrubber Brush Group .....	8-35	8-58
Fig. 26 - Instrument Panel Group .....	8-35	Fig. 48 - Extra Reach Side Brush Group Multi-Level Dump .....
Fig. 27 - Air Cleaner Kit, Heavy Duty .....	8-36	8-59
Fig. 28 - Clogged Filter Indicator Kit .....	8-37	
Fig. 29 - Hopper Dolly Assembly .....	8-38	
Fig. 30 - Dry Battery Kit .....	8-39	
Fig. 31 - Vacuum Wand Kit, Low Dump ....	8-40	
Fig. 32 - Vacuum Wand Kit, Multi-Level Dump .....	8-42	
Fig. 33 - Side Brush Dust Control Kit .....	8-44	
Fig. 34 - Side Brush Dust Control Kit (With Hopper), Multi-Level Dump	8-46	

*NOTE: Section 8, Accessories, lists repair parts included as part of the available accessories.*



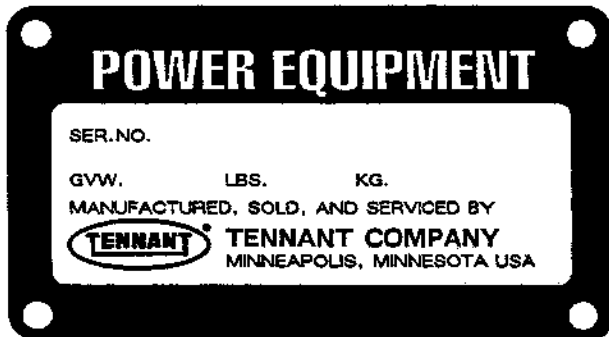
## ORDERING REPAIR PARTS

The components used in this machine have been carefully selected for performance and safety. Use only Tennant Company specified or equivalent parts.

To receive prompt service in filling of your parts orders, please direct all orders for parts with Tennant Company part numbers to the Tennant Company, and all orders for parts with vendor part numbers to the local supplier of the respective vendor.

When ordering parts, please furnish all of the following information:

1. Machine model number - shown on the machine data plate.



2. Machine serial number - shown on the machine data plate.
3. Power source - gasoline, LPG, diesel, electric.
4. Company name.
5. Shipping address.
6. Billing address.
7. Name, first and last - of person ordering parts.
8. Telephone number.
9. Purchase order number.
10. Part number, description, and quantity - of each item on the order.

Do not order parts by key number or the figure number of the illustrated parts. Indented items indicate parts of assemblies. Standard hardware is furnished only when part of a purchased assembly. Please get hardware from a local hardware supplier.

If the old part cannot be identified, send it to us with the quantity needed specified on the order.

Any claim for loss or damage to a shipment in transit should be filed promptly against the transportation company making the delivery. Shipments will be complete unless the packing list or order acknowledgement indicate items back ordered.

If parts received are suspected to be incorrect or defective, please write, wire, or phone the Tennant Company representative from whom you ordered the part. They will give authorization for return and/or handle replacement shipments when required.

### SERIAL NUMBER INFORMATION EXPLANATION

Serial number listings are shown to indicate on which machines each part can be used. These listings are explained by the following examples:

(000000- ) The part can be used on all machines.

(003342- ) The part can be used on all machines beginning with the serial number listed.

(000000-004320) The part can be used on all machines up to and including serial number listed.

(004321-005678) The part can be used on all machines between and including the serial numbers listed.

Where xxxxx's are listed in place of a serial number, it indicates a change was made but the exact serial number had not been established when the catalog went to press.

### SI UNITS OF MEASURE (INTERNATIONAL SYSTEM)

Metric equivalents have been included, where applicable, throughout this parts catalog.

### FASTENER STRENGTH IDENTIFICATION

Fasteners required to have high-strength qualities equivalent to SAE Grade 8 are identified throughout this catalog by the description GR 8. Unless identified by this description, all standard fasteners are SAE Grade 5.

(Specifications and design subject to change without notice.)

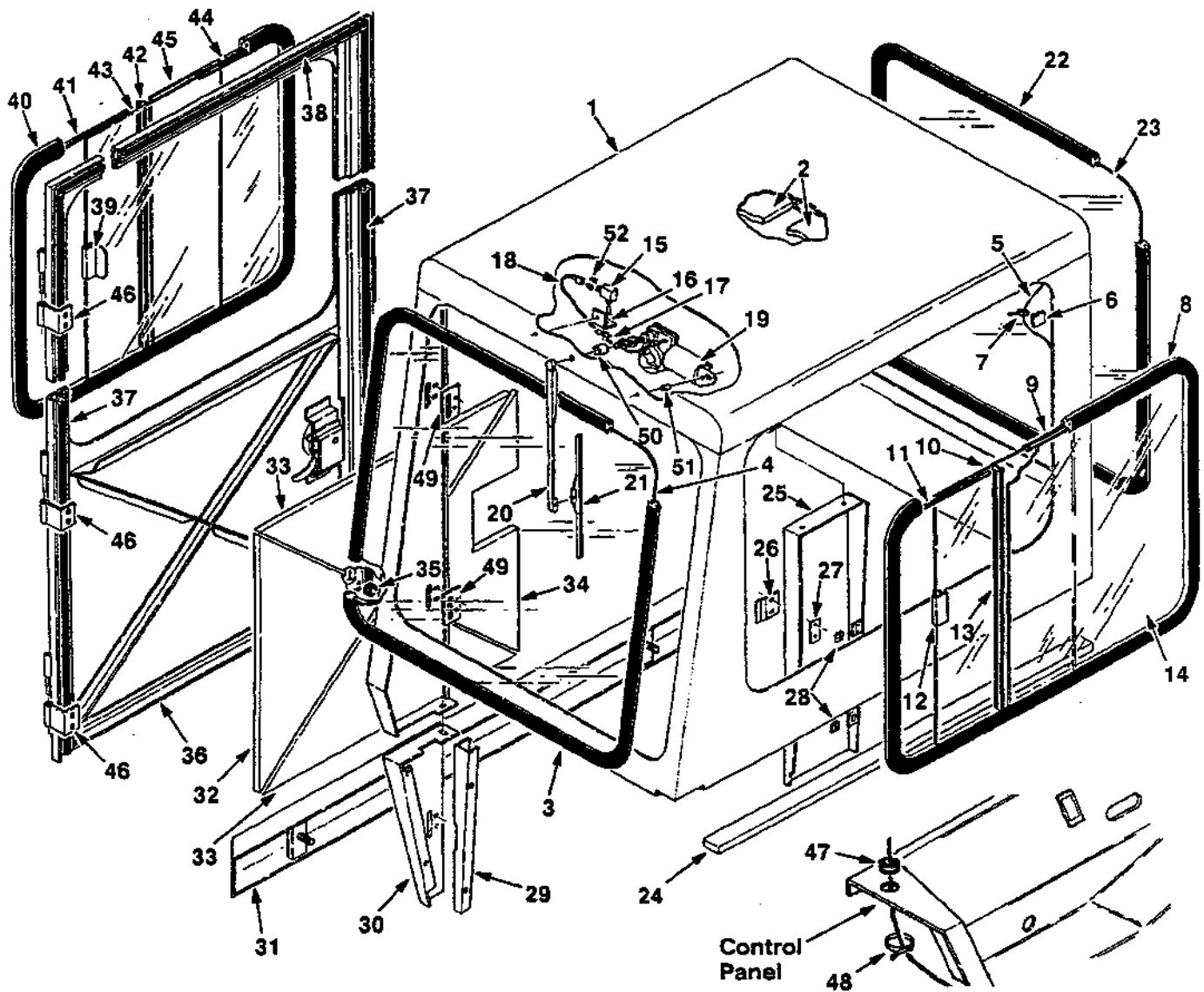


Fig. 1 - Cab Kit

02446

Key	Tennant® Part No.	Machine Serial Number	Description	Qty.
	82912	(000000- )	Cab Kit	1
	82909	(000000-001768 )	Cab Assembly	1
	03253	(001769- )	Cab Assembly	1
1	82900	(000000-001768 )	Cab	1
1	03255	(001769- )	Cab	1
2	55398	(000000- )	Insulation, Foam	2
3	55349	(000000- )	Weather Strip	1
4	55348	(000000-001768 )	Glass, Safety	1
4	03234	(001769- )	Glass, Safety	1
5	82734	(000000-001721 )	Replacement Kit, Wire Harness	1
5	03283	(001722- )	Wire Harness, Cab	1
6	55248	(000000- )	Mount, Cable, Tie	2
7	49266	(000000- )	Tie, Cable	2
8	55393	(000000- )	Weather Strip	1

NOTE: To identify parts shown but not listed here, see Section 5, Low Dump Model Parts.

Key	Tennant® Part No.	Machine Serial Number	Description	Qty.
9	55395	(000000- )	Channel, Flexible	1
10	55357	(000000-001768 )	Glass, Safety, Sliding	1
10	12039	(001769- )	Glass, Safety, Sliding	1
11	55369	(000000- )	Spacer, Rubber	1
12	15066	(000000- )	Handle	1
	58974	(000000- )	Pad, Rubber	2
13	55368	(000000- )	Channel, Rigid	1
14	55359	(000000-001768 )	Glass, Safety, Stationary	1
14	03238	(001769- )	Glass, Safety, Stationary	1
15	10701	(000000- )	Switch, Toggle	1
16	62039	(000000- )	Bracket, L	1
17	07421	(000000- )	Plate, Switch	1
18	55411	(000000-001721 )	Wire, Wiper Motor	1
18	03282	(001722- )	Wire, Wiper Motor	1
19	23945	(000000-001721 )	Replacement Kit, Wiper Motor	1
19	02507	(001722- )	Motor, Wiper	1
20	15121	(000000- )	Arm, Wiper	1
21	23947	(000000- )	Blade, Wiper	1
22	82907	(000000- )	Weather Strip	1
23	82906	(000000-001768 )	Glass, Stationary	1
23	03235	(001769- )	Glass, Stationary	1
24	03247	(001769- )	Seal, Foam Rubber	1
25	82917	(000000- )	Panel, Seat Support	1
26	55429	(000000- )	Strike, Plate	1
27	55431	(000000- )	Plate, Stiffener	1
28	61110	(000000- )	Nut, Retainer	3
29	55321	(000000- )	Channel, Bail	1
30	55322	(000000- )	Panel, Bail	1
31	55400	(000000- )	Bumper	1
	55755	(000000-001768 )	Door Assembly, Cab	1
	03243	(001769- )	Door Assembly, Cab	1
32	55758	(000000- )	Insulation, Foam	1
33	55757	(000000- )	Insulation, Foam	2
34	55759	(000000- )	Insulation, Foam	1
35	82921	(000000- )	Bumper, Rubber	1
36	55750	(000000-001768 )	Door	1
36	03242	(001769- )	Door	1
37	55754	(000000- )	Seal, Side	2
38	55756	(000000- )	Seal, Top	1
39	15066	(000000- )	Handle	1
	58974	(000000- )	Pad, Rubber	2
40	55394	(000000- )	Weather Strip	1
41	55369	(000000- )	Spacer, Rubber	1
42	55368	(000000- )	Channel, Rigid	1
43	55358	(000000-001768 )	Glass, Safety, Stationary	1
43	03237	(001769- )	Glass, Safety, Stationary	1
44	55396	(000000- )	Channel, Flexible	1
45	55357	(000000-001768 )	Glass, Safety, Sliding	1
45	12039	(001769- )	Glass, Safety, Sliding	1
46	55761	(000000- )	Hinge	3
47	10632-2	(000000- )	Grommet	1
48	49266	(000000- )	Tie, Cable	1
49	55346	(000000- )	Plate, Hinge	2
50	03280	(001722- )	Spacer	1
51	03281	(001722- )	Spacer	1
52	48252	(001722- )	Tab, Terminal	2

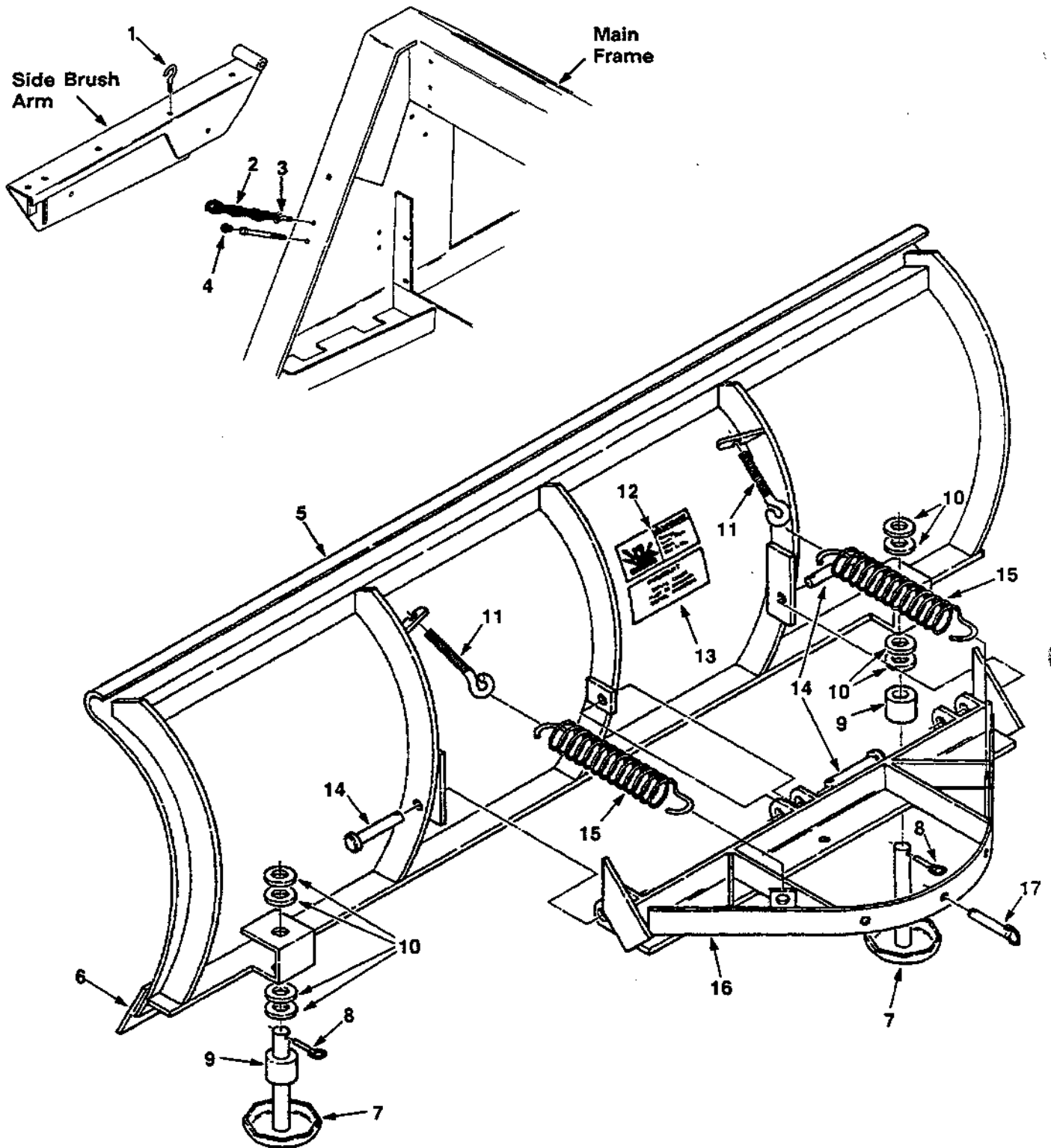


Fig. 2 - Snow Blade Kit

NOTE: To identify parts shown but not listed here, see Section 5, Low Dump Model Parts.



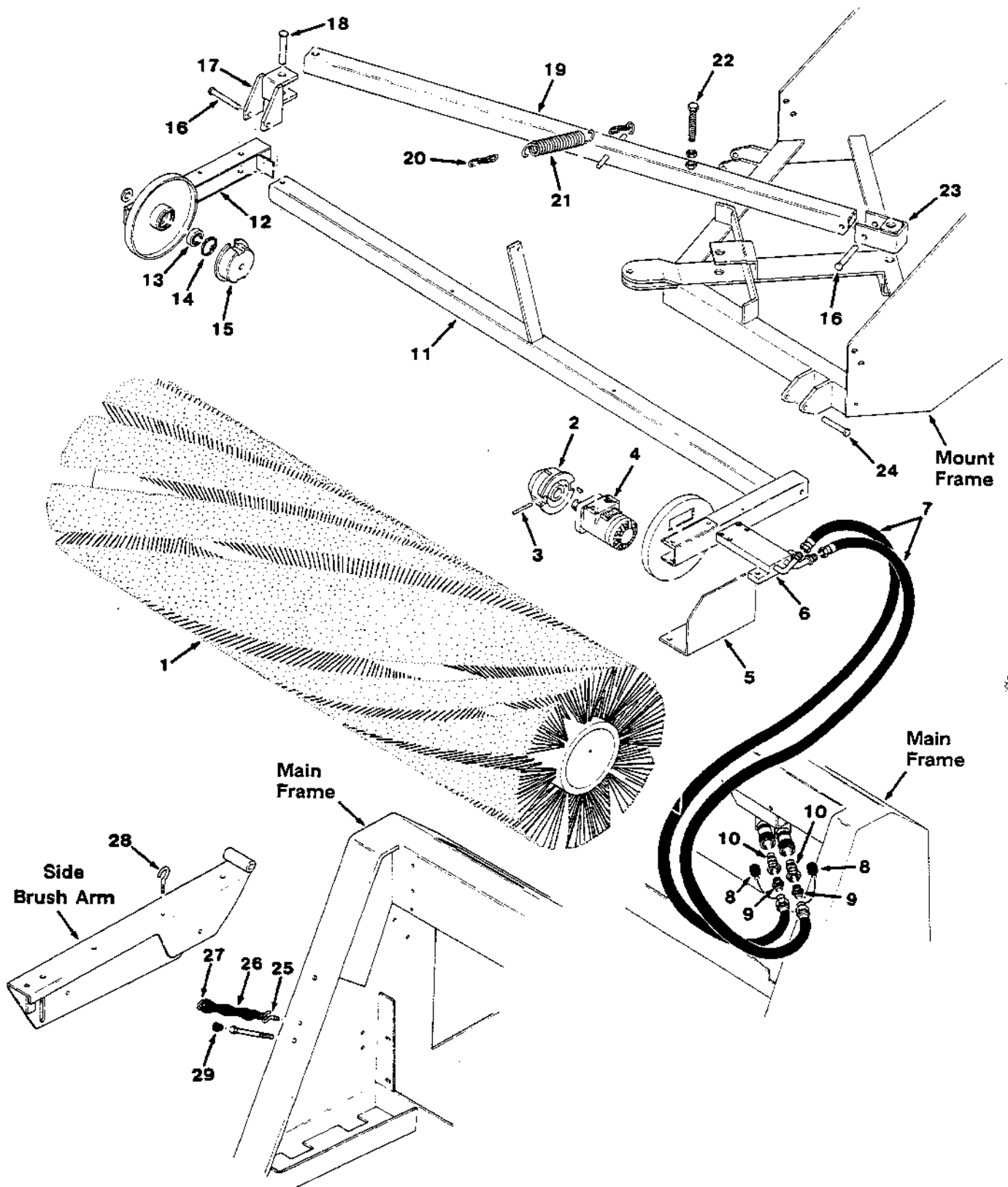
**Fig. 2 - Snow Blade Kit**

02600

*NOTE: Snow Blade Kit, Tennant® Part Number 37136, includes Fig. 2, 4, 5, and 29.*

Key	Tennant® Part No.	Machine Serial Number	Description	Qty.
	47714	(000000- )	Snow Blade Kit	1
1	21097	(000000- )	Hook, Eyebolt	1
2	47280	(000000- )	Chain Assembly	1
3	11893	(000000- )	Eyebolt	1
4	01318	(000000- )	Tip, Rubber	1
5	31301	(000000- )	Blade Assembly	1
6	08050	(000000- )	Cutting Edge	1
7	08046	(000000- )	Disc Shoe Assembly	2
8	08046	(000000- )	Pin, Linch	2
9	08048	(000000- )	Spacer	2
10	32969	(000000- )	Washer	38
11	47713-2	(000000- )	Eyebolt	2
12	32180	(000000- )	Decal, Hazard	1
13	47477	(000000- )	Decal, Safety Chains	1
14	47713-3	(000000- )	Pin, Clevis	3
15	47713-1	(000000- )	Spring	2
16	31302	(000000- )	Quadrant Assembly	1
17	47715	(000000- )	Pin, Quick Release	1





**Fig. 3 - Snow Broom Kit**

*NOTE: To identify parts shown but not listed here, see Section 5, Low Dump Model Parts.*

Fig. 3 - Snow Broom Kit

02743

NOTE: Snow Broom Kit, Tennant® Part Number 02629, includes Fig. 3, 4, 5, and 29.

Key	Tennant® Part No.	Machine Serial Number	Description	Qty.
	82082	(000000- )	Broom Kit, Snow	1
1	24741	(000000- )	Broom	1
2	24743	(000000- )	Plug, Drive	1
3	11516	(000000- )	Pin, Roll	1
4	47650-9	(000000- )	Motor, Hydraulic	1
5	32162	(000000- )	Bracket, Bumper	1
6	82079	(000000- )	Block, Porting	1
7	82081	(000000- )	Hose, Hydraulic	2
8	33862	(000000- )	Cap, Dust	2
9	44869	(000000- )	Fitting, Straight	2
10	65084-1	(000000- )	Fitting, Coupling, Male	2
11	24705	(000000- )	Frame, Broom	1
12	24704	(000000- )	Frame, Broom, R.H.	1
13	46390	(000000- )	Bearing, Ball	1
14	10464	(000000- )	Ring, Retaining	1
15	07037	(000000- )	Plug, Brush	1
16	06474A	(000000- )	Pin, Clevis	2
17	24724	(000000- )	Yoke	1
18	24729	(000000- )	Pin, Clevis	1
19	24737	(000000- )	Arm, Broom Support	1
20	24769	(000000- )	Chain, Coil	1
21	24776	(000000- )	Spring, Tension	1
22	41177	(000000- )	Screw, Hex	1
23	24721	(000000- )	Pivot, End, Bracket	1
24	23191	(000000- )	Pin, Clevis	1
25	11893	(000000- )	Bolt, Eye	1
26	46567	(000000- )	Hose, Rubber	1
27	40758	(000000- )	Chain, Link	1
28	21097	(000000- )	Hook	1
29	01318	(000000- )	Tip, Rubber	1
	24787	(000000- )	Decal, Warning, Windrow Broom	1

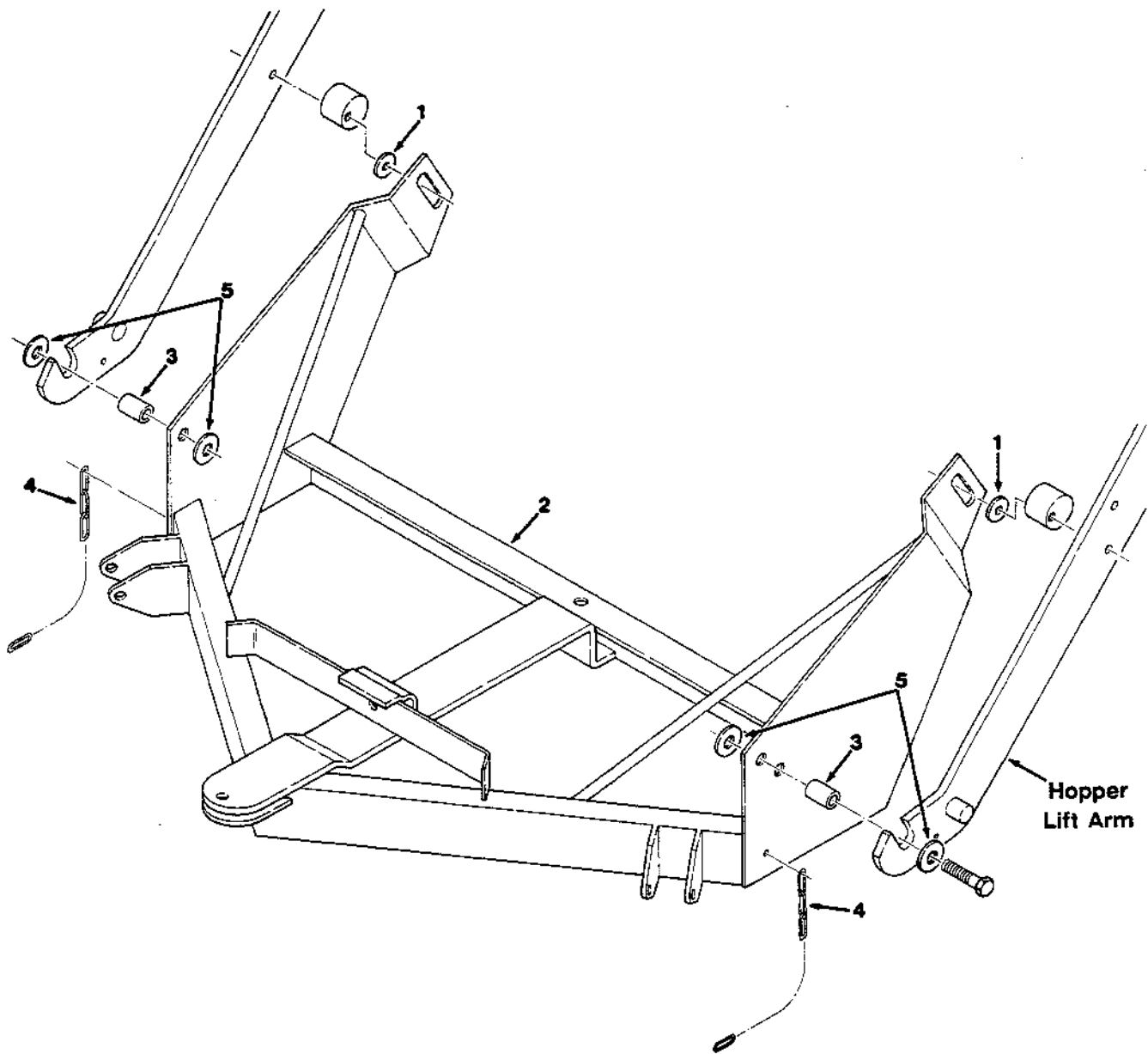


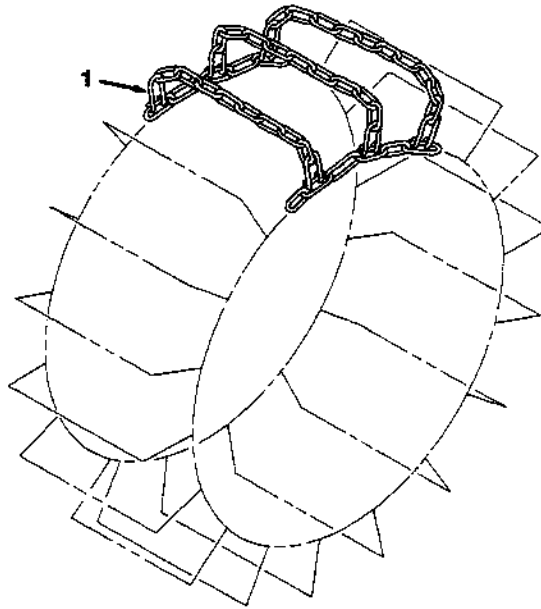
Fig. 4 - Mount Frame Kit

NOTE: Snow Broom Kit, Tennant® Part Number 02629, includes Fig. 3, 4, 5, and 29. Snow Blade Kit, Tennant® Part Number 37136, includes Fig. 2, 4, 5, and 29.

02596

Key	Tennant® Part No.	Machine Serial Number	Description	Qty.
	24767	(000000- )	Frame Kit, Mount	1
1	07027	(000000- )	Sleeve	2
2	24706	(000000- )	Frame, Mounting	1
3	24728	(000000- )	Sleeve	2
4	32321	(000000- )	Chain, Coil	2
5	32494	(000000- )	Washer	4

NOTE: To identify parts shown but not listed here, see Section 5, Low Dump Model Parts.

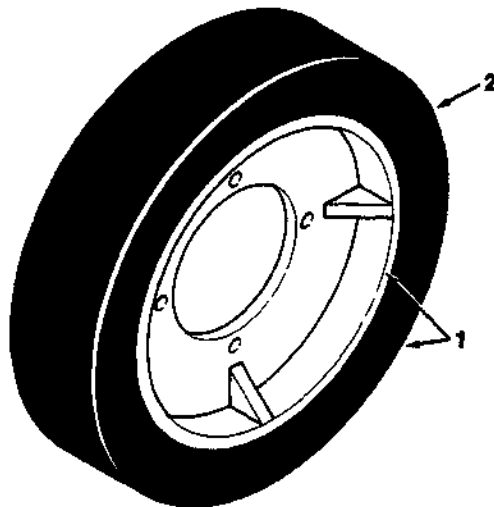


**Fig. 5 - Tire Chain Kit**

*NOTE: Snow Broom Kit, Tennant® Part Number 02629, includes Fig. 3, 4, 5, and 29. Snow Blade Kit, Tennant® Part Number 37136, includes Fig. 2, 4, 5, and 29.*

02591

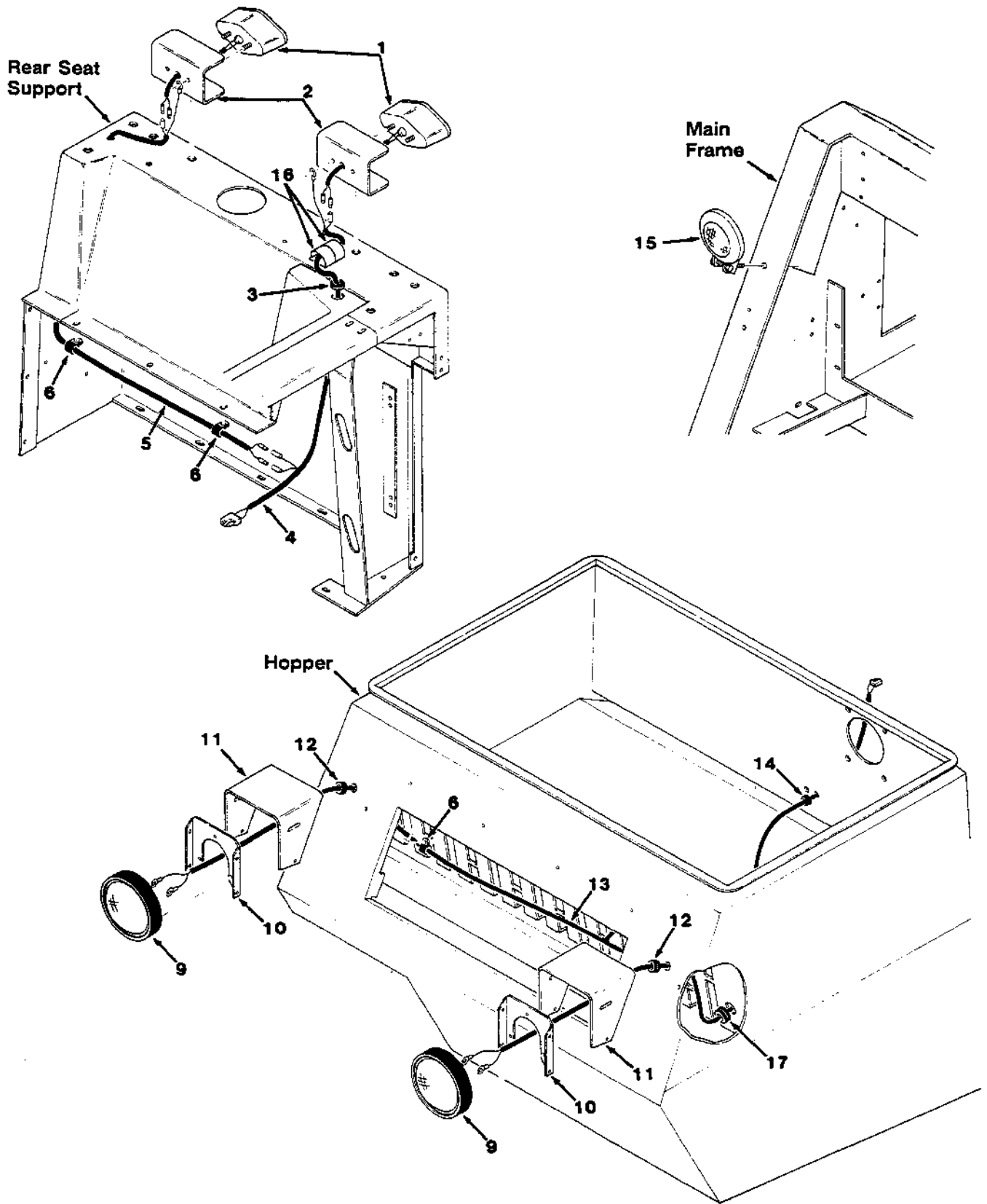
Key	Tennant® Part No.	Machine Serial Number	Description	Qty.
1	53848	(000000- )	Chain, Tire	1



**Fig. 6 - Front Wheel Assembly, Low Dump**

02616

Key	Tennant® Part No.	Machine Serial Number	Description	Qty.
1	24120	(000000- )	Tire and Wheel Assembly, Front, Solid	2
2	25197A	(000000- )	Tire, Solid	1



**Fig. 7 - Headlight, Taillight, and Spotlight Kit, Low Dump**

*NOTE: To identify parts shown but not listed here, see Section 5, Low Dump Model Parts.*

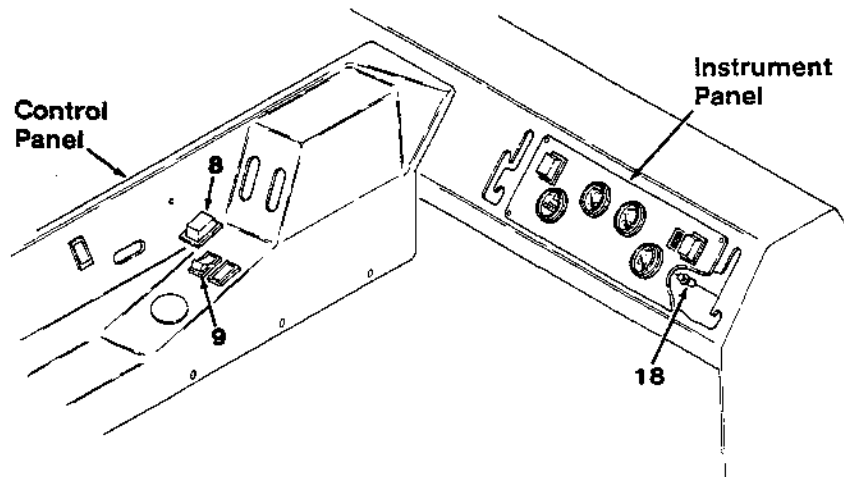
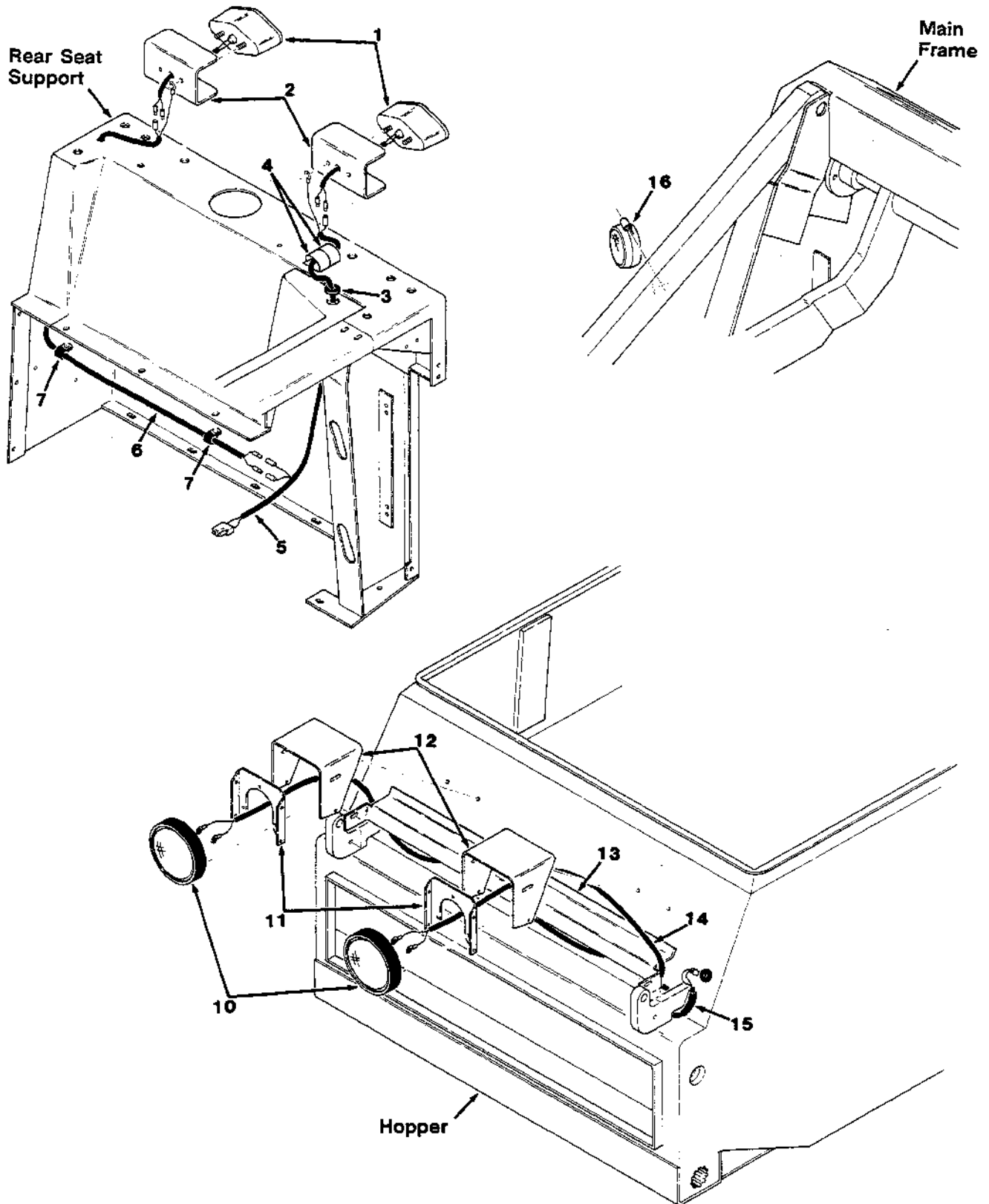


Fig. 7 - Headlight, Taillight, and Spotlight Kit, Low Dump

02604

Key	Tennant® Part No.	Machine Serial Number	Description	Qty.
1	82990	(000000- )	Light Kit, Headlight, Taillight and Spotlight	1
	55274	(000000- )	Taillight	2
	45780	(000000- )	Bulb	1
2	82725	(000000- )	Guard, Light	2
3	10632-2	(000000- )	Grommet	1
4	82707	(000000- )	Wire Harness, L.H.	1
5	82735	(000000- )	Wire Harness, R.H.	1
6	40678	(000000- )	Clamp, Cable	5
7	57807	(000000- )	Seal, Switch	1
8	81458	(000000- )	Switch, Rocker	1
9	46108	(000000- )	Headlight	2
	10801	(000000- )	Lamp	1
10	46110	(000000- )	Plate, Headlight	2
11	51665	(000000- )	Wrap, Headlight	2
12	10632-5	(000000- )	Grommet	2
13	82706	(000000- )	Wire Harness, Headlights	1
14	47591	(000000- )	Strain Relief	1
15	82595	(000000- )	Spotlight	1
	32827	(000000- )	Bulb	1
16	82637	(000000- )	Clamp, Cable	2
17	10632-4	(000000- )	Grommet	1
18	55271	(000000- )	Light, Instrument	4
	55272	(000000- )	Terminal, Snap Plug	2
	49266	(000000- )	Tie, Cable	5
	55248	(000000- )	Mount, Cable Tie	1



**Fig. 8 - Headlight, Taillight, and Spotlight Kit, Multi-level Dump**

*NOTE: To identify parts shown but not listed here, see Section 5, Low Dump Model Parts, or Section 8, Multi-level Dump Model Parts.*



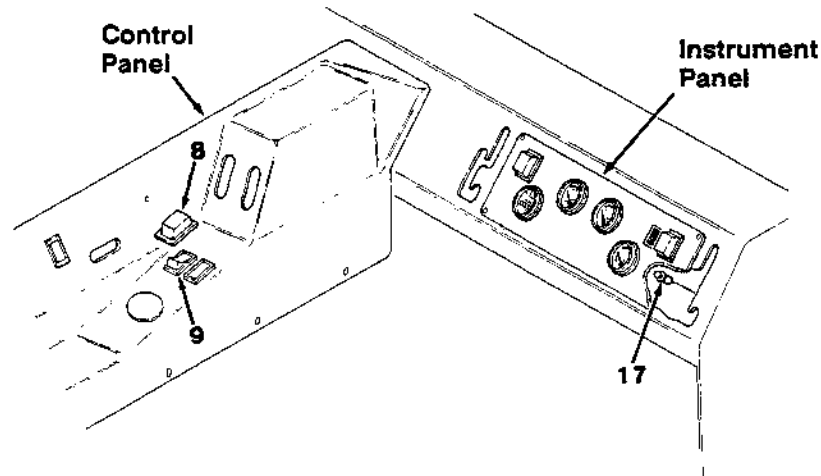
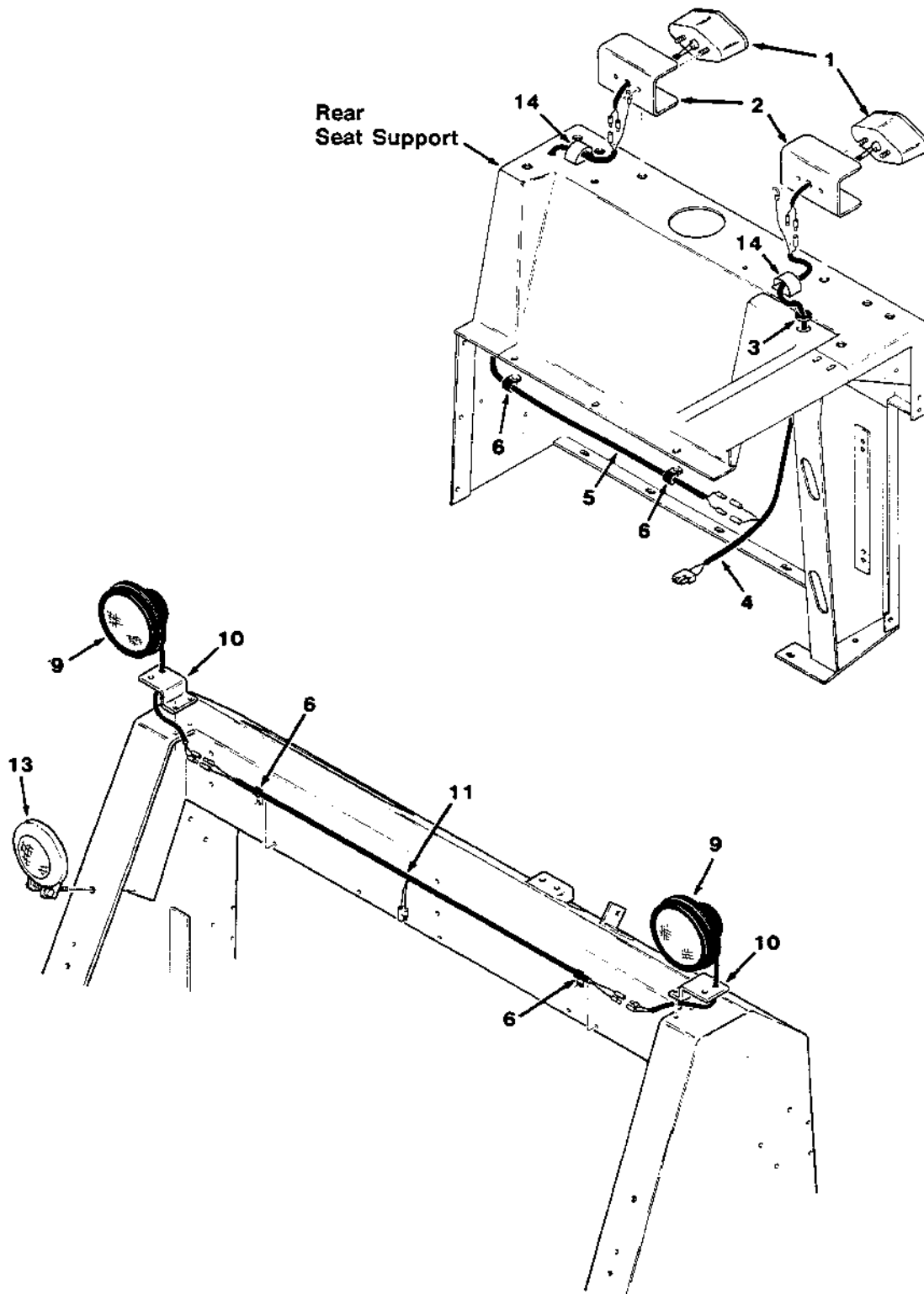


Fig. 8 - Headlight, Taillight, and Spotlight Kit, Multi-level Dump

02792

Key	Tennant® Part No.	Machine Serial Number	Description	Qty.
1	82636	(000000- )	Light Kit, Headlight, Taillight, and Spotlight	1
	55274	(000000- )	Taillight	2
	45780	(000000- )	Bulb	1
2	82725	(000000- )	Guard, Light	2
3	10632-2	(000000- )	Grommet	1
4	82637	(000000- )	Clamp, Cable	2
5	82707	(000000- )	Wire Harness, L.H.	1
6	82735	(000000- )	Wire Harness, R.H.	1
7	40678	(000000- )	Cable, Clamp	3
8	57807	(000000- )	Seal, Switch	1
9	81458	(000000- )	Switch, Rocker	1
10	46108	(000000- )	Headlight	2
	10801	(000000- )	Lamp	1
11	46110	(000000- )	Plate, Headlight	2
12	51665	(000000- )	Wrap, Headlight	2
13	82736	(000000- )	Cover, Harness	1
14	82645	(000000- )	Wire Harness, Headlight	1
15	76207	(000000- )	Tube, Heat Shrink	1
16	82587	(000000- )	Spotlight	1
	32827	(000000- )	Bulb	1
17	55271	(000000- )	Light, Instrument	4
	55272	(000000- )	Terminal, Snap Plug	2
	49266	(000000- )	Tie, Cable	6
	55248	(000000- )	Mount, Cable Tie	2



**Fig. 9 - Headlight, Taillight, and Spotlight Kit, Lintel**

*NOTE: To identify parts shown but not listed here, see Section 5, Low Dump Model Parts.*

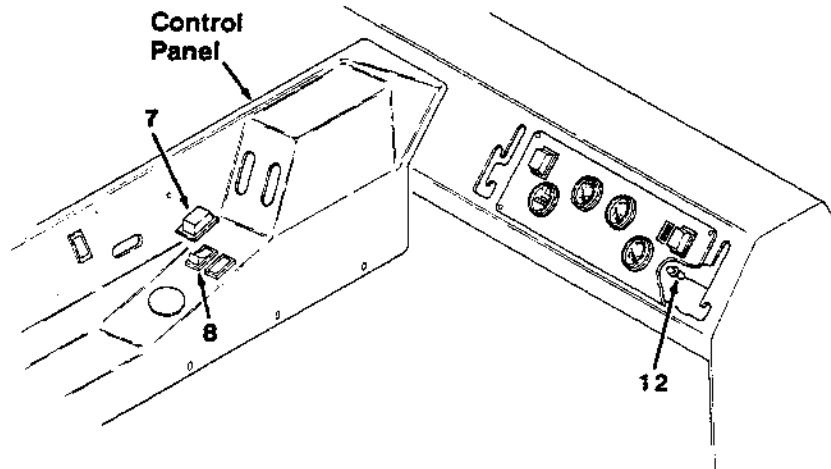


Fig. 9 - Headlight, Taillight, and Spotlight Kit, Lintel

02933

Key	Tennant® Part No.	Machine Serial Number	Description	Qty.
1	02893	(000000- )	Light Kit, Headlight, Taillight and Spotlight	1
	55274	(000000- )	Taillight	2
	45780	(000000- )	Bulb	1
2	82725	(000000- )	Guard, Light	2
3	10632-2	(000000- )	Grommet	1
4	82707	(000000- )	Wire Harness, L.H.	1
5	82735	(000000- )	Wire Harness, R.H.	1
6	40678	(000000- )	Clamp, Cable	5
7	57807	(000000- )	Seal, Switch	1
8	81458	(000000- )	Switch, Rocker	1
9	02897	(000000- )	Headlight	2
	51570	(000000- )	Lamp	1
10	02896	(000000- )	Bracket, Light	2
11	02894	(000000- )	Wire Harness, Headlight	1
12	55271	(000000- )	Light, Instrument	4
13	82595	(000000- )	Spotlight Assembly	1
	32827	(000000- )	Bulb	1
14	82637	(000000- )	Clamp, Cable	2
	55272	(000000- )	Terminal, Snap Plug	2
	49266	(000000- )	Tie, Cable	5
	55248	(000000- )	Mount, Cable Tie	1

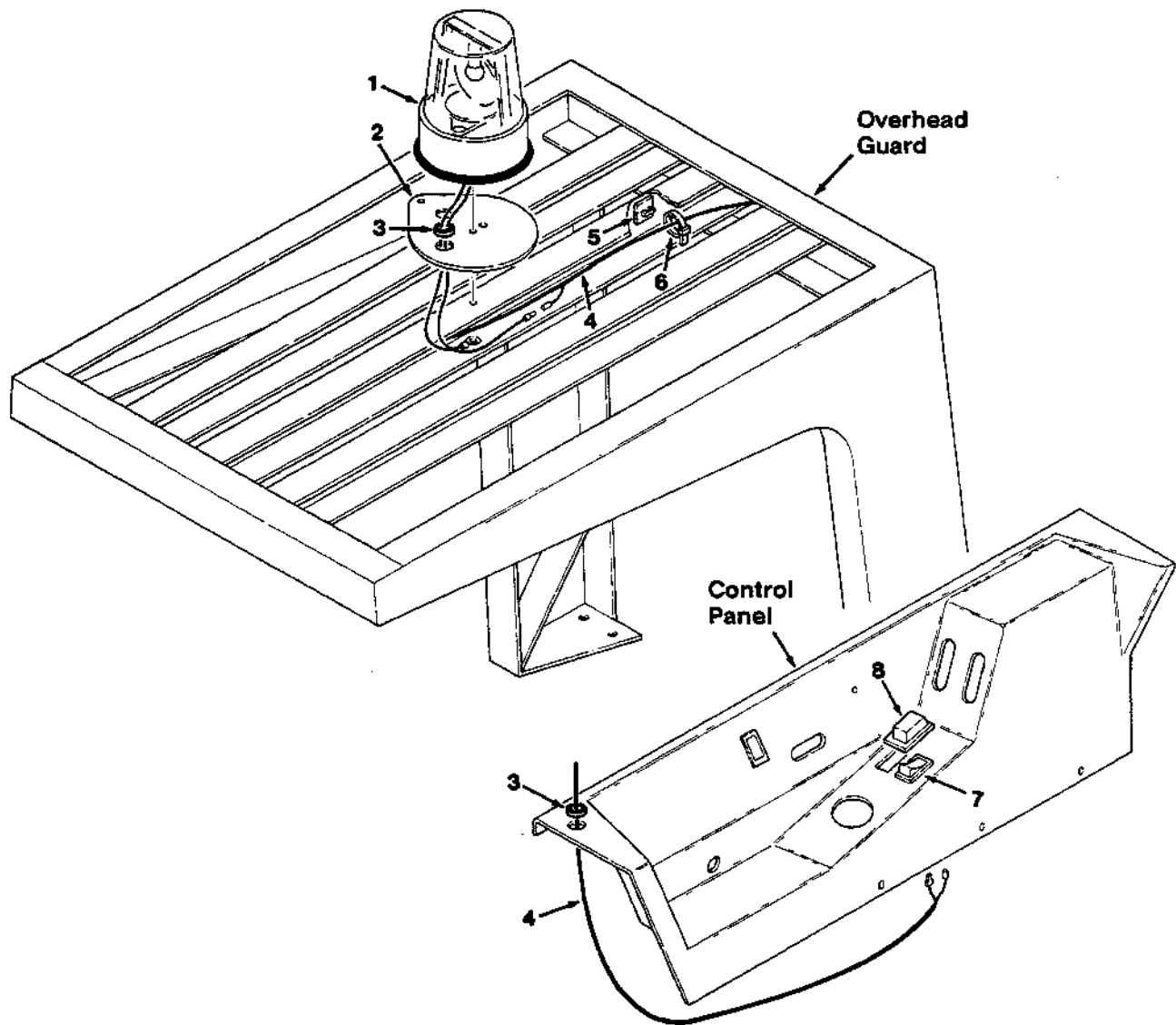


Fig. 10 - Revolving Light Kit, Overhead Guard

02605

Key	Tennant® Part No.	Machine Serial Number	Description	Qty.
1	82066	(000000- )	Light Kit, Revolving, Amber	1
	82200	(000000- )	Light Assembly, Revolving	1
	45779	(000000- )	Bulb	1
	44681-1	(000000- )	Lens, Amber	1
2	57220	(000000- )	Plate, Mounting	1
	10632-2	(000000- )	Grommet	2
3	82734	(000000- )	Wire Harness	1
4	55248	(000000- )	Mount, Cable Tie	8
5	49266	(000000- )	Tie, Cable	9
6	81458	(000000- )	Switch, Rocker	1
8	57807	(000000- )	Seal, Switch	1
	44681	(000000- )	Lens, Red	1
	44681-2	(000000- )	Lens, Blue	1

NOTE: To identify parts shown but not listed here, see Section 5, Low Dump Model Parts.

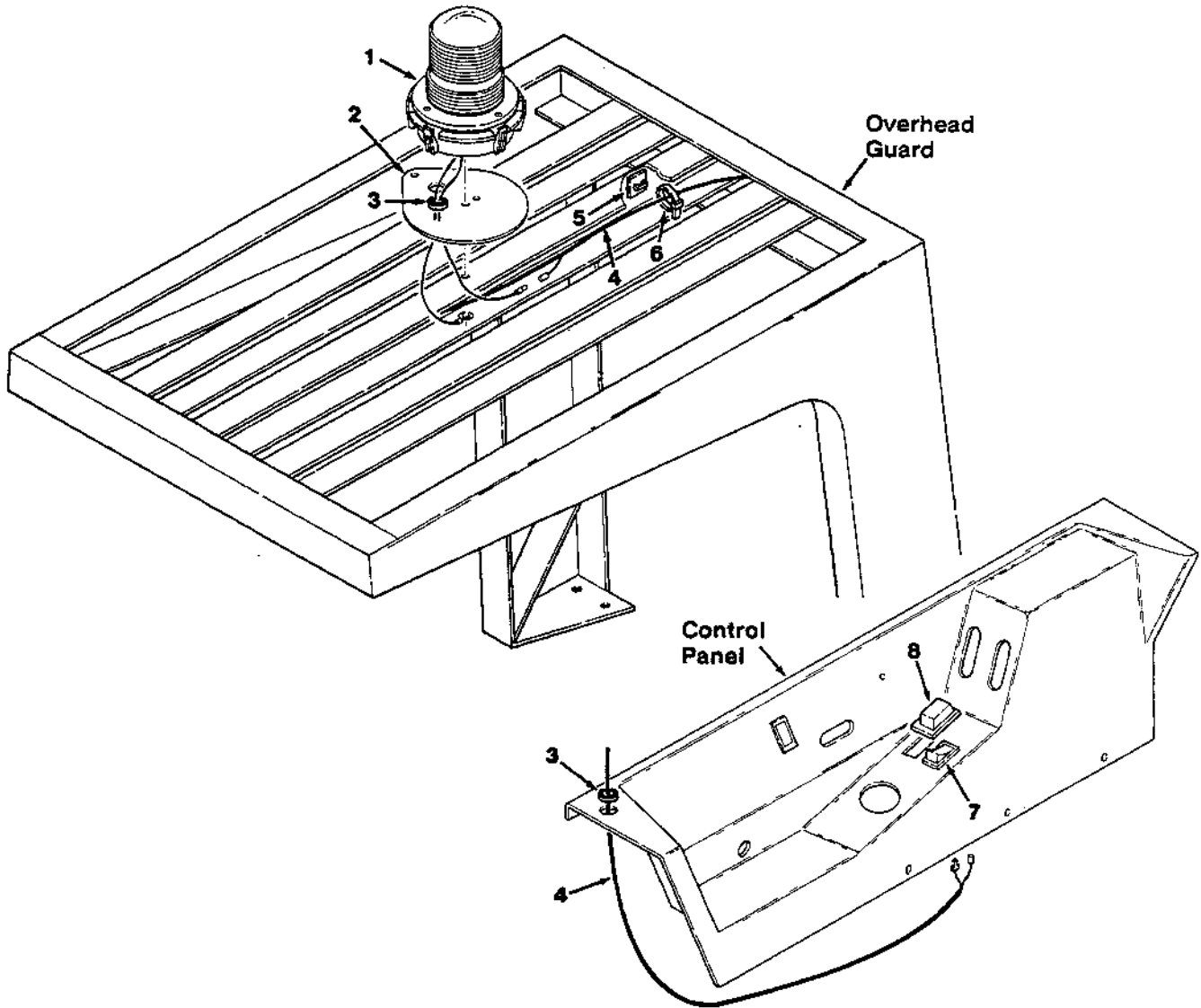


Fig. 11 - Flashing Light Kit, Overhead Guard

Key	Tennant® Part No.	Machine Serial Number	Description	Qty.
1	82072	(000000- )	Light Kit, Flashing, Amber	1
	82063	(000000- )	Light Assembly, Flashing	1
	58520	(000000- )	Lens, Light, Amber	1
	45779	(000000- )	Bulb	1
	57220	(000000- )	Plate	1
3	10632-2	(000000- )	Grommet	2
4	82734	(000000- )	Wire Harness	1
5	55248	(000000- )	Mount, Cable Tie	8
6	49266	(000000- )	Tie, Cable	9
7	81458	(000000- )	Switch, Rocker	1
8	57807	(000000- )	Seal, Switch	1
	58518	(000000- )	Lens, Red	1
	58519	(000000- )	Lens, Blue	1

NOTE: To identify parts shown but not listed here, see Section 5, Low Dump Model Parts.

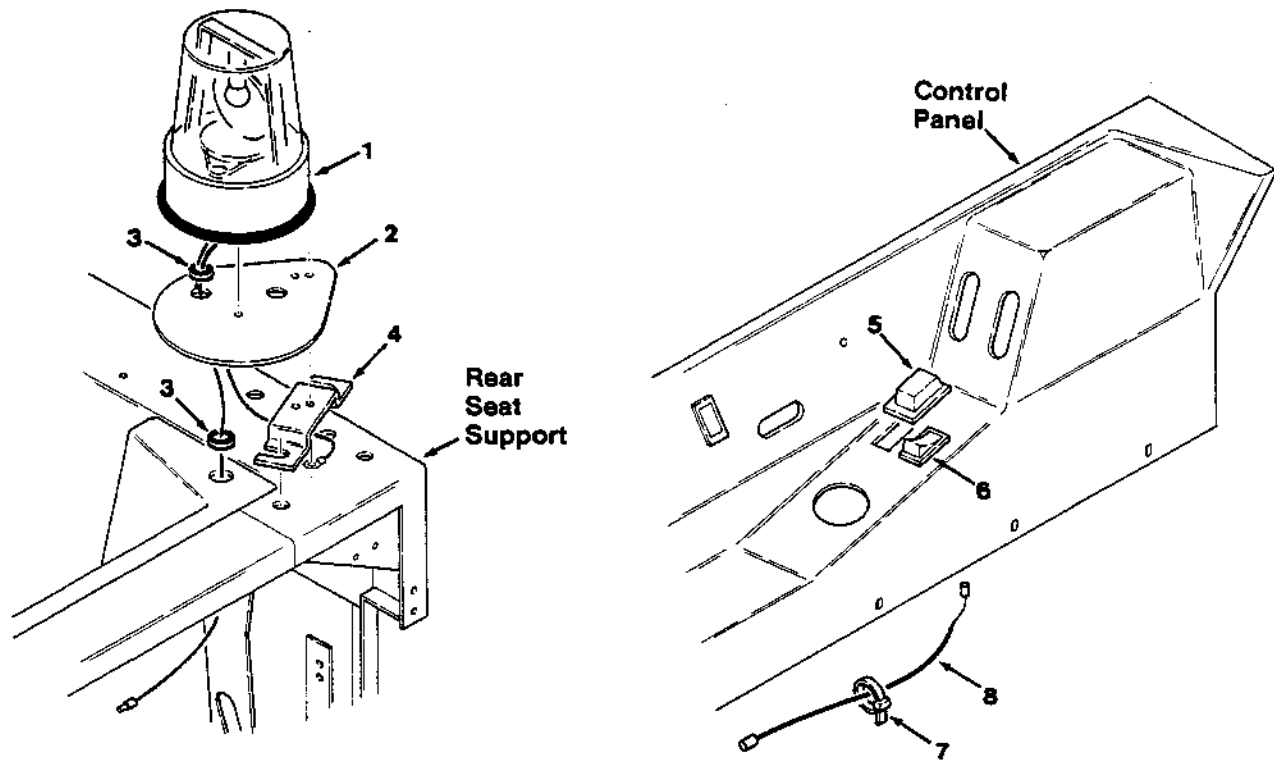


Fig. 12 - Revolving Light Kit, Shroud

02618

Key	Tennant® Part No.	Machine Serial Number	Description	Qty.
1	82064	(000000- )	Light Kit, Revolving, Amber	1
	82200	(000000- )	Light Assembly, Revolving	1
	45779	(000000- )	Bulb	1
	44681-1	(000000- )	Lens, Amber	1
2	57220	(000000- )	Plate, Mounting	1
	10632-2	(000000- )	Grommet	2
4	82738	(000000- )	Bracket, Mounting	1
5	57807	(000000- )	Seal, Switch	1
6	81458	(000000- )	Switch, Rocker	1
7	49266	(000000- )	Tie, Cable	1
8	82062	(000000- )	Wire Harness	1
	44681	(000000- )	Lens, Red	1
	44681-2	(000000- )	Lens, Blue	1

NOTE: To identify parts shown but not listed here, see Section 5, Low Dump Model Parts.

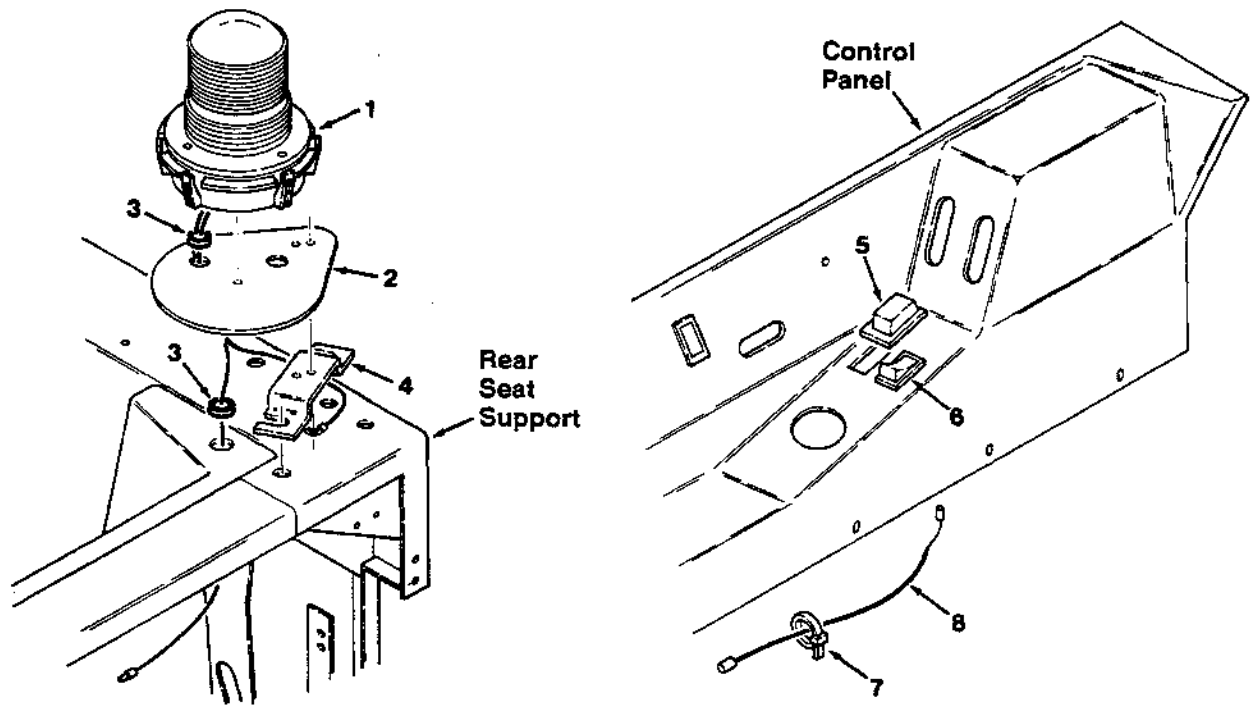


Fig. 13 - Flashing Light Kit, Shroud

Key	Tennant® Part No.	Machine Serial Number	Description	Qty.
1	82070	(000000- )	Light Kit, Flashing, Amber	1
	82063	(000000- )	Light Assembly, Flashing	1
	58520	(000000- )	Lens, Light, Amber	1
	45779	(000000- )	Bulb	1
2	57220	(000000- )	Plate, Mounting	1
3	10632-2	(000000- )	Grommet	2
4	82738	(000000- )	Bracket, Mounting	1
5	57807	(000000- )	Seal, Switch	1
6	81458	(000000- )	Switch, Rocker	1
7	49266	(000000- )	Tie, Cable	1
8	82062	(000000- )	Wire Harness	1
	58518	(000000- )	Lens, Red	1
	58519	(000000- )	Lens, Blue	1

NOTE: To identify parts shown but not listed here, see Section 5, Low Dump Model Parts.

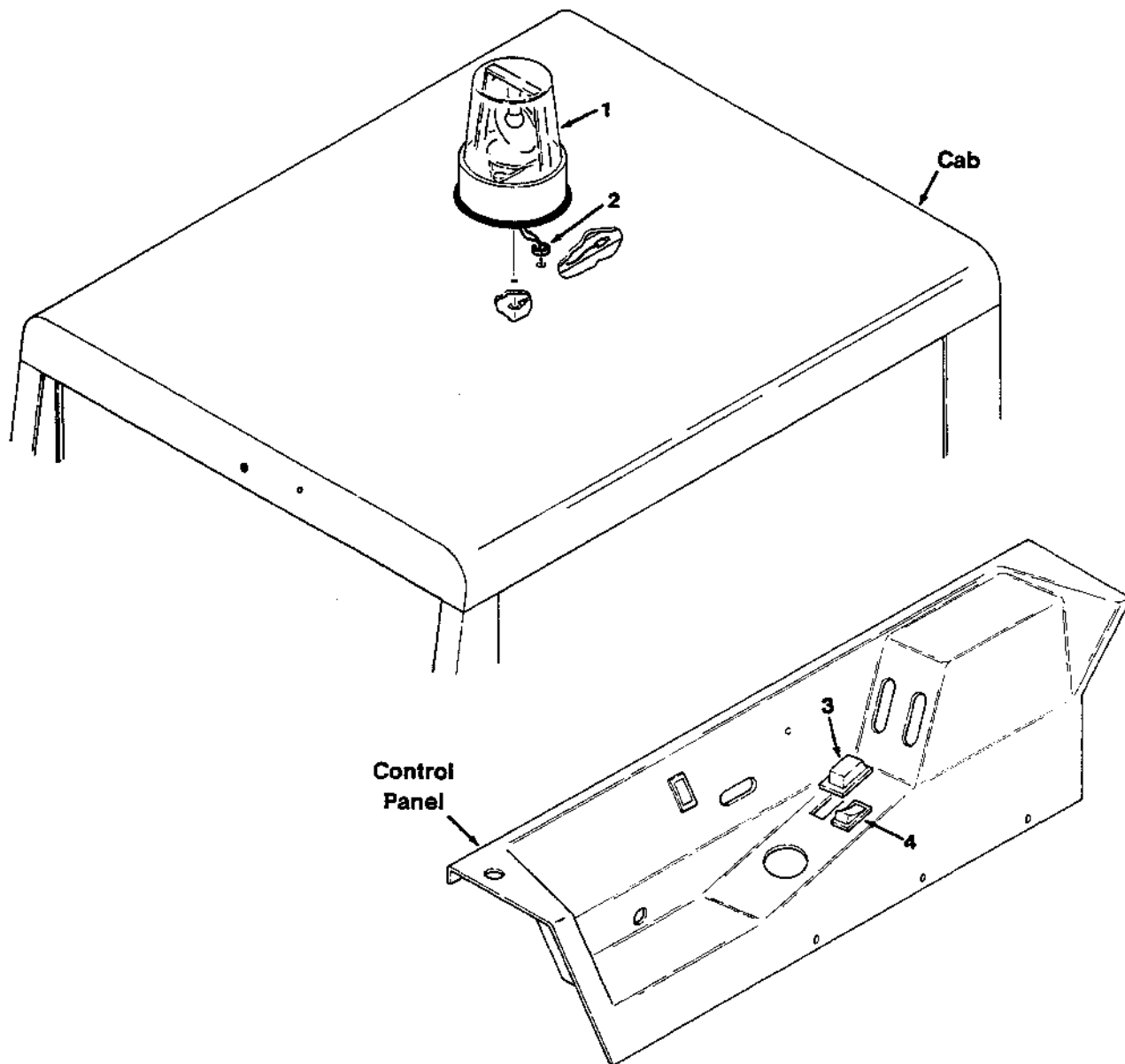


Fig. 14 - Revolving Light Kit, Cab

02620

Key	Tennant® Part No.	Machine Serial Number	Description	Qty.
1	82068	(000000- )	Light Kit, Revolving, Amber	1
	82200	(000000- )	Light Assembly, Revolving	1
	45779	(000000- )	Bulb	1
	44681-1	(000000- )	Lens, Amber	1
2	10632-20	(000000- )	Grommet	1
3	57807	(000000- )	Seal, Switch	1
4	81458	(000000- )	Switch, Rocker	1
	44681	(000000- )	Lens, Red	1
	44681-2	(000000- )	Lens, Blue	1

NOTE: To identify parts shown but not listed here, see Section 5, Low Dump Model Parts.



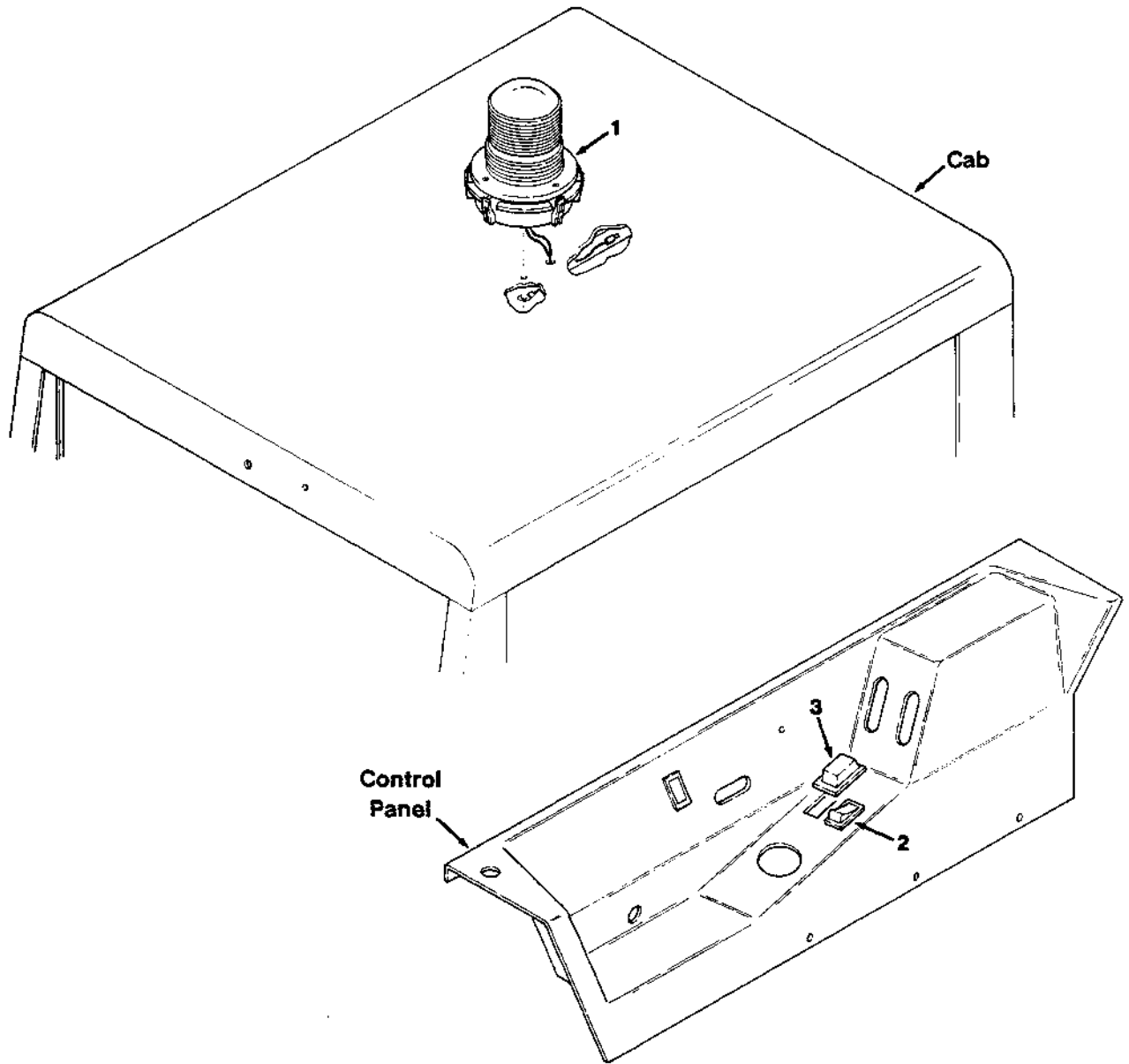


Fig. 15 - Flashing Light Kit, Cab

Key	Tennant® Part No.	Machine Serial Number	Description	Qty.
1	82074	(000000- )	Light Kit, Flashing, Amber	1
	82063	(000000- )	Light Assembly, Flashing	1
	58520	(000000- )	Lens, Light, Amber	1
	45779	(000000- )	Bulb	1
2	81458	(000000- )	Switch, Rocker	1
3	57807	(000000- )	Seal, Switch	1
	08317	(000000- )	Sealant, Silastic	1
	58518	(000000- )	Lens, Red	1
	58519	(000000- )	Lens, Blue	1

NOTE: To identify parts shown but not listed here, see Section 5, Low Dump Model Parts.

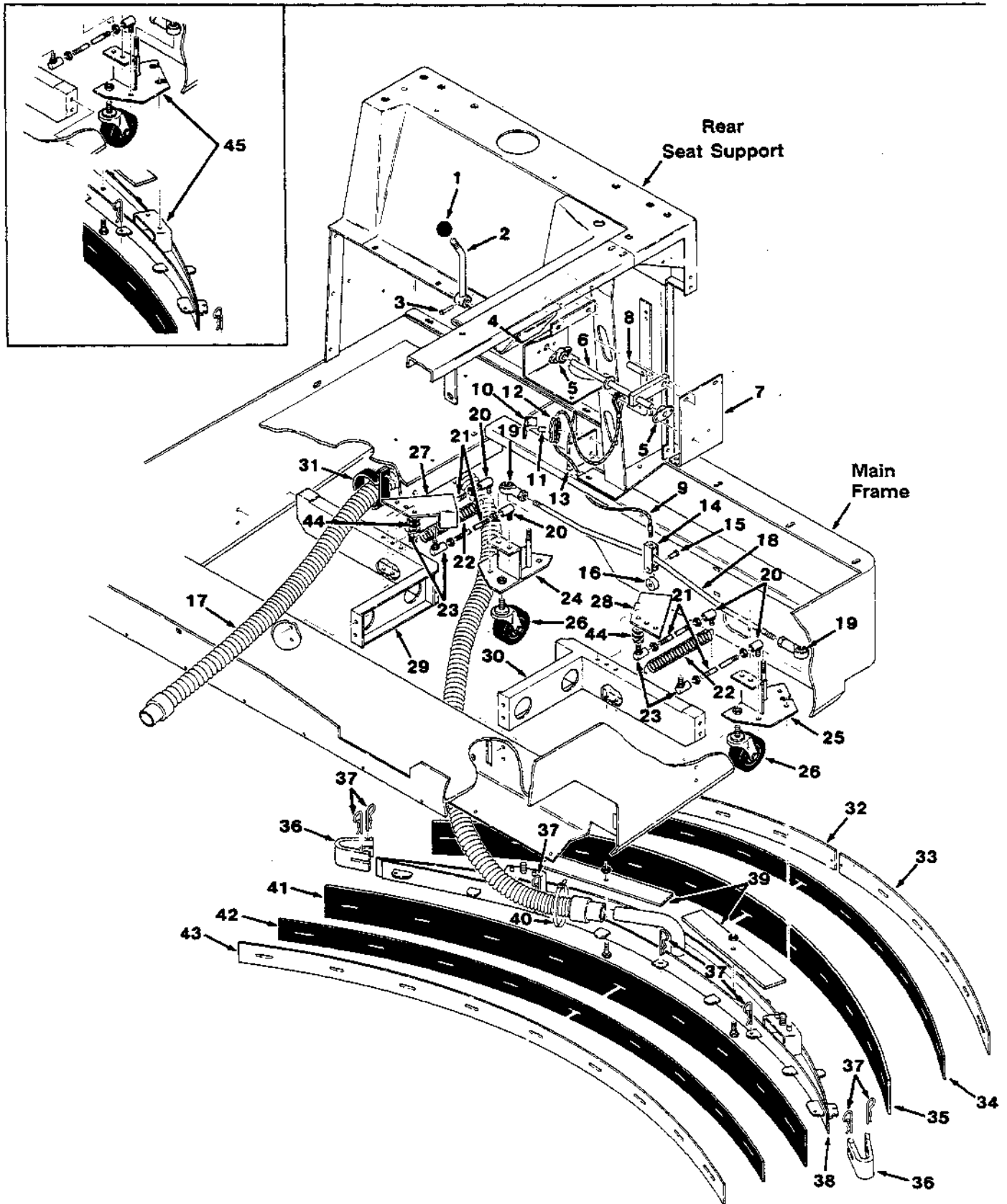


Fig. 16 - Rear Squeegee Group

NOTE: To identify parts shown but not listed here, see Section 5, Low Dump Model Parts.

Fig. 16 - Rear Squeegee Group

02733

NOTE: Squeegees and Control Kit, Tennant® Part Number 82086, includes Fig. 16, 18, 19, and 24.

Key	Tennant® Part No.	Machine Serial Number	Description	Qty.
1	26156	(000000- xxxxxx)	Knob	1
2	82856	(000000- xxxxxx)	Handle, Lift	1
3	50498	(000000- xxxxxx)	Pin, Clevis	1
4	82851	(000000- xxxxxx)	Support, Lift Handle	1
5	47585	(000000- xxxxxx)	Bearing, Flange	2
6	02953	(000000- xxxxxx)	Rod, Lift	1
7	02954	(000000- xxxxxx)	Plate, Support	1
8	02951	(000000- xxxxxx)	Link, Squeegee Lift	1
9	02959	(000000- xxxxxx)	Cable, Lift	1
10	36077	(000000- xxxxxx)	Bracket, L	1
11	53051A	(000000- xxxxxx)	Spacer	1
12	58279	(000000- xxxxxx)	Pulley, Cable	1
13	82861	(000000- xxxxxx)	Bracket, Pulley Lift	1
14	82855	(000000- xxxxxx)	Yoke, Cable Lift	1
15	51727	(000000- xxxxxx)	Pin, Clevis	1
16	63878	(000000- xxxxxx)	Roller	1
17	43209	(000000- xxxxxx)	Hose and Cuff Assembly	1
18	82944	(000000- xxxxxx)	Tie Rod	1
19	67555	(000000- xxxxxx)	Ball Joint	2
20	82962	(000000- xxxxxx)	Ball Joint	4
21	03093	(000000- xxxxxx)	Rod, Linkage	4
22	47745	(000000- xxxxxx)	Spring, Tension	2
23	51531	(000000- xxxxxx)	Ball Joint	4
24	82974	(000000- 001597)	Bracket, Squeegee Link, R.H.	1
24	03090	(001598- xxxxxx)	Bracket, Squeegee Link, R.H.	1
25	82973	(000000- 001597)	Bracket, Squeegee Link, L.H.	1
25	03086	(001598- xxxxxx)	Bracket, Squeegee Link, L.H.	1
26	75977	(000000- xxxxxx)	Caster, Swivel	2
27	02919	(000000- xxxxxx)	Bracket, Squeegee Stop, R.H.	1
28	02941	(000000- xxxxxx)	Bracket, Squeegee Stop, L.H.	1
29	82965	(000000- xxxxxx)	Mount, Squeegee Link, R.H.	1
30	82966	(000000- xxxxxx)	Mount, Squeegee Link, L.H.	1
31	47795-1	(000000- xxxxxx)	Strap, Rubber	1
	04175	(000000- xxxxxx)	Rear Squeegee Assembly	1
32	82204	(000000- xxxxxx)	Retainer, R.H.	1
33	82203	(000000- xxxxxx)	Retainer, L.H.	1
34	11957	(000000- xxxxxx)	Back Up, Squeegee, Rear	1
35	82895	(000000- xxxxxx)	Blade, Squeegee, Rear	1
36	11961	(000000- xxxxxx)	Bumper, Squeegee	2
37	02942	(000000- xxxxxx)	Pin, Hair Cotter	7
38	11950	(001598- xxxxxx)	Frame, Squeegee	1
39	82576	(000000- xxxxxx)	Strip, Weight	2
40	49263	(000000- xxxxxx)	Tie, Cable	1
41	11952	(000000- xxxxxx)	Blade, Squeegee, Front	1
42	11956	(000000- xxxxxx)	Back Up, Squeegee, Front	1
43	82933	(000000- xxxxxx)	Band, Squeegee, Front	1
44	32485	(000000- xxxxxx)	Washer	6
45	03129	(000000- 001597)	Replacement Kit, Squeegee Frame	1

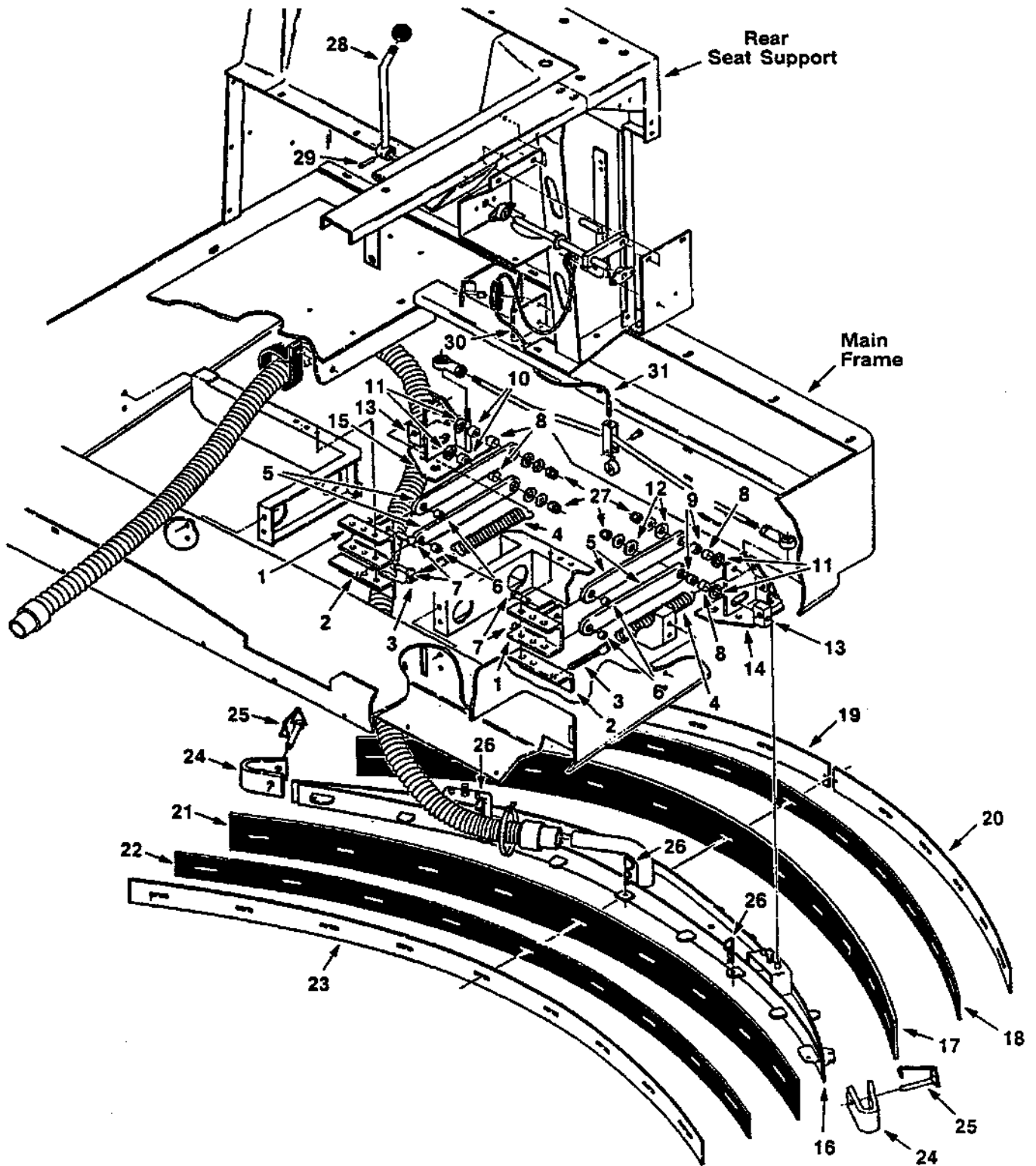


Fig. 17 - Rear Squeegee Update Group

NOTE: To identify parts shown but not listed here, see Section 5, Low Dump Model Parts.

Fig. 17 - Rear Squeegee Update Group

04504

Key	Tennant® Part No.	Machine Serial Number	Description	Qty.
1	07355	(xxxxxx- )	Bracket, Mounting, Squeegee, Frame	2
2	07352	(xxxxxx- )	Bracket, Mounting, Spring	2
3	11843	(xxxxxx- )	Bolt, Eye	2
4	33523	(xxxxxx- )	Spring, Tension	2
5	07351	(xxxxxx- )	Link	4
6	07447	(xxxxxx- )	Bearing, Bronze	4
7	86240	(xxxxxx- )	Pin, Clevis	4
8	07449	(xxxxxx- )	Bearing, Fiberglide	4
9	07382	(xxxxxx- )	Spacer	2
10	07384	(xxxxxx- )	Spacer	2
11	07448	(xxxxxx- )	Bearing, Thrust	4
12	07450	(xxxxxx- )	Bearing, Thrust	2
13	69459	(xxxxxx- )	Block, Pivot	2
14	07345	(xxxxxx- )	Bracket, Squeegee Link, L.H.	1
15	07346	(xxxxxx- )	Bracket, Squeegee Link, R.H.	1
16	11950	(xxxxxx- )	Frame, Squeegee	1
17	07051	(xxxxxx- )	Blade, Squeegee, Rear	1
18	11957	(xxxxxx- )	Back Up, Squeegee, Rear	1
19	11959	(xxxxxx- )	Retainer, R.H.	1
20	11958	(xxxxxx- )	Retainer, L.H.	1
21	11952	(xxxxxx- )	Blade, Squeegee, Front	1
22	11956	(xxxxxx- )	Back Up, Squeegee, Front	1
23	11951	(xxxxxx- )	Band, Squeegee, Front	1
24	11961	(xxxxxx- )	Bumper, Squeegee	2
25	02662	(xxxxxx- )	Pin, Keeper	2
26	02942	(xxxxxx- )	Pin, Hair Cotter	3
27	59156	(xxxxxx- )	Nut, Hex, Nylon, Lock	4
28	07360	(xxxxxx- )	Handle, Lift	1
29	23999-9	(xxxxxx- )	Pin, Roll	1
30	07063	(xxxxxx- )	Bracket, Pulley Lift	1
31	07509	(xxxxxx- )	Cable, Lift	1

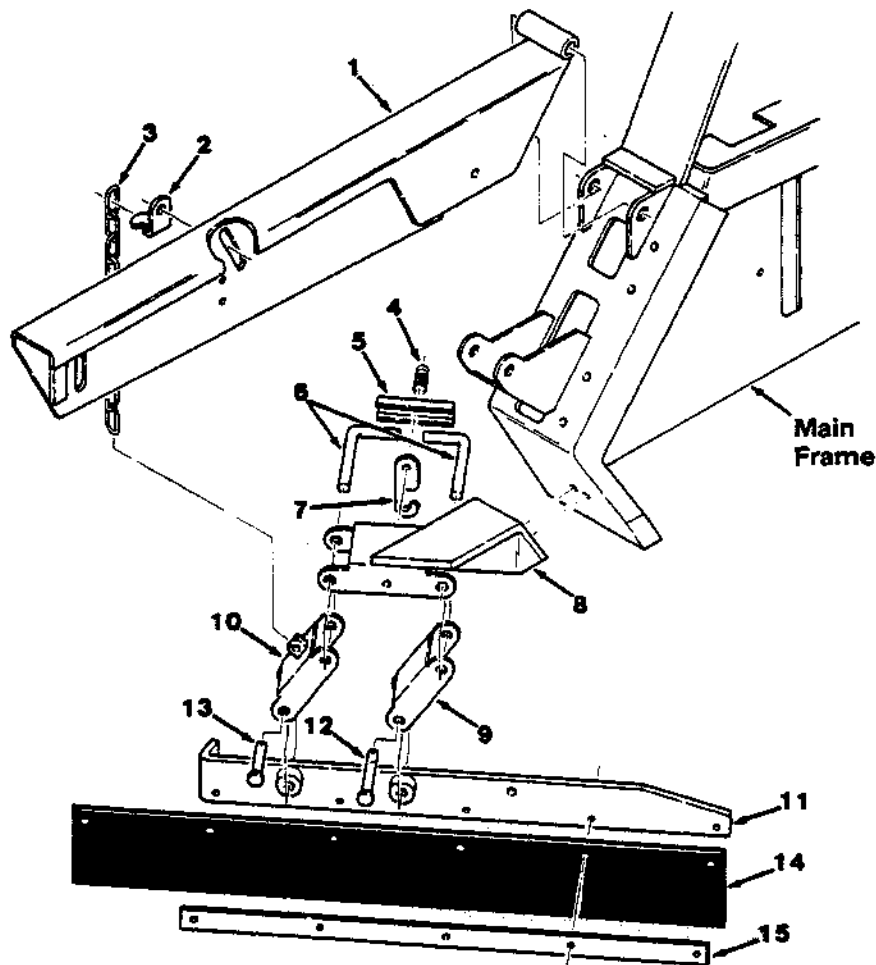


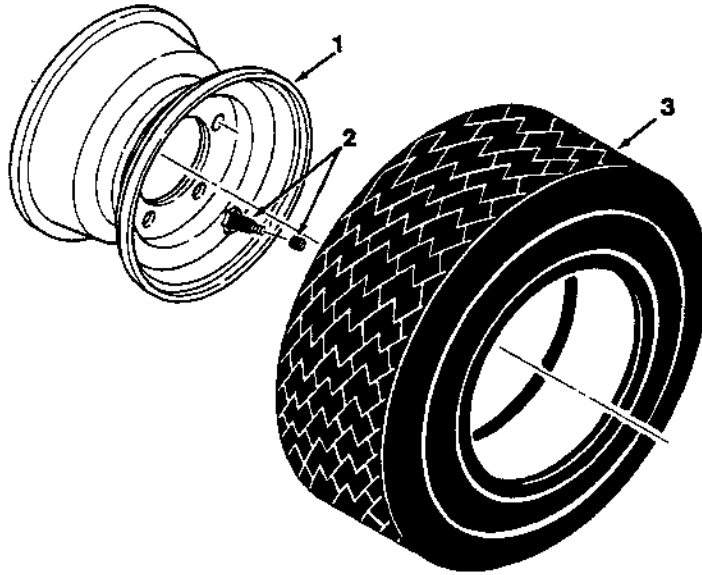
Fig. 18 - Side Squeegee Group

NOTE: Squeegees and Control Kit, Tennant® Part Number 82086, includes Fig. 16, 18, 19, and 24.

02729

Key	Tennant® Part No.	Machine Serial Number	Description	Qty.
1	48062-1	(000000- )	Arm, Side, R.H.	1
2	43499	(000000- )	Bracket, Clip	1
3	43500	(000000- )	Chain	1
4	04428A	(000000- )	Spring, Compression	1
5	43204	(000000- )	Channel	1
6	43299	(000000- )	Pin	2
7	43549	(000000- )	Catch	1
8	43497	(000000- )	Support, Squeegee	1
9	43295	(000000- )	Link	1
10	43317	(000000- )	Link Assembly	1
11	43291	(000000- )	Support, Squeegee, Back	1
12	43553	(000000- )	Pin, Clevis	1
13	43290	(000000- )	Pin, Clevis	1
14	60013	(000000- )	Squeegee, Side	1
15	43294	(000000- )	Retainer	1

NOTE: To identify parts shown but not listed here, see Section 5, Low Dump Model Parts.

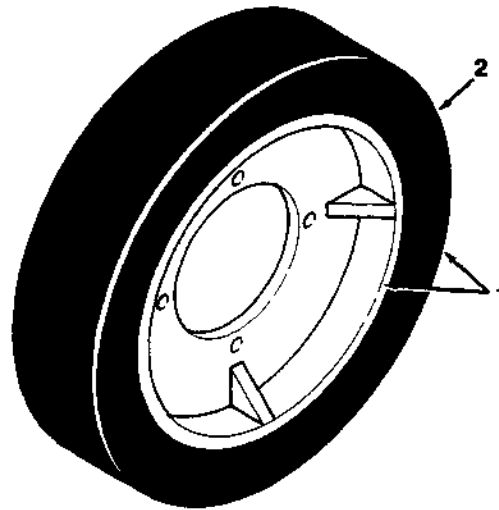


**Fig. 19 - Tire and Wheel Assembly**

NOTE: Squeegees and Control Kit, Tennant® Part Number 82086, includes Fig. 16, 18, 19, and 24.

02727

Key	Tennant® Part No.	Machine Serial Number	Description	Qty.
	82245	(000000- )	Tire and Wheel Assembly	1
1	82225	(000000- )	Wheel	1
2	75365	(000000- )	Stem, Valve	1
3	47525	(000000- )	Tire	1



**Fig. 20 - Front Wheel Assembly**

02616

Key	Tennant® Part No.	Machine Serial Number	Description	Qty.
1	24120	(000000- )	Tire and Wheel Assembly, Front, Solid	2
2	25197A	(000000- )	Tire, Solid	1

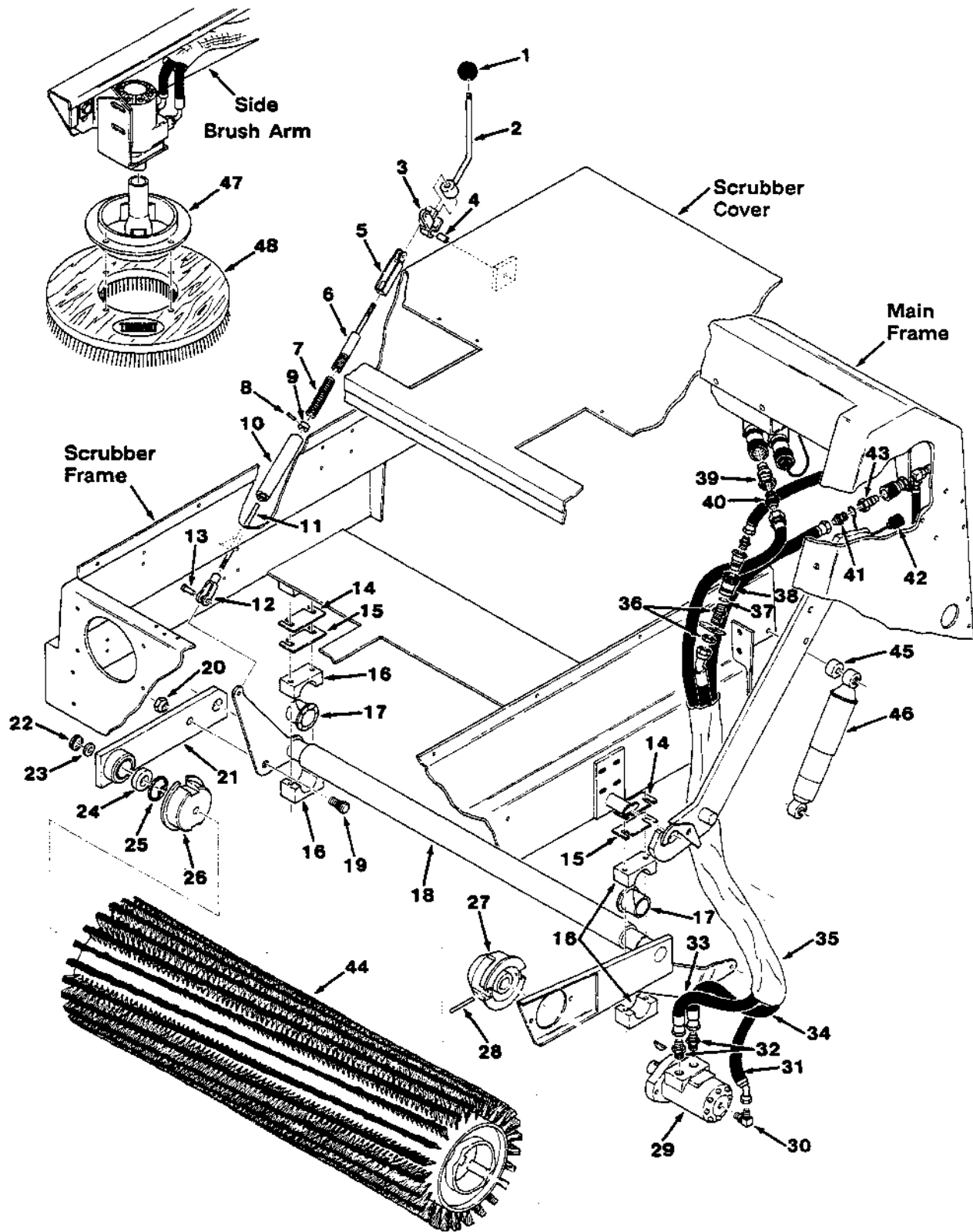


Fig. 21 - Scrubber Brush Drive Group

NOTE: To identify parts shown but not listed here, see Section 5, Low Dump Model Parts.



Fig. 21 - Scrubber Brush Drive Group

02732

NOTE: Scrubber Attachment Kit, Tennant® Part Number 82088, includes Fig. 21, 22, 23, 25, 26, and 29.

Key	Tennant® Part No.	Scrub Attachment Serial Number	Description	Qty.
1	26156	(000000-	Knob	1
2	03024	(000000-	Handle	1
3	43086	(000000-	Crank	1
4	26065	(000000-	Bushing, Sleeve	1
5	43502	(000000-	Clevis	1
6	43505	(000000-	End, Cylinder	1
7	43164	(000000-	Spring, Compression	1
8	20160	(000000-	Pin, Roll	1
9	43116	(000000-	Collar	1
10	43096	(000000-	Spring, Cylinder	1
11	82893	(000000-	Rod, Brush Lift	1
12	14330	(000000-	End, Yoke	1
13	14331	(000000-	Pin, Clevis	1
14	46642-1	(000000-	Shim	4
15	46642-2	(000000-	Shim	1
16	46605	(000000-	Block, Bearing	2
17	46443	(000000-	Bushing, Flange	2
18	43491	(000000-	Arm and Shaft, Lift	1
19	32126	(000000-	Stud, Wheel	1
20	24339	(000000-	Nut, Wheel	1
21	46442	(000000-	Arm, Brush	1
22	47178-13	(000000-	Plugbutton	1
23	07026	(000000-	Sleeve	1
24	46390	(000000-	Bearing, Ball	1
25	10464	(000000-	Ring, Retaining	1
26	07037	(000000-	Plug, Brush	1
27	24743	(000000-	Plug, Brush Drive	1
28	11398	(000000-	Pin, Roll	1
29	33795	(000000-	Motor, Hydraulic	1
30	77097	(000000-	Fitting, Elbow	1
31	82648	(000000-	Hose, Hydraulic	1
32	56692	(000000-	Fitting, Straight	2
33	34356	(000000-	Hose, Hydraulic	1
34	82506	(000000-	Hose, Hydraulic	1
35	31646	(000000-	Sleeve, Hose	1
36	82918	(000000-	Fitting, Straight	1
37	77006	(000000-	O-ring	1
38	65084-2	(000000-	Fitting, Coupling, Female	1
39	65084-1	(000000-	Fitting, Coupling, Male	1
40	44869	(000000-	Fitting, Straight	1
41	06678	(000000-	Fitting, Straight	1
42	33798	(000000-	Cap, Dust	1
43	34413	(000000-	Fitting, Coupling, Male	1
44	43592	(000000-	Brush, Polypropylene, 24 Row	1
45	43653	(000000-	Sleeve	1
46	43652	(000000-	Shock Absorber	1
	46857	(000000-	Brush and U-Joint Assembly	1
47	43554	(000000-	U-Joint	1
48	43148	(000000-	Brush, Polypropylene	1

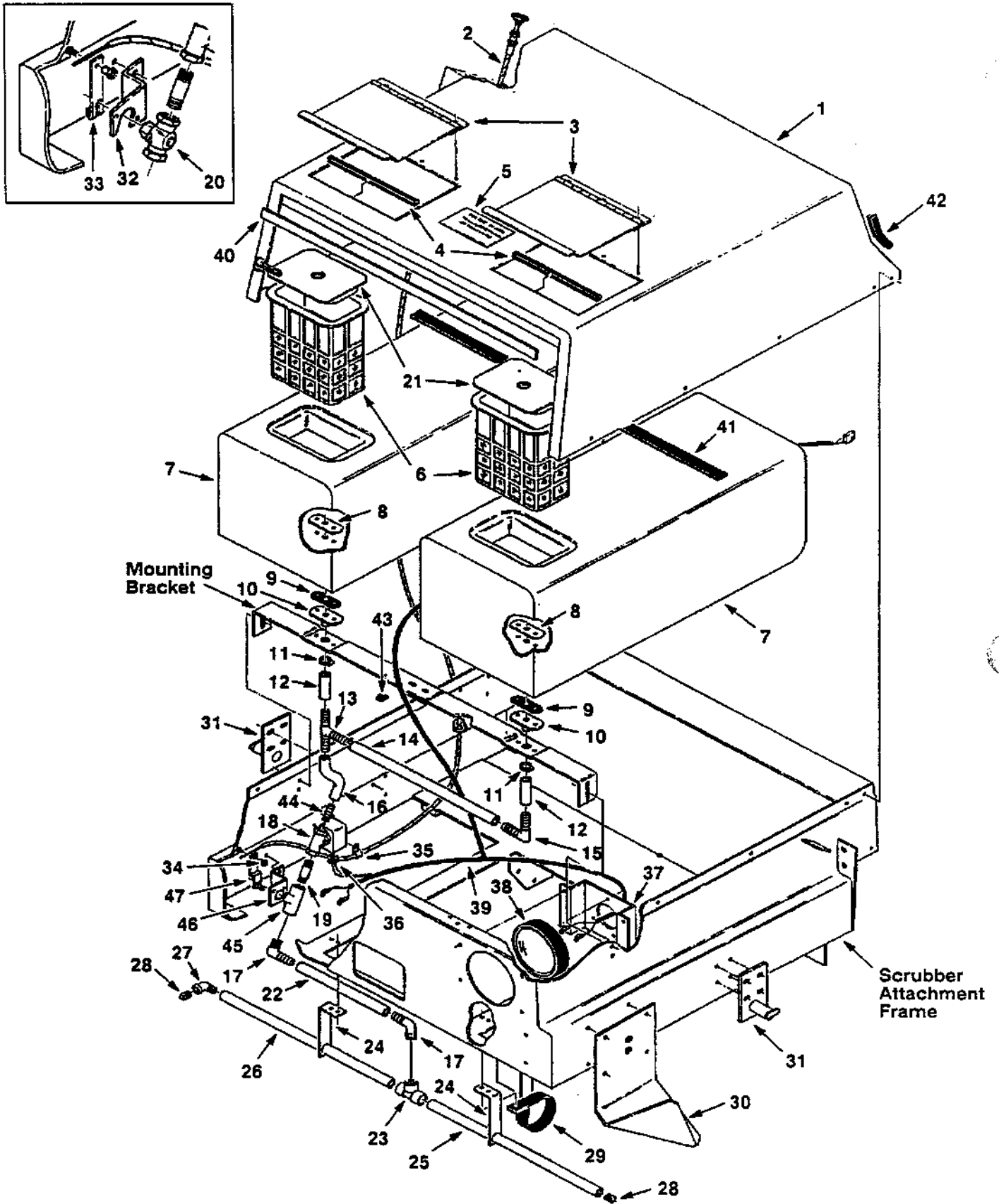


Fig. 22 - Solution Tanks Group

Fig. 22 - Solution Tanks Group

02731

NOTE: Scrubber Attachment Kit, Tennant® Part Number 82088, includes Fig. 21, 22, 23, 25, 26, and 29.

Key	Tennant® Part No.	Scrub Attachment Serial Number	Description	Qty.
1	82949	(000000- )	Cover, Scrubber	1
2	03075	(000000-020133 )	Replacement Kit, Control Cable	1
2	03074	(020134- )	Cable, Control	1
3	43287	(000000- )	Lid	2
4	49282	(000000- )	Molding, Rigid	2
5	46847	(000000- )	Decal, Detergent Recommended	1
6	43516A	(000000- )	Basket, Soap	2
7	82887	(000000- )	Tank, Detergent	2
8	43056	(000000- )	Flange	2
9	43016	(000000- )	Gasket	2
10	43057	(000000- )	Connector	2
11	54333	(000000- )	Clamp	2
12	45487-1	(000000- )	Hose, Vinyl	2
13	45488	(000000- )	Fitting, Tee, Barbed	1
14	45487-3	(000000- )	Hose, Vinyl	1
15	45486	(000000- )	Fitting, Elbow, Barbed	1
16	45487-2	(000000-020133 )	Hose, Vinyl	1
16	03073	(020134- )	Hose, Vinyl	1
17	45484	(000000- )	Fitting, Elbow, Barbed	2
18	82599	(000000- )	Valve, Solenoid	1
19	11442-3	(000000- )	Fitting, Straight	1
20	12056	(000000-030014 )	Replacement Kit, Water Valve	1
21	02967	(000000- )	Plug Assembly	2
22	45487-4	(000000- )	Hose, Vinyl	1
23	56092	(000000- )	Fitting, Tee	1
24	45481	(000000- )	Hanger	2
25	56090	(000000- )	Tube, Spreader, L.H.	1
26	45528	(000000- )	Tube, Spreader, R.H.	1
27	45483-1	(000000- )	Fitting, Elbow	1
28	56119	(000000- )	Fitting, Plug	2
29	47795-1	(000000- )	Strap, Rubber	1
30	33811	(000000- )	Guard, Scrubber Motor	1
31	43039	(000000- )	Support	2
32	45490A	(000000-020133 )	Bracket, Water Valve	1
32	03033	(020134- )	Bracket, Water Valve	1
33	50573	(000000-020133 )	Lever, Water Valve	1
33	03040	(020134- )	Lever, Water Valve	1
34	43242	(000000- )	Swivel	1
35	46168	(000000- )	Clamp, Conduit	1
36	10632-4	(000000- )	Grommet	1
37	82872	(000000- )	Mount, Headlight	2
38	46108	(000000- )	Headlight	2
	10801	(000000- )	Lamp	1
39	82609	(000000- )	Wire Harness, Scrubber	1
40	02925	(000000- )	Seal, Foam	1
41	02970	(000000- )	Seal, Rubber	1
42	62170-4	(000000- )	Molding, Rigid	1
43	40678	(000000- )	Clamp, Cable	1
44	45484	(000000-020133 )	Fitting, Elbow	1
44	79273-4	(020134- )	Fitting, Straight	1
45	12770	(030015- )	Valve, Water	1
46	12046	(030015- )	Bracket, Water Valve	1
47	12047	(030015- )	Lever, Water Valve	1

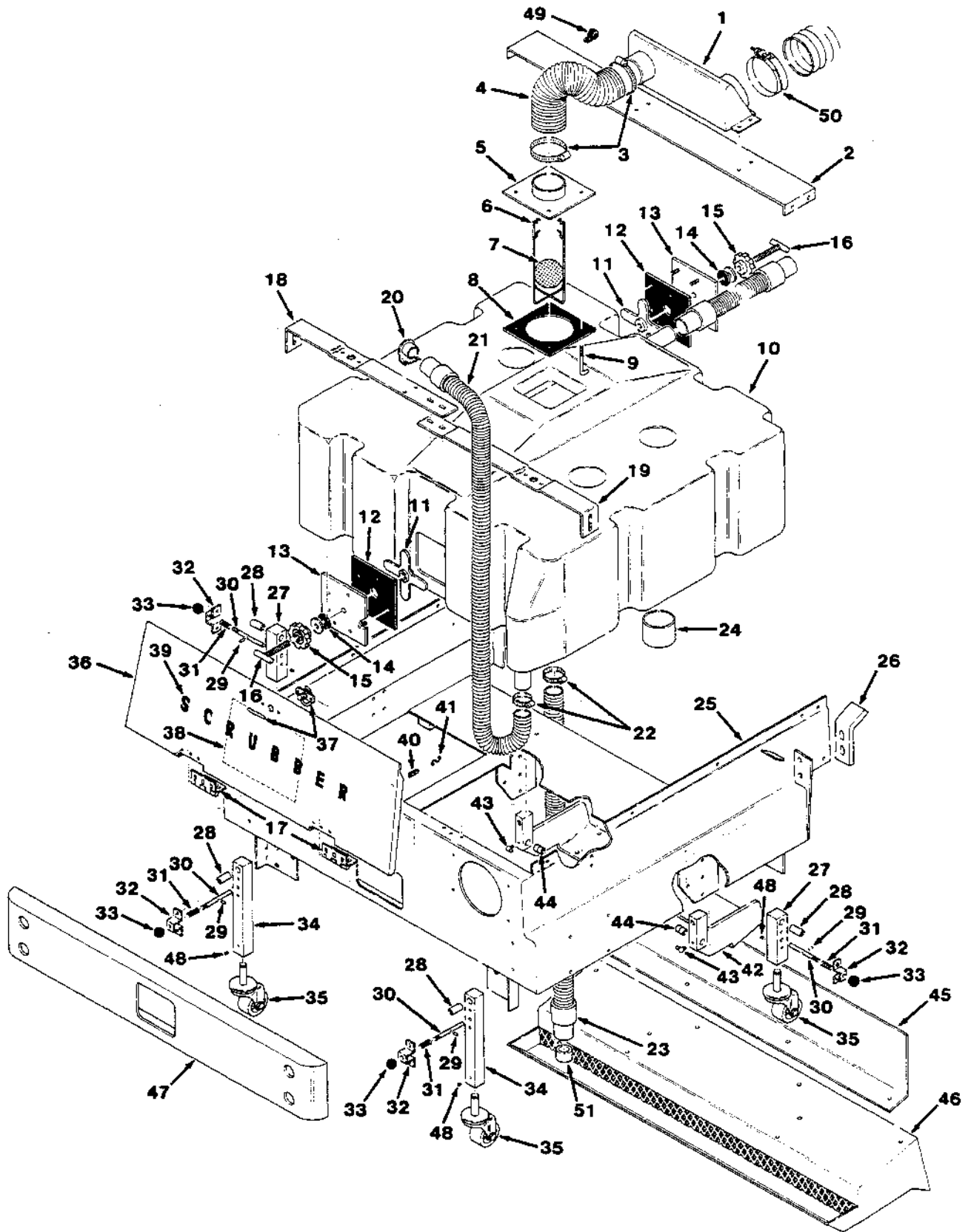


Fig. 23 - Recovery Tank Group

Fig. 23 - Recovery Tank Group

02730

NOTE: Scrubber Attachment Kit, Tennant® Part Number 82088, includes Fig. 21, 22, 23, 25, 26, and 29.

Key	Tennant® Part No.	Scrub Attachment Serial Number	Description	Qty.
1	03130	(000000- )	Duct, Vacuum	1
2	82959	(000000- )	Brace	1
3	43555	(000000- )	Clamp, Worm Drive	2
4	43490	(000000- )	Hose, Flexible	1
5	47475	(000000- )	Collar, Float	1
6	56489	(000000- )	Guide, Float	1
7	43170	(000000- )	Ball Float	1
8	43552	(000000- )	Gasket	1
9	32685	(000000- )	Bolt, J	4
10	82888	(000000- )	Tank, Recovery	1
11	82939	(000000- )	Cam, Locking	2
12	32683	(000000- )	Seal, Door	2
13	82937	(000000- )	Door, Cleanout	2
14	82967	(000000- )	Seal, Washer	2
15	82958	(000000- )	Knob	2
16	03043	(000000- )	Handle, Door	2
17	47974	(000000- )	Hinge	2
18	43344-1	(000000-020133 )	Bracket, Mounting, R.H.	1
18	03141	(020134- )	Bracket, Mounting, R.H.	1
19	43344-2	(000000-020133 )	Bracket, Mounting, L.H.	1
19	03142	(020134- )	Bracket, Mounting, L.H.	1
20	20215	(000000- )	Plug	1
21	69207	(000000- )	Hose, Drain	1
22	11531	(000000- )	Clamp, Worm Drive	2
23	43207	(000000- )	Hose and Cuff Assembly	1
24	32677	(000000- )	Tube, Tank Locating	2
25	82864	(000000-020133 )	Frame, Scrubber	1
25	03148	(020134- )	Frame, Scrubber	1
26	82590	(000000- )	Support, L.H.	1
27	43615	(000000- )	Leg, Rear	2
28	43609	(000000- )	Sleeve	4
29	20160	(000000- )	Pin, Roll	4
30	32449	(000000- )	Pin, Threaded	4
31	04428A	(000000- )	Spring, Compression	4
32	43030	(000000- )	Bracket, Pin	4
33	26565	(000000- )	Knob	4
34	43614	(000000- )	Leg, Front	2
35	43616	(000000- )	Caster, Stem	4
36	82957	(000000- )	Door, Scrubber Tank	1
37	82964	(000000- )	Latch, Tee	1
38	02962	(000000- )	Decal, Scrubbing Instructions	1
39	46276	(000000- )	Decal, Scrubber	1
40	43203	(000000- )	Chain	1
41	43363	(000000- )	Hook, S	1
42	43005	(000000- )	Support, Trough	1
43	11048	(000000- )	Fitting, Grease	2
44	26065	(000000- )	Bushing, Sleeve	2
45	53368	(000000- )	Shield, Spray	1
46	43004	(000000- )	Trough, Pickup	1
47	82891	(000000- )	Channel, Bumper	1
48	39336	(000000- )	Screw, Set	4
49	26395	(000000- )	Clamp	1
50	02912	(000000- )	Clamp, Hose	1
51	46688	(000000- )	Sleeve	1

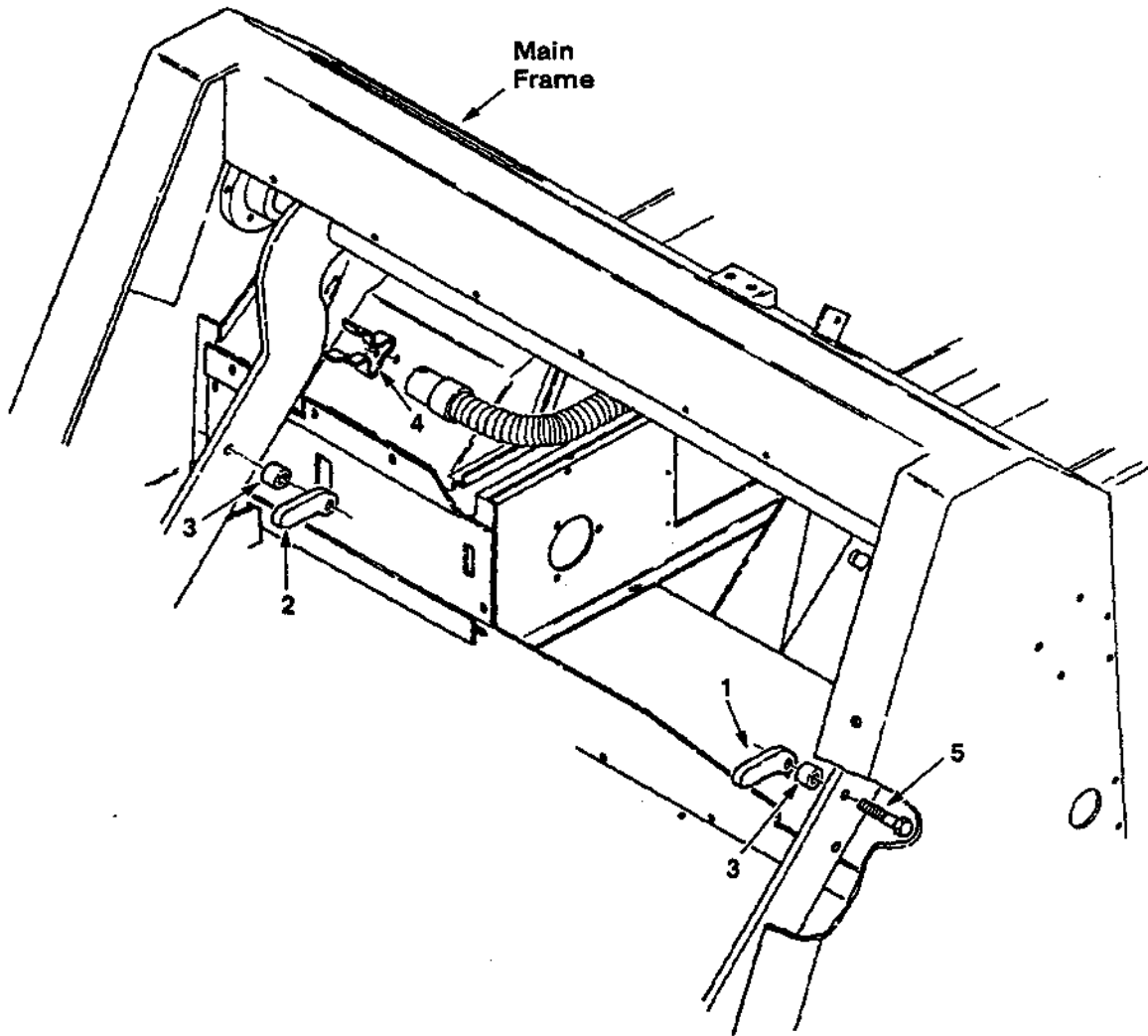


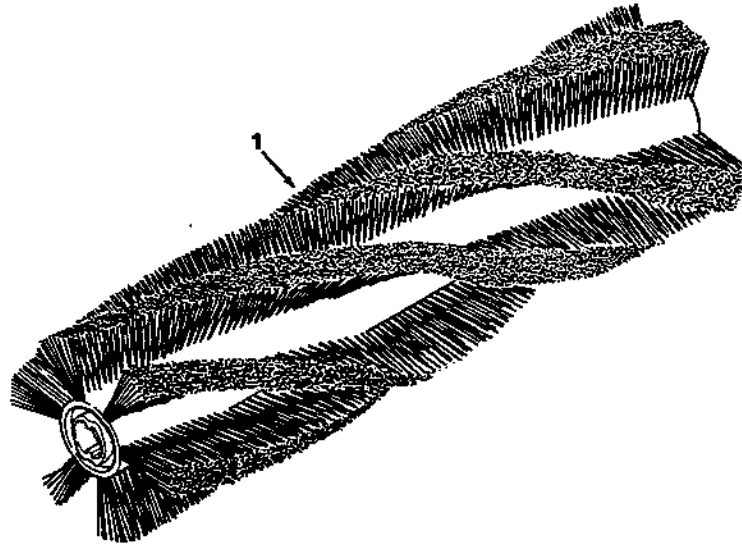
Fig. 24 - Scrub Attachment Cam Group

NOTE: Squeegees and Control Kit, Tennant® Part Number 82086, includes Fig. 16, 18, 19, and 24.

02851

Key	Tennant® Part No.	Machine Serial Number	Description	Qty.
1	03114	(000000- )	Cam, L.H.	1
2	03139	(000000- )	Cam, R.H.	1
3	02997	(000000- )	Spacer, Cam	2
4	67004	(000000- )	Clip, Finger Grip	1
5	03112	(000000- )	Screw, Hex, L.H.	1

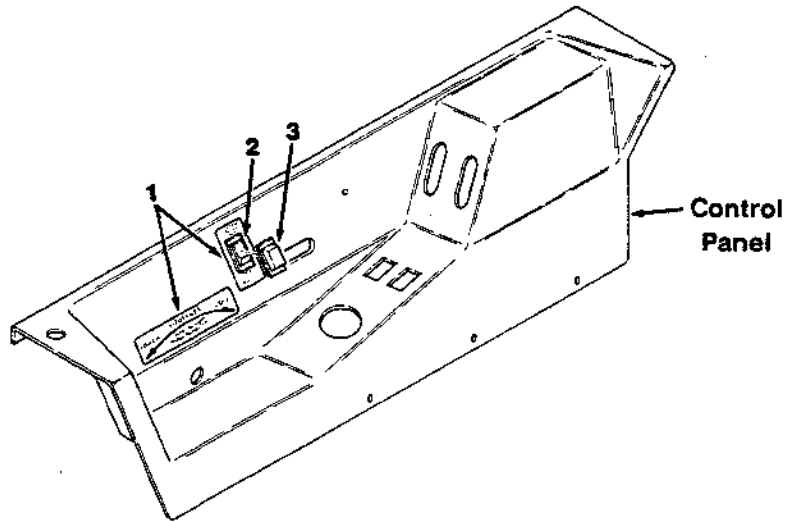
NOTE: To identify parts shown but not listed here, see Section 5, Low Dump Model Parts.



**Fig. 25 - Main Scrubber Brush Group**

*NOTE:* Scrubber Attachment Kit, Tennant® Part Number 82088, includes Fig. 21, 22, 23, 25, 26, and 29. 02779

Key	Tennant® Part No.	Machine Serial Number	Description	Qty.
1	53068	(000000- )	Brush, Nylon, 8 Row	1



**Fig. 26 - Instrument Panel Group**

*NOTE:* Scrubber Attachment Kit, Tennant® Part Number 82088, includes Fig. 21, 22, 23, 25, 26, and 29. 02726

Key	Tennant® Part No.	Machine Serial Number	Description	Qty.
1	82591	(000000- )	Label Kit	1
2	81458	(000000- )	Switch, Rocker	2
3	57807	(000000- )	Seal, Switch	2

*NOTE:* To identify parts shown but not listed here, see Section 5, Low Dump Model Parts.

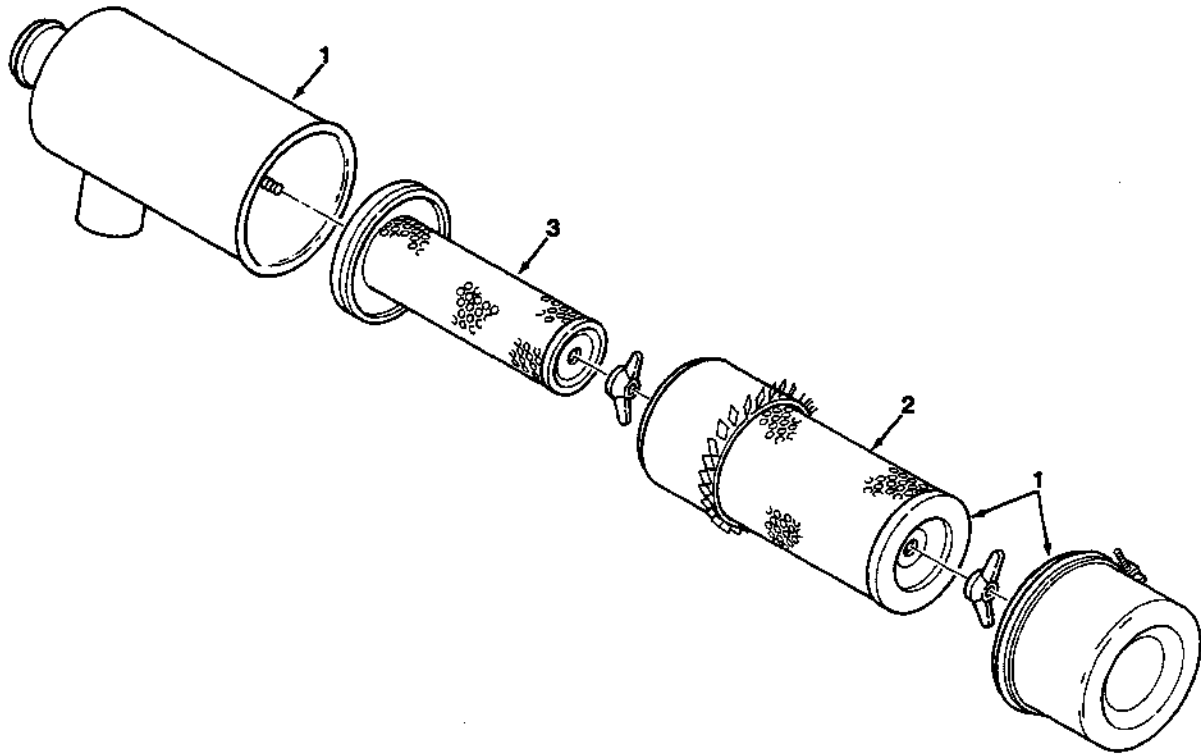


Fig. 27 - Air Cleaner Kit, Heavy Duty

02274

Key	Tennant® Part No.	Machine Serial Number	Description	Qty.
	58539	(000000- )	Air Cleaner Kit, Heavy Duty	1
1	58538	(000000- )	Body, Air Cleaner	1
2	58120	(000000- )	Element, Air Cleaner	1
3	58121	(000000- )	Element, Safety	1



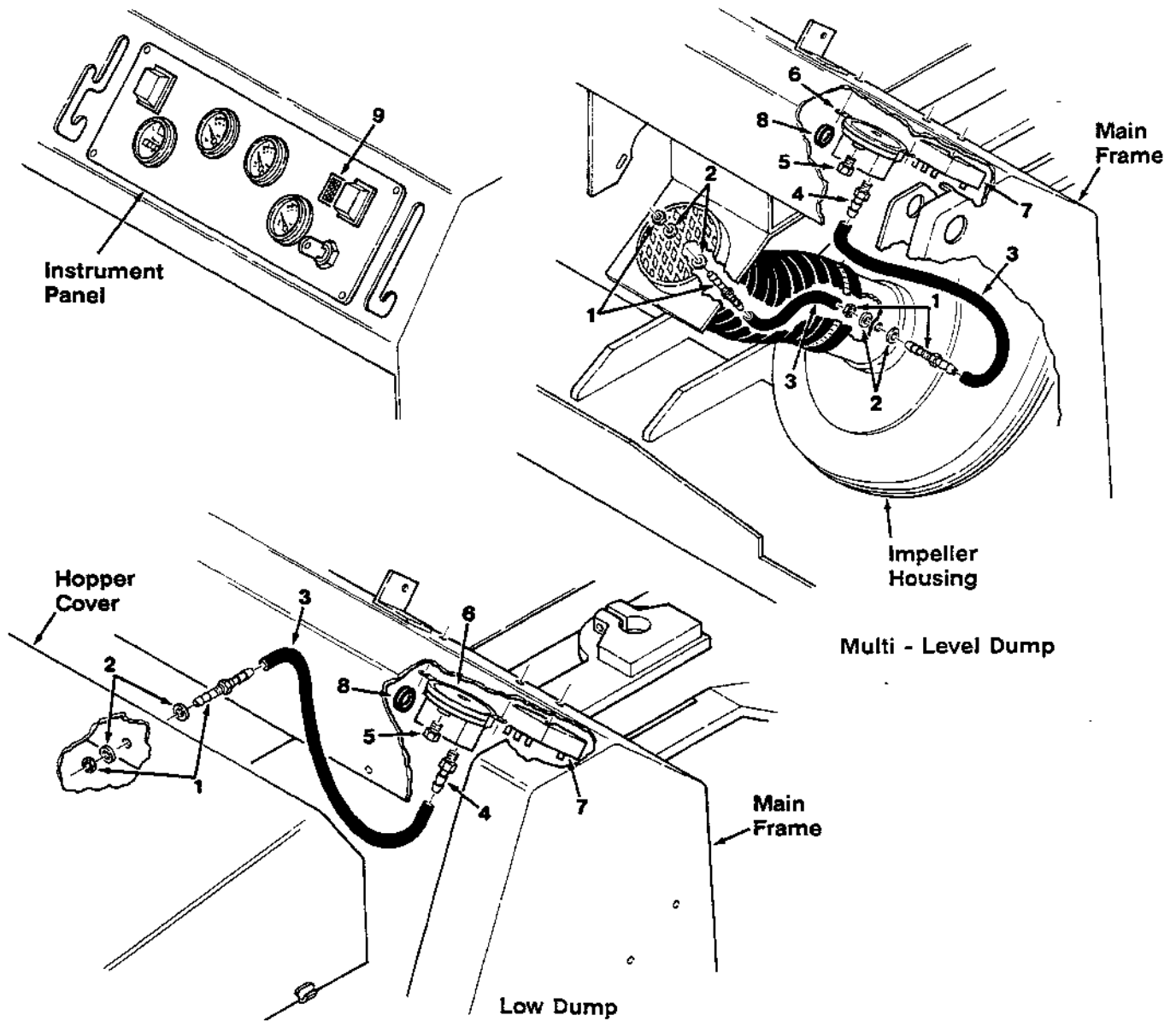
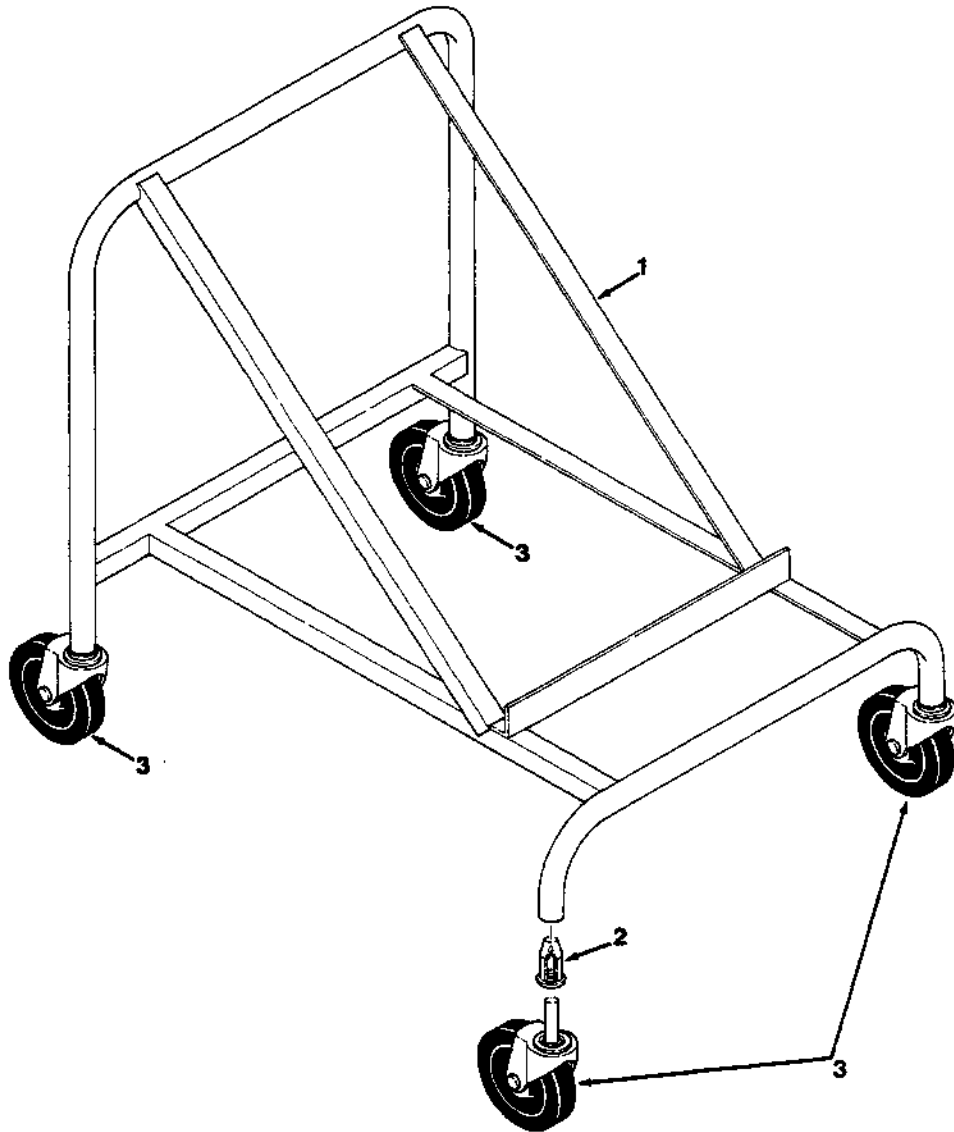


Fig. 28 - Clogged Filter Indicator Kit

02740

Key	Tennant® Part No.	Machine Serial Number	Description	Qty.
	02632	(000000- )	Indicator Kit, Clogged Filter	1
1	39923	(000000- )	Fitting, Bulkhead, Barbed	2
2	43454	(000000- )	Washer, Nylon	4
3	39780-1	(000000- )	Hose, Rubber	1
4	40607	(000000- )	Fitting, Straight, Barbed	1
5	82739	(000000- )	Fitting, Breather	1
6	34868	(000000- )	Switch, Pressure	1
7	34816	(000000- )	Timer, Shaker	1
8	10632-4	(000000- )	Grommet	1
9	64141-1	(000000- )	Light Assembly	1

NOTE: To identify parts shown but not listed here, see Section 5, Low Dump Model Parts.



**Fig. 29 - Hopper Dolly Assembly**

*NOTE: Scrubber Attachment Kit, Tennant® Part Number 82088, includes Fig. 21, 22, 23, 25, 26, and 29. Snow Broom Kit, Tennant® Part Number 02629, includes Fig. 3, 4, 5, and 29. Snow Blade Kit, Tennant® Part Number 37136, includes Fig. 2, 4, 5, and 29.*

Key	Tennant® Part No.	Machine Serial Number	Description	Qty.
	24147	(000000- )	Dolly Assembly, Hopper	1
1	24145	(000000- )	Dolly, Hopper	1
2	24149	(000000- )	Socket, Caster	4
3	24259A	(000000- )	Caster	4

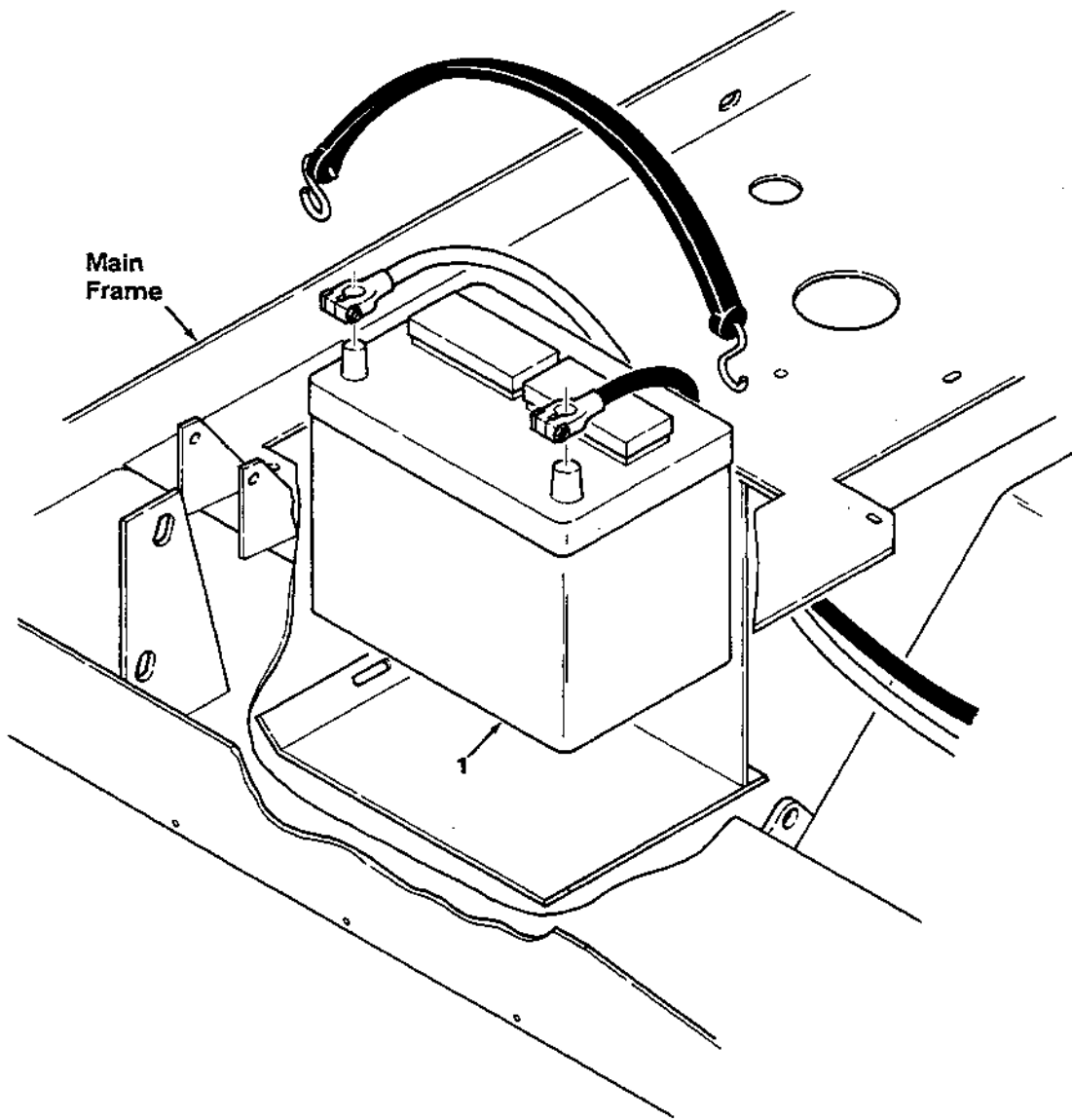
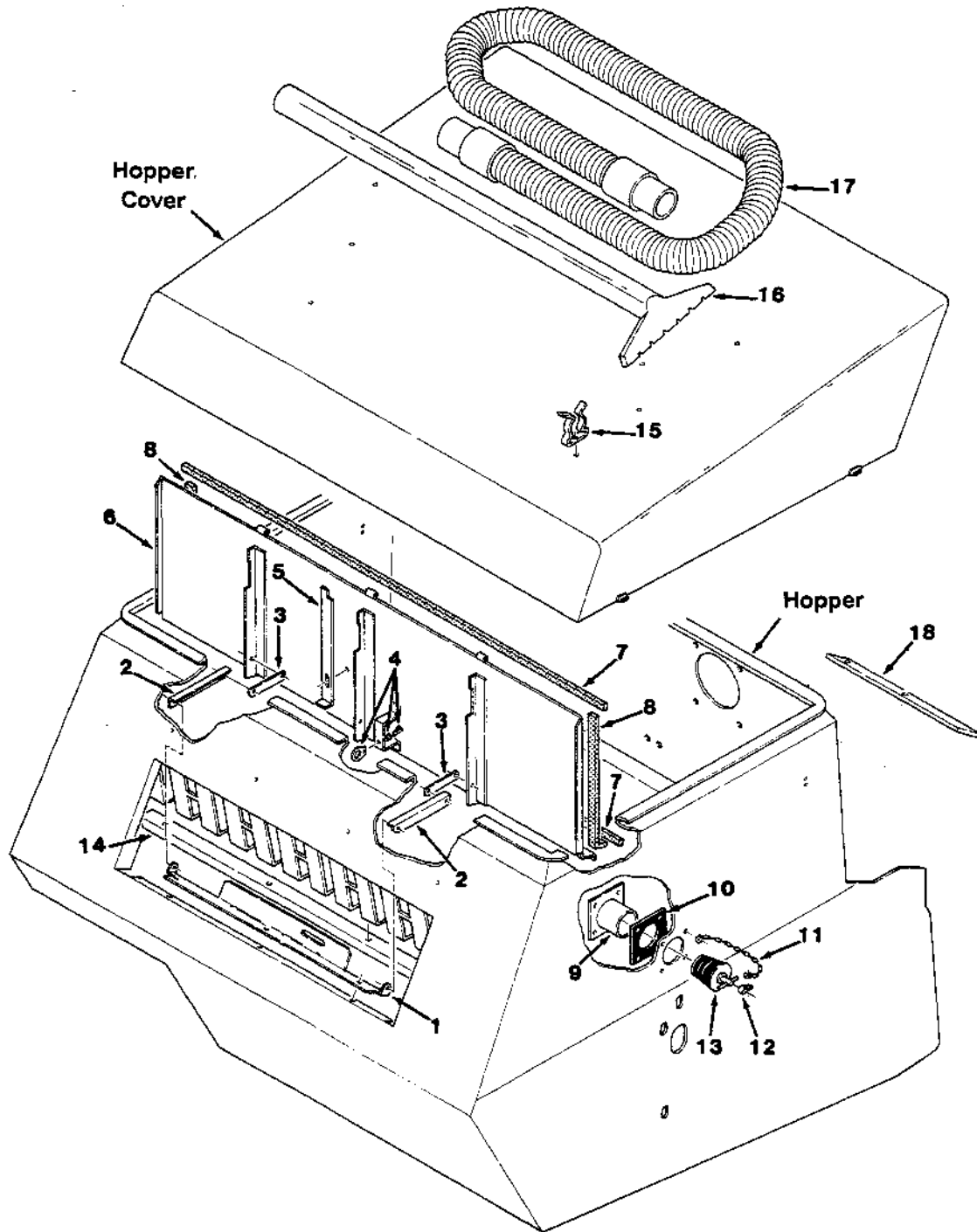


Fig. 30 - Dry Battery Kit

Key	Tennant® Part No.	Machine Serial Number	Description	Qty.
1	10144	(000000- )	Battery, Dry, 540 CCA	1

NOTE: To identify parts shown but not listed here, see Section 5, Low Dump Model Parts.



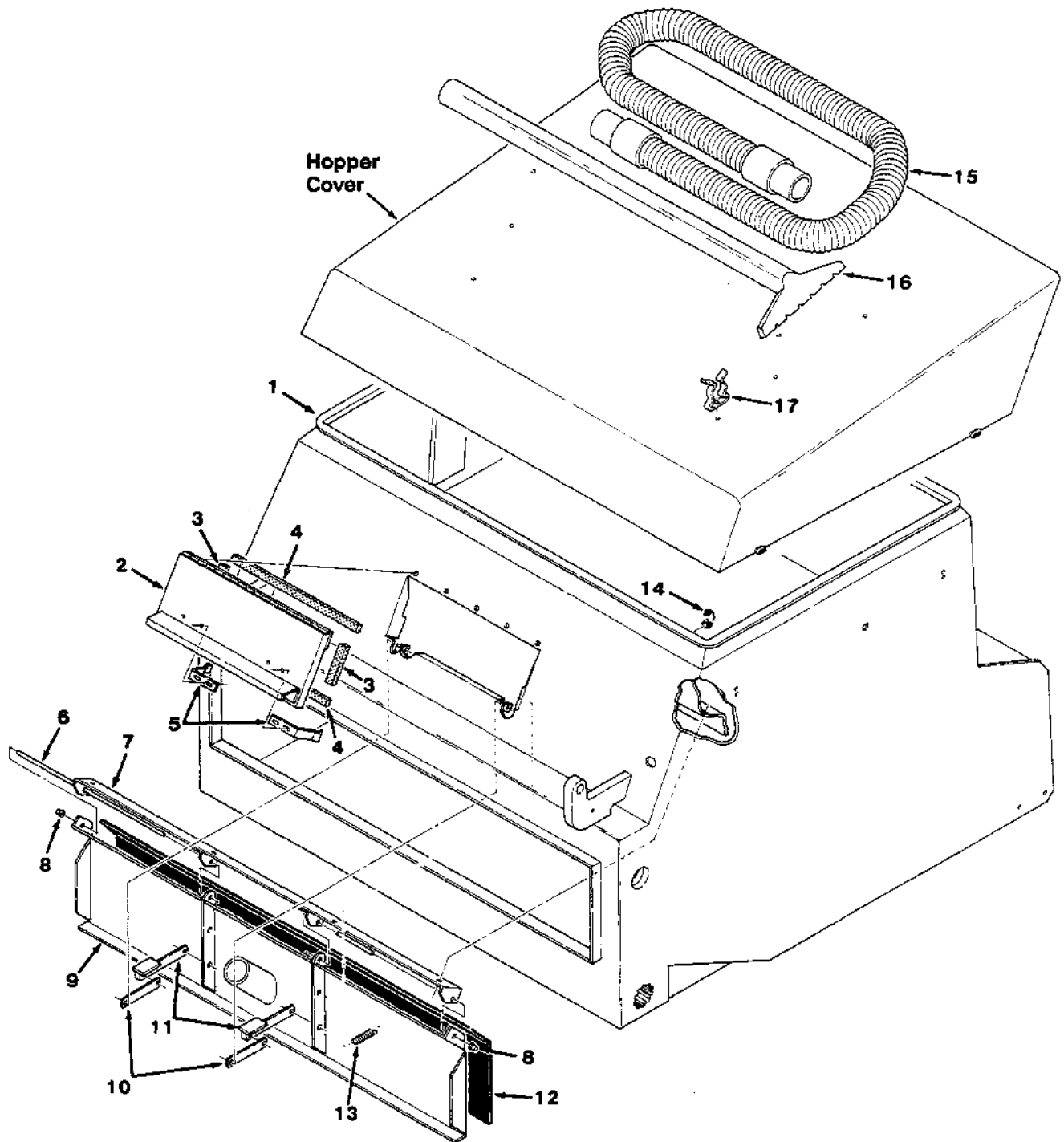
**Fig. 31 - Vacuum Wand Kit, Low Dump**

*NOTE: To identify parts shown but not listed here, see Section 5, Low Dump Model Parts.*

Fig. 31 - Vacuum Wand Kit, Low Dump

02788

Key	Tennant® Part No.	Machine Serial Number	Description	Qty.
	82978	(000000- )	Wand Kit, Vacuum	1
1	82375	(000000- )	Bracket, Stop	1
2	82376	(000000- )	Angle, Door	2
3	82439	(000000- )	Bar, Door	2
4	82315	(000000- )	Latch, Quarter Turn	1
5	82437	(000000- )	Bar, Retaining	1
6	82414	(000000- )	Door, Vacuum Wand	1
7	82297	(000000- )	Seal, Door	2
8	82296	(000000- )	Seal, Door	2
9	82458	(000000- )	Adaptor, Hose	1
10	82459	(000000- )	Seal, Adaptor	1
11	44166	(000000- )	Chain	1
12	26395-2	(000000- )	Clamp, Cable	1
13	42124	(000000- )	Plug, Drain	1
14	82419	(000000- )	Angle, Baffle	1
15	67004	(000000- )	Clip, Finger Grip	7
16	54012	(000000- )	Wand	1
17	54009	(000000- )	Hose and Cuff Assembly	1
18	82576	(000000- )	Counterweight	7



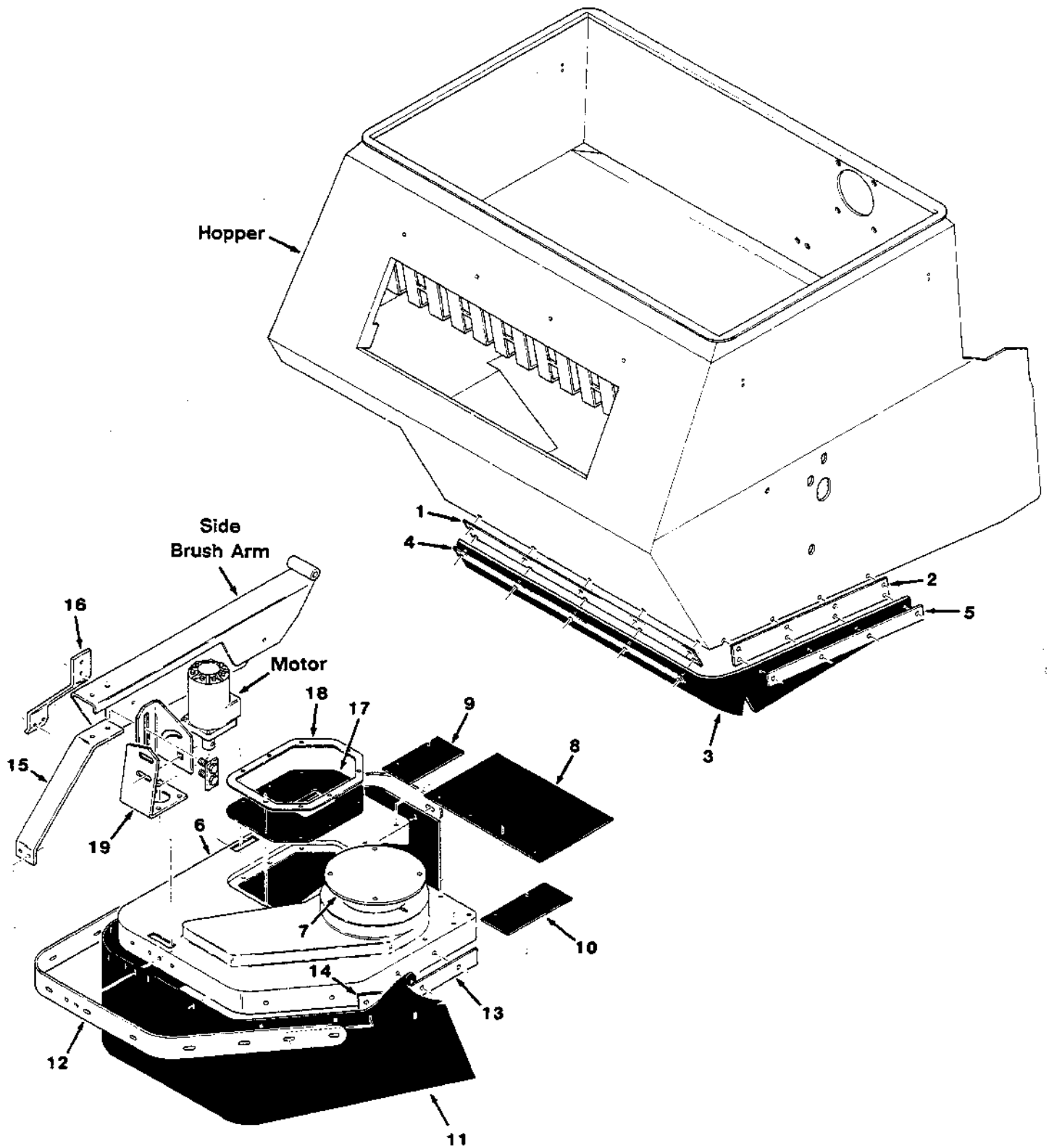
**Fig. 32 - Vacuum Wand Group, Multi-level Dump**

*NOTE: To identify parts shown but not listed here, see Section 5, Low Dump Model Parts.*

Fig. 32 - Vacuum Wand Group, Multi-level Dump

02802

Key	Tennant® Part No.	Machine Serial Number	Description	Qty.
1	07999	(000000- )	Hopper, Vacuum Wand	1
2	50590	(000000- )	Door, Access	1
3	75423	(000000- )	Seal, Foam Rubber	2
4	50525	(000000- )	Seal, Foam Rubber	2
5	53697	(000000- )	Catch, Spring	2
6	82283	(000000- )	Pin, Hinge	1
7	82280	(000000- )	Mount, Hinge	1
8	82284	(000000- )	Fastener, Cap	2
9	82275	(000000- )	Door, Vacuum Wand	1
10	82288	(000000- )	Link, Outer	2
11	82270	(000000- )	Link	2
12	82292	(000000- )	Seal, Door	1
13	13352	(000000- )	Spring	1
14	47591	(000000- )	Strain Relief	1
15	54009	(000000- )	Hose and Cuff Assembly	1
16	54012	(000000- )	Wand	1
17	67004	(000000- )	Clip, Finger Grip	7



**Fig. 33 - Side Brush Dust Control Kit**

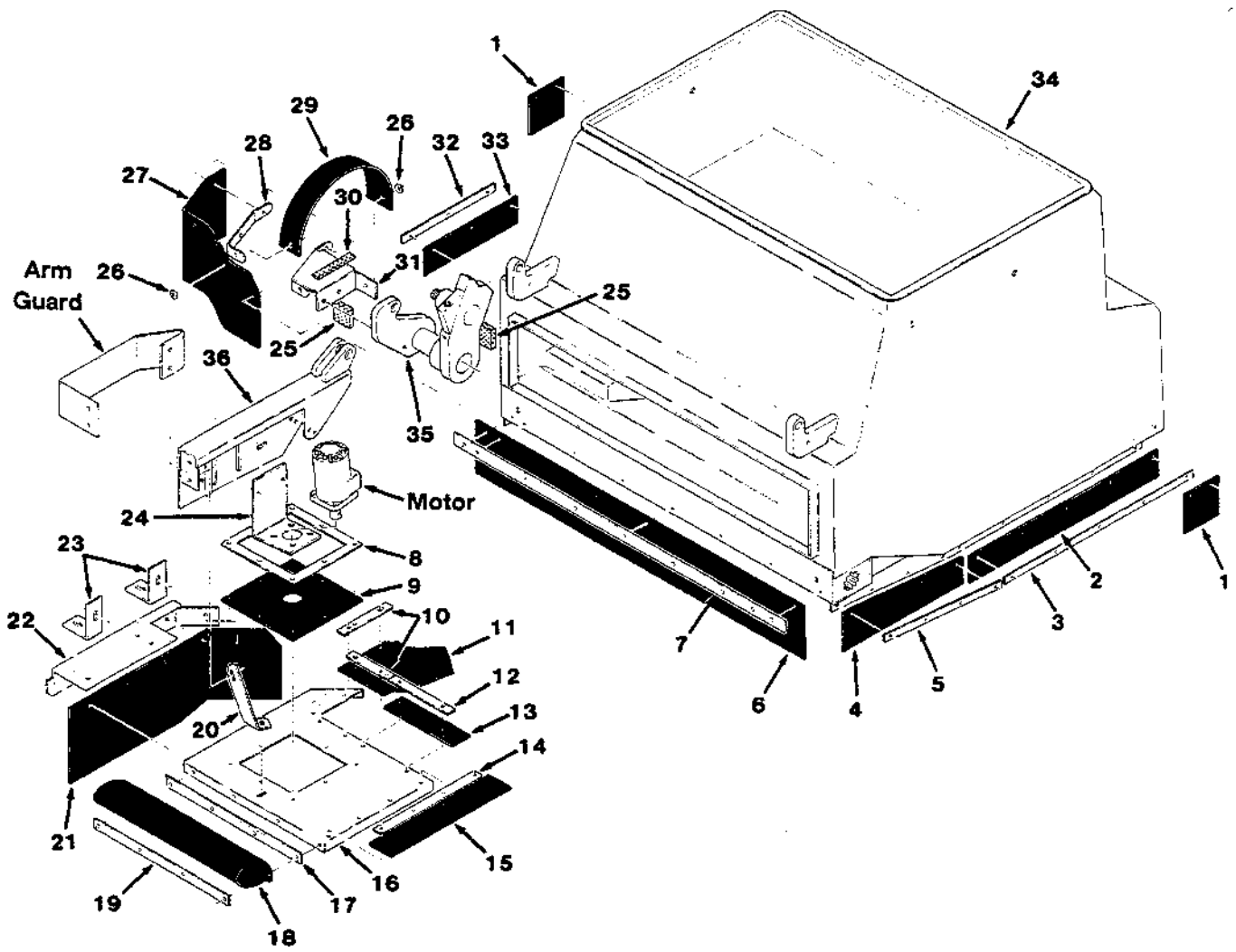
*NOTE: To identify parts shown but not listed here, see Section 5, Low Dump Model Parts.*



Fig. 33 - Side Brush Dust Control Kit

02783

Key	Tennant® Part No.	Machine Serial Number	Description	Qty.
	03122	(000000- )	Dust Control Kit, Side Brush	1
1	03119	(000000- )	Strip, Skirt Front	1
2	03120	(000000- )	Strip, Skirt, L.H.	1
3	03101	(000000- )	Skirt, Hopper	1
4	03104	(000000- )	Retainer, Front	1
5	03102	(000000- )	Retainer, L.H.	1
6	53098	(000000- )	Shroud , Side Brush	1
7	03121	(000000- )	Plate, Shroud Cover	1
8	03111	(000000- )	Seal, Rear Shroud	1
9	53109	(000000- )	Seal, Hopper	1
10	03109	(000000- )	Seal, Left Front	1
11	03096	(000000- )	Skirt, Shroud	1
12	03095	(000000- )	Retainer, Shroud Skirt	1
13	03105	(000000- )	Retainer, Skirt	1
14	03108	(000000- )	Retainer, Skirt	1
15	53038	(000000- )	Support, Front Bumper	1
16	53039	(000000- )	Support, Side Bumper	1
17	53407	(000000- )	Seal, Shroud Shaft	1
18	53212	(000000- )	Retainer, Shroud Seal	1
19	82721	(000000- )	Bracket, Motor	1



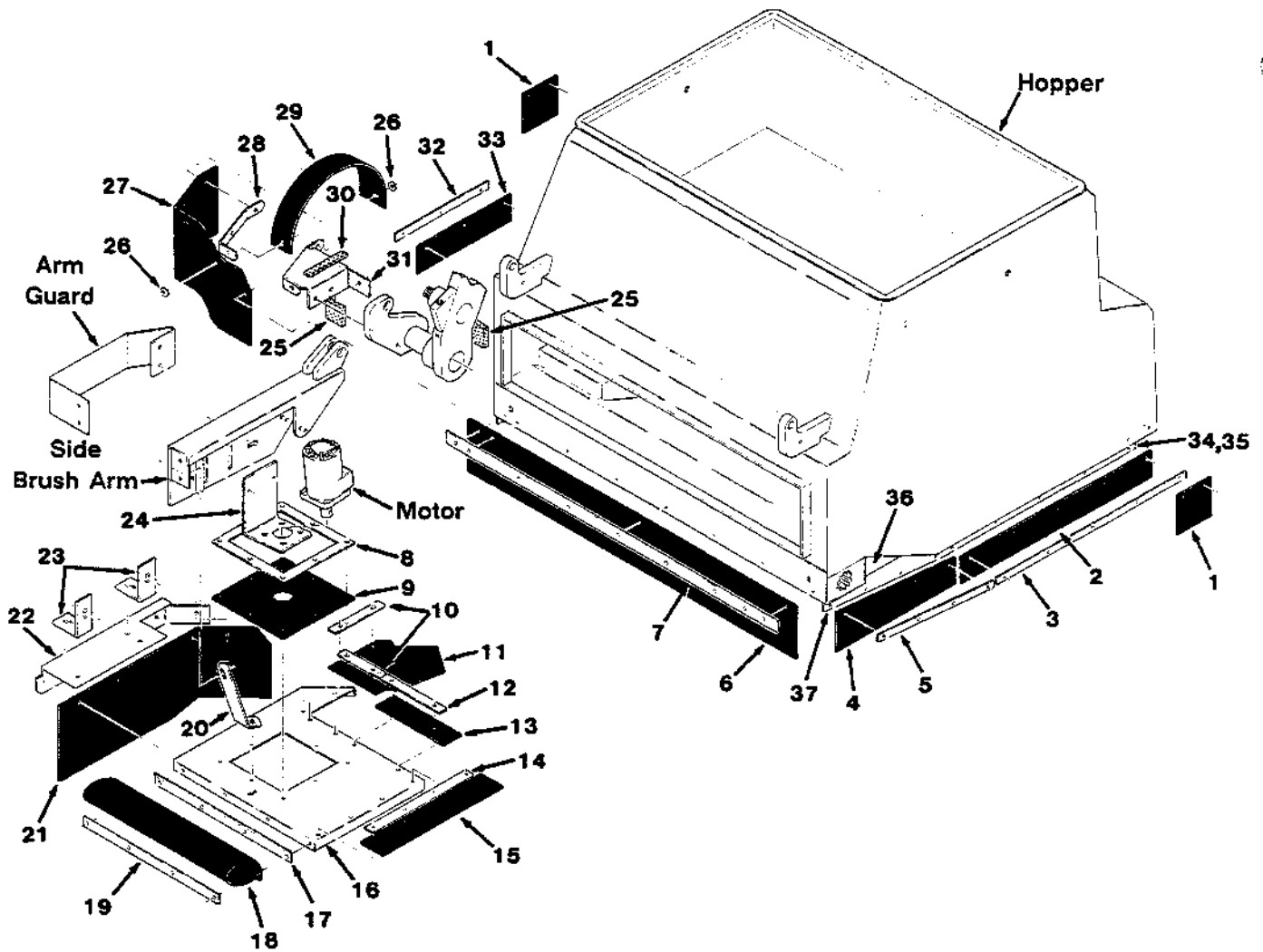
**Fig. 34 - Side Brush Dust Control Kit (With Hopper), Multi-Level Dump**

*NOTE: To identify parts shown but not listed here, see Section 7, Multi-Level Dump Model Parts.*

Fig. 34 - Side Brush Dust Control Kit (With Hopper), Multi-Level Dump

03354

Key	Tennant® Part No.	Machine Serial Number	Description	Qty.
	04579	(00000- )	Dust Control Kit, Side Brush, (With Hopper)	1
1	04546	(000000- )	Skirt, Rear Side	2
2	04544	(000000- )	Skirt, L.H.	1
3	04566	(000000- )	Retainer, L.H.	1
4	04545	(000000- )	Skirt, Front, L.H.	1
5	04568	(000000- )	Retainer, Front, L.H.	1
6	04577	(000000- )	Skirt, Front	1
7	04564	(000000- )	Retainer, Front	1
8	04569	(000000- )	Retainer, Motor Seal	1
9	04554	(000000- )	Seal, Motor	1
10	04562	(000000- )	Retainer, R.H.	2
11	04550	(000000- )	Seal, Rear Corner	1
12	04559	(000000- )	Retainer, Shroud Rear	1
13	04552	(000000- )	Seal, Shroud Rear	1
14	04561	(000000- )	Retainer, Shroud, L.H.	1
15	04551	(000000- )	Seal, Shroud, L.H.	1
16	04542	(000000- )	Shroud, Side Brush	1
17	04563	(000000- )	Deflector, Shroud Front	1
18	04549	(000000- )	Seal, Shroud Front	1
19	04560	(000000- )	Retainer, Shroud Front	1
20	04575	(000000- )	Strap, Shroud Front	1
21	04547	(000000- )	Skirt, Shroud, R.H.	1
22	04558	(000000- )	Bumper, Shroud	1
23	04574	(000000- )	Angle, Shroud Support	2
24	04576	(000000- )	Bracket, Side Brush Motor	1
25	82125	(000000- )	Seal, Foam Rubber	2
26	41186	(000000- )	Washer, Belleville	2
27	04548	(000000- )	Skirt, Front Corner	1
28	04570	(000000- )	Retainer, Corner Bumper	1
29	04553	(000000- )	Seal, Rollout Shaft	1
30	78218-2	(000000- )	Seal, Foam Rubber	1
31	04555	(000000- )	Bumper, Corner	1
32	04565	(000000- )	Retainer, R.H.	1
33	04543	(000000- )	Skirt, R.H.	1
34	04529	(000000- )	Hopper	1
35	04541	(000000- )	Shaft, Torque, R.H.	1
36	04539	(000000- )	Arm, Side Brush	1



**Fig. 35 - Side Brush Dust Control Kit, Multi-Level Dump**

*NOTE: To identify parts shown but not listed here, see Section 5, Multi-Level Dump Model Parts.*

Fig. 35 - Side Brush Dust Control Kit, Multi-Level Dump

03443

Key	Tennant® Part No.	Machine Serial Number	Description	Qty.
1	04527	(00000- )	Dust Control Kit, Side Brush	1
2	04546	(000000- )	Skirt, Rear Side	2
3	04544	(000000- )	Skirt, L.H.	1
4	04566	(000000- )	Retainer, L.H.	1
5	04545	(000000- )	Skirt, Front, L.H.	1
6	04568	(000000- )	Retainer, Front, L.H.	1
7	04577	(000000- )	Skirt, Front	1
8	04564	(000000- )	Retainer, Front	1
9	04569	(000000- )	Retainer, Motor Seal	1
10	04554	(000000- )	Seal, Motor	1
11	04562	(000000- )	Retainer, R.H.	2
12	04550	(000000- )	Seal, Rear Corner	1
13	04559	(000000- )	Retainer, Shroud Rear	1
14	04552	(000000- )	Seal, Shroud Rear	1
15	04561	(000000- )	Retainer, Shroud, L.H.	1
16	04551	(000000- )	Seal, Shroud, L.H.	1
17	04542	(000000- )	Shroud, Side Brush	1
18	04563	(000000- )	Deflector, Shroud Front	1
19	04549	(000000- )	Seal, Shroud Front	1
20	04560	(000000- )	Retainer, Shroud Front	1
21	04575	(000000- )	Strap, Shroud Front	1
22	04547	(000000- )	Skirt, Shroud, R.H.	1
23	04558	(000000- )	Bumper, Shroud	1
24	04574	(000000- )	Angle, Shroud Support	2
25	04576	(000000- )	Bracket, Side Brush Motor	1
26	82125	(000000- )	Seal, Foam Rubber	2
27	41186	(000000- )	Washer, Belleville	2
28	04548	(000000- )	Skirt, Front Corner	1
29	04570	(000000- )	Retainer, Corner Bumper	1
30	04553	(000000- )	Seal, Rollout Shaft	1
31	78218-2	(000000- )	Seal, Foam Rubber	1
32	04555	(000000- )	Bumper, Corner	1
33	04565	(000000- )	Retainer, R.H.	1
34	04543	(000000- )	Skirt, R.H.	1
35	04534	(000000- )	Strip, Skirt Support	1
36	04535	(000000- )	Strip, Skirt Support	1
37	04537	(000000- )	Plate, Front Filler	2
38	04538	(000000- )	Plate, Front Skirt	1

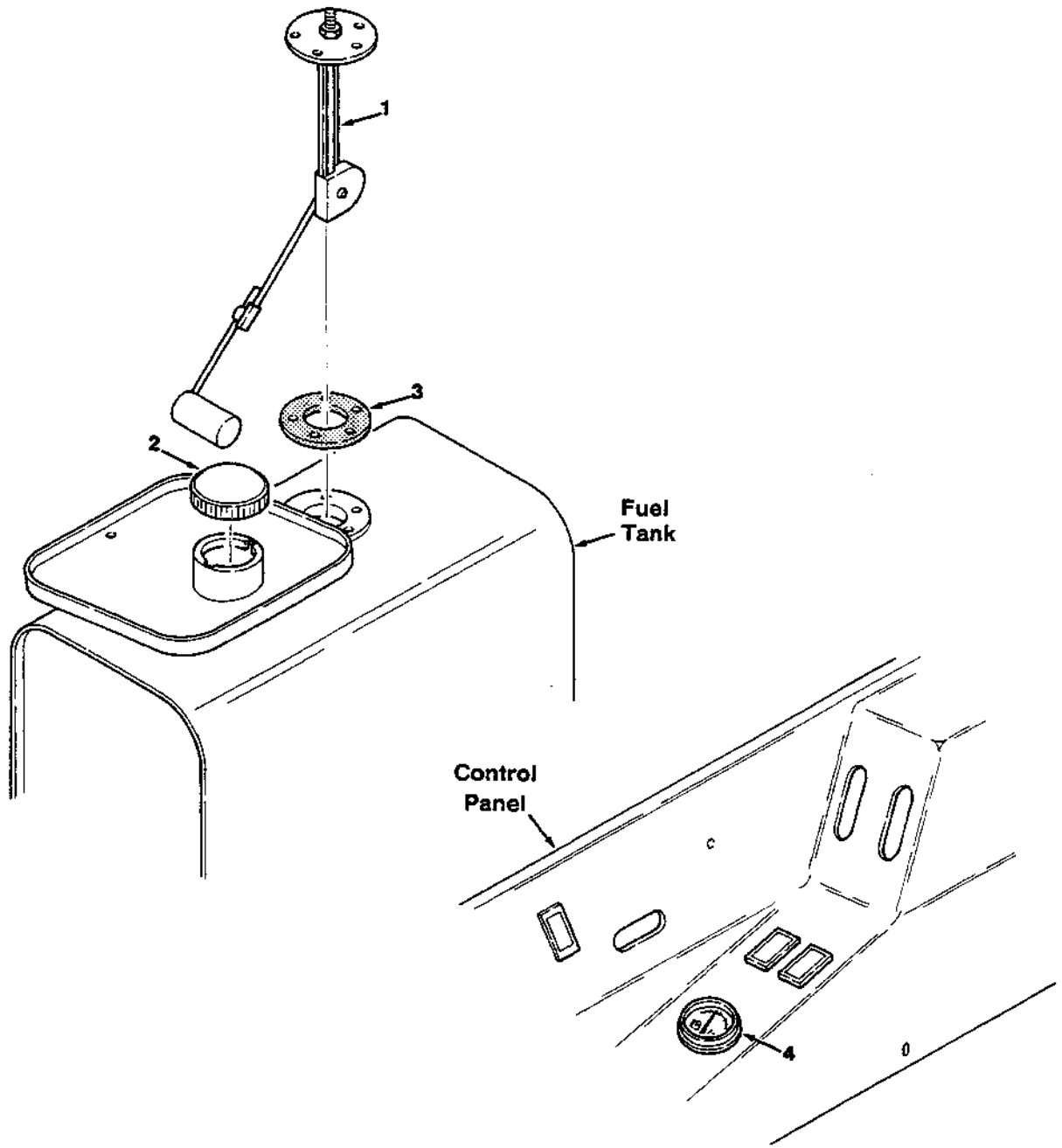


Fig. 36 - Fuel Gauge Kit

02592

Key	Tennant® Part No.	Machine Serial Number	Description	Qty.
	82994	(000000- )	Gauge Kit, Fuel	1
1	47473	(000000- )	Sending Unit, Tank	1
2	48267	(000000- )	Cap, Tank	1
3	14131	(000000- )	Gasket	1
4	34813	(000000- )	Gauge, Fuel	1

NOTE: To identify parts shown but not listed here, see Section 5, Low Dump Model Parts.

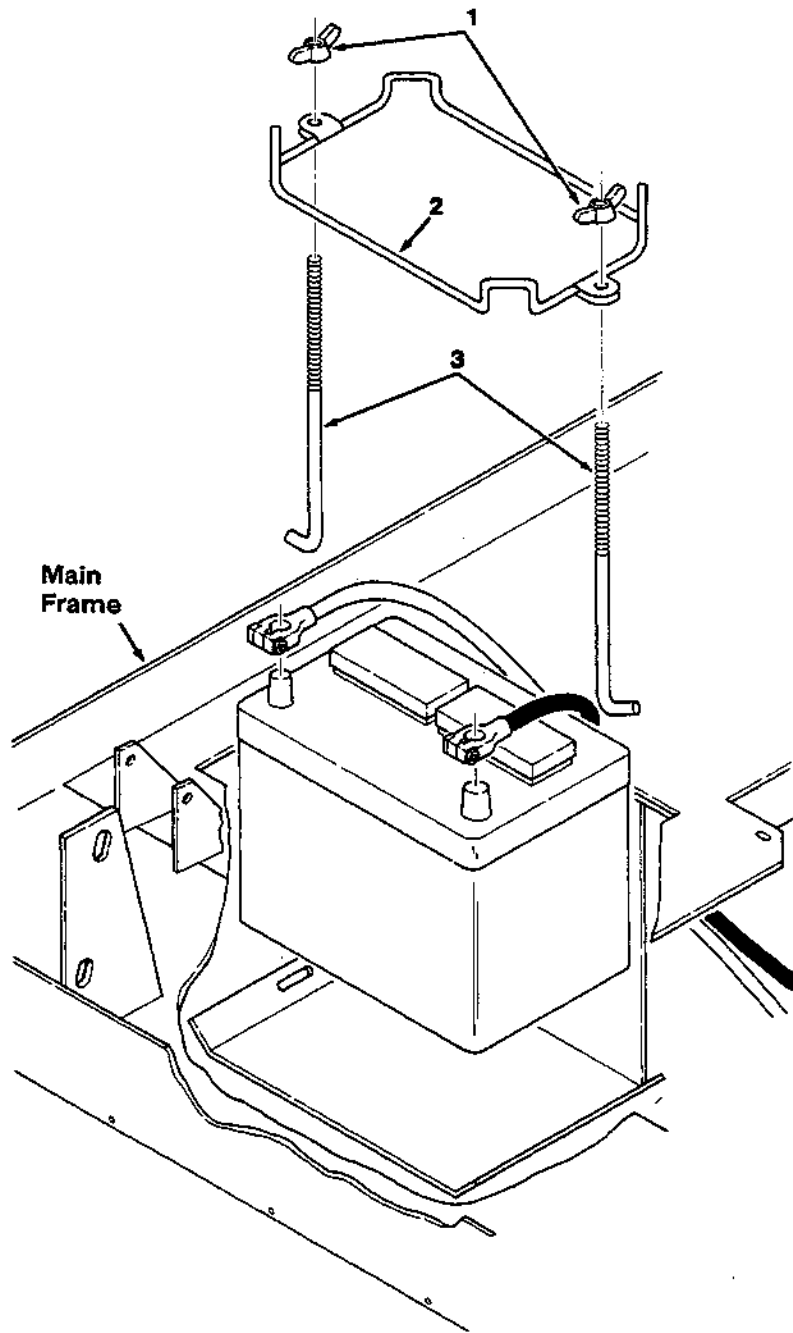


Fig. 37 - Battery Hold Down Kit

02593

Key	Tennant® Part No.	Machine Serial Number	Description	Qty.
	82922	(000000- )	Hold Down Kit, Battery	1
1	39272	(000000- )	Nut, Wing	2
2	13016	(000000- )	Bracket, Hold Down	1
3	13015-2	(000000- )	Bolt, Hold Down	2

NOTE: To identify parts shown but not listed here, see Section 5, Low Dump Model Parts.

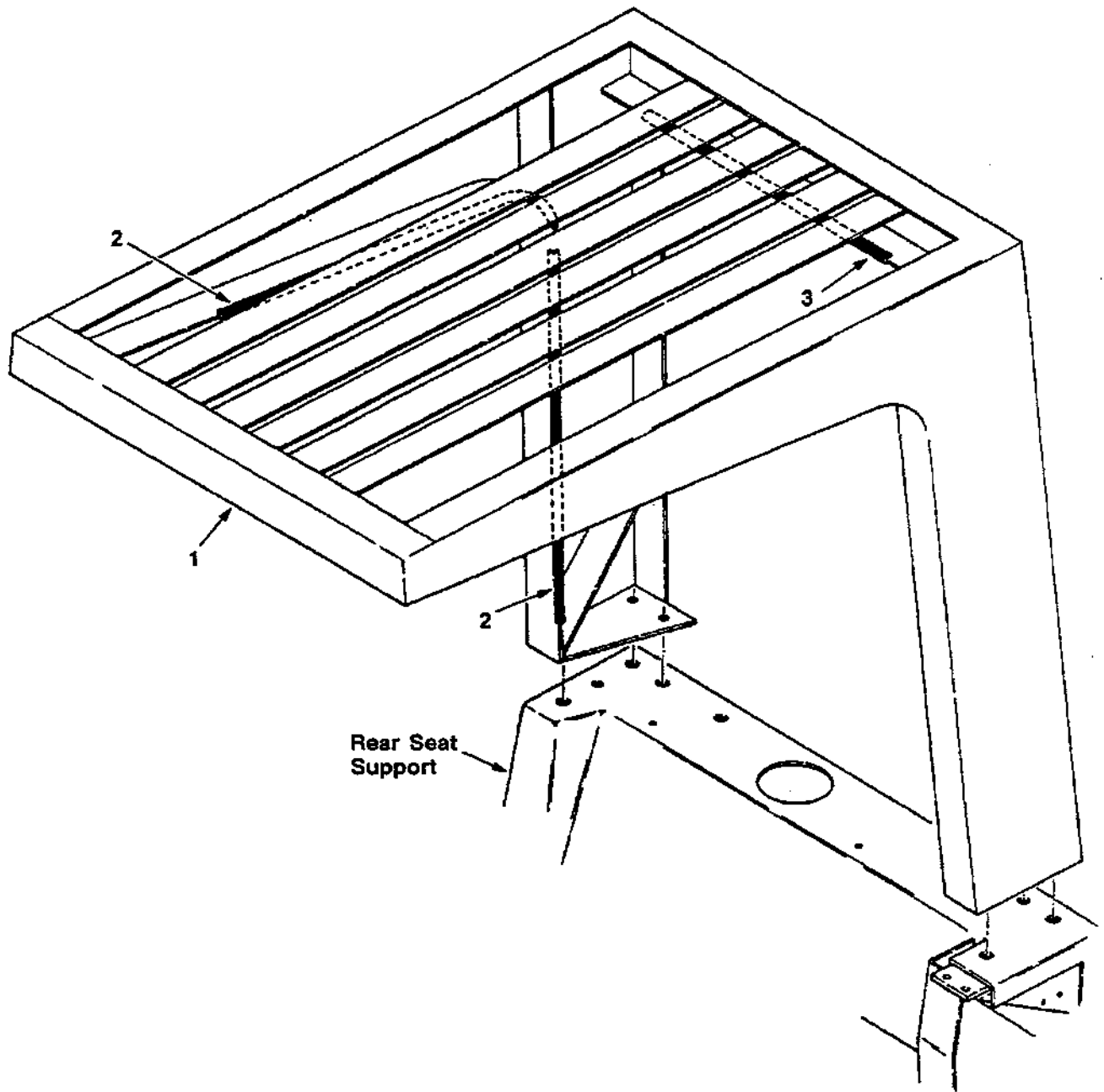


Fig. 38 - Overhead Guard Kit

Key	Tennant® Part No.	Machine Serial Number	Description	Qty.
	82998	(000000- )	Guard Kit, Overhead	1
1	55150	(000000- )	Guard, Overhead	1
2	62595-11	(001991- )	Rigid Molding	2
3	62595-2	(001991- )	Rigid Molding	1

NOTE: To identify parts shown but not listed here, see Section 5, Low Dump Model Parts.



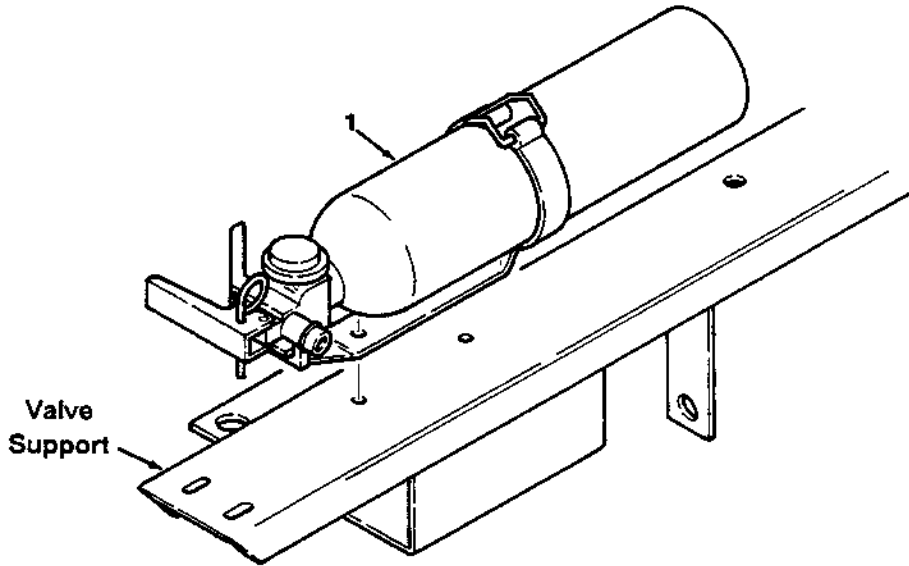


Fig. 39 - Fire Extinguisher Kit

02597

Key	Tennant® Part No.	Machine Serial Number	Description	Qty.
1	46938 25312	(000000- ) (000000- )	Extinguisher Kit, Fire Extinguisher, Fire	1 1

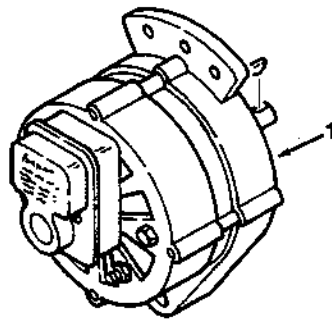


Fig. 40 - Alternator Kit

02798

Key	Tennant® Part No.	Machine Serial Number	Description	Qty.
1	82511	(000000- )	Alternator, Sealed	1

NOTE: To identify parts shown but not listed here, see Section 5, Low Dump Model Parts.

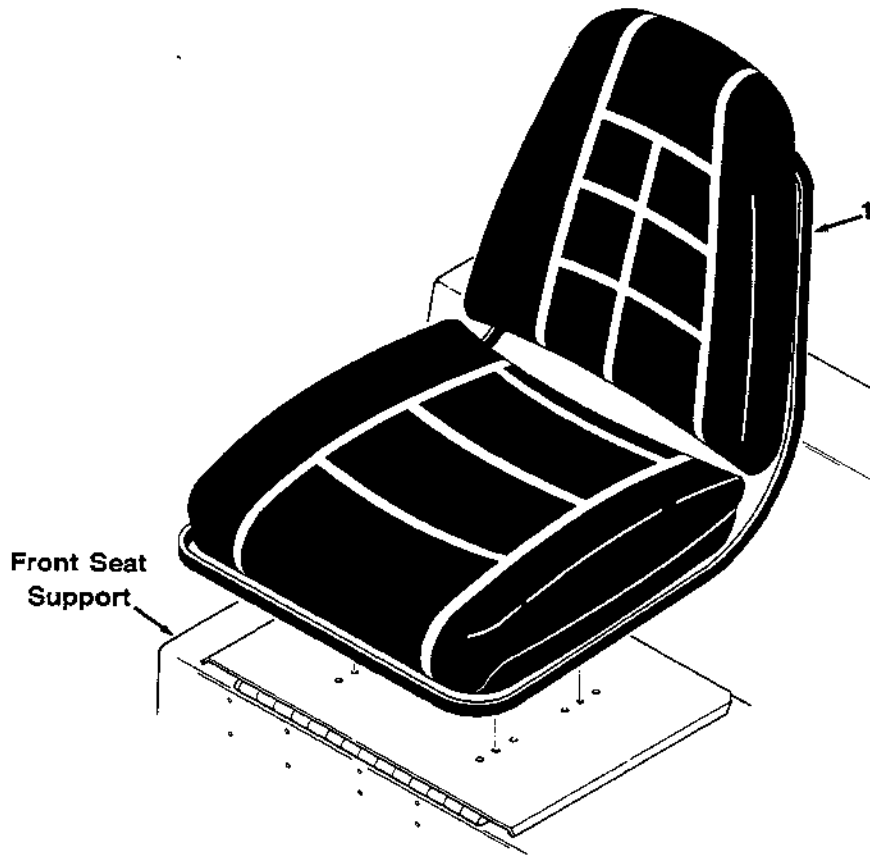


Fig. 41 - Suspension Seat Kit

02595

Key	Tennant® Part No.	Machine Serial Number	Description	Qty.
1	82992 82343	(000000- ) (000000- )	Seat Kit, Suspension Seat, Suspension	1 1

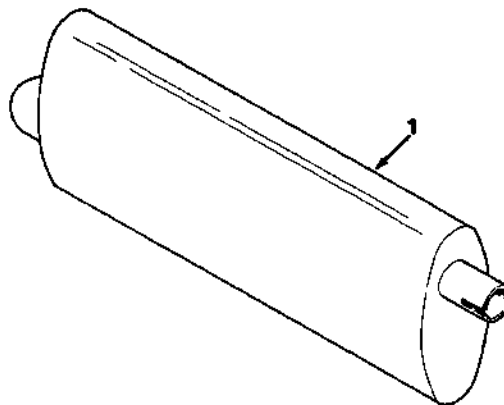


Fig. 42 - Spark Arresting Muffler Kit

Key	Tennant® Part No.	Machine Serial Number	Description
1	82652	(000000- )	Muffler, Spark Arresting

NOTE: To identify parts shown but not listed here, see Section 5, Low Dump Model

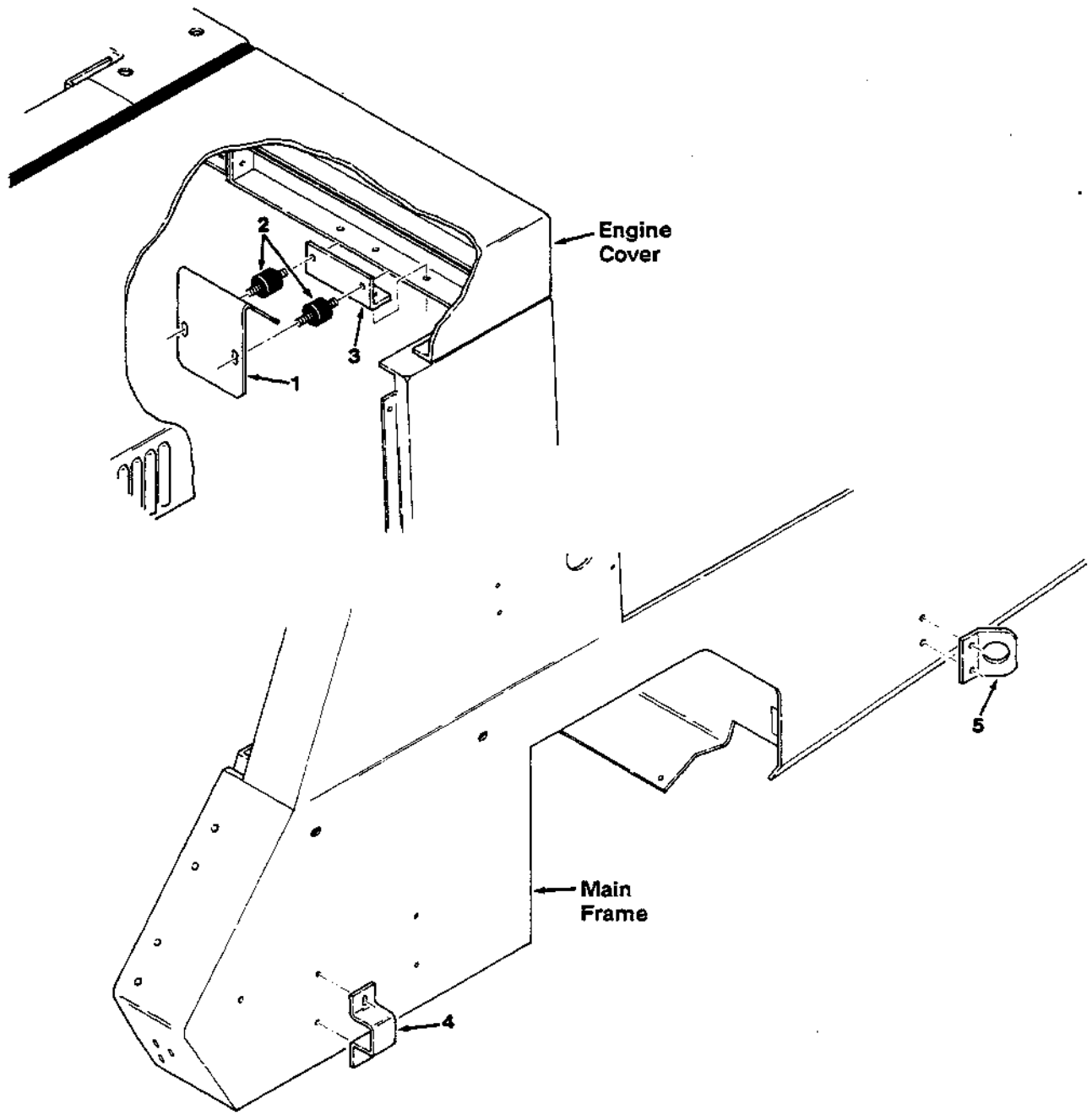


Fig. 43 - Hood Latch and Machine Tie-Down Kit

02813

Key	Tennant® Part No.	Machine Serial Number	Description	Qty.
	82382	(000000- )	Tie-Down Kit, Hood Latch and Machine	1
1	82380	(000000- )	Latch, Engine Cover	1
2	82661	(000000- )	Isolator, Vibration	2
3	82381	(000000- )	Angle, Support	1
4	82195	(000000- )	Bracket, Front Tie-Down	2
5	82196	(000000- )	Bracket, Rear Tie-Down	2

NOTE: To identify parts shown but not listed here, see Section 5, Low Dump Model Parts.

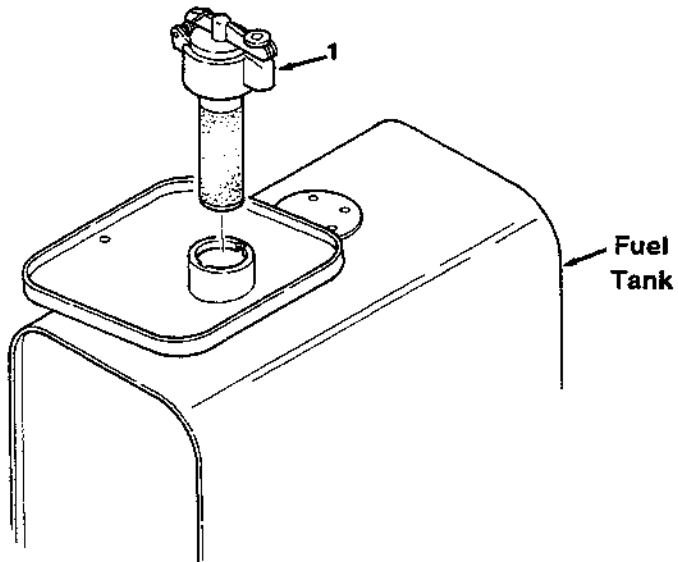


Fig. 44 - Protectoseal Fuel Tank Cap Kit

02550

Key	Tennant® Part No.	Machine Serial Number	Description	Qty.
1	02506-6	(000000- )	Cap, Protectoseal	1

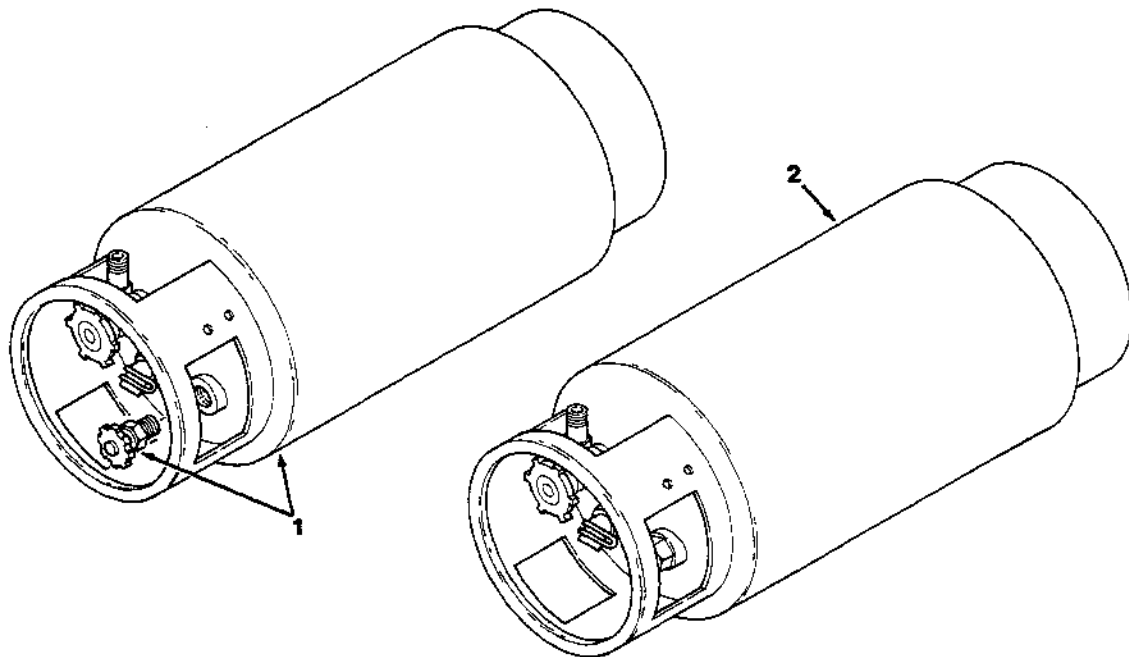


Fig. 45 - Lpg Fuel Tanks Group

02574

Key	Tennant® Part No.	Machine Serial Number	Description	Qty.
1	24928-1	(000000- )	Tank, Lpg, With Filler Valve	1
2	24928	(000000- )	Tank, LPG	1

NOTE: To identify parts shown but not listed here, see Section 5, Low Dump Model Parts.

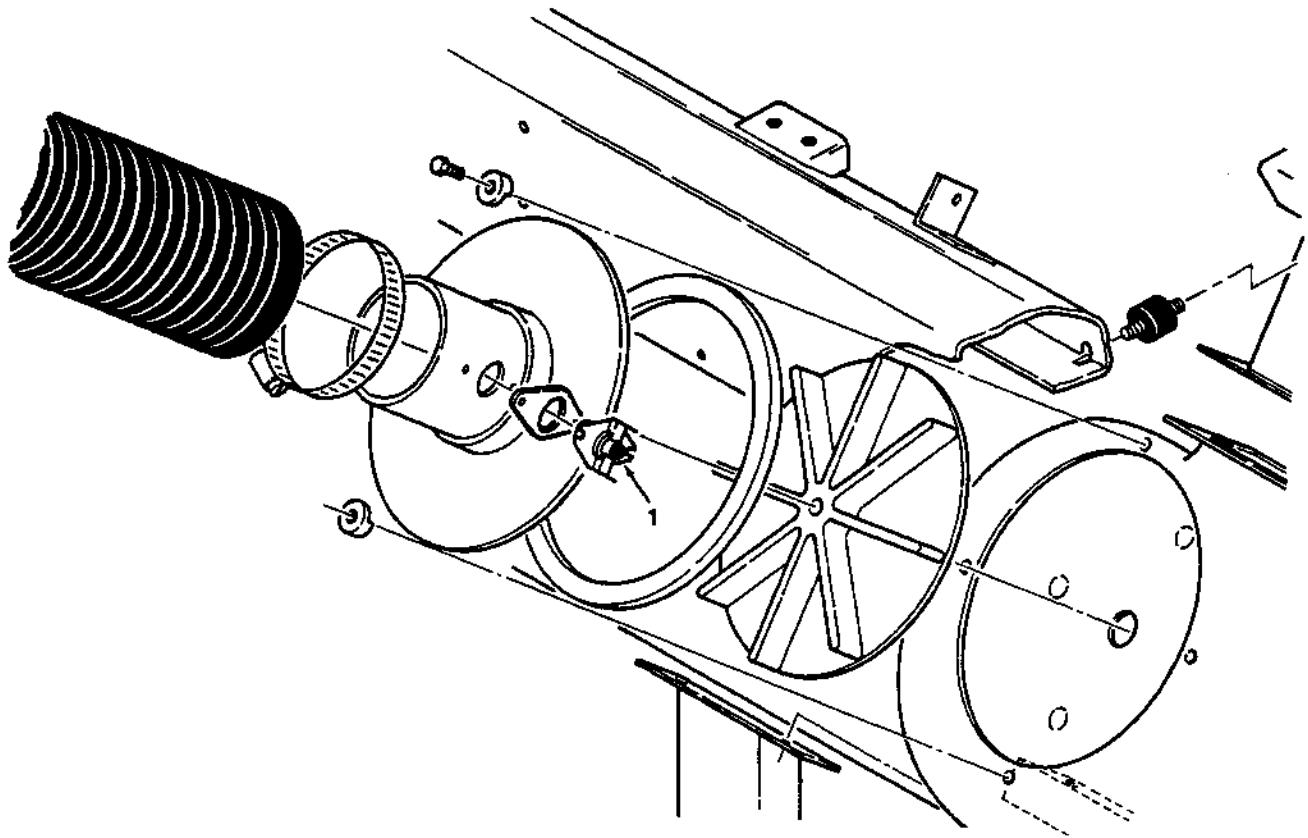
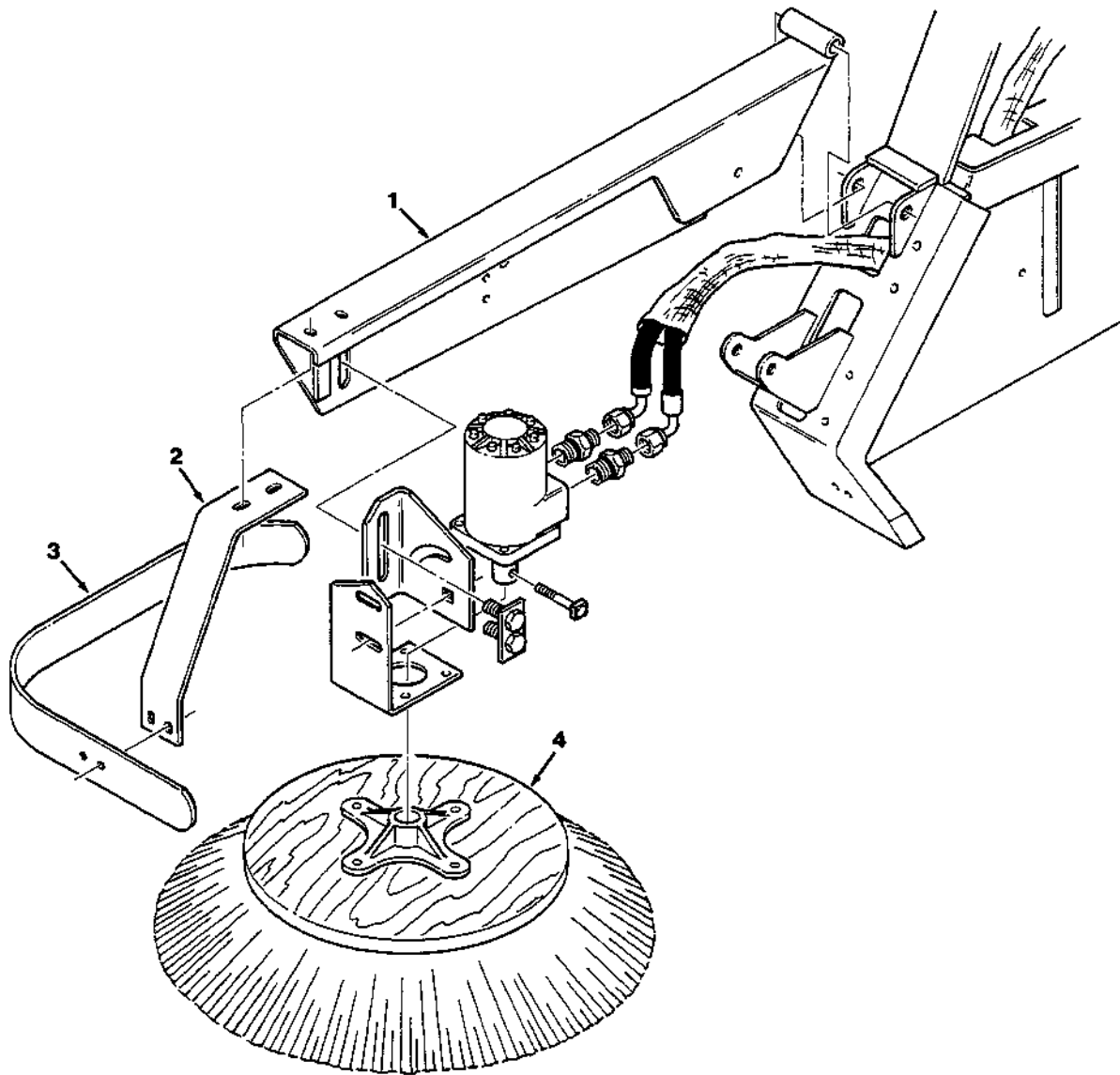


Fig. 46 - Thermostat Kit

03351

Key	Tennant® Part No.	Machine Serial Number	Description	Qty.
1	02957	(000000- )	Thermostat, Sealed, 155° F (68 ° C)	1

*NOTE: To identify parts shown but not listed here, see Section 5, Low Dump Model Parts.*



**Fig. 47 - Extra Reach Side Brush Group Low Dump**

04090

Key	Tennant® Part No.	Machine Serial Number	Description	Qty.
1	48062-1	(000000- )	Arm, Side Brush	1
2	08015	(000000- )	Support, Bumper Side Brush	1
3	08016	(000000- )	Bumper, Side Brush	1
4	08017	(000000- )	Side Brush Assembly	1

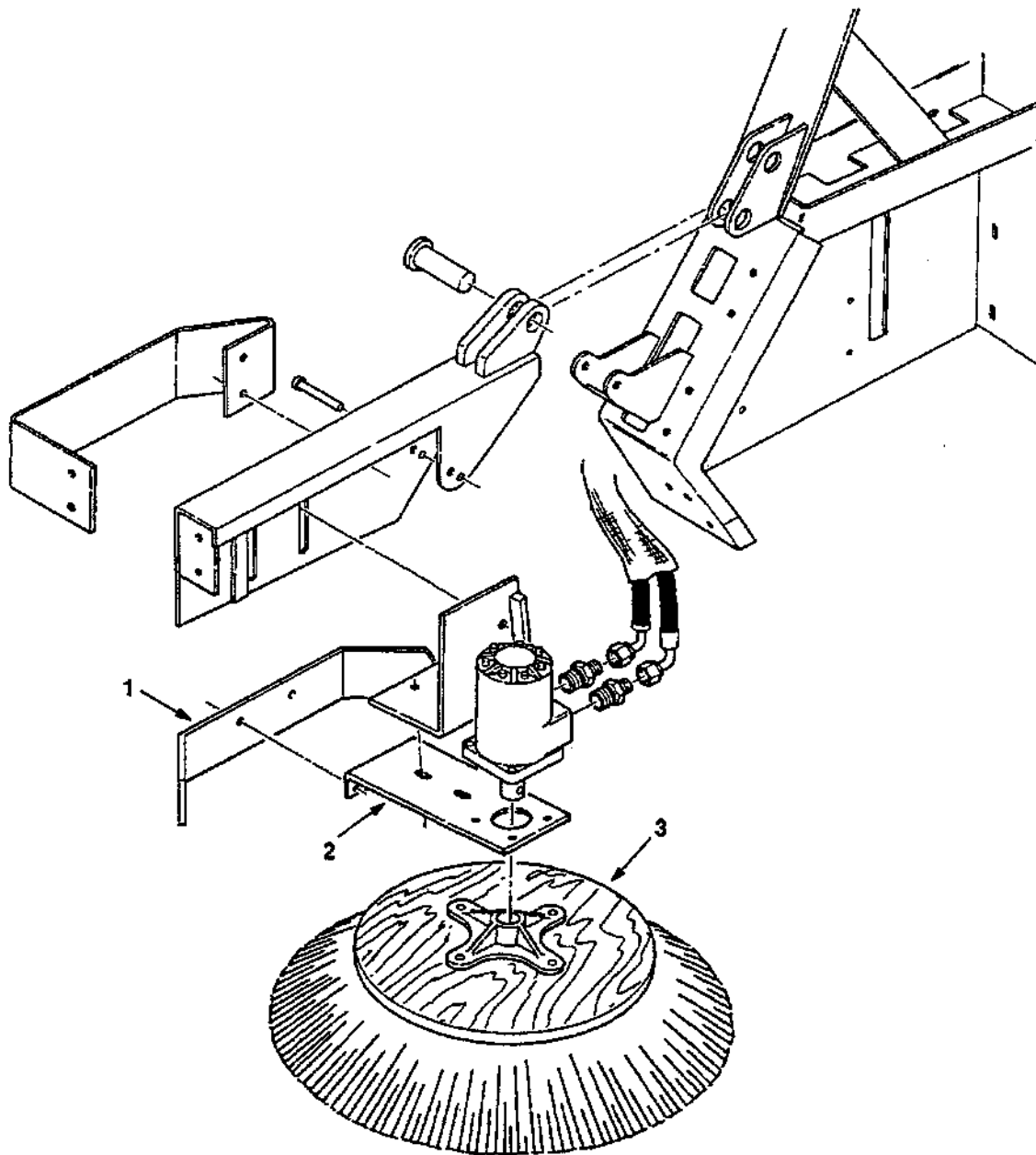


Fig. 48 - Extra Reach Side Brush Group Multi-Level Dump

04054

Key	Tennant® Part No.	Machine Serial Number	Description	Qty.
1	08007	(000000- )	Bumper, Side Brush	1
2	08008	(000000- )	Bracket, Side Brush Motor	1
3	08017	(000000- )	Side Brush Assembly	1





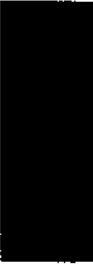
---

# SECTION 9 HYDRAULIC COMPONENTS

## CONTENTS

	Page
Ordering Repair Parts .....	9-1
Fig. 1 - Hydraulic Piston Pump Breakdown .	9-2
Fig. 2 - Hydraulic Gear Pump Breakdown ..	9-4
Fig. 3 - Hydraulic Gear Pump Breakdown ..	9-5
Fig. 4 - Hydraulic Motor Breakdown .....	9-6
Fig. 5 - Hydraulic Motor Breakdown .....	9-7
Fig. 6 - Hydraulic Motor Breakdown .....	9-8
Fig. 7 - Hydraulic Motor Breakdown .....	9-9
Fig. 8 - Hydraulic Motor Breakdown .....	9-10
Fig. 9 - Hydraulic Motor Breakdown .....	9-11
Fig. 10 - Hydraulic Motor Breakdown .....	9-12
Fig. 11 - Hydraulic Valve Breakdown .....	9-13
Fig. 12 - Hydraulic Valve Breakdown .....	9-14
Fig. 13 - Hydraulic Solenoid Valve Breakdown .....	9-15
Fig. 14 - Hydraulic Cylinder Breakdown ....	9-16
Fig. 15 - Hydraulic Cylinder Breakdown ....	9-17
Fig. 16 - Hydraulic Cylinder Breakdown ....	9-18

*NOTE: Section 9, Hydraulic Components, lists repair parts for every repairable hydraulic component.*





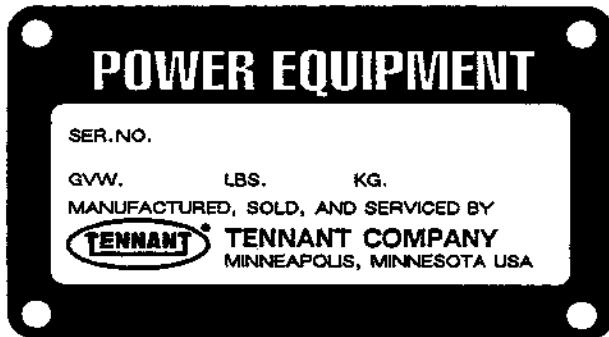
## ORDERING REPAIR PARTS

The components used in this machine have been carefully selected for performance and safety. Use only Tennant Company specified or equivalent parts.

To receive prompt service in filling of your parts orders, please direct all orders for parts with Tennant Company part numbers to the Tennant Company, and all orders for parts with vendor part numbers to the local supplier of the respective vendor.

When ordering parts, please furnish all of the following information:

1. Machine model number - shown on the machine data plate.



2. Machine serial number - shown on the machine data plate.
3. Power source - gasoline, LPG, diesel, electric.
4. Company name.
5. Shipping address.
6. Billing address.
7. Name, first and last - of person ordering parts.
8. Telephone number.
9. Purchase order number.
10. Part number, description, and quantity - of each item on the order.

Do not order parts by key number or the figure number of the illustrated parts. Indented items indicate parts of assemblies. Standard hardware is furnished only when part of a purchased assembly. Please get hardware from a local hardware supplier.

If the old part cannot be identified, send it to us with the quantity needed specified on the order.

Any claim for loss or damage to a shipment in transit should be filed promptly against the transportation company making the delivery. Shipments will be complete unless the packing list or order acknowledgement indicate items back ordered.

If parts received are suspected to be incorrect or defective, please write, wire, or phone the Tennant Company representative from whom you ordered the part. They will give authorization for return and/or handle replacement shipments when required.

### SERIAL NUMBER INFORMATION EXPLANATION

Serial number listings are shown to indicate on which machines each part can be used. These listings are explained by the following examples:

(000000- ) The part can be used on all machines.

(003342- ) The part can be used on all machines beginning with the serial number listed.

(000000-004320) The part can be used on all machines up to and including serial number listed.

(004321-005678) The part can be used on all machines between and including the serial numbers listed.

Where xxxxx's are listed in place of a serial number, it indicates a change was made but the exact serial number had not been established when the catalog went to press.

### SI UNITS OF MEASURE (INTERNATIONAL SYSTEM)

Metric equivalents have been included, where applicable, throughout this parts catalog.

### FASTENER STRENGTH IDENTIFICATION

Fasteners required to have high-strength qualities equivalent to SAE Grade 8 are identified throughout this catalog by the description GR 8. Unless identified by this description, all standard fasteners are SAE Grade 5.

(Specifications and design subject to change without notice.)

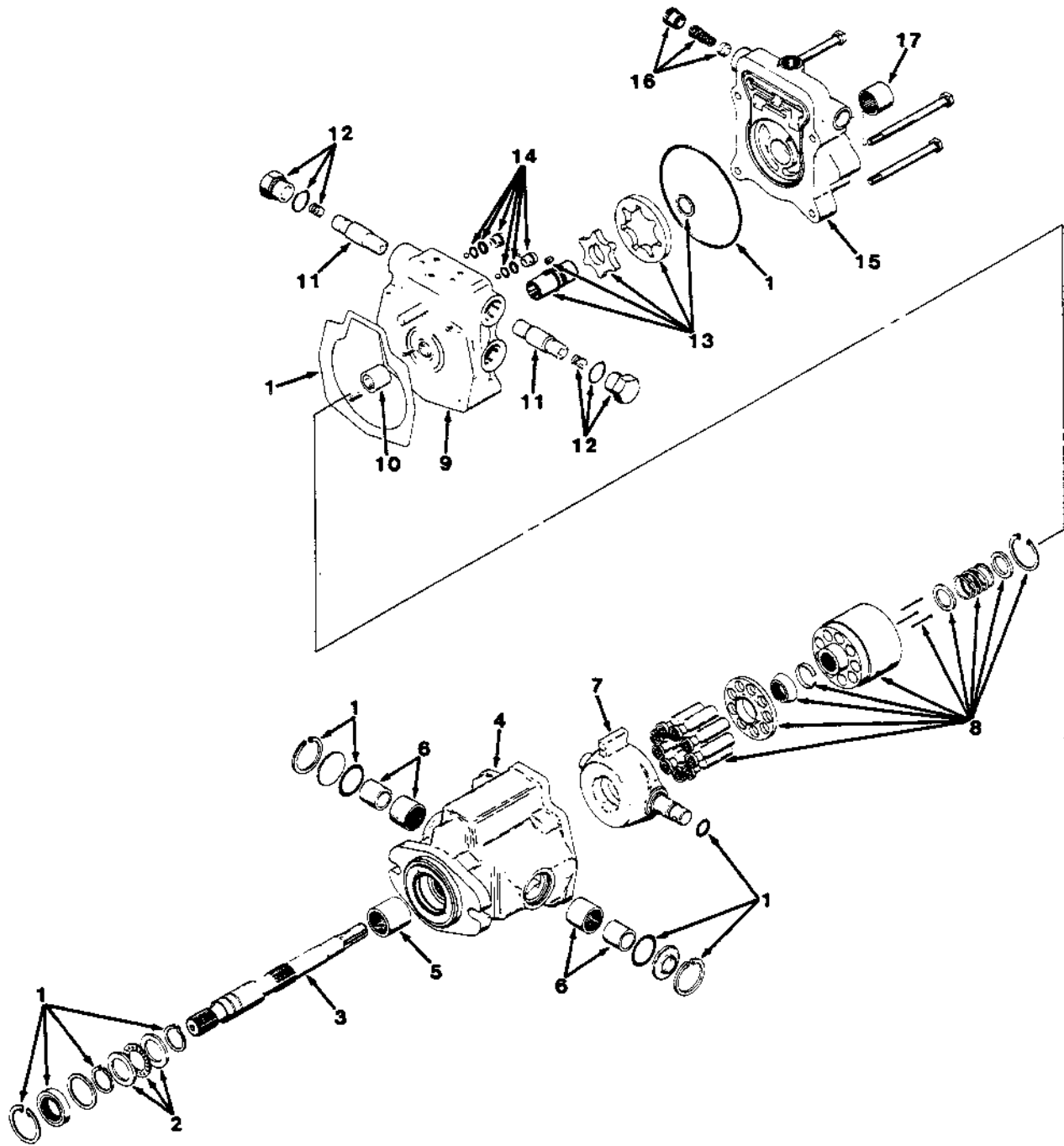


Fig. 1 - Hydraulic Piston Pump Breakdown

Fig. 1 - Hydraulic Piston Pump Breakdown

02957

Key	Tennant® Part No.	Machine Serial Number	Description	Qty.
	02633	(000000- )	Pump, Hydraulic	1
1	55918	(000000- )	Seal Kit	1
2	55922	(000000- )	Bearing Kit, Thrust	1
3	55931	(000000- )	Shaft, Pump	1
4	58925	(000000- )	Housing Assembly, Pump	1
5	55939	(000000- )	Bearing, Roller	1
6	55905	(000000- )	Bearing, Trunnion	2
7	55933	(000000- )	Plate, Cam	1
8	55920	(000000- )	Rotating Kit	1
9	57051	(000000- )	Back Plate	1
10	55937	(000000- )	Bearing, Roller	1
11	02650	(000000- )	Valve, Relief	2
12	57210	(000000- )	Plug Assembly	2
13	55932	(000000- )	Gerotor and Coupler Assembly	1
14	37457	(000000- )	Valve Assembly	2
15	55930	(000000- )	Pump Adaptor Assembly	1
16	55906	(000000- )	Valve, Charge Relief	1
17	55929	(000000- )	Bearing, Roller	1

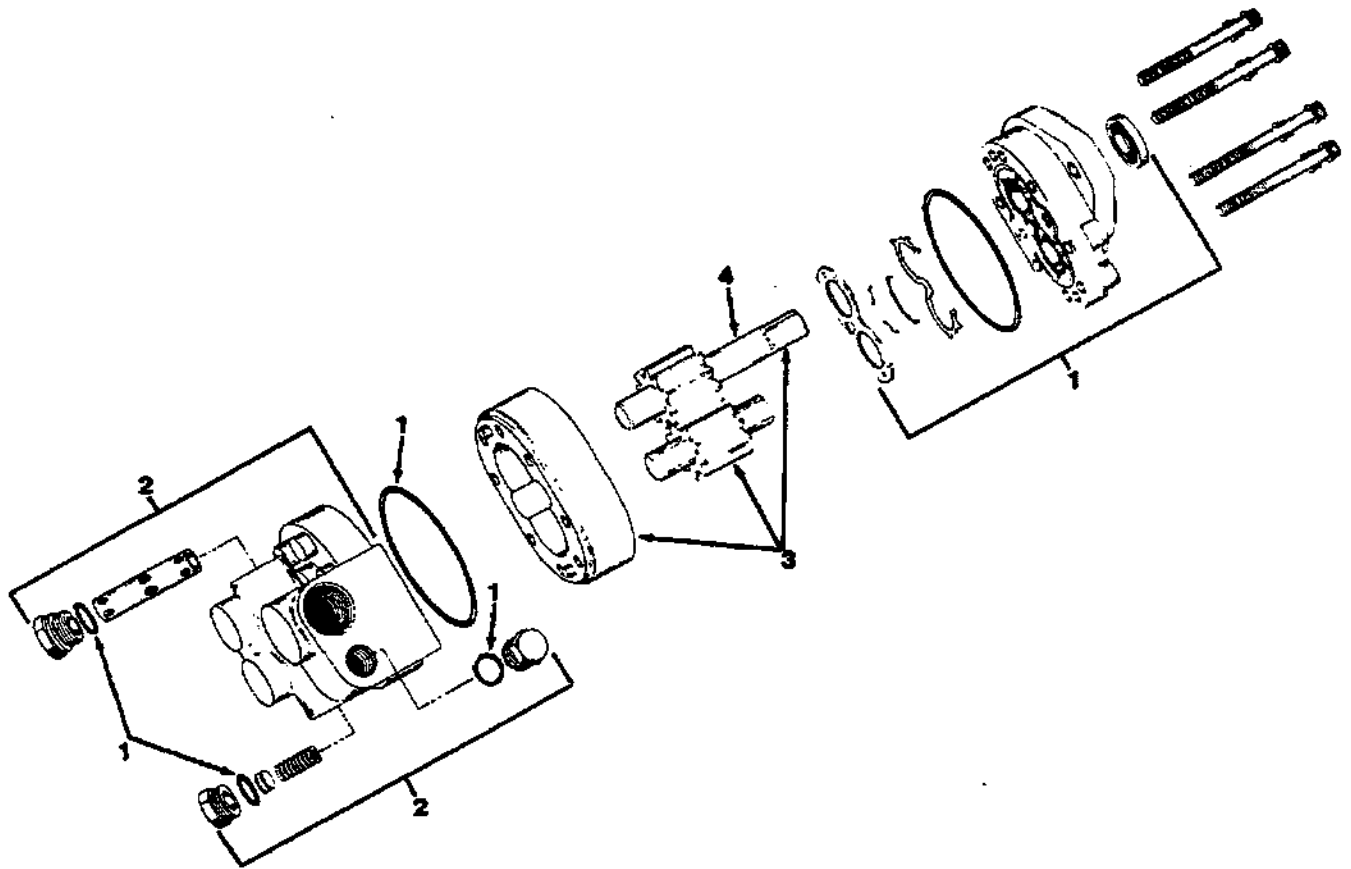


Fig. 2 - Hydraulic Gear Pump Breakdown

02530

Key	Tennant® Part No.	Machine Serial Number	Description	Qty.
	82751	(000000-001907 )	Pump, Hydraulic Gear	1
1	57064	(000000-001907 )	Seal Kit	1
2	02601	(000000-001907 )	Back Plate Kit	1
3	02602	(000000-001907 )	Gear and Body Kit	1
4	02605	(000000-001907 )	Drive	1

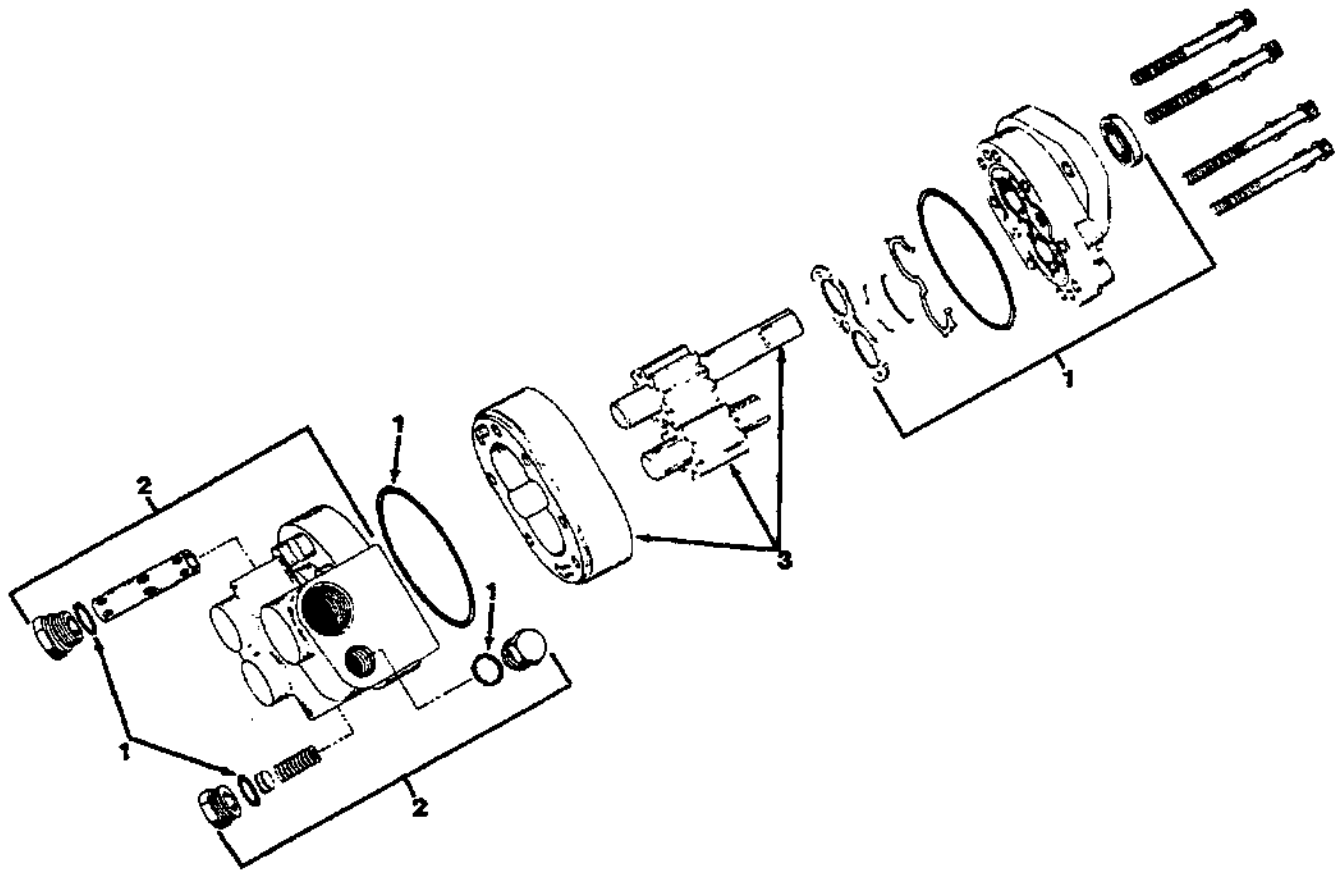


Fig. 3 - Hydraulic Gear Pump Breakdown

Key	Tennant® Part No.	Machine Serial Number	Description	Qty.
	82205	(001908- )	Pump, Hydraulic Gear	1
1	57064	(001908- )	Seal Kit	1
2	82333	(001908- )	Back Plate Kit	1
3	02602	(001908- )	Gear and Body Kit	1

04615

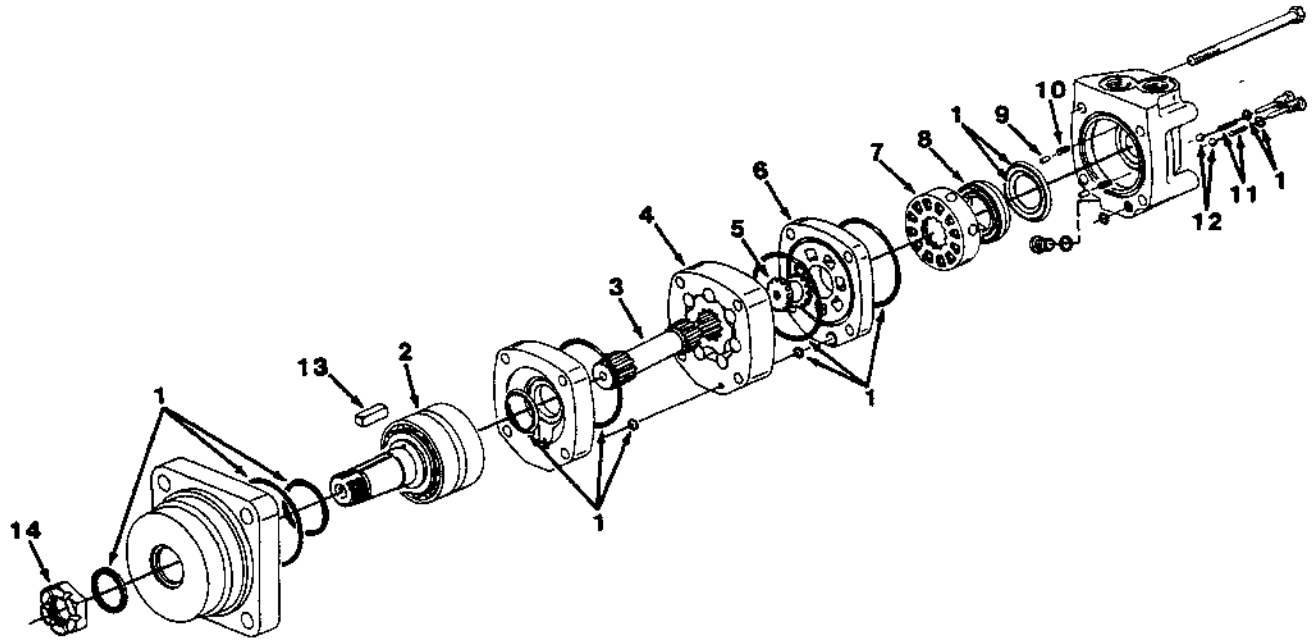


Fig. 4 - Hydraulic Motor Breakdown

02611

Key	Tennant® Part No.	Machine Serial Number	Description	Qty.
	82750	(000000-001372)	Motor, Hydraulic (replaced by 02649)	1
1	33837	(000000-001372)	Seal Kit	1
2	57367	(000000-001372)	Shaft and Bearing Kit	1
3	02603	(000000-001372)	Drive	1
4	02604	(000000-001372)	Geroler	1
5	57370	(000000-001372)	Drive, Valve	1
6	57371	(000000-001372)	Plate, Valve	1
7	57372	(000000-001372)	Valve	1
8	57373	(000000-001372)	Ring, Balance	1
9	57374	(000000-001372)	Pin	2
10	57375	(000000-001372)	Spring	2
11	34179	(000000-001372)	Spring	2
12	37766	(000000-001372)	Ball	2
13	38315	(000000-001372)	Key	1
14	38490	(000000-001372)	Nut	1



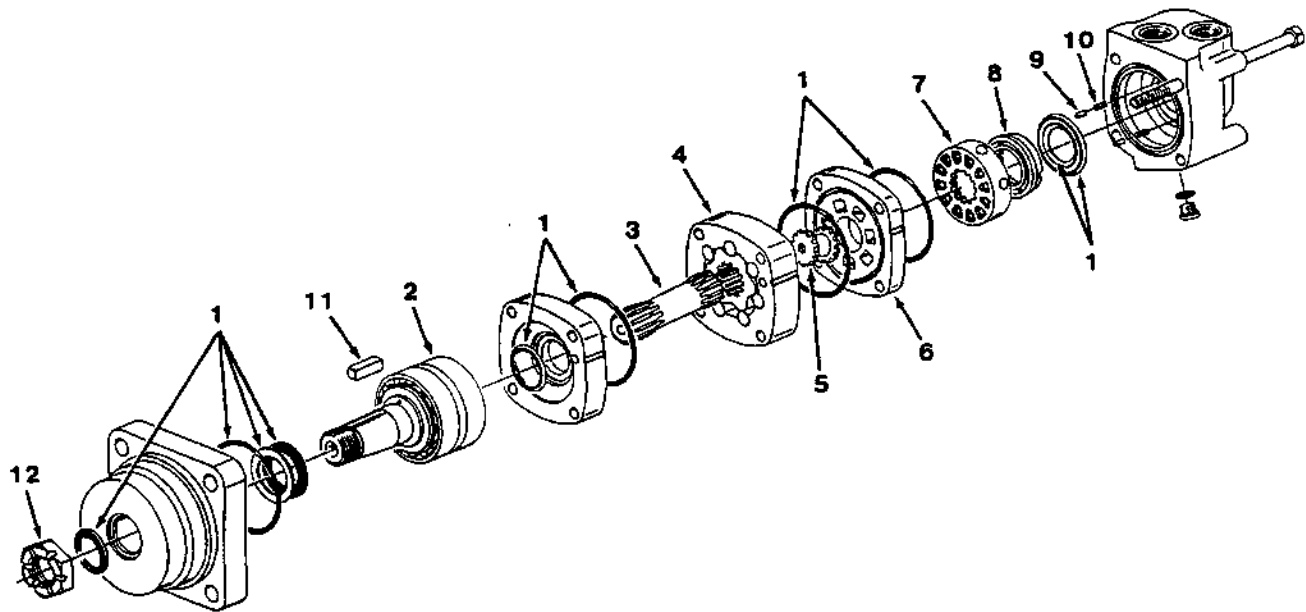


Fig. 5 - Hydraulic Motor Breakdown

03407

Key	Tennant® Part No.	Machine Serial Number	Description	Qty.
	02641	(001373- )	Motor, Hydraulic	1
1	02643	(001373- )	Seal Kit	1
2	02644	(001373- )	Shaft and Bearing Kit	1
3	02603	(001373- )	Drive	1
4	02645	(001373- )	Geroler	1
5	57370	(001373- )	Valve Drive	1
6	02646	(001373- )	Valve Plate	1
7	02647	(001373- )	Valve	1
8	57373	(001373- )	Balance Ring	1
9	57374	(001373- )	Pin	2
10	57375	(001373- )	Spring	2
11	38315	(001373- )	Key	1
12	38490	(001373- )	Nut	1

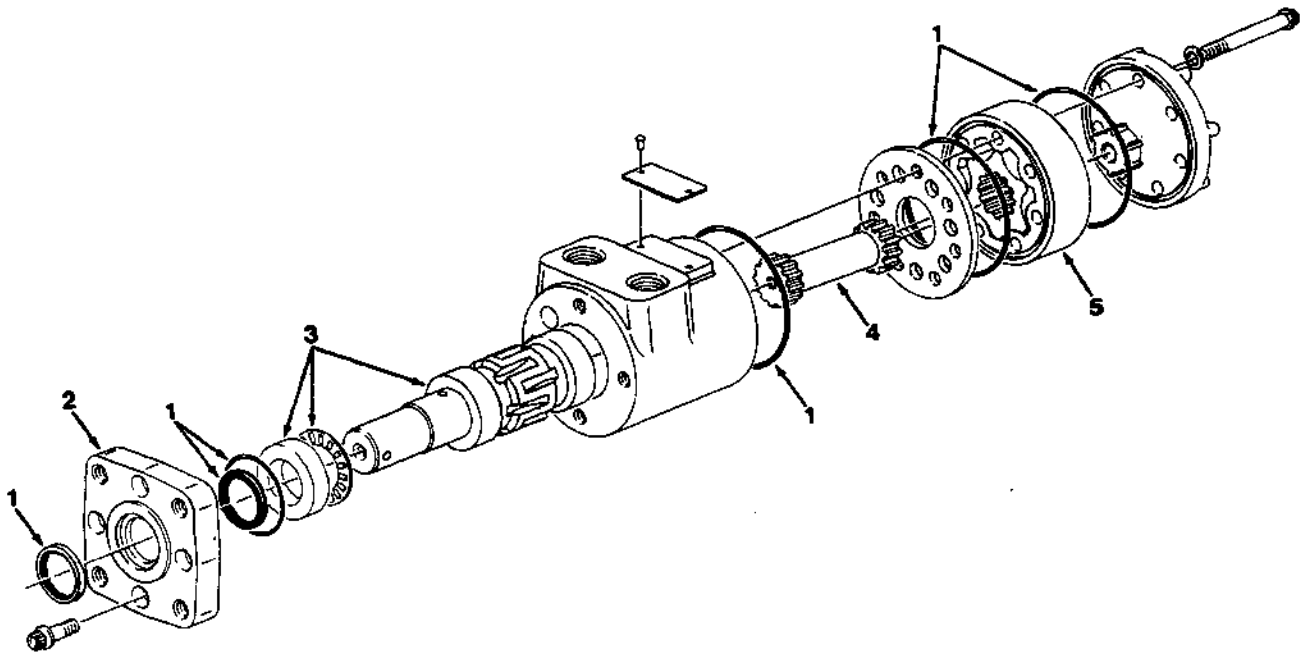


Fig. 6 - Hydraulic Motor Breakdown

01656

Key	Tennant® Part No.	Machine Serial Number	Description	Qty.
	34423	(000000- )	Motor, Hydraulic	1
1	47649	(000000- )	Seal Kit	1
2	34174	(000000- )	Flange, Mounting	1
3	34175	(000000- )	Shaft Assembly, Output	1
4	34176	(000000- )	Drive	1
5	34177	(000000- )	Gerotor Set	1

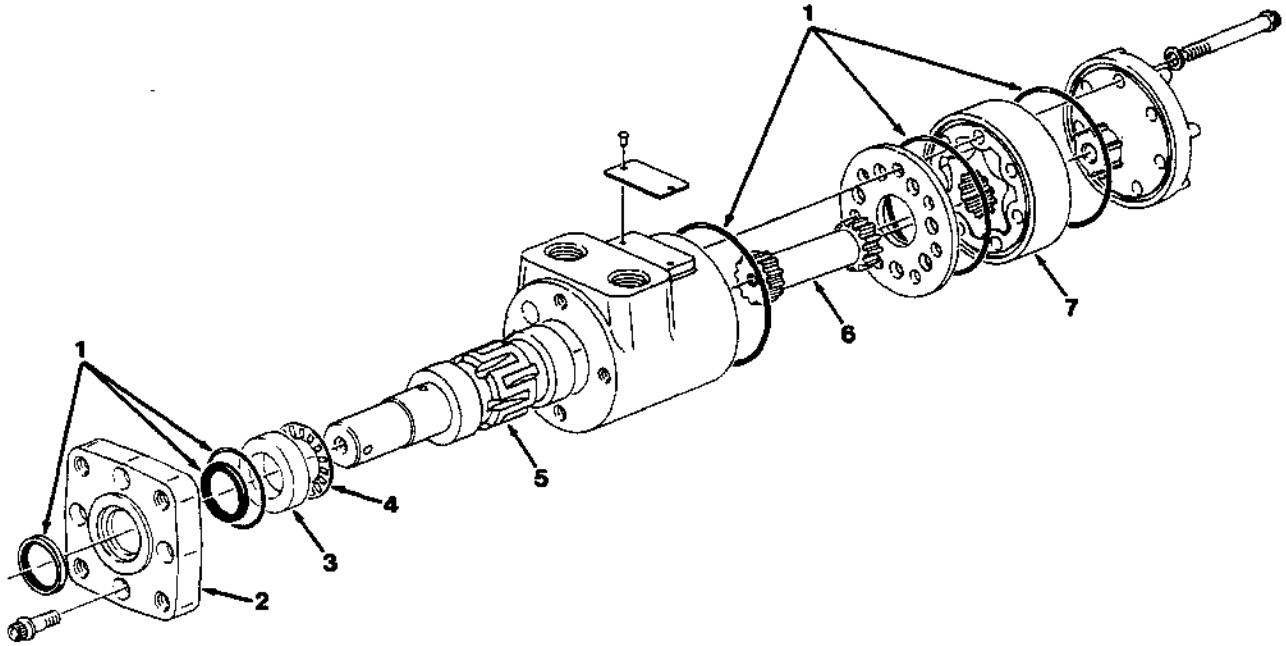


Fig. 7 - Hydraulic Motor Breakdown

02612

Key	Tennant® Part No.	Machine Serial Number	Description	Qty.
	82758	(000000- )	Motor, Hydraulic	1
1	47649	(000000- )	Seal Kit	1
2	34174	(000000- )	Flange	1
3	16695	(000000- )	Race, Thrust	1
4	45628	(000000- )	Bearing, Thrust	1
5	57282	(000000- )	Shaft, Output	1
6	34176	(000000- )	Drive	1
7	57961	(000000- )	Gerotor Assembly	1

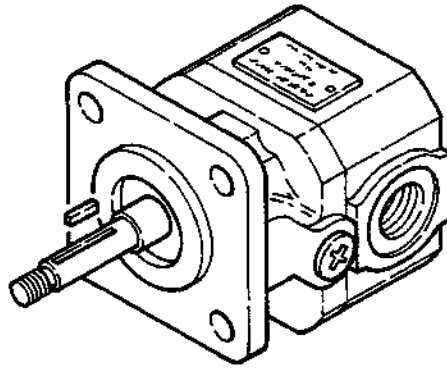


Fig. 8 - Hydraulic Motor Breakdown

02613

Key	Tennant® Part No.	Machine Serial Number	Description	Qty.
	77101	(000000- )	Motor, Hydraulic	1
	SK2561	(000000- )	Seal Kit	1
	00966	(000000- )	Key	1

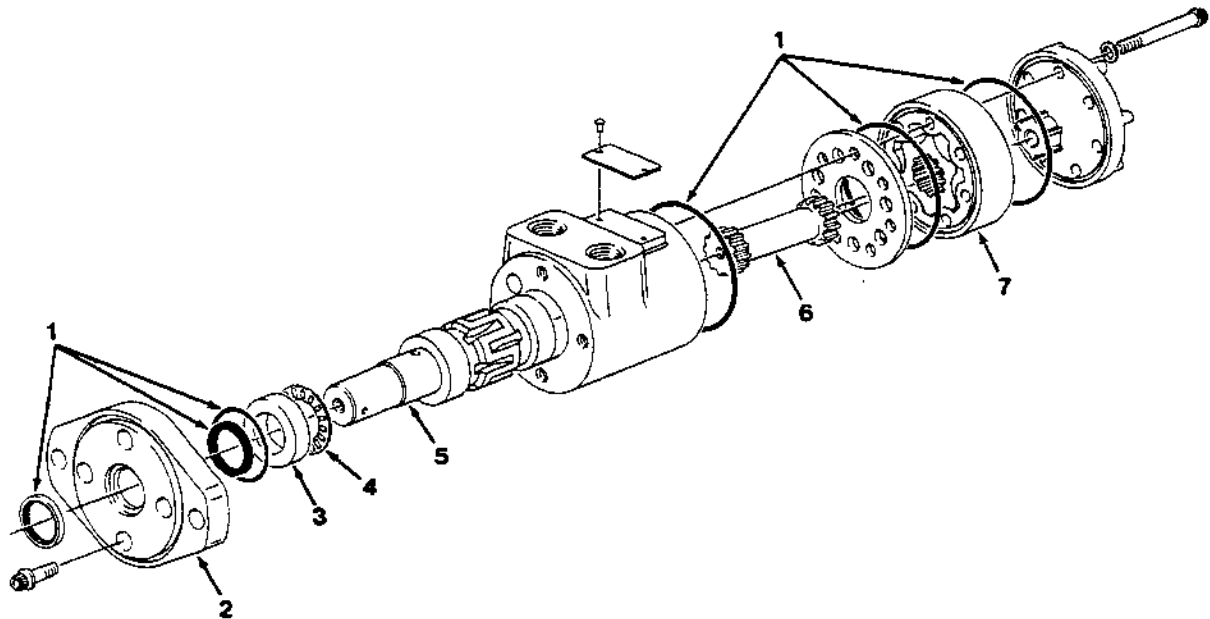


Fig. 9 - Hydraulic Motor Breakdown

02800

Key	Tennant® Part No.	Machine Serial Number	Description	Qty.
	33795	(000000- )	Motor, Hydraulic	1
1	47649	(000000- )	Seal Kit	1
2	38645	(000000- )	Flange, Mounting	1
3	16695	(000000- )	Race	1
4	45628	(000000- )	Bearing	1
5	02630	(000000- )	Shaft	1
6	34176	(000000- )	Drive	1
7	34177	(000000- )	Gerotor Assembly	1

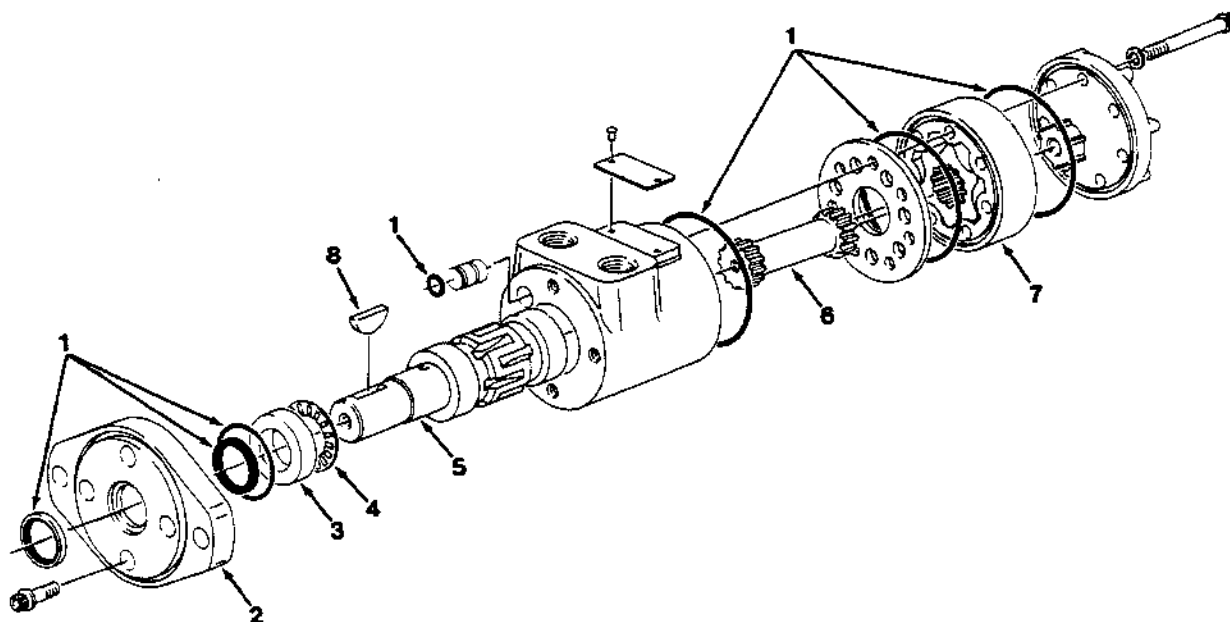


Fig. 10 - Hydraulic Motor Breakdown

02799

Key	Tennant® Part No.	Machine Serial Number	Description	Qty.
	47650-9	(000000- )	Motor, Hydraulic	1
1	47649	(000000- )	Seal Kit	1
2	34174	(000000- )	Flange, Mounting	1
3	16695	(000000- )	Race	1
4	45628	(000000- )	Bearing	1
5	02631	(000000- )	Shaft	1
6	34172	(000000- )	Drive	1
7	57542	(000000- )	Gerotor Assembly	1
8	00500-15	(000000- )	Key, Woodruff	1

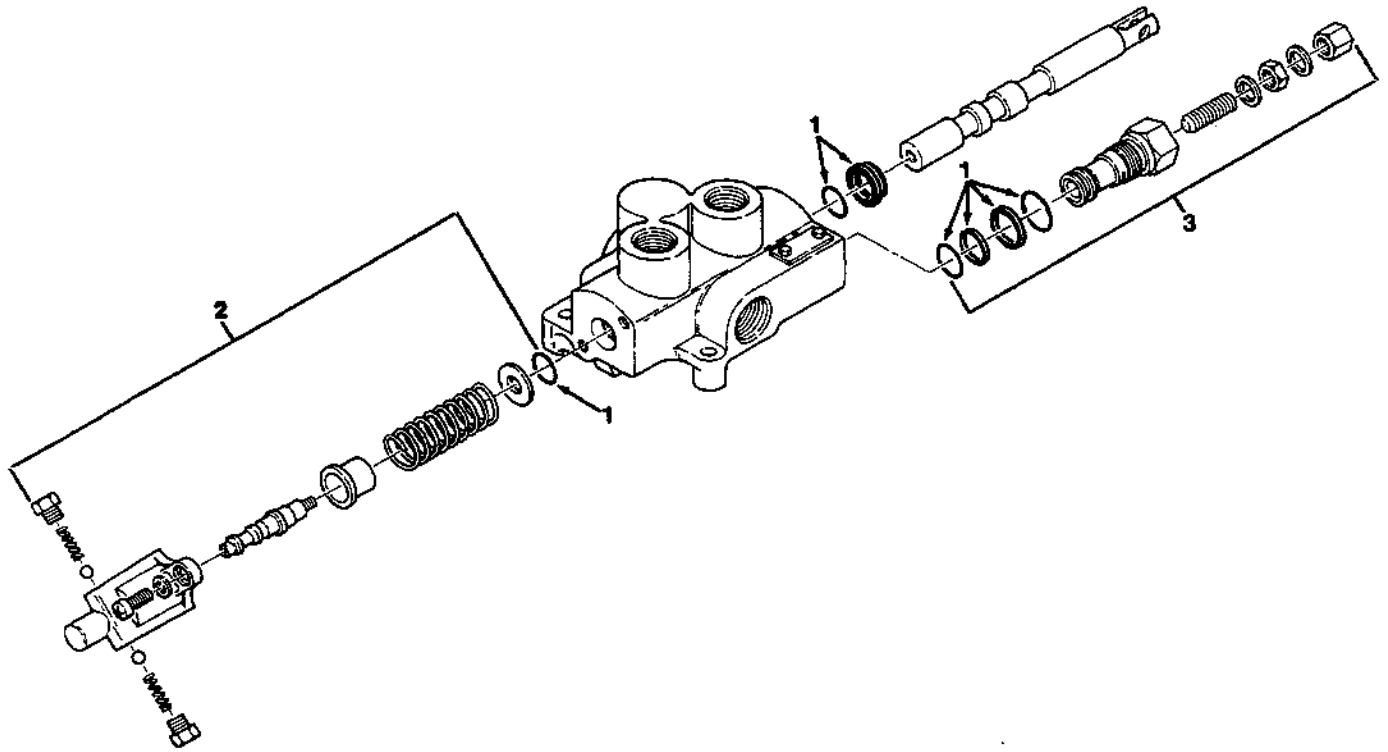


Fig. 11 - Hydraulic Valve Breakdown

02581

Key	Tennant® Part No.	Machine Serial Number	Description	Qty.
	62550	(000000- )	Valve, Hydraulic	1
1	01666	(000000- )	Seal Kit	1
2	01669	(000000- )	Detent Kit	1
3	01817	(000000- )	Relief Assembly	1

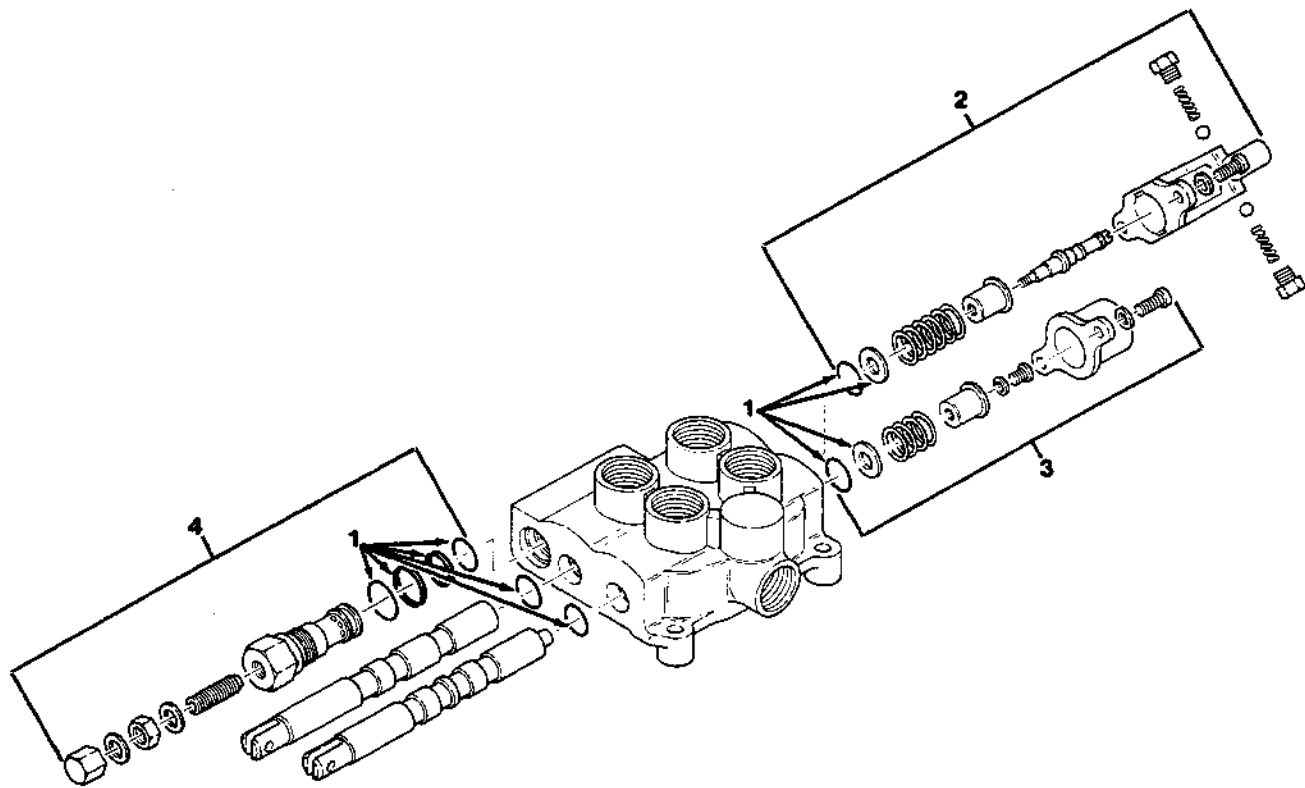


Fig. 12 - Hydraulic Valve Breakdown

02563

Key	Tennant® Part No.	Machine Serial Number	Description	Qty.
	34319	(000000- )	Valve, Hydraulic	1
1	01666	(000000- )	Seal Kit	1
2	01669	(000000- )	Detent Kit	1
3	01673	(000000- )	Spring Kit, Centering	1
4	01818	(000000- )	Relief Assembly	1



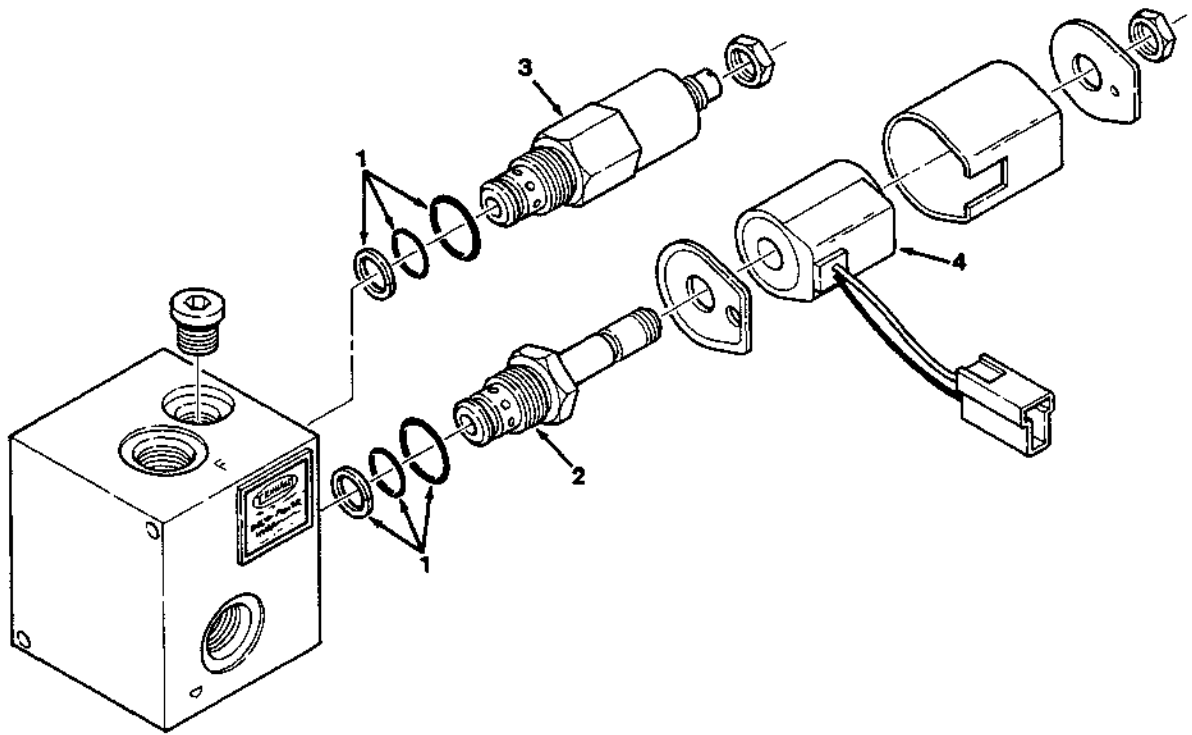


Fig. 13 - Hydraulic Solenoid Valve Breakdown

02580

Key	Tennant® Part No.	Machine Serial Number	Description	Qty.
1	82754	(000000- )	Valve, Solenoid	1
	02606	(000000- )	Seal Kit	1
2	02607	(000000- )	Valve, Cartridge	1
3	02609	(000000- )	Valve, Relief	1
4	57186	(000000- )	Solenoid	1

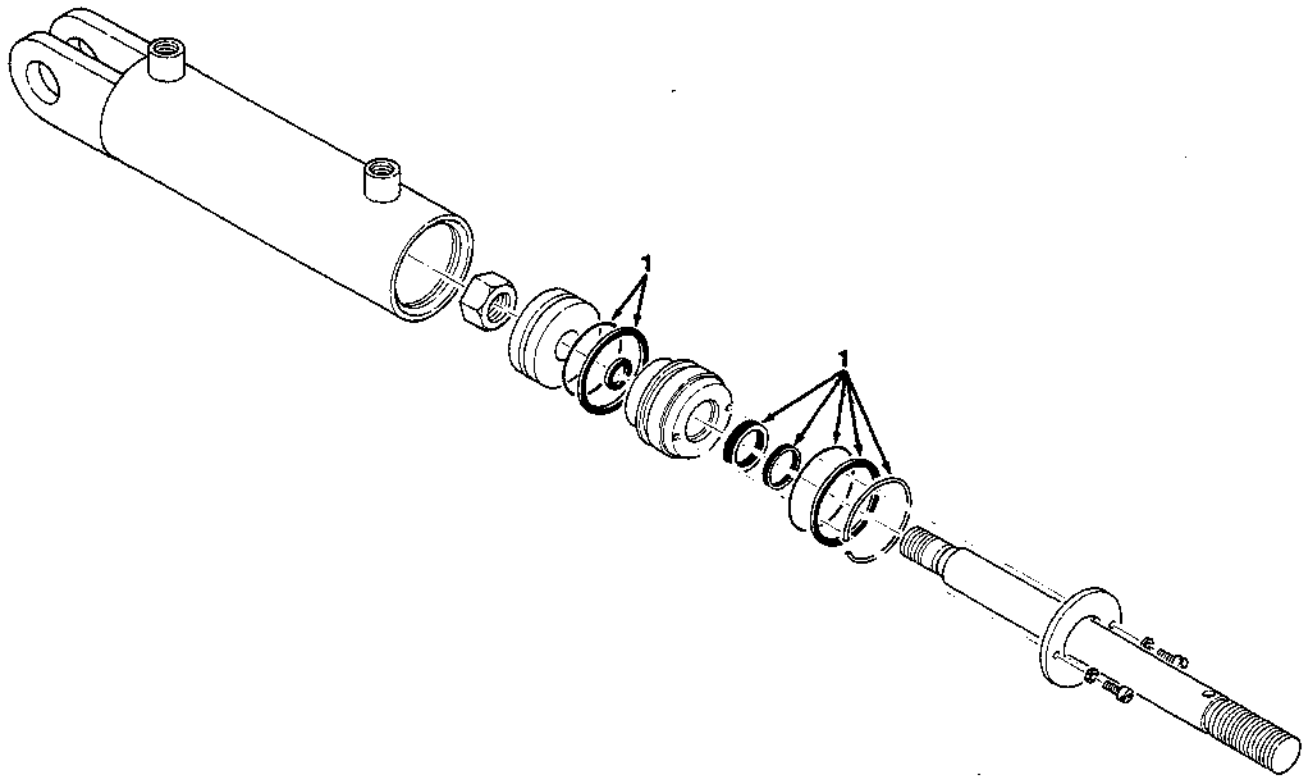


Fig. 14 - Hydraulic Cylinder Breakdown

Key	Tennant® Part No.	Machine Serial Number	Description	Qty.
1	82755 02610	(000000- ) (000000- )	Cylinder, Hydraulic Seal Kit	1 1

02609

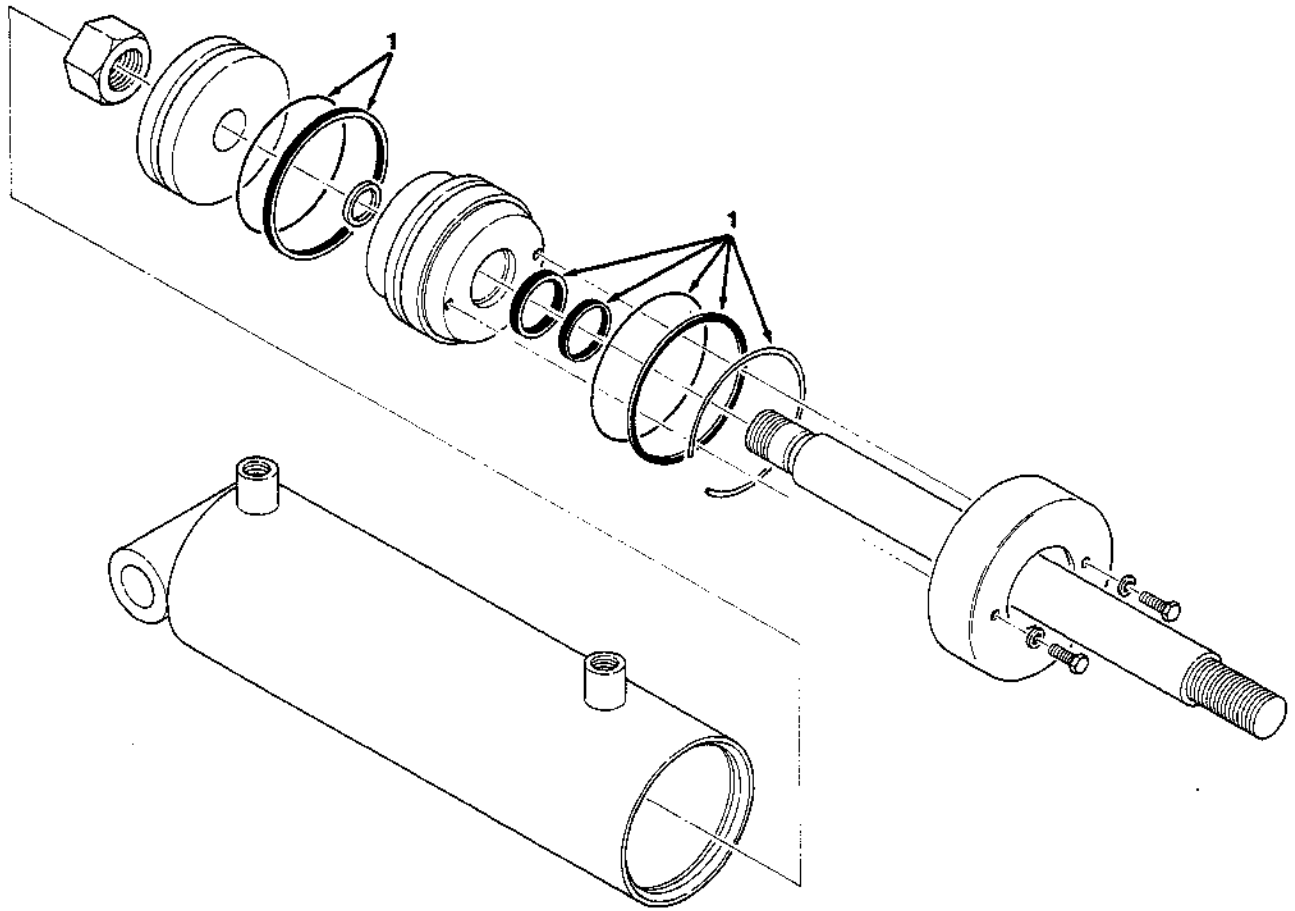


Fig. 15 - Hydraulic Cylinder Breakdown

Key	Tennant® Part No.	Machine Serial Number	Description	Qty.
1	82757	(000000- )	Cylinder, Hydraulic	1
	02612	(000000- )	Seal Kit	1

02608

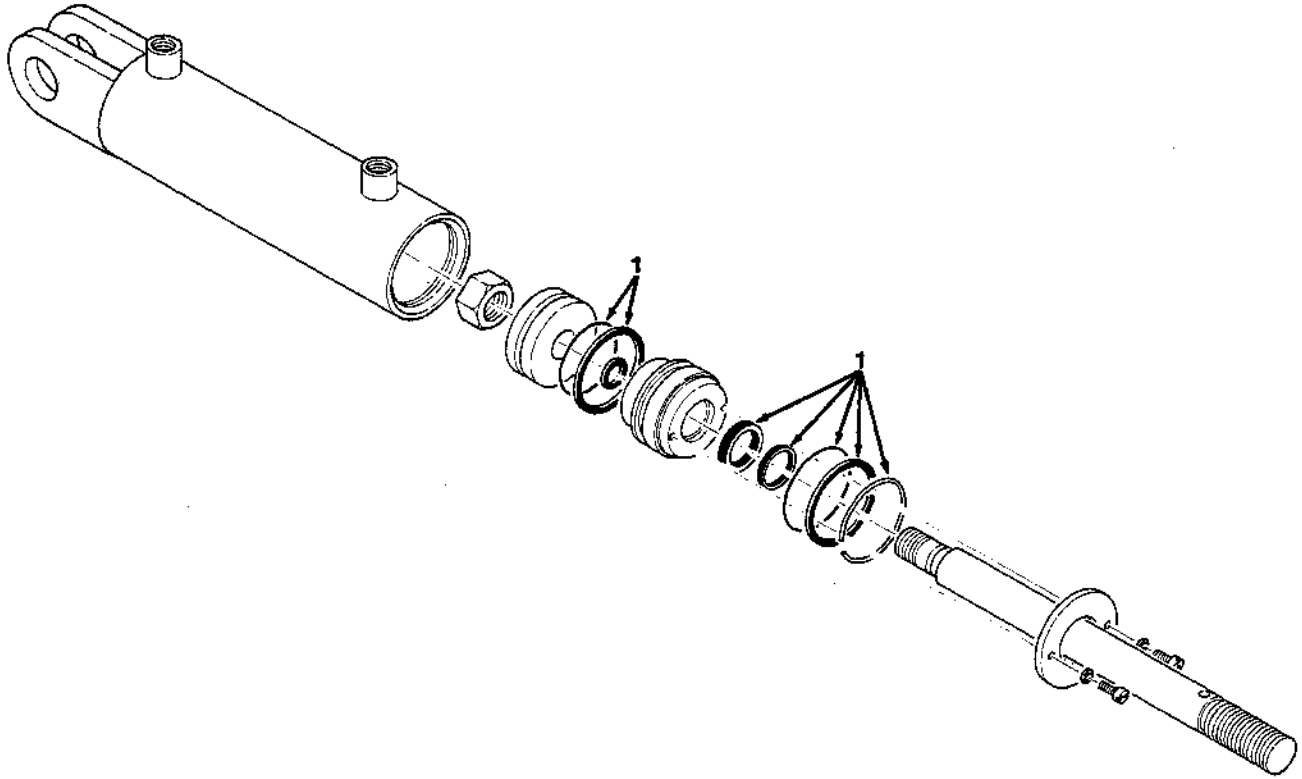


Fig. 16 - Hydraulic Cylinder Breakdown

Key	Tennant® Part No.	Machine Serial Number	Description	Qty.
1	82756	(000000- )	Cylinder, Hydraulic	1
	02612	(000000- )	Seal Kit	1

02607

---

# SECTION 10 ENGINE PARTS

## CONTENTS

	Page
Ordering Repair Parts .....	10-1
Fig. 1 - Cylinder Block, Head, and Manifolds Group .....	10-2
Fig. 2 - Crankshaft Group .....	10-3
Fig. 3 - Valves and Valve Cover Group .....	10-4
Fig. 4 - Camshaft Group .....	10-6
Fig. 5 - Piston and Connecting Rod Group ..	10-7
Fig. 6 - Oil Pump, Filter, and PCV Group ..	10-8
Fig. 7 - Water Pump and Thermostat Group	10-10
Fig. 8 - Distributor and Spark Plugs Group ..	10-11
Fig. 9 - Gasket Kits Group .....	10-12

*NOTE: Section 10, Engine Parts, lists the repair parts for the gasoline and LPG powered engine.*





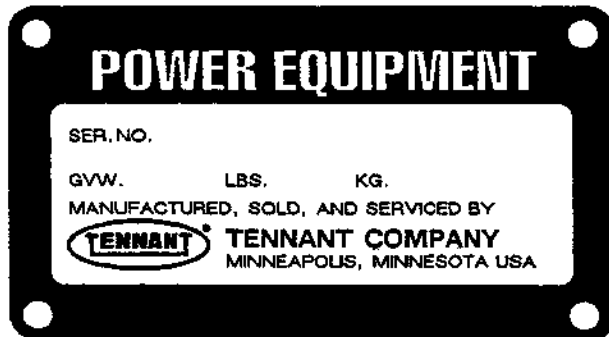
## ORDERING REPAIR PARTS

The components used in this machine have been carefully selected for performance and safety. Use only Tennant Company specified or equivalent parts.

To receive prompt service in filling of your parts orders, please direct all orders for parts with Tennant Company part numbers to the Tennant Company, and all orders for parts with vendor part numbers to the local supplier of the respective vendor.

When ordering parts, please furnish all of the following information:

1. Machine model number - shown on the machine data plate.



2. Machine serial number - shown on the machine data plate.
3. Power source - gasoline, LPG, diesel, electric.
4. Company name.
5. Shipping address.
6. Billing address.
7. Name, first and last - of person ordering parts.
8. Telephone number.
9. Purchase order number.
10. Part number, description, and quantity - of each item on the order.

Do not order parts by key number or the figure number of the illustrated parts. Indented items indicate parts of assemblies. Standard hardware is furnished only when part of a purchased assembly. Please get hardware from a local hardware supplier.

If the old part cannot be identified, send it to us with the quantity needed specified on the order.

Any claim for loss or damage to a shipment in transit should be filed promptly against the transportation company making the delivery. Shipments will be complete unless the packing list or order acknowledgement indicate items back ordered.

If parts received are suspected to be incorrect or defective, please write, wire, or phone the Tennant Company representative from whom you ordered the part. They will give authorization for return and/or handle replacement shipments when required.

### SERIAL NUMBER INFORMATION EXPLANATION

Serial number listings are shown to indicate on which machines each part can be used. These listings are explained by the following examples:

(000000- ) The part can be used on all machines.

(003342- ) The part can be used on all machines beginning with the serial number listed.

(000000-004320) The part can be used on all machines up to and including serial number listed.

(004321-005678) The part can be used on all machines between and including the serial numbers listed.

Where xxxxxx's are listed in place of a serial number, it indicates a change was made but the exact serial number had not been established when the catalog went to press.

### SI UNITS OF MEASURE (INTERNATIONAL SYSTEM)

Metric equivalents have been included, where applicable, throughout this parts catalog.

### FASTENER STRENGTH IDENTIFICATION

Fasteners required to have high-strength qualities equivalent to SAE Grade 8 are identified throughout this catalog by the description GR 8. Unless identified by this description, all standard fasteners are SAE Grade 5.

(Specifications and design subject to change without notice.)

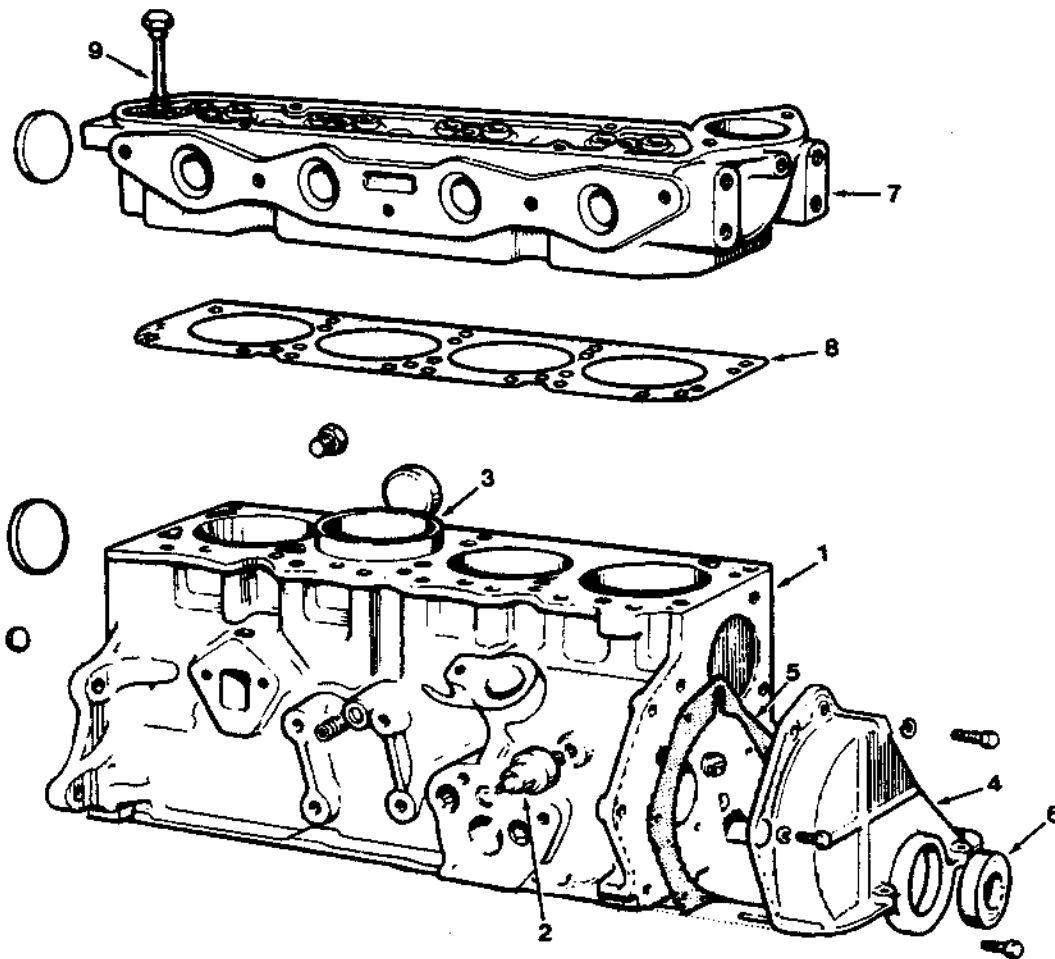


Fig. 1 - Cylinder Block, Head, and Manifolds Group

04070

Key	Tennant® Part No.	Ford Part Number	Engine Serial Number	Description	Qty.
1		711M-6010-AA	(000000-	) Block, Cylinder	1
		761F-6011-AA	(000000-	) Block, Cylinder With Pistons, Etc.	1
2	37351	D9ZZ-9278-A	(000000-	) Switch, Oil Pressure	1
3		105E-6055-C	(000000-	) Liner, Cylinder Block, Standard	4
3		105E-6055-D	(000000-	) Liner, Cylinder Block, 0.020" O/S	4
4		731M-6059-BA	(000000-	) Front Cover	1
5	37333	D1FZ-6020-B	(000000-	) Gasket, Front Cover	1
6	37342	D1FZ-6700-B	(000000-	) Seal, Front Cover Oil	1
7		761F-6049-BA	(000000-	) Head, Cylinder	1
8	54911-23	D8RZ-6051-B	(000000-	) Gasket, Cylinder Head	1
9		D1FZ-6065-B	(000000-	) Bolt, Cylinder Head	8
9		D1FZ-6065-C	(000000-	) Bolt, Cylinder Head	2
		751F-9425-DA	(000000-	) Manifold, Intake	1
		113765-ES2	(000000-	) Stud, LPG	2
	58049	711F-9430-AC	(000000-	) Manifold, Exhaust	1
	54911-22	DORY-9441-A	(000000-	) Gasket, Intake Manifold	1
	54911-20	DORY-9448-A	(000000-	) Gasket, Exhaust, Inner	1
	54911-21	DORY-9448-B	(000000-	) Gasket, Exhaust, Outer	2



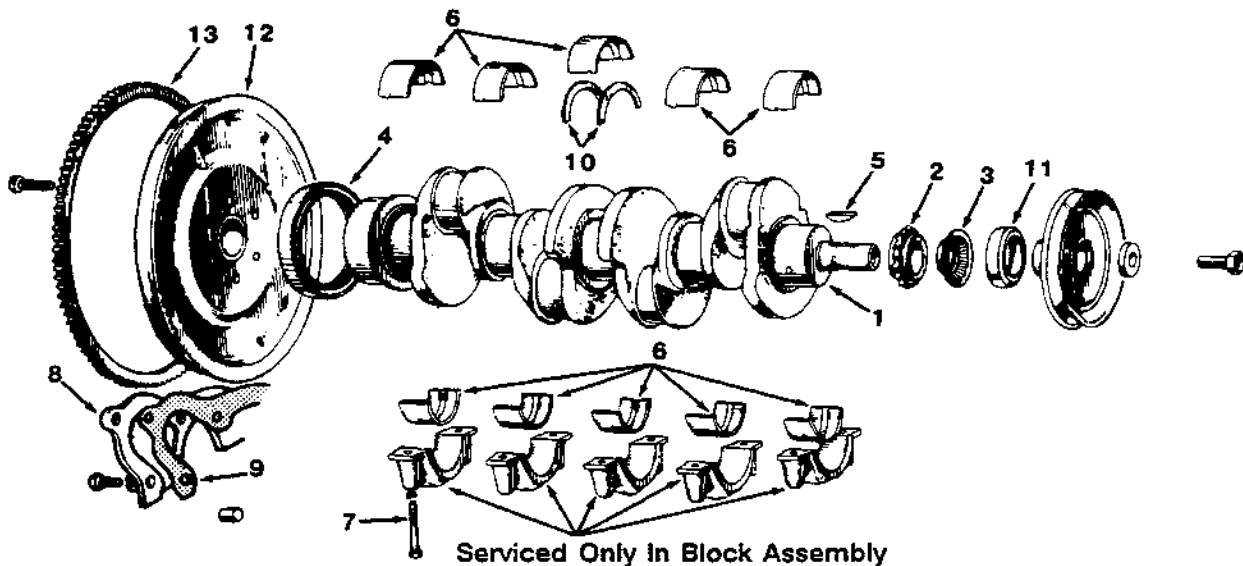


Fig. 2 - Crankshaft Group

Key	Tennant® Part No.	Ford Part Number	Engine Serial Number	Description	Qty.
1		711M-6303-CA	(000000- )	Crankshaft	1
2	37321	DORY-6306-A	(000000- )	Sprocket	1
3		D1FZ-6310-A	(000000- )	Slinger	1
4	37343	D1FZ-6701-A	(000000- )	Seal, Crankshaft Rear	1
5	37312	DORY-6B316-A	(000000- )	Key	1
6		D8RZ-6333-A	(000000- )	Bearing, Standard O.D. and Standard I.D.	5
6		D8RZ-6333-D	(000000- )	Bearing, Standard O.D. and 0.010" Undersize I.D.	as Req.
6		D8RZ-6333-T	(000000- )	Bearing, Standard O.D. and 0.020" Undersize I.D.	as Req.
6		D8RZ-6333-F	(000000- )	Bearing, Standard O.D. and 0.030" Undersize I.D.	as Req.
6		D8RZ-6333-AA	(000000- )	Bearing, 0.015" Oversize O.D. And Standard I.D.	as Req.
6		D2FZ-6333-C	(000000- )	Bearing, 0.015" Oversize O.D. And 0.010" Undersize I.D.	as Req.
6		D8RZ-6333-Y	(000000- )	Bearing, 0.015" Oversize O.D. And 0.020" Undersize I.D.	as Req.
6		D8RZ-6333-Z	(000000- )	Bearing, 0.015" Oversize O.D. And 0.030" Undersize I.D.	as Req.
7		D1FZ-6345-B	(000000- )	Bolt, Main Bearing Cap	10
8		D1FZ-6335-C	(000000- )	Retainer	1
9		DORY-6344-A	(000000- )	Gasket	1
10	37689	D1FZ-6A355-A	(000000- )	Washer, Main Bearing, Standard, 2.938" O.D.	2
10	37330	D1FZ-6A355-C	(000000- )	Washer, Main Bearing, 0.005" O.S.	as Req.
10		D1FZ-6A355-D	(000000- )	Washer, Main Bearing, 0.0075" O.S.	as Req.
10		D1FZ-6A355-E	(000000- )	Washer, Main Bearing, 0.010" O.S.	as Req.
11	37342	D1FZ-6700-B	(000000- )	Seal, Front Cover	1
12		751M-6375-BA	(000000- )	Flywheel	1
13	37719	D1FZ-6384-A	(000000- )	Gear, Flywheel Ring	1

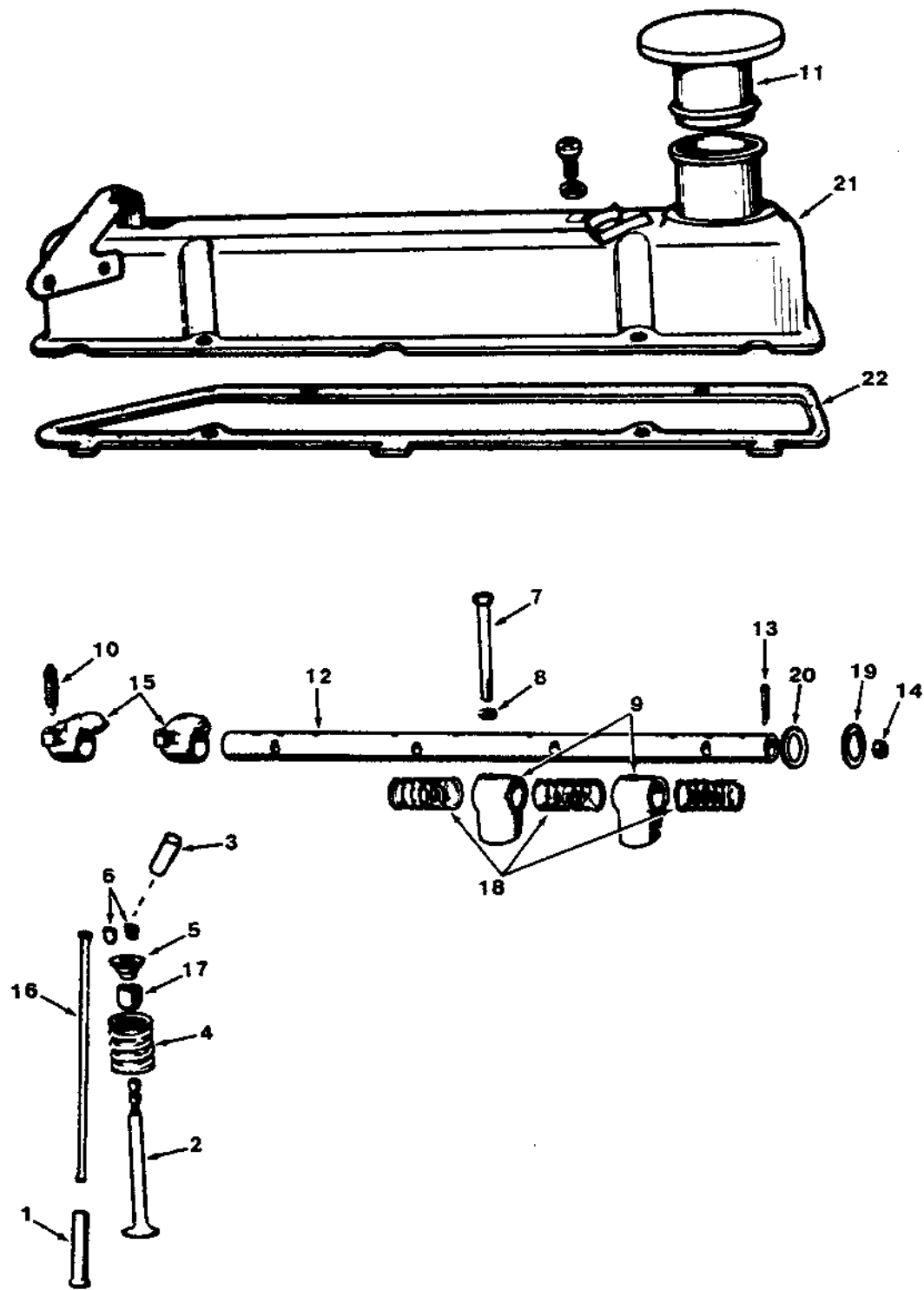


Fig. 3 - Valves and Valve Cover Group

Fig. 3 - Valves and Valve Cover Group

02528

Key	Tennant® Part No.	Ford Part Number	Engine Serial Number	Description	Qty.
1		D1FZ-6500-A	(000000-	Tappet, Standard 0.515" Stem O.D.	8
		D1FZ-6500-B	(000000-	Tappet, 0.004" Oversize	as Req.
		801M-6507-JA	(000000-	Valve, Standard, Intake	4
2		801M-6507-KA	(000000-	Valve, 0.015" Oversize, Intake	as Req.
2		D8RZ-6505-A	(000000-	Valve, Standard, Exhaust	4
2		D8RZ-6505-B	(000000-	Valve, 0.015" Oversize, Exhaust	as Req.
3	37308	DORY-6510-A	(000000-	Bushing, Valve Guide, Intake, 1.825", Plain	as Req.
3		DORY-6510-C	(000000-	Bushing, Valve Guide, Intake, 1.825", Shouldered	as Req.
3	37309	DORY-6510-B	(000000-	Bushing, Valve Guide, Exhaust, 2.075", Plain	as Req.
3		DORY-6510-D	(000000-	Bushing, Valve Guide, Exhaust, 2.075", Shouldered	as Req.
4	37340	D1FZ-6513-D	(000000-	Spring	8
5		D1FZ-6514-B	(000000-	Retainer	8
6		D1FZ-6518-B	(000000-	Key	16
7		DORY-6A527-A	(000000-	Bolt	4
8		DORY-6A528-A	(000000-	Washer	4
9		DORY-6531-A	(000000-	Support	4
10	37693	DORY-6549-B	(000000-	Screw	8
11	50352	D1FZ-6766-B	(000000-	Cap	1
12		DORY-6563-B	(000000-	Shaft	1
13		72034-S	(000000-	Pin, Cotter, 1" Long	2
14		DORY-6026-D	(000000-	Plug	2
15		DORY-6564-D	(000000-	Arm, R.H.	4
15		DORY-6564-C	(000000-	Arm, L.H.	4
16		DORY-6565-A	(000000-	Rod, Push	8
17	38250	E2JL-6571-AA	(000000-	Seal	8
18		DORY-6587-A	(000000-	Spring, Valve Rocker To Shaft	3
19		DORY-6590-A	(000000-	Washer, Flat Type	4
20		DORY-6598-A	(000000-	Washer, Spring Type	2
21	37358	701M6582-GA	(000000-	Cover	1
22	54911-24	D1FZ-6584-C	(000000-	Gasket	1

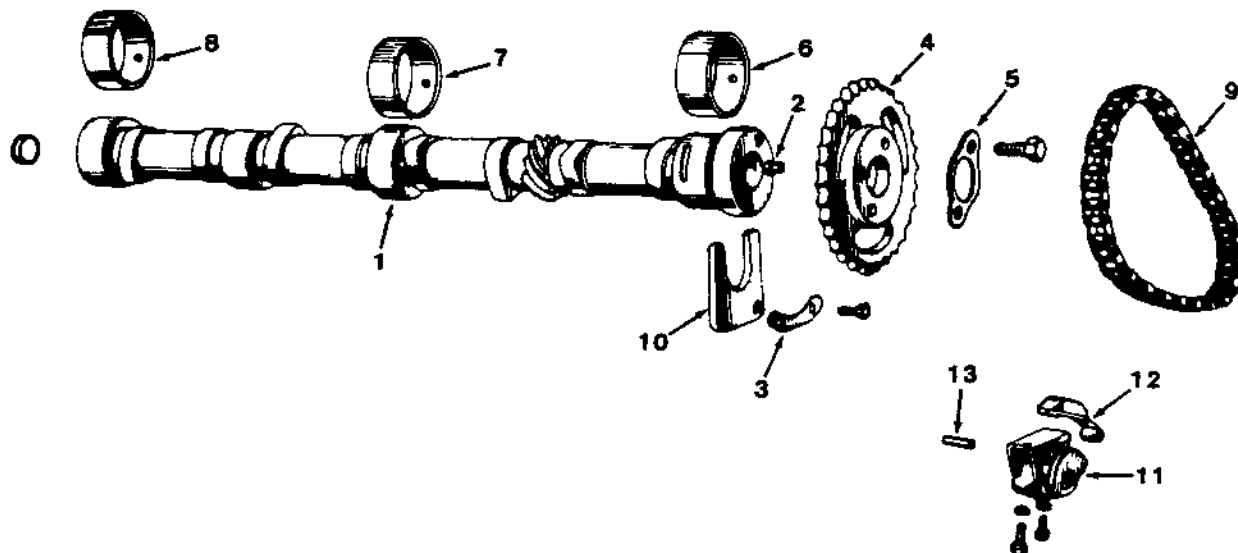


Fig. 4 - Camshaft Group

00746

Key	Tennant® Part No.	Ford Part Number	Engine Serial Number	Description	Qty.
1		711F-6250-DA	(000000-	Camshaft	1
2		DORY-6253-A	(000000-	Dowel	1
3		DORY-6255-A	(000000-	Retainer	1
4	37315	DORY-6256-A	(000000-	Sprocket	1
5		DORY-6258-A	(000000-	Retainer	1
6	37316	DORY-6261-A	(000000-	Bearing, Front, Standard I.D. and O.D.	1
6	37317	DORY-6261-B	(000000-	Bearing, Front, Standard I.D. And 0.020" O.S. - O.D.	as Req.
7	37306	DORY-6262-A	(000000-	Bearing, Center, Standard I.D. and O.D.	1
7	38242	DORY-6262-B	(000000-	Bearing, Center, Standard I.D. And 0.020" O.S. - O.D.	as Req.
8		DORY-6263-A	(000000-	Bearing, Rear, Standard I.D. and O.D.	1
8		DORY-6263-B	(000000-	Bearing, Rear, Standard I.D. And 0.020" O.S. - O.D.	as Req.
9	37307	DORY-6268-A	(000000-	Chain	1
10		DORY-6269-A	(000000-	Plate	1
11	37337	D1FZ-6284-A	(000000-	Tensioner	1
12	37338	D1FZ-6285-A	(000000-	Arm	1
13	37694	D1FZ-6286-A	(000000-	Pin	1

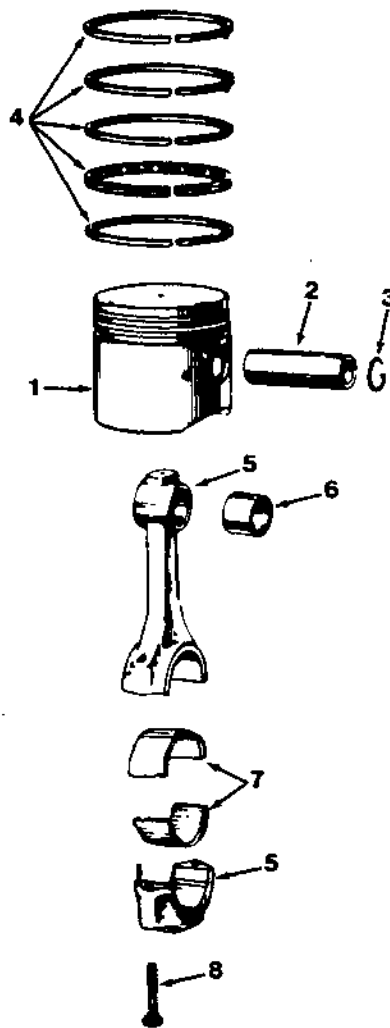


Fig. 5 - Piston and Connecting Rod Group

00742

Key	Tennant® Part No.	Ford Part Number	Engine Serial Number	Description	Qty.
1		751M-6102-GCB	(000000- )	Piston, Standard	4
1		751M-6102-GBB	(000000- )	Piston, 0.030" O/S	as Req.
2		DORY-6135-A	(000000- )	Pin, Standard	4
2		DORY-6135-C	(000000- )	Pin, 0.002" Undersize	as Req.
3		DORY-6140-A	(000000- )	Retainer, Pin	8
4		751M-6149-AA	(000000- )	Ring Set, Piston, Standard	1
4		751M-6149-DA	(000000- )	Ring, Piston, 0.030" O/S	as Req.
5		DORY-6200-A	(000000- )	Rod Assembly	4
6		105E-6207-B	(000000- )	Bushing	4
7	38243	D1FZ-6211-AA	(000000- )	Bearing, Standard	8
7		D1FZ-6211-AB	(000000- )	Bearing, 0.001" Undersize	as Req.
7		D1FZ-6211-AC	(000000- )	Bearing, 0.002" Undersize	as Req.
7	37335	D1FZ-6211-AD	(000000- )	Bearing, 0.010" Undersize	as Req.
7		D1FZ-6211-AE	(000000- )	Bearing, 0.020" Undersize	as Req.
7		D1FZ-6211-AF	(000000- )	Bearing, 0.030" Undersize	as Req.
7		D1FZ-6211-AG	(000000- )	Bearing, 0.040" Undersize	as Req.
8		DORY-6214-A	(000000- )	Bolt, 0.38" - 24 X 1.718"	8

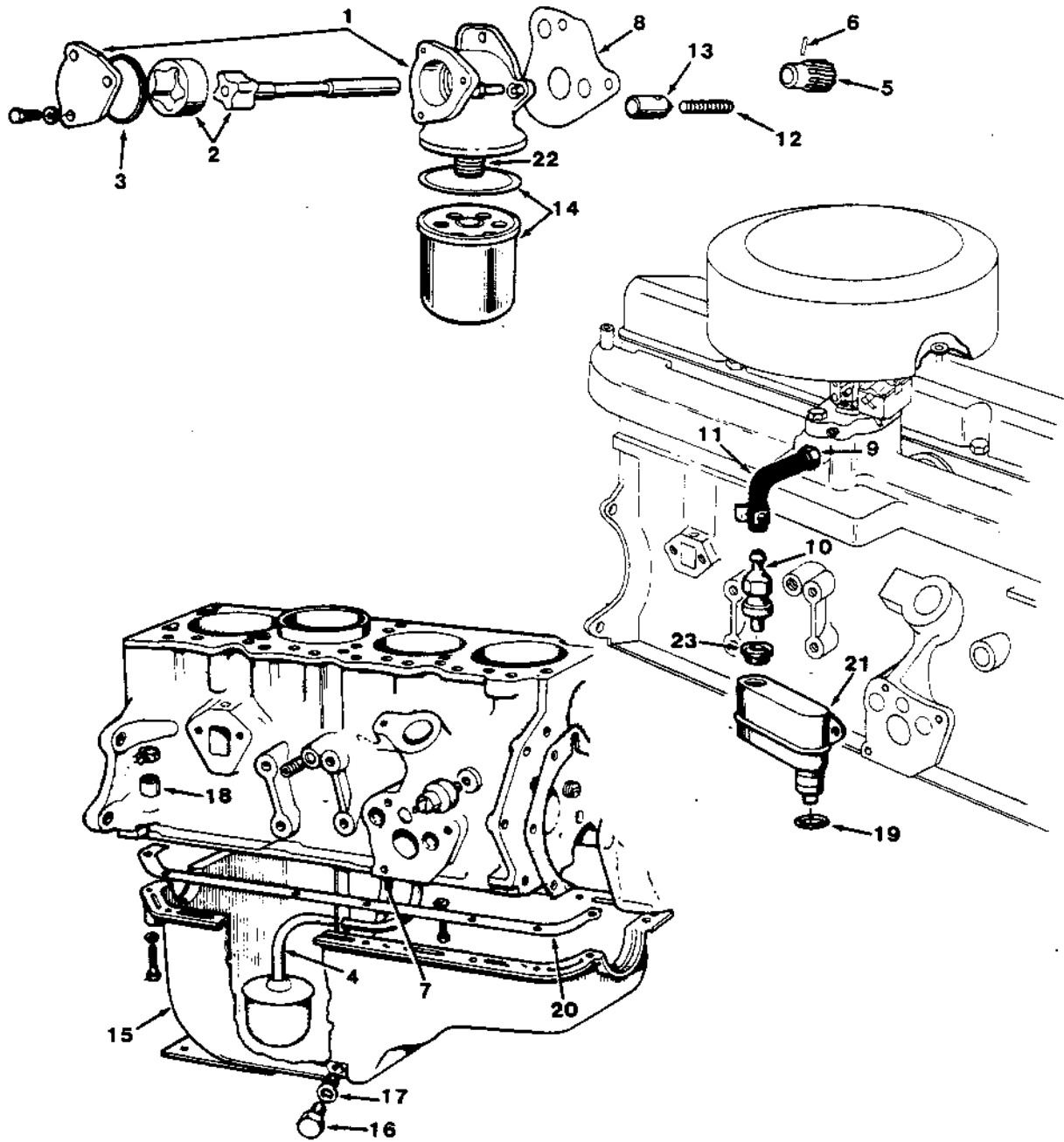


Fig. 6 - Oil Pump, Filter, and PCV Group

Fig. 6 - Oil Pump, Filter, and PCV Group

02527

Key	Tennant® Part No.	Ford Part Number	Engine Serial Number	Description	Qty.
1	37844	731M-6600-AA	(000000-	Oil Pump	1
2		D1FZ-6608-B	(000000-	Rotor and Shaft	1
3	37403	116682-ES	(000000-	O-Ring	1
4		751M-6617-EA	(000000-	Tube, Oil Pickup	1
5		DORY-6652-A	(000000-	Gear	1
6		72432-S	(000000-	Pin	1
7		DORY-6K656-A	(000000-	Tube, Oil Return	1
8	37341	D1FZ-6659-A	(000000-	Gasket	1
9		DORY-6A665-A	(000000-	Adaptor, Crankcase Ventilation	1
10	38245	73HF-6A666-AB	(000000-	Valve, Crankcase Ventilation, PCV	1
11		751F-6K609-AB	(000000-	Hose, PCV	1
12		DORY-6670-A	(000000-	Spring	1
13		DORY-6674-A	(000000-	Plunger	1
14	58122	FL-271	(000000-	Oil Filter	1
15		731M-6675-BA	(000000-	Oil Pan	1
16	37354	D6TZ-6730-A	(000000-	Plug, Oil Drain	1
17	37303	C20Z-6734-A	(000000-	Gasket, Oil Drain	1
18	54911-27	DORY-6754-A	(000000-	Tube, Oil Level Indicator	1
19		DORY-6K777-A	(000000-	O-Ring	1
20	37344	D1FZ-6781-B	(000000-	Gasket, Oil Pan	1
21		D1FZ-6A785-B	(000000-	Separator	1
22		D1FZ-6890-B	(000000-	Insert, Oil Filter Mounting Bolt	1
23		C8SZ-6A892-A	(000000-	Grommet, PCV Valve	1

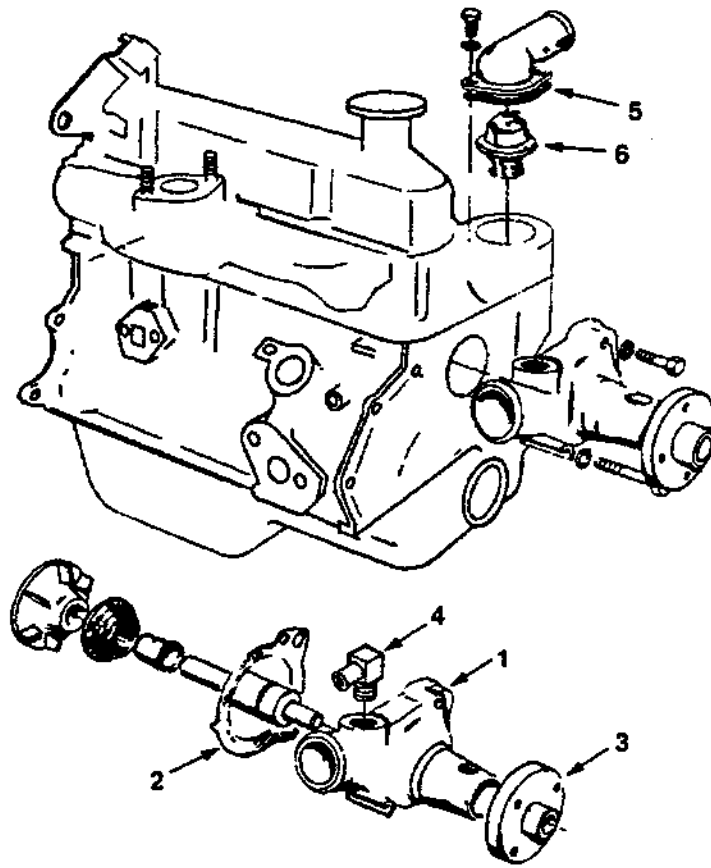


Fig. 7 - Water Pump and Thermostat Group

02315

Key	Tennant® Part No.	Ford Part Number	Engine Serial Number	Description	Qty.
1	33864		(000000- )	Replacement Kit, Water Pump	1
2	37325	DORY-8507-A	(000000- )	Gasket	1
3		DORY-8553-A	(000000- )	Hub	1
4	51839		(000000- )	Fitting, Elbow	1
5	54911-25	D1FZ-8255B	(000000- )	Gasket	1
6	37327	D4PZ-8575-A	(000000- )	Thermostat	1



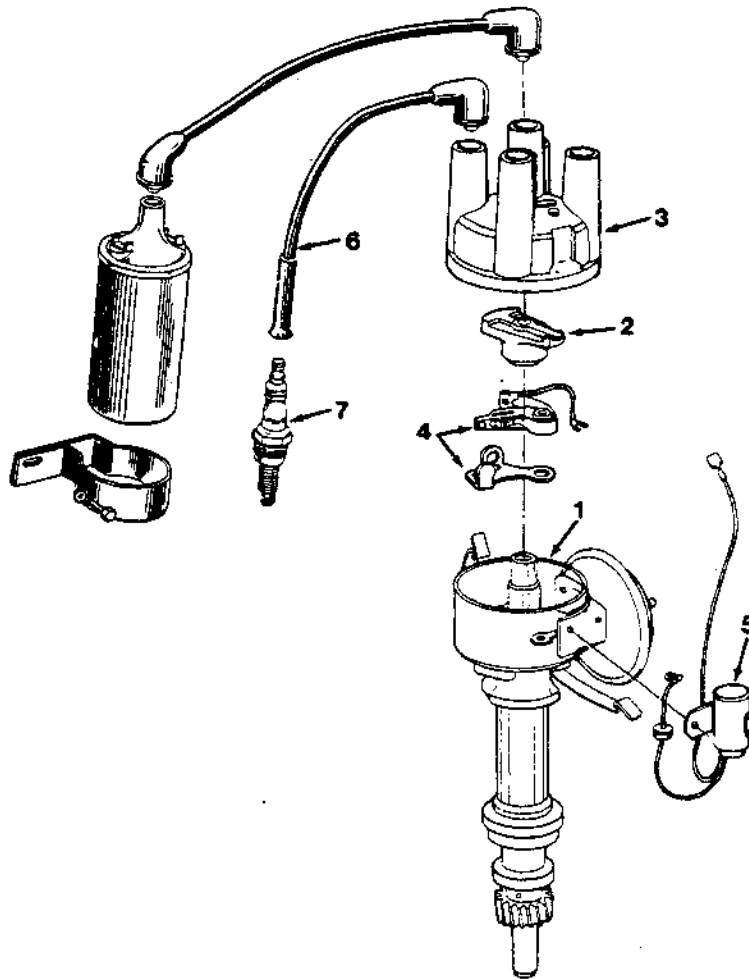


Fig. 8 - Distributor and Spark Plugs Group

Key	Tennant® Part No.	Ford Part Number	Engine Serial Number	Description	Qty.
1	06997		(000000- )	Distributor Kit	1
2	82697		(000000- )	Rotor, Overspeed Protection	1
3	58507	D1FZ-12106-A	(000000- )	Cap	1
4	58506	77BF-12171-AA	(000000- )	Points Set	1
5	58509	831F-12300-AA	(000000- )	Condenser	1
6	37328	D1FZ-12259-A	(000000- )	Wire Kit, Ignition	1
		721F-12283-BA	(000000- )	Wire, No. 2	1
		721F-12284-AA	(000000- )	Wire, No. 3	1
		721F-12286-BA	(000000- )	Wire, No. 1	1
		721F-12287-AA	(000000- )	Wire, No. 4	1
7	45770-8	AGR-22	(000000- )	Spark Plug	4

NOTE: To identify parts shown but not listed here, see Section 5, Low Dump Model Parts.

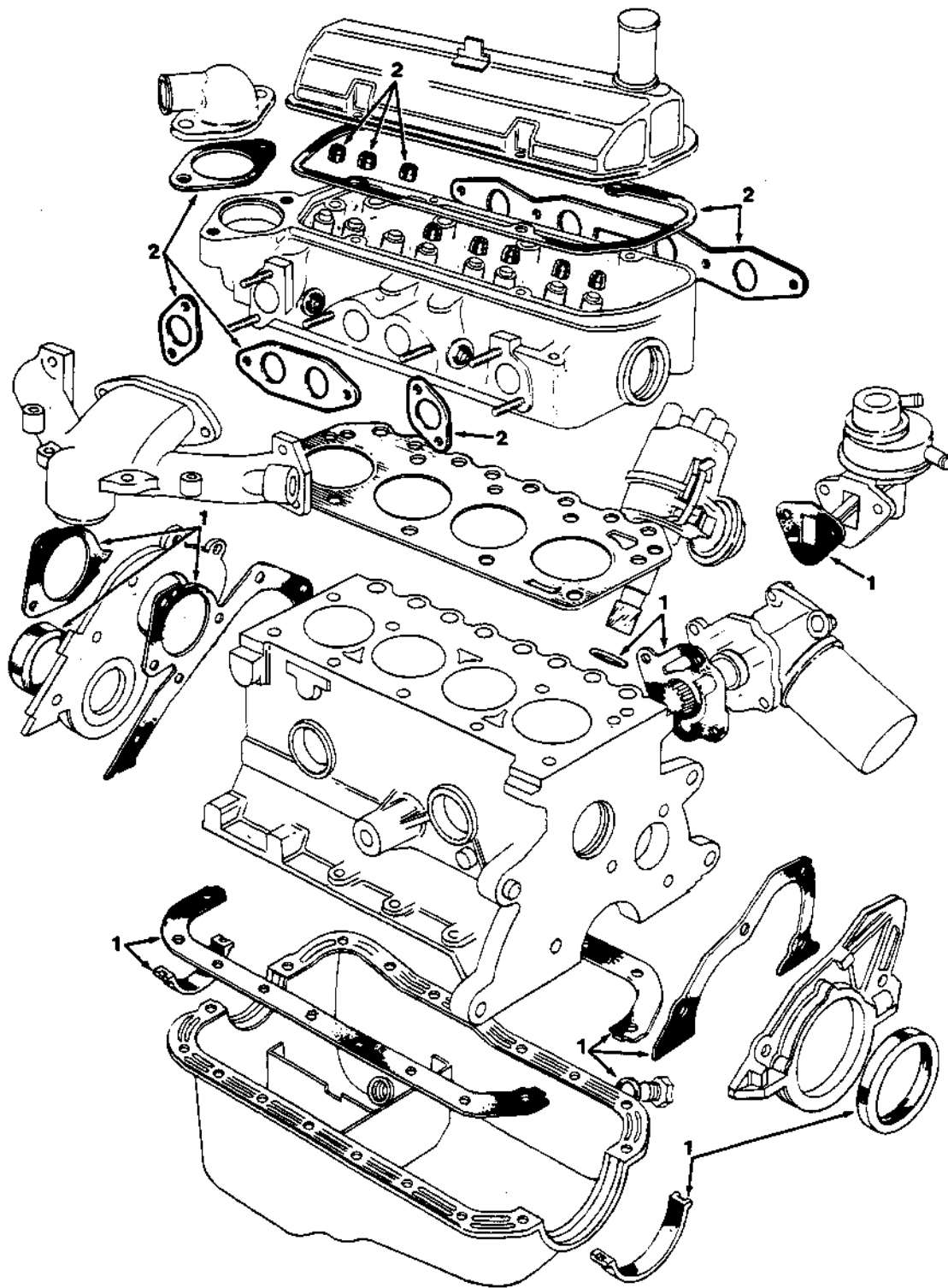


Fig. 9 - Gasket Kits Group

00749

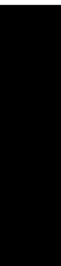
Key	Tennant® Part No.	Ford Part Number	Engine Serial Number	Description	Qty.
1	37332	D1FZ-6008-A	(000000- )	Gasket Kit, Engine Overhaul	1
2	37334	D1FZ-6079-A	(000000- )	Gasket Kit, Valve Grind	1

---

**SECTION 11**  
**CUSTOMER DOCUMENTS**

**CONTENTS**

Tennant Company Warranty Policy  
Tennant Company Directory





# TENNANT COMPANY LIMITED WARRANTY

## NEW MACHINES

Tennant Company warrants to the original purchaser for the period stated below that goods manufactured by it will be free from defects of workmanship and material, provided such goods are installed, operated, and maintained in accordance with Tennant Company's written manuals or other instructions. No warranty is made with respect to items supplied by Tennant Company on special order of purchaser. Tennant Company's sole obligation under this Warranty will be to repair and replace, at Tennant Company's option, parts that do not conform to this Warranty.

### SIX-MONTH LABOR COVERAGE (U.S.A. AND CANADA ONLY)

For six (6) months in the U.S.A. or Canada, thirty (30) days elsewhere, from date of installation, Tennant Company will, at its option, provide labor for repair, pay for outside repair service, or pay the customer straight time in accordance with Tennant Company's flat rate schedule for particular warranty repairs. After six (6) months, Tennant Company's sole obligation shall be limited to the repair or replacement, at Tennant Company's option, of parts that do not conform to this Warranty according to the schedule below.

### BATTERIES AND TIRES

Batteries and tires will be replaced if failure occurs due to defective material or workmanship within ninety (90) days from date of purchase. Thereafter, a pro rata adjustment from date of purchase to twelve (12) months will be made. The pro rata adjustment price of the replacement battery and/or tire will be the Tennant Company current price as of the adjustment request less 1/12th of that price for each month remaining in the twelve (12) month period. This Warranty applies only to batteries and tires purchased from Tennant Company and installed in vehicles used in normal service.

### BRUSHES

Brushes that fail due to defective material or workmanship will be replaced on a pro rata basis within the first twelve (12) months of purchase. The replacement price will be calculated by multiplying the current Tennant Company price by the percentage of usable bristle remaining at the time of adjustment.

### MACHINE WARRANTY PERIOD

Tennant Company warrants its equipment for a set number of months or for a set number of hours of use, whichever comes first. The warranty periods and hours of use vary depending upon the machine model. The warranty periods for Tennant Company's various machines are:

#### SCARIFIERS

Machine Model	Warranty Period	Machine Model	Warranty Period
G	12 months/500 hours	L2	12 months/500 hours
K4	12 months/500 hours	RS/TLR	12 months/500 hours
KDC	12 months/500 hours		

#### SCRUBBERS

Machine Model	Warranty Period	Machine Model	Warranty Period
426	12 months/500 hours	530E	18 months/2000 hours
432	12 months/500 hours	(except Duramer™ solution and recovery tanks 5 years/5000 hours)	
527-II	12 months/1500 hours	550	12 months/1500 hours
	(except engine and hydraulics- 24 months/2000 hours)	550E	12 months/1500 hours

#### SWEEPERS

Machine Model	Warranty Period	Machine Model	Warranty Period
140/140E	12 months/500 hours	240EH SE	24 months/1750 hours
186	18 months/500 hours	255	18 months/1500 hours
215	18 months/750 hours	275/275SE	24 months/2000 hours
235	24 months/1250 hours	365	24 months/2000 hours
	(except Duramer™ hopper 5 years/5000 hours)	92 GR	12 months/1500 hours
240	12 months/1500 hours	95	24 months/2000 hours
		717	24 months/2000 hours

---

## RECONDITIONED MACHINES

Tennant Company warrants to the purchaser of reconditioned equipment, purchased from Tennant Company, for the period of ninety (90) days from the date of delivery that the purchased equipment will be free from defects of workmanship and material, provided such equipment is operated and maintained according to Tennant Company written manuals or instructions. Tennant Company's sole obligation under this Warranty will be to repair and replace, at Tennant Company's option, parts that do not conform to this Warranty.

No warranty of any kind is extended to equipment that is sold for salvage.

### LABOR COVERAGE

For thirty (30) days from date of delivery Tennant Company will, at its option, provide labor for repair, pay outside repair service, or pay the customer straight time in accordance with Tennant Company flat rate schedule for particular warranty repair. After thirty (30) days, Tennant Company's sole obligation shall be limited to the repair or replacement, at Tennant Company's option, of parts that do not conform to this Warranty.

## REPAIR PARTS

Repair parts supplied by Tennant Company are warranted against defects for the period stated below. Tennant Company's obligation is limited to the replacement of the warranted part, and Tennant Company shall not be obligated to provide labor (except certain engines also stated below) in installing such part.

### ENGINES, SHORT BLOCKS, AND LONG BLOCKS

Manufacturer	Warranty Period	Manufacturer	Warranty Period
Continental	1 year or 1500 hours parts & labor	Perkins	1 year or 1500 hours parts & labor
Kohler	1 year or 1500 hours parts & labor (except Kohler Model K181S -500 hours)	Kubota	1 year or 1500 hours parts & labor
Briggs & Stratton	90 days or 200 hours parts & labor	Wisconsin	1 year or 500 hours parts & labor
Onan	1 year or 1500 hours parts & labor	Ford	1 year or 1500 hours parts only

- Engine part replacements such as water pumps, carburetors, and alternators are warranted for thirty (30) days parts only, no labor.
- Labor is to include only the time it takes to repair an engine. It does not include removal and replacement nor does it include travel time.

### MAJOR HYDRAULIC COMPONENTS (PUMPS, MOTORS, CYLINDERS, AND CONTROL VALVES)

Manufacturer	Warranty Period	Manufacturer	Warranty Period
Cessna	1 year parts only	Oilgear	1 year parts only
Char-Lynn	1 year parts only	Gresen	90 days parts only
Victor (Dukes)	1 year parts only	MTE	90 days parts only
Ross	1 year parts only	Barnes	90 days parts only
Vickers	1 year parts only		

- All seal kits and replacement parts are warranted for thirty (30) days parts only.

### MAJOR ELECTRIC MOTORS

Manufacturer	Warranty Period	Manufacturer	Warranty Period
Baldor	1 year parts only	Ohlo Electric	1 year parts only
General Electric	1 year parts only	HK Porter	1 year parts only

All other repair parts are warranted for thirty (30) days only.

## SERVICE LABOR

Labor performed by a Tennant Company service representative shall be warranted for thirty (30) days from the date the repairs are completed. This policy does not cover work performed by any service company, other than Tennant Company, and is restricted to the specific repair operation or component for which a claim is made.

**THIS WARRANTY IS EXPRESSLY IN LIEU OF ALL OTHER EXPRESSED OR IMPLIED WARRANTIES INCLUDING THE WARRANTIES OF MERCHANTABILITY AND FITNESS AND OF ALL OTHER OBLIGATIONS AND LIABILITIES ON THE PART OF TENNANT COMPANY, INCLUDING LIABILITIES FOR DIRECT, IMMEDIATE, SPECIAL, INDIRECT, OR CONSEQUENTIAL DAMAGES ARISING OUT OF THE FAILURE OF ANY MACHINE OR PART OF IT TO OPERATE PROPERLY, INCLUDING THE COST OR EXPENSE OF PROVIDING SUBSTITUTE EQUIPMENT OR SERVICE DURING PERIODS OF MALFUNCTION OR NON-USE.**

This Warranty cannot be extended, changed, or modified by any representative of Tennant Company.

---

## TENNANT COMPANY SERVICE LITERATURE AVAILABLE...

A variety of information is available to you in forms to suit your needs. The following is a list of those publications that relate to the Model 255 family of machines:

Machine Model	Publication	Form	Tennant® Part No.
255	Operation, Maintenance, and Parts Manual	Printed	MM150
255	Operation, Maintenance, and Parts Manual	Microfiche	85150
255	Operator Handbook	Printed	MM161
255	Ford KSG-411, KSG-416 Engine Service Manual	Printed	38961

Keep your manuals in a safe, convenient location for your future reference in order to operate, maintain, and order repair parts for your machine. Everyone who operates, maintains, or purchases parts for the machine should have easy access to a copy of the manual.

To get pricing information or to order copies of these publications, contact your nearest Tennant Company parts warehouse, distributor, or sales representative.

