



(Parts Manual)

242E



This manual is furnished with each new TENNANT Model 242E. It provides necessary operating and preventive maintenance instructions. Read this manual completely and understand the machine before operating or servicing it.

This manual covers all machine variations and standard accessories. The instruction portion of the manual consists of the Specification, Operation, Maintenance, and Appendix sections. The parts portion consists of the Low Dump Model Parts; Multi-Level Dump Model Parts; EE Parts; Options; Hydraulic Components; Electrical Components; and Cross Reference sections.

All right side and left side references to the machine are determined by facing the direction of forward travel. All hardware considered to be of a common nature or locally available has been omitted from the parts sections. Be aware that this machine may contain metric hardware. Make sure you use equivalent hardware when replacement becomes necessary.

This machine will provide excellent service. However, the best results will be obtained at minimum costs if:

- The machine is operated with reasonable care.
- The machine is maintained regularly – per the maintenance instructions provided.
- The machine is maintained with Tennant Company supplied or equivalent parts.

Parts and supplies may be ordered by phone or mail from any Tennant Company parts and service center, distributor, or from any of the Tennant Company subsidiaries. Before ordering parts or supplies, be sure to have your machine model number and serial number handy. Fill out the data block below for future reference. The telephone numbers, telex numbers, mailing addresses, and locations of those outlets are listed in the Customer Documents section of the manual.

MACHINE DATA	
<i>Please fill out at time of installation.</i>	
Machine Serial Number –	_____
Engine Serial Number –	_____
Sales Representative –	_____
Customer Number –	_____
Date of Installation –	_____
Manual Number –	MM243
Revision:	01
Published:	5-92

Trademark Registered in: Austria, Benelux, Denmark, England, France, Germany, Italy, Spain, Switzerland, United States, Argentina, Australia, Canada, Japan, Mexico, Sweden, by TENNANT COMPANY, Minneapolis, Minnesota, U.S.A.

Acknowledgements: Technical information and/or illustrations supplied by Sperry-Vickers Corporation; Eaton Corporation, Hydraulics Division and Lamb Electric.

Copyright 1989, 1992 Tennant Company, Printed in U.S.A.

SECTION 5

CONTENTS

	Page
ORDERING REPAIR PARTS	5-3
Fig. 1 – Recommended General Maintenance Items	5-4
Fig. 2 – Replacement Brushes	5-5
Fig. 3 – Main Frame Group	5-6
Fig. 4 – Seat and Battery Panel Group	5-8
Fig. 5 – Instrument and Component Panel Group	5-10
Fig. 6 – Hopper Group	5-12
Fig. 7 – Hopper Cover and Fire Door Group .	5-14
Fig. 8 – Filter Shaker Group	5-16
Fig. 9 – Vacuum Fan Group	5-18
Fig. 10 – Front Wheels and Brakes Group ...	5-20
Fig. 11 – Main Brush Drive Group	5-22
Fig. 12 – Side Brush Lift Group	5-24
Fig. 13 – Steering Wheel Group	5-25
Fig. 14 – Hydraulic System	5-26
Fig. 15 – Hydraulic System	5-27
Fig. 16 – Main Control Valve Group	5-28
Fig. 17 – Hydraulic Reservoir Assembly	5-29
Fig. 18 – Directional Control Group	5-30
Fig. 19 – Directional Control Group	5-32
Fig. 20 – Rear Drive Wheel Motor Group	5-34
Fig. 21 – Hopper Lift Cylinder and Side Brush Motor Group	5-35
Fig. 22 – Rear Drive Wheel and Support Group	5-36
Fig. 23 – Battery Wire Harness Group	5-37
Fig. 24 – Hourmeter Group	5-38
Fig. 25 – Voltmeter Group	5-38
Fig. 26 – Overhead Guard Group	5-39
Fig. 27 – Bumper Group	5-40

NOTE: SECTION 5, LOW DUMP MODEL PARTS, lists repair parts for a low dump model machine. This section also contains parts common to all models of the machine.

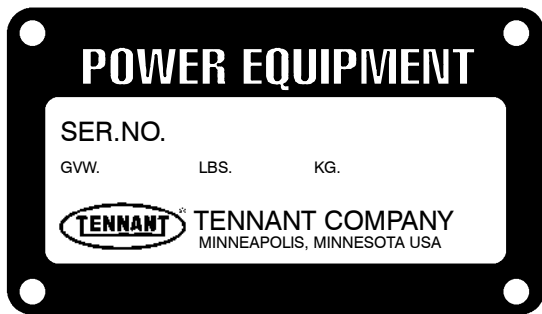
ORDERING REPAIR PARTS

The components used in this machine have been carefully selected for performance and safety. Use only Tennant Company specified or equivalent parts.

To receive prompt service in filling of your parts orders, please direct all orders for parts with Tennant Company part numbers to the Tennant Company, and all orders for parts with vendor part numbers to the local supplier of the respective vendor.

When ordering parts, please furnish all of the following information:

1. Machine model number - shown on the machine data plate.



2. Machine serial number - shown on the machine data plate.
3. Power source - gasoline, LPG, diesel, electric.
4. Company name.
5. Shipping address.
6. Billing address.
7. Name, first and last - of person ordering parts.
8. Telephone number.
9. Purchase order number.
10. Part number, description, and quantity - of each item on the order.
11. Customer ID Number.

Do not order parts by key number or the figure number of the illustrated parts. Indented items indicate parts of assemblies. Standard hardware is furnished only when part of a purchased assembly. Please get hardware from a local hardware supplier.

If the old part cannot be identified, send it to us with the quantity needed specified on the order.

Any claim for loss or damage to a shipment in transit should be filed promptly against the transportation company making the delivery. Shipments will be complete unless the packing list or order acknowledgement indicate items back ordered.

If parts received are suspected to be incorrect or defective, please write, wire, or phone the Tennant Company representative from whom you ordered the part. They will give authorization for return and/or handle replacement shipments when required.

SERIAL NUMBER INFORMATION EXPLANATION

Serial number listings are shown to indicate on which machines each part can be used. These listings are explained by the following examples:

(000000—) The part can be used on all machines.

(003342—) The part can be used on all machines beginning with the serial number listed.

(000000—004320) The part can be used on all machines up to and including serial number listed.

(004321—005678) The part can be used on all machines between and including the serial numbers listed.

Where xxxxxx's are listed in place of a serial number, it indicates a change was made but the exact serial number had not been established when the catalog went to press.

SI UNITS OF MEASURE (INTERNATIONAL SYSTEM)

Metric equivalents have been included, where applicable, throughout this parts catalog.

FASTENER STRENGTH IDENTIFICATION

Fasteners required to have high—strength qualities equivalent to SAE Grade 8 are identified throughout this catalog by the description GR 8. Unless identified by this description, all standard fasteners are SAE Grade 5.

(Specifications and design subject to change without notice.)

Fig. 1 -- Recommended General Maintenance Items

Key	TENNANT Part No.	Machine Serial Number	Description	Qty.
	41531	(000000-)	Replacement Parts Package, Low Dump	1
	SK1511	(000000-)	Replacement Kit, Fusible Link	1
	23275	(000000-)	Skirt, Shroud	2
	23267	(000000-)	Skirt, Rear	1
	23445-2	(000000-)	V-Belt, Set of 2	1
	44239-2	(000000-)	V-Belt, Set of 2	1
	50514	(000000-)	V-Belt, Powerband	1
	24622	(000000-)	V-Belt	1
	48060	(000000-)	Lip, Rubber	5
	23386	(000000-)	Seal, Top Pan	1
	23382	(000000-)	Seal, Side Pan	2
	67718-2	(000000-)	Element, Hydraulic Fluid Filter	1
	58476	(000000-)	Filter, Panel	1
	41532	(000000-)	Replacement Parts Package, Multi-Level Dump	1
	SK1511	(000000-)	Replacement Kit, Fusible Link	1
	23275	(000000-)	Skirt, Shroud	2
	23267	(000000-)	Skirt, Rear	1
	23445-2	(000000-)	V-Belt, Set of 2	1
	44239-2	(000000-)	V-Belt, Set of 2	1
	50514	(000000-)	V-Belt, Powerband	1
	24622	(000000-)	V-Belt	1
	35607	(000000-)	Lip Assembly	5
	23386	(000000-)	Seal, Top Pan	1
	37021	(000000-)	Lip, Side	1
	67718-2	(000000-)	Element, Hydraulic Fluid Filter	1
	23382	(000000-)	Seal, Side Pan	2
	58476	(000000-)	Filter, Panel	1
	59472	(000000-)	Replacement Parts Package, Scrubber	1
	60014	(000000-)	Blade, Squeegee, Rear	2
	43324	(000000-)	Blade, Back Up, Neoprene	1
	60013	(000000-)	Blade, Squeegee, Side	2
	43322	(000000-)	Blade, Front, Rubber	2

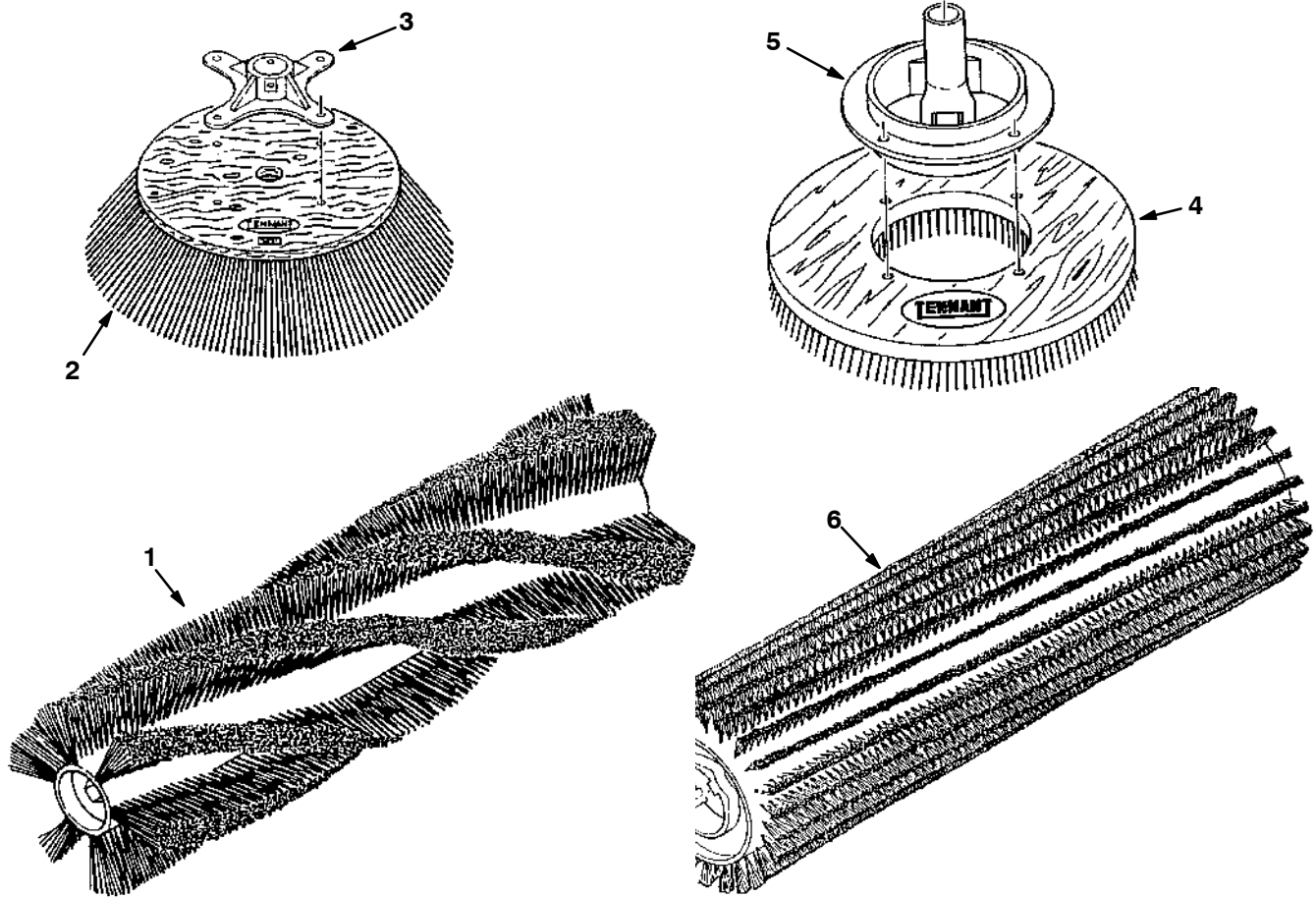


Fig. 2 – Replacement Brushes

05613

Key	TENNANT Part No.	Machine Serial Number	Description	Qty.
1	22071N	(000000–)	Main Brush, 8 Row Nylon	1
1	22551	(000000–)	Main Brush, 8 Row Polypropylene	1
1	22643	(000000–)	Main Brush, 8 Row Polypropylene and Wire	1
1	22620	(000000–)	Main Brush, 8 Row Union Mix and Wire	1
1	43898	(000000–)	Main Brush, 5 Row Nylon	1
1	43430N	(000000–)	Main Brush, 24 Row Nylon	1
1	22619	(000000–)	Main Brush, 24 Row Union Mix and Wire	1
1	22072A	(000000–)	Main Brush, 24 Row Union Mix	1
	43708P	(000000–)	Side Brush Assembly, Polypropylene	1
2	09600P	(000000–)	Side Brush, Polypropylene	1
3	47501	(000000–)	Hub, Brush Adaptor	1
	43708N	(000000–)	Side Brush Assembly, Nylon	1
	09600N	(000000–)	Side Brush, Nylon	1
	47501	(000000–)	Hub, Brush Adaptor	1
	46857	(000000–)	Side Brush Assembly, Scrub, Polypropylene	1
4	43148	(000000–)	Side Brush, Scrub, Polypropylene	1
5	43554	(000000–)	U-Joint, Side Brush Drive	1
	46858	(000000–)	Side Brush Assembly, Scrub, Polypropylene	1
	43593	(000000–)	Side Brush, Scrub, Polypropylene	1
	43554	(000000–)	U-Joint, Side Brush Drive	1
6	43592	(000000–)	Scrub Brush, 24 Row Polypropylene	1
6	43424	(000000–)	Scrub Brush, 24 Row Polypropylene	1
6	43680	(000000–)	Scrub Brush, 24 Row Abrasive	1
6	43262	(000000–)	Scrub Brush, 8 Row Nylon	1

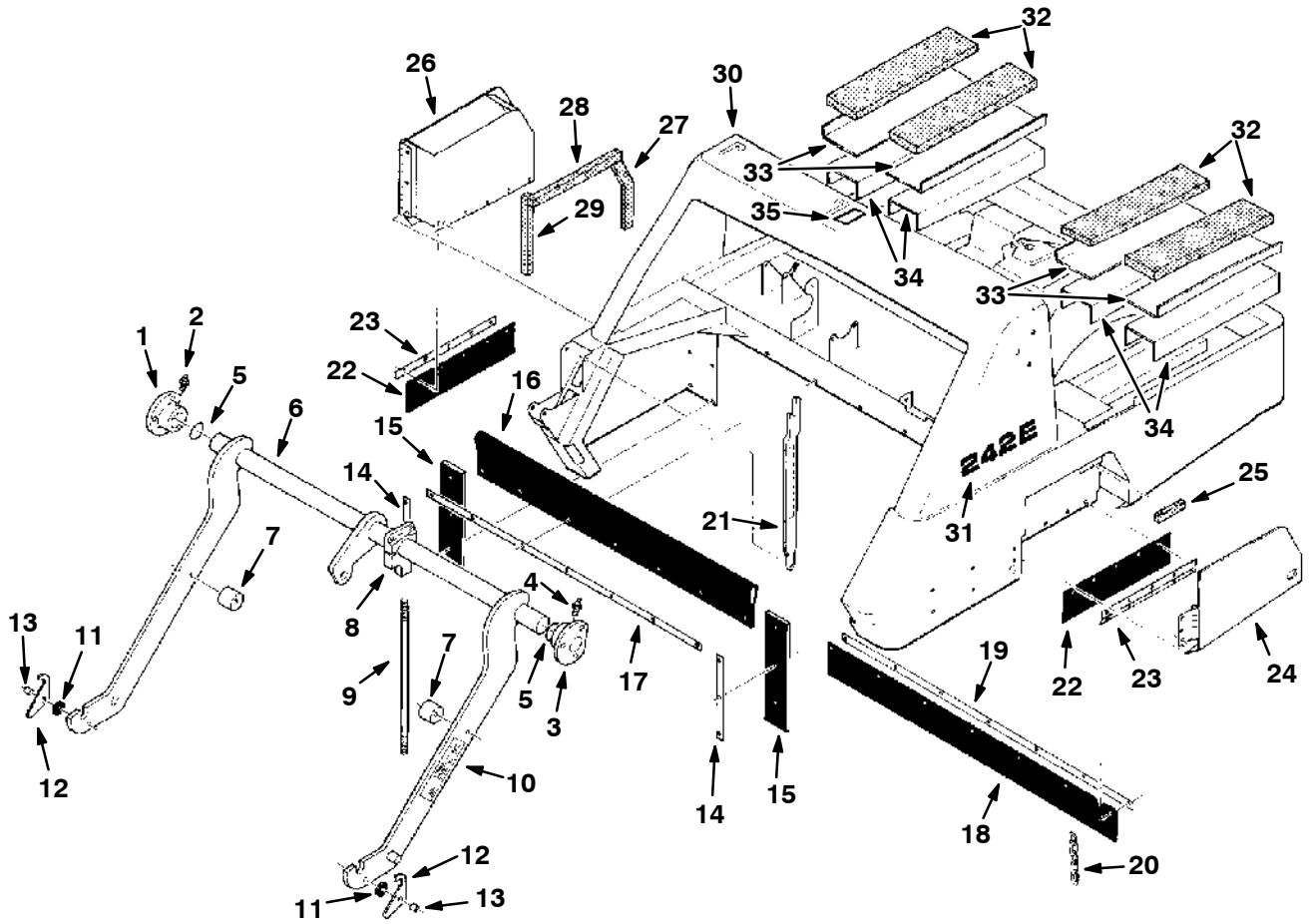


Fig. 3 - Main Frame Group

Fig. 3 – Main Frame Group

Key	TENNANT Part No.	Machine Serial Number	Description	Qty.
1	23454-2	(000000-)	Bearing, R.H.	1
2	08407	(000000-)	Fitting, Grease	1
3	23455-2	(000000-)	Bearing, L.H.	1
4	07259	(000000-)	Fitting, Grease	1
5	23138	(000000-)	Shim	2
6	48071	(000000-)	Lift Arm Assembly	1
7	23452-2	(000000-)	Cam	2
8	23580-2	(000000-)	Bearing	1
9	36922A	(000000-)	Rod	1
10	47892	(000000-)	Decal, Caution	1
11	46147	(000000-)	Washer, Neoprene	2
12	46132	(000000-)	Hook	2
13	46137	(000000-)	Sleeve	2
14	23384-2	(000000-)	Strip	2
15	23382	(000000-)	Seal	2
16	23386	(000000-)	Seal	1
17	53143	(000000-)	Strip	1
18	23267	(000000-)	Skirt, Rear	1
19	82165	(000000-)	Strip	1
20	09342	(000000-)	Chain	1
20	28280	(000000-)	Chain, Brass (242EE only)	1
21	47907	(000000-)	Arm and Label Assembly, Hopper Stop	1
22	23275	(000000-)	Skirt, Shroud	2
23	45857	(000000-)	Strip, Skirt Retainer	2
24	23428-2	(000000-)	Door, L.H.	1
25	23575	(000000-)	Seal, Foam Rubber	1
26	47062	(000000-)	Door, Brush, R.H.	1
27	47065-3	(000000-)	Seal, Foam Rubber	1
28	47065-1	(000000-)	Seal, Foam Rubber	1
29	47065-2	(000000-)	Seal, Foam Rubber	1
30	44705	(000000-)	Frame, Main	1
31	31349	(000000-)	Decal, 242E	2
32	44874	(000000-)	Bar, Spacer	4
33	44844	(000000-)	Guide, Battery	4
34	44843	(000000-)	Bracket, Battery Spacer	4
35	51773	(000000-)	Label, Main Brush Lift	1

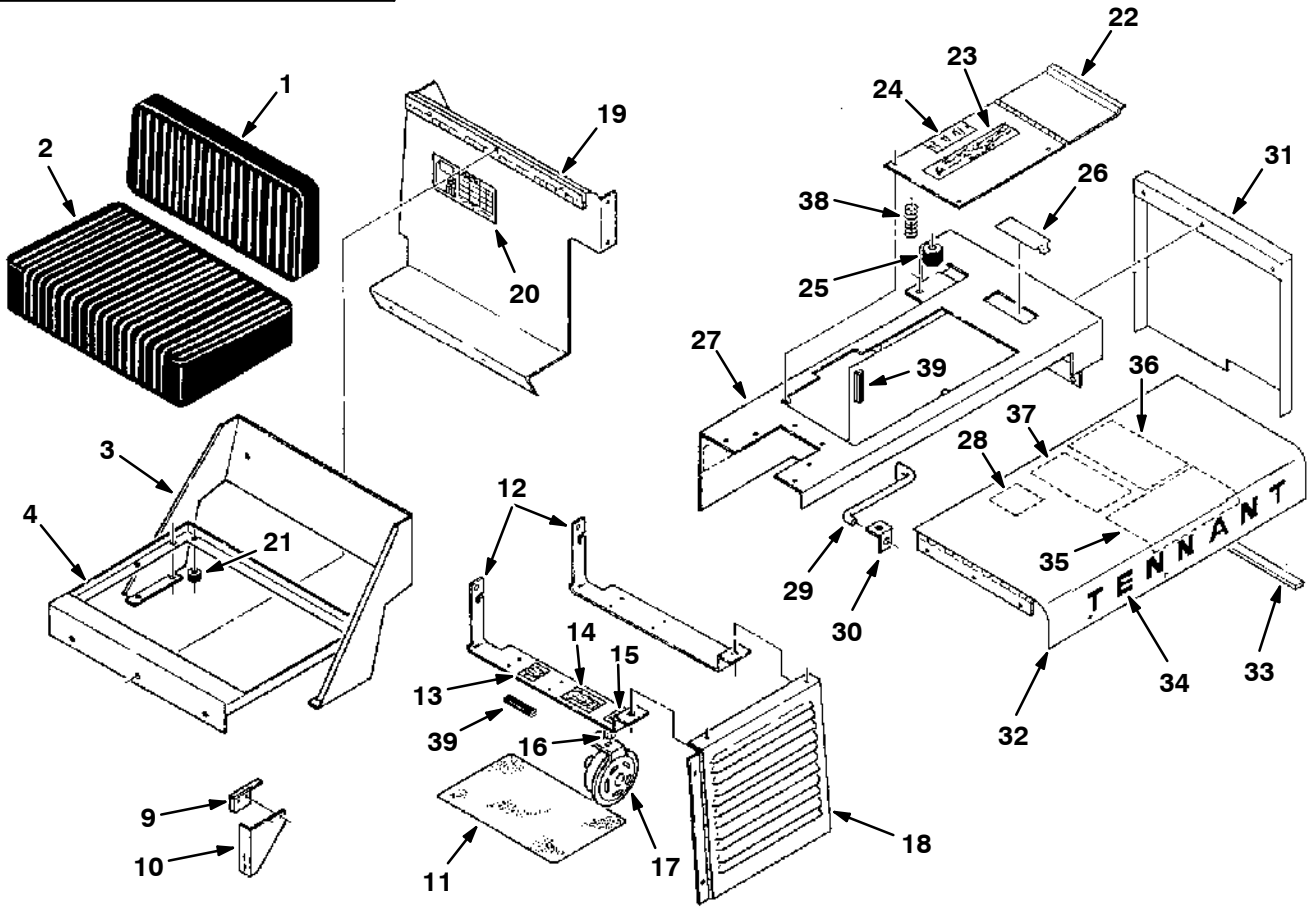
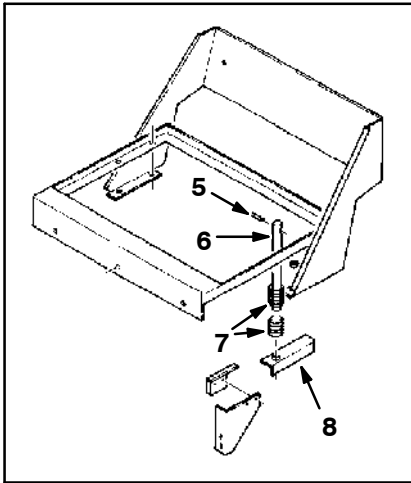


Fig. 4 – Seat and Battery Panel Group

Fig. 4 – Seat and Battery Panel Group

Key	TENNANT Part No.	Machine Serial Number	Description	Qty.
1	46011	(000000–)	Seat, Back Rest	1
2	46010	(000000–)	Seat	1
3	32421	(000000–)	Frame, Back Rest	1
4	44200	(000000–)	Frame, Seat	1
5	26103	(000000–005017)	Pin, Roll	1
6	45262	(000000–005017)	Rod, Seat Spring	1
7	45261	(000000–005017)	Spring, Compression	2
8	45260	(000000–005017)	Support, Seat Spring	1
9	44847	(000000–)	Switch, 15 A	1
10	45330	(000000–)	Bracket, Support	1
11	19895	(000000–)	Tread, Floor	1
12	44758A	(000000–)	Strap, Panel Support	2
13	44974	(000000–)	Label, Battery Receptacle	1
14	44973	(000000–)	Label, Charging Receptacle	1
15	44298	(000000–)	Label, Charger and Machine Receptacle	1
16	76062	(000000–)	Insulator	1
17	10046	(000000–)	Horn	1
18	44849	(000000–)	Panel, Side, L.H.	1
19	44789	(000000–)	Support, Seat	1
20	44902	(000000–)	Label, Maintenance	1
21	44307	(000000–)	Bumper, Rubber	1
22	44800	(000000–)	Lid	1
23	47892	(000000–)	Label, Caution	1
24	32395	(000000–)	Label, Hydraulic Valve	1
25	44851	(000000–)	Bumper, Rubber	1
26	44832	(000000–)	Cover	1
27	45465	(000000–)	Panel, Center	1
28	32514	(000000–)	Label, Caution, Charging	1
29	44967	(000000–)	Rod, Cover Support	1
30	44971	(000000–)	Angle, Cover Support	1
31	44785	(000000–)	Panel and Label Assembly, Rear	1
32	44790	(000000–)	Cover, Battery	1
33	44777	(000000–)	Seal, Foam Rubber	1
34	44023	(000000–)	Label, TENNANT Letters	1
35	31352	(000000–)	Label, Battery Connection When Charging	1
36	29279	(000000–)	Label, Caution, Battery Charger	1
37	44958	(000000–)	Label, Battery Requirements	1
38	45261	(005018–)	Spring, Compression	1
39	62595–18	(005018–)	Molding, Trim	2

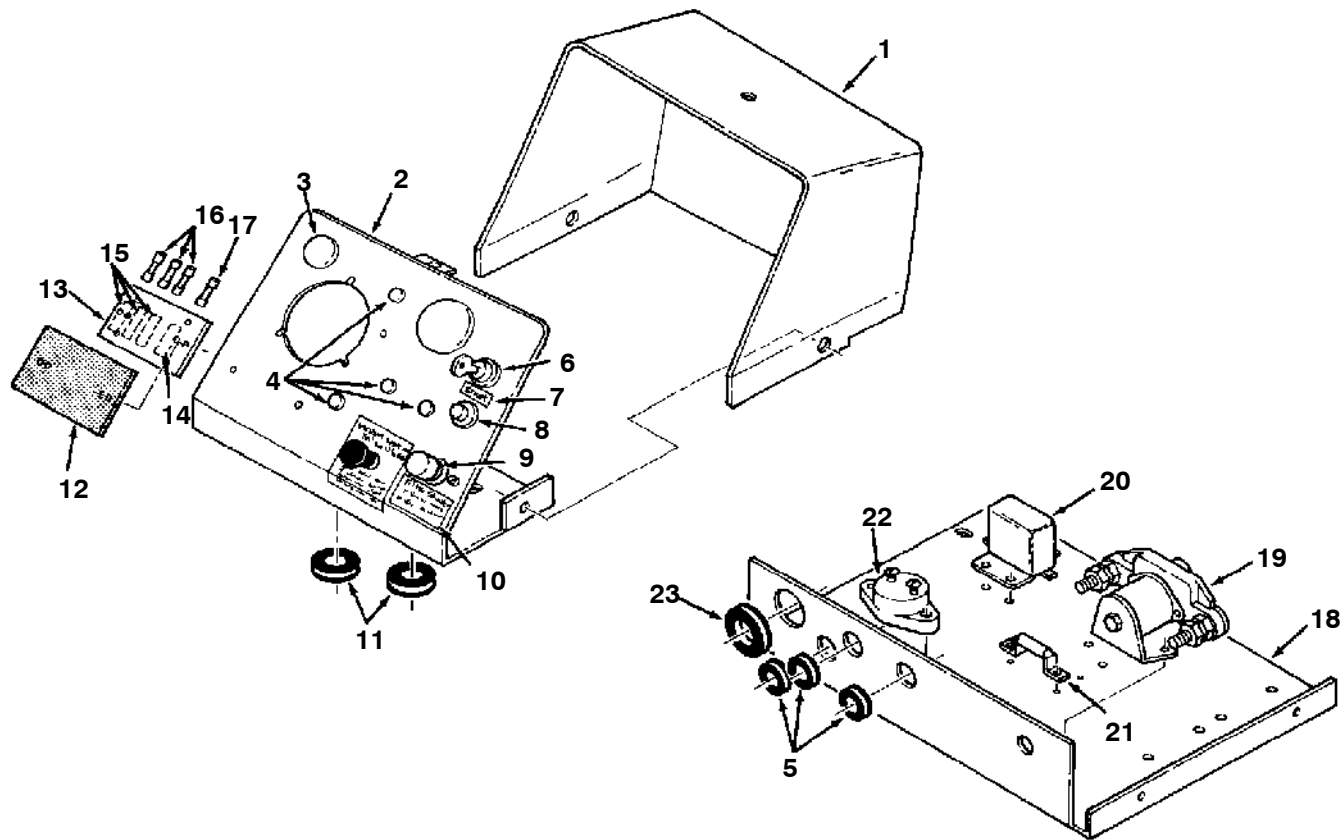


Fig. 5 – Instrument and Component Panel Group

Fig. 5 – Instrument and Component Panel Group

Key	TENNANT Part No.	Machine Serial Number	Description	Qty.
1	44852	(000000–)	Cover, Instrument panel	1
2	45326	(000000–)	Panel, Instrument	1
3	47178–13	(000000–)	Plugbutton	1
4	47178–4	(000000–)	Plugbutton	4
5	10632–2	(000000–)	Grommet	3
6	09334	(000000–)	Switch, Ignition	1
	09336	(000000–)	Key, Ignition	1
7	44895	(000000–)	Decal, Start	1
8	44828	(000000–)	Switch, Pushbutton	1
9	44078	(000000–)	Switch, Pushbutton	1
10	44899	(000000–)	Decal, Filter Shaker, Shut Off	1
11	10632–8	(000000–)	Grommet	2
12	44662	(000000–)	Strip	1
13	14141	(000000–)	Block, Fuse	1
14	44951	(000000–)	Decal, 5 A	1
15	47164	(000000–)	Decal, 15 A	3
16	07423	(000000–)	Fuse, 15 A	3
17	44938	(000000–)	Fuse, 5 A	1
18	39217	(000000–)	Panel, Component	1
19	44845	(000000–)	Relay	1
20	44542	(000000–)	Relay	1
21	47904	(000000–)	Resistor	1
22	44342–12	(000000–)	Circuit Breaker, 150 A	1
23	10632–14	(000000–)	Grommet	1
	44892	(000000–)	Block, Standoff	1
	45332	(000000–)	Wire Harness, Includes Wires: 2, 7, 8, 9, 10, 11, 13, 21, 22, 42, 43, 77, 96, 97	1
	25087	(000000–)	Wire Harness, Shaker	1
	45255	(000000–)	Wire Assembly, Includes Wires: 16, 17	1
	45336	(000000–)	Wire Harness, Horn	1
	45337	(000000–)	Wire Kit, Includes Wires: 6, 12, 18, 19, 20, 26	1
	44555	(000000–)	Wire Kit, Includes Wires: 3, 4	1
	44888	(000000–)	Cable, Motor	1
	22892	(000000–)	Connector, Gray	1

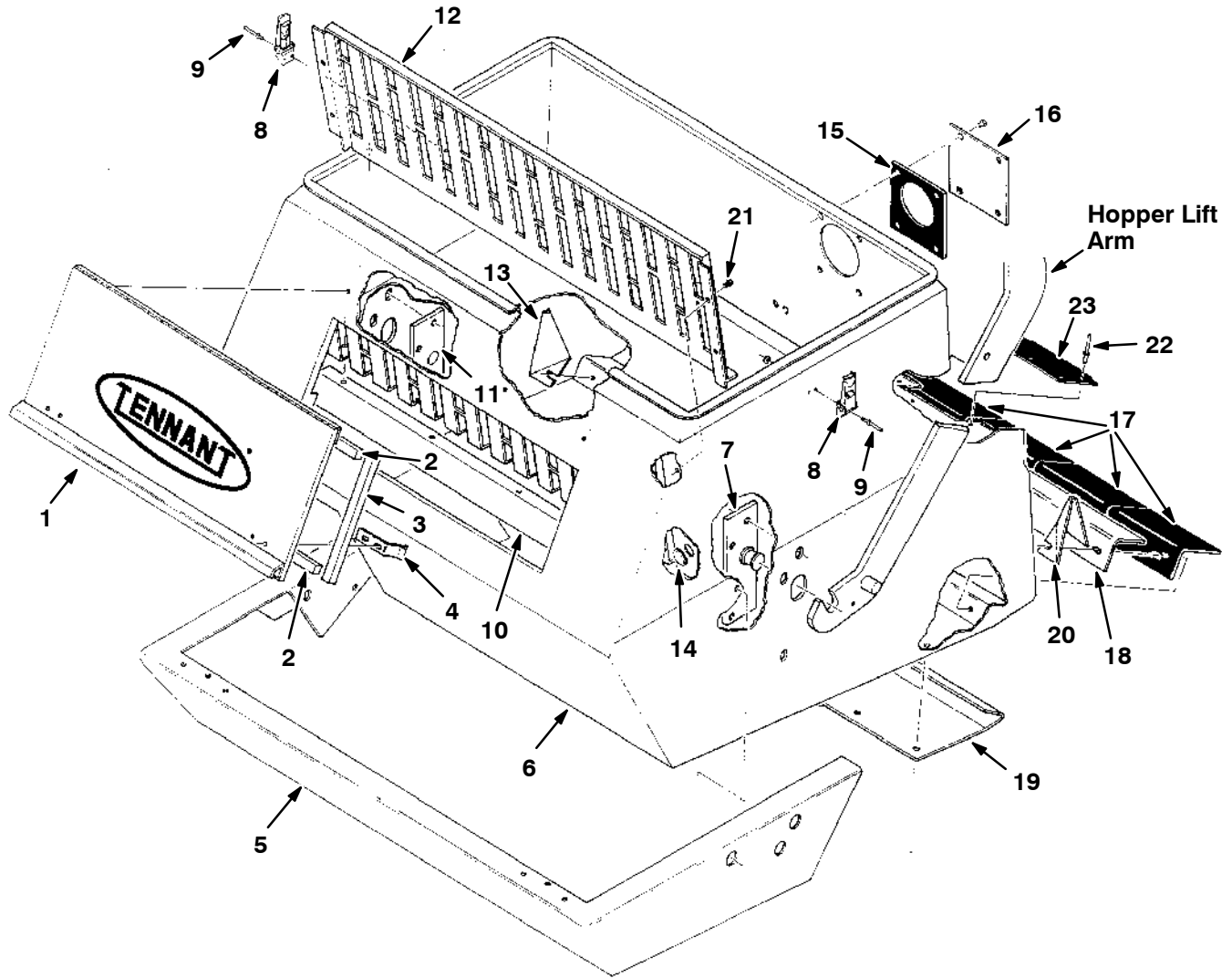


Fig. 6 – Hopper Group

Fig. 6 – Hopper Group

Key	TENNANT Part No.	Machine Serial Number	Description	Qty.
1	53462	(000000–)	Door, Hopper	1
2	53461–2	(000000–)	Seal, Foam Rubber	2
3	53461–1	(000000–)	Seal, Foam Rubber	2
4	53697	(000000–)	Catch, Spring	2
5	46062	(000000–)	Bumper (Used on “EE” Low Dump only)	1
6	30425	(000000–)	Hopper	1
7	24096	(000000–)	Support, L.H.	1
8	87579	(000000–)	Catch	2
9	34738	(000000–)	Rivet	4
10	82468	(000000–)	Deflector	1
11	24097	(000000–)	Support, R.H.	1
12	82469	(000000–)	Baffle, Inner	1
13	46595	(000000–)	Deflector, R.H.	1
14	47178–1	(000000–)	Plugbutton	1
15	82466	(000000–)	Seal, Tube	1
16	25105	(000000–)	Plate, Retaining	1
17	48060	(000000–)	Lip, Rubber	5
18	46080	(000000–)	Angle, Backing	1
19	46077	(000000–)	Plate	1
20	46596	(000000–)	Deflector, L.H.	1
21	58670	(000000–)	Screw, Hex, Nylon	11
22	56799	(000000–)	Rivet	5
23	02886	(000000–)	Seal, Hopper	1

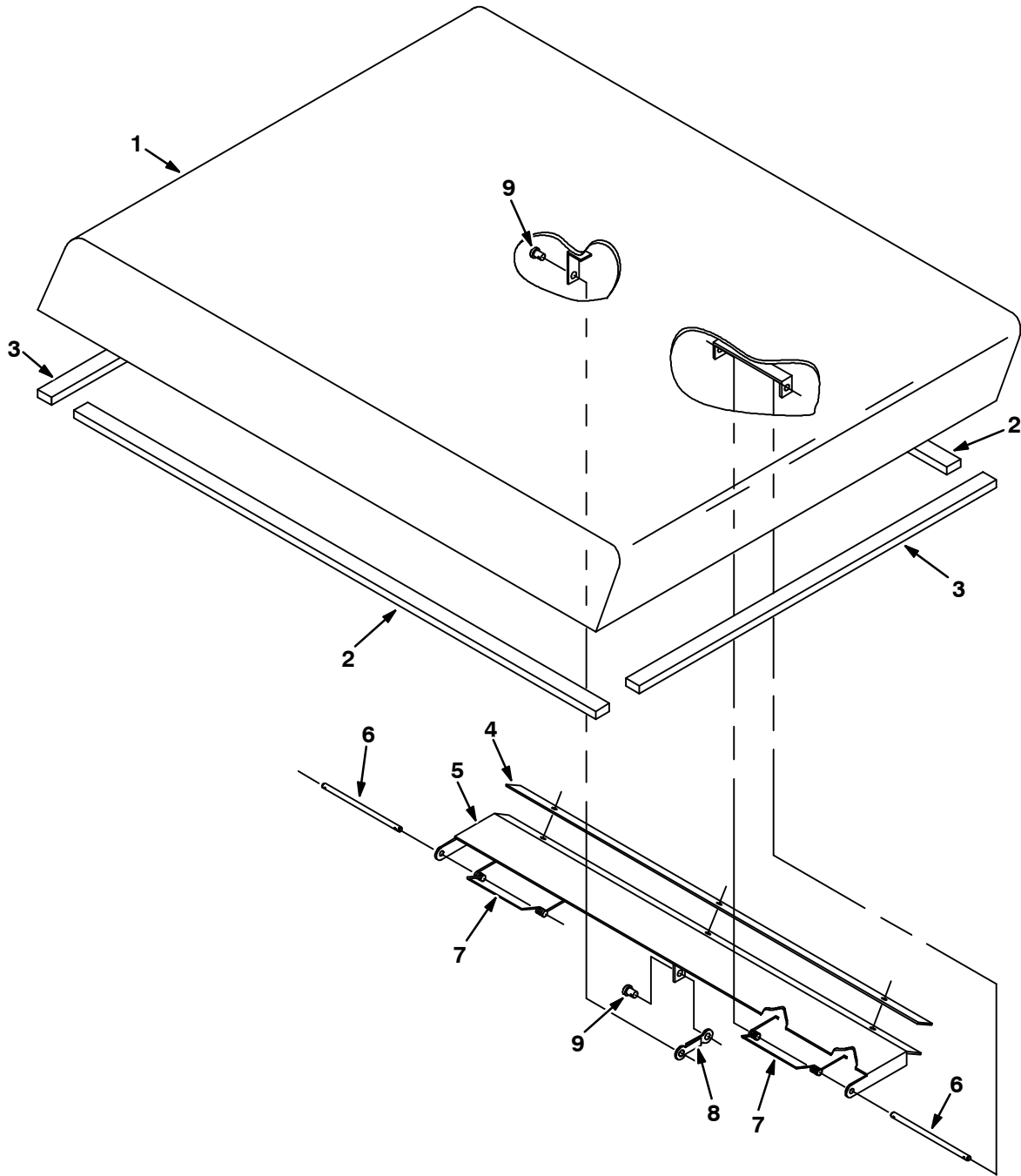


Fig. 7 – Hopper Cover and Fire Door Group

Fig. 7 -- Hopper Cover and Fire Door Group

Key	TENNANT Part No.	Machine Serial Number	Description	Qty.
1	25084	(000000-)	Cover Assembly	1
2	82416	(000000-)	Seal, Hopper Cover	2
3	82415	(000000-)	Seal, Hopper Cover	2
4	25091	(000000-)	Strip, Fire Door Seal	1
5	25102	(000000-)	Door, Fire	1
6	36875	(000000-)	Shaft, Fire Door	2
7	51372	(000000-)	Spring	2
8	SK1511	(000000-)	Fusible Link	1
9	20567	(000000-)	Pin, Clevis	2

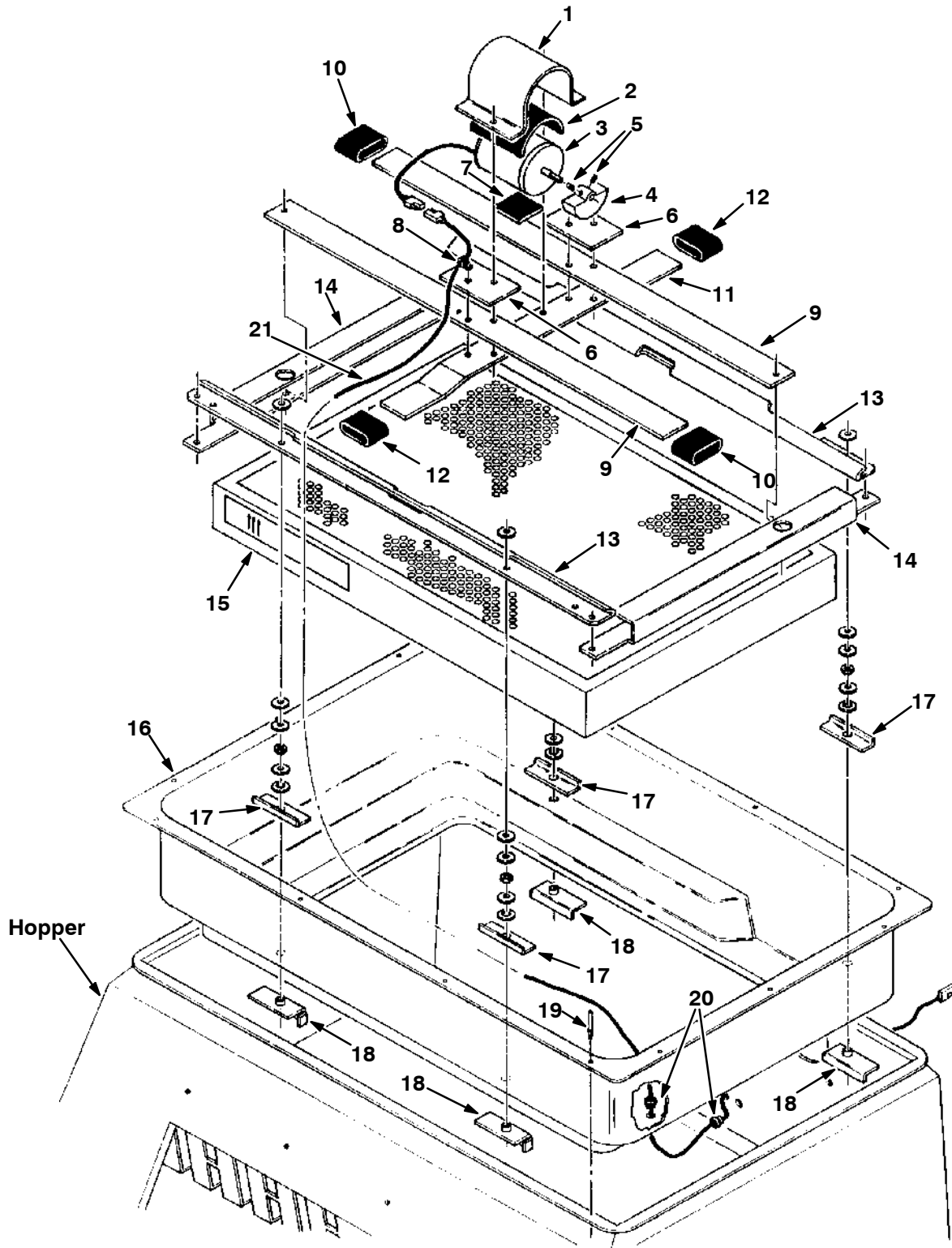


Fig. 8 - Filter Shaker Group

Fig. 8 – Filter Shaker Group

Key	TENNANT Part No.	Machine Serial Number	Description	Qty.
1	36666	(000000–)	Strap, Shaker Motor	1
2	36658	(000000–)	Pad, Rubber	1
3	44939	(000000–)	Motor, Electric	1
4	55130	(000000–)	Weight, Eccentric	1
5	20634	(000000–)	Screw, Set	2
6	82475	(000000–)	Bar, Shaker	2
7	36661	(000000–)	Pad, Rubber	2
8	46236	(000000–)	Clamp, Cable	1
9	58482	(000000–)	Spring, Shaker	2
10	36663	(000000–)	Sleeve, Rubber	2
11	58483	(000000–)	Bar, Shaker	1
12	36665	(000000–)	Sleeve, Rubber	2
13	82452	(000000–)	Bracket, Retaining	2
14	82453	(000000–)	Bracket, Retaining	2
15	58476	(000000–)	Element, Panel Filter, 137 Pleats	1
15	12962	(000000–)	Element, Panel Filter, 94 Pleats	1
16	82451	(000000–)	Carrier, Filter	1
17	82472	(000000–)	Bracket	4
18	82456	(000000–)	Bracket Assembly, Mounting	4
19	82457	(000000–)	Rivet, Steel	14
20	47591	(000000–)	Strain Relief	2
21	82723	(000000–)	Wire Harness, Shaker	1
	53028–1	(000000–)	Wire, Shaker Motor	2

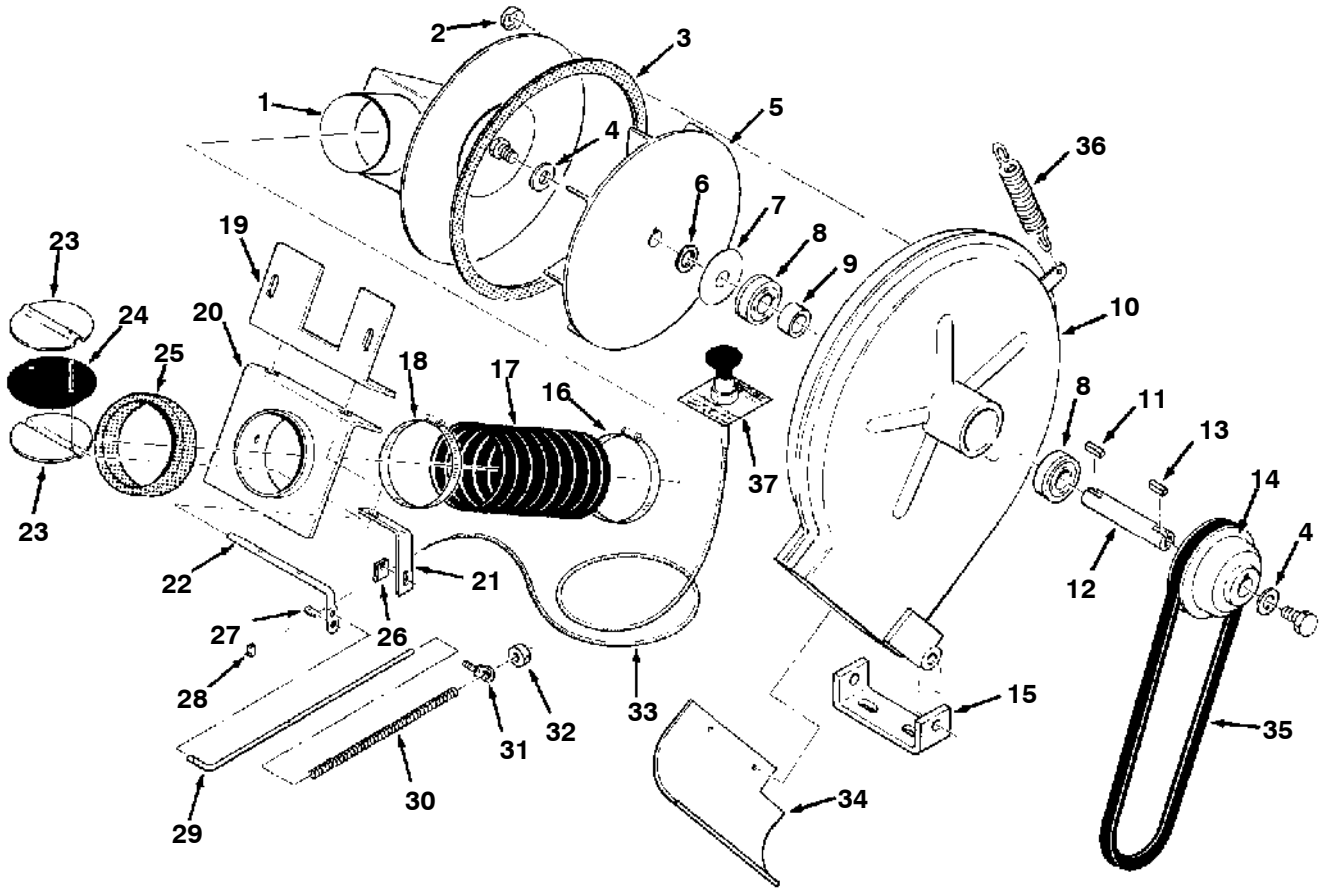


Fig. 9 – Vacuum Fan Group

Fig. 9 – Vacuum Fan Group

Key	TENNANT Part No.	Machine Serial Number	Description	Qty.
1	44871	(000000–)	Cover, Vacuum	1
2	03467A	(000000–)	Clip, Vacuum Housing	4
3	23542	(000000–)	Seal, Foam Rubber	1
	37066	(000000–)	Fan Assembly, Vacuum	1
4	46940	(000000–)	Washer, Special	2
5	46988A	(000000–)	Impeller	1
6	48681	(000000–)	Sleeve	1
7	48680	(000000–)	Washer	1
8	07107	(000000–)	Bearing, Ball	2
9	46985	(000000–)	Sleeve	1
10	37065	(000000–)	Housing, Fan	1
11	00913	(000000–)	Key, Square	1
12	46981	(000000–)	Shaft, Fan	1
13	00910	(000000–)	Key, Square	1
14	46987	(000000–)	Sheave	1
15	44740	(000000–)	Base, Fan Pivot	1
16	23498	(000000–)	Clamp, Worm Drive	1
17	49888	(000000–)	Hose, Canvas	1
18	23498	(000000–)	Clamp, Worm Drive	1
	36912	(000000–)	Damper Assembly	1
19	36906	(000000–)	Bracket, Hose Mount	1
20	36908	(000000–)	Adaptor, Hose	1
21	46214	(000000–)	Bracket	1
22	46141A	(000000–)	Lever, Damper	1
23	46140	(000000–)	Plate, Damper	2
24	46139	(000000–)	Seal	1
25	47069	(000000–)	Seal	1
26	46168	(000000–)	Clamp, Conduit	1
27	43242	(000000–)	Swivel	1
28	07243	(000000–)	Stop	1
29	48074	(000000–)	Rod, Vacuum Shut-Off	1
30	48075	(000000–)	Spring, Compression	1
31	48079	(000000–)	Fastener	1
32	48118	(000000–)	Collar, Set	1
33	02504	(000000–)	Cable, Locking	1
34	37064	(000000–)	Deflector	1
35	24622	(000000–)	V-Belt	1
36	01274	(000000–)	Spring, Tension	1
37	44900	(000000–)	Decal, Vacuum Shut-Off	1

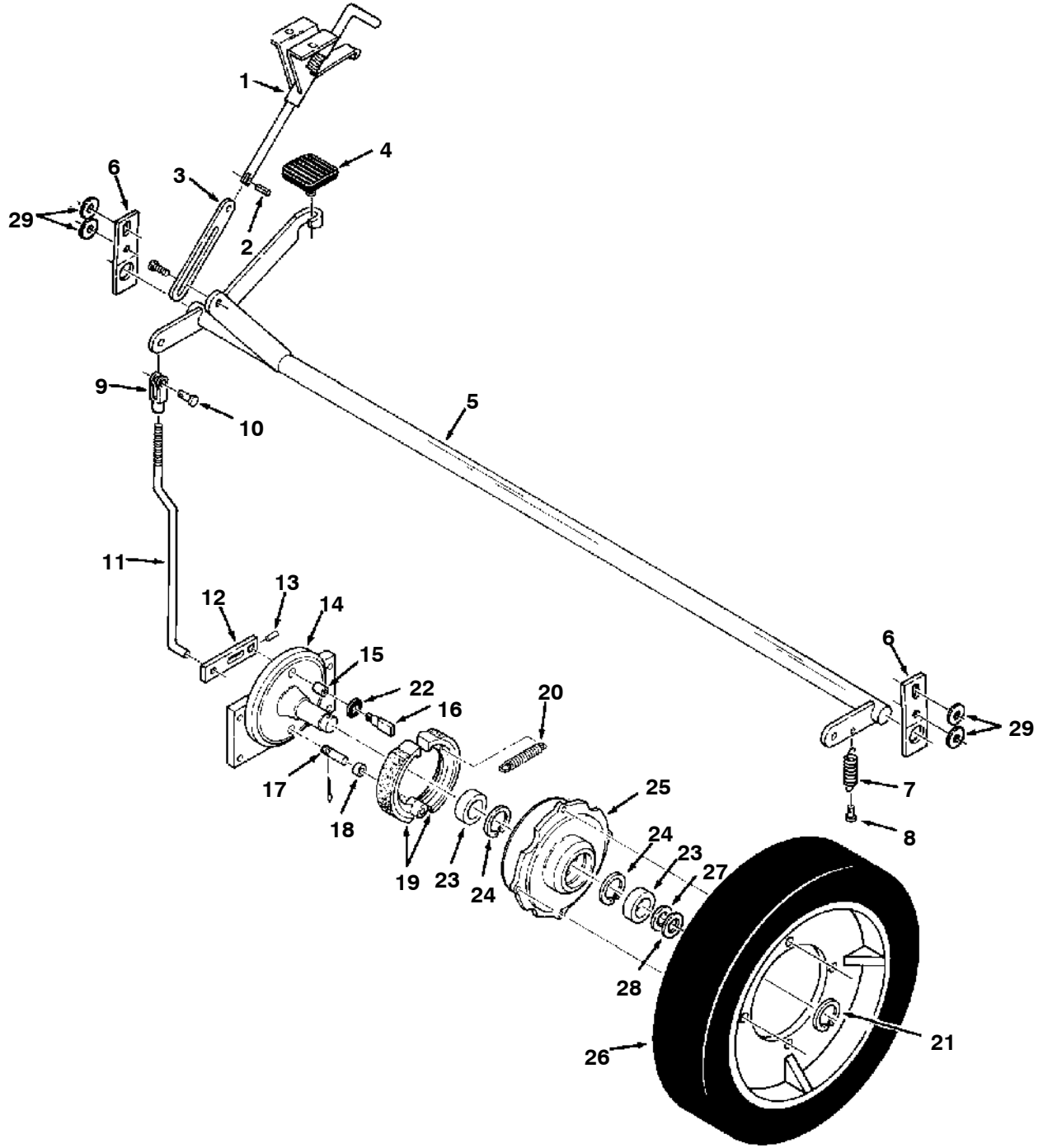


Fig. 10 – Front Wheels and Brakes Group

Fig. 10 – Front Wheels and Brakes Group

Key	TENNANT Part No.	Machine Serial Number	Description	Qty.
1	36913	(000000–)	Parking Brake	1
2	18141	(000000–)	Pin, Roll	1
3	23529A	(000000–)	Link	1
	03560	(000000–)	Spring, Compression	1
	10677	(000000–)	Pin, Roll	1
	24245	(000000–)	Support	1
	24246–1	(000000–)	Lever, Release	1
	35671	(000000–)	Rod, Parking Brake	1
	32486	(000000–)	Washer, Flat, 0.50"	3
4	07142	(000000–)	Pad, Pedal	1
5	35673	(000000–)	Shaft, Brake	1
6	23280–2	(000000–)	Hanger	2
7	03091	(000000–)	Spring, Tension	1
8	28296	(000000–)	Pin, Clevis	1
9	14595–1	(000000–)	Clevis, Adjustable	2
10	14605	(000000–)	Pin, Clevis	2
11	23483–2	(000000–)	Rod, Adjustable	2
12	23484	(000000–)	Arm	2
13	20021	(000000–)	Pin, Roll	2
14	08104	(000000–)	Axle and Bushing Assembly	2
15	24992	(000000–)	Bushing, Sleeve	1
16	23272	(000000–)	Cam	2
17	10413	(000000–)	Pin	2
18	10415	(000000–)	Sleeve	2
19	10414	(000000–)	Shoe, Brake	4
20	09758	(000000–)	Spring, Tension	2
21	06442	(000000–)	Ring, Retaining	2
22	59633	(000000–)	Bearing, Thrust	2
	48076	(000000–)	Tire and Wheel Assembly, Front	2
23	33816	(000000–)	Bearing, Ball	2
24	23244	(000000–)	Ring, Retaining, Internal	2
25	33815	(000000–)	Hub, Front Wheel	1
26	24120	(000000–)	Tire and Wheel Assembly	1
	25197A	(000000–)	Tire	1
27	33517	(000000–)	Spacer	4
28	09006	(000000–)	Washer	4
29	64153	(000000–)	Washer	4

LOW DUMP MODEL PARTS

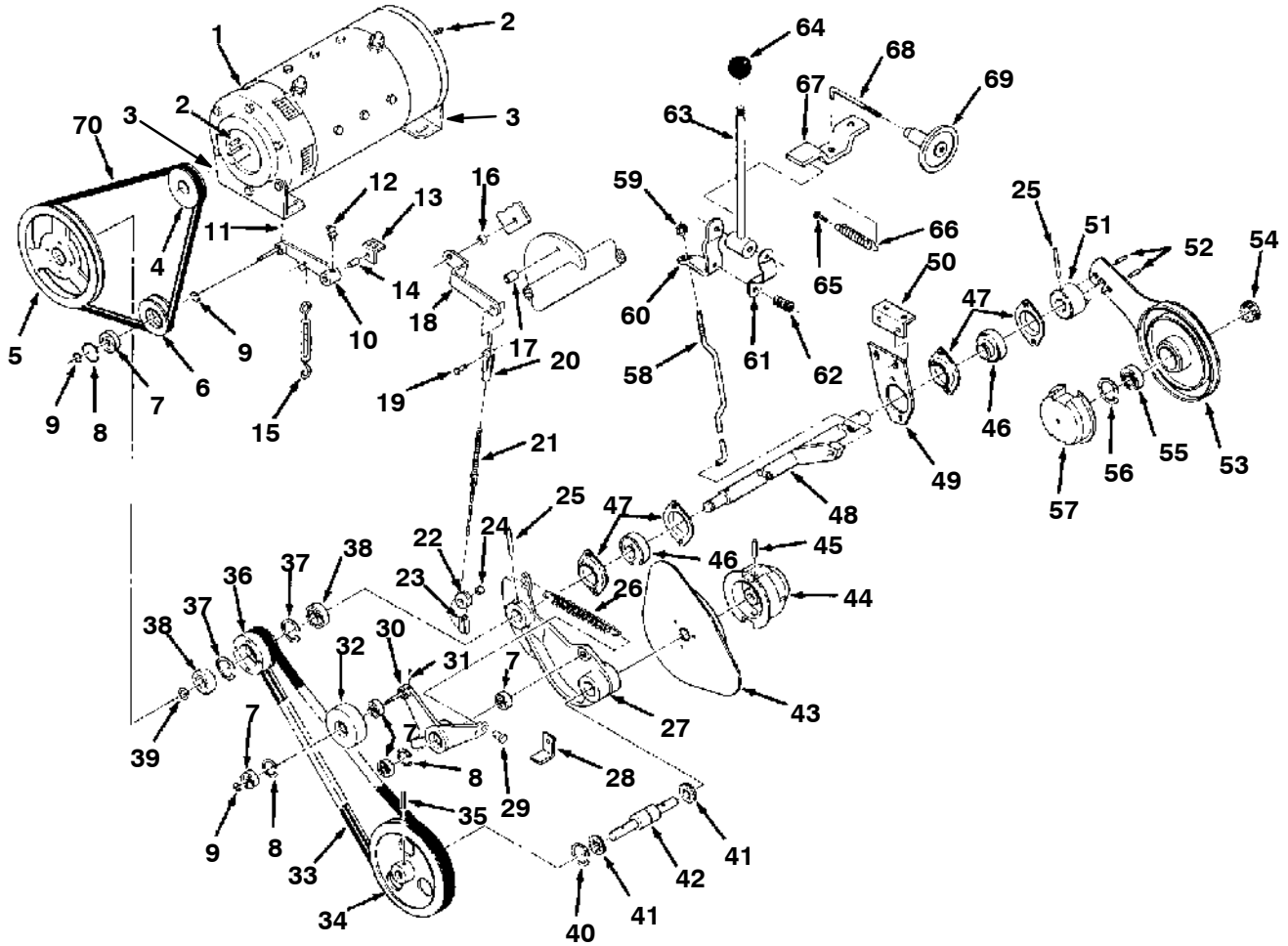


Fig. 11 – Main Brush Drive Group

05568

Key	TENNANT Part No.	Machine Serial Number	Description	Qty.
1	31899	(000000–005048)	Replacement Kit, Motor F/31891 (See Electrical Components)	1
1	50089	(005049–)	Motor, Electric (See Electrical Components)	1
2	00928	(000000–)	Key, Square	2
3	50140	(005049–)	Bracket, Motor Mounting	2
4	44791	(000000–)	Sheave	1
5	44811	(000000–)	Sheave	1
6	44815	(000000–)	Sheave, Idler	1
7	01845	(000000–)	Bearing, Ball	5
8	20020	(000000–)	Ring, Retaining, Internal	3
9	01543	(000000–)	Ring, Retaining, External	3
10	44814	(000000–)	Arm Assembly, Idler	1
11	20021	(000000–)	Pin, Roll	1
12	11716	(000000–)	Fitting, Grease	1
13	23591A	(000000–)	Mount, Idler	1
14	26065	(000000–)	Bushing, Sleeve	1
15	24197	(000000–)	Turnbuckle	1
16	46231	(000000–)	Sleeve	1
17	46230	(000000–)	Sleeve	1
18	44231	(000000–)	Arm	1
19	14605	(000000–)	Pin, Clevis	1
20	14595–1	(000000–)	Clevis, Adjustable	1

LOW DUMP MODEL PARTS

Key	TENNANT Part No.	Machine Serial Number	Description	Qty.
21	46217	(000000-)	Cable Assembly (Low Dump Model only)	1
22	46328	(000000-)	Roller, Cable (Low Dump Model only)	1
23	46327	(000000-)	Guide (Low Dump Model only)	1
24	01275	(000000-)	Sleeve (Low Dump Model only)	1
25	20050	(000000-)	Pin, Roll	2
26	46785	(000000-)	Spring, Tension	1
27	46186	(000000-)	Arm	1
28	46218	(000000-)	Stop	1
29	46800	(000000-)	Pin, Clevis	1
30	46187	(000000-)	Arm	1
31	20021	(000000-)	Pin, Roll	1
32	44668	(000000-)	Idler	1
33	23445-2	(000000-)	V-Belt, Set of 2	1
34	23183	(000000-)	Sheave	1
35	26315	(000000-)	Pin, Roll	1
36	46810	(000000-)	Sheave Assembly	1
37	23190	(000000-)	Sheave	1
38	23224	(000000-)	Ring, Retaining, Internal	2
39	01844	(000000-)	Bearing, Ball	2
39	23225	(000000-)	Ring, Retaining, External	1
40	23217	(000000-)	Ring, Retaining, Internal	1
41	24435	(000000-)	Sleeve, Felt	2
42	23200A	(000000-)	Bearing and Shaft	1
43	23173	(000000-)	Plate, Brush End	1
44	23196A	(000000-)	Plug, Brush Drive	1
45	46862	(000000-)	Pin, Groove	1
46	24835	(000000-)	Bearing and Collar	2
47	23222-2	(000000-)	Flange, Bearing	4
48	47066	(000000-)	Shaft, Brush Counter	1
49	50952	(000000-)	Plate, Bearing Mounting	1
50	50951	(000000-)	Bracket, L	1
51	23221	(000000-)	Hub Assembly, Brush Lift	1
52	09281	(000000-)	Pin, Dowel	2
53	23213	(000000-)	Arm and Plug Assembly, Brush, R.H.	1
53	23666	(000000-)	Arm, Brush, R.H.	1
54	47178-13	(000000-)	Plugbutton	1
55	46390	(000000-)	Bearing, Ball	1
56	10464	(000000-)	Ring, Retaining, Internal	1
57	07037	(000000-)	Plug, Brush	1
58	44872	(000000-)	Rod, Main Brush Lift	1
59	23538	(000000-)	Nut, Wheel	1
60	23307-1	(000000-)	Lever, Lift Handle	1
61	23306-1	(000000-)	Bracket, Clip	1
62	14174	(000000-)	Spring, Compression	1
63	23304	(000000-)	Handle	1
64	26156	(000000-)	Knob	1
65	23786	(000000-)	Pin, Clevis	1
66	13352	(000000-)	Spring, Tension	1
67	23830-1	(000000-)	Bar, Adjustable	1
68	23832	(000000-)	Rod, L	1
69	44972	(000000-)	Knob	1
70	44239	(000000-)	V-Belt	1

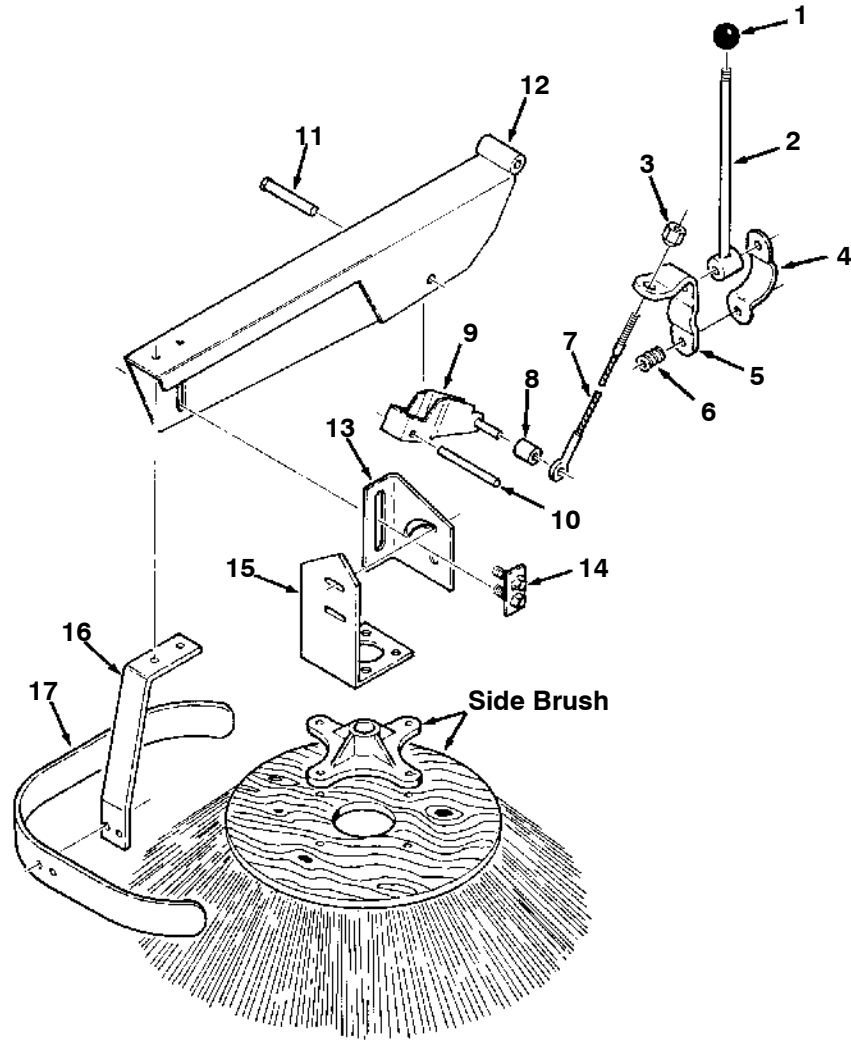


Fig. 12 -- Side Brush Lift Group

05569

Key	TENNANT Part No.	Machine Serial Number	Description	Qty.
1	26156	(000000-)	Knob	1
2	23304	(000000-)	Handle	1
3	23293	(000000-)	Nut, Special	1
4	23306-1	(000000-)	Bracket, Clip	1
5	23307-1	(000000-)	Lever, Lift Handle	1
6	14174	(000000-)	Spring	1
7	23294	(000000-)	Cable Assembly	1
8	08892	(000000-)	Sleeve	1
9	23503A	(000000-)	Lever, Lift	1
10	23536	(000000-)	Pin	1
11	23191	(000000-)	Pin, Clevis	1
12	48062	(000000-)	Arm, Side Brush	1
13	24207	(000000-)	Bracket, Adjustment	1
14	46347	(000000-)	Lug	1
15	43228	(000000-)	Bracket, Motor Mounting	1
16	46033	(000000-)	Support, Bumper	1
17	46034	(000000-)	Bumper	1

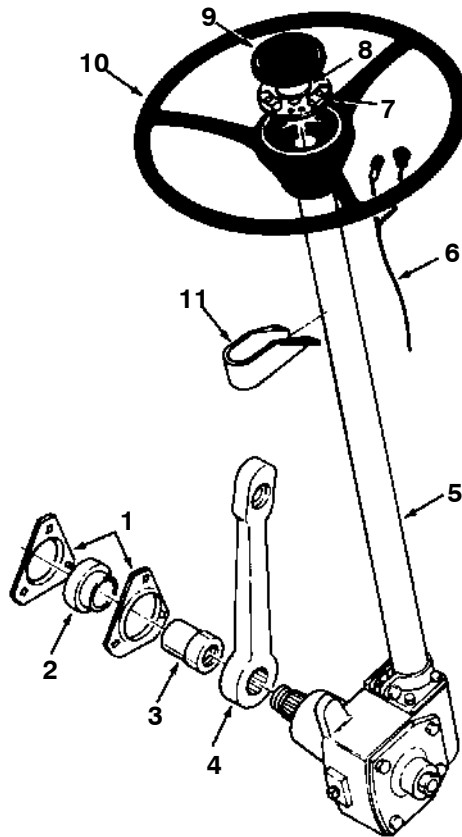


Fig. 13 – Steering Wheel Group

05570

Key	TENNANT Part No.	Machine Serial Number	Description	Qty.
1	51449	(000000–)	Flange, Bearing	2
2	51448	(000000–)	Bearing and Collar	1
3	44709	(000000–)	Shaft, Bearing Mounting	1
4	44696	(000000–)	Arm, Pitman	1
	44697	(000000–)	Steering Gear Assembly	1
5	44699	(000000–)	Gear and Column Assembly	1
6	44698	(000000–)	Cable, Horn	1
7	14700–4	(000000–)	Plate, Base	1
8	44949	(000000–)	Disc	1
9	47010	(000000–)	Horn Button	1
	47010–1	(000000–)	Cap, Contact	1
	47010–2	(000000–)	Cup, Contact	1
	47010–3	(000000–)	Spring, Horn Button	1
	47010–4	(000000–)	Screw, Wood	3
	47010–5	(000000–)	Plate, Base	1
	47010–6	(000000–)	Button, Horn	1
	47010–7	(000000–)	Cover, Horn Button	1
10	17269	(000000–)	Wheel, Steering	1
11	23315–2	(000000–)	Support, Steering Column	1

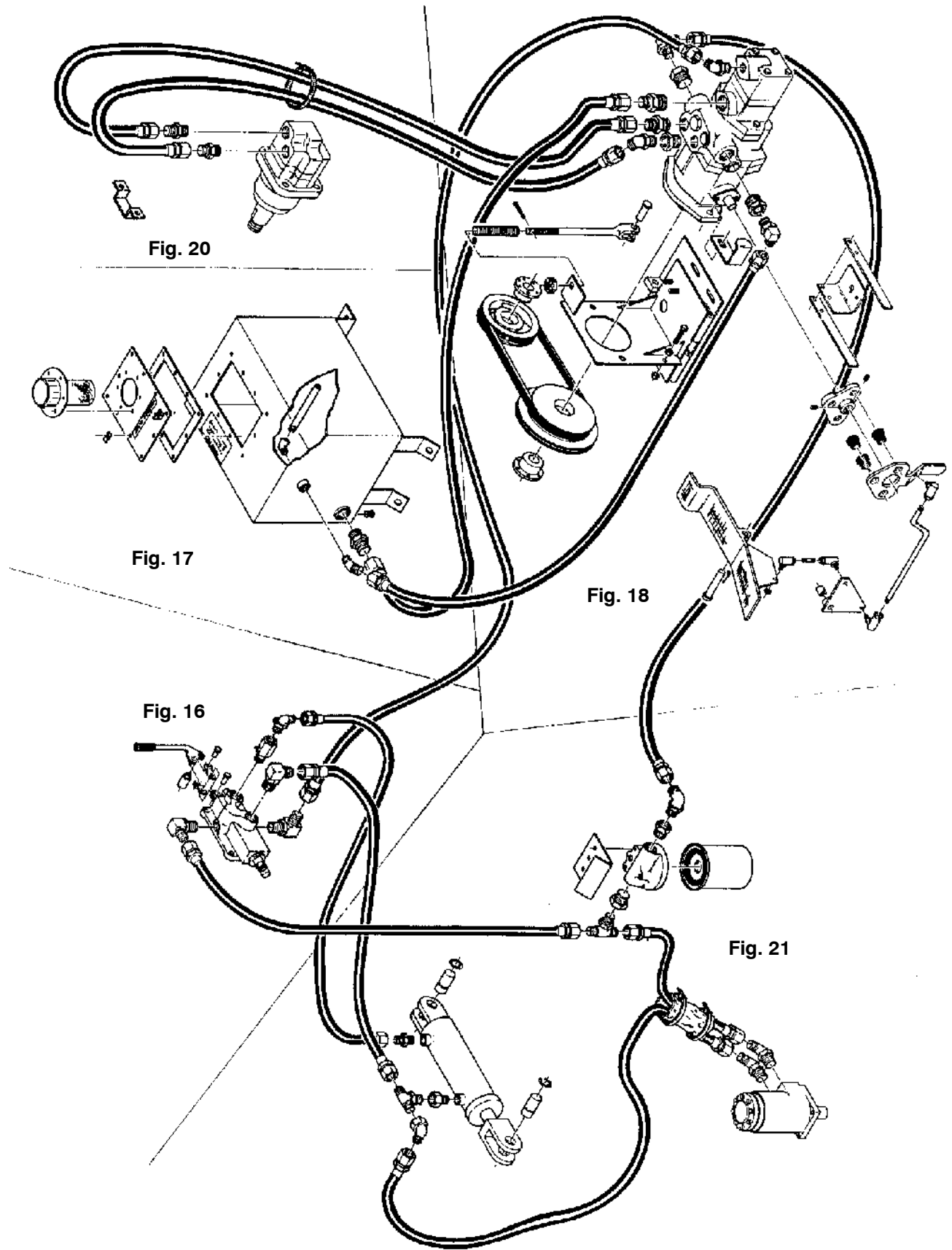


Fig. 14 – Hydraulic System

(For machines below serial number 005106)

05670

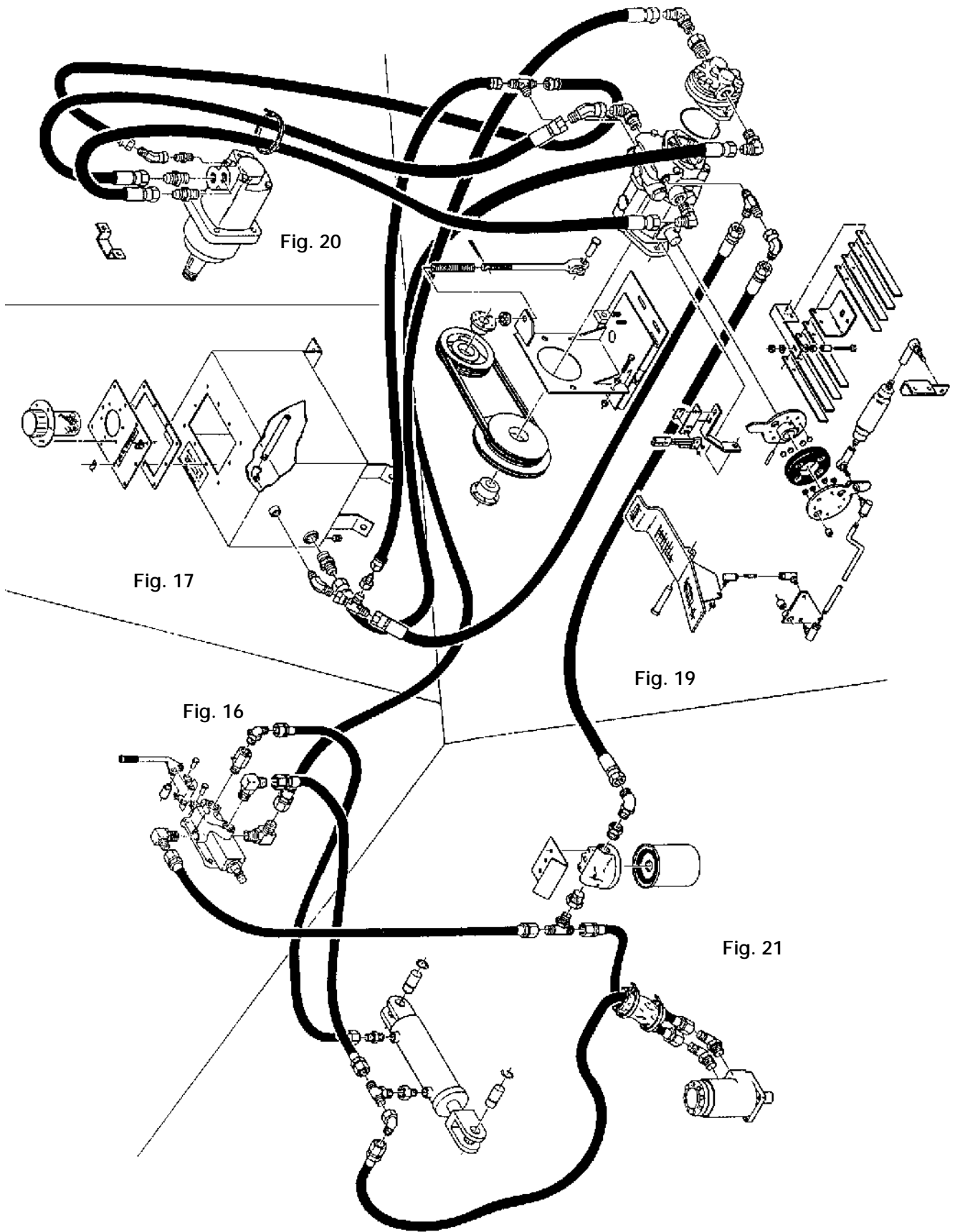


Fig. 15 -- Hydraulic System

(For machines with serial number 005106 and above)

05670

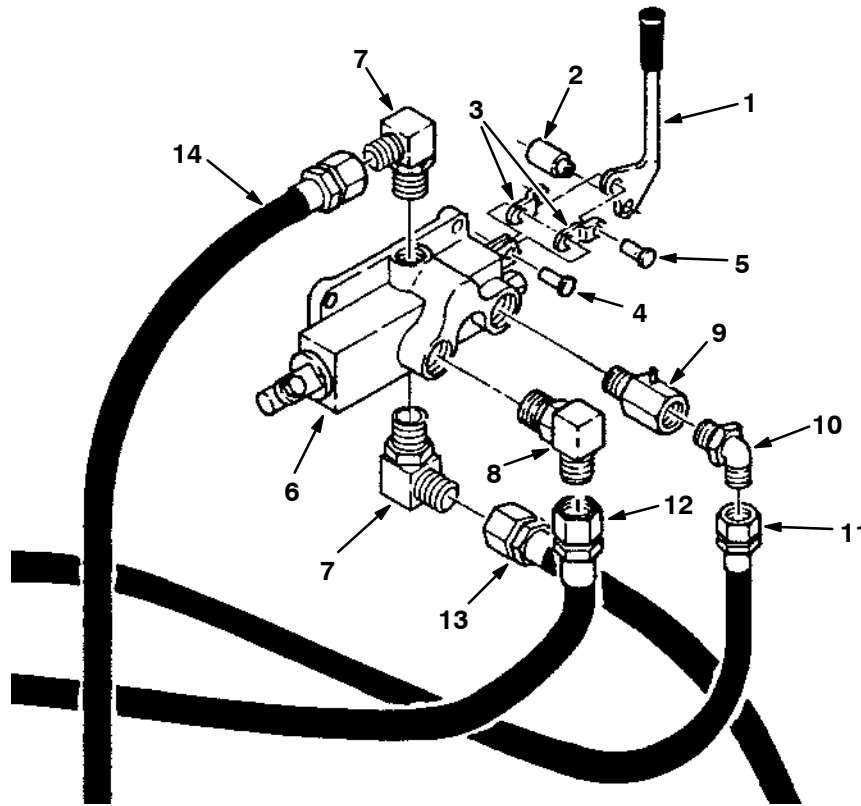


Fig. 16 – Main Control Valve Group

05571

Key	TENNANT Part No.	Machine Serial Number	Description	Qty.
1	32393	(000000–)	Handle, Control Valve	1
2	32387	(000000–)	Boss, Valve Handle Pivot	1
3	32388	(000000–)	Link, Valve Actuator	2
4	14605	(000000–)	Pin, Clevis	1
5	51727	(000000–)	Pin, Clevis	1
6	32391	(000000–)	Valve, Hydraulic (See Hydraulic Components)	1
7	56821	(000000–)	Fitting, Elbow	2
8	44868	(000000–)	Fitting, Elbow	1
9	45536–1	(000000–)	Adaptor, Restricting	1
10	47512	(000000–)	Fitting, Elbow	1
11	44862–1	(000000–)	Hose	1
12	42210–3	(000000–)	Hose	1
13	42210–7	(000000–)	Hose	1
14	44857	(000000–)	Hose	1

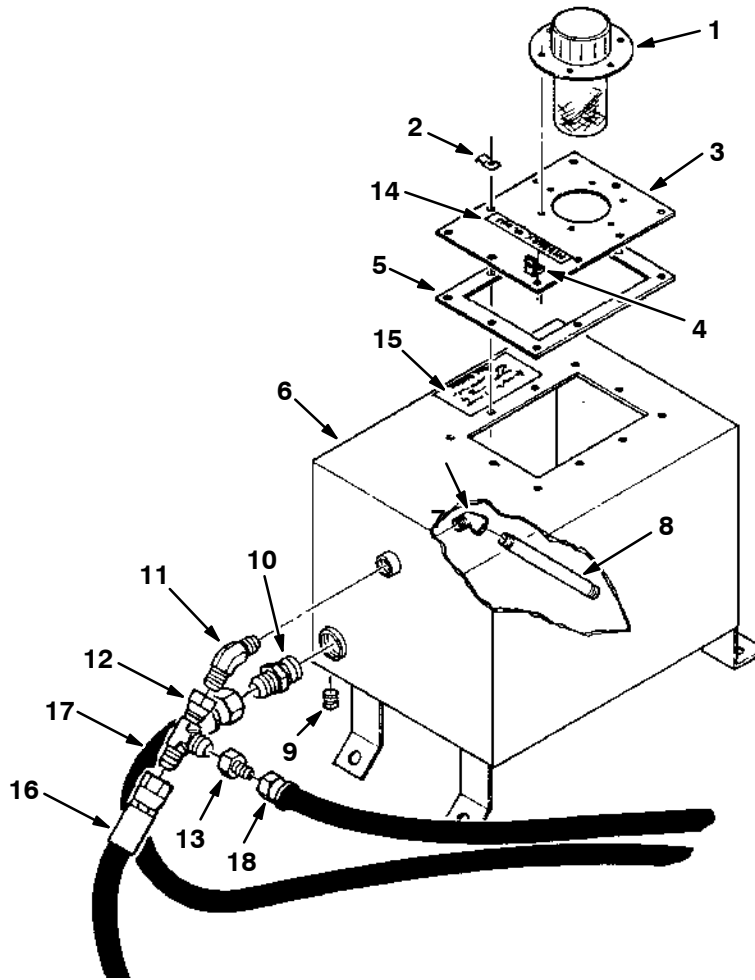


Fig. 17 – Hydraulic Reservoir Assembly

05572

Key	TENNANT Part No.	Machine Serial Number	Description	Qty.
	44822	(000000–)	Reservoir Assembly, Hydraulic	1
1	49305	(000000–)	Filler and Breather Assembly	1
2	04681	(000000–)	Bracket, Cable Clamp	1
3	49724	(000000–)	Cover, Hydraulic Reservoir	1
4	03246	(000000–)	Bracket, L	1
5	49759	(000000–)	Gasket, Cover	1
6	44753A	(000000–)	Reservoir, Hydraulic	1
7	11442–27	(000000–)	Fitting, Elbow, 45°	1
8	17400–20	(000000–)	Fitting, Nipple	1
9	40362	(000000–)	Fitting, Plug	1
10	69021	(000000–)	Fitting, Straight	1
11	51780	(000000–)	Fitting, Elbow, 45°	1
12	45482	(005106–)	Fitting, Tee	1
13	47753	(005106–)	Fitting, Straight	1
14	45851	(000000–)	Decal, Hydraulic Oil Only	1
15	32399	(000000–)	Decal, Hydraulic Fluid	1
16	44861	(000000–)	Hose	1
17	56744	(000000–)	Hose	1
18	16866	(005106–)	Hose	1
	65869–5	(000000–)	Hydraulic Fluid, TENNANT 15W–40 5 Gal (18.9 L)	1

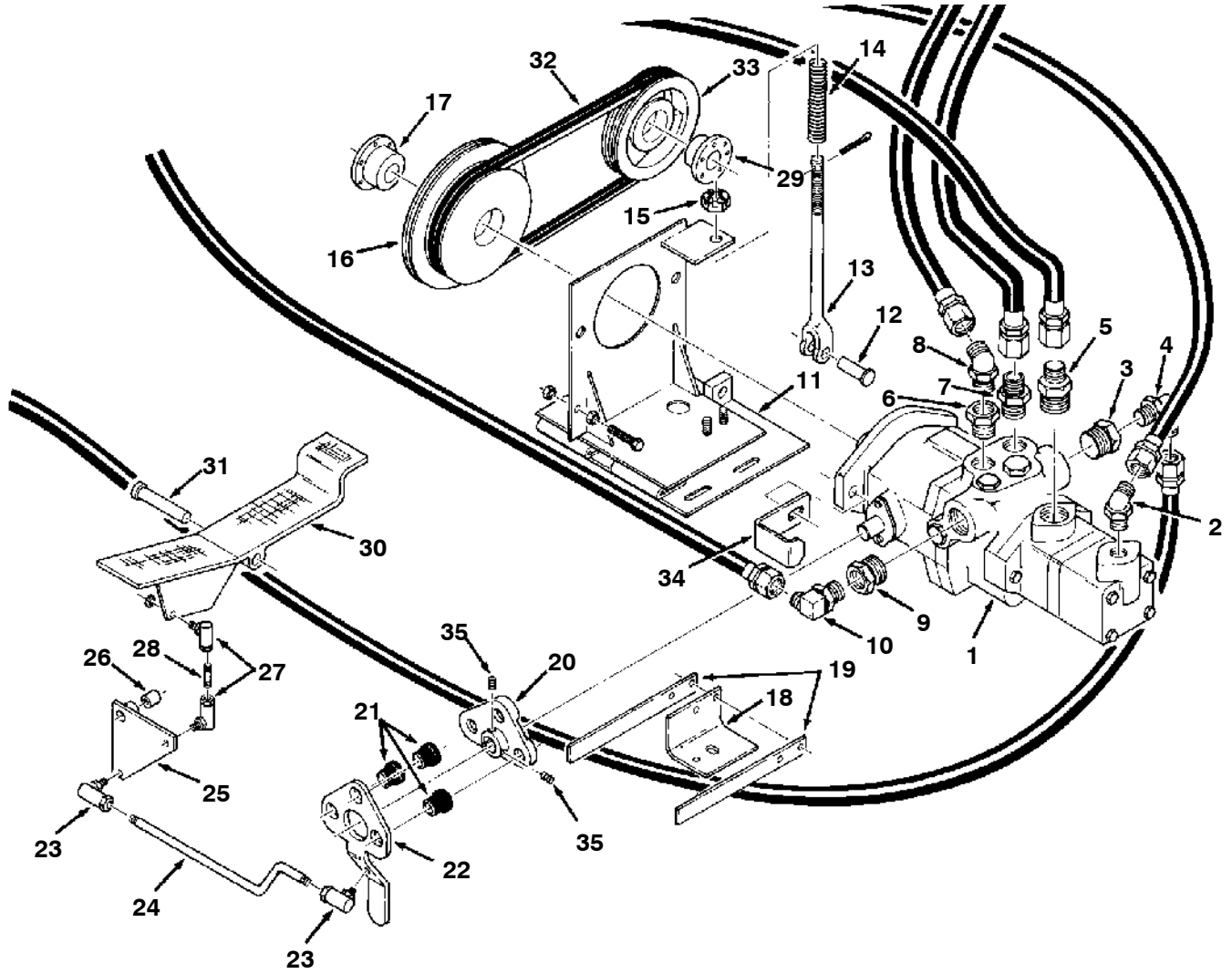


Fig. 18 – Directional Control Group

Fig. 18 – Directional Control Group

Key	TENNANT Part No.	Machine Serial Number	Description	Qty.
1	47862	(000000-005105)	Pump, Propelling (See Hydraulic Components)	1
2	42226	(000000-005105)	Fitting, Elbow, 45°	1
3	42265	(000000-005105)	Fitting, Straight	1
4	44868	(000000-005105)	Fitting, Elbow	1
5	47928	(000000-005105)	Fitting, Straight	1
6	47516	(000000-005105)	Fitting, Straight	1
7	42223	(000000-005105)	Fitting, Straight	1
8	44936	(000000-005105)	Fitting, Elbow, 45°	1
9	50430	(000000-005105)	Fitting, Straight	1
10	47655	(000000-005105)	Fitting, Elbow	1
11	47875	(000000-005105)	Bracket Assembly, Pump	1
12	47865	(000000-005105)	Bracket, Pump	1
13	06598	(000000-005105)	Pin, Clevis	1
14	47873	(000000-005105)	Yoke, End	1
15	32364	(000000-005105)	Spring, Compression	1
16	41119	(000000-005105)	Nut, Slotted	1
17	44621	(000000-005105)	Sheave, Step	1
18	47927	(000000-005105)	Bushing	1
19	47872	(000000-005105)	Bracket, Centering Spring	1
20	49681	(000000-005105)	Plate, Spring Steel	2
21	45212	(000000-005105)	Mount, Pintle Arm	1
22	54274	(000000-005105)	Isolator, Vibration	3
23	45213	(000000-005105)	Arm, Pintle	1
24	14506	(000000-005105)	Ball Joint	2
25	69136	(000000-005105)	Rod, Directional Control	1
26	69009	(000000-005105)	Bell Crank	1
27	15304-10	(000000-005105)	Bushing, Sleeve	1
28	14601	(000000-005105)	Ball Joint	2
29	44746	(000000-005105)	Stud	1
30	44826	(000000-005105)	Bushing	1
31	42240	(000000-005105)	Foot Pedal, Directional	1
32	06474A	(000000-005105)	Pin, Clevis	1
33	50514	(000000-005105)	V-Belt	1
34	44793	(000000-005105)	Sheave	1
35	08898	(000000-005105)	Strap, Pintle	1
36	20634	(000000-005105)	Screw, Set	2

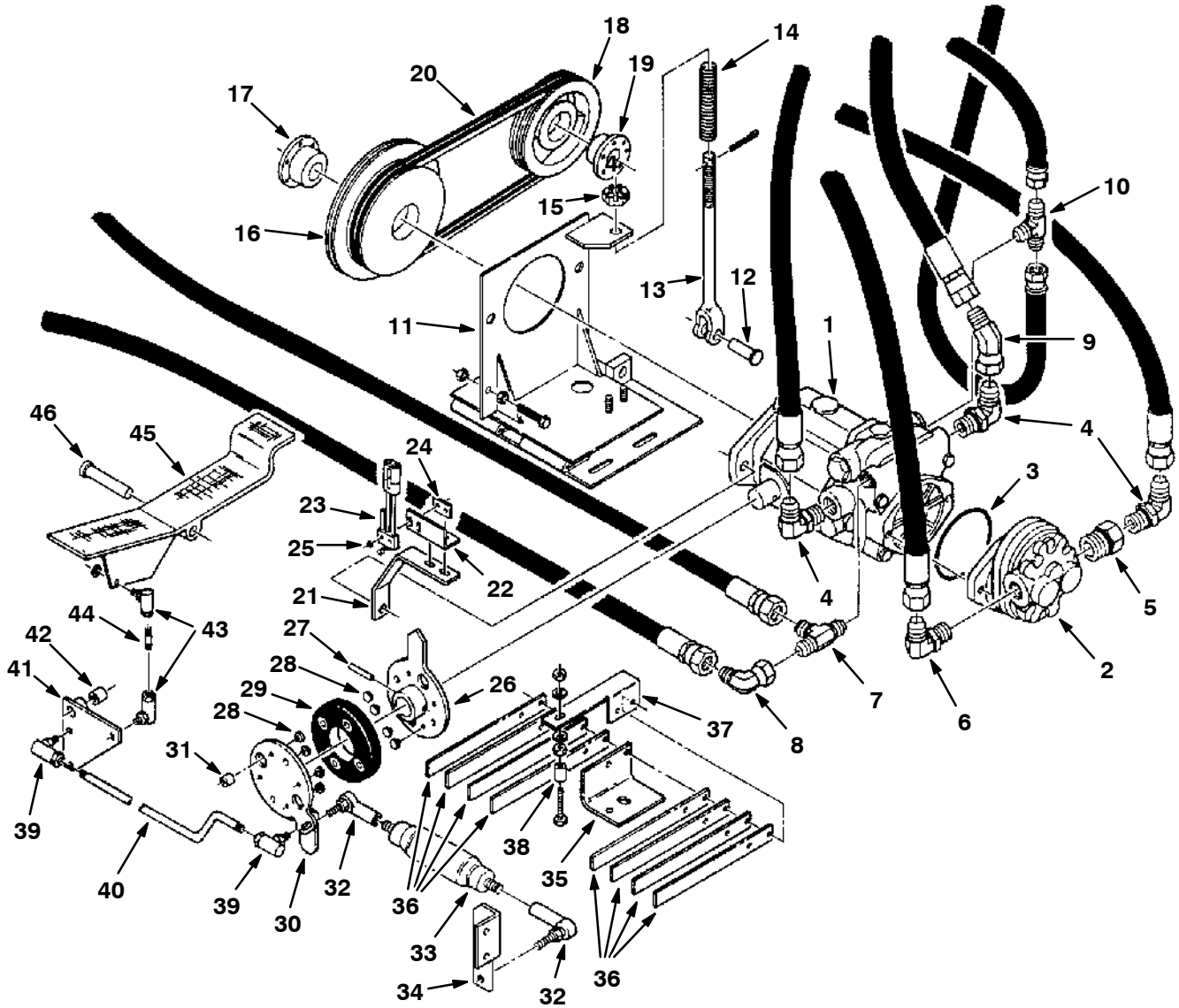


Fig. 19 - Directional Control Group

Fig. 19 – Directional Control Group

Key	TENNANT Part No.	Machine Serial Number	Description	Qty.
1	61440	(005106–)	Pump, Propelling (See Hydraulic Components)	1
2	50126	(005106–)	Pump, Gear (See Hydraulic Components)	1
3	65145–1	(005106–)	O–Ring Gland	1
4	53076	(005106–)	Fitting, Elbow	3
5	47934	(005106–)	Fitting, Straight	1
6	56821	(005106–)	Fitting, Elbow	1
7	40755	(005106–)	Fitting, Tee	1
8	17980	(005106–)	Fitting, Elbow	1
9	54017	(005106–)	Fitting, Elbow, 45°	1
10	67683	(005106–)	Fitting, Tee	1
11	47875	(005106–)	Bracket Assembly, Pump	1
12	47865	(005106–)	Bracket, Pump	1
13	06598	(005106–)	Pin, Clevis	1
14	47873	(005106–)	Yoke, End	1
14	32364	(005106–)	Spring, Compression	1
15	41119	(005106–)	Nut, Slotted	1
16	44621	(005106–)	Sheave, Step	1
17	47927	(005106–)	Bushing	1
18	44793	(005106–)	Sheave	1
19	44826	(005106–)	Bushing	1
20	50514	(005106–)	V-Belt	1
21	61472	(005106–)	Strap, Neutral Switch Angle	1
22	61473	(005106–)	Angle, Neutral Switch Mounting	1
23	61476	(005106–)	Switch Assembly, Neutral	1
24	61466	(005106–)	Plate, Switch Backing	1
25	14878	(005106–)	O–Ring	2
26	61469	(005106–)	Plate, Pintle Mount L.H.	1
27	14854	(005106–)	Pin, Roll	1
28	56855	(005106–)	Bumper	8
29	57875	(005106–)	Coupling, Shaft	1
30	61474	(005106–)	Arm, Pintle Shaft	1
31	64991	(005106–)	Sleeve	2
32	50493	(005106–)	Rod–End	2
33	62700	(005106–)	Shock Absorber	1
34	61457	(005106–)	Angle, Mounting	1
35	47872	(005106–)	Bracket, Centering Spring	1
36	49681	(005106–)	Plate, Directional Control	8
37	61477	(005106–)	Angle, Centering Spring Spacer	1
38	09900–1	(005106–)	Sleeve	1
39	51531	(005106–)	Ball Joint	2
40	69136	(005106–)	Rod, Directional Control	1
41	69009	(005106–)	Bellcrank	1
42	15304–10	(005106–)	Bushing, Sleeve	1
43	14601	(005106–)	Ball Joint	2
44	44746	(005106–)	Stud	1
45	42240	(005106–)	Foot Pedal, Directional	1
46	06474A	(005106–)	Pin, Clevis	1

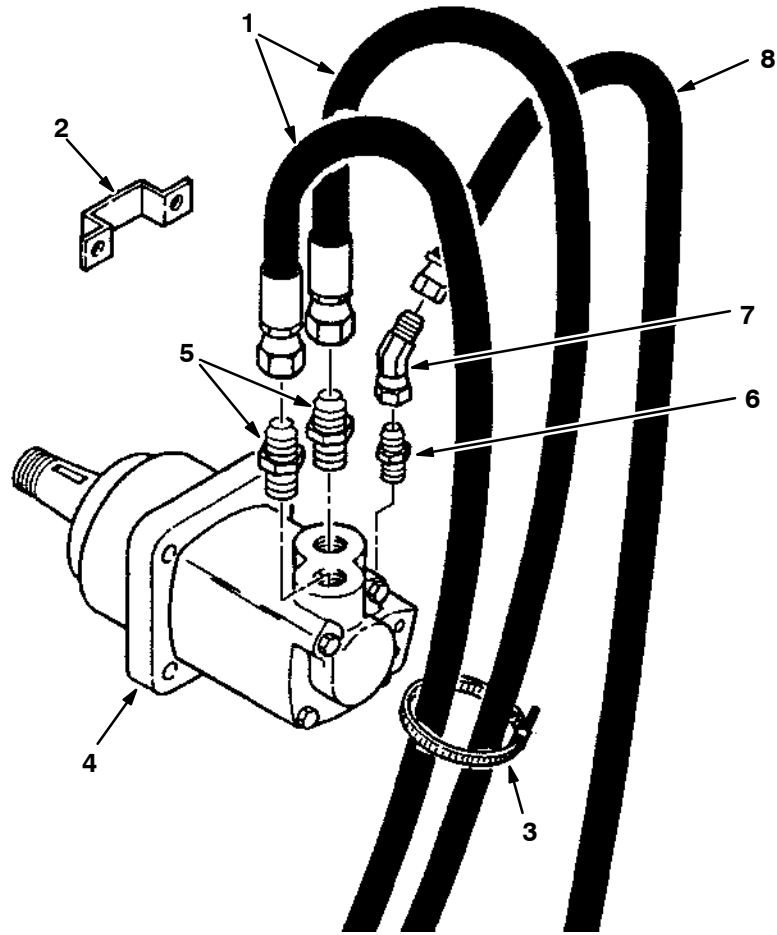


Fig. 20 – Rear Drive Wheel Motor Group

05573

Key	TENNANT Part No.	Machine Serial Number	Description	Qty.
1	44855	(000000–)	Hose	2
2	44803	(000000–)	Bracket, Hose Clamp	1
3	44961	(000000–)	Tie, Cable	5
4	48663	(000000–)	Motor, Hydraulic (See Hydraulic Components)	1
5	42223	(000000–)	Fitting, Straight	2
6	50960	(005106–)	Fitting, Straight	1
7	16472	(005106–)	Fitting, Elbow, 45°	1
8	50959	(005106–)	Hose	1

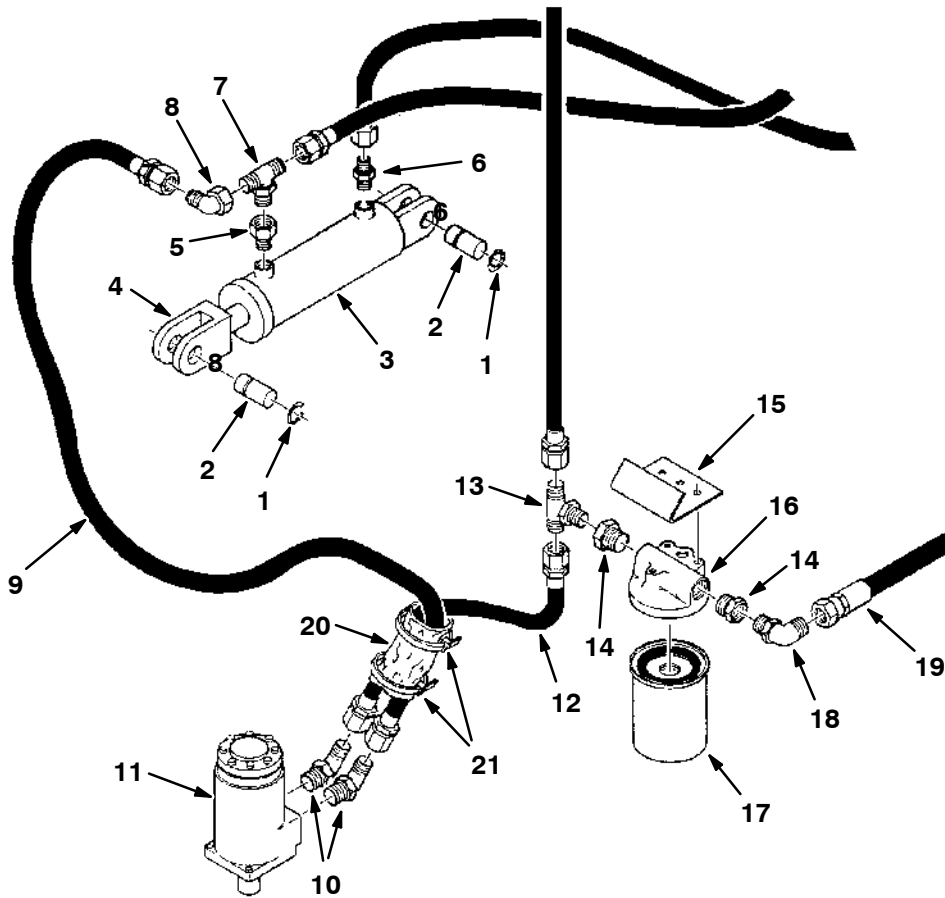


Fig. 21 – Hopper Lift Cylinder and Side Brush Motor Group

05574

Key	TENNANT Part No.	Machine Serial Number	Description	Qty.
1	23788	(000000-)	Ring, Retaining, External	2
2	23145	(000000-)	Pin, Clevis	2
3	04463	(000000-)	Cylinder, Lift	1
	04492	(000000-)	Seal Kit	1
4	48929	(000000-)	Clevis, Adjustable	1
5	47524	(000000-)	Fitting, Straight	1
6	56690	(000000-)	Fitting, Straight	1
7	49933	(000000-)	Fitting, Tee	1
8	17980	(000000-)	Fitting, Elbow	1
9	44860	(000000-)	Hose	1
10	47513	(000000-)	Fitting, Elbow, 45°	2
11	27791	(000000-005105)	Motor, Hydraulic (See Hydraulic Components)	1
11	27794	(005106-)	Motor, Hydraulic (See Hydraulic Components)	1
12	44858	(000000-)	Hose	1
13	49933	(000000-)	Fitting, Tee	1
14	47519	(000000-)	Fitting, Straight	2
15	69037	(000000-)	Bracket, Filter Mount	1
16	67718	(000000-)	Filter Head	1
17	67718-2	(000000-)	Element, Filter	1
18	44868	(000000-)	Fitting, Elbow	1
19	44856	(000000-)	Hose	1
20	34330	(000000-)	Sleeve, Hydraulic	1
21	44961	(000000-)	Tie, Cable	2

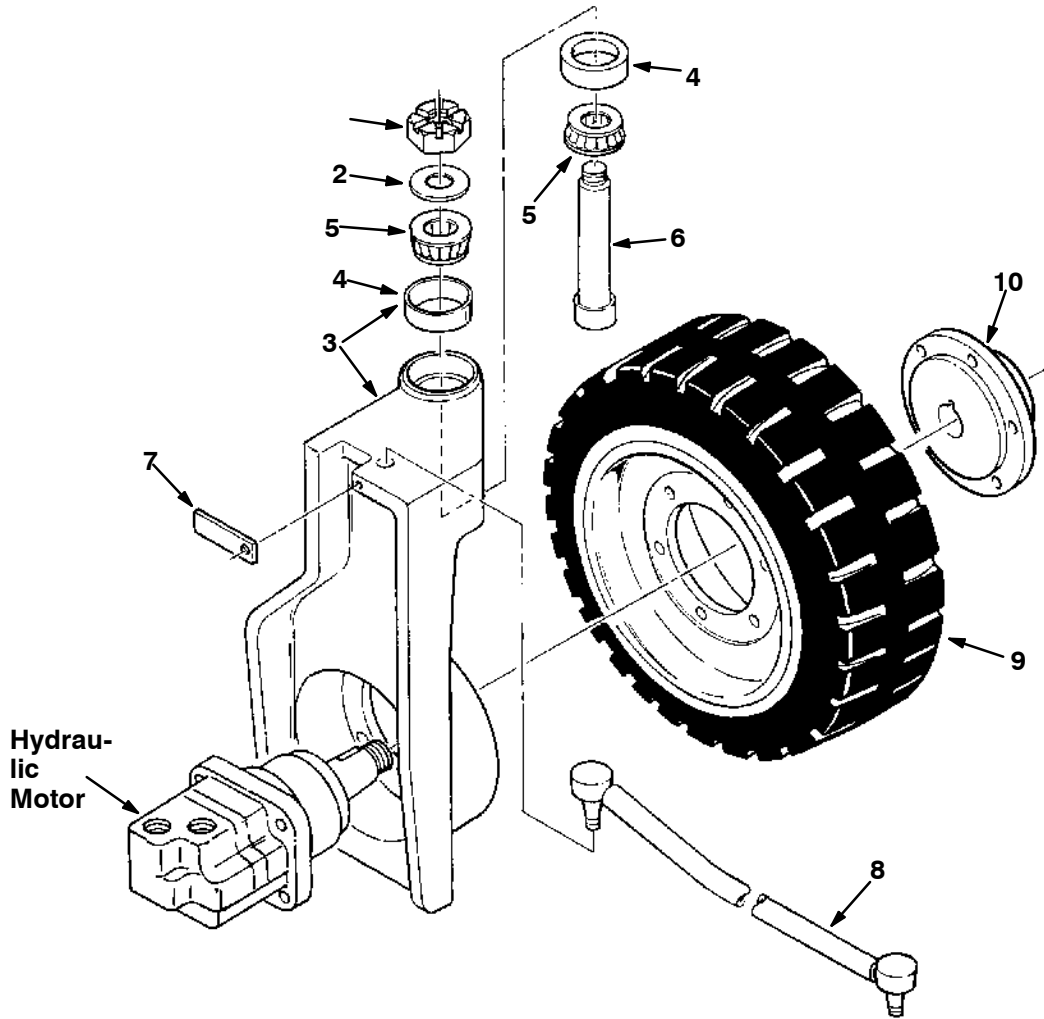
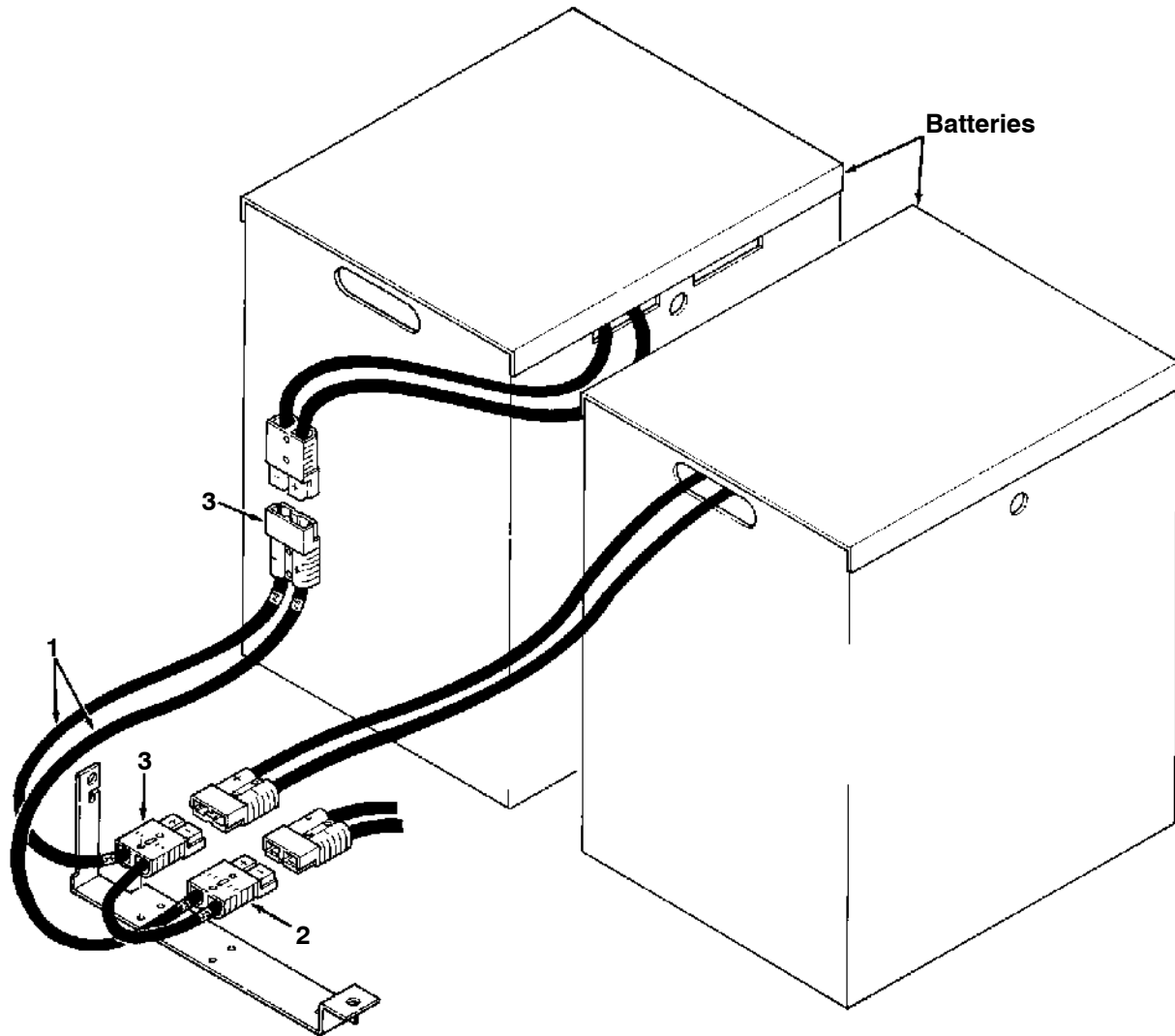


Fig. 22 – Rear Drive Wheel and Support Group

05576

Key	TENNANT Part No.	Machine Serial Number	Description	Qty.
1	14242	(000000–)	Nut, Slotted	1
2	47719	(000000–)	Washer	1
3	44690	(000000–)	Cup Bearing and Support Assembly	1
4	24989	(000000–)	Bearing, Cup	2
5	24988	(000000–)	Bearing, Cone	2
6	24984	(000000–)	Pin, Drive	1
7	53528	(000000–)	Bar, Support	1
8	44737	(000000–)	Link, Steering	1
9	44835	(000000–)	Wheel and Tire Assembly	1
			Tire	1
10	44842	(000000–)	Hub, Wheel	1



05577

Fig. 23 – Battery Wire Harness Group

Key	TENNANT Part No.	Machine Serial Number	Description	Qty.
1	47986	(000000–)	Wire Harness, Battery	1
2	22892	(000000–)	Connector, Gray	1
3	47985	(000000–)	Connector, Orange	2

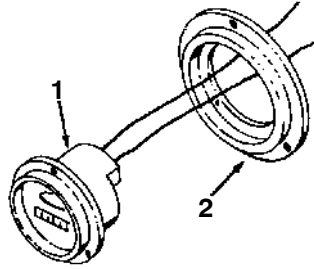


Fig. 24 – Hourmeter Group

05578

Key	TENNANT Part No.	Machine Serial Number	Description	Qty.
1	24518	(000000–)	Hourmeter, Engine	1
2	28838	(000000–)	Dampener	1
	44880	(000000–)	Wire Kit	1
	07423	(000000–)	Fuse, 15 A	1
	47164	(000000–)	Decal, 15 A, Label	1

Fig. 25 – Voltmeter Group

05579

Key	TENNANT Part No.	Machine Serial Number	Description	Qty.
	76079	(000000–)	Voltmeter	1
	07423	(000000–)	Fuse, 15 A	1
	50639	(000000–)	Wire Kit	1

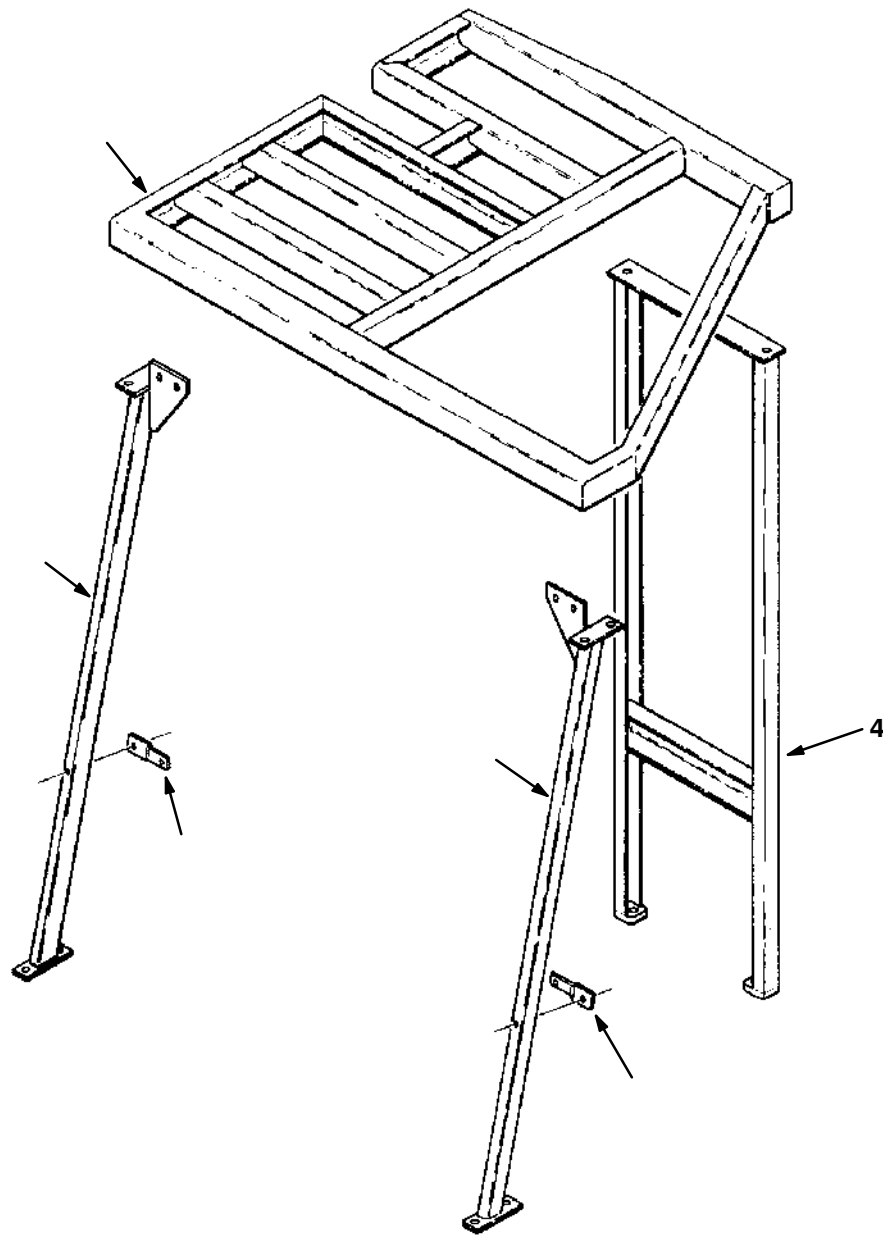


Fig. 26 – Overhead Guard Group

05580

Key	TENNANT Part No.	Machine Serial Number	Description	Qty.
1	44632	(000000–)	Guard, Top	1
2	33717	(000000–)	Leg, Front, R.H.	1
3	33715	(000000–)	Leg, Front, L.H.	1
4	44636	(000000–)	Support, Rear	1
5	33577	(000000–)	Stiffener, R.H.	1
6	33578	(000000–)	Stiffener, L.H.	1

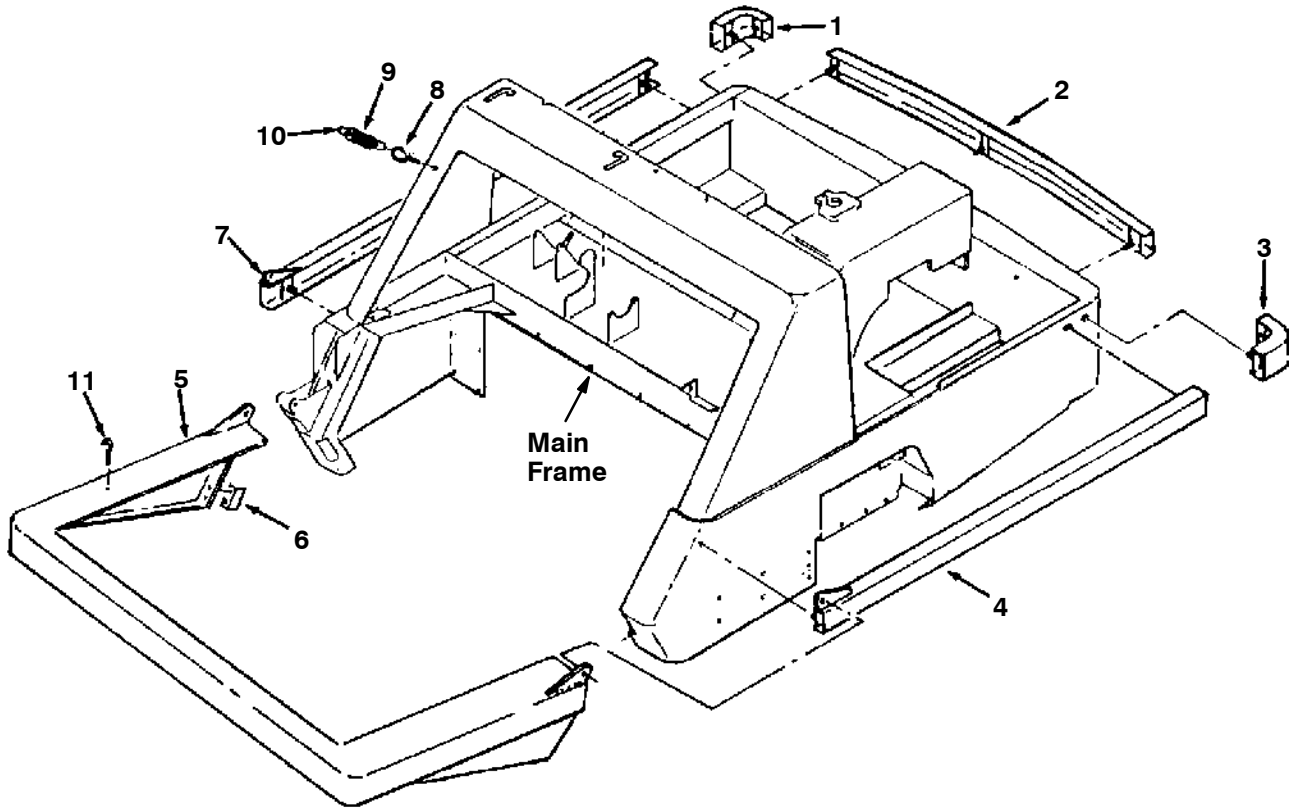


Fig. 27 – Bumper Group

05581

Key	TENNANT Part No.	Machine Serial Number	Description	Qty.
1	44596	(000000–)	Bumper, Corner, R.H.	1
2	44600	(000000–)	Bumper, Rear	1
3	44593	(000000–)	Bumper, Corner, L.H.	1
4	44599	(000000–)	Bumper, Side, L.H.	1
5	82162	(000000–)	Bumper, Front	1
6	82189	(000000–)	Bracket,L	2
7	44597	(000000–)	Bumper, Side, R.H.	1
	47280	(000000–)	Chain Assembly	1
8	11893	(000000–)	Bolt, Eye	1
9	47278	(000000–)	Tube, Chain cover	1
10	47277	(000000–)	Chain	1
11	21097	(000000–)	Hook	1
	01318	(000000–)	Tip, Rubber	1
	25139	(000000–)	Label, Hazard–Raised Bumper	2

CONTENTS

	Page
ORDERING REPAIR PARTS	6-3
Fig. 1 – Main Frame Group, Multi-Level Dump	6-4
Fig. 2 – Hopper Lift Arms Group, Multi-Level Dump	6-6
Fig. 3 – Hopper Group, Multi-Level Dump ...	6-8
Fig. 4 – Filter Carrier Group, Multi-Level Dump	6-10
Fig. 5 – Hopper Door Assembly, Multi-Level Dump	6-11
Fig. 6 – Vacuum Fan Bracket Group, Multi-Level Dump	6-12
Fig. 7 – Front Wheels and Brake Group, Multi-Level Dump	6-13
Fig. 8 – Main Brush Drive Group, Multi-Level Dump	6-14
Fig. 9 – Side Brush Arm Assembly, Multi-Level Dump	6-15
Fig. 10 – Hydraulic System, Multi-Level Dump	6-16
Fig. 11 – Hydraulic System, Multi-Level Dump	6-17
Fig. 12 – Dump Cylinder and Valve Group, Multi-Level Dump	6-18
Fig. 13 – Main Control Valve and Hopper Lift Cylinder Group, Multi-Level Dump	6-19
Fig. 14 – Side Brush Motor Group, Multi-Level Dump	6-20
Fig. 15 – Directional Control Group, Multi-Level Dump	6-21
Fig. 16 – Bumper Group, Multi-Level Dump ..	6-22
Fig. 17 – Overhead Guard Group, Multi-Level Dump	6-23

NOTE: SECTION 6, MULTI-LEVEL DUMP MODEL PARTS, lists repair parts unique to an multi-level dump model machine.

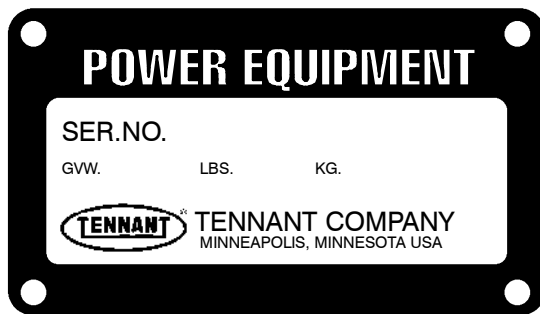
ORDERING REPAIR PARTS

The components used in this machine have been carefully selected for performance and safety. Use only Tennant Company specified or equivalent parts.

To receive prompt service in filling of your parts orders, please direct all orders for parts with Tennant Company part numbers to the Tennant Company, and all orders for parts with vendor part numbers to the local supplier of the respective vendor.

When ordering parts, please furnish all of the following information:

1. Machine model number - shown on the machine data plate.



2. Machine serial number - shown on the machine data plate.
3. Power source - gasoline, LPG, diesel, electric.
4. Company name.
5. Shipping address.
6. Billing address.
7. Name, first and last - of person ordering parts.
8. Telephone number.
9. Purchase order number.
10. Part number, description, and quantity - of each item on the order.
11. Customer ID Number.

Do not order parts by key number or the figure number of the illustrated parts. Indented items indicate parts of assemblies. Standard hardware is furnished only when part of a purchased assembly. Please get hardware from a local hardware supplier.

If the old part cannot be identified, send it to us with the quantity needed specified on the order.

Any claim for loss or damage to a shipment in transit should be filed promptly against the transportation company making the delivery. Shipments will be complete unless the packing list or order acknowledgement indicate items back ordered.

If parts received are suspected to be incorrect or defective, please write, wire, or phone the Tennant Company representative from whom you ordered the part. They will give authorization for return and/or handle replacement shipments when required.

SERIAL NUMBER INFORMATION EXPLANATION

Serial number listings are shown to indicate on which machines each part can be used. These listings are explained by the following examples:

(000000—) The part can be used on all machines.

(003342—) The part can be used on all machines beginning with the serial number listed.

(000000—004320) The part can be used on all machines up to and including serial number listed.

(004321—005678) The part can be used on all machines between and including the serial numbers listed.

Where xxxxxx's are listed in place of a serial number, it indicates a change was made but the exact serial number had not been established when the catalog went to press.

SI UNITS OF MEASURE (INTERNATIONAL SYSTEM)

Metric equivalents have been included, where applicable, throughout this parts catalog.

FASTENER STRENGTH IDENTIFICATION

Fasteners required to have high—strength qualities equivalent to SAE Grade 8 are identified throughout this catalog by the description GR 8. Unless identified by this description, all standard fasteners are SAE Grade 5.

(Specifications and design subject to change without notice.)

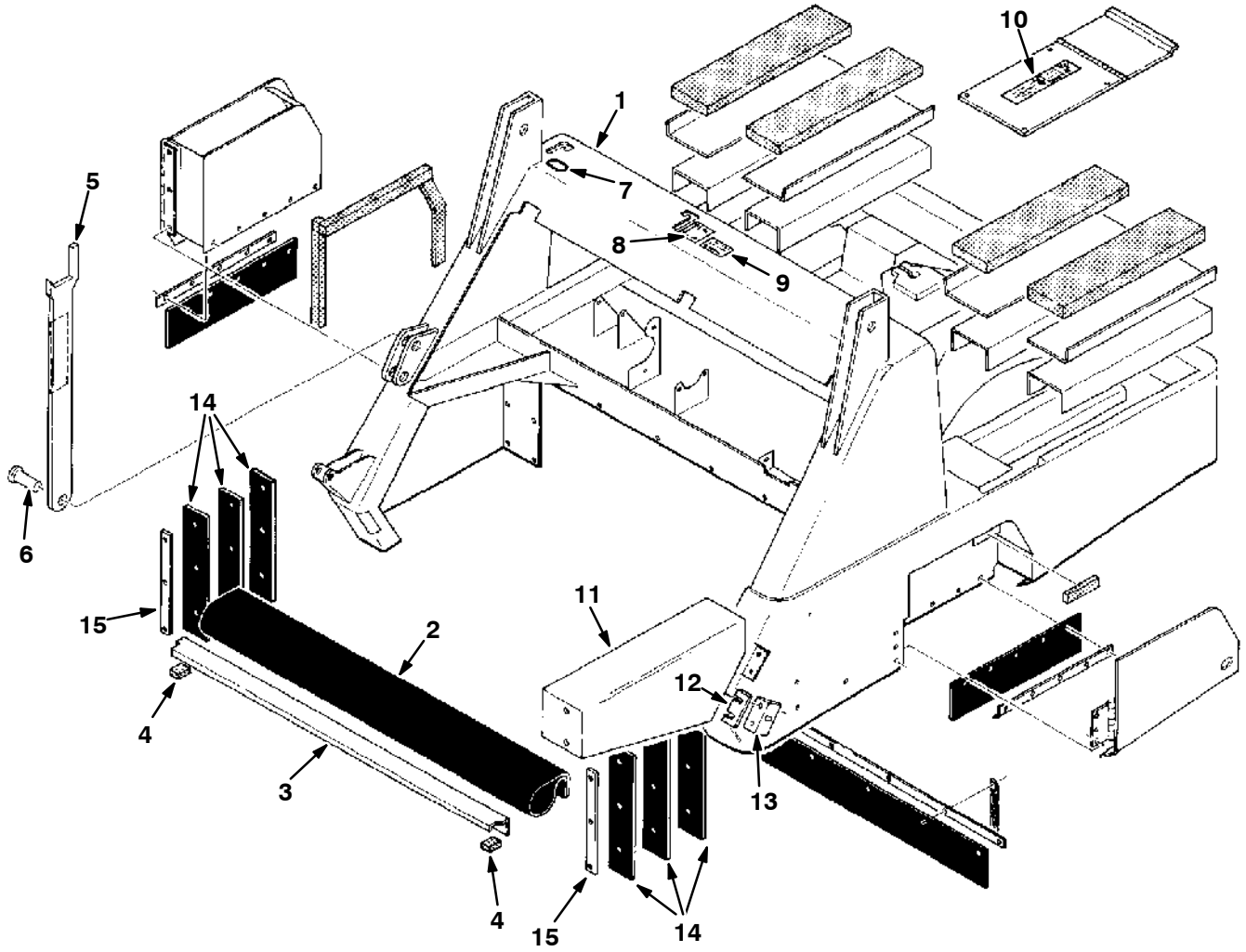


Fig. 1 – Main Frame Group, Multi-Level Dump

Fig. 1 -- Main Frame Group, Multi-Level Dump

Key	TENNANT Part No.	Machine Serial Number	Description	Qty.
1	32608	(000000-)	Frame, Main	1
2	23386	(000000-)	Seal, Top Pan	1
3	50447	(000000-)	Retainer, Top Seal	1
4	82125	(000000-)	Seal, Foam Rubber	2
5	32368	(000000-)	Arm and Label Assembly, Safety	1
6	36994	(000000-)	Pin, Clevis	1
7	10632-13	(000000-)	Grommet	2
8	54517	(000000-)	Label, Roll In-out	1
9	65072	(000000-)	Label, Caution Hopper	1
10	55373	(000000-)	Label, Warning, Hopper Safety	1
11	32282	(000000-)	Bumper,L.H.	1
12	14895	(000000-)	Shim	1
13	82189	(000000-)	Bracket, L	1
14	23382	(000000-)	Seal, Side Pan	6
15	23384-2	(000000-)	Strip	2

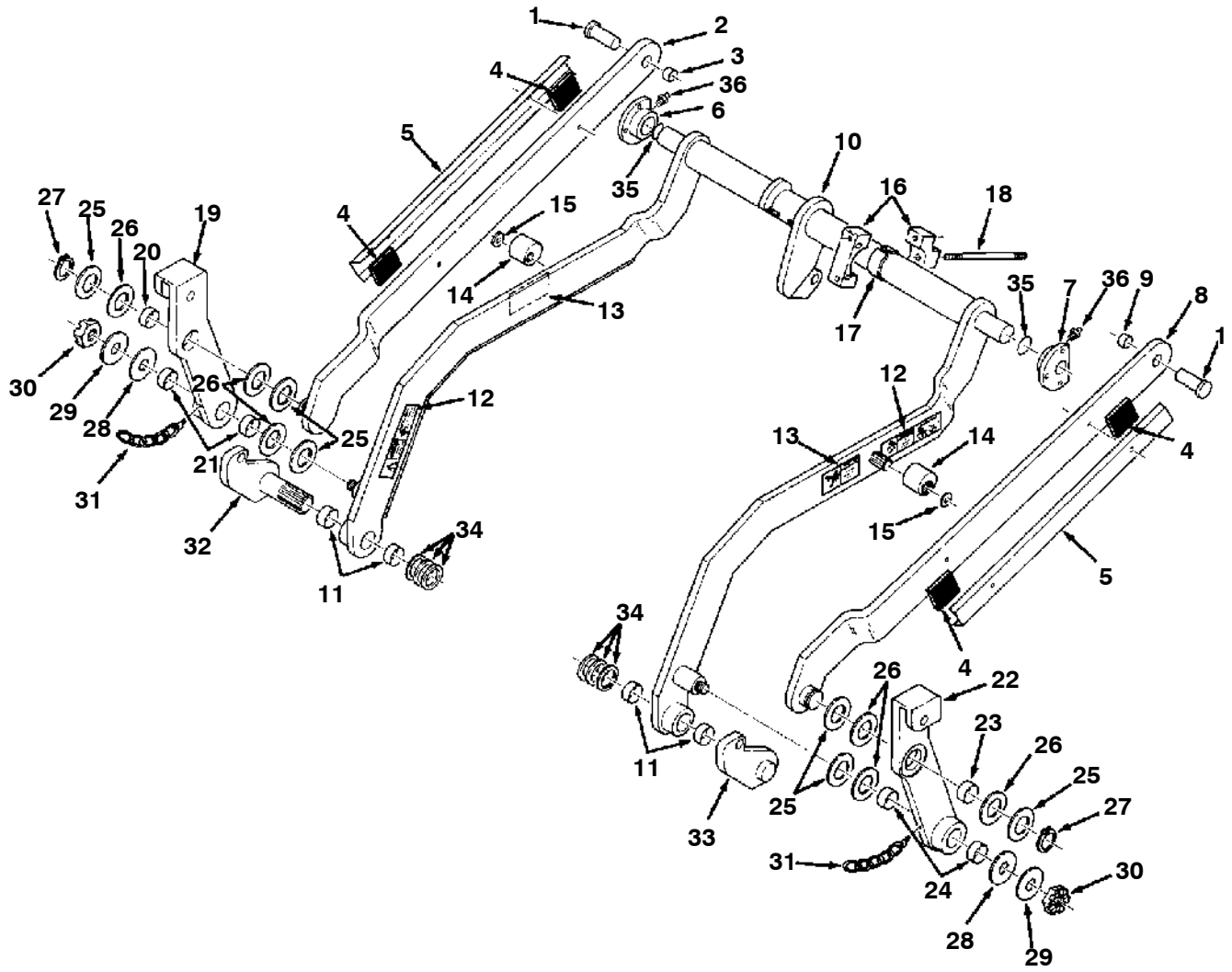


Fig. 2 – Hopper Lift Arms Group, Multi-Level Dump

Fig. 2 -- Hopper Lift Arms Group, Multi-Level Dump

Key	TENNANT Part No.	Machine Serial Number	Description	Qty.
1	04733-5	(000000-)	Pin, Clevis	2
2	55203	(000000-)	Arm Assembly, R.H.	1
3	35529	(000000-)	Bearing, Journal	1
	36988	(000000-)	Clamp Assembly, Hose	2
4	36989	(000000-)	Pad, Neoprene	2
5	36985	(000000-)	Clamp, Hose	1
6	35631	(000000-)	Bearing, Lift Arm, R.H.	1
7	35631-1	(000000-)	Bearing, Lift Arm, L.H.	1
8	55204	(000000-)	Arm Assembly, L.H.	1
9	35529	(000000-)	Bearing, Journal	1
10	49016	(000000-)	Arm Assembly, Lift	1
11	35561	(000000-)	Bearing, Journal	4
12	55373	(000000-)	Label, Warning, Hopper Safety	2
13	55375	(000000-)	Label, Caution, Hopper Lift Arm	2
14	33541	(000000-)	Hub, Splined	2
15	36996	(000000-)	Washer	2
16	35630	(000000-)	Bearing, Center	1
17	35668	(000000-)	Bearing, Journal	1
18	35594	(000000-)	Stud	1
19	35621-1	(000000-)	Arm Assembly, Front Pivot, R.H.	1
20	35665	(000000-)	Bearing, Journal	1
21	35561	(000000-)	Bearing, Journal	2
22	35620-1	(000000-)	Arm Assembly, Front Pivot, L.H.	1
23	35665	(000000-)	Bearing, Journal	1
24	35561	(000000-)	Bearing, Journal	2
25	35615	(000000-)	Washer	6
26	37139	(000000-)	Bearing, Thrust	6
27	35686	(000000-)	Ring, Retaining, External	2
28	35666	(000000-)	Bearing, Thrust	2
29	35614	(000000-)	Washer	2
30	14242	(000000-)	Nut, Slotted	2
31	32448	(000000-)	Chain and Eye Bolt Assembly	2
32	35640	(000000-)	Shaft, Splined, R.H.	1
33	35636	(000000-)	Shaft, Splined, L.H.	1
34	32125	(000000-)	Washer	6
35	23138	(000000-)	Shim	2
36	07259	(000000-)	Fitting, Grease	2

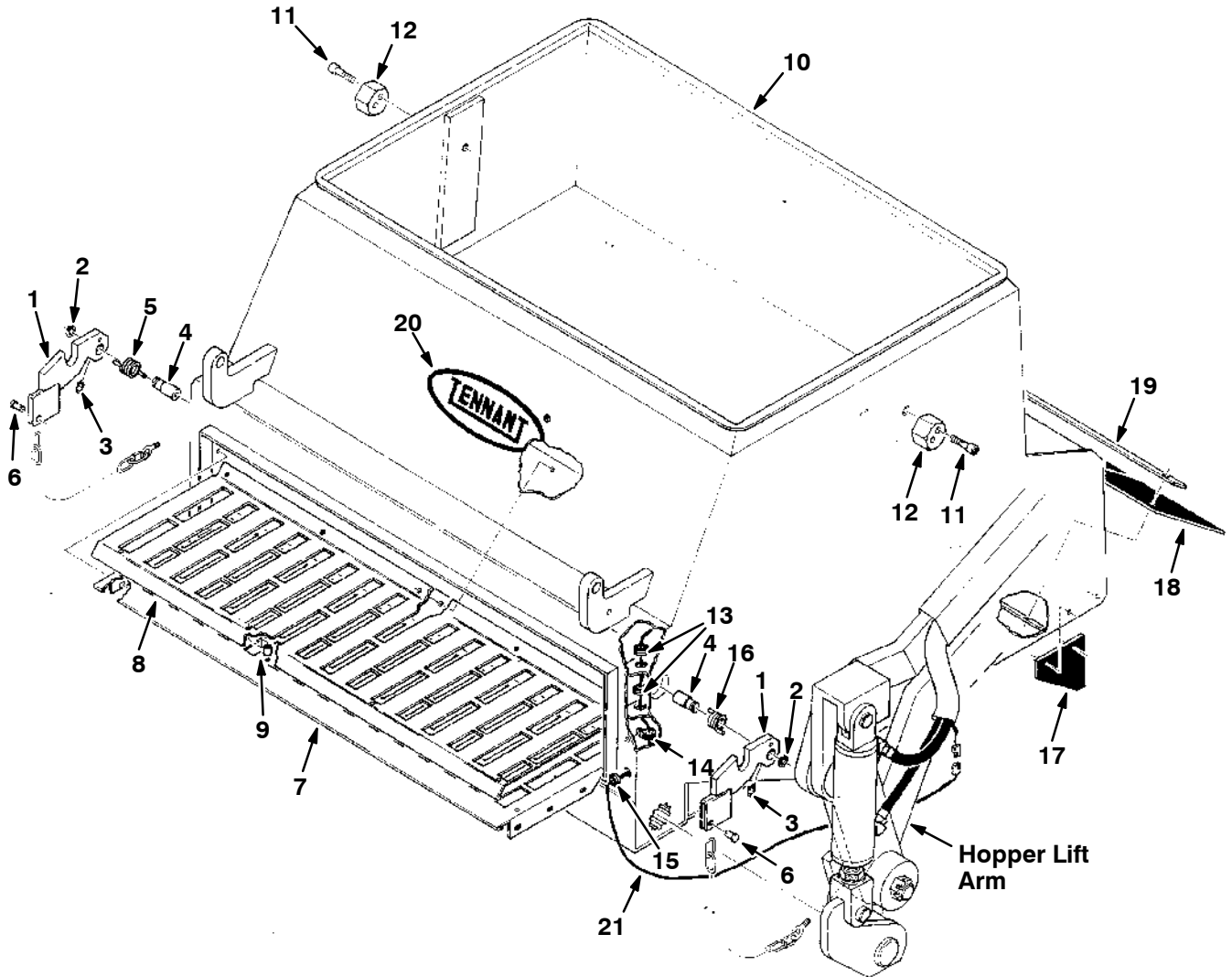


Fig. 3 – Hopper Group, Multi-Level Dump

Fig. 3 – Hopper Group, Multi-Level Dump

Key	TENNANT Part No.	Machine Serial Number	Description	Qty.
1	82501	(000000–)	Latch, Door	2
2	18136	(000000–)	Ring, Retaining	2
3	07259	(000000–)	Fitting, Grease	2
4	82500	(000000–)	Shaft, Latch	2
5	48928	(000000–)	Spring, Torsion	1
6	10120	(000000–)	Pin, Clevis	2
7	82476	(000000–)	Baffle, Lower	1
8	82477	(000000–)	Baffle, Upper	1
9	82483	(000000–)	Tube, Spacer	4
10	02668	(000000–)	Hopper	1
11	82423	(000000–)	Screw, Socket	2
12	82421	(000000–)	Cam, Positioning	2
13	10632–4	(000000–)	Grommet	2
14	26395–2	(000000–)	Clamp, Cable	1
15	10632–11	(000000–)	Grommet	1
16	48927	(000000–)	Spring, Torsion	1
17	37021	(000000–)	Lip, Side	2
18	35607	(000000–)	Lip	5
19	53758	(000000–)	Strip	1
20	28613–4	(000000–)	Label, TENNANT Oval	1
21	25086	(000000–)	Wire Harness, Hopper	2

MULTI-LEVEL DUMP MODEL PARTS

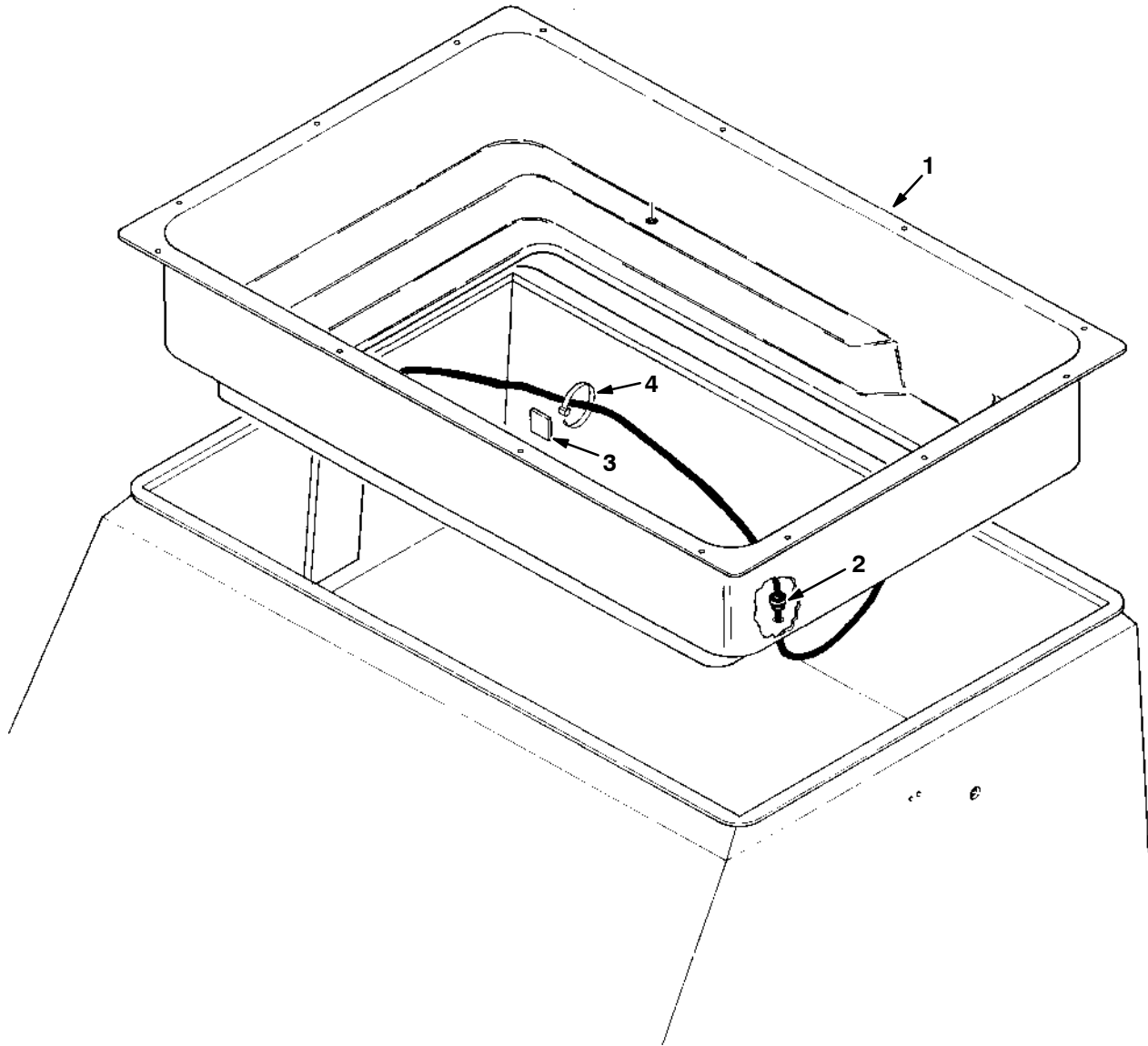


Fig. 4 – Filter Carrier Group, Multi-Level Dump

05666

Key	TENNANT Part No.	Machine Serial Number	Description	Qty.
1	25085	(000000–)	Carrier, Filter	1
2	25107	(000000–)	Bushing, Strain Relief	1
3	55248	(000000–)	Mount, Cable Tie	1
4	49266	(000000–)	Tie, Cable	1

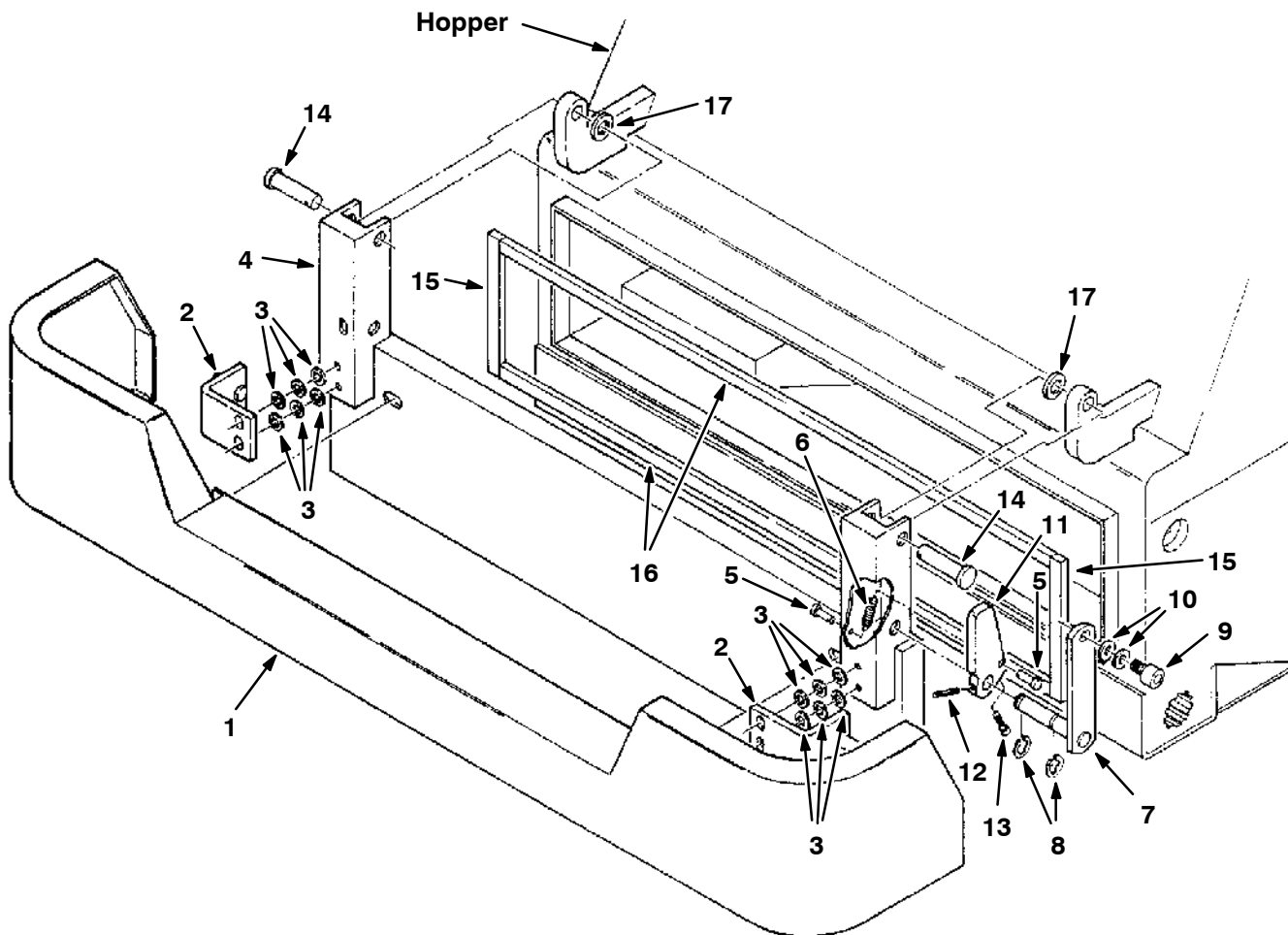


Fig. 5 – Hopper Door Assembly, Multi-Level Dump

05667

Key	TENNANT Part No.	Machine Serial Number	Description	Qty.
1	82496	(000000–)	Bumper	1
2	36984	(000000–)	Bracket, Door Latch	2
3	32492	(000000–)	Washer	12
4	35669	(000000–)	Door Assembly, Hopper	1
	35526	(000000–)	Door, Hopper	1
5	82168	(000000–)	Pin, Clevis	2
6	28387	(000000–)	Spring, Tension	1
7	37073	(000000–)	Shaft, Pivot	1
8	23788–1	(000000–)	Ring, Retaining	2
9	48930	(000000–)	Cam, Follower	1
10	32486	(000000–)	Washer	2
11	37074	(000000–)	Brace, Hopper Door	1
12	46585	(000000–)	Pin, Roll	1
13	01681	(000000–)	Screw, Socket	1
14	04733–3	(000000–)	Pin, Clevis	2
15	37055	(000000–)	Seal, Foam Rubber	2
16	37054	(000000–)	Seal, Foam Rubber	2
17	39350	(000000–)	Shim, Washer	2

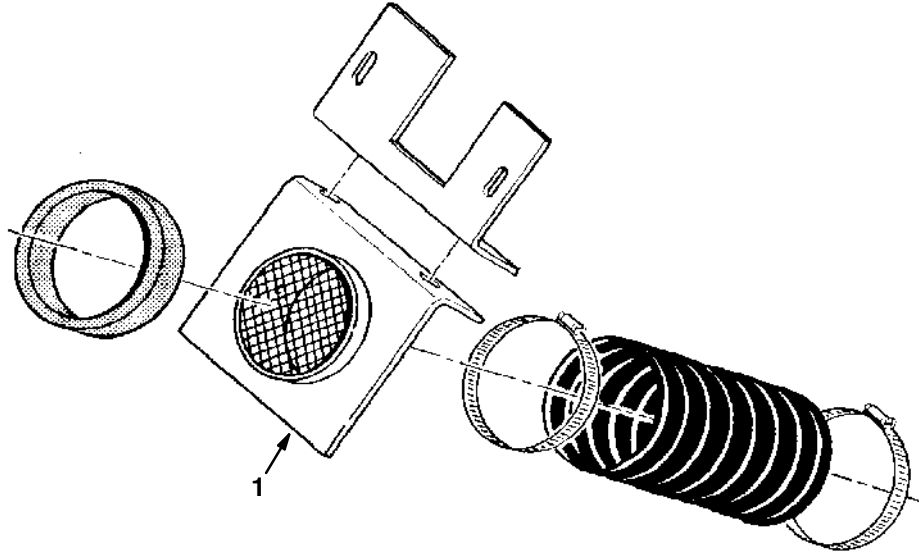
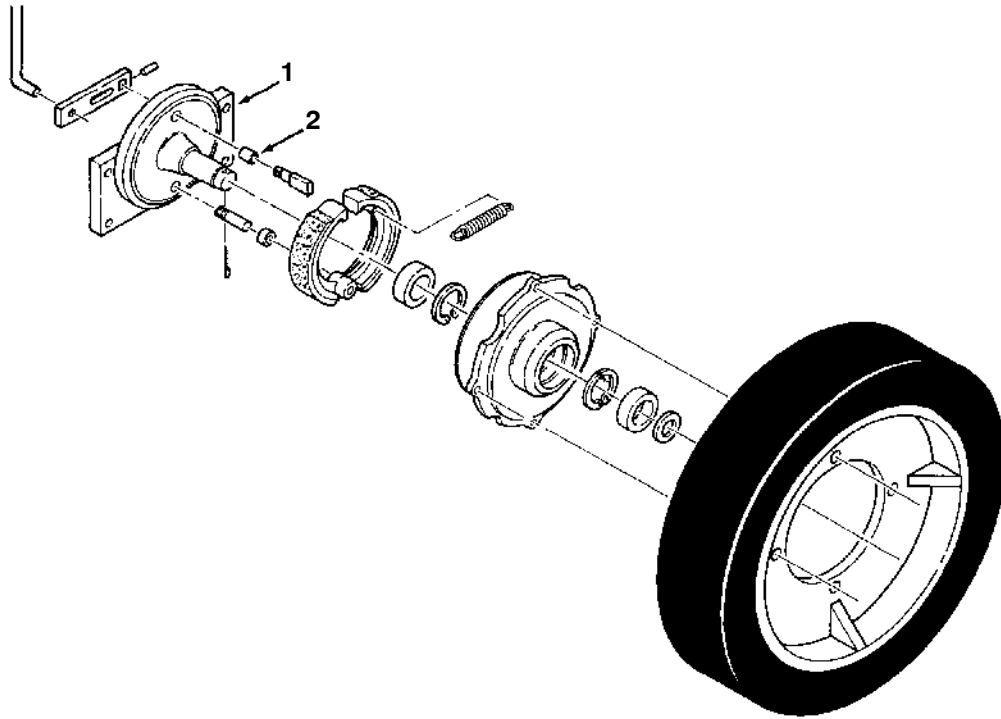


Fig. 6 – Vacuum Fan Bracket Group, Multi-Level Dump

05584

Key	TENNANT Part No.	Machine Serial Number	Description	Qty.
1	36907-1	(000000-)	Adaptor, Hose	1



05585

Fig. 7 – Front Wheels and Brake Group, Multi-Level Dump

Key	TENNANT Part No.	Machine Serial Number	Description	Qty.
1	02490	(000000–)	Axle, Front	2
2	24992	(000000–)	Bushing, Sleeve	1

MULTI-LEVEL DUMP MODEL PARTS

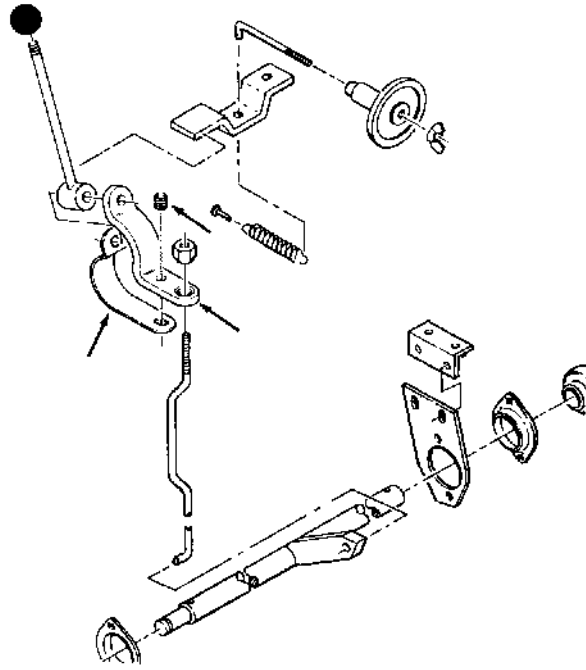


Fig. 8 – Main Brush Drive Group, Multi-Level Dump

05586

Key	TENNANT Part No.	Machine Serial Number	Description	Qty.
1	14174	(000000–)	Spring, Compression	1
2	53907	(000000–)	Lever, Lift Handle	1
3	53899	(000000–)	Clip, Lift Handle	1

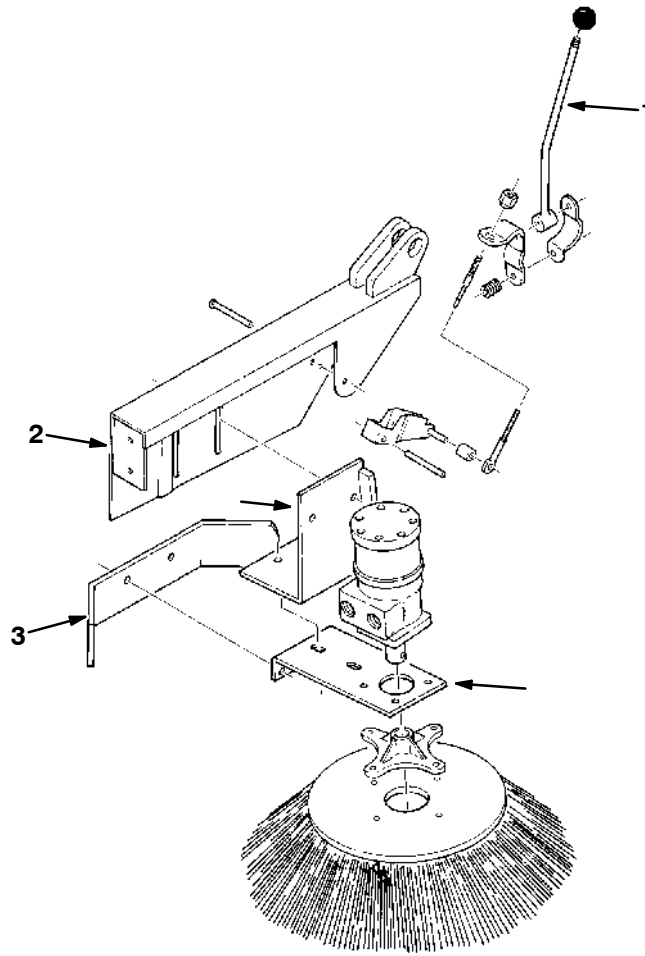


Fig. 9 – Side Brush Arm Assembly, Multi-Level Dump

05587

Key	TENNANT Part No.	Machine Serial Number	Description	Qty.
1	35649	(000000–)	Handle	1
	33833	(000000–)	Arm Assembly, Side Brush	1
2	30523	(000000–)	Arm, Brush	1
3	82273	(000000–)	Bumper, Side Brush	1
4	02482	(000000–)	Bracket, Bumper Mount	1
5	82272	(000000–)	Bracket, Motor Mount	1

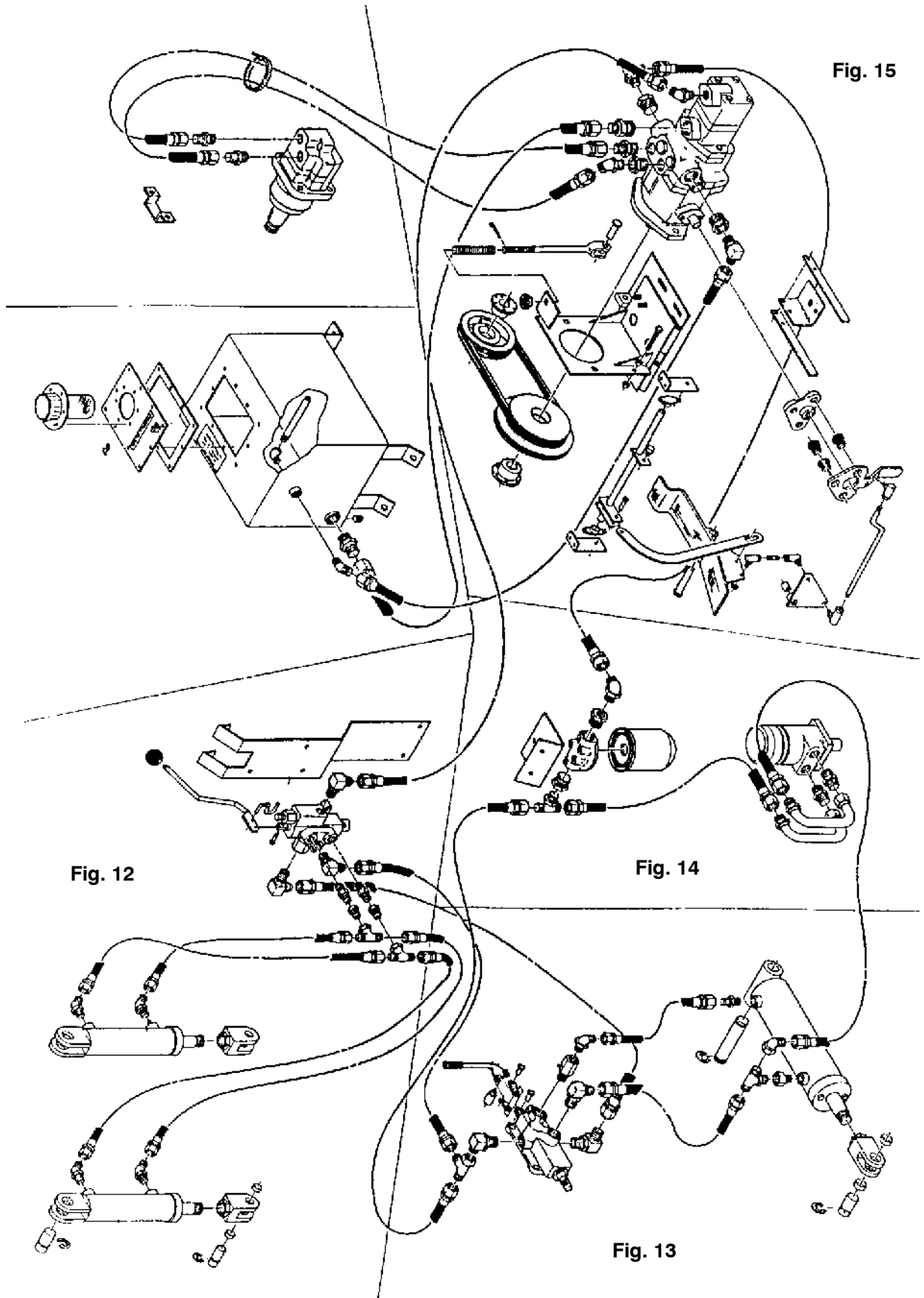


Fig. 10 – Hydraulic System, Multi-Level Dump
(For machines below serial number 005106)

05671

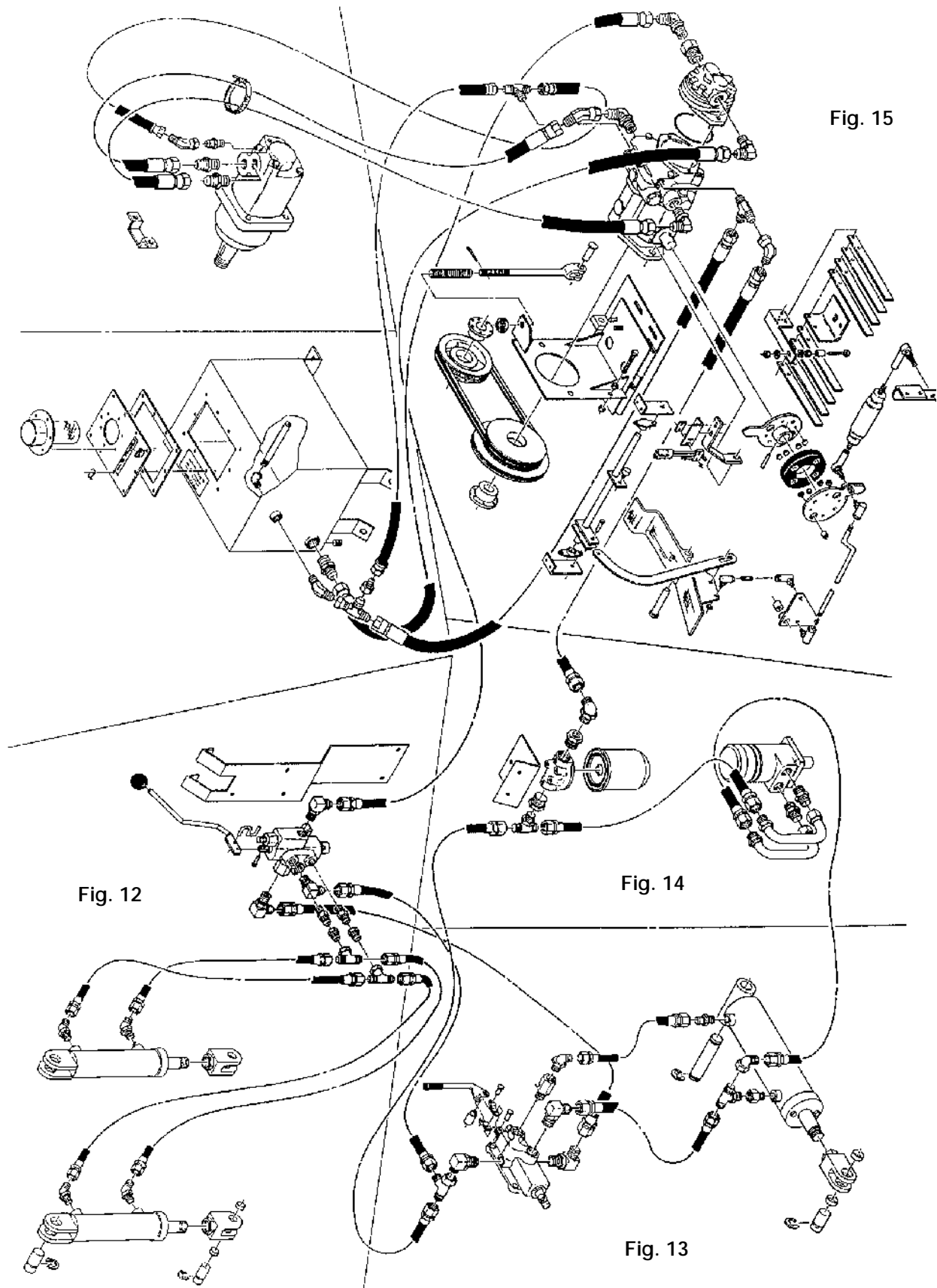


Fig. 15

Fig. 12

Fig. 14

Fig. 13

Fig. 11 -- Hydraulic System, Multi-Level Dump

(For machines with serial number 005106 and above)

05671

MULTI-LEVEL DUMP MODEL PARTS

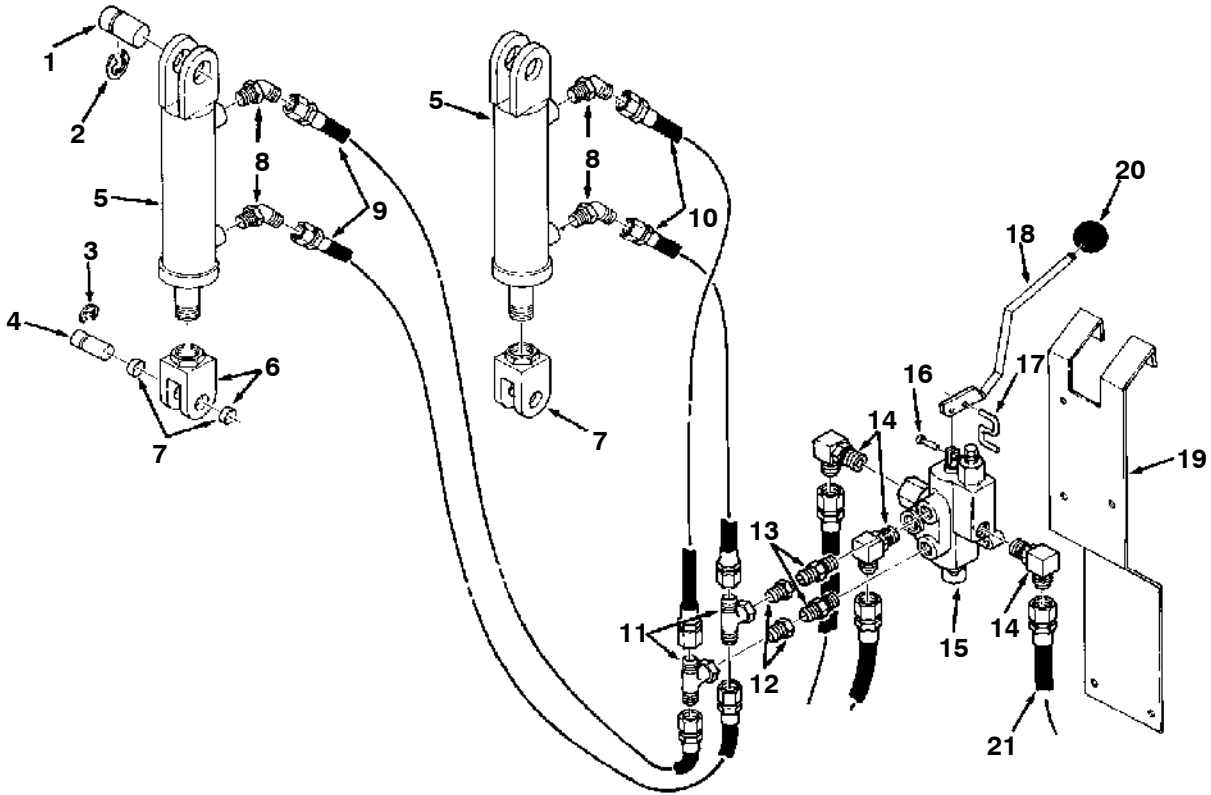


Fig. 12 – Dump Cylinder and Valve Group, Multi-Level Dump

05588

Key	TENNANT Part No.	Machine Serial Number	Description	Qty.
1	23145	(000000–)	Pin, Clevis	2
2	23788	(000000–)	Ring, Retaining, External	2
3	23788–1	(000000–)	Ring, Retaining, External	2
4	37016	(000000–)	Pin, Grooved	2
	37081	(000000–)	Cylinder Assembly, Dump	2
5	04448	(000000–)	Cylinder, Dump	1
	04484	(000000–)	Seal Kit	1
6	37015	(000000–)	Clevis	1
7	37014	(000000–)	Bearing, Journal	2
8	47522	(000000–)	Fitting, Elbow, 45°	2
9	32760	(000000–)	Hose	2
10	35583	(000000–)	Hose	2
	32753	(000000–)	Valve Assembly, Dump	1
11	35586	(000000–)	Fitting, Tee	2
12	32754	(000000–)	Fitting, Restrictor	2
13	56690	(000000–)	Fitting, Straight	2
14	44868	(000000–)	Fitting, Elbow	3
15	32752	(000000–)	Valve, Dump	1
	01666	(000000–)	Seal Kit	1
16	14605	(000000–)	Pin, Clevis	1
17	32759	(000000–)	Link, S	1
18	32757	(000000–)	Handle, Valve	1
19	48940	(000000–)	Bracket, Valve Mount	1
20	26565	(000000–)	Knob	1
21	67113	(000000–)	Hose	1

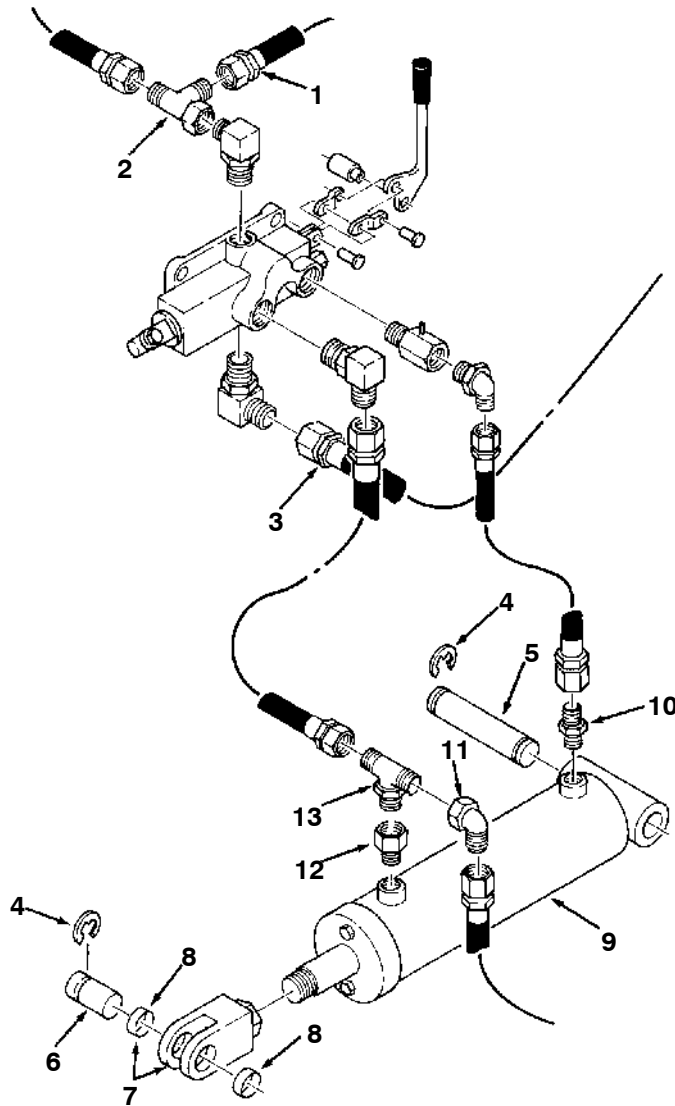


Fig. 13 – Main Control Valve and Hopper Lift Cylinder Group, Multi-Level Dump

05589

Key	TENNANT Part No.	Machine Serial Number	Description	Qty.
1	67113	(000000–)	Hose	1
2	45482	(000000–)	Fitting, Tee	1
3	42210–1	(000000–)	Hose	1
4	23788	(000000–)	Ring, Retaining, External	3
5	35515	(000000–)	Pin, Grooved	1
6	32941	(000000–)	Pin, Grooved	1
7	32942	(000000–)	Cylinder Assembly, Lift Clevis Assembly	1
8	35688	(000000–)	Bearing, Journal	2
9	48981	(000000–)	Cylinder, Lift	1
	74949	(000000–)	Seal Kit	1
10	56690	(000000–)	Fitting, Straight	1
11	17980	(000000–)	Fitting, Elbow	1
12	47524	(000000–)	Fitting, Straight	1
13	49933	(000000–)	Fitting, Tee	1

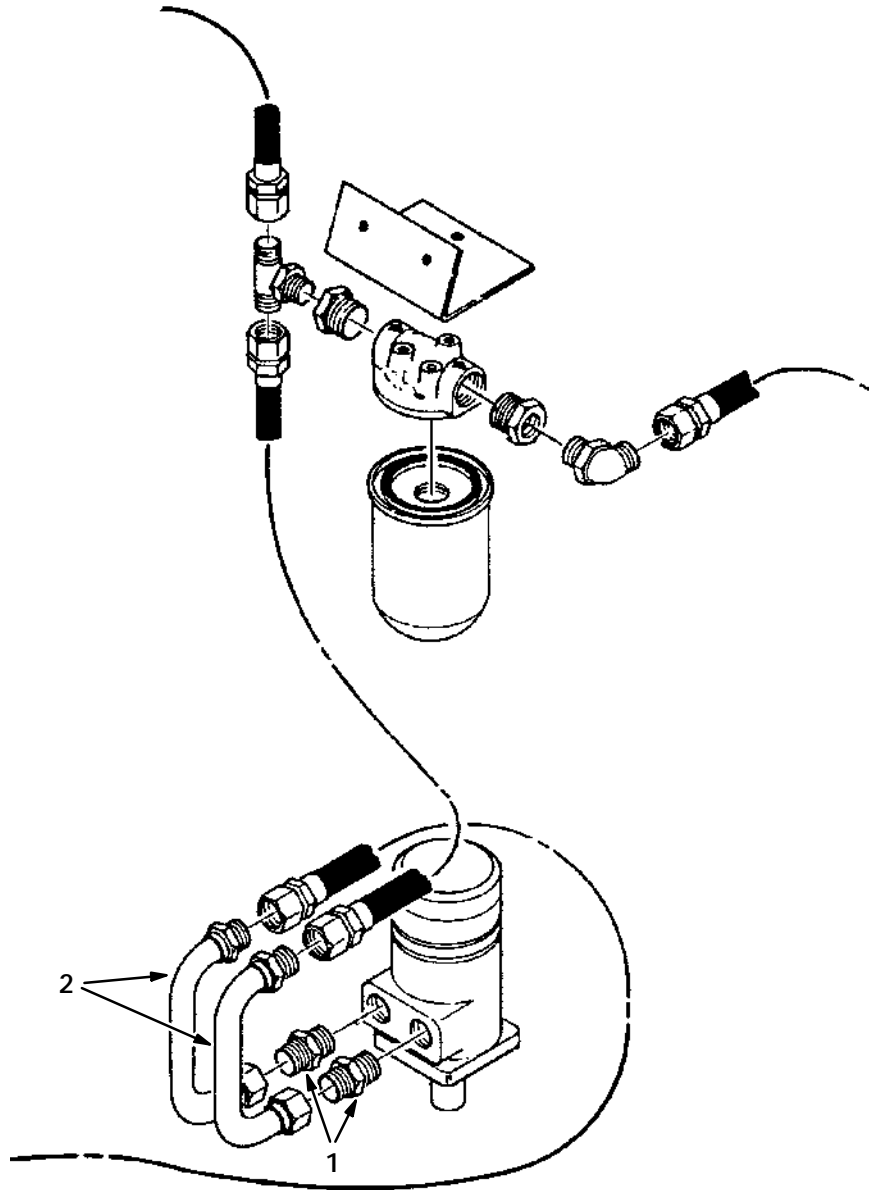


Fig. 14 -- Side Brush Motor Group, Multi-Level Dump

05590

Key	TENNANT Part No.	Machine Serial Number	Description	Qty.
1	46480	(000000-)	Fitting, Straight	2
2	35501	(000000-)	Tube Assembly, Hydraulic	2

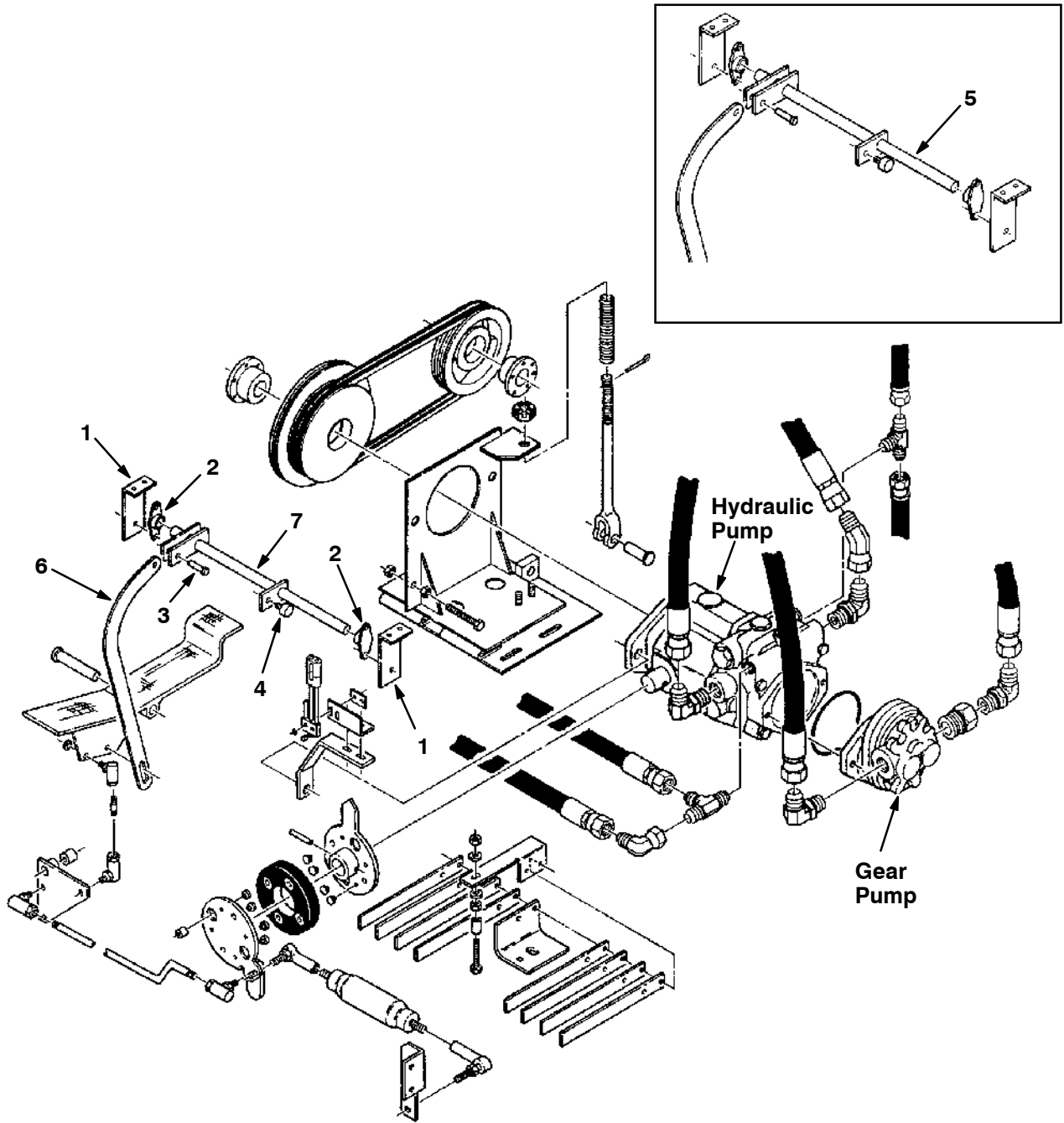


Fig. 15 – Directional Control Group, Multi-Level Dump

05591

Key	TENNANT Part No.	Machine Serial Number	Description	Qty.
1	37029	(000000–)	Support, Connecting Rod	2
2	53352	(000000–)	Bearing, Flange	2
3	09088	(000000–)	Pin, Clevis	1
4	48930	(000000–)	Cam Follower	1
5	35613	(000000–005105)	Rod, Control	1
6	36956	(000000–)	Arm, Control	1
7	61467	(005106–)	Rod, Control	1

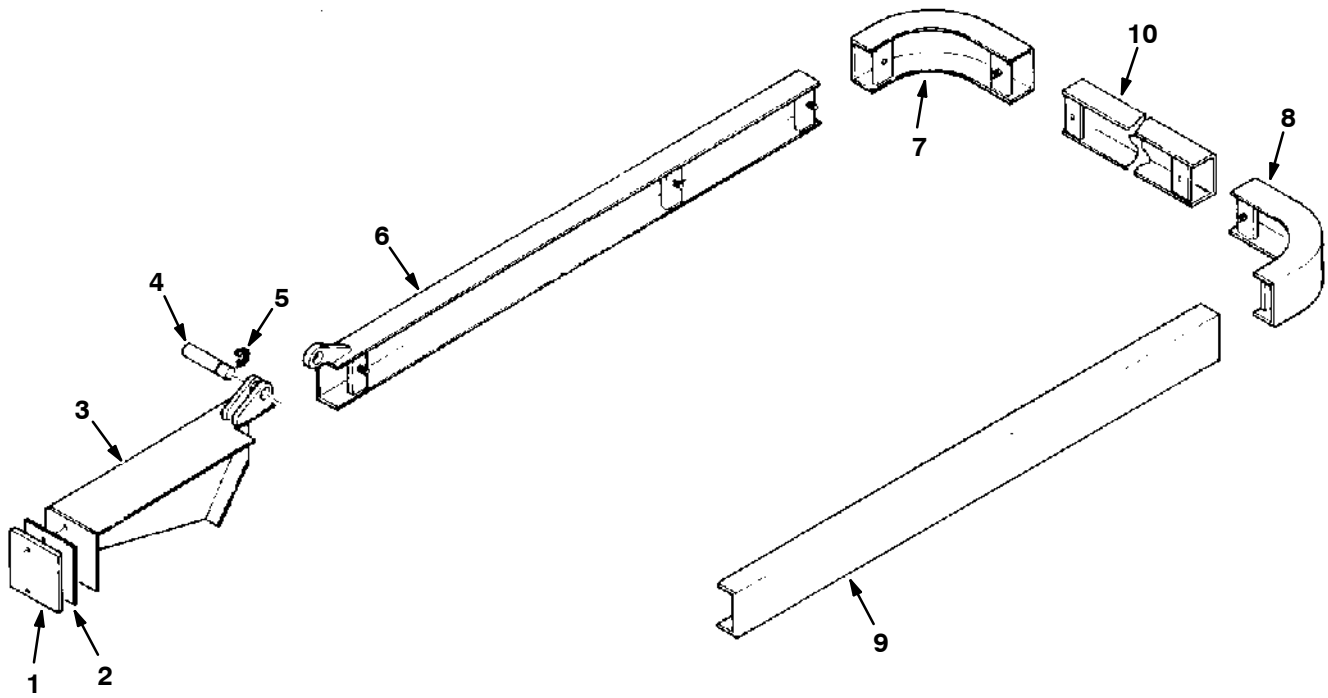


Fig. 16 – Bumper Group, Multi-Level Dump

05592

Key	TENNANT Part No.	Machine Serial Number	Description	Qty.
1	36986	(000000–)	Plate	1
2	48951–1	(000000–)	Plate, End	1
3	36958	(000000–)	Bumper, R.H.	1
4	36993	(000000–)	Pin, Grooved	1
5	23788	(000000–)	Ring, Retaining, External	1
6	37051	(000000–)	Bumper, R.H.	1
7	44596	(000000–)	Bumper, Corner, R.H.	1
8	44593	(000000–)	Bumper, Corner, L.H.	1
9	37050	(000000–)	Bumper, L.H.	1
10	44600	(000000–)	Bumper, Rear	1

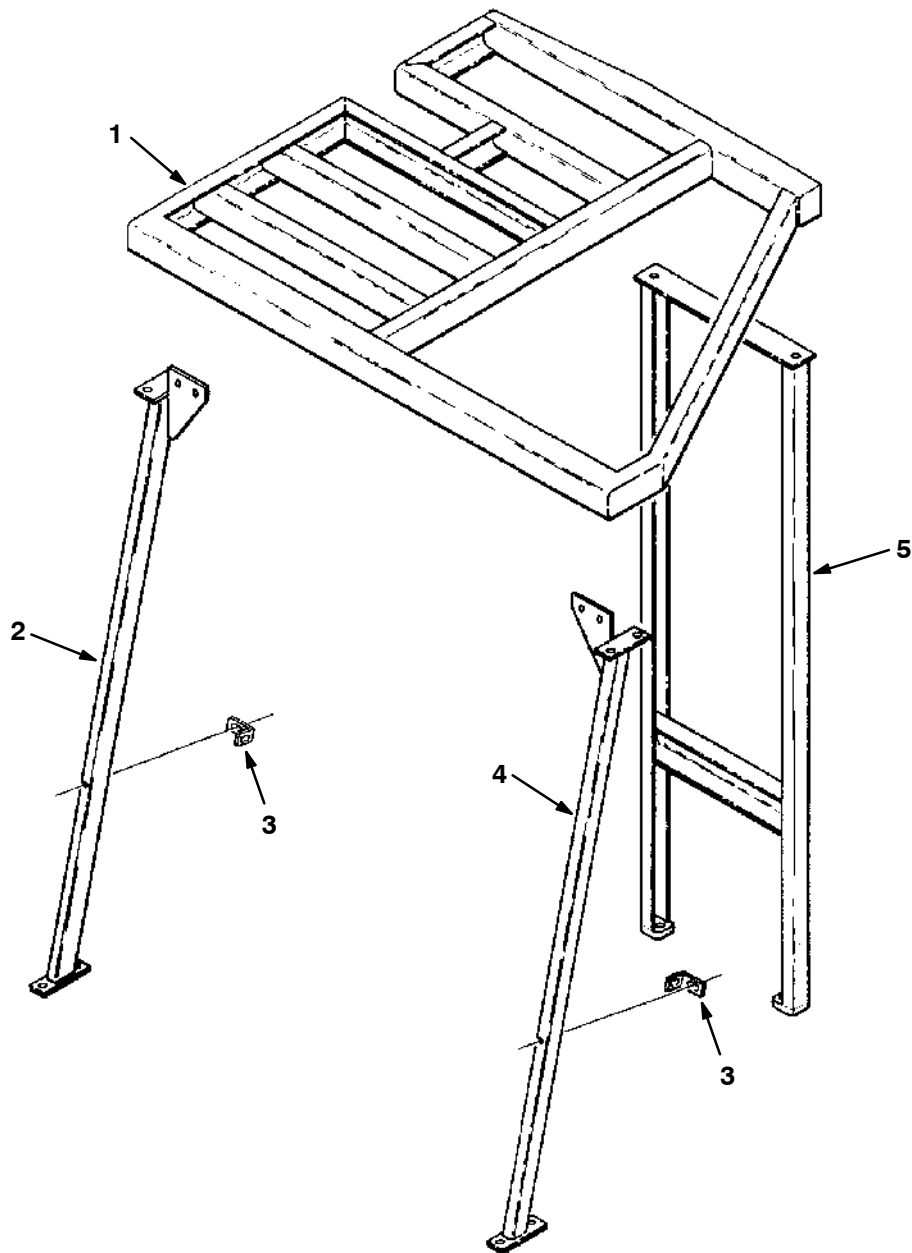


Fig. 17 – Overhead Guard Group, Multi-Level Dump

05631

Key	TENNANT Part No.	Machine Serial Number	Description	Qty.
1	44632	(000000–)	Guard, Top	1
2	33717	(000000–)	Leg, Front, R.H.	1
3	33576	(000000–)	Angle, Support	2
4	33715	(000000–)	Leg, Front, L.H.	1
5	44636	(000000–)	Support, Rear Guard	1

SECTION 7**CONTENTS**

	Page
ORDERING REPAIR PARTS	7-3
Fig. 1 – Instrument and Component Panel Group, EE	7-4

NOTE: SECTION 7, EE MODEL PARTS, lists repair parts unique to an EE model machine.

ORDERING REPAIR PARTS

The components used in this machine have been carefully selected for performance and safety. Use only Tennant Company specified or equivalent parts.

To receive prompt service in filling of your parts orders, please direct all orders for parts with Tennant Company part numbers to the Tennant Company, and all orders for parts with vendor part numbers to the local supplier of the respective vendor.

When ordering parts, please furnish all of the following information:

1. Machine model number - shown on the machine data plate.



2. Machine serial number - shown on the machine data plate.
3. Power source - gasoline, LPG, diesel, electric.
4. Company name.
5. Shipping address.
6. Billing address.
7. Name, first and last - of person ordering parts.
8. Telephone number.
9. Purchase order number.
10. Part number, description, and quantity - of each item on the order.
11. Customer ID Number.

Do not order parts by key number or the figure number of the illustrated parts. Indented items indicate parts of assemblies. Standard hardware is furnished only when part of a purchased assembly. Please get hardware from a local hardware supplier.

If the old part cannot be identified, send it to us with the quantity needed specified on the order.

Any claim for loss or damage to a shipment in transit should be filed promptly against the transportation company making the delivery. Shipments will be complete unless the packing list or order acknowledgement indicate items back ordered.

If parts received are suspected to be incorrect or defective, please write, wire, or phone the Tennant Company representative from whom you ordered the part. They will give authorization for return and/or handle replacement shipments when required.

SERIAL NUMBER INFORMATION EXPLANATION

Serial number listings are shown to indicate on which machines each part can be used. These listings are explained by the following examples:

(000000—) The part can be used on all machines.

(003342—) The part can be used on all machines beginning with the serial number listed.

(000000—004320) The part can be used on all machines up to and including serial number listed.

(004321—005678) The part can be used on all machines between and including the serial numbers listed.

Where xxxxx's are listed in place of a serial number, it indicates a change was made but the exact serial number had not been established when the catalog went to press.

SI UNITS OF MEASURE (INTERNATIONAL SYSTEM)

Metric equivalents have been included, where applicable, throughout this parts catalog.

FASTENER STRENGTH IDENTIFICATION

Fasteners required to have high—strength qualities equivalent to SAE Grade 8 are identified throughout this catalog by the description GR 8. Unless identified by this description, all standard fasteners are SAE Grade 5.

(Specifications and design subject to change without notice.)

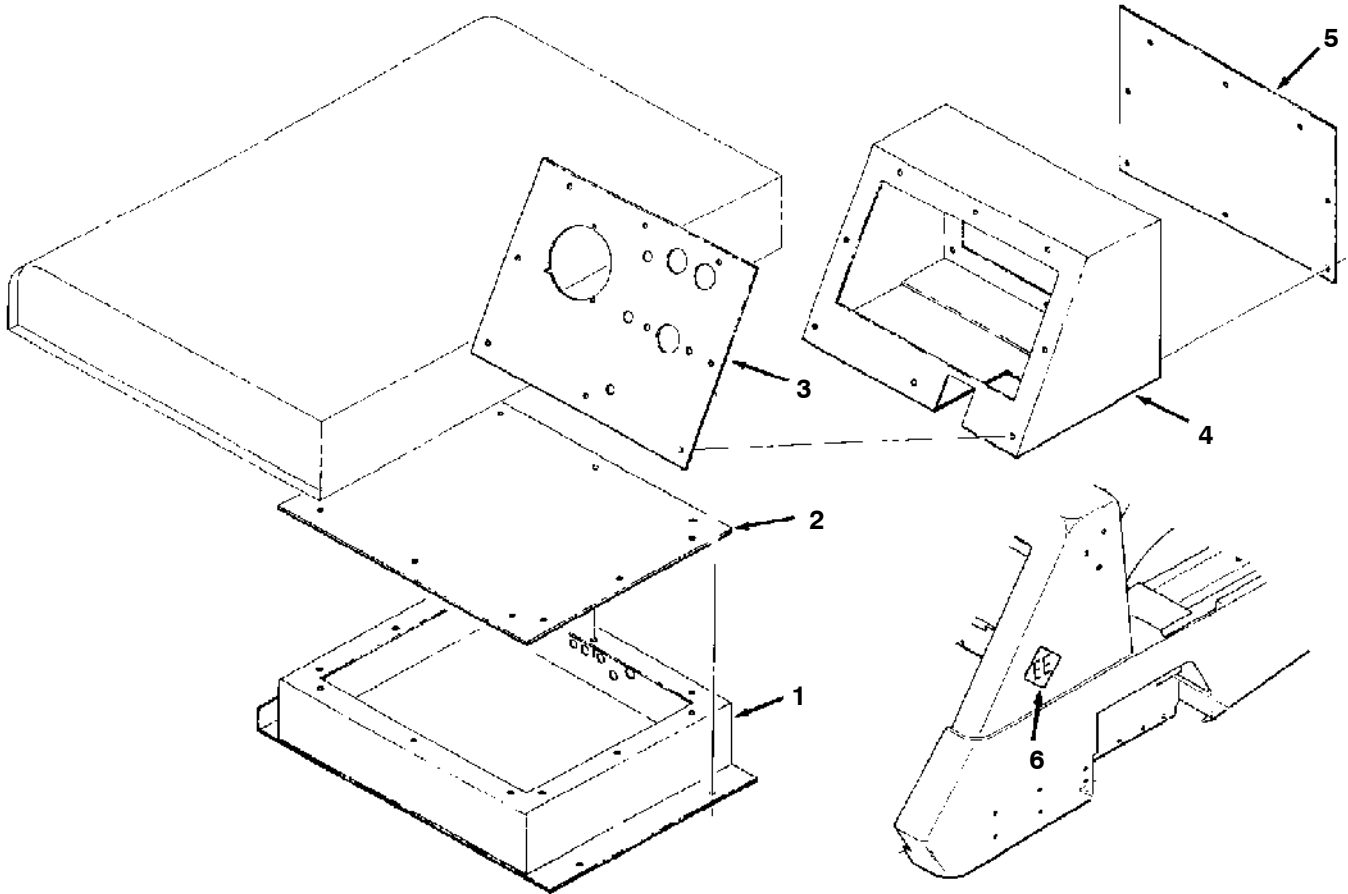


Fig. 1 – Instrument and Component Panel Group, EE

05593

Key	TENNANT Part No.	Machine Serial Number	Description	Qty.
1	39220	(000000–)	Panel, Component	1
2	45229	(000000–)	Cover, Panel	1
3	45347	(000000–)	Plate, Front	1
4	45344	(000000–)	Panel, Instrument	1
5	45345	(000000–)	Plate, Back	1
6	08823	(000000–)	Label, EE	1
	23072	(000000–)	Strainrelief (Multi-Level Dump Model only)	3
	23072	(000000–)	Strainrelief (Low Dump Model only)	5
	45239	(000000–)	Strainrelief	3
	45240	(000000–)	Strainrelief	2
	45241	(000000–)	Strainrelief	1
	10125	(000000–)	Nut, Lock	6
	18217	(000000–)	Nut, Lock	2
	24520–1	(000000–)	Plate, Hole Cover	1
	45246	(000000–)	Wire Kit	1
	45251	(000000–)	Cord Assembly	1
	45252	(000000–)	Cord Assembly	1
	45255	(000000–)	Wire Assembly	1
	47178–4	(000000–)	Plugbutton	4
	32673	(000000–)	Wire Kit	1
	32672	(000000–)	Cable Assembly, Motor	1
	45296	(000000–)	Decal, Battery Required	1
	45257	(000000–)	Switch, Micro	1
	45256	(000000–)	Bracket, L	1

Key	TENNANT Part No.	Machine Serial Number	Description	Qty.
	45216	(000000–)	Filter Box (Low Dump Model only)	1
	44935	(000000–005096)	Band Kit, Motor Enclosure F/31891	1
	61393	(005097–)	Band Kit, Motor Enclosure	1
	33710	(000000–)	Bumper (Multi-Level Dump Model only)	1
	30534	(000000–)	End, Front Bumper (Multi-Level Dump Model only)	1
	36955	(000000–)	Guard, Side Brush Arm (Multi-Level Dump Model only)	1
	04733–11	(000000–)	Pin, Clevis (Multi-Level Dump Model only)	1

SECTION 8

CONTENTS

	Page
ORDERING REPAIR PARTS	8-3
Fig. 1 – Revolving Light Kit	8-4
Fig. 2 – Revolving Light Kit, EE	8-5
Fig. 3 – Operating Light Kit, Lintel Mount, Low Dump	8-6
Fig. 4 – Operating Light Kit, Lintel Mount, Multi-Level Dump	8-7
Fig. 5 – Operating Light Kit, Lintel Mount, EE	8-8
Fig. 6 – Overhead Guard Kit	8-9
Fig. 7 – Bumper Kit, Low Dump, (Prepped for Scrubbing)	8-10
Fig. 8 – Bumper Kit, Low Dump, EE (Not Prepped for Scrubbing)	8-11
Fig. 9 – Bumper Kit, Low Dump, EE (Prepped for Scrubbing)	8-12
Fig. 10 – Bumper Kit, Multi-Level Dump, EE ..	8-13
Fig. 11 – Prep For Scrub Kit	8-14
Fig. 12 – Detergent Distribution Group	8-15
Fig. 13 – Scrub Tank Frame Group	8-16
Fig. 14 – Solution and Recovery Tanks Group	8-18
Fig. 15 – Main Scrub Brush Drive Group	8-20
Fig. 16 – Rear Squeegee Group	8-22
Fig. 17 – Side Squeegee Group	8-24
Fig. 18 – Hour Meter Kit, EE	8-25
Fig. 19 – Charger Kit, 1 PH	8-25
Fig. 20 – Charger Kit, 3 PH	8-25
Fig. 21 – Battery Group, EE	8-26
Fig. 22 – Battery Group, Wet	8-26
Fig. 23 – Battery Group, Dry (Export only) ...	8-26
Fig. 24 – Motor Enclosure Band Kit	8-26
Fig. 25 – Motor Enclosure Band Kit	8-26
Fig. 26 – Motor Enclosure Band Kit	8-26
Fig. 27 – Squeegee Blade Kit	8-26
Fig. 28 – Hopper Dolly Assembly, Low Dump	8-27
Fig. 29 – Scrub Vacuum Fan Drive Group, EE	8-28
Fig. 30 – Vacuum Fan Assembly, EE	8-30
Fig. 31 – Solution and Recovery Tanks Group, EE	8-32
Fig. 32 – Main Scrub Brush Drive Group, EE .	8-34
Fig. 33 – Scrub Tank Frame Group, EE	8-36
Fig. 34 – Detergent Distribution Group, EE ...	8-38
Fig. 35 – Maximum Path Side Brush Group ..	8-39

NOTE: SECTION 8, OPTIONS, lists repair parts included as part of the available options.

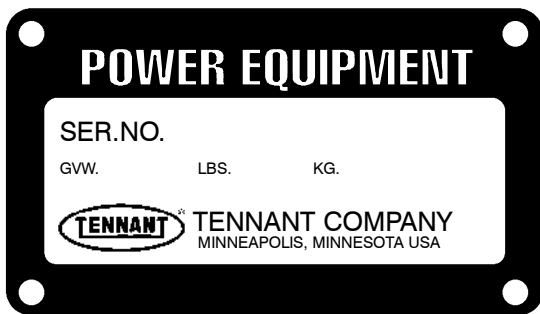
ORDERING REPAIR PARTS

The components used in this machine have been carefully selected for performance and safety. Use only Tennant Company specified or equivalent parts.

To receive prompt service in filling of your parts orders, please direct all orders for parts with Tennant Company part numbers to the Tennant Company, and all orders for parts with vendor part numbers to the local supplier of the respective vendor.

When ordering parts, please furnish all of the following information:

1. Machine model number - shown on the machine data plate.



2. Machine serial number - shown on the machine data plate.
3. Power source - gasoline, LPG, diesel, electric.
4. Company name.
5. Shipping address.
6. Billing address.
7. Name, first and last - of person ordering parts.
8. Telephone number.
9. Purchase order number.
10. Part number, description, and quantity - of each item on the order.
11. Customer ID Number.

Do not order parts by key number or the figure number of the illustrated parts. Indented items indicate parts of assemblies. Standard hardware is furnished only when part of a purchased assembly. Please get hardware from a local hardware supplier.

If the old part cannot be identified, send it to us with the quantity needed specified on the order.

Any claim for loss or damage to a shipment in transit should be filed promptly against the transportation company making the delivery. Shipments will be complete unless the packing list or order acknowledgement indicate items back ordered.

If parts received are suspected to be incorrect or defective, please write, wire, or phone the Tennant Company representative from whom you ordered the part. They will give authorization for return and/or handle replacement shipments when required.

SERIAL NUMBER INFORMATION EXPLANATION

Serial number listings are shown to indicate on which machines each part can be used. These listings are explained by the following examples:

(000000—) The part can be used on all machines.

(003342—) The part can be used on all machines beginning with the serial number listed.

(000000—004320) The part can be used on all machines up to and including serial number listed.

(004321—005678) The part can be used on all machines between and including the serial numbers listed.

Where xxxxxx's are listed in place of a serial number, it indicates a change was made but the exact serial number had not been established when the catalog went to press.

SI UNITS OF MEASURE (INTERNATIONAL SYSTEM)

Metric equivalents have been included, where applicable, throughout this parts catalog.

FASTENER STRENGTH IDENTIFICATION

Fasteners required to have high—strength qualities equivalent to SAE Grade 8 are identified throughout this catalog by the description GR 8. Unless identified by this description, all standard fasteners are SAE Grade 5.

(Specifications and design subject to change without notice.)

01928

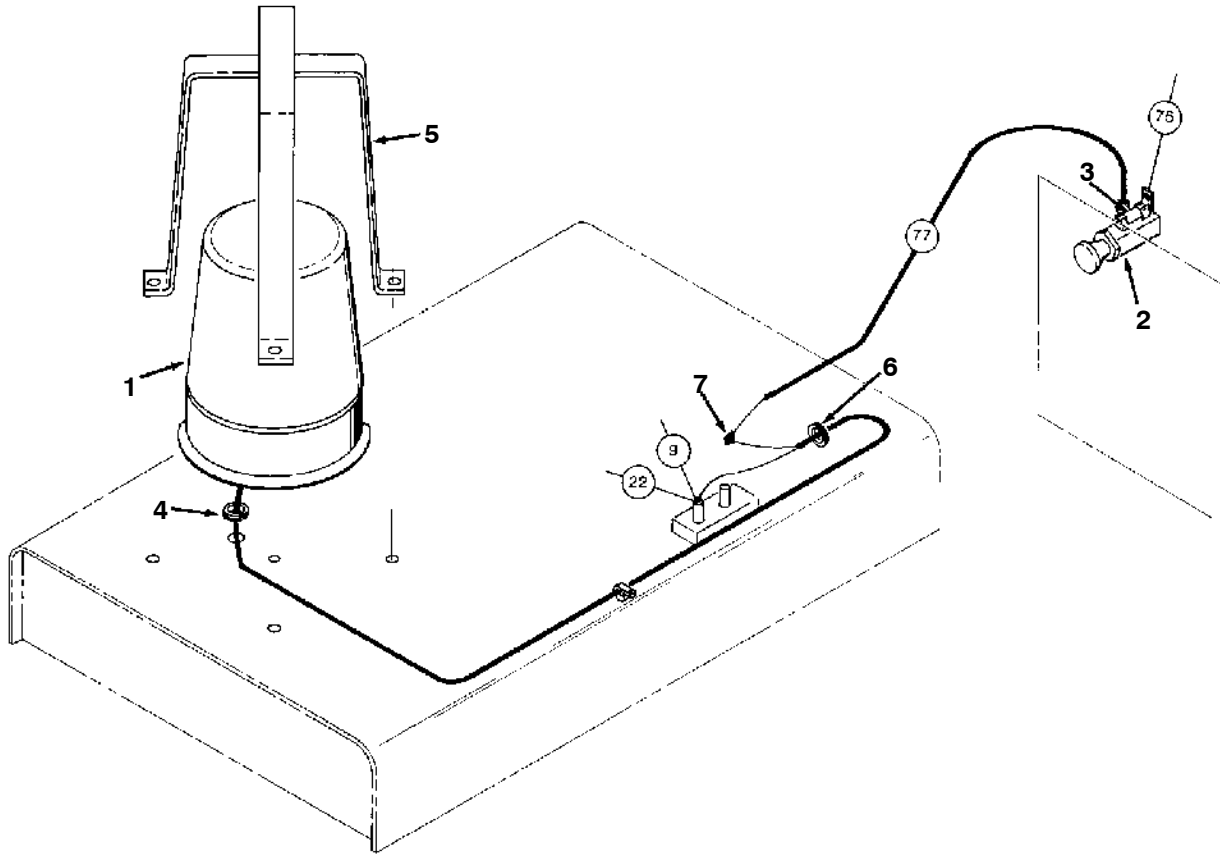


Fig. 1 – Revolving Light Kit

05594

Key	TENNANT Part No.	Machine Serial Number	Description	Qty.
1	41533	(000000–)	Light Kit, Revolving, Amber	1
	44683–1	(000000–)	Light Assembly, Revolving, Amber	1
	44681–1	(000000–)	Lens, Amber	1
	45283	(000000–)	Lamp	1
2	44679	(000000–)	Switch	1
	07423	(000000–)	Fuse, 15 A	1
4	10127	(000000–)	Grommet	1
5	45272	(000000–)	Guard, Light	1
6	10632–11	(000000–)	Grommet	1
7	15006	(000000–)	Terminal, Connector	1
	45335	(000000–)	Wire Kit, Revolving	1
	44897	(000000–)	Decal, Lights	1
	10632–8	(000000–)	Grommet	1
	41547	(000000–)	Light Assembly, Revolving, Red	1
	44681	(000000–)	Lens, Red	1
	41548	(000000–)	Light Assembly, Revolving, Blue	1
	44681–2	(000000–)	Lens, Blue	1

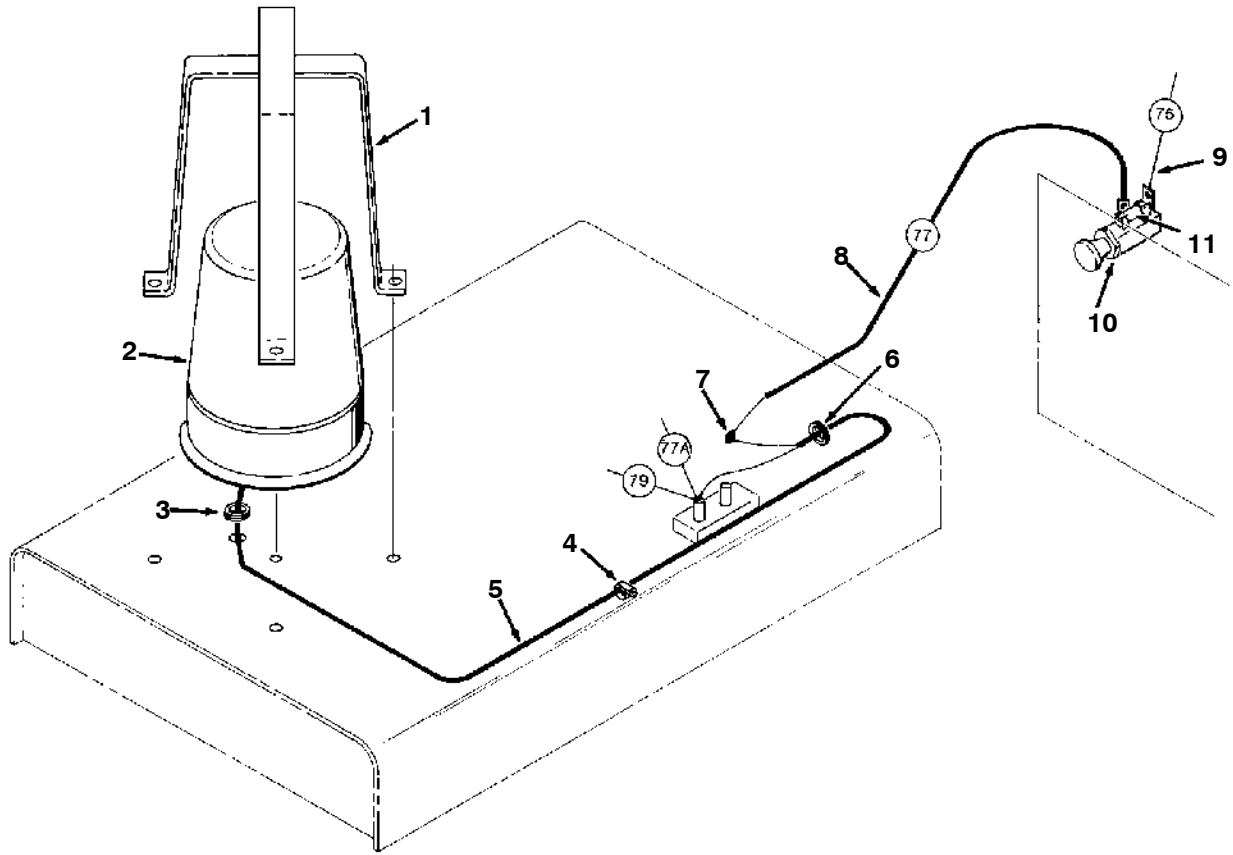


Fig. 2 – Revolving Light Kit, EE

05614

Key	TENNANT Part No.	Machine Serial Number	Description	Qty.
1	41535	(000000-)	Light Kit, Revolving, Amber	1
	45272	(000000-)	Guard, Light	1
	44683-1	(000000-)	Light Assembly, Revolving, Amber	1
	44681-1	(000000-)	Lens, Amber	1
	45283	(000000-)	Lamp	1
3	10127	(000000-)	Grommet	1
4	09385	(000000-)	Clamp, Cable	1
5	45275	(000000-)	Cord Assembly	1
6	23072	(000000-)	Strainrelief	1
7	10125	(000000-)	Nut, Lock	1
8	45269	(000000-)	Cord Assembly	1
9	45335	(000000-)	Wire Kit	1
10	44679	(000000-)	Switch	1
11	07423	(000000-)	Fuse, 15 A	1
	44897	(000000-)	Decal, Lights	1
	41547	(000000-)	Light Assembly, Revolving, Red	1
	44681	(000000-)	Lens, Red	1
	41548	(000000-)	Light Assembly, Revolving, Blue	1
	44681-2	(000000-)	Lens, Blue	1

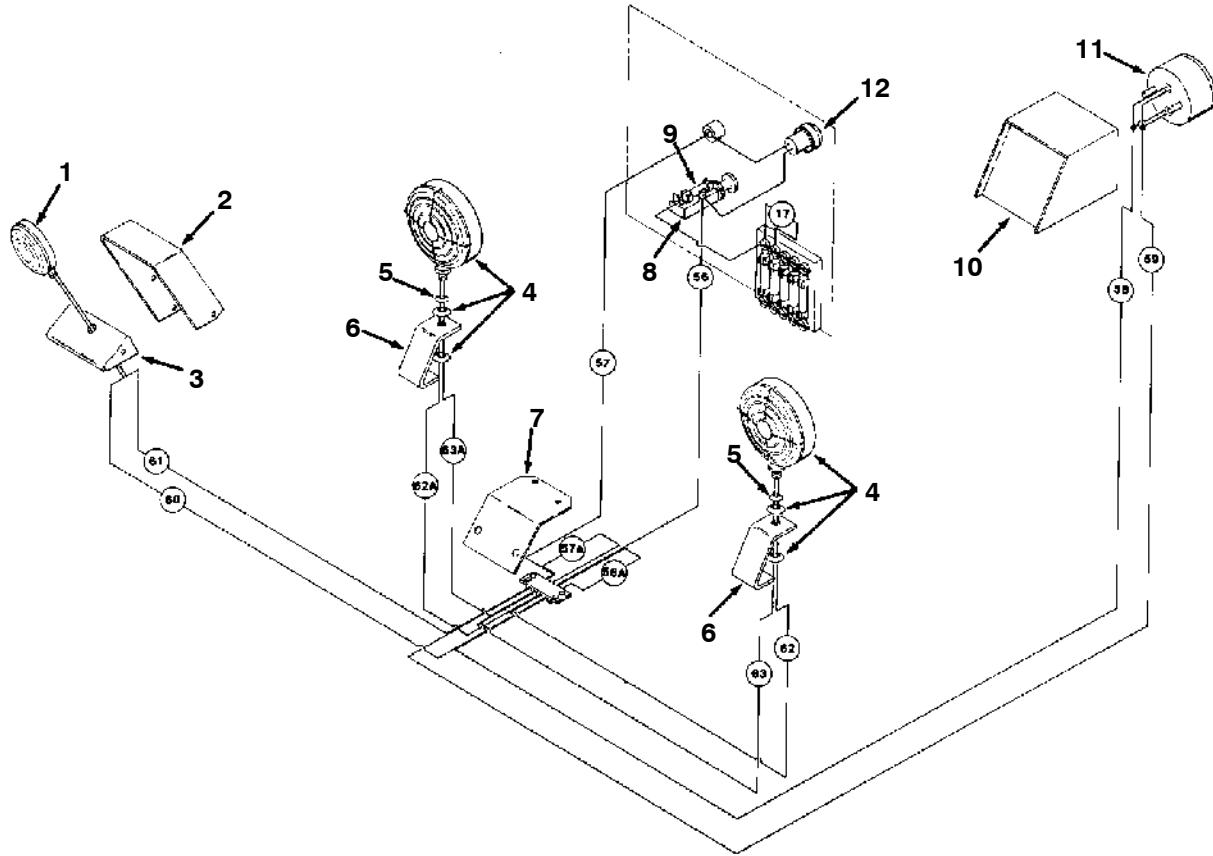


Fig. 3 – Operating Light Kit, Lintel Mount, Low Dump

05616

Key	TENNANT Part No.	Machine Serial Number	Description	Qty.
1	45360	(000000–)	Light Kit, Operating	1
	45282	(000000–)	Spotlight Assembly	1
	45283	(000000–)	Lamp	1
2	45321	(000000–)	Guard, Spotlight	1
3	45318	(000000–)	Mount, Spotlight	1
4	45365	(000000–)	Headlight Assembly	2
5	24227	(000000–)	Washer, Dished	4
6	33545	(000000–)	Bracket, Headlight	2
7	45368	(000000–)	Plate, Mount	1
8	44679	(000000–)	Switch	1
9	07423	(000000–)	Fuse, 15 A	1
10	45310	(000000–)	Bracket, Taillight	1
11	45366	(000000–)	Taillight Assembly	1
	45375	(000000–)	Lamp	1
	45389	(000000–)	Light Assembly, Panel	1
	45390	(000000–)	Lamp	1
	04756	(000000–)	Nut, Wire	2
	45370	(000000–)	Wire Kit	1
	01574	(000000–)	Grommet	1
	10632–8	(000000–)	Grommet	1
	44897	(000000–)	Label, Lights	1
	09385	(000000–)	Clamp, Cable	1
	10127	(000000–)	Grommet	1

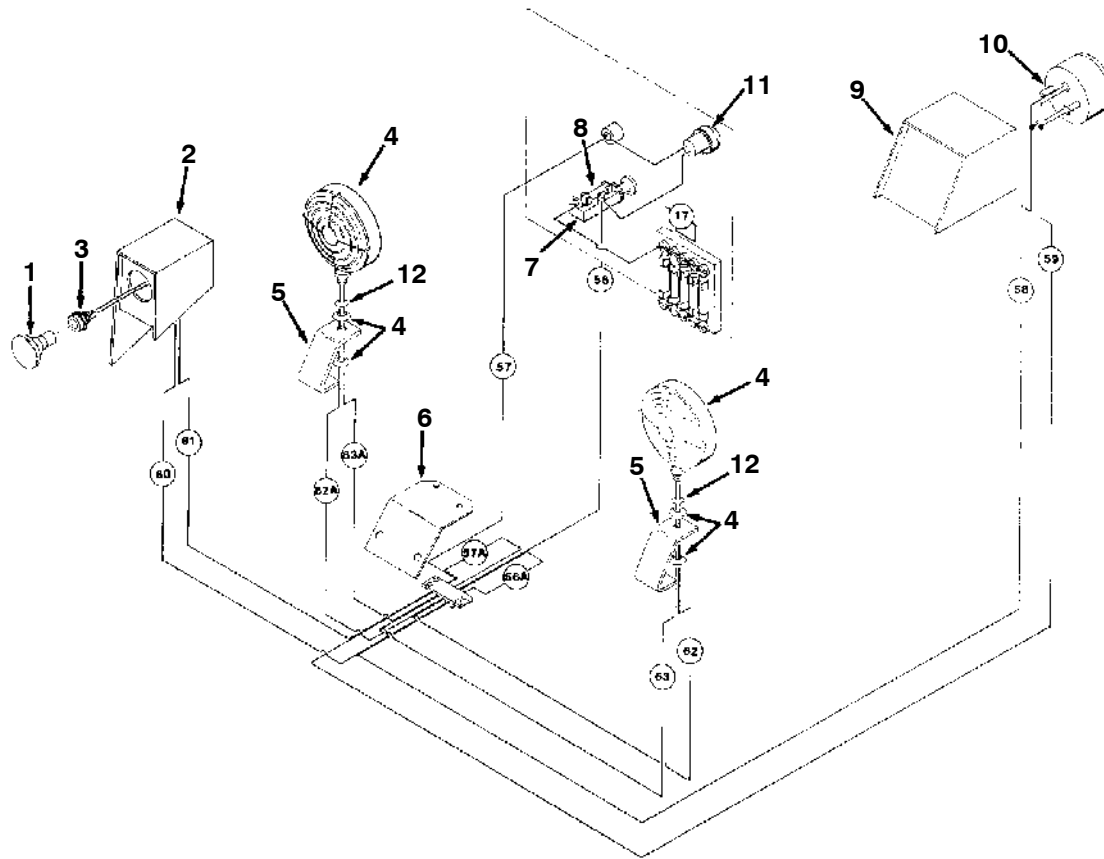


Fig. 4 – Operating Light Kit, Lintel Mount, Multi-Level Dump

05719

Key	TENNANT Part No.	Machine Serial Number	Description	Qty.
	45790	(000000–)	Light Kit, Operating	1
1	45789	(000000–)	Spotlight	1
2	45787	(000000–)	Guard, Spotlight	1
3	56387	(000000–)	Socket, Lamp	1
4	45365	(000000–)	Headlight Assembly	2
5	33545	(000000–)	Bracket, Headlight	2
6	45368	(000000–)	Plate, Mount	1
7	44679	(000000–)	Switch	1
8	07423	(000000–)	Fuse, 15 A	1
9	45310	(000000–)	Bracket, Taillight	1
10	45366	(000000–)	Taillight Assembly	1
	45375	(000000–)	Lamp	1
11	45389	(000000–)	Light Assembly, Panel	1
	45390	(000000–)	Lamp	1
12	24227	(000000–)	Washer, Dished	8
	04756	(000000–)	Nut, Wire	2
	45370	(000000–)	Wire Kit	1
	01574	(000000–)	Grommet	1
	56390	(000000–)	Grommet	1
	44897	(000000–)	Decal, Lights	1
	09385	(000000–)	Clamp, Cable	1
	10127	(000000–)	Grommet	1
	45788	(000000–)	Wire Assembly	2

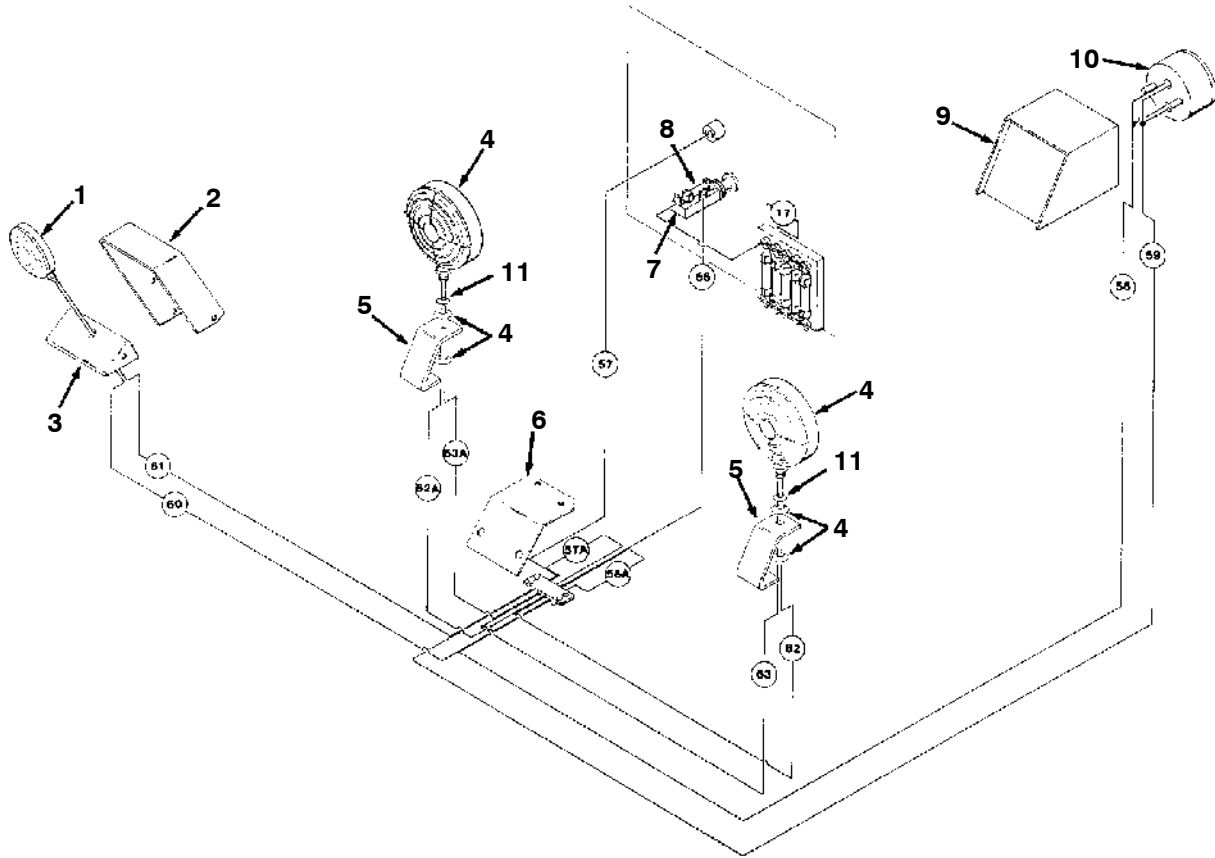


Fig. 5 – Operating Light Kit, Lintel Mount, EE

05720

Key	TENNANT Part No.	Machine Serial Number	Description	Qty.
1	45208	(000000–)	Light Kit, Operating	1
	45282	(000000–)	Spotlight Assembly	1
	45283	(000000–)	Lamp	1
2	45321	(000000–)	Guard, Spotlight	1
3	45318	(000000–)	Mount, Spotlight	1
4	45365	(000000–)	Headlight Assembly	2
5	33545	(000000–)	Bracket, Headlight	2
6	45368	(000000–)	Plate, Mount	2
7	44679	(000000–)	Switch	1
8	07423	(000000–)	Fuse, 15 A	1
9	45310	(000000–)	Bracket, Taillight	1
10	45366	(000000–)	Taillight Assembly	1
	45375	(000000–)	Lamp	1
	01574	(000000–)	Grommet	1
	45372	(000000–)	Wire Kit	1
	45362	(000000–)	Wire Assembly	1
11	33724	(000000–)	Wire Harness	1
	45373	(000000–)	Cord Assembly	1
	24227	(000000–)	Washer, Dished	4
	09385	(000000–)	Clamp, Cable	4
	10127	(000000–)	Grommet	1
	23072	(000000–)	Strainrelief	1
	10125	(000000–)	Nut, Lock	1
	45224	(000000–)	Terminal, Female	2
	44897	(000000–)	Decal, Lights	1

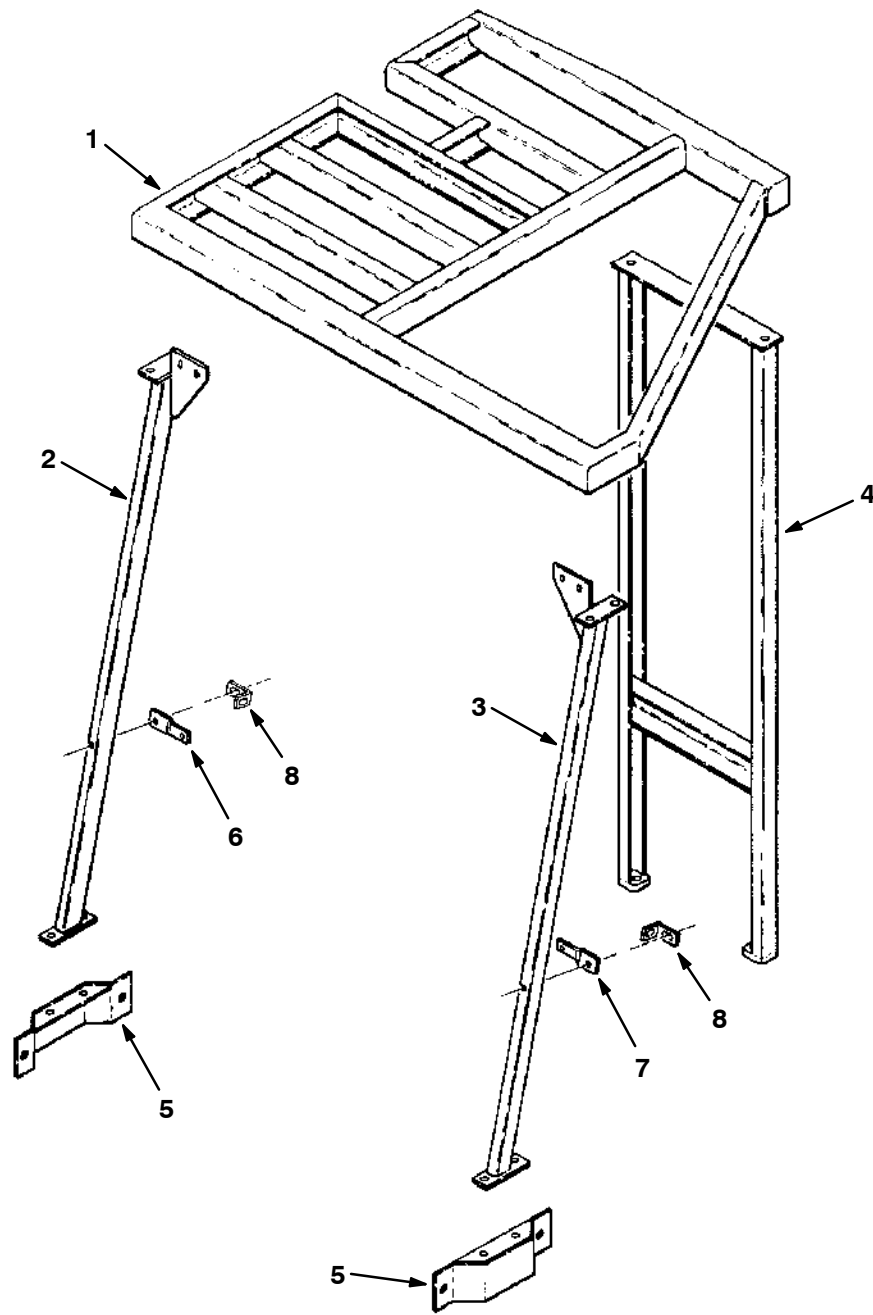


Fig. 6 – Overhead Guard Kit

05721

Key	TENNANT Part No.	Machine Serial Number	Description	Qty.
	35575	(000000–)	Guard Kit, Overhead	1
1	44632	(000000–)	Guard, Top	1
2	33717	(000000–)	Leg, Front, R.H.	1
3	33715	(000000–)	Leg, Front, L.H.	1
4	44636	(000000–)	Support,Rear	1
5	54453	(000000–)	Plate, Front, Base	2
6	33577	(000000–)	Bracket, R.H. (Low Dump only)	1
7	33578	(000000–)	Bracket, L.H. (Low Dump only)	1
8	33576	(000000–)	Angle, Support, (Multi–Level Dump only)	2

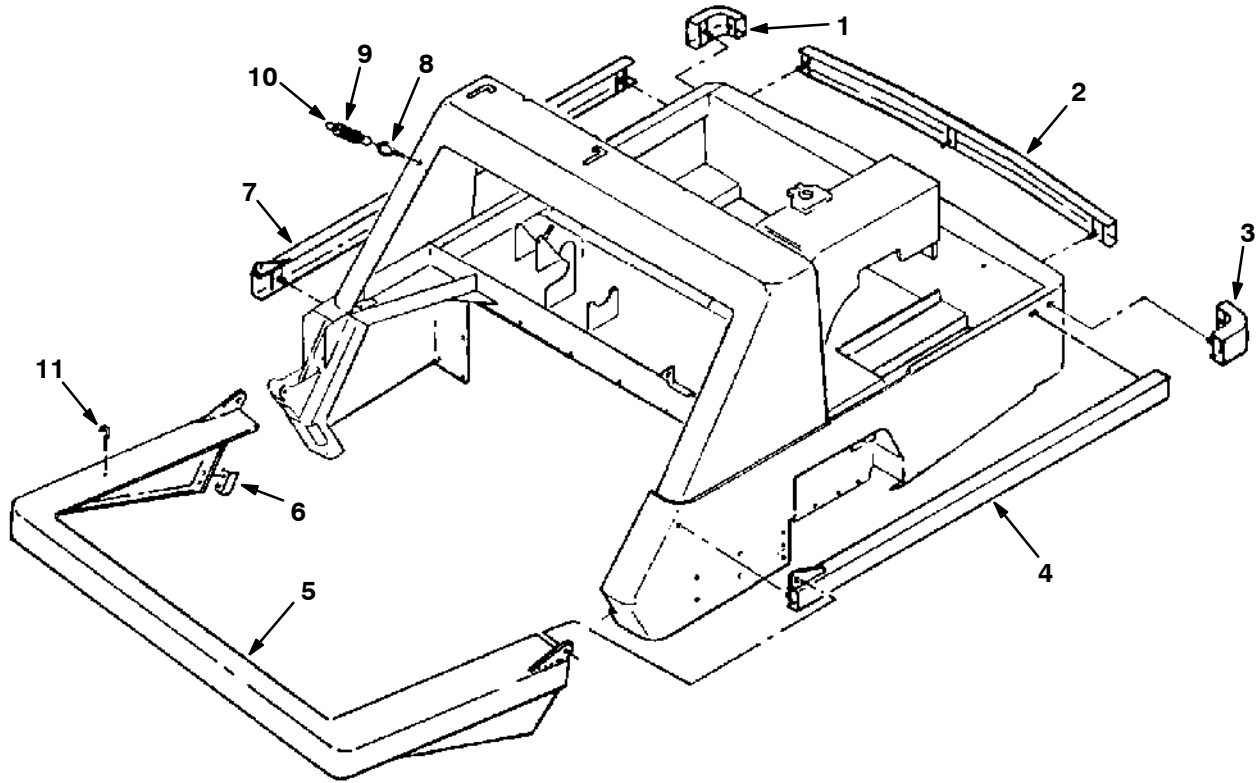


Fig. 7 – Bumper Kit, Low Dump (Prepped for Scrubbing)

07391

Key	TENNANT Part No.	Machine Serial Number	Description	Qty.
	47717	(000000–)	Bumper Kit, Low Dump	1
1	44596	(000000–)	Bumper, Corner, R.H.	1
2	44600	(000000–)	Bumper, Rear	1
3	44593	(000000–)	Bumper, Corner, L.H.	1
4	44599	(000000–)	Bumper, Side, L.H.	1
5	44602	(000000–)	Bumper Assembly, Front	1
6	82189	(000000–)	Bracket, L	2
7	44597	(000000–)	Bumper, Side, R.H.	1
	47280	(000000–)	Chain Assembly	1
8	11893	(000000–)	Bolt, Eye	1
9	47278	(000000–)	Tube, Chain Cover	1
10	47277	(000000–)	Chain	1
11	21097	(000000–)	Hook	1
	01318	(000000–)	Tip, Rubber	1
	25139	(000000–)	Label, Hazard–Raised Bumper	2

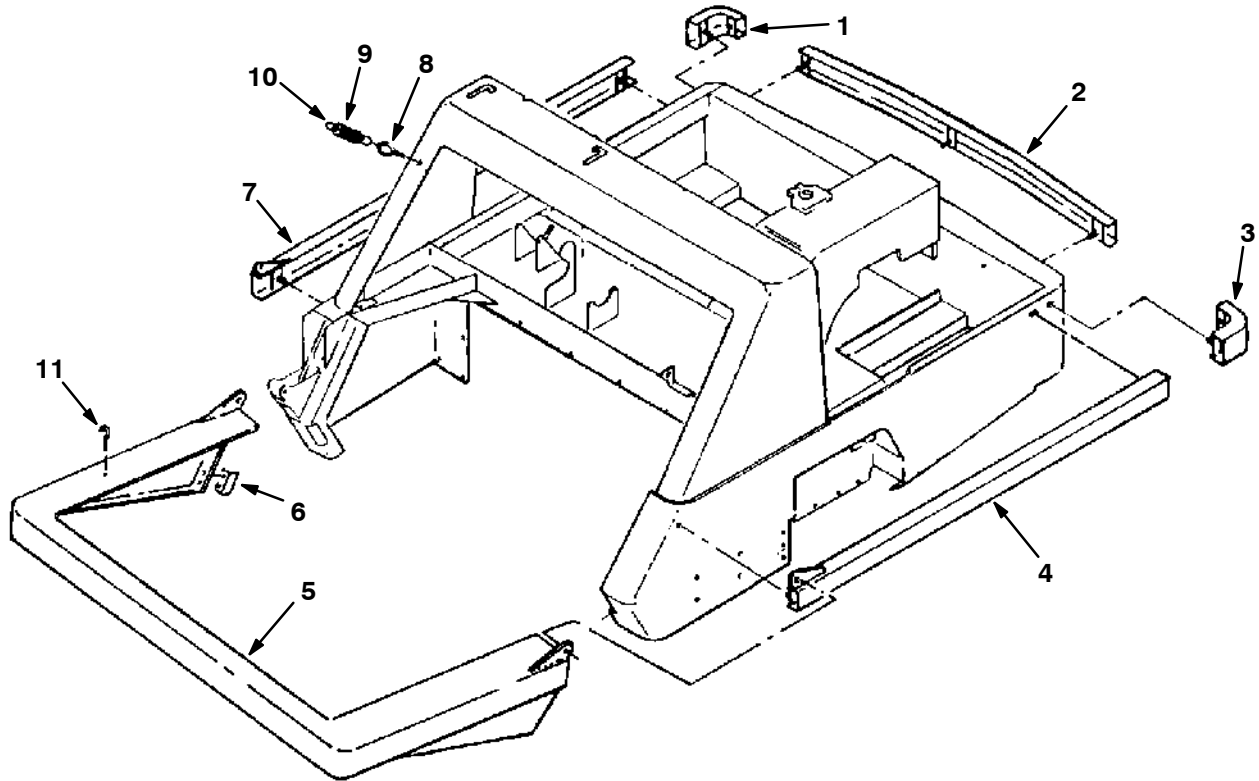


Fig. 8 – Bumper Kit, Low Dump, EE (Not Prepped for Scrubbing)

05724

Key	TENNANT Part No.	Machine Serial Number	Description	Qty.
	44592	(000000–)	Bumper Kit, Low Dump	1
1	44596	(000000–)	Bumper, Corner, R.H.	1
2	44600	(000000–)	Bumper, Rear	1
3	44593	(000000–)	Bumper, Corner, L.H.	1
4	44599	(000000–)	Bumper, Side, L.H.	1
5	61354	(000000–)	Bumper Assembly, Front	1
6	82189	(000000–)	Bracket, L	2
7	44597	(000000–)	Bumper, Side, R.H.	1
	47280	(000000–)	Chain Assembly	1
8	11893	(000000–)	Bolt, Eye	1
9	47278	(000000–)	Tube, Chain Cover	1
10	47277	(000000–)	Chain	1
11	21097	(000000–)	Hook	1
	01318	(000000–)	Tip, Rubber	1

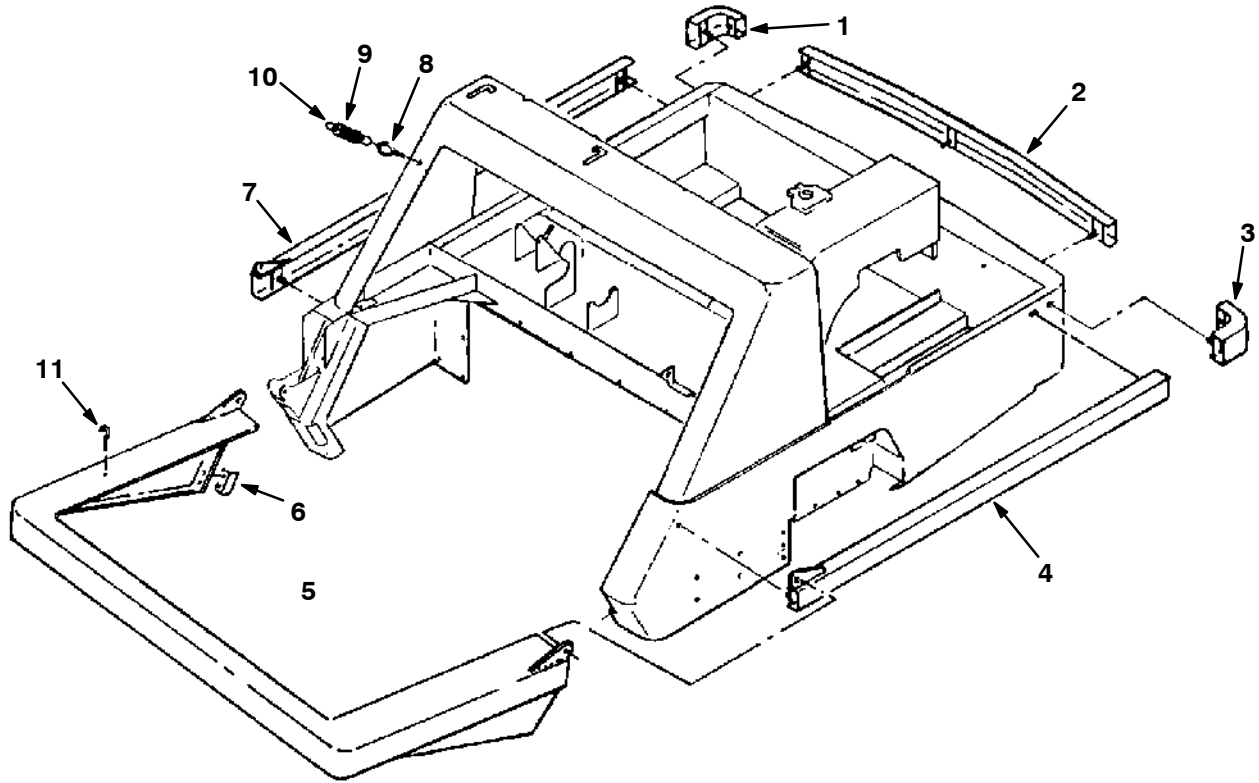


Fig. 9 – Bumper Kit, Low Dump, EE (Prepped for Scrubbing)

07392

Key	TENNANT Part No.	Machine Serial Number	Description	Qty.
	47717-1	(000000-)	Bumper Kit, Low Dump	1
1	44596	(000000-)	Bumper, Corner, R.H.	1
2	44600	(000000-)	Bumper, Rear	1
3	44593	(000000-)	Bumper, Corner, L.H.	1
4	44599	(000000-)	Bumper, Side, L.H.	1
5	44602-1	(000000-)	Bumper Assembly, Front	1
6	82189	(000000-)	Bracket,L	2
7	44597	(000000-)	Bumper, Side, R.H.	1
	47280	(000000-)	Chain Assembly	1
8	11893	(000000-)	Bolt, Eye	1
9	47278	(000000-)	Tube, Chain Cover	1
10	47277	(000000-)	Chain	1
11	21097	(000000-)	Hook	1
	01318	(000000-)	Tip, Rubber	1
	25139	(000000-)	Label, Hazard-Raised Bumper	2

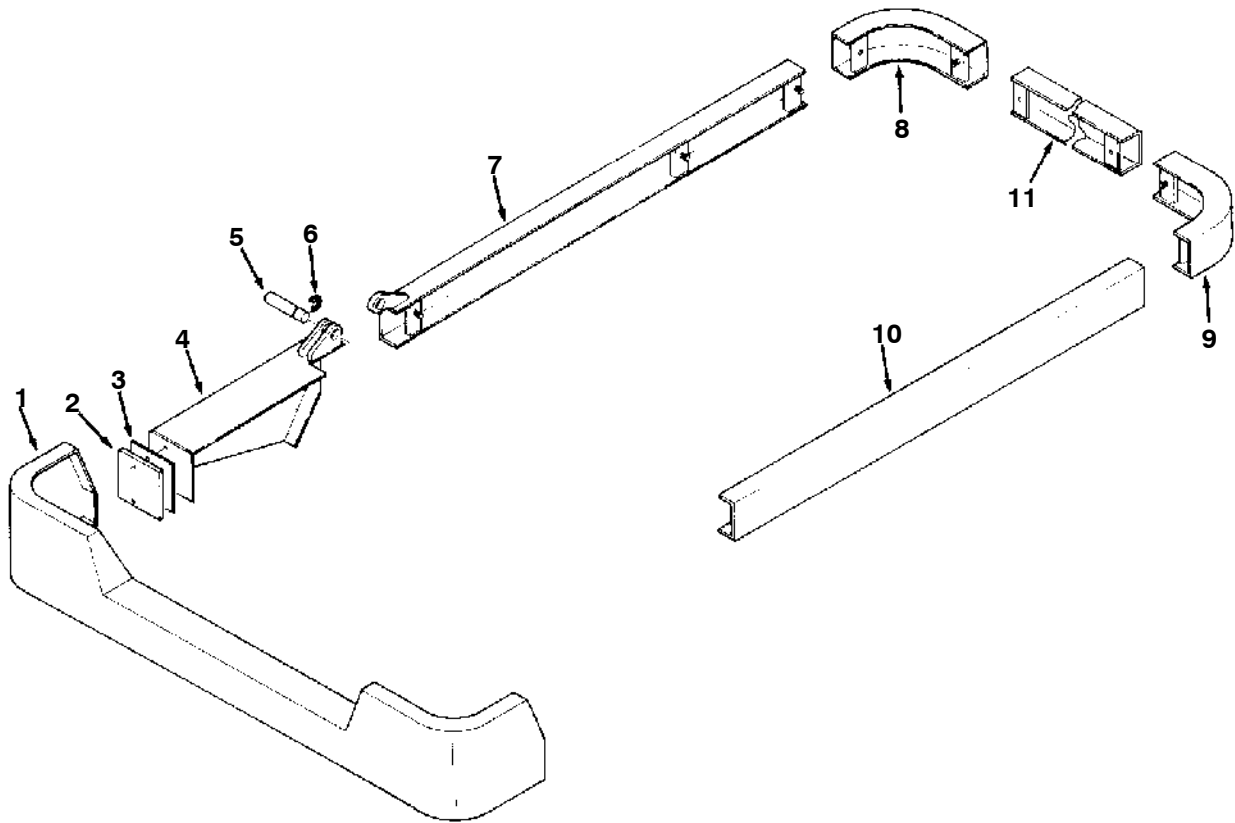


Fig. 10 – Bumper Kit, Multi-Level Dump, EE

05725

Key	TENNANT Part No.	Machine Serial Number	Description	Qty.
	37052	(000000–)	Bumper Kit, Multi-Level Dump	1
1	82496	(000000–)	Bumper, Front	1
2	36986	(000000–)	Plate	1
3	48951–1	(000000–)	Plate, End	1
4	36958	(000000–)	Bumper, R.H.	1
5	36993	(000000–)	Pin, Grooved	1
6	23788	(000000–)	Ring, Retaining, External	1
7	37051	(000000–)	Bumper, R.H.	1
8	44596	(000000–)	Bumper, Corner, R.H.	1
9	44593	(000000–)	Bumper, Corner, L.H.	1
10	37050	(000000–)	Bumper, L.H.	1
11	44600	(000000–)	Bumper, Rear	1

OPTIONS

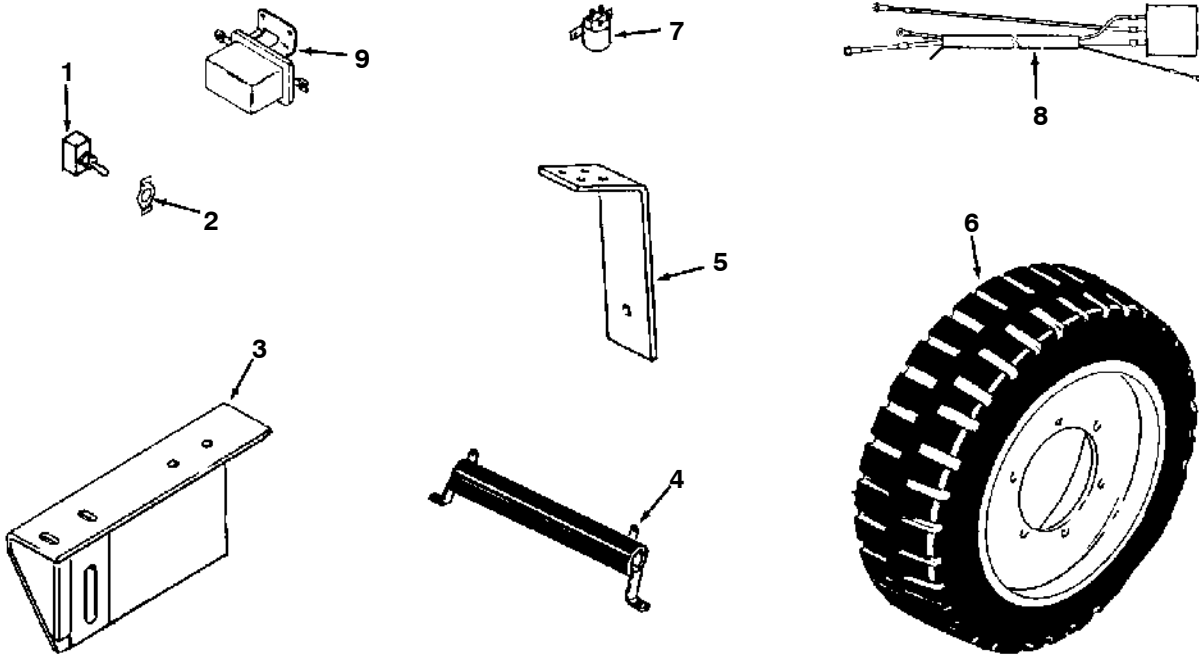


Fig. 11 – Prep For Scrub Kit

05726

Key	TENNANT Part No.	Machine Serial Number	Description	Qty.
	08828	(000000–)	Prep For Scrub Kit	1
1	10701	(000000–)	Switch	2
2	07421	(000000–)	Plate, Switch	2
3	46093	(000000–)	Extension, Side Brush Arm	1
4	47904	(000000–)	Resistor	1
5	46687	(000000–)	Bracket, Connector	1
6	45028A	(000000–)	Tire and Wheel Assembly	1
	45027A	(000000–)	Tire	1
7	45405	(000000–)	Contactora	2
8	45334	(000000–)	Wire Harness	1
9	44542	(000000–)	Relay	1
	04930	(000000–)	Fuse, 60 A	1
	45219	(000000–)	Wire Kit	1
	39218	(000000–)	Holder, Fuse	1
	45387	(000000–)	Fuse, 30 A	1
	32922	(000000–)	Holder, Fuse	1
	10632–2	(000000–)	Grommet, Rubber	1
	44901	(000000–)	Label, Scrubber Vac, Scrubber Brush	1
	15006	(000000–)	Terminal, Connector	1

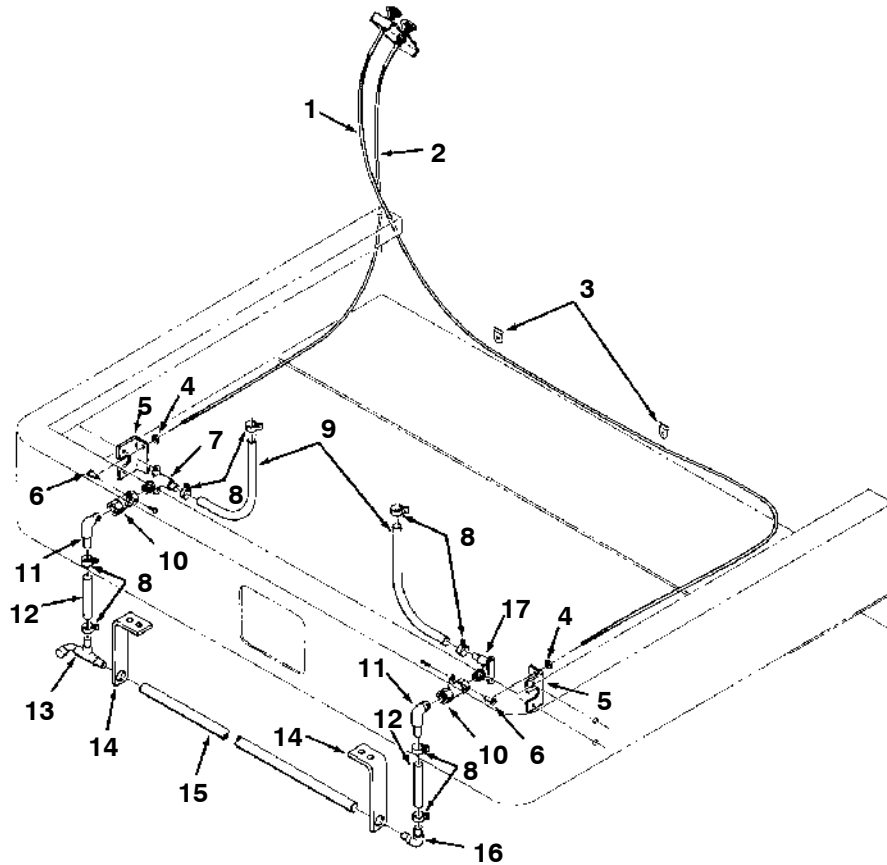


Fig. 12 – Detergent Distribution Group

05610

NOTE: Scrub Attachment, TENNANT Part Number 44682, includes Fig. 12, Fig. 13, Fig. 14, and Fig. 15.

Key	TENNANT Part No.	Machine Serial Number	Description	Qty.
1	43558A	(000000–)	Cable Assembly	1
2	43557A	(000000–)	Cable Assembly	1
3	09092–1	(000000–)	Clamp, Hold-Down	2
4	26683	(000000–)	Clamp, Cable	2
5	33880	(000000–)	Support, Valve	2
6	43242	(000000–)	Swivel	2
7	43372–1	(000000–)	Elbow	1
8	54333	(000000–)	Clamp, Worm Drive	8
9	45487–6	(000000–)	Hose, Vinyl	2
10	43379	(000000–)	Valve Assembly	2
11	43376	(000000–)	Elbow	2
12	43377	(000000–)	Hose, Vinyl	2
13	43539	(000000–)	Divider Assembly	1
14	43507	(000000–)	Hanger	2
15	43506	(000000–)	Tube, Spreader	1
16	43411	(000000–)	Elbow	1
17	19867	(000000–)	Fitting Assembly, Elbow	1
	43560	(000000–)	Clamp, Cable	1
	33887	(000000–)	Strip, Water Valve Support	1
	33890	(000000–)	Hose, Vinyl, 4.75" Long	1
	24930	(000000–)	Clamp, Conduit, 0.50" Dia.	1

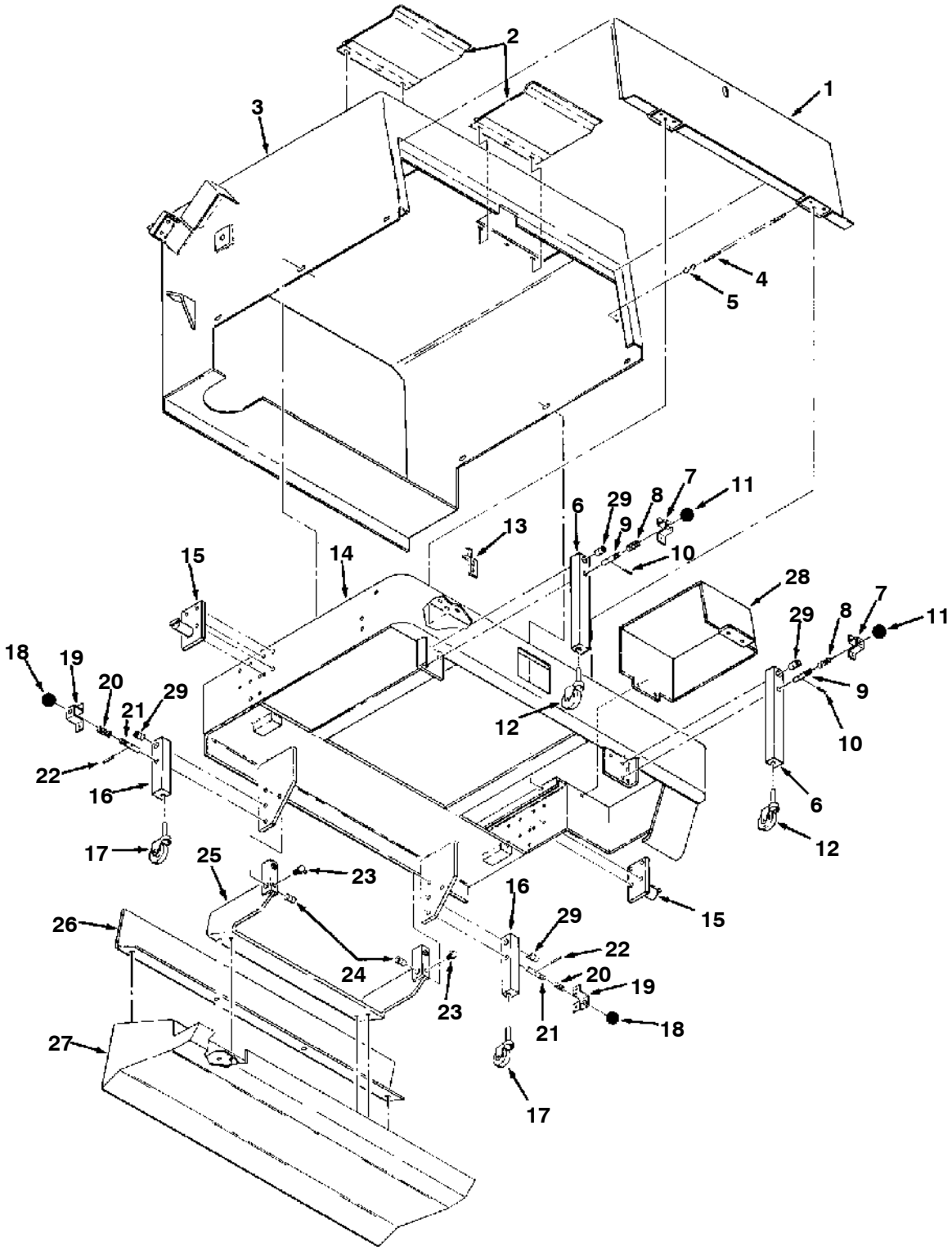


Fig. 13 – Scrub Tank Frame Group

Fig. 13 – Scrub Tank Frame Group

NOTE: Scrub Attachment, TENNANT Part Number 44682, includes Fig. 12, Fig. 13, Fig. 14, and Fig. 15.

Key	TENNANT Part No.	Machine Serial Number	Description	Qty.
1	43079	(000000–)	Panel and Label Assembly, Access	1
2	43287	(000000–)	Lid	2
3	43564	(000000–)	Frame, Main	1
4	43203	(000000–)	Chain	1
5	43363	(000000–)	Hook, S	1
6	43660	(000000–)	Front Leg Assembly	2
7	43030	(000000–)	Bracket, Pin	1
8	04428A	(000000–)	Spring, Compression	1
9	32449	(000000–)	Pin, Threaded	1
	39334	(000000–)	Screw, Set	1
10	20160	(000000–)	Pin, Roll	1
11	26565	(000000–)	Knob	1
12	43616	(000000–)	Caster	1
13	43249	(000000–)	Support, L.H.	2
14	45459	(000000–)	Bumper	1
15	43039	(000000–)	Support	2
16	43661	(000000–)	Rear Leg Assembly	2
17	43616	(000000–)	Caster	1
18	26565	(000000–)	Knob	1
19	43030	(000000–)	Bracket, Pin	1
20	04428A	(000000–)	Spring, Compression	1
21	32449	(000000–)	Pin, Threaded	1
22	20160	(000000–)	Pin, Roll	1
	39334	(000000–)	Screw, Set	1
23	11048	(000000–)	Fitting, Grease	2
24	26065	(000000–)	Bushing, Sleeve	3
25	43005	(000000–)	Support, Trough	1
26	53368	(000000–)	Shield, Spray	1
27	43004	(000000–)	Trough, Pickup	1
	46276	(000000–)	Decal, Scrubber	1
	44024	(000000–)	Decal, Horn Blows	1
	43566	(000000–)	Decal, Water Control	1
	46847	(000000–)	Decal, Detergent Recommended	1
	44695	(000000–)	Decal, Scrubbing Instructions	1
	33884	(000000–)	Label, Scrub Vac Fan Filter	1
28	45460	(000000–)	Cover, Motor	1
29	43609	(000000–)	Sleeve	4

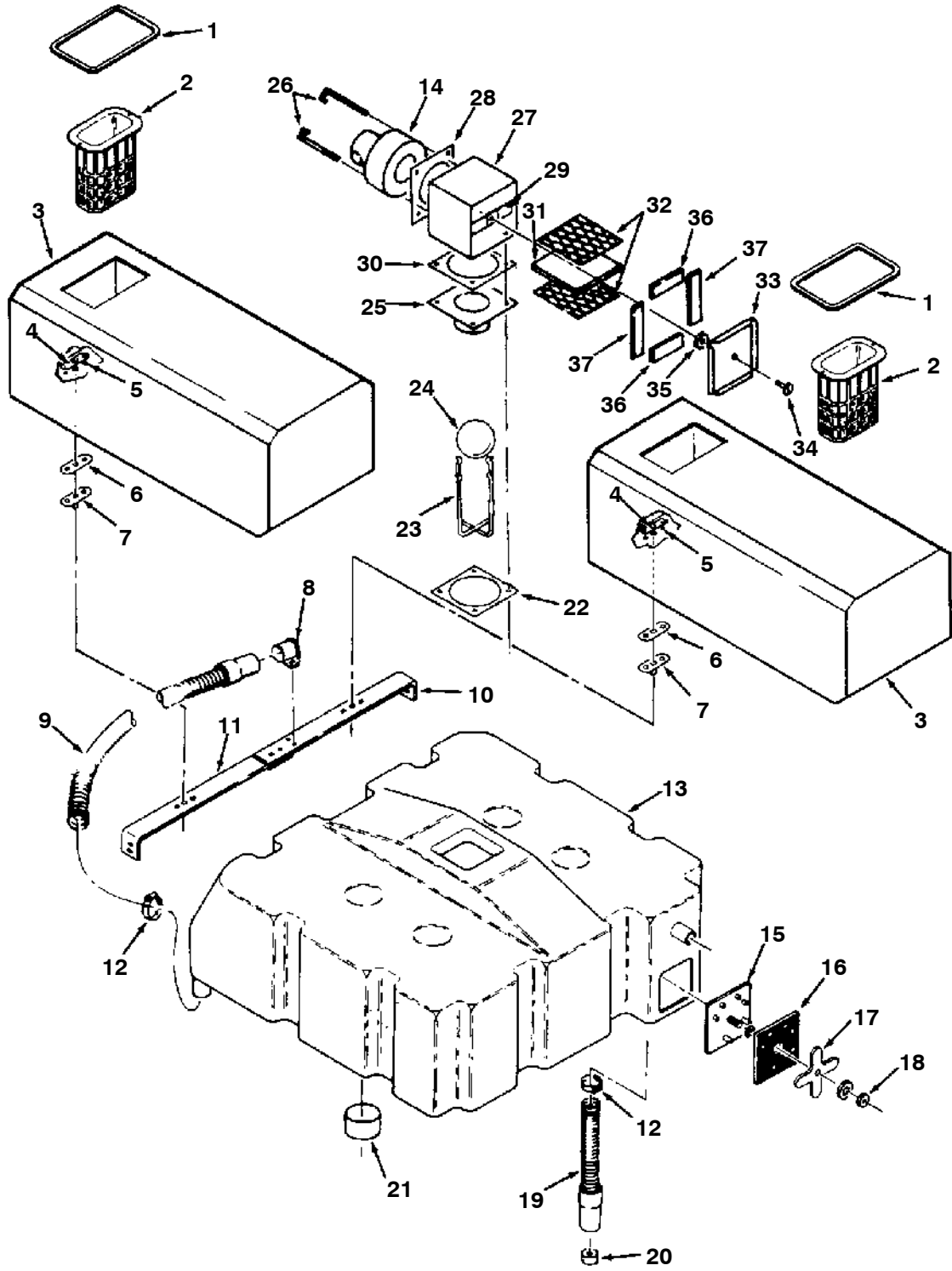


Fig. 14 – Solution and Recovery Tanks Group

Fig. 14 – Solution and Recovery Tanks Group

NOTE: Scrub Attachment, TENNANT Part Number 44682, includes Fig. 12, Fig. 13, Fig. 14, and Fig. 15.

Key	TENNANT Part No.	Machine Serial Number	Description	Qty.
1	43382	(000000–)	Gasket, Lid	2
2	43516A	(000000–)	Basket, Soap	2
3	43677	(000000–)	Tank, Solution	2
4	43056	(000000–)	Flange	2
5	43454	(000000–)	Washer, Nylon	4
6	43016	(000000–)	Gasket	2
7	43057	(000000–)	Connector	2
8	20215	(000000–)	Plug	1
9	69207	(000000–)	Hose and Cuff Assembly, Vinyl	1
	20236	(000000–)	Cuff, Hose	1
10	43344–1	(000000–)	Bracket, Tank, Mounting, R.H.	1
11	43344–2	(000000–)	Bracket, Tank, Mounting, L.H.	1
12	11531	(000000–)	Clamp, Worm Drive	2
13	32267	(000000–)	Tank, Recovery	1
14	46690A	(000000–)	Motor, Vacuum, 36 V	1
15	32690	(000000–)	Door Assembly, Clean Out	2
16	32683	(000000–)	Seal, Door	1
17	32680	(000000–)	Cam, Locking	1
18	39274	(000000–)	Nut, Wing	1
19	43207	(000000–)	Hose and Cuff Assembly	1
20	46688	(000000–)	Sleeve	1
21	32677	(000000–)	Tube, Tank Locating	2
22	43552	(000000–)	Gasket	1
23	56489	(000000–)	Guide, Float	1
24	43170	(000000–)	Float, Ball	1
25	47476	(000000–)	Collar, Float	1
26	46756	(000000–)	Bolt, J	4
27	47782–1	(000000–)	Cannister Assembly, Vacuum Fan Filter	1
28	43552	(000000–)	Gasket	1
29	28165	(000000–)	Fastener	1
30	47791	(000000–)	Gasket, Vacuum Fan Filter	1
31	47789A	(000000–)	Element, Filter	1
32	47790	(000000–)	Screen, Filter	2
33	47787–1	(000000–)	Cover Assembly, Filter	1
34	25656	(000000–)	Screw, Thumb	1
35	26015	(000000–)	Fastener	1
36	47788	(000000–)	Seal, Foam Rubber	2
37	47792	(000000–)	Seal, Foam Rubber	2
	32685	(000000–)	Bolt, J, 3" Long	4

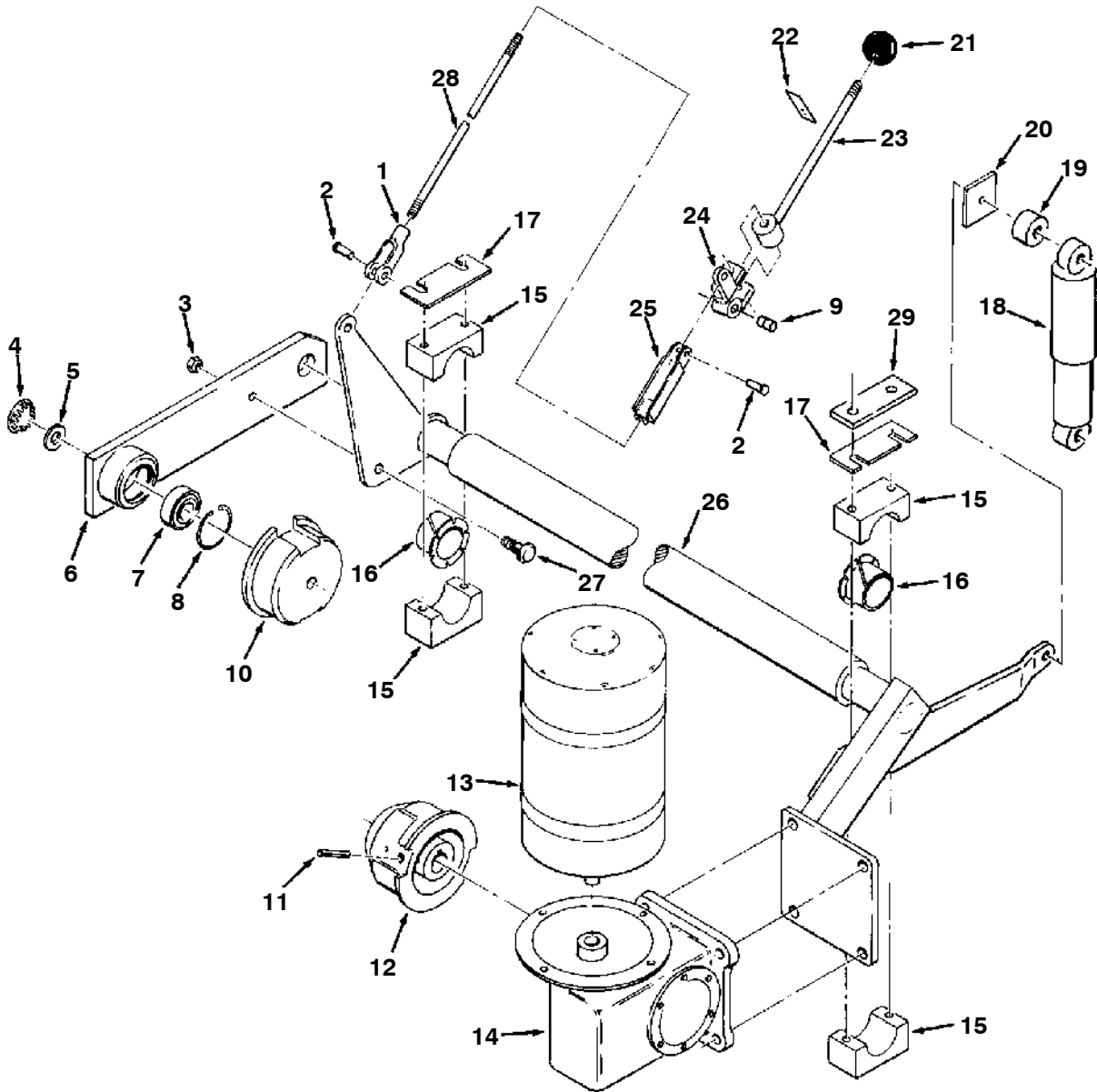


Fig. 15 – Main Scrub Brush Drive Group

Fig. 15 – Main Scrub Brush Drive Group

NOTE: Scrub Attachment, TENNANT Part Number 44682, includes Fig. 12, Fig. 13, Fig. 14, and Fig. 15.

Key	TENNANT Part No.	Scrub Attachment Serial Number	Description	Qty.
1	14330	(000000–)	Clevis, Adjustable	1
2	14331	(000000–)	Pin, Clevis	2
3	24339	(000000–)	Nut, Wheel	1
4	47178–13	(000000–)	Plugbutton	1
5	07026	(000000–)	Sleeve	1
6	46442	(000000–)	Arm, Brush	1
7	46390	(000000–)	Bearing,Ball	1
8	10464	(000000–)	Ring, Retaining, Internal	1
9	26065	(000000–)	Bushing	1
10	07037	(000000–)	Plug, Brush	1
11	51317	(000000–)	Pin, Roll	1
12	46468	(000000–)	Plug, Brush Drive	1
13	45388	(000000–)	Motor and Harness, Drive	1
	46691B	(000000–)	Motor, Electric (See Electrical Components)	1
	45526	(000000–)	Wire Kit	1
	33570	(000000–)	Shim, 0.08" (2.0 mm)	1
	33571	(000000–)	Shim, 0.06" (1.5 mm)	1
	33572	(000000–)	Shim, 0.04" (1.0 mm)	1
	33573	(000000–)	Shim, 0.02" (0.5 mm)	1
14	46467	(000000–)	Reducer,Gear	1
15	46605	(000000–)	Block, Bearing	2
16	46443	(000000–)	Bushing,Flange	2
17	46642–2	(000000–)	Shim	1
	46642–1	(000000–)	Shim	4
18	43652	(000000–)	Absorber, Shock	1
19	43653	(000000–)	Sleeve	1
20	43656	(000000–)	Strip	1
21	26156	(000000–)	Knob	1
22	46699	(000000–)	Stop, Lift Rod	1
23	45539	(000000–)	Handle, Lift Brush	1
24	43086	(000000–)	Crank	1
25	43502	(000000–)	Clevis	1
26	46439	(000000–)	Arm and Shaft, Brush, L.H.	1
27	32126	(000000–)	Stud, Wheel	1
28	46698	(000000–)	Stud	1
	47804	(000000–)	Pad, Neoprene	2
29	43681	(000000–)	Shim, 0.005" (0.1 mm)	1
29	43681–1	(000000–)	Shim, 0.010" (0.2 mm)	1
	23999–4	(000000–)	Pin, Roll, 0.25" Dia. 1" Long	2

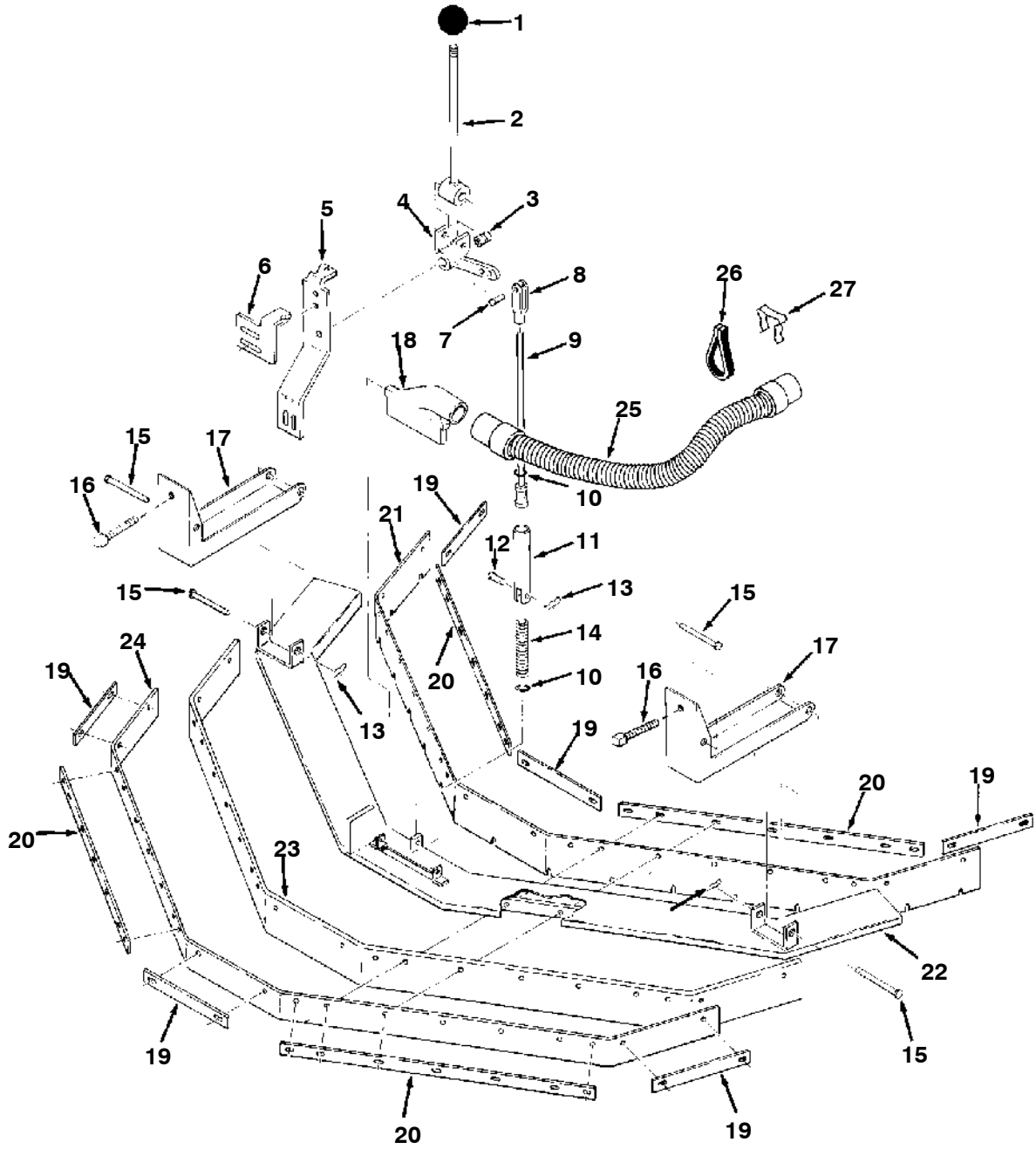


Fig. 16 – Rear Squeegee Group

Fig. 16 – Rear Squeegee Group

NOTE: Squeegee and Controls Kit, TENNANT Part Number 44704, includes Fig. 16 and Fig. 17.

Key	TENNANT Part No.	Machine Serial Number	Description	Qty.
1	26156	(000000–)	Knob	1
	44831	(000000–)	Lift Lever and Support Assembly	1
2	44774	(000000–)	Handle	1
3	26065	(000000–)	Bushing, Sleeve	1
4	44772	(000000–)	Crank, Lift	1
5	44776	(000000–)	Support	1
6	44775	(000000–)	Bracket, Stop Adjustment	1
7	14331	(000000–)	Pin, Clevis	1
8	14330	(000000–)	Clevis, Adjustable	1
9	44830	(000000–)	Piston and Rod Assembly	1
10	46419	(000000–)	Ring, Retaining, Internal	2
11	43543	(000000–)	Tube, Spring	1
	43611	(000000–)	Washer, Nylon	2
12	29557	(000000–)	Pin, Clevis	1
13	44906	(000000–)	Pin, Hair Cotter	3
14	43164	(000000–)	Spring, Compression	1
15	06474A	(000000–)	Pin, Clevis	4
16	44977	(000000–)	Screw, Set	2
17	44780	(000000–)	Link, Squeegee	2
	44714	(000000–)	Squeegee Assembly, Rear	1
18	07486	(000000–)	Nozzle, Suction	1
19	43316	(000000–)	Retainer	6
20	43314	(000000–)	Retainer	4
21	43322	(000000–)	Blade, Front	1
22	44788	(000000–)	Frame, Squeegee	1
23	60014	(000000–)	Blade, Squeegee	1
24	43324	(000000–)	Blade, Back Up, Neoprene	1
25	07472	(000000–)	Hose and Cuff Assembly, Vinyl	1
26	47795–1	(000000–)	Strap, Rubber	1
27	22473	(000000–)	Clip, Finger Grip	2
	43192	(000000–)	Cam, Pan Lock	1

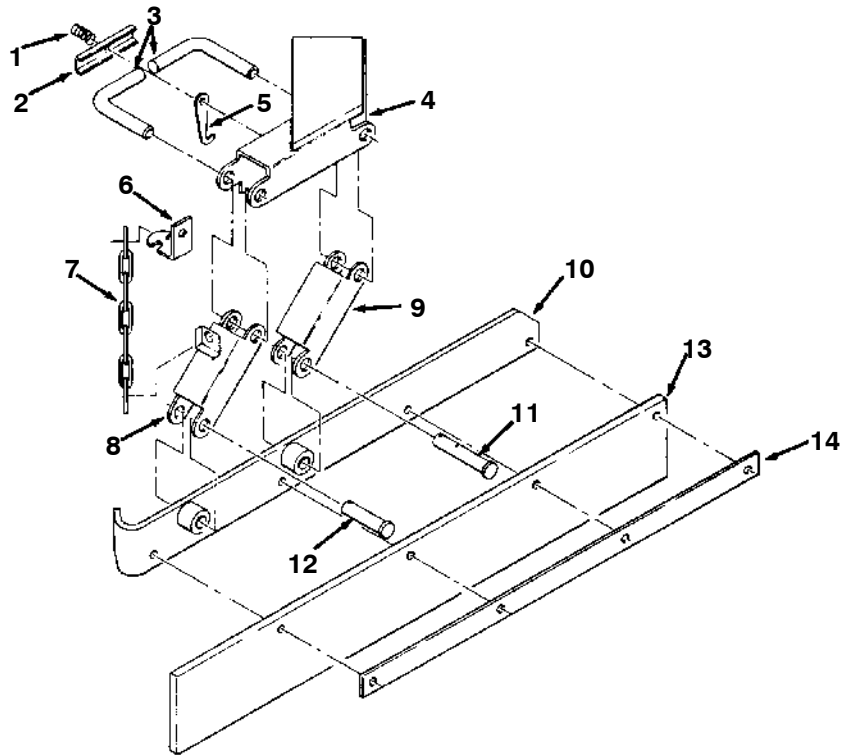


Fig. 17 – Side Squeegee Group

05731

NOTE: Squeegee and Controls Kit, TENNANT Part Number 44704, includes Fig. 16 and Fig. 17.

Key	TENNANT Part No.	Machine Serial Number	Description	Qty.
1	04428A	(000000–)	Spring, Compression	1
2	43204	(000000–)	Channel	1
3	43299	(000000–)	Pin	2
4	43497	(000000–)	Support,Squeegee	1
5	43549	(000000–)	Catch	1
6	43499	(000000–)	Bracket,Clip	1
	43667	(000000–)	Side Brush Squeegee Assembly	1
7	43500	(000000–)	Chain	1
8	43317	(000000–)	Link	1
9	43295	(000000–)	Link	1
10	43291	(000000–)	Support,Squeegee, Back	1
11	43553	(000000–)	Pin, Clevis, Special	1
12	43290	(000000–)	Pin, Clevis	1
13	60013	(000000–)	Blade, Squeegee	1
14	43294	(000000–)	Retainer	1

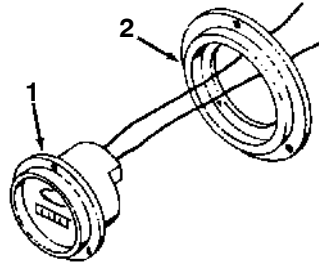


Fig. 18 – Hour Meter Kit, EE

05692

Key	TENNANT Part No.	Machine Serial Number	Description	Qty.
	45206	(000000–)	Hour Meter Kit, EE	1
1	24518	(000000–)	Meter, Engine Hour	1
2	28838	(000000–)	Dampener	1
	07423	(000000–)	Fuse, 15 A	1
	44880	(000000–)	Wire Kit	1
	45269	(000000–)	Cord Assembly	1
	23072	(000000–)	Strainrelief	2
	10125	(000000–)	Nut, Lock	2
	47164	(000000–)	Decal, 15 A, Label	1

Fig. 19 – Charger Kit, 1 PH

05732

Key	TENNANT Part No.	Machine Serial Number	Description	Qty.
	24026	(000000–)	Charger Kit, 1 PH	1

Fig. 20 – Charger Kit, 3 PH

05733

Key	TENNANT Part No.	Machine Serial Number	Description	Qty.
	24028	(000000–)	Charger Kit, 3 PH	1

Fig. 21 – Battery Group, EE

Key	TENNANT Part No.	Machine Serial Number	Description	Qty.
	33520	(000000–)	Battery Set, Wet, EE	1
	31979	(000000–)	Battery, R.H.	1
	47985	(000000–)	Connector, Orange	1
	31978	(000000–)	Battery, L.H.	1
	47985	(000000–)	Connector, Orange	1

Fig. 22 – Battery Group, Wet

Key	TENNANT Part No.	Machine Serial Number	Description	Qty.
	33519	(000000–)	Battery, 18 V–600 A/H, Wet	2
	47985	(000000–)	Connector, Orange	1

Fig. 23 – Battery Group, Dry (Export only)

Key	TENNANT Part No.	Machine Serial Number	Description	Qty.
	33558	(000000–)	Battery, 18 V–600 A/H, Dry	2
	47985	(000000–)	Connector, Orange	1

Fig. 24 – Motor Enclosure Band Kit

Key	TENNANT Part No.	Machine Serial Number	Description	Qty.
	44935	(000000–)	Band Kit, Motor Enclosure F/31891	1

Fig. 25 – Motor Enclosure Band Kit

Key	TENNANT Part No.	Machine Serial Number	Description	Qty.
	60415	(000000–)	Band Kit, Motor Enclosure F/50089	1

Fig. 26 – Motor Enclosure Band Kit

Key	TENNANT Part No.	Machine Serial Number	Description	Qty.
	61393	(000000–)	Band Kit, Motor Enclosure EE	1

Fig. 27 – Squeegee Blade Kit

Key	TENNANT Part No.	Machine Serial Number	Description	Qty.
	37128	(000000–)	Squeegee Blade Kit	1
	37109	(000000–)	Blade, Squeegee, 69.5" Long	1
	37110	(000000–)	Blade, Squeegee, 26" Long	1

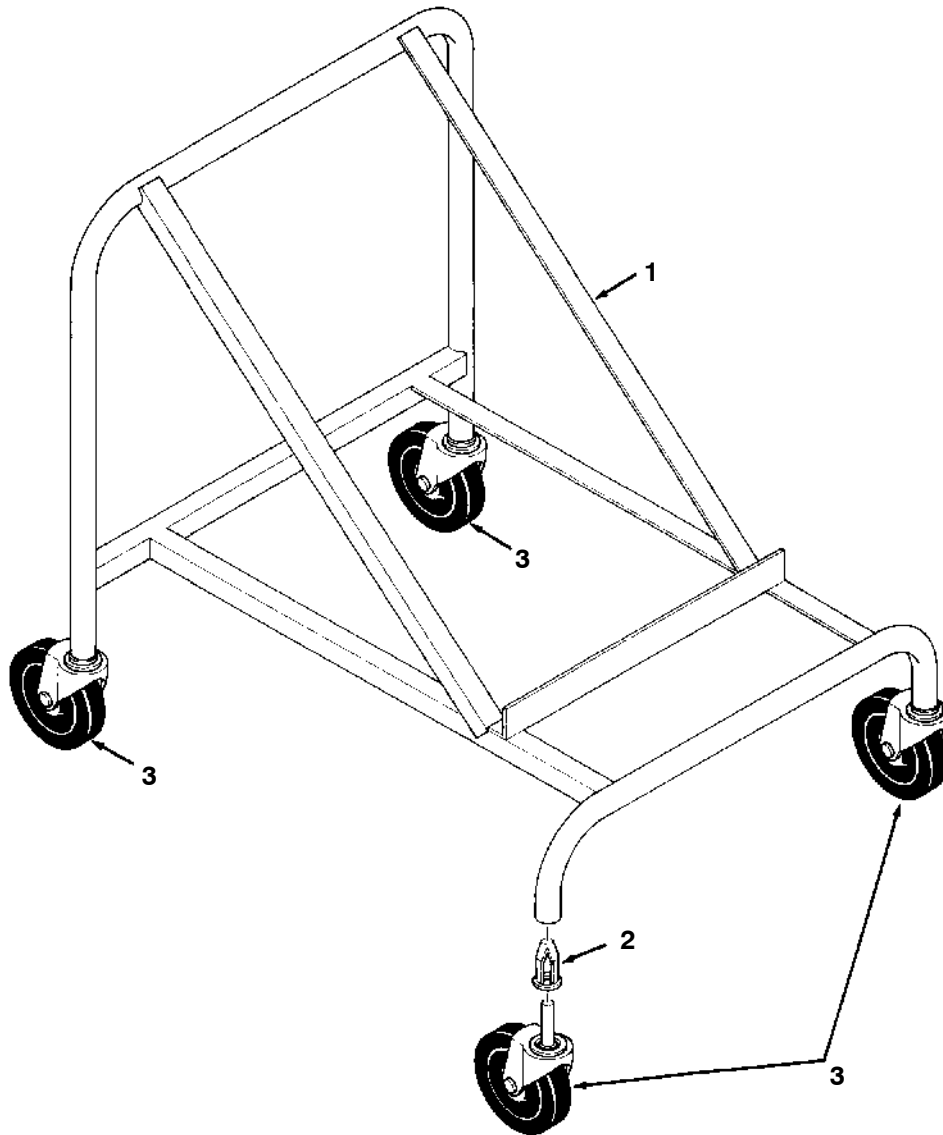


Fig. 28 -- Hopper Dolly Assembly, Low Dump

02594

Key	TENNANT Part No.	Machine Serial Number	Description	Qty.
1	24147	(000000-)	Dolly Assembly, Hopper	1
2	24145	(000000-)	Dolly, Hopper	1
3	24149	(000000-)	Socket, Caster	4
3	24259A	(000000-)	Caster	4

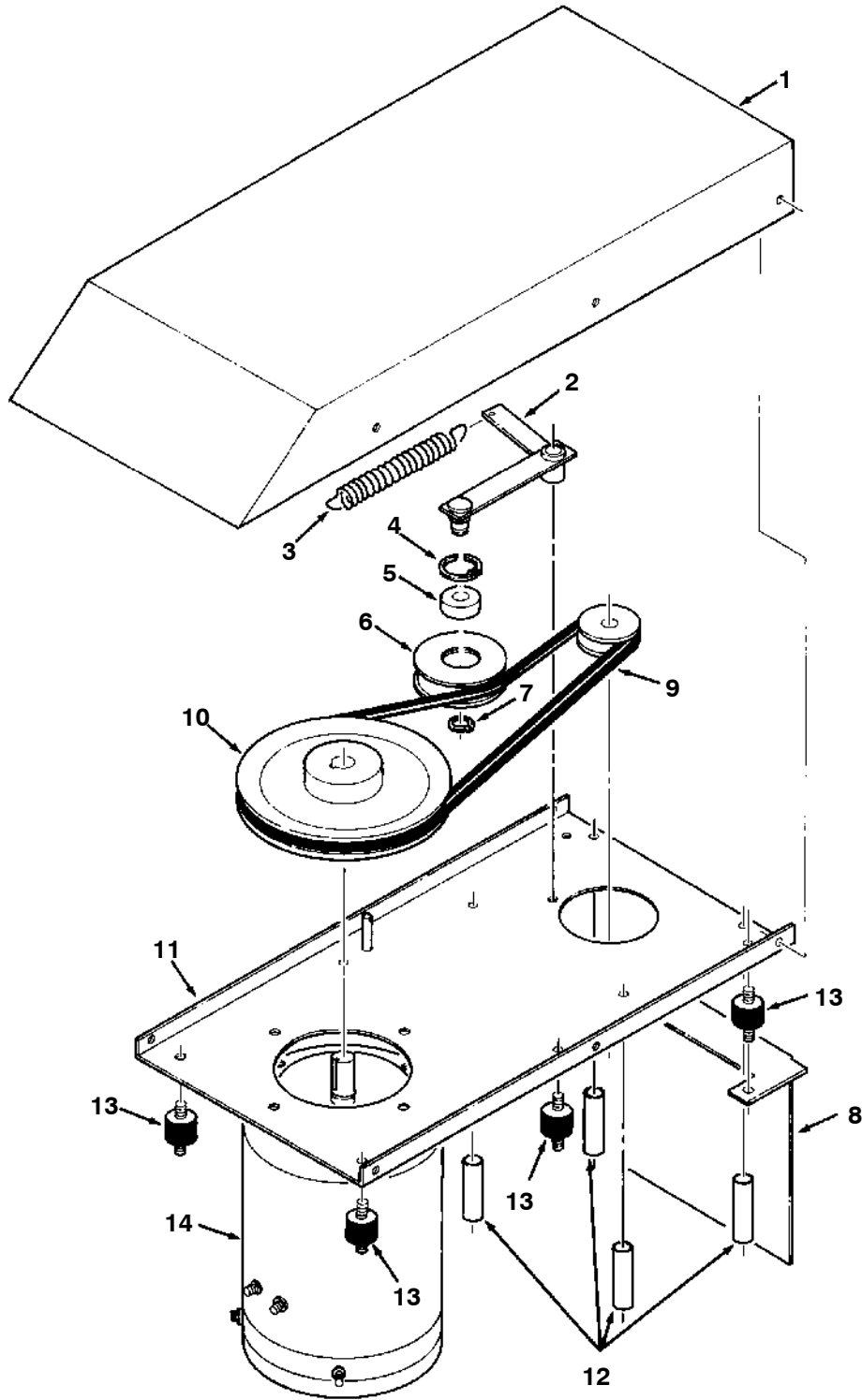


Fig. 29 – Scrub Vacuum Fan Drive Group, EE

Fig. 29 – Scrub Vacuum Fan Drive Group, EE

NOTE: EE Rated Scrub Attachment, TENNANT Part Number 45403, includes Fig. 29, Fig. 30, Fig. 31, Fig. 32, Fig. 33, and Fig. 34.

Key	TENNANT Part No.	Machine Serial Number	Description	Qty.
1	08816	(000000–)	Cover, Fan Drive	1
2	45426	(000000–)	Arm, Idler	1
3	41698	(000000–)	Spring, Tension	1
4	20020	(000000–)	Ring, Retaining, Internal	1
5	01845	(000000–)	Bearing,Ball	1
6	45430	(000000–)	Pulley, Idler	1
7	01543	(000000–)	Ring, Retaining, External	1
8	45438	(000000–)	Baffle	1
9	36549	(000000–)	V–belt	1
10	08817	(000000–)	Sheave	1
11	45409	(000000–)	Plate, Mounting	1
12	64127	(000000–)	Tube	4
13	82661	(000000–)	Dampener, Radiator	6
14	25985	(000000–)	Motor, Electric (See Electrical Components)	1
	76390	(000000–)	Sleeve	1

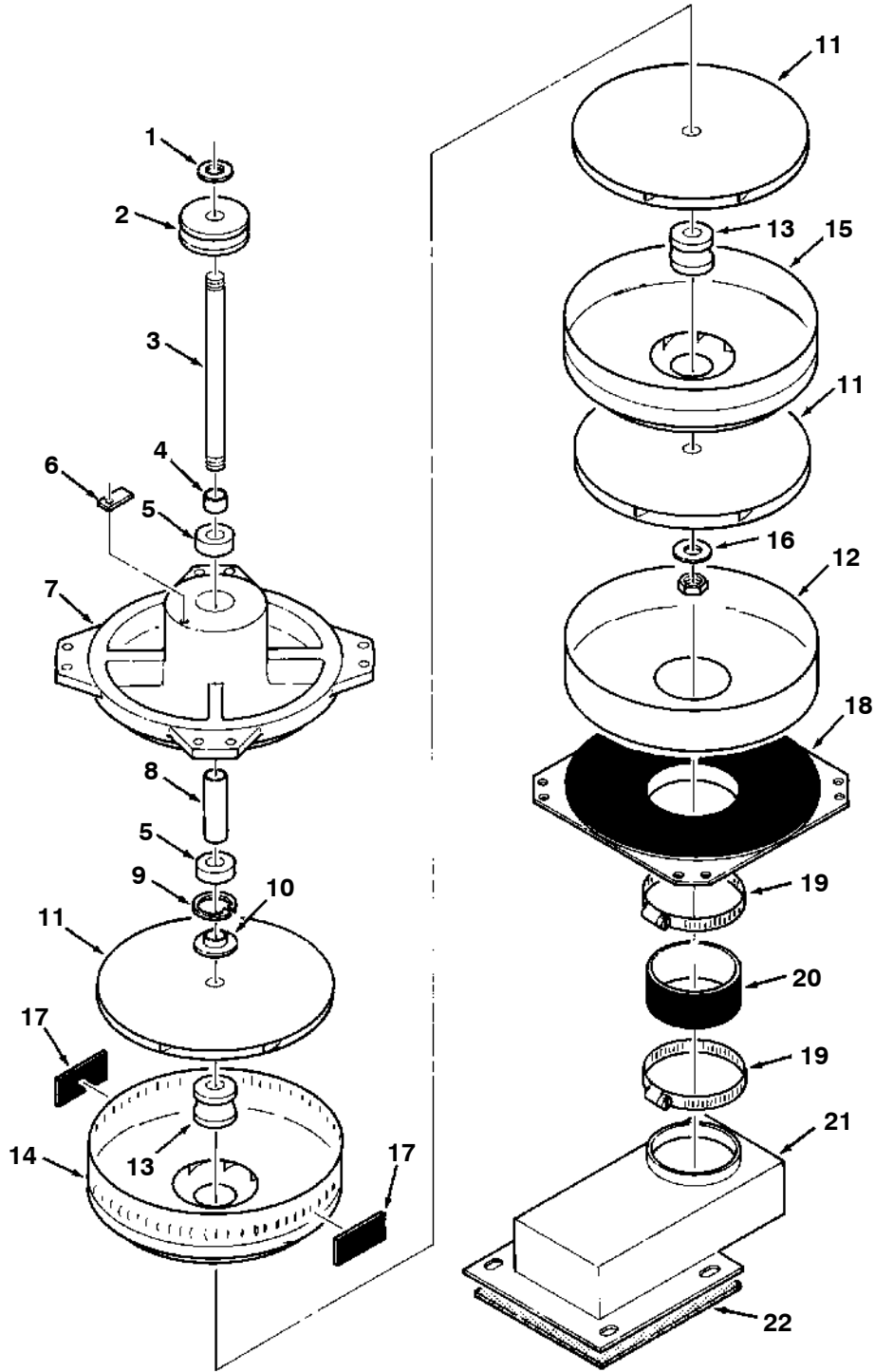


Fig. 30 – Vacuum Fan Assembly, EE

Fig. 30 – Vacuum Fan Assembly, EE

NOTE: EE Rated Scrub Attachment, TENNANT Part Number 45403, includes Fig. 29, Fig. 30, Fig. 31, Fig. 32, Fig. 33, and Fig. 34.

Key	TENNANT Part No.	Machine Serial Number	Description	Qty.
	45449	(000000–)	Vacuum Fan Assembly	1
	45417	(000000–)	Shaft Assembly, Vacuum Fan	1
1	61088	(000000–)	Washer	1
2	45414	(000000–)	Sheave, Blank	1
3	45425	(000000–)	Shaft, Fan	1
4	45416–1	(000000–)	Sleeve	1
5	01845	(000000–)	Bearing, Ball	2
6	45411	(000000–)	Tab, Bearing	1
7	45415	(000000–)	Hub, Fan	1
8	45416	(000000–)	Tube	1
9	20020	(000000–)	Ring, Retaining, Internal	1
10	45419	(000000–)	Spacer	1
11	45420A	(000000–)	Fan, Rotating	3
12	45424A	(000000–)	Fan, Shell	1
13	45421	(000000–)	Spacer	2
14	45418A	(000000–)	Fan, Stationary	1
15	45422A	(000000–)	Fan, Stationary	1
16	45423	(000000–)	Washer	1
17	47804	(000000–)	Pad, Neoprene	2
18	45439–1	(000000–)	Plate Assembly	1
19	43555	(000000–)	Clamp, Worm Drive	2
20	45535	(000000–)	Hose	1
21	33791	(000000–)	Box, Vacuum	1
22	43552	(000000–)	Gasket	1

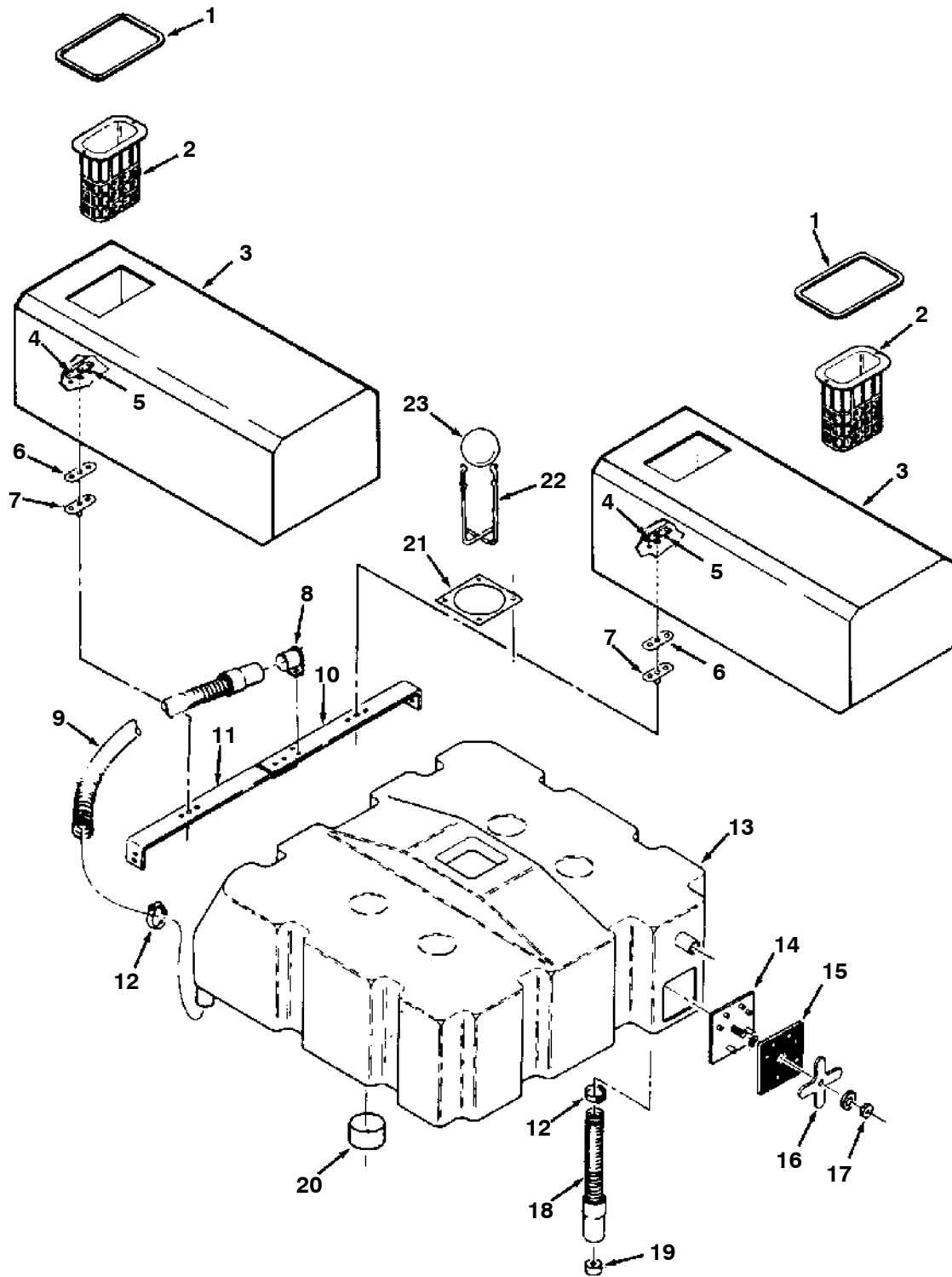


Fig. 31 – Solution and Recovery Tanks Group, EE

Fig. 31 – Solution and Recovery Tanks Group, EE

NOTE: EE Rated Scrub Attachment, TENNANT Part Number 45403, includes Fig. 29, Fig. 30, Fig. 31, Fig. 32, Fig. 33, and Fig. 34.

Key	TENNANT Part No.	Machine Serial Number	Description	Qty.
1	43382	(000000–)	Gasket, Lid	2
2	43516A	(000000–)	Basket, Soap	2
3	43677	(000000–)	Tank, Solution	2
4	43056	(000000–)	Flange	2
5	43454	(000000–)	Washer, Nylon	4
6	43016	(000000–)	Gasket	2
7	43057	(000000–)	Connector	2
8	20215	(000000–)	Plug	1
9	69207	(000000–)	Hose, Drain	1
10	43344–1	(000000–)	Bracket, Tank Mounting, R.H.	1
11	43344–2	(000000–)	Bracket, Tank Mounting, L.H.	1
12	11531	(000000–)	Clamp, Worm Drive	2
13	32267	(000000–)	Tank, Recovery	1
14	32690	(000000–)	Door Assembly, Clean Out	2
15	32683	(000000–)	Seal, Door	1
16	32680	(000000–)	Cam, Locking	1
17	39274	(000000–)	Nut, Wing	1
18	43207	(000000–)	Hose and Cuff Assembly, Vinyl	1
19	46688	(000000–)	Sleeve	1
20	32677	(000000–)	Tube, Tank Locating	2
21	43552	(000000–)	Gasket	1
22	56489	(000000–)	Guide, Float	1
23	43170	(000000–)	Float, Ball	1
	32685	(000000–)	Bolt, J, 3" long	4
	47476	(000000–)	Collar, Float	1
	45444	(000000–)	Bracket, L	1

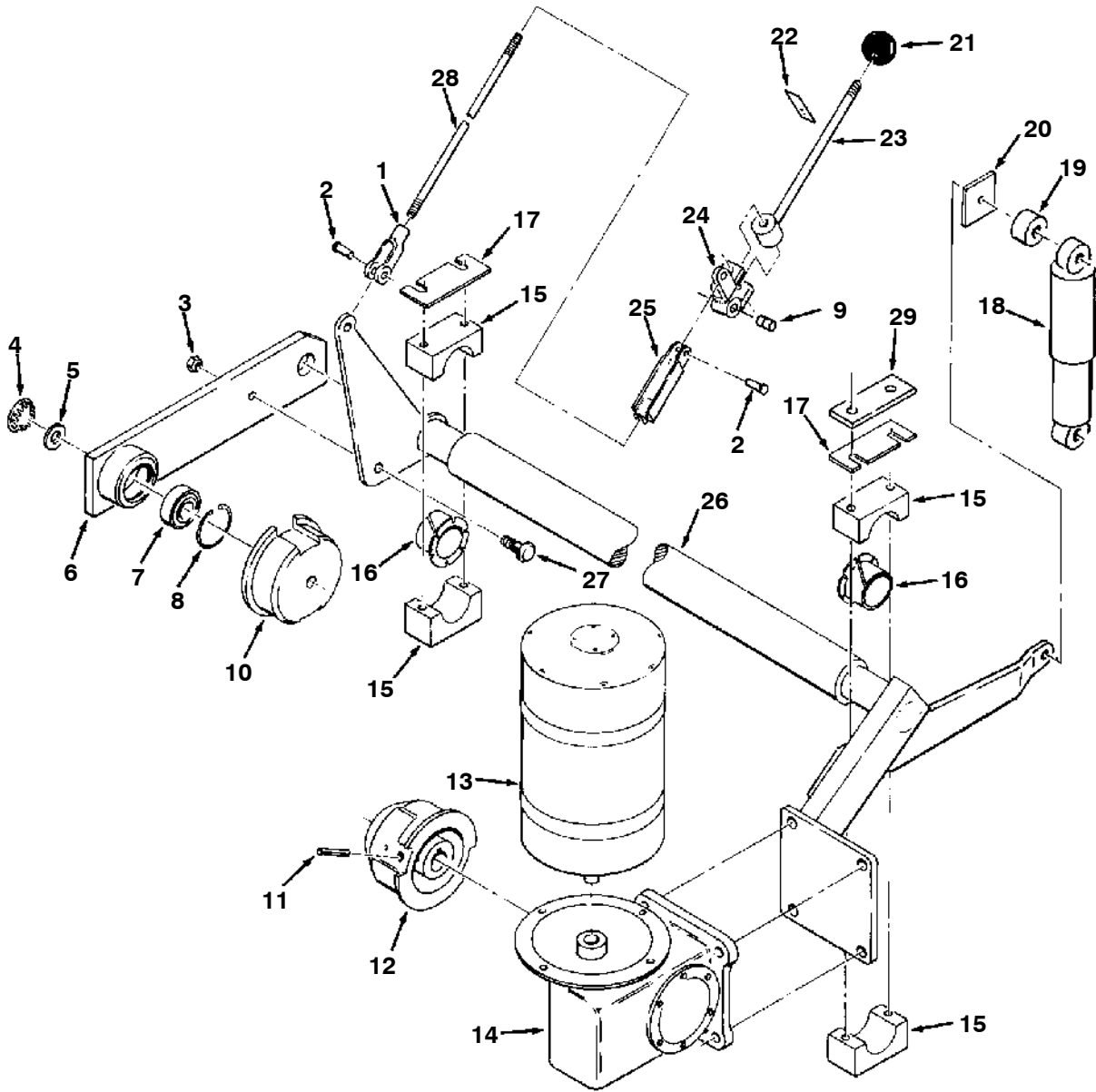


Fig. 32 – Main Scrub Brush Drive Group, EE

Fig. 32 – Main Scrub Brush Drive Group, EE

NOTE: EE Rated Scrub Attachment, TENNANT Part Number 45403, includes Fig. 29, Fig. 30, Fig. 31, Fig. 32, Fig. 33, and Fig. 34.

Key	TENNANT Part No.	Machine Serial Number	Description	Qty.
1	14330	(000000–)	Clevis, Adjustable	1
2	14331	(000000–)	Pin, Clevis	2
3	24339	(000000–)	Nut, Wheel	1
4	47178–13	(000000–)	Plugbutton	1
5	07026	(000000–)	Sleeve	1
6	46442	(000000–)	Arm, Brush	1
7	46390	(000000–)	Bearing,Ball	1
8	10464	(000000–)	Ring, Retaining, Internal	1
9	26065	(000000–)	Bushing	1
10	07037	(000000–)	Plug, Brush	1
11	51317	(000000–)	Pin, Roll	1
12	46468	(000000–)	Plug, Brush Drive	1
13	45447	(000000–)	Motor Assembly, Scrub Brush Drive	1
	46691B	(000000–)	Motor, Electric (See Electrical Components)	1
	45446	(000000–)	Wire Kit	1
	33570	(000000–)	Shim, 0.11" (2.8 mm)	1
	33571	(000000–)	Shim, 0.06" (1.5 mm)	1
	33572	(000000–)	Shim, 0.04" (1.0 mm)	1
	33573	(000000–)	Shim, 0.02" (0.5 mm)	1
14	46467	(000000–)	Reducer,Gear	1
15	46605	(000000–)	Block, Bearing	2
16	46443	(000000–)	Bushing,Flange	2
17	46642–2	(000000–)	Shim	1
	46642–1	(000000–)	Shim	1
18	43652	(000000–)	Absorber, Shock	1
19	43653	(000000–)	Sleeve	1
20	43656	(000000–)	Strip	1
21	26156	(000000–)	Knob	1
22	46699	(000000–)	Stop, Lift Rod	1
23	45539	(000000–)	Handle, Lift Brush	1
24	43086	(000000–)	Crank	1
25	43502	(000000–)	Clevis	1
26	46439	(000000–)	Arm and Shaft, Brush, L.H.	1
27	32126	(000000–)	Stud, Wheel	1
28	46698	(000000–)	Stud	1
	47804	(000000–)	Pad, Neoprene	1
29	43681	(000000–)	Shim, 0.005" (0.1 mm)	1
29	43681–1	(000000–)	Shim, 0.010" (0.2 mm)	1
	23999–4	(000000–)	Pin, Roll, 0.25" Dia. 1" Long	1

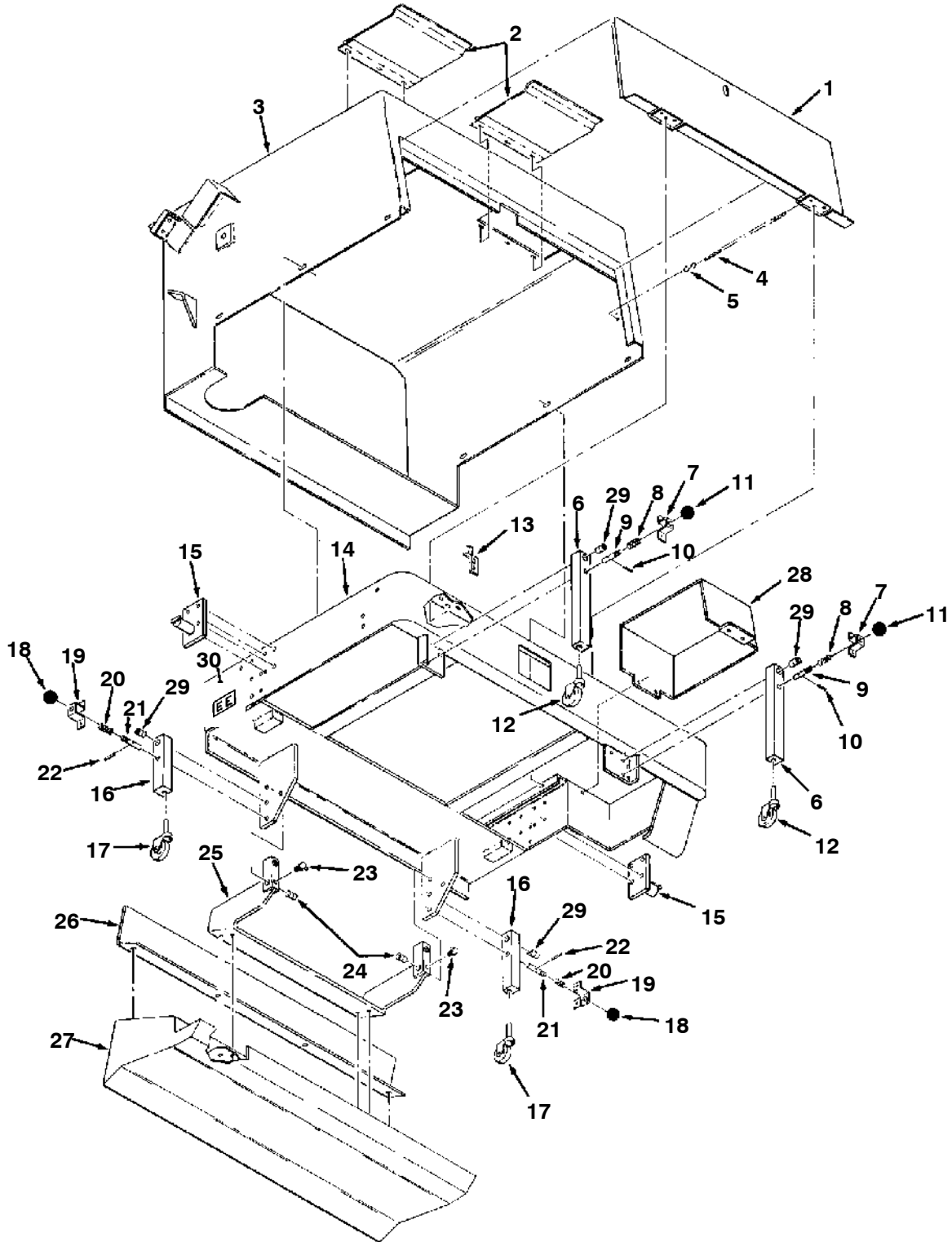


Fig. 33 – Scrub Tank Frame Group, EE

Fig. 33 – Scrub Tank Frame Group, EE

NOTE: EE Rated Scrub Attachment, TENNANT Part Number 45403, includes Fig. 29, Fig. 30, Fig. 31, Fig. 32, Fig. 33, and Fig. 34.

Key	TENNANT Part No.	Machine Serial Number	Description	Qty.
1	43079	(000000–)	Panel and Label Assembly, Access	1
2	43287	(000000–)	Lid	2
3	45303	(000000–)	Frame, Main	1
4	43203	(000000–)	Chain	1
5	43363	(000000–)	Hook, S	1
6	43660	(000000–)	Front Leg Assembly	2
7	43030	(000000–)	Bracket, Pin	1
8	04428A	(000000–)	Spring, Compression	1
9	32449	(000000–)	Pin, Threaded	1
	39334	(000000–)	Screw, Set	1
10	20160	(000000–)	Pin, Roll	1
11	26565	(000000–)	Knob	1
12	43616	(000000–)	Caster	1
13	43249	(000000–)	Support,L.H.	2
14	45459	(000000–)	Bumper	1
15	43039	(000000–)	Support	2
16	43661	(000000–)	Rear Leg Assembly	2
17	43616	(000000–)	Caster	1
18	26565	(000000–)	Knob	1
19	43030	(000000–)	Bracket, Pin	1
20	04428A	(000000–)	Spring, Compression	1
21	32449	(000000–)	Pin, Threaded	1
22	20160	(000000–)	Pin, Roll	1
	39334	(000000–)	Set, Screw	1
23	11048	(000000–)	Fitting,Grease	2
24	26065	(000000–)	Bushing,Sleeve	3
25	43005	(000000–)	Support,Trough	1
26	53368	(000000–)	Shield, Spray	1
27	43004	(000000–)	Trough, Pickup	1
	46276	(000000–)	Decal, Scrubber	1
	44024	(000000–)	Decal, Horn Blows	1
	43566	(000000–)	Decal, Water Control	1
	46847	(000000–)	Decal, Detergent Recommended	1
	44695	(000000–)	Decal, Scrubbing Instructions	1
28	45460	(000000–)	Cover, Motor	1
29	43609	(000000–)	Sleeve	4
30	33866	(000000–)	Plate, EE Label	1

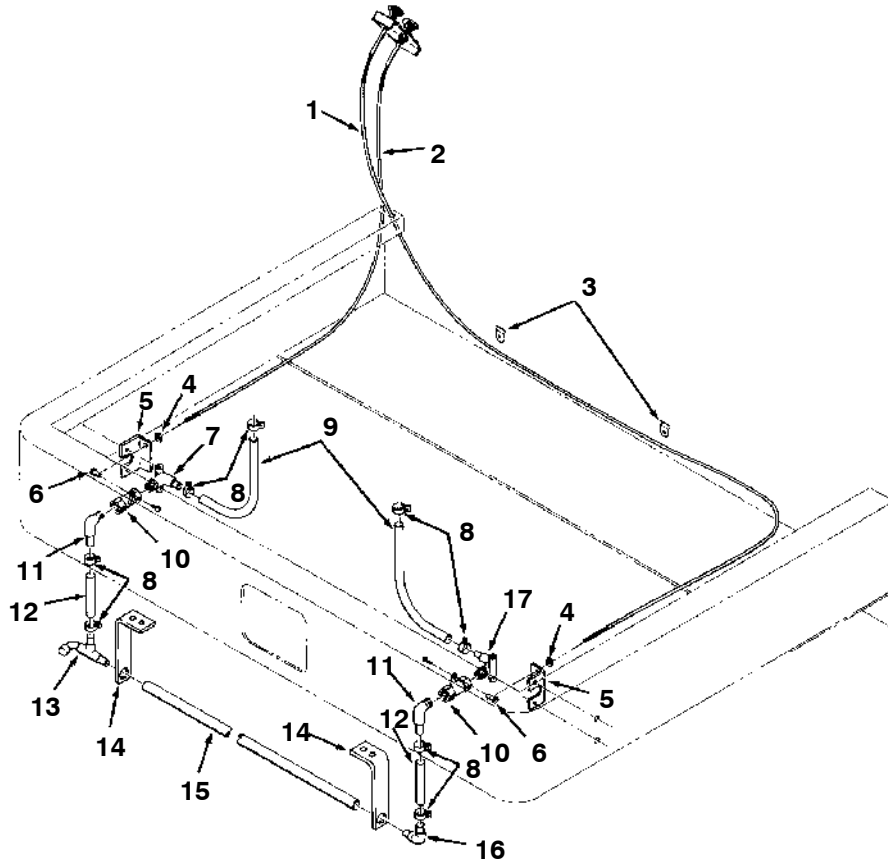


Fig. 34 – Detergent Distribution Group, EE

05610

NOTE: EE Rated Scrub Attachment, TENNANT Part Number 45403, includes Fig. 29, Fig. 30, Fig. 31, Fig. 32, Fig. 33, and Fig. 34.

Key	TENNANT Part No.	Machine Serial Number	Description	Qty.
1	43558A	(000000–)	Cable Assembly	1
2	43557A	(000000–)	Cable Assembly	1
3	09092–1	(000000–)	Clamp, Hold-Down	2
4	26683	(000000–)	Clamp, Cable	2
5	33880	(000000–)	Support, Valve	2
6	43242	(000000–)	Swivel	2
7	43372–1	(000000–)	Elbow	1
8	54333	(000000–)	Clamp, Worm Drive	8
9	45487–6	(000000–)	Hose, Vinyl	2
10	43379	(000000–)	Valve Assembly	2
11	43376	(000000–)	Elbow	2
12	43377	(000000–)	Hose, Vinyl	2
13	43539	(000000–)	Divider Assembly	1
14	43507	(000000–)	Hanger	2
15	43506	(000000–)	Tube, Spreader	1
16	43411	(000000–)	Elbow	1
17	19867	(000000–)	Fitting Assembly, Elbow	1
	43560	(000000–)	Clamp, Cable	1
	33887	(000000–)	Strip, Water Valve Support	1
	33890	(000000–)	Hose, Vinyl, 4.75"	1
	24930	(000000–)	Clamp, Conduit, 0.50" Dia.	1

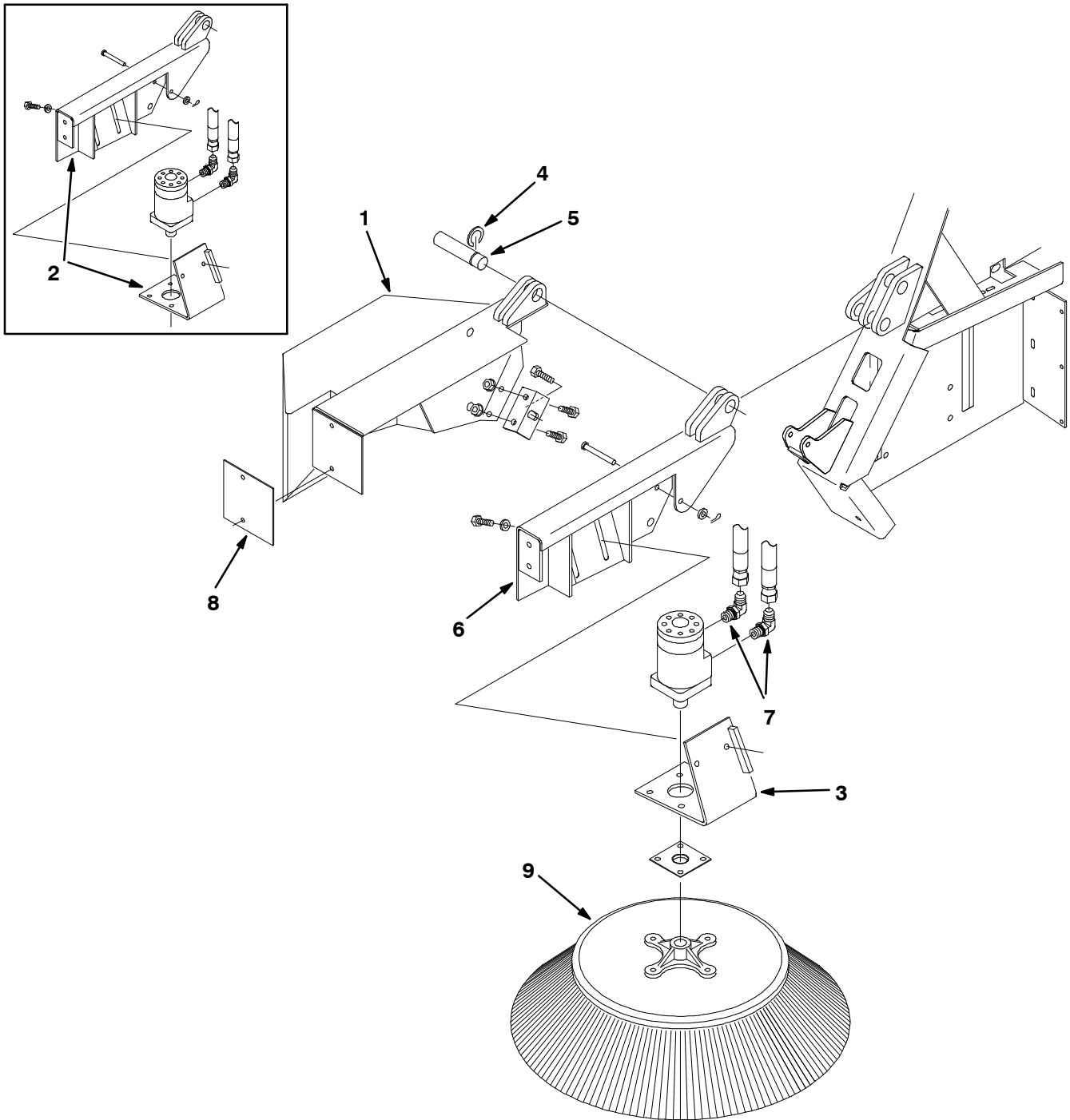


Fig. 35 – Maximum Path Side Brush Group

07388

Key	TENNANT Part No.	Machine Serial Number	Description	Qty.
1	60478	(000000–)	Bumper	1
2	61296	(000000–005126)	Arm and Bracket Replacement Kit F/60472&4	1
3	61292	(005127–)	Bracket, Side Brush	1
4	36993	(000000–)	Pin, Grooved	1
5	23788	(000000–)	Ring, Retaining	1
6	61294	(005127–)	Arm, Side Brush	1
7	56821	(000000–)	Fitting, Elbow 90°	2
8	30534	(000000–)	Bumper, End	1
9	08017	(000000–)	Side Brush Assembly	1

CONTENTS

	Page
ORDERING REPAIR PARTS	9-3
Fig. 1 – Hydraulic Pump, 47862	9-4
Fig. 2 – Hydraulic Pump Breakdown 61440 ..	9-6
Fig. 3 – Accessories Pump Breakdown, 50126	9-8
Fig. 4 – Hydraulic Motor Breakdown, 48663 .	9-9
Fig. 5 – Hydraulic Motor Breakdown, 27791 .	9-10
Fig. 6 – Hydraulic Motor Breakdown, 27794 .	9-11
Fig. 7 – Hydraulic Valve Breakdown, 32391 ..	9-12
Fig. 8 – Hydraulic Valve Breakdown, 32752 ..	9-12

*NOTE: SECTION 9, HYDRAULIC COMPONENTS,
lists repair parts for repairable hydraulic components.*

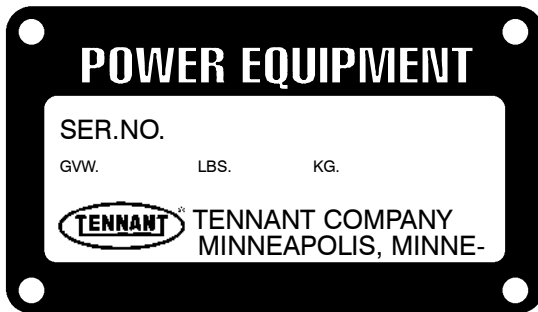
ORDERING REPAIR PARTS

The components used in this machine have been carefully selected for performance and safety. Use only Tennant Company specified or equivalent parts.

To receive prompt service in filling of your parts orders, please direct all orders for parts with Tennant Company part numbers to the Tennant Company, and all orders for parts with vendor part numbers to the local supplier of the respective vendor.

When ordering parts, please furnish all of the following information:

1. Machine model number - shown on the machine data plate.



2. Machine serial number - shown on the machine data plate.
3. Power source - gasoline, LPG, diesel, electric.
4. Company name.
5. Shipping address.
6. Billing address.
7. Name, first and last - of person ordering parts.
8. Telephone number.
9. Purchase order number.
10. Part number, description, and quantity - of each item on the order.
11. Customer ID Number.

Do not order parts by key number or the figure number of the illustrated parts. Indented items indicate parts of assemblies. Standard hardware is furnished only when part of a purchased assembly. Please get hardware from a local hardware supplier.

If the old part cannot be identified, send it to us with the quantity needed specified on the order.

Any claim for loss or damage to a shipment in transit should be filed promptly against the transportation company making the delivery. Shipments will be complete unless the packing list or order acknowledgement indicate items back ordered.

If parts received are suspected to be incorrect or defective, please write, wire, or phone the Tennant Company representative from whom you ordered the part. They will give authorization for return and/or handle replacement shipments when required.

SERIAL NUMBER INFORMATION EXPLANATION

Serial number listings are shown to indicate on which machines each part can be used. These listings are explained by the following examples:

(000000—) The part can be used on all machines.

(003342—) The part can be used on all machines beginning with the serial number listed.

(000000—004320) The part can be used on all machines up to and including serial number listed.

(004321—005678) The part can be used on all machines between and including the serial numbers listed.

Where xxxxxx's are listed in place of a serial number, it indicates a change was made but the exact serial number had not been established when the catalog went to press.

SI UNITS OF MEASURE (INTERNATIONAL SYSTEM)

Metric equivalents have been included, where applicable, throughout this parts catalog.

FASTENER STRENGTH IDENTIFICATION

Fasteners required to have high—strength qualities equivalent to SAE Grade 8 are identified throughout this catalog by the description GR 8. Unless identified by this description, all standard fasteners are SAE Grade 5.

(Specifications and design subject to change without notice.)

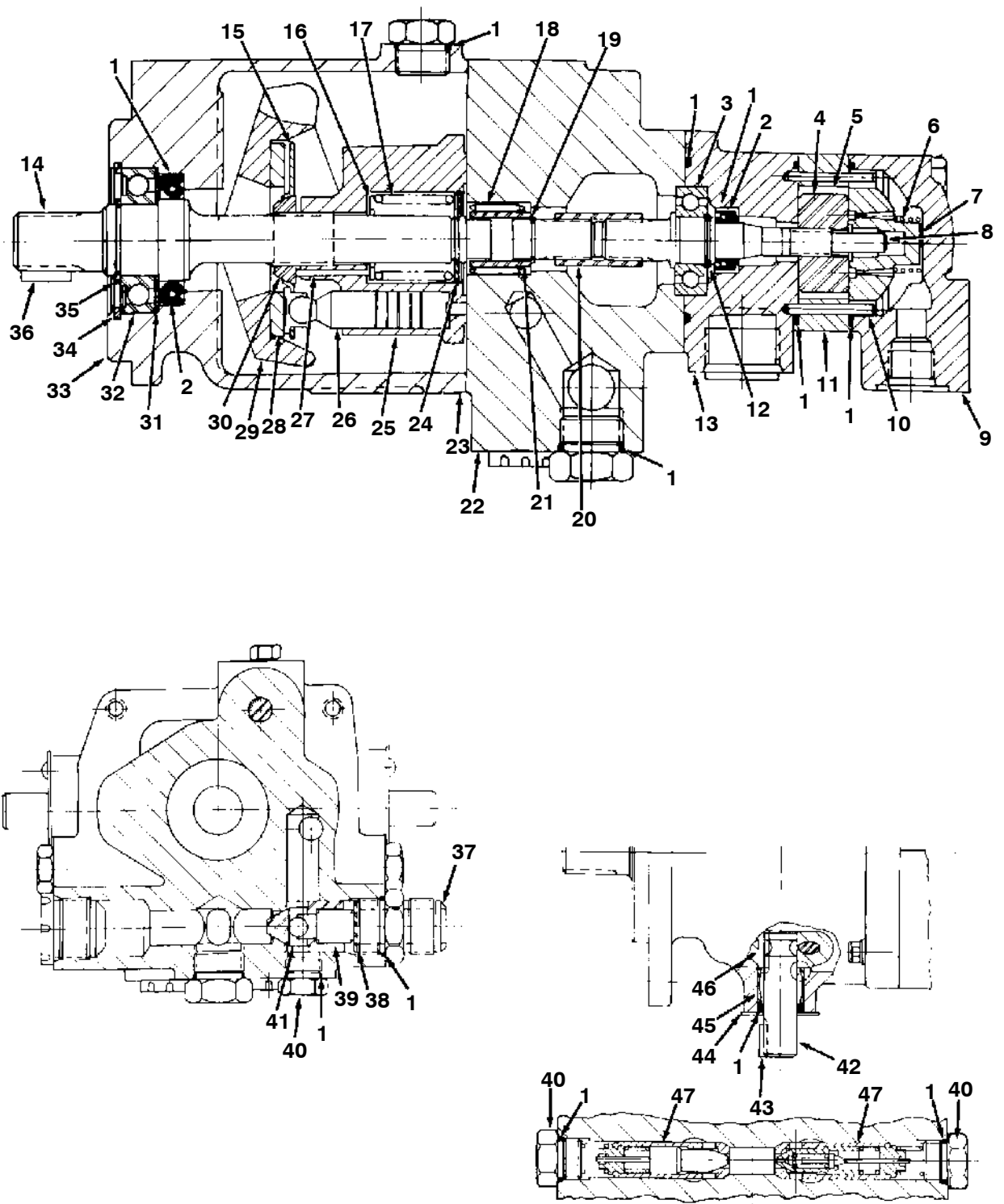


Fig. 1 – Hydraulic Pump, 47862

Fig. 1 – Hydraulic Pump, 47862

Key	TENNANT Part No.	Manufacturer Serial Number	Description	Qty.
1	47862	(000000–)	Pump, Hydraulic	1
2	SK1344	(000000–)	Seal Kit, Overhaul	1
2	SK1345	(000000–)	Seal Kit, Shaft	1
3	74994	(000000–)	Pump, Accessories	1
3	31189	(000000–)	Bearing	1
4	31239	(000000–)	Rotor, Vane Pump	1
5	31269	(000000–)	Vane Kit	1
6	31238	(000000–)	Spring	1
7	31242	(000000–)	Pressure Plate Assembly	1
8	31244	(000000–)	Shaft, Vane Pump	1
9	31243	(000000–)	Cover, Vane Pump	1
10	31186	(000000–)	Pin	2
11	31220	(000000–)	Ring	1
12	38343	(000000–)	Ring, Retaining	1
13	31202	(000000–)	Body, Vane Pump	1
14	38450	(000000–)	Pump, Propelling	1
14	30039	(000000–)	Shaft, Piston Pump Drive	1
15	31198	(000000–)	Plate, Shoe	1
16	31191	(000000–)	Washer, Thrust	1
17	31193	(000000–)	Spring	1
18	31262	(000000–)	Bearing, Needle	1
19	31245	(000000–)	Ring, Retaining	1
20	02439	(000000–)	Coupling	1
21	31251	(000000–)	Race, Inner	1
22	31267	(000000–)	Plate, Valve	1
23	31199	(000000–)	Gasket	1
24	31192	(000000–)	Washer	1
25	31196	(000000–)	Block, Cylinder	1
26	37552	(000000–)	Piston Kit	1
27	31194	(000000–)	Pin, Spring	3
28	31190	(000000–)	Plate, Swash	1
29	31227	(000000–)	Yoke	1
30	31240	(000000–)	Washer, Spherical	1
31	31197	(000000–)	Retainer, Shaft Seal	1
32	31226	(000000–)	Bearing, Ball	1
33	31264	(000000–)	Housing	1
34	31188	(000000–)	Ring, Retaining	1
35	31187	(000000–)	Ring, Retaining	1
36	38330	(000000–)	Key	1
37	31276	(000000–)	Fitting	1
38	31280	(000000–)	Retaining, Spring	1
39	31277	(000000–)	Spring	1
40	31278	(000000–)	Plug	3
41	31279	(000000–)	Valve, Poppet Check	1
42	31284	(000000–)	Pintle Kit	2
43	31282	(000000–)	Key, Lever	2
44	37556	(000000–)	Plate, Pintle Cover	2
45	31283	(000000–)	Bearing, Needle	2
46	38811	(000000–)	Key, Pintle	2
47	31285	(000000–)	Valve, Relief, 3000 psi	2

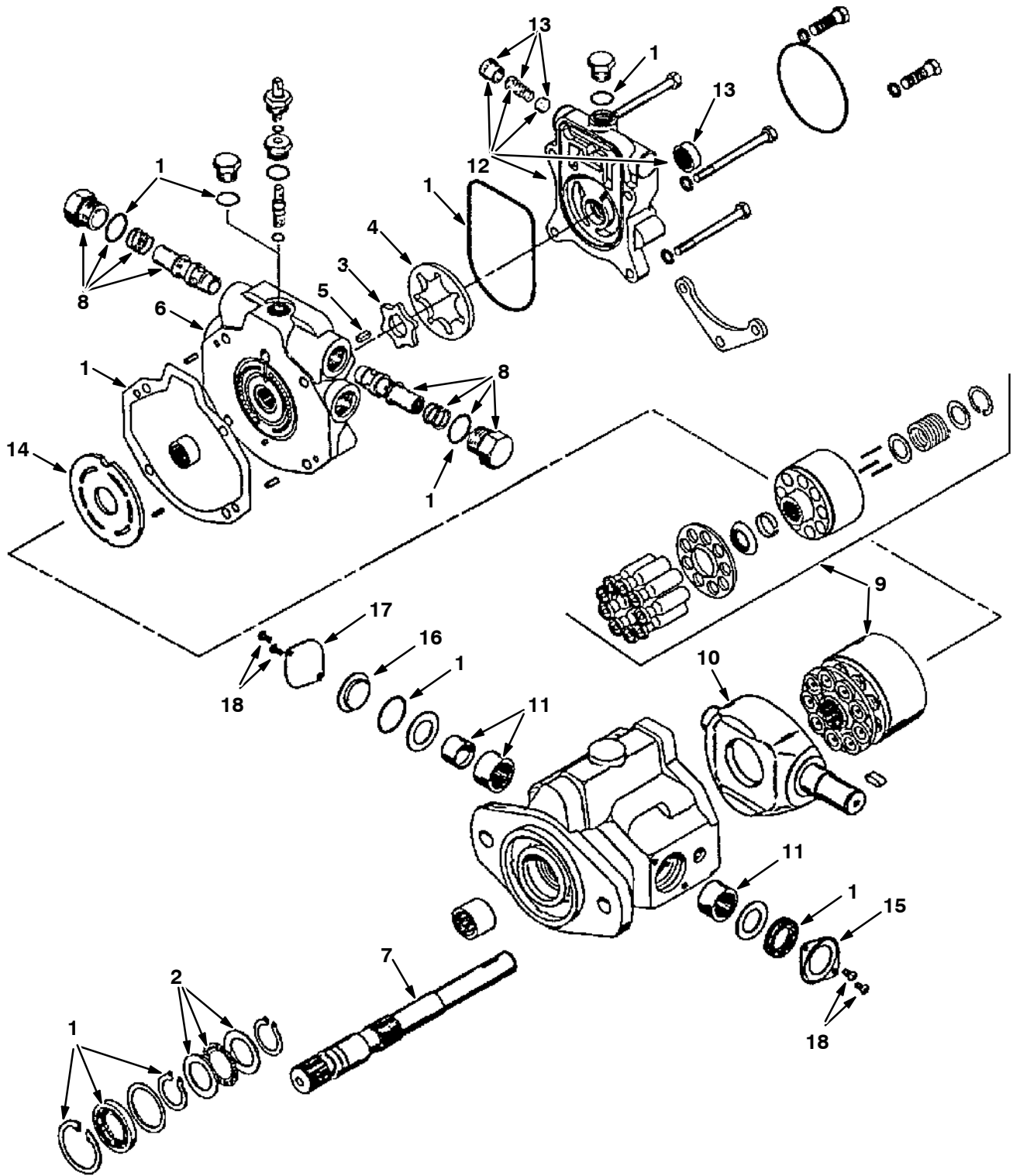
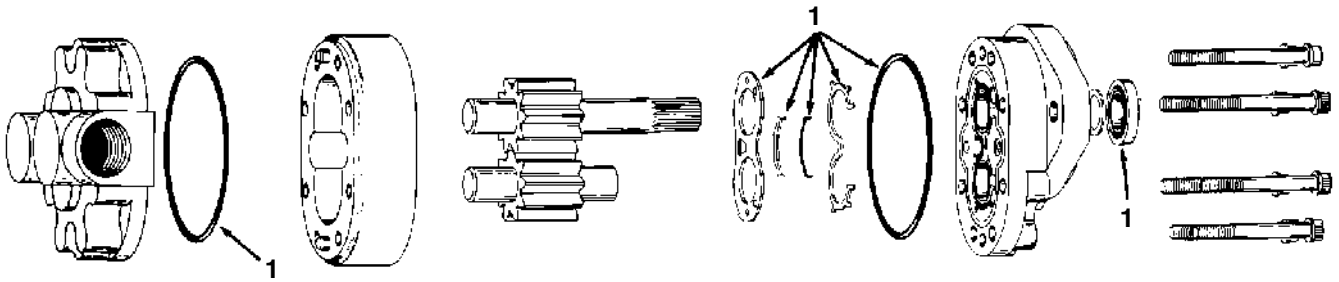


Fig. 2 – Hydraulic Pump Breakdown 61440

Fig. 2 -- Hydraulic Pump Breakdown, 61440

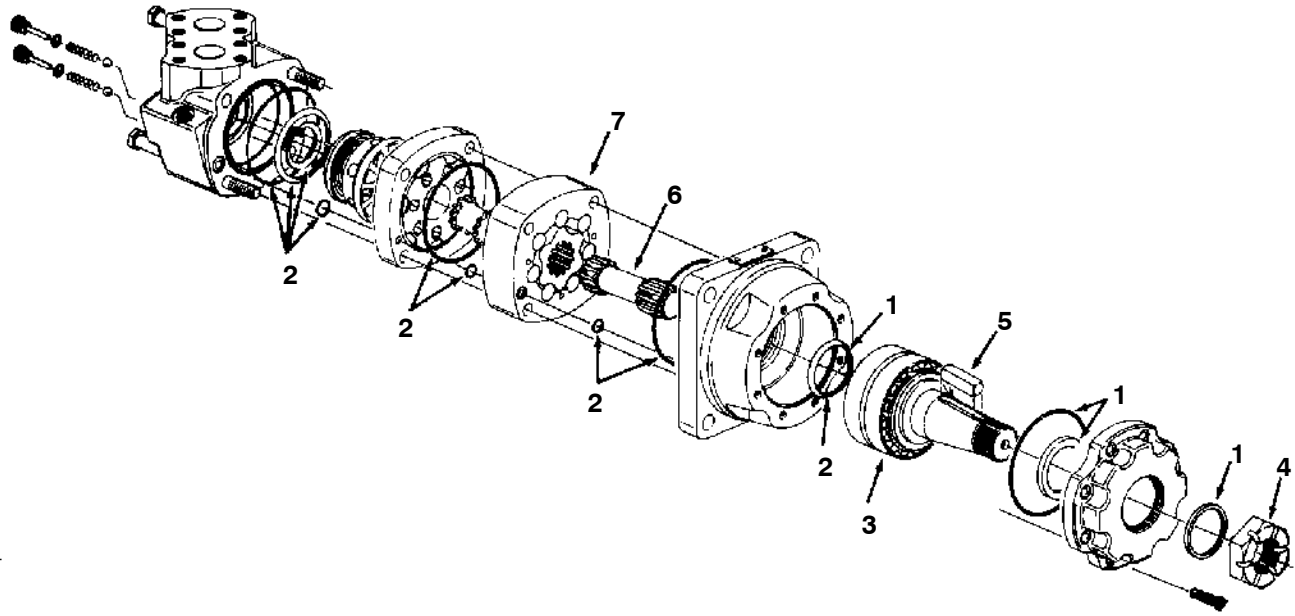
Key	TENNANT Part No.	Manufacturer Serial Number	Description	Qty.
	61440	(000000-)	Pump, Hydraulic	1
1	61881	(000000-)	Seal Kit En	1
2	37467	(000000-)	Brg.Repair Kit Ce	1
3	61877	(000000-)	Inner Gerotor En	1
4	61878	(000000-)	Outer Gerotor En	1
5	61879	(000000-)	Key En	1
6	61880	(000000-)	Backplate En	1
7	61346	(000000-)	Drive Shaft Ce	1
8	02650	(000000-)	Relief Valve Ce	2
9	61882	(000000-)	Rotating Kit En	1
10	61883	(000000-)	Cam Plate En	1
11	34097	(000000-)	Bearing & Inner Race	2
12	60586	(000000-)	Chg.Pmp.Adaptor En	1
13	55936	(000000-)	Valve Kit, Relief, Chrg Pump	1
14	60581	(000000-)	Valve Plate En	1
15	61888	(000000-)	Cover Seal En	1
16	61889	(000000-)	O-Ring Cover En	1
17	61890	(000000-)	Trunion Cover En	1
18	61891	(000000-)	Screws En	4



07386

Fig. 3 – Accessories Pump Breakdown, 50126

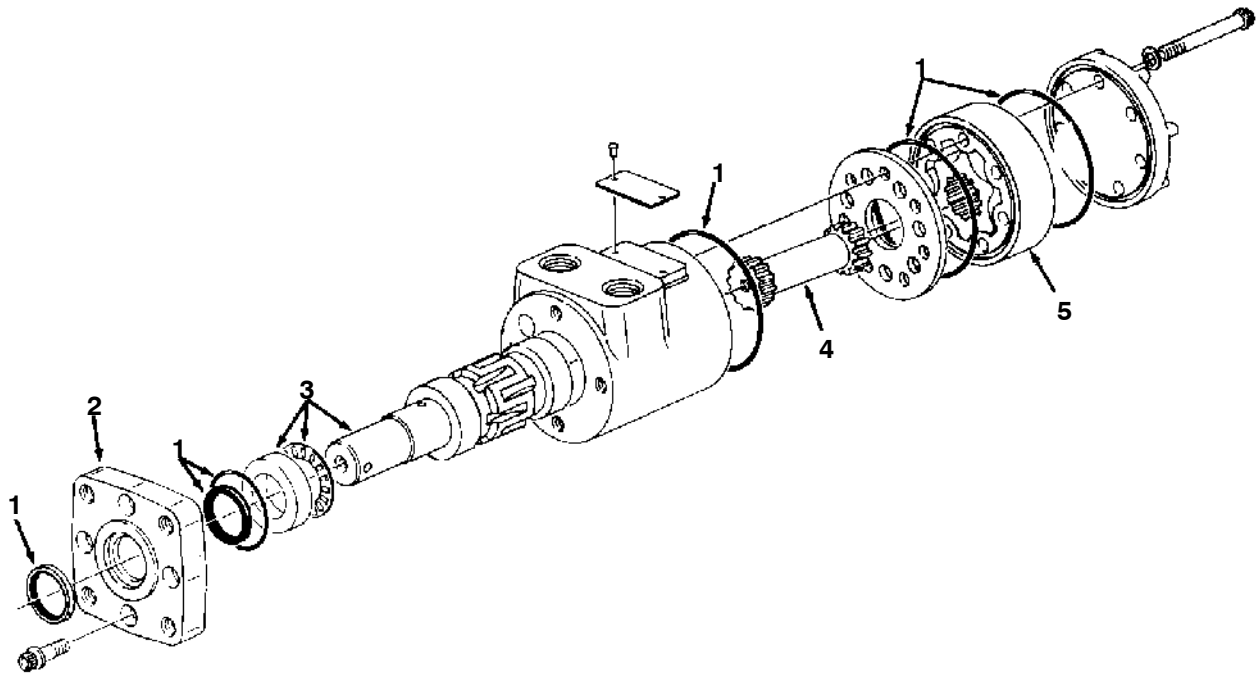
Key	TENNANT Part No.	Manufacturer Serial Number	Description	Qty.
1	50126	(000000–)	Pump–Hyd, Gear Ex 1.37 2500	1
	57064	(000000–)	Seal Kit,Pump Ce	1



01737

Fig. 4 – Hydraulic Motor Breakdown, 48663

Key	TENNANT Part No.	Manufacturer Serial Number	Description	Qty.
	48663	(000000–)	Motor, Hydraulic	1
1	33579	(000000–)	Seal Kit, Shaft	1
2	33580	(000000–)	Seal Kit, Rear	1
3	33694	(000000–)	Shaft and Bearing Assembly	1
4	45622	(000000–)	Nut	1
5	45623	(000000–)	Key	1
6	37616	(000000–)	Drive	1
7	37756	(000000–)	Gerotor	1



05741

Fig. 5 – Hydraulic Motor Breakdown, 27791

Key	TENNANT Part No.	Manufacturer Serial Number	Description	Qty.
	27791	(000000–)	Motor, Hydraulic	1
1	28835	(000000–)	Seal Kit	1
2	31354	(000000–)	Flange, Mounting	1
3	31366	(000000–)	Shaft Assembly, Output	1
4	31380	(000000–)	Drive	1
5	31383	(000000–)	Gerotor Set	1

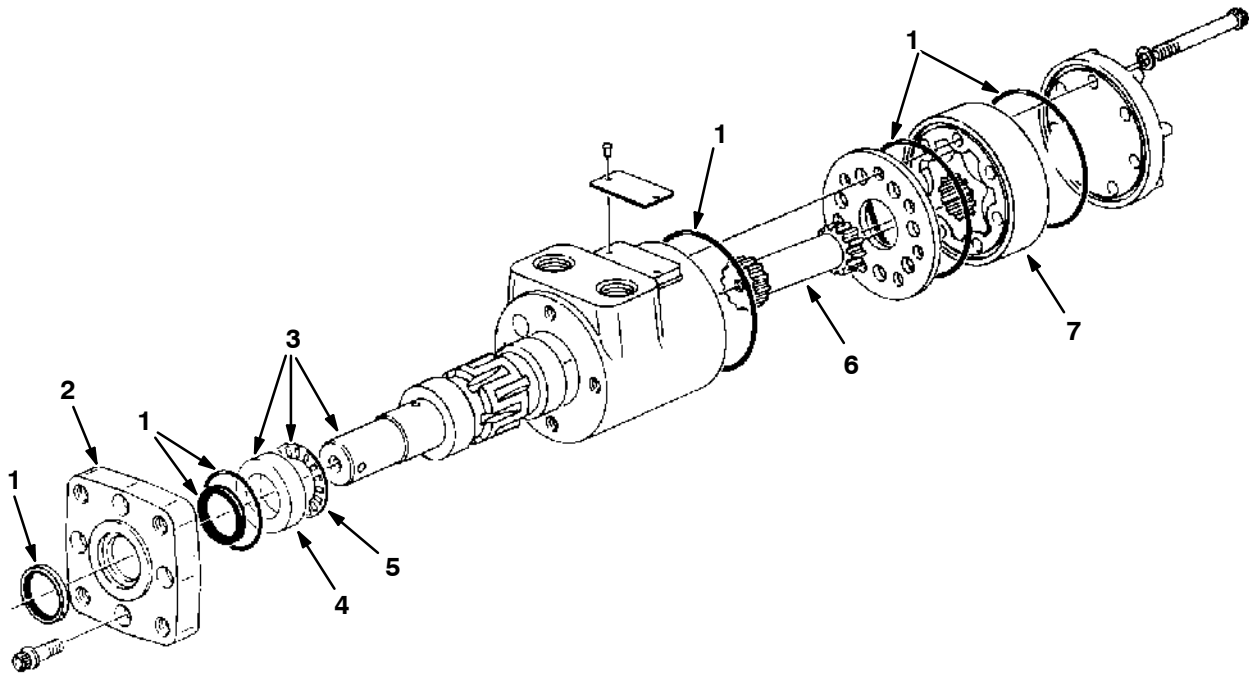


Fig. 6 – Hydraulic Motor Breakdown, 27794

07387

Key	TENNANT Part No.	Manufacturer Serial Number	Description	Qty.
	27794	(000000–)	Motor, Hydraulic	1
1	28835	(000000–)	Seal Kit	1
2	31354	(000000–)	Flange, Mounting	1
3	57282	(000000–)	Shaft Assembly, Output	1
4	16695	(000000–)	Race, Thrust	1
5	45628	(000000–)	Bearing	1
6	34172	(000000–)	Drive	1
7	57542	(000000–)	Gerotor Set	1

Fig. 7 – Hydraulic Valve Breakdown, 32391

Key	TENNANT Part No.	Manufacturer Serial Number	Description	Qty.
	32391	(000000–)	Valve, Hydraulic	1
	01666	(000000–)	Seal Kit	1
	01669	(000000–)	Detent Kit	1
	01672	(000000–)	Relief Valve	1
	83064	(000000–)	Cleanliness, Hydraulic Components	1

Fig. 8 – Hydraulic Valve Breakdown, 32752

Key	TENNANT Part No.	Manufacturer Serial Number	Description	Qty.
	32752	(000000–)	Valve, Hydraulic	1
	01666	(000000–)	Seal Kit	1
	01673	(000000–)	Spring Center Kit	1
	01674	(000000–)	Power Beyond Kit	1
	01817	(000000–)	Relief Valve	1
	83064	(000000–)	Cleanliness, Hydraulic Components	1

CONTENTS

	Page
ORDERING REPAIR PARTS	10-3
Fig. 1 – Electric Motor Breakdown, 46690A ..	10-4
Fig. 2 – Electric Motor Breakdown, 31891 ...	10-6
Fig. 3 – Electric Motor Breakdown, 50089 ...	10-6
Fig. 4 – Electric Motor Breakdown, 25985 ...	10-7
Fig. 5 – Electric Motor Breakdown, 46691B ..	10-7

*NOTE: SECTION 10, ELECTRICAL COMPONENTS,
lists repair parts for repairable electrical components.*

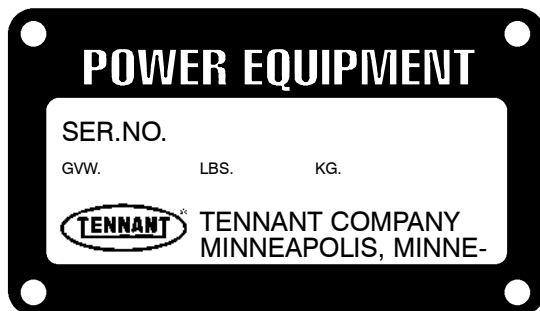
ORDERING REPAIR PARTS

The components used in this machine have been carefully selected for performance and safety. Use only Tennant Company specified or equivalent parts.

To receive prompt service in filling of your parts orders, please direct all orders for parts with Tennant Company part numbers to the Tennant Company, and all orders for parts with vendor part numbers to the local supplier of the respective vendor.

When ordering parts, please furnish all of the following information:

1. Machine model number - shown on the machine data plate.



2. Machine serial number - shown on the machine data plate.
3. Power source - gasoline, LPG, diesel, electric.
4. Company name.
5. Shipping address.
6. Billing address.
7. Name, first and last - of person ordering parts.
8. Telephone number.
9. Purchase order number.
10. Part number, description, and quantity - of each item on the order.
11. Customer ID Number.

Do not order parts by key number or the figure number of the illustrated parts. Indented items indicate parts of assemblies. Standard hardware is furnished only when part of a purchased assembly. Please get hardware from a local hardware supplier.

If the old part cannot be identified, send it to us with the quantity needed specified on the order.

Any claim for loss or damage to a shipment in transit should be filed promptly against the transportation company making the delivery. Shipments will be complete unless the packing list or order acknowledgement indicate items back ordered.

If parts received are suspected to be incorrect or defective, please write, wire, or phone the Tennant Company representative from whom you ordered the part. They will give authorization for return and/or handle replacement shipments when required.

SERIAL NUMBER INFORMATION EXPLANATION

Serial number listings are shown to indicate on which machines each part can be used. These listings are explained by the following examples:

(000000—) The part can be used on all machines.

(003342—) The part can be used on all machines beginning with the serial number listed.

(000000—004320) The part can be used on all machines up to and including serial number listed.

(004321—005678) The part can be used on all machines between and including the serial numbers listed.

Where xxxxxx's are listed in place of a serial number, it indicates a change was made but the exact serial number had not been established when the catalog went to press.

SI UNITS OF MEASURE (INTERNATIONAL SYSTEM)

Metric equivalents have been included, where applicable, throughout this parts catalog.

FASTENER STRENGTH IDENTIFICATION

Fasteners required to have high—strength qualities equivalent to SAE Grade 8 are identified throughout this catalog by the description GR 8. Unless identified by this description, all standard fasteners are SAE Grade 5.

(Specifications and design subject to change without notice.)

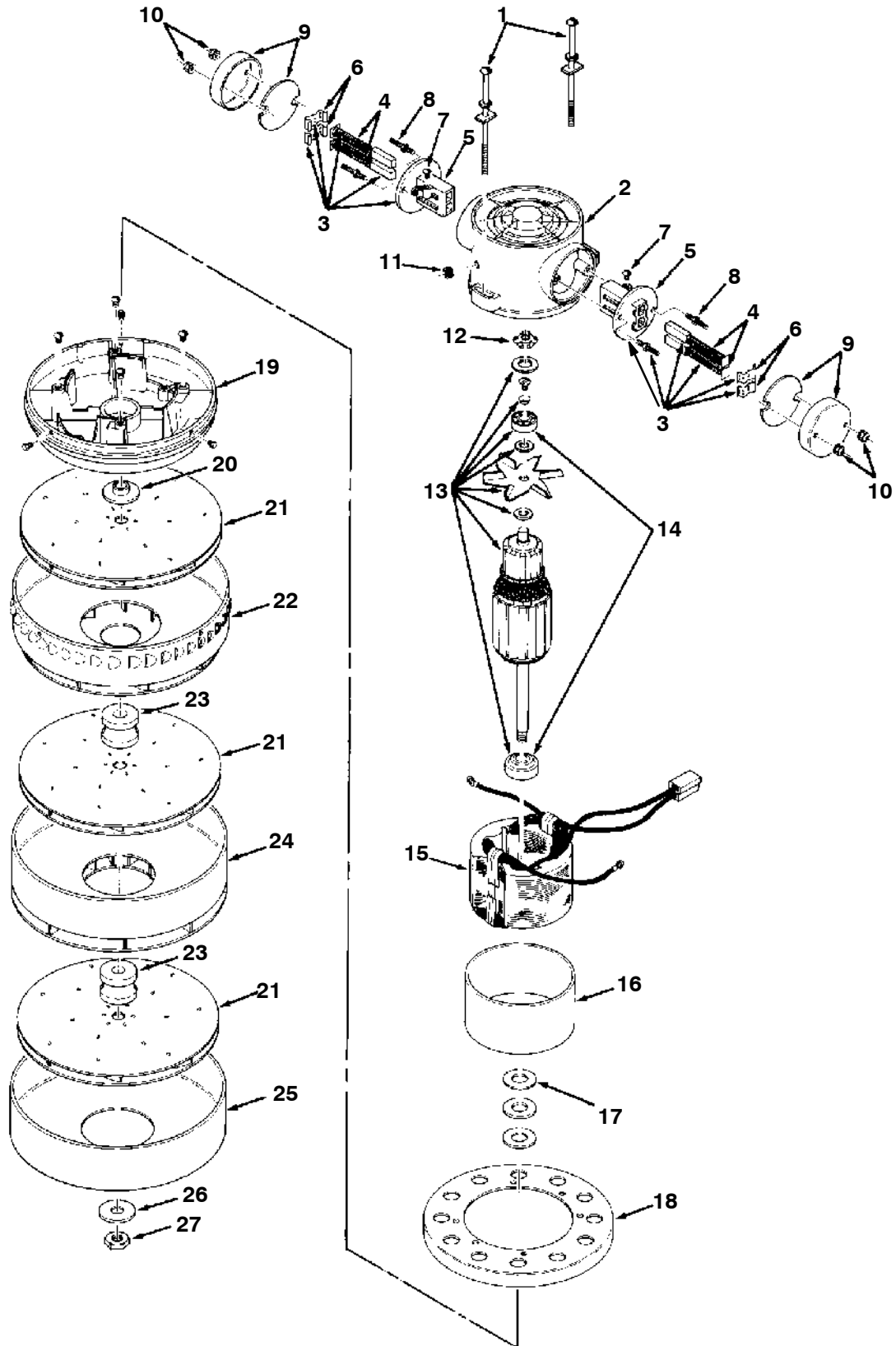


Fig. 1 – Electric Motor Breakdown, 46690A

Fig. 1 – Electric Motor Breakdown, 46690A

Key	TENNANT Part No.	Manufacturer Serial Number	Description	Qty.
	46690A	(000000–)	Motor, Electric	1
1	01981	(000000–)	Screw	2
2	01848	(000000–)	Bracket	1
3	32324	(000000–)	Brush Assembly	2
4	37925	(000000–)	Brush and Spring	2
5	01972	(000000–)	Holder, Brush	1
6	01973	(000000–)	Clip, Brush Assembly	2
7	38303	(000000–)	Screw	2
8	01974	(000000–)	Stud	4
9	38327	(000000–)	Cap	2
10	01975	(000000–)	Nut	4
11	01976	(000000–)	Bushing	1
12	01856	(000000–)	Spring	1
13	01841	(000000–)	Armature	1
14	38438	(000000–)	Bearing Kit	1
15	01978	(000000–)	Field	1
16	01979	(000000–)	Band	1
17	01980	(000000–)	Washer	1
18	38362	(000000–)	Shell	1
19	01854	(000000–)	Bracket	1
20	45419	(000000–)	Spacer	1
21	45420A	(000000–)	Fan, Rotating	3
22	45418A	(000000–)	Fan, Stationary	1
23	45421	(000000–)	Spacer	2
24	45422A	(000000–)	Fan, Stationary	1
25	45424A	(000000–)	Shell	1
26	45423	(000000–)	Washer	1
27	37939	(000000–)	Nut	1

Fig. 2 – Electric Motor Breakdown, 31891

Key	TENNANT Part No.	Manufacturer Serial Number	Description	Qty.
	31891	(000000–)	Motor, Electric	1
	31892	(000000–)	Armature and Fan Assembly	1
	31893	(000000–)	Motor, Fan	1
	31894	(000000–)	Head Assembly, Commutator	1
	31895	(000000–)	Brush Set	1
	31896	(000000–)	Field Coil Package	1
	31897	(000000–)	Terminal Stud and Lead Package	1
	31898	(000000–)	Head Assembly, Drive End	1
	37887	(000000–)	Bearing, Ball	2
	16111	(000000–)	Spring Set	1

Fig. 3 – Electric Motor Breakdown, 50089

Key	TENNANT Part No.	Manufacturer Serial Number	Description	Qty.
	50089	(000000–)	Motor, Electric	1
	60408	(000000–)	Bearing, Ball	1
	60409	(000000–)	Stud and Nut	2
	60411	(000000–)	Bearing, Ball	1
	60413	(000000–)	Spring	8
	60414	(000000–)	Brush Kit	1

Fig. 4 – Electric Motor Breakdown, 25985

Key	TENNANT Part No.	Manufacturer Serial Number	Description	Qty.
	25985	(000000–)	Motor, Electric	1
	87774	(000000–)	Key, Woodruff	1
	87864	(000000–)	Brush Set Kit	1

Fig. 5 – Electric Motor Breakdown, 46691B

Key	TENNANT Part No.	Manufacturer Serial Number	Description	Qty.
	46691B	(000000–)	Motor, Electric	1

SECTION 11

CONTENTS

	Page
PART NUMBER TO PAGE NUMBER CROSS REFERENCE LIST	11-1

PART NUMBER TO PAGE NUMBER CROSS REFERENCE LIST

Part Number	Page Number	Part Number	Page Number
SK1344	9-5	04428A	8-37
SK1345	9-5	04428A	8-37
SK1511	5-15	04448	6-18
SK1511	5-4	04463	5-35
SK1511	5-4	04484	6-18
00910	5-19	04492	5-35
00913	5-19	04681	5-29
00928	5-22	04733-11	7-5
01274	5-19	04733-3	6-11
01275	5-23	04733-5	6-7
01318	5-40	04756	8-6
01318	8-10	04756	8-7
01318	8-11	04930	8-14
01318	8-12	06442	5-21
01543	5-22	06474A	5-31
01543	8-29	06474A	5-33
01574	8-6	06474A	8-23
01574	8-7	06598	5-31
01574	8-8	06598	5-33
01666	6-18	07026	8-21
01666	9-12	07026	8-35
01666	9-12	07037	5-23
01669	9-12	07037	8-21
01672	9-12	07037	8-35
01673	9-12	07107	5-19
01674	9-12	07142	5-21
01681	6-11	07243	5-19
01817	9-12	07259	5-7
01841	10-5	07259	6-7
01844	5-23	07259	6-9
01845	5-22	07421	8-14
01845	8-29	07423	5-11
01845	8-31	07423	5-38
01848	10-5	07423	5-38
01854	10-5	07423	8-25
01856	10-5	07423	8-4
01972	10-5	07423	8-5
01973	10-5	07423	8-6
01974	10-5	07423	8-7
01975	10-5	07423	8-8
01976	10-5	07472	8-23
01978	10-5	07486	8-23
01979	10-5	08017	8-39
01980	10-5	08104	5-21
01981	10-5	08407	5-7
02439	9-5	08816	8-29
02482	6-15	08817	8-29
02490	6-13	08823	7-4
02504	5-19	08828	8-14
02650	9-7	08892	5-24
02668	6-9	08898	5-31
02886	5-13	09006	5-21
03091	5-21	09088	6-21
03246	5-29	09092-1	8-15
03467A	5-19	09092-1	8-38
03560	5-21	09281	5-23
04428A	8-17	09334	5-11
04428A	8-17	09336	5-11
04428A	8-24	09342	5-7

CROSS REFERENCE

Part Number	Page Number	Part Number	Page Number
09385	8-5	14595-1	5-21
09385	8-6	14595-1	5-22
09385	8-7	14601	5-31
09385	8-8	14601	5-33
09600N	5-5	14605	5-21
09600P	5-5	14605	5-22
09758	5-21	14605	5-28
09900-1	5-33	14605	6-18
10046	5-9	14700-4	5-25
10120	6-9	14854	5-33
10125	7-4	14878	5-33
10125	8-25	14895	6-5
10125	8-5	15006	8-14
10125	8-8	15006	8-4
10127	8-4	15304-10	5-31
10127	8-5	15304-10	5-33
10127	8-6	16111	10-6
10127	8-7	16472	5-34
10127	8-8	16695	9-11
10413	5-21	16866	5-29
10414	5-21	17269	5-25
10415	5-21	17400-20	5-29
10464	5-23	17980	5-33
10464	8-21	17980	5-35
10464	8-35	17980	6-19
10632-11	6-9	18136	6-9
10632-11	8-4	18141	5-21
10632-13	6-5	18217	7-4
10632-14	5-11	19867	8-15
10632-2	5-11	19867	8-38
10632-2	8-14	19895	5-9
10632-4	6-9	20020	5-22
10632-8	5-11	20020	8-29
10632-8	8-4	20020	8-31
10632-8	8-6	20021	5-21
10677	5-21	20021	5-22
10701	8-14	20021	5-23
11048	8-17	20050	5-23
11048	8-37	20160	8-17
11442-27	5-29	20160	8-17
11531	8-19	20160	8-37
11531	8-33	20160	8-37
11716	5-22	20215	8-19
11893	5-40	20215	8-33
11893	8-10	20236	8-19
11893	8-11	20567	5-15
11893	8-12	20634	5-17
12962	5-17	20634	5-31
13352	5-23	21097	5-40
14141	5-11	21097	8-10
14174	5-23	21097	8-11
14174	5-24	21097	8-12
14174	6-14	22071N	5-5
14242	5-36	22072A	5-5
14242	6-7	22473	8-23
14330	8-21	22551	5-5
14330	8-23	22619	5-5
14330	8-35	22620	5-5
14331	8-21	22643	5-5
14331	8-23	22892	5-11
14331	8-35	22892	5-37
14506	5-31	23072	7-4

Part Number	Page Number	Part Number	Page Number
23072	7-4	23538	5-23
23072	8-25	23542	5-19
23072	8-5	23575	5-7
23072	8-8	23580-2	5-7
23138	5-7	23591A	5-22
23138	6-7	23666	5-23
23145	5-35	23786	5-23
23145	6-18	23788	5-35
23173	5-23	23788	6-18
23183	5-23	23788	6-19
23190	5-23	23788	6-22
23191	5-24	23788	8-13
23196A	5-23	23788	8-39
23200A	5-23	23788-1	6-11
23213	5-23	23788-1	6-18
23217	5-23	23830-1	5-23
23221	5-23	23832	5-23
23222-2	5-23	23999-4	8-21
23224	5-23	23999-4	8-35
23225	5-23	24026	8-25
23244	5-21	24028	8-25
23267	5-4	24096	5-13
23267	5-4	24097	5-13
23267	5-7	24120	5-21
23272	5-21	24145	8-27
23275	5-4	24147	8-27
23275	5-4	24149	8-27
23275	5-7	24197	5-22
23280-2	5-21	24207	5-24
23293	5-24	24227	8-6
23294	5-24	24227	8-7
23304	5-23	24227	8-8
23304	5-24	24245	5-21
23306-1	5-23	24246-1	5-21
23306-1	5-24	24259A	8-27
23307-1	5-23	24339	8-21
23307-1	5-24	24339	8-35
23315-2	5-25	24435	5-23
23382	5-4	24518	5-38
23382	5-4	24518	8-25
23382	5-7	24520-1	7-4
23382	6-5	24622	5-19
23384-2	5-7	24622	5-4
23384-2	6-5	24622	5-4
23386	5-4	24835	5-23
23386	5-4	24930	8-15
23386	5-7	24930	8-38
23386	6-5	24984	5-36
23428-2	5-7	24988	5-36
23445-2	5-23	24989	5-36
23445-2	5-4	24992	5-21
23445-2	5-4	24992	6-13
23452-2	5-7	25084	5-15
23454-2	5-7	25085	6-10
23455-2	5-7	25086	6-9
23483-2	5-21	25087	5-11
23484	5-21	25091	5-15
23498	5-19	25102	5-15
23498	5-19	25105	5-13
23503A	5-24	25107	6-10
23529A	5-21	25139	5-40
23536	5-24	25139	8-10

CROSS REFERENCE

Part Number	Page Number	Part Number	Page Number
25139	8-12	31226	9-5
25197A	5-21	31227	9-5
25656	8-19	31238	9-5
25985	10-7	31239	9-5
25985	8-29	31240	9-5
26015	8-19	31242	9-5
26065	5-22	31243	9-5
26065	8-17	31244	9-5
26065	8-21	31245	9-5
26065	8-23	31251	9-5
26065	8-35	31262	9-5
26065	8-37	31264	9-5
26103	5-9	31267	9-5
26156	5-23	31269	9-5
26156	5-24	31276	9-5
26156	8-21	31277	9-5
26156	8-23	31278	9-5
26156	8-35	31279	9-5
26315	5-23	31280	9-5
26395-2	6-9	31282	9-5
26565	6-18	31283	9-5
26565	8-17	31284	9-5
26565	8-17	31285	9-5
26565	8-37	31349	5-7
26565	8-37	31352	5-9
26683	8-15	31354	9-10
26683	8-38	31354	9-11
27791	5-35	31366	9-10
27791	9-10	31380	9-10
27794	5-35	31383	9-10
27794	9-11	31891	10-6
28165	8-19	31892	10-6
28280	5-7	31893	10-6
28296	5-21	31894	10-6
28387	6-11	31895	10-6
28613-4	6-9	31896	10-6
28835	9-10	31897	10-6
28835	9-11	31898	10-6
28838	5-38	31899	1
28838	8-25	31978	8-26
29279	5-9	31979	8-26
29557	8-23	32125	6-7
30039	9-5	32126	8-21
30425	5-13	32126	8-35
30523	6-15	32267	8-19
30534	7-5	32267	8-33
30534	8-39	32282	6-5
31186	9-5	32324	10-5
31187	9-5	32364	5-31
31188	9-5	32364	5-33
31189	9-5	32368	6-5
31190	9-5	32387	5-28
31191	9-5	32388	5-28
31192	9-5	32391	5-28
31193	9-5	32391	9-12
31194	9-5	32393	5-28
31196	9-5	32395	5-9
31197	9-5	32399	5-29
31198	9-5	32421	5-9
31199	9-5	32448	6-7
31202	9-5	32449	8-17
31220	9-5	32449	8-17

CROSS REFERENCE

Part Number	Page Number	Part Number	Page Number
32449	8-37	33791	8-31
32449	8-37	33815	5-21
32486	5-21	33816	5-21
32486	6-11	33833	6-15
32492	6-11	33866	8-37
32514	5-9	33880	8-15
32608	6-5	33880	8-38
32672	7-4	33884	8-17
32673	7-4	33887	8-15
32677	8-19	33887	8-38
32677	8-33	33890	8-15
32680	8-19	33890	8-38
32680	8-33	34097	9-7
32683	8-19	34172	9-11
32683	8-33	34330	5-35
32685	8-19	34738	5-13
32685	8-33	35501	6-20
32690	8-19	35515	6-19
32690	8-33	35526	6-11
32752	6-18	35529	6-7
32752	9-12	35529	6-7
32753	6-18	35561	6-7
32754	6-18	35561	6-7
32757	6-18	35561	6-7
32759	6-18	35575	8-9
32760	6-18	35583	6-18
32922	8-14	35586	6-18
32941	6-19	35594	6-7
32942	6-19	35607	5-4
33517	5-21	35607	6-9
33519	8-26	35613	6-21
33520	8-26	35614	6-7
33541	6-7	35615	6-7
33545	8-6	35620-1	6-7
33545	8-7	35621-1	6-7
33545	8-8	35630	6-7
33558	8-26	35631	6-7
33570	8-21	35631-1	6-7
33570	8-35	35636	6-7
33571	8-21	35640	6-7
33571	8-35	35649	6-15
33572	8-21	35665	6-7
33572	8-35	35665	6-7
33573	8-21	35666	6-7
33573	8-35	35668	6-7
33576	6-23	35669	6-11
33576	8-9	35671	5-21
33577	5-39	35673	5-21
33577	8-9	35686	6-7
33578	5-39	35688	6-19
33578	8-9	36549	8-29
33579	9-9	36658	5-17
33580	9-9	36661	5-17
33694	9-9	36663	5-17
33710	7-5	36665	5-17
33715	5-39	36666	5-17
33715	6-23	36875	5-15
33715	8-9	36906	5-19
33717	5-39	36907-1	6-12
33717	6-23	36908	5-19
33717	8-9	36912	5-19
33724	8-8	36913	5-21

CROSS REFERENCE

Part Number	Page Number	Part Number	Page Number
36922A	5-7	39334	8-17
36955	7-5	39334	8-37
36956	6-21	39334	8-37
36958	6-22	39350	6-11
36958	8-13	40362	5-29
36984	6-11	40755	5-33
36985	6-7	41119	5-31
36986	6-22	41119	5-33
36986	8-13	41531	5-4
36988	6-7	41532	5-4
36989	6-7	41533	8-4
36993	6-22	41535	8-5
36993	8-13	41547	8-4
36993	8-39	41547	8-5
36994	6-5	41548	8-4
36996	6-7	41548	8-5
37014	6-18	41698	8-29
37015	6-18	42210-1	6-19
37016	6-18	42210-3	5-28
37021	5-4	42210-7	5-28
37021	6-9	42223	5-31
37029	6-21	42223	5-34
37050	6-22	42226	5-31
37050	8-13	42240	5-31
37051	6-22	42240	5-33
37051	8-13	42265	5-31
37052	8-13	43004	8-17
37054	6-11	43004	8-37
37055	6-11	43005	8-17
37064	5-19	43005	8-37
37065	5-19	43016	8-19
37066	5-19	43016	8-33
37073	6-11	43030	8-17
37074	6-11	43030	8-17
37081	6-18	43030	8-37
37109	8-26	43030	8-37
37110	8-26	43030	8-37
37128	8-26	43039	8-17
37139	6-7	43039	8-37
37467	9-7	43056	8-19
37552	9-5	43056	8-33
37556	9-5	43057	8-19
37616	9-9	43057	8-33
37756	9-9	43079	8-17
37887	10-6	43079	8-37
37925	10-5	43086	8-21
37939	10-5	43086	8-35
38303	10-5	43148	5-5
38327	10-5	43164	8-23
38330	9-5	43170	8-19
38343	9-5	43170	8-33
38362	10-5	43192	8-23
38438	10-5	43203	8-17
38450	9-5	43203	8-37
38811	9-5	43204	8-24
39204	6-19	43207	8-19
39217	5-11	43207	8-33
39218	8-14	43228	5-24
39220	7-4	43242	5-19
39274	8-19	43242	8-15
39274	8-33	43242	8-38
39334	8-17	43249	8-17
		43249	8-37

CROSS REFERENCE

Part Number	Page Number	Part Number	Page Number
43262	5-5	43558A	8-15
43287	8-17	43558A	8-38
43287	8-37	43560	8-15
43290	8-24	43560	8-38
43291	8-24	43564	8-17
43294	8-24	43566	8-17
43295	8-24	43566	8-37
43299	8-24	43592	5-5
43314	8-23	43593	5-5
43316	8-23	43609	8-17
43317	8-24	43609	8-37
43322	5-4	43611	8-23
43322	8-23	43616	8-17
43324	5-4	43616	8-17
43324	8-23	43616	8-37
43344-1	8-19	43616	8-37
43344-1	8-33	43652	8-21
43344-2	8-19	43652	8-35
43344-2	8-33	43653	8-21
43363	8-17	43653	8-35
43363	8-37	43656	8-21
43372-1	8-15	43656	8-35
43372-1	8-38	43660	8-17
43376	8-15	43660	8-37
43376	8-38	43661	8-17
43377	8-15	43661	8-37
43377	8-38	43667	8-24
43379	8-15	43677	8-19
43379	8-38	43677	8-33
43382	8-19	43680	5-5
43382	8-33	43681	8-21
43411	8-15	43681	8-35
43411	8-38	43681-1	8-21
43424	5-5	43681-1	8-35
43430N	5-5	43708N	5-5
43454	8-19	43708P	5-5
43454	8-33	43898	5-5
43497	8-24	44023	5-9
43499	8-24	44024	8-17
43500	8-24	44024	8-37
43502	8-21	44078	5-11
43502	8-35	44200	5-9
43506	8-15	44231	5-22
43506	8-38	44239	5-23
43507	8-15	44239-2	5-4
43507	8-38	44239-2	5-4
43516A	8-19	44298	5-9
43516A	8-33	44307	5-9
43539	8-15	44342-12	5-11
43539	8-38	44542	5-11
43543	8-23	44542	8-14
43549	8-24	44555	5-11
43552	8-19	44592	8-11
43552	8-19	44593	5-40
43552	8-31	44593	6-22
43552	8-33	44593	8-10
43553	8-24	44593	8-11
43554	5-5	44593	8-12
43554	5-5	44593	8-13
43555	8-31	44596	5-40
43557A	8-15	44596	6-22
43557A	8-38	44596	8-10

CROSS REFERENCE

Part Number	Page Number	Part Number	Page Number
44596	8-11	44777	5-9
44596	8-12	44780	8-23
44596	8-13	44785	5-9
44597	5-40	44788	8-23
44597	8-10	44789	5-9
44597	8-11	44790	5-9
44597	8-12	44791	5-22
44599	5-40	44793	5-31
44599	8-10	44793	5-33
44599	8-11	44800	5-9
44599	8-12	44803	5-34
44600	5-40	44811	5-22
44600	6-22	44814	5-22
44600	8-10	44815	5-22
44600	8-11	44822	5-29
44600	8-12	44826	5-31
44600	8-13	44826	5-33
44602	8-10	44828	5-11
44602-1	8-12	44830	8-23
44621	5-31	44831	8-23
44621	5-33	44832	5-9
44632	5-39	44835	5-36
44632	6-23	44837	5-36
44632	8-9	44842	5-36
44636	5-39	44843	5-7
44636	6-23	44844	5-7
44636	8-9	44845	5-11
44662	5-11	44847	5-9
44668	5-23	44849	5-9
44679	8-4	44851	5-9
44679	8-5	44852	5-11
44679	8-6	44855	5-34
44679	8-7	44856	5-35
44679	8-8	44857	5-28
44681	8-4	44858	5-35
44681	8-5	44860	5-35
44681-1	8-4	44861	5-29
44681-1	8-5	44862-1	5-28
44681-2	8-4	44868	5-28
44681-2	8-5	44868	5-31
44683-1	8-4	44868	5-35
44683-1	8-5	44868	6-18
44690	5-36	44871	5-19
44695	8-17	44872	5-23
44695	8-37	44874	5-7
44696	5-25	44880	5-38
44697	5-25	44880	8-25
44698	5-25	44888	5-11
44699	5-25	44892	5-11
44705	5-7	44895	5-11
44709	5-25	44897	8-4
44714	8-23	44897	8-5
44737	5-36	44897	8-6
44740	5-19	44897	8-7
44746	5-31	44897	8-8
44746	5-33	44899	5-11
44753A	5-29	44900	5-19
44758A	5-9	44901	8-14
44772	8-23	44902	5-9
44774	8-23	44906	8-23
44775	8-23	44935	7-5
44776	8-23	44935	8-26

Part Number	Page Number	Part Number	Page Number
44936	5-31	45335	8-4
44938	5-11	45335	8-5
44939	5-17	45336	5-11
44949	5-25	45337	5-11
44951	5-11	45344	7-4
44958	5-9	45345	7-4
44961	5-34	45347	7-4
44961	5-35	45360	8-6
44967	5-9	45362	8-8
44971	5-9	45365	8-6
44972	5-23	45365	8-7
44973	5-9	45365	8-8
44974	5-9	45366	8-6
44977	8-23	45366	8-7
45027A	8-14	45366	8-8
45028A	8-14	45368	8-6
45206	8-25	45368	8-7
45208	8-8	45368	8-8
45212	5-31	45370	8-6
45213	5-31	45370	8-7
45216	7-5	45372	8-8
45219	8-14	45373	8-8
45224	8-8	45375	8-6
45229	7-4	45375	8-7
45239	7-4	45375	8-8
45240	7-4	45387	8-14
45241	7-4	45388	8-21
45246	7-4	45389	8-6
45251	7-4	45389	8-7
45252	7-4	45390	8-6
45255	5-11	45390	8-7
45255	7-4	45405	8-14
45256	7-4	45409	8-29
45257	7-4	45411	8-31
45260	5-9	45414	8-31
45261	5-9	45415	8-31
45261	5-9	45416	8-31
45262	5-9	45416-1	8-31
45269	8-25	45417	8-31
45269	8-5	45418A	10-5
45272	8-4	45418A	8-31
45272	8-5	45419	10-5
45275	8-5	45419	8-31
45282	8-6	45420A	10-5
45282	8-8	45420A	8-31
45283	8-4	45421	10-5
45283	8-5	45421	8-31
45283	8-6	45422A	10-5
45283	8-8	45422A	8-31
45296	7-4	45423	10-5
45303	8-37	45423	8-31
45310	8-6	45424A	10-5
45310	8-7	45424A	8-31
45310	8-8	45425	8-31
45318	8-6	45426	8-29
45318	8-8	45430	8-29
45321	8-6	45438	8-29
45321	8-8	45439-1	8-31
45326	5-11	45444	8-33
45330	5-9	45446	8-35
45332	1	45447	8-35
45334	8-14	45449	8-31

CROSS REFERENCE

Part Number	Page Number	Part Number	Page Number
45459	8-17	46467	8-35
45459	8-37	46468	8-21
45460	8-17	46468	8-35
45460	8-37	46480	6-20
45465	5-9	46585	6-11
45482	5-29	46595	5-13
45482	6-19	46596	5-13
45487-6	8-15	46605	8-21
45487-6	8-38	46605	8-35
45526	8-21	46642-1	8-21
45535	8-31	46642-1	8-35
45536-1	5-28	46642-2	8-21
45539	8-21	46642-2	8-35
45539	8-35	46687	8-14
45622	9-9	46688	8-19
45623	9-9	46688	8-33
45628	9-11	46690A	10-5
45787	8-7	46690A	8-19
45788	8-7	46691B	10-7
45789	8-7	46691B	8-21
45790	8-7	46691B	8-35
45851	5-29	46698	8-21
45857	5-7	46698	8-35
46010	5-9	46699	8-21
46011	5-9	46699	8-35
46033	5-24	46756	8-19
46034	5-24	46785	5-23
46062	5-13	46800	5-23
46077	5-13	46810	5-23
46080	5-13	46847	8-17
46093	8-14	46847	8-37
46132	5-7	46857	5-5
46137	5-7	46858	5-5
46139	5-19	46862	5-23
46140	5-19	46940	5-19
46141A	5-19	46981	5-19
46147	5-7	46985	5-19
46168	5-19	46987	5-19
46186	5-23	46988A	5-19
46187	5-23	47010	5-25
46214	5-19	47010-1	5-25
46217	5-23	47010-2	5-25
46218	5-23	47010-3	5-25
46230	5-22	47010-4	5-25
46231	5-22	47010-5	5-25
46236	5-17	47010-6	5-25
46276	8-17	47010-7	5-25
46276	8-37	47062	5-7
46327	5-23	47065-1	5-7
46328	5-23	47065-2	5-7
46347	5-24	47065-3	5-7
46390	5-23	47066	5-23
46390	8-21	47069	5-19
46390	8-35	47164	5-11
46419	8-23	47164	5-38
46439	8-21	47164	8-25
46439	8-35	47178-1	5-13
46442	8-21	47178-13	5-11
46442	8-35	47178-13	5-23
46443	8-21	47178-13	8-21
46443	8-35	47178-13	8-35
46467	8-21	47178-4	5-11

CROSS REFERENCE

Part Number	Page Number	Part Number	Page Number
47178-4	7-4	47985	8-26
47277	5-40	47985	8-26
47277	8-10	47986	5-37
47277	8-11	48060	5-13
47277	8-12	48060	5-4
47278	5-40	48062	5-24
47278	8-10	48071	5-7
47278	8-11	48074	5-19
47278	8-12	48075	5-19
47280	5-40	48076	5-21
47280	8-10	48079	5-19
47280	8-11	48118	5-19
47280	8-12	48663	5-34
47476	8-19	48663	9-9
47476	8-33	48680	5-19
47501	5-5	48681	5-19
47501	5-5	48927	6-9
47512	5-28	48928	6-9
47513	5-35	48929	5-35
47516	5-31	48930	6-11
47519	5-35	48930	6-21
47522	6-18	48940	6-18
47524	5-35	48951-1	6-22
47524	6-19	48951-1	8-13
47591	5-17	48981	6-19
47655	5-31	49016	6-7
47717	8-10	49266	6-10
47717-1	8-12	49305	5-29
47719	5-36	49681	5-31
47753	5-29	49681	5-33
47782-1	8-19	49724	5-29
47787-1	8-19	49759	5-29
47788	8-19	49888	5-19
47789A	8-19	49933	5-35
47790	8-19	49933	5-35
47791	8-19	49933	6-19
47792	8-19	50089	10-6
47795-1	8-23	50089	5-22
47804	8-21	50126	5-33
47804	8-31	50126	9-8
47804	8-35	50140	5-22
47862	5-31	50430	5-31
47865	5-31	50447	6-5
47865	5-33	50493	5-33
47872	5-31	50514	5-31
47872	5-33	50514	5-33
47873	5-31	50514	5-4
47873	5-33	50514	5-4
47875	5-31	50639	5-38
47875	5-33	50951	5-23
47892	5-7	50952	5-23
47892	5-9	50959	5-34
47904	5-11	50960	5-34
47904	8-14	51317	8-21
47907	5-7	51317	8-35
47927	5-31	51372	5-15
47927	5-33	51448	5-25
47928	5-31	51449	5-25
47934	5-33	51531	5-33
47985	5-37	51727	5-28
47985	8-26	51773	5-7
47985	8-26	51780	5-29

CROSS REFERENCE

Part Number	Page Number	Part Number	Page Number
53028-1	5-17	60415	8-26
53076	5-33	60478	8-39
53143	5-7	60581	9-7
53352	6-21	60586	9-7
53368	8-17	61088	8-31
53368	8-37	61292	8-39
53461-1	5-13	61294	8-39
53461-2	5-13	61296	8-39
53462	5-13	61346	9-7
53528	5-36	61354	8-11
53697	5-13	61393	7-5
53758	6-9	61393	8-26
53899	6-14	61440	5-33
53907	6-14	61440	9-7
54017	5-33	61457	5-33
54274	5-31	61466	5-33
54333	8-15	61467	6-21
54333	8-38	61469	5-33
54453	8-9	61472	5-33
54517	6-5	61473	5-33
55130	5-17	61474	5-33
55203	6-7	61476	5-33
55204	6-7	61477	5-33
55248	6-10	61877	9-7
55373	6-5	61878	9-7
55373	6-7	61879	9-7
55375	6-7	61880	9-7
55936	9-7	61881	9-7
56387	8-7	61882	9-7
56390	8-7	61883	9-7
56489	8-19	61888	9-7
56489	8-33	61889	9-7
56690	5-35	61890	9-7
56690	6-18	61891	9-7
56690	6-19	62595-18	5-9
56744	5-29	62700	5-33
56799	5-13	64127	8-29
56821	5-28	64153	5-21
56821	5-33	64991	5-33
56821	8-39	65072	6-5
56855	5-33	65145-1	5-33
57064	9-8	65869-5	5-29
57282	9-11	67113	6-18
57542	9-11	67113	6-19
57875	5-33	67683	5-33
58476	5-17	67718	5-35
58476	5-4	67718-2	5-35
58476	5-4	67718-2	5-4
58482	5-17	67718-2	5-4
58483	5-17	69009	5-31
58670	5-13	69009	5-33
59472	5-4	69021	5-29
59633	5-21	69037	5-35
60013	5-4	69136	5-31
60013	8-24	69136	5-33
60014	5-4	69207	8-19
60014	8-23	69207	8-33
60408	10-6	74949	6-19
60409	10-6	74994	9-5
60411	10-6	76062	5-9
60413	10-6	76079	5-38
60414	10-6	76390	8-29

Part Number	Page Number
82125	6-5
82162	5-40
82165	5-7
82168	6-11
82189	5-40
82189	6-5
82189	8-10
82189	8-11
82189	8-12
82272	6-15
82273	6-15
82415	5-15
82416	5-15
82421	6-9
82423	6-9
82451	5-17
82452	5-17
82453	5-17
82456	5-17
82457	5-17
82466	5-13
82468	5-13
82469	5-13
82472	5-17
82475	5-17
82476	6-9
82477	6-9
82483	6-9
82496	6-11
82496	8-13
82500	6-9
82501	6-9
82661	8-29
82723	5-17
83064	9-12
83064	9-12
87579	5-13
87774	10-7
87864	10-7

TENNANT SERVICE LITERATURE AVAILABLE...

A variety of information is available to you in forms to suit your needs. The following is a list of those publications that relate to the Model 242E family of machines:

Machine Model	Publication	Form	TENNANT Part No.
242E	Operation, Maintenance and Parts Manual	Printed	MM243
242E	Operation, Maintenance and Parts Manual	Microfiche	82243

Keep your manuals in a safe, convenient location for your future reference in order to operate, maintain, and order repair parts for your machine. Everyone who operates, maintains, or purchases parts for the machine should have easy access to a copy of the manual.

To get pricing information or to order copies of these publications, contact your nearest TENNANT parts warehouse, distributor, or sales representative.