



215

Operator and Parts Manual

(Parts Manual)



MM157



This manual is furnished with each new TENNANT Model 215

This manual consists of Specifications; Operation; Maintenance; the How To Use This Manual; Low Dump Model Parts; Multi-Level Dump Model Parts; Options; Hydraulic Components; Engine Breakdown; and Cross Reference sections.

MACHINE DATA

Please fill out at time of installation for future reference.

Machine Model Number – 215

Machine Serial Number – _____

Machine Options – _____

TENNANT Representative/phone no. – _____

Customer ID Number – _____

Date of Installation – _____

Manual Number – MM157

Revision: 10

Published: 2-98



CALIFORNIA PROPOSITION 65 WARNING:

Engine exhaust from this product contains chemicals known to the State of California to cause cancer, birth defects, or other reproductive harm.

HOW TO USE THIS MANUAL

This section on *HOW TO USE THIS MANUAL* will tell you how to:

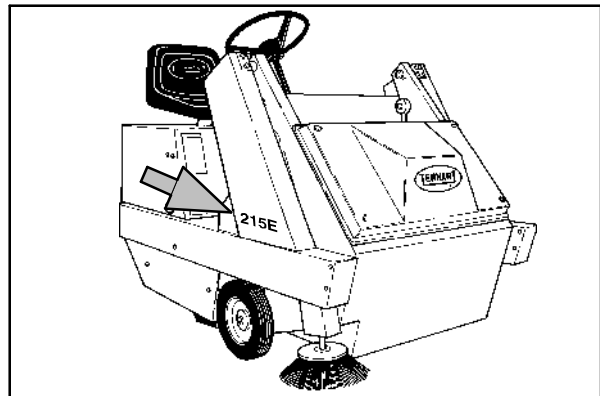
- Find important machine information for ordering correct repair parts.
- Find TENNANT part numbers.
- Order TENNANT parts and supplies.

IMPORTANT INFORMATION

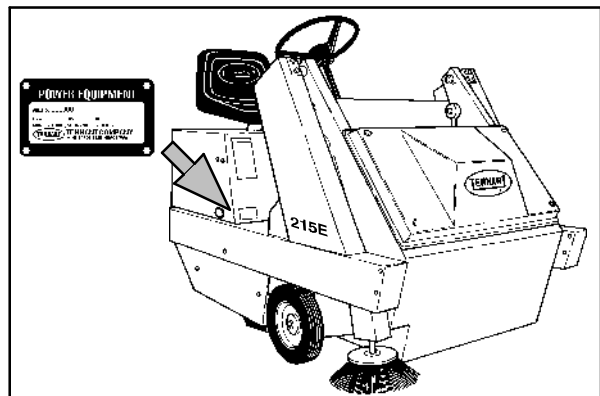
When placing an order for parts, the machine model and machine serial number are important. Refer to the *MACHINE DATA* box which is filled out during the installation of your machine. The *MACHINE DATA* box is located on the inside of the front cover of this manual.

MACHINE DATA	
<i>Please fill out at time of installation for future reference.</i>	
Machine Model Number -	140
Machine Serial Number -	_____
Machine Options -	_____
TENNANT Representative/phone no. -	_____
Customer ID Number -	_____
Date of Installation -	_____
Manual Number -	MM130
Revision:	15
Published:	12-96

The model number of your machine is on the side of the machine.



The serial number of your machine is printed on the machine data plate located as shown.



HOW TO USE THIS MANUAL

FINDING A TENNANT PART NUMBER

This manual contains the following sections:

- HOW TO USE THIS MANUAL
- LOW DUMP MODEL PARTS
- MULTI-LEVEL DUMP MODEL PARTS
- OPTIONS
- HYDRAULIC COMPONENTS
- CROSS REFERENCE

The LOW DUMP PARTS and MULTI-LEVEL DUMP PARTS section lists repair parts for standard machines. They are grouped in this general order:

- General wear parts.
- Machine frame and related parts.
- Machine propelling system.
- Sweeping components.
- Electrical parts.

The OPTION section lists repair parts of options.

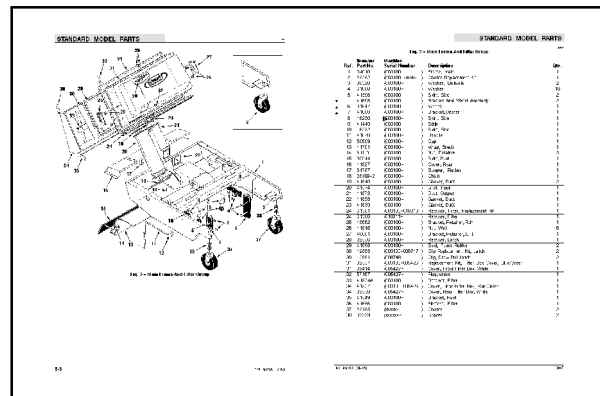
The HYDRAULIC COMPONENTS section lists available repair parts of the hydraulic breakdowns.

All sections in this manual consist of parts illustrations and corresponding parts lists.

The parts illustrations are numbered with **Ref** numbers which refer to corresponding parts lists.

The parts lists include a number of columns of information:

- **Ref** - column refers to the reference number on the parts illustration.
- ▽ - indicates the part is an assembly.
- ▲ - indicates the part is included in the assembly listed just before it.
- **TENNANT Part No.** - column lists the TENNANT part number for the part.
- **Serial Number** - column indicates the set of machines the part number is applicable to. Serial numbers change when the machine design has been modified. The most current design of the machine is shown in the main illustration, older designs are boxed in a corner of the illustration.
- **Description** - column is a brief description of the part.
- **Qty.** - column lists the quantity of that part used in that area of the machine.



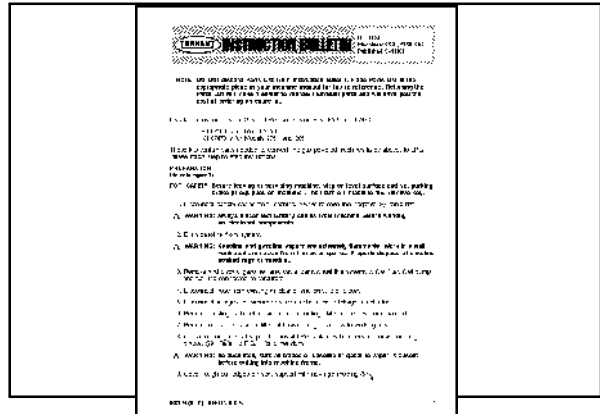
STANDARD MODEL PARTS

Fig. 3 - Main Frame And Filter Group

Ref.	Tennant Part No.	Machine Serial Number	Description	Qty.
1	05010	003100-	Frame, Main	1
2	23262	003100-xxxxxx	Caster Replacement Kit	1
3	35328	003100-	Washer, Belleville	2
4	61080	003100-	Washer	10
5	41396	003100-	Skirt, Side	2
6	41808	003100-	Bracket And Wheel Assembly	2
▲ 6	01847	003100-	Wheel	1
▲ 7	41600	003100-	Bracket, Caster	1
8	18230	003100-	Skirt, Side	1
9	41449	003100-	Strip	1
10	16232	003100-	Skirt, Side	1
11	41670	003100-	Handle	1
12	50609	003100-	Cap	1
13	41701	003100-	Wrap, Brush	1
14	61110	003100-	Nut, Retainer	3
15	03954	003100-	Skirt, End	1
16	41827	003100-	Cover, Rear	1
17	64757	003100-	Bumper, Rubber	1
18	28499-2	003100-	Chain	1
19	41640	003100-	Gasket, Duct	2

NOTE: If a service kit is installed on your machine, be sure to keep the INSTRUCTION BULLETIN which came with the kit. It contains repair parts numbers needed for ordering future parts.

NOTE: Fasteners used in this machine may be metric or non-metric. Take care when replacing hardware to replace with same thread size.



PLACING AN ORDER

Orders may be placed by phone, fax, or by mail. Phone orders may need written confirmation. Follow the steps below to insure prompt delivery:

1. Identify the model number of your machine.
2. Identify the serial number of your machine.
3. Find the part number of the part you need. Do not order by page number or reference number. If you are not able to find the part number, call your TARRANT representative for help or send the old part as a sample.
4. Determine the quantity of the part you need.
5. Provide the following company information:
 - Company name
 - Customer ID Number
 - Shipping address
 - Billing address
 - First and last name of person ordering parts
 - Telephone number
 - Purchase order number
6. Provide definitive shipping instructions.

HOW TO USE THIS MANUAL

Any claim for loss or damage to a shipment in transit should be filed promptly with the transportation company making the delivery. Shipments will be complete unless the packing list or order acknowledgement indicates items back ordered.

If parts received are suspected to be incorrect or defective, please contact the TENNANT representative from whom you ordered the part. They will give authorization for return and/or handle replacement shipments when required.

SECTION 6

CONTENTS	PAGE
Fig. 1 - Recommended General Maintenance Items	6-2
Fig. 2 - Replacement Brushes	6-3
Fig. 3 - Main Frame Group	6-4
Fig. 4 - Filter Shaker Group	6-6
Fig. 5 - Hopper Group	6-8
Fig. 6 - Vacuum Fan Group	6-9
Fig. 7 - Vacuum Fan Shutoff Group	6-10
Fig. 8 - Actuator Group	6-11
Fig. 9 - Instrument Panel Group	6-12
Fig. 10 - Floor Plate and Partition Group	6-14
Fig. 11 - Seat Support Group	6-15
Fig. 12 - Brake Group	6-16
Fig. 13 - Front Wheel Group	6-18
Fig. 14 - Differential Group	6-19
Fig. 15 - Transmission and Linkage Group	6-20
Fig. 16 - Jackshaft Group	6-22
Fig. 17 - Engine Group, Gasoline	6-24
Fig. 18 - Engine Group, LPG	6-26
Fig. 19 - Hydraulic Group, LPG	6-28
Fig. 20 - Brush Lift Group	6-29
Fig. 21 - Side Brush Drive Group	6-30
Fig. 22 - Main Brush Drive Group	6-32
Fig. 23 - Steering Wheel Group	6-34
Fig. 24 - Rear Caster Group	6-35
Fig. 25 - Battery Group	6-36
Fig. 26 - Labels Group	6-37
Fig. 27 - Wire Harnesses Group, Gasoline	6-38
Fig. 28 - Wire Harnesses Group, LPG	6-40

NOTE: SECTION 6, LOW DUMP MODEL PARTS, lists repair parts for a Low Dump model machine. This section also contains parts common to all models of the machine.

Fig. 1 - Recommended General Maintenance Items

Ref.	Tennant Part No.	Machine Serial Number	Description	Qty.
▽	06732	(000000-) Maintenance Kit, 200 Hour, Gasoline and LPG	1
▲	30166	(000000-) Spark Plug	2
▲	06816	(000000-) Filter, Air	2
▲	06817	(000000-) Precleaner, Air	1
▲	06818	(000000-) Filter, Fuel	1
▽	01776	(000000-) Maintenance Kit, Belts	1
▲	52250	(000000-) V-Belt	1
▲	36543	(000000-) V-Belt	1
▲	23445	(000000-) V-Belt	1
▲	02385	(000000-) V-Belt	1
▲	04022	(000000-) V-Belt	1
▲	42108	(000000-) V-Belt	1
▲	35790	(000000-) V-Belt	1
▽	01770	(000000-) Maintenance Kit, Skirts and Seals	1
▲	02088	(000000-) Skirt, Brush, R.H.	1
▲	02350	(000000-) Retainer, Brush Skirt. R.H.	1
▲	02275	(000000-) Seal, Brush, R.H.	1
▲	35721	(000000-) Strip	1
▲	36004	(000000-) Seal, Hopper Side	2
▲	36022	(000000-) Strip, Retainer	2
▲	36228	(000000-) Skirt, L.H.	1
▲	36227	(000000-) Retainer, L.H.	1
▲	35717	(000000-) Skirt	1
▲	35723	(000000-) Strip, Retainer	1
▲	36003	(000000-) Skirt, Back Brush	1
▲	35722	(000000-) Strip, Retainer	1
▲	09342	(000000-) Chain, Link	1
▲	06340	(000000-) Skirt	1
▲	06341	(000000-) Retainer, Skirt, L.H.	1
▲	35903	(000000-) Seal, Foam Rubber	1
▲	47037	(000000-) Adhesive, 5 oz. Tube (150 ml)	1
▲	36001	(000000-) Seal, Hopper Top	1
▲	36000	(000000-) Strip	1
▲	02274	(000000-) Seal, Brush, L.H.	1
▲	02381	(000000-) Sleeve	2
▲	67040	(000000-) Seal, Foam Rubber	1
▲	02117	(000000-) Seal, Hopper Lip	1
▲	36171	(000000-) Seal, Foam Rubber	1
▲	02169	(000000-) Seal, Foam Rubber	2
▲	35783	(000000-) Bracket, L	1

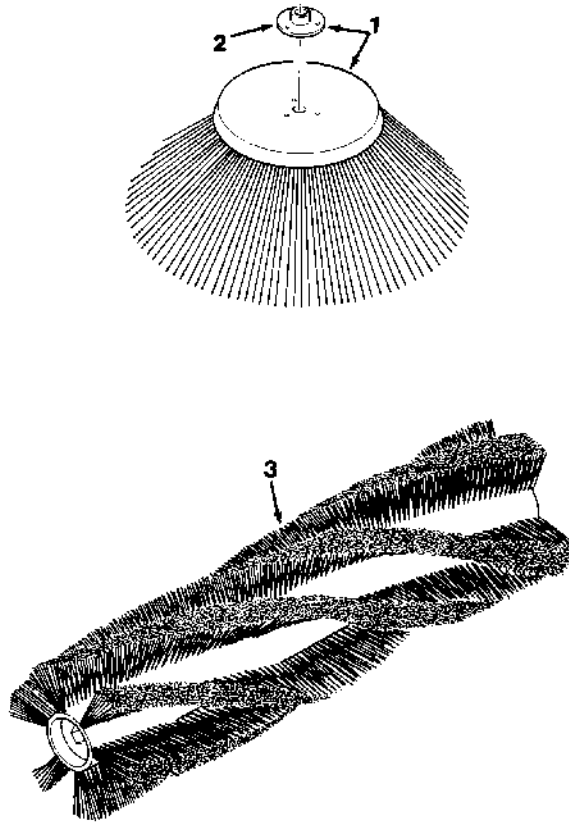


Fig. 2 - Replacement Brushes

03121

Ref.	Tennant Part No.	Machine Serial Number	Description	Qty.
▽ 1	28096P	(000000-) Brush and Hub Assembly, Polypropylene	1
▲ 2	45154	(000000-) Hub, Side Brush	1
▽ 1	28096N	(000000-) Brush and Hub Assembly, Perlon	1
▲ 2	45154	(000000-) Hub, Side Brush	1
3	35735	(000000-) Main Brush, Polypropylene	1
3	36699	(000000-) Main Brush, Proex and Wire	1

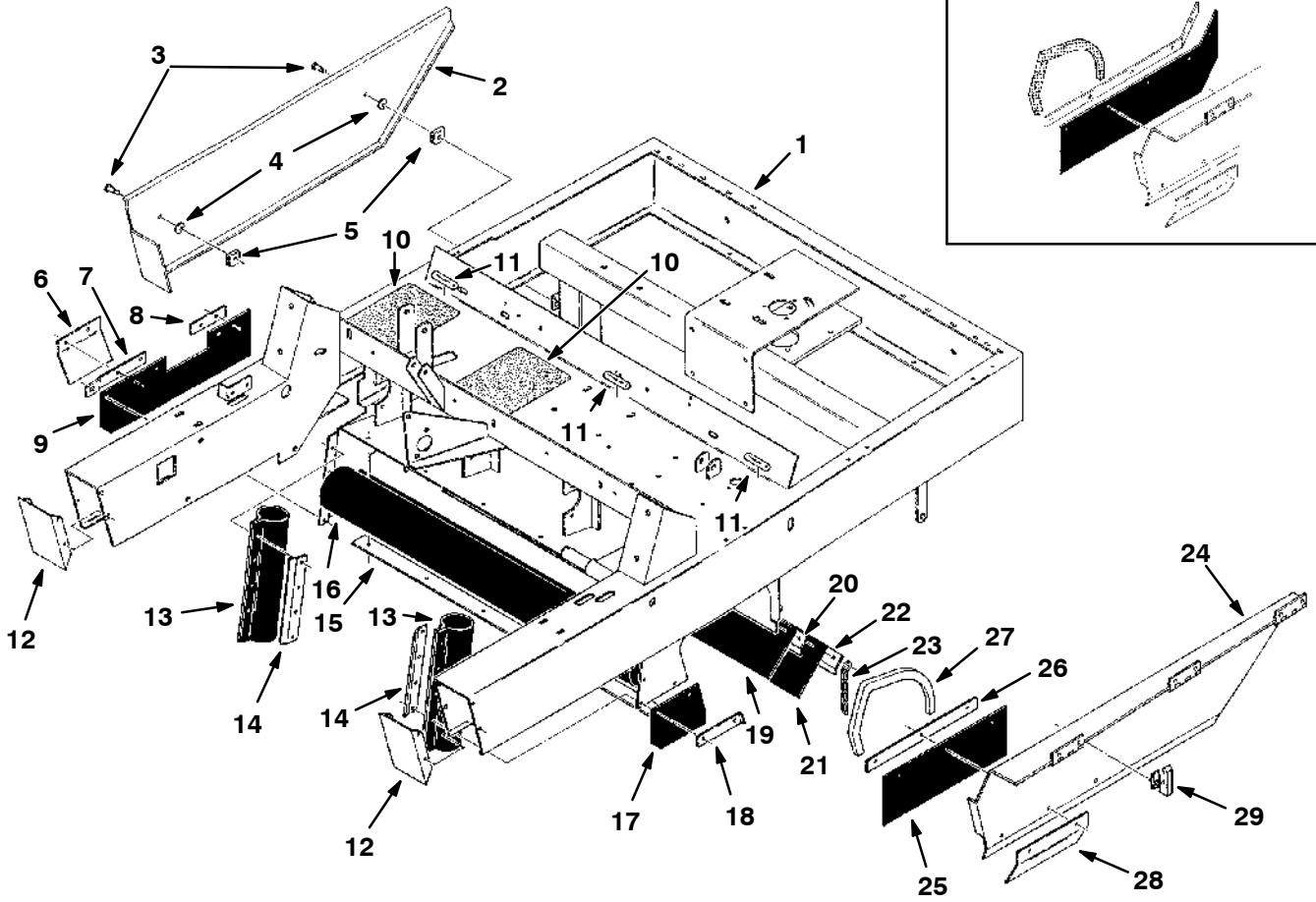


Fig. 3 - Main Frame Group

Fig. 3 - Main Frame Group

Ref.	Tenant Part No.	Machine Serial Number	Description	Qty.	
1	02340	(000000-) Frame, Main	1	
2	35957	(000000-) Panel, Lower, R.H.	1	
3	56366	(000000-) Fastener, Slot Head	2	
4	26015	(000000-) Fastener	2	
5	28165	(000000-) Fastener	2	
6	02275	(000000-) Seal, Brush, R.H.	1	
7	02350	(000000-) Retainer, Skirt, R.H.	1	
8	35721	(000000-) Strip	1	
9	02088	(000000-) Skirt, Brush, R.H.	1	
10	32646	(000000-) Tread, Floor	2	
11	19811	(000000-) Bumper, Rubber	3	
12	35878-1	(000000-) Cap, Frame	2	
13	36004	(000000-) Seal, Hopper Side	2	
14	36022	(000000-) Strip, Retainer	2	
15	36000	(000000-) Strip	1	
16	36001	(000000-) Seal, Hopper Top	1	
17	36228	(000000-) Skirt, L.H.	1	
18	36227	(000000-) Retainer, L.H.	1	
19	35717	(000000-) Skirt	1	
20	35723	(000000-) Strip, Retainer	1	
21	36003	(000000-) Skirt, Brush Wrap	1	
22	35722	(000000-) Strip, Retainer	1	
23	09342	(000000-) Chain, Link	1	
▽	24	02287	(000000-) Panel Assembly, Lower, L.H.	1
▲	25	06340	(001861-) Skirt	1
▲	26	06341	(001861-) Retainer, Skirt	1
▲	27	35903	(000000-) Seal, Foam Rubber	1
▲	28	02274	(000000-) Seal, Brush	1
▲	29	51375	(000000-) Fastener	1
▲	30	06344	(000000-001860)	Replacement Kit, Skirt	1

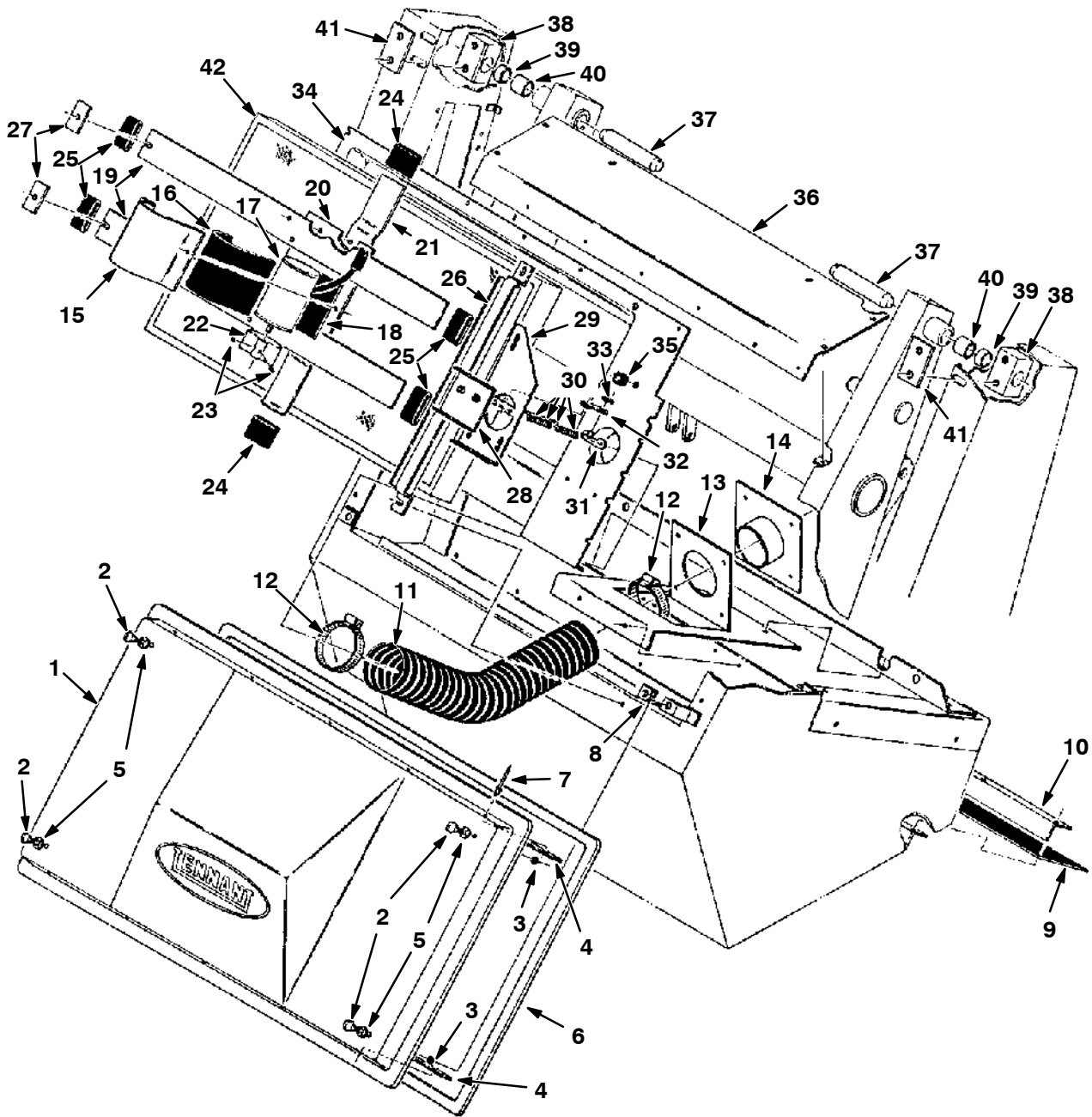
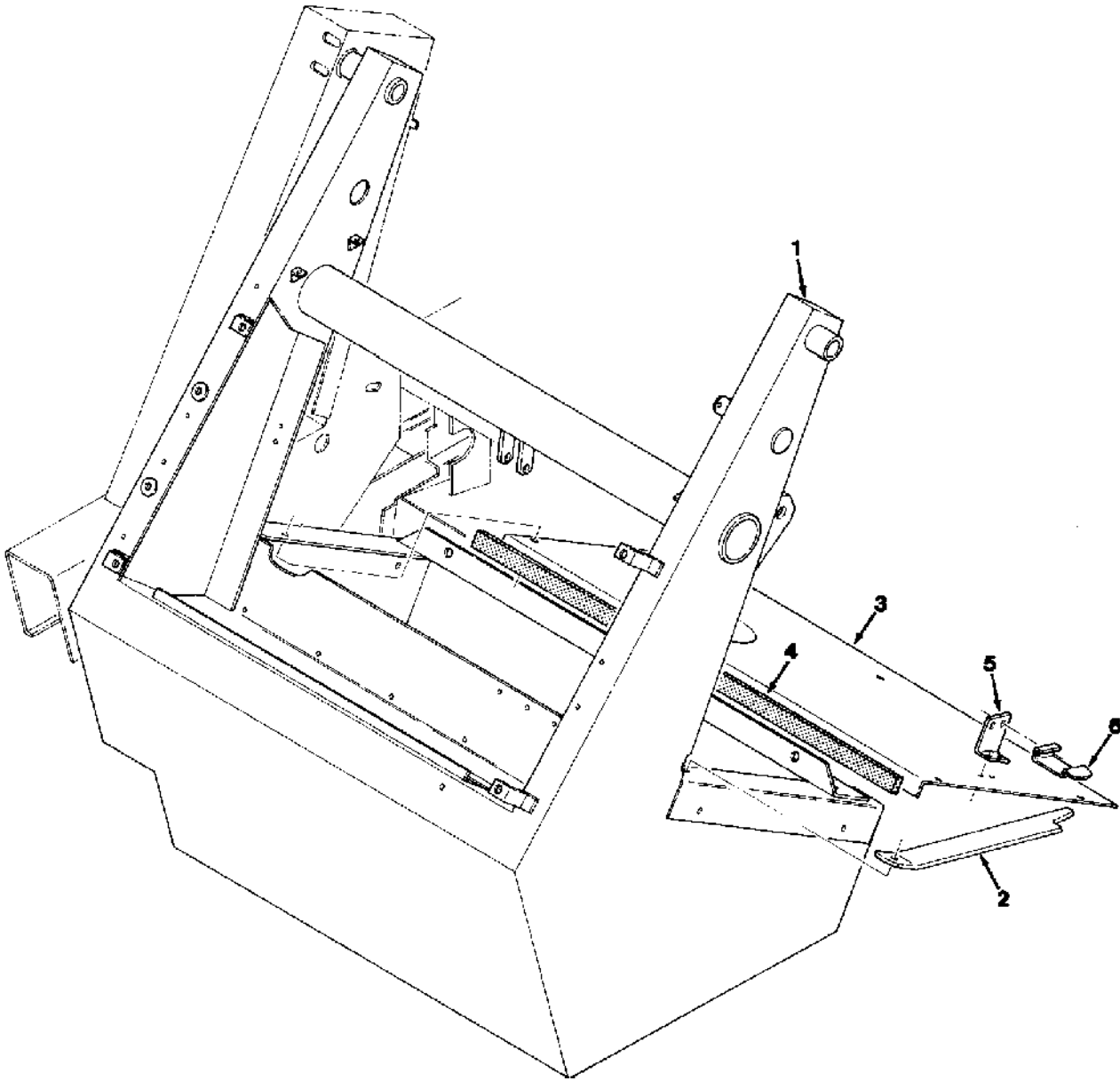


Fig. 4 - Filter Shaker Group

Fig. 4 - Filter Shaker Group

Ref.	Tennant Part No.	Machine Serial Number	Description	Qty.
▽ 1	02167	(000000-) Cover Assembly, Filter	1
▲ 2	25665	(000000-003193) Replacement Kit, Thumb Screw F/12947	4
▲ 2	25656	(003194-) Thumb Screw	4
▲ 3	26015	(000000-003193) Fastener	4
▲ 3	25663	(003194-) Nut, Speed	4
▲ 4	36675	(000000-) Bar, Stiffener	2
▲ 5	08156	(000000-) Retainer, Screw	4
▲ 6	02169	(000000-) Seal, Foam Rubber	1
▲ 7	56799	(000000-) Rivet, Pop	10
8	28165	(000000-) Fastener	4
9	02117	(000000-) Seal, Hopper Lip	1
10	35783	(000000-) Bracket, L	1
11	43490	(000000-) Hose	1
12	43555	(000000-) Clamp, Worm Drive	2
13	02164	(000000-) Bracket, Hose	1
14	47476	(000000-) Collar, Float	1
15	36666	(000000-) Strap, Shaker Motor	1
16	36658	(000000-) Pad, Rubber	1
17	54121	(000000-) Motor, Shaker	1
18	02165	(000000-) Pad, Rubber	1
19	02305	(000000-) Bar, Beater	2
20	02282	(000000-) Base, Motor	1
21	36672	(000000-) Mount, Motor	1
22	55130	(000000-) Weight, Eccentric	1
23	57496	(000000-) Screw, Nylon Set	2
24	36665	(000000-) Sleeve, Rubber	2
25	36663	(000000-) Sleeve, Rubber	4
26	02280	(000000-) Clamp, Spring	1
27	02394	(000000-) Plate, Beater Bar	2
28	02306	(000000-) Plate, Fire Door	1
29	02348	(000000-) Base, Fire Door	1
30	54743	(000000-) Spring, Compression	4
31	02341	(000000-) Bracket, Link	1
32	46167A	(000000-) Link, Fusible	1
33	58075	(000000-) Clip, Push-On	1
34	02137	(000000-) Housing, Filter	1
35	10632-11	(000000-) Grommet	1
36	02163	(000000-) Panel, Top Filter	1
37	58676	(000000-) Pin, C	2
▽ 38	02173	(000000-) Pivot Assembly, Hopper	2
▲ 39	35688	(000000-) Bearing, Journal	1
▲ 40	35529	(000000-) Bearing, Journal	1
41	02174	(000000-) Bar, Mounting	2
▽ 42	87550	(000000-) Filter Assembly	1
▲	65375	(000000-) Gasket	1



03004

Fig. 5 - Hopper Group

Ref.	Tennant Part No.	Machine Serial Number	Description	Qty.
1	03946	(000000-)	Hopper	1
2	02369	(000000-)	Arm, Safety	1
3	02299	(000000-)	Door, Dump	1
4	67040	(000000-)	Seal, Foam Rubber	1
5	06859	(000000-)	Bracket, Safety Arm	1
6	87244	(000000-)	Clip, Spring	1

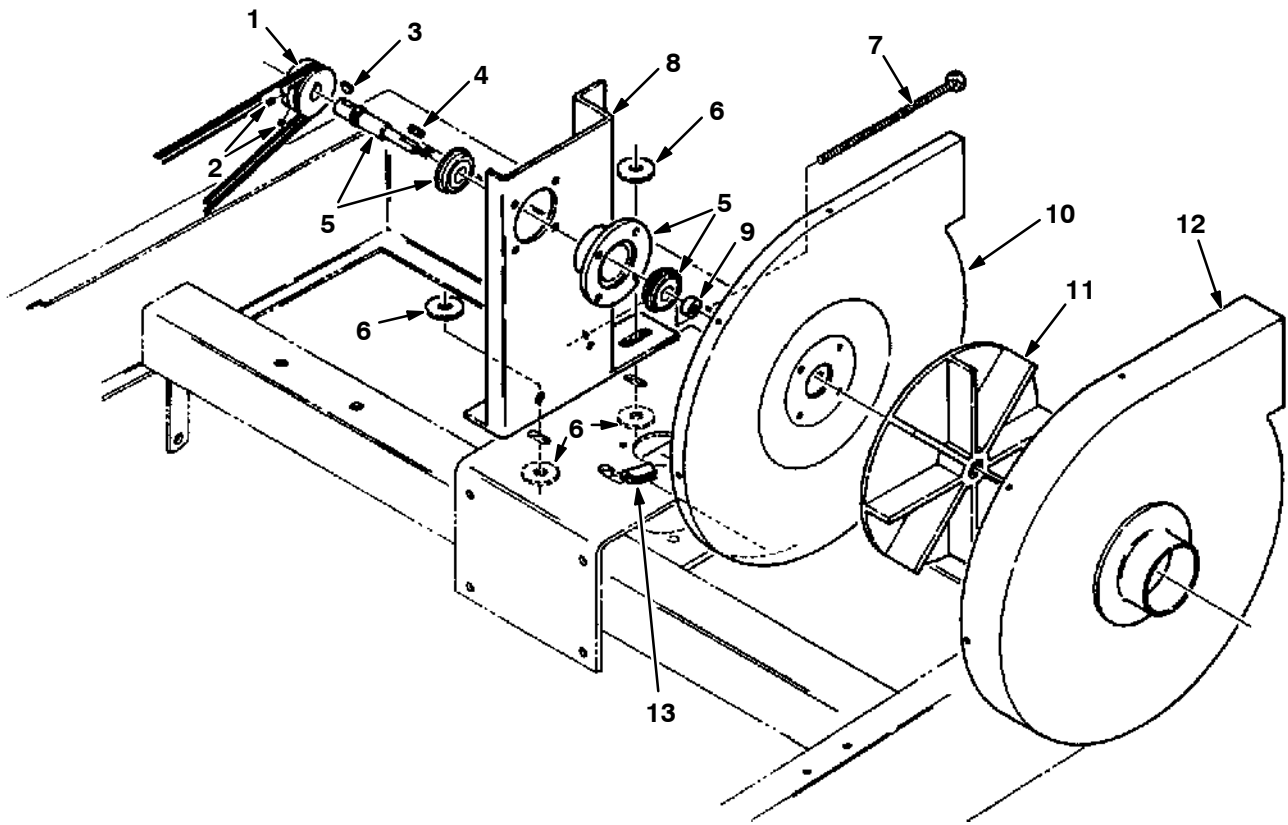
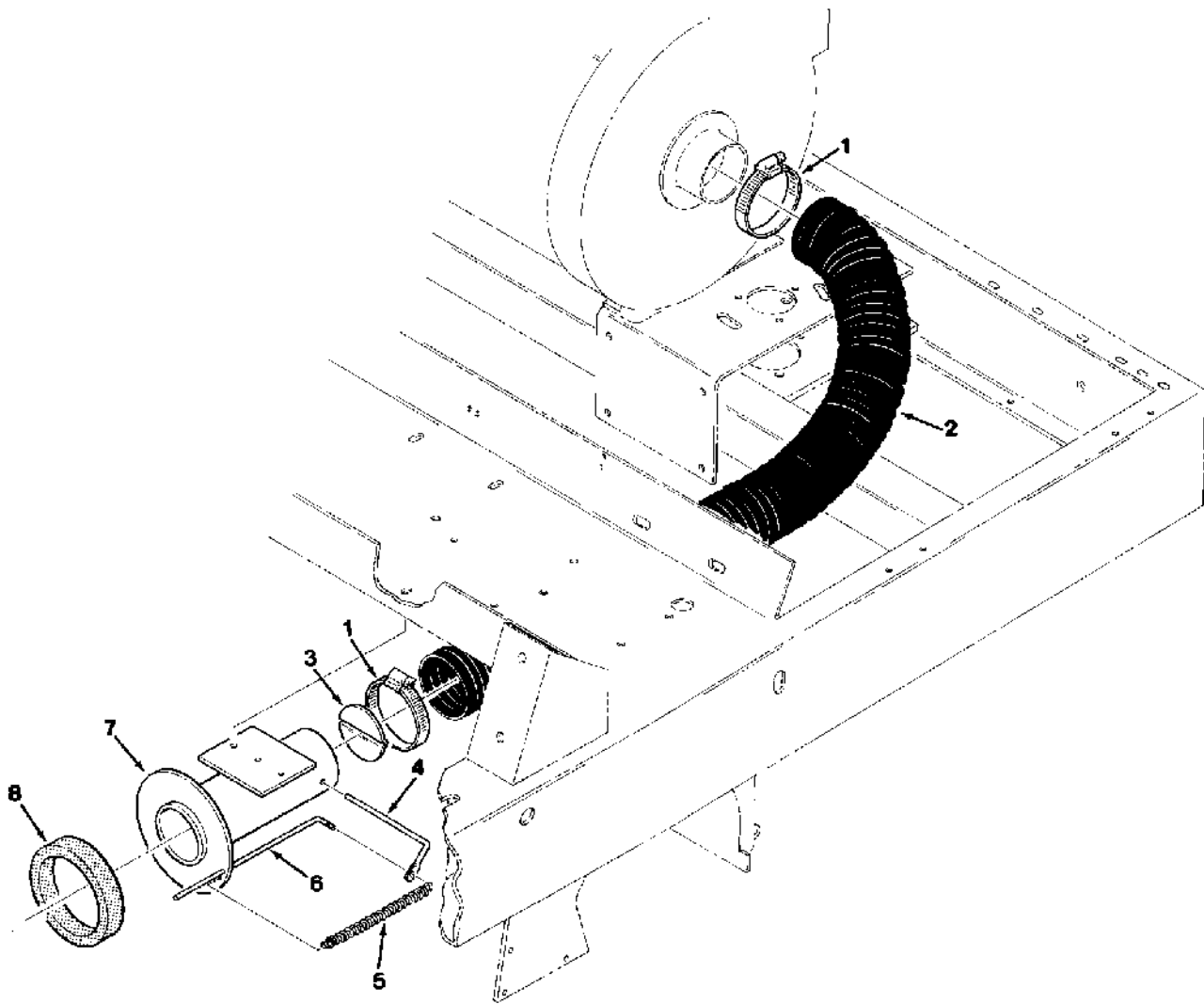


Fig. 6 - Vacuum Fan Group

02990

Ref.	Tennant Part No.	Machine Serial Number	Description	Qty.
1	87630	(000000-) Sheave, Fan	1
2	39327	(000000-) Screw, Set	2
3	00500-4	(000000-) Key, Woodruff	1
4	00960	(000000-) Key, Square	1
5	16934	(000000-) Shaft, Bearing and Flange Assembly	1
6	46983	(000000-) Sleeve	4
7	02198	(000000-) Screw, Full Thread	1
8	02049	(000000-) Bracket, Fan Mount	1
9	10362	(000000-) Sleeve	1
10	02221	(000000-) Plate, Housing Backing	1
11	54235	(000000-002071) Impeller	1
11	08143	(002072-) Impeller	1
12	02220	(000000-) Housing, Fan	1
13	03433	(000000-) Molding, Rigid	2



02996

Fig. 7 - Vacuum Fan Shutoff Group

Ref.	Tennant Part No.	Machine Serial Number	Description	Qty.
1	43555	(000000-)	Clamp, Worm Drive	2
2	02194	(000000-)	Hose	1
3	02192	(000000-)	Plate, Damper	1
4	02191	(000000-)	Lever, Damper	1
5	29260	(000000-)	Spring, Tension	1
6	02193	(000000-)	Rod, Vacuum Control	1
7	02187	(000000-)	Connection, Vacuum	1
8	02381	(000000-)	Sleeve	1

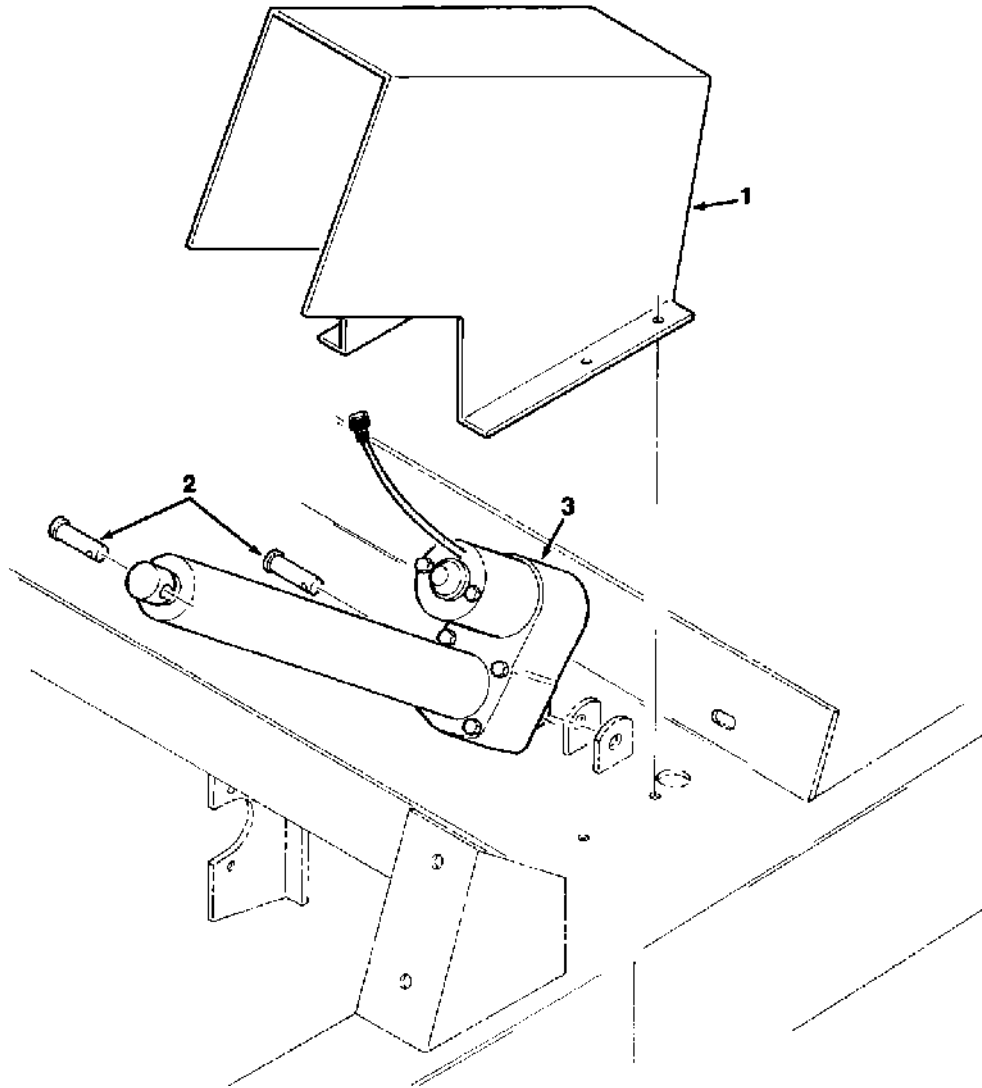


Fig. 8 - Actuator Group

03011

Ref.	Tennant Part No.	Machine Serial Number	Description	Qty.
1	02364	(000000-) Cover, Actuator	1
2	51534	(000000-) Pin, Clevis	2
3	02297	(000000-) Actuator	1

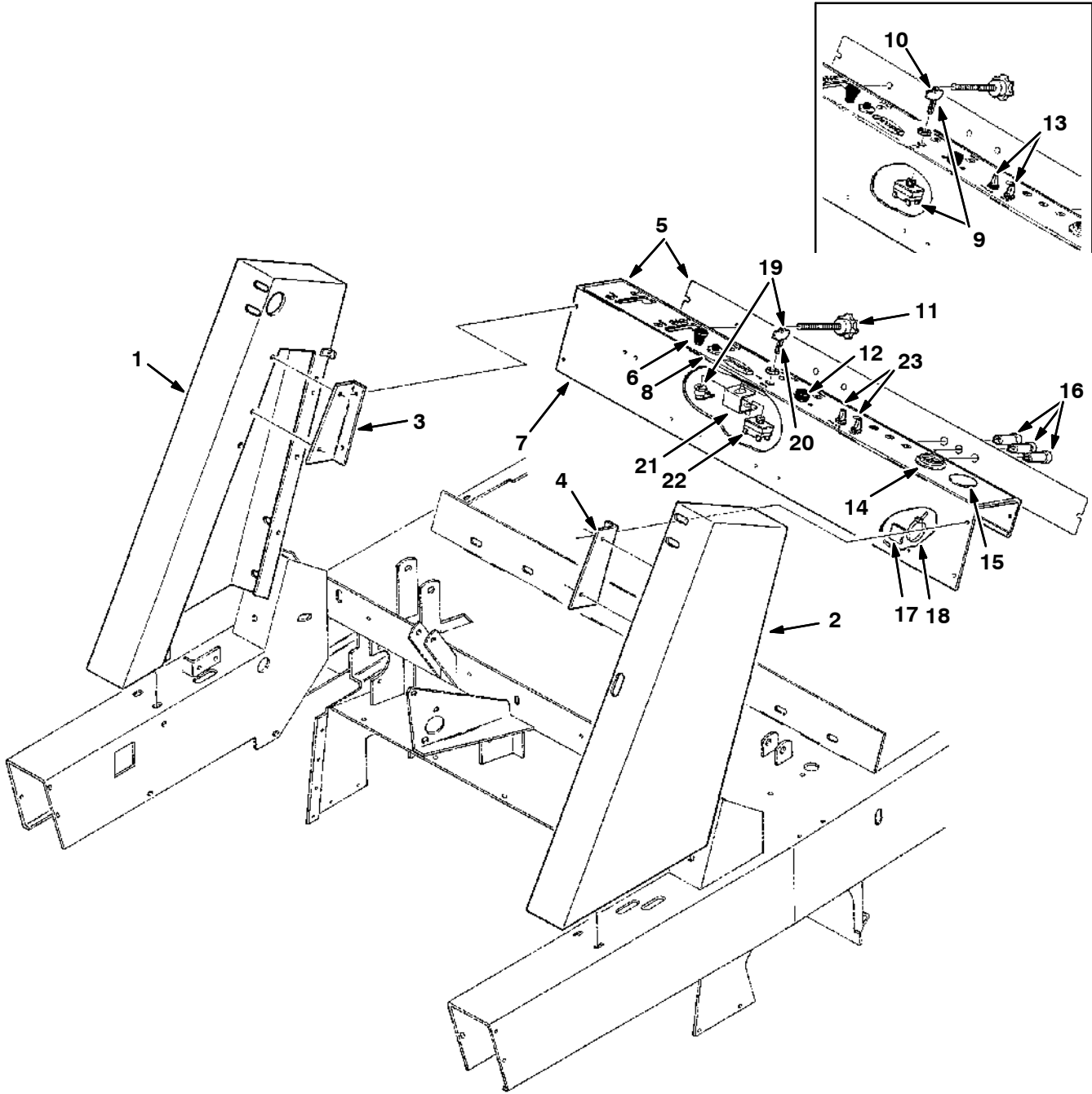
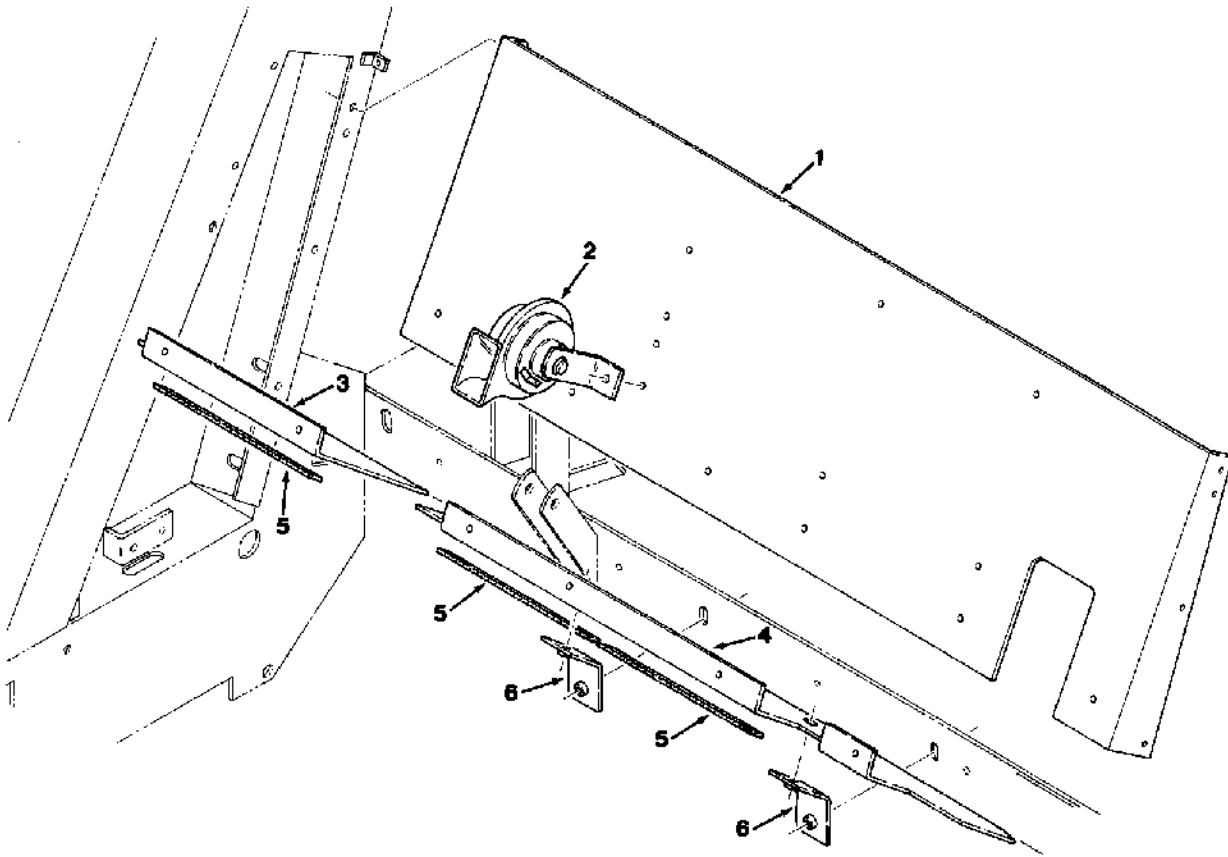


Fig. 9 - Instrument Panel Group

Fig. 9 - Instrument Panel Group

Ref.	Tennant Part No.	Machine Serial Number	Description	Qty.	
1	02180	(000000-) Support, Lintel, R.H.	1	
2	02181	(000000-) Support, Lintel, L.H.	1	
3	02157	(000000-) Bracket, Support, R.H.	1	
4	02158	(000000-) Bracket, Support, L.H.	1	
5	25891	(000000-) Label, Instrument Panel	1	
6	35743	(000000-) Cable, Choke	1	
7	02155	(000000-004855) Panel, Instrument	1	
7	70329	(004856-) Panel, Instrument	1	
8	44828	(000000-) Switch, Push	1	
∇	9	33285	(000000-004855) Switch Assembly, Key	1	
▲	10	31204	(000000-004855) Key, Switch	1	
	11	06505	(000000-) Knob	1
	12	44078	(000000-) Switch, Push	1
	13	63222	(000000-004855) Switch, Toggle	2	
	14	34810	(000000-) Gauge, Hour Meter	1
	15	82747	(000000-) Plugbutton	1
	16	57803	(000000-) Breaker, Circuit	3
	17	55248	(000000-) Mount, Cable Tie	3
	18	49266	(000000-) Tie, Cable	7
∇	19	70323	(004856-) Switch Assembly, Key	1
▲	20	21570	(004856-) Key, Switch	1
	21	70318	(004856-) Bracket, Lock	1
	22	70321	(004856-) Switch, Seal	1
	23	70322	(004856-) Switch, Seal	2



02999

Fig. 10 - Floor Plate and Partition Group

Ref.	Tennant Part No.	Machine Serial Number	Description	Qty.
1	02203	(000000-)	Partition, Front Support	1
2	14138A	(000000-)	Horn	1
3	02303	(000000-)	Panel, Floor, R.H.	1
4	02304	(000000-)	Panel, Floor, L.H.	1
5	36171	(000000-)	Seal, Foam Rubber	3
6	02377	(000000-)	Bracket	2

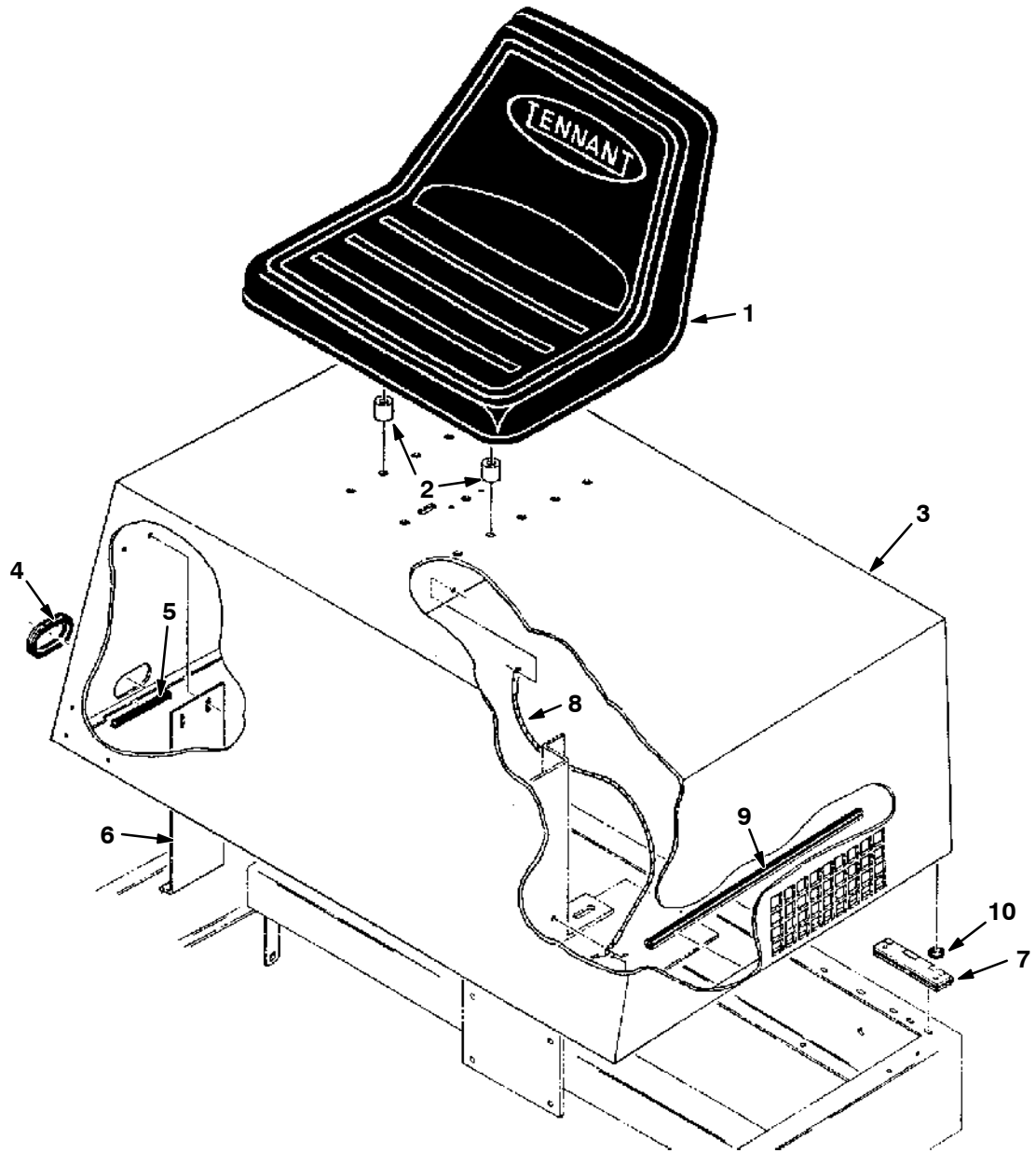


Fig. 11 - Seat Support Group

03002

Ref.	Tennant Part No.	Machine Serial Number	Description	Qty.
1	82342	(000000-)	Seat Assembly	1
2	35756	(000000-)	Sleeve	4
3	02261	(000000-)	Support, Seat	1
4	36506	(000000-)	Grommet	1
5	62170-3	(000000-)	Molding, Rigid	1
6	36492-1	(000000-)	Spring, Latch	1
7	35895	(000000-)	Hinge	2
8	36192	(000000-)	Lanyard Assembly	1
9	62170-2	(000000-)	Molding, Rigid	1
10	54527	(000000-)	Isolattor, Rubber	4

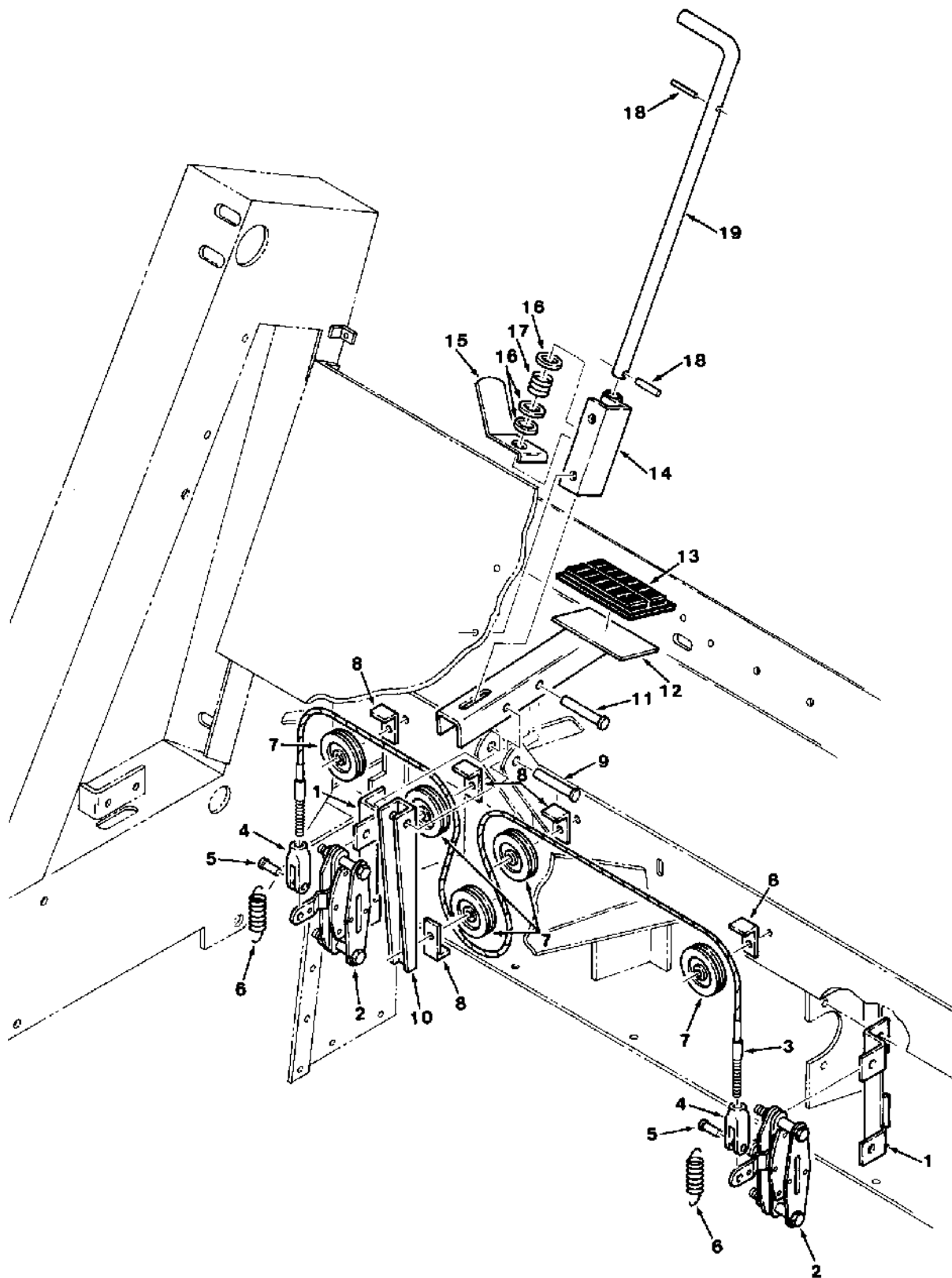
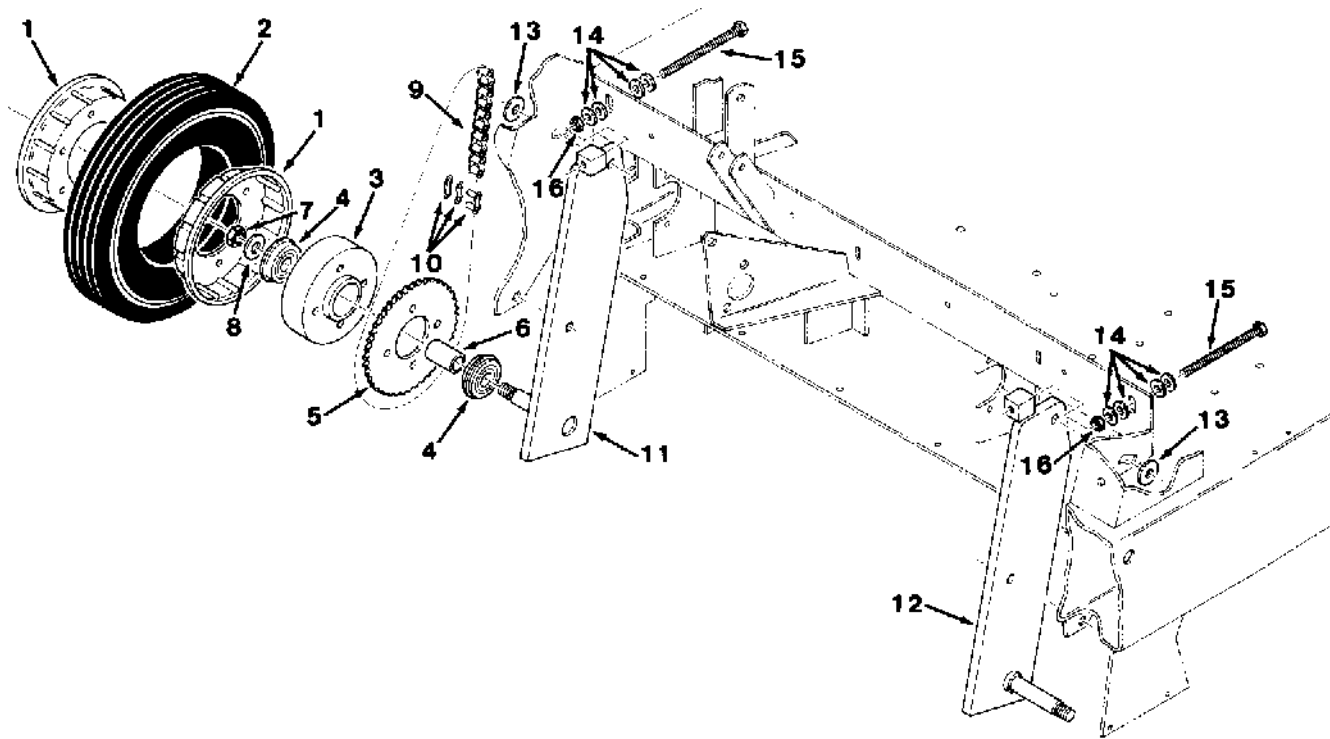


Fig. 12 - Brake Group

Fig. 12 - Brake Group

Ref.	Tennant Part No.	Machine Serial Number	Description	Qty.
1	35920	(000000-) Bracket, Brake	2
2	35921	(000000-) Brake Assembly, Disc	2
3	02239	(000000-) Cable, Brake	1
4	14595-1	(000000-) Clevis, Adjust	2
5	02357	(000000-) Pin, Clevis	2
6	28281	(000000-) Spring, Tension	2
7	36070	(000000-) Pulley, Cable	5
8	36077	(000000-) Bracket, L	5
9	29584	(000000-) Pin, Clevis	1
10	02241	(000000-) Channel, Pulley	1
11	29558	(000000-) Pin, Clevis	1
12	02237	(000000-) Pedal, Brake	1
13	51109	(000000-) Pad	1
14	35917	(000000-) Bracket, Parking Brake	1
15	35918	(000000-) Lever, Release	1
16	32486	(000000-) Washer	3
17	03560	(000000-) Spring, Compression	1
18	28270	(000000-) Pin, Roll	2
19	02235	(000000-) Rod, Parking Brake	1

LOW DUMP MODEL PARTS



03003

Fig. 13 - Front Wheel Group

Ref.	Tennant Part No.	Machine Serial Number	Description	Qty.
1	10078	(000000-)	Wheel, Half	4
2	09027	(000000-)	Tire	2
3	02083	(000000-)	Housing, Bearing	2
4	07107	(000000-)	Bearing, Ball	4
5	33707	(000000-)	Sprocket	2
6	36146	(000000-)	Sleeve	2
7	40814	(000000-)	Nut, Nylon	2
8	15331	(000000-)	Washer	2
9	33721	(000000-)	Chain, Roller	2
10	07112	(000000-)	Link, Chain	2
11	02367	(000000-)	Plate, Support, R.H.	1
12	02368	(000000-)	Plate, Support, L.H.	1
13	36328	(000000-)	Washer, Belleville	2
14	41187	(000000-)	Washer, Belleville	8
15	02218	(000000-)	Screw, Full Thread	2
16	25014	(000000-)	Nut, Hex	2

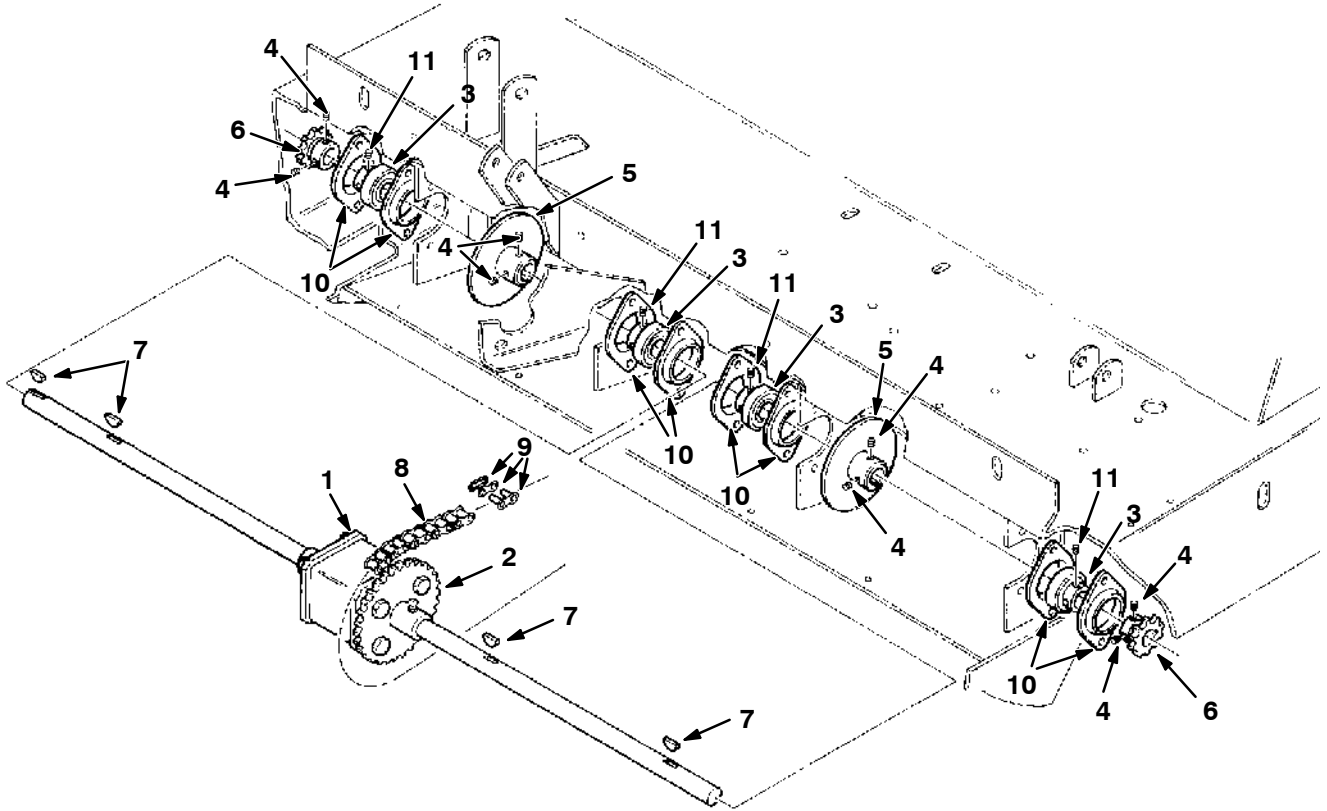


Fig. 14 - Differential Group

02985

Ref.	Tennant Part No.	Machine Serial Number	Description	Qty.
▽ 1	02044	(000000-) Differential	1
▲ 2	12751	(000000-) Sprocket	1
3	25887	(000000-) Bearing and Collar	4
4	32366	(000000-) Screw, Nylon Set	8
5	35927	(000000-) Disc, Brake	2
6	35996	(000000-) Sprocket	2
7	00500-10	(000000-) Key, Woodruff	4
8	02375	(000000-) Chain, Roller	1
9	07112	(000000-) Link, Chain	1
10	35973	(000000-) Flange, Bearing	8
11	79599	(000000-) Screw, Nylon Set	8

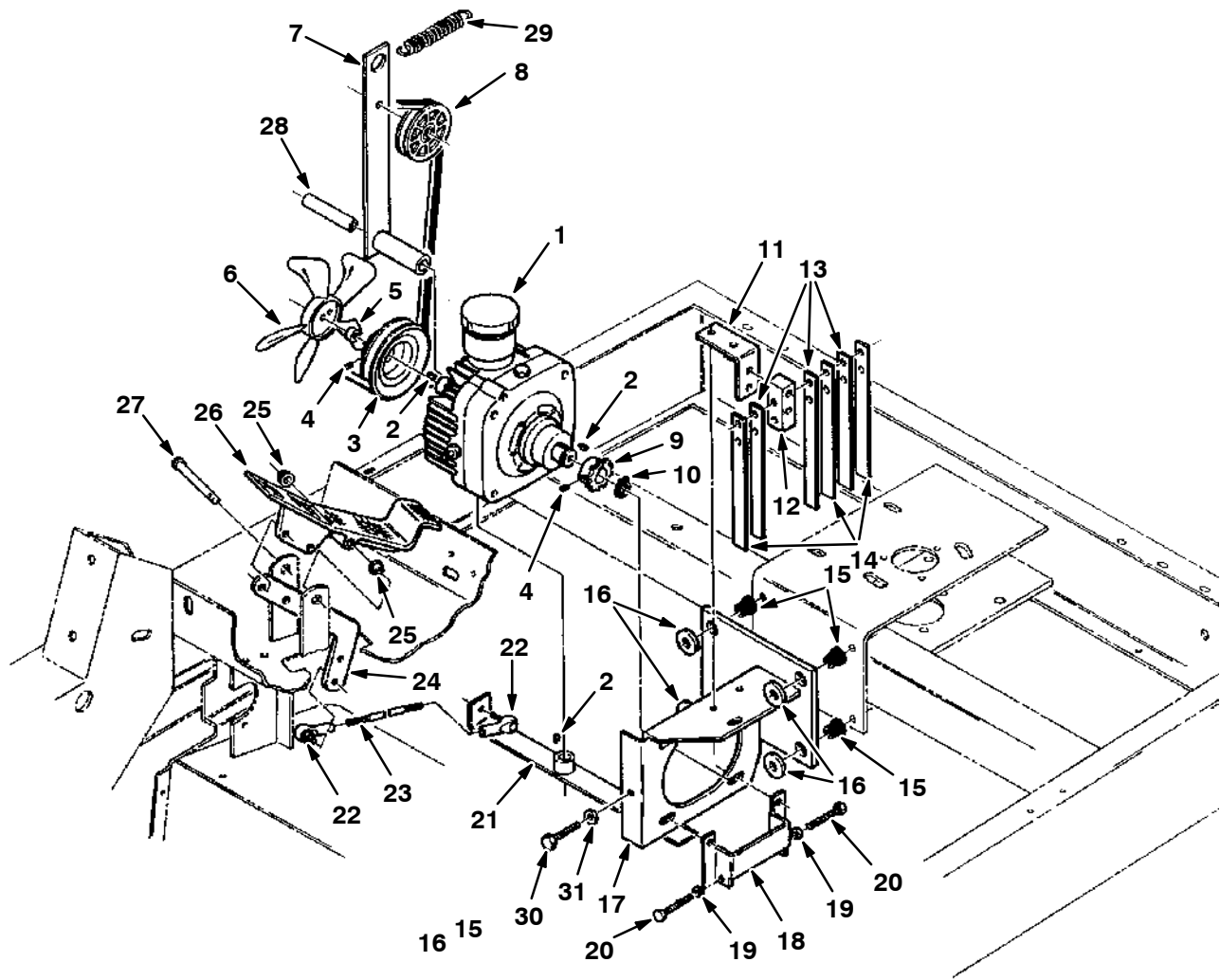


Fig. 15 - Transmission and Linkage Group

Fig. 15 - Transmission and Linkage Group

Ref.	Tennant Part No.	Machine Serial Number	Description	Qty.
1	02048	(000000-) Transmission	1
2	39048	(000000-) Key, Woodruff	3
3	35967	(000000-) Sheave, Transmission	1
4	57496	(000000-) Screw, Nylon Set	2
5	06857	(000000-) Sleeve, Transmission	1
6	02053	(000000-) Fan, Cooling	1
7	02047	(000000-) Arm, Idler	1
8	02355	(000000-) Sheave, Idler	1
9	35999	(000000-) Sprocket	1
10	23225	(000000-) Ring, Retaining	1
11	36036	(000000-) Strap, Support	1
12	35897	(000000-) Block, Spring Mounting	1
13	49681	(000000-) Plate, Spring	3
14	36462	(000000-) Spring, Directional Control	3
15	54274	(000000-) Isolator, Vibration	4
16	46983	(000000-) Sleeve	4
17	03930	(000000-) Mount, Transmission	1
18	35991-1	(000000-) Stop, Transmission	1
19	19313	(000000-) Nut, Hex	2
20	39612	(000000-) Screw, Full Thread	2
21	06856	(000000-) Arm, Pintle	1
22	36466	(000000-) Ball Joint	2
23	36057	(000000-) Stud	1
24	36056	(000000-) Bar, Propulsion	1
25	36556	(000000-) Bearing, Nylon	2
26	42240	(000000-) Pedal, Foot	1
27	06474A	(000000-) Pin, Clevis	1
28	02090	(000000-) Tube	1
29	29499	(000000-) Spring, Tension	1
30	55347	(000000-) Screw, Hex	1
31	32522	(000000-) Nut, Hex, Jam	1

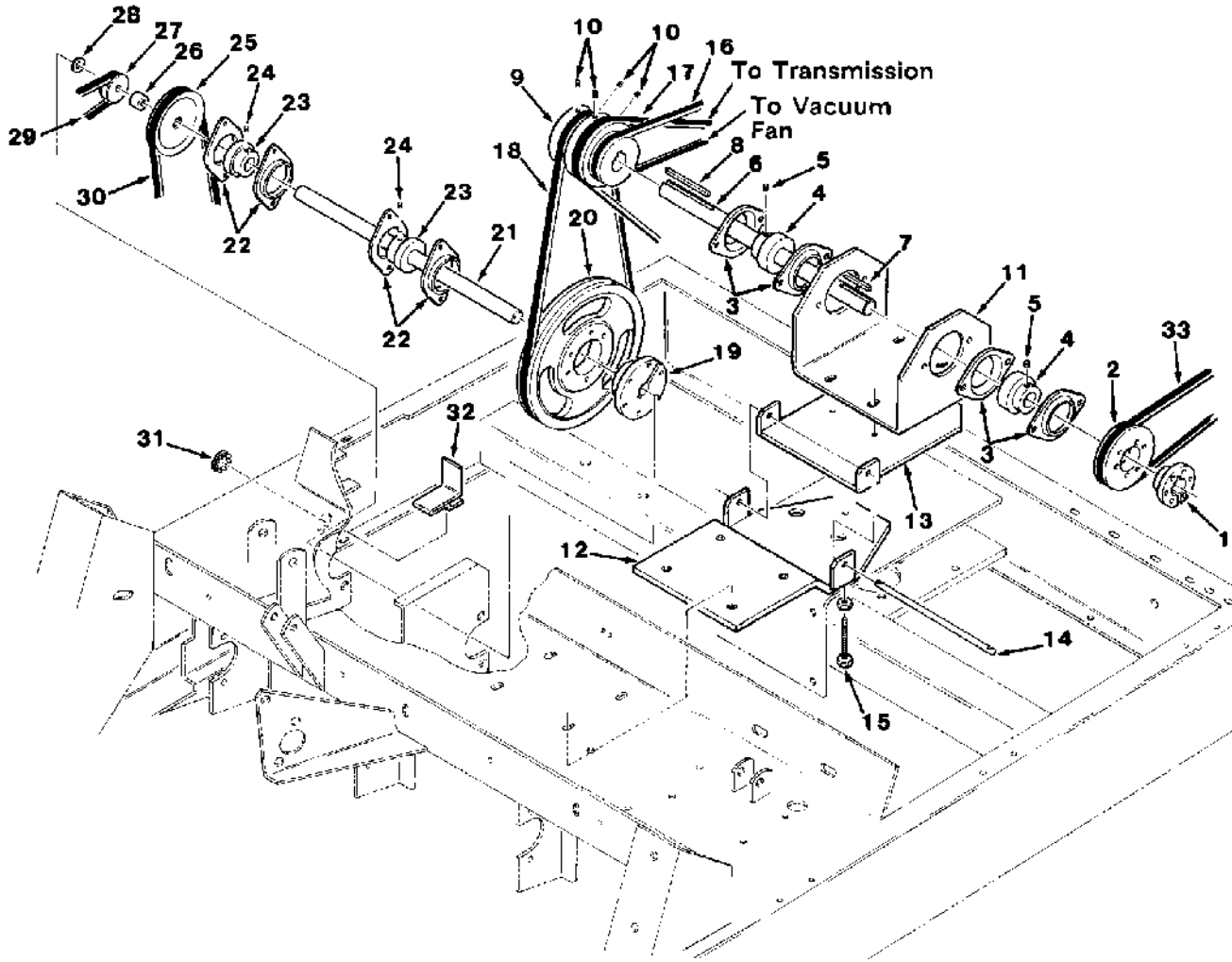


Fig. 16 - Jackshaft Group

Fig. 16 - Jackshaft Group

Ref.	Tennant Part No.	Machine Serial Number	Description	Qty.
1	02123	(000000-) Bushing, Taper Lock	1
2	02125	(000000-) Sheave	1
3	23222-2	(000000-) Flange, Bearing	4
4	24835	(000000-) Bearing and Collar	2
5	57496	(000000-) Screw, Nylon Set	2
6	02120	(000000-) Jackshaft	1
7	00927	(000000-) Key, Square	1
8	00939	(000000-) Key, Square	1
9	02055	(000000-) Sheave, Motor Drive	1
10	50011	(000000-) Screw, Nylon Set	4
11	02119	(000000-) Support, Jackshaft	1
12	02122	(000000-) Support, Jackshaft	1
13	06852	(000000-) Plate, Motor	1
14	06854	(000000-) Rod, Motor Plate	1
15	45214	(000000-) Screw, Hex	1
16	52250	(000000-) V-Belt	1
17	36543	(000000-) V-Belt	1
18	23445	(000000-) V-Belt	1
19	02256	(000000-) Bushing, Taper Lock	1
20	02045	(000000-) Sheave	1
21	35803	(000000-) Jackshaft, Brush Drive	1
22	35973	(000000-) Flange, Bearing	4
23	25887	(000000-) Bearing and Collar	2
24	32366	(000000-) Screw, Nylon Set	4
25	36112	(000000-) Sheave	1
26	35804	(000000-) Sleeve	1
27	35791	(000000-) Sheave	1
28	41187	(000000-) Washer, Belleville	1
29	02385	(000000-) V-Belt	1
30	04022	(000000-) V-Belt	1
31	47178	(000000-) Plugbutton	1
32	02260	(000000-) Bracket, Belt Guide	1
33	42108	(000000-) V-Belt	1

Fig. 17 - Engine Group, Gasoline

Ref.	Tennant Part No.	Machine Serial Number	Description	Qty.
1	27170	(000000-) Muffler	1
2	24012	(000000-) Clamp, Muffler	1
3	06515	(000000-) Fitting, Nipple	1
4	02124	(000000-) Hanger, Muffler	1
5	02227	(000000-) Fitting, Nipple	1
6	02228	(000000-) Fitting, Elbow	2
7	02392	(000000-) Fitting, Nipple	1
8	02210	(000000-) Panel, Deflector	1
9	02121	(000000-) Bushing, Taper Lock	1
10	02133	(000000-) Sheave	1
11	02225	(000000-) Engine	1
11	48770	(005250-) Engine Calif. only	1
12	10219	(000000-) Fitting, Nipple	1
13	10220	(000000-) Fitting, Elbow	1
14	03933	(000000-) Rod, Choke	1
15	02349	(000000-) Shroud, Intake	1
16	02363	(000000-) Clamp, Worm Drive	1
17	02259	(000000-) Cuff, Intake Shroud	1
18	03934	(000000-) Bracket, Choke	1
19	06860	(000000-) Fitting, Nipple	2
20	11979	(000000-) Fitting, Straight	1
21	02379	(000000-) Support, Engine	1
22	02223	(000000-) Retainer, Engine Mount	1
23	02289	(000000-) Tank, Fuel	1
24	02290	(000000-) Strap	2
25	02291	(000000-) Support, Tank	1
26	11984	(000000-) Fitting, Elbow	2
27	04601	(000000-) Strainer, Fuel	1
28	22383	(000000-) Fitting, Straight	1
29	55589	(000000-) Line Assembly, Fuel	1
30	46236	(000000-) Clamp, Cable	2
31	24924	(000000-) Washer, Nylon	2
32	26414	(000000-) Clamp, Cable	1

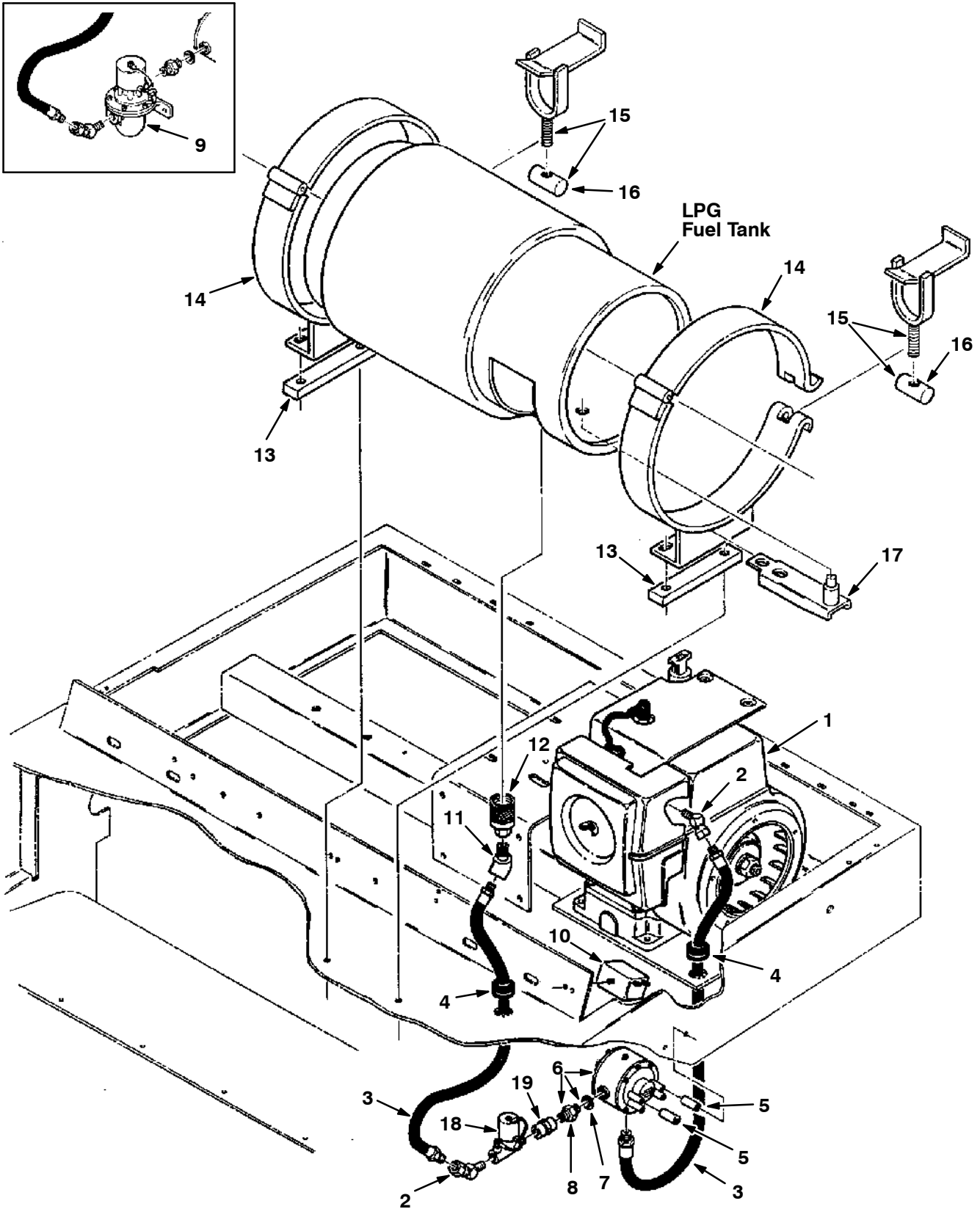


Fig. 18 - Engine Group, LPG

Fig. 18 - Engine Group, LPG

Ref.	Tenant Part No.	Machine Serial Number	Description	Qty.
1	02250	(000000-) Engine, LPG	1
1	48771	(005250-) Engine, LPG Calif. only	1
2	23301	(000000-) Fitting, 45° Elbow	2
3	03954	(000000-) Hose, LPG	2
4	10632-18	(000000-) Grommet	2
5	36513	(000000-) Sleeve	2
▽	6	47935	(000000-) Regulator, LPG	1
▲		37666	(000000-) Repair Kit	1
▲	7	37673	(000000-) Gasket, Inlet	1
▲	8	37669	(000000-) Fitting, Straight	1
▽	9	31951	(000000-003034) Replacement Kit, Fuel Filter Lock	1
▲		SK1444	(000000-) Repair Kit	1
	10	49250	(000000-) Module, LPG	1
	11	47720	(000000-) Fitting, 45° Elbow	1
	12	26496	(000000-) Coupling, LPG	1
	13	02217	(000000-) Bar, Spacer	2
	14	53400-3	(000000-) Bracket, Tank	2
▽	15	53400-1	(000000-) Latch	2
▲	16	53400-4	(000000-) Lug	1
	17	53400-5	(000000-) Locator, Tank	1
▽	18	30181	(003035-) Fuel Filter Lock	1
▲		30182	(003035-) Filter Replacement Kit	1
	19	47684	(003035-) Coupling, Fitting	1

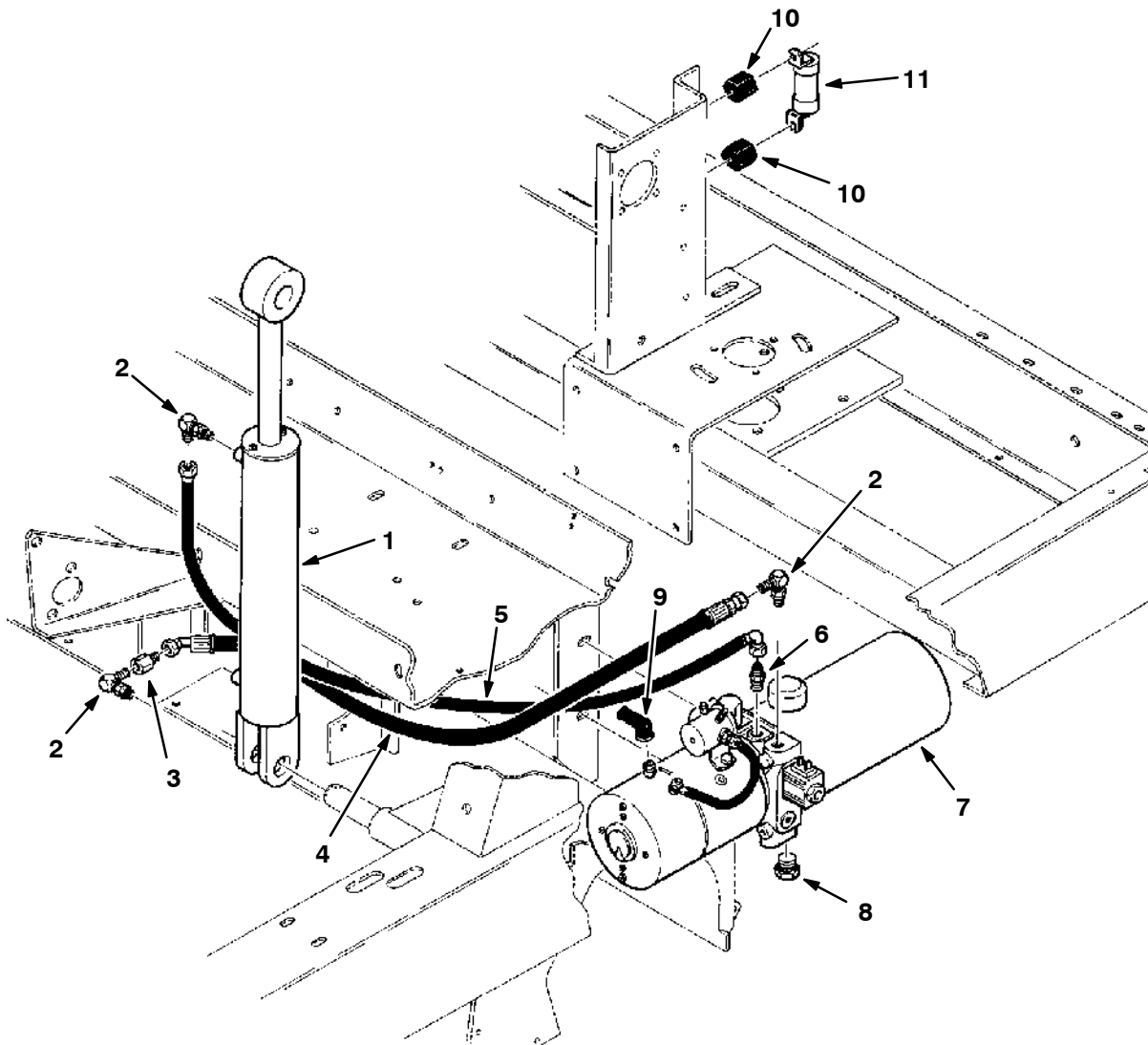


Fig. 19 - Hydraulic Group, LPG

03034

Ref.	Tenant Part No.	Machine Serial Number	Description	Qty.
1	04429	(000000-) Cylinder, Hydraulic	1
2	47638	(000000-) Fitting, Elbow	3
3	16456	(000000-) Fitting, Straight	1
4	02361	(000000-) Hose, Hydraulic	1
5	02205	(000000-) Hose, Hydraulic	1
6	55586	(000000-) Fitting, Straight	1
7	02294	(000000-) Pump, Hydraulic	1
8	42268	(000000-) Fitting, Plug	1
9	02076	(000000-) Cover, Terminal	2
10	76062	(000000-) Insulator, Panel	2
11	76143	(000000-) Fuse, 120 A	1

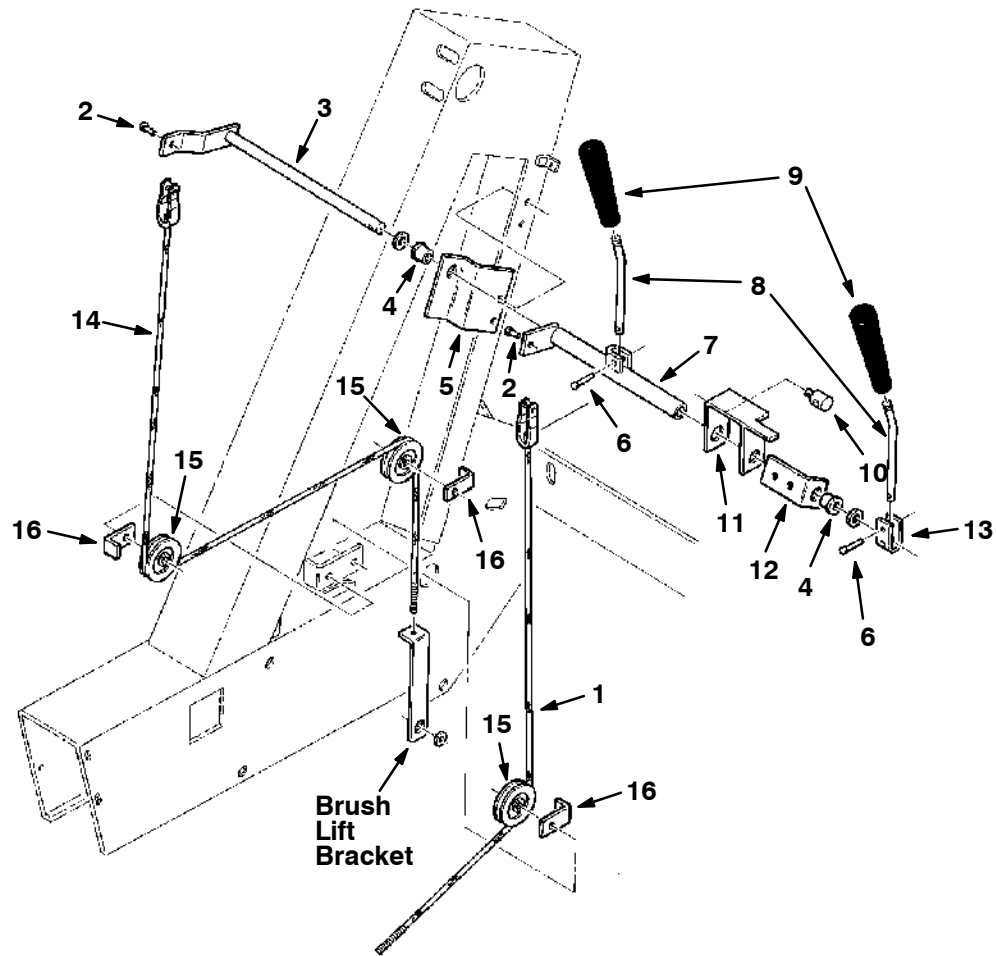


Fig. 20 - Brush Lift Group

02994

Ref.	Tennant Part No.	Machine Serial Number	Description	Qty.
1	02200	(000000-)	Cable Assembly, Side Brush, Lift	1
2	36376	(000000-)	Pin, Clevis	2
3	36096	(000000-)	Lift, Front	1
4	36173	(000000-)	Bearing, Shaft	2
5	02201	(000000-)	Bracket, Brush Lift	1
6	36191	(000000-)	Pin, Clevis	2
7	36053	(000000-)	Tube, Brush Lift	1
8	36054	(000000-)	Handle, Brush Lift	2
9	13199	(000000-)	Handle	2
10	06517	(000000-)	Trunnion, Adjustment	1
11	02154	(000000-)	Bracket, Adjustment	1
12	02151	(000000-)	Bracket, Brush Lift	1
13	36079	(000000-)	Strap, Brush Handle	1
14	36052-1	(000000-)	Cable Assembly, Main Brush, Lift	1
15	36070	(000000-)	Pulley, Cable	3
16	36077	(000000-)	Bracket, L	3

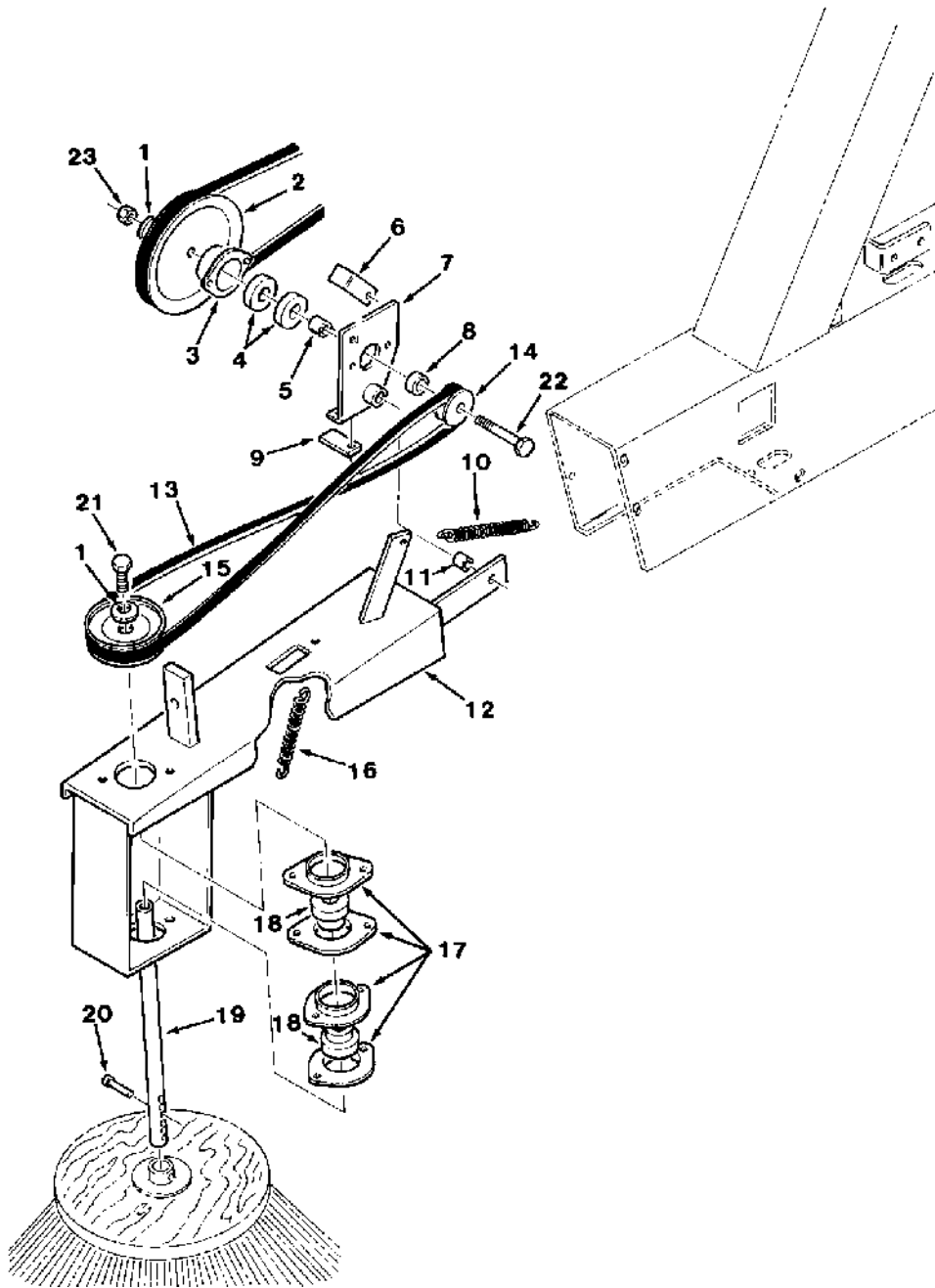


Fig. 21 - Side Brush Drive Group

Fig. 21 - Side Brush Drive Group

Ref.	Tennant Part No.	Machine Serial Number	Description	Qty.
1	41187	(000000-) Washer, Belleville	2
2	36133	(000000-) Sheave	1
3	35799	(000000-) Housing, Bearing	1
4	28010	(000000-) Bearing, Ball	2
5	35797	(000000-) Sleeve, Bearing	1
6	35889	(000000-) Bracket, L	1
7	36350	(000000-) Plate, Side Brush	1
8	48619	(000000-) Spacer, Brush	1
9	36557	(000000-) Strip	1
10	13352	(000000-) Spring, Tension	1
11	36354	(000000-) Sleeve	1
12	35794A	(000000-) Bracket, Side Brush	1
13	35790	(000000-) V-Belt	1
14	35791	(000000-) Sheave	1
15	35792	(000000-) Sheave	1
16	29499	(000000-) Spring, Tension	1
17	48636	(000000-) Flange, Bearing	4
18	48635	(000000-) Bearing and Collar	2
	57496	(000000-) Screw, Nylon Set	2
19	35802	(000000-) Shaft, Side Brush	1
20	15173	(000000-) Pin, Clevis	1
21	06460	(000000-) Screw, Hex, L.H.	1
22	32338	(000000-) Screw, Hex, L.H.	1
23	41659	(000000-) Nut, L.H.	1

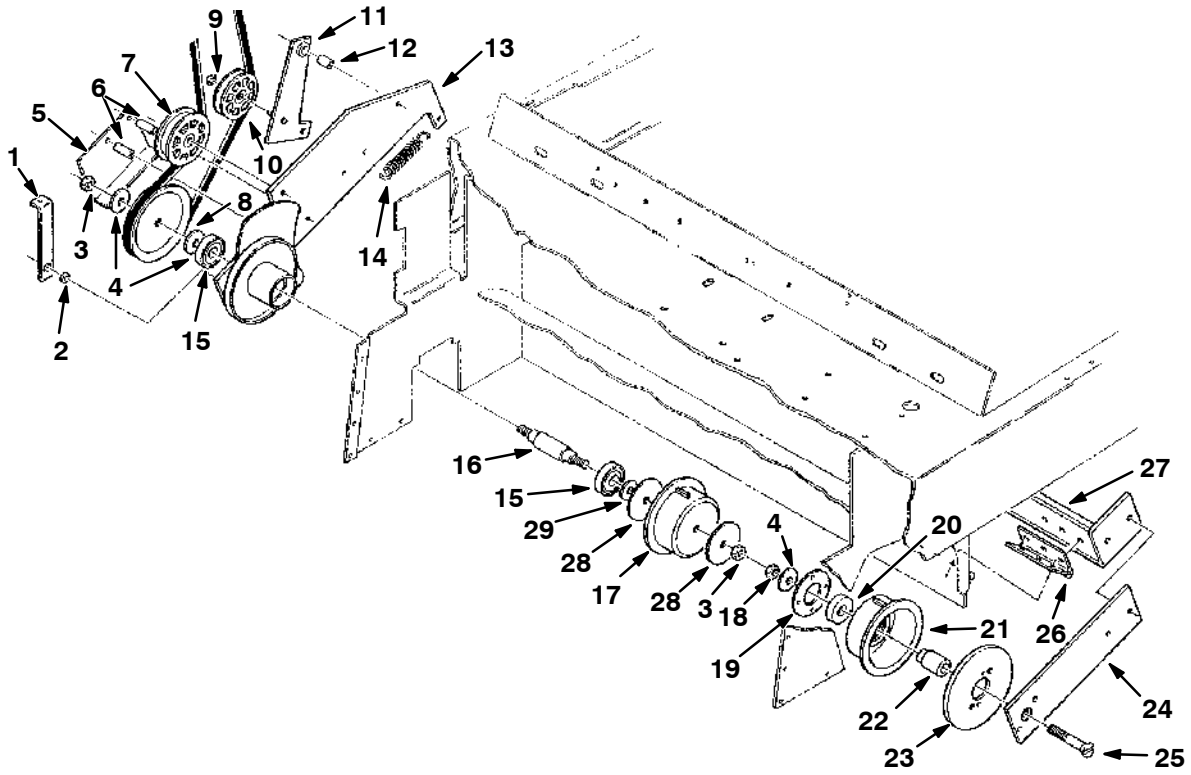
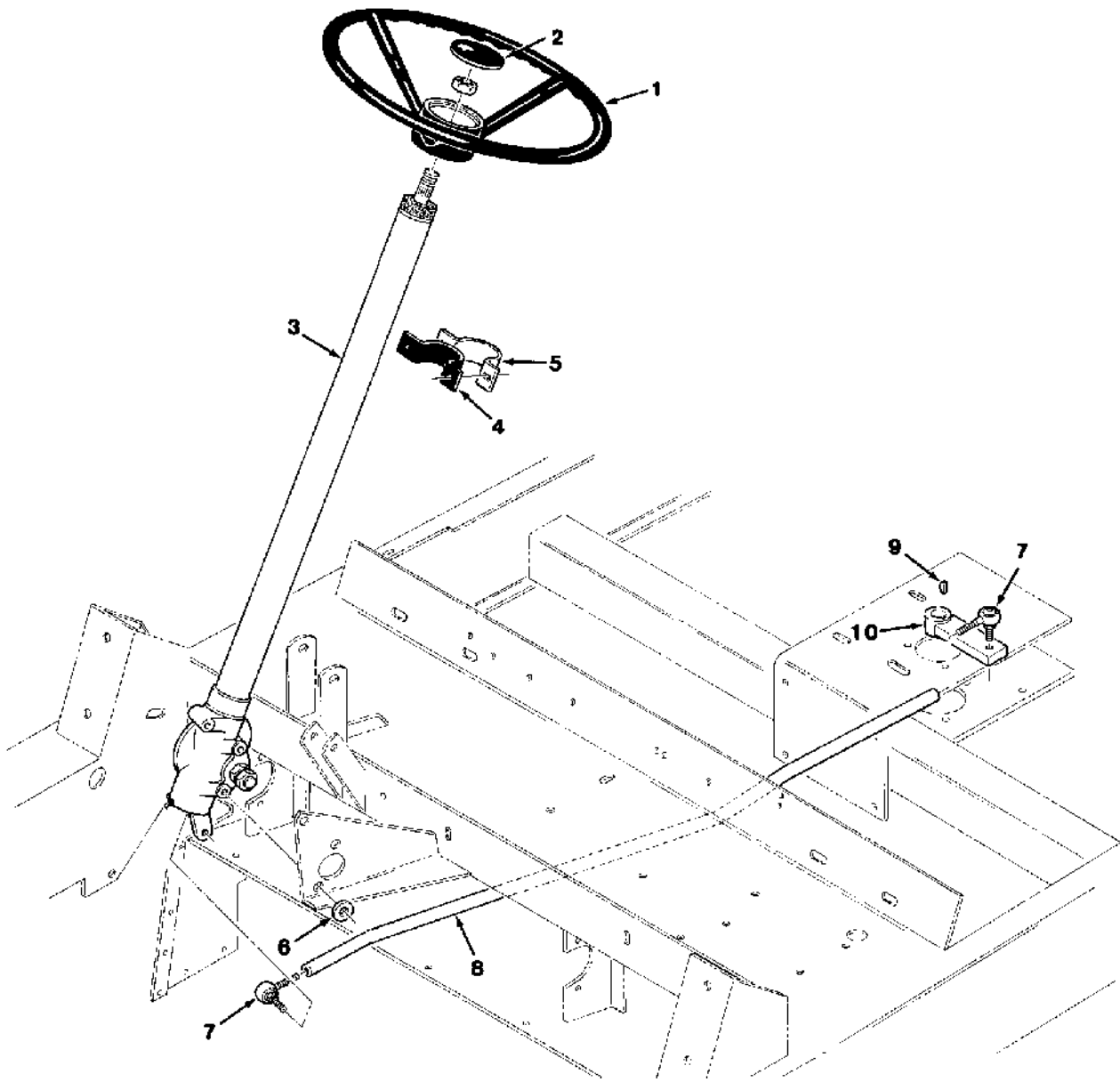


Fig. 22 - Main Brush Drive Group

Fig. 22 - Main Brush Drive Group

Ref.	Tennant Part No.	Machine Serial Number	Description	Qty.
1	36051	(000000-) Bracket, Brush Lift	1
2	36076	(000000-) Sleeve	1
3	35846	(000000-) Nut, Hex, L.H.	2
4	35843	(000000-) Washer	3
5	36514	(000000-) Guard	1
6	36513	(000000-) Sleeve	2
7	02356	(000000-) Pulley, Idler	1
8	35994	(000000-) Sheave	1
9	09663-2	(000000-) Ring, Retaining	1
10	02355	(000000-) Sheave, Idler	1
11	36335	(000000-) Arm, Idler	1
12	36420	(000000-) Bushing	1
13	02056	(000000-) Arm, Bail, R.H.	1
14	29499	(000000-) Spring, Tension	1
15	46390	(000000-) Bearing, Ball	2
16	02050	(000000-) Shaft, Brush Drive	1
17	35840	(000000-) Plug, Brush Drive	1
18	36644	(000000-) Nut, Nylon	1
19	35836	(000000-) Retainer, Bearing	1
20	46390	(000000-) Bearing, Ball	1
21	35845	(000000-) Plug, Brush Idler	1
22	35837	(000000-) Shaft, Plug	1
23	35835	(000000-) Shield, Plug	1
24	35942	(000000-) Arm, Bail, L.H.	1
25	25045	(000000-) Screw, Flat Head	1
26	35964	(000000-) Hinge	2
27	36280	(000000-) Support, Bail Arm	1
28	02384	(002072-) Washer	2
29	39346	(002072-) Washer	1



02992

Fig. 23 - Steering Wheel Group

Ref.	Tennant Part No.	Machine Serial Number	Description	Qty.
1	57499	(000000-)	Wheel, Steering	1
2	57497	(000000-)	Cap, Rubber	1
3	32470	(000000-006175)	Gear Assembly, Steering	1
3	375016	(006176-)	Gear Assembly, Steering	1
4	36302	(000000-)	Skirt	1
5	36055	(000000-)	Clamp, Steering Column	1
6	46983	(000000-)	Sleeve	3
7	35972	(000000-)	Ball Joint	2
8	32526	(000000-)	Rod, Steering	1
9	00500-10	(000000-)	Key, Woodruff	1
10	36499	(000000-)	Arm, Steering	1

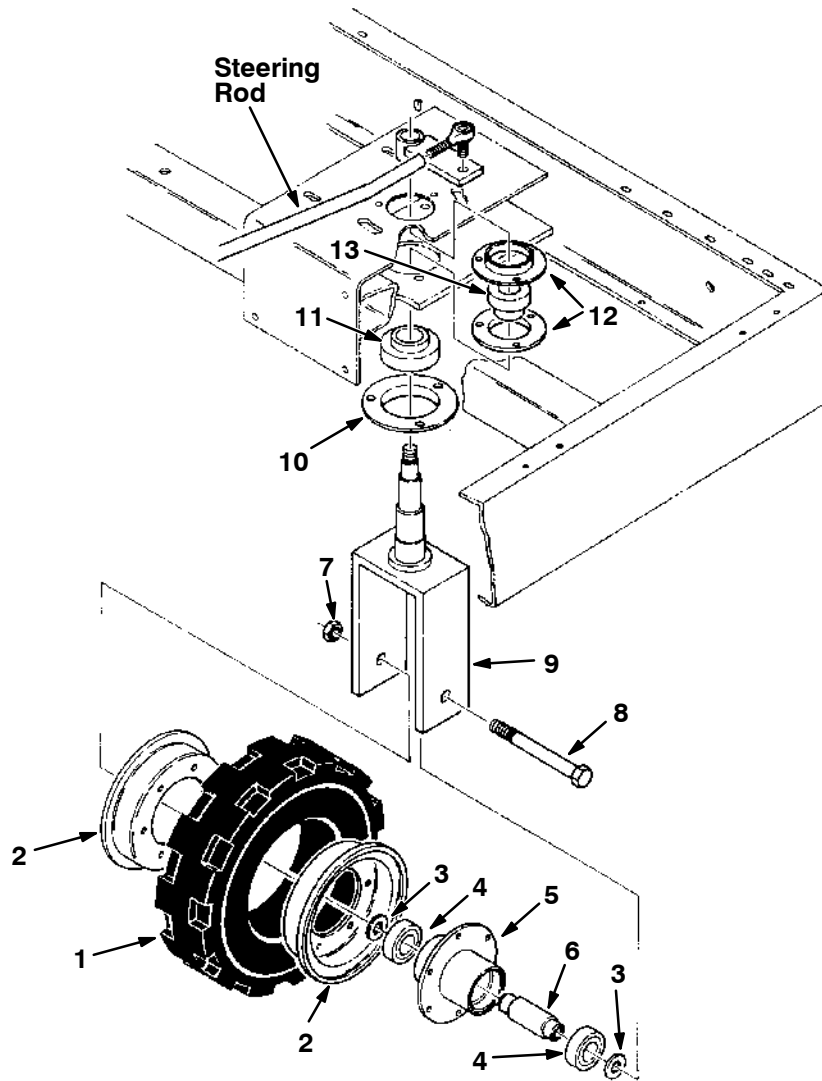


Fig. 24 - Rear Caster Group

03009

Ref.	Tennant Part No.	Machine Serial Number	Description	Qty.
1	49918	(000000-) Tire, Solid	1
2	49843	(000000-) Wheel, Half	2
3	32494	(000000-) Washer	2
4	13534	(000000-) Bearing, Ball	2
5	02066	(000000-) Hub, Wheel	1
6	02061	(000000-) Tube, Spacer	1
7	40814	(000000-) Nut, Nylon	1
8	36614	(000000-) Screw, Hex	1
9	36150	(000000-) Support, Wheel	1
10	36189	(000000-) Flange	1
11	36188	(000000-) Bearing, Adapter	1
12	36190	(000000-) Flange	2
13	24835	(000000-) Bearing and Collar	1
	57496	(000000-) Screw, Nylon Set	1

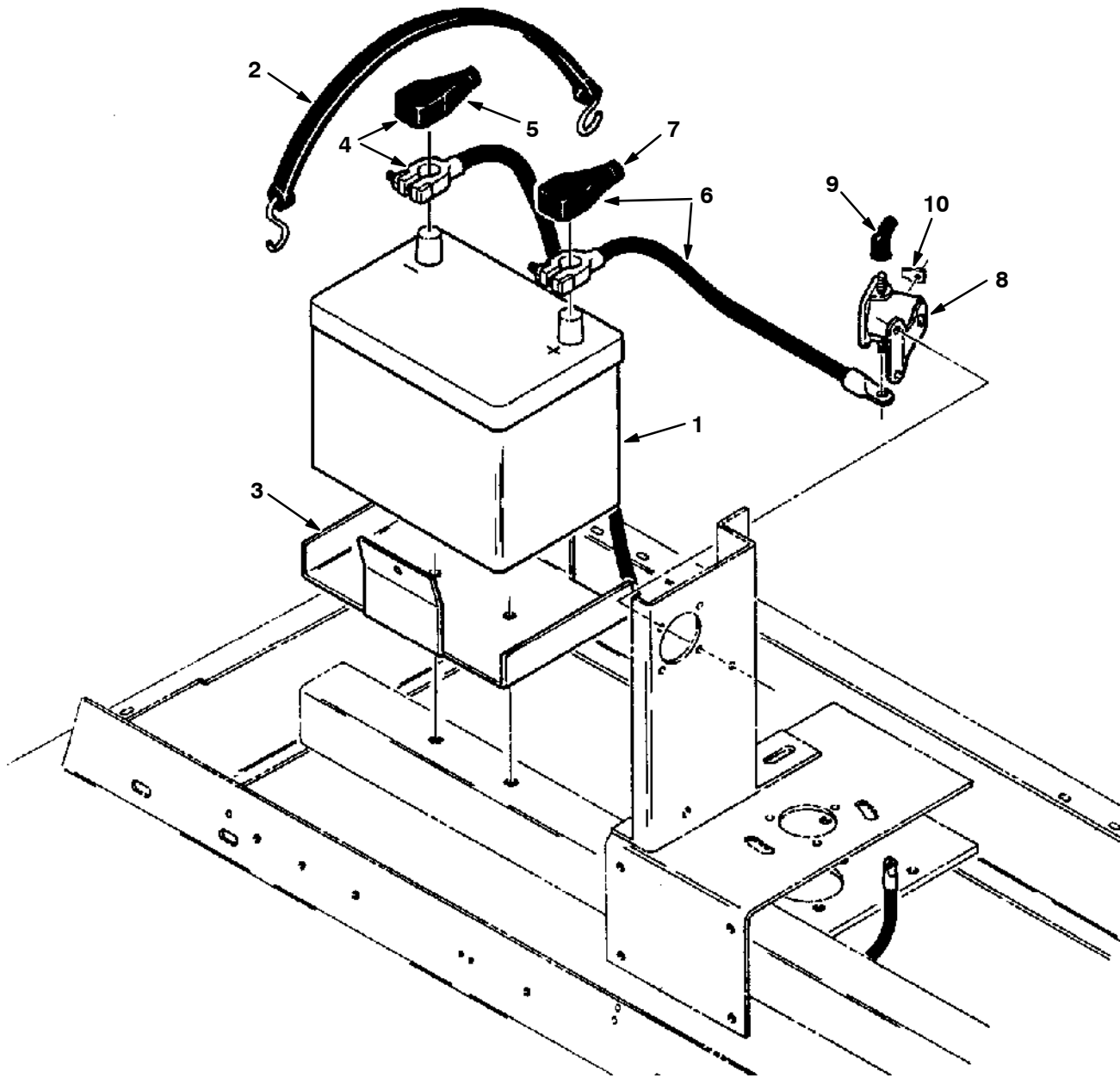


Fig. 25 - Battery Group

02983

Ref.	Tennant Part No.	Machine Serial Number	Description	Qty.
1	10137	(000000-)	Battery	1
2	57769	(000000-)	Strap, Rubber	1
3	02310	(000000-)	Tray, Battery	1
∇	4	29831-5	(000000-) Cable Assembly, Negative	1
▲	5	47134	(000000-) Protector, Terminal	1
∇	6	32142	(000000-) Cable Assembly, Positive	1
▲	7	47134	(000000-) Protector, Terminal	1
8	42170-12	(000000-)	Solenoid, Starter	1
9	02076	(000000-)	Cover, Terminal	3
10	68106	(000000-)	Tab, Terminal	1

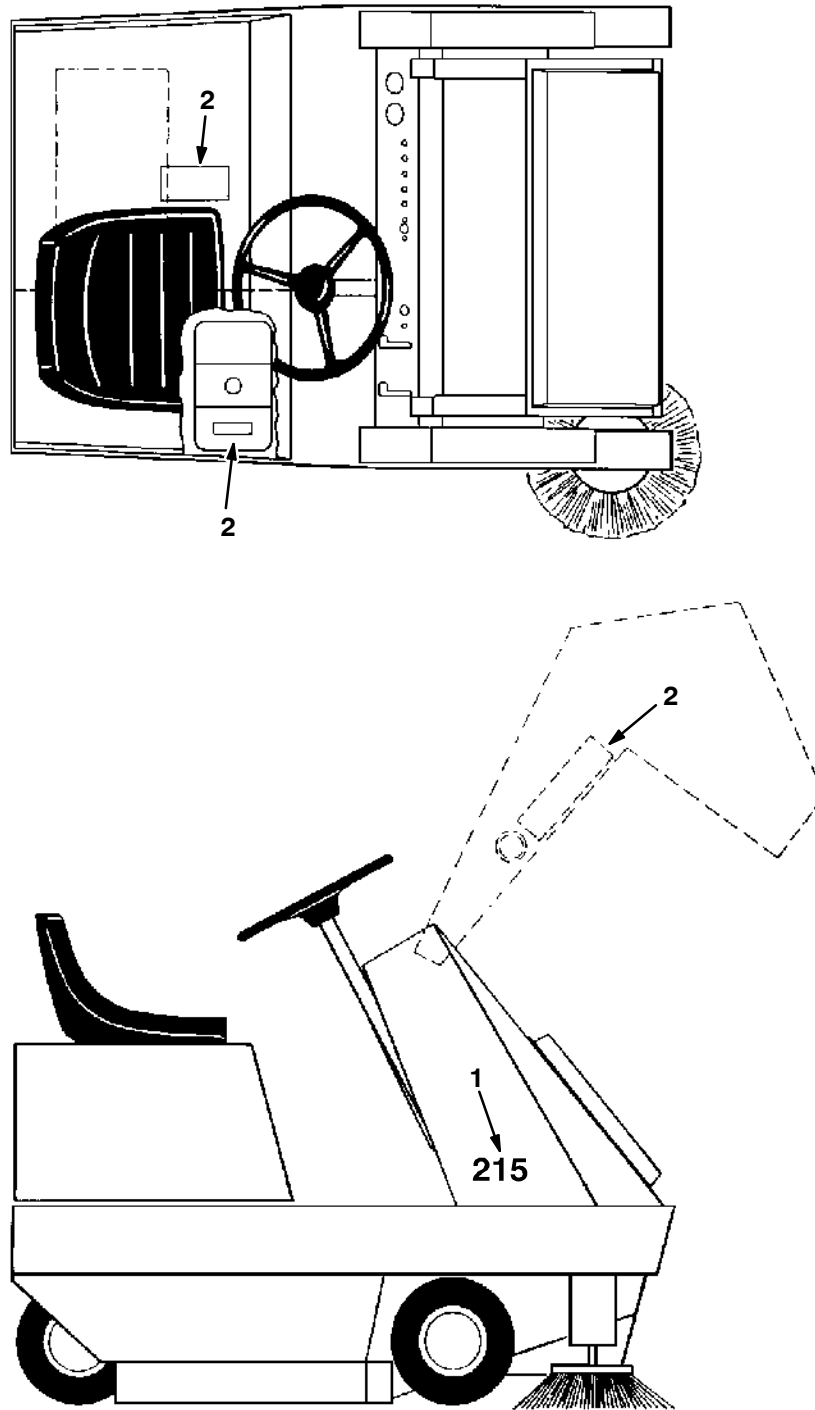


Fig. 26 - Labels Group

03043

Ref.	Tennant Part No.	Machine Serial Number	Description	Qty.
1	12750	(000000-)	Label, 215	1
2	02336	(000000-)	Label Set, Information and Hazard	1

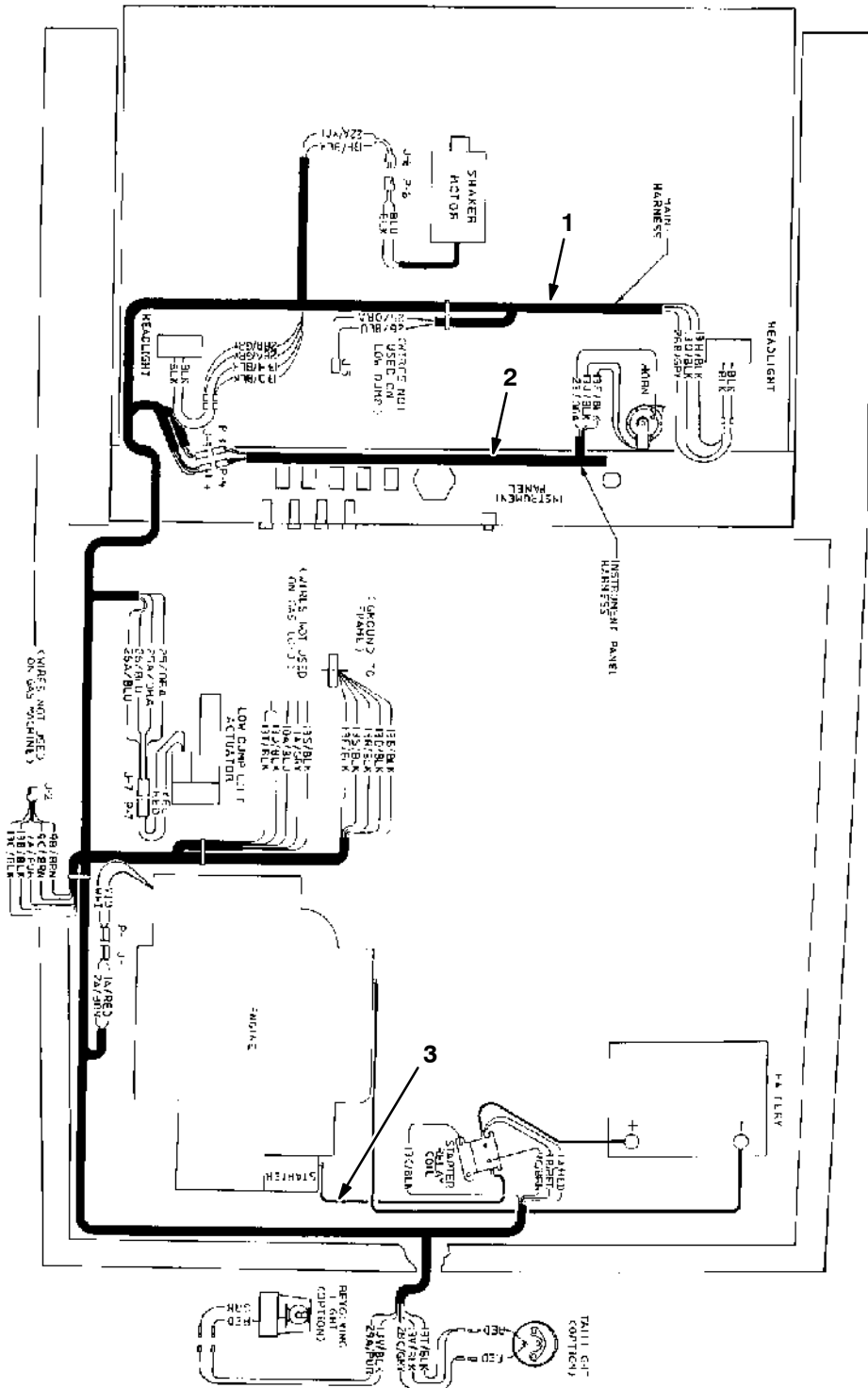


Fig. 27 - Wire Harnesses Group, Gasoline

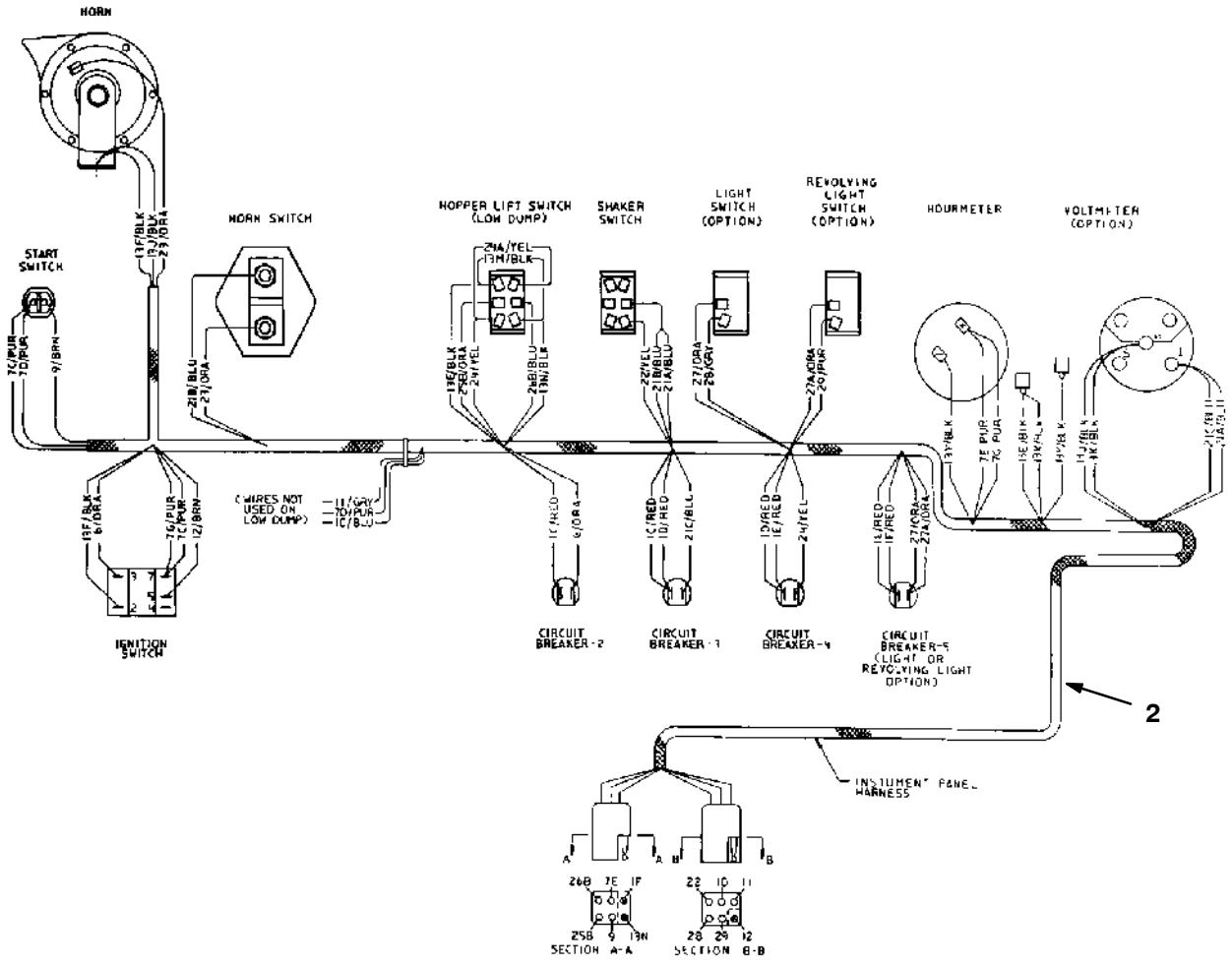


Fig. 27 - Wire Harnesses Group, Gasoline

03036

Ref.	Tennant Part No.	Machine Serial Number	Description	Qty.
1	02324	(000000-)	Wire Harness, Main	1
2	02293	(000000-)	Wire Harness, Instrument Panel	1
3	29832-3	(000000-)	Wire Assembly, Cable	1
	44961	(000000-)	Cable, Tie, 14.75" (375 mm)	6
	49266	(000000-)	Tie, Cable, 6.75" (170 mm)	9
	55248	(000000-)	Mount, Cable Tie	2

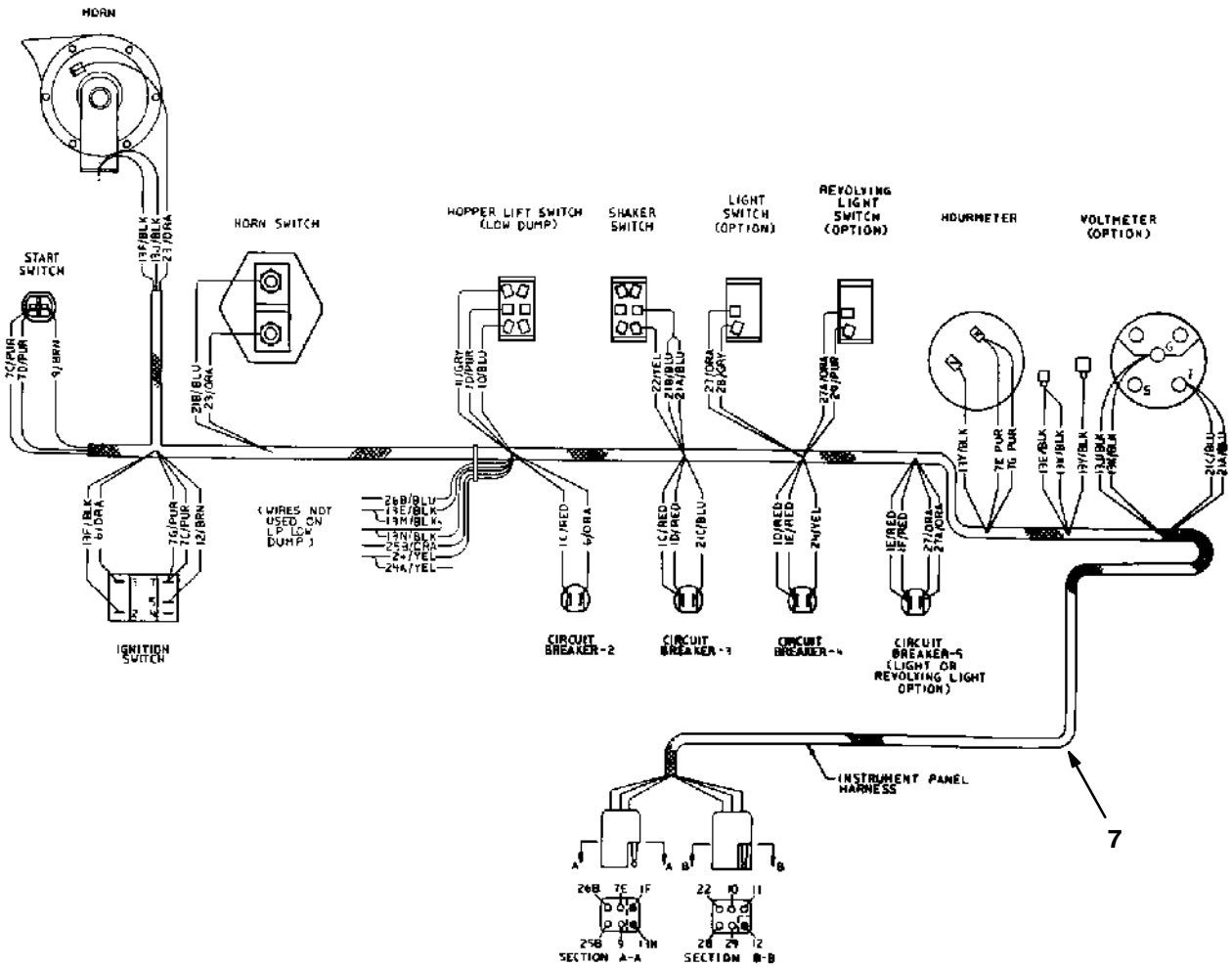


Fig. 28 - Wire Harnesses Group, LPG

03040

Ref.	Tennant Part No.	Machine Serial Number	Description	Qty.
1	02330	(000000-)	Wire Assembly, Cable	1
2	02371	(000000-)	Wire Harness, LPG Engine	1
3	02308	(000000-)	Wire Harness, Frame, LPG	1
4	02329	(000000-)	Wire Assembly, Cable	1
5	02328	(000000-)	Wire Assembly, Cable	1
	44961	(000000-)	Tie, Cable, 14.75" (375 mm)	6
	49266	(000000-)	Tie, Cable, 6.75" (172 mm)	15
	55248	(000000-)	Mount, Cable Tie	2
6	02324	(000000-)	Wire Harness, Main	1
7	02293	(000000-)	Wire Harness, Instrument Panel	1
8	29832-3	(000000-)	Wire Assembly, Cable	1

SECTION 7

CONTENTS	PAGE
Fig. 1 - Recommended General Maintenance Items	7-2
Fig. 2 - Replacement Brushes	7-3
Fig. 3 - Main Frame Group	7-4
Fig. 4 - Hopper Group	7-6
Fig. 5 - Filter Shaker Group	7-8
Fig. 6 - Vacuum Fan Group	7-10
Fig. 7 - Vacuum Fan Shutoff Group	7-11
Fig. 8 - Instrument Panel Group	7-12
Fig. 9 - Floor Plate and Partition Group	7-14
Fig. 10 - Seat Support Group	7-15
Fig. 11 - Hydraulic Group	7-16
Fig. 12 - Front Wheel Group	7-17
Fig. 13 - Differential Group	7-18
Fig. 14 - Speed Limiter Group	7-19
Fig. 15 - Brake Group	7-20
Fig. 16 - Transmission and Linkage Group	7-22
Fig. 17 - Jackshaft Group	7-24
Fig. 18 - Engine Group, Gasoline	7-26
Fig. 19 - Engine Group, LPG	7-28
Fig. 20 - Side Brush Drive Group	7-30
Fig. 21 - Main Brush Drive Group	7-32
Fig. 22 - Brush Lift Group	7-34
Fig. 23 - Steering Wheel Group	7-35
Fig. 24 - Rear Caster Group	7-36
Fig. 25 - Battery Group	7-37
Fig. 26 - Counterweight Group	7-38
Fig. 27 - Labels Group	7-39
Fig. 28 - Wire Harnesses Group, Gasoline	7-40
Fig. 29 - Wire Harnesses Group, LPG	7-42

NOTE: SECTION 7, MULTI-LEVEL DUMP MODEL PARTS, lists repair parts for a Multi-level Dump model machine. This section also contains parts common to all models of the machine.

Fig. 1 - Recommended General Maintenance Items

Ref.	Tenant Part No.	Machine Serial Number	Description	Qty.
▽	06732	(000000-) Maintenance Kit, 200 Hour, Gasoline and LPG	1
▲	30166	(000000-) Spark Plug	2
▲	06816	(000000-) Filter, Air	2
▲	06817	(000000-) Precleaner, Air	1
▲	06818	(000000-) Filter, Fuel	1
▽	01776	(000000-) Maintenance Kit, Belts	1
▽	52250	(000000-) V-Belt	1
▲	36543	(000000-) V-Belt	1
▲	23445	(000000-) V-Belt	1
▲	02385	(000000-) V-Belt	1
▲	04022	(000000-) V-Belt	1
▲	42108	(000000-) V-Belt	1
▲	35790	(000000-) V-Belt	1
▽	01775	(000000-) Maintenance Kit, Skirts and Seals	1
▲	02088	(000000-) Skirt, Brush, R.H.	1
▲	02350	(000000-) Retainer, Brush Skirt, R.H.	1
▲	02275	(000000-) Seal, Brush, R.H.	1
▲	35721	(000000-) Strip	1
▲	36004	(000000-) Seal, Hopper Side	2
▲	36022	(000000-) Strip, Retainer	2
▲	36228	(000000-) Skirt, L.H.	1
▲	36227	(000000-) Retainer, L.H.	1
▲	35717	(000000-) Skirt	1
▲	35723	(000000-) Strip, Retainer	1
▲	36003	(000000-) Skirt, Back Brush	1
▲	35722	(000000-) Strip, Retainer	1
▲	09342	(000000-) Chain, Link	1
▲	06340	(000000-) Skirt	1
▲	06341	(000000-) Retainer, Skirt, L.H.	1
▲	35903	(000000-) Seal, Foam Rubber	1
▲	47037	(000000-) Adhesive, 5 oz Tube (150 ml)	1
▲	36001	(000000-) Seal, Hopper Top	1
▲	36000	(000000-) Strip	1
▲	02274	(000000-) Seal, Brush, L.H.	1
▲	02381	(000000-) Sleeve	2
▲	67040	(000000-) Seal, Foam Rubber	1
▲	02117	(000000-) Seal, Hopper Lip	1
▲	36171	(000000-) Seal, Foam Rubber	1
▲	02169	(000000-) Seal, Foam Rubber	2
▲	35783	(000000-) Bracket, L	1
▲	02218	(000000-) Screw, Hex, Full Thread	1
▲	02159	(000000-) Bar, Hopper Seal	1
▲	02160	(000000-) Seal, Hopper Side	2
▲	02161	(000000-) Retainer, Hopper Side Seal	2
▲	02162	(000000-) Bar, Hopper Seal	2
▲	02352	(000000-) Seal, Hopper Lip	1
▲	02204	(000000-) Bar, Hopper Seal	1
▲	02360	(000000-) Seal, Foam, Hopper Lip	1
▲	02381	(000000-) Sleeve	2

Fig. 1 - Recommended General Maintenance Items

Ref.	Tennant Part No.	Machine Serial Number	Description	Qty.
▲	36660	(000000-) Seal, Foam Rubber	2
▲	68198	(000000-) Adhesive, 1 oz Tube (30 ml)	1

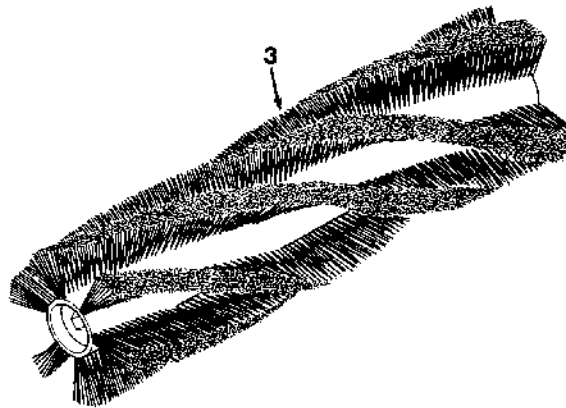
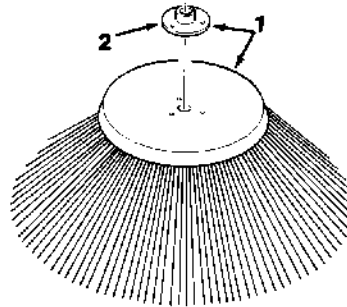


Fig. 2 - Replacement Brushes

03121

Ref.	Tennant Part No.	Machine Serial Number	Description	Qty.
▽	1 28096P	(000000-) Brush and Hub Assembly, Polypropylene	1
▲	2 45154	(000000-) Hub, Side Brush	1
▽	28096N	(000000-) Brush and Hub Assembly, Perlon	1
▲	45154	(000000-) Hub, Side Brush	1
	3 35735	(000000-) Main Brush, Polypropylene	1
	3 36699	(000000-) Main Brush, Proex and Wire	1

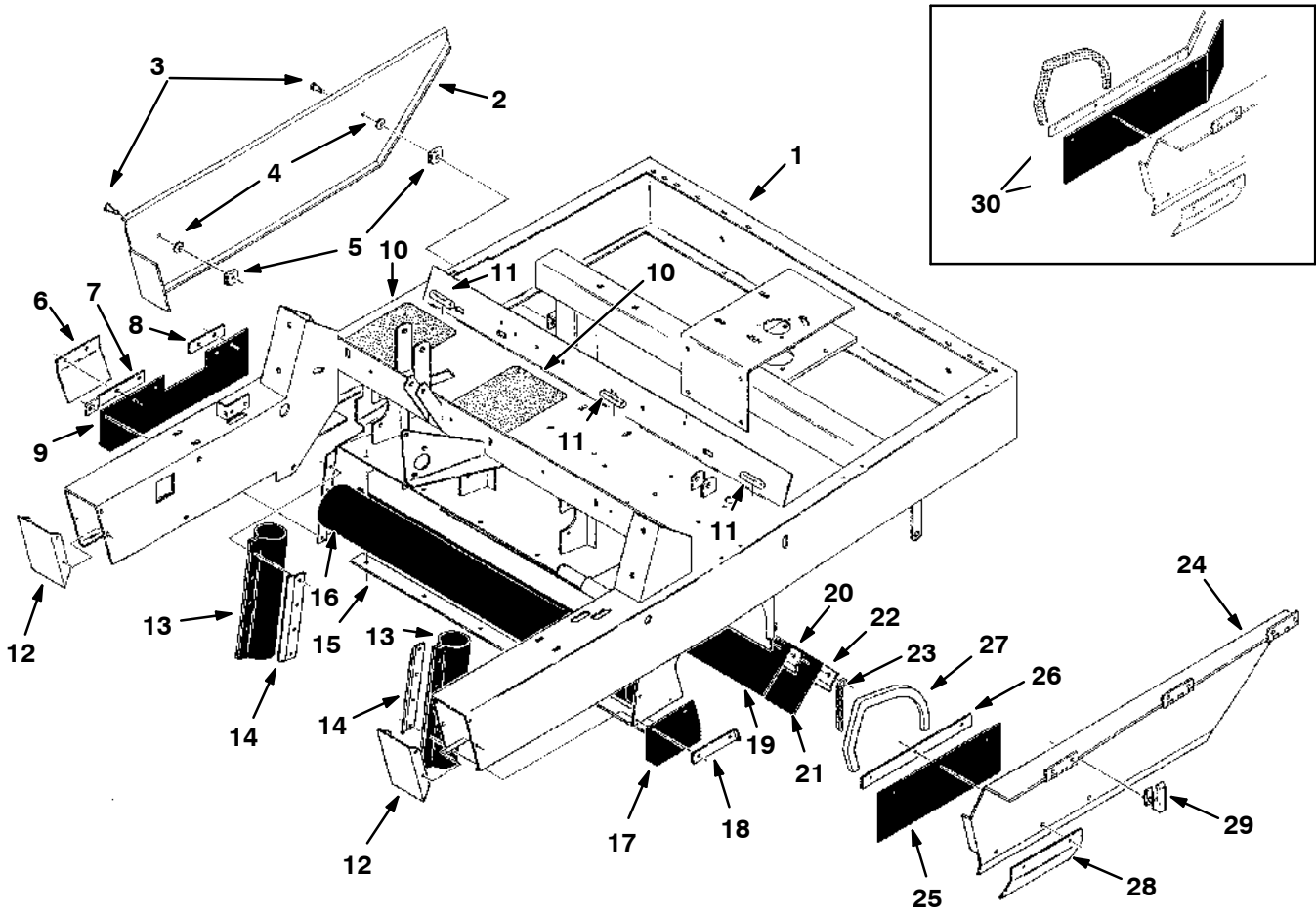


Fig. 3 - Main Frame Group

Fig. 3 - Main Frame Group

Ref.	Tenant Part No.	Machine Serial Number	Description	Qty.	
1	02073	(000000-) Frame, Main	1	
2	35957	(000000-) Panel, Lower, R.H.	1	
3	56366	(000000-) Fastener, Slot Head	2	
4	26015	(000000-) Fastener	2	
5	28165	(000000-) Fastener	2	
6	02275	(000000-) Seal, Brush, R.H.	1	
7	02350	(000000-) Retainer, Skirt, R.H.	1	
8	35721	(000000-) Strip	1	
9	02088	(000000-) Skirt, Brush, R.H.	1	
10	32646	(000000-) Tread, Floor	2	
11	19811	(000000-) Bumper, Rubber	3	
12	35878-1	(000000-) Cap, Frame	2	
13	36004	(000000-) Seal, Hopper Side	2	
14	36022	(000000-) Strip, Retainer	2	
15	36000	(000000-) Strip	1	
16	36001	(000000-) Seal, Hopper Top	1	
17	36228	(000000-) Skirt, L.H.	1	
18	36227	(000000-) Retainer, L.H.	1	
19	35717	(000000-) Skirt	1	
20	35723	(000000-) Strip, Retainer	1	
21	36003	(000000-) Skirt, Brush Wrap	1	
22	35722	(000000-) Strip, Retainer	1	
23	09342	(000000-) Chain, Link	1	
▽	24	02287	(000000-) Panel Assembly, Lower, L.H.	1
▲	25	06340	(001861-) Skirt	1
▲	26	06341	(001861-) Retainer, Skirt	1
▲	27	35903	(000000-) Seal, Foam Rubber	1
▲	28	02274	(000000-) Seal, Brush	1
▲	29	51375	(000000-) Fastener	1
▲	30	06344	(000000-001860)	Replacement Kit, Skirt	1

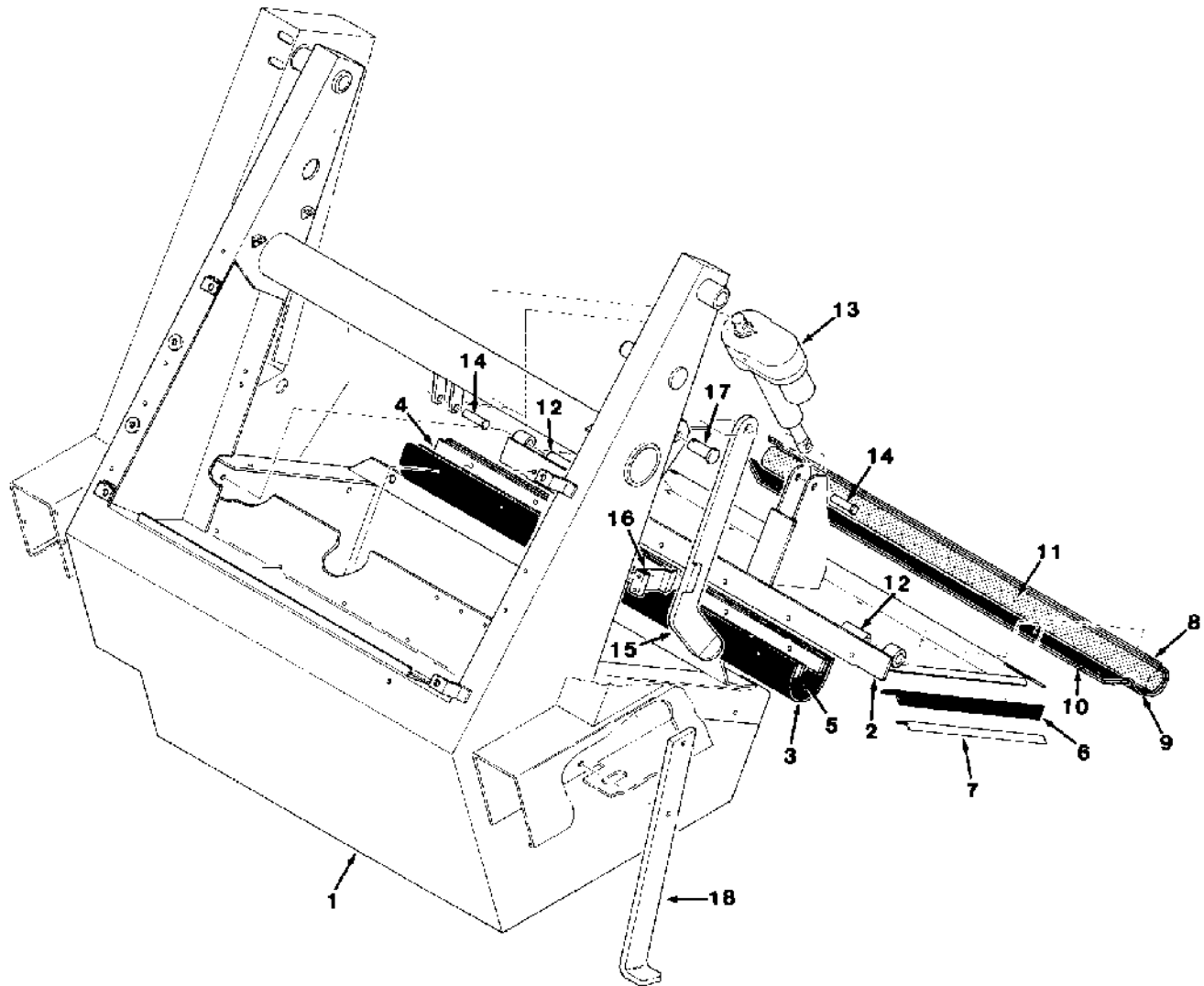


Fig. 4 - Hopper Group

Fig. 4 - Hopper Group

Ref.	Tennant Part No.	Machine Serial Number	Description	Qty.
1	02095	(000000-) Hopper	1
2	02113	(000000-) Door	1
3	02118	(000000-) Seal, Hopper Door	1
4	02159	(000000-) Strip, Hopper Seal	1
5	02162	(000000-) Strip, Hopper Seal	1
6	02160	(000000-) Seal, Hopper Side	2
7	02161	(000000-) Retainer, Side Seal	2
▽	02353	(000000-) Seal Assembly, Hopper Lip	1
▲	8 02162	(000000-) Strip, Hopper Seal	1
▲	9 02352	(000000-) Seal, Hopper Lip	1
▲	10 02204	(000000-) Strip, Hopper Seal	1
	11 02360	(000000-) Seal, Foam Rubber	1
	12 02131	(000000-) Tube	2
	13 87444	(000000-) Actuator	1
	14 43290	(000000-) Pin, Clevis	2
	15 02231	(000000-) Arm, Safety	1
	16 87244	(000000-) Clip, Spring	1
	17 02141	(000000-) Pin, Clevis	1
	18 02257	(000000-) Leg, Safety	1

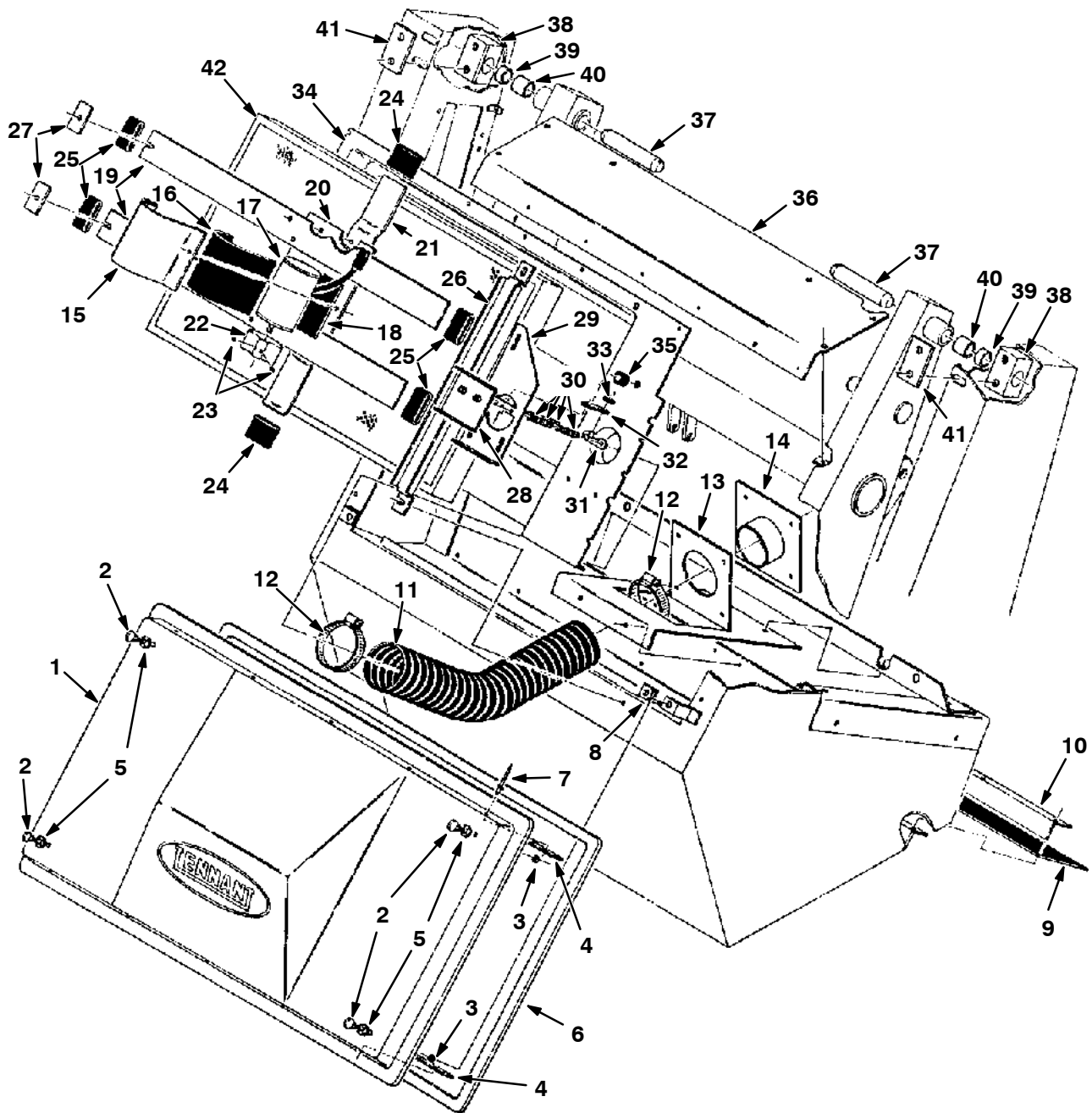


Fig. 5 - Filter Shaker Group

Fig. 5 - Filter Shaker Group

Ref.	Tennant Part No.	Machine Serial Number	Description	Qty.
▽ 1	02167	(000000-) Cover Assembly, Filter	1
▲ 2	25665	(000000-003193) Replacement Kit, Thumb Screw F/12947	4
▲ 2	25656	(003194-) Thumb Screw	4
▲ 3	26015	(000000-003193) Fastener	4
▲ 3	25663	(003194-) Nut, Speed	4
▲ 4	36675	(000000-) Bar, Stiffener	2
▲ 5	08156	(000000-) Retainer, Screw	4
▲ 6	02169	(000000-) Seal, Foam Rubber	1
▲ 7	56799	(000000-) Rivet, Pop	10
8	28165	(000000-) Fastener	4
9	02117	(000000-) Seal, Hopper Lip	1
10	35783	(000000-) Bracket, L	1
11	43490	(000000-) Hose	1
12	43555	(000000-) Clamp, Worm Drive	2
13	02164	(000000-) Bracket, Hose	1
14	47476	(000000-) Collar, Float	1
15	36666	(000000-) Strap, Shaker Motor	1
16	36658	(000000-) Pad, Rubber	1
17	54121	(000000-) Motor, Shaker	1
18	02165	(000000-) Pad, Rubber	1
19	02305	(000000-) Bar, Beater	2
20	02282	(000000-) Base, Motor	1
21	36672	(000000-) Mount, Motor	1
22	55130	(000000-) Weight, Eccentric	1
23	57496	(000000-) Screw, Nylon Set	2
24	36665	(000000-) Sleeve, Rubber	2
25	36663	(000000-) Sleeve, Rubber	4
26	02280	(000000-) Clamp, Spring	1
27	02394	(000000-) Plate, Beater Bar	2
28	02306	(000000-) Plate, Fire Door	1
29	02348	(000000-) Base, Fire Door	1
30	54743	(000000-) Spring, Compression	4
31	02341	(000000-) Bracket, Link	1
32	46167A	(000000-) Link, Fusible	1
33	58075	(000000-) Clip, Push-On	1
34	02137	(000000-) Housing, Filter	1
35	10632-11	(000000-) Grommet	1
36	02163	(000000-) Panel, Top Filter	1
37	58676	(000000-) Pin, C	2
▽ 38	02173	(000000-) Pivot Assembly, Hopper	2
▲ 39	35688	(000000-) Bearing, Journal	1
▲ 40	35529	(000000-) Bearing, Journal	1
41	02174	(000000-) Bar, Mounting	2
▽ 42	87550	(000000-) Filter Assembly	1
▲	65375	9000000-) Gasket	1

MULTI-LEVEL DUMP MODEL PARTS

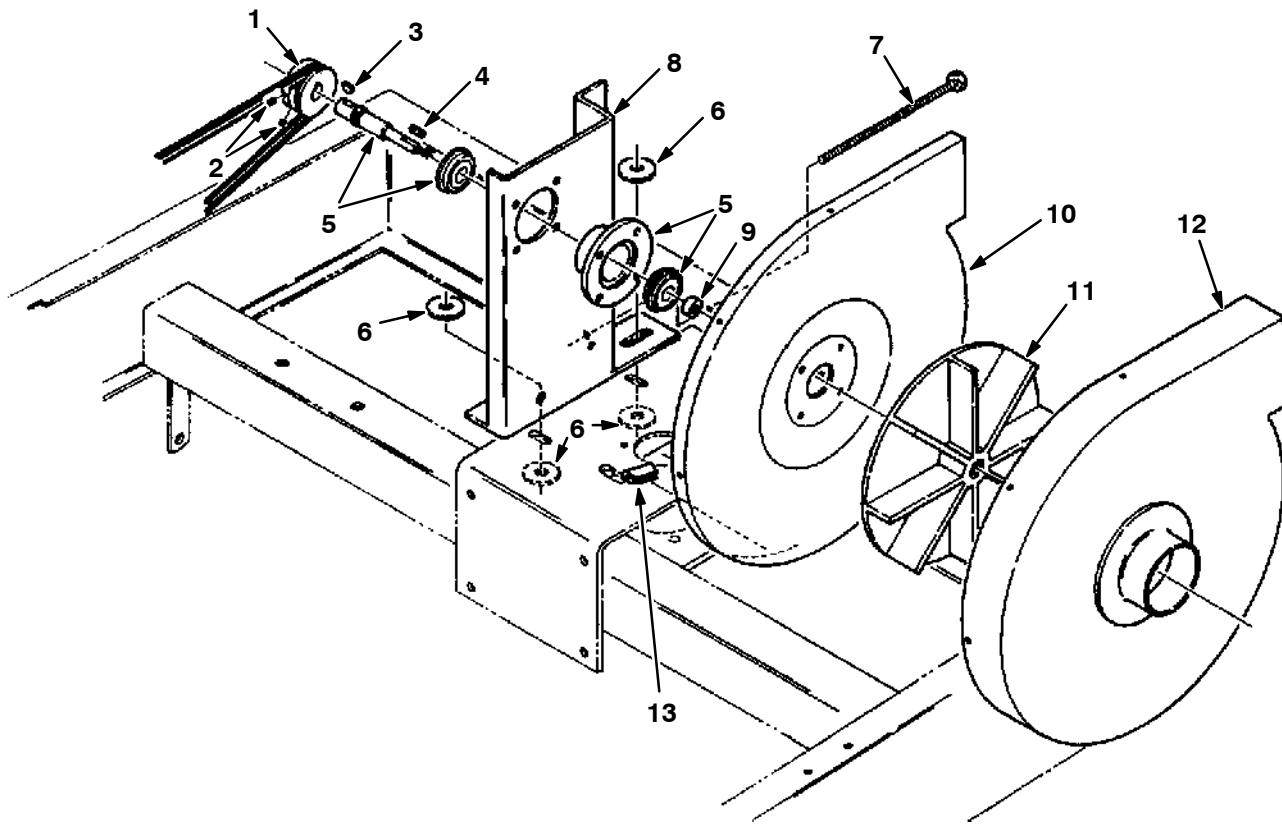


Fig. 6 - Vacuum Fan Group

02990

Ref.	Tennant Part No.	Machine Serial Number	Description	Qty.
1	87630	(000000-)	Sheave, Fan	1
2	39327	(000000-)	Screw, Set	2
3	00500-4	(000000-)	Key, Woodruff	1
4	00960	(000000-)	Key, Square	1
5	16934	(000000-)	Shaft, Bearing and Flange Assembly	1
6	46983	(000000-)	Sleeve	4
7	02198	(000000-)	Screw, Full Thread	1
8	02049	(000000-)	Bracket, Fan Mount	1
9	10362	(000000-)	Sleeve	1
10	02221	(000000-)	Plate, Housing Backing	1
11	54235	(000000-002071)	Impeller	1
11	08143	(002072-)	Impeller	1
12	02220	(000000-)	Housing, Fan	1
13	03433	(000000-)	Molding, Rigid	2

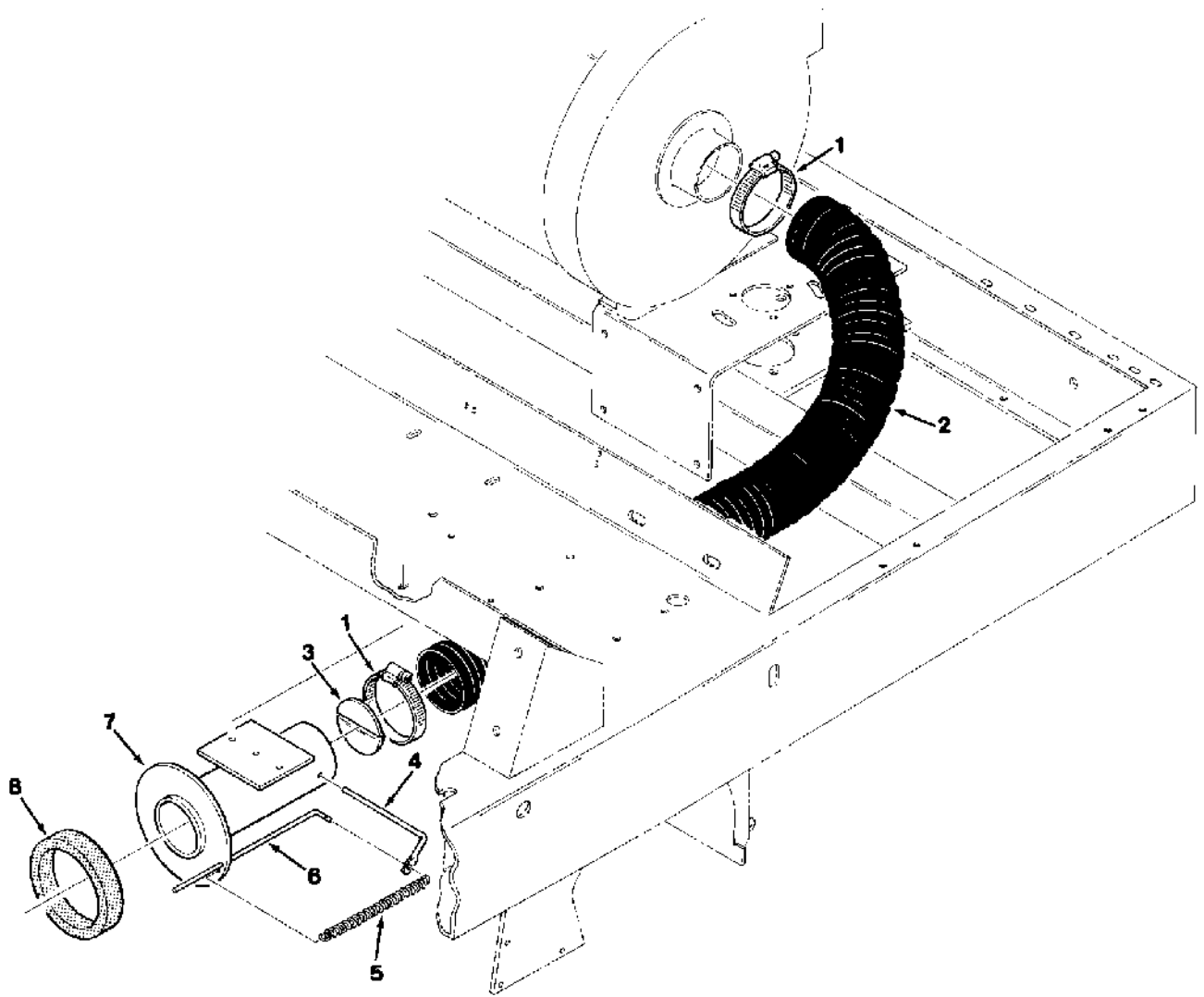


Fig. 7 - Vacuum Fan Shutoff Group

02996

Ref.	Tennant Part No.	Machine Serial Number	Description	Qty.
1	43555	(000000-)	Clamp, Worm Drive	2
2	02194	(000000-)	Hose	1
3	02192	(000000-)	Plate, Damper	1
4	02191	(000000-)	Lever, Damper	1
5	29260	(000000-)	Spring, Tension	1
6	02193	(000000-)	Rod, Vacuum Control	1
7	02187	(000000-)	Connection, Vacuum	1
8	02381	(000000-)	Sleeve	1

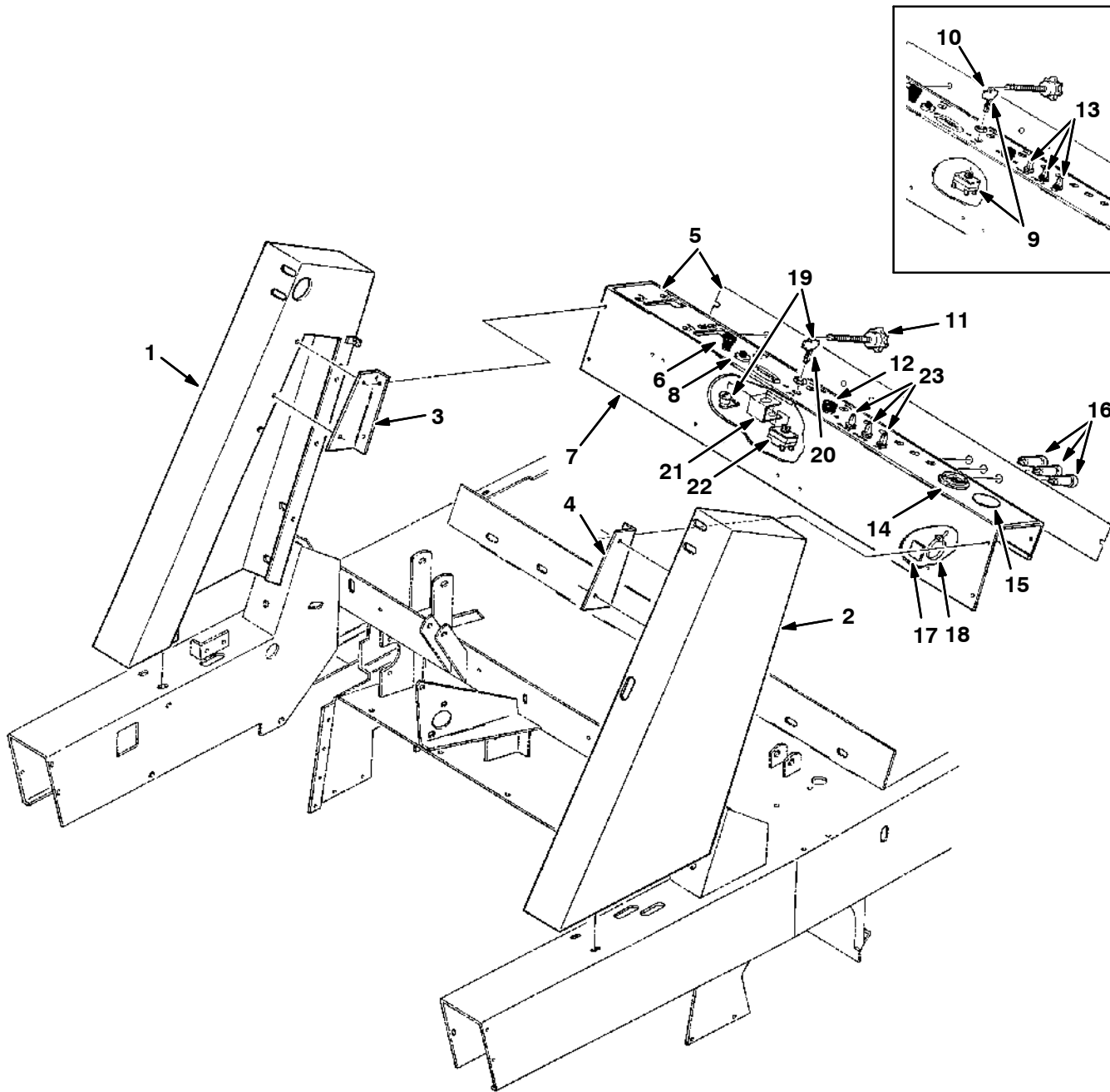
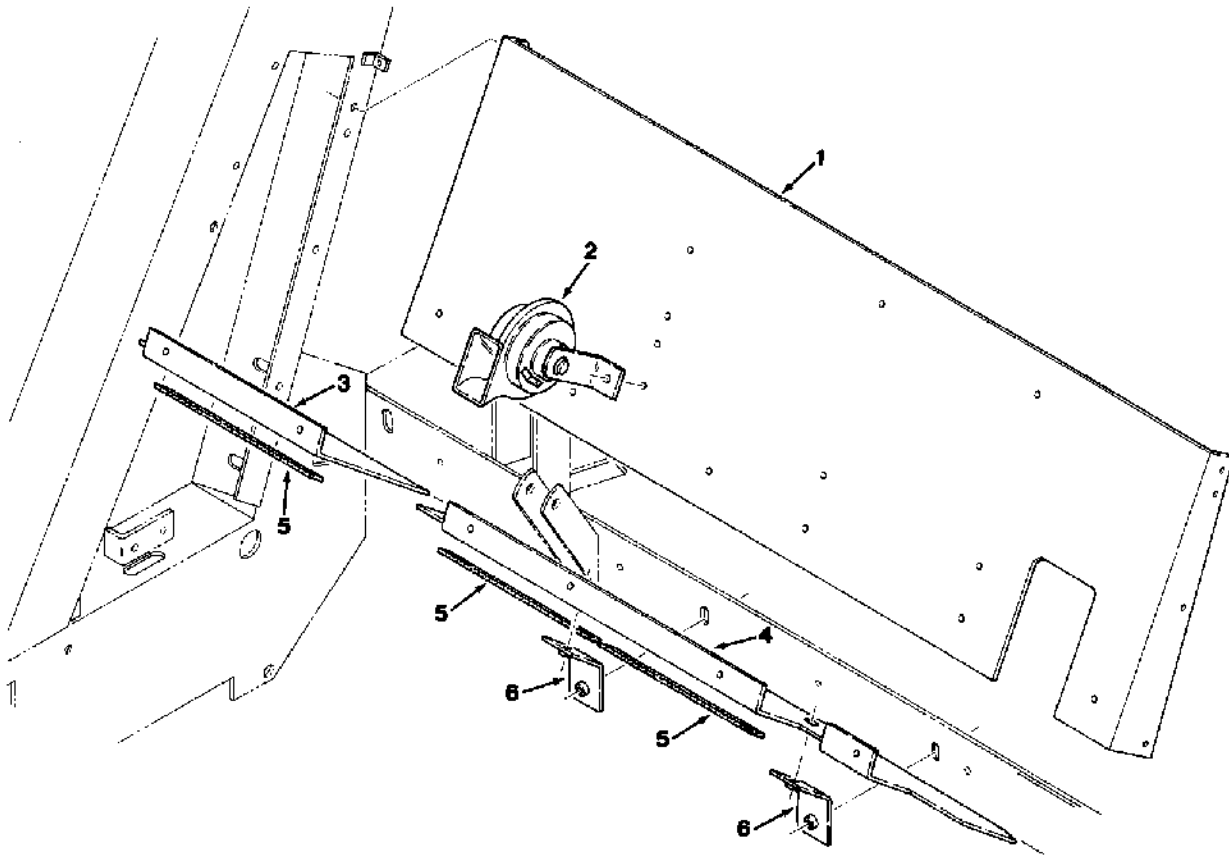


Fig. 8 - Instrument Panel Group

Fig. 8 - Instrument Panel Group

Ref.	Tenant Part No.	Machine Serial Number	Description	Qty.	
1	02180	(000000-) Support, Lintel, R.H.	1	
2	02181	(000000-) Support, Lintel, L.H.	1	
3	02157	(000000-) Bracket, Support, R.H.	1	
4	02158	(000000-) Bracket, Support, L.H.	1	
5	25891	(000000-) Label, Instrument Panel	1	
6	35743	(000000-) Cable, Choke	1	
7	02155	(000000-004855) Panel, Instrument	1	
7	70329	(004856-) Panel, Instrument	1	
8	44828	(000000-) Switch, Push	1	
∇	9	33285	(000000-004855) Switch Assembly, Key	1	
▲	10	31204	(000000-004855) Key, Switch	1	
	11	06505	(000000-) Knob	1
	12	44078	(000000-) Switch, Push	1
	13	63222	(000000-004855) Switch, Toggle	3	
	14	34810	(000000-) Gauge, Hour Meter	1
	15	82747	(000000-) Plugbutton	1
	16	57803	(000000-) Breaker, Circuit	3
	17	55248	(000000-) Mount, Cable Tie	3
	18	49266	(000000-) Tie, Cable	5
∇	19	70323	(004856-) Switch Assembly, Key	1
▲	20	21570	(004856-) Key, Switch	1
	21	70318	(004856-) Bracket, Lock	1
	22	70321	(004856-) Switch, Seal	1
	23	70322	(004856-) Switch, Seal	3



02999

Fig. 9 - Floor Plate and Partition Group

Ref.	Tennant Part No.	Machine Serial Number	Description	Qty.
1	02203	(000000-)	Partition, Front Support	1
2	14138A	(000000-)	Horn	1
3	02303	(000000-)	Panel, Floor, R.H.	1
4	02304	(000000-)	Panel, Floor, L.H.	1
5	36171	(000000-)	Seal, Foam Rubber	3
6	02377	(000000-)	Bracket	2

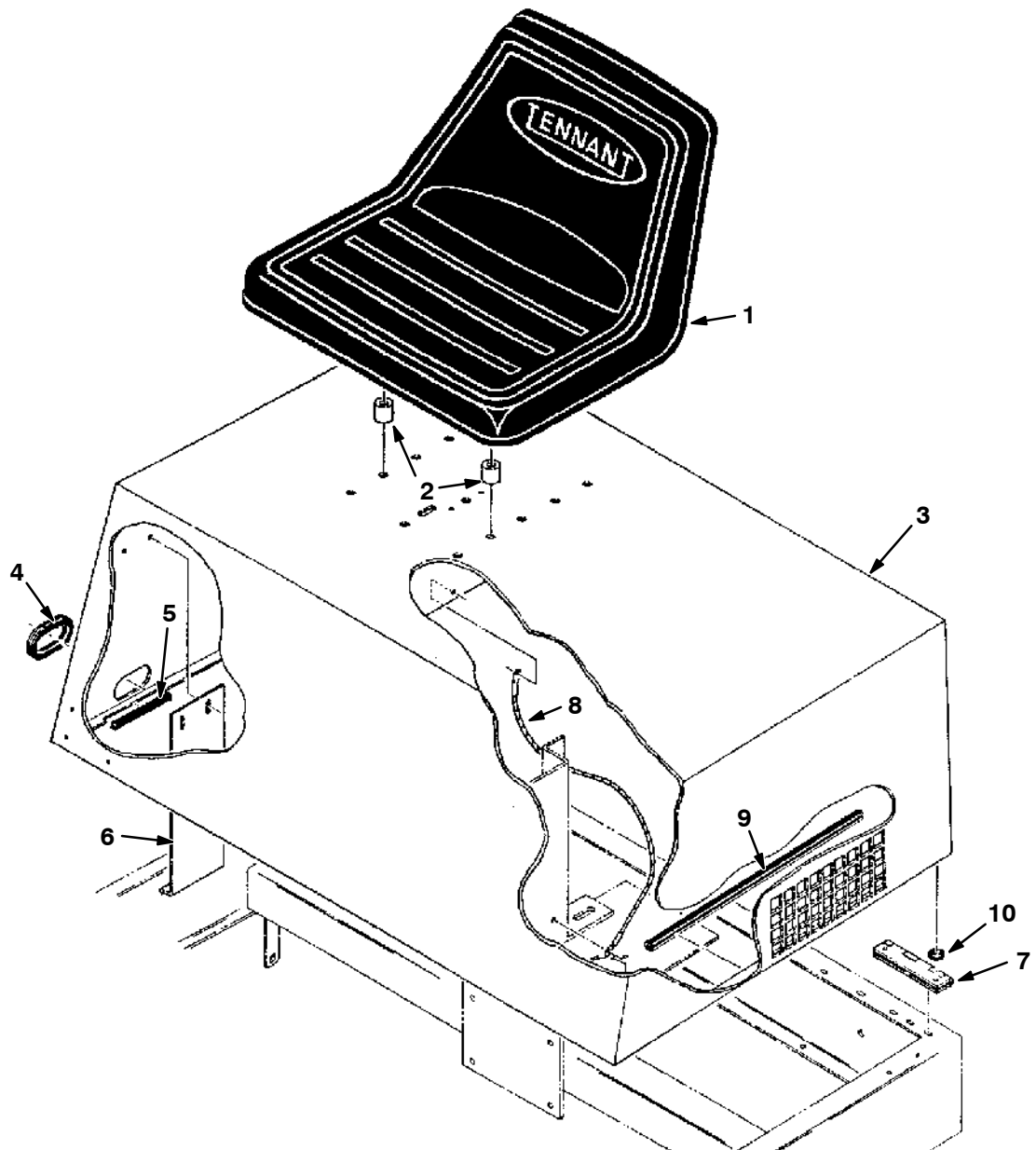


Fig. 10 - Seat Support Group

03002

Ref.	Tennant Part No.	Machine Serial Number	Description	Qty.
1	82342	(000000-)	Seat Assembly	1
2	35756	(000000-)	Sleeve	4
3	02261	(000000-)	Support, Seat	1
4	36506	(000000-)	Grommet	1
5	62170-3	(000000-)	Molding, Rigid	1
6	36492-1	(000000-)	Spring, Latch	1
7	35895	(000000-)	Hinge	2
8	36192	(000000-)	Lanyard Assembly	1
9	62170-2	(000000-)	Molding, Rigid	1
10	54527	(000000-)	Isolattor, Rubber	4

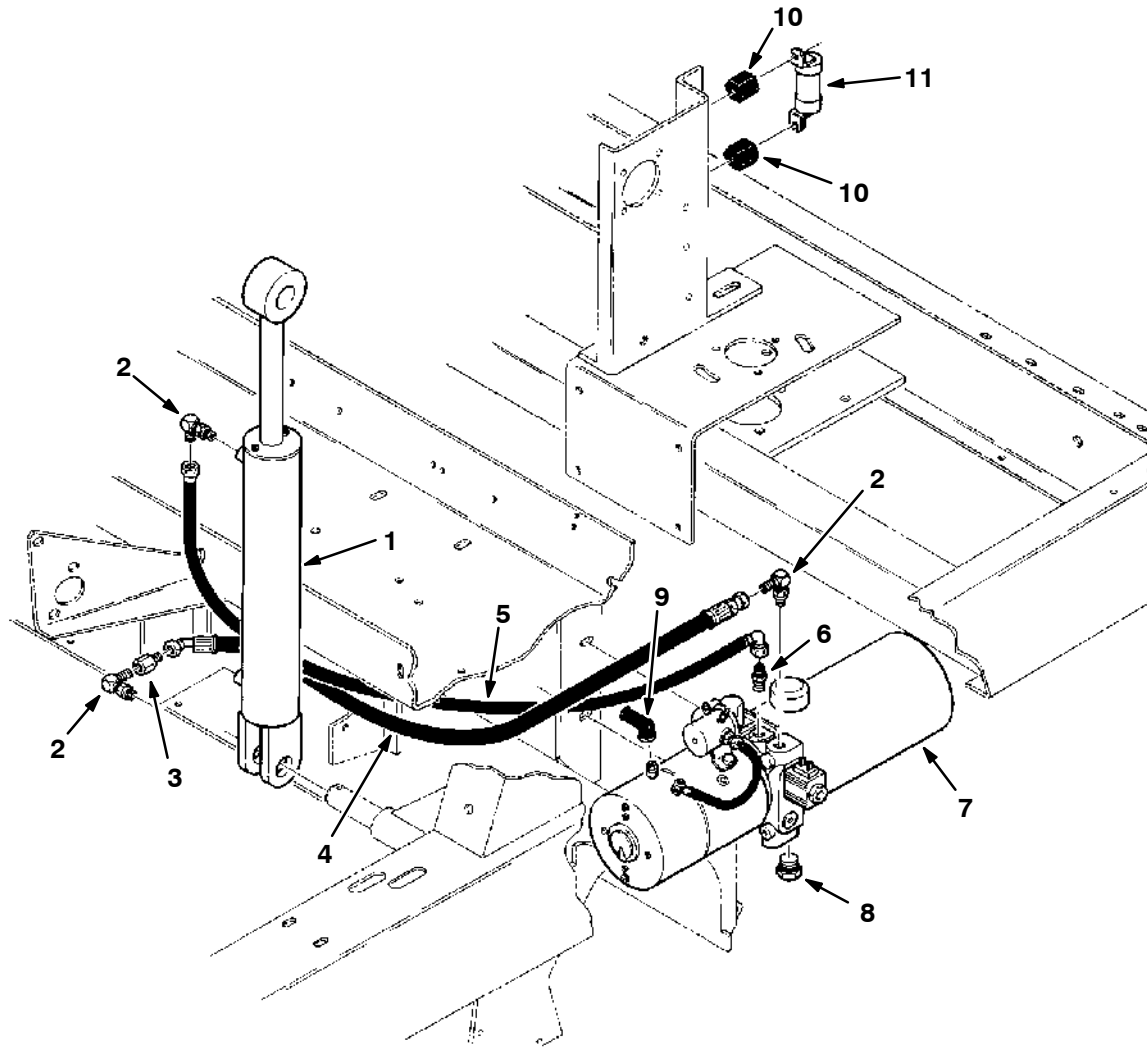


Fig. 11 - Hydraulic Group

03033

Ref.	Tennant Part No.	Machine Serial Number	Description	Qty.
1	04431	(000000-)	Cylinder, Hydraulic	1
2	47638	(000000-)	Fitting, Elbow	3
3	16456	(000000-)	Fitting, Straight	1
4	02361	(000000-)	Hose, Hydraulic	1
5	02205	(000000-)	Hose, Hydraulic	1
6	55586	(000000-)	Fitting, Straight	1
7	02294	(000000-)	Pump, Hydraulic	1
8	42268	(000000-)	Fitting, Plug	1
9	02076	(000000-)	Cover, Terminal	2
10	76062	(000000-)	Insulator, Panel	2
11	76143	(000000-)	Fuse, 120 A	1

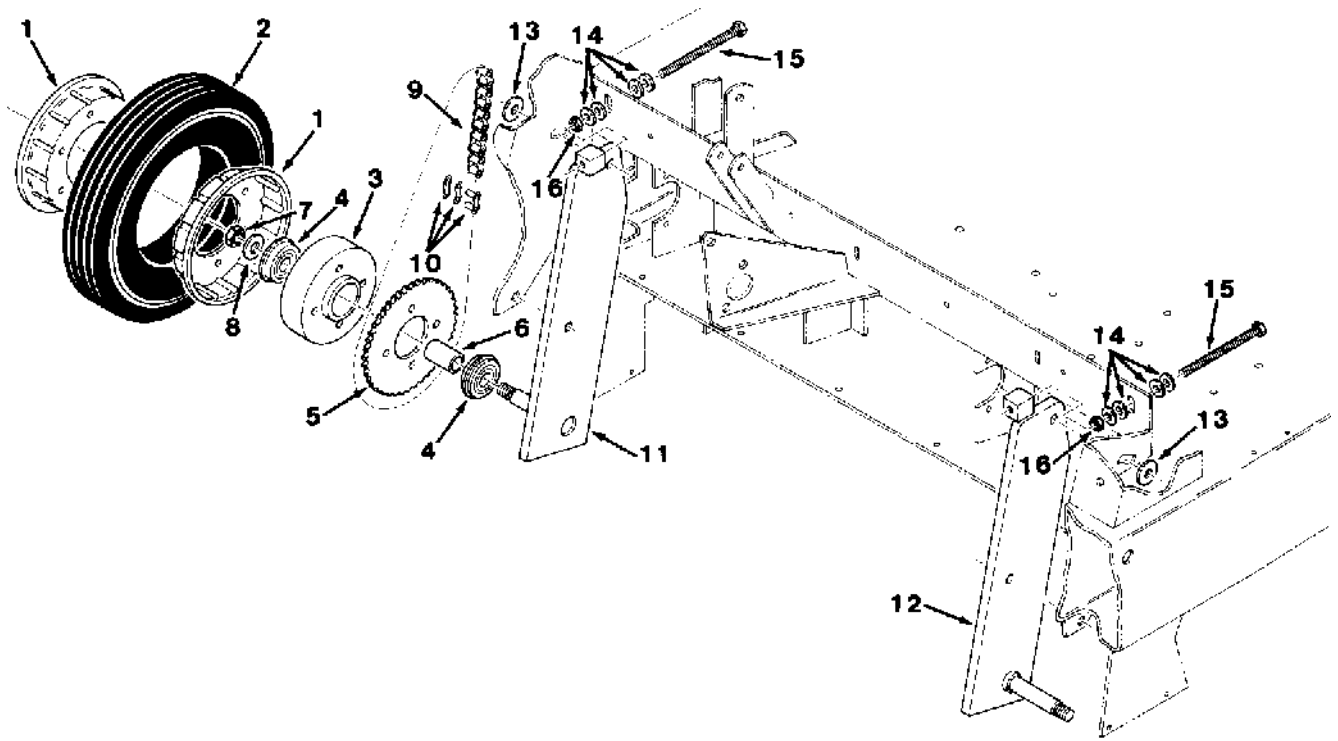
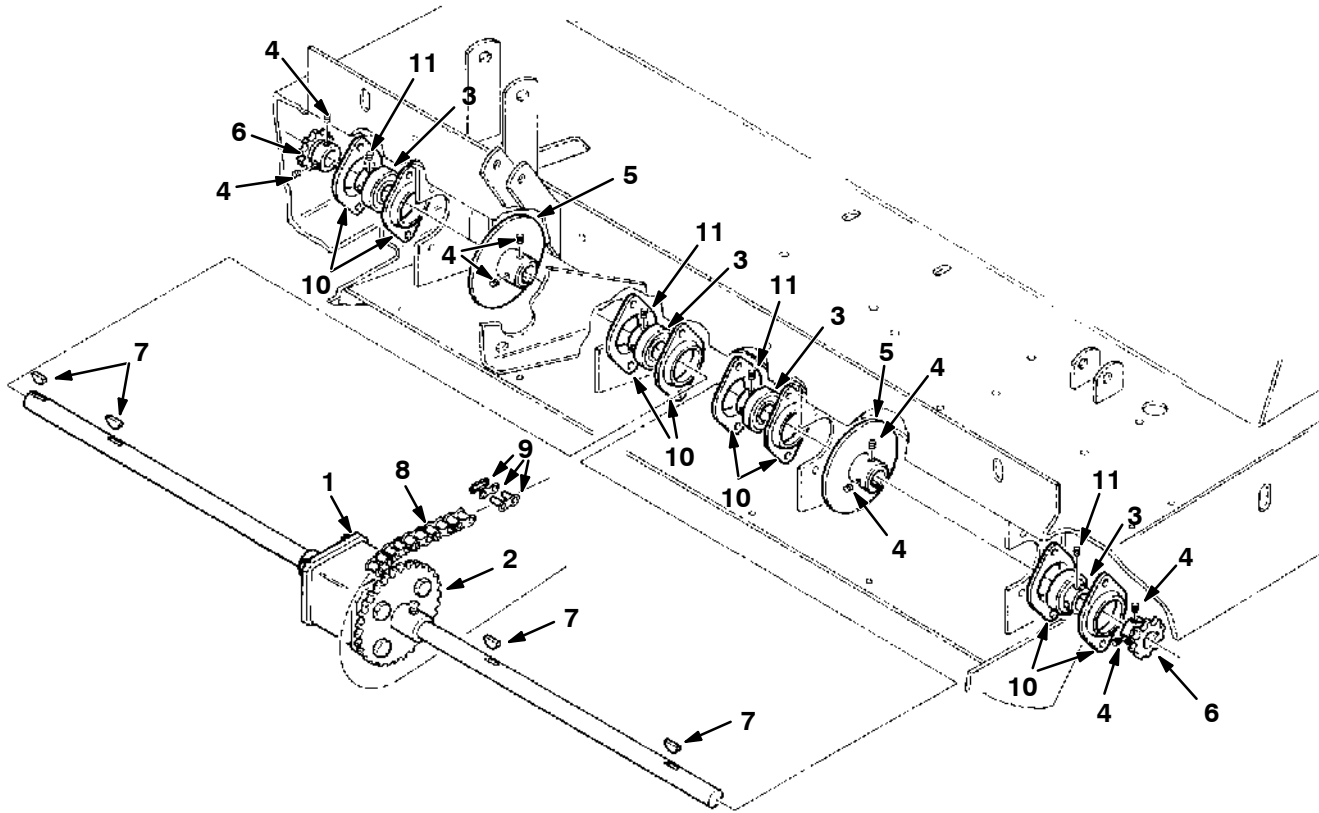


Fig. 12 - Front Wheel Group

03003

Ref.	Tennant Part No.	Machine Serial Number	Description	Qty.
1	10078	(000000-)	Wheel, Half	4
2	09027	(000000-)	Tire	2
3	02083	(000000-)	Housing, Bearing	2
4	07107	(000000-)	Bearing, Ball	4
5	33707	(000000-)	Sprocket	2
6	36146	(000000-)	Sleeve	2
7	40814	(000000-)	Nut, Nylon	2
8	15331	(000000-)	Washer	2
9	33721	(000000-)	Chain, Roller	2
10	07112	(000000-)	Link, Chain	2
11	02367	(000000-)	Plate, Support, R.H.	1
12	02368	(000000-)	Plate, Support, L.H.	1
13	36328	(000000-)	Washer, Belleville	2
14	41187	(000000-)	Washer, Belleville	8
15	02218	(000000-)	Screw, Full Thread	2
16	25014	(000000-)	Nut, Hex	2

MULTI-LEVEL DUMP MODEL PARTS



02985

Fig. 13 - Differential Group

Ref.	Tennant Part No.	Machine Serial Number	Description	Qty.
▽ 1	02044	(000000-)	Differential	1
▲ 2	12751	(000000-)	Sprocket	1
3	25887	(000000-)	Bearing and Collar	4
4	32366	(000000-)	Screw, Nylon Set	8
5	35927	(000000-)	Disc, Brake	2
6	35996	(000000-)	Sprocket	2
7	00500-10	(000000-)	Key, Woodruff	4
8	02375	(000000-)	Chain, Roller	1
9	07112	(000000-)	Link, Chain	1
10	35973	(000000-)	Flange, Bearing	8
11	79599	(000000-)	Screw, Nylon Set	8

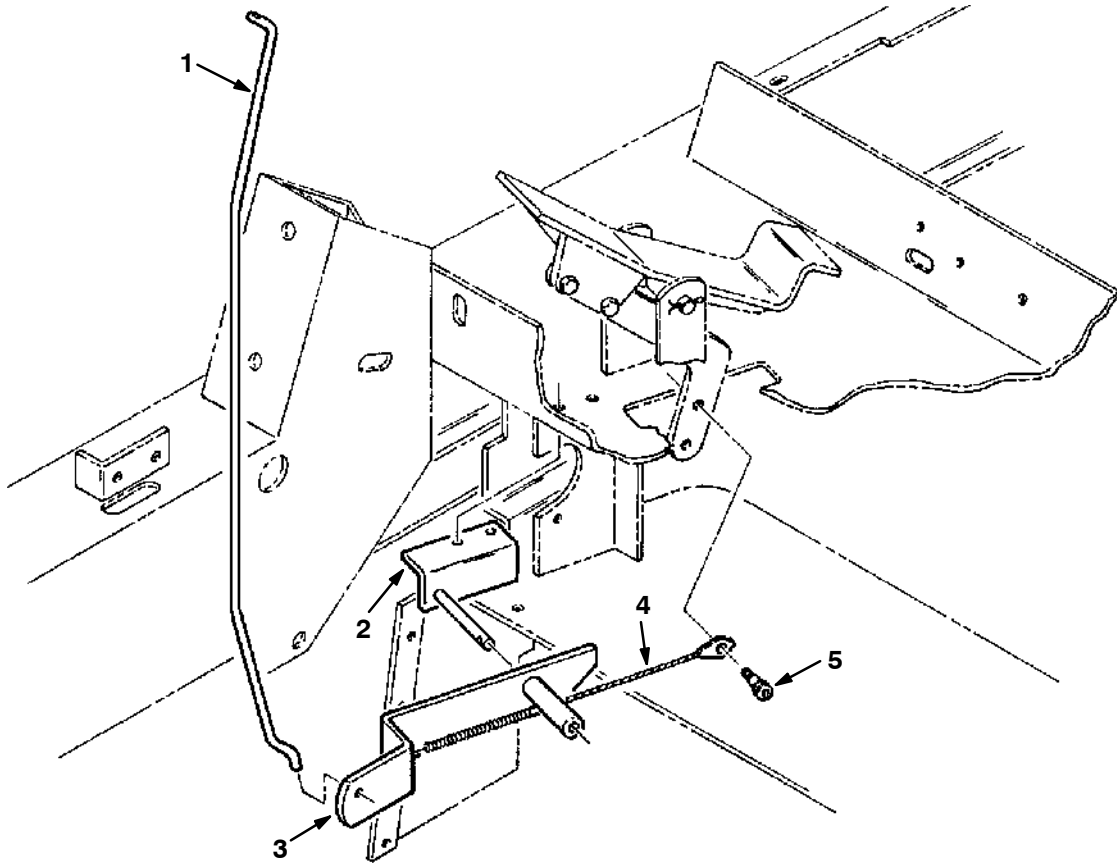


Fig. 14 - Speed Limiter Group

02981

Ref.	Tennant Part No.	Machine Serial Number	Description	Qty.
1	02132	(000000-)	Rod, Speed Limiter	1
2	02138	(000000-)	Pivot, Speed Limiter	1
3	02144	(000000-)	Lever, Speed Limiter	1
4	02128	(000000-)	Cable, Speed Limiter	1
5	02129	(000000-)	Screw, Shoulder	1

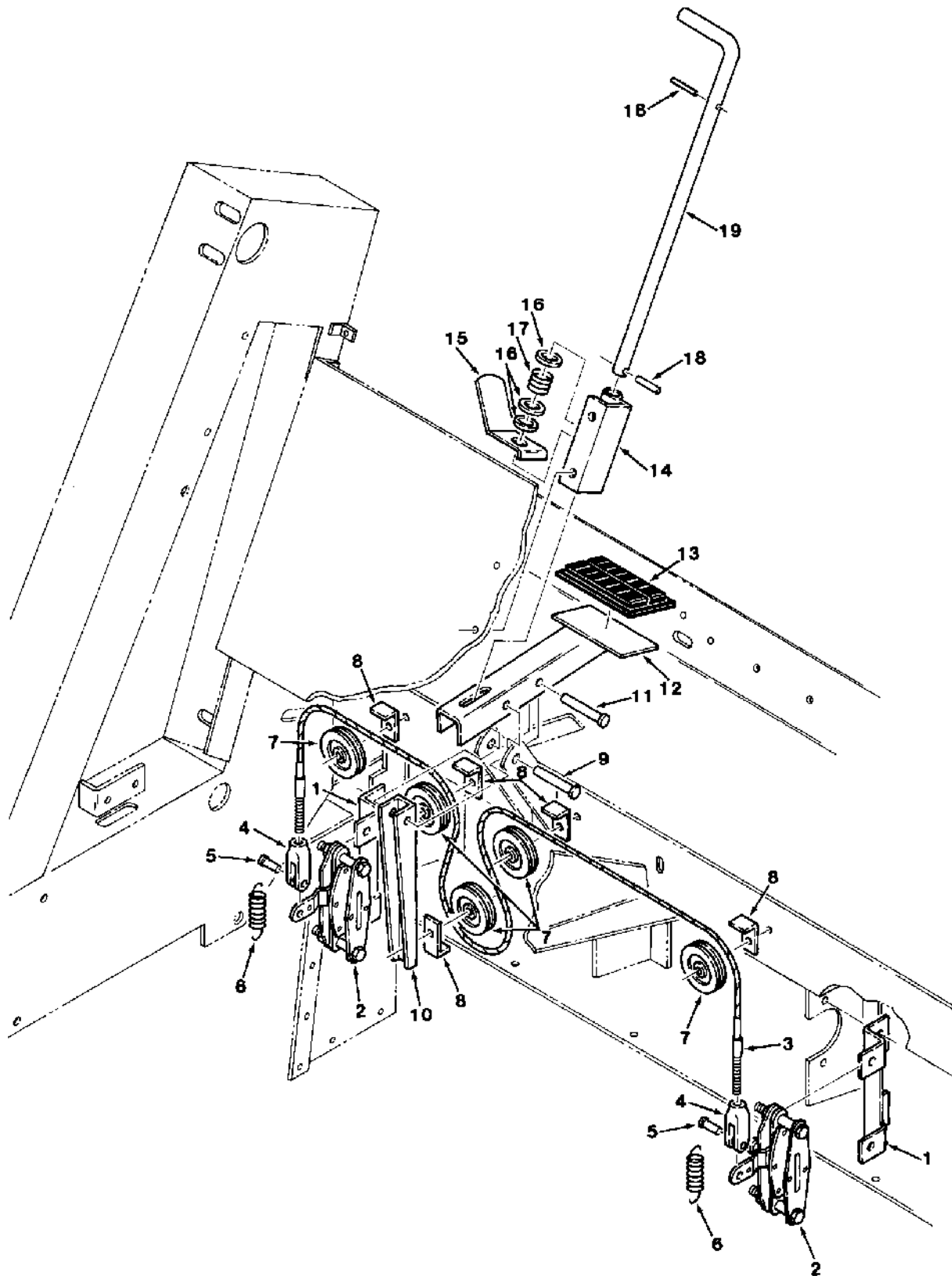


Fig. 15 - Brake Group

Fig. 15 - Brake Group

Ref.	Tenant Part No.	Machine Serial Number	Description	Qty.
1	35920	(000000-) Bracket, Brake	2
2	35921	(000000-) Brake Assembly, Disc	2
3	02239	(000000-) Cable, Brake	1
4	14595-1	(000000-) Clevis, Adjust	2
5	02357	(000000-) Pin, Clevis	2
6	28281	(000000-) Spring, Tension	2
7	36070	(000000-) Pulley, Cable	5
8	36077	(000000-) Bracket, L	5
9	29584	(000000-) Pin, Clevis	1
10	02241	(000000-) Channel, Pulley	1
11	29558	(000000-) Pin, Clevis	1
12	02237	(000000-) Pedal, Brake	1
13	51109	(000000-) Pad	1
14	35917	(000000-) Bracket, Parking Brake	1
15	35918	(000000-) Lever, Release	1
16	32486	(000000-) Washer	3
17	03560	(000000-) Spring, Compression	1
18	28270	(000000-) Pin, Roll	2
19	02235	(000000-) Rod, Parking Brake	1

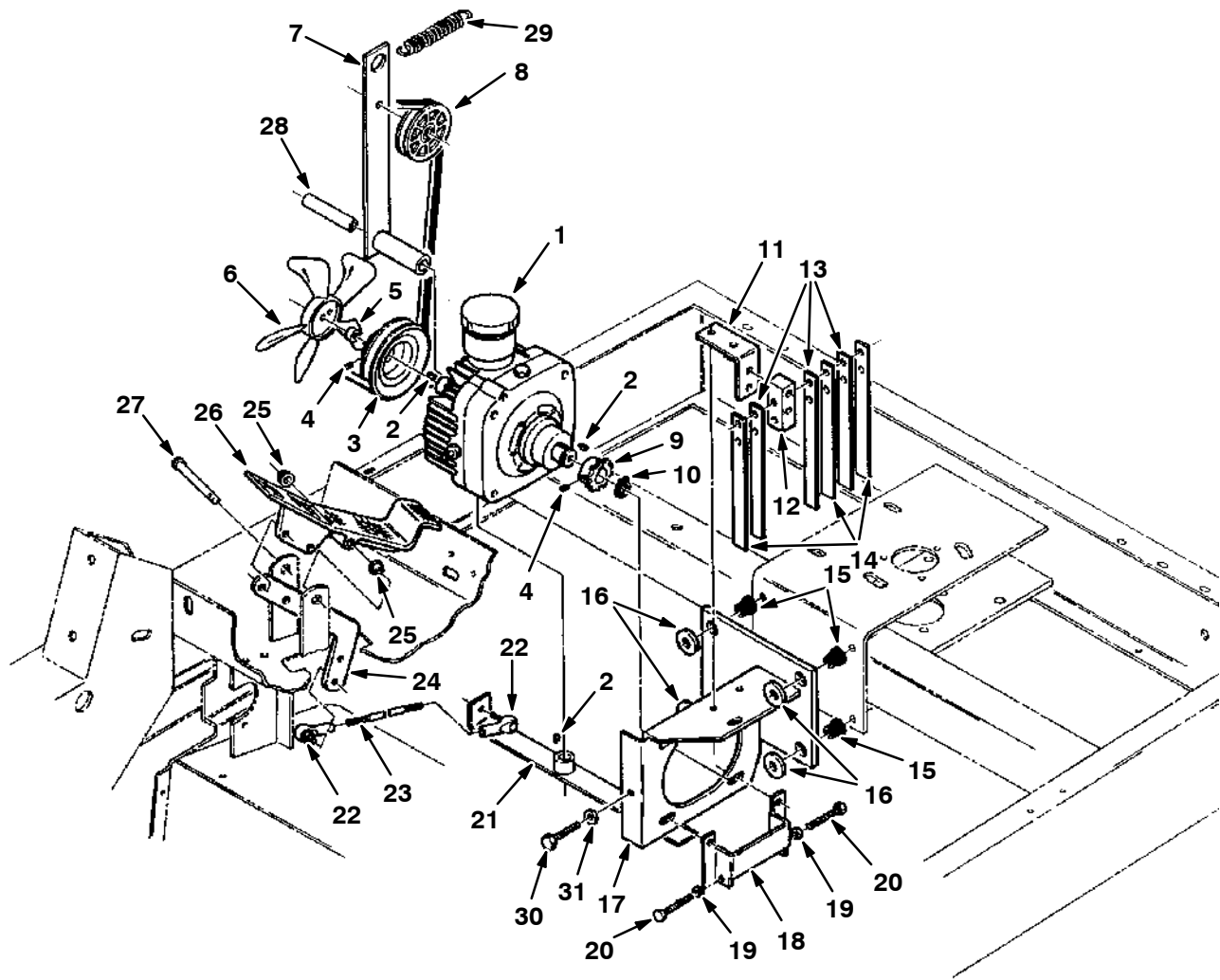


Fig. 16 - Transmission and Linkage Group

Fig. 16 - Transmission and Linkage Group

Ref.	Tennant Part No.	Machine Serial Number	Description	Qty.
1	02048	(000000-) Transmission	1
2	39048	(000000-) Key, Woodruff	3
3	35967	(000000-) Sheave, Transmission	1
4	57496	(000000-) Screw, Nylon Set	2
5	06857	(000000-) Sleeve, Transmission	1
6	02053	(000000-) Fan, Cooling	1
7	02047	(000000-) Arm, Idler	1
8	02355	(000000-) Sheave, Idler	1
9	35999	(000000-) Sprocket	1
10	23225	(000000-) Ring, Retaining	1
11	36036	(000000-) Strap, Support	1
12	35897	(000000-) Block, Spring Mounting	1
13	49681	(000000-) Plate, Spring	3
14	36462	(000000-) Spring, Directional Control	3
15	54274	(000000-) Isolator, Vibration	4
16	46983	(000000-) Sleeve	4
17	03930	(000000-) Mount, Transmission	1
18	35991-1	(000000-) Stop, Transmission	1
19	19313	(000000-) Nut, Hex	2
20	39612	(000000-) Screw, Full Thread	2
21	06856	(000000-) Arm, Pintle	1
22	36466	(000000-) Ball Joint	2
23	36057	(000000-) Stud	1
24	36056	(000000-) Bar, Propulsion	1
25	36556	(000000-) Bearing, Nylon	2
26	42240	(000000-) Pedal, Foot	1
27	06474A	(000000-) Pin, Clevis	1
28	02090	(000000-) Tube	1
29	29499	(000000-) Spring, Tension	1
30	55347	(000000-) Screw, Hex	1
31	32522	(000000-) Nut, Hex, Jam	1

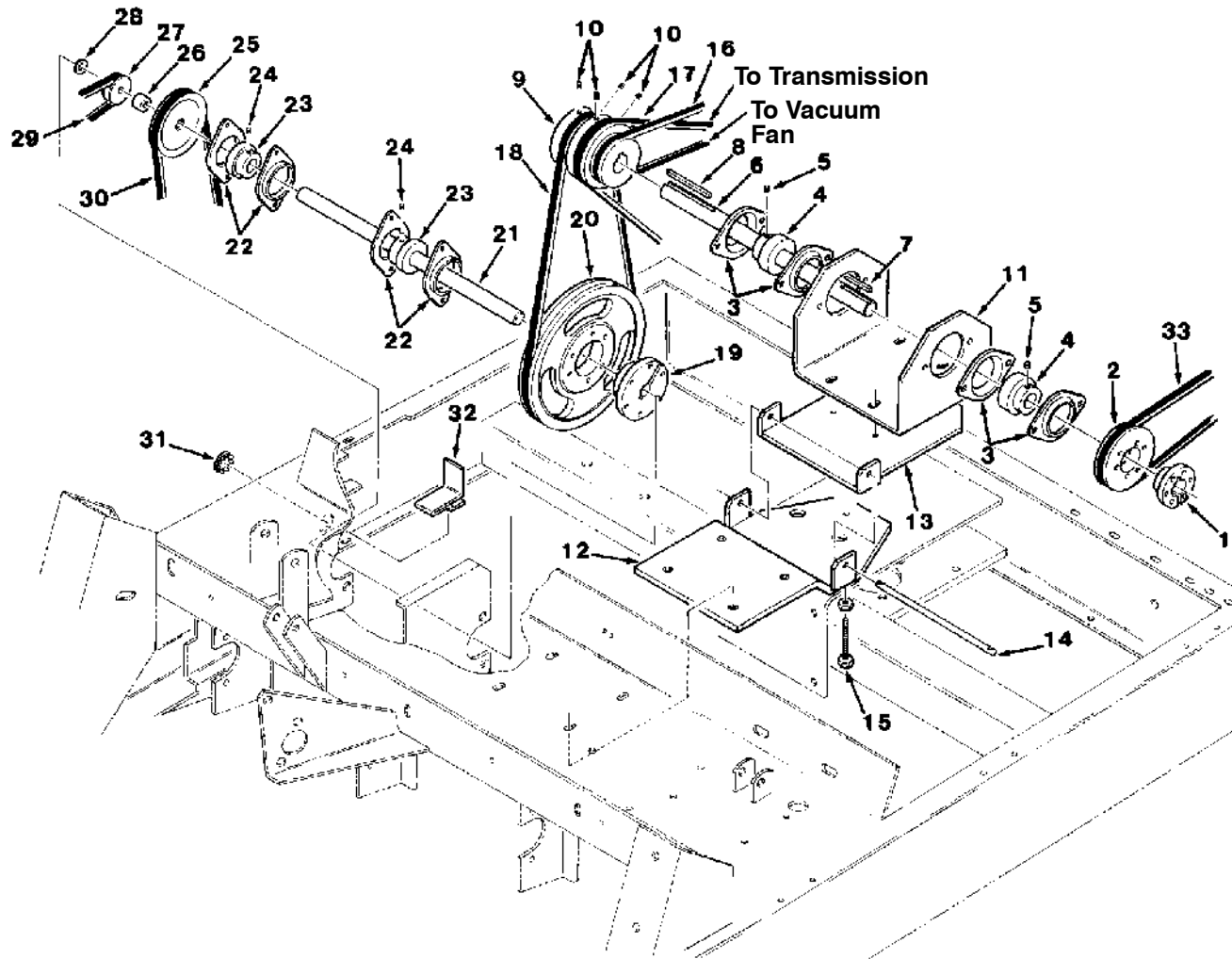


Fig. 17 - Jackshaft Group

Fig. 17 - Jackshaft Group

Ref.	Tennant Part No.	Machine Serial Number	Description	Qty.
1	02123	(000000-) Bushing, Taper Lock	1
2	02125	(000000-) Sheave	1
3	23222-2	(000000-) Flange, Bearing	4
4	24835	(000000-) Bearing and Collar	2
5	57496	(000000-) Screw, Nylon Set	2
6	02120	(000000-) Jackshaft	1
7	00927	(000000-) Key, Square	1
8	00939	(000000-) Key, Square	1
9	02055	(000000-) Sheave, Motor Drive	1
10	50011	(000000-) Screw, Nylon Set	4
11	02119	(000000-) Support, Jackshaft	1
12	02122	(000000-) Support, Jackshaft	1
13	06852	(000000-) Plate, Motor	1
14	06854	(000000-) Rod, Motor Plate	1
15	45214	(000000-) Screw, Hex	1
16	52250	(000000-) V-Belt	1
17	36543	(000000-) V-Belt	1
18	23445	(000000-) V-Belt	1
19	02256	(000000-) Bushing, Taper Lock	1
20	02045	(000000-) Sheave	1
21	35803	(000000-) Jackshaft, Brush Drive	1
22	35973	(000000-) Flange, Bearing	4
23	25887	(000000-) Bearing and Collar	2
24	32366	(000000-) Screw, Nylon Set	4
25	36112	(000000-) Sheave	1
26	35804	(000000-) Sleeve	1
27	35791	(000000-) Sheave	1
28	41187	(000000-) Washer, Belleville	1
29	02385	(000000-) V-Belt	1
30	04022	(000000-) V-Belt	1
31	47178	(000000-) Plugbutton	1
32	02260	(000000-) Bracket, Belt Guide	1
33	42108	(000000-) V-Belt	1

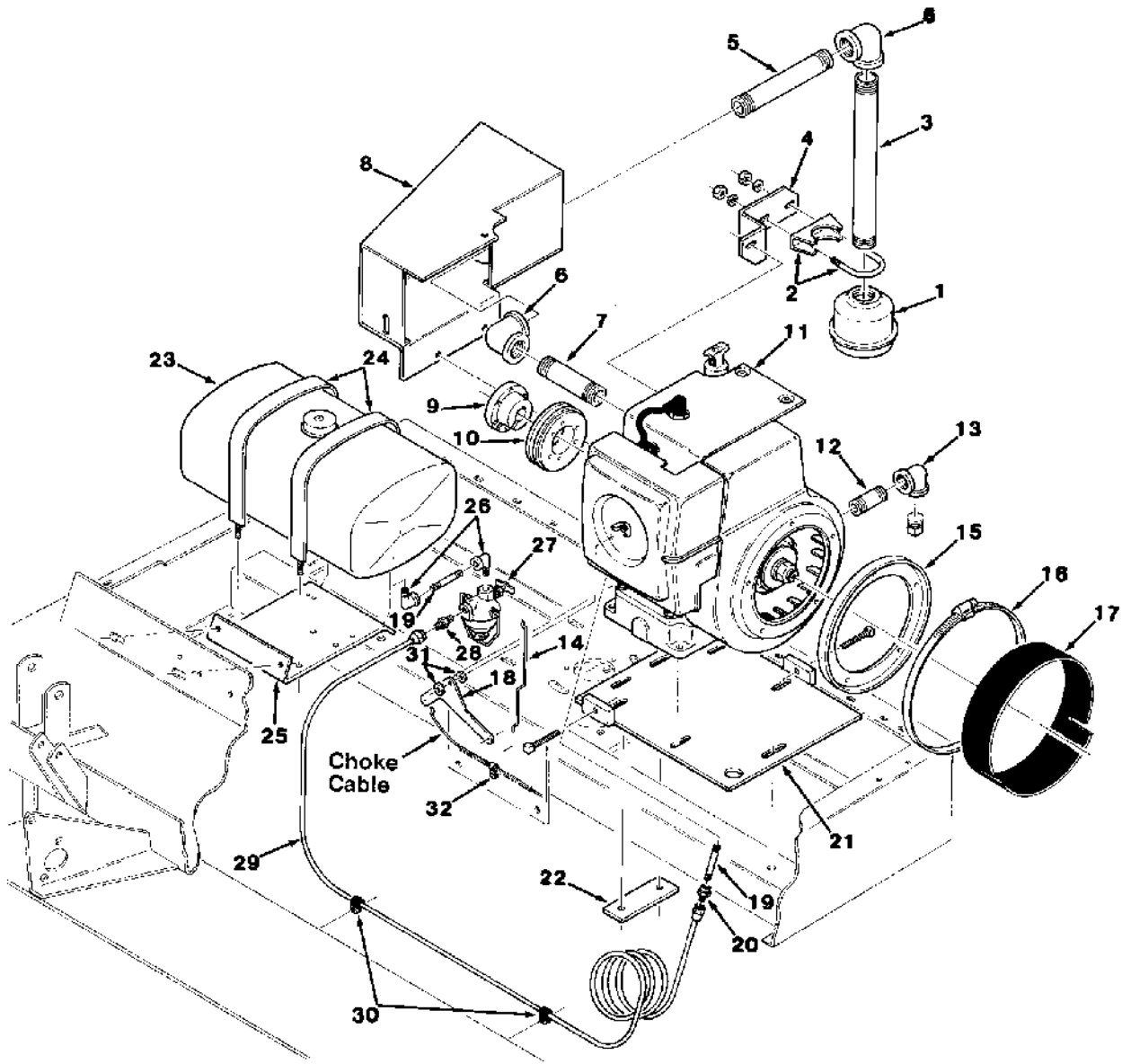


Fig. 18 - Engine Group, Gasoline

Fig. 18 - Engine Group, Gasoline

Ref.	Tennant Part No.	Machine Serial Number	Description	Qty.
1	27170	(000000-) Muffler	1
2	24012	(000000-) Clamp, Muffler	1
3	06515	(000000-) Fitting, Nipple	1
4	02124	(000000-) Hanger, Muffler	1
5	02227	(000000-) Fitting, Nipple	1
6	02228	(000000-) Fitting, Elbow	2
7	02392	(000000-) Fitting, Nipple	1
8	02210	(000000-) Panel, Deflector	1
9	02121	(000000-) Bushing, Taper Lock	1
10	02133	(000000-) Sheave	1
11	02225	(000000-) Engine	1
11	48770	(005250-) Engine, Calif. only	1
12	10219	(000000-) Fitting, Nipple	1
13	10220	(000000-) Fitting, Elbow	1
14	03933	(000000-) Rod, Choke	1
15	02349	(000000-) Shroud, Intake	1
16	02363	(000000-) Clamp, Worm Drive	1
17	02259	(000000-) Cuff, Intake Shroud	1
18	03934	(000000-) Bracket, Choke	1
19	06860	(000000-) Fitting, Nipple	2
20	11979	(000000-) Fitting, Straight	1
21	02379	(000000-) Support, Engine	1
22	02223	(000000-) Retainer, Engine Mount	1
23	02289	(000000-) Tank, Fuel	1
24	02290	(000000-) Strap	2
25	02291	(000000-) Support, Tank	1
26	11984	(000000-) Fitting, Elbow	2
27	04601	(000000-) Strainer, Fuel	1
28	22383	(000000-) Fitting, Straight	1
29	55589	(000000-) Line Assembly, Fuel	1
30	46236	(000000-) Clamp, Cable	2
31	24924	(000000-) Washer, Nylon	2
32	26414	(000000-) Clamp, Cable	1

Fig. 19 - Engine Group, LPG

Ref.	Tennant Part No.	Machine Serial Number	Description	Qty.
1	02250	(000000-) Engine, LPG	1
1	48771	(005250-) Engine, LPG, Calif. only	1
2	23301	(000000-) Fitting, 45° Elbow	2
3	03954	(000000-) Hose, LPG	2
4	10632-18	(000000-) Grommet	2
5	08232-1	(000000-) Sleeve	2
▽	6	47935	(000000-) Regulator, LPG	1
▲		37666	(000000-) Repair Kit	1
▲	7	37673	(000000-) Gasket, Inlet	1
▲	8	37669	(000000-) Fitting, Straight	1
▽	9	31951	(000000-) Replacement Kit, Fuel Filter Lock	1
▲		SK1444	(000000-) Repair Kit	1
	10	49250	(000000-) Module, LPG	1
	11	47720	(000000-) Fitting, 45° Elbow	1
	12	26496	(000000-) Coupling, LPG	1
	13	02217	(000000-) Bar, Spacer	2
	14	53400-3	(000000-) Bracket, Tank	2
▽	15	53400-1	(000000-) Latch	2
▲	16	53400-4	(000000-) Lug	1
	17	53400-5	(000000-) Locator, Tank	1
	18	30181	(003035-) Fuel Filter Lock	1
	19	47684	(003035-) Coupling, Fitting	1

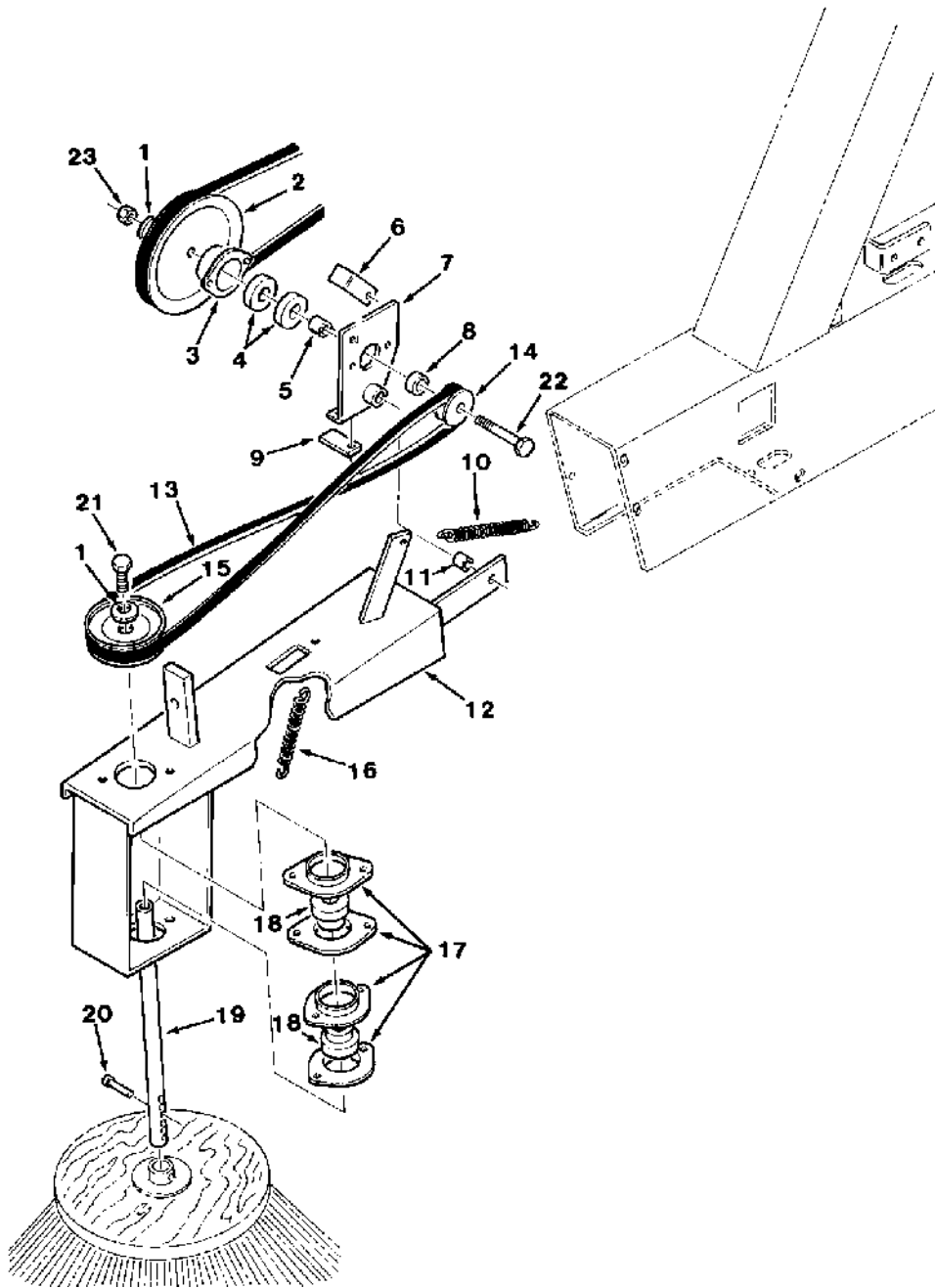


Fig. 20 - Side Brush Drive Group

Fig. 20 - Side Brush Drive Group

Ref.	Tennant Part No.	Machine Serial Number	Description	Qty.
1	41187	(000000-) Washer, Belleville	2
2	36133	(000000-) Sheave	1
3	35799	(000000-) Housing, Bearing	1
4	28010	(000000-) Bearing, Ball	2
5	35797	(000000-) Sleeve, Bearing	1
6	35889	(000000-) Bracket, L	1
7	36350	(000000-) Plate, Side Brush	1
8	48619	(000000-) Spacer, Brush	1
9	36557	(000000-) Strip	1
10	13352	(000000-) Spring, Tension	1
11	36354	(000000-) Sleeve	1
12	35794A	(000000-) Bracket, Side Brush	1
13	35790	(000000-) V-Belt	1
14	35791	(000000-) Sheave	1
15	35792	(000000-) Sheave	1
16	29499	(000000-) Spring, Tension	1
17	48636	(000000-) Flange, Bearing	4
18	48635	(000000-) Bearing and Collar	2
	57496	(000000-) Screw, Nylon Set	2
19	35802	(000000-) Shaft, Side Brush	1
20	15173	(000000-) Pin, Clevis	1
21	06460	(000000-) Screw, Hex, L.H.	1
22	32338	(000000-) Screw, Hex, L.H.	1
23	41659	(000000-) Nut, L.H.	1

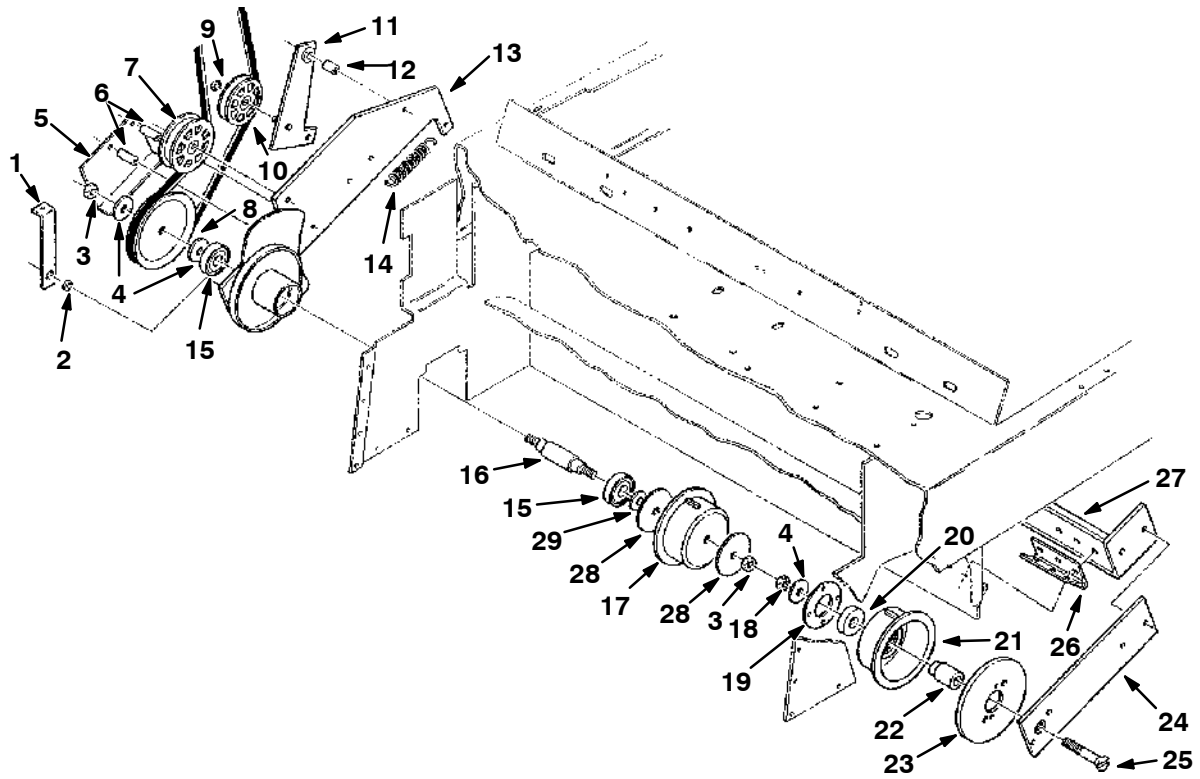
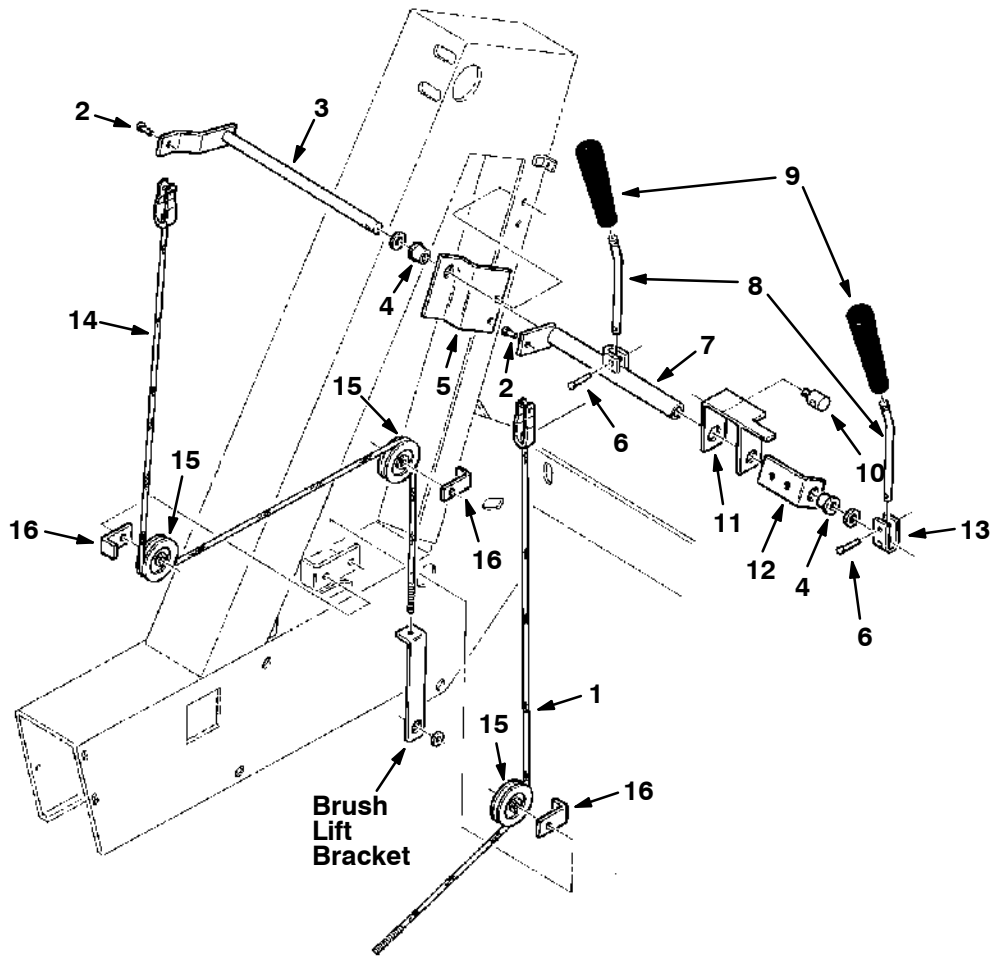


Fig. 21 - Main Brush Drive Group

Fig. 21 - Main Brush Drive Group

Ref.	Tennant Part No.	Machine Serial Number	Description	Qty.
1	36051	(000000-) Bracket, Brush Lift	1
2	36076	(000000-) Sleeve	1
3	35846	(000000-) Nut, Hex, L.H.	2
4	35843	(000000-) Washer	3
5	36514	(000000-) Guard	1
6	36513	(000000-) Sleeve	2
7	02356	(000000-) Pulley, Idler	1
8	35994	(000000-) Sheave	1
9	09663-2	(000000-) Ring, Retaining	1
10	02355	(000000-) Sheave, Idler	1
11	36335	(000000-) Arm, Idler	1
12	36420	(000000-) Bushing	1
13	02056	(000000-) Arm, Bail, R.H.	1
14	29499	(000000-) Spring, Tension	1
15	46390	(000000-) Bearing, Ball	2
16	02050	(000000-) Shaft, Brush Drive	1
17	35840	(000000-) Plug, Brush Drive	1
18	36644	(000000-) Nut, Nylon	1
19	35836	(000000-) Retainer, Bearing	1
20	46390	(000000-) Bearing, Ball	1
21	35845	(000000-) Plug, Brush Idler	1
22	35837	(000000-) Shaft, Plug	1
23	35835	(000000-) Shield, Plug	1
24	35942	(000000-) Arm, Bail, L.H.	1
25	25045	(000000-) Screw, Flat Head	1
26	35964	(000000-) Hinge	2
27	36280	(000000-) Support, Bail Arm	1
28	02384	(002072-) Washer	2
29	39346	(002072-) Washer	1



02994

Fig. 22 - Brush Lift Group

Ref.	Tennant Part No.	Machine Serial Number	Description	Qty.
1	02200	(000000-)	Cable Assembly, Side Brush Lift	1
2	36376	(000000-)	Pin, Clevis	2
3	36096	(000000-)	Lift, Front	1
4	36173	(000000-)	Bearing, Shaft	2
5	02201	(000000-)	Bracket, Brush Lift	1
6	36191	(000000-)	Pin, Clevis	2
7	36053	(000000-)	Tube, Brush Lift	1
8	36054	(000000-)	Handle, Brush Lift	2
9	13199	(000000-)	Handle	2
10	06517	(000000-)	Trunnion, Adjustment	1
11	02154	(000000-)	Bracket, Adjustment	1
12	02151	(000000-)	Bracket, Brush Lift	1
13	36079	(000000-)	Strap, Brush Handle	1
14	36052-1	(000000-)	Cable Assembly, Main Brush, Lift	1
15	36070	(000000-)	Pulley, Cable	3
16	36077	(000000-)	Bracket, L	3

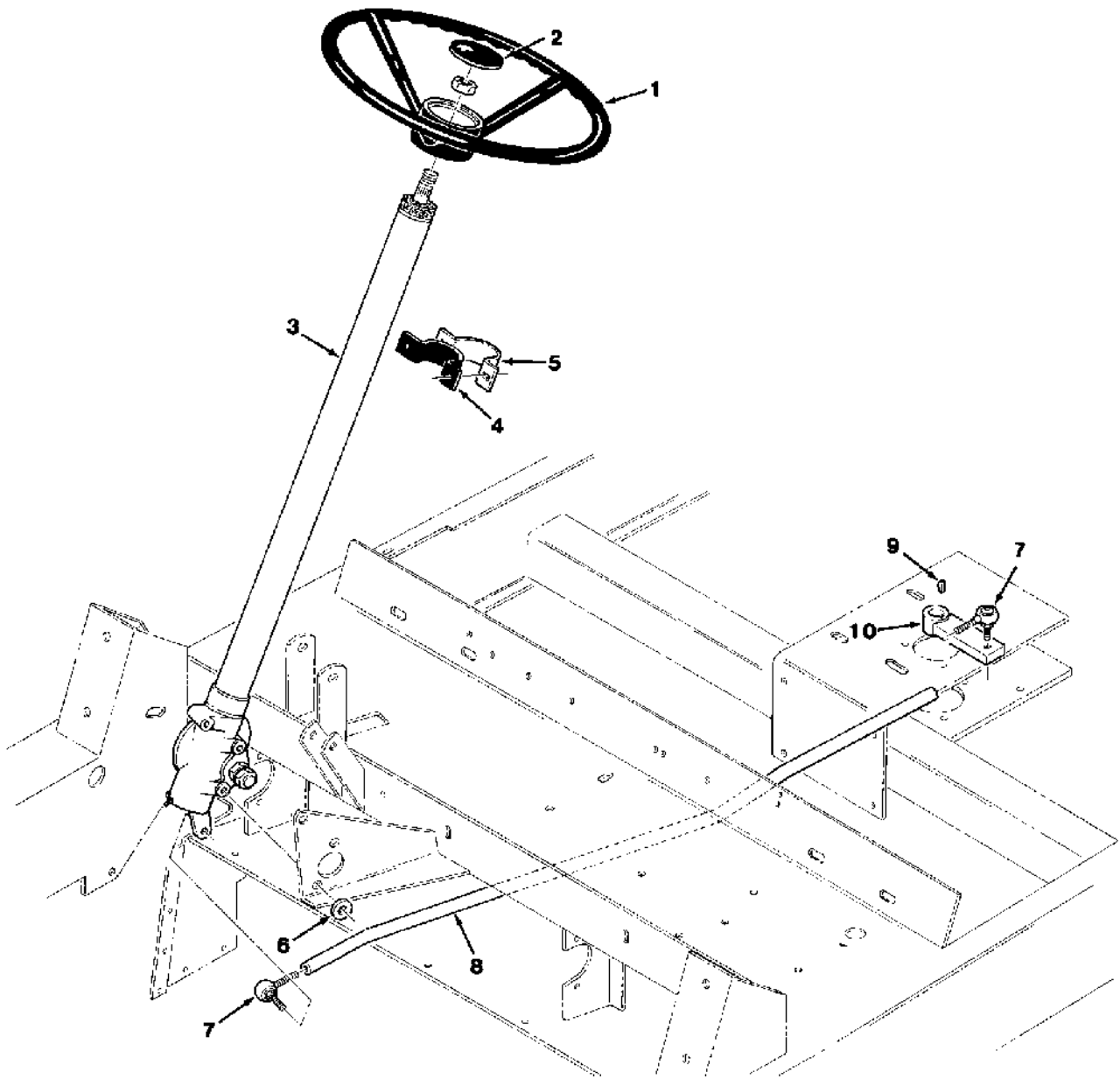


Fig. 23 - Steering Wheel Group

02992

Ref.	Tennant Part No.	Machine Serial Number	Description	Qty.
1	57499	(000000-)	Wheel, Steering	1
2	57497	(000000-)	Cap, Rubber	1
3	32470	(000000-006175)	Gear Assembly, Steering	1
3	375016	(006176-)	Gear Assembly, Steering	1
4	36302	(000000-)	Skirt	1
5	36055	(000000-)	Clamp, Steering Column	1
6	46983	(000000-)	Sleeve	3
7	35972	(000000-)	Ball Joint	2
8	32526	(000000-)	Rod, Steering	1
9	00500-10	(000000-)	Key, Woodruff	1
10	36499	(000000-)	Arm, Steering	1

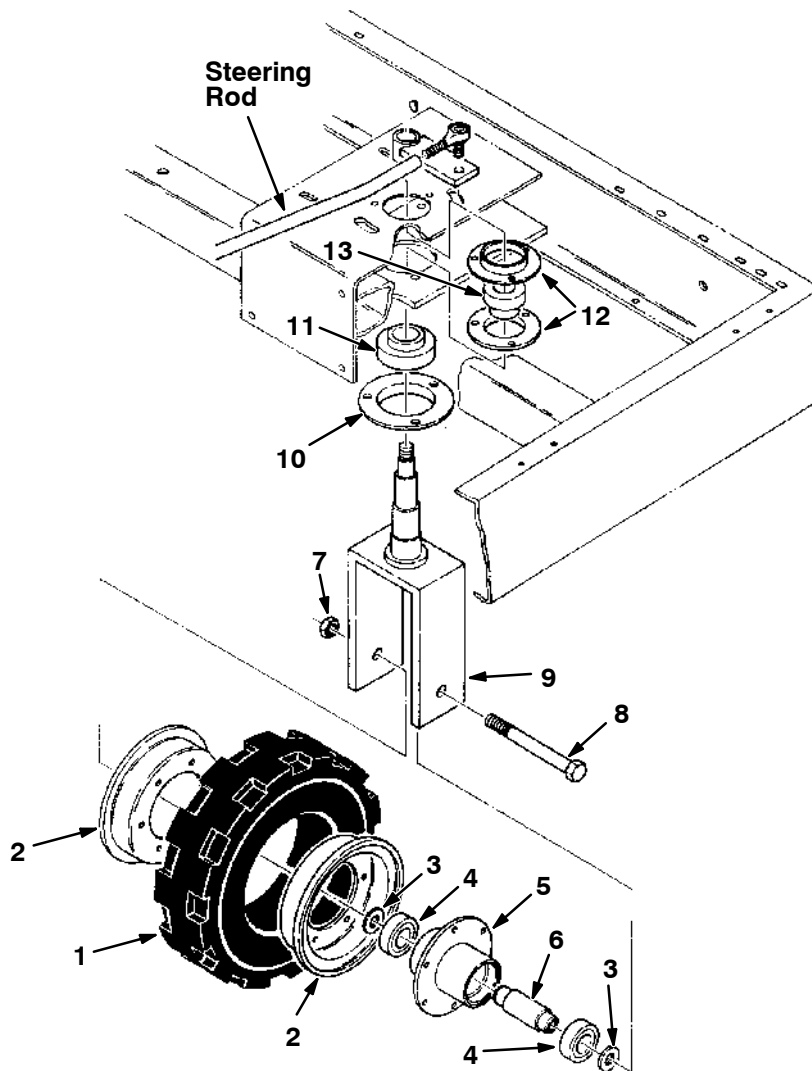


Fig. 24 - Rear Caster Group

03009

Ref.	Tennant Part No.	Machine Serial Number	Description	Qty.
1	49918	(000000-)	Tire, Solid	1
2	49843	(000000-)	Wheel, Half	2
3	32494	(000000-)	Washer	2
4	13534	(000000-)	Bearing, Ball	2
5	02066	(000000-)	Hub, Wheel	1
6	02061	(000000-)	Tube, Spacer	1
7	40814	(000000-)	Nut, Nylon	1
8	36614	(000000-)	Screw, Hex	1
9	36150	(000000-)	Support, Wheel	1
10	36189	(000000-)	Flange	1
11	36188	(000000-)	Bearing, Adapter	1
12	36190	(000000-)	Flange	2
13	24835	(000000-)	Bearing and Collar	1
	57496	(000000-)	Screw, Nylon Set	1

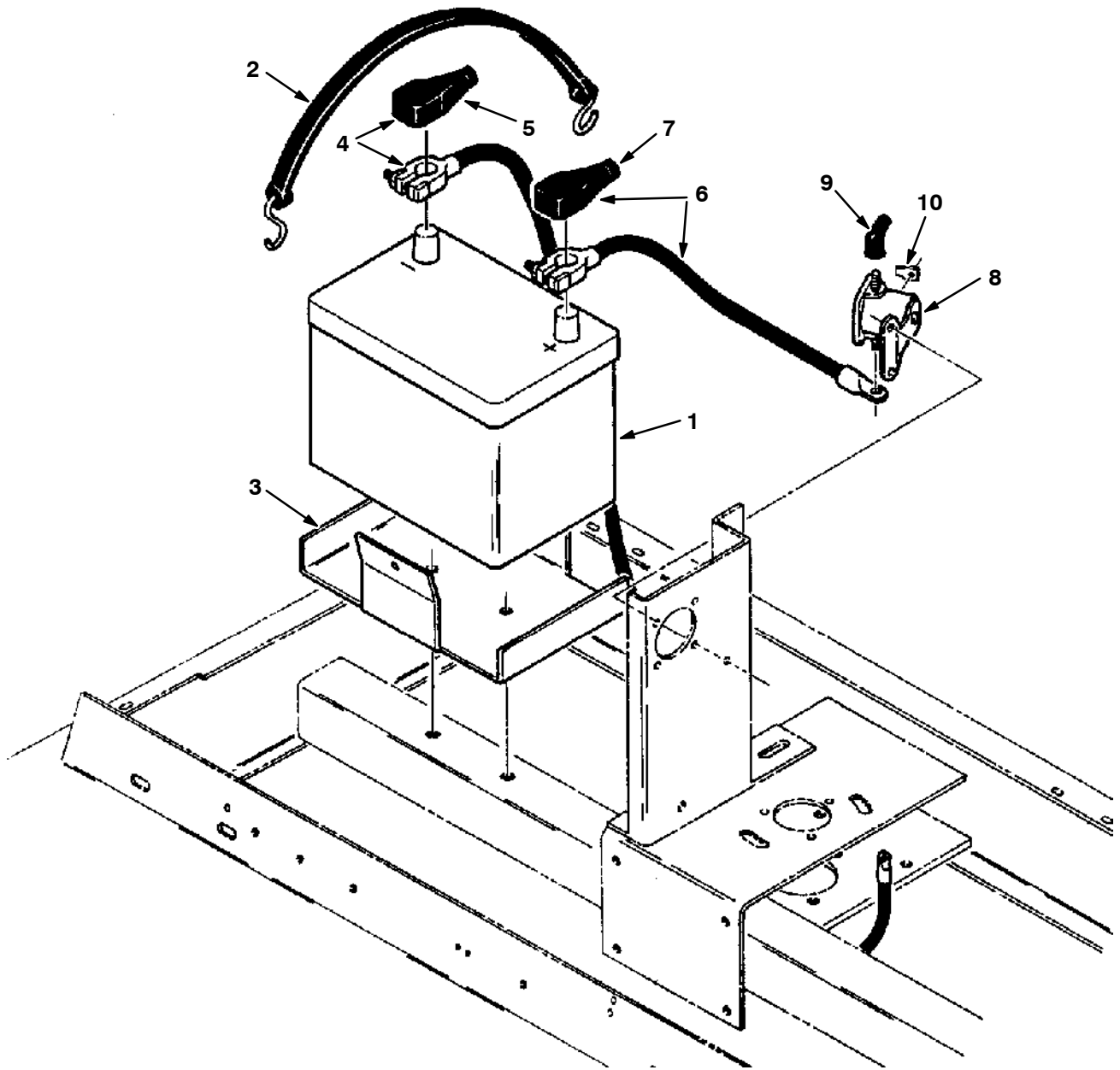


Fig. 25 - Battery Group

02983

Ref.	Tennant Part No.	Machine Serial Number	Description	Qty.
1	10137	(000000-)	Battery	1
2	57769	(000000-)	Strap, Rubber	1
3	02310	(000000-)	Tray, Battery	1
∇	4	29831-5	Cable Assembly, Negative	1
▲	5	47134	Protector, Terminal	1
∇	6	32142	Cable Assembly, Positive	1
▲	7	47134	Protector, Terminal	1
8	42170-12	(000000-)	Solenoid, Starter	1
9	02076	(000000-)	Cover, Terminal	3
10	68106	(000000-)	Tab, Terminal	1

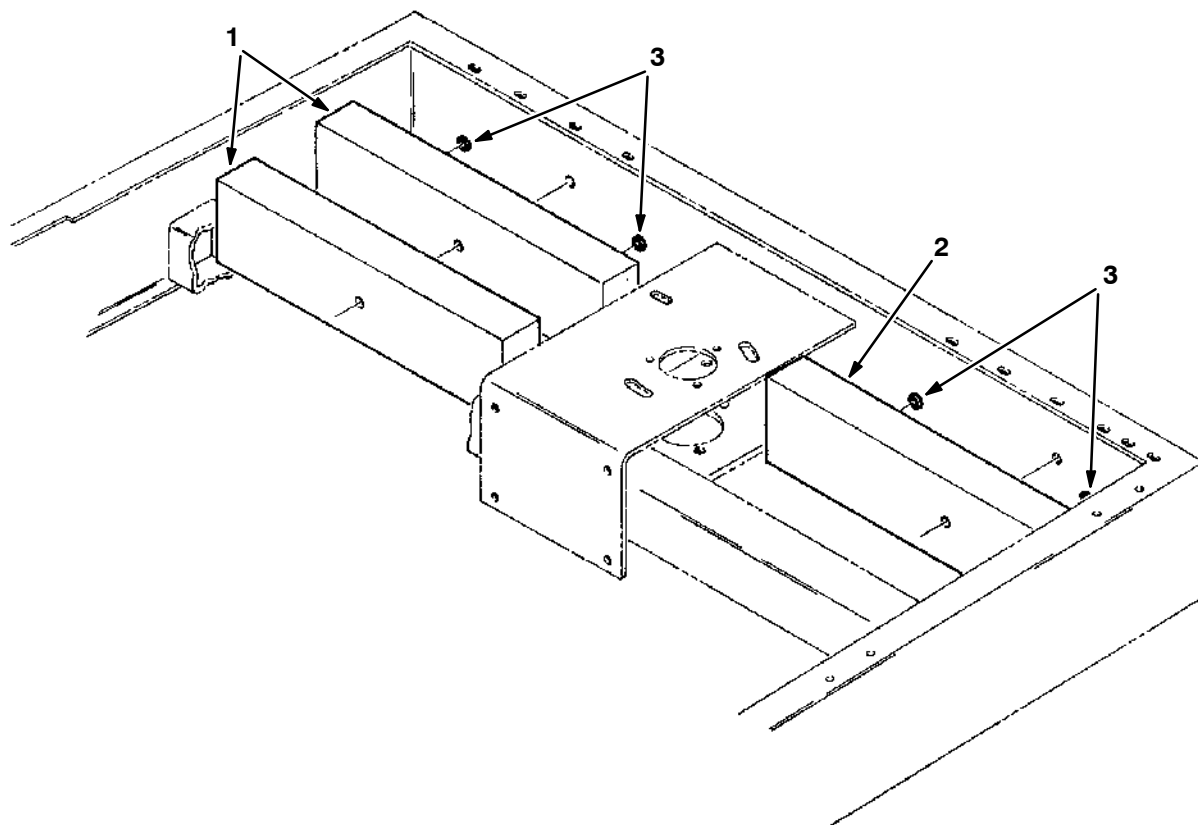


Fig. 26 - Counterweight Group

02979

Ref.	Tennant Part No.	Machine Serial Number	Description	Qty.
1	02243	(000000-) Counterweight	2
2	02245	(000000-) Counterweight	1
3	64757	(000000-) Rubber Bumper	4

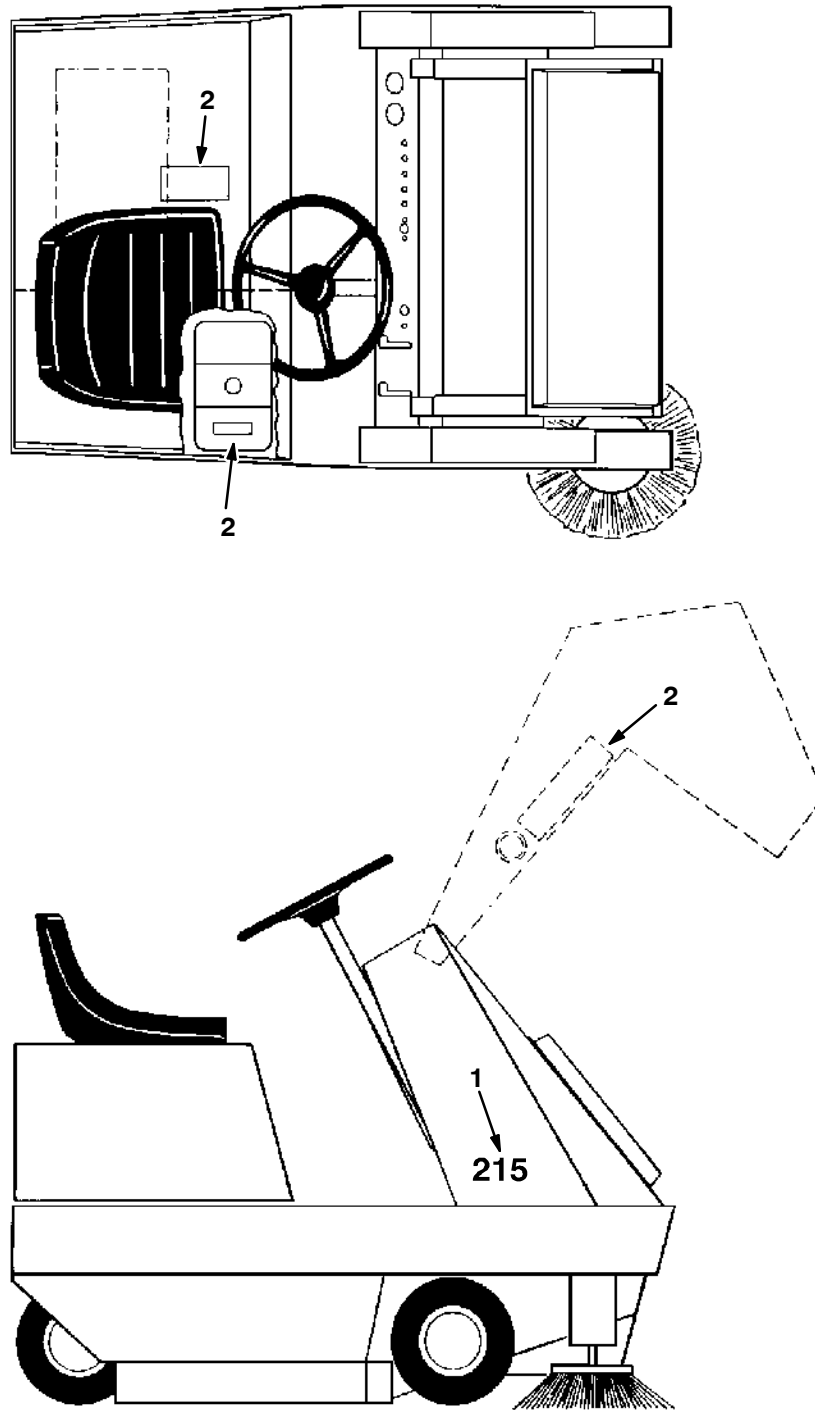


Fig. 27 - Labels Group

03043

Ref.	Tennant Part No.	Machine Serial Number	Description	Qty.
1	12750	(000000-)	Label, 215	1
2	02336	(000000-)	Label Set, Information and Hazard	1

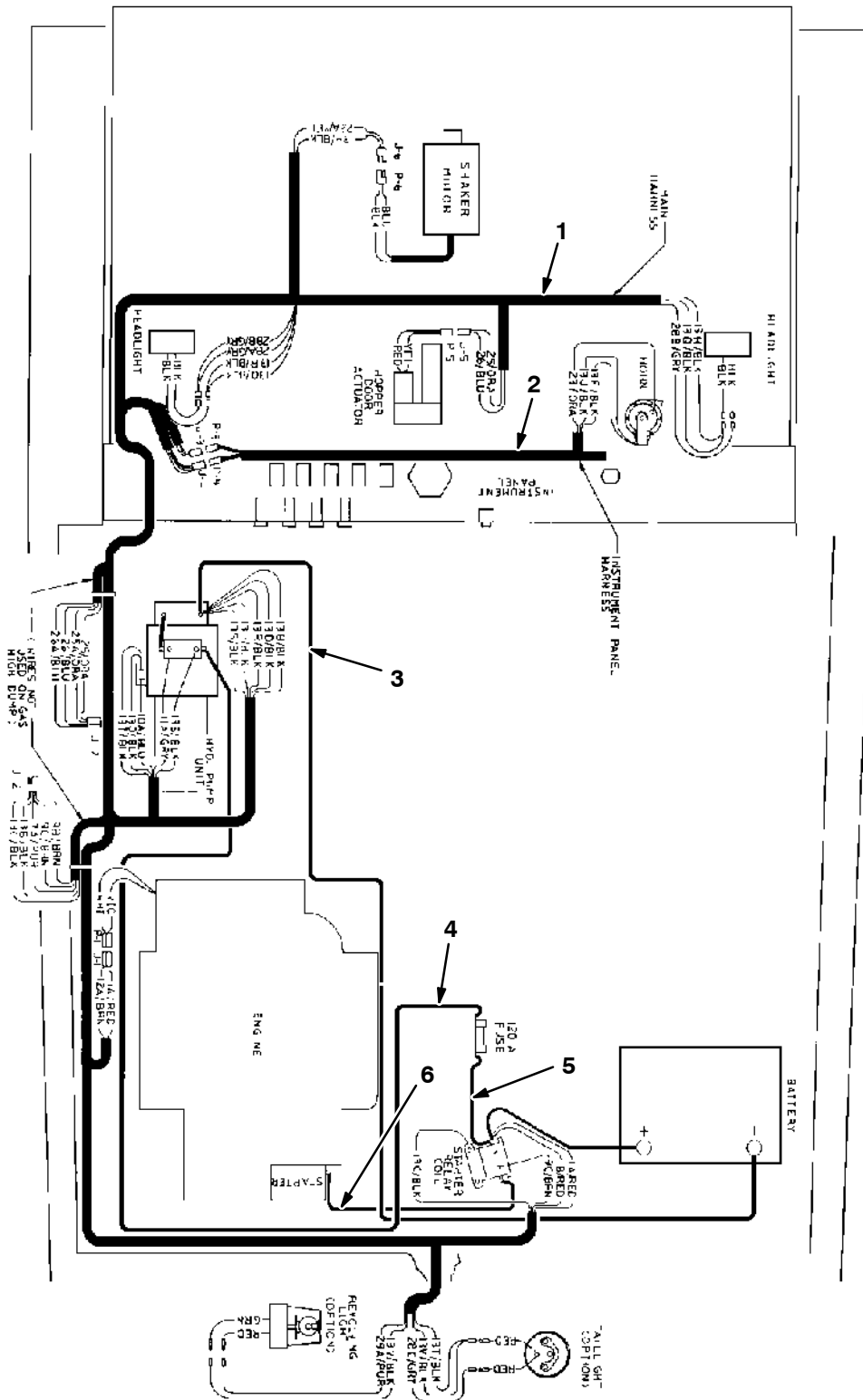


Fig. 28 - Wire Harnesses Group, Gasoline

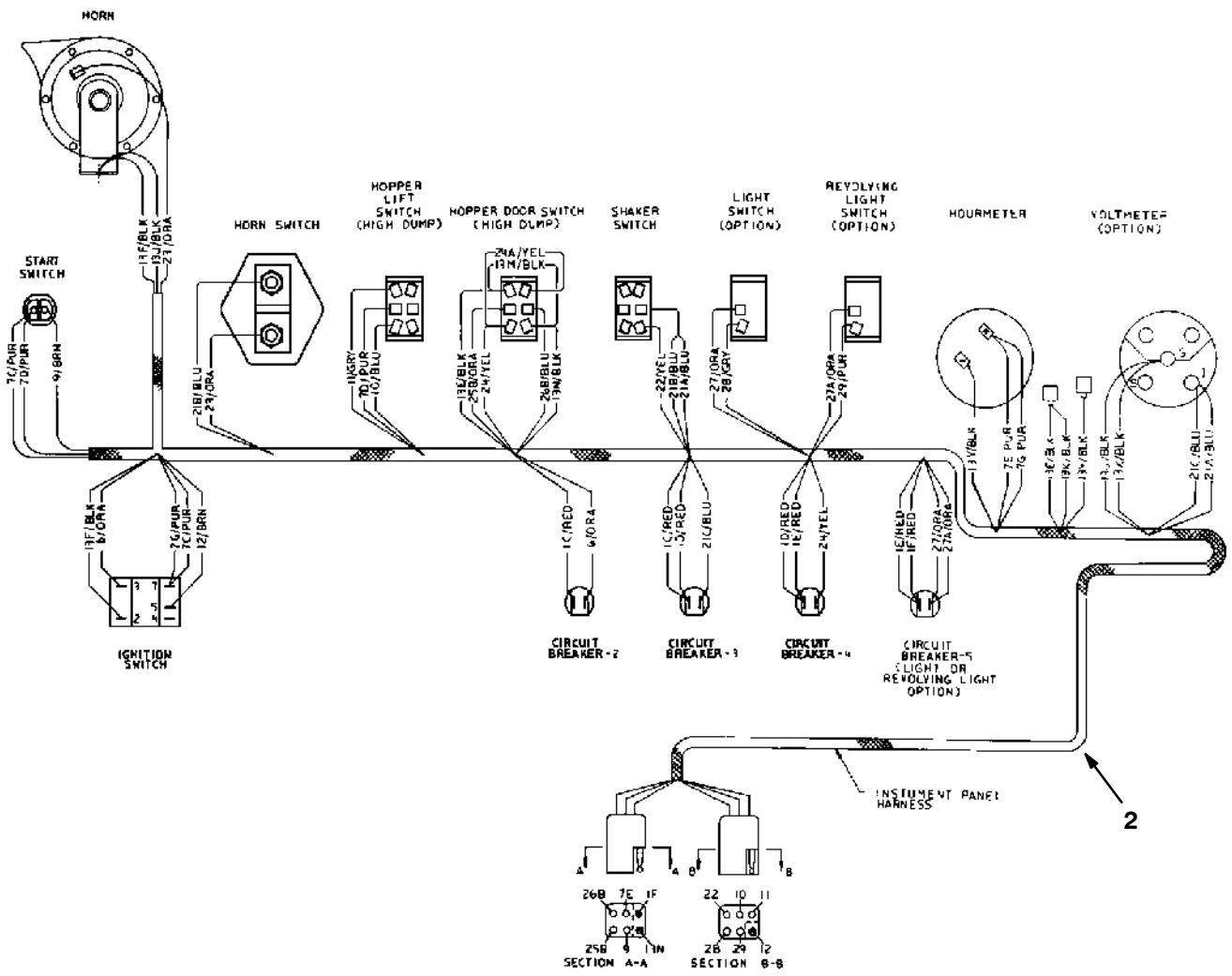


Fig. 28 - Wire Harnesses Group, Gasoline

03031

Ref.	Tennant Part No.	Machine Serial Number	Description	Qty.
1	02324	(000000-)	Wire Harness, Main	1
2	02293	(000000-)	Wire Harness, Instrument Panel	1
3	02330	(000000-)	Wire Assembly, Cable	1
4	02329	(000000-)	Wire Assembly, Cable	1
5	02328	(000000-)	Wire Assembly, Cable	1
6	29832-3	(000000-)	Wire Assembly, Cable	1
	49266	(000000-)	Tie, Cable, 6.75" (172 mm)	6
	44961	(000000-)	Tie, Cable, 14.75" (375 mm)	2

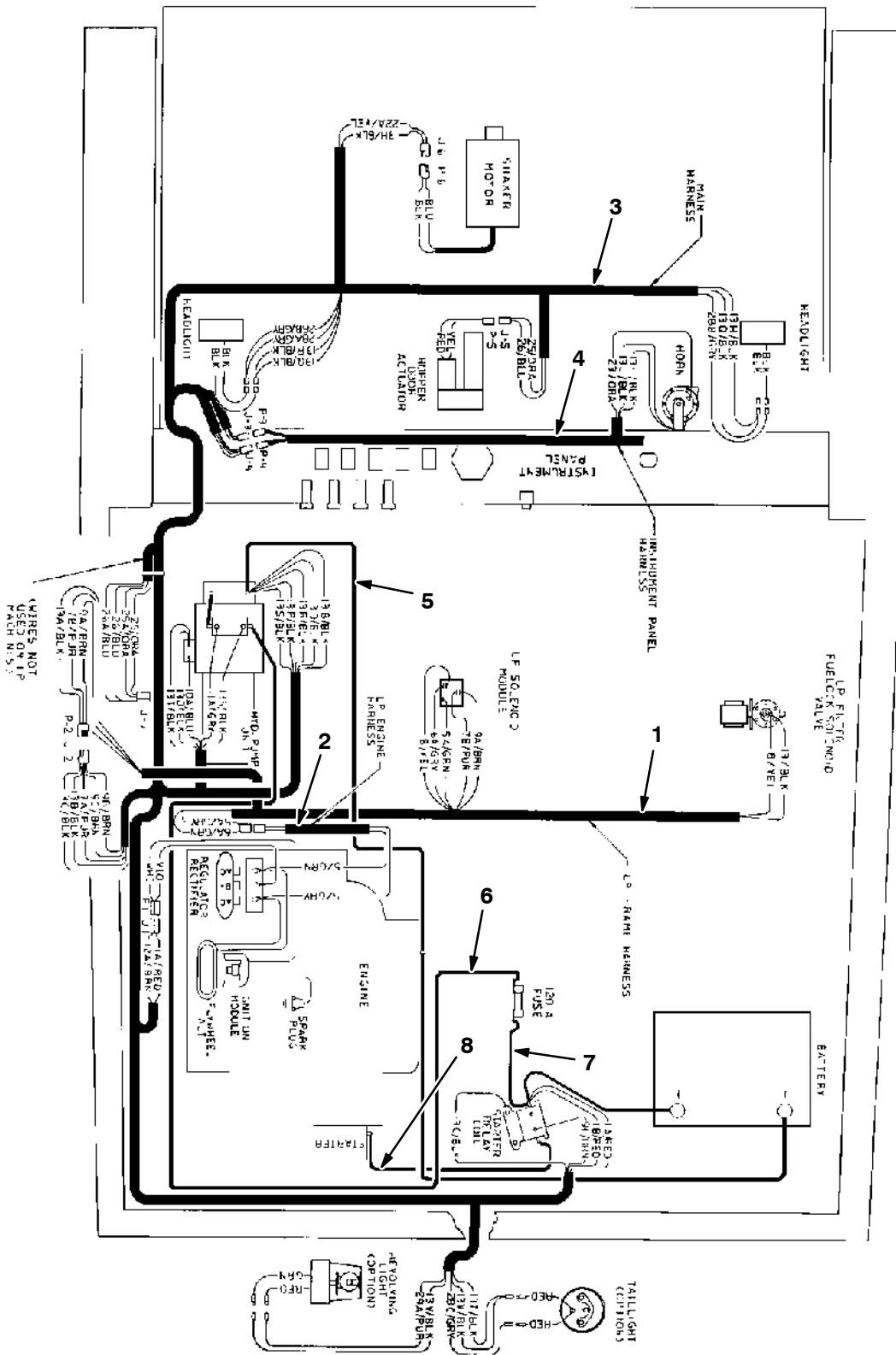


Fig. 29 - Wire Harnesses Group, LPG

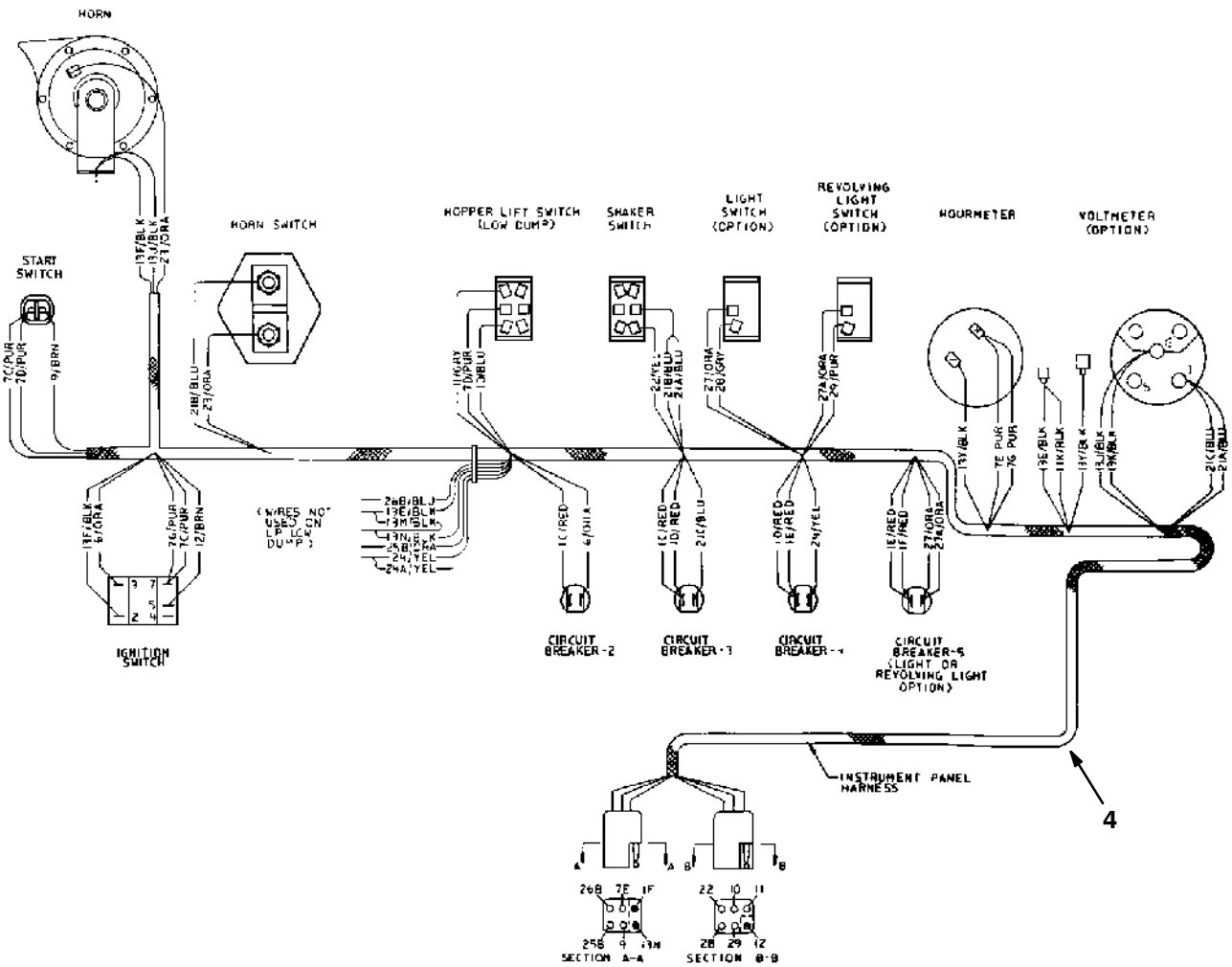


Fig. 29 - Wire Harnesses Group, LPG

03041

Ref.	Tennant Part No.	Machine Serial Number	Description	Qty.
1	02308	(000000-)	Wire Harness, Frame, LPG	1
2	02371	(000000-)	Wire Harness, LPG Engine	1
	44961	(000000-)	Tie, Cable, 14.75" (375 mm)	6
	49266	(000000-)	Tie, Cable, 6.75" (172 mm)	15
	55248	(000000-)	Mount, Cable Tie	2
3	02324	(000000-)	Wire Harness, Main	1
4	02293	(000000-)	Wire Harness, Instrument Panel	1
5	02330	(000000-)	Wire Assembly, Cable	1
6	02329	(000000-)	Wire Assembly, Cable	1
7	02328	(000000-)	Wire Assembly, Cable	1
8	29832-3	(000000-)	Wire Assembly, Cable	1

SECTION 8

CONTENTS	PAGE
Fig. 1 - Overhead Guard Kit	8-2
Fig. 2 - Light Kit	8-3
Fig. 3 - Flashing Light Kit	8-4
Fig. 4 - Revolving Light Kit	8-5
Fig. 5 - Voltmeter Kit	8-6
Fig. 6 - Bumper Kit	8-6
Fig. 7 - Demo Kit	8-7
Fig. 8 - Fuel Tank Group, LPG	8-7
Fig. 9 - Adjustable Seat Kit	8-8

NOTE: SECTION 8, OPTIONS, lists repair parts included as part of the available options.

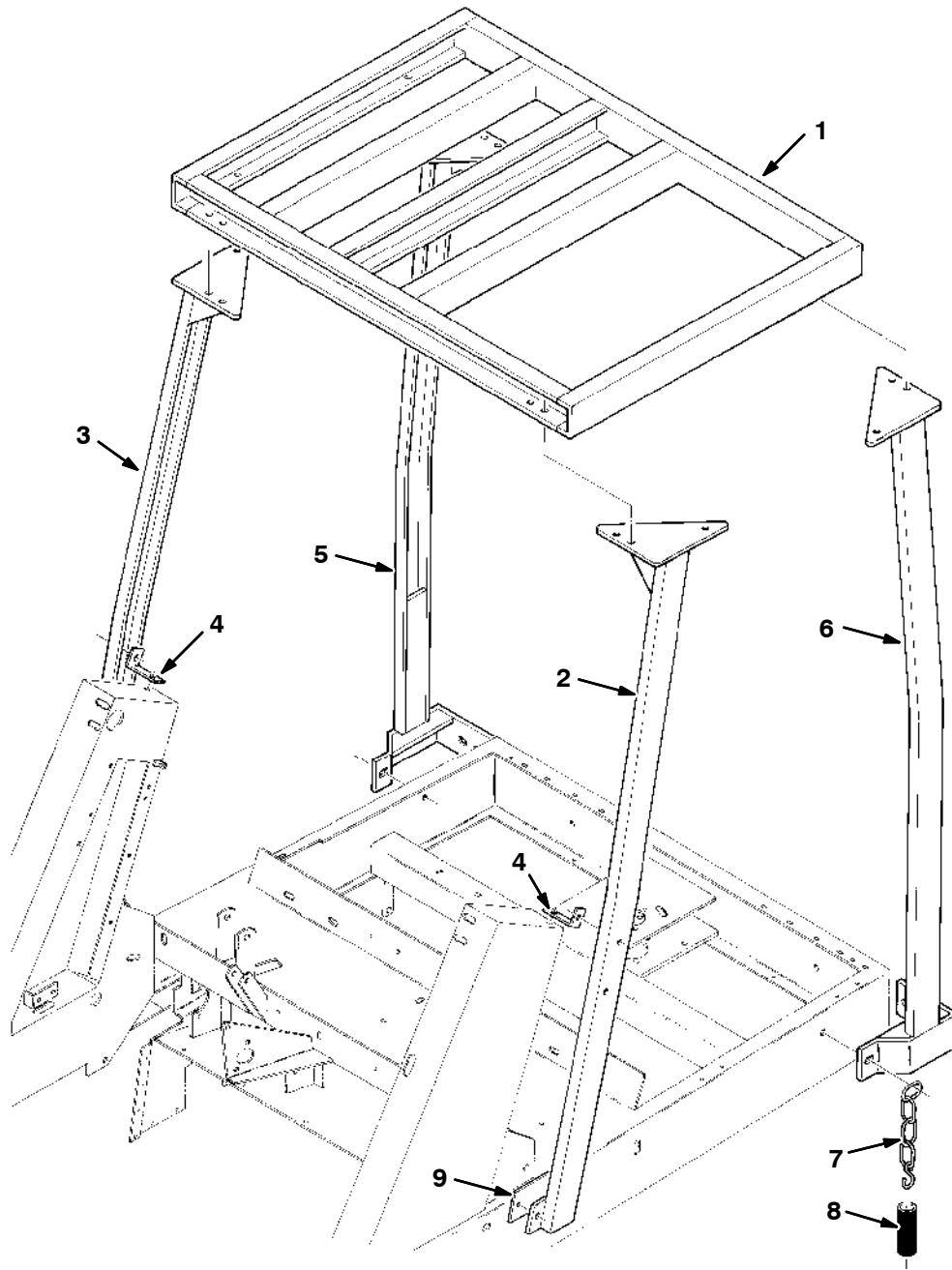


Fig. 1 - Overhead Guard Kit

03114

Ref.	Tennant Part No.	Machine Serial Number	Description	Qty.
▽	02024	(000000-)	Guard Kit, Overhead	1
▲ 1	32070	(000000-)	Top, Overhead Guard	1
▲ 2	32063	(000000-)	Leg, Front, L.H.	1
▲ 3	32062	(000000-)	Leg, Front, R.H.	1
▲ 4	32066	(000000-)	Bracket, L	2
▲ 5	32064	(000000-)	Leg, Rear, R.H.	1
▲ 6	32065	(000000-)	Leg, Rear, L.H.	1
▲ 7	40652	(000000-)	Chain and Hook Assembly	1
▲ 8	32075	(000000-)	Sleeve, Vinyl	1
▲ 9	32076	(000000-)	Pad, Spacer	2

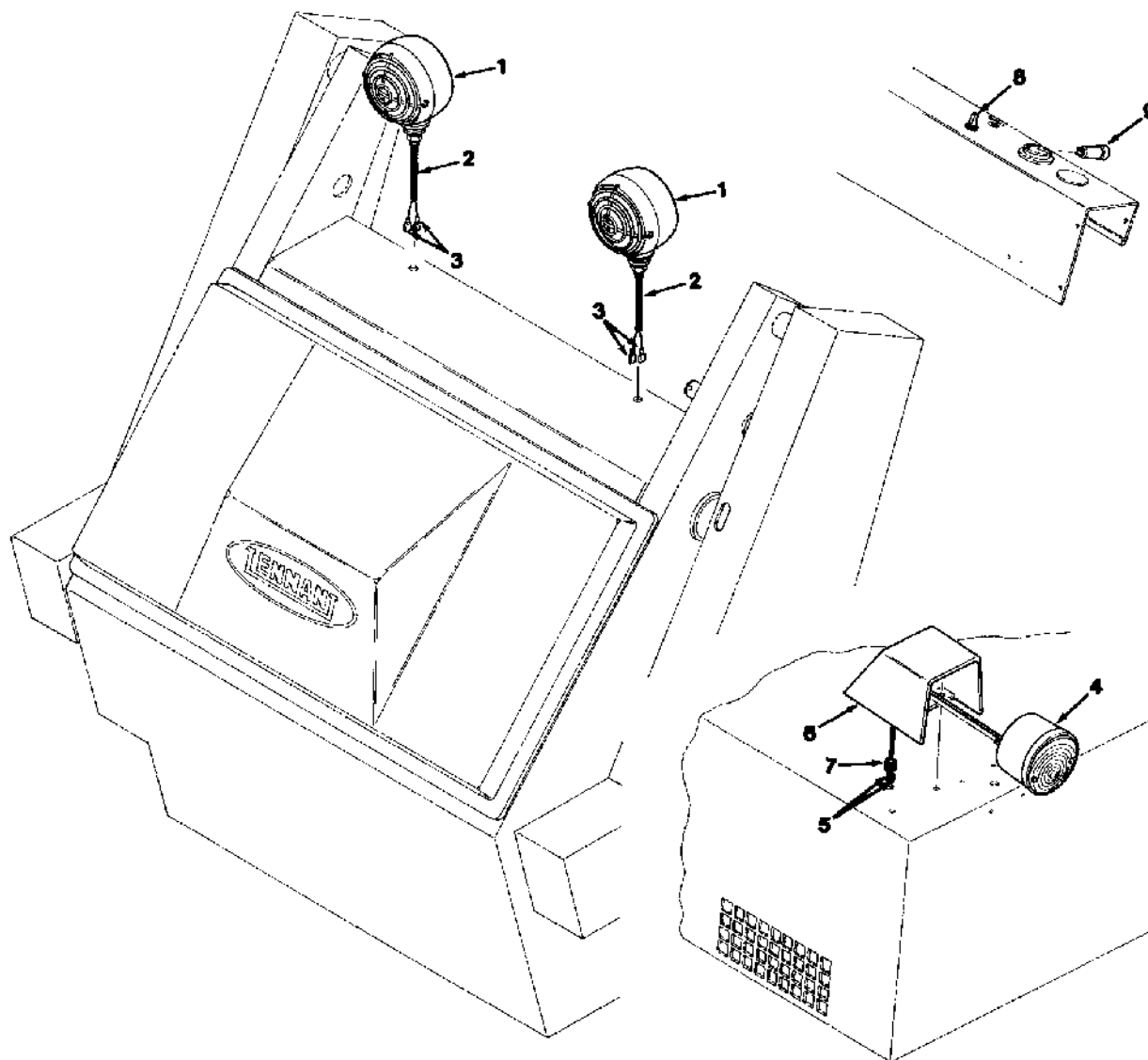


Fig. 2 - Light Kit

03020

Ref.	Tennant Part No.	Machine Serial Number	Description	Qty.
∇	02030	(000000-)	Light Kit, Head and Taillight	1
▲	1 02338	(000000-)	Headlight	2
▲▲	2 03955	(000000-)	Wire Assembly	1
▲▲	3 43942	(000000-)	Terminal	2
▲	4 02372	(000000-)	Taillight	1
▲▲	45375	(000000-)	Bulb	2
▲▲	5 55272	(000000-)	Plug, Terminal	2
▲	6 45310	(000000-)	Bracket, Taillight	1
▲	7 10632-12	(000000-)	Grommet	1
▲	8 63266	(000000-)	Switch	1
▲	9 57803	(000000-)	Breaker, Circuit	1

OPTIONS

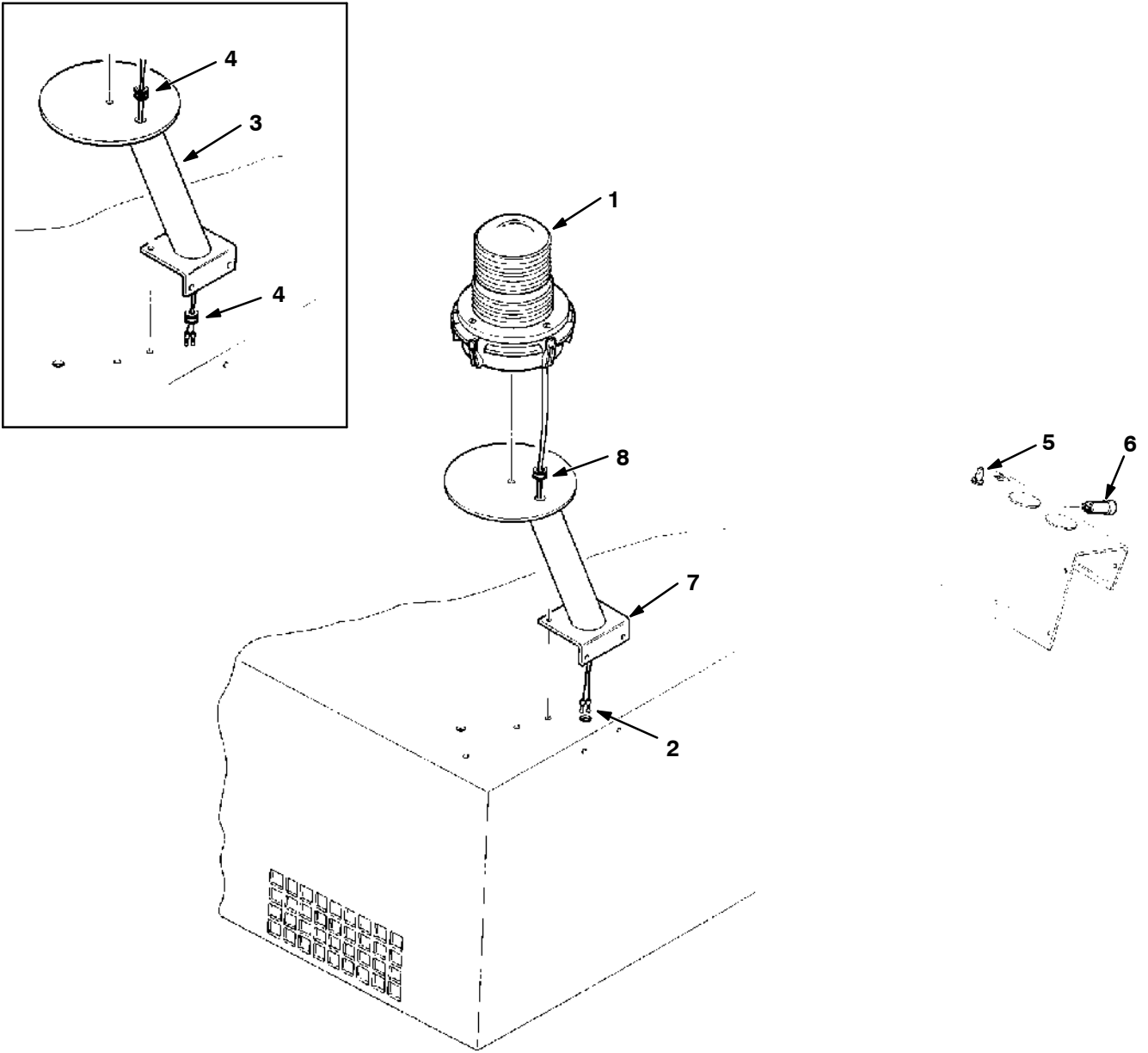


Fig. 3 - Flashing Light Kit

03015

Ref.	Tennant Part No.	Machine Serial Number	Description	Qty.
▽	02038	(000000-) Light Kit, Flashing	1
▲	1 02255	(000000-) Light, Flashing	1
▲▲	58520	(000000-) Lens, Amber	1
▲▲	45779	(000000-) Bulb	1
▲▲	2 55272	(000000-) Plug, Terminal	2
▲	3 41580	(000000-003736) Replacement Kit, Pedestal F/02206	1
▲	4 10632-12	(000000-003736) Grommet	2
▲	5 63266	(000000-) Switch	1
▲	6 57803	(000000-) Breaker, Circuit	1
▲	58518	(000000-) Lens, Red Flashing	1
▲	58519	(000000-) Lens, Blue Flashing	1
▲	7 41530	(003737-) Pedestal	1
▲	8 10632-9	(003737-) Grommet	1

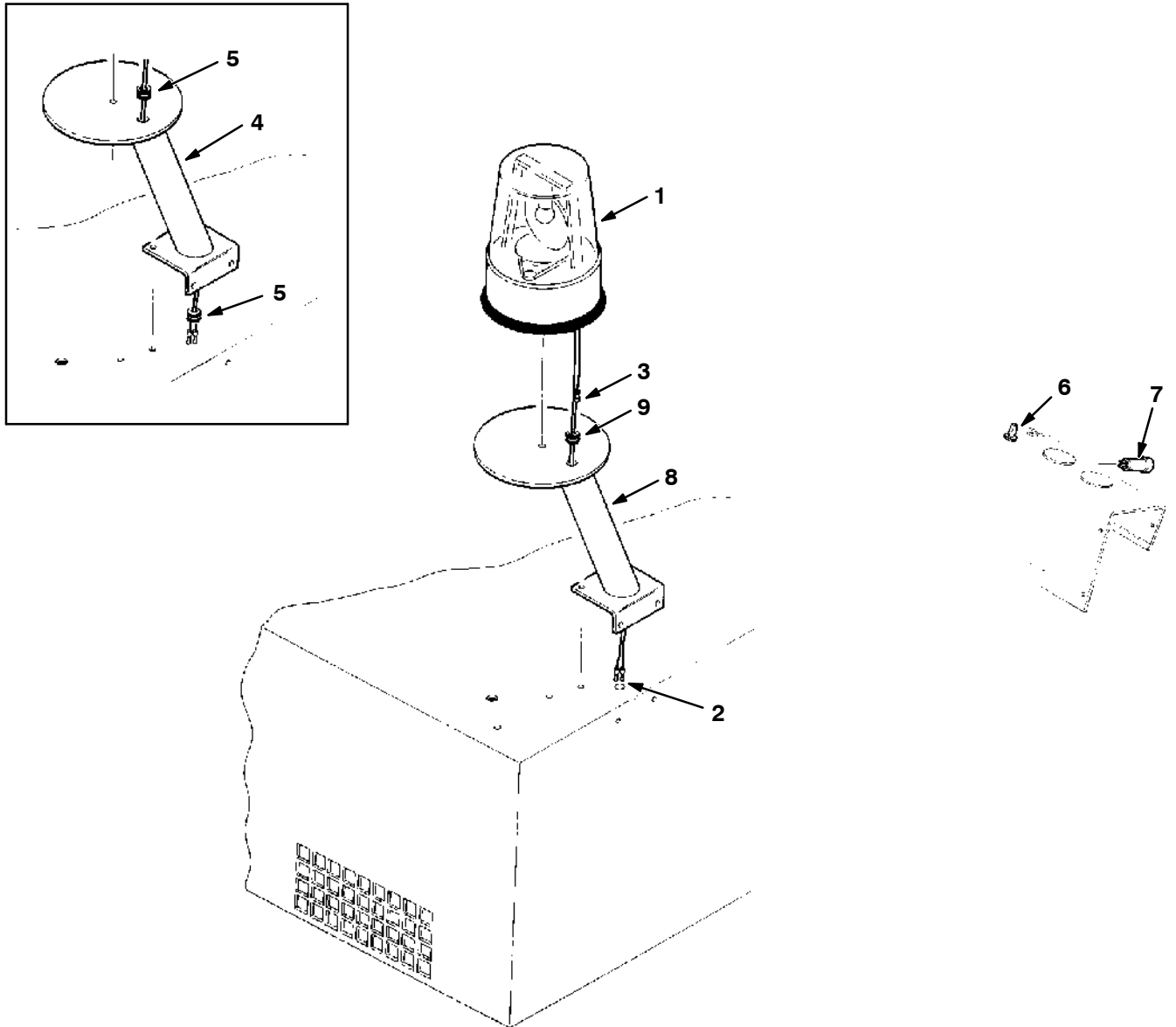


Fig. 4 - Revolving Light Kit

03016

Ref.	Tennant Part No.	Machine Serial Number	Description	Qty.
∇	02034	(000000-)	Light Kit, Revolving	1
▲	1 02284	(000000-)	Light, Revolving	1
▲▲	44681-1	(000000-)	Lens, Amber	1
▲▲	45779	(000000-)	Bulb	1
▲▲	2 55272	(000000-)	Plug, Terminal	2
▲▲	3 04174B	(000000-)	Connector, Parallel	1
▲	4 41580	(000000-003736)	Replacement Kit, Pedestal F/02206	1
▲	5 10632-12	(000000-003736)	Grommet	2
▲	6 63266	(000000-)	Switch	1
▲	7 57803	(000000-)	Breaker, Circuit	1
	44681	(000000-)	Lens, Red Revolving	1
	44681-2	(000000-)	Lens, Blue Revolving	1
8	41530	(003737-)	Pedestal	1
9	10632-9	(003737-)	Grommet	1

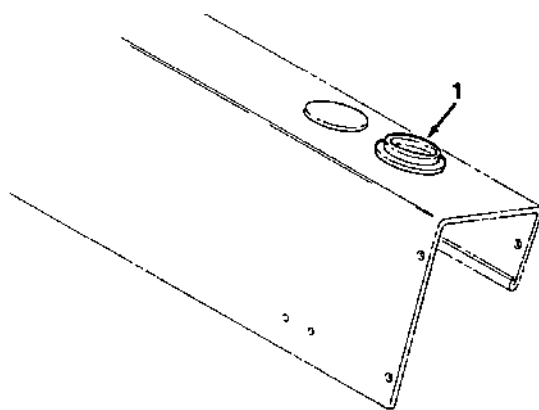


Fig. 5 - Voltmeter Kit

02973

Ref.	Tennant Part No.	Machine Serial Number	Description	Qty.
▽	03959	(000000-) Voltmeter Kit	1
▲ 1	55557	(000000-) Gauge, voltmeter	1

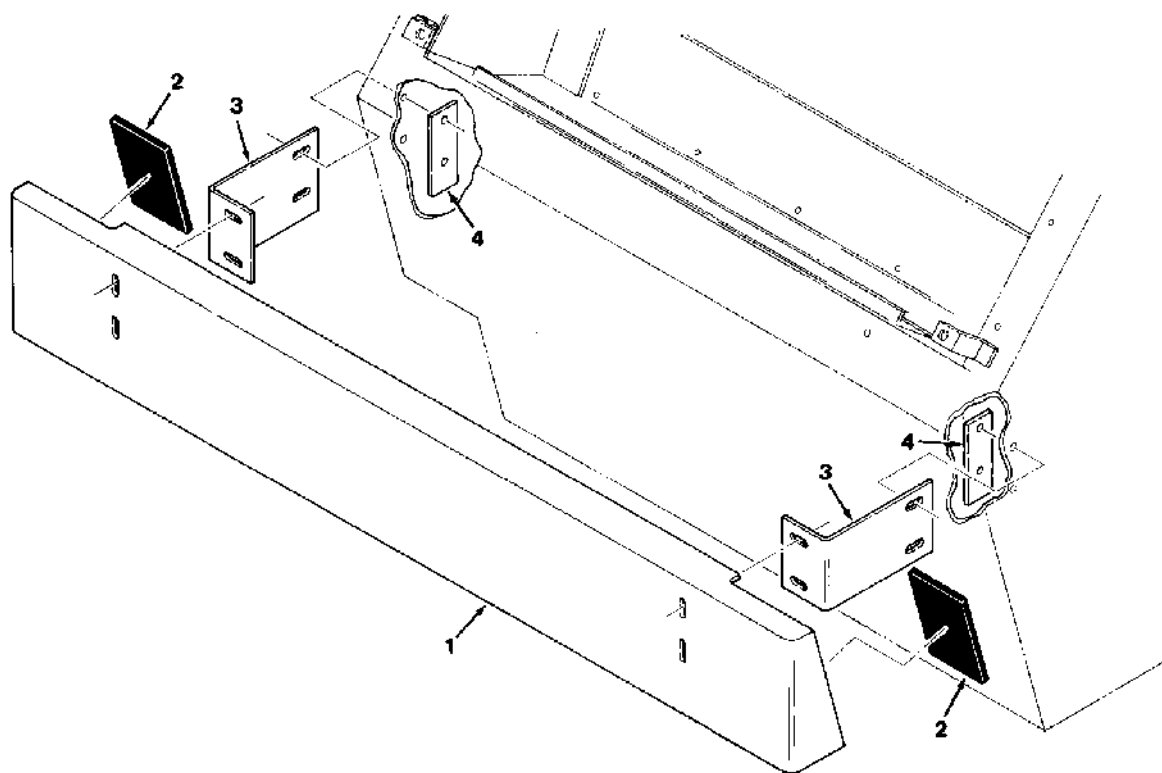


Fig. 6 - Bumper Kit

02995

Ref.	Tennant Part No.	Machine Serial Number	Description	Qty.
▽	02042	(000000-) Bumper Kit, Front	1
▲ 1	03936	(000000-) Bumper	1
▲ 2	03945	(000000-) Pad, Rubber	2
▲ 3	03943	(000000-) Bracket, Mount	2
▲ 4	62351	(000000-) Strip	2

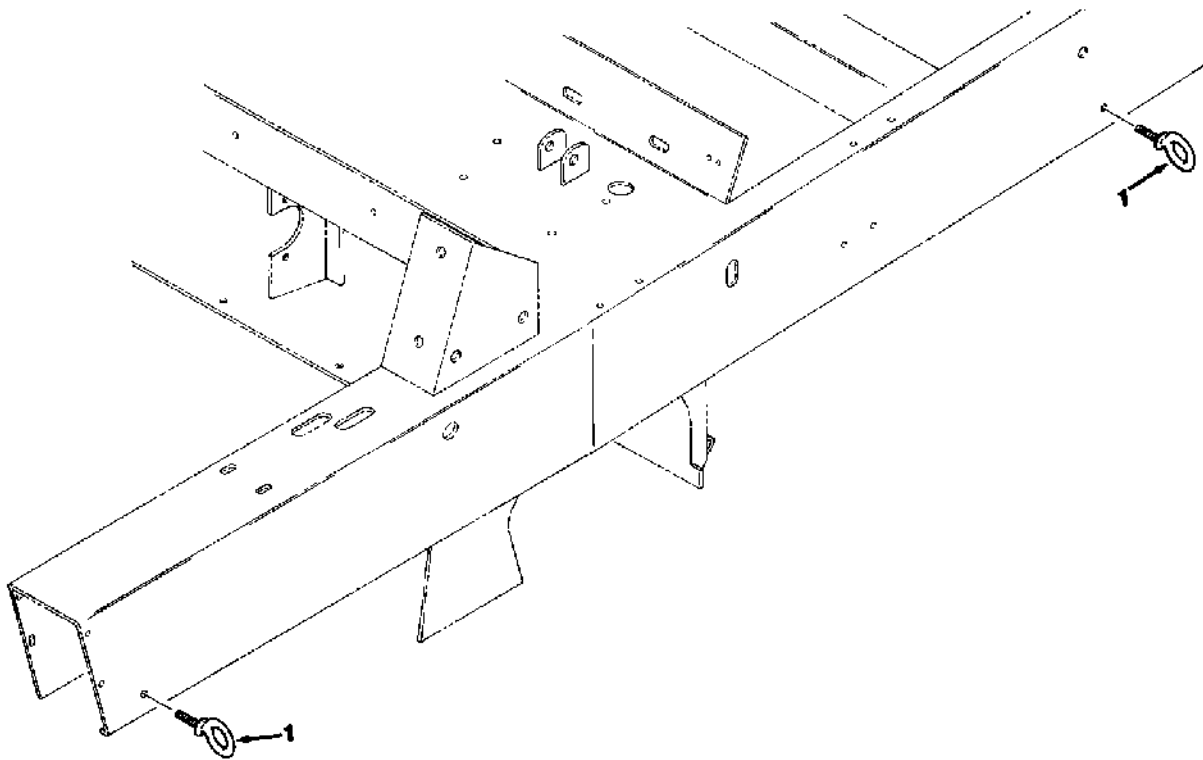


Fig. 7 - Demo Kit

03174

Ref.	Tennant Part No.	Machine Serial Number	Description	Qty.
▽	03948	(000000-) Demo kit	1
▲ 1	42173-1	(000000-) Eyebolt	3
▲ 2	23338	(000000-) Eyebolt	1

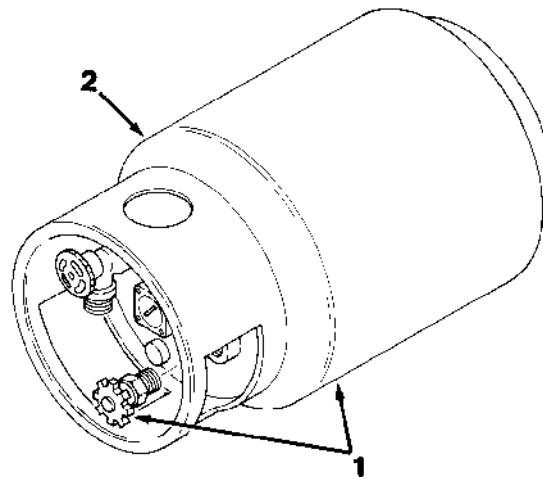


Fig. 8 - Fuel Tank Group, LPG

02975

Ref.	Tennant Part No.	Machine Serial Number	Description	Qty.
▽ 1	10752-2	(000000-) Tank, LPG, With Filler Valve	1
▲ 2	10752-3	(000000-) Tank, LPG	1

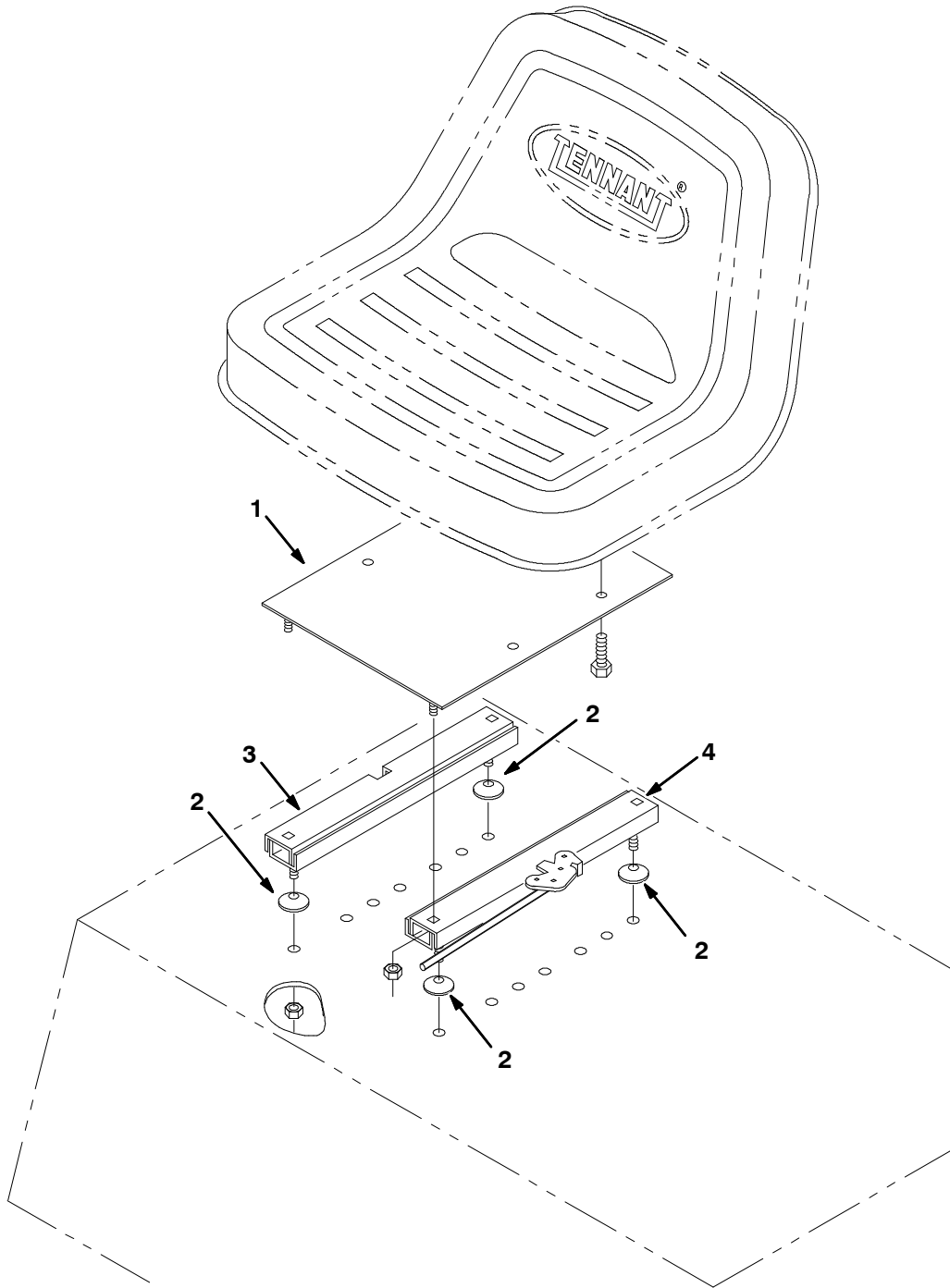


Fig. 9 - Adjustable Seat Kit

10203

Ref.	Tennant Part No.	Machine Serial Number	Description	Qty.
▽	48709	(000000-) Adjustable Seat Kit	1
▲ 1	66099	(000000-) Plate, Seat Support	1
▲ 2	52615	(000000-) Spacer, Seat Adjuster	4
▲ 3	51459	(000000-) Adjuster, Seat	1
▲ 4	51458	(000000-) Adjuster Assembly, Seat	1

SECTION 9

CONTENTS	PAGE
Fig. 1- Hydraulic Pump Breakdown	9-2
Fig. 2- Hydraulic Cylinder Breakdown	9-3
Fig. 3- Hydraulic Cylinder Breakdown	9-4
Fig. 4- Transmission Breakdown	9-5

*NOTE: SECTION 9, HYDRAULIC COMPONENTS,
lists repair parts for repairable hydraulic components.*

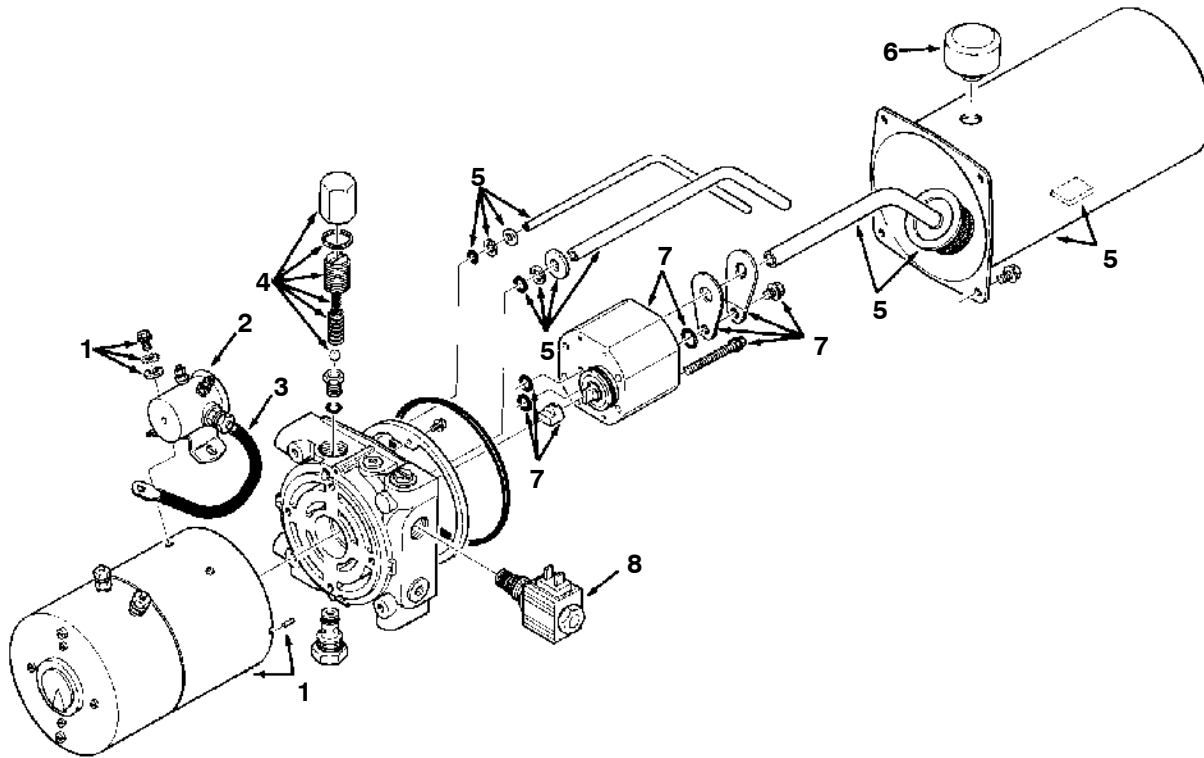


Fig. 1- Hydraulic Pump Breakdown

03198

Ref.	Tennant Part No.	Machine Serial Number	Description	Qty.
▽	02294	(000000-)	Pump, Hydraulic	1
▲	87748	(000000-)	Seal Kit	1
▲ 1	06487	(000000-001563)	Motor, Bosch	1
▲▲	03963	(000000-001563)	Brush Set, Bosch	1
▲ 1	38891	(001564-001630)	Motor, Prestolite	1
▲▲	38890	(001564-001630)	Brush Set, Prestolite	1
▲	06487	(001631-002504)	Motor, Bosch	1
▲▲	03963	(001631-002504)	Brush Set, Bosch	1
▲	12760	(002505-)	Motor, Prestolite	1
▲▲	03950	(002505-)	Brush Set, Prestolite	1
▲ 2	06496	(000000-)	Switch, Start	1
▲ 3	06489	(000000-)	Wire	1
▲ 4	06484	(000000-)	Valve Kit, Relief	1
▲ 5	06485	(000000-)	Reservoir Assembly	1
▲ 6	06483	(000000-)	Breather	1
▲ 7	06486	(000000-)	Pump Kit	1
▲ 8	06488	(000000-)	Valve Kit, Solenoid	1

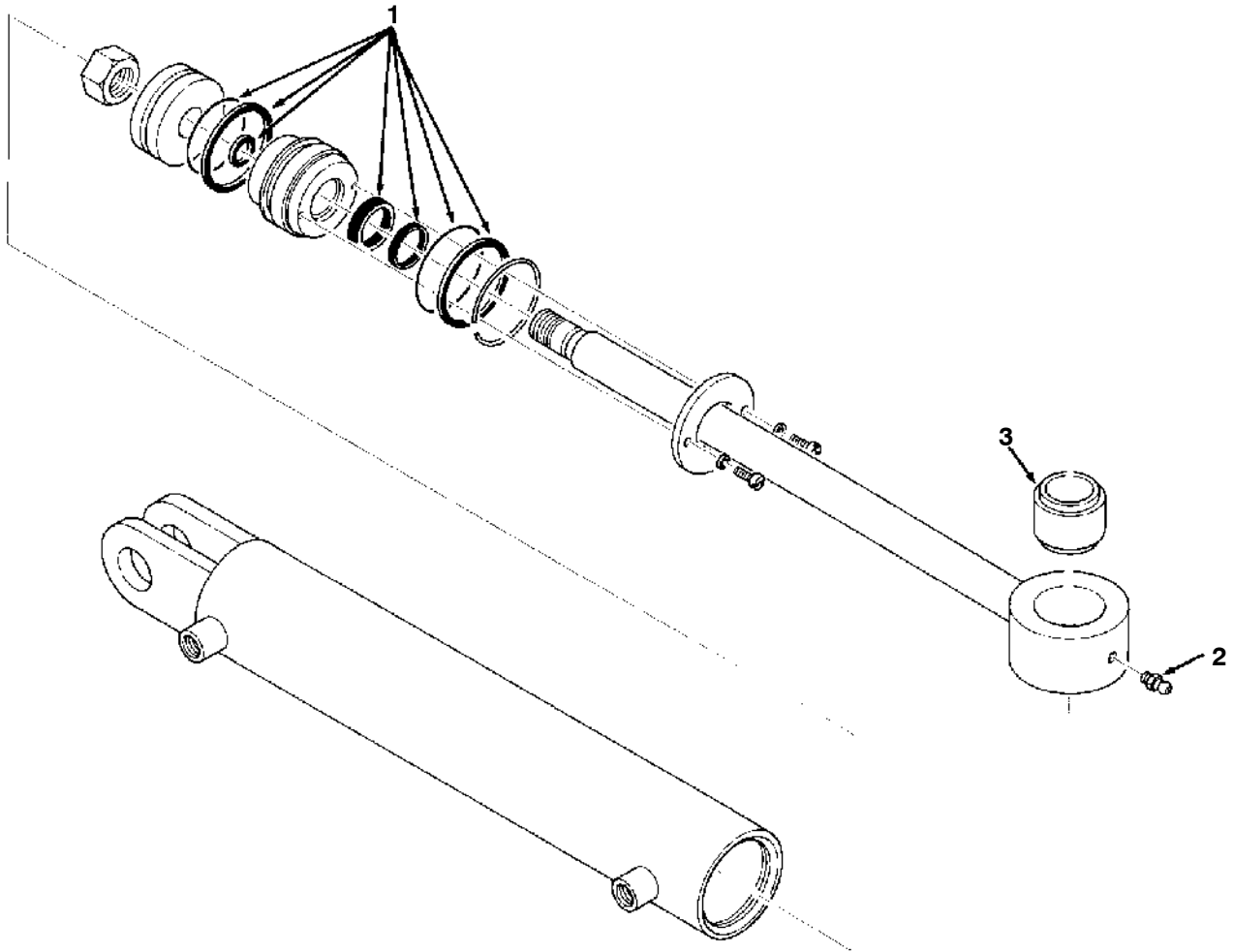


Fig. 2- Hydraulic Cylinder Breakdown

03176

Ref.	Tennant Part No.	Machine Serial Number	Description	Qty.
▽	04429	(000000-) Cylinder, Hydraulic	1
▲ 1	04477	(000000-) Seal Kit	1
▲ 2	07259	(000000-) Fitting, Grease	1
▲ 3	04499	(000000-) Bearing, Self-Aligning	1

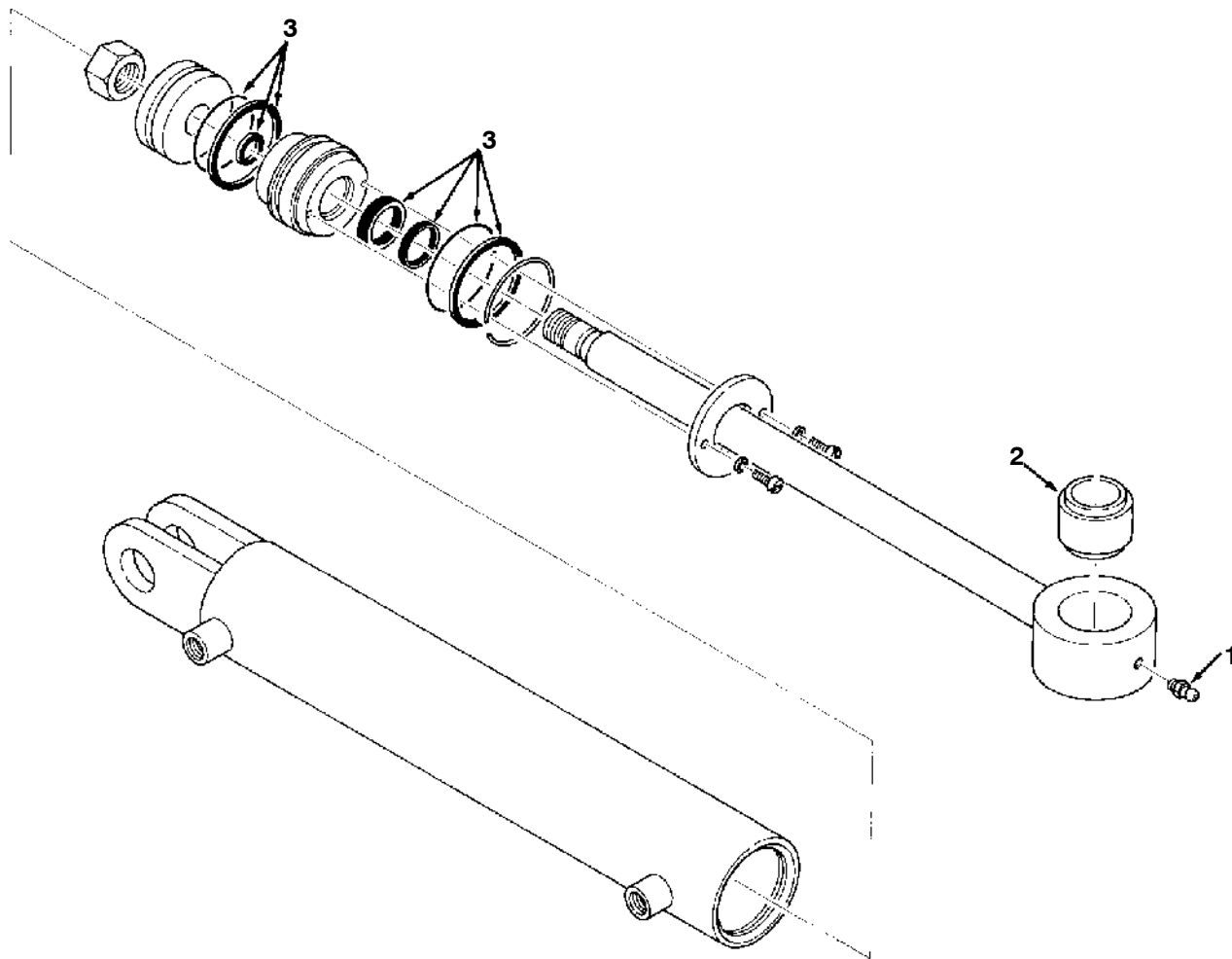
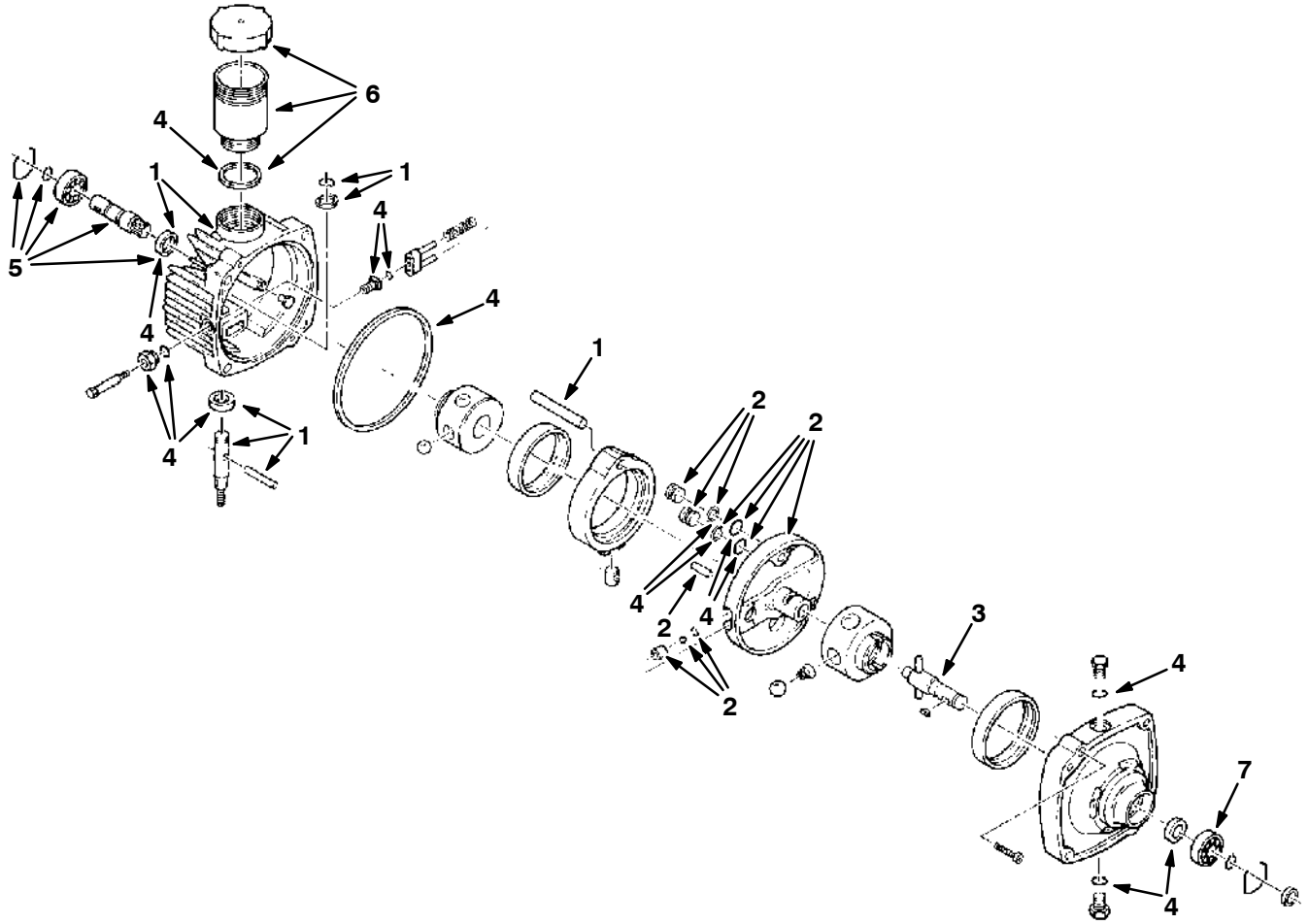


Fig. 3- Hydraulic Cylinder Breakdown

02214

Ref.	Tennant Part No.	Machine Serial Number	Description	Qty.
▽	04431	(000000-) Cylinder, Hydraulic	1
▲ 1	07259	(000000-) Fitting, Grease	1
▲ 2	04499	(000000-) Bearing, Self-Aligning	1
▲ 3	04477	(000000-) Seal Kit	1



03202

Fig. 4- Transmission Breakdown

Ref.	Tennant Part No.	Machine Serial Number	Description	Qty.
▽	02048	(000000-) Transmission	1
▲ 1	06510	(000000-) Cover Kit	1
▲ 2	06511	(000000-) Pintle Subassembly	1
▲ 3	06512	(000000-) Shaft, Output	1
▲ 4	06513	(000000-) Seal Kit, Overhaul	1
▲ 5	06514	(000000-) Shaft Kit, Input	1
▲ 6	38637	(000000-) Reservoir Kit	1
▲ 7	37751	(000000-) Bearing	1

SECTION 10

CONTENTS	PAGE
Fig. 1 - Crankcase Group	10-2
Fig. 2 - Camshaft and Valves Group	10-4
Fig. 3 - Air Intake Group	10-5
Fig. 4 - Baffles and Shroud Group	10-6
Fig. 5 - Breather and Vent Group	10-7
Fig. 6 - Flywheel Group	10-7
Fig. 7 - Electric Start Group	10-8
Fig. 8 - Governor Group	10-9
Fig. 9 - Ignition Group	10-10
Fig. 10 - Carburetor Group, Gasoline	10-11
Fig. 11 - Carburetor Group, Gasoline	10-12
Fig. 12 - Fuel Pump Group	10-13
Fig. 13 - Fuel Tank Group	10-13
Fig. 14 - Fuel Pump Group, LPG	10-14
Fig. 15 - Carburetor Group, LPG	10-14

NOTE: SECTION 10, ENGINE PARTS, lists repair parts for gasoline powered engine, TENNANT part numbers 02225, and LPG powered engine, TENNANT part numbers 02250.

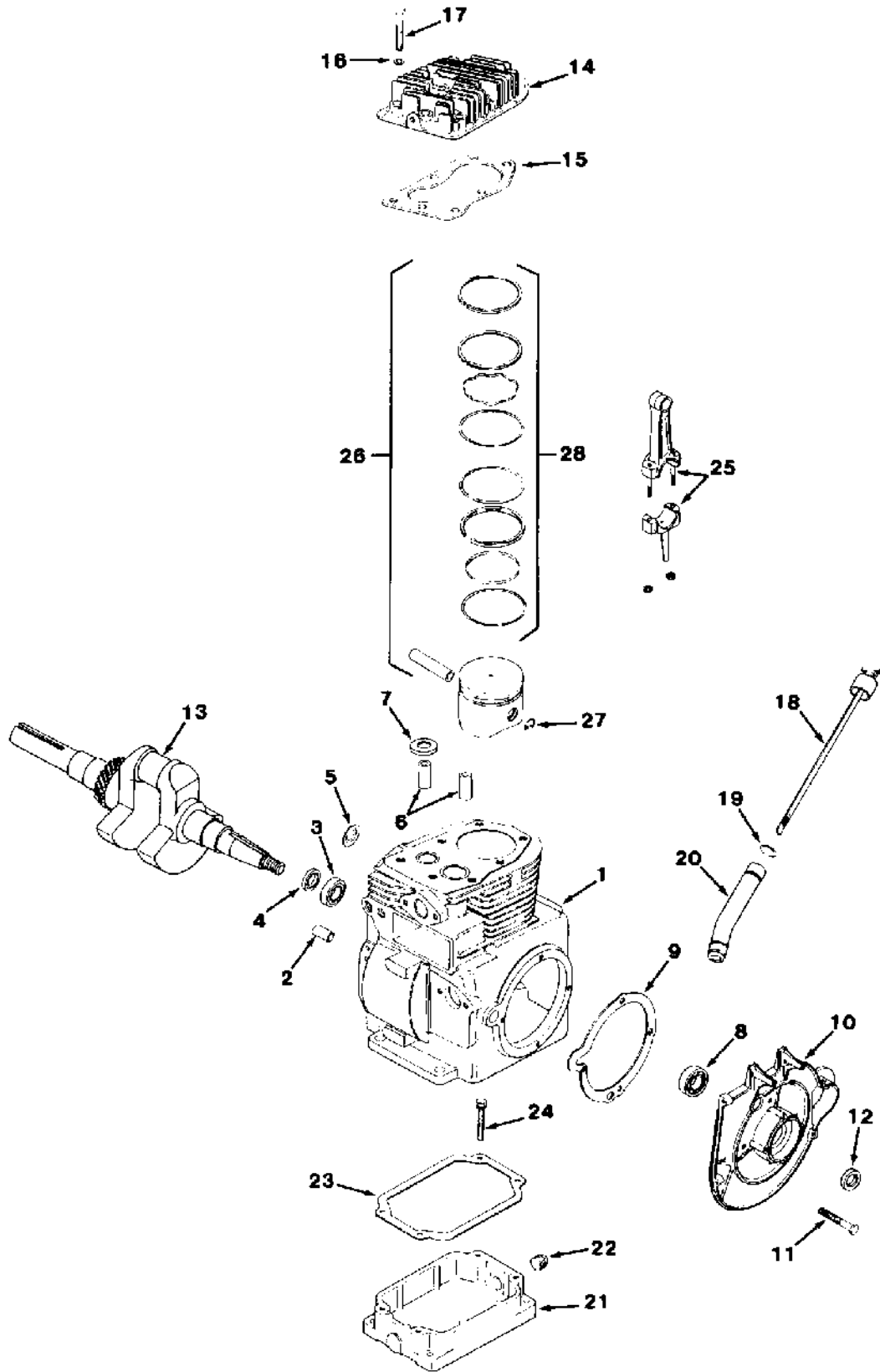


Fig. 1- Crankcase Group

Fig. 1 - Crankcase Group

Ref.	Tennant Part No.	Kohler Part Number	Description	Qty.
1	10249	41 782 11	Miniblock, Cylinder	1
	61783	41 004 05	Gasket Set	1
	52198	41 755 17	Gasket Set, with Seals	1
2		230125-S	Shaft, Governor	1
3		231625	Bearing, Ball	2
4		X-583-2	Seal, Oil	1
5	52977	X-230-11	Plug, Expansion	1
6		230007-S	Guide, Valve	2
7		230170	Insert, Exhaust Valve	1
8	42028	234866	Bearing	1
9	42078	41 041 07	Gasket, Bearing Plate	1
10		41 009 02	Plate, Bearing	1
11		X-176-1	Screw, Hex Cap	4
12		X-583-1	Seal, Front Oil	1
13	52178	41 014 15	Crankshaft	1
14		41 015 07	Head, Cylinder	1
15	10237	41 041 10	Gasket, Head	1
16		220534	Washer, Plain	5
17	52185	41 086 02	Screw, Hex Cap	7
18	52180	41 038 14	Dipstick	1
19	42091	41 153 01	O-Ring	1
20		41 123 19	Tube, Fill	1
21	52173	41 199 07	Pan, Oil	1
22		X-75-28	Plug, Pipe	1
23	37244	41 041 03	Gasket, Pan	1
24		X-154-3	Screw, Hex Cap Sems	4
25	38589	41 067 10	Rod, Connecting	1
25	42158	41 067 08	Rod, Connecting	1
25	52184	41 067 11	Rod, Connecting, 0.010"	1
25	52183	41 067 09	Rod, Connecting, 0.010"	1
26		41 874 05	Piston Assembly	1
26		41 874 10	Piston Assembly	1
26		41 874 06	Piston Assembly, 0.003"	1
26	61822	41 874 11	Piston Assembly, 0.003"	1
26	38443	41 874 07	Piston Assembly, 0.010"	1
26	61823	41 874 12	Piston Assembly, 0.010"	1
26	38980	41 874 08	Piston Assembly, 0.020"	1
26	61824	41 874 13	Piston Assembly, 0.020"	1
26	61820	41 874 09	Piston Assembly, 0.030"	1
26		41 874 14	Piston Assembly, 0.030"	1
27	61821	230004	Retainer, Piston Pin	2
28		232575	Ring Set, 0.003"	1
28	61747	41 108 01	Ring Set, 0.003"	1
28		232576	Ring Set, 0.010"	1
28		41 108 02	Ring Set, 0.010"	1
28		232577	Ring Set, 0.020"	1
28		41 108 03	Ring Set, 0.020"	1
28		232578	Ring Set, 0.030"	1
28		41 108 04	Ring Set, 0.030"	1

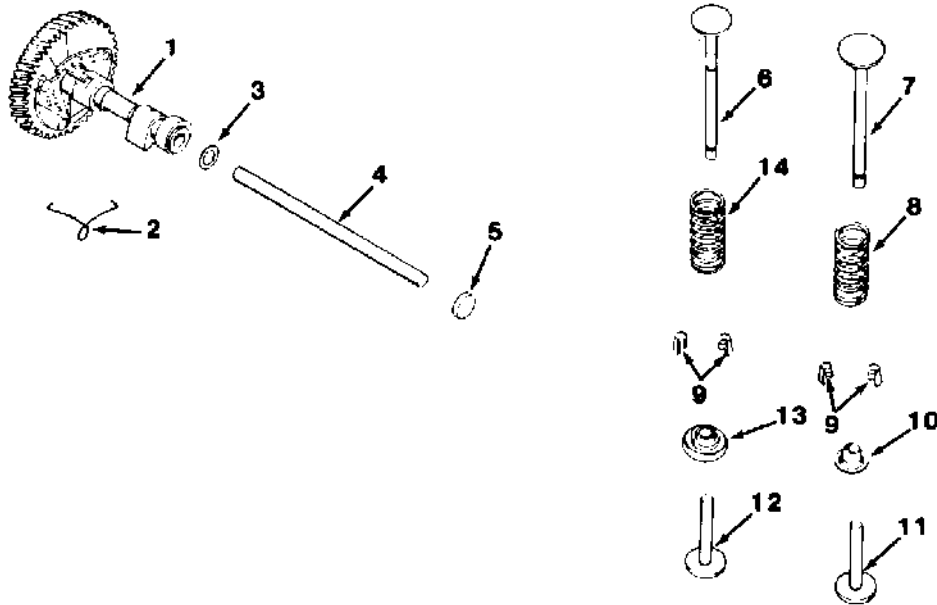


Fig. 2 - Camshaft and Valves Group

03195

Ref.	Tennant Part No.	Kohler Part Number	Description	Qty.
1	61784	41 010 07	Camshaft Assembly	1
2	52204	47 089 01	Spring, Actuating	1
3		230293	Spacer, Camshaft 0.005"	1
3		230294	Spacer, Camshaft 0.010"	1
4	10216	41 380 03	Pin, Camshaft	1
5		52 139 09	Plug, Cup	1
6		230027	Valve, Exhaust	1
7		230008	Valve, Intake	1
8		230010	Spring, Intake Valve	1
9		41 755 10	Retainer Kit	2
10		230011	Retainer, Intake Spring	1
11	38863	230013	Tappet, Intake Valve	1
12		232777	Tappet, Exhaust Valve	1
13	52339	52 413 01	Rotator, Exhaust Valve	1
14		230168	Spring, Exhaust Valve	1

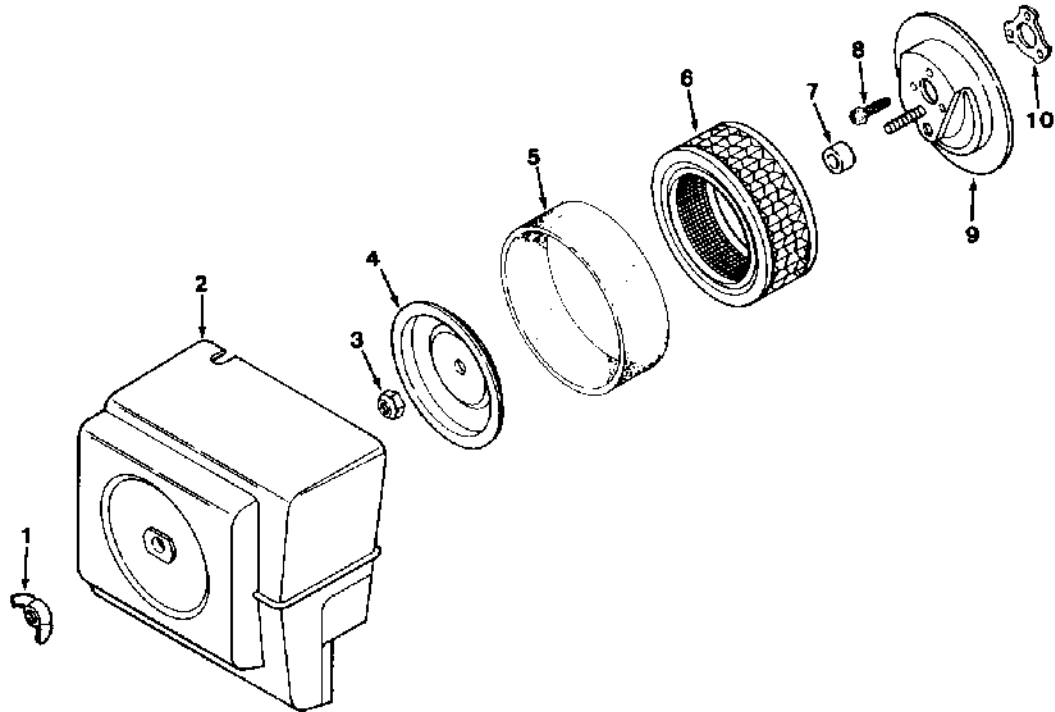


Fig. 3 - Air Intake Group

03193

Ref.	Tennant Part No.	Kohler Part Number	Description	Qty.
1	52984	X-276-7	Nut, Wing	1
2		41 096 27	Cover, Air Cleaner	1
3	52189	41 100 04	Nut, Jam	1
4	52322	52 082 04	Cover, Element	1
5	06817	41 083 04 03	Element, Precleaner	1
6	06816	47 083 02 2355116	Element, Air Cleaner	1
7	10238	41 032 02	Seal	1
8		X-67-59	Screw, Washer Head	3
9	52186	41 743 02	Base, Air Cleaner	1
10		41 041 02	Gasket, Air Cleaner	1
10	38869	41 041 11	Gasket, Air Cleaner	1
		41 113 02	Decal, Air Cleaner	1

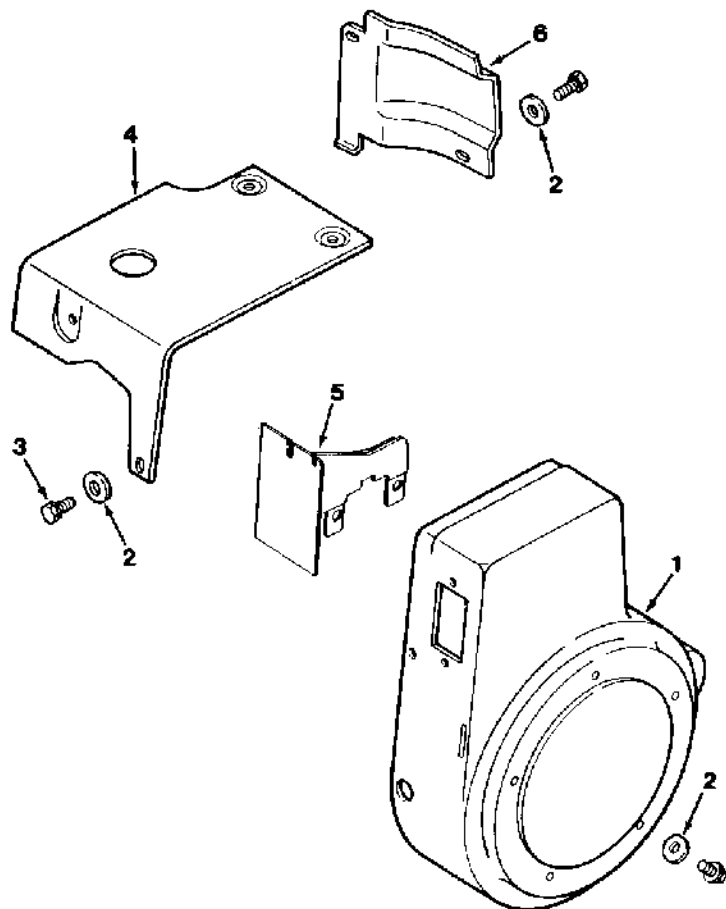


Fig. 4 - Baffles and Shroud Group

03192

Ref.	Tennant Part No.	Kohler Part Number	Description	Qty.
1		41 027 47	Housing, Blower	1
2	52980	X-25-53	Washer, Plain	2
3		X-132-5	Screw, Hex Cap Sems	2
4		41 063 11	Baffle, Head	1
5		41 063 13	Baffle, Blower Housing	1
6		41 063 09	Baffle, Cylinder	1
		X-67-83	Screw, Hex Wash Head	4

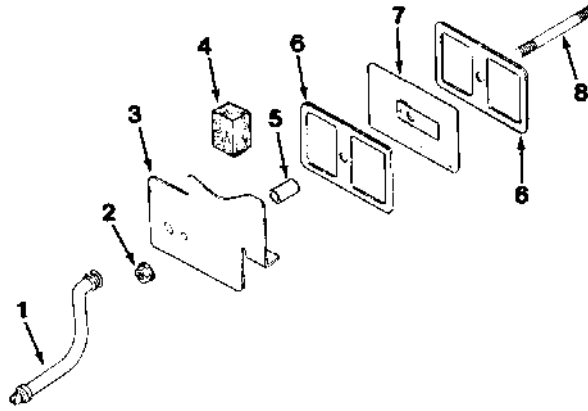


Fig. 5 - Breather and Vent Group

03194

Ref.	Tennant Part No.	Kohler Part Number	Description	Qty.
1	52197	41 326 02	Hose, Breather	1
2	53022	X-799-1	Palnut	1
3		41 096 26	Cover, Valve	1
4		231419	Filter	1
5		230046	Seal, Breather	1
6		230048	Gasket, Valve Cover	2
7	38480	230066	Breather	1
8		230043	Stud, Valve Cover	1

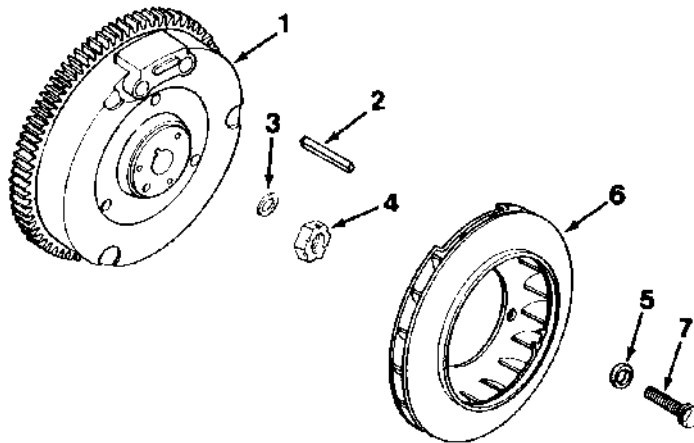
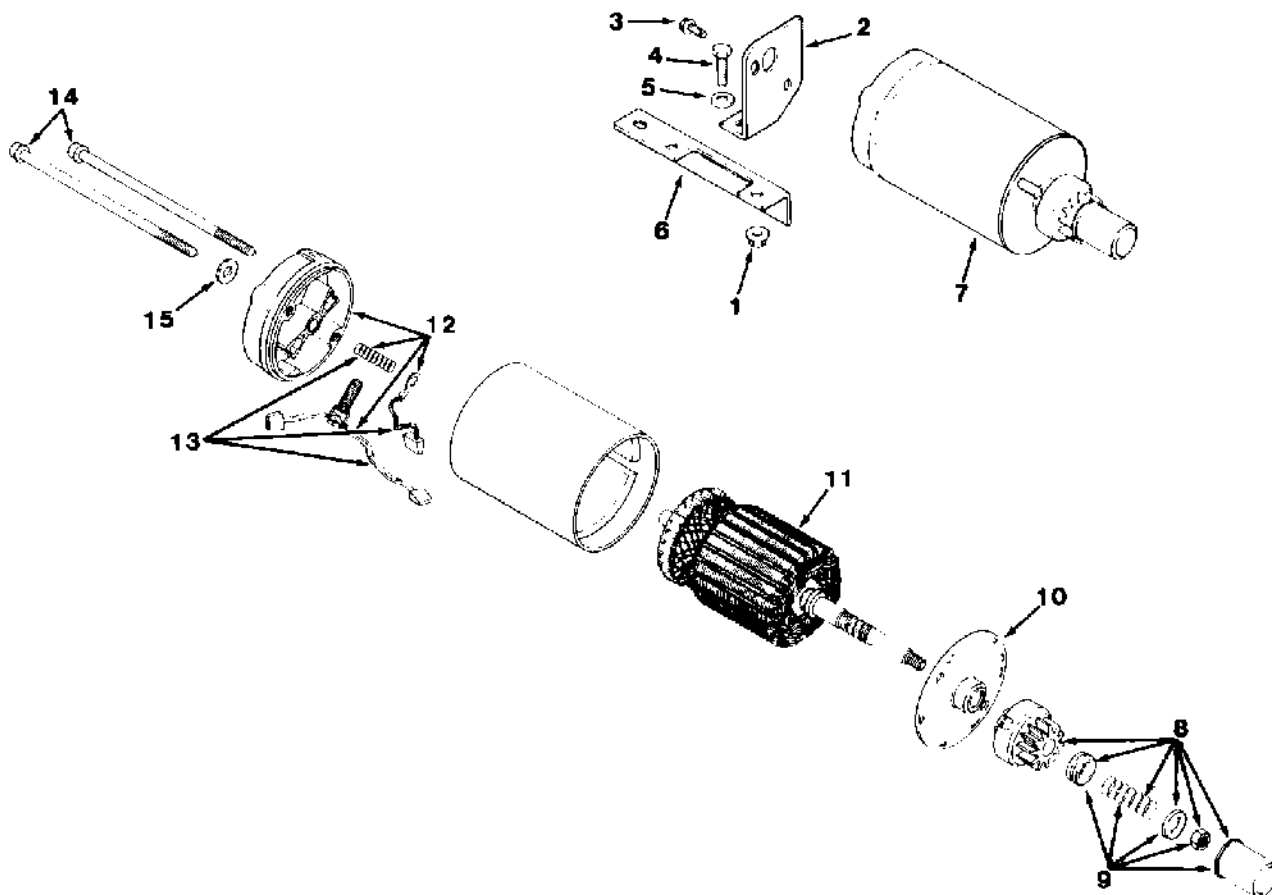


Fig. 6 - Flywheel Group

03190

Ref.	Tennant Part No.	Kohler Part Number	Description	Qty.
1	52179	41 025 46	Flywheel	1
2	10035	X-286-17	Key, Square	1
3		X-25-15	Washer, Plain	1
4	52932	25 100 02	Nut, Hex	1
5		25 431 01	Spacer	3
6		41 157 01	Fan	1
7		25 086 14	Screw, Hex Washer Head	3



03191

Fig. 7 - Electric Start Group

Ref.	Tennant Part No.	Kohler Part Number	Description	Qty.
1	53022	X-799-1	Palnut	1
2	52190	41 120 06	Brace, Starter Tail	1
3	53021	X-67-62	Screw, Hex Washer Head	1
4	53020	X-5-1	Screw, Hex	1
5	52980	X-25-53	Washer, Plain	1
6	52192	41 126 25	Bracket, Starter	1
∇ 7	10227	41 098 04	Starter Assembly	1
▲ 8	37264	47 755 07	Drive Kit	1
▲▲ 9	37708	47 755 13	Drive Parts Kit	1
▲ 10	52195	41 227 03	Cap, Drive End	1
▲ 11	52199	45 170 02	Armature	1
▲ 12		41 227 04	Cap, Commutator End	1
▲▲ 13	10250	82 755 28	Brush Kit	1
▲ 14		41 086 19	Bolt, Through	2
15	52980	X-25-53	Washer, Plain	1
		25 450 03	Tag, Caution	1

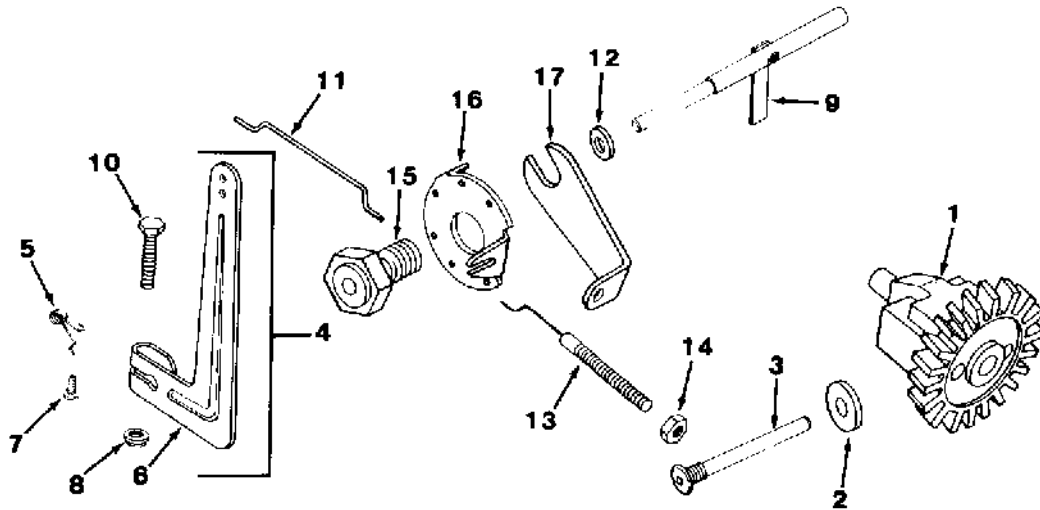
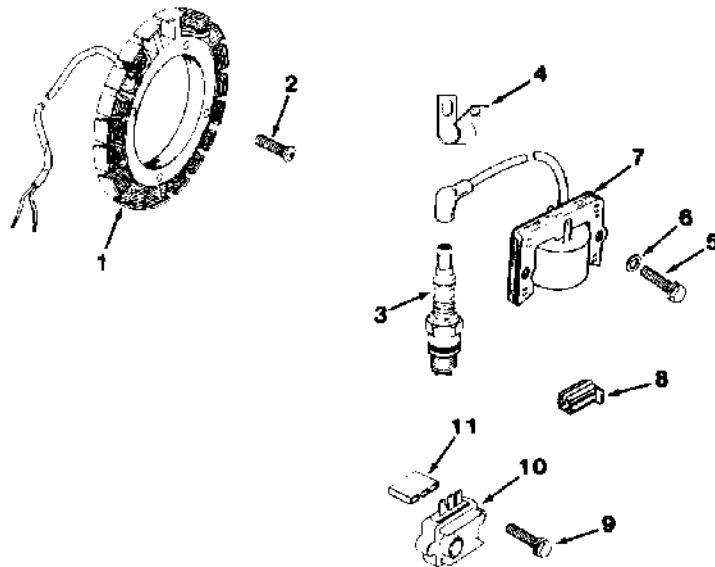


Fig. 8 - Governor Group

03187

Ref.	Tennant Part No.	Kohler Part Number	Description	Qty.
1		A-235743-S	Kit, Governor Gear	1
2	52979	X-25-12	Washer, Plain	1
3		231355	Pin, Governor Stop	1
4		A-234178	Lever, Governor Assembly	1
5		232617	Spring, Governor	1
6		232614	Lever, Governor	1
7		X-67-46	Screw, Hex Washer Head	1
8	53022	X-799-1	Palnut	1
9		230540-S	Shaft, Governor Cross	1
10		25 086 15	Screw, Hex Cap Head	1
11	30197	230078	Linkage, Governor	1
12	52981	X-25-58	Washer, Plain	1
13	10240	220239	Arm, Governor	1
14		X-72-4	Nut, Hex	2
15		230476	Bushing, Governor Shaft	1
16	51481	230149	Disc, Regulating	1
17	52191	41 126 16	Bracket, Speed Control	1



04185

Fig. 9 - Ignition Group

Ref.	Tennant Part No.	Kohler Part Number	Description	Qty.
1	10261	41 085 05	Stator, 15 A	1
2		X-778-1	Screw, Pan Head	4
3	30166	RJ19LM 41-132-07	Spark Plug	1
4		210281	Clip, High Tension	2
5		X-156-1	Screw, Hex Head Sems	2
6		X-25-79	Washer, Plain	2
7	10228	41 584 02 03	Module, Ignition	1
8		41 155 03	Connector	1
9		X-132-4	Screw, Sems Indented Hex	2
10	25905		Regulator Replacement Kit	1
10	25904	25 755 03	Regulator, Rectifier	1
11		236602	Connector	1
		41 518 33	Lead, Ground to Kill	1
		41 518 27	Lead, Rectifier Regulator	1

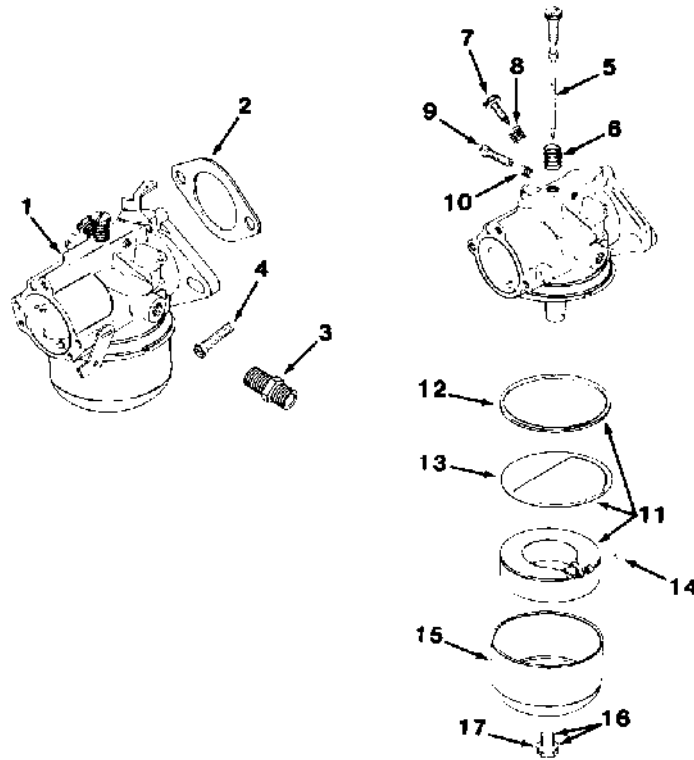


Fig. 10 - Carburetor Group, Gasoline

03184

Ref.	Tennant Part No.	Kohler Part Number	Description	Qty.
▽ 1	10223	41 053 18	Carburetor Assembly (Replaced by 12963)	1
▲ 2	31055	210223	Gasket, Carburetor	1
▲ 3	10234	25 155 02	Fitting, Elbow	1
▲ 4		X-140-1	Screw, Slotted Head	2
▲ 5	38041	232635	Needle, Main Fuel	1
▲ 6	51395	200383	Spring, Main Fuel	1
▲ 7		200438	Needle, Idle Fuel	1
▲ 8	61759	200380	Spring, Idle Fuel	1
▲ 9		232556	Screw, Idle Speed	1
▲ 10		232555	Spring, Idle Speed	1
▲ 11	38708	25 757 03	Float Kit	1
▲ 12		200375	Gasket, Bowl	1
▲ 13		25 041 02	Gasket, Bowl Baffle	1
▲ 14	38494	200376	Pin, Float Hinge	1
▲ 15	51396	200418	Bowl, Fuel	1
▲ 16	38711	41 100 01	Screw, Bowl Retainer	1
▲ 17		200372	Washer, Sealing	1
	38571	25 757 01	Repair Kit, Carburetor	1
	61782	25 757 04	Repair Kit, Choke	1

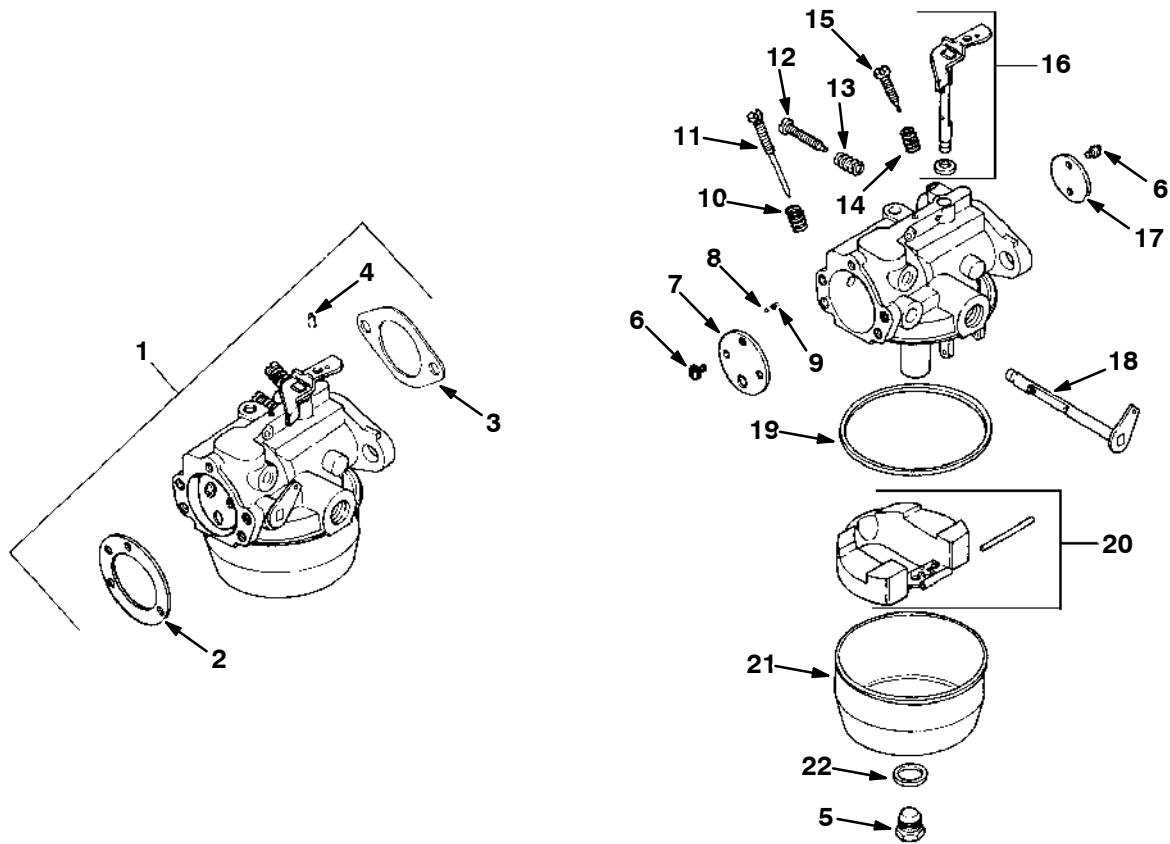


Fig. 11 - Carburetor Group, Gasoline

05435

41 053 38

Ref.	Tennant Part No.	Kohler Part Number	Description	Qty.
▽ 1	12963	41 050 07	Carburetor Assembly (with gaskets)	1
▲	25892	25 757 11	Carburetor Repair Kit	1
▲ 2		41 041 11	Gasket, Air Cleaner	1
▲ 3	31055	210223	Gasket, Carburetor	1
▲ 4		25 158 08	Bushing, Governor Linkage	2
▲ 5		25 100 05	Screw, Bowl Retainer	1
▲ 6		25 086 27	Screw, Throttle and Choke Plate	4
▲ 7		41 146 16	Plate, Choke	1
▲ 8		25 194 02	Ball, Choke Friction	1
▲ 9		25 089 06	Spring, Choke Friction	1
▲ 10		25 089 02	Spring, Main Fuel	1
▲ 11		25 368 03	Needle, Main Fuel Adjusting	1
▲ 12		25 086 26	Screw, Idle Speed Adjusting	1
▲ 13		25 089 04	Spring, Idle Speed	1
▲ 14		25 089 02	Spring, Idle Fuel	1
▲ 15		25 368 02	Needle, Idle Fuel Adjusting	1
▲ 16	42003	41 144 18	Shaft, Throttle (with lever and seal)	1
▲ 17		25 146 05	Plate, Throttle	1
▲ 18		41 090 22	Lever, Choke	1
▲ 19		25 041 04	Gasket, Bowl	1
▲ 20		25 757 09	Float Kit	1
▲ 21		25 104 01	Bowl, Fuel	1
▲ 22		25 041 03	Gasket, Bowl Retainer Screw	1

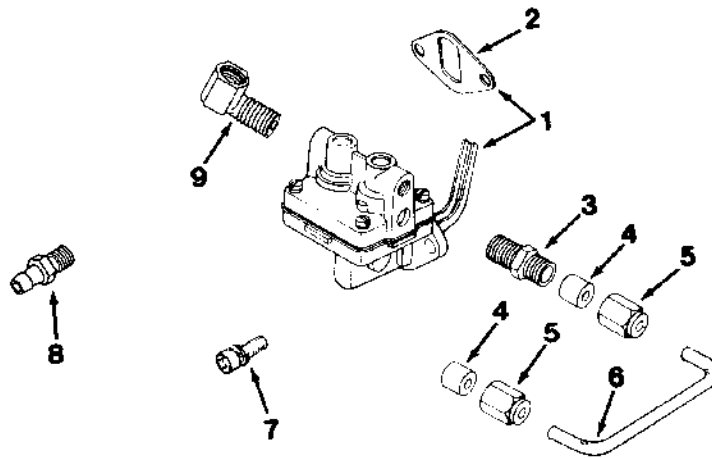


Fig. 12 - Fuel Pump Group

03185

Ref.	Tennant Part No.	Kohler Part Number	Description	Qty.
▽ 1		A-231796	Pump, Fuel Pump Assembly	1
▲ 2	04171	25-041-05	Gasket, Fuel Pump	1
▲	51496	230675	Kit, Diaphragm Repair	1
3		231509	Connector	1
4	28645	220547	Sleeve, Tubing	2
5	28646	220786	Nut, Tube	2
6	51475	230140	Line, Fuel	1
7		47 086 08	Screw, Pozidrive Truss Head	2
8	52988	X-380-1	Fitting, Straight Hose	1
9		X-555-2	Elbow, Street	1

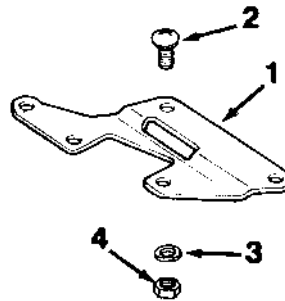


Fig. 13 - Fuel Tank Group

03180

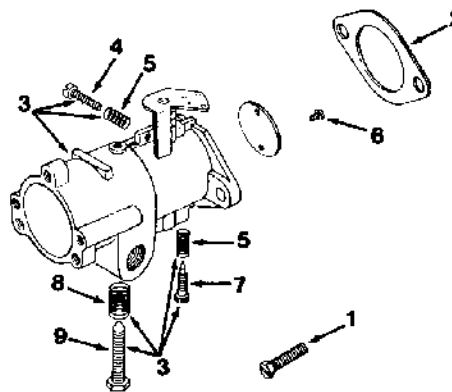
Ref.	Tennant Part No.	Kohler Part Number	Description	Qty.
1	52193	41 126 26	Bracket, Tank Support	2
2		41 086 18	Screw, Pozidrive Truss Head	2
3		X-20-1	Washer, Lock	2
4		X-81-1	Nut	2



03181

Fig. 14 - Fuel Pump Group, LPG

Ref.	Tennant Part No.	Kohler Part Number	Description	Qty.
1		X-132-6	Screw, Hex Cap Sems	2
2	54229-1	240282	Cover, Fuel Pump	1
3	04171	25-041-17	Gasket, Fuel Pump	1
4	52193	41 126 26	Bracket, Tank Support	1
5		41 086 18	Screw, Pozidrive Truss Head	2
6		X-20-1	Washer, Lock	2
7		X-81-1	Nut	2



03182

Fig. 15 - Carburetor Group, LPG

Ref.	Tennant Part No.	Kohler Part Number	Description	Qty.
1		X-140-1	Screw, Slotted Head	2
2	31055	210223	Gasket, Carburetor	1
▽ 3	10236	46 053 04	Carburetor Assembly, LPG	1
▲ 4		234210	Screw, Idle Stop	1
▲ 5	51555	234208	Spring, Idle Screw	1
▲ 6		232694	Screw, Load	1
▲ 7		234206	Screw, Idle	1
▲ 8		234207	Spring, Load Screw	1

SECTION 11

CONTENTS	PAGE
PART NUMBER TO PAGE NUMBER CROSS REFERENCE LIST	11-2
PART DESCRIPTION TO PAGE NUMBER CROSS REFERENCE LIST	11-9

CROSS REFERENCE

PART NUMBER TO PAGE NUMBER CROSS REFERENCE LIST

Part Number	Page Number	Part Number	Page Number
A-231796	10-13	02061	2-35, 7-36
A-234178	10-9	02066	2-35, 7-36
A-235743-S	10-9	02073	7-5
RJ19LM	10-10	02076	2-28, 2-36, 7-16, 7-37
SK1444	2-27	02083	2-18, 7-17
SK1444	7-29	02088	2-2, 2-5, 7-2, 7-5
X-132-4	10-10	02090	2-21, 7-23
X-132-5	10-6	02095	7-7
X-132-6	10-14	02113	7-7
X-140-1	10-11, 10-14	02117	2-2, 2-7, 7-2, 7-9
X-154-3	10-3	02118	7-7
X-156-1	10-10	02119	2-23, 7-25
X-20-1	10-13, 10-14	02120	2-23, 7-25
X-230-11	10-3	02121	2-25, 7-27
X-25-12	10-9	02122	2-23, 7-25
X-25-15	10-7	02123	2-23, 7-25
X-25-53	10-6, 10-8	02124	2-25, 7-27
X-25-58	10-9	02125	2-23, 7-25
X-25-79	10-10	02128	7-19
X-276-7	10-5	02129	7-19
X-286-17	10-7	02131	7-7
X-380-1	10-13	02132	7-19
X-5-1	10-8	02133	2-25, 7-27
X-555-2	10-13	02137	2-7, 7-9
X-583-1	10-3	02138	7-19
X-583-2	10-3	02141	7-7
X-67-46	10-9	02144	7-19
X-67-59	10-5	02151	2-29, 7-34
X-67-62	10-8	02154	2-29, 7-34
X-67-83	10-6	02155	2-13, 7-13
X-72-4	10-9	02157	2-13, 7-13
X-75-28	10-3	02158	2-13, 7-13
X-778-1	10-10	02159	7-2, 7-7
X-799-1	10-7, 10-8, 10-9	02160	7-2, 7-7
X-81-1	10-13, 10-14	02161	7-2, 7-7
X-176-1	10-3	02162	7-2, 7-7
00500-10	2-19, 2-34, 7-18, 7-35	02163	2-7, 7-9
00500-4	2-9, 7-10	02164	2-7, 7-9
00927	2-23, 7-25	02165	2-7, 7-9
00939	2-23, 7-25	02167	2-7, 7-9
00960	2-9, 7-10	02169	2-2, 2-7, 7-2, 7-9
01770	2-2	02173	2-7, 7-9
01775	7-2	02174	2-7, 7-9
01776	2-2, 7-2	02180	2-13, 7-13
02024	8-2	02181	2-13, 7-13
02030	8-3	02187	2-10, 7-11
02034	8-5	02191	2-10, 7-11
02038	8-4	02192	2-10, 7-11
02042	8-6	02193	2-10, 7-11
02044	2-19, 7-18	02194	2-10, 7-11
02045	2-23, 7-25	02198	2-9, 7-10
02047	2-21, 7-23	02200	7-34
02048	2-21, 7-23, 9-5	02200	2-29
02049	2-9, 7-10	02201	2-29, 7-34
02050	2-33, 7-33	02203	2-14, 7-14
02053	2-21, 7-23	02204	7-2, 7-7
02055	2-23, 7-25	02205	2-28, 7-16
02056	2-33, 7-33	02210	2-25, 7-27

CROSS REFERENCE

Part Number	Page Number	Part Number	Page Number
02217	2-27, 7-29	02364	2-11
02218	2-18, 7-2, 7-17	02367	2-18, 7-17
02220	2-9, 7-10	02368	2-18, 7-17
02221	2-9, 7-10	02369	2-8
02223	2-25, 7-27	02371	2-41, 7-43
02225	2-25, 7-27	02372	8-3
02227	2-25, 7-27	02375	2-19, 7-18
02228	2-25, 7-27	02377	2-14, 7-14
02231	7-7	02379	2-25, 7-27
02235	2-17, 7-21	02381	2-2, 2-10, 7-2, 7-11
02237	2-17, 7-21	02384	2-33, 7-33
02239	2-17, 7-21	02385	2-2, 2-23, 7-2, 7-25
02241	2-17, 7-21	02392	2-25, 7-27
02243	7-38	02394	2-7, 7-9
02245	7-38	03433	2-9, 7-10
02250	2-27, 7-29	03560	2-17, 7-21
02255	8-4	03930	2-21, 7-23
02256	2-23, 7-25	03933	2-25, 7-27
02257	7-7	03934	2-25, 7-27
02259	2-25, 7-27	03936	8-6
02260	2-23, 7-25	03943	8-6
02261	2-15, 7-15	03945	8-6
02274	2-2, 2-5, 7-2, 7-5	03946	2-8
02275	2-2, 2-5, 7-2, 7-5	03948	8-7
02280	2-7, 7-9	03950	9-2
02282	2-7, 7-9	03954	2-27, 7-29
02284	8-5	03955	8-3
02287	2-5, 7-5	03959	8-6
02289	2-25, 7-27	03963	9-2
02290	2-25, 7-27	04022	2-2, 2-23, 7-2, 7-25
02291	2-25, 7-27	04171	10-13, 10-14
02293	2-39, 2-41, 7-41, 7-43	04174B	8-5
02294	2-28, 7-16, 9-2	04429	2-28, 9-3
02297	2-11	04431	7-16, 9-4
02299	2-8	04477	9-3, 9-4
02303	2-14, 7-14	04499	9-3, 9-4
02304	2-14, 7-14	04601	2-25, 7-27
02305	2-7, 7-9	06340	2-2, 2-5, 7-2, 7-5
02306	2-7, 7-9	06341	2-2, 2-5, 7-2, 7-5
02308	2-41, 7-43	06344	2-5, 7-5
02310	2-36, 7-37	06460	2-31, 7-31
02324	2-39, 2-41, 7-41, 7-43	06474A	2-21, 7-23
02328	2-41, 7-41, 7-43	06483	9-2
02329	2-41, 7-41, 7-43	06484	9-2
02330	2-41, 7-41, 7-43	06485	9-2
02336	2-37, 7-39	06486	9-2
02338	8-3	06487	9-2
02340	2-5	06488	9-2
02341	2-7, 7-9	06489	9-2
02348	2-7, 7-9	06496	9-2
02349	2-25, 7-27	06505	2-13, 7-13
02350	2-2, 2-5, 7-2, 7-5	06510	9-5
02352	7-2, 7-7	06511	9-5
02353	7-7	06512	9-5
02355	2-21, 2-33, 7-23, 7-33	06513	9-5
02356	2-33, 7-33	06514	9-5
02357	2-17, 7-21	06515	2-25, 7-27
02360	7-2, 7-7	06517	2-29, 7-34
02361	2-28, 7-16	06732	2-2, 7-2
02363	2-25, 7-27	06816	2-2, 7-2, 10-5

CROSS REFERENCE

Part Number	Page Number	Part Number	Page Number
06817	2-2, 7-2, 10-5	200376	10-11
06818	2-2, 7-2	200380	10-11
06852	2-23, 7-25	200383	10-11
06854	2-23, 7-25	200418	10-11
06856	2-21, 7-23	200438	10-11
06857	2-21, 7-23	210223	10-11, 10-12, 10-14
06859	2-8	210281	10-10
06860	2-25, 7-27	21570	2-13, 7-13
07107	2-18, 7-17	220239	10-9
07112	2-18, 2-19, 7-17, 7-18	220534	10-3
07259	9-3, 9-4	220547	10-13
08143	2-9, 7-10	220786	10-13
08156	2-7, 7-9	22383	2-25, 7-27
08232-1	7-29	230004	10-3
09027	2-18, 7-17	230007-S	10-3
09342	2-2, 2-5, 7-2, 7-5	230008	10-4
09663-2	2-33, 7-33	230010	10-4
10035	10-7	230011	10-4
10078	2-18, 7-17	230013	10-4
10137	2-36, 7-37	230027	10-4
10216	10-4	230043	10-7
10219	2-25, 7-27	230046	10-7
10220	2-25, 7-27	230048	10-7
10223	10-11	230066	10-7
10227	10-8	230078	10-9
10228	10-10	230125-S	10-3
10234	10-11	230140	10-13
10236	10-14	230149	10-9
10237	10-3	230168	10-4
10238	10-5	230170	10-3
10240	10-9	230293	10-4
10249	10-3	230294	10-4
10250	10-8	230476	10-9
10261	10-10	230540-S	10-9
10362	2-9, 7-10	230675	10-13
10632-11	2-7, 7-9	231355	10-9
10632-12	8-3, 8-4, 8-5	231419	10-7
10632-18	2-27, 7-29	231509	10-13
10632-9	8-4, 8-5	231625	10-3
10752-2	8-7	23222-2	2-23, 7-25
10752-3	8-7	23225	2-21, 7-23
11979	2-25, 7-27	232555	10-11
11984	2-25, 7-27	232556	10-11
12750	2-37, 7-39	232575	10-3
12751	2-19, 7-18	232576	10-3
12760	9-2	232577	10-3
12963	10-12	232578	10-3
13199	2-29, 7-34	232614	10-9
13352	2-31, 7-31	232617	10-9
13534	2-35, 7-36	232635	10-11
14138A	2-14, 7-14	232694	10-14
14595-1	2-17, 7-21	232777	10-4
15173	2-31, 7-31	23301	2-27, 7-29
15331	2-18, 7-17	23338	8-7
16456	2-28, 7-16	234206	10-14
16934	2-9, 7-10	234207	10-14
19313	2-21, 7-23	234208	10-14
19811	2-5, 7-5	234210	10-14
200372	10-11	23445	2-2, 2-23, 7-2, 7-25
200375	10-11	234866	10-3

CROSS REFERENCE

Part Number	Page Number	Part Number	Page Number
236602	10-10	29584	2-17, 7-21
24012	2-25, 7-27	29831-5	2-36, 7-37
240282	10-14	29832-3	2-39, 2-41, 7-41, 7-43
24835	2-23, 2-35, 7-25, 7-36	30166	2-2, 7-2, 10-10
24924	2-25, 7-27	30181	2-27, 7-29
25 041 02	10-11	30182	2-27
25 041 03	10-12	30197	10-9
25 041 04	10-12	31055	10-11, 10-12, 10-14
25 086 14	10-7	31204	2-13, 7-13
25 086 15	10-9	31951	2-27, 7-29
25 086 26	10-12	32062	8-2
25 086 27	10-12	32063	8-2
25 089 02	10-12	32064	8-2
25 089 04	10-12	32065	8-2
25 089 06	10-12	32066	8-2
25 100 02	10-7	32070	8-2
25 100 05	10-12	32075	8-2
25 104 01	10-12	32076	8-2
25 146 05	10-12	32142	2-36, 7-37
25 155 02	10-11	32338	2-31, 7-31
25 158 08	10-12	32366	2-19, 2-23, 7-18, 7-25
25 194 02	10-12	32470	2-34, 7-35
25 368 02	10-12	32486	2-17, 7-21
25 368 03	10-12	32494	2-35, 7-36
25 431 01	10-7	32522	2-21, 7-23
25 450 03	10-8	32526	2-34, 7-35
25 755 03	10-10	32646	2-5, 7-5
25 757 01	10-11	33285	2-13, 7-13
25 757 03	10-11	33707	2-18, 7-17
25 757 04	10-11	33721	2-18, 7-17
25 757 09	10-12	34810	2-13, 7-13
25 757 11	10-12	35529	2-7, 7-9
25-041-05	10-13	35688	2-7, 7-9
25-041-17	10-14	35717	2-2, 2-5, 7-2, 7-5
25014	2-18, 7-17	35721	2-2, 2-5, 7-2, 7-5
25045	2-33, 7-33	35722	2-2, 2-5, 7-2, 7-5
25656	2-7, 7-9	35723	2-2, 2-5, 7-2, 7-5
25663	2-7, 7-9	35735	2-3, 7-3
25665	2-7, 7-9	35743	2-13, 7-13
25887	2-19, 2-23, 7-18, 7-25	35756	2-15, 7-15
25891	2-13, 7-13	35783	2-2, 2-7, 7-2, 7-9
25892	10-12	35790	2-2, 2-31, 7-2, 7-31
25904	10-10	35791	2-23, 2-31, 7-25, 7-31
25905	10-10	35792	2-31, 7-31
26015	2-5, 2-7, 7-5, 7-9	35794A	2-31, 7-31
26414	2-25, 7-27	35797	2-31, 7-31
26496	2-27, 7-29	35799	2-31, 7-31
27170	2-25, 7-27	35802	2-31, 7-31
28010	2-31, 7-31	35803	2-23, 7-25
28096N	2-3, 7-3	35804	2-23, 7-25
28096P	2-3, 7-3	35835	2-33, 7-33
28165	2-5, 2-7, 7-5, 7-9	35836	2-33, 7-33
28270	2-17, 7-21	35837	2-33, 7-33
28281	2-17, 7-21	35840	2-33, 7-33
28645	10-13	35843	2-33, 7-33
28646	10-13	35845	2-33, 7-33
29260	2-10, 7-11	35846	2-33, 7-33
29499	2-21, 2-31, 2-33, 7-23, 7-31, 7-33	35878-1	2-5, 7-5
29558	2-17, 7-21	35889	2-31, 7-31
		35895	2-15, 7-15

CROSS REFERENCE

Part Number	Page Number	Part Number	Page Number
35897	2-21, 7-23	36506	2-15, 7-15
35903	2-2, 2-5, 7-2, 7-5	36513	2-27, 2-33, 7-33
35917	2-17, 7-21	36514	2-33, 7-33
35918	2-17, 7-21	36543	2-2, 2-23, 7-2, 7-25
35920	2-17, 7-21	36556	2-21, 7-23
35921	2-17, 7-21	36557	2-31, 7-31
35927	2-19, 7-18	36614	2-35, 7-36
35942	2-33, 7-33	36644	2-33, 7-33
35957	2-5, 7-5	36658	2-7, 7-9
35964	2-33, 7-33	36660	7-3
35967	2-21, 7-23	36663	2-7, 7-9
35972	2-34, 7-35	36665	2-7, 7-9
35973	2-19, 2-23, 7-18, 7-25	36666	2-7, 7-9
35991-1	2-21, 7-23	36672	2-7, 7-9
35994	2-33, 7-33	36675	2-7, 7-9
35996	2-19, 7-18	36699	2-3, 7-3
35999	2-21, 7-23	37244	10-3
36000	2-2, 2-5, 7-2, 7-5	37264	10-8
36001	2-2, 2-5, 7-2, 7-5	375016	2-34, 7-35
36003	2-2, 2-5, 7-2, 7-5	37666	2-27, 7-29
36004	2-2, 2-5, 7-2, 7-5	37669	2-27, 7-29
36022	2-2, 2-5, 7-2, 7-5	37673	2-27, 7-29
36036	2-21, 7-23	37708	10-8
36051	2-33, 7-33	37751	9-5
36052-1	2-29, 7-34	38041	10-11
36053	2-29, 7-34	38443	10-3
36054	2-29, 7-34	38480	10-7
36055	2-34, 7-35	38494	10-11
36056	2-21, 7-23	38571	10-11
36057	2-21, 7-23	38589	10-3
36070	2-17, 2-29, 7-21, 7-34	38637	9-5
36076	2-33, 7-33	38708	10-11
36077	2-17, 2-29, 7-21, 7-34	38711	10-11
36079	2-29, 7-34	38863	10-4
36096	2-29, 7-34	38869	10-5
36112	2-23, 7-25	38890	9-2
36133	2-31, 7-31	38891	9-2
36146	2-18, 7-17	38980	10-3
36150	2-35, 7-36	39048	2-21, 7-23
36171	2-2, 2-14, 7-2, 7-14	39327	2-9, 7-10
36173	2-29, 7-34	39346	2-33, 7-33
36188	2-35, 7-36	39612	2-21, 7-23
36189	2-35, 7-36	40652	8-2
36190	2-35, 7-36	40814	2-18, 2-35, 7-17, 7-36
36191	2-29, 7-34	41 004 05	10-3
36192	2-15, 7-15	41 009 02	10-3
36227	2-2, 2-5, 7-2, 7-5	41 010 07	10-4
36228	2-2, 2-5, 7-2, 7-5	41 014 15	10-3
36280	2-33, 7-33	41 015 07	10-3
36302	2-34, 7-35	41 025 46	10-7
36328	2-18, 7-17	41 027 47	10-6
36335	2-33, 7-33	41 032 02	10-5
36350	2-31, 7-31	41 038 14	10-3
36354	2-31, 7-31	41 041 02	10-5
36376	2-29, 7-34	41 041 03	10-3
36420	2-33, 7-33	41 041 07	10-3
36462	2-21, 7-23	41 041 10	10-3
36466	2-21, 7-23	41 041 11	10-5, 10-12
36492-1	2-15, 7-15	41 053 18	10-11
36499	2-34, 7-35	41 063 09	10-6

CROSS REFERENCE

Part Number	Page Number	Part Number	Page Number
41 063 11	10-6	42003	10-12
41 063 13	10-6	42028	10-3
41 067 08	10-3	42078	10-3
41 067 09	10-3	42091	10-3
41 067 10	10-3	42108	2-2, 2-23, 7-2, 7-25
41 067 11	10-3	42158	10-3
41 083 04	10-5	42170-12	2-36, 7-37
41 085 05	10-10	42173-1	8-7
41 086 02	10-3	42240	2-21, 7-23
41 086 18	10-13, 10-14	42268	2-28, 7-16
41 086 19	10-8	43290	7-7
41 090 22	10-12	43490	2-7, 7-9
41 096 26	10-7	43555	2-7, 2-10, 7-9, 7-11
41 096 27	10-5	43942	8-3
41 098 04	10-8	44078	2-13, 7-13
41 100 01	10-11	44681-1	8-5
41 100 04	10-5	44681-2	8-5
41 108 01	10-3	44681	8-5
41 108 02	10-3	44828	2-13, 7-13
41 108 03	10-3	44961	2-39, 2-41, 7-41, 7-43
41 108 04	10-3	45 170 02	10-8
41 113 02	10-5	45154	2-3, 7-3
41 120 06	10-8	45214	2-23, 7-25
41 123 19	10-3	45310	8-3
41 126 16	10-9	45375	8-3
41 126 25	10-8	45779	8-4, 8-5
41 126 26	10-13, 10-14	46 053 04	10-14
41 144 18	10-12	46167A	2-7, 7-9
41 146 16	10-12	46236	2-25, 7-27
41 153 01	10-3	46390	2-33, 7-33
41 155 03	10-10	46983	2-9, 2-21, 2-34, 7-10, 7-23, 7-35
41 157 01	10-7	47 083 02	10-5
41 199 07	10-3	47 086 08	10-13
41 227 03	10-8	47 089 01	10-4
41 227 04	10-8	47 755 07	10-8
41 326 02	10-7	47 755 13	10-8
41 380 03	10-4	47037	2-2, 7-2
41 518 27	10-10	47134	2-36, 7-37
41 518 33	10-10	47178	2-23, 7-25
41 584 02	10-10	47476	2-7, 7-9
41 743 02	10-5	47638	2-28, 7-16
41 755 10	10-4	47684	2-27, 7-29
41 755 17	10-3	47720	2-27, 7-29
41 782 11	10-3	47935	2-27, 7-29
41 853 07	10-12	48619	2-31, 7-31
41 874 05	10-3	48635	2-31, 7-31
41 874 06	10-3	48636	2-31, 7-31
41 874 07	10-3	48709	8-8
41 874 08	10-3	48770	2-25, 7-27
41 874 09	10-3	48771	2-27, 7-29
41 874 10	10-3	49250	2-27, 7-29
41 874 11	10-3	49266	7-41
41 874 12	10-3	49266	2-13, 2-39, 2-41, 7-13, 7-43
41 874 13	10-3	49681	2-21, 7-23
41 874 14	10-3	49843	2-35, 7-36
41187	2-18, 2-23, 2-31, 7-17, 7-25, 7-31	49918	2-35, 7-36
41530	8-4, 8-5	50011	2-23, 7-25
41580	8-4, 8-5	51109	2-17, 7-21
41659	2-31, 7-31	51375	2-5, 7-5

CROSS REFERENCE

Part Number	Page Number	Part Number	Page Number
51395	10-11	55589	2-25, 7-27
51396	10-11	56366	2-5, 7-5
51458	8-8	56799	2-7, 7-9
51459	8-8	57496	2-7, 2-21, 2-23, 2-31, 2-35, 7-9, 7-23, 7-25, 7-31, 7-36
51475	10-13	57497	2-34, 7-35
51481	10-9	57499	2-34, 7-35
51496	10-13	57769	2-36, 7-37
51534	2-11	57803	2-13, 7-13, 8-3, 8-4, 8-5
51555	10-14	58075	2-7, 7-9
52 082 04	10-5	58518	8-4
52 139 09	10-4	58519	8-4
52 413 01	10-4	58520	8-4
52173	10-3	58676	2-7, 7-9
52178	10-3	61747	10-3
52179	10-7	61759	10-11
52180	10-3	61782	10-11
52183	10-3	61783	10-3
52184	10-3	61784	10-4
52185	10-3	61820	10-3
52186	10-5	61821	10-3
52189	10-5	61822	10-3
52190	10-8	61823	10-3
52191	10-9	61824	10-3
52192	10-8	62170-2	2-15, 7-15
52193	10-13, 10-14	62170-3	2-15, 7-15
52195	10-8	62351	8-6
52197	10-7	63222	2-13, 7-13
52198	10-3	63266	8-3, 8-4, 8-5
52199	10-8	64757	7-38
52204	10-4	65375	2-7, 7-9
52250	2-2, 2-23, 7-2, 7-25	66099	8-8
52322	10-5	67040	2-2, 2-8, 7-2
52339	10-4	68106	2-36, 7-37
52615	8-8	68198	7-3
52932	10-7	70318	2-13, 7-13
52977	10-3	70321	2-13, 7-13
52979	10-9	70322	2-13, 7-13
52980	10-6, 10-8	70323	2-13, 7-13
52981	10-9	70329	2-13, 7-13
52984	10-5	76062	2-28, 7-16
52988	10-13	76143	2-28, 7-16
53020	10-8	79599	2-19, 7-18
53021	10-8	82 755 28	10-8
53022	10-7, 10-8, 10-9	82342	2-15, 7-15
53400-1	2-27, 7-29	82747	2-13, 7-13
53400-3	2-27, 7-29	87244	2-8, 7-7
53400-4	2-27, 7-29	87444	7-7
53400-5	2-27, 7-29	87550	2-7, 7-9
54121	2-7, 7-9	87630	2-9, 7-10
54229-1	10-14	87748	9-2
54235	2-9, 7-10		
54274	2-21, 7-23		
54527	2-15, 7-15		
54743	2-7, 7-9		
55130	2-7, 7-9		
55248	2-13, 2-39, 2-41, 7-13, 7-43		
55272	8-3, 8-4, 8-5		
55347	2-21, 7-23		
55557	8-6		
55586	2-28, 7-16		

PART DESCRIPTION TO PAGE NUMBER CROSS REFERENCE LIST

A

Actuator, 2-11, 7-7
 Adhesive, 1 oz Tube (30 ml), 7-3
 Adhesive, 5 oz Tube (150 ml), 7-2
 Adhesive, 5 oz. Tube (150 ml), 2-2
 Adjustable Seat Kit, 8-8
 Adjuster Assembly, Seat, 8-8
 Adjuster, Seat, 8-8
 Arm, Bail, L.H., 2-33, 7-33
 Arm, Bail, R.H., 2-33, 7-33
 Arm, Governor, 10-9
 Arm, Idler, 2-21, 2-33, 7-23, 7-33
 Arm, Pintle, 2-21, 7-23
 Arm, Safety, 2-8, 7-7
 Arm, Steering, 2-34, 7-35
 Armature, 10-8

B

Baffle, Blower Housing, 10-6
 Baffle, Cylinder, 10-6
 Baffle, Head, 10-6
 Ball Joint, 2-21, 2-34, 7-23, 7-35
 Ball, Choke Friction, 10-12
 Bar, Beater, 2-7, 7-9
 Bar, Hopper Seal, 7-2
 Bar, Mounting, 2-7, 7-9
 Bar, Propulsion, 2-21, 7-23
 Bar, Spacer, 2-27, 7-29
 Bar, Stiffener, 2-7, 7-9
 Base, Air Cleaner, 10-5
 Base, Fire Door, 2-7, 7-9
 Base, Motor, 2-7, 7-9
 Battery, 2-36, 7-37
 Bearing and Collar, 2-19, 2-23, 2-31, 2-35, 7-18, 7-25, 7-31, 7-36
 Bearing, Adapter, 2-35, 7-36
 Bearing, Ball, 2-18, 2-31, 2-33, 2-35, 7-17, 7-31, 7-33, 7-36, 10-3
 Bearing, Journal, 2-7, 7-9
 Bearing, Nylon, 2-21, 7-23
 Bearing, Self-Aligning, 9-3, 9-4

Bearing, Shaft, 2-29, 7-34
 Bearing, 9-5, 10-3
 Block, Spring Mounting, 2-21, 7-23
 Bolt, Through, 10-8
 Bowl, Fuel, 10-11, 10-12
 Brace, Starter Tail, 10-8
 Bracket, Adjustment, 2-29, 7-34
 Bracket, Belt Guide, 2-23, 7-25
 Bracket, Brake, 2-17, 7-21
 Bracket, Brush Lift, 2-29, 2-33, 7-33, 7-34
 Bracket, Choke, 2-25, 7-27
 Bracket, Fan Mount, 2-9, 7-10
 Bracket, Hose, 2-7, 7-9
 Bracket, L, 2-2, 2-7, 2-17, 2-29, 2-31, 7-2, 7-9, 7-21, 7-31, 7-34, 8-2
 Bracket, Link, 2-7, 7-9
 Bracket, Lock, 2-13, 7-13
 Bracket, Mount, 8-6
 Bracket, Parking Brake, 2-17, 7-21
 Bracket, Safety Arm, 2-8
 Bracket, Side Brush, 2-31, 7-31
 Bracket, Speed Control, 10-9
 Bracket, Starter, 10-8
 Bracket, Support, L.H., 2-13, 7-13
 Bracket, Support, R.H., 2-13, 7-13
 Bracket, Taillight, 8-3
 Bracket, Tank Support, 10-13, 10-14
 Bracket, Tank, 2-27, 7-29
 Bracket, 2-14, 7-14
 Brake Assembly, Disc, 2-17, 7-21
 Breaker, Circuit, 2-13, 7-13, 8-3, 8-4, 8-5
 Breather, 9-2, 10-7
 Brush and Hub Assembly, Perlon, 2-3, 7-3
 Brush and Hub Assembly, Polypropylene, 2-3, 7-3
 Brush Kit, 10-8
 Brush Set, Bosch, 9-2
 Brush Set, Prestolite, 9-2
 Bulb, 8-3, 8-4, 8-5
 Bumper Kit, Front, 8-6
 Bumper, Rubber, 2-5, 7-5
 Bumper, 8-6

CROSS REFERENCE

Bushing, Governor Linkage, 10-12
Bushing, Governor Shaft, 10-9
Bushing, Taper Lock, 2-23, 2-25, 7-25, 7-27
Bushing, 2-33, 7-33

C

Cable Assembly, Main Brush, Lift, 2-29, 7-34
Cable Assembly, Negative, 2-36, 7-37
Cable Assembly, Positive, 2-36, 7-37
Cable Assembly, Side Brush Lift, 7-34
Cable Assembly, Side Brush, Lift, 2-29
Cable, Brake, 2-17, 7-21
Cable, Choke, 2-13, 7-13
Cable, Speed Limiter, 7-19
Cable, Tie, 14.75" (375 mm), 2-39
Camshaft Assembly, 10-4
Cap, Commutator End, 10-8
Cap, Drive End, 10-8
Cap, Frame, 2-5, 7-5
Cap, Rubber, 2-34, 7-35
Carburetor Assembly (Replaced by 12963), 10-11
Carburetor Assembly (with gaskets), 10-12
Carburetor Assembly, LPG, 10-14
Carburetor Repair Kit, 10-12
Chain and Hook Assembly, 8-2
Chain, Link, 2-2, 2-5, 7-2, 7-5
Chain, Roller, 2-18, 2-19, 7-17, 7-18
Channel, Pulley, 2-17, 7-21
Clamp, Cable, 2-25, 7-27
Clamp, Muffler, 2-25, 7-27
Clamp, Spring, 2-7, 7-9
Clamp, Steering Column, 2-34, 7-35
Clamp, Worm Drive, 2-7, 2-10, 2-25, 7-9, 7-11, 7-27
Clevis, Adjust, 2-17, 7-21
Clip, High Tension, 10-10
Clip, Push-On, 2-7, 7-9
Clip, Spring, 2-8, 7-7
Collar, Float, 2-7, 7-9
Connection, Vacuum, 2-10, 7-11
Connector, Parallel, 8-5
Connector, 10-10, 10-13

Counterweight, 7-38
Coupling, Fitting, 2-27, 7-29
Coupling, LPG, 2-27, 7-29
Cover Assembly, Filter, 2-7, 7-9
Cover Kit, 9-5
Cover, Actuator, 2-11
Cover, Air Cleaner, 10-5
Cover, Element, 10-5
Cover, Fuel Pump, 10-14
Cover, Terminal, 2-28, 2-36, 7-16, 7-37
Cover, Valve, 10-7
Crankshaft, 10-3
Cuff, Intake Shroud, 2-25, 7-27
Cylinder, Hydraulic, 2-28, 7-16, 9-3, 9-4

D

Decal, Air Cleaner, 10-5
Demo kit, 8-7
Differential, 2-19, 7-18
Dipstick, 10-3
Disc, Brake, 2-19, 7-18
Disc, Regulating, 10-9
Door, Dump, 2-8
Door, 7-7
Drive Kit, 10-8
Drive Parts Kit, 10-8

E

Elbow, Street, 10-13
Element, Air Cleaner, 10-5
Element, Precleaner, 10-5
Engine Calif. only, 2-25
Engine, Calif. only, 7-27
Engine, LPG Calif. only, 2-27
Engine, LPG, Calif. only, 7-29
Engine, LPG, 2-27, 7-29
Engine, 2-25, 7-27
Eyebolt, 8-7

F

Fan, Cooling, 2-21, 7-23
Fan, 10-7
Fastener, Slot Head, 2-5, 7-5
Fastener, 2-5, 2-7, 7-5, 7-9
Filter Assembly, 2-7, 7-9
Filter Replacement Kit, 2-27
Filter, Air, 2-2, 7-2
Filter, Fuel, 2-2, 7-2
Filter, 10-7
Fitting, 45_ Elbow, 2-27, 7-29
Fitting, Elbow, 2-25, 2-28, 7-16, 7-27, 10-11
Fitting, Grease, 9-3, 9-4
Fitting, Nipple, 2-25, 7-27
Fitting, Plug, 2-28, 7-16
Fitting, Straight Hose, 10-13
Fitting, Straight, 2-25, 2-27, 2-28, 7-16, 7-27, 7-29
Flange, Bearing, 2-19, 2-23, 2-31, 7-18, 7-25, 7-31
Flange, 2-35, 7-36
Float Kit, 10-11, 10-12
Flywheel, 10-7
Frame, Main, 2-5, 7-5
Fuel Filter Lock, 2-27, 7-29
Fuse, 120 A, 2-28, 7-16

G

Gasket Set, with Seals, 10-3
Gasket Set, 10-3
Gasket, Air Cleaner, 10-5, 10-12
Gasket, Bearing Plate, 10-3
Gasket, Bowl Baffle, 10-11
Gasket, Bowl Retainer Screw, 10-12
Gasket, Bowl, 10-11, 10-12
Gasket, Carburetor, 10-11, 10-12, 10-14
Gasket, Fuel Pump, 10-13, 10-14
Gasket, Head, 10-3
Gasket, Inlet, 2-27, 7-29
Gasket, Pan, 10-3
Gasket, Valve Cover, 10-7
Gasket, 2-7, 7-9
Gauge, Hour Meter, 2-13, 7-13

Gauge, voltmeter, 8-6
Gear Assembly, Steering, 2-34, 7-35
Grommet, 2-7, 2-15, 2-27, 7-9, 7-15, 7-29, 8-3, 8-4, 8-5
Guard Kit, Overhead, 8-2
Guard, 2-33, 7-33
Guide, Valve, 10-3

H

Handle, Brush Lift, 2-29, 7-34
Handle, 2-29, 7-34
Hanger, Muffler, 2-25, 7-27
Head, Cylinder, 10-3
Headlight, 8-3
Hinge, 2-15, 2-33, 7-15, 7-33
Hopper, 2-8, 7-7
Horn, 2-14, 7-14
Hose, Breather, 10-7
Hose, Hydraulic, 2-28, 7-16
Hose, LPG, 2-27, 7-29
Hose, 2-7, 2-10, 7-9, 7-11
Housing, Bearing, 2-18, 2-31, 7-17, 7-31
Housing, Blower, 10-6
Housing, Fan, 2-9, 7-10
Housing, Filter, 2-7, 7-9
Hub, Side Brush, 2-3, 7-3
Hub, Wheel, 2-35, 7-36

I

Impeller, 2-9, 7-10
Insert, Exhaust Valve, 10-3
Insulator, Panel, 2-28, 7-16
Isolator, Vibration, 2-21, 7-23
Isolattor, Rubber, 2-15, 7-15

J

Jackshaft, Brush Drive, 2-23, 7-25
Jackshaft, 2-23, 7-25

CROSS REFERENCE

K

Key, Square, 2-9, 2-23, 7-10, 7-25, 10-7
Key, Switch, 2-13, 7-13
Key, Woodruff, 2-9, 2-19, 2-21, 2-34, 7-10, 7-18, 7-23, 7-35
Kit, Diaphragm Repair, 10-13
Kit, Governor Gear, 10-9
Knob, 2-13, 7-13

L

Label Set, Information and Hazard, 2-37, 7-39
Label, 215, 2-37, 7-39
Label, Instrument Panel, 2-13, 7-13
Lanyard Assembly, 2-15, 7-15
Latch, 2-27, 7-29
Lead, Ground to Kill, 10-10
Lead, Rectifier Regulator, 10-10
Leg, Front, L.H., 8-2
Leg, Front, R.H., 8-2
Leg, Rear, L.H., 8-2
Leg, Rear, R.H., 8-2
Leg, Safety, 7-7
Lens, Amber, 8-4, 8-5
Lens, Blue Flashing, 8-4
Lens, Blue Revolving, 8-5
Lens, Red Flashing, 8-4
Lens, Red Revolving, 8-5
Lever, Choke, 10-12
Lever, Damper, 2-10, 7-11
Lever, Governor Assembly, 10-9
Lever, Governor, 10-9
Lever, Release, 2-17, 7-21
Lever, Speed Limiter, 7-19
Lift, Front, 2-29, 7-34
Light Kit, Flashing, 8-4
Light Kit, Head and Taillight, 8-3
Light Kit, Revolving, 8-5
Light, Flashing, 8-4
Light, Revolving, 8-5
Line Assembly, Fuel, 2-25, 7-27
Line, Fuel, 10-13

Link, Chain, 2-18, 2-19, 7-17, 7-18
Link, Fusible, 2-7, 7-9
Linkage, Governor, 10-9
Locator, Tank, 2-27, 7-29
Lug, 2-27, 7-29

M

Main Brush, Polypropylene, 2-3, 7-3
Main Brush, Proex and Wire, 2-3, 7-3
Maintenance Kit, 200 Hour, Gasoline and LPG, 2-2, 7-2
Maintenance Kit, Belts, 7-2
Maintenance Kit, Skirts and Seals, 2-2, 7-2
Maintenance Kit, Belts, 2-2
Miniblock, Cylinder, 10-3
Module, Ignition, 10-10
Module, LPG, 2-27, 7-29
Molding, Rigid, 2-9, 2-15, 7-10, 7-15
Motor, Bosch, 9-2
Motor, Prestolite, 9-2
Motor, Shaker, 2-7, 7-9
Mount, Cable Tie, 2-13, 2-39, 2-41, 7-13, 7-43
Mount, Motor, 2-7, 7-9
Mount, Transmission, 2-21, 7-23
Muffler, 2-25, 7-27

N

Needle, Idle Fuel Adjusting, 10-12
Needle, Idle Fuel, 10-11
Needle, Main Fuel Adjusting, 10-12
Needle, Main Fuel, 10-11
Nut, Hex, Jam, 2-21, 7-23
Nut, Hex, L.H., 2-33, 7-33
Nut, Hex, 2-18, 2-21, 7-17, 7-23, 10-7, 10-9
Nut, Jam, 10-5
Nut, L.H., 2-31, 7-31
Nut, Nylon, 2-18, 2-33, 2-35, 7-17, 7-33, 7-36
Nut, Speed, 2-7, 7-9
Nut, Tube, 10-13
Nut, Wing, 10-5
Nut, 10-13, 10-14

O

O-Ring, 10-3

P

Pad, Rubber, 2-7, 7-9, 8-6
 Pad, Spacer, 8-2
 Pad, 2-17, 7-21
 Palnut, 10-7, 10-8, 10-9
 Pan, Oil, 10-3
 Panel Assembly, Lower, L.H., 2-5, 7-5
 Panel, Deflector, 2-25, 7-27
 Panel, Floor, L.H., 2-14, 7-14
 Panel, Floor, R.H., 2-14, 7-14
 Panel, Instrument, 2-13, 7-13
 Panel, Lower, R.H., 2-5, 7-5
 Panel, Top Filter, 2-7, 7-9
 Partition, Front Support, 2-14, 7-14
 Pedal, Brake, 2-17, 7-21
 Pedal, Foot, 2-21, 7-23
 Pedestal, 8-4, 8-5
 Pin, C, 2-7, 7-9
 Pin, Camshaft, 10-4
 Pin, Clevis, 2-11, 2-17, 2-21, 2-29, 2-31, 7-7, 7-21, 7-23, 7-31, 7-34
 Pin, Float Hinge, 10-11
 Pin, Governor Stop, 10-9
 Pin, Roll, 2-17, 7-21
 Pintle Subassembly, 9-5
 Piston Assembly, 0.003", 10-3
 Piston Assembly, 0.010", 10-3
 Piston Assembly, 0.020", 10-3
 Piston Assembly, 0.030", 10-3
 Piston Assembly, 10-3
 Pivot Assembly, Hopper, 2-7, 7-9
 Pivot, Speed Limiter, 7-19
 Plate, Bearing, 10-3
 Plate, Beater Bar, 2-7, 7-9
 Plate, Choke, 10-12
 Plate, Damper, 2-10, 7-11
 Plate, Fire Door, 2-7, 7-9
 Plate, Housing Backing, 2-9, 7-10
 Plate, Motor, 2-23, 7-25

Plate, Seat Support, 8-8
 Plate, Side Brush, 2-31, 7-31
 Plate, Spring, 2-21, 7-23
 Plate, Support, L.H., 2-18, 7-17
 Plate, Support, R.H., 2-18, 7-17
 Plate, Throttle, 10-12
 Plug, Brush Drive, 2-33, 7-33
 Plug, Brush Idler, 2-33, 7-33
 Plug, Cup, 10-4
 Plug, Expansion, 10-3
 Plug, Pipe, 10-3
 Plug, Terminal, 8-3, 8-4, 8-5
 Plugbutton, 2-13, 2-23, 7-13, 7-25
 Precleaner, Air, 2-2, 7-2
 Protector, Terminal, 2-36, 7-37
 Pulley, Cable, 2-17, 2-29, 7-21, 7-34
 Pulley, Idler, 2-33, 7-33
 Pump Kit, 9-2
 Pump, Fuel Pump Assembly, 10-13
 Pump, Hydraulic, 2-28, 7-16, 9-2

R

Regulator Replacement Kit, 10-10
 Regulator, LPG, 2-27, 7-29
 Regulator, Rectifier, 10-10
 Repair Kit, Carburetor, 10-11
 Repair Kit, Choke, 10-11
 Repair Kit, 2-27, 7-29
 Replacement Kit, Fuel Filter Lock, 2-27, 7-29
 Replacement Kit, Pedestal F/02206, 8-4, 8-5
 Replacement Kit, Skirt, 2-5, 7-5
 Replacement Kit, Thumb Screw F/12947, 2-7, 7-9
 Reservoir Assembly, 9-2
 Reservoir Kit, 9-5
 Retainer Kit, 10-4
 Retainer, Bearing, 2-33, 7-33
 Retainer, Brush Skirt. R.H., 2-2
 Retainer, Brush Skirt, R.H., 7-2
 Retainer, Engine Mount, 2-25, 7-27
 Retainer, Hopper Side Seal, 7-2
 Retainer, Intake Spring, 10-4
 Retainer, L.H., 2-2, 2-5, 7-2, 7-5

CROSS REFERENCE

Retainer, Piston Pin, 10-3
Retainer, Screw, 2-7, 7-9
Retainer, Side Seal, 7-7
Retainer, Skirt, L.H., 2-2, 7-2
Retainer, Skirt, R.H., 2-5, 7-5
Retainer, Skirt, 2-5, 7-5
Ring Set, 0.003", 10-3
Ring Set, 0.010", 10-3
Ring Set, 0.020", 10-3
Ring Set, 0.030", 10-3
Ring, Retaining, 2-21, 2-33, 7-23, 7-33
Rivet, Pop, 2-7, 7-9
Rod, Choke, 2-25, 7-27
Rod, Connecting, 0.010", 10-3
Rod, Connecting, 10-3
Rod, Motor Plate, 2-23, 7-25
Rod, Parking Brake, 2-17, 7-21
Rod, Speed Limiter, 7-19
Rod, Steering, 2-34, 7-35
Rod, Vacuum Control, 2-10, 7-11
Rotator, Exhaust Valve, 10-4
Rubber Bumper, 7-38

S

Screw, Bowl Retainer, 10-11, 10-12
Screw, Flat Head, 2-33, 7-33
Screw, Full Thread, 2-9, 2-18, 2-21, 7-10, 7-17, 7-23
Screw, Hex Cap Head, 10-9
Screw, Hex Cap Sems, 10-3, 10-6, 10-14
Screw, Hex Cap, 10-3
Screw, Hex Head Sems, 10-10
Screw, Hex Wash Head, 10-6
Screw, Hex Washer Head, 10-7, 10-8, 10-9
Screw, Hex, Full Thread, 7-2
Screw, Hex, L.H., 2-31, 7-31
Screw, Hex, 2-21, 2-23, 2-35, 7-23, 7-25, 7-36, 10-8
Screw, Idle Speed Adjusting, 10-12
Screw, Idle Speed, 10-11
Screw, Idle Stop, 10-14
Screw, Idle, 10-14
Screw, Load, 10-14
Screw, Nylon Set, 2-7, 2-19, 2-21, 2-23, 2-31, 2-35,
7-9, 7-18, 7-23, 7-25, 7-31, 7-36
Screw, Pan Head, 10-10
Screw, Pozidrive Truss Head, 10-13, 10-14
Screw, Sems Indented Hex, 10-10
Screw, Set, 2-9, 7-10
Screw, Shoulder, 7-19
Screw, Slotted Head, 10-11, 10-14
Screw, Throttle and Choke Plate, 10-12
Screw, Washer Head, 10-5
Seal Assembly, Hopper Lip, 7-7
Seal Kit, Overhaul, 9-5
Seal Kit, 9-2, 9-3, 9-4
Seal, Breather, 10-7
Seal, Brush, L.H., 2-2, 7-2
Seal, Brush, R.H., 2-2, 2-5, 7-2, 7-5
Seal, Brush, 2-5, 7-5
Seal, Foam Rubber, 2-2, 2-5, 2-7, 2-8, 2-14, 7-2, 7-3,
7-5, 7-7, 7-9, 7-14
Seal, Foam, Hopper Lip, 7-2
Seal, Front Oil, 10-3
Seal, Hopper Door, 7-7
Seal, Hopper Lip, 2-2, 2-7, 7-2, 7-7, 7-9
Seal, Hopper Side, 2-2, 2-5, 7-2, 7-5, 7-7
Seal, Hopper Top, 2-2, 2-5, 7-2, 7-5
Seal, Oil, 10-3
Seal, 10-5
Seat Assembly, 2-15, 7-15
Shaft Kit, Input, 9-5
Shaft, Bearing and Flange Assembly, 2-9, 7-10
Shaft, Brush Drive, 2-33, 7-33
Shaft, Governor Cross, 10-9
Shaft, Governor, 10-3
Shaft, Output, 9-5
Shaft, Plug, 2-33, 7-33
Shaft, Side Brush, 2-31, 7-31
Shaft, Throttle (with lever and seal), 10-12
Sheave, Fan, 2-9, 7-10
Sheave, Idler, 2-21, 2-33, 7-23, 7-33
Sheave, Motor Drive, 2-23, 7-25
Sheave, Transmission, 2-21, 7-23
Sheave, 2-23, 2-25, 2-31, 2-33, 7-25, 7-27, 7-31, 7-33
Shield, Plug, 2-33, 7-33
Shroud, Intake, 2-25, 7-27

- Skirt, Back Brush, 2-2, 7-2
- Skirt, Brush Wrap, 2-5, 7-5
- Skirt, Brush, R.H., 2-2, 2-5, 7-2, 7-5
- Skirt, L.H., 2-2, 2-5, 7-2, 7-5
- Skirt, 2-2, 2-5, 2-34, 7-2, 7-5, 7-35
- Sleeve, Bearing, 2-31, 7-31
- Sleeve, Rubber, 2-7, 7-9
- Sleeve, Transmission, 2-21, 7-23
- Sleeve, Tubing, 10-13
- Sleeve, Vinyl, 8-2
- Sleeve, 2-2, 2-9, 2-10, 2-15, 2-18, 2-21, 2-23, 2-27, 2-31, 2-33, 2-34, 7-2, 7-10, 7-11, 7-15, 7-17, 7-23, 7-25, 7-29, 7-31, 7-33, 7-35
- Solenoid, Starter, 2-36, 7-37
- Spacer, Brush, 2-31, 7-31
- Spacer, Camshaft 0.005", 10-4
- Spacer, Camshaft 0.010", 10-4
- Spacer, Seat Adjuster, 8-8
- Spacer, 10-7
- Spark Plug, 2-2, 7-2, 10-10
- Spring, Actuating, 10-4
- Spring, Choke Friction, 10-12
- Spring, Compression, 2-7, 2-17, 7-9, 7-21
- Spring, Directional Control, 2-21, 7-23
- Spring, Exhaust Valve, 10-4
- Spring, Governor, 10-9
- Spring, Idle Fuel, 10-11, 10-12
- Spring, Idle Screw, 10-14
- Spring, Idle Speed, 10-11, 10-12
- Spring, Intake Valve, 10-4
- Spring, Latch, 2-15, 7-15
- Spring, Load Screw, 10-14
- Spring, Main Fuel, 10-11, 10-12
- Spring, Tension, 2-10, 2-17, 2-21, 2-31, 2-33, 7-11, 7-21, 7-23, 7-31, 7-33
- Sprocket, 2-18, 2-19, 2-21, 7-17, 7-18, 7-23
- Starter Assembly, 10-8
- Stator, 15 A, 10-10
- Stop, Transmission, 2-21, 7-23
- Strainer, Fuel, 2-25, 7-27
- Strap, Brush Handle, 2-29, 7-34
- Strap, Rubber, 2-36, 7-37
- Strap, Shaker Motor, 2-7, 7-9
- Strap, Support, 2-21, 7-23
- Strap, 2-25, 7-27
- Strip, Hopper Seal, 7-7
- Strip, Retainer, 2-2, 2-5, 7-2, 7-5
- Strip, 2-2, 2-5, 2-31, 7-2, 7-5, 7-31, 8-6
- Stud, Valve Cover, 10-7
- Stud, 2-21, 7-23
- Support, Bail Arm, 2-33, 7-33
- Support, Engine, 2-25, 7-27
- Support, Jackshaft, 2-23, 7-25
- Support, Lintel, L.H., 2-13, 7-13
- Support, Lintel, R.H., 2-13, 7-13
- Support, Seat, 2-15, 7-15
- Support, Tank, 2-25, 7-27
- Support, Wheel, 2-35, 7-36
- Switch Assembly, Key, 2-13, 7-13
- Switch, Push, 2-13, 7-13
- Switch, Seal, 2-13, 7-13
- Switch, Start, 9-2
- Switch, Toggle, 2-13, 7-13
- Switch, 8-3, 8-4, 8-5

T

- Tab, Terminal, 2-36, 7-37
- Tag, Caution, 10-8
- Taillight, 8-3
- Tank, Fuel, 2-25, 7-27
- Tank, LPG, With Filler Valve, 8-7
- Tank, LPG, 8-7
- Tappet, Exhaust Valve, 10-4
- Tappet, Intake Valve, 10-4
- Terminal, 8-3
- Thumb Screw, 2-7, 7-9
- Tie, Cable, 14.75" (375 mm), 2-41, 7-41, 7-43
- Tie, Cable, 6.75" (170 mm), 2-39
- Tie, Cable, 6.75" (172 mm), 2-41, 7-41, 7-43
- Tie, Cable, 2-13, 7-13
- Tire, Solid, 2-35, 7-36
- Tire, 2-18, 7-17
- Top, Overhead Guard, 8-2
- Transmission, 2-21, 7-23, 9-5
- Tray, Battery, 2-36, 7-37

CROSS REFERENCE

Tread, Floor, 2-5, 7-5

Trunnion, Adjustment, 2-29, 7-34

Tube, Brush Lift, 2-29, 7-34

Tube, Fill, 10-3

Tube, Spacer, 2-35, 7-36

Tube, 2-21, 7-7, 7-23

V

V-Belt, 2-2, 2-23, 2-31, 7-2, 7-25, 7-31

Valve Kit, Relief, 9-2

Valve Kit, Solenoid, 9-2

Valve, Exhaust, 10-4

Valve, Intake, 10-4

Voltmeter Kit, 8-6

W

Washer, Belleville, 2-18, 2-23, 2-31, 7-17, 7-25, 7-31

Washer, Lock, 10-13, 10-14

Washer, Nylon, 2-25, 7-27

Washer, Plain, 10-3, 10-6, 10-7, 10-8, 10-9, 10-10

Washer, Sealing, 10-11

Washer, 2-17, 2-18, 2-33, 2-35, 7-17, 7-21, 7-33, 7-36

Weight, Eccentric, 2-7, 7-9

Wheel, Half, 2-18, 2-35, 7-17, 7-36

Wheel, Steering, 2-34, 7-35

Wire Assembly, Cable, 2-39, 2-41, 7-41, 7-43

Wire Assembly, 8-3

Wire Harness, Frame, LPG, 2-41, 7-43

Wire Harness, Instrument Panel, 2-39, 2-41, 7-41,
7-43

Wire Harness, LPG Engine, 2-41, 7-43

Wire Harness, Main, 2-39, 2-41, 7-41, 7-43

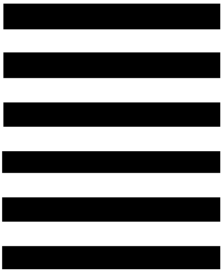
Wire, 9-2



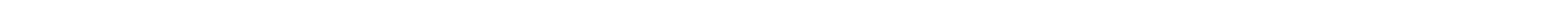
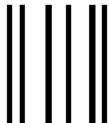
TENNANT COMPANY
 Technical Publications #15
 701 North Lilac Drive
 P.O. Box 1452
 Minneapolis, MN 55440-9947

POSTAGE WILL BE PAID BY ADDRESSEE

BUSINESS REPLY MAIL
 FIRST CLASS MAIL PERMIT NO. 94 MINNEAPOLIS, MN

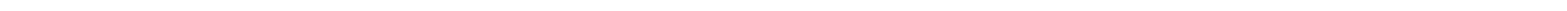


NO POSTAGE
 NECESSARY
 IF MAILED
 IN THE
 UNITED STATES



Fold along dotted lines

Tape here

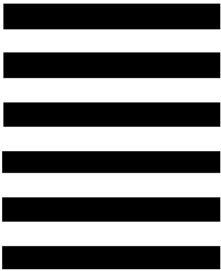




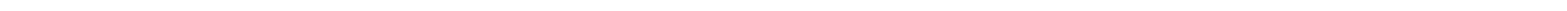
TENNANT COMPANY
 Technical Publications #15
 701 North Lilac Drive
 P.O. Box 1452
 Minneapolis, MN 55440-9947

POSTAGE WILL BE PAID BY ADDRESSEE

BUSINESS REPLY MAIL
 FIRST CLASS MAIL PERMIT NO. 94 MINNEAPOLIS, MN



NO POSTAGE
 NECESSARY
 IF MAILED
 IN THE
 UNITED STATES



Fold along dotted lines

Tape here

