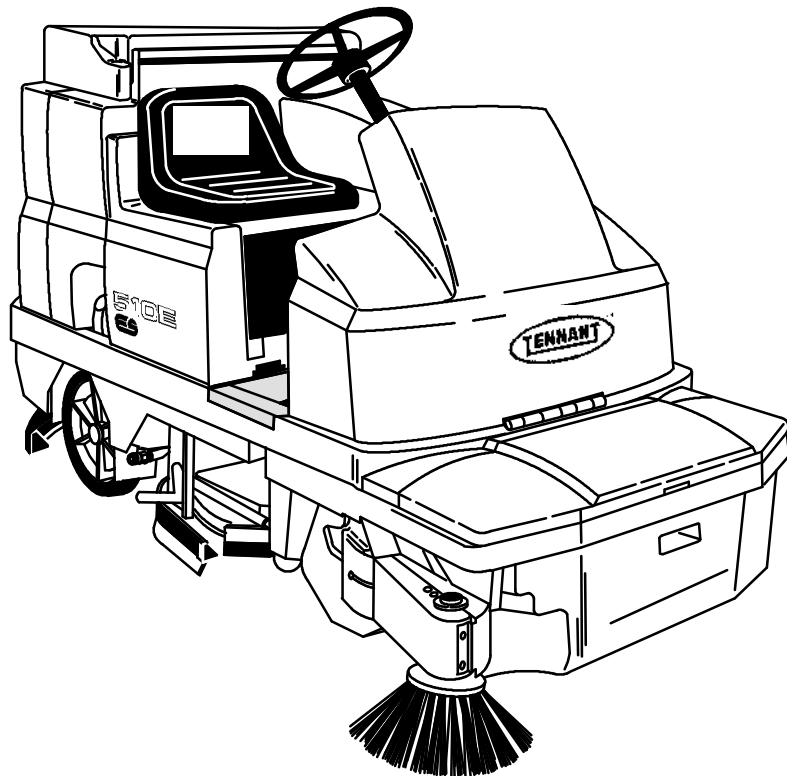




510E

(Parts Manual)



MM239
Rev. 09 (3-95)



This manual is furnished with each new TENNANT Model 510E. It provides necessary operating and preventive maintenance instructions. Read this manual completely and understand the machine before operating or servicing it.

This manual covers all machine variations and standard accessories. The instruction portion of the manual consists of the Specification, Operation, Maintenance, and Appendix sections. The parts portion consists of the Standard Parts; Options; Breakdowns; and Cross Reference sections.

All right side and left side references to the machine are determined by facing the direction of forward travel. All hardware considered to be of a common nature or locally available has been omitted from the parts sections. Be aware that this machine may contain metric hardware. Make sure you use equivalent hardware when replacement becomes necessary.

This machine will provide excellent service. However, the best results will be obtained at minimum costs if:

- The machine is operated with reasonable care.
- The machine is maintained regularly – per the maintenance instructions provided.
- The machine is maintained with TENNANT supplied or equivalent parts.

Parts and supplies may be ordered by phone or mail from any TENNANT parts and service center, distributor, or from any of the TENNANT subsidiaries. Before ordering parts or supplies, be sure to have your machine model number and serial number handy. Fill out the data block below for future reference. The telephone numbers, telex numbers, mailing addresses, and locations of those outlets are listed in the Customer Documents section of the manual.

| MACHINE DATA | |
|---|-------|
| <i>Please fill out at time of installation.</i> | |
| Machine Serial Number - | _____ |
| Engine Serial Number - | _____ |
| Sales Representative - | _____ |
| Customer Number - | _____ |
| Date of Installation - | _____ |
| Manual Number - | MM239 |
| Revision: | 09 |
| Published: | 3-95 |

Trademark Registered in: Austria, Benelux, Denmark, England, France, Germany, Italy, Spain, Switzerland, United States, Argentina, Australia, Canada, Japan, Mexico, Sweden, by TENNANT COMPANY, Minneapolis, Minnesota, U.S.A.

Copyright 1990, 1991, 1992, 1993, 1994, 1995 TENNANT, Printed in U.S.A.

HOW TO USE THIS MANUAL

This section on *HOW TO USE THIS MANUAL* will tell you how to:

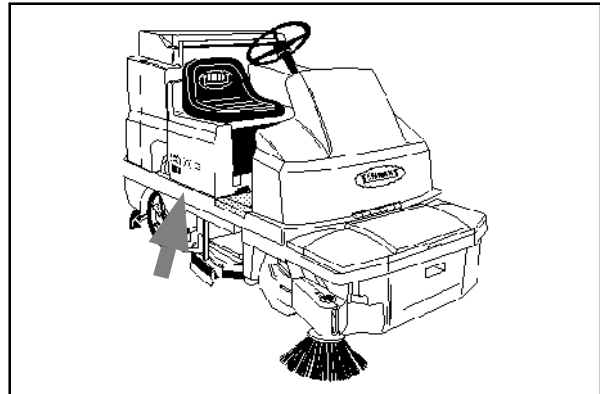
- Find important machine information for ordering correct repair parts.
- Find TENNANT part numbers.
- Order TENNANT parts and supplies.

IMPORTANT INFORMATION

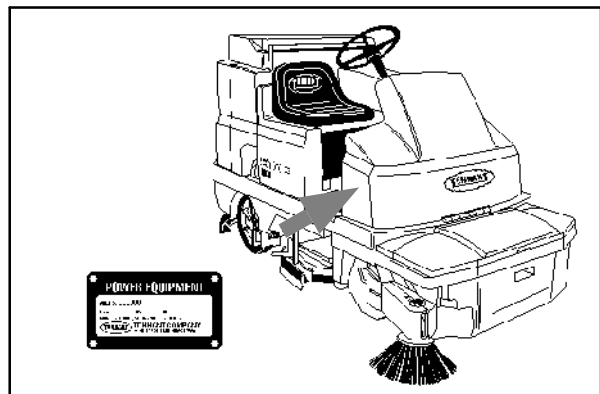
When placing an order for parts, the machine model and machine serial number are important. Refer to the *MACHINE DATA* box which is filled out during the installation of your machine. The *MACHINE DATA* box is located on the inside of the front cover of this manual.

| MACHINE DATA | |
|---|-------|
| <i>Please fill out at time of installation.</i> | |
| Machine Serial Number - | _____ |
| Engine Serial Number - | _____ |
| Sales Representative - | _____ |
| Customer Number - | _____ |
| Date of Installation - | _____ |
| Manual Number - | MM239 |
| Revision: | 05 |
| Published: | 08-93 |

The model number of your machine is on the side of the machine.



The serial number of your machine is printed on the machine data plate located as shown.



HOW TO USE THIS MANUAL

FINDING A TENNANT PART NUMBER

This manual contains the following sections:

- HOW TO USE THIS MANUAL
- STANDARD PARTS
- OPTIONS
- BREAKDOWNS
- CROSS REFERENCE

The STANDARD PARTS section lists repair parts for standard machines. They are grouped in this general order:

- General wear parts.
- Machine frame and related parts.
- Machine propelling system.
- Scrubbing components.
- Electrical parts.

The OPTION section lists repair parts of options.

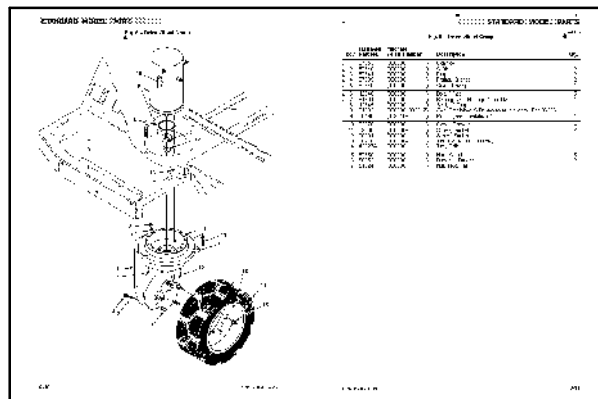
The BREAKDOWN section lists available repair parts of major components.

All sections in this manual consist of parts illustrations and corresponding parts lists.

The parts illustrations are numbered with **Ref** numbers which refer to corresponding parts lists.

The parts lists include a number of columns of information:

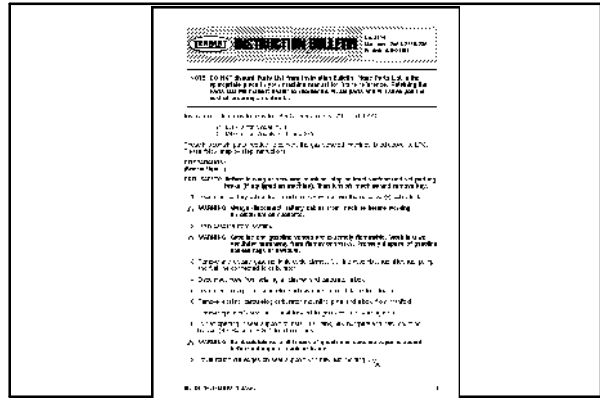
- **Ref** - column refers to the reference number on the parts illustration.
- ∇ - indicates the part is an assembly.
- ▲ - indicates the part is included in the assembly listed just before it.
- **TENNANT Part No.** - column lists the TENNANT part number for the part.
- **Serial Number** - column indicates the set of machines the part number is applicable to. Serial numbers change when the machine design has been modified. The most current design of the machine is shown in the main illustration, older designs are boxed in a corner of the illustration.
- **Description** - column is a brief description of the part.
- **Qty.** - column lists the quantity of that part used in that area of the machine.



| Key | TENNANT Part No. | Machine Serial Number | Description | Qty. | |
|-----|------------------|-----------------------|-----------------|--|---|
| 7 | 87355 | 000000- | Gearbox | 1 | |
| ▲ | 87840 | 000000- | O-Ring | 2 | |
| ▲ | 87841 | 000000- | Plug | 2 | |
| ▲ | 87839 | 000000- | Filling, Grease | 2 | |
| ▲ | 87849 | 000000- | Gear, Driving | 1 | |
| ▲ | 6 | 12640 | 000000- | Bolt, Wheel | 5 |
| ▲ | 7 | 61791 | 000000- | Bearing and Housing Assembly | 1 |
| ▲ | 8 | 12646 | 000000- | Seal, O-Ring | 1 |
| ▲ | 9 | 31992 | 000000-C02C17 | (See Breakdowns) Replacement Kit Motor For 86366 | 1 |
| ▲ | 9 | 60186 | 000016- | Motor (See Breakdowns) | 1 |
| ▲ | 10 | 02076 | 000000- | Cover, Terminal | 4 |
| ▲ | 11 | 03000 | 000000- | Screw, Socket | 2 |
| ▲ | 12 | 08294 | 000000- | Screw, Socket | 1 |
| ▲ | 13 | 88970 | 000000- | Tire and Wheel Assembly | 1 |
| ▲ | 14 | 45027A | 000000- | Tire, Solid | 1 |
| ▲ | 15 | 87760 | 000000- | Nut, Wheel | 5 |
| ▲ | 15 | 58855 | 000000- | Burner, Flusher | 2 |
| ▲ | 17 | 51824 | 000000- | Nut, Hex, Thin | 1 |

NOTE: If a service kit is installed on your machine, be sure to keep the **INSTRUCTION BULLETIN** which came with the kit. It contains repair parts numbers needed for ordering future parts.

NOTE: Fasteners used in this machine may be metric or non-metric. Take care when replacing hardware to replace with same thread size.



PLACING AN ORDER

Orders may be placed by phone, fax, or by mail. Phone orders may need written confirmation. Follow the steps below to insure prompt delivery:

1. Identify the model number of your machine.
2. Identify the serial number of your machine.
3. Find the part number of the part you need. Do not order by page number or reference number. If you are not able to find the part number, call your TENNANT representative for help or send the old part as a sample.
4. Determine the quantity of the part you need.
5. Provide the following company information:
 - Company name
 - Customer ID Number
 - Shipping address
 - Billing address
 - First and last name of person ordering parts
 - Telephone number
 - Purchase order number
6. Provide definitive shipping instructions.

HOW TO USE THIS MANUAL

Any claim for loss or damage to a shipment in transit should be filed promptly with the transportation company making the delivery. Shipments will be complete unless the packing list or order acknowledgement indicates items back ordered.

If parts received are suspected to be incorrect or defective, please contact the TENNANT representative from whom you ordered the part. They will give authorization for return and/or handle replacement shipments when required.

SECTION 6

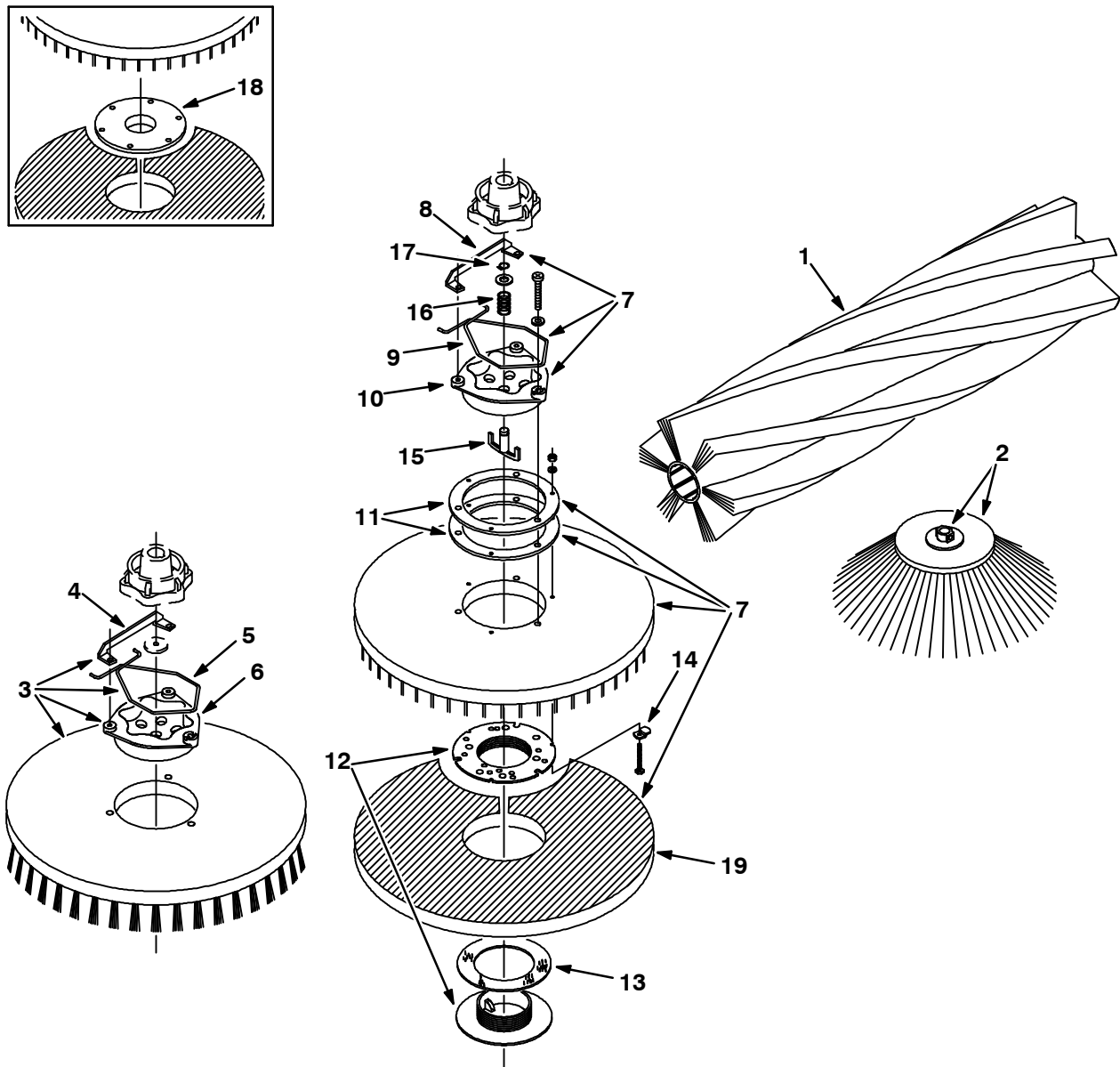
CONTENTS

| | Page |
|---|------|
| Fig. 1 - Recommended General Maintenance Items | 6-2 |
| Fig. 2 - Replacement Brushes | 6-2 |
| Fig. 3 - Main Frame and Cover Group | 6-4 |
| Fig. 4 - Seat Assembly | 6-6 |
| Fig. 5 - Steering Group | 6-8 |
| Fig. 6 - Drive Wheel Group | 6-10 |
| Fig. 7 - Front Brake Linkage Group | 6-12 |
| Fig. 8 - Rear Brake Linkage Group | 6-13 |
| Fig. 9 - Rear Wheel and Brake Group | 6-14 |
| Fig. 10 - Floor Plate Group | 6-15 |
| Fig. 11 - Directional Pedal Group | 6-16 |
| Fig. 12 - Scrub Head Drive Group | 6-18 |
| Fig. 13 - Scrub Head Mount Group | 6-20 |
| Fig. 14 - Scrub Head Lift Group | 6-21 |
| Fig. 15 - Edge Scrub Group | 6-22 |
| Fig. 16 - Scrub Head Stops and Squeegee Mount Group | 6-23 |
| Fig. 17 - Solution Valve Group | 6-24 |
| Fig. 18 - Right Side Squeegee Group | 6-26 |
| Fig. 19 - Left Side Squeegee Group | 6-27 |
| Fig. 20 - Rear Squeegee Mount Group | 6-28 |
| Fig. 21 - Left Side Squeegee Group | 6-30 |
| Fig. 22 - Rear Squeegee Linkage Group | 6-31 |
| Fig. 23 - Recovery Tank Group | 6-32 |
| Fig. 24 - Solution Tank Group | 6-34 |
| Fig. 25 - Demister and Cover Group | 6-36 |
| Fig. 26 - Vacuum Fan Group | 6-38 |
| Fig. 27 - Instrument Panel Group | 6-40 |
| Fig. 28 - Electronic Panel Group | 6-41 |
| Fig. 29 - Control Box Group | 6-42 |
| Fig. 30 - Wire Harness Group | 6-44 |
| Fig. 31 - Label Group | 6-50 |

Fig. 1 - Recommended General Maintenance Items

| Key | TENNANT Part No. | Machine Serial Number | Description | Qty. |
|-----|------------------|-----------------------|-------------------------|------|
| ∇ 1 | 24304 | (000000-) | Rear Squeegee Kit | 1 |
| ▲ 2 | 86812 | (000000-) | Gasket, Squeegee | 2 |
| 3 | 86859 | (000000-) | Squeegee Assembly, Side | 2 |

Fig. 2 - Replacement Brushes



| Key | TENNANT Part No. | Machine Serial Number | Description | Qty. |
|-----|------------------|-----------------------|----------------------------------|------|
| 1 | 16182 | (000000-) | Brush, Pre-Sweep™, Polypropylene | 1 |
| ∇ 2 | 41673 | (000000-) | Brush, Side Sweep, Polypropylene | 1 |
| ▲ | 28013-B | (000000-) | Adapter, Brush | 1 |
| ∇ 3 | 14967 | (000000-) | Scrub Brush Assembly, Nylon | 2 |
| ▲ 4 | 24299 | (000000-) | Bracket, Retainer Spring | 1 |

STANDARD PARTS

| Key | TENNANT Part No. | Machine Serial Number | Description | Qty. |
|-----|------------------|-----------------------|--|------|
| ▲ | 5 14838 | (000000- |) Spring, Brush Retaining | 1 |
| ▲ | 6 15539 | (000000- |) Adaptor, Brush | 1 |
| ▽ | 14953 | (000000- |) Scrub Brush Assembly, Polypropylene | 2 |
| ▲ | 24299 | (000000- |) Bracket, Retainer Spring | 1 |
| ▲ | 14838 | (000000- |) Spring, Brush Retaining | 1 |
| ▲ | 15539 | (000000- |) Adaptor, Brush | 1 |
| ▽ | 14586 | (000000- |) Scrub Brush Assembly, Abrasive Nylon | 2 |
| ▲ | 24299 | (000000- |) Bracket, Retainer Spring | 1 |
| ▲ | 14838 | (000000- |) Spring, Brush Retaining | 1 |
| ▲ | 15539 | (000000- |) Adaptor, Brush | 1 |
| ▽ | 7 14584 | (000000- |) Scrub Driver Pad Assembly, Polypropylene | 2 |
| ▲ | 8 24299 | (000000- |) Bracket, Retainer Spring | 1 |
| ▲ | 9 14838 | (000000- |) Spring, Brush Retaining | 1 |
| ▲ | 10 15539 | (000000- |) Adaptor, Brush | 1 |
| ▲ | 11 11218 | (000000- |) Spacer, Pad Holder | 2 |
| ▲ | 12 32506 | (xxxxxx- |) Strip Retainer, Brush Pad Driver | 1 |
| ▲ | 13 32505 | (xxxxxx- |) Washer, Brush Pad Retainer | 1 |
| ▲ | 14 32432 | (xxxxxx- |) Clip, Retaining | 3 |
| ▲ | 15 32657 | (xxxxxx- |) Clip, Locking | 1 |
| ▲ | 16 32661 | (xxxxxx- |) Spring, Compression | 1 |
| ▲ | 17 86953 | (xxxxxx- |) Ring, Retaining | 1 |
| | 18 19783 | (000000-xxxxxx) |) Holder, Pad | 1 |
| | 19 17260 | (000000- |) Pad, Polish, White | 2 |
| | 19 17261 | (000000- |) Pad, Buffer, Red | 2 |
| | 19 17262 | (000000- |) Pad, Scrubber, Blue | 2 |
| | 19 17263 | (000000- |) Pad, Stripper, Brown | 2 |

Fig. 3 - Main Frame and Cover Group

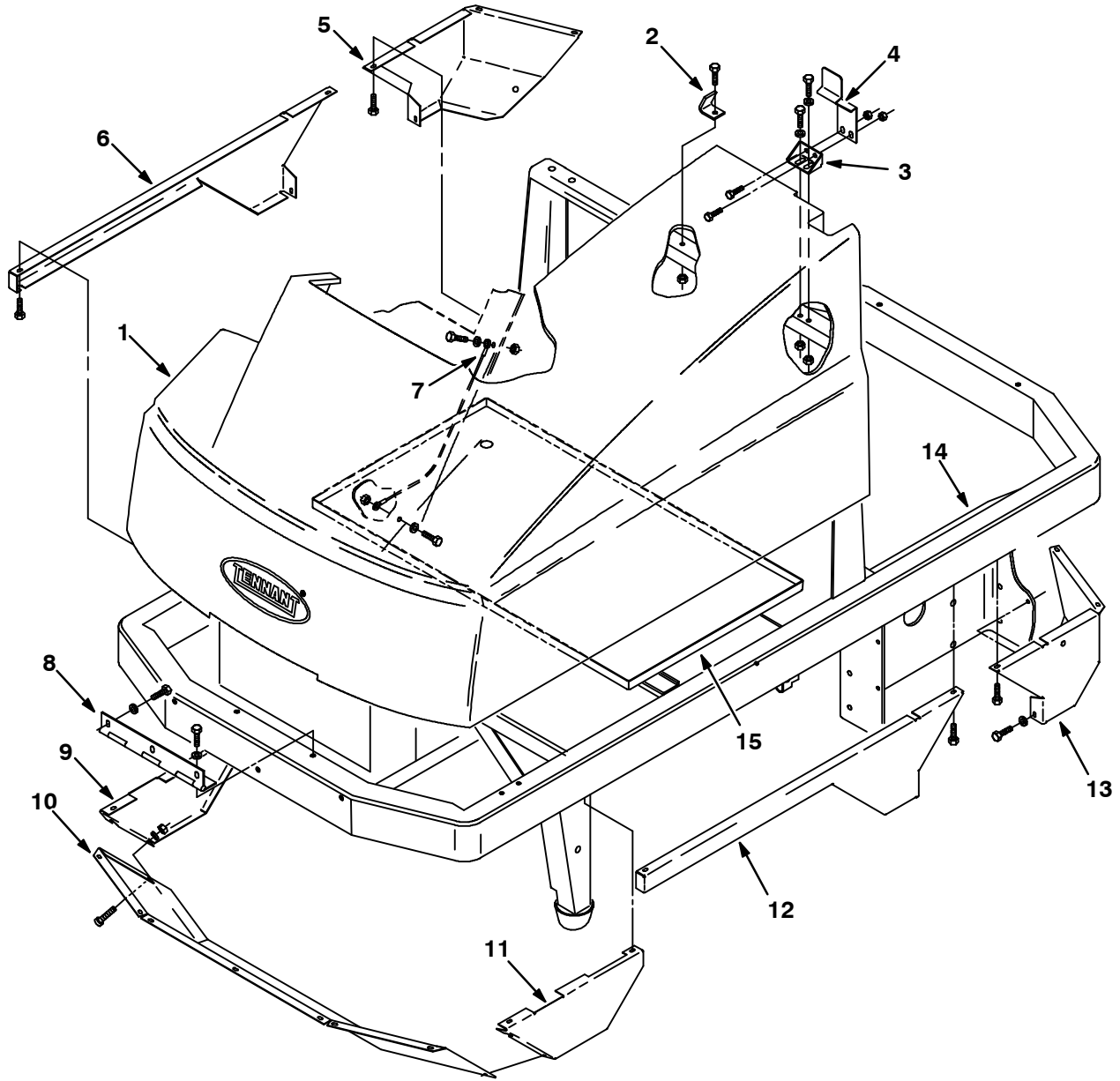


Fig. 3 - Main Frame and Cover Group

| Key | TENNANT Part No. | Machine Serial Number | Description | Qty. |
|-----|------------------|-----------------------|----------------------------|------|
| 1 | 15967 | (000000- |) Cover | 1 |
| 2 | 41352 | (000000- |) Angle, Cover Guide | 1 |
| 3 | 16539 | (000000- |) Angle, Latch Mounting | 1 |
| 4 | 14051 | (000000- |) Latch, Cover | 1 |
| 5 | 14990 | (000000- |) Skirt, Rear Frame, R.H. | 1 |
| 6 | 14994 | (000000- |) Skirt, Side Frame, R.H. | 1 |
| 7 | 36192 | (000000- |) Lanyard Assembly | 1 |
| 8 | 15964 | (000000- |) Hinge | 1 |
| 9 | 17031 | (000000- |) Skirt, Front Frame, R.H. | 1 |
| 10 | 16892 | (000000- |) Skirt, Front Frame | 1 |
| 11 | 17032 | (000000- |) Skirt, Front Frame, L.H. | 1 |
| 12 | 14995 | (000000- |) Skirt, Side Frame, L.H. | 1 |
| 13 | 14993 | (000000- |) Skirt, Rear Frame, L.H. | 1 |
| 14 | 14120 | (000000- |) Frame, Main | 1 |
| 15 | 17191 | (000000- |) Tray, Battery | 1 |

Fig. 4 - Seat Assembly

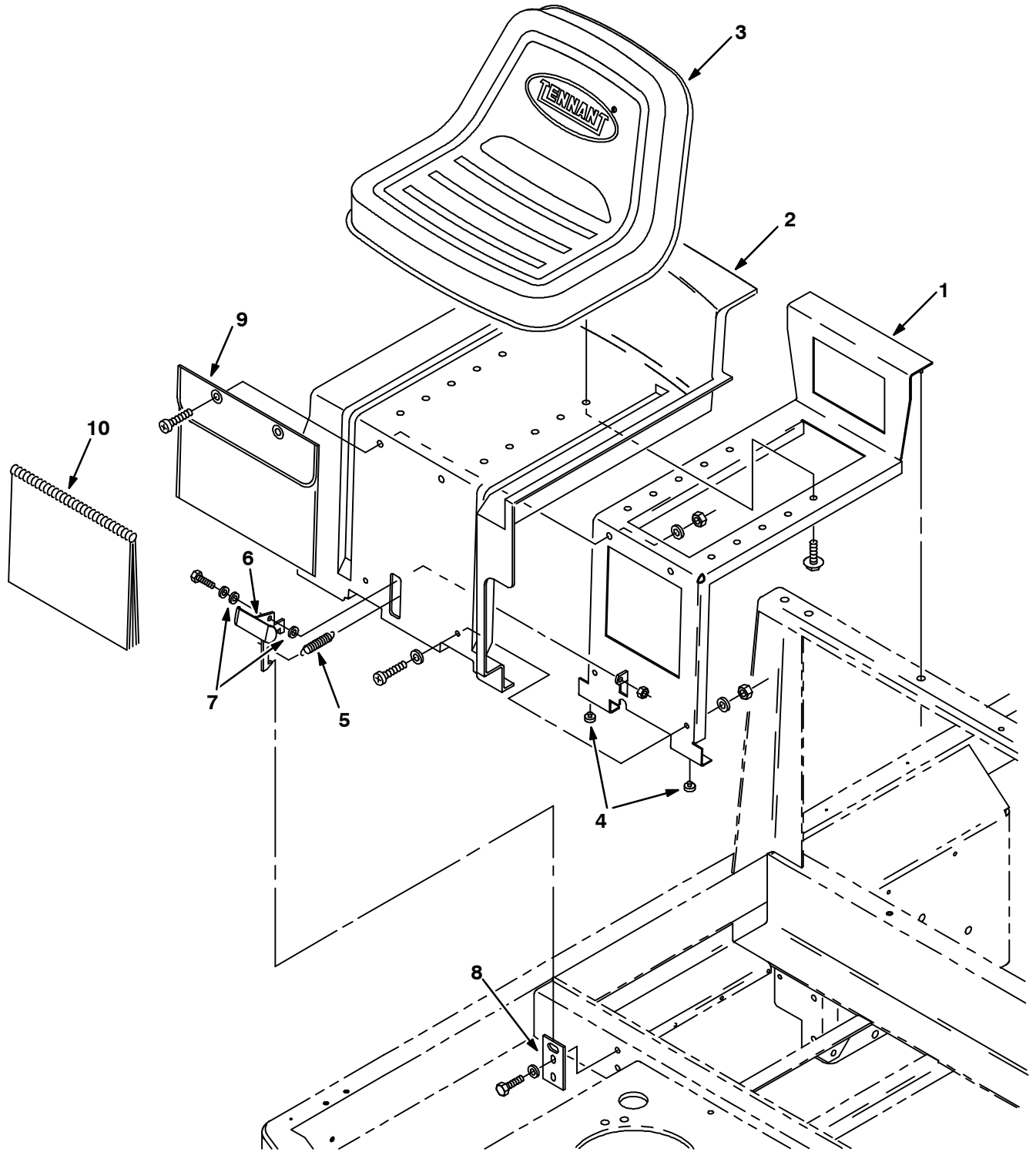


Fig. 4 - Seat Assembly

| Key | TENNANT Part No. | Machine Serial Number | Description | Qty. |
|-----|------------------|-----------------------|--|------|
| ▽ | 14516 | (000000-) | Seat Assembly | 1 |
| ▲ 1 | 16201 | (000000-) | Frame, Seat Support | 1 |
| ▲ 2 | 16200 | (000000-) | Panel, Shroud | 1 |
| ▲ 3 | 82342 | (000000-) | Seat | 1 |
| ▲ 4 | 29233 | (000000-) | Bumper, Rubber | 2 |
| ▲ 5 | 09087 | (000000-) | Spring, Tension | 1 |
| ▲ 6 | 16193 | (000000-) | Latch | 1 |
| ▲ 7 | 24924 | (000000-) | Washer, Nylon | 2 |
| 8 | 16196 | (000000-) | Plate, Strike | 1 |
| 9 | 68275 | (000000-001601) | Pouch, Operator's Manual, 13.6 in (345 mm) | 1 |
| 9 | 48790 | (001602-) | Pouch, Operator's Manual, 7.5 in (190 mm) | 1 |
| 10 | MM240 | (000000-) | Manual, Operator's Handbook | 1 |

Fig. 5 - Steering Group

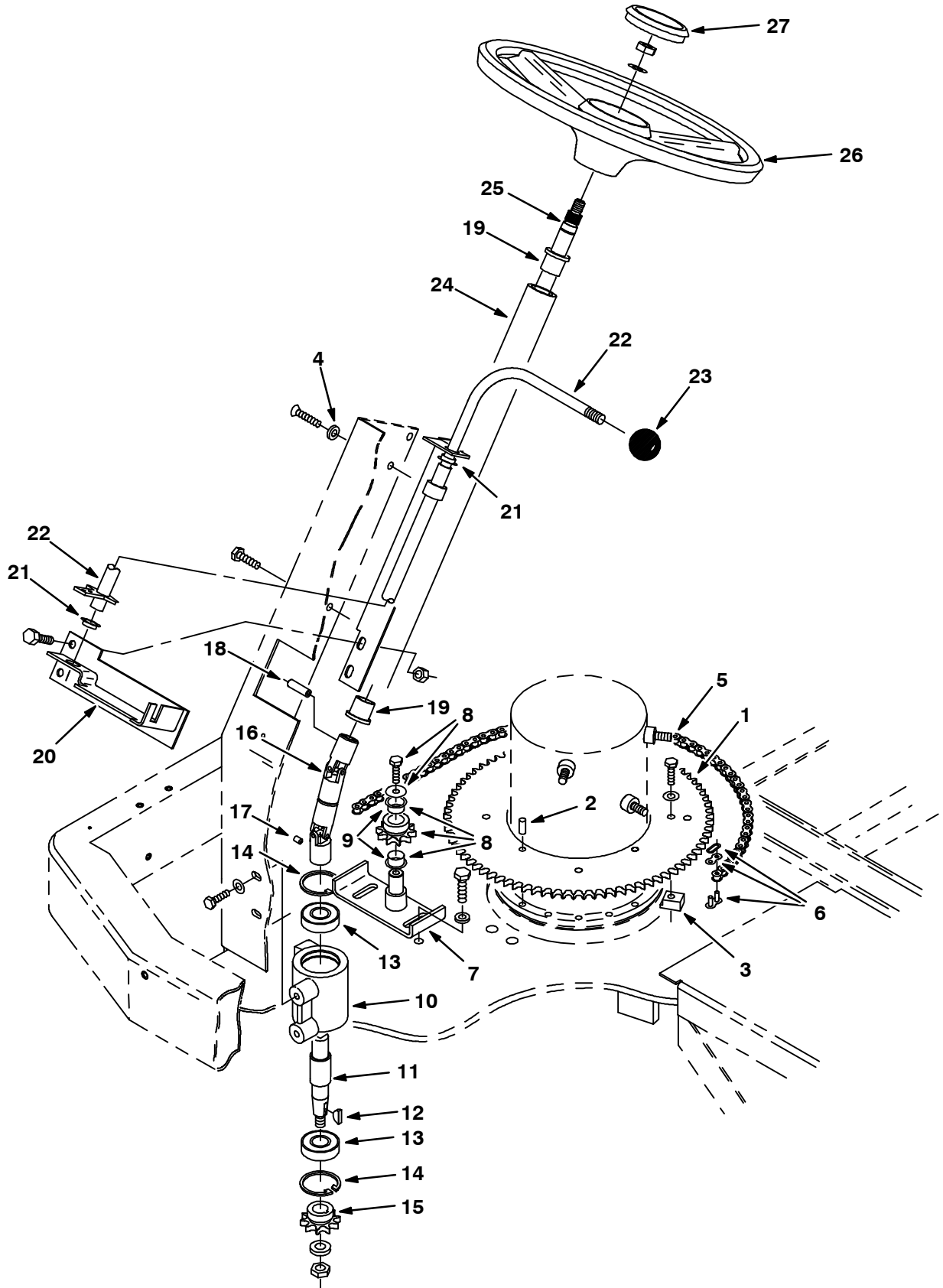


Fig. 5 - Steering Group

| Key | TENNANT Part No. | Machine Serial Number | Description | Qty. |
|-----|------------------|-----------------------|-------------------------|------|
| 1 | 14152 | (000000- |) Sprocket, Steering | 1 |
| 2 | 14296 | (000000- |) Pin, Roll | 4 |
| 3 | 14150 | (000000- |) Clip, Sprocket | 4 |
| 4 | 33215 | (000000- |) Washer, Finishing | 1 |
| ▽ 5 | 24349 | (000000- |) Steering Chain Kit | 1 |
| ▲ 6 | 07112 | (000000- |) Link, Chain | 1 |
| 7 | 14277 | (000000- |) Plate, Idler Mounting | 1 |
| ▽ 8 | 24353 | (000000- |) Chain Idler Kit | 1 |
| ▲ 9 | 16370 | (000000- |) Bearing, Flange | 2 |
| 10 | 14351 | (000000- |) Housing, Bearing | 1 |
| 11 | 14335 | (000000- |) Rod, Lower Steering | 1 |
| 12 | 00500-10 | (000000- |) Key, Woodruff | 1 |
| 13 | 46390 | (000000- |) Bearing, Ball | 2 |
| 14 | 26428 | (000000- |) Ring, Retaining | 2 |
| 15 | 16386 | (000000- |) Sprocket | 1 |
| 16 | 14355 | (000000- |) Joint, Universal | 1 |
| 17 | 50011 | (000000- |) Screw, Set | 1 |
| 18 | 26103 | (000000- |) Pin, Roll | 1 |
| 19 | 16367 | (000000- |) Bearing, Flange | 2 |
| 20 | 15830 | (000000- |) Plate, Cable Mounting | 1 |
| 21 | 04843 | (000000- |) Bearing, Flange | 2 |
| 22 | 15815 | (000000- |) Rod, Control | 1 |
| 23 | 26156 | (000000- |) Knob | 1 |
| 24 | 14336 | (000000- |) Column, Steering | 1 |
| 25 | 14333 | (000000- |) Shaft, Steering | 1 |
| 26 | 87488 | (000000- |) Wheel, Steering | 1 |
| 27 | 57497 | (000000- |) Cap, Steering Wheel | 1 |

Fig. 6 - Drive Wheel Group

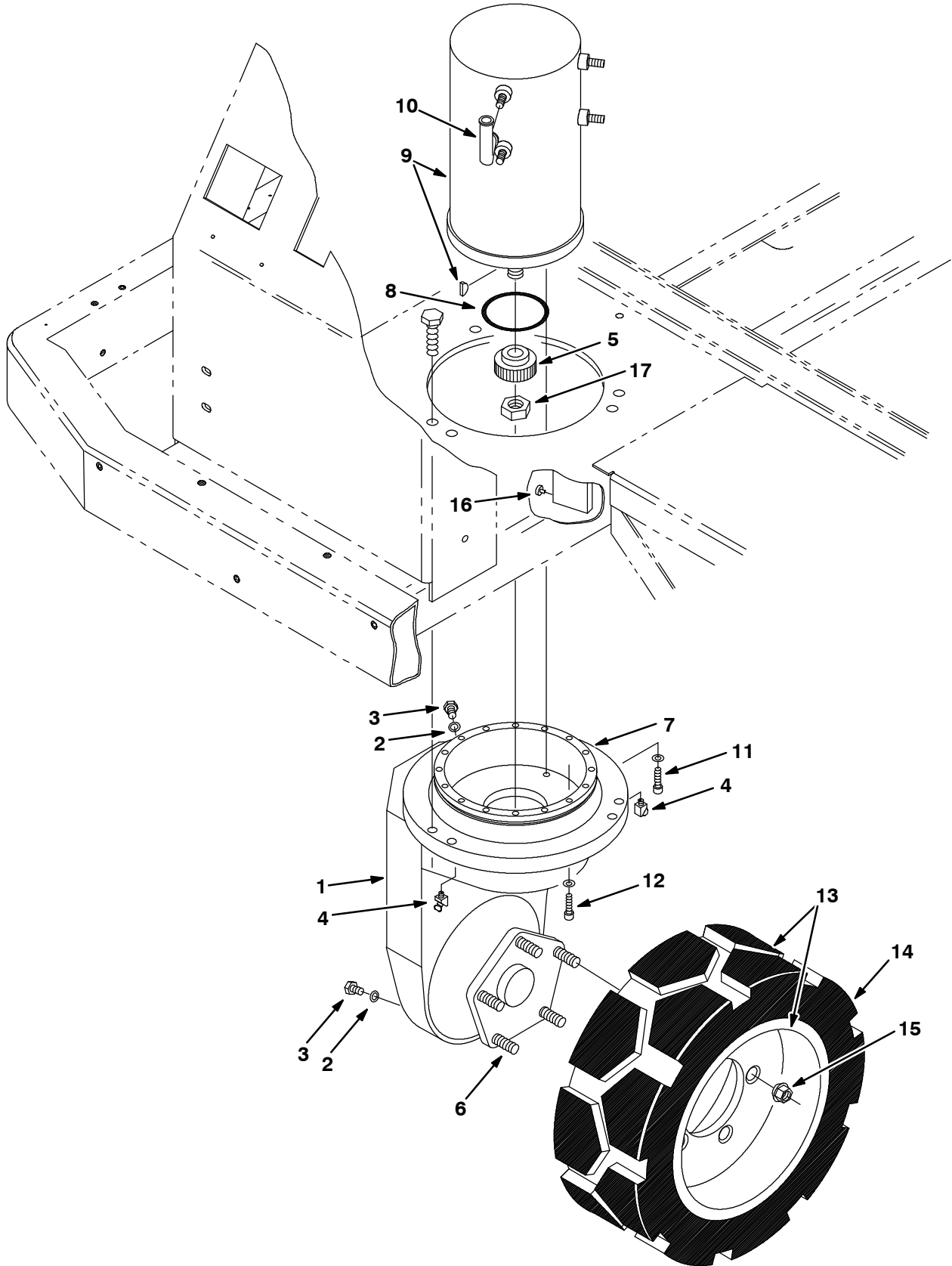
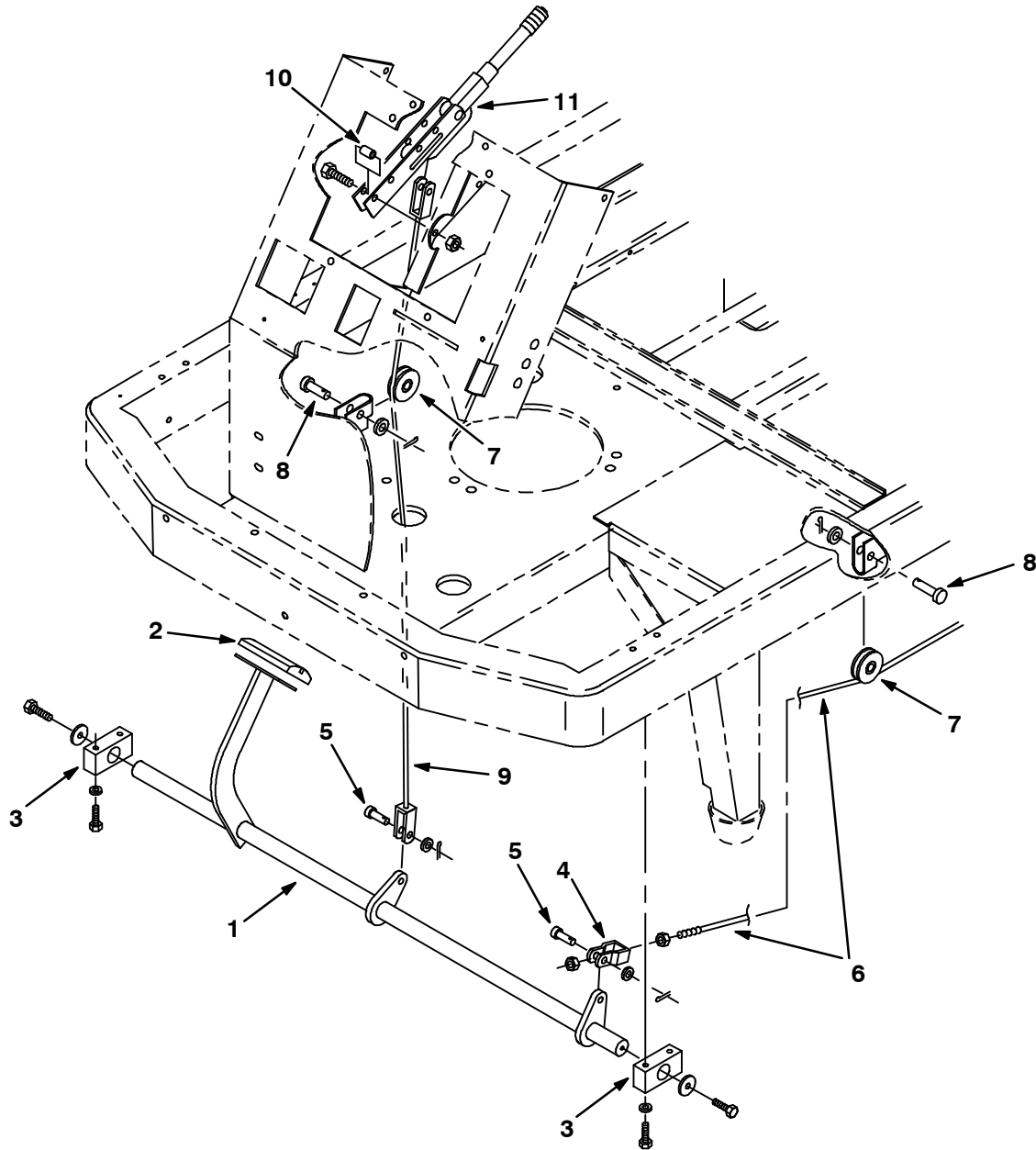


Fig. 6 - Drive Wheel Group

| Key | TENNANT Part No. | Machine Serial Number | Description | Qty. |
|-----|------------------|-----------------------|---|------|
| ▽ | 1 | 87355 | (000000-) Gearbox | 1 |
| ▲ | 2 | 87840 | (000000-) O-Ring | 2 |
| ▲ | 3 | 87841 | (000000-) Plug | 2 |
| ▲ | 4 | 87839 | (000000-) Fitting, Grease | 2 |
| ▲ | 5 | 87849 | (000000-) Gear, Driving | 1 |
| ▲ | 6 | 12540 | (000000-) Bolt, Wheel | 5 |
| ▲ | 7 | 61791 | (000000-) Bearing and Housing Assembly | 1 |
| | 8 | 12545 | (000000-) Seal, O-Ring | 1 |
| | 9 | 31992 | (000000-002017) Replacement Kit Motor For 86356 (See Breakdowns) | 1 |
| | 9 | 60196 | (002018-003199) Motor, Electric, Replaced by 79100 (See Breakdowns) | 1 |
| ▽ | 9 | 79096 | (003200-003255) Motor, Electric | 1 |
| ▲ | | 00500-5 | (003200-003255) Key, Woodruff | 1 |
| ▲▽ | | 79097 | (003200-003255) Brush Set | 1 |
| ▲▲ | | 79098 | (003200-003255) Brush and Parts | 4 |
| ▲ | | 79099 | (003200-003255) Brush Holder | 1 |
| | 9 | 60198 | (003256-) Motor, Electric (See Breakdowns) | 1 |
| | 10 | 02076 | (000000-) Cover, Terminal | 4 |
| | 11 | 09030 | (000000-) Screw, Socket | 2 |
| | 12 | 09294 | (000000-) Screw, Socket | 1 |
| | 13 | 86970 | (000000-) Tire and Wheel Assembly | 1 |
| | 14 | 45027A | (000000-) Tire, Solid | 1 |
| | 15 | 87750 | (000000-) Nut, Wheel | 5 |
| | 16 | 56855 | (000000-) Bumper, Rubber | 2 |
| | 17 | 51824 | (000000-) Nut, Hex, Thin | 1 |

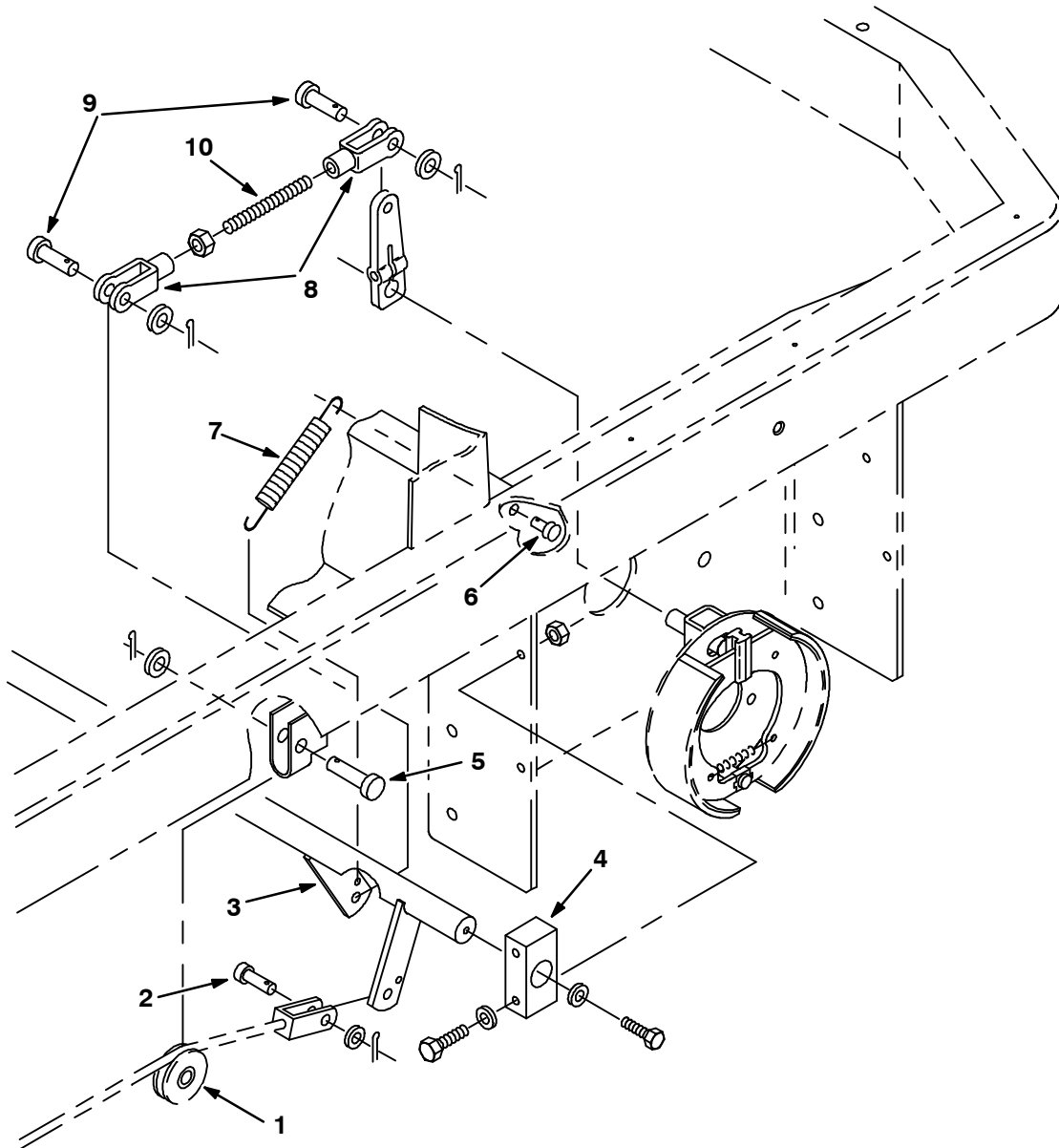
Fig. 7 - Front Brake Linkage Group



05415/05415

| Key | TENNANT Part No. | Machine Serial Number | Description | Qty. |
|-----|------------------|-----------------------|--------------------------|------|
| 1 | 14228 | (000000-) | Shaft, Front Brake | 1 |
| 2 | 51109 | (000000-) | Pad | 1 |
| 3 | 86751 | (000000-) | Bearing, Brake | 2 |
| 4 | 14910 | (000000-) | Clevis, Brake Adjustment | 1 |
| 5 | 09088 | (000000-) | Pin, Clevis | 2 |
| 6 | 14473 | (000000-) | Cable, Brake | 1 |
| 7 | 74391 | (000000-) | Pulley, Cable | 2 |
| 8 | 06598 | (000000-) | Pin, Clevis | 2 |
| 9 | 14475 | (000000-) | Cable, Brake Service | 1 |
| 10 | 51562 | (000000-) | Sleeve | 2 |
| 11 | 51545 | (000000-) | Lever, Brake | 1 |

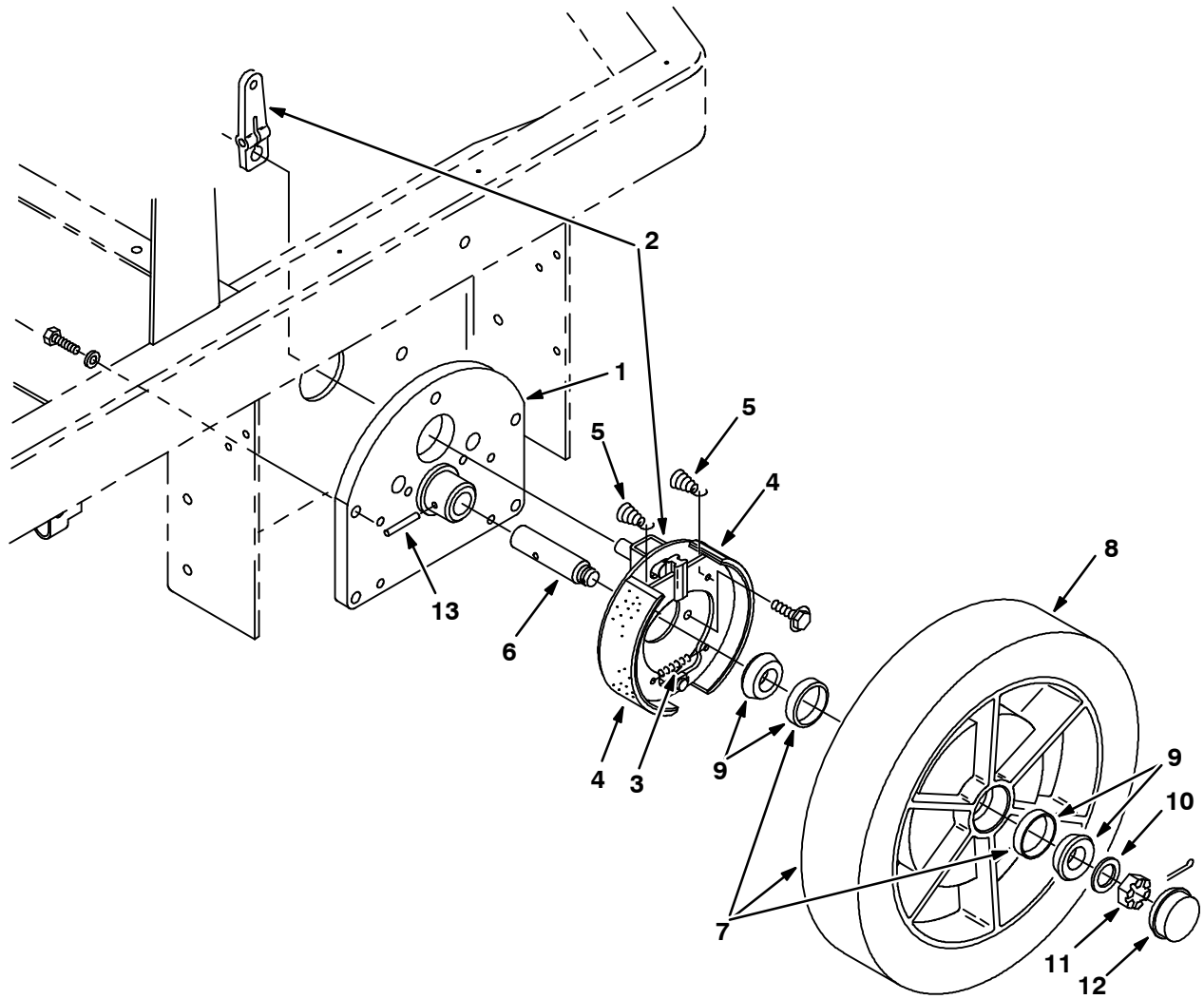
Fig. 8 - Rear Brake Linkage Group



05414/05414

| Key | TENNANT Part No. | Machine Serial Number | Description | Qty. |
|-----|------------------|-----------------------|-------------------|------|
| 1 | 74391 | (000000-) | Pulley, Cable | 1 |
| 2 | 09088 | (000000-) | Pin, Clevis | 1 |
| 3 | 14227 | (000000-) | Shaft, Rear Brake | 1 |
| 4 | 86751 | (000000-) | Bearing, Brake | 2 |
| 5 | 06598 | (000000-) | Pin, Clevis | 1 |
| 6 | 28296 | (000000-) | Pin, Clevis | 2 |
| 7 | 03091 | (000000-) | Spring, Tension | 2 |
| 8 | 14330 | (000000-) | Yoke, End | 4 |
| 9 | 86240 | (000000-) | Pin, Clevis | 4 |
| 10 | 75290 | (000000-) | Rod, Threaded | 2 |

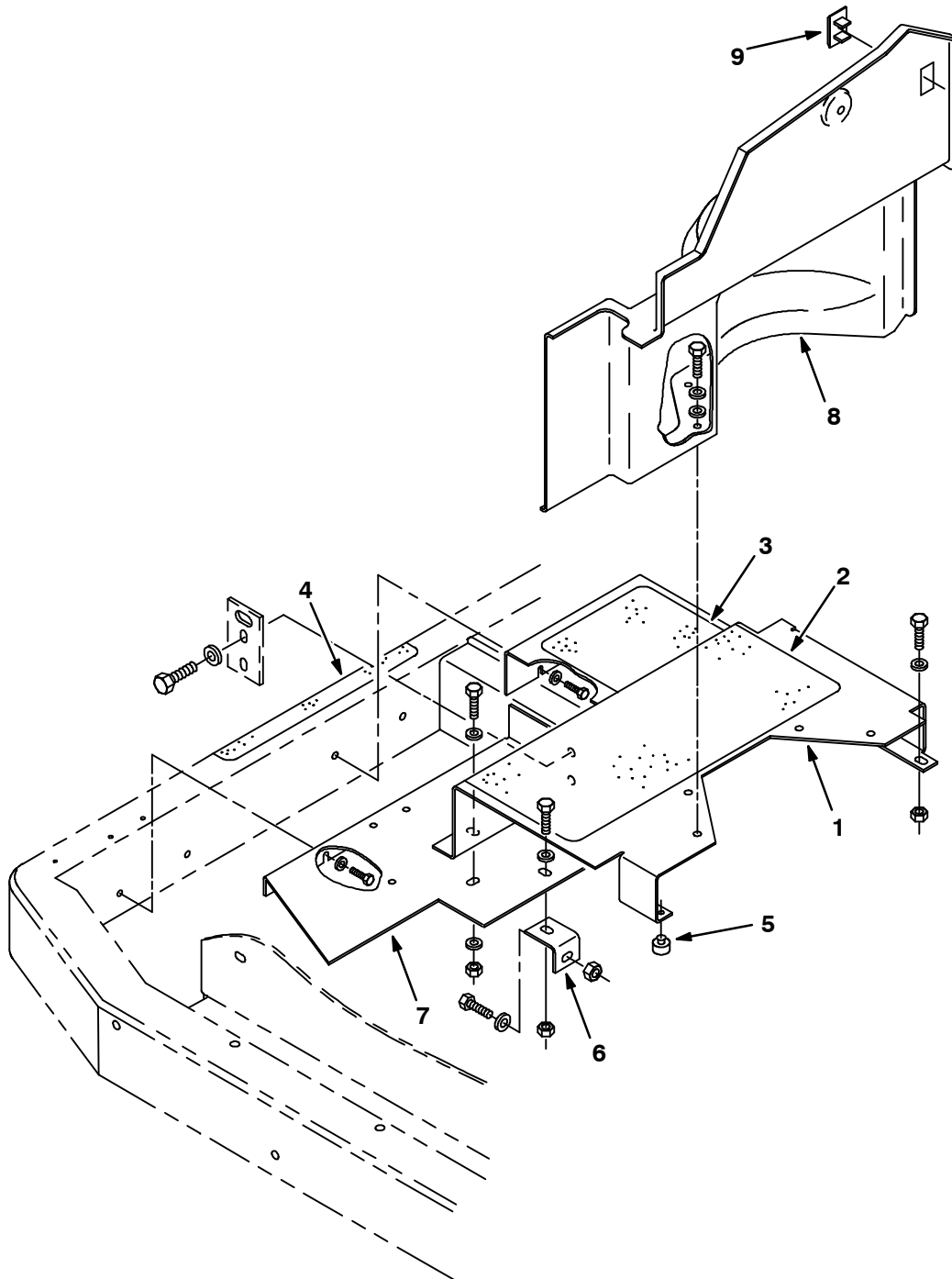
Fig. 9 - Rear Wheel and Brake Group



05413/05413

| Key | TENNANT Part No. | Machine Serial Number | Description | Qty. |
|------|------------------|-----------------------|-------------------------------|------|
| 1 | 12283 | (000000-) | Mount, Axle | 2 |
| ∇ 2 | 48561 | (000000-) | Brake Assembly | 2 |
| ▲∇ | 48597 | (000000-) | Brake Shoe and Spring Kit | 1 |
| ▲▲ 3 | 48598 | (000000-) | Spring, Return | 1 |
| ▲▲ 4 | 48562 | (000000-) | Shoe and Lining Assembly | 2 |
| ▲▲ 5 | 48599 | (000000-) | Spring, Hold Down | 2 |
| 6 | 86225 | (000000-) | Stud, Axle | 2 |
| 7 | 86026 | (000000-) | Wheel Assembly, Rear | 2 |
| 8 | 25197A | (000000-) | Tire, Solid | 1 |
| 9 | 54202 | (000000-) | Bearing Cup and Cone Assembly | 4 |
| 10 | 53904 | (000000-) | Washer | 2 |
| 11 | 86659 | (000000-) | Nut, Hex, Slotted | 2 |
| 12 | 86922 | (000000-) | Cap, Hub | 2 |
| 13 | 11516 | (000000-) | Pin, Roll | 2 |

Fig. 10 - Floor Plate Group



05225/05225

| Key | TENNANT Part No. | Machine Serial Number | Description | Qty. |
|-----|------------------|-----------------------|--------------------------|------|
| 1 | 14285 | (000000-) | Panel, Floor, L.H. | 1 |
| 2 | 16369 | (000000-) | Tread, Floor | 1 |
| 3 | 16368 | (000000-) | Tread, Floor | 1 |
| 4 | 58819 | (000000-) | Tread, Pedal | 1 |
| 5 | 29233 | (000000-) | Bumper, Rubber | 1 |
| 6 | 14716 | (000000-) | Angle | 1 |
| 7 | 14282 | (000000-) | Panel, Floor, R.H. | 1 |
| 8 | 14732 | (000000-) | Panel and Label Assembly | 1 |
| 9 | 57772 | (000000-) | Plate, Cover | 1 |

Fig. 11 - Directional Pedal Group

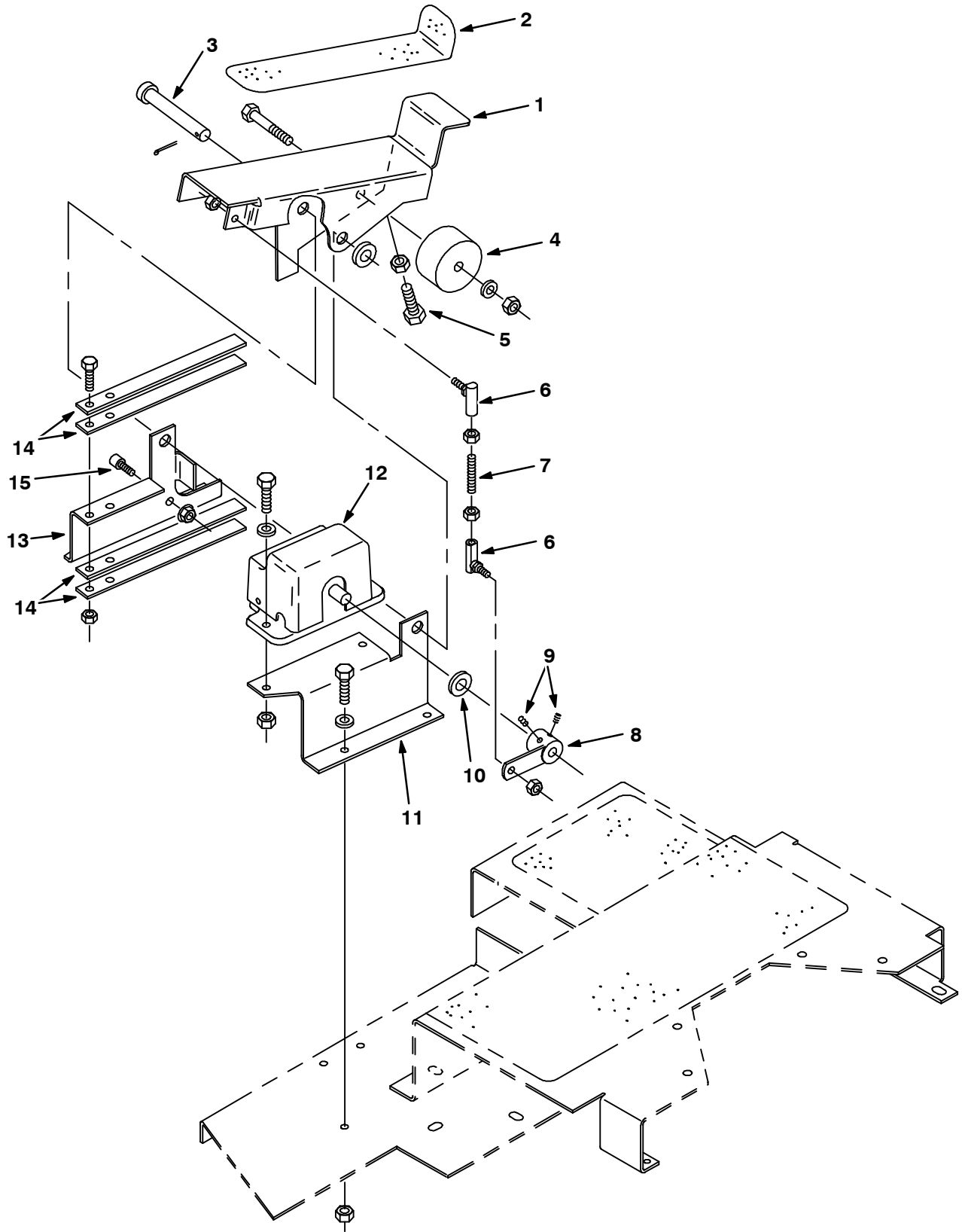


Fig. 11 - Directional Pedal Group

| Key | TENNANT Part No. | Machine Serial Number | Description | Qty. |
|-----|------------------|-----------------------|---------------------------|------|
| 1 | 87957 | (000000- |) Pedal | 1 |
| 2 | 82839 | (000000- |) Pad, Tread | 1 |
| 3 | 06474A | (000000- |) Pin, Clevis | 1 |
| 4 | 87725 | (000000- |) Spacer | 1 |
| 5 | 36801 | (000000- |) Screw, Hex | 1 |
| 6 | 12263 | (000000- |) Balljoint | 2 |
| 7 | 14397 | (000000- |) Rod, Threaded | 1 |
| 8 | 14400 | (000000- |) Arm | 1 |
| 9 | 17186 | (000000- |) Screw, Set | 2 |
| 10 | 43611 | (000000- |) Washer, Nylon | 1 |
| 11 | 14409 | (000000- |) Bracket, Mounting, L.H. | 1 |
| 12 | 14368 | (000000- |) Accelerator | 1 |
| 13 | 87718 | (000000- |) Bracket, Mounting, R.H. | 1 |
| 14 | 49681 | (000000- |) Plate, Spring | 4 |
| 15 | 39308 | (000000- |) Screw, Socket | 1 |

Fig. 12 - Scrub Head Drive Group

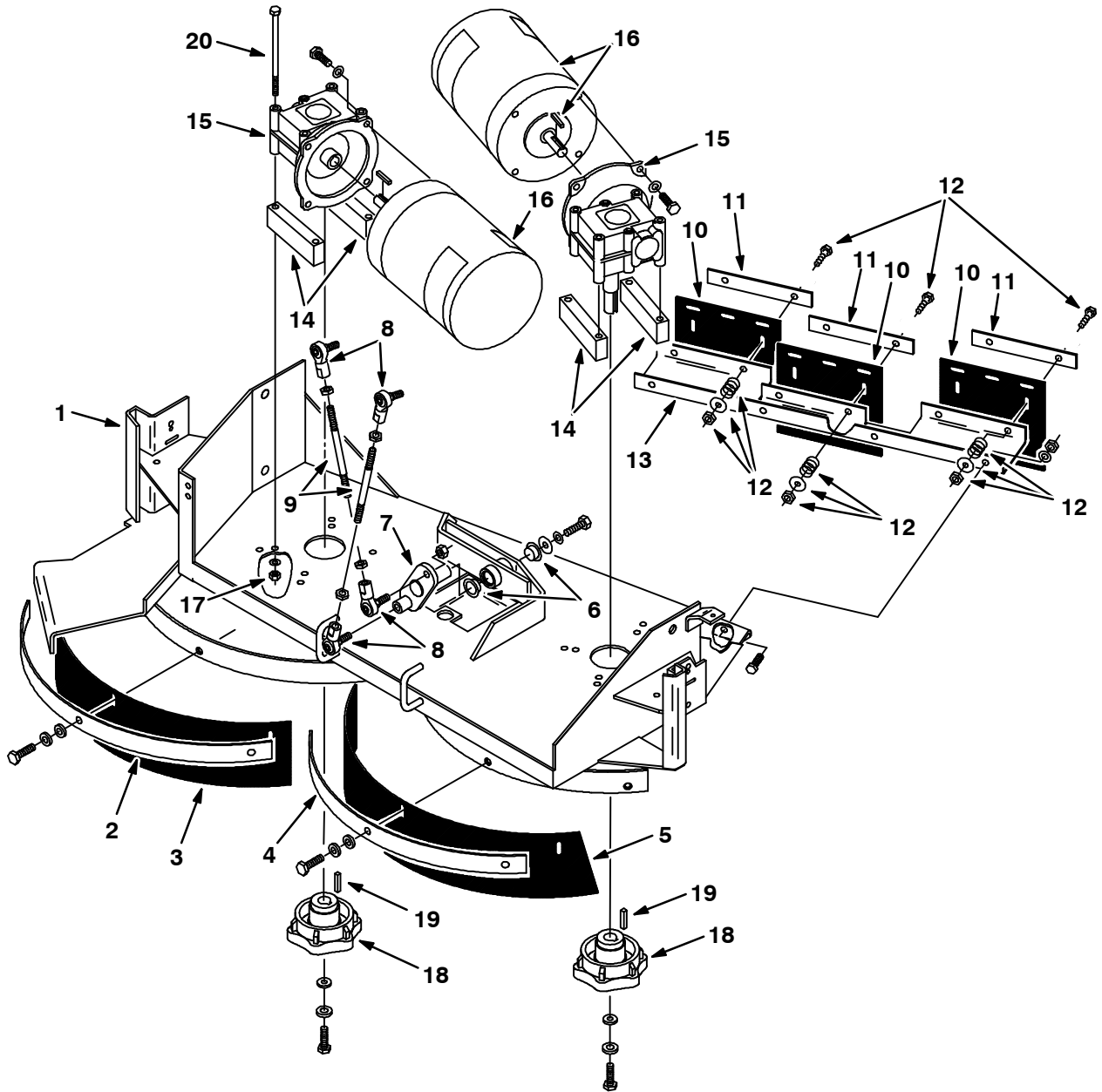
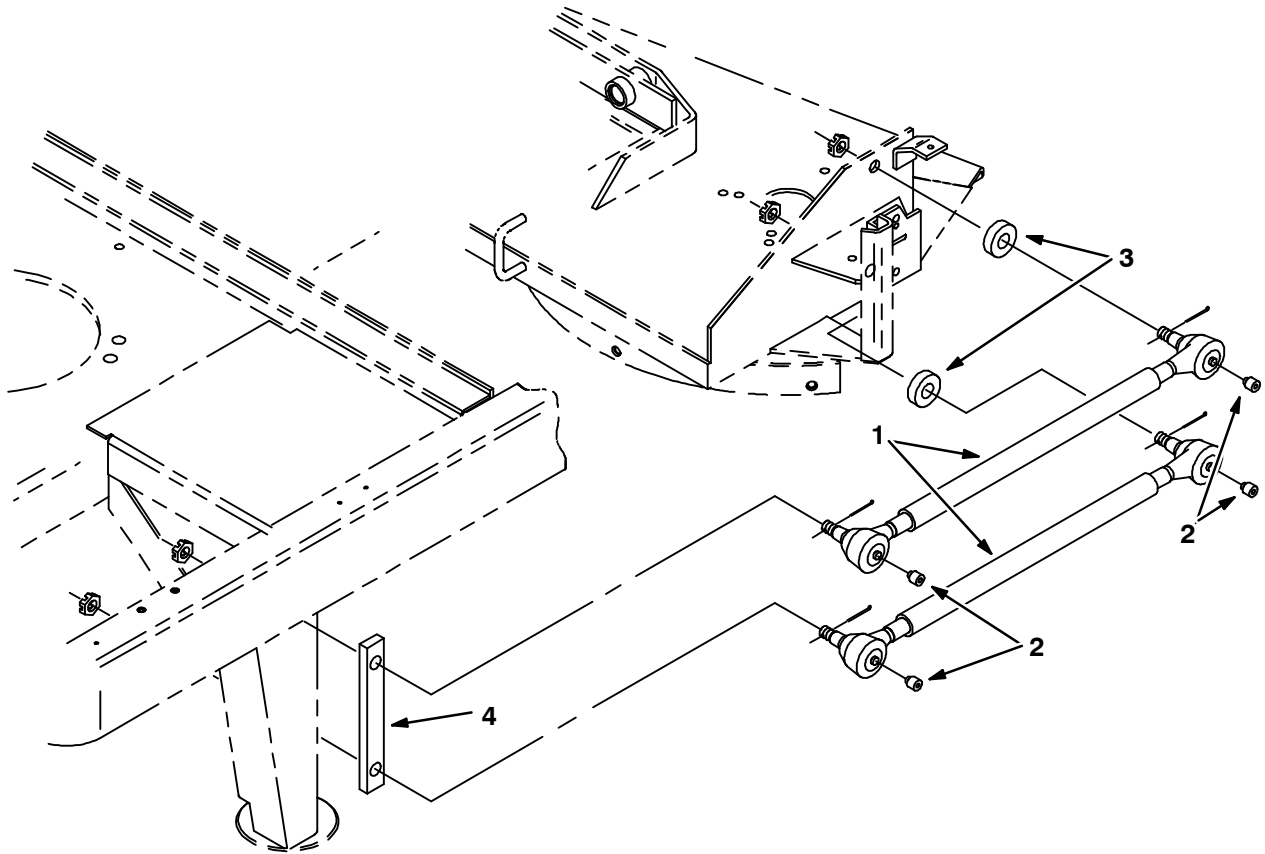


Fig. 12 - Scrub Head Drive Group

| Key | TENNANT Part No. | Machine Serial Number | Description | Qty. |
|------|------------------|-----------------------|-------------------------------------|------|
| 1 | 14626 | (000000- |) Frame, Scrubber Head | 1 |
| 2 | 14674 | (000000- |) Strip, Skirt Retainer, R.H. | 1 |
| 3 | 14672 | (000000- |) Skirt, Front Brush, R.H. | 1 |
| 4 | 14673 | (000000- |) Strip, Skirt Retainer, L.H. | 1 |
| 5 | 14671 | (000000- |) Skirt, Front Brush, L.H. | 1 |
| 6 | 24329 | (000000- |) Head Bushing Kit | 1 |
| 7 | 14666 | (000000- |) Pivot, Equalizer | 1 |
| 8 | 05686 | (000000- |) End, Rod | 4 |
| 9 | 14567 | (000000- |) Rod, Threaded | 2 |
| 10 | 15952 | (000000- |) Skirt, Rear Brush | 3 |
| 11 | 15951 | (000000- |) Strip, Rear Skirt Retainer | 3 |
| 12 | 24310 | (000000- |) Skirt Spring Retaining Kit | 6 |
| 13 | 15953 | (000000- |) Bracket, Rear Skirt | 1 |
| 14 | 16942 | (000000- |) Spacer, Gearbox | 4 |
| ∇ 15 | 16223 | (000000- |) Gearbox | 2 |
| ▲ | 41412 | (000000- |) Bearing | 4 |
| ▲ | 41413 | (000000- |) Seal, Input Oil | 1 |
| ▲ | 41414 | (000000- |) Seal, Output Oil | 1 |
| ▲ | 41415 | (000000- |) Plug | 2 |
| ▲ | 24451 | (000000- |) Lubricant, Synthetic | 1 |
| ▲ | 32740 | (000000- |) Shaft Assembly, Output, Std. Duty | 1 |
| 16 | 16224 | (000000- |) Motor, Electric (See Breakdowns) | 2 |
| 17 | 08713 | (000000- |) Nut, Hex | 8 |
| 18 | 14841 | (000000- |) Hub, Brush Drive | 2 |
| 19 | 00927 | (000000- |) Key, Square | 2 |
| 20 | 16946 | (000000- |) Screw, Hex | 8 |

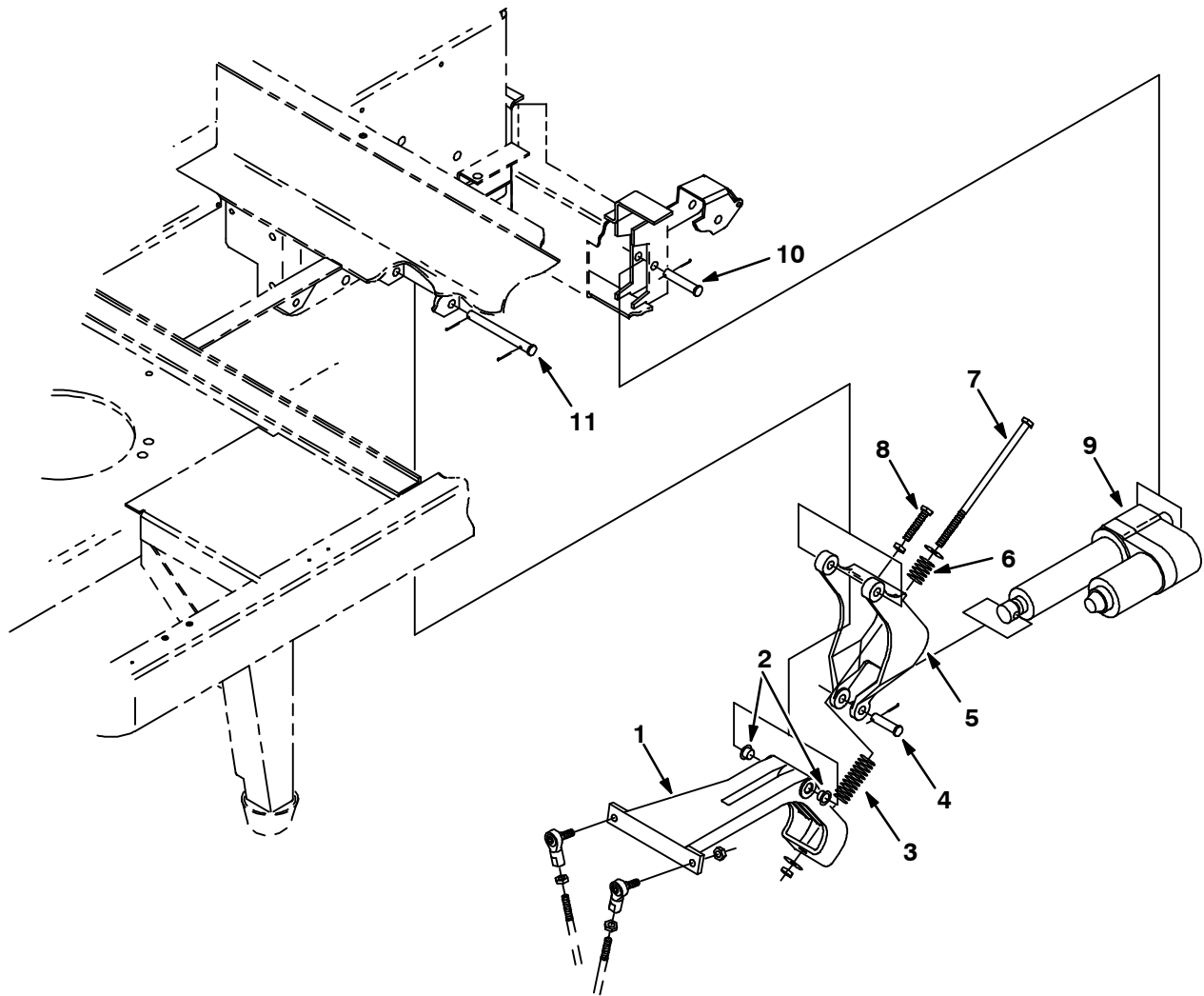
Fig. 13 - Scrub Head Mount Group



05425/05425

| Key | TENNANT Part No. | Machine Serial Number | Description | Qty. |
|-----|------------------|-----------------------|--------------------------|------|
| ▽ 1 | 14523 | (000000-) | Link, Scrubber Head Lift | 4 |
| ▲ 2 | 07259 | (000000-) | Fitting, Grease | 8 |
| 3 | 14524 | (000000-) | Spacer, Washer | 4 |
| 4 | 24254 | (000000-) | Bar, Spacer | 2 |

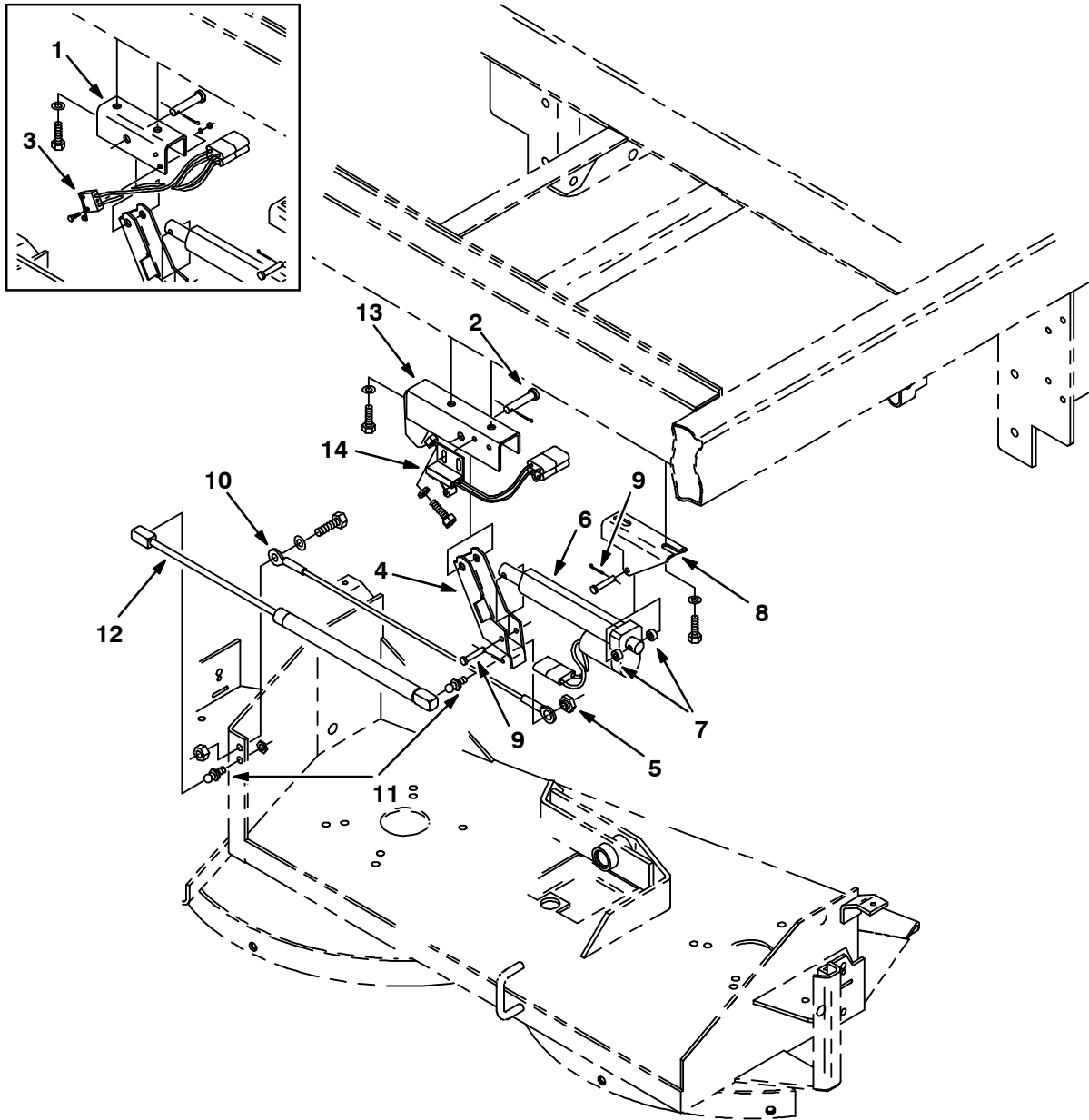
Fig. 14 - Scrub Head Lift Group



05220/05220

| Key | TENNANT Part No. | Machine Serial Number | Description | Qty. |
|-----|------------------|-----------------------|---------------------|------|
| 1 | 15864 | (000000-) | Bracket, Head Lift | 1 |
| 2 | 15648 | (000000-) | Bearing, Flange | 2 |
| 3 | 17192 | (000000-) | Spring | 1 |
| 4 | 63147 | (000000-) | Pin, Clevis | 1 |
| 5 | 15742 | (000000-) | Bracket, Head Lift | 1 |
| 6 | 15650 | (000000-) | Spring, Compression | 1 |
| 7 | 17194 | (000000-) | Screw, Hex | 1 |
| 8 | 06416 | (000000-) | Screw, Hex | 1 |
| ▽ 9 | 14612 | (000000-) | Actuator Assembly | 1 |
| ▲ | 32498 | (000000-) | Motor, Actuator | 1 |
| 10 | 06279 | (000000-) | Pin, Clevis | 1 |
| 11 | 14933 | (000000-) | Pin, Clevis | 1 |

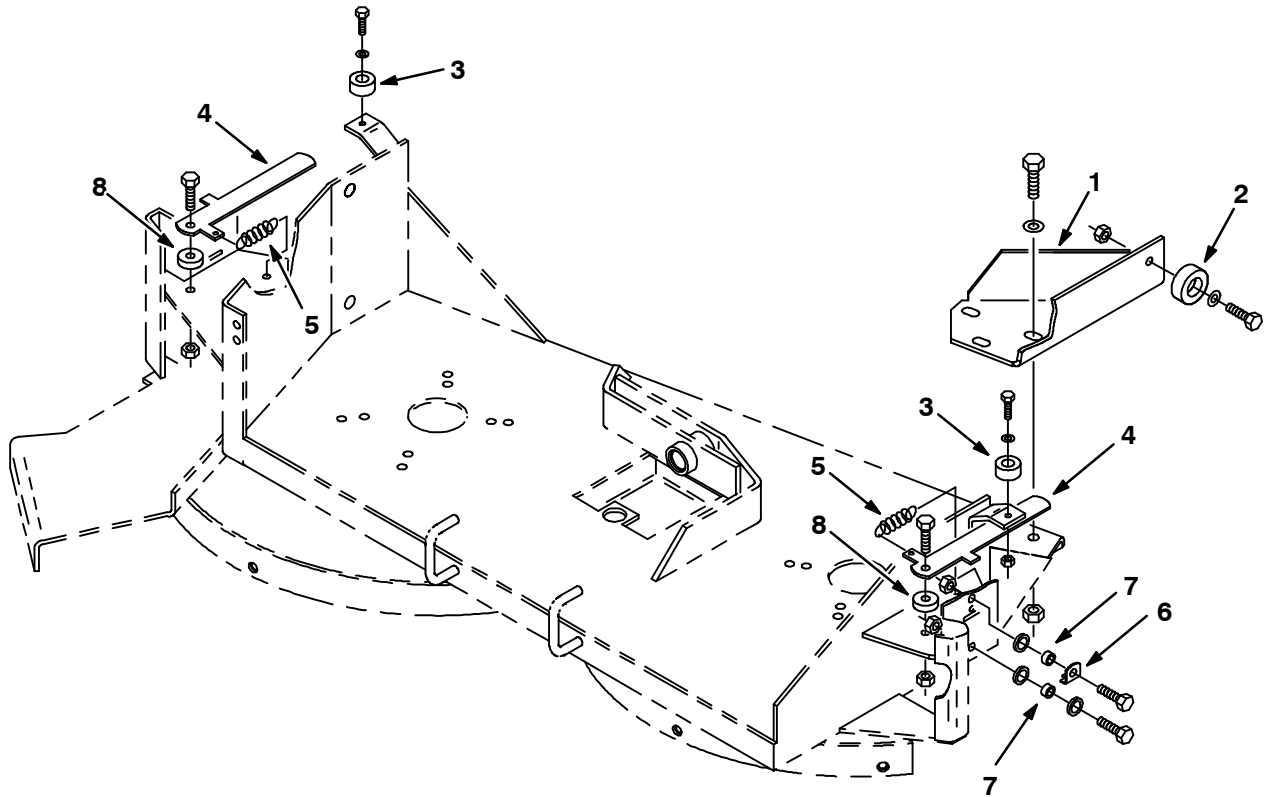
Fig. 15 - Edge Scrub Group



05221/05221

| Key | TENNANT Part No. | Machine Serial Number | Description | Qty. |
|-----|------------------|-----------------------|----------------------------|------|
| 1 | 14477 | (000000-002185) | Bracket, Pivot | 1 |
| 2 | 17461 | (000000-) | Pin, Clevis | 1 |
| 3 | 17364 | (000000-002185) | Switch Assembly | 1 |
| 4 | 15997 | (000000-) | Bracket, Gas Spring | 1 |
| 5 | 14725 | (000000-) | Nut, Retainer | 1 |
| 6 | 14542 | (000000-) | Actuator | 1 |
| 7 | 63379 | (000000-) | Washer, Nylon | 2 |
| 8 | 14478 | (000000-) | Bracket, Actuator Mounting | 1 |
| 9 | 05283 | (000000-) | Pin, Clevis | 2 |
| 10 | 14530 | (000000-) | Cable, Retaining | 1 |
| 11 | 58494 | (000000-) | Stud, Ball | 2 |
| 12 | 14464 | (000000-) | Spring, Gas | 1 |
| 13 | 48666 | (002186-) | Bracket wldt | 1 |
| 14 | 48672 | (002186-) | Switch Assembly | 1 |

Fig. 16 - Scrub Head Stops and Squeegee Mount Group



05222/05222

| Key | TENNANT Part No. | Machine Serial Number | Description | Qty. |
|-----|------------------|-----------------------|-----------------|------|
| 1 | 15018 | (000000-) | Bracket, Stop | 1 |
| 2 | 15023 | (000000-) | Bumper | 1 |
| 3 | 82921 | (000000-) | Bumper, Rubber | 2 |
| 4 | 15569 | (000000-) | Lever, Stop | 2 |
| 5 | 09087 | (000000-) | Spring, Tension | 2 |
| 6 | 15900 | (000000-) | Guide, Squeegee | 2 |
| 7 | 15568 | (000000-) | Tube | 4 |
| 8 | 15649 | (000000-) | Tube | 2 |

Fig. 17 - Solution Valve Group

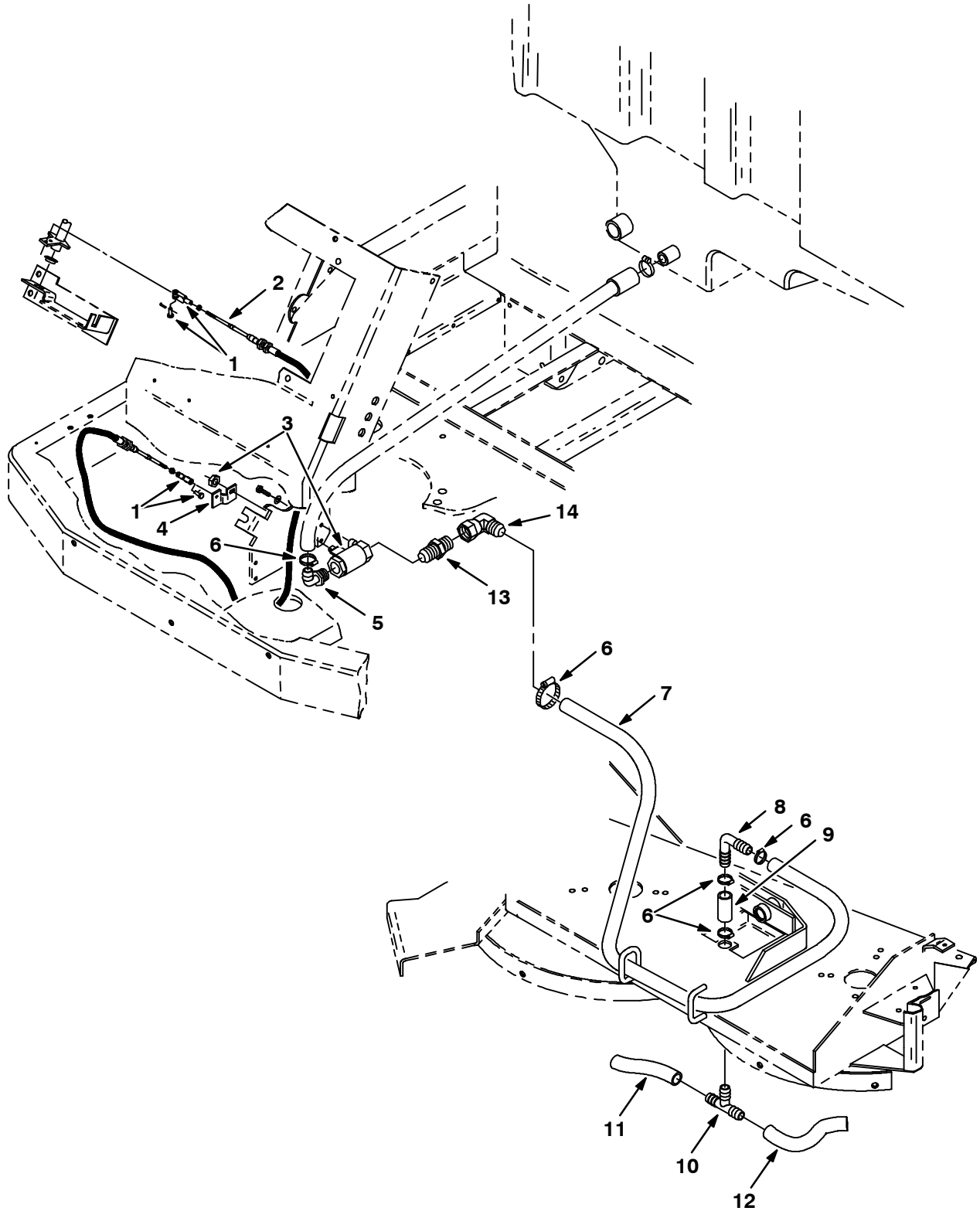
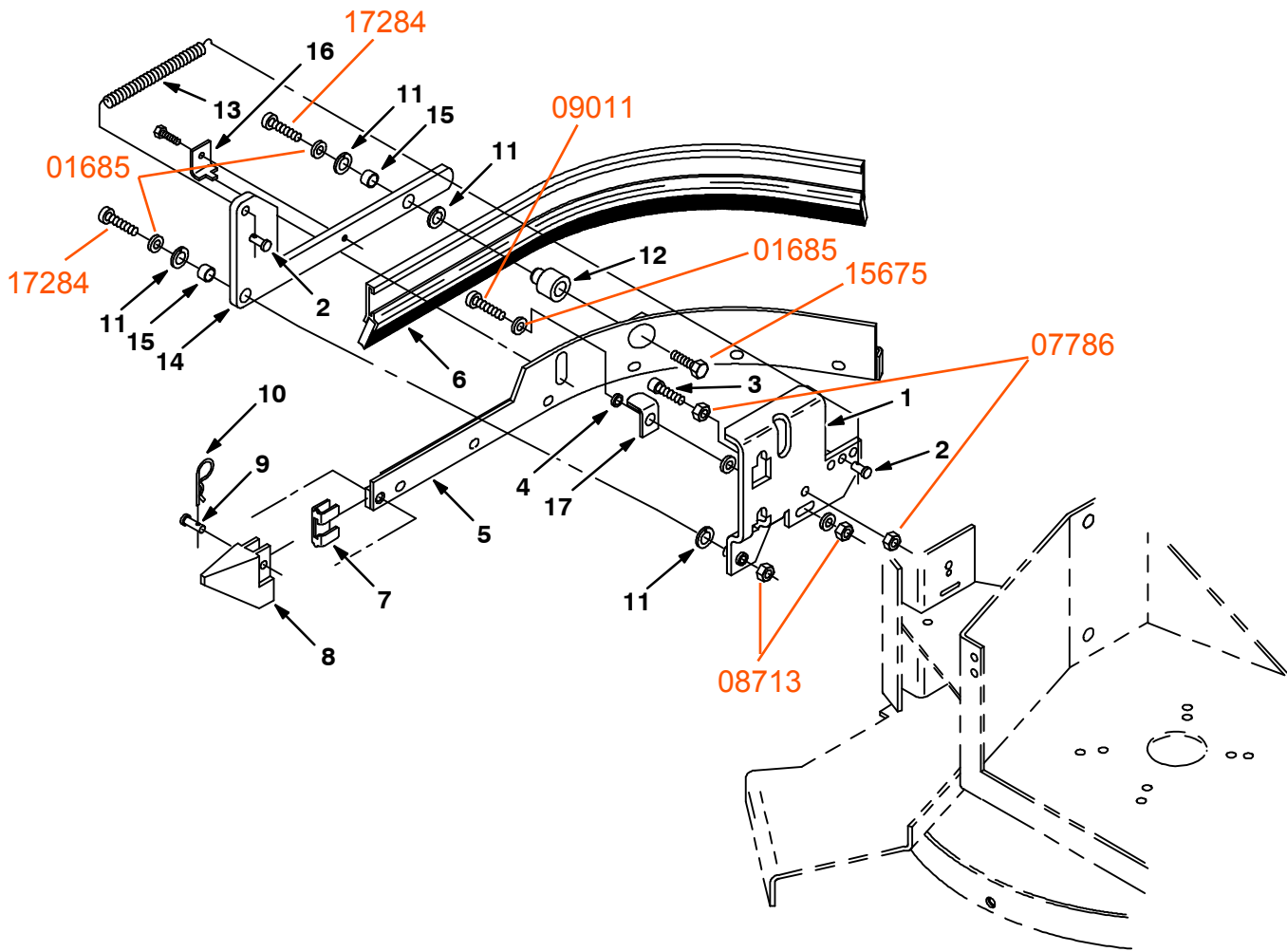


Fig. 17 - Solution Valve Group

| Key | TENNANT Part No. | Machine Serial Number | Description | Qty. |
|-----|------------------|-----------------------|-------------------------|------|
| 1 | 27880 | (000000- |) Yoke Assembly | 2 |
| 2 | 14811 | (000000- |) Cable, Control | 1 |
| 3 | 12060 | (000000- |) Valve, Water | 1 |
| 4 | 15057 | (000000- |) Lever, Valve | 1 |
| 5 | 14877 | (000000- |) Fitting, Barbed Elbow | 1 |
| 6 | 86824 | (000000- |) Clamp, Worm Drive | 5 |
| 7 | 16913 | (000000- |) Hose, Vinyl | 1 |
| 8 | 40566 | (000000- |) Fitting, Barbed Elbow | 1 |
| 9 | 16914 | (000000- |) Hose, Vinyl | 1 |
| 10 | 41315 | (000000- |) Fitting, Barbed Tee | 1 |
| 11 | 48595 | (000000- |) Hose, Vinyl | 1 |
| 12 | 48596 | (000000- |) Hose, Vinyl | 1 |
| 13 | 24544 | (000000- |) Fitting, Straight | 1 |
| 14 | 24543 | (000000- |) Fitting, Barbed Elbow | 1 |

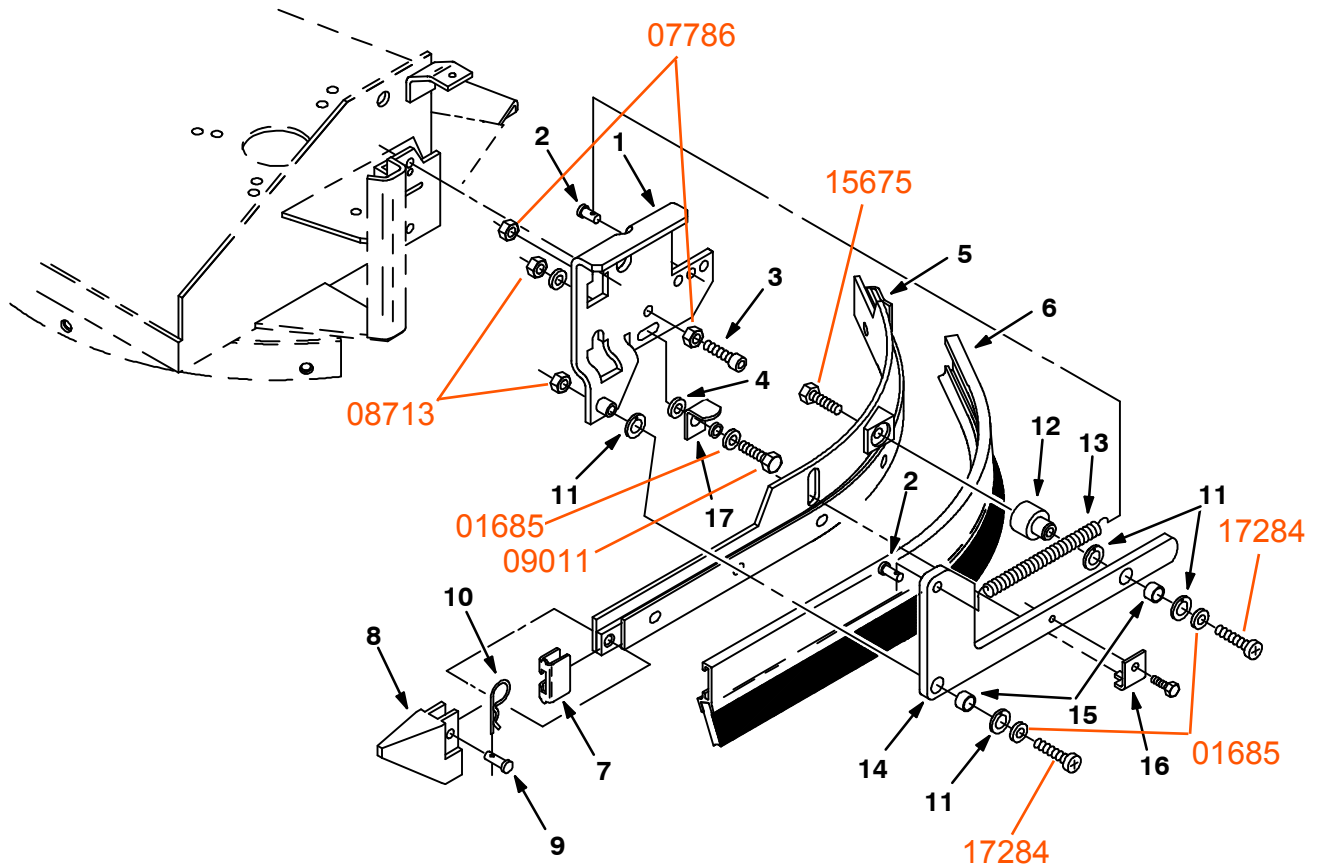
Fig. 18 - Right Side Squeegee Group



05421/05421

| Key | TENNANT Part No. | Machine Serial Number | Description | Qty. |
|------|------------------|-----------------------|------------------------------------|------|
| ∇ | 32707 | (000000-) | Right Side Squeegee Group Assembly | 1 |
| ▲ 1 | 15645 | (000000-) | Bracket, R.H. | 1 |
| ▲ 2 | 41305 | (000000-) | Pin, Clevis | 2 |
| ▲ 3 | 41445 | (000000-) | Screw, Socket | 1 |
| ▲ 4 | 41308 | (000000-) | Spacer | 1 |
| ▲ 5 | 14676 | (000000-) | Frame, Side Squeegee, R.H. | 1 |
| ▲ 6 | 86859 | (000000-) | Squeegee Assembly, Side | 1 |
| ▲ 7 | 86759 | (000000-) | Retainer, Squeegee | 1 |
| ▲ 8 | 14648 | (000000-) | Guide, Side Squeegee | 1 |
| ▲ 9 | 69582 | (000000-) | Pin, Clevis | 1 |
| ▲ 10 | 44906 | (000000-) | Pin, Hair Cotter | 1 |
| ▲ 11 | 86860 | (000000-) | Bearing, Thrust | 4 |
| ▲ 12 | 15681 | (000000-) | Bar, Mounting | 1 |
| ▲ 13 | 15047 | (000000-) | Spring, Extension | 1 |
| ▲ 14 | 14675 | (000000-) | Bar, Squeegee Lift | 1 |
| ▲ 15 | 64173 | (000000-) | Bearing | 2 |
| ▲ 16 | 15966 | (000000-) | Angle, Stop | 1 |
| ▲ 17 | 41307 | (000000-) | Angle | 1 |

Fig. 19 - Left Side Squeegee Group



05418/05418

| Key | TENNANT Part No. | Machine Serial Number | Description | Qty. | |
|-----|------------------|-----------------------|-----------------------------------|----------------------------|---|
| ▽ | 32710 | (000000-) | Left Side Squeegee Group Assembly | 1 | |
| ▲ | 15647 | (000000-) | Bracket, L.H. | 1 | |
| ▲ | 41305 | (000000-) | Pin, Clevis | 2 | |
| ▲ | 41445 | (000000-) | Screw, Socket | 1 | |
| ▲ | 41308 | (000000-) | Spacer | 1 | |
| ▲ | 5 | 14677 | (000000-) | Frame, Side Squeegee, L.H. | 1 |
| ▲ | 6 | 86859 | (000000-) | Squeegee Assembly, Side | 1 |
| ▲ | 7 | 86759 | (000000-) | Retainer, Squeegee | 1 |
| ▲ | 8 | 14648 | (000000-) | Guide, Side Squeegee | 1 |
| ▲ | 9 | 69582 | (000000-) | Pin, Clevis | 1 |
| ▲ | 10 | 44906 | (000000-) | Pin, Hair Cotter | 1 |
| ▲ | 11 | 86860 | (000000-) | Bearing, Thrust | 4 |
| ▲ | 12 | 15681 | (000000-) | Bar, Mounting | 1 |
| ▲ | 13 | 15047 | (000000-) | Spring, Extension | 1 |
| ▲ | 14 | 14675 | (000000-) | Bar, Squeegee Lift | 1 |
| ▲ | 15 | 64173 | (000000-) | Bearing | 2 |
| ▲ | 16 | 15966 | (000000-) | Angle, Stop | 1 |
| ▲ | 17 | 41307 | (000000-) | Angle | 1 |

Fig. 20 - Rear Squeegee Mount Group

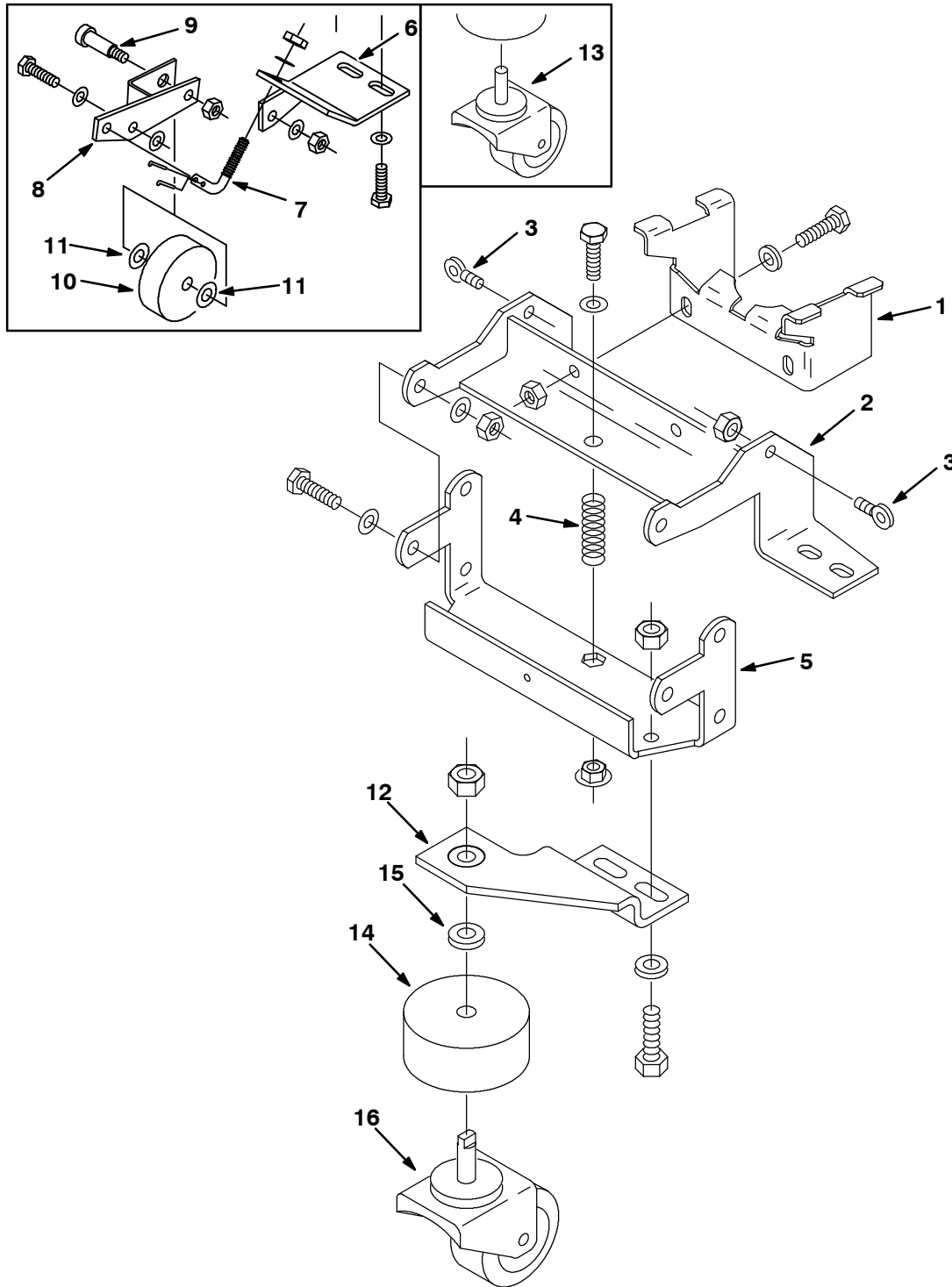
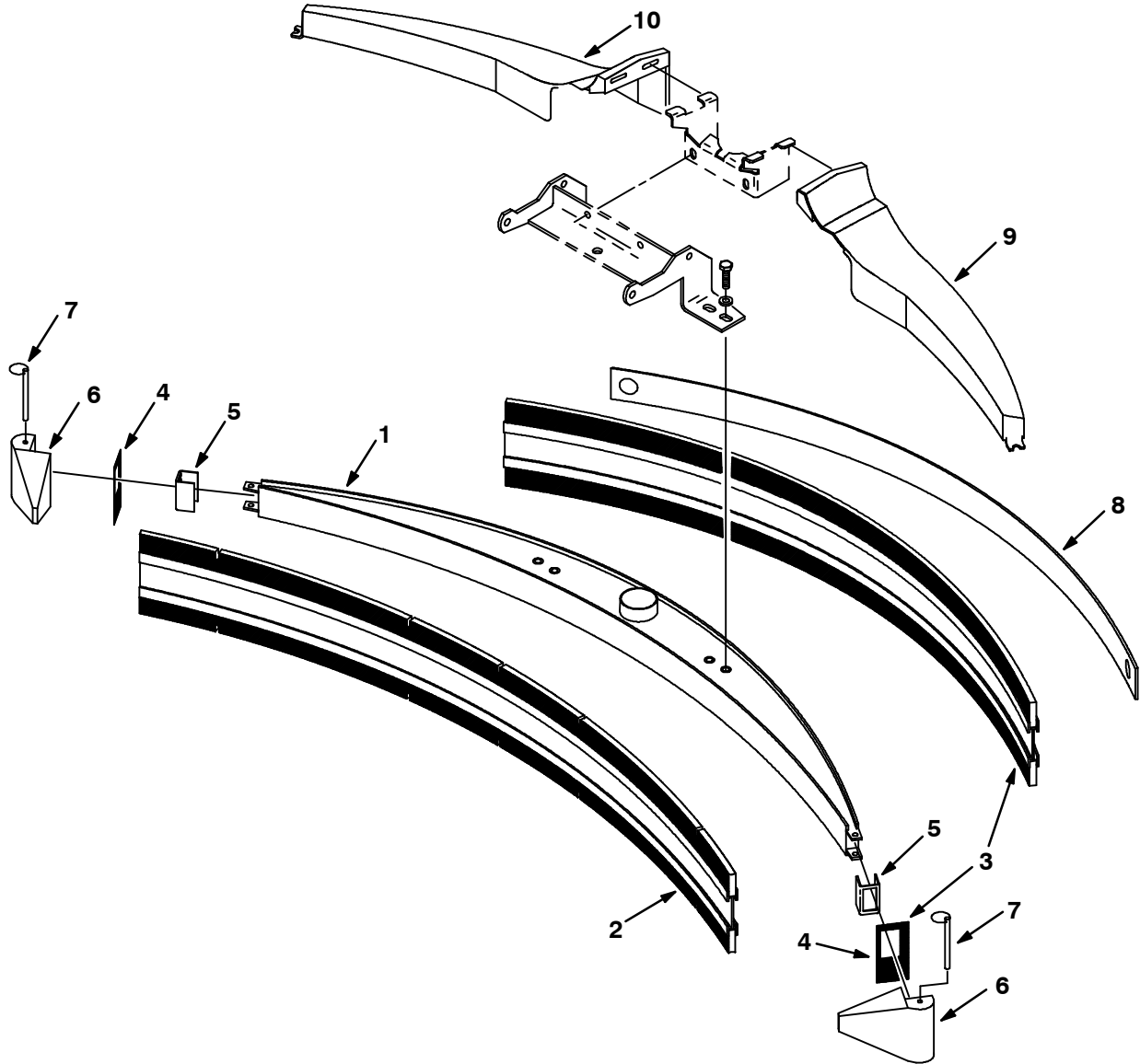


Fig. 20 - Rear Squeegee Mount Group

| Key | TENNANT Part No. | Machine Serial Number | Description | Qty. |
|-----|------------------|-----------------------|------------------------------|------|
| 1 | 15990 | (000000- |) Bracket, Hose | 1 |
| 2 | 16355 | (000000- |) Bracket, Squeegee Mounting | 1 |
| 3 | 48079 | (000000- |) Bolt, Eye | 2 |
| 4 | 16816 | (000000- |) Spring, Compression | 1 |
| 5 | 16036 | (000000- |) Pivot, Squeegee Lift | 1 |
| 6 | 16207 | (000000-001723) |) Bracket, Wheel Mounting | 1 |
| 7 | 16354 | (000000-001723) |) Rod, Adjuster | 1 |
| 8 | 16215 | (000000-001723) |) Lever, Wheel Mounting | 1 |
| 9 | 86791 | (000000-001723) |) Screw, Shoulder | 1 |
| 10 | 86800 | (000000-001723) |) Wheel | 1 |
| 11 | 59633 | (000000-001723) |) Bearing, Thrust | 2 |
| 12 | 32735 | (001724- |) Bracket | 1 |
| 13 | 65945 | (001724-002669) |) Caster, Swivel | 1 |
| 14 | 32736 | (001724- |) Seal Foam | 1 |
| 15 | 51564 | (001724- |) Washer | 1 |
| 16 | 48730 | (002670- |) Caster, Swivel | 1 |

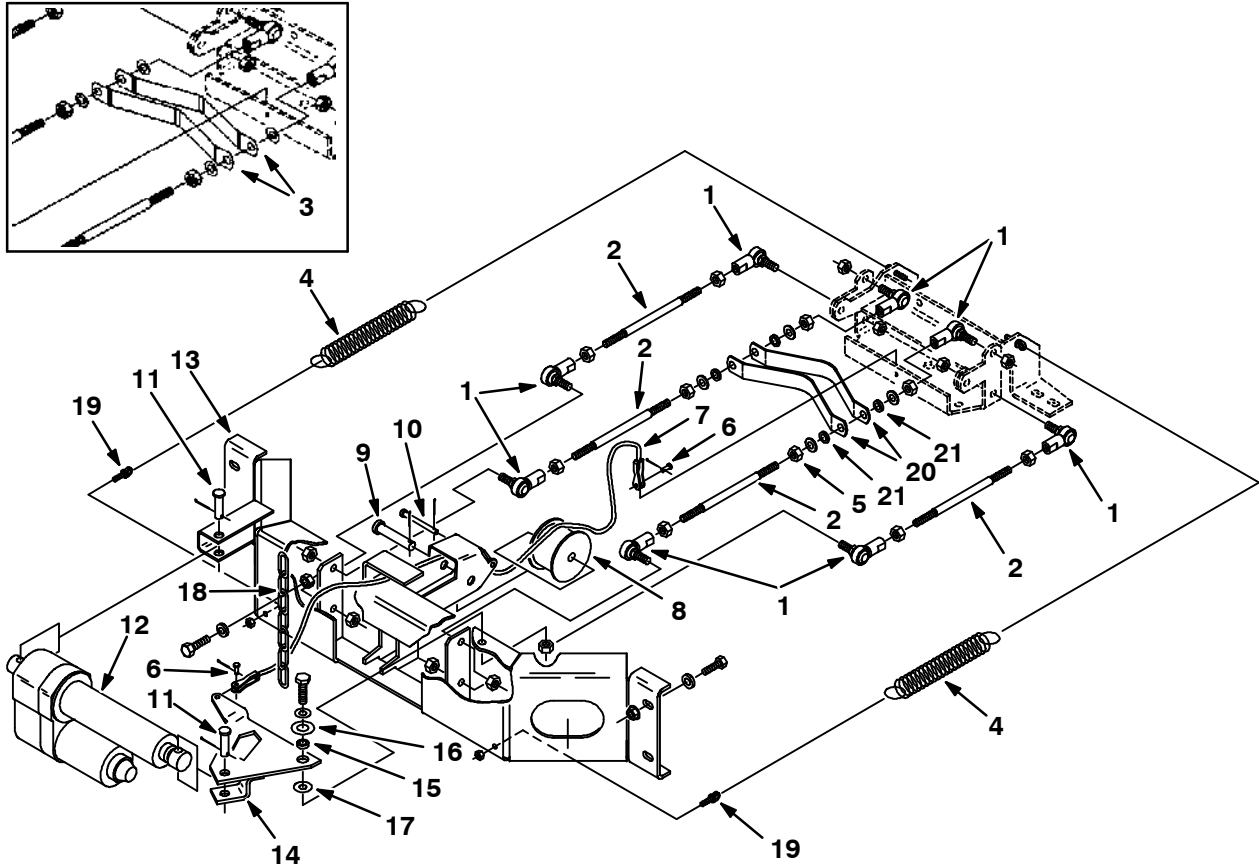
**Fig. 21 - ~~Left Side~~ Squeegee Group
Rear**



05216/05216

| Key | TENNANT Part No. | Machine Serial Number | Description | Qty. |
|-----|------------------|-----------------------|--------------------------|------|
| 1 | 17104 | (000000-) | Frame, Squeegee | 1 |
| 2 | 14575 | (000000-) | Squeegee Assembly, Front | 1 |
| ▽ 3 | 24304 | (000000-) | Rear Squeegee Kit | 1 |
| ▲ 4 | 86812 | (000000-) | Gasket, Squeegee | 2 |
| 5 | 12542 | (000000-) | Bracket, Retainer | 2 |
| 6 | 17038 | (000000-) | Bumper, Squeegee | 2 |
| 7 | 86327 | (000000-) | Pin, Hitch | 2 |
| 8 | 17140 | (000000-) | Strip, Retaining | 1 |
| 9 | 17084 | (000000-) | Cover, Squeegee, L.H. | 1 |
| 10 | 17083 | (000000-) | Cover, Squeegee, R.H. | 1 |

Fig. 22 - Rear Squeegee Linkage Group



05218/05218

| Key | TENNANT Part No. | Machine Serial Number | Description | Qty. |
|------|------------------|-----------------------|----------------------------|------|
| ∇ | 24306 | (000000-) | Rear Squeegee Link Kit | 4 |
| ▲ 1 | 05686 | (000000-) | End, Rod | 2 |
| ▲ 2 | 14555 | (000000-) | Rod, Threaded | 1 |
| 3 | 17082 | (000000-001643) | Spring, Centering | 2 |
| 4 | 52238 | (000000-) | Spring, Tension | 2 |
| 5 | 32715 | (001644-) | Nut | 2 |
| 6 | 76782 | (000000-) | Pin, Clevis | 2 |
| 7 | 14525 | (000000-) | Cable, Rear Squeegee Lift | 1 |
| 8 | 86324 | (000000-) | Drum, Lift Cable | 1 |
| 9 | 06279 | (000000-) | Pin, Clevis | 1 |
| 10 | 04733-10 | (000000-) | Pin, Clevis | 1 |
| 11 | 51534 | (000000-) | Pin, Clevis | 2 |
| ∇ 12 | 14612 | (000000-) | Actuator Assembly | 1 |
| ▲ 13 | 32498 | (000000-) | Motor, Actuator | 1 |
| 13 | 14479 | (000000-) | Bracket, Squeegee Mounting | 1 |
| 14 | 14662 | (000000-) | Lever, Squeegee Lift | 1 |
| 15 | 12165 | (000000-) | Sleeve, Bearing | 1 |
| 16 | 64425 | (000000-) | Washer | 1 |
| 17 | 12297 | (000000-) | Washer, Brass | 1 |
| 18 | 43500 | (000000-) | Link, Chain | 1 |
| 19 | 10444 | (001900-) | Bolt, Eye | 2 |
| 20 | 32739 | (001644-) | Spring, Centering | 2 |
| 21 | 32713 | (001644-) | Washer | 4 |

Fig. 23 - Recovery Tank Group

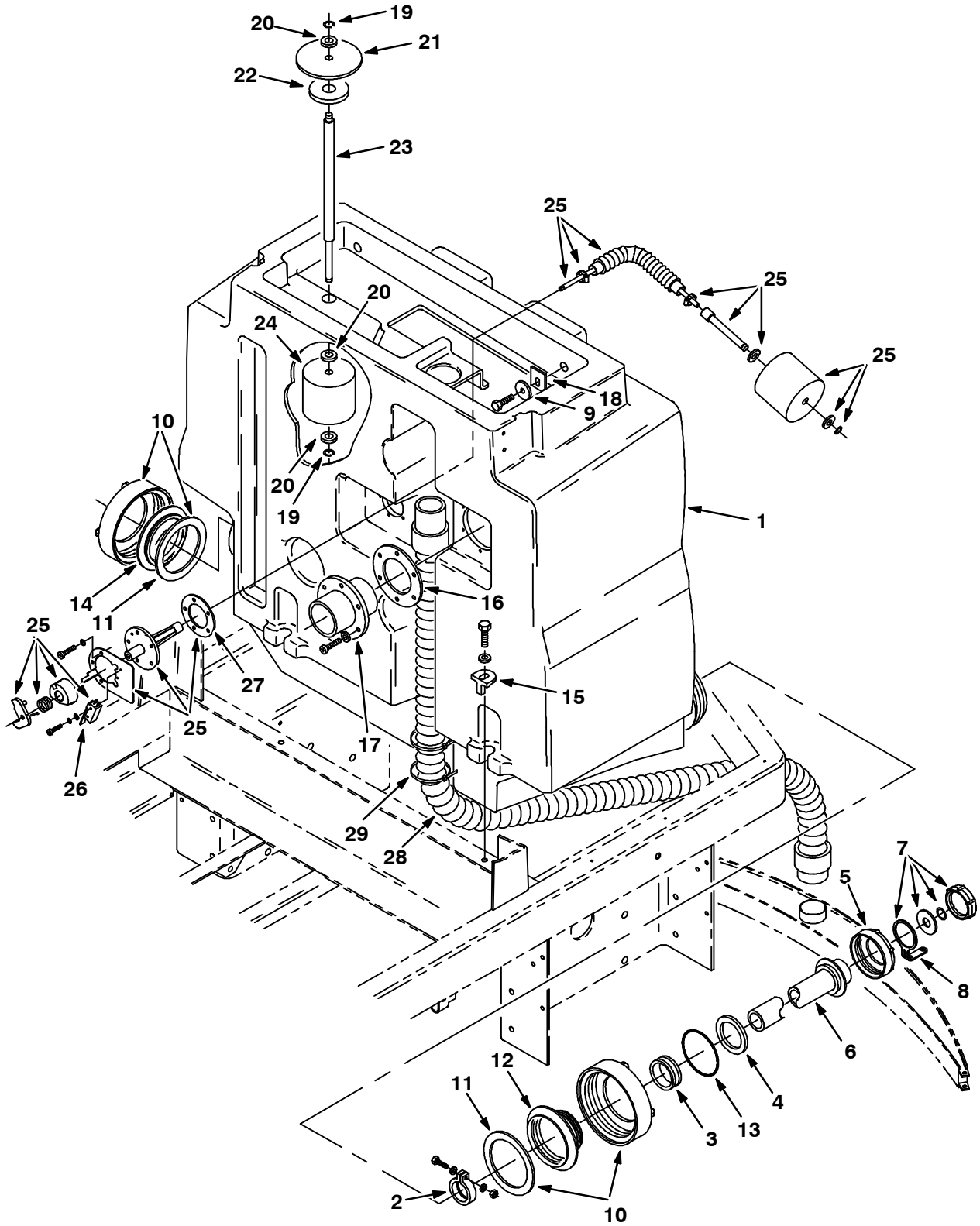


Fig. 23 - Recovery Tank Group

| Key | TENNANT Part No. | Machine Serial Number | Description | Qty. |
|-----|------------------|-----------------------|-------------------------------|------|
| | 1 14148 | (000000- |) Tank, Recovery | 1 |
| ▽ | 32503 | (000000- |) Drain Hose Kit | 1 |
| ▲ | 2 41454 | (000000- |) Clamp, Hose | 1 |
| ▲ | 3 41421 | (000000- |) Seal, Hose | 1 |
| ▲ | 4 41451 | (000000- |) Gasket, Lid | 1 |
| ▲ | 5 14880 | (000000- |) Cap, Drain Hose | 1 |
| ▲ | 6 24174 | (000000- |) Hose Assembly, Drain | 1 |
| ▲▽ | 7 32501 | (000000- |) Cap, Drain Kit | 1 |
| ▲▲ | 8 32508 | (000000- |) Strap, Cap Retainer | 1 |
| | 9 32662 | (000000- |) Washer | 2 |
| ▽ | 10 24358 | (000000- |) Tank Cap Kit | 2 |
| ▲ | 11 86579 | (000000- |) Gasket, Lid | 1 |
| | 12 14864 | (000000- |) Cover, Insert | 1 |
| | 13 79320 | (000000- |) Gasket, Drain Cap | 1 |
| | 14 86636 | (000000- |) Lid, Cover | 1 |
| | 15 14439 | (000000- |) Washer, Molded Plastic | 2 |
| | 16 16203 | (000000- |) Gasket, Fitting | 1 |
| | 17 16202 | (000000- |) Fitting, Plastic | 1 |
| | 18 24438 | (000000- |) Plate | 2 |
| | 19 86953 | (000000- |) Ring, Retaining | 2 |
| | 20 86952 | (000000- |) Washer, Nylon | 3 |
| | 21 15034 | (000000- |) Plate, Plastic | 1 |
| | 22 16205 | (000000- |) Gasket, Float | 1 |
| | 23 15025 | (000000- |) Rod, Plastic | 1 |
| | 24 32663 | (000000- |) Float, Polyfoam | 1 |
| ▽ | 25 24288 | (000000- |) Level Sensing Kit, Standard | 1 |
| ▲ | 26 44847 | (000000- |) Switch | 1 |
| ▲ | 27 86591 | (000000- |) Gasket | 1 |
| | 28 16917 | (000000- |) Hose, Vacuum | 1 |
| | 29 44961 | (000000- |) Tie, Cable | 2 |

Fig. 24 - Solution Tank Group

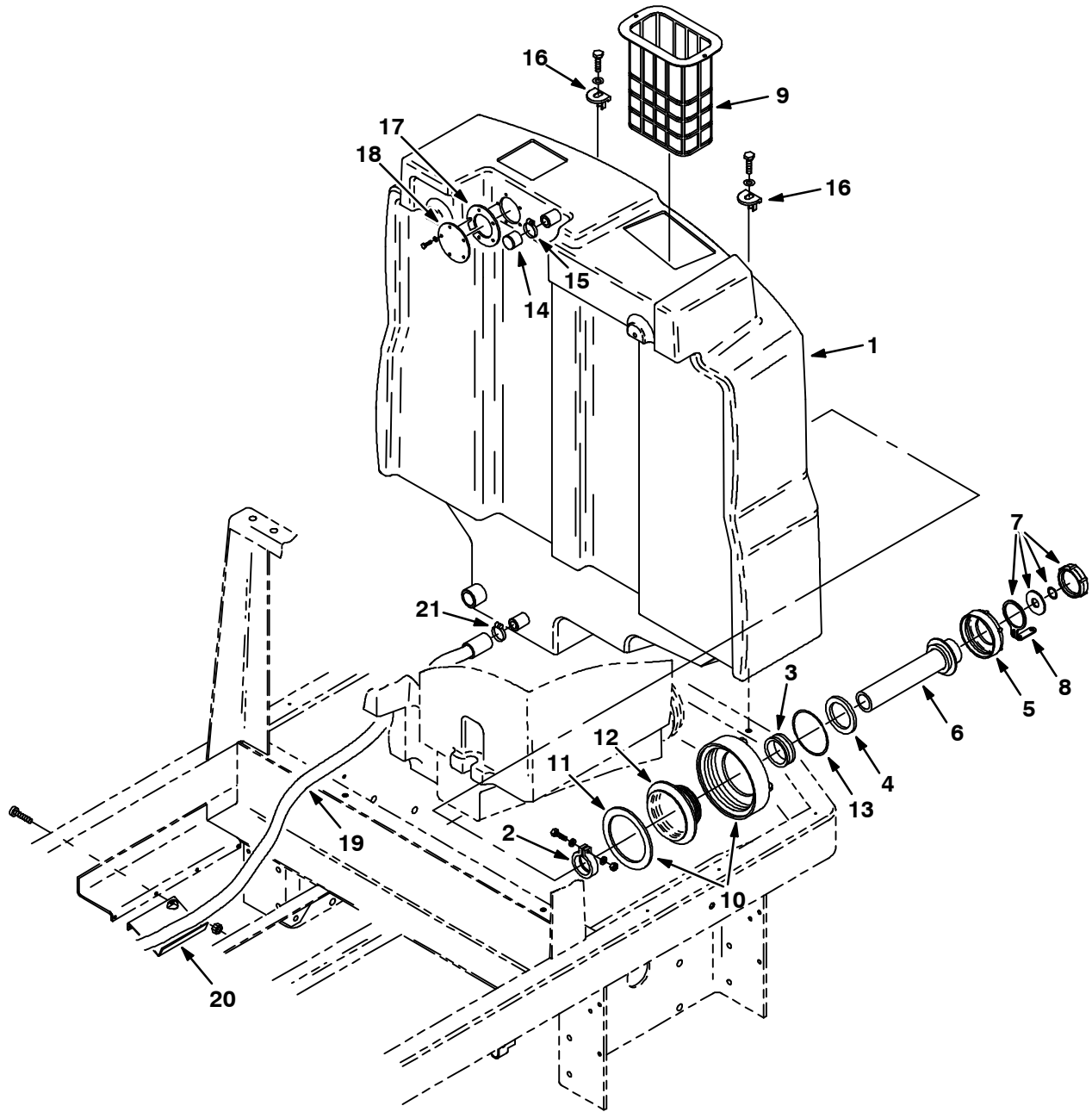


Fig. 24 - Solution Tank Group

| Key | TENNANT Part No. | Machine Serial Number | Description | Qty. |
|-----|------------------|-----------------------|--------------------------|------|
| 1 | 14147 | (000000- |) Tank, Solution | 1 |
| ▽ | 32502 | (000000- |) Drain, Hose Kit | 1 |
| ▲ | 41454 | (000000- |) Clamp, Hose | 1 |
| ▲ | 41421 | (000000- |) Seal, Hose | 1 |
| ▲ | 41451 | (000000- |) Gasket, Lid | 1 |
| ▲ | 5 14880 | (000000- |) Cap, Drain Hose | 1 |
| ▲ | 6 24175 | (000000- |) Hose Assembly, Drain | 1 |
| ▲▽ | 7 32501 | (000000- |) Cap, Drain Kit | 1 |
| ▲▲ | 8 32508 | (000000- |) Strap, Cap Retainer | 1 |
| | 9 43516A | (000000- |) Basket | 1 |
| ▽ | 10 24358 | (000000- |) Tank Cap Kit | 1 |
| ▲ | 11 86579 | (000000- |) Gasket, Lid | 1 |
| | 12 14864 | (000000- |) Cover, Insert | 1 |
| | 13 79320 | (000000- |) Gasket, Drain Cap | 1 |
| | 14 32790 | (000000- |) Cap, End | 1 |
| | 15 86824 | (000000- |) Clamp, Worm Drive | 1 |
| | 16 14439 | (000000- |) Washer, Molded Plastic | 2 |
| | 17 86591 | (000000- |) Gasket | 1 |
| | 18 86755 | (000000- |) Cap, Plate | 1 |
| | 19 16912 | (000000- |) Hose, Clear Vinyl | 1 |
| | 20 24107 | (000000- |) Bracket, Retainer | 1 |
| | 21 11399 | (000000- |) Clamp, Worm Drive | 1 |

Fig. 25 - Demister and Cover Group

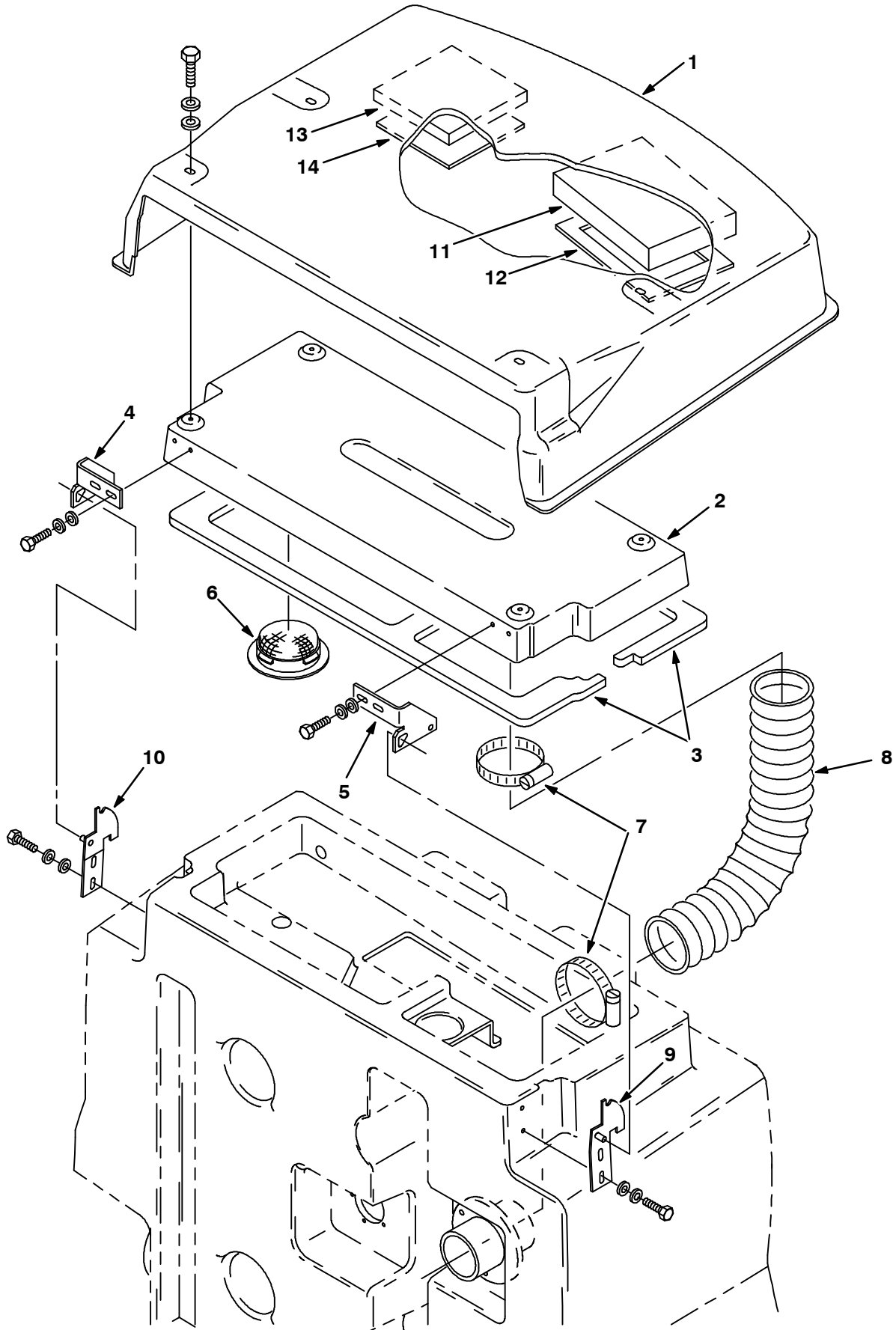


Fig. 25 - Demister and Cover Group

| Key | TENNANT Part No. | Machine Serial Number | Description | Qty. |
|-----|---------------------|--------------------------|----------------------------|------|
| 1 | 14731 | (000000- |) Cover and Label Assembly | 1 |
| 2 | 14441 | (000000- |) Tank, Demister | 1 |
| 3 | 16204 | (000000- |) Gasket Set | 1 |
| 4 | 14422 | (000000- |) Hinge, Top Tank, R.H. | 1 |
| 5 | 14416 | (000000- |) Hinge, Top Tank, L.H. | 1 |
| 6 | 15977 | (000000- |) Screen | 1 |
| 7 | 17188 | (000000- |) Clamp, Worm Drive | 2 |
| 8 | 17189 | (000000- |) Hose, Vacuum | 1 |
| 9 | 14426 | (000000- |) Hinge, Bottom Tank, L.H. | 1 |
| 10 | 14438 | (000000- |) Hinge, Bottom Tank, R.H. | 1 |
| 11 | 33289 | (000000- |) Filter, Foam | 1 |
| 12 | 15491 | (000000- |) Seal, Tank | 1 |
| 13 | 33288 | (000000- |) Filter, Foam | 1 |
| 14 | 15493 | (000000- |) Seal, Tank | 1 |

Fig. 26 - Vacuum Fan Group

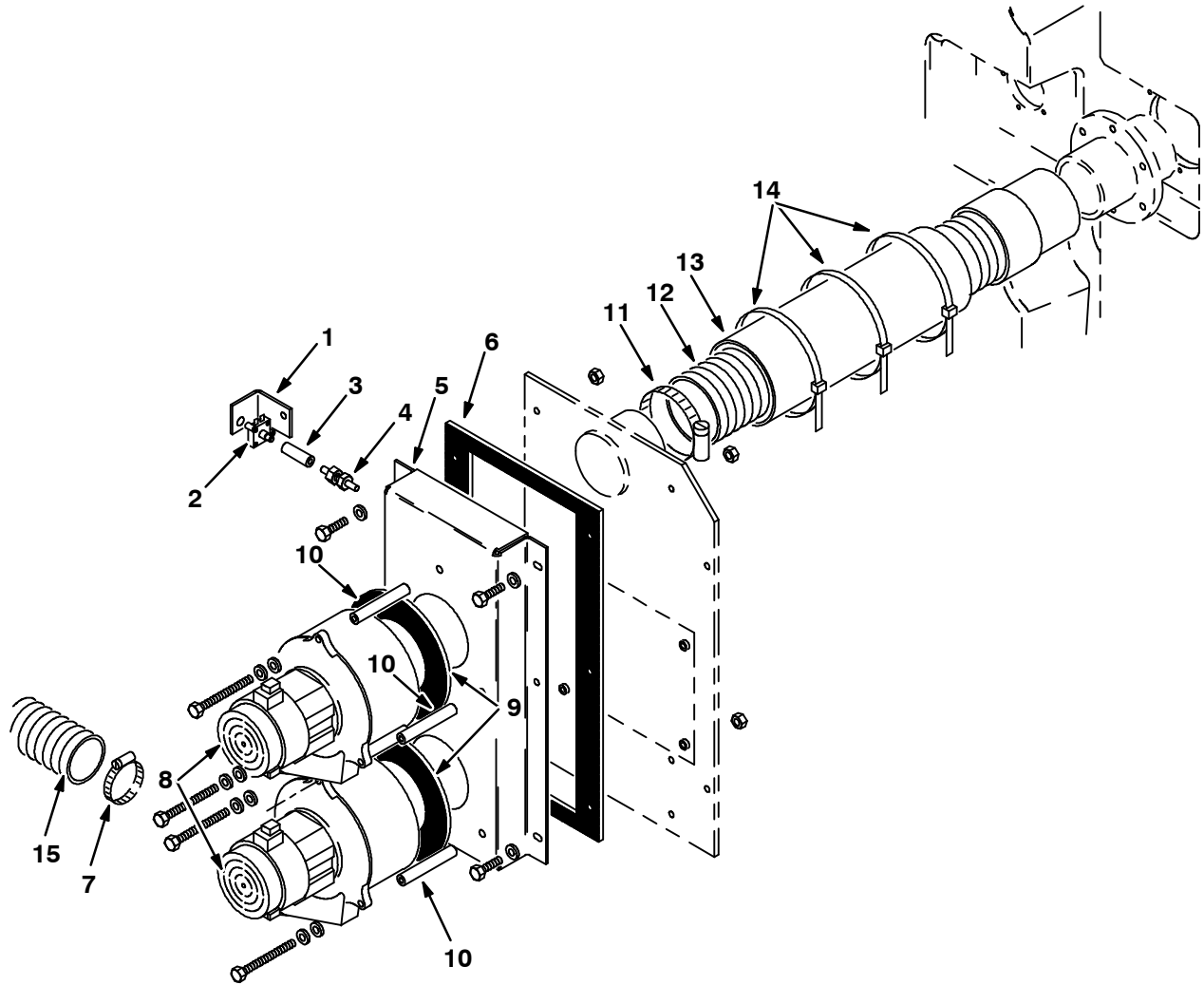
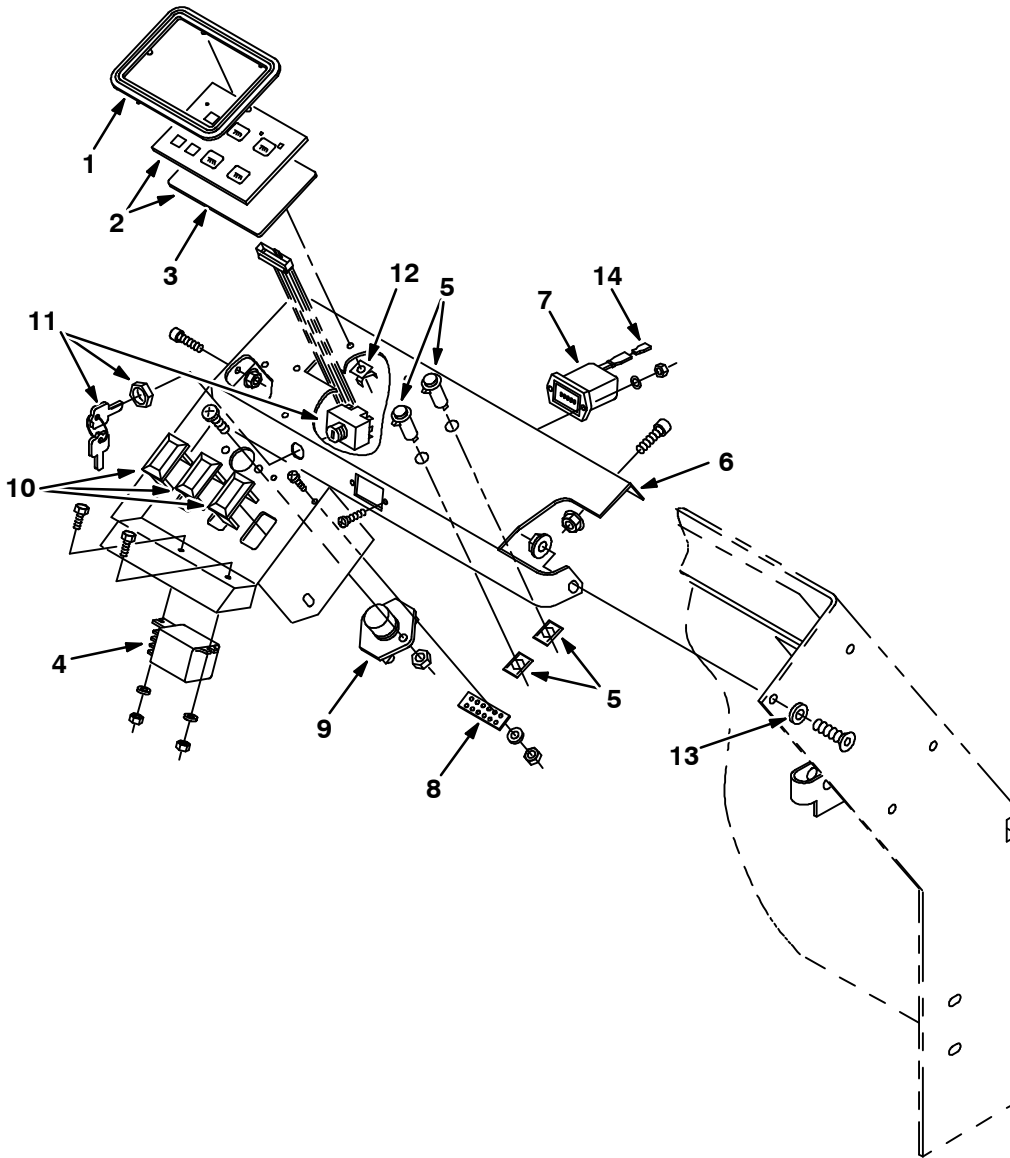


Fig. 26 - Vacuum Fan Group

| Key | TENNANT Part No. | Machine Serial Number | Description | Qty. |
|-----|------------------|-----------------------|-------------------------------------|------|
| 1 | 16967 | (000000- |) Bracket, Vacuum Switch Mounting | 1 |
| 2 | 17129 | (000000- |) Switch, Vacuum | 1 |
| 3 | 17164 | (000000- |) Hose, Vacuum | 1 |
| 4 | 39923 | (000000- |) Fitting, Bulkhead | 1 |
| 5 | 16902 | (000000- |) Box, Fan Mounting | 1 |
| 6 | 16903 | (000000- |) Gasket, Vacuum Fan | 1 |
| 7 | 22297 | (000000- |) Clamp, Worm Drive | 1 |
| 8 | 17363 | (000000- |) Fan Assy, Vacuum (See Breakdowns) | 2 |
| 9 | 63319 | (000000- |) Seal, Vacuum Fan | 2 |
| 10 | 18811 | (000000- |) Tube | 6 |
| 11 | 17188 | (000000- |) Clamp, Worm Drive | 1 |
| 12 | 16919 | (000000- |) Hose, Cuff | 1 |
| 13 | 75375 | (000000- |) Flap, Containment | 1 |
| 14 | 44961 | (000000- |) Tie, Cable | 3 |
| 15 | 32454 | (000000- |) Hose | 1 |

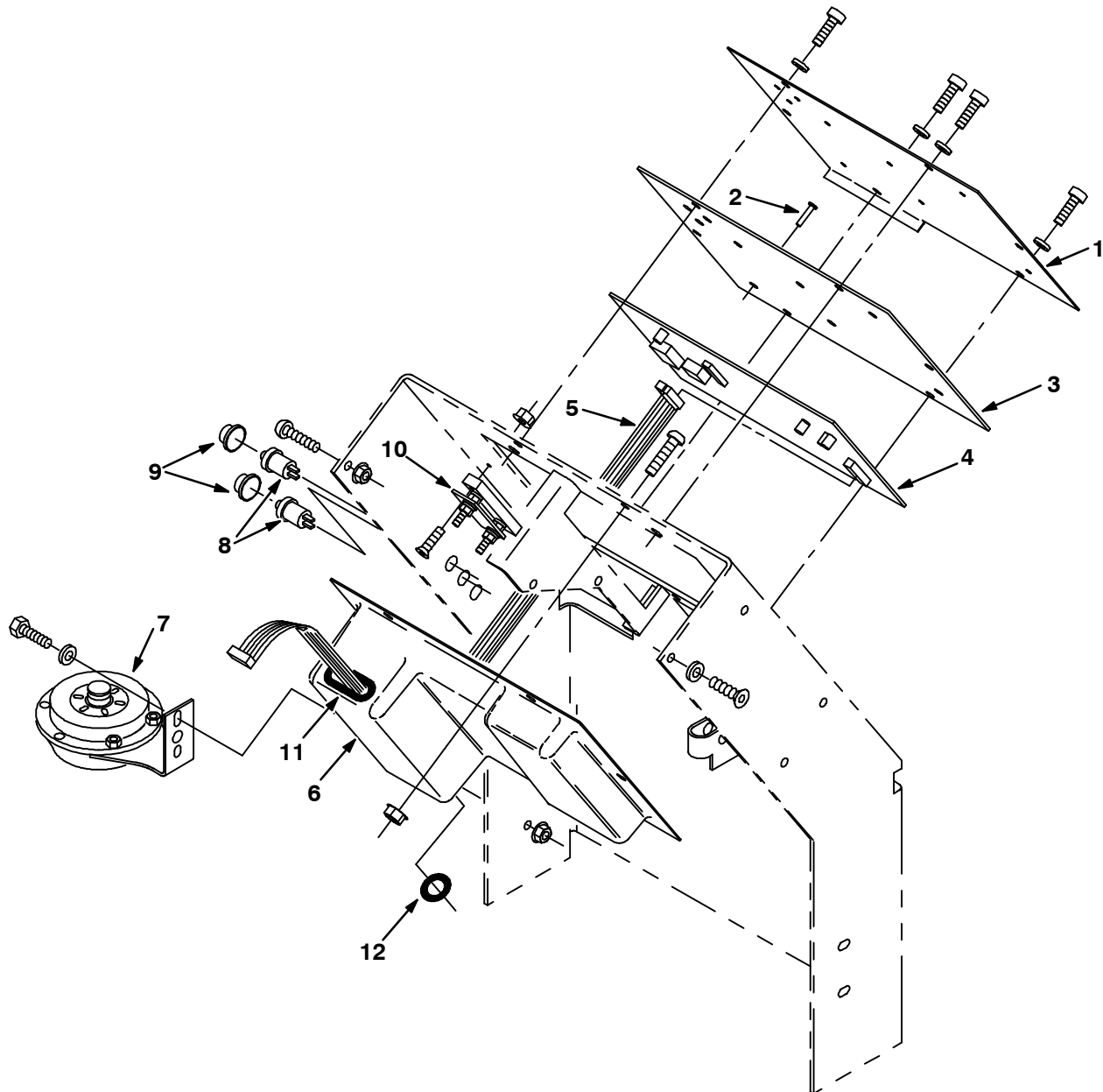
Fig. 27 - Instrument Panel Group



05426/05426

| Key | TENNANT Part No. | Machine Serial Number | Description | Qty. |
|------|------------------|-----------------------|--------------------------------|------|
| 1 | 16906 | (000000-) | Bezel, Touch Panel | 1 |
| ∇ 2 | 32500 | (000000-) | Touch Panel and Gasket Kit | 1 |
| ▲ 3 | 16923 | (000000-) | Gasket, Touch Panel | 1 |
| 4 | 87284 | (000000-) | Relay, DPDT | 1 |
| ∇ 5 | 63357 | (000000-) | Light Assembly | 2 |
| ▲ 6 | 32717 | (000000-) | Fastener, Stud Receiver | 2 |
| 7 | 15984 | (000000-) | Panel, Instrument | 1 |
| 8 | 02327 | (000000-) | Hourmeter | 1 |
| 9 | 44078 | (000000-) | Terminal Strip Assembly, Diode | 1 |
| 10 | 57772 | (000000-) | Switch, SPST | 1 |
| 10 | 57772 | (000000-) | Plate, Cover | 3 |
| ∇ 11 | 31203 | (000000-) | Key Switch Assembly | 1 |
| ▲ 11 | 31204 | (000000-) | Key Ring Set | 1 |
| 12 | 05280 | (000000-) | Clip, Stud | 2 |
| 13 | 33215 | (000000-) | Washer, Finishing | 1 |
| 14 | 32447 | (000000-) | Diode Assembly | 1 |

Fig. 28 - Electronic Panel Group



05223/05223

| Key | TENNANT Part No. | Machine Serial Number | Description | Qty. |
|-----|------------------|-----------------------|-------------------------------|------|
| 1 | 15391 | (000000-) | Plate, Circuit Board Mounting | 1 |
| 2 | 15840 | (000000-) | Pin, Prong | 9 |
| 3 | 15392 | (000000-) | Gasket, Circuit Board | 1 |
| 4 | 32660 | (000000-) | Circuit Board Kit | 1 |
| 5 | 16908 | (000000-) | Cable, Ribbon | 1 |
| 6 | 15399 | (000000-) | Cover, Circuit Board | 1 |
| 7 | 10046 | (000000-) | Horn | 1 |
| 8 | 57164 | (000000-) | Breaker, Circuit, 10A | 2 |
| 9 | 57751 | (000000-) | Boot, Circuit Breaker | 2 |
| 10 | 86370 | (000000-) | Shunt | 1 |
| 11 | 27928 | (000000-) | Grommet | 1 |
| 12 | 10632 | (000000-) | Grommet | 1 |

Fig. 29 - Control Box Group

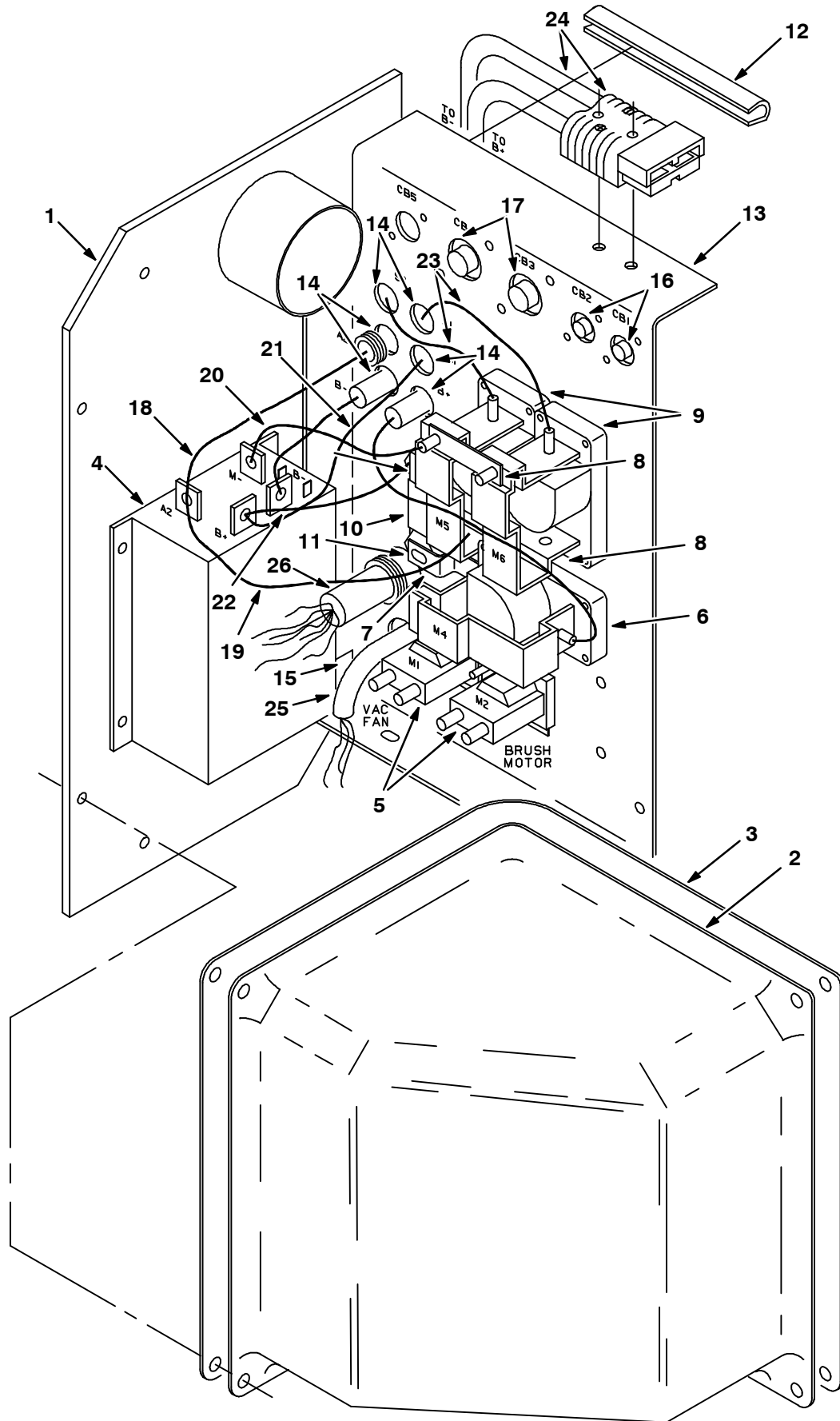


Fig. 29 - Control Box Group

| Key | TENNANT Part No. | Machine Serial Number | Description | Qty. |
|-----|------------------|-----------------------|------------------------------------|------|
| 1 | 16900 | (000000- |) Plate, Mounting | 1 |
| 2 | 15012 | (000000- |) Cover, Control | 1 |
| 3 | 41423 | (000000- |) Gasket, Control Cover | 1 |
| 4 | 15008 | (000000- |) Controller | 1 |
| 5 | 04685 | (000000- |) Contactor, SPST | 2 |
| 6 | 86375 | (000000- |) Contactor | 1 |
| 7 | 87507 | (000000- |) Busbar, Fuse | 1 |
| 8 | 87483 | (000000- |) Busbar, Relay | 2 |
| 9 | 87482 | (000000- |) Contactor, SPDT | 2 |
| 10 | 86379 | (000000- |) Fuse, 100 A | 1 |
| 11 | 76062 | (000000- |) Insulator, Panel and Switchboard | 2 |
| 12 | 62595-3 | (000000- |) Molding, Trim | 1 |
| 13 | 16904 | (000000-001839) | Bracket, Control Mounting | 1 |
| 13 | 32730 | (001840- |) Bracket, Control Mounting | 1 |
| 14 | 10632-17 | (000000- |) Grommet | 6 |
| 15 | 10632 | (000000- |) Grommet | 1 |
| 16 | 04679 | (000000- |) Breaker, Circuit, 20 A | 2 |
| 17 | 15740 | (000000- |) Breaker, Circuit, 40 A | 2 |
| 18 | 01366 | (000000- |) Wire Assembly | 1 |
| 19 | 15846 | (000000- |) Wire Assembly | 1 |
| 20 | 18778 | (000000- |) Wire Assembly | 1 |
| 21 | 15870 | (000000- |) Wire Assembly | 1 |
| 22 | 18779 | (000000- |) Wire Assembly | 1 |
| 23 | 87561 | (000000- |) Wire Assembly | 2 |
| 24 | 15845 | (000000- |) Wire Harness, Controller | 1 |
| 25 | 31994 | (001840- |) Wire Harness, Main | 1 |
| 26 | 10632-1 | (001840- |) Grommet | 1 |

**Fig. 30 - Wire Harness Group
(For machines below serial number 001840)**

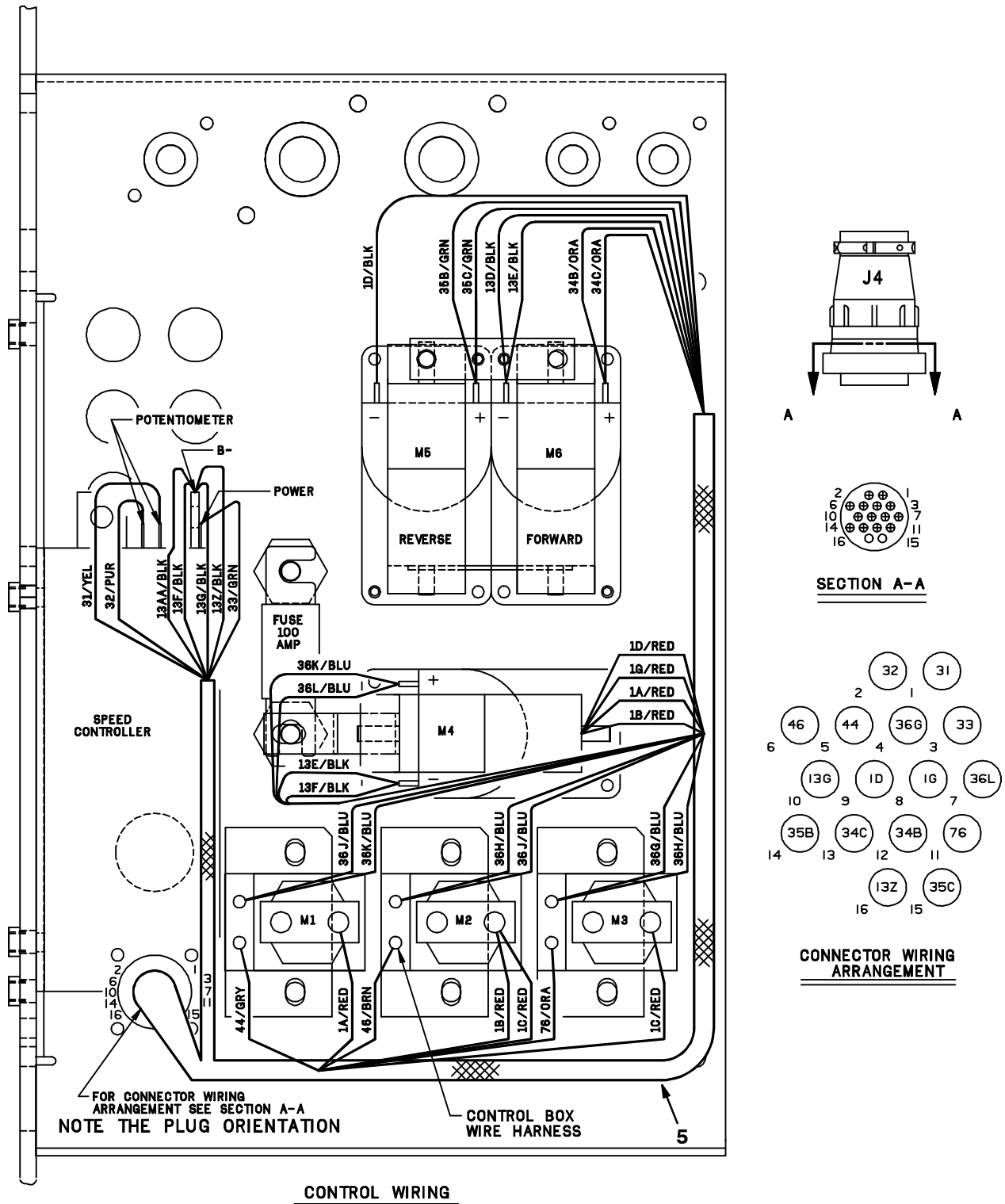


Fig. 30 - Wire Harness Group
(For machines serial number 001840 and above)

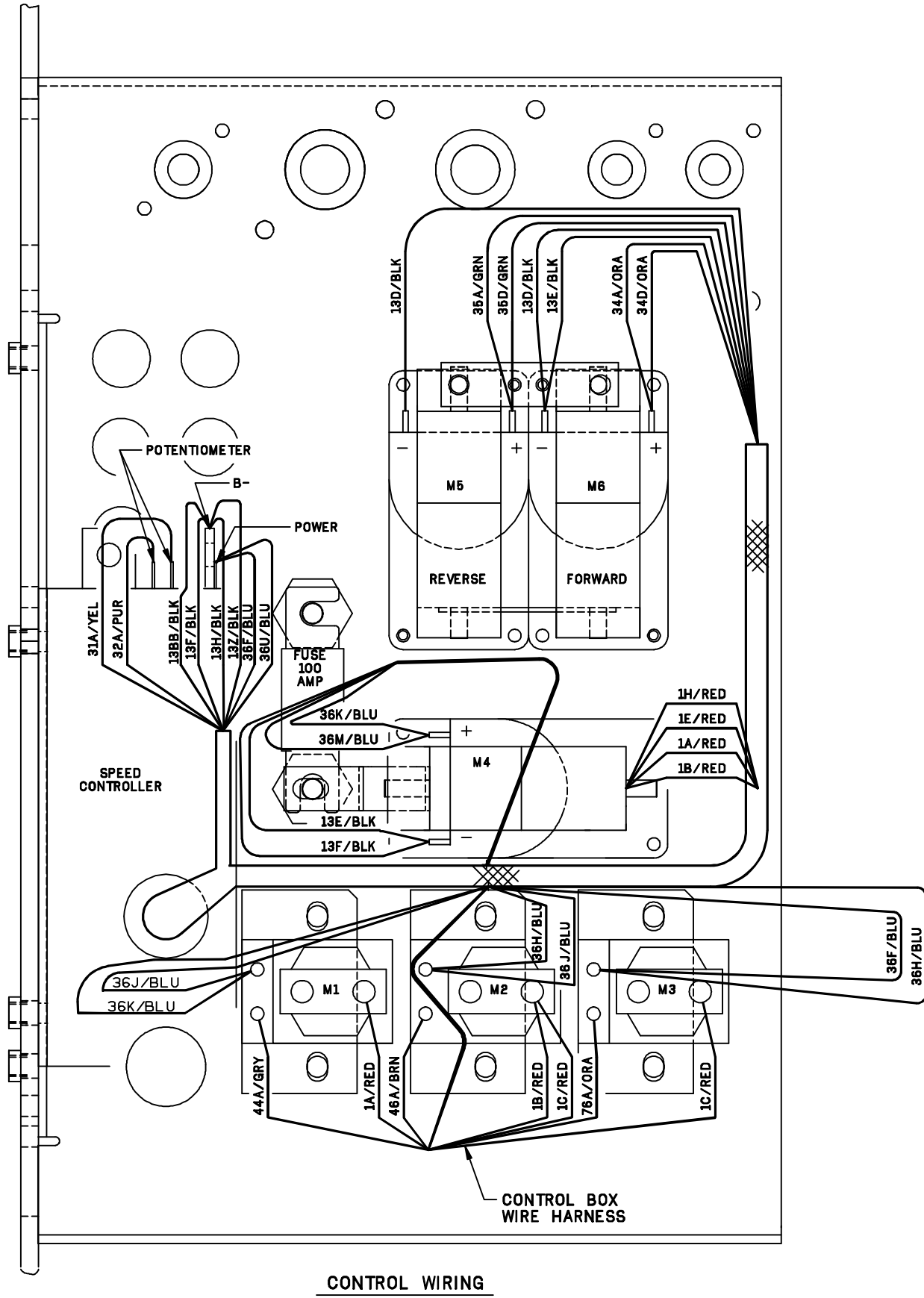


Fig. 30 - Wire Harness Group

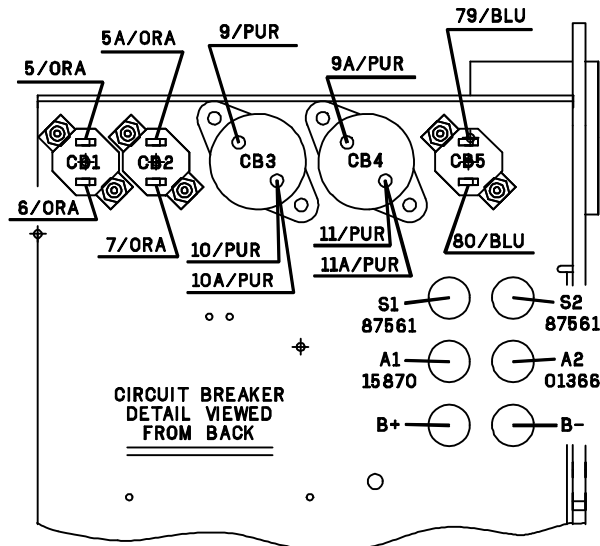
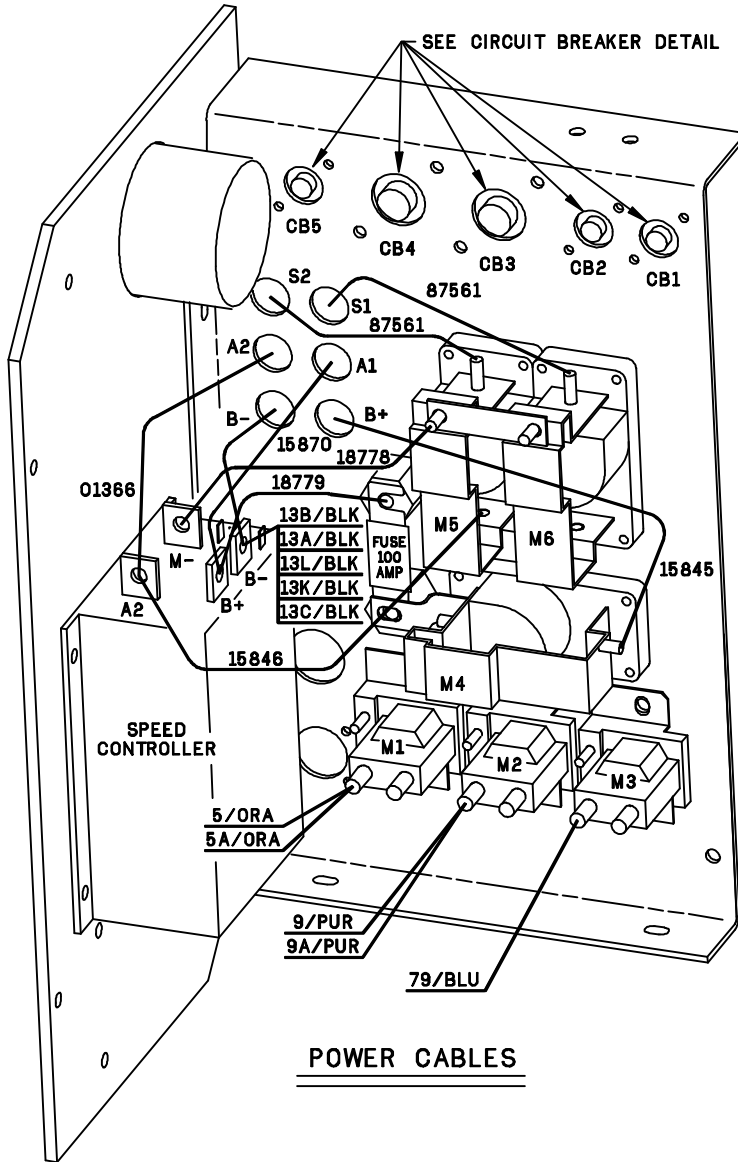


Fig. 30 - Wire Harness Group

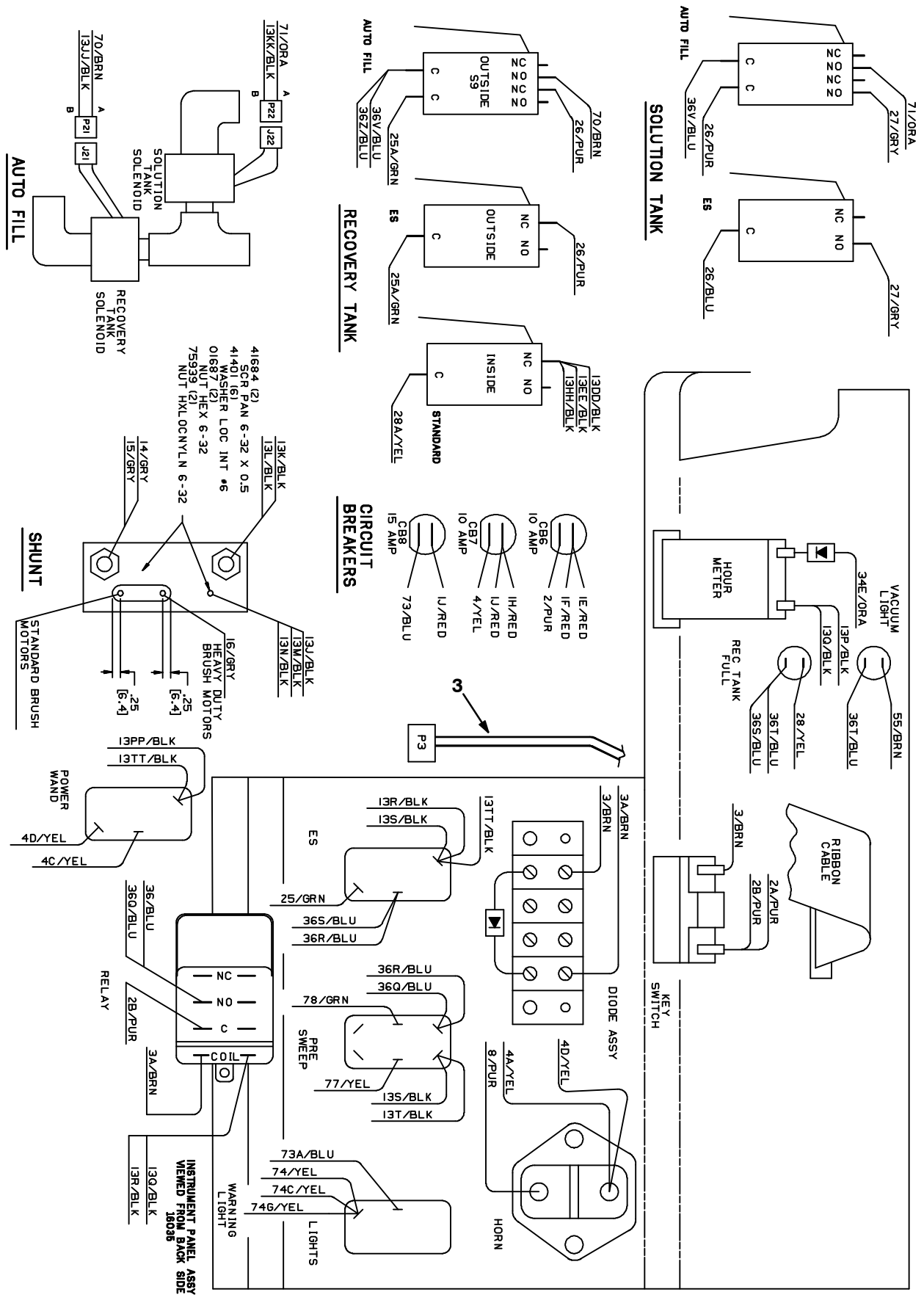


Fig. 30 - Wire Harness Group
(For machines below serial number 002018)

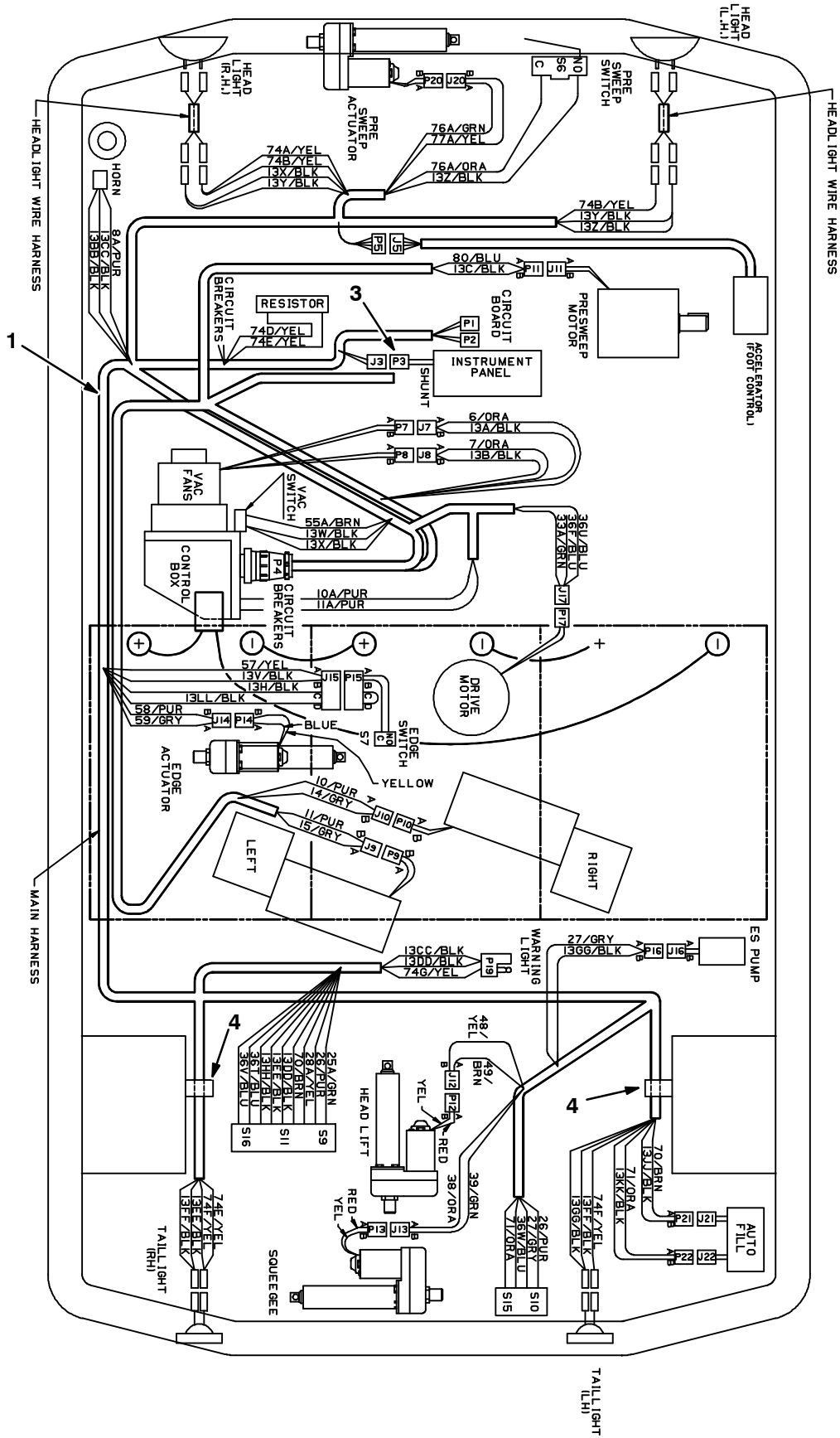
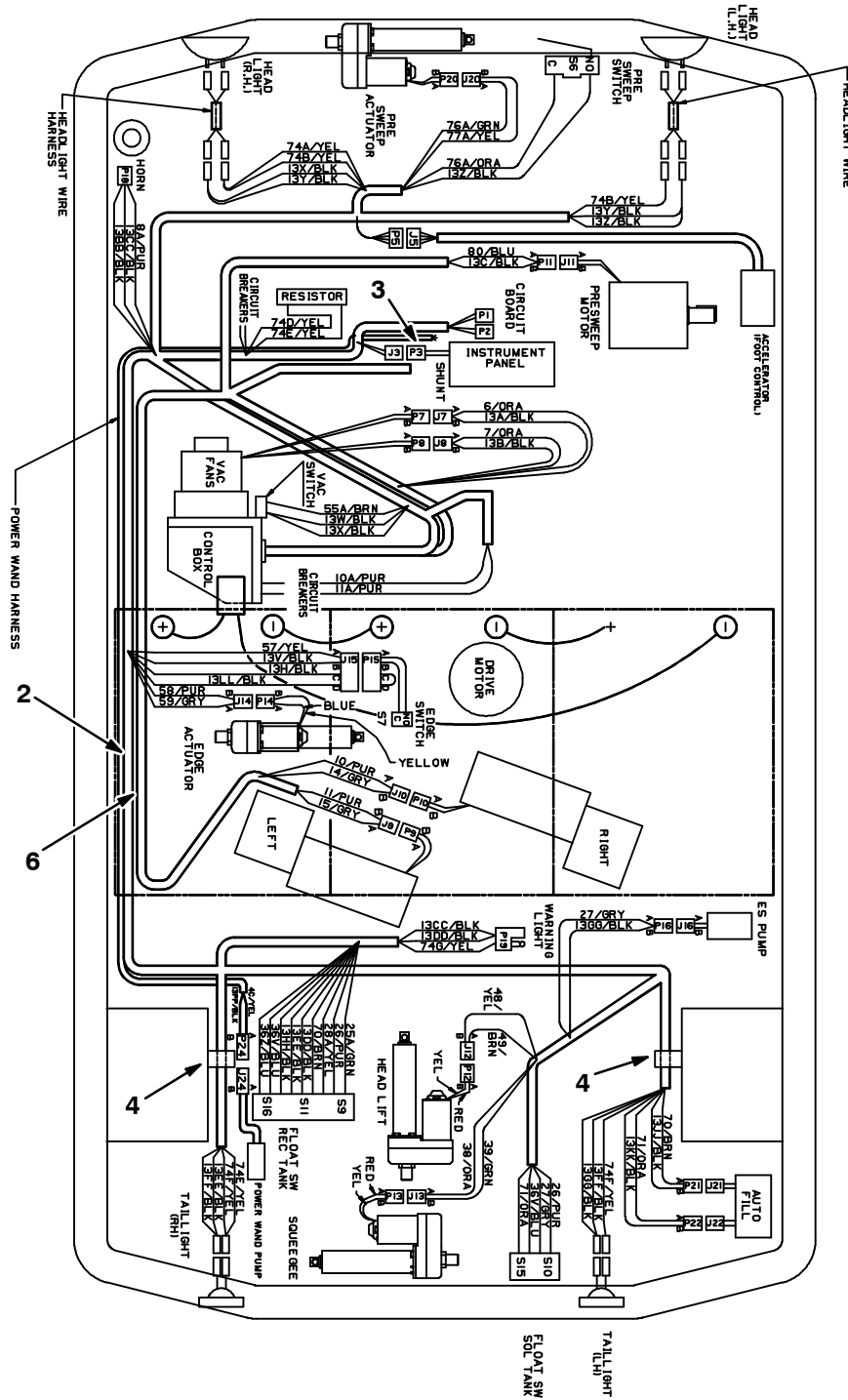


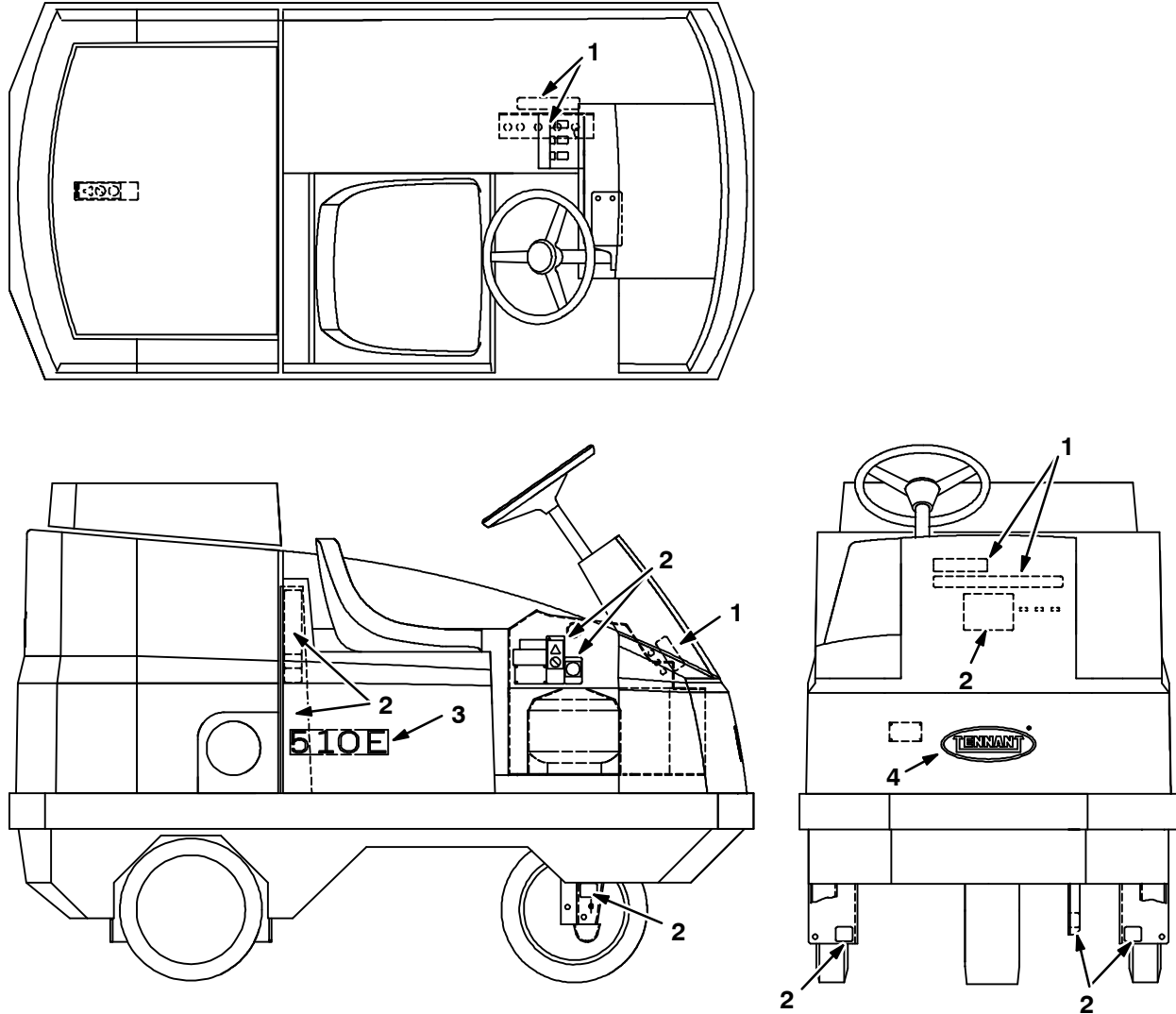
Fig. 30 - Wire Harness Group
(For machines serial number 002018 and above)



06083/06083

| Key | TENNANT Part No. | Machine Serial Number | Description | Qty. |
|-----|------------------|-----------------------|-------------------------------|------|
| 1 | 15043 | (000000-001839) | Wire Harness, Main | 1 |
| 1 | 32726 | (001840-002017) | Wire Harness, Main | 1 |
| 2 | 31994 | (002018-) | Wire Harness, Main | 1 |
| 3 | 16039 | (000000-) | Wire Harness, Dash | 1 |
| 4 | 30406 | (000000-) | Clip, Keeper | 2 |
| 5 | 15046 | (000000-001839) | Wire Harness, Control Box | 1 |
| 6 | 15175 | (000000-) | Wire Harness, Circuit Breaker | 1 |

Fig. 31 - Label Group



05422/05422

| Key | TENNANT Part No. | Machine Serial Number | Description | Qty. |
|-----|------------------|-----------------------|-----------------------------------|------|
| 1 | 17115 | (000000-) | Label Set, Operation | 1 |
| 2 | 17116 | (000000-) | Label Set, Information and Hazard | 1 |
| 3 | 17117 | (000000-) | Label, Numerals, 510E | 2 |
| 4 | 17200 | (000000-) | Label, TENNANT Logo | 2 |

SECTION 7

CONTENTS

| | Page |
|--|------|
| Fig. 1 - Pre-Sweep™ Frame Group | 7-2 |
| Fig. 2 - Pre-Sweep™ Drive Group | 7-4 |
| Fig. 3 - Pre-Sweep™ Brush Idler Group | 7-6 |
| Fig. 4 - Pre-Sweep™ Brush Wrap Group | 7-7 |
| Fig. 5 - Pre-Sweep™ Side Brush Group | 7-8 |
| Fig. 6 - Pre-Sweep™ Hopper Group | 7-10 |
| Fig. 7 - Pre-Sweep™ Cover Group | 7-11 |
| Fig. 8 - Pre-Sweep™ Electrical Group | 7-12 |
| Fig. 9 - Pre-Sweep™ Dolly Assembly | 7-13 |
| Fig. 10 - Extended Scrub Group | 7-14 |
| Fig. 11 - Auto Water Valve Group | 7-16 |
| Fig. 12 - Light Kit | 7-18 |
| Fig. 13 - Revolving Light Kit, Lintel | 7-20 |
| Fig. 14 - Revolving Light Kit, Overhead Guard | 7-21 |
| Fig. 15 - Overhead Guard Kit | 7-22 |
| Fig. 16 - Heavy Duty Bumper Kit | 7-23 |
| Fig. 17 - Suspension Slide Seat Kit | 7-24 |
| Fig. 18 - Heavy Duty Motor Kit | 7-25 |
| Fig. 19 - Vacuum Wand Kit | 7-26 |
| Fig. 20 - Demo Kit | 7-27 |
| Fig. 21 - Grooved Tire Assembly | 7-28 |
| Fig. 22 - Non-Mark, Non-Skid Tires | 7-29 |
| Fig. 23 - Battery Kit, 380 A/h, Wet | 7-30 |
| Fig. 24 - Battery Kit, 420 A/h, Wet | 7-31 |
| Fig. 25 - Battery Kit, 570 A/h, Wet | 7-32 |
| Fig. 26 - Battery Kit, 570 A/h, Dry, International Only | 7-33 |
| Fig. 27 - Battery Charger Group, 380 A/h Batteries, 60Hz | 7-34 |
| Fig. 28 - Battery Charger Group, 380 A/h Batteries, 50Hz, International Only | 7-35 |
| Fig. 29 - Battery Charger Group, 420 A/h Batteries, 60Hz | 7-36 |
| Fig. 30 - Battery Charger Group, 420 A/h Batteries, 50Hz, International Only | 7-37 |
| Fig. 31 - Battery Charger Group, 570 A/h Batteries, 60Hz | 7-38 |
| Fig. 32 - Battery Charger Group, 570 A/h Batteries, 50Hz, International Only | 7-39 |
| Fig. 33 - Power Wand Mount and Pump Group | 7-40 |
| Fig. 34 - Power Wand Assembly | 7-42 |
| Fig. 35 - Power Wand Hose Assembly | 7-44 |
| Fig. 36 - Fire Extinguisher Kit | 7-45 |
| Fig. 37 - Front Squeegee Blade Group, Tile | 7-46 |
| Fig. 38 - Positive Solution Control Drain System Kit, Standard | 7-47 |
| Fig. 39 - Positive Solution Control Drain System Kit, ES™ | 7-48 |
| Fig. 40 - Documentation Group | 7-50 |

Fig. 1 - Pre-Sweep™ Frame Group

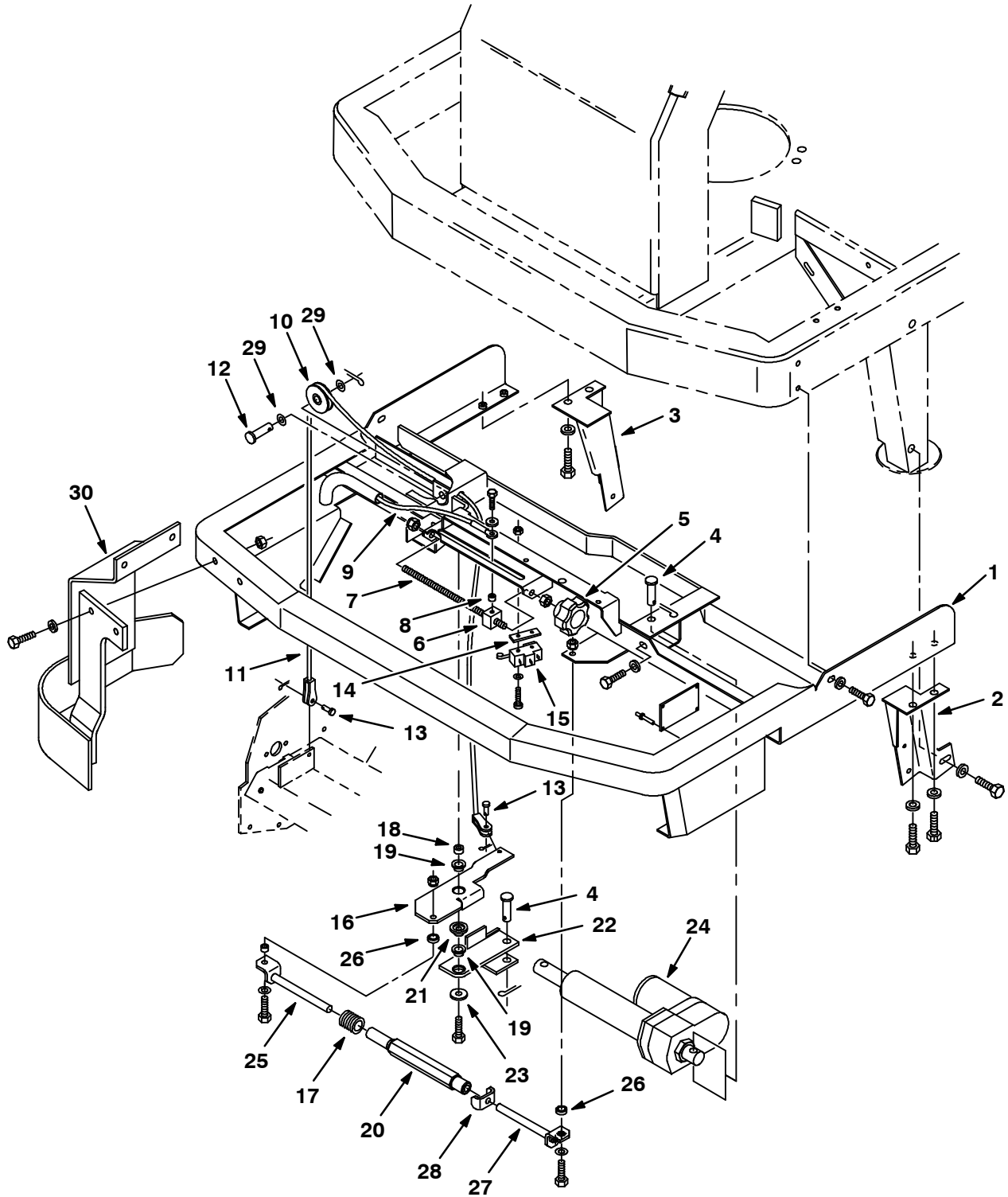


Fig. 1 - Pre-Sweep™ Frame Group

NOTE: Pre-Sweep™ Kit, TENNANT Part Number 24180, includes Fig. 1, Fig. 2, Fig. 3, Fig. 4, Fig. 5, Fig. 6, Fig. 7, and Fig. 8.

| Key | TENNANT Part No. | Machine Serial Number | Description | Qty. |
|------------|-------------------------|------------------------------|-----------------------------------|-------------|
| 1 | 17050 | (000000- |) Frame, Pre-Sweep™ | 1 |
| 2 | 17372 | (000000- |) Plate | 1 |
| 3 | 17371 | (000000- |) Plate | 1 |
| 4 | 51534 | (000000- |) Pin, Clevis | 2 |
| 5 | 41341 | (000000- |) Knob, Plastic | 1 |
| 6 | 17040 | (000000- |) Block, Adjusting | 1 |
| 7 | 17042 | (000000- |) Rod, Threaded | 1 |
| 8 | 39471 | (000000- |) Sleeve | 1 |
| 9 | 17043 | (000000- |) Cable, Retaining | 1 |
| 10 | 74391 | (000000- |) Pulley, Cable | 1 |
| 11 | 16047 | (000000- |) Cable Assembly, Ball and Clevis | 1 |
| 12 | 06598 | (000000- |) Pin, Clevis | 1 |
| 13 | 36376 | (000000- |) Pin, Clevis | 2 |
| 14 | 69203 | (000000- |) Strip | 1 |
| 15 | 82092 | (000000- |) Switch, Roller Lever | 1 |
| 16 | 24532 | (000000- |) Bracket, Lift | 1 |
| 17 | 63852 | (000000- |) Spring | 1 |
| 18 | 14888 | (000000- |) Sleeve | 1 |
| 19 | 04843 | (000000- |) Bearing, Flange | 2 |
| 20 | 24509 | (000000- |) Rod, Adjuster | 1 |
| 21 | 14890 | (000000- |) Sleeve, Shoulder | 1 |
| 22 | 16188 | (000000- |) Lever | 1 |
| 23 | 64153 | (000000- |) Washer | 1 |
| 24 | 05018 | (000000- |) Actuator | 1 |
| 25 | 24534 | (000000- |) Bracket, Lift | 1 |
| 26 | 29534 | (000000- |) Sleeve | 2 |
| 27 | 24533 | (000000- |) Bracket, Weldment | 1 |
| 28 | 24510 | (000000- |) Bar, Lock | 1 |
| 29 | 86952 | (000000- |) Washer, Nylon | 2 |
| 30 | 65419 | (002426- |) Guard Wldt, Side Brush | 1 |

Fig. 2 - Pre-Sweep™ Drive Group

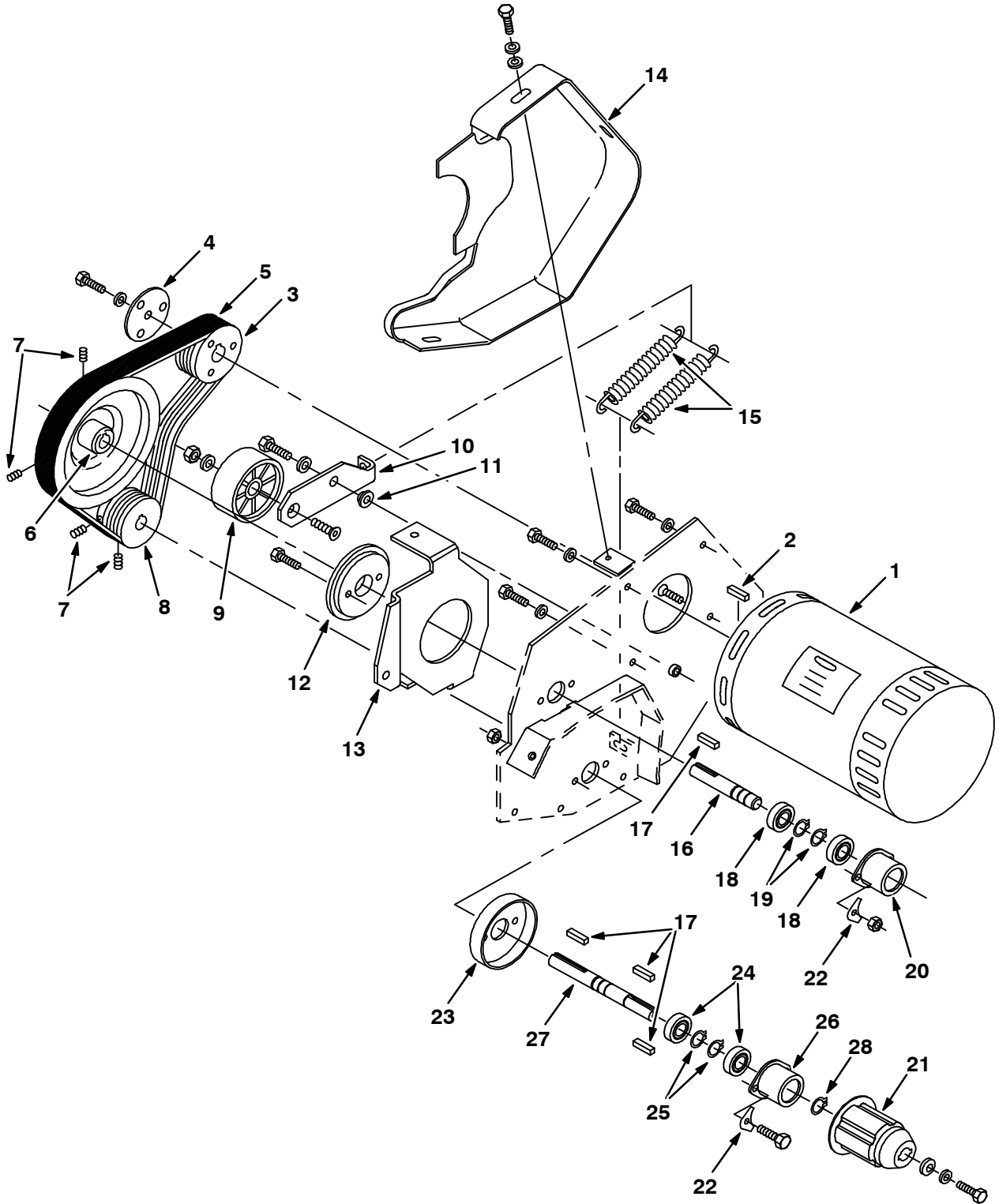
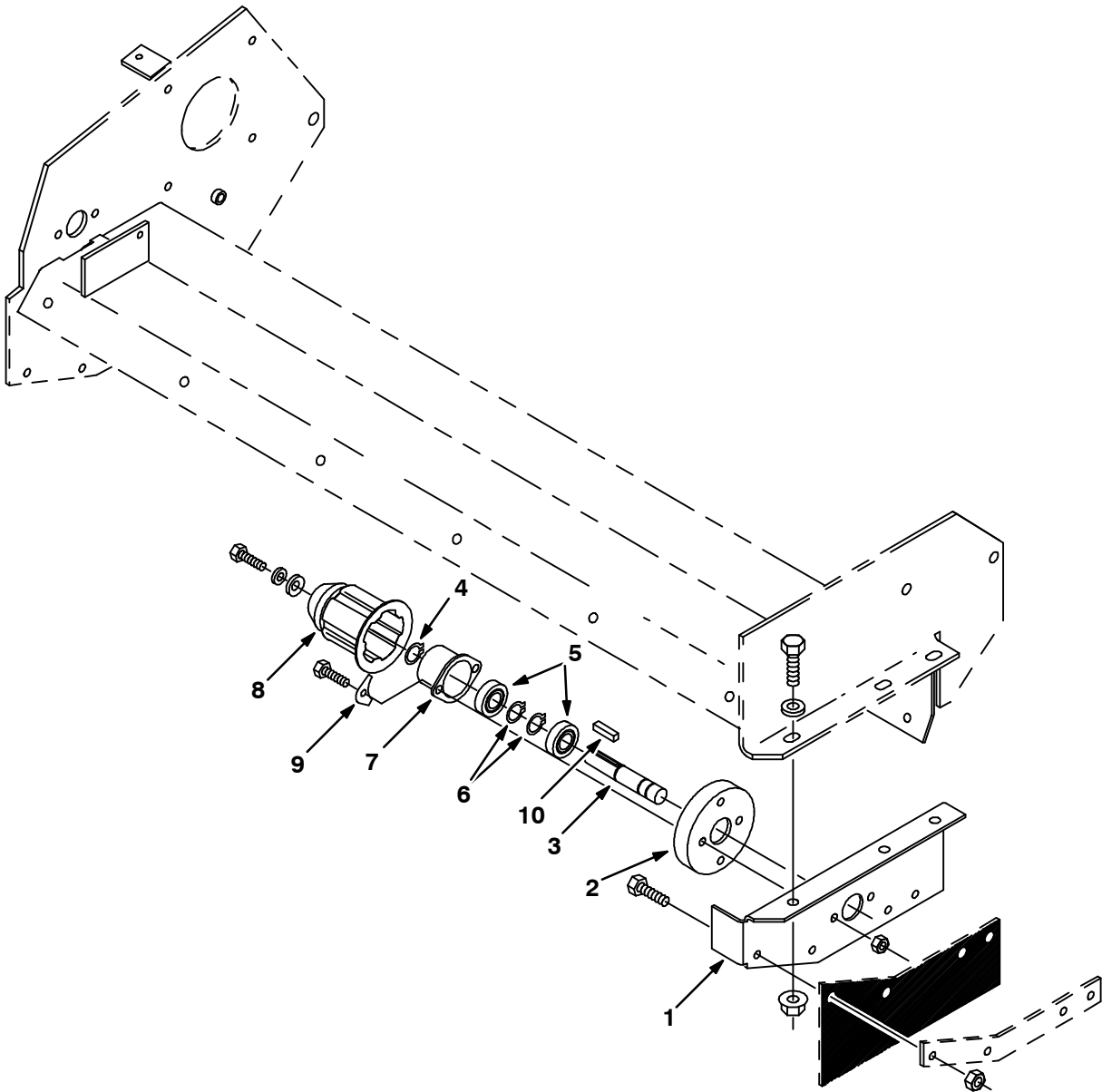


Fig. 2 - Pre-Sweep™ Drive Group

NOTE: Pre-Sweep™ Kit, TENNANT Part Number 24180, includes Fig. 1, Fig. 2, Fig. 3, Fig. 4, Fig. 5, Fig. 6, Fig. 7, and Fig. 8.

| Key | TENNANT Part No. | Machine Serial Number | Description | Qty. | |
|-----|------------------|-----------------------|---|-------------------|---|
| 1 | 04922 | (000000- |) Motor (See Breakdowns) | 1 | |
| 2 | 00928 | (000000- |) Key, Square | 1 | |
| 3 | 41383 | (000000- |) Sheave, Poly-V | 1 | |
| 4 | 41384 | (000000- |) Plate, Sheave Mounting | 1 | |
| 5 | 41373 | (000000- |) Belt, Poly-V | 1 | |
| 6 | 41381 | (000000- |) Sheave | 1 | |
| 7 | 39392 | (000000- |) Screw, Set | 4 | |
| 8 | 41382 | (000000- |) Sheave, Poly-V | 1 | |
| 9 | 41372 | (000000- |) Sheave, Idler, with Bearing | 1 | |
| 10 | 41379 | (000000- |) Arm, Idler | 1 | |
| 11 | 01047 | (000000- |) Retainer | 1 | |
| 12 | 16090 | (000000- |) Plate, Pivot | 1 | |
| 13 | 16089 | (000000- |) Bracket, Mounting | 1 | |
| 14 | 17114 | (000000- |) Cover, Belt | 1 | |
| 15 | 29499 | (000000- |) Spring, Tension | 2 | |
| 16 | 16175 | (000000- |) Shaft, Side Brush Idler | 1 | |
| 17 | 00912 | (000000- |) Key, Square | 4 | |
| 18 | 41360 | (000000- |) Bearing, Ball | 2 | |
| 19 | 01516 | (000000- |) Ring, Retaining | 2 | |
| 20 | 41362 | (000000- |) Cup, Bearing | 1 | |
| 21 | 12269 | (000000- |) Plug, Brush Drive | 1 | |
| 22 | 32408 | (000000- |) Plate | 4 | |
| 23 | 32720 | (000000- |) Shield, Plug | 1 | |
| ▽ | 48748 | (000000- |) Bearing and Shaft Assembly, Brush Drive | 1 | |
| ▲ | 24 | 41360 | (000000- |) Bearing, Ball | 2 |
| ▲ | 25 | 01516 | (000000- |) Ring, Retaining | 2 |
| ▲ | 26 | 41362 | (000000- |) Cup, Bearing | 1 |
| ▲ | 27 | 15519 | (000000- |) Shaft, Driver | 1 |
| ▲ | 28 | 86773 | (000000- |) Ring, Retaining | 1 |

Fig. 3 - Pre-Sweep™ Brush Idler Group

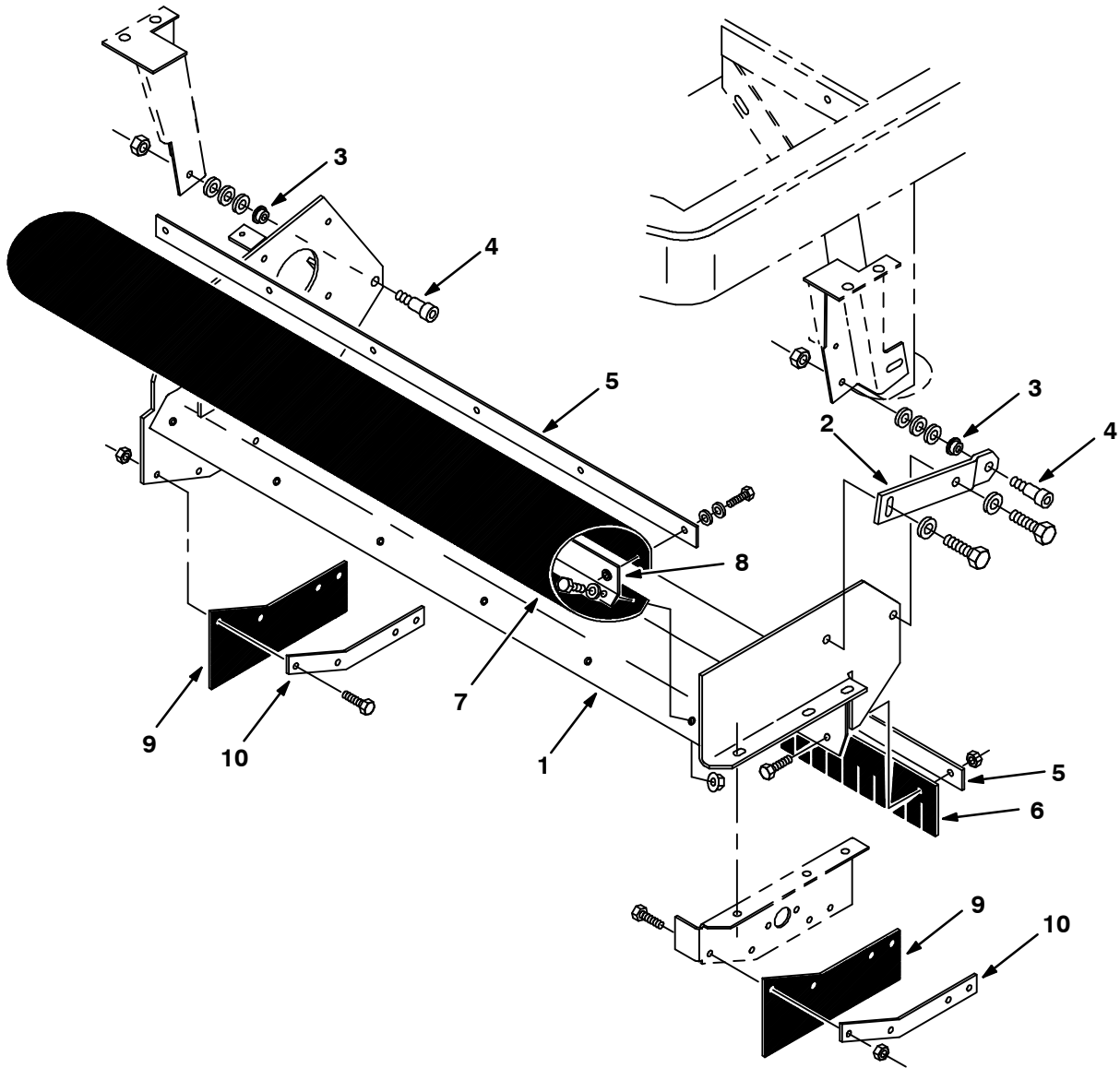


06047/06047

NOTE: Pre-Sweep™ Kit, TENNANT Part Number 24180, includes Fig. 1, Fig. 2, Fig. 3, Fig. 4, Fig. 5, Fig. 6, Fig. 7, and Fig. 8.

| Key | TENNANT Part No. | Machine Serial Number | Description | Qty. | |
|-----|------------------|-----------------------|---|-------------------|---|
| 1 | 16093 | (000000-) | Plate, Brush Mounting | 1 | |
| 2 | 32720 | (000000-) | Shield, Plug | 1 | |
| ▽ | 48748 | (000000-) | Bearing and Shaft Assembly, Brush Idler | 1 | |
| ▲ | 3 | 15522 | (000000-) | Shaft, Idler | 1 |
| ▲ | 4 | 86773 | (000000-) | Ring, Retaining | 1 |
| ▲ | 5 | 41360 | (000000-) | Bearing, Ball | 2 |
| ▲ | 6 | 01516 | (000000-) | Ring, Retaining | 2 |
| ▲ | 7 | 41362 | (000000-) | Cup, Bearing | 1 |
| | 8 | 12269 | (000000-) | Plug, Brush Drive | 1 |
| | 9 | 32408 | (000000-) | Plate | 2 |
| | 10 | 00912 | (000000-) | Key, Square | 1 |

Fig. 4 - Pre-Sweep™ Brush Wrap Group



06048/06048

NOTE: Pre-Sweep™ Kit, TENNANT Part Number 24180, includes Fig. 1, Fig. 2, Fig. 3, Fig. 4, Fig. 5, Fig. 6, Fig. 7, and Fig. 8.

| Key | TENNANT Part No. | Machine Serial Number | Description | Qty. |
|-----|------------------|-----------------------|-----------------------|------|
| 1 | 16064 | (000000-) | Frame ,Brush Wrap | 1 |
| 2 | 16357 | (000000-) | Arm, Adjusting | 1 |
| 3 | 05582 | (000000-) | Bearing, Flange | 2 |
| 4 | 62832 | (000000-) | Screw, Shoulder | 2 |
| 5 | 16096 | (000000-) | Strip, Hopper Lip | 2 |
| 6 | 16098 | (000000-) | Skirt, Hopper Lip | 1 |
| 7 | 41339 | (000000-) | Skirt, Hopper Door | 1 |
| 8 | 16095 | (000000-) | Angle, Hopper Lip | 1 |
| 9 | 16191 | (000000-) | Skirt | 2 |
| 10 | 16189 | (000000-) | Strip, Skirt Retainer | 2 |

Fig. 5 - Pre-Sweep™ Side Brush Group

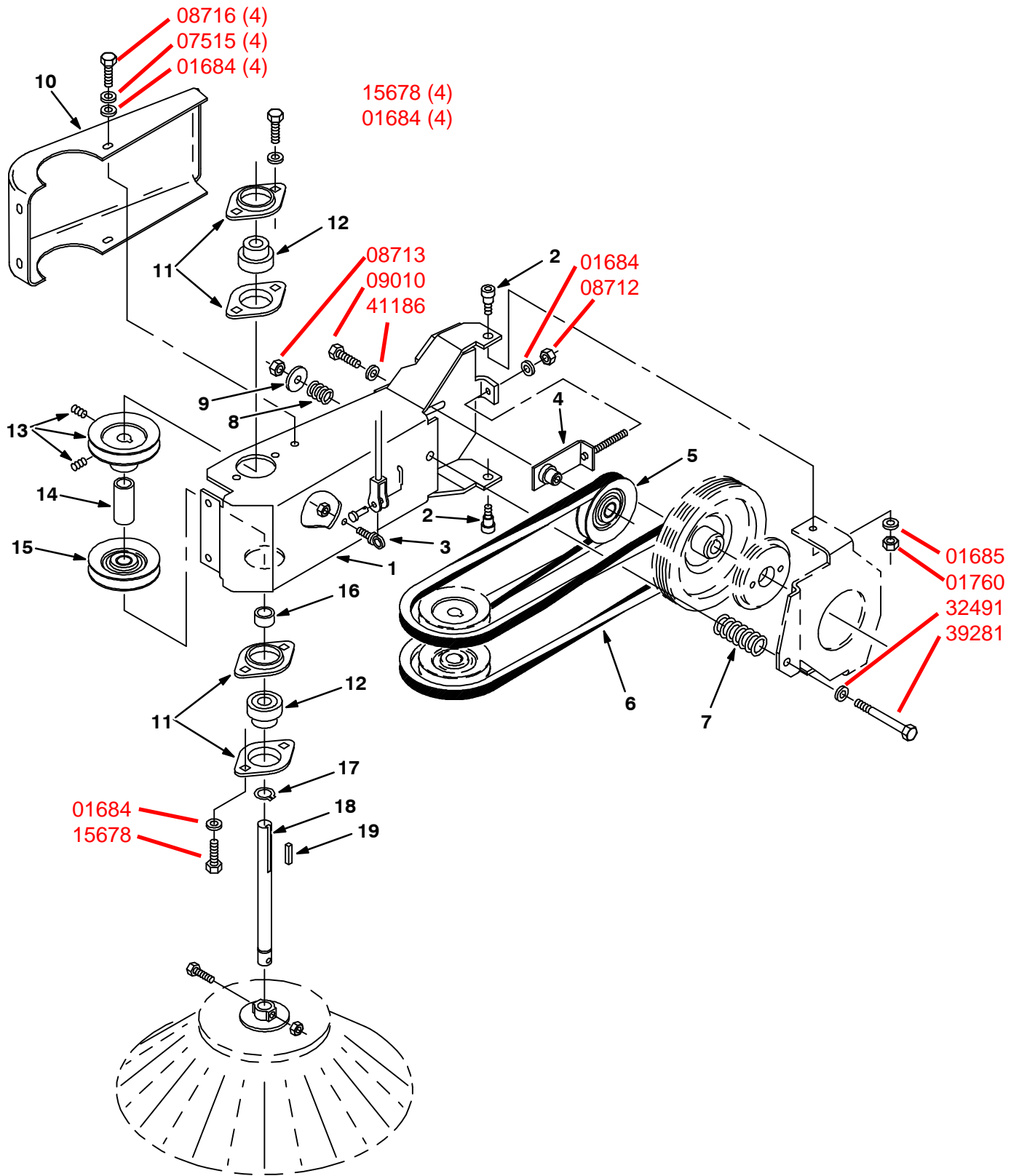
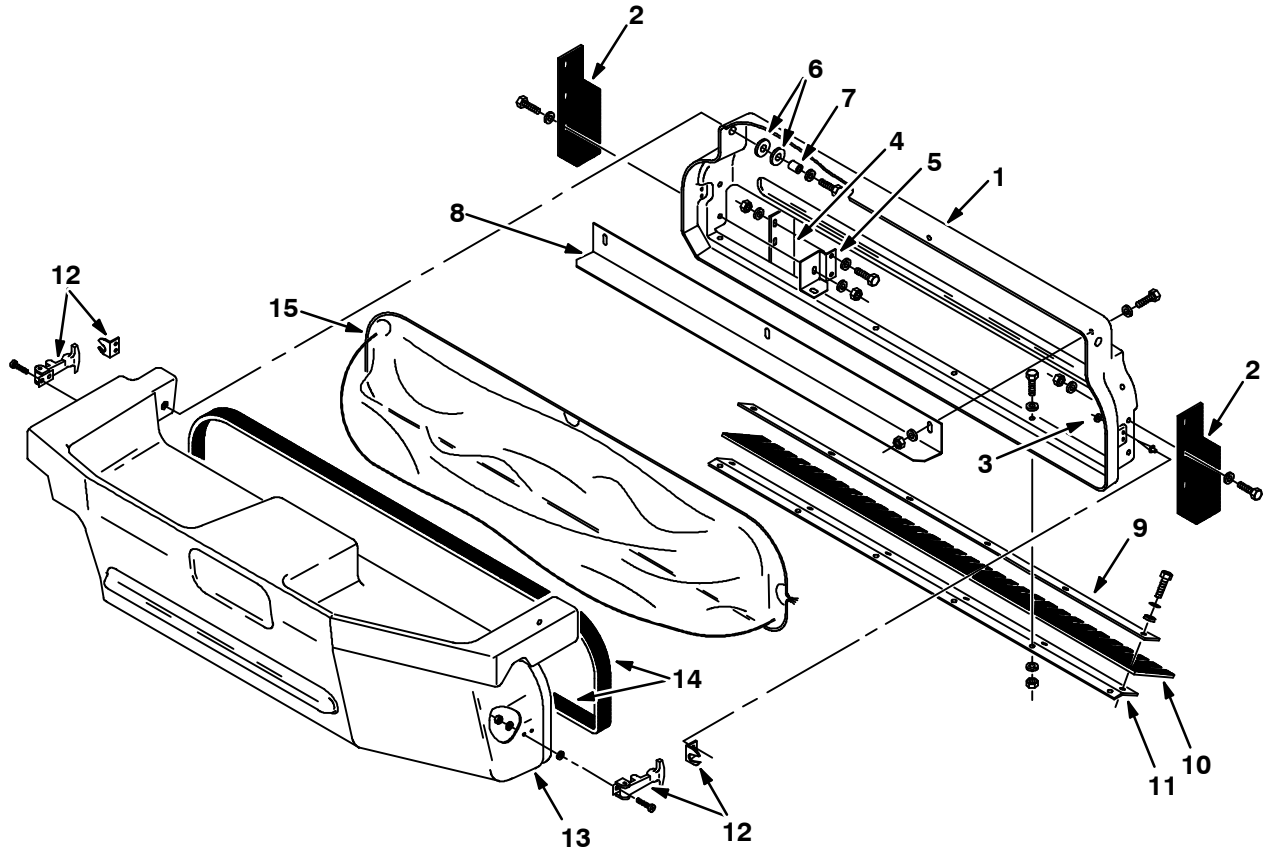


Fig. 5 - Pre-Sweep™ Side Brush Group

NOTE: Pre-Sweep™ Kit, TENNANT Part Number 24180, includes Fig. 1, Fig. 2, Fig. 3, Fig. 4, Fig. 5, Fig. 6, Fig. 7, and Fig. 8.

| Key | TENNANT Part No. | Machine Serial Number | Description | Qty. |
|------------|-------------------------|------------------------------|-----------------------|-------------|
| 1 | 16937 | (000000- |) Arm, Side Brush | 1 |
| 2 | 02129 | (000000- |) Screw, Shoulder | 2 |
| 3 | 48079 | (000000- |) Bolt, Eye | 1 |
| 4 | 16956 | (000000- |) Bracket, Pulley | 1 |
| 5 | 17007 | (000000- |) Sheave | 1 |
| 6 | 16040 | (000000- |) Belt, V | 1 |
| 7 | 45261 | (000000- |) Spring, Compression | 1 |
| 8 | 14174 | (000000- |) Spring, Compression | 1 |
| 9 | 64153 | (000000- |) Washer | 1 |
| 10 | 17020 | (000000- |) Guard, Belt | 1 |
| 11 | 48636 | (000000- |) Flange, Bearing | 4 |
| 12 | 48635 | (000000- |) Bearing And Collar | 2 |
| 13 | 17003 | (000000- |) Sheave | 1 |
| 14 | 16177 | (000000- |) Sleeve, Spacer | 1 |
| 15 | 17007 | (000000- |) Sheave | 1 |
| 16 | 17034 | (000000- |) Sleeve, Spacer | 1 |
| 17 | 33373 | (000000- |) Ring, Retaining | 1 |
| 18 | 16173 | (000000- |) Shaft, Side Brush | 1 |
| 19 | 00912 | (000000- |) Key, Square | 1 |

Fig. 6 - Pre-Sweep™ Hopper Group

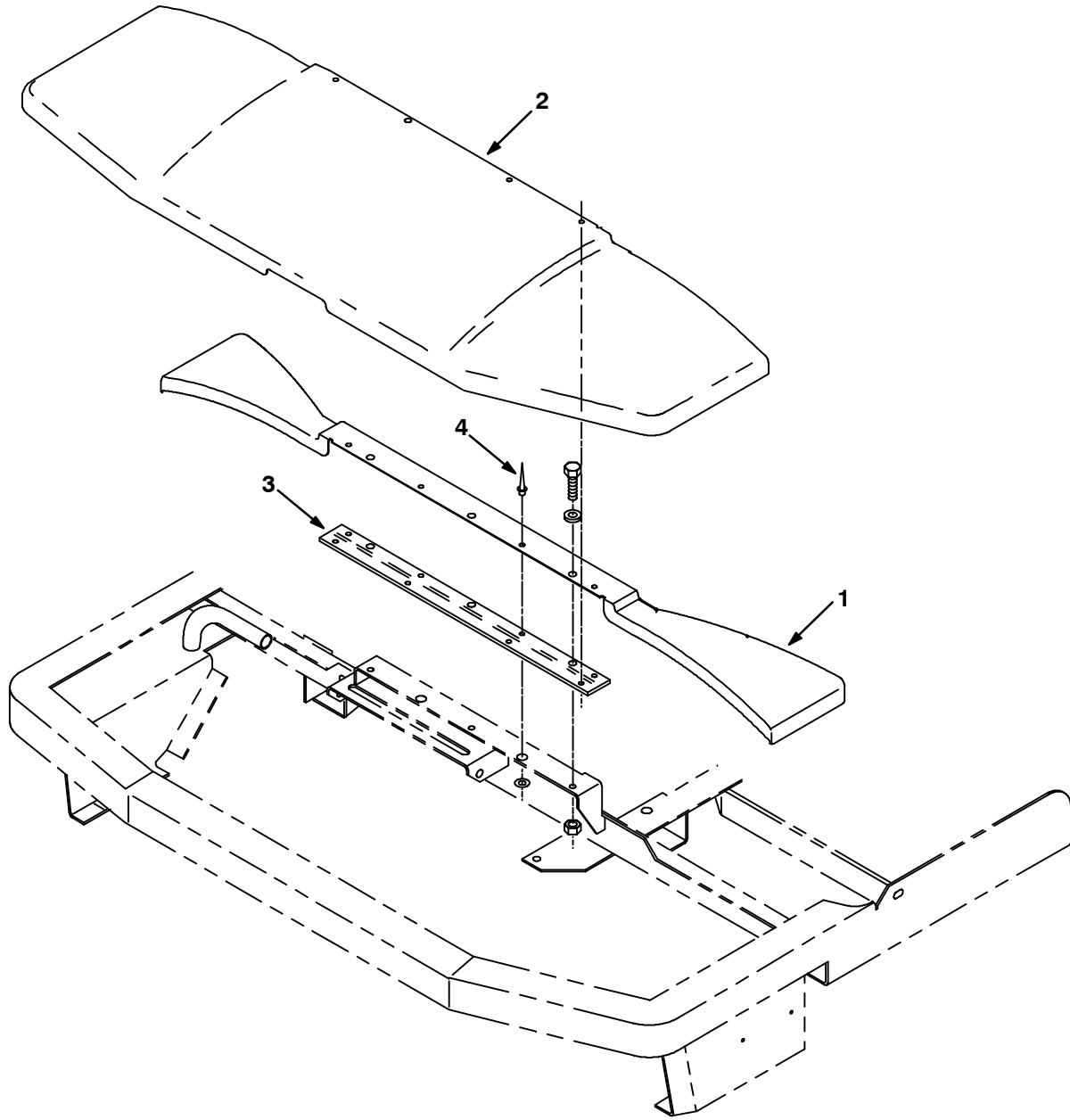


06045/06045

NOTE: Pre-Sweep™ Kit, TENNANT Part Number 24180, includes Fig. 1, Fig. 2, Fig. 3, Fig. 4, Fig. 5, Fig. 6, Fig. 7, and Fig. 8.

| Key | TENNANT Part No. | Machine Serial Number | Description | Qty. |
|-----|------------------|-----------------------|----------------------------|------|
| 1 | 17312 | (000000-) | Cover, Hopper | 1 |
| 2 | 41338 | (000000-) | Skirt, Rubber | 2 |
| 3 | 82457 | (000000-) | Rivet, Pop | 4 |
| 4 | 41464 | (000000-) | Skirt | 1 |
| 5 | 41463 | (000000-) | Bracket, Skirt | 1 |
| 6 | 86952 | (000000-) | Washer, Nylon | 4 |
| 7 | 41340 | (000000-) | Sleeve, Plastic | 2 |
| 8 | 41337 | (000000-) | Angle, Plastic | 1 |
| 9 | 16096 | (000000-) | Strip, Hopper Lip | 1 |
| 10 | 17171 | (000000-) | Skirt, Hopper Lip | 1 |
| 11 | 16095 | (000000-) | Angle, Hopper Lip | 1 |
| 12 | 11636 | (000000-) | Latch, Flexible Draw | 2 |
| 13 | 17310 | (000000-) | Hopper, Pre-Sweep™ | 1 |
| 14 | 33313 | (000000-) | Seal, Hopper Bag | 2 |
| 15 | 24286 | (000000-) | Bag, Poly (Quantity of 25) | 1 |

Fig. 7 - Pre-Sweep™ Cover Group

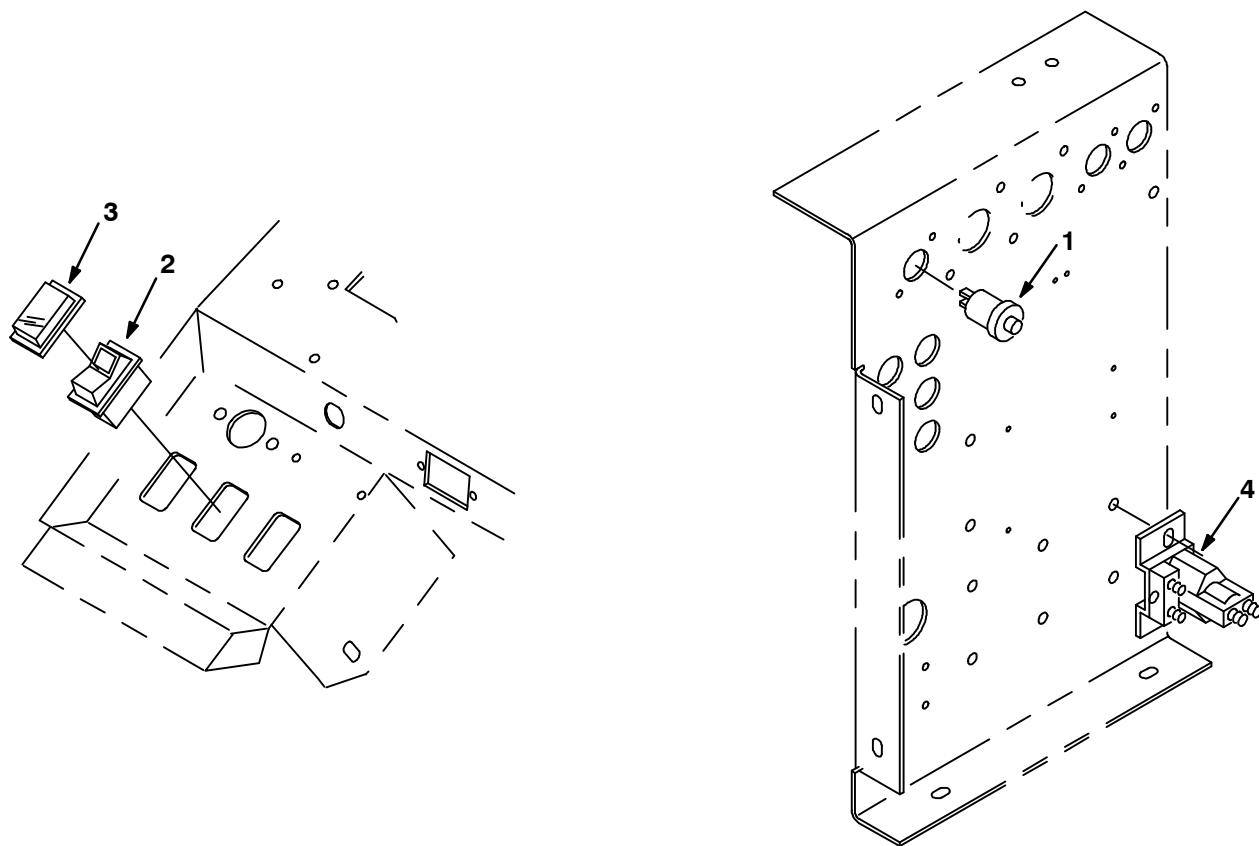


06078/06078

NOTE: Pre-Sweep™ Kit, TENNANT Part Number 24180, includes Fig. 1, Fig. 2, Fig. 3, Fig. 4, Fig. 5, Fig. 6, Fig. 7, and Fig. 8.

| Key | TENNANT Part No. | Machine Serial Number | Description | Qty. |
|-----|------------------|-----------------------|-------------------|------|
| 1 | 14143 | (000000-) | Cover, Rear | 1 |
| 2 | 14142 | (000000-) | Cover, Pre-Sweep™ | 1 |
| 3 | 32732 | (000000-) | Hinge | 1 |
| 4 | 41732 | (000000-) | Rivet, Pop | 8 |

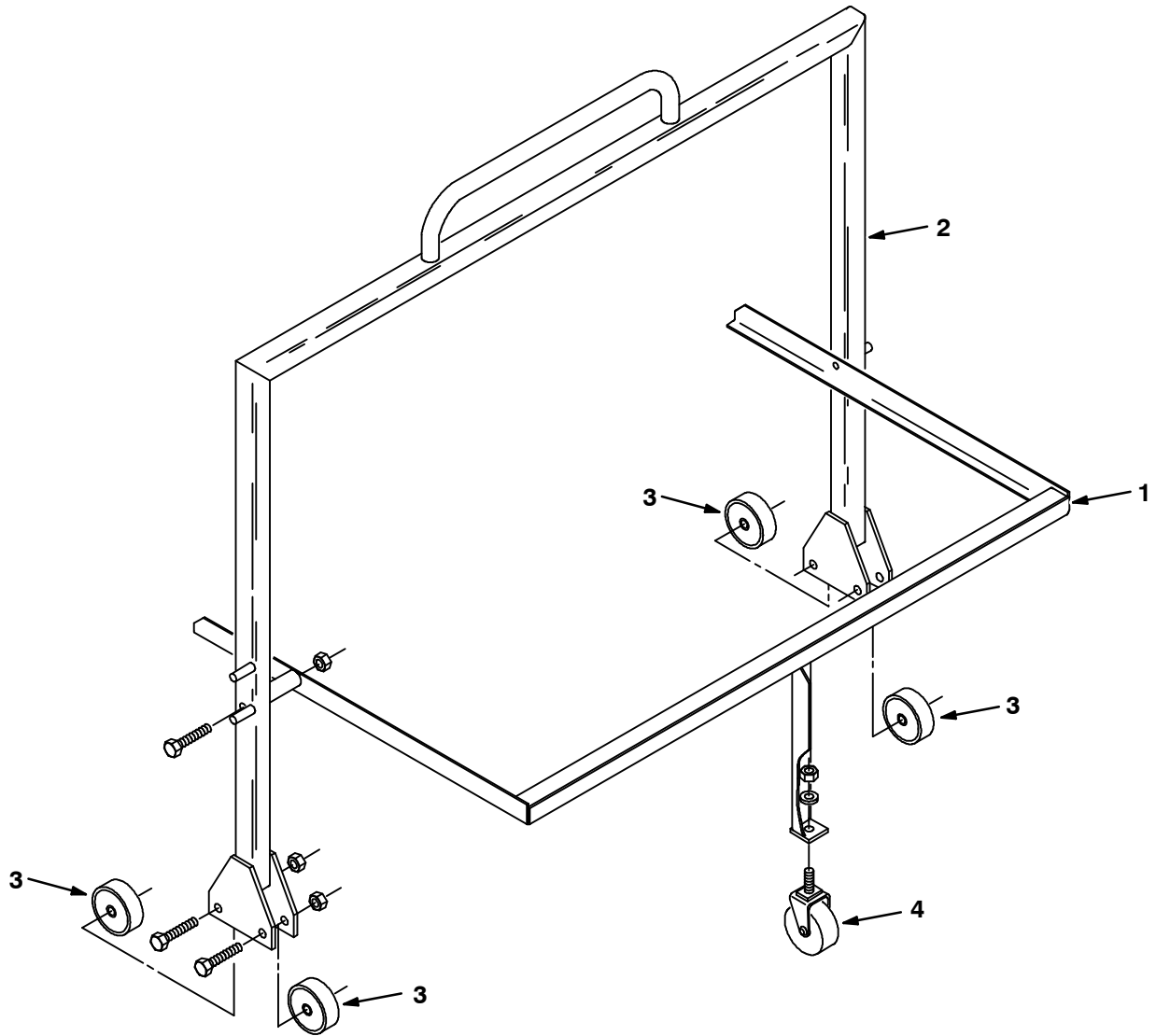
Fig. 8 - Pre-Sweep™ Electrical Group



NOTE: Pre-Sweep™ Kit, TENNANT Part Number 24180, includes Fig. 1, Fig. 2, Fig. 3, Fig. 4, Fig. 5, Fig. 6, Fig. 7, and Fig. 8. 06079/06079

| Key | TENNANT Part No. | Machine Serial Number | Description | Qty. |
|-----|------------------|-----------------------|---------------------------|------|
| 1 | 16615 | (000000-) | Breaker, Circuit, 30 A | 1 |
| 2 | 65556 | (000000-) | Switch, Rocker, DPDT | 1 |
| 3 | 57807 | (000000-) | Cover, Rocker Switch Seal | 1 |
| 4 | 04685 | (000000-) | Contactator, SPST | 1 |

Fig. 9 - Pre-Sweep™ Dolly Assembly



06053/06053

| Key | TENNANT Part No. | Machine Serial Number | Description | Qty. |
|-----|------------------|-----------------------|----------------------------|------|
| ∇ | 17187 | (000000-) | Dolly Assembly, Pre-Sweep™ | 1 |
| ▲ 1 | 17142 | (000000-) | Frame, Pre-Sweep™ Dolly | 1 |
| ▲ 2 | 17161 | (000000-) | Handle | 1 |
| ▲ 3 | 86800 | (000000-) | Wheel | 4 |
| ▲ 4 | 75977 | (000000-) | Caster, Swivel | 1 |

Fig. 10 - Extended Scrub Group

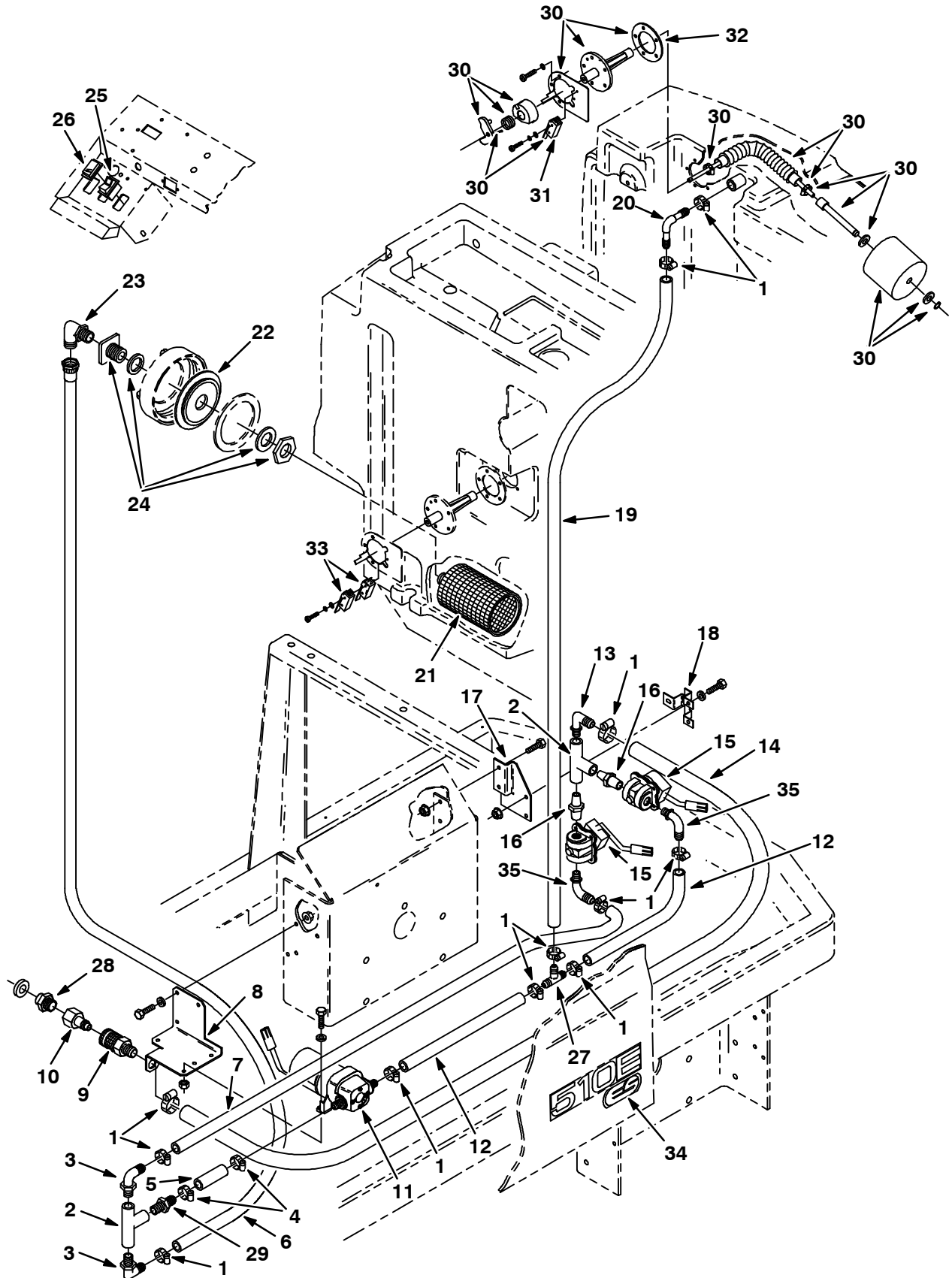


Fig. 10 - Extended Scrub Group

| Key | TENNANT Part No. | Machine Serial Number | Description | Qty. |
|------|------------------|-----------------------|--|------|
| 1 | 86824 | (000000- |) Clamp, Worm Drive | 12 |
| 2 | 79497 | (000000- |) Fitting, Plastic Tee | 2 |
| 3 | 47701 | (000000- |) Fitting, Barbed Elbow | 2 |
| 4 | 11399 | (000000- |) Clamp, Worm Drive | 2 |
| 5 | 16910 | (000000- |) Hose, Clear Vinyl | 1 |
| 6 | 16909 | (000000- |) Hose, Vinyl | 1 |
| 7 | 41427 | (000000- |) Hose, Clear Vinyl | 1 |
| 8 | 16689 | (000000- |) Plate, Pump Mounting | 1 |
| 9 | 24105 | (000000- |) Fitting, Quick-disconnect, Female | 1 |
| 10 | 33295 | (000000- |) Fitting, Quick-disconnect, Male | 1 |
| 11 | 17333 | (000000- |) Pump Assembly (See Breakdowns) | 1 |
| 12 | 41435 | (000000- |) Hose, Clear Vinyl | 1 |
| 13 | 48697 | (000000- |) Fitting, Barbed Elbow Brass 3/4 Hose | 1 |
| 14 | 16913 | (000000- |) Hose, Clear Vinyl | 1 |
| 15 | 41410 | (000000- |) Valve, Solenoid | 2 |
| 16 | 11442-3 | (000000- |) Fitting, Nipple Blk 1/2NPT | 2 |
| 17 | 15838 | (000000- |) Plate, Bent | 1 |
| 18 | 15965 | (000000- |) Plate, Bent | 1 |
| 19 | 16911 | (000000- |) Hose, Clear Vinyl | 1 |
| 20 | 45486 | (000000- |) Fitting, Barbed Elbow | 1 |
| 21 | 65873 | (000000- |) Screen, Solution 60 Mesh | 1 |
| 22 | 15987 | (000000- |) Cover, Lid | 1 |
| 23 | 17118 | (000000- |) Fitting, Elbow | 1 |
| 24 | 63727 | (000000- |) Fitting, Straight | 1 |
| 25 | 65557 | (000000- |) Switch, Lighted Rocker, SPST | 1 |
| 26 | 57807 | (000000- |) Cover, Rocker Switch Seal | 1 |
| 27 | 16356 | (000000- |) Fitting, Tee | 1 |
| 28 | 33294 | (000000- |) Fitting, Brass | 1 |
| 29 | 41440 | (000000- |) Fitting, Straight | 1 |
| ▽ 30 | 24301 | (000000- |) Level Sensing Kit, ES™ | 1 |
| ▲ 31 | 41407 | (000000- |) Switch, Micro, DPDT | 1 |
| ▲ 32 | 86591 | (000000- |) Gasket | 1 |
| 33 | 41407 | (000000- |) Switch, Micro, 15 A DPDT | 2 |
| 34 | 14715 | (000000- |) Label, ES™ Logo | 2 |
| 35 | 30268 | (000000- |) Fitting, Brass 5/8 Hose | 2 |

Fig. 11 - Auto Water Valve Group

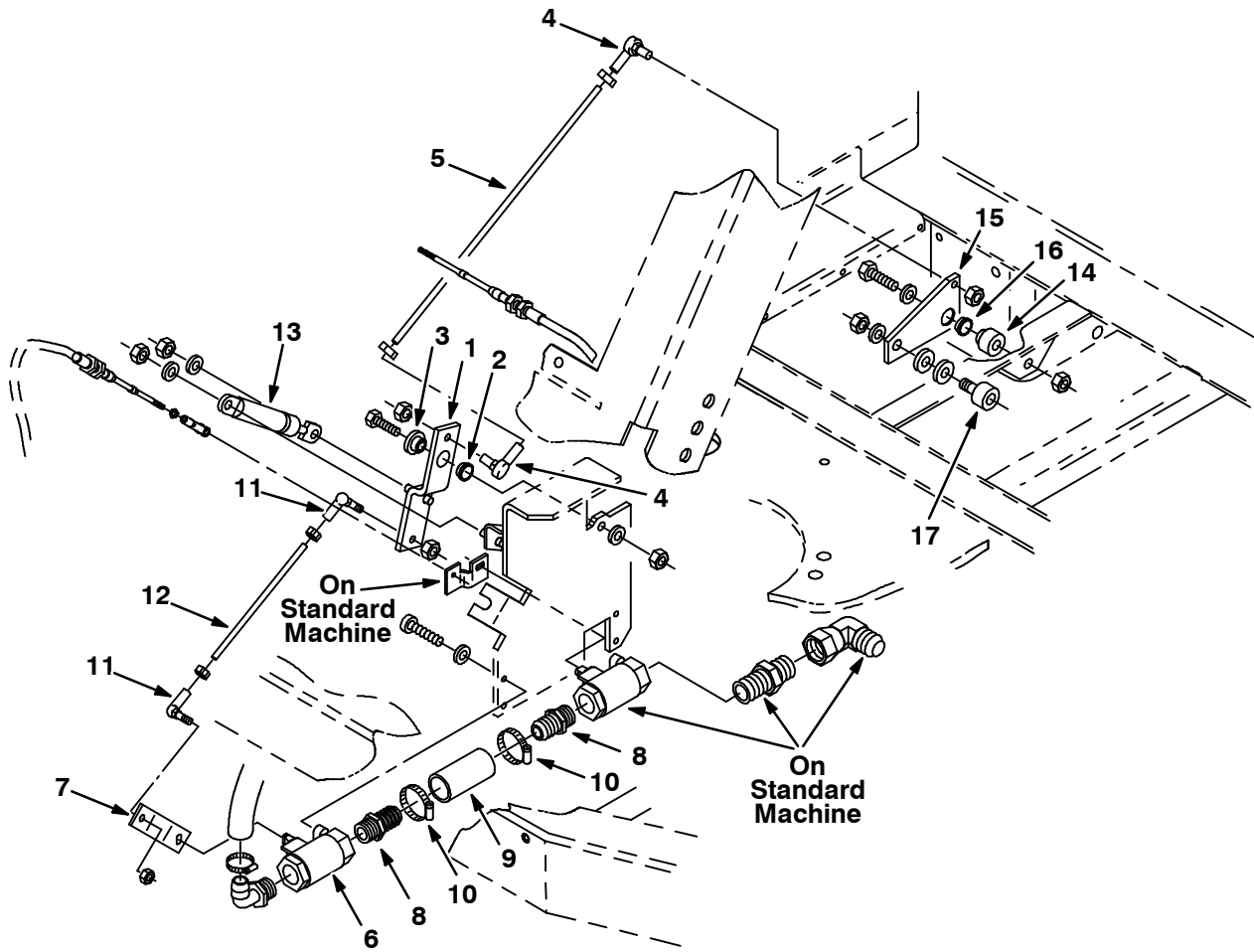


Fig. 11- Auto Water Valve Group

| Key | TENNANT Part No. | Machine Serial Number | Description | Qty. |
|------------|-------------------------|------------------------------|----------------------------|-------------|
| 1 | 15079 | (000000- |) Lever, Idler | 1 |
| 2 | 04843 | (000000- |) Bearing, Flange | 1 |
| 3 | 14818 | (000000- |) Sleeve, Pivot | 1 |
| 4 | 50541-1 | (000000- |) End, Rod | 2 |
| 5 | 15082 | (000000- |) Rod, Threaded | 1 |
| 6 | 12060 | (000000- |) Valve, Water | 1 |
| 7 | 15054 | (000000- |) Lever, Valve, Front | 1 |
| 8 | 79273-2 | (000000- |) Fitting, Barbed Coupling | 2 |
| 9 | 14734 | (000000- |) Hose, Clear Vinyl | 1 |
| 10 | 11399 | (000000- |) Clamp, Worm Drive | 2 |
| 11 | 12263 | (000000- |) Balljoint | 2 |
| 12 | 14849 | (000000- |) Rod, Threaded | 1 |
| 13 | 17513 | (000000-001929) |) Spring, Gas | 1 |
| 13 | 65577 | (001930- |) Spring, Gas | 1 |
| 14 | 15511 | (000000- |) Boss, Bellcrank Pivot | 1 |
| 15 | 15510 | (000000- |) Bellcrank, Water Shutoff | 1 |
| 16 | 04843 | (000000- |) Bearing, Flange | 1 |
| 17 | 48930 | (000000- |) Cam, Follower | 1 |

Fig. 12 - Light Kit

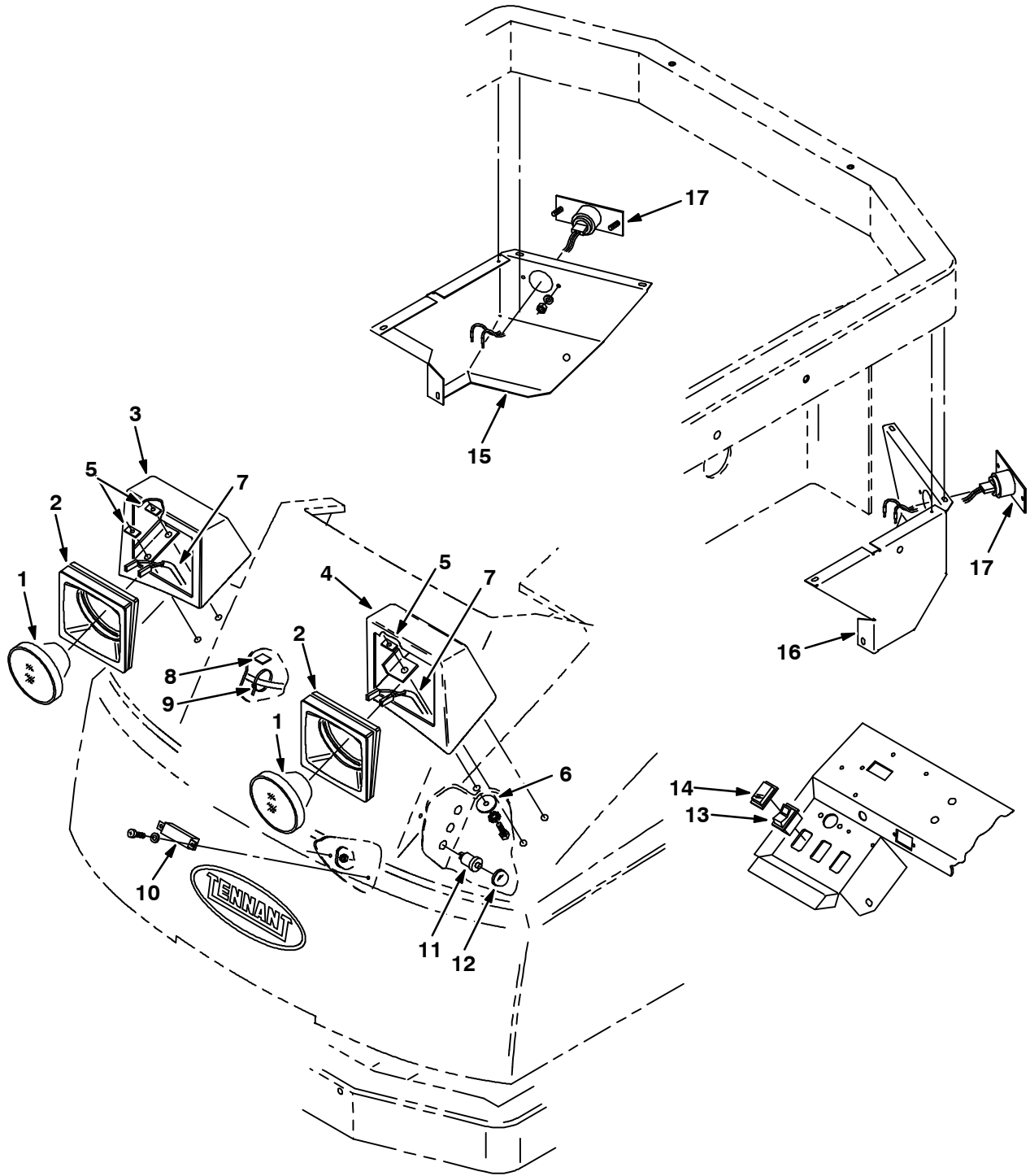
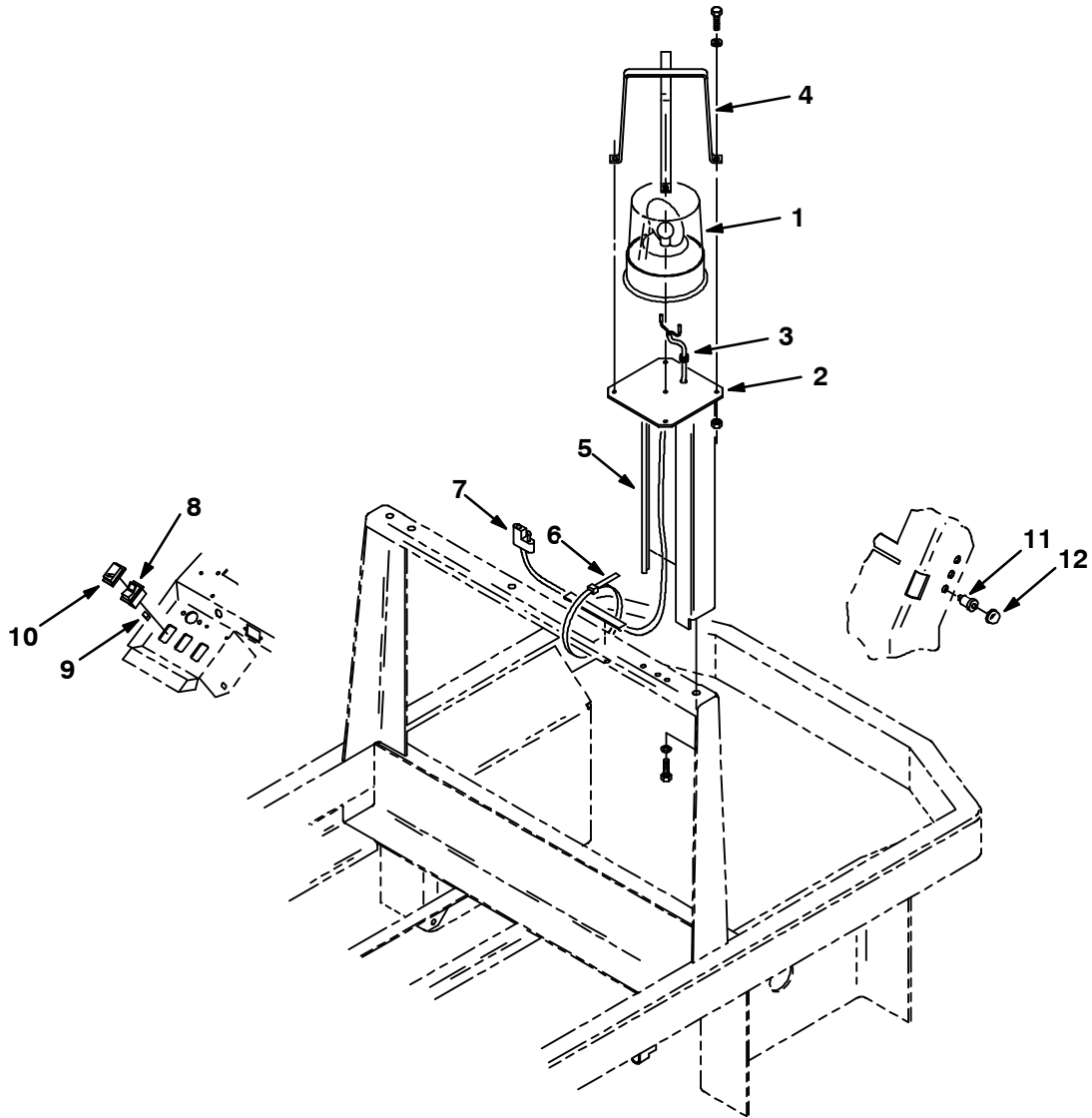


Fig. 12 - Light Kit

| Key | TENNANT Part No. | Machine Serial Number | Description | Qty. |
|-----|------------------|-----------------------|-----------------------------|------|
| ▽ | 16920 | (000000- |) Lights, Head and Tail | 1 |
| ▲ | 1 45391 | (000000- |) Lamp | 2 |
| ▲ | 2 87460 | (000000- |) Mount, Headlight | 2 |
| ▲ | 3 41442 | (000000- |) Housing, Headlight, R.H. | 1 |
| ▲ | 4 41443 | (000000- |) Housing, Headlight, L.H. | 1 |
| ▲ | 5 12271 | (000000- |) Nut, U | 6 |
| ▲ | 6 41178 | (000000- |) Washer, Fender | 6 |
| ▲ | 7 24110 | (000000- |) Wire Harness, Headlight | 2 |
| ▲ | 8 55248 | (000000- |) Mount, Cable Tie | 4 |
| ▲ | 9 49266 | (000000- |) Tie, Cable | 4 |
| ▲ | 10 87349 | (000000- |) Resistor | 1 |
| ▲ | 11 57803 | (000000- |) Breaker, Circuit, 15 A | 1 |
| ▲ | 12 57751 | (000000- |) Boot, Circuit Breaker | 1 |
| ▲ | 13 65561 | (000000- |) Switch, Rocker, SPST | 1 |
| ▲ | 14 57807 | (000000- |) Cover, Rocker Switch Seal | 1 |
| ▲ | 15 15991 | (000000- |) Skirt, Rear Frame, R.H. | 1 |
| ▲ | 16 16893 | (000000- |) Skirt, Rear Frame, L.H. | 1 |
| ▲▽ | 17 87346 | (000000- |) Light Assembly, Tail | 2 |
| ▲▲ | 87948 | (000000- |) Bulb | 1 |
| ▲▲ | 87949 | (000000- |) Socket Assembly | 1 |

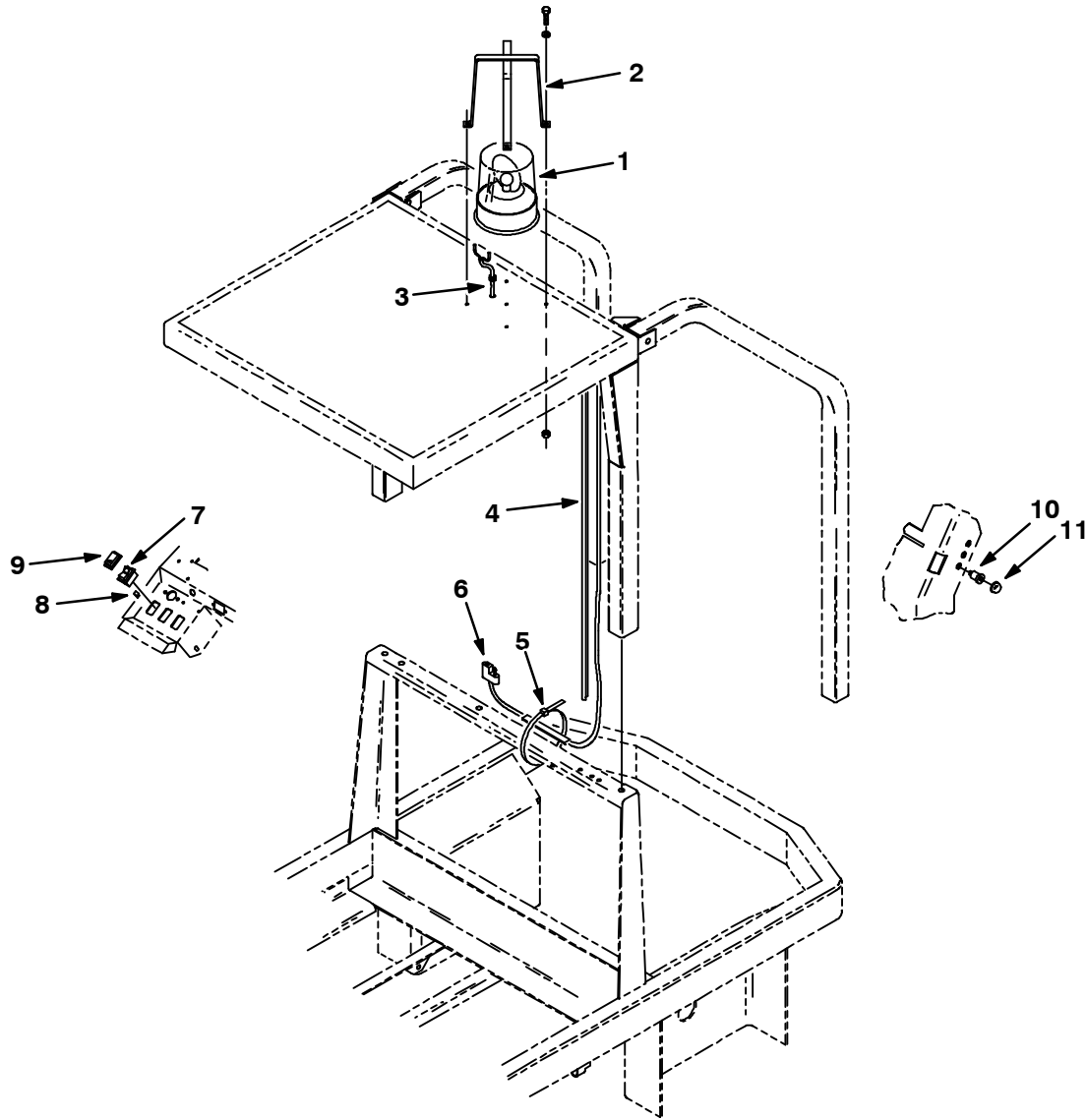
Fig. 13 - Revolving Light Kit, Lintel



06065/06065

| Key | TENNANT Part No. | Machine Serial Number | Description | Qty. |
|------|------------------|-----------------------|------------------------------|------|
| ▽ | 41324 | (000000-) | Light Kit, Revolving, Lintel | 1 |
| ▲▽ 1 | 87709 | (000000-) | Light, Amber Revolving | 1 |
| ▲▲ | 44681-1 | (000000-) | Lens, Amber Revolving Light | 1 |
| ▲▲ | 45283 | (000000-) | Lamp | 1 |
| ▲ 2 | 14807 | (000000-) | Bracket, Light | 1 |
| ▲ 3 | 10632-11 | (000000-) | Grommet | 1 |
| ▲ 4 | 45272 | (000000-) | Guard, Light | 1 |
| ▲ 5 | 87673 | (000000-) | Duct, Vinyl | 1 |
| ▲ 6 | 49266 | (000000-) | Tie, Cable | 3 |
| ▲ 7 | 87649 | (000000-) | Wire Harness, Warning Light | 1 |
| ▲ 8 | 65561 | (000000-) | Switch, Rocker, SPST | 1 |
| ▲ 9 | 27184 | (000000-) | Connector | 1 |
| ▲ 10 | 57807 | (000000-) | Cover, Rocker Switch Seal | 1 |
| ▲ 11 | 57803 | (000000-) | Breaker, Circuit, 15A | 1 |
| ▲ 12 | 57751 | (000000-) | Boot, Circuit Breaker | 1 |
| | 44681 | (000000-) | Lens, Red Revolving Light | 1 |
| | 44681-2 | (000000-) | Lens, Blue Revolving Light | 1 |

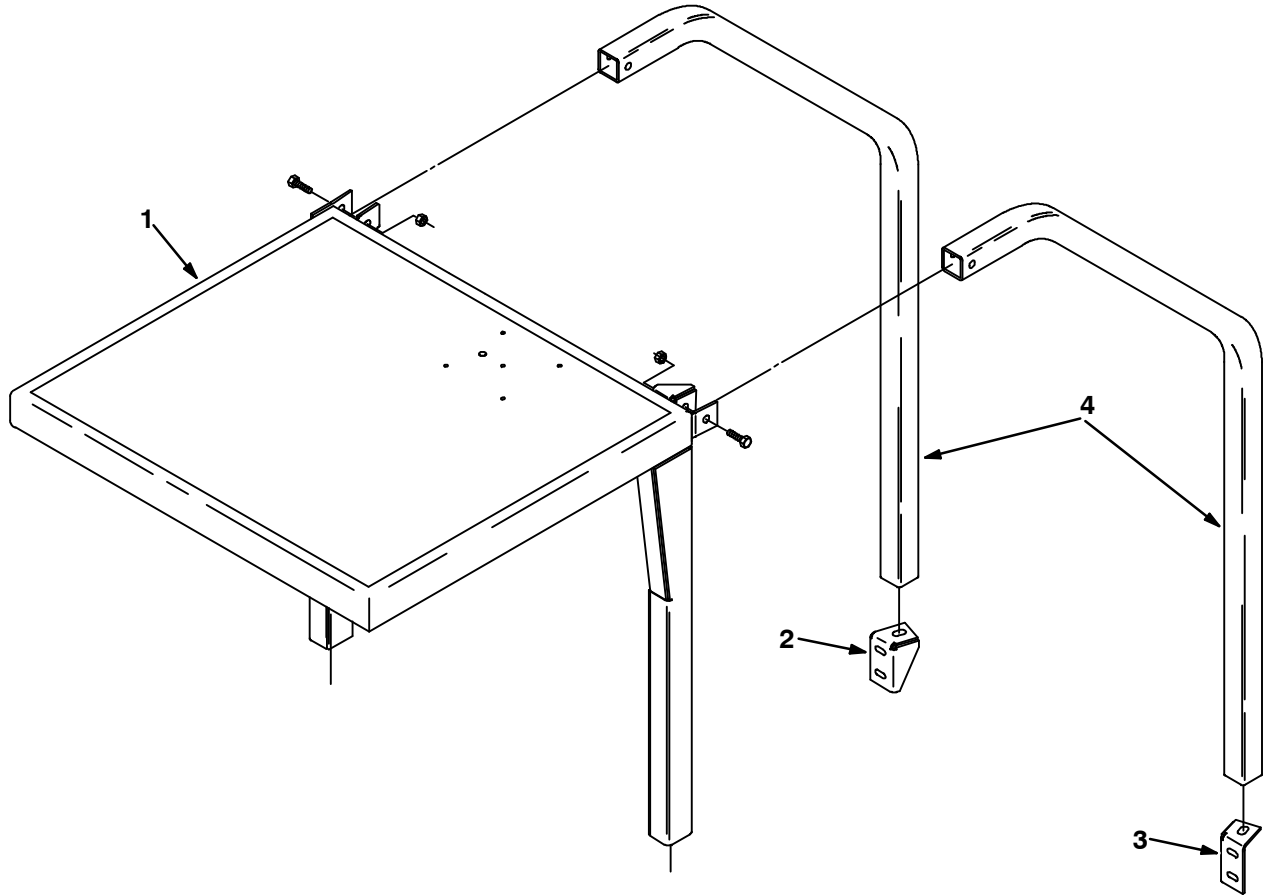
Fig. 14 - Revolving Light Kit, Overhead Guard



06085/06085

| Key | TENNANT Part No. | Machine Serial Number | Description | Qty. |
|------|------------------|-----------------------|--------------------------------------|------|
| ▽ | 41325 | (000000-) | Light Kit, Revolving, Overhead Guard | 1 |
| ▲▽ 1 | 87709 | (000000-) | Light, Amber Revolving | 1 |
| ▲▲ | 44681-1 | (000000-) | Lens, Amber Revolving Light | 1 |
| ▲▲ | 45283 | (000000-) | Lamp | 1 |
| ▲ 2 | 45272 | (000000-) | Guard, Light | 1 |
| ▲ 3 | 10632-12 | (000000-) | Grommet | 1 |
| ▲ 4 | 87673 | (000000-) | Duct, Vinyl | 1 |
| ▲ 5 | 49266 | (000000-) | Tie, Cable | 2 |
| ▲ 6 | 87649 | (000000-) | Wire Harness, Warning Light | 1 |
| ▲ 7 | 65561 | (000000-) | Switch, Rocker, SPST | 1 |
| ▲ 8 | 27184 | (000000-) | Connector | 1 |
| ▲ 9 | 57807 | (000000-) | Cover, Rocker Switch Seal | 1 |
| ▲ 10 | 57803 | (000000-) | Breaker, Circuit, 15A | 1 |
| ▲ 11 | 57751 | (000000-) | Boot, Circuit Breaker | 1 |
| | 44681 | (000000-) | Lens, Red Revolving Light | 1 |
| | 44681-2 | (000000-) | Lens, Blue Revolving Light | 1 |

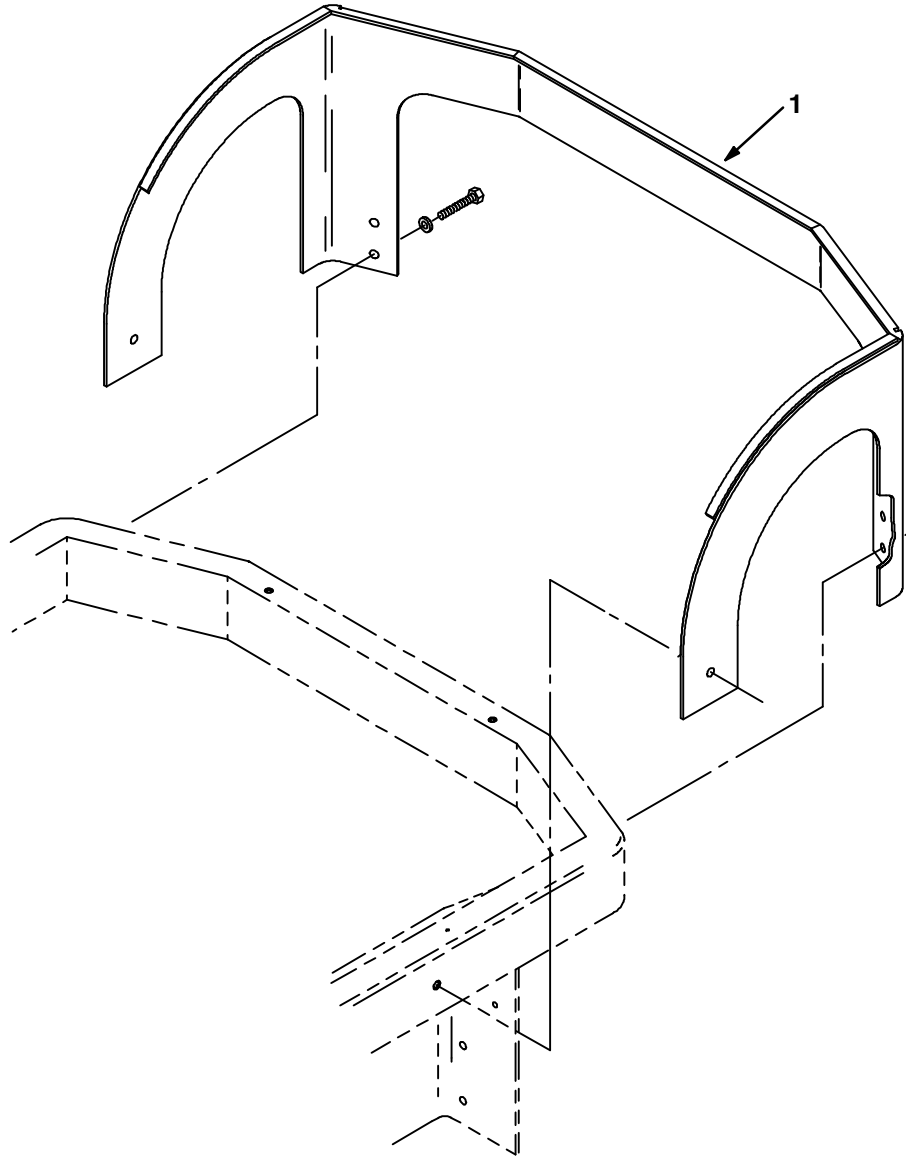
Fig. 15 - Overhead Guard Kit



06066/06066

| Key | TENNANT Part No. | Machine Serial Number | Description | Qty. |
|-----|------------------|-----------------------|-------------------------|------|
| ▽ | 14727 | (000000-) | Guard Kit, Overhead | 1 |
| ▲ 1 | 16880 | (000000-) | Guard, Overhead | 1 |
| ▲ 2 | 16889 | (000000-) | Bracket, Mounting, R.H. | 1 |
| ▲ 3 | 16890 | (000000-) | Bracket, Mounting, L.H. | 1 |
| ▲ 4 | 41316 | (000000-) | Leg, Overhead Guard | 2 |

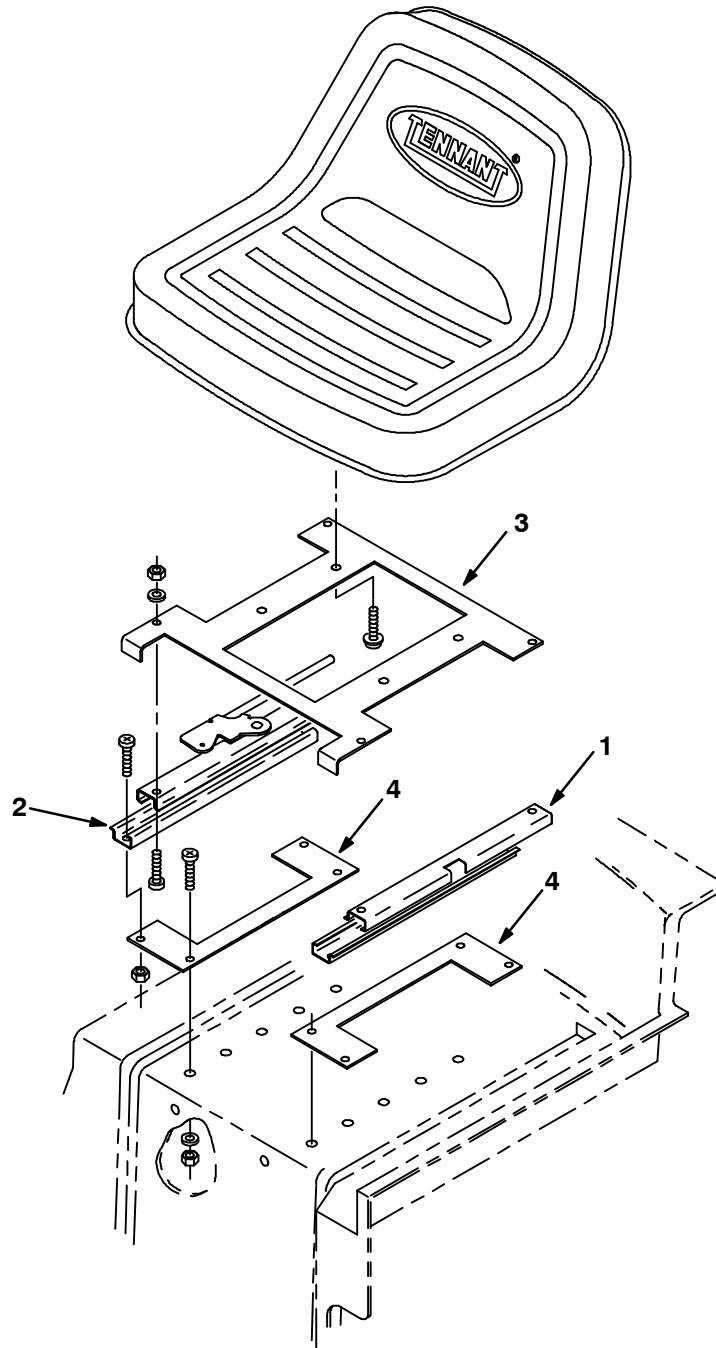
Fig. 16 - Heavy Duty Bumper Kit



06081/06081

| Key | TENNANT Part No. | Machine Serial Number | Description | Qty. |
|-----|------------------|-----------------------|------------------------|------|
| ▽ | 14820 | (000000-) | Bumper Kit, Heavy Duty | 1 |
| ▲ 1 | 14987 | (000000-) | Bumper, Heavy Duty | 1 |

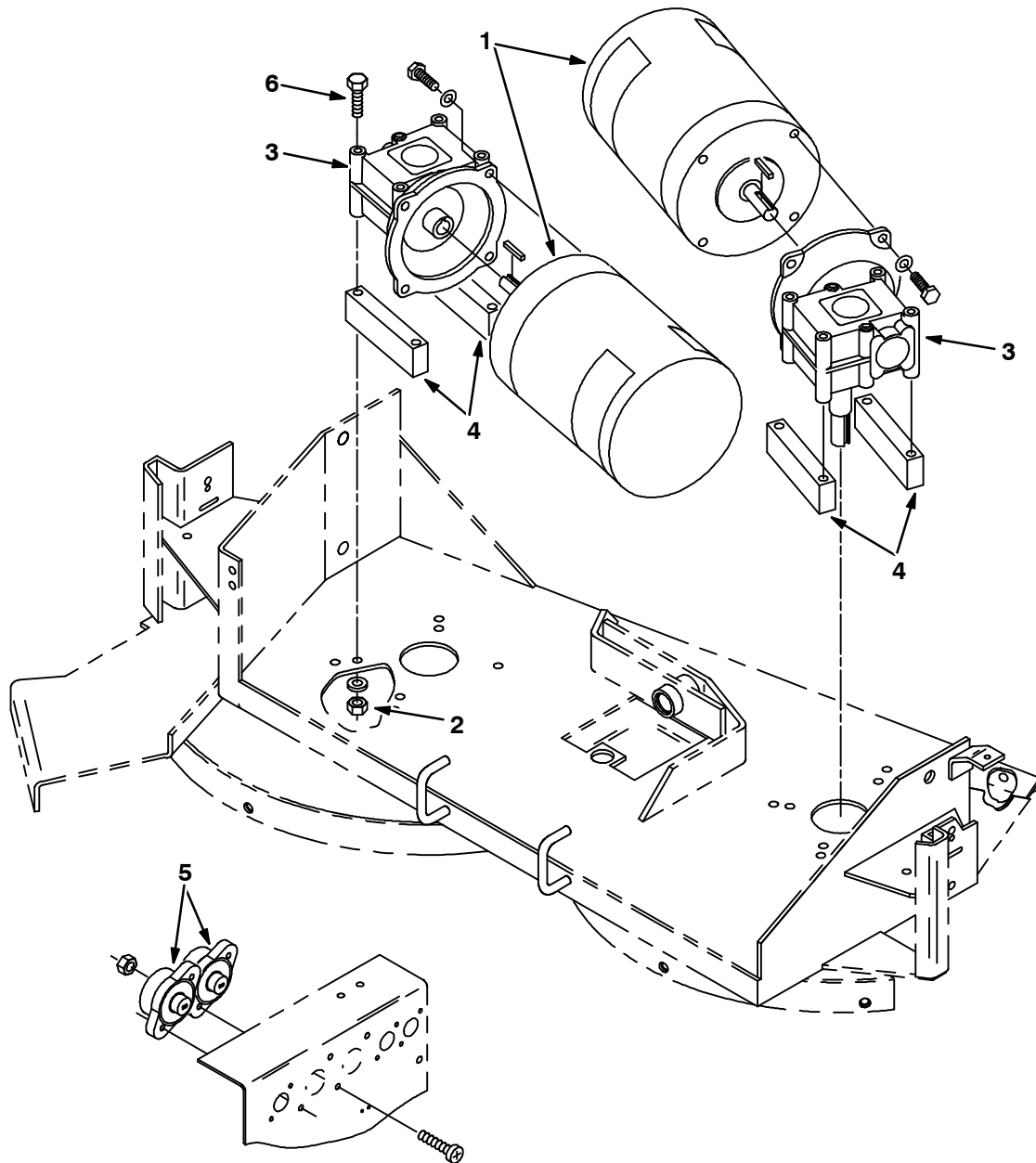
Fig. 17 - Suspension Slide Seat Kit



06062/06062

| Key | TENNANT Part No. | Machine Serial Number | Description | Qty. |
|-----|------------------|-----------------------|------------------------|------|
| ▽ | 14971 | (000000-) | Seat, Suspension Slide | 1 |
| ▲ 1 | 14657 | (000000-) | Rail, Slide Adjuster | 1 |
| ▲ 2 | 14724 | (000000-) | Bracket Assembly, Seat | 1 |
| ▲ 3 | 14998 | (000000-) | Plate, Seat Mounting | 1 |
| ▲ 4 | 14514 | (000000-) | Bracket, Seat Support | 2 |

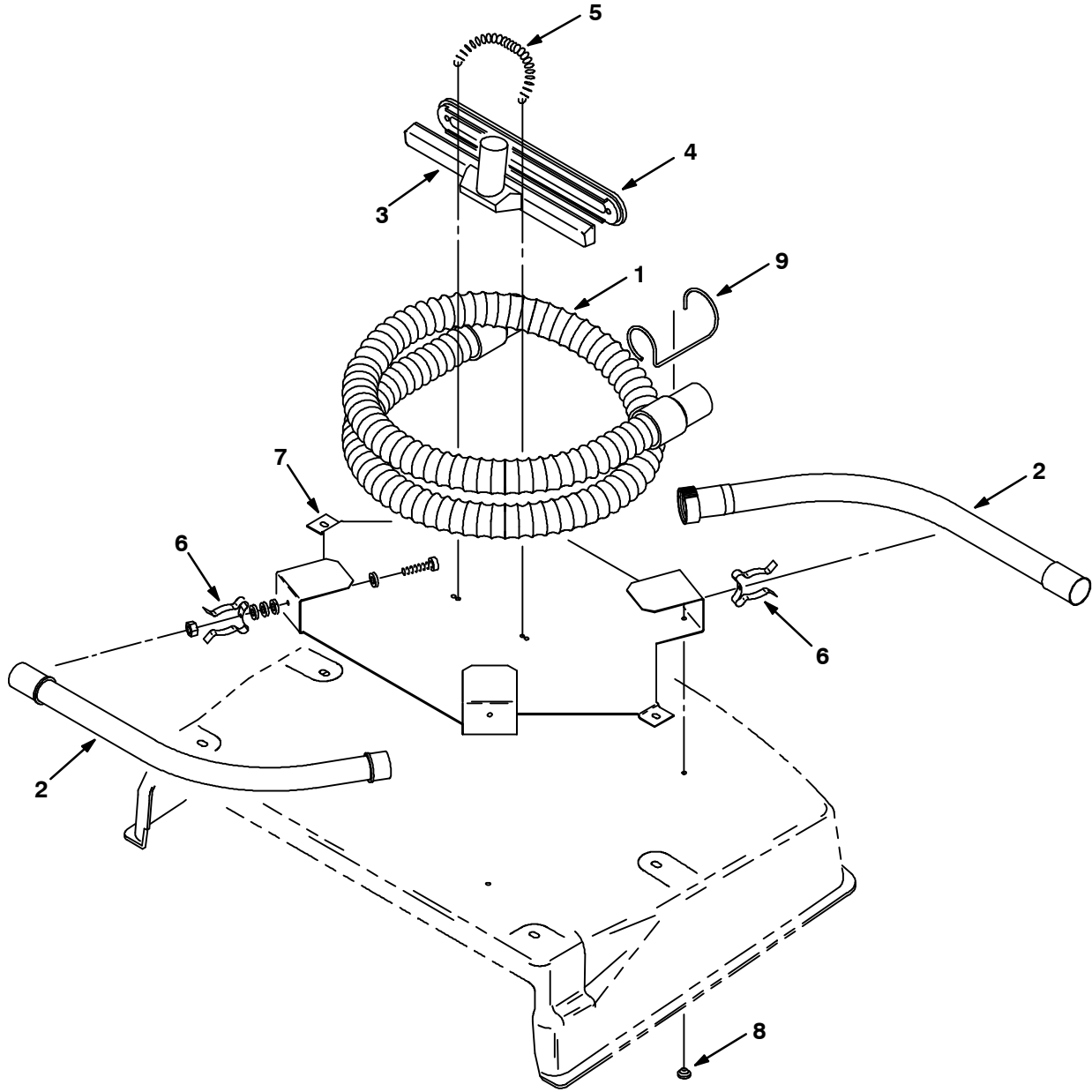
Fig. 18 - Heavy Duty Motor Kit



06054/06054

| Key | TENNANT Part No | Machine Serial Number | Description | Qty. |
|-----|------------------|-----------------------|--|------|
| ∇ | 16966 | (000000-) | Motor Kit, Heavy Duty | 1 |
| ▲ 1 | 16225 | (000000-) | Motor (See Breakdowns) (Replaced by 377369) | 2 |
| ▲ 2 | 08713 | (000000-) | Nut, Hex | 8 |
| ▲ 3 | 16226 | (000000-) | Gearbox | 2 |
| ▲▲ | 41410 | (000000-) | Bearing | 4 |
| ▲▲ | 41417 | (000000-) | Seal, Input Oil | 1 |
| ▲▲ | 41418 | (000000-) | Seal, Output Oil | 1 |
| ▲▲ | 41419 | (000000-) | Plug | 2 |
| ▲▲ | 24451 | (000000-) | Lubricant, Synthetic | 1 |
| ▲▲ | 32741 | (000000-) | Shaft Assembly, Output, Heavy Duty | 1 |
| ▲ 4 | 16891 | (000000-) | Spacer, Gearbox | 4 |
| ▲ 5 | 32801 | (000000-) | Breaker, Circuit, 50 A | 2 |
| ▲ 6 | 14455 | (000000-) | Screw, Hex | 8 |

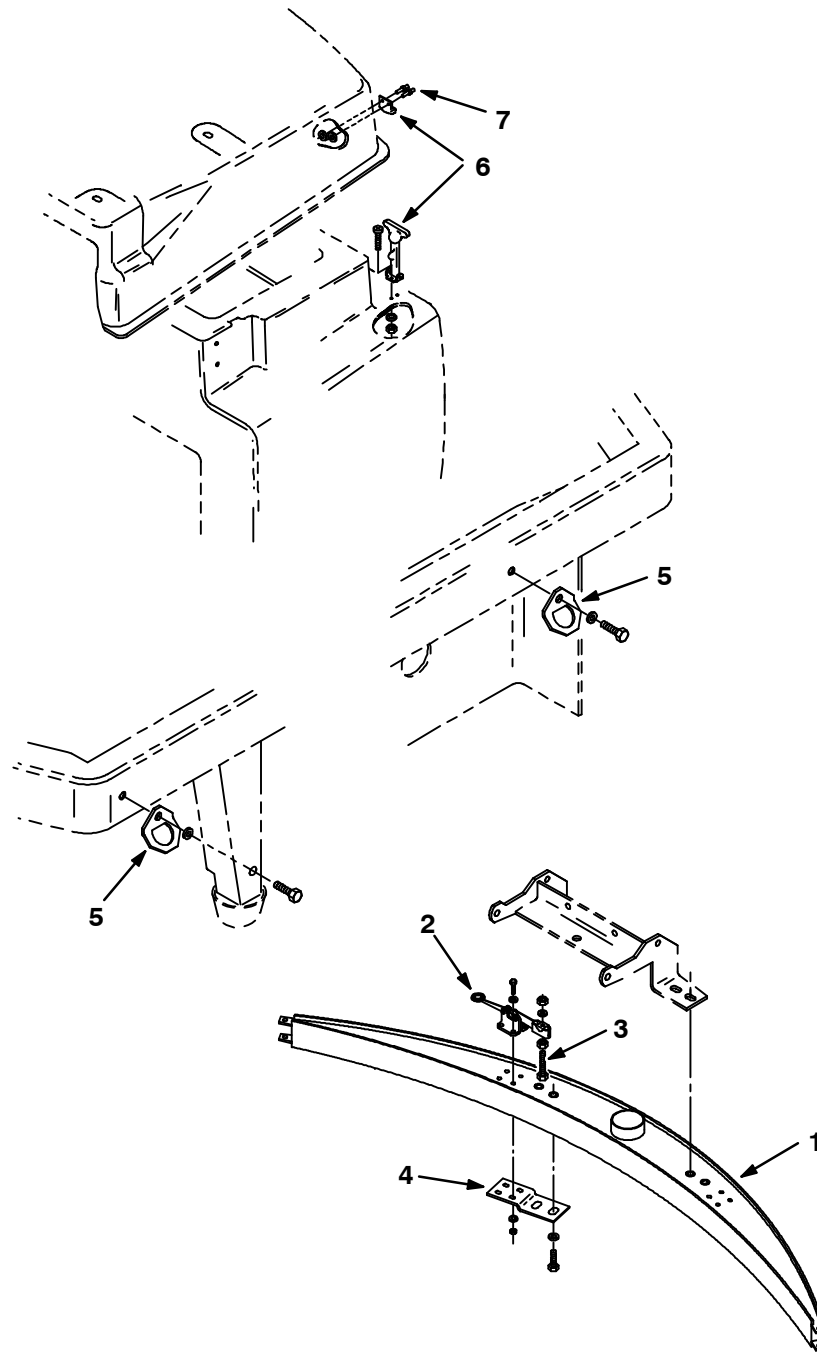
Fig. 19 - Vacuum Wand Kit



06064/06064

| Key | TENNANT Part No. | Machine Serial Number | Description | Qty. |
|-----|------------------|-----------------------|------------------------|------|
| ▽ | 14465 | (000000-) | Wand Kit, Vacuum | 1 |
| ▲ 1 | 86767 | (000000-) | Hose and Cuff Assembly | 1 |
| ▲ 2 | 63448 | (000000-) | Wand, Metal, 2 Piece | 1 |
| ▲ 3 | 63451 | (000000-) | Nozzle, Plastic Wand | 1 |
| ▲ 4 | 63430 | (000000-) | Shoe, Plastic Squeegee | 1 |
| ▲ 5 | 50304 | (000000-) | Spring | 1 |
| ▲ 6 | 67004 | (000000-) | Clip, Finger Grip | 4 |
| ▲ 7 | 14951 | (000000-) | Wand Kit, Cradle | 1 |
| ▲ 8 | 29233 | (000000-) | Bumper | 4 |
| ▲ 9 | 24219 | (000000-) | Hose, Retainer Clip | 1 |

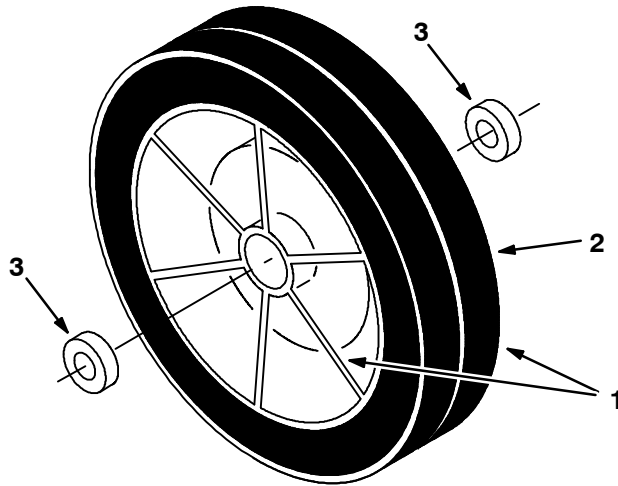
Fig. 20 - Demo Kit



06080/06080

| Key | TENNANT Part No. | Machine Serial Number | Description | Qty. |
|-----|------------------|-----------------------|------------------------|------|
| ▽ | 41393 | (000000-) | Demo Kit | 1 |
| ▲ 1 | 41392 | (000000-) | Frame, Squeegee, Quick | 1 |
| ▲ 2 | 15513 | (000000-) | Clamp, Toggle | 2 |
| ▲ 3 | 39612 | (000000-) | Screw, Hex | 2 |
| ▲ 4 | 16179 | (000000-) | Bracket | 2 |
| ▲ 5 | 14983 | (000000-) | Bracket, Tie-Down | 4 |
| ▲ 6 | 11636 | (000000-) | Latch, Flexible | 2 |
| ▲ 7 | 56799 | (000000-) | Rivet | 4 |

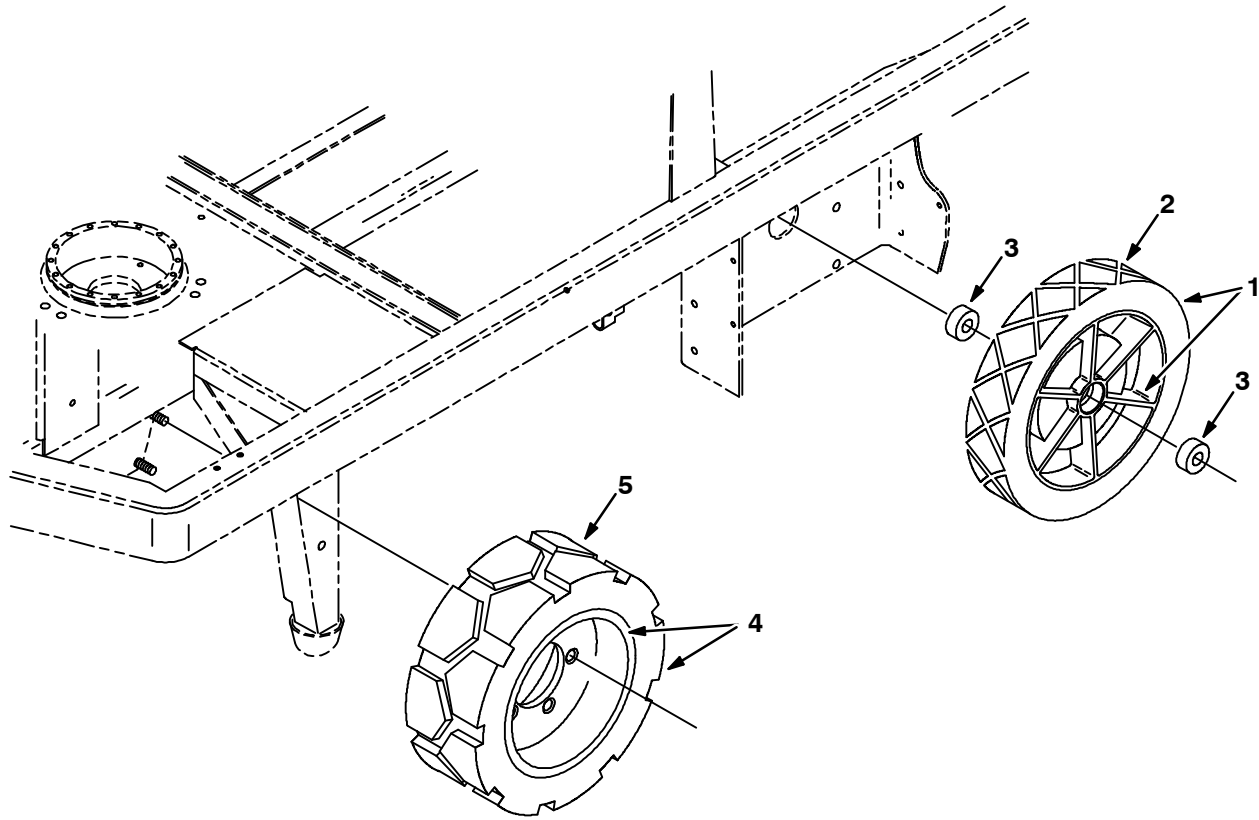
Fig. 21 - Grooved Tire Assembly



06063/06063

| Key | TENNANT Part No. | Machine Serial Number | Description | Qty. |
|-----|------------------|-----------------------|--------------------------|------|
| ▽ 1 | 14948 | (000000- |) Tire Assembly, Grooved | 1 |
| ▲ 2 | 33320 | (000000- |) Tire, Grooved | 1 |
| ▲ 3 | 53880 | (000000- |) Bearing, Cup | 2 |

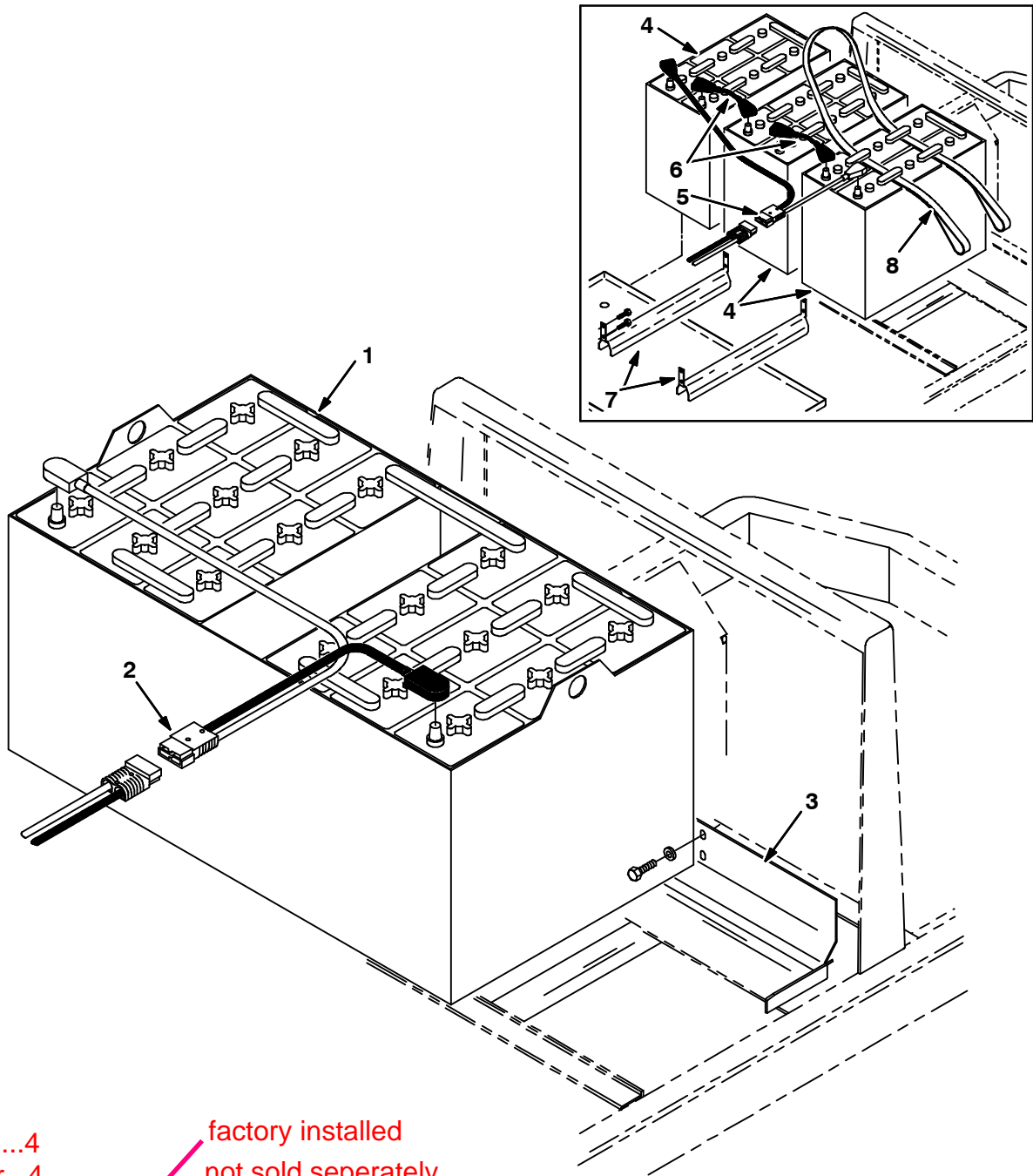
Fig. 22 - Non-Mark, Non-Skid Tires



08040/08039

| Key | TENNANT Part No. | Machine Serial Number | Description | Qty. |
|-----|------------------|-----------------------|---------------|------|
| ▽ 1 | 48590 | (000000-) | Tire Assembly | 2 |
| ▲ 2 | 48588 | (000000-) | Tire | 1 |
| ▲ 3 | 53880 | (000000-) | Bearing, Cup | 2 |
| ▽ 4 | 48591 | (000000-) | Tire Assembly | 1 |
| ▲ 5 | 48589 | (000000-) | Tire | 1 |

Fig. 23 - Battery Kit, 380 A/h, Wet



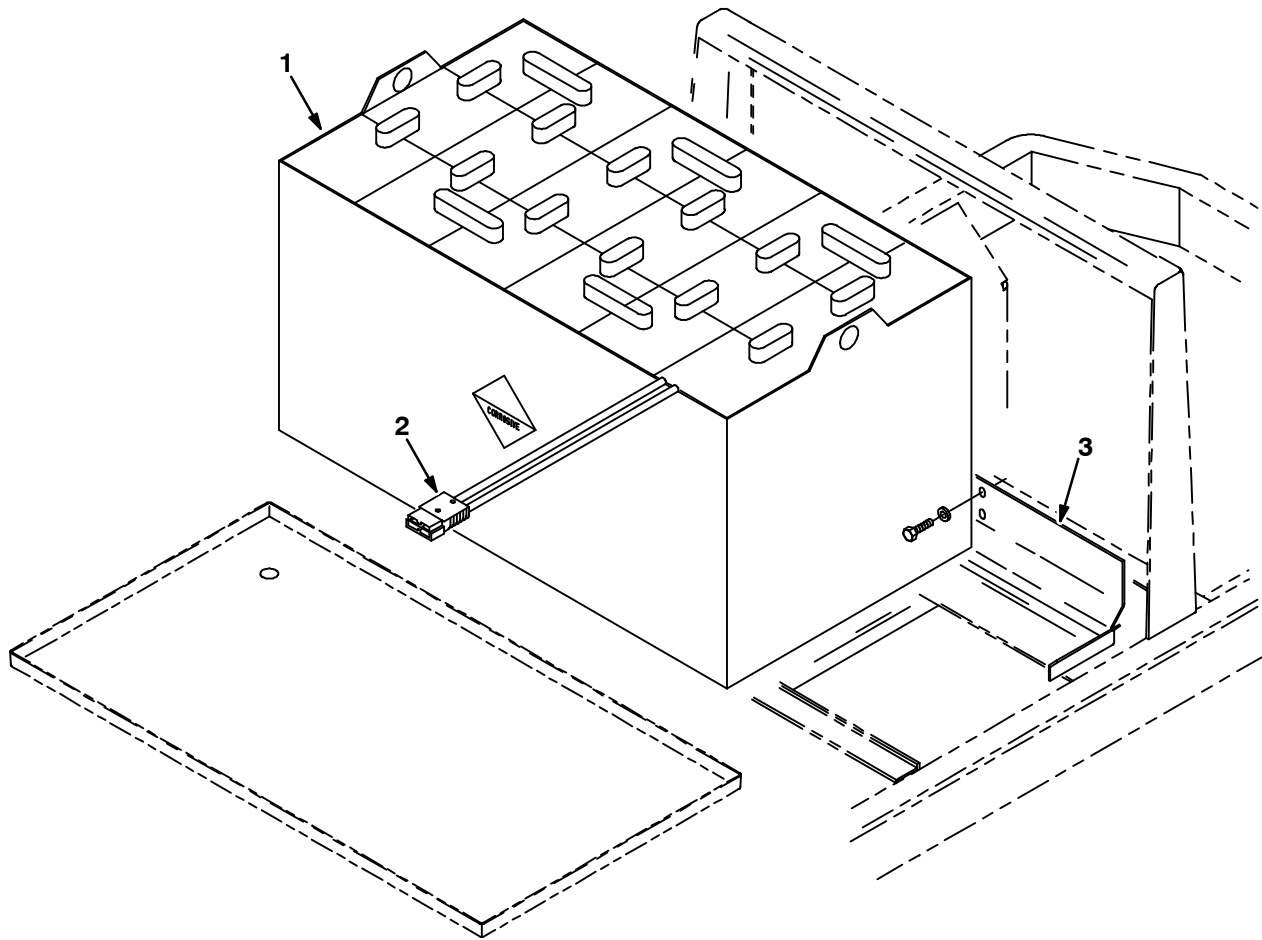
15675 Screw.....4
01685 Washer...4

factory installed
not sold seperately

06043/06043

| Key | TENNANT Part No. | Machine Serial Number | Description | Qty. |
|------|------------------|-----------------------|---|------|
| ∇ | 14320 | (000000-) | Battery Package, 380 A/h, Wet | 1 |
| ▲∇ 1 | 48701 | (002330-) | Battery, 380 A/h, Wet | 1 |
| ▲▲ 2 | 22892 | (002330-) | Connector, Gray | 1 |
| ▲∇ | 05701 | (002330-) | Battery Kit, 30V | 1 |
| ▲▲ 3 | 32407 | (002330-) | Bracket, Battery Spacer | 1 |
| 4 | 65778 | (000000-002329) | Battery, 380 A/h, Wet (Replaced by 48702) | 3 |
| 5 | 41409 | (000000-002329) | Harness, Battery Wire | 1 |
| 6 | 87556 | (000000-002329) | Wire Assembly | 2 |
| 7 | 15038 | (000000-002329) | Channel, Battery Spacer | 2 |
| 8 | 17190 | (000000-002329) | Strap, Polyester | 1 |

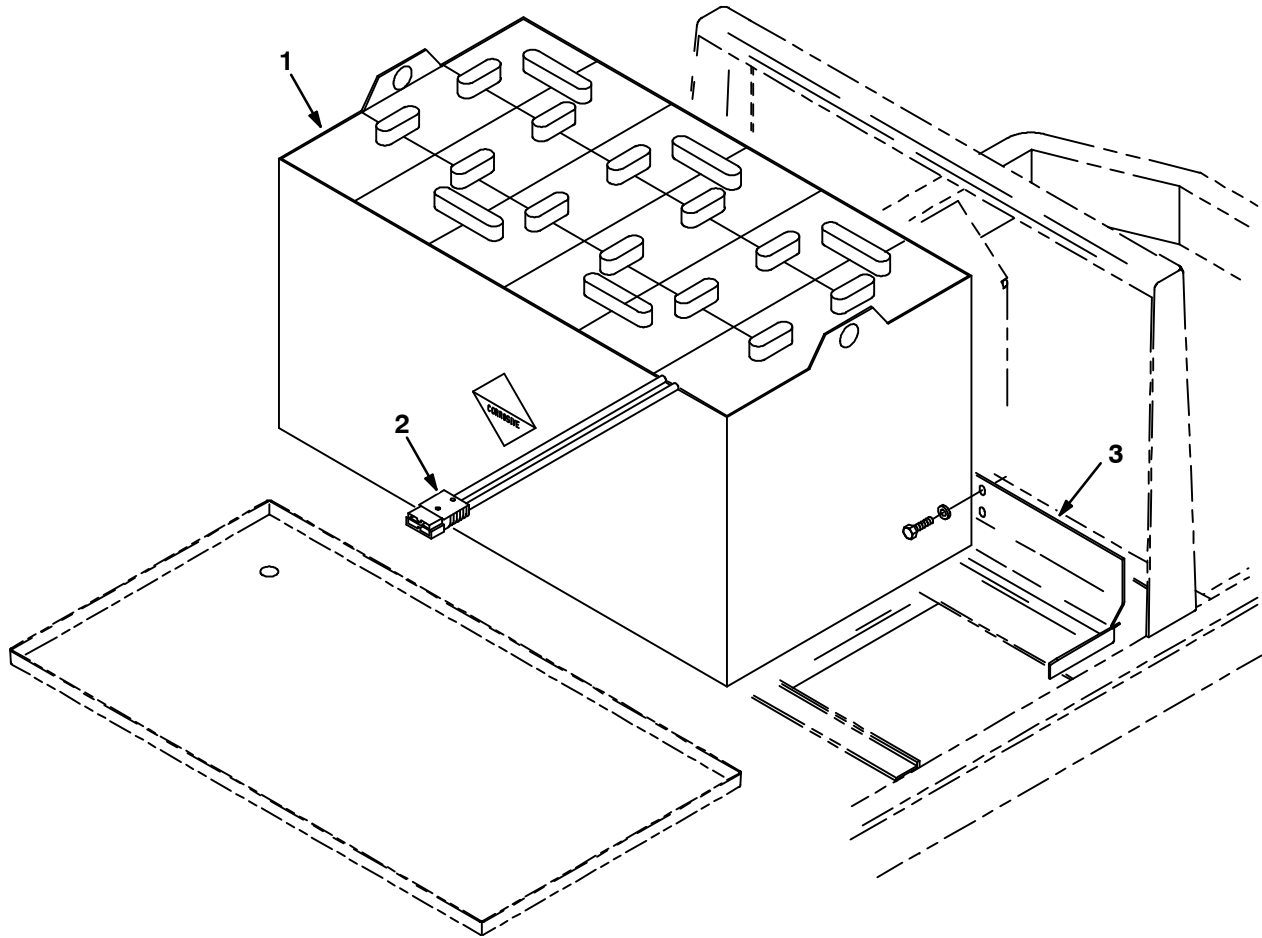
Fig. 24 - Battery Kit, 420 A/h, Wet



08942/06050

| Key | TENNANT Part No. | Machine Serial Number | Description | Qty. |
|------|------------------|-----------------------|---------------------------------|------|
| ▽ | 65766 | (000000- |) Battery Package, 420 A/h, Wet | 1 |
| ▲▽ 1 | 65762 | (000000- |) Battery, 420 A/h, Wet | 1 |
| ▲▲ 2 | 22892 | (000000- |) Connector, Gray | 1 |
| ▲ 3 | 32407 | (000000- |) Bracket, Battery Spacer | 1 |

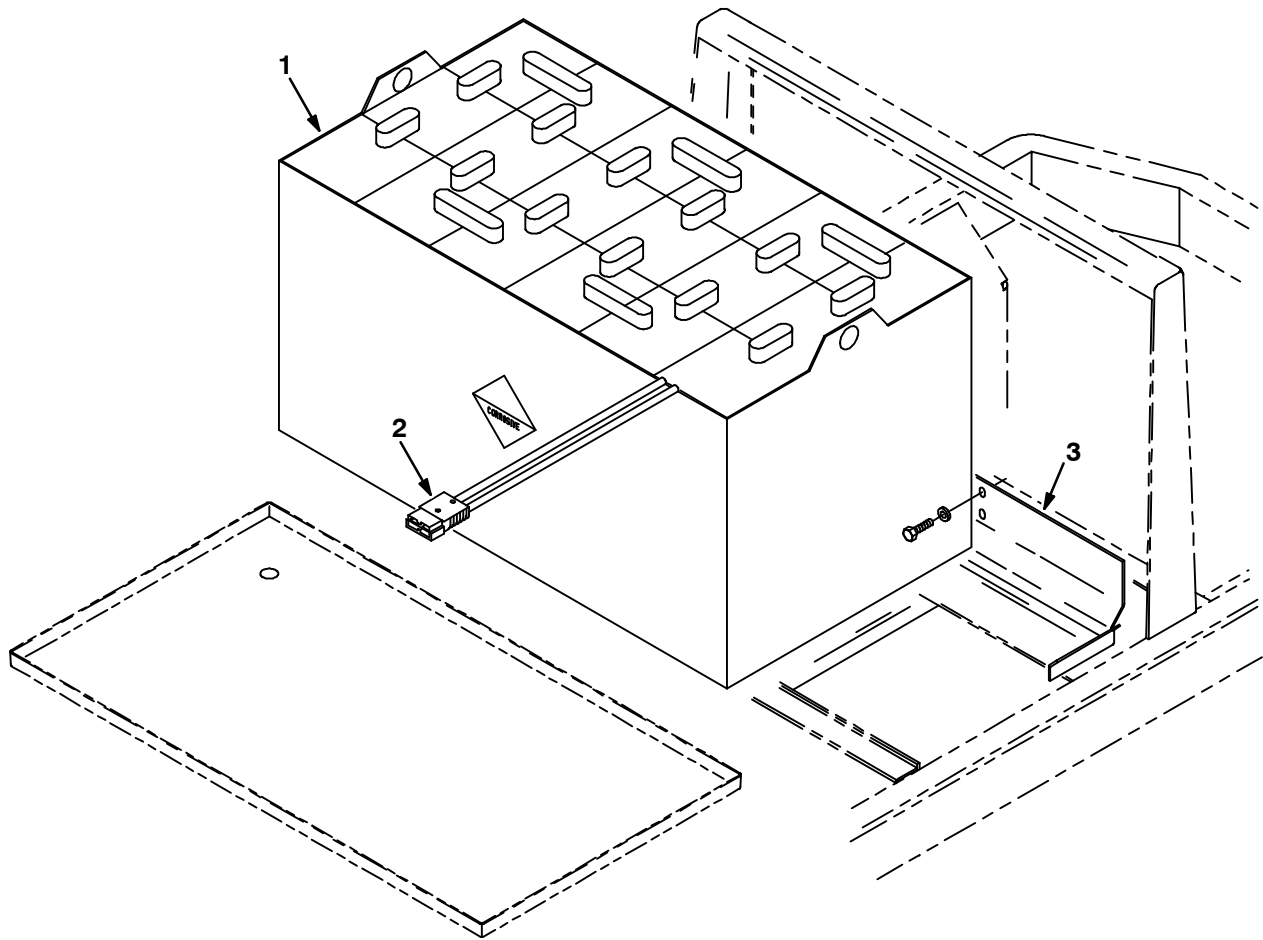
Fig. 25 - Battery Kit, 570 A/h, Wet



06084/06050

| Key | TENNANT Part No. | Machine Serial Number | Description | Qty. |
|------|------------------|-----------------------|---------------------------------|------|
| ▽ | 14521 | (000000- |) Battery Package, 570 A/h, Wet | 1 |
| ▲▽ 1 | 14452 | (000000- |) Battery, 570 A/h, Wet | 1 |
| ▲▲ 2 | 22892 | (000000- |) Connector, Gray | 1 |
| ▲ 3 | 32407 | (000000- |) Bracket, Battery Spacer | 1 |

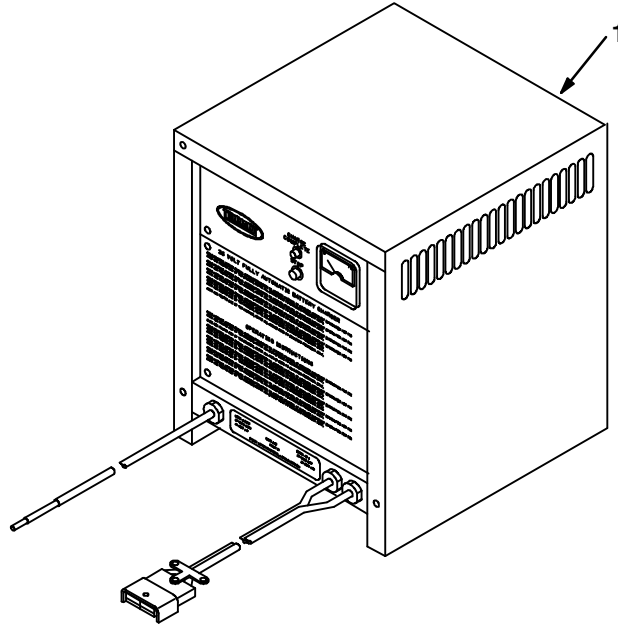
Fig. 26 - Battery Kit, 570 A/h, Dry, International Only



06086/06050

| Key | TENNANT Part No. | Machine Serial Number | Description | Qty. |
|------|------------------|-----------------------|---------------------------------|------|
| ▽ | 24364 | (000000- |) Battery Package, 570 A/h, Dry | 1 |
| ▲▽ 1 | 15986 | (000000- |) Battery, 570 A/h, Dry | 1 |
| ▲▲ 2 | 22892 | (000000- |) Connector, Gray | 1 |
| ▲ 3 | 32407 | (000000- |) Bracket, Battery Spacer | 1 |

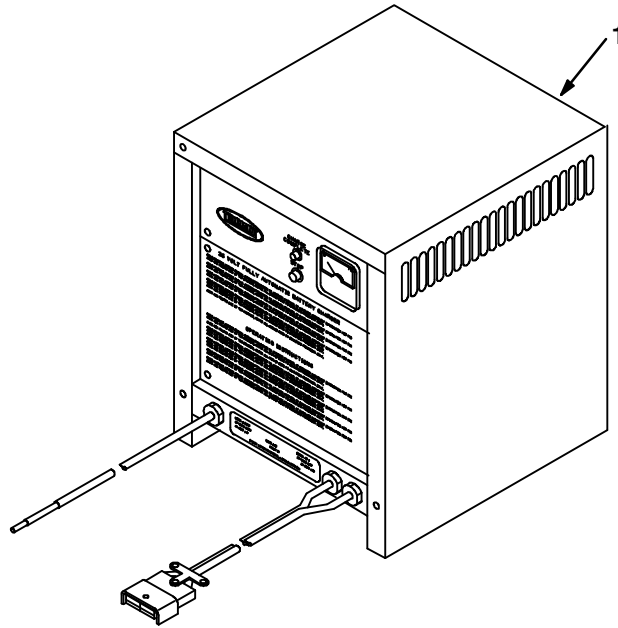
Fig. 27 - Battery Charger Group, 380 A/h Batteries, 60Hz



08647/06049

| Key | TENNANT Part No. | Machine Serial Number | Description | Qty. |
|-----|------------------|-----------------------|---|------|
| 1 | 41390 | (000000-xxxxxx) | Charger, 36V/60A, 60Hz/1Ph (See Breakdowns) | 1 |
| ▽ | 1 65763 | (xxxxxx-) | Charger, 36V/50A, 60Hz/1Ph 240V | 1 |
| ▲ | 22892 | (000000-) | Connector, Anderson 175Amp, Gray | 1 |
| ▽ | 1 65765 | (000000-) | Charger, 36V/75A, 60Hz/3Ph VARV | 1 |
| ▲ | 22892 | (000000-) | Connector, Anderson 175Amp, Gray | 1 |
| ▽ | 1 50124 | (000000-) | Charger, 36V/45A, 50&60H VARV | 1 |
| ▲ | 22892 | (000000-) | Connector, Anderson 175Amp, Gray | 1 |

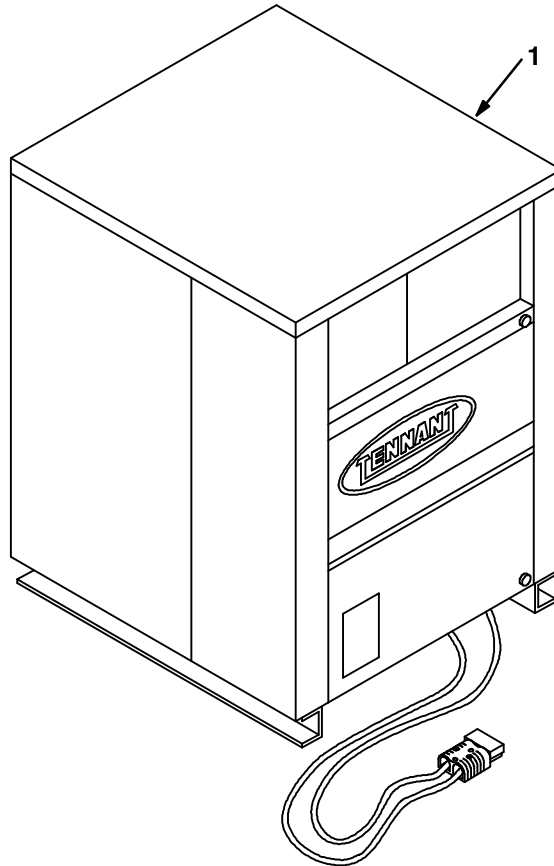
Fig. 28 - Battery Charger Group, 380 A/h Batteries, 50Hz, International Only



08936/06049

| Key | TENNANT Part No. | Machine Serial Number | Description | Qty. |
|-----|------------------|-----------------------|----------------------------------|------|
| ▽ 1 | 65767 | (000000-) | Charger, 36V/50A, 50Hz/1Ph 230V | 1 |
| ▲ | 22892 | (000000-) | Connector, Anderson 175Amp, Gray | 1 |
| ▽ 1 | 65769 | (000000-) | Charger, 36V/75A, 50Hz/3Ph VARV | 1 |
| ▲ | 22892 | (000000-) | Connector, Anderson 175Amp, Gray | 1 |
| ▽ 1 | 50124 | (000000-) | Charger, 36V/45A, 50&60H VARV | 1 |
| ▲ | 22892 | (000000-) | Connector, Anderson 175Amp, Gray | 1 |

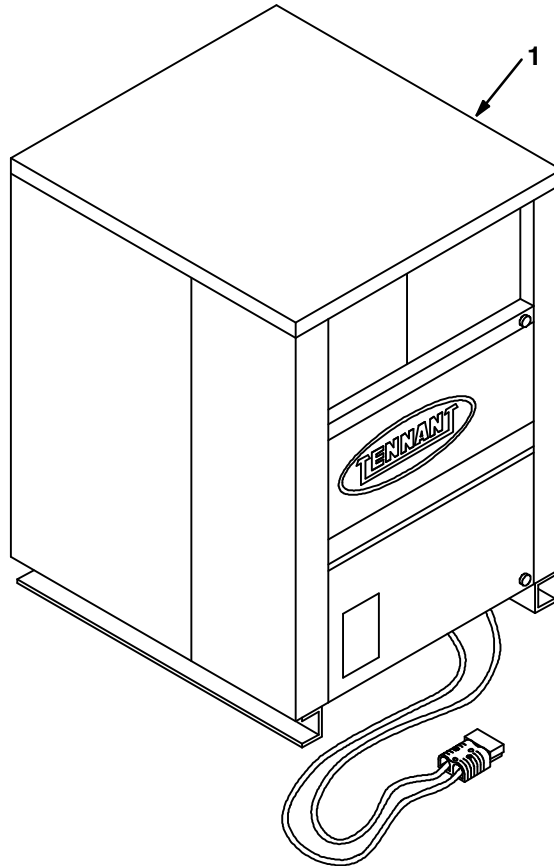
Fig. 29 - Battery Charger Group, 420 A/h Batteries, 60Hz



07527/07528

| Key | TENNANT Part No. | Machine Serial Number | Description | Qty. |
|-----|------------------|-----------------------|------------------------------------|------|
| ▽ 1 | 65764 | (000000- |) Charger, 36V/75A, 60Hz/1Ph VARV | 1 |
| ▲ | 22892 | (000000- |) Connector, Anderson 175Amp, Gray | 1 |
| ▽ 1 | 65765 | (000000- |) Charger, 36V/75A, 60Hz/3Ph VARV | 1 |
| ▲ | 22892 | (000000- |) Connector, Anderson 175Amp, Gray | 1 |

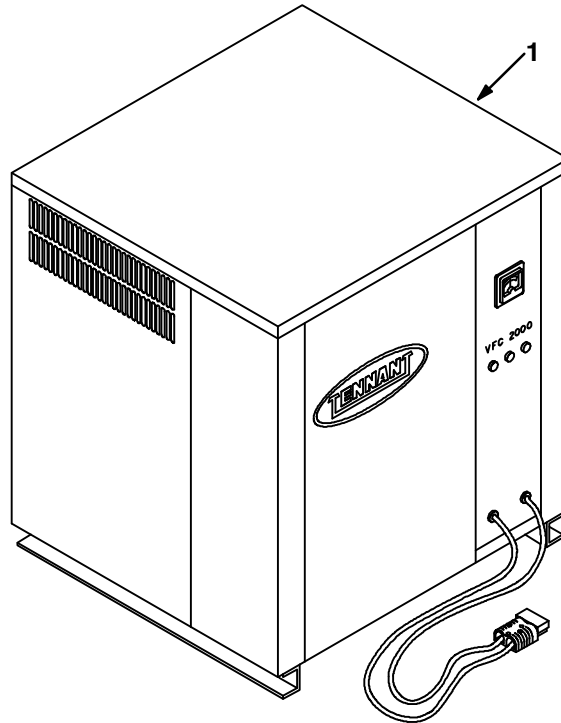
Fig. 30 - Battery Charger Group, 420 A/h Batteries, 50Hz, International Only



08943/07528

| Key | TENNANT Part No. | Machine Serial Number | Description | Qty. |
|-----|------------------|-----------------------|----------------------------------|------|
| ▽ 1 | 65768 | (000000-) | Charger, 36V/75A, 50Hz/1Ph VARV | 1 |
| ▲ | 22892 | (000000-) | Connector, Anderson 175Amp, Gray | 1 |
| ▽ 1 | 65769 | (000000-) | Charger, 36V/75A, 50Hz/3Ph VARV | 1 |
| ▲ | 22892 | (000000-) | Connector, Anderson 175Amp, Gray | 1 |

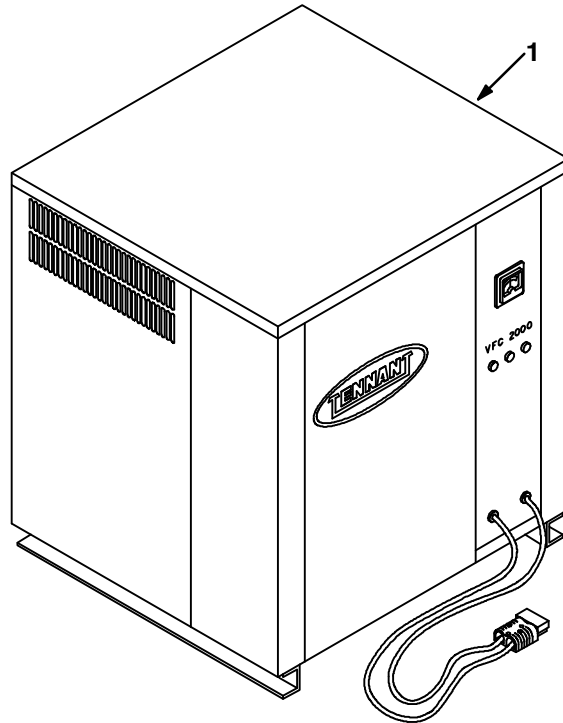
Fig. 31 - Battery Charger Group, 570 A/h Batteries, 60Hz



08297/06051

| Key | TENNANT Part No. | Machine Serial Number | Description | Qty. |
|-----|------------------|-----------------------|----------------------------------|------|
| ▽ 1 | 24026 | (000000-) | Charger, 36V/120A, 60Hz/1Ph 480V | 1 |
| ▲ | 22892 | (000000-) | Connector, Anderson 175Amp, Gray | 1 |
| ▽ 1 | 24028 | (000000-) | Charger, 36V/120A, 60Hz/3Ph 480V | 1 |
| ▲ | 22892 | (000000-) | Connector, Anderson 175Amp, Gray | 1 |

Fig. 32 - Battery Charger Group, 570 A/h Batteries, 50Hz, International Only



08298/06051

| Key | TENNANT Part No. | Machine Serial Number | Description | Qty. |
|-----|------------------|-----------------------|-----------------------------------|------|
| ▽ 1 | 53385 | (000000-) | Charger, 36V/120A, 50Hz/1Ph, 220V | 1 |
| ▲ | 22892 | (000000-) | Connector, Anderson 175Amp, Gray | 1 |
| ▽ 1 | 53389 | (000000-) | Charger, 36V/120A, 50Hz/3Ph, 480V | 1 |
| ▲ | 22892 | (000000-) | Connector, Anderson 175Amp, Gray | 1 |

Fig. 33 - Power Wand Mount and Pump Group

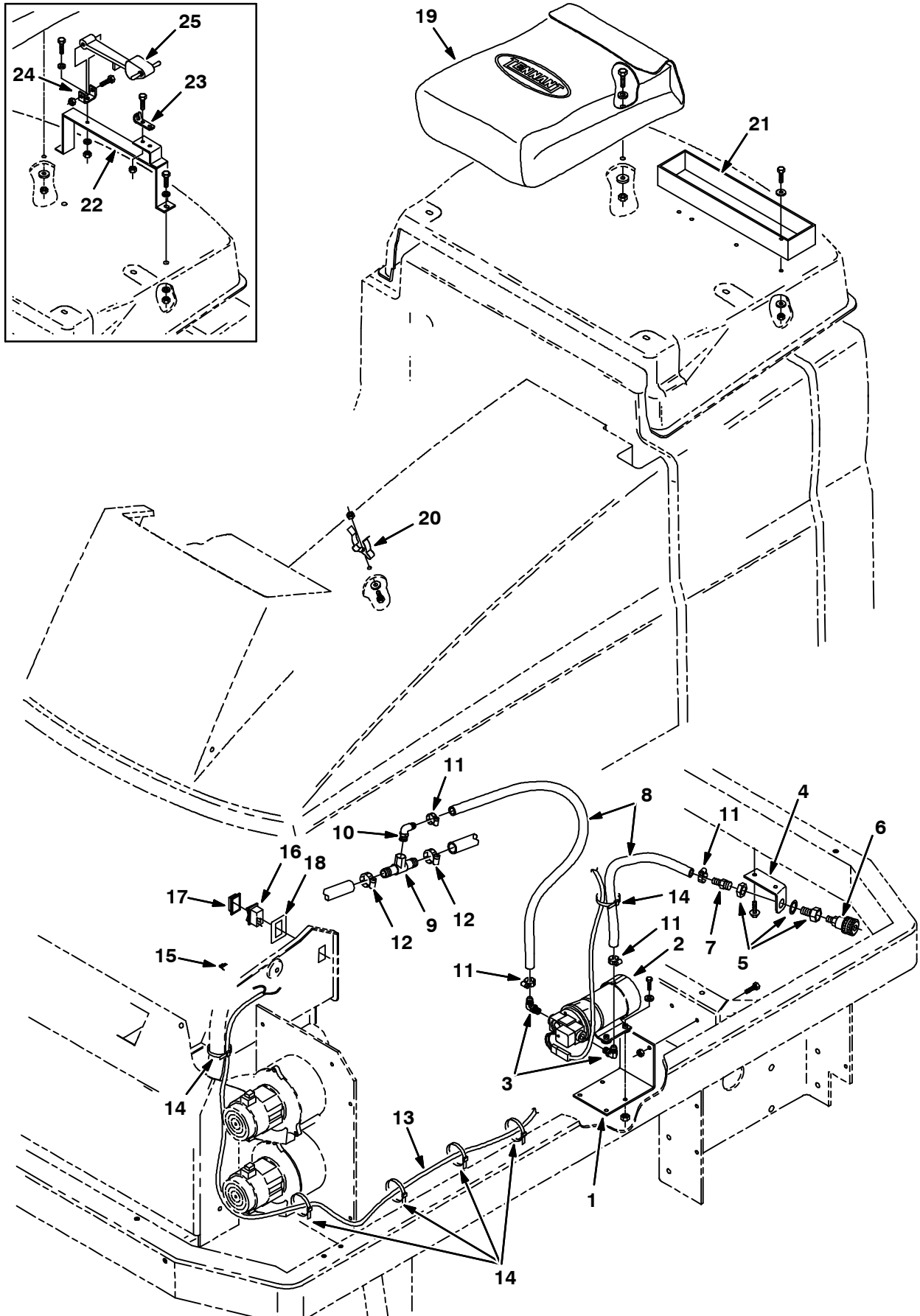


Fig. 33 - Power Wand Mount and Pump Group

NOTE: Power Wand Kit, TENNANT Part Number 48601, includes Fig. 33, Fig. 34, and Fig. 35.

| Key | TENNANT Part No. | Machine Serial Number | Description | Qty. |
|------------|-------------------------|------------------------------|------------------------------------|-------------|
| 1 | 48606 | (000000-) | Bracket, Pump | 1 |
| 2 | 65590 | (000000-) | Pump Assembly (See Breakdowns) | 1 |
| 3 | 65581 | (000000-) | Fitting, Plastic Elbow | 2 |
| 4 | 48607 | (000000-) | Bracket, Valve Mounting | 1 |
| 5 | 78122 | (000000-) | Fitting, Bulkhead | 1 |
| 6 | 65342 | (000000-) | Fitting, Quick Connect | 1 |
| 7 | 48610 | (000000-) | Fitting, Plastic | 1 |
| 8 | 65588 | (000000-) | Hose, PVC | 2 |
| 9 | 64740 | (000000-) | Fitting, Plastic Tee | 1 |
| 10 | 63244-1 | (000000-) | Fitting, Plastic Elbow | 1 |
| 11 | 54333 | (000000-) | Clamp, Worm Drive | 4 |
| 12 | 63810 | (000000-) | Clamp, Worm Drive | 2 |
| 13 | 48608 | (000000-) | Harness, Wire | 1 |
| 14 | 49266 | (000000-) | Tie, Cable | 6 |
| 15 | 27184 | (000000-) | Connector, 3-way, Quick Disconnect | 1 |
| 16 | 65557 | (000000-) | Switch, Rocker, SPST | 1 |
| 17 | 57807 | (000000-) | Cover, Rocker Switch Seal | 1 |
| 18 | 19800 | (000000-) | Label, Solution Control | 1 |
| 19 | 65580 | (000000-) | Bag, Power Wand | 1 |
| 20 | 67004 | (000000-) | Clip, Finger Grip | 1 |
| 21 | 61212 | (000000-) | Tray, Wand | 1 |
| 22 | 75054 | (000000-xxxxxx) | Mount, Squeegee Wand | 1 |
| 23 | 40670 | (000000-xxxxxx) | Catch, Rubber | 1 |
| 24 | 40671 | (000000-xxxxxx) | Bracket, U | 1 |
| 25 | 75118 | (000000-xxxxxx) | Hook, Rubber | 1 |

Fig. 34 - Power Wand Assembly

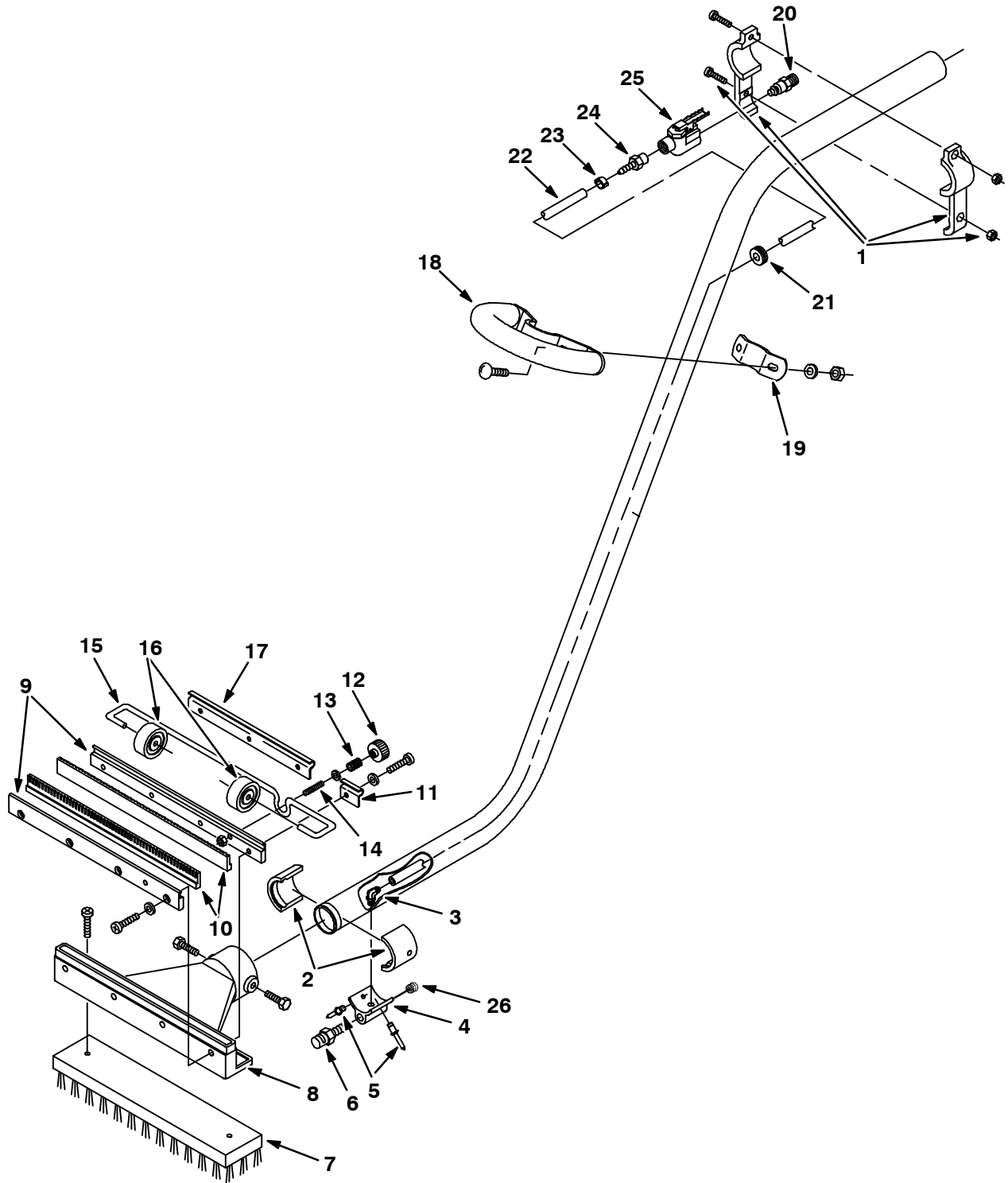
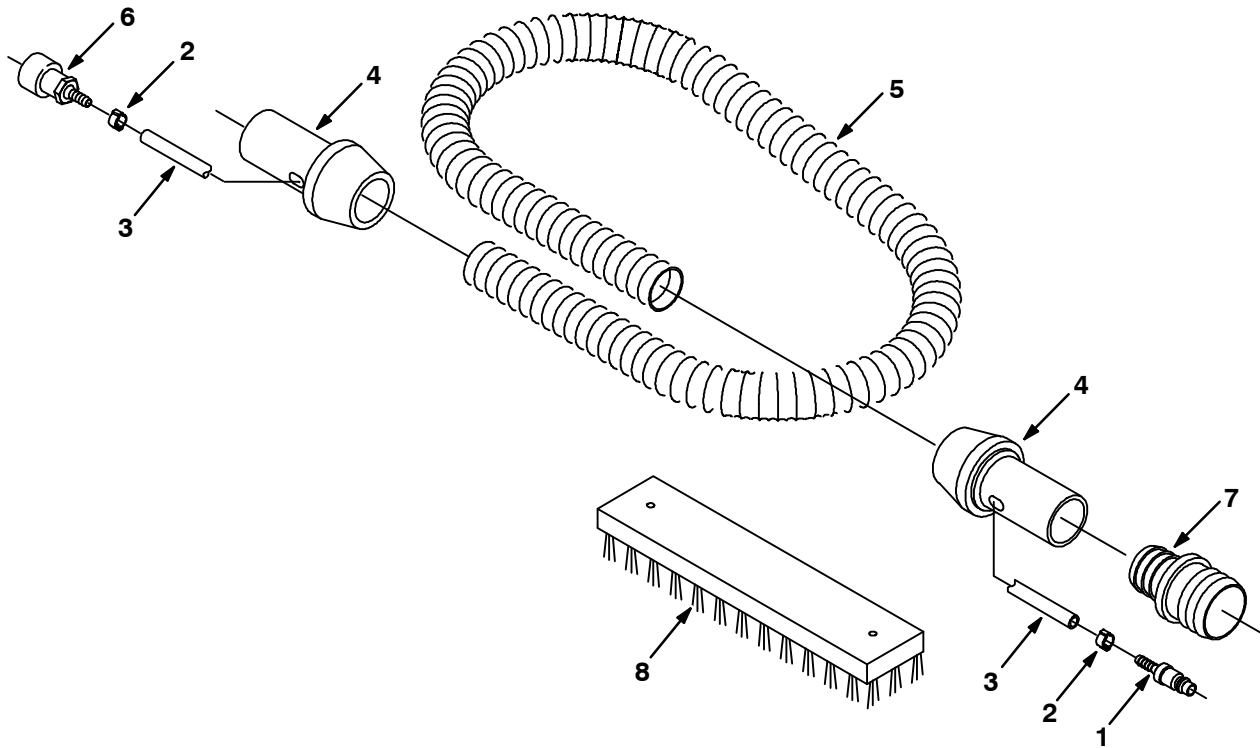


Fig. 34 - Power Wand Assembly

NOTE: Power Wand Kit, TENNANT Part Number 48601, includes Fig. 33, Fig. 34, and Fig. 35.

| Key | TENNANT Part No. | Machine Serial Number | Description | Qty. |
|------|------------------|-----------------------|------------------------------|------|
| ∇ | 65340 | (000000- |) Wand Assembly | 1 |
| ▲ 1 | 578077 | (000000- |) Bracket, Valve Mounting | 1 |
| ▲ 2 | 578061 | (000000- |) Adapter, Head | 2 |
| ▲ 3 | 578214 | (000000- |) Fitting, 90° Elbow | 1 |
| ▲ 4 | 579112 | (000000- |) Adapter, Nozzle | 1 |
| ▲ 5 | 579198 | (000000- |) Rivet, Pop | 2 |
| ▲ 6 | 578066 | (000000- |) Nozzle, Spray | 1 |
| ▲ 7 | 578073 | (000000- |) Brush, Wand, Nylon | 1 |
| ▲ 8 | 578063 | (000000- |) Head, Wand | 1 |
| ▲ 9 | 578078 | (000000- |) Strip, Retainer | 2 |
| ▲ 10 | 578074 | (000000- |) Blade, Squeegee | 2 |
| ▲ 11 | 578124 | (000000- |) Bracket, Axle | 1 |
| ▲ 12 | 578439 | (000000- |) Knob, Adjustable, Squeegee | 1 |
| ▲ 13 | 578228 | (000000- |) Spring, Compression | 1 |
| ▲ 14 | 578143 | (000000- |) Stud, Adjustable | 1 |
| ▲ 15 | 578126 | (000000- |) Axle, Wand | 1 |
| ▲ 16 | 578125 | (000000- |) Wheel, Guide | 2 |
| ▲ 17 | 578123 | (000000- |) Bracket, Axle | 1 |
| ▲ 18 | 578155 | (000000- |) Handle, Wand | 1 |
| ▲ 19 | 578154 | (000000- |) Bracket, Handle Mounting | 1 |
| ▲ 20 | 578091 | (000000- |) Fitting, Quick Disconnect | 1 |
| ▲ 21 | 578164 | (000000- |) Grommet | 1 |
| ▲ 22 | 578821 | (000000- |) Hose, Solution | 1 |
| ▲ 23 | 578161 | (000000- |) Clamp, Hose | 2 |
| ▲ 24 | 578094 | (000000- |) Fitting, Straight | 1 |
| ▲ 25 | 578064 | (000000- |) Valve, Water | 1 |
| ▲ 26 | 579148 | (000000- |) Fitting, Plug | 1 |

Fig. 35 - Power Wand Hose Assembly

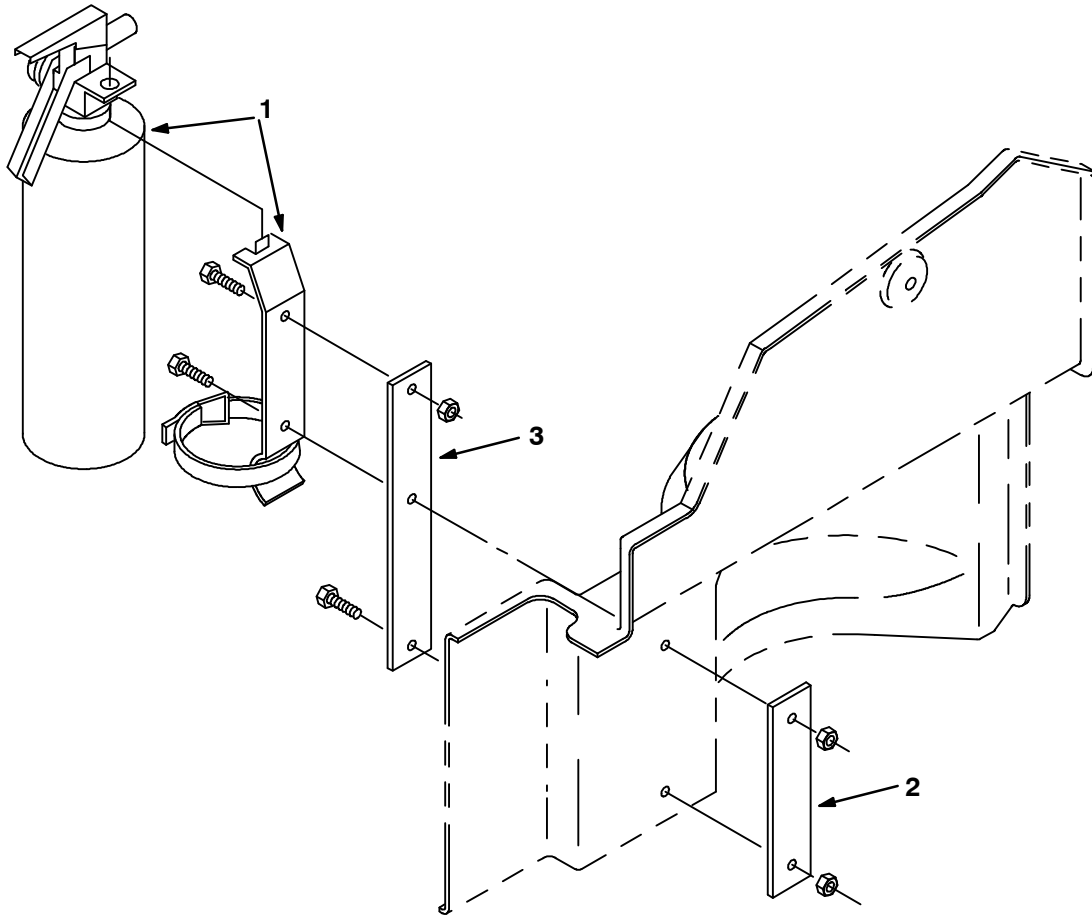


08045/08042

NOTE: Power Wand Kit, TENNANT Part Number 48601, includes Fig. 33, Fig. 34, and Fig. 35.

| Key | TENNANT Part No. | Machine Serial Number | Description | Qty. |
|-----|------------------|-----------------------|---------------------------|------|
| ∇ | 65341 | (000000-) | Hose Assembly | 1 |
| ▲ 1 | 578318 | (000000-) | Fitting, Quick Disconnect | 1 |
| ▲ 2 | 578160 | (000000-) | Clamp, Hose | 2 |
| ▲ 3 | 578820 | (000000-) | Hose | 1 |
| ▲ 4 | 578072 | (000000-) | Cuff, Swivel | 2 |
| ▲ 5 | 578276 | (000000-) | Hose, Vacuum | 1 |
| ▲ 6 | 578071 | (000000-) | Fitting, Quick Disconnect | 1 |
| 7 | 48609 | (000000-) | Fitting, Plastic | 1 |
| 8 | 65582 | (000000-) | Brush, Wand AB | 1 |

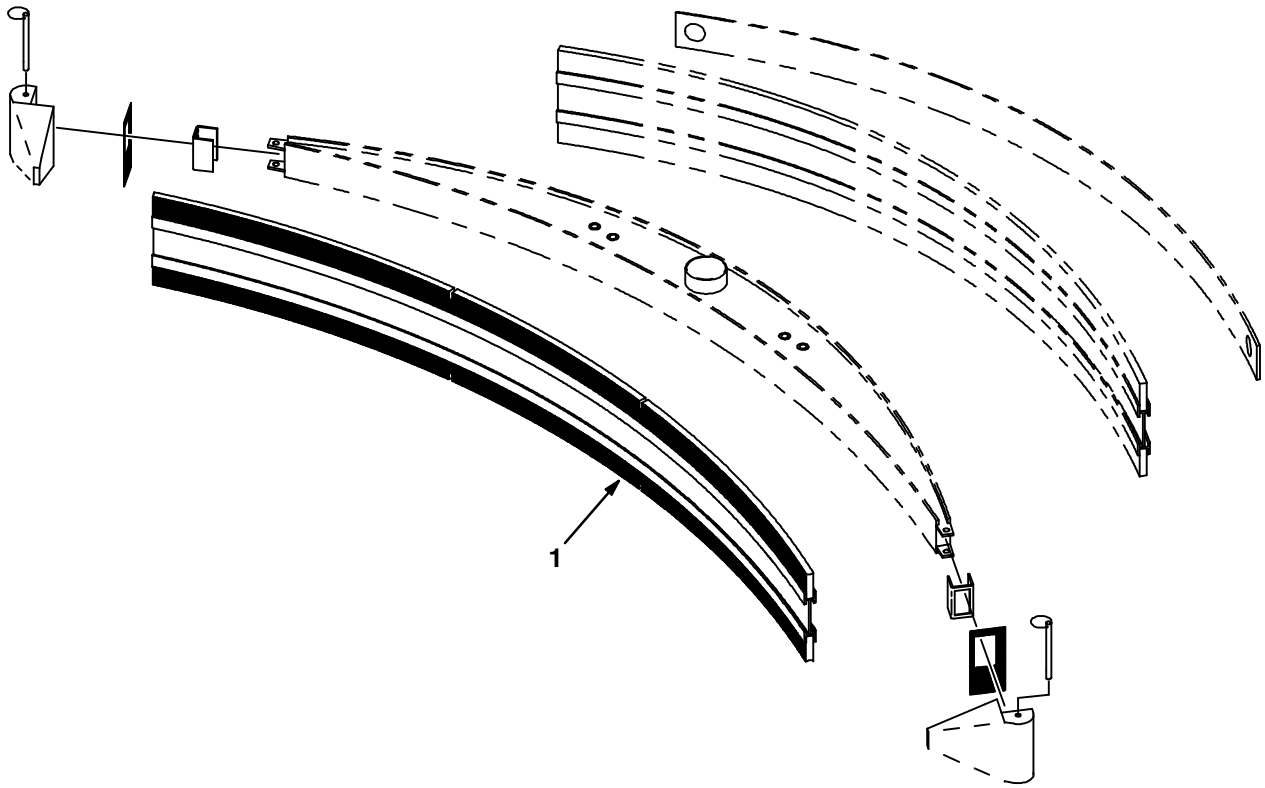
Fig. 36 - Fire Extinguisher Kit



06087/06087

| Key | TENNANT Part No. | Machine Serial Number | Description | Qty. |
|-----|------------------|-----------------------|-------------------------|------|
| ∇ | 41328 | (000000- |) Fire Extinguisher Kit | 1 |
| ▲ 1 | 25312 | (000000- |) Extinguisher, Fire | 1 |
| ▲ 2 | 41329 | (000000- |) Bar | 1 |
| ▲ 3 | 41330 | (000000- |) Bar | 1 |

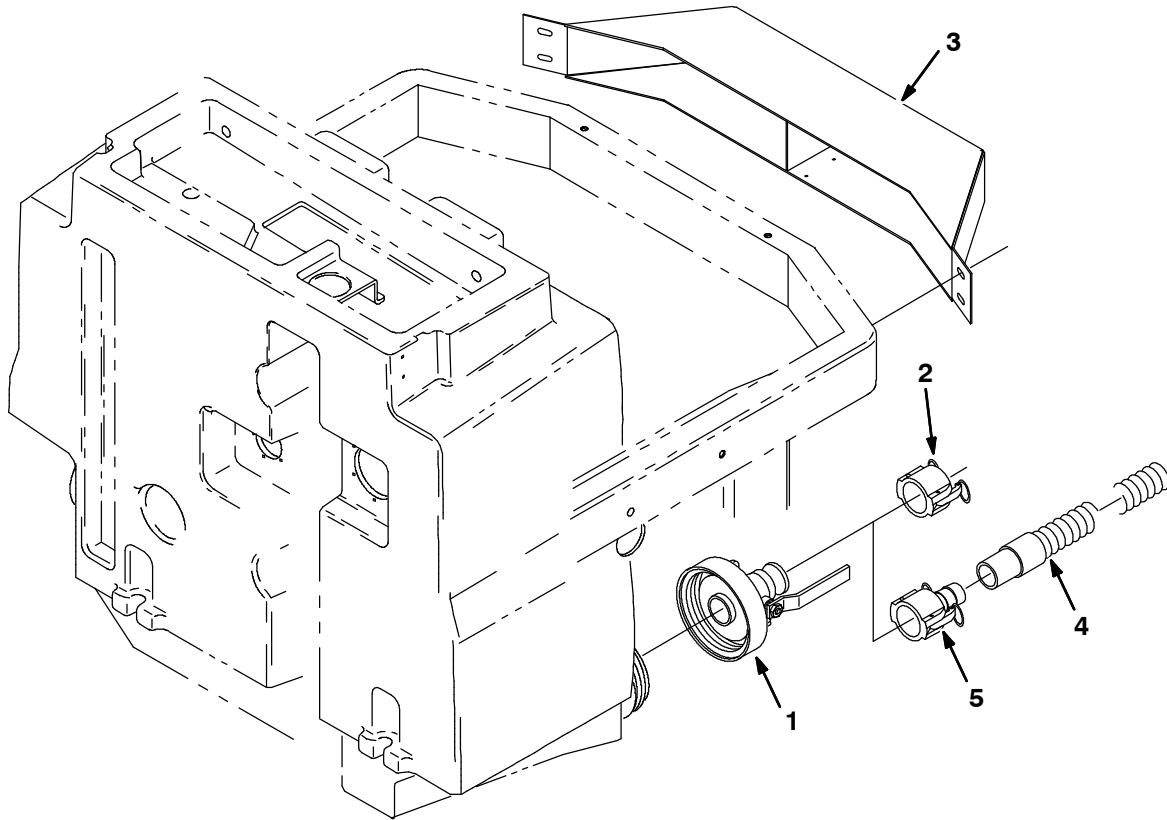
Fig. 37 - Front Squeegee Blade Group, Tile



06410/06410

| Key | TENNANT Part No. | Machine Serial Number | Description | Qty. |
|-----|------------------|-----------------------|----------------------------|------|
| 1 | 32600 | (000000-) | Front Squeegee Blade, Tile | 1 |

Fig. 38 - Positive Solution Control Drain System Kit, Standard



10198/10199

| Key | TENNANT Part No. | Machine Serial Number | Description | Qty. |
|-----|------------------|-----------------------|--|------|
| ▽ | 48725 | (000000-) | Positive Solution Control Drain System Kit, Standard | 1 |
| ▲ 1 | 48739 | (000000-) | Cap Assembly, Pos Drain | 1 |
| ▲ 2 | 48733 | (000000-) | Cap, Dust | 1 |
| ▲ 3 | 48738 | (000000-) | Bumper | 1 |
| ▲ 4 | 75635 | (000000-) | Hose and Cuff Assembly | 1 |
| ▲ 5 | 48734 | (000000-) | Coupler, Female X Hose Shank | 1 |

Fig. 39 - Positive Solution Control Drain System Kit, ES™

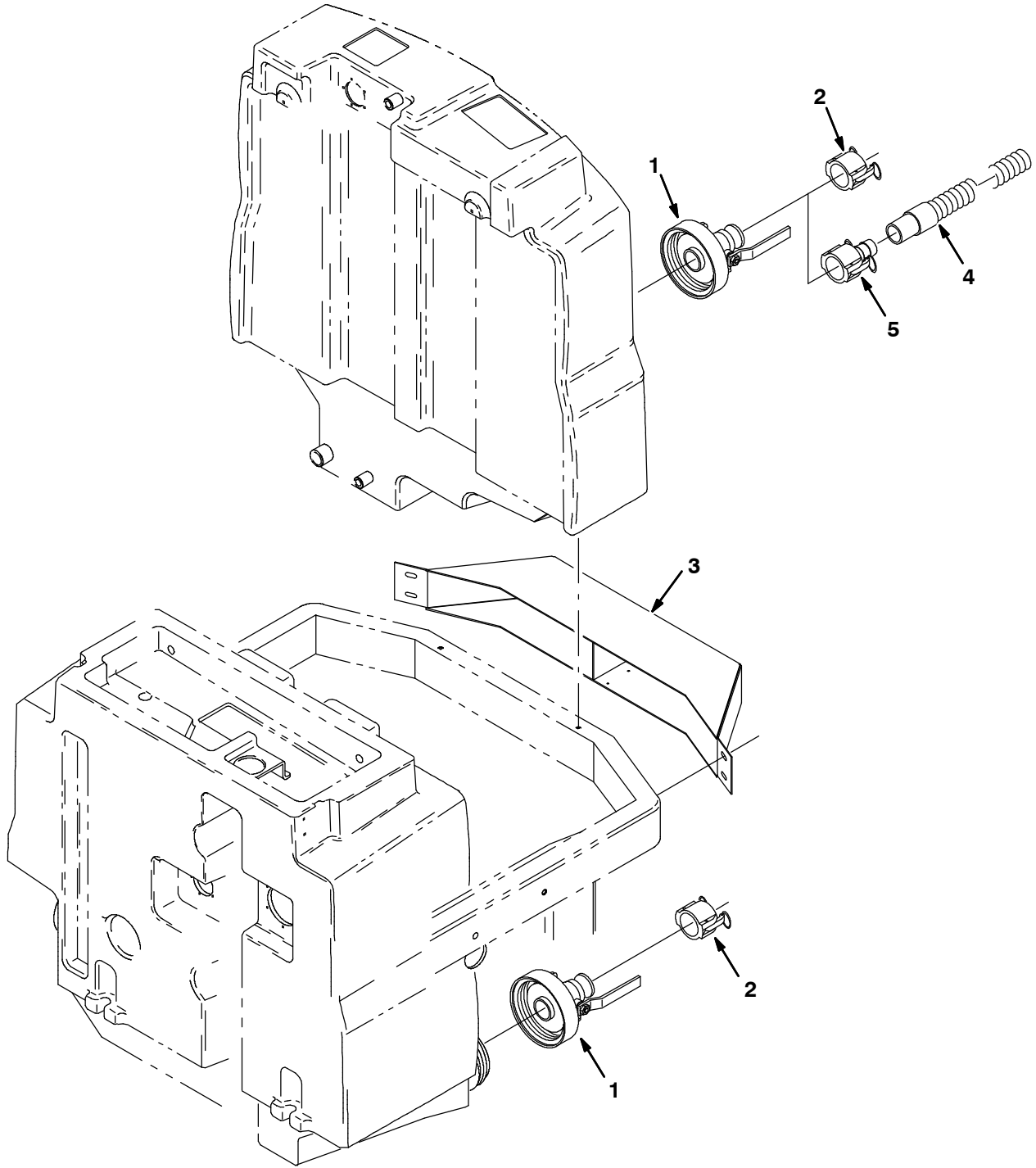
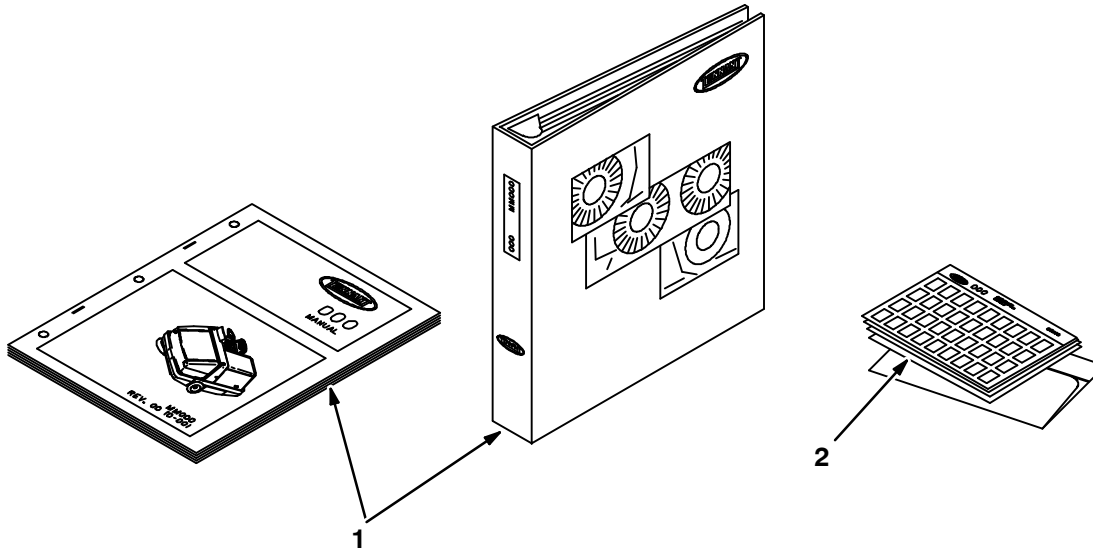


Fig. 39 - Positive Solution Control Drain System Kit, ES™

| Key | TENNANT Part No. | Machine Serial Number | Description | Qty. |
|------------|-------------------------|------------------------------|---|-------------|
| ▽ | 48726 | (000000- |) Positive Solution Control Drain System Kit, ES™ | 1 |
| ▲ 1 | 48739 | (000000- |) Cap Assembly, Pos Drain | 2 |
| ▲ 2 | 48733 | (000000- |) Cap, Dust | 2 |
| ▲ 3 | 48738 | (000000- |) Bumper | 1 |
| ▲ 4 | 75635 | (000000- |) Hose and Cuff Assembly | 1 |
| ▲ 5 | 48734 | (000000- |) Coupler, Female X Hose Shank | 1 |

Fig. 40 - Documentation Group



08941/07501

| Ref. | TENNANT Part No. | Machine Serial number | Description | Qty. |
|------|------------------|-----------------------|-----------------------|------|
| 1 | MM239 | (000000-) | Manual Pkg 510E | 1 |
| 2 | 85239 | (000000-) | Manual-Fiche Pkg 510E | 1 |

SECTION 8**CONTENTS**

| | Page |
|---|------|
| Fig. 1 - Electric Motor Breakdown, 17363 | 8-2 |
| Fig. 2 - Battery Charger Breakdown, 41390 | 8-4 |
| Fig. 3 - Electric Motor Breakdown, 16225 | 8-6 |
| Fig. 4 - Electric Motor Breakdown, 16224 | 8-7 |
| Fig. 5 - Electric Motor Breakdown, 86356 | 8-8 |
| Fig. 6 - Electric Motor Breakdown, 60196 | 8-9 |
| Fig. 7 - Electric Motor Breakdown, 04922 | 8-10 |
| Fig. 8 - Electric Motor Breakdown, 60198 | 8-11 |
| Fig. 9 - Water Pump Breakdown, 17333 | 8-12 |
| Fig. 10 - Water Pump Breakdown, 65590 | 8-13 |

Fig. 1 - Electric Motor Breakdown, 17363

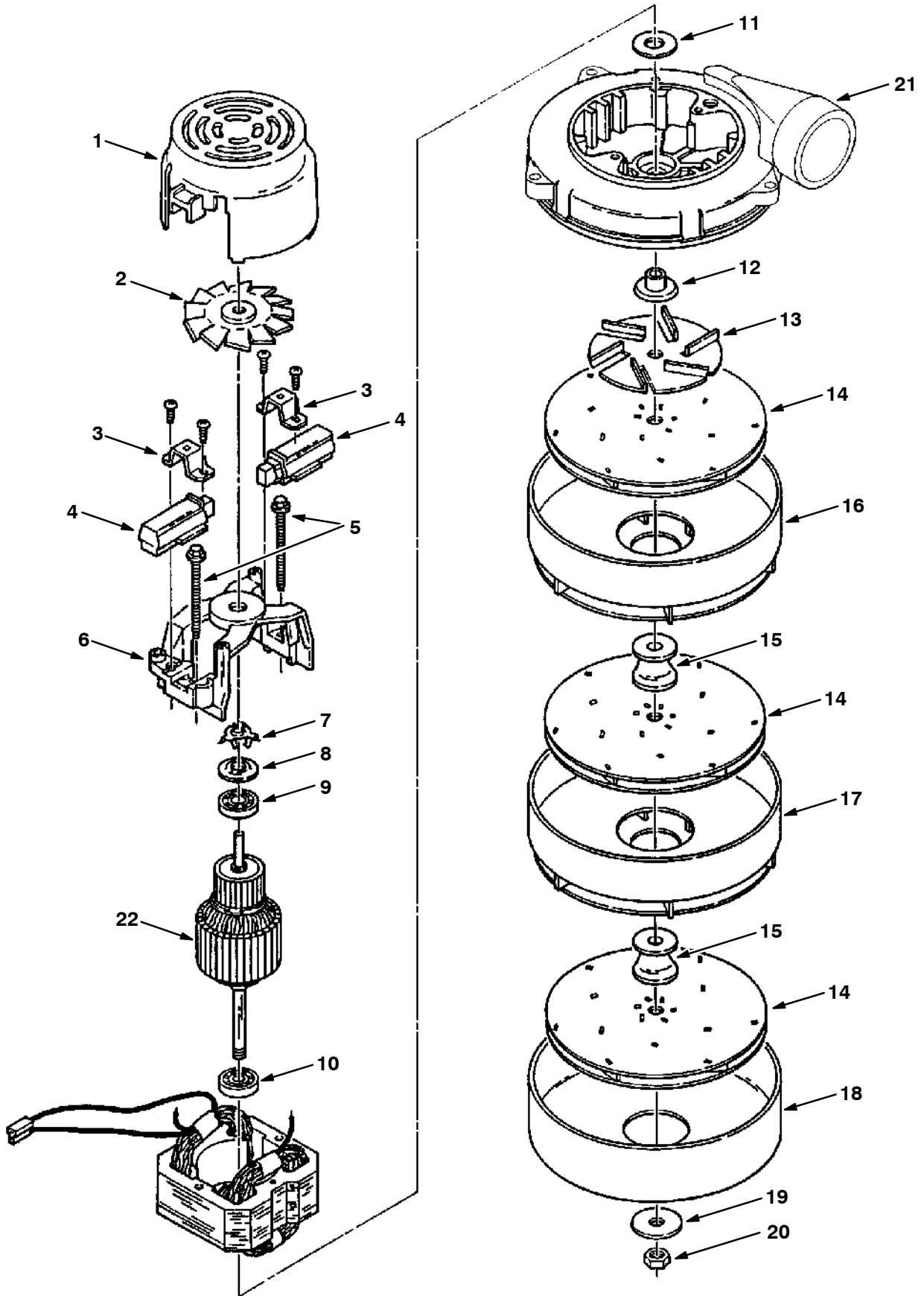


Fig. 1 - Electric Motor Breakdown, 17363

| Key | TENNANT Part No. | Manufacturer Serial Number | Description | Qty. |
|------|---------------------|-------------------------------|--------------------------|------|
| ▽ | 17363 | (000000- |) Fan, Vacuum | 1 |
| ▲ 1 | 37926 | (000000- |) Housing | 1 |
| ▲ 2 | 61298 | (000000- |) Fan | 1 |
| ▲ 3 | 01982 | (000000- |) Clamp | 2 |
| ▲ 4 | 11756 | (000000- |) Brush Mechanism | 2 |
| ▲ 5 | 01969 | (000000- |) Screw | 2 |
| ▲ 6 | 01983 | (000000- |) Comm. Bracket | 1 |
| ▲ 7 | 01856 | (000000- |) Spring | 1 |
| ▲ 8 | 37909 | (000000- |) Disc | 1 |
| ▲ 9 | 01842 | (000000- |) Bearing | 1 |
| ▲ 10 | 01837 | (000000- |) Bearing | 1 |
| ▲ 11 | 37912 | (000000- |) Washer, Neo. | 1 |
| ▲ 12 | 18627 | (000000- |) Spacer | 1 |
| ▲ 13 | 01971 | (000000- |) Fan | 1 |
| ▲ 14 | 18628 | (000000- |) Vacuum Fan | 3 |
| ▲ 15 | 18630 | (000000- |) Spacer | 2 |
| ▲ 16 | 61300 | (000000- |) Stationary Fan | 1 |
| ▲ 17 | 61297 | (000000- |) Stationary Fan | 1 |
| ▲ 18 | 61301 | (000000- |) Shell | 1 |
| ▲ 19 | 18632 | (000000- |) Washer | 1 |
| ▲ 20 | 37929 | (000000- |) Nut | 1 |
| ▲ | 10925 | (000000- |) Connector, 2 Conductor | 1 |
| ▲ | 10926 | (000000- |) Terminal, Female | 2 |
| ▲ 21 | 60386 | (000000- |) Bracket, Fan End | 1 |
| ▲ 22 | 21765 | (000000- |) Armature | 1 |

Fig. 2 - Battery Charger Breakdown, 41390

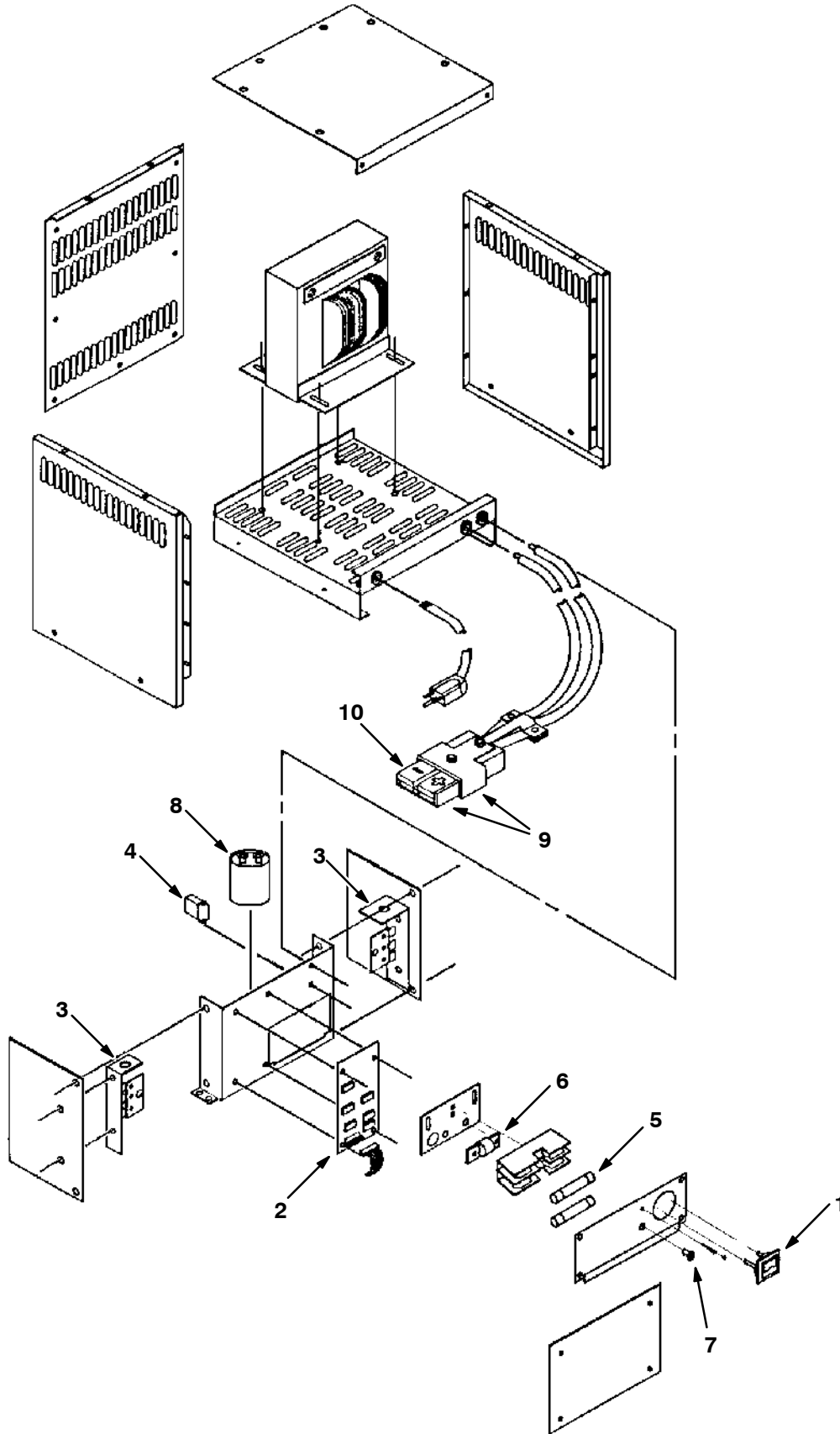
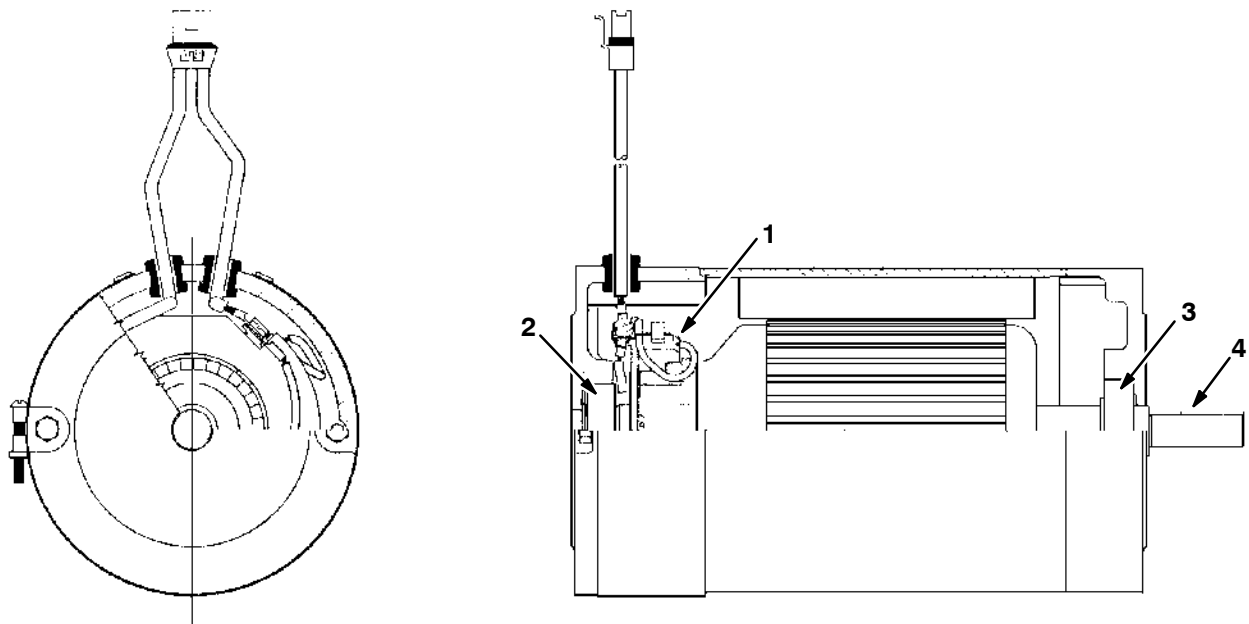


Fig. 2 - Battery Charger Breakdown, 41390

| Key | TENNANT Part No. | Manufacturer Serial Number | Description | Qty. |
|-------|---------------------|-------------------------------|---------------------------|------|
| ▽ | 41390 | (000000- |) Charger | 1 |
| ▲ 1 | 24417 | (000000- |) Ammeter | 1 |
| ▲ 2 | 24419 | (000000- |) Timer, Electronic | 1 |
| ▲ 3 | 24420 | (000000- |) Heatsink Assembly | 2 |
| ▲ 4 | 24421 | (000000- |) Relay | 1 |
| ▲ 5 | 24422 | (000000- |) Fuse, AC | 2 |
| ▲ 6 | 24423 | (000000- |) Fuse, DC | 1 |
| ▲ 7 | 24424 | (000000- |) Switch, Pushbutton | 1 |
| ▲ 8 | 24430 | (000000- |) Capacitor | 1 |
| ▲▽ 9 | 24436 | (000000- |) Plug & Bracket Assembly | 1 |
| ▲▲ 10 | 22892 | (000000- |) Connector, Gray, 175 A | 1 |

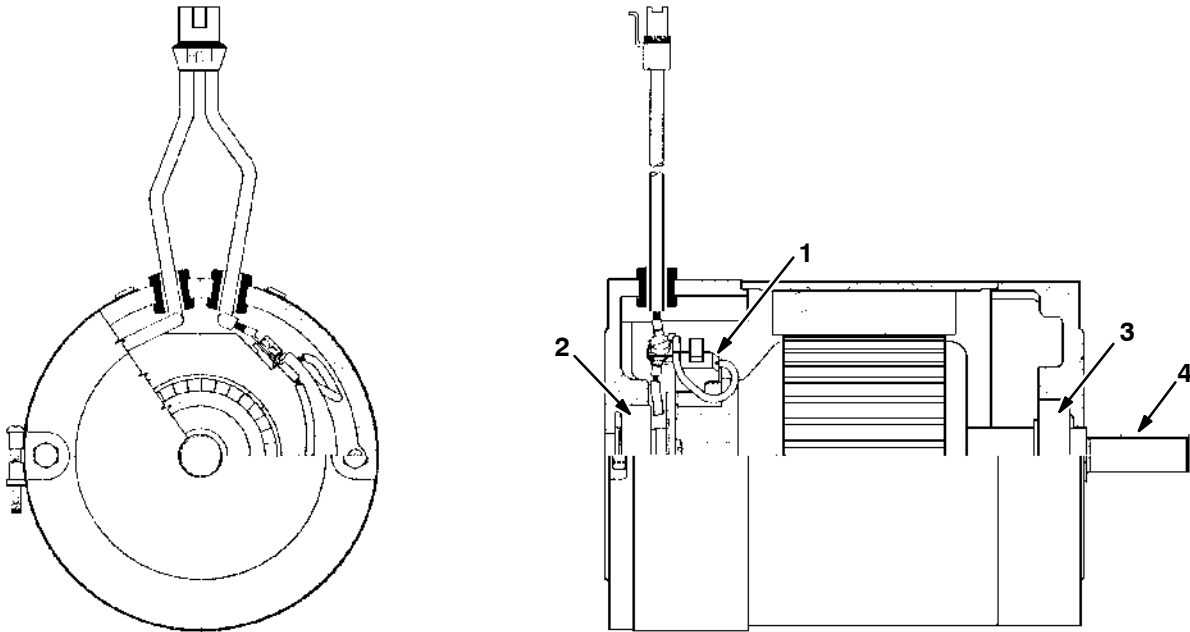
Fig. 3 - Electric Motor Breakdown, 16225



06858/06859

| Key | TENNANT Part No. | Manufacturer Serial Number | Description | Qty. |
|-----|------------------|----------------------------|--------------------------|------|
| ∇ | 16225 | (000000- |) Motor, Electric | 1 |
| ▲ 1 | 41367 | (000000- |) Brush Kit | 4 |
| ▲ 2 | 41368 | (000000- |) Bearing | 1 |
| ▲ 3 | 41369 | (000000- |) Bearing | 1 |
| ▲ 4 | 00918 | (000000- |) Key, Square | 1 |
| ▲ | 24537 | (000000- |) Terminal, Female | 2 |
| ▲ | 10925 | (000000- |) Connector, 2 Conductor | 1 |

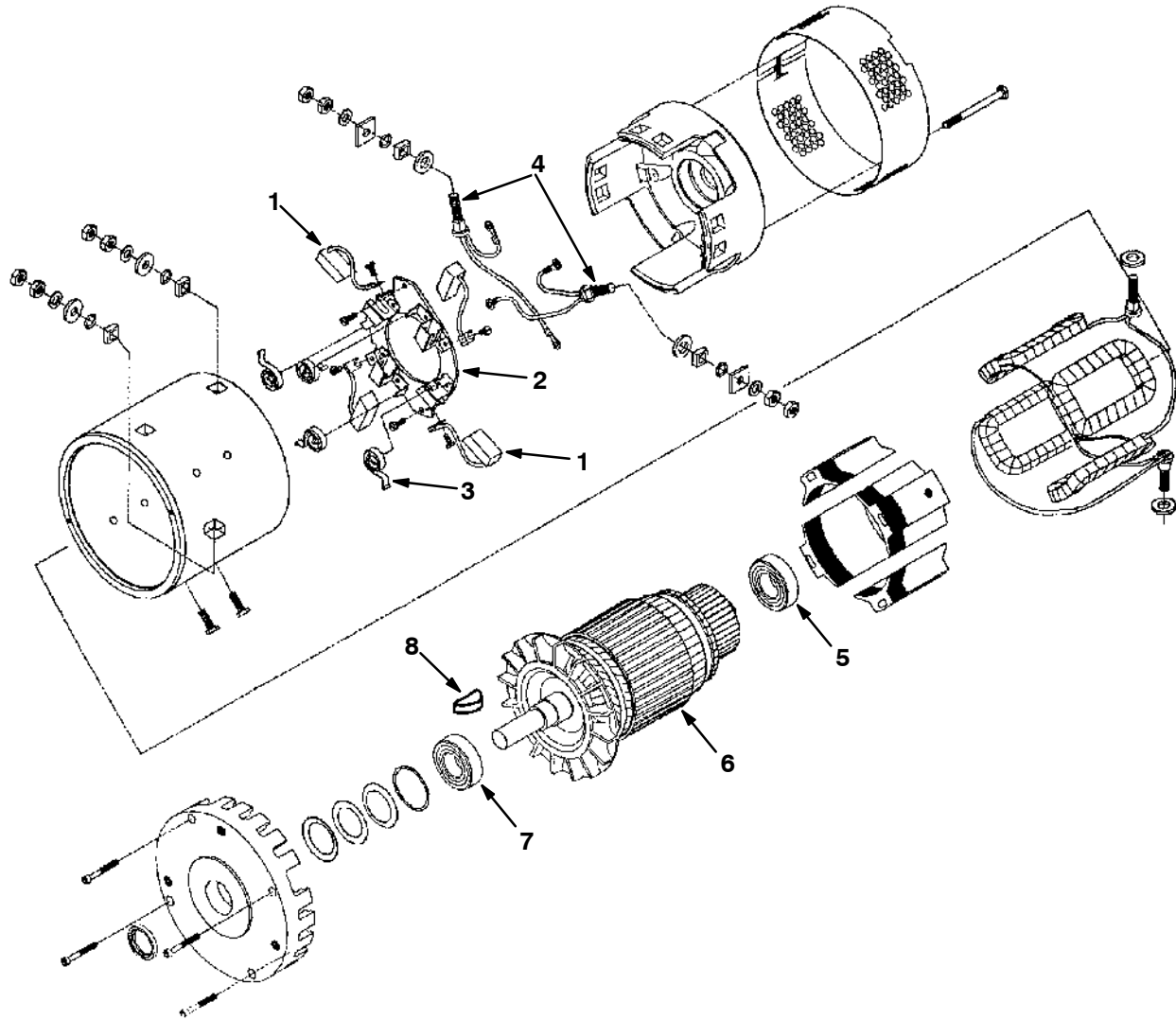
Fig. 4 - Electric Motor Breakdown, 16224



06860/06861

| Key | TENNANT Part No. | Manufacturer Serial Number | Description | Qty. |
|-----|------------------|----------------------------|--------------------------|------|
| ∇ | 16224 | (000000- |) Motor, Electric | 1 |
| ▲ 1 | 41367 | (000000- |) Brush Kit | 4 |
| ▲ 2 | 41368 | (000000- |) Bearing | 1 |
| ▲ 3 | 41371 | (000000- |) Bearing | 1 |
| ▲ 4 | 00918 | (000000- |) Key, Square | 1 |
| ▲ | 24537 | (000000- |) Terminal, Female | 2 |
| ▲ | 10925 | (000000- |) Connector, 2 Conductor | 1 |

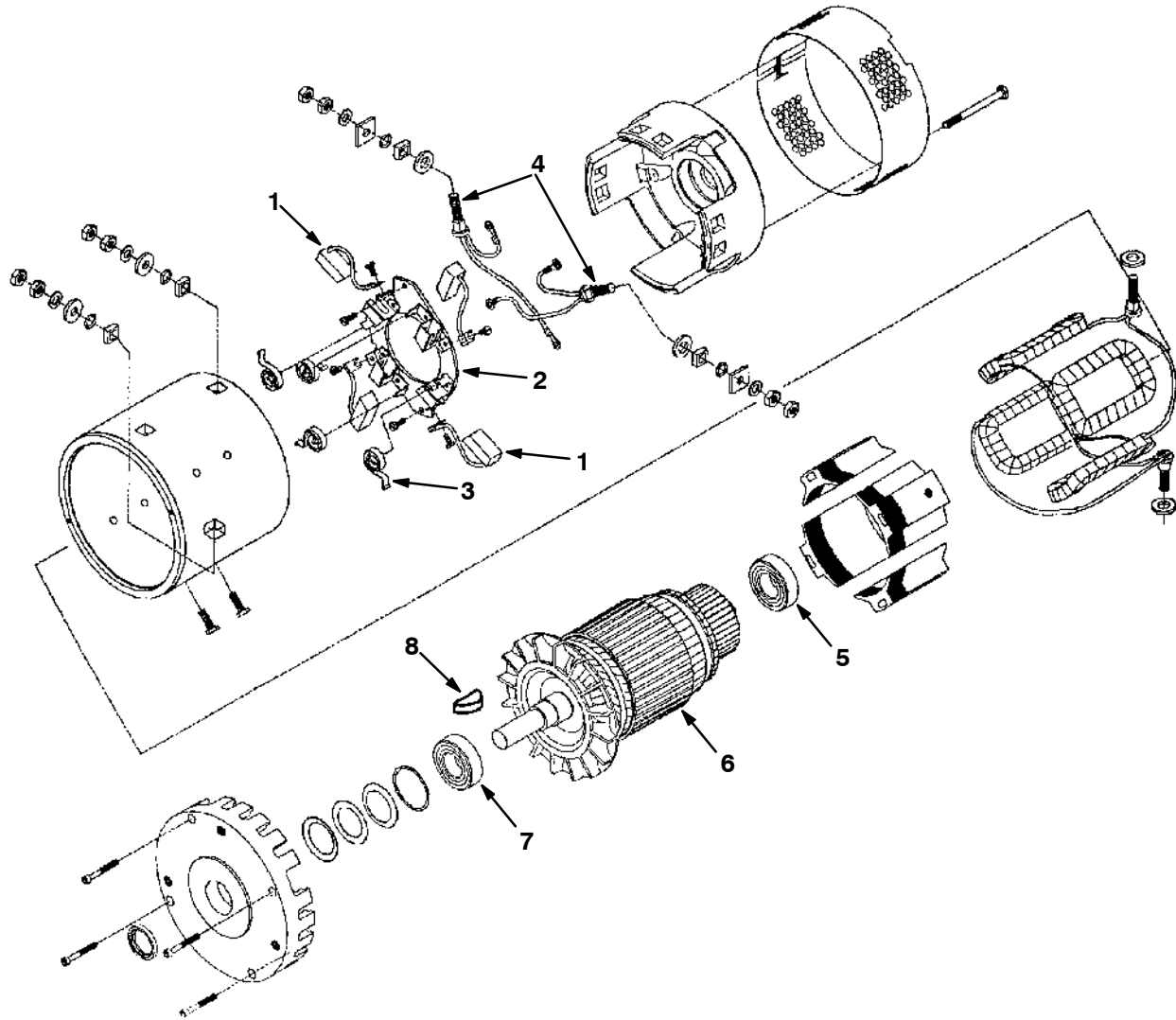
Fig. 5 - Electric Motor Breakdown, 86356



06868/06869

| Key | TENNANT Part No. | Manufacturer Serial Number | Description | Qty. |
|------|------------------|----------------------------|---------------------|------|
| ▽ | 86356 | (000000- |) Motor, Electric | 1 |
| ▲ 1 | 87864 | (000000- |) Brush, (Set of 4) | 1 |
| ▲▽ 2 | 50231 | (000000- |) Brush Holder | 1 |
| ▲▲ 3 | 50233 | (000000- |) Spring, Brush | 4 |
| ▲ 4 | 50232 | (000000- |) Lead, Crossover | 2 |
| ▲ 5 | 50234 | (000000- |) Bearing, Ball | 1 |
| ▲ 6 | 50235 | (000000- |) Armature | 1 |
| ▲ 7 | 50236 | (000000- |) Bearing, Ball | 1 |
| ▲ 8 | 00500-7 | (000000- |) Key, Woodruff | 1 |

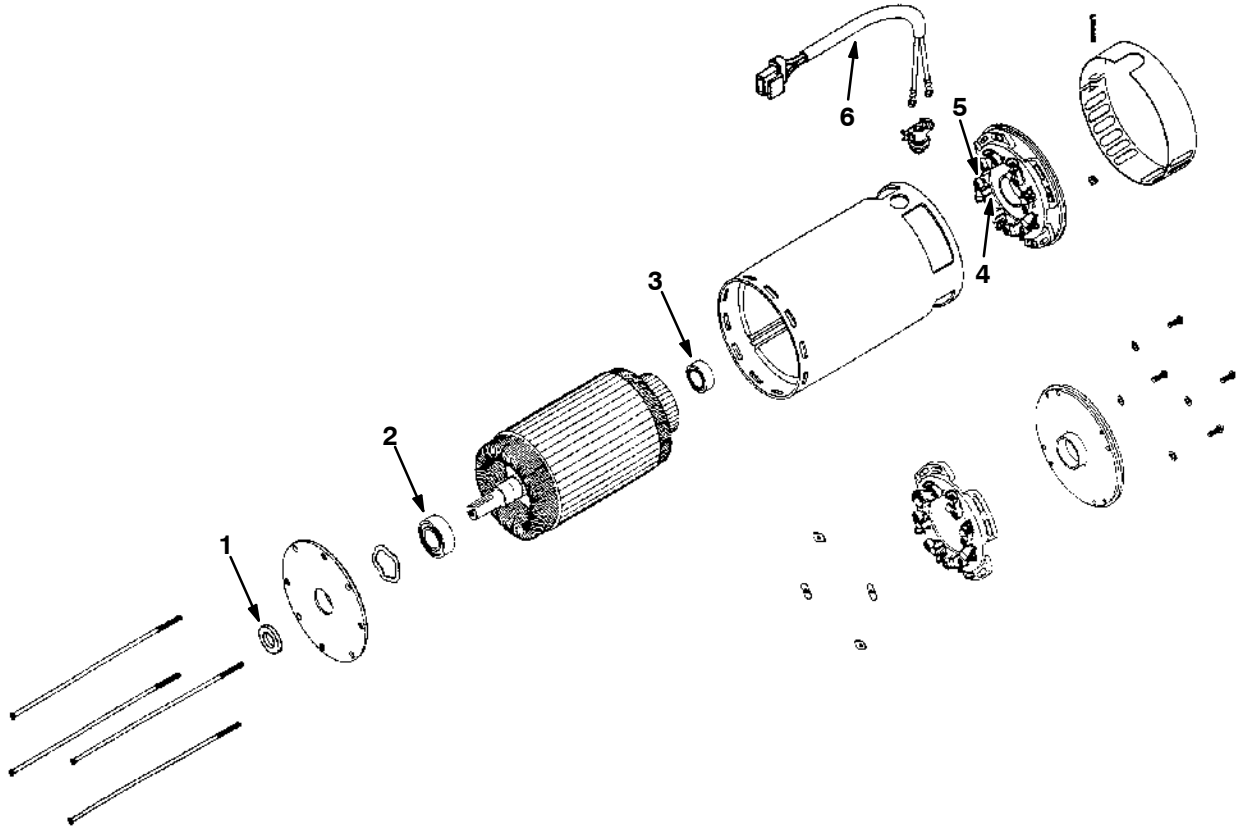
Fig. 6 - Electric Motor Breakdown, 60196



08309/06869

| Key | TENNANT Part No. | Manufacturer Serial Number | Description | Qty. |
|------|------------------|----------------------------|---------------------|------|
| ▽ | 60196 | (000000- |) Motor, Electric | 1 |
| ▲ 1 | 87864 | (000000- |) Brush, (Set of 4) | 1 |
| ▲▽ 2 | 50231 | (000000- |) Brush Holder | 1 |
| ▲▲ 3 | 50233 | (000000- |) Spring, Brush | 4 |
| ▲ 4 | 50232 | (000000- |) Lead, Crossover | 2 |
| ▲ 5 | 50234 | (000000- |) Bearing, Ball | 1 |
| ▲ 6 | 50235 | (000000- |) Armature | 1 |
| ▲ 7 | 50236 | (000000- |) Bearing, Ball | 1 |
| ▲ 8 | 00500-7 | (000000- |) Key, Woodruff | 1 |

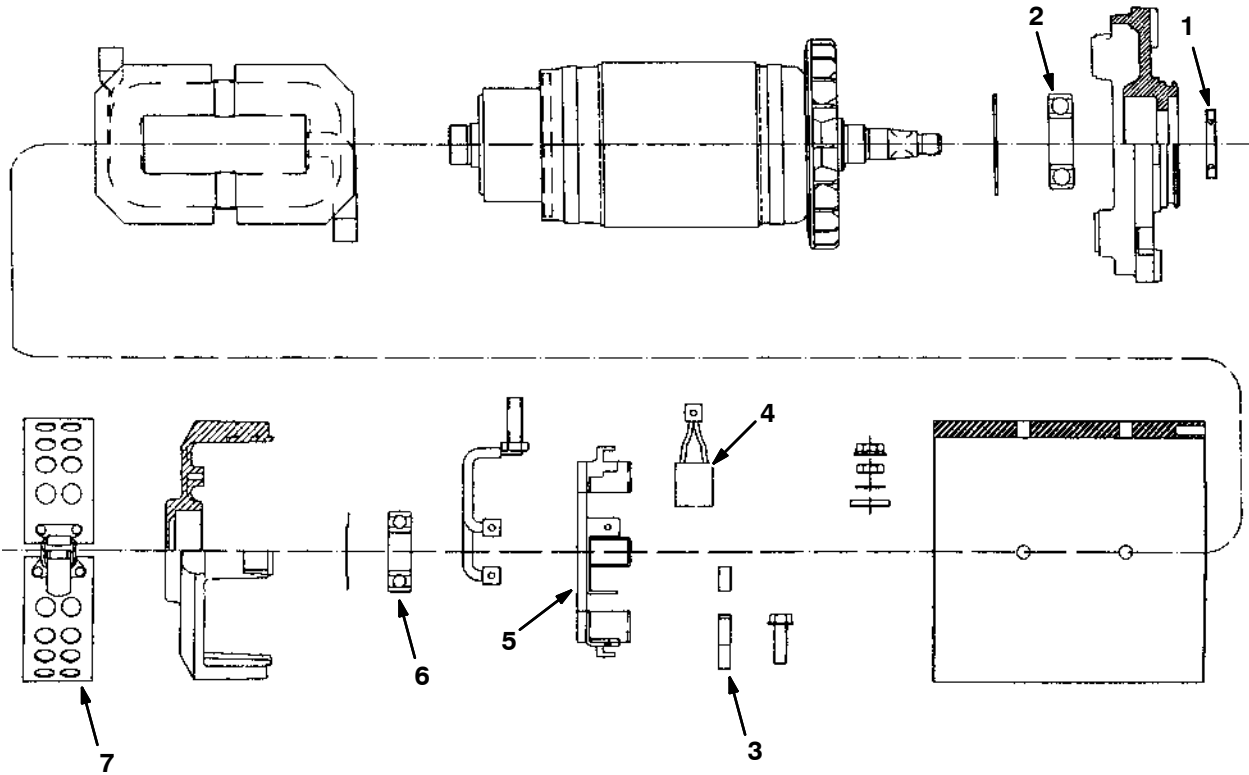
Fig. 7 - Electric Motor Breakdown, 04922



05208/00169

| Key | TENNANT Part No. | Manufacturer Serial Number | Description | Qty. |
|-----|------------------|----------------------------|-----------------|------|
| ∇ | 04922 | (000000-) | Motor, Electric | 1 |
| ▲ 1 | 37637 | (000000-) | Seal, Oil | 1 |
| ▲ 2 | 18626 | (000000-) | Bearing | 1 |
| ▲ 3 | 38378 | (000000-) | Bearing | 1 |
| ▲ 4 | 37638 | (000000-) | Brush Assembly | 8 |
| ▲ 5 | 11757 | (000000-) | Spring | 8 |
| ▲ 6 | 21757 | (000000-) | Cord, Lead | 1 |

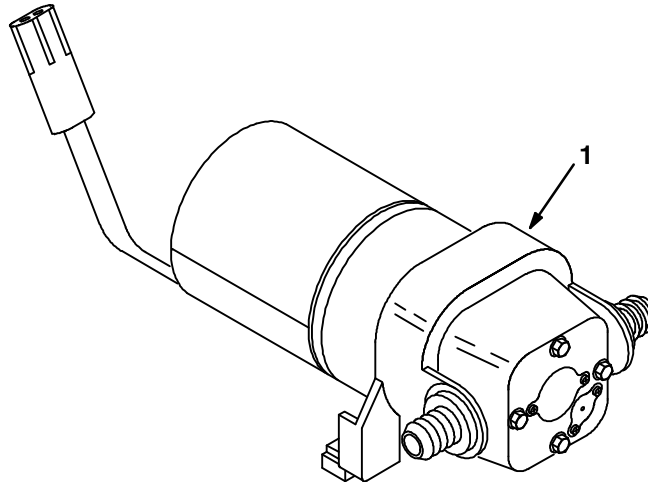
Fig. 8 - Electric Motor Breakdown, 60198



10413/10414

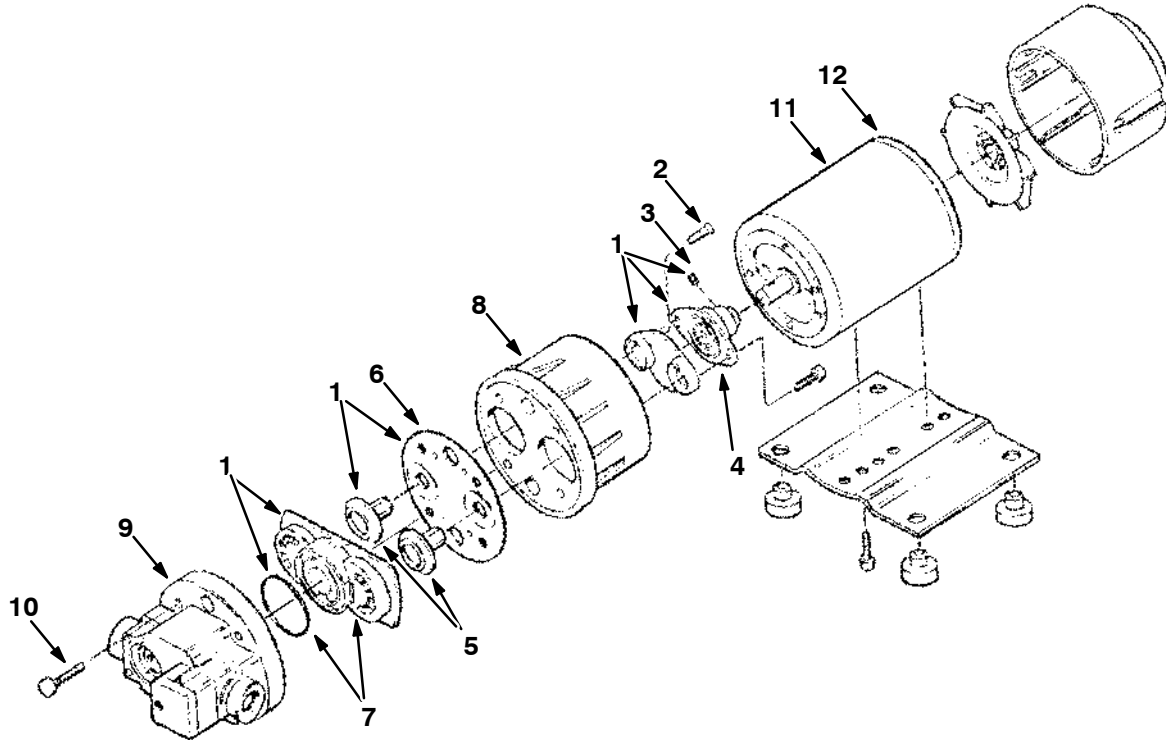
| Ref. | TENNANT Part No. | Manufacturer Serial Number | Description | Qty. |
|------|------------------|----------------------------|--------------------------------|------|
| ∇ | 60198 | (000000- |) Motor, Traction 3.0 Hp | 1 |
| ▲ | 1 48753 | (000000- |) Seal | 1 |
| ▲ | 2 48754 | (000000- |) Bearing | 1 |
| ▲ | 3 48755 | (000000- |) Brush Spring | 4 |
| ▲ | 4 48756 | (000000- |) Brush | 4 |
| ▲ | 5 48757 | (000000- |) Brush Box And Plate Assembly | 1 |
| ▲ | 6 48758 | (000000- |) Bearing | 1 |
| ▲ | 7 48759 | (000000- |) Head Band Ass'y | 1 |

Fig. 9 - Water Pump Breakdown, 17333



06862/06863

| Key | TENNANT Part No. | Manufacturer Serial Number | Description | Qty. |
|-----|------------------|----------------------------|------------------------|------|
| ∇ 1 | 17333 | (000000-) | Pump, Water | 1 |
| ▲ | 41309 | (000000-) | Motor, 36VDC | 1 |
| ▲ | 41310 | (000000-) | Endbell, Brush | 1 |
| ▲ | 41311 | (000000-) | Diaphragm Kit | 1 |
| ▲ | 41312 | (000000-) | Cam/Bearing Kit | 1 |
| ▲ | 41313 | (000000-) | Check Valve Assembly | 1 |
| ▲ | 33319 | (000000-) | Port Kit | 2 |
| ▲ | 10918 | (000000-) | Connector, 2 Conductor | 1 |
| ▲ | 10919 | (000000-) | Terminal, Male | 2 |
| ▲ | 10917 | (000000-) | Seal, Connector | 2 |



07525/07526

| Key | TENNANT Part No. | Manufacturer Serial Number | Description | Qty. |
|------|------------------|----------------------------|--------------------------|------|
| ∇ | 65590 | (000000-) | Pump, Water | 1 |
| ▲ 1 | 65678 | (000000-) | Seal Kit | 1 |
| ▲ 2 | 65667 | (000000-) | Cam/Bearing Screw | 1 |
| ▲ 3 | 65668 | (000000-) | Cam/Bearing Set Screw | 1 |
| ▲ 4 | 65669 | (000000-) | Cam/Bearing Kit | 1 |
| ▲ 5 | 65671 | (000000-) | Piston Inner/Out | 1 |
| ▲ 6 | 65672 | (000000-) | Diaphragm Kit | 1 |
| ▲ 7 | 65673 | (000000-) | Check Valve Assembly | 1 |
| ▲ 8 | 65670 | (000000-) | Bearing Cover | 1 |
| ▲ 9 | 65674 | (000000-) | Switch Assembly/Housing | 1 |
| ▲ 10 | 65675 | (000000-) | Pump Screws | 1 |
| ▲ 11 | 65676 | (000000-) | Motor, 36VDC | 1 |
| ▲ 12 | 65677 | (000000-) | Brush/Rectifier Assembly | 1 |
| ▲ | 10923 | (000000-) | Connector, 2 Conductor | 1 |
| ▲ | 10924 | (000000-) | Terminal, Male | 2 |
| ▲ | 10917 | (000000-) | Seal, Connector | 2 |

SECTION 9

CONTENTS

| | PAGE |
|--|------|
| PART NUMBER TO PAGE NUMBER CROSS REFERENCE LIST | 9-2 |
| PART DESCRIPTION TO PAGE NUMBER CROSS REFERENCE LIST | 9-9 |

CROSS REFERENCE

PART NUMBER TO PAGE NUMBER CROSS REFERENCE LIST

| Part Number | Page Number | Part Number | Page Number |
|-------------|-----------------|-------------|------------------|
| MM239 | 7-50 | 11399 | 6-35, 7-15, 7-17 |
| MM240 | 6-7 | 11442-3 | 7-15 |
| 00500-10 | 6-9 | 11516 | 6-14 |
| 00500-5 | 6-11 | 11636 | 7-10, 7-27 |
| 00500-7 | 8-8, 8-9 | 11756 | 8-3 |
| 00912 | 7-5, 7-6, 7-9 | 11757 | 8-10 |
| 00918 | 8-6, 8-7 | 12060 | 6-25, 7-17 |
| 00927 | 6-19 | 12165 | 6-31 |
| 00928 | 7-5 | 12263 | 6-17, 7-17 |
| 01047 | 7-5 | 12269 | 7-5, 7-6 |
| 01366 | 6-43 | 12271 | 7-19 |
| 01516 | 7-5, 7-6 | 12283 | 6-14 |
| 01837 | 8-3 | 12297 | 6-31 |
| 01842 | 8-3 | 12540 | 6-11 |
| 01856 | 8-3 | 12542 | 6-30 |
| 01969 | 8-3 | 12545 | 6-11 |
| 01971 | 8-3 | 14051 | 6-5 |
| 01982 | 8-3 | 14120 | 6-5 |
| 01983 | 8-3 | 14142 | 7-11 |
| 02076 | 6-11 | 14143 | 7-11 |
| 02129 | 7-9 | 14147 | 6-35 |
| 02327 | 6-40 | 14148 | 6-33 |
| 03091 | 6-13 | 14150 | 6-9 |
| 04679 | 6-43 | 14152 | 6-9 |
| 04685 | 6-43, 7-12 | 14174 | 7-9 |
| 04733-10 | 6-31 | 14227 | 6-13 |
| 04843 | 6-9, 7-3, 7-17 | 14228 | 6-12 |
| 04922 | 7-5, 8-10 | 14277 | 6-9 |
| 05018 | 7-3 | 14282 | 6-15 |
| 05280 | 6-40 | 14285 | 6-15 |
| 05283 | 6-22 | 14296 | 6-9 |
| 05582 | 7-7 | 14330 | 6-13 |
| 05686 | 6-19, 6-31 | 14333 | 6-9 |
| 06279 | 6-21, 6-31 | 14335 | 6-9 |
| 06416 | 6-21 | 14336 | 6-9 |
| 06474A | 6-17 | 14351 | 6-9 |
| 06598 | 6-12, 6-13, 7-3 | 14355 | 6-9 |
| 07112 | 6-9 | 14368 | 6-17 |
| 07259 | 6-20 | 14397 | 6-17 |
| 08713 | 6-19, 7-25 | 14400 | 6-17 |
| 09030 | 6-11 | 14409 | 6-17 |
| 09087 | 6-7, 6-23 | 14416 | 6-37 |
| 09088 | 6-12, 6-13 | 14422 | 6-37 |
| 09294 | 6-11 | 14426 | 6-37 |
| 10046 | 6-41 | 14438 | 6-37 |
| 10444 | 6-31 | 14439 | 6-33, 6-35 |
| 10632-11 | 7-20 | 14441 | 6-37 |
| 10632-12 | 7-21 | 14452 | 7-32 |
| 10632-17 | 6-43 | 14455 | 7-25 |
| 10632 | 6-41, 6-43 | 14464 | 6-22 |
| 10917 | 8-12, 8-13 | 14465 | 7-26 |
| 10918 | 8-12 | 14473 | 6-12 |
| 10919 | 8-12 | 14475 | 6-12 |
| 10923 | 8-13 | 14477 | 6-22 |
| 10924 | 8-13 | 14478 | 6-22 |
| 10925 | 8-3, 8-6, 8-7 | 14479 | 6-31 |
| 10926 | 8-3 | 14514 | 7-24 |
| 11218 | 6-3 | 14516 | 6-7 |

CROSS REFERENCE

| Part Number | Page Number | Part Number | Page Number |
|-------------|-------------|-------------|-------------|
| 14520 | 7-30 | 15012 | 6-43 |
| 14521 | 7-32 | 15018 | 6-23 |
| 14523 | 6-20 | 15023 | 6-23 |
| 14524 | 6-20 | 15025 | 6-33 |
| 14525 | 6-31 | 15034 | 6-33 |
| 14530 | 6-22 | 15038 | 7-30 |
| 14542 | 6-22 | 15043 | 6-49 |
| 14555 | 6-31 | 15046 | 6-49 |
| 14567 | 6-19 | 15047 | 6-26, 6-27 |
| 14575 | 6-30 | 15054 | 7-17 |
| 14584 | 6-3 | 15057 | 6-25 |
| 14586 | 6-3 | 15079 | 7-17 |
| 14612 | 6-21, 6-31 | 15082 | 7-17 |
| 14626 | 6-19 | 15175 | 6-49 |
| 14648 | 6-26, 6-27 | 15391 | 6-41 |
| 14657 | 7-24 | 15392 | 6-41 |
| 14662 | 6-31 | 15399 | 6-41 |
| 14666 | 6-19 | 15491 | 6-37 |
| 14671 | 6-19 | 15493 | 6-37 |
| 14672 | 6-19 | 15510 | 7-17 |
| 14673 | 6-19 | 15511 | 7-17 |
| 14674 | 6-19 | 15513 | 7-27 |
| 14675 | 6-26, 6-27 | 15519 | 7-5 |
| 14676 | 6-26 | 15522 | 7-6 |
| 14677 | 6-27 | 15539 | 6-3 |
| 14715 | 7-15 | 15568 | 6-23 |
| 14716 | 6-15 | 15569 | 6-23 |
| 14724 | 7-24 | 15645 | 6-26 |
| 14725 | 6-22 | 15647 | 6-27 |
| 14727 | 7-22 | 15648 | 6-21 |
| 14731 | 6-37 | 15649 | 6-23 |
| 14732 | 6-15 | 15650 | 6-21 |
| 14734 | 7-17 | 15681 | 6-26, 6-27 |
| 14807 | 7-20 | 15740 | 6-43 |
| 14811 | 6-25 | 15742 | 6-21 |
| 14818 | 7-17 | 15815 | 6-9 |
| 14820 | 7-23 | 15830 | 6-9 |
| 14838 | 6-3 | 15838 | 7-15 |
| 14841 | 6-19 | 15840 | 6-41 |
| 14849 | 7-17 | 15845 | 6-43 |
| 14864 | 6-33, 6-35 | 15846 | 6-43 |
| 14877 | 6-25 | 15864 | 6-21 |
| 14880 | 6-33, 6-35 | 15870 | 6-43 |
| 14888 | 7-3 | 15900 | 6-23 |
| 14890 | 7-3 | 15951 | 6-19 |
| 14910 | 6-12 | 15952 | 6-19 |
| 14933 | 6-21 | 15953 | 6-19 |
| 14948 | 7-28 | 15964 | 6-5 |
| 14951 | 7-26 | 15965 | 7-15 |
| 14953 | 6-3 | 15966 | 6-26, 6-27 |
| 14967 | 6-2 | 15967 | 6-5 |
| 14971 | 7-24 | 15977 | 6-37 |
| 14983 | 7-27 | 15984 | 6-40 |
| 14987 | 7-23 | 15986 | 7-33 |
| 14990 | 6-5 | 15987 | 7-15 |
| 14993 | 6-5 | 15990 | 6-29 |
| 14994 | 6-5 | 15991 | 7-19 |
| 14995 | 6-5 | 15997 | 6-22 |
| 14998 | 7-24 | 16036 | 6-29 |
| 15008 | 6-43 | 16039 | 6-49 |

CROSS REFERENCE

| Part Number | Page Number | Part Number | Page Number |
|------------------------|------------------------|------------------------|------------------------|
| 16040 | 7-9 | 16913 | 6-25, 7-15 |
| 16047 | 7-3 | 16914 | 6-25 |
| 16064 | 7-7 | 16917 | 6-33 |
| 16089 | 7-5 | 16919 | 6-39 |
| 16090 | 7-5 | 16920 | 7-19 |
| 16093 | 7-6 | 16923 | 6-40 |
| 16095 | 7-7, 7-10 | 16937 | 7-9 |
| 16096 | 7-7, 7-10 | 16942 | 6-19 |
| 16098 | 7-7 | 16946 | 6-19 |
| 16173 | 7-9 | 16956 | 7-9 |
| 16175 | 7-5 | 16966 | 7-25 |
| 16177 | 7-9 | 16967 | 6-39 |
| 16179 | 7-27 | 17003 | 7-9 |
| 16182 | 6-2 | 17007 | 7-9 |
| 16188 | 7-3 | 17020 | 7-9 |
| 16189 | 7-7 | 17031 | 6-5 |
| 16191 | 7-7 | 17032 | 6-5 |
| 16193 | 6-7 | 17034 | 7-9 |
| 16196 | 6-7 | 17038 | 6-30 |
| 16200 | 6-7 | 17040 | 7-3 |
| 16201 | 6-7 | 17042 | 7-3 |
| 16202 | 6-33 | 17043 | 7-3 |
| 16203 | 6-33 | 17050 | 7-3 |
| 16204 | 6-37 | 17082 | 6-31 |
| 16205 | 6-33 | 17083 | 6-30 |
| 16207 | 6-29 | 17084 | 6-30 |
| 16215 | 6-29 | 17104 | 6-30 |
| 16223 | 6-19 | 17114 | 7-5 |
| 16224 | 6-19, 8-7 | 17115 | 6-50 |
| 16225 | 7-25, 8-6 | 17116 | 6-50 |
| 16226 | 7-25 | 17117 | 6-50 |
| 16354 | 6-29 | 17118 | 7-15 |
| 16355 | 6-29 | 17129 | 6-39 |
| 16356 | 7-15 | 17140 | 6-30 |
| 16357 | 7-7 | 17142 | 7-13 |
| 16367 | 6-9 | 17161 | 7-13 |
| 16368 | 6-15 | 17164 | 6-39 |
| 16369 | 6-15 | 17171 | 7-10 |
| 16370 | 6-9 | 17186 | 6-17 |
| 16386 | 6-9 | 17187 | 7-13 |
| 16539 | 6-5 | 17188 | 6-37, 6-39 |
| 16615 | 7-12 | 17189 | 6-37 |
| 16689 | 7-15 | 17190 | 7-30 |
| 16816 | 6-29 | 17191 | 6-5 |
| 16880 | 7-22 | 17192 | 6-21 |
| 16889 | 7-22 | 17194 | 6-21 |
| 16890 | 7-22 | 17200 | 6-50 |
| 16891 | 7-25 | 17260 | 6-3 |
| 16892 | 6-5 | 17261 | 6-3 |
| 16893 | 7-19 | 17262 | 6-3 |
| 16900 | 6-43 | 17263 | 6-3 |
| 16902 | 6-39 | 17310 | 7-10 |
| 16903 | 6-39 | 17312 | 7-10 |
| 16904 | 6-43 | 17333 | 7-15, 8-12 |
| 16906 | 6-40 | 17363 | 6-39, 8-3 |
| 16908 | 6-41 | 17364 | 6-22 |
| 16909 | 7-15 | 17371 | 7-3 |
| 16910 | 7-15 | 17372 | 7-3 |
| 16911 | 7-15 | 17461 | 6-22 |
| 16912 | 6-35 | 17513 | 7-17 |

CROSS REFERENCE

| Part Number | Page Number | Part Number | Page Number |
|-------------|---|-------------|------------------------|
| 18626 | 8-10 | 26156 | 6-9 |
| 18627 | 8-3 | 26428 | 6-9 |
| 18628 | 8-3 | 27184 | 7-20, 7-21, 7-41 |
| 18630 | 8-3 | 27880 | 6-25 |
| 18632 | 8-3 | 27928 | 6-41 |
| 18778 | 6-43 | 28013-B | 6-2 |
| 18779 | 6-43 | 28296 | 6-13 |
| 18811 | 6-39 | 29233 | 6-7, 6-15, 7-26 |
| 19783 | 6-3 | 29499 | 7-5 |
| 19800 | 7-41 | 29534 | 7-3 |
| 21757 | 8-10 | 30268 | 7-15 |
| 21765 | 8-3 | 30406 | 6-49 |
| 22297 | 6-39 | 31203 | 6-40 |
| 22892 | 7-30, 7-31, 7-32, 7-33, 7-34, 7-35, 7-36, 7-37, 7-38, 7-39, 8-5 | 31204 | 6-40 |
| 24026 | 7-38 | 31988 | 6-40 |
| 24028 | 7-38 | 31992 | 6-11 |
| 24105 | 7-15 | 31994 | 6-49 |
| 24107 | 6-35 | 32407 | 7-30, 7-31, 7-32, 7-33 |
| 24110 | 7-19 | 32408 | 7-5, 7-6 |
| 24174 | 6-33 | 32432 | 6-3 |
| 24175 | 6-35 | 32447 | 6-40 |
| 24219 | 7-26 | 32454 | 6-39 |
| 24254 | 6-20 | 32498 | 6-21, 6-31 |
| 24286 | 7-10 | 32500 | 6-40 |
| 24288 | 6-33 | 32501 | 6-33, 6-35 |
| 24299 | 6-2, 6-3 | 32502 | 6-35 |
| 24301 | 7-15 | 32503 | 6-33 |
| 24304 | 6-2, 6-30 | 32505 | 6-3 |
| 24306 | 6-31 | 32506 | 6-3 |
| 24310 | 6-19 | 32508 | 6-33, 6-35 |
| 24329 | 6-19 | 32600 | 7-46 |
| 24349 | 6-9 | 32657 | 6-3 |
| 24353 | 6-9 | 32660 | 6-41 |
| 24358 | 6-33, 6-35 | 32661 | 6-3 |
| 24364 | 7-33 | 32662 | 6-33 |
| 24417 | 8-5 | 32663 | 6-33 |
| 24419 | 8-5 | 32707 | 6-26 |
| 24420 | 8-5 | 32710 | 6-27 |
| 24421 | 8-5 | 32713 | 6-31 |
| 24422 | 8-5 | 32715 | 6-31 |
| 24423 | 8-5 | 32717 | 6-40 |
| 24424 | 8-5 | 32720 | 7-5, 7-6 |
| 24430 | 8-5 | 32726 | 6-49 |
| 24436 | 8-5 | 32732 | 7-11 |
| 24438 | 6-33 | 32735 | 6-29 |
| 24451 | 6-19, 7-25 | 32736 | 6-29 |
| 24509 | 7-3 | 32739 | 6-31 |
| 24510 | 7-3 | 32740 | 6-19 |
| 24532 | 7-3 | 32741 | 7-25 |
| 24533 | 7-3 | 32790 | 6-35 |
| 24534 | 7-3 | 32891 | 7-25 |
| 24537 | 8-6, 8-7 | 33215 | 6-9, 6-40 |
| 24543 | 6-25 | 33288 | 6-37 |
| 24544 | 6-25 | 33289 | 6-37 |
| 24924 | 6-7 | 33294 | 7-15 |
| 25197A | 6-14 | 33295 | 7-15 |
| 25312 | 7-45 | 33313 | 7-10 |
| 26103 | 6-9 | 33319 | 8-12 |
| | | 33320 | 7-28 |
| | | 33373 | 7-9 |

CROSS REFERENCE

| Part Number | Page Number | Part Number | Page Number |
|--------------------|--------------------|--------------------|--------------------|
| 36192 | 6-5 | 41413 | 6-19 |
| 36376 | 7-3 | 41414 | 6-19 |
| 36801 | 6-17 | 41415 | 6-19 |
| 37637 | 8-10 | 41416 | 7-25 |
| 37638 | 8-10 | 41417 | 7-25 |
| 37909 | 8-3 | 41418 | 7-25 |
| 37912 | 8-3 | 41419 | 7-25 |
| 37926 | 8-3 | 41421 | 6-33, 6-35 |
| 37929 | 8-3 | 41423 | 6-43 |
| 38378 | 8-10 | 41427 | 7-15 |
| 39308 | 6-17 | 41435 | 7-15 |
| 39392 | 7-5 | 41440 | 7-15 |
| 39471 | 7-3 | 41442 | 7-19 |
| 39612 | 7-27 | 41443 | 7-19 |
| 39923 | 6-39 | 41445 | 6-26, 6-27 |
| 40566 | 6-25 | 41451 | 6-33, 6-35 |
| 40670 | 7-41 | 41454 | 6-33, 6-35 |
| 40671 | 7-41 | 41463 | 7-10 |
| 41178 | 7-19 | 41464 | 7-10 |
| 41305 | 6-26, 6-27 | 41673 | 6-2 |
| 41307 | 6-26, 6-27 | 41732 | 7-11 |
| 41308 | 6-26, 6-27 | 43500 | 6-31 |
| 41309 | 8-12 | 43516A | 6-35 |
| 41310 | 8-12 | 43611 | 6-17 |
| 41311 | 8-12 | 44078 | 6-40 |
| 41312 | 8-12 | 44681-1 | 7-20, 7-21 |
| 41313 | 8-12 | 44681-2 | 7-20, 7-21 |
| 41315 | 6-25 | 44681 | 7-20, 7-21 |
| 41316 | 7-22 | 44847 | 6-33 |
| 41324 | 7-20 | 44906 | 6-26, 6-27 |
| 41325 | 7-21 | 44961 | 6-33, 6-39 |
| 41328 | 7-45 | 45027A | 6-11 |
| 41329 | 7-45 | 45261 | 7-9 |
| 41330 | 7-45 | 45272 | 7-20, 7-21 |
| 41337 | 7-10 | 45283 | 7-20, 7-21 |
| 41338 | 7-10 | 45391 | 7-19 |
| 41339 | 7-7 | 45486 | 7-15 |
| 41340 | 7-10 | 46390 | 6-9 |
| 41341 | 7-3 | 47701 | 7-15 |
| 41352 | 6-5 | 48079 | 6-29, 7-9 |
| 41360 | 7-5, 7-6 | 48561 | 6-14 |
| 41362 | 7-5, 7-6 | 48562 | 6-14 |
| 41367 | 8-6, 8-7 | 48588 | 7-29 |
| 41368 | 8-6, 8-7 | 48589 | 7-29 |
| 41369 | 8-6 | 48590 | 7-29 |
| 41371 | 8-7 | 48591 | 7-29 |
| 41372 | 7-5 | 48595 | 6-25 |
| 41373 | 7-5 | 48596 | 6-25 |
| 41379 | 7-5 | 48597 | 6-14 |
| 41381 | 7-5 | 48598 | 6-14 |
| 41382 | 7-5 | 48599 | 6-14 |
| 41383 | 7-5 | 48606 | 7-41 |
| 41384 | 7-5 | 48607 | 7-41 |
| 41390 | 7-34, 8-5 | 48608 | 7-41 |
| 41392 | 7-27 | 48609 | 7-44 |
| 41393 | 7-27 | 48610 | 7-41 |
| 41407 | 7-15 | 48635 | 7-9 |
| 41409 | 7-30 | 48636 | 7-9 |
| 41410 | 7-15 | 48666 | 6-22 |
| 41412 | 6-19 | 48672 | 6-22 |

CROSS REFERENCE

| Part Number | Page Number | Part Number | Page Number |
|-------------|---------------------------------------|-------------|-------------|
| 48697 | 7-15 | 578073 | 7-43 |
| 48701 | 7-30 | 578074 | 7-43 |
| 48725 | 7-47 | 578077 | 7-43 |
| 48726 | 7-49 | 578078 | 7-43 |
| 48730 | 6-29 | 578091 | 7-43 |
| 48733 | 7-47, 7-49 | 578094 | 7-43 |
| 48734 | 7-47, 7-49 | 578123 | 7-43 |
| 48738 | 7-47, 7-49 | 578124 | 7-43 |
| 48739 | 7-47, 7-49 | 578125 | 7-43 |
| 48748 | 7-5, 7-6 | 578126 | 7-43 |
| 48753 | 8-11 | 578143 | 7-43 |
| 48754 | 8-11 | 578154 | 7-43 |
| 48755 | 8-11 | 578155 | 7-43 |
| 48756 | 8-11 | 578160 | 7-44 |
| 48757 | 8-11 | 578161 | 7-43 |
| 48758 | 8-11 | 578164 | 7-43 |
| 48759 | 8-11 | 578214 | 7-43 |
| 48790 | 6-7 | 578228 | 7-43 |
| 48930 | 7-17 | 578276 | 7-44 |
| 49266 | 7-19, 7-20, 7-21, 7-41 | 578318 | 7-44 |
| 49681 | 6-17 | 578439 | 7-43 |
| 50011 | 6-9 | 578820 | 7-44 |
| 50124 | 7-34, 7-35 | 578821 | 7-43 |
| 50231 | 8-8, 8-9 | 579112 | 7-43 |
| 50232 | 8-8, 8-9 | 579148 | 7-43 |
| 50233 | 8-8, 8-9 | 579198 | 7-43 |
| 50234 | 8-8, 8-9 | 58494 | 6-22 |
| 50235 | 8-8, 8-9 | 58819 | 6-15 |
| 50236 | 8-8, 8-9 | 59633 | 6-29 |
| 50304 | 7-26 | 60196 | 6-11, 8-9 |
| 50541-1 | 7-17 | 60198 | 6-11, 8-11 |
| 51109 | 6-12 | 60386 | 8-3 |
| 51534 | 6-31, 7-3 | 61212 | 7-41 |
| 51545 | 6-12 | 61297 | 8-3 |
| 51562 | 6-12 | 61298 | 8-3 |
| 51564 | 6-29 | 61300 | 8-3 |
| 51824 | 6-11 | 61301 | 8-3 |
| 52238 | 6-31 | 61791 | 6-11 |
| 53385 | 7-39 | 62595-3 | 6-43 |
| 53389 | 7-39 | 62832 | 7-7 |
| 53880 | 7-28, 7-29 | 63147 | 6-21 |
| 53904 | 6-14 | 63244-1 | 7-41 |
| 54202 | 6-14 | 63319 | 6-39 |
| 54333 | 7-41 | 63357 | 6-40 |
| 55248 | 7-19 | 63379 | 6-22 |
| 56799 | 7-27 | 63430 | 7-26 |
| 56855 | 6-11 | 63448 | 7-26 |
| 57164 | 6-41 | 63451 | 7-26 |
| 57497 | 6-9 | 63727 | 7-15 |
| 57751 | 6-41, 7-19, 7-20, 7-21 | 63810 | 7-41 |
| 57772 | 6-15, 6-40 | 63852 | 7-3 |
| 57803 | 7-19, 7-20, 7-21 | 64153 | 7-3, 7-9 |
| 578061 | 7-43 | 64173 | 6-26, 6-27 |
| 578063 | 7-43 | 64425 | 6-31 |
| 578064 | 7-43 | 64740 | 7-41 |
| 578066 | 7-43 | 65340 | 7-43 |
| 57807 | 7-12, 7-15, 7-19, 7-20, 7-21, 7-41 | 65341 | 7-44 |
| 578071 | 7-44 | 65342 | 7-41 |
| 578072 | 7-44 | 65419 | 7-3 |
| | | 65556 | 7-12 |

CROSS REFERENCE

| Part Number | Page Number | Part Number | Page Number |
|------------------------|------------------------|------------------------|------------------------|
| 65557 | 7-15, 7-41 | 86225 | 6-14 |
| 65561 | 7-19, 7-20, 7-21 | 86240 | 6-13 |
| 65577 | 7-17 | 86324 | 6-31 |
| 65580 | 7-41 | 86327 | 6-30 |
| 65581 | 7-41 | 86356 | 8-8 |
| 65582 | 7-44 | 86370 | 6-41 |
| 65588 | 7-41 | 86375 | 6-43 |
| 65590 | 7-41, 8-13 | 86379 | 6-43 |
| 65667 | 8-13 | 86579 | 6-33, 6-35 |
| 65668 | 8-13 | 86591 | 6-33, 6-35, 7-15 |
| 65669 | 8-13 | 86636 | 6-33 |
| 65670 | 8-13 | 86659 | 6-14 |
| 65671 | 8-13 | 86751 | 6-12, 6-13 |
| 65672 | 8-13 | 86755 | 6-35 |
| 65673 | 8-13 | 86759 | 6-26, 6-27 |
| 65674 | 8-13 | 86767 | 7-26 |
| 65675 | 8-13 | 86773 | 7-5, 7-6 |
| 65676 | 8-13 | 86791 | 6-29 |
| 65677 | 8-13 | 86800 | 6-29, 7-13 |
| 65678 | 8-13 | 86812 | 6-2, 6-30 |
| 65761 | 7-30 | 86824 | 6-25, 6-35, 7-15 |
| 65762 | 7-31 | 86859 | 6-2, 6-26, 6-27 |
| 65763 | 7-34 | 86860 | 6-26, 6-27 |
| 65764 | 7-36 | 86922 | 6-14 |
| 65765 | 7-34, 7-36 | 86952 | 6-33, 7-3, 7-10 |
| 65766 | 7-31 | 86953 | 6-3, 6-33 |
| 65767 | 7-35 | 86970 | 6-11 |
| 65768 | 7-37 | 87284 | 6-40 |
| 65769 | 7-35, 7-37 | 87346 | 7-19 |
| 65778 | 7-30 | 87349 | 7-19 |
| 65873 | 7-15 | 87355 | 6-11 |
| 65945 | 6-29 | 87460 | 7-19 |
| 67004 | 7-26, 7-41 | 87482 | 6-43 |
| 68275 | 6-7 | 87483 | 6-43 |
| 69203 | 7-3 | 87488 | 6-9 |
| 69582 | 6-26, 6-27 | 87507 | 6-43 |
| 74391 | 6-12, 6-13, 7-3 | 87556 | 7-30 |
| 75054 | 7-41 | 87561 | 6-43 |
| 75118 | 7-41 | 87649 | 7-20, 7-21 |
| 75290 | 6-13 | 87673 | 7-20, 7-21 |
| 75375 | 6-39 | 87709 | 7-20, 7-21 |
| 75635 | 7-47, 7-49 | 87718 | 6-17 |
| 75977 | 7-13 | 87725 | 6-17 |
| 76062 | 6-43 | 87750 | 6-11 |
| 76782 | 6-31 | 87839 | 6-11 |
| 78122 | 7-41 | 87840 | 6-11 |
| 79096 | 6-11 | 87841 | 6-11 |
| 79097 | 6-11 | 87849 | 6-11 |
| 79098 | 6-11 | 87864 | 8-8, 8-9 |
| 79099 | 6-11 | 87948 | 7-19 |
| 79273-2 | 7-17 | 87949 | 7-19 |
| 79320 | 6-33, 6-35 | 87957 | 6-17 |
| 79497 | 7-15 | | |
| 82092 | 7-3 | | |
| 82342 | 6-7 | | |
| 82457 | 7-10 | | |
| 82839 | 6-17 | | |
| 82921 | 6-23 | | |
| 85239 | 7-50 | | |
| 86026 | 6-14 | | |

PART DESCRIPTION TO PAGE NUMBER CROSS REFERENCE LIST

A

Accelerator, 6-17
 Actuator Assembly, 6-21, 6-31
 Actuator, 6-22, 7-3
 Adapter, Brush, 6-2
 Adapter, Head, 7-43
 Adapter, Nozzle, 7-43
 Adaptor, Brush, 6-3
 Ammeter, 8-5
 Angle, Cover Guide, 6-5
 Angle, Hopper Lip, 7-7, 7-10
 Angle, Latch Mounting, 6-5
 Angle, Plastic, 7-10
 Angle, Stop, 6-26, 6-27
 Angle, 6-15, 6-26, 6-27
 Arm, Adjusting, 7-7
 Arm, Idler, 7-5
 Arm, Side Brush, 7-9
 Arm, 6-17
 Armature, 8-3, 8-8, 8-9
 Axle, Wand, 7-43

B

Bag, Poly (Quantity of 25), 7-10
 Bag, Power Wand, 7-41
 Balljoint, 6-17, 7-17
 Bar, Lock, 7-3
 Bar, Mounting, 6-26, 6-27
 Bar, Spacer, 6-20
 Bar, Squeegee Lift, 6-26, 6-27
 Bar, 7-45
 Basket, 6-35
 Battery Kit, 36V, 7-30
 Battery Package, 380 A/h, Wet, 7-30
 Battery Package, 420 A/h, Wet, 7-31
 Battery Package, 570 A/h, Dry, 7-33
 Battery Package, 570 A/h, Wet, 7-32
 Battery, 380 A/h, Wet (Replaced by 48702), 7-30
 Battery, 380 A/h, Wet, 7-30
 Battery, 420 A/h, Wet, 7-31

Battery, 570 A/h, Dry, 7-33
 Battery, 570 A/h, Wet, 7-32
 Bearing And Collar, 7-9
 Bearing and Housing Assembly, 6-11
 Bearing and Shaft Assembly, Brush Drive, 7-5
 Bearing and Shaft Assembly, Brush Idler, 7-6
 Bearing Cover, 8-13
 Bearing Cup and Cone Assembly, 6-14
 Bearing, Ball, 6-9, 7-5, 7-6, 8-8, 8-9
 Bearing, Brake, 6-12, 6-13
 Bearing, Cup, 7-28, 7-29
 Bearing, Flange, 6-9, 6-21, 7-3, 7-7, 7-17
 Bearing, Thrust, 6-26, 6-27, 6-29
 Bearing, 6-19, 6-26, 6-27, 7-25, 8-3, 8-6, 8-7, 8-10, 8-11
 Bellcrank, Water Shutoff, 7-17
 Belt, Poly-V, 7-5
 Belt, V, 7-9
 Bezel, Touch Panel, 6-40
 Blade, Squeegee, 7-43
 Block, Adjusting, 7-3
 Bolt, Eye, 6-29, 6-31, 7-9
 Bolt, Wheel, 6-11
 Boot, Circuit Breaker, 6-41, 7-19, 7-20, 7-21
 Boss, Bellcrank Pivot, 7-17
 Box, Fan Mounting, 6-39
 Bracket Assembly, Seat, 7-24
 Bracket wldt, 6-22
 Bracket, Actuator Mounting, 6-22
 Bracket, Axle, 7-43
 Bracket, Battery Spacer, 7-30, 7-31, 7-32, 7-33
 Bracket, Control Mounting, 6-43
 Bracket, Fan End, 8-3
 Bracket, Gas Spring, 6-22
 Bracket, Handle Mounting, 7-43
 Bracket, Head Lift, 6-21
 Bracket, Hose, 6-29
 Bracket, L.H., 6-27
 Bracket, Lift, 7-3
 Bracket, Light, 7-20
 Bracket, Mounting, L.H., 6-17, 7-22

CROSS REFERENCE

Bracket, Mounting, R.H., 6-17, 7-22
Bracket, Mounting, 7-5
Bracket, Pivot, 6-22
Bracket, Pulley, 7-9
Bracket, Pump, 7-41
Bracket, R.H., 6-26
Bracket, Rear Skirt, 6-19
Bracket, Retainer Spring, 6-2, 6-3
Bracket, Retainer, 6-30, 6-35
Bracket, Seat Support, 7-24
Bracket, Skirt, 7-10
Bracket, Squeegee Mounting, 6-29, 6-31
Bracket, Stop, 6-23
Bracket, Tie-Down, 7-27
Bracket, U, 7-41
Bracket, Vacuum Switch Mounting, 6-39
Bracket, Valve Mounting, 7-41, 7-43
Bracket, Weldment, 7-3
Bracket, Wheel Mounting, 6-29
Bracket, 6-29, 7-27
Brake Assembly, 6-14
Brake Shoe and Spring Kit, 6-14
Breaker, Circuit, 10A, 6-41
Breaker, Circuit, 15 A, 7-19
Breaker, Circuit, 15A, 7-20, 7-21
Breaker, Circuit, 20 A , 6-43
Breaker, Circuit, 30 A, 7-12
Breaker, Circuit, 40 A, 6-43
Breaker, Circuit, 50 A, 7-25
Brush and Parts, 6-11
Brush Assembly, 8-10
Brush Box And Plate Assembly, 8-11
Brush Holder, 6-11, 8-8, 8-9
Brush Kit, 8-6, 8-7
Brush Mechanism, 8-3
Brush Set, 6-11
Brush Spring, 8-11
Brush, (Set of 4), 8-8, 8-9
Brush, Pre-Swept, Polypropylene, 6-2
Brush, Side Sweep, Polypropylene, 6-2
Brush, Wand AB, 7-44
Brush, Wand, Nylon, 7-43

Brush/Rectifier Assembly, 8-13
Brush, 8-11
Bulb, 7-19
Bumper Kit, Heavy Duty, 7-23
Bumper, Heavy Duty, 7-23
Bumper, Rubber, 6-7, 6-11, 6-15, 6-23
Bumper, Squeegee, 6-30
Bumper, 6-23, 7-26, 7-47, 7-49
Busbar, Fuse, 6-43
Busbar, Relay, 6-43

C

Cable Assembly, Ball and Clevis, 7-3
Cable, Brake Service, 6-12
Cable, Brake, 6-12
Cable, Control, 6-25
Cable, Rear Squeegee Lift, 6-31
Cable, Retaining, 6-22, 7-3
Cable, Ribbon, 6-41
Cam, Follower, 7-17
Cam/Bearing Kit, 8-12, 8-13
Cam/Bearing Screw, 8-13
Cam/Bearing Set Screw, 8-13
Cap Assembly, Pos Drain, 7-47, 7-49
Cap, Drain Hose, 6-33, 6-35
Cap, Drain Kit, 6-33, 6-35
Cap, Dust, 7-47, 7-49
Cap, End, 6-35
Cap, Hub, 6-14
Cap, Plate, 6-35
Cap, Steering Wheel, 6-9
Capacitor, 8-5
Caster, Swivel, 6-29, 7-13
Catch, Rubber, 7-41
Chain Idler Kit, 6-9
Channel, Battery Spacer, 7-30
Charger, 36V/120A, 50Hz/1Ph, 220V, 7-39
Charger, 36V/120A, 50Hz/3Ph, 480V, 7-39
Charger, 36V/120A, 60Hz/1Ph 480V, 7-38
Charger, 36V/120A, 60Hz/3Ph 480V, 7-38
Charger, 36V/45A, 50&60H VARV, 7-34, 7-35

Charger, 36V/50A, 50Hz/1Ph 230V, 7-35
Charger, 36V/50A, 60Hz/1Ph 240V, 7-34
Charger, 36V/60A, 60Hz/1Ph (See Breakdowns),
7-34
Charger, 36V/75A, 50Hz/1Ph VARV, 7-37
Charger, 36V/75A, 50Hz/3Ph VARV, 7-35, 7-37
Charger, 36V/75A, 60Hz/1Ph VARV, 7-36
Charger, 36V/75A, 60Hz/3Ph VARV, 7-34, 7-36
Charger, 8-5
Check Valve Assembly, 8-12, 8-13
Circuit Board Kit, 6-41
Clamp, Hose, 6-33, 6-35, 7-43, 7-44
Clamp, Toggle, 7-27
Clamp, Worm Drive, 6-25, 6-35, 6-37, 6-39, 7-15,
7-17, 7-41
Clamp, 8-3
Clevis, Brake Adjustment, 6-12
Clip, Finger Grip, 7-26, 7-41
Clip, Keeper, 6-49
Clip, Locking, 6-3
Clip, Retaining, 6-3
Clip, Sprocket, 6-9
Clip, Stud, 6-40
Column, Steering, 6-9
Comm. Bracket, 8-3
Connector, 2 Conductor, 8-3, 8-6, 8-7, 8-12, 8-13
Connector, 3-way, Quick Disconnect, 7-41
Connector, Anderson 175Amp, Gray, 7-34, 7-35,
7-36, 7-37, 7-38, 7-39
Connector, Gray, 175 A, 8-5
Connector, Gray, 7-30, 7-31, 7-32, 7-33
Connector, 7-20, 7-21
Contactor, SPDT, 6-43
Contactor, SPST, 6-43, 7-12
Contactor, 6-43
Controller, 6-43
Cord, Lead, 8-10
Coupler, Female X Hose Shank, 7-47, 7-49
Cover and Label Assembly, 6-37
Cover, Belt, 7-5
Cover, Circuit Board, 6-41
Cover, Control, 6-43
Cover, Hopper, 7-10

Cover, Insert, 6-33, 6-35
Cover, Lid, 7-15
Cover, Pre-Sweep, 7-11
Cover, Rear, 7-11
Cover, Rocker Switch Seal, 7-12, 7-15, 7-19,
7-20, 7-21, 7-41
Cover, Squeegee, L.H., 6-30
Cover, Squeegee, R.H., 6-30
Cover, Terminal, 6-11
Cover, 6-5
Cuff, Swivel, 7-44
Cup, Bearing, 7-5, 7-6

D

Demo Kit, 7-27
Diaphragm Kit, 8-12, 8-13
Diode Assembly, 6-40
Disc, 8-3
Dolly Assembly, Pre-Sweep, 7-13
Drain Hose Kit, 6-33
Drain, Hose Kit, 6-35
Drum, Lift Cable, 6-31
Duct, Vinyl, 7-20, 7-21

E

End, Rod, 6-19, 6-31, 7-17
Endbell, Brush, 8-12
Extinguisher, Fire, 7-45

F

Fan Assy, Vacuum (See Breakdowns), 6-39
Fan, Vacuum, 8-3
Fan, 8-3
Fastener, Stud Receiver, 6-40
Filter, Foam, 6-37
Fire Extinguisher Kit, 7-45
Fitting, Straight, 6-25
Fitting, 90_ Elbow, 7-43
Fitting, Barbed Coupling, 7-17
Fitting, Barbed Elbow Brass 3/4 Hose, 7-15
Fitting, Barbed Elbow, 6-25, 7-15

CROSS REFERENCE

Fitting, Barbed Tee, 6-25
Fitting, Brass 5/8 Hose, 7-15
Fitting, Brass, 7-15
Fitting, Bulkhead, 6-39, 7-41
Fitting, Elbow, 7-15
Fitting, Grease, 6-11, 6-20
Fitting, Nipple Blk 1/2NPT, 7-15
Fitting, Plastic Elbow, 7-41
Fitting, Plastic Tee, 7-15, 7-41
Fitting, Plastic, 6-33, 7-41, 7-44
Fitting, Plug, 7-43
Fitting, Quick Connect, 7-41
Fitting, Quick Disconnect, 7-43, 7-44
Fitting, Quick-disconnect, Female, 7-15
Fitting, Quick-disconnect, Male, 7-15
Fitting, Straight, 7-15, 7-43
Fitting, Tee, 7-15
Flange, Bearing, 7-9
Flap, Containment, 6-39
Float, Polyfoam, 6-33
Frame ,Brush Wrap, 7-7
Frame, Main, 6-5
Frame, Pre-Swept Dolly, 7-13
Frame, Pre-Swept, 7-3
Frame, Scrubber Head, 6-19
Frame, Seat Support, 6-7
Frame, Side Squeegee, L.H., 6-27
Frame, Side Squeegee, R.H., 6-26
Frame, Squeegee, Quick, 7-27
Frame, Squeegee, 6-30
Front Squeegee Blade, Tile, 7-46
Fuse, 100 A, 6-43
Fuse, AC, 8-5
Fuse, DC, 8-5

G

Gasket Set, 6-37
Gasket, Circuit Board, 6-41
Gasket, Control Cover, 6-43
Gasket, Drain Cap, 6-33, 6-35
Gasket, Fitting, 6-33

Gasket, Float, 6-33
Gasket, Lid, 6-33, 6-35
Gasket, Squeegee, 6-2, 6-30
Gasket, Touch Panel, 6-40
Gasket, Vacuum Fan, 6-39
Gasket, 6-33, 6-35, 7-15
Gear, Driving, 6-11
Gearbox, 6-11, 6-19, 7-25
Grommet, 6-41, 6-43, 7-20, 7-21, 7-43
Guard Kit, Overhead, 7-22
Guard Wldt, Side Brush, 7-3
Guard, Belt, 7-9
Guard, Light, 7-20, 7-21
Guard, Overhead, 7-22
Guide, Side Squeegee, 6-26, 6-27
Guide, Squeegee, 6-23

H

Handle, Wand, 7-43
Handle, 7-13
Harness, Battery Wire, 7-30
Harness, Wire, 7-41
Head Band Ass'y, 8-11
Head Bushing Kit, 6-19
Head, Wand, 7-43
Heatsink Assembly, 8-5
Hinge, Bottom Tank, L.H., 6-37
Hinge, Bottom Tank, R.H., 6-37
Hinge, Top Tank, L.H. , 6-37
Hinge, Top Tank, R.H., 6-37
Hinge, 6-5, 7-11
Holder, Pad, 6-3
Hook, Rubber, 7-41
Hopper, Pre-Swept, 7-10
Horn, 6-41
Hose and Cuff Assembly, 7-26, 7-47, 7-49
Hose Assembly, Drain, 6-33, 6-35
Hose Assembly, 7-44
Hose, Clear Vinyl, 6-35, 7-15, 7-17
Hose, Cuff, 6-39
Hose, PVC, 7-41

Hose, Retainer Clip, 7-26
Hose, Solution, 7-43
Hose, Vacuum, 6-33, 6-37, 6-39, 7-44
Hose, Vinyl, 6-25, 7-15
Hose, 6-39, 7-44
Hourmeter, 6-40
Housing, Bearing, 6-9
Housing, Headlight, L.H., 7-19
Housing, Headlight, R.H., 7-19
Housing, 8-3
Hub, Brush Drive, 6-19

I

Insulator, Panel and Switchboard, 6-43

J

Joint, Universal, 6-9

K

Key Ring Set, 6-40
Key Switch Assembly, 6-40
Key, Square, 6-19, 7-5, 7-6, 7-9, 8-6, 8-7
Key, Woodruff, 6-9, 6-11, 8-8, 8-9
Knob, Adjustable, Squeegee, 7-43
Knob, Plastic, 7-3
Knob, 6-9

L

Label Set, Information and Hazard, 6-50
Label Set, Operation, 6-50
Label, ESt Logo, 7-15
Label, Numerals, 510E, 6-50
Label, Solution Control, 7-41
Label, TENNANT Logo, 6-50
Lamp, 7-19, 7-20, 7-21
Lanyard Assembly, 6-5
Latch, Cover, 6-5
Latch, Flexible Draw, 7-10
Latch, Flexible, 7-27
Latch, 6-7

Lead, Crossover, 8-8, 8-9
Left Side Squeegee Group Assembly, 6-27
Leg, Overhead Guard, 7-22
Lens, Amber Revolving Light, 7-20, 7-21
Lens, Blue Revolving Light, 7-20, 7-21
Lens, Red Revolving Light, 7-20, 7-21
Level Sensing Kit, ESt, 7-15
Level Sensing Kit, Standard, 6-33
Lever, Brake, 6-12
Lever, Idler, 7-17
Lever, Squeegee Lift, 6-31
Lever, Stop, 6-23
Lever, Valve, Front, 7-17
Lever, Valve, 6-25
Lever, Wheel Mounting, 6-29
Lever, 7-3
Lid, Cover, 6-33
Light Assembly, Tail, 7-19
Light Assembly, 6-40
Light Kit, Revolving, Lintel, 7-20
Light Kit, Revolving, Overhead Guard, 7-21
Light, Amber Revolving, 7-20, 7-21
Lights, Head and Tail, 7-19
Link, Chain, 6-9, 6-31
Link, Scrubber Head Lift, 6-20
Lubricant, Synthetic, 6-19, 7-25

M

Manual Pkg 510E, 7-50
Manual, Operator's Handbook, 6-7
Manual-Fiche Pkg 510E, 7-50
Molding, Trim, 6-43
Motor (See Breakdowns), 7-5, 7-25
Motor Kit, Heavy Duty, 7-25
Motor, 36VDC, 8-12, 8-13
Motor, Actuator, 6-21, 6-31
Motor, Electric (See Breakdowns), 6-11, 6-19
Motor, Electric, Replaced by 79100 (See Breakdowns), 6-11
Motor, Electric, 6-11, 8-6, 8-7, 8-8, 8-9, 8-10
Motor, Traction 3.0 Hp, 8-11
Mount, Axle, 6-14

CROSS REFERENCE

Mount, Cable Tie, 7-19
Mount, Headlight, 7-19
Mount, Squeegee Wand, 7-41

N

Nozzle, Plastic Wand, 7-26
Nozzle, Spray, 7-43
Nut, Hex, Slotted, 6-14
Nut, Hex, Thin, 6-11
Nut, Hex, 6-19, 7-25
Nut, Retainer, 6-22
Nut, U, 7-19
Nut, Wheel, 6-11
Nut, 6-31, 8-3

O

O-Ring, 6-11

P

Pad, Buffer, Red, 6-3
Pad, Polish, White, 6-3
Pad, Scrubber, Blue, 6-3
Pad, Stripper, Brown, 6-3
Pad, Tread, 6-17
Pad, 6-12
Panel and Label Assembly, 6-15
Panel, Floor, L.H., 6-15
Panel, Floor, R.H., 6-15
Panel, Instrument, 6-40
Panel, Shroud, 6-7
Pedal, 6-17
Pin, Clevis, 6-12, 6-13, 6-17, 6-21, 6-22, 6-26, 6-27, 6-31, 7-3
Pin, Hair Cotter, 6-26, 6-27
Pin, Hitch, 6-30
Pin, Prong, 6-41
Pin, Roll, 6-9, 6-14
Piston Inner/Out, 8-13
Pivot, Equalizer, 6-19
Pivot, Squeegee Lift, 6-29
Plate, Bent, 7-15

Plate, Brush Mounting, 7-6
Plate, Cable Mounting, 6-9
Plate, Circuit Board Mounting, 6-41
Plate, Cover, 6-15, 6-40
Plate, Idler Mounting, 6-9
Plate, Mounting, 6-43
Plate, Pivot, 7-5
Plate, Plastic, 6-33
Plate, Pump Mounting, 7-15
Plate, Seat Mounting, 7-24
Plate, Sheave Mounting, 7-5
Plate, Spring, 6-17
Plate, Strike, 6-7
Plate, 6-33, 7-3, 7-5, 7-6
Plug & Bracket Assembly, 8-5
Plug, Brush Drive, 7-5, 7-6
Plug, 6-11, 6-19, 7-25
Port Kit, 8-12
Positive Solution Control Drain System Kit, EST, 7-49
Positive Solution Control Drain System Kit, Standard, 7-47
Pouch, Operator's Manual, 13.6 in (345 mm), 6-7
Pouch, Operator's Manual, 7.5 in (190 mm), 6-7
Pulley, Cable, 6-12, 6-13, 7-3
Pump Assembly (See Breakdowns), 7-15, 7-41
Pump Screws, 8-13
Pump, Water, 8-12, 8-13

R

Rail, Slide Adjuster, 7-24
Rear Squeegee Kit, 6-2, 6-30
Rear Squeegee Link Kit, 6-31
Relay, DPDT, 6-40
Relay, 8-5
Replacement Kit Motor For 86356 (See Breakdowns), 6-11
Resistor, 7-19
Retainer, Squeegee, 6-26, 6-27
Retainer, 7-5
Right Side Squeegee Group Assembly, 6-26
Ring, Retaining, 6-3, 6-9, 6-33, 7-5, 7-6, 7-9

Rivet, Pop, 7-10, 7-11, 7-43
 Rivet, 7-27
 Rod, Adjuster, 6-29, 7-3
 Rod, Control, 6-9
 Rod, Lower Steering, 6-9
 Rod, Plastic, 6-33
 Rod, Threaded, 6-13, 6-17, 6-19, 6-31, 7-3, 7-17

S

Screen, Solution 60 Mesh, 7-15
 Screen, 6-37
 Screw, Hex, 6-17, 6-19, 6-21, 7-25, 7-27
 Screw, Set, 6-9, 6-17, 7-5
 Screw, Shoulder, 6-29, 7-7, 7-9
 Screw, Socket, 6-11, 6-17, 6-26, 6-27
 Screw, 8-3
 Scrub Brush Assembly, Abrasive Nylon, 6-3
 Scrub Brush Assembly, Nylon, 6-2
 Scrub Brush Assembly, Polypropylene, 6-3
 Scrub Driver Pad Assembly, Polypropylene, 6-3
 Seal Foam, 6-29
 Seal Kit, 8-13
 Seal, Connector, 8-12, 8-13
 Seal, Hopper Bag, 7-10
 Seal, Hose, 6-33, 6-35
 Seal, Input Oil, 6-19, 7-25
 Seal, O-Ring, 6-11
 Seal, Oil, 8-10
 Seal, Output Oil, 6-19, 7-25
 Seal, Tank, 6-37
 Seal, Vacuum Fan, 6-39
 Seal, 8-11
 Seat Assembly, 6-7
 Seat, Suspension Slide, 7-24
 Seat, 6-7
 Shaft Assembly, Output, Heavy Duty, 7-25
 Shaft Assembly, Output, Std. Duty, 6-19
 Shaft, Driver, 7-5
 Shaft, Front Brake, 6-12
 Shaft, Idler, 7-6
 Shaft, Rear Brake, 6-13

Shaft, Side Brush Idler, 7-5
 Shaft, Side Brush, 7-9
 Shaft, Steering, 6-9
 Sheave, Idler, with Bearing, 7-5
 Sheave, Poly-V, 7-5
 Sheave, 7-5, 7-9
 Shell, 8-3
 Shield, Plug, 7-5, 7-6
 Shoe and Lining Assembly, 6-14
 Shoe, Plastic Squeegee, 7-26
 Shunt, 6-41
 Skirt Spring Retaining Kit, 6-19
 Skirt, Front Brush, L.H., 6-19
 Skirt, Front Brush, R.H., 6-19
 Skirt, Front Frame, L.H., 6-5
 Skirt, Front Frame, R.H., 6-5
 Skirt, Front Frame, 6-5
 Skirt, Hopper Door, 7-7
 Skirt, Hopper Lip, 7-7, 7-10
 Skirt, Rear Brush, 6-19
 Skirt, Rear Frame, L.H., 6-5, 7-19
 Skirt, Rear Frame, R.H., 6-5, 7-19
 Skirt, Rubber, 7-10
 Skirt, Side Frame, L.H., 6-5
 Skirt, Side Frame, R.H., 6-5
 Skirt, 7-7, 7-10
 Sleeve, Bearing, 6-31
 Sleeve, Pivot, 7-17
 Sleeve, Plastic, 7-10
 Sleeve, Shoulder, 7-3
 Sleeve, Spacer, 7-9
 Sleeve, 6-12, 7-3
 Socket Assembly, 7-19
 Spacer, Gearbox, 6-19, 7-25
 Spacer, Pad Holder, 6-3
 Spacer, Washer, 6-20
 Spacer, 6-17, 6-26, 6-27, 8-3
 Spring, Brush Retaining, 6-3
 Spring, Brush, 8-8, 8-9
 Spring, Centering, 6-31
 Spring, Compression, 6-3, 6-21, 6-29, 7-9, 7-43
 Spring, Extension, 6-26, 6-27

CROSS REFERENCE

Spring, Gas, 6-22, 7-17
Spring, Hold Down, 6-14
Spring, Return, 6-14
Spring, Tension, 6-7, 6-13, 6-23, 6-31, 7-5
Spring, 6-21, 7-3, 7-26, 8-3, 8-10
Sprocket, Steering, 6-9
Sprocket, 6-9
Squeegee Assembly, Front, 6-30
Squeegee Assembly, Side, 6-2, 6-26, 6-27
Stationary Fan, 8-3
Steering Chain Kit, 6-9
Strap, Cap Retainer, 6-33, 6-35
Strap, Polyester, 7-30
Strip Retainer, Brush Pad Driver, 6-3
Strip, Hopper Lip, 7-7, 7-10
Strip, Rear Skirt Retainer, 6-19
Strip, Retainer, 7-43
Strip, Retaining, 6-30
Strip, Skirt Retainer, L.H., 6-19
Strip, Skirt Retainer, R.H., 6-19
Strip, Skirt Retainer, 7-7
Strip, 7-3
Stud, Adjustable, 7-43
Stud, Axle, 6-14
Stud, Ball, 6-22
Switch Assembly/Housing, 8-13
Switch Assembly, 6-22
Switch, Lighted Rocker, SPST , 7-15
Switch, Micro, DPDT, 7-15
Switch, Micro, 15 A DPDT, 7-15
Switch, Pushbutton, 8-5
Switch, Rocker, DPDT, 7-12
Switch, Rocker, SPST, 7-19, 7-20, 7-21, 7-41
Switch, Roller Lever, 7-3
Switch, SPST, 6-40
Switch, Vacuum, 6-39
Switch, 6-33

T

Tank Cap Kit, 6-33, 6-35
Tank, Demister, 6-37

Tank, Recovery, 6-33
Tank, Solution, 6-35
Terminal Strip Assembly, Diode, 6-40
Terminal, Female, 8-3, 8-6, 8-7
Terminal, Male, 8-12, 8-13
Tie, Cable, 6-33, 6-39, 7-19, 7-20, 7-21, 7-41
Timer, Electronic, 8-5
Tire and Wheel Assembly, 6-11
Tire Assembly, Grooved, 7-28
Tire Assembly, 7-29
Tire, Grooved, 7-28
Tire, Solid, 6-11, 6-14
Tire, 7-29
Touch Panel and Gasket Kit, 6-40
Tray, Battery, 6-5
Tray, Wand, 7-41
Tread, Floor, 6-15
Tread, Pedal, 6-15
Tube, 6-23, 6-39

V

Vacuum Fan, 8-3
Valve, Solenoid, 7-15
Valve, Water, 6-25, 7-17, 7-43

W

Wand Assembly, 7-43
Wand Kit, Cradle, 7-26
Wand Kit, Vacuum, 7-26
Wand, Metal, 2 Piece, 7-26
Washer, Brass, 6-31
Washer, Brush Pad Retainer, 6-3
Washer, Fender, 7-19
Washer, Finishing, 6-9, 6-40
Washer, Molded Plastic, 6-33, 6-35
Washer, Neo., 8-3
Washer, Nylon, 6-7, 6-17, 6-22, 6-33, 7-3, 7-10
Washer, 6-14, 6-29, 6-31, 6-33, 7-3, 7-9, 8-3
Wheel Assembly, Rear, 6-14
Wheel, Guide, 7-43
Wheel, Steering, 6-9

Wheel, 6-29, 7-13

Wire Assembly, Cable, 6-43

Wire Assembly, 6-43, 7-30

Wire Harness, Circuit Breaker, 6-49

Wire Harness, Control Box, 6-49

Wire Harness, Controller, 6-43

Wire Harness, Dash, 6-49

Wire Harness, Headlight, 7-19

Wire Harness, Main, 6-49

Wire Harness, Warning Light, 7-20, 7-21

Y

Yoke Assembly, 6-25

Yoke, End, 6-13



We Need Your Help...

As part of Tennant's Zero Defects Program, we want to know about errors you have found or suggestions you may have regarding our machine manuals. If you find an error or have a suggestion, please complete this postage-paid form and mail it to us. Thank you for helping us make zero defects a way of life at Tennant.

Manual No. _____ Rev. No. _____ Publish Date _____ Page _____
Machine _____ Report Error Suggestion

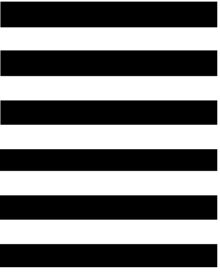
Name _____ Date _____
Customer Number _____
Company _____
Address _____
City/State/Zip Code _____



TENNANT COMPANY
 Technical Publications #15
 701 North Lilac Drive
 P.O. Box 1452
 Minneapolis, MN 55440-9947

POSTAGE WILL BE PAID BY ADDRESSEE

BUSINESS REPLY MAIL
 FIRST CLASS MAIL PERMIT NO. 94 MINNEAPOLIS, MN



NO POSTAGE
 NECESSARY
 IF MAILED
 IN THE
 UNITED STATES



Fold along dotted lines

Tape here





We Need Your Help...

As part of Tennant's Zero Defects Program, we want to know about errors you have found or suggestions you may have regarding our machine manuals. If you find an error or have a suggestion, please complete this postage-paid form and mail it to us. Thank you for helping us make zero defects a way of life at Tennant.

Manual No. _____ Rev. No. _____ Publish Date _____ Page _____
Machine _____ Report Error Suggestion

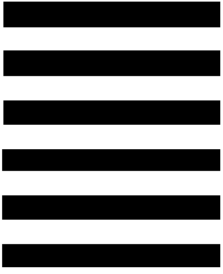
Name _____ Date _____
Customer Number _____
Company _____
Address _____
City/State/Zip Code _____



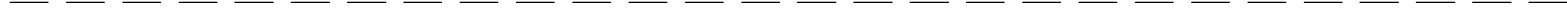
TENNANT COMPANY
 Technical Publications #15
 701 North Lilac Drive
 P.O. Box 1452
 Minneapolis, MN 55440-9947

POSTAGE WILL BE PAID BY ADDRESSEE

BUSINESS REPLY MAIL
 FIRST CLASS MAIL PERMIT NO. 94 MINNEAPOLIS, MN



NO POSTAGE
 NECESSARY
 IF MAILED
 IN THE
 UNITED STATES



Fold along dotted lines

Tape here

