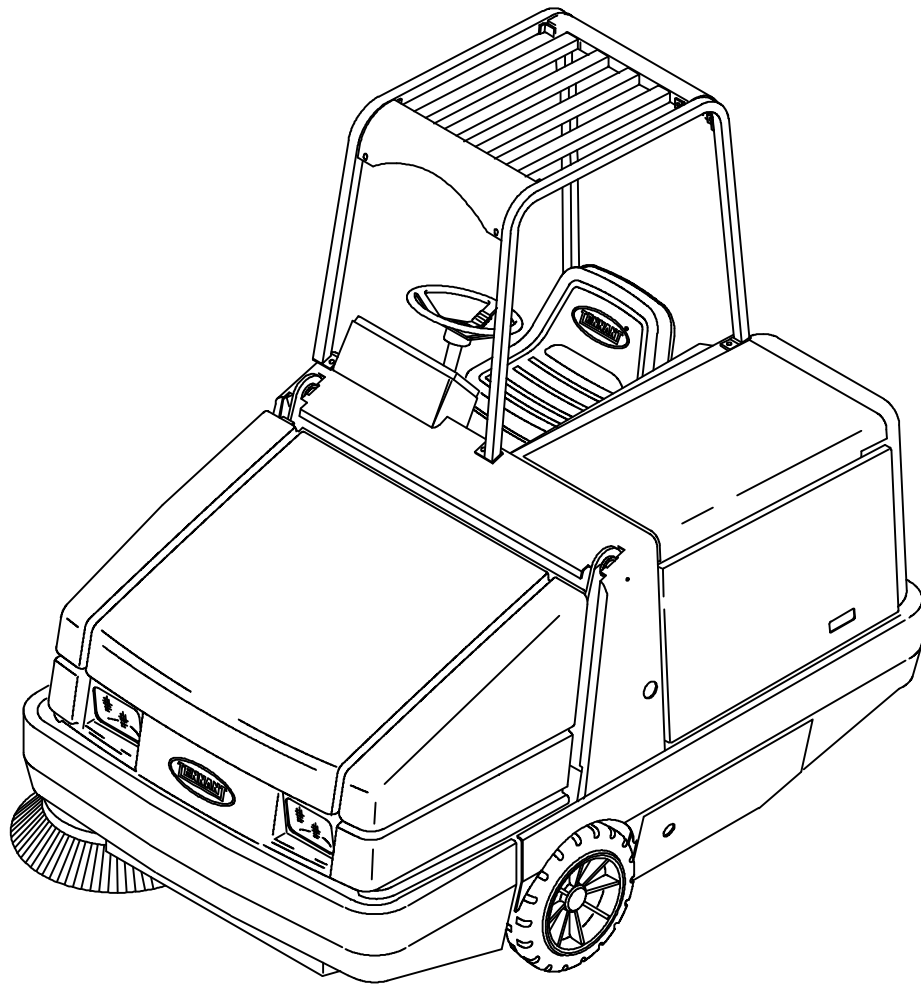




**385D**

**Parts Manual**



**MM305**



This manual is furnished with each new TENNANT Model 385.

This manual consists of the How To Use This Manual; Standard Parts; Options; Breakdowns; Engine Breakdown; and Cross Reference sections.

**MACHINE DATA**

*Please fill out at time of installation for future reference.*

Machine Model Number - 385

Machine Serial Number - \_\_\_\_\_

Machine Options - \_\_\_\_\_

TENNANT Representative/phone no. - \_\_\_\_\_

Customer ID Number - \_\_\_\_\_

Date of Installation - \_\_\_\_\_

Manual Number - MM305

Revision: 08

Published: 3-97

## HOW TO USE THIS MANUAL

This section on *HOW TO USE THIS MANUAL* will tell you how to:

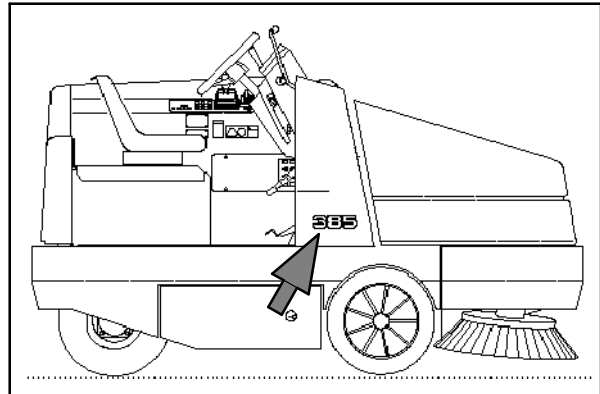
- Find important machine information for ordering correct repair parts.
- Find TENNANT part numbers.
- Order TENNANT parts and supplies.

### IMPORTANT INFORMATION

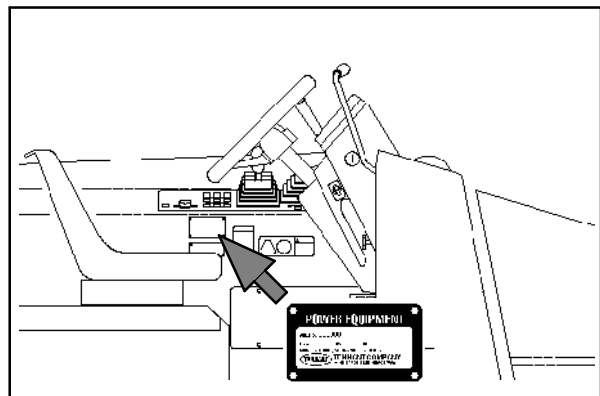
When placing an order for parts, the machine model and machine serial number are important. Refer to the *MACHINE DATA* box which is filled out during the installation of your machine. The *MACHINE DATA* box is located on the inside of the front cover of this manual.

MACHINE DATA	
<i>Please fill out at time of installation for future reference.</i>	
Machine Model Number -	385
Machine Serial Number -	_____
Machine Options -	_____
TENNANT Representative/phone no. -	_____
Customer ID Number -	_____
Date of Installation -	_____
Manual Number -	MM305
Revision:	00
Published:	08-92

The model number of your machine is on the side of the machine.



The serial number of your machine is printed on the machine data plate located as shown.



# HOW TO USE THIS MANUAL

## FINDING A TENNANT PART NUMBER

This manual contains the following sections:

- HOW TO USE THIS MANUAL
- STANDARD PARTS
- OPTIONS
- BREAKDOWNS
- CROSS REFERENCE

The STANDARD PARTS section lists repair parts for standard machines. They are grouped in this general order:

- General wear parts.
- Machine frame and related parts.
- Machine propelling system.
- Scrubbing components.
- Electrical parts.

The OPTION section lists repair parts of options.

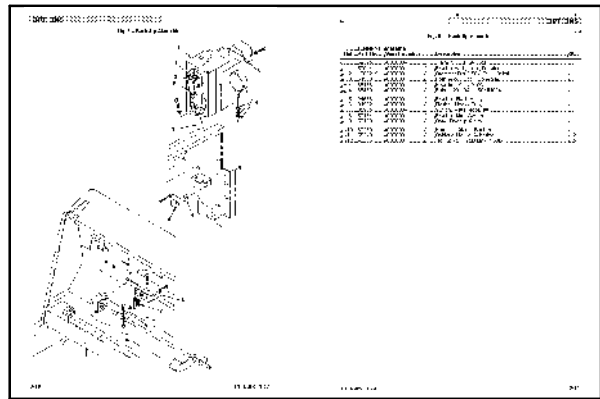
The BREAKDOWN section lists available repair parts of major components.

All sections in this manual consist of parts illustrations and corresponding parts lists.

The parts illustrations are numbered with **Ref** numbers which refer to corresponding parts lists.

The parts lists include a number of columns of information:

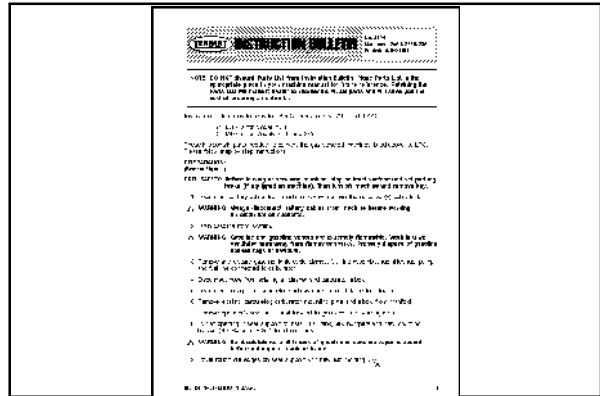
- **Ref** - column refers to the reference number on the parts illustration.
- ▽ - indicates the part is an assembly.
- ▲ - indicates the part is included in the assembly listed just before it.
- **TENNANT Part No.** - column lists the TENNANT part number for the part.
- **Serial Number** - column indicates the set of machines the part number is applicable to. Serial numbers change when the machine design has been modified. The most current design of the machine is shown in the main illustration, older designs are boxed in a corner of the illustration.
- **Description** - column is a brief description of the part.
- **Qty.** - column lists the quantity of that part used in that area of the machine.



Ref.	TENNANT Part No.	Machine Serial number	Description	Qty.
1	59346	(000000-)	Alarm Kit, Flu A/W 35A	1
▲ 2	50344	(00C000-)	Bracket Weld, Light, Rotating	1
▲ 2	10032-9	(00C000-)	Grommet, Rtr, 0.50Id, For .13Matl	1
▲ 3	01920	(00C000-)	Horn Ass'y, Dact-Up Alarm	1
▲ 4	38438	(00C000-)	Headlight Ass'y, 21CG	1
▲ 4	38438	(00C000-)	Bulb, 12V, 35W, 15Cu#1004	1
▲ 5	24576-1	(00C000-)	Bracket, Flasher	1
▲ 6	31922	(00C000-)	Flasher, Heavy Duty	1
▲ 7	352Ub	(UUUUUU-)	Switch, Waterproof, 10A	1
▲ 8	59154	(00C000-)	Bracket, Mtg, Switch	1
▲ 9	59163	(00C000-)	Cam, Backup Alarm	1
▲ 10	60289	(00C000-)	Harness, Alarm, Backup	1
▲ 11	55248	(00C000-)	Cautelic Mount, Adhesive	2
▲ 12	49266	(00C000-)	Tie, Cable, .75D Max 7.50Lg	5

*NOTE: If a service kit is installed on your machine, be sure to keep the INSTRUCTION BULLETIN which came with the kit. It contains repair parts numbers needed for ordering future parts.*

*NOTE: Fasteners used in this machine may be metric or non-metric. Take care when replacing hardware to replace with same thread size.*



## PLACING AN ORDER

Orders may be placed by phone, fax, or by mail. Phone orders may need written confirmation. Follow the steps below to insure prompt delivery:

1. Identify the model number of your machine.
2. Identify the serial number of your machine.
3. Find the part number of the part you need. Do not order by page number or reference number. If you are not able to find the part number, call your TENNANT representative for help or send the old part as a sample.
4. Determine the quantity of the part you need.
5. Provide the following company information:
  - Company name
  - Customer ID Number
  - Shipping address
  - Billing address
  - First and last name of person ordering parts
  - Telephone number
  - Purchase order number
6. Provide definitive shipping instructions.

## HOW TO USE THIS MANUAL

---

Any claim for loss or damage to a shipment in transit should be filed promptly with the transportation company making the delivery. Shipments will be complete unless the packing list or order acknowledgement indicates items back ordered.

If parts received are suspected to be incorrect or defective, please contact the TENNANT representative from whom you ordered the part. They will give authorization for return and/or handle replacement shipments when required.

## SECTION 2

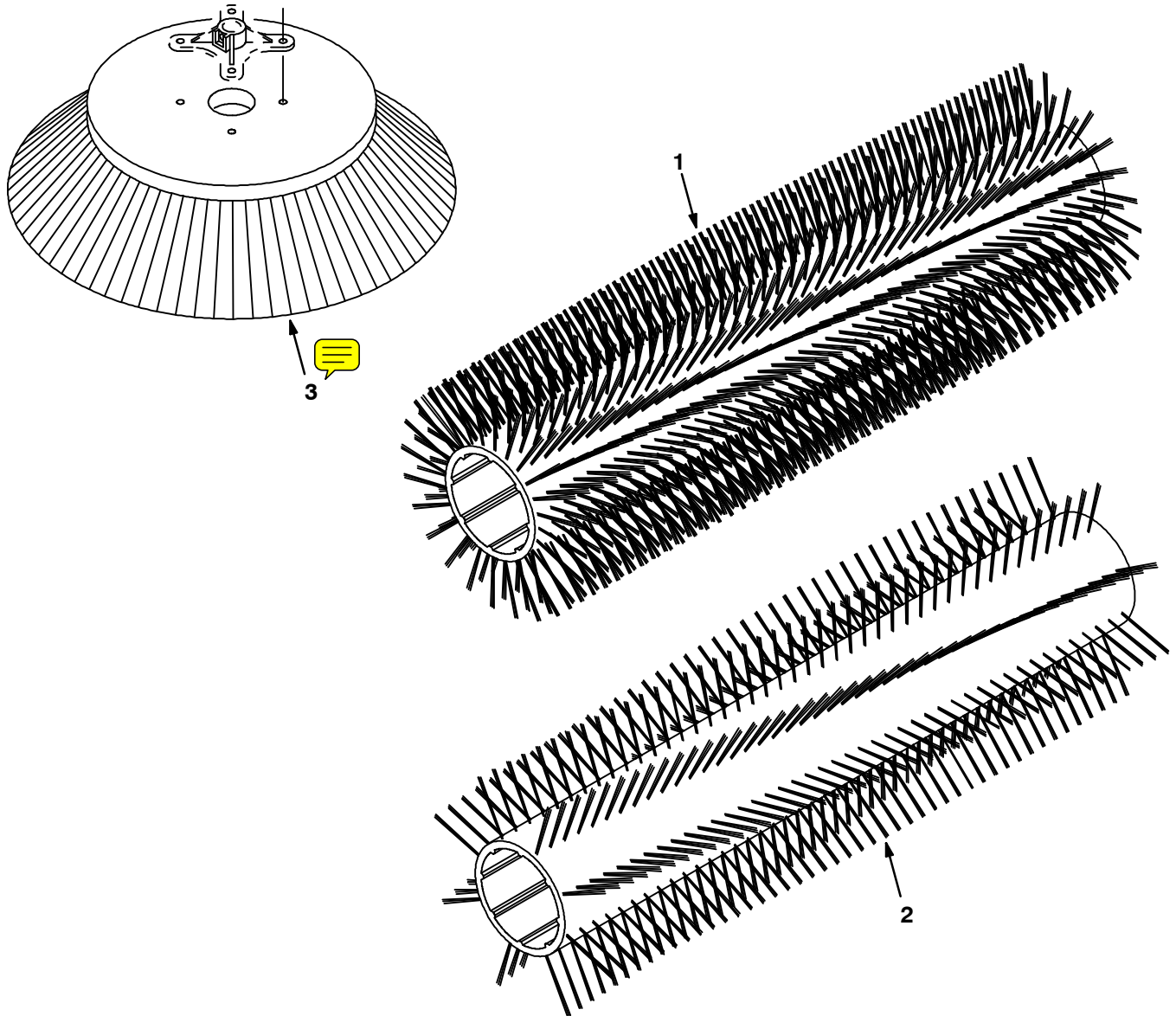
CONTENTS	PAGE
Fig. 1 - General Recommended Maintenance Items .....	2-2
Fig. 2 - Replacement Brushes .....	2-3
Fig. 3 - Main Frame Group .....	2-4
Fig. 4 - Right Brush Door Group .....	2-6
Fig. 5 - Left Brush Door Group .....	2-7
Fig. 6 - Seat and Shroud Group .....	2-8
Fig. 7 - Right Grille Group .....	2-10
Fig. 8 - Left Grille and Hydraulic Cooler Group .....	2-12
Fig. 9 - Engine Cover Group .....	2-14
Fig. 10 - Engine Side Door Group .....	2-16
Fig. 11 - Overhead Guard Group .....	2-17
Fig. 12 - Steering and Firewall Group .....	2-18
Fig. 13 - Instrument Panel Assembly .....	2-20
Fig. 14 - Side Instrument Panel Group .....	2-22
Fig. 15 - Circuit Breaker and Relay Group .....	2-23
Fig. 16 - Engine and Governor Group .....	2-24
Fig. 17 - Engine Mount Group .....	2-26
Fig. 18 - Air Cleaner Group .....	2-28
Fig. 19 - Alternator and Engine Fan Group .....	2-30
Fig. 20 - Muffler Group .....	2-31
Fig. 21 - Fuel Tank Group .....	2-32
Fig. 22 - Fuel Tank Group .....	2-34
Fig. 23 - Radiator Group .....	2-36
Fig. 24 - Battery Group .....	2-38
Fig. 25 - Rear Drive Wheel Group .....	2-40
Fig. 26 - Rear Wheel Assembly .....	2-42
Fig. 27 - Front Wheel and Brakes Group .....	2-44
Fig. 28 - Brake Lever and Pedal Group .....	2-46
Fig. 29 - Directional Pedal Group .....	2-48
Fig. 30 - Hydraulic Pump Linkage Group .....	2-50
Fig. 31 - Hopper and Dump Door Group .....	2-52
Fig. 32 - Hopper Cylinder and Dust Door Group .....	2-54
Fig. 33 - Hopper Hood and Bumper Group .....	2-56
Fig. 34 - Hopper Hood and Bumper Group .....	2-58
Fig. 35 - Filter Box Group .....	2-60
Fig. 36 - Hopper Lift Arms Group .....	2-62
Fig. 37 - Side Brush Motor and Pivot Group .....	2-64
Fig. 38 - Side Brush Lift Group .....	2-66
Fig. 39 - Main Brush Lift Group .....	2-68
Fig. 40 - Main Brush Drive Group .....	2-70
Fig. 41 - Vacuum Fan Group .....	2-72
Fig. 42 - Vacuum Fan Motor and Fittings Group .....	2-74
Fig. 43 - Hydraulic Schematic .....	2-75
Fig. 44 - Hydraulic Hose Group .....	2-76
Fig. 45 - Hydraulic Hose Group .....	2-78
Fig. 46 - Hydraulic Reservoir Group .....	2-80
Fig. 47 - Hydraulic Valve Group .....	2-82
Fig. 48 - Hydraulic Valve Group .....	2-84
Fig. 49 - Hydraulic Pumps Group .....	2-86
Fig. 50 - Pressure Switch Group .....	2-87
Fig. 51 - Back-Up Alarm Group, LRC .....	2-88
Fig. 52 - Electrical Schematic .....	2-90
Fig. 53 - Wire Harnesses Group .....	2-92
Fig. 54 - Label Group .....	2-96

Fig. 1 - General Recommended Maintenance Items

Ref.	Tennant Part No.	Machine Serial Number	Description	Qty.
▽	69943	(000000-	) Performance Pkg 400Hr Die 355L	1
▲	58120	(000000-	) Element, Air Filter	1
▲	55849	(000000-	) Filter, Oil	1
▲	36050	(000000-	) Filter, Fuel	1
▲	55844	(000000-	) Filter, Fuel, Element	1
▲	65869-1	(000000-	) Fluid, Hyd Oil, Shp 15/40 1Gal	6
▲	55740	(000000-	) Filter Element Ph	1
▽	72066	(000000-	) Maint,Kit, Shaker Filter, 355L	1
▲	79425	(000000-	) Seal, Bulb 140.0 Lg	1
▲	36663	(000000-	) Sleeve,1.12B 1.38D1.00 Rubber	2
▲	36665	(000000-	) Sleeve,1.12B 1.62D1.50 Rubber	2
▲	36661	(000000-	) Bar-Flt .06T 1.00W 4.00L,Rbr	2
▲	36658	(000000-	) Bar-Flt .06T 4.00W 5.00L,Rbr	1
▽	72067	(000000-	) Maint Kit, Skirts 355L	1
▲	59687	(000000-	) Seal, Door, Dump, Side	2
▲	59688	(000000-	) Strap, Door, Dump, Side	2
▲	09007	(000000-	) Scr Hexssm 6X1.0 25	8
▲	01684	(000000-	) Washer Flt .25 Ss	16
▲	08712	(000000-	) Nut-Hxlocnyln M 6X1.0 Reg Ss	8
▲	55864	(000000-	) Cord, Sponge	1
▲	59685	(000000-	) Seal, Door, Dump	1
▲	59686	(000000-	) Strap, Door, Dump	1
▲	09007	(000000-	) Scr Hexssm 6X1.0 25	6
▲	01684	(000000-	) Washer Flt .25 Ss	12
▲	08712	(000000-	) Nut-Hxlocnyln M 6X1.0 Reg Ss	6
▽	72068	(000000-	) Maint Kit, Seals 355L	1
▲	59680	(000000-	) Skirt, Lip	1
▲	59681	(000000-	) Skirt, Lip	1
▲	55890	(000000-	) Strap, Main Lip	1
▲	09010	(000000-	) Scr Hexssm 8X1.25 25	5
▲	01685	(000000-	) Washer Flt .31 Ss	5
▲	08713	(000000-	) Nut-Hxlocnyln M 8X1.25 Reg Ss	5
▲	54089	(000000-	) Skirt, Side, Sbdc, Lh	1
▲	54013	(000000-	) Plate, Retainer, Lh	1
▲	54014	(000000-	) Plate, Retainer, Front, Lh	1
▲	12459	(000000-	) Scr-Hxfmgm 6X1.0 20 Pltd	6
▲	01684	(000000-	) Washer Flt .25 Ss	6



Fig. 2 - Replacement Brushes



07929/07513

Ref.	Tennant Part No.	Machine Serial Number	Description	Qty.
1	54927	(000000-	) Brush-Sweep Spl-45Lg-24 Single Row-Fiber and Wire	1
1	54922	(000000-	) Brush-Sweep Spl-45Lg-24 Single Row-Nylon	1
2	54923	(000000-	) Brush-Sweep Spl-45Lg-8 Double Row-Nylon	1
2	54925	(000000-	) Brush-Sweep Spl-45Lg-8 Double Row-Poly and Wire	1
2	59440	(000000-	) Brush-Sweep Spl-45Lg-8 Double Row-Wire	1
2	66019	(000000-	) Brush-Sweep Spl-45Lg-8 Double Row-Poly	1
2	66018	(000000-	) Brush-Sweep Spl-45Lg-5 Double Row-Nylon	1
2	370008	(000000-	) Brush-Sweep Spl-45Lg-Wedg Poly	1
3	59431	(000000-	) Brush-Side Swp -23 Dia-Poly	1
3	59432	(000000-	) Brush-Side Swp -23 Dia-Flatwire	1
3	08013N	(000000-	) Brush-Side Swp -23 Dia-Nylon	1

Fig. 3 - Main Frame Group

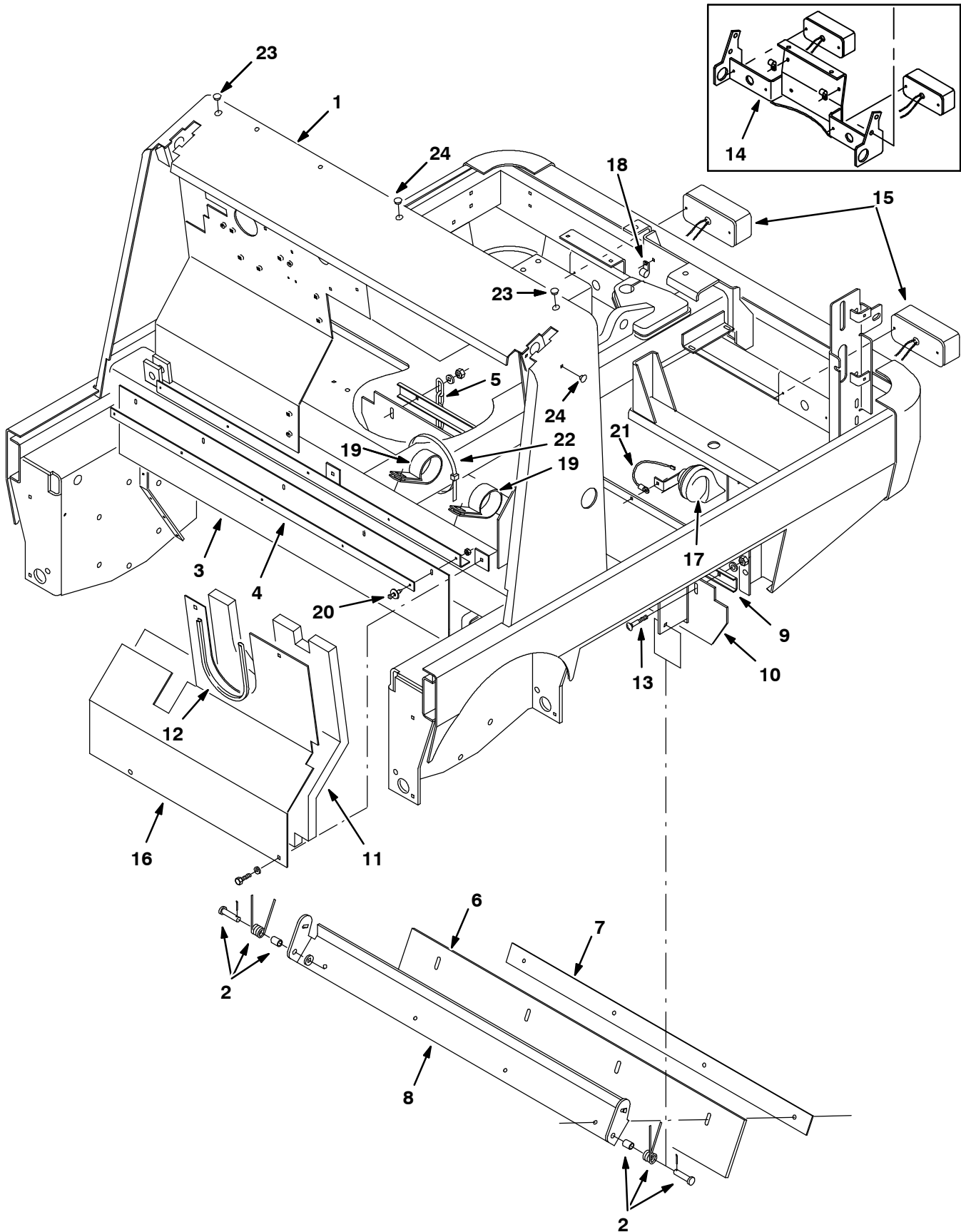
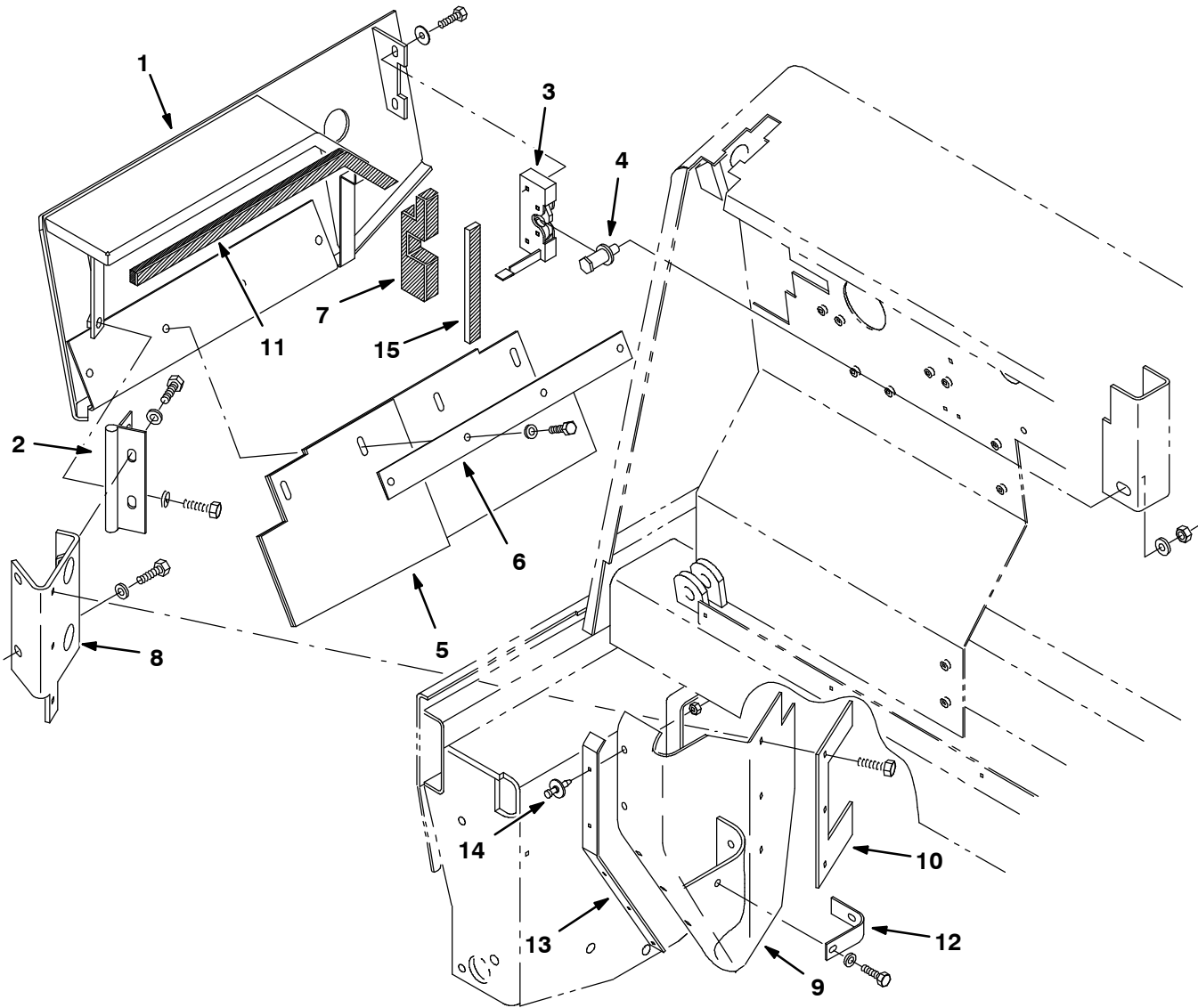


Fig. 3 - Main Frame Group

Ref.	Tennant Part No.	Machine Serial Number	Description	Qty.	
1	59152	(000000-005440 )	Frame Wldt, Main	1	
1	74304	(005441-	Frame Wldt, Main	1	
2	69904	(000000-	Spring Assy, Recirculation	1	
3	56872	(000000-	Skirt, Hopper, Top	1	
4	56890	(000000-	Strap, Backing, Hopper	1	
5	09342	(000000-	Chain, Link#2/0, 5Links Plain	1	
6	54190	(000000-	Blade, Deflector	1	
6	374517	(000000-	Skirt, Recirculation, Turf (Option)	1	
7	54184	(000000-	Strip, Retainer, Seal	1	
8	54182	(000000-	Bracket, Flap, Recirculation	1	
9	54192	(000000-	Channel, Retainer, Seal, Rear	1	
10	54197	(000000-	Skirt, Seal, M Br	1	
11	53491	(000000-	Insulation, Acoustic, Firewall	1	
12	62595-21	(000000-	Molding, Trim 11-14Ga 25.62	1	
13	69915	(000000-	Bolt-Carrm 8X1.25 40 4.6 Pltd	4	
14	72156	(000000- xxxxxx )	Bracket Replacement Kit, Taillight	1	
14	71024	( xxxxxx-005440 )	Bracket Wldt, Taillight	1	
▽	15	59949	(000000-	Taillight Assy	2
▲	45780	(000000-	Bulb, 12V .5A 4CP#1157	1	
16	59662	(000000-005313 )	Panel, Engine (Repl. By 72152)	1	
16	72152	(005314-	Panel, Engine	1	
17	21642	(000000-	Horn, 12V	1	
18	67767	(000000-	Clamp - Cable, .69 Dia .62 Wth	3	
19	53468	(000000-	Clamp, Hose	3	
20	72968	(000000-	Rivet, Plastic .250x.898	5	
21	70284	(000000-	Wire Assy, Horn Ground, 16 Ga x 6	1	
22	222809	(000000-	Cable, 9" Bundle Dia	3	
23	57167	(000000-	Plugbtn .62H .03-.12 Blacknyl	2	
24	01314	(000000-	Plugbtn .38H .03-.12 Blacknyl	3	

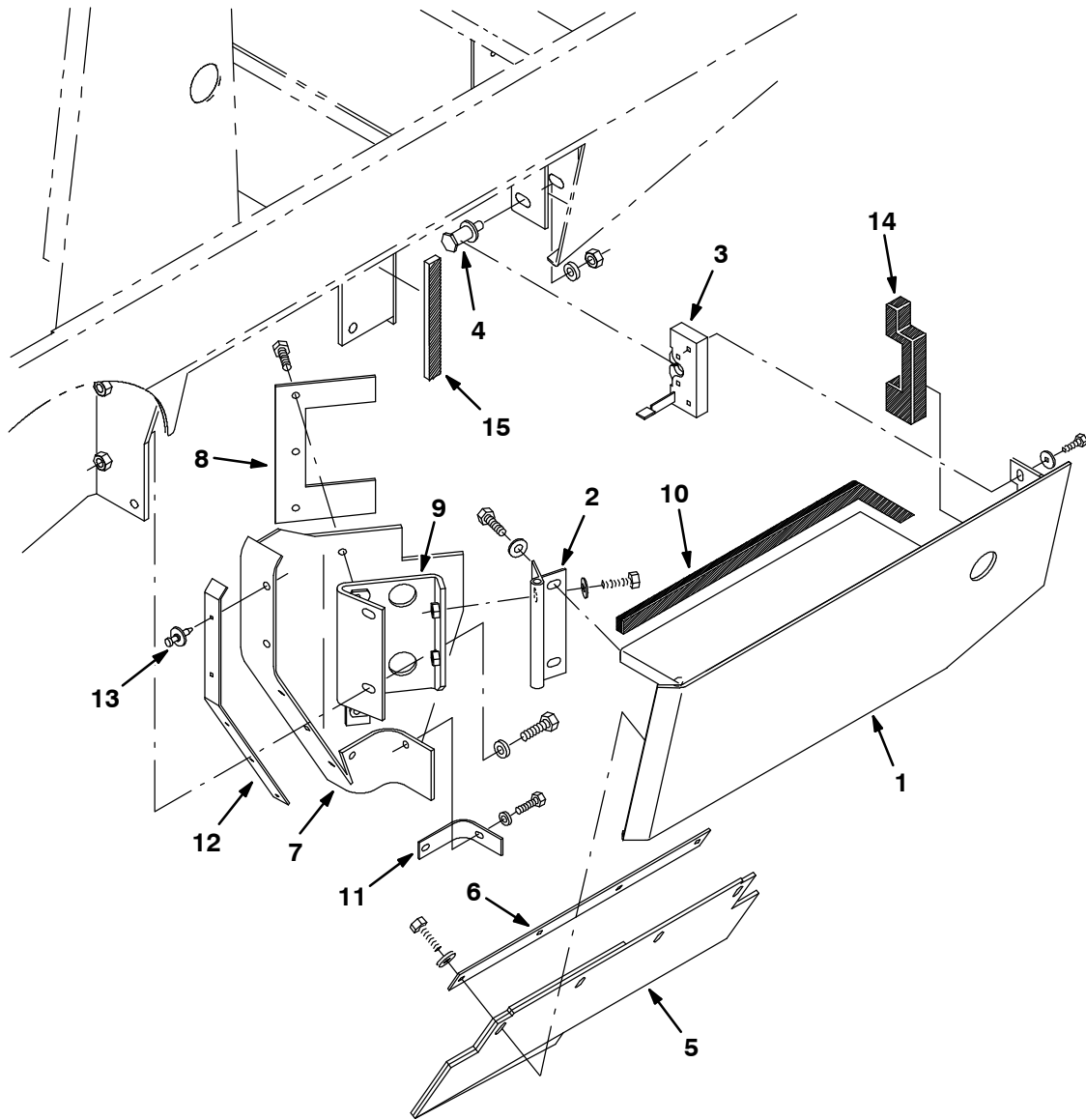
**Fig. 4 - Right Brush Door Group**



2 72125 (000000-005245) Hinge Repl. Kit .....1

Ref.	Tennant Part No.	Machine Serial Number	Description	Qty.
1	59761	(000000-	) Door Wldt, Brush, Rh	1
2	72120	(005246-	) Hinge, Door, Brush	1
3	59195	(000000-	) Latch, Hook, Rh	1
4	59192	(000000-	) Latch, Bolt	1
5	70276	(000000-	) Skirt Assy, Brush Door, Rh	1
6	55433	(000000-	) Strip, Retainer, Skirt	1
7	59537	(000000-	) Seal, Door, Brush, Rh	1
8	72118	(000000-	) Bracket, Mtg, Hinge, Rh	1
9	72069	(000000-	) Skirt, Deflector	1
10	59692	(000000-	) Strap, Deflector	1
11	69931	(000000-	) Seal, Foam Rbr	1
12	58770	(000000-	) Strip, Retainer	1
13	56914	(000000-	) Strap	1
14	72968	(000000-	) Rivet, Plastic .250x.898	5
15	13301	(000000-	) Seal, Rbr, .31 x .75 x 7.0	1

Fig. 5 - Left Brush Door Group



Ref.	Tennant Part No.	Machine Serial Number	Description	Qty.
2	72125	(000000-005245)	Hinge Repl. Kit .....	1
1	59760	(000000- )	Door Wldt, Brush, Lh	1
2	72120	(005246- )	Hinge, Door, Brush	1
3	59194	(000000- )	Latch, Hook, Lh	1
4	59192	(000000- )	Latch, Bolt	1
5	70275	(000000- )	Skirt Assy, Brush Door, Lh	1
6	55433	(000000- )	Strip, Retainer, Skirt	1
7	72069	(000000- )	Skirt, Deflector	1
8	59692	(000000- )	Strap, Deflector	1
9	72119	(000000- )	Bracket, Mtg, Hinge, Lh	1
10	69931	(000000- )	Seal, Foam Rbr	1
11	58770	(000000- )	Strip, Retainer	1
12	56914	(000000- )	Strap	1
13	72968	(000000- )	Rivet, Plastic .250x.898	5
14	59538	(000000- )	Seal, Door, Brush, Lh	1
15	13301	(000000- )	Seal, Rbr, .31 x .75 x 7.0	1

Fig. 6 - Seat and Shroud Group

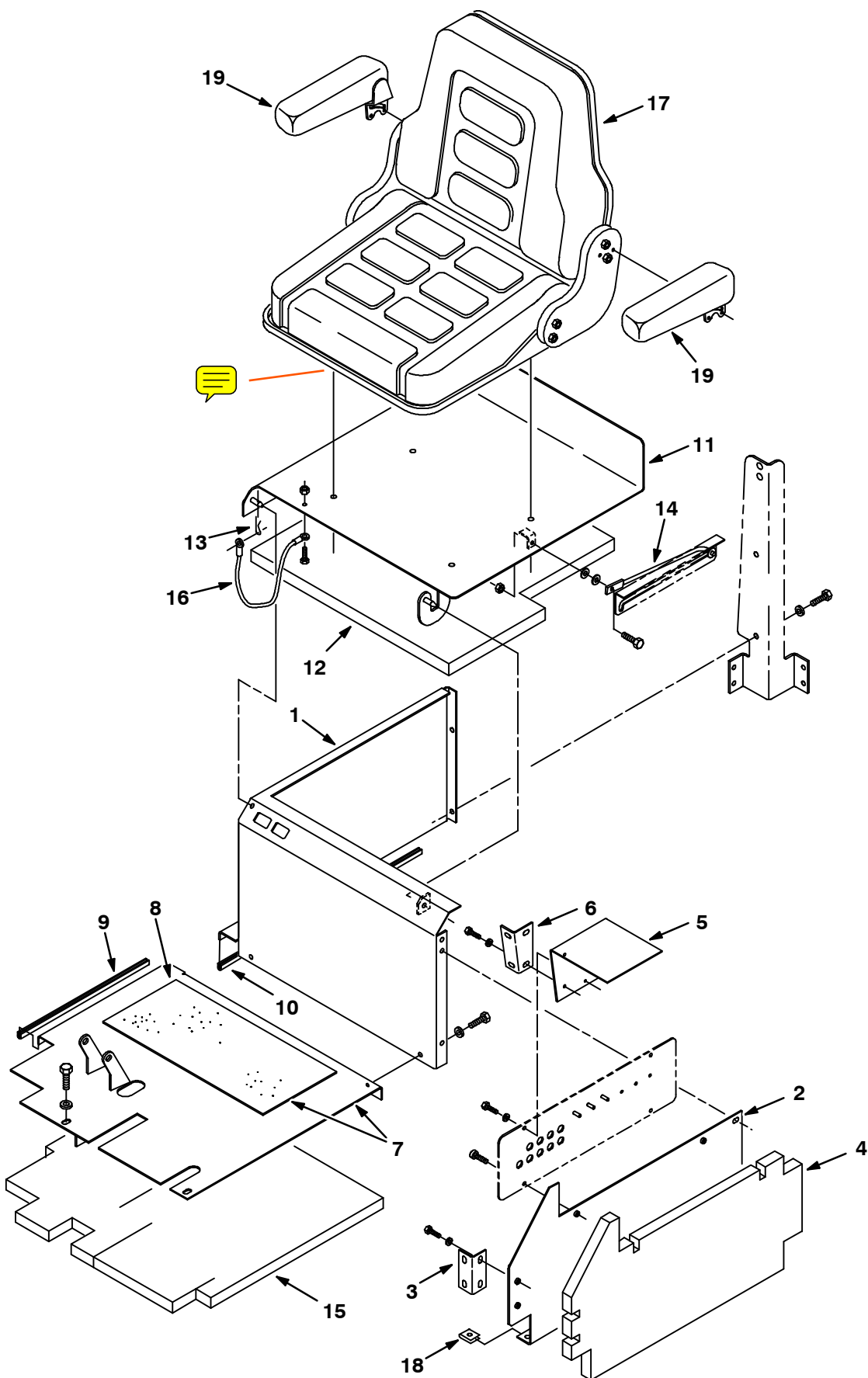


Fig. 6 - Seat and Shroud Group

Ref.	Tennant Part No.	Machine Serial Number	Description	Qty.
1	58297	(000000-	) Panel Wldt, Sppt, Seat	1
2	54030	(000000-	) Panel, Inside	1
3	59771	(000000-	) Bracket	1
4	53494	(000000-	) Insulation, Acoustic, Panel	1
5	59035	(000000-	) Panel, Filler, Upper	1
6	59766	(000000-	) Bracket, Inside	1
▽ 7	72138	(000000-	) Plate, Floor w/tread	1
▲ 8	16369	(000000-	) Pad, Tread	1
9	62595-22	(000000-	) Molding, Trim 11-14Ga 14.20	1
10	62595-23	(000000-	) Molding, Trim 11-14Ga 22.80	1
11	53839	(000000-	) Cover Wldt, Sppt, Seat	1
12	59822	(000000-	) Insulation, Acoustic, Seat	1
13	44906	(000000-	) Pin,Hair Cotter #Lhcot-2,Leitk	1
14	54615	(000000-	) Rod Wldt, Seat	1
15	53492	(000000-	) Insulation, Acoustic, Plate	1
16	57702	(000000-	) Cable	1
17	53845	(000000-	) Seat, Grammer Gs-12	1
18	58595	(000000-	) Nut, U M 8X1.25 Pltd	1
19	34252	(000000-	) Armrest Assy,Lh& Rh	1

Fig. 7 - Right Grille Group

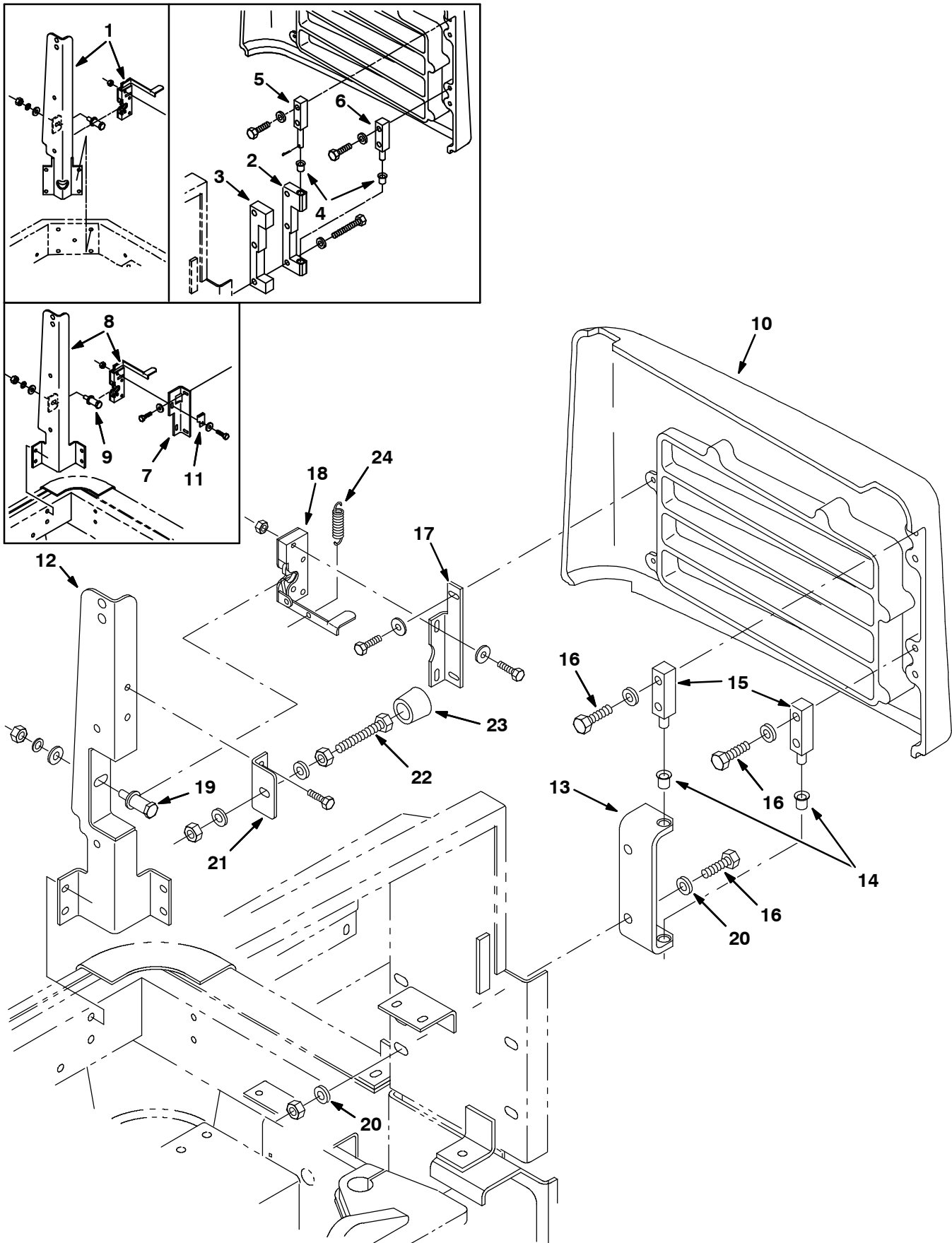




Fig. 7 - Right Grille Group

Ref.	Tenant Part No.	Machine Serial Number	Description	Qty.
1	74493	(000000-005440 )	Latch/Channel Repl. Kit	1
2	58564	(000000-005369 )	Block, Pivot (Replaced By 72179)	1
3	58571	(000000-005369 )	Spacer, Pivot Block (Replaced By 72179)	1
4	58585	(000000-005369 )	Bearing, Flange	2
5	58576	(000000-005369 )	Pin, Pivot, Upper	1
6	58811	(000000-005369 )	Pin, Pivot, Lower	1
7	59549	(000000-005717 )	Bracket, Mtg, Latch (Replaced By 74456)	1
8	74491	(005441-005717 )	Latch/Channel Repl. Kit	1
9	59703	(000000-005717 )	Bolt, Hook, Rh	1
10	54552	(000000- )	Grille, Right Std	1
11	69973	(000000-005717 )	Clip (Replaced By None)	1
12	70256	(005718- )	Channel Wldt, Corner Post	1
13	72179	(005370- )	Bracket, Grille	1
14	15648	(005370- )	Bearing, Flange	2
15	72176	(005370- )	Pin, Pivot, Upper	2
16	69972	(000000- )	Src-Hex M12x1.75 40 10.9Pltd	6
17	74456	(005718- )	Bracket, Mtg. Latch	1
18	72473	(005718- )	Latch, Hook, RH	1
19	59192	(005718- )	Latch, Bolt	1
20	36328	(000000- )	Washer-Belleville .50 Pltd	4
21	70249	(006562- )	Bracket, Stop Bolt, Rear Grill	1
22	45214	(006562- )	Scr-Hex .38-16x2.50 Full Thd	1
23	01318	(006562- )	Tip, Rubber	1
24	59870	(000000- )	Sprng, Tens, 0.50 Odx.05 Wire 2.5L	1

**Fig. 8 - Left Grille and Hydraulic Cooler Group**

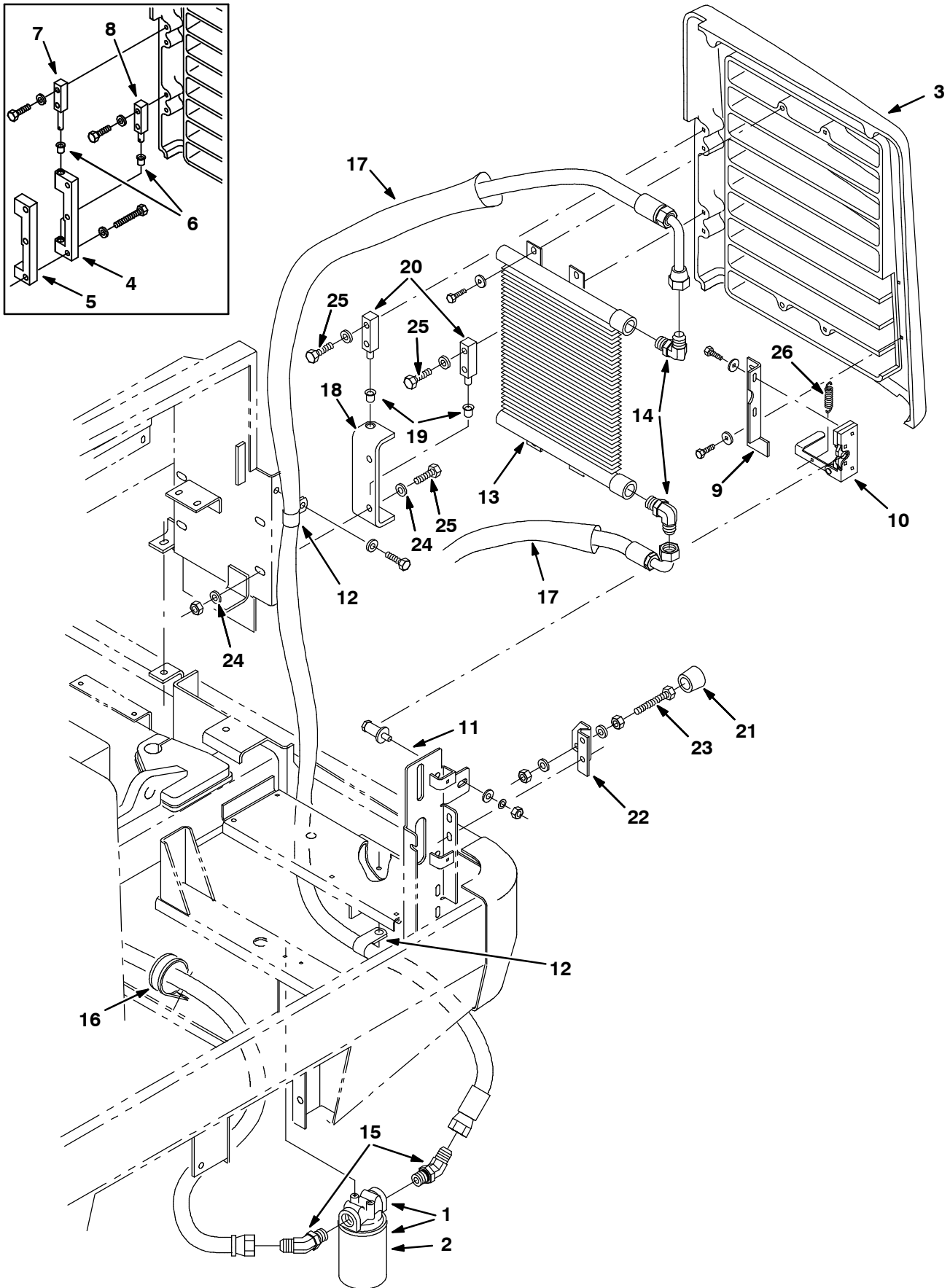


Fig. 8 - Left Grille and Hydraulic Cooler Group

	Ref.	Tennant Part No.	Machine Serial Number	Description	Qty.
▽	1	55619	(000000-	) Filter Assy, Spin-On 10Micron	1
▲	2	55740	(000000-	) Filter Element Ph	1
	3	54553	(000000-	) Grille, Left	1
	4	58564	(000000-005369	) Block, Pivot (Repl. By 72179)	1
	5	58571	(000000-005369	) Spacer, Pivot Block (Repl. By 72179)	1
	6	58585	(000000-005369	) Bearing, Flange	2
	7	58576	(000000-005369	) Pin, Pivot, Upper	1
	8	58811	(000000-005369	) Pin, Pivot, Lower	1
	9	70252	(000000-	) Bracket, Mtg, Latch	1
	10	59695	(000000-	) Latch, Hook, Lh	1
	11	59192	(000000-	) Latch, Bolt	1
	12	53466	(000000-	) Clamp, Hose	2
	13	13698	(000000-	) Cooler, Hyd 365	1
	14	46481	(000000-	) Ftg-Hyd E90 Jm12/Om12	2
	15	16081	(000000-	) Ftg-Hyd E45 Jm12/Om12	2
	16	41016	(000000-	) Clamp-Cable, 2.25Dia 1.00Wth	1
	17	87676	(000000-	) Sleeve-Nyln #24 30.0L	2
	18	72179	(005370-	) Bracket, Grille	1
	19	15648	(005370-	) Bearing, Flange, 0.50 Bore	2
	20	72176	(005370-	) Pin, Pivot, Upper	2
	21	01318	(006562-	) Tip, Rubber	1
	22	70248	(006562-	) Bracket, Rear Grill Stop Bolt	1
	23	55347	(006562-	) Scr-Hex .38-16x2.00 Full Thd	1
	24	36328	(000000-	) Washer-Belleville .50 Pltd	4
	25	69972	(000000-	) Scr-Hex M12x1.75 40 10.9Pltd	6
	26	59870	(000000-	) Sprng, Tens, 0.50 Odx.05 Wire 2.5L	1

Fig. 9 - Engine Cover Group

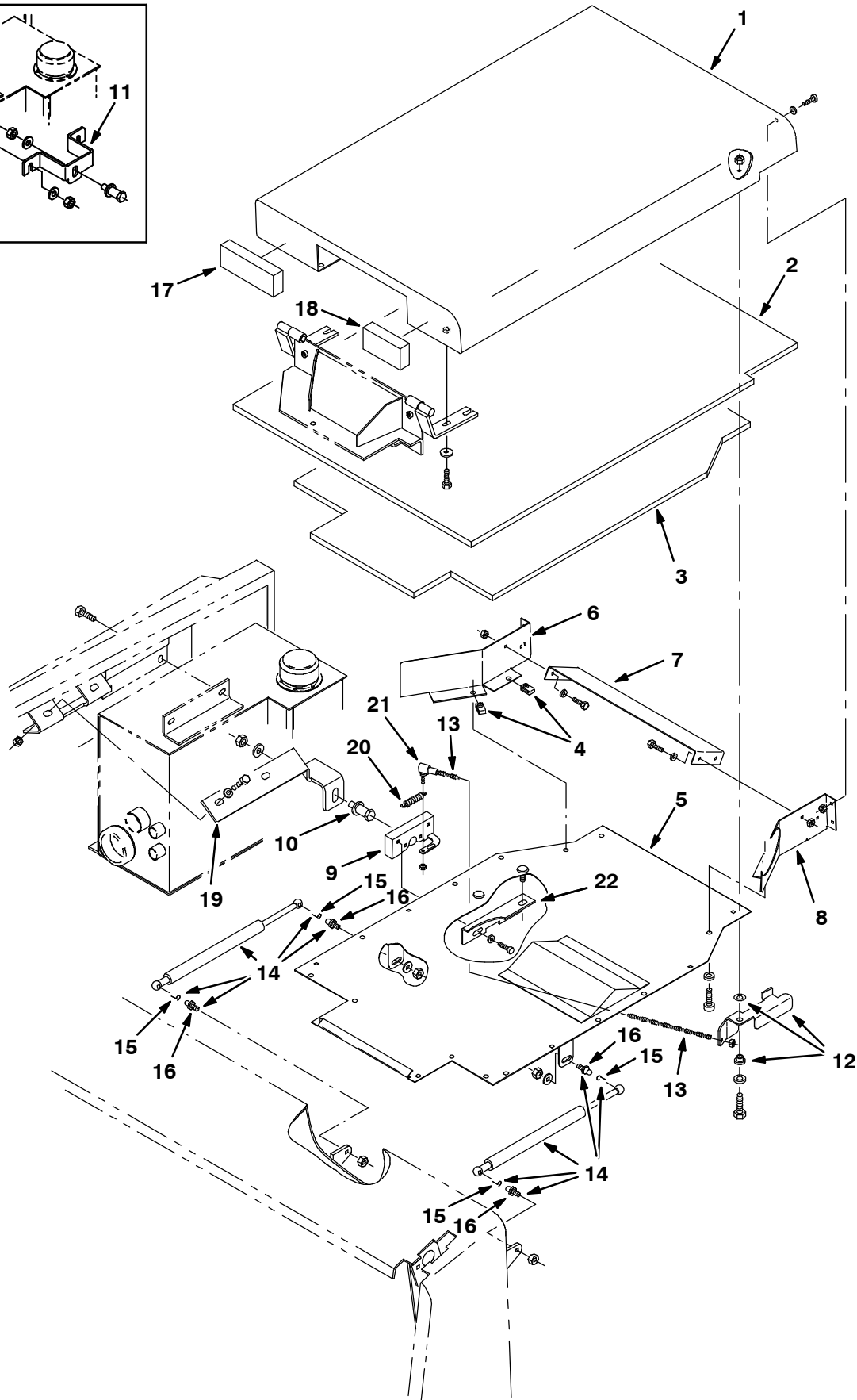
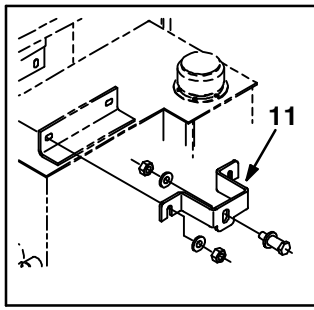
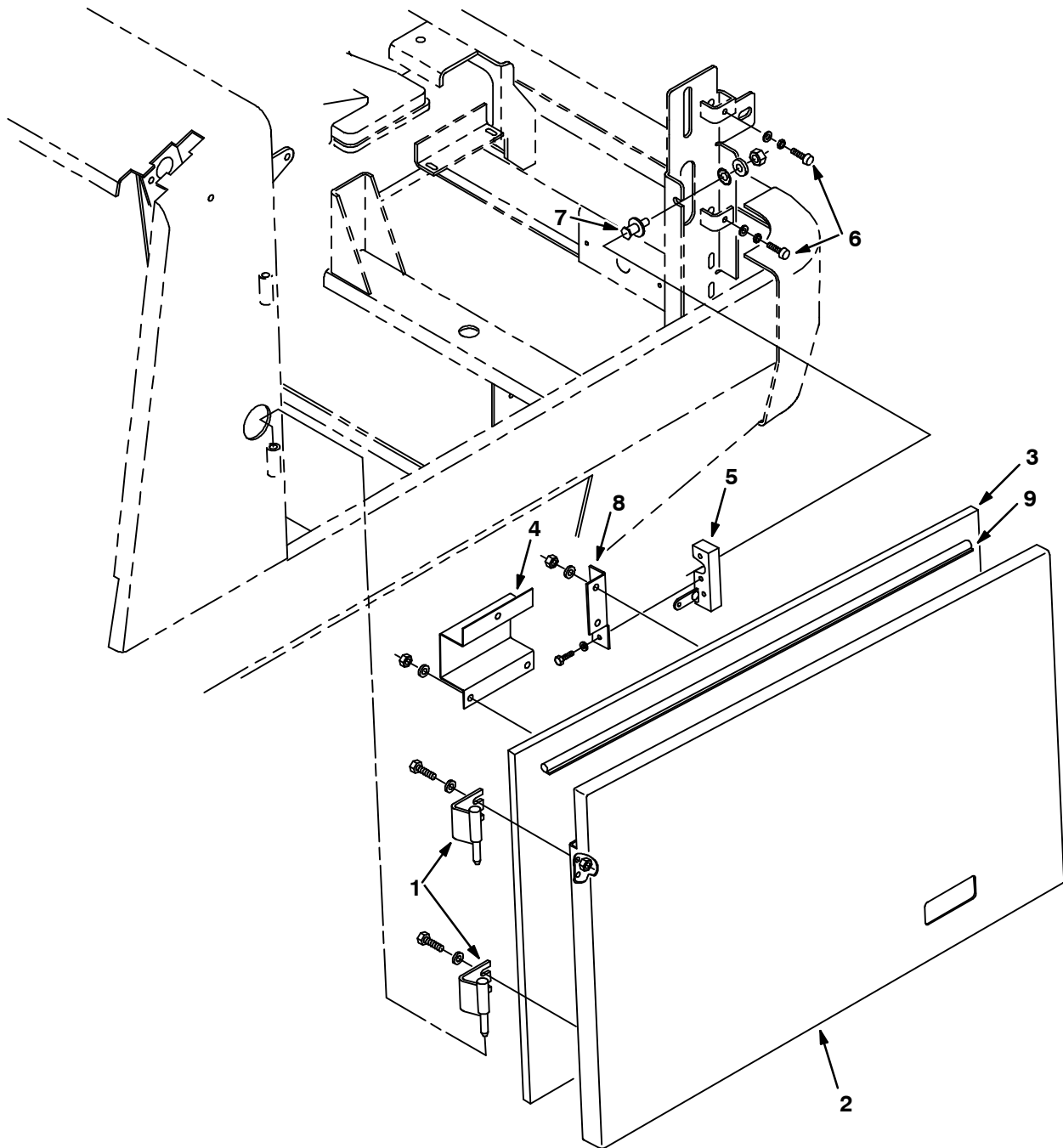


Fig. 9 - Engine Cover Group

Ref.	Tennant Part No.	Machine Serial Number	Description	Qty.	
1	58977	(000000-	) Cover Wldt, Engine	1	
2	59019	(000000-	) Foam, Engine Cover	1	
3	58999	(000000-	) Foam, Engine Cover, Bottom	1	
4	12271	(000000-	) Nut, U M 6X1.0 Pltd	20	
5	70143	(000000-006405	) Repl Kit, Plate, Bottom F/59843	1	
5	70145	(006406-	) Plate Wldt, Cover, Bottom	1	
6	69952	(000000-	) Plate, Deflector, Engine Cover	1	
7	58849	(000000-	) Bracket, Deflector, Eng Cover	1	
8	69951	(000000-	) Plate, Deflector, Eng Cover	1	
9	59514	(000000-	) Latch	1	
10	59192	(000000-	) Latch, Bolt	1	
11	72091	(000000-005227	) Bracket, Repl Kit, Latch	1	
12	69907	(000000-	) Handle Assy, Latch, Eng Cover	1	
13	55048	(000000-	) Rod, Latch, Engine Cover	1	
∇	14	69906	(000000-	) Spring-Gas Assy, Eng Cover	2
▲	15	64595	(000000-	) Clip, Spring	2
▲	16	58494	(000000-	) Stud, Ball	2
	17	69986	(000000-	) Insulation, Acoustic, Engine Cover	1
	18	69987	(000000-	) Insulation, Acoustic, Engine Cover	1
	19	70136	(005228-	) Bracket, Latch	1
	20	53091	(000000-	) Sprng, Tens, 0.50Odx.05Wire 1.0L	1
	21	14601	(000000-	) Balljoint .250-28	1
	22	70142	(006406-	) Bracket, Latch, Bolt, Eng Cover	1

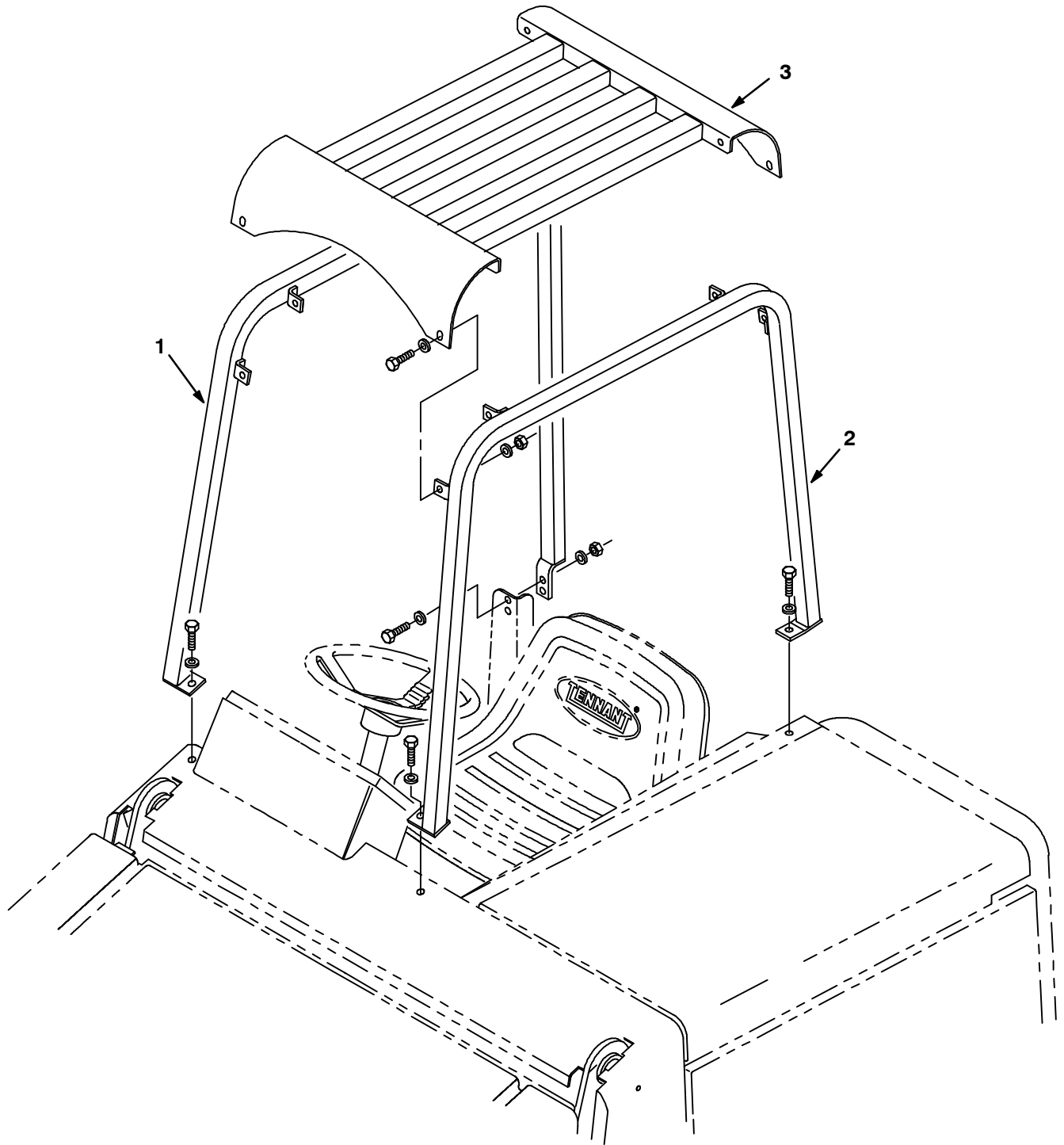
**Fig. 10 - Engine Side Door Group**



07847/07091

Ref.	Tennant Part No.	Machine Serial Number	Description	Qty.
1	59377	(000000-	) Hinge Wldt, Door, Engine	2
2	59830	(000000-	) Door Wldt	1
3	59018	(000000-	) Foam, Door, Engine, Side	1
4	59829	(000000-	) Bracket, Door	1
5	59661	(000000-	) Latch	1
6	75128	(000000-	) Spindle, Adjustment	2
7	72154	(000000-	) Bolt, Latch	1
8	59828	(000000-	) Bracket, Latch, Door	1
9	59647	(000000-	) Seal, Rubber	1

Fig. 11 - Overhead Guard Group



07865/07469

Ref.	Tennant Part No.	Machine Serial Number	Description	Qty.
▽	56595	(000000-	) Guard Kit, 355L	1
▲ 1	59665	(000000-	) Tube Wldt, Leg, Ohg,Rh,Painted	1
▲ 2	59666	(000000-	) Tube Wldt, Leg,Ohg,Lh,Painted	1
▲ 3	56456	(000000-	) Guard Wldt, Ohg, Top	1

Fig. 12 - Steering and Firewall Group

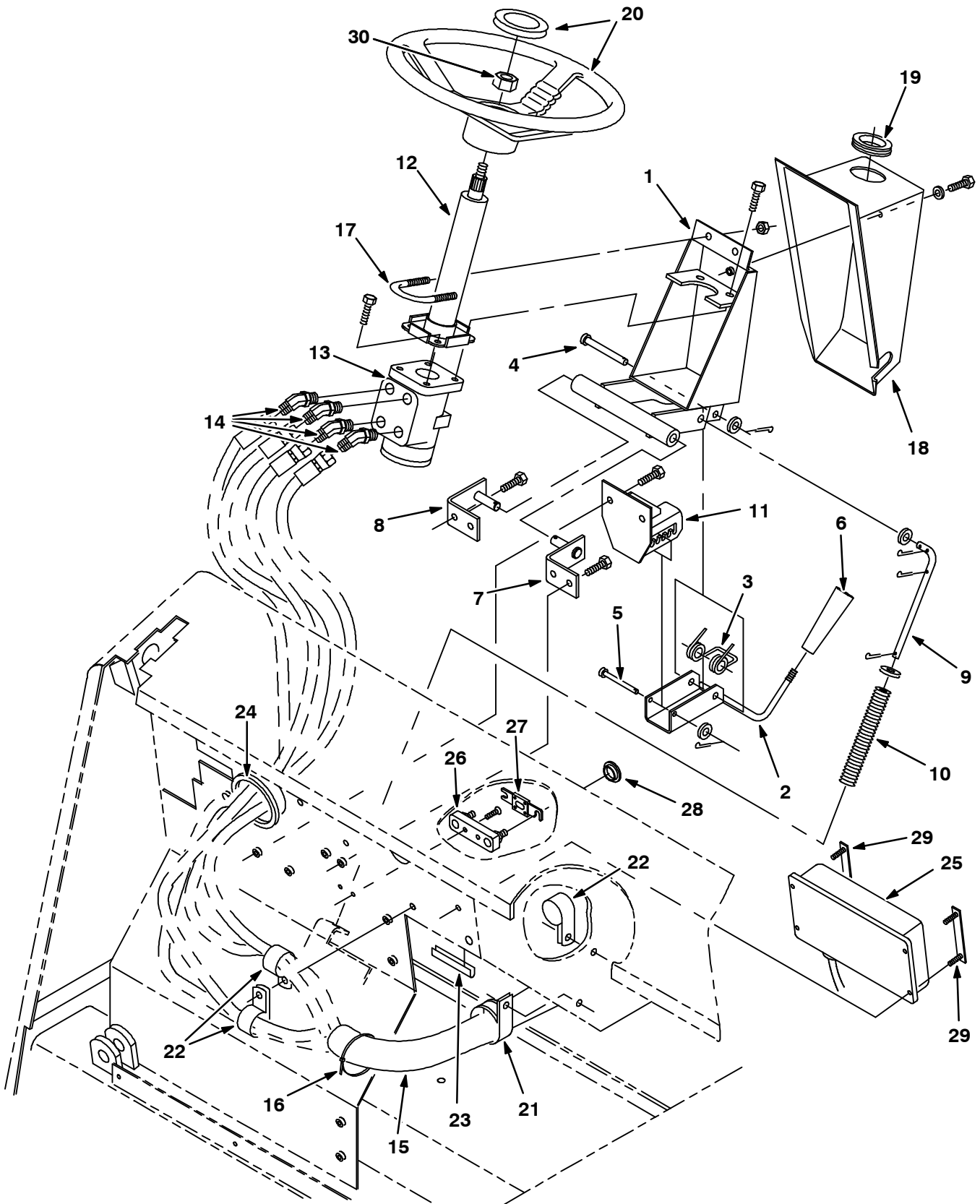




Fig. 12 - Steering and Firewall Group

Ref.	Tennant Part No.	Machine Serial Number	Description	Qty.
1	56373	(000000-	) Bracket Wldt, Valve	1
2	56379	(000000-	) Lever Wldt, Tilt	1
3	56198	(000000-	) Spring, Torsion	1
4	23191	(000000-	) Pin,Clevis,0.37 Dia.X 3.00 Lg	1
5	04733-10	(000000-	) Pin,Clevis,0.25 Dia.X 2.44 Lg	1
6	59940	(000000-	) Knob, Tapered M8	1
7	58665	(000000-	) Bracket Wldt, Mtg, Steering,Lh	1
8	58667	(000000-	) Bracket Wldt, Mtg, Steering,Rh	1
9	56392	(000000-	) Rod, Spring	1
10	63852	(000000-	) Sprng,Comp,0.74ldx.11Wire 5.5L	1
11	56385	(000000-	) Bracket Wldt, Notched	1
12	57935	(000000-	) Column, Steering	1
13	54022	(000000-005898	) Steer Control, Hyd (See Breakdowns) (Repl. by 74172)	1
13	74172	(005899-	) Steer Control, Hyd (See Breakdowns)	1
14	47522	(000000-	) Ftg-Hyd E45 Jm06/Om06	4
15	34330	(000000-	) Sleeve-Nyln #38 30.0L	1
16	49263	(000000-	) Tie, Cable 3.00D Max 11.41Lg	3
17	58748	(000000-	) U - Bolt	1
18	56362	(000000-	) Cover, Steering	1
19	54345	(000000-	) Grommet,Rbr,1.62ld,For .13Matl	1
20	56398	(000000-	) Wheel, Steering, 14 Dia X 36T	1
21	41016	(000000-	) Clamp-Cable, 2.25Dia 1.00Wth	1
22	53466	(000000-	) Clamp, Hose	3
23	62595-3	(000000-	) Molding, Trim 11-14Ga 5.75	1
24	62595-4	(000000-	) Molding, Trim 11-14Ga 10.00	1
25	56237	(000000-	) Control Box, Governor, Die	1
26	86381	(000000-	) Block, Fuse	1
27	87319	(000000-	) Fuse, 40 Amp	1
28	55035	(000000-	) Plug, Plastic 1.00 D	1
29	59935	(000000-	) Plate Wldt, Governor	2
30	56185	(000000-	) Nut-Hx Jam M20x1.5 4 Pltd	1

Fig. 13 - Instrument Panel Assembly

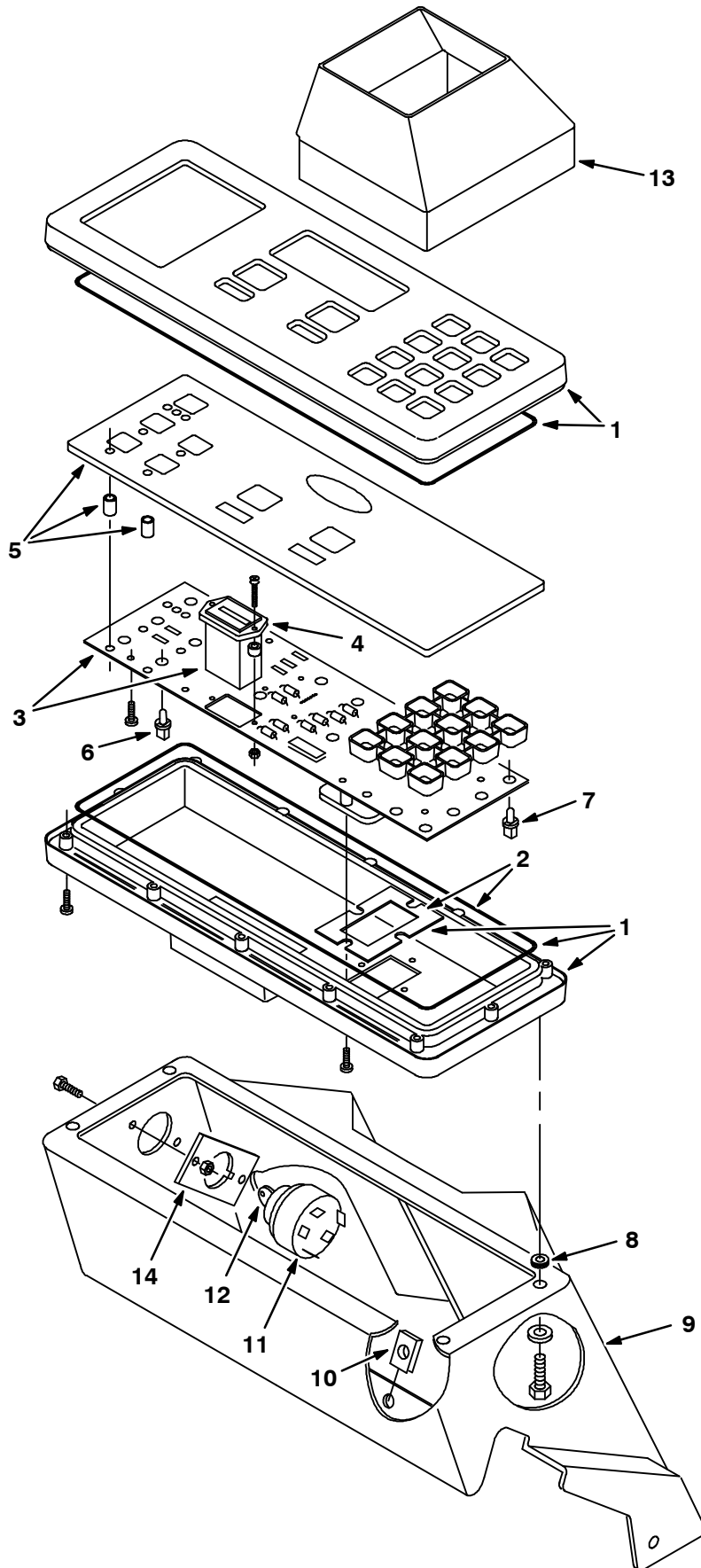
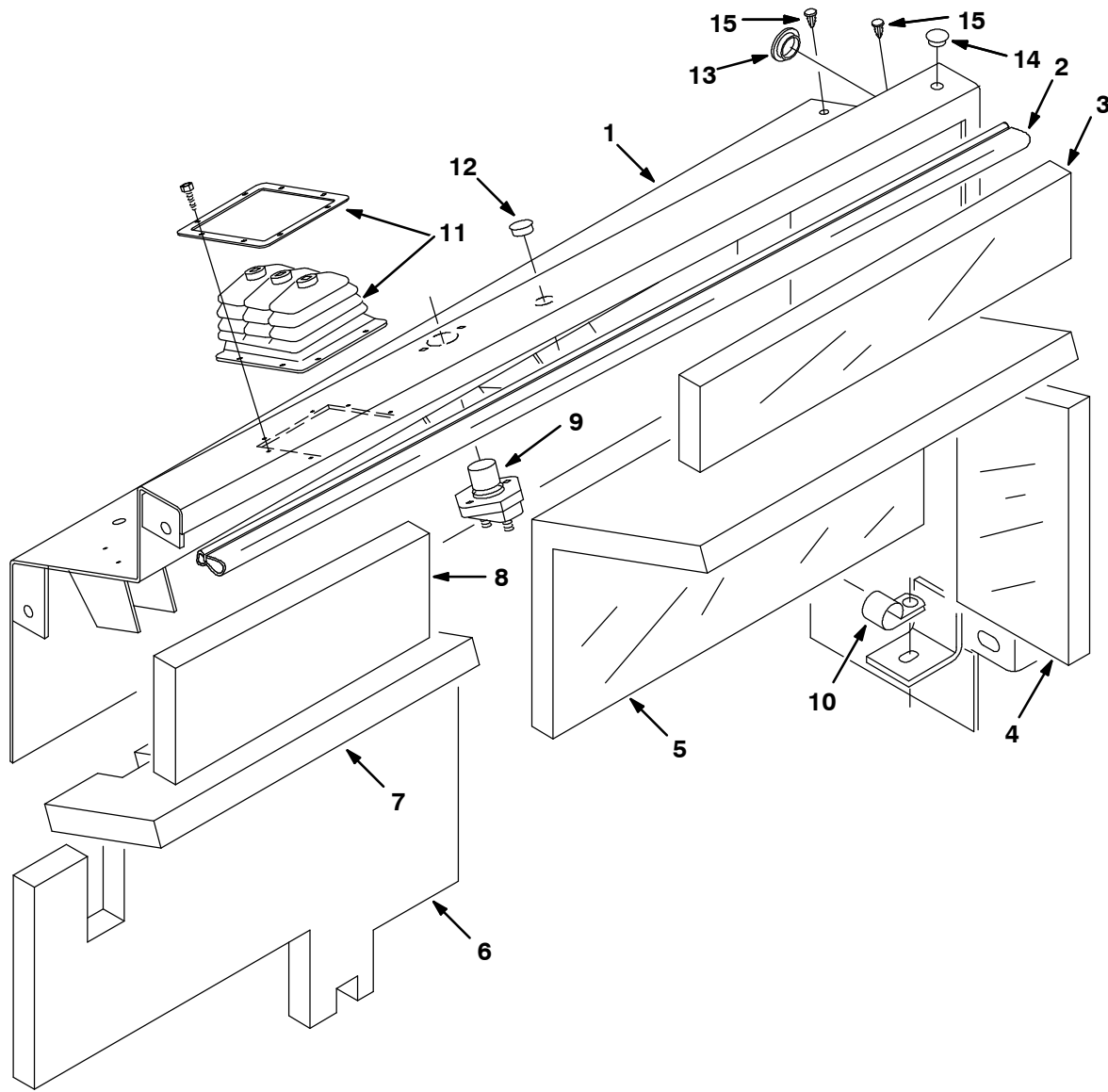


Fig. 13 - Instrument Panel Assembly

	Ref.	Tennant Part No.	Machine Serial Number	Description	Qty.
▽		59970	(000000-	) Replm Kit, Instr Panel	1
▲	1	59976	(000000-	) Replm Kit, Case	1
▲	2	59977	(000000-	) Replm Kit, Seal	1
▲▽	3	59974	(000000-	) Replm Kit, Cir Board	1
▲▲	4	59978	(000000-	) Replm Kit, Hourmeter	1
▲	5	59979	(000000-	) Replm Kit, Touch Panel	1
▲	6	59971	(000000-	) Replm Kit, Lamp, Backlighting (8)	2
▲	7	56346	(000000-	( Replm Kit, Lamp, Fault (8)	1
	8	10632-5	(000000-	) Grommet,Rbr,0.25ld,For .09Matl	4
	9	54342	(000000-	) Panel Assy, Instr	1
	10	12271	(000000-	) Nut, U M 6X1.0 Pltd	2
▽	11	87536	(000000-	) Switch Ignition	1
▲	12	87866	(000000-	) Key Set,Switch Ku	1
	13	72109	(000000-xxxxxx	) Repl Kit, Sun Shield	1
	14	19768	(000000-	) Plate, Reinforcement-Ignition	1

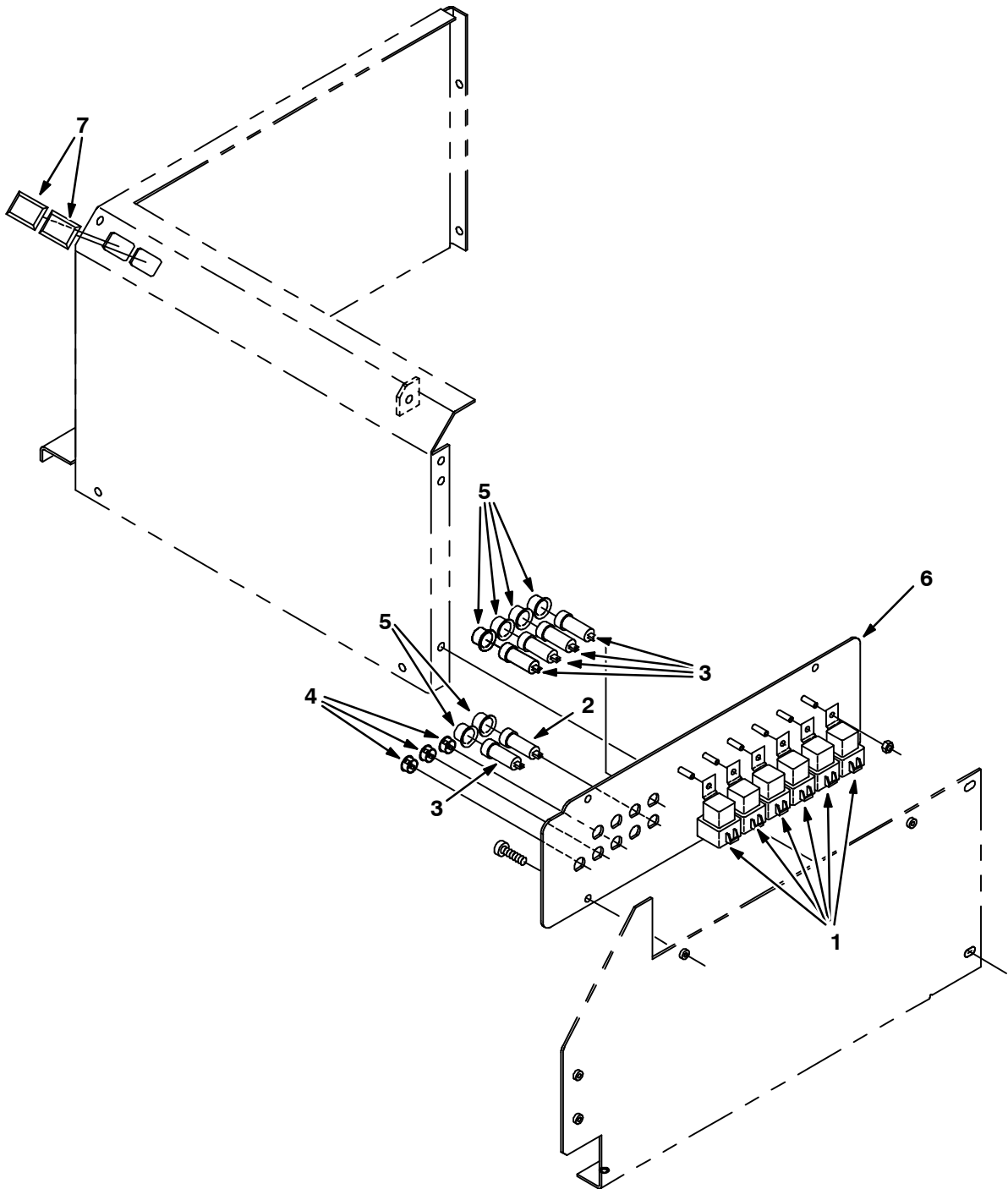
**Fig. 14 - Side Instrument Panel Group**



07918/07510

Ref.	Tennant Part No.	Machine Serial Number	Description	Qty.
1	59824	(000000- )	Panel Assy, Instrument w/label	1
2	59647	(000000- )	Seal, Rubber	1
3	59623	(000000- )	Insulation, Acoustic	1
4	59622	(000000- )	Insulation, Acoustic	1
5	59621	(000000- )	Insulation, Acoustic	1
6	59628	(000000- )	Insulation, Acoustic	1
7	59636	(000000- )	Insulation, Acoustic	1
8	59629	(000000- )	Insulation, Acoustic	1
9	44078	(000000- )	Switch, Pushmom, Spst100A 12V	1
10	69234	(000000- )	Clamp-Cable, 1.00Dia. .62Wth	2
11	69909	(000000- )	Bellows Assy, Valve	1
12	01314	(000000- )	Plugbtn .38H .03-.12 Blacknyl (LPG only)	1
13	55035	(000000- )	Plug, Plastic, 1.00 D	1
14	01314	(000000- )	Plugbtn .38h .03-.12 Blacknyl	1
15	77399	(000000- )	Clip, Pine-tree .236h Plastic	2

Fig. 15 - Circuit Breaker and Relay Group



07852/07096

Ref.	Tennant Part No.	Machine Serial Number	Description	Qty.
1	56186	(000000-	) Relay, Shrouded, 12 Vdc	6
2	87583	(000000-	) Breaker-Circuit, 2.5 Resetbl	1
3	57803	(000000-	) Breaker-Circuit, 15 Resetbl	5
4	57167	(000000-	) Plugbtn .62H .03-.12 Blacknyl	3
5	57751	(000000-	) Boot-Circuit Breaker	6
6	56188	(000000-	) Plate, Circuit Breaker	1
7	57772	(000000-	) Plate-Cover	2

Fig. 16 - Engine and Governor Group

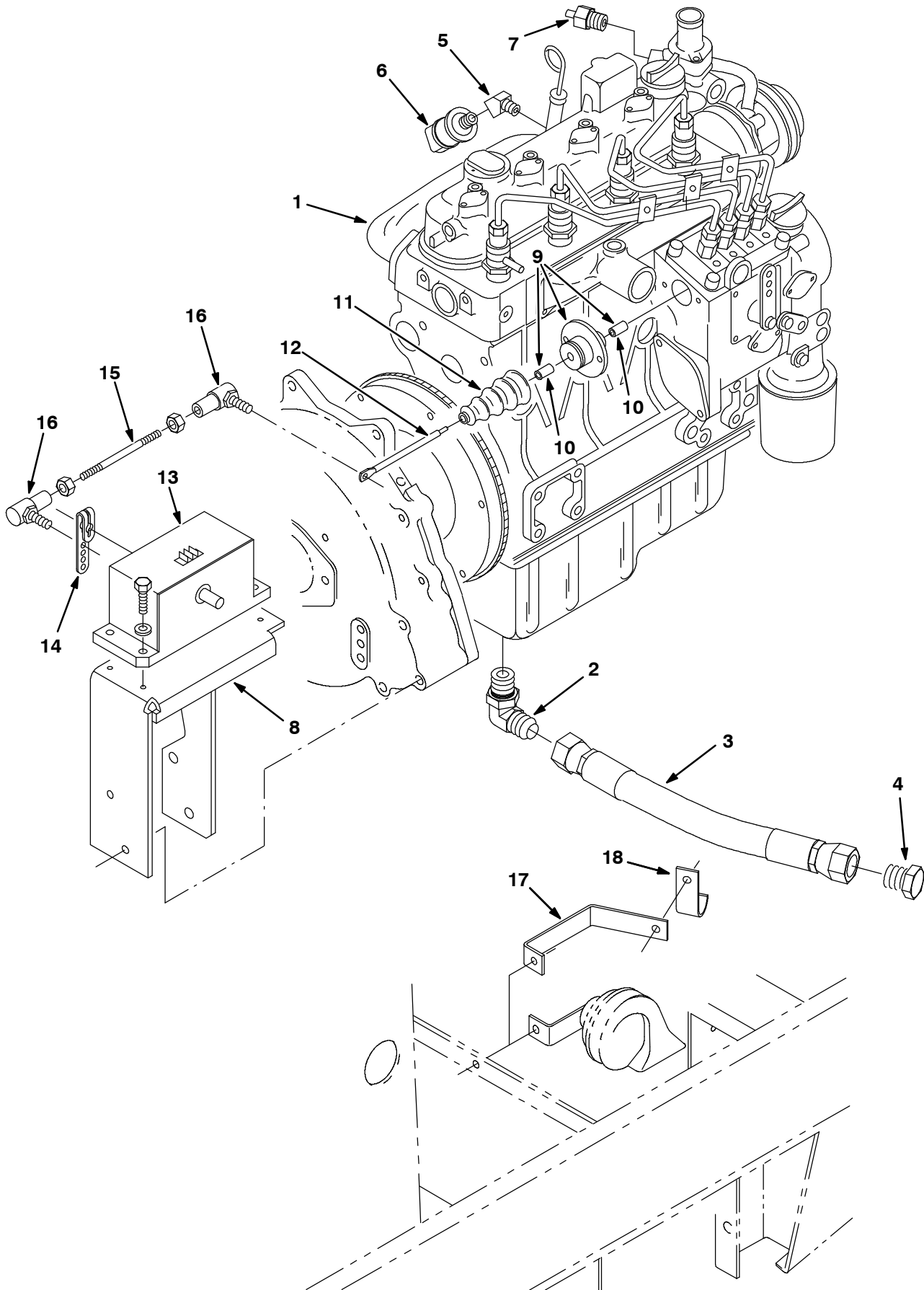


Fig. 16 - Engine and Governor Group

Ref.	Tennant Part No.	Machine Serial Number	Description	Qty.	
1	53836	(000000-006025 )	Engine Assy (See Engine Breakdown) (Repl. by 74435)	1	
1	74435	(006026-006055 )	Engine Assy (See Engine Breakdown) (Repl. by 84625)	1	
1	84625	(006056- )	Engine, Diesel Kubota E Series (See Engine Breakdown)	1	
2	59884	(000000- )	Ftg-Metric E90 Omm22/Jm12	1	
3	59891	(000000- )	Hose-Hyd Low12 Jf/Jf	1	
4	59885	(000000- )	Ftg-Hyd Plg Jm12	1	
5	24976	(000000- )	Ftg-Brs E45 Pm02/Pf02	1	
6	79399	(000000- )	Switch, Pressure, Oil	1	
7	36165	(000000- )	Send Unit, Temperature	1	
8	59640	(000000- )	Bracket Wldt, Mtg, Actuator	1	
▽	9	58391	(000000- )	Throttle Assy, Block, Die	1
▲	10	64939	(000000- )	Bearing, Bronze	2
	11	59002	(000000- )	Boot, Rubber	1
	12	58362	(000000- )	Rod, Throttle Control, Diesel	1
	13	07539	(000000- )	Actuator, Governor	1
	14	30481	(000000- )	Lever, Governor Actuator	1
	15	53424	(000000- )	Stud, .25-28 4.6L .25-28	1
	16	14601	(000000- )	Balljoint .250-28	2
	17	374511	(000000- )	Bracket, Drain Hose Clamp	1
	18	30407	(000000- )	Clip, Keeper, Open	1

Fig. 17 - Engine Mount Group

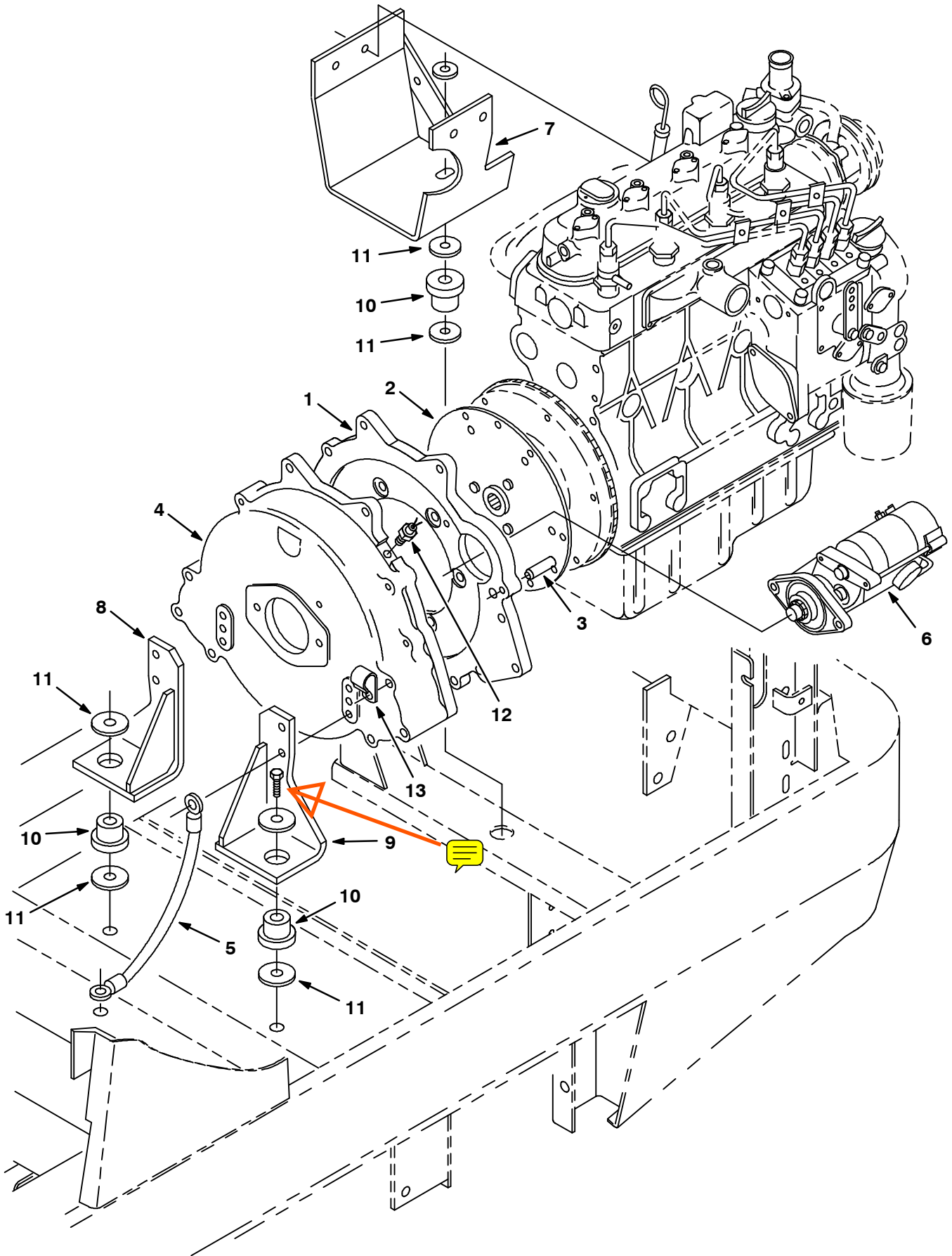




Fig. 17 - Engine Mount Group

Ref.	Tenant Part No.	Machine Serial Number	Description	Qty.
1	55837	(000000-	) Adaptor, Flywheel Hsg, Kubota	1
2	19252	(000000-	) Coupling Assy, Flywheel	1
3	54911-16	(000000-	) Dowel,Cyl.Block To Flywhl.Hsg.	2
4	58566	(000000-	) Housing, Flywheel, Rework	1
5	57773	(000000-	) Wire Assy-Elect.,Ground	1
6	55860	(000000-006025	) Starter, Rework (See Engine Breakdown)	1
6	74405	(006026-	) Starter, Die (See Engine Breakdown)	1
7	55831	(000000-	) Bracket Wldt, Mtg, Engine	1
8	57755	(000000-	) Bracket Wldt,Mtg,Eng, Rear, Rh	1
9	57754	(000000-	) Bracket Wldt,Mtg,Eng,Rear, Lh	1
10	51176	(000000-	) Dampner, Engine	3
11	04414	(000000-	) Washer, Flat	6
12	59946	(000000-	) Magnet Assy, Pick-Up	1
13	30407	(000000-	) Clip, Keeper, Open	1

Fig. 18 - Air Cleaner Group

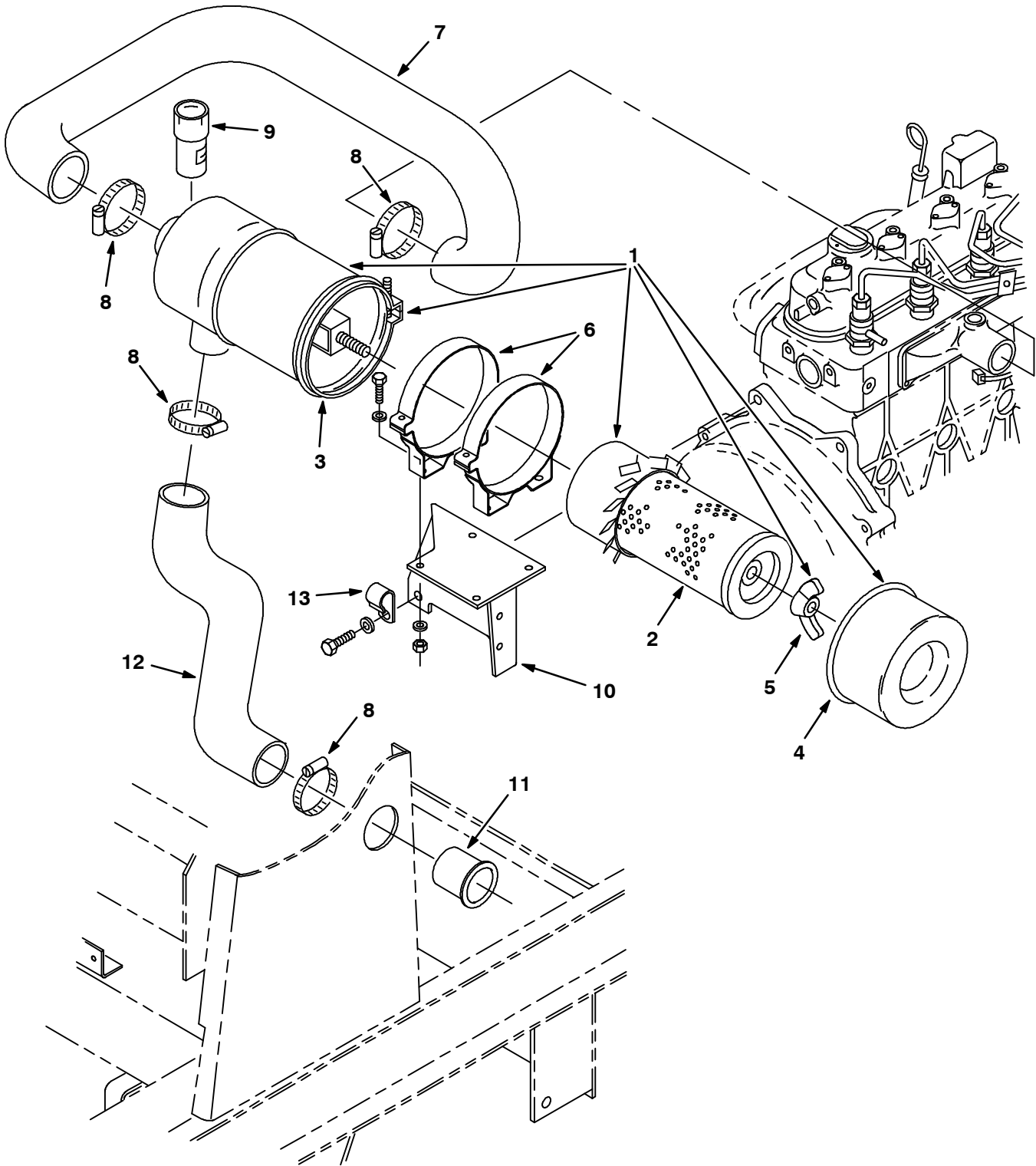
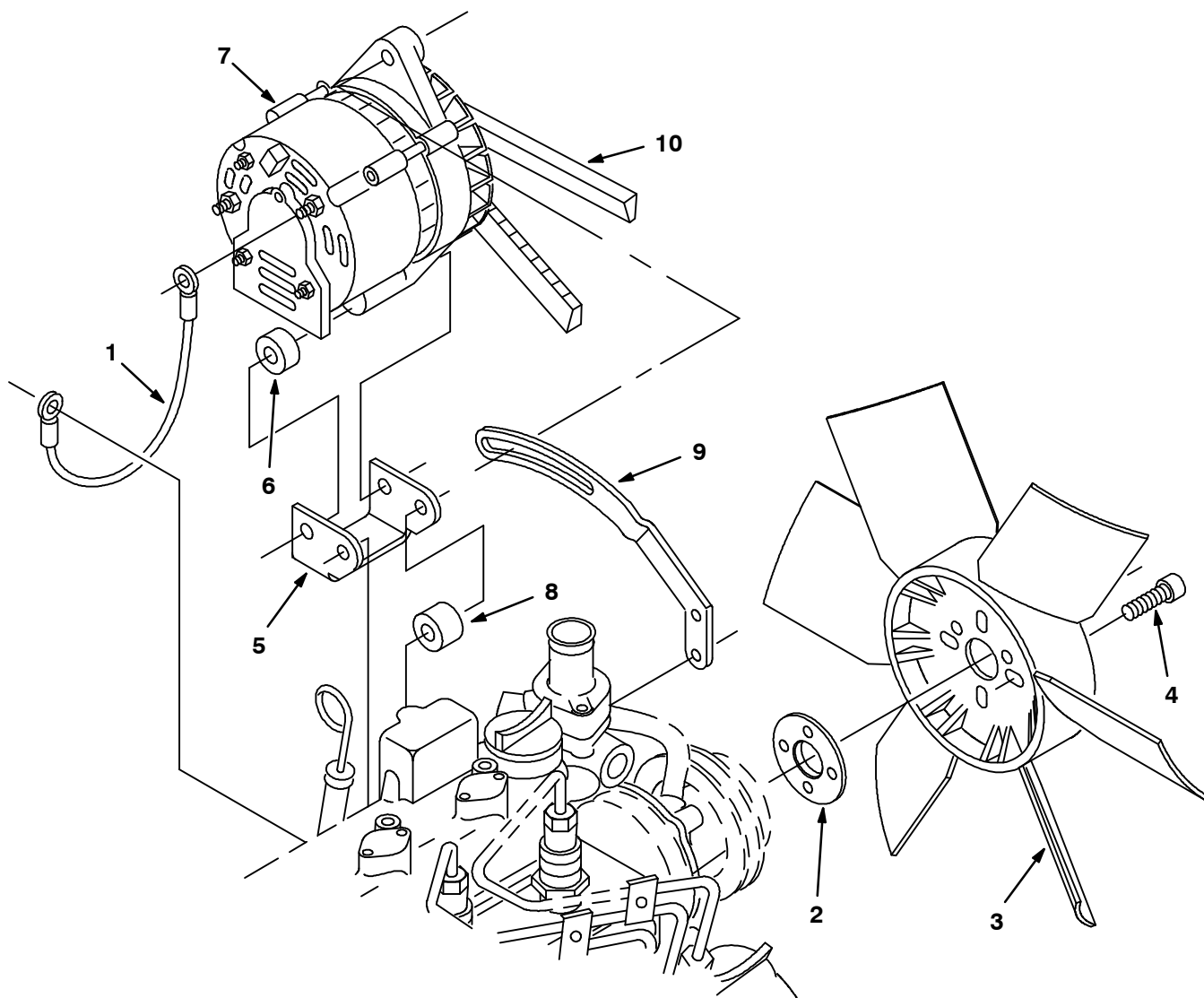


Fig. 18 - Air Cleaner Group

	Ref.	Tennant Part No.	Machine Serial Number	Description	Qty.
▽	1	58538	(000000-	) Air Cleaner	1
▲	2	58120	(000000-	) Element, Air Filter	1
▲	3	02740	(000000-	) Clamp Assembly Dn	1
▲	4	02741	(000000-	) Cup Assembly Dn	1
▲	5	07562	(000000-	) Nut, Wing .44-20 Special	1
	6	51560-3	(000000-	) Clamp, Mounting, Cyclopac Aircl.	2
	7	58090	(000000-	) Hose, Molded, Air Intake	1
	8	14432	(000000-	) Clamp-Wormdrive, 1.81- 2.75D	4
	9	03026	(000000-	) Indicator, Service, Air Filter	1
	10	53783	(000000-	) Bracket, Mtg, Air Cleaner	1
	11	58346	(000000-	) Tube - Carb. Air Intake	1
	12	59811	(000000-	) Tube, Inlet, A Clnr	1
	13	30407	(000000-	) Clip, Keeper, Open	1

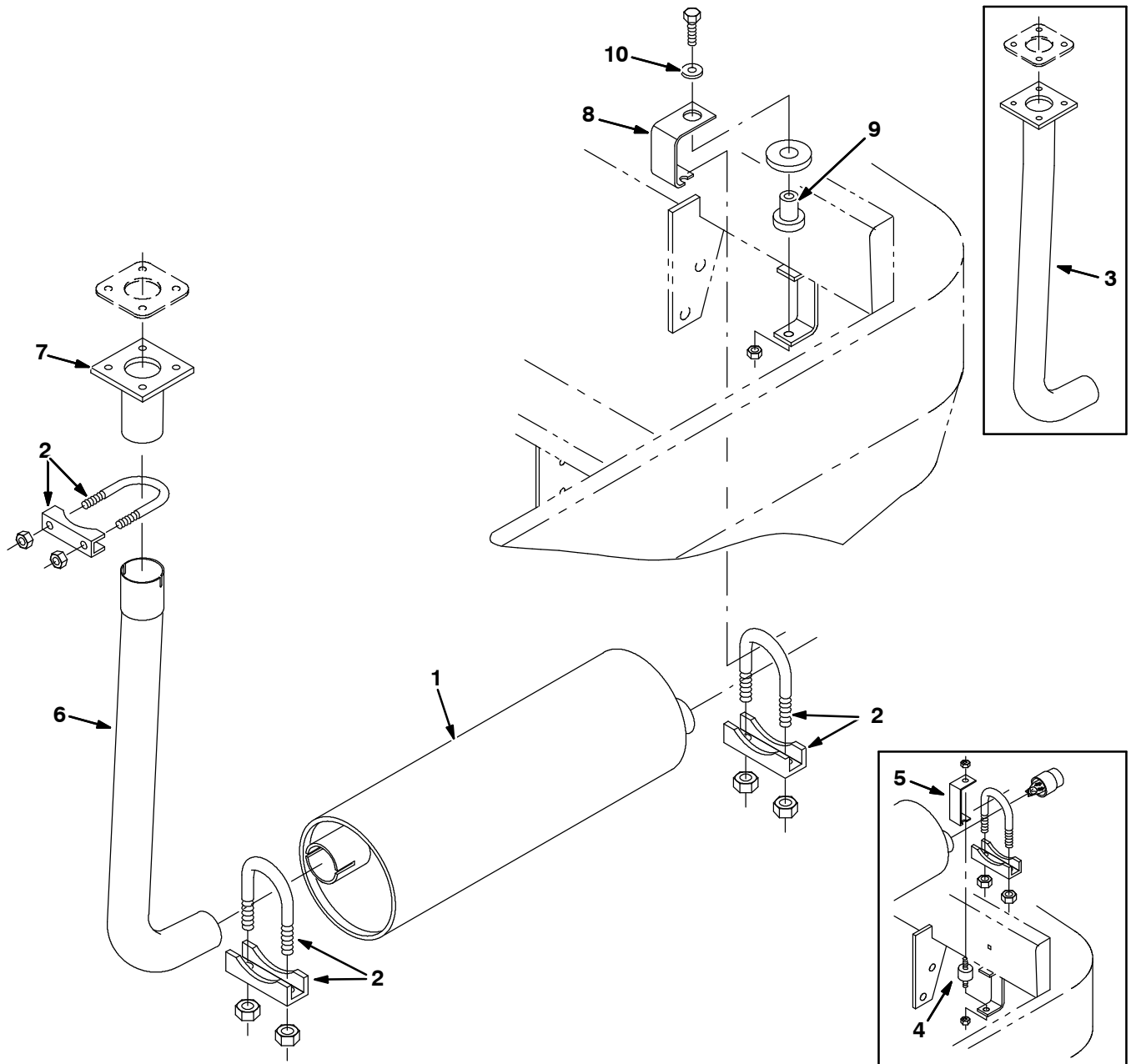
## Fig. 19 - Alternator and Engine Fan Group



07839/07083

Ref.	Tennant Part No.	Machine Serial Number	Description	Qty.
1	82731	(000000- )	Wire-Ground, Alternator	1
2	30569	(000000- )	Spacer, Fan	1
3	30559	(000000- )	Fan, Pusher	1
4	57824	(000000- )	Scr-Soc M 6X1.0 20 Nylonloc	4
5	55855	(000000- )	Bracket, Alternator	1
6	55863	(000000- )	Sleeve, .438B 1.00D .49 Sml	1
▽ 7	60559	(000000- )	Alternator, 50A/12V Mando	1
▲	61931	(000000- )	Regulator Assy Md	1
▲	86041	(000000- )	Bearing-Ball, .669B 1.575D 0.472W	1
▲	61529	(000000- )	Cplt Brush Kit Md	1
▲	61531	(000000- )	Rectifier Assy Md	1
▲	70160	(000000- )	Altrntr Pulley Md	1
8	07274	(000000- )	Spacer, Idler Mount	1
9	55856	(000000- )	Arm, Alternator	1
10	58327	(000000- )	Belt, V Hc41 X 41	1

Fig. 20 - Muffler Group



07842/07086

Ref.	Tennant Part No.	Machine Serial Number	Description	Qty.
1	55851	(000000- )	Muffler, Exhaust	1
2	24012	(000000- )	Clamp-Muffler, For 1.62 Od Tube	3
3	58397	(000000-005691 )	Pipe, Exhaust, Die	1
4	82661	(000000-006610 )	Isolator-Vibration .25-20	1
5	84578	(000000-006610 )	Replm Kit, Muff Hanger F/82545	1
6	74451	(005692- )	Pipe, Exhaust, Die	1
7	74452	(005692- )	Pipe, Exhaust, Die	1
8	70214	(006611- )	Bracket, Hanger, Muffler	1
9	54274	(006611- )	Isolator-Vibration, 125lb. Rating	1
10	30013	(006611- )	Washer-Flt .31 Fender Pltd	1

Fig. 21 - Fuel Tank Group

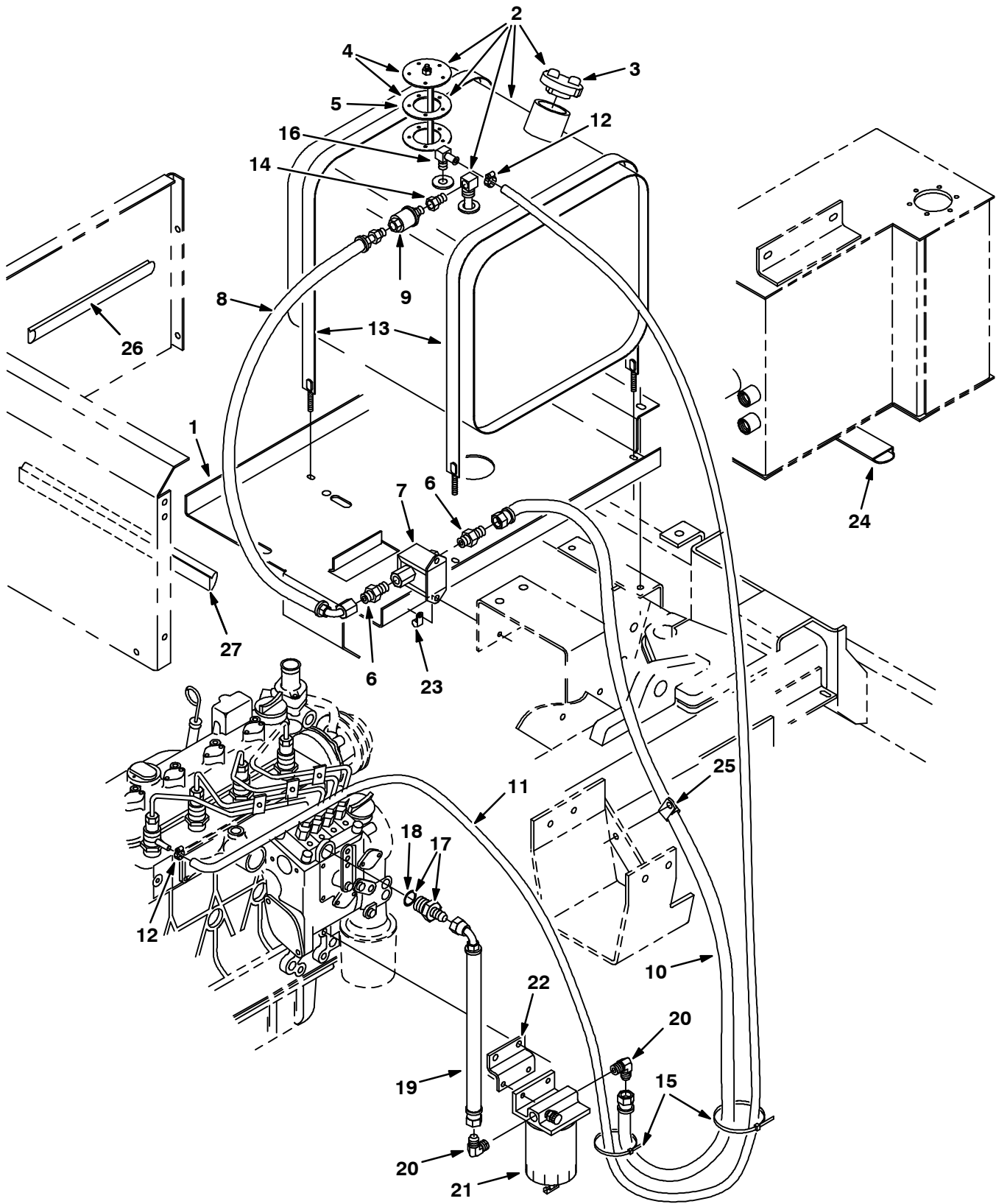


Fig. 21 - Fuel Tank Group

Ref.	Tennant Part No.	Machine Serial Number	Description	Qty.
	1	55222	(000000-005541 ) Tray, Gas	1
▽	2	74453	(000000-005541 ) Tank Repl. Kit, Fuel, 9.4 Gal	1
▲	3	48267	(000000-005541 ) Cap, Gas	1
▲▽	4	07873	(000000-005541 ) Send Unit	1
▲▲	5	14131	(000000-005541 ) Gasket, 2.7D 1.5B.12T 5/ 2.1Bc	1
	6	56457	(000000-005541 ) Ftg-Hyd Str Pm02/Jm04	2
	7	59945	(000000-005541 ) Pump, Fuel, Ele	1
	8	72072	(000000-005541 ) Hose-Hyd	1
	9	36050	(000000-005541 ) Filter, Fuel	1
	10	57574	(000000-005541 ) Hose-Hyd, 4, 58, 400Wp, 7E7E	1
	11	72073	(000000-005541 ) Hose, Rbr	1
	12	43844	(000000-005541 ) Clamp-Wormdrive, 0.25- 0.62D	2
	13	87396	(000000-005541 ) Strap, Tank, Gas	2
	14	17414	(000000-005541 ) Ftg-Hyd Str Pm04/Pf02	1
	15	49266	(000000-005541 ) Tie, Cable 1.75D Max 7.50Lg	5
	16	32183	(000000-005541 ) Ftg-Brs E90 Pm02/Bm03	1
58301 ▽	17	<del>66212</del>	(000000-005541 ) Fitting Assy, Fuel	1
▲	18	77002	(000000-005541 ) Seal- Oring .064X .30	1
	19	58091	(000000-005541 ) Hose-Hyd Low04 Jf/J9	1
	20	06764	(000000-005541 ) Ftg-Hyd E90 Pm04/Jm04	2
▽	21	55850	(000000-005541 ) Filter, Fuel, Die	1
▲		55844	(000000-005541 ) Filter, Fuel, Element	1
	22	72491	(000000-005541 ) Bracket, Mtg, Filter	1
	23	46236	(000000-005541 ) Clamp-Cable, 0.25 Dia 0.56 Wth	1
	24	65526	(000000-005541 ) Duct, Vinyl	1
	25	67767	(000000-005541 ) Clamp-Cable, 0.69 Dia 0.62 Wth	1
	26	86330	(000000-005541 ) Duct, Vinyl .40X.75X10.0 .25D	1
	27	86331	(000000-005541 ) Duct, Vinyl .40X.75X16.0 .25D	1

**Fig. 22 - Fuel Tank Group**

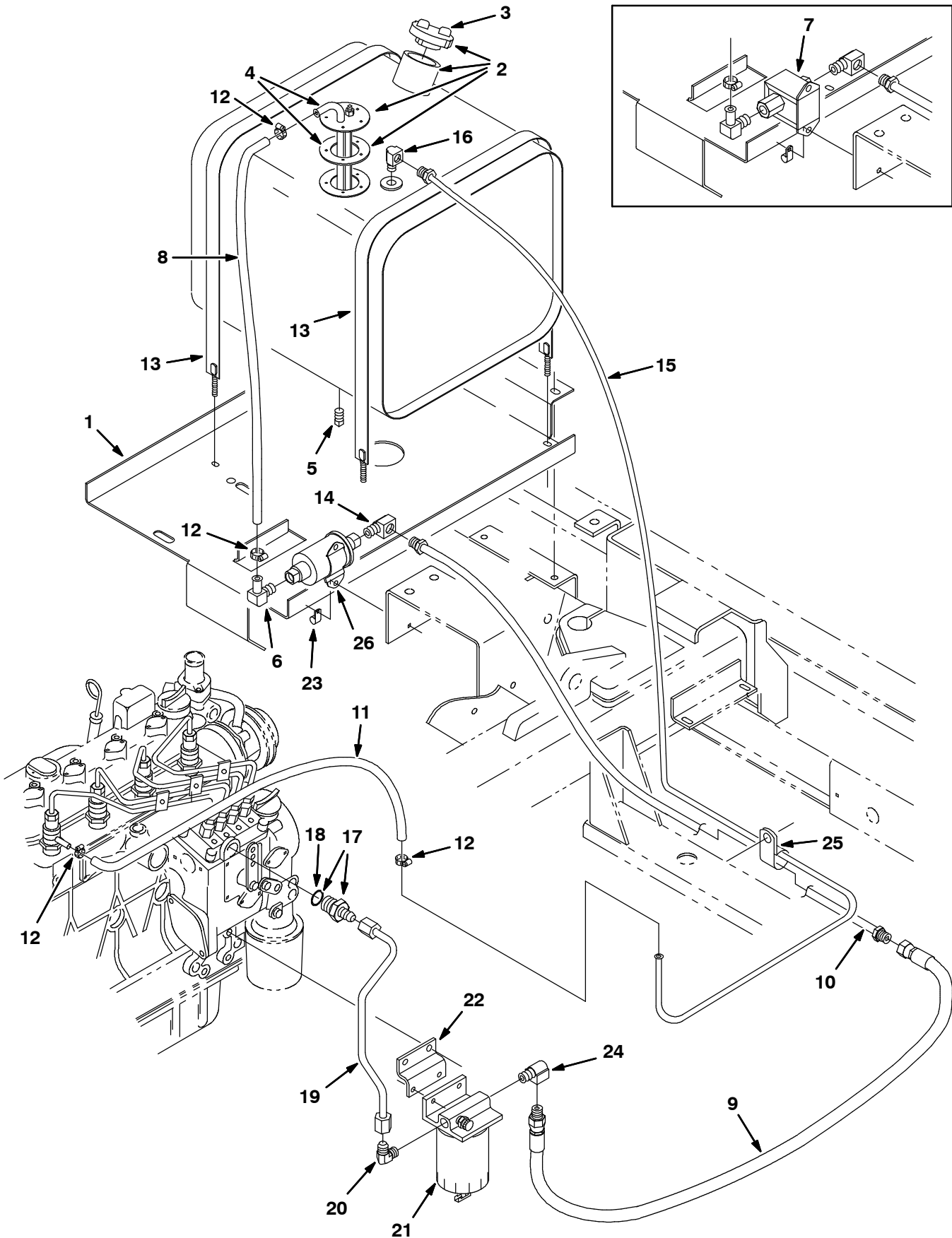




Fig. 22 - Fuel Tank Group

58301

Ref.	Tennant Part No.	Machine Serial Number	Description	Qty.
	1	55222	(005542- ) Tray, Gas	1
▽	2	72191	(005542- ) Tank, Fuel, 9.4 Gal	1
▲	3	48267	(005542- ) Cap, Fuel	1
▲	4	74406	(005542- ) Sending Unit	1
▲	5	48126	(005542- ) Ftg-Plug Npt 02Pm Sq Hd	1
	6	53029	(005542- ) Ftg-Brs E90 Bm05/Pm02	1
	7	21720	(005542-007013 ) Replm Kit, Fuel Pump F/59945	1
	8	82509	(005542- ) Hose, Fuel Line .31 Idx11.0	1
	9	70173	(005542- ) Hose, Fuelline, 10.0L	1
	10	72192	(005542- ) Fuelline	1
	11	87738	(005542- ) Hose, Rbr .188 I.D. X 29.0 Lg	1
	12	43844	(005542- ) Clamp-Wormdrive, 0.25- 0.62D	4
	13	87396	(005542- ) Strap Weldmt, Gas Tank	2
	14	15555-1	(005542- ) Ftg-Brs E90 lf05/Pm02	1
	15	72193	(005542- ) Fuelline	1
	16	53078	(005542- ) Ftg-Brs E90 lf03/Pm02	1
▽	17	<del>66212</del>	(005542- ) Fitting Assy, Fuel	1
▲	18	77002	(005542- ) Seal, O-Ring .064X.30	1
	19	58091	(005542- ) Tube Assy, .250 D 04JF/04JF	1
	20	06764	(005542- ) Ftg-Hyd E90 Pm04/Jm04	1
▽	21	55850	(005542- ) Filter, Fueldiesel	1
▲		55844	(005542- ) Filter, Fuel, Element	1
	22	72491	(005542- ) Bracket, Mounting, Filter	1
	23	46236	(005542- ) Clamp-Cable, 0.25Dia 0.56Wth	1
	24	15555-2	(005542- ) Fitting, Brass E90	1
	25	67767	(005542- ) Clamp-Cable,.69Dia. 62Wth	1
	26	59015	(007014- ) Pump, Fuel	1

Fig. 23 - Radiator Group

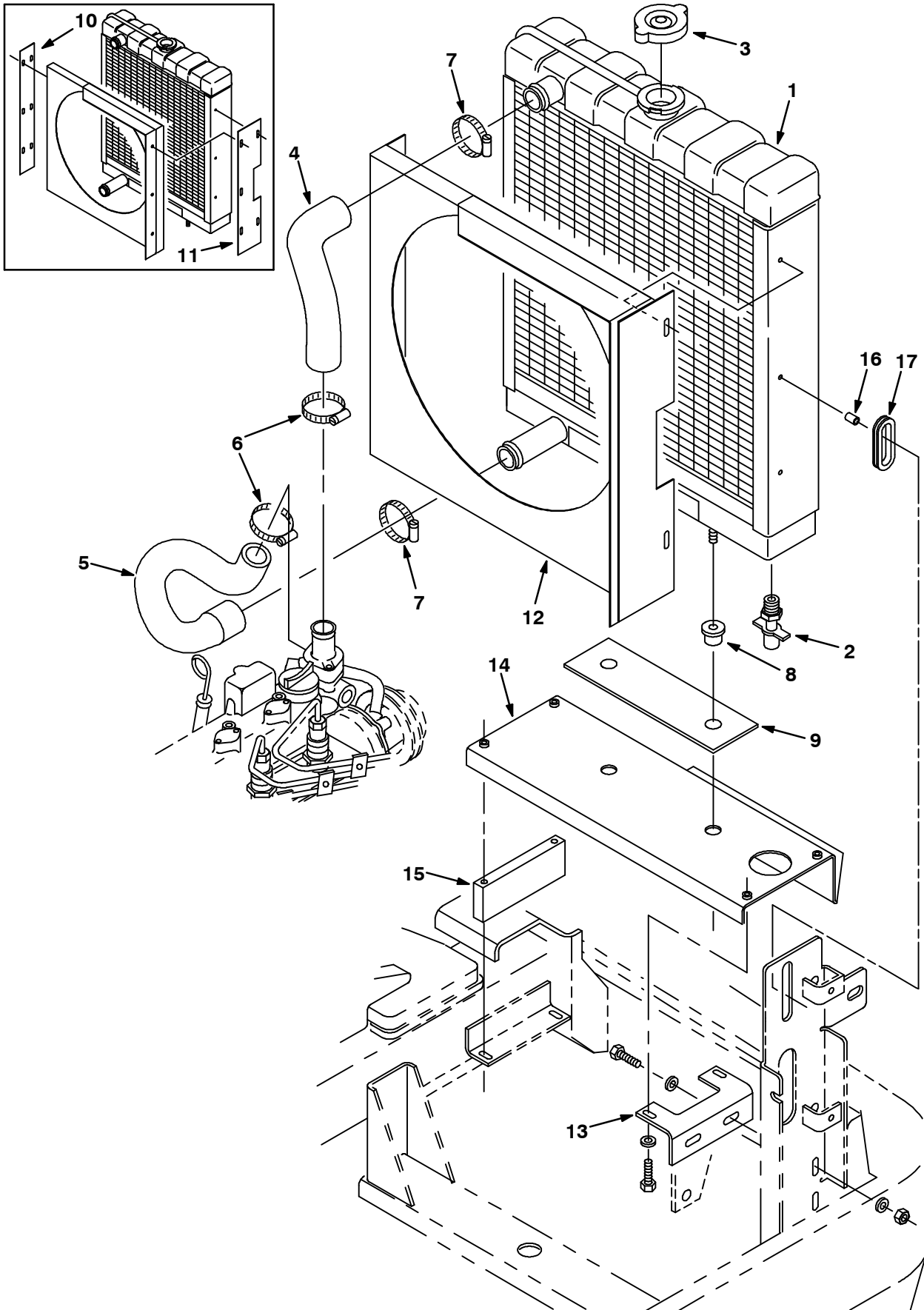


Fig. 23 - Radiator Group

Ref.	Tennant Part No.	Machine Serial Number	Description	Qty.
1	55225	(000000-	) Radiator	1
2	54911-32	(000000-	) Draincock,End.Block	1
3	31755	(000000-	) Cap, Radiator	1
4	55857	(000000-	) Hose, Radiator, Upper, Die	1
5	55858	(000000-	) Hose, Radiator, Lower, Die	1
6	11399	(000000-	) Clamp-Wormdrive, 0.81- 1.50D	2
7	11531	(000000-	) Clamp-Wormdrive, 1.06- 2.00D	2
8	54274	(000000-	) Isolator-Vibration,60 Lb.Ratng	2
9	59551	(000000-	) Plate, Filler	1
10	59878	(000000-xxxxxx	) Plate, Filler	1
11	59555	(000000-xxxxxx	) Plate, Sppt, Shroud	1
12	74395	(000000-	) Guard, Fan, W/Label, Die	1
13	72147	(000000-	) Bracket, Radiator Mount	1
14	59550	(000000-	) Channel, Mtg, Radiator	1
15	74401	(000000-	) Plate, Filler, Diesel	1
16	59881	(000000-	) Spacer	1
17	10632-13	(000000-	) Grommet,Rbr,1.50ld,For .19Matl	1

Fig. 24 - Battery Group

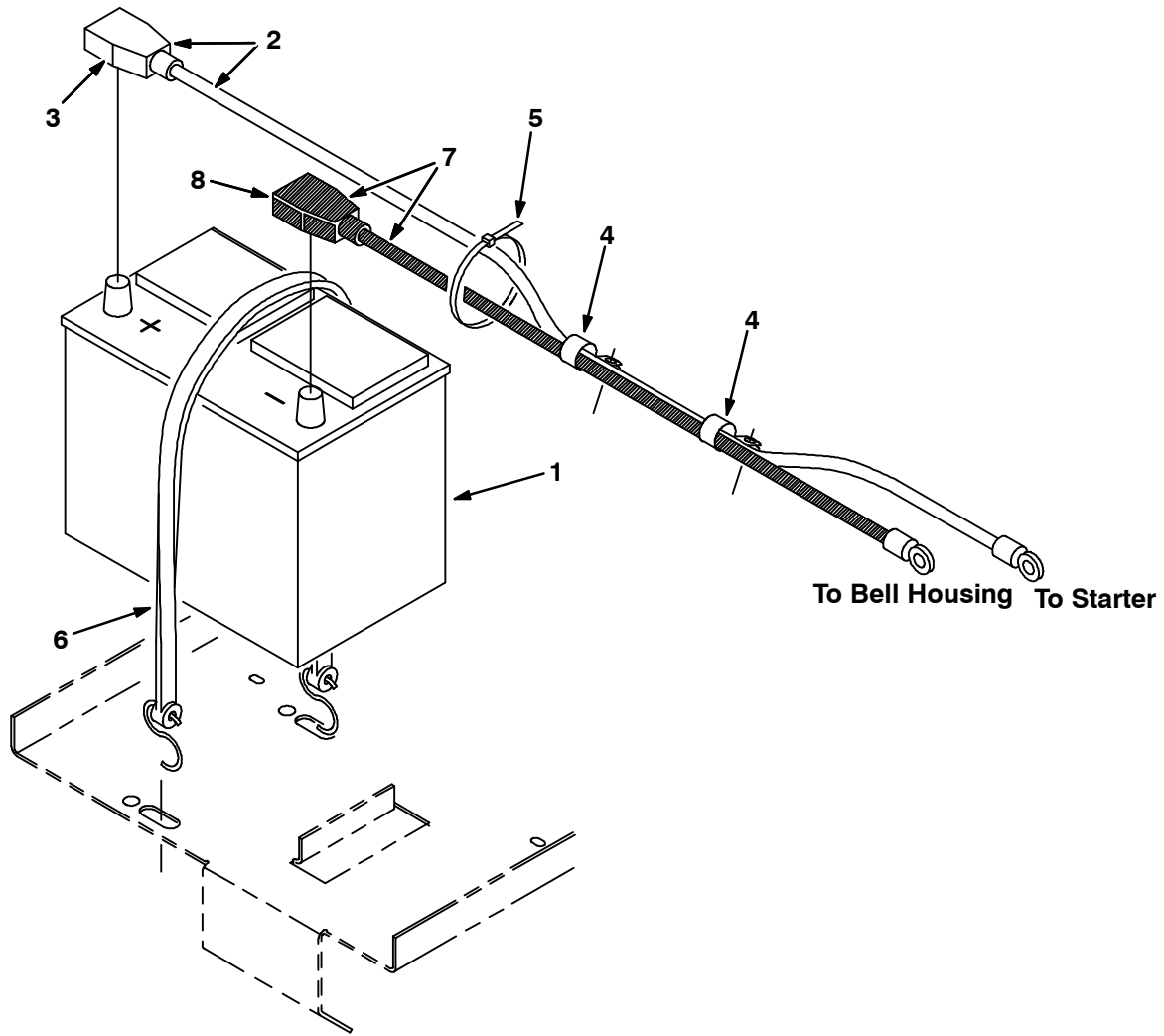


Fig. 24 - Battery Group

	Ref.	Tenant Part No.	Machine Serial Number	Description	Qty.
	1	10143	(000000-	) Battery, 12V, Cc Amps:600 Wet	1
▽	2	60292	(000000-	) Wire Assy, 66.0 Lg, 2 Ga, Pos	1
▲	3	68873	(000000-	) Boot, Batt. Term. 1-2 Ga Red	1
	4	67767	(000000-	) Clamp-Cable, .69Dia. .62Wth	2
	5	49266	(000000-	) Tie, Cable 1.75D Max 7.50Lg	2
	6	33671	(000000-	) Strap,Rubber Tie-Down	1
▽	7	60293	(000000-	) Wire Assy, 42.0 Lg, 2 Ga, Neg	1
▲	8	68872	(000000-	) Boot, Batt. Term. 1-2 Ga Black	1

Fig. 25 - Rear Drive Wheel Group

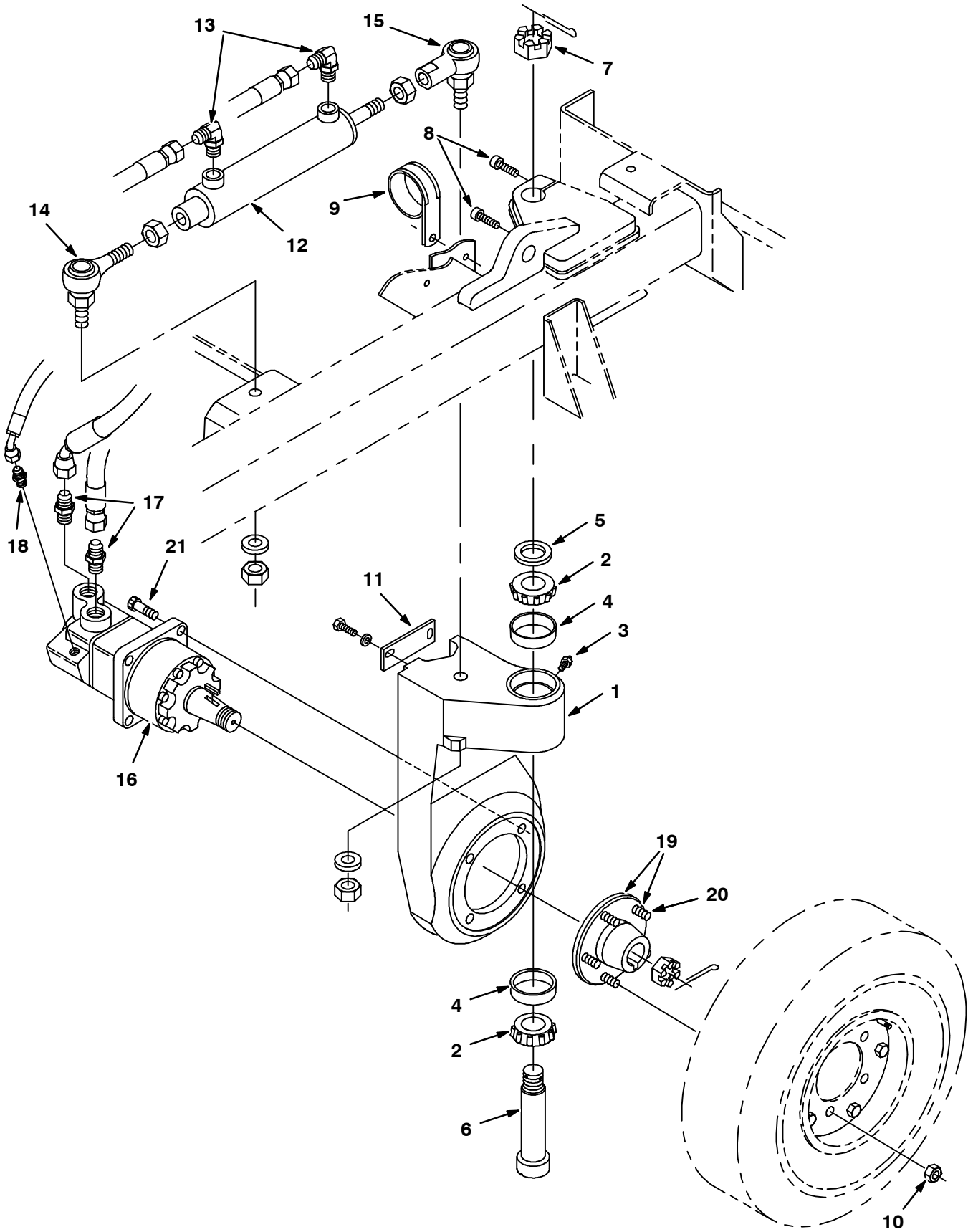


Fig. 25 - Rear Drive Wheel Group

Ref.	Tennant Part No.	Machine Serial Number	Description	Qty.	
1	53612	(000000-	) Housing, Sppt, Wheel	1	
2	51339	(000000-	) Bearing-Cone, 1.38Bore 0.71Wth	2	
3	47801	(000000-	) Ftg, Grease.25-28Th Strt .63L	1	
4	51338	(000000-	) Bearing-Cup , 2.56Dia 0.55Wth	2	
5	54051	(000000-	) Washer, Thrust	1	
6	54053	(000000-	) Pin, Wheel Support, Rear	1	
7	54052	(000000-	) Nut-Hxslot 1.12-18 Pltd	1	
8	39310	(000000-	) Scr Soc M10X1.5 40	2	
9	70157	(000000-	) Clamp-Cable, 2.50Dia 1.0Wth Ss	1	
10	24339	(000000-	) Nut-Wheel .50-20 60 Angle	5	
11	58842	(000000-	) Plate - Hose Support	1	
12	53601	(000000-	) Cylinder-Hyd (See Breakdowns)	1	
13	56820	(000000-	) Ftg-Hyd E90 Jm06/Om06	2	
14	63688	(000000-	) Balljoint, Rod End	1	
15	63689	(000000-	) Balljoint, Rod End	1	
16	59804	(000000-005697	) Motor-Hyd Gear (See Breakdowns) (Repl. by 378710)	1	
16	48663	(005698-005830	) Motor-Hyd Gear (See Breakdowns) (Repl. by 378710)	1	
16	74162	(005831-007305	) Motor-Hyd Gear (See Breakdowns) (Repl. by 378710)	1	
16	22604	(007306-	) Motor-Hyd Gear (See Breakdowns)	1	
17	42223	(000000-	) Ftg-Hyd Str Jm10/Om12	2	
18	55586	(000000-	) Ftg-Hyd Ste Jm04/Om04	1	
▽	19	54087	(000000-	) Hub & Stud Assy	1
▲	20	32126	(000000-	) Stud, Wheel .50-20 x 1.50	5
	21	19583	(000000-	) Scr Soc .50-13X1.50	4

Fig. 26 - Rear Wheel Assembly

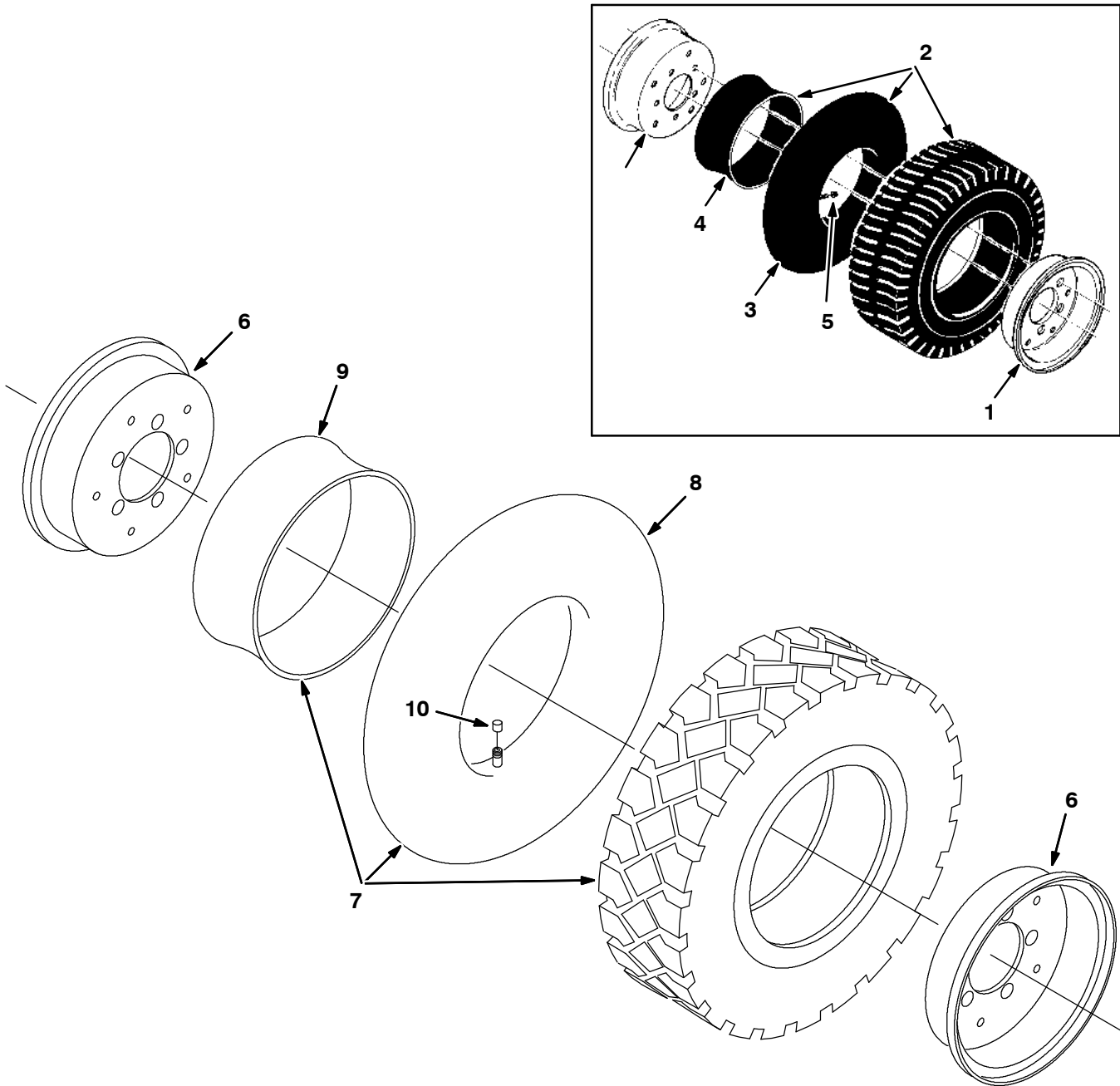
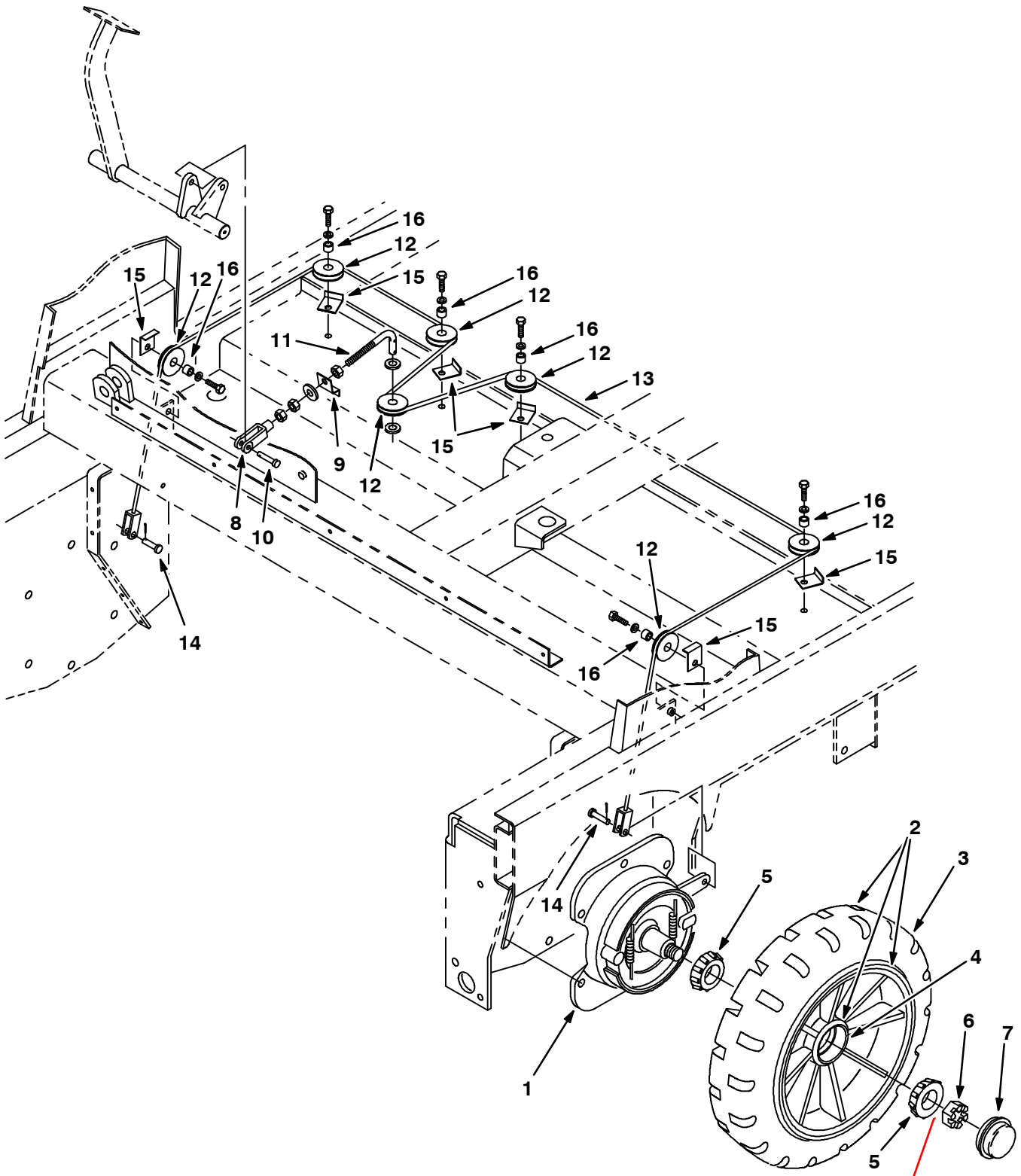




Fig. 26 - Rear Wheel Assembly

	Ref.	Tennant Part No.	Machine Serial Number	Description	Qty.
▽		53640	(000000-006534 )	Tire and Wheel Assembly (Repl. By 70287)	1
▲	1	53818	(000000-006534 )	Rim Assembly	1
▲▽	2	53819	(000000-006534 )	Tire, Tube and Flap Assembly	1
▲▲	3	53819-1	(000000-006534 )	Tube, Tire (Repl. By 70280)	1
▲▲	4	53819-2	(000000-006534 )	Flap, Tube	1
▲	5	45786	(000000-006534 )	Cap, Valve Stem	1
▽		70287	(006535-	) Tire & Rim Assy, 5.70/5.00R-8	1
▲	6	53818	(006535-	) Rim Assembly	1
▲▽	7	53819	(006535-	) Tire, Tube and Flap Assembly	1
▲▲	8	70280	(006535-	) Tube, Inner -5.00R-8, Js2 Valve	1
▲▲	9	53819-2	(006535-	) Flap, Tube	1
▲	10	45786	(006535-	) Cap, Valve Stem	1

Fig. 27 - Front Wheel and Brakes Group



32969 Washer

Fig. 27 - Front Wheel and Brakes Group

	Ref.	Tennant Part No.	Machine Serial Number	Description	Qty.
▽	1	54577	(000000-	) Brake Assy	2
▲		66211	(000000-	) Brake Shoes	2
▲▽		66213	(000000-	) Brake Repair Kit	1
▲▲		70161	(000000-	) Chrome Pltd Cam Shft	1
▲		70158	(000000-	) Return Spring-Brakes	2
▽	2	54437	(000000-	) Wheel Assy	2
▲	3	54567	(000000-	) Tire,18X5X12.12 Solid	1
▲	4	51338	(000000-	) Bearing-Cup , 2.56Dia 0.55Wth	2
	5	51339	(000000-	) Bearing-Cone, 1.38Bore 0.71Wth	4
	6	14242	(000000-	) Nut-Hxslot 1.00-20 Pltd	2
	7	54390	(000000-	) Cap, Hub	2
	8	54467	(000000-	) Clevis, Adjustable	1
	9	58288	(000000-	) Clip, Cable	1
	10	86240	(000000-	) Pin Clevis .375 Dia X 1.13 Lg	1
	11	54619	(000000-	) Rod, Brake	1
	12	74391	(000000-	) Pulley Assy - Cable, 1.5 Dia	7
	13	54617	(000000-	) Cable, Brake, Service	1
	14	09088	(000000-	) Pin,Clevis,0.37 Dia.X 1.00 Lg	2
	15	54400	(000000-	) Angle, Cable Keeper	6
	16	56624	(000000-	) Spacer, Pulley	6

Fig. 28 - Brake Lever and Pedal Group

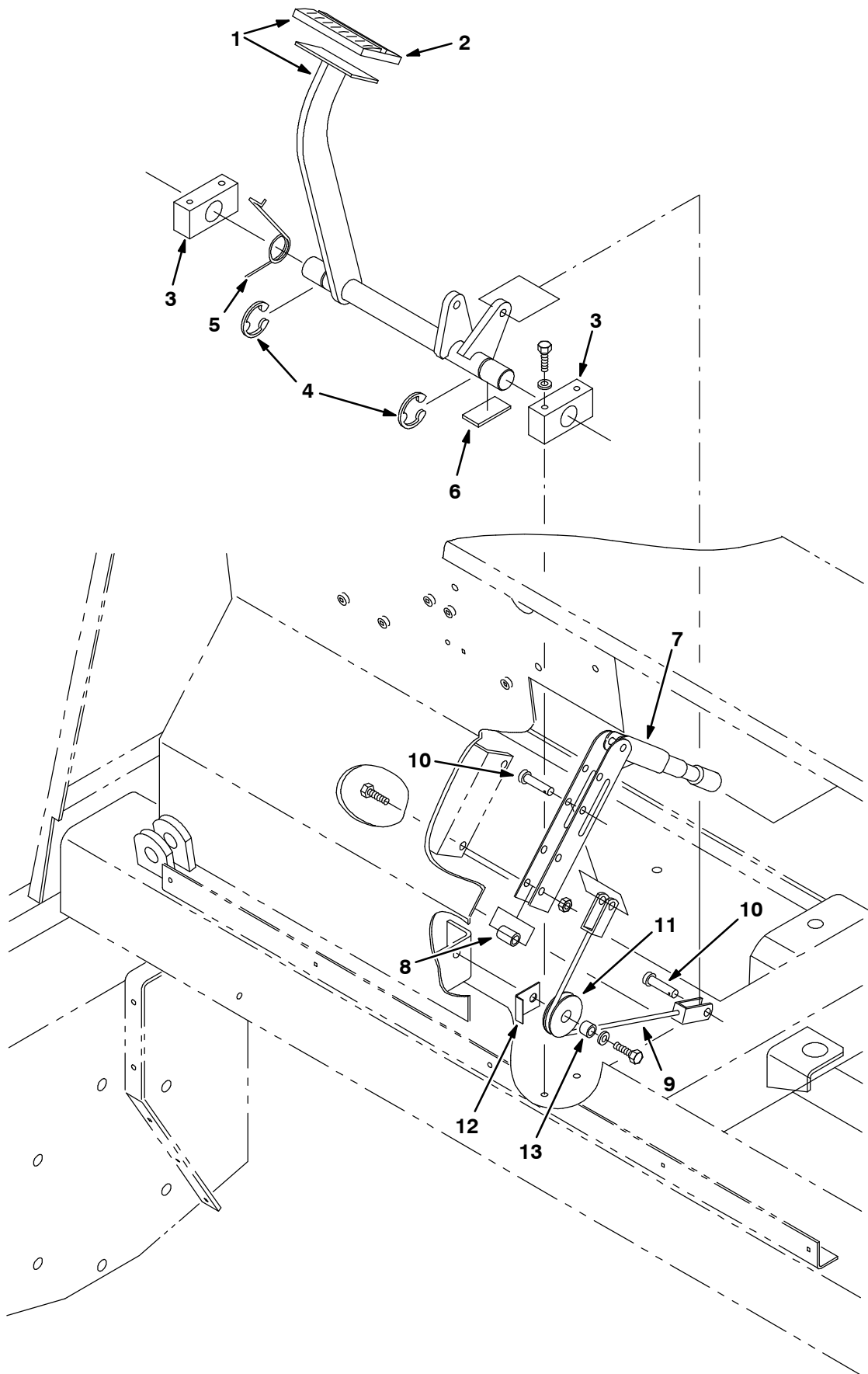


Fig. 28 - Brake Lever and Pedal Group

	Ref.	Tennant Part No.	Machine Serial Number	Description	Qty.
▽	1	72132	(000000-	) Shaft Wldt, Brake w/pad	1
▲	2	51109	(000000-	) Pad	1
	3	86751	(000000-	) Brg, Brake	2
	4	23788	(000000-	) Ring-Retain, Ex, 0.98OD, E-Ring	2
	5	54607	(000000-	) Spring, Torsion	1
	6	69933	(000000-	) Pad, Rubber	1
	7	51545	(000000-	) Lever, Brake	1
	8	51562	(000000-	) Sleeve, .344B .50D .81 Cr.Anc	2
	9	54616	(000000-	) Cable, Parking Brake	1
	10	86240	(000000-	) Pin Clevis .375 Dia X 1.13 Lg	2
	11	74391	(000000-	) Pulley Assy - Cable, 1.5 Dia	1
	12	54400	(000000-	) Angle, Cable Keeper	1
	13	56624	(000000-	) Spacer, Pulley	1

Fig. 29 - Directional Pedal Group

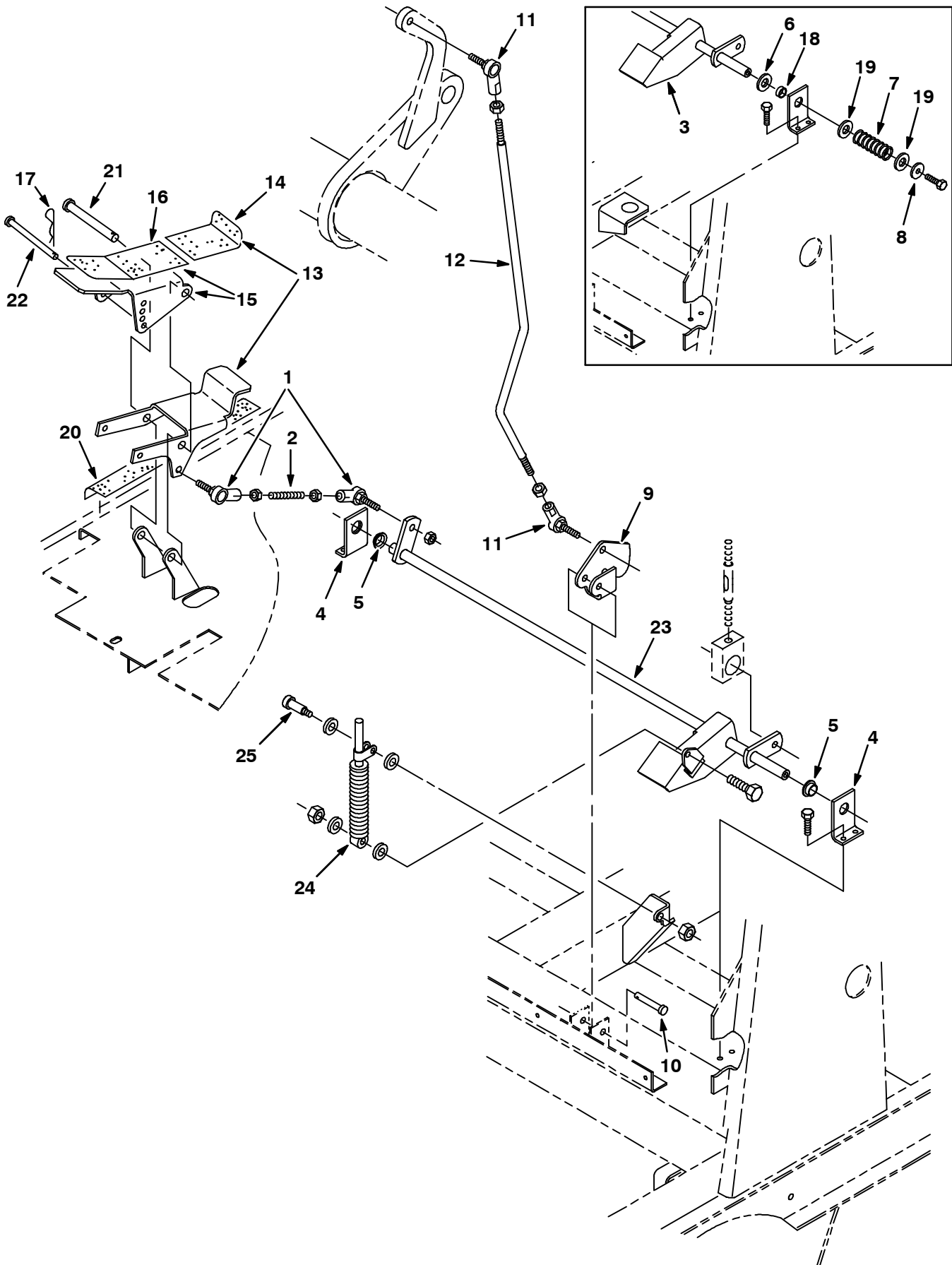


Fig. 29 - Directional Pedal Group

Ref.	Tennant Part No.	Machine Serial Number	Description	Qty.	
1	05686	(000000-	) Rod-End M10X1.5 W/Stud	2	
2	54996	(000000-	) Rod, Adjusting	1	
3	54800	(000000-005758	) Rod Wldt, Drive Linkage	1	
4	53927	(000000-	) Bracket Sppt, Control Rod	2	
5	04843	(000000-	) Bearing, Flange .625 Bore	2	
6	53782	(000000-005758	) Bearing, Thrust .62X1.25X.06	1	
7	39577	(000000-005758	) Sprng,Comp,0.62ldxf.l.Wire 3.0L	1	
8	46983	(000000-005758	) Sleeve, .391B 1.38D .19 Hr.Znc	1	
9	53954	(000000-	) Bracket, Speed Limiter	1	
10	51813	(000000-	) Pin,Clevis,0.37 Dia.X 2.12 Lg	1	
11	05686	(000000-	) Rod-End M10X1.5 W/Stud	2	
12	374520	(000000-	) Rod, Speed Limiter, Adjusting, Rh	1	
▽	13	72130	(000000-	) Pedal, Propel,Adjustable,Lower w/tread	1
▲	14	75430	(000000-	) Pad, Tread	1
▽	15	72131	(000000-	) Pedal, Propel,Adjustable,Upper w/tread	1
▲	16	75430	(000000-	) Pad, Tread	1
	17	44906	(000000-	) Pin, Hair Cotter	1
	18	69962	(000000-005758	) Bearing, Journal	1
	19	69954	(000000-005758	) Bearing, Thrust	2
	20	75430	(000000-	) Pad, Tread	1
	21	59668	(000000-	) Pin, Clevis .50 Dia X 4.50 Lg	1
	22	59672	(000000-	) Pin, Clevis .31 Dia X 4.50 Lg	1
	23	74475	(005759-	) Rod Weldt, Drive Linkage	1
	24	73411	(005759-	) Shock Absorber	1
	25	16213	(005759-	) Scr-Shld .312Dx1.00L .25-20	1

Fig. 30 - Hydraulic Pump Linkage Group

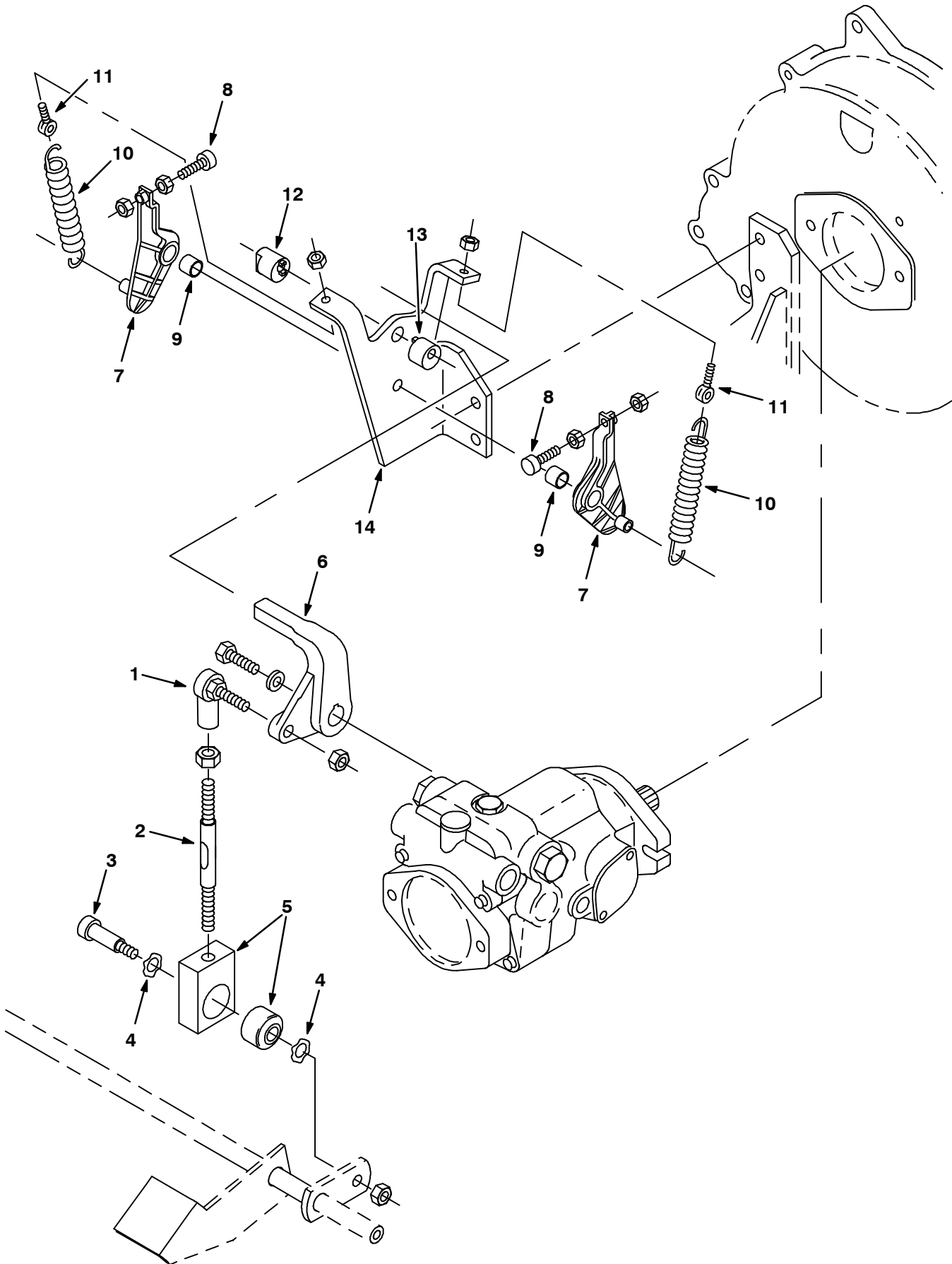




Fig. 30 - Hydraulic Pump Linkage Group

Ref.	Tennant Part No.	Machine Serial Number	Description	Qty.
1	05686	(000000-	) Rod-End M10X1.5 W/Stud	1
2	54015	(000000-	) Rod, Adjusting	1
3	86791	(000000-	) Scr-Shld .500Dx1.25L .38-16	1
4	52508	(000000-	) Washer-Wavy Spring,#Ww-381-&-8	2
5	54997	(000000-	) Bracket Assy, Isolator	1
6	54999	(000000-	) Arm, Control, Pintle	1
7	53953	(000000-	) Arm	2
8	54205	(000000-	) Bumper, Threaded	2
9	63234	(000000-	) Sleeve, Bearing	2
10	11842	(000000-	) Sprng,Tens,0.75Odx.12Wire 3.4L	2
11	48079	(000000-	) Bolt-Eye, .25-20Th .25B 1.4L	2
12	53947	(000000-	) Cam	1
13	54655	(000000-	) Cam	1
14	53950	(000000-	) Bracket, Propel	1

Fig. 31 - Hopper and Dump Door Group

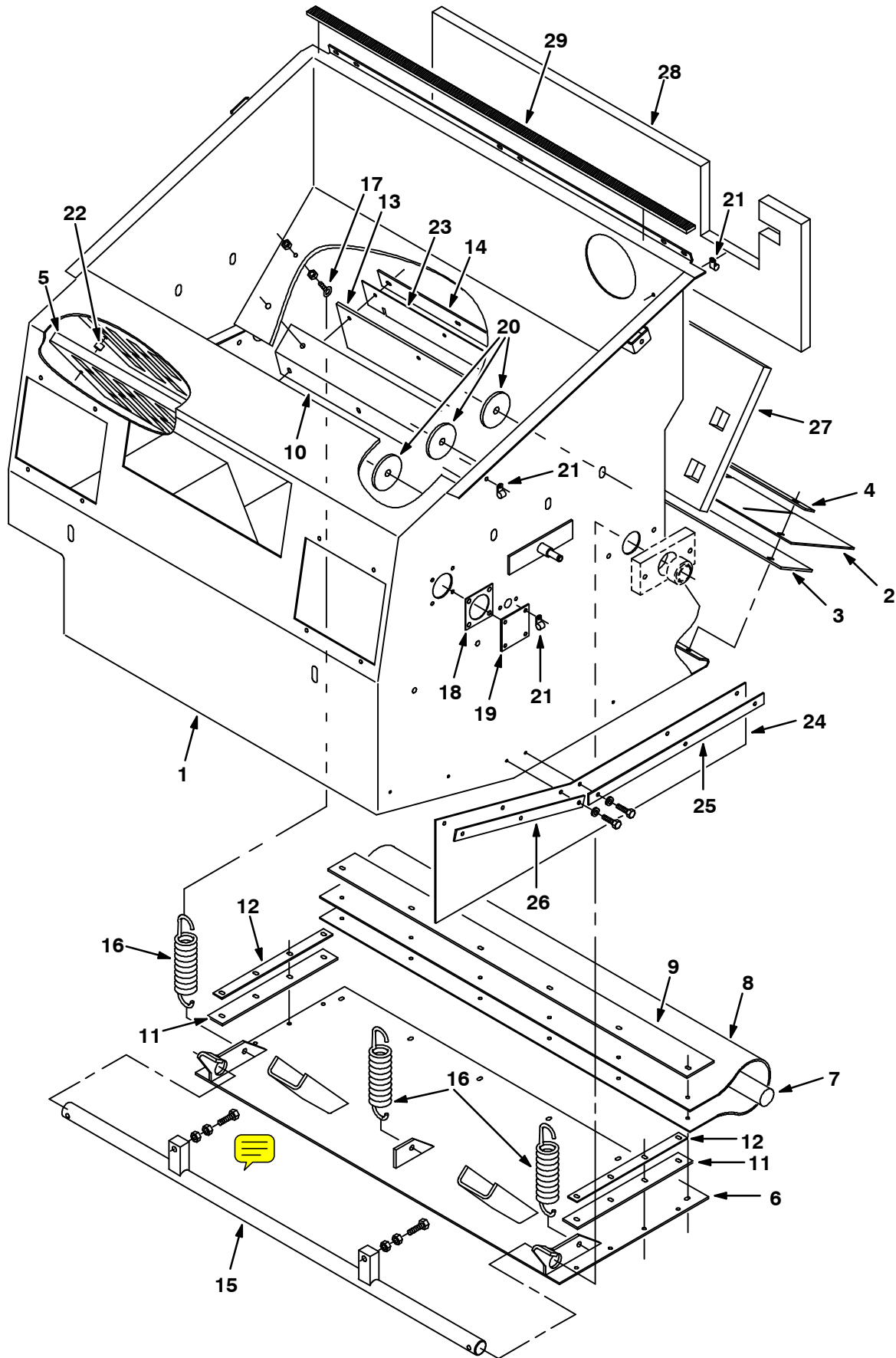


Fig. 31 - Hopper and Dump Door Group

Ref.	Tennant Part No.	Machine Serial Number	Description	Qty.
1	55870	(000000-005440 )	Hopper Wldt	1
1	74314	(005441-	Hopper Wldt	1
2	59680	(000000-	Skirt, Lip	1
3	59681	(000000-	Skirt, Lip	1
4	55890	(000000-	Strap, Main Lip	1
5	55021	(000000-	Panel, Perma-Filter	1
6	374507	(000000-	Door Wldt, Dump	1
7	55864	(000000-	Cord, Sponge	1
8	59685	(000000-	Seal, Door, Dump	1
9	59686	(000000-	Strap, Door, Dump	1
10	55879	(000000-	Angle, Hopper	1
11	59687	(000000-	Seal, Door, Dump, Side	2
12	59688	(000000-	Strap, Door, Dump, Side	2
13	58103	(000000-	Seal, Door, Hopper	1
14	55884	(000000-	Strap	1
15	55889	(000000-	Rod Wldt, Pivot	1
16	55892	(000000-	Spring, Tension	3
17	11893	(000000-	Bolt-Eye, .25-20Zinc.56D 2.00L	3
18	55965	(000000-	Seal, Vac Wand	1
19	59189	(000000-	Plate	1
20	72159	(000000-	Plate, Lift Arm	6
21	40678	(000000-	Clamp, Cable .44D .62Wide	3
22	82483	(000000-	Tube,Spacer,.41Dx.32Bx1.OI	2
23	59105	(000000-	Seal, Door, Hopper	1
24	54089	(000000-	Skirt, Side, Sbdc, Lh	1
25	54013	(000000-	Plate, Retainer, Lh	1
26	54014	(000000-	Plate, Retainer, Front, Lh	1
27	59814	(000000-	Insulation, Acoustic, Hopper	1
28	59821	(000000-	Insulation, Acoustic, Hopper	1
29	72071	(000000-	Seal, Foam Rubber	1

Fig. 32 - Hopper Cylinder and Dust Door Group

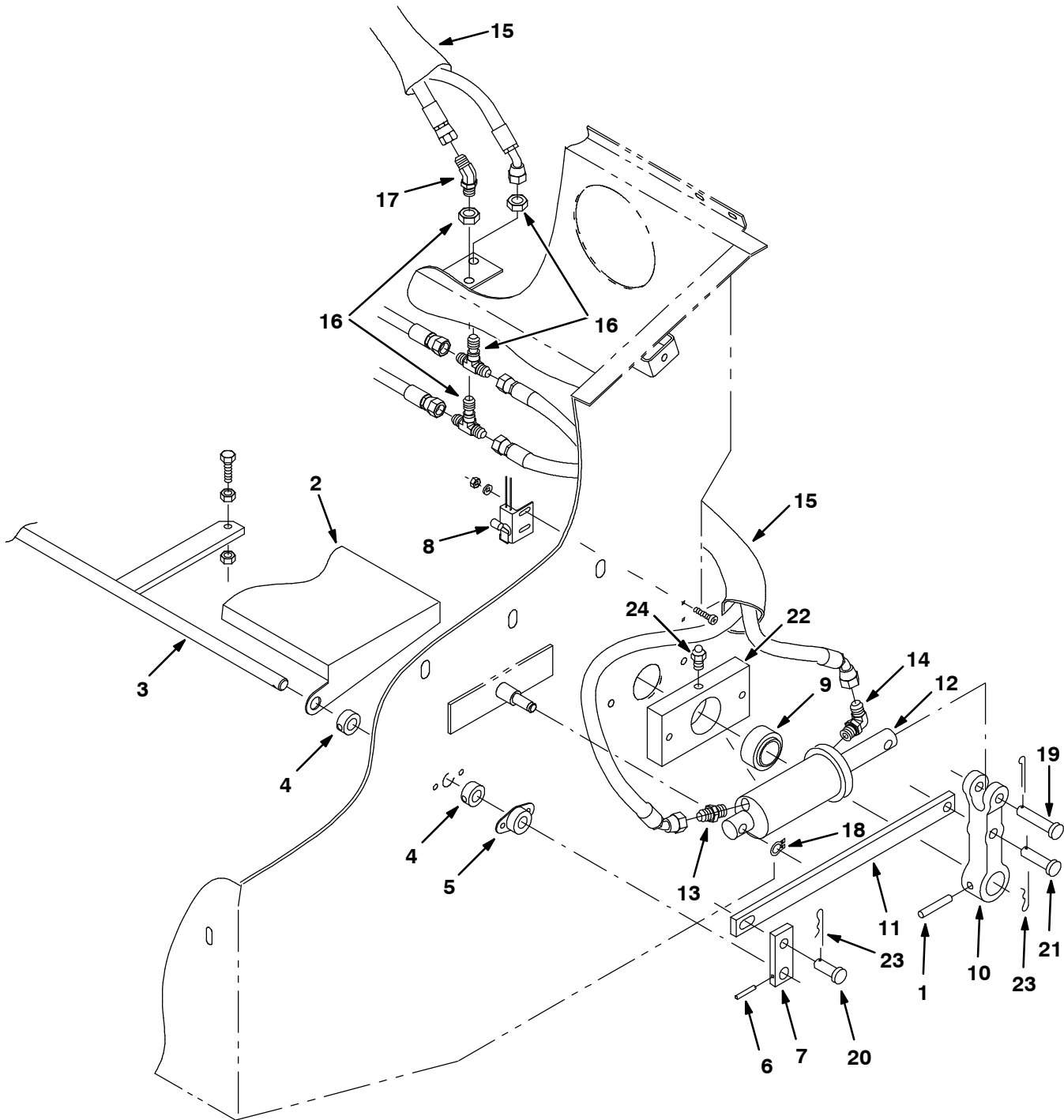


Fig. 32 - Hopper Cylinder and Dust Door Group

Ref.	Tennant Part No.	Machine Serial Number	Description	Qty.
1	51317	(000000-	) Pin,Roll,.38Odx2.00L,.375/.382	2
2	53910	(000000-	) Door, Dust	1
3	53915	(000000-	) Rod Wldt	1
4	34725	(000000-	) Collar, Locking	4
5	34096	(000000-	) Bearing-Flange,2 Hole .625Bore	2
6	26103	(000000-	) Pin,Roll,.18Odx1.25L,.187/.192	2
7	59966	(000000-	) Bar, Link	2
8	59965	(000000-	) Switch Assy, Roller	1
9	42120-1	(000000-	) Bearing-Self Align 1.250 Bore	2
10	78787	(000000-	) Yoke, Pivot, Machining	2
11	55893	(000000-	) Bar, Link	2
12	54096	(000000-	) Cylinder-Hyd,2.0X 4.0Da2500Psi	2
13	55586	(000000-	) Ftg-Hyd Str Jm04/Om04	2
14	77097	(000000-	) Ftg-Hyd E90 Jm04/Om04	2
15	87677	(000000-	) Sleeve-Nyln #20 20.0L	3
16	34392	(000000-	) Ftg-Hyd Tee Jm04Jmbjm	2
17	68441	(000000-	) Ftg-Hyd E45 Jm04/Jf04	1
18	23524	(000000-	) Ring,Retain,Ex,0.50Od,Selflock	2
19	11211	(000000-	) Pin,Clevis,0.50 Dia.X 2.25 Lg	2
20	58078	(000000-	) Pin,Clevis,0.50 Dia.X 1.25 Lg	2
21	51534	(000000-	) Pin,Clevis,0.50 Dia.X 2.00 Lg	2
22	55914	(000000-	) Hub, Pivot	2
23	44906	(000000-	) Pin,Hair Cotter #Lhcot-2,Leitk	4
24	47801	(000000-	) Ftg, Grease .25-28Th Strt .63L	2

Fig. 33 - Hopper Hood and Bumper Group

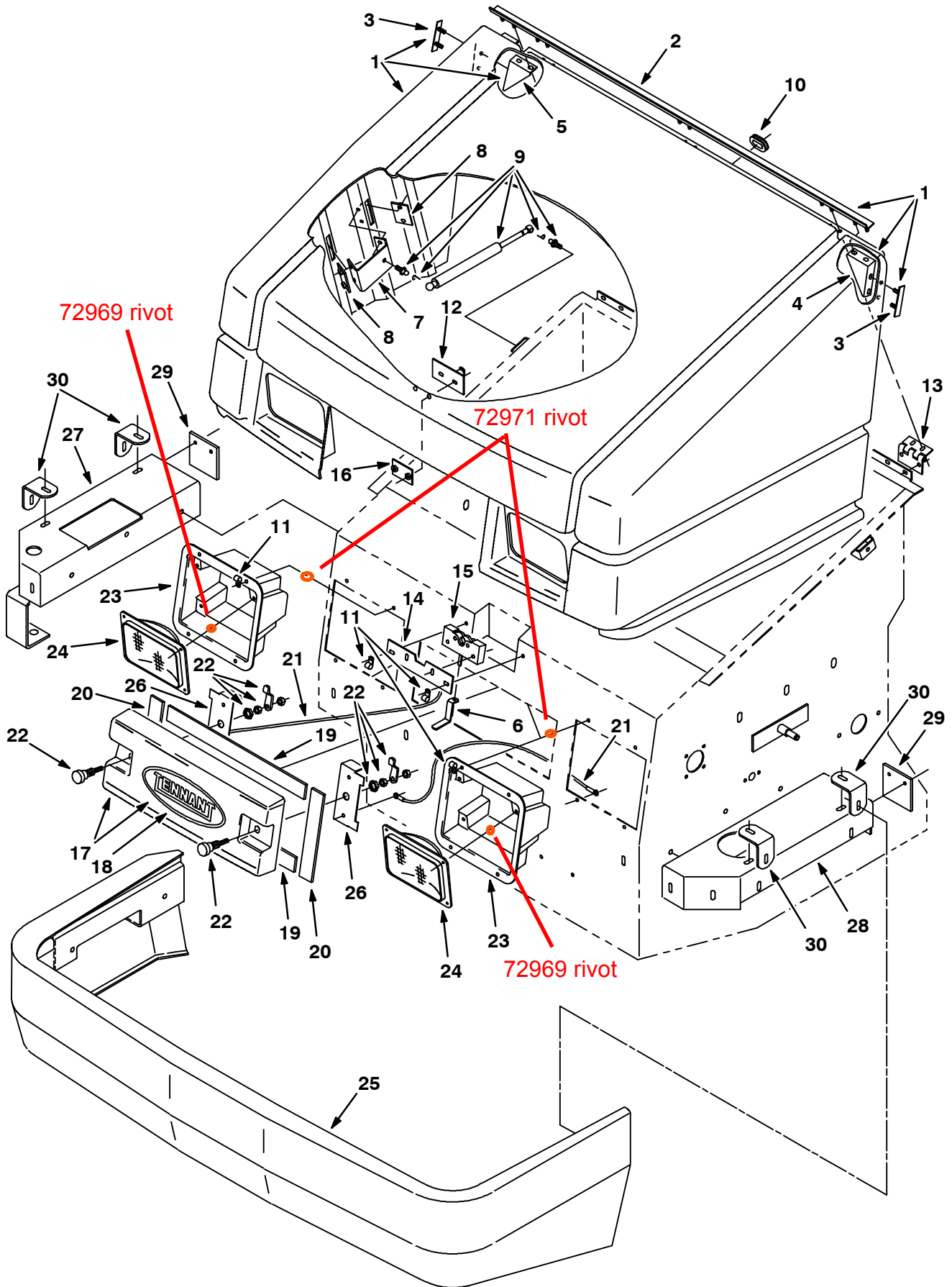


Fig. 33 - Hopper Hood and Bumper Group

	Ref.	Tennant Part No.	Machine Serial Number	Description	Qty.
▽	1	55805	(000000-005440 )	Cover Assy, Hopper (Repl. By 84570)	1
▲	2	59442	(000000-005440 )	Strip, Mtg, Hinge	1
▲	3	59738	(000000-005440 )	Strip, Mtg, Gusset	2
▲	4	59737	(000000-005440 )	Bracket, Gusset, Corner, Lh	1
▲	5	59739	(000000-005440 )	Bracket, Gusset, Corner, Rh	1
	6	58771	(000000-005440 )	Handle, Latch	1
	7	55806	(000000-005440 )	Bracket, Mtg, Spring	2
	8	55797	(000000-005440 )	Plate, Backing	4
	9	69902	(000000-005440 )	Spring Kit, Hopper Cover	2
	10	10632-1	(000000-005440 )	Grommet, Rbr, For .19Matl 1.06 ID	1
	11	40678	(000000-005440 )	Clamp, Cable .44D .62Wide	4
	12	55800	(000000-005440 )	Plate Wldt, Strike	1
	13	58500	(000000-005440 )	Hinge, Cover, Hopper	3
	14	59016	(000000-005440 )	Plate, Latch	1
	15	55809	(000000-005440 )	Latch, Cover	1
	16	55797	(000000-005440 )	Plate, Backing	1
▽	17	69901	(000000-005440 )	Door, Access w/label	1
▲	18	17200	(000000-005440 )	Label, Tennant Logo-10.0 Blue	1
	19	59682	(000000-005440 )	Seal, Rbr, .25 X 1.50 X 17.5	2
	20	59683	(000000-005440 )	Seal, Rbr, .25 X 1.50 X 9.0	2
	21	57702	(000000-005440 )	Cable, Door, Access	2
	22	87337	(000000-005440 )	Latch, Door	2
	23	59004	(000000-005440 )	Housing, Headlight	2
	24	58524	(000000-005440 )	Headlight, 12V.Rect.	2
	25	59723	(000000-005440 )	Bumper Wldt, Front	1
	26	59674	(000000-005440 )	Bracket, Door	2
	27	55958	(000000-005440 )	Channel Wldt, Rh	1
	28	55956	(000000-005440 )	Channel Wldt, Lh	1
	29	59448	(000000-005440 )	Skirt, Bumper Stop	2
	30	59845	(000000-005440 )	Bracket, Bumper	4

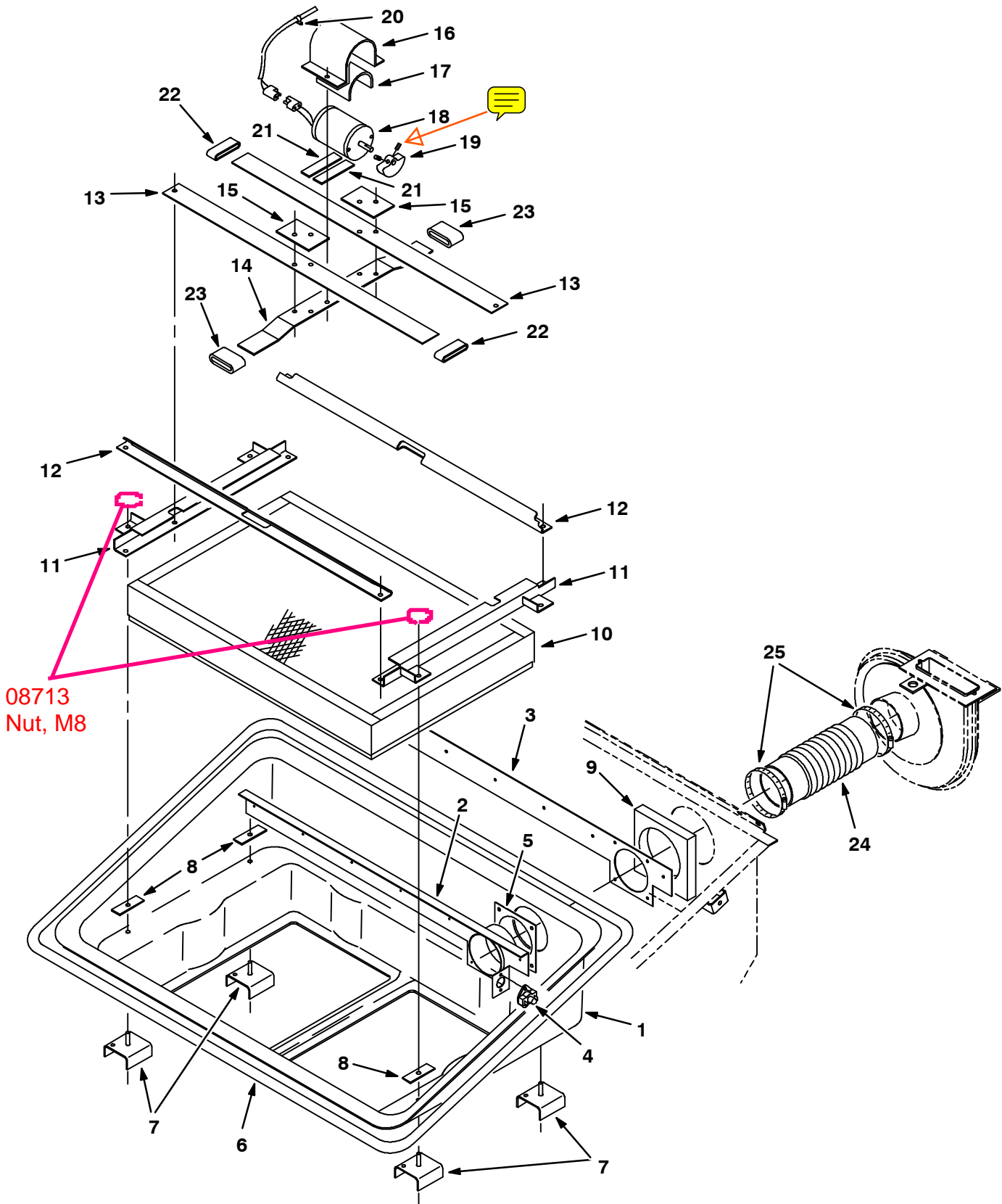




Fig. 34 - Hopper Hood and Bumper Group

	Ref.	Tennant Part No.	Machine Serial Number	Description	Qty.
▽	1	74310	(005441-	) Cover, Hopper	1
▲	2	59442	(005441-	) Strip, Mtg, Hinge	1
▲	3	59738	(005441-	) Strip, Mtg, Gusset	2
▲	4	59737	(005441-	) Bracket, Gusset, Corner, Lh	1
▲	5	59739	(005441-	) Bracket, Gusset, Corner, Rh	1
	6	17200	(005441-	) Label, Tennant Logo- 10.0 Blue	1
	7	70185	(006045-	) Bracket Wldt, Hpr Cvr Sprng	2
	8	70178	(006045-	) Plate Wldt, Sprngbrkt Backing	4
	9	64535	(005441-	) Spring-Gas 120Lb 7.1 Stroke	2
	10	64595	(005441-	) Clip Safety	4
	11	58494	(005441-	) Stud, Ball, Gas Spring	4
	12	10632-1	(005441-	) Grommet,Rbr,1.06ld,For .19Matl	1
	13	58500	(005441-	) Hinge, Coverhopper	3
	14	59004	(005441-	) Housing, Headlight	2
	15	58524	(005441-	) Headlight, 12V.Rect.	2
	16	72065	(005441-	) Bumper Wldt, Front	1
	17	59448	(005441-	) Skirt,Bumperstop	2
	18	74409	(005441-	) Seal, Bulb 50.0Lg	1
	19	62595-6	(005441-	) Molding, Trim 11-14Ga 7.50	1
	20	86331	(005441-	) Duct, Vinyl .40X.75X16.0 .25D	2
	21	74352	(005441-	) Cable, Cover, Safety	1
	22	74353	(005441-	) Spring, Tension	1
	23	72971	(005441-	) Rivet, Plastic .325D x .787	8
	24	72969	(005441-	) Rivet, Plastic .181D x .720	8
	25	70182	(005441-006044	) Replm Kit, Hpr Cvr Sprng Brkt	1
	26	70193	(005441-	) Bracket, Cable Spring	1

Fig. 35 - Filter Box Group



08713  
Nut, M8

Fig. 35 - Filter Box Group

Ref.	Tennant Part No.	Machine Serial Number	Description	Qty.
1	74434	(000000-	) Tray, Filter Carrier	1
2	59399	(000000-	) Bracket Wldt	1
3	59693	(000000-	) Plate, Tray, Filter	1
4	02712	(000000-	) Thermostat Assembly, 140 Deg	1
5	59844	(000000-	) Seal, Tube, Dust	1
6	79425	(000000-	) Seal, Bulb 140.0 Lg	1
7	55916	(000000-	) Plate	4
8	56610	(000000-	) Plate	4
9	55902	(000000-	) Foam, Acoustic, Hopper	1
10	12962	(000000-	) Filter Pkg, Panel, 94 Pleats	1
11	59545	(000000-	) Bracket Wldt, Filter	2
12	53786	(000000-	) Bracket, Filter	2
13	58482	(000000-	) Spring, Shaker	2
14	58483	(000000-	) Bar, Shaker	1
15	82475	(000000-	) Bar, Spring, Shaker	2
16	36666	(000000-	) Strap, Motor, Shaker	1
17	36658	(000000-	) Bar-Flt .06T 4.00W 5.00L,Rbr	1
18	54121	(000000-	) Motor, Ele Shaker 12V	1
19	55130	(000000-	) Weight, Eccentric	1
20	46236	(000000-	) Clamp-Cable, 0.25Dia 0.56Wth	1
21	36661	(000000-	) Bar-Flt .06T 1.00W 4.00L,Rbr	2
22	36663	(000000-	) Sleeve,1.12B 1.38D1.00 Rubber	2
23	36665	(000000-	) Sleeve,1.12B 1.62D1.50 Rubber	2
24	44255	(000000-	) Hose Flex, 4.0ld X 21.5Lg	1
25	23498	(000000-	) Clamp-Wormdrive, 3.56- 4.50D	2

Fig. 36 - Hopper Lift Arms Group

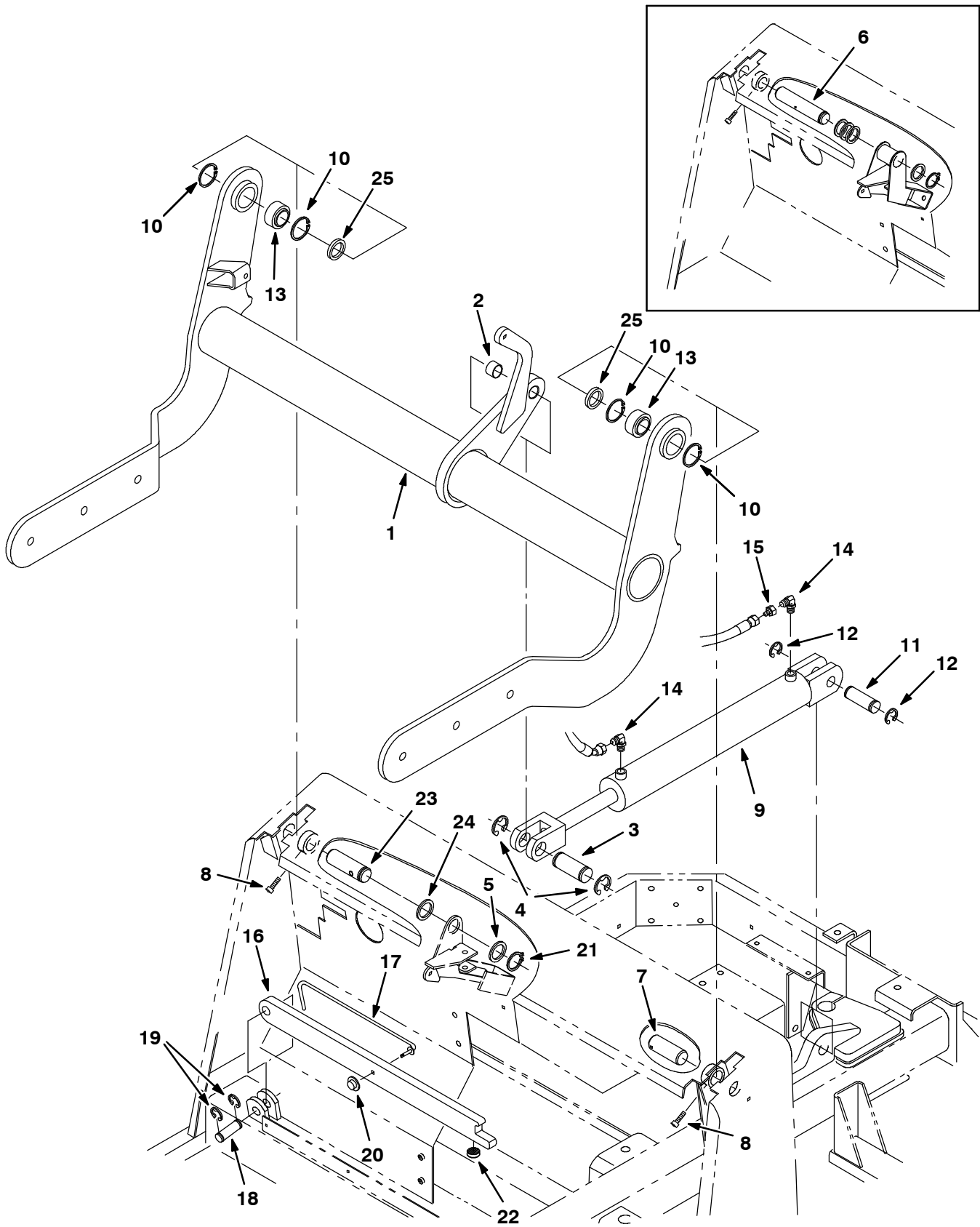


Fig. 36 - Hopper Lift Arms Group

Ref.	Tennant Part No.	Machine Serial Number	Description	Qty.
1	59825	(000000-	) Arm Assy, Hopper w/label	1
▽	69908	(000000-	) Pin Assy, Clevis, Hopper Lift	1
▲	2 59866	(000000-	) Bearing, Journal 1.25 ldx1.0Lg	1
▲	3 59867	(000000-	) Pin, Grooved	1
▲	4 59861	(000000-	) Ring, Retaining, Ext, 1.25 Dia	2
5	54079	(000000-	) Washer, 1.281B 1.75D .08Cr Znc	1
6	55462	(000000-006114	) Pin, Rh	1
7	55463	(000000-	) Pin, Lh	1
8	39308	(000000-	) Scr Soc M 8X1.25 25	2
9	74419	(000000-	) Cylinder-Hyd (See Breakdowns)	1
10	59542	(000000-	) Ring, Retaining, Intl, 2.00Dia	4
11	59380	(000000-	) Pin-Grvd, 1.00D 3.0L2/ 2.71Btwn	1
12	23788	(000000-	) Ring, Retain, Ex, 0.98Od, E-Ring	2
13	42120-1	(000000-	) Bearing-Self Align 1.250 Bore	2
14	77097	(000000-	) Ftg-Hyd E90 Jm04/Om04	2
15	16455	(000000-	) Ftg-Hyd Rst Jm04/.047	1
16	59827	(000000-	) Arm Assy, Safety w/label	1
17	58645	(000000-	) Handle, Safety Arm	1
18	59842	(000000-	) Pin, Arm, Safety	1
19	59840	(000000-	) Ring, Retaining, Ext, .75 Dia	2
20	59849	(000000-	) Nut, Retainer R/.312 Dia	1
21	58359	(000000-	) Retaining Ring-External, 1.25D	1
22	16786	(000000-	) Bumper, Safety Arm	1
23	74358	(006115-	) Pin, Rh	1
24	47719	(000000-	) Washer, 1.255B 1.75Od .12Hrs	1
25	70272	(000000-	) Washer, 1.281B 1.75Od .31Hrznc	2
25	70271	(000000-	) Washer, 1.281B 1.75Od .25Hrznc	2

Fig. 37 - Side Brush Motor and Pivot Group

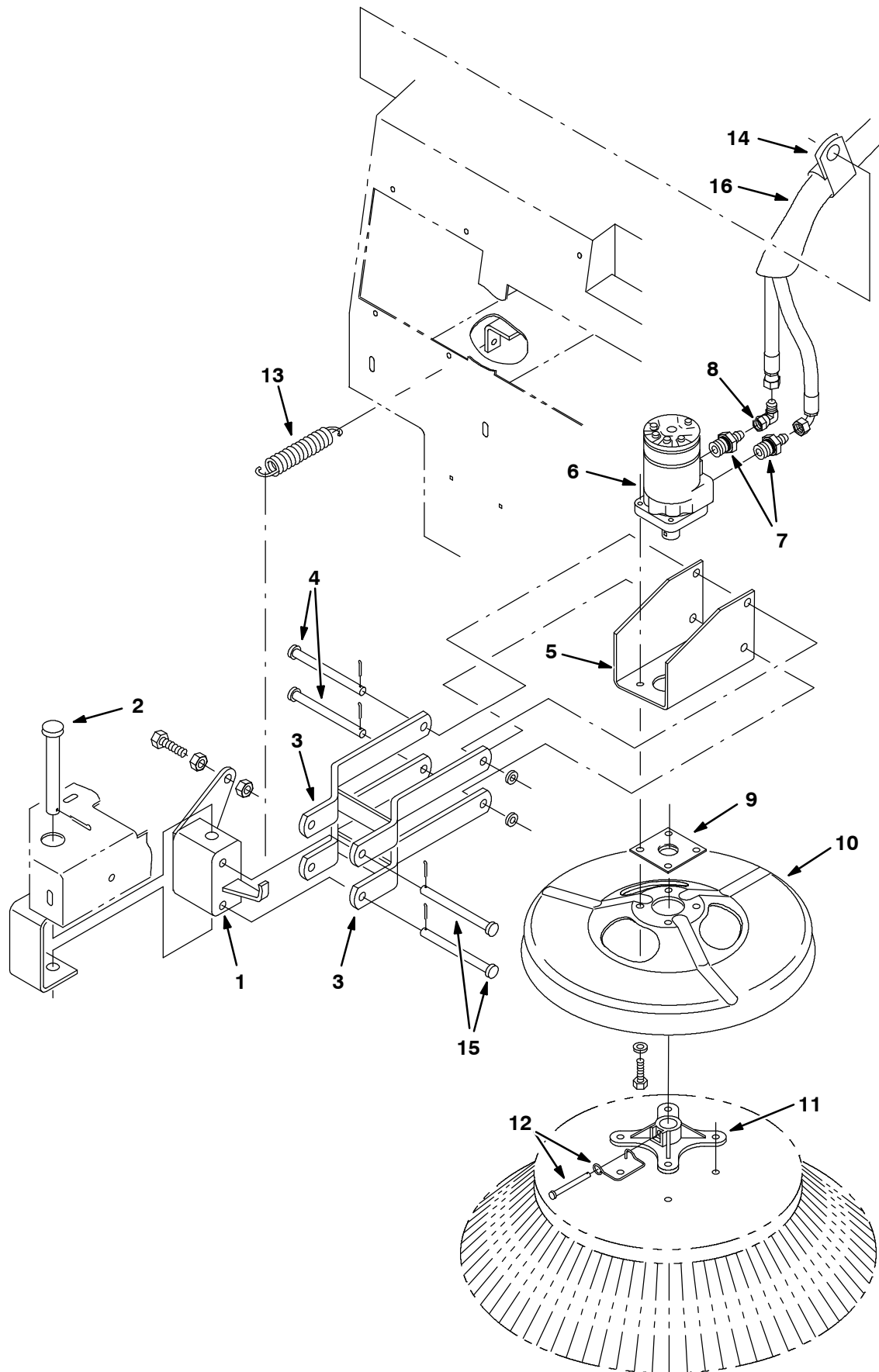


Fig. 37 - Side Brush Motor and Pivot Group

Ref.	Tennant Part No.	Machine Serial Number	Description	Qty.
1	54050	(000000-	) Pivot Assy, S Br	1
2	54660	(000000-	) Pin, Clevis .75 Dia X 5.5 Lg	1
3	53965	(000000-	) Arm Assy, Lift	2
4	51225	(000000-	) Pin,Clevis,0.50 Dia.X 5.50 Lg	2
5	71540	(000000-	) Bracket, Motor	1
6	53435	(000000-	) Motor-Hyd Gear (See Breakdowns)	1
7	47508	(000000-	) Ftg-Hyd Str Jm06/Om10	2
8	47504	(000000-	) Ftg-Hyd E90 Jm06/Jf06	1
9	16082	(000000-	) Guard, String, Brush Motor	1
10	53984	(000000-	) Guard, Brush	1
11	47501	(000000-	) Hub, Brush Adaptor, 1.00B	1
12	84581	(000000-	) Pin Assy, Side Brush W/Clip	1
13	47745	(000000-	) Sprng,Tens,1.12Odx.14Wire 6.3L	1
14	53466	(000000-	) Clamp, Hose	2
15	51538	(000000-	) Pin,Clevis,0.50 Dia.X 5.00 Lg	2
16	75028	(000000-	) Sleeve-Nyln #20 65.0L	1

Fig. 38 - Side Brush Lift Group

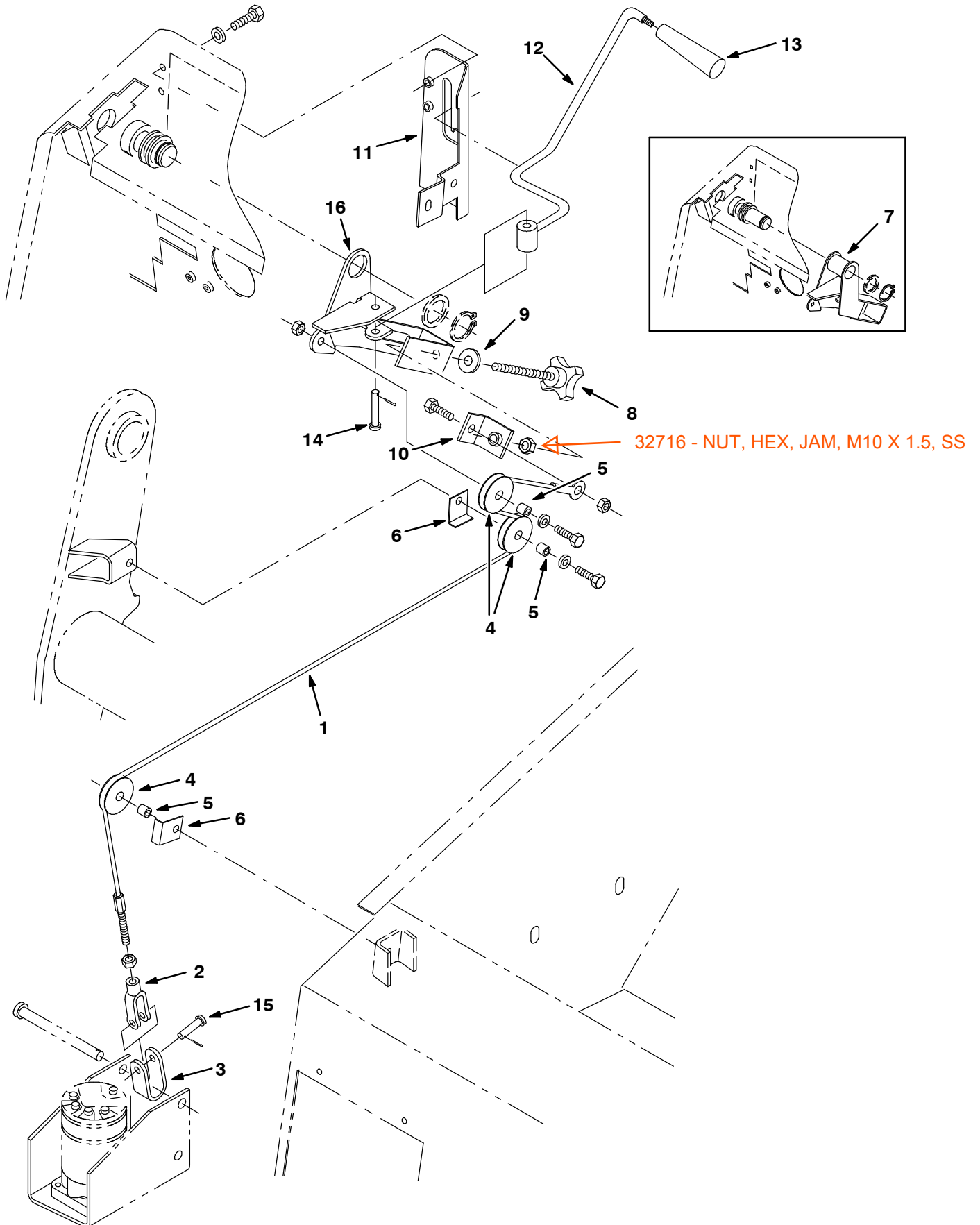




Fig. 38 - Side Brush Lift Group

Ref.	Tennant Part No.	Machine Serial Number	Description	Qty.
1	54934	(000000-	) Cable, Lift, S Br	1
2	12267	(000000-	) Yoke,End-Adjustable	1
3	59899	(000000-	) Bracket, Side Brush	1
4	74391	(000000-	) Pulley Assy - Cable, 1.5 Dia	3
5	56624	(000000-	) Spacer, Pulley	3
6	54400	(000000-	) Angle, Cable Keeper	2
7	22169	(000000-006114	) Replm Kit, S Br Pivot	1
8	54848	(000000-	) Knob, Adjusting	1
9	52296	(000000-	) Washer, .405B .81D .06Nylon	1
10	56662	(000000-	) Bracket	1
11	58872	(000000-	) Panel, Support	1
12	56641	(000000-	) Lever Wldt, S Br	1
13	54995	(000000-	) Knob, Tapered	1
14	29584	(000000-	) Pin,Clevis,0.37 Dia.X 2.00 Lg	1
15	29558	(000000-	) Pin,Clevis,0.37 Dia.X 1.50 Lg	1
16	74355	(006115-	) Bracket Wldt, S Br	1

Fig. 39 - Main Brush Lift Group

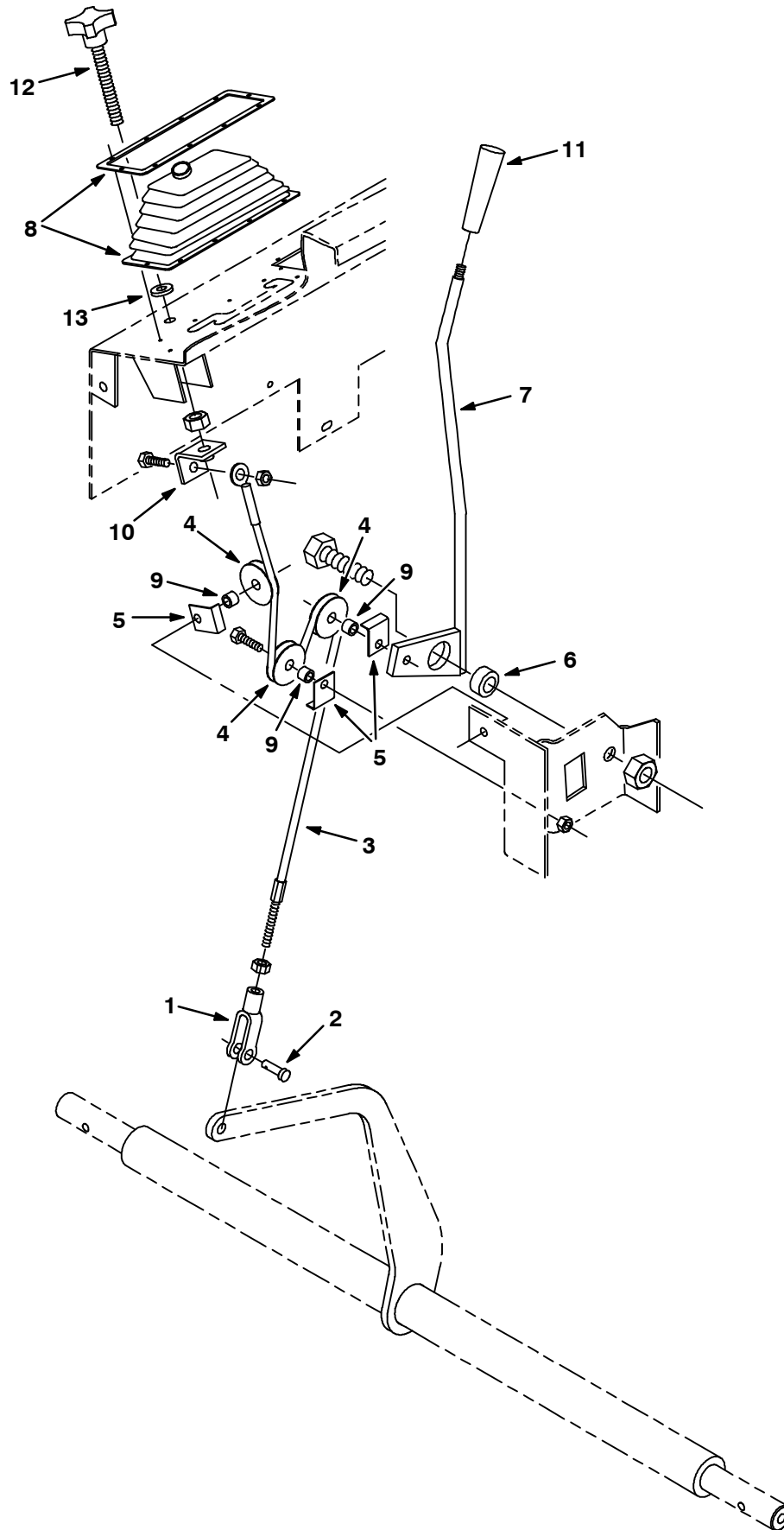


Fig. 39 - Main Brush Lift Group

Ref.	Tennant Part No.	Machine Serial Number	Description	Qty.
1	12267	(000000-	) Yoke,End-Adjustable	1
2	86240	(000000-	) Pin Clevis .375 Dia X 1.13 Lg	1
3	54840	(000000-	) Cable, Lift, M Br	1
4	74391	(000000-	) Pulley Assy - Cable, 1.5 Dia	3
5	54400	(000000-	) Angle, Cable Keeper	3
6	54663	(000000-	) Bearing, Self Aligning	1
7	54118	(000000-	) Lever Wldt, M Br	1
8	69903	(000000-	) Bellows Assy, Brush Lift	1
9	56624	(000000-	) Spacer, Pulley	3
10	56662	(000000-	) Bracket	1
11	54995	(000000-	) Knob, Tapered	1
12	54848	(000000-	) Knob, Adjusting	1
13	52296	(000000-	) Washer, .405B .81D .06Nylon	1

Fig. 40 - Main Brush Drive Group

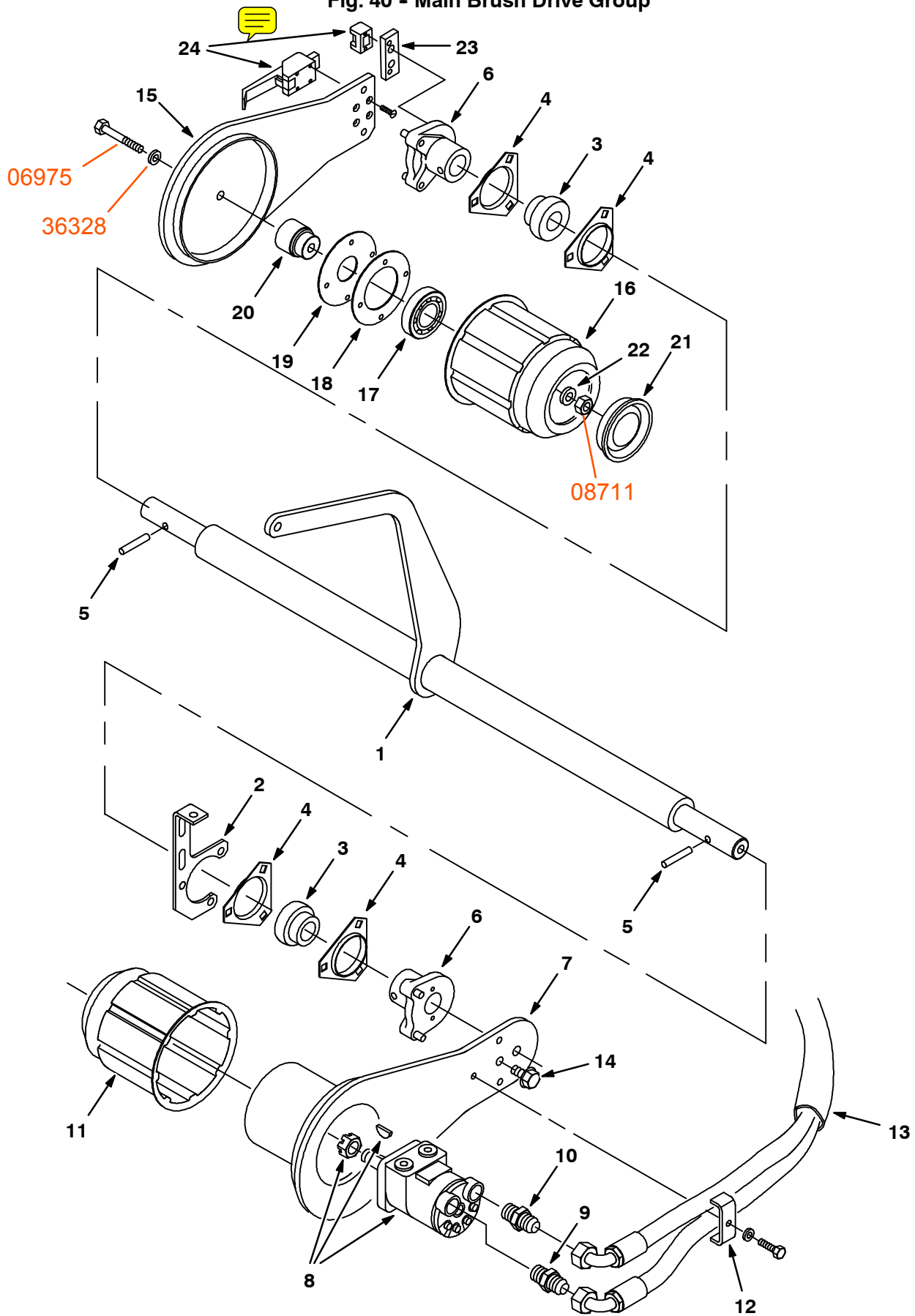


Fig. 40 - Main Brush Drive Group

Ref.	Tenant Part No.	Machine Serial Number	Description	Qty.
1	54693	(000000-	) Shaft Wldt, Brush	1
2	54199	(000000-	) Plate, Mtg, Main Brush Shaft	1
3	51448	(000000-	) Bearing&Clr ,1.25B 2.44D 1.41W	2
4	51449	(000000-	) Flange,Brg,3 Hole	4
5	51317	(000000-	) Pin,Roll,.38Odx2.00L,.375/.382	2
6	54680	(000000-	) Hub Assy, Brush Arm	2
7	13156	(000000-	) Arm Wldt, Brush, Lh	1
8	53434	(000000-005839	) Motor-Hyd Gear (See Breakdowns)	1
8	74468	(005840-	) Motor-Hyd Gear (See Breakdowns)	1
9	44869	(000000-	) Ftg-Hyd Str Jm08/Om08	1
10	52402	(000000-	) Ftg-Hyd Str Jm06/Om08	1
11	87631	(000000-	) Plug Weld, Brush Drive, Sweep	1
12	51715	(000000-	) Clamp, Hose	1
13	82831	(000000-	) Sleeve-Nyln #24 35.0L	1
14	53985	(000000-	) Plug, Thread 1/2-13	1
15	54659	(000000-	) Arm Wldt, Idler, W/Brush	1
16	55779	(000000-	) Plug Wldt, Idler	1
17	24899	(000000-	) Bearing-Ball,1.38B 2.83D 0.67W	1
18	30252	(000000-	) Strip, Retainer, Bearing	1
19	30253	(000000-	) Plate, Seal	1
20	30251	(000000-	) Shaft, Idler	1
21	30255	(000000-	) Plug, Tube	1
22	51564	(000000-	) Washer, .531B 1.75D .12Cr.Znc	1
23	54204	(000000-	) Plate, Mtg, Latch	1
24	54878	(000000-	) Latch	1

Fig. 41 - Vacuum Fan Group

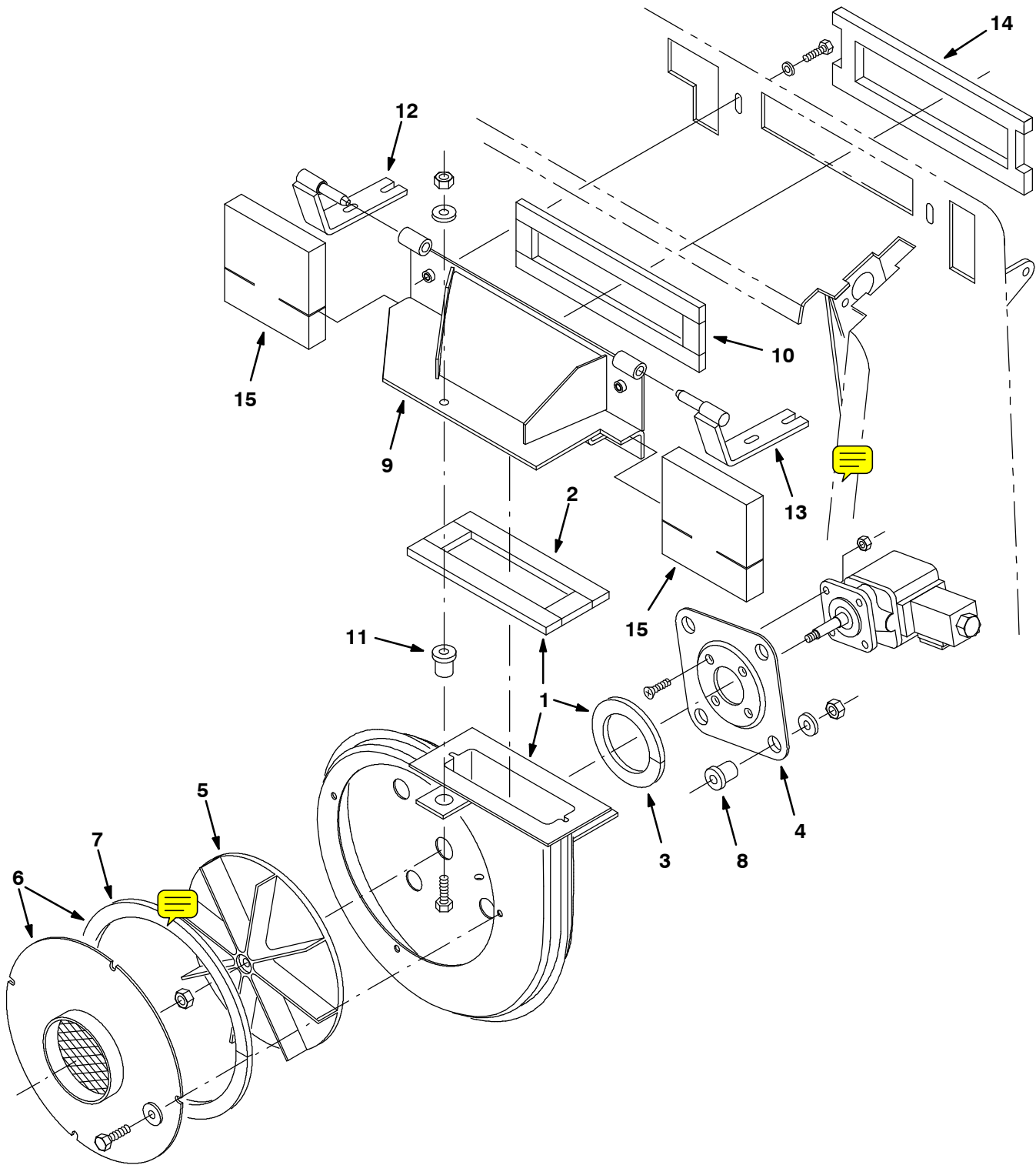
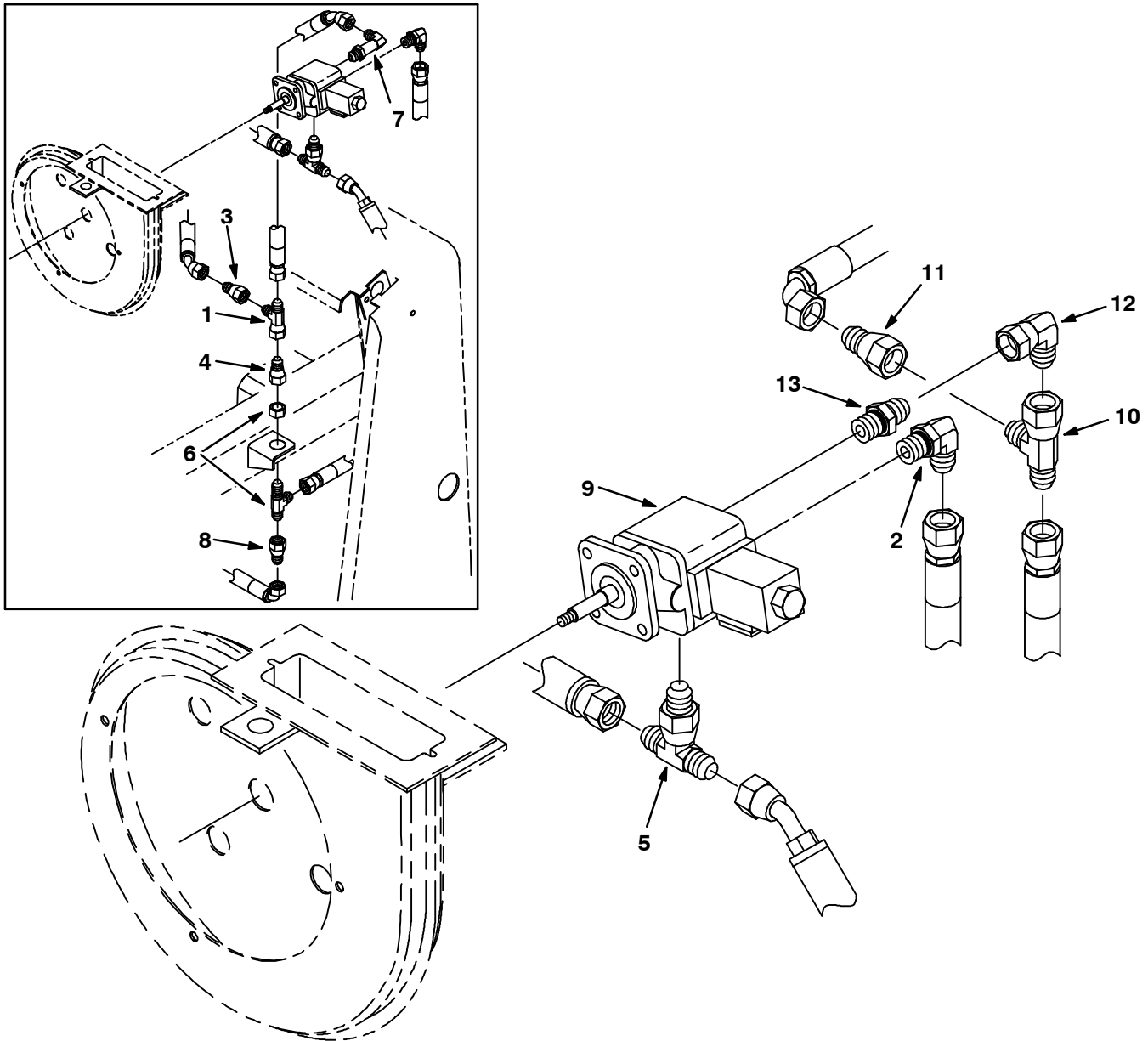


Fig. 41 - Vacuum Fan Group

	Ref.	Tennant Part No.	Machine Serial Number	Description	Qty.
▽	1	72133	(000000-	) Fan Wldt, Vac w/gaskets	1
▲	2	59734	(000000-	) Seal, Fan, Vac, Outlet	1
▲	3	59967	(000000-	) Seal, Fan, Vac, Motor	1
	4	54275A	(000000-	) Bracket, Mounting Motor	1
	5	74454	(000000-	) Impeller 9.00 Dia.	1
▽	6	59656	(000000-	) Fan Wldt, Vac, Inlet w/gasket	1
▲	7	59735	(000000-	) Seal, Fan, Vac, Inlet	1
	8	54274	(000000-	) Isolator-Vibration,60 Lb.Ratng	4
	9	58540	(000000-	) Fan Wldt, Vac, Transition	1
	10	59014	(000000-	) Seal, Fan, Vac, Transition	1
	11	59649	(000000-	) Isolator, Vibration .37 Dia	1
	12	374504	(000000-	) Hinge Wldt, Engine Cover, Rh	1
	13	374505	(000000-	) Hinge Wldt, Engine Cover, Lh	1
	14	69990	(000000-	) Insulation, Acoustic, Engine Cover	1
	15	66184	(000000-	) Seal, Acoustic, Engine Cover	2

**Fig. 42 - Vacuum Fan Motor and Fittings Group**



07914/07506

Ref.	Tennant Part No.	Machine Serial Number	Description	Qty.
1	45482	(000000-005345 )	Ftg-Hyd Tee Jm08Jmjf	1
2	44868	(000000- )	Ftg-Hyd E90 Jm08/Om08	1
3	47753	(000000-005345 )	Ftg-Hyd Str Jm06/Jf08	1
4	78143	(000000-005345 )	Ftg-Hyd Str Jm08/Jf12	1
5	31599	(000000- )	Ftg-Hyd Tee Jm04Omjm	1
6	13114	(000000-005345 )	Ftg-Hyd Tee Jm12Jmjmb	1
7	69173	(000000-005345 )	Ftg-Hyd E90 Jm08Om08L	1
8	78143	(000000-005345 )	Ftg-Hyd Str Jm08/Jf12	1
9	53485	(000000- )	Motor-Hyd Gear (See Breakdowns)	1
10	40514	(005346- )	Ftg-Hyd Tee Jm12JmJf	1
11	59975	(005346- )	Ftg-Hyd Str Jm10/Jf12	1
12	35033	(005346- )	Ftg-Hyd E90 Jm12/Jf12	1
13	62390	(005346- )	Ftg-Hyd Str Jm12/Om08	1



Fig. 43 - Hydraulic Schematic

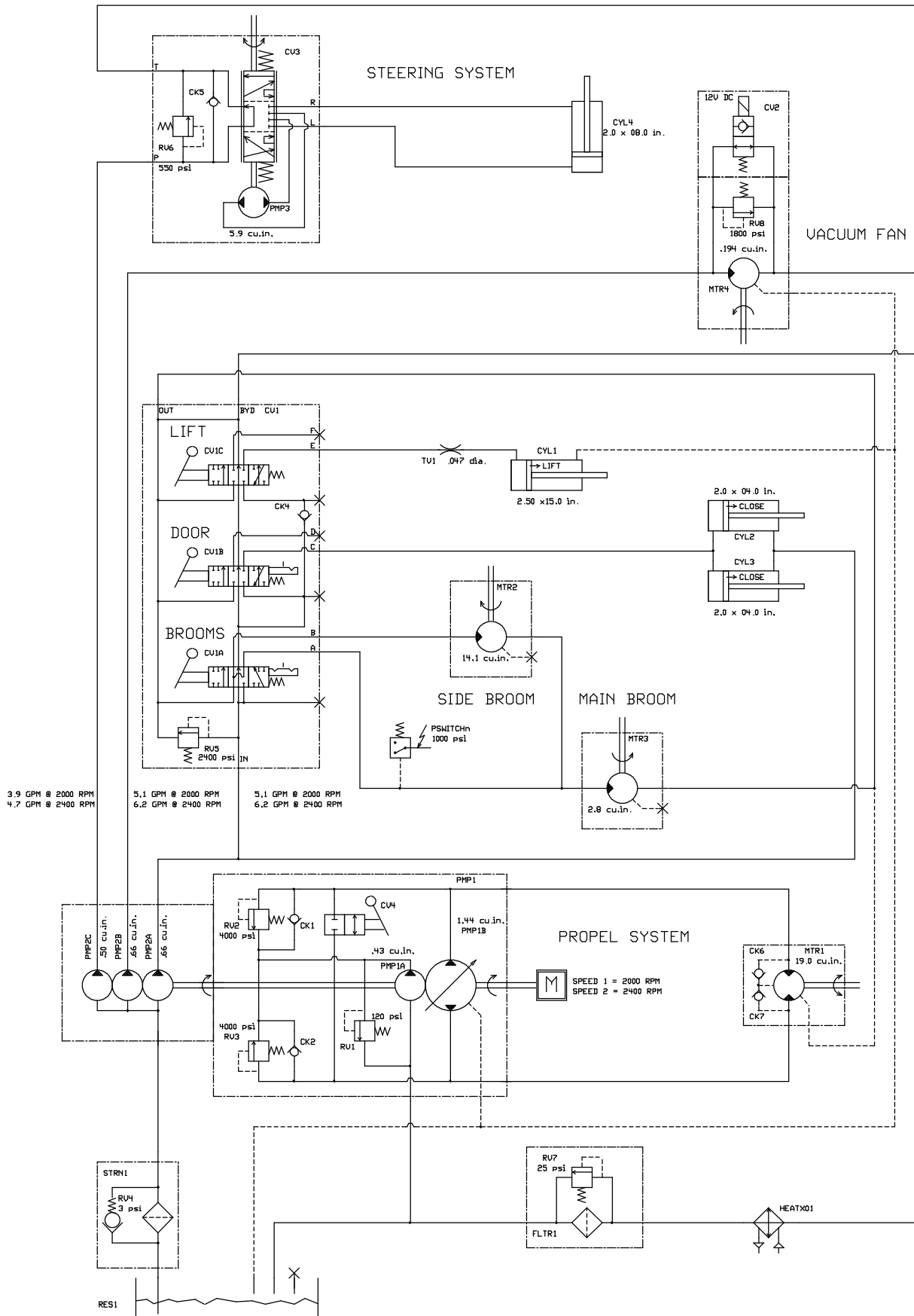


Fig. 44 - Hydraulic Hose Group

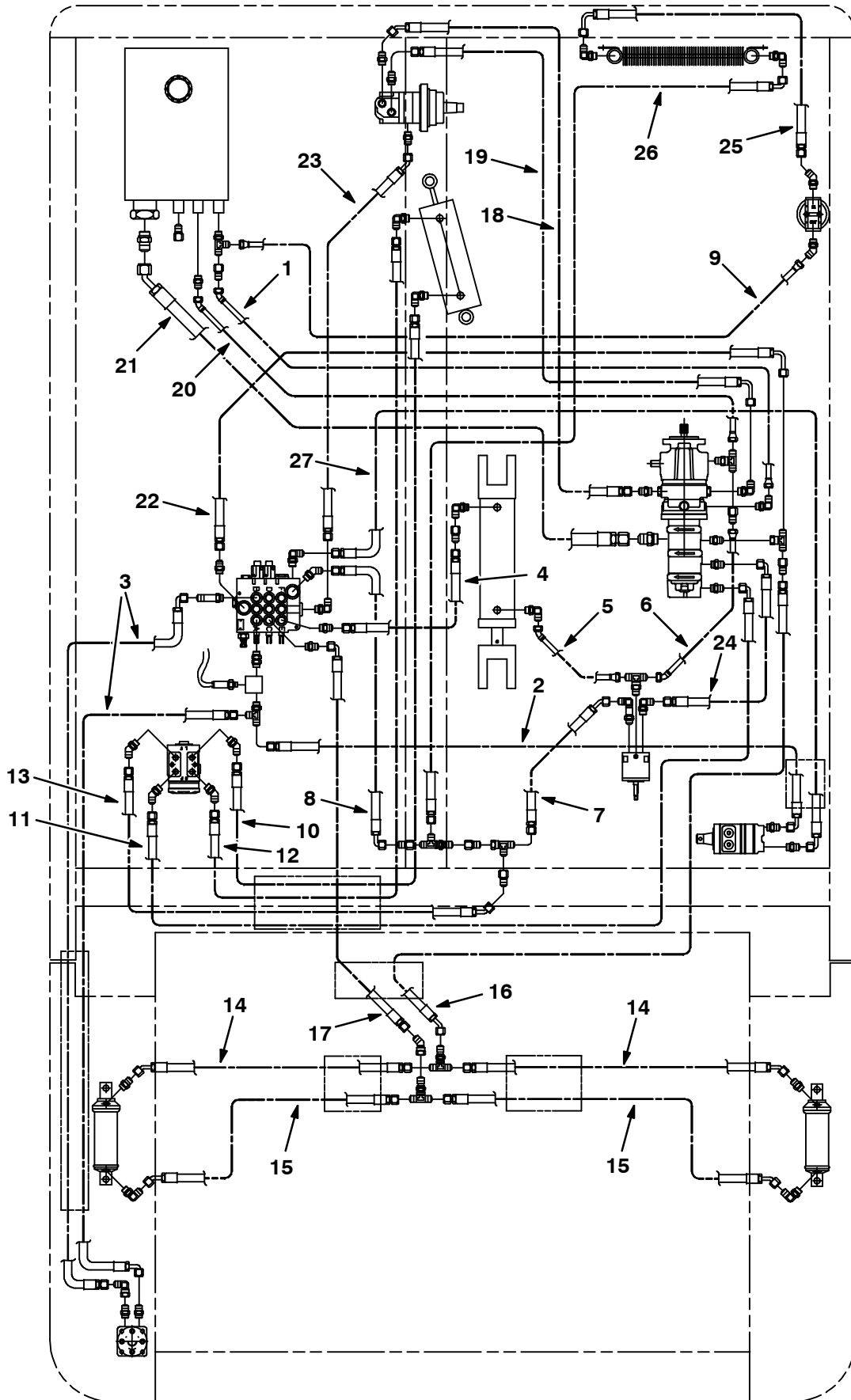


Fig. 44 - Hydraulic Hose Group

Ref.	Tennant Part No.	Machine Serial Number	Description	Qty.
1	59568	(000000-005345 )	Hose-Hyd Low08 Jf/J4	1
2	59560	(000000-005345 )	Hose-Hyd Med06 Jf/J9	1
3	02469	(000000-005345 )	Hose-Hyd Med06 Jf/J9	2
4	55691	(000000-005345 )	Hose-Hyd Med04 Jf/Jf	1
5	59565	(000000-005345 )	Hose-Hyd Low04 Jf/J4	1
6	59564	(000000-005345 )	Hose-Hyd Low04 Jf/J4	1
7	34421	(000000-005345 )	Hose-Hyd Med08 Jf/J4	1
8	34394	(000000-005345 )	Hose-Hyd Med08 Jf/J9	1
9	59571	(000000-005345 )	Hose-Hyd Low12 Jf/Jf	1
10	62100	(000000-005345 )	Hose-Hyd Med06 Jf/Jf	1
11	59561	(000000-005345 )	Hose-Hyd Med06 Jf/J9	1
12	62337	(000000-005345 )	Hose-Hyd Med06 Jf/Jf	1
13	59567	(000000-005345 )	Hose-Hyd Med06 Jf/J4	1
14	57173	(000000-005345 )	Hose-Hyd Med04 Jf/J4	2
15	19644	(000000-005345 )	Hose-Hyd Med04 Jf/J4	2
16	59581	(000000-005345 )	Hose-Hyd Med04 Jf/J4	1
17	59582	(000000-005345 )	Hose-Hyd Med04 Jf/J9	1
18	59574	(000000-005345 )	Hose-Hyd Med10 Jf/J4	1
19	59575	(000000-005345 )	Hose-Hyd Med10 Jf/J19	1
20	59573	(000000-005345 )	Hose-Hyd Low06 Jf/J4	1
21	59572	(000000-005345 )	Hose-Hyd Suc20 Jf/J4	1
22	59576	(000000-005345 )	Hose-Hyd Med08 Jf/J19	1
23	59584	(000000-005345 )	Hose-Hyd Med04 Jf/J4	1
24	59578	(000000-005345 )	Hose-Hyd Med08 Jf/J9	1
25	59303	(000000-005345 )	Hose-Hyd Med12 Jf/J19	1
26	13110	(000000-005345 )	Hose-Hyd Med12 Jf/J9	1
27	57487	(000000-005345 )	Hose-Hyd Med08 Jf/J9	1



Fig. 45 - Hydraulic Hose Group

Ref.	Tennant Part No.	Machine Serial Number	Description	Qty.
1	59568	(005346-	) Hose-Hyd Low08 Jf/J4	1
2	59560	(005346-	) Hose-Hyd Med06 Jf/J9	1
3	02469	(005346-	) Hose-Hyd Med06 Jf/J9	2
4	55691	(005346-	) Hose-Hyd Med04 Jf/Jf	1
5	59565	(005346-	) Hose-Hyd Low04 Jf/J4	1
6	59564	(005346-	) Hose-Hyd Low04 Jf/J4	1
7	31719	(005346-	) Hose-Hyd Med12 Jf/J9	1
8	59563	(005346-	) Hose-Hyd Med10 Jf/J9	1
9	35488	(005346-	) Hose-Hyd Low12 Jf/Jf	1
10	62100	(005346-	) Hose-Hyd Med06 Jf/Jf	1
11	59561	(005346-	) Hose-Hyd Med06 Jf/J9	1
12	62337	(005346-	) Hose-Hyd Med06 Jf/Jf	1
13	62100	(005346-	) Hose-Hyd Med06 Jf/J4	1
14	57173	(005346-	) Hose-Hyd Med04 Jf/J4	2
15	19644	(005346-	) Hose-Hyd Med04 Jf/J4	2
16	59581	(005346-	) Hose-Hyd Med04 Jf/J4	1
17	59582	(005346-	) Hose-Hyd Med04 Jf/J9	1
18	59574	(005346-	) Hose-Hyd Med10 Jf/J4	1
19	59575	(005346-	) Hose-Hyd Med10 Jf/JI9	1
20	59573	(005346-	) Hose-Hyd Low06 Jf/J4	1
21	59572	(005346-	) Hose-Hyd Suc20 Jf/J4	1
22	59576	(005346-	) Hose-Hyd Med08 Jf/JI9	1
23	59584	(005346-	) Hose-Hyd Med04 Jf/J4	1
24	59578	(005346-	) Hose-Hyd Med08 Jf/J9	1
25	59303	(005346-	) Hose-Hyd Med12 Jf/JI9	1
26	57487	(005346-	) Hose-Hyd Med08 Jf/J9	1

**Fig. 46 - Hydraulic Reservoir Group**

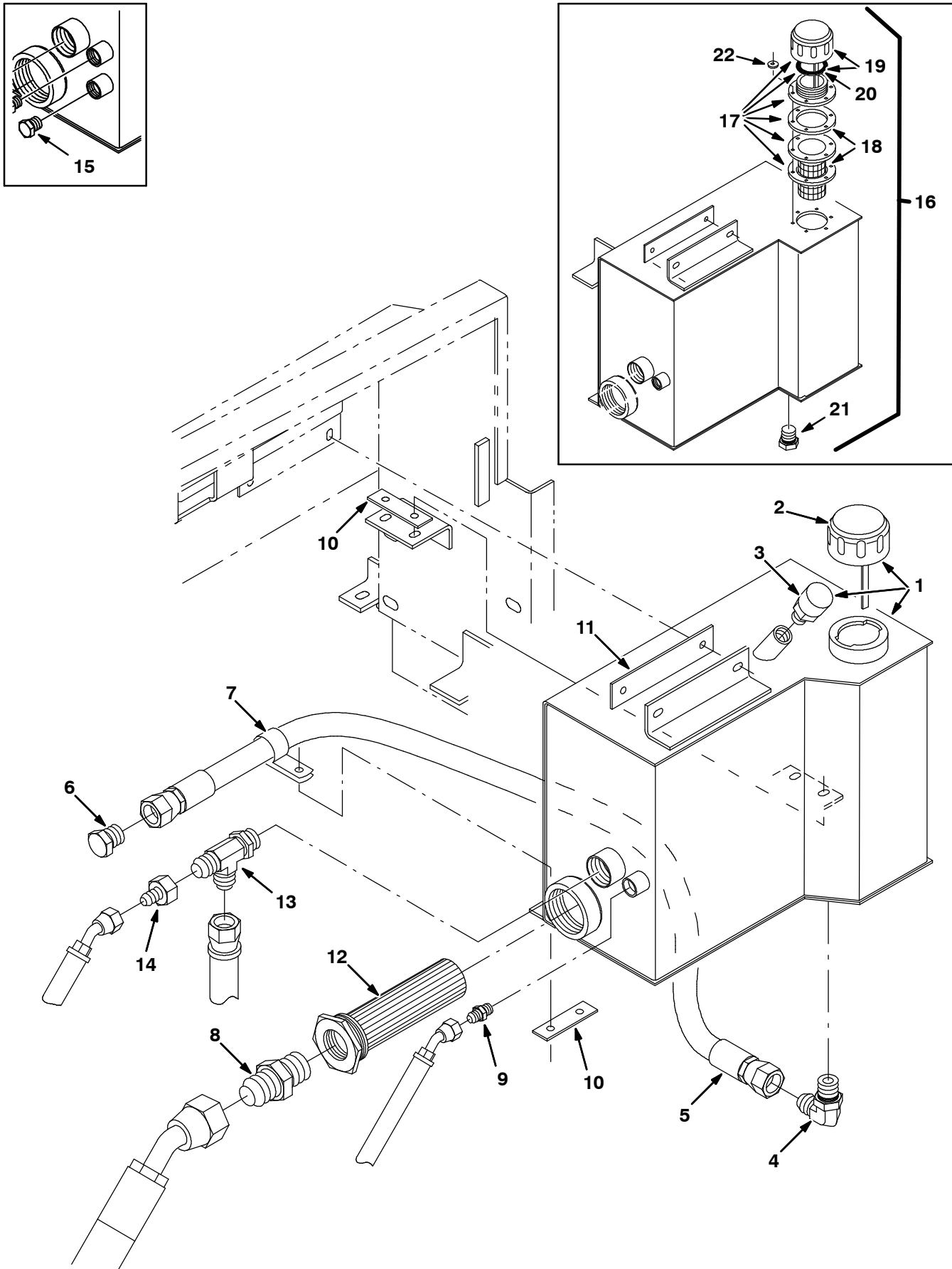


Fig. 46 - Hydraulic Reservoir Group

	Ref.	Tennant Part No.	Machine Serial Number	Description	Qty.
▽	1	72136	(006677-	) Reservoir, 07.0 Gal W/label	1
▲	2	23163	(006677-	) Cap, Hyd Reservoir W/dipstick	1
▲	3	23182	(006677-	) Breather, Hyd, 20 Micron	1
	4	56821	( xxxxxx-	) Ftg-Hyd E90 Jm08/Om10	1
	5	13115	( xxxxxx-	) Hose-Hyd Low08 Jf/Jf	1
	6	16376	( xxxxxx-	) Ftg-Hyd Plg Jm08	1
	7	53466	( xxxxxx-	) Clamp-Cable, 1.50d 1.00w Stl	1
	8	58858	(000000-	) Ftg-Hyd Str Jm20/Om20	1
	9	56690	(000000-	) Ftg-Hyd Str Jm06/Om06	1
	10	59789	(000000-	) Pad, Tank, Hyd	4
	11	59790	(000000-	) Pad, Tank, Hyd	1
	12	31613	(000000-	) Strainer-Hyd Suction 25-100-03	1
	13	42216	(000000-	) Ftg-Hyd Tee Jm12Jmom	1
	14	78143	(000000-	) Ftg-Hyd Str Jm08/Jf12	1
	15	46482	(000000-xxxxxx	) Ftg-Hyd Plg Om06	1
▽	16	74398	(000000-006676	) Tank Wldt Repl. By 72136	1
▲▽	17	61408	(000000-006676	) Breather, Hyd	1
▲▲	18	61288	(000000-006676	) Gasket, Hyd Tank Breather	2
▲▲	19	79040	(000000-006676	) Breather, Hyd Cap (Includes Gasket)	1
▲▲	20	70006	(000000-006676	) Gasket, Cap	1
▲	21	40362	(000000-006676	) Ftg-Hyd Plg Om10	1
▲	22	70246	(000000-006676	) Washer, .188B .375D .030Nylon	6





Fig. 47 - Hydraulic Valve Group

Ref.	Tennant Part No.	Machine Serial Number	Description	Qty.
▽	69910	(000000-006328 )	Isolator Assy, Valve	1
▲ 1	62172	(000000-006328 )	Ring	3
▲ 2	64905	(000000-006328 )	Sleeve, .259B .38D .62 Dom	3
▲ 3	62173	(000000-006328 )	Bushing, Isolator-Inner,Rbr.	3
▲ 4	30013	(000000-006328 )	Washer-Flt .31 Fender Pltd	3
5	55446	(000000-006328 )	Bracket, Mtg, Valve	1
6	53830	(000000-006328 )	Valve-Hyd,Manual (Repl. By 48761) (See Breakdowns)	1
7	54115	(000000-006328 )	Handle, Control Valve	2
8	54102	(000000-006328 )	Handle, Control Valve	1
9	69911	(000000-006328 )	Link Assy, Valve Handle	3
10	59021	(000000-006328 )	Ftg-Hyd Tee Special Of06Of0f	1
11	56277	(000000-006328 )	Switch Assy, Pressure, Hyd	1
12	59530	(000000-006328 )	Knob, 1.375 Dia, Black	3
13	59870	(000000-006328 )	Spring,Tens, .50Dx.05Wire 2.5L	1
14	44869	(000000-006328 )	Ftg-Hyd Str Jm08/Om08	1
15	55685	(000000-006328 )	Ftg-Hyd Str Jm04/Om06	2
16	59577	(000000-006328 )	Ftg-Hyd Str Jm06Om06L	1
17	42226	(000000-005345 )	Ftg-Hyd E45 Jm08/Om08	1
18	76316	(000000-006328 )	Ftg-Hyd Tee Jm06Jmom	1
19	47638	(000000-006328 )	Ftg-Hyd E90 Jm04/Om06	1
20	42213	(000000-006328 )	Ftg-Hyd E90 Jm08/Om06	1
21	59022	(000000-006328 )	Ftg-Hyd Str Special Om06/Om06	1
22	47518	(005346-006328 )	Ftg-Hyd Str Jm10/Om08	1
23	50421	(005346-006328 )	Ftg-Hyd Tee Jm10JfJm	1
24	47754	(005346-006328 )	Ftg-Hyd Str Jm06/Jf10	1
25	54194	(005346-006328 )	Ftg-Hyd E90 Jm10/Jf10	1

Fig. 48 - Hydraulic Valve Group

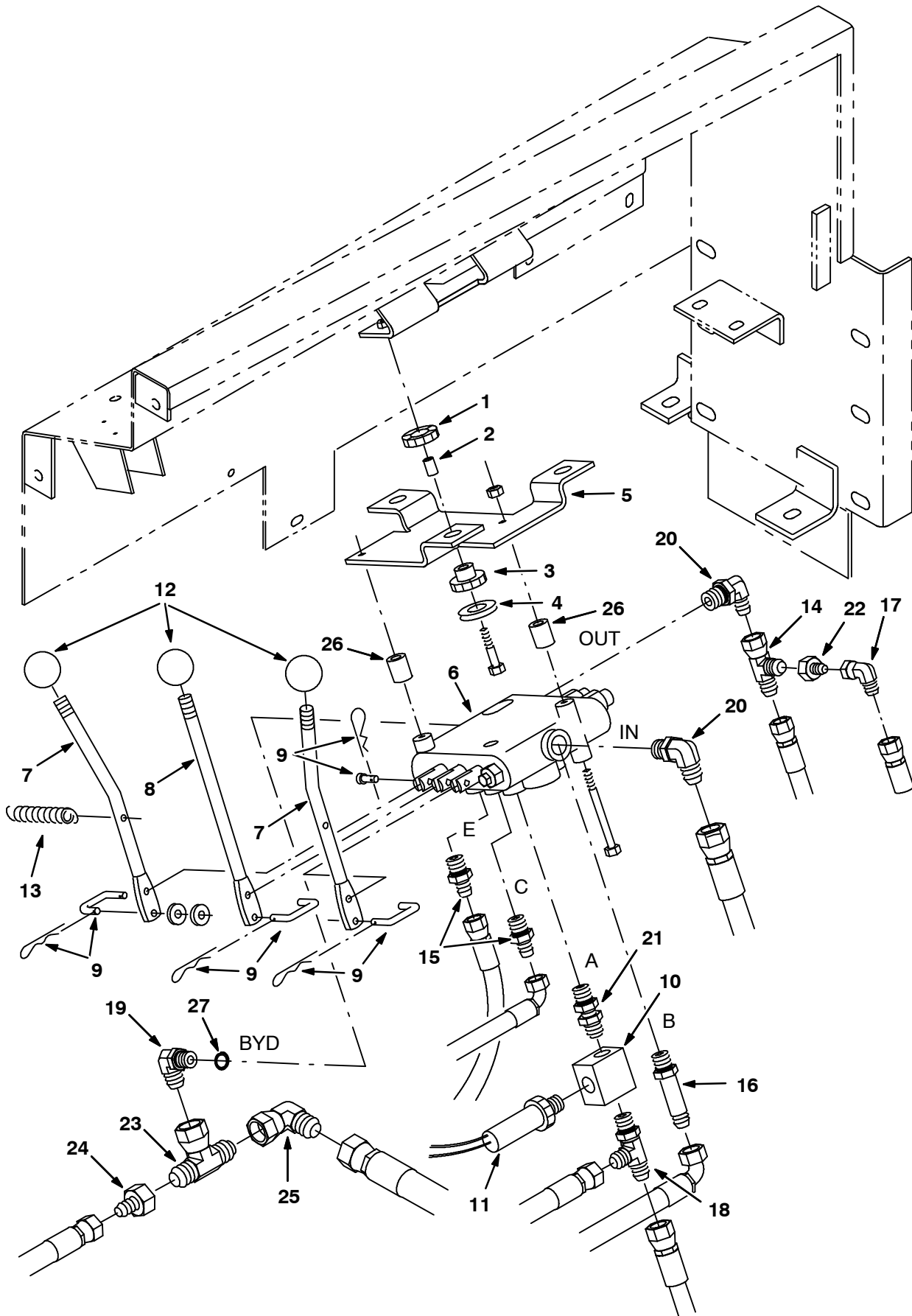
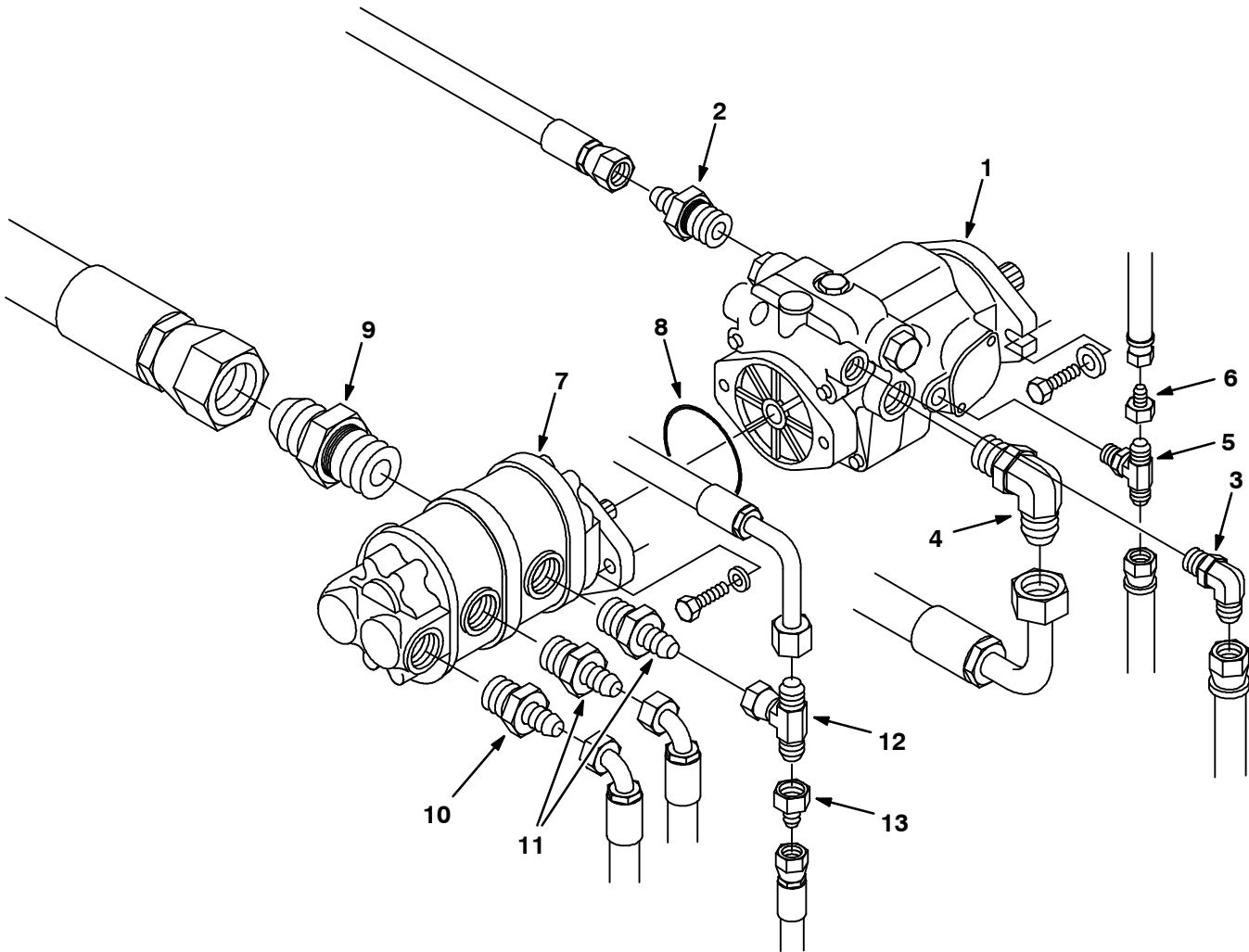


Fig. 48 - Hydraulic Valve Group

Ref.	Tennant Part No.	Machine Serial Number	Description	Qty.
▽	69910	(006329-	) Isolator Assy, Valve	1
▲ 1	62172	(006329-	) Ring	3
▲ 2	64905	(006329-	) Sleeve, .259B .38D .62 Dom	3
▲ 3	62173	(006329-	) Bushing, Isolator-Inner,Rbr.	3
▲ 4	30013	(006329-	) Washer-Flt .31 Fender Pltd	3
5	55446	(006329-	) Bracket, Mtg, Valve	1
6	48751	(006329-	) Valve-Hyd,Manual (See Breakdowns)	1
7	54115	(006329-	) Handle, Control Valve	2
8	54102	(006329-	) Handle, Control Valve	1
9	48760	(006329-	) Link Assy, Valve Handle	3
10	59021	(006329-	) Ftg-Hyd Tee Special Of06Of0f	1
11	56277	(006329-	) Switch Assy, Pressure, Hyd	1
12	59530	(006329-	) Knob, 1.375 Dia, Black	3
13	59870	(006329-	) Spring,Tens, .50Dx.05Wire 2.5L	1
14	45482	(006329-	) Ftg-Hyd Tee Jm08jmjf	1
15	55685	(006329-	) Ftg-Hyd Str Jm04/Om06	2
16	59577	(006329-	) Ftg-Hyd Str Jm06Om06L	1
17	39210	(006329-	) Ftg-Hyd E90 Jm04/Jf04	1
18	76316	(006329-	) Ftg-Hyd Tee Jm06Jmom	1
19	56827	(006329-	) Ftg-Hyd E90 Jm10/Om08	1
20	44868	(006329-	) Ftg-Hyd E90 Jm08/Om08	2
21	59022	(006329-	) Ftg-Hyd Str Special Om06/Om06	1
22	57979	(006329-	) Ftg-Hyd Str Jm04/Jf08	1
23	50421	(006329-	) Ftg-Hyd Tee Jm10JfJm	1
24	47754	(006329-	) Ftg-Hyd Str Jm06/Jf10	1
25	54194	(006329-	) Ftg-Hyd E90 Jm10/Jf10	1
26	09900-1	(006329-	) Sleeve, .260B .50D .75	2
27	84624	(006329-	) Seal, Oring .103 x .612ld	1

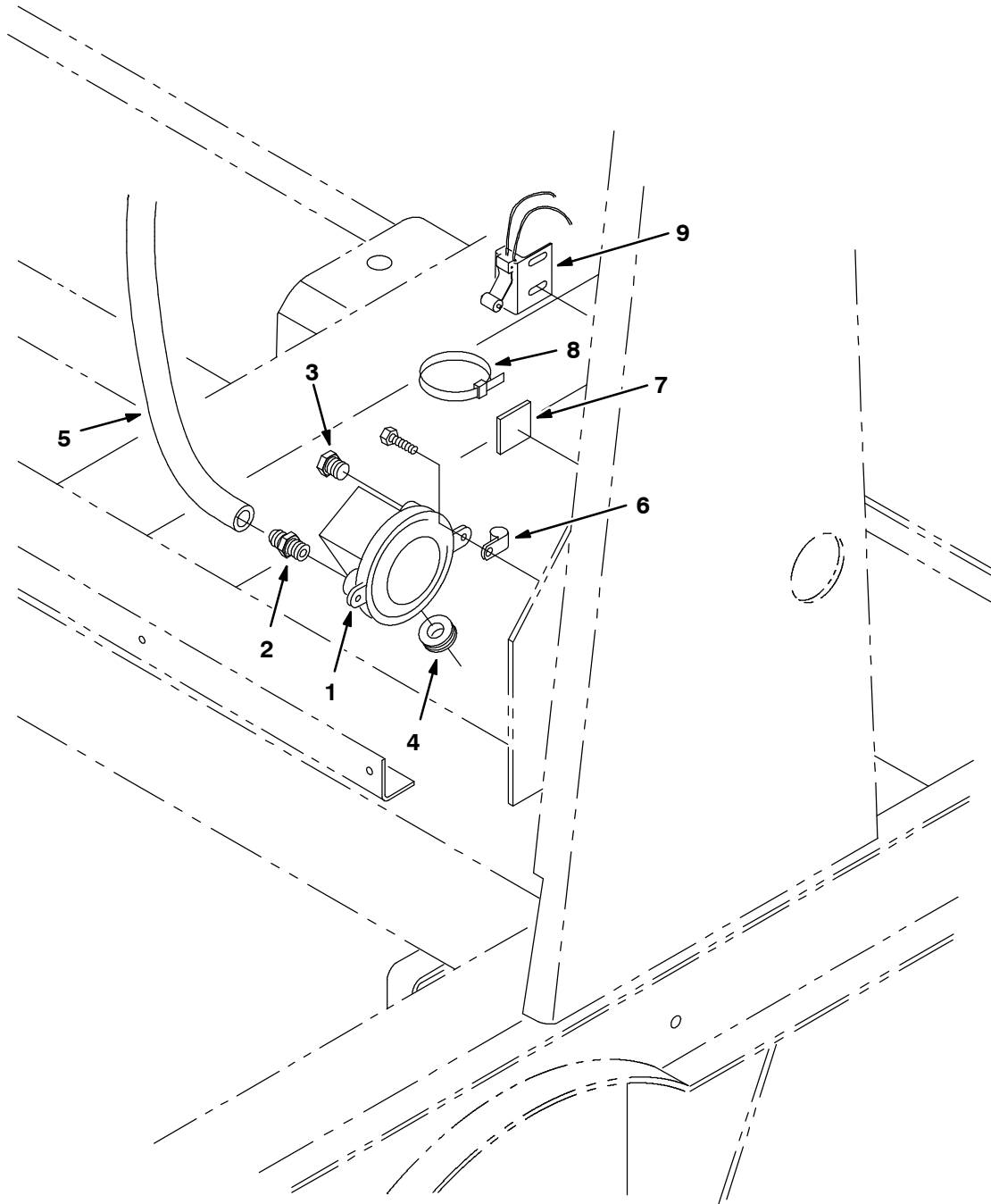
**Fig. 49 - Hydraulic Pumps Group**



07860/07464

Ref.	Tennant Part No.	Machine Serial Number	Description	Qty.
1	53604	(000000-005770 )	Pump-Hyd Piston (See Breakdowns) (Repl. by 70134)	1
1	74466	(005771-006071 )	Pump-Hyd Piston (See Breakdowns) (Repl. by 70180)	1
1	79769	(006072-	Pump-Hyd Piston (See Breakdowns)	1
2	42223	(000000-	Ftg-Hyd Str Jm10/Om12	1
3	44868	(000000-	Ftg-Hyd E90 Jm08/Om08	1
4	53076	(000000-	Ftg-Hyd E90 Jm10/Om12	1
5	67683	(000000-	Ftg-Hyd Tee Jm06Omjm	1
6	47752	(000000-	Ftg-Hyd Str Jm04/Jf06	1
7	53622	(000000-	Pump-Hyd Gear (See Breakdowns)	1
8	65145-1	(000000-	O-Ring Gland	1
9	58858	(000000-	Ftg-Hyd Str Jm20/Om20	1
10	47508	(000000-	Ftg-Hyd Str Jm06/Om10	1
11	56692	(000000-	Ftg-Hyd Str Jm08/Om10	2
12	76315	(000000-	Ftg-Hyd Tee Jm08Jfjm	1
13	57979	(000000-	Ftg-Hyd Str Jm04/Jf08	1

Fig. 50 - Pressure Switch Group



07917/07509

Ref.	Tennant Part No.	Machine Serial Number	Description	Qty.
1	34868	(000000- )	Switch, Pressure	1
2	40607	(000000- )	Ftg-Brs Str Bm03/Pm02	1
3	82739	(000000- )	Ftg, Breather	1
4	10632-4	(000000- )	Grommet,Rbr,0.62ld,For .06Matl	1
5	39780	(000000- )	Hose Vac.,Rubber, .16ld,40.0L	1
6	46236	(000000- )	Clamp-Cable, 0.25Dia 0.56Wth	1
7	55248	(000000- )	Cabletie Mount, Adhesive	4
8	49266	(000000- )	Tie, Cable 1.75D Max 7.50Lg	4
9	23211	(000000- )	Switch Assy, Roller	1

Fig. 51 - Back-Up Alarm Group, LRC

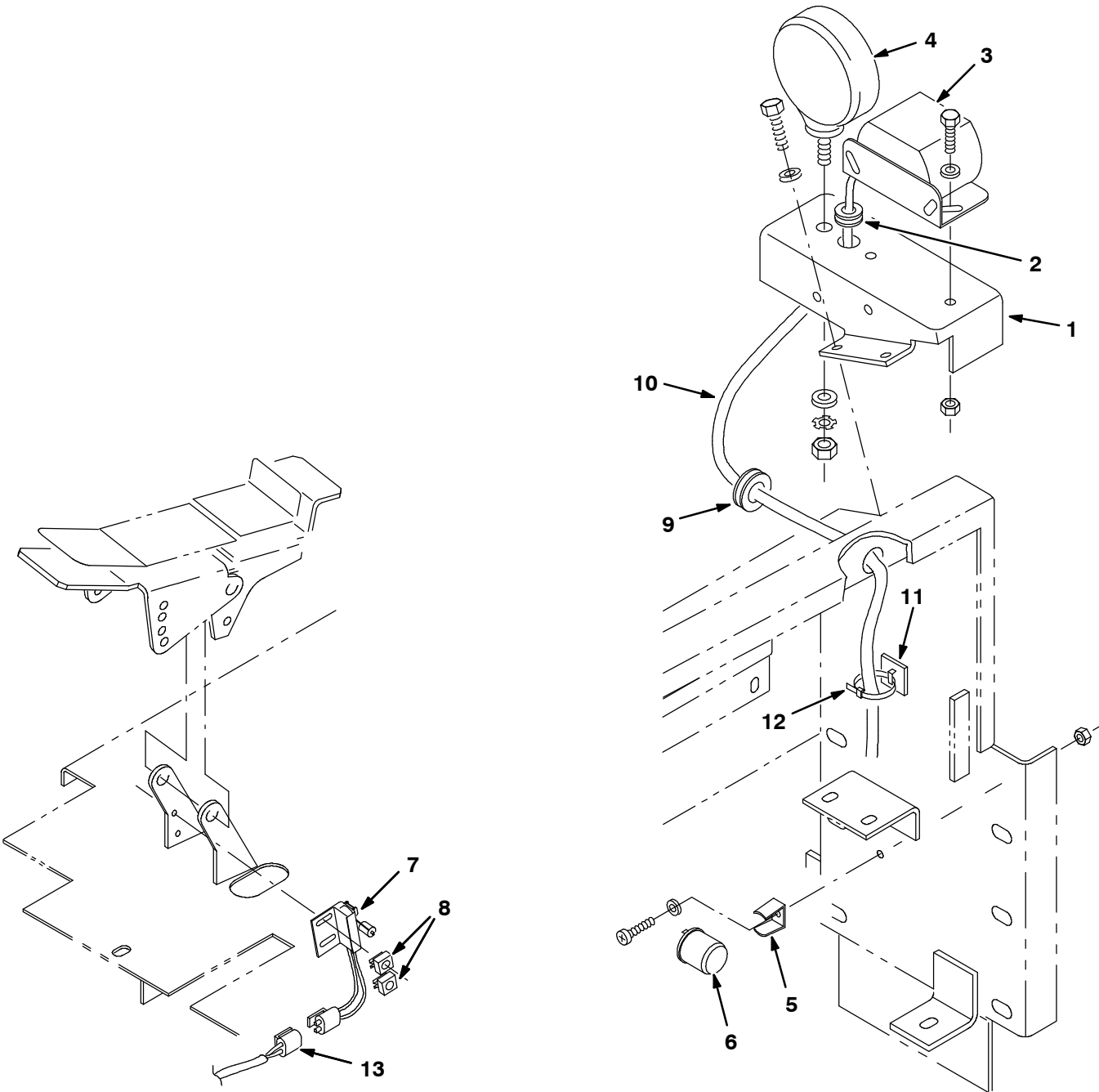
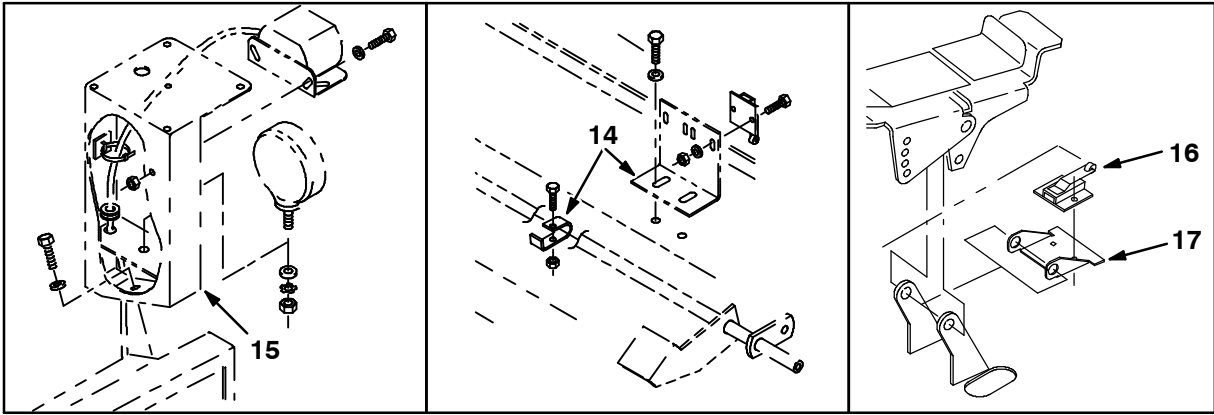


Fig. 51 - Back-Up Alarm Group, LRC

	Ref.	Tenant Part No.	Machine Serial Number	Description	Qty.
▽		59395	(000000-	) Alarm Kit, Bu A/v 355L	1
▲	1	71056	(005140-	) Bracket, Mtg, Back-Up Alarm	1
▲	2	10632-9	(000000-	) Grommet,Rbr,0.56ld,For .13Matl	1
▲	3	61920	(000000-	) Horn Assy, Back-Up Alarm	1
▲▽	4	36438	(000000-	) Headlight Assy,210G	1
▲▲		36439	(000000-	) Bulb, 12V .9A 15Cp#1004	1
▲	5	24576-1	(000000-	) Bracket, Flasher	1
▲	6	24576	(000000-	) Flasher, 12V	1
▲	7	23211	(006666-	) Switch Assy, Roller	1
▲	8	23210	(006666-	) Nut Speed, Retainer, 8-32 Thd	2
▲	9	10632-18	(005140-	) Grommet, Rbr, 0.69 ID	1
▲	10	71544	(000000-	) Harness, Alarm, Backup	1
▲	11	55248	(000000-	) Cabletie Mount, Adhesive	2
▲	12	49266	(000000-	) Tie, Cable 1.75D Max 7.50Lg	5
▲	13	70159	(006666-	) Harness, Adapter, B/u Alarm	1
	14	72106	(000000-005108	) Bracket Repl Kit, Switch	1
	15	59944	(000000-005139	) Bracket Wldt, Light, Rotating	1
	16	35905	(000000-006665	) Switch, Waterproof, 10A	1
	17	23231	(005109-006665	) Repl. Kit, Backup Switch	1

Fig. 52 - Electrical Schematic

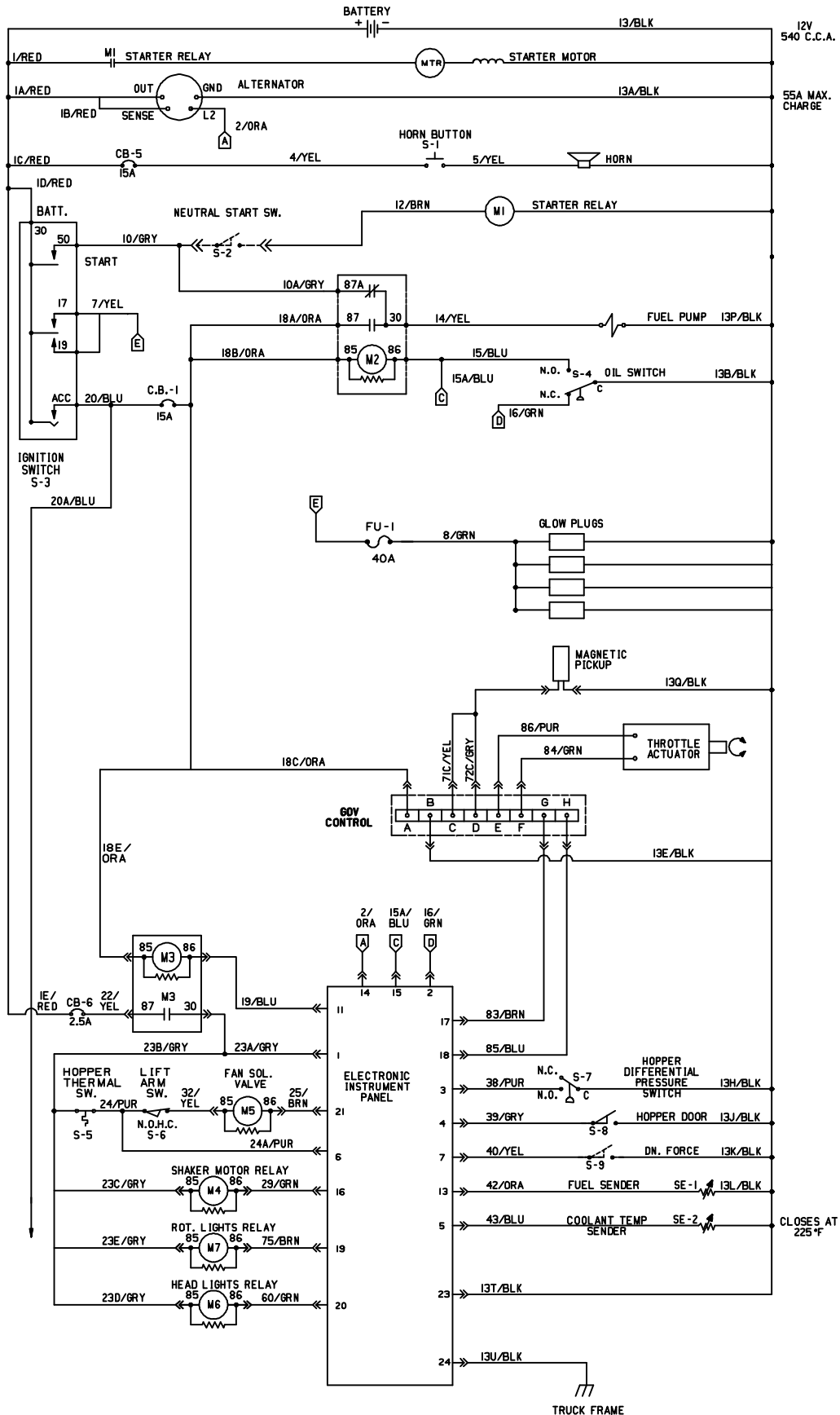
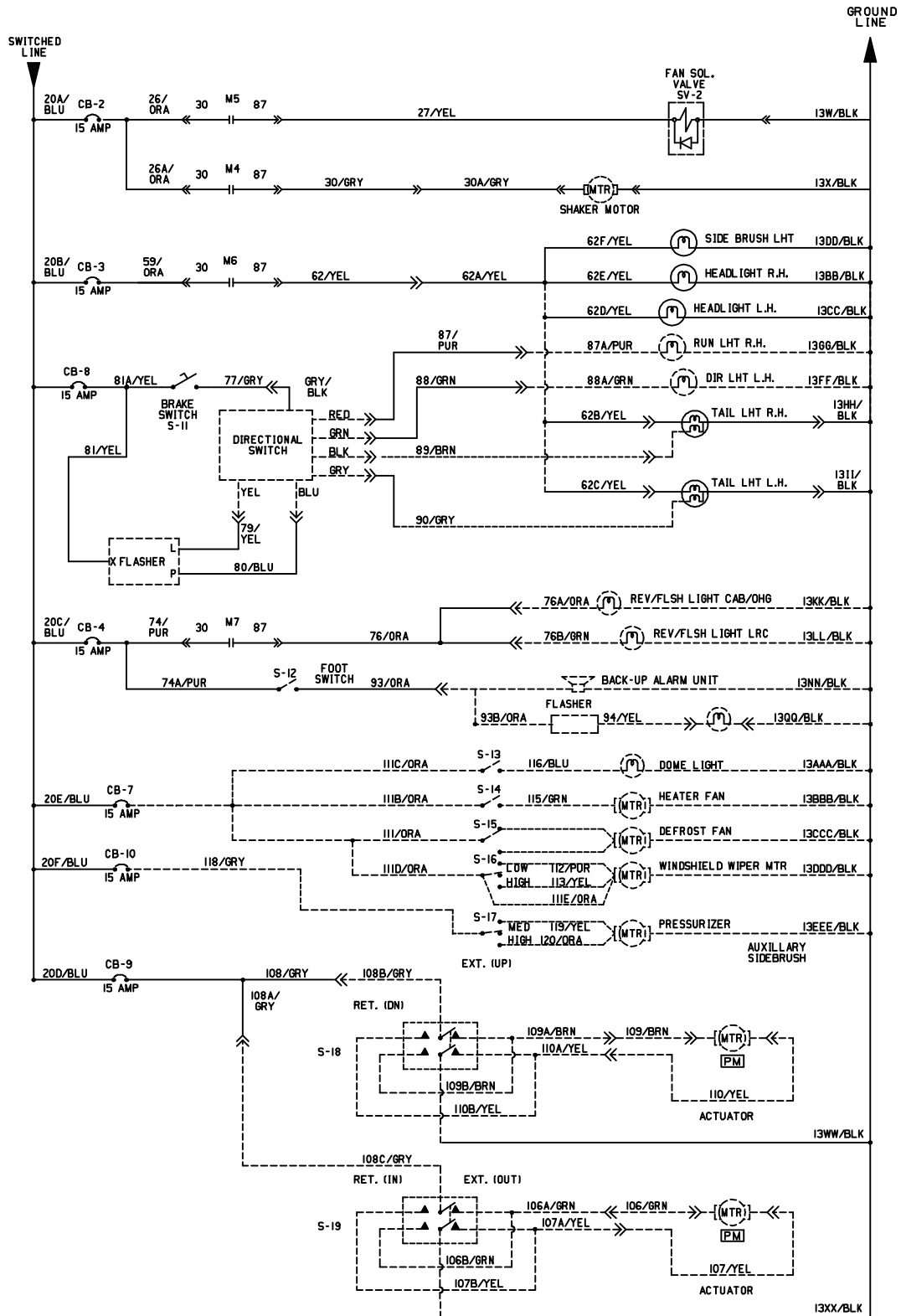




Fig. 52 - Electrical Schematic



LEGEND			
M	POWER RELAY	HM	HOURMETER
MTR	MOTOR	SV	SOLENOID VALVE
CB	CIRCUIT BREAKER	S	SWITCH
PM	PERMANENT MAGNET	ACC	ACCESSORY
J	JACK-FEM. SOCKET	GND	GROUND CHASSIS
P	PLUG-MALE PIN	C	COMMON
PB	PUSHBUTTON	N.O.	NORMALLY OPEN
VM	VOLTMETER	N.C.	NORMALLY CLOSED
FU	FUSE		



Fig. 53 - Wire Harness Group

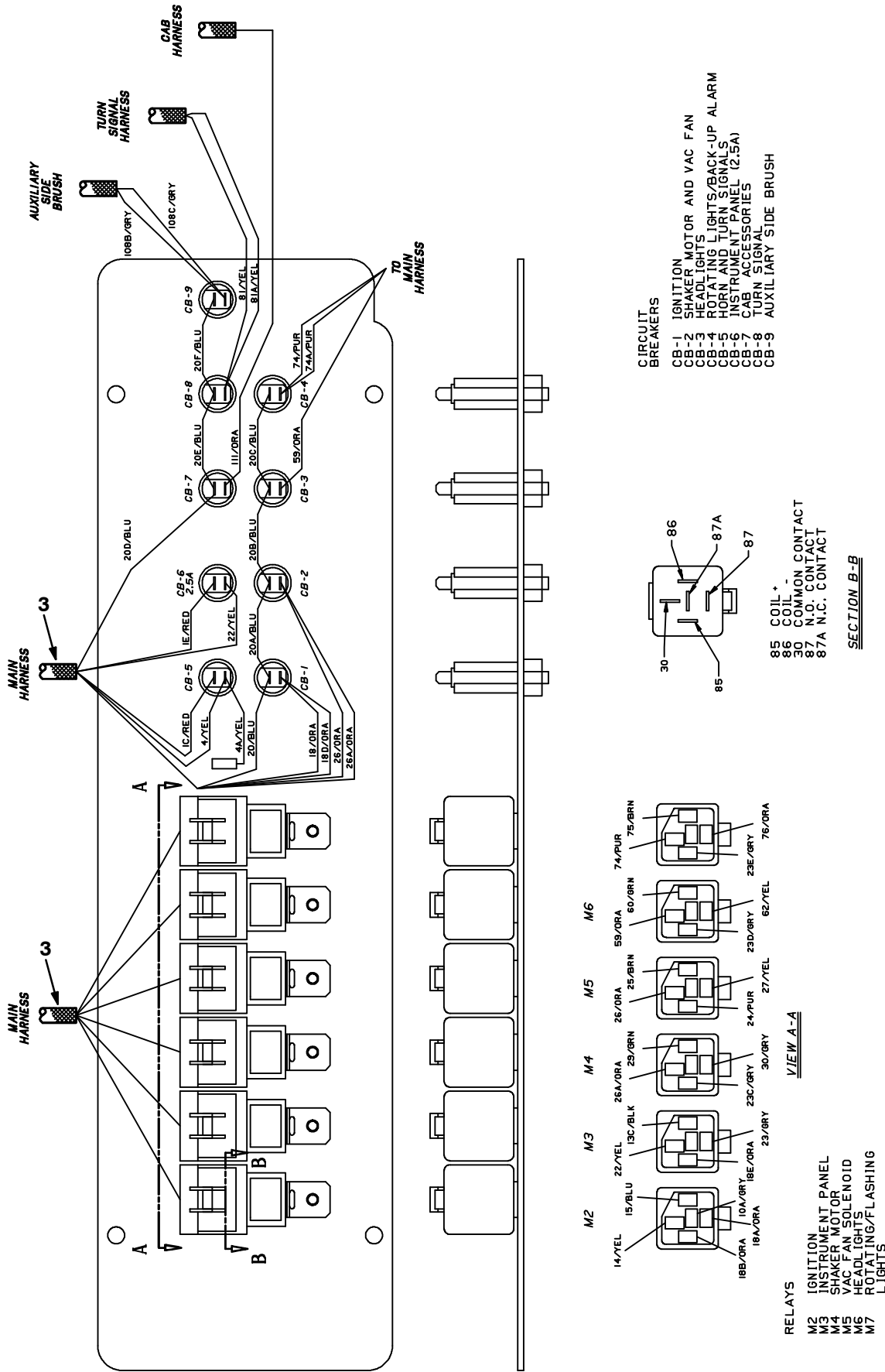
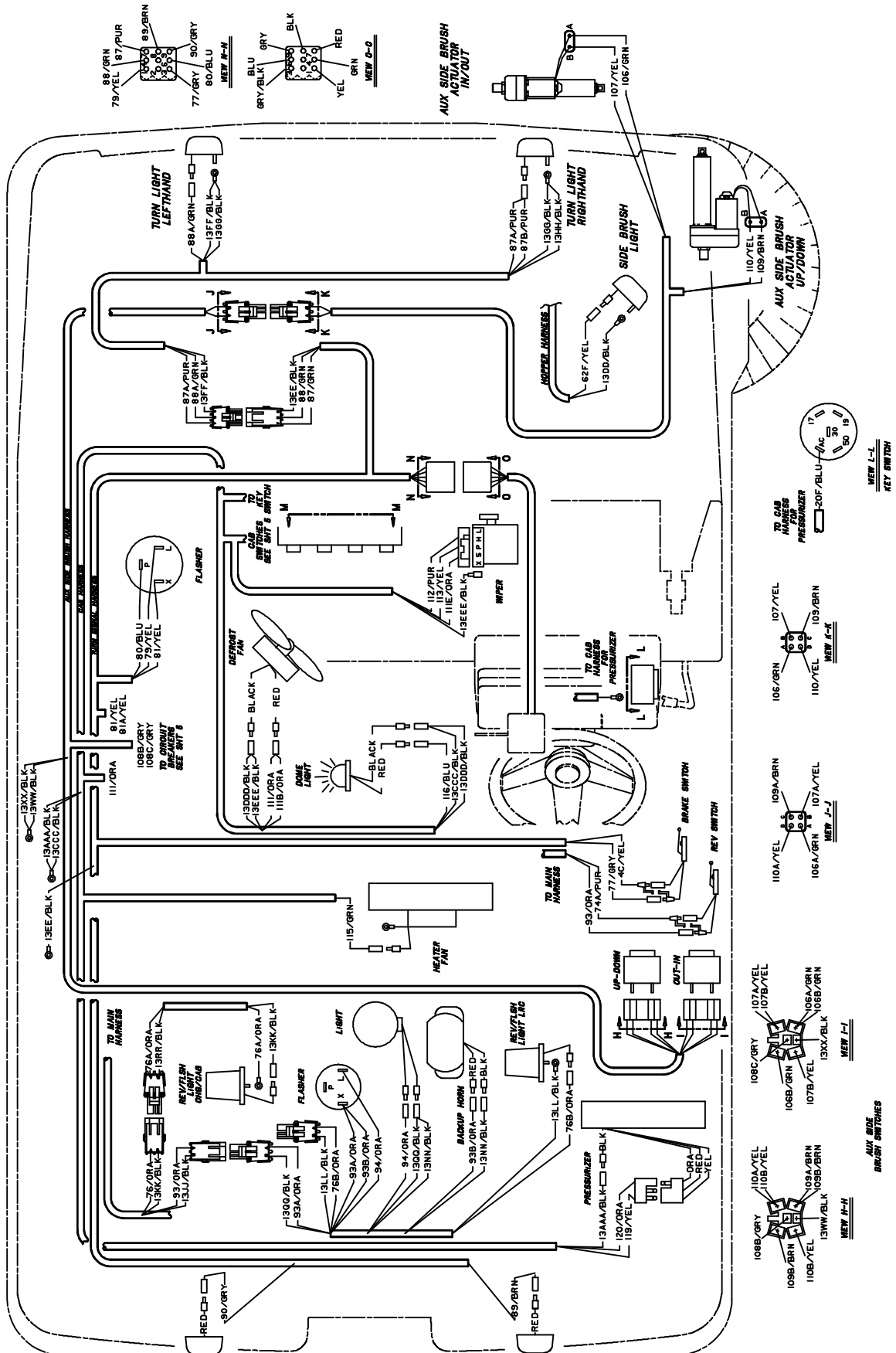
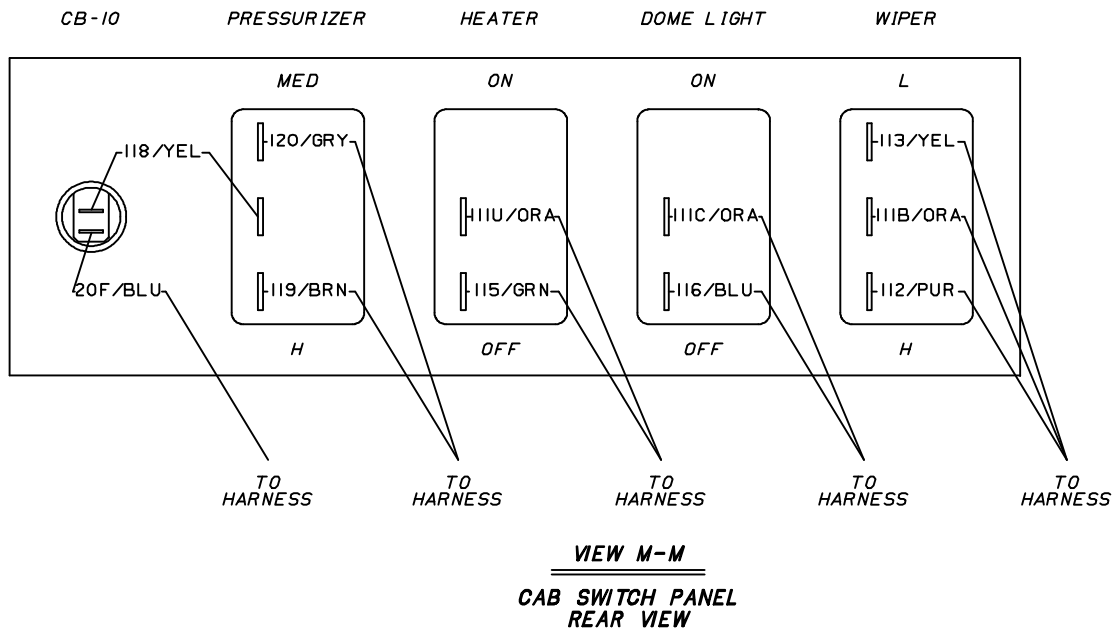
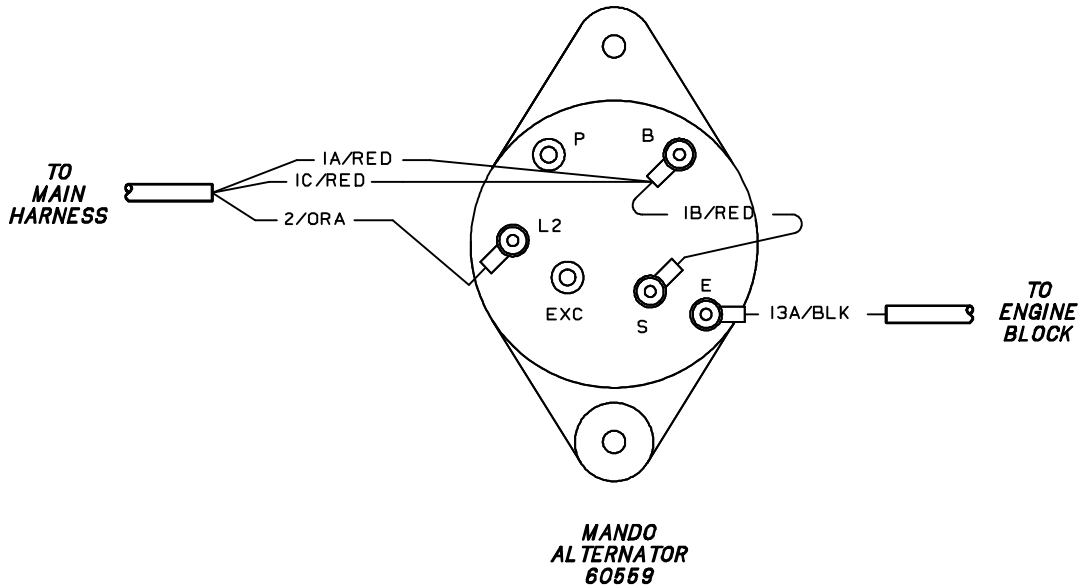


Fig. 53 - Wire Harness Group



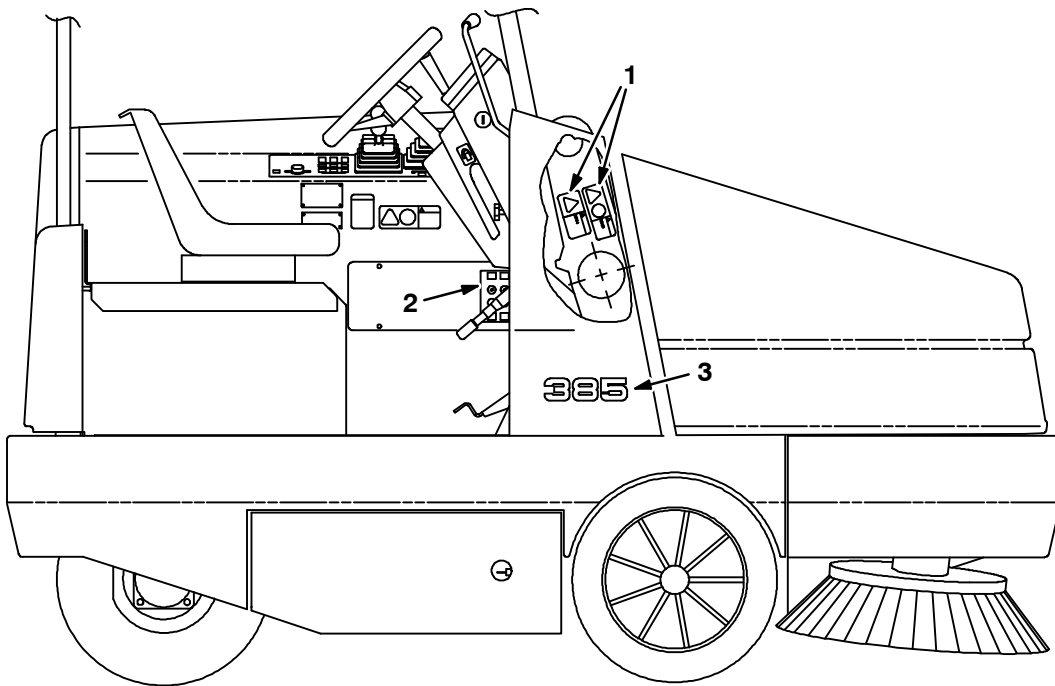
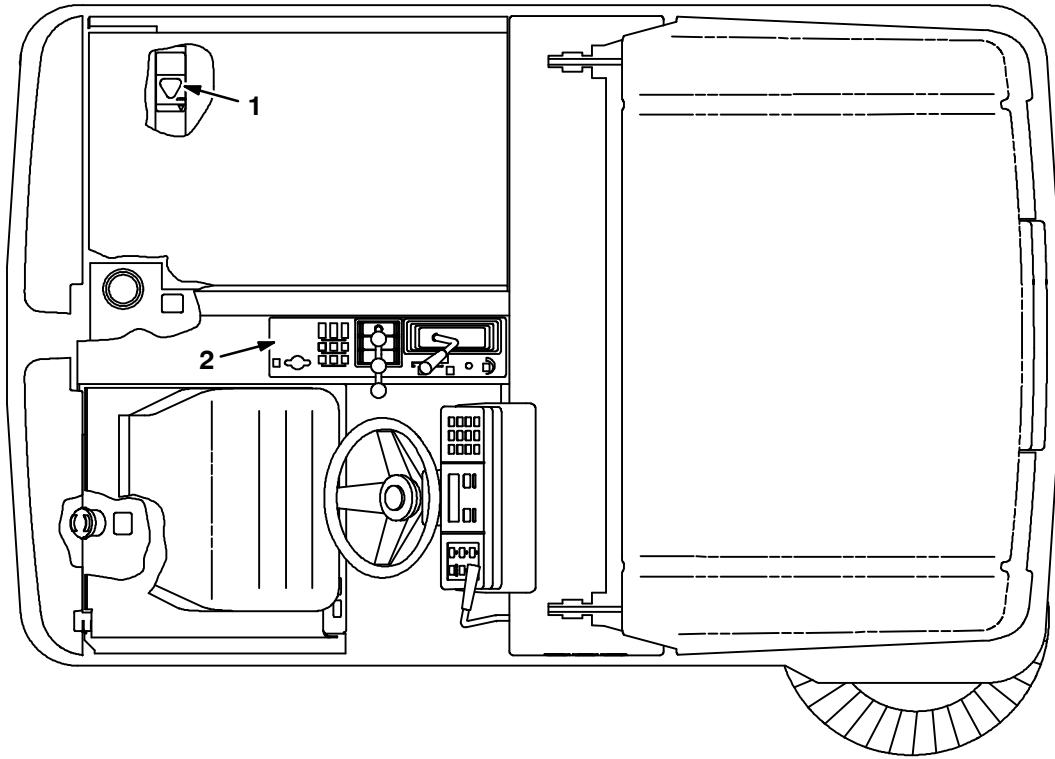
**Fig. 53 - Wire Harnesses Group**



07926/07512

Ref.	Tennant Part No.	Machine Serial Number	Description	Qty.
1	60290	(000000- )	Harness, Horn	1
2	60282	(000000- )	Harness, Hopper	1
3	60279	(000000- )	Harness, Main, Die 355L	1
4	60296	(000000- )	Harness, Fuel, Gas/Die 355L	1

**Fig. 54 - Label Group**



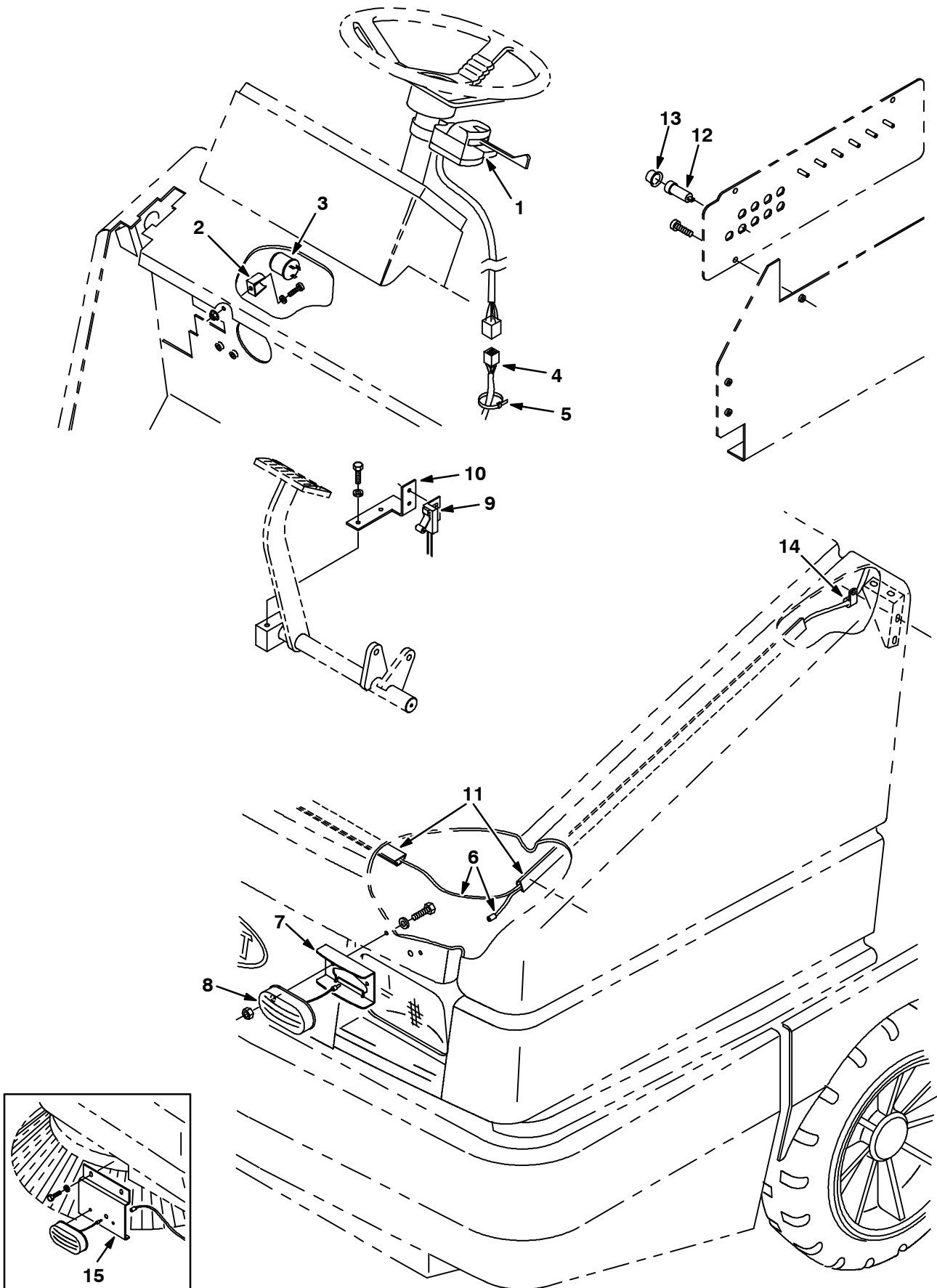
07915/07507

Ref.	Tennant Part No.	Machine Serial Number	Description	Qty.
▽	59786	(000000- )	Label Kit, Complete, 355L	1
▲ 1	59767	(000000- )	Label Set, Info & Hazard 355L	1
▲ 2	59768	(000000- )	Label Set, Operational 355L	1
▲ 3	59820	(000000- )	Label, Numerals 385	2

# SECTION 3

CONTENTS	PAGE
Fig. 1 - Signal Light Kit .....	3-2
Fig. 2 - Flashing Light Kit, Overhead Guard .....	3-4
Fig. 3 - Revolving Light Kit, Overhead Guard .....	3-5
Fig. 4 - Flashing Light Kit, LRC .....	3-6
Fig. 5 - Revolving Light Kit, LRC .....	3-7
Fig. 6 - Flashing Light Kit, Cab .....	3-8
Fig. 7 - Revolving Light Kit, Cab .....	3-9
Fig. 8 - Back-Up Alarm Kit, Cab .....	3-10
Fig. 9 - Back-Up Alarm Kit, Cab with Pressurizer .....	3-12
Fig. 10 - Side Brush Light Kit .....	3-14
Fig. 11 - Cab Insulation Group .....	3-16
Fig. 12 - Cab Frame and Windows Group .....	3-18
Fig. 13 - Cab Door Group .....	3-20
Fig. 14 - Cab Electrical and Wiper Group .....	3-22
Fig. 15 - Cab Pressurizer Kit .....	3-24
Fig. 16 - Cab Heater Kit .....	3-26
Fig. 17 - Blower Kit, Overhead Guard .....	3-28
Fig. 18 - Vacuum Wand Kit .....	3-30
Fig. 19 - Side Brush Dust Control Kit .....	3-32
Fig. 20 - Side Brush Dust Control Kit .....	3-34
Fig. 21 - Seat Belt Kit .....	3-36
Fig. 22 - Protectoseal Fuel Tank Cap Group .....	3-37
Fig. 23 - Spark Arrest Muffler Group .....	3-38
Fig. 24 - Air Filter Safety Element Kit .....	3-39
Fig. 25 - Fire Extinguisher Kit .....	3-40
Fig. 26 - Battery Group, Dry (International Only) .....	3-41
Fig. 27 - Soft Ride Non-Marking Tire and Wheel Assembly .....	3-42
Fig. 28 - Soft Ride Tire and Wheel Assembly .....	3-43
Fig. 29 - Hi-Wear Tire And Wheel Assembly .....	3-44
Fig. 30 - Stainless Steel Hopper Group .....	3-45
Fig. 31 - Demo Group .....	3-46
Fig. 32 - Auxiliary Side Brush Hopper Deflector Group .....	3-47
Fig. 33 - Auxiliary Side Brush Motor Group .....	3-48
Fig. 34 - Auxiliary Side Brush Pivot Group .....	3-50
Fig. 35 - Auxiliary Side Brush Wire Harness Group .....	3-52
Fig. 36 - Auxiliary Side Brush Electrical Group .....	3-54
Fig. 37 - Vacuumized Skirt Kit, Main Brush .....	3-55
Fig. 38 - Documentation Group .....	3-56

Fig. 1 - Signal Light Kit

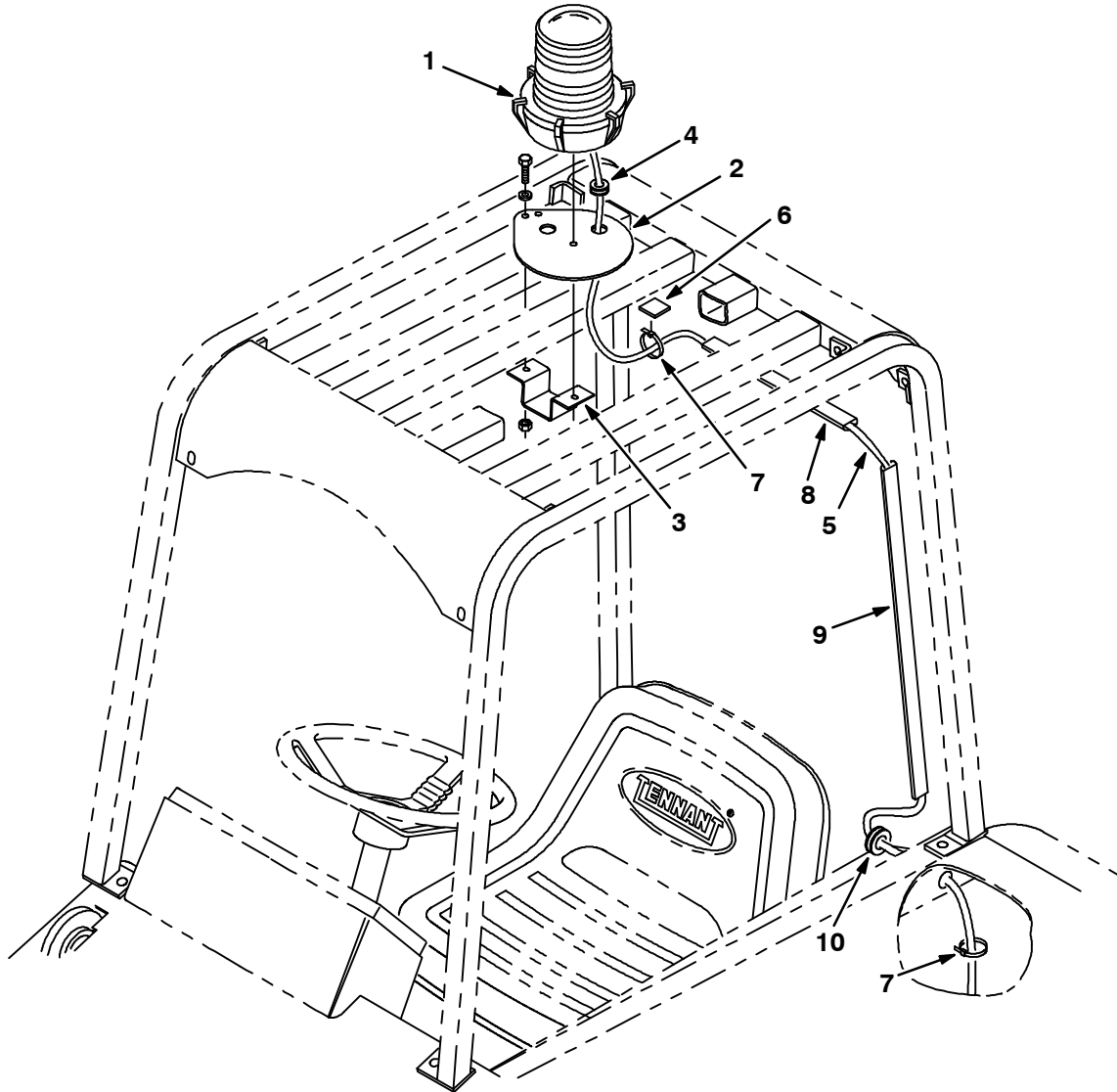




**Fig. 1 - Signal Light Kit**

	<b>Ref.</b>	<b>Tenant Part No.</b>	<b>Machine Serial Number</b>	<b>Description</b>	<b>Qty.</b>
▽		60305	(000000-	) Light Kit Sgnl 355L	1
▲▽	1	60751	(000000-	) Signal Assy Rework, E1740 Turn	1
▲▲		48570	(000000-	) Bulb #53 12V	1
▲	2	24576-1	(000000-	) Bracket, Flasher	1
▲	3	31922	(000000-	) Flasher, Heavy Duty	1
▲	4	60283	(000000-	) Harness, Turn Signal	1
▲	5	49266	(000000-	) Tie, Cable 1.75D Max 7.50Lg	12
▲	6	60284	(000000-	) Harness, Turn Signal	1
▲	7	72178	(000000-	) Bracket, Light, SBDC	2
▲▽	8	34848	(000000-	) Light Assy Mark/Yel 12V- . A	2
▲▲		87948	(000000-	) Bulb, #194	1
▲	9	59962	(000000-	) Switch Assy, Roller	1
▲	10	59920	(000000-	) Bracket, Switch	1
▲	11	86332	(000000-	) Duct, Vinyl .40x.75x26.0 Lg .25D	2
▲	12	57803	(000000-	) Circuit Breaker, 15 Resetbl	1
▲	13	57751	(000000-	) Boot - Circuit Breaker	1
▲	14	40678	(000000-	) Clamp, Cable .44D .62 Wide	1
	15	58308	(000000-xxxxxx	) Bracket, Bumper Stop	2

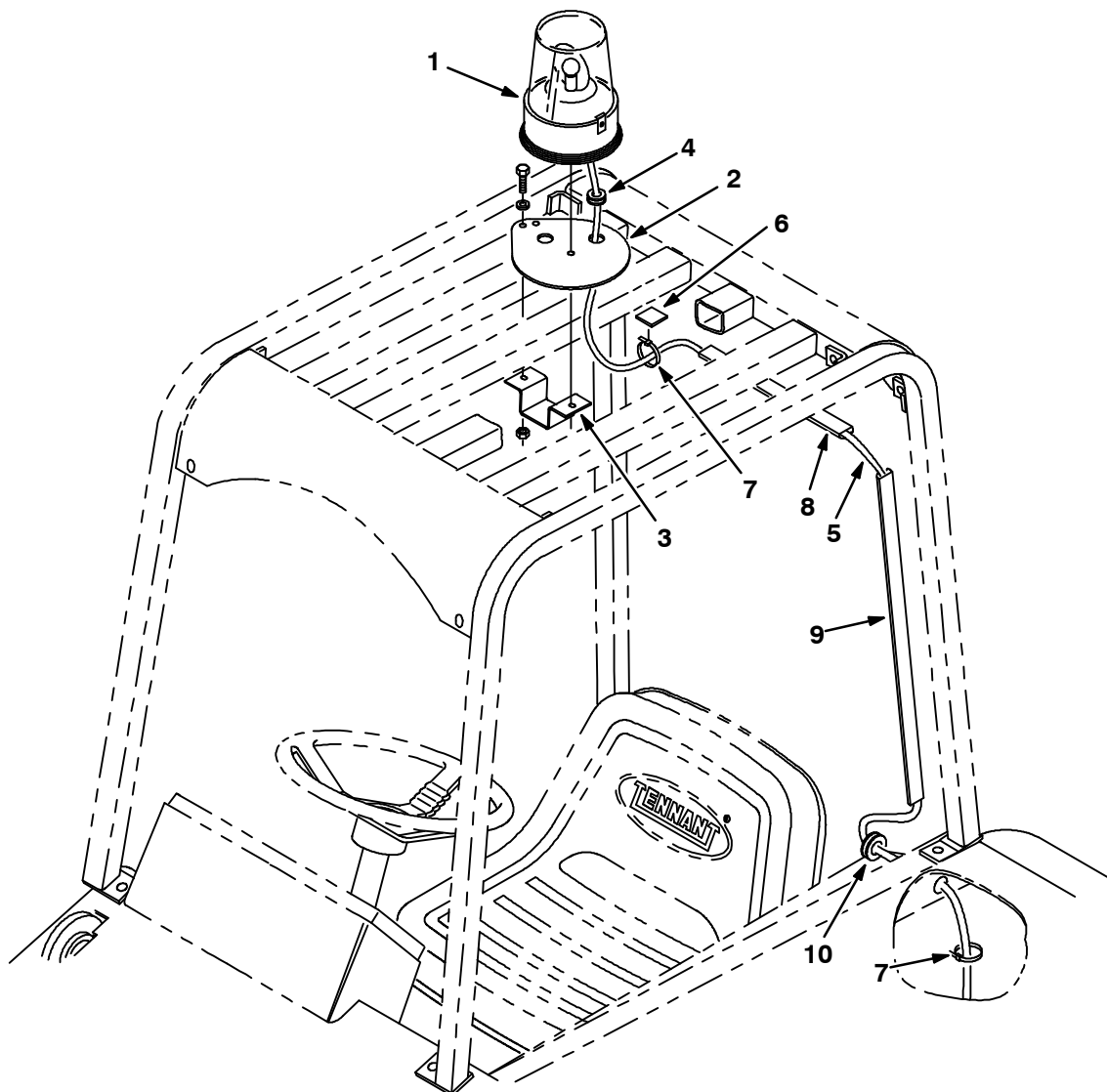
**Fig. 2 - Flashing Light Kit, Overhead Guard**



07870/07474

Ref.	Tennant Part No.	Machine Serial Number	Description	Qty.
▽	60307	(000000- )	Light Kit Flsh 355L Ohg	1
▲▽	1 82063	(000000- )	Light, Flashing, Amber, 12V-Re	1
▲▲	58520	(000000- )	Lens,Flashing Lite Fr207 Amber	1
▲▲	45779	(000000- )	Bulb, General Electric	1
▲	2 57220	(000000- )	Plate, Light Mtg.	1
▲	3 59447	(000000- )	Bracket, Mtg, Light, Ohg	1
▲	4 10632-2	(000000- )	Grommet,Rbr,0.63Id,For .13Matl	1
▲	5 60288	(000000- )	Harness, Revolv Light, Cab,Ohg	1
▲	6 55248	(000000- )	Cabletie Mount, Adhesive	5
▲	7 49266	(000000- )	Tie, Cable 1.75D Max 7.50Lg	8
▲	8 86330	(000000- )	Duct, Vinyl 10.0 In	2
▲	9 86332	(000000- )	Duct, Vinyl 26.0 In.	1
▲	72114	(000000- )	Duct, Vinyl 6.0 In.	1
▲	10 10632-18	(000000- )	Grommet, Rbr, 0.69 ID	1
	58518	(000000- )	Lens,Flashing Lite Fr207 Red	1
	58519	(000000- )	Lens,Flashing Lite Fr207 Blue	1

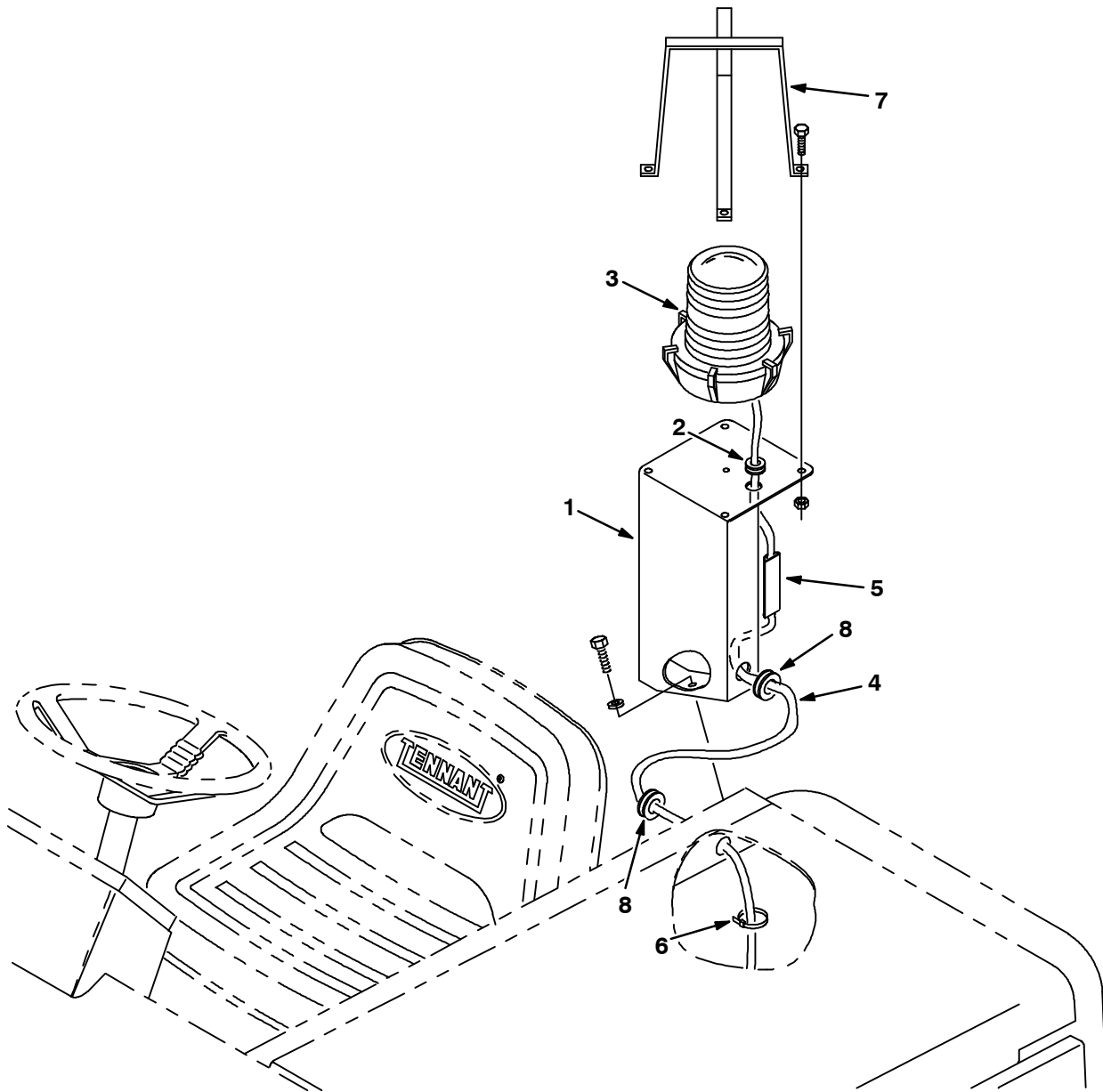
Fig. 3 - Revolving Light Kit, Overhead Guard



07866/07470

Ref.	Tennant Part No.	Machine Serial Number	Description	Qty.
▽	60309	(000000- )	Light Kit Revl 355L Ohg	1
▲▽	1 82200	(000000- )	Light,Rev.Amber 12V-Reworked	1
▲▲	44681-1	(000000- )	Lens,Rev.Light,Amber	1
▲▲	45779	(000000- )	Bulb, General Electric	1
▲	2 57220	(000000- )	Plate, Light Mtg.	1
▲	3 59447	(000000- )	Bracket, Mtg, Light, Ohg	1
▲	4 10632-2	(000000- )	Grommet,Rbr,0.63Id,For .13Matl	1
▲	5 60288	(000000- )	Harness, Revolv Light, Cab,Ohg	1
▲	6 55248	(000000- )	Cabletie Mount, Adhesive	5
▲	7 49266	(000000- )	Tie, Cable 1.75D Max 7.50Lg	8
▲	8 86330	(000000- )	Duct, Vinyl 10.0 In.	2
▲	9 86332	(000000- )	Duct, Vinyl 26.0 In.	1
▲	72114	(000000- )	Duct, Vinyl 6.0 In.	1
▲	10 10632-18	(000000- )	Grommet, Rbr, 0.69 ID	1
	44681	(000000- )	Lens,Rev.Light,Red	1
	44681-2	(000000- )	Lens,Rev.Light,Blue	1

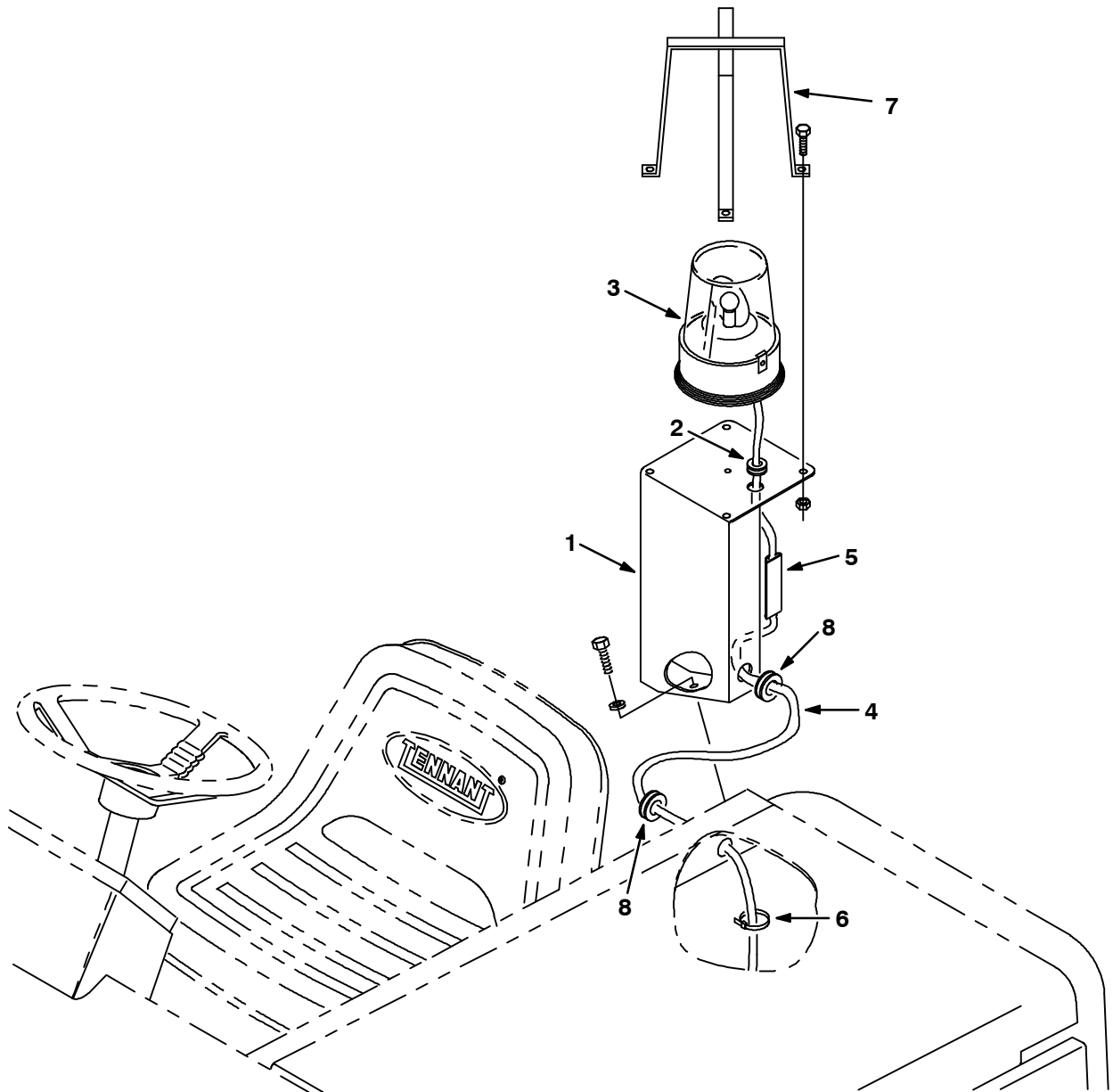
**Fig. 4 - Flashing Light Kit, LRC**



07873/07477

Ref.	Tennant Part No.	Machine Serial Number	Description	Qty.
∇	60312	(000000- )	Light Kit Flsh 355L Lrc	1
▲	1 72100	(000000- )	Bracket Wldt, Light, Rotating	1
▲	2 10632-9	(000000- )	Grommet,Rbr,0.56Id,For .13Matl	1
▲∇	3 82063	(000000- )	Light, Flashing, Amber, 12V-Re	1
▲▲	58520	(000000- )	Lens,Flashing Lite Fr207 Amber	1
▲▲	45779	(000000- )	Bulb, General Electric	1
▲	4 71543	(000000- )	Harness, Wire, Hazard	1
▲	5 86333	(000000- )	Duct, Vinyl 3.5 In.	1
▲	6 49266	(000000- )	Tie, Cable 1.75D Max 7.50Lg	6
▲	7 45272	(000000- )	Guard Wldt, Lights, Revl&Flsh	1
▲	8 10632-18	(000000- )	Grommet, Rbr, 0.69 ID	2
	58518	(000000- )	Lens,Flashing Lite Fr207 Red	1
	58519	(000000- )	Lens,Flashing Lite Fr207 Blue	1

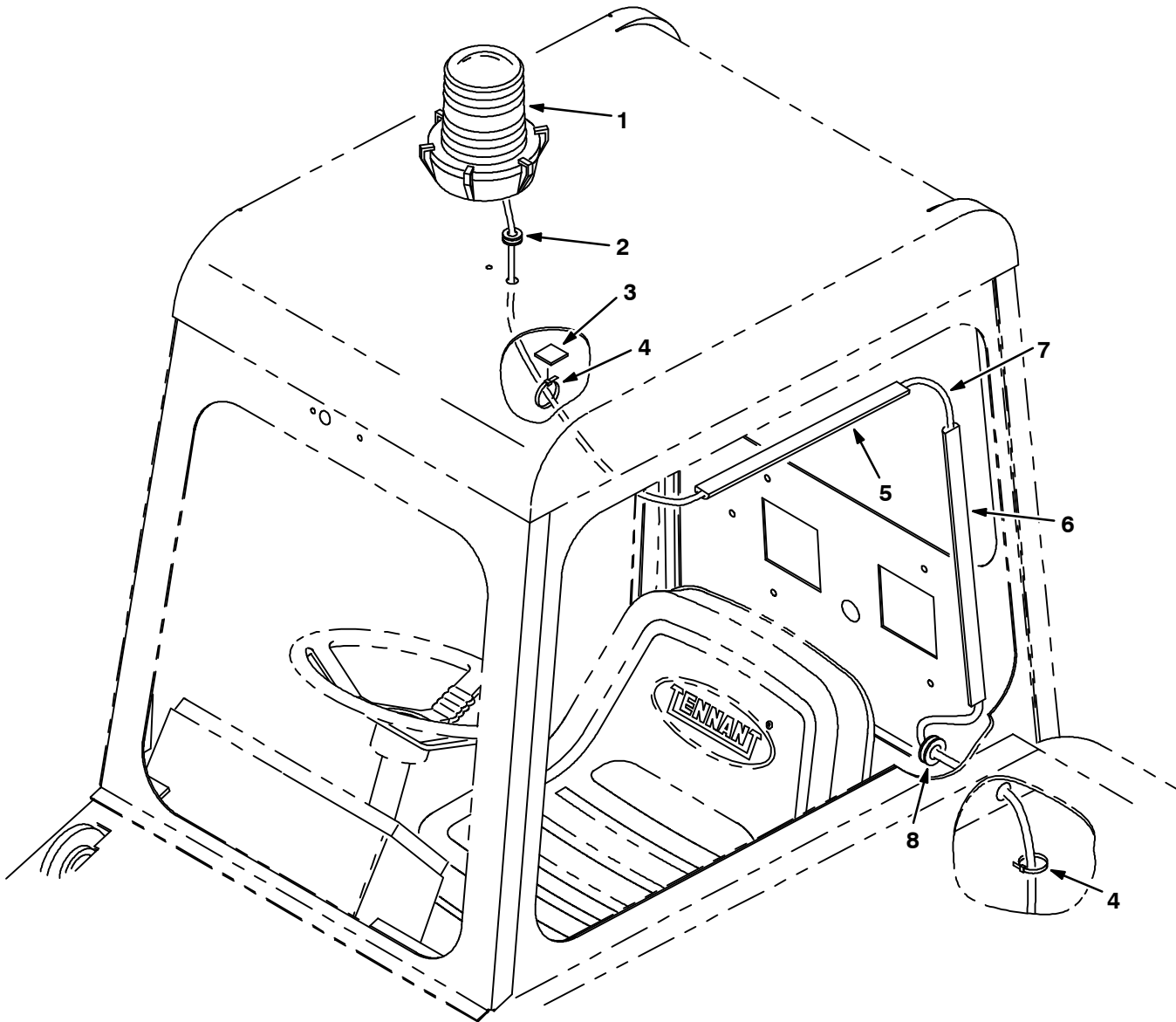
Fig. 5 - Revolving Light Kit, LRC



07869/07473

Ref.	Tennant Part No.	Machine Serial Number	Description	Qty.
∇	60314	(000000- )	Light Kit Revl 355L Lrc	1
▲	1 72100	(000000- )	Bracket Wldt, Light, Rotating	1
▲	2 10632-9	(000000- )	Grommet, Rbr, 0.56Id, For .13Matl	1
▲∇	3 82200	(000000- )	Light, Rev. Amber 12V- Reworked	1
▲▲	44681-1	(000000- )	Lens, Rev. Light, Amber	1
▲▲	45779	(000000- )	Bulb, General Electric	1
▲	4 71543	(000000- )	Harness, Wire, Hazard	1
▲	5 86333	(000000- )	Duct, Vinyl 3.5 In.	1
▲	6 49266	(000000- )	Tie, Cable 1.75D Max 7.50Lg	6
▲	7 45272	(000000- )	Guard Wldt, Lights, Revl&Fish	1
▲	8 10632-18	(000000- )	Grommet, Rbr, 0.69 ID	2
	44681	(000000- )	Lens, Rev. Light, Red	1
	44681-2	(000000- )	Lens, Rev. Light, Blue	1

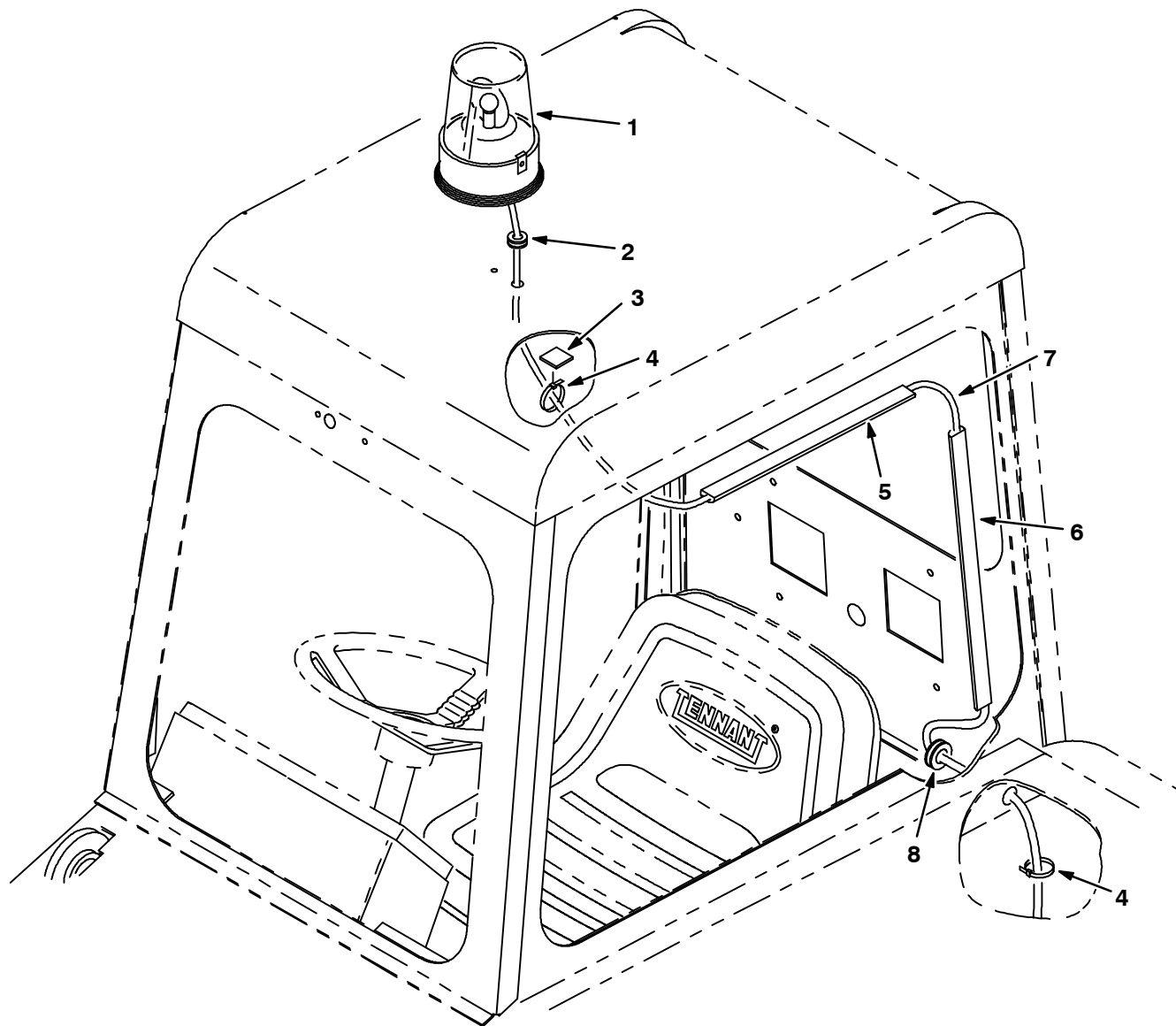
**Fig. 6 - Flashing Light Kit, Cab**



07871/07475

Ref.	Tennant Part No.	Machine Serial Number	Description	Qty.
▽	60316	(000000- )	Light Kit Flsh 355L Cab	1
▲▽	1 82063	(000000- )	Light, Flashing, Amber, 12V-Re	1
▲▲	58520	(000000- )	Lens,Flashing Lite Fr207 Amber	1
▲▲	45779	(000000- )	Bulb, General Electric	1
▲	2 10632-9	(000000- )	Grommet,Rbr, 0.56 In	1
▲	3 55248	(000000- )	Cabletie Mount, Adhesive	4
▲	4 49266	(000000- )	Tie, Cable 1.75D Max 7.50Lg	4
▲	5 86331	(000000- )	Duct, Vinyl 16.0 In.	1
▲	6 86332	(000000- )	Duct, Vinyl 26.0 In.	1
▲	7 60288	(000000- )	Harness, Revolv Light, Cab,Ohg	1
▲	8 10632-18	(000000- )	Grommet, Rbr, 0.69 ID	1
	58518	(000000- )	Lens,Flashing Lite Fr207 Red	1
	58519	(000000- )	Lens,Flashing Lite Fr207 Blue	1

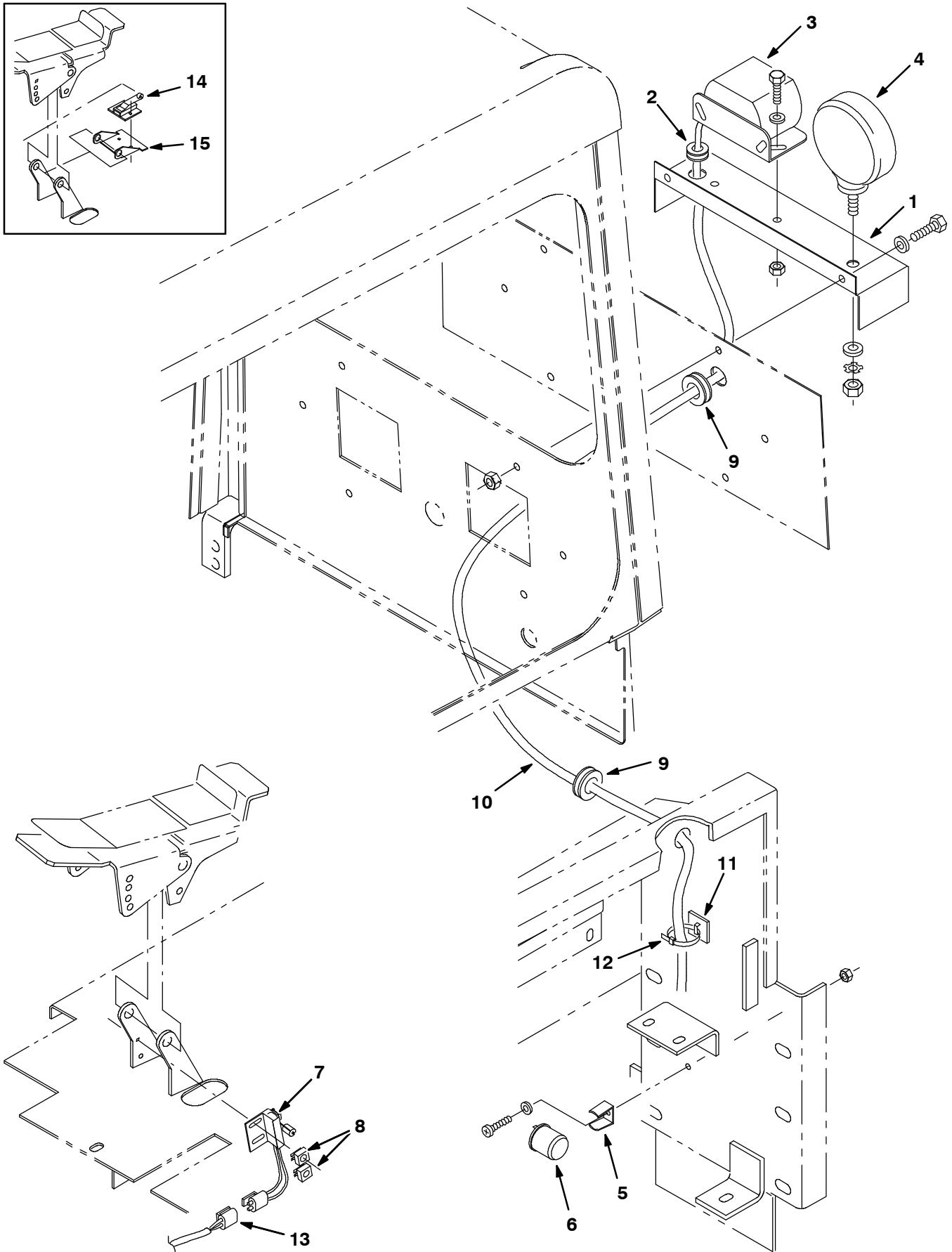
Fig. 7 - Revolving Light Kit, Cab



07872/07476

Ref.	Tennant Part No.	Machine Serial Number	Description	Qty.
▽	60318	(000000- )	Light Kit Revl 355L Cab	1
▲▽	1 82200	(000000- )	Light,Rev.Amber 12V-Reworked	1
▲▲	44681-1	(000000- )	Lens,Rev.Light,Amber	1
▲▲	45779	(000000- )	Bulb, General Electric	1
▲	2 10632-9	(000000- )	Grommet,Rbr, 0.56 In	1
▲	3 55248	(000000- )	Cabletie Mount, Adhesive	4
▲	4 49266	(000000- )	Tie, Cable 1.75D Max 7.50Lg	4
▲	5 86331	(000000- )	Duct, Vinyl 16.0 In.	1
▲	6 86332	(000000- )	Duct, Vinyl 26.0 In.	1
▲	7 60288	(000000- )	Harness, Revolv Light, Cab,Ohg	1
▲	8 10632-18	(000000- )	Grommet, Rbr, 0.69 ID	1
	44681	(000000- )	Lens,Rev.Light,Red	1
	44681-2	(000000- )	Lens,Rev.Light,Blue	1

Fig. 8 - Back-Up Alarm Kit, Cab

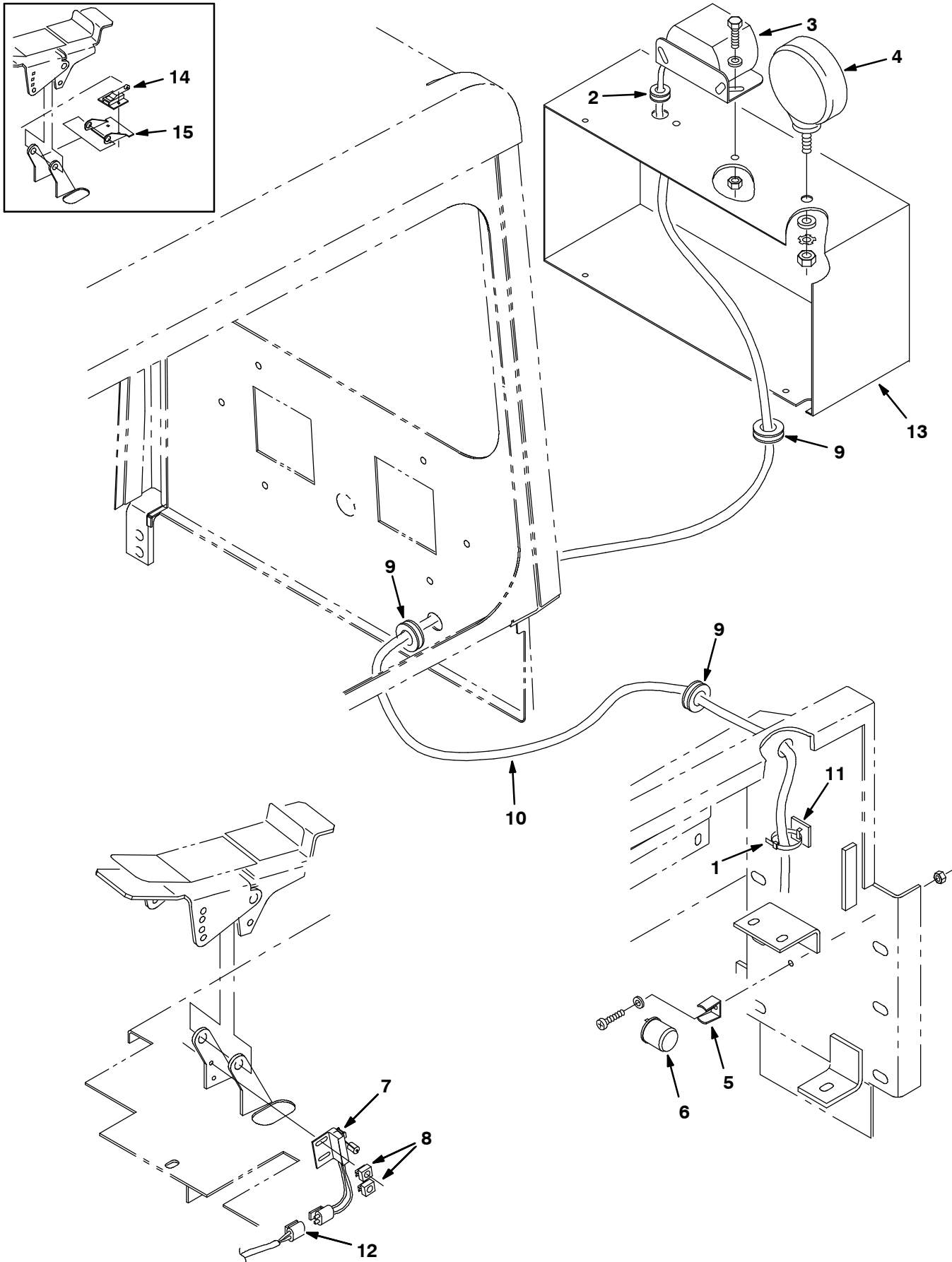




**Fig. 8 - Back-Up Alarm Kit, Cab**

	<b>Ref.</b>	<b>Tennant Part No.</b>	<b>Machine Serial Number</b>	<b>Description</b>	<b>Qty.</b>
▽		72096	(000000-	) Alarm Kit, Bu A/v 355L, Cab	1
▲	1	71058	(000000-	) Bracket, Alarm, Back-Up	1
▲	2	10632-9	(000000-	) Grommet,Rbr, 0.56 In	1
▲	3	61920	(000000-	) Horn Assy, Back-Up Alarm	1
▲▽	4	36438	(000000-	) Headlight Assy,210G	1
▲▲		36439	(000000-	) Bulb, 12V .9A 15Cp#1004	1
▲	5	24576-1	(000000-	) Bracket, Flasher	1
▲	6	24576	(000000-	) Flasher, 12V	1
▲	7	23211	(006666-	) Switch Assy, Roller	1
▲	8	23210	(006666-	) Nut Speed, Retainer, 8-32 Thd	2
▲	9	10632-18	(000000-	) Grommet, Rbr, 0.69 ID	2
▲	10	71544	(000000-	) Harness, Alarm, Backup	1
▲	11	55248	(000000-	) Cabletie Mount, Adhesive	2
▲	12	49266	(000000-	) Tie, Cable 1.75D Max 7.50Lg	5
▲	13	70159	(006666-	) Harness, Adapter, B/u Alarm	1
	14	35905	(000000-006665	) Switch, Waterproof, 10A	1
	15	23231	(000000-006665	) Repl. Kit, Backup Switch	1

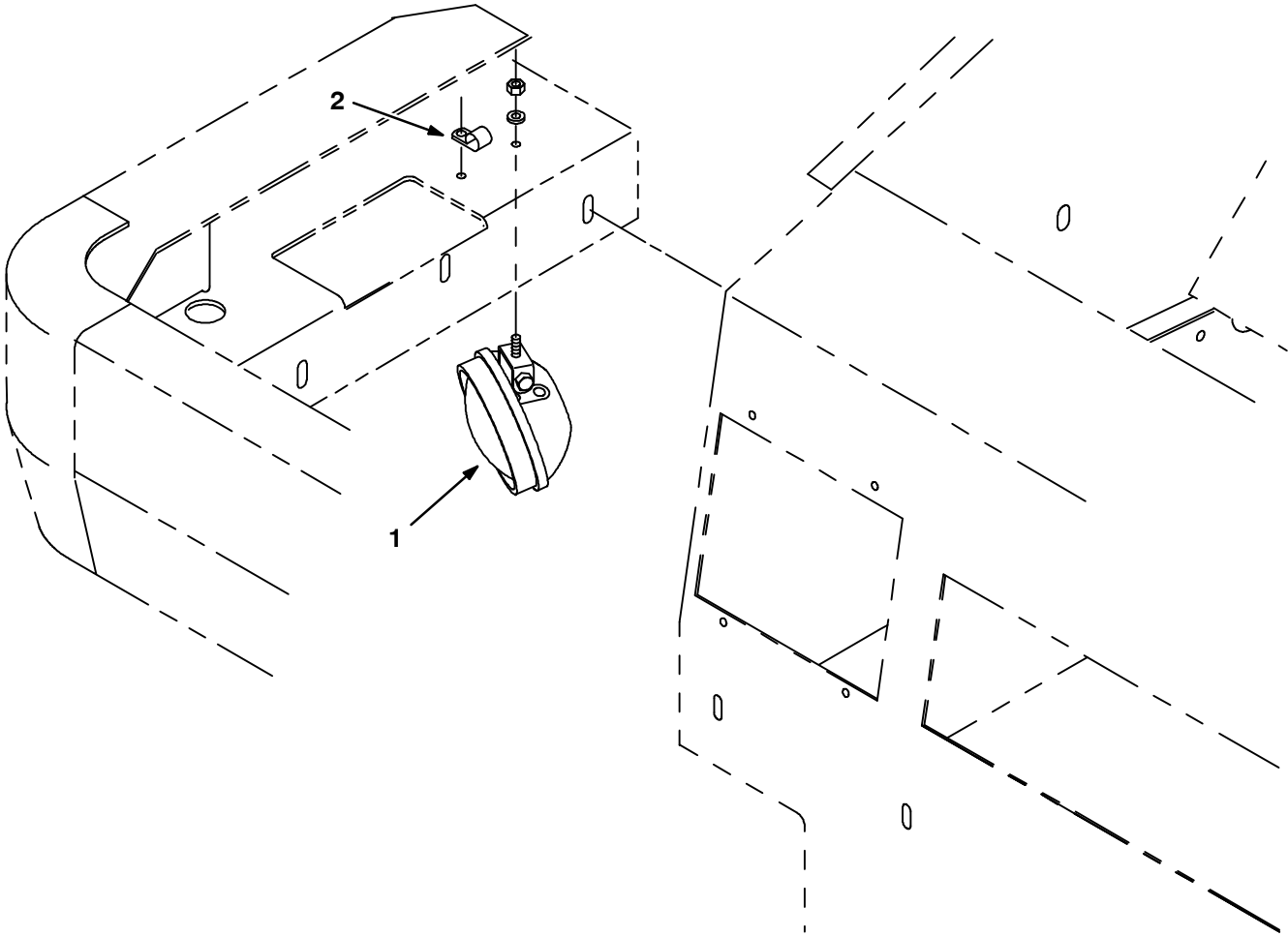
Fig. 9 - Back-Up Alarm Kit, Cab with Pressurizer



**Fig. 9 - Back-Up Alarm Kit, Cab with Pressurizer**

	<b>Ref.</b>	<b>Tennant Part No.</b>	<b>Machine Serial Number</b>	<b>Description</b>	<b>Qty.</b>
▽		72094	(000000-	) Alarm Kit, Bu A/v 355L, Cab with Pressurizer	1
▲	1	49266	(000000-	) Tie, Cable 1.75D Max 7.50Lg	5
▲	2	10632-9	(000000-	) Grommet,Rbr, 0.56 In	1
▲	3	61920	(000000-	) Horn Assy, Back-Up Alarm	1
▲▽	4	36438	(000000-	) Headlight Assy,210G	1
▲▲		36439	(000000-	) Bulb, 12V .9A 15Cp#1004	1
▲	5	24576-1	(000000-	) Bracket, Flasher	1
▲	6	24576	(000000-	) Flasher, 12V	1
▲	7	23211	(006666-	) Switch Assy, Roller	1
▲	8	23210	(006666-	) Nut Speed, Retainer, 8-32 Thd	2
▲	9	10632-18	(000000-	) Grommet, Rbr, 0.69 ID	3
▲	10	71544	(000000-	) Harness, Alarm, Backup	1
▲	11	55248	(000000-	) Cabletie Mount, Adhesive	2
▲	12	70159	(006666-	) Harness, Adapter, B/u Alarm	1
	13	72080	(000000-	) Cover Wldt, Press & Alarm	1
	14	35905	(000000-006665	) Switch, Waterproof, 10A	1
	15	23231	(000000-006665	) Repl. Kit, Backup Switch	1

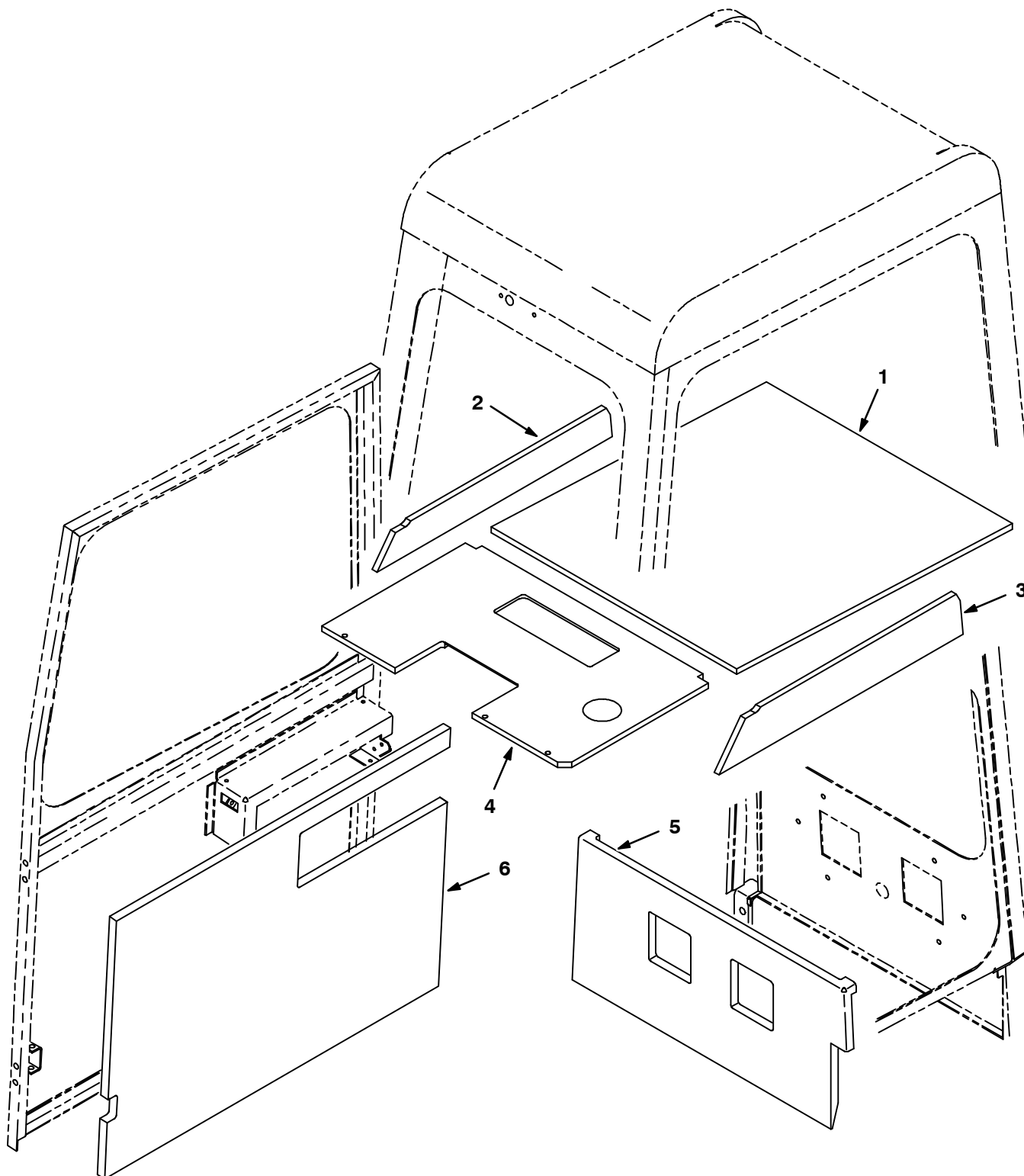
**Fig. 10 - Side Brush Light Kit**



**Fig. 10 - Side Brush Light Kit**

	<b>Ref.</b>	<b>Tennant Part No.</b>	<b>Machine Serial Number</b>	<b>Description</b>	<b>Qty.</b>
▽		60372	(000000-	) Light Kit, Side Brush 355L	1
▲▽	1	19827	(000000-	) Light Assy Work/Clr 12V- . A	1
▲▲		51570	(000000-	) Bulb GE	1
▲	2	40678	(000000-	) Clamp, Cable .44D .62Wide	1

Fig. 11 - Cab Insulation Group

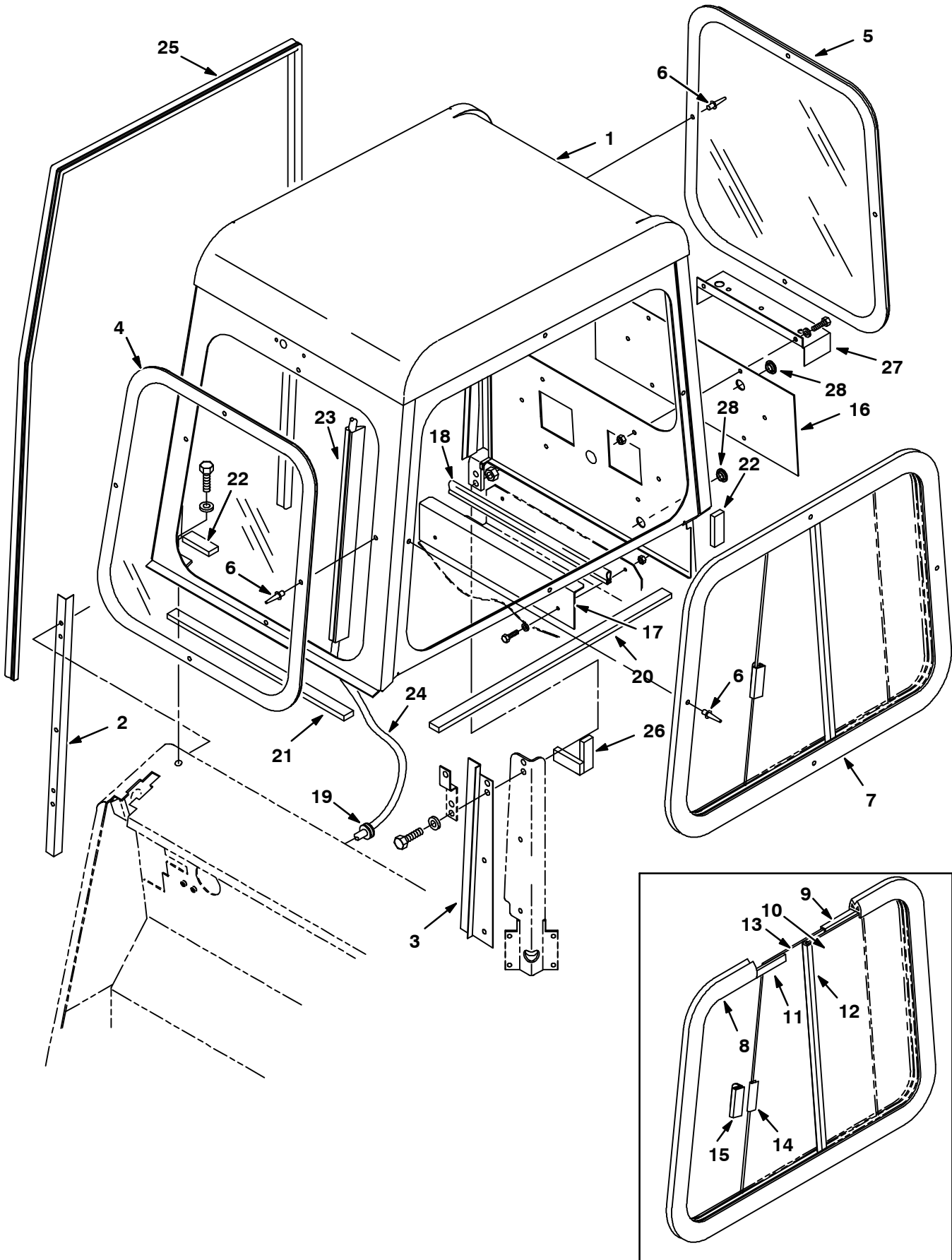


**Fig. 11 - Cab Insulation Group**

*NOTE: Cab Kit, TENNANT Part Number 59511, includes Fig. 11, Fig. 12, Fig. 13, and Fig. 14.*

<b>Ref.</b>	<b>Tennant Part No.</b>	<b>Machine Serial Number</b>	<b>Description</b>	<b>Qty.</b>
1	55073	(000000-	) Insulation,S/Foam,Roof	1
2	55074	(000000-	) Insulation,S/Foam,Side Rh	1
3	55161	(000000-	) Insulation,S/Foam,Side Lh	1
4	55162	(000000-	) Insulation,S/Foam,Panel	1
5	55163	(000000-	) Insulation,S/Foam Rear	1
6	55164	(000000-	) Insulation,S/Foam Door	1

Fig. 12 - Cab Frame and Windows Group



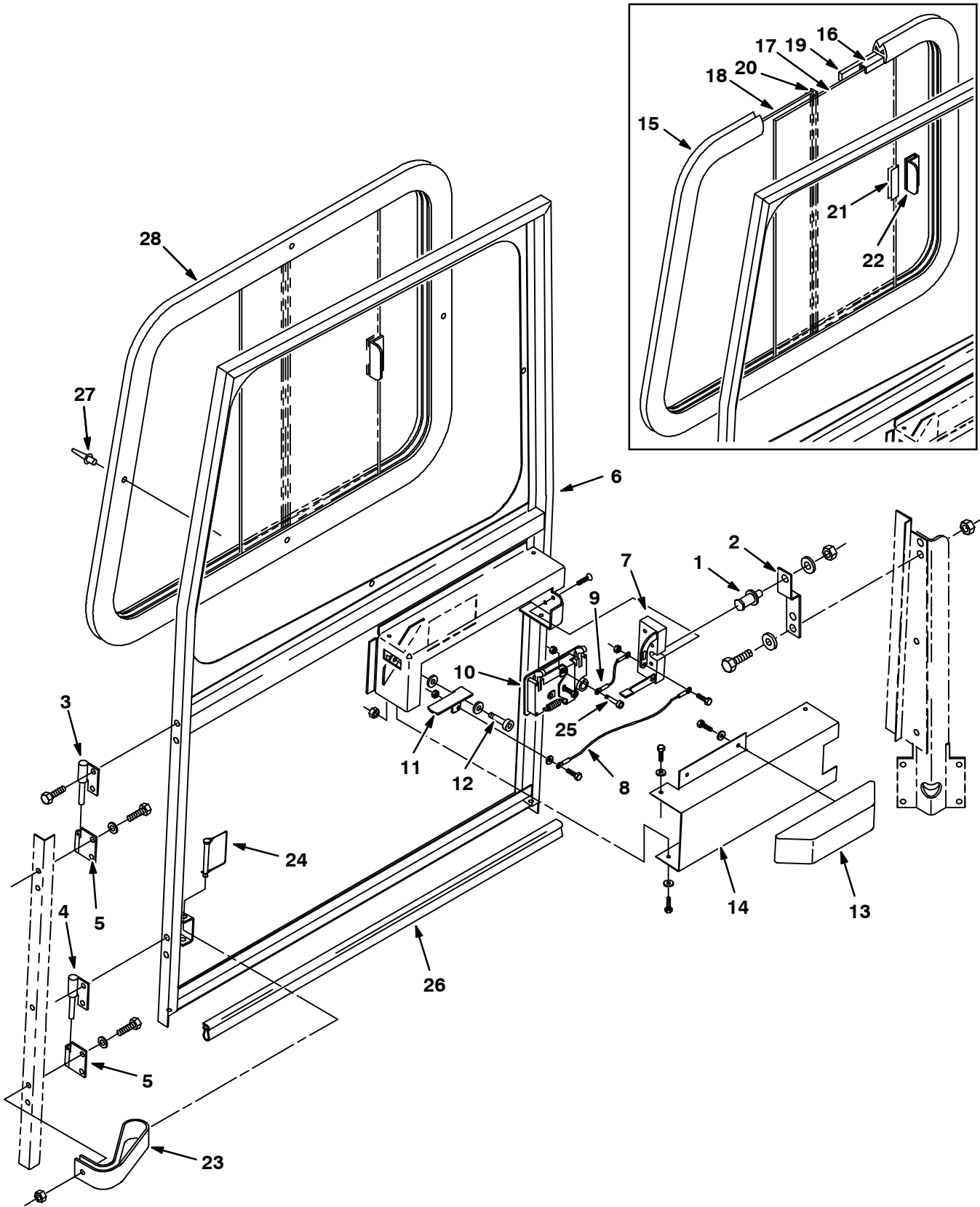


**Fig. 12 - Cab Frame and Windows Group**

NOTE: Cab Kit, TENNANT Part Number 59511, includes Fig. 11, Fig. 12, Fig. 13, and Fig. 14.

Ref.	Tennant Part No.	Machine Serial Number	Description	Qty.
1	55180	(000000-	) Cab Wldt	1
2	56546	(000000-	) Angle, Door Jamb	1
3	56560	(000000-	) Angle, Door Jamb, Lower, Rear	1
4	74430	(000000-	) Window, Cab, Front	1
5	74431	(000000-	) Window, Cab, Rear	1
6	56799	( xxxxxx-	) Rivet, Pop- .125Dx.38x.25Dhd Al	12
7	74429	( xxxxxx-	) Window, Cab, Side	1
8	55393	(000000-xxxxxx	) Weather Strip, L.H.	1
9	55395	(000000-xxxxxx	) Channel, Flexible, L.H	1
10	58831	(000000-xxxxxx	) Pane, Glass, Left ,Stationry (Repl. By 74429)	1
11	51608	(000000-xxxxxx	) Strip, Rbr.25X.50S&M	1
12	51677	(000000-xxxxxx	) Channel, Rigid	1
13	58832	(000000-xxxxxx	) Pane, Glass, Left, Sliding (Repl. By 74429)	1
14	58974	(000000-xxxxxx	) Pad, Neoprene .06 X .7 X 2.7	1
15	15066	(000000-xxxxxx	) Finger Pull	1
16	55270	(000000-	) Plate, Cover	1
17	55227	(000000-	) Plate, Seal, Sppt, Seat	1
18	55228	(000000-	) Seal, 19.75 Lg	1
19	56187	(000000-	) Grommet, Rubber	1
20	55963	(000000-	) Seal, Cab, Side	1
21	55959	(000000-	) Seal, Cab, Front	1
22	55968	(000000-	) Seal, Cab, Side	2
23	55973	(000000-	) Duct, Vinyl 24.0	1
24	60287	(000000-	) Harness, Cab	1
25	66221	(000000-	) Seal, 142.0 Lg Door	1
26	66197	(000000-	) Insulation, Acoustic	1
27	71058	(000000-	) Bracket, Back-Up Alarm	1
28	55035	(000000-	) Plug, Plastic, 1.00 D	2

Fig. 13 - Cab Door Group

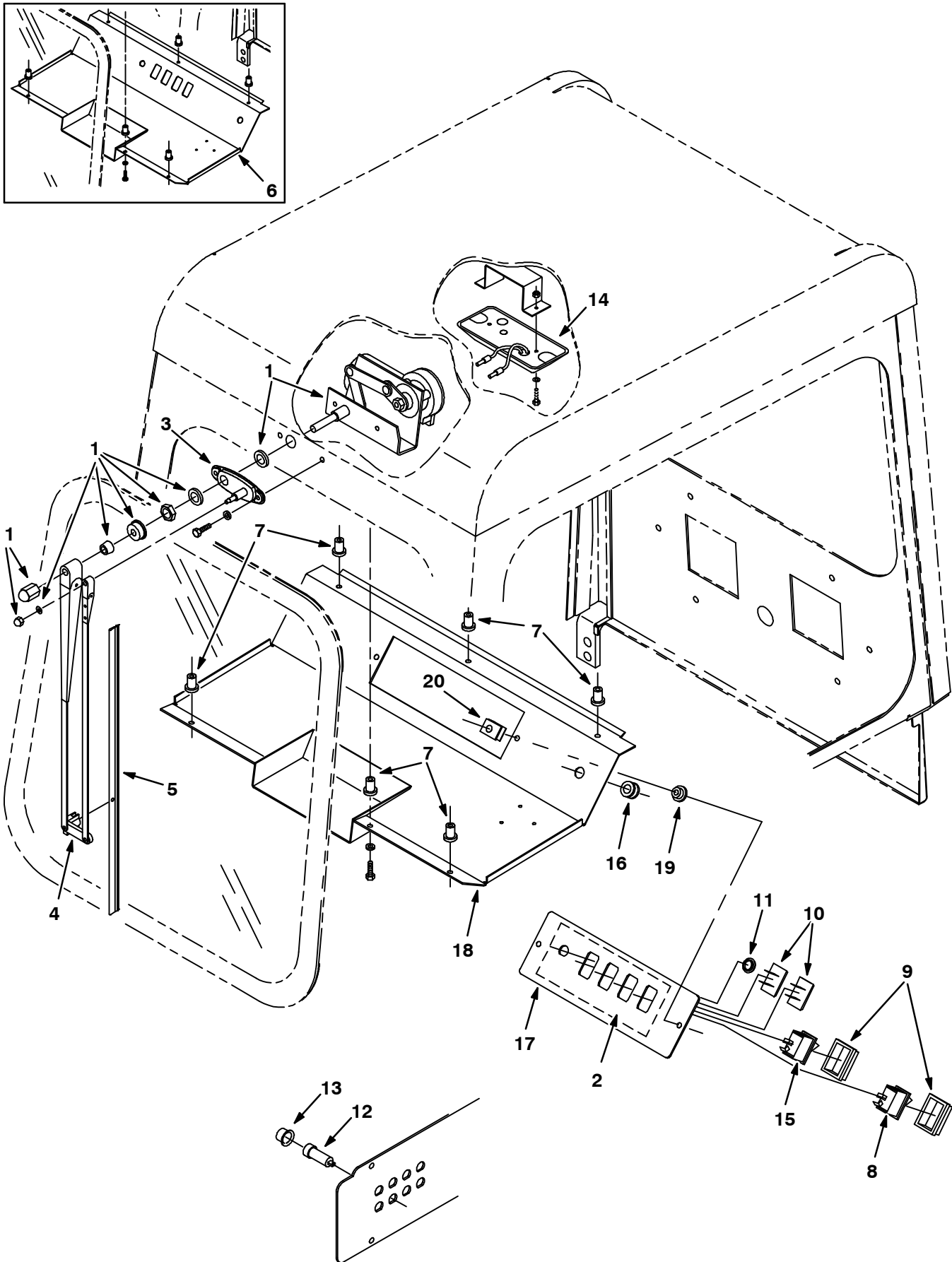


**Fig. 13 - Cab Door Group**

*NOTE: Cab Kit, TENNANT Part Number 59511, includes Fig. 11, Fig. 12, Fig. 13, and Fig. 14.*

<b>Ref.</b>	<b>Tennant Part No.</b>	<b>Machine Serial Number</b>	<b>Description</b>	<b>Qty.</b>
1	58898	(000000-	) Bolt, Latch	1
2	59032	(000000-	) Bracket, Latch, Bolt	1
3	59297	(000000-	) Hinge Wldt, Long Pin	1
4	59211	(000000-	) Hinge Wldt, Short Pin	1
5	59250	(000000-	) Hinge Wldt, Cab Door	2
6	59033	(000000-	) Door Wldt, Cab	1
7	59514	(000000-	) Latch	1
8	57702	(000000-	) Cable, Door, Access	1
9	55038	(000000-	) Cable, .06D X 5.75	1
10	59515	(000000-	) Handle, Paddle	1
11	59028	(000000-	) Lever, Door Release	1
12	02129	(000000-	) Scr-Shld .375Dx0.38L .31-18	1
13	34280	(000000-	) Armrest Cab	1
14	59031	(000000-	) Cover, Bracket, Armrest	1
15	23866	(000000-xxxxxx	) Weatherstrip,Rubber	1
16	23865	(000000-xxxxxx	) Channel,Glassrun,Flx#B127, 110	1
17	58830	(000000-xxxxxx	) Pane, Acrylc, Door,Sliding (Repl. By 74428)	1
18	58823	(000000-xxxxxx	) Pane, Acrylc, Door,Stationry (Repl. By 74428)	1
19	23863	(000000-xxxxxx	) Strip,Rbr.25X.50S&M #6422,55.0	1
20	51677	(000000-xxxxxx	) Channel, Rigid	1
21	58974	(000000-xxxxxx	) Pad, Neoprene .06 X .7 X 2.7	1
22	15066	(000000-xxxxxx	) Finger Pull	1
23	60862	(000000-	) Sleeve, Door Stop	1
24	02662	(000000-	) Pin Assy, Keeper	1
25	31249	(000000-	) Scr-Shld .250Dx1.25L 10-24	1
26	72024	(000000-	) Seal, Cab Door	1
27	56799	( xxxxxx-	) Rivet, Pop- .125Dx.38x.25Dhd Al	4
28	74428	( xxxxxx-	) Window, Cab, Door	1

Fig. 14 - Cab Electrical and Wiper Group

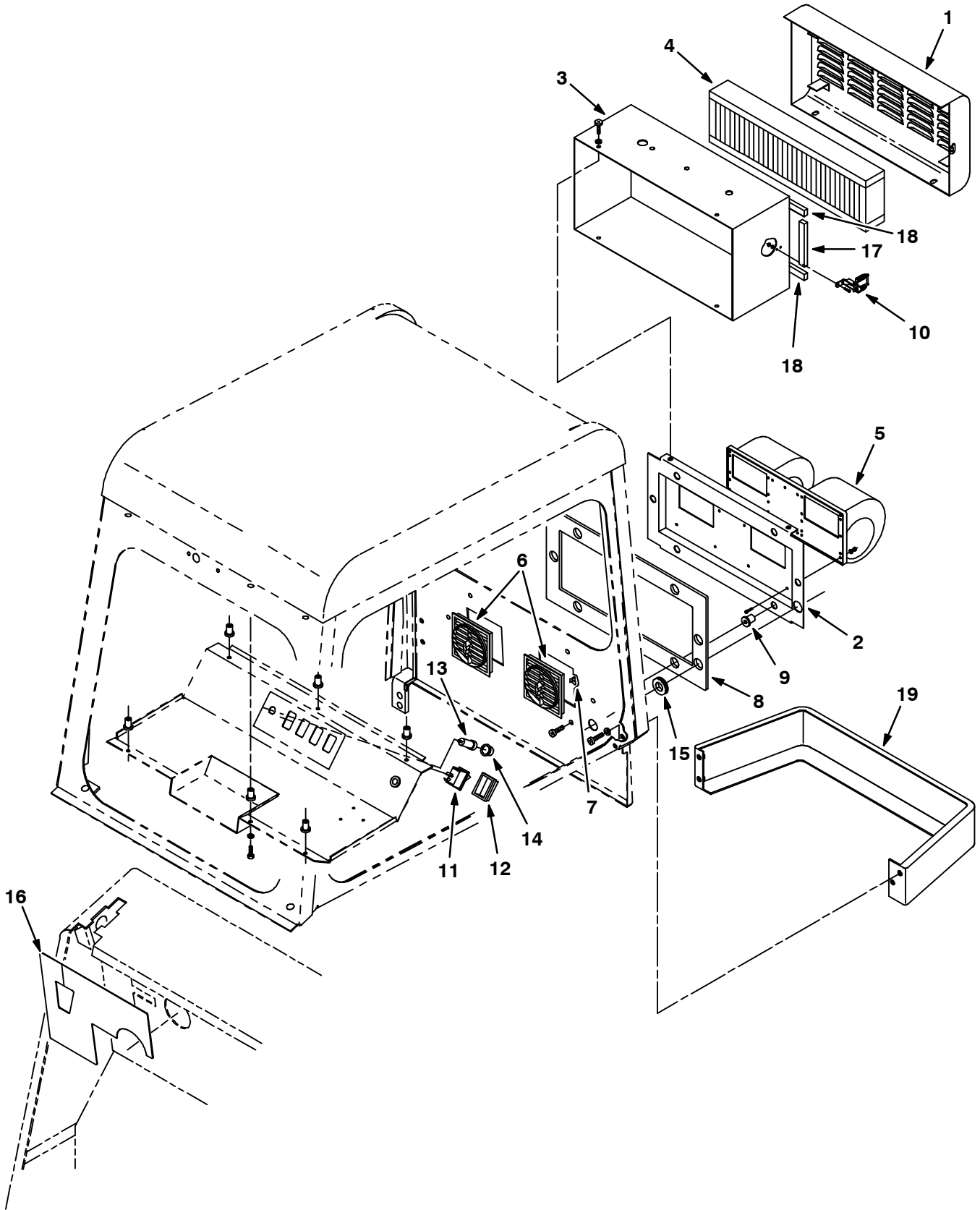


**Fig. 14 - Cab Electrical and Wiper Group**

NOTE: Cab Kit, TENNANT Part Number 59511, includes Fig. 11, Fig. 12, Fig. 13, and Fig. 14.

Ref.	Tennant Part No.	Machine Serial Number	Description	Qty.
1	59803	(000000-	) Motor-Ele 12V, Wiper, Windshld	1
2	55181	(000000-	) Label, Operational, Cab	1
3	59797	(000000-	) Plate, Mtg, Wiper Kit	1
4	59799	(000000-	) Arm, Windshield Wiper, Panto	1
5	74433	(000000-	) Blade, Windshield Wiper, 18"	1
6	72099	(000000-005184	) Cover Wldt Replacement Kit	1
7	41845	(000000-	) Well-Nut .25-20 #1/4-5	6
8	65553	(000000-	) Switch, Rocker Dpdt	1
9	57807	(000000-	) Cover, Rocker Switch Seal	2
10	57772	(000000-	) Plate-Cover	2
11	57167	(000000-	) Plugbtn .62H .03-.12 Blacknyl	1
12	57803	(000000-	) Breaker-Circuit, 15 Resetbl	1
13	57751	(000000-	) Boot-Circuit Breaker	1
∇	14	55461	(000000-) Light Assy, Dome	1
▲		72142	(000000-) Bulb	1
15	65561	(000000-	) Switch, Rocker Spst	1
16	10632-12	(000000-	) Grommet,Rbr, 0.38 In	1
17	71057	(005185-	) Panel, Switch, Cab	1
18	72049	(005185-	) Cover Wldt	1
19	01047	(005185-	) Retainer	2
20	12271	(005185-	) Nut, U M6 X 1.0	2

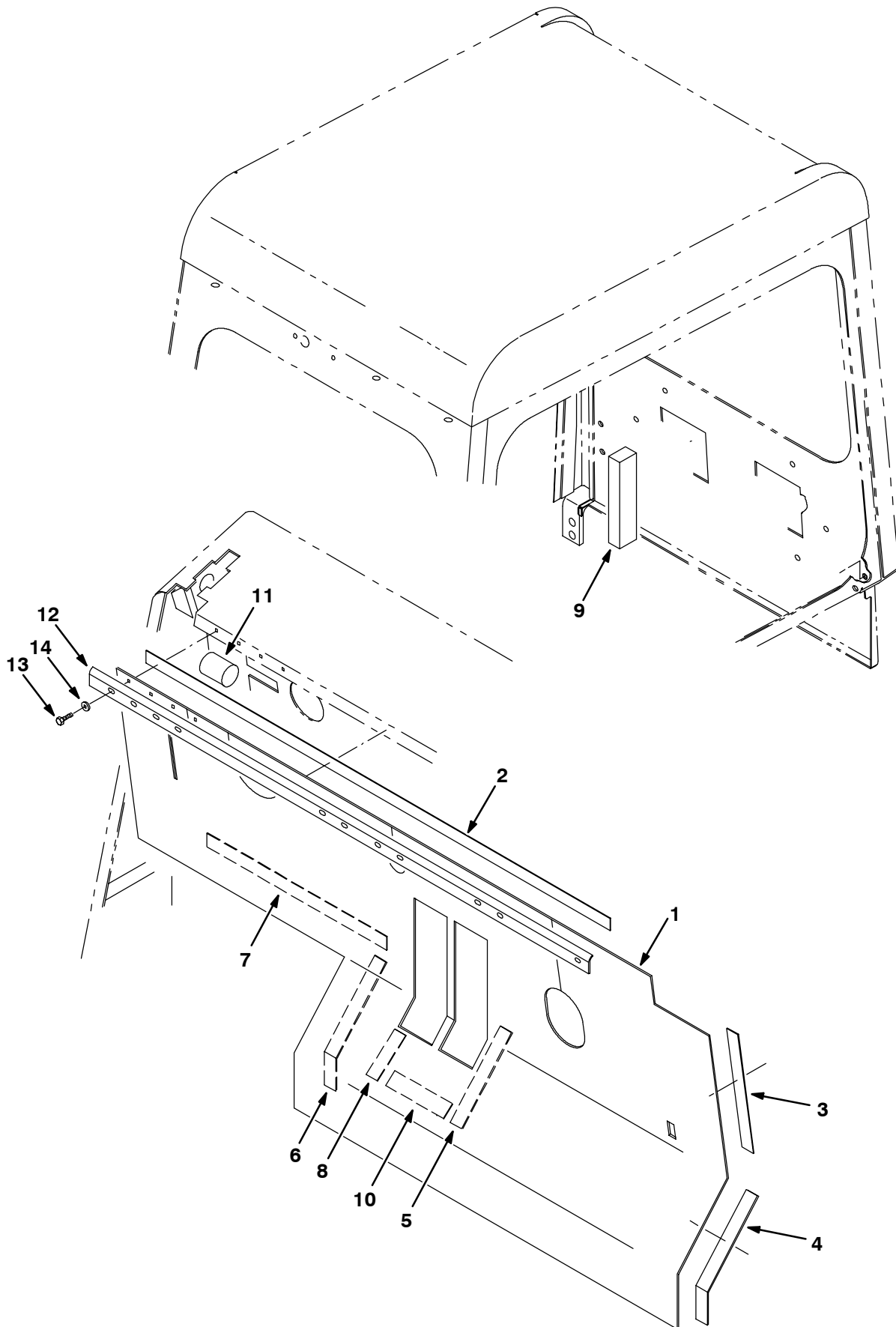
Fig. 15 - Cab Pressurizer Kit



**Fig. 15 - Cab Pressurizer Kit**

<b>Ref.</b>	<b>Tennant Part No.</b>	<b>Machine Serial Number</b>	<b>Description</b>	<b>Qty.</b>
▽	72098	(000000-	) Pressurizer Kit Cab 385L	1
▲ 1	55213	(000000-	) Housing Wldt, Filter	1
▲ 2	59437	(000000-	) Panel, Mtg, Pressurizer	1
▲ 3	72080	(000000-	) Cover Wldt, Pressurizer, w/Back-Up Alarm	1
▲ 4	59657	(000000-	) Filter, Panel 5.25 X 18.5 X 2	1
▲ 5	55042	(000000-	) Blower, Assy	1
▲ 6	57536	(000000-	) Louver Assy	2
▲ 7	57537	(000000-	) Fastener, Clip-Louver	8
▲ 8	55182	(000000-	) Seal, Pressurizer	1
▲ 9	55037	(000000-	) Well-Nut .31-18	6
▲ 10	37083-1	(000000-	) Catch-No-Strike	2
▲ 11	65553	(000000-	) Switch, Rocker Dpdt	1
▲ 12	57807	(000000-	) Cover, Rocker Switch Seal	1
▲ 13	57803	(000000-	) Breaker-Circuit, 15 Resetbl	1
▲ 14	57751	(000000-	) Boot-Circuit Breaker	1
▲ 15	10632-18	(000000-	) Grommet,Rbr,0.69ld,For .25Matl	1
▲ 16	66220	(000000-	) Seal, Side Brush Lift	1
▲ 17	55404	(000000-	) Seal Foam Rbr .38 .62W 4.4L	2
▲ 18	55302	(000000-	) Seal Foam Rbr .38 .62W 18.6L	2
▲ 19	55453	(000000-	) Bumper, Pressurizer	1
▲	46236	(000000-	) Clamp, Cable, 0.25 Dia 0.56 wth	1

Fig. 15a - Cab Dust Kit

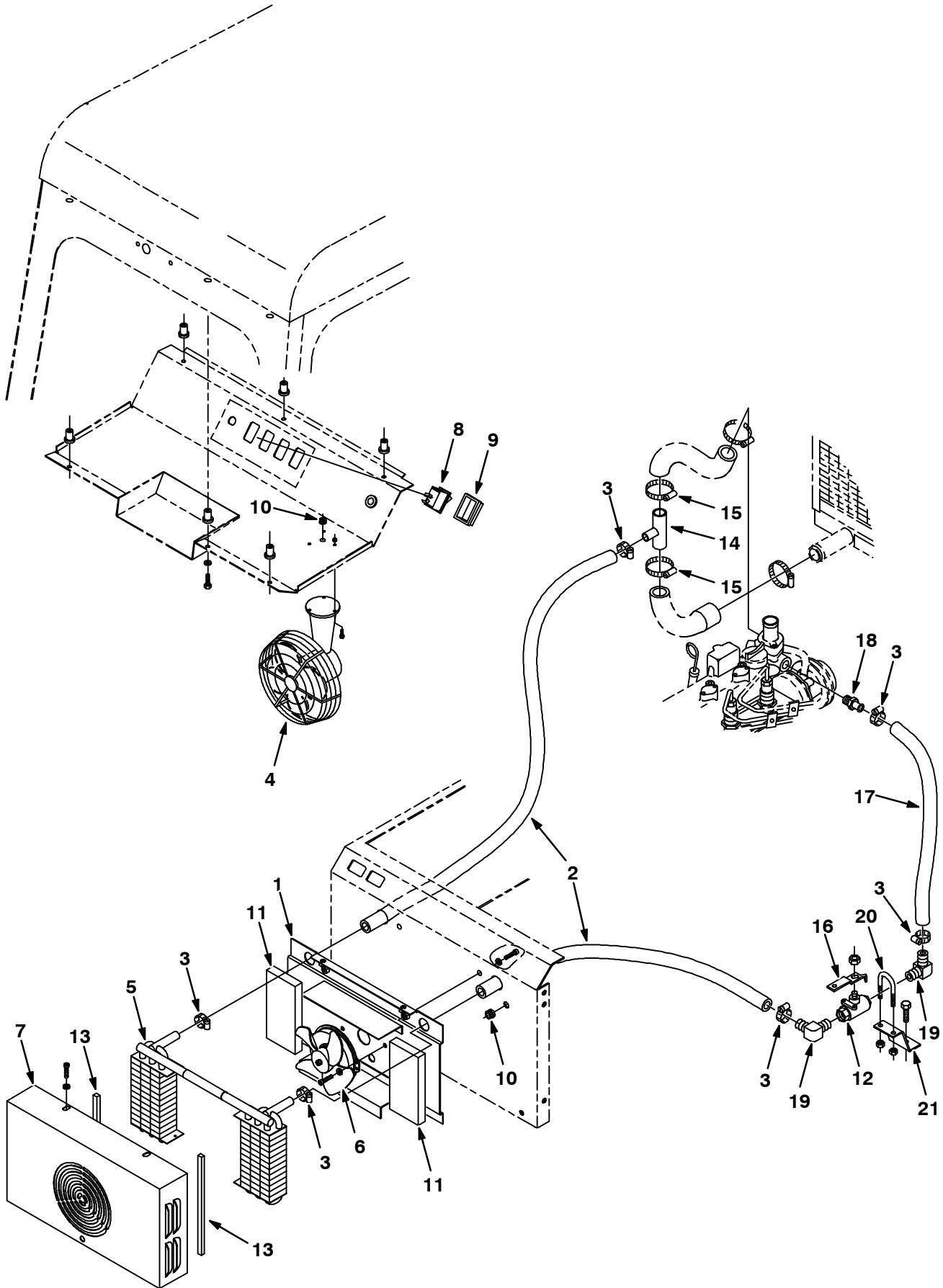




**Fig. 15a - Cab Dust Kit**

	<b>Ref.</b>	<b>Tennant Part No.</b>	<b>Machine Serial Number</b>	<b>Description</b>	<b>Qty.</b>
▽		370115	(000000-	) Cab Dust Kit	1
▲	1	370116	(000000-	) Skirt, Firewall, Rh	1
▲	2	370117	(000000-	) Strip, Velcro 45 Inches Long	1
▲	3	370118	(000000-	) Strip, Velcro 9.75 Inches Long	1
▲	4	370119	(000000-	) Strip, Velcro 11 Inches Long	1
▲	5	370120	(000000-	) Strip, Velcro 15 Inches Long	1
▲	6	370121	(000000-	) Strip, Velcro 12 Inches Long	1
▲	7	370122	(000000-	) Strip, Velcro 16.5 Inches Long	1
▲	8	370129	(000000-	) Strip, Velcro 3.25 Inches Long	1
▲	9	370124	(000000-	) Seal, Seat Side 1x1.5x6.75	1
▲	10	370130	(000000-	) Strip, Velcro	1
▲	11	370125	(000000-	) Seal, Round 1.5Dx2.0L	2
▲	12	370159	(000000-	) Strip, Steel	1
▲	13	12459	(000000-	) Scr-Hxfmgm 6x1.0	11
▲	14	01684	(000000-	) Washer Flt .25 Ss	11

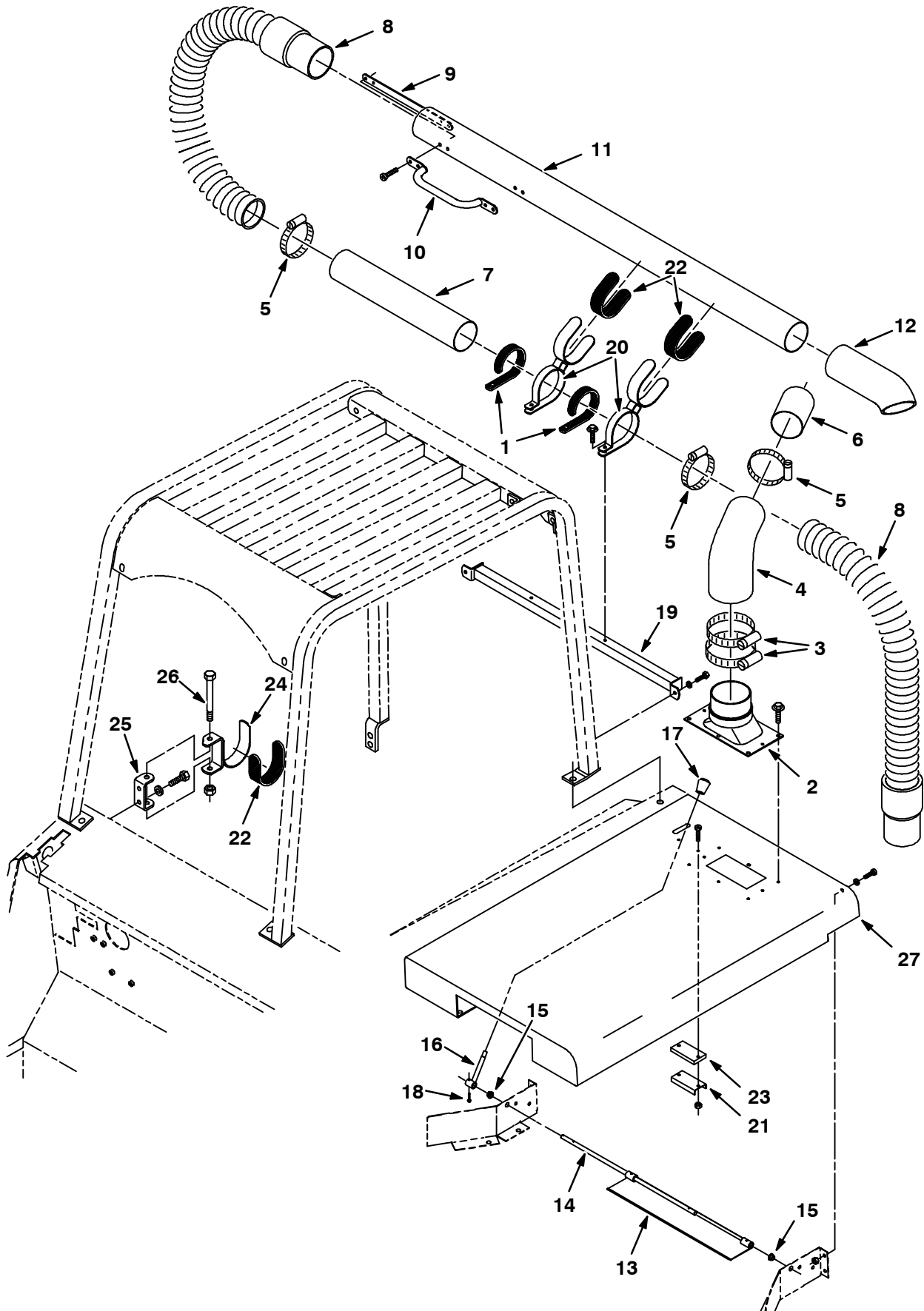
Fig. 16 - Cab Heater Kit



**Fig. 16 - Cab Heater Kit**

Ref.	Tennant Part No.	Machine Serial Number	Description	Qty.
▽	59512	(000000-	) Heater Kit 355L	1
▲	1 55220	(000000-	) Channel Wldt, Heater	1
▲	2 57912	(000000-	) Hose,.62 Idx60.00 Lng, Heater	2
▲	3 63810	(000000-	) Clamp-Wormdrive, 0.56- 1.06D	6
▲	4 55459	(000000-	) Fan Assy, Defroster	1
▲	5 55215	(000000-	) Core, Heater	1
▲	6 374515	(000000-007148	) Replm Kit, Fan Motor F/55216	1
▲	6 374514	(007149-	) Motor Assy, Heater W/Fan	1
▲	7 55221	(000000-	) Cover, Heater	1
▲	8 65561	(000000-	) Switch, Rocker Spst	1
▲	9 57807	(000000-	) Cover, Rocker Switch Seal	1
▲	10 10632-12	(000000-	) Grommet,Rbr,0.38ld,For .12Matl	2
▲	11 55226	(000000-	) Seal, Heater Air	2
▲	12 12083	(000000-	) Valve, Water 1/2 NPTF	1
▲	13 55976	(000000-	) Seal, Foam Rbr .31X.38X	2
▲	14 66195	(000000-	) Fitting, Tee	1
▲	15 11399	(000000-	) Clamp-Wormdrive, 0.81- 1.50D	2
▲	16 12072	(000000-	) Arm, Water Control	1
▲	17 61869	(000000-	) Hose, .62 ID x 24.0 Lng heater	1
▲	18 27767	(000000-	) Ftg-Brs Str Em10/Pm06	1
▲	19 30268	(000000-	) Ftg-Brs E90 Em10/Pm08	2
▲	20 45142	(000000-	) Bolt-U, 1.13 ID	1
▲	21 35296	(000000-	) Bracket, Valve	1

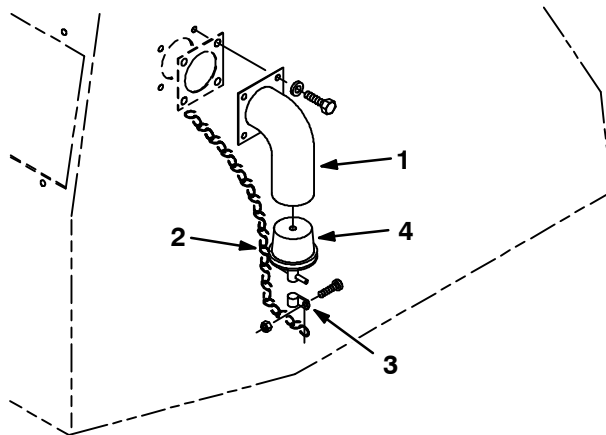
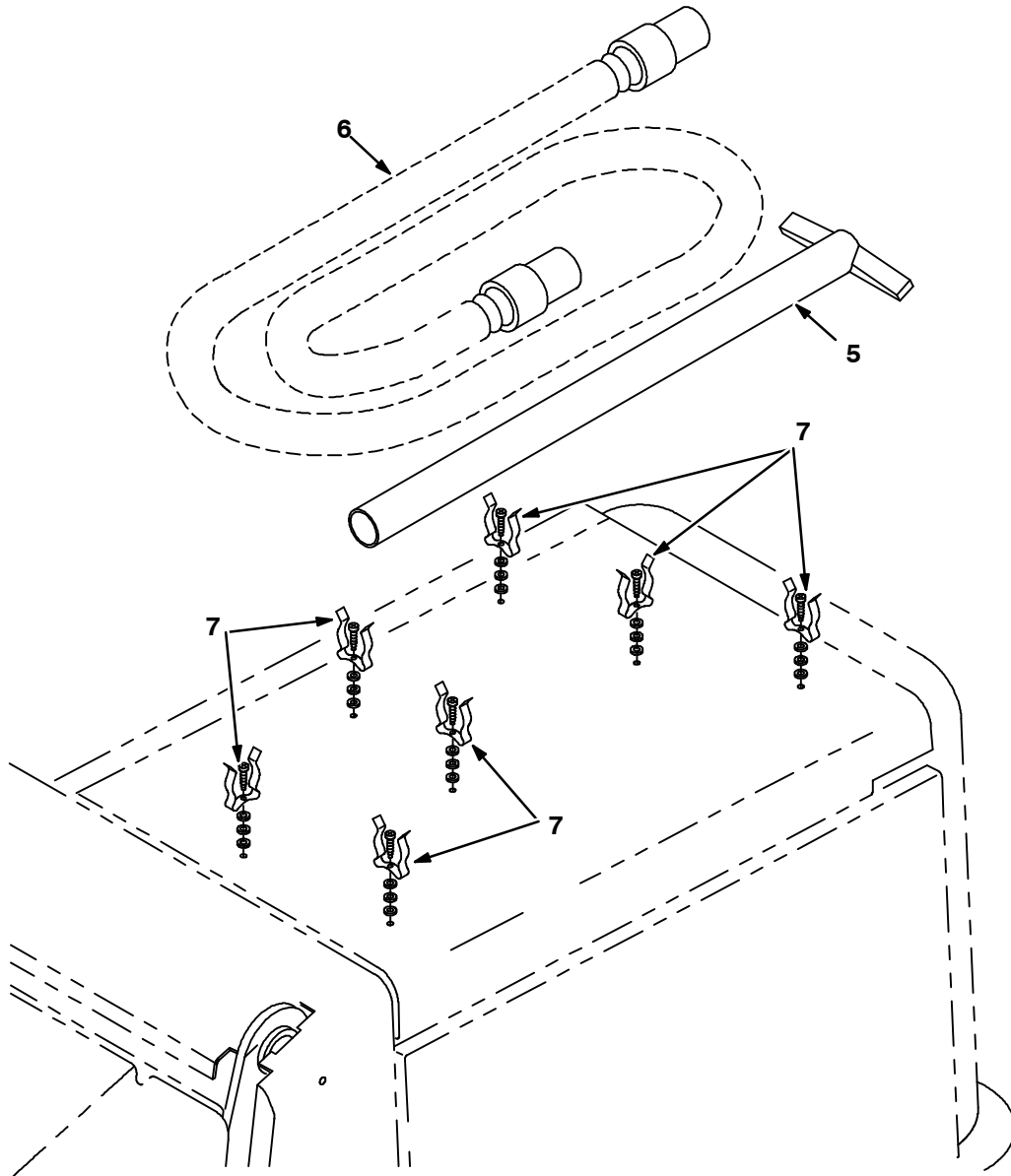
Fig. 17 - Blower Kit, Overhead Guard



**Fig. 17 - Blower Kit, Overhead Guard**

Ref.	Tennant Part No.	Machine Serial Number	Description	Qty.
▽	69984	(000000-	) Blower Kit, W/Ohg	1
▲ 1	71025	(000000-	) Pad, Rubber	2
▲ 2	72143	(000000-	) Duct, Outlet, Blower Wand	1
▲ 3	23498	(000000-	) Clamp-Wormdrive, 3.56- 4.50D	2
▲ 4	59919	(000000-	) Hose, Reducer	1
▲ 5	43555	(000000-	) Clamp-Wormdrive, 1.62- 3.50D	3
▲ 6	53894	(000000-	) Tube, Plastic, 3.0 Od X 4.0Lg	1
▲ 7	53883	(000000-	) Tube, Plastic, 3.0 Od X 16.0Lg	1
▲ 8	64320	(000000-	) Hose& Cuff Assy,Vinyl3.0ldx 24	2
▲ 9	69937	(000000-	) Plate, Backing, Handle	1
▲ 10	32822	(000000-	) Handle, Grab	1
▲ 11	53895	(000000-	) Tube, Plastic, 3.0 Od X 48.0Lg	1
▲ 12	59104	(000000-	) Hose, Rbr	1
▲ 13	59012	(000000-	) Plate Wldt, Blower Wand	1
▲ 14	59013	(000000-	) Shaft, Baffle	1
▲ 15	63469-3	(000000-	) Brg, Snap In - Nyliner .38 Id	2
▲ 16	58881	(000000-	) Lever Wldt, Baffle, Blowr Wand	1
▲ 17	69955	(000000-	) Knob, Black, M8	1
▲ 18	23999-6	(000000-	) Pin,Roll,.09Odx0.75L,.094/.097	1
▲ 19	69958	(000000-	) Tube Wldt, Sppt, Blower Wand	1
▲ 20	55489	(000000-	) Clamp Wldt, Tube, Blower Wand	2
▲ 21	63378	(000000-	) Magnet, Drive Brush	1
▲ 22	69981	(000000-	) Pad, Rubber	3
▲ 23	69953	(000000-	) Plate, Spacer, Magnet	1
▲ 24	74438	(000000-	) Bracket Wldt, Support, Blower	1
▲ 25	74439	(000000-	) Bracket, Mtg, Tube	1
▲ 26	34877	(000000-	) Scr Hex M10X1.5 100	1
▲	59768	(000000-	) Label Set, Operational 355L	1
27	69935	(000000-	) Cover Weldt, Engine, Blower Wand	1

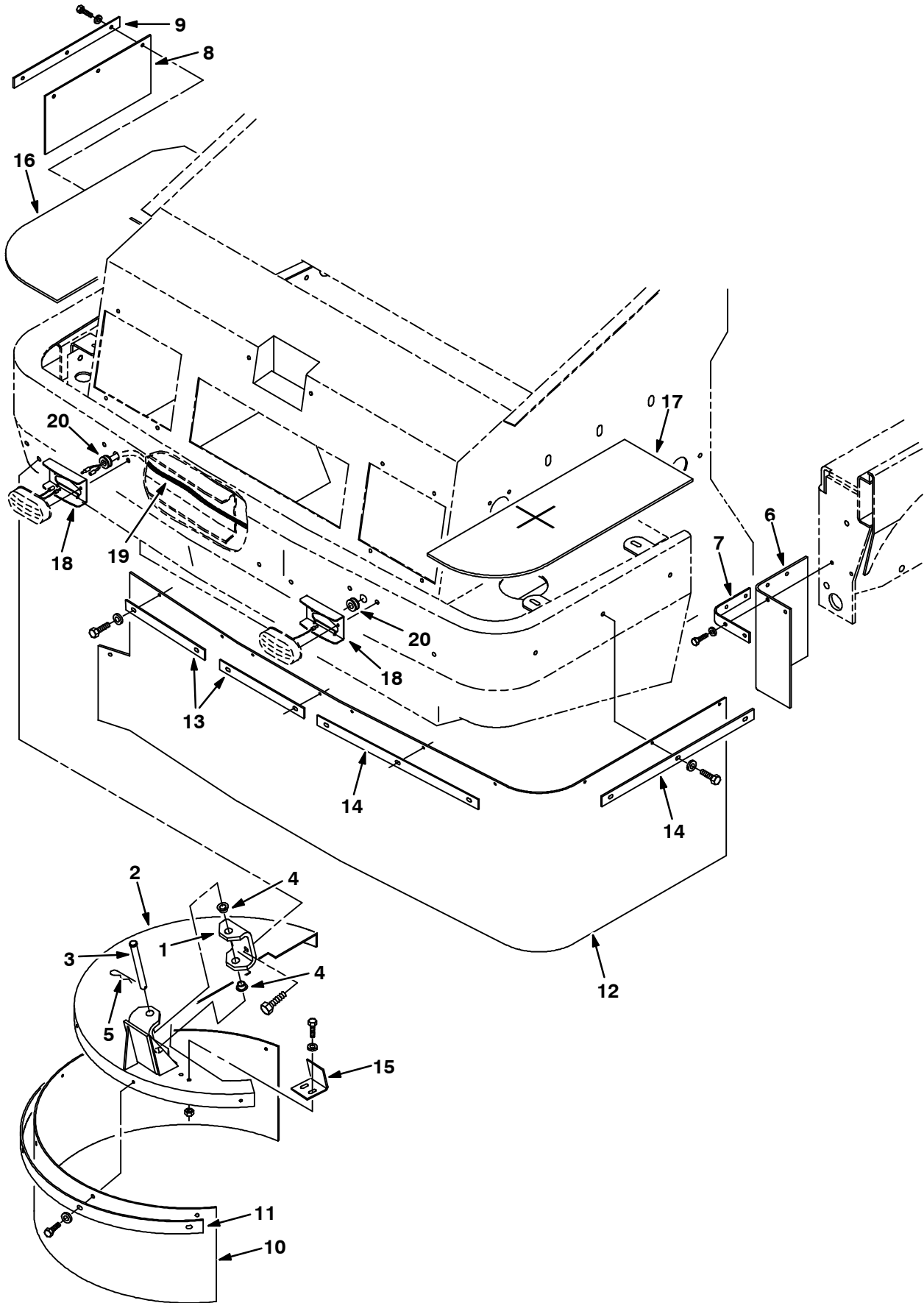
Fig. 18 - Vacuum Wand Kit



**Fig. 18 - Vacuum Wand Kit**

	<b>Ref.</b>	<b>Tennant Part No.</b>	<b>Machine Serial Number</b>	<b>Description</b>	<b>Qty.</b>
▽		59540	(000000-	) Wand Kit, Vac	1
▲	1	55964	(000000-	) Adaptor Wldt, Vac Wand	1
▲	2	44166	(000000-	) Chain,Jack#12, 6Links,Znc	1
▲	3	26395-2	(000000-	) Clamp-Cable, 0.38Dia 0.38Wth	1
▲	4	42124	(000000-	) Plug, Drain	1
▲	5	54012	(000000-	) Wand Weldment	1
▲	6	54009	(000000-	) Hose&2Cuff Assy,Vinyl2.0ld10Ft	1
▲	7	67004	(000000-	) Clip-Finger Grip	7

Fig. 19 - Side Brush Dust Control Kit

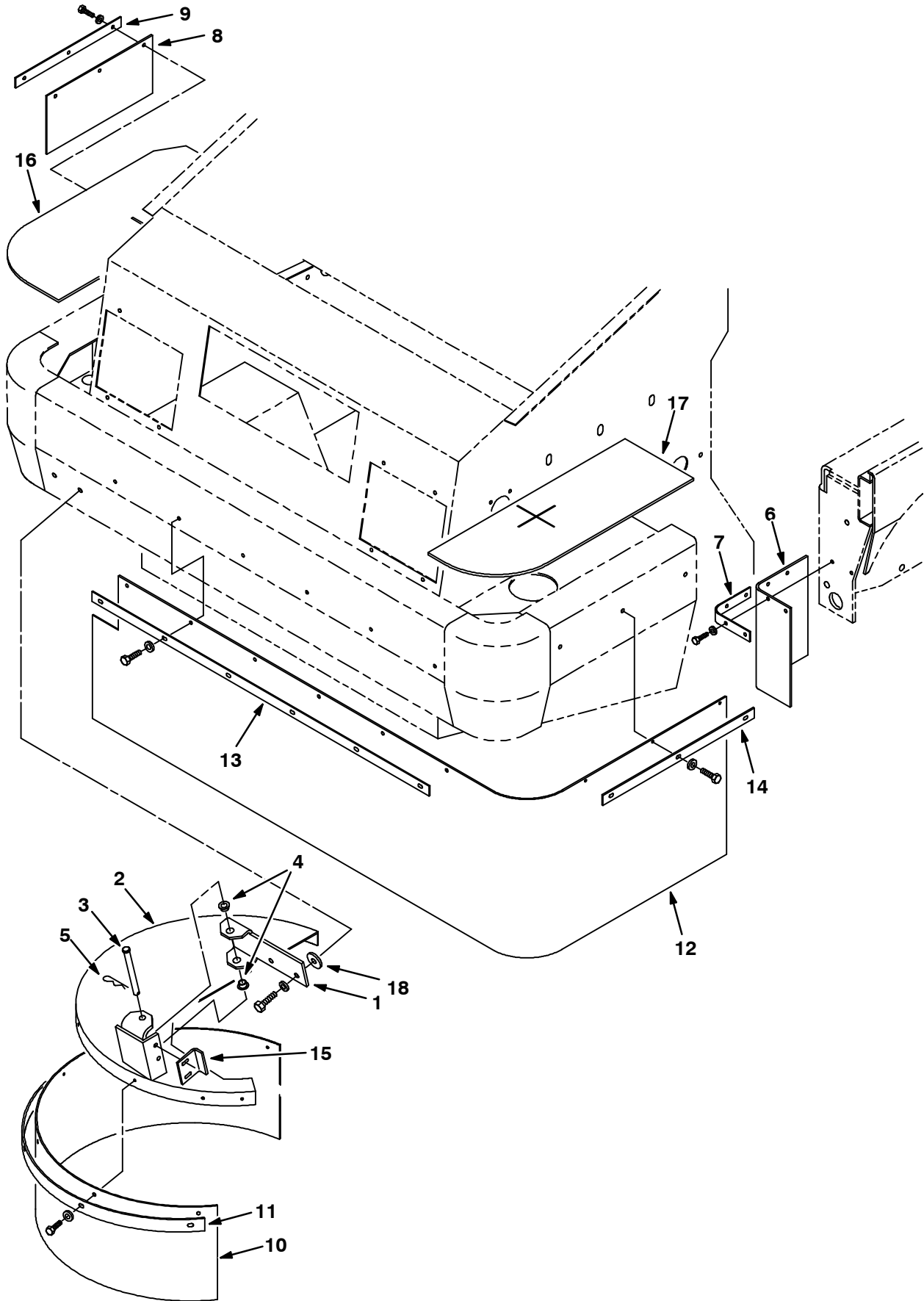




**Fig. 19 - Side Brush Dust Control Kit**

<b>Ref.</b>	<b>Tennant Part No.</b>	<b>Machine Serial Number</b>	<b>Description</b>	<b>Qty.</b>
▽	59508	(000000-005440 )	Dust Control Kit Side Brsh 355	1
▲ 1	66168	(000000-005440 )	Bracket, Sbdc	1
▲ 2	66175	(000000-005440 )	Cover Wldt, Sbdc	1
▲ 3	51538	(000000-005440 )	Pin,Clevis,0.50 Dia.X 5.00 Lg	1
▲ 4	23274	(000000-005440 )	Bshg,Flange	2
▲ 5	44906	(000000-005440 )	Pin, Hair Cotter	1
▲ 6	66176	(000000-005440 )	Skirt, Wheel Pocket, Sbdc	2
▲ 7	66177	(000000-005440 )	Plate, Retainer, Wheel Pocket	2
▲ 8	53576	(000000-005440 )	Skirt, Sbdc, Rh	1
▲ 9	53610	(000000-005440 )	Plate, Retainer, Sbdc, Rh	1
▲ 10	66178	(000000-005440 )	Skirt, Cover, Sbdc	1
▲ 11	66179	(000000-005440 )	Plate, Retainer, Cover, Sbdc	1
▲ 12	66180	(000000-005440 )	Skirt, Front, Sbdc	1
▲ 13	66181	(000000-005440 )	Plate, Retainer, Front, Sbdc	2
▲ 14	66182	(000000-005440 )	Plate, Retainer, Front,Lh,Sbdc	2
▲ 15	66183	(000000-005440 )	Angle, Stop	1
▲ 16	72086	(000000-005440 )	Foam, SBDC, R.H.	1
▲ 17	72087	(000000-005440 )	Foam, SBDC, L.H.	1
▲ 18	72178	(000000-005440 )	Guard, Light	2
▲ 19	72181	(000000-005440 )	Harness, Jumper	1
▲ 20	10632-11	(000000-005440 )	Grommet, Rbr, 0.38ld, For .19Matl	2

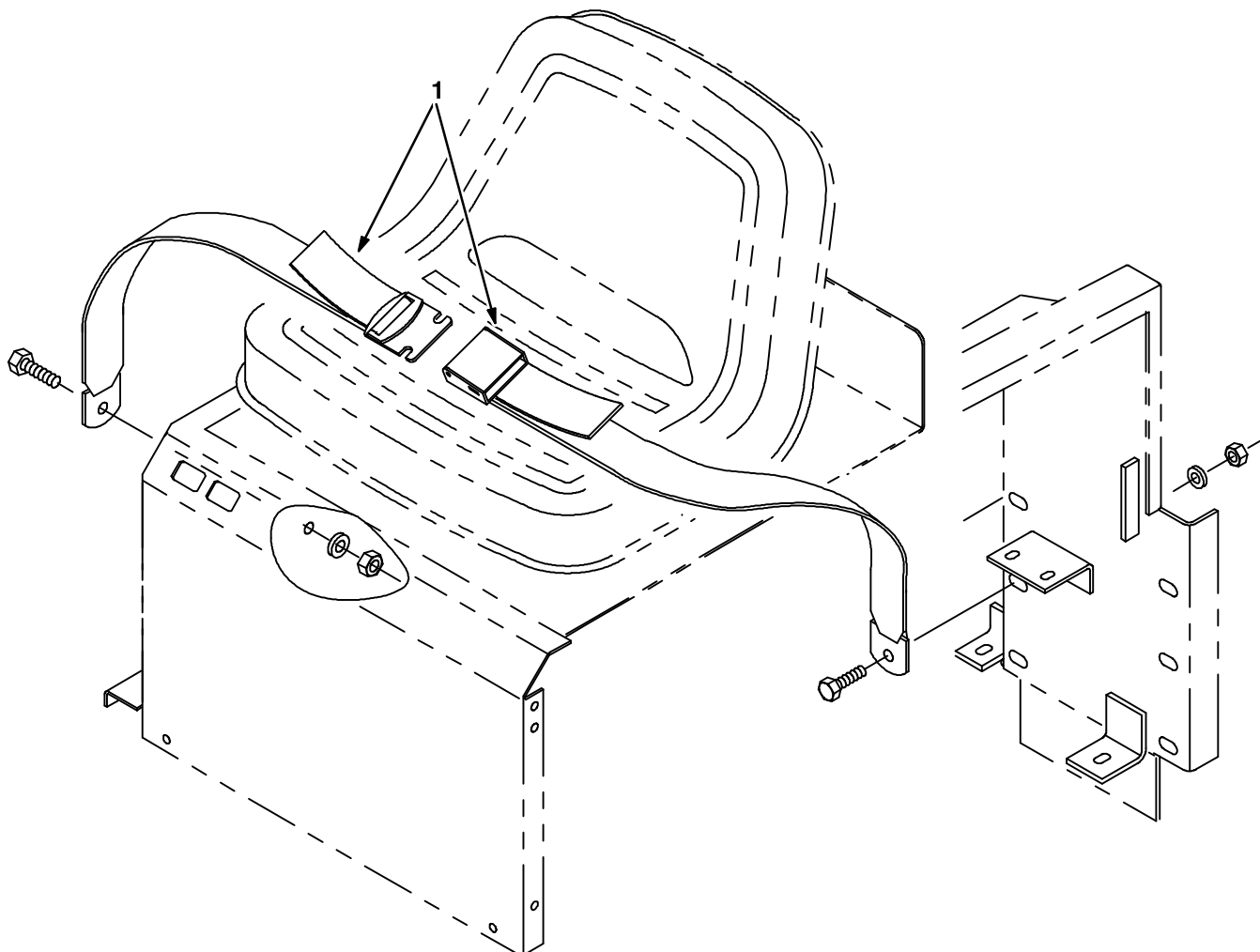
**Fig. 20 - Side Brush Dust Control Kit**



**Fig. 20 - Side Brush Dust Control Kit**

<b>Ref.</b>	<b>Tennant Part No.</b>	<b>Machine Serial Number</b>	<b>Description</b>	<b>Qty.</b>
▽	74374	(005441-	) Dust Control Kit Side Brsh 355L	1
▲ 1	74383	(005441-	) Bracket, Sbdc	1
▲ 2	74375	(005441-	) Cover Wldt, Sbdc	1
▲ 3	51538	(005441-	) Pin,Clevis,0.50 Dia.X 5.00 Lg	1
▲ 4	23274	(005441-	) Bshg,Flange	2
▲ 5	44906	(005441-	) Pin, Hair Cotter	1
▲ 6	66176	(005441-	) Skirt, Wheel Pocket, Sbdc	2
▲ 7	66177	(005441-	) Plate, Retainer, Wheel Pocket	2
▲ 8	53576	(005441-	) Skirt, Sbdc, Rh	1
▲ 9	53610	(005441-	) Plate, Retainer, Sbdc, Rh	1
▲ 10	66178	(005441-	) Skirt, Cover, Sbdc	1
▲ 11	66179	(005441-	) Plate, Retainer, Cover, Sbdc	1
▲ 12	74379	(005441-	) Skirt, Front, Sbdc	1
▲ 13	74380	(005441-	) Plate, Retainer, Front, Sbdc	1
▲ 14	74381	(005441-	) Plate, Retainer, Front,Lh,Sbdc	1
▲ 15	74382	(005441-	) Angle, Stop	1
▲ 16	72086	(005441-	) Foam, SBDC, R.H.	1
▲ 17	72087	(005441-	) Foam, SBDC, L.H.	1
▲ 18	35843	(005441-	) Washer, .530B 1.50D .19HR	2

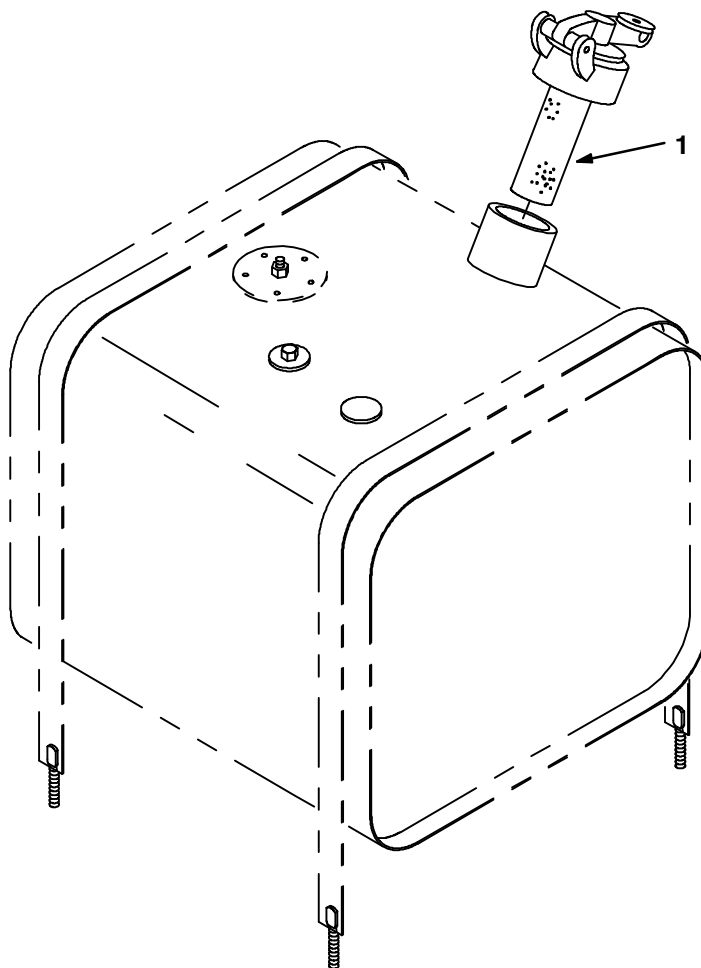
**Fig. 21 - Seat Belt Kit**



07877/07481

Ref.	Tennant Part No.	Machine Serial Number	Description	Qty.
▽	59384	(000000-	) Seat Belt Kit 355L	1
▲ 1	30533	(000000-	) Belt, Seat	1

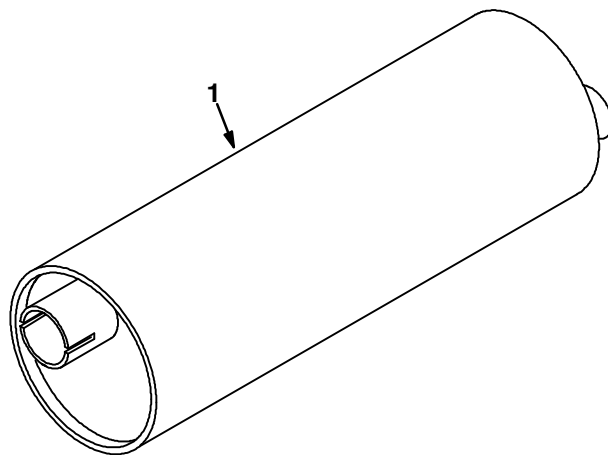
Fig. 22 - Protectoseal Fuel Tank Cap Group



07867/07471

Ref.	Tennant Part No.	Machine Serial Number	Description	Qty.
1	02506-6	(000000-	) Gas Cap, Protectoseal	1

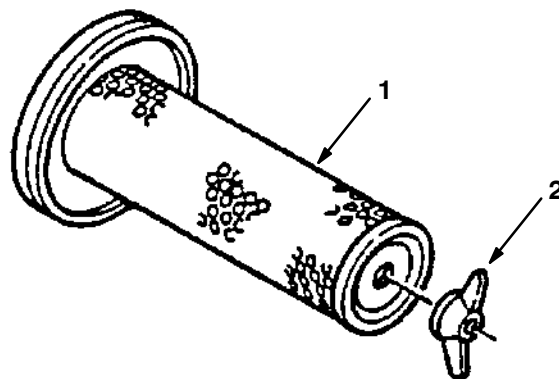
**Fig. 23 - Spark Arrest Muffler Group**



07934/07518

<b>Ref.</b>	<b>Tennant Part No.</b>	<b>Machine Serial Number</b>	<b>Description</b>	<b>Qty.</b>
1	53417	(000000-	) Muffler, Spark Arresting	1

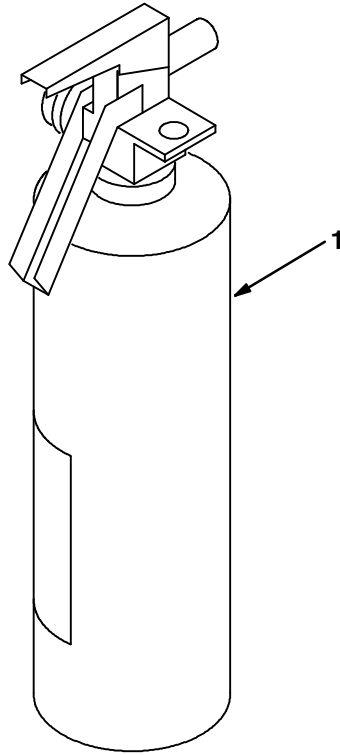
Fig. 24 - Air Filter Safety Element Kit



04712

Ref.	Tennant Part No.	Machine Serial Number	Description	Qty.
▽	07565	(000000-	) Element Kit, Air, Safety	1
▲ 1	58121	(000000-	) Element, Safety	1
▲ 2	07562	(000000-	) Wingnut	1

**Fig. 25 - Fire Extinguisher Kit**

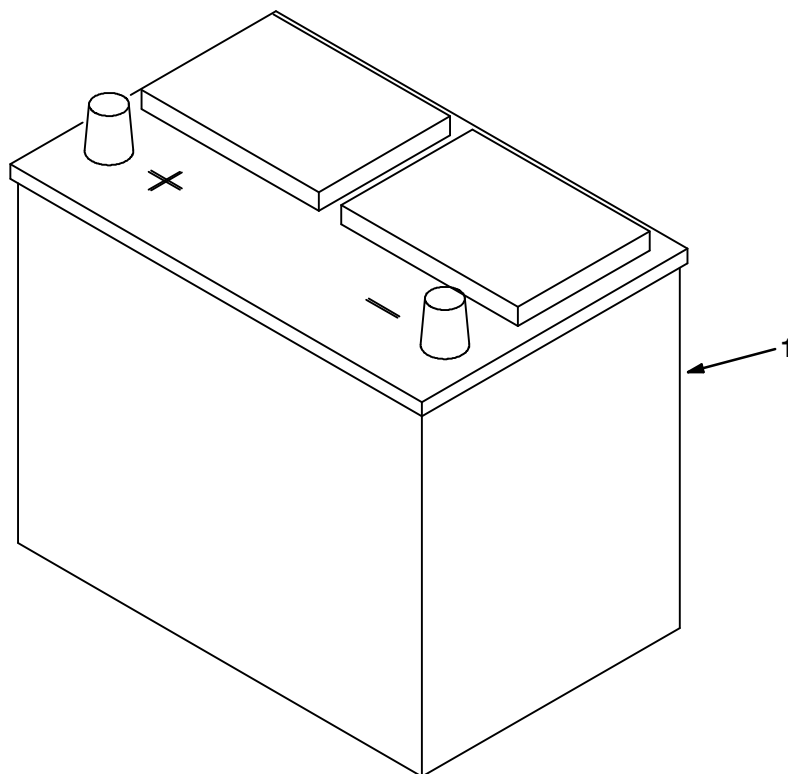


07932/07516

	<b>Ref.</b>	<b>Tennant Part No.</b>	<b>Machine Serial Number</b>	<b>Description</b>	<b>Qty.</b>
▽		59388	(000000-	) Extinguisher Kit Fire 355L	1
▲	1	25312	(000000-	) Extinguisher, Fire	1



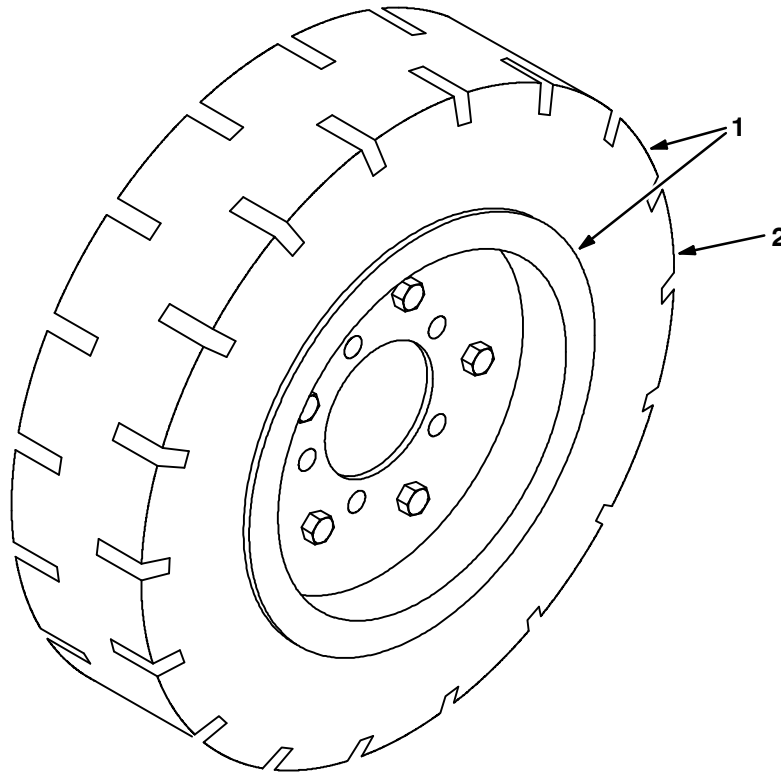
**Fig. 26 - Battery Group, Dry (International Only)**



08611/08610

<b>Ref.</b>	<b>Tennant Part No.</b>	<b>Machine Serial Number</b>	<b>Description</b>	<b>Qty.</b>
1	10144	(000000-	) Battery, 12V, Ccamps: 600 Dry	1

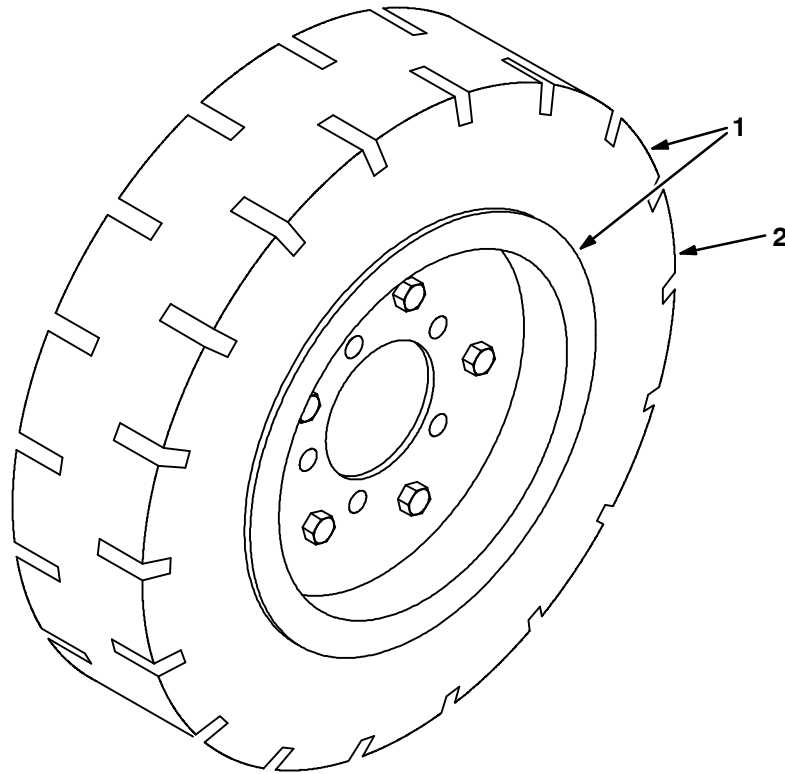
**Fig. 27 - Soft Ride Non-Marking Tire and Wheel Assembly**



07529/07515

	<b>Ref.</b>	<b>Tennant Part No.</b>	<b>Machine Serial Number</b>	<b>Description</b>	<b>Qty.</b>
▽	1	71022	(000000-	) Tire and Whl. Assy, Soft Ride Solid	1
▲	2	61488	(000000-	) Tire, Solid, Tan, Non-Marking	1

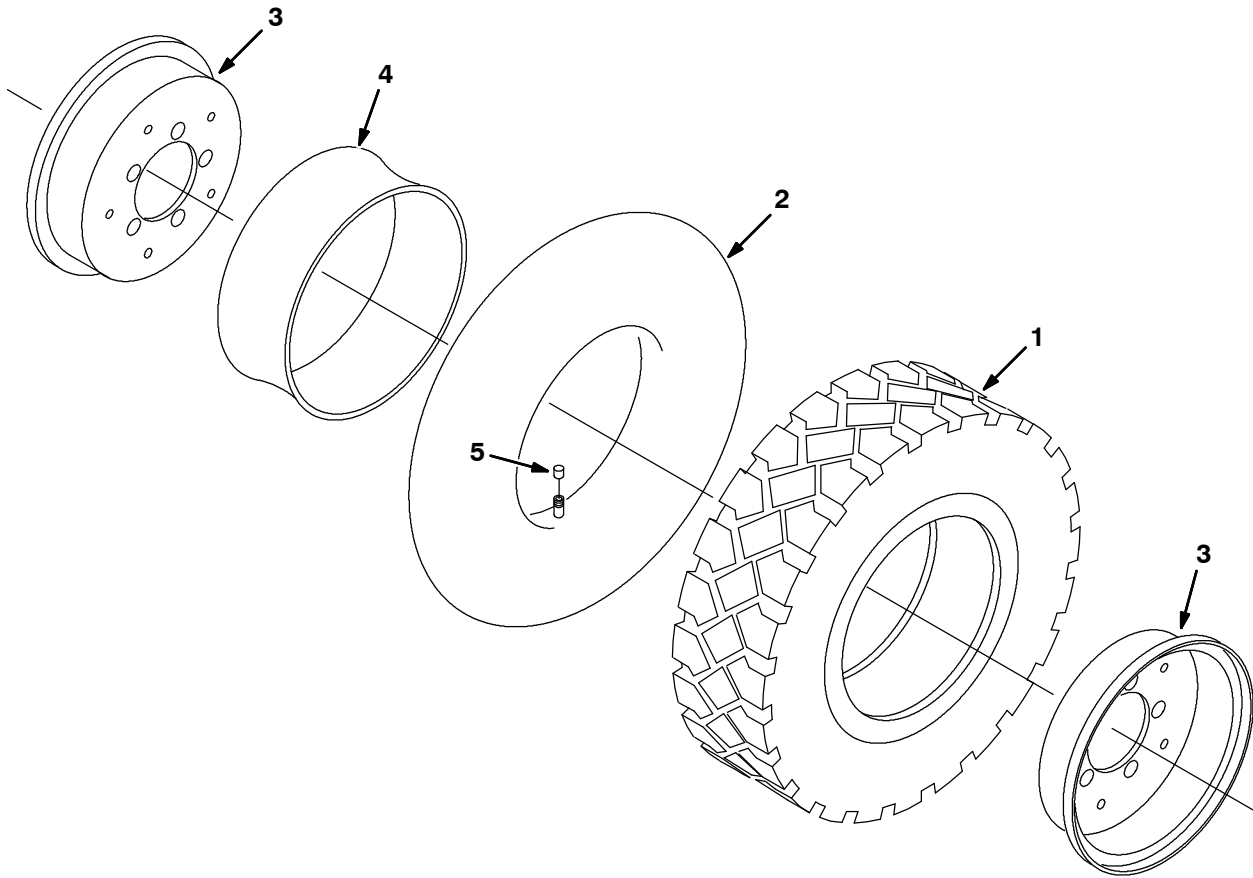
Fig. 28 - Soft Ride Tire and Wheel Assembly



07936/07515

	Ref.	Tennant Part No.	Machine Serial Number	Description	Qty.
▽	1	53817	(000000-	) Tire and Whl. Assy, Soft Ride Solid	1
▲	2	53816	(000000-	) Tire, Solid, Black	1

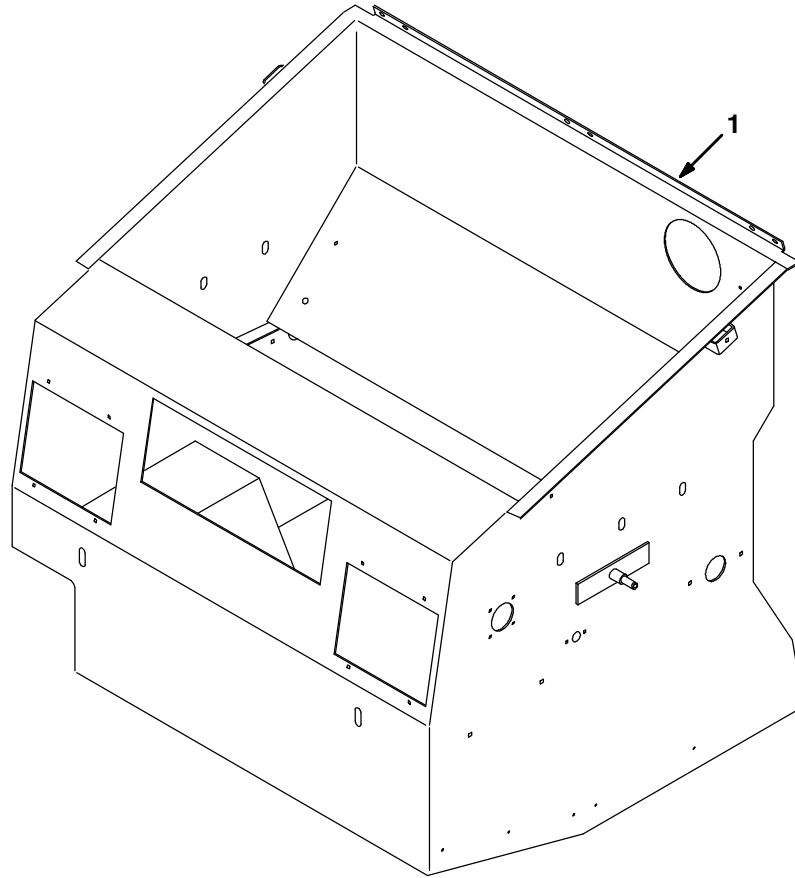
**Fig. 29 - Hi-Wear Tire And Wheel Assembly**



10933/10932

Ref.	Tennant Part No.	Machine Serial Number	Description	Qty.
▽	70278	(000000-	) Tire&Rim Assy, Hi-Wear 5.00R-8	1
▲	1 70279	(000000-	) Tire, Hi-Wear 5.70/5.00R-8	1
▲	2 70280	(000000-	) Tube, Inner 5.00R-8, Js2 Valve	1
▲	3 70281	(000000-	) Rim Assy, 4.25" Bead x .188 Stl	1
▲	4 53819-2	(000000-	) Flap, Tire-Tube ,570/500-8	1
▲	5 45786	(000000-	) Cap, Valve Stem	1

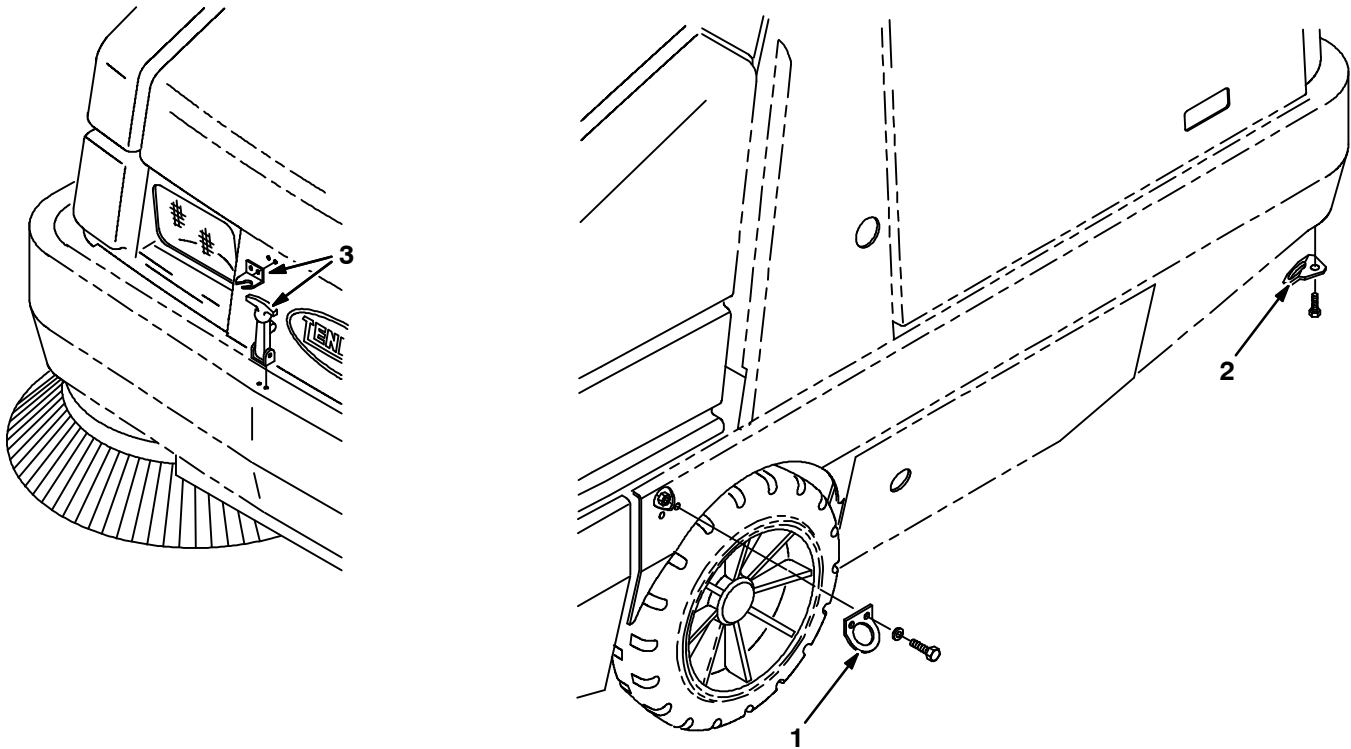
Fig. 30 - Stainless Steel Hopper Group



10929/10930

Ref.	Tennant Part No.	Machine Serial Number	Description	Qty.
1	70297	(000000-	) Hopper Wldt, 355/385 Ss	1

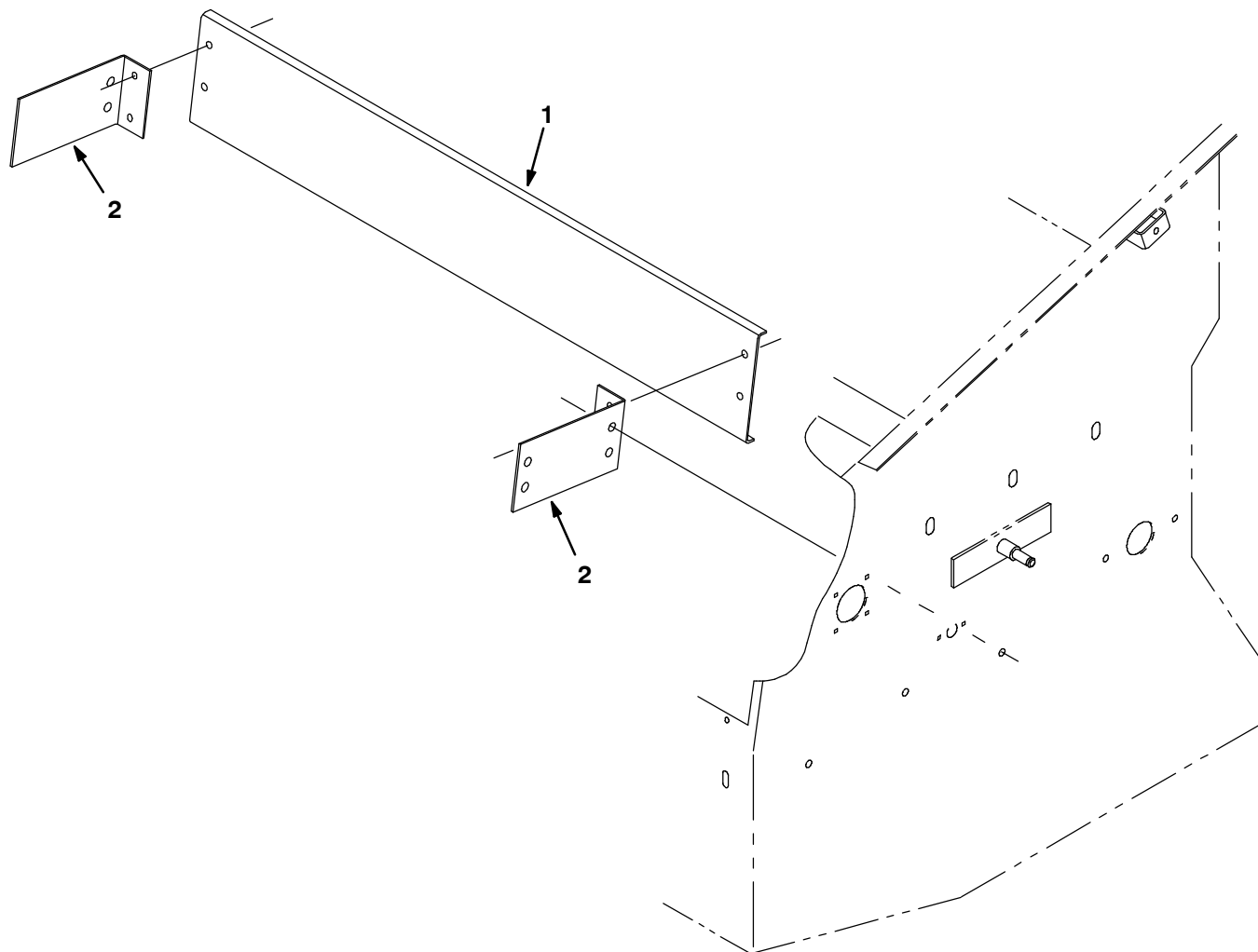
**Fig. 31 - Demo Group**



07937/07520

Ref.	Tennant Part No.	Machine Serial Number	Description	Qty.
1	82196	(000000- )	Bracket, Tiedown	2
2	14983	(000000- )	Bracket, Tiedown	2
3	11636	(000000- )	Latch, Draw, Flexible	1

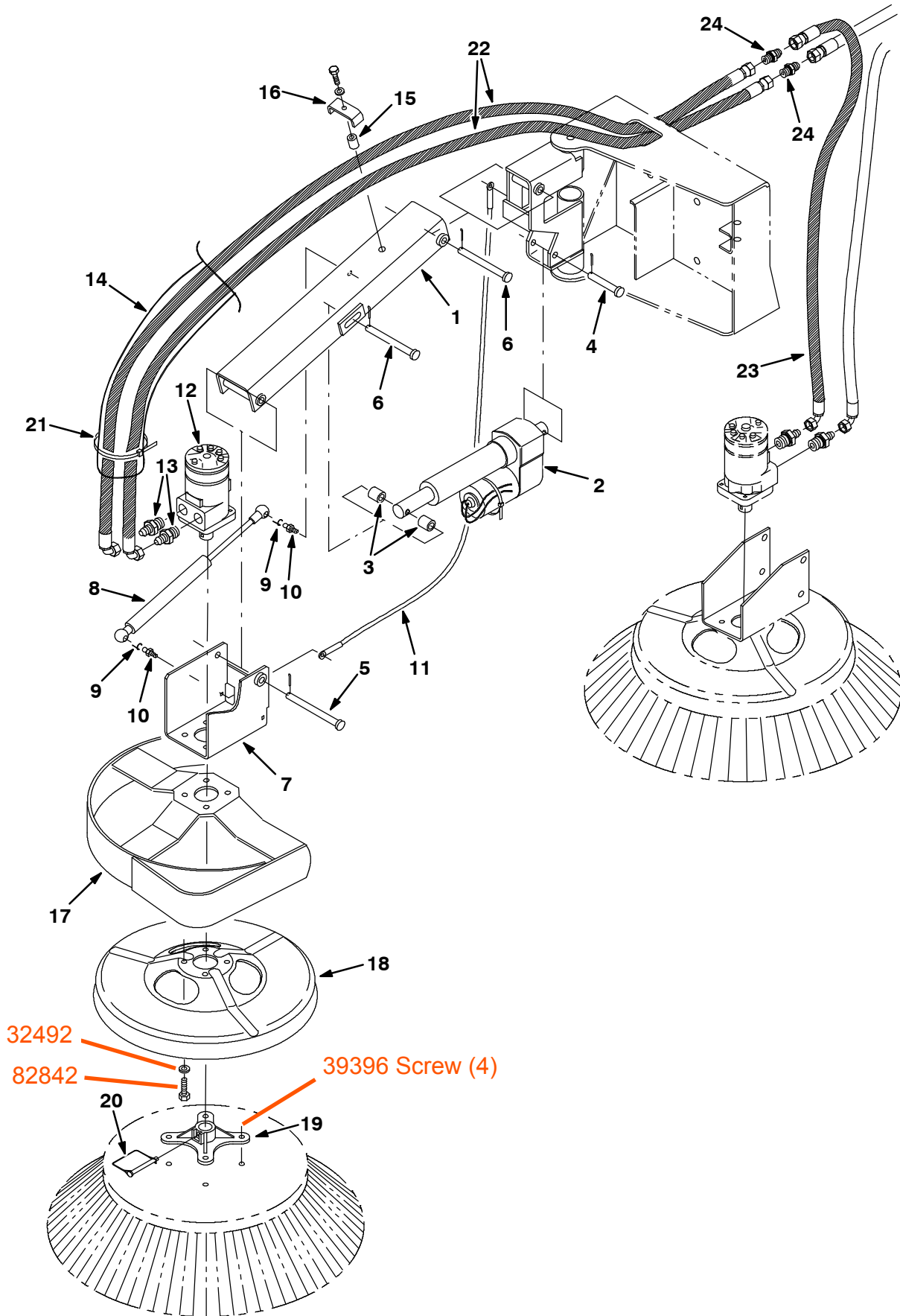
Fig. 32 - Auxiliary Side Brush Hopper Deflector Group



08619/08615

Ref.	Tennant Part No.	Machine Serial Number	Description	Qty.
1	72088	(000000- )	Plate, Deflector	1
2	32791	(000000- )	Bracket, Deflector	2

Fig. 33 - Auxiliary Side Brush Motor Group

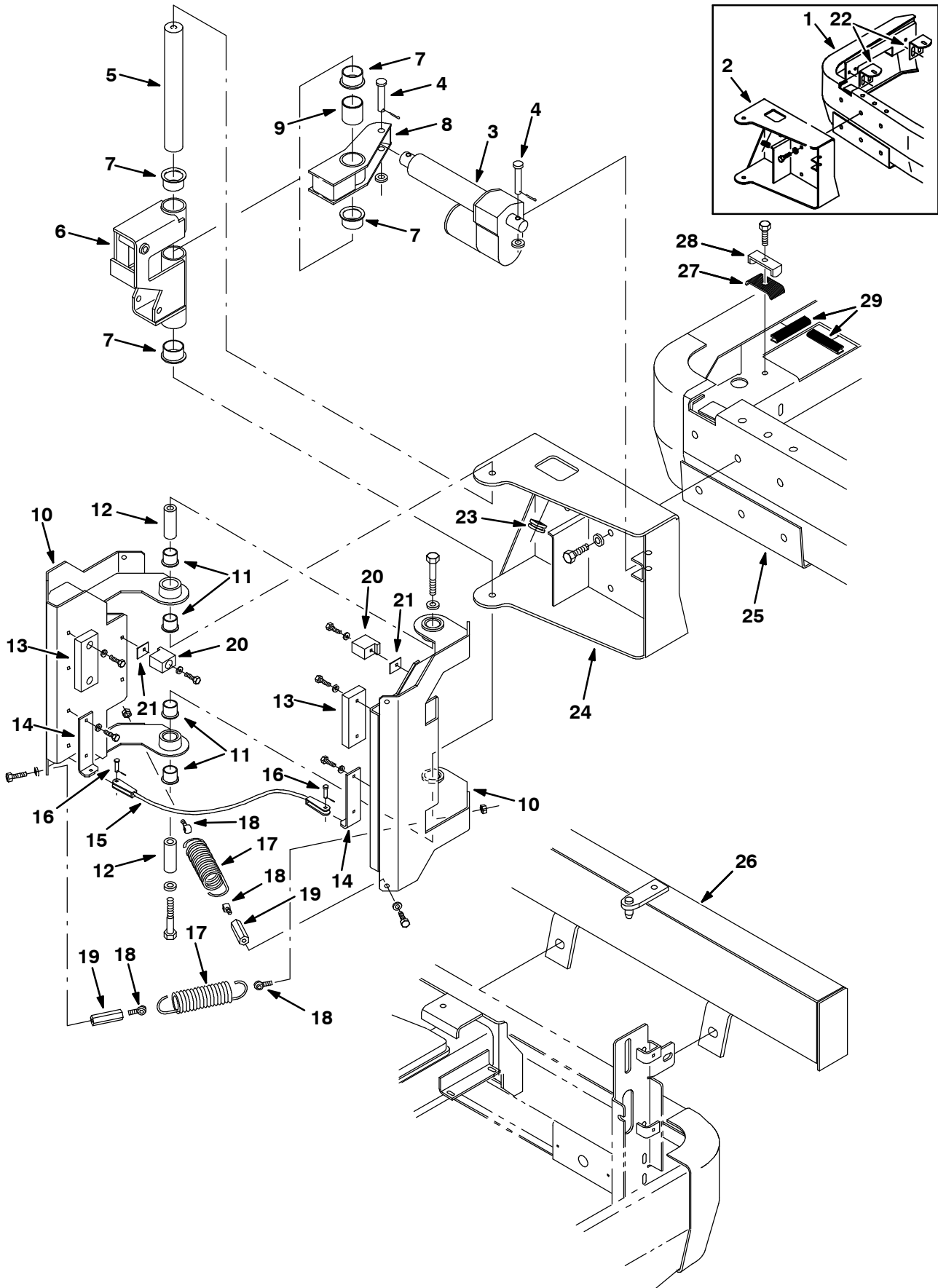




**Fig. 33 - Auxiliary Side Brush Motor Group**

<b>Ref.</b>	<b>Tennant Part No.</b>	<b>Machine Serial Number</b>	<b>Description</b>	<b>Qty.</b>
1	55778	(000000-	) Arm Wldt	1
2	55776	(000000-	) Actuator, 12V 4.0Strk 250Lb	1
3	55834	(000000-	) Sleeve, .562B .88D .97 Stl	2
4	23683	(000000-	) Pin,Clevis,0.50 Dia.X 3.00 Lg	1
5	51225	(000000-	) Pin,Clevis,0.50 Dia.X 5.50 Lg	1
6	51538	(000000-	) Pin,Clevis,0.50 Dia.X 5.00 Lg	2
7	55793	(000000-	) Bracket Wldt, Mtg, Motor	1
8	82334	(000000-	) Spring-Gas 120Lb 6.3 Stroke	1
9	64595	(000000-	) Clip, Safety	2
10	58494	(000000-	) Stud, Ball, Gas Spring	2
11	35298	(000000-	) Cable, Motor Bracket	1
12	53435	(000000-	) Motor, Hyd Gear In (See Breakdowns)	1
13	47508	(000000-	) Ftg-Hyd Str Jm06/Om10	2
14	35484	(000000-	) Sleeve-Nyln #24 45.0L	1
15	09900-1	(000000-	) Sleeve, .260B .50D .75 Pnt.Gr	1
16	51715	(000000-	) Clamp, Hose	1
17	55823	(000000-	) Guard Wldt, Brush	1
18	53984	(000000-	) Guard, Brush	1
19	47501	(000000-	) Hub, Brush Adaptor, 1.00B	1
20	02662	(000000-	) Pin Assy, Keeper .31D 2.50L	1
21	49266	(000000-	) Tie, Cable 1.75D Max 7.50Lg	13
22	31566	(000000-	) Hose-Hyd Med06 Jf/J9	2
23	01999	(000000-	) Hose-Hyd Med06 Jf/J9	1
24	15803	(000000-	) Ftg-Hyd Str Jm06/Jm06	2

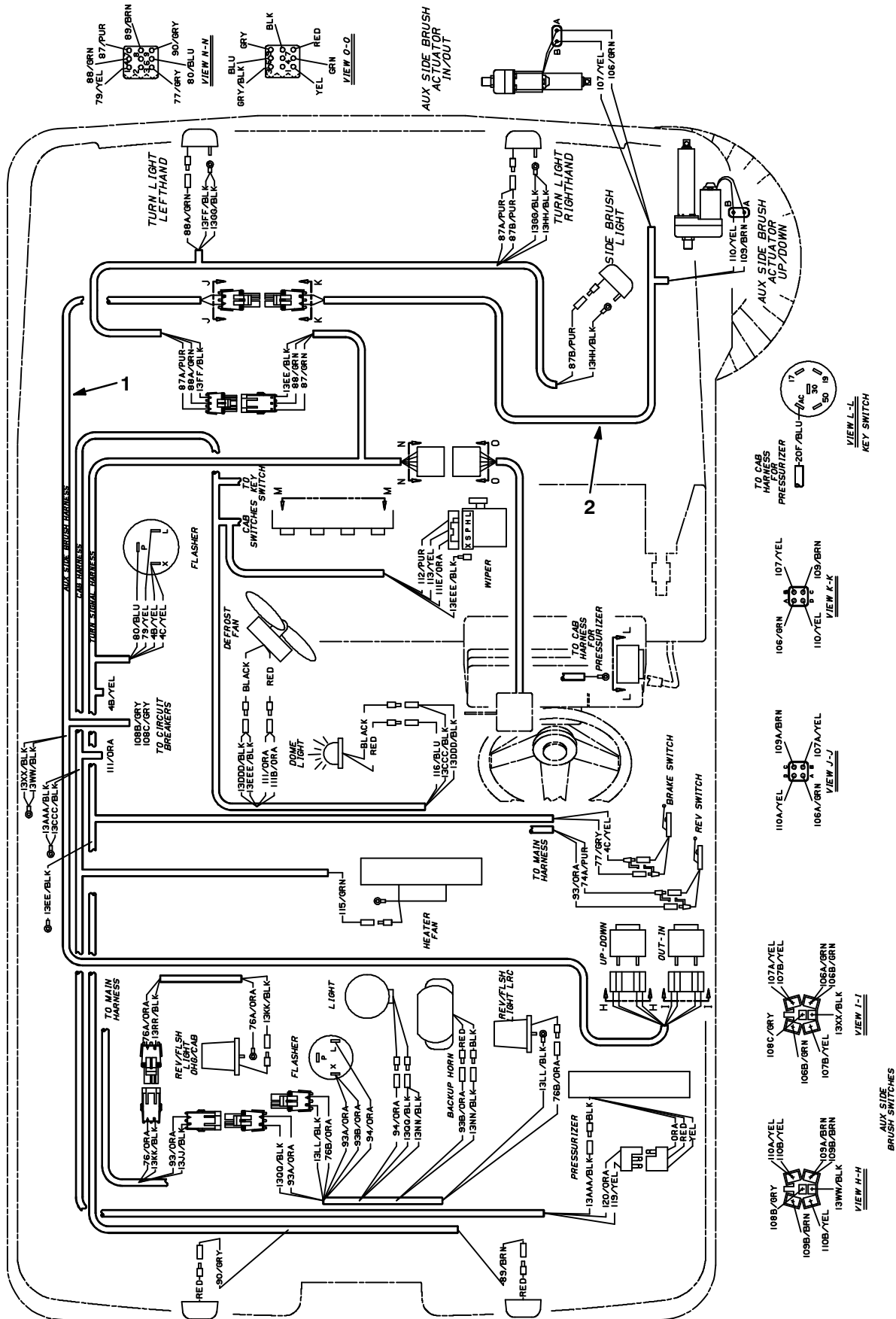
Fig. 34 - Auxiliary Side Brush Pivot Group



**Fig. 34 - Auxiliary Side Brush Pivot Group**

<b>Ref.</b>	<b>Tennant Part No.</b>	<b>Machine Serial Number</b>	<b>Description</b>	<b>Qty.</b>
1	55833	(000000-005440 )	Bumper Wldt, Aux S Br, Front	1
2	54656	(000000-005440 )	Channel Wldt, Support	1
3	35426	(000000-	Actuator Assy, 12V	1
4	06279	(000000-	Pin,Clevis,0.50 Dia.X 2.50 Lg	2
5	54427	(000000-	Shaft, Pivot	1
6	54428	(000000-	Pivot Wldt, Actuator	1
7	54620	(000000-	Bearing, Flange, 1.50 Bore	4
8	54404	(000000-	Pivot Wldt	1
9	54465	(000000-	Bearing, Journal 1.50 Dia	1
10	54621	(000000-	Spring Wldt, Support	2
11	54618	(000000-	Bearing, Flange, 1.00 Bore	4
12	55767	(000000-	Tube, Spacer	2
13	69994	(000000-	Bumper	2
14	69995	(000000-	Bracket, Cable	2
15	69991	(000000-	Cable	1
16	36376	(000000-	Pin,Clevis, .19 Dia.X .50 Lg	2
17	55617	(000000-	Spring, Tension	4
18	69998	(000000-	Hook, Spring	8
19	69997	(000000-	Bar, Hex	4
20	69993	(000000-	Bumper	2
21	59387	(000000-	Plate	2
22	71060	(000000-005440 )	Bracket, Bumper, Aux S B	4
23	10632-1	(000000-	Grom.,Rbr,1.06ld,For.19Matl L	1
24	74320	(005441-	Channel Wldt, Support	1
25	74327	(005441-	Bumper Wldt, Aux S Br, Front	1
26	74421	(000000-	Bumper Wldt, Aux S Br, Rear	1
27	70267	(000000-	Pad, Rubber, Hose Clamp	1
28	70268	(000000-	Clamp, Hose, Double, .437 Hole	1
29	13173	(000000-	Molding, Trim 3/16-5/16 5.0	2

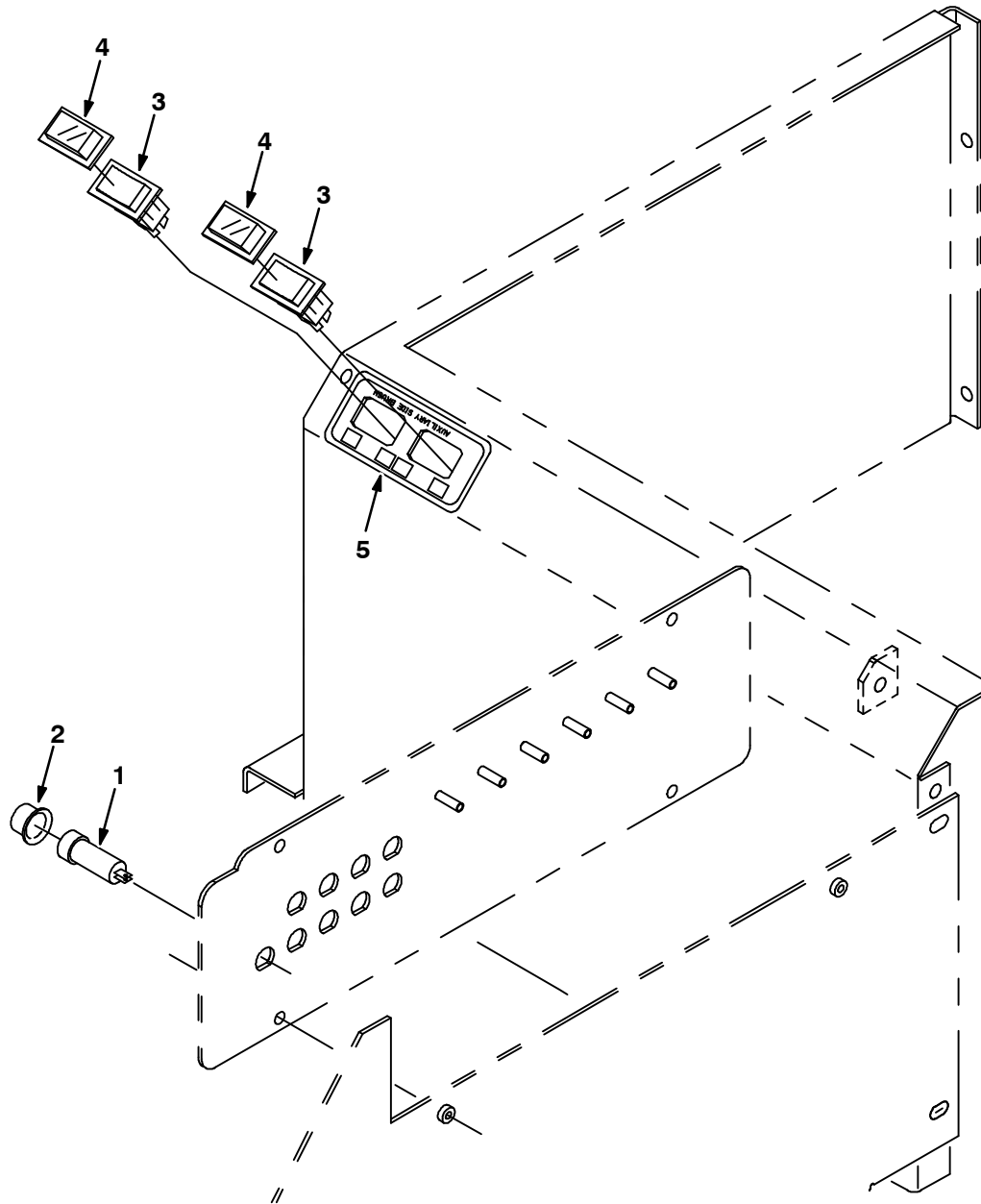
Fig. 35 - Auxiliary Side Brush Wire Harness Group



**Fig. 35 - Auxiliary Side Brush Wire Harness Group**

<b>Ref.</b>	<b>Tennant Part No.</b>	<b>Machine Serial Number</b>	<b>Description</b>	<b>Qty.</b>
1	60285	(000000-	) Harness, Aux Side Brush	1
2	60286	(000000-	) Harness, Aux Side Brush	1

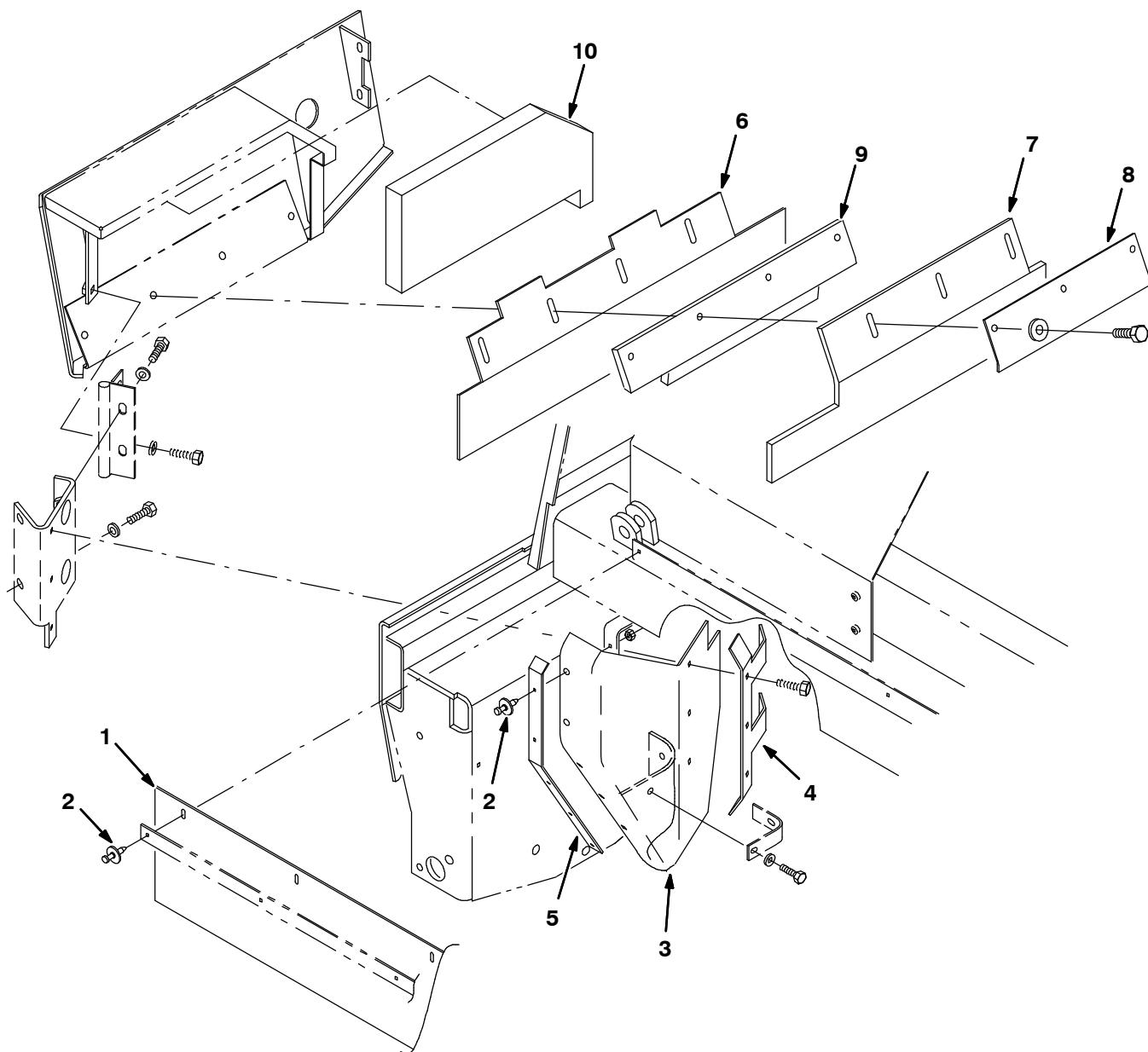
**Fig. 36 - Auxiliary Side Brush Electrical Group**



08620/08614

Ref.	Tennant Part No.	Machine Serial Number	Description	Qty.
1	57803	(000000- )	Breaker - Circuit, 15 Resetbl	1
2	57751	(000000- )	Boot, Circuit Breaker	1
3	65560	(000000- )	Switch, Rocker DPDT (mom)	2
4	57807	(000000- )	Cover, Rocker Switch Seal	2
5	69999	(000000- )	Label, Aux Side Brush	1

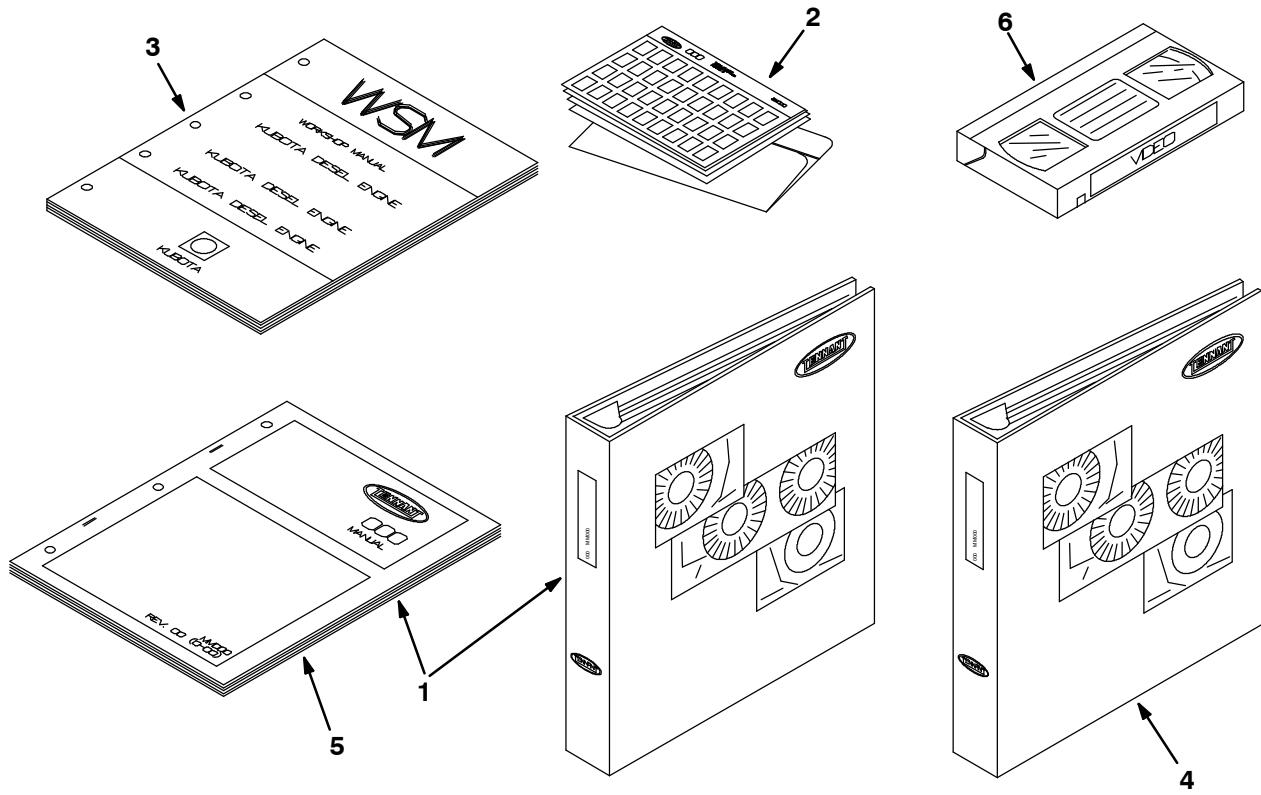
Fig. 37 - Vacuumized Skirt Kit, Main Brush



10192/10193

Ref.	Tennant Part No.	Machine Serial Number	Description	Qty.
▽	70229	(000000-	) Vacuumized Skirt Kit, Main Bru	1
▲ 1	56872	(000000-	) Skirt, Hopper, Top	1
▲ 2	72968	(000000-	) Rivet, Plastic .250x.898	15
▲ 3	70230	(000000-	) Skirt, Deflection, Vac Kit	2
▲ 4	70227	(000000-	) Strap, Deflector, Rh	1
▲	70228	(000000-	) Strap, Deflector, Lh (Not Shown)	1
▲ 5	56914	(000000-	) Strap	2
▲ 6	70222	(000000-	) Skirt, Brush Door, Outer	2
▲ 7	70223	(000000-	) Skirt, Brush Door, Inner	2
▲ 8	70224	(000000-	) Strip, Retainer	2
▲ 9	70225	(000000-	) Angle, Filler	2
▲ 10	70226	(000000-	) Seal, Foam, Door	2

Fig. 38 - Documentation Group



07922/07501

Ref.	Tennant Part No.	Machine Serial Number	Description	Qty.
1	MM305	(000000- )	Manual Pkg 385D	1
2	85305	(000000- )	Manual-Fiche Pkg 385D	1
3	61796	(000000-006055 )	Service Manual V1505 Ku	1
3	84660	(006056- )	Service Manual V1505E Ku	1
4	MM302	(000000- )	Manual Service 355/385	1
5	MM305ES	(000000- )	Manual Op/Mt 385D Spanish	1
5	MM305FR	(000000- )	Manual Op/Mt 385D French	1
5	MM305PT	(000000- )	Manual Op/Mt 385D Portuguese	1
6	48841	(000000- )	355L Oper/ Video VHS	1



## SECTION 4

CONTENTS	PAGE
Fig. 1 - Hydraulic Piston Pump Breakdown, 53604 .....	4-2
Fig. 2 - Hydraulic Piston Pump Breakdown, 74466 .....	4-4
Fig. 3 - Hydraulic Piston Pump Breakdown, 79769 .....	4-6
Fig. 4 - Hydraulic Gear Pump Breakdown, 53622 .....	4-8
Fig. 5 - Hydraulic Motor Breakdown, 59804 .....	4-9
Fig. 6 - Hydraulic Motor Breakdown, 48663 .....	4-10
Fig. 7 - Hydraulic Motor Breakdown, 74162 .....	4-12
Fig. 8 - Hydraulic Motor Breakdown, 22604 .....	4-14
Fig. 9 - Hydraulic Motor Breakdown, 53434 .....	4-16
Fig. 10 - Hydraulic Motor Breakdown, 74468 .....	4-17
Fig. 11 - Hydraulic Motor Breakdown, 53435 .....	4-18
Fig. 12 - Hydraulic Motor Breakdown, 53485 .....	4-19
Fig. 13 - Hydraulic Steering Valve Breakdown, 54022 .....	4-20
Fig. 14 - Hydraulic Steering Valve Breakdown, 74172 .....	4-21
Fig. 15 - Hydraulic Valve Breakdown, 48751 .....	4-22
Fig. 16 - Hydraulic Valve Breakdown, 53830 .....	4-24
Fig. 17 - Hydraulic Cylinder Breakdown, 74419 .....	4-25
Fig. 18 - Hydraulic Cylinder Breakdown, 53601 .....	4-26

**Fig. 1 - Hydraulic Piston Pump Breakdown, 53604**

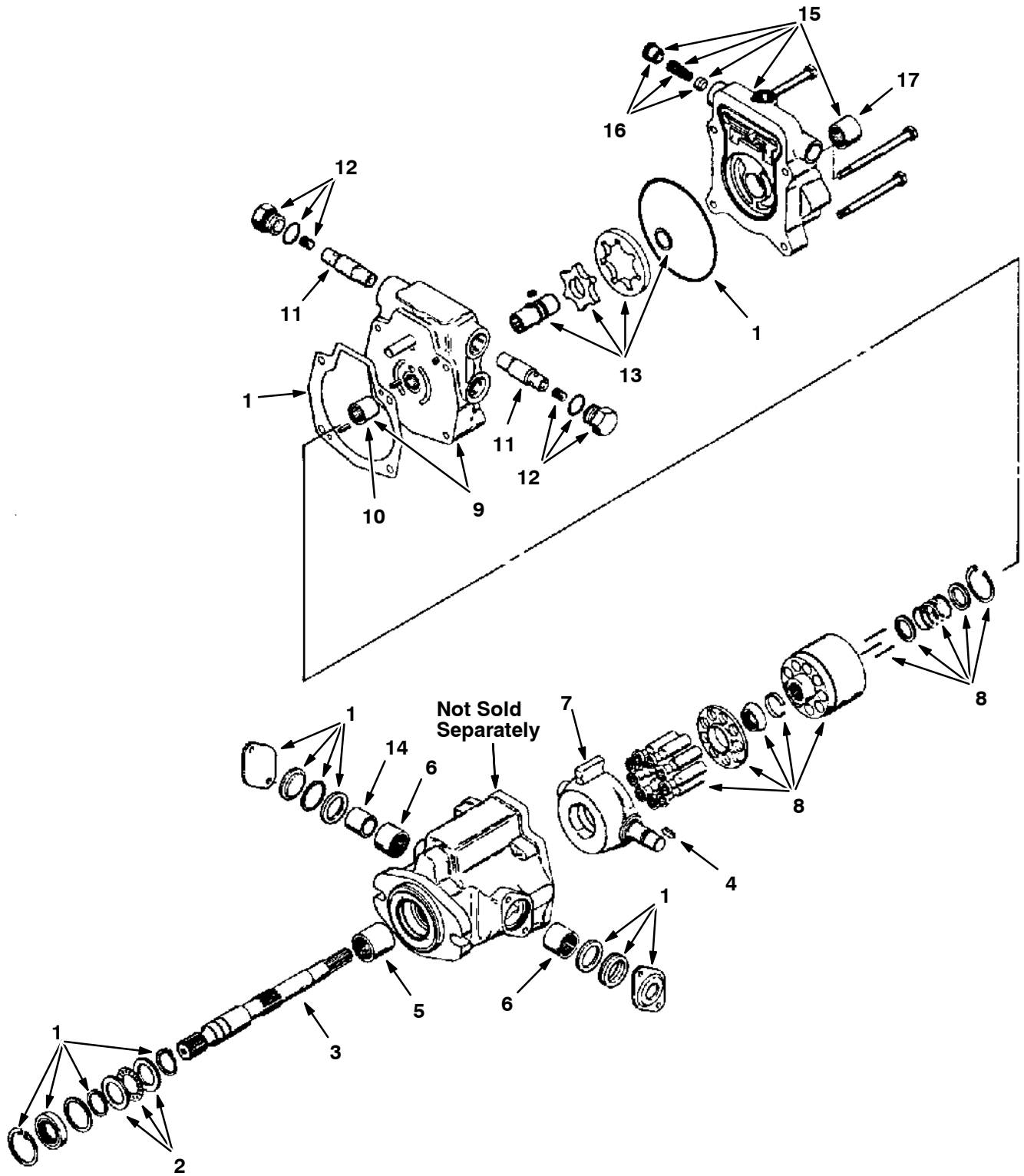


Fig. 1 - Hydraulic Piston Pump Breakdown, 53604

	<b>Ref.</b>	<b>Tenant Part No.</b>	<b>Manufacturer Serial Number</b>	<b>Description</b>	<b>Qty.</b>
▽		53604	(000000-	) Pump, Hydraulic (Repl. by 70134)	1
▲	1	02711	(000000-	) Seal Kit	1
▲	2	55922	(000000-	) Bearing Kit, Thrust	1
▲	3	55931	(000000-	) Shaft, Pump	1
▲	4	02710	(000000-	) Key	1
▲	5	55939	(000000-	) Bearing, Roller	1
▲	6	02709	(000000-	) Bearing, Trunnion	2
▲	7	58009	(000000-	) Plate, Cam	1
▲	8	02706	(000000-	) Rotating Kit	1
▲▽	9	74216	(000000-	) Backplate Assy	1
▲▲	10	55937	(000000-	) Bearing, Roller	1
▲	11	55941	(000000-	) Valve, Relief	2
▲	12	57210	(000000-	) Plug Assembly	2
▲	13	55932	(000000-	) Gerotor and Coupler Assembly	1
▲	14	02705	(000000-	) Bearing, Inner Race	1
▲▽	15	55930	(000000-	) Pump Adaptor Assembly	1
▲▲	16	55906	(000000-	) Valve, Charge Relief	1
▲▲	17	55929	(000000-	) Bearing, Roller	1

**Fig. 2 - Hydraulic Piston Pump Breakdown, 74466**

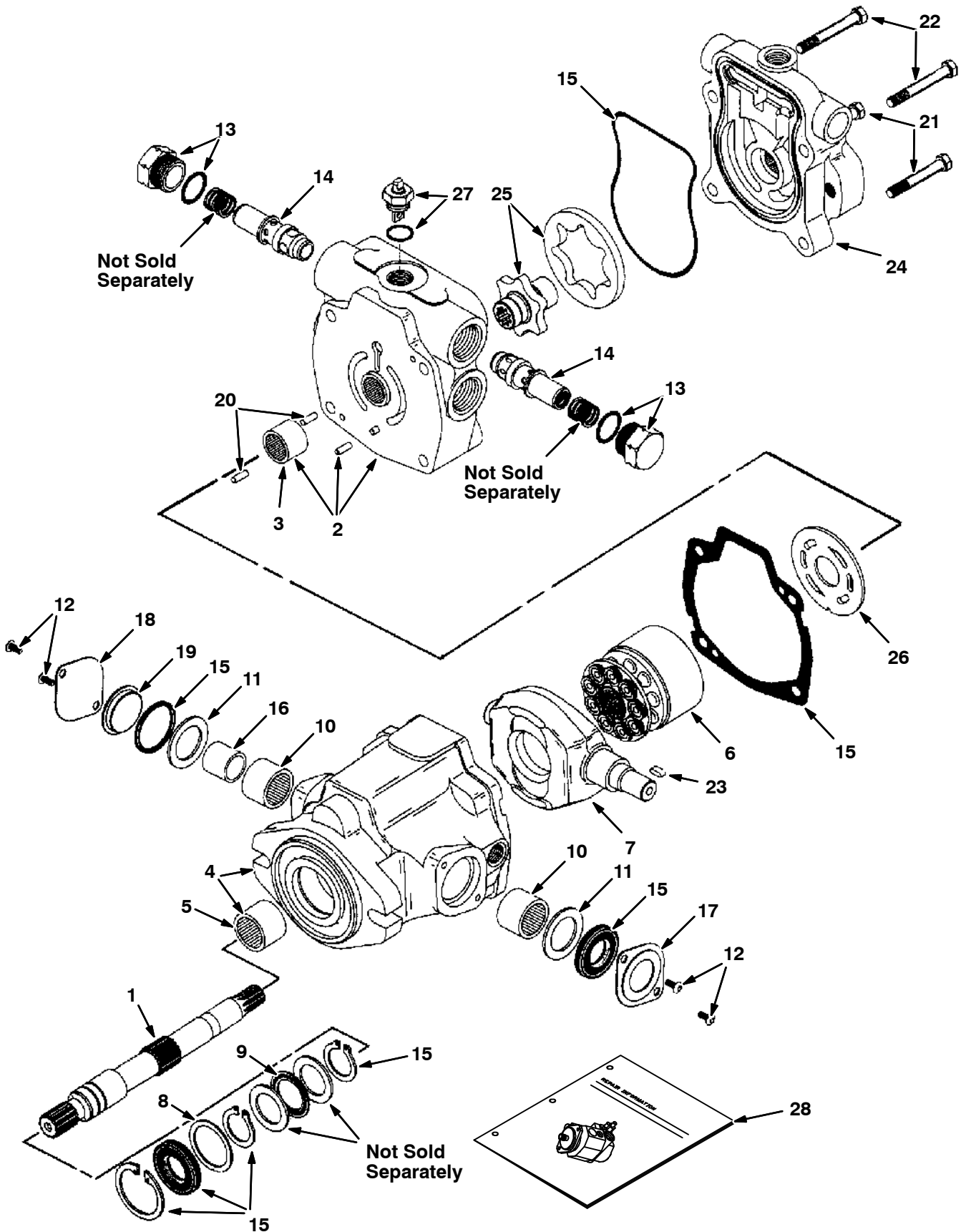


Fig. 2 - Hydraulic Piston Pump Breakdown, 74466

	Ref.	Tenant Part No.	Manufacturer Serial Number	Description	Qty.
▽		74466	(000000-	) Pump, Hyd Piston V 1.44 R 4000 (Repl. by 70180)	1
▲	1	55931	(000000-	) Pump Driveshaft	1
▲▽	2	70094	(000000-	) Backplate Assy Ce	1
▲▲	3	55937	(000000-	) Roller Bearing	1
▲▽	4	70095	(000000-	) Pump Housing Asy Ce	1
▲▲	5	55939	(000000-	) Roller Bearing	1
▲	6	02706	(000000-	) Rotating Kit	1
▲	7	58009	(000000-	) Camplate Ce	1
▲	8	70096	(000000-	) Washer Ce	1
▲	9	55922	(000000-	) Thrustbearing Kit	1
▲	10	02709	(000000-	) Bearing Cam	2
▲	11	70097	(000000-	) Washer Ce	2
▲	12	19320	(000000-	) Scr Pan 06-32X0.38	4
▲	13	57210	(000000-	) Plug Assembly	2
▲	14	55941	(000000-	) Relief Valve	2
▲	15	70103	(000000-	) Seal Kit, Pump Ce	1
▲	16	02705	(000000-	) Race, Inner Bearing	1
▲	17	52386	(000000-	) Cover	1
▲	18	70098	(000000-	) Cover, Trunion Ce	1
▲	19	70099	(000000-	) Cover, O-Ring Ce	1
▲	20	70100	(000000-	) Pin, Dowel Ce	2
▲	21	19574	(000000-	) Scr Hex .31-18X3.25	2
▲	22	70101	(000000-	) Scr,.31-18X3.75G5Ce	2
▲	23	02710	(000000-	) Key	1
▲	24	55930	(000000-	) Pump Adaptor Assy	1
▲	25	55932	(000000-	) Geroter & Coupler	1
▲	26	70102	(000000-	) Plate, Valve Ce	1
▲	27	74143	(000000-	) Valve Kit, Tow	1
	28	74248	(000000-	) Repair Info	1

**Fig. 3 - Hydraulic Piston Pump Breakdown, 79769**

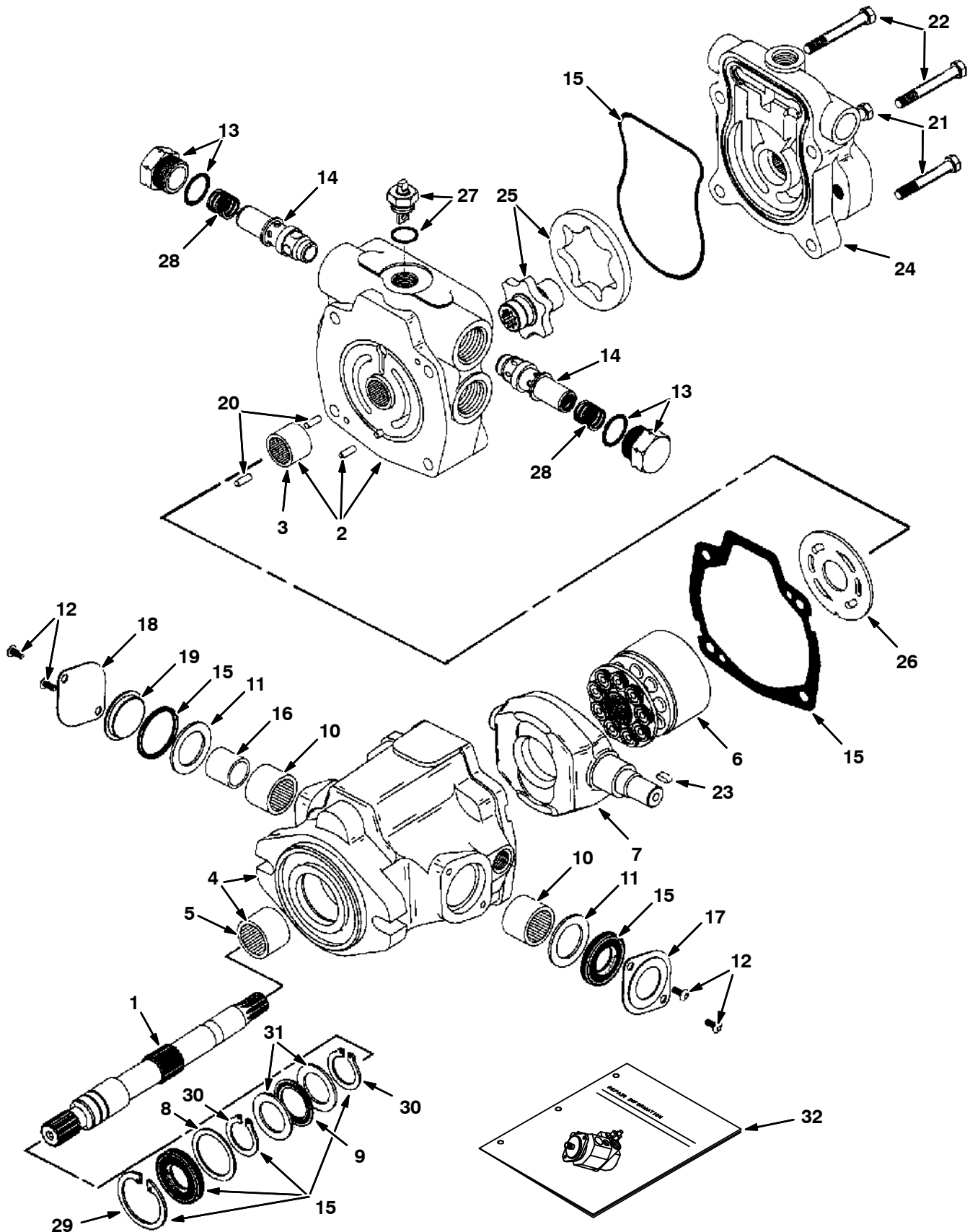
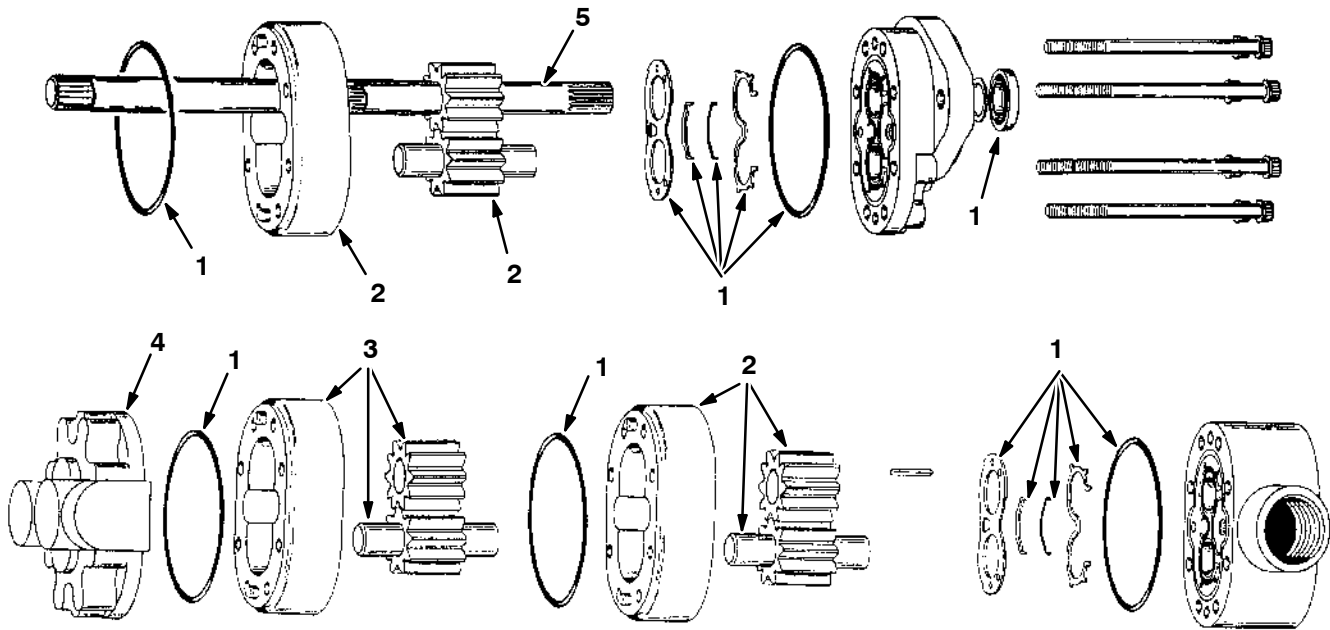


Fig. 3 - Hydraulic Piston Pump Breakdown, 79769

Ref.	Tenant Part No.	Manufacturer Serial Number	Description	Qty.
▽	79769	(000000-	) Pump, Hyd Piston V 1.44 R 4000	1
▲	1 55931	(000000-	) Pump Driveshaft	1
▲▽	2 70094	(000000-	) Backplate Assy Ce	1
▲▲	3 55937	(000000-	) Roller Bearing	1
▲▽	4 70095	(000000-	) Pump Housing Asy Ce	1
▲▲	5 55939	(000000-	) Roller Bearing	1
▲	6 02706	(000000-	) Rotating Kit	1
▲	7 58009	(000000-	) Camplate Ce	1
▲	8 70096	(000000-	) Washer Ce	1
▲	9 74225	(000000-	) Bearing, Thrust	1
▲	10 02709	(000000-	) Bearing Cam	2
▲	11 70097	(000000-	) Washer Ce	2
▲	12 61891	(000000-	) Screws	4
▲	13 74230	(000000-	) Plug Assembly	2
▲	14 55941	(000000-	) Valve-Relief 4000 PSI	2
▲	15 70103	(000000-	) Seal Kit, Pump Ce	1
▲	16 02705	(000000-	) Race, Inner Bearing	1
▲	17 52386	(000000-	) Cover	1
▲	18 70098	(000000-	) Cover, Trunion Ce	1
▲	19 70099	(000000-	) Cover, O-Ring Ce	1
▲	20 70100	(000000-	) Pin, Dowel Ce	2
▲	21 74235	(000000-	) Scr Hex .31-18X3.25	2
▲	22 70101	(000000-	) Screw, Cap	2
▲	23 74237	(000000-	) Key	1
▲	24 55930	(000000-	) Pump Adaptor Assy	1
▲	25 55932	(000000-	) Geroter & Coupler	1
▲	26 74180	(000000-	) Plate, Valve Ce	1
▲	27 74469	(000000-	) Valve, Dump	1
▲	28 74229	(000000-	) Spring	2
▲	29 55926	(000000-	) Retaining Ring	1
▲	30 55925	(000000-	) Retaining Ring	2
▲	31 74226	(000000-	) Race, Bearing	2
	32 74248	(000000-	) Repair Info	1

**Fig. 4 - Hydraulic Gear Pump Breakdown, 53622**

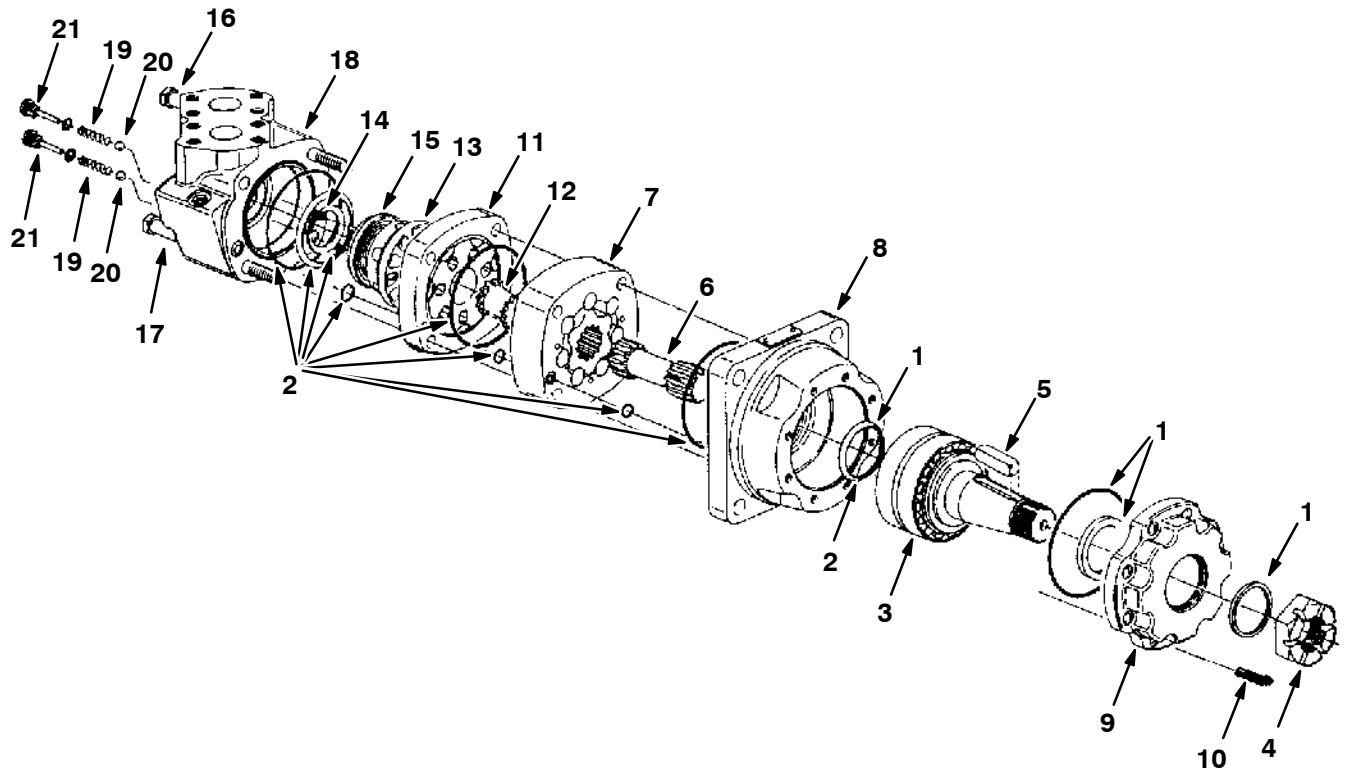


07903-07488

Ref.	Tennant Part No.	Manufacturer Serial Number	Description	Qty.	
▽	53622	(000000-	) Pump, Gear	1	
▲	1	59305	(000000-	) Seal Kit	1
▲	2	58012	(000000-	) Body and Gear Kit, .66 CIR	2
▲	3	58013	(000000-	) Body and Gear Kit, .50 CIR	1
▲	4	58242	(000000-	) Back Plate Assembly	1
▲	5	59382	(000000-	) Drive Shaft	1



**Fig. 5 - Hydraulic Motor Breakdown, 59804**



07906-07489

Ref.	Tenant Part No.	Manufacturer Serial Number	Description	Qty.	
▽	59804	(000000-	) Motor, Hydraulic	1	
▲	1	58269	(000000-	) Seal Kit, Shaft	1
▲	2	33580	(000000-	) Seal Kit, Rear	1
▲	3	33694	(000000-	) Shaft And Bearing Assembly	1
▲	4	45622	(000000-	) Nut	1
▲	5	45623	(000000-	) Key	1
▲	6	37616	(000000-	) Drive	1
▲	7	37756	(000000-	) Gerotor	1
▲	8	74121	(000000-	) Housing	1
▲	9	37955	(000000-	) Retainer Front	1
▲	10	38776	(000000-	) Screw	8
▲	11	74122	(000000-	) Plate, Valve	1
▲	12	52405	(000000-	) Drive	1
▲	13	74123	(000000-	) Valve	1
▲	14	34178	(000000-	) Spring	2
▲	15	38965	(000000-	) Ring, Assembly	1
▲	16	38255	(000000-	) Bolt	1
▲	17	74125	(000000-	) Bolt	3
▲▽	18	74124	(000000-	) Valve, Housing	1
▲▲	19	34179	(000000-	) Spring	2
▲▲	20	37766	(000000-	) Ball	2
▲▲	21	74137	(000000-	) Bolt	2

Fig. 6 - Hydraulic Motor Breakdown, 48663

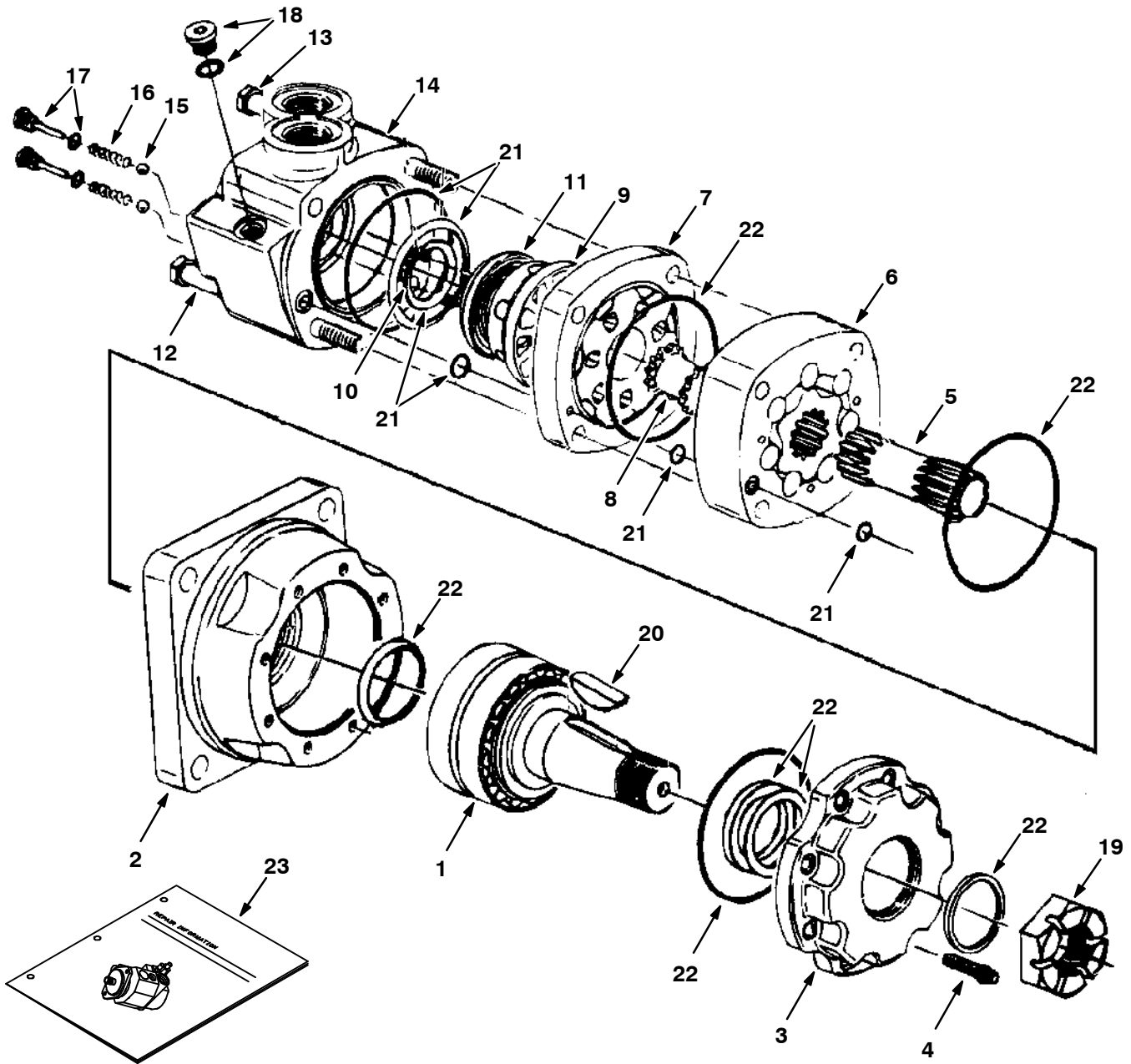


Fig. 6 - Hydraulic Motor Breakdown, 48663

Ref.	Tenant Part No.	Manufacturer Serial Number	Description	Qty.
▽	48663	(000000-	) Motor, Hydraulic (Repl. by 74162)	1
▲	1 33694	(000000-	) Shaft, Assy	1
▲	2 74121	(000000-	) Housing, Brg	1
▲	3 37955	(000000-	) Retainer, Frt	1
▲	4 74168	(000000-	) Screw, Cap	8
▲	5 37616	(000000-	) Drive	1
▲	6 37756	(000000-	) Geroler	1
▲	7 74122	(000000-	) Plate, Valve	1
▲	8 52405	(000000-	) Valve	1
▲	9 74123	(000000-	) Valve	1
▲	10 34178	(000000-	) Spring	2
▲	11 38968	(000000-	) Ring	1
▲	12 74125	(000000-	) Bolt	3
▲	13 38255	(000000-	) Bolt	1
▲	14 74124	(000000-	) Housing, Assy	1
▲	15 37766	(000000-	) Ball	2
▲	16 34179	(000000-	) Spring	2
▲	17 74137	(000000-	) Plug Assembly	2
▲	18 74098	(000000-	) Plug Assembly	1
▲	19 45622	(000000-	) Nut	1
▲	20 45623	(000000-	) Key	1
▲	21 33580	(000000-	) Seal Kit, Rear	1
▲	22 33579	(000000-	) Seal Kit, Shaft	1
▲	23 74249	(000000-	) Repair Info.	1

Fig. 7 - Hydraulic Motor Breakdown, 74162

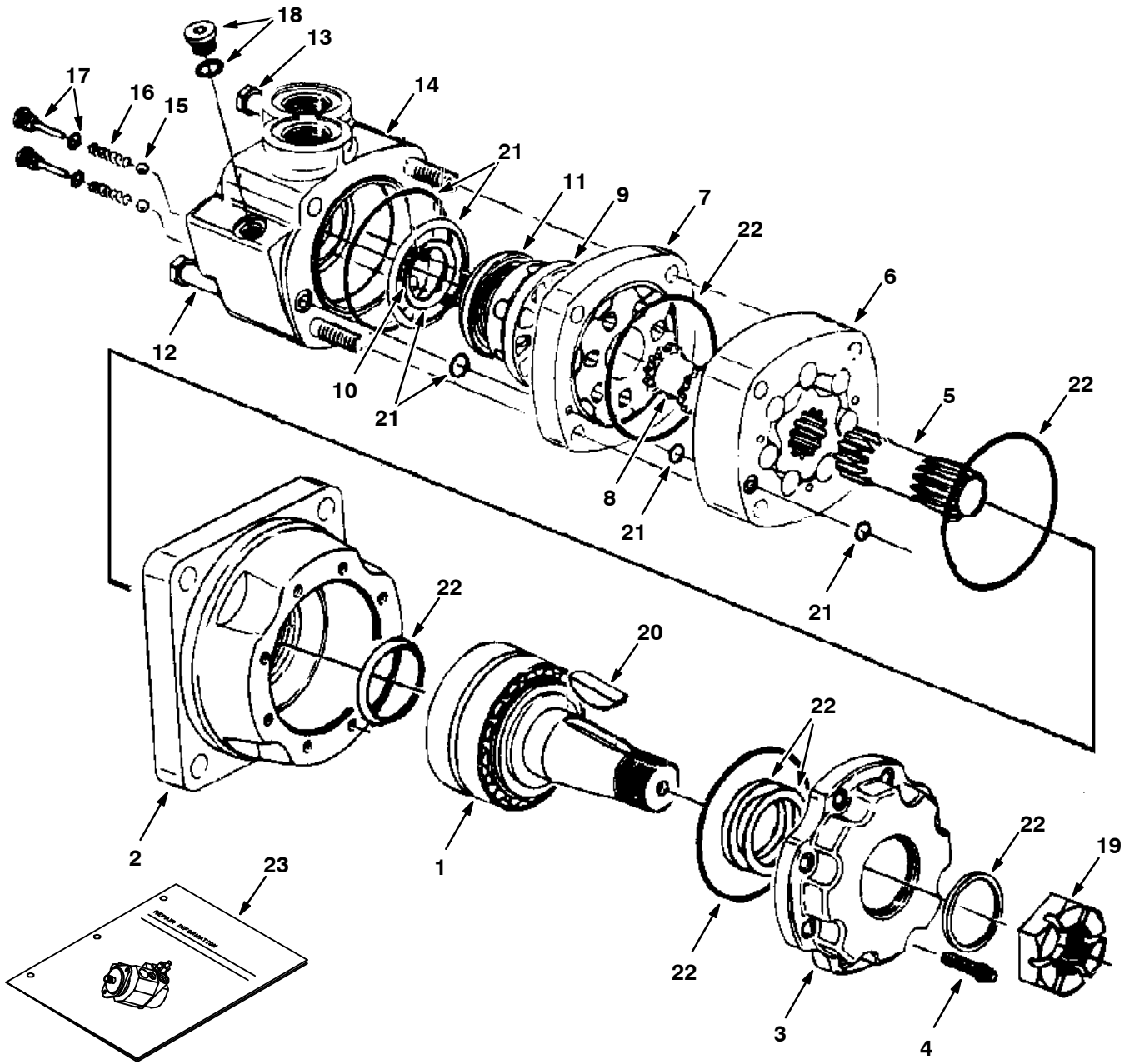


Fig. 7 - Hydraulic Motor Breakdown, 74162

	Ref.	Tenant Part No.	Manufacturer Serial Number	Description	Qty.
▽		74162	(000000-	) Motor, Hyd Gear In 19.0	1
▲	1	74165	(000000-	) Shaft, Assy	1
▲	2	74166	(000000-	) Housing, Brg	1
▲	3	74167	(000000-	) Retainer, Frt	1
▲	4	74168	(000000-	) Screw, Cap	8
▲	5	37616	(000000-	) Drive	1
▲	6	37756	(000000-	) Geroler	1
▲	7	74122	(000000-	) Plate, Valve	1
▲	8	52405	(000000-	) Valve	1
▲	9	74123	(000000-	) Valve	1
▲	10	34178	(000000-	) Spring	2
▲	11	38968	(000000-	) Ring	1
▲	12	74125	(000000-	) Bolt	3
▲	13	38255	(000000-	) Bolt	1
▲	14	74171	(000000-	) Housing, Assy	1
▲	15	37766	(000000-	) Ball	2
▲	16	34179	(000000-	) Spring	2
▲	17	74137	(000000-	) Plug Assembly	2
▲	18	74098	(000000-	) Plug Assembly	1
▲	19	45622	(000000-	) Nut	1
▲	20	45623	(000000-	) Key	1
▲	21	33580	(000000-	) Seal Kit, Rear	1
▲	22	74170	(000000-	) Seal Kit, Shaft	1
	23	74249	(000000-	) Repair Info.	1

**Fig. 8 - Hydraulic Motor Breakdown, 22604**

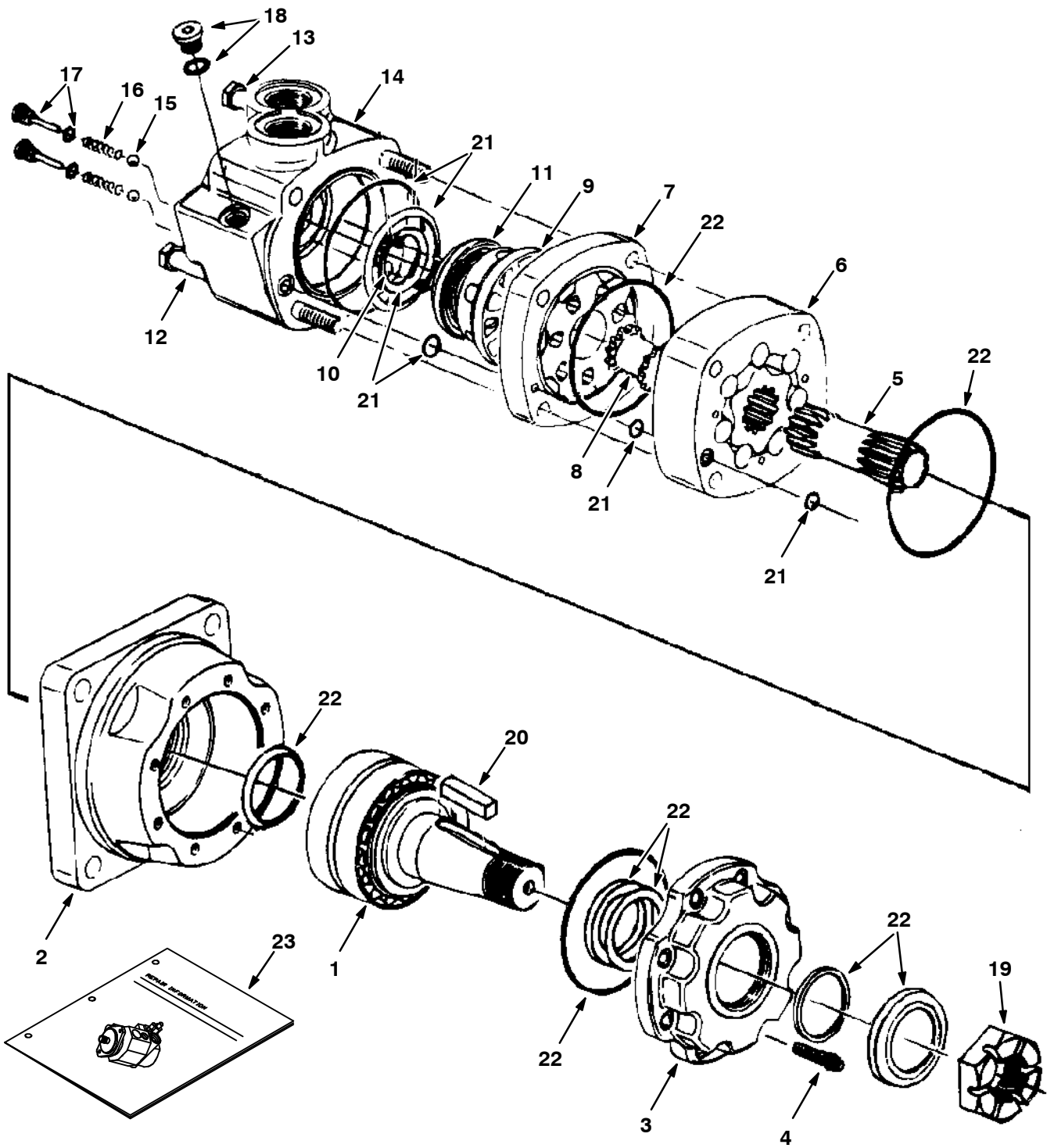
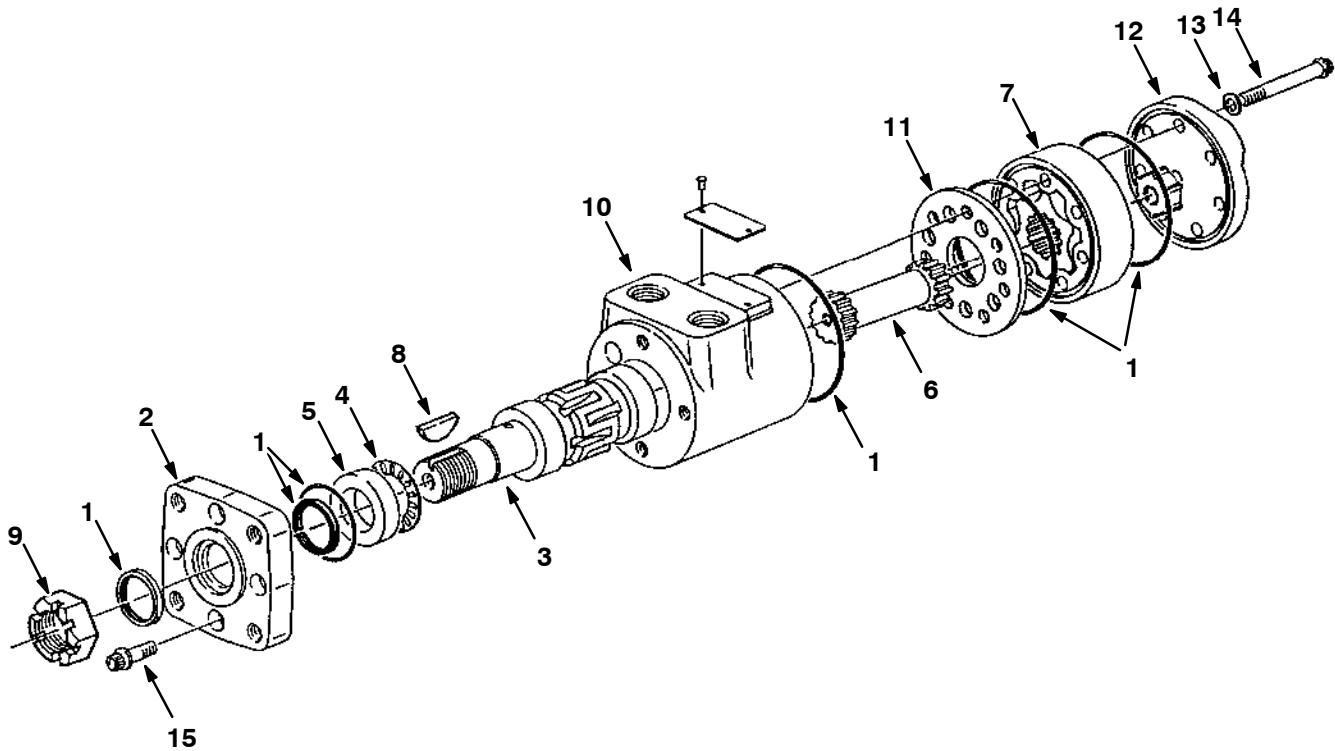


Fig. 8 - Hydraulic Motor Breakdown, 22604

Ref.	Tenant Part No.	Manufacturer Serial Number	Description	Qty.
▽	22604	(000000-	) Motor, Hyd Gear In 19.0 B 3000	1
▲	1 74165	(000000-	) Shaft, Assy	1
▲	2 74166	(000000-	) Housing, Brg	1
▲	3 74167	(000000-	) Retainer, Frt	1
▲	4 74168	(000000-	) Screw, Cap	8
▲	5 37616	(000000-	) Drive	1
▲	6 37756	(000000-	) Geroler	1
▲	7 74122	(000000-	) Plate, Valve	1
▲	8 52405	(000000-	) Valve	1
▲	9 74123	(000000-	) Valve	1
▲	10 34178	(000000-	) Spring	2
▲	11 38968	(000000-	) Ring	1
▲	12 74125	(000000-	) Bolt	3
▲	13 38255	(000000-	) Bolt	1
▲	14 74171	(000000-	) Housing, Assy	1
▲	15 37766	(000000-	) Ball	2
▲	16 34179	(000000-	) Spring	2
▲	17 74137	(000000-	) Plug Assembly	2
▲	18 74098	(000000-	) Plug Assembly	1
▲	19 45622	(000000-	) Nut	1
▲	20 45623	(000000-	) Key	1
▲	21 33580	(000000-	) Seal Kit, Rear	1
▲	22 79828	(000000-	) Seal Kit, Shaft	1
▲	23 74249	(000000-	) Repair Info.	1

Fig. 9 - Hydraulic Motor Breakdown, 53434

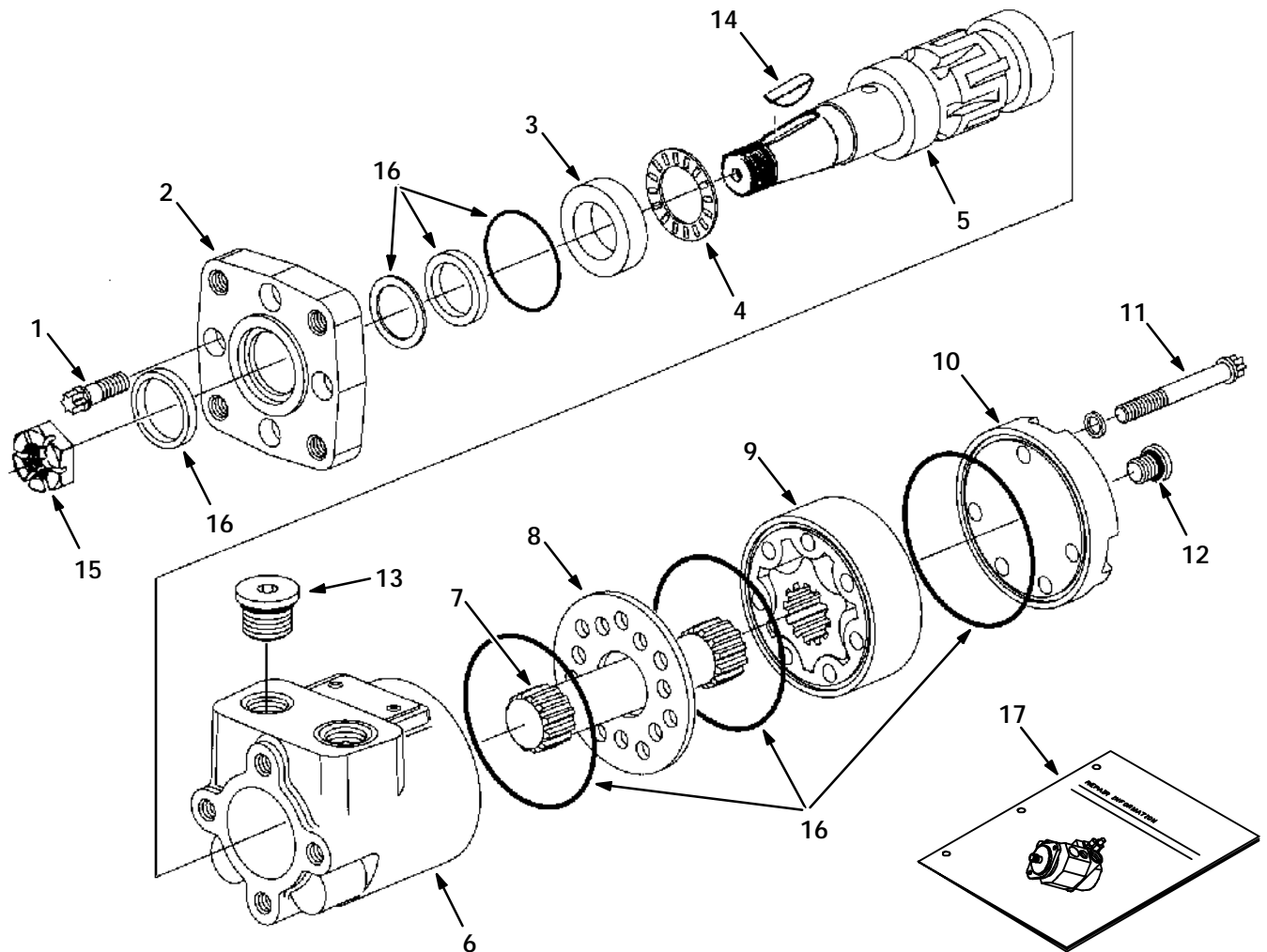


07907-08925

Ref.	Tennant Part No.	Manufacturer Serial Number	Description	Qty.
▽	53434	(000000-	) Motor, Hydraulic	1
▲ 1	61490	(000000-	) Seal Kit	1
▲ 2	31354	(000000-	) Flange, Mounting	1
▲ 3	31375	(000000-	) Output Shaft	1
▲ 4	45628	(000000-	) Bearing	1
▲ 5	16695	(000000-	) Race, Thrust	1
▲ 6	34176	(000000-	) Drive	1
▲ 7	31381	(000000-	) Gerotor Set	1
▲ 8	00500-15	(000000-	) Key, Woodruff	1
▲ 9	39527	(000000-	) Nut, slotted Hex	1
▲ 10	74092	(000000-	) Housing	1
▲ 11	74094	(000000-	) Spacer Plate	1
▲ 12	74095	(000000-	) End Cap	1
▲ 13	74096	(000000-	) Washer	5
▲ 14	74097	(000000-	) Screw, Cap	5
▲ 15	37555	(000000-	) Screw	4



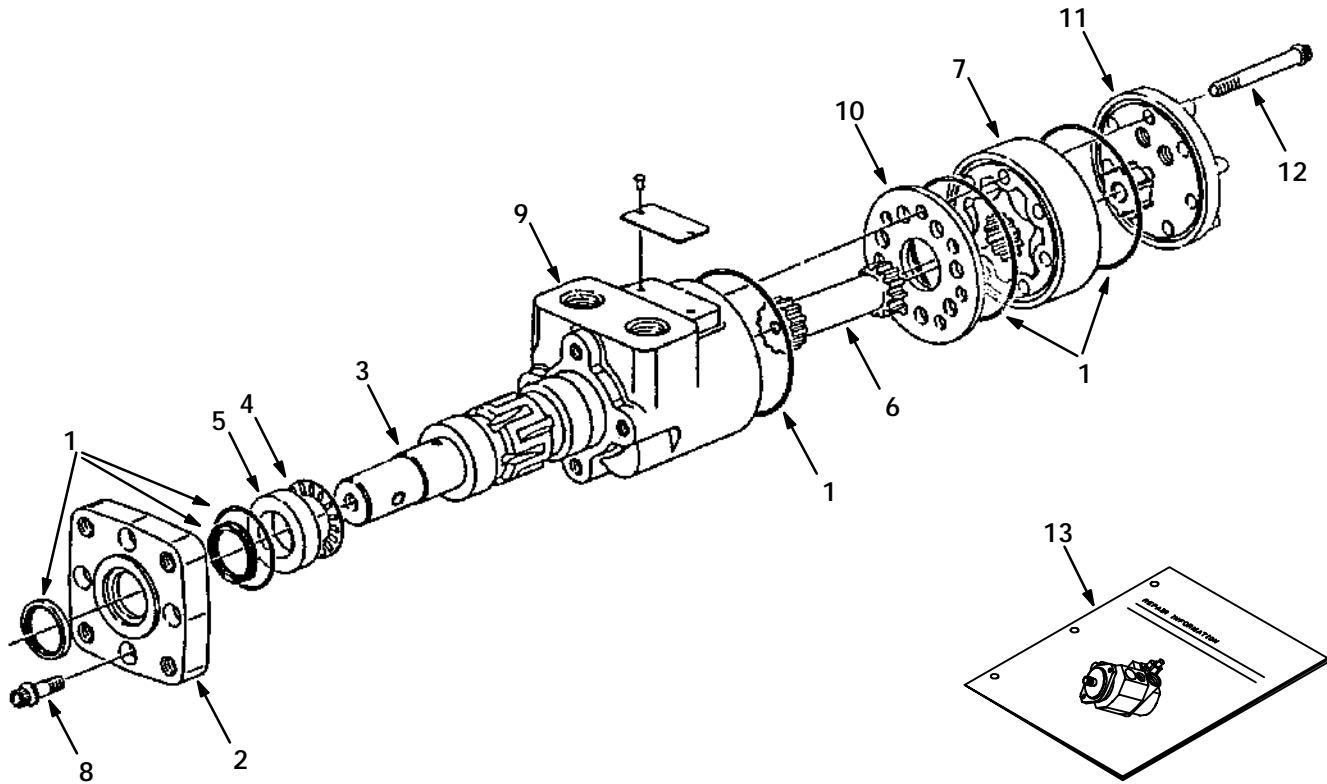
**Fig. 10 - Hydraulic Motor Breakdown, 74468**



09669-09606-09670

Ref.	Tennant Part No.	Manufacturer Serial Number	Description	Qty.
	74468	(000000-	) Motor, Hyd Gear In 02.8 B 1500	1
▲ 1	37555	(000000-	) Cap, Screw	4
▲ 2	31354	(000000-	) Flange Mounting	1
▲ 3	16695	(000000-	) Race Thrust	1
▲ 4	45628	(000000-	) Thrust Bearing	1
▲ 5	31375	(000000-	) Shaft, Output	1
▲ 6	74100	(000000-	) Housing Cl	1
▲ 7	34176	(000000-	) Drive	1
▲ 8	74094	(000000-	) Spacer Plate Cl	1
▲ 9	31381	(000000-	) Gerotor Set	1
▲ 10	74095	(000000-	) Spacer Plate Cl	1
▲ 11	74174	(000000-	) Cap, Screw Cl	5
▲ 12	74098	(000000-	) Plug Assembly Ph	1
▲ 13	74099	(000000-	) Plug Assembly Ph	2
▲ 14	00500-15	(000000-	) Key-Wdruff 0.25 1.00 Asa#0808	1
▲ 15	39527	(000000-	) Nut-Hxslot .75-16 Pltd	1
▲ 16	61490	(000000-	) Seal Replmt Kit	1
▲ 17	74250	(000000-	) Repair Info. Cl	1

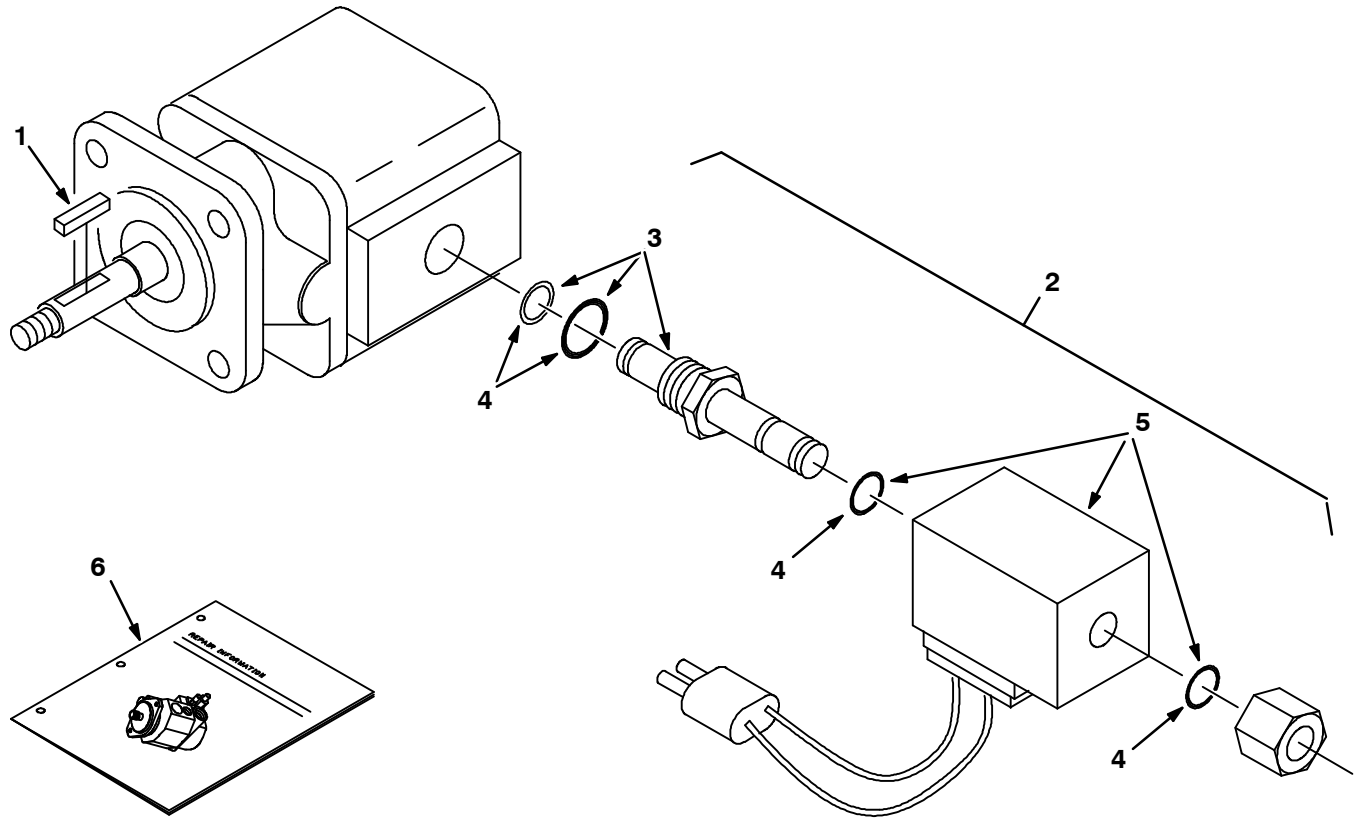
**Fig. 11 - Hydraulic Motor Breakdown, 53435**



07908-08926-09670

Ref.	Tennant Part No.	Manufacturer Serial Number	Description	Qty.
	53435	(000000-	) Motor, Hydraulic	1
▲ 1	61490	(000000-	) Seal Kit	1
▲ 2	31354	(000000-	) Flange, Mounting	1
▲ 3	31373	(000000-	) Output Shaft	1
▲ 4	45628	(000000-	) Bearing Thrust	1
▲ 5	16695	(000000-	) Race, Thrust	1
▲ 6	31377	(000000-	) Drive	1
▲ 7	31384	(000000-	) Gerotor Set	1
▲ 8	37555	(000000-	) Screw	4
▲ 9	74100	(000000-	) Housing	1
▲ 10	74094	(000000-	) Spacer Plate	1
▲ 11	74101	(000000-	) End Cap	1
▲ 12	74102	(000000-	) Screw, Cap	5
13	74250	(000000-	) Repair Info.	1

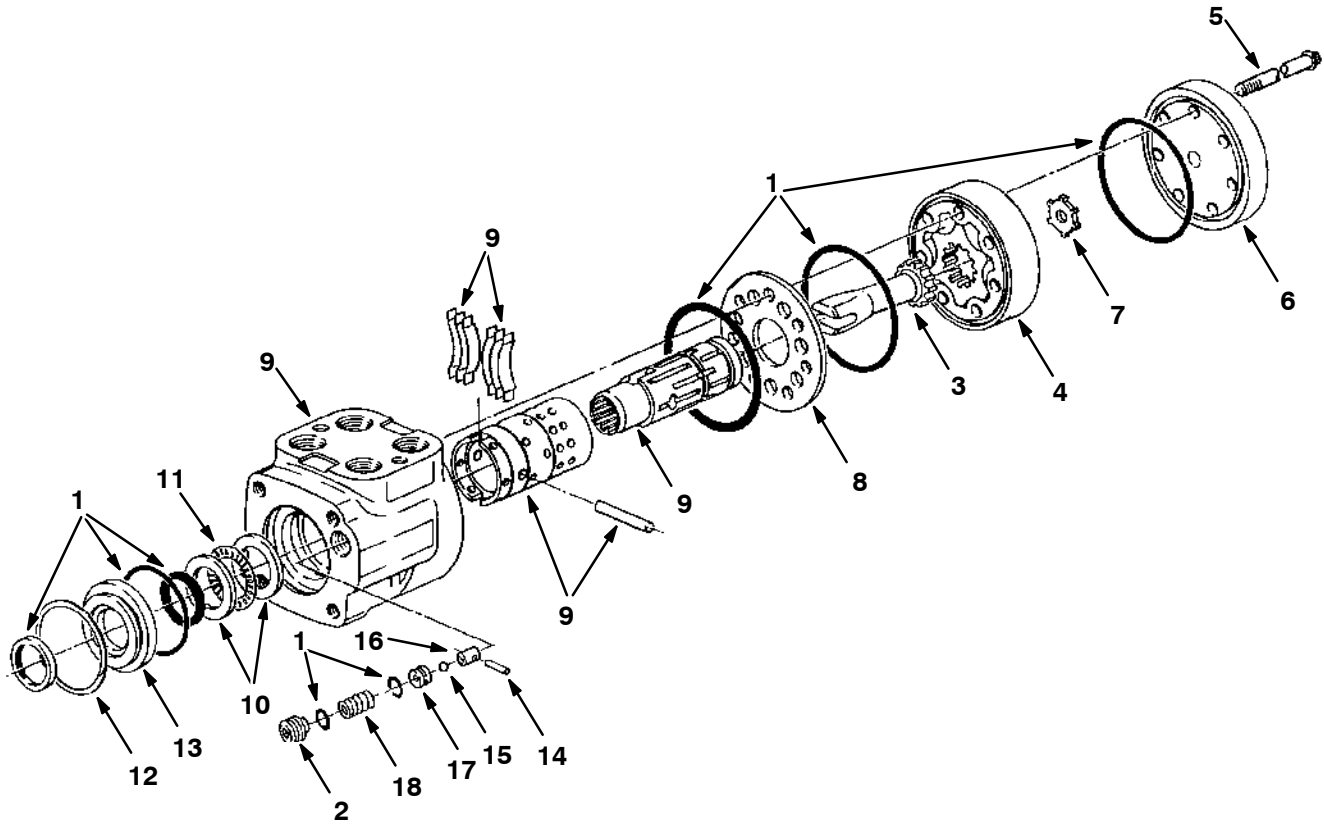
**Fig. 12 - Hydraulic Motor Breakdown, 53485**



07909-07490-09670

Ref.	Tennant Part No.	Manufacturer Serial Number	Description	Qty.
▽	53485	(000000-	) Motor, Hydraulic	1
▲	74233	(000000-	) Seal Kit, Motor	1
▲ 1	00966	(000000-	) Key	1
▲▽	2	(000000-	) Valve Assembly, Solenoid	1
▲▲	3	(000000-	) Cartridge, Solenoid Valve	1
▲▲	4	(000000-	) Seal Kit, One Cartridge	1
▲▲	5	(000000-	) Coil	1
	6	(000000-	) Repair Info.	1

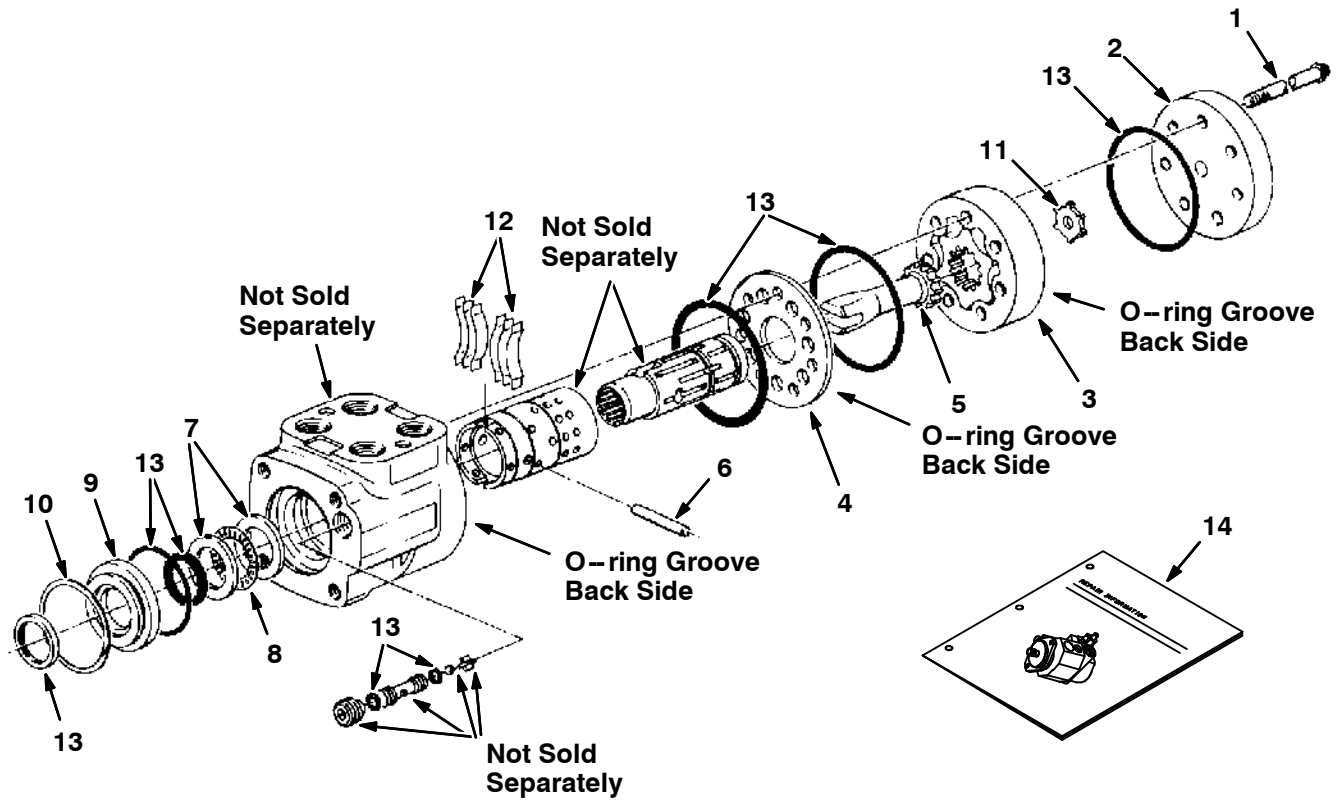
Fig. 13 - Hydraulic Steering Valve Breakdown, 54022



07910-07491

Ref.	Tennant Part No.	Manufacturer Serial Number	Description	Qty.	
▽	54022	(000000-	) Valve, Hydraulic Steering (Repl by 74172)	1	
▲	1	57152	(000000-	) Seal Kit	1
▲	2	74118	(000000-	) Plug	1
▲	3	58596	(000000-	) Drive	1
▲	4	57156	(000000-	) Gerotor	1
▲	5	74097	(000000-	) Cap, Screw	7
▲	6	74103	(000000-	) Cap, End	1
▲	7	74105	(000000-	) Spacer	1
▲	8	74106	(000000-	) Spacer Plate	1
▲	9	74108	(000000-	) Control Assembly	1
▲	10	74109	(000000-	) Race, Bearing	2
▲	11	74110	(000000-	) Bearing, Needle	1
▲	12	74111	(000000-	) Ring, Retaining	1
▲	13	74112	(000000-	) Retainer, Front	1
▲	14	74113	(000000-	) Pin, Spring	1
▲	15	74114	(000000-	) Ball, Check	1
▲	16	74115	(000000-	) Seat, Ball	1
▲	17	74116	(000000-	) Poppet	1
▲	18	74117	(000000-	) Spring	1

**Fig. 14 - Hydraulic Steering Valve Breakdown, 74172**



10174-09936-09670

Ref.	Tennant Part No.	Manufacturer Serial Number	Description	Qty.
▽	74172	(000000-	) Valve, Hydraulic Steering	1
▲	1 65241	(000000-	) Cap, Screw	7
▲	2 74181	(000000-	) Cap, End	1
▲	3 57156	(000000-	) Gerotor Set	1
▲	4 74182	(000000-	) Plate, Wear	1
▲	5 58596	(000000-	) Drive	1
▲	6 74218	(000000-	) Pin	1
▲	7 74109	(000000-	) Race, Bearing	2
▲	8 74110	(000000-	) Bearing, Needle	1
▲	9 74112	(000000-	) Retainer, Front	1
▲	10 74111	(000000-	) Ring, Retaining	1
▲	11 74105	(000000-	) Spacer	1
▲	12 74195	(000000-	) Spring Kit	1
▲	13 74190	(000000-	) Seal Kit	1
▲	14 74251	(000000-	) Repair Info	1

**Fig. 15 - Hydraulic Valve Breakdown, 48751**

CONTROL VALVE	
Spool #1	Brushes
Spool #2	Hopper Door
Spool #3	Hopper Lift

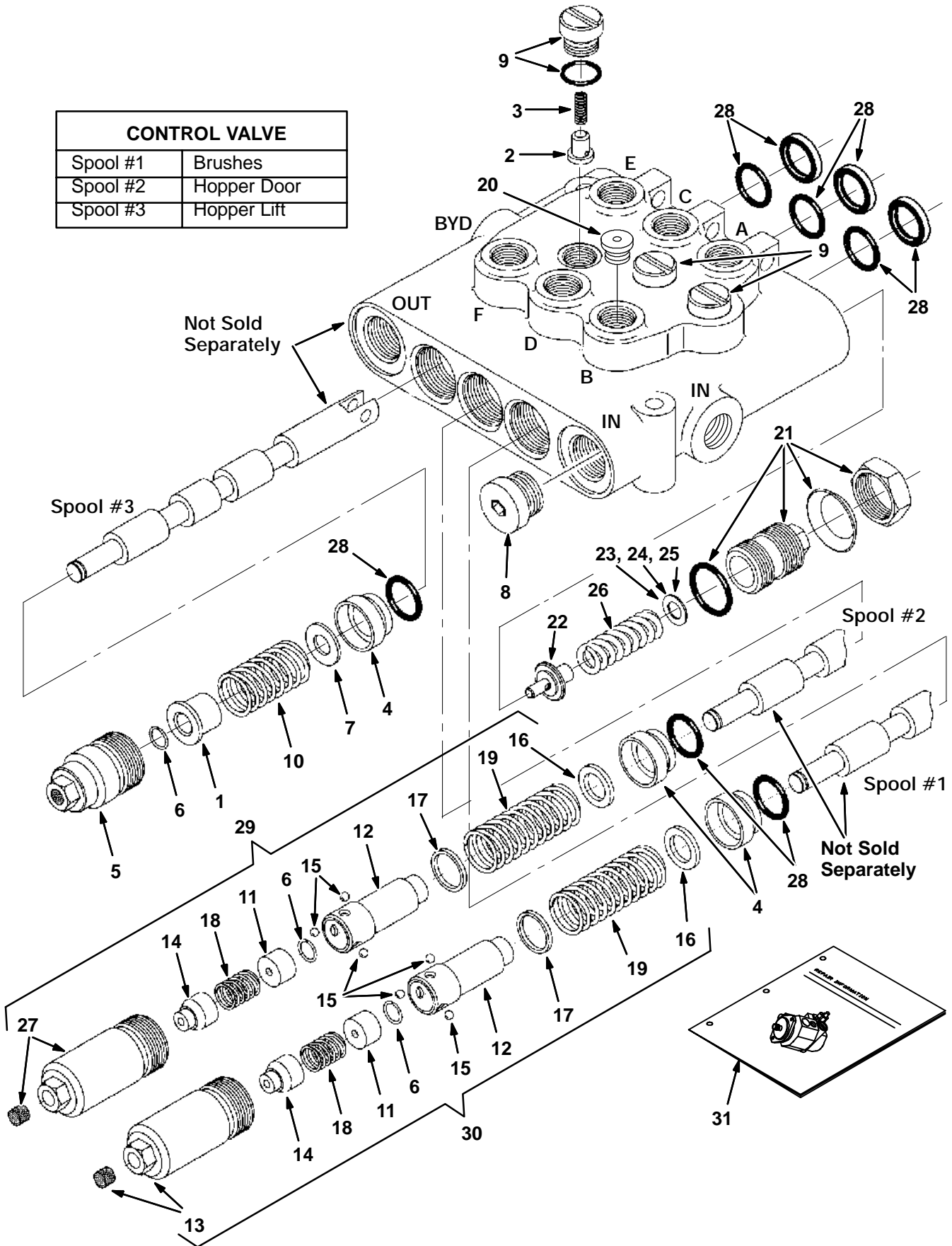
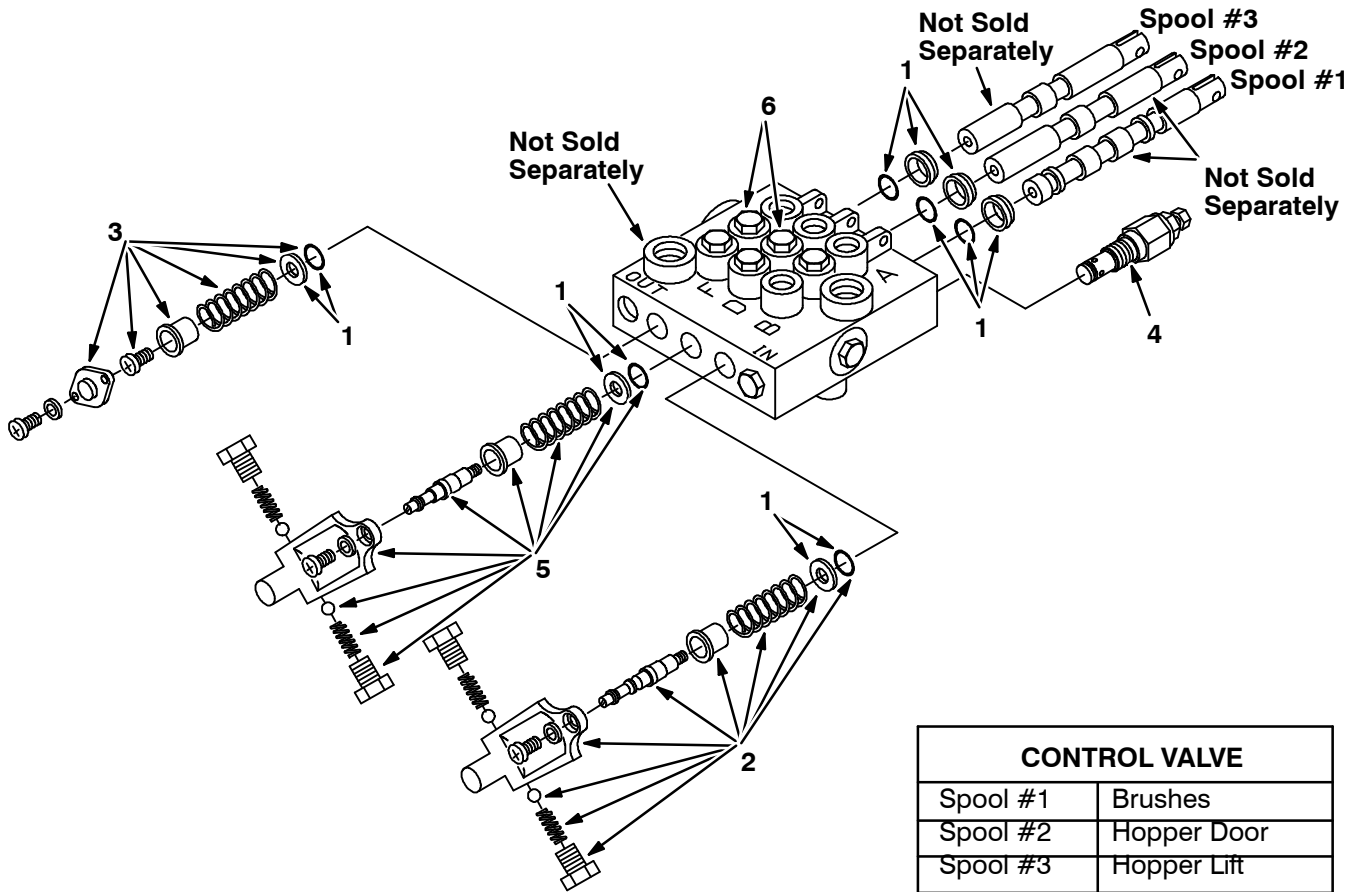


Fig. 15 - Hydraulic Valve Breakdown, 48751

	Ref.	Tennant Part No.	Manufacturer Serial Number	Description	Qty.
▽		48751	(000000-	) Valve, Hyd Cntrl Man	1
▲	1	79785	(000000-	) Spacer	1
▲	2	79786	(000000-	) Plunger	1
▲	3	79787	(000000-	) Spring	1
▲	4	79788	(000000-	) Bushing	3
▲	5	79789	(000000-	) Cap Assembly	1
▲	6	79792	(000000-	) Retaining Rng	3
▲	7	79794	(000000-	) Washer	1
▲	8	13907	(000000-	) Plug, #8 O-Ring	1
▲	9	79795	(000000-	) Plug & O-Ring	3
▲	10	79796	(000000-	) Spring	1
▲	11	79801	(000000-	) Spacer	2
▲	12	79802	(000000-	) Detent Adaptr	2
▲	13	79803	(000000-	) Cap Assembly	1
▲	14	79800	(000000-	) Cone	2
▲	15	79804	(000000-	) Ball	6
▲	16	79806	(000000-	) Washer	2
▲	17	79805	(000000-	) Washer	2
▲	18	79807	(000000-	) Spring	2
▲	19	79808	(000000-	) Spring	2
▲	20	13904	(000000-	) Plug, #6 O-Ring	2
▲	21	79790	(000000-	) Plug Assembly	1
▲	22	79791	(000000-	) Poppet	1
▲	23	79793	(000000-	) Shim .035 Thk	-
▲	24	79798	(000000-	) Shim .015 Thk	-
▲	25	79799	(000000-	) Shim .010 Thk	-
▲	26	21915	(000000-	) Spring	1
▲	27	79821	(000000-	) Cap Assembly	1
▲	28	79812	(000000-	) Seal Kit, Vlv	1
▲	29	79813	(000000-	) Kit, Detent Out	1
▲	30	79815	(000000-	) Kit, Detent I&O	1
	31	79820	(000000-	) Repair Info, Valve	1

**Fig. 16 - Hydraulic Valve Breakdown, 53830**

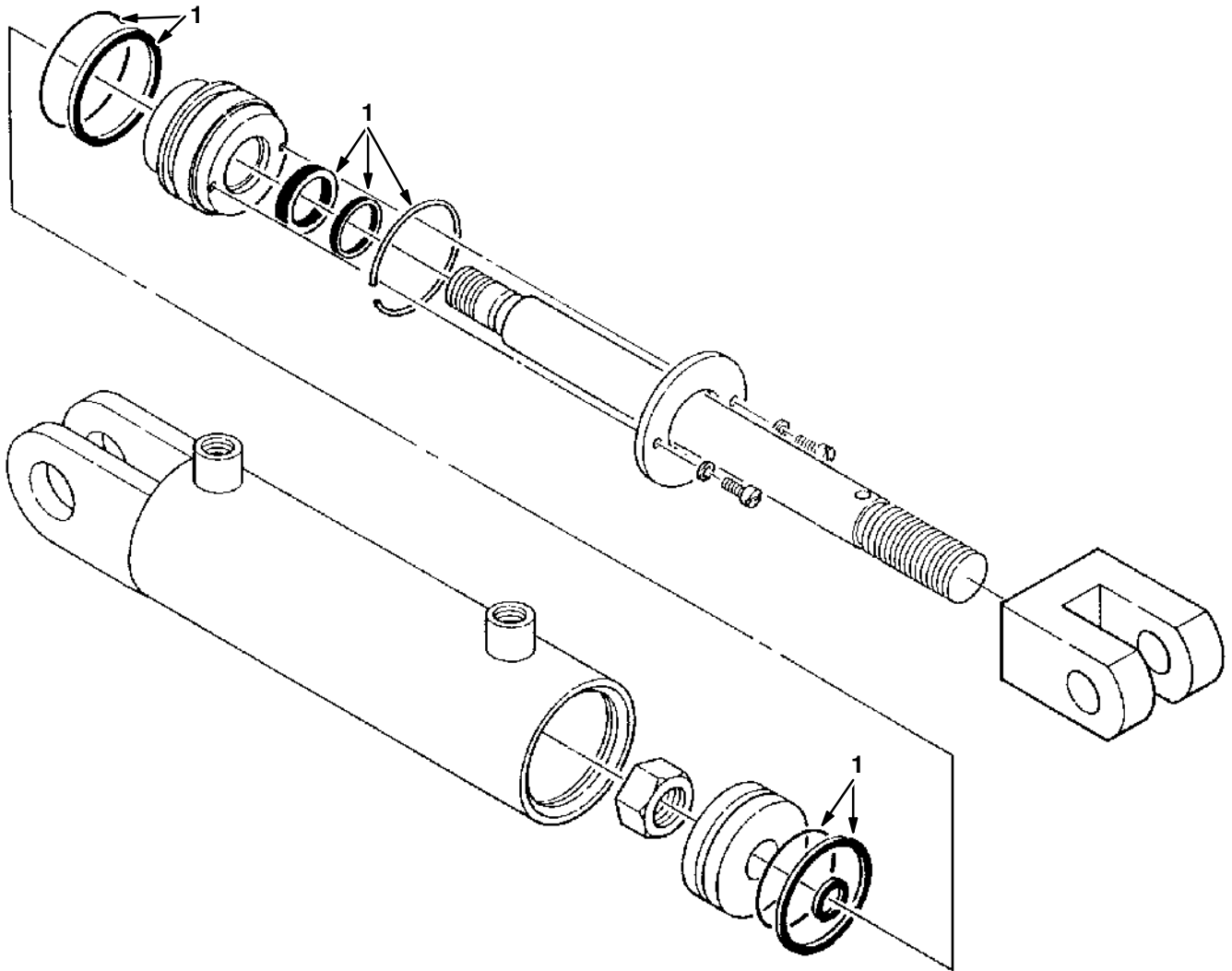


07911-07492

Ref.	Tennant Part No.	Manufacturer Serial Number	Description	Qty.	
▽	53830	(000000-	) Valve, Hydraulic (Repl by 48761)	1	
▲	1	58845	(000000-	) Seal Kit	1
▲	2	58689	(000000-	) Detent Kit, Spool #1	1
▲	3	74126	(000000-	) Spring Kit, Spool #3	1
▲	4	58847	(000000-	) Relief Assembly	1
▲	5	58843	(000000-	) Detent Kit, Spool #2	1
▲	6	74127	(000000-	) Check Kit, LD DK	2



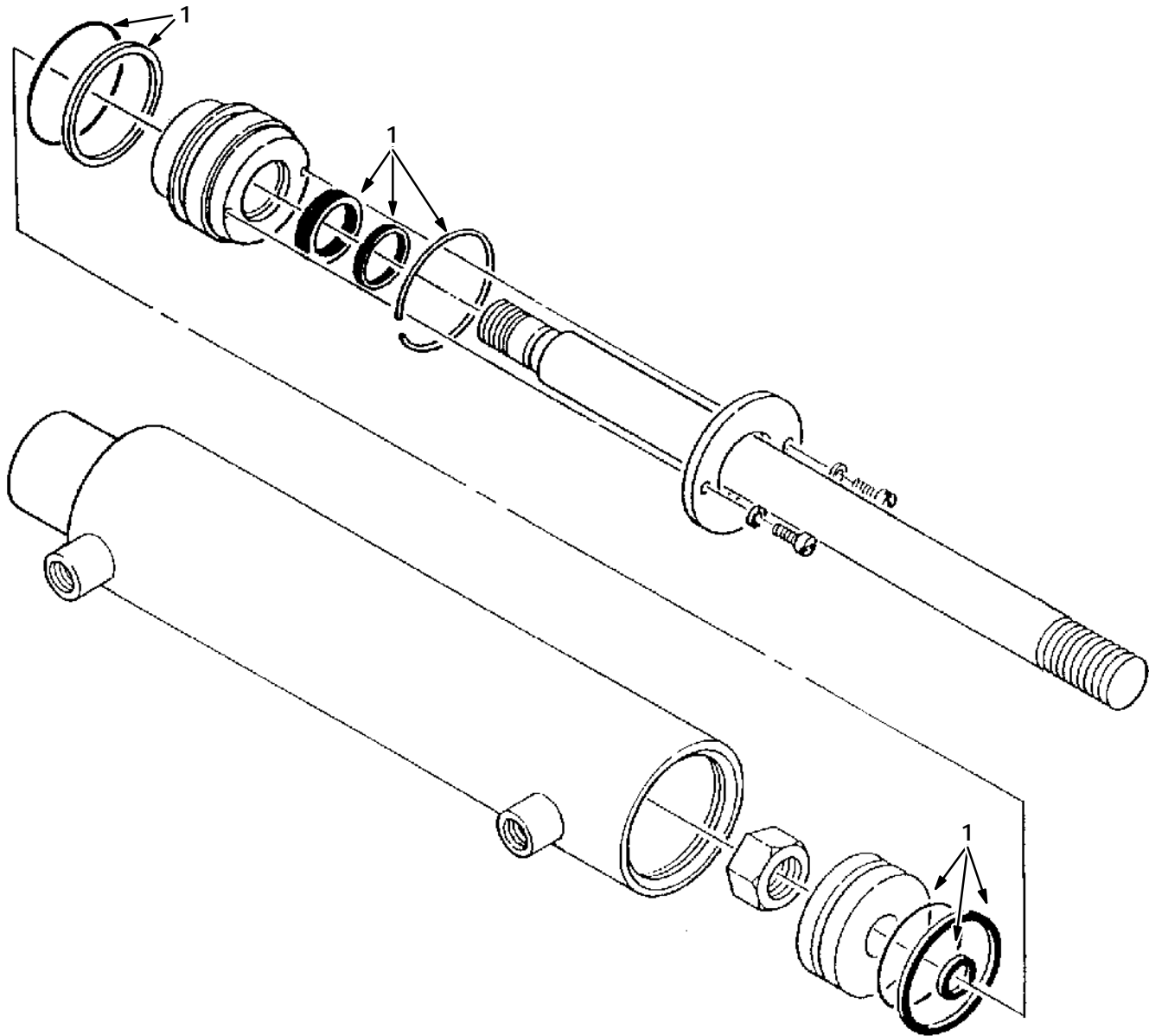
**Fig. 17 - Hydraulic Cylinder Breakdown, 74419**



07912-07493

	<b>Ref.</b>	<b>Tennant Part No.</b>	<b>Manufacturer Serial Number</b>	<b>Description</b>	<b>Qty.</b>
▽		74419	(000000-	) Cylinder, Hydraulic	1
▲	1	59335	(000000-	) Seal Kit	1

**Fig. 18 - Hydraulic Cylinder Breakdown, 53601**



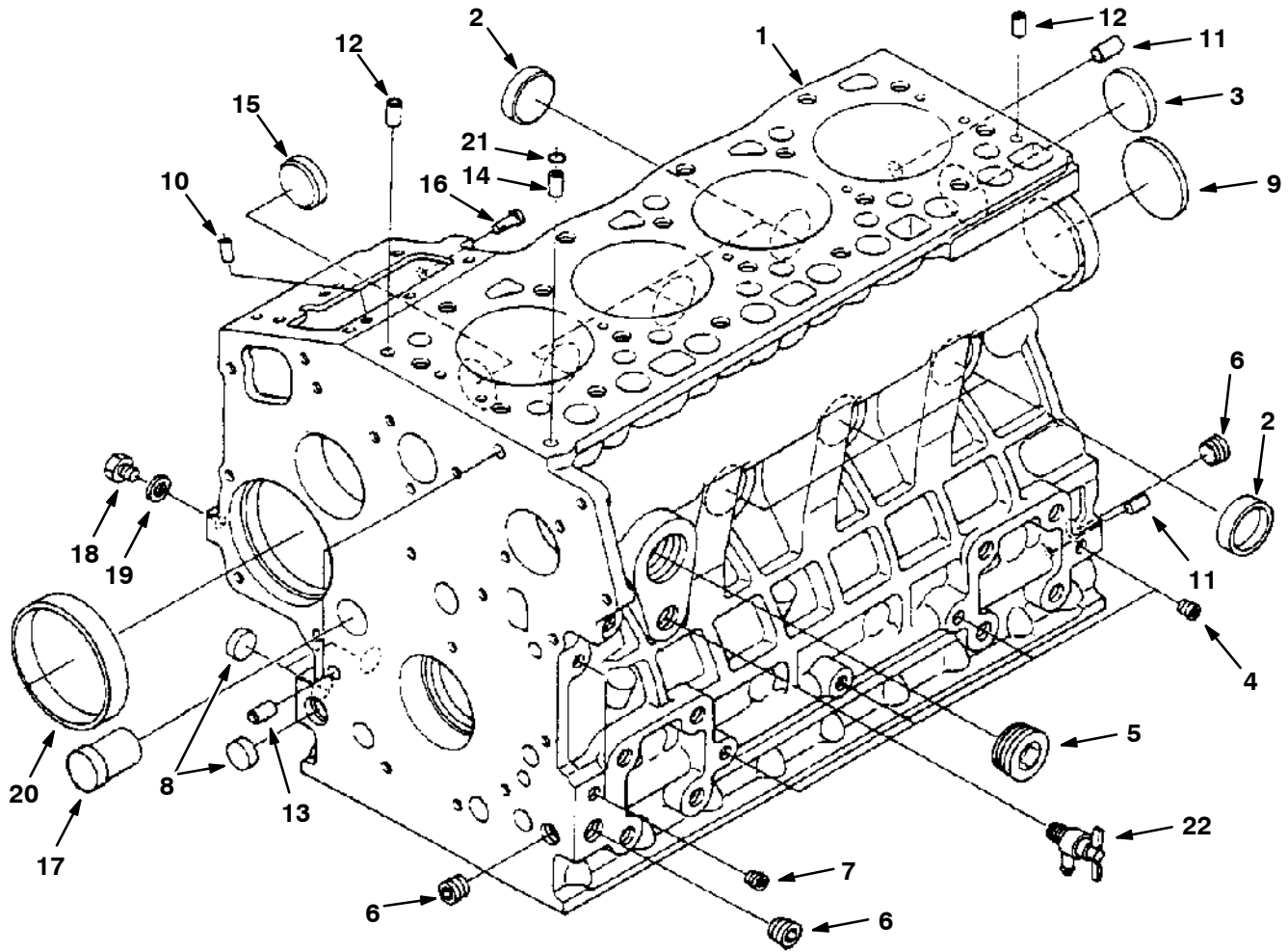
07913-07494

Ref.	Tennant Part No.	Manufacturer Serial Number	Description	Qty.
	53601	(000000-	) Cylinder, Hydraulic	1
▲ 1	04483	(000000-	) Seal Kit	1

## SECTION 5

CONTENTS	PAGE
Fig. 1 - Crankcase Group .....	5-2
Fig. 2 - Oil Pan Group .....	5-4
Fig. 3 - Cylinder Head Group .....	5-5
Fig. 4 - Gear Case Group .....	5-6
Fig. 5 - Water Pump Group .....	5-8
Fig. 6 - Main Bearing Case Group .....	5-9
Fig. 7 - Head Cover Group .....	5-10
Fig. 8 - Manifold Group .....	5-11
Fig. 9 - Valve, Rocker Arm Group .....	5-12
Fig. 10 - Camshaft Group .....	5-13
Fig. 11 - Piston and Crankshaft Group .....	5-14
Fig. 12 - Flywheel Group .....	5-16
Fig. 13 - Starter Breakdown, 55860 (000000-xxxxxx) .....	5-18
Fig. 14 - Starter Breakdown, 74405 (xxxxxx- ) .....	5-20
Fig. 15 - Nozzle Holder Group .....	5-22
Fig. 16 - Nozzle Holder Breakdown .....	5-24
Fig. 17 - Injection Pump Group .....	5-26
Fig. 18 - Injection Pump Breakdown (000000-489290) .....	5-28
Fig. 19 - Injection Pump Breakdown (489291- ) .....	5-30
Fig. 20 - Fuel Camshaft Group .....	5-32
Fig. 21 - Idling Group .....	5-33
Fig. 22 - Speed Control Plate Group .....	5-34
Fig. 23 - Governor Group .....	5-35
Fig. 24 - Water Flange Group .....	5-36

Fig. 1 - Crankcase Group



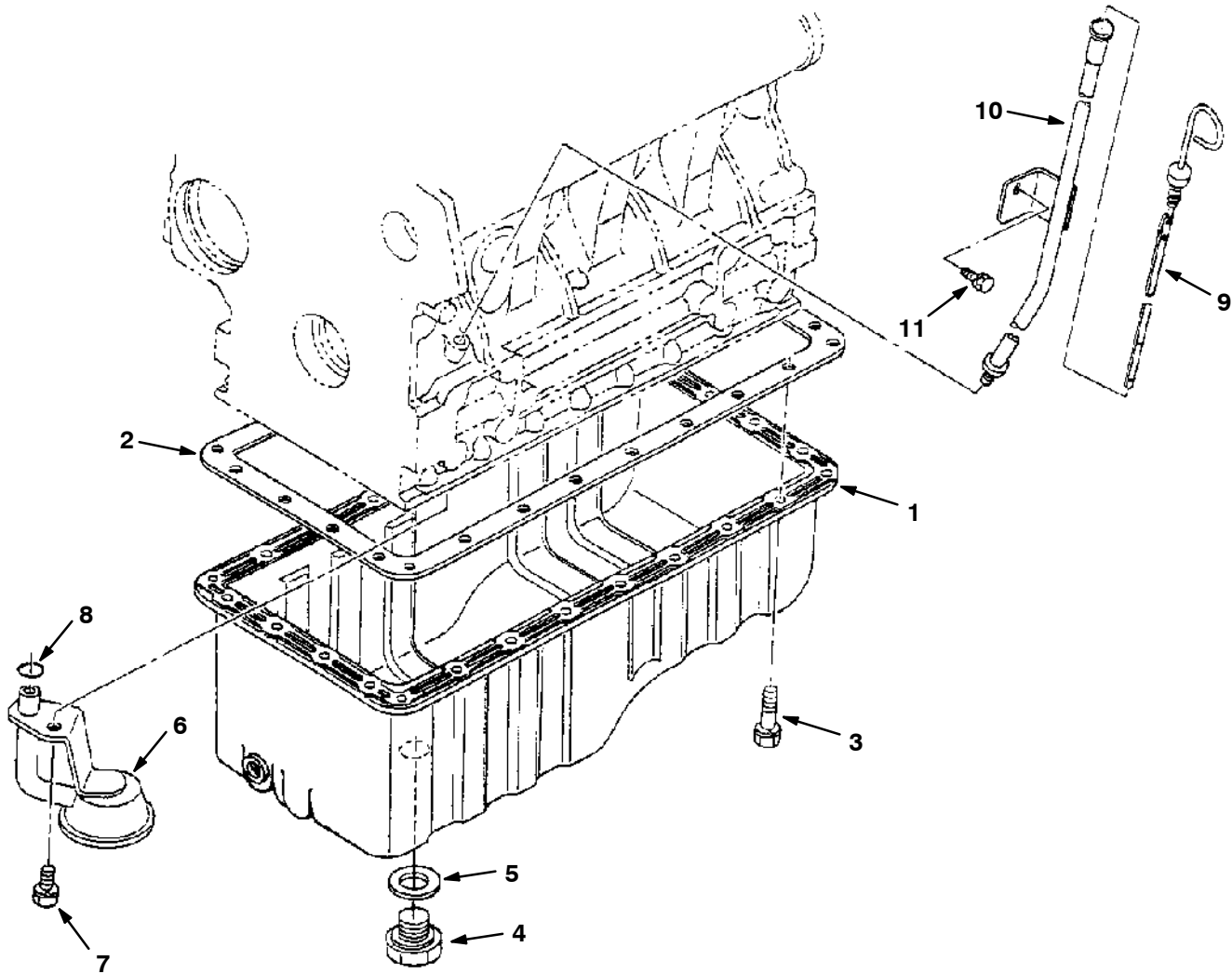
**Fig. 1 - Crankcase Group**

	<b>Ref.</b>	<b>Tennant Part No.</b>	<b>Kubota Part Number</b>	<b>Description</b>	<b>Qty.</b>
▽	1	70997	16282-0101-5	① Comp. Crankcase	1
▽	1	84646	16626-0101-0	② Comp. Crankcase	1
▲	2	70998	15451-9627-0	Cap, Sealing	6
▲	3	39087	15221-0349-0	Cap, Sealing	1
▲	4	39088	15261-9601-0	Plug	4
▲	5	70999	16271-9602-0	① Plug	1
▲	5	84647	16683-9602-0	② Plug	1
▲	6	71985	16241-9601-0	Plug	3
▲	7	39051	15521-9602-0	Plug	2
▲	8	30071	06311-75018	Plug, Expansion	3
▲	9	71986	16271-9616-0	Plug, Expansion	1
▲	10	71987	05012-00508	Pin, Straight	2
▲	11	71988	05012-00814	Pin, Straight	2
▲	12	71989	05012-00610	Pin, Straight	2
▲	13	71990	15231-3396-0	Pin, Pipe	2
▲	14	71991	16241-3365-0	Pin, Pipe	1
▲	15	71992	16241-9626-0	Plug	1
▲	16	39105	15221-5628-0	Pin, Start Spring	1
▲	17	71993	16282-9601-0	Plug	1
▲	18	39062	15221-3361-0	Plug	1
▲	19	10895	15021-3366-0	Gasket	1
▲	20	70887	16271-5535-0	Bush, Governor Gear	1
	21	39063	15221-3370-0	O-Ring	1
	22	70888	15841-7302-0	Assembly Cock, Drain	1

① Kubota Engine Serial Number (000000-527074)

② Kubota Engine Serial Number (527075- )

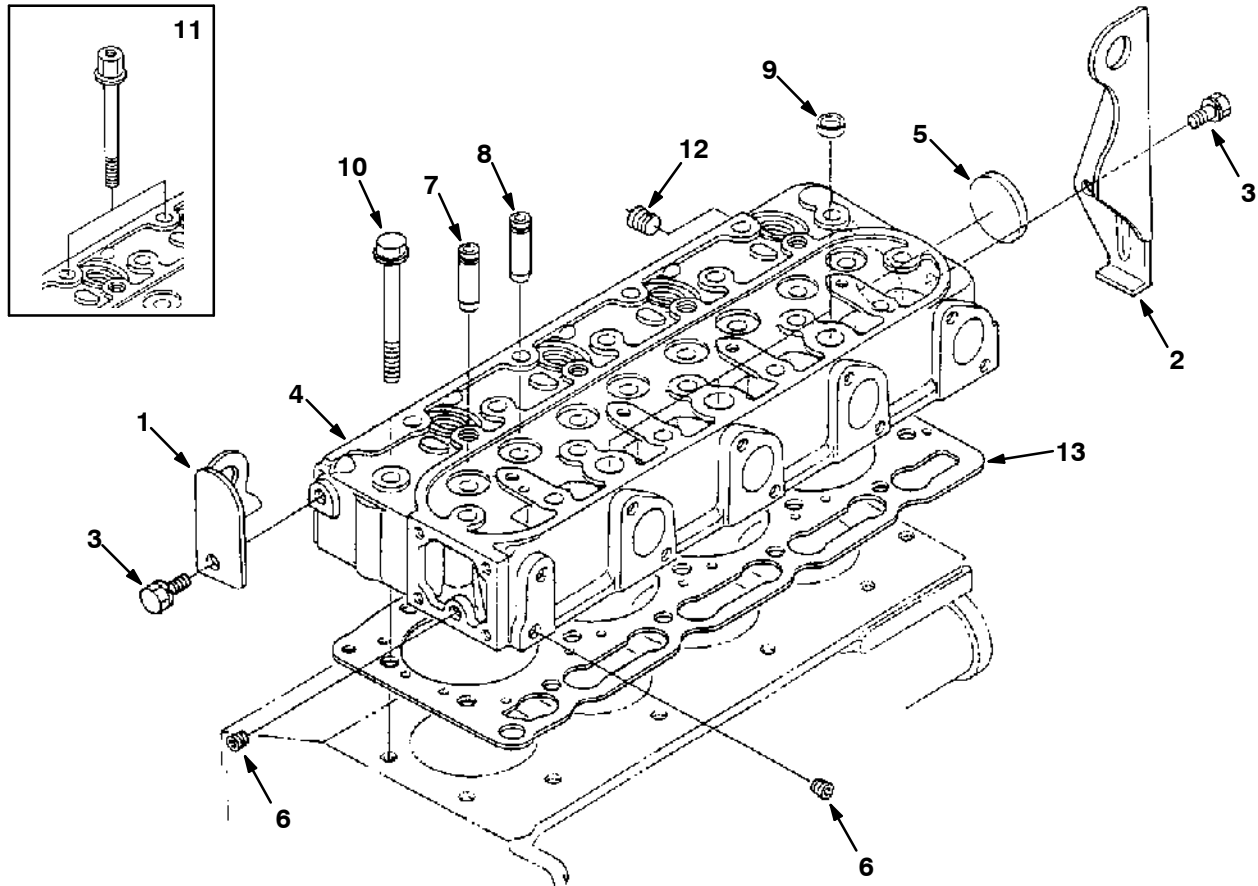
## Fig. 2 - Oil Pan Group



07408/07409

Ref.	Tennant Part No.	Kubota Part Number	Description	Qty.
1	71994	16285-01501	Comp. Oil Pan (Rear Sump)	1
2	70889	16241-0162-0	Gasket, Oil Pan	1
3	71995	01023-50612	Bolt	26
4	70890	15451-3375-0	Plug, Drain	1
5	70891	15451-9667-0	Gasket	1
9006001 6	<del>70892</del>	<del>16282-32110</del>	Filter, Oil-oil Pick Up Tube	1
7	39094	01123-50816	Bolt	1
8	41792	04811-00160	O-Ring	1
9	79893	16611-3641-0	Gauge, Oil	1
10	70894	16282-3642-2	Guide, Oil Gauge	1
11	39073	01123-50814	Bolt	1
	66187	16246-99360	Gasket Set, Lower	1

**Fig. 3 - Cylinder Head Group**



07410/07411

Ref.	Tennant Part No.	Kubota Part Number	Description	Qty.
1	71996	16241-0175-0	Hook, Engine 1	1
2	71997	16241-0177-0	Hook, Engine 2	1
3	39073	01123-50814	Bolt	2
▽ 4	66202	16285-0304-2	① Comp. Cylinder Head	1
▽ 4	84631	16060-0304-0	② Cylinder Head Assy	1
▲ 5	51331	15321-9626-0	Cap, Sealing	1
▲ 6	39088	15261-9601-0	Plug	2
▲ 7	70895	16241-1354-0	Guide, Inlet Valve	4
▲ 8	70896	16241-1356-0	Guide, Exhaust Valve	4
▲ 9	71999	15261-0337-0	Cap, Sealing	3
10	70897	16241-0345-0	Bolt, Cylinder Head	18
11	70898	16271-0345-0	③ Bolt, Cylinder Head	2
12	72010	15841-9602-0	Plug	1
13	70899	16282-0331-0	Gasket, Cyclinder Head	1
	66194	16286-99350	Gasket Set, Upper	1

① Kubota Engine Serial Number (000000-489290)

② Kubota Engine Serial Number (489291- )

③ Kubota Engine Serial Number (000000-325640)

Fig. 4 - Gear Case Group

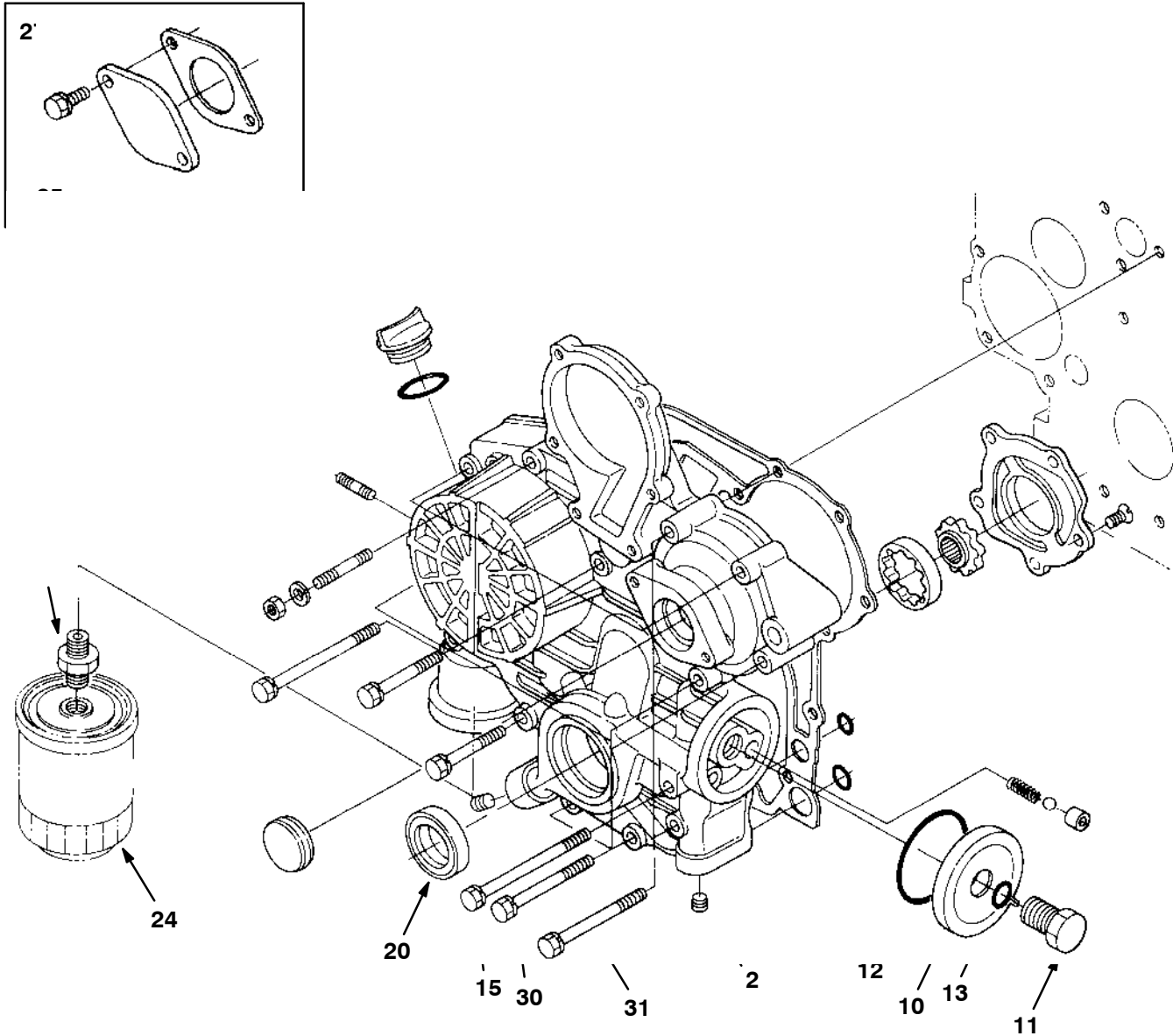




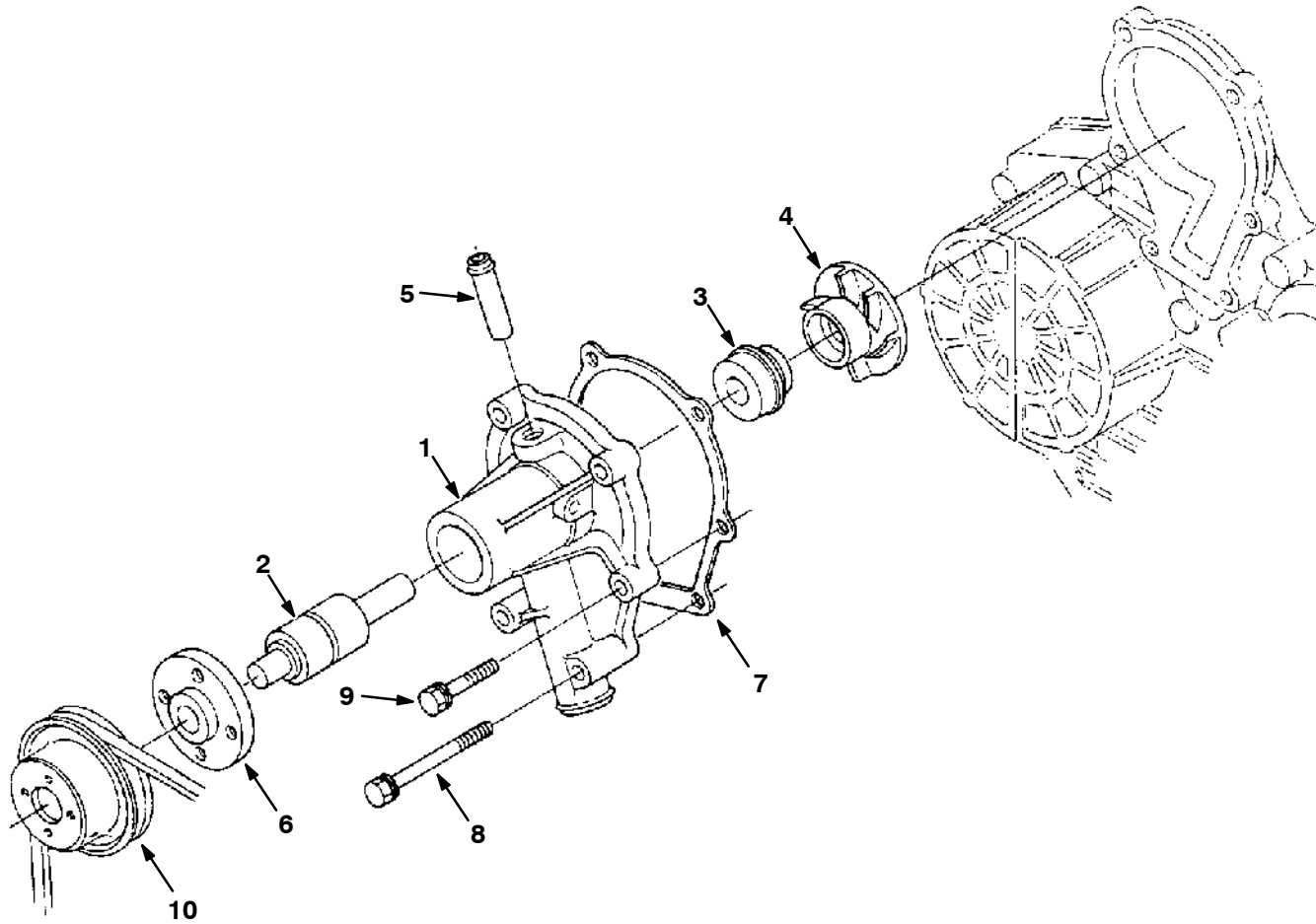
Fig. 4 - Gear Case Group

	Ref.	Tennant Part No.	Kubota Part Number	Description	Qty.
▽	1	72011	06259-0402-0	Comp. Case, Gear	1
▲	2	72012	17331-9604-0	Plug	4
▲	3	12916	15241-3229-0	Joint, Pipe	1
▲	4	70900	16241-3695-0	Spring	1
▲	5	70901	16241-3693-0	Seat, Valve	1
▲	6	70902	07715-00201	Ball	1
▲	7	70903	16241-3507-0	Assembly Rotor, Oil Pump	1
▲	8	70904	16259-3513-0	Cover, Oil Pump	1
▲	9	72013	16241-9312-0	Screw	5
▲	10	70905	16259-3288-2	Cover	1
▲	11	70906	16259-3290-0	Bolt	1
▲	12	70907	01814-50600	O-Ring	1
▲	13	39103	04811-00150	O-Ring	1
	14	72014	15841-9104-0	Bolt	1
	15	72015	16241-9104-0	Bolt	2
	16	72016	16259-9104-0	Bolt	1
	17	72017	01513-50645	Stud	1
	18	39121	02056-50060	Nut	1
	19	39065	04512-50060	Washer, Spring	1
	20	70909	16259-0421-2	Seal, Oil	1
	21	70910	14814-06100	O-Ring	2
	22	70911	04814-00150	O-Ring	2
	23	72018	01513-50616	Stud	2
	24	55849	16271-3209-0	Assembly Cartridge, Oil	1
	25	72019	16285-8334-0	① Cover	1
	26	72020	16241-8813-0	① Gasket, H/Meter Unit	1
	27	41973	01023-50616	① Bolt	2
	28	70912	16264-0413-0	Gasket, Gear Case	1
	29	72993	01023-50645	Bolt	3
	30	72994	01023-50650	Bolt	4
	31	72995	01023-50655	Bolt	2
	32	39161	15221-3314-0	Oil Filter, Plug	1
	33	70913	04814-50300	O-Ring	1
	34	70189	16264-83341	② Cover	1

① Kubota Engine Serial Number (000000-475253)

② Kubota Engine Serial Number (475254- )

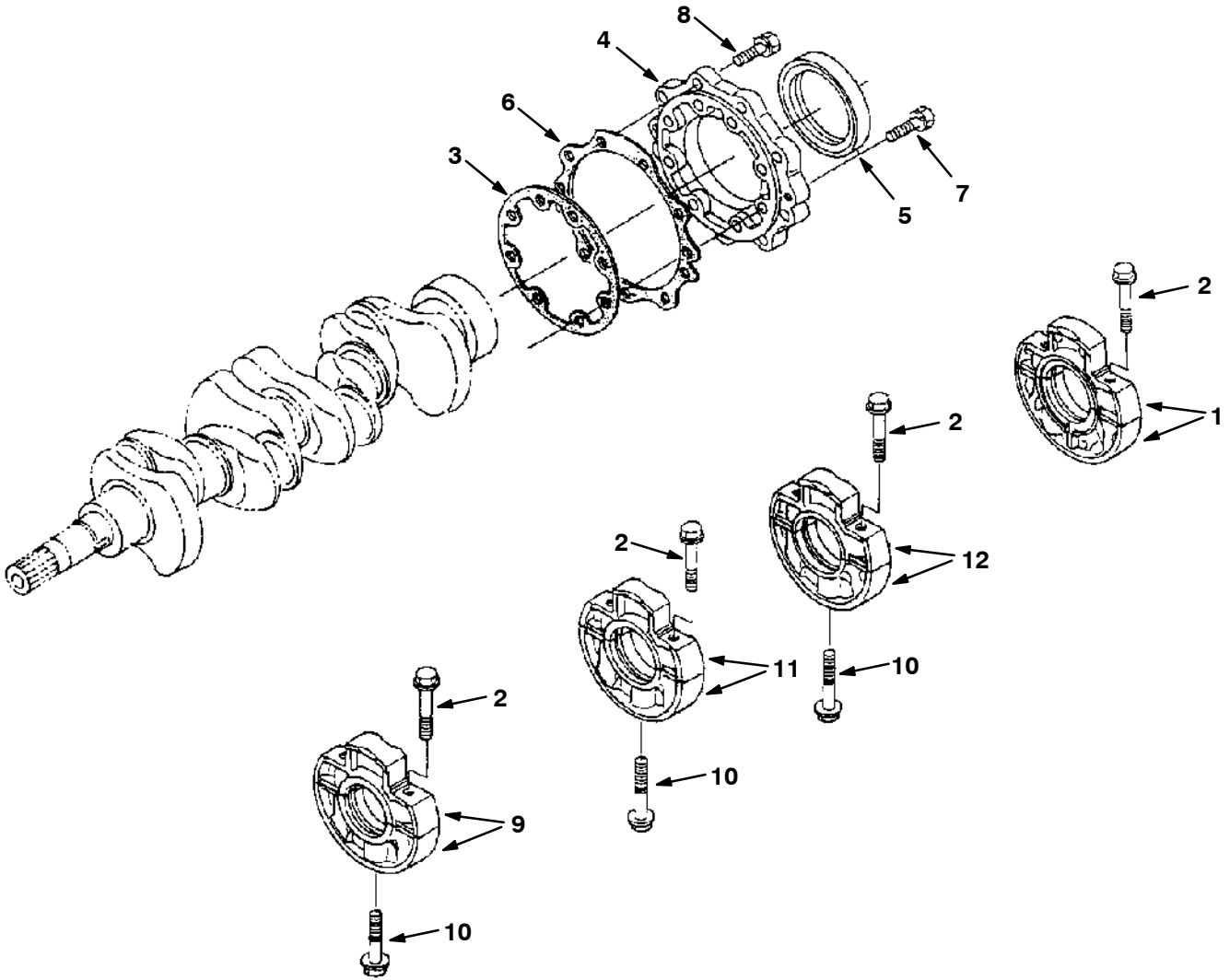
Fig. 5 - Water Pump Group



07414/07415

Ref.	Tennant Part No.	Kubota Part Number	Description	Qty.
▽ 1	66205		Assembly Pump, Water	1
▲ 2	70915	16241-7355-0	Bearing, Ball	1
▲ 3	70916	16241-7305-0	Assembly Seal, Mechanical	1
▲ 4	70917	16241-7351-0	Impeller, Water Pump	1
▲ 5	70918	16241-7334-0	Pipe, Water Return 1	1
▲ 6	70919	16241-7352-0	Flange, Water Pump	1
▲ 7	70920	16259-73430	Gasket, Water Pump	1
8	72997	01023-50680	Bolt	2
9	72996	01023-50630	Bolt	4
10	55847	16241-7425-0	Pully, Fan	1

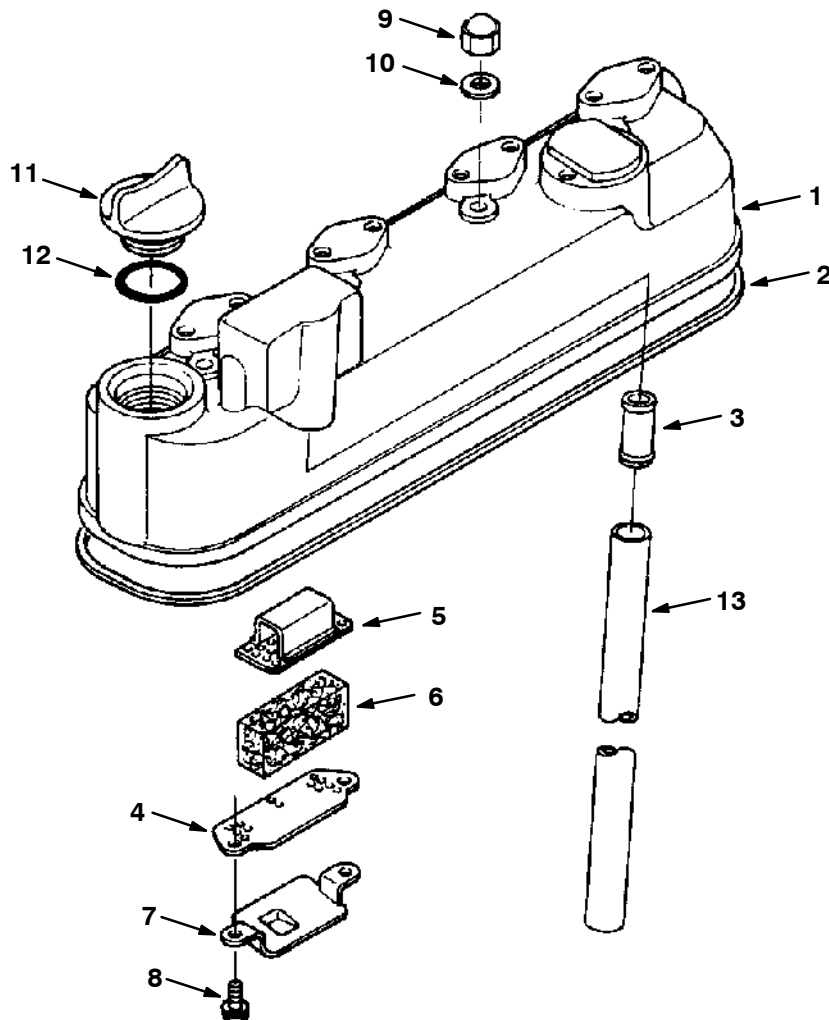
**Fig. 6 - Main Bearing Case Group**



07416/07417

Ref.	Tennant Part No.	Kubota Part Number	Description	Qty.
1	70921	16241-0409-0	Assembly Case, Main Bearing	1
2	72998	16241-0454-0	Bolt, Bearing Case 1	8
3	70922	16264-0436-0	Gasket, Bearing Case	1
4	70923	16241-0481-3	Cover, Bearing Case	1
5	70924	16241-0446-0	Seal, Oil	1
6	70925	16264-0482-0	Gasket, Bearing Case Cover	1
7	72999	01023-50625	Bolt	8
8	39119	01023-50620	Bolt	9
9	70926	16261-0404-0	Assembly Case, Main Bearing 1	1
10	73479	16241-0456-0	Bolt, Bearing Case 2	3
11	70927	16261-0405-0	Assembly Case, Main Bearing 2	1
12	70928	16282-0406-0	Assembly Case, Main Bearing 3	1

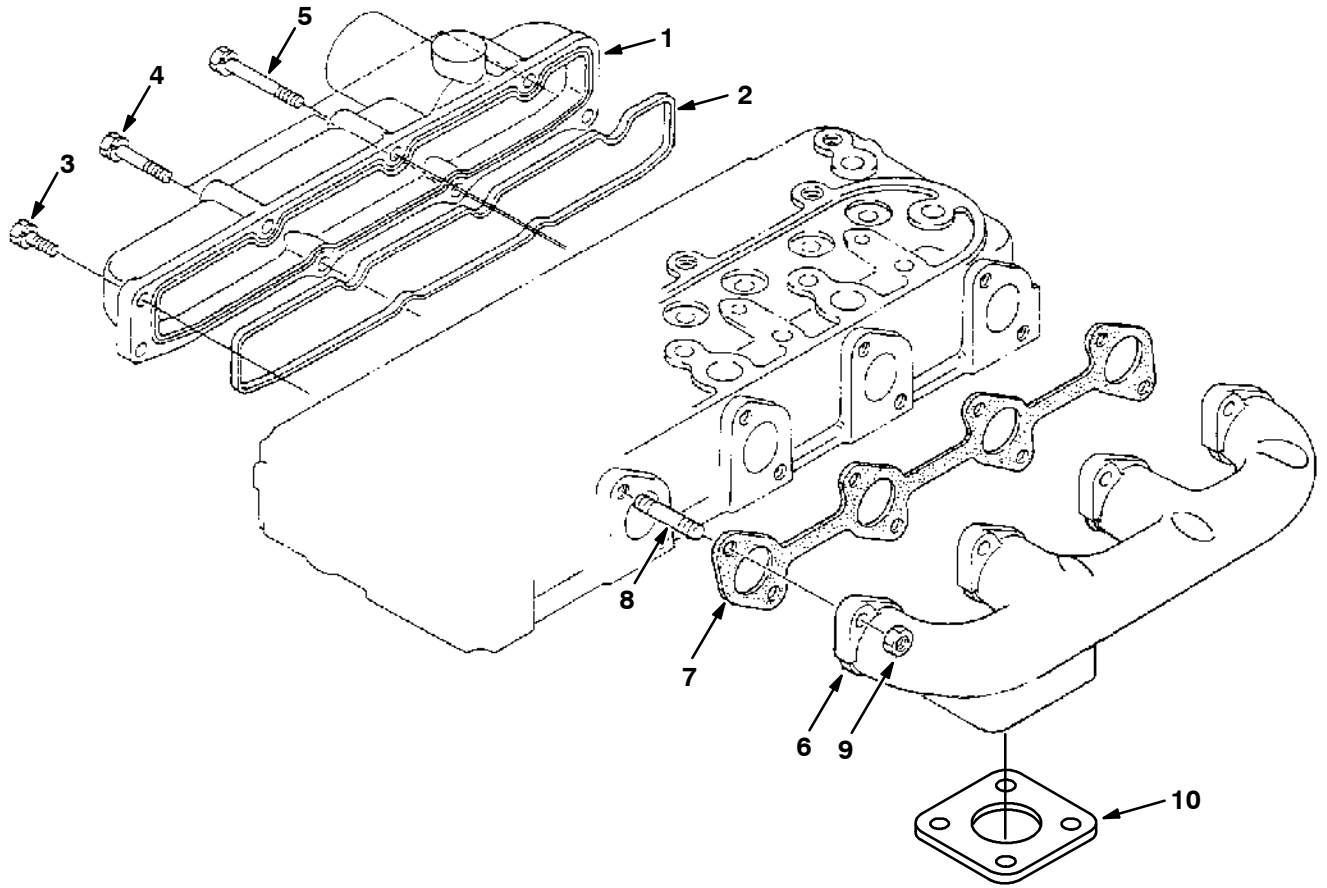
Fig. 7 - Head Cover Group



07418/07419

Ref.	Tennant Part No.	Kubota Part Number	Description	Qty.
∇ 1	73480	16241-1450-0	Cover, Cylinder Head	1
▲ 2	70929	16241-1452-0	Gasket, Head Cover	1
▲ 3	73481	16241-0555-0	Joint, Breather Pipe	1
▲ 4	70930	16241-0514-0	Plate, Element 1	1
▲ 5	70931	16241-0515-0	Plate, Element 2	1
▲ 6	70932	16241-0567-0	Element, Breather	1
▲ 7	70933	16241-0537-0	Oil Shield, Breather	1
▲ 8	73482	03024-50510	Screw, With Washer	2
9	73483	15952-9233-0	Nut, Cap	4
10	73484	15951-9666-0	Gasket	4
11	39161	15221-3314-0	Plug, Oil Filler	1
12	39162	04811-50300	O-Ring	1
13	73485	16241-0551-0	Pipe, Breather	1

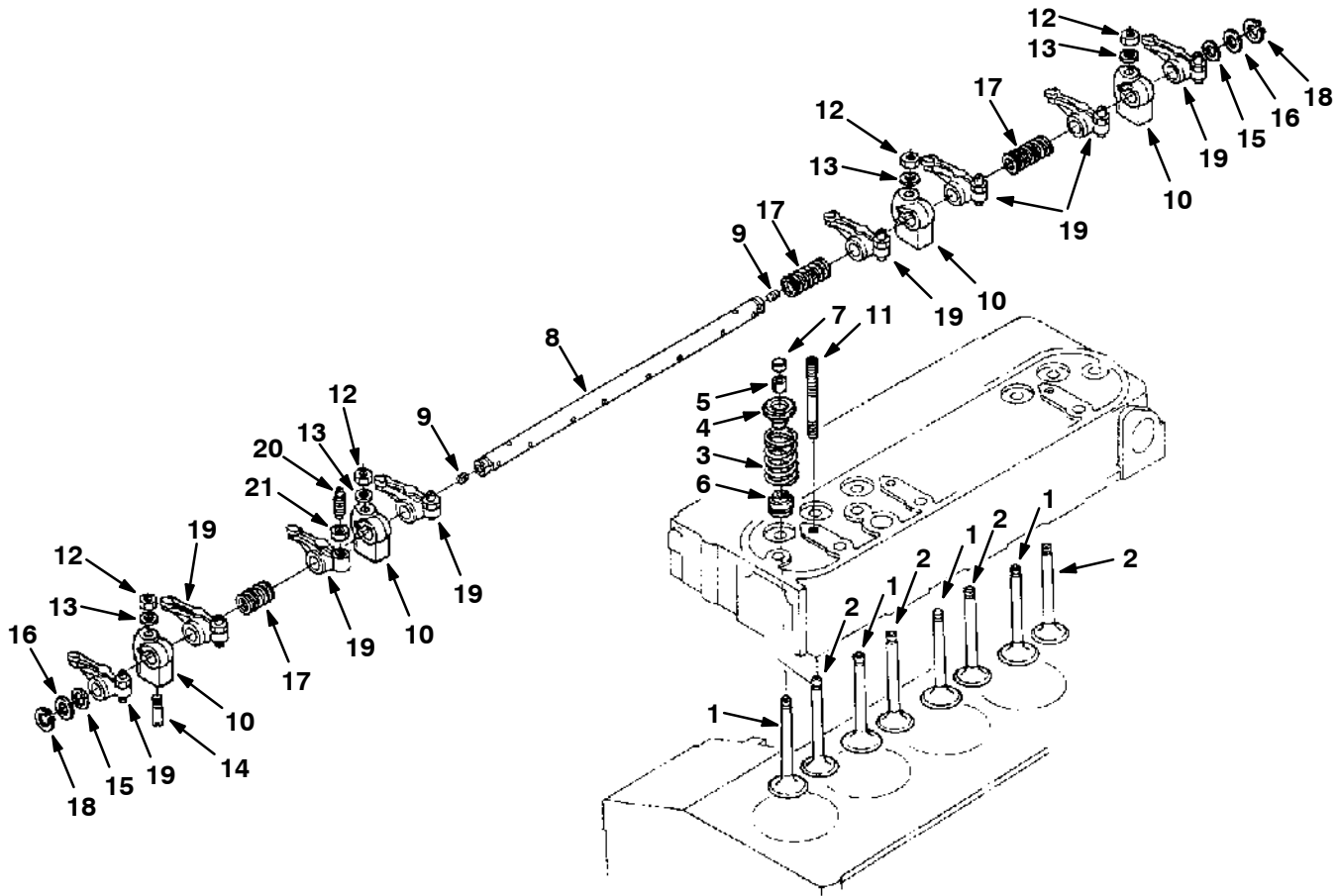
**Fig. 8 - Manifold Group**



07420/07421

Ref.	Tennant Part No.	Kubota Part Number	Description	Qty.
1	73486	16271-1176-3	Manifold, Inlet	1
2	70934	16241-1182-0	Gasket, In-manifold	1
3	40409	01023-50618	Bolt	3
4	72996	01023-50630	Bolt	2
5	72994	01023-50650	Bolt	3
6	73487	16283-12310	Manifold, Exhaust, Front, Down	1
7	70935	16241-1236-0	Gasket, Ex-manifold	1
8	73488	16241-9149-0	Stud	8
9	73489	16241-9201-0	Nut	8
10	51332	15371-1237-0	Gasket Ku	1

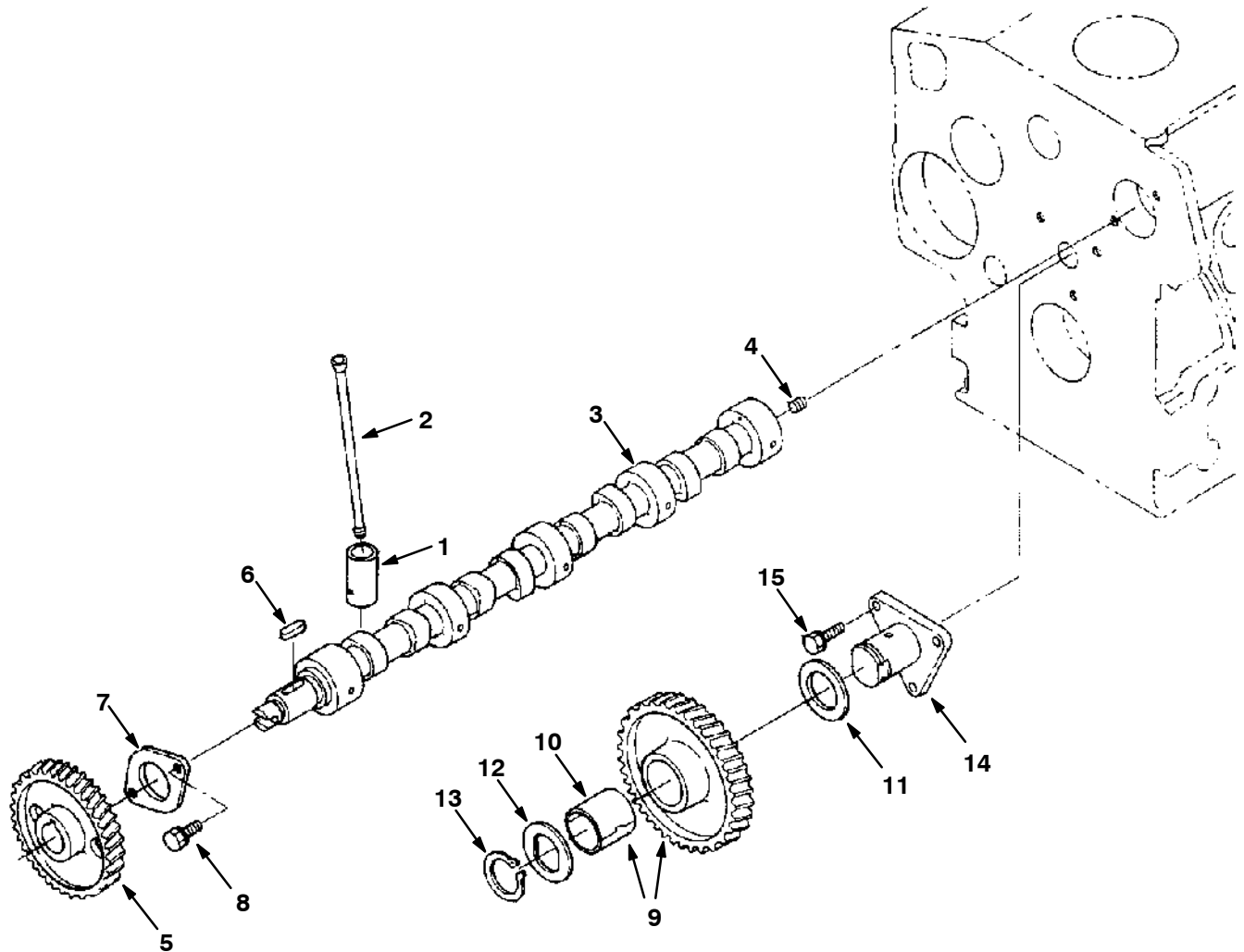
Fig. 9 - Valve, Rocker Arm Group



07422/07423

Ref.	Tennant Part No.	Kubota Part Number	Description	Qty.
1	70936	16241-1311-0	Valve, Inlet	4
2	70937	16241-1312-0	Valve, Exhaust	4
3	73491	16271-1324-0	Spring, Valve	8
4	73492	16241-1333-0	Retainer, Valve Spring	8
5	73493	15261-1336-0	Collet, Valve Spring	8
6	73494	16241-1315-0	Seal, Valve Stem	8
7	66201	15261-1328-0	Cap, Valve	8
▽ 8	73495	16241-1405-0	Assembly Shaft, R-arm	1
▲ 9	73496	03410-50606	Screw, Set	2
10	73497	16241-1435-0	Bracket, Rocker Arm	4
11	73498	16241-1441-0	Stud	4
12	73499	15261-9201-0	Nut	4
13	73500	15261-9401-0	Washer, Plain	4
14	73501	15261-1442-0	Screw, Set	1
15	73502	16241-1443-0	Washer 1	2
16	73503	16241-1444-0	Washer 2	2
17	73504	16241-1431-0	Spring, Rocker Arm	3
18	73505	04612-00120	Cir-clip, External	2
▽ 19	73506	16241-1403-0	Assembly Rocker Arm	8
▲ 20	73507	16241-1423-0	Screw, Adjusting	8
▲ 21	73508	16241-1424-0	Nut	8

**Fig. 10 - Camshaft Group**



07424/07425

Ref.	Tennant Part No.	Kubota Part Number	Description	Qty.
1	12895	15261-1555-0	Tappet	8
2	73509	16241-1511-0	Push Rod	8
▽ 3	73510	16271-1601-0	Assembly Camshaft	1
▲ 4	39197	15521-9361-0	Screw, Set	1
▲ 5	73511	16241-1651-0	Gear, Camshaft	1
▲ 6	73512	05712-00518	Key, Feather	1
▲ 7	73513	16241-1627-0	Stopper, Camshaft	1
▲ 8	39160	01053-50614	Bolt	2
▽ 9	73514	16271-2401-0	Comp Idle Gear 1	1
▲ 10	73515	16271-2498-0	Bush, Idle Gear	1
11	73516	16241-2436-0	Collar, Idle Gear 1	1
12	73517	16241-2437-0	Collar, Idle Gear 2	1
13	73518	16241-2432-0	Cir-clip, Idle Gear	1
14	73519	16241-2425-0	Shaft, Idle Gear 1	1
15	41973	01023-50616	Bolt	3

Fig. 11 - Piston and Crankshaft Group

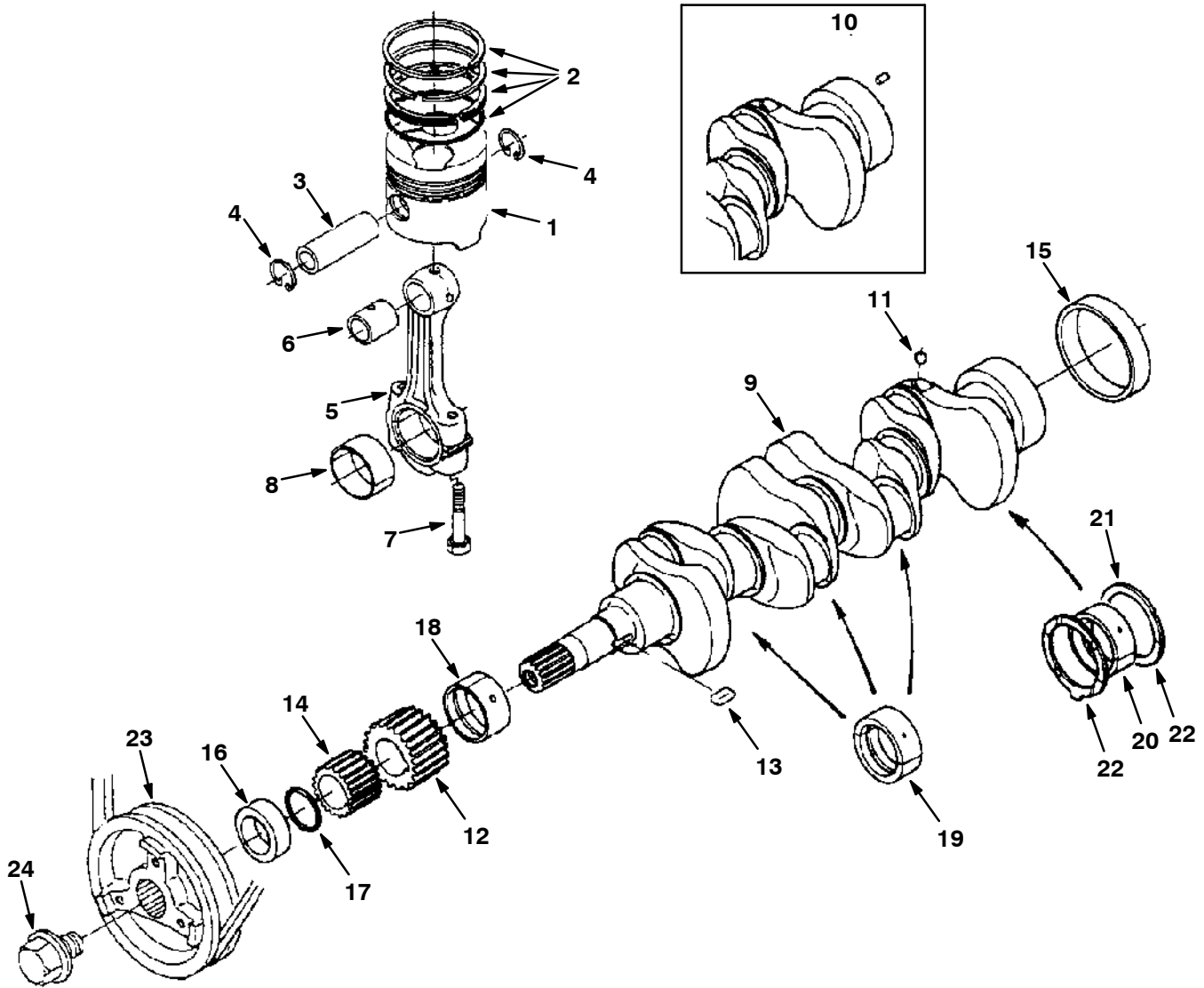




Fig. 11 - Piston and Crankshaft Group

Ref.	Tennant Part No.	Kubota Part Number	Description	Qty.
1	73520	16060-2111-0	Piston	4
1	73521	16060-2191-0	Piston 05	4
2	70938	16261-2105-0	Assembly Piston Ring	4
2	70939	16261-2109-0	Assembly Piston Ring 05	4
3	73522	16241-2131-0	Pin, Piston	4
4	73523	16241-2133-0	Cir-clip, Piston Pin	8
▽	5	73524	Assembly Connecting Rod	4
▲	6	70940	Bush, Piston Pin	4
▲	7	73525	Bolt, Connecting Rod	8
▲	8	70941	Metal, Crankpin	4
▲	8	66204	Metal, Crankpin 02	4
▲	8	66207	Metal, Crankpin 04	4
▽	9	73526	Comp. Crankshaft	1
▲	10	71987	05012-00508 <span style="border: 1px solid black; padding: 0 2px;">1</span> Pin, Straight	1
▲	11	73527	07715-00401 Ball	4
▲	12	73528	16241-2411-0 Gear, Crankshaft	1
▲	13	73529	16271-9523-0 Key	1
▲	14	73530	16241-3563-0 Gear, Oil Pump Drive	1
▲	15	70942	16241-2328-0 Sleeve, Crankshaft	1
	16	70943	16241-2325-0 Collar, Crankshaft	1
	17	70944	04811-10280 O-Ring	1
	18	70945	16241-2347-0 Metal, Crankshaft 1	1
	18	70946	16241-2391-0 Metal, Crankshaft1 02	1
	18	70947	16241-2392-0 Metal, Crankshaft1 04	1
	19	70948	16241-2348-0 Metal, Crankshaft 2	3
	19	70949	16241-2393-0 Metal, Crankshaft2 02	3
	19	70950	16241-2394-0 Metal, Crankshaft2 04	3
	20	70951	16241-2349-0 Metal, Crankshaft 3	1
	20	70952	16241-2386-0 Metal, Crankshaft3 02	1
	20	70953	16241-2387-0 Metal, Crankshaft3 04	1
	21	10844	15521-2353-0 Metal, Side 1	2
	21	70954	15521-2395-0 Metal, Side 1 02	2
	21	70955	15521-2396-0 Metal, Side 1 04	2
	22	10845	19202-2354-0 Metal, Side 2	2
	22	30121	19202-2397-0 Metal, Side 2 02	2
	22	30122	19202-2398-0 Metal, Side 2 04	2
	23	73531	16271-74281 Pulley, Fan Drive, 112mm	1
	24	73532	16241-9102-0 Bolt	1

1 Kubota Engine Serial Number (000000-459953)

**Fig. 12 - Flywheel Group**

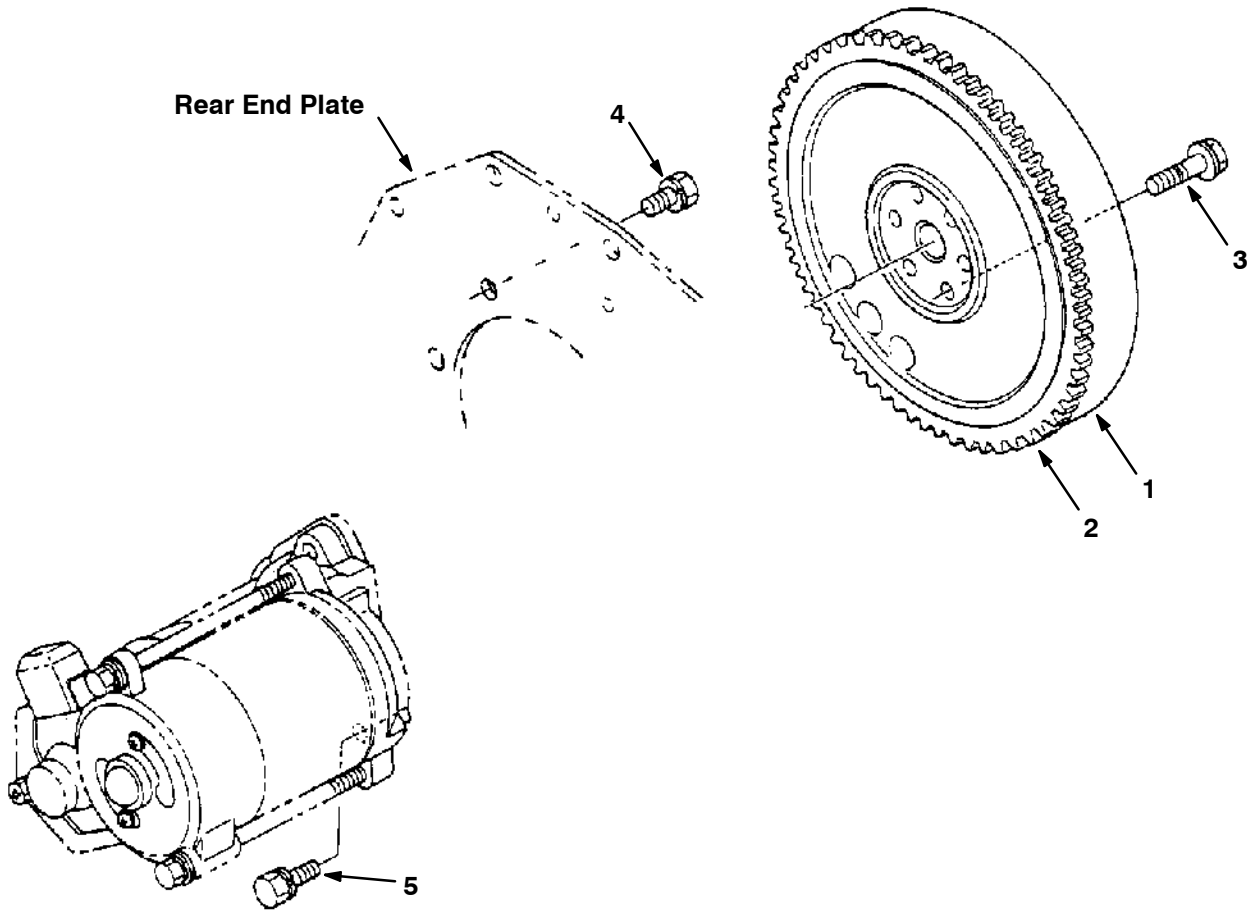


Fig. 12 - Flywheel Group

	<b>Ref.</b>	<b>Tennant Part No.</b>	<b>Kubota Part Number</b>	<b>Description</b>	<b>Qty.</b>
▽	1	70956	16614-2501-2	Comp. Flywheel	1
▲	2	70957	15262-6382-0	Gear, Ring	1
	3	73533	16241-2516-0	Bolt, Flywheel	6
	4	73534	15261-9119-0	Bolt	8
	5	73535	01123-50830	Bolt	2

Fig. 13 - Starter Breakdown, 55860 (000000-xxxxxx)

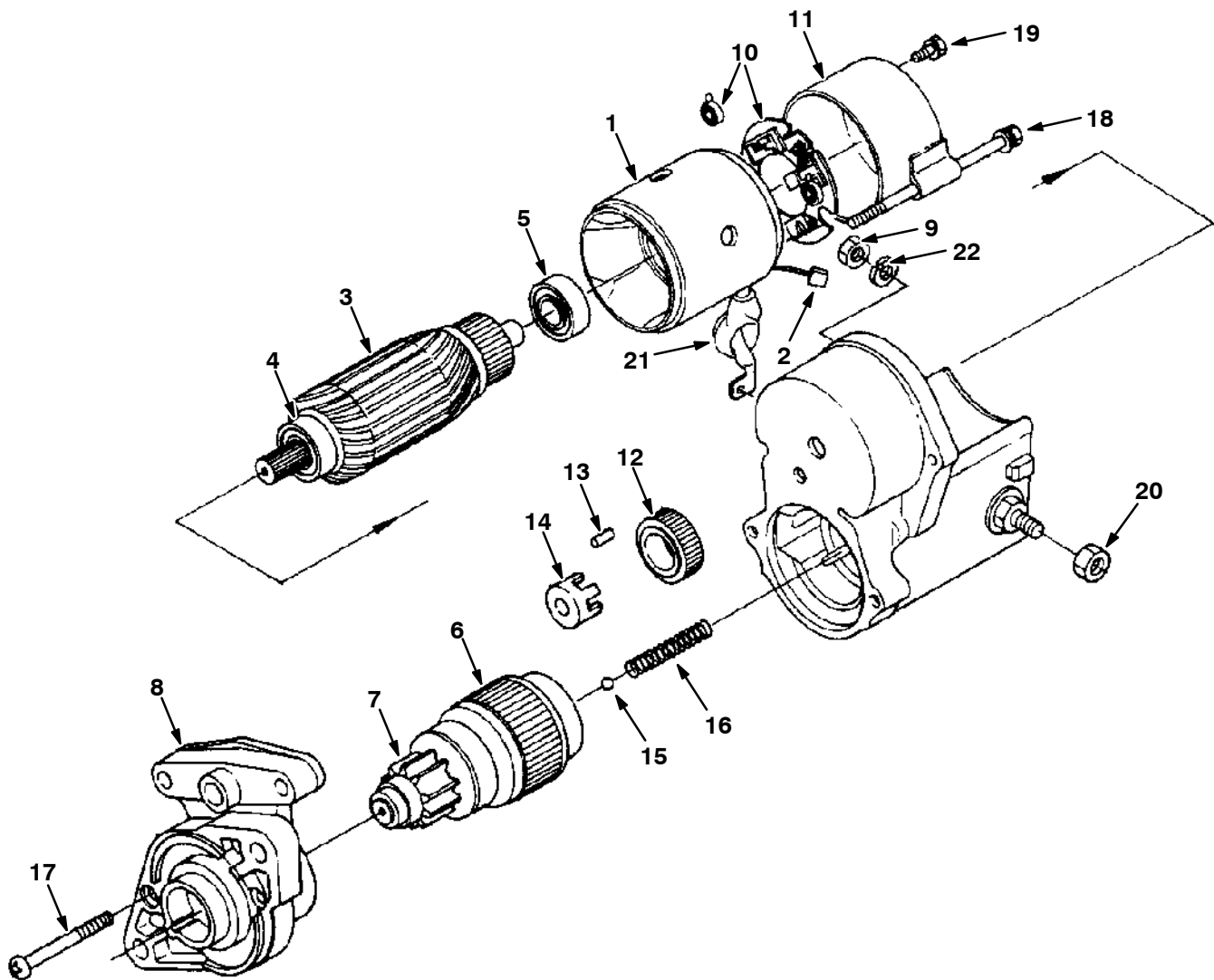


Fig. 13 - Starter Breakdown, 55860 (000000-xxxxxx)

	Ref.	Tennant Part No.	Kubota Part Number	Description	Qty.
▽		55860		Assembly Starter	1
▲	1	73536	16271-6308-0	Yoke	1
▲	2	70959	15501-6337-0	Brush	2
▲	3	73537	16271-6307-0	Armature	1
▲	4	73538	15504-6353-0	Bearing, Ball	1
▲	5	70960	16271-6353-0	Bearing, Ball	1
▲	6	70961	15504-6304-0	Clutch	1
▲	7	70962	16271-6314-0	Pinion, Bevel	1
▲	8	73539	15504-6303-0	Housing	1
▲	9	73553	19616-9201-0	Nut, Hexagon	1
▲	10	73541	16271-6338-0	Holder, Brush	1
▲		40442	15401-6339-0	Spring, Brush	4
▲	11	73543	15501-6320-0	Frame, End	1
▲	12	40457	15401-6327-0	Gear	1
▲	13	73544	19212-6310-0	Roller	5
▲	14	73545	19212-6311-0	Retainer	1
▲	15	73546	19212-9713-0	Ball	1
▲	16	73547	19212-6312-0	Spring	1
▲	17	73548	15501-9331-0	Screw, Pan Head	2
▲	18	73549	15501-6332-0	Bolt, Through	2
▲	19	73550	15501-9102-0	Bolt	2
▲	20	73551	13963-9201-0	Nut, Hexagon	1
▲	21	73552	15504-6312-0	Cover, Cord	1
▲	22	39097	04512-50080	Washer, Spring	1

Fig. 14 - Starter Breakdown, 74405 (xxxxxx- )

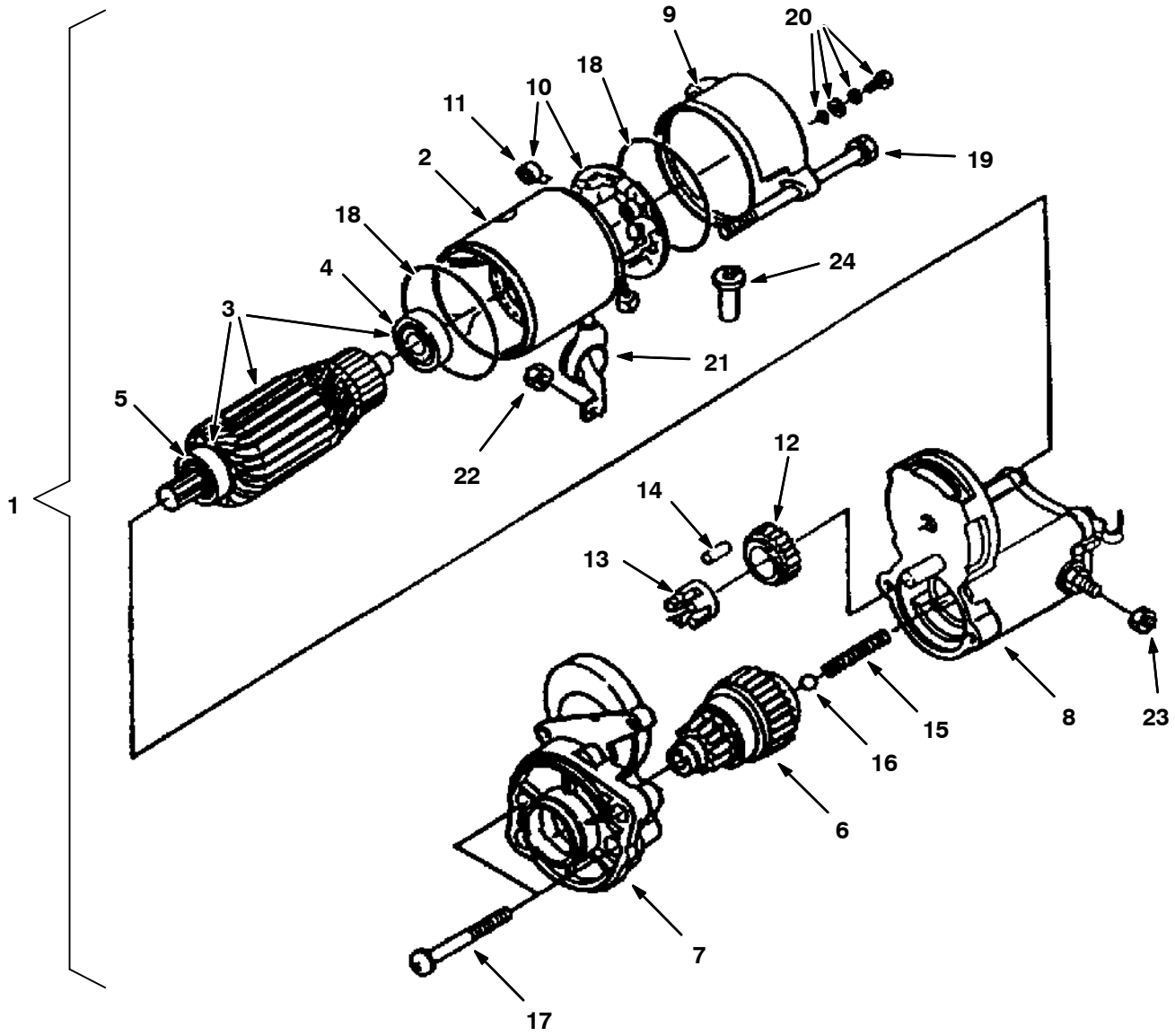
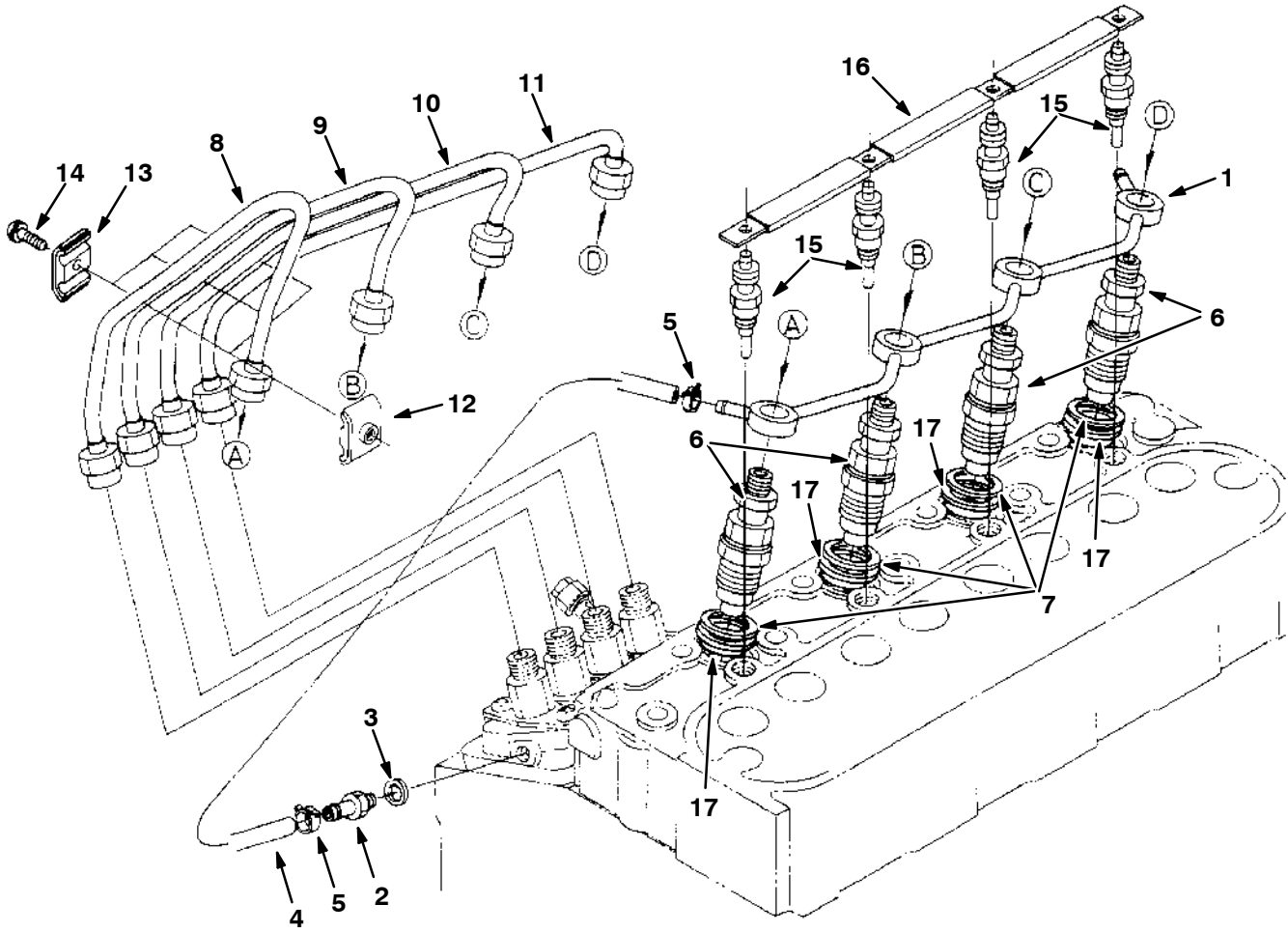


Fig. 14 - Starter Breakdown, 74405 (xxxxxx- )

	Ref.	Tennant Part No.	Kubota Part Number	Description	Qty.
▽	1	74405	16695-63012	Assy Starter	1
▲	2	70196	11460-63080	Assy Yoke	1
▲▽	3	70197	11460-63070	Assy Armature	1
▲▲	4	70198	11460-6350-0	Bearing	1
▲▲	5	70199	11460-6353-0	Bearing	1
▲	6	70200	34070-16810	Clutch, Over Running	1
▲	7	70201	16285-63030	Frame, Drive End	1
▲	8	70202	16695-63022	Assy Switch, Magneto	1
▲	9	70203	16695-63202	Frame, End	1
▲▽	10	70204	16695-63380	Assy Holder, Brush	1
▲▲	11	70205	11460-63390	Spring, Brush	4
▲	12	70206	34070-16820	Gear	1
▲	13	70207	11460-6311-0	Retainer	1
▲	14	73545	19212-6310-0	Roller	5
▲	15	70208	11460-6312-0	Spring	1
▲	16	73547	19212-9713-0	Ball	1
▲	17	70209	11460-9331-0	Bolt	2
▲	18	20433	15511-9666-0	O-Ring	2
▲	19	70210	11460-63320	Bolt	2
▲	20	20432	15511-6376-0	Assy Bolt	2
▲	21	70211	16695-63870	Cover	1
▲	22	73551	13963-92010	Nut, Hexagon	1
▲	23	70212	16285-9201-0	Nut, Hexagon	1
▲	24	70213	16285-6357-0	Pipe, Drain	1

Fig. 15 - Nozzle Holder Group





**Fig. 15 - Nozzle Holder Group**

Ref.	Tennant Part No.	Kubota Part Number	Description	Qty.
1	73554	16271-4250-2	Pipe, Over Flow	1
2	73555	15841-5136-0	Screw	1
3	40166	15601-9665-0	Gasket	1
∇ 4	73557	16271-4202-0	Assembly Pipe, Over Flow	1
▲ 5	73558	16241-4232-0	Band, Pipe	2
6	73559	16032-5300-0	Holder Assembly, Nozzle (See Bkdn)	4
7	70964	15841-5362-0	Gasket	4
8	70965	16271-5371-2	Pipe, Injection 1	1
9	70966	16271-5372-2	Pipe, Injection 2	1
10	70967	16271-5373-2	Pipe, Injection 3	1
11	70968	16271-5374-2	Pipe, Injection 4	1
12	30131	15841-5385-0	Clamp, Pipe 1	3
13	30132	15841-5386-0	Clamp, Pipe 2	3
14	39508	03024-50520	Screw, With Washer	3
15	70969	16241-6551-0	Plug, Glow	4
15	84638	16851-6551-0	② Plug, Glow	4
16	73560	16271-6556-0	① Cord, Glow Plug	1
17	20719	19077-5365-0	② Seal, Heat	4

① Kubota Engine Serial Number (000000-489290)

② Kubota Engine Serial Number (489291- )

**Fig. 16 - Nozzle Holder Breakdown**

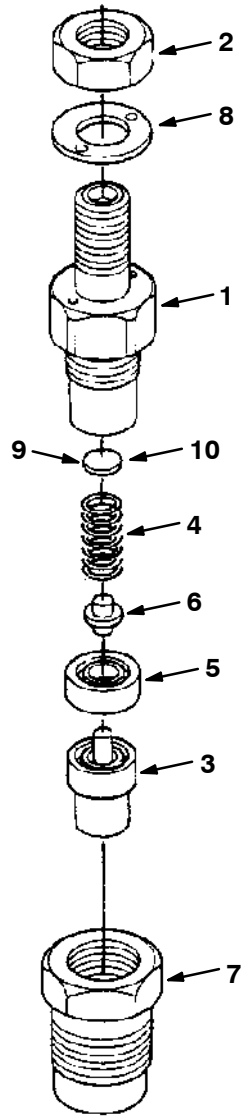


Fig. 16 - Nozzle Holder Breakdown

	Ref.	Tennant Part No.	Kubota Part Number	Description	Qty.
▽	1	73559	16032-5300-0	Holder Assembly, Nozzle	4
▲	2		16032-9203-0	Nut	4
▲	3		16032-5361-0	Piece, Nozzle	4
▲	4		16032-5317-0	Spring, Nozzle	4
▲	5		16032-5335-0	Piece, Distance	4
▲	6		16032-5316-0	Push Rod	4
▲	7		16032-5328-0	Nut, Nozzle	4
▲	8		16032-9404-0	Washer	4
▲▽	9		16032-9810-0	Assembly Washer, Adjust	1
▲▲	10		16032-5323-0	Washer, Adjusting	1
▲▲	10		16032-9850-0	Washer, Adjusting 0.10 mm	1
▲▲	10		16032-9851-0	Washer, Adjusting 0.20 mm	1
▲▲	10		16032-9852-0	Washer, Adjusting 0.30 mm	1
▲▲	10		16032-9853-0	Washer, Adjusting 0.40 mm	1
▲▲	10		16032-9854-0	Washer, Adjusting 0.50 mm	1
▲▲	10		16032-9855-0	Washer, Adjusting 0.52 mm	1
▲▲	10		16032-9856-0	Washer, Adjusting 0.54 mm	1
▲▲	10		16032-9857-0	Washer, Adjusting 0.56 mm	1
▲▲	10		16032-9858-0	Washer, Adjusting 0.58 mm	1
▲▲	10		16032-9859-0	Washer, Adjusting 0.80 mm	1

**Fig. 17 - Injection Pump Group**

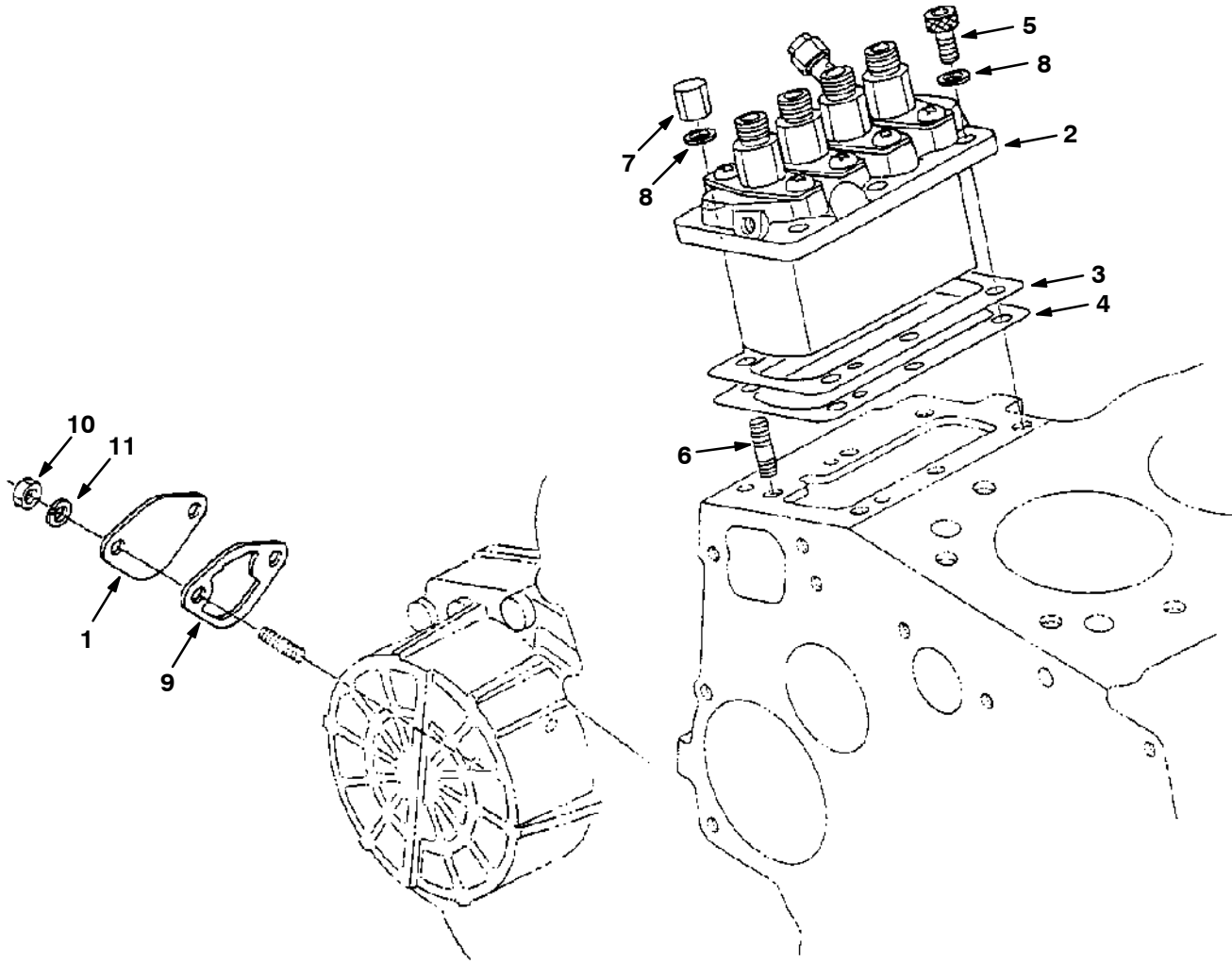


Fig. 17 - Injection Pump Group

Ref.	Tennant Part No.	Kubota Part Number	Description	Qty.
1	73565	15852-52140	Fuel Pump Cover Plate	1
2	70971	16285-5101-0	① Pump Assembly, Injection (See Bkdn)	1
2	84635	16060-5101-0	② Pump Assembly, Injection (See Bkdn)	1
3	70972	16040-5209-2	Shim, Injection Pump, 0.20 mm	1
4	70973	16040-5211-2	Shim, Injection Pump, 0.25 mm	2
4	84644	16040-5212-2	Shim, Injection Pump, 0.30 mm	1
5	73561	01311-10620	Bolt	3
6	73562	15841-9150-0	Stud	3
7	73563	15841-9232-0	Nut, Cap	3
8	39065	04512-50060	Washer, Spring	6
9	70974	15841-5214-0	Gasket, Fuel Pump	1
10	39121	02056-50060	Nut	2
11	39065	04512-50060	Washer, Spring	2

① Kubota Engine Serial Number (000000-489290)

② Kubota Engine Serial Number (489291- )

Fig. 18 - Injection Pump Breakdown (000000-489290)

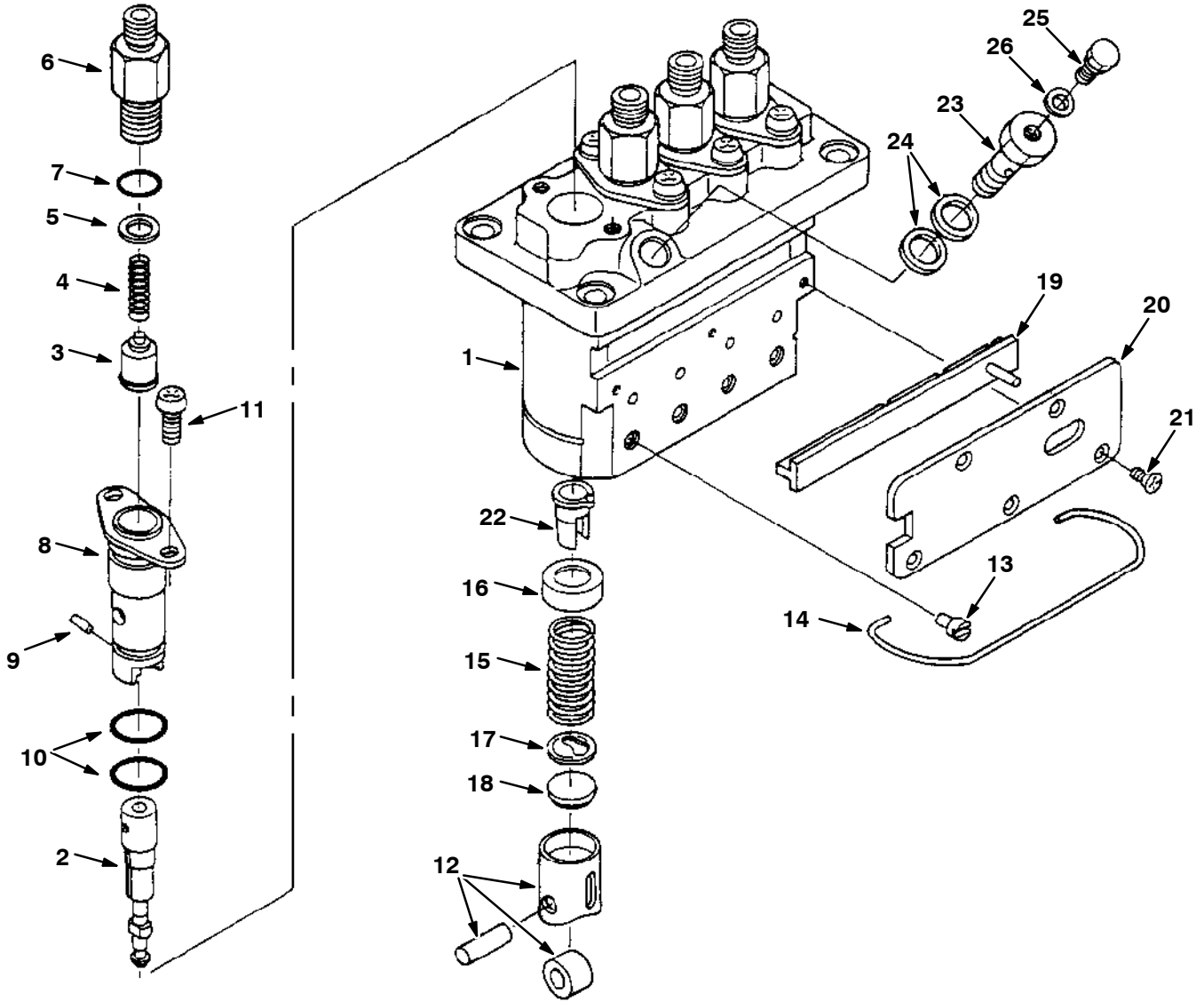


Fig. 18 - Injection Pump Breakdown (000000-489290)

	Ref.	Tennant Part No.	Kubota Part Number	Description	Qty.
▽	1	70971	16285-5101-0	Pump Assembly, Injection	1
▲	2	73566	16282-5105-0	Plunger, Pump	4
▲	3	73567	15841-5103-0	Valve, Delivery	4
▲	4	73568	15841-5123-0	Spring, Delivery Valve	4
▲	5	73569	15841-5124-0	Gasket, Delivery Valve	4
▲	6	73570	16271-5122-0	Holder, Delivery Valve	4
▲	7	73571	15841-9676-0	O-Ring	4
▲	8	73572	15841-5156-0	Flange, Sleeve	4
▲	9	73573	15841-9457-0	Pin, Joint	4
▲	10	73574	15841-5120-0	O-Ring	8
▲	11	73575	15862-9143-0	Screw	8
▲	12	73576	15841-5107-0	Assembly Tappet	4
▲	13	73577	15841-5125-0	Pin, Tappet Guide	4
▲	14	73578	16271-5143-0	Pin, Clamp	1
▲	15	73579	15841-5128-0	Spring, Plunger	4
▲	16	73580	15841-5127-0	Seat, Spring Upper	4
▲	17	73581	15841-5129-0	Seat, Spring Lower	4
▲	18	73582	15841-5149-0	Shim	1
▲	19	73583	16271-5106-0	Rack, Control	1
▲	20	73584	16271-5154-0	Plate	1
▲	21	73585	15841-9311-0	Screw	5
▲	22	73586	15841-5138-0	Sleeve, Control	4
▲	23	73587	16285-5132-0	Screw, Follow	1
▲	24	73588	15841-9665-0	Gasket	2
▲	25	73589	15841-5135-0	Screw	1
▲	26	73590	15841-9666-0	Gasket	1

Fig. 19 - Injection Pump Breakdown (489291- )

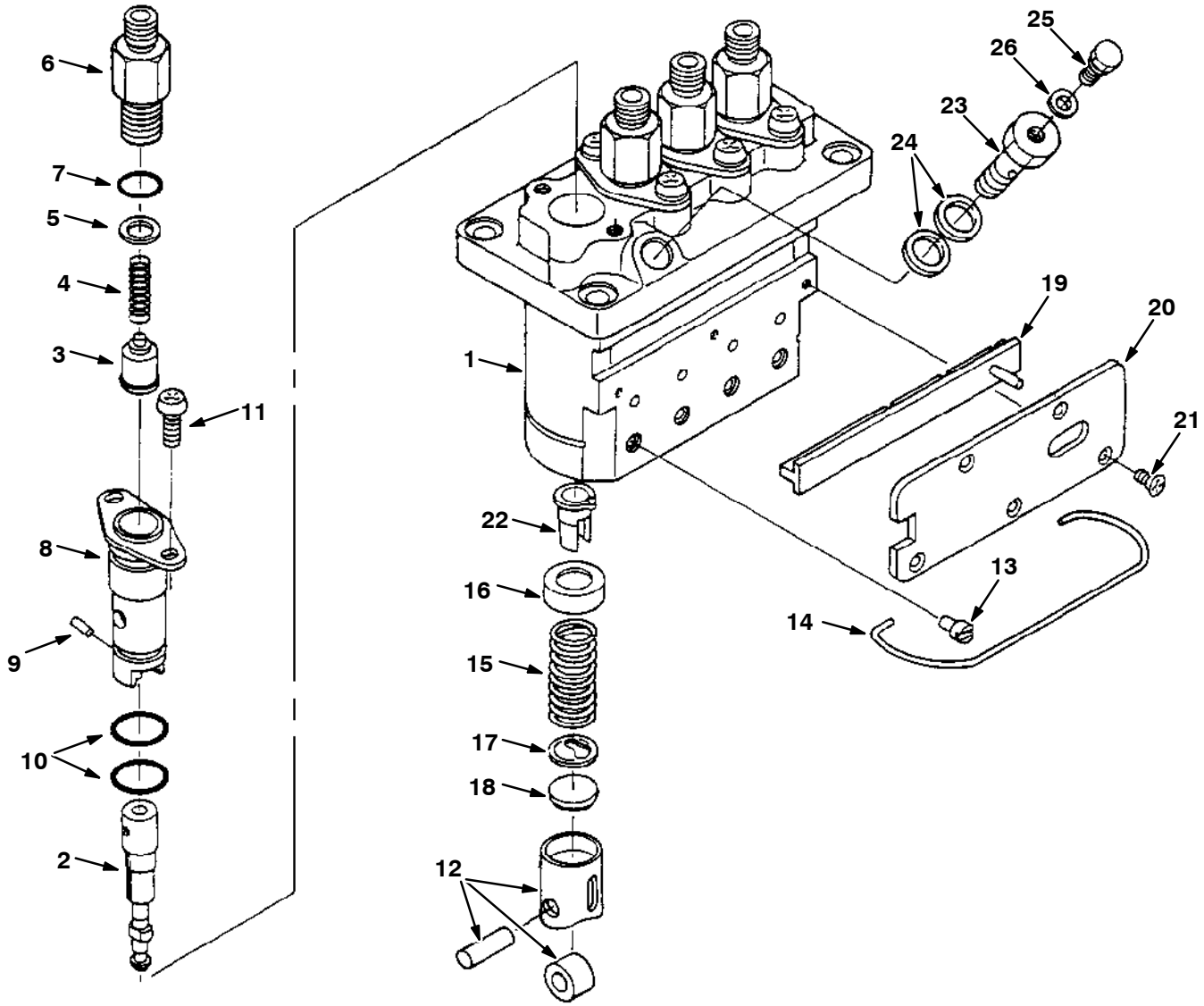
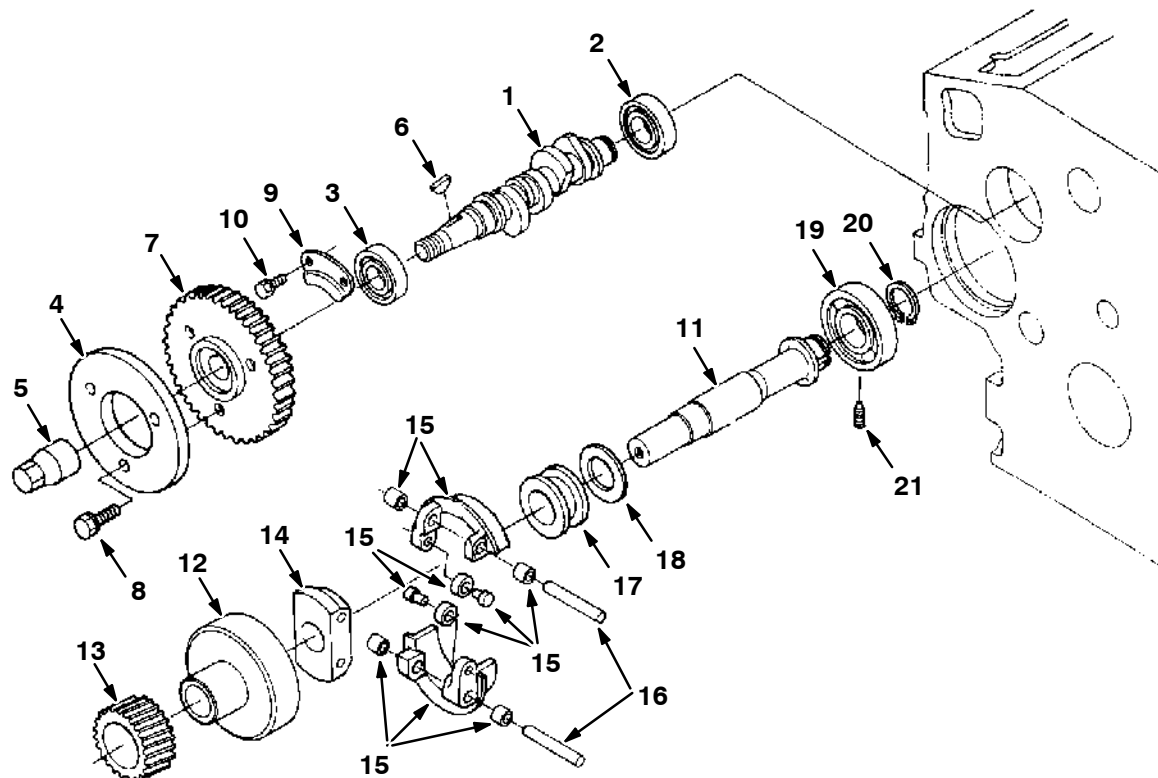




Fig. 19 - Injection Pump Breakdown (489291- )

	Ref.	Tennant Part No.	Kubota Part Number	Description	Qty.
▽	1	84635	16060-5101-0	Pump Assembly, Injection	1
▲	2	84648	16030-5105-0	Plunger, Pump	4
▲	3	73567	15841-5103-0	Valve, Delivery	4
▲	4	73568	15841-5123-0	Spring, Delivery Valve	4
▲	5	73569	15841-5124-0	Gasket, Delivery Valve	4
▲	6	73570	16271-5122-0	Holder, Delivery Valve	4
▲	7	73571	15841-9676-0	O-Ring	4
▲	8	73572	15841-5156-0	Flange, Sleeve	4
▲	9	73573	15841-9457-0	Pin, Joint	4
▲	10	73574	15841-5120-0	O-Ring	8
▲	11	73575	15862-9143-0	Screw	8
▲	12	73576	15841-5107-0	Assembly Tappet	4
▲	13	73577	15841-5125-0	Pin, Tappet Guide	4
▲	14	73578	16271-5143-0	Pin, Clamp	1
▲	15	73579	15841-5128-0	Spring, Plunger	4
▲	16	73580	15841-5127-0	Seat, Spring Upper	4
▲	17	73581	15841-5129-0	Seat, Spring Lower	4
▲	18	73582	15841-5149-0	Shim	1
▲	19	84649	16060-5106-0	Rack, Control	1
▲	20	84650	16060-5154-0	Plate	1
▲	21	73585	15841-9311-0	Screw	5
▲	22	73586	15841-5138-0	Sleeve, Control	4
▲	23	84651	16030-5132-0	Screw, Follow	1
▲	24	73588	15841-9665-0	Gasket	2
▲	25	73589	15841-5135-0	Screw	1
▲	26	73590	15841-9666-0	Gasket	1

Fig. 20 - Fuel Camshaft Group



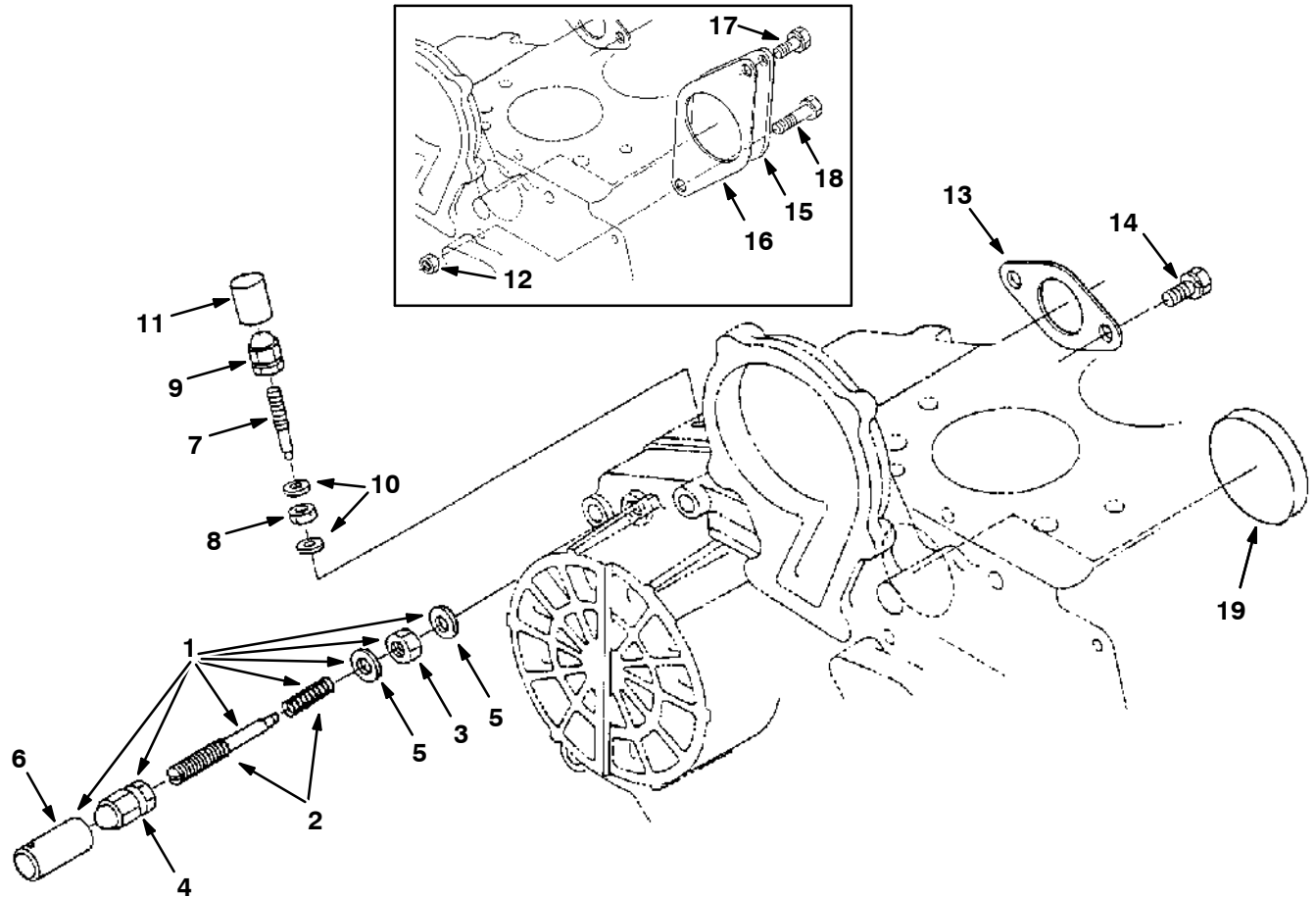
07440/07441

Ref.	Tennant Part No.	Kubota Part Number	Description	Qty.
1	73591	16241-1617-0	① Camshaft, Fuel	1
1	84636	16040-1617-0	② Camshaft, Fuel	1
2	70975	08103-06202	Bearing, Ball	1
3	70976	08103-06204	Bearing, Ball	1
4	73592	16241-5111-3	Cam, Fuel	1
5	73593	16241-9233-0	Nut, Cap	1
6	73594	16241-9523-0	Key, Woodruff	1
7	73595	16272-5115-0	Gear, Injection Pump	1
8	40409	01023-50618	Bolt	3
9	73596	16241-1632-0	Stopper	1
10	71995	01023-50612	Bolt	2
▽ 11	73597	16282-5501-2	Assembly Shaft, Governor	1
▲ 12	73598	16241-5539-2	Holder, Governor Gear	1
▲ 13	73599	16282-5532-0	Gear, Governor	1
▲ 14	73600	16241-5527-0	Holder,	1
▲ 15	73601	16241-5506-2	Comp. Weight, Governor	2
▲ 16	73602	16241-5526-0	Shaft, Governor Weight	2
▲ 17	70977	16241-5545-0	Sleeve, Governor	1
▲ 18	70978	16241-5546-3	Washer, Thrust	1
19	70979	08101-06304	Bearing, Ball	1
20	73603	16271-5541-0	Cir-clip, Governor Shaft	1
21	73604	16241-5555-4	Screw, Set	1

① Kubota Engine Serial Number (000000-489290)

② Kubota Engine Serial Number (489291- )

Fig. 21 - Idling Group



07442/07443

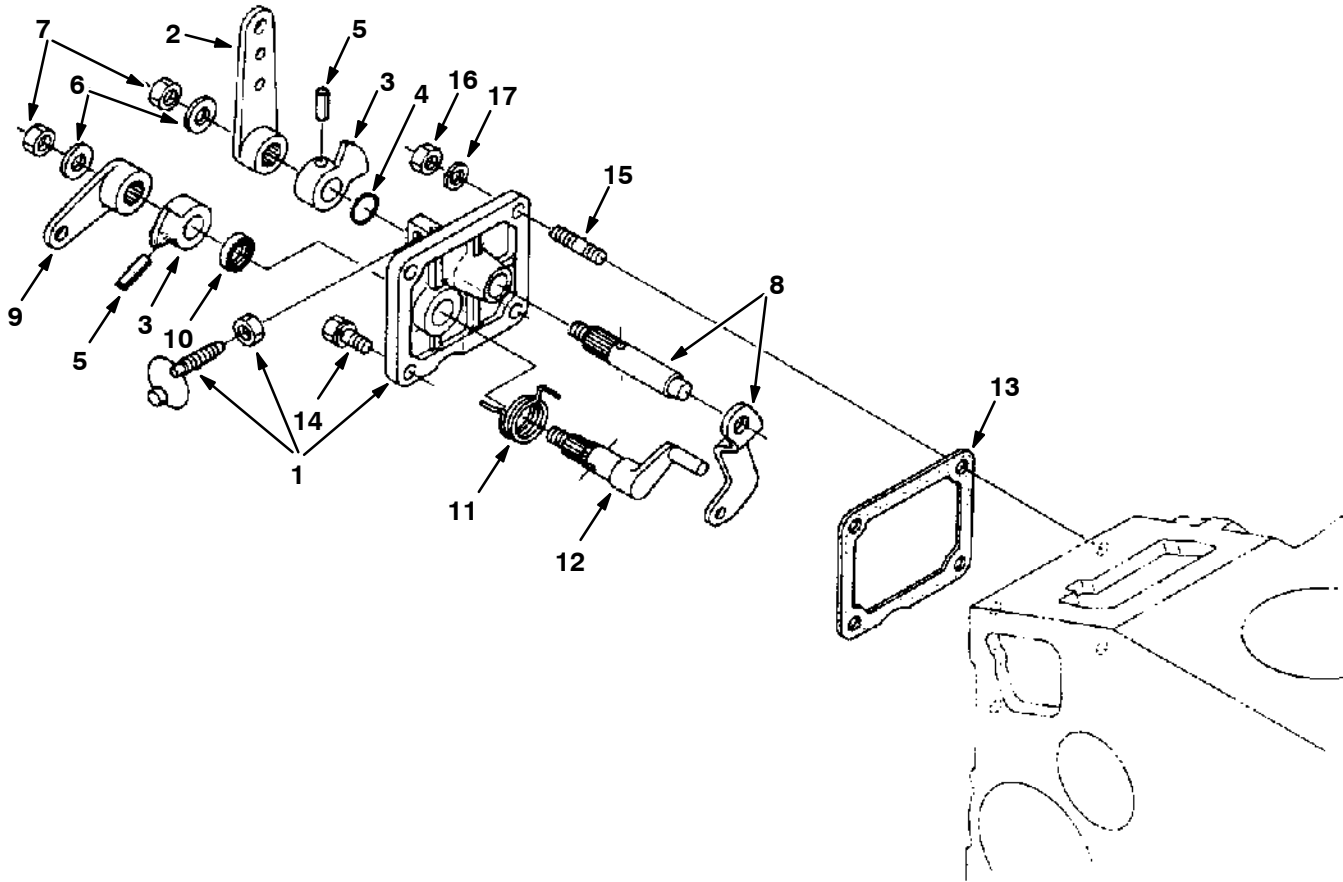
Ref.	Tennant Part No.	Kubota Part Number	Description	Qty.
▽ 1	70980	16285-5409-0	Assembly Apparatus, Idle	1
▲ 2	73605	16285-5410-0	Assembly Bolt, Adjusting	1
▲ 3	73606	15841-9202-0	Nut	1
▲ 4	73607	15841-9233-0	Nut, Cap	1
▲ 5	40166	15601-9665-0	Gasket	2
▲ 6	30136	16241-5442-0	Cap	1
7	73610	16241-5412-0	Bolt, Adjusting	1
8	73606	15841-9202-0	Nut	1
9	73607	15841-9233-0	Nut, Cap	1
10	40166	15601-9665-0	Gasket	2
11	30136	16241-5442-0	Cap	1
12	39096	02156-50080	① Nut	1
13	70165	16299-60150	Gasket, Thrtl Blk	1
14	39160	01053-50614	Bolt	2
15	73614	16282-8315-0	① Cover, Hydraulic Pump	1
16	73615	16282-8311-0	① Gasket	1
17	73616	01123-50820	① Bolt	1
18	40079	01123-50832	① Bolt	1
19	70188	16264-83151	② Cover	1

① Kubota Engine Serial Number (000000-534271)

② Kubota Engine Serial Number (534272- )

# ENGINE BREAKDOWN

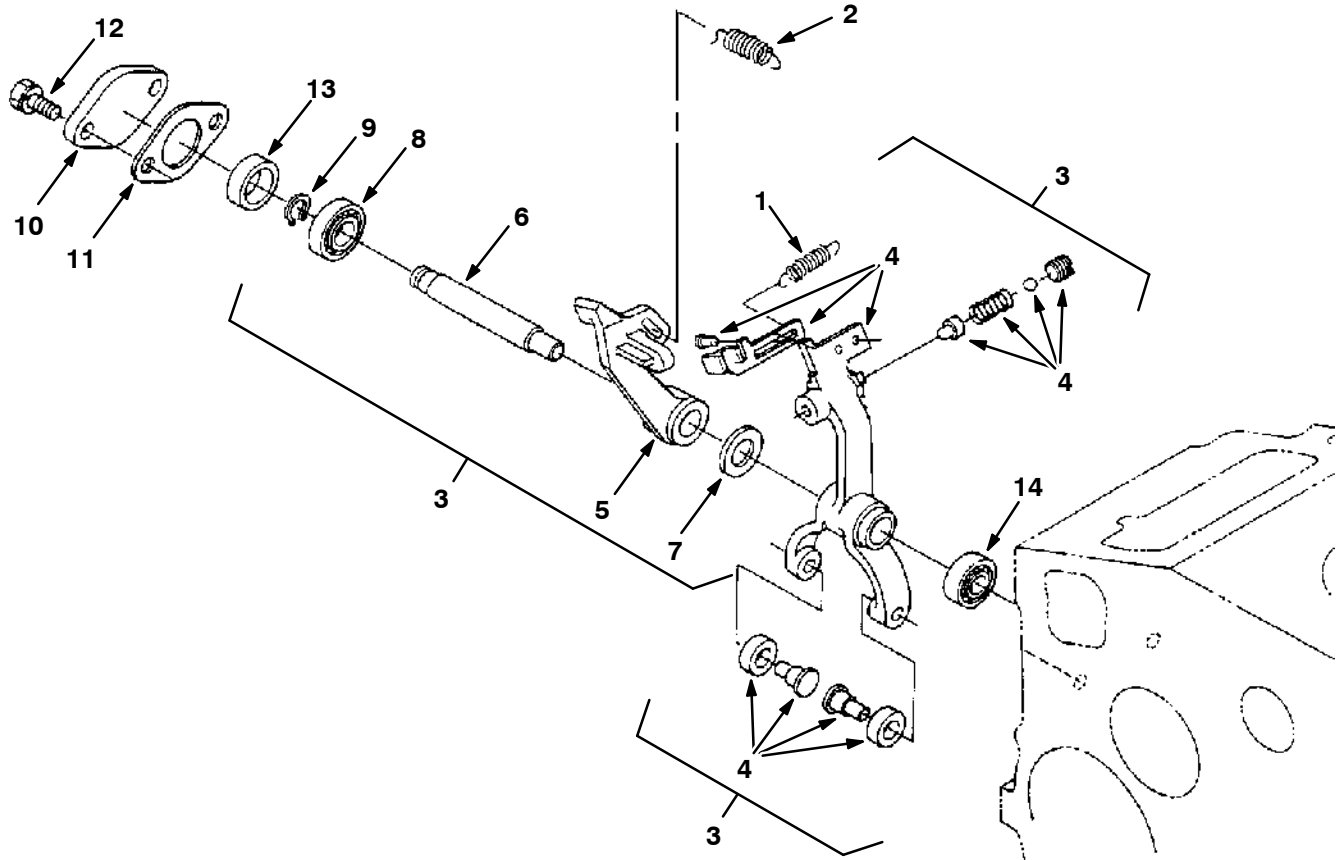
Fig. 22 - Speed Control Plate Group



07444/07445

Ref.	Tennant Part No.	Kubota Part Number	Description	Qty.
▽ 1	70982	16271-5701-5	Assembly Plate, Control	1
▲ 2	73618	16271-5715-0	Lever, Speed Control	1
▲ 3	73619	16241-5716-0	Lever, Speed Control	2
▲ 4	73620	04811-00100	O-Ring	1
▲ 5	40407	05411-00420	Pin, Spring	2
▲ 6	73621	16241-9402-0	Washer, Plain	2
▲ 7	73622	16241-9202-0	Nut	2
▲ 8	73623	16271-5602-3	Comp. Lever, Governor	1
▲ 9	73624	16271-5772-0	Lever, Engine Stop	1
▲ 10	70983	15471-5798-0	Seal, Oil	1
▲ 11	73625	16222-5751-0	Spring, Return	1
▲ 12	73626	16271-5774-0	Shaft, Stop Lever	1
13	70984	16264-5721-0	Gasket	1
14	41973	01023-50616	Bolt	2
15	72018	01513-50616	Stud	2
16	39121	02056-50060	Nut	2
17	39065	04512-50060	Washer, Spring	2

**Fig. 23 - Governor Group**

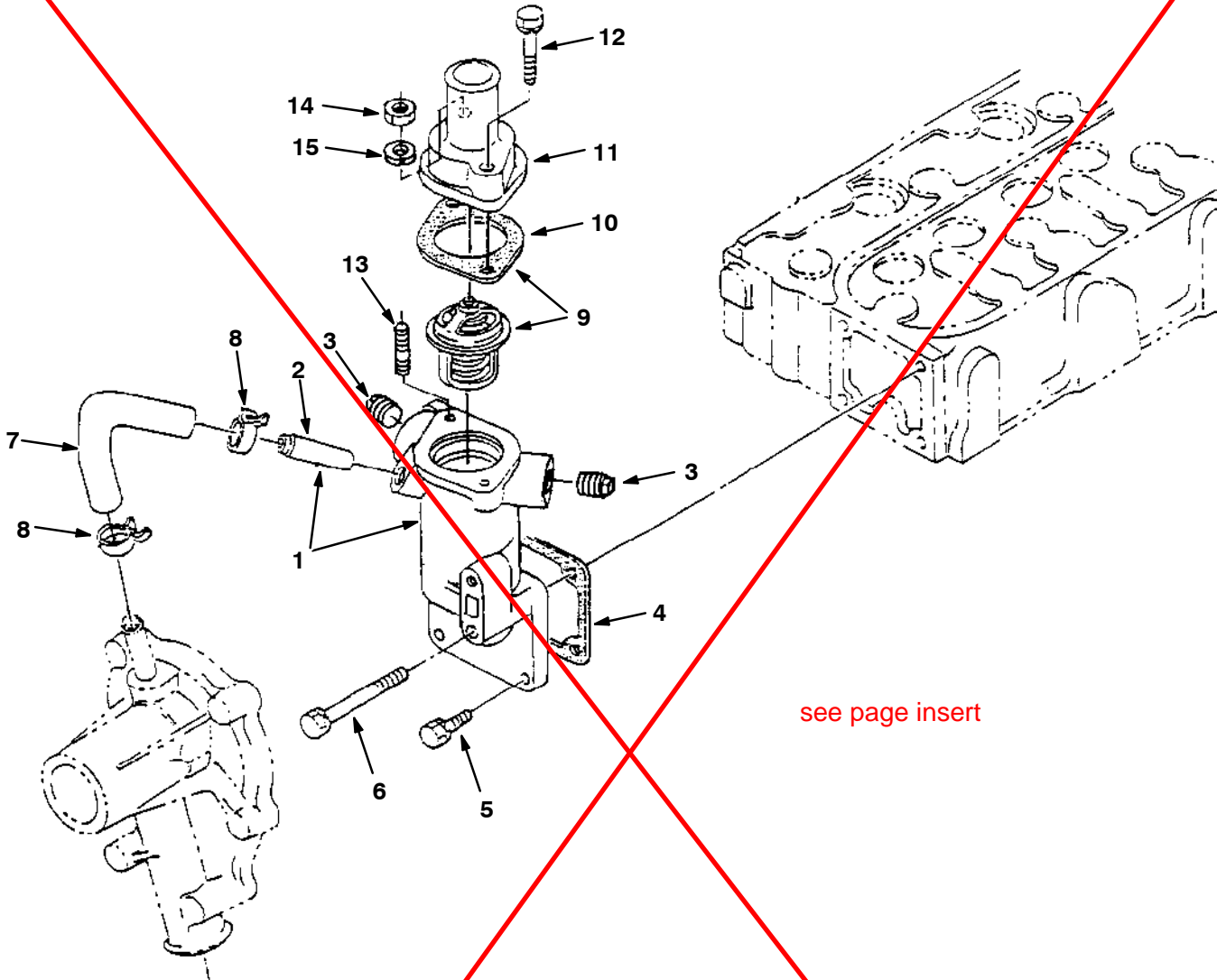


07446/07447

Ref.	Tennant Part No.	Kubota Part Number	Description	Qty.
1	70985	16285-5648-0	Spring, Start	1
2	70986	16285-5641-0	Spring, Governor	1
▽ 3	73627	16060-5605-0	Assembly Lever, Fork	1
▲ 4	70987	16285-5604-2	Comp. Lever, Fork 1	1
▲ 5	73628	16271-5613-2	Lever, Fork 2	1
▲ 6	73629	16241-5615-3	Shaft, Fork Lever	1
▲ 7	70988	16241-9401-0	Washer, Plain	1
▲ 8	70989	16241-5633-0	Bearing, Ball	1
▲ 9	73630	04612-00090	Cir-clip, External	1
10	73631	16241-5625-0	Cover, Fork Lever Shaft	1
11	70990	16241-5626-0	Gasket	1
12	39160	01053-50614	Bolt	2
13	70991	16241-5621-0	Collar 1	1
14	70992	16241-5634-0	Bearing, Ball	1

# ENGINE BREAKDOWN

Fig. 24 - Water Flange Group

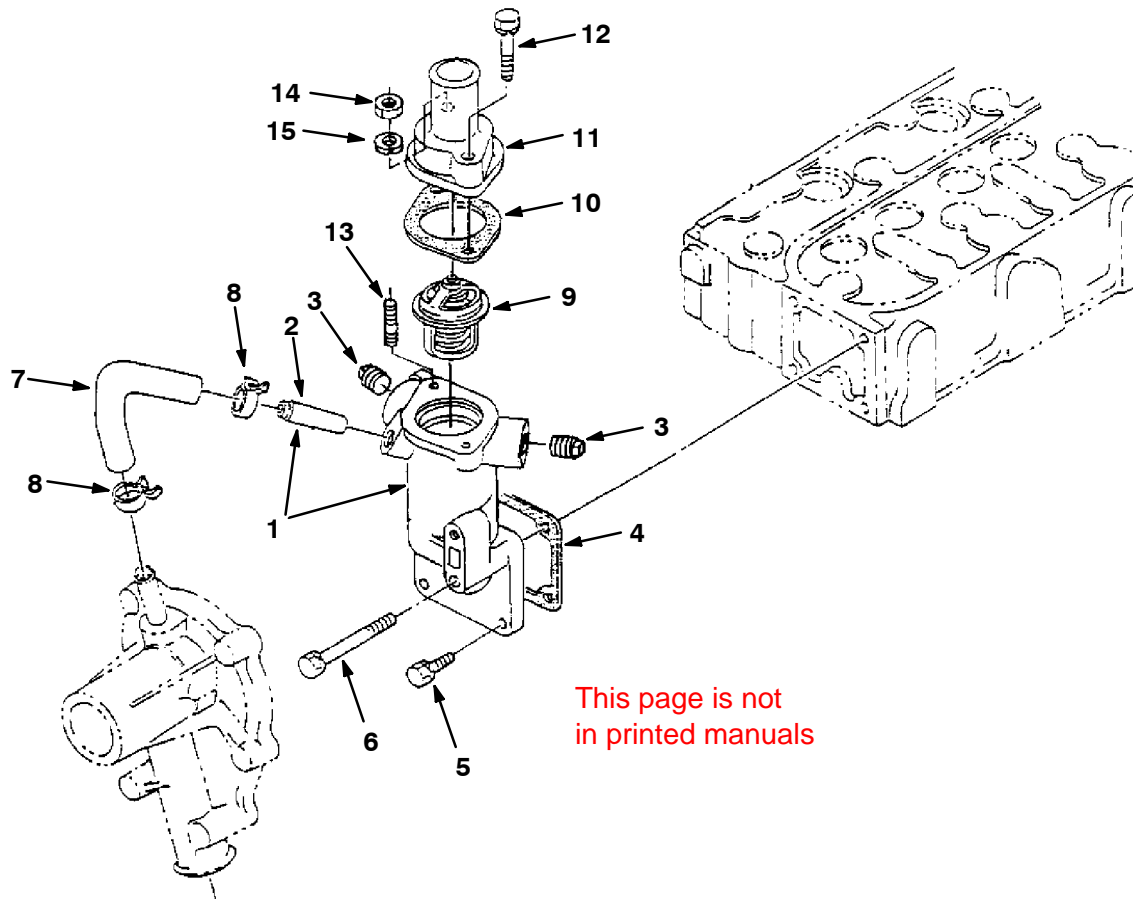


see page insert

07450/07451

Ref.	Tennant Part No.	Kubota Part Number	Description	Qty.
▽ 1	70993	16616-7270-0	Comp. Flange, Water	1
▲ 2	70918	16241-7334-0	Pipe, Water Return 1	1
3	73632	19298-9602-0	Plug	2
4	70994	16264-7292-0	Gasket, Water Flange	1
5	41973	01023-50616	Bolt	3
6	72995	01023-50655	Bolt	1
7	73633	16241-7335-0	Pipe, Water Return 2	1
8	73634	16241-7336-0	Band, Pipe	2
▽ 9	71455		Assembly Thermostat	1
▲ 10	70996	16264-7327-0	Gasket	1
11	73635	16271-7326-0	Cover, Thermostat	1
12	72996	01023-50630	Bolt	1
13	73636	01513-50630	Stud	1
14	39121	02056-50060	Nut	1
15	39065	04512-50060	Washer, Spring	2

Fig. 24 - Water Flange Group



07451 D

Ref.	Part No.		Description	Qty.
▽	1	70993	① Comp. Flange, Water (1.5 Dia.)	1
▲	2	361440	① Pipe, Water Return	1
▽	1	368090	② Flange, Water (1.7 Dia)	1
▲	2	361440	② Pipe, Water Return (1.7 Dia)	1
	3	73632	Plug	2
	4	70994	Gasket, Water Flange	1
	5	41973	Bolt	3
	6	72995	Bolt	1
	7	73633	Pipe, Water Return 2	1
	8	73634	Band, Pipe	2
	9	71456	① Thermostat (1.5 Dia.)	1
	9	10852	② Thermostat (1.7 Dia)	1
	10	368092	① Gasket (1.5 Dia.)	1
	10	10851	② Gasket (1.7 Dia)	1
	11	73635	① Cover, Thermostat (1.5 Dia.)	1
	11	368091	② Housing, Thermostat (1.7 Dia)	1
	12	72996	Bolt	1
	13	73636	Stud	1
	14	39121	Nut	1
	15	39065	Washer, Spring	2

① Kubota engines built before June 1997

② Kubota engines built June 1997 and later

# SECTION 6

CONTENTS	PAGE
PART NUMBER TO PAGE NUMBER CROSS REFERENCE LIST .....	6-2
PART DESCRIPTION TO PAGE NUMBER CROSS REFERENCE LIST .....	6-19



# CROSS REFERENCE

## PART NUMBER TO PAGE NUMBER CROSS REFERENCE LIST

Part Number	Page Number	Part Number	Page Number
IB3614	4-19	04612-00120	5-12
MM302	3-56	04733-10	2-19
MM305	3-56	04811-00100	5-34
MM305ES	3-56	04811-00150	5-7
MM305FR	3-56	04811-00160	5-4
MM305PT	3-56	04811-10280	5-15
00500-15	4-16, 4-17	04811-50300	5-10
00966	4-19	04814-00150	5-7
01023-50612	5-4, 5-32	04814-50300	5-7
01023-50616	5-7	04843	2-49
01023-50616	5-13, 5-34, 5-36	05012-00508	5-15
01023-50618	5-11, 5-32	05012-00508	5-3
01023-50620	5-9	05012-00610	5-3
01023-50625	5-9	05012-00814	5-3
01023-50630	5-8, 5-11, 5-36	05411-00420	5-34
01023-50645	5-7	05686	2-49, 2-51
01023-50650	5-7, 5-11	05712-00518	5-13
01023-50655	5-7, 5-36	06259-0402-0	5-7
01023-50680	5-8	06279	3-51
01047	3-23	06311-75018	5-3
01053-50614	5-13, 5-33, 5-35	06764	2-33, 2-35
01123-50814	5-4, 5-5	07274	2-30
01123-50816	5-4	07539	2-25
01123-50820	5-33	07562	2-29, 3-39
01123-50830	5-17	07565	3-39
01123-50832	5-33	07715-00201	5-7
01311-10620	5-27	07715-00401	5-15
01314	2-5, 2-22	07873	2-33
01318	2-11, 2-13	08013N	2-3
01513-50616	5-7, 5-34	08101-06304	5-32
01513-50630	5-36	08103-06202	5-32
01513-50645	5-7	08103-06204	5-32
01684	2-2	08712	2-2
01685	2-2	08713	2-2
01814-50600	5-7	09007	2-2
01999	3-49	09010	2-2
02056-50060	5-7, 5-27, 5-34, 5-36	09088	2-45
02129	3-21	09342	2-5
02156-50080	5-33	09900-1	2-85, 3-49
02469	2-77, 2-79	10143	2-39
02506-6	3-37	10144	3-41
02662	3-21, 3-49	10632-1	2-57, 2-59, 3-51
02705	4-3, 4-5, 4-7	10632-11	3-33
02706	4-3, 4-5, 4-7	10632-12	3-23, 3-27
02709	4-3, 4-5, 4-7	10632-13	2-37
02710	4-3, 4-5	10632-18	2-89, 3-4, 3-5, 3-6, 3-7, 3-8, 3-9, 3-11, 3-13, 3-25
02711	4-3	10632-2	3-4, 3-5
02712	2-61	10632-4	2-87
02740	2-29	10632-5	2-21
02741	2-29	10632-9	2-89, 3-6, 3-7, 3-8, 3-9, 3-11, 3-13
03024-50510	5-10	10844	5-15
03024-50520	5-23	10845	5-15
03026	2-29	10895	5-3
03410-50606	5-12	11211	2-55
04414	2-27	11399	2-37, 3-27
04483	4-26	11460-63070	5-21
04512-50060	5-7, 5-27, 5-34, 5-36	11460-63080	5-21
04512-50080	5-19		
04612-00090	5-35		

<b>Part Number</b>	<b>Page Number</b>	<b>Part Number</b>	<b>Page Number</b>
11460-6311-0	5-21	15451-9667-0	5-4
11460-6312-0	5-21	15471-5798-0	5-34
11460-63320	5-21	15501-6320-0	5-19
11460-63390	5-21	15501-6332-0	5-19
11460-6350-0	5-21	15501-6337-0	5-19
11460-6353-0	5-21	15501-9102-0	5-19
11460-9331-0	5-21	15501-9331-0	5-19
11531	2-37	15504-6303-0	5-19
11636	3-46	15504-6304-0	5-19
11842	2-51	15504-6312-0	5-19
11893	2-53	15504-6353-0	5-19
12072	3-27	15511-6376-0	5-21
12083	3-27	15511-9666-0	5-21
12267	2-67, 2-69	15521-2353-0	5-15
12271	2-15, 2-21, 3-23	15521-2395-0	5-15
12459	2-2	15521-2396-0	5-15
12895	5-13	15521-9361-0	5-13
12916	5-7	15521-9602-0	5-3
12962	2-61	15555-1	2-35
13110	2-77	15555-2	2-35
13114	2-74	15601-9665-0	5-23, 5-33
13115	2-81	15648	2-11, 2-13
13156	2-71	15803	3-49
13173	3-51	15841-5103-0	5-29, 5-31
13301	2-6, 2-7	15841-5107-0	5-29, 5-31
13698	2-13	15841-5120-0	5-29, 5-31
13904	4-23	15841-5123-0	5-29, 5-31
13907	4-23	15841-5124-0	5-29, 5-31
13963-9201-0	5-19	15841-5125-0	5-29, 5-31
13963-92010	5-21	15841-5127-0	5-29, 5-31
14131	2-33	15841-5128-0	5-29, 5-31
14242	2-45	15841-5129-0	5-29, 5-31
14432	2-29	15841-5135-0	5-29, 5-31
14601	2-15, 2-25	15841-5136-0	5-23
14814-06100	5-7	15841-5138-0	5-29, 5-31
14983	3-46	15841-5149-0	5-29, 5-31
15021-3366-0	5-3	15841-5156-0	5-29, 5-31
15066	3-19, 3-21	15841-5214-0	5-27
15221-0349-0	5-3	15841-5362-0	5-23
15221-3314-0	5-7, 5-10	15841-5385-0	5-23
15221-3361-0	5-3	15841-5386-0	5-23
15221-3370-0	5-3	15841-7302-0	5-3
15221-5628-0	5-3	15841-9104-0	5-7
15231-3396-0	5-3	15841-9150-0	5-27
15241-3229-0	5-7	15841-9202-0	5-33
15261-0337-0	5-5	15841-9232-0	5-27
15261-1328-0	5-12	15841-9233-0	5-33
15261-1336-0	5-12	15841-9311-0	5-29, 5-31
15261-1442-0	5-12	15841-9457-0	5-29, 5-31
15261-1555-0	5-13	15841-9602-0	5-5
15261-9119-0	5-17	15841-9665-0	5-29, 5-31
15261-9201-0	5-12	15841-9666-0	5-29, 5-31
15261-9401-0	5-12	15841-9676-0	5-29, 5-31
15261-9601-0	5-3, 5-5	15852-52140	5-27
15262-6382-0	5-17	15862-9143-0	5-29, 5-31
15321-9626-0	5-5	15951-9666-0	5-10
15371-1237-0	5-11	15952-9233-0	5-10
15401-6327-0	5-19	16030-5105-0	5-31
15401-6339-0	5-19	16030-5132-0	5-31
15451-3375-0	5-4	16032-5300-0	5-23, 5-25
15451-9627-0	5-3	16032-5316-0	5-25

## CROSS REFERENCE

Part Number	Page Number	Part Number	Page Number
16032-5317-0	5-25	16241-1431-0	5-12
16032-5323-0	5-25	16241-1435-0	5-12
16032-5328-0	5-25	16241-1441-0	5-12
16032-5335-0	5-25	16241-1443-0	5-12
16032-5361-0	5-25	16241-1444-0	5-12
16032-9203-0	5-25	16241-1450-0	5-10
16032-9404-0	5-25	16241-1452-0	5-10
16032-9810-0	5-25	16241-1511-0	5-13
16032-9850-0	5-25	16241-1617-0	5-32
16032-9851-0	5-25	16241-1627-0	5-13
16032-9852-0	5-25	16241-1632-0	5-32
16032-9853-0	5-25	16241-1651-0	5-13
16032-9854-0	5-25	16241-2131-0	5-15
16032-9855-0	5-25	16241-2133-0	5-15
16032-9856-0	5-25	16241-2198-0	5-15
16032-9857-0	5-25	16241-2201-2	5-15
16032-9858-0	5-25	16241-2214-0	5-15
16032-9859-0	5-25	16241-2231-0	5-15
16040-1617-0	5-32	16241-2297-0	5-15
16040-5209-2	5-27	16241-2298-0	5-15
16040-5211-2	5-27	16241-2325-0	5-15
16040-5212-2	5-27	16241-2328-0	5-15
16060-0304-0	5-5	16241-2347-0	5-15
16060-2111-0	5-15	16241-2348-0	5-15
16060-2191-0	5-15	16241-2349-0	5-15
16060-5101-0	5-27	16241-2386-0	5-15
16060-5101-0	5-31	16241-2387-0	5-15
16060-5106-0	5-31	16241-2391-0	5-15
16060-5154-0	5-31	16241-2392-0	5-15
16060-5605-0	5-35	16241-2393-0	5-15
16081	2-13	16241-2394-0	5-15
16082	2-65	16241-2411-0	5-15
16213	2-49	16241-2425-0	5-13
16222-5751-0	5-34	16241-2432-0	5-13
16241-0162-0	5-4	16241-2436-0	5-13
16241-0175-0	5-5	16241-2437-0	5-13
16241-0177-0	5-5	16241-2516-0	5-17
16241-0345-0	5-5	16241-3365-0	5-3
16241-0409-0	5-9	16241-3507-0	5-7
16241-0446-0	5-9	16241-3563-0	5-15
16241-0454-0	5-9	16241-3693-0	5-7
16241-0456-0	5-9	16241-3695-0	5-7
16241-0481-3	5-9	16241-4232-0	5-23
16241-0514-0	5-10	16241-5111-3	5-32
16241-0515-0	5-10	16241-5412-0	5-33
16241-0537-0	5-10	16241-5442-0	5-33
16241-0551-0	5-10	16241-5506-2	5-32
16241-0555-0	5-10	16241-5526-0	5-32
16241-0567-0	5-10	16241-5527-0	5-32
16241-1182-0	5-11	16241-5539-2	5-32
16241-1236-0	5-11	16241-5545-0	5-32
16241-1311-0	5-12	16241-5546-3	5-32
16241-1312-0	5-12	16241-5555-4	5-32
16241-1315-0	5-12	16241-5615-3	5-35
16241-1333-0	5-12	16241-5621-0	5-35
16241-1354-0	5-5	16241-5625-0	5-35
16241-1356-0	5-5	16241-5626-0	5-35
16241-1403-0	5-12	16241-5633-0	5-35
16241-1405-0	5-12	16241-5634-0	5-35
16241-1423-0	5-12	16241-5716-0	5-34
16241-1424-0	5-12	16241-6551-0	5-23

## CROSS REFERENCE

Part Number	Page Number	Part Number	Page Number
16241-7305-0	..... 5-8	16271-5701-5	..... 5-34
16241-7334-0	..... 5-8, 5-36	16271-5715-0	..... 5-34
16241-7335-0	..... 5-36	16271-5772-0	..... 5-34
16241-7336-0	..... 5-36	16271-5774-0	..... 5-34
16241-7351-0	..... 5-8	16271-6307-0	..... 5-19
16241-7352-0	..... 5-8	16271-6308-0	..... 5-19
16241-7355-0	..... 5-8	16271-6314-0	..... 5-19
16241-7425-0	..... 5-8	16271-6338-0	..... 5-19
16241-8813-0	..... 5-7	16271-6353-0	..... 5-19
16241-9102-0	..... 5-15	16271-6556-0	..... 5-23
16241-9104-0	..... 5-7	16271-7326-0	..... 5-36
16241-9149-0	..... 5-11	16271-74281	..... 5-15
16241-9201-0	..... 5-11	16271-9523-0	..... 5-15
16241-9202-0	..... 5-34	16271-9602-0	..... 5-3
16241-9233-0	..... 5-32	16271-9616-0	..... 5-3
16241-9312-0	..... 5-7	16272-5115-0	..... 5-32
16241-9401-0	..... 5-35	16282-0101-5	..... 5-3
16241-9402-0	..... 5-34	16282-0331-0	..... 5-5
16241-9523-0	..... 5-32	16282-0406-0	..... 5-9
16241-9601-0	..... 5-3	16282-2301-3	..... 5-15
16241-9626-0	..... 5-3	16282-32110	..... 5-4
16246-99360	..... 5-4	16282-3642-2	..... 5-4
16259-0421-2	..... 5-7	16282-5105-0	..... 5-29
16259-3288-2	..... 5-7	16282-5501-2	..... 5-32
16259-3290-0	..... 5-7	16282-5532-0	..... 5-32
16259-3513-0	..... 5-7	16282-8311-0	..... 5-33
16259-73430	..... 5-8	16282-8315-0	..... 5-33
16259-9104-0	..... 5-7	16282-9601-0	..... 5-3
16261-0404-0	..... 5-9	16283-12310	..... 5-11
16261-0405-0	..... 5-9	16285-01501	..... 5-4
16261-2105-0	..... 5-15	16285-0304-2	..... 5-5
16261-2109-0	..... 5-15	16285-5101-0	..... 5-27
16264-0413-0	..... 5-7	16285-5101-0	..... 5-29
16264-0436-0	..... 5-9	16285-5132-0	..... 5-29
16264-0482-0	..... 5-9	16285-5409-0	..... 5-33
16264-5721-0	..... 5-34	16285-5410-0	..... 5-33
16264-7292-0	..... 5-36	16285-5604-2	..... 5-35
16264-7327-0	..... 5-36	16285-5641-0	..... 5-35
16264-83151	..... 5-33	16285-5648-0	..... 5-35
16264-83341	..... 5-7	16285-63030	..... 5-21
16271-0345-0	..... 5-5	16285-6357-0	..... 5-21
16271-1176-3	..... 5-11	16285-8334-0	..... 5-7
16271-1324-0	..... 5-12	16285-9201-0	..... 5-21
16271-1601-0	..... 5-13	16286-99350	..... 5-5
16271-2401-0	..... 5-13	16299-60150	..... 5-33
16271-2498-0	..... 5-13	16369	..... 2-9
16271-3209-0	..... 5-7	16376	..... 2-81
16271-4202-0	..... 5-23	16455	..... 2-63
16271-4250-2	..... 5-23	16611-3641-0	..... 5-4
16271-5106-0	..... 5-29	16614-2501-2	..... 5-17
16271-5122-0	..... 5-29, 5-31	16616-7270-0	..... 5-36
16271-5143-0	..... 5-29, 5-31	16626-0101-0	..... 5-3
16271-5154-0	..... 5-29	16683-9602-0	..... 5-3
16271-5371-2	..... 5-23	16695-63012	..... 5-21
16271-5372-2	..... 5-23	16695-63022	..... 5-21
16271-5373-2	..... 5-23	16695-63202	..... 5-21
16271-5374-2	..... 5-23	16695-63380	..... 5-21
16271-5535-0	..... 5-3	16695-63870	..... 5-21
16271-5541-0	..... 5-32	16695	..... 4-16, 4-17, 4-18
16271-5602-3	..... 5-34	16786	..... 2-63
16271-5613-2	..... 5-35	16851-6551-0	..... 5-23

## CROSS REFERENCE

Part Number	Page Number	Part Number	Page Number
17200	2-57, 2-59	30132	5-23
17331-9604-0	5-7	30136	5-33
17414	2-33	30251	2-71
19077-5365-0	5-23	30252	2-71
19202-2354-0	5-15	30253	2-71
19202-2397-0	5-15	30255	2-71
19202-2398-0	5-15	30268	3-27
19212-6310-0	5-19, 5-21	30407	2-25, 2-27, 2-29
19212-6311-0	5-19	30481	2-25
19212-6312-0	5-19	30533	3-36
19212-9713-0	5-19, 5-21	30559	2-30
19252	2-27	30569	2-30
19298-9602-0	5-36	31249	3-21
19320	4-5	31354	4-16, 4-17, 4-18
19574	4-5	31373	4-18
19583	2-41	31375	4-16, 4-17
19616-9201-0	5-19	31377	4-18
19644	2-77, 2-79	31381	4-16, 4-17
19768	2-21	31384	4-18
19827	3-15	31566	3-49
20432	5-21	31599	2-74
20433	5-21	31613	2-81
20719	5-23	31719	2-79
21642	2-5	31755	2-37
21720	2-35	31922	3-3
21915	4-23	32126	2-41
22169	2-67	32183	2-33
222809	2-5	32791	3-47
22604	2-41, 4-15	32822	3-29
23163	2-81	33579	4-11
23182	2-81	33580	4-9, 4-11, 4-13, 4-15
23191	2-19	33671	2-39
23210	2-89, 3-11, 3-13	33694	4-9, 4-11
23211	2-87, 2-89, 3-11, 3-13	34070-16810	5-21
23231	2-89, 3-11, 3-13	34070-16820	5-21
23274	3-33, 3-35	34096	2-55
23498	2-61, 3-29	34176	4-16, 4-17
23524	2-55	34178	4-9, 4-11, 4-13, 4-15
23683	3-49	34179	4-9, 4-11, 4-13, 4-15
23788	2-47, 2-63	34252	2-9
23863	3-21	34280	3-21
23865	3-21	34330	2-19
23866	3-21	34392	2-55
23999-6	3-29	34394	2-77
24012	2-31	34421	2-77
24339	2-41	34725	2-55
24576-1	2-89, 3-3, 3-11, 3-13	34848	3-3
24576	2-89, 3-11, 3-13	34868	2-87
24899	2-71	34877	3-29
24976	2-25	35033	2-74
25312	3-40	35296	3-27
26103	2-55	35298	3-49
26395-2	3-31	35426	3-51
27767	3-27	35484	3-49
29558	2-67	35488	2-79
29584	2-67	35493	4-19
30013	2-31, 2-83, 2-85	35843	3-35
30071	5-3	35905	2-89, 3-11, 3-13
30121	5-15	36050	2-2, 2-33
30122	5-15	36165	2-25
30131	5-23	36328	2-11, 2-13

**CROSS REFERENCE**

<b>Part Number</b>	<b>Page Number</b>	<b>Part Number</b>	<b>Page Number</b>
36376	3-51	40678	2-53, 2-57, 3-3, 3-15
36438	2-89, 3-11, 3-13	41016	2-13, 2-19
36439	2-89, 3-11, 3-13	41792	5-4
36658	2-2, 2-61	41845	3-23
36661	2-2, 2-61	41973	5-7, 5-13, 5-34, 5-36
36663	2-2, 2-61	42120-1	2-55, 2-63
36665	2-2, 2-61	42124	3-31
36666	2-61	42213	2-83
370008	2-3	42216	2-81
37083-1	3-25	42223	2-41, 2-86
374504	2-73	42226	2-83
374505	2-73	43555	3-29
374507	2-53	43844	2-33, 2-35
374511	2-25	44078	2-22
374514	3-27	44166	3-31
374515	3-27	44255	2-61
374517	2-5	44681-1	3-5, 3-7, 3-9
374520	2-49	44681-2	3-5, 3-7, 3-9
37555	4-16, 4-17, 4-18	44681	3-5, 3-7, 3-9
37616	4-9, 4-11, 4-13, 4-15	44868	2-74, 2-85, 2-86
37756	4-9, 4-11, 4-13, 4-15	44869	2-71, 2-83
37766	4-9, 4-11, 4-13, 4-15	44906	2-9, 2-49, 2-55, 3-33, 3-35
37955	4-9, 4-11	45142	3-27
38255	4-9, 4-11, 4-13, 4-15	45214	2-11
38776	4-9	45272	3-6, 3-7
38965	4-9	45482	2-74, 2-85
38968	4-11, 4-13, 4-15	45622	4-9, 4-11, 4-13, 4-15
39051	5-3	45623	4-9, 4-11, 4-13, 4-15
39062	5-3	45628	4-16, 4-17, 4-18
39063	5-3	45779	3-4, 3-5, 3-6, 3-7, 3-8, 3-9
39065	5-7, 5-27, 5-34, 5-36	45780	2-5
39073	5-4, 5-5	45786	2-43, 3-44
39087	5-3	46236	2-33, 2-35, 2-61, 2-87, 3-25
39088	5-3, 5-5	46481	2-13
39094	5-4	46482	2-81
39096	5-33	46983	2-49
39097	5-19	47501	2-65, 3-49
39103	5-7	47504	2-65
39105	5-3	47508	2-65, 2-86, 3-49
39119	5-9	47518	2-83
39121	5-7, 5-27, 5-34, 5-36	47522	2-19
39160	5-13, 5-33, 5-35	47638	2-83
39161	5-7, 5-10	47719	2-63
39162	5-10	47745	2-65
39197	5-13	47752	2-86
39210	2-85	47753	2-74
39308	2-63	47754	2-83, 2-85
39310	2-41	47801	2-41, 2-55
39508	5-23	48079	2-51
39527	4-16, 4-17	48126	2-35
39577	2-49	48267	2-33, 2-35
39780	2-87	48570	3-3
40079	5-33	48663	2-41, 4-11
40166	5-23, 5-33	48751	2-85, 4-23
40362	2-81	48760	2-85
40407	5-34	48813	4-19
40409	5-11, 5-32	48841	3-56
40442	5-19	49263	2-19
40457	5-19	49266	2-33, 2-39, 2-87, 2-89, 3-3,
40514	2-74		3-4, 3-5, 3-6, 3-7, 3-8, 3-9,
40607	2-87		3-11, 3-13, 3-49

# CROSS REFERENCE

Part Number	Page Number	Part Number	Page Number
50421	2-83, 2-85	53883	3-29
51109	2-47	53894	3-29
51176	2-27	53895	3-29
51225	2-65, 3-49	53910	2-55
51317	2-55, 2-71	53915	2-55
51331	5-5	53927	2-49
51332	5-11	53947	2-51
51338	2-41, 2-45	53950	2-51
51339	2-41, 2-45	53953	2-51
51448	2-71	53954	2-49
51449	2-71	53965	2-65
51534	2-55	53984	2-65, 3-49
51538	2-65, 3-33, 3-35, 3-49	53985	2-71
51545	2-47	54009	3-31
51560-3	2-29	54012	3-31
51562	2-47	54013	2-2, 2-53
51564	2-71	54014	2-2, 2-53
51570	3-15	54015	2-51
51608	3-19	54022	2-19, 4-20
51677	3-19, 3-21	54030	2-9
51715	2-71, 3-49	54050	2-65
51813	2-49	54051	2-41
52296	2-67, 2-69	54052	2-41
52386	4-5, 4-7	54053	2-41
52402	2-71	54079	2-63
52405	4-9, 4-11, 4-13, 4-15	54087	2-41
52508	2-51	54089	2-2, 2-53
53029	2-35	54095	4-19
53076	2-86	54096	2-55
53078	2-35	54102	2-83, 2-85
53091	2-15	54115	2-83, 2-85
53417	3-38	54118	2-69
53424	2-25	54121	2-61
53434	2-71, 4-16	54182	2-5
53435	2-65, 3-49, 4-18	54184	2-5
53466	2-13, 2-19, 2-65, 2-81	54190	2-5
53468	2-5	54192	2-5
53485	2-74, 4-19	54194	2-83, 2-85
53491	2-5	54197	2-5
53492	2-9	54199	2-71
53494	2-9	54204	2-71
53576	3-33, 3-35	54205	2-51
53601	2-41, 4-26	54274	2-31, 2-37, 2-73
53604	2-86, 4-3	54275A	2-73
53610	3-33, 3-35	54342	2-21
53612	2-41	54345	2-19
53622	2-86, 4-8	54390	2-45
53640	2-43	54400	2-45, 2-47, 2-67, 2-69
53782	2-49	54404	3-51
53783	2-29	54427	3-51
53786	2-61	54428	3-51
53816	3-43	54437	2-45
53817	3-43	54465	3-51
53818	2-43	54467	2-45
53819-1	2-43	54552	2-11
53819-2	2-43, 3-44	54553	2-13
53819	2-43	54567	2-45
53830	2-83, 4-24	54577	2-45
53836	2-25	54607	2-47
53839	2-9	54615	2-9
53845	2-9	54616	2-47

**CROSS REFERENCE**

<b>Part Number</b>	<b>Page Number</b>	<b>Part Number</b>	<b>Page Number</b>
54617	2-45	55446	2-83, 2-85
54618	3-51	55453	3-25
54619	2-45	55459	3-27
54620	3-51	55461	3-23
54621	3-51	55462	2-63
54655	2-51	55463	2-63
54656	3-51	55489	3-29
54659	2-71	55586	2-41, 2-55
54660	2-65	55617	3-51
54663	2-69	55619	2-13
54680	2-71	55685	2-83, 2-85
54693	2-71	55691	2-77, 2-79
54800	2-49	55740	2-2, 2-13
54840	2-69	55767	3-51
54848	2-67, 2-69	55776	3-49
54878	2-71	55778	3-49
54911-16	2-27	55779	2-71
54911-32	2-37	55793	3-49
54922	2-3	55797	2-57
54923	2-3	55800	2-57
54925	2-3	55805	2-57
54927	2-3	55806	2-57
54934	2-67	55809	2-57
54995	2-67, 2-69	55823	3-49
54996	2-49	55831	2-27
54997	2-51	55833	3-51
54999	2-51	55834	3-49
55021	2-53	55837	2-27
55035	2-19, 2-22, 3-19	55844	2-2, 2-33, 2-35
55037	3-25	55847	5-8
55038	3-21	55849	2-2, 5-7
55042	3-25	55850	2-33, 2-35
55048	2-15	55851	2-31
55073	3-17	55855	2-30
55074	3-17	55856	2-30
55130	2-61	55857	2-37
55161	3-17	55858	2-37
55162	3-17	55860	2-27, 5-19
55163	3-17	55863	2-30
55164	3-17	55864	2-2, 2-53
55180	3-19	55870	2-53
55181	3-23	55879	2-53
55182	3-25	55884	2-53
55213	3-25	55889	2-53
55215	3-27	55890	2-2, 2-53
55220	3-27	55892	2-53
55221	3-27	55893	2-55
55222	2-33, 2-35	55902	2-61
55225	2-37	55906	4-3
55226	3-27	55914	2-55
55227	3-19	55916	2-61
55228	3-19	55922	4-3, 4-5
55248	2-87, 2-89, 3-4, 3-5, 3-8, 3-9, 3-11, 3-13	55925	4-7
55270	3-19	55926	4-7
55302	3-25	55929	4-3
55347	2-13	55930	4-3, 4-5, 4-7
55393	3-19	55931	4-3, 4-5, 4-7
55395	3-19	55932	4-3, 4-5, 4-7
55404	3-25	55937	4-3, 4-5, 4-7
55433	2-6, 2-7	55939	4-3, 4-5, 4-7
		55941	4-3, 4-5, 4-7



## CROSS REFERENCE

Part Number	Page Number	Part Number	Page Number
55956	2-57	57935	2-19
55958	2-57	57979	2-85, 2-86
55959	3-19	58009	4-3, 4-5, 4-7
55963	3-19	58012	4-8
55964	3-31	58013	4-8
55965	2-53	58078	2-55
55968	3-19	58090	2-29
55973	3-19	58091	2-33, 2-35
55976	3-27	58103	2-53
56185	2-19	58120	2-2, 2-29
56186	2-23	58121	3-39
56187	3-19	58242	4-8
56188	2-23	58269	4-9
56198	2-19	58288	2-45
56237	2-19	58297	2-9
56277	2-83, 2-85	58308	3-3
56346	2-21	58327	2-30
56362	2-19	58346	2-29
56373	2-19	58359	2-63
56379	2-19	58362	2-25
56385	2-19	58391	2-25
56392	2-19	58397	2-31
56398	2-19	58482	2-61
56456	2-17	58483	2-61
56457	2-33	58494	2-15, 2-59, 3-49
56546	3-19	58500	2-57, 2-59
56560	3-19	58518	3-4, 3-6, 3-8
56595	2-17	58519	3-4, 3-6, 3-8
56610	2-61	58520	3-4, 3-6, 3-8
56624	2-45, 2-47, 2-67, 2-69	58524	2-57, 2-59
56641	2-67	58538	2-29
56662	2-67, 2-69	58540	2-73
56690	2-81	58564	2-11, 2-13
56692	2-86	58566	2-27
56799	3-19, 3-21	58571	2-11, 2-13
56820	2-41	58576	2-11, 2-13
56821	2-81	58585	2-11, 2-13
56827	2-85	58595	2-9
56872	2-5, 3-55	58596	4-20, 4-21
56890	2-5	58645	2-63
56914	2-6, 2-7, 3-55	58665	2-19
57152	4-20	58667	2-19
57156	4-20, 4-21	58689	4-24
57167	2-5, 2-23, 3-23	58748	2-19
57173	2-77, 2-79	58770	2-6, 2-7
57210	4-3, 4-5	58771	2-57
57220	3-4, 3-5	58811	2-11, 2-13
57487	2-77, 2-79	58823	3-21
57536	3-25	58830	3-21
57537	3-25	58831	3-19
57574	2-33	58832	3-19
57702	2-9, 2-57, 3-21	58842	2-41
57751	2-23, 3-3, 3-23, 3-25, 3-54	58843	4-24
57754	2-27	58845	4-24
57755	2-27	58847	4-24
57772	2-23, 3-23	58849	2-15
57773	2-27	58858	2-81, 2-86
57803	2-23, 3-3, 3-23, 3-25, 3-54	58872	2-67
57807	3-23, 3-25, 3-27, 3-54	58881	3-29
57824	2-30	58898	3-21
57912	3-27	58974	3-19, 3-21

**CROSS REFERENCE**

<b>Part Number</b>	<b>Page Number</b>	<b>Part Number</b>	<b>Page Number</b>
58977	2-15	59560	2-77, 2-79
58999	2-15	59561	2-77, 2-79
59002	2-25	59563	2-79
59004	2-57, 2-59	59564	2-77, 2-79
59012	3-29	59565	2-77, 2-79
59013	3-29	59567	2-77
59014	2-73	59568	2-77, 2-79
59015	2-35	59571	2-77
59016	2-57	59572	2-77, 2-79
59018	2-16	59573	2-77, 2-79
59019	2-15	59574	2-77, 2-79
59021	2-83, 2-85	59575	2-77, 2-79
59022	2-83, 2-85	59576	2-77, 2-79
59028	3-21	59577	2-83, 2-85
59031	3-21	59578	2-77, 2-79
59032	3-21	59581	2-77, 2-79
59033	3-21	59582	2-77, 2-79
59035	2-9	59584	2-77, 2-79
59104	3-29	59621	2-22
59105	2-53	59622	2-22
59152	2-5	59623	2-22
59189	2-53	59628	2-22
59192	2-6, 2-7, 2-11, 2-13, 2-15	59629	2-22
59194	2-7	59636	2-22
59195	2-6	59640	2-25
59211	3-21	59647	2-16, 2-22
59250	3-21	59649	2-73
59297	3-21	59656	2-73
59303	2-77, 2-79	59657	3-25
59305	4-8	59661	2-16
59335	4-25	59662	2-5
59377	2-16	59665	2-17
59378	4-19	59666	2-17
59380	2-63	59668	2-49
59382	4-8	59672	2-49
59384	3-36	59674	2-57
59387	3-51	59680	2-2, 2-53
59388	3-40	59681	2-2, 2-53
59395	2-89	59682	2-57
59399	2-61	59683	2-57
59431	2-3	59685	2-2, 2-53
59432	2-3	59686	2-2, 2-53
59437	3-25	59687	2-2, 2-53
59440	2-3	59688	2-2, 2-53
59442	2-57, 2-59	59692	2-6, 2-7
59447	3-4, 3-5	59693	2-61
59448	2-57, 2-59	59695	2-13
59508	3-33	59703	2-11
59512	3-27	59723	2-57
59514	2-15, 3-21	59734	2-73
59515	3-21	59735	2-73
59530	2-83, 2-85	59737	2-57, 2-59
59537	2-6	59738	2-57, 2-59
59538	2-7	59739	2-57, 2-59
59540	3-31	59760	2-7
59542	2-63	59761	2-6
59545	2-61	59766	2-9
59549	2-11	59767	2-96
59550	2-37	59768	2-96, 3-29
59551	2-37	59771	2-9
59555	2-37	59786	2-96

# CROSS REFERENCE

Part Number	Page Number	Part Number	Page Number
59789	2-81	60292	2-39
59790	2-81	60293	2-39
59797	3-23	60296	2-95
59799	3-23	60305	3-3
59803	3-23	60307	3-4
59804	2-41, 4-9	60309	3-5
59811	2-29	60312	3-6
59814	2-53	60314	3-7
59820	2-96	60316	3-8
59821	2-53	60318	3-9
59822	2-9	60372	3-15
59824	2-22	60559	2-30
59825	2-63	60751	3-3
59827	2-63	60862	3-21
59828	2-16	61288	2-81
59829	2-16	61408	2-81
59830	2-16	61488	3-42
59840	2-63	61490	4-16, 4-17, 4-18
59842	2-63	61529	2-30
59844	2-61	61531	2-30
59845	2-57	61796	3-56
59849	2-63	61869	3-27
59861	2-63	61891	4-7
59866	2-63	61920	2-89, 3-11, 3-13
59867	2-63	61931	2-30
59870	2-11, 2-13, 2-83, 2-85	62100	2-77, 2-79
59878	2-37	62172	2-83, 2-85
59881	2-37	62173	2-83, 2-85
59884	2-25	62337	2-77, 2-79
59885	2-25	62390	2-74
59891	2-25	62595-21	2-5
59899	2-67	62595-22	2-9
59919	3-29	62595-23	2-9
59920	3-3	62595-3	2-19
59935	2-19	62595-4	2-19
59940	2-19	62595-6	2-59
59944	2-89	63234	2-51
59945	2-33	63378	3-29
59946	2-27	63469-3	3-29
59949	2-5	63688	2-41
59962	3-3	63689	2-41
59965	2-55	63810	3-27
59966	2-55	63852	2-19
59967	2-73	64320	3-29
59970	2-21	64535	2-59
59971	2-21	64595	2-15, 2-59, 3-49
59974	2-21	64905	2-83, 2-85
59975	2-74	64939	2-25
59976	2-21	65145-1	2-86
59977	2-21	65241	4-21
59978	2-21	65526	2-33
59979	2-21	65553	3-23, 3-25
60279	2-95	65560	3-54
60282	2-95	65561	3-23, 3-27
60283	3-3	65869-1	2-2
60284	3-3	66018	2-3
60285	3-53	66019	2-3
60286	3-53	66168	3-33
60287	3-19	66175	3-33
60288	3-4, 3-5, 3-8, 3-9	66176	3-33, 3-35
60290	2-95	66177	3-33, 3-35

**CROSS REFERENCE**

<b>Part Number</b>	<b>Page Number</b>	<b>Part Number</b>	<b>Page Number</b>
66178	3-33, 3-35	69994	3-51
66179	3-33, 3-35	69995	3-51
66180	3-33	69997	3-51
66181	3-33	69998	3-51
66182	3-33	69999	3-54
66183	3-33	70006	2-81
66184	2-73	70094	4-5, 4-7
66187	5-4	70095	4-5, 4-7
66194	5-5	70096	4-5, 4-7
66195	3-27	70097	4-5, 4-7
66197	3-19	70098	4-5, 4-7
66201	5-12	70099	4-5, 4-7
66202	5-5	70100	4-5, 4-7
66204	5-15	70101	4-5, 4-7
66205	5-8	70102	4-5
66207	5-15	70103	4-5, 4-7
66211	2-45	70136	2-15
66212	2-33, 2-35	70142	2-15
66213	2-45	70143	2-15
66220	3-25	70145	2-15
66221	3-19	70157	2-41
67004	3-31	70158	2-45
67683	2-86	70159	2-89, 3-11, 3-13
67767	2-5, 2-33, 2-35, 2-39	70160	2-30
68441	2-55	70161	2-45
68872	2-39	70165	5-33
68873	2-39	70173	2-35
69173	2-74	70178	2-59
69234	2-22	70182	2-59
69901	2-57	70185	2-59
69902	2-57	70188	5-33
69903	2-69	70189	5-7
69904	2-5	70193	2-59
69906	2-15	70196	5-21
69907	2-15	70197	5-21
69908	2-63	70198	5-21
69909	2-22	70199	5-21
69910	2-83, 2-85	70200	5-21
69911	2-83	70201	5-21
69915	2-5	70202	5-21
69931	2-6, 2-7	70203	5-21
69933	2-47	70204	5-21
69935	3-29	70205	5-21
69937	3-29	70206	5-21
69943	2-2	70207	5-21
69951	2-15	70208	5-21
69952	2-15	70209	5-21
69953	3-29	70210	5-21
69954	2-49	70211	5-21
69955	3-29	70212	5-21
69958	3-29	70213	5-21
69962	2-49	70214	2-31
69972	2-11, 2-13	70222	3-55
69973	2-11	70223	3-55
69981	3-29	70224	3-55
69984	3-29	70225	3-55
69986	2-15	70226	3-55
69987	2-15	70227	3-55
69990	2-73	70228	3-55
69991	3-51	70229	3-55
69993	3-51	70230	3-55

## CROSS REFERENCE

Part Number	Page Number	Part Number	Page Number
70246	2-81	70933	5-10
70248	2-13	70934	5-11
70249	2-11	70935	5-11
70252	2-13	70936	5-12
70256	2-11	70937	5-12
70267	3-51	70938	5-15
70268	3-51	70939	5-15
70271	2-63	70940	5-15
70272	2-63	70941	5-15
70275	2-7	70942	5-15
70276	2-6	70943	5-15
70278	3-44	70944	5-15
70279	3-44	70945	5-15
70280	2-43, 3-44	70946	5-15
70281	3-44	70947	5-15
70284	2-5	70948	5-15
70287	2-43	70949	5-15
70297	3-45	70950	5-15
70887	5-3	70951	5-15
70888	5-3	70952	5-15
70889	5-4	70953	5-15
70890	5-4	70954	5-15
70891	5-4	70955	5-15
70892	5-4	70956	5-17
70894	5-4	70957	5-17
70895	5-5	70959	5-19
70896	5-5	70960	5-19
70897	5-5	70961	5-19
70898	5-5	70962	5-19
70899	5-5	70964	5-23
70900	5-7	70965	5-23
70901	5-7	70966	5-23
70902	5-7	70967	5-23
70903	5-7	70968	5-23
70904	5-7	70969	5-23
70905	5-7	70971	5-27, 5-29
70906	5-7	70972	5-27
70907	5-7	70973	5-27
70909	5-7	70974	5-27
70910	5-7	70975	5-32
70911	5-7	70976	5-32
70912	5-7	70977	5-32
70913	5-7	70978	5-32
70915	5-8	70979	5-32
70916	5-8	70980	5-33
70917	5-8	70982	5-34
70918	5-8, 5-36	70983	5-34
70919	5-8	70984	5-34
70920	5-8	70985	5-35
70921	5-9	70986	5-35
70922	5-9	70987	5-35
70923	5-9	70988	5-35
70924	5-9	70989	5-35
70925	5-9	70990	5-35
70926	5-9	70991	5-35
70927	5-9	70992	5-35
70928	5-9	70993	5-36
70929	5-10	70994	5-36
70930	5-10	70996	5-36
70931	5-10	70997	5-3
70932	5-10	70998	5-3

**CROSS REFERENCE**

<b>Part Number</b>	<b>Page Number</b>	<b>Part Number</b>	<b>Page Number</b>
70999	5-3	72119	2-7
71022	3-42	72120	2-6, 2-7
71024	2-5	72130	2-49
71025	3-29	72131	2-49
71056	2-89	72132	2-47
71057	3-23	72133	2-73
71058	3-11, 3-19	72136	2-81
71060	3-51	72138	2-9
71455	5-36	72142	3-23
71540	2-65	72143	3-29
71543	3-6, 3-7	72147	2-37
71544	2-89, 3-11, 3-13	72152	2-5
71985	5-3	72154	2-16
71986	5-3	72156	2-5
71987	5-3, 5-15	72159	2-53
71988	5-3	72176	2-11, 2-13
71989	5-3	72178	3-3, 3-33
71990	5-3	72179	2-11, 2-13
71991	5-3	72181	3-33
71992	5-3	72191	2-35
71993	5-3	72192	2-35
71994	5-4	72193	2-35
71995	5-4, 5-32	72473	2-11
71996	5-5	72491	2-33, 2-35
71997	5-5	72968	2-5, 2-6, 2-7, 3-55
71999	5-5	72969	2-59
72010	5-5	72971	2-59
72011	5-7	72993	5-7
72012	5-7	72994	5-7, 5-11
72013	5-7	72995	5-7, 5-36
72014	5-7	72996	5-8, 5-11, 5-36
72015	5-7	72997	5-8
72016	5-7	72998	5-9
72017	5-7	72999	5-9
72018	5-7, 5-34	73411	2-49
72019	5-7	73479	5-9
72020	5-7	73480	5-10
72024	3-21	73481	5-10
72049	3-23	73482	5-10
72065	2-59	73483	5-10
72066	2-2	73484	5-10
72067	2-2	73485	5-10
72068	2-2	73486	5-11
72069	2-6, 2-7	73487	5-11
72071	2-53	73488	5-11
72072	2-33	73489	5-11
72073	2-33	73491	5-12
72080	3-13, 3-25	73492	5-12
72086	3-33, 3-35	73493	5-12
72087	3-33, 3-35	73494	5-12
72088	3-47	73495	5-12
72091	2-15	73496	5-12
72094	3-13	73497	5-12
72096	3-11	73498	5-12
72098	3-25	73499	5-12
72099	3-23	73500	5-12
72100	3-6, 3-7	73501	5-12
72106	2-89	73502	5-12
72109	2-21	73503	5-12
72114	3-4, 3-5	73504	5-12
72118	2-6	73505	5-12

## CROSS REFERENCE

Part Number	Page Number	Part Number	Page Number
73506	5-12	73571	5-29, 5-31
73507	5-12	73572	5-29, 5-31
73508	5-12	73573	5-29, 5-31
73509	5-13	73574	5-29, 5-31
73510	5-13	73575	5-29, 5-31
73511	5-13	73576	5-29, 5-31
73512	5-13	73577	5-29, 5-31
73513	5-13	73578	5-29, 5-31
73514	5-13	73579	5-29, 5-31
73515	5-13	73580	5-29, 5-31
73516	5-13	73581	5-29, 5-31
73517	5-13	73582	5-29, 5-31
73518	5-13	73583	5-29
73519	5-13	73584	5-29
73520	5-15	73585	5-29, 5-31
73521	5-15	73586	5-29, 5-31
73522	5-15	73587	5-29
73523	5-15	73588	5-29, 5-31
73524	5-15	73589	5-29, 5-31
73525	5-15	73590	5-29, 5-31
73526	5-15	73591	5-32
73527	5-15	73592	5-32
73528	5-15	73593	5-32
73529	5-15	73594	5-32
73530	5-15	73595	5-32
73531	5-15	73596	5-32
73532	5-15	73597	5-32
73533	5-17	73598	5-32
73534	5-17	73599	5-32
73535	5-17	73600	5-32
73536	5-19	73601	5-32
73537	5-19	73602	5-32
73538	5-19	73603	5-32
73539	5-19	73604	5-32
73541	5-19	73605	5-33
73543	5-19	73606	5-33
73544	5-19	73607	5-33
73545	5-19, 5-21	73610	5-33
73546	5-19	73614	5-33
73547	5-19, 5-21	73615	5-33
73548	5-19	73616	5-33
73549	5-19	73618	5-34
73550	5-19	73619	5-34
73551	5-19, 5-21	73620	5-34
73552	5-19	73621	5-34
73553	5-19	73622	5-34
73554	5-23	73623	5-34
73555	5-23	73624	5-34
73557	5-23	73625	5-34
73558	5-23	73626	5-34
73559	5-23, 5-25	73627	5-35
73560	5-23	73628	5-35
73561	5-27	73629	5-35
73562	5-27	73630	5-35
73563	5-27	73631	5-35
73565	5-27	73632	5-36
73566	5-29	73633	5-36
73567	5-29, 5-31	73634	5-36
73568	5-29, 5-31	73635	5-36
73569	5-29, 5-31	73636	5-36
73570	5-29, 5-31	74092	4-16

## CROSS REFERENCE

Part Number	Page Number	Part Number	Page Number
74094	4-16, 4-17, 4-18	74314	2-53
74095	4-16, 4-17	74320	3-51
74096	4-16	74327	3-51
74097	4-16, 4-20	74352	2-59
74098	4-11, 4-13, 4-15, 4-17	74353	2-59
74099	4-17	74355	2-67
74100	4-17, 4-18	74358	2-63
74101	4-18	74374	3-35
74102	4-18	74375	3-35
74103	4-20	74379	3-35
74105	4-20, 4-21	74380	3-35
74106	4-20	74381	3-35
74108	4-20	74382	3-35
74109	4-20, 4-21	74383	3-35
74110	4-20, 4-21	74391	2-45, 2-47, 2-67, 2-69
74111	4-20, 4-21	74395	2-37
74112	4-20, 4-21	74398	2-81
74113	4-20	74401	2-37
74114	4-20	74405	2-27, 5-21
74115	4-20	74406	2-35
74116	4-20	74409	2-59
74117	4-20	74419	2-63, 4-25
74118	4-20	74421	3-51
74121	4-9, 4-11	74428	3-21
74122	4-9, 4-11, 4-13, 4-15	74429	3-19
74123	4-9, 4-11, 4-13, 4-15	74430	3-19
74124	4-9, 4-11	74431	3-19
74125	4-9, 4-11, 4-13, 4-15	74433	3-23
74126	4-24	74434	2-61
74127	4-24	74435	2-25
74137	4-9, 4-11, 4-13, 4-15	74438	3-29
74143	4-5	74439	3-29
74162	2-41, 4-13	74451	2-31
74165	4-13, 4-15	74452	2-31
74166	4-13, 4-15	74453	2-33
74167	4-13, 4-15	74454	2-73
74168	4-11, 4-13, 4-15	74456	2-11
74170	4-13	74466	2-86, 4-5
74171	4-13, 4-15	74468	2-71, 4-17
74172	2-19, 4-21	74469	4-7
74174	4-17	74475	2-49
74180	4-7	74491	2-11
74181	4-21	74493	2-11
74182	4-21	75028	2-65
74190	4-21	75128	2-16
74195	4-21	75430	2-49
74216	4-3	76315	2-86
74218	4-21	76316	2-83, 2-85
74225	4-7	77002	2-33, 2-35
74226	4-7	77097	2-55, 2-63
74229	4-7	77399	2-22
74230	4-7	78143	2-74, 2-81
74233	4-19	78787	2-55
74235	4-7	79040	2-81
74237	4-7	79399	2-25
74248	4-5, 4-7	79425	2-2, 2-61
74249	4-11, 4-13, 4-15	79769	2-86, 4-7
74250	4-17, 4-18	79785	4-23
74251	4-21	79786	4-23
74304	2-5	79787	4-23
74310	2-59	79788	4-23



## CROSS REFERENCE

Part Number	Page Number	Part Number	Page Number
79789	4-23	86751	2-47
79790	4-23	86791	2-51
79791	4-23	87319	2-19
79792	4-23	87337	2-57
79793	4-23	87396	2-33, 2-35
79794	4-23	87536	2-21
79795	4-23	87583	2-23
79796	4-23	87631	2-71
79798	4-23	87676	2-13
79799	4-23	87677	2-55
79800	4-23	87738	2-35
79801	4-23	87866	2-21
79802	4-23	87948	3-3
79803	4-23		
79804	4-23		
79805	4-23		
79806	4-23		
79807	4-23		
79808	4-23		
79812	4-23		
79813	4-23		
79815	4-23		
79820	4-23		
79821	4-23		
79828	4-15		
79893	5-4		
82063	3-4, 3-6, 3-8		
82196	3-46		
82200	3-5, 3-7, 3-9		
82334	3-49		
82475	2-61		
82483	2-53		
82509	2-35		
82661	2-31		
82731	2-30		
82739	2-87		
82831	2-71		
84578	2-31		
84581	2-65		
84624	2-85		
84625	2-25		
84631	5-5		
84635	5-27, 5-31		
84636	5-32		
84638	5-23		
84644	5-27		
84646	5-3		
84647	5-3		
84648	5-31		
84649	5-31		
84650	5-31		
84651	5-31		
84660	3-56		
85305	3-56		
86041	2-30		
86240	2-45, 2-47, 2-69		
86330	2-33, 3-4, 3-5		
86331	2-33, 2-59, 3-8, 3-9		
86332	3-3, 3-4, 3-5, 3-8, 3-9		
86333	3-6, 3-7		
86381	2-19		

**PART DESCRIPTION TO PAGE NUMBER CROSS REFERENCE LIST**

**Numbers**

355L Oper/ Video VHS, 3-56

**A**

Actuator Assy, 12V, 3-51  
 Actuator, 12V 4.0Strk 250Lb, 3-49  
 Actuator, Governor, 2-25  
 Adaptor Wldt, Vac Wand, 3-31  
 Adaptor, Flywheel Hsg, Kubota, 2-27  
 Air Cleaner, 2-29  
 Alarm Kit, Bu A/v 355L, Cab with Pressurizer, 3-13  
 Alarm Kit, Bu A/v 355L, Cab, 3-11  
 Alarm Kit, Bu A/v 355L, 2-89  
 Alternator, 50A/12V Mando, 2-30  
 Altrntr Pulley Md, 2-30  
 Angle, Cable Keeper, 2-45, 2-47, 2-67, 2-69  
 Angle, Door Jamb, Lower, Rear, 3-19  
 Angle, Door Jamb, 3-19  
 Angle, Filler, 3-55  
 Angle, Hopper, 2-53  
 Angle, Stop, 3-33, 3-35  
 Arm Assy, Hopper w/label, 2-63  
 Arm Assy, Lift, 2-65  
 Arm Assy, Safety w/label, 2-63  
 Arm Wldt, Brush, Lh, 2-71  
 Arm Wldt, Idler, W/Brush, 2-71  
 Arm Wldt, 3-49  
 Arm, Alternator, 2-30  
 Arm, Control, Pintle, 2-51  
 Arm, Water Control, 3-27  
 Arm, Windshield Wiper, Panto, 3-23  
 Arm, 2-51  
 Armature, 5-19  
 Armrest Assy,Lh& Rh, 2-9  
 Armrest Cab, 3-21  
 Assembly Apparatus, Idle, 5-33  
 Assembly Bolt, Adjusting, 5-33  
 Assembly Camshaft, 5-13  
 Assembly Cartridge, Oil, 5-7  
 Assembly Case, Main Bearing 1, 5-9

Assembly Case, Main Bearing 2, 5-9  
 Assembly Case, Main Bearing 3, 5-9  
 Assembly Case, Main Bearing, 5-9  
 Assembly Cock, Drain, 5-3  
 Assembly Connecting Rod, 5-15  
 Assembly Lever, Fork, 5-35  
 Assembly Pipe, Over Flow, 5-23  
 Assembly Piston Ring 05, 5-15  
 Assembly Piston Ring, 5-15  
 Assembly Plate, Control, 5-34  
 Assembly Pump, Water, 5-8  
 Assembly Rocker Arm, 5-12  
 Assembly Rotor, Oil Pump, 5-7  
 Assembly Seal, Mechanical, 5-8  
 Assembly Shaft, Governor, 5-32  
 Assembly Shaft, R-arm, 5-12  
 Assembly Starter, 5-19  
 Assembly Tappet, 5-29, 5-31  
 Assembly Thermostat, 5-36  
 Assembly Washer, Adjust, 5-25  
 Assy Armature, 5-21  
 Assy Bolt, 5-21  
 Assy Holder, Brush, 5-21  
 Assy Starter, 5-21  
 Assy Switch, Magneto, 5-21  
 Assy Yoke, 5-21

**B**

Back Plate Assembly, 4-8  
 Backplate Assy Ce, 4-5, 4-7  
 Backplate Assy, 4-3  
 Ball, Check, 4-20  
 Ball, 4-9, 4-11, 4-13, 4-15, 4-23, 5-7, 5-15, 5-19, 5-21  
 Balljoint .250-28, 2-15, 2-25  
 Balljoint, Rod End, 2-41  
 Band, Pipe, 5-23, 5-36  
 Bar, Hex, 3-51  
 Bar, Link, 2-55  
 Bar, Shaker, 2-61  
 Bar, Spring, Shaker, 2-61  
 Bar-Flt .06T 1.00W 4.00L,Rbr, 2-2, 2-61

## CROSS REFERENCE

Bar-Flt .06T 4.00W 5.00L,Rbr, 2-2, 2-61  
Battery, 12V, Cc Amps:600 Wet, 2-39  
Battery, 12V, Ccamps: 600 Dry, 3-41  
Bearing Cam, 4-5, 4-7  
Bearing Kit, Thrust, 4-3  
Bearing Thrust, 4-18  
Bearing, Ball, 5-8, 5-19, 5-32, 5-35  
Bearing, Bronze, 2-25  
Bearing, Flange .625 Bore, 2-49  
Bearing, Flange, 0.50 Bore, 2-13  
Bearing, Flange, 1.00 Bore, 3-51  
Bearing, Flange, 1.50 Bore, 3-51  
Bearing, Flange, 2-11, 2-13  
Bearing, Inner Race, 4-3  
Bearing, Journal 1.25 Idx1.0Lg, 2-63  
Bearing, Journal 1.50 Dia, 3-51  
Bearing, Journal, 2-49  
Bearing, Needle, 4-20, 4-21  
Bearing, Roller, 4-3  
Bearing, Self Aligning, 2-69  
Bearing, Thrust .62X1.25X.06, 2-49  
Bearing, Thrust, 2-49, 4-7  
Bearing, Trunnion, 4-3  
Bearing&Clr ,1.25B 2.44D 1.41W, 2-71  
Bearing-Ball, .669B 1.575D 0.472W, 2-30  
Bearing-Ball,1.38B 2.83D 0.67W, 2-71  
Bearing-Cone, 1.38Bore 0.71Wth, 2-41, 2-45  
Bearing-Cup , 2.56Dia 0.55Wth, 2-41, 2-45  
Bearing-Flange,2 Hole .625Bore, 2-55  
Bearing-Self Align 1.250 Bore, 2-55, 2-63  
Bearing, 4-16, 5-21  
Bellows Assy, Brush Lift, 2-69  
Bellows Assy, Valve, 2-22  
Belt, Seat, 3-36  
Belt, V Hc41 X 41, 2-30  
Blade, Deflector, 2-5  
Blade, Windshield Wiper, 18", 3-23  
Block, Fuse, 2-19  
Block, Pivot (Repl. By 72179), 2-13  
Block, Pivot (Replaced By 72179), 2-11  
Blower Kit, W/Ohg, 3-29  
Blower, Assy, 3-25  
Body and Gear Kit, .50 CIR, 4-8  
Body and Gear Kit, .66 CIR, 4-8  
Bolt. Bearing Case 2, 5-9  
Bolt, Adjusting, 5-33  
Bolt, Bearing Case 1, 5-9  
Bolt, Connecting Rod, 5-15  
Bolt, Cylinder Head, 5-5  
Bolt, Flywheel, 5-17  
Bolt, Hook, Rh, 2-11  
Bolt, Latch, 2-16, 3-21  
Bolt, Through, 5-19  
Bolt-Carrm 8X1.25 40 4.6 Pltd, 2-5  
Bolt-Eye, .25-20Th .25B 1.4L, 2-51  
Bolt-Eye, .25-20Zinc.56D 2.00L, 2-53  
Bolt-U, 1.13 ID, 3-27  
Bolt, 4-9, 4-11, 4-13, 4-15, 5-4, 5-5, 5-7, 5-8, 5-9,  
5-11, 5-13, 5-15, 5-17, 5-19, 5-21, 5-27, 5-32,  
5-33, 5-34, 5-35, 5-36  
Boot - Circuit Breaker, 3-3  
Boot, Batt. Term. 1-2 Ga Black, 2-39  
Boot, Batt. Term. 1-2 Ga Red, 2-39  
Boot, Circuit Breaker, 3-54  
Boot, Rubber, 2-25  
Boot-Circuit Breaker, 2-23, 3-23, 3-25  
Bracket Assy, Isolator, 2-51  
Bracket Repl Kit, Switch, 2-89  
Bracket Replacement Kit, Taillight, 2-5  
Bracket Sppt, Control Rod, 2-49  
Bracket Wldt, Filter, 2-61  
Bracket Wldt, Hpr Cvr Sprng, 2-59  
Bracket Wldt, Light, Rotating, 2-89, 3-6, 3-7  
Bracket Wldt, Mtg, Actuator, 2-25  
Bracket Wldt, Mtg, Engine, 2-27  
Bracket Wldt, Mtg, Motor, 3-49  
Bracket Wldt, Mtg, Steering,Lh, 2-19  
Bracket Wldt, Mtg, Steering,Rh, 2-19  
Bracket Wldt, Notched, 2-19  
Bracket Wldt, S Br, 2-67  
Bracket Wldt, Support, Blower, 3-29  
Bracket Wldt, Taillight, 2-5  
Bracket Wldt, Valve, 2-19  
Bracket Wldt,Mtg,Eng, Rear, Rh, 2-27  
Bracket Wldt,Mtg,Eng,Rear, Lh, 2-27

- Bracket Wldt, 2-61
- Bracket, Alarm, Back-Up, 3-11
- Bracket, Alternator, 2-30
- Bracket, Back-Up Alarm, 3-19
- Bracket, Bumper Stop, 3-3
- Bracket, Bumper, Aux S B, 3-51
- Bracket, Bumper, 2-57
- Bracket, Cable Spring, 2-59
- Bracket, Cable, 3-51
- Bracket, Deflector, Eng Cover, 2-15
- Bracket, Deflector, 3-47
- Bracket, Door, 2-16, 2-57
- Bracket, Drain Hose Clamp, 2-25
- Bracket, Filter, 2-61
- Bracket, Flap, Recirculation, 2-5
- Bracket, Flasher, 2-89, 3-3, 3-11, 3-13
- Bracket, Grille, 2-11, 2-13
- Bracket, Gusset, Corner, Lh, 2-57, 2-59
- Bracket, Gusset, Corner, Rh, 2-57, 2-59
- Bracket, Hanger, Muffler, 2-31
- Bracket, Inside, 2-9
- Bracket, Latch, Bolt, Eng Cover, 2-15
- Bracket, Latch, Bolt, 3-21
- Bracket, Latch, Door, 2-16
- Bracket, Latch, 2-15
- Bracket, Light, SBDC, 3-3
- Bracket, Motor, 2-65
- Bracket, Mounting Motor, 2-73
- Bracket, Mounting, Filter, 2-35
- Bracket, Mtg. Latch, 2-11
- Bracket, Mtg, Air Cleaner, 2-29
- Bracket, Mtg, Back-Up Alarm, 2-89
- Bracket, Mtg, Filter, 2-33
- Bracket, Mtg, Hinge, Lh, 2-7
- Bracket, Mtg, Hinge, Rh, 2-6
- Bracket, Mtg, Latch (Replaced By 74456), 2-11
- Bracket, Mtg, Latch, 2-13
- Bracket, Mtg, Light, Ohg, 3-4, 3-5
- Bracket, Mtg, Spring, 2-57
- Bracket, Mtg, Tube, 3-29
- Bracket, Mtg, Valve, 2-83, 2-85
- Bracket, Propel, 2-51
- Bracket, Radiator Mount, 2-37
- Bracket, Rear Grill Stop Bolt, 2-13
- Bracket, Repl Kit, Latch, 2-15
- Bracket, Rocker Arm, 5-12
- Bracket, Sbdc, 3-33, 3-35
- Bracket, Side Brush, 2-67
- Bracket, Speed Limiter, 2-49
- Bracket, Stop Bolt, Rear Grill, 2-11
- Bracket, Switch, 3-3
- Bracket, Tiedown, 3-46
- Bracket, Valve, 3-27
- Bracket, 2-9, 2-67, 2-69
- Brake Assy, 2-45
- Brake Repair Kit, 2-45
- Brake Shoes, 2-45
- Breaker - Circuit, 15 Resetbl, 3-54
- Breaker-Circuit, 2.5 Resetbl, 2-23
- Breaker-Circuit, 15 Resetbl, 2-23, 3-23, 3-25
- Breather, Hyd Cap (Includes Gasket), 2-81
- Breather, Hyd, 20 Micron, 2-81
- Breather, Hyd, 2-81
- Brg, Brake, 2-47
- Brg, Snap In - Nyliner .38 Id, 3-29
- Brush-Side Swp -23 Dia-Flatwire, 2-3
- Brush-Side Swp -23 Dia-Nylon, 2-3
- Brush-Side Swp -23 Dia-Poly, 2-3
- Brush-Sweep Spl-45Lg-24 Single Row-Fiber and Wire, 2-3
- Brush-Sweep Spl-45Lg-24 Single Row-Nylon, 2-3
- Brush-Sweep Spl-45Lg-5 Double Row-Nylon, 2-3
- Brush-Sweep Spl-45Lg-8 Double Row-Nylon, 2-3
- Brush-Sweep Spl-45Lg-8 Double Row-Poly and Wire, 2-3
- Brush-Sweep Spl-45Lg-8 Double Row-Poly, 2-3
- Brush-Sweep Spl-45Lg-8 Double Row-Wire, 2-3
- Brush-Sweep Spl-45Lg-Wedg Poly, 2-3
- Brush, 5-19
- Bshg, Flange, 3-33, 3-35
- Bulb #53 12V, 3-3
- Bulb GE, 3-15
- Bulb, 12V .9A 15Cp#1004, 2-89, 3-11, 3-13
- Bulb, #194, 3-3
- Bulb, 12V .5A 4CP#1157, 2-5

## CROSS REFERENCE

Bulb, General Electric, 3-4, 3-5, 3-6, 3-7, 3-8, 3-9  
Bulb, 3-23  
Bumper Wldt, Aux S Br, Front, 3-51  
Bumper Wldt, Aux S Br, Rear, 3-51  
Bumper Wldt, Front, 2-57, 2-59  
Bumper, Pressurizer, 3-25  
Bumper, Safety Arm, 2-63  
Bumper, Threaded, 2-51  
Bumper, 3-51  
Bush, Governor Gear, 5-3  
Bush, Idle Gear, 5-13  
Bush, Piston Pin, 5-15  
Bushing, Isolator-Inner,Rbr., 2-83, 2-85  
Bushing, 4-23

### C

Cab Wldt, 3-19  
Cable, .06D X 5.75, 3-21  
Cable, 9" Bundle Dia, 2-5  
Cable, Brake, Service, 2-45  
Cable, Cover, Safety, 2-59  
Cable, Door, Access, 2-57, 3-21  
Cable, Lift, M Br, 2-69  
Cable, Lift, S Br, 2-67  
Cable, Motor Bracket, 3-49  
Cable, Parking Brake, 2-47  
Cable, 2-9, 3-51  
Cabletie Mount, Adhesive, 2-87, 2-89, 3-4, 3-5, 3-8, 3-9, 3-11, 3-13  
Cam, Fuel, 5-32  
Cam, 2-51  
Camplate Ce, 4-5, 4-7  
Camshaft, Fuel, 5-32  
Cap Assembly, 4-23  
Cap, End, 4-20, 4-21  
Cap, Fuel, 2-35  
Cap, Gas, 2-33  
Cap, Hub, 2-45  
Cap, Hyd Reservoir W/dipstick, 2-81  
Cap, Radiator, 2-37  
Cap, Screw Cl, 4-17  
Cap, Screw, 4-17, 4-20, 4-21  
Cap, Sealing, 5-3, 5-5  
Cap, Valve Stem, 2-43, 3-44  
Cap, Valve, 5-12  
Cap, 5-33  
Cartridge, Solenoid Valve, 4-19  
Catch-No-Strike, 3-25  
Chain, Link#2/0, 5Links Plain, 2-5  
Chain,Jack#12, 6Links,Znc, 3-31  
Channel Wldt, Corner Post, 2-11  
Channel Wldt, Heater, 3-27  
Channel Wldt, Lh, 2-57  
Channel Wldt, Rh, 2-57  
Channel Wldt, Support, 3-51  
Channel, Mtg, Radiator, 2-37  
Channel, Retainer, Seal, Rear, 2-5  
Channel, Rigid, 3-19, 3-21  
Channel,Flexible,L,H, 3-19  
Channel,Glassrun,Flx#B127, 110, 3-21  
Check Kit, LD DK, 4-24  
Chrome Pltd Cam Shft, 2-45  
Cir-clip, External, 5-12, 5-35  
Cir-clip, Governor Shaft, 5-32  
Cir-clip, Idle Gear, 5-13  
Cir-clip, Piston Pin, 5-15  
Circuit Breaker, 15 Resetbl, 3-3  
Clamp - Cable, .69 Dia .62 Wth, 2-5  
Clamp Assembly Dn, 2-29  
Clamp Wldt, Tube, Blower Wand, 3-29  
Clamp, Cable .44D .62 Wide, 3-3  
Clamp, Cable .44D .62Wide, 2-53, 2-57, 3-15  
Clamp, Cable, 0.25 Dia 0.56 wth, 3-25  
Clamp, Hose, Double, .437 Hole, 3-51  
Clamp, Hose, 2-5, 2-13, 2-19, 2-65, 2-71, 3-49  
Clamp, Pipe 1, 5-23  
Clamp, Pipe 2, 5-23  
Clamp,Mounting,Cyclopac Aircl., 2-29  
Clamp-Cable, .69Dia. .62Wth, 2-39  
Clamp-Cable, 0.25 Dia 0.56 Wth, 2-33  
Clamp-Cable, 0.25Dia 0.56Wth, 2-35, 2-61, 2-87  
Clamp-Cable, 0.38Dia 0.38Wth, 3-31  
Clamp-Cable, 0.69 Dia 0.62 Wth, 2-33  
Clamp-Cable, 1.00Dia. .62Wth, 2-22

Clamp-Cable, 1.50d 1.00w Stl, 2-81  
Clamp-Cable, 2.25Dia 1.00Wth, 2-13, 2-19  
Clamp-Cable, 2.50Dia 1.0Wth Ss, 2-41  
Clamp-Cable,.69Dia. 62Wth, 2-35  
Clamp-Muffler,For 1.62 Od Tube, 2-31  
Clamp-Wormdrive, 0.25- 0.62D, 2-33, 2-35  
Clamp-Wormdrive, 0.56- 1.06D, 3-27  
Clamp-Wormdrive, 0.81- 1.50D, 2-37, 3-27  
Clamp-Wormdrive, 1.06- 2.00D, 2-37  
Clamp-Wormdrive, 1.62- 3.50D, 3-29  
Clamp-Wormdrive, 1.81- 2.75D, 2-29  
Clamp-Wormdrive, 3.56- 4.50D, 2-61, 3-29  
Clevis, Adjustable, 2-45  
Clip (Replaced By None), 2-11  
Clip Safety, 2-59  
Clip, Cable, 2-45  
Clip, Keeper, Open, 2-25, 2-27, 2-29  
Clip, Pine-tree .236h Plastic, 2-22  
Clip, Safety, 3-49  
Clip, Spring, 2-15  
Clip-Finger Grip, 3-31  
Clutch, Over Running, 5-21  
Clutch, 5-19  
Coil, 4-19  
Collar 1, 5-35  
Collar, Crankshaft, 5-15  
Collar, Idle Gear 1, 5-13  
Collar, Idle Gear 2, 5-13  
Collar, Locking, 2-55  
Collet, Valve Spring, 5-12  
Column, Steering, 2-19  
Comp Idle Gear 1, 5-13  
Comp. Case, Gear, 5-7  
Comp. Crankcase, 5-3  
Comp. Crankshaft, 5-15  
Comp. Cylinder Head, 5-5  
Comp. Flange, Water, 5-36  
Comp. Flywheel, 5-17  
Comp. Lever, Fork 1, 5-35  
Comp. Lever, Governor, 5-34  
Comp. Oil Pan (Rear Sump), 5-4  
Comp. Weight, Governor, 5-32  
Cone, 4-23  
Control Assembly, 4-20  
Control Box, Governor, Die, 2-19  
Cooler, Hyd 365, 2-13  
Cord, Glow Plug, 5-23  
Cord, Sponge, 2-2, 2-53  
Core, Heater, 3-27  
Coupling Assy, Flywheel, 2-27  
Cover Assy, Hopper (Repl. By 84570), 2-57  
Cover Weldt, Engine, Blower Wand, 3-29  
Cover Wldt Replacement Kit, 3-23  
Cover Wldt, Engine, 2-15  
Cover Wldt, Press & Alarm, 3-13  
Cover Wldt, Pressurizer, w/Back-Up Alarm, 3-25  
Cover Wldt, Sbdc, 3-33, 3-35  
Cover Wldt, Sppt, Seat, 2-9  
Cover Wldt, 3-23  
Cover, Bearing Case, 5-9  
Cover, Bracket, Armrest, 3-21  
Cover, Cord, 5-19  
Cover, Cylinder Head, 5-10  
Cover, Fork Lever Shaft, 5-35  
Cover, Heater, 3-27  
Cover, Hopper, 2-59  
Cover, Hydraulic Pump, 5-33  
Cover, O-Ring Ce, 4-7  
Cover, O-Ring Ce, 4-5  
Cover, Oil Pump, 5-7  
Cover, Rocker Switch Seal, 3-23, 3-25, 3-27, 3-54  
Cover, Steering, 2-19  
Cover, Thermostat, 5-36  
Cover, Trunion Ce, 4-5, 4-7  
Cover, 4-5, 4-7, 5-7, 5-21, 5-33  
Cplt Brush Kit Md, 2-30  
Cup Assembly Dn, 2-29  
Cylinder Head Assy, 5-5  
Cylinder, Hydraulic, 4-25, 4-26  
Cylinder-Hyd (See Breakdowns), 2-41, 2-63  
Cylinder-Hyd,2.0X 4.0Da2500Psi, 2-55

## CROSS REFERENCE

### D

Dampner, Engine, 2-27  
Detent Adaptr, 4-23  
Detent Kit, Spool #1, 4-24  
Detent Kit, Spool #2, 4-24  
Door Wldt, Brush, Lh, 2-7  
Door Wldt, Brush, Rh, 2-6  
Door Wldt, Cab, 3-21  
Door Wldt, Dump, 2-53  
Door Wldt, 2-16  
Door, Access w/label, 2-57  
Door, Dust, 2-55  
Dowel,Cyl.Block To Flywhl.Hsg., 2-27  
Draincock,End.Block, 2-37  
Drive Shaft, 4-8  
Drive, 4-9, 4-11, 4-13, 4-15, 4-16, 4-17, 4-18, 4-20, 4-21  
Duct, Outlet, Blower Wand, 3-29  
Duct, Vinyl .40X.75X10.0 .25D, 2-33  
Duct, Vinyl .40X.75X16.0 .25D, 2-33, 2-59  
Duct, Vinyl .40x.75x26.0 Lg .25D, 3-3  
Duct, Vinyl 10.0 In., 3-5  
Duct, Vinyl 10.0 In, 3-4  
Duct, Vinyl 16.0 In., 3-8, 3-9  
Duct, Vinyl 24.0, 3-19  
Duct, Vinyl 26.0 In., 3-4, 3-5, 3-8, 3-9  
Duct, Vinyl 3.5 In., 3-6, 3-7  
Duct, Vinyl 6.0 In., 3-4, 3-5  
Duct, Vinyl, 2-33  
Dust Control Kit Side Brsh 355L, 3-35  
Dust Control Kit Side Brsh 355, 3-33

### E

Element Kit, Air, Safety, 3-39  
Element, Air Filter, 2-2, 2-29  
Element, Breather, 5-10  
Element, Safety, 3-39  
End Cap, 4-16, 4-18  
Engine Assy (See Engine Breakdown) (Repl. by 74435), 2-25  
Engine Assy (See Engine Breakdown) (Repl. by 84625), 2-25  
Engine, Diesel Kubota E Series (See Engine

Breakdown), 2-25

Extinguisher Kit Fire 355L, 3-40  
Extinguisher, Fire, 3-40

### F

Fan Assy, Defroster, 3-27  
Fan Wldt, Vac w/gaskets, 2-73  
Fan Wldt, Vac, Inlet w/gasket, 2-73  
Fan Wldt, Vac, Transition, 2-73  
Fan, Pusher, 2-30  
Fastener, Clip-Louver, 3-25  
Filter Assy, Spin-On 10Micron, 2-13  
Filter Element Ph, 2-2, 2-13  
Filter Pkg, Panel, 94 Pleats, 2-61  
Filter, Fuel, Die, 2-33  
Filter, Fuel, Element, 2-2, 2-33, 2-35  
Filter, Fuel, 2-2, 2-33  
Filter, Fueldiesel, 2-35  
Filter, Oil-oil Pick Up Tube, 5-4  
Filter, Oil, 2-2  
Filter, Panel 5.25 X 18.5 X 2, 3-25  
Finger Pull, 3-19, 3-21  
Fitting Assy, Fuel, 2-33, 2-35  
Fitting, Brass E90, 2-35  
Fitting, Tee, 3-27  
Flange Mounting, 4-17  
Flange, Mounting, 4-16, 4-18  
Flange, Sleeve, 5-29, 5-31  
Flange, Water Pump, 5-8  
Flange,Brg,3 Hole, 2-71  
Flap, Tire-Tube ,570/500-8, 3-44  
Flap, Tube, 2-43  
Flasher, 12V, 2-89, 3-11, 3-13  
Flasher, Heavy Duty, 3-3  
Fluid, Hyd Oil, Shp 15/40 1Gal, 2-2  
Foam, Acoustic, Hopper, 2-61  
Foam, Door, Engine, Side, 2-16  
Foam, Engine Cover, Bottom, 2-15  
Foam, Engine Cover, 2-15  
Foam, SBDC, L.H., 3-33, 3-35  
Foam, SBDC, R.H., 3-33, 3-35  
Frame Wldt, Main, 2-5

Frame, Drive End, 5-21  
 Frame, End, 5-19, 5-21  
 Ftg, Breather, 2-87  
 Ftg, Grease .25-28Th Strt .63L, 2-55  
 Ftg, Grease.25-28Th Strt .63L, 2-41  
 Ftg-Brs E45 Pm02/Pf02, 2-25  
 Ftg-Brs E90 Bm05/Pm02, 2-35  
 Ftg-Brs E90 Em10/Pm08, 3-27  
 Ftg-Brs E90 lf03/Pm02, 2-35  
 Ftg-Brs E90 lf05/Pm02, 2-35  
 Ftg-Brs E90 Pm02/Bm03, 2-33  
 Ftg-Brs Str Bm03/Pm02, 2-87  
 Ftg-Brs Str Em10/Pm06, 3-27  
 Ftg-Hyd E45 Jm04/Jf04, 2-55  
 Ftg-Hyd E45 Jm06/Om06, 2-19  
 Ftg-Hyd E45 Jm08/Om08, 2-83  
 Ftg-Hyd E45 Jm12/Om12, 2-13  
 Ftg-Hyd E90 Jm08/Om08, 2-74  
 Ftg-Hyd E90 Jm08Om08L, 2-74  
 Ftg-Hyd E90 Jm12/Jf12, 2-74  
 Ftg-Hyd E90 Jm04/Jf04, 2-85  
 Ftg-Hyd E90 Jm04/Om04, 2-55, 2-63  
 Ftg-Hyd E90 Jm04/Om06, 2-83  
 Ftg-Hyd E90 Jm06/Jf06, 2-65  
 Ftg-Hyd E90 Jm06/Om06, 2-41  
 Ftg-Hyd E90 Jm08/Om06, 2-83  
 Ftg-Hyd E90 Jm08/Om08, 2-85, 2-86  
 Ftg-Hyd E90 Jm08/Om10, 2-81  
 Ftg-Hyd E90 Jm10/Jf10, 2-83, 2-85  
 Ftg-Hyd E90 Jm10/Om08, 2-85  
 Ftg-Hyd E90 Jm10/Om12, 2-86  
 Ftg-Hyd E90 Jm12/Om12, 2-13  
 Ftg-Hyd E90 Pm04/Jm04, 2-33, 2-35  
 Ftg-Hyd Plg Jm08, 2-81  
 Ftg-Hyd Plg Jm12, 2-25  
 Ftg-Hyd Plg Om06, 2-81  
 Ftg-Hyd Plg Om10, 2-81  
 Ftg-Hyd Rst Jm04/.047, 2-63  
 Ftg-Hyd Ste Jm04/Om04, 2-41  
 Ftg-Hyd Str Jm06/Jf08, 2-74  
 Ftg-Hyd Str Jm08/Jf12, 2-74  
 Ftg-Hyd Str Jm10/Jf12, 2-74  
 Ftg-Hyd Str Jm12/Om08, 2-74  
 Ftg-Hyd Str Jm04/Jf06, 2-86  
 Ftg-Hyd Str Jm04/Jf08, 2-85, 2-86  
 Ftg-Hyd Str Jm04/Om04, 2-55  
 Ftg-Hyd Str Jm04/Om06, 2-83, 2-85  
 Ftg-Hyd Str Jm06/Jf10, 2-83, 2-85  
 Ftg-Hyd Str Jm06/Jm06, 3-49  
 Ftg-Hyd Str Jm06/Om06, 2-81  
 Ftg-Hyd Str Jm06/Om08, 2-71  
 Ftg-Hyd Str Jm06/Om10, 2-65, 2-86, 3-49  
 Ftg-Hyd Str Jm06Om06L, 2-83, 2-85  
 Ftg-Hyd Str Jm08/Jf12, 2-81  
 Ftg-Hyd Str Jm08/Om08, 2-71, 2-83  
 Ftg-Hyd Str Jm08/Om10, 2-86  
 Ftg-Hyd Str Jm10/Om08, 2-83  
 Ftg-Hyd Str Jm10/Om12, 2-41, 2-86  
 Ftg-Hyd Str Jm20/Om20, 2-81, 2-86  
 Ftg-Hyd Str Pm02/Jm04, 2-33  
 Ftg-Hyd Str Pm04/Pf02, 2-33  
 Ftg-Hyd Str Special Om06/Om06, 2-83, 2-85  
 Ftg-Hyd Tee Jm04Omjfm, 2-74  
 Ftg-Hyd Tee Jm08Jmjf, 2-74  
 Ftg-Hyd Tee Jm12JmJf, 2-74  
 Ftg-Hyd Tee Jm12Jmjmb, 2-74  
 Ftg-Hyd Tee Jm04Jmbjm, 2-55  
 Ftg-Hyd Tee Jm06Jmom, 2-83, 2-85  
 Ftg-Hyd Tee Jm06Omjfm, 2-86  
 Ftg-Hyd Tee Jm08Jfjm, 2-86  
 Ftg-Hyd Tee Jm08jmjf, 2-85  
 Ftg-Hyd Tee Jm10JfJm, 2-83, 2-85  
 Ftg-Hyd Tee Jm12Jmom, 2-81  
 Ftg-Hyd Tee Special Of06Of0f, 2-83, 2-85  
 Ftg-Metric E90 Omm22/Jm12, 2-25  
 Ftg-Plug Npt 02Pm Sq Hd, 2-35  
 Fuel Pump Cover Plate, 5-27  
 Fuelline, 2-35  
 Fuse, 40 Amp, 2-19



## CROSS REFERENCE

### G

Gas Cap, Protectoseal, 3-37  
Gasket Ku, 5-11  
Gasket Set, Lower, 5-4  
Gasket Set, Upper, 5-5  
Gasket, 2.7D 1.5B.12T 5/ 2.1Bc, 2-33  
Gasket, Bearing Case Cover, 5-9  
Gasket, Bearing Case, 5-9  
Gasket, Cap, 2-81  
Gasket, Cyclinder Head, 5-5  
Gasket, Delivery Valve, 5-29, 5-31  
Gasket, Ex-manifold, 5-11  
Gasket, Fuel Pump, 5-27  
Gasket, Gear Case, 5-7  
Gasket, H/Meter Unit, 5-7  
Gasket, Head Cover, 5-10  
Gasket, Hyd Tank Breather, 2-81  
Gasket, In-manifold, 5-11  
Gasket, Oil Pan, 5-4  
Gasket, Thrtl Blk, 5-33  
Gasket, Water Flange, 5-36  
Gasket, Water Pump, 5-8  
Gasket, 5-3, 5-4, 5-10, 5-23, 5-29, 5-31, 5-33, 5-34,  
5-35, 5-36  
Gauge, Oil, 5-4  
Gear, Camshaft, 5-13  
Gear, Crankshaft, 5-15  
Gear, Governor, 5-32  
Gear, Injection Pump, 5-32  
Gear, Oil Pump Drive, 5-15  
Gear, Ring, 5-17  
Gear, 5-19, 5-21  
Geroler, 4-11, 4-13, 4-15  
Geroter & Coupler, 4-5, 4-7  
Gerotor and Coupler Assembly, 4-3  
Gerotor Set, 4-16, 4-17, 4-18, 4-21  
Gerotor, 4-9, 4-20  
Grille, Left, 2-13  
Grille, Right Std, 2-11  
Grom.,Rbr,1.06Id,For.19Matl L, 3-51  
Grommet, Rbr, 0.38Id, For .19Matl, 3-33  
Grommet, Rbr, 0.69 ID, 2-89, 3-4, 3-5, 3-6, 3-7, 3-8,  
3-9, 3-11, 3-13

Grommet, Rbr, For .19Matl 1.06 ID, 2-57  
Grommet, Rubber, 3-19  
Grommet,Rbr, 0.38 In, 3-23  
Grommet,Rbr, 0.56 In, 3-8, 3-9, 3-11, 3-13  
Grommet,Rbr,0.25Id,For .09Matl, 2-21  
Grommet,Rbr,0.38Id,For .12Matl, 3-27  
Grommet,Rbr,0.56Id,For .13Matl, 2-89, 3-6, 3-7  
Grommet,Rbr,0.62Id,For .06Matl, 2-87  
Grommet,Rbr,0.63Id,For .13Matl, 3-4, 3-5  
Grommet,Rbr,0.69Id,For .25Matl, 3-25  
Grommet,Rbr,1.06Id,For .19Matl, 2-59  
Grommet,Rbr,1.50Id,For .19Matl, 2-37  
Grommet,Rbr,1.62Id,For .13Matl, 2-19  
Guard Kit, 355L, 2-17  
Guard Wldt, Brush, 3-49  
Guard Wldt, Lights, Revl&Flsh, 3-6, 3-7  
Guard Wldt, Ohg, Top, 2-17  
Guard, Brush, 2-65, 3-49  
Guard, Fan, W/Label, Die, 2-37  
Guard, Light, 3-33  
Guard, String, Brush Motor, 2-65  
Guide, Exhaust Valve, 5-5  
Guide, Inlet Valve, 5-5  
Guide, Oil Gauge, 5-4

### H

Handle Assy, Latch, Eng Cover, 2-15  
Handle, Control Valve, 2-83, 2-85  
Handle, Grab, 3-29  
Handle, Latch, 2-57  
Handle, Paddle, 3-21  
Handle, Safety Arm, 2-63  
Harness, Adapter, B/u Alarm, 2-89, 3-11, 3-13  
Harness, Alarm, Backup, 2-89, 3-11, 3-13  
Harness, Aux Side Brush, 3-53  
Harness, Cab, 3-19  
Harness, Fuel, Gas/Die 355L, 2-95  
Harness, Hopper, 2-95  
Harness, Horn, 2-95  
Harness, Jumper, 3-33  
Harness, Main, Die 355L, 2-95  
Harness, Revolv Light, Cab,Ohg, 3-4, 3-5, 3-8, 3-9

Harness, Turn Signal, 3-3	Hose-Hyd Low04 Jf/J9, 2-33
Harness, Wire, Hazard, 3-6, 3-7	Hose-Hyd Low06 Jf/J4, 2-79
Headlight Assy,210G, 2-89, 3-11, 3-13	Hose-Hyd Low06 Jf/J4, 2-77
Headlight, 12V.Rect., 2-57, 2-59	Hose-Hyd Low08 Jf/J4, 2-77, 2-79
Heater Kit 355L, 3-27	Hose-Hyd Low08 Jf/Jf, 2-81
Hinge Wldt, Cab Door, 3-21	Hose-Hyd Low12 Jf/Jf, 2-25, 2-77, 2-79
Hinge Wldt, Door, Engine, 2-16	Hose-Hyd Med04 Jf/J4, 2-77, 2-79
Hinge Wldt, Engine Cover, Lh, 2-73	Hose-Hyd Med04 Jf/J9, 2-79
Hinge Wldt, Engine Cover, Rh, 2-73	Hose-Hyd Med04 Jf/Jf, 2-77, 2-79
Hinge Wldt, Long Pin, 3-21	Hose-Hyd Med04 Jf/J4, 2-77
Hinge Wldt, Short Pin, 3-21	Hose-Hyd Med04 Jf/J9, 2-77
Hinge, Cover, Hopper, 2-57	Hose-Hyd Med06 Jf/J4, 2-77, 2-79
Hinge, Coverhopper, 2-59	Hose-Hyd Med06 Jf/J9, 2-77, 2-79
Hinge, Door, Brush, 2-6, 2-7	Hose-Hyd Med06 Jf/Jf, 2-77, 2-79
Holder Assembly, Nozzle (See Bkdn), 5-23	Hose-Hyd Med06 Jf/J9, 3-49
Holder Assembly, Nozzle, 5-25	Hose-Hyd Med08 Jf/J4, 2-77
Holder, Brush, 5-19	Hose-Hyd Med08 Jf/J9, 2-77, 2-79
Holder, Delivery Valve, 5-29, 5-31	Hose-Hyd Med08 Jf/JI9, 2-79
Holder, Governor Gear, 5-32	Hose-Hyd Med08 Jf/JI9, 2-77
Holder,, 5-32	Hose-Hyd Med10 Jf/J4, 2-79
Hook, Engine 1, 5-5	Hose-Hyd Med10 Jf/J9, 2-79
Hook, Engine 2, 5-5	Hose-Hyd Med10 Jf/JI9, 2-79
Hook, Spring, 3-51	Hose-Hyd Med10 Jf/J4, 2-77
Hopper Wldt, 355/385 Ss, 3-45	Hose-Hyd Med10 Jf/JI9, 2-77
Hopper Wldt, 2-53	Hose-Hyd Med12 Jf/J9, 2-77, 2-79
Horn Assy, Back-Up Alarm, 2-89, 3-11, 3-13	Hose-Hyd Med12 Jf/JI9, 2-79
Horn, 12V, 2-5	Hose-Hyd Med12 Jf/JI9, 2-77
Hose Flex, 4.0ld X 21.5Lg, 2-61	Hose-Hyd Suc20 Jf/J4, 2-79
Hose Vac.,Rubber, .16ld,40.0L, 2-87	Hose-Hyd Suc20 Jf/J4, 2-77
Hose, .62 ID x 24.0 Lng heater, 3-27	Hose-Hyd, 4, 58, 400Wp, 7E7E, 2-33
Hose, Fuel Line .31 ldx11.0, 2-35	Hose-Hyd, 2-33
Hose, Fuelline, 10.0L, 2-35	Housing Cl, 4-17
Hose, Molded, Air Intake, 2-29	Housing Wldt, Filter, 3-25
Hose, Radiator, Lower, Die, 2-37	Housing, Assy, 4-11, 4-13, 4-15
Hose, Radiator, Upper, Die, 2-37	Housing, Brg, 4-11, 4-13, 4-15
Hose, Rbr .188 I.D. X 29.0 Lg, 2-35	Housing, Flywheel, Rework, 2-27
Hose, Rbr, 2-33, 3-29	Housing, Headlight, 2-57, 2-59
Hose, Reducer, 3-29	Housing, Sppt, Wheel, 2-41
Hose,.62 ldx60.00 Lng, Heater, 3-27	Housing, 4-9, 4-16, 4-18, 5-19
Hose& Cuff Assy,Vinyl3.0ldx 24, 3-29	Hub & Stud Assy, 2-41
Hose&2Cuff Assy,Vinyl2.0ld10Ft, 3-31	Hub Assy, Brush Arm, 2-71
Hose-Hyd Low04 Jf/J4, 2-77, 2-79	Hub, Brush Adaptor, 1.00B, 2-65, 3-49

## CROSS REFERENCE

Hub, Pivot, 2-55

### I

Impeller 9.00 Dia., 2-73  
Impeller, Water Pump, 5-8  
Indicator,Service,Air Filter, 2-29  
Insulation, Acoustic, Engine Cover, 2-15, 2-73  
Insulation, Acoustic, Firewall, 2-5  
Insulation, Acoustic, Hopper, 2-53  
Insulation, Acoustic, Panel, 2-9  
Insulation, Acoustic, Plate, 2-9  
Insulation, Acoustic, Seat, 2-9  
Insulation, Acoustic, 2-22, 3-19  
Insulation,S/Foam Door, 3-17  
Insulation,S/Foam Rear, 3-17  
Insulation,S/Foam,Panel, 3-17  
Insulation,S/Foam,Roof, 3-17  
Insulation,S/Foam,Side Lh, 3-17  
Insulation,S/Foam,Side Rh, 3-17  
Isolator Assy, Valve, 2-83, 2-85  
Isolator, Vibration .37 Dia, 2-73  
Isolator-Vibration .25-20, 2-31  
Isolator-Vibration, 125lb. Rating, 2-31  
Isolator-Vibration,60 Lb.Ratng, 2-37, 2-73

### J

Joint, Breather Pipe, 5-10  
Joint, Pipe, 5-7

### K

Key Set,Switch Ku, 2-21  
Key, Feather, 5-13  
Key, Woodruff, 4-16, 5-32  
Key-Wdruff 0.25 1.00 Asa#0808, 4-17  
Key, 4-3, 4-5, 4-7, 4-9, 4-11, 4-13, 4-15, 4-19, 5-15  
Kit, Detent I&O, 4-23  
Kit, Detent Out, 4-23  
Knob, 1.375 Dia, Black, 2-83, 2-85  
Knob, Adjusting, 2-67, 2-69  
Knob, Black, M8, 3-29  
Knob, Tapered M8, 2-19  
Knob, Tapered, 2-67, 2-69

### L

Label Kit, Complete, 355L, 2-96  
Label Set, Info & Hazard 355L, 2-96  
Label Set, Operational 355L, 2-96, 3-29  
Label, Aux Side Brush, 3-54  
Label, Numerals 385, 2-96  
Label, Operational, Cab, 3-23  
Label, Tennant Logo- 10.0 Blue, 2-59  
Label, Tennant Logo-10.0 Blue, 2-57  
Latch, Bolt, 2-6, 2-7, 2-11, 2-13, 2-15  
Latch, Cover, 2-57  
Latch, Door, 2-57  
Latch, Draw, Flexible, 3-46  
Latch, Hook, Lh, 2-7, 2-13  
Latch, Hook, RH, 2-11  
Latch, Hook, Rh, 2-6  
Latch/Channel Repl. Kit, 2-11  
Latch, 2-15, 2-16, 2-71, 3-21  
Lens,Flashing Lite Fr207 Amber, 3-4, 3-6, 3-8  
Lens,Flashing Lite Fr207 Blue, 3-4, 3-6, 3-8  
Lens,Flashing Lite Fr207 Red, 3-4, 3-6, 3-8  
Lens,Rev.Light,Amber, 3-5, 3-7, 3-9  
Lens,Rev.Light,Blue, 3-5, 3-7, 3-9  
Lens,Rev.Light,Red, 3-5, 3-7, 3-9  
Lever Wldt, Baffle, Blowr Wand, 3-29  
Lever Wldt, M Br, 2-69  
Lever Wldt, S Br, 2-67  
Lever Wldt, Tilt, 2-19  
Lever, Brake, 2-47  
Lever, Door Release, 3-21  
Lever, Engine Stop, 5-34  
Lever, Fork 2, 5-35  
Lever, Governor Actuator, 2-25  
Lever, Speed Control, 5-34  
Light Assy Mark/Yel 12V- . A, 3-3  
Light Assy Work/Clr 12V- . A, 3-15  
Light Assy, Dome, 3-23  
Light Kit Flsh 355L Cab, 3-8  
Light Kit Flsh 355L Lrc, 3-6  
Light Kit Flsh 355L Ohg, 3-4  
Light Kit Revl 355L Cab, 3-9  
Light Kit Revl 355L Lrc, 3-7

Light Kit Revl 355L Ohg, 3-5  
 Light Kit Sgnl 355L, 3-3  
 Light Kit, Side Brush 355L, 3-15  
 Light, Flashing, Amber, 12V-Re, 3-4, 3-6, 3-8  
 Light,Rev.Amber 12V-Reworked, 3-5, 3-7, 3-9  
 Link Assy, Valve Handle, 2-83, 2-85  
 Louver Assy, 3-25

**M**

Magnet Assy, Pick-Up, 2-27  
 Magnet, Drive Brush, 3-29  
 Maint Kit, Seals 355L, 2-2  
 Maint Kit, Skirts 355L, 2-2  
 Maint,Kit, Shaker Filter, 355L, 2-2  
 Manifold, Exhaust, Front, Down, 5-11  
 Manifold, Inlet, 5-11  
 Manual Op/Mt 385D French, 3-56  
 Manual Op/Mt 385D Portuguese, 3-56  
 Manual Op/Mt 385D Spanish, 3-56  
 Manual Pkg 385D, 3-56  
 Manual Service 355/385, 3-56  
 Manual-Fiche Pkg 385D, 3-56  
 Metal, Crankpin 02, 5-15  
 Metal, Crankpin 04, 5-15  
 Metal, Crankpin, 5-15  
 Metal, Crankshaft 1, 5-15  
 Metal, Crankshaft 2, 5-15  
 Metal, Crankshaft 3, 5-15  
 Metal, Crankshaft1 02, 5-15  
 Metal, Crankshaft1 04, 5-15  
 Metal, Crankshaft2 02, 5-15  
 Metal, Crankshaft2 04, 5-15  
 Metal, Crankshaft3 02, 5-15  
 Metal, Crankshaft3 04, 5-15  
 Metal, Side 1 02, 5-15  
 Metal, Side 1 04, 5-15  
 Metal, Side 1, 5-15  
 Metal, Side 2 02, 5-15  
 Metal, Side 2 04, 5-15  
 Metal, Side 2, 5-15  
 Molding, Trim 11-14Ga 7.50, 2-59  
 Molding, Trim 11-14Ga 14.20, 2-9

Molding, Trim 11-14Ga 22.80, 2-9  
 Molding, Trim 11-14Ga 25.62, 2-5  
 Molding, Trim 11-14Ga 10.00, 2-19  
 Molding, Trim 11-14Ga 5.75, 2-19  
 Molding, Trim 3/16-5/16 5.0, 3-51  
 Motor Assy, Heater W/Fan, 3-27  
 Motor, Ele Shaker 12V, 2-61  
 Motor, Hyd Gear In (See Breakdowns), 3-49  
 Motor, Hyd Gear In 02.8 B 1500, 4-17  
 Motor, Hyd Gear In 19.0 B 3000, 4-15  
 Motor, Hyd Gear In 19.0, 4-13  
 Motor, Hydraulic (Repl. by 74162), 4-11  
 Motor, Hydraulic, 4-9, 4-16, 4-18, 4-19  
 Motor-Ele 12V, Wiper, Windshld, 3-23  
 Motor-Hyd Gear (See Breakdowns) (Repl. by 378710), 2-41  
 Motor-Hyd Gear (See Breakdowns), 2-41, 2-65, 2-71, 2-74  
 Muffler, Exhaust, 2-31  
 Muffler, Spark Arresting, 3-38

**N**

Nut Speed, Retainer, 8-32 Thd, 2-89, 3-11, 3-13  
 Nut, Cap, 5-10, 5-27, 5-32, 5-33  
 Nut, Hexagon, 5-19, 5-21  
 Nut, Nozzle, 5-25  
 Nut, Retainer R/.312 Dia, 2-63  
 Nut, slotted Hex, 4-16  
 Nut, U M 6X1.0 Pltd, 2-15  
 Nut, U M 6X1.0 Pltd, 2-21  
 Nut, U M 8X1.25 Pltd, 2-9  
 Nut, U M6 X 1.0, 3-23  
 Nut, Wing .44-20 Special, 2-29  
 Nut-Hx Jam M20x1.5 4 Pltd, 2-19  
 Nut-Hxlocnyln M 6X1.0 Reg Ss, 2-2  
 Nut-Hxlocnyln M 8X1.25 Reg Ss, 2-2  
 Nut-Hxslot 1.00-20 Pltd, 2-45  
 Nut-Hxslot 1.12-18 Pltd, 2-41  
 Nut-Hxslot .75-16 Pltd, 4-17  
 Nut-Wheel .50-20 60 Angle, 2-41  
 Nut, 4-9, 4-11, 4-13, 4-15, 5-7, 5-11, 5-12, 5-25, 5-27, 5-33, 5-34, 5-36

## CROSS REFERENCE

### O

O-Ring Gland, 2-86  
O-Ring, 5-3, 5-4, 5-7, 5-10, 5-15, 5-21, 5-29, 5-31, 5-34  
Oil Filter, Plug, 5-7  
Oil Shield, Breather, 5-10  
Output Shaft, 4-16, 4-18

### P

Pad, Neoprene .06 X .7 X 2.7, 3-19, 3-21  
Pad, Rubber, Hose Clamp, 3-51  
Pad, Rubber, 2-47, 3-29  
Pad, Tank, Hyd, 2-81  
Pad, Tread, 2-9, 2-49  
Pad, 2-47  
Pane, Acrylic, Door, Sliding (Repl. By 74428), 3-21  
Pane, Acrylic, Door, Stationary (Repl. By 74428), 3-21  
Pane, Glass, Left, Stationary (Repl. By 74429), 3-19  
Pane, Glass, Left, Sliding (Repl. By 74429), 3-19  
Panel Assy, Instr, 2-21  
Panel Assy, Instrument w/label, 2-22  
Panel Wldt, Sppt, Seat, 2-9  
Panel, Engine (Repl. By 72152), 2-5  
Panel, Engine, 2-5  
Panel, Filler, Upper, 2-9  
Panel, Inside, 2-9  
Panel, Mtg, Pressurizer, 3-25  
Panel, Perma-Filter, 2-53  
Panel, Support, 2-67  
Panel, Switch, Cab, 3-23  
Pedal, Propel, Adjustable, Lower w/tread, 2-49  
Pedal, Propel, Adjustable, Upper w/tread, 2-49  
Performance Pkg 400Hr Die 355L, 2-2  
Piece, Distance, 5-25  
Piece, Nozzle, 5-25  
Pin Assy, Clevis, Hopper Lift, 2-63  
Pin Assy, Keeper .31D 2.50L, 3-49  
Pin Assy, Keeper, 3-21  
Pin Assy, Side Brush W/Clip, 2-65  
Pin Clevis .375 Dia X 1.13 Lg, 2-45, 2-47, 2-69  
Pin, Arm, Safety, 2-63  
Pin, Clamp, 5-29, 5-31

Pin, Clevis .31 Dia X 4.50 Lg, 2-49  
Pin, Clevis .50 Dia X 4.50 Lg, 2-49  
Pin, Clevis .75 Dia X 5.5 Lg, 2-65  
Pin, Dowel Ce, 4-7  
Pin, Dowel Ce, 4-5  
Pin, Grooved, 2-63  
Pin, Hair Cotter, 2-49, 3-33, 3-35  
Pin, Joint, 5-29, 5-31  
Pin, Lh, 2-63  
Pin, Pipe, 5-3  
Pin, Piston, 5-15  
Pin, Pivot, Lower, 2-11, 2-13  
Pin, Pivot, Upper, 2-11, 2-13  
Pin, Rh, 2-63  
Pin, Spring, 4-20, 5-34  
Pin, Start Spring, 5-3  
Pin, Straight, 5-3, 5-15  
Pin, Tappet Guide, 5-29, 5-31  
Pin, Wheel Support, Rear, 2-41  
Pin, Clevis, .19 Dia. X .50 Lg, 3-51  
Pin, Clevis, 0.25 Dia. X 2.44 Lg, 2-19  
Pin, Clevis, 0.37 Dia. X 1.00 Lg, 2-45  
Pin, Clevis, 0.37 Dia. X 1.50 Lg, 2-67  
Pin, Clevis, 0.37 Dia. X 2.00 Lg, 2-67  
Pin, Clevis, 0.37 Dia. X 2.12 Lg, 2-49  
Pin, Clevis, 0.37 Dia. X 3.00 Lg, 2-19  
Pin, Clevis, 0.50 Dia. X 1.25 Lg, 2-55  
Pin, Clevis, 0.50 Dia. X 2.00 Lg, 2-55  
Pin, Clevis, 0.50 Dia. X 2.25 Lg, 2-55  
Pin, Clevis, 0.50 Dia. X 2.50 Lg, 3-51  
Pin, Clevis, 0.50 Dia. X 3.00 Lg, 3-49  
Pin, Clevis, 0.50 Dia. X 5.00 Lg, 2-65, 3-33, 3-35, 3-49  
Pin, Clevis, 0.50 Dia. X 5.50 Lg, 2-65, 3-49  
Pin, Hair Cotter #Lhcot-2, Leik, 2-9, 2-55  
Pin, Roll, .09Odx0.75L, .094/.097, 3-29  
Pin, Roll, .18Odx1.25L, .187/.192, 2-55  
Pin, Roll, .38Odx2.00L, .375/.382, 2-55, 2-71  
Pin-Grvd, 1.00D 3.0L2/ 2.71Btwn, 2-63  
Pin, 4-21  
Pinion, Bevel, 5-19  
Pipe, Breather, 5-10  
Pipe, Drain, 5-21

Pipe, Exhaust, Die, 2-31  
Pipe, Injection 1, 5-23  
Pipe, Injection 2, 5-23  
Pipe, Injection 3, 5-23  
Pipe, Injection 4, 5-23  
Pipe, Over Flow, 5-23  
Pipe, Water Return 1, 5-8, 5-36  
Pipe, Water Return 2, 5-36  
Piston 05, 5-15  
Piston, 5-15  
Pivot Assy, S Br, 2-65  
Pivot Wldt, Actuator, 3-51  
Pivot Wldt, 3-51  
Plate - Hose Support, 2-41  
Plate Wldt, Blower Wand, 3-29  
Plate Wldt, Cover, Bottom, 2-15  
Plate Wldt, Governor, 2-19  
Plate Wldt, Sprngbrkt Backing, 2-59  
Plate Wldt, Strike, 2-57  
Plate, Backing, Handle, 3-29  
Plate, Backing, 2-57  
Plate, Cam, 4-3  
Plate, Circuit Breaker, 2-23  
Plate, Cover, 3-19  
Plate, Deflector, Eng Cover, 2-15  
Plate, Deflector, Engine Cover, 2-15  
Plate, Deflector, 3-47  
Plate, Element 1, 5-10  
Plate, Element 2, 5-10  
Plate, Filler, Diesel, 2-37  
Plate, Filler, 2-37  
Plate, Floor w/tread, 2-9  
Plate, Latch, 2-57  
Plate, Lift Arm, 2-53  
Plate, Light Mtg., 3-4, 3-5  
Plate, Mtg, Latch, 2-71  
Plate, Mtg, Main Brush Shaft, 2-71  
Plate, Mtg, Wiper Kit, 3-23  
Plate, Reinforcement-Ignition, 2-21  
Plate, Retainer, Cover, Sbdc, 3-33, 3-35  
Plate, Retainer, Front, Lh, 2-2, 2-53  
Plate, Retainer, Front, Sbdc, 3-33, 3-35  
Plate, Retainer, Front,Lh,Sbdc, 3-33, 3-35  
Plate, Retainer, Lh, 2-2, 2-53  
Plate, Retainer, Sbdc, Rh, 3-33, 3-35  
Plate, Retainer, Wheel Pocket, 3-33, 3-35  
Plate, Seal, Sppt, Seat, 3-19  
Plate, Seal, 2-71  
Plate, Spacer, Magnet, 3-29  
Plate, Sppt, Shroud, 2-37  
Plate, Tray, Filter, 2-61  
Plate, Valve Ce, 4-5, 4-7  
Plate, Valve, 4-9, 4-11, 4-13, 4-15  
Plate, Wear, 4-21  
Plate-Cover, 2-23, 3-23  
Plate, 2-53, 2-61, 3-51, 5-29, 5-31  
Plug & O-Ring, 4-23  
Plug Assembly Ph, 4-17  
Plug Assembly, 4-3, 4-5, 4-7, 4-11, 4-13, 4-15, 4-23  
Plug Weld, Brush Drive, Sweep, 2-71  
Plug Wldt, Idler, 2-71  
Plug, #6 O-Ring, 4-23  
Plug, #8 O-Ring, 4-23  
Plug, Drain, 3-31, 5-4  
Plug, Expansion, 5-3  
Plug, Glow, 5-23  
Plug, Oil Filler, 5-10  
Plug, Plastic 1.00 D, 2-19  
Plug, Plastic, 1.00 D, 2-22, 3-19  
Plug, Thread 1/2-13, 2-71  
Plug, Tube, 2-71  
Plug, 4-20, 5-3, 5-5, 5-7, 5-36  
Plugbtn .38H .03-.12 Blacknyl (LPG only), 2-22  
Plugbtn .62H .03-.12 Blacknyl, 2-23, 3-23  
Plugbtn .38H .03-.12 Blacknyl, 2-5  
Plugbtn .38h .03-.12 Blacknyl, 2-22  
Plugbtn .62H .03-.12 Blacknyl, 2-5  
Plunger, Pump, 5-29, 5-31  
Plunger, 4-23  
Poppet, 4-20, 4-23  
Pressurizer Kit Cab 385L, 3-25  
Pulley Assy - Cable, 1.5 Dia, 2-45, 2-47, 2-67, 2-69  
Pulley, Fan Drive, 112mm, 5-15  
Pully, Fan, 5-8

## CROSS REFERENCE

Pump Adaptor Assembly, 4-3  
Pump Adaptor Assy, 4-5, 4-7  
Pump Assembly, Injection (See Bkdn), 5-27  
Pump Assembly, Injection, 5-29, 5-31  
Pump Driveshaft, 4-5, 4-7  
Pump Housing Asy Ce, 4-5, 4-7  
Pump, Fuel, Ele, 2-33  
Pump, Fuel, 2-35  
Pump, Gear, 4-8  
Pump, Hyd Piston V 1.44 R 4000 (Repl. by 70180),  
4-5  
Pump, Hyd Piston V 1.44 R 4000, 4-7  
Pump, Hydraulic (Repl. by 70134), 4-3  
Pump-Hyd Gear (See Breakdowns), 2-86  
Pump-Hyd Piston (See Breakdowns) (Repl. by  
70134), 2-86  
Pump-Hyd Piston (See Breakdowns) (Repl. by  
70180), 2-86  
Pump-Hyd Piston (See Breakdowns), 2-86  
Push Rod, 5-13, 5-25

## R

Race Thrust, 4-17  
Race, Bearing, 4-7, 4-20, 4-21  
Race, Inner Bearing, 4-5, 4-7  
Race, Thrust, 4-16, 4-18  
Rack, Control, 5-29, 5-31  
Radiator, 2-37  
Rectifier Assy Md, 2-30  
Regulator Assy Md, 2-30  
Relay, Shrouded, 12 Vdc, 2-23  
Relief Assembly, 4-24  
Relief Valve, 4-5  
Repair Info. Cl, 4-17  
Repair Info., 4-11, 4-13, 4-15, 4-18, 4-19  
Repair Info, Valve, 4-23  
Repair Info, 4-5, 4-7, 4-21  
Repl Kit, Plate, Bottom F/59843, 2-15  
Repl Kit, Sun Shield, 2-21  
Repl. Kit, Backup Switch, 2-89, 3-11, 3-13  
Replm Kit, Case, 2-21  
Replm Kit, Cir Board, 2-21  
Replm Kit, Fan Motor F/55216, 3-27  
Replm Kit, Fuel Pump F/59945, 2-35  
Replm Kit, Hourmeter, 2-21  
Replm Kit, Hpr Cvr Sprng Brkt, 2-59  
Replm Kit, Instr Panel, 2-21  
Replm Kit, Lamp, Backlighting (8), 2-21  
Replm Kit, Lamp, Fault (8), 2-21  
Replm Kit, Muff Hanger F/82545, 2-31  
Replm Kit, S Br Pivot, 2-67  
Replm Kit, Seal, 2-21  
Replm Kit, Touch Panel, 2-21  
Reservoir, 07.0 Gal W/label, 2-81  
Retainer Front, 4-9  
Retainer, Front, 4-20, 4-21  
Retainer, Frt, 4-11, 4-13, 4-15  
Retainer, Valve Spring, 5-12  
Retainer, 3-23, 5-19, 5-21  
Retaining Ring-External, 1.25D, 2-63  
Retaining Ring, 4-7  
Retaining Rng, 4-23  
Return Spring-Brakes, 2-45  
Rim Assembly, 2-43  
Rim Assy, 4.25" Bead x .188 Stl, 3-44  
Ring, Assembly, 4-9  
Ring, Retaining, Ext, .75 Dia, 2-63  
Ring, Retaining, Ext, 1.25 Dia, 2-63  
Ring, Retaining, Intl, 2.00Dia, 2-63  
Ring, Retaining, 4-20, 4-21  
Ring, Retain, Ex, 0.50Od, Selflock, 2-55  
Ring, Retain, Ex, 0.98Od, E-Ring, 2-63  
Ring-Retain, Ex, 0.98OD, E-Ring, 2-47  
Ring, 2-83, 2-85, 4-11, 4-13, 4-15  
Rivet, Plastic .181D x .720, 2-59  
Rivet, Plastic .250x.898, 2-5, 2-6, 2-7, 3-55  
Rivet, Plastic .325D x .787, 2-59  
Rivet, Pop- .125Dx.38x.25Dhd Al, 3-19, 3-21  
Rod Weldt, Drive Linkage, 2-49  
Rod Wldt, Drive Linkage, 2-49  
Rod Wldt, Pivot, 2-53  
Rod Wldt, Seat, 2-9  
Rod Wldt, 2-55  
Rod, Adjusting, 2-49, 2-51  
Rod, Brake, 2-45

Rod, Latch, Engine Cover, 2-15  
 Rod, Speed Limiter, Adjusting, Rh, 2-49  
 Rod, Spring, 2-19  
 Rod, Throttle Control, Diesel, 2-25  
 Rod-End M10X1.5 W/Stud, 2-51  
 Rod-End M10X1.5 W/Stud, 2-49  
 Roller Bearing, 4-5, 4-7  
 Roller, 5-19, 5-21  
 Rotating Kit, 4-3, 4-5, 4-7

**S**

Scr Hex .31-18X3.25, 4-5, 4-7  
 Scr Hex M10X1.5 100, 3-29  
 Scr Hexssm 6X1.0 25, 2-2  
 Scr Hexssm 8X1.25 25, 2-2  
 Scr Pan 06-32X0.38, 4-5  
 Scr Soc .50-13X1.50, 2-41  
 Scr Soc M 8X1.25 25, 2-63  
 Scr Soc M10X1.5 40, 2-41  
 Scr,.31-18X3.75G5Ce, 4-5  
 Scr-Hex .38-16x2.00 Full Thd, 2-13  
 Scr-Hex .38-16x2.50 Full Thd, 2-11  
 Scr-Hex M12x1.75 40 10.9Pltd, 2-13  
 Scr-Hxfmgm 6X1.0 20 Pltd, 2-2  
 Scr-Shld .250Dx1.25L 10-24, 3-21  
 Scr-Shld .312Dx1.00L .25-20, 2-49  
 Scr-Shld .375Dx0.38L .31-18, 3-21  
 Scr-Shld .500Dx1.25L .38-16, 2-51  
 Scr-Soc M 6X1.0 20 Nylonloc, 2-30  
 Screw, Adjusting, 5-12  
 Screw, Cap, 4-7, 4-11, 4-13, 4-15, 4-18  
 Screw, Follow, 5-29, 5-31  
 Screw, Pan Head, 5-19  
 Screw, Set, 5-12, 5-13, 5-32  
 Screw, With Washer, 5-10, 5-23  
 Screw,Cap, 4-16  
 Screw, 4-9, 4-16, 4-18, 5-7, 5-23, 5-29, 5-31  
 Screws, 4-7  
 Seal Kit, 4-16, 4-18  
 Seal Foam Rbr .38 .62W 4.4L, 3-25  
 Seal Foam Rbr .38 .62W 18.6L, 3-25  
 Seal Kit, Motor, 4-19

Seal Kit, One Cartridge, 4-19  
 Seal Kit, Pump Ce, 4-5, 4-7  
 Seal Kit, Rear, 4-9, 4-11, 4-13, 4-15  
 Seal Kit, Shaft, 4-9, 4-11, 4-13, 4-15  
 Seal Kit, Vlv, 4-23  
 Seal Kit, 4-3, 4-8, 4-20, 4-21, 4-24, 4-25, 4-26  
 Seal Replmt Kit, 4-17  
 Seal, 142.0 Lg Door, 3-19  
 Seal, 19.75 Lg, 3-19  
 Seal, Acoustic, Engine Cover, 2-73  
 Seal, Bulb 140.0 Lg, 2-2, 2-61  
 Seal, Bulb 50.0Lg, 2-59  
 Seal, Cab Door, 3-21  
 Seal, Cab, Front, 3-19  
 Seal, Cab, Side, 3-19  
 Seal, Door, Brush, Lh, 2-7  
 Seal, Door, Brush, Rh, 2-6  
 Seal, Door, Dump, Side, 2-2, 2-53  
 Seal, Door, Dump, 2-2, 2-53  
 Seal, Door, Hopper, 2-53  
 Seal, Fan, Vac, Inlet, 2-73  
 Seal, Fan, Vac, Motor, 2-73  
 Seal, Fan, Vac, Outlet, 2-73  
 Seal, Fan, Vac, Transition, 2-73  
 Seal, Foam Rbr .31X.38X, 3-27  
 Seal, Foam Rbr, 2-6, 2-7  
 Seal, Foam Rubber, 2-53  
 Seal, Foam, Door, 3-55  
 Seal, Heat, 5-23  
 Seal, Heater Air, 3-27  
 Seal, O-Ring .064X.30, 2-35  
 Seal, Oil, 5-7, 5-9, 5-34  
 Seal, Oring .103 x .612ld, 2-85  
 Seal, Pressurizer, 3-25  
 Seal, Rbr, .25 X 1.50 X 9.0, 2-57  
 Seal, Rbr, .25 X 1.50 X 17.5, 2-57  
 Seal, Rbr, .31 x .75 x 7.0, 2-6, 2-7  
 Seal, Rubber, 2-16, 2-22  
 Seal, Side Brush Lift, 3-25  
 Seal, Tube, Dust, 2-61  
 Seal, Vac Wand, 2-53  
 Seal, Valve Stem, 5-12



## CROSS REFERENCE

Seal- Oring .064X .30, 2-33  
Seat Belt Kit 355L, 3-36  
Seat, Ball, 4-20  
Seat, Grammer Gs-12, 2-9  
Seat, Spring Lower, 5-29, 5-31  
Seat, Spring Upper, 5-29, 5-31  
Seat, Valve, 5-7  
Send Unit, Temperature, 2-25  
Send Unit, 2-33  
Sending Unit, 2-35  
Service Manual V1505 Ku, 3-56  
Service Manual V1505E Ku, 3-56  
Shaft And Bearing Assembly, 4-9  
Shaft Wldt, Brake w/pad, 2-47  
Shaft Wldt, Brush, 2-71  
Shaft, Assy, 4-11, 4-13, 4-15  
Shaft, Baffle, 3-29  
Shaft, Fork Lever, 5-35  
Shaft, Governor Weight, 5-32  
Shaft, Idle Gear 1, 5-13  
Shaft, Idler, 2-71  
Shaft, Output, 4-17  
Shaft, Pivot, 3-51  
Shaft, Pump, 4-3  
Shaft, Stop Lever, 5-34  
Shim .010 Thk, 4-23  
Shim .015 Thk, 4-23  
Shim .035 Thk, 4-23  
Shim, Injection Pump, 0.20 mm, 5-27  
Shim, Injection Pump, 0.25 mm, 5-27  
Shim, Injection Pump, 0.30 mm, 5-27  
Shim, 5-29, 5-31  
Shock Absorber, 2-49  
Signal Assy Rework, E1740 Turn, 3-3  
Skirt Assy, Brush Door, Lh, 2-7  
Skirt Assy, Brush Door, Rh, 2-6  
Skirt, Brush Door, Inner, 3-55  
Skirt, Brush Door, Outer, 3-55  
Skirt, Bumper Stop, 2-57  
Skirt, Cover, Sbdc, 3-33, 3-35  
Skirt, Deflection, Vac Kit, 3-55  
Skirt, Deflector, 2-6, 2-7  
Skirt, Front, Sbdc, 3-33, 3-35  
Skirt, Hopper, Top, 2-5, 3-55  
Skirt, Lip, 2-2, 2-53  
Skirt, Recirculation, Turf (Option), 2-5  
Skirt, Sbdc, Rh, 3-33, 3-35  
Skirt, Seal, M Br, 2-5  
Skirt, Side, Sbdc, Lh, 2-2, 2-53  
Skirt, Wheel Pocket, Sbdc, 3-33, 3-35  
Skirt, Bumperstop, 2-59  
Sleeve, .259B .38D .62 Dom, 2-83, 2-85  
Sleeve, .260B .50D .75 Pnt.Gr, 3-49  
Sleeve, .260B .50D .75, 2-85  
Sleeve, .344B .50D .81 Cr.Anc, 2-47  
Sleeve, .391B 1.38D .19 Hr.Znc, 2-49  
Sleeve, .438B 1.00D .49 Sml, 2-30  
Sleeve, .562B .88D .97 Stl, 3-49  
Sleeve, Bearing, 2-51  
Sleeve, Control, 5-29, 5-31  
Sleeve, Crankshaft, 5-15  
Sleeve, Door Stop, 3-21  
Sleeve, Governor, 5-32  
Sleeve, 1.12B 1.38D 1.00 Rubber, 2-2, 2-61  
Sleeve, 1.12B 1.62D 1.50 Rubber, 2-2, 2-61  
Sleeve-Nyln #24 35.0L, 2-71  
Sleeve-Nyln #20 20.0L, 2-55  
Sleeve-Nyln #20 65.0L, 2-65  
Sleeve-Nyln #24 30.0L, 2-13  
Sleeve-Nyln #24 45.0L, 3-49  
Sleeve-Nyln #38 30.0L, 2-19  
Spacer Plate Cl, 4-17  
Spacer Plate, 4-16, 4-18, 4-20  
Spacer, Fan, 2-30  
Spacer, Pivot Block (Repl. By 72179), 2-13  
Spacer, Pivot Block (Replaced By 72179), 2-11  
Spacer, Pulley, 2-45, 2-47, 2-67, 2-69  
Spacer, Idler Mount, 2-30  
Spacer, 2-37, 4-20, 4-21, 4-23  
Spindle, Adjustment, 2-16  
Spring Assy, Recirculation, 2-5  
Spring Kit, Hopper Cover, 2-57  
Spring Kit, Spool #3, 4-24  
Spring Kit, 4-21

Spring Wldt, Support, 3-51  
 Spring, Brush, 5-19, 5-21  
 Spring, Delivery Valve, 5-29, 5-31  
 Spring, Governor, 5-35  
 Spring, Nozzle, 5-25  
 Spring, Plunger, 5-29, 5-31  
 Spring, Return, 5-34  
 Spring, Rocker Arm, 5-12  
 Spring, Start, 5-35  
 Spring, Tension, 2-53, 2-59, 3-51  
 Spring, Torsion, 2-19, 2-47  
 Spring, Valve, 5-12  
 Spring,Shaker, 2-61  
 Spring,Tens, .50Dx.05Wire 2.5L, 2-83, 2-85  
 Spring-Gas 120Lb 6.3 Stroke, 3-49  
 Spring-Gas 120Lb 7.1 Stroke, 2-59  
 Spring-Gas Assy, Eng Cover, 2-15  
 Spring, 4-7, 4-9, 4-11, 4-13, 4-15, 4-20, 4-23, 5-7,  
 5-19, 5-21  
 Sprng, Tens, 0.50 Odx.05 Wire 2.5L, 2-11, 2-13  
 Sprng,Comp,0.62Idxfl.Wire 3.0L, 2-49  
 Sprng,Comp,0.74Idx.11Wire 5.5L, 2-19  
 Sprng,Tens,0.50Odx.05Wire 1.0L, 2-15  
 Sprng,Tens,0.75Odx.12Wire 3.4L, 2-51  
 Sprng,Tens,1.12Odx.14Wire 6.3L, 2-65  
 Src-Hex M12x1.75 40 10.9Pltd, 2-11  
 Starter, Die (See Engine Breakdown), 2-27  
 Starter, Rework (See Engine Breakdown), 2-27  
 Steer Control, Hyd (See Breakdowns) (Repl. by  
 74172), 2-19  
 Steer Control, Hyd (See Breakdowns), 2-19  
 Stopper, Camshaft, 5-13  
 Stopper, 5-32  
 Strainer-Hyd Suction 25-100-03, 2-81  
 Strap Weldmt, Gas Tank, 2-35  
 Strap, Backing, Hopper, 2-5  
 Strap, Deflector, Lh (Not Shown), 3-55  
 Strap, Deflector, Rh, 3-55  
 Strap, Deflector, 2-6, 2-7  
 Strap, Door, Dump, Side, 2-2, 2-53  
 Strap, Door, Dump, 2-2, 2-53  
 Strap, Main Lip, 2-2, 2-53  
 Strap, Motor, Shaker, 2-61

Strap, Tank, Gas, 2-33  
 Strap,Rubber Tie-Down, 2-39  
 Strap, 2-6, 2-7, 2-53, 3-55  
 Strip, Mtg, Gusset, 2-57, 2-59  
 Strip, Mtg, Hinge, 2-57, 2-59  
 Strip, Retainer, Bearing, 2-71  
 Strip, Retainer, Seal, 2-5  
 Strip, Retainer, Skirt, 2-6, 2-7  
 Strip, Retainer, 2-6, 2-7, 3-55  
 Strip,Rbr.25X.50S&M #6422,55.0, 3-21  
 Strip,Rbr.25X.50S&M, 3-19  
 Stud, .25-28 4.6L .25-28, 2-25  
 Stud, Ball, Gas Spring, 2-59, 3-49  
 Stud, Ball, 2-15  
 Stud, Wheel .50-20 x 1.50, 2-41  
 Stud, 5-7, 5-11, 5-12, 5-27, 5-34, 5-36  
 Switch Assy, Pressure, Hyd, 2-83, 2-85  
 Switch Assy, Roller, 2-55, 2-87, 2-89, 3-3, 3-11, 3-13  
 Switch Ignition, 2-21  
 Switch, Pressure, Oil, 2-25  
 Switch, Pressure, 2-87  
 Switch, Pushmom, Spst100A 12V, 2-22  
 Switch, Rocker DPDT (mom), 3-54  
 Switch, Rocker Dpdt, 3-23, 3-25  
 Switch, Rocker Spst, 3-23, 3-27  
 Switch, Waterproof, 10A, 2-89, 3-11, 3-13

**T**

Taillight Assy, 2-5  
 Tank Repl. Kit, Fuel, 9.4 Gal, 2-33  
 Tank Wldt Repl. By 72136, 2-81  
 Tank, Fuel, 9.4 Gal, 2-35  
 Tappet, 5-13  
 Thermostat Assembly, 140 Deg, 2-61  
 Throttle Assy, Block, Die, 2-25  
 Thrust Bearing, 4-17  
 Thrustbearing Kit, 4-5  
 Tie, Cable 1.75D Max 7.50Lg, 2-33, 2-39, 2-87,  
 2-89, 3-3, 3-4, 3-5, 3-6, 3-7, 3-8, 3-9, 3-11, 3-13,  
 3-49  
 Tie, Cable 3.00D Max 11.41Lg, 2-19  
 Tip, Rubber, 2-11, 2-13  
 Tire & Rim Assy, 5.70/5.00R-8, 2-43

## CROSS REFERENCE

Tire and Wheel Assembly (Repl. By 70287), 2-43  
Tire and Whl. Assy, Soft Ride Solid, 3-42, 3-43  
Tire, Hi-Wear 5.70/5.00R-8, 3-44  
Tire, Solid, Black, 3-43  
Tire, Solid, Tan, Non-Marking, 3-42  
Tire, Tube and Flap Assembly, 2-43  
Tire,18X5X12.12 Solid, 2-45  
Tire&Rim Assy, Hi-Wear 5.00R-8, 3-44  
Tray, Filter Carrier, 2-61  
Tray, Gas, 2-33, 2-35  
Tube - Carb. Air Intake, 2-29  
Tube Assy, .250 D 04JF/04JF, 2-35  
Tube Wldt, Leg, Ohg,Rh,Painted, 2-17  
Tube Wldt, Leg,Ohg,Lh,Painted, 2-17  
Tube Wldt, Sppt, Blower Wand, 3-29  
Tube, Inlet, A Clnr, 2-29  
Tube, Inner -5.00R-8, Js2 Valve, 2-43  
Tube, Inner 5.00R-8, Js2 Valve, 3-44  
Tube, Plastic, 3.0 Od X 4.0Lg, 3-29  
Tube, Plastic, 3.0 Od X 16.0Lg, 3-29  
Tube, Plastic, 3.0 Od X 48.0Lg, 3-29  
Tube, Spacer, 3-51  
Tube, Tire (Repl. By 70280), 2-43  
Tube,Spacer,.41Dx.32Bx1.OI, 2-53

## U

U - Bolt, 2-19

## V

Vacuumized Skirt Kit, Main Bru, 3-55  
Valve Assembly, Solenoid, 4-19  
Valve Kit, Tow, 4-5  
Valve, Charge Relief, 4-3  
Valve, Delivery, 5-29, 5-31  
Valve, Dump, 4-7  
Valve, Exhaust, 5-12  
Valve, Housing, 4-9  
Valve, Hyd Cntrl Man, 4-23  
Valve, Hydraulic (Repl by 48761), 4-24  
Valve, Hydraulic Steering (Repl by 74172), 4-20  
Valve, Hydraulic Steering, 4-21  
Valve, Inlet, 5-12  
Valve, Relief, 4-3  
Valve, Water 1/2 NPTF, 3-27  
Valve-Hyd,Manual (Repl. By 48761) (See Breakdowns), 2-83  
Valve-Hyd,Manual (See Breakdowns), 2-85  
Valve-Relief 4000 PSI, 4-7  
Valve, 4-9, 4-11, 4-13, 4-15

## W

Wand Kit, Vac, 3-31  
 Wand Weldment, 3-31  
 Washer Ce, 4-5, 4-7  
 Washer 1, 5-12  
 Washer 2, 5-12  
 Washer Flt .25 Ss, 2-2  
 Washer Flt .31 Ss, 2-2  
 Washer, .188B .375D .030Nylon, 2-81  
 Washer, .405B .81D .06Nylon, 2-67, 2-69  
 Washer, .530B 1.50D .19HR, 3-35  
 Washer, .531B 1.75D .12Cr.Znc, 2-71  
 Washer, 1.255B 1.75Od .12Hrs, 2-63  
 Washer, 1.281B 1.75Od .25Hrznc, 2-63  
 Washer, 1.281B 1.75Od .31Hrznc, 2-63  
 Washer, Adjusting 0.10 mm, 5-25  
 Washer, Adjusting 0.20 mm, 5-25  
 Washer, Adjusting 0.30 mm, 5-25  
 Washer, Adjusting 0.40 mm, 5-25  
 Washer, Adjusting 0.50 mm, 5-25  
 Washer, Adjusting 0.52 mm, 5-25  
 Washer, Adjusting 0.54 mm, 5-25  
 Washer, Adjusting 0.56 mm, 5-25  
 Washer, Adjusting 0.58 mm, 5-25  
 Washer, Adjusting 0.80 mm, 5-25  
 Washer, Adjusting, 5-25  
 Washer, Flat, 2-27  
 Washer, Plain, 5-12, 5-34, 5-35  
 Washer, Spring, 5-7, 5-19, 5-27, 5-34, 5-36  
 Washer, Thrust, 2-41, 5-32  
 Washer, 1.281B 1.75D .08Cr Znc, 2-63  
 Washer-Belleville .50 Pltd, 2-11, 2-13  
 Washer-Flt .31 Fender Pltd, 2-83, 2-85  
 Washer-Flt .31 Fender Pltd, 2-31  
 Washer-Wavy Spring, #Ww-381-&-8, 2-51  
 Washer, 4-16, 4-23, 5-25  
 Weather Strip, L.H., 3-19  
 Weatherstrip, Rubber, 3-21  
 Weight, Eccentric, 2-61  
 Well-Nut .25-20 #1/4-5, 3-23  
 Well-Nut .31-18, 3-25  
 Wheel Assy, 2-45

Wheel, Steering, 14 Dia X 36T, 2-19  
 Window, Cab, Door, 3-21  
 Window, Cab, Front, 3-19  
 Window, Cab, Rear, 3-19  
 Window, Cab, Side, 3-19  
 Wingnut, 3-39  
 Wire Assy, 42.0 Lg, 2 Ga, Neg, 2-39  
 Wire Assy, 66.0 Lg, 2 Ga, Pos, 2-39  
 Wire Assy, Horn Ground, 16 Ga x 6, 2-5  
 Wire Assy-Elect., Ground, 2-27  
 Wire-Ground, Alternator, 2-30

## Y

Yoke, Pivot, Machining, 2-55  
 Yoke, End-Adjustable, 2-67, 2-69  
 Yoke, 5-19





## We Need Your Help...

As part of Tennant's Zero Defects Program, we want to know about errors you have found or suggestions you may have regarding our machine manuals. If you find an error or have a suggestion, please complete this postage-paid form and mail it to us. Thank you for helping us make zero defects a way of life at Tennant.

Manual No. \_\_\_\_\_ Rev. No. \_\_\_\_\_ Publish Date \_\_\_\_\_ Page \_\_\_\_\_  
Machine \_\_\_\_\_  Report Error  Suggestion

---

---

---

---

---

---

---

---

---

---

---

---

---

---

---

---

---

---

---

---

---

---

---

---

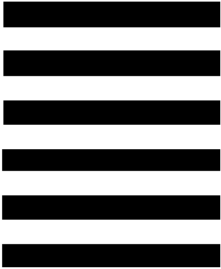
Name \_\_\_\_\_ Date \_\_\_\_\_  
Customer Number \_\_\_\_\_  
Company \_\_\_\_\_  
Address \_\_\_\_\_  
City/State/Zip Code \_\_\_\_\_



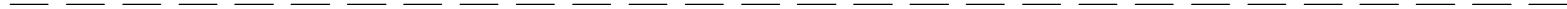
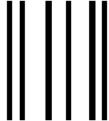
**TENNANT COMPANY**  
 Technical Publications #15  
 701 North Lilac Drive  
 P.O. Box 1452  
 Minneapolis, MN 55440-9947

POSTAGE WILL BE PAID BY ADDRESSEE

**BUSINESS REPLY MAIL**  
 FIRST CLASS MAIL PERMIT NO. 94 MINNEAPOLIS, MN



NO POSTAGE  
 NECESSARY  
 IF MAILED  
 IN THE  
 UNITED STATES



Fold along dotted lines

Tape here





# We Need Your Help...

As part of Tennant's Zero Defects Program, we want to know about errors you have found or suggestions you may have regarding our machine manuals. If you find an error or have a suggestion, please complete this postage-paid form and mail it to us. Thank you for helping us make zero defects a way of life at Tennant.

Manual No. \_\_\_\_\_ Rev. No. \_\_\_\_\_ Publish Date \_\_\_\_\_ Page \_\_\_\_\_  
 Machine \_\_\_\_\_  Report Error  Suggestion

\_\_\_\_\_  
 \_\_\_\_\_  
 \_\_\_\_\_  
 \_\_\_\_\_  
 \_\_\_\_\_  
 \_\_\_\_\_  
 \_\_\_\_\_  
 \_\_\_\_\_  
 \_\_\_\_\_  
 \_\_\_\_\_  
 \_\_\_\_\_  
 \_\_\_\_\_

Name \_\_\_\_\_ Date \_\_\_\_\_  
 Customer Number \_\_\_\_\_  
 Company \_\_\_\_\_  
 Address \_\_\_\_\_  
 City/State/Zip Code \_\_\_\_\_

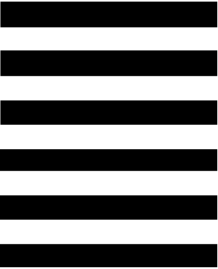




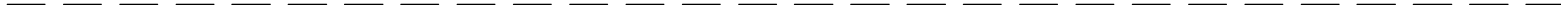
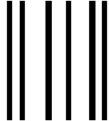
**TENNANT COMPANY**  
 Technical Publications #15  
 701 North Lilac Drive  
 P.O. Box 1452  
 Minneapolis, MN 55440-9947

POSTAGE WILL BE PAID BY ADDRESSEE

**BUSINESS REPLY MAIL**  
 FIRST CLASS MAIL PERMIT NO. 94 MINNEAPOLIS, MN



NO POSTAGE  
 NECESSARY  
 IF MAILED  
 IN THE  
 UNITED STATES



Fold along dotted lines

Tape here

