

PARTS MANUAL

SEE PART 1 FOR INSTRUCTION MANUAL

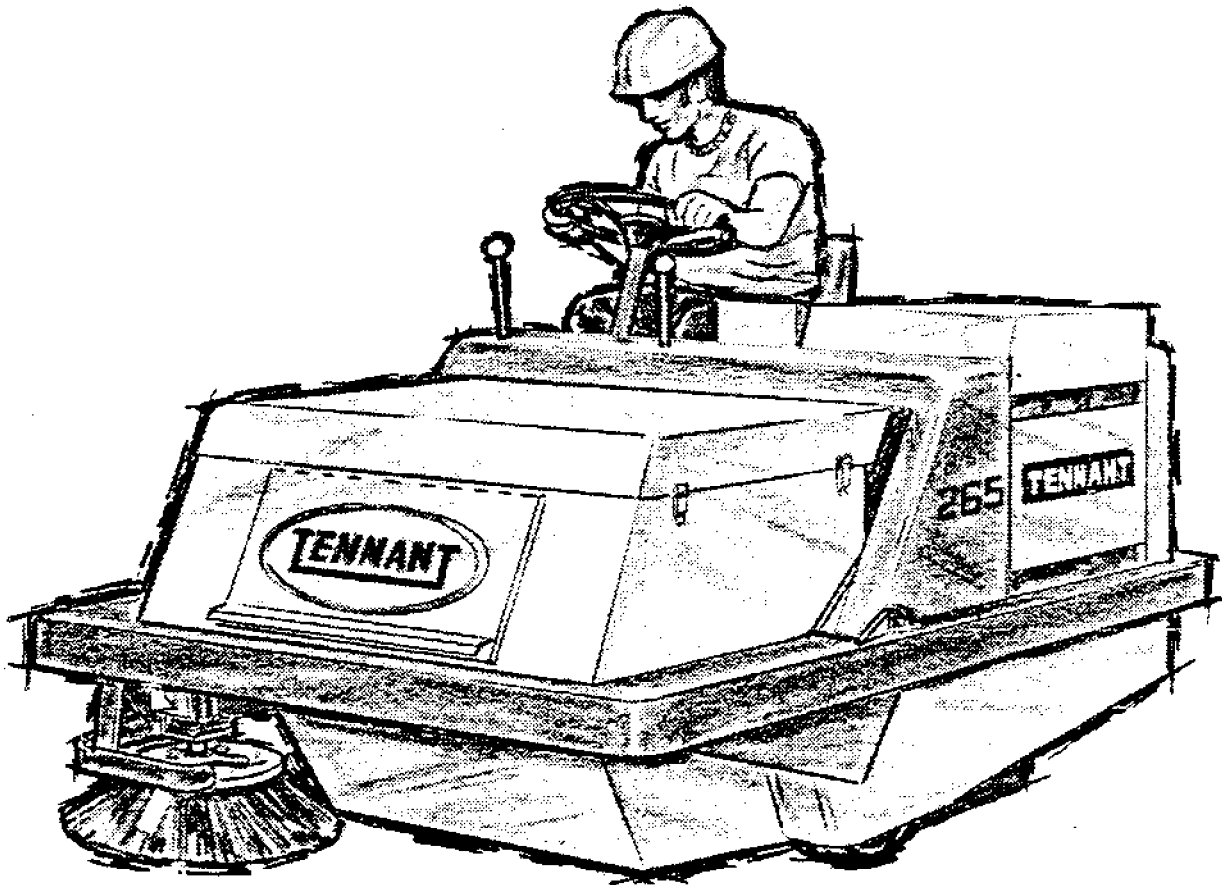
MM 102
[PART 2 OF 2]

11/79

265

POWER SWEEPER

INCLUDES HI-DUMP MODEL, OILGEAR PUMP
LAST SERIAL NUMBER 2390



SPECIALIZED
MAINTENANCE SYSTEMS

SWEEPERS • SCRUBBERS • SCARIFIERS • FLOOR COATINGS

Home

Find...

Go To..



265

POWER SWEEPER

NOTE

This manual covers Model 265 machines equipped with the High Dump Modification and Oilgear Hydraulic pump. For machines equipped with Vickers Hydraulic pumps, use manual number MM114.

Your sweeper will give you excellent service and cleaning results, and save you maintenance expenses. However, as with all specially engineered mechanical equipment, you can get best results at minimum costs--if:

- (1) You operate your machine with reasonable care, and
- (2) Maintain your machine regularly--following the maintenance instructions provided.

You may order parts and supplies direct from TENNANT COMPANY, P. O. Box 1452, Minneapolis, Minnesota 55440. A complete, illustrated machine PARTS LISTING is included in this Manual. A phone or wire order will receive our prompt attention.

Contact your nearest TENNANT Factory Representative for information or assistance concerning your machine.

Stock No. MM102

Published: 11/79

Printed in U.S.A.



* Trademark Registered in: Austria, Benelux, Denmark, England, France, Germany, Italy, Spain, Switzerland, United States, Argentina, Australia, Canada, Japan, Mexico, Sweden, by TENNANT COMPANY, Minneapolis, Minnesota, U.S.A.

Home

Find...

Go To..



TABLE OF CONTENTS

MODEL 265 PARTS MANUAL

WARRANTY

LIST OF GENERAL MAINTENANCE ITEMS

STANDARD MACHINE PARTS CATALOG
(See Divider Page for List of Contents)
Parts Illustrations and Parts Lists for
Standard Machine with Gasoline Engine

HI-DUMP MACHINE PARTS CATALOG
(See Divider Page for List of Contents)
Parts Illustrations and Parts Lists

ACCESSORIES PARTS CATALOG
(See Divider Page for List of Contents)
Parts Illustrations and Parts Lists

LPG SYSTEM PARTS CATALOG
(See Divider Page for List of Contents)
Parts Illustrations and Parts Lists

HYDRAULIC COMPONENTS PARTS CATALOG
(See Divider Page for List of Contents)
Parts Illustrations and Parts Lists

QUICK-REFERENCE LIST
OF MODEL 265 MAINTENANCE ITEMS

NOTE: The following repair items, also listed in the parts list, are grouped here for your convenience. You may not wish to stock all the item. See next page for maintenance items used on Hi-Dump machines.

TENNANT			
Part No.	Description		Qty.
SK 1739	SEAL KIT, Vickers Accessory Pump		1
SK 1769	SEAL KIT, Oilgear Propelling Pump		1
53431	ELEMENT, Hydraulic tank breather		1
SK1140A	SEAL KIT, Ross Propelling Motor #53032 (Std. Mach.)		1
SK1600	SEAL KIT, Char-Lynn Side & Main Brush Motor	select one	as req.
SK1694			
SK1511	FUSIBLE LINK, Hopper Fire Safety door		1
15816-5	TENNANT HYDRAULIC OIL, (5 gallons)		1
23792	ELEMENT, Air cleaner (large)		1
54100	ELEMENT, Air cleaner (small)		1
44561	V-BELT, Alternator & water pump		1
32144	V-BELT, Radiator fan		1
53137	SKIRT, Rubber, rear, floor contact		1
53298	SKIRT, Rubber, brush contact		1
23275	SKIRT, Rubber, side (left & right)		2
23386	SEAL, Rubber, hopper, top		1
23382	SEAL, Rubber, hopper, side (left & right)		2
48060	LIP, Hopper pan		5
45582	VACUUM FAN INSULATION KIT		1
47828-3	TIRE, Rear		1
53819-1	TUBE, Rear tire, inner		1
53819-2	FLAP, Rear tire		1
53259	BAG, Filter		1
54106	MOTOR, Filter shaker		1
*67718-2	ELEMENT, Hydraulic Oil Filter (Deluxe Products)		1
47094	TIRE, Front (Standard only, not Hi-Dump)		2
10414	SHOE, Brake, front wheel		4
SK1288	SEAL KIT, Side brush valve (Gresen)	select one	1
SK1806			
SK1540	SEAL KIT, Control valve (Victor-Dukes)	select one	1
SK1842			

*NOTE: If alternate Ripley Filter is used, order element #53348-1

SCRUBBER ATTACHMENT

43323	BLADE, Squeegee	1
43324	BACKING, Squeegee	1
43292	BLADE, Squeegee, side brush	1
43322	STRIP, Rear squeegee	1

* MODEL 265 GENERAL MAINTENANCE LIST FOR HI-DUMP MACHINES ONLY

36925	BACKING, Pan seal	1
35646	SEAL, Pan	1
35607	LIP, Hopper	5
37021	LIP, Hopper side	2
36989	PAD, Rubber, rollout cylinder hose clamp	4
37061	SEAL KIT, Hopper dump door	1
24120	TIRE, Front	2
29831-4	CABLE, Battery negative	1
SK1842	SEAL KIT, For hydraulic rollout valve	1
SK1805	SEAL KIT, For hopper lift cylinder	1
SK1869	SEAL KIT, For rollout cylinder	2
29830-9	CABLE, Battery positive	1
SK1951	SEAL KIT, Ross propelling motor #37041	1

*NOTE: These are maintenance items which are used only on Hi-Dump machines. All other items are same as on standard machine list.



MODEL 265 ENGINE MAINTENANCE LIST

Ford Part No.	Description	Qty.
AG-22	PLUG, Spark	4
681F-12107-AA	IGNITION CONTACT POINT SET	1
DORY-12300-A	CONDENSER, Ignition	1
DORY-12200-A	ROTOR, Distributor	1
DORY-12106-A	CAP, Distributor	1
*54911-11	COIL, Ignition	1
70AB-11057-AA	BRUSH KIT, Starter	1
*54911-4	STARTER	1
*54915-1	ALTERNATOR	1
*54915-2	REGULATOR, Voltage	1
*54912-3	CARBURETOR, Gasoline	1
*54929	CARBURETOR, LPG	1
*54912-2	PUMP, Fuel, gasoline	1
*50353	ELEMENT, Engine oil filter (Ford #D1PZ-6731-A)	1

* Indicates TENNANT Part number

ELECTRICAL MAINTENANCE ITEMS

TENNANT Part No.	Description	Qty.
44078	SWITCH, Filter shaker motor	1
24576	FLASHER, Flashing light accessory	1
62530	SWITCH, Ignition	1
54180	AMMETER	1
68222	LIGHT, Oil pressure indicating	1
DIRY-9278A*	SWITCH, Oil pressure sending	1
51805	SWITCH, Oil pressure safety (LP only)	1
54911-15	RESISTOR	1
14215	FUSE, 20 amp	5
DIRY-11390-A*	SOLENOID, Starter	1
29830-9	CABLE, Battery (positive)	1
29831-3	CABLE, Battery (negative)	1
61034	BATTERY	1
54121	MOTOR, Filter shaker	1
D1FZ-10884-A*	SENDING UNIT, Temperature	1
50330	GAUGE, Temperature	1
14137	SWITCH, Light (accessory)	1
47472	GAUGE, Fuel	1
47473	SENDING UNIT, Fuel	1

* Indicates Ford part number

11/79

265**STANDARD****POWER SWEEPER****CONTENTS**

Fig. 1 - Main Frame & Related Parts	2 & 3
Fig. 2 - Seat & Instrument Panel	4 & 5
Fig. 3 - Engine & Related Parts	6 & 7
Fig. 4 - Air Cleaner & Related Parts	8 & 9
Fig. 5 - Cooling System	10 & 11
Fig. 6 - Exhaust System	12 & 13
Fig. 7 - Gasoline Tank	14 & 15
Fig. 8 - Gasoline Carburetor, Fuel Pump, Governor	16 & 17
Fig. 9 - Filter System	18 & 19
Fig. 10 - Vacuum Fan Assembly	20 & 21
Fig. 11 - Rear Wheel Assembly	22 & 23
Fig. 12 - Rear Drive Motor & Related Parts	24 & 25
Fig. 13 - Main Brush Lift Controls	26 & 27
Fig. 14 - Main Brush Drive & Related Parts	28 & 29
Fig. 15 - Side Brush Support & Drive	30 & 31
Fig. 16 - Front Wheel & Brake Assembly	32 & 33
Fig. 17 - Handbrake & Foot Brake System	34 & 35
Fig. 18 - Steering & Related Parts	36 & 37
Complete Hydraulic System	38
Fig. 19 - Drive Motor & Related Parts	39
Fig. 20 - Cylinder, Valve & Filter	40 & 41
Fig. 21 - Pump & Controls	42 & 43
Fig. 22 - Side & Main Brush Motors	44 & 45
Fig. 23 - Hydraulic Tank	46 & 47
Fig. 24 - Electrical System	48 & 49
Fig. 25 - Sweeping & Scrubbing Brushes	50
List of Decals	51

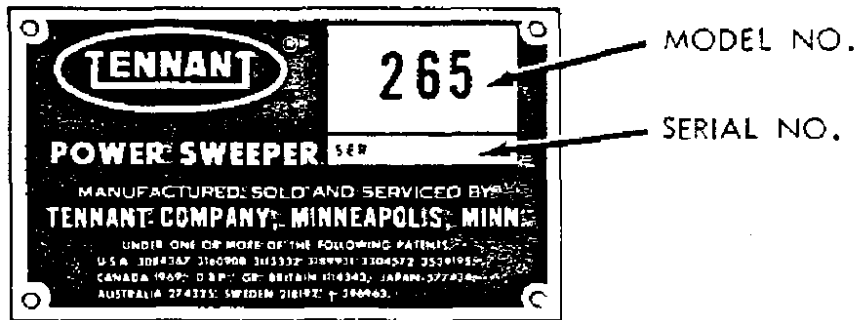
standard parts**NOTE**

This section includes parts for a Standard Model 265 equipped with a gasoline engine. For scrubber attachments or other accessories, see "Accessories Parts List". For Hi-Dump machines, see "Hi-Dump Parts List". For LPG fuel machine, see "LPG Parts List". Breakdown parts lists for hydraulic components are shown in "Hydraulic Components Section".

INSTRUCTIONS FOR ORDERING REPAIR PARTS

To avoid errors or delay in filling your parts orders, please furnish all information requested.

1. Refer to TENNANT data plate. Always specify the model number and serial number.



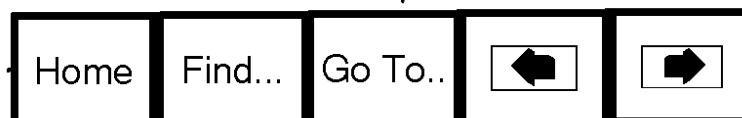
2. Give part number, description and quantity needed of each item on order. Do NOT order only by reference number of illustrated figure numbers.
3. Indented items indicate parts of assemblies. Standard hardware is furnished only when part of purchased assembly. In other cases, we suggest ordering common hardware from your local hardware supplier.
4. If old part cannot be identified, send it to us with quantity needed specified on order.
5. State definite shipping instructions to include shipping address and/or billing address if there is a difference.
6. We shall be glad to quote on any part or group of parts at your specific request.

Any claim for loss or damage to a shipment in transit should be filed promptly against the transportation company making the delivery. Shipments will be complete unless the packing list or order acknowledgement indicate items back ordered.

If parts received are suspected to be incorrect or defective, please write, wire, or phone our Customer Services Department, Minneapolis Office. They will give you authorization for return and/or handle replacement shipments when required.

DIRECT ORDER PHONE NO. IS (612)-540-1315

11/79



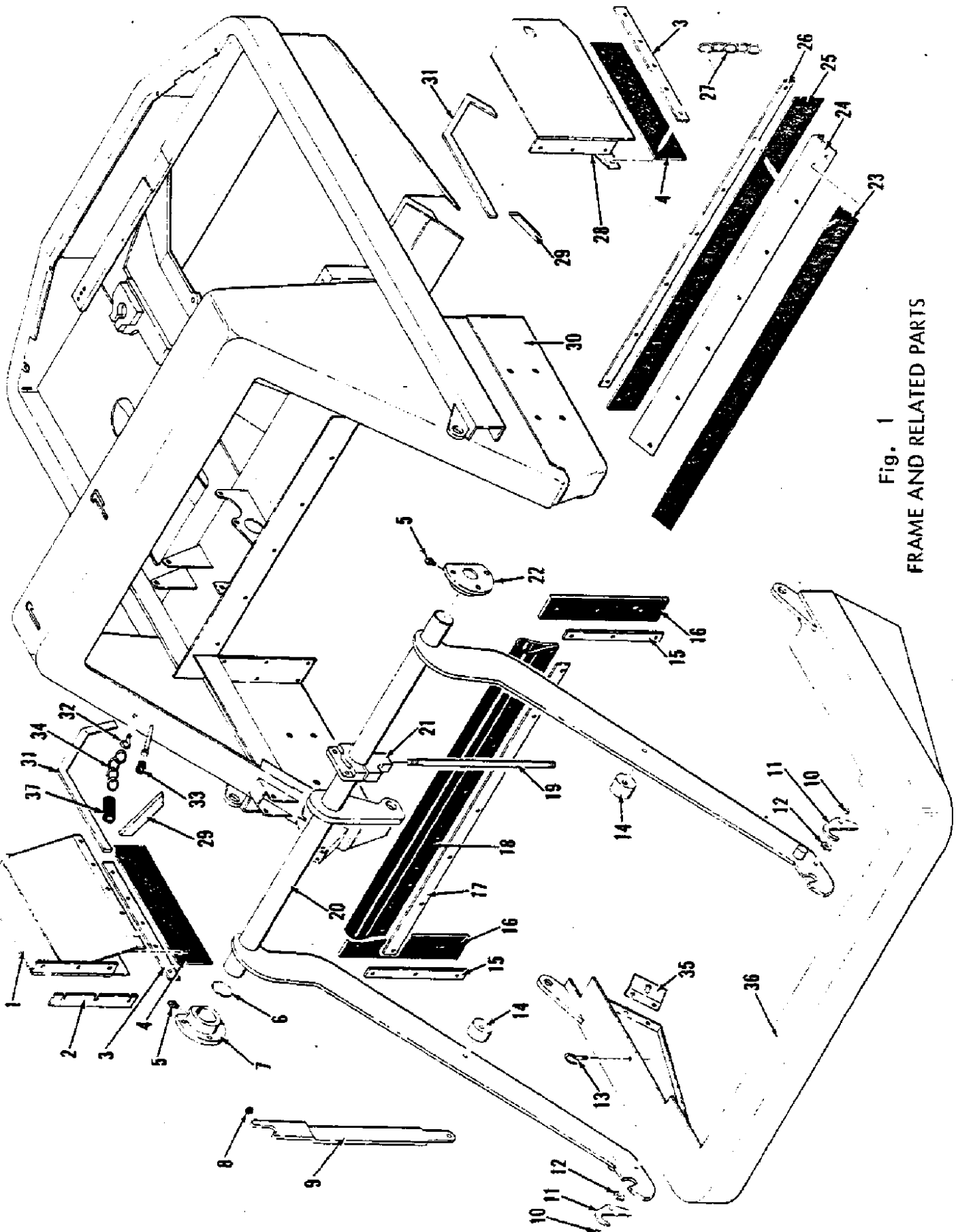


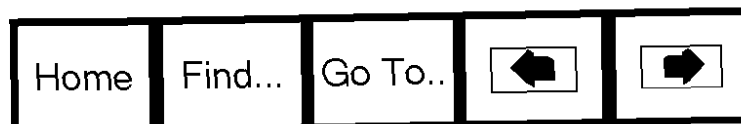
Fig. 1
FRAME AND RELATED PARTS

11/79

Fig. 1 - FRAME AND RELATED PARTS

Ref. No.	TENNANT Part No.	Description	Q
1	53293	DOOR, Brush, right hand	1
2	23752-2	SHIM (if needed)	1
3	*45857	RETAINER, Skirt	2
4	23275	SKIRT, Side	2
5	07259	FITTING, Grease	2
6	23138	SHIM, Liftarm	1
7	23454-2	BEARING, Torque tube, right	1
8	56855	STOP, Safety arm, rubber	1
9	53003	ARM, Hopper, safety stop	1
10	46137	SLEEVE	2
11	46132	HOOK	2
12	46147	WASHER, Neoprene	2
13	21097	HOOK	1
14	23452-2	CAM, Hopper, adjusting	2
15	23384-2	RETAINER, Side seal	2
16	23382	SEAL, Hopper Side	2
17	53143	RETAINER, Top seal	1
18	23386	SEAL, Hopper top	1
19	23583-2	STUD	1
20	53056	ARM, Lift	1
21	23580-2	BEARING, Torque tube, center	1
22	23455-2	BEARING, Torque tube, left	1
23	53298	SKIRT, Rear, (Brush Contact)	1
24	53219	ANGLE, Skirt mount	1
25	53137	SKIRT, Rear, (Floor Contact)	1
26	23268-1	RETAINER, Rear skirt	1
27	09342	CHAIN, Drag(static safety)	1
28	53291	DOOR, Access	1
29	53974	SEAL, Access door	2
30	54932	FRAME, Main	1
31	53052	SEAL, Access door	2
32	11893	EYE BOLT	1
33	43250	TIP, Rubber	1
34	46307	CHAIN, Bumper hold-up	1
35	24528	ANGLE, Tie	2
36	53637	BUMPER	1
37	46567	HOSE, Chain cover	1
(not shown)	53429	WRENCH, Brush removal	1
(not shown)	54918	DECAL KIT (consists of "265" and "TENNANT")	1

*Note: Before Serial No. 3109, Retainer #45857 was 23276-2



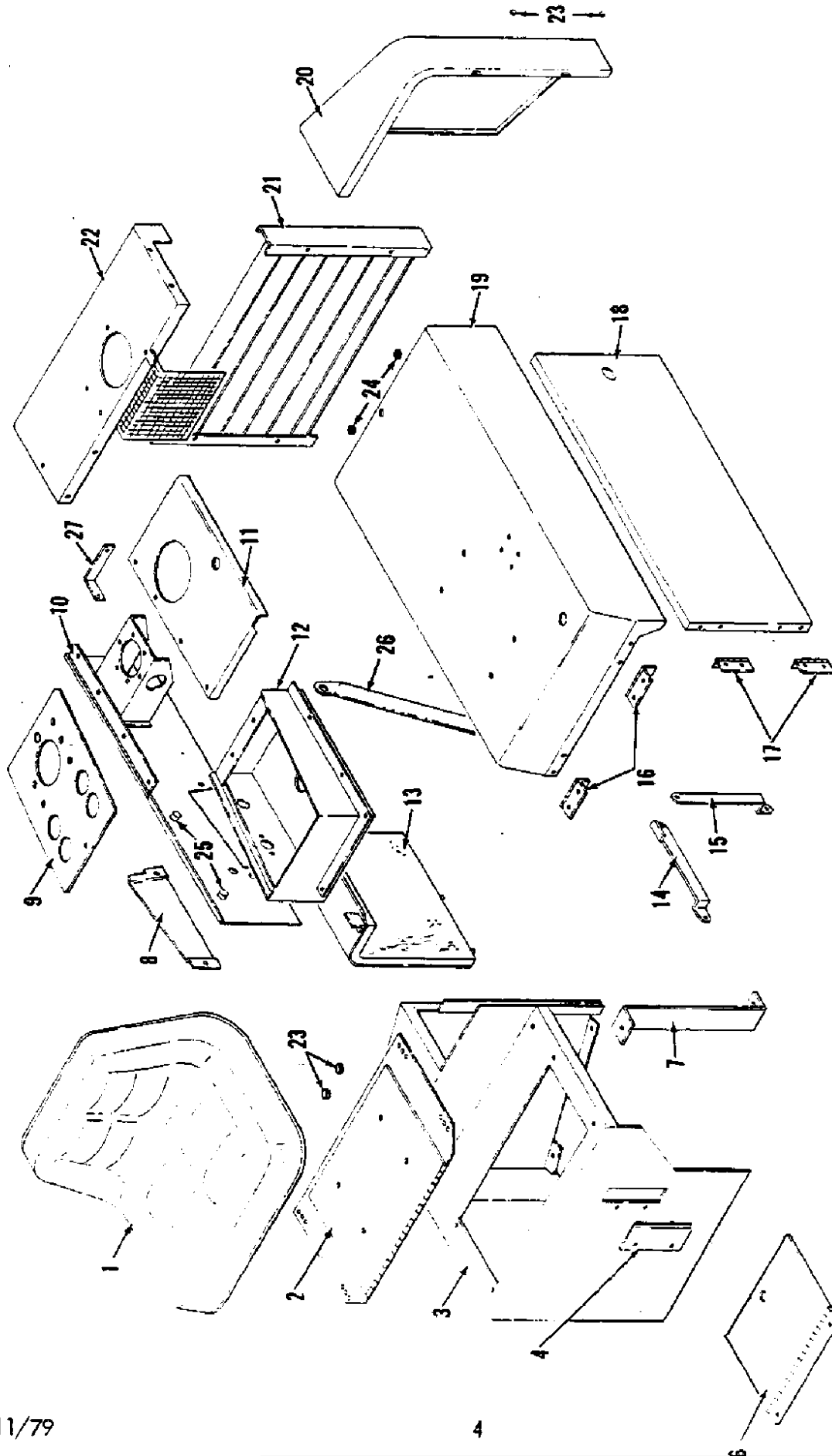


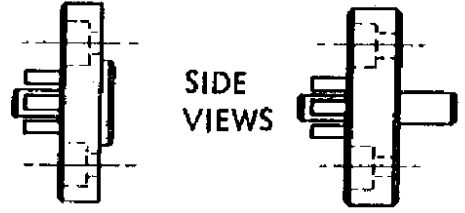
Fig. 2 - SEAT, INSTRUMENT PANEL & RELATED PARTS

11/79

4

Fig. 2 - SEAT, INSTRUMENT PANEL & RELATED PARTS

Ref. No.	TENNANT Part No.	Description	Qty.
1	53871	SEAT	1
2	53844	MOUNT, Seat	1
3	53729	SUPPORT, Seat	1
4	53128	PLATE, Cover	1
6	53465-2	COVER, Battery	1
7	53732	BRACKET, Seat support	1
8	54371-1	PANEL, Access	1
9	53513	PANEL, Instrument	1
10	54936	COVER, Engine panel	1
11	54935	DOOR, Instrument panel	1
12	54721	BOX, Instrument	1
13	47328-1	PANEL ASSEMBLY (includes insulation)	1
	47328	PANEL	1
	47341	INSULATION	1
14	53366	ARM, Hinge	1
15	53365	ARM, Hinge	1
16	47700	HINGE, Engine cover	2
17	47692	HINGE, Side door	2
18	53846	DOOR, Side	1
19	54937	COVER, Engine	1
20	53849	PANEL, Corner	1
21	53992	GRILL	1
22	53623	COVER, Top rear	1
23	51787	BUMPER, Door	4
24	29233	BUMPER	2
25	53051	SLEEVE, Instrument box mounting	2
26	54157	BRACE	1
27	54883	BRACKET	1



OBSOLETE
#50329
To replace,
order SK1909

CURRENT
#50329A

PUMP DRIVE ADAPTER PLATE

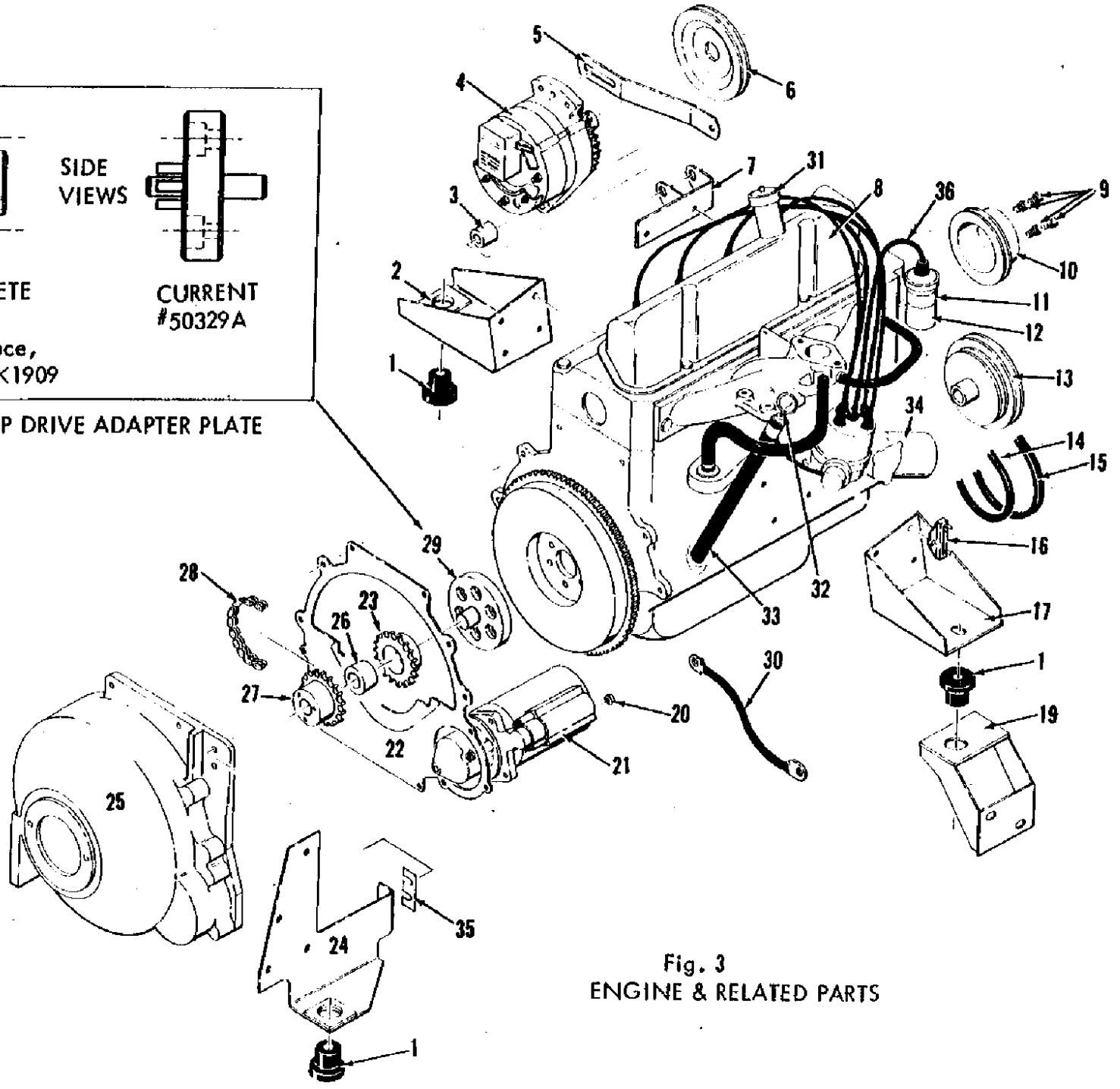


Fig. 3
ENGINE & RELATED PARTS

Home

Find...

Go To..

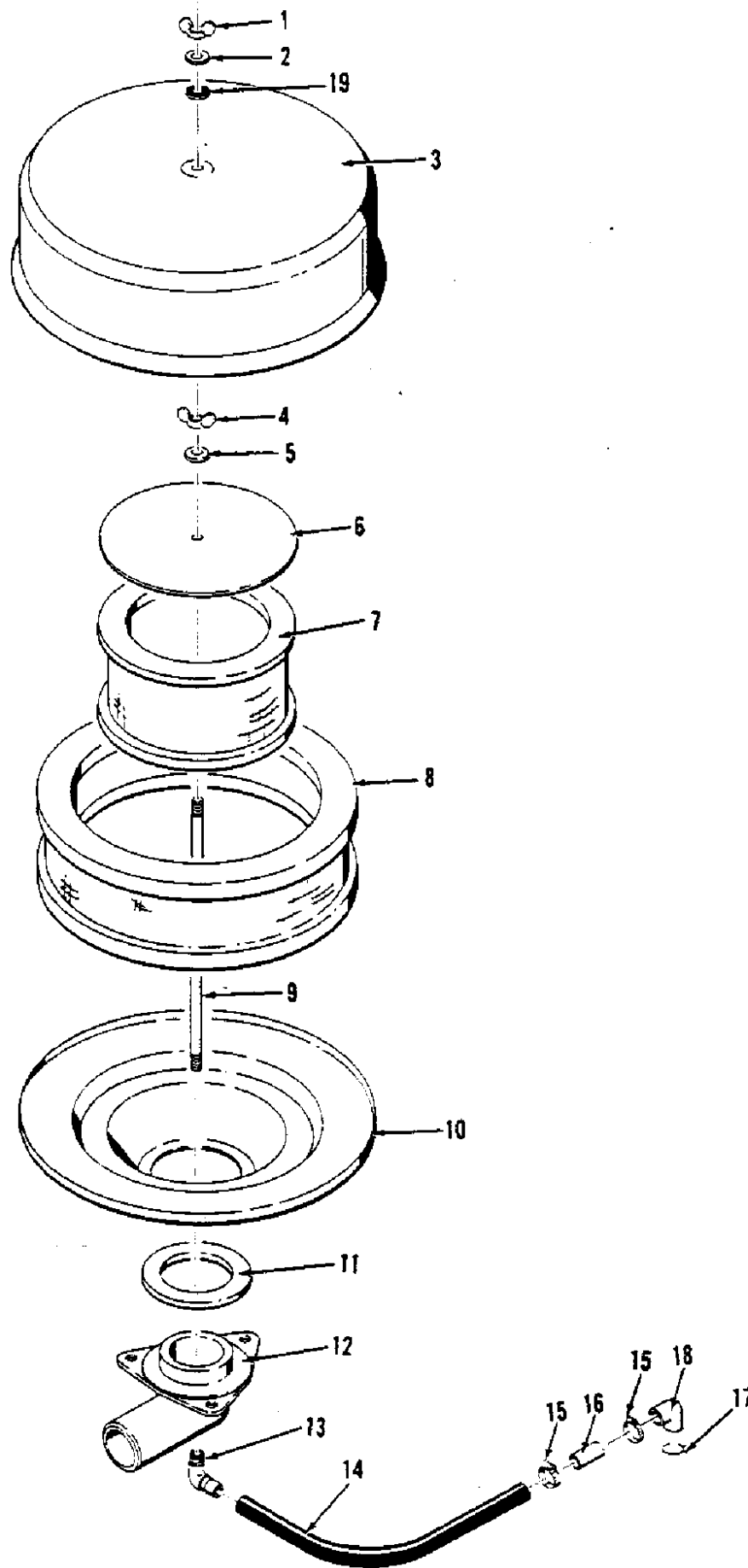


FIG. 3 - ENGINE AND RELATED PARTS

Ref. No.	TENNANT Part No.	Description	Qty
1	51176	DAMPER, Engine	3
2	54860	MOUNT, Engine, left hand	1
3	54959	SPACER, Alternator	1
4	54915	ALTERNATOR ASSEMBLY (includes following)	1
	54915-1	ALTERNATOR	1
	54915-2	REGULATOR, Voltage	1
	54915-3	FAN, Alternator	1
5	50309	STRIP, Alternator	1
6	54914	SHEAVE, Alternator	1
7	54928	BRACKET, Alternator mounting	1
8	54912-1	**ENGINE, Basic, Gasoline	1
9	50388	SCREW, Hex cap, 8mm	4
10	54911-10	*PULLEY, Water pump	1
11	54911-30	*STRAP, Coil	1
12	54911-11	*COIL, Ignition	1
13	54911-9	*PULLEY, Crankshaft	1
14	44561	V-BELT, Alternator-water pump	1
15	32144	V-BELT, Fan, radiator	1
16	54911-15	*RESISTOR, Ignition coil	1
17	54892	MOUNT, Engine, right hand	1
19	54889	BRACKET, Motormount	1
20	50335	NUT, Hex, 5mm	1
21	54911-4	*STARTER, Engine	1
22	54911-5	*RING, Starter locating	1
	54911-16	*PIN, Dowel	2
23	50327	COUPLING, Chain (Engine side)	1
24	54836A	BRACKET, Motor & valve mount	1
25	54921A-1	HOUSING, Flywheel	1
26	15280-1	BUSHING (Key No. 00926)	1
27	53531-2	COUPLING, Chain, half (pump side) splined	1
28	53531-3	CHAIN, Coupling	1
29	50329	PLATE, Pump drive adaptor	1
30	52508-1	CABLE, Grounding	1
31	50352	CAP, Oil filler & breather	1
32	54911-26	DIPSTICK, Oil level	1
33	54911-27	TUBE, Dipstick	1
34	50353	ELEMENT, Engine oil filter	1
35	47854	SHIM (16-GA thick)	as req.
	47854-1	SHIM (0.19" thick)	as req.
	54911-31	WIRE, Coil high tension	1

*NOTE: These parts are included in Complete Gasoline Engine Assembly #54912 (Ford 98CID-1600 cc, Model JFA-98GF-6005A, S.O. 5191A.)
For a more complete break down see "Engine Section"

**NOTE: Basic engine #54912-1 does not include alternator, voltage regulator, V-Belts, fan, carburetor, fuel pump, starter, pulleys, coil, resistor, etc.
For part number of LP Engine, see "LPG" section.



11/79

Fig. 4 - AIR CLEANER AND RELATED PARTS

Fig. 4 - AIR CLEANER AND RELATED PARTS

Ref. No.	TENNANT Part No.	Description	Qty.
1	26509	NUT, Wing (1/4" - 20)	1
2	29241	WASHER, Steel	1
3	23791-B	COVER, Air cleaner	1
4	46591	NUT, Wing (1/4" - 20)	1
5	24924	WASHER, Nylon	1
6	54081	COVER, Air cleaner	1
7	54100	ELEMENT, Air filter, inner	1
8	23792	ELEMENT, Air filter, outer	1
9	54082	STUD	1
10	54080	FLANGE, Air cleaner	1
11	23731	WASHER, Neoprene	1
12	23727A-2	BASE, Air cleaner	1
13	47388	ELBOW	1
14	54858	HOSE, Breather	1
15	54333	CLAMP	2
16	51706	SLEEVE	1
17	46818	CLAMP, Wire	1
18	54155	ELBOW, Rubber	1
19	29240	WASHER, Rubber	1

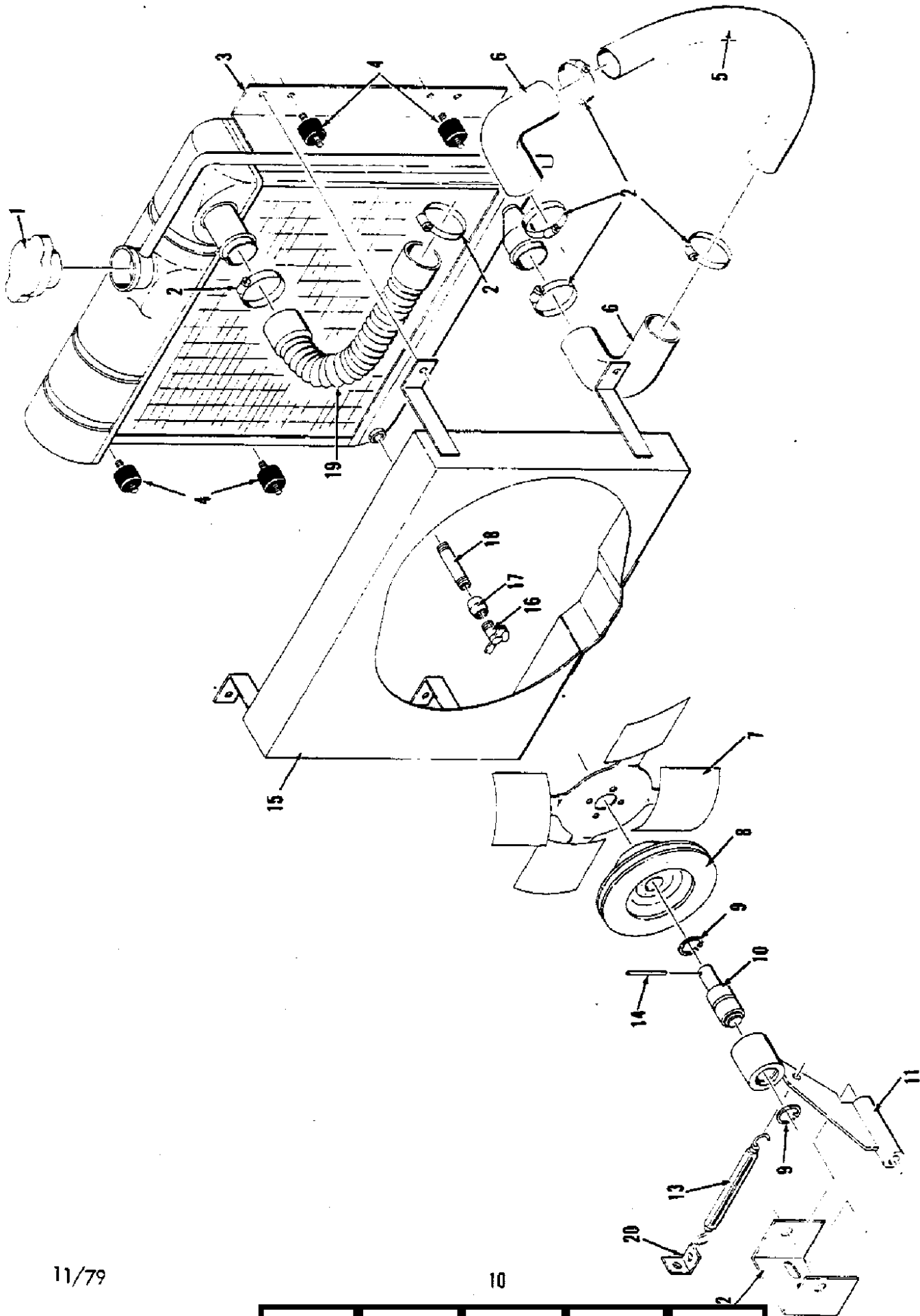


Fig. 5 - COOLING SYSTEM

Fig. 5 - COOLING SYSTEM

Ref. No.	TENNANT Part No.	Description	Qty
1	51321-3	CAP, Radiator	1
2	11531	CLAMP, Wormdrive	6
3	53010	RADIATOR	1
4	51322	DAMPER, Radiator, vibration	4
5	54874	TUBE, Radiator	1
6	54884	HOSE, Radiator, Bottom	2
7	53345	FAN (4-blade)	1
8	53867	PULLEY, Fan	1
9	23217	RING, Retaining	2
10	28868	BEARING & SHAFT, Fan	1
11	53673-1	ARM, Fan, mounting	1
12	53792-1	BRACKET, Fan, arm mounting	1
13	25494	TURNBUCKLE, (Fan belt tensioning)	1
14	11398	PIN, Roll	1
15	54387	SHROUD, Fan	1
16	51305	DRAIN, Radiator angle	1
17	26897	COUPLING	1
18	26385	NIPPLE	1
19	10323-6	HOSE, Radiator, Upper	1
20	54795	BRACKET, Turnbuckle	1

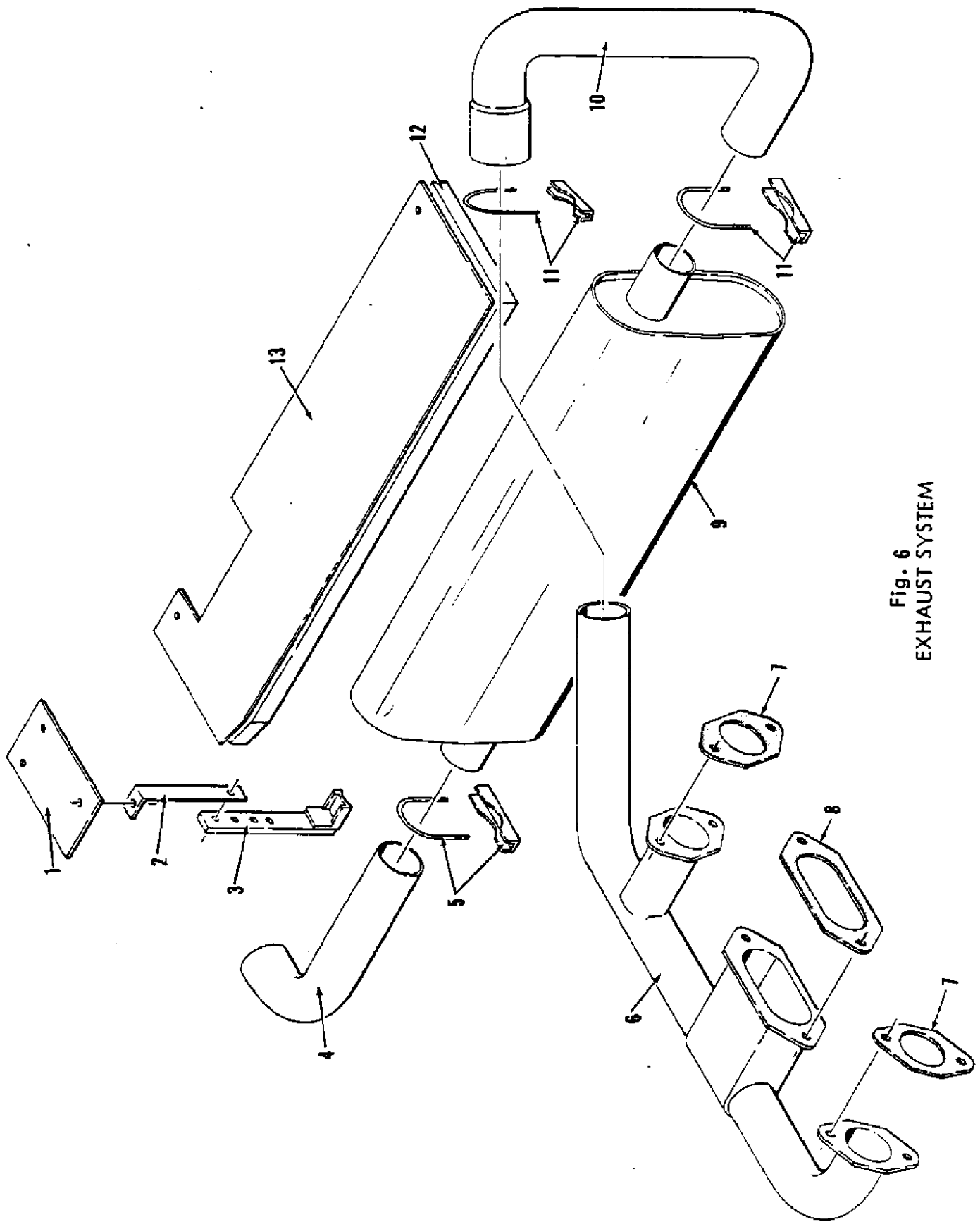


Fig. 6
EXHAUST SYSTEM

Fig. 6. EXHAUST SYSTEM

Ref. No.	TENNANT Part No.	Description	Qty.
1	53822	SUPPORT, Muffler	1
2	51657	BRACKET, Muffler support	1
3	51321-9	SUPPORT, Muffler	1
4	53884	PIPE, Tail	1
5	23693	CLAMP, Muffler	1
6	*54957A	MANIFOLD, Engine exhaust	1
7	54911-21	GASKET, Exhaust manifold, end	2
8	54911-20	GASKET, Exhaust manifold, center	1
9	53820	MUFFLER	1
10	54926	PIPE, Exhaust	1
11	24012	CLAMP, Muffler	2
12	53987	INSULATION, Muffler	1
13	53013	SHIELD, Muffler, Heat	1

*Note: Manifold 54957A was 54957. To replace 54957, order SK2131.



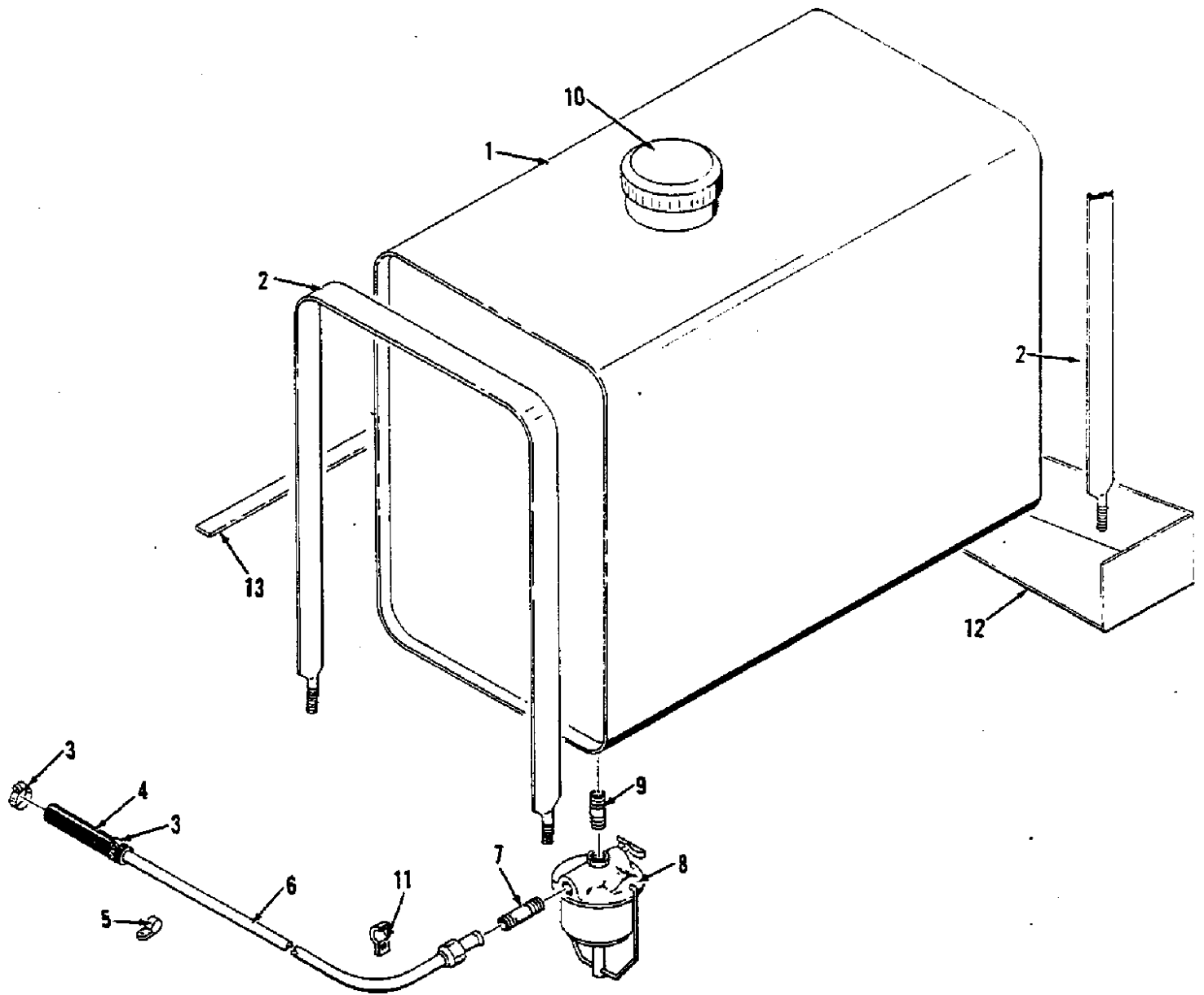


Fig. 7
GASOLINE TANK & RELATED PARTS

11/79

FIG. 7 - GASOLINE TANK & RELATED PARTS

Ref. No.	TENNANT Part No.	Description	Q
1	23390	TANK, Gas	1
2	23254	STRAP, Gas tank	2
3	43844	CLAMP, Hose, worm drive	2
4	54845	HOSE, Rubber	1
5	46236	CLAMP, Hose	1
6	53390-1	GAS LINE ASSEMBLY	1
7	22383	NIPPLE	1
8	04601	STRAINER & SEDIMENT BOWL, Fuel (Note: screen # 0W-352, bowl # 06137, Tillotson Mfg. Co. part numbers)	1
9	17413	NIPPLE	1
10	*RC-112	CAP, Gas (includ. in item 1)Deluxe Special. pt. #	1
11	09092-1	CLAMP	2
12	53014	SHIELD, Gasoline	1
13	23826	SEAL, Seat support	1

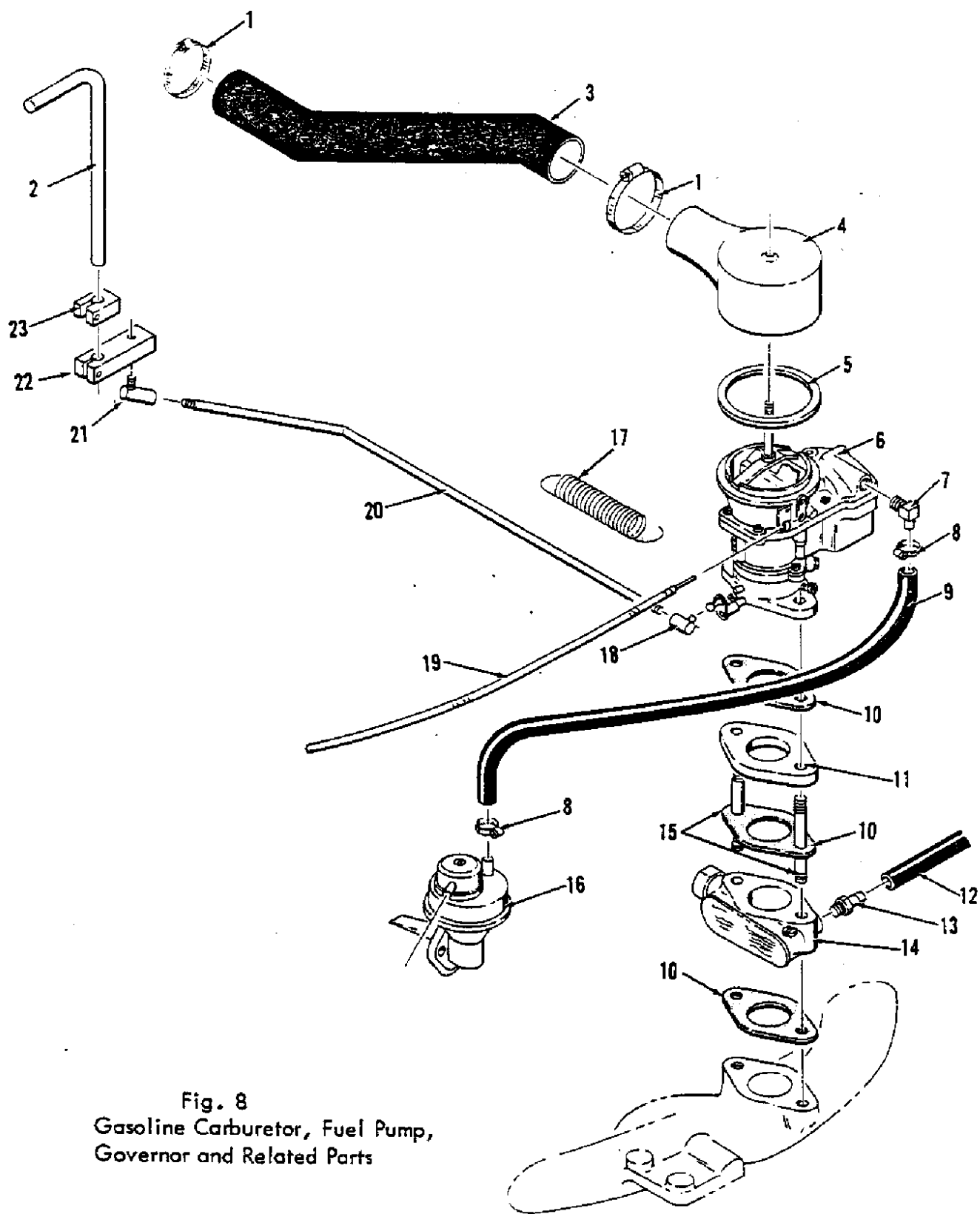


Fig. 8
Gasoline Carburetor, Fuel Pump,
Governor and Related Parts

Fig. 8 - GASOLINE CARBURETOR, FUEL PUMP, GOVERNOR & RELATED PARTS

Ref. No.	TENNANT Part No.	Description	Qty.
1	11531	CLAMP	2
2	53267	LEVER, Throttle	1
3	+50331-2	HOSE, Air intake (new one-piece molded type)	1
4	50308	AIR-HORN, Carburetor	1
5	54912-4	GASKET, Carburetor to air horn	1
6	54912-3	*CARBURETOR, Gasoline	1
7	53029	ELBOW, Fuel inlet	1
8	43844	CLAMP, Wormdrive	2
9	**9369	HOSE, Gasoline, (5/16"ID x 16'L)	1
10	**C5NE-9447A	GASKET, Carburetor	3
11	54854	PLATE, Carburetor spacer	1
12	—	HOSE, Rubber, governor to distributor (5/32" x 12" long) furnished with engine	1
13	54912-5	CONNECTOR	1
14	54933	GOVERNOR, Speed	1
15	54844	STUDS (1 - 5/16" - 18 x 3-3/8")	2
16	54912-2	PUMP, Fuel (Gasoline only)	1
17	50304	SPRING, Throttle return	1
18	50332-1	BALLJOINT, Socket end only	1
19	53140	CABLE ASSEMBLY, Choke	1
20	50300	ROD, Throttle	1
21	14601	BALLJOINT	1
22	53270	PIVOT, Arm	1
23	53290	CLAMP, Stop, throttle control	1

*See "LPG Section" for parts peculiar to LPG Fuel System.

** Ford Part Number

+ Previous air intake hose (#50331) had spring (#50349) located inside. To replace this hose with new molded hose, order SK1844.

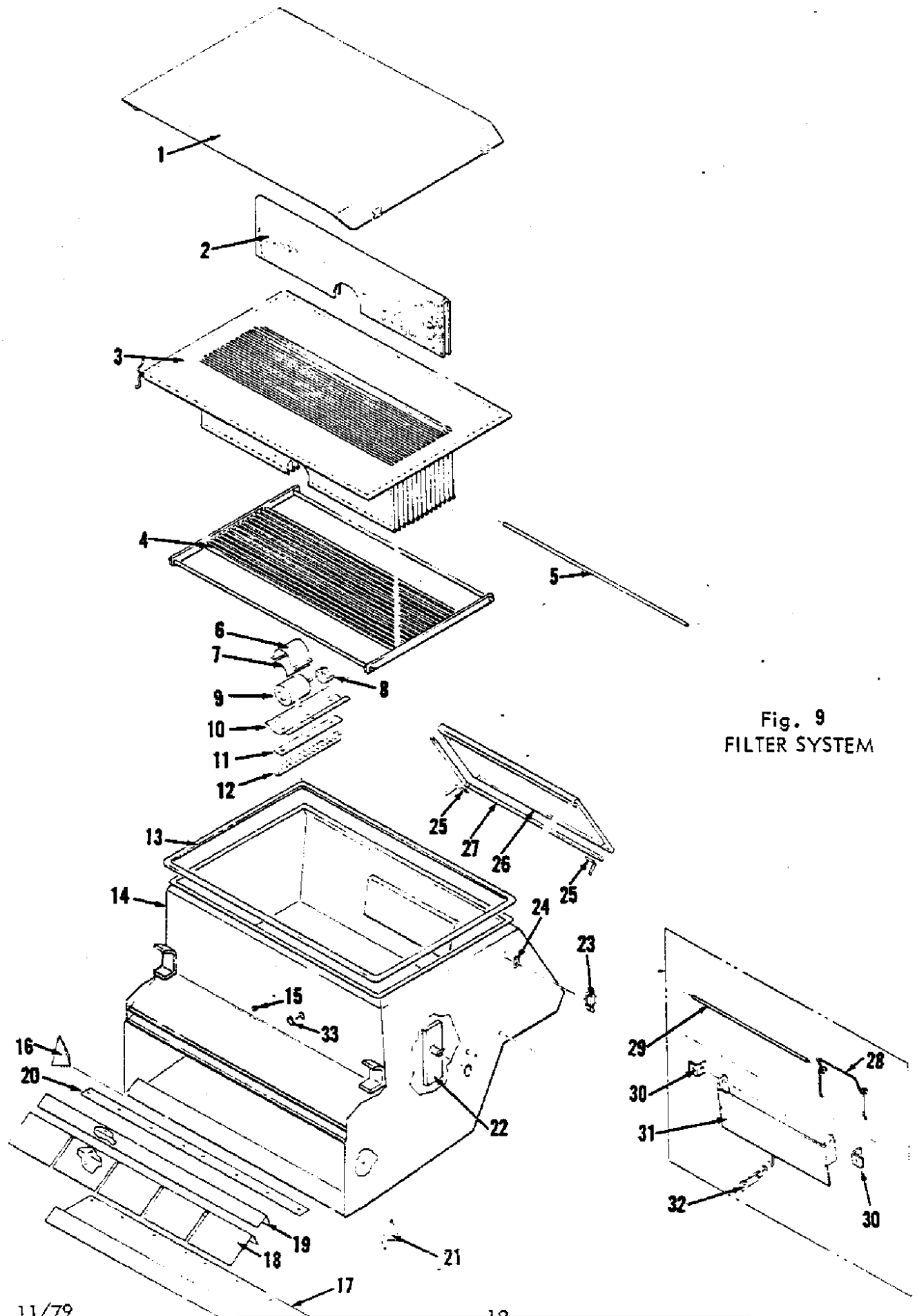


Fig. 9
FILTER SYSTEM

Fig. 9 - FILTER SYSTEM

Ref. No.	TENNANT Part No.	Description	Qty.
1	53338	COVER, Filter box	1
2	53260	SEPARATORS	7
3	53259	BAG, Filter	1
4	46071	RACK, Bag	1
5	53934	BAR	14
	54078	SHAKER MOTOR ASSEMBLY	1
6	44979	STRAP, Shaker motor	1
7	44893	BAR, Rubber	1
8	53264	WEIGHT, Eccentric	1
9	54121	MOTOR, Shaker (sealed, not repairable)	1
10	44980	SUPPORT	1
11	53189	STRIP, Rod clamp	1
12	53421	ROD, Clamp lower	1
13	53244	SEAL, Extrusion	1
14	53261	BOX, Filter	1
15	47591	STRAINRELIEF	1
16	46596	DEFLECTOR, Dirt, left hand	1
17	46077	PLATE	1
18	48060	LIP	5
19	46080	BACKING	1
20	46078	STIFFENER	1
21	46595	DEFLECTOR, Dirt, right hand	1
22	24097	SUPPORT, Pan, right hand	1
(not shown)	24096	SUPPORT, Pan, left hand	1
23	48048	CATCH	4
24	23515	SPACER	4
25	53697	CATCH, Spring	2
26	53462	DOOR, Hopper	1
27	53461	SEAL, Set	1
28	51372	SPRING	1
29	46088	HINGE	1
30	46087	PIVOT	2
31	51149	FIRE DOOR	1
32	SK1511	FUSIBLE LINK	1
33	46213	PLUG BUTTON	1
(not shown)	47178-3	BUTTON, Plug	1

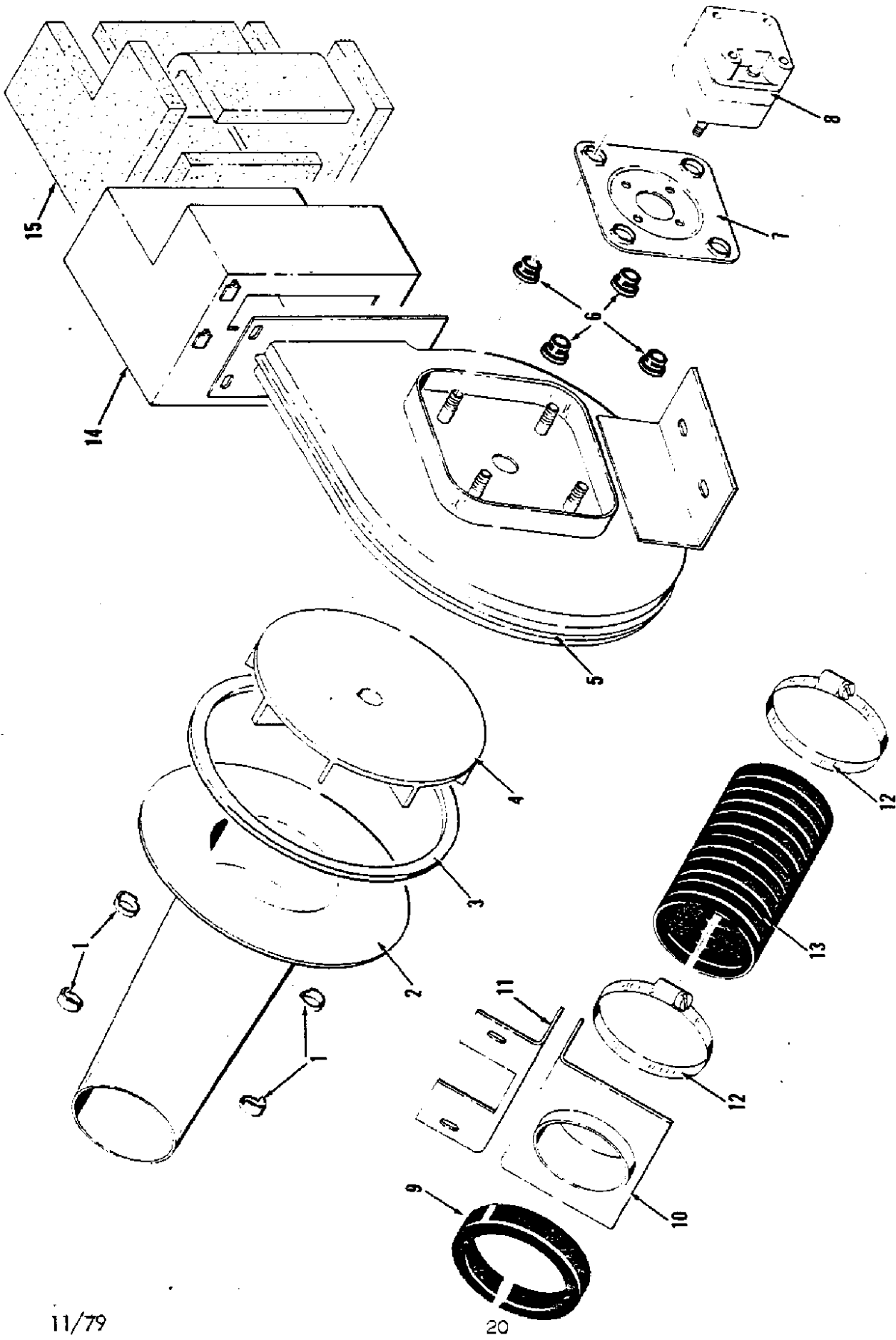


Fig. 10 - VACUUM FAN ASSEMBLY

11/79

Fig.10 - VACUUM FAN ASSEMBLY

Ref. No.	TENNANT Part No.	Description	Qty.
	54888	FAN ASSEMBLY, Vacuum	1
1	03467A	CLIP, Vacuum housing	4
2	53148	MANIFOLD, Intake	1
3	23542	SEAL (5/16" x 30 1/2 LG)	1
4	54235-3	IMPELLER	1
5	54304	HOUSING, Impeller	1
6	54274	ISOLATOR, Vibration	4
7	54275A	PLATE, Motor mounting	1
8	*53923	FAN MOTOR ASSEMBLY (Barnes motor) (includes motor 53733 & mounting hardware)	1
9	47069	SEAL	1
10	53353	ADAPTER, Hose	1
11	23676-1	BRACKET, Hose adapter	1
12	23498	CLAMP, Wormdrive	2
13	23481	HOSE (included in Vacuum Fan Assembly #54888)	1
	54312	MUFFLER ASSEMBLY, Vacuum Fan	1
14	54260	HOUSING	1
15	45582	INSULATION KIT, Vacuum fan noise	1

NOTE

*Fan motor assembly #53923-1 (consists of M.T.E. motor and mounting hardware) is an alternate. Complete motor assemblies #53923 and #53923-1 are interchangeable, but motors alone are not.

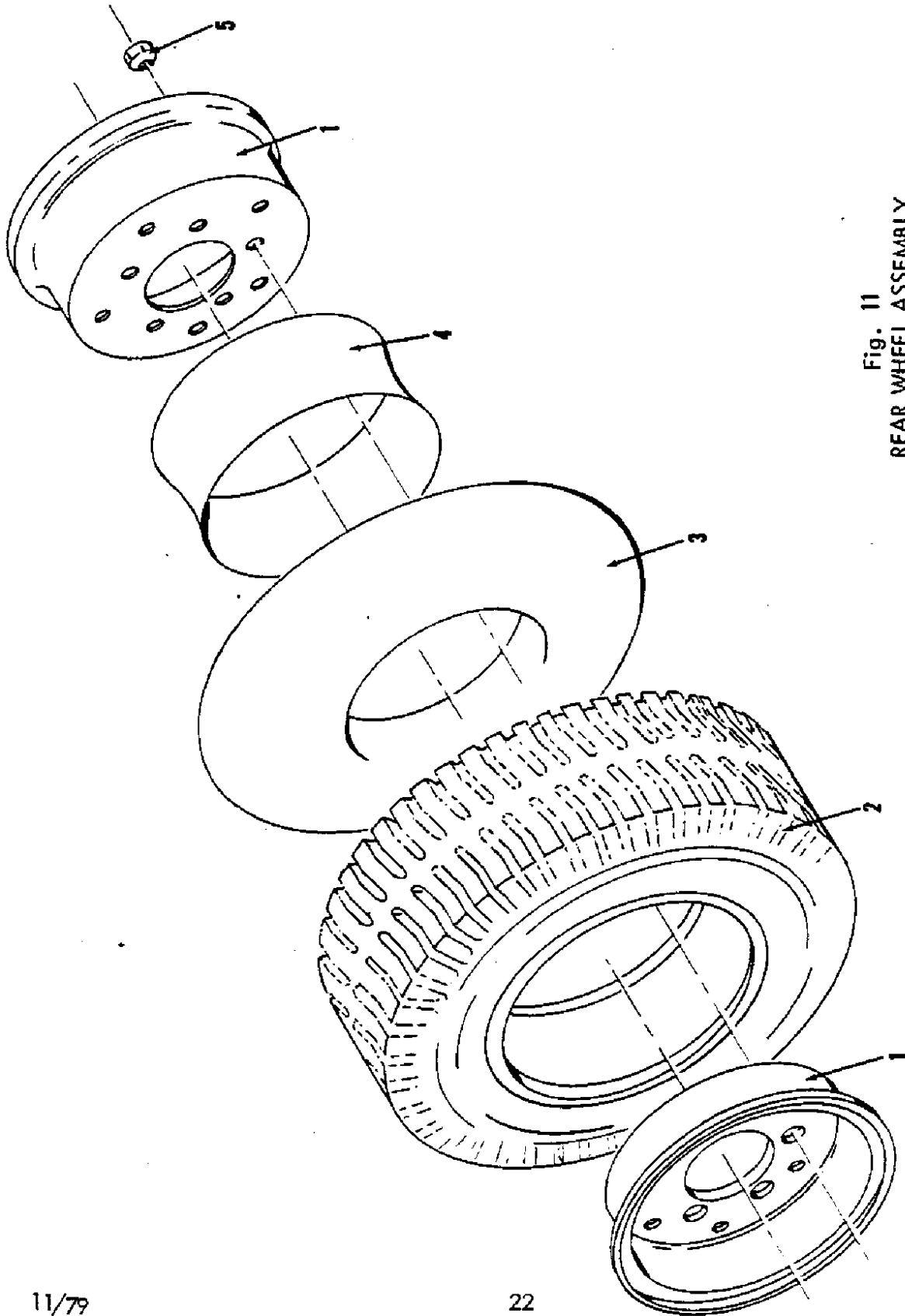


Fig. 11
REAR WHEEL ASSEMBLY

Fig. 11 - REAR WHEEL ASSEMBLY

Ref. No.	TENNANT Part No.	Description	Qty.
	47550	WHEEL ASSEMBLY	1
1	53818	RIM ASSEMBLY	1 pr.
2	47525	TIRE	1
3	53819-1	TUBE, Inner	1
4	53819-2	FLAP	1
5	24339	WHEEL NUT	5

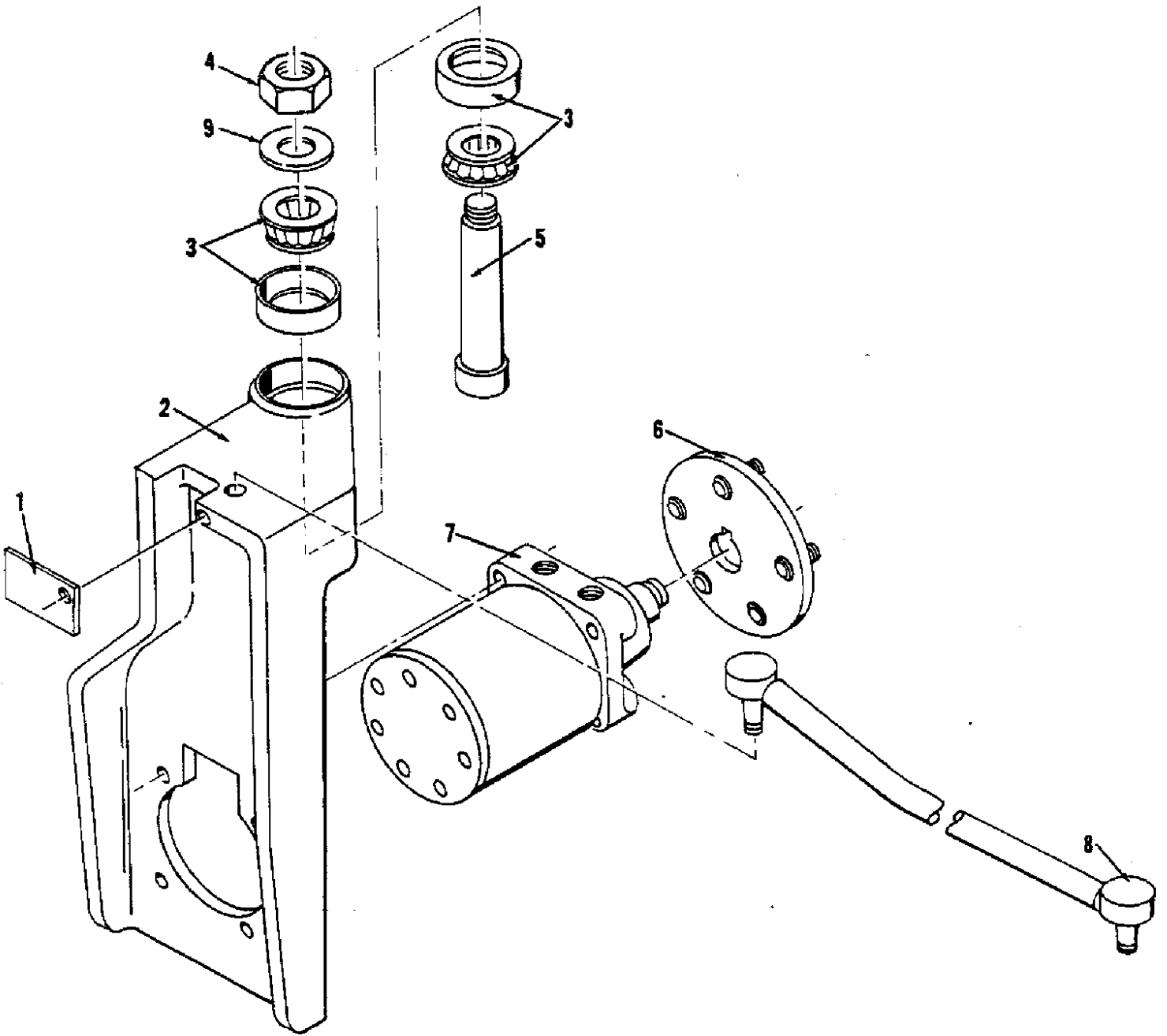


Fig. 12
REAR DRIVE MOTOR & RELATED PARTS

11/79

Fig. 12 - REAR DRIVE MOTOR & RELATED PARTS

Ref. No.	TENNANT Part No.	Description	Qty
1	53528	BAR, Support, drive casting	1
2	53525A	SUPPORT, Drive casting	1
3	49225	BEARING CONE & CUP ASSEMBLY	2
4	14242	NUT	1
5	24984	PIN, Support	1
6	53893	HUB & STUD ASSEMBLY	1
	24338	STUD	5
7	53032	MOTOR, Hydraulic (Ross)	1
	SK1140A	SEAL KIT	1
8	53481	DRIVE LINK	1
9	47719	WASHER	1

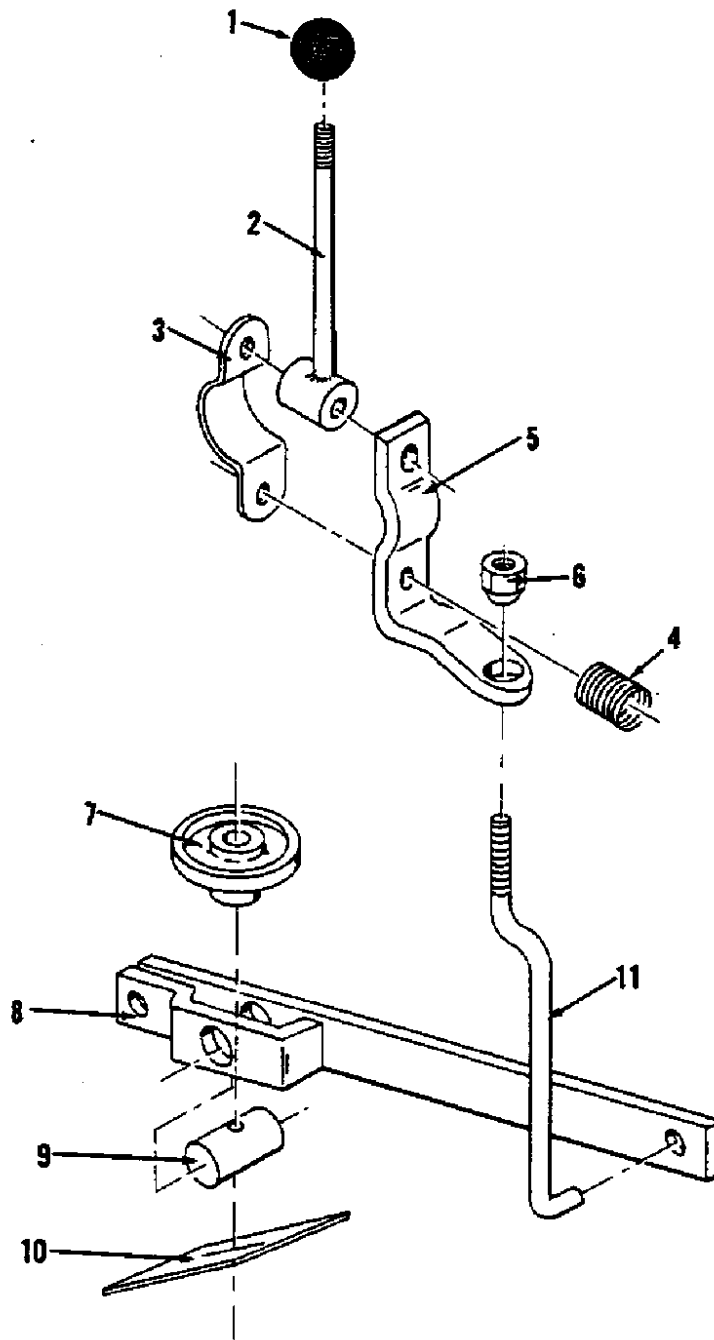


Fig. 13
BRUSH LIFT CONTROLS

Fig. 13 - BRUSH LIFT CONTROLS

Ref. No.	TENNANT Part No.	Description	Qty.
1	26156	KNOB	1
2	23304	HANDLE	1
3	23306-1	CLIP	1
4	14174	SPRING	1
5	53488	LEVER, Lift handle	1
6	24339	WHEEL NUT (1/2" - 20)	1
7	51452	KNOB	1
8	53876	ARM, Lift	1
9	51391	PIN, Swivel	1
10	53906	SEAL, Rubber	1
11	53182	ROD, Lift	1

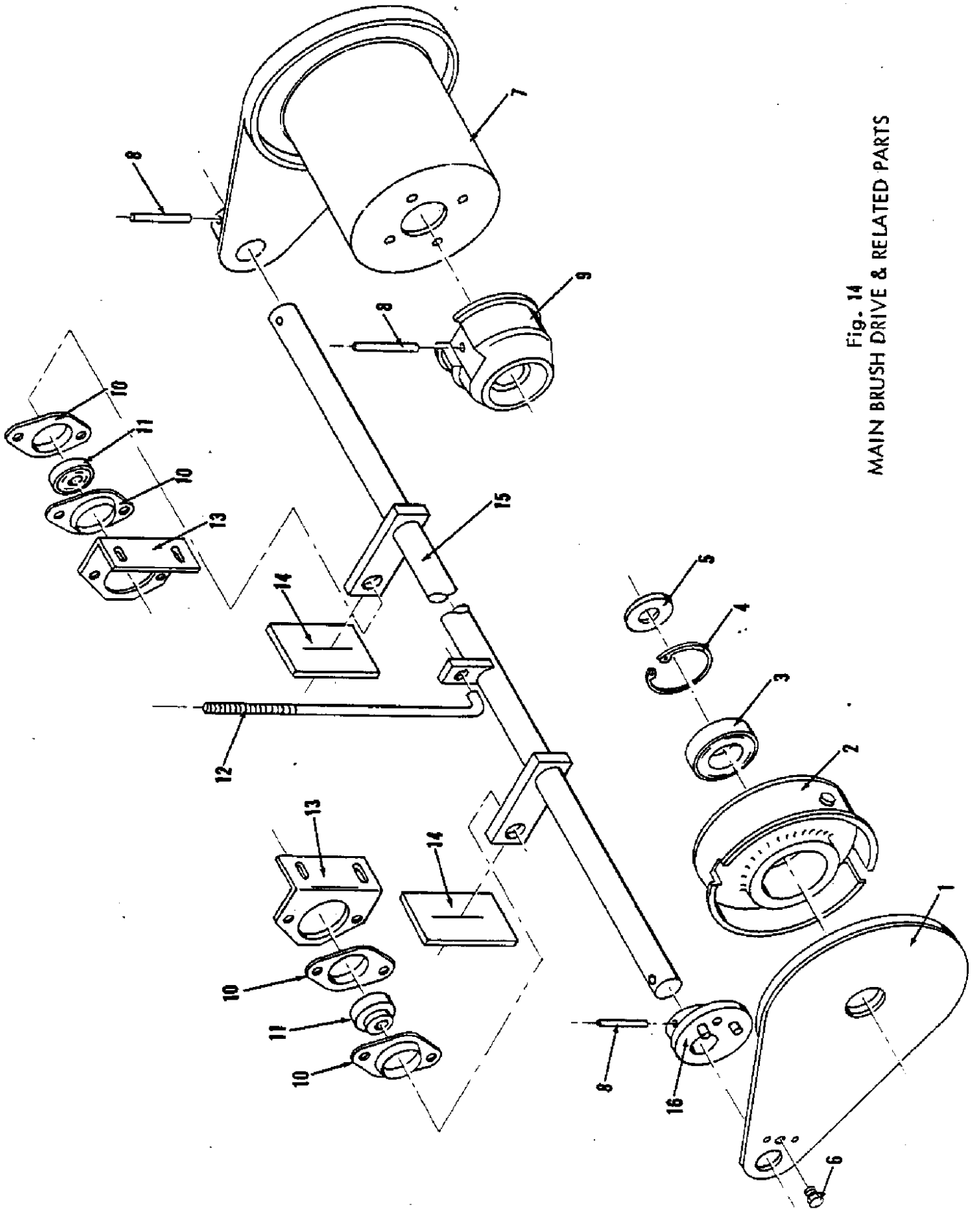
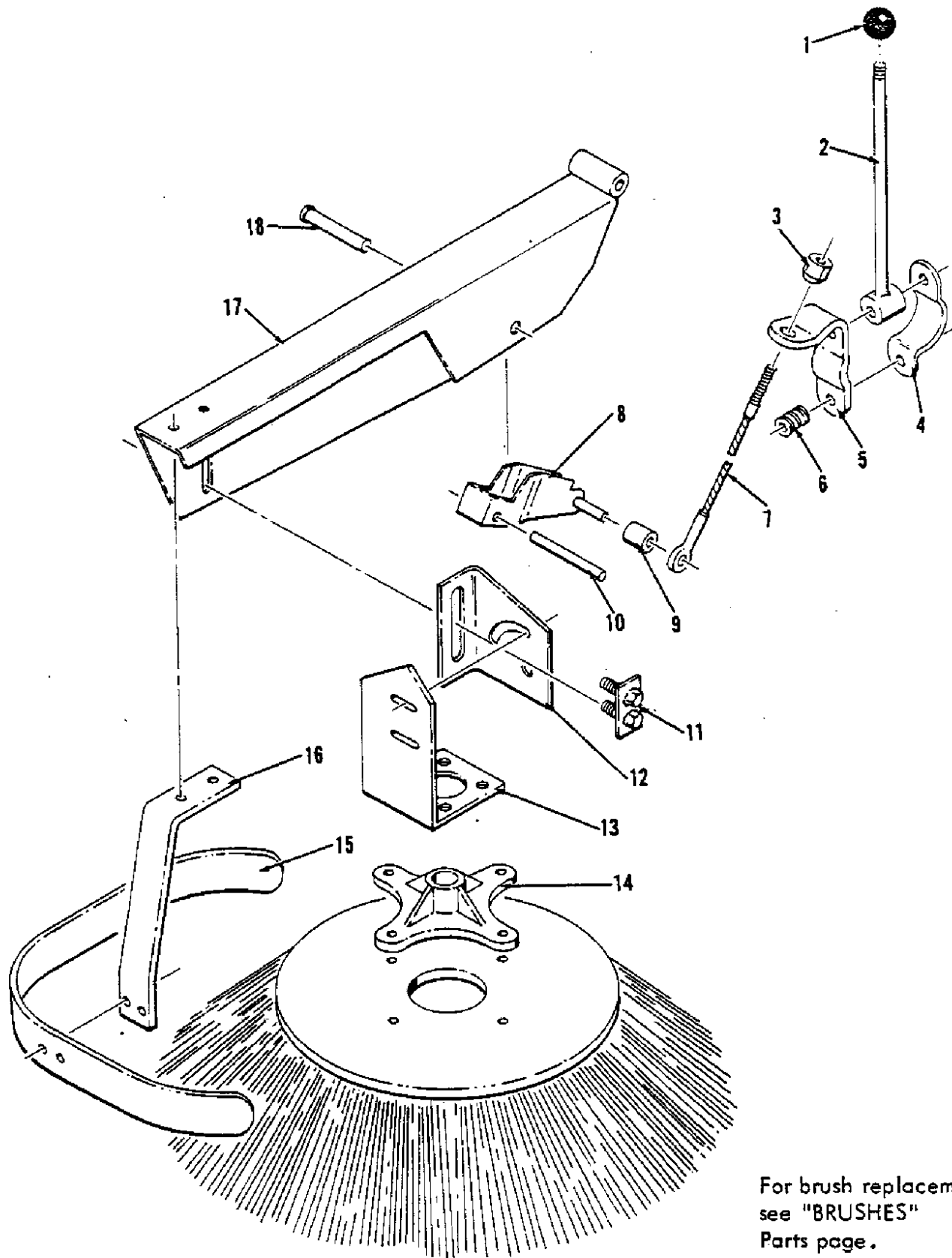


Fig. 14
MAIN BRUSH DRIVE & RELATED PARTS

Fig. 14 - MAIN BRUSH DRIVE & RELATED PARTS

Ref. No.	TENNANT Part No.	Description	Qty.
	53187	ARM & PLUG ASSEMBLY, Brush, right hand	1
1	53168	ARM, Brush, right hand	1
2	51984	PLUG ASSEMBLY, Brush idler	1
3	24899	BEARING, Ball	1
4	51046	RING, Retaining	1
5	51564	WASHER	1
6	53985	PLUG, Threaded	1
7	53169	ARM, Brush, left hand	1
8	20050	PIN, Roll (5/16" x 1 7/8")	3
9	51036	PLUG, Drive	1
10	53879	FLANGE	4
11	53878	BEARING	2
12	53875	ROD, Lift	1
13	53132	BRACKET	2
14	53906	SEAL, Rubber	2
15	35674	SHAFT, Counter	1
16	53138	HUB ASSEMBLY, Brush	1



11/79

Fig. 15 - SIDE BRUSH SUPPORT & DRIVE
30

Fig.15- SIDE BRUSH SUPPORT AND DRIVE

Ref. No.	TENNANT Part No.	Description	Qt
1	26156	KNOB, Lift lever	1
2	23304	LEVER, Brush lift	1
3	23293	NUT, Adjusting (for top 23294)	1
4	23306-1	CLIP, Lift arm	1
5	23307-1	ARM, Lift	1
6	14174	SPRING	1
7	23294	CABLE, Lift, side brush	1
8	23503A	YOKE, Lift, side brush	1
9	22143	SPACER (for 23503A)	1
10	23536	PIN, Pivot	1
11	46347	LUG, Side brush	1
12	24207	BRACKET, Angle adjusting	1
13	43228	BRACKET, Motor mounting	1
14	47501	ADAPTOR, Brush	1
15	46034	BUMPER, Side brush	1
16	46033	SUPPORT, Bumper	1
17	48062	ARM, Side brush support	1
18	23191	PIN, Clevis (3/8" x 3)	1

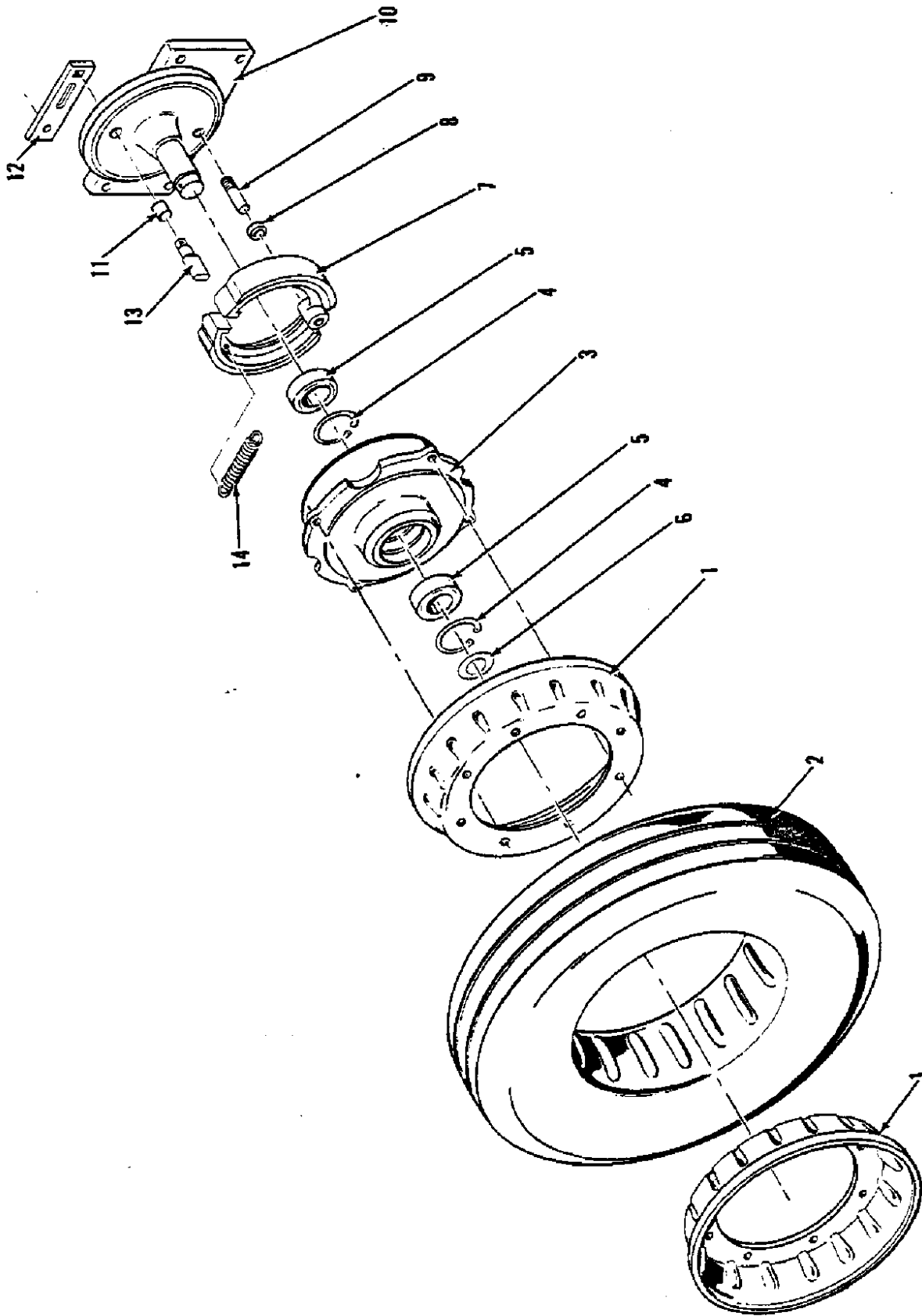


Fig. 16 - FRONT WHEEL & BRAKE ASSEMBLY

Fig. 16 - FRONT WHEEL & BRAKE ASSEMBLY

Ref. No.	TENNANT Part No.	Description	Qty.
	47093	FRONT WHEEL ASSEMBLY	2
1	23411	DISC , Wheel	2
2	47094	TIRE, Zero pressure, front	1
3	23332	HUB, Front wheel	1
4	23244	RING, Retaining	2
5	13534	BEARING	2
6	09006	WASHER, Wheel retaining	2
7	10414	SHOE, Brake	4
8	10415	SPACER, Heel pin	2
9	10413	PIN, Heel	2
10	46806-2	FRONT AXLE ASSEMBLY	2
11	24992	BUSHING (Axle & bushing is 23286-2)	2
12	23484	ARM, Brake	2
13	23272	CAM, Brake	2
14	09758	SPRING	2

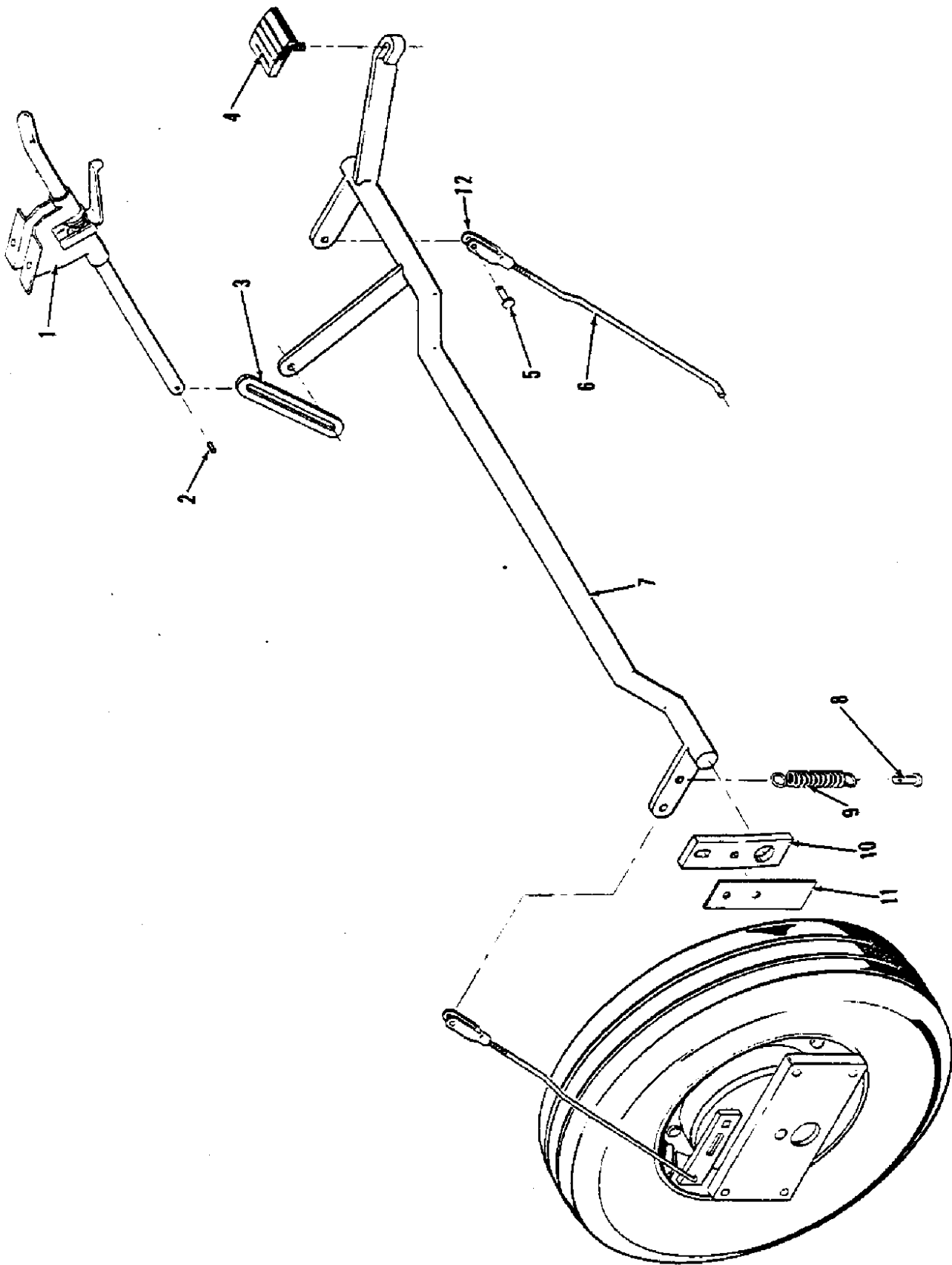


Fig. 17 - HANDBRAKE & FOOT BRAKE ASSEMBLY

Fig. 17 - HANDBRAKE & FOOT BRAKE ASSEMBLY

Ref. No.	TENNANT Part No.	Description	Qty.
1	* 36913	HAND BRAKE ASSEMBLY	1
	03560	SPRING	1
	10677	PIN, Roll	1
	24245	SUPPORT	1
	24246-1	LEVER	1
	35671	ROD	1
	24258	WASHER	2
2	18141	PIN, Roll	1
3	23529A	STRAP	1
4	07142	PAD, Pedal	1
5	14605	PIN, Clevis (1/4" x 3/4")	1
6	23483-2	ROD, Adjustment	2
7	* 35676	SHAFT, Brake	1
8	28296	PIN, Clevis (1/4" - 1/2")	1
9	03091	SPRING	1
10	23280-2	HANGER, Brake shaft	2
11	23758-1	SHIM, Hanger (for 23280-2)	As req.
12	14595-1	CLEVIS, Adjustable	2

For breakdown of tire, wheel and brake see "Front Wheel and Brake" page.

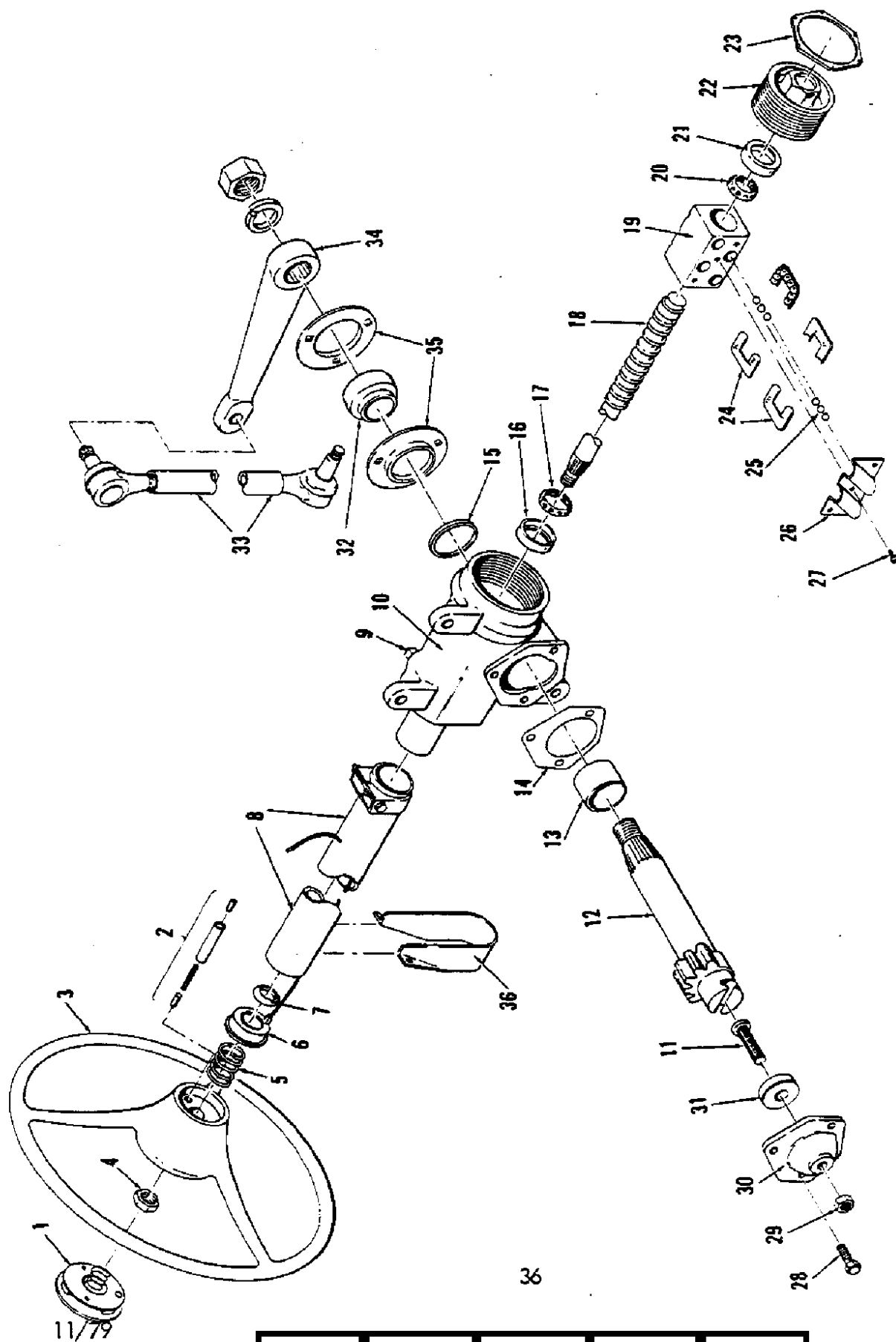
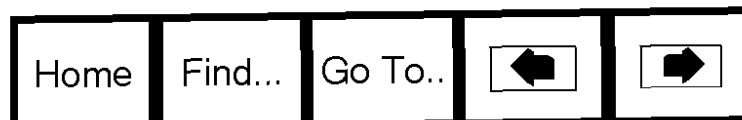


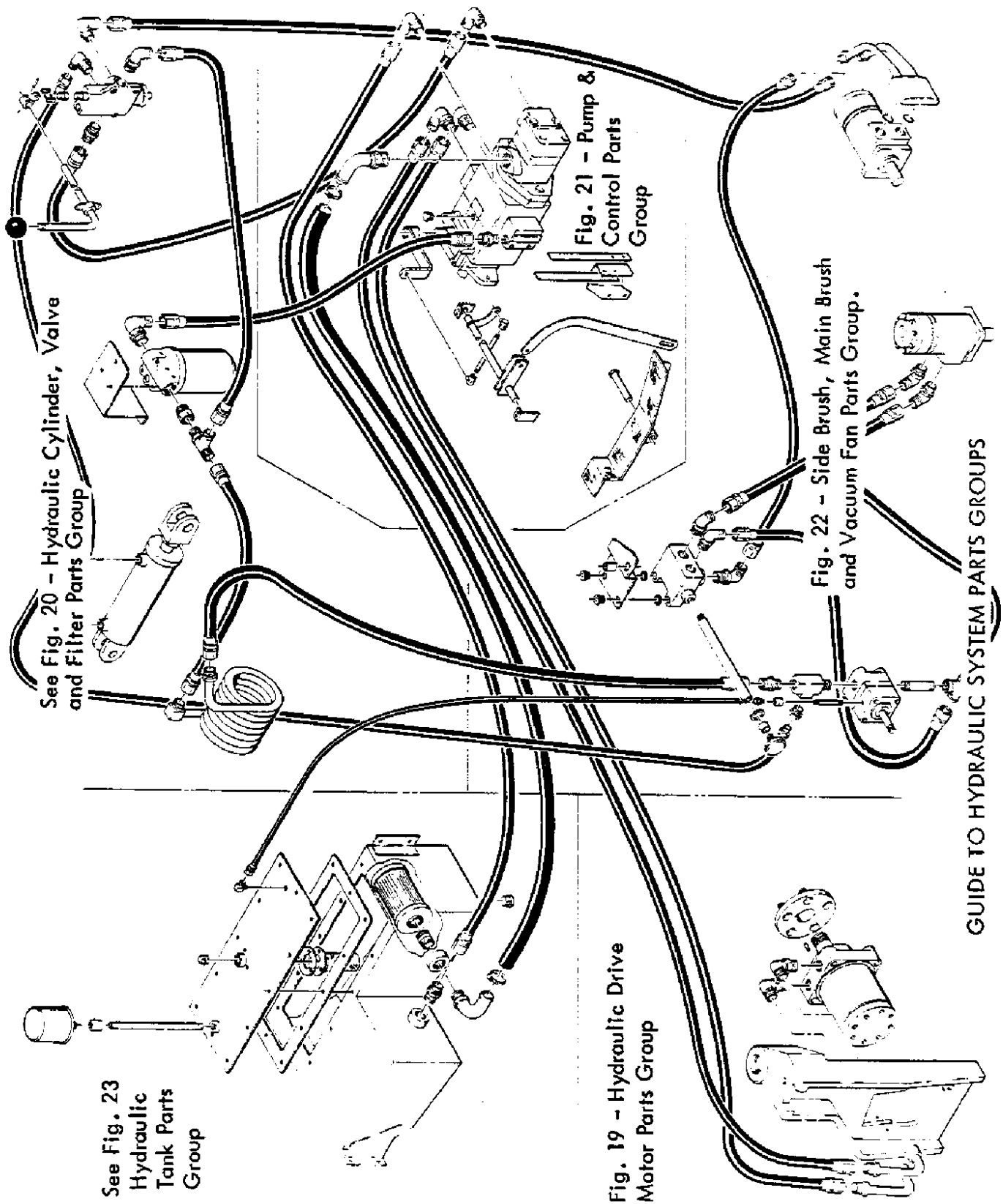
Fig. 18 - STEERING & RELATED PARTS

Fig. 18 - STEERING & RELATED PARTS

Ref. No.	TENNANT Part No.	Description	Qty
1	47010	BUTTON, Horn	1
2	47011	BRUSH UNIT, Horn	1
3	47008	WHEEL, Steering	1
	47007	* COLUMN & GEAR ASSEMBLY	1
4	114496	NUT, Steering wheel (1/2" - 20 jam nut)	1
5	264832	SPRING	1
6	5695951	BEARING & CABLE ASSEMBLY	1
7	264831	SEAT, Spring	1
8	5695956	COLUMN	1
9	103868 or 444746	PLUG, Filler	1
10	5692532	HOUSING	1
11	7802482	ADJUSTER, Lash	1
12	7812838	SECTOR AND SHAFT ASSEMBLY	1
13	266316	BUSHING, Sector shaft	1
14	566734	GASKET	1
15	7801626	SEAL	1
16	5666683	CUP, Upper worm bearing	1
17	5666693	BEARING, Upper ball	1
18	5695954	WORMSHAFT	1
19	5666886	NUT, Ball	1
20	5666693	BEARING, Lower ball	1
21	5666683	CUP, Lower worm bearing	1
22	5666681	WORM BEARING ADJUSTER	1
23	5676217	LOCKNUT, Worm bearing adjuster	1
24	5666887	BALL GUIDE	4
25	266800	BALLS	54
26	5666888	CLAMP, Ball guide	1
27	187375	SCREW, Ball guide clamp	1
28	7807009	BOLTS, Side cover	3
29	114495	LOCKNUT, Lash adjuster (7/16"-20 jam nut)	1
30	7802483	HOUSING SIDE COVER & BUSHING ASSY.	1
31	266903, 5, 7, 9	SHIM, Lash adjust	1
32	53043	BEARING	1
33	53481	LINK	1
34	53482	ARM, Steering, front	1
35	53044	RETAINER, Bearing	1
36	23315-2	SUPPORT, Steering column	1

* COLUMN & GEAR ASSEMBLY part no.'s are Saginaw part no.'s.





See Fig. 20 - Hydraulic Cylinder, Valve and Filter Parts Group

Fig. 21 - Pump & Control Parts Group

Fig. 22 - Side Brush, Main Brush and Vacuum Fan Parts Group.

See Fig. 23 Hydraulic Tank Parts Group

Fig. 19 - Hydraulic Drive Motor Parts Group

GUIDE TO HYDRAULIC SYSTEM PARTS GROUPS

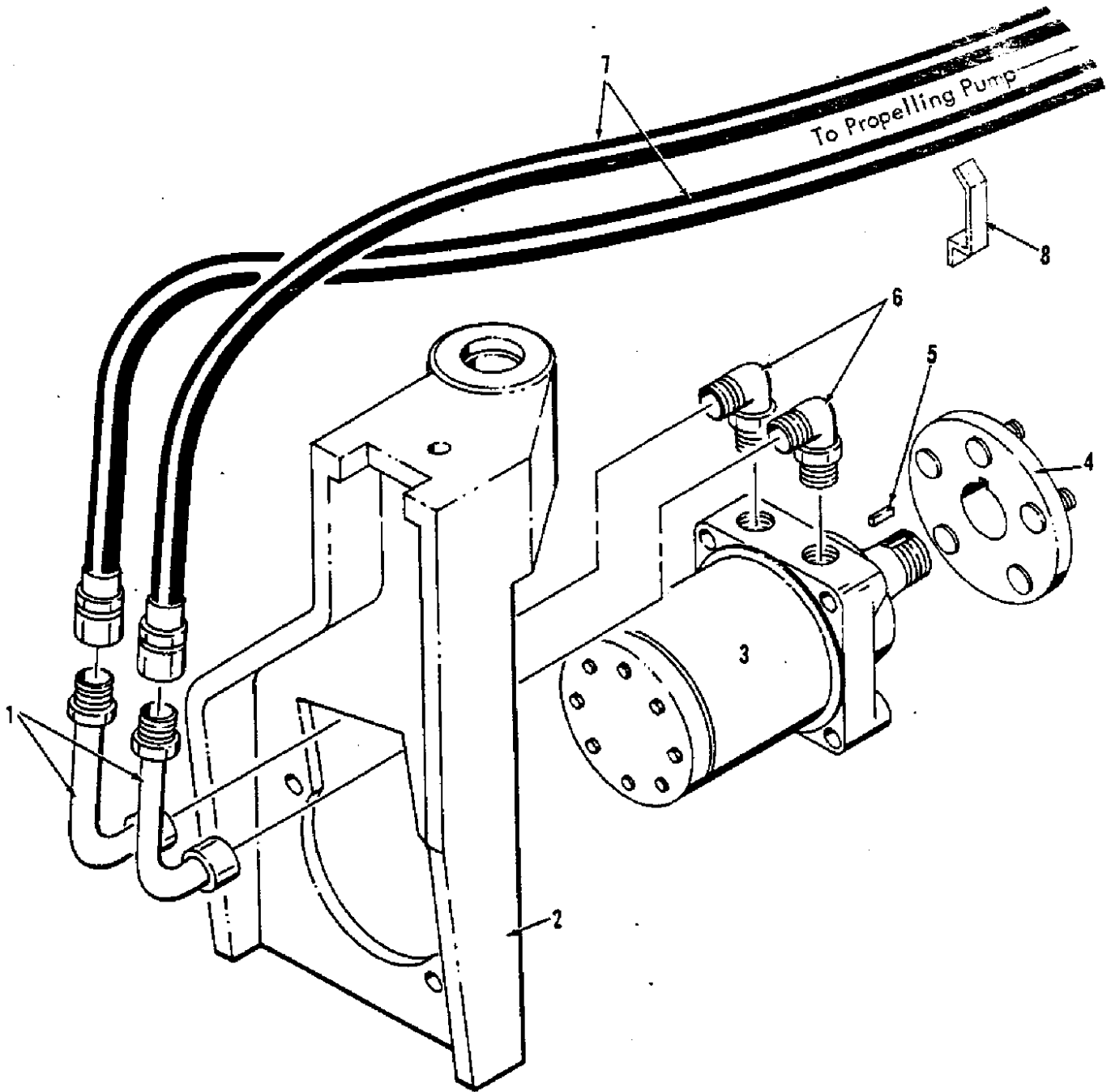


Fig. 19 - HYDRAULIC DRIVE MOTOR PARTS GROUP

Ref. No.	TENNANT Part No.	Description	Qty.
1	53004	TUBE ASSEMBLY	2
2	53525	SUPPORT, Drive casting	1
3	53032	MOTOR, Drive (Ross) Seal Kit SK1140A	1
4	53893	HUB & STUD ASSEMBLY	1
5	039027 (Ross#)	KEY, Shaft	1
6	51782	ELBOW	2
7	53084-1	HOSE	2
(not shown)	025126 (Ross#)	NUT, Self-lacking (motor shaft)	1
8	5421		1

11/79

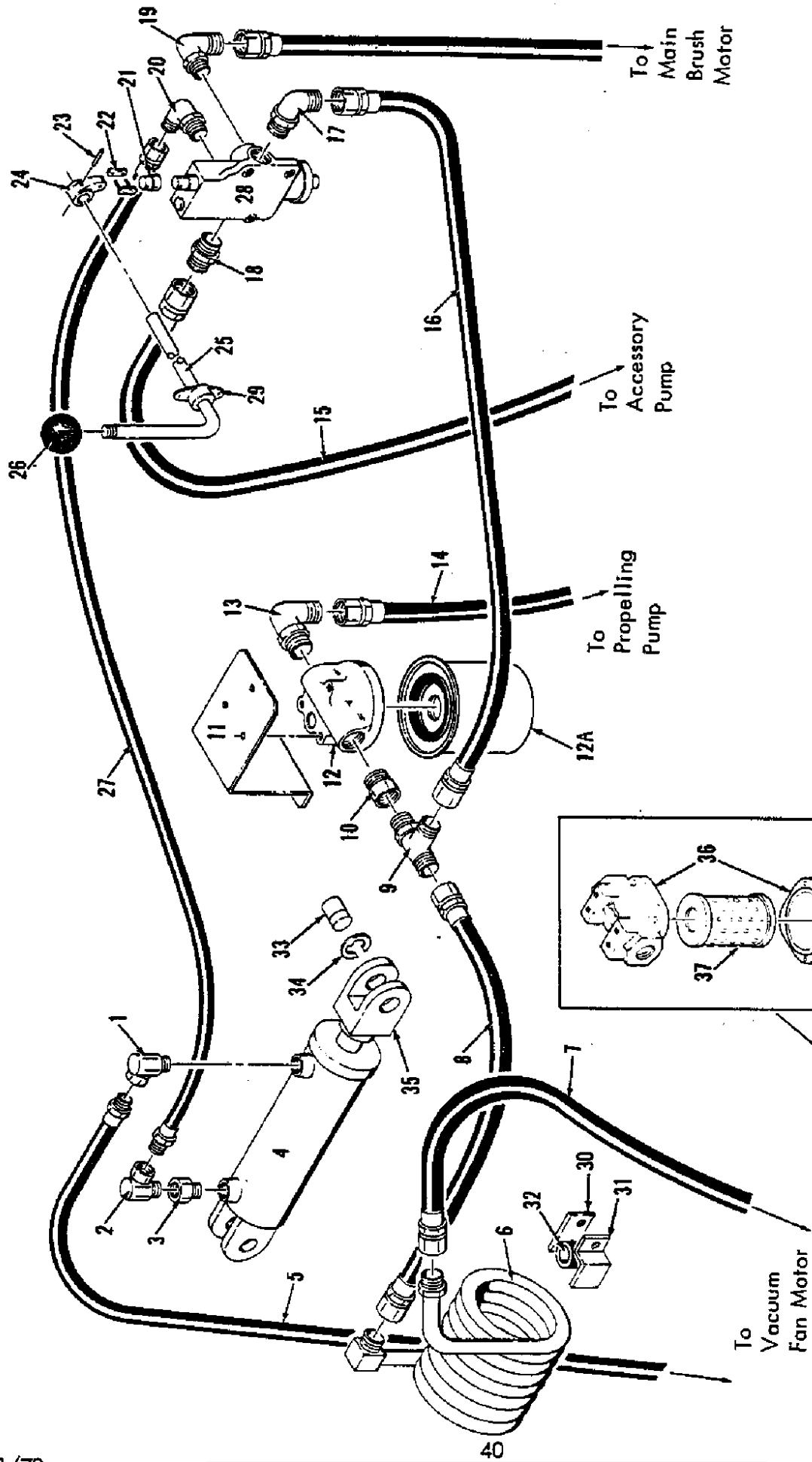
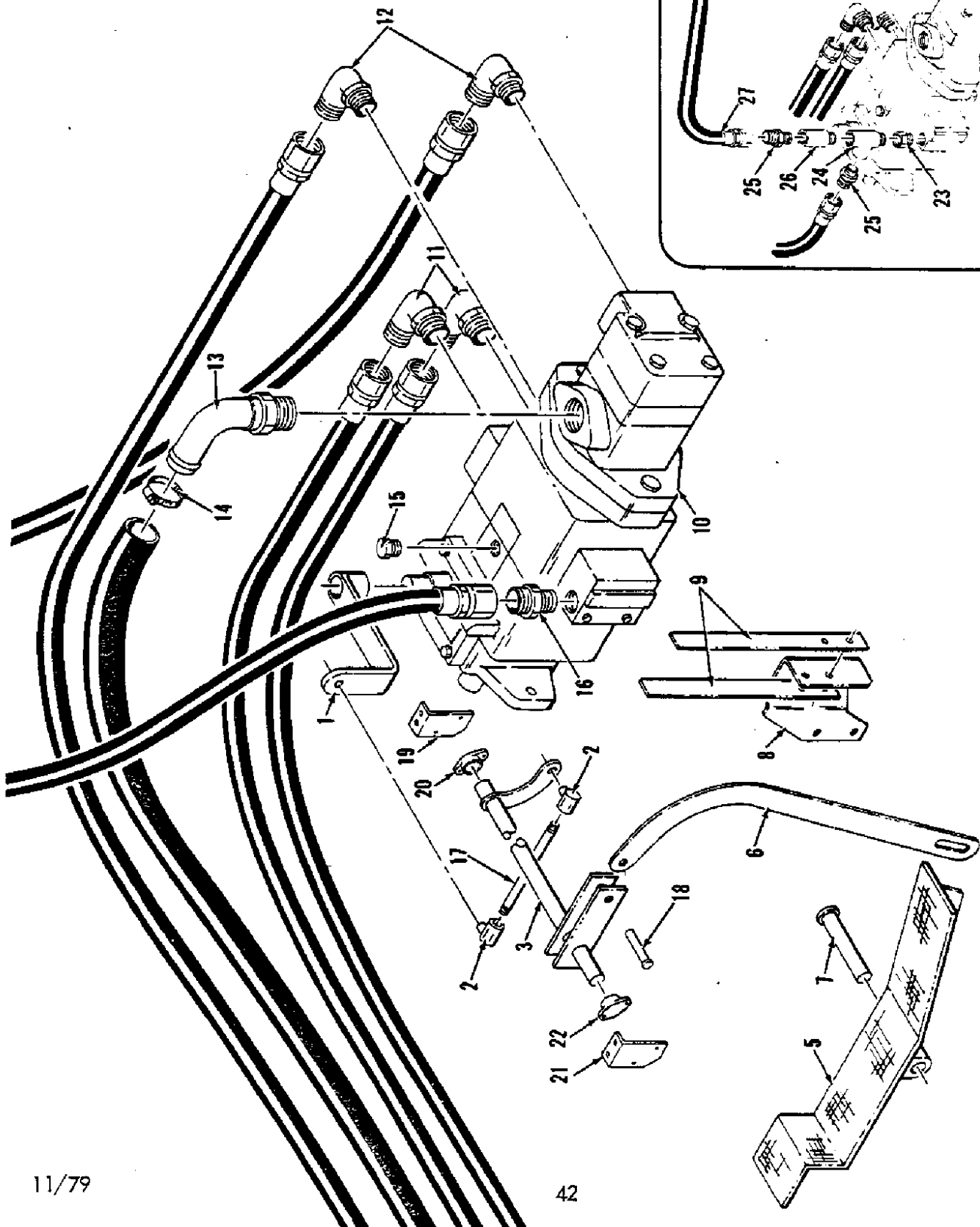


Fig. 20 - HYDRAULIC CYLINDER,
VALVE AND FILTER PARTS GROUP

Alternate Hydraulic
Oil Filter (Ripley)

Fig. 20 - HYDRAULIC CYLINDER, VALVE AND FILTER PARTS GROUP

Ref. No.	TENNANT Part No.	Description	Qty.
1	15232	CONNECTOR	1
2	48114	ELBOW	1
3	47523	CONNECTOR	1
4	53477	CYLINDER ASSEMBLY (Standard-Green)	1
	SK1522	SEAL KIT	1
	69330-5	CYLINDER ASSEMBLY (Alternate-TENNANT)	(1)
	SK1794	SEAL KIT	1
5	11442-19	HOSE	1
6	53086	HEAT EXCHANGER	1
7	52908	HOSE	1
8	51753-1	HOSE	1
9	56694	TEE	1
10	47516	CONNECTOR	1
11	54879	BRACKET, Mounting	1
12	67718	FILTER, Hyd., oil (Deluxe) Standard	1
12A	67718-2	ELEMENT, Deluxe	1
13	53076	ELBOW	1
14	53083-3	HOSE	1
15	53083-14	HOSE	1
16	53083-20	HOSE	1
17	51782	ELBOW	1
18	46480	CONNECTOR	1
19	56827	ELBOW	1
20	47512	ELBOW	1
21	48342	ADAPTOR	1
	23999-4	PIN, Roll	1
22	09318	LINK, Connecting	1
23	28144	PIN, Roll	1
24	53735B	LEVER, Valve control	1
25	54054	HANDLE, Valve control	1
26	26156	KNOB	1
27	53081	HOSE	1
28	62550	VALVE, Control (Standard-Dukes)	1
	SK1540	SEAL KIT	1
	48290	VALVE, Control (Alternate-Cross)	(1)
	SK1842	SEAL KIT	(1)
29	47585	BEARING, Control handle	1
30	54214	STRIP, Heat exchanger mounting	2
31	54493	BRACKET, Heat exchanger mounting	2
32	54492	SLEEVE, Rubber	2
33	23145	PIN, Dump cylinder clevis	2
34	23788	RING, Retaining	2
35	23496-1	CLEVIS, Adjustable cylinder	1
36	53348B	FILTER, Hydraulic oil (Ripley) Alt.	1
37	53348-1	ELEMENT, Ripley filter	1



These parts used only on machines equipped with the external charge relief valve.

Fig. 21 - PUMP & CONTROL PARTS GROUP

Fig. 21 - PUMP AND CONTROL PARTS GROUP

Ref. No.	TENNANT Part No.	Description	Qty.
1	54931	LEVER, Pump control	1
	26103	PIN, Roll	1
2	14506	BALL JOINT	2
3	**35680	ROD, Control	1
	53156	PEDAL ASSEMBLY	1
5	42240	PEDAL, Foot	1
6	23803-2	ARM	1
7	06474A	PIN, Clevis	1
8	54837	SUPPORT, Spring	1
9	49681	SPRING	2
10	50531	*PUMP, Complete tandem	1
	SK1769	SEAL KIT, Oil-Gear propelling pump only	1
	SK1739	SEAL KIT, Vickers accessory pump only	1
	SK1656	SEAL KIT, Oil-Gear shaft	1
11	51782	ELBOW	2
12	56827	ELBOW	2
13	47696	ELBOW	1
14	47697-1	CLAMP	1
15	46482	PLUG	1
16	47518	CONNECTOR	1
17	54942	STUD	1
18	09088	PIN, Clevis	1
	47762-1	CONTROL ROD SUPPORT ASSEMBLY, left hand	1
19	53351A	SUPPORT, Control rod	1
20	53352	BEARING, Flange	1
	47762	CONTROL ROD SUPPORT ASSEMBLY, right hand	1
21	53351A	SUPPORT, Control rod	1
22	53352	BEARING, Flange	1

NOTE: The following parts are used only on machines equipped with the external charge relief valve.

23	50354	CONNECTOR	1
24	17400-11	TEE	1
25	46607	CONNECTOR	2
26	50383	VALVE, Check	1
27	51753	HOSE	1
28	51779	TEE	1
29	47518	CONNECTOR	1
30	54017	ELBOW	1

Note: For field replacement of previous pumps, order SK2013(SK2017 for Complete Tandem Pump)

Complete Tandem Pump # 50531 consists of:

50530 Oil-Gear Propelling Pump

#69181-1 Vickers Accessory Pump and connecting parts - see

"Hydraulics Components" Section for complete parts breakdown.

**NOTE: #54864

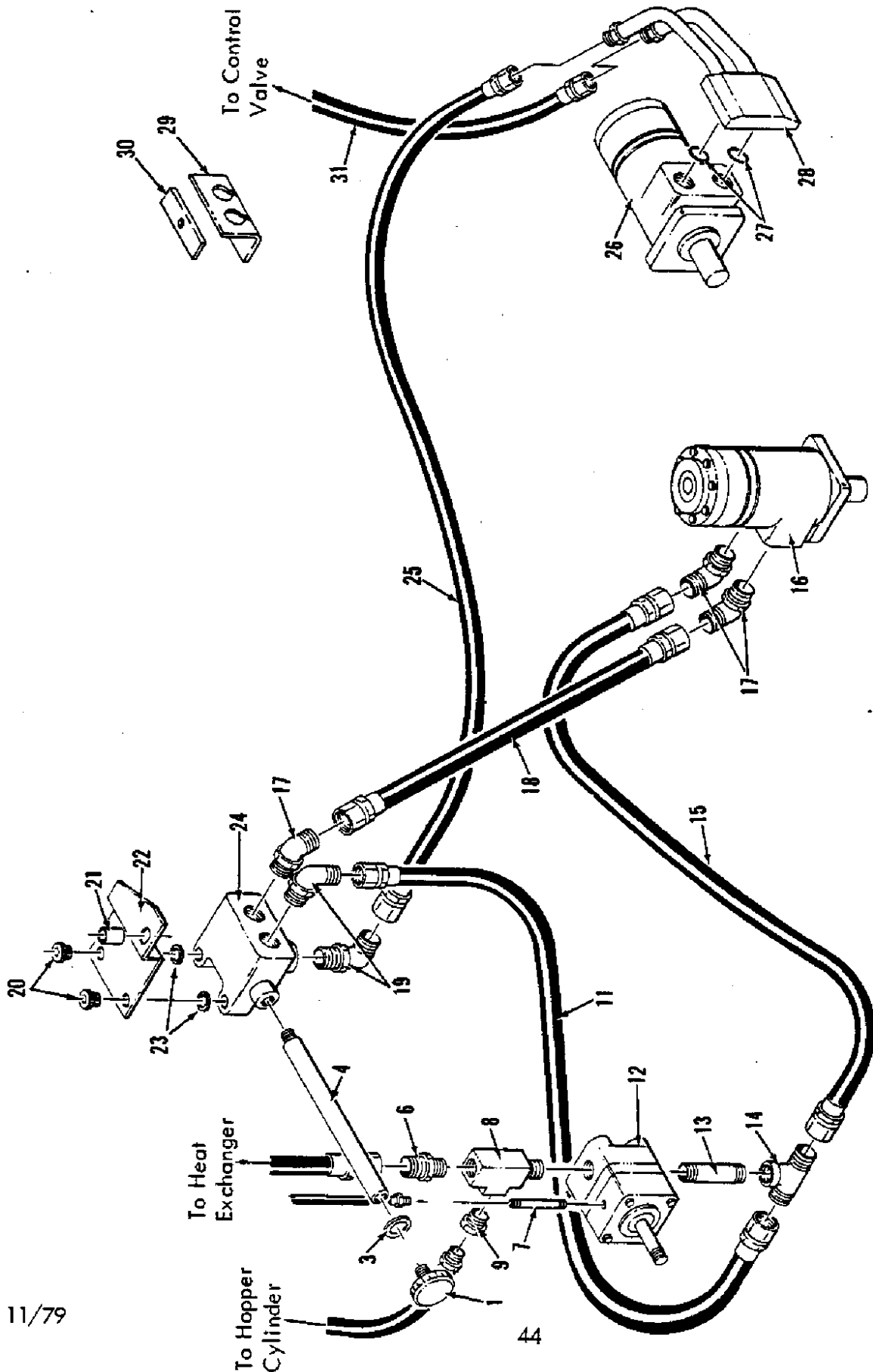


Fig. 22 - SIDE BRUSH, MAIN BRUSH & VACUUM FAN MOTORS PARTS GROUP

11/79

Fig. 22 - SIDE BRUSH, MAIN BRUSH AND VACUUM FAN
MOTORS PARTS GROUP

Ref. No.	TENNANT Part No.	Description	Qty.
1	48108A-1	KNOB	1
3	10632-9	GROMMET	1
4	50510	ROD, Valve control	1
6	46607	CONNECTOR	1
7	54279	NIPPLE (Use #47721 on scrubber)	1
8	17400-11	TEE	1
9	47721	FITTING, Hydraulic, reducer	1
11	53083-1	HOSE	1
12	*53923-1	MOTOR KIT, Vacuum Fan (Alternate)(includes MTE motor #53733-1 and hardware)	(1)
	SK1274	SEAL KIT	1
	*53923	MOTOR KIT, Vacuum Fan (Standard) (includes Barnes motor #53733 and hardware)	(1)
	SK0104	SEAL KIT	(1)
13	46607	NIPPLE	1
14	50421	TEE	1
15	53083-6	HOSE	1
16	*47542	MOTOR, Side brush (Standard-Ross)	1
	SK1694	SEAL KIT	1
	*47650-12	MOTOR, Side brush (Alternate-Char-Lynn)	(1)
	SK1600	SEAL KIT	(1)
17	44936	ELBOW	3
18	53083-18	HOSE	1
19	51782	ELBOW	2
20	62173	BUSHING	2
21	54188	SLEEVE	1
22	54722	BRACKET	1
23	62172	RING	2
24	* 48108A(Gresen)	VALVE, Side brush; standard, Seal kit SK1288	1
	* 48108B (Victor-Dukes)	VALVE, Side brush, alternate, Seal kit SK1806	(1)
	* 48108C (Cross)	VALVE, Side brush, 2nd altern, Seal kit SK1807	(1)
25	53083-2	HOSE	1
26	*47514	MOTOR, Main brush (Standard-Ross)	1
	SK1694	SEAL KIT	1
	*47650	MOTOR, Main brush (Alternate-Char-Lynn)	(1)
	SK1600	SEAL KIT	(1)
27	51403	SEAL, O-Ring	2
28	62302	BLOCK, Porting	1
29	32103	SEAL, Hose	2
30	53489	STRIP, Hose seal retaining	1
31	53083-3	HOSE	1

* When standard & alternate components are shown, check your machine to determine which parts or seal kits to order.

11/79

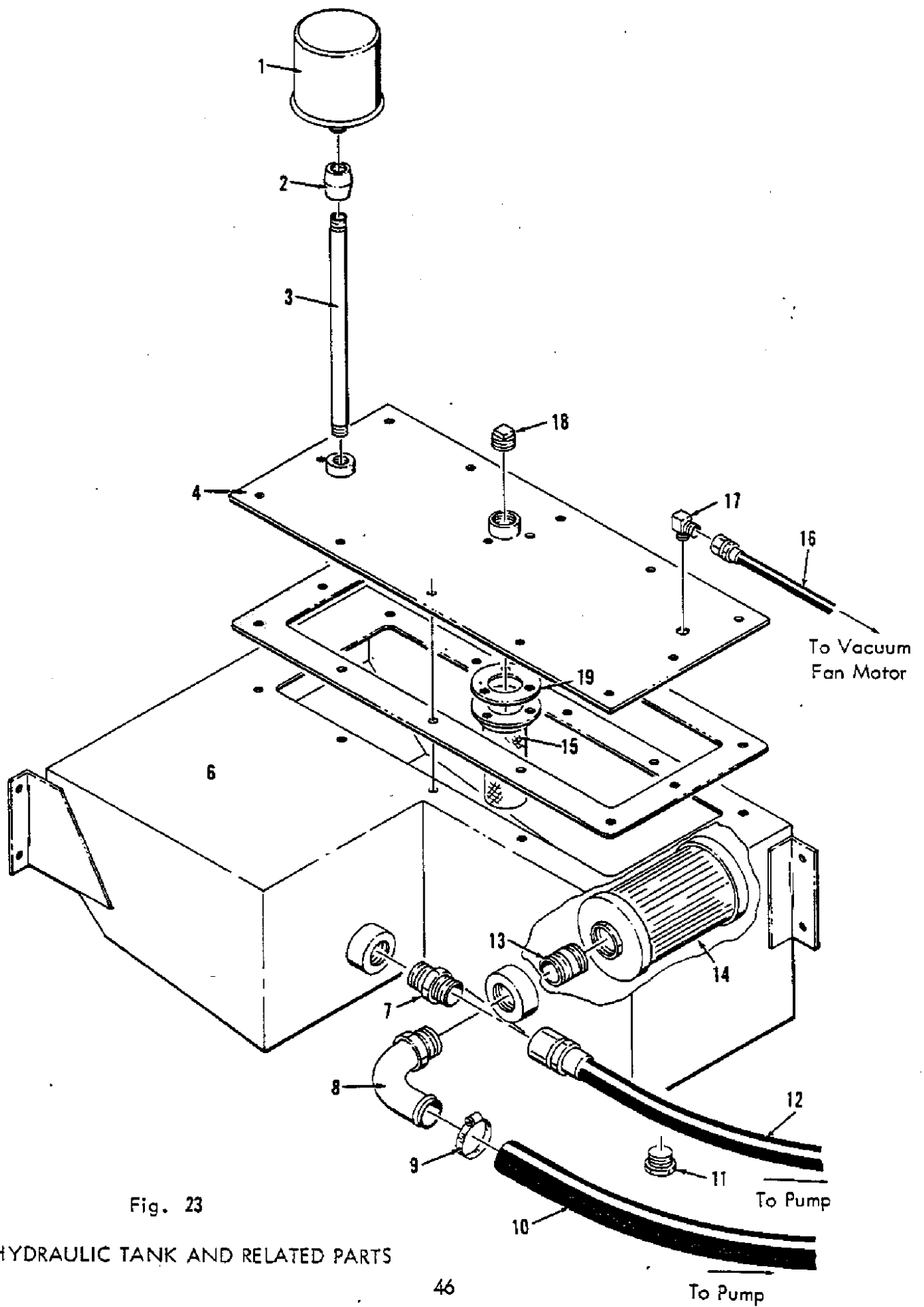


Fig. 23 - HYDRAULIC TANK AND RELATED PARTS

Ref. No.	TENNANT Part No.	Description	Qty.
1	53430	BREATHER, Hydraulic tank relief valve	1
	53431	ELEMENT, Breather filter	1
2	10222	COUPLING	1
3	10221	NIPPLE	1
4	54871	COVER, Hydraulic tank	1
5	54869	GASKET, Cover, hydraulic tank	1
6	54873	TANK, Hydraulic	1
7	46480	CONNECTOR	1
8	47695	ELBOW	1
9	29696	CLAMP	1
10	47697-1	HOSE	1
11	40362	PLUG, Drain	1
12	50355-1	HOSE	1
13	02546	NIPPLE, Close	1
14	51885	STRAINER, Oil sump intake	1
15	48086	SCREEN, Hydraulic tank	1
16	17873	HOSE	1
17	06507	ELBOW	1
18	48117	PLUG, Filler	1
19	23686	GASKET	1

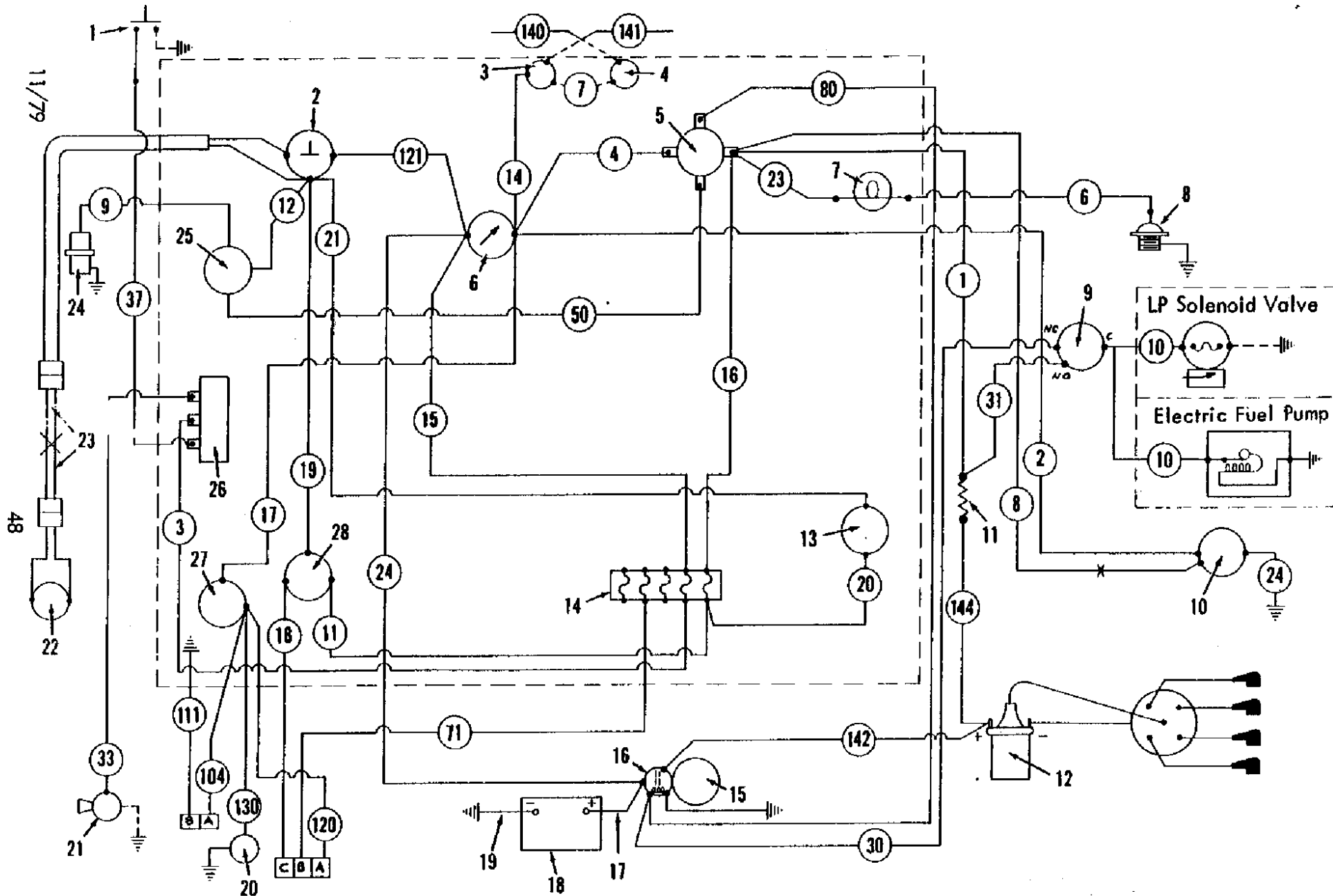


FIG. 24 - MODEL 265 ELECTRICAL SYSTEM

(NOTE: Circled numbers are wire numbers. Plain numbers and arrows refer to Electrical System Parts List).

Home

Find...

Go To..

↑

↓

FIG. 24 - ELECTRICAL SYSTEM-STD.265 WITH VICKERS PUMP

Ref. No.	TENNANT Part No.	Description	Qty.
1	47010	BUTTON, Horn	1
2	44078	SWITCH, Shaker	1
3	14137	SWITCH, Flashing-rotating light (accessory)	1
4	24576	FLASHER, Flashing light (accessory)	1
5	62530	SWITCH, Ignition	1
6	54180	AMMETER	1
7	68222	LIGHT, Oil pressure indicating	1
8	* DIRY-9278-A	SWITCH, Oil pressure sending	1
9	51805	SWITCH, Oil pressure (LP machines only)	1
10	54915-1	ALTERNATOR (does not include fan or regulator)	1
11	54911-15	RESISTOR, Bias (Ford)	1
12	54911-11	COIL, Ignition	1
	53134	HOUR METER ASSEMBLY	1
13	24518	METER, HOUR	1
	28838	DAMPER, Hour meter	1
14	44080	BLOCK, Fuse	1
	14215	FUSE, 20 AMP	5
15	54911-4	MOTOR, Starter	1
16	* DIRY-11390-A	SOLENOID, Starter	1
17	29830-8	CABLE, Battery (positive)	1
17	29830-9	CABLE, Battery (positive) (For HI-DUMP machines)	1
18	61034	BATTERY	1
19	29831-3	CABLE, Battery (negative)	1
19	29831-4	CABLE, Battery (negative) (For HI-DUMP machines)	1
20	GE1141	BULB, Spotlight	1
21	14138A	HORN	1
22	54121	MOTOR, Filter, shaker	1
23	53028-1	LEAD, Shaker motor	2
24	* D1FZ-10884-A	SENDING UNIT, Temperature	1
25	50330	GAUGE, Temperature	1
26	14139A	RELAY, Horn	1
27	14137	SWITCH, Light	1
28	47472	GAUGE, Fuel	1
	47473	SENDING UNIT, Fuel gauge	1
	54875	WIRE KIT LP	1
	54418B	WIRE HARNESS	1
	50302	WIRE HARNESS	1

* Indicates Ford Parts Numbers

FIG. 25 - RECOMMENDED SWEEPING & SCRUBBING BRUSHES

SWEEPING BRUSHES

TENNANT Part No.	Descriptions	Size
53063	HIGH DENSITY COMBINATION, natural fiber & crinkle wire—adds stiffness, increases brush life.	42 in.-24 row
53064	NATURAL FIBER, ideal for sweeping average soilage	42 in.- 8 row
53065	CRINKLE WIRE, provides maximum cleaning action for heavy semi-impacted soilage & hard-to-sweep dirt.	42 in.- 8 row
53067	COMBINATION, crinkle wire & natural fiber	42 in.- 8 row
53068	NYLON, combines long life with excellent sweeping qualities (lasts about 2 1/2 times longer than natural fiber)	42 in.- 8 row
53069	PATROL, nylon for outside, med/light bulky debris	42 in.- 5 row
53070	HIGH DENSITY NYLON	42 in.-24 row
53221	PROEX & WIRE, resilient bristles for sweeping medium heavy soilage	42 in.- 8 row
09600P	POLYPROPYLENE—Side sweeper	21 in. dia
09600N	NYLON—Side sweeper	21 in. dia
10712K	FLAT WIRE—Side sweeper	

SCRUBBING BRUSHES

TENNANT Part No.	Descriptions	Size
43424	POLYPROPYLENE, stiff - front	38 in. -24 row
43592	POLYPROPYLENE, medium stiff - front	38 in. -24 row
43428	STAINLESS STEEL - front	38 in. -20 row
43393	ABRASIVE ROLL, stripping - front	38 in. - strip
53155	NYLON, Rear	42 in. - 8 row
43148	FIBER, stiff - side scrubber	14 in. dia
43593	FIBER, medium stiff - side scrubber	14 in. dia
43417	STAINLESS STEEL - side scrubber	14 in. dia
43680	ABRASIVE, bristle, heavy, .050 ga	38 in. 24 row

MODEL 265 STANDARD - LIST OF DECALS

TENNANT Part No.	Description	Qty.
50310	Data Plate, #265 Power Sweeper	1
24049	Data Plate, LP	1
24892	Data Plate, Machine Attachment, Scrubber	1
24892-2	Data Plate, Machine Attachment, Broom	1
24892-3	Data Plate, Machine Attachment, Snow	1
10735	Data Plate, UL Label Type LP	1
47892	Decal, Caution	2
54896	Decal, 265	2
54911-8	Decal - Name Plate	1
54911-7	Decal - Service Information	1
54918	Decal Kit, 265 (contains '265' & 'TENNANT')	1
46276	Decal, Scrubber	1
44695	Decal, Scrubbing Instructions	1
54911-6	Decal, Heavy Duty-Ford	1
48242	Decal, Alternator	1
47852	Decal, Caution-Battery	1
37032	Decal, Caution-Safety Arm	1
35518	Decal, Caution-Stay Clear Arm	1
46847	Decal, Detergent Recepticle	1
53920	Decal, Filter Shaker	1
19048	Decal, Gasoline Only	1
45851	Decal, Hydraulic Oil	1
48088-6	Decal, Instructions	1
51773	Decal, Main Brush Lift	1
54103	Decal, Maintenance, Filter Service	1
68223	Decal, Oil Temperature	1
54517	Decal, Roll In-Out	1
45742-1	Decal, TENNANT, Black Letters	1
45742-2	Decal, TENNANT, Black Letters	1
47682	Decal, Valve	1
65072	Decal, Caution Hopper	1
24507	Decal, Caution-This Side Out	1
37089	Decal, Caution-Travel	1
45579	Decal, Factory Mutual, Type G	1
45580	Decal, Factory Mutual, Type LP	1
533488-2	Decal, Filter Element	1
50530-2	Decal for Pump 50530	1
50560-2	Decal for Pump 50560	1
53773-3	Decal for Motor 53773	1
53733-2	Decal for Motor 53773	1
62550-1	Decal for Valve 62550	1
69181-4	Decal for Pump 69181	1
24669	Decal, Fram Air Cleaner	1
46193	Decal, TENNANT, Bluegreen background	1
53299	Decal, Throttle	1
54299	Decal, Tire Pressure	1
23144 (Sweepers)	Decal, Tire Pressure	1
47454 (Scrubbers)	Decal, UL Type G	1
54135	Decal, Vacuum Attachment	1
51368	Decal, Warning, Keep Radiator Fins Clean	1
24787	Decal, Warning-Windro Broom	1
43566	Decal, Water Control	1

Note: For Decal Location, order 50 350

11/77

265 HI-DUMP POWER SWEEPER



CONTENTS **PAGE**

Fig. 1 - Main Frame & Related Parts - - - - -	2&3
Fig. 2 - Seat & Instrument Panel - - - - -	4&5
Fig. 3 - Hopper Lift Arm Assembly - - - - -	6&7
Fig. 4 - Stabilizer Safety Leg - - - - -	8&9
Fig. 5 - Hopper & Related Parts - - - - -	10&11
Fig. 6 - Dust Filter & Shaker Motor - - - - -	12&13
Fig. 7 - Vacuum Fan Assembly - - - - -	14&15
Fig. 8 - Engine & Related Parts - - - - -	16&17
Fig. 9 - Gasoline Carburetor, Fuel Pump, Governor & Related Parts - - - - -	18&19
Fig. 10 - Gasoline Tank & Filter - - - - -	20&21
Fig. 11 - Air Cleaner & Related Parts - - - - -	22&23
Fig. 12 - Cooling System - - - - -	24&25
Fig. 13 - Exhaust System - - - - -	26&27
Fig. 14 - Steering & Related Parts - - - - -	28&29
Fig. 15 - Rear Wheel Drive Motor & Support Parts Group - - - - -	30&31
Fig. 16 - Rear Drive Wheel Parts Group - - - - -	31
Fig. 17 - Front Wheels & Brakes - - - - -	32&33
Fig. 18 - Side Brush Drive & Support - - - - -	34&35
Fig. 19 & 20 - Main Brush Drive - - - - -	36-38
Fig. 21 - Model 265 Complete Hydraulic System - - - - -	39
Fig. 22 - Pump Assembly Group - - - - -	40&41
Fig. 23 - Hydraulic Tank Group - - - - -	42&43
Fig. 24 - Rollout Cylinders & Control Valve Group - - - - -	44&45
Fig. 25 - Hopper Dump Cylinder & Its Control Valve - - - - -	46&47
Fig. 26 - Main Brush, Side Brush, Vacuum Fan Motor & Side Brush Control Valve - - - - -	48&49
Fig. 27 - Heat Exchanger & Oil Filter - - - - -	50
Fig. 28 - Rear Drive Motor - - - - -	51
List of Decals	52

PARTS LIST

INSTRUCTIONS FOR ORDERING REPAIR PARTS

To avoid errors or delay in filling your parts orders, please furnish all information requested.

1. Refer to TENNANT data plate. Always specify the model number and serial number.



2. Give part number, description and quantity needed of each item on order. Do NOT order only by reference number of illustrated figure numbers.
3. Indented items indicate parts of assemblies. Standard hardware is furnished only when part of purchased assembly. In other cases, we suggest ordering common hardware from your local hardware supplier.
4. If old part cannot be identified, send it to us with quantity needed specified on order.
5. State definite shipping instructions to include shipping address and/or billing address if there is a difference.
6. We shall be glad to quote on any part or group of parts at your specific request.

Any claim for loss or damage to a shipment in transit should be filed promptly against the transportation company making the delivery. Shipments will be complete unless the packing list or order acknowledgement indicate items back ordered.

If parts received are suspected to be incorrect or defective, please write, wire, or phone our Customer Services Department, Minneapolis Office. They will give you authorization for return and/or handle replacement shipments when required.

DIRECT ORDER PHONE NO. IS (612-540-1315)

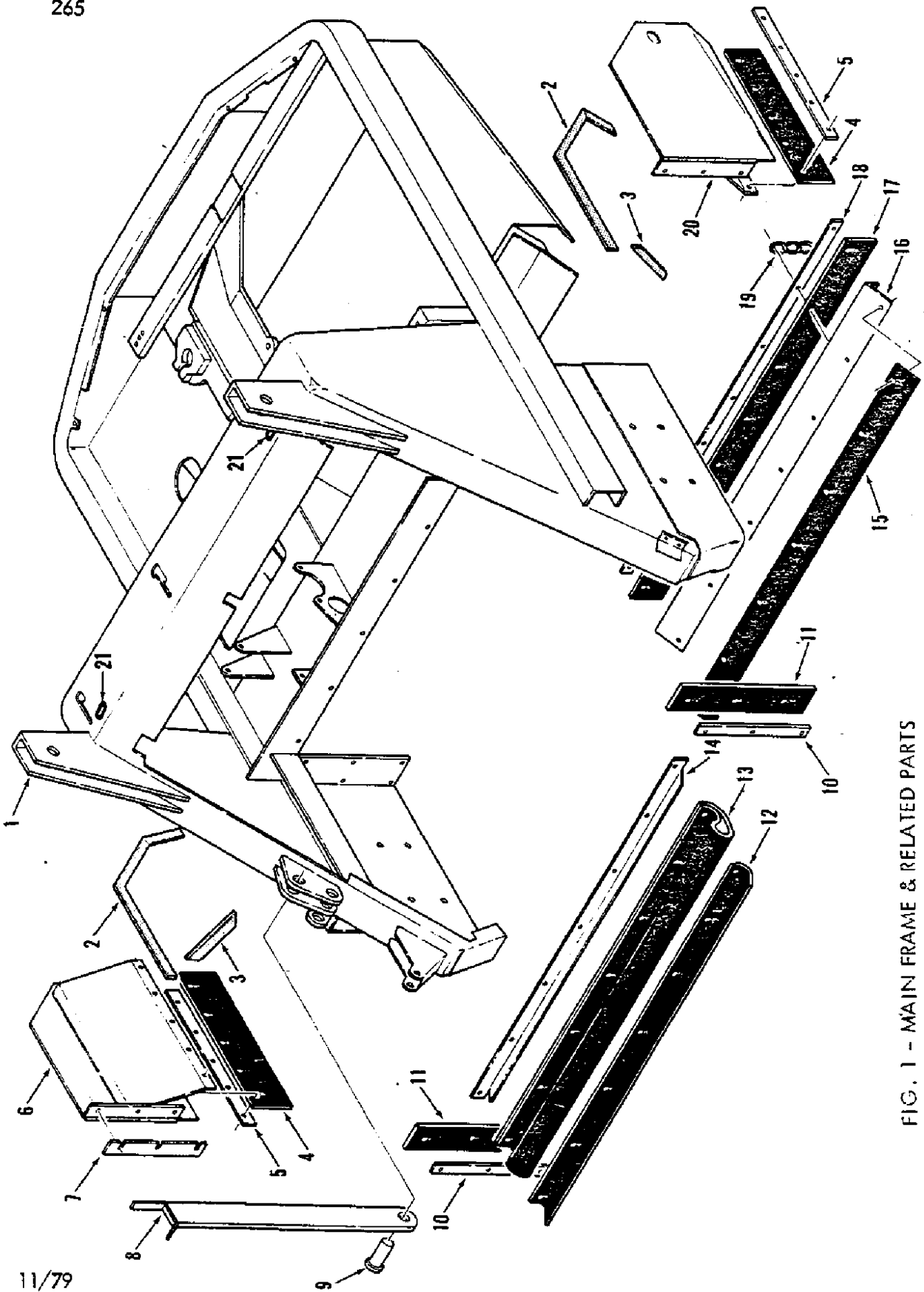


FIG. 1 - MAIN FRAME & RELATED PARTS

11/79

FIG. 1
MAIN FRAME & RELATED PARTS

Ref. No.	TENNANT Part No.	Description	Qty.
1	35663	FRAME, Main	1
2	53052	SEAL, Brush door	2
3	53974	SEAL, Brush door	2
4	23275	SKIRT, Side	2
5	*45857	RETAINER, Side skirt	2
6	53293	DOOR, Brush R.H.	1
7	23752-2	SHIM, Brush door (if needed)	1
8	37033	ARM, Hopper stop safety	1
9	36994	PIN, Safety arm	1
10	23384-2	RETAINER, Side seal	2
11	23382	SEAL, Hopper side	2
12	To replace	SEAL, Top pan	1
13	order	SEAL, Top pan	1
14	SK2125	BRACKET, Top pan seal	1
15	53298	SKIRT, Rear (Brush contact)	1
16	53219	ANGLE, Skirt mount	1
17	53137	SKIRT, Rear (Floor contact)	1
18	23268-1	RETAINER, Rear skirt	1
19	09342	CHAIN, Static drag	1
20	53291	DOOR, Access L.H.	1
21	36950	GROMMET, Lintel hose	2

MISCELLANEOUS PARTS NOT SHOWN

53429	WRENCH, Brush removal	1
37032	DECAL, Safety arm (on lift arm & safety arm)	2
54918	DECAL KIT ("TENNANT" & "265")	1
35518	DECAL, Caution, lift arm	2

*Note: Before Serial No 3109 Retainer #45857 was 23276-2

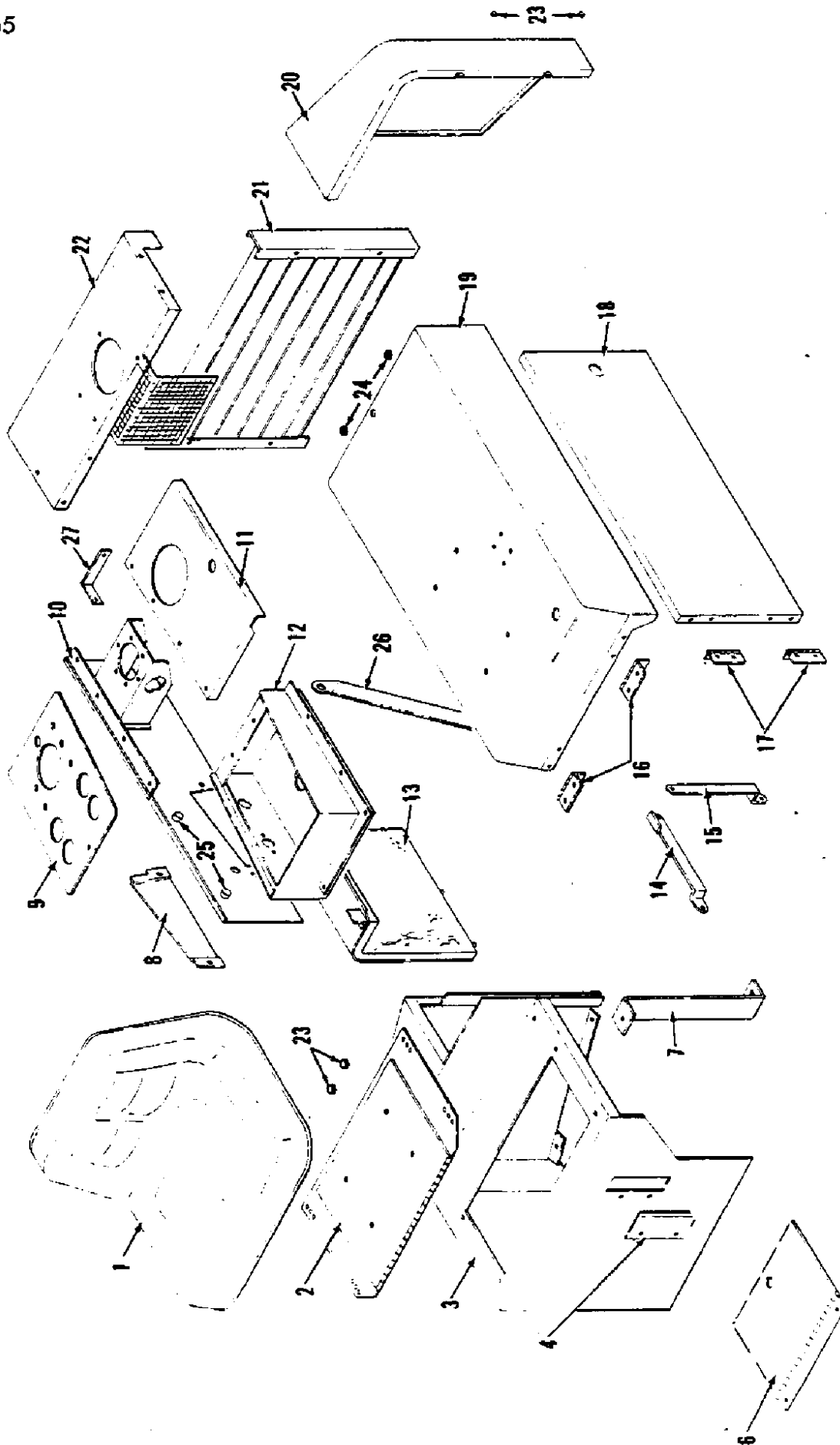


FIG. 2 - SEAT, INSTRUMENT PANEL & RELATED PARTS

11/79

Fig. 2 - SEAT, INSTRUMENT PANEL & RELATED PARTS

Ref. No.	TENNANT Part No.	Description	Qty.
1	53871	SEAT	1
2	53844	MOUNT, Seat	1
3	53729	SUPPORT, Seat	1
4	53128	PLATE, Cover	1
6	53465-2	COVER, Battery	1
7	53732	BRACKET, Seat support	1
8	54371-1	PANEL, Access	1
9	53513	PANEL, Instrument	1
10	54936	COVER, Engine panel	1
11	54935	DOOR, Instrument panel	1
12	54721	BOX, Instrument	1
13	47328-1	PANEL ASSEMBLY (includes insulation)	1
	47341	INSULATION	1
14	53366	ARM, Hinge	1
15	53365	ARM, Hinge	1
16	47700	HINGE, Engine cover	2
17	47692	HINGE, Side door	2
18	53846	DOOR, Side	1
19	54937	COVER, Engine	1
20	53849	PANEL, Corner	1
21	53992	GRILL	1
22	53623	COVER, Top rear	1
23	51787	BUMPER, Door	4
24	29233	BUMPER	2
25	53051	SLEEVE, Instrument box mounting	2
26	54157	BRACE	1
27	54883	BRACKET	1

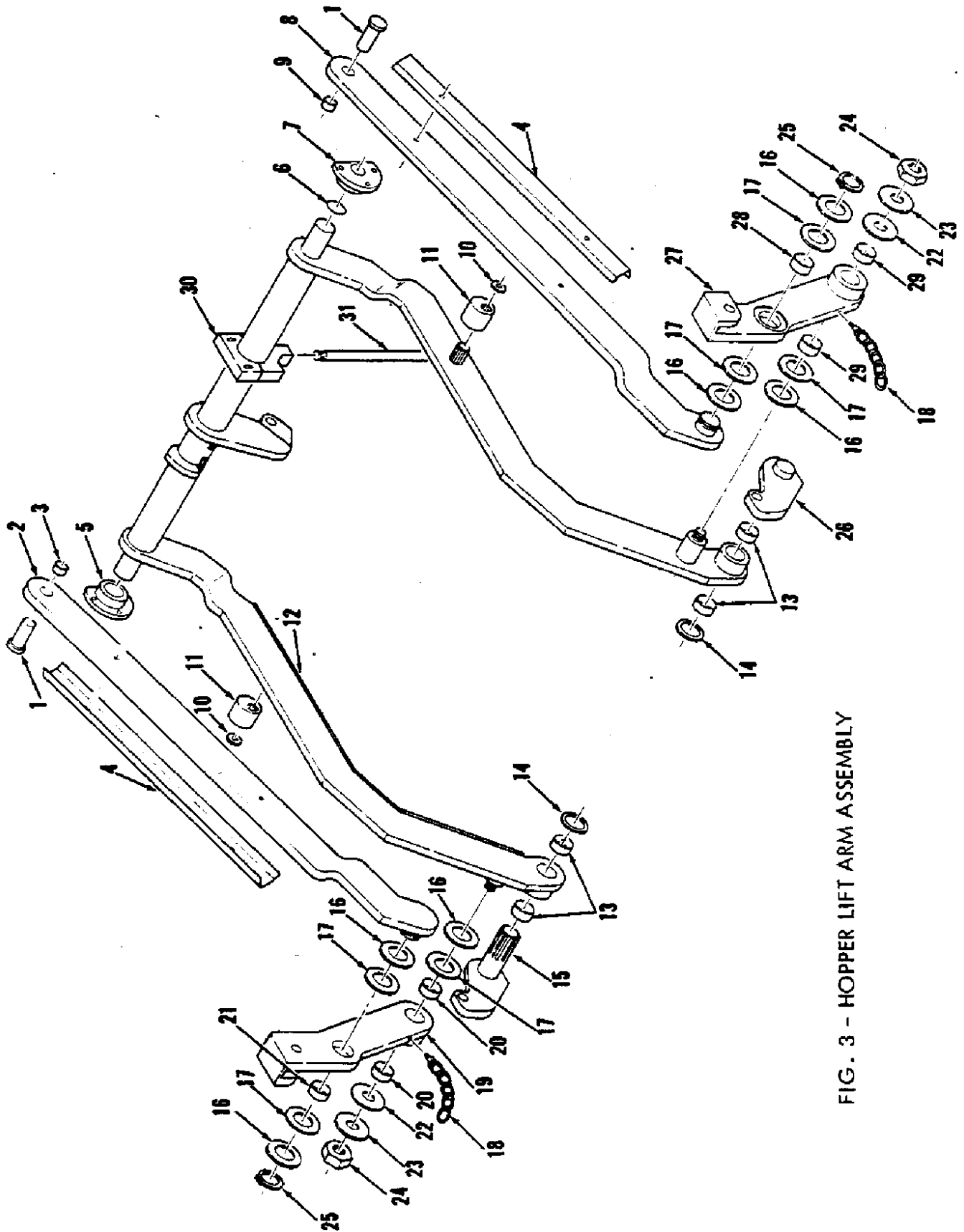


FIG. 3 - HOPPER LIFT ARM ASSEMBLY

FIG. 3 - HOPPER LIFT ARM ASSEMBLY

Ref. No.	TENNANT Part No.	Description	Qty.
1	04733-5	PIN, Upper pivot arm	2
2	35645-2	ARM ASSEMBLY, Upper pivot R.H.	1
3	35529	BEARING, Journal	1
4	36988	CLAMP, Hose	2
	36989	PAD, Rubber hose	2
5	35631	BEARING, Lift arm R.H.	1
6	23138	SHIM, Lift arm	1
7	35631-1	BEARING, Lift arm L.H.	1
8	35645-3	ARM ASSEMBLY, Upper pivot L.H.	1
9	35529	BEARING, Journal	1
10	36996	WASHER, Cam	2
11	48984	CAM, Splined	2
12	35512-1	ARM, Hopper lift	1
13	35561	BEARING, Journal	4
14	35629	WASHER	2
15	35640	SHAFT, Torque R.H.	1
16	35615	WASHER	6
17	35667	BEARING, Thrust	6
18	37028	CHAIN & EYEBOLT ASSEMBLY	2
	35571	CHAIN	1
	11893	EYEBOLT	1
19	35621-1	ARM ASSEMBLY, Front pivot R.H.	1
20	35561	BEARING, Journal	2
21	35665	BEARING, Journal	1
22	35666	BEARING, Thrust	2
23	35614	WASHER	2
24	14242	NUT	2
25	35686	RING, Retaining	2
26	35636	SHAFT, Torque L.H.	1
27	35620-1	ARM ASSEMBLY, Front pivot L.H.	1
28	35665	BEARING, Journal	1
29	35561	BEARING, Journal	2
30	35630	BEARING, Center torque tube	1
	35668	BEARING, Journal	1
31	35595	ROD, Tie	1



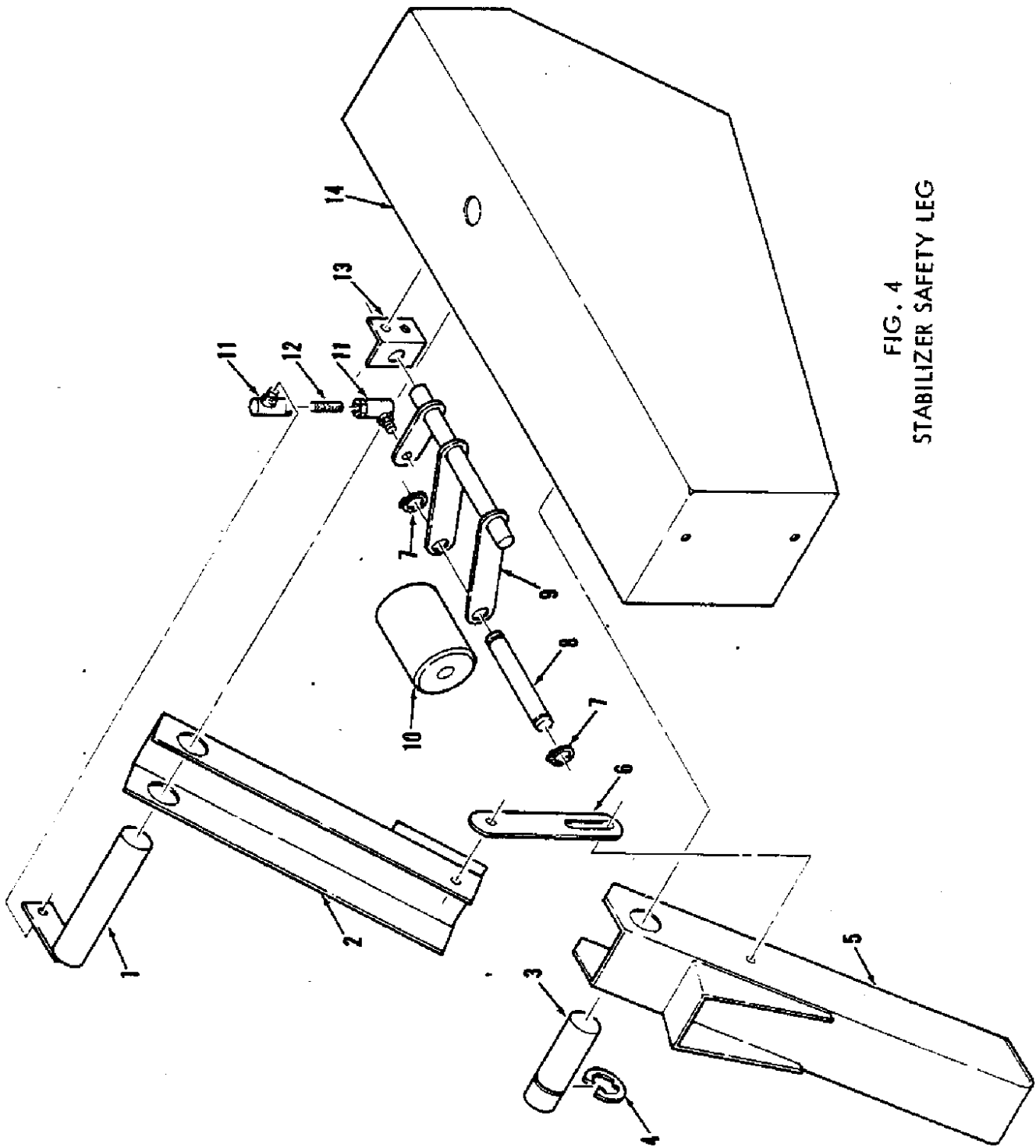


FIG. 4
STABILIZER SAFETY LEG

FIG. 4 - STABILIZER SAFETY LEG

Ref. No.	TENNANT Part No.	Description	Qty.
	36997	LEG ASSEMBLY, Stabilizer	1
1	48968	SHAFT, Pivot	1
2	35533	SUPPORT, Safety leg	1
3	36972	PIN, Safety leg pivot	1
4	23788	RING, Retaining	1
5	35591	LEG, Stabilizer	1
6	35527	LINK	1
7	23524	LINK, Retaining	2
8	48954	PIN, Roller	1
9	48972	SHAFT, Roller	1
10	48957	ROLLER	1
11	14601	BALLJOINT	2
12	36971	STUD	1
		NUT, (1/4 - 28)	1
13	35549	BRACKET, Roller shaft	1
14	35517	BUMPER	1

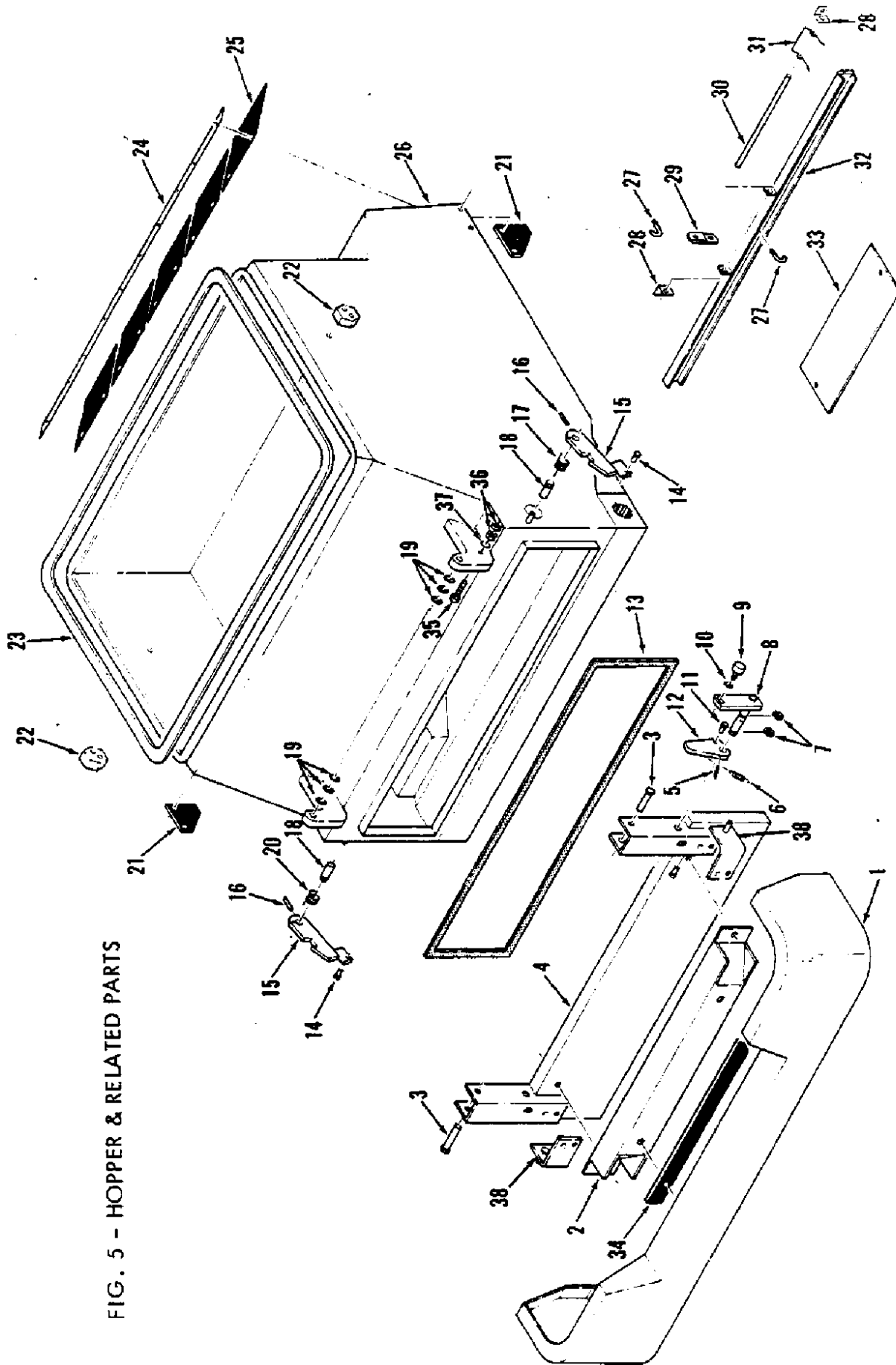


FIG. 5 - HOPPER & RELATED PARTS

11/79

FIG. 5
HOPPER & RELATED PARTS

Ref. No.	TENNANT Part No.	Description	Qty.
1	36900	BUMPER	1
2	36980	SUPPORT, Bumper	1
3	04733-3	PIN, Hopper door pivot	2
4	35526	DOOR, Hopper	1
5	23146	PIN, Roll	1
6	28387	SPRING	1
7	23788-1	RING, Retaining	2
8	35554	SHAFT, Hopper door latch trip	1
9	48930	ROLLER	1
10	35546	SLEEVE, Roller	1
11	51727	PIN, Clevis	1
12	35522	BRACE, Hopper door	1
13	37061	SEAL, Hopper door	1
14	10120	PIN, Clevis	2
15	**	LATCH, Hopper door	2
16	**	PIN, Roll	2
17	48927	SPRING, Latch L.H.	1
18	**	PIN, Latch pivot	2
19	35540	SHIM	6
20	48928	SPRING, Latch R.H.	1
21	37021	LIP, Hopper side	2
22	36995	CAM	2
23	53244	SEAL, Hopper cover	1
24	53758	RETAINER, Lower lip	1
25	35607	LIP, Hopper lower	5
26	35510	HOPPER	1
27	53698	HOOK, Fusible link	2
28	46087	BRACKET, Fire door pivot pin	2
29	SK1511	LINK, Fusible	1
30	46088	PIN, Fire door pivot	1
31	28564	SPRING, Fire door	1
32	53703	DOOR, Fire	1
33	53693	BAFFLE, Fire door	1
34	36979	STRIP, Rubber bumper	1
35	*	CAPSCREW (5/16" - 18 x 1 - 3/8" grade 5)	1
36	*	NUT (5/16" - 18)	2
37	*	WASHER, Springlock 5/16"	1
	not shown 26395-2	CLAMP, Cable (inside hopper)	1
38	36984	BRACKET, Door latch	2

*Note early production machines had a sleeve and a 5/16" - 18 x 1 - 5/8" screw which served as a hopper door stop. If the sleeve and screw are damaged, replace them with a Hex Capscrew (5/16" - 18 x 1 - 3/8", grade 5), two 5/16" - 18 nuts and a 5/16" lockwasher. To do so, drill out the tapped hole with a .343" dia. drill, insert the capscrew through the hole and install the two nuts.

** These parts are available only as #37078 Latch Assembly left hand and #37079 Latch Assembly right hand.

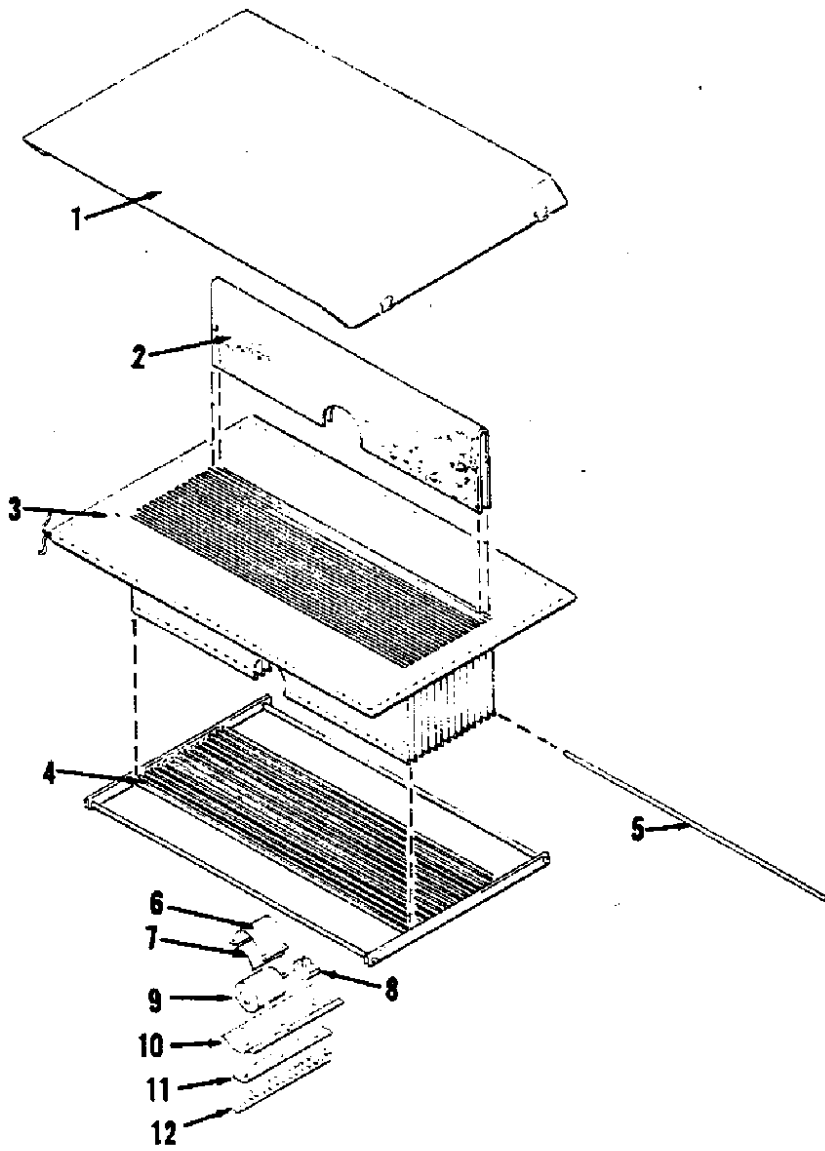


FIG. 6 - DUST FILTER & SHAKER MOTOR

Fig. 6 - FILTER SYSTEM

Ref. No.	TENNANT Part No.	Description	Qty.
1	53338	COVER, Filter box	1
2	53260	SEPARATORS	7
3	53259	BAG, Filter	1
4	46071	RACK, Bag	1
5	53934	BAR	14
	54078	SHAKER MOTOR ASSEMBLY	1
6	44979	STRAP, Shaker motor	1
7	44893	BAR, Rubber	1
8	53264	WEIGHT, Eccentric	1
9	54121	MOTOR, Shaker (sealed, not repairable)	1
10	44980	SUPPORT	1
11	53189	STRIP, Rod clamp	1
12	53421	ROD, Clamp lower	1

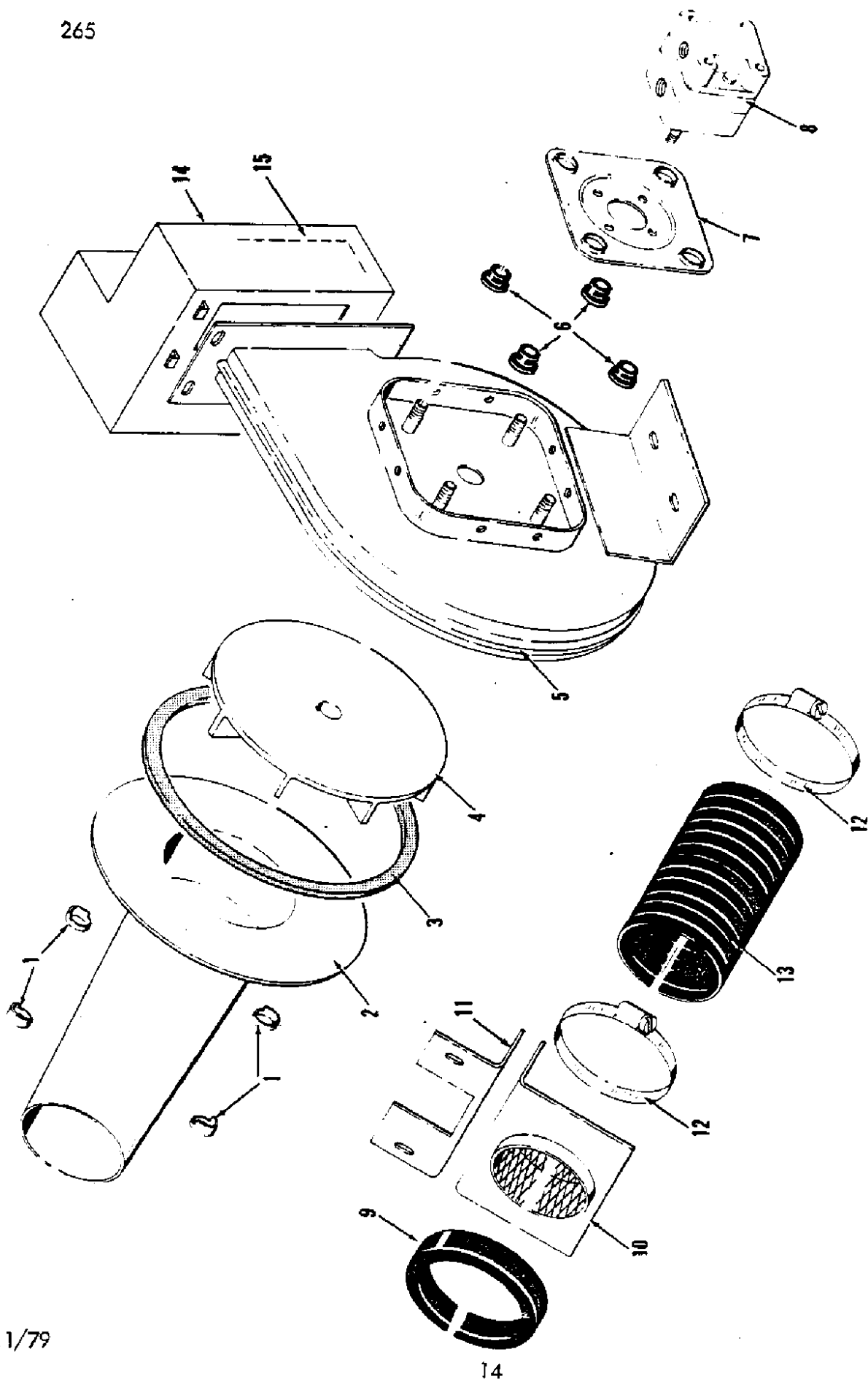


FIG. 7 - VACUUM FAN ASSEMBLY

FIG. 7
VACUUM FAN ASSEMBLY

Ref. No.	TENNANT Part No.	Description	Qty.
1	03467A	CLIP, Vacuum housing	4
2	53148	MANIFOLD, Intake	1
3	23542	SEAL, (5/16 x 30 1/2L)	1
4	54235-3	IMPELLER	1
5	54304	HOUSING, Impeller	1
6	54274	ISOLATOR, Vibration	4
7	54275A	PLATE, Motor mounting	1
8	* 53923	MOTOR ASSEMBLY, Vacuum fan (includes Barnes motor and mounting hardware)	1
	SK0104	SEAL KIT	
9	47069	SEAL	1
10	36907-1	ADAPTER, Hose	1
11	36906	BRACKET, Hose adapter	1
12	23498	CLAMP, Wormdrive	2
13	23481	HOSE	1
	54312	MUFFLER ASSEMBLY, Fan exhaust	1
14	54260	HOUSING, Fan muffler	1
15	45582	INSULATION KIT, Fan muffler noise	1

NOTE

*Fan motor assembly #53923-1 (consists of M.T.E. motor and mounting hardware) is an alternate. Complete motor assemblies #53923 and #53923-1 are interchangeable, but motors alone are not.

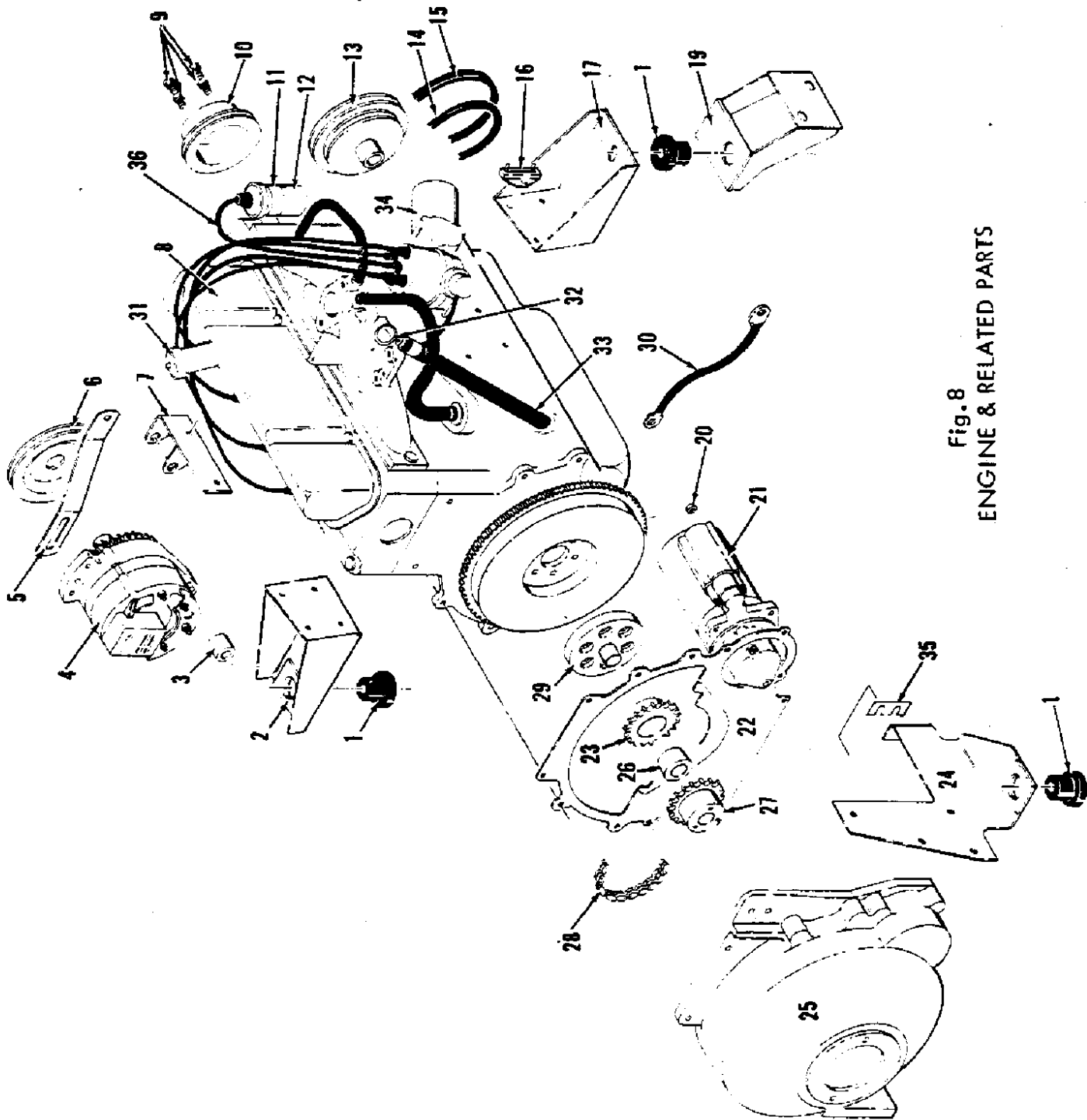


Fig. 8
ENGINE & RELATED PARTS

Ref. No.	TENNANT Part No.	Description	Qty.
1	51176	DAMPER, Engine	3
2	54860	MOUNT, Engine, left hand	1
3	54959	SPACER, Alternator mounting	1
4	54915	ALTERNATOR ASSEMBLY (including following)	1
	54915-1	ALTERNATOR	1
	54915-2	REGULATOR, Voltage	1
	54915-3	FAN, Alternator	1
5	50309	STRIP, Alternator bracket	1
6	54914	SHEAVE, Alternator	1
7	54928	BRACKET, Alternator mounting	1
8	54912-1	**ENGINE, Basic, Gasoline	1
9	50388	SCREW, Hex cap, 8mm	4
10	54911-10	*PULLEY, Water pump	1
11	54911-30	*STRAP, Coil (new strap not mounted on engine)	1
12	54911-11	*COIL, Ignition	1
13	54911-9	*PULLEY, Crankshaft	1
14	44561	V-BELT, Alternator-water pump	1
15	32144	V-BELT, Fan, radiator	1
16	54911-15	*RESISTOR, Ignition coil	1
17	54892	MOUNT, Engine, right hand	1
19	54889	BRACKET, Motormount	1
20	50335	NUT, Hex, 5mm	1
21	54911-4	*STARTER, Engine	1
22	54911-5	*RING, Starter locating	1
	54911-16	*PIN, Dowel	2
23	50327	COUPLING, Chain, (Engine side)	1
24	54836A	BRACKET, Motor & valve mount	1
25	54921A-1	HOUSING, Flywheel	1
26	15280-1	BUSHING (Key No. 00926)	1
27	53531-2	COUPLING, Chain, half (pump side)	1
28	53531-3	CHAIN, Coupling	1
29	50329	PLATE, Pump drive adaptor	1
30	52508-1	CABLE, Grounding	1
31	50352	CAP, Oil filler & breather	1
32	54911-26	DIPSTICK, Oil level	1
33	54911-27	TUBE, Dipstick	1
34	50353	ELEMENT, Engine oil filter	1
35	47854	SHIM (16-GA thick)	as req.
	47854-1	SHIM (0.19" thick)	as req.
36	54911-31	WIRE, High tension, coil to distributor	1

*NOTE: These parts are included in Complete Gasoline Engine Assembly #54912 (Ford 98CID-1600 cc, Model JFA-98GF-6005A, S.O. 5191A).

For a more complete break down see "Engine Section".

**NOTE: Basic engine #54912-1 does not include alternator, voltage regulator, V-Belts fan, carburetor, fuel pump, starter, pulleys, coil, resistor, etc. For part number of LP Engine, see "LPG" Section.

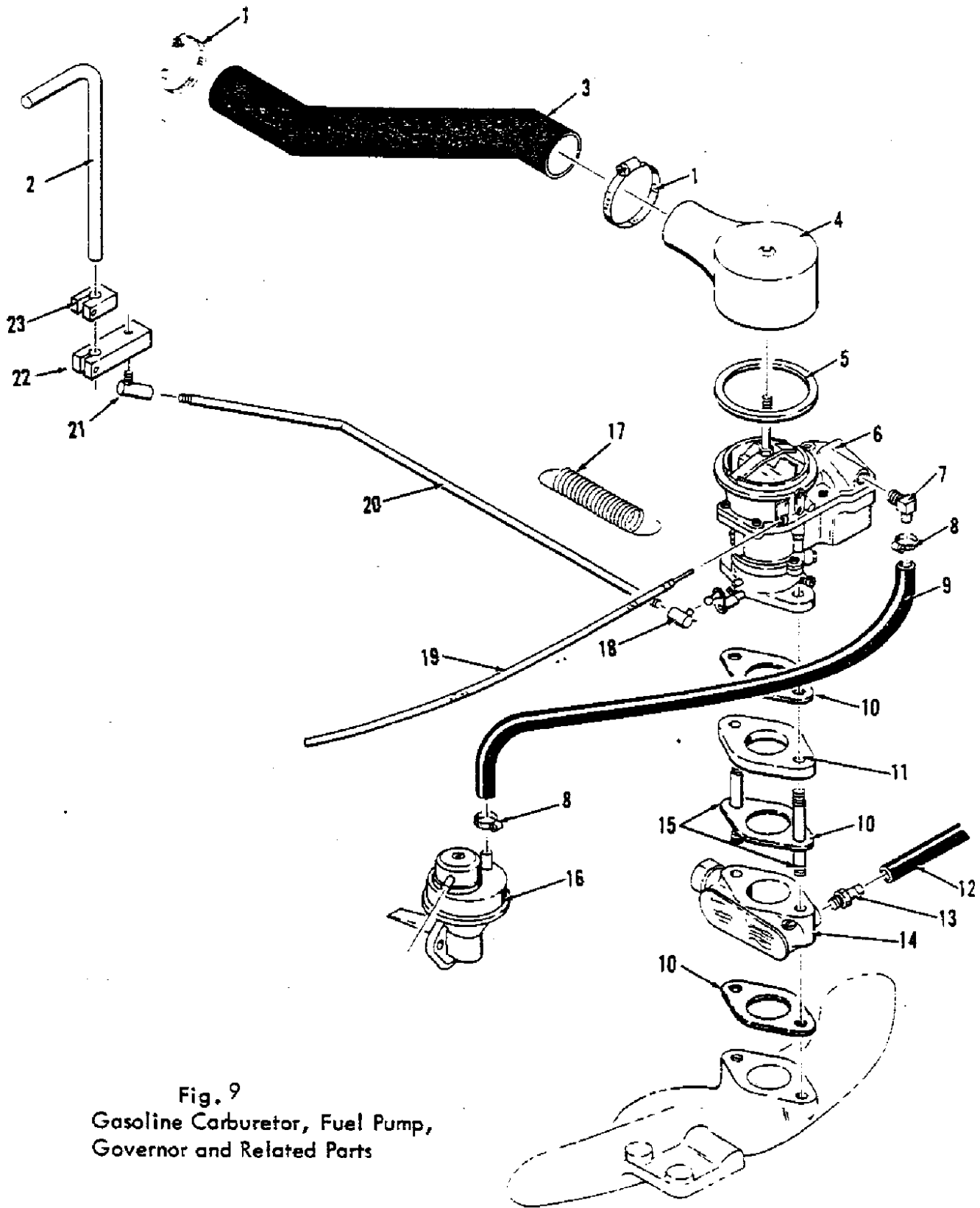


Fig. 9
Gasoline Carburetor, Fuel Pump,
Governor and Related Parts

Fig. 9 - GASOLINE CARBURETOR, FUEL PUMP, GOVERNOR & RELATED PARTS

Ref. No.	TENNANT Part No.	Description	Qty.
1	11531	CLAMP	2
2	53267	LEVER, Throttle	1
3	+50331-2	HOSE, Air intake (new one-piece molded type)	1
4	50308	AIR-HORN, Carburetor	1
5	54912-4	GASKET, Carburetor to air horn	1
6	54912-3	*CARBURETOR, Gasoline	1
7	53029	ELBOW, Fuel inlet	1
8	43844	CLAMP, Wormdrive	2
9	**9369	HOSE, Gasoline, (5/16" ID x 16'L)	1
10	**C5NE-9447A	GASKET, Carburetor	3
11	54854	PLATE, Carburetor spacer	1
12	—	HOSE, Rubber, governor to distributor (5/32" x 12" long) furnished with engine	1
13	54912-5	CONNECTOR	1
14	54933	GOVERNOR, Speed	1
15	54844	STUDS (1 - 5/16" - 18 x 3-3/8")	2
16	54912-2	PUMP, Fuel (Gasoline only)	1
17	50304	SPRING, Throttle return	1
18	50332-1	BALLJOINT, Socket end only	1
19	53140	CABLE ASSEMBLY, Choke	1
20	50300	ROD, Throttle	1
21	14601	BALLJOINT	1
22	53270	PIVOT, Arm	1
23	53290	CLAMP, Stop, throttle control	1

*See "LPG Section" for parts peculiar to LPG Fuel System.

** Ford Part Number

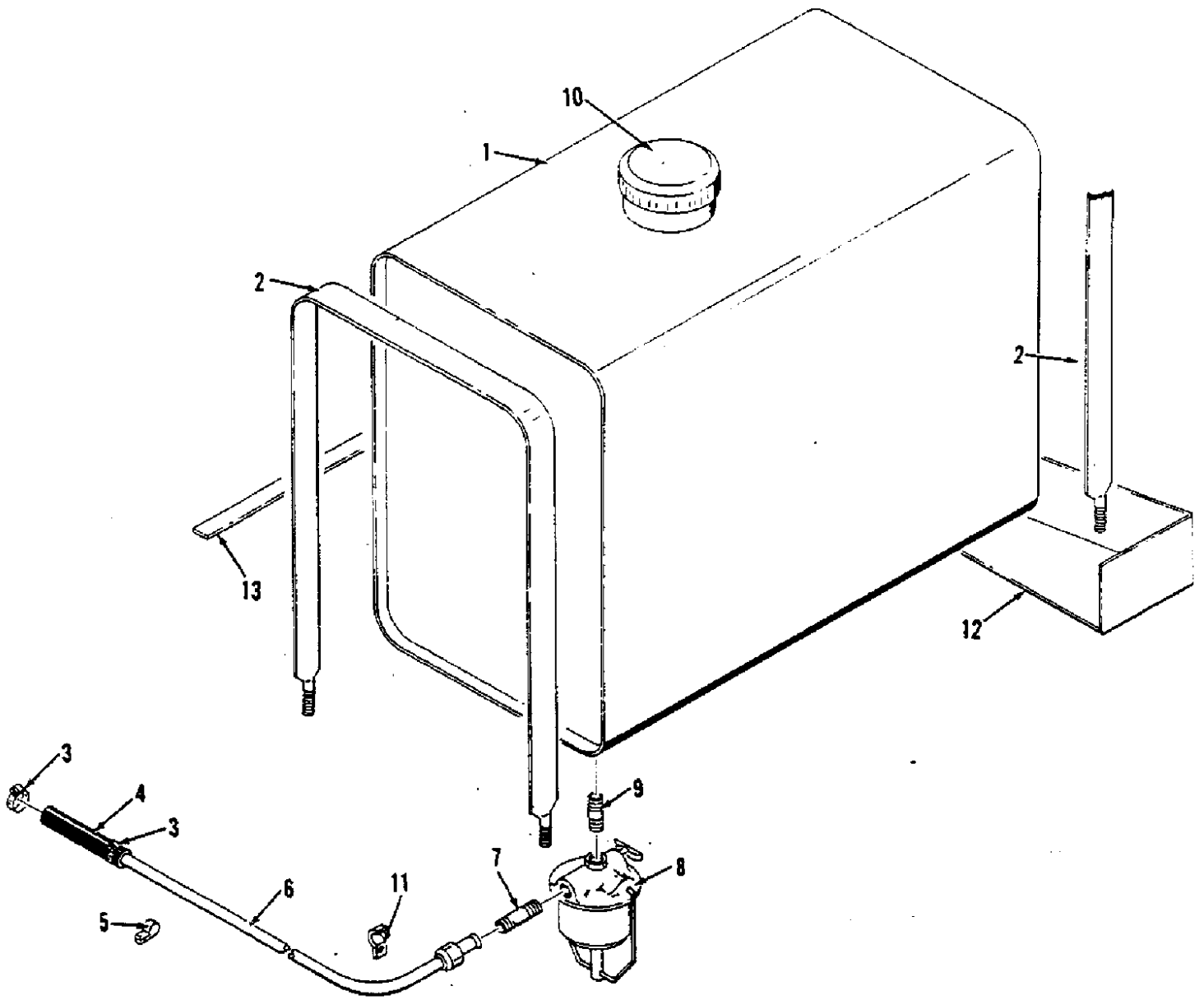


FIG. 10 - GASOLINE TANK & FILTER

11/79

FIG. 10 - GASOLINE TANK & FILTER

Ref. No.	TENNANT Part No.	Description	Qty.
1	23390	TANK, Gas	1
2	23254	STRAP, Gas tank	2
3	43844	CLAMP, Hose, worm drive	2
4	54845	HOSE, Rubber	1
5	46236	CLAMP, Hose	1
6	53390-1	GAS LINE ASSEMBLY	1
7	22383	NIPPLE	1
8	04601	STRAINER & SEDIMENT BOWL, Fuel (Note: screen # 0W-352, bowl # 06137, Tillotson Mfg. Co. part numbers)	1
9	17413	NIPPLE	1
10	*RC-112	CAP, Gas (includ. in item 1)Deluxe Special. pt. #	1
11	09092-1	CLAMP	2
12	53014	SHIELD, Gasoline	1
13	23826	SEAL, Seat support	1

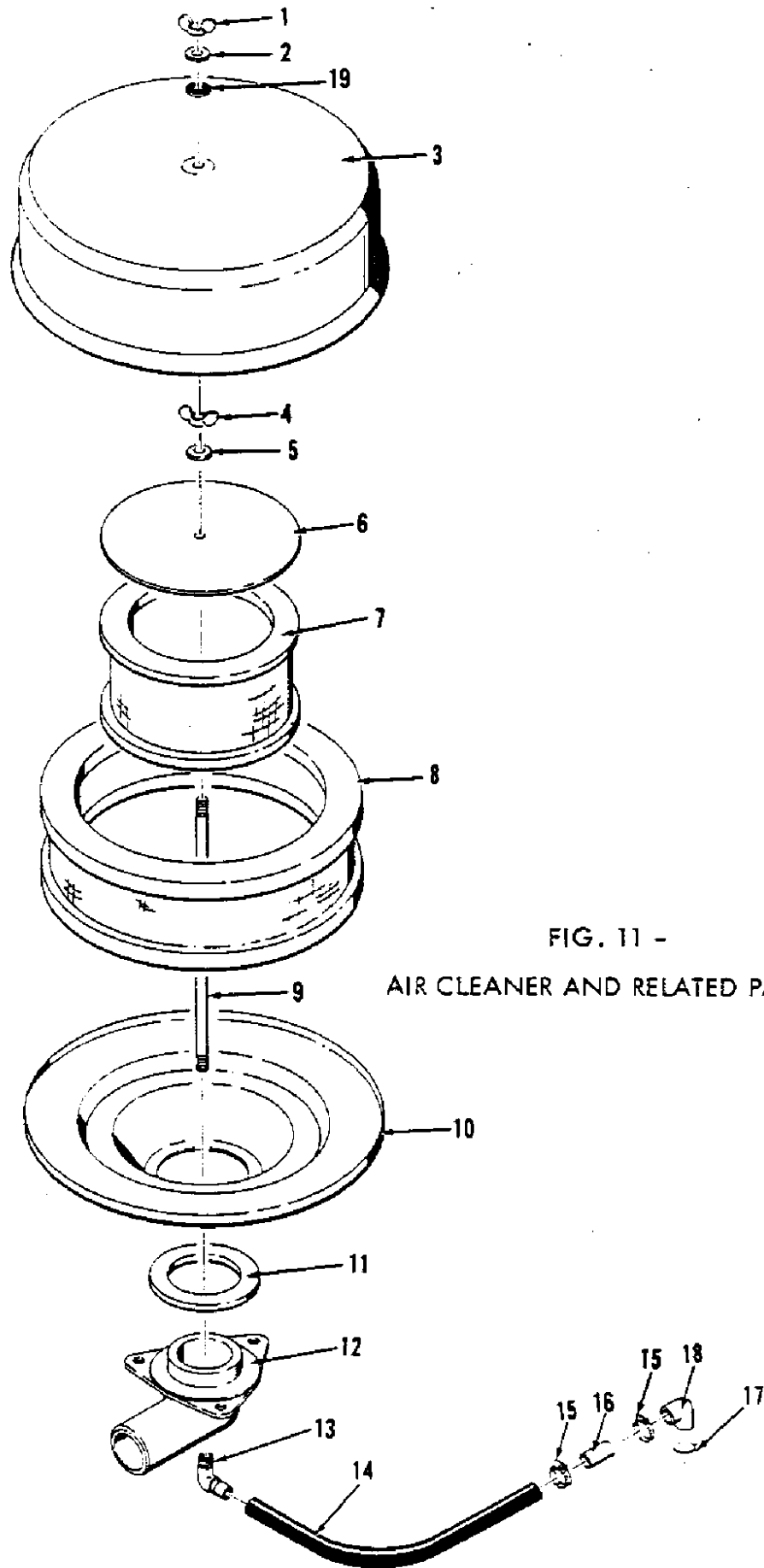


FIG. 11 -
AIR CLEANER AND RELATED PARTS

Ref. No.	TENNANT Part No.	Description	Qty.
1	26509	NUT, Wing (1/4" - 20)	1
2	29241	WASHER, Steel	1
3	23791-1	COVER, Air cleaner	1
4	46591	NUT, Wing (1/4" - 20)	1
5	24924	WASHER, Nylon	1
6	54081	COVER, Air cleaner	1
7	54100	ELEMENT, Air filter, inner	1
8	23792	ELEMENT, Air filter, outer	1
9	54082	STUD	1
10	54080	FLANGE, Air cleaner	1
11	23731	WASHER, Neoprene	1
12	23727A-2	BASE, Air cleaner	1
13	47388	ELBOW	1
14	54858	HOSE, Breather	1
15	54333	CLAMP	2
16	51706	SLEEVE	1
17	46818	CLAMP, Wire	1
18	54155	ELBOW, Rubber	1
19	29240	WASHER, Rubber	1



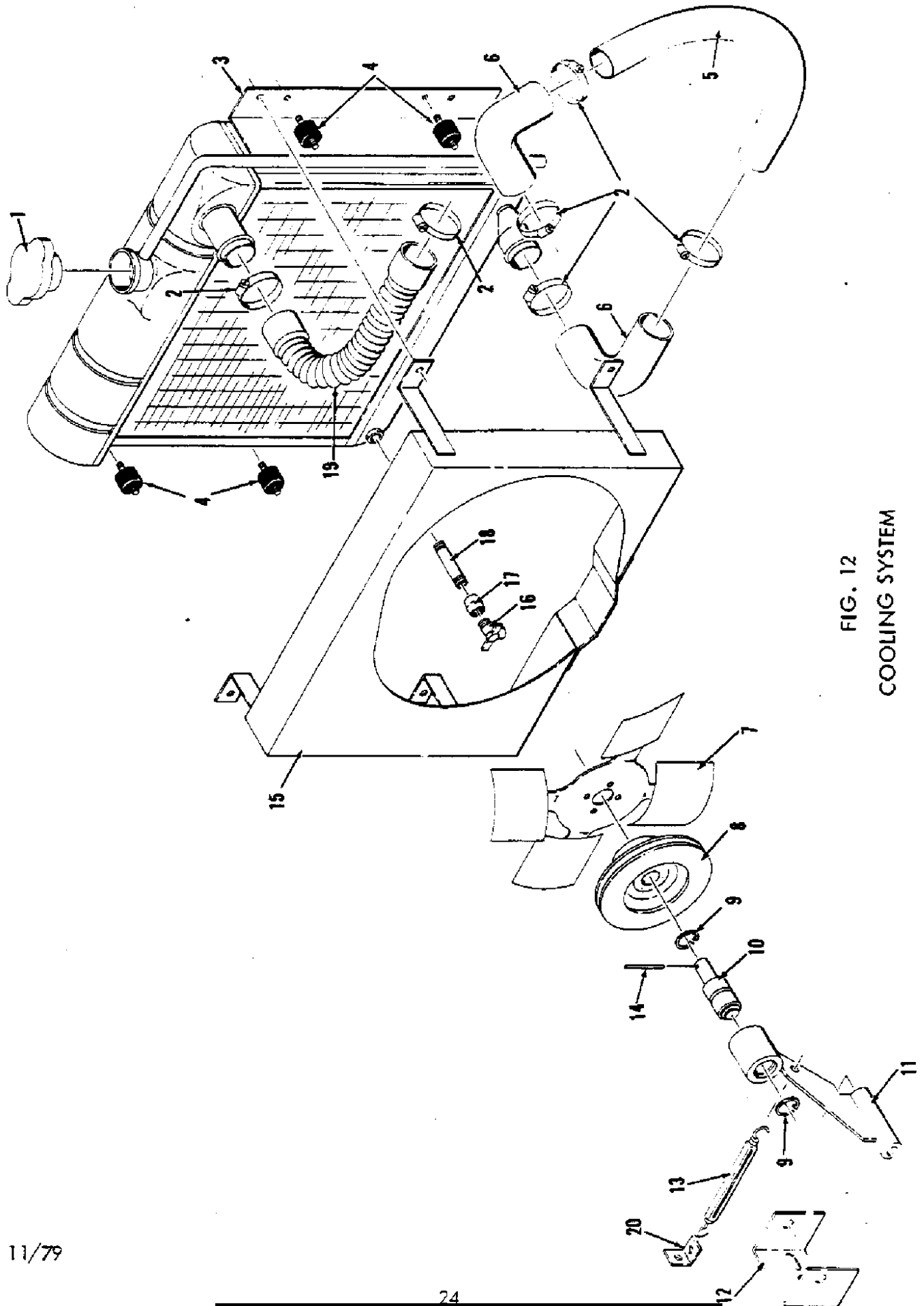


FIG. 12
COOLING SYSTEM

11/79

Fig. 12 - COOLING SYSTEM

Ref. No.	TENNANT Part No.	Description	Qty.
1	51321-3	CAP, Radiator	1
2	11531	CLAMP, Wormdrive	6
3	53010	RADIATOR	1
4	51322	DAMPER, Radiator, vibration	4
5	54874	TUBE, Radiator	1
6	54884	HOSE, Radiator, Bottom	2
7	53345	FAN (4-blade)	1
8	53867	PULLEY, Fan	1
9	23217	RING, Retaining	2
10	28868	BEARING & SHAFT, Fan	1
11	53673-1	ARM, Fan, mounting	1
12	53792-1	BRACKET, Fan, arm mounting	1
13	25494	TURNBUCKLE, (Fan belt tensioning)	1
14	11398	PIN, Roll	1
15	54387	SHROUD, Fan	1
16	51305	DRAIN, Radiator angle	1
17	26897	COUPLING	1
18	26385	NIPPLE	1
19	10323-6	HOSE, Radiator, Upper	1
20	54795	BRACKET, Turnbuckle	1

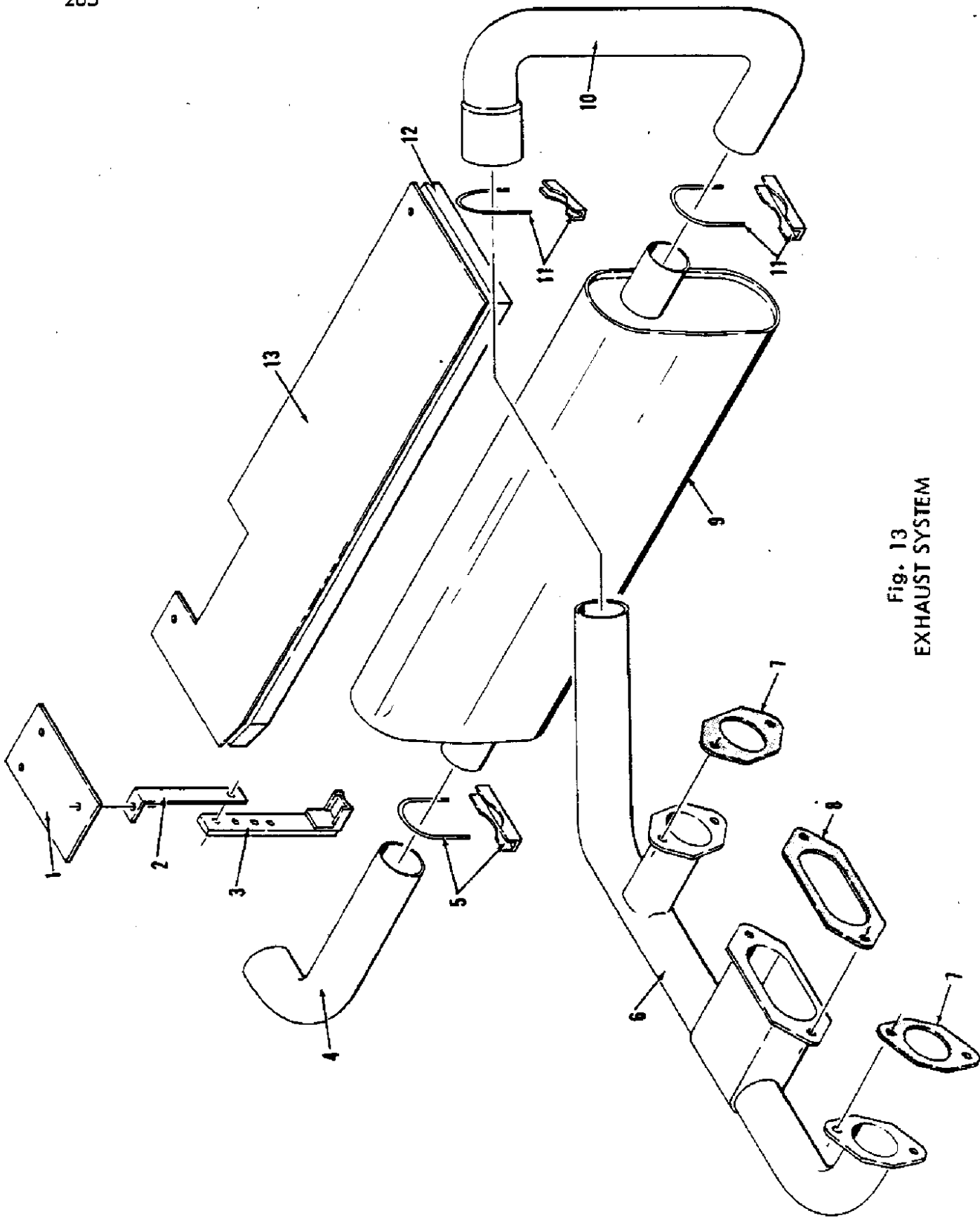


Fig. 13
EXHAUST SYSTEM

Fig. 13 EXHAUST SYSTEM

Ref. No.	TENNANT Part No.	Description	Qty.
1	53822	SUPPORT, Muffler	1
2	51657	BRACKET, Muffler support	1
3	51321-9	SUPPORT, Muffler	1
4	53884	PIPE, Tail	1
5	23693	CLAMP, Muffler	1
6	*54957A	MANIFOLD, Engine exhaust	1
7	54911-21	GASKET, Exhaust manifold, end	2
8	54911-20	GASKET, Exhaust manifold, center	1
9	53820	MUFFLER	1
10	54926	PIPE, Exhaust	1
11	24012	CLAMP, Muffler	2
12	53987	INSULATION, Muffler	1
13	53013	SHIELD, Muffler, Heat	1

*Note: Manifold #54957A was #54957. To replace manifold #54957 order SK2131.

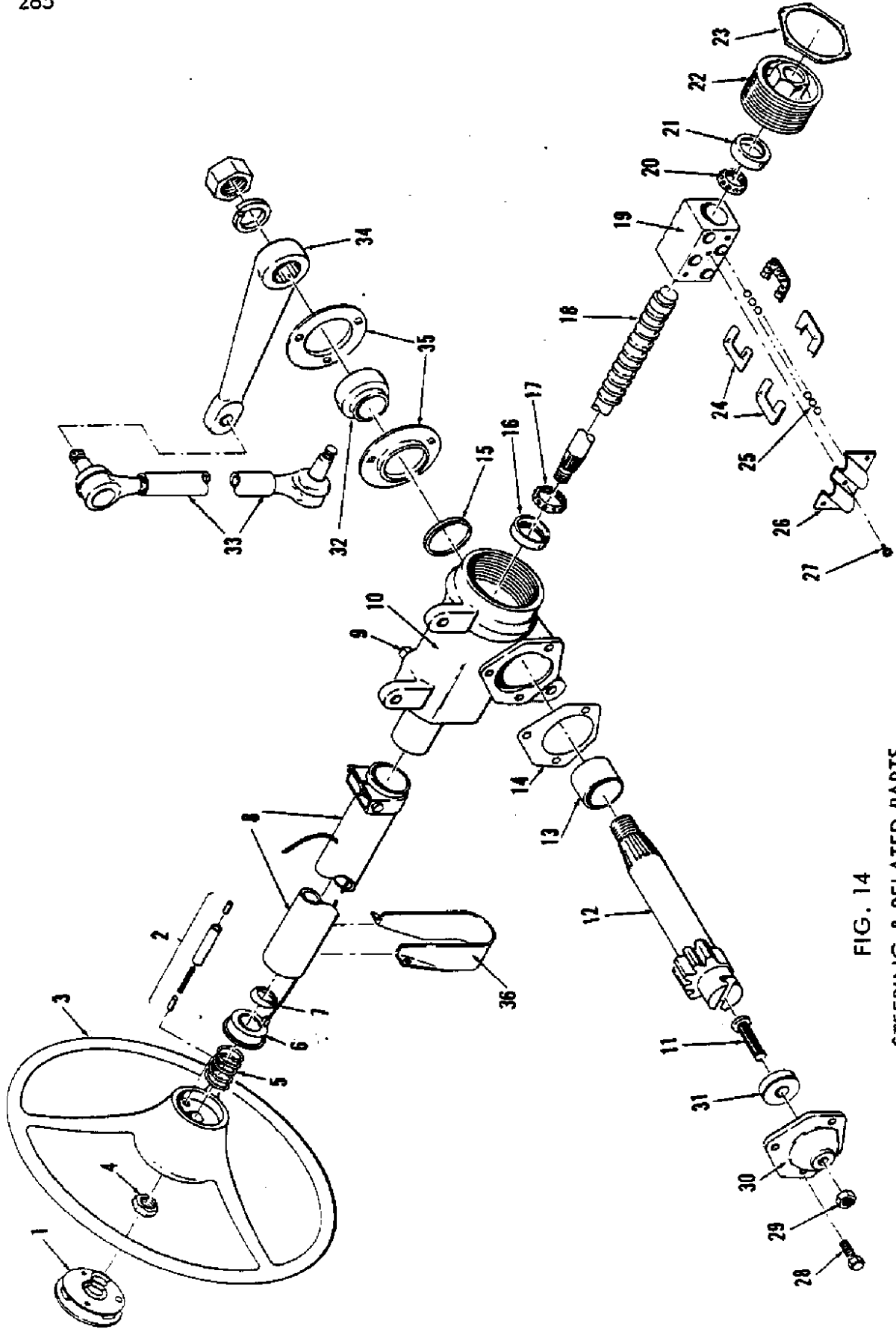


FIG. 14
STEERING & RELATED PARTS

11/79

Fig. 14 - STEERING & RELATED PARTS

Ref. No.	TENNANT Part No.	Description	Qty.
1	47010	BUTTON, Horn	1
2	47011	BRUSH UNIT, Horn	1
3	47008	WHEEL, Steering	1
	47007	* COLUMN & GEAR ASSEMBLY	1
4	114496	NUT, Steering wheel (1/2" - 20 jam nut)	1
5	264832	SPRING	1
6	5695951	BEARING & CABLE ASSEMBLY	1
7	264831	SEAT, Spring	1
8	5695956	COLUMN	1
9	103868	PLUG, Filler	1
10	5692532	HOUSING	1
11	7802482	ADJUSTER, Lash	1
12	7812838	SECTOR AND SHAFT ASSEMBLY	1
13	266316	BUSHING, Sector shaft	1
14	566734	GASKET	1
15	7801626	SEAL	1
16	5666683	CUP, Upper worm bearing	1
17	5666693	BEARING, Upper ball	1
18	5695954	WORMSHAFT	1
19	5666886	NUT, Ball	1
20	5666693	BEARING, Lower ball	1
21	5666683	CUP, Lower worm bearing	1
22	5666681	WORM BEARING ADJUSTER	1
23	5676217	LOCKNUT, Worm bearing adjuster	1
24	5666887	BALL GUIDE	4
25	266800	BALLS	54
26	5666888	CLAMP, Ball guide	1
27	187375	SCREW, Ball guide clamp	1
28	7807009	BOLTS, Side cover	3
29	114495	LOCKNUT, Lash adjuster (7/16"-20 jam nut)	1
30	7802483	HOUSING SIDE COVER & BUSHING ASSY.	1
31	266903, 5, 7, 9	SHIM, Lash adjust	1
32	53043	BEARING	1
33	53481	LINK	1
34	35618	ARM, Steering, front	1
35	53044	RETAINER, Bearing	1
36	23315-2	SUPPORT, Steering column	1

* COLUMN & GEAR ASSEMBLY part no.'s are Saginaw part no.'s.

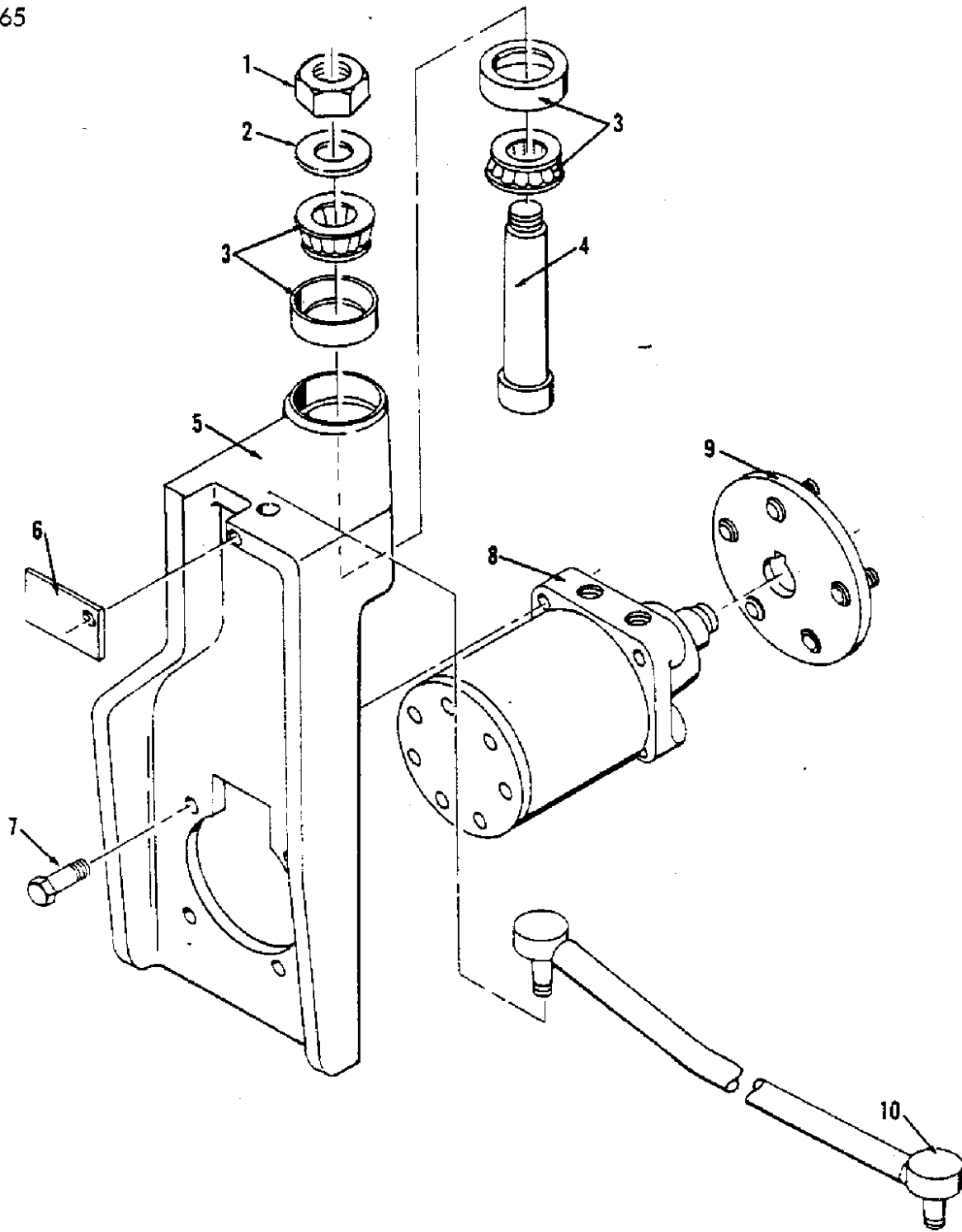


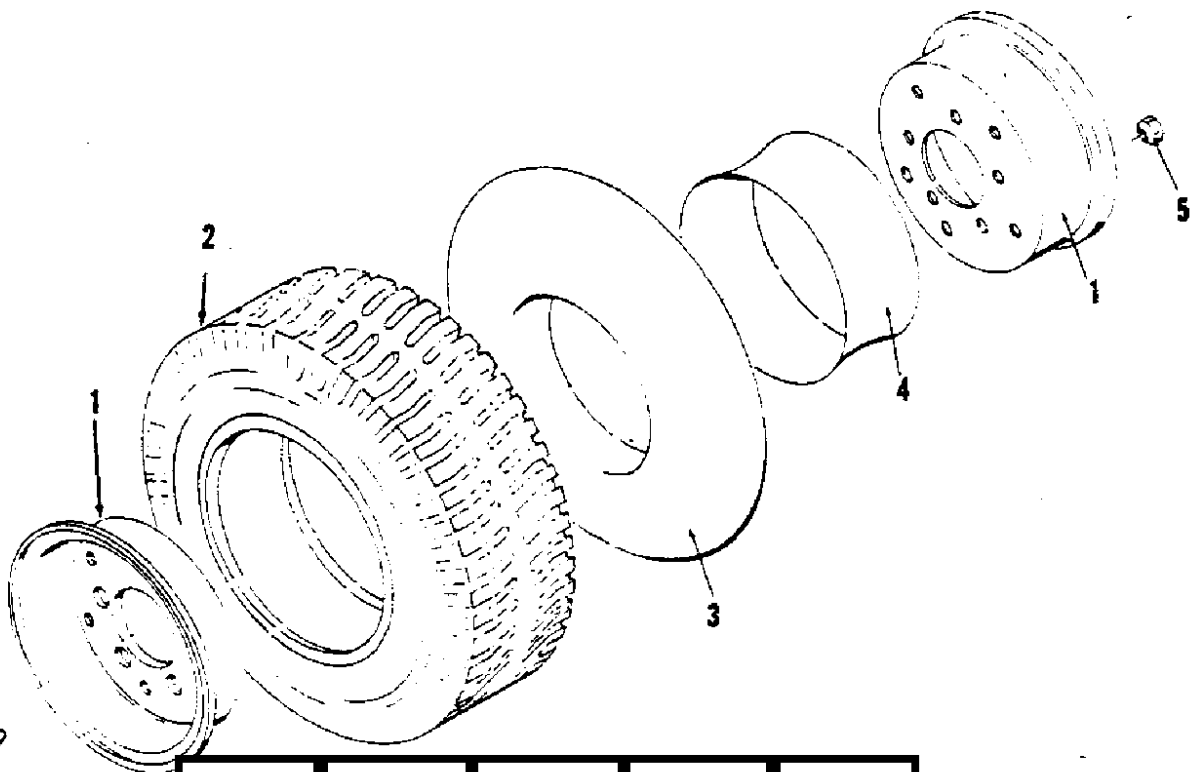
FIG. 15
REAR WHEEL DRIVE MOTOR & SUPPORT PARTS GROUP

FIG. 15 - REAR WHEEL DRIVE MOTOR & SUPPORT PARTS GROUP

Ref. No.	TENNANT Part No.	Description	Qty.
1	14242	NUT	1
2	47719	WASHER	1
3	49225	BEARING & CONE ASSEMBLY, Motor support	2
4	24984	PIN, Support	1
5	53525A	SUPPORT	1
6	53528	BAR, Hose support	1
7	47830	BOLT, (1/2 - 13 x 2 3/4)	4
8	37041	MOTOR, Drive	1
	SK1951	SEAL KIT	1
9	53893	HUB ASSEMBLY, Drive wheel	1
	24338	STUD	5
10	53481	LINK, Steering	1

FIG. 16 - REAR DRIVE WHEEL PARTS GROUP

Ref. No.	TENNANT Part No.	Description	Qty.
	47550	WHEEL ASSEMBLY	1
1	53818	RIM	1 (pair)
2	47525	TIRE, 570/500-8, 6 ply)	1
3	53819-1	TUBE, Inner tire 570/500-8	1
4	53819-2	FLAP, Tire tube 570/500-8	1
5	24339	NUT, Wheel (1/2 - 20)	5



11/79

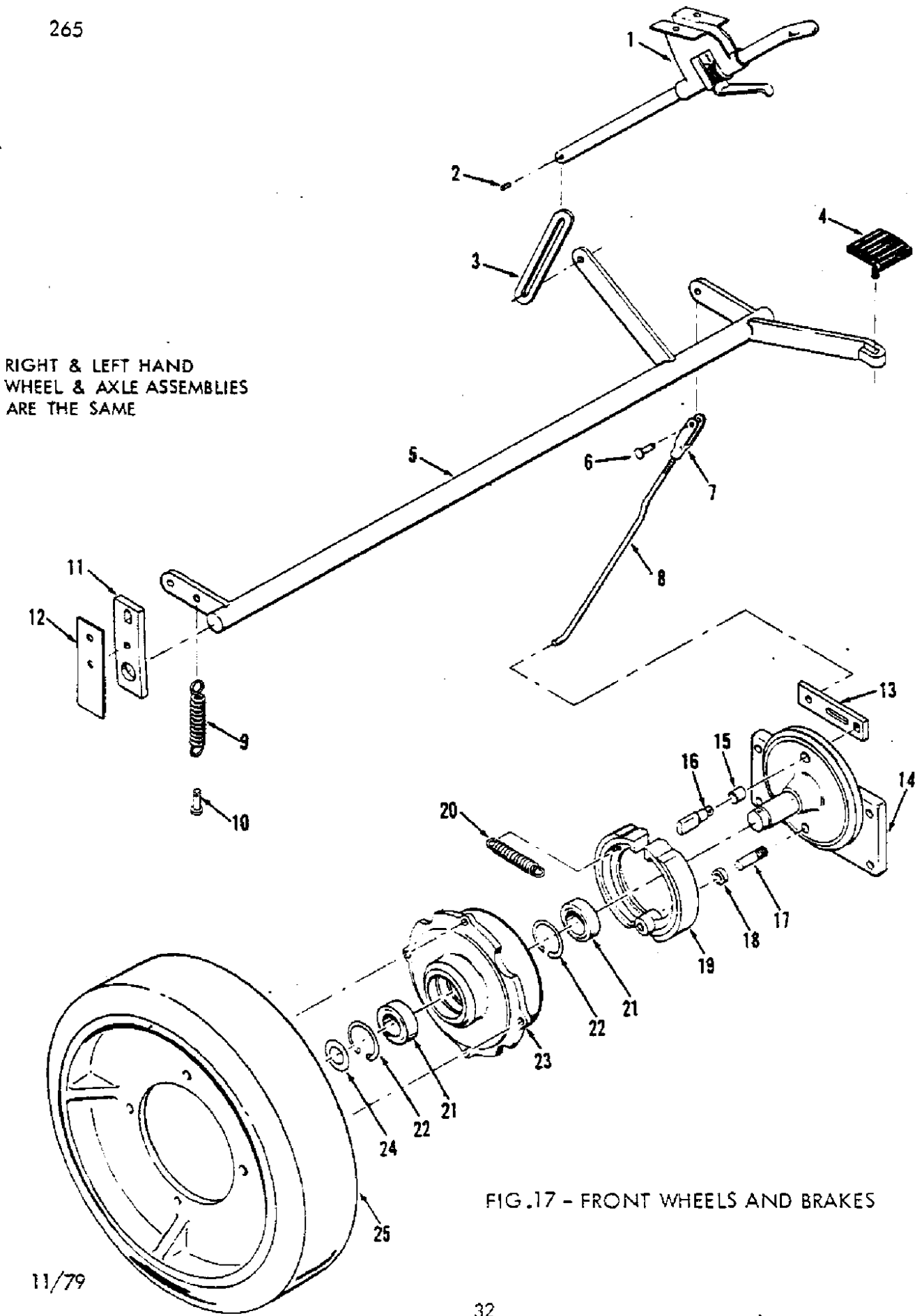
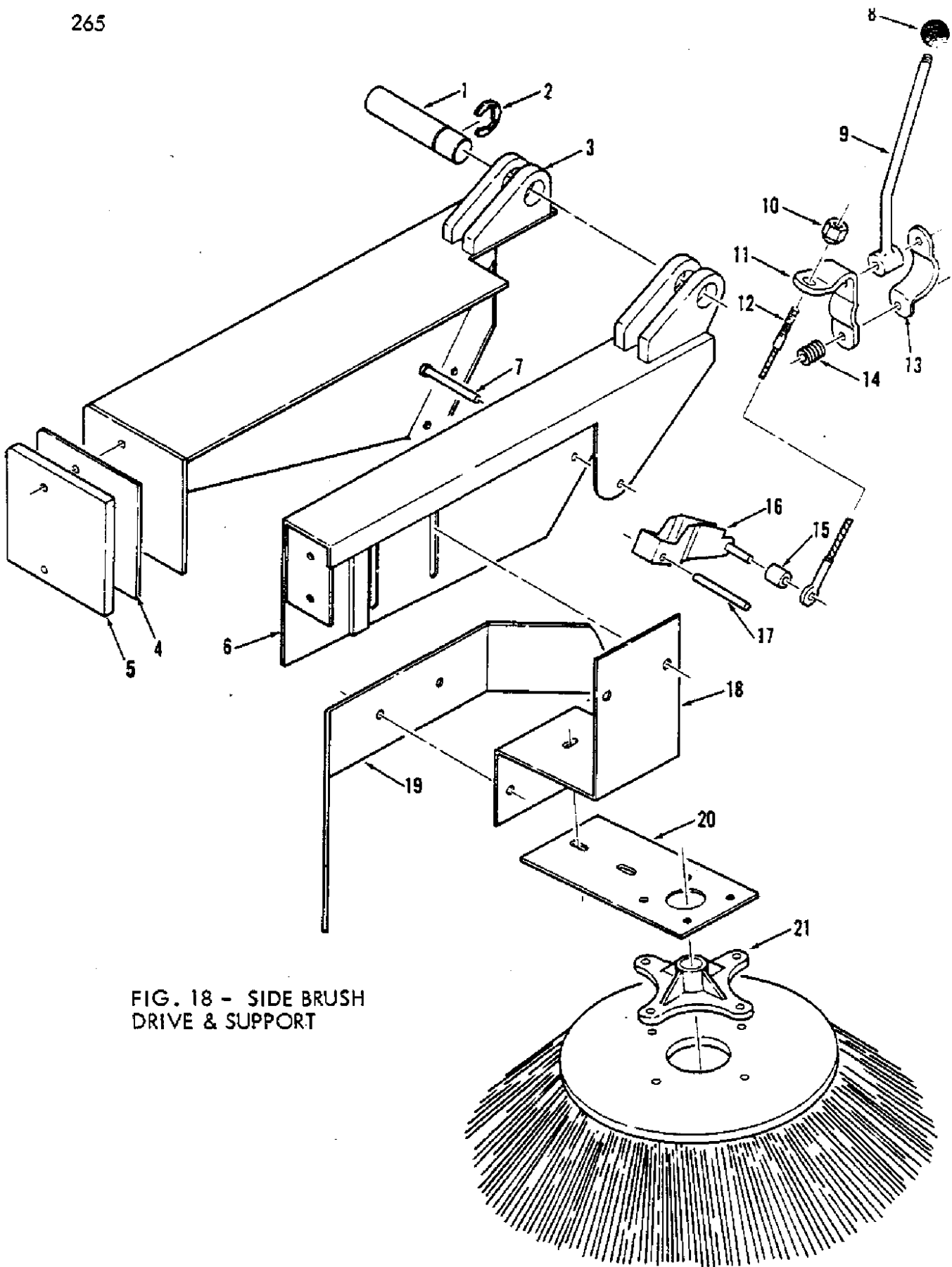


FIG.17 - FRONT WHEELS AND BRAKES

11/79

FIG. 17- FRONT WHEEL & BRAKES

Ref. No.	TENNANT Part No.	Description	Qty.
1	36913	BRAKE, Parking	1
2	18141	PIN, Roll	1
3	23529A	STRAP	1
4	07142	PAD	1
5	35676	SHAFT, Brake	1
6	14605	PIN, Clevis ($\frac{1}{2}$ dia. x $\frac{3}{4}$ L)	1
7	14595-1	CLEVIS, Adjustable	1
8	23483-2	ROD, Adjusting	1
9	03091	SPRING	1
10	28296	PIN, Clevis ($\frac{1}{2}$ dia. x $\frac{1}{2}$ L)	1
11	23280-2	HANGER	1
12	23758-1	SHIM, Hanger	as req.
	46806-1	AXLE ASSEMBLY , Front	2
13	23484	ARM	1
14	23286-1	AXLE & BUSHING ASSEMBLY	1
15	24992	BUSHING	1
16	23272	CAM	1
17	10413	PIN, Threaded	1
18	10415	SPACER	1
19	10414	SHOE ASSEMBLY, Brake	1
20	09758	SPRING, Tension	1
	48076	WHEEL ASSEMBLY, Front	2
21	13534	BEARING	2
22	23244	RING, Retaining	2
23	23332	HUB	1
24	09006	SPACER	1
25	24120	TIRE & RIM ASSEMBLY	1
	25193A	WHEEL ASSEMBLY	1
	25197	TIRE, Front, solid (bonded to rim)	1



11/79

Hi-Dump
 265 FIG. 18 - SIDE BRUSH DRIVE & SUPPORT PARTS GROUP

Ref. No.	TENNANT Part No.	Description	Qty.
1	36993	PIN	1
2	23788	RING, Retaining	1
3	36958	BUMPER, Side brush arm	1
4	48951-1	PLATE, Bumper end	1
5	36986	PLATE, Bumper end	1
6	36954	ARM, Side brush	1
7	23191	PIN, Clevis	1
8	26156	KNOB	1
9	35649	HANDLE	1
10	23293	NUT (5/16" - 24)	1
11	23307-1	LEVER, Lift handle	1
12	23294	CABLE ASSEMBLY, Side brush lift	1
13	23306-1	BRACKET, Clip	1
14	14174	SPRING	1
15	22143	SPACER	1
16	23503A	YOKE, Side brush lift	1
17	23536	PIN, Yoke pivot	1
18	53773	BRACKET, Bumper	1
19	53826	BUMPER	1
20	53772	MOUNT, Side brush motor	1
21	47501	ADAPTER, Side brush	1

11/79

Home	Find...	Go To..		
------	---------	---------	--	---

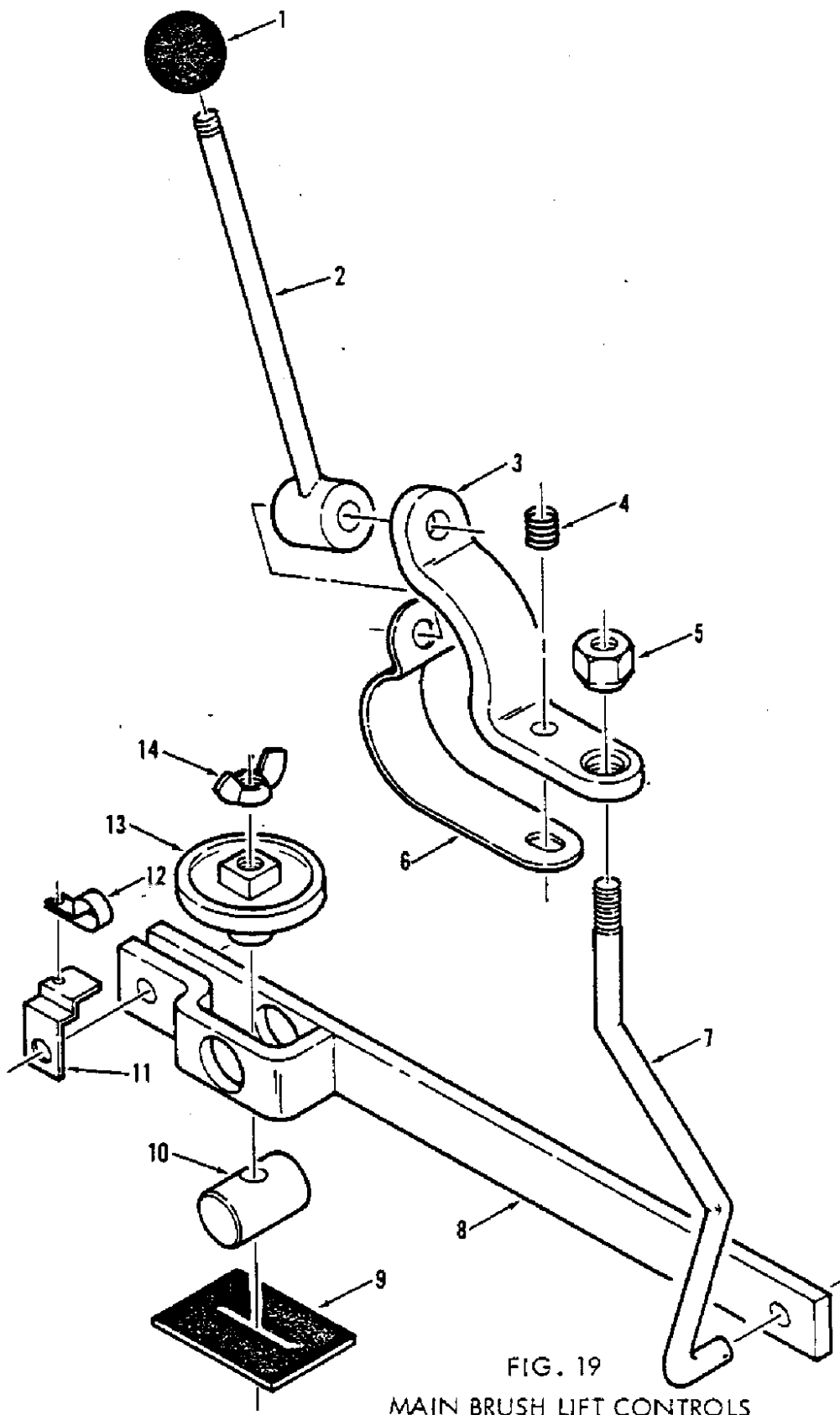


FIG. 19
MAIN BRUSH LIFT CONTROLS

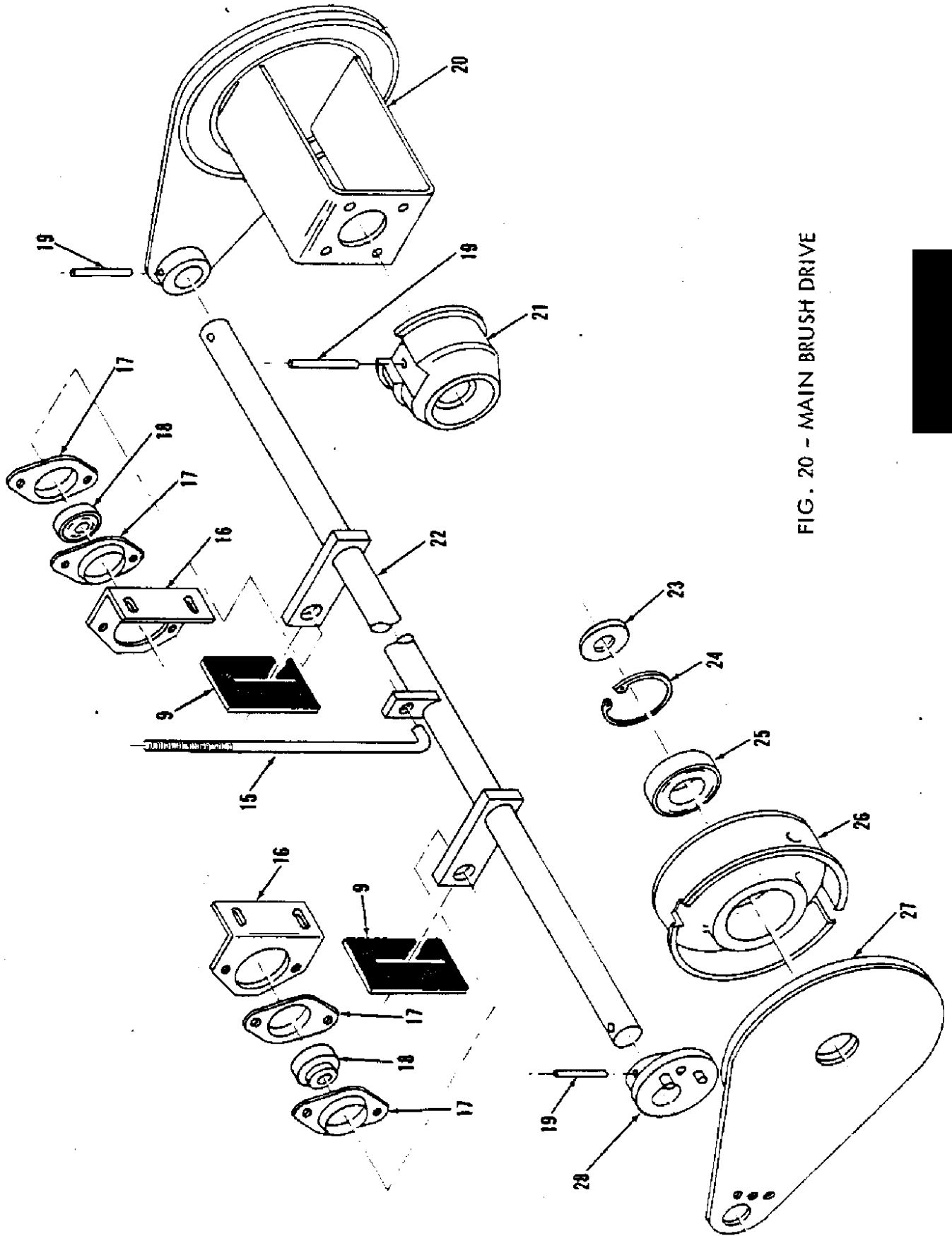


FIG. 20 - MAIN BRUSH DRIVE

FIG. 19 & 20 - MAIN BRUSH DRIVE

Ref. No.	TENNANT Part No.	Description	Qty.
1	26156	KNOB	1
2	23304	HANDLE	1
3	53907	LEVER, Lift handle	1
4	14174	SPRING	1
5	24339	NUT (1/2" - 20)	1
6	53899	CLIP	1
7	53182	ROD, Lift	1
8	53876	ARM, Lift	1
9	53906	SEAL	3
10	51391	PIN	1
11	35593	BRACKET, Clamp	1
12	26395-2	CLAMP, Cable hold down	1
13	51452	KNOB, Brush height adjusting	1
14	G137156	NUT, Wing (1/2" - 13)	1
15	35677	ROD, Lift	1
16	53132	BRACKET, Countershaft bearing	2
17	53879	FLANGE, Counter shaft bearing	4
18	53878	BEARING, Countershaft	2
19	20050	PIN, Roll (5/16" X 1-7/8)	3
20	53169	ARM, Brush L.H.	1
21	51036	PLUG, Brush drive	1
22	35674	SHAFT, Counter	1
	53187	ARM & PLUG ASSEMBLY, Brush R.H.	1
23	51564	WASHER	1
24	51046	RING, Retaining	1
25	24899	BEARING, Brush idler plug	1
26	51984	PLUG, Brush idler	1
27	53168	ARM, Brush R.H.	1
	53985	PLUG, Threaded dust (1/2" - 13)	1
28	53138	HUB, Countershaft end	1
	53249	WRENCH, Brush removal	1

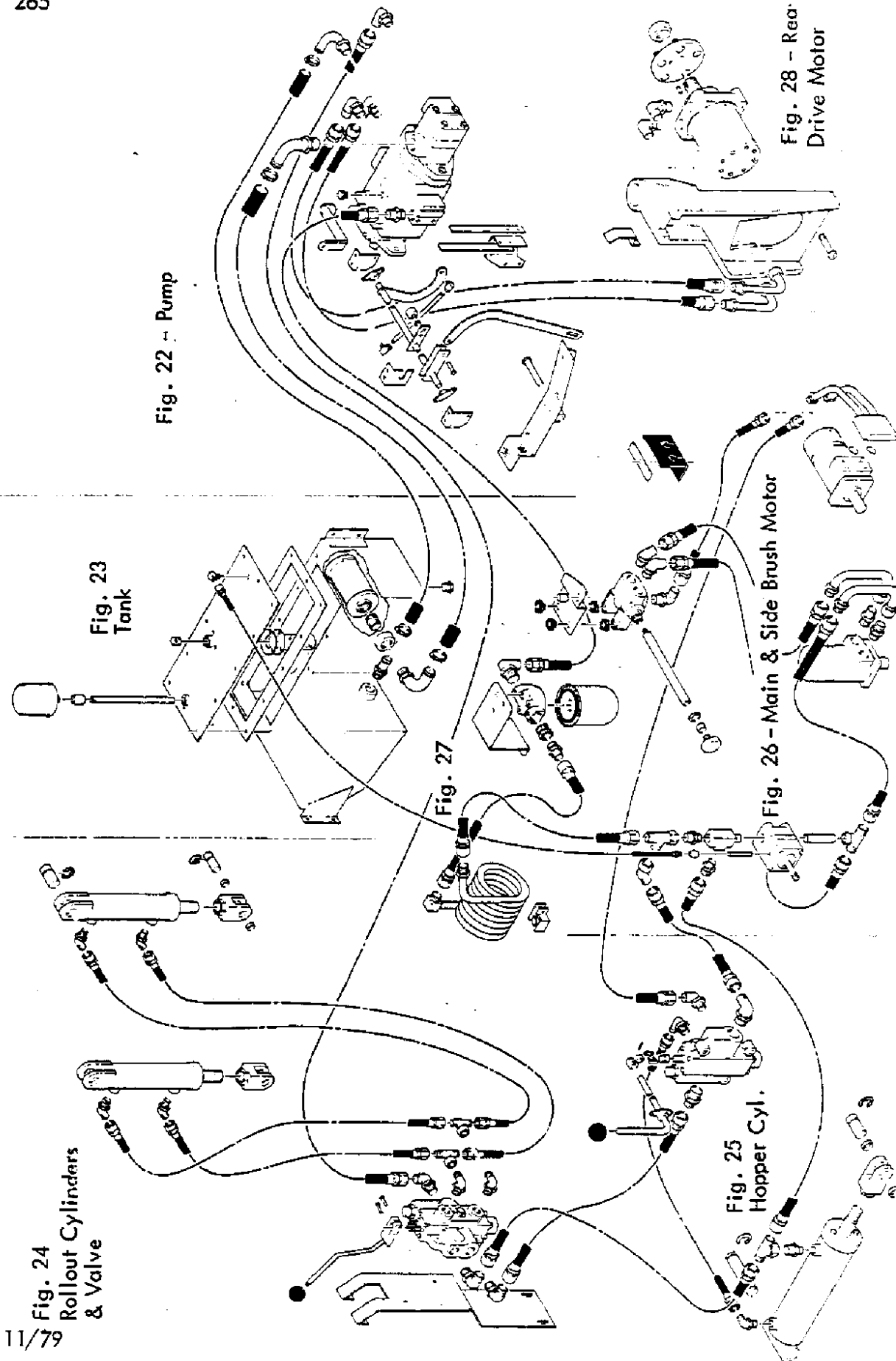


Fig. 24
Rollout Cylinders
& Valve

Fig. 23
Tank

Fig. 22 - Pump

Fig. 27

Fig. 25
Hopper Cyl.

Fig. 26 - Main & Side Brush Motor

Fig. 28 - Rear
Drive Motor

Fig. 21 - MODEL 265 COMPLETE HYDRAULIC SYSTEM (Find part you want in this drawing, then turn to its fig. no. on following pages for parts illustration and list)

11/79

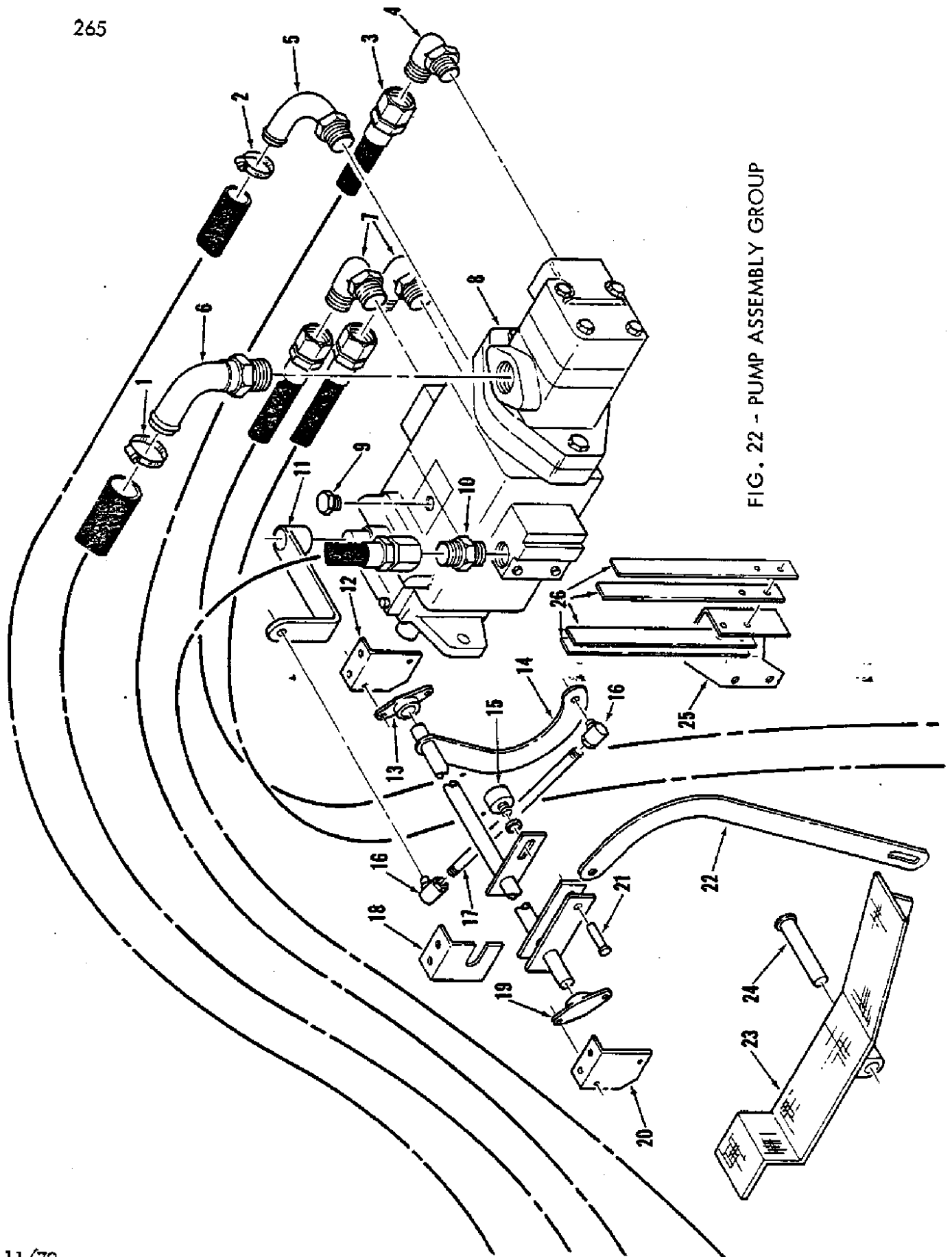


FIG. 22 - PUMP ASSEMBLY GROUP

11/79

FIG. 22 PUMP ASSEMBLY GROUP

Ref. No.	TENNANT Part No.	Description	Qty.
1	29696	CLAMP, Hose	1
2	11399	CLAMP, Hose	1
3	05479	HOSE	1
	50562	PUMP ASSEMBLY, Complete	1
4	56827	ELBOW	1
5	47887	ELBOW, Hose	1
6	47696	ELBOW, Hose	1
7	51782	ELBOW	2
8	50561	*PUMP ASSEMBLY	1
	50560	PUMP, Propelling	1
	SK1769	SEAL KIT	1
	69181-1	PUMP, Accessory	1
	SK1739	SEAL KIT	1
	69183 A	PLATE, Pump adapter	1
	69157	COUPLING ASSEMBLY	1
	69186	"O"RING	1
	23158	GASKET	1
9	46482	PLUG, Case drain	1
10	46480	CONNECTOR	1
11	54931	ARM, Pump pintle	1
	47762-1	SUPPORT ASSEMBLY, Control rod L.H.	1
12	53351A	SUPPORT, Control rod	1
13	53352	BEARING, Support	1
14	37012	ROD, Pump control	1
15	48930	CAM, Follower	1
16	14506	BALLJOINT	2
17	54942	ROD, Control	1
18	35600	SUPPORT, Control rod follower cam	1
	47762	SUPPORT ASSEMBLY, Control rod R.H.	1
19	53352	BEARING, Support	1
20	53351A	SUPPORT, Control rod	1
21	09088	PIN, Clevis	1
	48319	PEDAL ASSEMBLY, Foot	1
22	36956	ARM	1
23	42240	PEDAL, Foot	1
24	06474A	PIN, Clevis	1
25	54837	SUPPORT, Spring	1
26	49681	SPRING, Pump lever	4

* Previous pump assembly was #37045. For field replacement of #37043 order SK2019
 Previous Pump was 37038. For field replacement of #37038, order SK2014

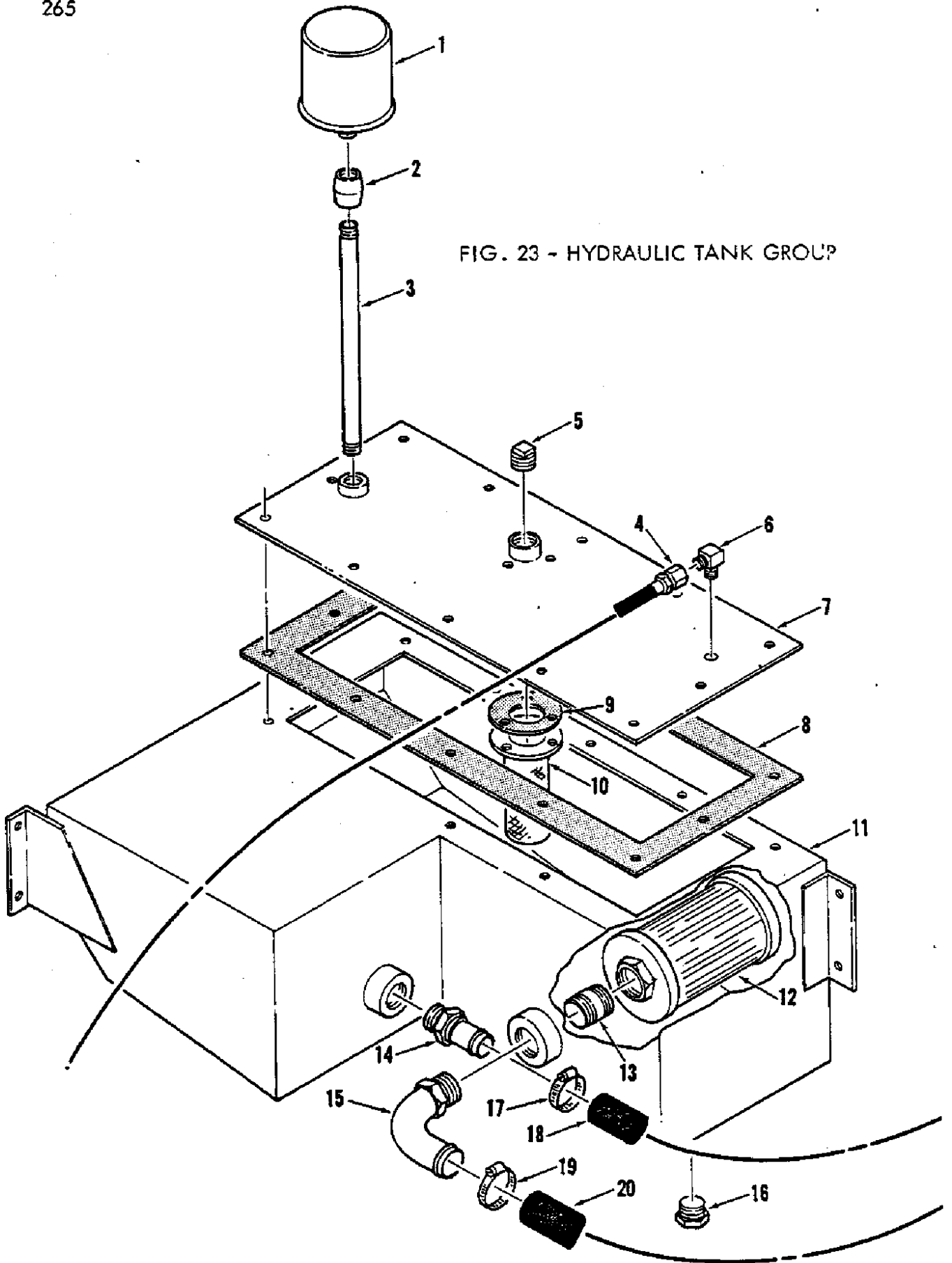


FIG. 23 - HYDRAULIC TANK GROUP

Ref. No.	TENNANT Part No.	Description	Qty.
1	53430	VALVE ASSEMBLY, Breather & relief	1
	53431	ELEMENT, Breather	1
2	10222	COUPLING	1
3	10221	NIPPLE	1
4	17873	HOSE	1
	54872A	TANK ASSEMBLY, Hydraulic oil	1
5	48117	PLUG, Filler	1
6	06507	ELBOW	1
7	54871	COVER, Hydraulic tank	1
8	54869	GASKET, Tank cover	1
9	23686	GASKET, Filler screen	1
10	48086	SCREEN, Filler	1
11	54873	TANK, Hydraulic oil	1
12	51885	STRAINER, Oil sump intake	1
13	02546	NIPPLE	1
14	47894	CONNECTOR, Hose	1
15	47695	ELBOW, Hose	1
16	40362	PLUG, Drain	1
17	11399	CLAMP, Hose	1
18	47896-1	HOSE	1
19	29696	CLAMP, Hose	1
20	47697-1	HOSE	1



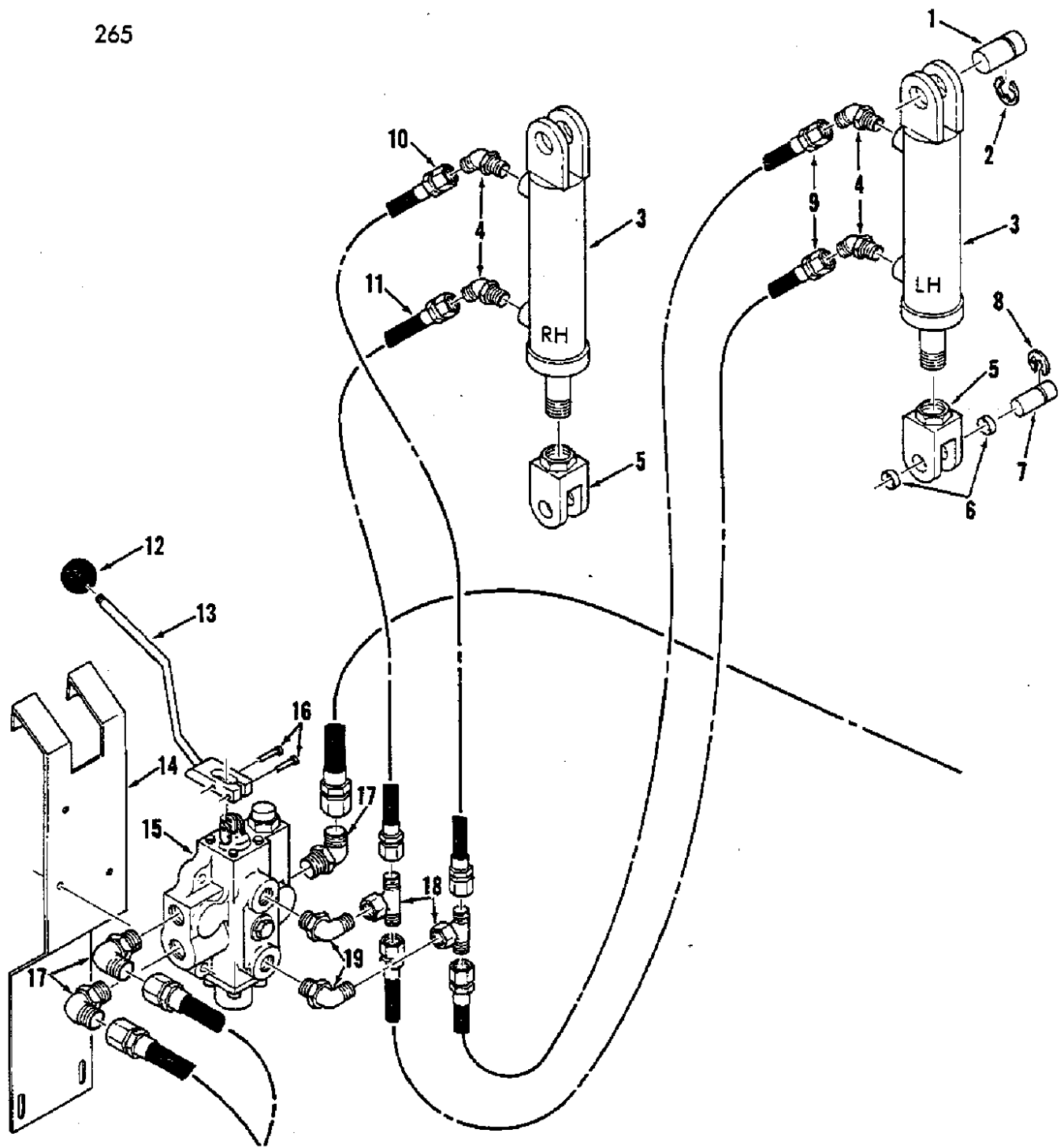


FIG. 24 - ROLLOUT CYLINDERS & CONTROL VALVE GROUP

11/79

Ref. No.	TENNANT Part No.	Description	Qty.
1	23145	PIN, Rollout cylinder	2
2	23788	RING, Cylinder pin retaining	2
	35698	CYLINDER ASSEMBLY, Rollout	2
3	48982	CYLINDER, Rollout	1
	SK1869	SEAL KIT	1
4	47522	ELBOW, 45°	2
5	37015	CLEVIS, Rollout cylinder	1
6	37014	BEARING, Cylinder clevis, journal	2
7	37016	PIN, Rollout cylinder clevis	2
8	23788-1	RING, Cylinder clevis retaining	2
9	35583	HOSE	2
10	54043-2	HOSE	1
11	35582	HOSE	1
12	26565	KNOB	1
	37018	VALVE ASSEMBLY, Rollout cylinder control	1
13	36999	HANDLE, Control valve	1
14	48940	BRACKET, Valve mounting	1
15	54046	VALVE, Cylinder control	1
	SK1842	SEAL KIT	1
16	*1A9005	PIN, Valve handle	2
17	51782	ELBOW	3
18	35586	TEE	2
19	37056	ELBOW	2

*Cross Manufacturing Company part number

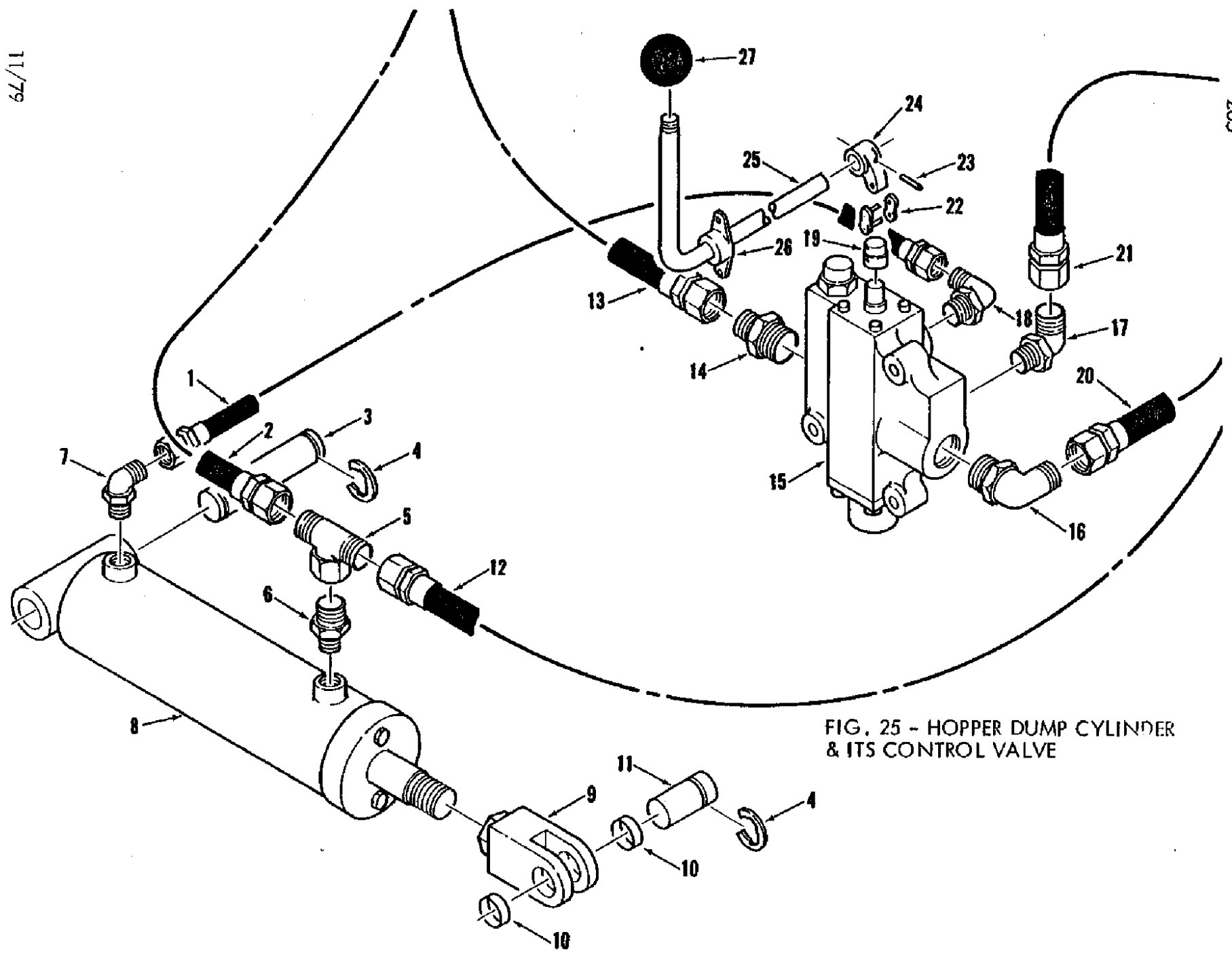


FIG. 25 - HOPPER DUMP CYLINDER & ITS CONTROL VALVE

Home

Find...

Go To..

↑

↓

Ref. No.	TENNANT Part No.	Description	Qty.
1	47825	HOSE	1
2	52374	HOSE	1
3	35515	PIN, Dump cylinder pivot	1
4	23788	RING, Retaining	3
	36943	CYLINDER ASSEMBLY, Dump	1
5	50382	TEE	1
6	35587	CONNECTOR	1
7	62711-3	ELBOW, Restrictor	1
8	48981	CYLINDER, Dump	1
	SK1805	SEAL KIT	1
9	35599	CLEVIS, Dump cylinder	1
10	35688	BEARING, Clevis journal	2
11	23145	PIN, Dump cylinder clevis	1
12	51753	HOSE	1
13	53083-6	HOSE	1
14	46480	+ CONNECTOR, In-port (used with 48337 valve)	1
	42223	+ CONNECTOR, In-port (used with 48290 & 50435 valve)	1
15	48337	+ VALVE, Dukes (obsolete)	1
	SK1540	SEAL KIT	1
	48290	+ VALVE, Cross (Replaces 48337 valve)	1
	SK1842	SEAL KIT	1
	50435	+ VALVE, (Std Cross) Replaces 48290 on 6-1-78	1
	SK1842	SEAL KIT	1
	62550	+ VALVE, (Alt Dukes) Replaces 48290 on 6-1-78	1
	SK1540	SEAL KIT	1
16	51782	+ ELBOW, Out-port (used with 48337 valve)	1
	53076	+ ELBOW, Out-port (used with Cross Valves)	1
18	47512	ELBOW	1
19	48342	ADAPTER, Valve handle	1
	23999-4	PIN, Roll	1
20	53083-20	HOSE	1
21	53083-3	HOSE	1
22	09318	LINK, Connecting	1
23	28144	PIN, Roll	1
24	53735B	LEVER, Valve control	1
25	54054	HANDLE	1
26	47585	BEARING, Control handle	1
27	26156	KNOB	1

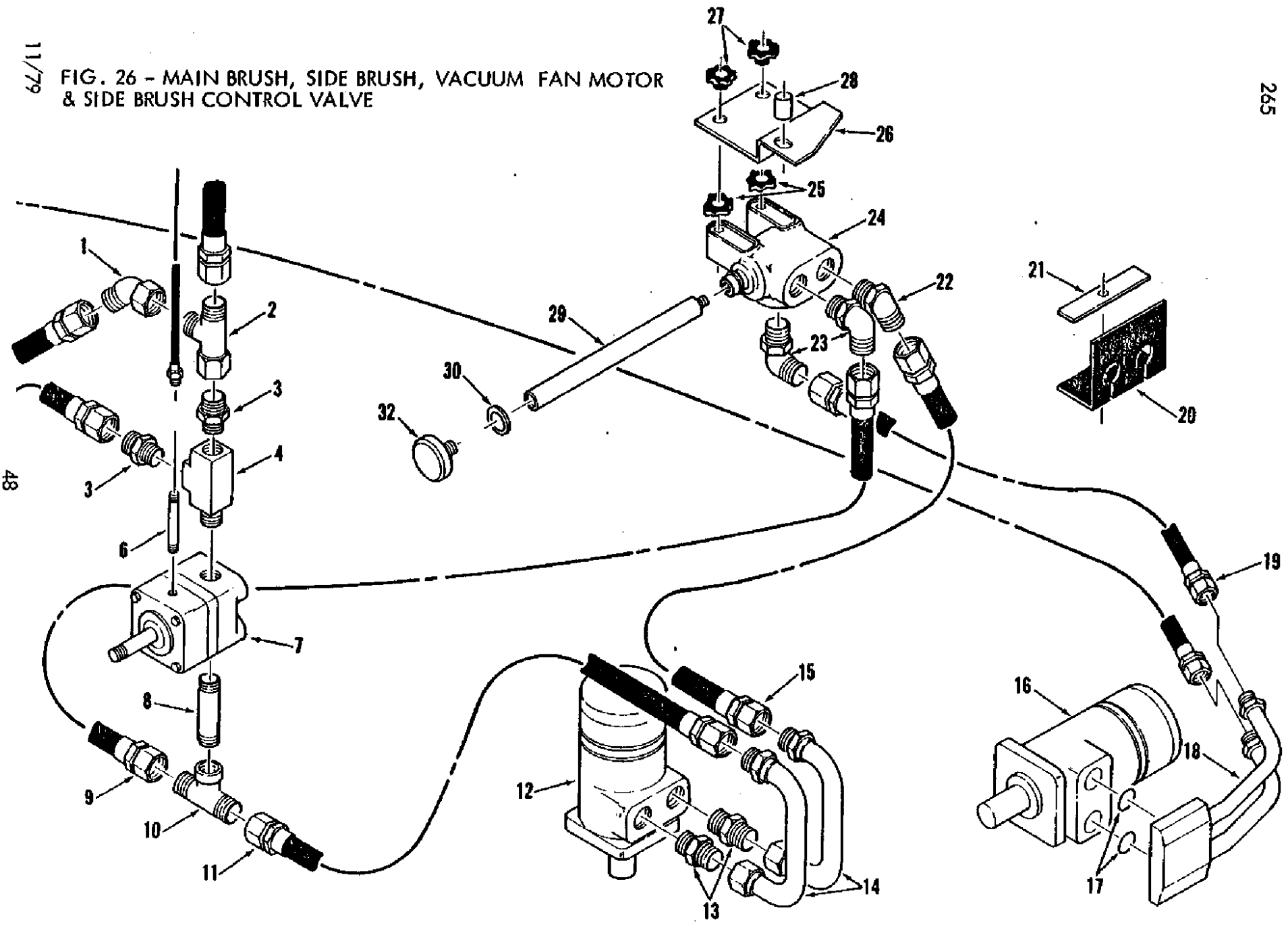
+NOTE: When standard and alternate hydraulic components are listed, be sure to check your machine to determine which component is used, before ordering parts or seal kits.

11/79

11/79

FIG. 26 - MAIN BRUSH, SIDE BRUSH, VACUUM FAN MOTOR & SIDE BRUSH CONTROL VALVE

265



Home

Find...

Go To..

↑

↓

48

Ref. No.	TENNANT Part No.	Description	Qty.
1	54194	ELBOW, 45°	1
2	51779	TEE	1
3	46607	CONNECTOR	2
4	17400-11	TEE	1
6	54279	NIPPLE	1
7	53923	+ MOTOR ASSEMBLY, Vacuum fan (Std. Barnes)	1
	SK0104	SEAL KIT	1
	53923-1	+ MOTOR ASSEMBLY, Vacuum fan (Alt. MTE)	(1)
	SK1274	SEAL KIT	(1)
8	24768	NIPPLE	1
9	53083-1	HOSE	1
10	54310	TEE	1
11	53083-	HOSE	1
12	47542	+ MOTOR, Side brush (Std. Ross)	1
	SK1694	SEAL KIT	1
	47650-12	+ MOTOR, Side brush (Alt. Char-Lynn)	(1)
	SK1600	SEAL KIT	(1)
13	46480	CONNECTOR	2
14	54044	TUBE, Side brush motor	2
15	53083-18	HOSE	1
16	47514	+ MOTOR, Main brush (Std. Ross)	1
	SK1694	SEAL KIT	1
	47650	+ MOTOR, Main brush (Alt. Char-Lynn)	(1)
	SK1600	SEAL KIT	(1)
17	51403	O'RING	2
18	62302	BLOCK, Porting	1
19	53083-2	HOSE	1
20	32103	SEAL, Brush wrap hose	1
21	53489	STRIP	2
	50320	VALVE ASSEMBLY, Side brush shut-off	1
22	44936	ELBOW, 45°	1
23	51782	ELBOW	2
24	48108A	+ VALVE, Side brush shut-off (Std. Gresen)	1
	SK1288	SEAL KIT	1
	481088	+ VALVE, Side brush shut-off (Alt. Dukes)	(1)
	SK1806	SEAL KIT	(1)
25	62172	RING, Rubber	2
26	54722	BRACKET, Valve mounting	1
27	62173	BUSHING, Rubber	2
28	54188	SLEEVE	1
29	50510	EXTENSION, Valve handle	1
30	10632-9	GROMMET	1
32	48108A-1	KNOB, Valve handle	1

NOTE: When standard & alternate hydraulic components are listed, be sure to check your machine to determine which component is used, before ordering parts or seal kits.

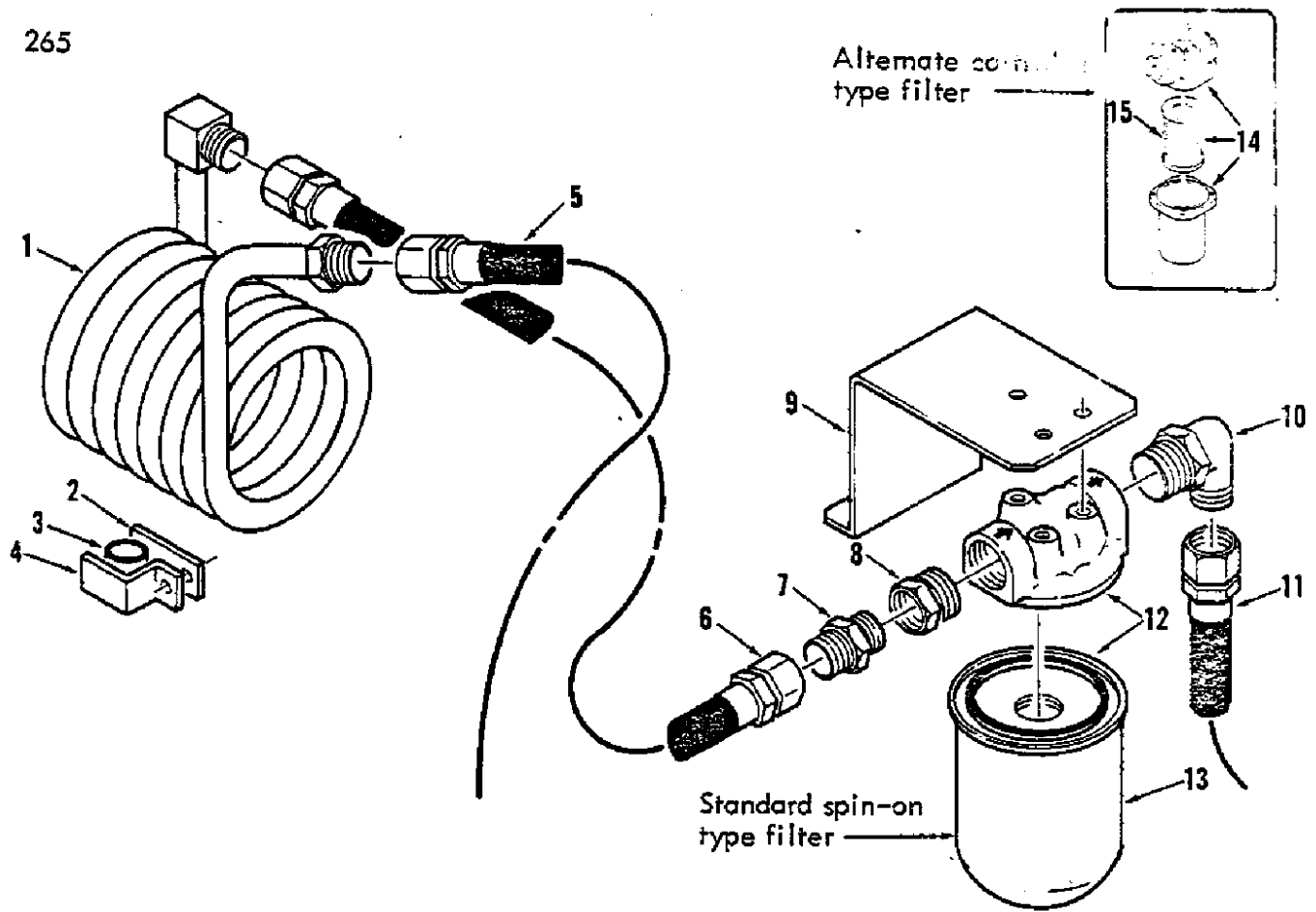


FIG. 27 - HEAT EXCHANGER & OIL FILTER

Ref. No.	TENNANT Part No.	Description	Qty.
1	53086	EXCHANGER, Heat	1
2	54214	BACKING, Clamp	1
3	54492	HOSE, Split	1
4	54493	CLAMP	1
5	52908	HOSE	1
6	51753-1	HOSE	1
7	46480	CONNECTOR	1
8	47516	CONNECTOR	1
9	54879	BRACKET, Oil filter mounting	1
10	53076	ELBOW	1
11	53083-3	HOSE	1
12	67718	FILTER ASSEMBLY, Hydraulic oil (Std Deluxe)	1
13	67718-2	* ELEMENT, Oil filter (Std. Deluxe)	1
14	53348B	FILTER ASSEMBLY, Hydraulic oil (Alt Ripley)	1
15	53348-1	* ELEMENT, Oil filter (Alt Ripley)	1

*NOTE: Either Deluxe Products or Ripley filters may be used. Please check your machine before ordering filter elements. The element part number is printed on the element.

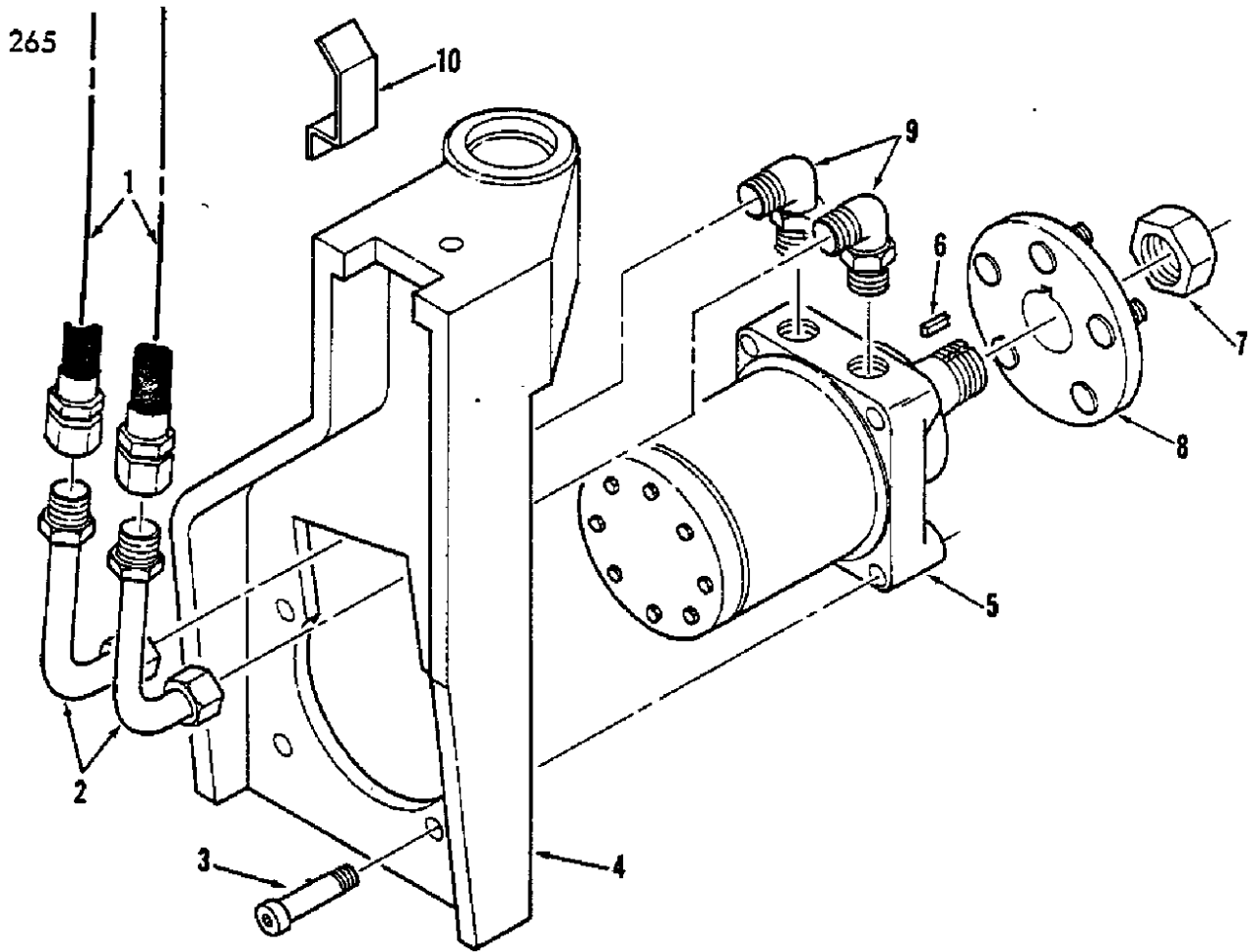


FIG. 28 - REAR DRIVE MOTOR

Ref. No.	TENNANT Part No.	Description	Qty
1	53084-1	HOSE	2
2	53004	TUBE	2
3	47830	BOLT, Socket head (1/2 - 13 x 2 3/4)	4
4	53525A	SUPPORT, Rear drive motor	1
5	37041	MOTOR, Rear drive	1
	SK1951	SEAL KIT	1
6	*039027	KEY	1
7	*025126	NUT	1
8	53893	HUB	1
9	51782	ELBOW	2
10	54217	SUPPORT, Hose	1

*Ross Company part number

MODEL 265 HI-DUMP LIST OF DECALS

TENNANT Part No.	Description	Qty.
50310	Data Plate, #265 Power Sweeper	1
24049	Data Plate, LP	1
10735	Data Plate, UL Label, Type LP	1
54896	Decal, 265	1
54911-8	Decal, Name Plate	1
54911-7	Decal - Service Information	1
54918	Decal Kit (contains '265' & 'TENNANT')	1
54911-6	Decal, Heavy Duty-Ford	1
48242	Decal, Alternator	1
47852	Decal, Caution-Battery	1
37032	Decal, Caution-Safety Arm	1
35518	Decal, Caution Stay Clear	2
53920	Decal, Filter Shaker	1
19048	Decal, Gasoline Only	1
48088-6	Decal, Instructions	1
45851	Decal, Hydraulic Oil	1
51773	Decal, Main Brush Lift	1
54103	Decal, Maintenance, Filter Service	1
68223	Decal, Oil Temp	1
54517	Decal, Roll In-Out	1
45742-1	Decal, TENNANT, Black letters	1
45742-2	Decal, TENNANT, Black letters	1
47682	Decal, Valve	1
65072	Decal, Caution Hopper	1
24507	Decal, Caution-This Side Out	1
37089	Decal, Caution-Travel	1
45579	Decal, Factory Mutual	1
53348B-2	Decal, Filter Element	1
50560-2	Decal for Pump 50560	1
53733-3	Decal for Motor 53733	1
53733-2	Decal for Motor 53733	1
62550-1	Decal for Valve 62550	1
24669	Decal, Fram Air Cleaner	1
46193	Decal, TENNANT, Bluegreen background	1
53299	Decal, Throttle	1
23144	Decal, Tire Pressure	1
47454	Decal, UL Type G	1
51368	Decal, Warning- Keep Radiator Fins Clean	1

Note: For Decal Location order 37002-1

11/79

265

POWER SWEEPER

<u>Description</u>	<u>Page</u>
Fig. 1 - Parts Required for Scrubbing	1
Fig. 2 - Tank Holder Frame	2 & 3
Fig. 3 - Pickup and Detergent Tanks	4 & 5
Fig. 4 - Rear Squeegee	6 & 7
Fig. 5 - Main Scrub Brush	8 & 9
Fig. 6 - Detergent Solution Control	10 & 11
Fig. 7 - Side Scrub Brush & Squeegee	12 & 13
Fig. 8 - Headlights, Taillights & Spotlights Kits	14 & 15
Fig. 9 - Revolving Light Kit	16 & 17
Fig. 11 - Brake Light Kit	18
Fig. 12 - Overhead Guard Kit	19
Fig. 13 - Sweeper Cab Kit	20 & 21
Fig. 14 - Scrubber Cab Kit	22 & 23
Fig. 15 - Side Brush Dust Control Kit	24 & 25
Fig. 16 - Vacuum Wand Kit	26 & 27
Miscellaneous Kits	28 - 30
Accessories Not Illustrated	31

ACCESSORIES

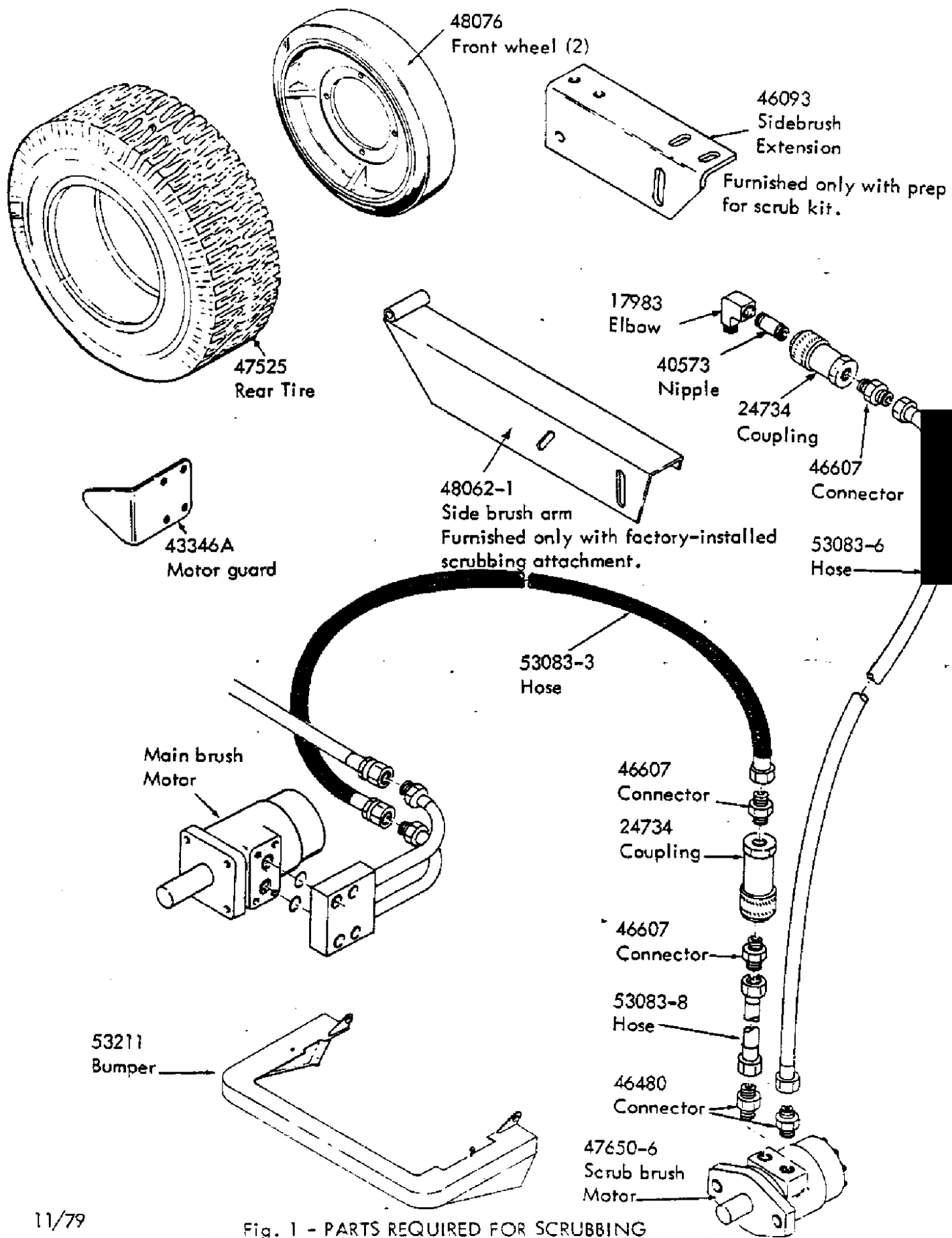


Fig. 1 - PARTS REQUIRED FOR SCRUBBING

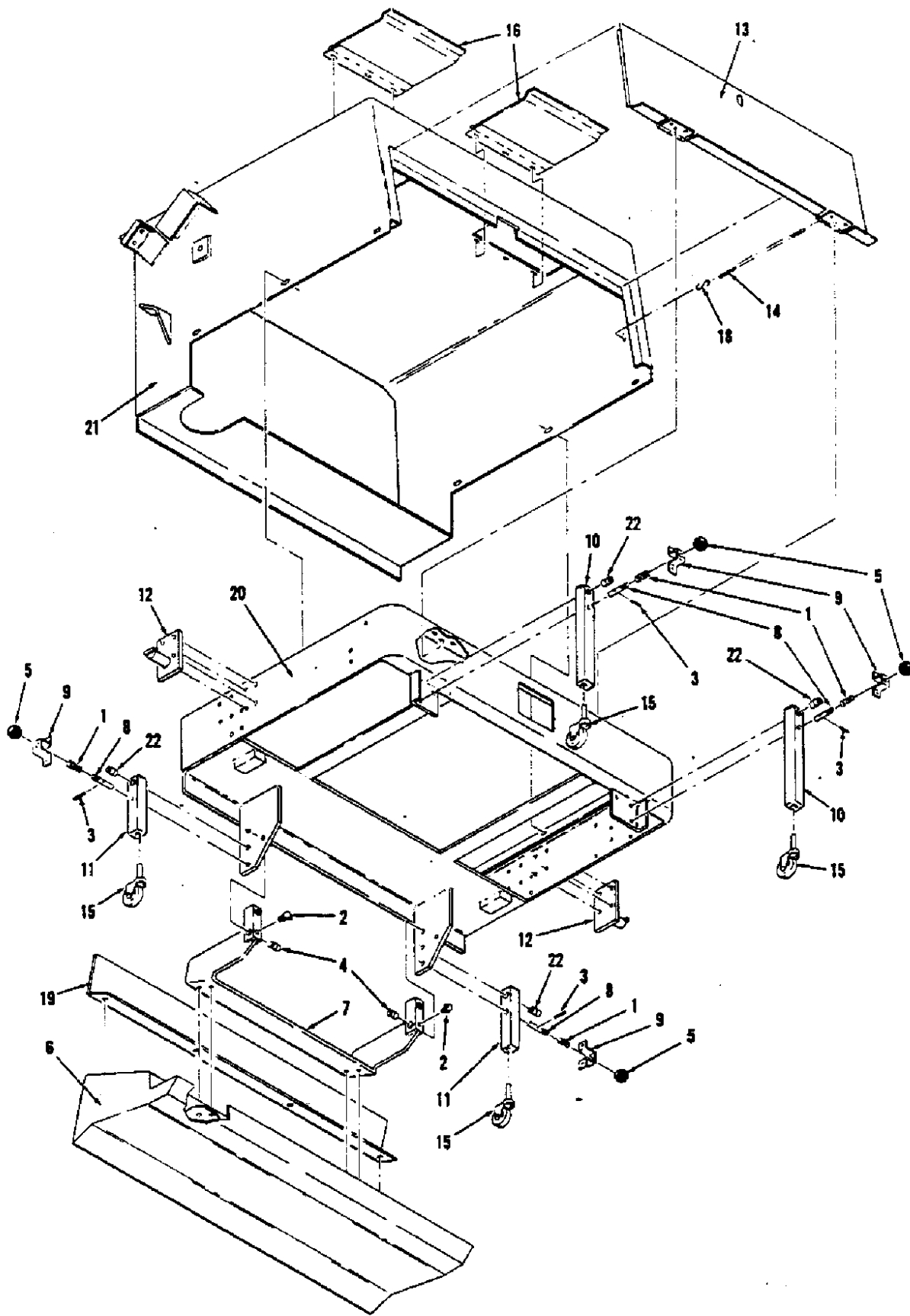


Fig. 2 - TANK HOLDER FRAME

11/79

Fig. 2 - TANK HOLDER FRAME

Ref. No.	TENNANT Part No.	Description	Qty.
1	4428A	SPRING	4
2	11048	FITTING, Grease (for 4300)	2
3	20160	PIN, Roll (1/8" x 5/8")	4
4	26065	BUSHING	2
5	26565	KNOB	4
6	43004	PICKUP TROUGH	1
7	43005	TROUGH SUPPORT	1
8	43124	PIN	4
9	43030	BRACKET, Pin	4
10	43614	FRONT LEG	2
11	43615	REAR LEG	2
12	43039	SUPPORT	2
13	43079	ACCESS PANEL	1
	43192	CAM, Pan adjusting (see figure 1)	1
14	43203	CHAIN	1
15	43616	CASTER	4
16	43287	LID	2
18	43363	HOOK	1
19	53368	SHIELD, Spray	1
20	53371	BUMPER	1
21	43564	MAIN FRAME	1
22	43609	BUSHING	4



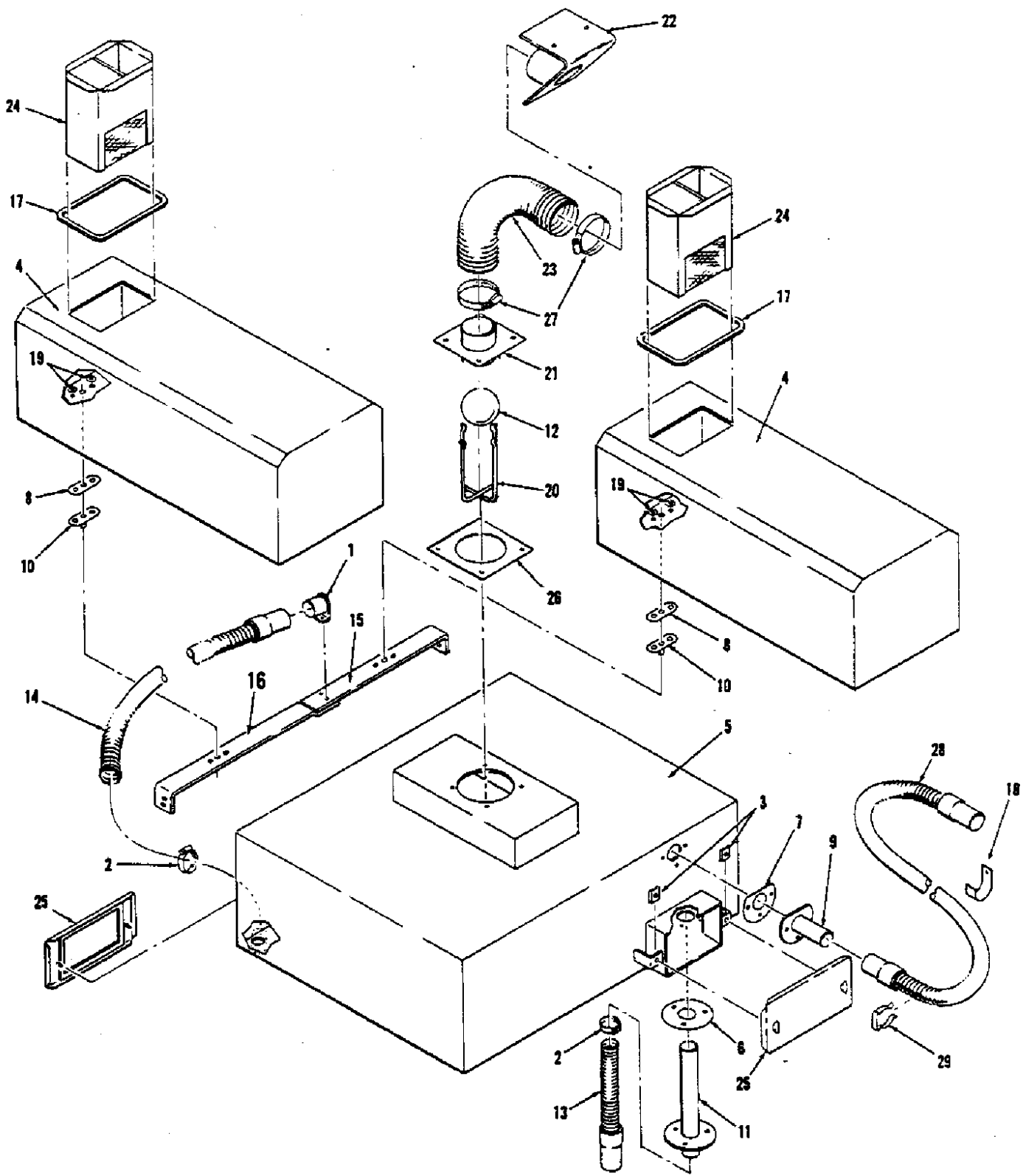


Fig. 3 - PICKUP AND DETERGENT TANKS

11/79

Fig. 3 - PICKUP & DETERGENT TANKS

Ref. No.	TENNANT Part No.	Description	Qty.
1	20215	PLUG	1
2	29696	CLAMP, Hose (for 43207 & 44208)	2
3	28165	NUT, U-Type	4
4	43677	TANK, Detergent	2
5	43007B	TANK, Water pickup	1
6	43011	GASKET, Bottom vacuum	1
7	43012	GASKET, Rear vacuum	1
8	43016	GASKET, Hose outlet	2
9	43054	CONNECTOR, Rear vacuum	1
10	43057	CONNECTOR, Tank hose	2
11	43060	STAND PIPE	1
12	43170	BALL, Float	1
13	43207	BOTTOM VACUUM HOSE ASSEMBLY	1
	43259	Cuff, Pickup	1
14	43208	DRAIN HOSE ASSEMBLY	1
	20236	Cuff, Hose	1
15	43344-1	STRAP, Tank mounting, right hand	1
16	43344-2	BRACKET, Tank mounting, left hand	1
17	43382	SEAL, Lid	2
18	43385	RETAINER, Rear vacuum hose	1
19	43454	WASHER, Nylon	4
20	56489	FLOAT GUIDE	1
21	47475	COLLAR, Float gauge	1
22	43469-1	BRACKET, Flexible hose (includes 43805 gasket)	1
23	43490	DUCT, Flexible	1
24	43516A	SCREEN	2
25	43519	COVER, Pickup tank (includes 2 thumb screws (#43460 and 1 seal #43521)	
26	43552	GASKET	1
27	43555	CLAMP, Hose	2
28	43209	REAR VACUUM HOSE ASSEMBLY (includes cuffs)	1
	20236	Cuff, Hose	1
	43259	Cuff, Pickup	1
29	43560	CLAMP	1

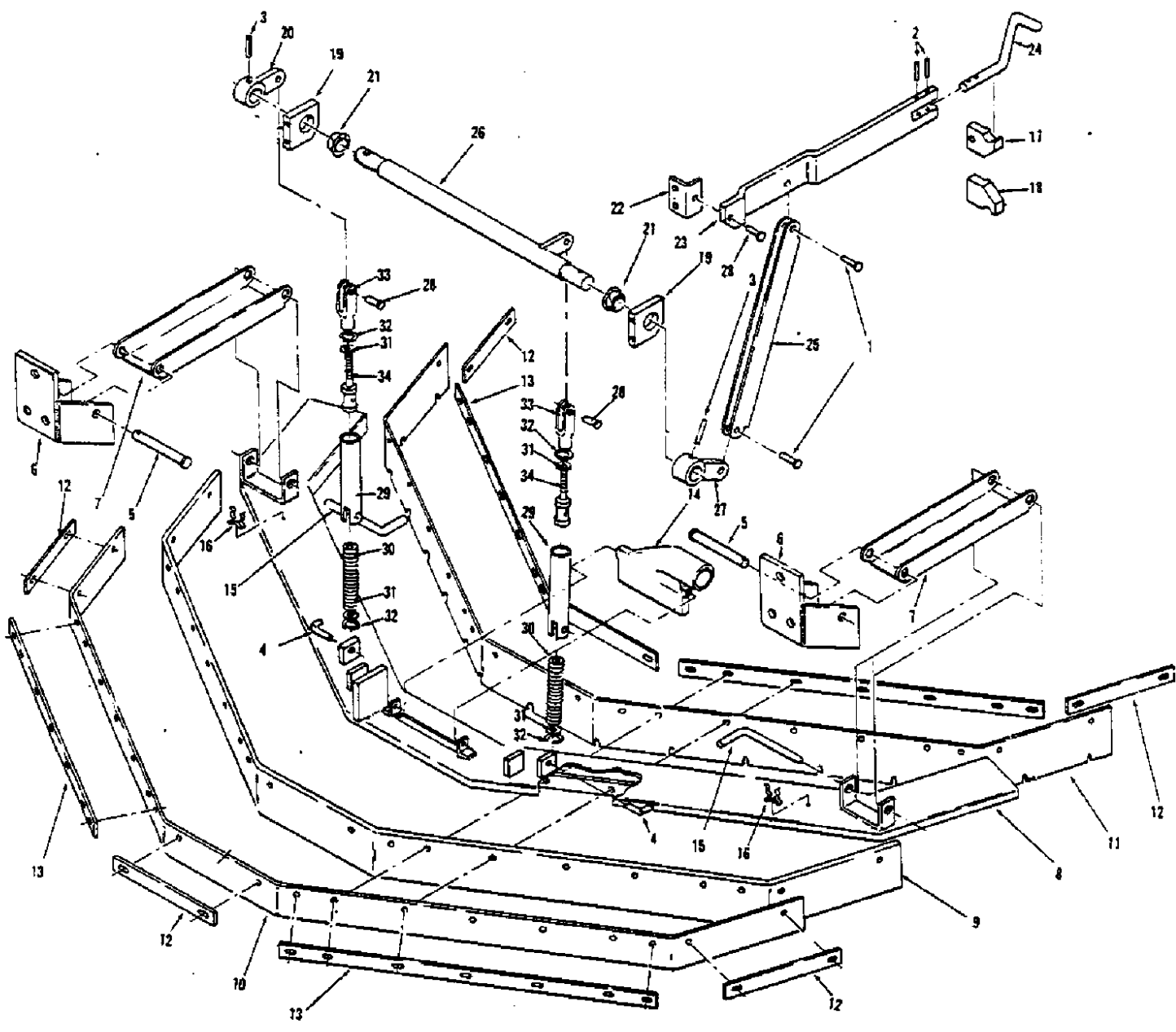


Fig. 4 - REAR SQUEEGEE

11/79

Fig. 4 - REAR SQUEEGEE

Ref. No.	TENNANT Part No.	Description	Qty.
1	09088	PIN, Clevis	2
		PIN, Cotter (5/32" x 3/4")	2
2	11398	PIN, Roll (1/4" x 1-1/2")	2
3	14854	PIN, Roll (3/8" x 1-1/2")	2
4	43325	PIN	2
	43662	REAR SQUEEGEE SUPPORT ASSEMBLY	2
5	06474A	Clevis Pin	1
6	43472	Pivot Squeegee	1
7	46428	Link	1
	43666	SQUEEGEE LINK ASSEMBLY	1
	44485	REAR SQUEEGEE ASSEMBLY	1
8	46432	Squeegee frame	1
9	43323	Blade, squeegee	1
10	43324	Backing	1
11	43322	Strip	1
12	43316	Retainer	6
13	43314	Retainer	4
14	46453	Nozzle	1
15	43321	Pin	2
16	23446	Clamp	2
17	46413	STOP, Adjustable (top)	1
18	46414	STOP, Adjustable (bottom)	1
19	46415	SUPPORT	2
20	46416	PIVOT, Squeegee lift	1
21	46417	BUSHING, Flange	2
22	53286	BRACKET, Arm pivot	1
23	53284	ARM, Squeegee lift	1
24	54249	HANDLE	1
25	46423	LINK	1
26	46424	CROSS SHAFT	1
27	46438	PIVOT, Cross shaft	1
28	46657	PIN, Clevis	2
	53297	REAR SQUEEGEE LIFT ROD ASSEMBLY	2
30	43164	Tube	1
31	43611	Spring, Compression	1
32	46419	Washer, Nylon	2
33	14330	Clevis, Adjusting	1
34	53283	Piston & Rod assembly	1

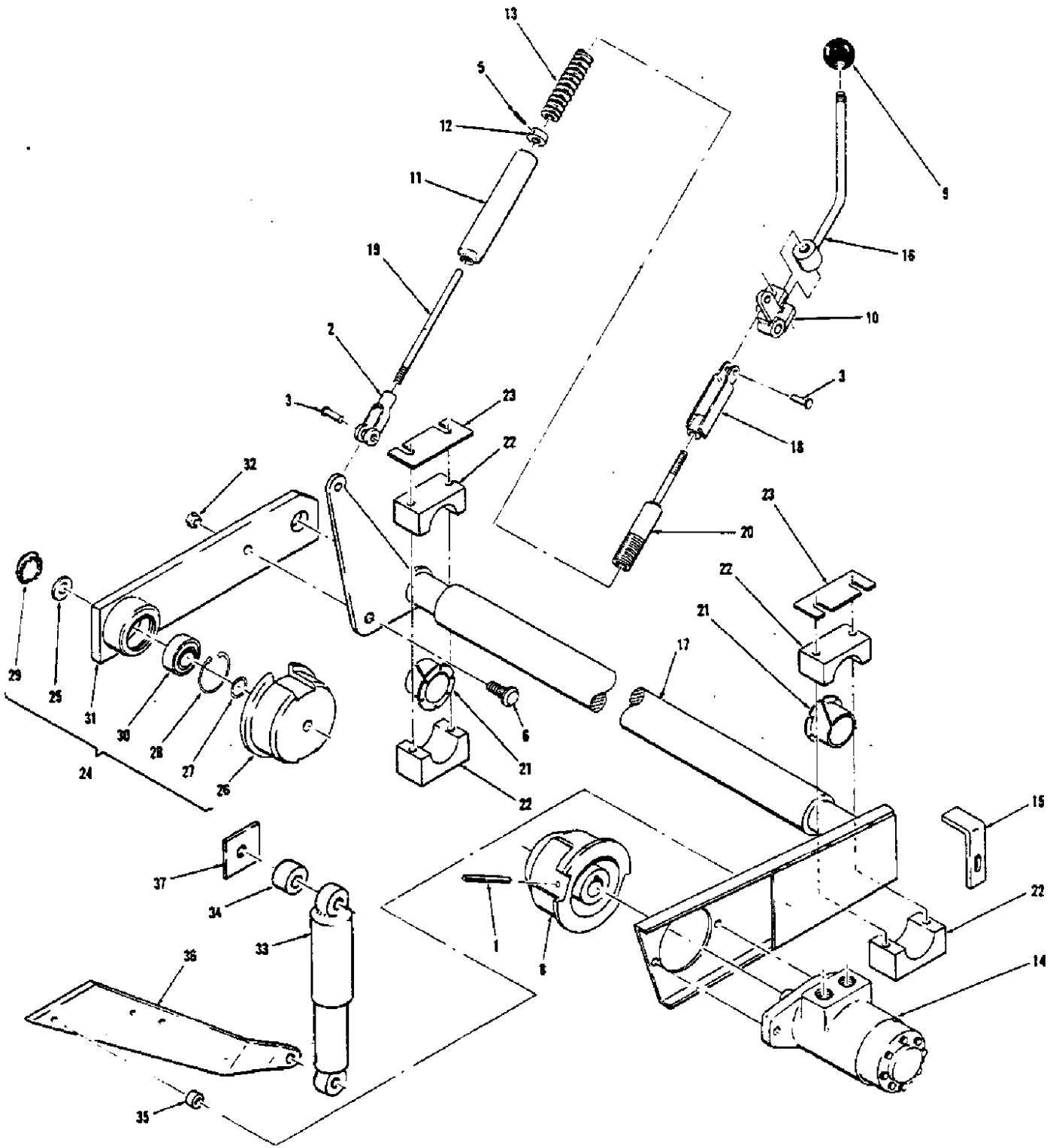


Fig. 5 - MAIN SCRUB BRUSH

11/79

Fig. 5 - MAIN SCRUB BRUSH

Ref. No.	TENNANT Part No.	Description	Qty.
1	11398	PIN, Roll (1/4" x 2")	1
2	14330	CLEVIS	1
3	14331	PIN, Clevis with cotter	2
5	20021	PIN, Roll (1/8" x 3/4")	1
6	24338	STUD	1
8	24743	DRIVE PLUG	1
9	26156	KNOB	1
10	43086	LIFT CRANK (3/8 - 16 x 1-5/8")	1
11	43096	CYLINDER, Spring	1
12	43116	COLLAR, Rod	1
13	43164	SPRING	1
14	47650-6 SK1600	MOTOR, Main brush, Char-Lynn SEAL KIT , for motor	1
15	43457	CLAMP, Hydraulic hose	1
16	23304	HANDLE	1
17	43491	LIFT BRUSH ARM AND SHAFT	1
18	43502	CLEVIS	1
19	43503	ROD, Brush lift	1
20	43505	SPRING, Cylinder end	1
21	46443	BEARING, Nyliner-flanged	2
22	46605	BEARING, Split	2
23	46642	SHIM	as req.
24	46644	BRUSH ARM AND PLUG ASSEMBLY	1
25	7026	Washer	1
26	7037	Brush plug, right	1
27	10459	Shim	as req.
28	10464	Ring, retaining	1
29	47178-13	Plug button	1
30	46390	Bearing	1
31	46442	Arm, Brush (right hand)	1
32	46646	NUT, Chamfered	1
33	43652	SHOCK ABSORBER	1
34	43653	SPACER	1
35	43654	SPACER	1
36	43655-1	ARM, Shock absorber	1
37	43656	WASHER	1
38	26065	BUSHING	1

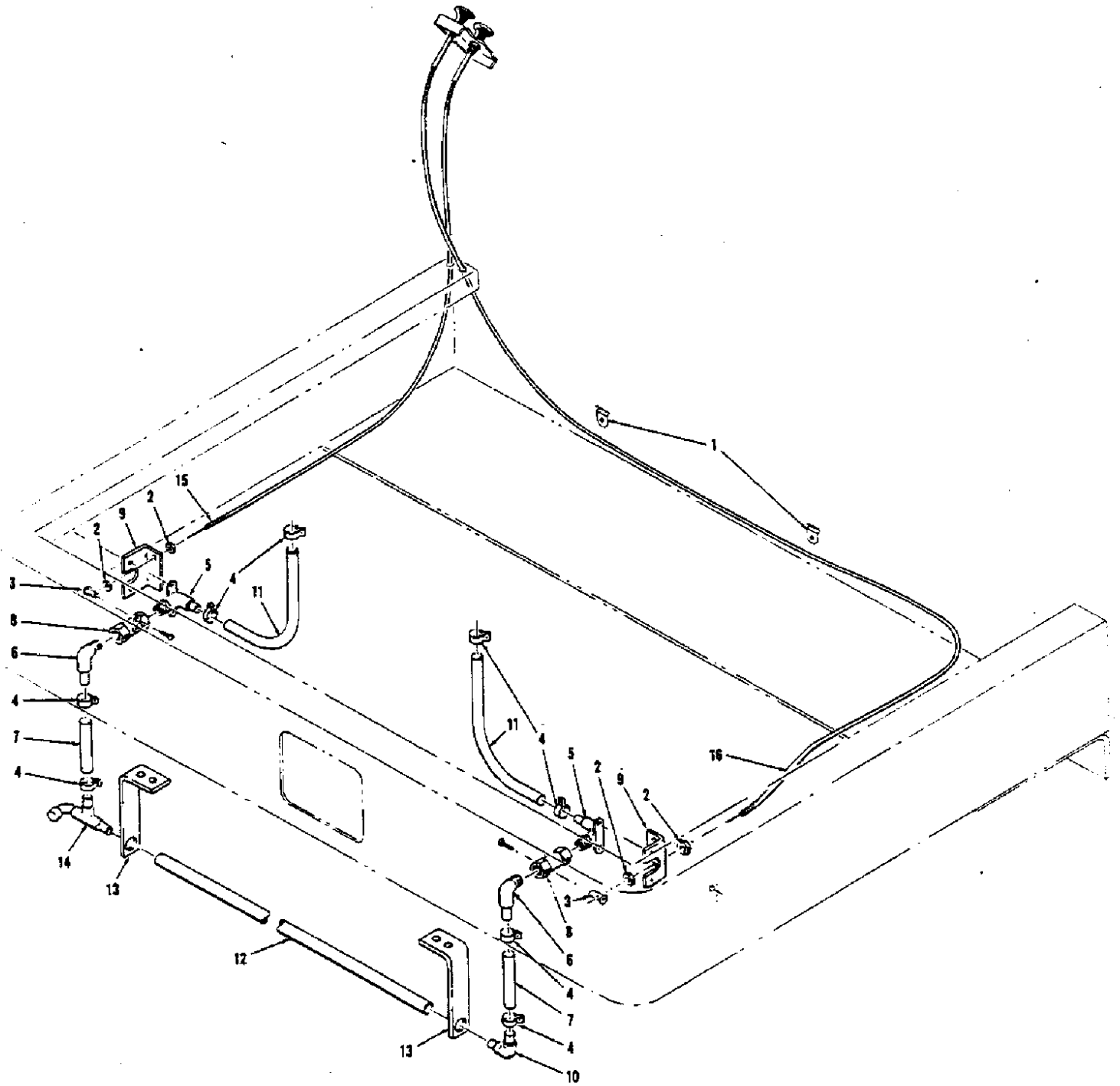


Fig. 6 - DETERGENT SOLUTION CONTROL

Fig. 6 - DETERGENT SOLUTION CONTROL

Ref. No.	TENNANT Part No.	Description	Qty.
1	9092-1	CLIP, Hold down	2
2	20346	NUT, Casing	4
3	43242	SWIVEL	2
4	43274	CLAMP, Hose	8
5	43372	ELBOW ASSEMBLY	2
6	43376	ELBOW ASSEMBLY	2
7	43377	HOSE, Side brush	2
8	43379	VALVE	2
9	43591	SUPPORT, Spacer, valve	2
10	43411	ELBOW ASSEMBLY	1
11	43413	HOSE, Tank outlet	2
12	43506	TUBE, Spreader	1
13	43507	HANGER, Spreader tube	2
14	43539	WATER DIVIDER	1
15	43557A	CONTROL CABLE	1
16	43558A	CONTROL CABLE	1

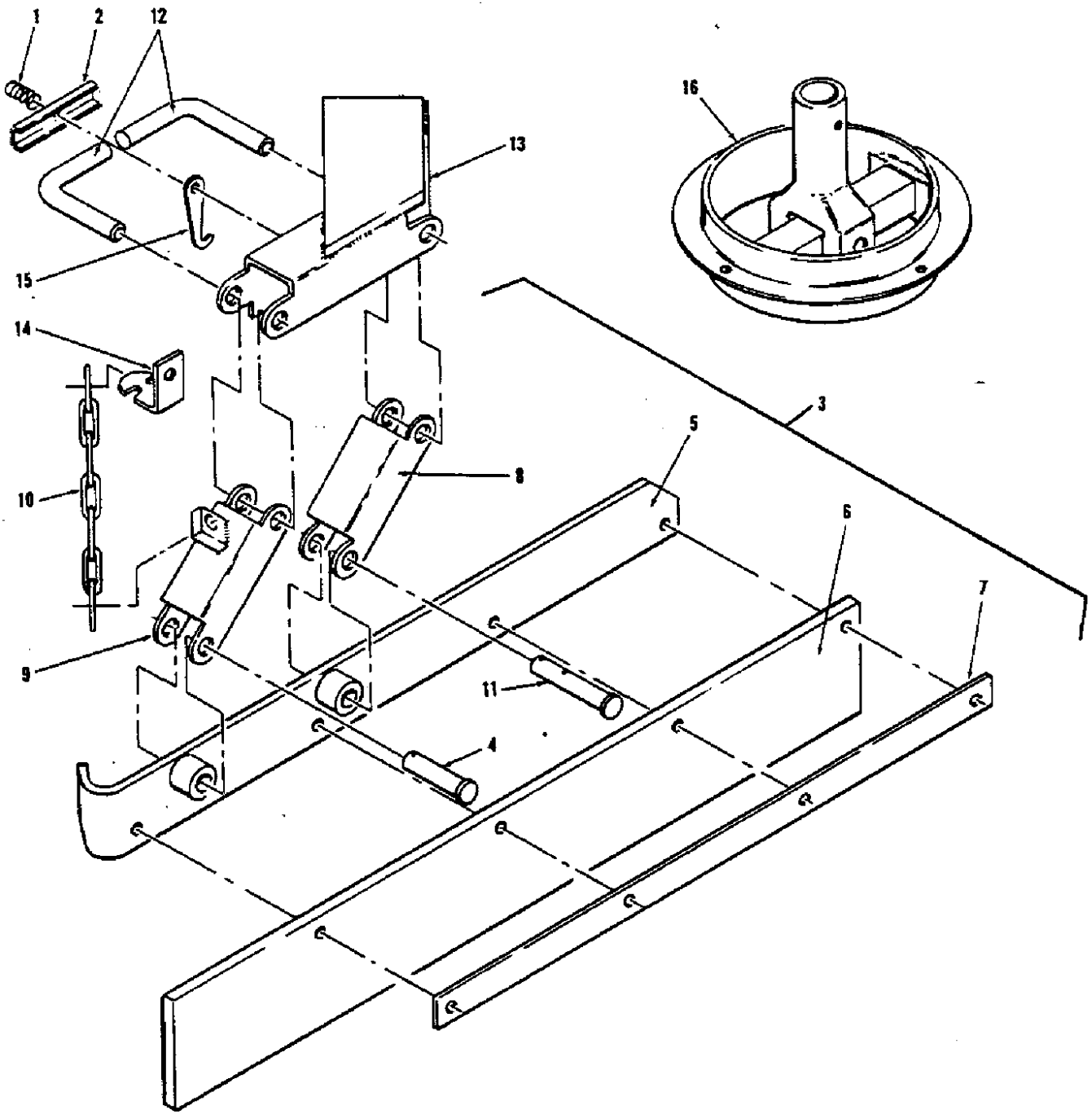
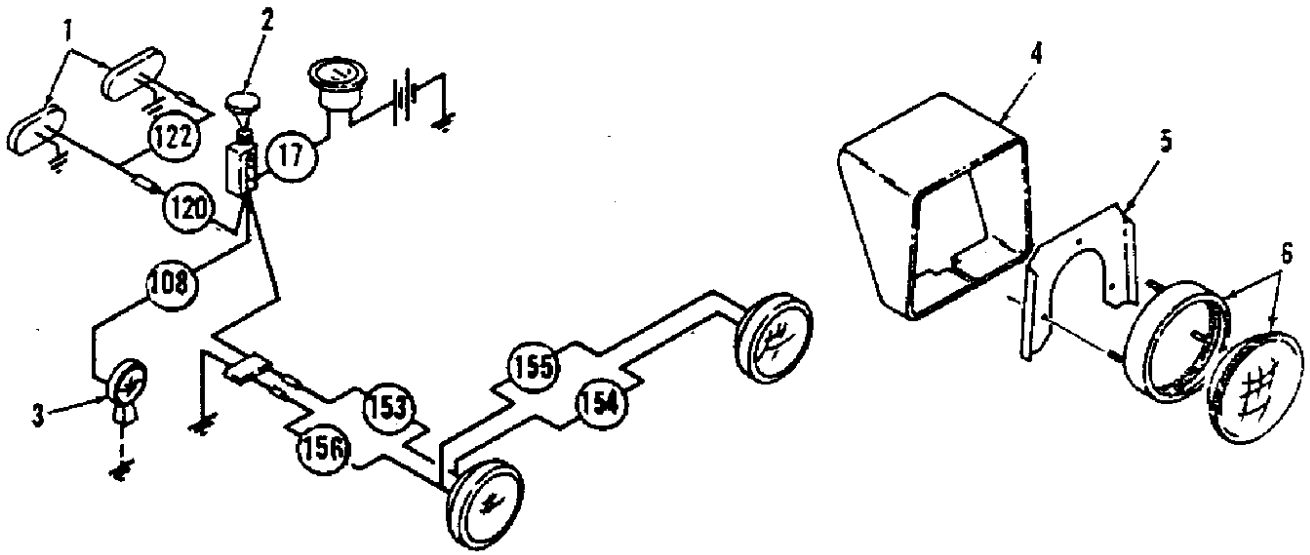


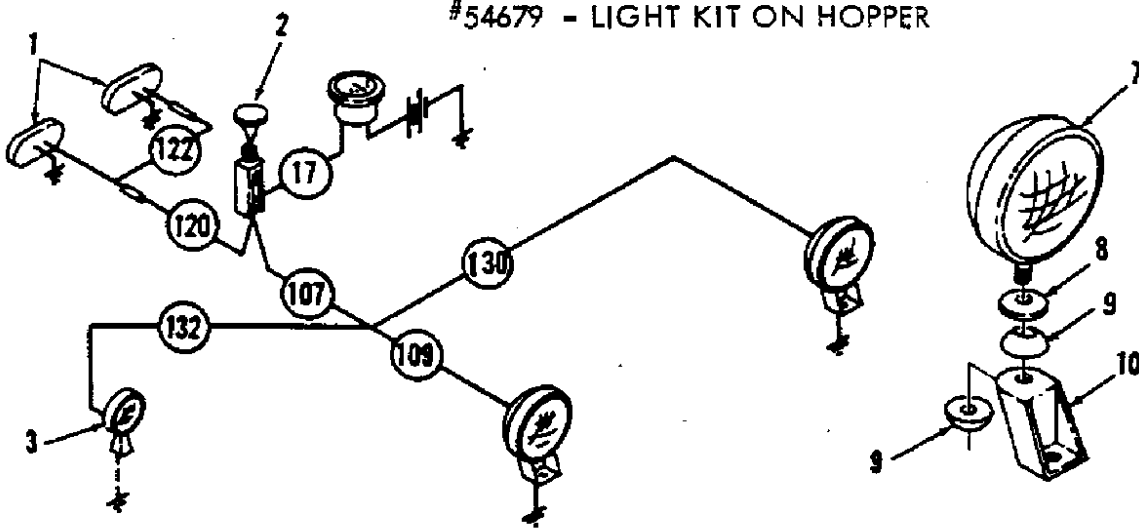
Fig. 7 - SIDE SCRUB BRUSH & SQUEEGEE

Fig. 7 - SIDE SCRUB BRUSH & SQUEEGEE

Ref. No	TENNANT Part No.	Description	Qty.
1	4428A	SPRING	1
2	43204	CHANNEL	1
3	43667	SIDE BRUSH SQUEEGEE ASSEMBLY	1
4	43290	Pin, clevis (1/2" x 1-3/4")	1
5	43291	Squeegée back	1
6	43292	Blade, Squeegee	1
7	43294	Retainer	1
8	43295	Link	1
9	43317	Link	1
10	43500	Chain, side brush squeegee lift	1
11	43553	Pin, clevis	1
12	43299	PIN	2
13	43497	SUPPORT, Squeegee	1
14	43499	CLIP	1
15	43549	CATCH, Squeegee	1
16	43554	SIDE BRUSH DRIVE ASSEMBLY	1



#54679 - LIGHT KIT ON HOPPER



#54676 - LIGHT KIT ON LINTEL

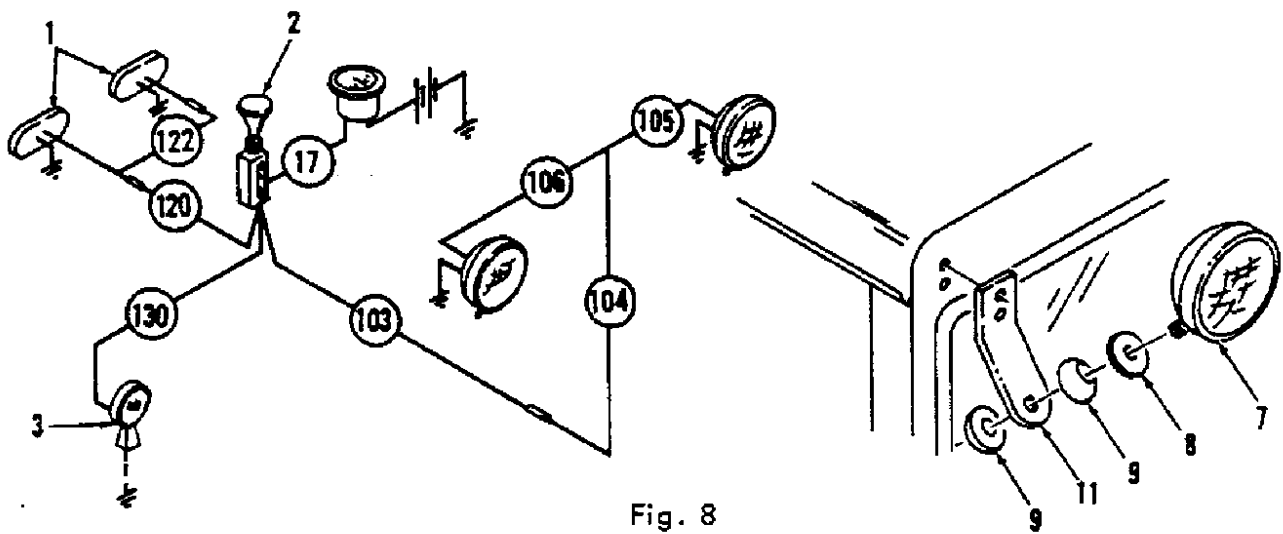


Fig. 8

#54677 - LIGHT KIT ON CAB

11/79

Fig. 8
 HEADLIGHTS, TAILLIGHTS & SPOTLIGHT KITS
 #54679 on HOPPER
 #54676 on LINTEL
 #54677 on CAB

Ref. No.	TENNANT Part No.	Description	Qty.
1	51572	TAIL LIGHT	2
	1157-12V	BULB	1
		LENS (Signal-Stat #505)	1
2	53245	GUARD, Tail light	2
	14137	SWITCH	1
	14215	FUSE, 20 AMP	1
3	22465	SPOTLIGHT ASSEMBLY	1
	GE #1141	BULB	1
4	46309	WRAP, Headlight	2
5	46110	PLATE, Headlight	2
6	46108	LAMP ASSEMBLY, Headlight	2
	10801	LAMP, Headlight	1
7	24298	LAMP ASSEMBLY, Headlight	2
8	24227	WASHER, Dished	2
9	24142	WASHER, SPHERICAL	4
10	43387	BRACKET, Headlight mounting	2
11	24512	BRACKET, Headlight mounting	2
	WD203	WIRING DIAGRAM, Hopper	1
	WD205	WIRING DIAGRAM, Cab	1
	WD206	WIRING DIAGRAM, Lintel	1

REVOLVING LIGHT KIT

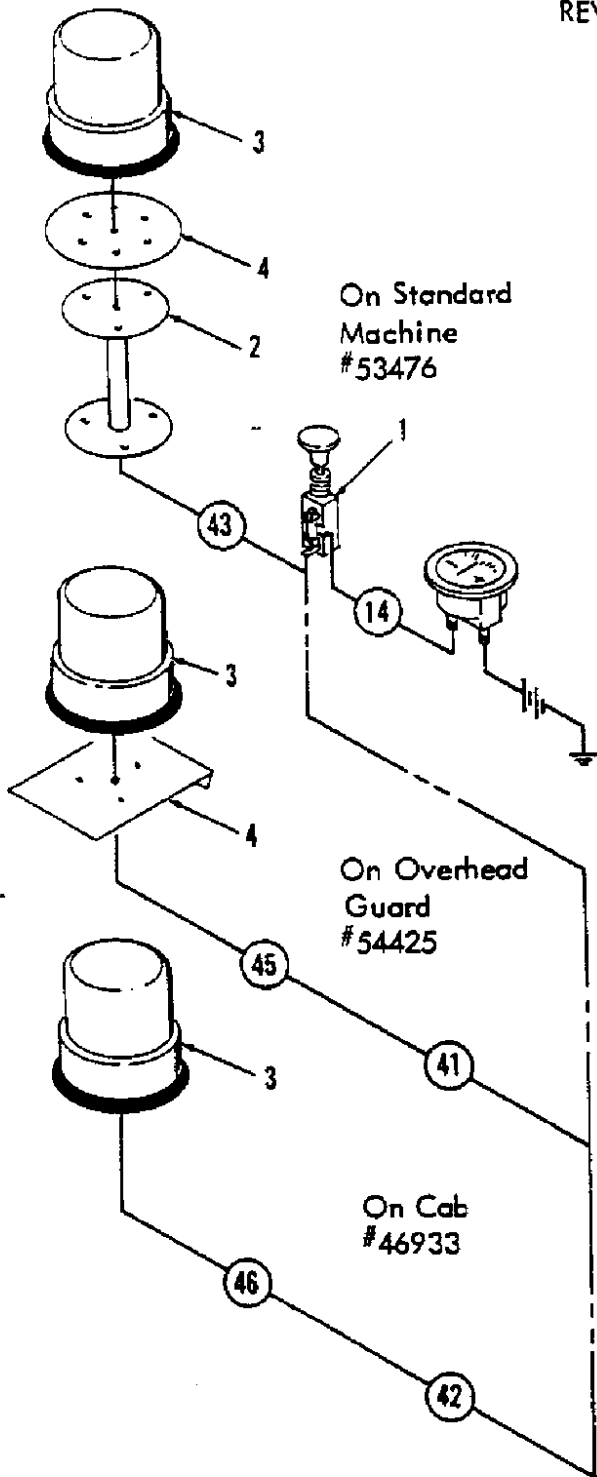
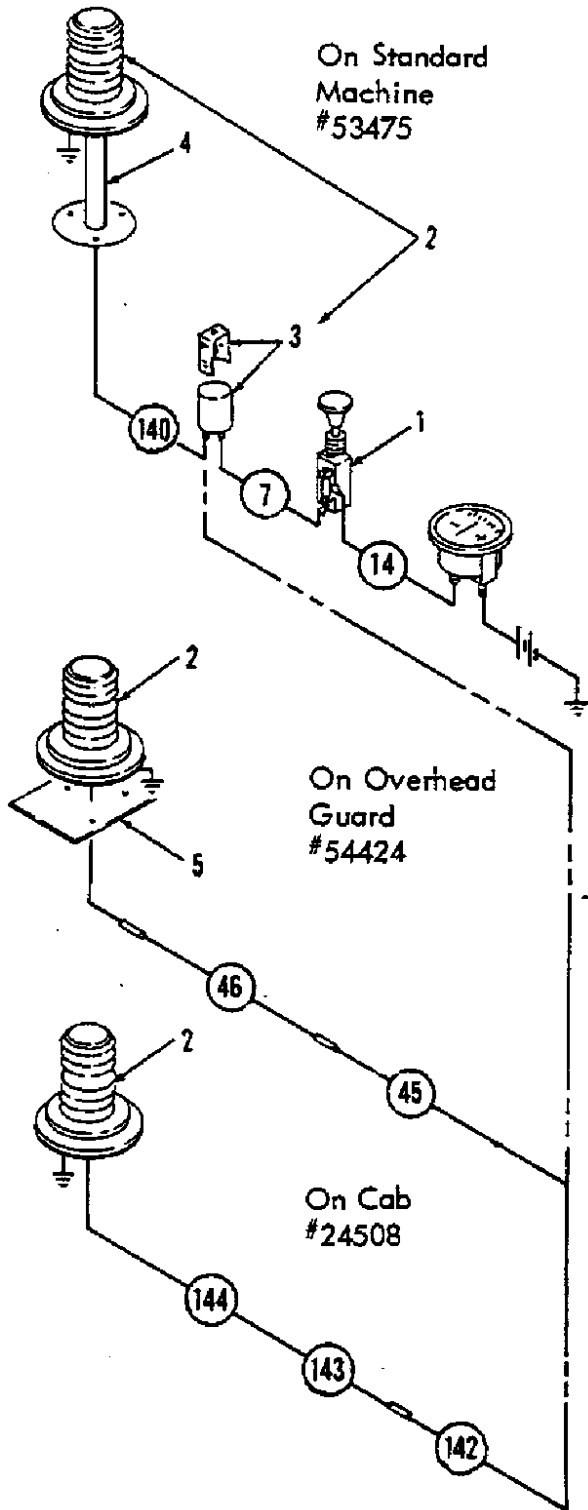


Fig. 9

Ref. No.	TENNANT Part No.	Description	Qty.
1	14137	SWITCH	1
	7423	FUSE	1
2	53174	SUPPORT, Flashing light	1
3	46928	LIGHT, Revolving Red	1
	GE#4416	BULB	1
	46928-1	LENS, Red	1
	46928-2	LENS, Blue	1
	46928-3	LENS, Amber	1
	43942	TERMINAL, Quick Disc.	1
	04126A	TERMINAL, Spade	1
	15006	CONNECTOR	1
4	01574	RUBBER GROMMET	5
	62044	PLATE, Top	1
	53478	WIRING KIT (Std. & LPG)	1
	46937	WIRING KIT (Overhead Guards)	1
	47242	WIRING KIT (Cab)	1

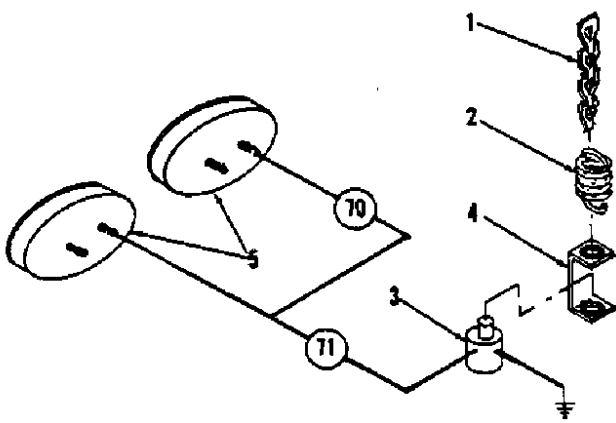
FLASHING LIGHT KIT



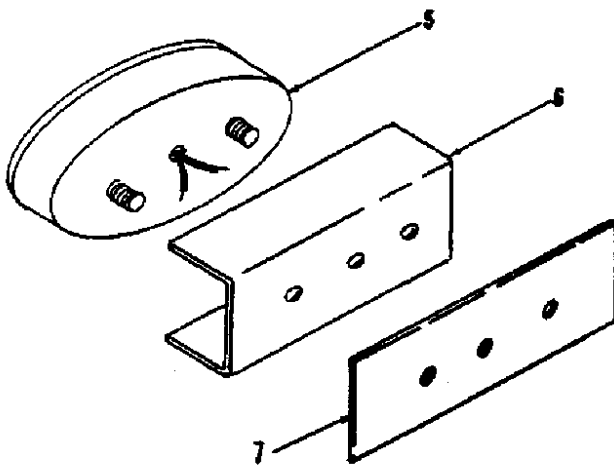
Ref. No.	TENNANT Part No.	Description	Qty.
	1574	GROMMET (For LPG Machines)	1
1	14137	SWITCH, Light	1
	7423	FUSE	1
	15006	CONNECTOR	1
2	47535	LIGHT, Flashing red	1
	47536	LIGHT, Flashing amber	1
	47537	LIGHT, Flashing blue	1
3	24576	FLASHER	1
	24576-1	FLASHER BRACKET	1
	GE 1196	BULB	1
	47535-1	DOME LENS/Red	1
	47536-1	DOME LENS/Blue	1
	47537-1	DOME LENS/Amber	1
	43942	TERMINAL, Quick Disc.	1
	041268	TERMINAL, Spade	1
	53472	WIRE KIT, (For Std. & LPG.)	1
	24511	WIRING KIT (For Cab)	1
	46937	WIRING KIT (For overhead guard)	1
4	53174	SUPPORT, Flashing light	1
5	62044	PLATE, top	1

Fig. 10

Fig. 11
BRAKE LIGHT KIT - #54112



Ref. No.	Part No.	Description	Qty
1	28499-1	CHAIN, Sash #35	1
2	43672	SPRING, Tension	1
3	43673	SWITCH, 6-12 volt	1
4	44539	BRACKET, Switch	1
5	51572	TAILLIGHT	2
	1157-12v	BULB	2
		Lens (signal-stat #505)	2
	54420	WIRING KIT, Brake Light	2
	WD212	WIRING DIAGRAM	2
6	53245	GUARD	2
7	52403	PLATE	2



11/79

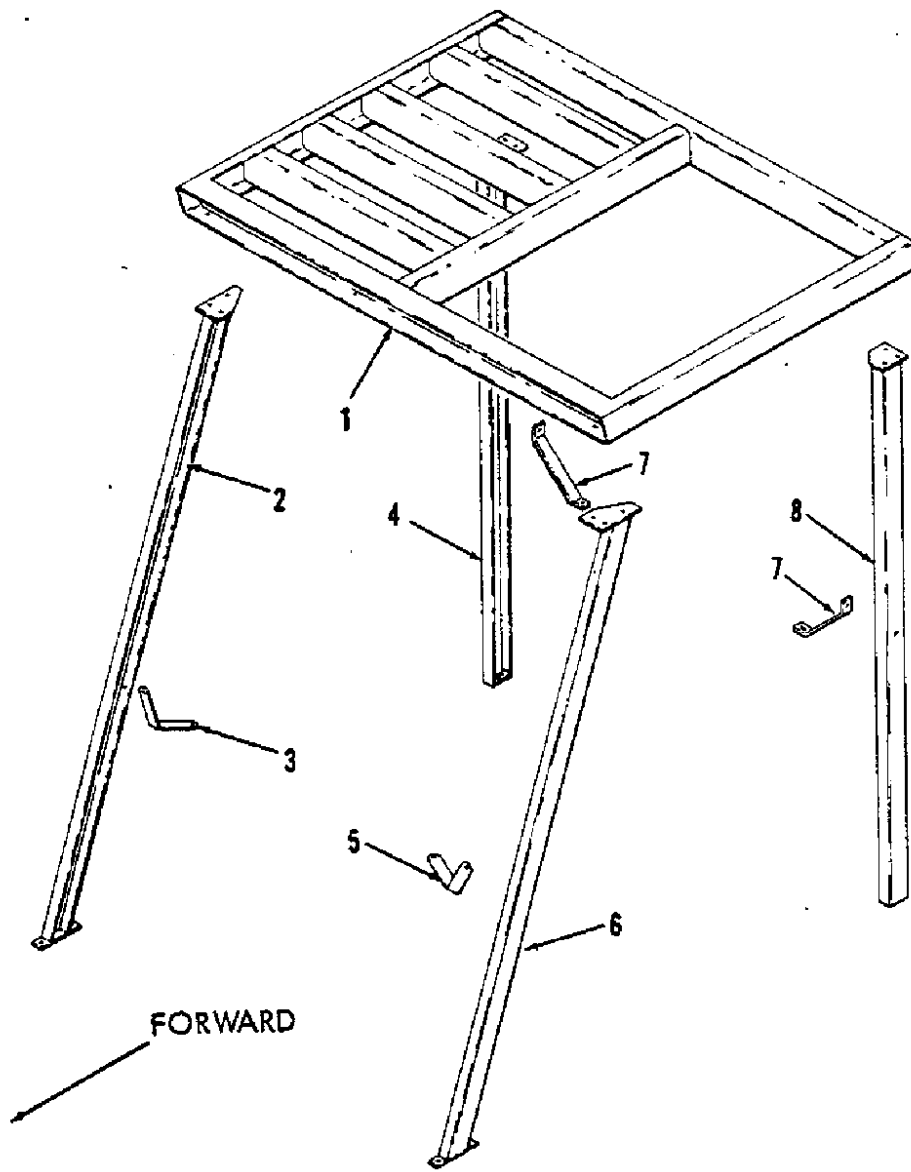


Fig. 12
 STD. 265 OVERHEAD GUARD KIT #54440A

Ref. No.	TENNANT Part No.	Description	Qty.
1	54512	GUARD, Top	1
2	54508	LEG, Front, Right hand	1
3	47644	BRACE, Front, Right hand	1
4	54510	LEG, Rear, Right hand	1
5	47645	BRACE, Front, Left hand	1
6	54509	LEG, Front, Left hand	1
7	54522	BRACE, Rear	2
8	54511	LEG, Rear, Left hand	1

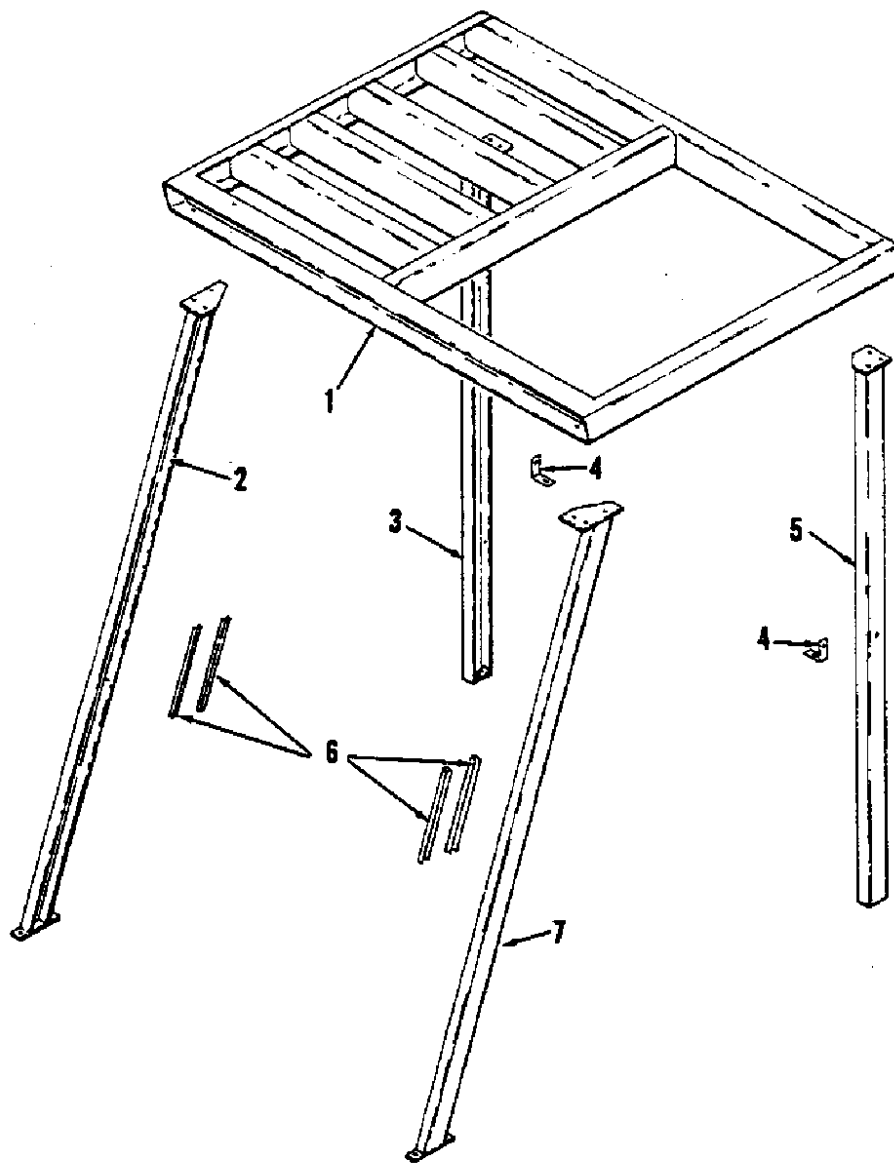


FIG. 13 - MODEL 265 HI-DUMP OVERHEAD GUARD

Ref. No.	TENNANT Part No.	Description	Qty.
	35572	GUARD ASSEMBLY, Overhead	1
1	54512	GUARD, Top	1
2	54508	LEG, Front R.H.	1
3	54510	LEG, Rear R.H.	1
4	35597	STIFFENER, Guard	2
5	54511	LEG, Rear L.H.	1
6	62170-4	MOLDING, Leg	4
7	54509	LEG, Front L.H.	1

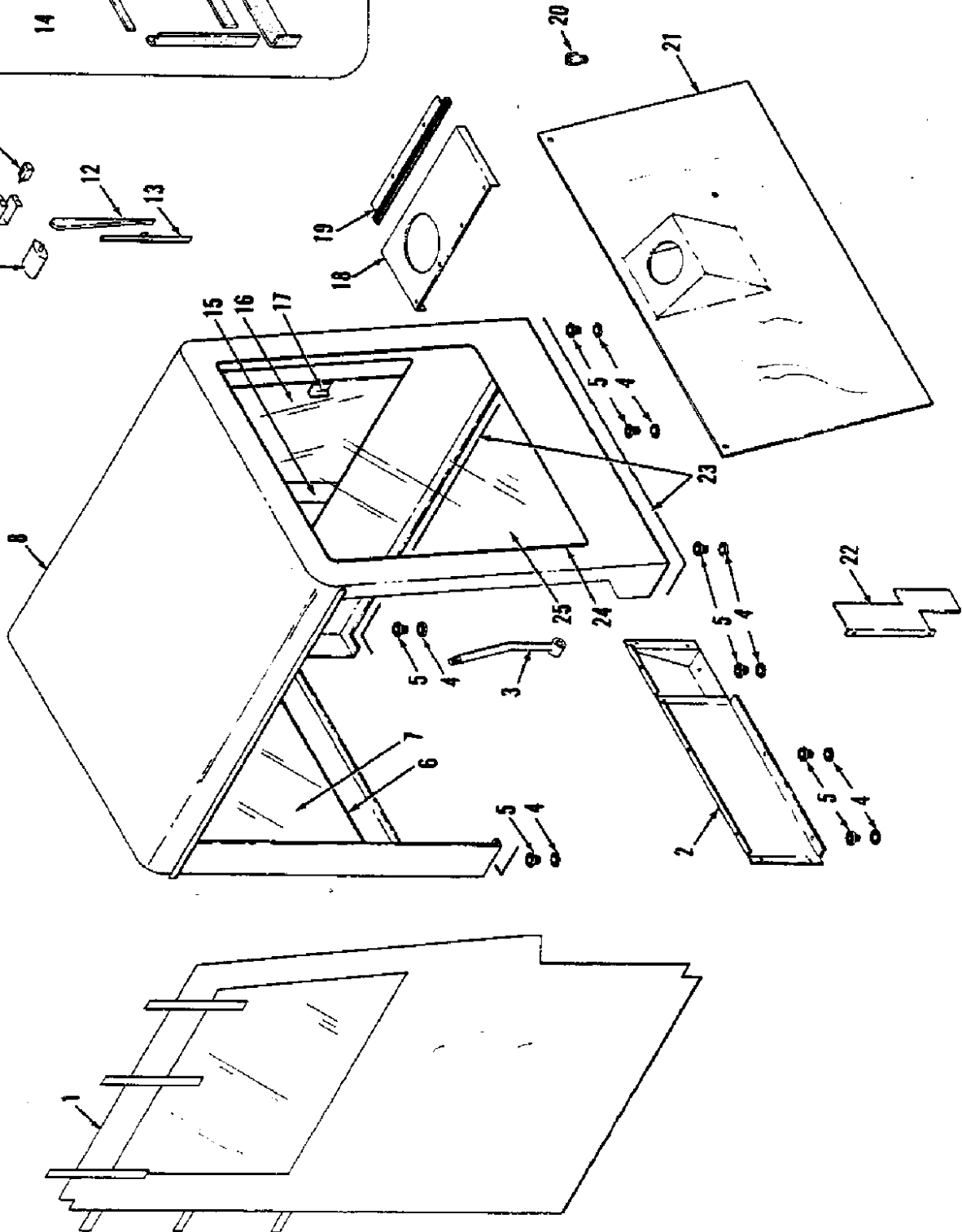
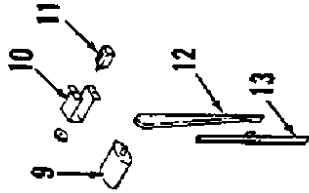
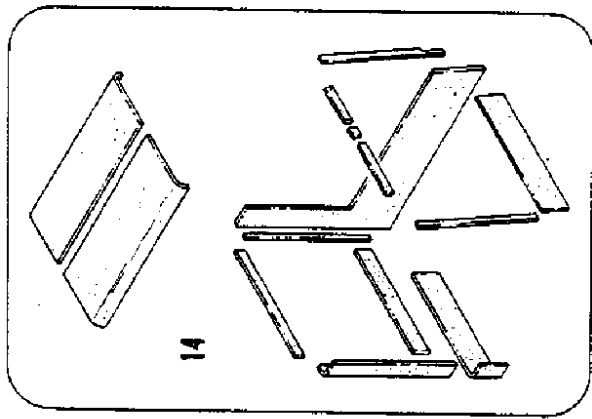


Fig.14 - SWEEPER CAB KIT #50345

11/79

FIG 14
SWEEPER CAB KIT - #50345

Ref. No.	TENNANT Part No.	Description	Qty.
1	24106	DOOR, Cab	1
2	53962	SUPPORT, Rear cab	1
3	24464	HANDLE, Control	2
4	54528	RING, Rubber insulating	8
5	54527	BUSHING, Rubber insulating	8
6	23934	EXTRUSION, Weatherstripping	1
7	23869	GLASS, Rear	1
8	53986	CAB ASSEMBLY, Sweeper	1
	23940-2	WIPER ASSEMBLY, Windshield	1
9	23945	MOTOR, Windshield wiper	1
10	23948-1	BRACKET, Switch	1
11	14137	SWITCH, Wiper motor	1
12	15121	ARM, Wiper blade	1
13	23947	BLADE, Wiper	1
14	SK2045	INSULATION KIT, Cab, noise	1
15	23870	GLASS, Stationary	1
16	23871	GLASS, Sliding	1
17	15066	HANDLE ASSEMBLY, Pull & lockset	1
18	48545	PANEL, Engine cover	1
19	48542 -1	BRACKET, Support panel	1
20	54332	ADAPTER, Valve mounting	1
21	23942	SHIELD, Operator	1
22	54436	SHIELD, Operator, corner	1
23	SK2045	SEAL KIT, Cab	1
24	23867	EXTRUSION, Weatherstripping	1
25	23868	GLASS, Windshield	1
	23866	WEATHER STRIP, Rubber	1
	23864	CHANNEL, Rigid	1
	23865	CHANNEL, Glassrun	1
	59118-6	CHANNEL, Rigid, 2 1/2"	1
	59118-7	CHANNEL, Rigid, 1 1/16"	1
	23863	STRIP, Rubber, 1/4 x 1/2 x 55"	1
	14741	STUD, Snap on	12
	44289	GROMMET	1
	01574	GROMMET	1

11/79

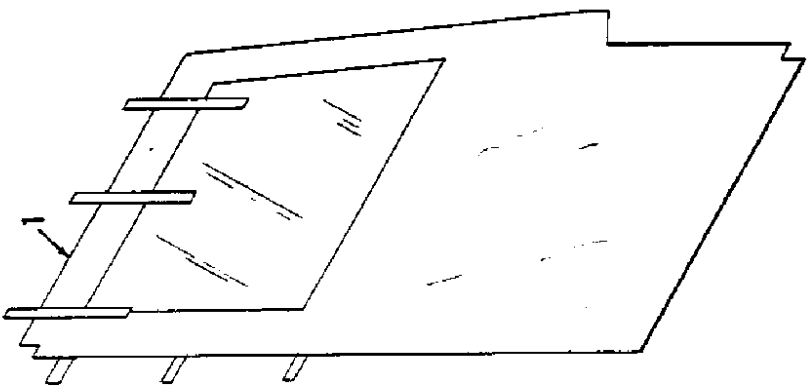
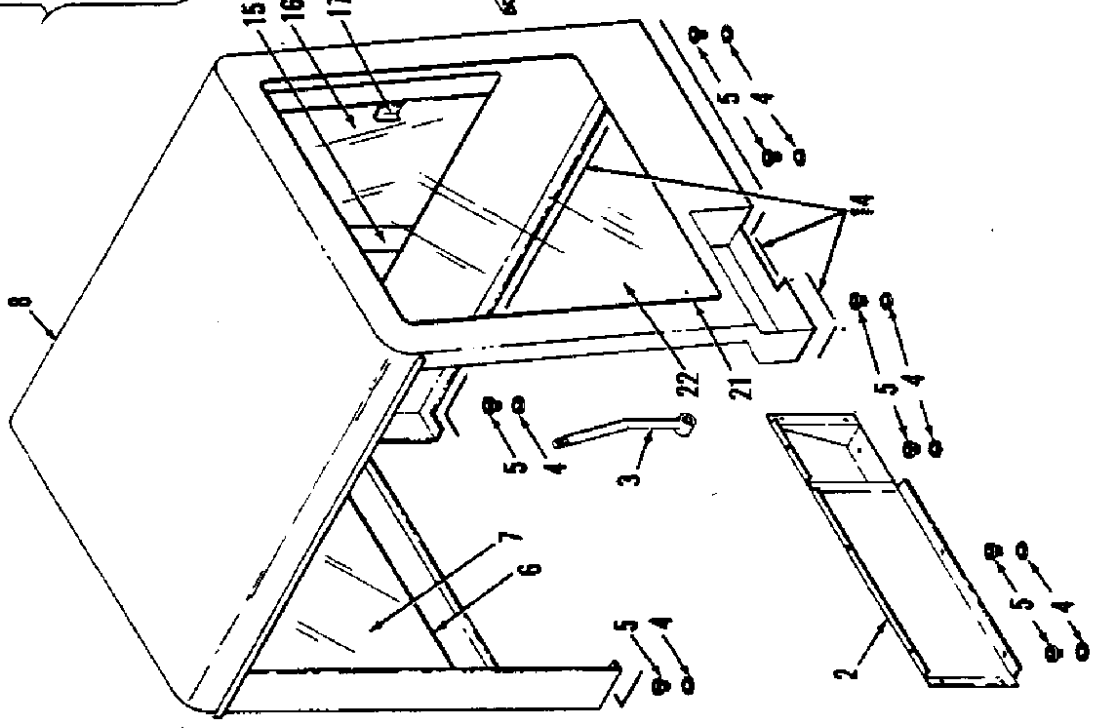
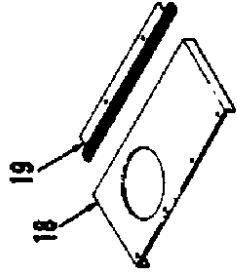
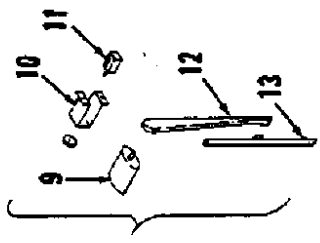
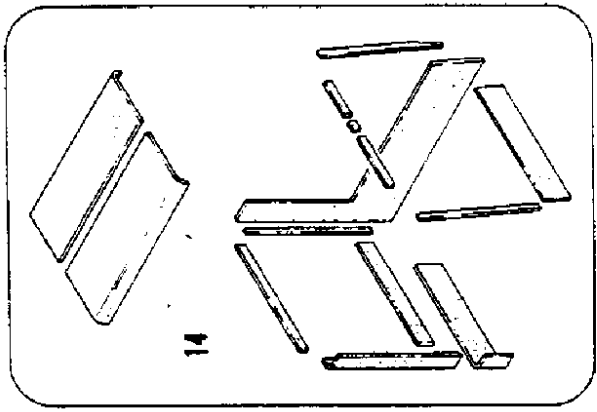


FIG. 15 - 265 HI-DUMP CAB KIT

11/79

23

FIG. 15 - HI-DUMP MODEL CAB KIT #35504

Ref. No.	TENNANT Part No.	Description	Qty.
	35504	CAB KIT, Hi-Dump	1
1	24106	DOOR, Cab	1
2	53962	SUPPORT, Rear cab	1
3	24464	HANDLE, Control	2
4	54528	RING, Rubber	8
5	54527	BUSHING, Rubber	8
6	23934	EXTRUSION, Weatherstripping	1
7	23869	GLASS, Rear	1
8	48975	CAB ASSEMBLY, Hi-Dump	1
	23940-2	WIPER ASSEMBLY, Windshield	1
9	23945	MOTOR, Windshield wiper	1
10	23948-1	BRACKET, Switch	1
11	14137	SWITCH, Wiper motor	1
12	15121	ARM, Wiper blade	1
13	23947	BLADE, Wiper	1
14	SK2045	INSULATION & SEAL KIT, Cab noise	1
15	23870	GLASS, Stationary	1
16	23871	GLASS, Sliding	1
17	15066	HANDLE ASSEMBLY, Pull & lock set	1
	23866	WEATHER STRIP, Rubber	1
	23864	CHANNEL, Rigid	1
	23865	CHANNEL, Glassrun	1
	23863	STRIP, Rubber 1/4 x 1/2 x 55"	1
18	48545	PANEL, Engine cover	1
19	48542-1	BRACKET, Support panel	1
	14741	STUD, Snap on	12
	01574	GROMMET, 1/4 hole	1
	44289	GROMMET, 3/8 hole	1
20	54332	ADAPTER, Valve mounting	1
21	23867	EXTRUSION, Weatherstripping	1
22	23868	GLASS, Windshield	1
	59118-6	CHANNEL, Rigid 2-1/4 L	1
	59118-7	CHANNEL, Rigid 1-1/16 L	1

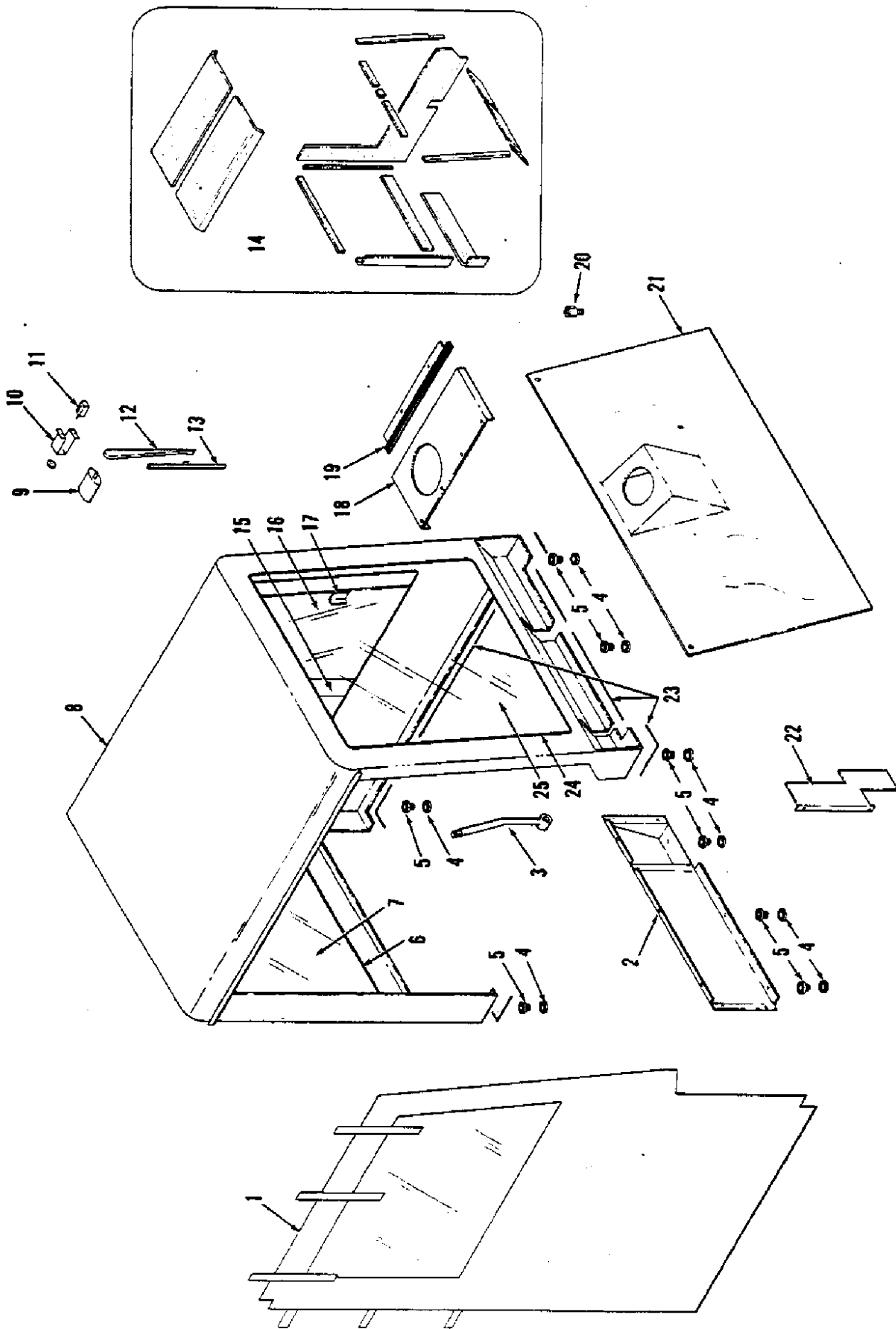


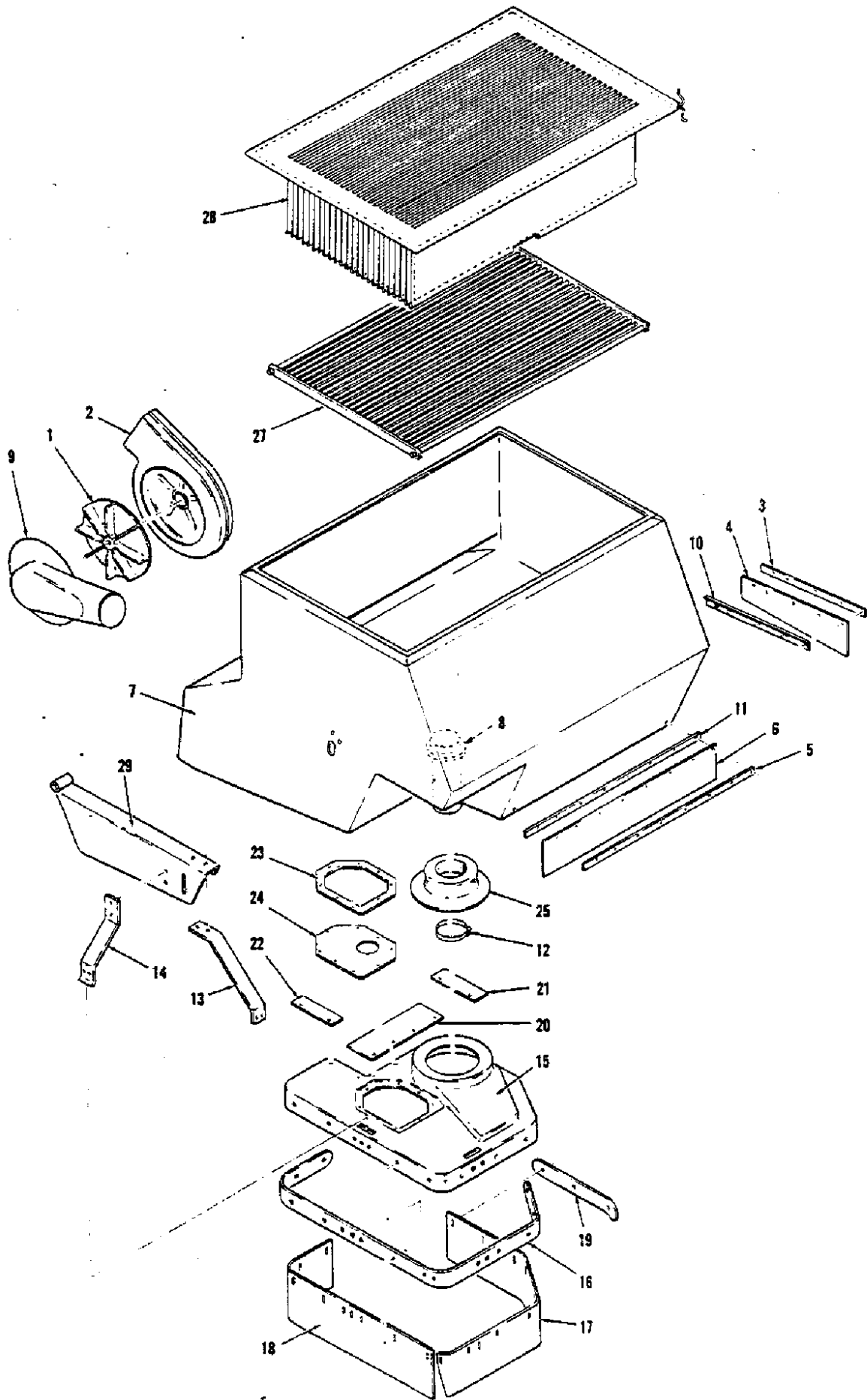
FIG. 16-- SCRUBBER CAB KIT - #50347

11/79

FIG. 16
SCRUBBER CAB KIT #50347

Ref. No.	TENNANT Part no.	Description	Qty.
1	24106	DOOR, Cab	1
2	53962	SUPPORT, Rear cab	1
3	24464	HANDLE, Control	2
4	54528	RING, Rubber insulating	8
5	54527	BUSHING, Rubber insulating	8
6	23934	EXTRUSION, Weatherstripping	1
7	23869	GLASS, Rear	1
8	53855	CAB ASSEMBLY, Scrubber	1
	23940-2	WIPER ASSEMBLY, Windshield	1
9	23945	MOTOR, Windshield wiper	1
10	23948-1	BRACKET, Switch	1
11	14137	SWITCH, Windshield wiper motor	1
12	15121	ARM, Wiper blade	1
13	23947	BLADE, Wiper	1
14	54710	INSULATION KIT, Cab noise	1
15	23870	GLASS, Stationary	1
16	23871	GLASS, Sliding	1
17	15066	HANDLE ASSEMBLY, Pull & lock set	1
18	48545	PANEL, Engine cover	1
19	48542-1	BRACKET, Support panel	1
20	54332	ADAPTER, Valve mounting	1
21	23942	SHIELD, Operator	1
22	54250	SHIELD, Operator corner	1
23	54711	SEAL KIT, Cab	1
24	23867	EXTRUSION, Weatherstripping	1
25	23868	GLASS, Windshield	1

11/79



11/79

Fig. 17 - SIDE BRUSH DUST CONTROL KIT #54920-1

FIG. 17 SIDE BRUSH DUST CONTROL KIT #54920-1

Ref. No.	TENNANT Part No.	Description	Qty.
1	53034-1	IMPELLER	1
2	54303	HOUSING, Fan	1
3	53102	RETAINER, Hopper, side skirt	1
4	53103	SKIRT, Side hopper	1
5	53104	RETAINER, Hopper, front skirt	1
6	53105	SKIRT, Front hopper	1
7	53262	FILTER BOX	1
8	53120	SEAL, Fire baffle	1
9	53148	HOUSING, Vacuum intake	1
10	53149	BAR, Mounting, side	1
11	53151	BAR, Mounting, front	1
12	23498	CLAMP, Hose	1
	53509	SIDE BRUSH SHROUD ASSEMBLY	1
13	53038	SUPPORT, Bumper front	1
14	53039	SUPPORT, Bumper side	1
15	53098-1	SHROUD ASSEMBLY, Side brush	1
16	53099	BUMPER, Shroud	1
17	53101	SKIRT, Front	1
18	53106	SKIRT, Side	1
19	53107	RETAINER, Skirt	1
20	53108	SEAL, Hopper	1
21	53109	SEAL, Hopper	1
22	53110	SEAL, Hopper	1
23	53212	RETAINER, Seal shroud	1
24	53407	SEAL, Shroud	1
25	53501	SEAL	1
	54106	MOTOR ASSEMBLY, Shaker	2
27	46096	RACK, Bag	1
28	53387	BAG, Filter	1
29	48062	ARM, Side brush	1
	47635	BRACKET, Dust shield support	1
	26249	BOLT, Carriage (.50 - 13 x 0.56)	1
	26201	NUT, Acorn (.50 - 13)	1
	07059	WASHER	1

NOTE: All filter and fan assembly numbers not listed, are standard parts and can be found in parts lists pages.

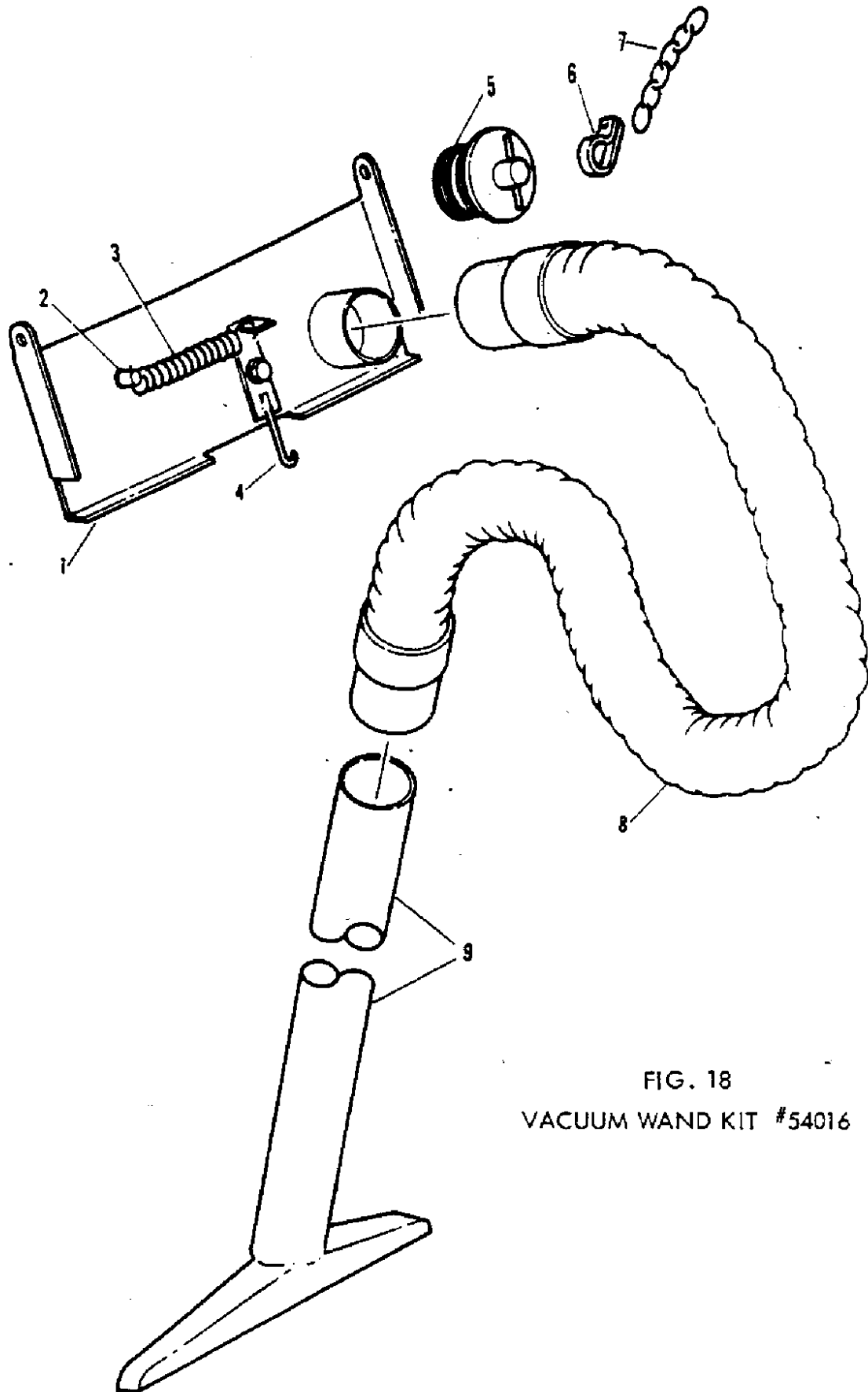


FIG. 18
VACUUM WAND KIT #54016

11/79

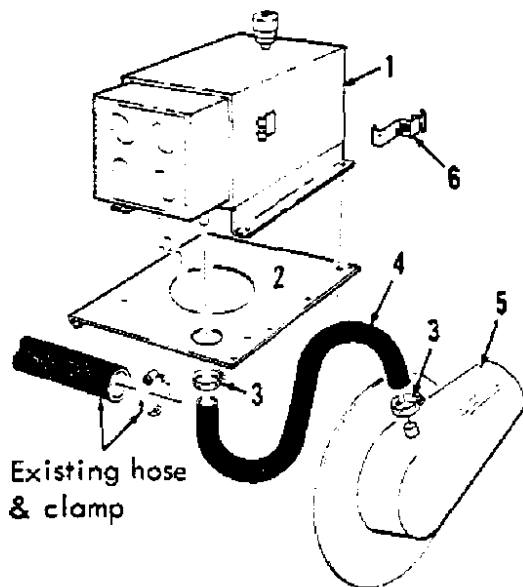
HOW TO USE THE VACUUM WAND

1. Open the hopper inspection door.
2. Turn the plug handle and remove the expandable plug (shown in parts drawing) from the fire door.
3. Release the spring-loaded catch from the fire safety link by moving it to one side, then close the fire door.
4. Remove the hose and wand from the clips on the hopper cover.
5. Slip the hose cuff over the tube on the fire door. Leave the inspection door open. Attach the other end of the hose to the wand.
6. Start engine and turn on vacuum fan.
7. Use the vacuum wand to pick up debris in out-of-the-way locations which cannot be reached by the sweeper.

FIG. 18

PARTS LIST FOR #54016 VACUUM WAND KIT

Ref. No.	TENNANT Part No.	Description	Qty.
1	49026	DOOR, Fire	1
2	51727	PIN, Clevis	1
3	01053	SPRING	1
4	54007	LATCH	1
5	42124	PLUG, Expandable	1
6	26395-2	CLAMP	1
7	49028	CHAIN	1
8	54009	HOSE & CUFF ASSEMBLY	1
9	54012	WAND	1
(not shown)	22473-1	CLIP, Holddown	6
(not shown)	08232-1	SPACER (Hopper)	1

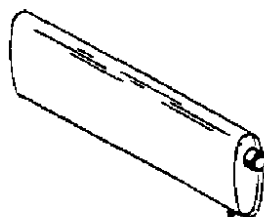


FARR AIR CLEANER KIT # 54852

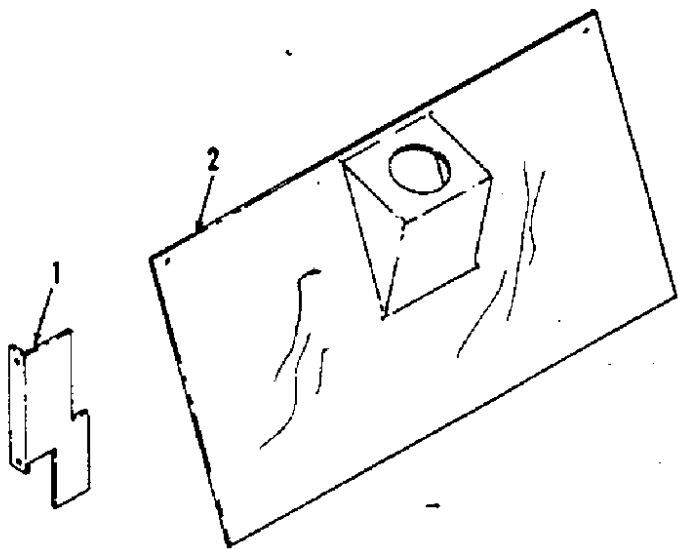
1	53180-2	AIR FILTER ASSEMBLY, Farr	1
	53179-3	HOUSING, Air cleaner	1
	54028	PANEL, Air pre-cleaner	1
	48127	ELEMENT, Air cleaner	1
	52033	INDICATOR, Air restriction	1
2	53800-1	DOOR, Instrument panel	1
3	54333	CLAMP, Wormdrive	2
4	50380	HOSE	1
5	53148-1	MANIFOLD, Vacuum fan air intake	1
6	49195	FASTENER ASSEMBLY	2



02506-6 CAP, Gas, (Protectoseal)

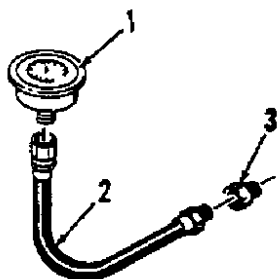


53295 MUFFLER, Spark arrest



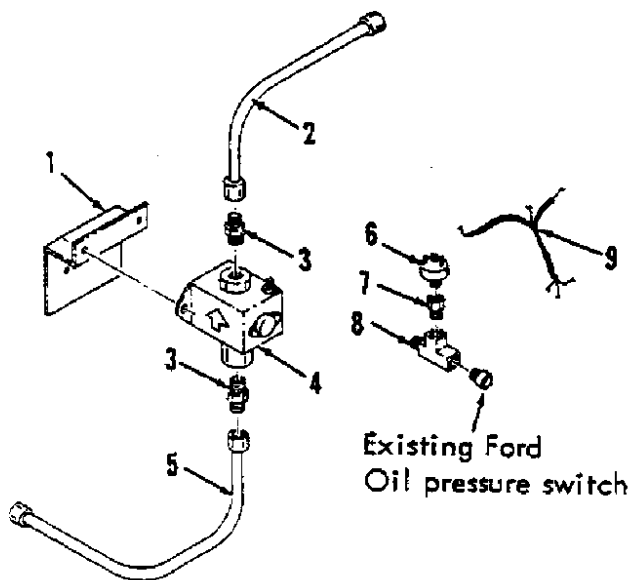
OPERATOR SHIELD KIT #47553

1	54250	PANEL, Operator corner	1
2	23942	SHIELD, Operator leg	1
	14741	STUD, Snap-on	2



OIL PRESSURE GAUGE KIT #50307 (In place of warning light)

1	47436	GAUGE, Oil pressure	1
2	53126	HOSE	1
3	17414	CONNECTOR	1
	47178	PLUG BUTTON, .50 hole	1



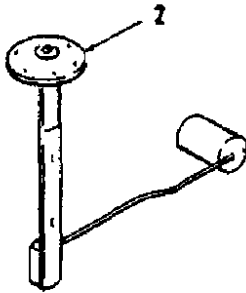
ELECTRIC FUEL PUMP KIT #50323-1

1	50337	BRACKET, Fuel pump mounting	1
2	50325	TUBE	1
3	22383	CONNECTOR	2
4	54230	PUMP, Fuel	1
5	56724	TUBE	1
6	51805	SENDING UNIT, Oil pressure	1
7	17414	CONNECTOR	1
8	24929	TEE	1
9	54875	WIRE HARNESS	1

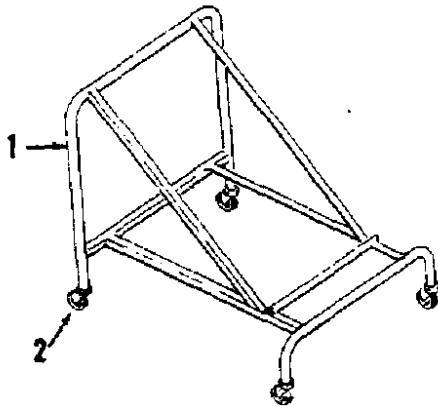
11/79



	46712	PANEL LIGHT KIT	1
--	-------	-----------------	---



	53195	FUEL GAUGE KIT	1
1	47472	GAUGE, Fuel level	1
2	47473	SENDING UNIT, Fuel level	1
	14131	GASKET	1
	53119	WIRE KIT	1
	14215	FUSE	1
	WD204	WIRING DIAGRAM	1



	24147	HOPPER DOLLY ASSEMBLY	1
1	24145	CART	1
2	24149	SOCKET	4
	24259A	CASTER, Swivel	4



	46938	FIRE EXTINGUISHER KIT	1
	25312	FIRE EXTINGUISHER	1

ACCESSORIES NOT ILLUSTRATED

TENNANT Part No.	Description	Qty.
53848	TIRE CHAIN	1
43941	GAS SPOUT EXTENSION KIT	1
43940	EXTENSION, Spout	1
50324-1	HEAVY DUTY FILTER BOX KIT	1
53191	FILTER BOX ASSEMBLY	1
24108	LEAD, Shaker motor	1
53817	TIRE & WHEEL ASSEMBLY	1
53818	RIM ASSEMBLY	1
53816	TIRE, Solid	1
24507	DECAL, Caution	1
24120	TIRE & WHEEL ASSEMBLY	1
25193A	RIM, Wheel	1
25197	TIRE, Solid,smooth	1
50360	HI-SPEED PROPELLING KIT	1
53892-2	MOTOR (Char-Lynn)	1
SK1271	SEAL KIT	1
46480	CONNECTOR	2
59172	HOSE	2
43590	BATTERY HOLD-DOWN KIT	1
13016	BRACKET, Battery hold down	1
13013	ROD, Battery hold down	1

11/79

265

POWER SWEEPER

L P G SECTION PARTS LIST

LPG SYSTEM PARTS LISTS

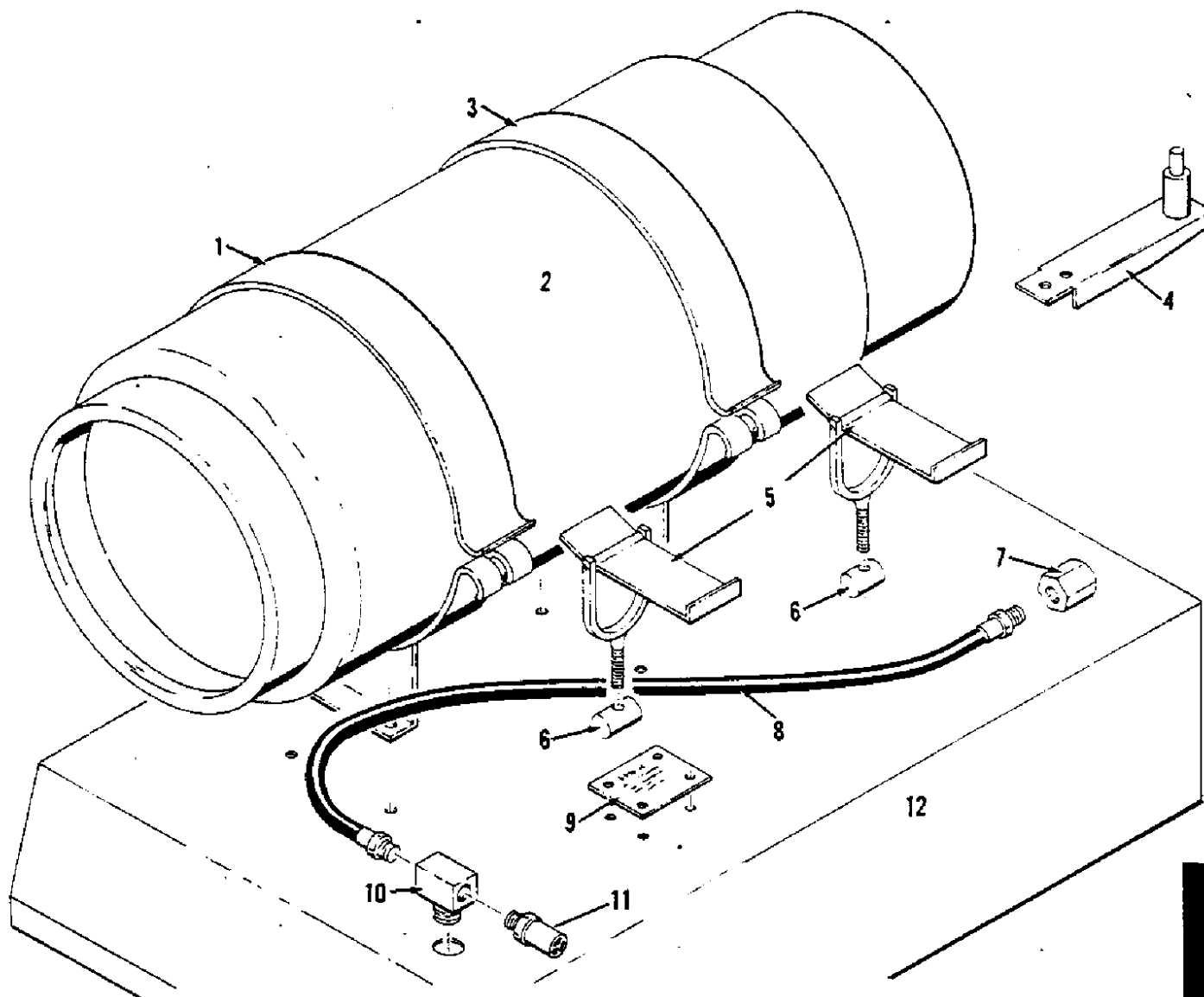
LP Tank and Engine Cover - - - - -1

LP System Parts - - - - -2-3

LP Converter - - - - -4-5

LP Carburetor - - - - -6-7

LP Filter-Fuelock - - - - -8

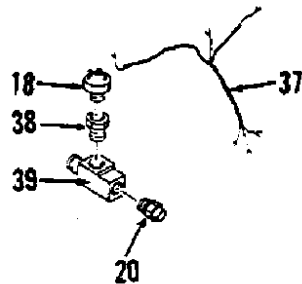
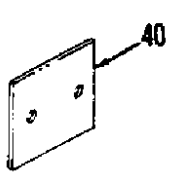
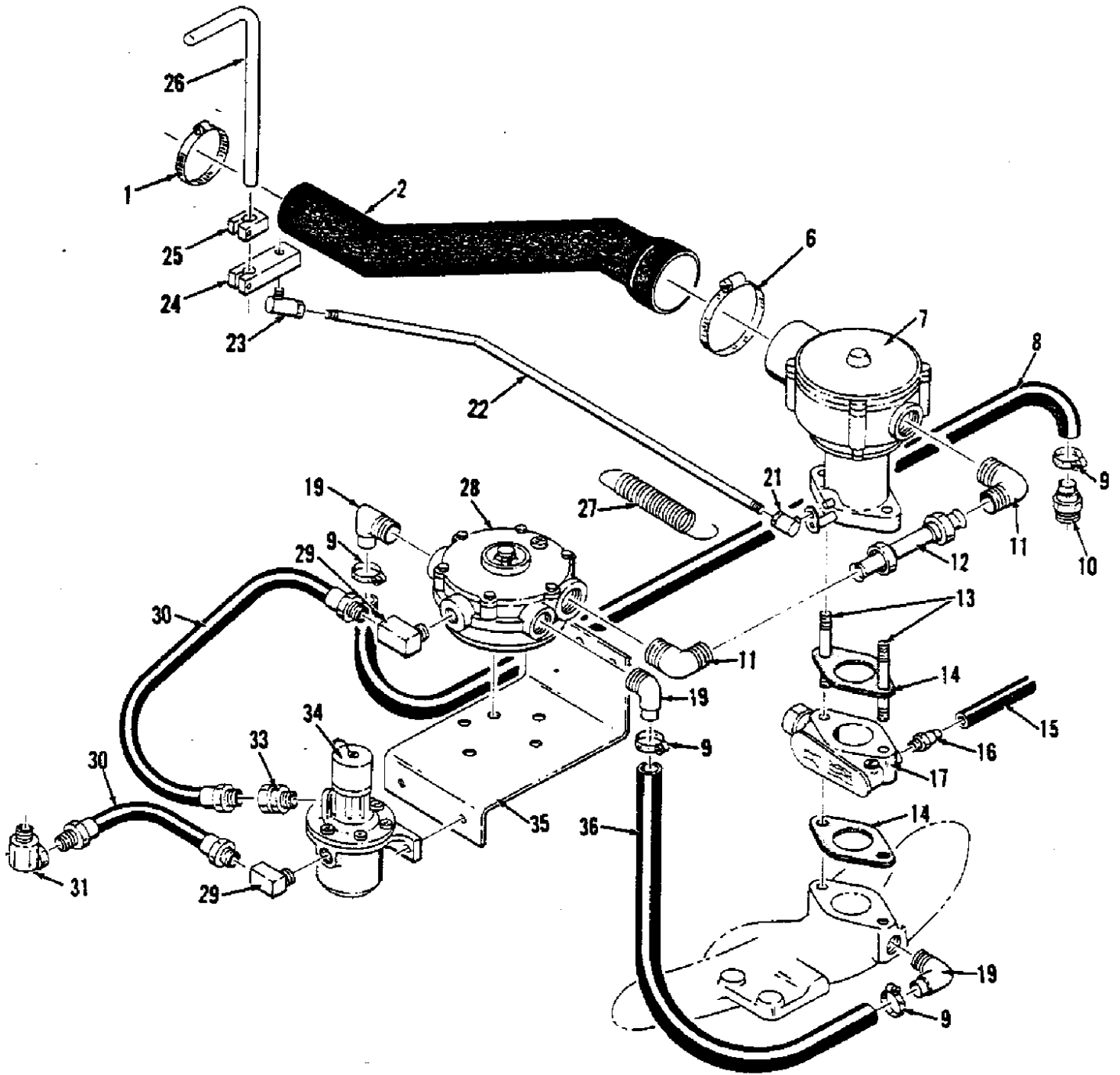


LP COMPONENTS - TANK AND COVER GROUP

Ref. No.	TENNANT Part No.	Description	Qty.
1	53400-3	STRAP ASSEMBLY, Left Hand	1
2	24928	TANK, LP (liquid withdrawal)	1
3	53400-2	STRAP ASSEMBLY, Right Hand	1
4	53400-5	LOCATOR, Tank	1
5	53400-1	LATCH	2
6	53400-4	NUT, Adjustable	2
7	26496	COUPLING, LP	1
8	22308-3	HOSE	1
9	24049	PLATE, Data, LP	1
10	54216	TEE (Includes 3/4 flat washer, 3/4 star washer and 3/4 nut)	1
11	24047	VALVE, Pressure relief, LP	1
12	54937-2	COVER, Engine	1
	50306	PAWL, Latch	1
	49302-1	FASTENER, Engine cover	1

11/79

1



LP COMPONENTS

11/79

LP COMPONENTS

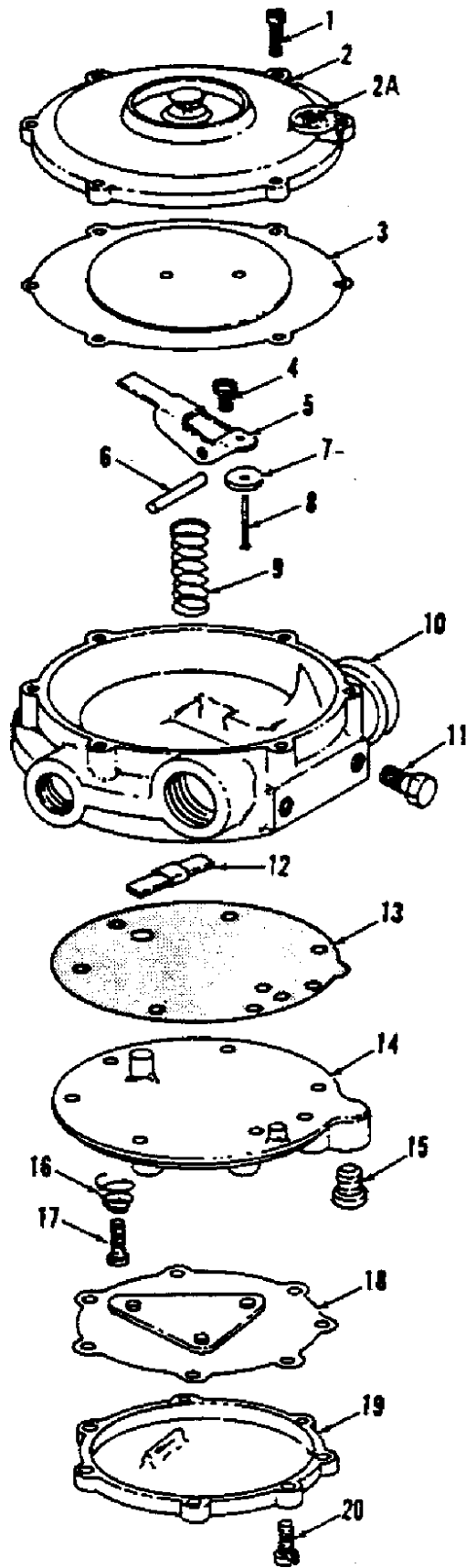
Ref. No.	TENNANT Part No.	Description	Qty.
1	11531	CLAMP	3
2	50331-1	HOSE, Air Intake (New one-piece molded type) NOTE: Previous hose (#50331), Spring (#50349) and Adapter (#54149) are replaced by SK1844	1
6	22297	CLAMP	1
7	54929	CARBURETOR, LP	1
8	54027	HOSE	1
9	54333	CLAMP	4
10	37100	ELBOW, 45°	1
11	51869	ELBOW	2
12	50305	TUBE, LP	1
13	54844	STUD	2
14	*C5NE-9447A	GASKET, Carburetor	2
15		HOSE, Rubber, governor to distributor (5/32" x 12" long)	1
16	40607	CONNECTOR	1
17	54933	GOVERNOR	1
18	51805	SWITCH, Oil pressure	1
19	47388	ELBOW	3
20	*DIRY-9278-A	SWITCH, Oil pressure (Ford)	1
21	68208	BALLJOINT	1
22	50300	ROD, Throttle	1
23	14601	BALLJOINT	1
24	53270	PIVOT, Arm	1
25	53290	CLAMP, Stop, throttle rod	1
26	53267	LEVER, Throttle	1
27	50304	SPRING, Throttle return	1
28	54930	CONVERTER, LP	1
29	27048	ELBOW	2
30	22308-6	HOSE, LP	2
31	11442-1	ELBOW	1
33	11442-23	CONNECTOR	1
34	53395-2	FILTER FUEL-LOCK	1
35	54880	BRACKET	1
36	47826-1	HOSE	1
37	54875	WIRE HARNESS, LP	1
38	17414	FITTING, Pipe	1
39	24929	TEE	1
(not shown)	54911-3	**ENGINE, Basic, LP	1
40	54911-28	COVER, (fuel pump opening)	1
	54911-29	GASKET, (fuel pump opening)	1

* Ford Part Number

** Basic engine does not include starter, alternator, carburetor, fuel pump, voltage regulator, V-belt, fan, pulleys, and coil. Complete engine # is 54911.

11/79

Home	Find...	Go To..		
------	---------	---------	--	---

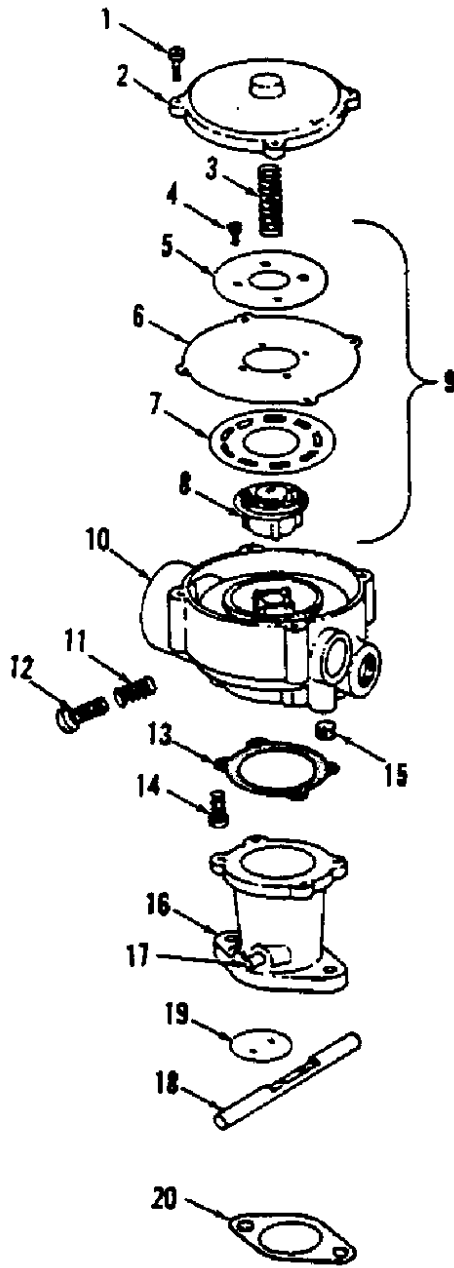


LPG CONVERTER - #54930

PARTS LIST FOR LPG CONVERTER #54930
(Impco Converter Model #JB)

Ref. No.	Impco Part No.	Description	Qty.
1	S1-59	SCREW	6
2	AC1-34	COVER	1
2A	S7-1	SCREEN	1
3	AD1-21	DIAPHRAGM, Secondary	1
4	S1-42	SCREW	1
5	AL1-32	LEVER ASSEMBLY, Secondary regulator	1
6	P1-8	PIN, Secondary regulator	1
7	S4-17	SEAT, Secondary regulator	1
8	P1-9	PIN, Secondary seat	1
9	S2-35	SPRING (Blue)	} select one
9	S2-38	SPRING (Orange)	
10	AB1-33	BODY ASSEMBLY	1
11	S1-5	SCREW	2
12	S4-16	SEAT, Primary regulator	1
13	G1-85	GASKET, Body to plate	1
14	P2-26	PLATE	1
15	P3-13	PLUG	1
16	S2-36	SPRING, Primary regulator	1
17	P1-14	PIN, Primary valve	1
18	AD1-22	DIAPHRAGM ASSEMBLY, Primary	1
19	C1-33	COVER, Primary regulator	1
20	S1-10	SCREW	7





LPG CARBURETOR #54929

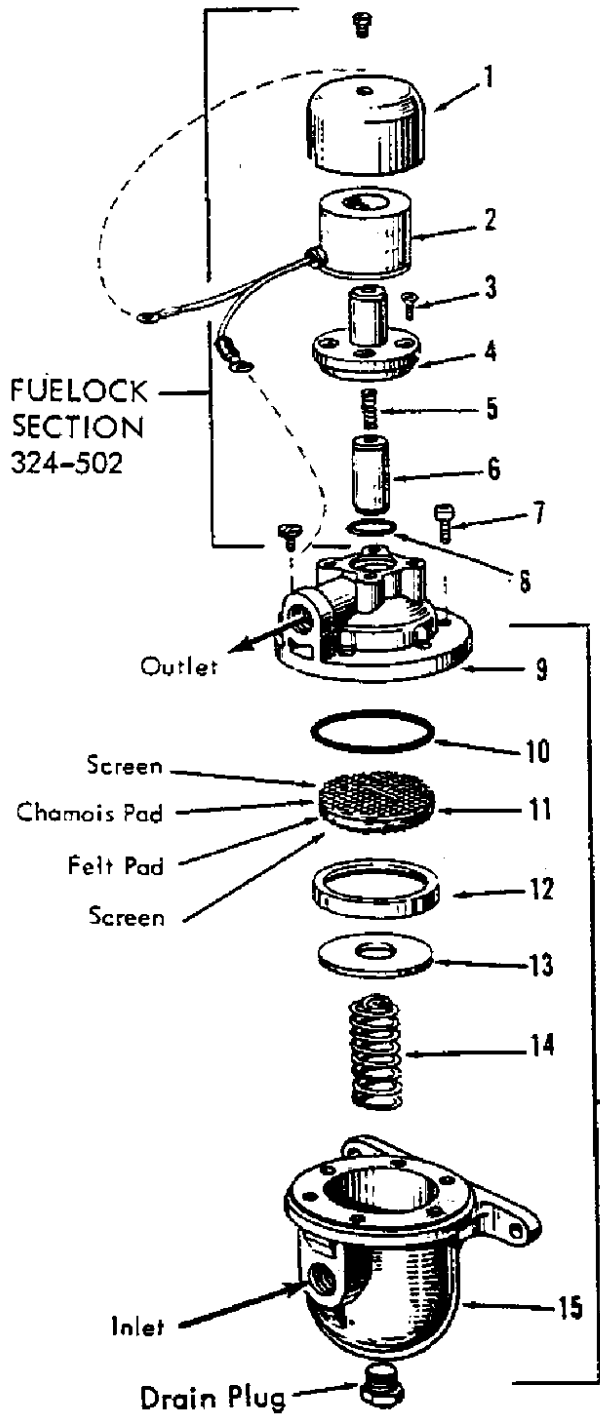
PARTS LIST FOR LPG CARBURETOR #54929
 (Impco Carburetor No. CA-100-8)

Ref. No.	Impco Part No.	Description	Qty.
1	S1-3	SCREW	4
2	C1-17	COVER	1
3	S2-13	SPRING, Air Valve	1
4	S1-22	SCREW	4
5	P2-22	PLATE, Back-up	1
6	D1-17	DIAPHRAGM	1
7	R1-19	RING, Air valve	1
8	BV1-14	AIR-GAS VALVE ASSEMBLY	1
9	AV1-14	VALVE & DIA PHRAGM ASSEMBLY	1
10	AB1-8-...	BODY ASSEMBLY (Specify for 2-1/16" air horn)	1
11	S2-6	SPRING, Idle screw	1
12	S1-11	SCREW, Idle	1
13	G1-11	GASKET, Throat to body	1
14	S1-19	SCREW	4
15	P3-3	PLUG, Pipe	1
16	T2-3	THROAT	1
17	P1-5	PIN, Throttle stop	2
18	S5-...	SHAFT, Throttle (specify shaft dia.)	1
19	F2-4	FLY, (for 1-1/2" throat)	1
20	G1-18	GASKET	1

NOTE: Ref. No's 1 thru 15 are included in MIXER ASSEMBLY #CA-100M-3.
 THROTTLE BODY ASSEMBLY #is AT2-3.



PARTS LIST FOR FILTER-FUELOCK #53395-2



Ref. No.	Marvel-Schevler Part No.	Description
1	184-79	CASE, Coil
2	323-526	COIL, 12 volt
3	15-A351	*SCREW
4	154-526	HOUSING, Plunger
5	24-A394	*SPRING
6	194-667	*PLUNGER
7	15-A350	*SCREW
8	44-147	*O-RING
9	91-541	BASE
10	44-210	*O-RING
11	44-504	*FILTER PACK ASS'Y.
12	55-A128	RING, Retainer, Filter
13	78-A143	DISK
14	24-883	SPRING
15	159-503	BASE, Filter (includes drain plug)

* Indicates repair kit parts included in Tennant part no. SK 1444.

EXPLODED VIEW OF FILTER-FUELOCK

265

POWER SWEEPER

HYDRAULIC COMPONENTS TABLE OF CONTENTS

Fig. No.	Description	Page
1	Complete Tandem Pump Parts	1 & 2
2	Propelling Pump Parts (Oilgear pump)	3 - 7
3	Accessory Pump Parts (Vickers pump)	8 & 9
4	Char-Lynn Side & Main Brush Motors	10 & 11
5	Ross Side & Main Brush Motors	12 & 13
6	Ross Wheel Drive Motor	14 & 15
7	M.T.E. Vacuum Fan Motor	16 & 17
8	Barnes Vacuum Fan Motor	18
9	Green Hopper Lift Cylinder	19
10	Tennant Cylinder	20

CAUTION

The motors, pumps and valves covered here have been modified for use on TENNANT Machines. Repair parts should be ordered only from the parts lists provided in this section.

NOTE

Production requirements may occasionally dictate that hydraulic components made by other manufacturers must be used. Please check the component for manufacturer's name and model number before ordering parts or seal kits.

11/79

HYDRAULIC COMPONENTS

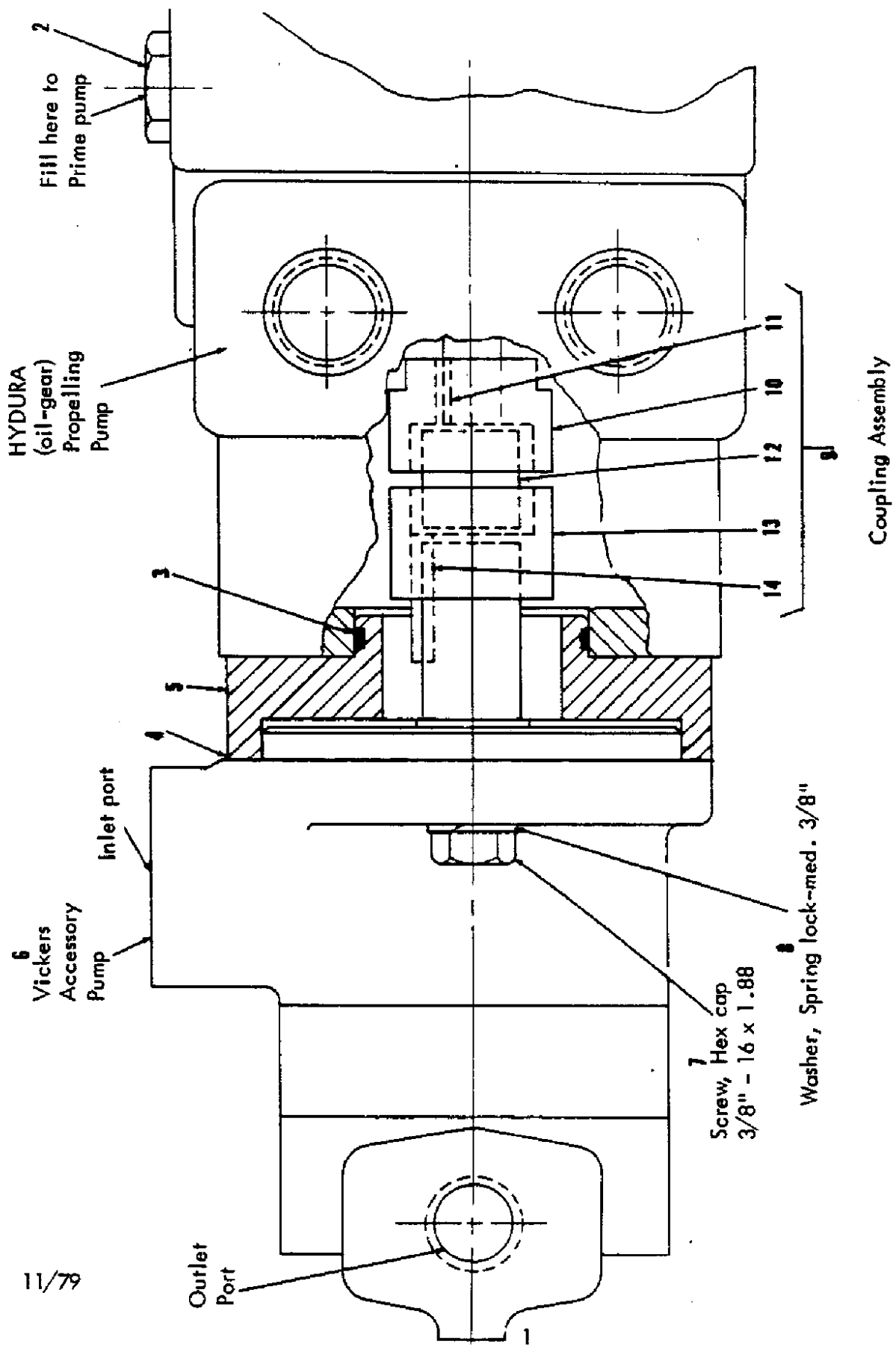
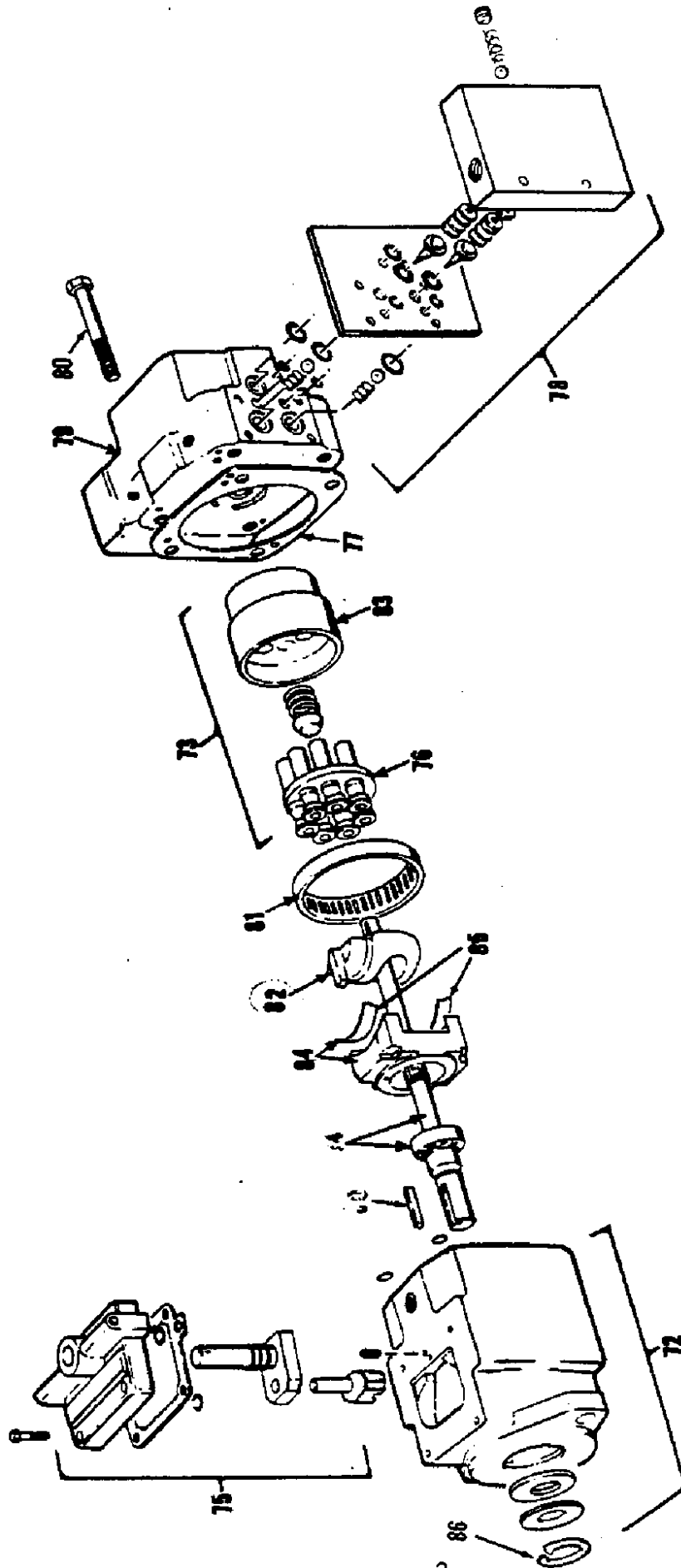


Fig. 1 - COMPLETE TANDEM PUMP #50531

PARTS LIST FOR FIG. 1 - #50531 COMPLETE TANDEM PUMP

Ref. No.	Seal Kit No.	TENNANT Part No.	Description	Qty.
1	SK1769	#50530	PROPELLING PUMP ASSEMBLY - HYDURA (Oil-Gear) (see separate page for parts breakdown)	1
2		46482	PLUG, Secondary case drain	1
3		69186	O-RING	1
4		59186-3	GASKET	1
5		69183	ADAPTER (Vickers pump to Oil-Gear pump)	1
6	SK1739	69181-1	ACCESSORY VANE PUMP-VICKERS (see separate page for parts breakdown)	1
7		-	SCREW, Hex Cap (3/8" - 16 x 1-7/8") (grade 5, plated, torque to 29 to 31 ft lb)	2
8		-	WASHER, Spring lock (3/8")	2
9		69157-1	COUPLING ASSEMBLY, Consists of:	1
10		69180	COUPLING, Half, Oil-gear end	1
11		69182-2	KEY	1
12		69182-1	KEY, Square	1
13		69184	COUPLING, Half, Vickers end	1
14		00912	KEY	1



#50530 OILGEAR PROPELLING PUMP. Reference numbers indicate Service Kits which are listed in parts list.

REPAIR KIT LIST
FOR OILGEAR HYDRAULIC PUMPS
ON LOW-DUMP MACHINES

OILGEAR PUMPS

REF. NO.	DESCRIPTION	#50385	#45698	#47900	#50530
		REPAIR KIT NUMBERS			
72	HOUSING & PINS KIT, incl: RING, Retaining (1) SEAL, Shaft (1) PIN, Dowel (1) PIN, Spring (2) HOUSING, Pump (1) RETAINER, Shaft seal (1)	SK1989	SK1989	SK1989	SK2171
73	ROTATING GROUP KIT, incl: RETAINER, Shoe (1) BALL (1) RETAINER, Spring (1) CYL. BARREL & SLEEVE (1) PISTON & SHOE ASSEMBLY (1)	SK1678	SK1678	SK1678	SK1678
74	SHAFT & BEARING KIT, incl: BEARING (1) SHAFT (1) RING, Retaining (1)	SK1992	SK1992	SK1991	SK1991
75	CONTROL KIT, includes: O-RING (2) PLUG (2) BLOCK, Control (1) GASKET (1) CLEVIS & PIN ASSEMBLY (1) ARM & PINTLE ASSEMBLY (1)	SK1993	SK1993	SK1993	SK2187
76	SET OF PISTONS KIT, incl: PISTON & SHOE ASS'Y. (7)	SK1994	SK1994	SK1994	SK1994
77	GASKET & SEAL KIT, includes all seals and gaskets (1)	SK1769	SK1769	SK1769	SK1769
78	HYDRASTATIC MODULE KIT, POPPET (2) PLATE, Seal (1) PLUNGER (1) SPRING (5) BLOCK (1) CAP & BUSHING ASS'Y. (1) BALL (2) O-RING (8) GASKET (1)	SK1995	SK2040	SK2040	SK2040
79	VALVE PLATE ASSEMBLY, incl: PLUG (3) BEARING (1) PLATE (1) PLUG (2) O-RING (2)	SK2043	SK2043	SK2041	SK2041
80	SCREWS, SHAFT KEY, AND NAME TAG KIT (1)	SK1997	SK1997	SK1997	SK1997
81	ROTATING GROUP BEARING: BEARING, Roller (1) RING, Retaining (1)	SK1998	SK1998	SK1998	SK1998

11/79

(continued on next page)

REPAIR KIT LIST
FOR OILGEAR HYDRAULIC PUMPS
ON LOW-DUMP MACHINES

OIL GEAR PUMPS

REF. NO.	DESCRIPTION		#50385	#45698	#47900	#50530
			REPAIR KIT NUMBERS			
82	SWASH BLOCK KIT	(1)	SK1999	SK1999	SK1999	SK2188
83	BARREL & SLEEVE KIT, incl:		SK2000	SK2000	SK2000	SK2000
	BARREL, Cylinder	(1)				
	BEARING, Sleeve	(1)				
84	SADDLE KIT, includes:		SK2001	SK2001	SK2001	SK2189
	BEARING, Saddle	(2)				
	SADDLE	(1)				
85	SADDLE BEARING KIT, incl:		SK2002	SK2002	SK2002	SK2002
	BEARING, Saddle	(2)				
86	SHAFT SEAL KIT	(1)	SK1656	SK1656	SK1656	SK1656

NOTE: Gasket & Seal Kit No. SK1769 includes all seals and instructions.
All repair kits include instructions.

REPAIR KIT LIST
FOR OILGEAR HYDRAULIC PUMPS
ON HIGH-DUMP MACHINES

OILGEAR PUMPS

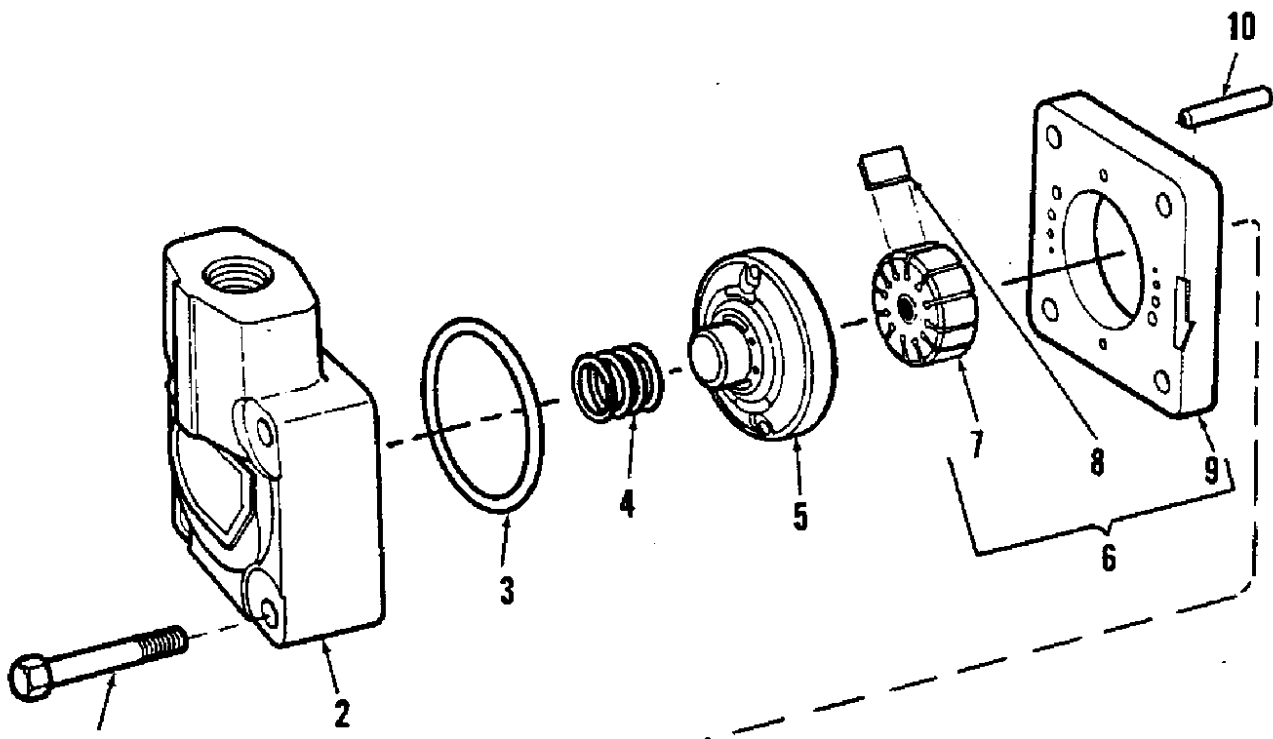
REF. NO.	DESCRIPTION	#37038	#50360
		REPAIR KIT	
72	HOUSING & PINS KIT, incl: RING, Retaining (1) SEAL, Shaft (1) PIN, Dowel (1) PIN, Spring (2) HOUSING, Pump (1) RETAINER, Shaft seal (1)	SK1989	SK2171
73	ROTATING GROUP KIT, incl: RETAINER, Shoe (1) BALL (1) RETAINER, Spring (1) CYL. BARREL & SLEEVE (1) PISTON & SHOE ASSEMBLY (1)	SK1678	SK1678
74	SHAFT & BEARING KIT, incl: BEARING (1) SHAFT (1) RING, Retaining (1)	SK1991	SK1991
75	CONTROL KIT, includes: O-RING (2) PLUG (2) BLOCK, Control (1) GASKET (1) CLEVIS & PIN ASSEMBLY (1) ARM & PINTLE ASSEMBLY (1)	SK1993	SK2187
76	SET OF PISTONS KIT, incl: PISTON & SHOE ASS'Y. (7)	SK1994	SK1994
77	GASKET & SEAL KIT, includes all seals and gaskets (1)	SK1769	SK1769
78	HYDRASTATIC MODULE KIT, POPPET (2) PLATE, Seal (1) PLUNGER (1) SPRING (5) BLOCK (1) CAP & BUSHING ASS'Y. (1) BALL (2) O-RING (8) GASKET (1)	SK1990	SK1990
79	VALVE PLATE ASSEMBLY, incl: PLUG (3) BEARING (1) PLATE (1) PLUG (2) O-RING (2)	SK2041	SK2041
80	SCREWS, SHAFT KEY, AND NAME TAG KIT (1)	SK1997	SK1997
81	ROTATING GROUP BEARING: BEARING, Roller (1) RING, Retaining (1)	SK1998	SK1998

REPAIR KIT LIST
FOR OILGEAR HYDRAULIC PUMPS
ON HIGH-DUMP MACHINES

OIL GEAR PUMPS

REF. NO.	DESCRIPTION		#37038	#50560
			REPAIR KIT	
82	SWASH BLOCK KIT	(1)	SK1999	SK2188
83	BARREL & SLEEVE KIT, incl:		SK2000	SK2000
	BARREL, Cylinder	(1)		
	BEARING, Sleeve	(1)		
84	SADDLE KIT, includes:		SK2001	SK2189
	BEARING, Saddle	(2)		
	SADDLE	(1)		
85	SADDLE BEARING KIT, incl:		SK2002	SK2002
	BEARING, Saddle	(2)		
86	SHAFT SEAL KIT	(1)	SK1656	SK1656

NOTE: Gasket & Seal Kit No. SK1769 includes all seals and instructions.
All repair kits include instructions.



(Tighten to
40 + 5 ft lbs)

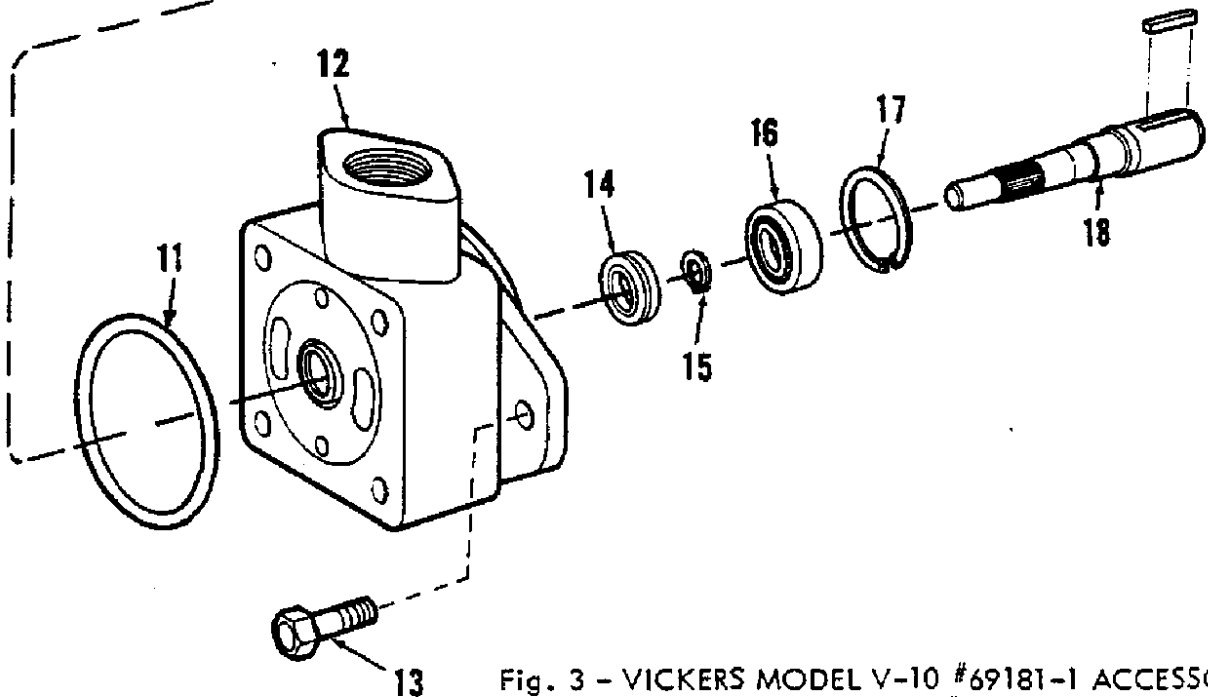


Fig. 3 - VICKERS MODEL V-10 #69181-1 ACCESSORY PUMP
(Part of Complete Tandem Pump #69076A-1)

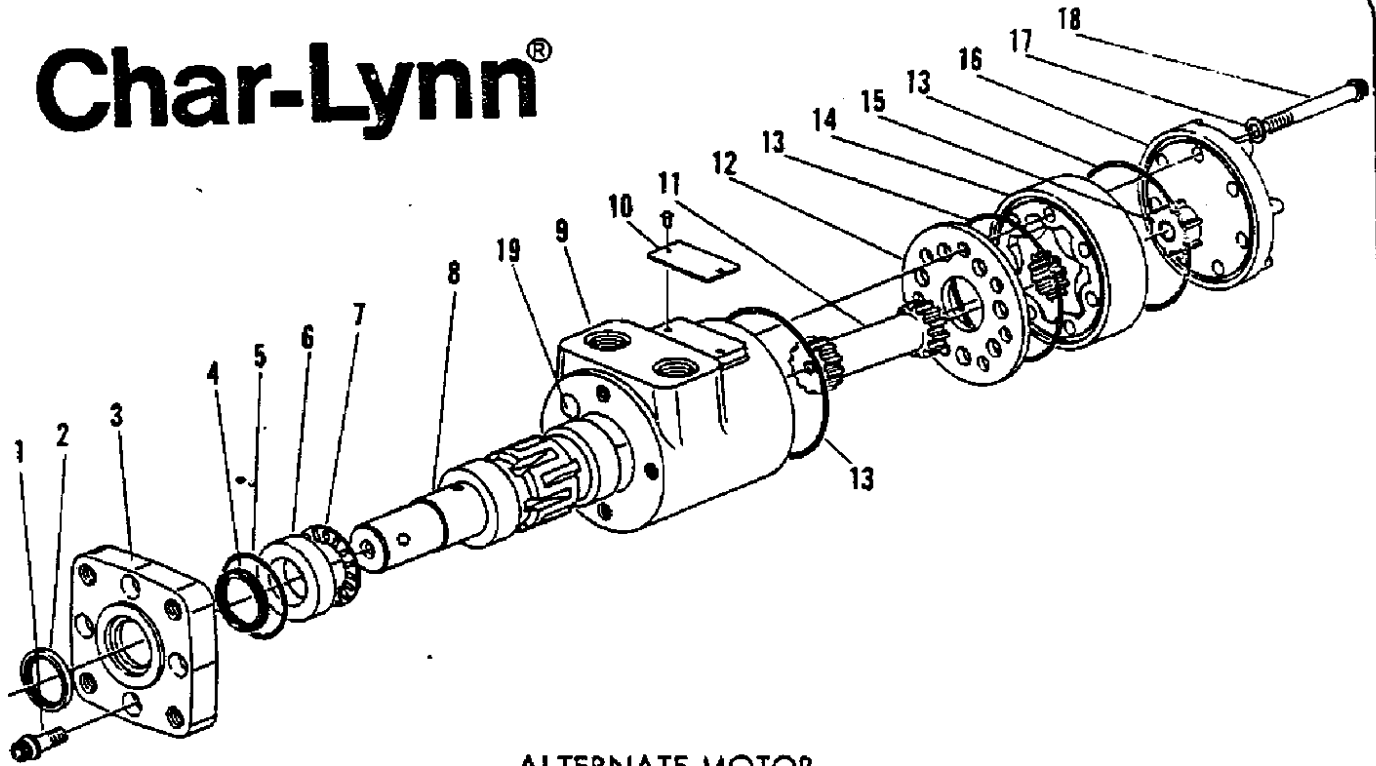
11/79

Fig. 3 - PARTS LIST FOR #69181-1 VICKERS MODEL V-10
 ACCESSORY HYDRAULIC PUMP
 (Part of Complete Tandem Pump #69076A-1)

Ref. No.	Vickers Part No.	TENNANT Part No.	Description	Qty.
1	1278		SCREW	4
2	372865		COVER	1
3	*		O-Ring	1
4	345262		SPRING	1
5	374343		PRESSURE PLATE ASSEMBLY	1
6		SK1790	CARTRIDGE KIT (includes ref. no.'s 7, 8, & 9)	1
7	351247		ROTOR	1
8		SK1791	VANE SET (12 vanes)	1
9	317677		RING	1
10	39640		PIN	2
11	*		O-Ring	1
12	317668		BODY	1
13	1273		SCREW	2
14		SK1786	SEAL, Shaft (also included in Seal Kit SK1739)	1
15	106641		RING, Snap	1
16	148423		BEARING	1
17	87541		RING, Snap	1
18		SK1787	SHAFT	1

* Indicates parts of TENNANT Seal Kit SK1739 , which covers only the Vickers Accessory Pump. The kit includes instructions.

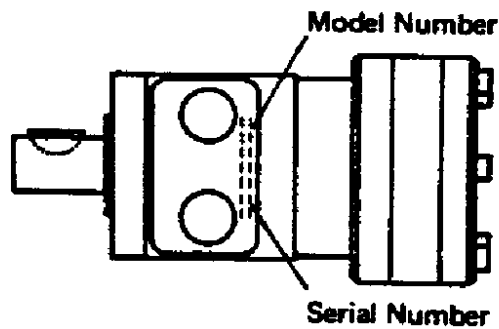
Char-Lynn®



ALTERNATE MOTOR

FIG. 4

EXPLODED VIEW OF CHAR-LYNN HYDRAULIC MOTORS (-007 SERIES) USED FOR SIDE BRUSH, MAIN BRUSH AND MAIN SCRUB BRUSH.
(Reference numbers refer to Parts List)



EAT•N Fluid Power Products

FIG. 4 - HYDRAULIC MOTORS

PARTS LISTS FOR CHAR-LYNN HYDRAULIC MOTORS (-007 Series)
USED ON SIDE BRUSH, MAIN BRUSH & MAIN SCRUB BRUSH

Ref. No.	Main Brush Char-Lynn # 101-1369-007 TENNANT # 47650	Main Scrub Brush Char-Lynn # 101-1431-007 TENNANT # 47650-6	Side Brush Char-Lynn 101-1429-007 TENNANT # 47650-12	Description	Qty.
1	5777	5777	5777	SCREW, Cap	4
*2	9055-1	9055-1	9055-1	SEAL, Dust, shaft	1
3	7464	7620	7464	FLANGE, Mounting	1
*4	9057-1	9057-1	9057-1	SEAL, Shaft (alternate seal & back-up ring may be used, however, for re- placement order #9057-1)	1
*5	15048	15048	15048	O-RING	1
6	7462	7462	7462	RACE, Thrust bearing	1
7	7537	7537	7537	BEARING, Thrust, needle	1
8	7360-7	7360-5	7360-13	SHAFT, Output	1
9	7359-3	7359-1	7359-1	HOUSING	1
10	9029-1	9029-1	9029-1	NAMEPLATE	1
11	602	602	616	DRIVE	1
12	7358	7358	7358	PLATE, Spacer	1
*13	5776	5776	5776	O-RING	3
14	7357-2	7357-2	7357-6	GEROTOR ASSEMBLY (includes ring & star)	1
15	none	none	6901-5	SPACER	1
16	7461	7461	7461	CAP, End	1
17	6049	6049	6049	WASHER, Seal	7
18	5389-2	5389-2	5389-6	SCREW, Cap	7

NOTES:

- * Indicates parts of Seal Kit No. SK1600, which includes instructions.
- CAUTION: Before ordering parts, check motor nameplate to determine which motor model was used on your machine. Remember that Ross and Char-Lynn hydraulic motors can be used as alternates.
- NOTE: All component parts numbers listed above are Char-Lynn part numbers.

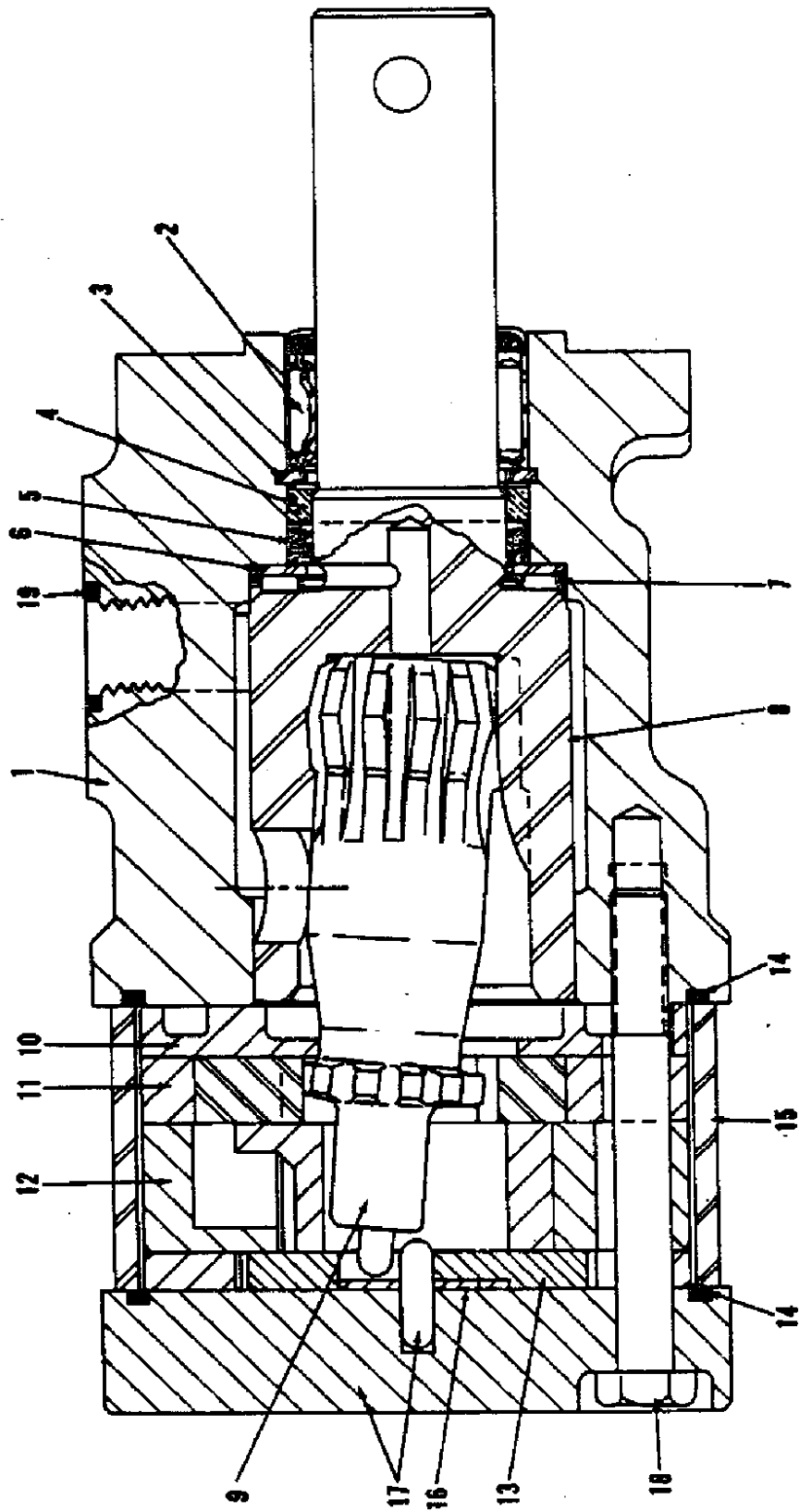


Fig. 5
 STANDARD MOTORS
 ROSS MOTORS #47514 (MAIN BRUSH) & #47542 (SIDE BRUSH)

11/79

PARTS LIST FOR FIG. 5

ROSS MOTOR #47514 (Main brush) and #47542 (Side brush) STANDARD MOTORS

Ref. No.	Main Brush Ross Part # MAC06015A1 TENNANT #47514	Side Brush Ross Part # MAC20031A1 TENNANT #47542	Description	Qty.
1	MAC012007	MAC012008	HOUSING	1
2	065503	065503	BEARING, Needle	1
3	401369	401369	RING, Retaining	1
*4	028414	028414	SPACER	1
*5	032377	032377	SEAL, Shaft	1
6	400108	400108	WASHER, Thrust	1
7	066980	066980	BEARING, Thrust	1
8	091430	091446	SHAFT, Coupling	1
9	MAC063000A1	MAC163000A1	DRIVE LINK ASSEMBLY	1
10	477255	477255	SPACER	1
11	MAC067000	MAC207000	ROTOR SET	1
12	MAC015000	MAC015001	MANIFOLD	1
13	MAC014000A1	MAC014000A1	COMMUTATOR ASSEMBLY	1
*14	032582	032582	O-RING	2
15	099061	099059	RETAINER, Seal	1
16	028395	028395	WASHER	1
17	402364X1	402364X1	END COVER ASSEMBLY	1
18	021306	021307	SCREW	7
19	032200-10	-	O-RING, Port	2

NOTES:

- * Included in Seal Kit SK1694 (includes instructions for seal replacement and repair).
- CAUTION: Before ordering parts, check motor to determine which motor is used. Remember that Ross and Char-Lynn motors can be used as alternates.
- All reference part numbers are Ross part numbers.

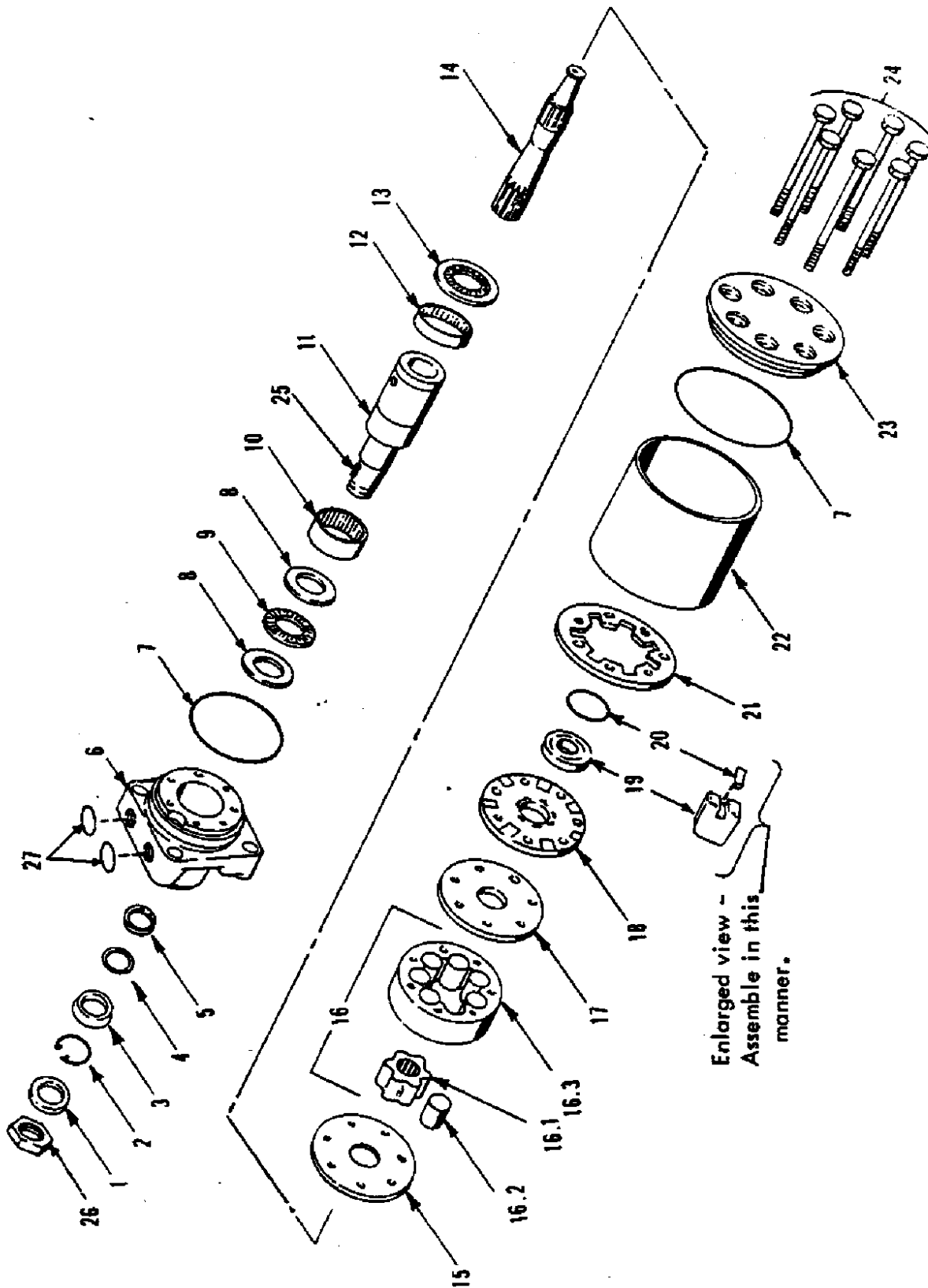


FIG. 6 - EXPLODED VIEW OF ROSS WHEEL DRIVE MOTOR #53032 & 37041

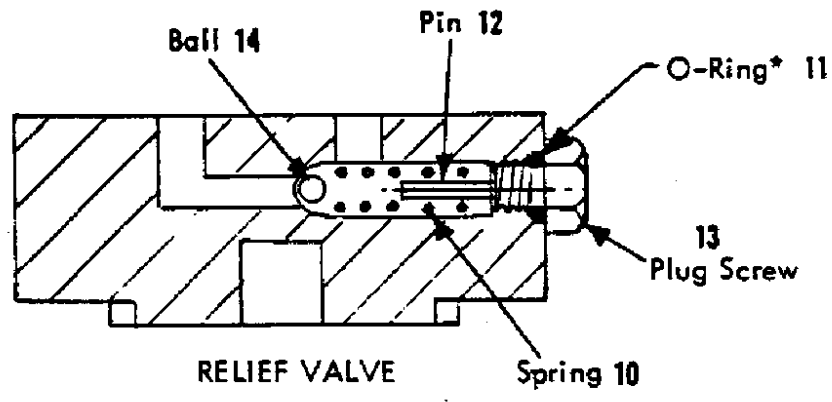
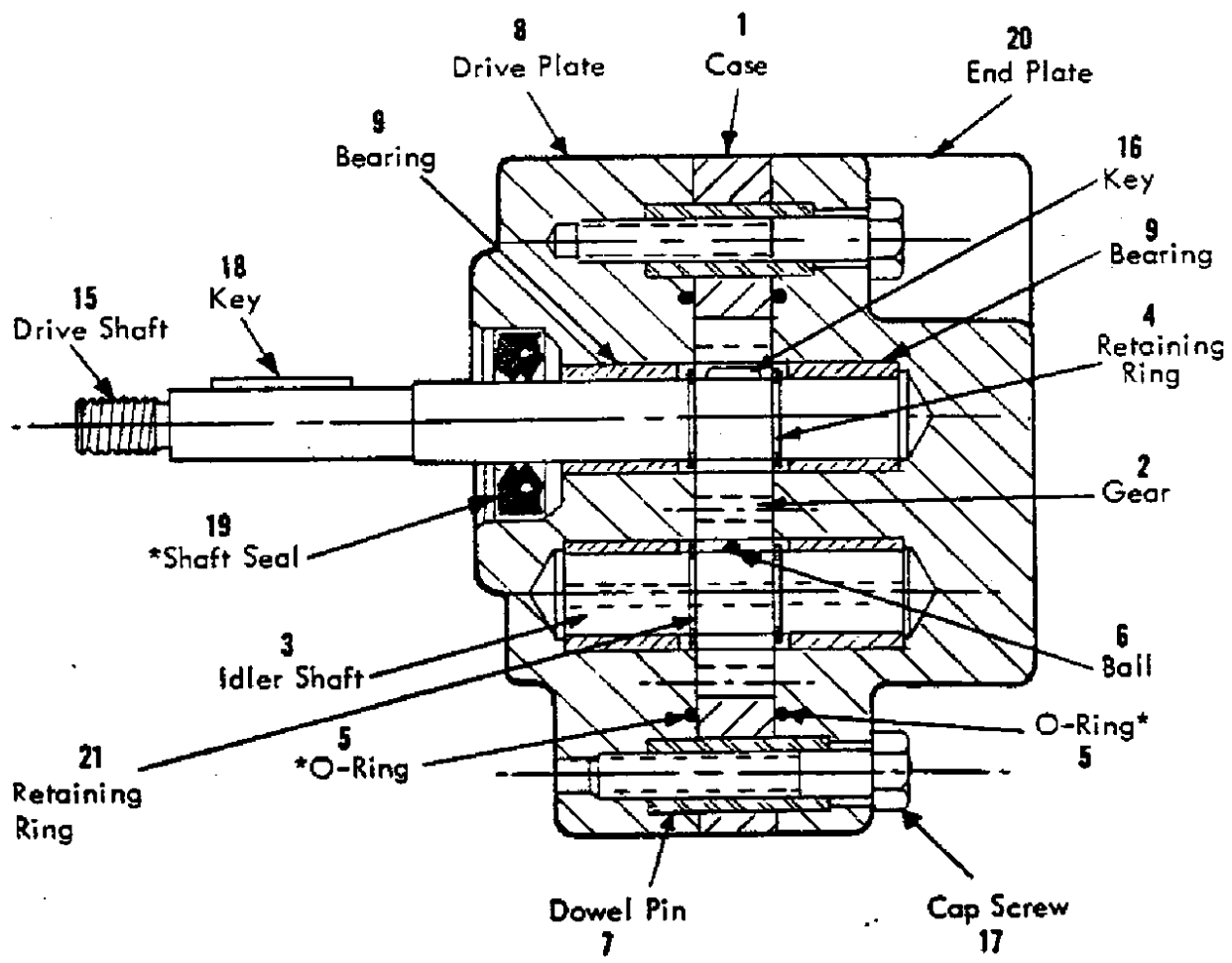
PARTS LIST FOR FIG. 6

#37041 WHEEL DRIVE MOTOR - HI-DUMP MACHINES (Ross Model MAE24000A-1)
 #53032 WHEEL DRIVE MOTOR - STANDARD MACHINES (Ross Model MAB24003)

Fig. 6 Ref. No.	Motor 53032 Part No.	Motor 37041 Part No.	Description	Qty.
1	032436	032436	SEAL, Dirt	1
2	401346	401393	RING, Retaining	1
3	028398	028398	SPACER, Seal	1
4	029103	029103	WASHER, Backup	1
5	032614	032633	SEAL, Shaft	1
6	MAB12002-A1	MAB12002-A1	HOUSING ASSY. (includes items 3,4,5,8,9,10 & 12)	1
7	032519	032519	O-RING, Body	2
8	400103	400103	WASHER, Thrust	2
9	067029	067029	BEARING, Thrust	1
10	070502	070502	BEARING, Needle	1
11	091404	091442	SHAFT	1
12	070501	070501	BEARING, Needle	1
13	067031	067031	BEARING, Thrust	1
14	MAB243001	MAE243000	LINK, Drive	1
15	477237	477259	PLATE, Wear	1
16	MAB247000-A3	MAE247000	ROTOR ASSY., includes:	1
16.1	NSS	NSS	ROTOR	1
16.2	NSS	NSS	VANE	7
16.3	NSS	NSS	STATOR & RING ASSY.	1
17	477238	477260	PLATE, Manifold	1
18	MAB015001	MAE015000	MANIFOLD	1
	MAB018000S1	MAB018000S1	COMMUTATOR ASSY. (includes 19 & 21)	1
19	NSS	NSS	COMMUTATOR	1
20	032435	032435	SEAL, Commutator	1
21	NSS	NSS	RING, Commutator	1
22	099024	099066	SLEEVE	1
23	MAB016000-A1	MAE016000-A1	END COVER ASSY.	1
24	021272	021273	SCREW	7
25	039027	039027	KEY, Shaft	1
26	025113	025113	NUT, Slotted	1
(not shown)	SK1140A	SK1951	SEAL KIT (includes items 1, 2,3,4,5,7, & 20)	1
27	54986	54986	O-RING, Port (not part of motor)	2

NOTES

- (1) All reference part numbers are Ross part numbers.
- (2) Items marked "NSS" are not available separately, only in assemblies.
- (3) Motor seal kit includes all seals and repair instructions.



*Included in seal kit SK 1274.

Fig. 7 - VACUUM FAN HYDRAULIC MOTOR

11/79

TENNANT NO. 53733-1, MTE MODEL S205-ML-1470

Fig. 7

PARTS LIST FOR M.T.E. VACUUM FAN HYDRAULIC MOTOR

M.T.E. Model S205-ML-1470, TENNANT NO. 53733-1

(This motor is included in Vacuum Fan Motor Kit # 53923-1) **

Ref. No.	M.T.E. Part No.	Description	Qty.
1	30324000	CASE	1
2	32601400	GEAR	2
3	33005002	SHAFT, Idler	1
4	60830043	RING, Retaining	2
5	60106032*	O-RING	2
6	6380093	BALL	1
7	33801011	PIN, Dowell	2
8	20801101	PLATE, Drive (includes 2 bearings, item #9)	1
9		BEARING (included in end plate and drive plate)	4
10	37501006	SPRING, Relief Valve	1
11	60108903*	O-RING	1
12	62412075	PIN, Roll	1
13	63120037	PLUG	1
14	63800250	BALL	1
15	33120007	SHAFT, Drive	1
16	62309025	KEY	1
17	65820150	SCREW, Hex Head	2
18	36801003	KEY	1
19	60200022*	SEAL, Oil, shaft	1
20	21201022	PLATE, End (includes 2 bearings, item #9)	1
21	60840043	RING, Retaining	2

*Included in Seal Kit SK1274

**Vacuum Fan Motor Kit #53923-1 includes #53733-1 M.T.E. motor and mounting bolts.

11/79

Fig. 8
 PARTS LIST FOR VACUUM FAN
 HYDRAULIC MOTOR. TENNANT NO. 53733*
 BARNES NO. GC-5946-BA-4-DA

Barnes Part No.	Description	Qty.
GC-5901-C	STATOR	1
GC-5946-D	HOUSING, Gear	1
GC-4506-D-7	GEAR	2
GC-5391-D	SHAFT, Drive	1
GC-1430-D-4	SHAFT, idler	1
GC-895	KEY, Square	1
PA-7276	SEAL, Oil	1
GC-4685	BEARING, Needle	5
GC-3562	PIN, Drive	1
GC-1525	PLUG	1
GC-4850-14-8	PIN, Dowel	2
GC-3590-16	SCREW (1/4" - 20 x 2")	4
GC-3590-14	SCREW (1/4" - 20 x 1-3/4")	4
GC-1448	RING, Snap	2
GC-219	RING, Snap	2
GC-1050	NAMEPLATE	1
PA-9389	FASTENER	2
GC-2733-B	GASKET	1
PA-7510-B	KEY, #213 Woodruff	1
PA-7104-4	CAP	1
GC-2150-A	SPRING & BALL ASSEMBLY	1
PA-7116	GASKET	1
GC-1458	PLUG	1
PA-7511	PLUG	1

*This motor is included in Vacuum Fan Motor Kit #53923.

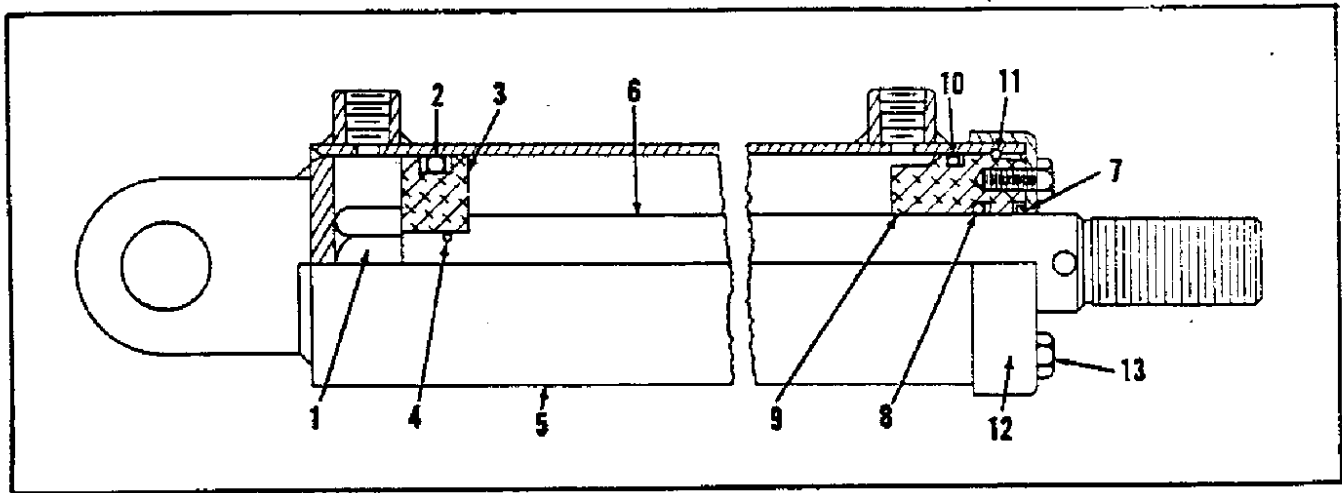


FIG. 9
CYLINDER NO. 53477, 48982 & 48981 (Green Mfg. Inc.)

Ref. No.	Green Part Numbers			Description	Qty.
	Cyl. No. 53477	Cyl. No. 48982	Cyl. No. 48981		
1	962	962	113	NUT, Lock	1
2	805-1	810-2	884-UP(2)	*O-RING & BACK-UP ASSEMBLY, Piston	1
3	C-3955	1260	C-3018-A	PISTON	1
4	809-0	809-0	802-0	*O-RING	1
5	C-4212	C-4671	C-4591	BARREL, Cylinder	1
6	R-1159-2	R-1286	R-1265	ROD, Piston	1
7	C-3891	817	RW-936	*WIPER, Piston rod	1
8	844-1	807-1	884-UR	*O-RING & BACK-UP ASSEMBLY (Cyl. Head on rod)	1
9	C-3961	C-3970	C-4540	SLEEVE, Cyl. Head	1
10	808-1	810-1	814-1	*O-RING & BACK-UP ASSEMBLY, Cyl. Head	1
11	635	922	965	WIRE, Lock	1
12	1781	1619	1435-1	CAP	2
13	925	512	925	SCREW, Cap	1
	SK1522	SK1869	SK1805	SEAL KIT	1

*Included in Seal Kit

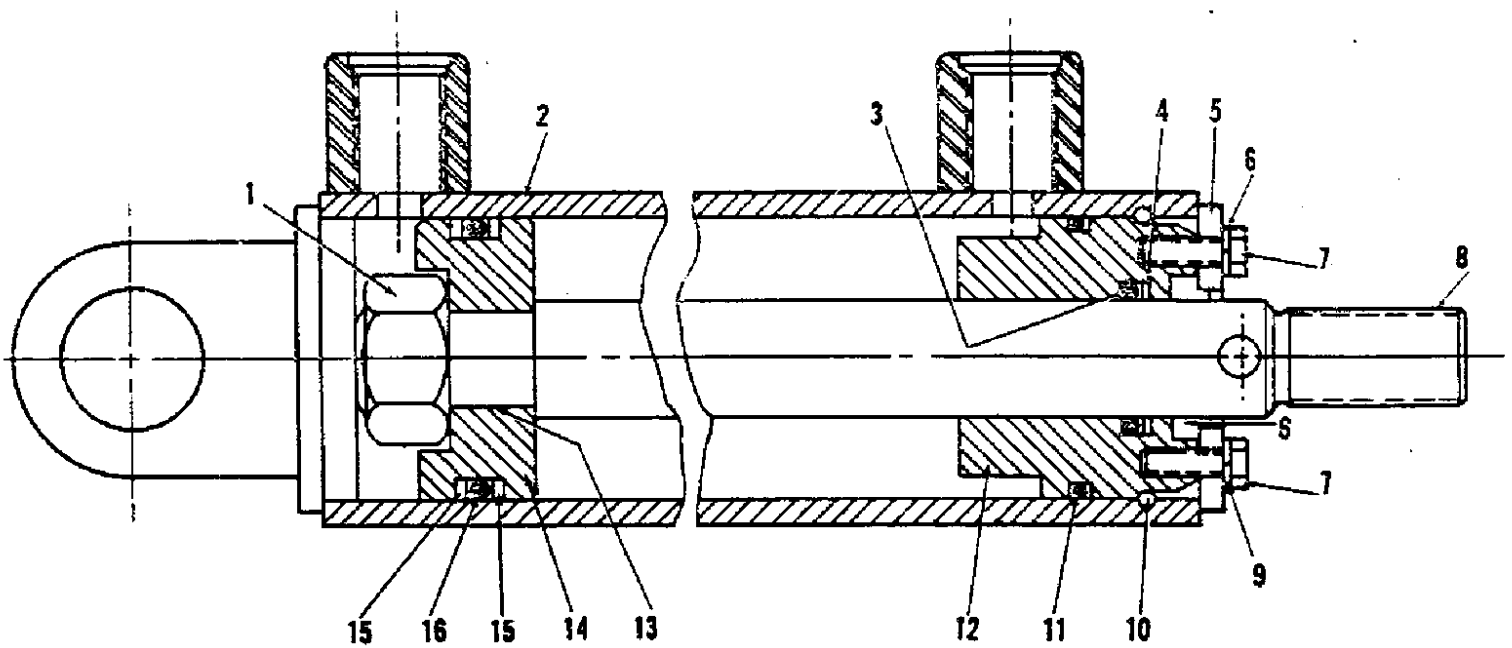


FIG. 10
 TENNANT HOPPER LIFT CYLINDER #69330-5

Ref. No.	TENNANT Part No.	Description	Qty.
1		NUT, 3/4"-16	1
2	69331-5	TUBE	1
3	69365	O-Ring	1
4	69361-3	RING, Back-up	1
5	69364-3	CAP	1
6		WASHER, Springlock	2
7		BOLT (1/4"-20 x 5/8"	2
8	69336-5	STUD	1
9	69363-3	WIPER	1
10	69339	RETAINER	1
11	69365-2	O-Ring	1
12	69338	SLEEVE	1
13	01409	LOCTITE	1
14	69337	PISTON	1
15	69362-3	RING, Back-up	2
16	69365-1	O-RING	1

Note: Seal Kit is SK1573 (Includes instructions)

11/79

TENNANT COMPANY, TENNANT COMPANY SUBSIDIARIES, AND MAJOR PARTS AND SERVICE LOCATIONS DIRECTORY

LOCATION	PHONE	TELEX
NORTH AMERICA		
U.S.A.		
CALIFORNIA		
Los Angeles Parts and Service Center 1080 N. Kraemer Place P. O. Box 66066 Anaheim, CA 92806	(714) 630-0800	183-014
GEORGIA		
Atlanta Parts and Service Center 5805 Peachtree Corners E. Rd. Norcross, GA 30092	(404) 447-1500	70-7415
Toll free in - FL, MS, AL, TN, KY, NC, SC	(800) 241-8964	
ILLINOIS		
Chicago Parts and Service Center 2670 United Lane P. O. Box 725 Elk Grove Village, IL 60007	(312) 595-1770	726-368
MICHIGAN		
Detroit Parts and Service Center 5601 Enterprise Dr. P. O. Box 927 Warren, MI 48090	(313) 573-6600	23-5627
MINNESOTA		
Tennant Company, World Headquarters Minneapolis Factory Customer Services 701 N. Lilac Dr. Minneapolis, MN 55422	(612) 540-1315	29-0451
Mailing Address: P. O. Box 1452 Minneapolis, MN 55440		
PENNSYLVANIA		
Philadelphia Parts and Service Center 855 Bethel Avenue P. O. Box G Pennsauken, NJ 08110	(609) 665-2231	834-430
TEXAS		
Dallas/Ft. Worth Parts and Service Center 1025 Santerre Drive Grand Prairie, TX 75050	(214) 647-0801	-
Mailing Address: P. O. Box 5584 Arlington, TX 76011		
CANADA		
ONTARIO		
Toronto Parts and Service Center 7575 Kimbel St., Unit 1, Mississauga Ontario, Canada L5S 1C8	(416) 677-8070	06-983504
SOUTH AMERICA		
BRAZIL		
Equipamentos Tennant Limitada Av. Dona Ruyce Ferraz Alvim, 2056 Caixa Postal 226 Diadema - SP - Brazil CEP 09900	456-2655	Cable TENBRACO

(continued on following page)

**TENNANT COMPANY, TENNANT COMPANY SUBSIDIARIES, AND
MAJOR PARTS AND SERVICE LOCATIONS DIRECTORY (CONTINUED)**

LOCATION	PHONE	TELEX
ASIA		
JAPAN Fuji-Tennant, Ltd. Shinjuku Building 8-1, Nishi-Shinjuku, 1-chome Shinjuku-ku, Tokyo, Japan	342-8681	781-232-2268 RCA ATTN: Fuji-Tennant
AUSTRALIA		
AUSTRALIA Tennant Australia 55 Salisbury Road Hornsby, New South Wales 2077 Australia	476-5893	AA27393
EUROPE		
NETHERLANDS Tennant N.V. Industrielaan 6 5400 AA Uden, N.B., Netherlands	(4132) 63955	844 50079
UNITED KINGDOM Tennant Maintenance Systems, Ltd. Pool Road East Molesey Surrey KT 8 ONH United Kingdom	941-5585	8953787
WEST GERMANY Tennant N.V. Zweigniederlassung Remscheid Walter Freitagstr. 39 5630 Remscheid 12 West Germany	02191-53087	08 513 478 TENV D.

This is a listing of *major* Tennant Company parts and service centers. Parts and service are also available at many other Tennant Company centers or distributors located around the world. To determine your nearest Tennant Company representative, phone or write the Tennant Company World Headquarters.



TENNANT COMPANY WORLD HEADQUARTERS, MINNEAPOLIS, MN 55440 U.S.A.

Home	Find...	Go To..		
------	---------	---------	--	--