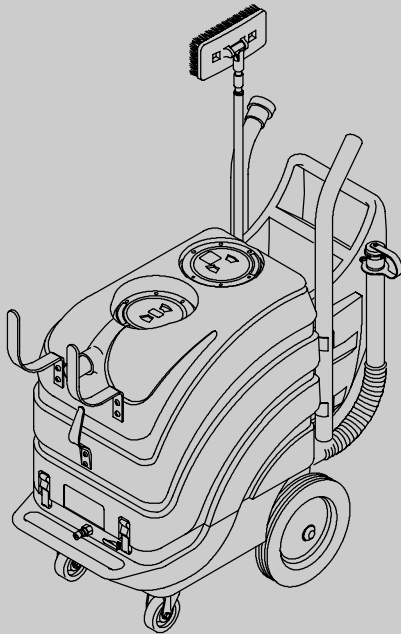




750

All Surface Cleaner
Limpiador universal de superficies
Décapant universel des surfaces

Operator and Parts Manual
Manual De Operador
Y Lista De Repuestos
Opérateur Manuel et
Liste Des Pièces



Model Part No.:
609668 - 120V
609800 - 120V CSA SI
613770 - 220V/60Hz
613627 - 230V/50Hz EMC



OPERATION

This manual is furnished with each new model. It provides necessary operation and maintenance instructions and an illustrated parts list.

Read this manual completely and understand the machine before operating or servicing it.

When ordering replacement parts, use the illustrated parts lists section in this manual. Before ordering parts or supplies, be sure to have your machine model number and serial number available. Parts and supplies may be ordered by phone or mail from any authorized parts and service center, distributor or from any of the manufacturer's subsidiaries.

This machine will provide excellent service. However, the best results will be obtained at minimum costs if:

- The machine is operated with reasonable care.
- The machine is maintained regularly - per the machine maintenance instructions provided.
- The machine is maintained with manufacturer supplied or equivalent parts.

MACHINE DATA

Please fill out at time of installation for future reference.

Model No.- _____

Install. Date - _____

Serial No.- _____



PROTECT THE ENVIRONMENT

Please dispose of packaging materials, old machine components such as batteries, hazardous fluids such as antifreeze and oil, in a safe environmentally way according to your local waste disposal regulations.



Always remember to recycle.

Tennant Company

PO Box 1452

Minneapolis, MN 55440

Phone: (800) 553-8033 or (763) 513-2850

www.tennantco.com

Specifications and parts are subject to change without notice.

Copyright ©2000, 2005, 2006, 2007 Tennant Company. All rights reserved.
Printed in U.S.A.

TABLE OF CONTENTS	(ESPAÑOL....23)	(FRANÇAIS....46)	
SAFETY PRECAUTIONS	4	STORING MACHINE	19
GROUNDING INSTRUCTIONS	5	STORING MACHINE IN FREEZING	
SAFETY LABELS	6	TEMPERATURES	19
MACHINE COMPONENTS	7	RECOMMENDED STOCK ITEMS	19
UNPACKING MACHINE	8	TROUBLE SHOOTING	20
CARTON CONTENTS:	8	SPECIFICATIONS	21
PREPARING MACHINE FOR CLEANING		MACHINE DIMENSIONS	22
APPLICATION	8	ELECTRICAL DIAGRAMS	70
INSTALLING LIQUID CLEANING AGENT		PARTS LIST	72
(FORMULA 710) CONTAINER	8	UPPER HOUSING GROUP	72
FILLING SOLUTION TANK	9	LOWER HOUSING GROUP	74
CONNECTING POWER CORD TO WALL		HANDLE GROUP	76
OUTLET	9	PLUMBING GROUP	78
CLEANING APPLICATION	10	SOLUTION PUMP GROUP	80
A: PREPARING AREA	10	TELESCOPING BRUSH	82
B: APPLYING CLEANING AGENT		VACUUM AND BLOWER HOSES	82
(FORMULA 710)	11	WAND/HOSE TOOL ACCESSORY KIT	82
C: RINSING AREA	12	SPRAY GUN AND SOLUTION HOSE	83
D: BLOW DRYING AND SQUEEGEEING ...	13	GLASS SQUEEGEE	83
DRAINING TANKS	14	FORMULA	83
DRAINING RECOVERY TANK	15	SOLUTION TANK FILL HOSE	83
ELEVATED DRAINING	15	OPTIONS	84
EMPTYING SOLUTION TANK	15	WAND GROUP, HIGH PRESSURE	
OTHER CLEANING USES WITH MACHINE ...	16	13 in / 330 mm	84
BLOWER HOSE CLEANING	16		
CARPET CLEANING (OPTION)	16		
MACHINE MAINTENANCE	17		
HOUR METER	17		
DAILY MAINTENANCE	17		
MONTHLY MAINTENANCE	18		
QUARTERLY MAINTENANCE	19		
ACCESSING INTERNAL COMPONENTS ..	19		


OPERATION

SAFETY PRECAUTIONS

This machine is intended for commercial use. It is designed exclusively to clean water-resistant surfaces in an indoor environment and is not constructed for any other use. Do not use machine for dry pick-up. Use only recommended cleaning formulas and accessory tools.

All operators must read, understand and practice the following safety precautions.

The following warning alert symbol and the "FOR SAFETY" heading are used throughout this manual as indicated in their description:

 **WARNING:** To warn of hazards or unsafe practices which could result in severe personal injury or death.

FOR SAFETY: To identify actions which must be followed for safe operation of equipment.

Failure to follow these warnings may result in personal injury, electrical shock, fire or explosion.

 **WARNING:** Fire Or Explosion Hazard:

- **Never Use Flammable Liquids Or Operate Machine in Or Near Flammable Liquids, Vapors Or Combustible Dusts.**


This machine is not equipped with explosion proof motors. The electric motors will spark upon start up and during operation which could cause a flash fire or explosion if machine is used in an area where flammable vapors/liquids or combustible dusts are present.

- **Do Not Pick Up Flammable Materials Or Reactive Metals.**

 **WARNING:** Electrical Hazard. Do Not Operate With Damaged Power Cord. Do Not Modify Plug. Unplug power Cord Before Servicing Machine.

If the supply cord is damaged or broken, it must be replaced by the manufacturer or it's service agent or a similarly qualified person in order to avoid a hazard.

 **WARNING:** Electrical Shock Hazard. Do Not Use Outdoors. Do Not Expose to Rain. Store Indoors.

 **WARNING:** The Ground Fault Circuit Interrupter (GFCI) does not protect user against electrical shock due to contact with both circuit conductors or a fault in any wiring supplying this device. Do not use extension cord between GFCI and power outlet.

The following information signals potentially dangerous conditions to the operator or equipment:

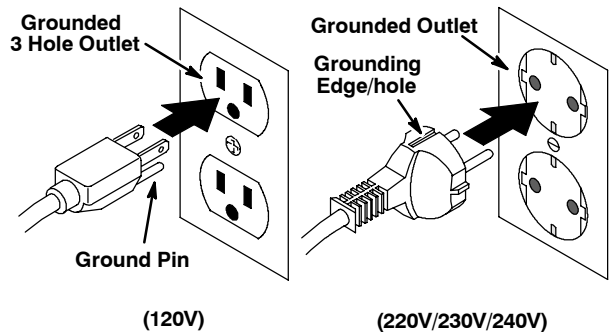
FOR SAFETY:

1. **Do not operate machine:**
 - With flammable liquids or near flammable vapors as an explosion or flash fire may occur.
 - Unless trained and authorized.
 - Unless operator manual is read and understood.
 - Unless safety goggles are worn.
 - Unless cord is properly grounded.
 - With damaged cord or plug.
 - If not in proper operating condition.
 - In outdoor areas.
 - In standing water.
 - With the use of an extension cord.
2. **Before operating machine:**
 - Make sure all safety devices are in place and operate properly.
 - Place wet floor signs as needed.
3. **When using machine:**
 - Do not pull machine by plug or cord.
 - Do not pull cord around sharp edges or corners.
 - Do not close doors on cord.
 - Do not unplug by pulling on cord.
 - Do not stretch cord.
 - Do not handle plug with wet hands.
 - Follow mixing, handling, and disposal instructions provided on chemical container instructions and MSDS sheets.
 - Never point spray gun at a person's face.
 - Do not spray solution into electrical outlets, switches, fuse boxes or on electrical appliances.

- Keep cord away from heated surfaces.
 - Wear non-slip shoes.
 - Report machine damage or faulty operation immediately.
 - Never allow children to play on or around.
4. Before leaving or servicing machine:
 - Turn off machine.
 - Unplug cord from wall outlet.
 5. When servicing machine:
 - Unplug cord from wall outlet.
 - Avoid moving parts. Do not wear loose jackets, shirts, or sleeves.
 - Use manufacturer supplied or approved replacement parts.
 - All repairs must be performed by a qualified service person.
 - Do not modify the machine from its original design.
 6. When transporting machine:
 - Turn machine off.
 - Get assistance when lifting machine.
 - Unplug cord from wall outlet.
 - Use a recommended ramp when loading/unloading on/off truck or trailer.
 - Use tie-down straps to secure machine to truck or trailer.

GROUNDING INSTRUCTIONS

Machine must be grounded. If it should malfunction or breakdown, grounding provides a path of least resistance for electrical current to reduce the risk of electrical shock. This machine is equipped with a cord having an equipment-grounding conductor and grounding plug. The plug must be plugged into an appropriate outlet that is properly installed in accordance with all local codes and ordinances. Do not remove ground pin; if missing, replace plug before use.



OPERATION

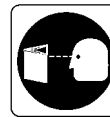
SAFETY LABELS

The safety labels appear on the machine in the locations indicated. Replace labels if they are missing or become damaged or illegible.



FOR SAFETY LABEL
- Located on recovery tank lid.

FOR SAFETY: Do not operate machine unless safety goggles are worn.



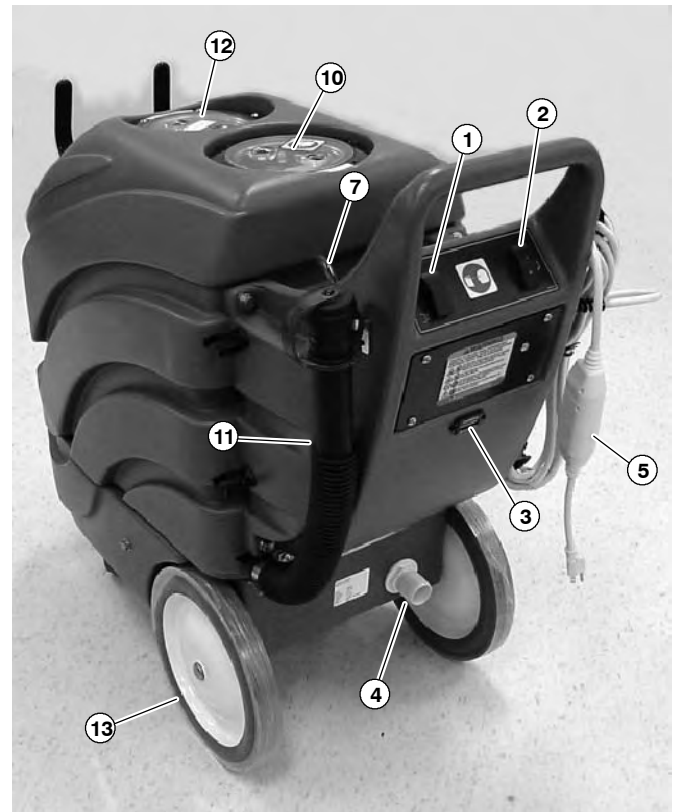
FOR SAFETY LABEL
- Located on dash panel.

FOR SAFETY: Do not operate machine unless operator manual is read and understood.

WARNING LABEL - LOCATED ON REAR PANEL OF HANDLE.



MACHINE COMPONENTS



- | | |
|--|---|
| <ul style="list-style-type: none"> 1. Vacuum/Blower ON/OFF Switch 2. Pump ON/OFF Switch 3. Hour Meter 4. Blower Hose Connector 5. Power Cord equipped with Ground Fault Circuit Interrupter Device (120V) 6. Accessory Tools/Cleaning Formula Compartment 7. Formula Injector Hose 8. Two Piece Double Bend Wand 9. Floor Brush 10. Recovery Tank 11. Recovery Tank Drain Hose 12. Solution Tank 13. 12 in / 305 mm Stair Climbing Wheels 14. Vacuum Hose Storage Hooks 15. Vacuum Hose Connector | <ul style="list-style-type: none"> 16. Spray Gun Storage Hook 17. Solution Hose Coupler 18. Cleaning Formula ON/OFF Lever 19. Internal Component Access Latches 20. Solution Tank Fill Hose 21. 25 ft / 7.6 m Vacuum Hose (Black) 22. 6 ft / 1.8 m Expandable Blower Hose (Gray) 23. Blower Hose Nozzle 24. Spray Gun and Solution Hose 25. 14 in / 356 mm Squeegee Floor Tool Attachment 26. 12 in / 305 mm Glass Squeegee Hand Tool 27. Gulper Tool Vacuum Hose Attachment 28. Formula 710 Cleaner (sample) 29. Formula 720 Rinse (sample) 30. Grease Gun for Pump |
|--|---|

OPERATION

UNPACKING MACHINE

Carefully check carton for signs of damage. Report damages to carrier immediately.

Check Carton Contents to ensure carton is complete. Contact distributor for missing items.

Carton Contents:

- Machine
- Black Vacuum Hose (#610683)
- Gray Blower Hose (#1010410)
- Two Piece Double Bend Wand (#1010457)
- (14 in) Squeegee Tool Attachment (#609648)
- (12 in) Glass Squeegee Hand Tool (#609641)
- (5 in) Gulper Tool (#609645)
- Blower Nozzle (#609644)
- Fill Hose (#609983)
- Spray Gun, Spray Nozzle and Solution Hose (#610845)
- Floor Brush Attachment (#609650)
- Telescoping Wand for Floor Brush (#610731)
- ~~One Gallon of Formula 710 Acid Cleaner~~
- ~~Two Quarts of Formula 720 Multi Surface Rinse~~
- 3 Metering Tips (bagged separately) (#609757)
- Injector Tube Cap (Installed on blue tube)
- Grease Gun for Pump (#190022)

PREPARING MACHINE FOR CLEANING APPLICATION

INSTALLING LIQUID CLEANING AGENT (~~FORMULA 710~~) CONTAINER

~~Each new machine is equipped with a one gallon (3.8 L) sample of Formula 710 Multi Surface Acid Cleaner. It is designed for use in this machine, and is specifically formulated to clean soap scum, hard water scale, and soils typically found in restrooms, showers, swimming pool areas, etc. Use only on water resistant surfaces. To order additional Formula 710, contact your supplier. DISCONTINUED~~

ATTENTION: Use of unapproved or inappropriate chemicals may cause damage to machine and surfaces and could void your warranty

FOR SAFETY: When using machine, follow mixing, handling, and disposal instructions provided on chemical container instructions and MSDS sheets.

1. Remove cap from the blue injector tube. Do not misplace cap (Figure 1). Use cap to prevent injector tube from clogging when machine is not in use.



FIG. 1

2. Select the desired metering tip (Tips supplied with machine) and thread tip into blue injection tube on machine (Figure 2). Dispensing rates shown are for Formula 710. Substitute chemicals may have different dispensing rates. An orange tip is factory installed.

Orange Tip = 2 oz per gallon (15ml / L)
for light cleaning

Red Tip = 4 oz per gallon (30ml / L)
for medium cleaning

Blue Tip = 6 oz per gallon (44ml / L)
for heavy cleaning.



FIG. 2

3. Place the cleaning agent container into the accessory tools/cleaning formula compartment. Remove cap from container and attach blue injector tube cap. Push blue tube to bottom of container (Figure 3).



FIG. 3

ATTENTION: Do not add cleaning chemicals (Formula 710) to the solution tank.

FILLING SOLUTION TANK

~~Each new machine is equipped with two sample quarts (1.9 L) of Formula 720 Multi-Surface Rinse. The rinse formula should be added to the solution tank before operation. Formula 720 is intended to be used for rinsing surfaces after cleaning to reduce water spotting and speed drying. To order additional Formula 720, contact your supplier. DISCONTINUED~~

ATTENTION: Use of unapproved or inappropriate chemicals may cause damage to machine and surfaces and could void your warranty

FOR SAFETY: When using machine, follow mixing, handling, and disposal instructions provided on chemical container instructions and MSDS sheets.

1. Remove front solution tank lid from machine. Add Formula 720 Rinse or approved substitute to the tank as per dilution instructions on bottle (Figure 4).



FIG. 4

2. Connect fill-hose (supplied with machine) to water faucet and fill tank with 15 gallons (56 L) of clean water (Figure 5). If using hot water, do not exceed 140° F / 60° C.

⚠ WARNING: Fire or Explosion Hazard. Never Use Flammable Liquids Or Operate Machine In Or Near Flammable Liquids, Vapors Or Combustible Dusts.



FIG. 5

3. Replace solution tank lid after filling.

CONNECTING POWER CORD TO WALL OUTLET

1. Connect power cord into a grounded wall outlet (Figure 6). Use a wall outlet outside the area to be cleaned.

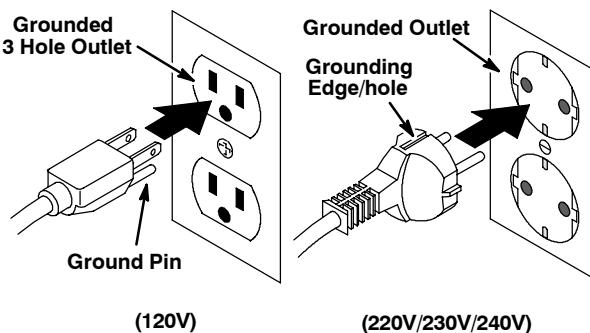


FIG. 6

FOR SAFETY: Do not operate machine unless cord is properly grounded.

FOR SAFETY: Do not operate machine with the use of an extension cord .

2. The power cord is equipped with a Ground Fault Circuit Interrupter device (Figure 7). The GFCI protects the user against electrical shock (120V Models Only).

Test GFCI device before each use.

- a. Verify that the indicator is red.
- b. Press test button, red indicator should disappear.
- c. Press reset button. If test fails, do not use machine. Call an authorized service representative for assistance.

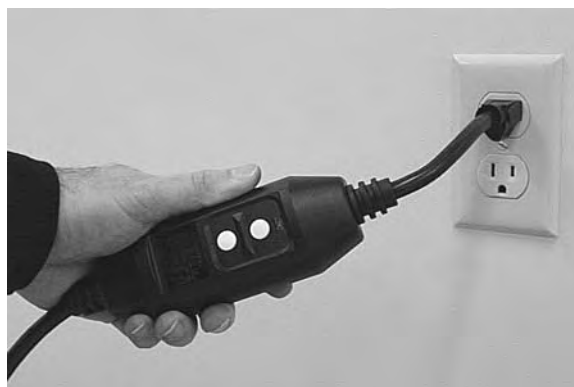


FIG. 7

⚠ WARNING: The Ground Fault Circuit Interrupter (GFCI) does not protect user against electrical shock due to contact with both circuit conductors or a fault in any wiring supplying this device. Do not use extension cord between GFCI and power outlet.

OPERATION

⚠ WARNING: Electrical Hazard. Do Not Operate With Damaged Power Cord. Do Not Modify Plug. Unplug power Cord Before Servicing Machine.

If the supply cord is damaged or broken, it must be replaced by the manufacturer or it's service agent or a similarly qualified person in order to avoid a hazard.

CLEANING APPLICATION

FOR SAFETY: Do not operate machine unless operator manual is read and understood.

ATTENTION: The machine is designed to clean water-resistant surfaces only; such as concrete, ceramic tile, quarry tile, glass, sinks, urinals, toilets, restroom partitions, showers, pipes, mirrors and other areas subject to soap, mineral deposits and daily soils.

Cleaning Application is not recommended on painted plaster board/dry wall and wall papered surfaces.

Contact your local distributor for recommended cleaning agents for cleaning kitchens, stair wells, windows, etc.

ATTENTION: Floors should be sealed to prevent water seepage. Inspect all grout lines, seams, corners, etc. for cracks. Repair as needed. We are not responsible for any water damage.

Safety goggles, protective gloves and protective clothing (not supplied) are required while cleaning. Safety goggles must be designed to protect eyes from liquid splash (Figure 8).

FOR SAFETY: Do not operate machine, unless safety goggles are worn.



FIG. 8

A: PREPARING AREA

1. Sweep area of debris.
2. Remove trash containers from room.
3. Remove exposed paper products from room.
4. Dust clean overhead fixtures and vents. Machine is designed for dust cleaning (See OTHER CLEANING USES WITH MACHINE).
5. Flush all fixtures in restrooms and keep lids open on toilets.
6. Protect all electrical outlets, switches, fuse boxes, and connective devices with waterproof shields.
7. Cover any exposed item that you do not want to get wet.
8. Position machine in doorway to block access to area.
9. Use a door stop to prevent hose damage. Do not close doors on hoses.

FOR SAFETY: Before operating machine, place "WET FLOOR" signs as needed.

B: APPLYING CLEANING AGENT (FORMULA 710)

1. If area is not equipped with a floor drain, connect black recovery hose at front of machine, attach gulper tool and place tool where water may puddle when operating (Figure 9).



FIG. 9

- Connect spray gun to solution hose then connect hose to coupler at front of machine (Figure 10).



FIG. 10

- Turn the FORMULA ON/OFF lever to the ON position, located at front of machine (Figure 11).



FIG. 11

NOTE: To operate spray gun at LOW PRESSURE without the use of Formula cleaner, turn FORMULA ON/OFF lever to the OFF position.

- Adjust gun to low pressure by pushing spray nozzle outward. Turn spray nozzle counter-clockwise for fan spray pattern (Figure 12).



FIG. 12

- Activate pump switch. Press vacuum/blower switch towards vacuum symbol if using gulper tool (Figure 13).

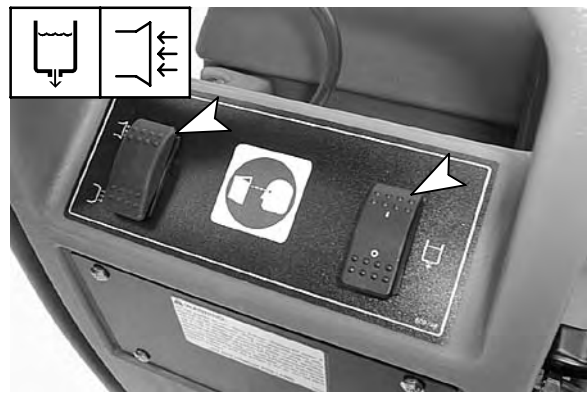


FIG. 13

- Starting at the furthest point in room, begin spraying entire area from bottom to top working towards machine. The cleaning agent (Formula 710) may take up to 5 seconds before it starts to inject. After spraying entire area, turn machine off and allow cleaner to work for 5-10 minutes (Figure 14).



FIG. 14

NOTE: It may take pump 5-10 seconds to prime. Nozzle must be set at low pressure in order for pump to prime.

FOR SAFETY: When using machine, do not spray solution into electrical outlets, switches, fuse boxes or on electrical appliances.

NOTE: After applying cleaner, turn the FORMULA ON/OFF lever to the OFF position and rinse gun of cleaning formula.

OPERATION

7. While the cleaning solution is working, use the brush tool to scrub corners, cove base and heavily soiled areas (Figure 15).



FIG. 15

3. Begin rinsing entire area from top to bottom. Turn spray nozzle clockwise to pin-point grout lines, heavily soiled and hard to reach areas (Figure 18).

NOTE: Operating the gun at high pressure will automatically stop injecting cleaning agent.



FIG. 18

C: RINSING AREA

FOR SAFETY: Do not operate machine unless safety goggles are worn.

NOTE: Use gulper tool if area is not equipped with a floor drain.

1. Adjust spray gun to high pressure by pulling spray nozzle inward (Figure 16).



FIG. 16

2. Activate pump switch. If using gulper tool, press vacuum/blower switch towards vacuum symbol (Figure 17).

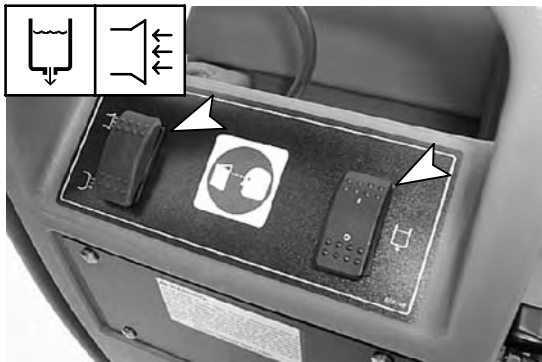


FIG. 17

FOR SAFETY: When using machine, do not spray solution into electrical outlets, switches, fuse boxes or on electrical appliances.

FOR SAFETY: When using machine, never point spray gun at a person's face.

4. To operate spray gun at low pressure without dispensing cleaning agent, turn FORMULA ON/OFF lever to the OFF position (Figure 19).



FIG. 19

5. If solution tank runs dry while operating, you must operate spray gun at low pressure to reprime pump. DO NOT OPERATE PUMP DRY.
6. After thoroughly rinsing entire area, shut machine off. Wipe off solution hose and return gun to storage hook.

ATTENTION: Relieve water pressure from spray gun before disconnecting hose.

D: BLOW DRYING AND SQUEEGEEING

NOTE: Use of Formula 720 Rinse will help reduce the need and time required for blow drying surfaces.

- Using glass squeegee tool (supplied with machine) squeegee mirrors if applicable (Figure 20).



FIG. 20

- Unwrap gray blower hose from machine handle and connect hose at rear of machine, attach blower nozzle to hose (Figure 21).

ATTENTION: Do not use black recovery hose when blow drying. Contaminates will be blown into the air.



FIG. 21

- Press vacuum/blower switch towards blower symbol to activate blower (Figure 22).



FIG. 22

- Begin blow drying surfaces from top to bottom, pushing rinse solution to floor. When finished, shut off blower, wipe off hose and replace it on machine (Figure 23).



FIG. 23

- Assemble the double-bend wand, attach squeegee tool and connect wand to black recovery hose. Connect black recovery hose at front of machine (Figure 24).



FIG. 24

- Press vacuum/blower switch towards vacuum symbol (Figure 25).



FIG. 25

OPERATION

7. Start at doorway and extract entire area with floor squeegee. Operator should always be standing on a dry surface when operating floor wand (Figure 26).



FIG. 26

⚠ WARNING: Fire Or Explosion Hazard. Do Not Pick Up Flammable Materials Or Reactive Metals.

8. While cleaning, periodically check for excessive foam in recovery tank. Pour a recommended foam control solution into the recovery tank if excessive foam appears. This will prevent vacuum motor damage (Figure 27).



FIG. 27

ATTENTION: Excessive foam buildup will not activate the float shut-off screen.

9. If squeegee begins to trail water while operating, recovery tank must be drained (See DRAINING TANKS).
10. When finished cleaning, turn machine off and wipe off blower and vacuum hoses. Store hoses on machine.
11. Push machine to drain sit and empty recovery tank.

NOTE: After cleaning one area, it is best to empty the recovery tank before proceeding to the next area to be cleaned.

DRAINING TANKS

When finished cleaning, the recovery tank should be drained and cleaned. If you have left-over rinse solution, it can remain in solution tank for next use. Drain solution tank when storing machine for extended periods or when transporting machine.

⚠ WARNING: Electrical Hazard. Unplug Power Cord Before Servicing Machine.

DRAINING RECOVERY TANK

Recovery tank must be emptied prior to refilling solution tank.

1. Turn machine off, unplug power cord and push machine to drain site.
2. Remove drain hose from holder. Turn drain hose cap counter-clockwise. Keep hose above water level when removing plug (Figure 28).



FIG. 28

3. Rinse out recovery tank after each use to prevent foul odor. Be careful not to spray water into float shut-off screen.
4. Replace drain hose plug tightly after draining.

ELEVATED DRAINING

Use the convenient pump-out procedure if drain site exceeds 13 inches / 33 cm in height.

1. Attach gray blower hose to blower hose connector and to vacuum hose connector (Figure 29).

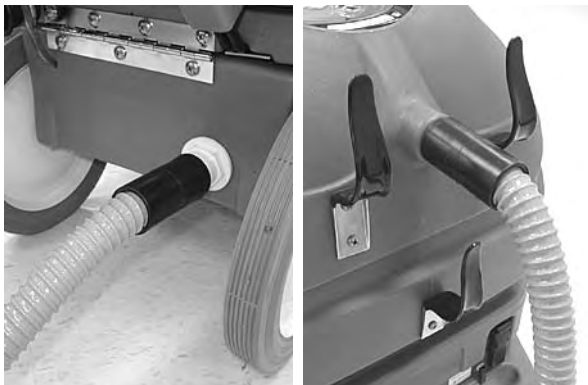


FIG. 29

ATTENTION: Make sure recovery tank lid is secure before activating blower.

2. Remove drain hose knob, direct hose into elevated drain site and activate blower (Figure 30).



FIG. 30

EMPTYING SOLUTION TANK

1. Connect black recovery hose at front of machine and remove solution tank lid.
2. Press vacuum/blower switch towards vacuum symbol.
3. Extract remaining rinse solution from solution tank and flush tank with clean water (Figure 31).



FIG. 31

4. Turn off machine, unplug power cord and drain recovery tank.

OTHER CLEANING USES WITH MACHINE

BLOWER HOSE CLEANING

Use gray blower hose to blow out debris from hard to reach areas and to remove dust and cobwebs from overhead fixtures and vents (Figure 32).

ATTENTION: Do not use machine for dry pick-up.



FIG. 32

CARPET CLEANING (OPTION)

Machine can be used to clean carpet with the use of an optional carpet cleaning floor tool (See OPTIONS).

1. Connect fill-hose (supplied with machine) to water faucet and fill tank with 15 gallons / 57 L of hot water, 140° F / 60° C maximum temperature.

DO NOT ADD CLEANING AGENTS TO SOLUTION TANK, certain cleaning agents may damage pump. Use a pump-up sprayer to apply the cleaning agent mix to the carpet.

OPERATION

⚠ WARNING: Fire Or Explosion Hazard. Never Use Flammable Liquids Or Operate Machine In Or Near Flammable Liquids, Vapors Or Combustible Dusts.

2. Use the equipped vacuum and solution hoses and connect them to floor tool and then to front of machine (Figure 33).



FIG. 33

3. Turn the FORMULA ON/OFF lever to the OFF position, located at front of machine (Figure 34).



FIG. 34

4. Activate pump switch and press vacuum/blower switch towards vacuum symbol (Figure 35).

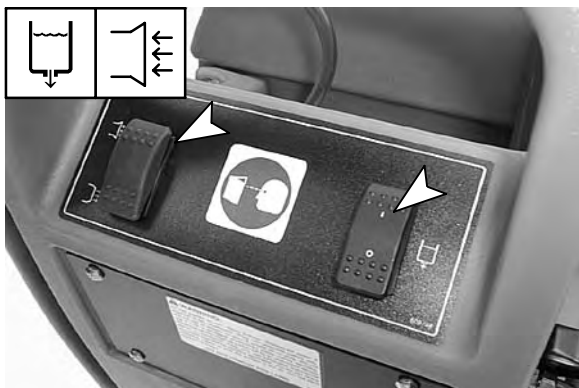


FIG. 35

5. Operate floor tool as normal (Figure 36).

⚠ WARNING: Fire Or Explosion Hazard. Do Not Pick Up Flammable Materials Or Reactive Metals.



FIG. 36

6. After cleaning, relieve water pressure from tool before disconnecting hose. Squeeze trigger for five seconds after turning switches off.
7. Perform recommended maintenance procedures (See MACHINE MAINTENANCE).

MACHINE MAINTENANCE

To keep machine in good working condition, follow machine's daily, monthly and quarterly maintenance procedures.

⚠ WARNING: Electrical Hazard. Unplug Power Cord Before Servicing Machine.

ATTENTION: Machine repairs must be performed by authorized personnel only.

HOUR METER

Each machine is equipped with an hour meter to record total hours of pump use. Use meter to determine when to perform recommended maintenance procedures and to record service history (Figure 37).



FIG. 37

DAILY MAINTENANCE (After Every Use)

1. Clean metering tip and flush blue injector tube as described below:
 - a. Fill solution tank with 3 gallons / 11 L of clean water.
 - b. Remove metering tip from injector tube and clean tip. Do not use pointed objects such as pins and paper clips to unplug tips (Figure 38).

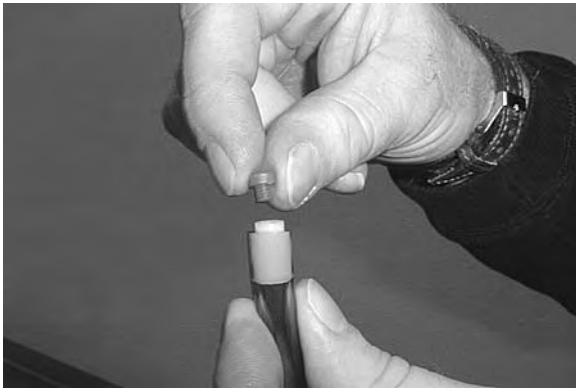


FIG. 38

- c. Submerge end of injector tube into a gallon container of clean water (Figure 39).



FIG. 39

- d. Adjust spray gun to low pressure by pushing spray nozzle outward.
 - e. Turn the FORMULA ON/OFF lever to the ON position, located at front of machine.
 - f. Turn pump switch on and operate spray gun for approximately one minute.
 - g. Place cap on injector hose after flushing.
2. Drain and rinse recovery tank thoroughly (Figure 40).



FIG. 40

3. Remove the float shut-off screen from recovery tank cover and clean (Figure 41).



FIG. 41

4. Empty any leftover water from solution tank if storing machine for an extended period or if transporting machine (See DRAINING TANKS).
5. Wipe clean all accessories and replace on machine. Inspect vacuum hoses for holes and loose cuffs.
6. Inspect condition of squeegee blades, replace if necessary.
7. Wipe clean power cord and check for damage. Replace if necessary. Coil cord neatly after use.

OPERATION

8. Clean machine with an all purpose cleaner and damp cloth (Figure 42).



FIG. 42

9. Inspect spray gun pattern. Clean or replace orifice if spray pattern will not pin-point. Use a 5/64" Allen wrench to remove orifice (Figure 43).

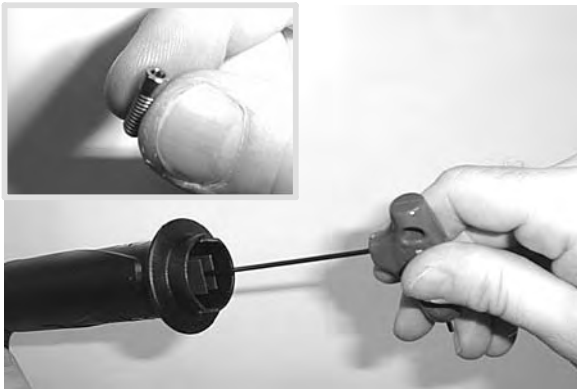


FIG. 43

4. Every 40 hours of use, pump must be greased. Refer to hour meter. Each new machine is equipped with a grease gun (#190022).
 - a. Open machine to access pump (See ACCESSING INTERNAL COMPONENTS).
 - b. Remove safety cover from pump by pinching tabs and pulling outward.
 - c. Insert grease gun nozzle onto pump's grease fitting (Figure 44).
 - d. Slowly push plunger completely down one to two times. Do not over grease pump, seals may damage.

ATTENTION: Do not use air powered or hand lever grease guns, pump damage may result.

- e. Apply a generous dab of grease to outer diameter of cam bearing at top and bottom where bearing contacts connecting rod.
- f. Check pump periodically and remove any excess grease from pump cavity.



FIG. 44

MONTHLY MAINTENANCE (Every 80 Hours Of Use)

1. Flush solution system with an acetic acid solution to dissolve normal alkaline chemical buildup.
 - a. Premix 16 oz / .5 L of an acetic acid solution with 2 gallons / 7.5 L of hot water, 140° F / 60° C maximum, and pour into solution tank.

FOR SAFETY: When using machine, follow mixing and handling instructions on chemical containers.

- b. Turn off pump switch.
 - c. Over a floor drain operate spray gun for one minute.
 - d. Shut off machine and allow remaining solution to break down alkaline buildup overnight.
 - e. Next day, spray out remaining solution and flush system with 3 gallons / 11 L of clean water.
2. Lubricate wheels and casters with a water resistant oil.
 3. Inspect machine for water leaks and loose hardware.

QUARTERLY MAINTENANCE (Every 250 Hours Of Use)

Every 250 hours of use check vacuum motors for carbon brush wear. Replace brushes if worn to a length of 0.38 in / 10 mm or less (Figure 45).



FIG. 45

⚠ WARNING: Electrical Hazard. Unplug Power Cord Before Servicing Machine.

FOR SAFETY: When servicing machine, all repairs must be performed by a qualified service person.

ACCESSING INTERNAL COMPONENTS

The machine is designed to hinge open to access internal components. Follow steps below to open machine.

⚠ WARNING: Electrical Hazard. Unplug Power Cord Before Servicing Machine.

FOR SAFETY: When servicing machine, all repairs must be performed by a qualified service person.

1. Empty recovery and solution tanks before opening machine.
2. Unplug power cord from wall outlet.
3. Unlatch two latches at front of machine and carefully hinge machine open (Figure 46).



FIG. 46

4. When closing machine, make sure hoses are not pinched or kinked.

STORING MACHINE

1. Before storing machine, perform the recommended maintenance procedures (See MACHINE MAINTENANCE).
2. Store machine in a dry area in the upright position.
3. Open recovery tank cover to promote air circulation.

⚠ WARNING: Electrical Shock Hazard. Do Not Use Outdoors. Do Not Expose To Rain. Store Indoors.

ATTENTION: DO NOT ALLOW MACHINE TO FREEZE WITH WATER IN PUMP SYSTEM.

STORING MACHINE IN FREEZING TEMPERATURES

1. Drain and rinse tanks thoroughly.
2. Pour 32 oz / 1 L of undiluted standard antifreeze into solution tank.
3. Spraying into a bucket, operate spray gun for 30 seconds at low pressure.
4. Allow antifreeze to remain in system.

RECOMMENDED STOCK ITEMS

Refer to Parts List section for recommended stock items. Stock Items are clearly identified with a bullet preceding the parts description. See example below:

Ref.	Part No.	Description	Qty.
1	701105	ARM, STAND PIPE	1
2	160612	● FLOAT, SHUTOFF	1
3	230197	NIPPLE	1
4	101714	● GASKET	1
5	210240	NUT, FLANGED	1

OPERATION

TROUBLE SHOOTING

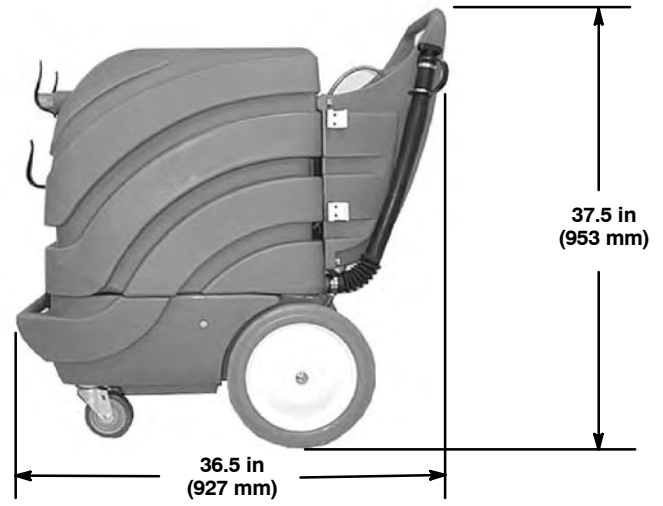
PROBLEM	CAUSE	SOLUTION
Machine does not operate.	Tripped GFCI device. (120V Models Only)	Reset GFCI device. (120V Models Only)
	Faulty GFCI device. (120V Models Only)	Contact Service Center.
	Faulty power cord.	Contact Service Center.
	Building circuit breaker tripped.	Reset breaker.
Spray gun does not operate.	Air in pump system.	Operate spray gun at low pressure to prime pump.
	Empty solution tank.	Fill solution tank.
	Pump switch not activated.	Activate pump switch.
	Kink in solution hose	Unwind hose.
	Plugged spray gun nozzle.	Clean Nozzle.
	Plugged solution tank filter	Unplug filter.
	Loose solution hose connection.	Properly connect solution hose to coupler.
	Kinked or plugged internal pump hose.	Unkink or unplug pump hose.
	Faulty pump.	Contact Service Center.
	Faulty pump switch or wiring.	Contact Service Center.
	Faulty spray gun.	Replace spray gun.
No vacuum.	Vacuum/blower switch is pressed towards blower symbol.	Press switch towards vacuum symbol.
	Faulty vacuum/blower switch or wiring.	Contact Service Center.
	Defective vacuum motor.	Contact Service Center.
	Worn carbon brushes.	Contact Service Center.
Poor vacuum.	Clogged float shut-off screen.	Remove recovery tank lid and clean lint off screen.
	Full recovery tank.	Empty recovery tank.
	Loose recovery tank lid.	Tighten recovery tank lid.
	Loose vacuum hose connections.	Secure connections.
	Defective vacuum hose.	Replace hose.
	Loose vacuum hose cuffs.	Secure cuffs to hose.
Formula Cleaner not injecting.	Defective squeegee tool.	Replace squeegee blades.
	Spray gun set to high pressure.	Set gun to low pressure.
	Plugged metering tip.	Remove metering tip and clean.
	Plugged injection tube.	Unplug injection tube.
	Empty Formula container.	Replace with new container.
	Formula ON/OFF lever turned off.	Turn Formula ON/OFF lever to ON.
	Injector tube not submerged in Formula container.	Submerge injector tube to bottom of Formula container.
Plugged formula Injector.	Remove and clean injector. When replacing injector, point arrow towards spray gun.	
No air-flow from blower hose.	Loose blower hose connection.	Secure hose connection.
	Defective blower motor.	Contact Service Center.
	Worn carbon brushes in blower motor.	Contact Service Center.

SPECIFICATIONS

Model	TENNANT 750
LENGTH	36.5 in / 927 mm
WIDTH	18.5 in / 470 mm
HEIGHT	37.5 in / 953 mm
WEIGHT	126 lb / 57 kg / 142 lb / 64 kg with accessories
SOLUTION TANK CAPACITY	15 gal / 57 L
RECOVERY TANK CAPACITY	18 gal / 72 L
SOLUTION PUMP	120 V, rated 500 psi, 4.5 A 220 V / 230 V / 240 V, rated 500 psi, 3.7 A
PUMP FLOW RATES (MAX)	High Pressure: 1 gal / 3.8 L per min Low Pressure: 1.5 gal / 5.7 L per min
SPRAY GUN PRESSURE	Low Pressure: 45 psi High Pressure: 300 psi / 400 psi dead head
INJECTOR SYSTEM	Vacuum Feed
METERING TIP RATES	Orange Tip = 2 oz per gallon (15ml / L) Red Tip = 4 oz per gallon (30ml / L) Blue Tip = 6 oz per gallon (40ml / L)
VACUUM MOTOR (BLOWER)	1-120 V, 8.6 A, 1000 W, 2 stage 1-220 V / 230 V / 240 V, 6.0 A, 1331 W, 2 stage
VACUUM MOTORS (RECOVERY)	1-120 V, 10 A, 1200 W, 3 stage 1-220 V / 230 V / 240 V, 7.3 A, 1566 W, 3 stage
SEALED WATER LIFT	117.4 in / 3 m
TOTAL POWER CONSUMPTION	120 V, 14.25 A 220 V / 230 V / 240 V, 11.0 A
POWER CORD	25 ft / 7.6 m 14/3 W/G (120 V) 50 ft / 15 m 3X1.5 mm (220 V / 230 V / 240 V)
GFCI DEVICE (120V Model)	120 V AC 50/60 Hz, 15 A, Class A

OPERATION

MACHINE DIMENSIONS



Este manual se incluye en todos los modelos nuevos. Proporciona la información necesaria para su utilización y mantenimiento.

Lea todo el manual detenidamente para comprender la máquina antes de utilizarla o revisarla.

Use la Lista de Piezas incluida en este manual al ordenar piezas de repuesto. Antes de ordenar piezas o suministros, asegúrese de tener el número de modelo y el número de serie de su máquina. Las piezas y los suministros pueden ordenarse por teléfono o por correo de cualquier centro autorizado de piezas y servicios, distribuidor de piezas o de cualquier subsidiaria del fabricante.

Esta máquina proporcionará un servicio excelente. Sin embargo, los mejores resultados se obtienen a un costo mínimo si:

- La máquina se opera con un cuidado razonable.
- La máquina se mantiene con regularidad, según las instrucciones de mantenimiento provistas.
- La máquina se mantiene con las piezas provistas por el fabricante o equivalentes.

DATOS DE LA MÁQUINA

Por favor complete al momento de la instalación para referencia futura.

No. de Modelo _____

Fecha de Instalación _____

No. de Serie _____



PROTECCIÓN DEL MEDIO AMBIENTE

Deseche el material de embalaje, los componentes usados de la máquina como las baterías y los líquidos peligrosos como el anticongelante y el aceite, de forma segura para el medio ambiente, de acuerdo con las normativas o disposiciones locales.



No olvide reciclar.

OPERACIÓN

INDICE

PRECAUCIONES DE SEGURIDAD	28	LOCALIZACIÓN DE FALLAS	46
INSTRUCCIONES DE CONEXION A TIERRA	29	ESPECIFICACIONES	48
ETIQUETAS DE SEGURIDAD	30	DIMENSIONES DE LA MÁQUINA	48
COMPONENTES DE LA MÁQUINA	31	DIAGRAMAS ELECTRICAS	70
EXTRACCION DE LA MÁQUINA DEL EMPAQUE	32	LISTA DE PIEZAS	72
CONTENIDO DE LA CAJA:	32	GRUPO DEL BASTIDOR SUPERIOR	72
PREPARACIÓN DE LA MÁQUINA PARA LA		GRUPO DEL BASTIDOR INFERIOR	74
APLICACION DE LIMPIEZA	32	GRUPO DEL MANGO	76
INSTALACIÓN DEL RECIPIENTE DEL AGENTE		GRUPO DE PLOMERIA	78
LIMPIADOR LIQUIDO (FORMULA 710)	32	GRUPO DE LA BOMBA DE SOLUCIÓN	80
LLENADO DEL TANQUE DE SOLUCIÓN ...	33	CEPILLO TELESCOPICO	82
CONEXION DEL CORDON DE ENERGIA		MANGUERAS DE ASPIRACION Y	
ELECTRICA AL ENCHUFE DE PARED	34	SOPLADOR	82
APLICACIÓN DE LIMPIEZA	34	JUEGO DE ACCESORIOS DE	
A: PREPARACIÓN DEL AREA	35	HERRAMIENTAS DE VARILLA/	
B: APLICACION DEL AGENTE LIMPIADOR		MANGUERA	82
(FORMULA 710)	35	REVOLVER ROCIADOR CON	
C: AREA DE ENJUAGUE	37	MANGUERA	83
D: SECADO POR SOPLADO Y OPERACION DE		ESCURRIDOR DE VIDRIO	83
ESCURRIMIENTO	38	FÓRMULA	83
VACIADO DE LOS TANQUES	39	MANGUERA DE LLENADO DEL TANQUE DE	
DRENAJE DEL TANQUE		SOLUCIÓN	83
DE RECUPERACION	39	OPCIONES	84
DRENAJE ELEVADO	40	HERRAMIENTA DE PISO, ALTA PRESION	
VACIADO DEL TANQUE DE SOLUCIÓN ...	40	13 pul / 330 mm	84
OTROS USOS DE LIMPIEZA DE LA MÁQUINA	40		
LIMPIADOR CON MANGUERA SOPLADORA	40		
LIMPIEZA DE ALFOMBRAS (OPCIÓN)	41		
MANTENIMIENTO DE LA MÁQUINA	42		
MEDIDOR DE TIEMPO	42		
MANTENIMIENTO DIARIO	42		
MANTENIMIENTO MENSUAL	43		
MANTENIMIENTO TRIMESTRAL	44		
ACCESO A LOS COMPONENTES INTERNOS	44		
ALMACENAJE DE LA MÁQUINA	45		
ALMACENAJE DE LA MÁQUINA BAJO			
TEMPERATURAS DE CONGELACION	45		
ARTICULOS RECOMENDADOS PARA			
MANTENER EN EXISTENCIA	45		

PRECAUCIONES DE SEGURIDAD

Esta máquina está destinada al uso comercial. Está diseñada exclusivamente para limpiar superficies resistentes al agua en ambientes interiores y no debe utilizarse para ningún otro uso. No use la máquina para aspiración en seco. Use sólo, soluciones limpiadoras y herramientas accesorias, recomendadas.

Todos los operarios deben leer, comprender y cumplir las siguientes medidas de seguridad.

A lo largo de todo el manual se utilizan los siguientes símbolos de advertencia y encabezados "PARA SU SEGURIDAD" descritos a continuación:

⚠ ADVERTENCIA: Advierte sobre riesgos o prácticas inseguras que podrían provocar lesiones personales graves o fatales.

PARA SEGURIDAD: Identifica las operaciones que debe realizar para una utilización segura del equipo.

El no cumplimiento de estas advertencias puede causar lesiones personales, descargas eléctricas, incendios y explosiones.

⚠ ADVERTENCIA: Peligro de incendio o explosión:

- Nunca utilice líquidos inflamables ni haga funcionar la máquina en las proximidades de líquidos, vapores o polvos inflamables.

La máquina no está equipada con motores a prueba de explosiones. Los motores eléctricos producirán chispas tanto durante el arranque y como durante su utilización que pueden provocar incendios o explosiones si utiliza la máquina en presencia de líquidos o vapores inflamables o partículas combustibles.

- No recoja materiales inflamables ni metales reactivos.

⚠ ADVERTENCIA: Peligro eléctrico. No opere con un cordón eléctrico dañado. No modifique el enchufe. Desenchufe el cordón eléctrico antes de reparar la máquina.

Si el cordón del suministro se daña o se rompe, debe ser reemplazado por el fabricante o su agente de servicio o una persona similarmente calificada para evitar un riesgo.

⚠ ADVERTENCIA: No use al aire libre. No esponga a la lluvia. Almacén bajo techo.

⚠ ADVERTENCIA : El interruptor del circuito de falla de conexión a tierra no protege contra el choque eléctrico debido al contacto con los conductores del circuito o una falla en el cableado de alimentación de este dispositivo. No use un cordón de extensión entre el GFCI y la salida de energía eléctrica.

La siguiente información indica las condiciones potencialmente peligrosas para el operario o equipo:

PARA SEGURIDAD:

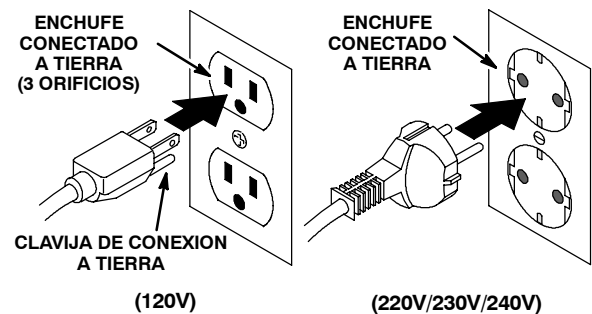
1. No utilice la máquina:
 - Con líquidos inflamables o cerca de gases inflamables, ya que podría provocar explosiones o llamaradas.
 - Salvo que esté debidamente formado y autorizado.
 - Salvo haber leído y comprendido el manual del operario.
 - A menos que use antiparras de seguridad.
 - A menos que el cordón se conecte apropiadamente a tierra.
 - Con un cordón o enchufe dañados.
 - Si la máquina no funciona correctamente.
 - En áreas al aire libre.
 - En agua estancada.
 - Con el uso de una extensión de cordón.
2. Antes de operar la máquina:
 - Asegúrese de que todos los dispositivos de seguridad se encuentren en su lugar y funcionen correctamente.
 - Coloque señales de piso húmedo según se necesite.
3. Al utilizar la máquina:
 - No tire de la máquina por el enchufe o el cordón.
 - Evite pasar el cable por bordes agudos o esquinas.
 - No cierra las puertas sobre el cordón.
 - No desenchufe tirando del cordón.
 - No estire el cordón.
 - No maneje el enchufe con las manos húmedas.
 - Observe las instrucciones de mezcla y manejo en los recipientes químicos y en las hojas de datos de seguridad del material.
 - Nunca apunte el revólver rociador al rostro de una persona.

OPERACIÓN

- No rocíe la solución sobre enchufes eléctricos, cajas de fusibles o artefactos eléctricos.
 - Mantenga el cordón lejos de las superficies calientes.
 - Utilice calzado antideslizante.
 - Informe inmediatamente de las averías de la máquina o si el funcionamiento no es correcto.
 - No permita nunca que los niños jueguen encima o alrededor de la máquina.
4. Antes de abandonar o revisar la máquina:
- Apague la máquina.
 - Desenchufe cordón del tomacorriente de la pared.
5. Al revisar la máquina:
- Desenchufe cordón del tomacorriente de la pared.
 - Evite las partes en movimiento. No utilice chaquetas, camisas o mangas sueltas.
 - Utilice repuestos suministrados o aprobados por el fabricante.
 - Todas las reparaciones deben ser realizadas por personal técnico cualificado.
 - No modifique el diseño original de la máquina.
6. Al transportar la máquina:
- Apague la máquina.
 - Pida ayuda para levantar la máquina.
 - Desenchufe cordón del tomacorriente de la pared.
 - Utilice una rampa al cargar/descargar la máquina en/de un camión o remolque.
 - Utilice las cintas para fijar la máquina al camión o remolque.

INSTRUCCIONES DE CONEXION A TIERRA

La máquina debe estar conectada a tierra. Si no funciona bien o se descompone, la conexión a tierra proporciona un recorrido de menor resistencia para la corriente eléctrica, para reducir el riesgo de choque eléctrico. Esta máquina está provista con un cordón que tiene un conductor de conexión a tierra del equipo y un enchufe de conexión a tierra. El enchufe debe enchufarse dentro de un enchufe apropiado que esté instalado apropiadamente de acuerdo con todos los códigos y ordenanzas locales. No extraiga la clavija de conexión a tierra; si falta, reemplazar el enchufe antes de usar.



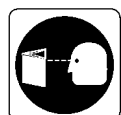
ETIQUETAS DE SEGURIDAD

Las etiquetas de seguridad están en la máquina en las ubicaciones indicadas. Reemplace las etiquetas si se dañan o son ilegibles.



ETIQUETA DE SEGURIDAD
- Ubicado en la tapa del tanque de recuperación.

PARA SEGURIDAD: No opere la máquina a menos que use antiparras de seguridad.



ETIQUETA DE SEGURIDAD
- Ubicado en el panel del tablero.

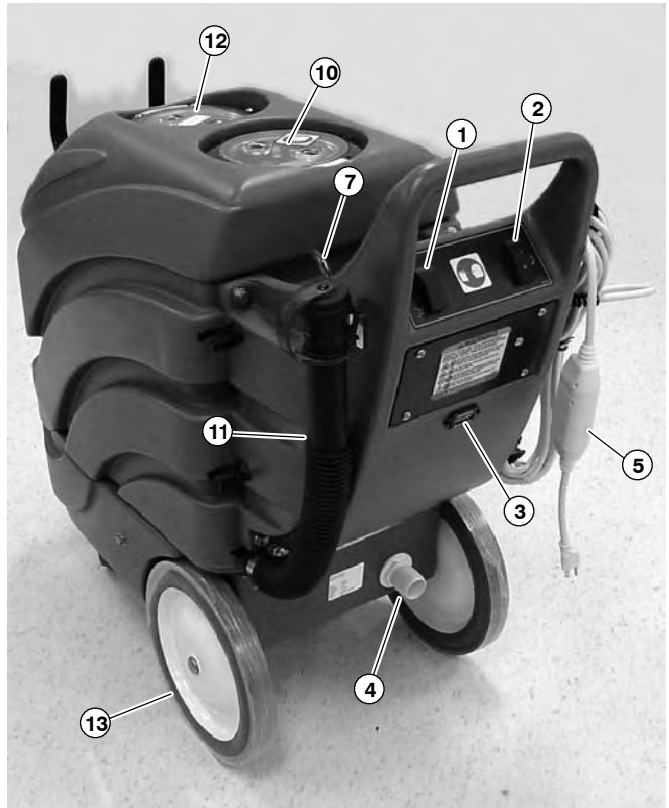
PARA SEGURIDAD: No opere la máquina a menos que haya leído y entendido el manual del operador.

ETIQUETA DE ADVERTENCIA - Ubicada en el reverso de la manija de la máquina.



OPERACIÓN

COMPONENTES DE LA MÁQUINA



1. Conmutador de apagado/encendido, de aspiración/soplado
2. Conmutador de apagado/encendido de la bomba
3. Medidor de tiempo
4. Conector de la manguera del soplador
5. Cordón de potencia equipado con un dispositivo interruptor de falla del circuito de conexión a tierra (120 V Modelo)
6. Herramientas de accesorios/Compartimiento de fórmula limpiadora
7. Manguera del inyector de la fórmula
8. Varilla de doble curva de dos piezas
9. Cepillo para piso
10. Tanque de recuperación
11. Manguera de drenaje del tanque de recuperación
12. Tanque de solución
13. Ruedas de 12 pul / 305 mm para subir escaleras
14. Ganchos de almacenaje de la manguera de aspiración
15. Conector de la manguera de aspiración

16. Gancho de almacenaje del revólver rociador
17. Acople de la manguera de solución
18. Palanca de conexión/desconexión de la fórmula limpiadora
19. Trabas de acceso a los componentes internos
20. Manguera de llenado del tanque de solución
21. Manguera de aspiración de 25 pies / 7.6 m (Negra)
22. Manguera sopladora de 6 pies / 1.8 m (Gris)
23. Boquilla de la manguera sopladora
24. Manguera del revólver rociador y de la solución
25. Aditamento de herramienta escurridora de piso de 14 pul / 356 mm
26. Herramienta escurridora manual de 12 pul / 305 mm
27. Aditamento de manguera de aspiración de la herramienta engullidora
- ~~28. Limpiador de fórmula 710 (muestra)~~
- ~~29. Líquido de enjuague de Fórmula 720 (muestra)~~
30. Revólver engrasador para la bomba

EXTRACCION DE LA MÁQUINA DEL EMPAQUE

Inspeccione cuidadosamente la caja por señales de daños. Informe inmediatamente al transportista si hubiera daños.

Inspeccione cuidadosamente el contenido para asegurar que el empaque está completo. Consulte con el distribuidor por artículos faltantes.

Contenido de la caja:

- Máquina
- Manguera negra de aspiración (#610683)
- Manguera gris sopladora (#1010410)
- Varilla de doble curva de dos piezas(#1010457)
- Aditamento de herramienta escurridora (14 pul) (#609648)
- Herramienta manual de escurrimiento de vidrio (12 pul) (#609641)
- Herramienta engullidora (#609645)
- Boquilla sopladora (#609644)
- Manguera de llenado (#609983)
- Revólver rociador, boquilla rociadora y manguera de solución (#610845)
- Aditamento de cepillo de piso (#609650)
- Varilla telescópica para el cepillo de piso (#610731)
- ~~Un galón de limpiador ácido de Fórmula 710~~
- ~~Dos cuartos de galón de enjuague para superficies múltiples de Fórmula 720~~
- 3 puntas medidoras (embolsadas separadamente) (#609757)
- Tapa del tubo inyector (Instalada en el tubo azul)
- Revólver engrasador para la bomba (#190022)

PREPARACIÓN DE LA MÁQUINA PARA LA APLICACION DE LIMPIEZA

INSTALACIÓN DEL RECIPIENTE DEL AGENTE LIMPIADOR LIQUIDO ~~(FORMULA 710)~~

~~Cada máquina nueva está equipada con una muestra de un galón (3.8 L) del limpiador ácido de superficies múltiples de Fórmula 710. Está diseñada para usar en esta máquina y específicamente formulada para limpiar escoria de jabón, escamas de agua dura, y suciedad que típicamente se encuentran en baños, áreas de piscinas, etc. Use sólo en superficies resistentes al agua. Consulte con su proveedor, para ordenar más Fórmula 710. DISCONTINUED~~

ATENCIÓN: El uso de materiales químicos no aprobados o inadecuados puede causar daños a la máquina y a las superficies y puede cancelar su garantía.

PARA SEGURIDAD: Al usar la máquina, observe las instrucciones de mezcla, manejo y descarte incluidas en las instrucciones del recipiente químico y en las hojas MSDS.

1. Extraiga la tapa del tubo inyector azul. No pierda la tapa (Fig.1) Use la tapa para prevenir la obstrucción del tubo inyector cuando la máquina no se usa.

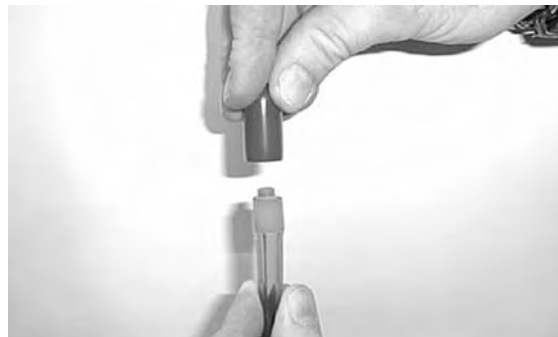


FIG. 1

2. Seleccione la punta medidora deseada (Las puntas se proporcionan con la máquina) y enrosque la punta dentro del tubo inyector azul en la máquina (Figura 2). Las velocidades de surtido mostradas son para la Fórmula 710. Químicos sustitutos pueden tener velocidades de surtido diferentes. Una punta anaranjada está instalada de fábrica.

Punta anaranjada = 2 oz por galón (15ml / L) para limpieza liviana

Punta roja = 4 oz por galón (30ml / L) para limpieza mediana

Punta azul = 6 oz por galón (44ml / L) para limpieza profunda.

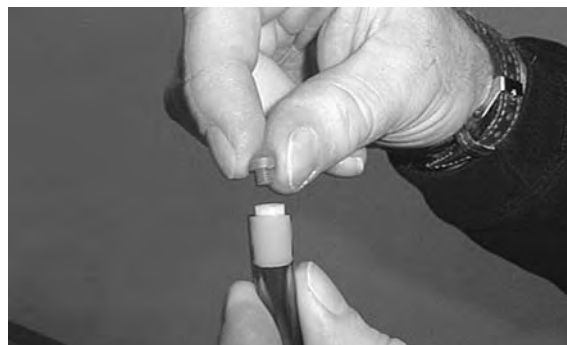


FIG. 2

OPERACIÓN

3. Coloque el recipiente del agente limpiador dentro del compartimiento de herramientas de aditamentos/fórmula de limpieza. Extraiga la tapa del recipiente e inserte la tapa del tubo inyector azul. Empuje el tubo azul al fondo del recipiente (Figura 3).



FIG. 3

ATENCIÓN: No agregue químicos limpiadores (Fórmula 710) al tanque de solución.

LLENADO DEL TANQUE DE SOLUCIÓN

~~Cada máquina nueva está equipada con una muestra de dos cuartos de galón (1.9 L) de enjuague múltiple de superficie de Fórmula 720. La fórmula de enjuague debe agregarse al tanque de solución antes de la operación. La Fórmula 720 está diseñada para usarse para enjuagar las superficies después de limpiar para reducir manchas de agua y acelerar el secado. Consulte con su proveedor para ordenar más Fórmula 720. DISCONTINUED~~

ATENCIÓN: El uso de materiales químicos no aprobados o inadecuados puede causar daños a la máquina y a las superficies y puede cancelar su garantía.

PARA SEGURIDAD: Al usar la máquina, observe las instrucciones de mezcla, manejo y descarte incluidas en las instrucciones del recipiente químico y en las hojas MSDS.

1. Extraiga la tapa delantera del tanque de solución de la máquina. Agregue al tanque el enjuague de Fórmula 720 o un sustituto aprobado según las instrucciones de dilución de la botella (Figura 4).



FIG. 4

2. Conecte la manguera de llenado (provista con la máquina) al grifo de agua y llene el tanque con 15 galones (56 L) de agua limpia (Figura 5). Si usa agua caliente no exceda 140° F / 60° C.

⚠ ADVERTENCIA: Peligro de incendio o explosión. Materiales inflamables pueden causar una explosión o incendio. No use materiales inflamables en el tanque(s).



FIG. 5

3. Después de llenar vuelva a colocar la tapa del tanque de solución.

CONEXION DEL CORDON DE ENERGIA ELECTRICA AL ENCHUFE DE PARED

1. Conectar el cordón de potencia a un enchufe de pared conectado a tierra (Figura 6). Use un enchufe de pared fuera del área a limpiar.

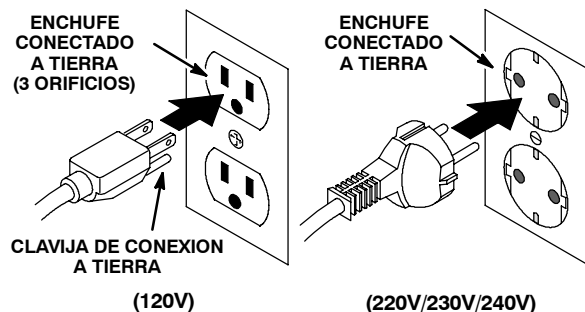


FIG. 6

PARA SEGURIDAD: No utilice la máquina salvo que el cable eléctrico tenga una toma de tierra que funcione correctamente.

PARA SEGURIDAD: No opere la máquina con el uso de un cordón de extensión.

2. El cordón de energía eléctrica está equipado con un interruptor de circuito de falla de conexión a tierra (Figura 7). El GFCI protege al usuario contra el choque eléctrico (Modelos De 120 V Solamente).

Pruebe el dispositivo GFCI antes de usar.

- a. Verificar que el indicador esté en rojo.
- b. Oprimir el botón de prueba, el indicador rojo debe desaparecer.
- c. Oprimir el botón de regraduación. Si la prueba falla, no use la máquina. Llame a un representante autorizado de servicio por asistencia.



FIG. 7

⚠ ADVERTENCIA: El interruptor del circuito de falla de conexión a tierra no protege contra el choque eléctrico debido al contacto con los conductores del circuito o una falla en el cableado de alimentación de este dispositivo. No use un cordón de extensión entre el GFCI y el enchufe de energía eléctrica.

⚠ ADVERTENCIA: Peligro eléctrico. No opere con un cordón eléctrico dañado. No modifique el enchufe. Desenchufe el cordón eléctrico antes de reparar la máquina.

Si el cordón del suministro se daña o se rompe, debe ser reemplazado por el fabricante o su agente de servicio o una persona similarmente calificada para evitar un riesgo.

APLICACIÓN DE LIMPIEZA

PARA SEGURIDAD: No opere la máquina a menos que haya leído y entendido el manual del operador.

ATENCIÓN: La máquina está diseñada para limpiar superficies resistentes al agua solamente; tales como concreto, lozas cerámicas, lozas de cantera, vidrio, piletas, uriniales, toillettes, tabiques divisorios de baños, duchas, caños, espejos y otras áreas sujetas al jabón, depósitos minerales y suciedad diaria.

La aplicación de limpieza no se recomienda para tabiques de madera enyesados y pintados/tabiques de cartón enyesados.

Consulte con su distribuidor local para agentes limpiadores recomendados para limpiar cocinas, recintos de escaleras, ventanas, etc.

ATENCIÓN: Los pisos deben sellarse para prevenir la filtración de agua. Inspeccione todas las líneas de lechada de cemento, costuras, esquinas, etc. por grietas. Reparar según requerido. No somos responsables por daños causados por el agua.

OPERACIÓN

Se requiere usar antiparras de seguridad, guantes y ropas protectoras (no provistas) al limpiar. Las antiparras de seguridad deben estar diseñadas para proteger a los ojos contra salpicaduras (Figura 8).

PARA SEGURIDAD: No opere la máquina, a menos que use antiparras de seguridad.



FIG. 8

A: PREPARACIÓN DEL AREA

1. Barre todos los desechos del área.
2. Extraiga los recipientes de desechos del cuarto.
3. Extraiga los productos expuestos de papel del cuarto.
4. Limpie el polvo de los artefactos suspendidos y ventiladeros. La máquina está diseñada para limpiar polvo (Vea OTROS USOS DE LIMPIEZA CON LA MÁQUINA).
5. Lave todos los artefactos en los baños y mantenga abiertas las tapas de los toilettes.
6. Proteja todos enchufes eléctricos, conmutadores, cajas de fusibles y dispositivos conectores con protectores a prueba de agua.
7. Cubra todo artículo expuesto que no desea que se moje.
8. Coloque la máquina en la puerta de entrada para bloquear el acceso al área.
9. Mantenga la puerta abierta con el tope, para prevenir daños a la manguera. No cierre las puertas contra las mangueras.

PARA SEGURIDAD: Coloque carteles de "PISO MOJADO" según requerido.

B: APLICACION DEL AGENTE LIMPIADOR (FORMULA 710)

1. Si el área no está equipada con un drenaje de piso, conectar la manguera negra de recuperación al frente de la máquina, fije la herramienta engullidora y coloque la herramienta donde el agua puede formar charcos al operar (Figura 9).



FIG. 9

2. Conectar el revolver rociador al manguera de solución, entonces conectar la manguera al acolpe ubicado al frente de la máquina (Figura 10).



FIG. 10

3. Girar la palanca de FORMULA ON/OFF a la posición ON, ubicada al frente de la máquina (Figura 11).



FIG. 11

NOTA: Para operar el revólver rociador a BAJA PRESION sin usar el limpiador de fórmula gire la palanca de ON/OFF a la posición OFF.

- Ajuste el revólver a baja presión empujando hacia afuera la boquilla rociadora. Gire la boquilla rociadora en sentido contrario a las agujas del reloj para el patrón de rociado del ventilador (Figura 12).

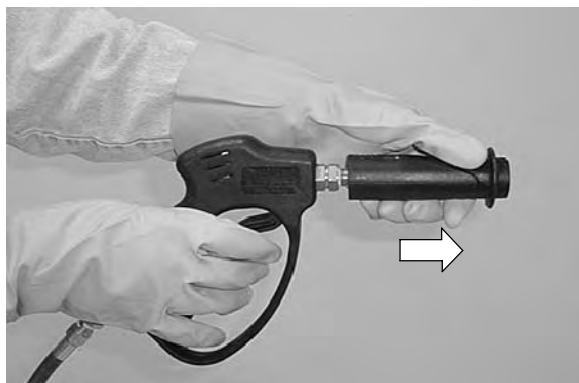


FIG. 12

- Si usa la herramienta engullidora, active el conmutador de la bomba. Oprima el conmutador de aspiración/soplador hacia el símbolo de aspiración (Figura 13).

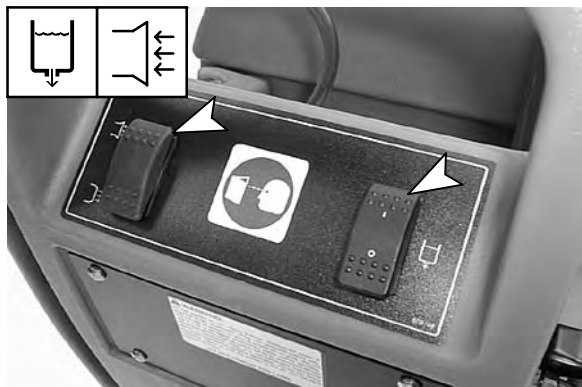


FIG. 13

- Comenzando en el punto más alejado del cuarto, comience a rociar todo el área desde el fondo al tope, trabajando hacia la máquina. El agente limpiador (Fórmula 710) puede tardar hasta 5 segundos antes que comience a inyectar. Después de rociar todo el área, apague la máquina y permita que el limpiador trabaje por 5-10 minutos (Figura 14).



FIG. 14

NOTA: La bomba puede tardar entre 5 a 10 segundos para cebarse. La boquilla debe graduarse a baja presión para cebar la bomba.

PARA SEGURIDAD: Al usar la máquina, no rocíe la solución sobre enchufes eléctricos, cajas de fusibles o artefactos eléctricos.

NOTA: Después de aplicar el limpiador, gire la palanca de FORMULA ON/OFF a la posición OFF y enjuague el revólver de la solución limpiadora.

- Use la herramienta de cepillo para frotar esquinas, bases de molduras y áreas muy sucias, mientras está actuando la solución limpiadora (Figura 15).



FIG. 15

OPERACIÓN

C: AREA DE ENJUAGUE

PARA SEGURIDAD: No opere la máquina a menos que use antiparras de seguridad.

NOTA: Use la herramienta engullidora si el área no está equipada con un drenaje de piso.

1. Ajuste el revólver rociador a alta presión empujando la boquilla rociadora hacia adentro (Figura 16).



FIG. 16

2. Active el conmutador de la bomba. Oprima el conmutador de aspiración/soplador hacia el símbolo de aspiración, si se usa la máquina engullidora (Figura 17).

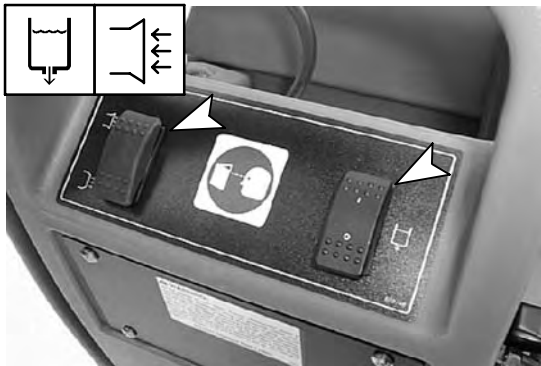


FIG. 17

3. Comience a enjuagar todo el área desde el tope al fondo. Gire la boquilla rociadora en el sentido de las agujas del reloj para delinear líneas de lechada de cemento y áreas muy sucias y difíciles de llegar (Figura 18).

NOTA: El operar el revólver a alta presión detendrá automáticamente la inyección del agente limpiador.



FIG. 18

PARA SEGURIDAD: Al usar la máquina, no rocía la solución entre enchufes eléctricos, cajas de fusibles, o aparatos eléctricos.

PARA SEGURIDAD: Al usar la máquina, nunca apunte el revólver rociador hacia el rostro de la persona.

4. Para operar el revólver rociador a baja presión sin surtir el agente limpiador gire la palanca de FORMULA ON/OFF a la posición de OFF (Figura 19).



FIG. 19

5. Usted debe operar el revólver rociador a baja presión para volver a cebar la bomba, en caso que el tanque de solución se vacíe durante la operación. **NO OPERE LA BOMBA EN SECO.**
6. Apague la máquina, después de enjuagar bien todo el área. Limpie por frotación la manguera de solución y coloque el revólver en el gancho de almacenaje.

ATENCIÓN: Antes de desconectar la manguera, elimine la presión de agua del revólver rociador.

D: SECADO POR SOPLADO Y OPERACION DE ESCURRIMIENTO

NOTA: El uso del enjuague de Fórmula 720 ayuda a reducir la necesidad y el tiempo requerido para secar por soplado las superficies.

1. Usando la herramienta para escurrir vidrio (provista con la máquina), escurra los espejos si aplicable (Figura 20).



FIG. 20

2. Extraiga la manguera gris de soplado del mango de la máquina y conecte la manguera a la parte posterior de la máquina, fije la boquilla sopladora a la manguera (Figura 21).

ATENCIÓN: Al secar por soplado no use la manguera negra de recuperación. Los contaminantes son soplados en el aire.



FIG. 21

3. Para activar el soplador oprima el conmutador de aspiración/soplador hacia el símbolo del soplador.



FIG. 22

4. Comience a secar las superficies por soplado desde el fondo al tope, impulsando la solución de enjuague al piso. Cuando termine, apague el soplador, limpie la manguera por frotamiento y vuelva a colocar en la máquina (Figura 23).



FIG. 23

5. Ensamble la varilla de doble curva, fije la herramienta para escurrir y conecte la varilla a la manguera negra de recuperación. Conecte la manguera negra de recuperación al frente de la máquina (Figura 24).



FIG. 24

OPERACIÓN

- Oprima el conmutador de aspiración/soplador hacia el símbolo de operación (Figura 25).



FIG. 25

- Comience en la puerta de entrada y cubra todo el área con la herramienta escurridora. El operador debe estar siempre parado sobre una superficie seca al operar la varilla de piso (Figura 26).



FIG. 26

⚠ ADVERTENCIA: Peligro de incendio o explosión. No recoja materiales inflamables ni metales reactivos.

- Al limpiar, inspeccione periódicamente por espuma excesiva en el tanque de recuperación. En caso que aparezca una espuma excesiva, vierta una solución recomendada de control dentro del tanque de recuperación. Esto previene daños al motor de aspiración (Figura 27).



FIG. 27

ATENCIÓN: Una acumulación excesiva de espuma no activa el tamiz flotante de apagado.

- El tanque de recuperación debe drenarse (Ver TANQUES DE DRENAJE) si la herramienta escurridora comienza a expeler agua.
- Apague la máquina y limpie por frotado las mangueras del soplador y aspirador. Almacene las mangueras en la máquina.
- Empuje la máquina al sitio de drenaje y vacíe el tanque de recuperación.

NOTA: Es mejor vaciar el tanque de recuperación antes de proceder al área próxima a limpiar, después de limpiar un área.

VACIADO DE LOS TANQUES

El tanque de recuperación debe drenarse y limpiarse, al terminar la limpieza. Si queda solución, puede permanecer en el tanque de solución para el próximo uso. Al almacenar la máquina por períodos prolongados o al transportar la máquina, drene el tanque de solución.

⚠ ADVERTENCIA: Peligro eléctrico. Desenchufe el cordón eléctrico antes de reparar la máquina.

DRENAJE DEL TANQUE DE RECUPERACION

Previamente a llenar el tanque de solución, debe vaciarse el tanque de recuperación.

- Apague la máquina, desenchufe el cordón de potencia y empuje la máquina al sitio de drenaje.
- Extraiga la manguera de drenaje del sujetador. Gire la perilla de la manguera de drenaje en sentido contrario a las agujas del reloj tres vueltas aproximadamente y tire del tapón, para drenar. Mantenga la manguera sobre el nivel del agua al extraer el tapón (Figura 28).



FIG. 28

3. Después de cada uso drene el tanque de recuperación, para prevenir olores fuertes. Tenga cuidado en no rociar agua sobre tamiz flotante de apagado.
4. Vuelva a colocar firmemente el tapón de la manguera de drenaje.

DRENAJE ELEVADO

Si el sitio de drenaje excede 13 pulgadas / 33 cm de altura, use el procedimiento conveniente de bombeo.

1. Fije la manguera gris de soplado al conector de la manguera del soplador y al conector de la manguera aspiradora (Figura 29).

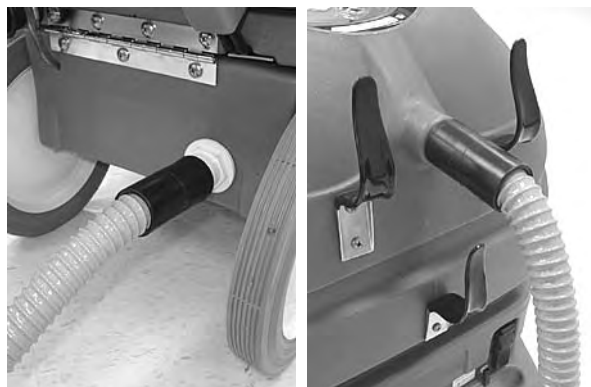


FIG. 29

ATENCIÓN: Antes de activar el soplador, asegúrese que la tapa del tanque de recuperación está firme.

2. Extraiga la perilla de la manguera de drenaje, dirija la manguera al sitio elevado de drenaje y active el soplador (Figura 30).



FIG. 30

VACIADO DEL TANQUE DE SOLUCIÓN

1. Conecte la manguera negra de recuperación al frente de la máquina y extraiga la tapa del tanque de solución.
2. Oprima el conmutador de aspiración/soplador hacia el símbolo de aspiración.
3. Extraiga la solución de enjuague restante del tanque de solución y limpie el tanque con agua limpia (Figura 31).



FIG. 31

4. Apague la máquina, desenchufe el cordón de potencia y drene el tanque de recuperación.

OTROS USOS DE LIMPIEZA DE LA MÁQUINA

LIMPIADOR CON MANGUERA SOPLADORA

Usar la manguera gris sopladora para soplar desechos desde áreas difíciles de llegar y para extraer polvo y telas de araña de los artefactos suspendidos y ventiladeros (Figura 32).

ATENCIÓN: No use la máquina para aspiración en seco.



FIG. 32

OPERACIÓN

LIMPIEZA DE ALFOMBRAS (OPCIÓN)

La máquina puede usarse para limpiar alfombras con el uso del accesorio opcional para limpiar alfombras (Ver OPCIONES).

1. Conectar la manguera de llenado (provista con la máquina) al grifo de agua y llenar el tanque con 15 galones / 57 L de agua caliente a una temperatura máxima de 140° F / 60° C.

NO AGREGUE AGENTES LIMPIADORES AL TANQUE DE SOLUCIÓN, ciertos agentes limpiadores pueden dañar la bomba. Para aplicar la mezcla del agente limpiador a la alfombra, use un rociador de bombeo.

⚠ ADVERTENCIA: Peligro de incendio o explosión. Nunca utilice líquidos inflamables ni haga funcionar la máquina en las proximidades de líquidos, vapores o polvos inflamables.

2. Usar la manguera de aspiración y la manguera de solución y conectarlas al accesorio para limpiar alfombras, luego conectarlos al frente de la máquina (Figura 33).



FIG. 33

3. Gire la palanca de FORMULA ON/OFF a la posición de OFF, ubicada al frente de la máquina (Figura 34).



FIG. 34

4. Activar el conmutador de la bomba y oprima el conmutador de aspiración/soplador hacia el símbolo de aspiración (Figura 35).

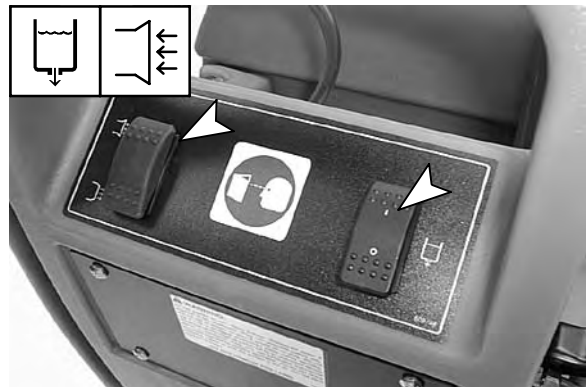


FIG. 35

5. Operar la herramienta de accesorio de la manera normal (Figura 36).

⚠ ADVERTENCIA: Peligro de incendio o explosión. No recoja materiales inflamables ni metales reactivos.



FIG. 36

6. Elimine la presión de agua de la herramienta antes de desconectar, después de limpiar. Oprima el gatillo por cinco segundos después de apagar los conmutadores.
7. Efectúe los procedimientos recomendados de mantenimiento (Ver MANTENIMIENTO DE LA MÁQUINA).

MANTENIMIENTO DE LA MÁQUINA

Siga los procedimientos diarios, mensuales y trimestrales de mantenimiento, para mantener la máquina en buenas condiciones de trabajo.

⚠ ADVERTENCIA: Peligro eléctrico.
Desenchufe el cordón eléctrico antes de reparar la máquina.

ATENCIÓN: Las reparaciones de la máquina deben efectuarse por personal autorizado solamente.

MEDIDOR DE TIEMPO

Cada máquina está equipada con un medidor de tiempo para registrar el total de horas registradas de uso de la bomba. Use el medidor para determinar cuando efectuar los procedimientos recomendados de mantenimiento y registrar el historial de servicio (Figura 37).



FIG. 37

MANTENIMIENTO DIARIO (Después de cada uso)

1. Limpie la punta medidora y lave el tubo inyector azul según se describe abajo:
 - a. Llene el tanque de solución con 3 galones (11 L) de agua limpia.
 - b. Extraiga la punta medidora del tubo inyector y limpie la punta. No use objetos puntiagudos tales como clavijas y broches de papel para destapar las puntas (Figura 38).

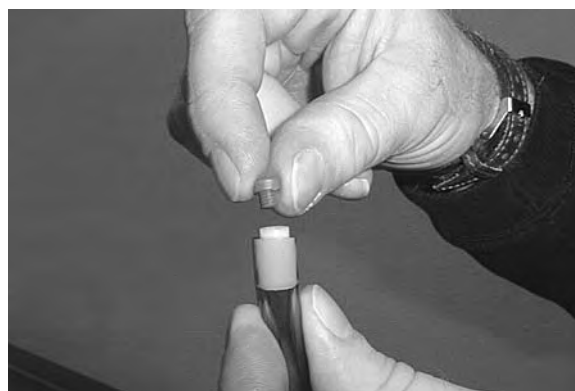


FIG. 38

- c. Sumerja el extremo del tubo inyector a una recipiente de un galón de agua limpia (Figura 39).



FIG. 39

- d. Ajuste el revólver rociador a baja presión empujando la boquilla sopladora hacia afuera.
 - e. Gire la palanca de FORMULA ON/OFF a la posición ON, ubicada al frente de la máquina.
 - f. Encienda el conmutador de la bomba y opere el revólver rociador durante un minuto aproximadamente.
 - g. Coloque la tapa en la manguera del inyector después de lavar.
2. Drene y enjuague bien el tanque de recuperación (Figura 40).



FIG. 40

OPERACIÓN

3. Extraiga el tamiz flotante de corte de la cubierta del tanque de recuperación y limpie (Figura 41).



FIG. 41

4. Vacíe el agua restante del tanque de solución si se almacena la máquina por un período largo o si se transporta la máquina (Vea Drenaje de los Tanques).
5. Limpie por frotado todos los accesorios y vuelva a colocarlos en la máquina. Inspeccione las mangueras de aspiración por orificios y manguitos flojos.
6. Inspeccione la condición de las cuchillas escurridoras y reemplace si fuera necesario.
7. Limpie por frotado el cordón de energía eléctrica e inspeccione por daños. Reemplace si fuera necesario. Enrolle prolijamente el cordón después de usar.
8. Limpie la máquina con un limpiador universal y un trapo húmedo (Figura 42).



FIG. 42

9. Inspeccione el patrón del revólver rociador. Limpie o reemplace el orificio si el patrón de rociado no es preciso. Use una llave Allen de 5/64" para extraer el orificio (Figura 43).

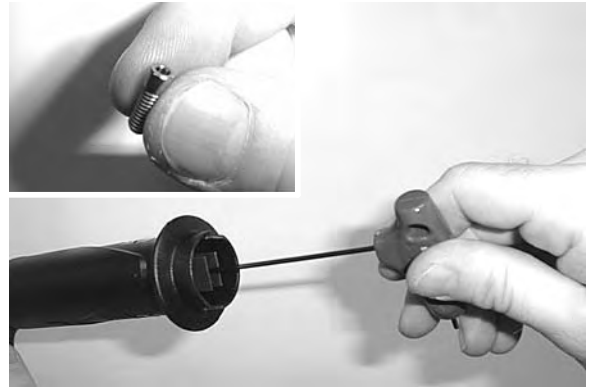


FIG. 43

MANTENIMIENTO MENSUAL (Cada 80 horas de uso)

1. Lave el sistema de la solución con solución de ácido acético para disolver la acumulación química alcalina normal.
 - a. Premezcle 16 oz / .5 L de una solución de ácido acético con 2 gal / 7.5 L de agua caliente a 140° F / 60° C máximo y vierta en el tanque de solución.

PARA SEGURIDAD: Al usar la máquina, observe las instrucciones de mezcla y manejo en los recipientes químicos.

- b. Apague el conmutador de la bomba.
 - c. Opere el revólver rociador por un minuto sobre un drenaje de piso.
 - d. Apague la máquina y permita que la solución restante disuelva la acumulación alcalina durante la noche.
 - e. El día siguiente, rocíe la solución restante y lave el sistema con 3 gal / 11 L de agua limpia.
2. Lubrique las ruedas y ruedas metálicas con un aceite resistente al agua.
 3. Inspeccione la máquina por pérdidas de agua y ferretería floja.
 4. La máquina debe engrasarse cada 40 horas de uso. Refiérase al medidor de tiempo. Cada máquina nueva está equipada con un revólver engrasador (No. 190022).
 - a. Abra la máquina para llegar a la bomba (Vea ACCESO A LOS COMPONENTES INTERNOS).
 - b. Extraiga la cubierta de seguridad de la bomba sujetando las aletas y tirando hacia afuera.
 - c. Inserte la boquilla del revólver engrasador dentro del adaptador de engrase de la bomba (Figura 44).

- d. Empuje lenta y completamente el émbolo una o dos veces. No engrase en exceso ya que pueden dañarse los sellos.

ATENCIÓN: No use revólveres engrasadores mecánicos ni a palanca manual ya que puede dañarse la bomba.

- e. Aplique una buena cantidad de grasa al diámetro exterior del rodamiento de la leva al tope y fondo donde el rodamiento toca la varilla conectora.
- f. Inspeccione periódicamente la bomba y extraiga el exceso de grasa de la cavidad de la bomba.



FIG. 44

MANTENIMIENTO TRIMESTRAL (Cada 250 horas de uso)

Cada 250 horas de uso inspeccione el motor de aspiración, por desgaste de las escobillas de carbón. Reemplace las escobillas si se han gastado a un largo de 0.38 pul / 10 mm o menos (Figura 45).

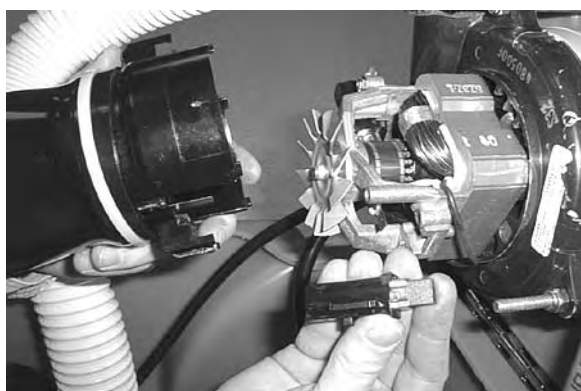


FIG. 45

⚠ ADVERTENCIA: Peligro eléctrico. Desenchufe el cordón eléctrico antes de reparar la máquina.

PARA SEGURIDAD: Todas las reparaciones deben ser realizadas por una persona de servicio calificada.

ACCESO A LOS COMPONENTES INTERNOS

La máquina está diseñada para abrirse sobre bisagras para llegar a los componentes internos. Para abrir la máquina siga los pasos de abajo.

⚠ ADVERTENCIA: Peligro eléctrico. Desenchufe el cordón eléctrico antes de reparar la máquina.

PARA SEGURIDAD: Todas las reparaciones deben ser realizadas por una persona de servicio calificada.

1. Antes de abrir la máquina vacíe los tanques de recuperación y solución.
2. Desenchufe el cordón de energía eléctrica del enchufe de pared.
3. Abra dos trabas al frente de la máquina y abra cuidadosamente la máquina sobre las bisagras (Figura 46).



FIG. 46

4. Al cerrar la máquina, asegúrese que las mangueras no estén aprisionadas o dobladas.

OPERACIÓN

ALMACENAJE DE LA MÁQUINA

1. Antes de almacenar la máquina, efectúe los procedimientos recomendados de mantenimiento (vea MANTENIMIENTO DE LA MÁQUINA).
2. Almacene la máquina en un área seca en posición vertical.
3. Abra la cubierta del tanque de recuperación para promover la circulación de aire.

⚠ ADVERTENCIA: Peligro choque eléctrico. No use al aire libre. No exponga a la lluvia. Almacén bajo techo.

ATENCIÓN: NO PERMITA QUE LA MÁQUINA SE CONGELE CON AGUA EN EL SISTEMA DE BOMBEO.

ALMACENAJE DE LA MÁQUINA BAJO TEMPERATURAS DE CONGELACION

1. Drenar y enjuagar bien los tanques.
2. Verte 32 oz / 1 L de anticongelante estándar no diluido en el tanque de solución.
3. Rociando dentro de un balde, opere el revólver rociador por 30 segundos a baja presión.
4. Permita que el anticongelante permanezca en el sistema.

ARTICULOS RECOMENDADOS PARA MANTENER EN EXISTENCIA

Refiérase a la sección de Lista de Piezas para los artículos recomendados en existencia. Los artículos en existencia están claramente identificados con una bola precediendo a la descripción de las piezas. Vea el ejemplo de abajo:

Ref.	Part No.	Description	Qty.
1	701193	ASM, STANDPIPE	1
2	160612	● FLOAT, SHUTOFF	1
3	230197	NIPPLE	1
4	101714	● GASKET	1
5	210240	NUT, FLANGED	1

LOCALIZACIÓN DE FALLAS

PROBLEMA	CAUSA	SOLUCIÓN
La máquina no funciona.	Dispositivo GFCI activado. (Modelo De 120V Solamente)	Dispositivo GFCI regradoado (Modelo De 120V Solamente)
	Dispositivo GFCI defectivo (Modelo De 120V Solamente)	Consulte con el Centro de Servicio
	Cordón eléctrico defectuoso	Consulte con el Centro de Servicio
	Activado el interruptor de circuitos del edificio	Regradúe el interruptor
El revólver rociador no funciona.	Air in pump system.	Opere el revólver rociador a baja presión para cebar la bomba
	Vacíe el tanque de solución	Llene el tanque de solución.
	No está activado el conmutador de la bomba.	Active el conmutador de la bomba.
	Doblez en la manguera de solución.	Enderece la manguera.
	Boquilla del revólver rociador taponado.	Destape la boquilla.
	Filtro del tanque de solución taponado	Limpiar el filtro
	Conexión floja de la manguera de conexión.	Conecte adecuadamente la manguera de solución al acoplador.
	Manguera de la bomba interna doblada o taponada.	Enderece o destape la manguera
	Bomba defectuosa.	Consulte con el Centro de Servicio.
	Conmutador o cableado defectuoso de la bomba.	Consulte con el Centro de Servicio.
Revólver rociador defectuoso.	Reemplace el revólver rociador.	
No aspira.	El conmutador de aspiración/soplador está desplazado hacia el símbolo del soplador.	Oprimir el conmutador hacia el símbolo de aspiración.
	Conmutador o cableado defectuoso de aspiración/soplador.	Consulte con el Centro de Servicio.
	Motor de aspiración defectuoso.	Consulte con el Centro de Servicio.
	Escobillas de carbón gastadas.	Consulte con el Centro de Servicio.
Mala aspiración.	Tamiz flotante de corte taponado	Extraiga la tapa del tanque de recuperación y limpie la pelusa del tamiz.
	Tanque de recuperación lleno.	Tanque de recuperación vacío.
	Tapa del tanque de recuperación floja.	Ajuste la tapa del tanque de recuperación.
	Conexiones flojas de la manguera aspiradora.	Ajuste las conexiones.
	Manguera aspiradora defectuosa.	Reemplace la manguera.
	Manguitos de la manguera de aspiración flojos.	Asegure los manguitos a la manguera.
	Herramienta escurridora defectuosa.	Reemplace las herramientas escurridoras.

OPERACIÓN

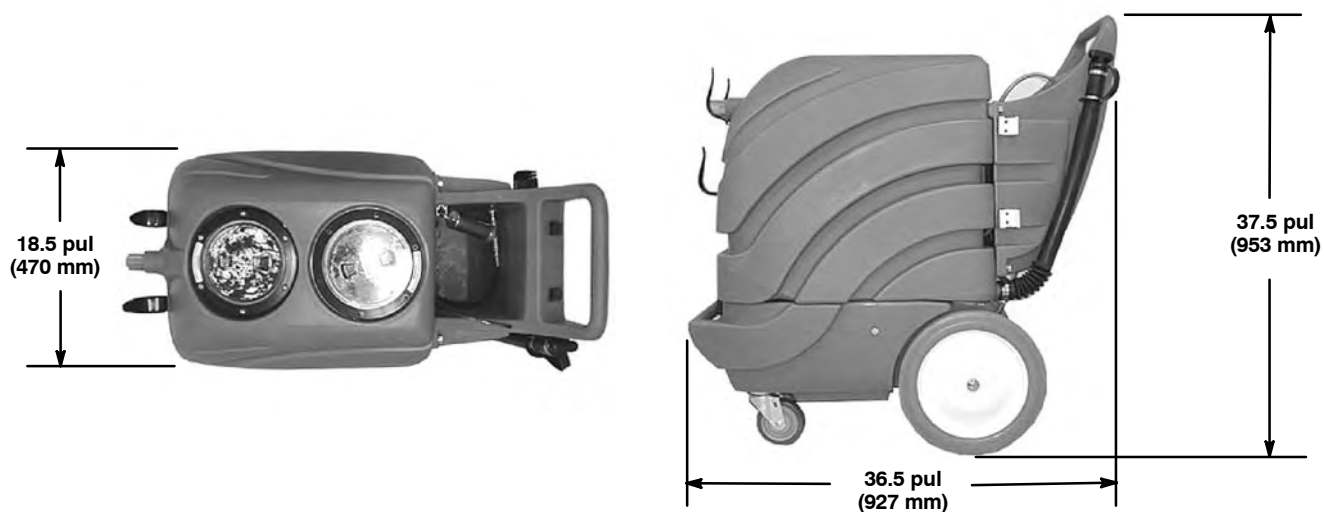
LOCALIZACIÓN DE FALLAS-cont'd

PROBLEMA	CAUSA	SOLUCIÓN
El limpiador de la Fórmula no está inyectando.	El revólver rociador está graduado a alta presión.	Gradúe el revólver a baja presión.
	Punta medidora taponada.	Extraiga la punta medidora y limpie.
	Tubo de inyección taponado.	Destape el tubo de inyección.
	Recipiente vacío de la Fórmula.	Reemplace con un nuevo recipiente.
	Palanca de Formula ON/OFF en OFF.	Mueva la palanca de ON/OFF a ON.
	El tubo inyector no está sumergido en el recipiente de la Fórmula.	Sumerja el tubo inyector hasta el fondo del recipiente de la Fórmula.
	Inyector de Fórmula taponado.	Extraiga y limpie el eyector. Al reemplazar el inyector, apunte la flecha hacia el revólver rociador.
No circula aire desde la manguera sopladora.	Conexión floja de la manguera sopladora.	Ajuste la conexión de la manguera.
	Motor defectuoso del soplador.	Consulte con el Centro de Servicio.
	Escobillas de carbón gastadas en el motor del soplador.	Consulte con el Centro de Servicio.

ESPECIFICACIONES

Modelo	TENNANT 750
LARGO	36.5 pul / 927 mm
ANCHO	18.5 pul / 470 mm
ALTO	37.5 pul / 953 mm
PESO	126 lb / 57 kg / 142 lb / 64 kg con accesorios
CAPACIDAD DEL TANQUE DE SOLUCIÓN	15 gal / 57 L
CAPACIDAD DEL TANQUE DE RECUPERACION	18 gal / 72 L
BOMBA DE SOLUCIÓN	120 V, clasificación nominal: 500 psi, 4.5 A 220 V / 230 V / 240 V, clasificación nominal: 500 psi, 3.7 A
VELOCIDADES DE CIRCULACION DE LA BOMBA (MAX.)	Alta presión: 1 gal / 3.8 L por min Baja presión: 1.5 gal / 5.7 L por min
PRESION DEL REVOLVER ROCIADOR	Baja presión: 45 psi Alta presión: 300 psi/400 psi cabezal inactivo
SISTEMA INYECTOR	Alimentado por aspiración
CIRCULACIONES DE LAS PUNTAS MEDIDORAS	Punta anaranjada = 2 oz por galón (15ml / L) Punta roja = 4 oz por galón (30ml / L) Punta azul = 6 oz por galón (44ml / L)
MOTORES DE ASPIRACION	1-120 V, 8.6 A, 1000 VATIOS, 2 etapas 1-220 V / 230 V / 240 V, 6.0 A, 1331 VATIOS, 2 etapas
MOTORES DE ASPIRACION RECUPERACION	1-120 V, 10 A, 1200 VATIOS, 3 etapas 1-220 V / 230 V / 240 V, 7.3 A, 1566 VATIOS, 3 etapas
ELEVADOR SELLADO DE AGUA	117.4 pul / 3m
CONSUMO TOTAL DE ENERGIA	120 V, 14.25 A 220 V / 230 V / 240 V, 11.0 A
CORDON ELECTRICO	25 pies / 7.6 m 14/3 W/G (120V) 50 pies / 15.0 m 3x1.5 mm (220 V / 230 V / 240 V)
DISPOSITIVO GFCI (Modelo 120V)	120 V CA 50/60 Hz, 15 A, Clase A

DIMENSIONES DE LA MÁQUINA



FONCTIONNEMENT

Ce manuel est fourni avec chaque nouveau modèle. Il fournit les instructions nécessaires au fonctionnement et à l'entretien.

Lisez complètement ce manuel et familiarisez-vous avec la machine avant de l'utiliser ou de l'entretenir.

Une liste complète de pièces détachées avec illustrations accompagne également chaque nouveau modèle. Utilisez la liste de pièces détachées pour commander des pièces de rechange. Avant de commander des pièces ou des fournitures, soyez sûr d'avoir avec vous le numéro de modèle de la machine et le numéro de série. Les pièces et les fournitures se commandent par téléphone ou par courrier auprès de tout centre de dépannage agréé, de tout distributeur ou de l'une des filiales du fabricant.

Cette machine vous fournira d'excellents services. Toutefois, vous obtiendrez les meilleurs résultats pour un prix de revient minimum si:

- La machine est manipulée avec un certain soin.
- La machine fait l'objet d'un entretien régulier conformément aux instructions d'entretien de ce manuel.
- L'entretien de la machine est effectué avec des pièces fournies par le fabricant ou des pièces équivalentes.

DONNÉES DE LA MACHINE

A remplir au moment de l'installation à titre de référence.

Modèle n° _____

Date d'installation - _____

N° série - _____



PROTECTION DE L'ENVIRONNEMENT

Veillez éliminer les matériaux d'emballage, les composants d'anciennes machines comme les batteries, les fluides dangereux tels que l'antigel ou l'huile, d'une manière sûre au point de vue environnemental, suivant la réglementation locale en vigueur en matière d'élimination des déchets.

N'oubliez pas de toujours recycler.



TABLE DES MATIÈRES

MESURES DE SECURITE	48	DEPISTAGE DES PANNES	66
INSTRUCTIONS DE MISE À LA TERRE ...	49	DONNEES TECHNIQUES	68
ÉTIQUETTES DE MISE EN GARDE	50	DIMENSIONS DE LA MACHINE	69
COMPOSANTS DE LA MACHINE	51	ELECTRICAL DIAGRAMS	70
DEBALLAGE DE LA MACHINE	52	PARTS LIST	72
CONTENU DU CARTON:	52	PARTIE DU SUPÉRIEURE	72
PREPARATION DE LA MACHINE POUR		PARTIE DU INFÉRIEURE	74
L'APPLICATION DE NETTOYAGE	52	GROUPE POIGNEE	76
INSTALLATION DU RECIPIENT D'AGENT DE		ENSEMBLE DES CONDUITES	78
NETTOYAGE LIQUIDE (FORMULA 710) ...	52	GROUPE POMPE DE SOLUTION	80
REPLISSAGE DU RESERVOIR		BROSSE TELESCOPIQUE	82
DE SOLUTION	53	TUYAUX D'ASPIRATION ET DE	
BRANCHEMENT DU CORDON		SOUFFLERIE	82
D'ALIMENTATION SUR UNE PRISE		LOT ACCESSOIRES DE TUBE/TUYAU	82
MURALE	54	PISTOLET PULVERISATEUR ET TUYAU DE	
APPLICATION DE NETTOYAGE	54	SOLUTION	83
A: PREPARATION DE LA ZONE	55	RACLETTE A VITRES	83
B: APPLICATION DE L'AGENT DE NETTOYAGE		FORMULE	83
(FORMULA 710)	55	TUYAU DE REMPLISSAGE DU RESERVOIR	
C: RINCAGE DE LA ZONE	57	DE SOLUTION	83
D: BLOW DRYING AND SQUEEGEEING ...	58	OPTIONS	84
VIDANGE DES RESERVOIRS	59	GROUPE OUTIL, HAUTE	
VIDANGE DU RESERVOIR		PRESSION 13 in / 330 mm	84
DE RECUPERATION	59		
VIDANGE ELEVEE	60		
VIDAGE DU RESERVOIR DE SOLUTION ..	60		
AUTRES APPLICATIONS DE NETTOYAGE AVEC			
LA MACHINE	61		
NETTOYAGE AVEC LE TUYAU			
DE SOUFFLERIE	61		
NETTOYAGE DE TAPIS (OPTION)	61		
ENTRETIEN DE LA MACHINE	62		
COMPTEUR HORAIRE	62		
ENTRETIEN QUOTIDIEN	62		
ENTRETIEN MENSUEL	63		
ENTRETIEN TRIMESTRIEL	64		
ACCES AUX COMPOSANTS INTERNES ..	64		
ENTREPOSAGE DE LA MACHINE	65		
ENTREPOSAGE DE LA MACHINE A DES			
TEMPERATURES INFERIEURES A			
ZERO DEGRE	65		
ARTICLES DE STOCK RECOMMANDES	65		

MESURES DE SECURITE

Cette machine est conçue pour un usage commercial. Elle est destinée au nettoyage de surfaces résistant à l'eau dans un environnement intérieur et ne convient pas à un quelconque autre usage. N'utilisez pas la machine pour le ramassage à sec. Utilisez uniquement les formules nettoyantes et les instruments recommandés.

Tous les opérateurs sont tenus de lire et comprendre les consignes de sécurité suivantes et de se familiariser avec celles-ci.

Le symbole de mise en garde suivant et l'en-tête " POUR VOTRE SECURITE " sont utilisés tout au long de ce manuel comme indiqué dans leur description :

 **MISE EN GARDE:** Identifie la présence de dangers ou les opérations dangereuses susceptibles de blesser grièvement ou de provoquer la mort.

POUR VOTRE SECURITE : Identifie les instructions qui doivent être suivies afin de garantir la sécurité lors de l'utilisation de l'équipement.


Le fait d'ignorer ces avertissements peut entraîner: des blessures personnelles, une électrocution, un choc électrique, un incendie ou une explosion:

 **MISE EN GARDE :** danger d'incendie ou d'explosion:

- N'utilisez jamais de liquides inflammables ou n'utilisez pas la machine dans ou près de liquides ou vapeurs inflammables ou de poussières combustibles.


Cette machine n'est pas équipée de moteurs protégés contre les explosions. Les moteurs électriques émettent des étincelles au moment du démarrage et pendant leur fonctionnement, ce qui peut entraîner un incendie instantané ou une explosion si la machine est utilisée dans une zone où des vapeurs/liquides inflammables ou des poussières combustibles, sont présents.

- Ne ramassez pas de matériaux inflammables ou de métaux réactifs.

 **MISE EN GARDE :** danger électrique. N'utilisez pas la machine avec un cordon d'alimentation endommagé. Ne modifiez pas la prise. Débranchez le cordon d'alimentation avant d'entretenir la machine.

Si le cordon d'alimentation est endommagé ou rompu, il doit être remplacé par le fabricant ou son agent de maintenance ou toute autre personne qualifiée, afin d'éviter tout danger.

 **MISE EN GARDE:** Danger de choc électrique. N'utilisez pas en extérieur. N'exposez pas à la pluie. Entrez à l'intérieur.

 **MISE EN GARDE:** L'interrupteur du circuit au sol de défaut (GFCI) ne protège pas l'utilisateur contre le choc électrique dû au contact avec des conducteurs de circuit ou un défaut dans aucun câblage alimentant ce dispositif. N'employez pas la corde de prolongation entre GFCI et prise de courant.

Les signaux d'information ci-après indiquent les situations potentiellement dangereuses pour l'opérateur ou l'équipement.

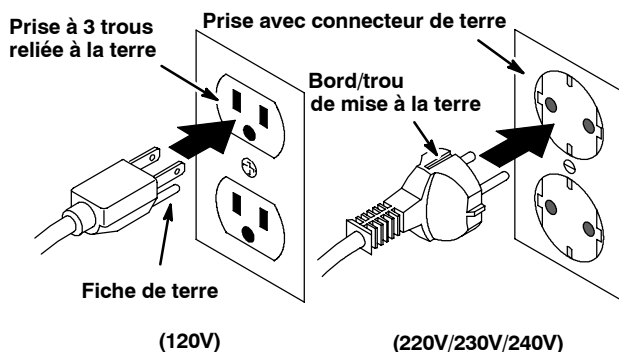
POUR VOTRE SECURITE :

1. N'utilisez pas la machine:
 - Dans des zones inflammables ou comportant des risques d'explosion.
 - Si vous n'y êtes pas formé et autorisé.
 - Avant d'avoir lu et compris le manuel opérateur.
 - Sans porter de lunettes de protection.
 - Si le câble n'est pas correctement relié à la terre.
 - Avec un câble ou une prise endommagés.
 - Si elle n'est pas en bon état de marche.
 - A l'extérieur.
 - Dans l'eau stagnante.
 - Avec une rallonge.
2. Avant d'utiliser la machine:
 - Assurez-vous que tous les dispositifs de sécurité se trouvent à leur place et fonctionnent correctement.
 - Placez les signes " SOL HUMIDE " selon les besoins.
3. Lors de l'utilisation de la machine:
 - Ne tirez pas la machine par la prise ou le câble.
 - Ne tirez pas sur le câble près des bords ou des coins vifs.
 - Ne fermez pas de portes sur le cordon.
 - Ne débranchez pas la machine en tirant sur le câble.
 - N'étirez pas le câble.
 - Ne manipulez pas la prise avec des mains mouillées.

- Suivez les instructions de mélange, de manipulation et de mise au rebut, indiquées sur les conteneurs chimiques et les fiches techniques relatives à la sécurité des matériaux.
 - Ne pointez jamais un pistolet pulvérisateur vers le visage d'une personne.
 - Ne pulvérisez pas la solution sur les prises électriques, les interrupteurs, les boîtes à fusible et sur les équipements électriques.
 - Eloignez le câble des surfaces chaudes.
 - Portez des chaussures antidérapantes.
 - Signalez immédiatement tout dommage occasionné à la machine ou tout mauvais fonctionnement.
 - Empêchez les enfants de jouer à proximité de la machine.
4. Avant de quitter ou d'entretenir la machine:
- Coupez le contact de la machine.
 - Débranchez le câble de la prise murale.
5. Lors de l'entretien de la machine:
- Débranchez le câble de la prise murale.
 - Évitez les pièces mobiles. Ne portez pas de veste ou de chemise large ou de manches amples.
 - Utilisez des pièces de rechanges fournies ou agréées par le fabricant.
 - Toutes les réparations doivent être effectuées uniquement par un technicien qualifié.
 - Ne modifiez pas le design d'origine de la machine.
6. Lors du transport de la machine:
- Coupez le contact de la machine.
 - Demandez de l'aide pour soulever la machine.
 - Débranchez le cordon de la prise murale.
 - Lorsque vous chargez la machine sur le camion ou la remorque ou lorsque vous la déchargez, utilisez une rampe recommandée.
 - Utilisez des sangles pour arrimer la machine sur le camion ou la remorque.

INSTRUCTIONS DE MISE À LA TERRE

La machine doit être mise à la terre. En cas de dysfonctionnement ou de panne, la mise à la terre offre une voie de moindre résistance au courant électrique, afin de réduire le risque de décharge électrique. Cette machine est équipée d'un cordon muni d'un conducteur de terre principale et d'une fiche avec mise à la terre. La fiche doit être branchée sur une prise appropriée montée correctement, conformément aux réglementations et codes en vigueur au niveau local. Ne supprimez pas la fiche de mise à la terre ; si celle-ci manque, remplacez la prise avant d'utiliser la machine.



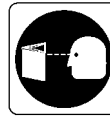
ÉTIQUETTES DE MISE EN GARDE

Les étiquettes de mise en garde se trouvent sur la machine aux endroits indiqués. Remplacez les étiquettes lorsqu'elles sont endommagées ou qu'elles deviennent illisibles.



ETIQUETTE POUR VOTRE SECURITE – située sur le couvercle du réservoir de récupération.

POUR VOTRE SECURITE : N'utilisez la machine que si vous portez des lunettes de protection.



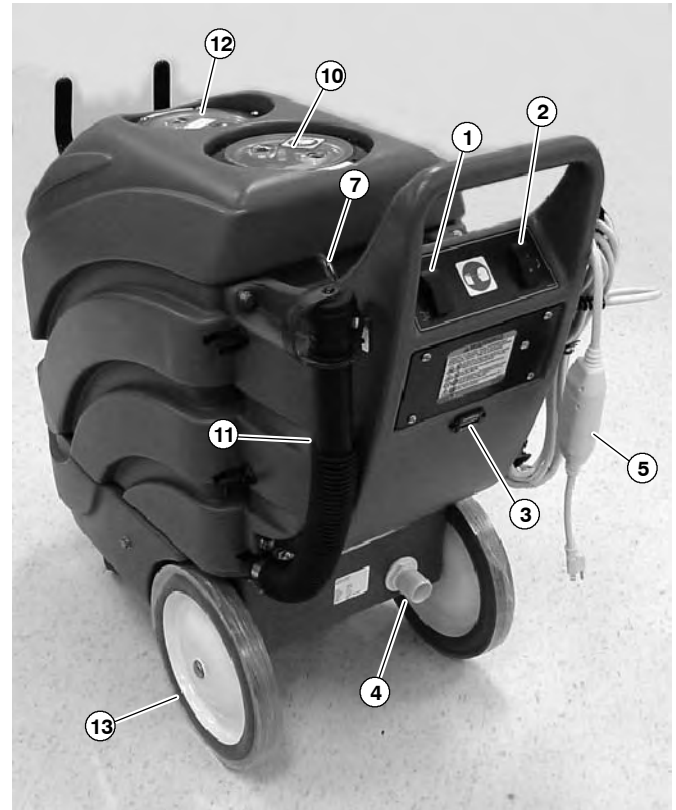
ETIQUETTE POUR VOTRE SECURITE – Située sur le tableau de bord.

POUR VOTRE SECURITE : N'utilisez pas la machine avant d'avoir lu et compris le manuel opérateur.

ÉTIQUETTE CHARGE DE BATTERIE – SITUÉE SUR LA FACE INFÉRIEURE DU RÉSERVOIR DE RÉCUPÉRATION.



COMPOSANTS DE LA MACHINE



1. Bouton marche/arrêt de l'aspiration/soufflerie
2. Interrupteur MARCHE/ARRET de la pompe
3. Compteur horaire
4. Connecteur du tuyau de la soufflerie
5. Cordon de secteur équipé de Interrupteur du dispositif au sol de circuit de défaut (120 V)
6. Compartiment des accessoires et du récipient de solution de nettoyage
7. Tuyau d'injection de solution de nettoyage
8. Tube à raccord courbe double en deux pièces
9. Brosse à planchers
10. Réservoir de récupération
11. Tuyau de vidange du réservoir de récupération
12. Réservoir de solution
13. Roulettes de montée d'escalier 12 in / 305 mm
14. Crochets d'entreposage du tuyau d'aspiration
15. Connecteur du tuyau d'aspiration

16. Crochet d'entreposage du pistolet pulvérisateur
17. Raccord de connexion du tuyau de solution
18. Manette de MARCHE/ARRET de la distribution d'agent de nettoyage
19. Loquets d'accès aux composants internes
20. Tuyau de remplissage du réservoir de solution
21. Tuyau d'aspiration de 25 ft / 7.6 m
22. Tuyau de soufflerie de 6 ft / 1.8 m
23. Diffuseur de tuyau de soufflerie
24. Pistolet pulvérisateur et tuyau de solution
25. Raclette à sol de 14 in / 356 mm
26. Raclette pour vitres 12 in / 305 mm
27. Suceur triangulaire
- ~~28. Agent de nettoyage "Formula 710" (en option)~~
- ~~29. Agent de rinçage "Formula 720" (en option)~~
30. Pistolet à graisse pour la pompe de solution

FONCTIONNEMENT

DEBALLAGE DE LA MACHINE

Vérifiez soigneusement si le carton ne présente pas de dommages. Signalez immédiatement tout dommage au transporteur.

Vérifiez le contenu du carton pour vous assurer que la livraison est complète. Contactez le distributeur pour tout élément manquant.

Contenu du carton:

- Machine
- Tuyau d'aspiration noir (#610683)
- Tuyau de soufflerie gris (#1010410)
- Tube à raccord courbe double en deux pièces (#1010457)
- Raclette à sol (14 in) (#609648)
- (12 in) Glass Squeegee Hand Tool (#609641)
- (5 in) Gulper Tool (#609645)
- Diffuseur de soufflage (#609644)
- Tuyau de remplissage (#609983)
- Pistolet pulvérisateur, diffuseur et tuyau de solution (#610845)
- Brosse à planchers (#609650)
- Tube télescopique pour brosse à planchers (#610731)
- ~~Un gallon de formule 710-Décapant Acide~~
- ~~Deux litres de formule 720-Rinçage De Multi-Surface~~
- 3 gicleurs de dosage (emballés séparément) (#609757)
- Bouchon de tube d'injecteur (installé sur le tube bleu)
- Pistolet à graisse pour le moteur de la pompe de solution (#190022)

PREPARATION DE LA MACHINE POUR L'APPLICATION DE NETTOYAGE

INSTALLATION DU RECIPIENT D'AGENT DE NETTOYAGE LIQUIDE (~~FORMULA 710~~)

~~L'agent de nettoyage "acide multi-surfaces Formula 710" a été spécialement conçu et est recommandé pour l'utilisation avec cette machine. Sa formule a été conçue pour nettoyer la mousse de savon, le tartre et les sols spécifiques des salles d'attente, des douches et des équipements de piscines, etc. Utilisez la machine uniquement sur des surfaces résistant à l'eau. Pour commander le "Nettoyant acide multi-surfaces Formula 710" ou un produit de substitution approuvé, contactez votre distributeur Tennant. DISCONTINUED~~

ATTENTION: L'utilisation de produits chimiques non approuvés ou inappropriés peut entraîner l'endommagement de la machine et des surfaces et provoquer l'annulation de votre garantie

POUR VOTRE SECURITE : Quand vous utilisez la machine, suivez les instructions de mélange, de manipulation et de mise au rebut, indiquées sur les conteneurs chimiques et les fiches techniques relatives à la sécurité des matériaux.

1. Retirez le bouchon du tube d'injecteur bleu. Conservez le bouchon (Figure 1). Utilisez le bouchon pour éviter l'obstruction du tube d'injecteur quand la machine n'est pas utilisée.



FIG. 1

2. Sélectionnez le gicleur de dosage souhaité (Gicleurs fournis avec la machine) et enfitez le gicleur dans le tube d'injection bleu de la machine (Figure 2). Les taux de distribution indiqués correspondent à l'agent " Nettoyant acide multi-surfaces Formula ". Les agents de substitutions peuvent avoir des taux de distribution différents. Le gicleur orange a été installé en usine.

Gicleur orange= 2 oz per gallon (15ml / L) pour un nettoyage léger.

Gicleur rouge= 4 oz per gallon (30ml / L) pour un nettoyage moyen.

Gicleur bleu= 6 oz per gallon (44ml / L) pour un nettoyage important.



FIG. 2

- Placez le récipient d'agent de nettoyage dans le compartiment d'accessoires/d'agent de nettoyage. Retirez le bouchon du récipient et fixez le bouchon du tuyau d'injection bleu. Poussez le tuyau bleu jusqu'au fond du récipient (Figure 3).



FIG. 3

ATTENTION: N'ajoutez pas d'agent de nettoyage acide (Formula 710) dans le réservoir de solution.

REPLISSAGE DU RESERVOIR DE SOLUTION

~~L'agent de "Rinçage Formula 720" a été spécialement conçu et est recommandé pour l'utilisation avec cette machine. Son utilisation est prévue pour rincer les surfaces après le nettoyage. L'agent de "Rinçage Formula 720" permet de réduire la formation de flaques d'eau et d'accélérer le séchage. Pour commander l'agent de "Rinçage Formula 720" ou un produit de substitution approuvé, contactez votre distributeur Tennant. DISCONTINUED~~

ATTENTION: L'utilisation de produits chimiques non approuvés ou inappropriés peut entraîner l'endommagement de la machine et des surfaces et provoquer l'annulation de votre garantie

POUR VOTRE SECURITE : Quand vous utilisez la machine, suivez les instructions de mélange, de manipulation et de mise au rebut, indiquées sur les conteneurs chimiques et les fiches techniques relatives à la sécurité des matériaux.

- Retirez le couvercle avant du réservoir de solution de la machine et versez de l'agent de "Rinçage Formula 720" ou un autre agent de substitution approuvé, dans le réservoir de solution. Suivez les instructions de mélange figurant sur le flacon (Figure 4).



FIG. 4

- Branchez le tuyau de remplissage (livré avec la machine) sur le robinet d'eau et remplissez le réservoir de solution avec 57 litres d'eau claire (Figure 5). Si vous utilisez de l'eau chaude, ne dépassez pas 60°C.

⚠ MISE EN GARDE: N'utilisez pas de liquides inflammables ou n'utilisez pas la machine dans ou près de liquides ou vapeurs inflammables ou poussières combustibles.



FIG. 5

- Après le remplissage, remplacez le couvercle du réservoir de solution.

BRANCHEMENT DU CORDON D'ALIMENTATION SUR UNE PRISE MURALE

1. Branchez le cordon d'alimentation dans une prise murale reliée à la terre (Figure 6). Utilisez une prise de terre hors de la zone devant être nettoyée.

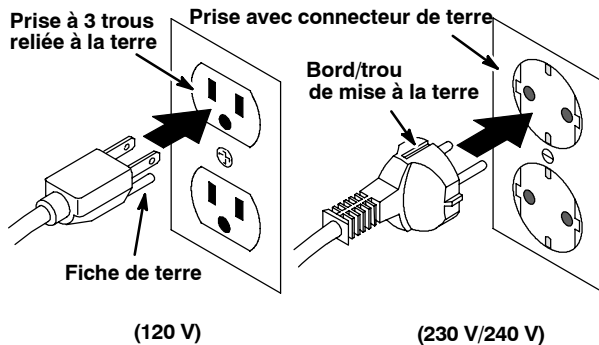


FIG. 6

POUR VOTRE SECURITE: N'utilisez pas la machine si le câble n'est pas correctement relié à la terre.

POUR VOTRE SECURITE: N'utilisez pas la machine avec une rallonge.

2. Cordon de secteur équipé de Interrupteur du dispositif au sol de circuit de défaut (Figure 7). Le GFCI protège l'utilisateur contre le choc électrique (modèles 120 V seulement).

Examinez le dispositif de GFCI avant chaque utilisation.

- a. Vérifiez que l'indicateur est rouge.
- b. Appuyez sur la touche "test", indicateur rouge devrait disparaître.
- c. Serrez pour remettre à zéro le bouton. Si l'essai échoue, n'utilisez pas la machine. Appelez un technicien autorisé pour l'aide.



FIG. 7

⚠ MISE EN GARDE: L'interrupteur du circuit au sol de défaut (GFCI) ne protège pas l'utilisateur contre le choc électrique dû au contact avec des conducteurs de circuit ou un défaut dans aucun câblage alimentant ce dispositif. N'employez pas la corde de prolongation entre GFCI et prise de courant.

⚠ MISE EN GARDE: N'utilisez pas la machine avec un cordon d'alimentation endommagé. Ne modifiez pas la prise. Débranchez le cordon d'alimentation avant d'entretenir la machine

Si le cordon d'alimentation est endommagé ou rompu, il doit être remplacé par le fabricant ou son agent d'entretien ou toute autre personne qualifiée, afin d'éviter tout danger.

APPLICATION DE NETTOYAGE

POUR VOTRE SECURITE : N'utilisez pas la machine avant d'avoir lu et compris le manuel opérateur.

ATTENTION: La machine est conçue uniquement pour nettoyer des surfaces résistant à l'eau, comme le béton, les carreaux en céramique, le carrelage, les vitres, les éviers, les urinoirs, les toilettes, les cloisons de salles d'attente, les douches, les tuyaux, les miroirs et autres zones sujets à dépôts de savon ou de minéraux et à des salissures quotidiennes.

L'application de nettoyage n'est pas recommandée sur le Placoplâtre/les murs secs et les surfaces couvertes de papier peint.

Contactez votre distributeur local pour les agents de nettoyage recommandés pour le nettoyage des cuisines, des cages d'escalier, fenêtres, etc.

ATTENTION: Les sols doivent être étanches pour éviter le suintement de l'eau. Inspectez toutes les lignes de jointement de carrelage, les coins, etc. pour vérifier la présence de fissures. Réparez-les fissures si nécessaire. Nous ne sommes pas responsables de tout dégât des eaux.

Le port de lunettes de protection, de gants et de vêtements de protection (non fournis), est requis pendant le nettoyage. Les lunettes de protection doivent être conçues pour protéger les yeux contre les éclabousses de liquide (Figure 8).

POUR VOTRE SECURITE : N'utilisez la machine que si vous portez des lunettes de protection.



FIG. 8

A: PREPARATION DE LA ZONE

1. Balayez les débris hors de la zone.
2. Retirez les poubelles et autres corbeilles de la pièce.
3. Retirez de la pièce les produits en papier exposés.
4. Enlevez la poussière des installations fixes et des orifices de ventilation situés en hauteur. Cette machine est également conçue pour nettoyer la poussière (Voir AUTRES APPLICATIONS DE NETTOYAGE AVEC LA MACHINE).
5. Rincez toutes les installations fixes dans les salles d'attente et laissez les lunettes ouvertes dans les toilettes.
6. Protégez toutes les prises électriques, les interrupteurs, les boîtes à fusibles et les dispositifs de connexion, avec des protections imperméables.
7. Couvrez tout élément exposé que vous ne voulez pas voir mouillé.
8. Placez la machine dans l'encadrement de la porte, afin de bloquer l'accès à la zone.
9. Utilisez un cale-porte afin d'éviter d'endommager le tuyau. Ne fermez pas de portes sur les tuyaux.

POUR VOTRE SECURITE : Avant d'utiliser la machine, placez les signes " SOL HUMIDE " selon les besoins.

B: APPLICATION DE L'AGENT DE NETTOYAGE (FORMULA 710)

1. Si la zone n'est pas équipée d'un siphon de sol, branchez le tuyau de récupération noir à l'avant de la machine, fixez le suceur triangulaire et placez l'accessoire là où l'eau risque de se répandre pendant le nettoyage (Figure 9).



FIG. 9

2. Branchez le pistolet pulvérisateur sur le tuyau de solution pour relier le tuyau au raccord situé à l'avant de la machine (Figure 10).



FIG. 10

3. Placez la manette de marche/arrêt de la distribution d'agent de nettoyage dans la position de marche (I) ; cette manette se situe à l'avant de la machine (Figure 11).



FIG. 11

FONCTIONNEMENT

REMARQUE: Pour utiliser le pistolet pulvérisateur en **BASSE PRESSION** sans utilisation d'agent de nettoyage, placez la manette de marche/arrêt de la distribution d'agent de nettoyage dans la position (O)

4. Réglez le pistolet sur la basse pression en poussant le diffuseur vers l'extérieur. Tournez le diffuseur dans le sens contraire des aiguilles d'une montre pour obtenir une pulvérisation en éventail (Figure 12).



FIG. 12

5. Activez l'interrupteur de la pompe. Appuyez le bouton d'aspiration/soufflerie en direction du symbole d'aspiration, si vous utilisez le suceur triangulaire (Figure 13).



FIG. 13

6. En partant du point le plus éloigné de la pièce, commencez à pulvériser la zone entière de bas en haut, en avançant vers la machine. L'attente avant le début de l'injection de l'agent de nettoyage (Formula 710) peut durer jusqu'à 5 secondes. Après avoir pulvérisé la zone entière, coupez la machine et laissez agir l'agent de nettoyage pendant 5 à 10 minutes (Figure 14).



FIG. 14

REMARQUE: Le délai d'amorçage de la pompe peut être de 5 à 10 secondes. Le diffuseur doit être réglé sur la basse pression, afin que la pompe puisse s'amorcer.

POUR VOTRE SECURITE : Quand vous utilisez la machine, ne pulvérisiez pas la solution sur les prises électriques, les interrupteurs, les boîtes à fusible et sur les équipements électriques.

REMARQUE: Après avoir appliqué l'agent de nettoyage, placez en position (O) la manette de marche/arrêt de la distribution d'agent de nettoyage et rincez le pistolet pulvérisateur.

7. Pendant que la solution de nettoyage agit, utilisez la brosse pour brosser les coins, la base des moulures et les zones très sales (Figure 15).



FIG. 15

C: RINCAGE DE LA ZONE

POUR VOTRE SECURITE : N'utilisez la machine que si vous portez des lunettes de protection.

REMARQUE: Utilisez le suceur triangulaire, si la zone n'est pas équipée d'un siphon de sol.

1. Réglez le pistolet pulvérisateur sur la haute pression en tirant le diffuseur vers l'intérieur (Figure 16).



FIG. 16

2. Activez l'interrupteur de la pompe. Si vous utilisez le suceur triangulaire, appuyez le bouton d'aspiration/soufflerie en direction du symbole d'aspiration (Figure 17).

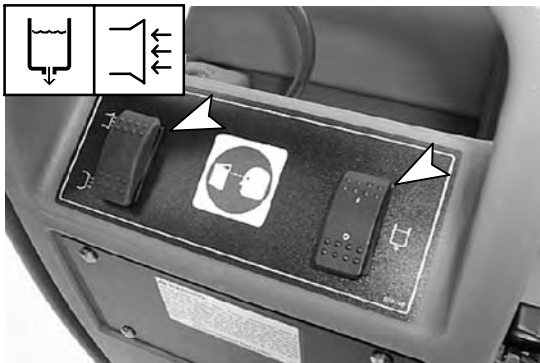


FIG. 17

3. Commencez le rinçage de la zone entière, de haut en bas. Tournez le diffuseur dans le sens des aiguilles d'une montre pour viser avec précision les lignes de jointement de carrelage et pour nettoyer des zones très sales et difficiles à atteindre (Figure 18).

REMARQUE: Le fait d'utiliser le pistolet en haute pression entraîne l'arrêt automatique de l'injection d'agent de nettoyage.



FIG. 18

POUR VOTRE SECURITE : Quand vous utilisez la machine, ne pulvérisez pas la solution sur les prises électriques, les interrupteurs, les boîtes à fusible et sur les équipements électriques.

POUR VOTRE SECURITE : Quand vous utilisez la machine, ne pointez jamais un pistolet pulvérisateur vers le visage d'une personne.

4. Pour utiliser le pistolet pulvérisateur en basse pression sans utilisation d'agent de nettoyage, placez en position (O) la manette de marche/arrêt de la distribution d'agent de nettoyage (Figure 19).



FIG. 19

5. Si le réservoir de solution se vide pendant le nettoyage, vous devez actionner le pistolet pulvérisateur en basse pression, afin de réamorcer la pompe. **NE FAITES PAS FONCTIONNER LA POMPE A SEC.**
6. Après avoir rincé méticuleusement la zone entière, éteignez la machine. Essuyez le tuyau de solution et raccrochez le pistolet pulvérisateur sur le crochet d'entreposage.

ATTENTION: Relâchez la pression d'eau du pistolet pulvérisateur avant de débrancher le tuyau.

D: BLOW DRYING AND SQUEEGEEING

REMARQUE: L'utilisation de l'agent de "Rinçage Formula 720" permet de réduire le besoin et le temps nécessaire pour sécher les surfaces en soufflant.

1. A l'aide de la raclette pour vitres (fournie avec la machine), essuyez les miroirs, le cas échéant (Figure 20).



FIG. 20

2. Sortez le tuyau de soufflerie gris de la poignée de la machine et branchez-le sur l'arrière de la machine, comme indiqué. Ensuite, fixez le diffuseur de soufflerie sur le tuyau (Figure 21).

ATTENTION: Quand vous effectuez un séchage soufflant, n'utilisez pas le tuyau de récupération noir. Des substances contaminantes seront expulsées dans l'air.



FIG. 21

3. Appuyez le bouton d'aspiration/soufflerie en direction du symbole de soufflerie, pour activer la soufflerie (Figure 22).



FIG. 22

4. Commencez le séchage soufflant des surfaces de haut en bas, en dirigeant la solution de rinçage vers le sol. Quand vous avez terminé, éteignez la soufflerie, essuyez le tuyau et replacez-le sur la machine (Figure 23).



FIG. 23

5. Assemblez le tube à raccord courbe double, fixez la raclette et branchez le tube sur le tuyau de récupération noir. Branchez le tuyau de récupération noir à l'avant de la machine, comme indiqué (Figure 24).



FIG. 24

6. Appuyez le bouton d'aspiration/soufflerie en direction du symbole d'aspiration (Figure 25).



FIG. 25

7. Démarrez au niveau de l'encadrement de la porte et nettoyez la zone entière avec la raclette à sol. Dans le cas de l'utilisation du tube de nettoyage de sol, l'opérateur doit toujours se trouver sur une surface sèche (Figure 26).



FIG. 26

⚠ MISE EN GARDE: Ne ramassez pas de matériaux inflammables ou de métaux réactifs.

8. Tout en nettoyant, vérifiez périodiquement l'accumulation excessive de mousse dans le réservoir de récupération. Versez une solution de contrôle de mousse recommandée dans le réservoir de récupération, si un excès de mousse apparaît. Ceci permet d'éviter l'endommagement du moteur d'aspiration (Figure 27).



FIG. 27

ATTENTION: Une accumulation excessive de mousse empêche l'activation du filtre de coupure à flotteur.

9. Si la raclette commence à faire des traînées d'eau pendant son fonctionnement, le réservoir de récupération doit être vidangé (Voir VIDANGE DES RESERVOIRS).
10. Après avoir fini le nettoyage, éteignez la machine et essuyez les tuyaux de soufflerie et d'aspiration. Après le nettoyage, placez les tuyaux sur la machine.
11. Poussez la machine vers le site de vidange et videz le réservoir de récupération.

REMARQUE: Après le nettoyage d'une zone, il est préférable de vider le réservoir de récupération avant de passer à la prochaine zone à nettoyer.

VIDANGE DES RESERVOIRS

Après avoir fini le nettoyage, le réservoir de récupération doit être vidangé et nettoyé. S'il vous reste de la solution de rinçage, vous pouvez la laisser dans le réservoir de solution pour une utilisation ultérieure. Vidangez le réservoir de solution quand vous entreposez la machine pendant de longues périodes ou lors du transport de la machine.

⚠ MISE EN GARDE : danger électrique. N'utilisez pas la machine avec un cordon d'alimentation endommagé. Ne modifiez pas la prise. Débranchez le cordon d'alimentation avant d'entretenir la machine.

VIDANGE DU RESERVOIR DE RECUPERATION

Le réservoir de récupération doit être vidé avant de remplir le réservoir de solution.

1. Eteignez la machine, débranchez le câble d'alimentation et poussez la machine vers le site de vidange.

FONCTIONNEMENT

2. Retirez le tuyau de vidange de son support. Tournez le tuyau de vidange dans le sens contraire des aiguilles d'une montre, d'environ trois tours complet et retirez le bouchon pour commencer la vidange. Laissez le tuyau au-dessus du niveau de l'eau quand vous retirez le bouchon (Figure 28).



FIG. 28

3. Rincez le réservoir de récupération après chaque utilisation, afin d'éviter les mauvaises odeurs. Veillez à ne pas asperger d'eau le filtre d'arrêt à flotteur.
4. Après la vidange, remplacez fermement le bouchon du tuyau de vidange.

VIDANGE ELEVEE

Utilisez la procédure pratique du pompage, si la hauteur du site de vidange dépasse 13 inches (33 cm).

1. Fixez le tuyau de soufflerie gris sur le connecteur du tuyau de soufflerie et sur le connecteur du tuyau d'aspiration (Figure 29).

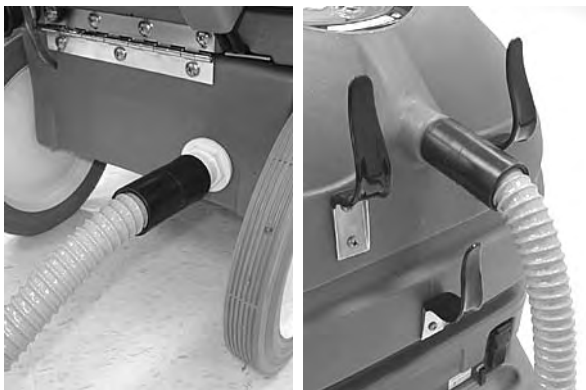


FIG. 29

ATTENTION: Avant d'activer la soufflerie, veillez à ce que le couvercle du réservoir de récupération soit bien fermé.

2. Retirez le bouchon du tuyau de vidange, dirigez le tuyau dans le site de vidange élevé et activez le bouton de soufflerie (Figure 30).



FIG. 30

VIDAGE DU RESERVOIR DE SOLUTION

1. Branchez le tuyau de récupération noir à l'avant de la machine et retirez le couvercle du réservoir de solution.
2. Appuyez le bouton d'aspiration/soufflerie en direction du symbole d'aspiration.
3. Aspirez la solution de rinçage restante dans le réservoir de solution et rincez le réservoir avec de l'eau claire (Figure 31).



FIG. 31

4. Eteignez la machine, débranchez le câble d'alimentation et vidangez le réservoir de récupération.

AUTRES APPLICATIONS DE NETTOYAGE AVEC LA MACHINE

NETTOYAGE AVEC LE TUYAU DE SOUFFLERIE

Utilisez le tuyau de soufflerie gris pour expulser les débris dans des zones difficiles à atteindre et pour retirer la poussière et les toiles d'araignée des installations fixes et des orifices de ventilation (Figure 32).

ATTENTION: N'utilisez pas la machine pour le ramassage à sec.



FIG. 32

NETTOYAGE DE TAPIS (OPTION)

La machine peut être utilisée pour nettoyer le tapis, à l'aide d'un outil de nettoyage de tapis optionnel (Voir OPTIONS).

1. Branchez le tuyau de remplissage (livré avec la machine) sur le robinet d'eau et remplissez le réservoir de solution avec 57 litres d'eau claire, à une température maximale de 60°C.
N'AJOUTEZ PAS D'AGENTS DE NETTOYAGE DANS LE RESERVOIR DE SOLUTION, certains agents peuvent endommager la pompe. Utilisez un pulvérisateur de refoulement, pour appliquer le mélange d'agent de nettoyage sur le tapis.

⚠ MISE EN GARDE: N'utilisez pas de liquides inflammables ou n'utilisez pas la machine dans ou près de liquides ou vapeurs inflammables ou poussières combustibles.

2. Utilisez les tuyaux de solution et d'aspiration, en les branchant sur la brosse à planchers puis à l'avant de la machine (Figure 33).



FIG. 33

3. Placez la manette de marche/arrêt de la distribution d'agent de nettoyage dans la position de marche (I) ; cette manette se situe à l'avant de la machine (Figure 34).



FIG. 34

4. Activez le bouton de la pompe et appuyez le bouton d'aspiration/soufflerie en direction du symbole d'aspiration (Figure 35).

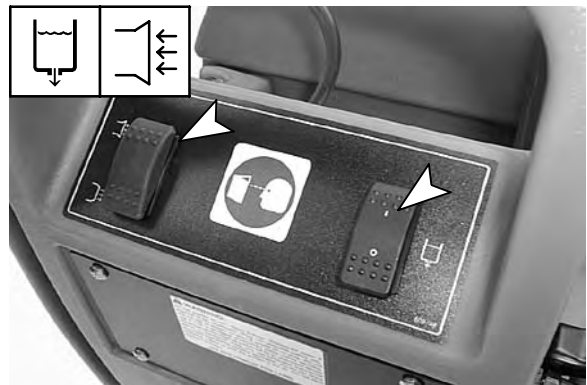


FIG. 35

FONCTIONNEMENT

5. Utilisez l'outil de sol normalement (Figure 36).

⚠ MISE EN GARDE: Ne ramassez pas de matériaux inflammables ou de métaux réactifs.



FIG. 36

6. Après le nettoyage, réduisez la pression d'eau dans l'instrument, avant de débrancher le tuyau. Appuyez sur le déclencheur pendant cinq secondes après avoir coupé l'alimentation.
7. Effectuez la procédure d'entretien recommandée (Voir ENTRETIEN DE LA MACHINE).

ENTRETIEN DE LA MACHINE

Pour maintenir la machine en bonne condition de fonctionnement, suivez les procédures d'entretien quotidiennes, mensuelles et trimestrielles de la machine.

⚠ MISE EN GARDE : danger électrique. N'utilisez pas la machine avec un cordon d'alimentation endommagé. Ne modifiez pas la prise. Débranchez le cordon d'alimentation avant d'entretenir la machine.

ATTENTION: Les réparations de la machine doivent être effectuées uniquement par du personnel Tennant agréé.

COMPTEUR HORAIRE

Chaque machine est équipée d'un compteur horaire, afin d'enregistrer le nombre total d'heures d'utilisation de la pompe. Utilisez le compteur horaire pour déterminer quand effectuer les procédures d'entretien recommandées et pour enregistrer l'historique des opérations d'entretien (Figure 37).



FIG. 37

ENTRETIEN QUOTIDIEN (À la suite Tout Utilité)

1. Nettoyez le gicleur de dosage et rincez le tuyau d'injecteur comme décrit
 - a. Remplissez le réservoir de solution avec 3 gallons / 11 L d'eau claire.
 - b. Retirez le gicleur de dosage du tuyau d'injecteur et nettoyez le gicleur. N'utilisez pas d'objets pointus comme des épingles ou des trombones pour déboucher les gicleurs (Figure 38).

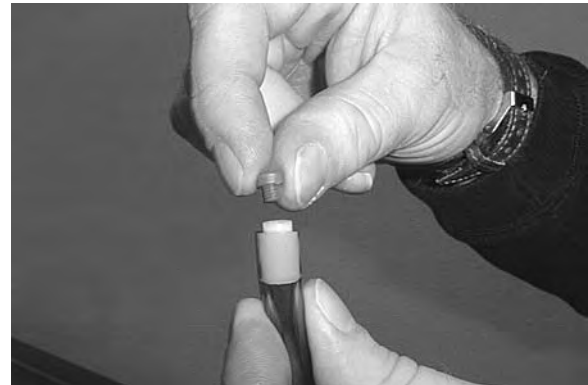


FIG. 38

- c. Immergez l'extrémité du tuyau d'injecteur dans un récipient contenant 4,4 litres d'eau claire (Figure 39).



FIG. 39

- d. Réglez le pistolet pulvérisateur en basse pression, en poussant le diffuseur vers l'extérieur.
 - e. Placez la manette de marche/arrêt de la distribution d'agent de nettoyage dans la position de marche (I) ; cette manette se situe à l'avant de la machine.
 - f. Allumez le contact de la pompe et faites fonctionner le pistolet pulvérisateur pendant environ une minute.
 - g. Après le rinçage, placez le bouchon sur le tuyau d'injecteur.
2. Vidangez et rincez soigneusement le réservoir de récupération (Figure 40).



FIG. 40

3. Retirez du réservoir de récupération le filtre d'arrêt à flotteur et nettoyez-le (Figure 41).



FIG. 41

4. Quand vous entreposez la machine pour une longue période ou lors du transport de la machine, videz l'eau restante du réservoir de solution (Voir VIDANGE DES RESERVOIRS).
5. Essuyez tous les accessoires et replacez-les sur la machine. Contrôlez la présence de trous et de brides lâches sur les tuyaux d'aspiration.
6. Contrôlez l'état des lames de raclette, remplacez si nécessaire.
7. Essuyez le câble d'alimentation et vérifiez son état. Remplacez-le si nécessaire. Enroulez soigneusement le câble après utilisation.

8. Nettoyez la machine avec un nettoyant tous usages et un chiffon humidifié (Figure 42).



FIG. 42

9. Inspectez la trace du pistolet pulvérisateur. Nettoyez ou remplacez l'embouchure si la trace de pulvérisation ne devient pas précise. Utilisez une clé Allen 5/64" pour retirer l'embouchure (Figure 43).

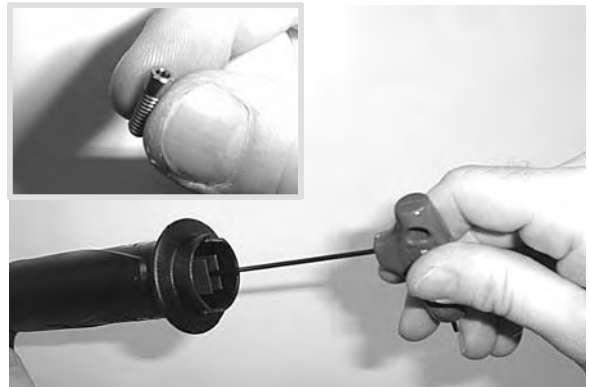


FIG. 43

ENTRETIEN MENSUEL

(Toutes les 80 heures de service)

1. Rincez le système de solution avec une solution d'acide acétique pour dissoudre la formation normale de produits chimiques alcalins.
 - a. Préparez au préalable une solution à base de 16 oz / .5 L d'acide acétique et de 2 gallons / 7.5 L d'eau chaude 140° F / 60° C et versez-la dans le réservoir de solution.

POUR VOTRE SECURITE: Quand vous utilisez la machine, suivez les instructions de mélange et de manipulation indiquées sur les conteneurs chimiques.

- b. Tournez le bouton de la pompe en position On.
- c. Faites fonctionner le pistolet pulvérisateur pendant une minute au-dessus d'un siphon de sol.

- d. Coupez la machine et laissez la solution restante décomposer les dépôts alcalins toute la nuit.
 - e. Le lendemain, diffusez le reste de la solution et rincez le système avec 11 litres d'eau claire.
2. Lubrifiez les roues et les roulettes avec une huile résistant à l'eau.
 3. Contrôlez la présence de fuites d'eau et de pièces lâches.
 4. Toutes les 40 heures de service, la pompe doit être graissée. Reportez-vous au compteur horaire. Chaque nouvelle machine est équipée d'un pistolet à graisse (#190022).
 - a. Ouvrez la machine pour accéder à la pompe (Voir ACCES AUX COMPOSANTS INTERNES).
 - b. Retirez le couvercle de sécurité de la pompe en pinçant les languettes et en les tirant vers l'extérieur.
 - c. Insérez le diffuseur du pistolet à graisse sur le graisseur de la pompe (Figure 44).
 - d. Poussez lentement le piston complètement vers le bas, une ou deux fois. Ne graissez pas trop la pompe, les joints risquent de s'endommager.

ATTENTION: N'utilisez pas de pistolets à graisse à air comprimé ou levier à main ; ceci risque d'endommager la pompe.

- e. Appliquez une couche généreuse de graisse sur le diamètre extérieur du palier de came au sommet et à la base, là où le palier entre en contact avec la tige de raccordement.
- f. Vérifiez la pompe périodiquement et retirez l'excès de graisse de la cavité de la pompe.



FIG. 44

ENTRETIEN TRIMESTRIEL (Toutes les 250 heures de service)

Toutes les 250 heures de service, vérifiez le degré d'usure des balais au charbon du moteur d'aspiration. Remplacez les balais quand leur longueur est de 10 mm ou moins (Figure 45). Contactez votre centre d'entretien agréé pour un contrôle des balais de charbon.

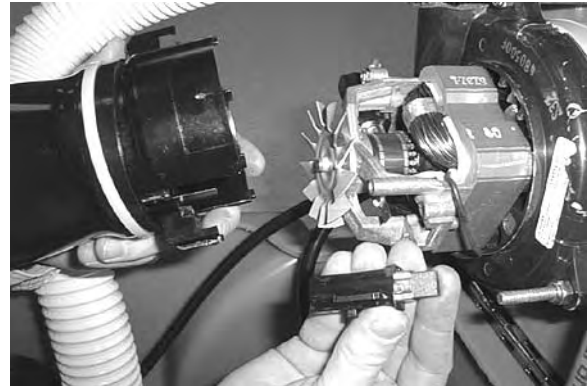


FIG. 45

⚠ MISE EN GARDE : danger électrique. N'utilisez pas la machine avec un cordon d'alimentation endommagé. Ne modifiez pas la prise. Débranchez le cordon d'alimentation avant d'entretenir la machine.

POUR VOTRE SECURITE: Lors de l'entretien de la machine:, Toutes les réparations doivent être effectuées uniquement par un technicien qualifié.

ACCES AUX COMPOSANTS INTERNES

La machine est conçue pour basculer en position ouverte, afin d'accéder aux composants internes. Suivez les étapes ci-dessous pour ouvrir la machine.

⚠ MISE EN GARDE : danger électrique. N'utilisez pas la machine avec un cordon d'alimentation endommagé. Ne modifiez pas la prise. Débranchez le cordon d'alimentation avant d'entretenir la machine.

POUR VOTRE SECURITE: Quand vous utilisez la machine, suivez les instructions de mélange et de manipulation indiquées sur les conteneurs chimiques.

1. Videz les réservoirs de récupération et de solution, avant d'ouvrir la machine.
2. Débranchez le câble d'alimentation de la prise murale.

- Ouvrez les deux loquets situés à l'avant de la machine et faites basculer prudemment la machine en position ouverte (Figure 46).



FIG. 46

- Quand vous refermez la machine, veillez à ce que les tuyaux ne soient pas pincés ou tortillés.

ENTREPOSAGE DE LA MACHINE

- Avant d'entreposer la machine, effectuez la procédure d'entretien recommandée (Voir ENTRETIEN DE LA MACHINE).
- Entreposez la machine verticalement à l'abri de l'humidité.
- Ouvrez le réservoir de récupération pour faciliter la circulation de l'air.

⚠ MISE EN GARDE: Danger de choc électrique. N'utilisez pas en extérieur. N'exposez pas à la pluie. Entreposez à l'intérieur.

ATTENTION: NE LAISSEZ PAS LA MACHINE EXPOSEE AU GEL AVEC DE L'EAU DANS LE SYSTEME DE POMPAGE.

ENTREPOSAGE DE LA MACHINE A DES TEMPERATURES INFERIEURES A ZERO DEGRE

- Vidangez et rincez les réservoirs soigneusement.
- Versez 1 litre (32 oz) d'antigel standard non dilué dans le réservoir de solution.
- Spraying into a bucket, operate spray gun for 30 seconds at low pressure.
- Laissez de l'antigel dans le système.

ARTICLES DE STOCK RECOMMANDES

Reportez-vous à la section Liste des pièces du manuel pour les articles de stock recommandés. Les articles de stock sont clairement identifiés à l'aide d'un point précédant la description de la pièce. Voir l'exemple ci-dessous:

Ref.	Part No.	Description	Qty.
1	701105	ASM, STAND PIPE	1
2	160612	● FLOAT, SHUTOFF	1
3	230197	NIPPLE	1
4	101714	● GASKET	1
5	210240	NUT, FLANGED	1

FONCTIONNEMENT

DEPISTAGE DES PANNES

PROBLEME	CAUSE	REMEDE
La machine ne fonctionne pas.	Dispositif activé de GFCI (modèles 120 V seulement)	Remettez à zéro le dispositif de GFCI (modèles 120 V seulement)
	Dispositif défectueux de GFCI. (Modèles 120 V Seulement)	Contactez le service de dépannage.
	Câble d'alimentation défectueux.	Contactez le service de dépannage.
	Coupe-circuit du bâtiment déclenché.	Réenclenchez le coupe-circuit.
Le pistolet pulvérisateur ne fonctionne pas.	Air dans le système de pompage.	Faites fonctionner le pistolet pulvérisateur à basse pression pour amorcer la pompe.
	Réservoir de solution vide.	Remplissez le réservoir de solution.
	Bouton de pompe non activé.	Activez le bouton de la pompe.
	Tuyau de solution tortillé.	Déroulez le tuyau.
	Diffuseur du pistolet pulvérisateur obstrué.	Nettoyez le diffuseur.
	Filtre du réservoir de solution obstrué.	Débouchez le filtre.
	Raccord du tuyau de solution détaché.	Branchez correctement le tuyau de solution sur le raccord.
	Tuyau de pompe interne tortillé ou obstrué.	Détortillez ou débouchez le tuyau de la pompe.
	Pompe défectueuse.	Contactez le service de dépannage.
	Bouton ou câblage de pompe défectueux.	Contact Service Center.
Pas d'aspiration.	Pistolet pulvérisateur défectueux.	Remplacez le pistolet pulvérisateur.
	Le bouton d'aspiration/soufflerie est appuyé en direction du symbole de soufflerie.	Appuyez le bouton en direction du symbole d'aspiration.
	Bouton ou câblage d'aspiration/soufflerie défectueux.	Contactez le service de dépannage.
	Moteur d'aspiration défectueux.	Contactez le service de dépannage.
Aspiration insuffisante.	Balais de charbon usés.	Contactez le service de dépannage.
	Filtre de coupure à flotteur obstrué.	Retirez le couvercle du réservoir de récupération et débarrassez le filtre des peluches.
	Réservoir de récupération plein.	Videz le réservoir de récupération.
	Couvercle du réservoir de récupération desserré.	Serrez le couvercle du réservoir de récupération.
	Raccords du tuyau d'aspiration détachés.	Attachez fermement les raccords..
	Tuyau d'aspiration défectueux.	Secure cuffs to hose.
	Remplacez le tuyau.	Raccords du tuyau d'aspiration détachés.
Pistolet pulvérisateur réglé en haute pression.	Remplacez les lames de raclette.	

DEPISTAGE DES PANNES - Continué

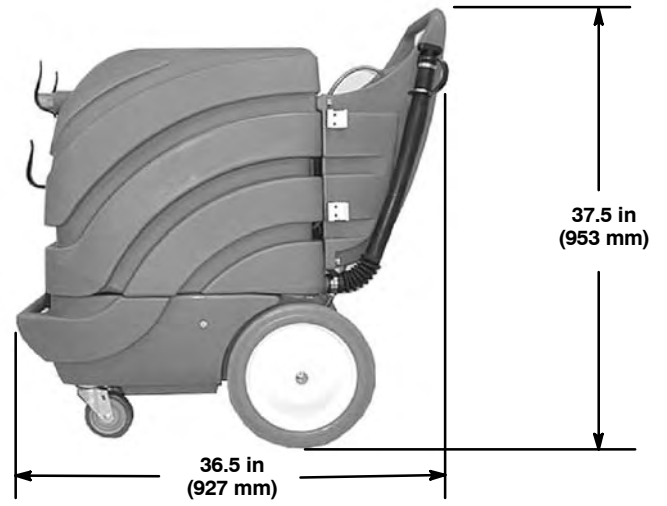
PROBLEME	CAUSE	REMEDE
Pas d'injection d'agent de nettoyage.	Pistolet de pulvérisation réglé à la haute pression.	Réglez le pistolet en basse pression.
	Gicleur de dosage obstrué.	Retirez le gicleur de dosage et nettoyez-le.
	Tuyau d'injection obstrué.	Débouchez le tuyau d'injection.
	Réceptacle d'agent de nettoyage vide.	Remplacez par un nouveau réceptacle.
	Manette de marche/arrêt de la distribution d'agent de nettoyage en position d'arrêt.	Placez en position (I) la manette de marche/arrêt de la distribution d'agent de nettoyage.
	Le tuyau d'injecteur n'est pas immergé dans le réceptacle d'agent de nettoyage.	Immergez le tuyau d'injecteur jusqu'à la base du réceptacle de nettoyage.
	Injecteur d'agent de nettoyage obstrué.	Retirez et nettoyez l'injecteur. Quand vous remplacez l'injecteur, pointez la flèche vers le pistolet pulvérisateur.
Pas de circulation d'air dans le tuyau de soufflerie.	Raccord du tuyau de soufflerie détaché.	Fixez le raccord du tuyau.
	Moteur de soufflerie défectueux.	Contactez le service de dépannage.
	Balais au charbon usés dans le moteur de soufflerie.	Contactez le service de dépannage.

FONCTIONNEMENT

DONNEES TECHNIQUES

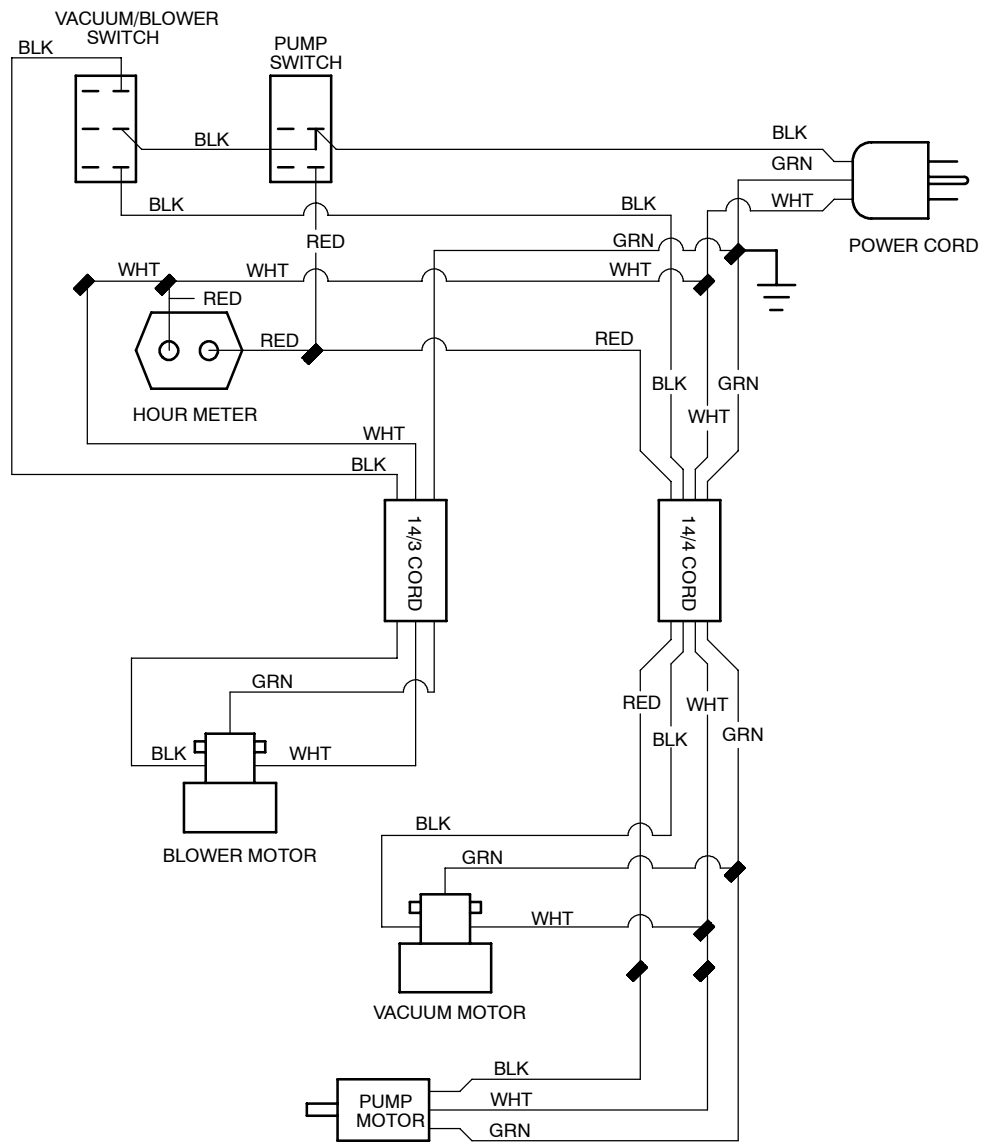
Modèle	TENNANT 750
LONGUEUR	36.5 in / 927 mm
LARGEUR	18.5 in / 470 mm
HAUTEUR	37.5 in / 953 mm
POIDS	126 lb / 57 kg / 142 lb / 64 kg avec accessoires
CAPACITE DU RESERVOIR DE SOLUTION	15 gal / 57 L
CAPACITE DU RESERVOIR DE RECUPERATION	18 gal / 72 L
POMPE A SOLUTION	120 V, puissance nominale 500 psi, 4.5 A 220V/230V/240V, puissance nominale 500 psi, 3.7 A
DEBIT DE LA POMPE (MAX)	Haute pression: 1 gal / 3.8 L per min Basse pression: 1.5 gal / 5.7 L per min
PRESSION DU PISTOLET PULVERISATEUR	Basse pression: 45 psi Haute pression: 300 psi/400 psi dead head
SYSTEME D'INJECTION	Alimentation à dépression
DEBITS DES GICLEURS DE DOSAGE	Gicleur orange = 2 oz per gallon (15ml / L) Gicleur rouge = 4 oz per gallon (30ml / L) Gicleur bleu = 6 oz per gallon (40ml / L)
MOTEUR D'ASPIRATION (SOUFFLERIE)	1-120 V, 8.6 A, 1000 W, 2 étages 1-220 V/230V/240V, 6.0 A, 1331 W, 2 étages
MOTEURS D'ASPIRATION (RECUPERATION)	1-120 V, 10 A, 1200 W, 3 étages 1-220 V / 230 V / 240 V, 7.3 A, 1566 W, 3 étages
HAUTEUR D'EAU SCLEE	117.4 in / 3 m
CONSOMMATION ELECTRIQUE TOTALE	120 V, 14.25 A 220 V / 230 V / 240 V, 11.0 A
LONGUEUR DU CABLE D'ALIMENTATION	25 ft / 7.6 m 14/3 W/G (120 V) 50 ft / 15m 3X1.5mm (220 V / 230 V / 240 V)
GFCI DISPOSITIF (Modèle 120 V)	120V AC 50/60 Hz, 15A, Class A

DIMENSIONS DE LA MACHINE

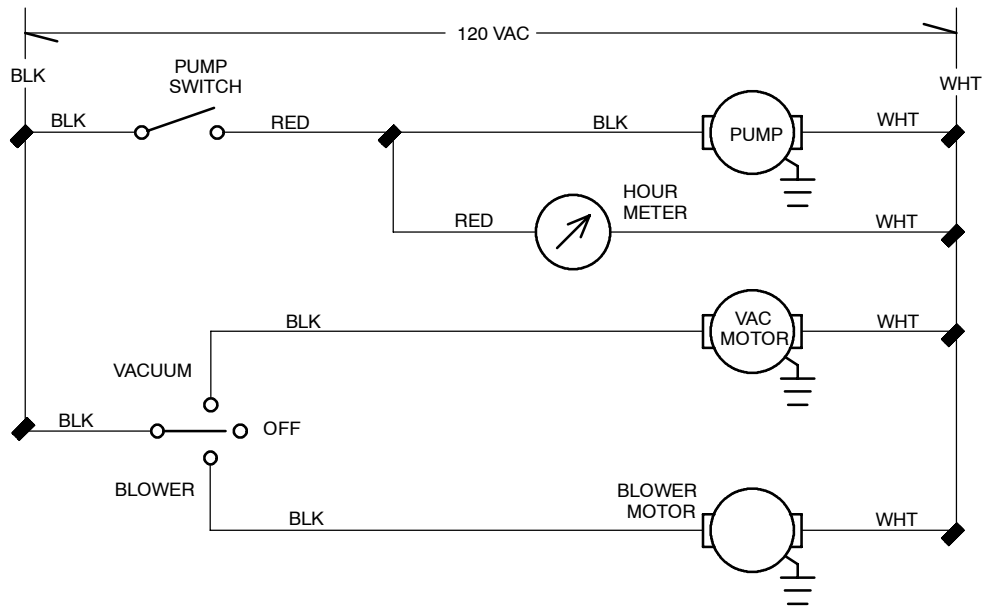


ELECTRICAL DIAGRAMS - DIAGRAMAS ELECTRICAS - SYSTEME ELECTRIQUE

120V WIRING DIAGRAM
DIAGRAMA DE CABLEADO
DIAGRAMME DE CÂBLAGE

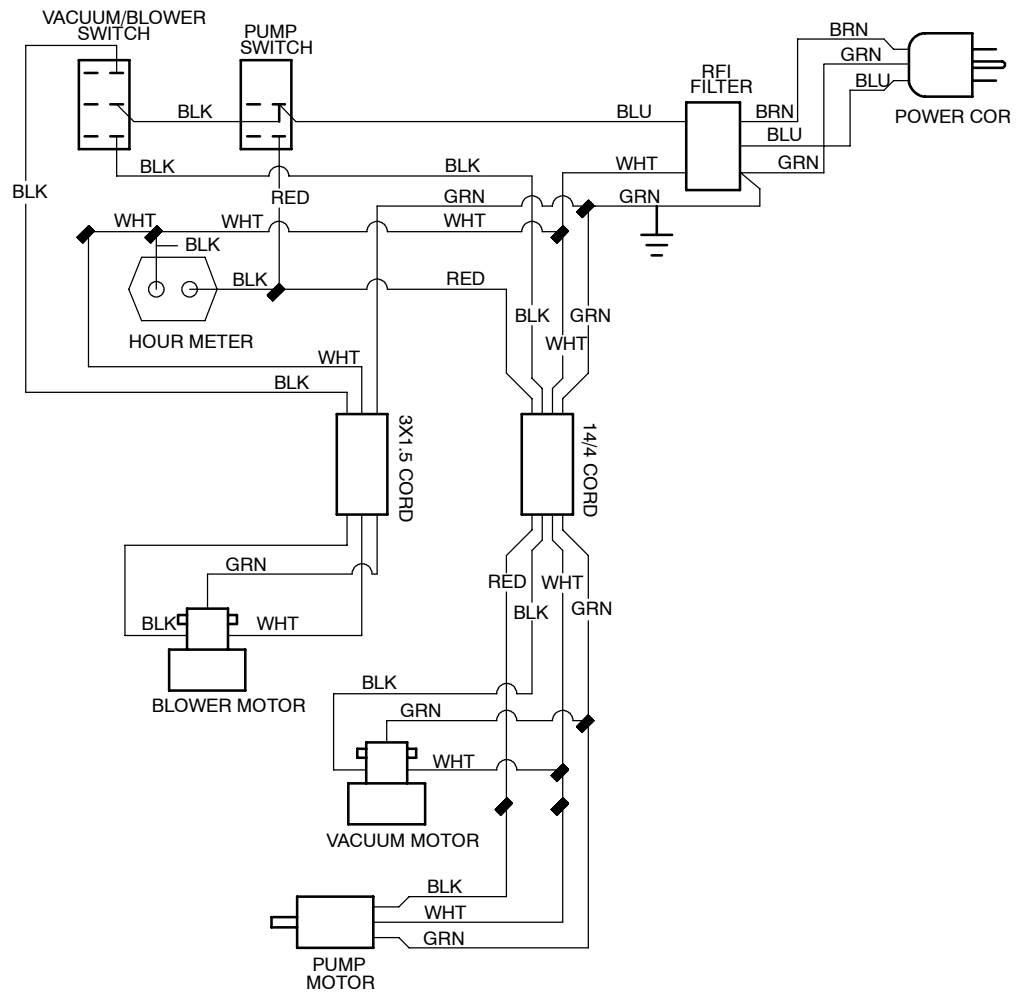


120V LADDER DIAGRAM
DIAGRAMA ESCALONADO
DIAGRAMME D'ÉCHELLE

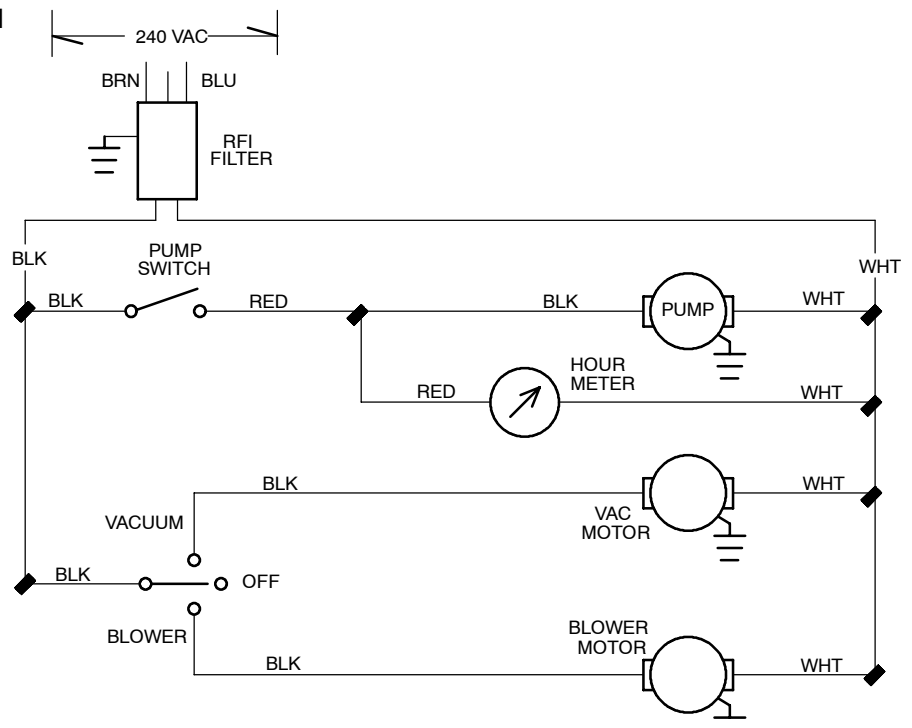


ELECTRICAL DIAGRAMS - DIAGRAMAS ELECTRICAS - SYSTEM ÉLECTRIQUE

**220V/230V/240
WIRING DIAGRAM
DIAGRAMA DE CABLEADO
DIAGRAMME DE CÂBLAGE**

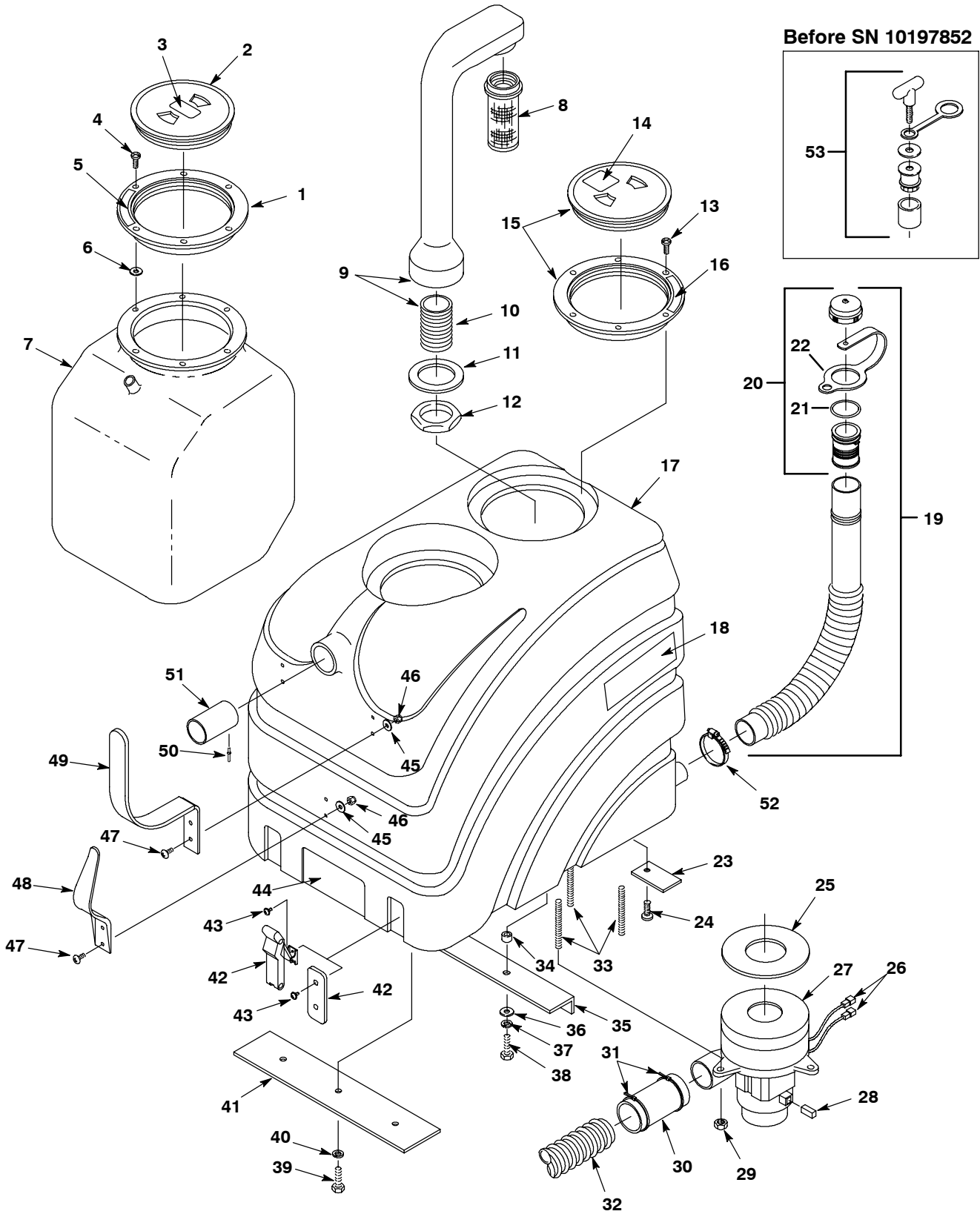


**220V/230V/240 LADDER DIAGRAM
DIAGRAMA ESCALONADO
DIAGRAMME D'ÉCHELLE**



PARTS LIST - LISTA DE PIEZAS - LISTE DES PIÈCES

UPPER HOUSING GROUP / GRUPO DEL BASTIDOR SUPERIOR / PARTIE DU SUPÉRIEURE



PARTS LIST - LISTA DE PIEZAS - LISTE DES PIÈCES

UPPER HOUSING GROUP / GRUPO DEL BASTIDOR SUPERIOR / PARTIE DU SUPÉRIEURE

REF	PART #	DESCRIPTION	QTY.
▽	100103	LID, CLEAR W/CNTRSUNK HOLES	1
▲ 1	100109	LID, OUTER RING	1
▲ 2	100105	●LID, CENTER ONLY CLEAR	1
3	120906	LABEL, WARNING "IMPORTANT - DRAIN" (120V MODEL)	1
	993852	WARNING, "ELECT HAZ" (220V/230V MODEL)	1
4	140900	SCREW, TRS #10-24 X 0.75, PHL	6
5	120907	LABEL, WARNING "IMPORTANT - ALWAYS CLOSE" (120V MODEL)	1
6	140000	WASHER, FLAT 0.28B 0.62D .04	6
7	602783	BLADDER	1
8	180613	●FLOAT, SHUT-OFF (1) BALL 2DIA	1
▽ 9	602448	STANDPIPE, W/NIPPLE	1
▲ 10	606088	FITTING, 1-1/2" NIPPLE	1
11	101714	GASKET, WASTE AIR CHAMBER	1
12	210240	NUT, HEX, FLNG, 1-1/2 FPT METAL	1
13	140825	SCREW, #6X1/2 PANPHL BZ SHTMTL	6
14	609756	DECAL, SAFETY GLASSES REQD TXTLSS	1
15	100102	●COVER, ASSY LID, CLEAR W/STANDARD HOLE	1
16	120907	LABEL, WARNING "IMPORTANT - ALWAYS CLOSE"	1
17	609730	TANK, RECOVERY TEAL	1
18	609749	DECAL, TENNANT MODEL "750"	2
▽ 19	1007072	●HOSE, DRAIN ASSEMBLY 20.80"	1
▲▽ 20	1008639	●CAP, DRAIN ASSY	1
▲ 21	1008637	●O RING, 1.48" ID, 1.76" OD	1
▲ 22	1019563	●STRAP, DRAIN CAP	1
23	230845	PLATE, CORD CLAMP	1
24	140834	SCREW, FLT .25-20 X 0.62, PHL	1
25	100118	●GASKET, VAC MTR 1/4 X 5.7 DIA	1
26	130133	TERMINAL, MAL .25 22-18 VI RED	2
▽ 27	130416	●FAN, VACUUM 5.7D 3S (120V)	1
	130998	●FAN, VACUUM, 5.7D 3S (220V/230V)	1

REF	PART #	DESCRIPTION	QTY.
▲ 28	190160	●BRUSH, CARBON (1-PK = 2 BRSHS) (120V)	1
	190164	●BRUSH, CARBON (1-PK = 2 BRSHS) (220V/230V)	1
29	41169	NUT, HEX, LOCK, .25-20 NL, SS	3
30	612499	●MUFFLER, VACUUM FAN, EXHAUST	1
31	130040	CABLE TIE, NYL, 06.0L .12W	2
32	160629	HOSE, 2" X 28" WHITE	1
33	140258	SCREW, 1/4-20X4.25, STUD ZN	3
34	140134	SLEEVE, P/M 0.376D 0.253B 0.28L	2
35	230846	BRACKET, TANK SUPPORT	1
36	140000	WASHER, FLAT, 0.28B 0.62D .04	2
37	140016	WASHER, LOCK, 0.25 SS	2
38	24672	SCREW, HEX, .25-20 X 0.75, SS	2
39	01697	SCREW, HEX, .25-20 X 0.62, SS	3
40	140016	WASHER, LOCK, 0.25 SS	3
41	230946	BRACKET, TANK BRACE FRONT	1
42	49800	●LATCH, DRAW, SOFT, RBR W/ KEEPER (NON-CSA MODEL)	2
	610207	STRAP TANK (CSA & EMC MODEL)	2
43	609980	SCREW, TRS, #08-32 X 0.38, PHL, SEM (NON-CSA MODEL)	4
	609980	SCREW, TRS, #08-32 X 0.38, PHL, SEM (CSA & EMC MODEL)	2
44	120210	LABEL, LOGO, TENNANT, OVAL 150L WHT	1
45	25183.4	WASHER, 1/4 NEOPRENE BACK	6
46	41169	NUT, HEX, LOCK, .25-20 NL, SS	6
47	140840	SCREW, RND, .25-20 X 1.00, PHL	6
48	602750	HOOK, HOSE	1
49	610279	HOOK, HOSE HANGER	2
50	140713	RIVET, BLIND, 1.88D X 0.58, ALM	1
51	230905	TUBE, 1.38IDX1.50DX3" INLET	1
52	11531	CLAMP, HOSE WORMDRIVE, 1.06-2.00D, .56W	1
53	N/A	DRAIN ASSEMBLY - REPLACED BY ITEM #19	1

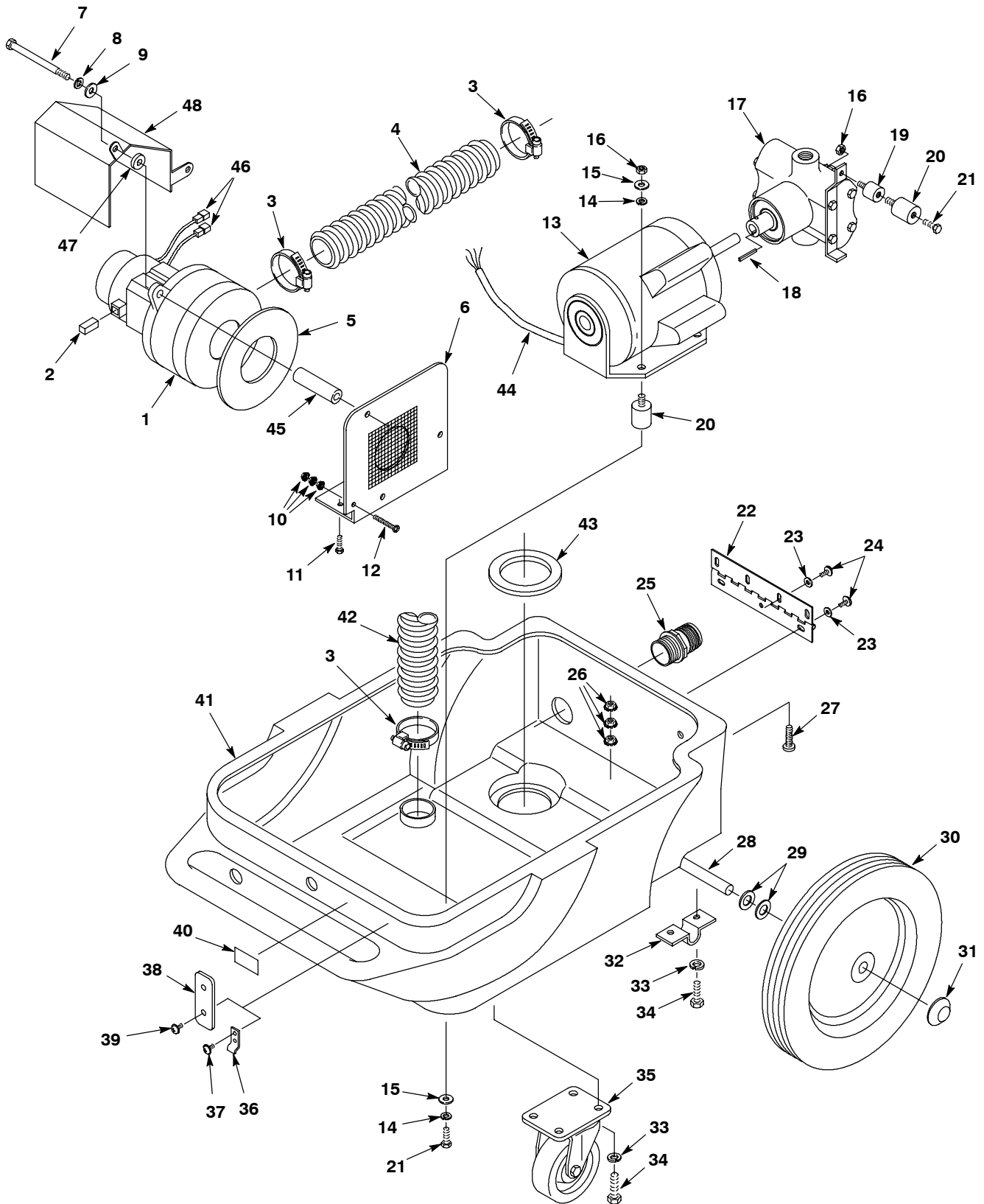
▽ ASSEMBLY / CONJUNTO

▲ INCLUDED IN ASSEMBLY / INCLUIDO EN EL CONJUNTO

● RECOMMENDED STOCK ITEMS / ARTICULOS RECOMENDADOS PARA MANTENER EN EXISTENCIA

PARTS LIST - LISTA DE PIEZAS - LISTE DES PIÈCES

LOWER HOUSING GROUP / GRUPO DEL BASTIDOR INFERIOR / PARTIE DU INFÉRIEURE



PARTS LIST - LISTA DE PIEZAS - LISTE DES PIÈCES

LOWER HOUSING GROUP / GRUPO DEL BASTIDOR INFERIOR / PARTIE DU INFÉRIEURE

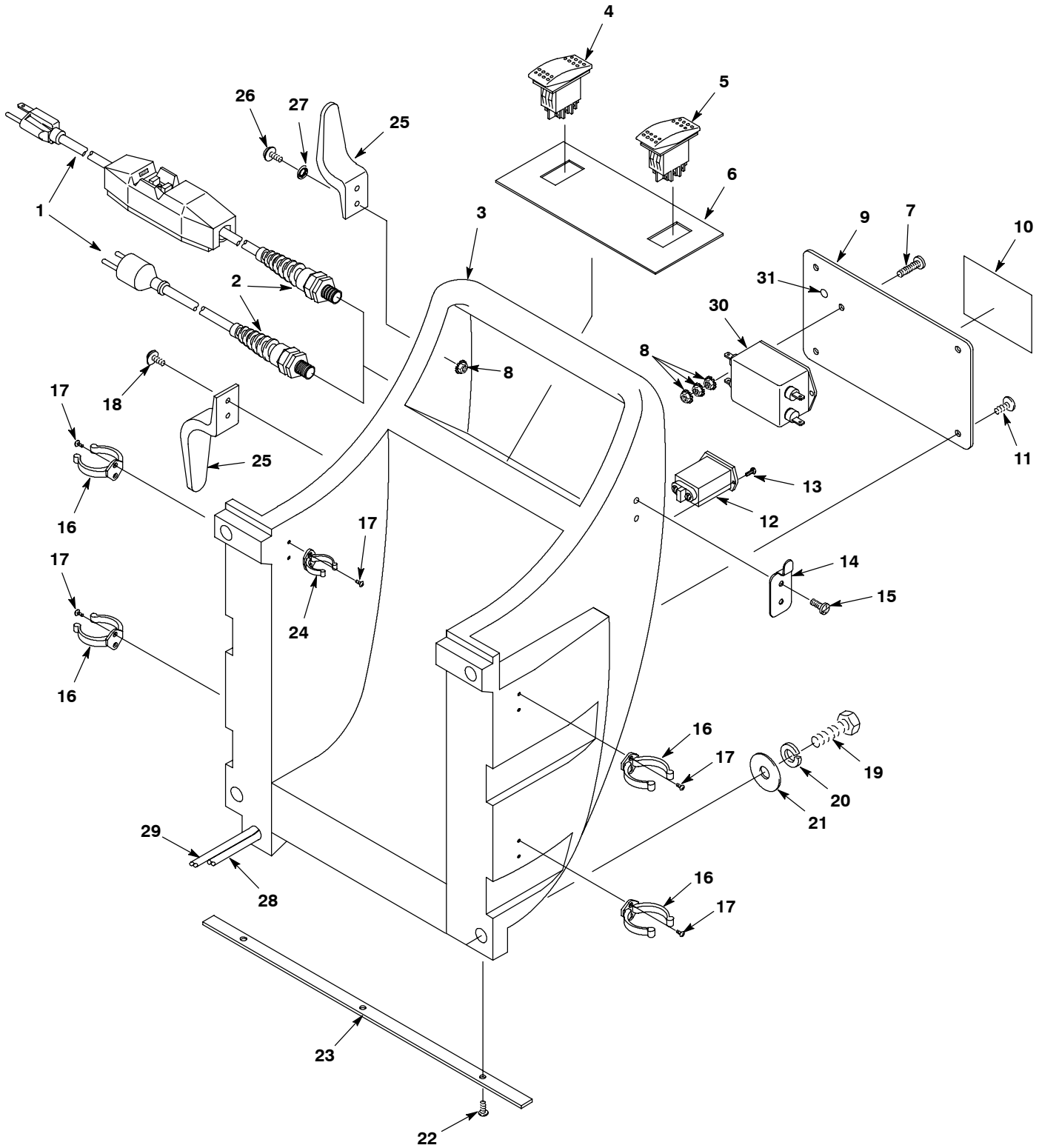
REF	PART #	DESCRIPTION	QTY.
▽ 1	605278	●MOTOR, VACUUM 5.7 2S (120V)	1
	130403	●FAN, VACUUM, 5.7D 2S (220V/230V)	1
▲ 2	190155	●BRUSH, CARBON (2-PK) (120V)	1
	190158	●BRUSH, CARBON (2-PK) (220V/230V)	1
3	140308	CLAMP, HOSE WORMDRIVE, 1.31-2.25D, SS	3
4	160482	●HOSE, VACUUM, 2.0D X 13L, WHITE	1
5	100038	●GASKET, VACUUM MTR 5.7 EPDM W/PSA	1
6	609652	BRACKET, MOUNT, VAC MOTOR	1
7	2998.28	SCREW, HEX, .25-20 X 3.50	3
8	140016	WASHER, LOCK, 0.25 SS	5
9	140000	WASHER, FLAT, 0.28B 0.62D .04	5
10	140519	NUT, HEX, LOCK, #10-24, KEP, SS	3
11	24672	SCREW, HEX, .25-20 X 0.75, SS	2
12	140804	SCREW, RND, #10-24 X 1.00, PHL	1
13	130450	●MOTOR, .33HP PUMP DRIVE (120V)	1
	130453	●MOTOR, PUMP DRIVE (220V/230V)	1
14	140015	WASHER, LOCK, SPLIT 0.31	4
15	140027	WASHER, FLAT, 0.35B 0.75D .04	4
16	140506	NUT, HEX, STD, .31-18, SS	3
▽ 17	9000579	●KIT, PUMP, TWIN PISTON (180100)	1
▲ 18	190310	●PUMP, SHAFT KEY	1
19	130030	MOUNT MOTOR 3/4"	1
20	130031	MOUNT MOTOR 1-1/4" (120V)	3
	130030	MOUNT MOTOR 3/4" (220V/230V)	3
21	02991	SCREW, HEX, .31-18 X 0.75, SS	3
22	230390	HINGE, .19PIN .06 2.0W 08.8L	1
23	140000	WASHER, FLAT, 0.28B 0.62D .04	7
24	140885	SCREW, TRS, .25-20 X 0.50, PHL	7

REF	PART #	DESCRIPTION	QTY.
25	611069	FITTING, HOSE BARB	1
26	140519	NUT, HEX, LOCK, #10-24, KEP, SS	3
27	140804	SCREW, RND, #10-24 X 1.00, PHL	1
28	608906	AXLE 1/2DIA X 18.352	1
29	140008	WASHER, FLAT, 0.57B 1.28D .08	4
30	103009	●WHEEL, 12.0D 1.75W WHT/GRAY	2
31	103019	CAP, HUB, WHEEL, 0.51D SS	2
32	230746	BRACKET, AXLE 1/2DIA OFFSET	2
33	140016	WASHER, LOCK, 0.25 SS	12
34	01697	SCREW, HEX, .25-20 X 0.62, SS	12
35	103065	●CASTER, SWIVEL 4.0D X 1.25W 4-HOLE	2
36	49800	LATCH, DRAW, SOFT, RBR W/ KEEPER	2
37	610207	STRAP TANK (CSA & EMC MODEL)	2
38	609980	SCREW, TRS, #08-32 X 0.38, PHL, SEM (NON-CSA MODEL)	4
39	609980	SCREW, TRS, #08-32 X 0.38, PHL, SEM (CSA & EMC MODEL)	2
40	609752	DECAL CHEMICAL	1
41	609729	CHASSIS, TEAL	1
42	160629	●HOSE, VACUUM, 2.0D X 28L, WHT EXH	1
43	102567	GASKET VAC MOTOR INTAKE	1
44	701143	CORD 18/3X24" BLACK SJTO	1
45	610144	SPACER VAC MOTOR	3
46	130133	TERMINAL, MAL .25 22-18 VI RED	2
47	019686055	SPACER 6.5X15.8X6.4 NY (EMC MODEL ONLY)	2
48	1006692	SHEILD, VAC MOTOR (EMC MODEL ONLY)	1

- ▽ ASSEMBLY / CONJUNTO / ENSEMBLE
- ▲ INCLUDED IN ASSEMBLY / INCLUIDO A CONJUNTA / Y COMPRIS EN ENSEMBLE
- RECOMMENDED STOCK ITEM / PIEZAS RECOMENDADAS EN ALMACÉN / ÉLÉMENTS DE STOCK RECOMMANDÉS

PARTS LIST - LISTA DE PIEZAS - LISTE DES PIÈCES

HANDLE GROUP / GRUPO DEL MANGO / GROUPE POIGNEE



PARTS LIST - LISTA DE PIEZAS - LISTE DES PIÈCES

HANDLE GROUP / GRUPO DEL MANGO / GROUPE POIGNEE

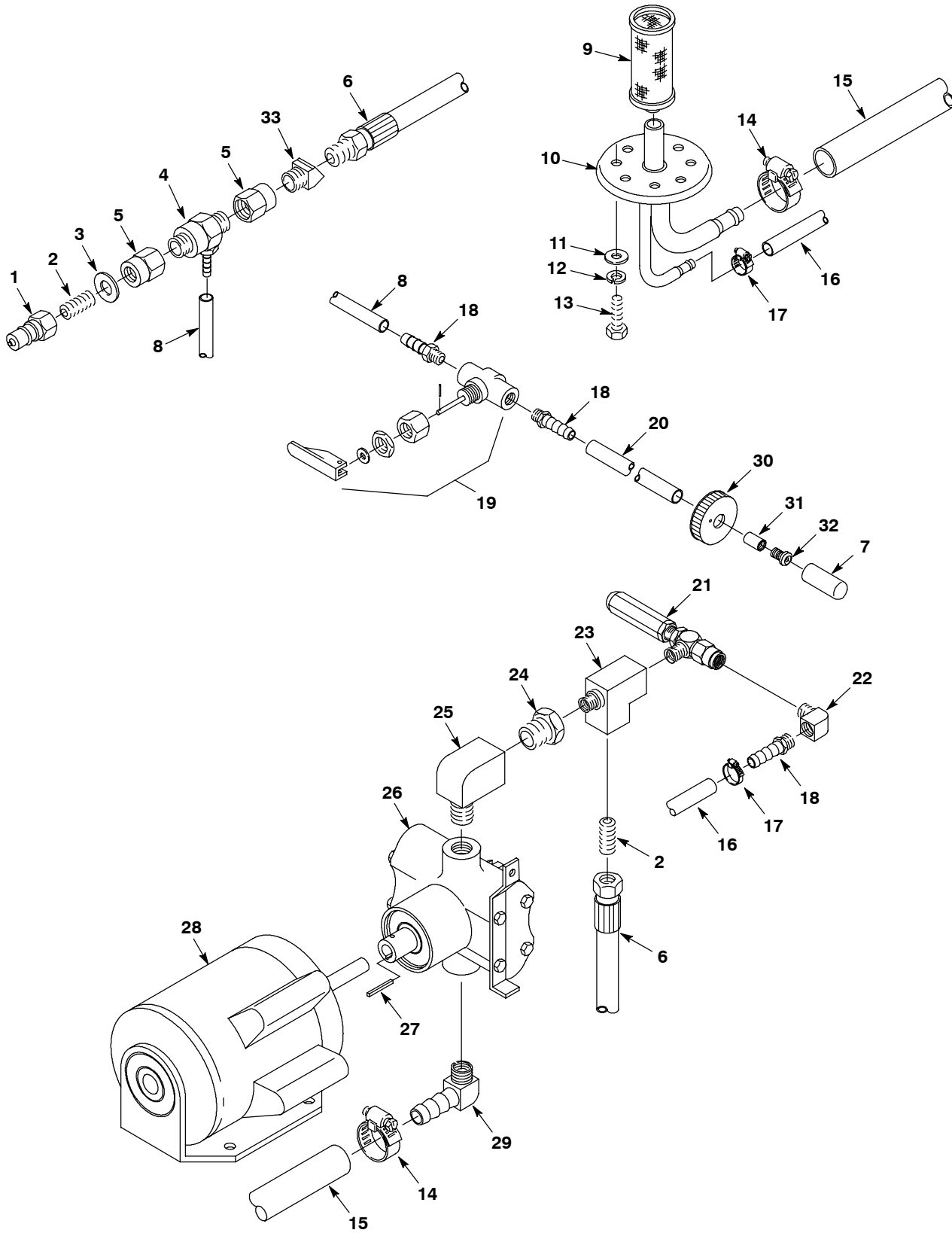
REF	PART #	DESCRIPTION	QTY.
1	609754	●CORD POWER 14/3 X 25' YEL W/GFCI (120V)	1
	600324	●CORD, ELE, 3X1.5MM2X15M BLK (220V)	1
	1038777	●CORD, POWER, ELE, 1.0 MM X 15 M BLK [AUS] (230V EMC)	1
2	130166	●GRIP, CORD, STRAINRELIEF PG-11 W/NUT BK (120V/220V/230V)	1
3	609731	HANDLE, TEAL	1
4	608605	●SWITCH, ROCKER, 250VAC 10A DPST	1
5	609657	●SWITCH, ROCKER ON/OFF/ON	1
6	609748	DECAL, DASH	1
7	140900	SCREW, TRS, #10-24 X 0.75, PHL	1
8	140519	NUT, HEX, LOCK, #10-24 KEP, SS	5
∇ 9	614121	ASSEMBLY, PLATE W/LABEL	1
▲ 10	1026384	LABEL, WARNING [EXPL,FIRE,SHK EN/FR/ES]	1
11	140197	SCREW, TRS, #10-24 X 0.38, PHL, SS, SEM	4
12	1026236	GAUGE, HOURMETER, 108-132 VAC ANALOG, RT (120V)	1
	604745	GAUGE, HOURMETER (220V/230V)	1
13	140825	SCREW, #6X1/2 PANPHL BZ SHTMTL	2
14	1006890	CLIP, HANGER, HOSE, .16D, 2 HOLE	1

REF	PART #	DESCRIPTION	QTY.
15	140825	SCREW, #6X1/2 PANPHL BZ SHTMTL	2
16	610733	CLIP, HOSE, GRIPPER, 1.50ID, BLK NY	4
17	140825	SCREW, #6X1/2 PANPHL BZ SHTMTL	10
18	140197	SCREW, TRS, #10-24 X 0.38, PHL, SS, SEM	2
19	140231	SCREW, HEX, 38-16 X 1.50	4
20	140017	WASHER, LOCK, SPLIT, 0.38 SS	4
21	140028	WASHER, FLAT, 0.42B 1.00D .05	4
22	140825	SCREW, #6X1/2 PANPHL BZ SHTMTL	3
23	609753	PLATE, WAND STOP	1
24	610732	CLIP, TELESCOPING WAND	1
25	230920.BK	HOOK, CORD BLACK	2
26	140197	SCREW, TRS, #10-24 X 0.38, PHL, SS, SEM	2
27	140031	WASHER, #10 EXT ZN	2
28	701138	CORD ASSEMBLY, 14/4X44" BLK	1
29	701139	CORD, 14/3 X 63 BLK	1
30	613099	FILTER, CORCOM 10VV1 (EMC MODEL ONLY)	1
31	578859	LABEL, WARNING "GROUND" TXTLS (EMC MODEL ONLY)	1

- ∇ ASSEMBLY / CONJUNTO / ENSEMBLE
- ▲ INCLUDED IN ASSEMBLY / INCLUIDO A CONJUNTA / Y COMPRIS EN ENSEMBLE
- RECOMMENDED STOCK ITEM / PIEZAS RECOMENDADAS EN ALMACÉN / ÉLÉMENTS DE STOCK RECOMMANDÉS

PARTS LIST - LISTA DE PIEZAS - LISTE DES PIÈCES

PLUMBING GROUP / GRUPO DE PLOMERIA / ENSEMBLE DES CONDUITES



PARTS LIST - LISTA DE PIEZAS - LISTE DES PIÈCES

PLUMBING GROUP / GRUPO DE PLOMERIA / ENSEMBLE DES CONDUITES

REF	PART #	DESCRIPTION	QTY.
1	150933	FITTING, BRS, QDC, PM04, SER 60	1
2	150615	FITTING, BRS, STR, PM04, CLOSE	2
3	140058	WASHER, FLAT, .54B .88D .06, SS WAND	1
4	609660	INJECTOR	1
5	150110	FITTING, BRS, STR, PF04, UJET ADAPT	2
6	160140	HOSE PULSE 36"	1
7	609988	●CAP, VINYL, 0.43D, 1.00L RED	1
8	607307	HOSE, 04ID X 12.0L (30CM)	.833 FT
9	603186	●FILTER, SCREEN, 060 MESH, SS, PF04	1
10	609703	ASM BLADDER PLATE	1
11	140000	WASHER, FLAT, 0.28B 0.62D .04	4
12	140016	WASHER, LOCK, 0.25 SS	4
13	24672	SCREW, HEX, .25-20 X 0.75, SS	4
14	54333	CLAMP, HOSE, WORMDRIVE, 0.31-0.88D, .31W	2
15	609923	HOSE, 1/2ID X 2.916'	2.92 FT
16	609920	HOSE, 1/4ID X 3.333' LP GRAY	3.34 FT
17	43844	CLAMP, HOSE, WORMDRIVE, 0.25-0.62D, .31W	2
18	150525	FITTING, BRS, STR, PM02/BM04	3

REF	PART #	DESCRIPTION	QTY.
19	210014	VALVE, WATER, TOGGLE, 02PF W/ NUT	1
20	609922	TUBING, 1/4ID X 3/8 OD X 6.33' BLUE	6.33 FT
21	210211	VALVE, WATER, RELIEF, PRES, 050-450PSI	1
22	150407	FITTING, BRS, E90, PM02-PF02, STRT	1
23	150709	FITTING, BRS, TEE, PM04/PF04 /PF04, T	1
24	150101	FITTING, BRS, STR, PM08/PF04, BUSHING T	1
25	150405	FITTING, BRS, E90, PM08/PF08, STREET	1
∇ 26	9000579	●KIT, PUMP, TWIN PISTON (180100)	1
▲ 27	190310	●PUMP, SHAFT KEY	1
28	130450	●MOTOR, .33HP PUMP DRIVE (120V)	1
	130453	●MOTOR, PUMP DRIVE (220V/230V)	1
29	150431	FITTING, BRS, E90, PM08/BM08	1
30	231062	●CAP 1 GAL	1
31	609976	●SPACER, 5/16DIAX1/2 8-32 THD	1
32	609757	●KIT ORIFACE METERING (SET OF 3)	1
33	150403	FITTING, BRS, E45, PM04/PF04, T	1

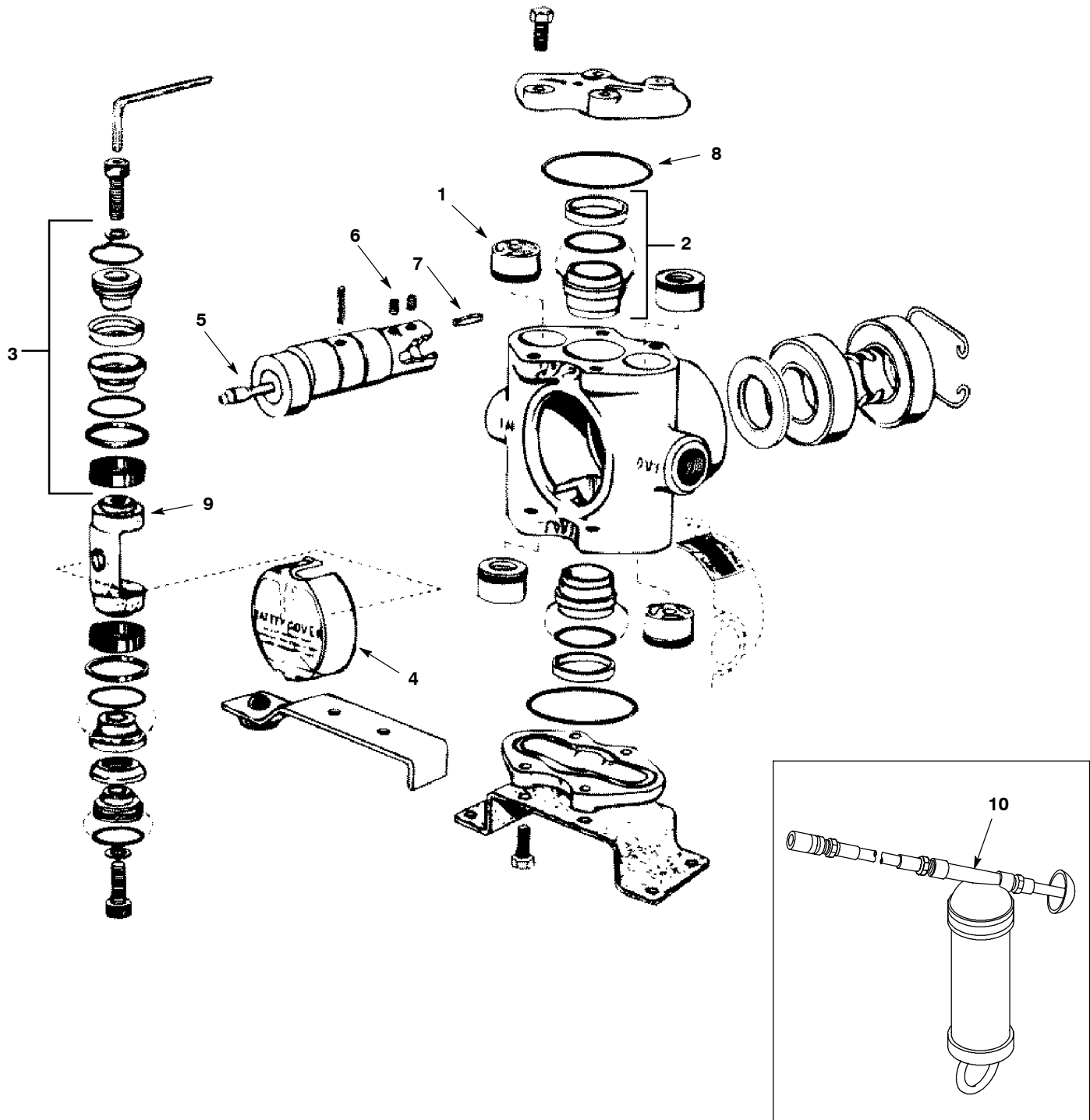
∇ ASSEMBLY / CONJUNTO / ENSEMBLE

▲ INCLUDED IN ASSEMBLY / INCLUIDO A CONJUNTA / Y COMPRIS EN ENSEMBLE

● RECOMMENDED STOCK ITEM / PIEZAS RECOMENDADAS EN ALMACÉN / ÉLÉMENTS DE STOCK RECOMMANDÉS

PARTS LIST - LISTA DE PIEZAS - LISTE DES PIÈCES

SOLUTION PUMP GROUP / GRUPO DE LA BOMBA DE SOLUCIÓN / GROUPE POMPE DE SOLUTION



PARTS LIST - LISTA DE PIEZAS - LISTE DES PIÈCES

SOLUTION PUMP GROUP / GRUPO DE LA BOMBA DE SOLUCIÓN / GROUPE POMPE DE SOLUTION

REF	PART #	DESCRIPTION	QTY.
▽	9000579	KIT, PUMP, TWIN PISTON (180100)	1
▲ 1	190301	●KIT, VALVE (SET OF 4)	1
▲ 2	190302	●KIT, CYLINDER SLEEVE	1
▲ 3	190300	●KIT, CUP (SET OF 2)	1
▲ 4	190307	PUMP, SAFETY COVER	1
▲ 5	190305	GREASE FITTING, TWIN PISTON	1
▲ 6	190309	PUMP, SET SCREW	2

REF	PART #	DESCRIPTION	QTY.
▲ 7	190310	●PUMP, SHAFT KEY	1
▲ 8	190303	●SEAL, ORG, CYL HEAD (1 PIECE)	1
▲ 9	190304	CONNECTING ROD	1
N/S	190316	●PULLER, VALVE SPRING RETAINER	1
N/S	190317	●PULLER, VALVE POPPET SEAT	1
10	190022	GUN, GREASE-MTL	1

▽ ASSEMBLY / CONJUNTO / ENSEMBLE

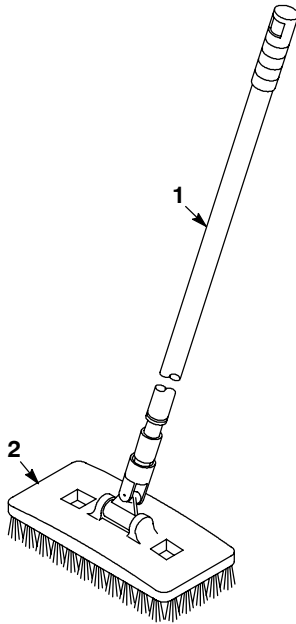
▲ INCLUDED IN ASSEMBLY / INCLUIDO A CONJUNTA / Y COMPRIS EN ENSEMBLE

● RECOMMENDED STOCK ITEM / PIEZAS RECOMENDADAS EN ALMACÉN / ÉLÉMENTS DE STOCK RECOMMANDÉS

N/S = NOT SHOWN / NO INDICADO / NON MONTRÉ

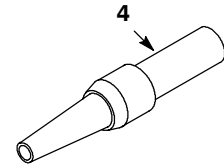
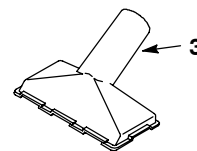
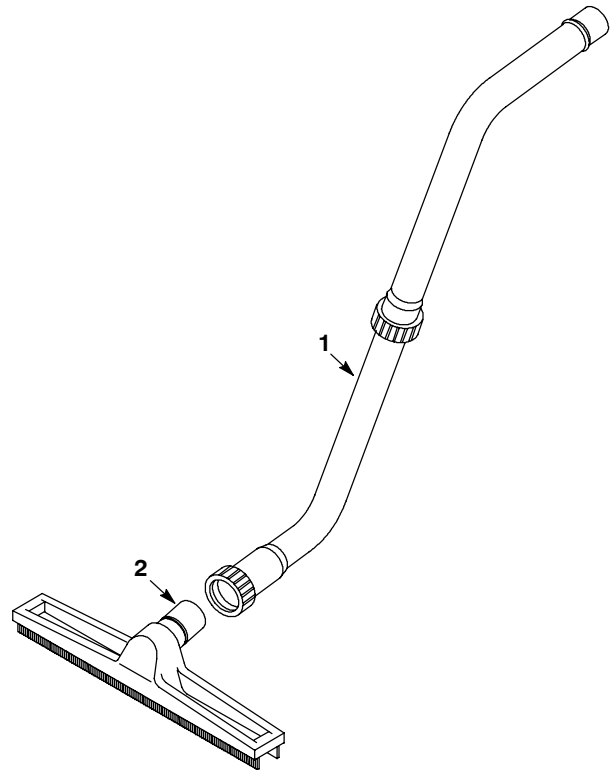
PARTS LIST - LISTA DE PIEZAS - LISTE DES PIÈCES

TELESCOPING BRUSH / CEPILLO TELESCOPICO / BROSSE TELESCOPIQUE

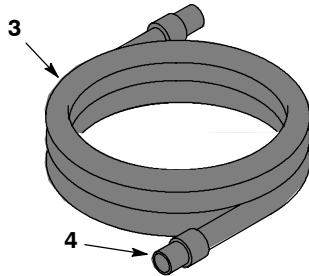
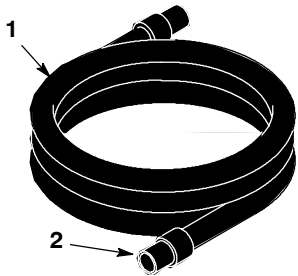


REF	PART #	DESCRIPTION	QTY.
1	610731	●HANDLE TELESCOPING LARGE	1
2	609650	●BRUSH	1

WAND/HOSE TOOL ACCESSORY KIT / JUEGO DE ACCESORIOS DE HERRAMIENTAS DE VARILLA/MANGUERA / LOT ACCESSOIRES DE TUBE/TUYAU



VACUUM AND BLOWER HOSES / MANGUERAS DE ASPIRACION Y SOPLADOR / TUYAUX D'ASPIRATION ET DE SOUFFLERIE



REF	PART #	DESCRIPTION	QTY.
∇ 1	610683	●HOSE, VACUUM, 1.5D X 25'L, 2-CUFFS, BLK (STANDARD)	1
	609977	HOSE, VACUUM, 1.5D X 15'L, 2-CUFFS, BLK (OPTIONAL)	1
▲ 2	160486	●CUFF, HOSE, 1.50D BLACK	2
∇ 3	1010410	●HOSE, 1.25"X6' EXPAND W/ 1.5" CUFFS GRAY (STANDARD)	1
	609978	HOSE, VACUUM, 1.25D X 15'L, GRY 1.5D-CUFF (OPTIONAL)	1
▲ 4	1010458	●CUFF, 1.5"OD X 1.25"ID THD X 3.7"L GRAY	2

REF	PART #	DESCRIPTION	QTY.
∇	610140	KIT ACCESORIES WAND/TOOLS	1
▲ 1	1010457	●WAND, DOUBLE BEND, TELESCOPIC	1
▲∇ 2	609648	●ASM, SQUEEGEE 14"	1
▲	612869	●BLADE, SQGE, 1 PC FOR 609648	2
▲	1022670	●WHEEL, ROLLER	2
▲	1022671	●HOUSING, HOLDER, WHEEL	2
▲ 3	609645	●TOOL GULPER UTILITY 5"	1
▲ 4	609644	●NOZZLE BLOWER	1

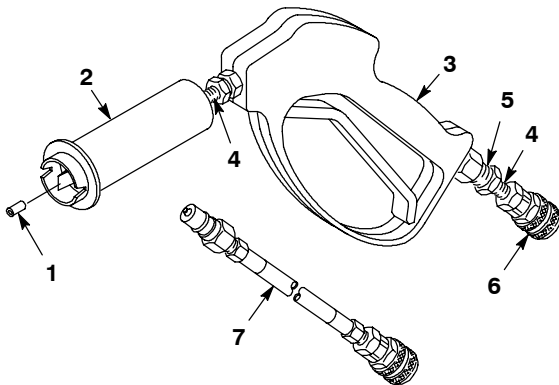
∇ ASSEMBLY / CONJUNTO / ENSEMBLE

▲ INCLUDED IN ASSEMBLY / INCLUIDO A CONJUNTA / Y COMPRIS EN ENSEMBLE

● RECOMMENDED STOCK ITEM / PIEZAS RECOMENDADAS EN ALMACÉN / ÉLÉMENTS DE STOCK RECOMMANDÉS

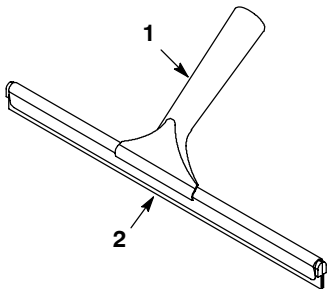
PARTS LIST - LISTA DE PIEZAS - LISTE DES PIÈCES

SPRAY GUN AND SOLUTION HOSE / REVOLVER ROCIADOR CON MANGUERA / PISTOLET PULVERISATEUR ET TUYAU DE SOLUTION



REF	PART #	DESCRIPTION	QTY.
▽	610845	●KIT SPRAYGUN & HOSE W/ QDC	1
▲▽	610791	●KIT GUN / SPRAYER COMPLETE	1
▲ 1	610141	NOZZLE SPRAY TIP	1
▲ 2	609658	●NOZZLE HI/LO	1
▲ 3	609661	●GUN SPRAY	1
▲ 4	150615	FITTING, BRS, STR, PM04, CLOSE	2
▲ 5	150006	FITTING, BRS, STR, PF04/PM06, BUSHING	1
▲ 6	150913	FITTING, BRS, QDC, PF04, SER60	1
▲ 7	610792	●HOSE ASM 1/4X25' SER60F/60M (STANDARD)	1
	610793	HOSE ASM 1/4X15' SER60F/60M (OPTIONAL)	1

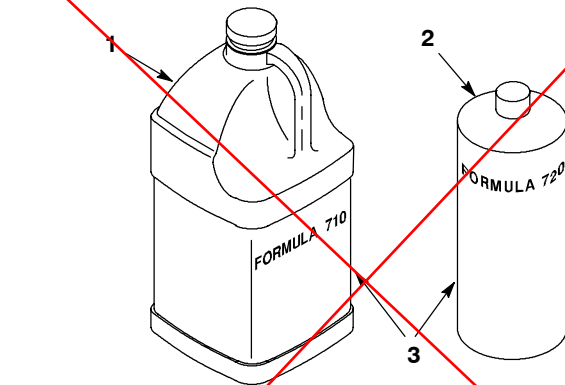
GLASS SQUEEGEE / ESCURRIDOR DE VIDRIO / RACLETTE A VITRES



REF	PART #	DESCRIPTION	QTY.
▽ 1	609641	●SQUEEGEE, HAND, SINGLE BLADE 12"	1
▲ 2	610918	●BLADE 12" SQ REPL FOR 609641	1

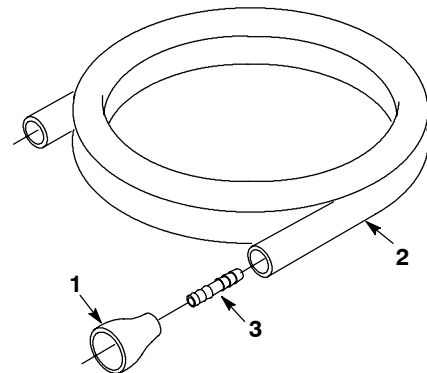
- ▽ ASSEMBLY / CONJUNTO / ENSEMBLE
- ▲ INCLUDED IN ASSEMBLY / INCLUIDO A CONJUNTA / Y COMPRIS EN ENSEMBLE
- RECOMMENDED STOCK ITEM / PIEZAS RECOMENDADAS EN ALMACÉN / ÉLÉMENTS DE STOCK RECOMMANDÉS

FORMULA / FÓRMULA / FORMULE



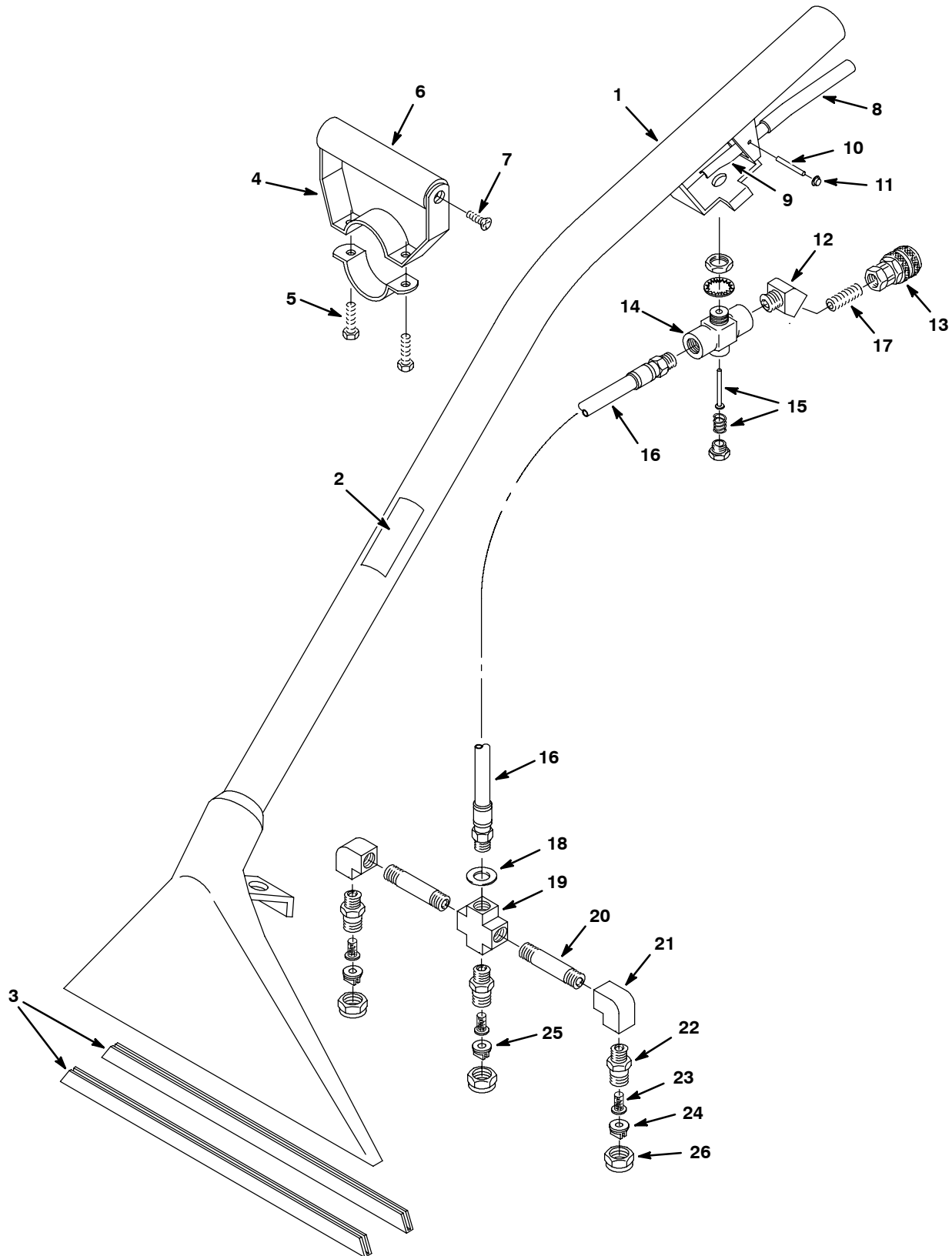
REF	PART #	DESCRIPTION	QTY.
1	609801	●CHEMICAL 710 CLEANER (1CAR = (4) 1 GAL)	1
2	612023	●CHEMICAL 720 RINSE (1CAR = 12 QUARTS)	1
3	612226	●CHEMICAL KIT 710 (1 GAL) / 720 (2 QT)	1

SOLUTION TANK FILL HOSE MANGUERA DE LLENADO DEL TANQUE DE SOLUCIÓN / TUYAU DE REMPLISSAGE DU RESERVOIR DE SOLUTION



REF	PART #	DESCRIPTION	QTY.
▽	609983	●HOSE, FILL, ASSY, 0.50ID X 4'L, FAUCET	1
▲ 1	609984	●FITTING, ADAPTER, FAUCET, 0.29ID, WHT RBR	1
▲ 2	14894.48	HOSE, 1/2IDX3/4ODX48 VINYL	1
▲ 3	606674	●FITTING, PLSTC, UNION, BM08/BM08, NYL	1

WAND GROUP, HIGH PRESSURE, 13 in / 330 mm /
HERRAMIENTA DE PISO, ALTA PRESION 13 pul / 330 mm / GROUPE OUTIL, HAUTE
PRESSION 13 in / 330 mm



OPTIONS - OPCIONES - ÉQUIPEMENT AU CHOIX

WAND GROUP, HIGH PRESSURE, 13 in / 330 mm / HERRAMIENTA DE PISO, ALTA PRESION 13 pul / 330 mm / GROUPE OUTIL, HAUTE PRESSION 13 in / 330 mm

REF	PART #	DESCRIPTION	QTY.
▽	600049	●ASM., WAND HIGH PRESSURE	1
▲ 1	200403.BK	TOOL, FLOOR BLACK	1
▲ 2	120845	DECAL, HIGH PRESSURE TOOL	1
▲ 3	200939	●SHOE, 330MM (13 IN) FLR TOOL	2
▲▽ 4	200927AM	GRIP, HAND ADJ. COMPLETE	1
▲ 5	01697	SCREW, HEX .25-20 X 0.62	2
▲ 6	200912	GRIP, HANDLE FOAM	1
▲ 7	140834	SCREW, FLT .25-20 X 0.62 PHL	2
▲ 7	140834	SCREW, 1/4-20X5/8	2
▲ 8	200809	SLEEVE, HANDLE	1
▲ 9	200902	HANDLE, VALVE	1
▲ 10	140605	PIN, HANDLE	1
▲ 11	140520	NUT, 1/4 PUSH BLK	2
▲ 12	150403	FITTING, 1/4MX1/4F 45 STR	1
▲ 13	150913	●FITTING, 1/4F QD CPLR SER 60	1
▲▽ 14	210150	●VALVE, FLOW CONTROL	1

REF	PART #	DESCRIPTION	QTY.
▲15	190603	●KIT, VALVE PIN AND SPRING	1
▲ 16	160175	ASM, HOSE HIGH PRESSURE	1
▲ 17	150615	FITTING, 1/4MX7/8 CLSNIP	1
▲ 18	140058	WASHER, .543X.875X.062 WAND	1
▲▽	700062	ASM., SPRAYBAR WO/TIPS	1
▲19	150700	CROSS, 1/4 FPT	1
▲20	150600	FITTING, 1/4MX2" NIPPLE	2
▲21	150401	FITTING, 1/4FX1/4F ELBOW 90	2
▲22	200993	SPRAY BODY, 1/4" MALE	3
▲ 23	200996	●FILTER, SCREEN 100 MESH	3
▲ 24	200986	●FITTING, TIP 9502	2
▲ 25	200988	●FITTING, TIP 11002	1
▲ 26	200994	●CAP, SPRAY BODY	3
N/S	200170	SQUEEGEE ASSY, 380MM/15.0, COMPLT (OPTION - FOR USE ON HARD FLOOR SURFACES)	1

▽ ASSEMBLY / CONJUNTO

▲ INCLUDED IN ASSEMBLY / INCLUIDO EN EL CONJUNTO

● RECOMMENDED STOCK ITEMS / ARTICULOS RECOMENDADOS PARA
MANTENER EN EXISTENCIA