

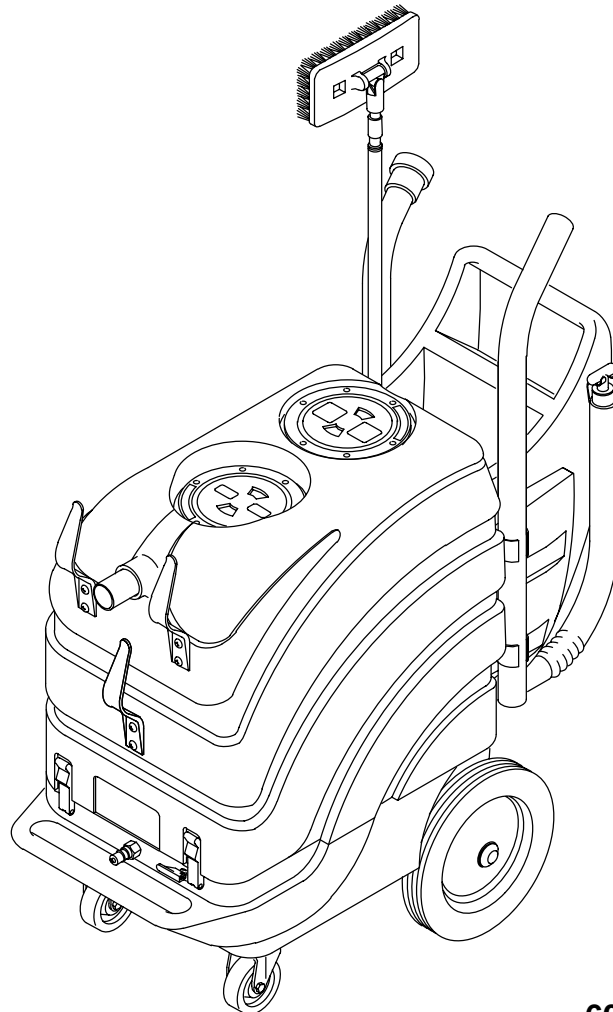


750

All Surface Cleaner
Limpiador universal de superficies

Model No.:
609668
609800 - Can.

Operator and Parts Manual
Manual del Operador y Piezas

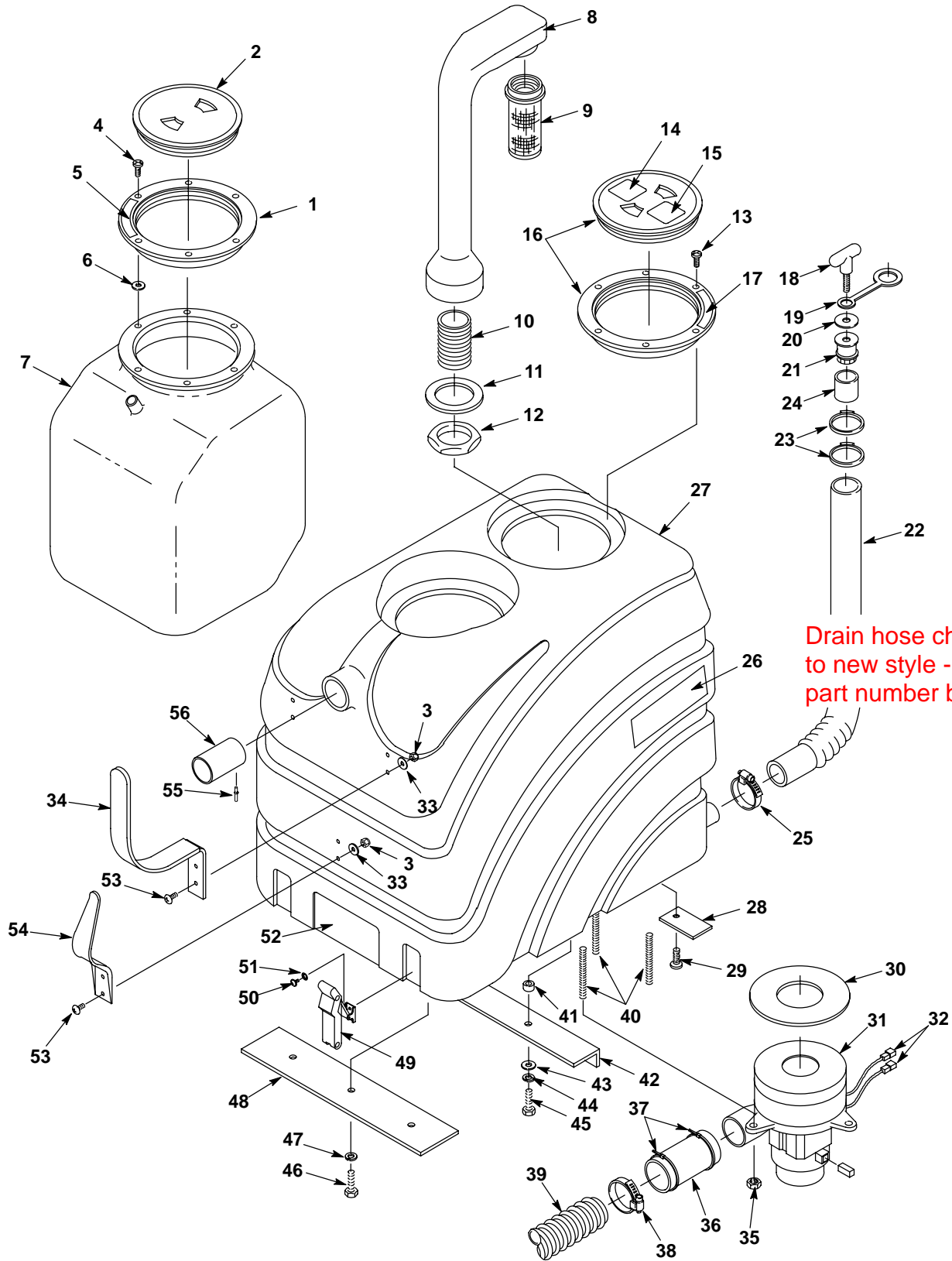


TENNANT COMPANY
Commercial Products
12875 RANSOM STREET
HOLLAND MI 49424 U.S.A.

FAX: 1-800-678-4240
CUSTOMER SERVICE: 1-800-982-7658
OUTSIDE U.S.: 1-616-786-2330

609760
Rev. 01 (07-00)

UPPER HOUSING GROUP – GRUPO DEL BASTIDOR SUPERIOR



Drain hose changed to new style - see part number below

UPPER HOUSING GROUP – GRUPO DEL BASTIDOR SUPERIOR

| REF | PART # | DESCRIPTION | QTY. |
|-----|--------|--------------------------------|------|
| ▽ | 100103 | CLEAR LID, W/CNTRSUNK HOLES | 1 |
| ▲1 | 100109 | LID, OUTER RING | 1 |
| ▲2 | 100105 | ●LID, CENTER ONLY CLEAR | 1 |
| 3 | 140501 | NUT, 1/4–20 NYLOCK | 6 |
| 4 | 140900 | SCREW, 10–24X3/4 | 6 |
| 5 | 120907 | DECAL, "IMPORTANT..." | 1 |
| 6 | 140000 | WASHER, 1/4 FLAT | 6 |
| 7 | 602783 | BLADDER | 1 |
| 8 | 602448 | STANDPIPE, W/NIPPLE | 1 |
| 9 | 180613 | ●FLOAT, SHUT-OFF | 1 |
| 10 | 606088 | FITTING, 1–1/2" NIPPLE | 1 |
| 11 | 101714 | GASKET, WASTE AIR CHAMBER | 1 |
| 12 | 210240 | NUT, FLANGED METAL 1–1/2 | 1 |
| 13 | 140825 | SCREW, #6X1/2 | 6 |
| 14 | 609756 | DECAL, SAFETY GLASSES REQD | 1 |
| 15 | 630420 | DECAL, "FLAMMABLE MAT'L" TXTLS | 1 |
| 16 | 100102 | ●LID, CLEAR W/STANDARD HOLE | 1 |
| 17 | 120907 | DECAL, "IMPORTANT–ALWAYS..." | 1 |
| ▽▲ | 501061 | ●ASM, DRAINHOSE STOPPER | 4 |
| ▲18 | 230834 | KNOB, DRAIN HOSE | 4 |
| ▲19 | 230882 | STRAP, DRAIN STOPPER | 4 |
| ▲20 | 140056 | WASHER, 3/8IDX1.500D-FNDR | 4 |
| ▲21 | 140955 | PLUG, DRAIN HOSE | 4 |
| ▽ | 590965 | KIT, DRAIN HOSE COMPLETE | 1 |
| ▲22 | 560627 | HOSE, DRAIN | 4 |
| ▲23 | 140072 | CLAMP, 1-9/16 STEPLESS | 2 |
| ▲24 | 140921 | SLEEVE, DRAIN HOSE | 4 |
| 25 | 140307 | CLAMP, HOSE 3/4 TO 1–3/4 | 1 |
| 26 | 609749 | DECAL, 750 | 2 |
| 27 | 609730 | TANK, RECOVERY TEAL | 1 |
| 28 | 230845 | PLATE, CORD CLAMP | 1 |

| REF | PART # | DESCRIPTION | QTY. |
|-----|---------|------------------------------|------|
| 29 | 140834 | SCREW, 1/4–20X5/8 | 1 |
| 30 | 100118 | ●GASKET, VAC MOTOR 1/4 X 5.7 | 1 |
| 31 | 130416 | ●MOTOR, VAC 5.7 3STG (120V) | 1 |
| | 190161 | ●BRUSH, CARBON (2–PK) | 2 |
| 32 | 130133 | TERMINAL, ML DSCNT | 2 |
| 33 | 25183.4 | WASHER, .18X.68 NEOPRENE | 6 |
| 34 | 610279 | HOOK, HOSE HANGER | 2 |
| 35 | 140501 | NUT, 1/4–20 NYLOCK | 3 |
| 36 | 610162 | ●MUFFLER, VAC EXHAUST | 1 |
| 37 | 130040 | WIRE TIE, NYLON | 2 |
| 38 | 140308 | CLAMP, HOSE 1–5/16 TO 2–1/4 | 1 |
| 39 | 160629 | HOSE, 2" X 28" WHITE | 1 |
| 40 | 610790 | SCREW, 1/4–20X4.5 STUD | 3 |
| 41 | 140134 | BUSHING, .375ODX.250IDX.270 | 2 |
| 42 | 230846 | BRACKET, TANK SUPPORT | 1 |
| 43 | 140000 | WASHER, 1/4 FLAT | 2 |
| 44 | 140016 | WASHER, 1/4 LOCK | 2 |
| 45 | 140554 | SCREW, 1/4–20X3/4 | 2 |
| 46 | 140259 | SCREW, 1/4–20X5/8 | 3 |
| 47 | 140016 | WASHER, 1/4 LOCK | 3 |
| 48 | 230946 | BRACKET, TANK BRACE FRONT | 1 |
| 49 | 140932 | ●LATCH, HOOD W/ KEEPER | 2 |
| 50 | 140801 | SCREW, 8–32X3/8 | 4 |
| 51 | 140023 | WASHER, #8 INT | 4 |
| 52 | 120210 | DECAL, "TENNANT" LOGO | 1 |
| 53 | 140840 | SCREW, 1/4–20X1 | 6 |
| 54 | 602750 | HOOK, HOSE | 1 |
| 55 | 140713 | RIVET, POP 3/16 X .251–.375 | 1 |
| 56 | 230905 | TUBE, INLET | 1 |

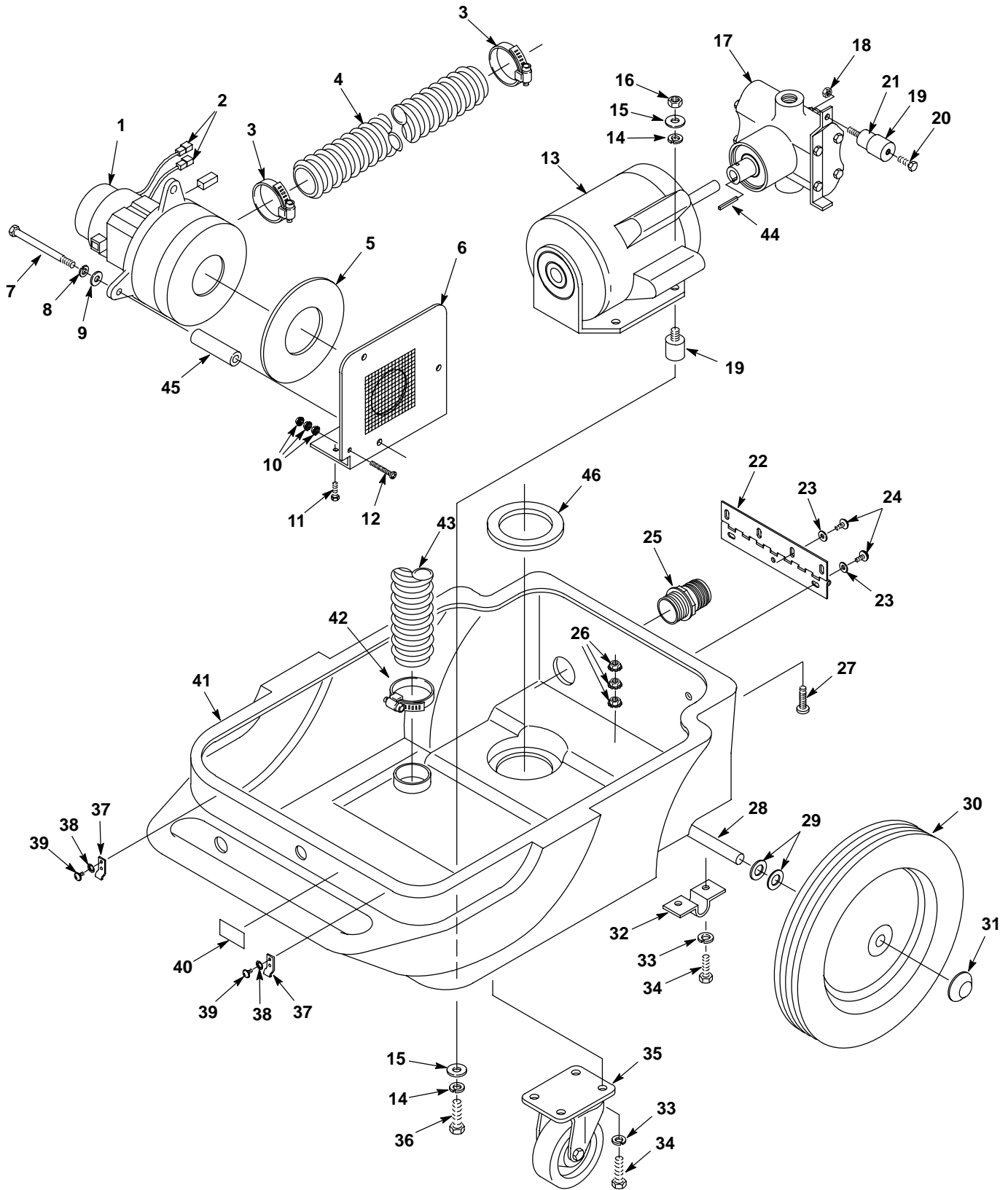
▽ ASSEMBLY / CONJUNTO

▲ INCLUDED IN ASSEMBLY / INCLUIDO EN EL CONJUNTO

● RECOMMENDED STOCK ITEMS / ARTICULOS RECOMENDADOS PARA MANTENER EN EXISTENCIA

1007072
HOSE ASSY
1008639
CAP
1008637
O-RING

LOWER HOUSING GROUP – GRUPO DEL BASTIDOR INFERIOR



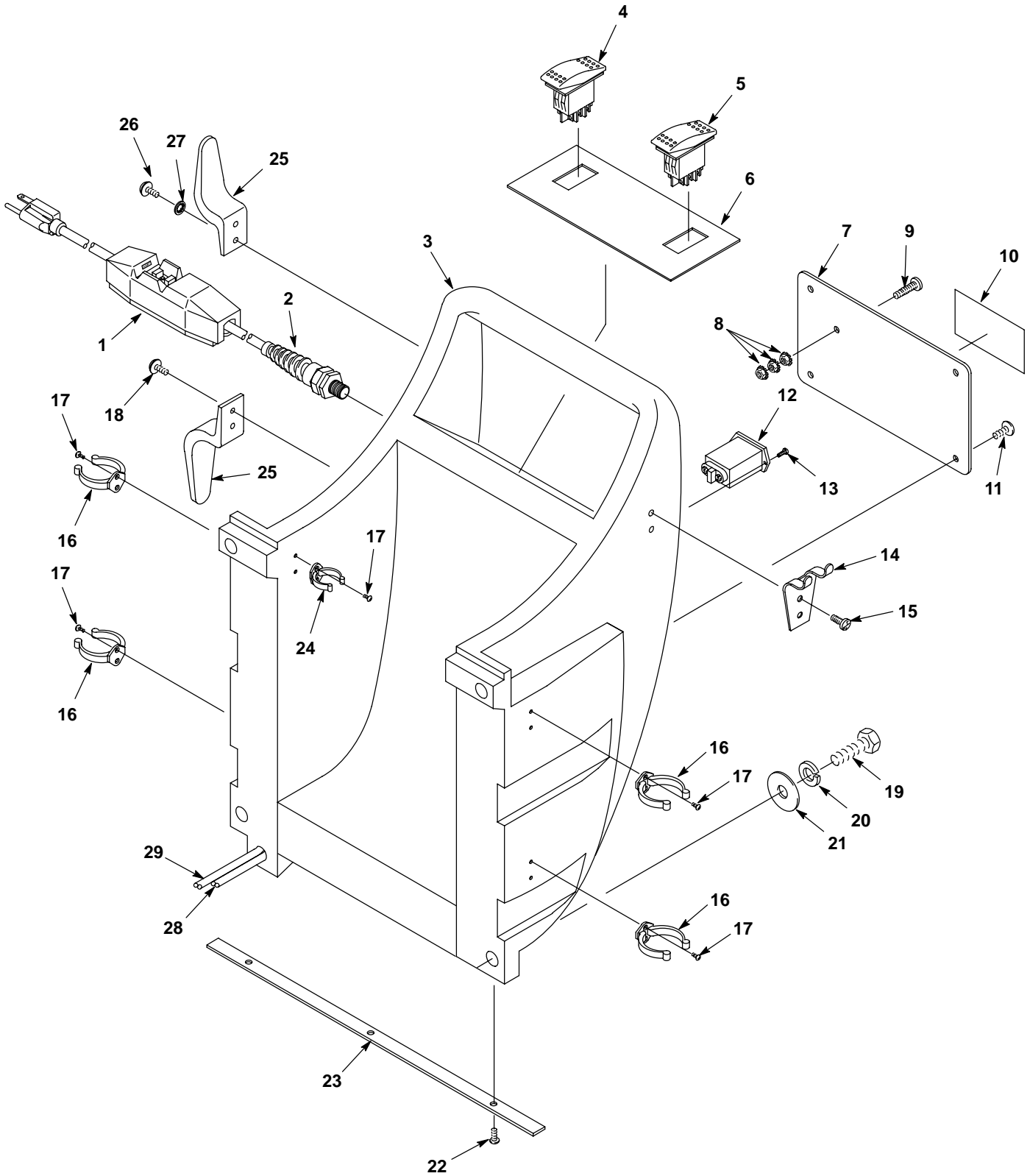
LOWER HOUSING GROUP – GRUPO DEL BASTIDOR INFERIOR

| REF | PART # | DESCRIPTION | QTY. |
|-----|---------|--------------------------------|------|
| 1 | 25151 | ●MOTOR, VAC 5.7 2STG (120V) | 1 |
| | 190155 | ●BRUSH, CARBON (2-PK) | 2 |
| 2 | 130133 | TERMINAL, ML DSCNT | 2 |
| 3 | 140308 | CLAMP, HOSE 1-5/16 TO 2-1/4 | 2 |
| 4 | 609643 | ●HOSE, VAC 2"IDX14" WHITE | 1 |
| 5 | 100038 | ●GASKET, VAC MTR 5.7 DIA | 1 |
| 6 | 609652 | BRACKET, VAC MOTOR MOUNT | 1 |
| 7 | 2998.28 | SCREW 1/4-20X3-1/2 | 3 |
| 8 | 140016 | WASHER, LOCK | 3 |
| 9 | 140000 | WASHER, FLAT | 3 |
| 10 | 140519 | NUT, 10-24 KEP | 3 |
| 11 | 140554 | SCREW 1/4-20X3/4 | 2 |
| 12 | 140804 | SCREW, 10-24X1 | 1 |
| 13 | 130450 | MOTOR, PUMP DRIVE 1/3HP (120V) | 1 |
| 14 | 140015 | WASHER, 5/16 SPLITLOCK | 2 |
| 15 | 140027 | WASHER, 5/16 FLAT | 2 |
| 16 | 140506 | NUT, 5/16-18 HEX | 2 |
| 17 | 180100 | PUMP, TWIN PISTON | 1 |
| 18 | 140506 | NUT 5/16-18 HEX | 1 |
| 19 | 130031 | MOUNT, MOTOR 1-1/4" | 3 |
| 20 | 140223 | SCREW 5/16-18X3/4 | 1 |
| 21 | 130030 | MOUNT, MOTOR 3/4" | 1 |
| 22 | 230390 | HINGE, SOL/REC TANK | 1 |
| 23 | 140000 | WASHER, 1/4 FLAT | 7 |
| 24 | 140885 | SCREW, 1/4-20X1/2 | 7 |

| REF | PART # | DESCRIPTION | QTY. |
|-----|--------|-------------------------------|------|
| 25 | 25202 | BARB, HOSE | 1 |
| 26 | 140519 | NUT, 10-24 KEP | 3 |
| 27 | 140196 | SCREW, 10-24X1 | 1 |
| 28 | 608906 | AXLE, .50 DIA X 18.352 | 1 |
| 29 | 140008 | WASHER, .570X1.28X.075 FLAT | 4 |
| 30 | 103009 | ●WHEEL, 12" X 1.75 WHITE/GRAY | 2 |
| 31 | 103019 | CAP, HUB 1/2" DIA | 2 |
| 32 | 230746 | BRACKET, AXLE 1/2DIA OFFSET | 2 |
| 33 | 140016 | WASHER, 1/4 LOCK | 12 |
| 34 | 140259 | SCREW, 1/4-20X5/8 | 12 |
| 35 | 103065 | ●CASTER, SWIVEL 4" | 2 |
| 36 | 140223 | SCREW, 5/16-18X3/4 | 2 |
| 37 | 140932 | LATCH, HOOD RUBBER W/ KEEPER | 2 |
| 38 | 140023 | WASHER, #8 INT | 4 |
| 39 | 140801 | SCREW, 8-32X3/8 | 4 |
| 40 | 609752 | DECAL, CHEMICAL ON/OFF | 1 |
| 41 | 609729 | CHASSIS, TEAL | 1 |
| 42 | 140308 | CLAMP, HOSE 1-5/16 TO 2-1/4 | 1 |
| 43 | 160629 | ●HOSE, 2" X 28" WHITE | 1 |
| 44 | 190310 | ●PUMP, SHAFT KEY 5300 SERIES | 1 |
| 45 | 610144 | SPACER, VAC MOTOR | 3 |
| 46 | 102567 | GASKET, VAC MOTOR INTAKE | 1 |

● RECOMMENDED STOCK ITEMS / ARTICULOS RECOMENDADOS PARA MANTENER EN EXISTENCIA

HANDLE GROUP – GRUPO DEL MANGO



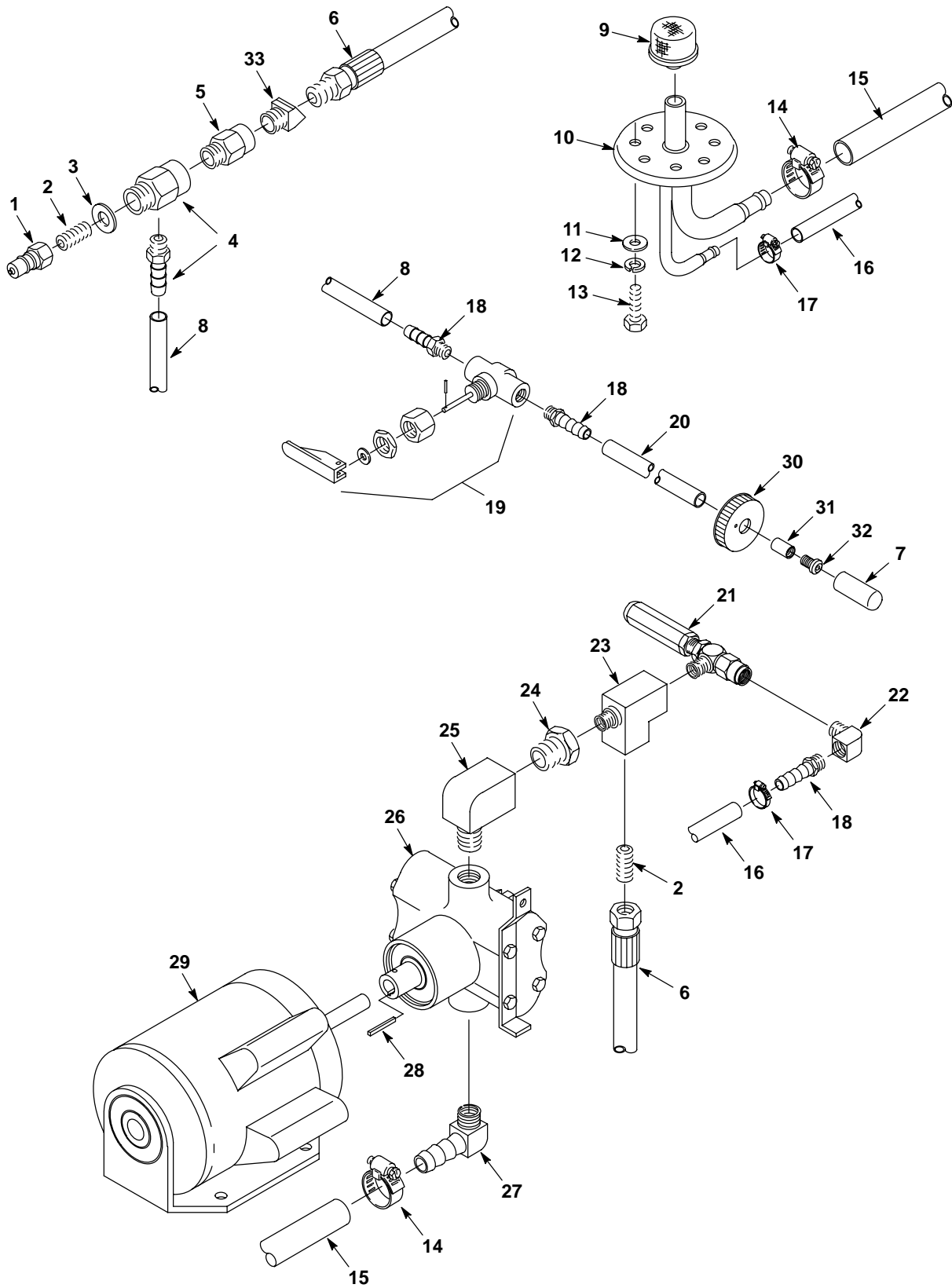
HANDLE GROUP – GRUPO DEL MANGO

| REF | PART # | DESCRIPTION | QTY. |
|-----|-----------|-----------------------------|------|
| 1 | 609754 | ●CORD, POWER 25' W/GFCI | 1 |
| 2 | 130166 | ●CORD GRIP, NYLON/BLK W/NUT | 1 |
| 3 | 609731 | HANDLE, TEAL | 1 |
| 4 | 608605 | ●SWITCH, ROCKER DPST SEAL | 1 |
| 5 | 609657 | ●SWITCH, ROCKER ON/OFF/ON | 1 |
| 6 | 609748 | DECAL, DASH | 1 |
| 7 | 230908.BK | PLATE, REAR COVER BLACK | 1 |
| 8 | 140519 | NUT, 10–24 KEP | 3 |
| 9 | 140900 | SCREW, 10–24X3/4 | 1 |
| 10 | 120619 | DECAL, WARNING EXTRACTORS | 1 |
| 11 | 140197 | SCREW, 10–24X3/8 | 4 |
| 12 | 130017 | METER, HOUR | 1 |
| 13 | 140825 | SCREW, #6X1/2 | 2 |
| 14 | 230696.BK | BRACKET, DRAIN HOSE HANGER | 1 |
| 15 | 140825 | SCREW, #6X1/2 | 2 |

| REF | PART # | DESCRIPTION | QTY. |
|-----|-----------|------------------------------|------|
| 16 | 610733 | CLIP, WAND | 4 |
| 17 | 140825 | SCREW, #6X1/2 | 10 |
| 18 | 140197 | SCREW, 10–24X3/8 | 2 |
| 19 | 140231 | SCREW, 3/8X1–1/2 | 4 |
| 20 | 140017 | WASHER, 3/8 SPLITLOCK | 4 |
| 21 | 140028 | WASHER, 3/8 FLAT | 4 |
| 22 | 140825 | SCREW, #6X1/2 | 3 |
| 23 | 609753 | PLATE, WAND STOP | 1 |
| 24 | 610732 | CLIP, TELESCOPING WAND LARGE | 1 |
| 25 | 230920.BK | HOOK, CORD BLACK | 2 |
| 26 | 140197 | SCREW, 10–24X3/8 | 2 |
| 27 | 140031 | WASHER, #10 | 2 |
| 28 | 701138 | CORD ASSEMBLY, 14/4X44" BLK | 1 |
| 29 | 701139 | CORD, 14/3X63" BLACK SJTO | 1 |

● RECOMMENDED STOCK ITEMS / ARTICULOS RECOMENDADOS PARA MANTENER EN EXISTENCIA

PLUMBING GROUP – GRUPO DE PLOMERIA



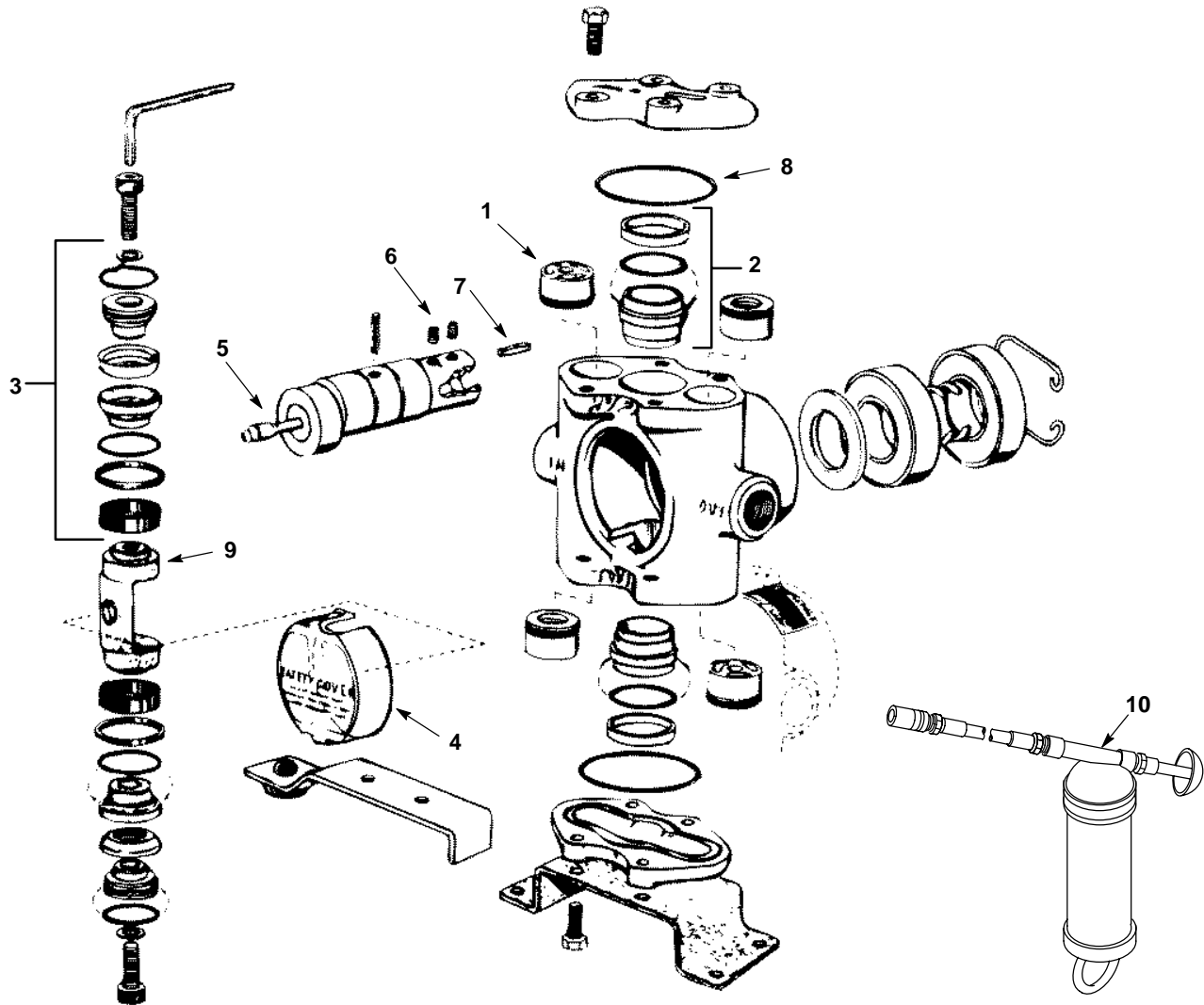
PLUMBING GROUP – GRUPO DE PLOMERIA

| REF | PART # | DESCRIPTION | QTY. |
|-----|--------|---------------------------------|------|
| 1 | 150933 | FITTING, 1/4F QD MALE BRS SER60 | 1 |
| 2 | 150615 | FITTING, 1/4M NIPL-CLOSE BRS | 2 |
| 3 | 140058 | WASHER, .543X.875X.062 WAND | 1 |
| 4 | 609660 | INJECTOR | 1 |
| 5 | 150110 | ADAPTER, 1/4" BRASS | 1 |
| 6 | 160140 | HOSE, PULSE 36" | 1 |
| 7 | 609988 | ●CAP, INJECTOR HOSE | 1 |
| 8 | 607307 | TUBING, 1/4IDX3/8ODX.833' GRAY | 1 |
| 9 | 603186 | ●SCREEN, CLEAN WATER TANK | 1 |
| 10 | 609703 | ASM, BLADDER PLATE | 1 |
| 11 | 140000 | WASHER, 1/4 FLAT | 4 |
| 12 | 140016 | WASHER, 1/4 LOCK | 4 |
| 13 | 140554 | SCREW, 1/4-20X3/4 HXHDCP | 4 |
| 14 | 140305 | CLAMP, HOSE 7/32-5/8 | 2 |
| 15 | 609923 | HOSE, 1/2ID X 35" | 1 |
| 16 | 609920 | HOSE, 1/4 LP X 3.33' GRAY | 1 |
| 17 | 630369 | CLAMP, HOSE .50-1.1 | 2 |

| REF | PART # | DESCRIPTION | QTY. |
|-----|--------|---------------------------------|------|
| 18 | 150525 | FITTING, 1/8MX1/4H BARB BRS | 3 |
| 19 | 210014 | VALVE, TOGGLE – WITH NUT | 1 |
| 20 | 609922 | TUBING, 1/4IDX3/8ODX6.33' BLUE | 1 |
| 21 | 210211 | VALVE, PRESSURE RELIEF | 1 |
| 22 | 150407 | FITTING, 1/8FX1/8M ELBOW STRT90 | 1 |
| 23 | 150709 | FITTING, 1/4FX1/4FX1/4M BRS | 1 |
| 24 | 150101 | FITTING, 1/2MX1/4F BUSHNG BRS | 1 |
| 25 | 150405 | FITTING, 1/2MX1/2F ELB STRT90 | 1 |
| 26 | 180100 | PUMP, TWIN PISTON | 1 |
| 27 | 150431 | FITTING, 1/2MX1/2H ELBOW 90 | 1 |
| 28 | 190310 | ●PUMP, SHAFT KEY 5300 SERIES | 1 |
| 29 | 130450 | ●MOTOR, PUMP DRIVE 1/3HP(120V) | 1 |
| 30 | 231062 | ●CAP, 1 GAL. BOTTLE | 1 |
| 31 | 609976 | ●SPACER, 5/16DIAX1/2 8-32 | 1 |
| 32 | 609757 | ●KIT, METERING TIPS (SET OF 3) | 1 |
| 33 | 150403 | FITTING, 1/4MX1/4F, 45° STRT | 1 |

● RECOMMENDED STOCK ITEMS / ARTICULOS RECOMENDADOS PARA MANTENER EN EXISTENCIA

SOLUTION PUMP GROUP – GRUPO DE LA BOMBA DE SOLUCION

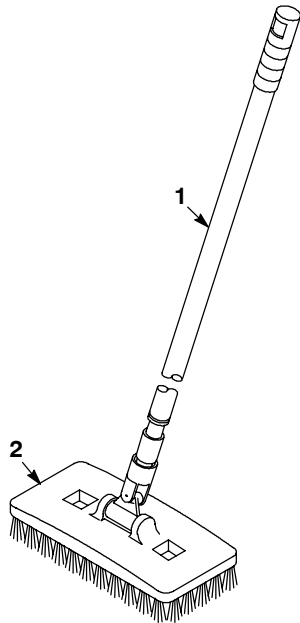


| REF | PART # | DESCRIPTION | QTY. |
|-----|--------|------------------------------|------|
| | 180100 | PUMP, TWIN PISTON (COMPLETE) | 1 |
| 1 | 190301 | ●VALVE KIT, SET OF 4 | 1 |
| 2 | 190302 | ●KIT, CYLINDER SLEEVE | 1 |
| 3 | 190300 | ●CUP KIT, SET OF 2 | 1 |
| 4 | 190307 | SAFETY COVER | 1 |
| 5 | 190305 | GREASE FITTING | 1 |
| 6 | 190309 | SET SCREWS, PUMP | 2 |

| REF | PART # | DESCRIPTION | QTY. |
|-----|--------|-----------------------------------|------|
| 7 | 190310 | ●SHAFT KEY | 1 |
| 8 | 190303 | ●KIT, O-RING (INCLUDES 2 O-RINGS) | 1 |
| 9 | 190304 | CONNECTING ROD | 1 |
| N/S | 190316 | ●PULLER, VALVE SPRING RETAINER | 1 |
| N/S | 190317 | ●PULLER, VALVE, POPPET SEAT | 1 |
| 10 | 190022 | GUN, GREASE METAL | 1 |

N/S= NOT SHOWN / NO INDICADO

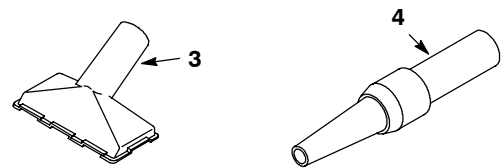
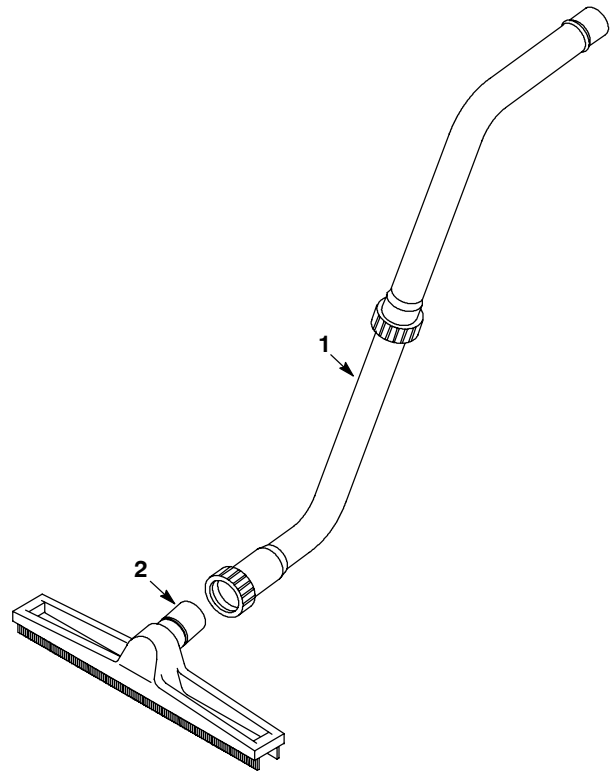
TELESCOPING BRUSH
CEPILLO TELESCOPICO



| REF | PART # | DESCRIPTION | QTY. |
|-----|--------|---------------------------|------|
| 1 | 610731 | ●HANDLE TELESCOPING LARGE | 1 |
| 2 | 609650 | ●BRUSH | 1 |

● RECOMMENDED STOCK ITEMS / ARTICULOS RECOMENDADOS PARA MANTENER EN EXISTENCIA

WAND/HOSE TOOL ACCESSORY KIT
JUEGO DE ACCESORIOS DE
HERRAMIENTAS DE VARILLA/MANGUERA



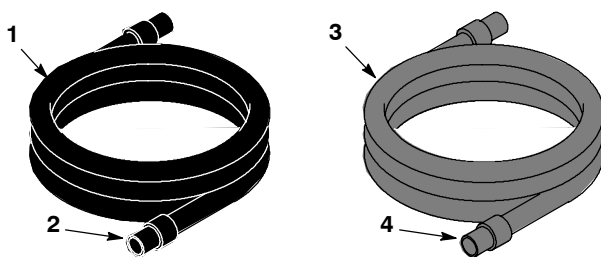
| REF | PART # | DESCRIPTION | QTY. |
|------|---------|--------------------------------|------|
| ▽ | 610140 | KIT ACCESORIES WAND/TOOLS | 1 |
| ▲ 1 | 1010457 | ●WAND, DOUBLE BEND, TELESCOPIC | 1 |
| ▲▽ 2 | 609648 | ●ASM, SQUEEGEE 14" | 1 |
| ▲ | 612869 | ●BLADE, SQGE, 1 PC FOR 609648 | 2 |
| ▲ | 1022670 | ●WHEEL, ROLLER | 2 |
| ▲ | 1022671 | ●HOUSING, HOLDER, WHEEL | 1 |
| ▲ 3 | 609645 | ●TOOL GULPER UTILITY 5" | 1 |
| ▲ 4 | 609644 | ●NOZZLE BLOWER | 1 |

▽ ASSEMBLY / CONJUNTO

▲ INCLUDED IN ASSEMBLY / INCLUIDO EN EL CONJUNTO

● RECOMMENDED STOCK ITEMS / ARTICULOS RECOMENDADOS PARA MANTENER EN EXISTENCIA

VACUUM AND BLOWER HOSES
MANGUERAS DE ASPIRACION
Y SOPLADOR



| REF | PART # | DESCRIPTION | QTY. |
|-----|---------|---|------|
| ▽ 1 | 610683 | ●HOSE, VACUUM, 1.5D X 25'L, 2-CUFFS, BLK | 1 |
| ▲ 2 | 160486 | ●CUFF, HOSE, 1.50D BLACK | 2 |
| ▽ 3 | 1010410 | ●HOSE, 1.25"X6' EXPAND W/ 1.5" CUFFS GRAY | 1 |
| ▲ 4 | 1010458 | ●CUFF, 1.5"OD X 1.25"ID THD X 3.7"L GRAY | 2 |

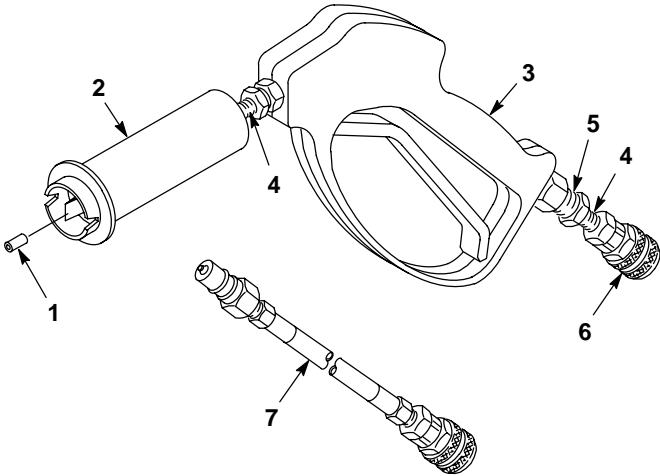
▽ ASSEMBLY / CONJUNTO

▲ INCLUDED IN ASSEMBLY / INCLUIDO EN EL CONJUNTO

● RECOMMENDED STOCK ITEMS / ARTICULOS RECOMENDADOS PARA MANTENER EN EXISTENCIA

**PARTS LIST
LISTA DE PIEZAS**

**SPRAY GUN AND SOLUTION HOSE –
REVOLVER ROCIADOR CON MANGUERA**

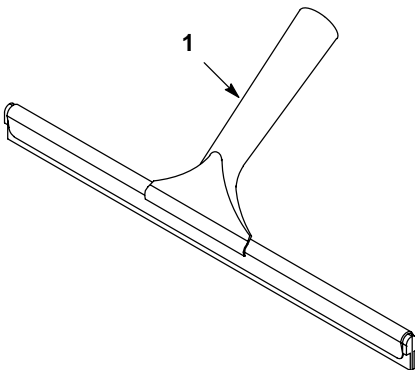


| REF | PART # | DESCRIPTION | QTY. |
|-----|--------|---------------------------------|------|
| | 610845 | KIT, SPRAY GUN AND HOSE W/QDC | 1 |
| ▽ | 610791 | GUN, SPRAY COMPLETE | 1 |
| ▲1 | 610141 | ORIFICE, SPRAY NOZZLE | 1 |
| ▲2 | 609658 | ●NOZZLE, HI/LO | 1 |
| ▲3 | 609661 | ●GUN, SPRAY | 1 |
| ▲4 | 150615 | FITTING, 1/4MX7/8 CLOSE NIPPLE | 2 |
| ▲5 | 150006 | FITTING, 1/4FX3/8M REDUCER | 1 |
| ▲6 | 150913 | FITTING, 1/4F QD FEML BRS SER60 | 1 |
| 7 | 610792 | ASM, HOSE1/4X25' SER60F/60M QD | 1 |

▽ ASSEMBLY / CONJUNTO

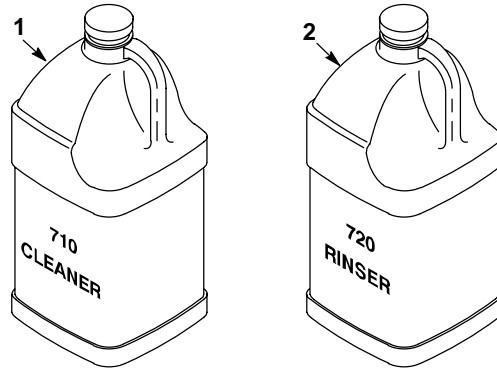
▲ INCLUDED IN ASSEMBLY / INCLUIDO EN EL CONJUNTO

**GLASS SQUEEGEE –
ESCURRIDOR DE VIDRIO**



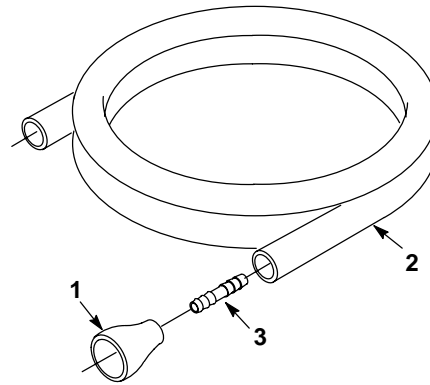
| REF | PART # | DESCRIPTION | QTY. |
|-----|--------|-----------------|------|
| 1 | 609641 | SQUEEGEE, GLASS | 1 |

FORMULA



| REF | PART # | DESCRIPTION | QTY. |
|-----|--------|---------------------------------|------|
| 1 | 609801 | ●FORMULA, 710 CLEANER (4-1 GAL) | 1 |
| 2 | 609802 | ●FORMULA, 720 RINSE (4-1 GAL) | 1 |

**SOLUTION TANK FILL HOSE – MANGUERA
DE LLENADO DEL TANQUE DE SOLUCION**

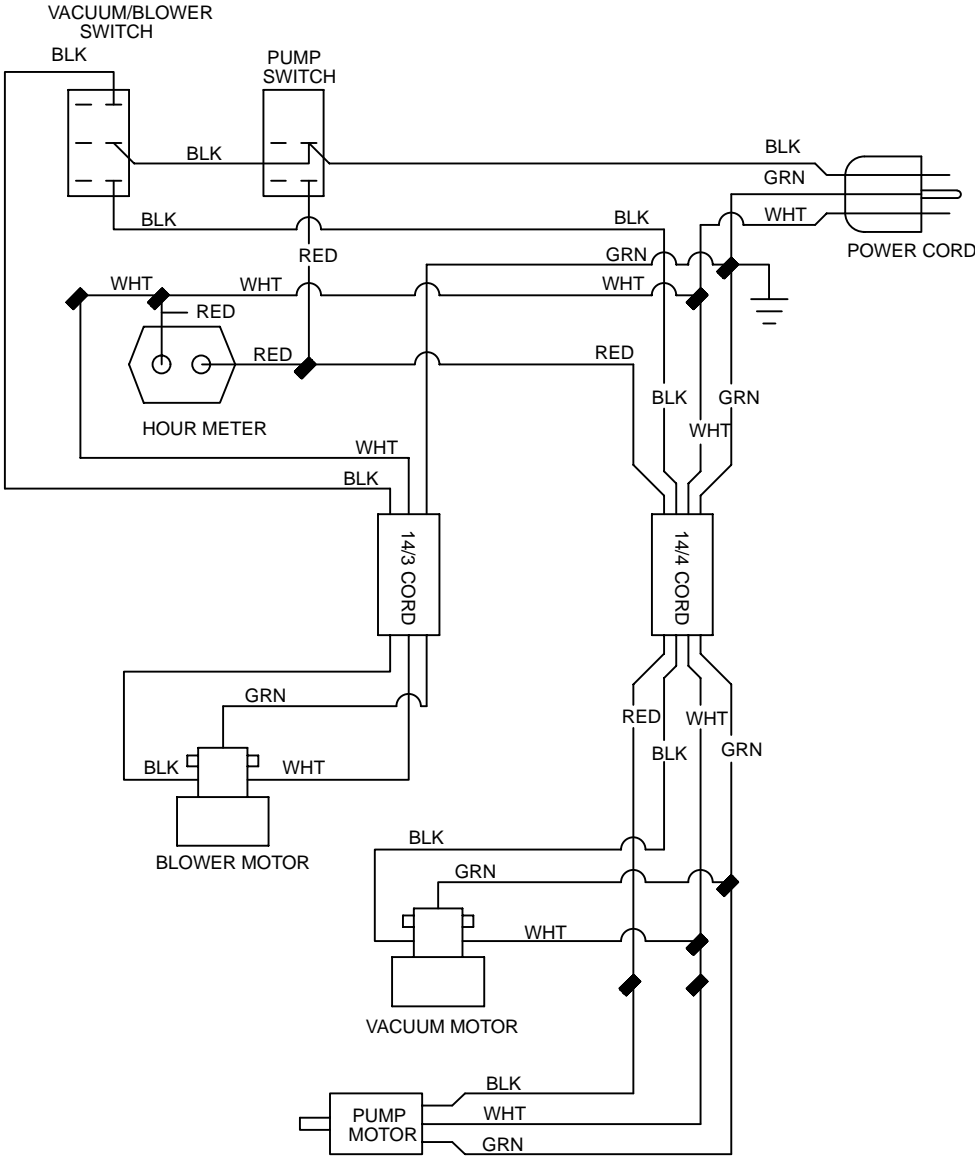


| REF | PART # | DESCRIPTION | QTY. |
|-----|----------|--------------------------|------|
| ▽ | 609983 | HOSE, FILL | 1 |
| ▲1 | 609984 | ADAPTER, FAUCET | 1 |
| ▲2 | 14894.48 | HOSE, CLEAR 4.0 FT | 1 |
| ▲3 | 606674 | UNION CONN. BARB .5 X .5 | 1 |

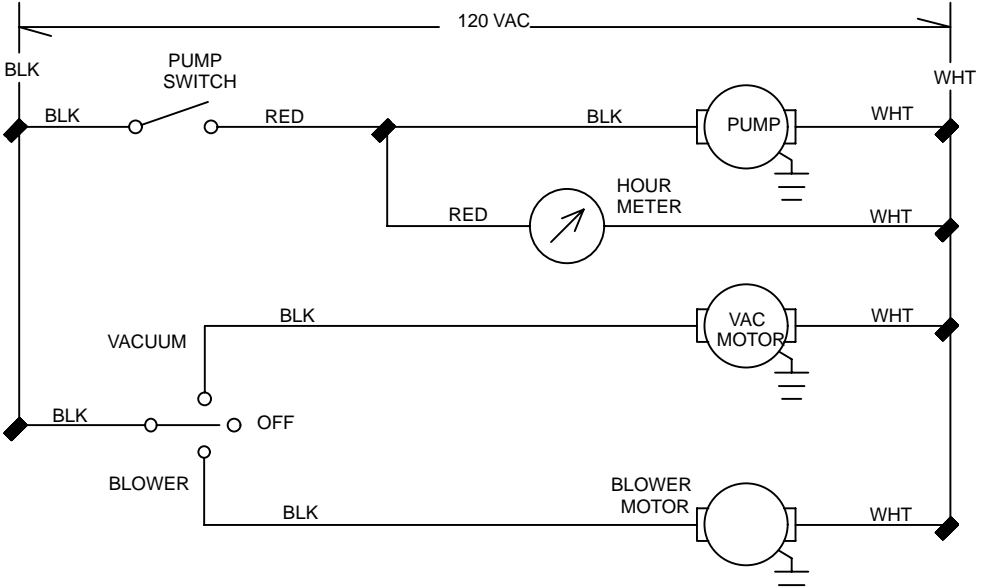
▽ ASSEMBLY / CONJUNTO

▲ INCLUDED IN ASSEMBLY / INCLUIDO EN EL CONJUNTO

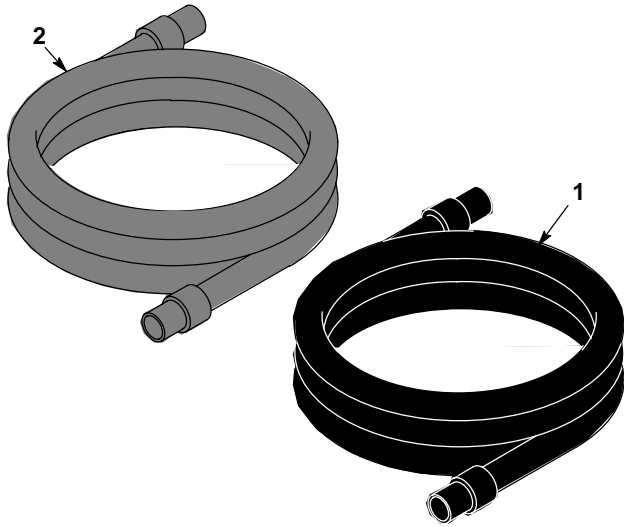
120V WIRING
DIAGRAM –
DIAGRAMA DE
CABLEADO DE
120V



120V LADDER
DIAGRAM –
DIAGRAMA
ESCALONADO
DE 120V

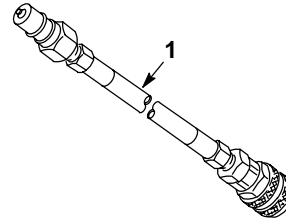


**15 FT (4.6 M) VACUUM AND
BLOWER HOSES – MANGUERAS DE 15 PIES
(4.6 M) DE ASPIRACION Y SOPLADO**



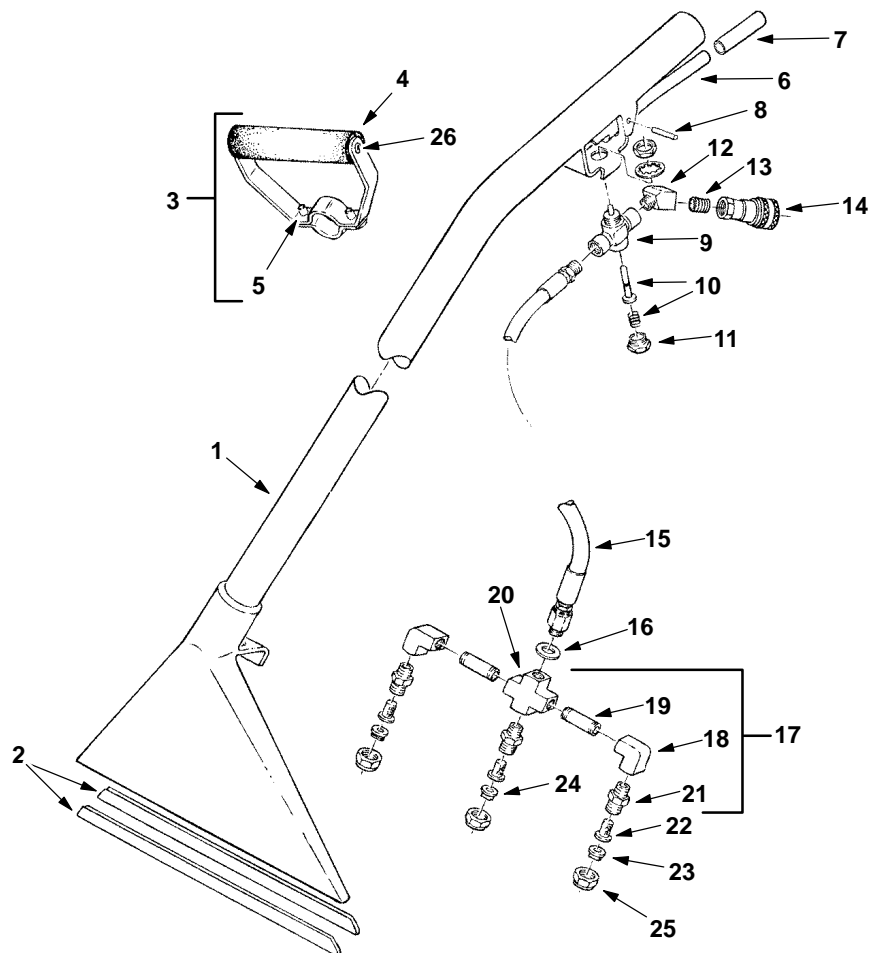
| REF | PART # | DESCRIPTION | QTY. |
|-----|--------|-------------------------------|------|
| 1 | 609977 | HOSE, 1-1/2X15' BLACK W/CUFFS | 1 |
| 2 | 609978 | HOSE, 1-1/4X15' GRAY W/CUFFS | 1 |

**15 FT (4.6 M) SPRAY GUN SOLUTION HOSE
– MANGUERA DE 15 PIES (4.6 M) DE
REVOLVER ROCIADOR**



| REF | PART # | DESCRIPTION | QTY. |
|-----|--------|-------------------------------|------|
| 1 | 609979 | HOSE, 15 FT, SER60F-SER60M QD | 1 |

13 IN (330 mm) CARPET CLEANING FLOOR TOOL –
13 PIES (330 mm) EL ACCESORIO PARA LIMPIAR ALFOMBRAS



| REF | PART # | DESCRIPTION | QTY. |
|-----|-----------|----------------------------|------|
| | 600049 | TOOL, 13" FLOOR (COMPLETE) | 1 |
| 1 | 200403.BK | TOOL, 13" FLOOR | 1 |
| 2 | 200939 | SHOES, FLOOR TOOL | 2 |
| 3 | 200927 | GRIP, ADJUSTABLE COMPLETE | 1 |
| 4 | 200912 | FOAM, GRIP | 1 |
| 5 | 140259 | SCREW, 1/4 X 5/8 | 2 |
| 6 | 200902 | TRIGGER, FLOOR TOOL | 1 |
| 7 | 200809 | SLEEVE, TRIGGER | 1 |
| 8 | 140605 | PIN | 1 |
| | 140520 | NUT, PUSH | 2 |
| 9 | 210150 | VALVE, FLOW CONTROL | 1 |
| 10 | 190603 | KIT, VALVE PIN & SPRING | 1 |
| 11 | N/A | CAP, HEX, VALVE | 1 |
| 12 | 150403 | ELBOW, 1/4-45° | 1 |
| 13 | 150615 | NIPPLE, CLOSE 1/4 | 1 |

| REF | PART # | DESCRIPTION | QTY. |
|-----|--------|------------------------|------|
| 14 | 150913 | COUPLER, QUICK SER. 60 | 1 |
| 15 | 160175 | HOSE, SOLUTION HP | 1 |
| 16 | 140058 | WASHER | 1 |
| ▽17 | 700062 | ASM., SPRAY BAR | 1 |
| ▲18 | 150401 | ELBOW, 90° 1/4F X 1/4F | 2 |
| ▲19 | 150600 | NIPPLE | 2 |
| ▲20 | 150700 | CROSS | 1 |
| ▲21 | 200993 | SPRAY BODY | 3 |
| 22 | 200996 | SCREEN, SPRAY BODY | 3 |
| 23 | 200986 | TIP, SPRAY (#9502) | 2 |
| 24 | 200988 | TIP, SPRAY (#11002) | 1 |
| 25 | 200994 | CAP, SPRAY BODY | 3 |
| 26 | 140834 | SCREW, 1/4-20 X 5/8 | 2 |
| N/S | 120845 | DECAL, "HIGH PRESSURE" | 1 |

▽ ASSEMBLY / CONJUNTO

▲ INCLUDED IN ASSEMBLY / INCLUIDO EN EL CONJUNTO

N/S - NOT SHOWN / NO INDICADO