

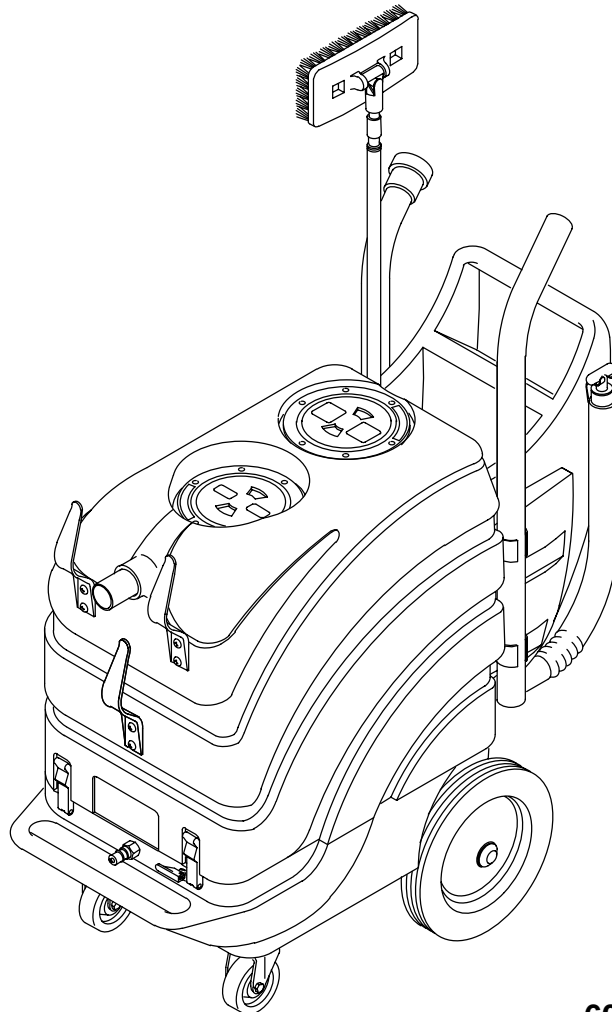


# 750

All Surface Cleaner

**Model No.:**  
**609668**

**Operator and Parts Manual**

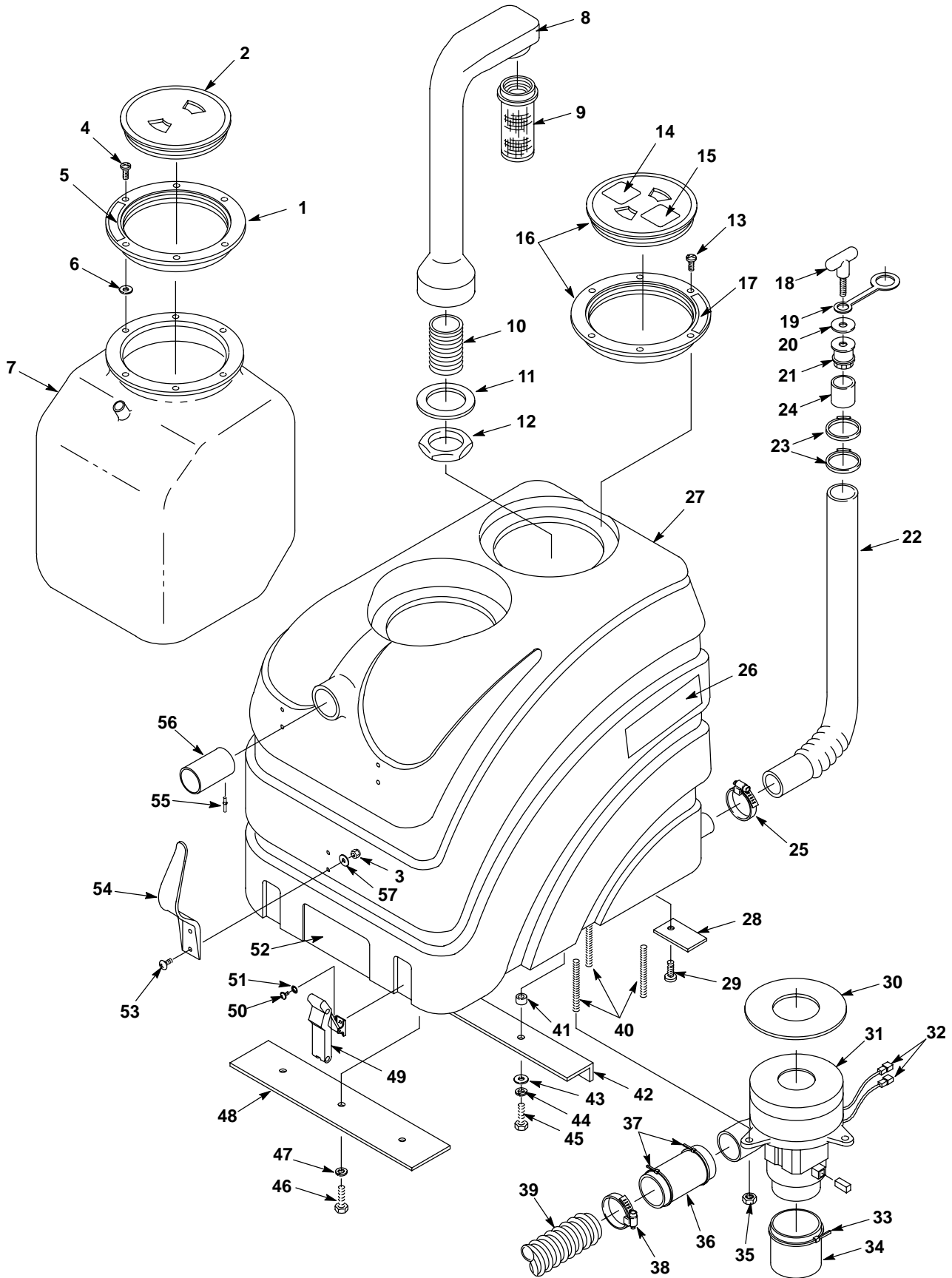


**TENNANT COMPANY**  
**Commercial Products**  
12875 RANSOM STREET  
HOLLAND MI 49424 U.S.A.

FAX: 1-800-678-4240  
CUSTOMER SERVICE: 1-800-982-7658  
OUTSIDE U.S.: 1-616-786-2330

**609760**  
**Rev. 00 (03-00)**

UPPER HOUSING GROUP



## UPPER HOUSING GROUP

| REF | PART # | DESCRIPTION                    | QTY. |
|-----|--------|--------------------------------|------|
| ▽   | 100103 | CLEAR LID, W/CNTRSUNK HOLES    | 1    |
| ▲1  | 100109 | LID, OUTER RING                | 1    |
| ▲2  | 100105 | ●LID, CENTER ONLY CLEAR        | 1    |
| 3   | 140501 | NUT, 1/4-20 NYLOCK             | 6    |
| 4   | 140900 | SCREW, 10-24X3/4               | 6    |
| 5   | 120907 | DECAL, "IMPORTANT..."          | 1    |
| 6   | 140000 | WASHER, 1/4 FLAT               | 6    |
| 7   | 602783 | BLADDER                        | 1    |
| 8   | 602448 | STANDPIPE, W/NIPPLE            | 1    |
| 9   | 180613 | ●FLOAT, SHUT-OFF               | 1    |
| 10  | 606088 | FITTING, 1-1/2" NIPPLE         | 1    |
| 11  | 101714 | GASKET, WASTE AIR CHAMBER      | 1    |
| 12  | 210240 | NUT, FLANGED METAL 1-1/2       | 1    |
| 13  | 140825 | SCREW, #6X1/2                  | 6    |
| 14  | 609756 | DECAL, SAFETY GLASSES REQD     | 1    |
| 15  | 630420 | DECAL, "FLAMMABLE MAT'L" TXTLS | 1    |
| 16  | 100102 | ●LID, CLEAR W/STANDARD HOLE    | 1    |
| 17  | 120907 | DECAL, "IMPORTANT-ALWAYS..."   | 1    |
| ▽▲  | 501061 | ●ASM, DRAINHOSE STOPPER        | 1    |
| ▲18 | 230831 | KNOB, DRAIN HOSE               | 1    |
| ▲19 | 230882 | STRAP, DRAIN STOPPER           | 1    |
| ▲20 | 140056 | WASHER, 3/8IDX1.500D FNDR      | 1    |
| ▲21 | 140955 | PLUG, DRAIN HOSE               | 1    |
| ▽   | 590965 | KIT, DRAIN HOSE COMPLETE       | 1    |
| ▲22 | 560627 | HOSE, DRAIN                    | 1    |
| ▲23 | 140072 | CLAMP, 1 9/16 STEPLESS         | 2    |
| ▲24 | 140921 | SLEEVE, DRAIN HOSE             | 1    |
| 25  | 140307 | CLAMP, HOSE 3/4 TO 1-3/4       | 1    |
| 26  | 609749 | DECAL, 750                     | 2    |
| 27  | 609730 | TANK, RECOVERY TEAL            | 1    |
| 28  | 230845 | PLATE, CORD CLAMP              | 1    |

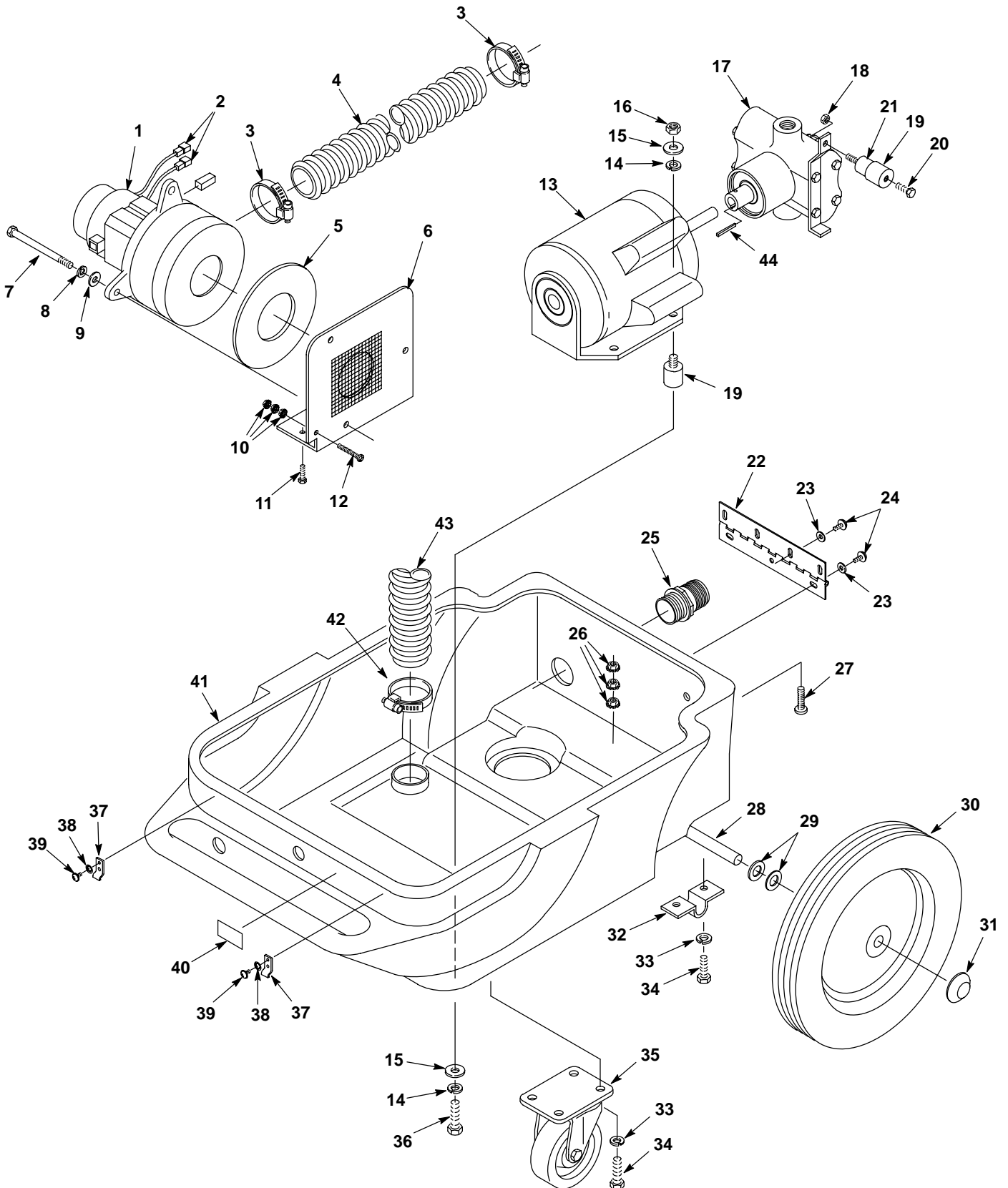
| REF | PART # | DESCRIPTION                  | QTY. |
|-----|--------|------------------------------|------|
| 29  | 140834 | SCREW, 1/4-20X5/8            | 1    |
| 30  | 100118 | ●GASKET, VAC MOTOR 1/4 X 5.7 | 1    |
| 31  | 25151  | ●MOTOR, VAC 5.7 (120V)       | 1    |
|     | 190155 | ●BRUSH, CARBON (2-PK)        | 2    |
| 32  | 130133 | TERMINAL, ML DSCNT           | 2    |
| 33  | 130040 | WIRE TIE, NYLON              | 1    |
| 34  | 626103 | EXTENSION, VAC FAN           | 1    |
| 35  | 140501 | NUT, 1/4-20 NYLOCK           | 3    |
| 36  | 600009 | ●MUFFLER, VAC EXHAUST        | 1    |
| 37  | 130040 | WIRE TIE, NYLON              | 2    |
| 38  | 140308 | CLAMP, HOSE 1-5/16 TO 2-1/4  | 1    |
| 39  | 160629 | HOSE, 2" X 28" WHITE         | 1    |
| 40  | 140258 | SCREW, 1/4-20X4-1/4 STUD     | 3    |
| 41  | 140134 | BUSHING, .375ODX.250IDX.270  | 2    |
| 42  | 230846 | BRACKET, TANK SUPPORT        | 1    |
| 43  | 140000 | WASHER, 1/4 FLAT             | 2    |
| 44  | 140016 | WASHER, 1/4 LOCK             | 2    |
| 45  | 140554 | SCREW, 1/4-20X3/4            | 2    |
| 46  | 140259 | SCREW, 1/4-20X5/8            | 3    |
| 47  | 140016 | WASHER, 1/4 LOCK             | 3    |
| 48  | 230946 | BRACKET, TANK BRACE FRONT    | 1    |
| 49  | 140932 | ●LATCH, HOOD W/ KEEPER       | 2    |
| 50  | 140801 | SCREW, 8-32X3/8              | 4    |
| 51  | 140023 | WASHER, #8 INT               | 4    |
| 52  | 120210 | DECAL, "TENNANT" LOGO        | 1    |
| 53  | 140807 | SCREW, 1/4-20X7/8            | 6    |
| 54  | 602750 | HOOK, HOSE                   | 3    |
| 55  | 140713 | RIVET, POP 3/16 X .251-.375  | 1    |
| 56  | 230905 | TUBE, INLET                  | 1    |

▽ ASSEMBLY

▲ INCLUDED IN ASSEMBLY

● RECOMMENDED STOCK ITEMS

LOWER HOUSING GROUP



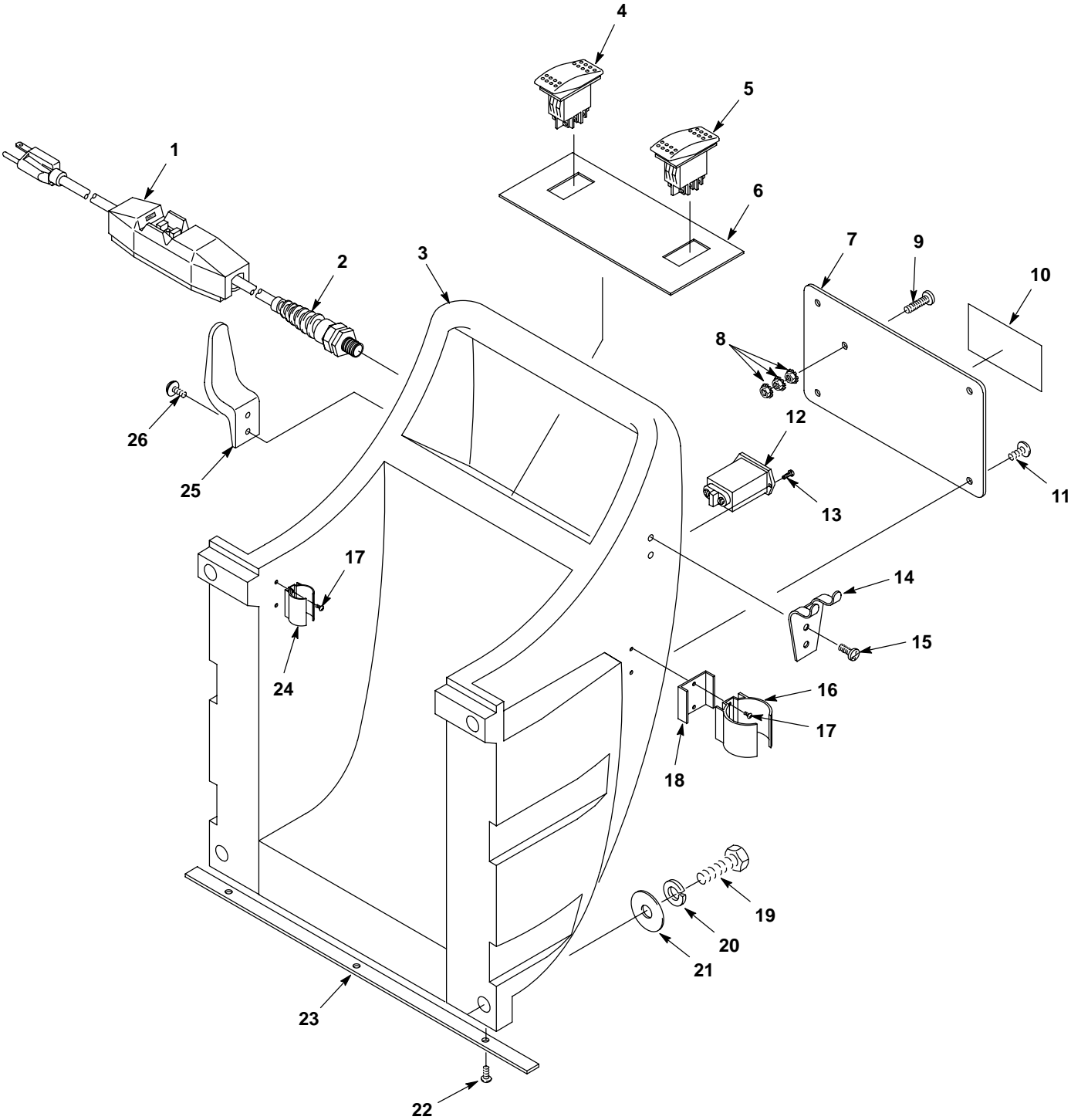
## LOWER HOUSING GROUP

| REF | PART #  | DESCRIPTION                    | QTY. |
|-----|---------|--------------------------------|------|
| 1   | 25151   | ●MOTOR, VAC 5.7 (120V)         | 1    |
|     | 190155  | ●BRUSH, CARBON (2-PK)          | 2    |
| 2   | 130133  | TERMINAL, ML DSCNT             | 2    |
| 3   | 140308  | CLAMP, HOSE 1-5/16 TO 2-1/4    | 2    |
| 4   | 609643  | ●HOSE, VAC 2"IDX12" WHITE      | 1    |
| 5   | 100118  | ●GASKET, VAC MTR 1/4 X 5.7 DIA | 1    |
| 6   | 609652  | BRACKET, VAC MOTOR MOUNT       | 1    |
| 7   | 2998.28 | SCREW 1/4-20X3-1/2             | 3    |
| 8   | 140016  | WASHER, LOCK                   | 3    |
| 9   | 140000  | WASHER, FLAT                   | 3    |
| 10  | 140519  | NUT, 10-24 KEP                 | 3    |
| 11  | 140554  | SCREW 1/4-20X3/4               | 2    |
| 12  | 140900  | SCREW, 10-24X3/4               | 1    |
| 13  | 130450  | MOTOR, PUMP DRIVE 1/3HP (120V) | 1    |
| 14  | 140015  | WASHER, 5/16 SPLITLOCK         | 2    |
| 15  | 140027  | WASHER, 5/16 FLAT              | 2    |
| 16  | 140506  | NUT, 5/16-18 HEX               | 2    |
| 17  | 180100  | PUMP, TWIN PISTON              | 1    |
| 18  | 140506  | NUT 5/16-18 HEX                | 1    |
| 19  | 130031  | MOUNT, MOTOR 1-1/4"            | 3    |
| 20  | 140223  | SCREW 5/16-18X3/4              | 1    |
| 21  | 130030  | MOUNT, MOTOR 3/4"              | 1    |
| 22  | 230390  | HINGE, SOL/REC TANK            | 1    |

## ● RECOMMENDED STOCK ITEMS

| REF | PART # | DESCRIPTION                   | QTY. |
|-----|--------|-------------------------------|------|
| 23  | 140000 | WASHER, 1/4 FLAT              | 7    |
| 24  | 140885 | SCREW, 1/4-20X1/2             | 7    |
| 25  | 25202  | BARB, HOSE                    | 1    |
| 26  | 140519 | NUT, 10-24 KEP                | 3    |
| 27  | 140196 | SCREW, 10-24X1                | 1    |
| 28  | 608906 | AXLE, .50 DIA X 18.352        | 1    |
| 29  | 140008 | WASHER, .570X1.28X.075 FLAT   | 4    |
| 30  | 103009 | ●WHEEL, 12" X 1.75 WHITE/GRAY | 2    |
| 31  | 103019 | CAP, HUB 1/2" DIA             | 2    |
| 32  | 230746 | BRACKET, AXLE 1/2DIA OFFSET   | 2    |
| 33  | 140016 | WASHER, 1/4 LOCK              | 12   |
| 34  | 140259 | SCREW, 1/4-20X5/8             | 12   |
| 35  | 103065 | ●CASTER, SWIVEL 4"            | 2    |
| 36  | 140223 | SCREW, 5/16-18X3/4            | 2    |
| 37  | 140932 | LATCH, HOOD RUBBER W/ KEEPER  | 2    |
| 38  | 140023 | WASHER, #8 INT                | 4    |
| 39  | 140801 | SCREW, 8-32X3/8               | 4    |
| 40  | 609752 | DECAL, CHEMICAL ON/OFF        | 1    |
| 41  | 609729 | CHASSIS, TEAL                 | 1    |
| 42  | 140308 | CLAMP, HOSE 1-5/16 TO 2-1/4   | 1    |
| 43  | 160629 | ●HOSE, 2" X 28" WHITE         | 1    |
| 44  | 190310 | ●PUMP, SHAFT KEY 5300 SERIES  | 1    |

HANDLE GROUP



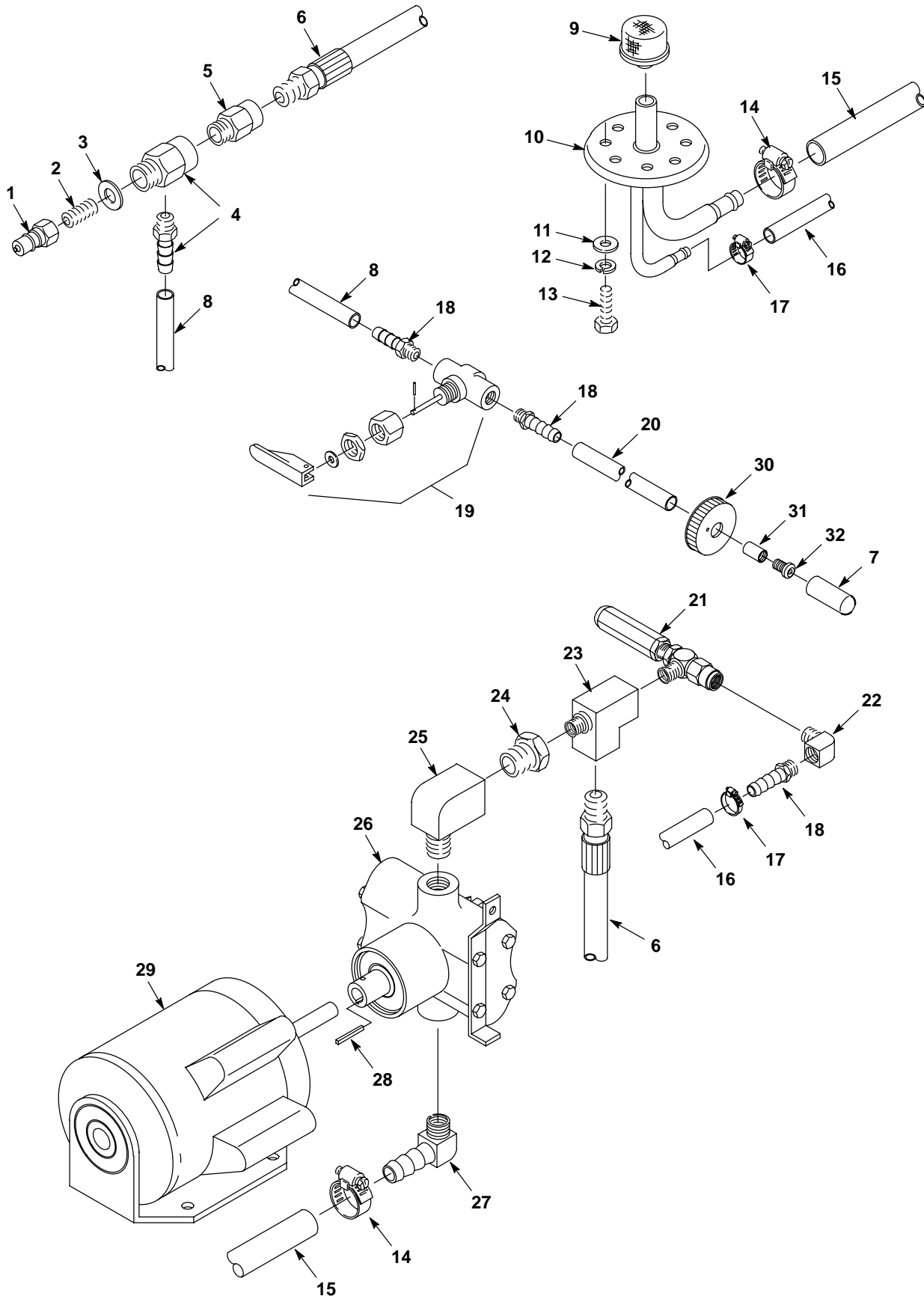
## HANDLE GROUP

| REF | PART #    | DESCRIPTION                 | QTY. |
|-----|-----------|-----------------------------|------|
| 1   | 609754    | ●CORD, POWER 25' W/GFCI     | 1    |
| 2   | 130166    | ●CORD GRIP, NYLON/BLK W/NUT | 1    |
| 3   | 609731    | HANDLE, TEAL                | 1    |
| 4   | 608605    | ●SWITCH, ROCKER DPST SEAL   | 1    |
| 5   | 609657    | ●SWITCH, ROCKER ON/OFF/ON   | 1    |
| 6   | 609748    | DECAL, DASH                 | 1    |
| 7   | 230908.BK | PLATE, REAR COVER BLACK     | 1    |
| 8   | 140519    | NUT, 10-24 KEP              | 3    |
| 9   | 140900    | SCREW, 10-24X3/4            | 1    |
| 10  | 120619    | DECAL, WARNING EXTRACTORS   | 1    |
| 11  | 140197    | SCREW, 10-24X3/8            | 4    |
| 12  | 130017    | METER, HOUR                 | 1    |
| 13  | 140825    | SCREW, #6X1/2               | 2    |

| REF | PART #    | DESCRIPTION                | QTY. |
|-----|-----------|----------------------------|------|
| 14  | 230696.BK | BRACKET, DRAIN HOSE HANGER | 1    |
| 15  | 140825    | SCREW, #6X1/2              | 2    |
| 16  | 140321    | CLIP, DRAIN HOSE           | 4    |
| 17  | 140825    | SCREW, #6X1/2              | 10   |
| 18  | 230380.BK | BRACKET, DRAIN HOSE BLACK  | 4    |
| 19  | 140231    | SCREW, 3/8X1-1/2           | 4    |
| 20  | 140017    | WASHER, 3/8 SPLITLOCK      | 4    |
| 21  | 140028    | WASHER, 3/8 FLAT           | 4    |
| 22  | 140825    | SCREW, #6X1/2              | 3    |
| 23  | 609753    | PLATE, WAND STOP           | 1    |
| 24  | 609764    | CLIP, TELESCOPING WAND     | 1    |
| 25  | 230920.BK | HOOK, CORD BLACK           | 1    |
| 26  | 140197    | SCREW, 10-24X3/8           | 2    |

## ● RECOMMENDED STOCK ITEMS

PLUMBING GROUP





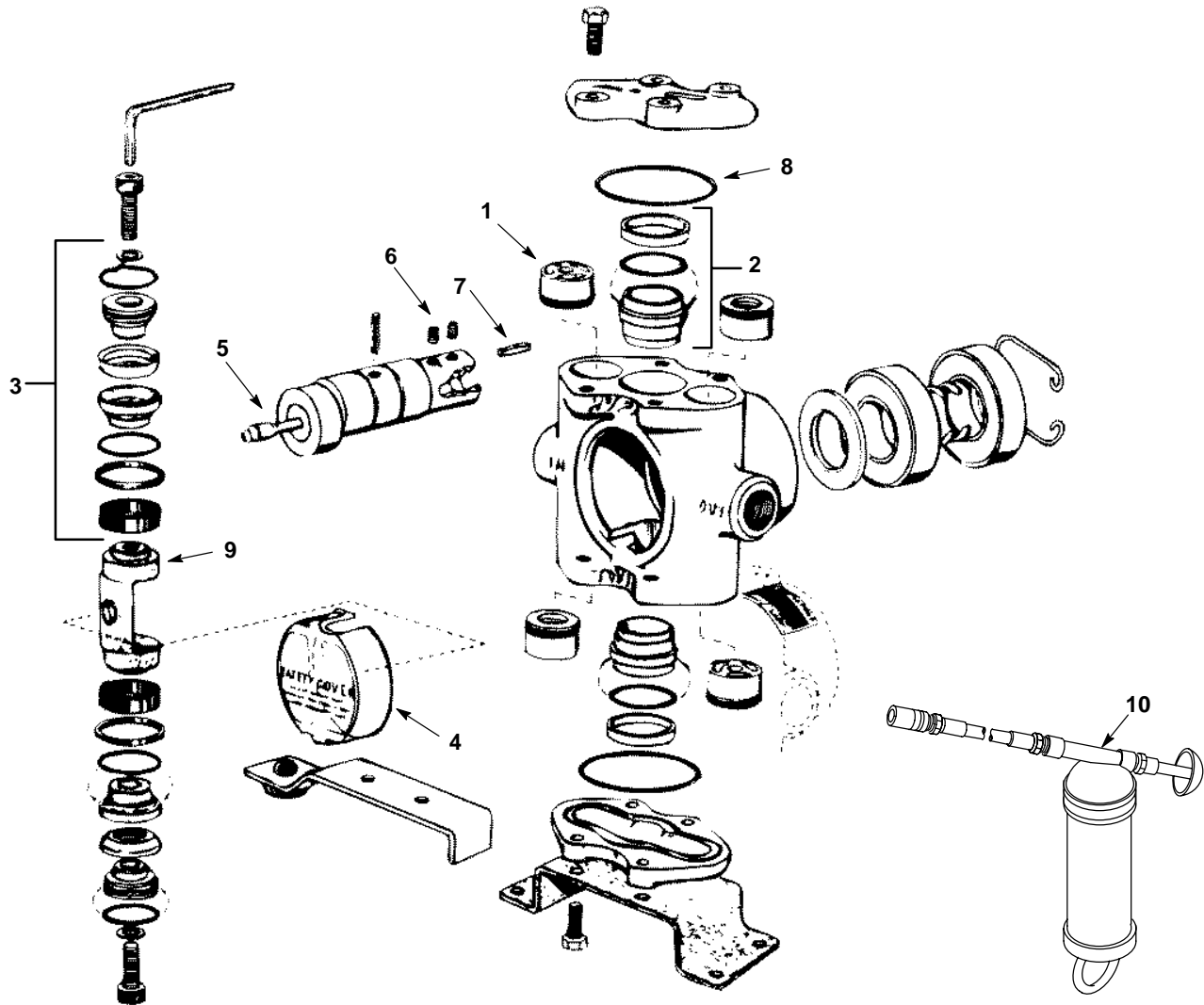
## PLUMBING GROUP

| REF | PART # | DESCRIPTION                     | QTY. |
|-----|--------|---------------------------------|------|
| 1   | 150933 | FITTING, 1/4F QD MALE BRS SER60 | 1    |
| 2   | 150615 | FITTING, 1/4M NIPL-CLOSE BRS    | 1    |
| 3   | 140058 | WASHER, .543X.875X.062 WAND     | 1    |
| 4   | 609660 | INJECTOR                        | 1    |
| 5   | 150110 | ADAPTER, 1/4" BRASS             | 1    |
| 6   | 160140 | HOSE, PULSE 36"                 | 1    |
| 7   | 609988 | ●CAP, INJECTOR HOSE             | 1    |
| 8   | 609921 | TUBING, 1/4IDX3/8ODX.50' BLUE   | 1    |
| 9   | 603186 | ●SCREEN, CLEAN WATER TANK       | 1    |
| 10  | 609703 | ASM, BLADDER PLATE              | 1    |
| 11  | 140000 | WASHER, 1/4 FLAT                | 4    |
| 12  | 140016 | WASHER, 1/4 LOCK                | 4    |
| 13  | 140554 | SCREW, 1/4-20X3/4 HXHDCP        | 4    |
| 14  | 140305 | CLAMP, HOSE 7/32-5/8            | 2    |
| 15  | 609923 | HOSE, 1/2ID X 35"               | 1    |
| 16  | 609920 | HOSE, 1/4 LP X 3.33' GRAY       | 1    |

| REF | PART # | DESCRIPTION                     | QTY. |
|-----|--------|---------------------------------|------|
| 17  | 630369 | CLAMP, HOSE .50-1.1             | 2    |
| 18  | 150525 | FITTING, 1/8MX1/4H BARB BRS     | 3    |
| 19  | 210014 | VALVE, TOGGLE - WITH NUT        | 1    |
| 20  | 609922 | TUBING, 1/4IDX3/8ODX6.33' BLUE  | 1    |
| 21  | 210211 | VALVE, PRESSURE RELIEF          | 1    |
| 22  | 150407 | FITTING, 1/8FX1/8M ELBOW STRT90 | 1    |
| 23  | 150709 | FITTING, 1/4FX1/4FX1/4M BRS     | 1    |
| 24  | 150101 | FITTING, 1/2MX1/4F BUSHNG BRS   | 1    |
| 25  | 150405 | FITTING, 1/2MX1/2F ELB STRT90   | 1    |
| 26  | 180100 | PUMP, TWIN PISTON               | 1    |
| 27  | 150431 | FITTING, 1/2MX1/2H ELBOW 90     | 1    |
| 28  | 190310 | ●PUMP, SHAFT KEY 5300 SERIES    | 1    |
| 29  | 130450 | ●MOTOR, PUMP DRIVE 1/3HP(120V)  | 1    |
| 30  | 231062 | ●CAP, 1 GAL. BOTTLE             | 1    |
| 31  | 609976 | ●SPACER, 5/16DIAX1/2 8-32       | 1    |
| 32  | 609757 | ●KIT, METERING TIPS (SET OF 3)  | 1    |

## ● RECOMMENDED STOCK ITEMS

SOLUTION PUMP GROUP

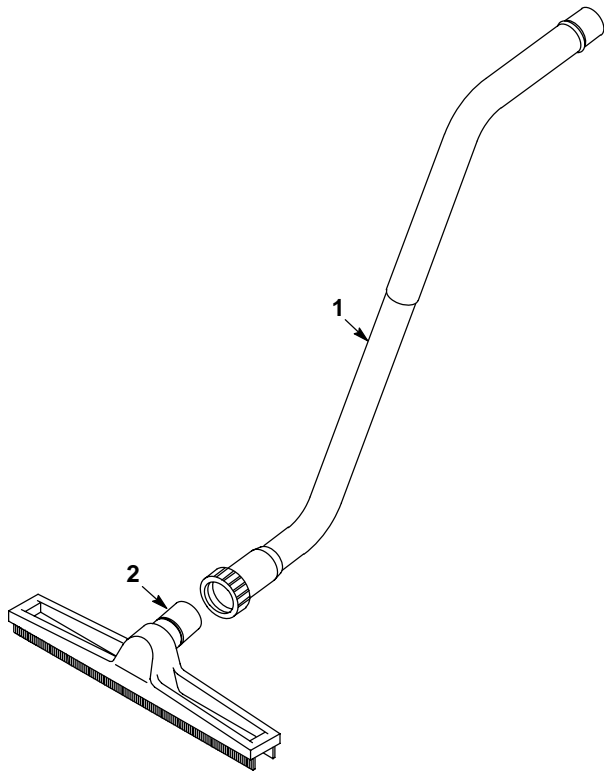


| REF | PART # | DESCRIPTION                  | QTY. |
|-----|--------|------------------------------|------|
|     | 180100 | PUMP, TWIN PISTON (COMPLETE) | 1    |
| 1   | 190301 | ●VALVE KIT, SET OF 4         | 1    |
| 2   | 190302 | ●KIT, CYLINDER SLEEVE        | 1    |
| 3   | 190300 | ●CUP KIT, SET OF 2           | 1    |
| 4   | 190307 | SAFETY COVER                 | 1    |
| 5   | 190305 | GREASE FITTING               | 1    |
| 6   | 190309 | SET SCREWS, PUMP             | 2    |

| REF | PART # | DESCRIPTION                       | QTY. |
|-----|--------|-----------------------------------|------|
| 7   | 190310 | ●SHAFT KEY                        | 1    |
| 8   | 190303 | ●KIT, O-RING (INCLUDES 2 O-RINGS) | 1    |
| 9   | 190304 | CONNECTING ROD                    | 1    |
| N/S | 190316 | ●PULLER, VALVE SPRING RETAINER    | 1    |
| N/S | 190317 | ●PULLER, VALVE, POPPET SEAT       | 1    |
| 10  | 190022 | GUN, GREASE METAL                 | 1    |

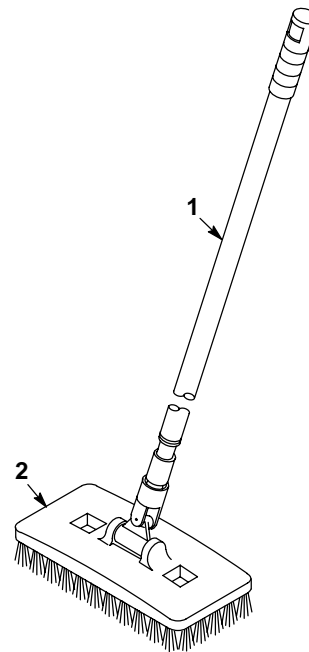
N/S= NOT SHOWN

DOUBLE BEND WAND AND SQUEEGEE



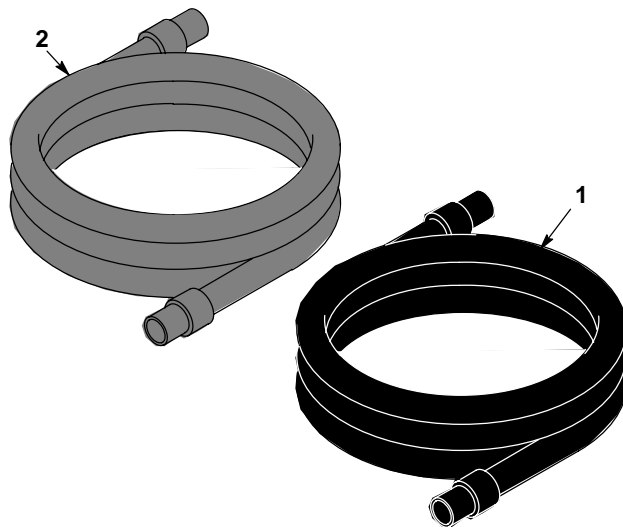
| REF | PART # | DESCRIPTION             | QTY. |
|-----|--------|-------------------------|------|
| 1   | 609651 | ●WAND, DOUBLE BEND 2 PC | 1    |
| 2   | 609648 | ●SQUEEGEE, 14"          | 1    |

TELESCOPING BRUSH



| REF | PART # | DESCRIPTION          | QTY. |
|-----|--------|----------------------|------|
| 1   | 609649 | ●HANDLE, TELESCOPING | 1    |
| 2   | 609650 | ●BRUSH               | 1    |

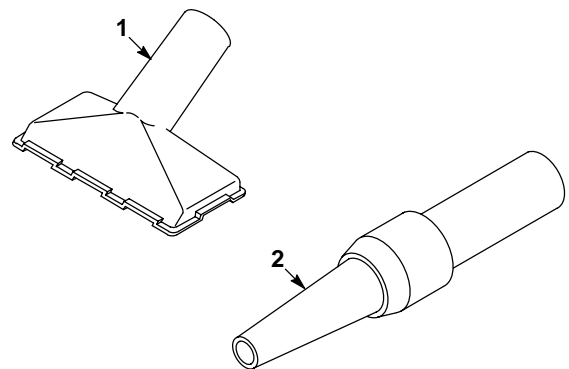
VACUUM AND BLOWER HOSES



| REF | PART # | DESCRIPTION                    | QTY. |
|-----|--------|--------------------------------|------|
| 1   | 609646 | ●HOSE, 1-1/4X25' BLACK W/CUFFS | 1    |
| 2   | 609647 | ●HOSE, 1-1/4X25' GRAY W/CUFFS  | 1    |

● RECOMMENDED STOCK ITEMS

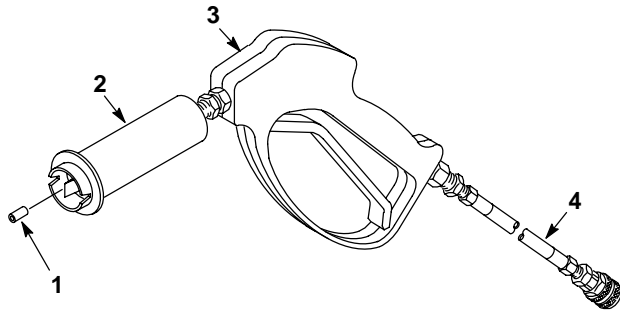
HOSE ATTACHMENTS



| REF | PART # | DESCRIPTION     | QTY. |
|-----|--------|-----------------|------|
| 1   | 609645 | ●TOOL, GULPER   | 1    |
| 2   | 609644 | ●NOZZLE, BLOWER | 1    |

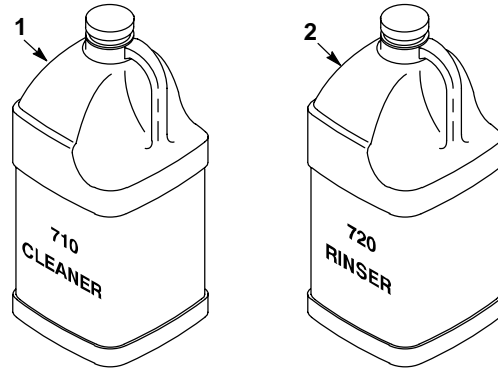
# PARTS LIST

## SPRAY GUN WITH HOSE



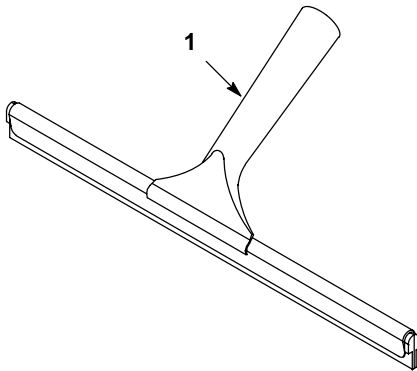
| REF | PART # | DESCRIPTION                   | QTY. |
|-----|--------|-------------------------------|------|
| 1   | -      | ORIFICE, SPRAY NOZZLE         | 1    |
| 2   | 609658 | ●NOZZLE, HI/LO                | 1    |
| 3   | 609661 | ●GUN, SPRAY                   | 1    |
| 4   | 609662 | ASM, HOSE 1/4X25' 1/4M-60 BLK | 1    |

## FORMULA



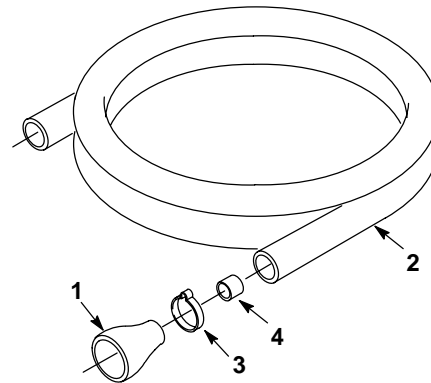
| REF | PART # | DESCRIPTION                    | QTY. |
|-----|--------|--------------------------------|------|
| 1   | 609801 | ●FORMULA, 710 CLEANER (4-1GAL) | 1    |
| 2   | 609802 | ●FORMULA, 720 RINSE (4-1GAL)   | 1    |

## GLASS SQUEEGEE



| REF | PART # | DESCRIPTION     | QTY. |
|-----|--------|-----------------|------|
| 1   | 609641 | SQUEEGEE, GLASS | 1    |

## SOLUTION TANK FILL HOSE

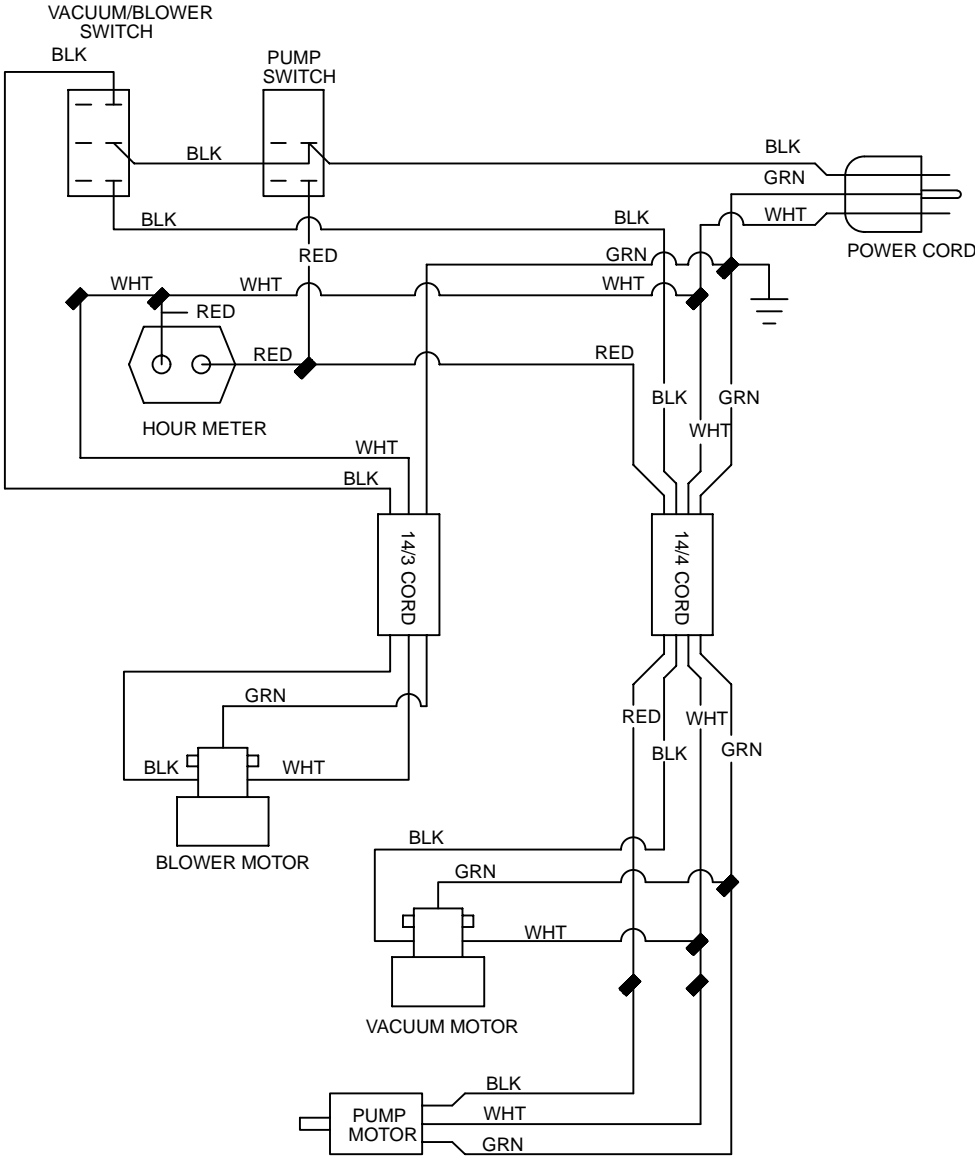


| REF | PART # | DESCRIPTION        | QTY. |
|-----|--------|--------------------|------|
| ▽   | 609983 | HOSE, FILL         | 1    |
| ▲1  | 609984 | ADAPTER, FAUCET    | 1    |
| ▲2  | 609987 | HOSE, CLEAR 4.0 FT | 1    |
| ▲3  | 609986 | CLAMP, HOSE 1" EAR | 1    |
| ▲4  | 609985 | BUSHING, HOSE      | 1    |

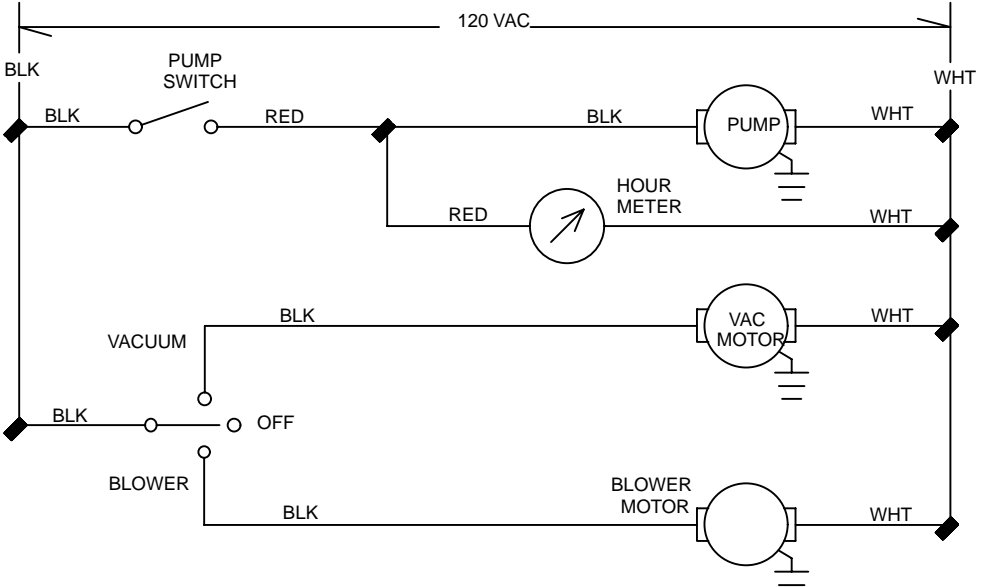
▽ ASSEMBLY

▲ INCLUDED IN ASSEMBLY

120V WIRING DIAGRAM

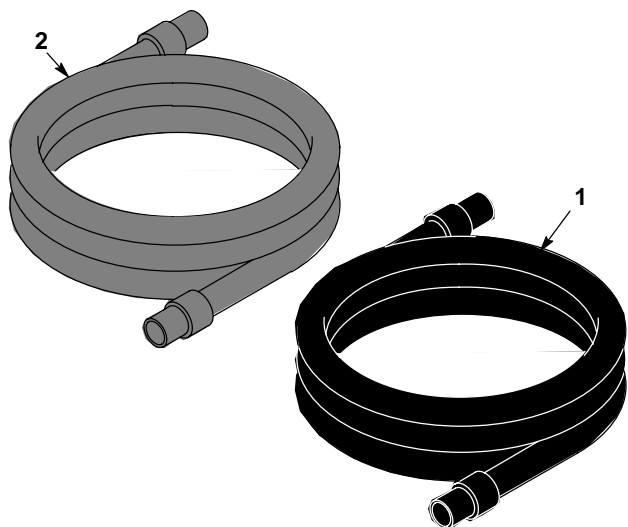


120V LADDER DIAGRAM

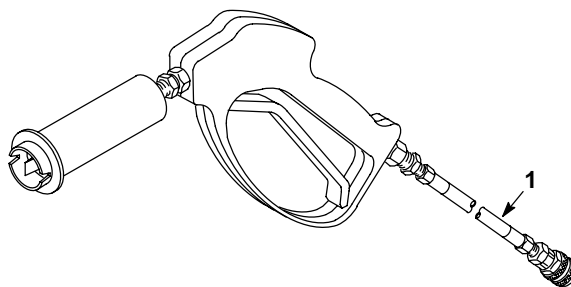


# OPTIONS

## 15 FT (4.6 M) VACUUM AND BLOWER HOSES



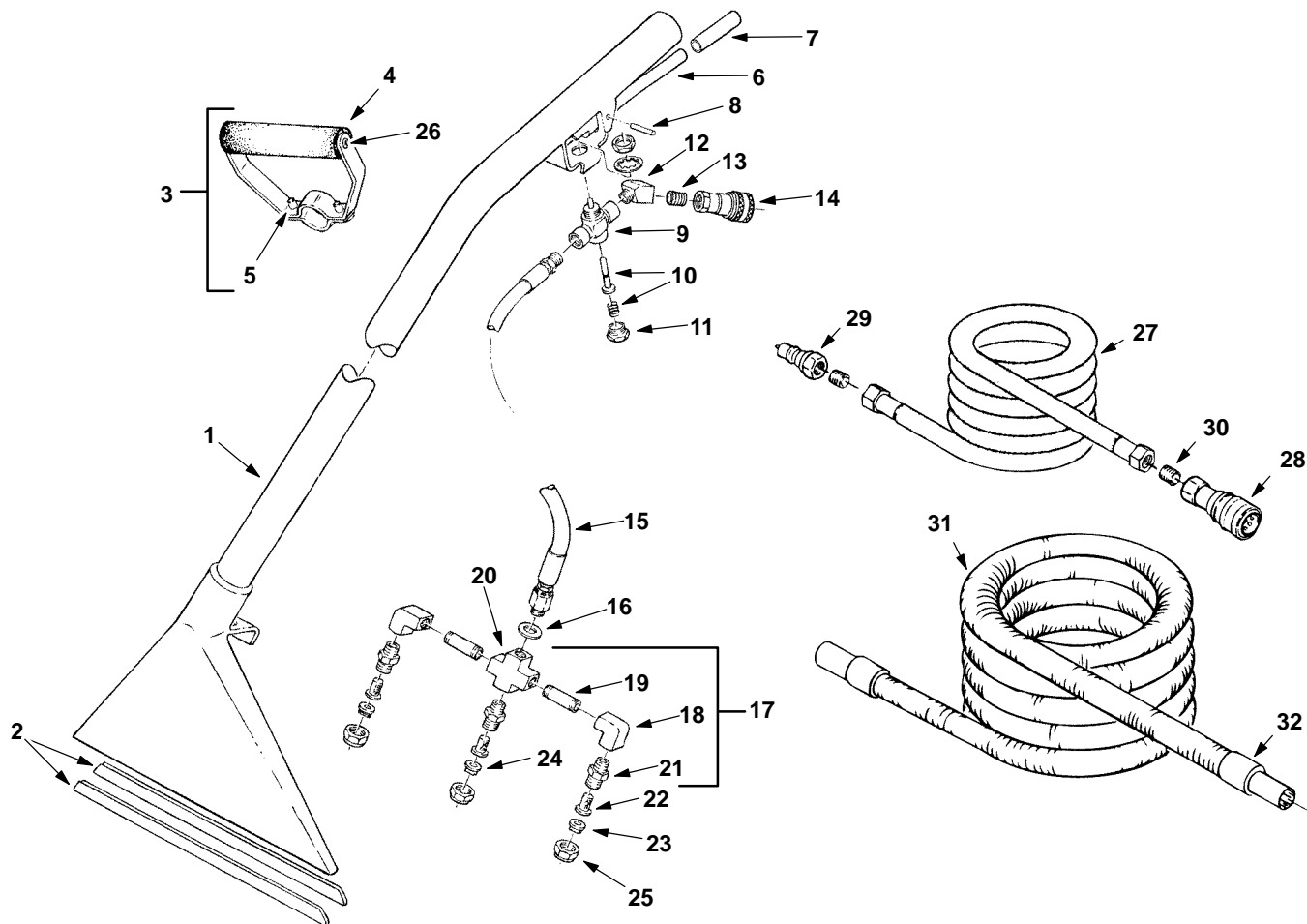
## 15 FT (4.6 M) SPRAY GUN SOLUTION HOSE



| REF | PART # | DESCRIPTION            | QTY. |
|-----|--------|------------------------|------|
| 1   | 609979 | HOSE, 15 FT, SERIES 60 | 1    |

| REF | PART # | DESCRIPTION                   | QTY. |
|-----|--------|-------------------------------|------|
| 1   | 609977 | HOSE, 1-1/4X15' BLACK W/CUFFS | 1    |
| 2   | 609978 | HOSE, 1-1/4X15' GRAY W/CUFFS  | 1    |

CARPET CLEANING ACCESSORIES



| REF | PART #    | DESCRIPTION                | QTY. |
|-----|-----------|----------------------------|------|
|     | 600049    | TOOL, 13" FLOOR (COMPLETE) | 1    |
| 1   | 200403.BK | TOOL, 13" FLOOR            | 1    |
| 2   | 200939    | SHOES, FLOOR TOOL          | 2    |
| 3   | 200927    | GRIP, ADJUSTABLE COMPLETE  | 1    |
| 4   | 200912    | FOAM, GRIP                 | 1    |
| 5   | 140259    | SCREW, 1/4 X 5/8           | 2    |
| 6   | 200902    | TRIGGER, FLOOR TOOL        | 1    |
| 7   | 200809    | SLEEVE, TRIGGER            | 1    |
| 8   | 140605    | PIN                        | 1    |
|     | 140520    | NUT, PUSH                  | 2    |
| 9   | 210150    | VALVE, FLOW CONTROL        | 1    |
| 10  | 190603    | KIT, VALVE PIN & SPRING    | 1    |
| 11  | N/A       | CAP, HEX, VALVE            | 1    |
| 12  | 150403    | ELBOW, 1/4-45°             | 1    |
| 13  | 150615    | NIPPLE, CLOSE 1/4          | 1    |
| 14  | 150913    | COUPLER, QUICK SER. 60     | 1    |
| 15  | 160175    | HOSE, SOLUTION HP          | 1    |
| 16  | 140058    | WASHER                     | 1    |

| REF | PART # | DESCRIPTION                | QTY. |
|-----|--------|----------------------------|------|
| ▽17 | 700062 | ASM., SPRAY BAR            | 1    |
| ▲18 | 150401 | ELBOW, 90° 1/4F X 1/4F     | 2    |
| ▲19 | 150600 | NIPPLE                     | 2    |
| ▲20 | 150700 | CROSS                      | 1    |
| ▲21 | 200993 | SPRAY BODY                 | 3    |
| 22  | 200996 | SCREEN, SPRAY BODY         | 3    |
| 23  | 200986 | TIP, SPRAY (#9502)         | 2    |
| 24  | 200988 | TIP, SPRAY (#11002)        | 1    |
| 25  | 200994 | CAP, SPRAY BODY            | 3    |
| 26  | 140834 | SCREW, 1/4-20 X 5/8        | 2    |
| N/S | 120845 | DECAL, "HIGH PRESSURE"     | 1    |
| ▽27 | 160191 | SOLUTION HOSE 25'          | 1    |
| ▲28 | 150913 | COUPLER, QUICK SER. 60     | 1    |
| ▲29 | 150933 | PLUG, QUICK COUPLER        | 1    |
| ▲30 | 150615 | NIPPLE                     | 2    |
| ▽31 | 160401 | HOSE, VACUUM W/ CUFFS 25'  | 1    |
| ▲32 | 160430 | CUFF, HOSE 1-1/2"          | 2    |
| N/S | 160451 | CONNECTOR, VAC HOSE 1-1/2" | 1    |

▽ ASSEMBLY

▲ INCLUDED IN ASSEMBLY

N/S NOT SHOWN