



*Creating a cleaner, safer world™*

# *Litter Hawk™*

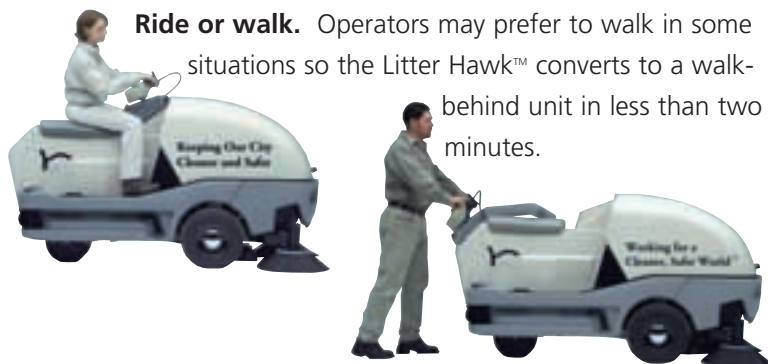


# Make your environment cleaner and safer, the “pedestrian friendly” way.

A clean and safe, litter-free environment keeps visitors coming back, residents happy and shop keepers proud of their location. The Tennant Litter Hawk™ is **the best way** to keep downtown business districts, city sidewalks, malls, school grounds and parks litter-free. It quickly and quietly picks up all kinds of litter - from light debris and cigarette butts to beverage cans and bottles - all without creating a dust nuisance.

There is much more to this litter vacuum than high performance. The Litter Hawk™ also:

- **Makes your clean-up program highly visible.** Using the machine as the centerpiece of your cleanup program draws attention. Adding custom messages announces your efforts. Custom graphics emphasize the point even more. The unit can even announce your message verbally.
- **Works in busy pedestrian areas without causing a nuisance.** The Litter Hawk™ is designed to work comfortably with people. Both dry dust filtering™ and water-spray control dust. The machine operates at a low dBA level. Outstanding visibility and high maneuverability let the unit clean safely in tight areas and around pedestrians. A variety of other options help make the machine even more “pedestrian friendly.”



**A vacuum wand** (standard) extends from the rear of the machine to aid cleaning under benches, into or around planters and other hard-to-reach places.



**Dry-dust control** helps keep dust to a minimum. Highly effective panel filters remove and clean easily, without tools.

## Litter Hawk™ features

- 1 Water spray combines with easy-to-change panel filters to give outstanding “dual-system” dust control.
- 2 Off-the-shelf, 30 gallon litter bag changes quickly, without hassle.
- 3 Reduced noise level makes the Litter Hawk™ quiet enough to operate without disturbing pedestrians.
- 4 Three cylinder Kubota diesel engine provides smooth operation and plenty of power.
- 5 You can tailor the Litter Hawk™ to your needs with custom lettering (standard) and a variety of colors (optional).
- 6 Simple controls and comfortable seating make the unit easy-to-use so training and operation are a snap.





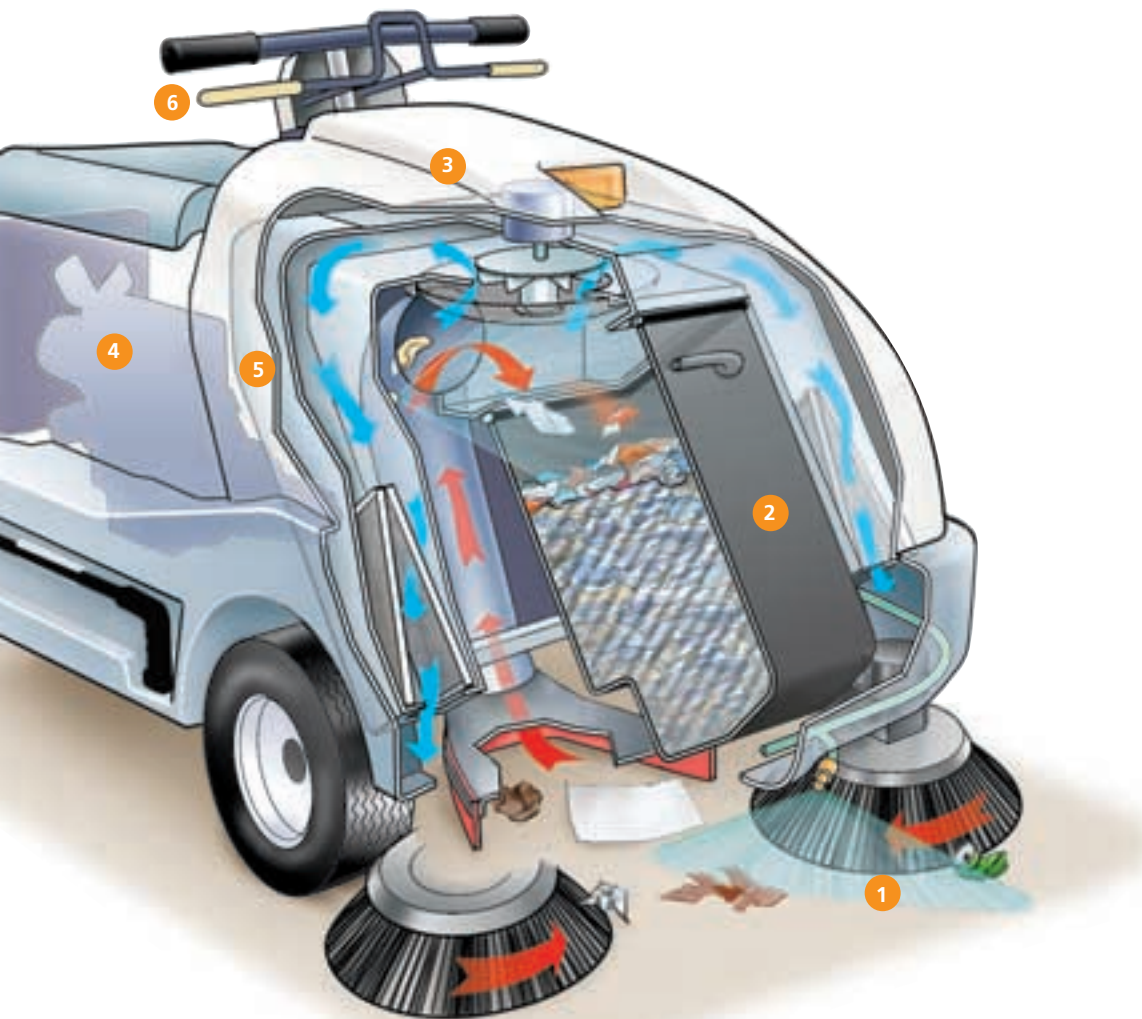
**Outstanding performance** and easy operation increase the productivity of your maintenance crews.



**Pedestrian friendly litter vacuum** is quiet and controls dust to minimize nuisance to pedestrians.



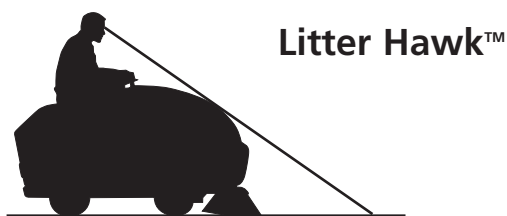
**Outstanding visibility and control** make maneuvering in tight spaces and near pedestrians easy.



**Choose the color** that is best for you. Custom graphics are also available.

*Litter Hawk™*

# Litter Hawk™

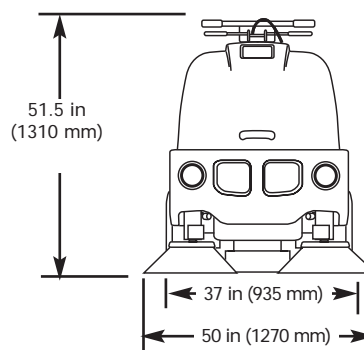


**Litter Hawk™**

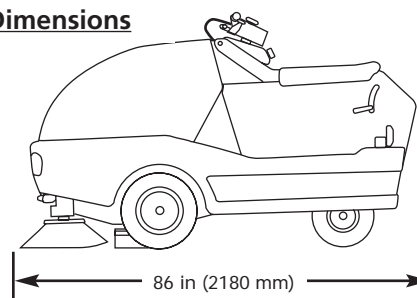


**Conventional Litter Pickers**

The Litter Hawk™ is a rider sweeper not a walkie with a sulky seat so the machine is easy-to-handle and won't jackknife. The operator sits high, in a forward position for better visibility.



**Dimensions**



**Specifications** (subject to change without notice)

<b>Weight Net</b>	1220 lb	553 kg
<b>Litter pick-up system</b>		
Sweeping path	50 in	1270 mm
Coverage rate per hour (@4 mph)	88,000 ft <sup>2</sup>	8175 m <sup>2</sup>
Capacity	30 gal	115 L
<b>Engine</b>		
Diesel, Liquid-Cooled @3600 RPM	20.9 hp	15.6 kW
<b>Propel speed</b>		
Forward (variable to)	5 mph	8 km/h
Reverse (variable to)	1.5 mph	2.4 km/h
Gradeability	8 deg	
Max curb climb	6 in	150 mm

**Standard features**

- Industrial radiator
- True walk or ride steering
- Vacuum fan shut off
- Corrosion resistant litter tank
- Cleansing spray system
- Bag or bagless hopper
- Color-coded wiring
- Speed control turning
- Cool gray seat
- Vacuum wand
- Panel dust filters
- Strobe lights, headlights & taillights

**Options**

- Audio-visual backup alarm
- Foam-filled tires
- Audio message system
- Photo graphics
- Mirrors
- Turn signals

## Creating a cleaner, safer world™

Tennant Company offers the most complete lines of floor and surface maintenance equipment, floor coatings, brushes, and cleaning detergents in the world. Our sales and service networks are able to provide you with integrated custom cleaning solutions to meet any floor care need.



**Tennant Company**  
 P.O. Box 1452  
 Minneapolis, MN U.S.A. 55440  
 Phone: 763-540-1200  
 In Quebec call: 514-335-6061  
 Fax: 763-540-1437  
 www.tennantco.com

In North America, call toll free: **800-553-8033**