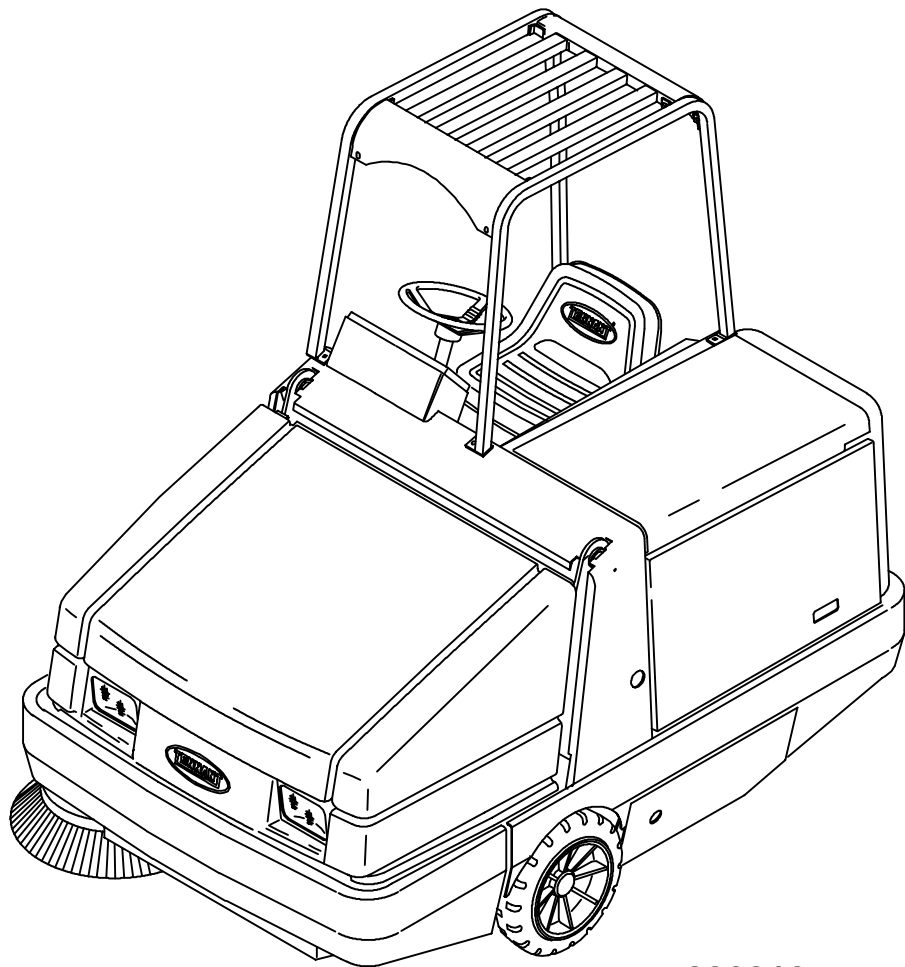




**6550**

**Operator Manual**



**330310**

**Rev. 06**





This manual is furnished with each new TENNANT Model 6550. It provides necessary operating and preventive maintenance instructions. Read this manual completely and understand the machine before operating or servicing it.

This machine will provide excellent service. However, the best results will be obtained at minimum costs if:

- The machine is operated with reasonable care.
- The machine is maintained regularly - per the maintenance instructions provided.
- The machine is maintained with TENNANT supplied or approved parts.

Manual Number - 330310

Revision: 06

Published: 9-02



**CALIFORNIA PROPOSITION 65 WARNING:**

**Engine exhaust from this product contains chemicals known to the State of California to cause cancer, birth defects, or other reproductive harm.**

**CONTENTS**

	Page		Page
SAFETY PRECAUTIONS .....	3	AUXILIARY SIDE BRUSH IN-OUT	
OPERATION .....	6	SWITCH (OPTION) .....	33
OPERATOR RESPONSIBILITY .....	6	AUXILIARY SIDE BRUSH UP-DOWN	
MACHINE COMPONENTS .....	8	SWITCH (OPTION) .....	33
CONTROL PANEL SYMBOLS .....	9	HOW THE MACHINE WORKS .....	34
CONTROLS AND INSTRUMENTS .....	11	PRE-OPERATION CHECKLIST .....	34
OPERATION OF CONTROLS .....	12	CHANGING AN LPG FUEL TANK .....	35
DIRECTIONAL PEDAL .....	12	STARTING THE MACHINE .....	37
BRAKE PEDAL .....	14	SWEEPING AND BRUSH INFORMATION .	39
PARKING BRAKE LEVER .....	14	SWEEPING .....	40
ENGINE CHOKE KNOB .....	15	STOP SWEEPING .....	42
HORN BUTTON .....	16	EMPTYING THE HOPPER .....	43
MAIN BRUSH AND SIDE		STOP THE MACHINE .....	46
BRUSH LEVER .....	16	POST-OPERATION CHECKLIST .....	47
HOPPER DOOR LEVER .....	17	ENGAGING HOPPER SUPPORT BAR ...	48
HOPPER LIFT LEVER .....	18	DISENGAGING HOPPER SUPPORT BAR	49
MAIN BRUSH POSITION LEVER .....	19	OPERATION ON INCLINES .....	50
MAIN BRUSH DOWN		OPTIONS .....	51
PRESSURE KNOB .....	20	VACUUM WAND .....	51
TURN SIGNAL SWITCH (OPTION) ....	20	BLOWER WAND .....	57
HOPPER TEMPERATURE LIGHT -		HEATER VALVE .....	58
THERMO SENTRY™ .....	21	MACHINE TROUBLESHOOTING .....	59
ENGINE WATER TEMPERATURE		MAINTENANCE .....	60
LIGHT .....	21	MAINTENANCE CHART .....	60
ENGINE OIL PRESSURE LIGHT .....	22	LUBRICATION .....	62
CHARGING SYSTEM LIGHT .....	22	ENGINE .....	62
HOPPER DOOR LIGHT .....	22	REAR WHEEL SUPPORT .....	63
CLOGGED FILTER LIGHT .....	22	HOPPER BEARINGS .....	63
MAIN BRUSH SHUT DOWN LIGHT ...	23	FRONT WHEEL BEARINGS .....	63
FUEL LEVEL GAUGE .....	23	HYDRAULICS .....	64
HOURMETER .....	23	HYDRAULIC FLUID RESERVOIR .....	64
HAZARD LIGHT SWITCH (OPTION) ...	24	HYDRAULIC FLUID .....	64
OPERATING LIGHTS SWITCH .....	24	HYDRAULIC HOSES .....	65
VACUUM FAN SWITCH .....	24	PROPELLING MOTOR .....	65
ENGINE SPEED SWITCH .....	25	ENGINE .....	66
FILTER SHAKER SWITCH .....	26	COOLING SYSTEM .....	66
STEERING WHEEL .....	26	AIR FILTER INDICATOR .....	67
STEERING COLUMN TILT LEVER ....	26	AIR FILTER .....	67
IGNITION SWITCH .....	27	FUEL FILTERS .....	68
SIDE BRUSH POSITION LEVER .....	28	CARBURETOR .....	68
SIDE BRUSH DOWN		SPARK PLUGS .....	68
PRESSURE KNOB .....	28	VALVE TAPPET CLEARANCE .....	68
CIRCUIT BREAKERS .....	29	CRANKCASE VENTILATION SYSTEM .	68
LATCHES .....	30	BATTERY .....	69
HOPPER SUPPORT BAR .....	30	BELTS AND CHAINS .....	69
OPERATOR SEAT .....	31	ENGINE FAN BELT .....	69
WINDSHIELD WIPER		STATIC DRAG CHAIN .....	69
SWITCH (OPTION) .....	32	DEBRIS HOPPER .....	70
DOME LIGHT SWITCH (OPTION) ....	32	HOPPER DUST FILTER .....	70
HEATER SWITCH (OPTION) .....	32	TO REPLACE HOPPER	
PRESSURIZER SWITCH (OPTION) ...	32	DUST FILTER .....	70
AIR CONDITIONING		THERMO SENTRY™ .....	73
SWITCH (OPTION) .....	33		
HEATER KNOB (OPTION) .....	33		

	Page
BRUSHES .....	74
MAIN BRUSH .....	74
TO REPLACE MAIN BRUSH .....	75
TO CHECK AND ADJUST MAIN BRUSH PATTERN .....	76
SIDE BRUSH .....	78
TO REPLACE SIDE BRUSH .....	79
SIDE BRUSH GUARD .....	79
SKIRTS AND SEALS .....	80
HOPPER LIP SKIRTS .....	80
HOPPER SIDE SKIRT .....	80
BRUSH DOOR SKIRTS .....	80
REAR SKIRTS .....	81
SIDE BRUSH DUST CONTROL SKIRTS (OPTION) .....	81
BRUSH DOOR SEALS .....	81
HOPPER SEALS .....	82
HOPPER INSPECTION DOOR SEAL ..	82
HOPPER DOOR SEALS .....	82
HOPPER COVER SEAL .....	83
HOPPER DUST SEAL .....	83
HOPPER VACUUM FAN SEAL .....	83
HOPPER FILTER SEALS .....	83
BRAKES AND TIRES .....	84
SERVICE BRAKES .....	84
PARKING BRAKE .....	84
TIRES .....	84
REAR WHEEL .....	84
PUSHING, TOWING, AND TRANSPORTING THE MACHINE .....	85
PUSHING OR TOWING THE MACHINE	85
TRANSPORTING THE MACHINE .....	85
MACHINE JACKING .....	88
STORING MACHINE .....	88
SPECIFICATIONS .....	89
GENERAL MACHINE DIMENSIONS/CAPACITIES .....	89
GENERAL MACHINE PERFORMANCE ..	89
POWER TYPE .....	90
STEERING .....	90
HYDRAULIC SYSTEM .....	90
BRAKING SYSTEM .....	90
TIRES .....	90
MACHINE DIMENSIONS .....	91
INDEX .....	92

## SAFETY PRECAUTIONS

The following precautions are used throughout this manual as indicated in their description:



**WARNING: To warn of hazards or unsafe practices which could result in severe personal injury or death.**

**FOR SAFETY: To identify actions which must be followed for safe operation of equipment.**

The machine is suited to sweep disposable debris. Do not use the machine other than described in this Operator Manual. The machine is not designed for use on public roads.

The following information signals potentially dangerous conditions to the operator or equipment:



**WARNING: Engine emits toxic gases. Severe respiratory damage or asphyxiation can result. Provide adequate ventilation. Consult with your regulatory authorities for exposure limits. Keep engine properly tuned.**



**WARNING: Raised hopper may fall. Engage hopper support bar.**



**WARNING: Lift arm pinch point. Stay clear of hopper lift arms.**



**WARNING: Moving belt and fan. Keep away.**

**FOR SAFETY:**

1. **Do not operate machine:**
  - Unless trained and authorized.
  - Unless operator manual is read and understood.
  - If it is not in proper operating condition.
  - In flammable or explosive areas unless designed for use in those areas.
  - In areas with possible falling objects unless equipped with overhead guard.
2. **Before starting machine:**
  - Check for fuel, oil, and liquid leaks.
  - Keep sparks and open flame away from refueling area.
  - Make sure all safety devices are in place and operate properly.
  - Check brakes and steering for proper operation.
  - Make sure back-up alarm sounds and lights when reversing machine.
3. **When starting machine:**
  - Keep foot on brake and directional pedal in neutral.
4. **When using machine:**
  - Use brakes to stop machine.
  - Go slow on inclines and slippery surfaces.
  - Use care when reversing machine.
  - Move machine with care when hopper is raised.
  - Make sure adequate clearance is available before raising hopper.
  - Do not carry passengers on machine.
  - Always follow safety and traffic rules.
  - Report machine damage or faulty operation immediately.
5. **Before leaving or servicing machine:**
  - Stop on level surface.
  - Set parking brake.
  - Turn off machine and remove key.

## **SAFETY PRECAUTIONS**

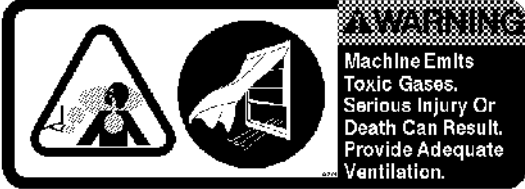
---

- 6. When servicing machine:**
  - **Avoid moving parts. Do not wear loose jackets, shirts, or sleeves.**
  - **Block machine tires before jacking machine up.**
  - **Jack machine up at designated locations only. Block machine up with jack stands.**
  - **Use hoist or jack that will support the weight of the machine.**
  - **Wear eye and ear protection when using pressurized air or water.**
  - **Disconnect battery connections before working on machine.**
  - **Avoid contact with battery acid.**
  - **Avoid contact with hot engine coolant.**
  - **Allow engine to cool.**
  - **Keep flames and sparks away from fuel system service area. Keep area well ventilated.**
  - **Use cardboard to locate leaking hydraulic fluid under pressure.**
  - **Use TENNANT supplied or approved replacement parts.**
  
- 7. When loading/unloading machine onto/off truck or trailer:**
  - **Turn off machine.**
  - **Use winch. Do not drive the machine onto/off the truck or trailer unless the load height is 380 mm (15 in) or less from the ground.**
  - **Use truck or trailer that will support the weight of the machine.**
  - **Set parking brake after machine is loaded.**
  - **Block machine tires.**
  - **Tie machine down to truck or trailer.**

**SAFETY PRECAUTIONS**

The following safety labels are mounted on the machine in the locations indicated. If these or any label becomes damaged or illegible, install a new label in its place.

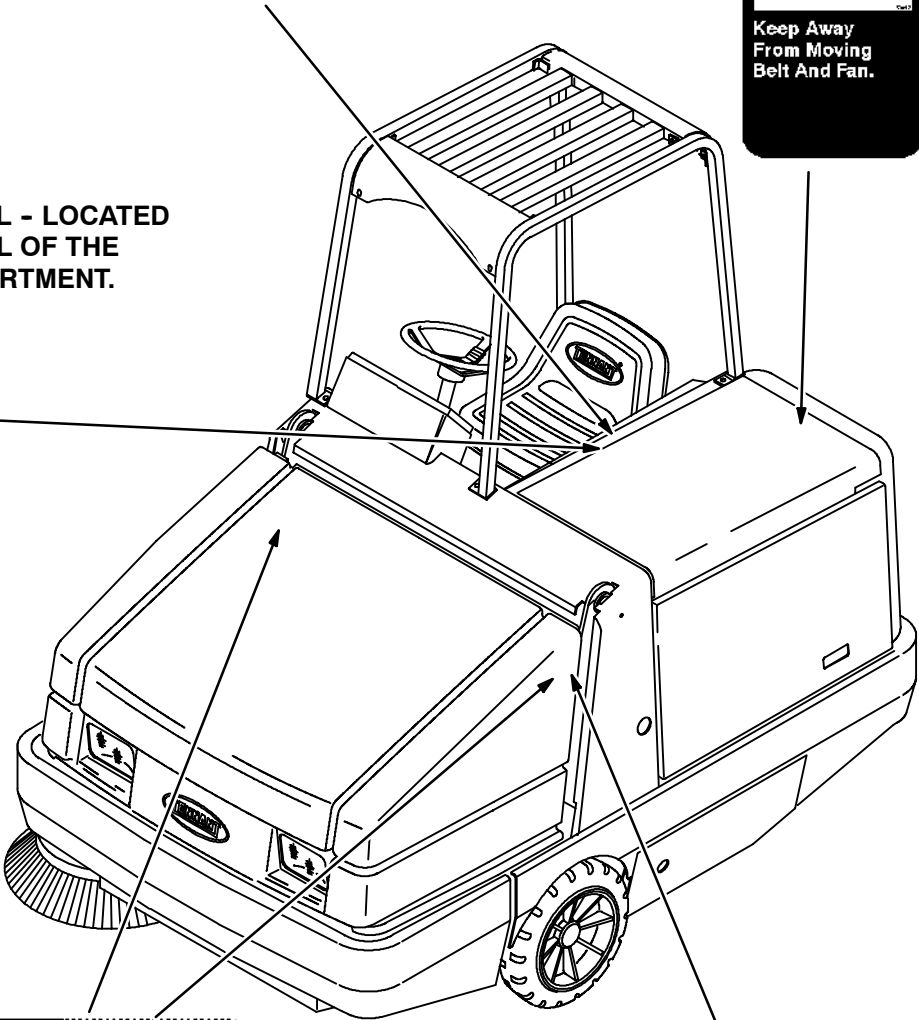
**EMISSIONS LABEL - LOCATED ON THE SIDE PANEL OF THE OPERATOR COMPARTMENT.**



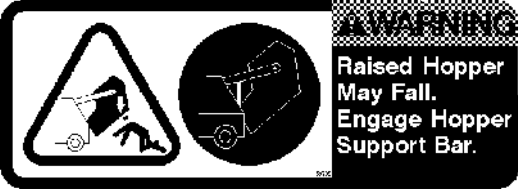
**ENGINE FAN AND BELT LABEL - LOCATED ON THE RADIATOR SHROUD.**



**FOR SAFETY LABEL - LOCATED ON THE SIDE PANEL OF THE OPERATOR COMPARTMENT.**



07522



**HOPPER SUPPORT BAR LABEL - LOCATED ON THE HOPPER SUPPORT BAR AND ON BOTH HOPPER LIFT ARMS.**



**HOPPER LIFT ARMS LABEL - LOCATED ON BOTH HOPPER LIFT ARMS.**

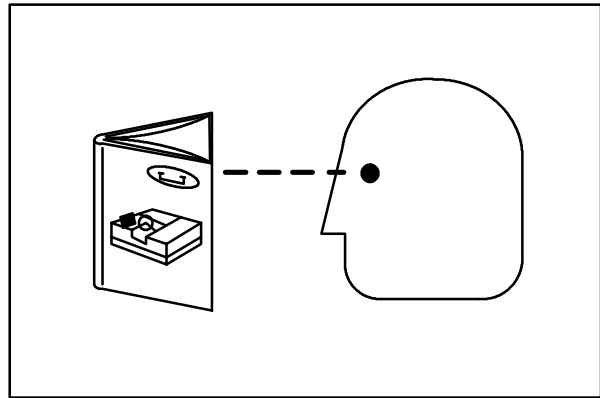
### OPERATOR RESPONSIBILITY

- The operator's responsibility is to take care of the daily maintenance and checkups of the machine to keep it in good working condition. The operator must inform the service mechanic or supervisor when the required maintenance intervals occur as stated in the *MAINTENANCE* section of this manual.
- Read this manual carefully before operating this machine.

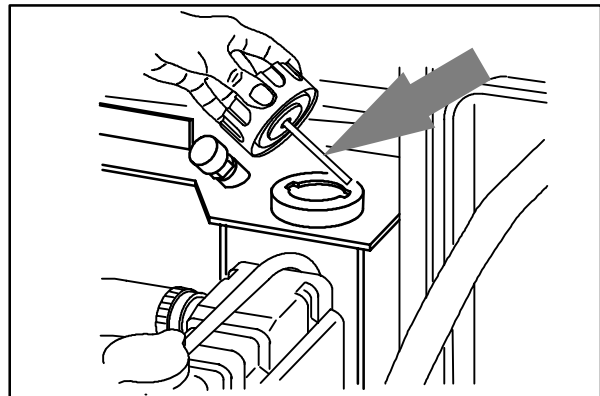
**FOR SAFETY: Do not operate machine, unless operation manual is read and understood.**

- Check the machine for shipping damage. Check to make sure machine is complete per shipping instructions.
- Check the hydraulic fluid level in the hydraulic reservoir.

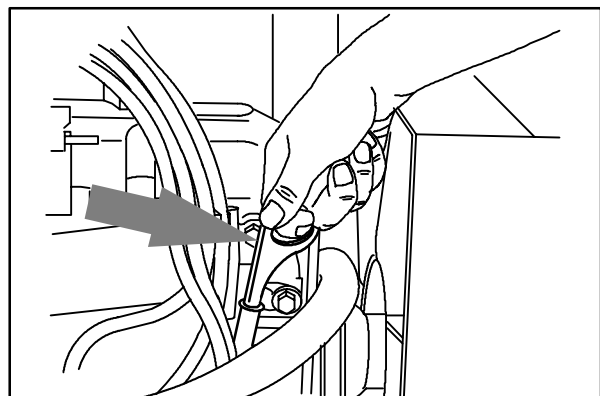
- Check the engine oil level.



07324



07750

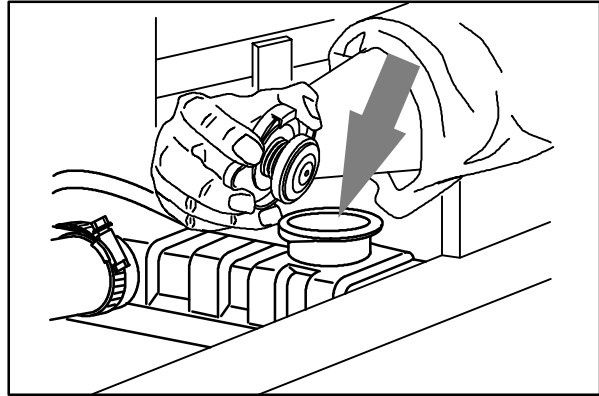


07751



- Check the radiator coolant level.

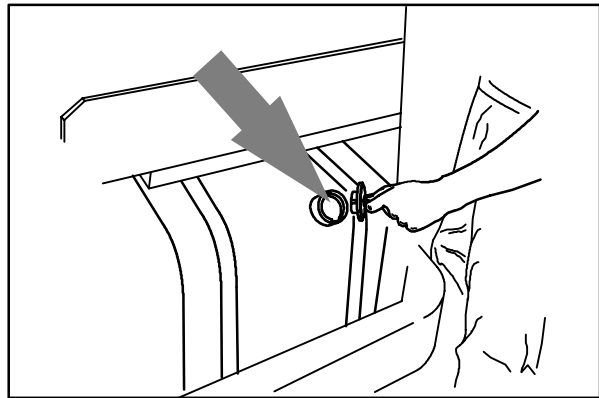
**FOR SAFETY: When servicing machine, avoid contact with hot engine coolant.**



07752

- Gasoline powered machines: Fill the fuel tank.

**FOR SAFETY: When servicing machine, keep flames and sparks away from fuel system service area. Keep area well ventilated.**



07753

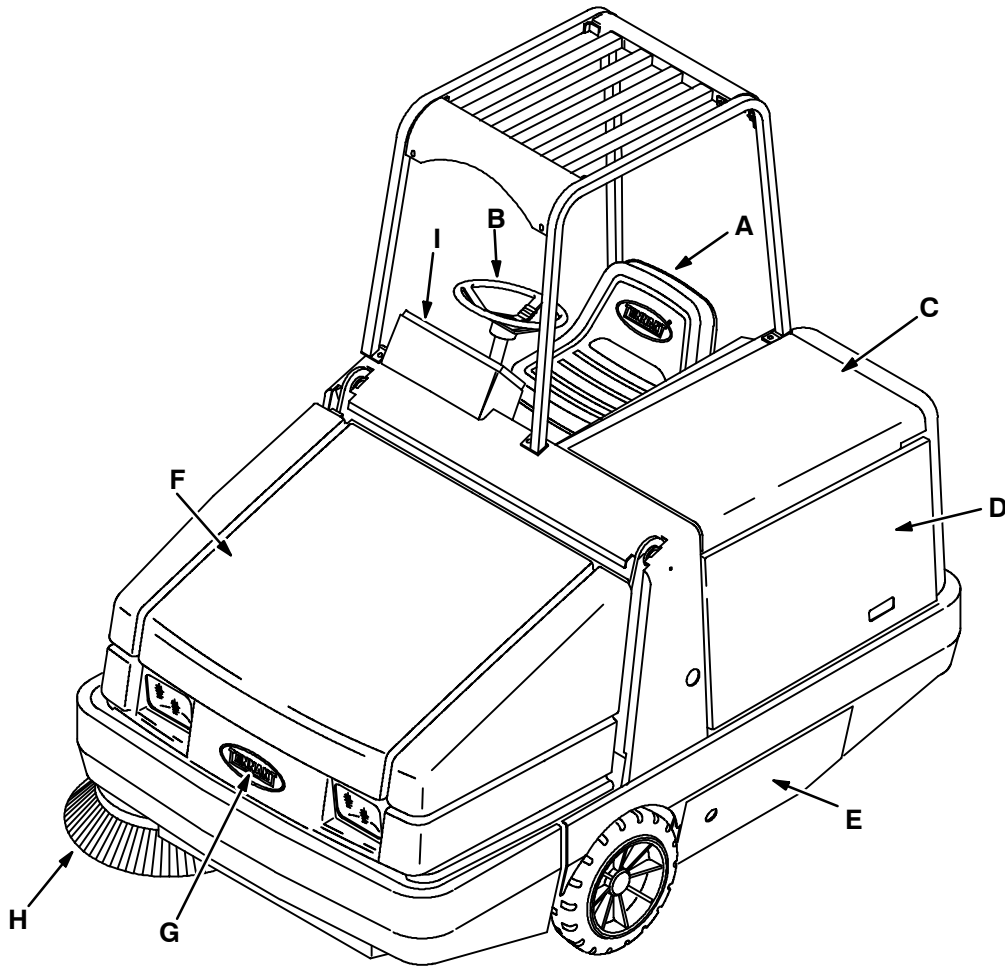
- LPG powered machines: Install the LPG fuel tank on the machine. See *CHANGING AN LPG FUEL TANK*.

**FOR SAFETY: When servicing machine, keep flames and sparks away from fuel system service area. Keep area well ventilated.**

- After the first 50 hours of operation, follow the recommended procedures stated in the *MAINTENANCE CHART*.
- Keep your machine regularly maintained by following the maintenance information in this manual. We recommend taking advantage of a regularly scheduled service contract from your TENNANT representative.
- Order parts and supplies directly from your authorized TENNANT representative. Use the parts manual provided when ordering parts.

# OPERATION

## MACHINE COMPONENTS



- A. Operator Seat
- B. Steering Wheel
- C. Engine Cover
- D. Engine Side Door
- E. Main Brush Access Door
- F. Hopper Cover
- G. Hopper Access Cover
- H. Side Brush
- I. Instrument Panel

07522

**CONTROL PANEL SYMBOLS**

These symbols identify controls and displays on the machine:



Main and Side Brushes On



Charging System



Main Brush On



Engine Oil Pressure



Hopper Door Open



Engine Water Temperature



Hopper Door Close



Hopper Temperature - Thermo Sentry™



Hopper Down



Main Brush Shut Down



Hopper Up



Filter Clogged



Horn



Hopper Door Closed



Main Brush Down Pressure Light



Fuel



Main Brush Down Pressure Heavy



Hourmeter



Main Brush Float



Hazard Light



Main Brush Down



Filter Shaker



Main Brush Up



Operating Lights



Side Brush Down Pressure Light



Fan



Side Brush Down Pressure Heavy



Engine Speed

# OPERATION



Side Brush Down



Side Brush Up



Circuit Breaker 1



Circuit Breaker 2



Circuit Breaker 3



Circuit Breaker 4



Circuit Breaker 5



Circuit Breaker 6



Circuit Breaker 7



Circuit Breaker 8



Circuit Breaker 9



Circuit Breaker 10



Windshield Wiper Slow



Windshield Wiper Fast



Dome Light



Heater



Cab Pressurizer Slow



Cab Pressurizer Fast

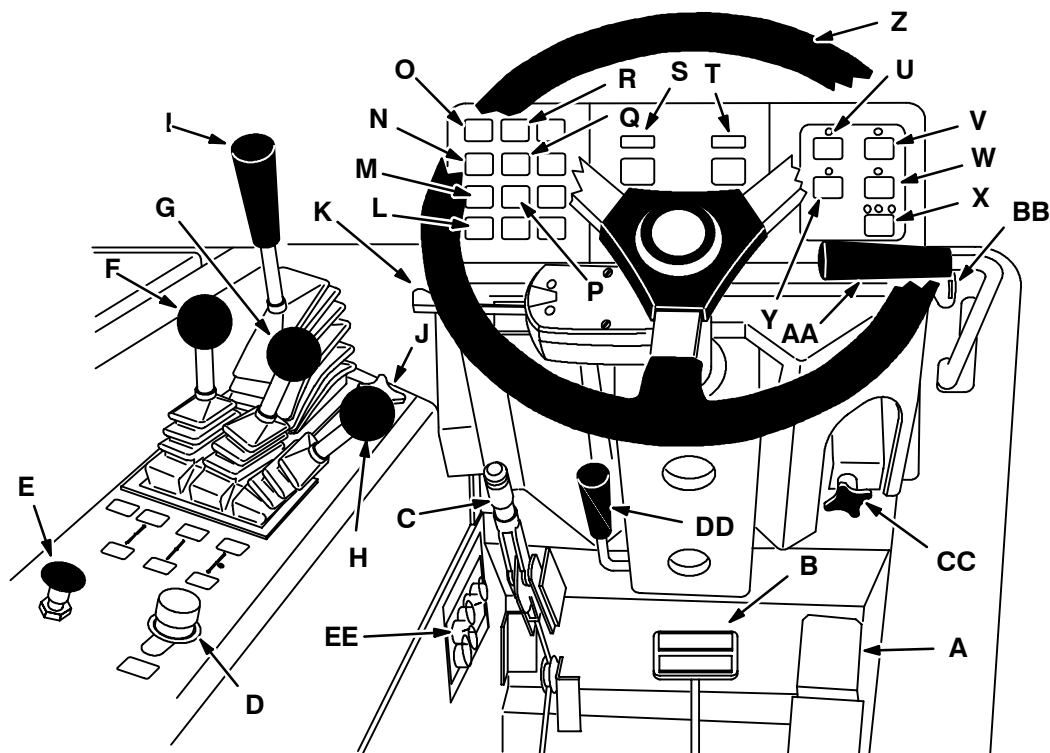


Side Brush In



Side Brush Out

## CONTROLS AND INSTRUMENTS



- A. Directional Pedal
- B. Brake Pedal
- C. Parking Brake Lever
- D. Horn Button
- E. Engine Choke Knob
- F. Main Brush And Side Brush Lever
- G. Hopper Door Lever
- H. Hopper Lift Lever
- I. Main Brush Position Lever
- J. Main Brush Down Pressure Knob
- K. Turn Signal Switch (Option)
- L. Hopper Temperature Light – Thermo Sentry™
- M. Engine Water Temperature Light
- N. Engine Oil Pressure Light
- O. Charging System Light
- P. Hopper Door Light
- Q. Clogged Filter Light
- R. Main Brush Shut Down Light
- S. Fuel Level Gauge
- T. Hourmeter
- U. Hazard Light Switch (Option)
- V. Operating Light Switch
- W. Vacuum Fan Switch
- X. Engine Speed Switch
- Y. Filter Shaker Switch
- Z. Steering Wheel
- AA. Side Brush Position Lever
- BB. Ignition Switch
- CC. Side Brush Down Pressure Knob
- DD. Steering Column Tilt Lever
- EE. Circuit Breakers

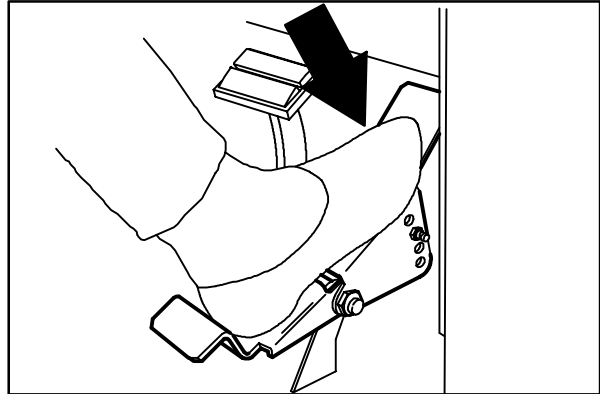
08047

## OPERATION OF CONTROLS

### DIRECTIONAL PEDAL

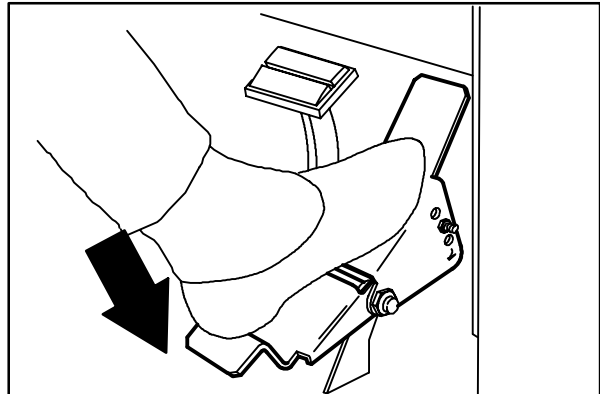
The directional pedal controls direction of travel and the propelling speed of the machine. You change the speed of the machine with the pressure of your foot; the harder you press the faster the machine travels.

Forward: Press the top of the directional pedal with the toe of your foot.



07790

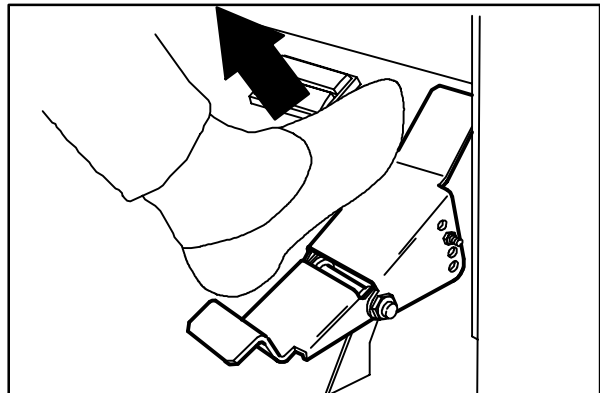
Reverse: Press the bottom of the directional pedal with the heel of your foot.



07791

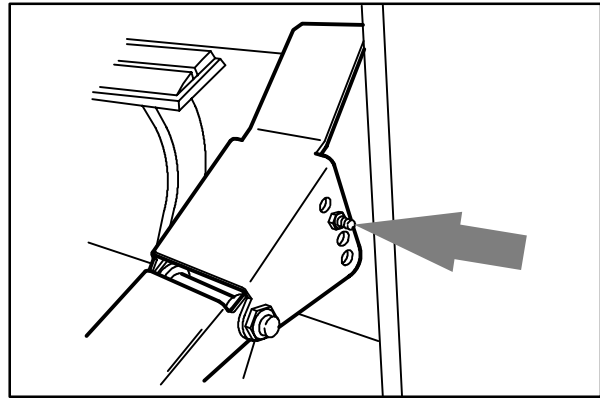
**FOR SAFETY: Before starting machine, make sure back-up alarm sounds and lights when reversing machine.**

Neutral: Take your foot off the directional pedal and it will return to the neutral position.



07792

The toe angle of the directional pedal is adjustable. Remove the clevis pin, move the top of the pedal to the angle needed, and put the clevis pin through the adjustment holes.



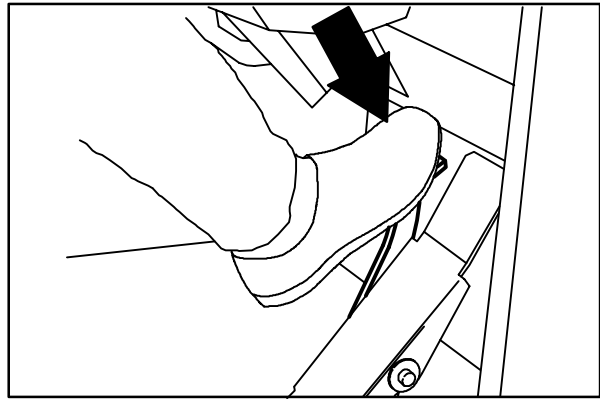
08031

## OPERATION

### BRAKE PEDAL

The brake pedal stops the machine.

Stop: Take your foot off the directional pedal and let it return to the neutral position. Step on the brake pedal.



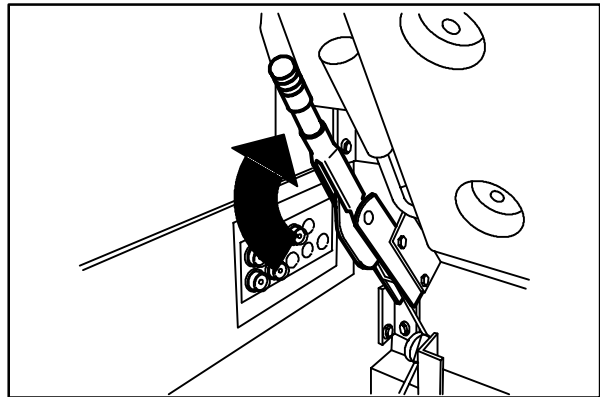
07754

### PARKING BRAKE LEVER

The parking brake lever sets and releases the front wheel brakes.

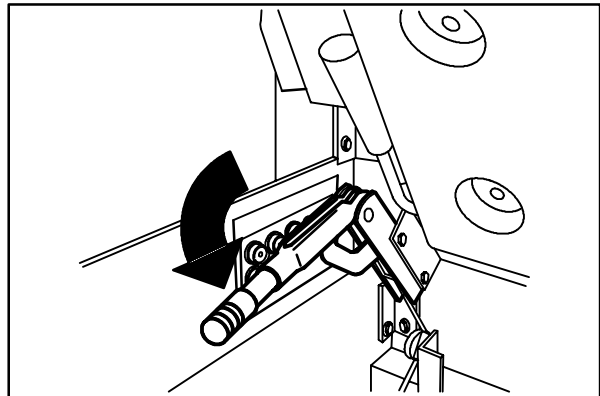
Set: Pull the parking brake lever up.

**FOR SAFETY: Before leaving or servicing machine; stop on level surface, set parking brake, turn off machine and remove key.**



07794

Release: Push the parking brake lever down.



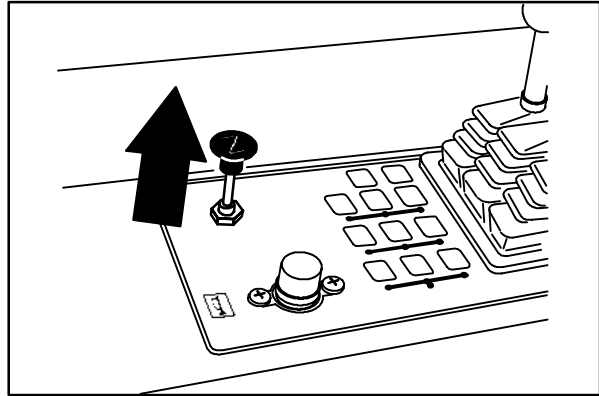
07793



**ENGINE CHOKE KNOB**

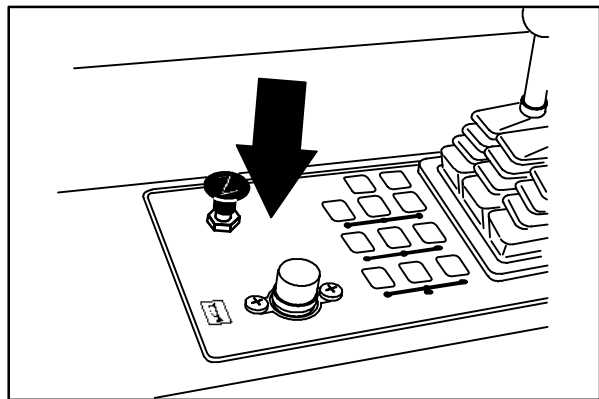
The engine choke knob controls the engine choke on gasoline powered machines.

On: For cold starting, pull the engine choke knob out.



07755

Off: Push the engine choke knob in.



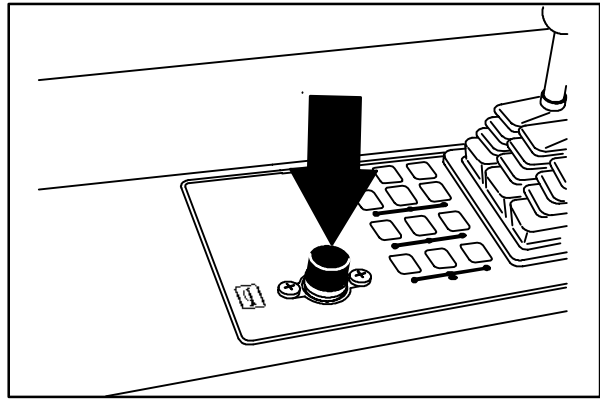
07756

## OPERATION

### HORN BUTTON

The horn button operates the horn.

Sound: Press the button.

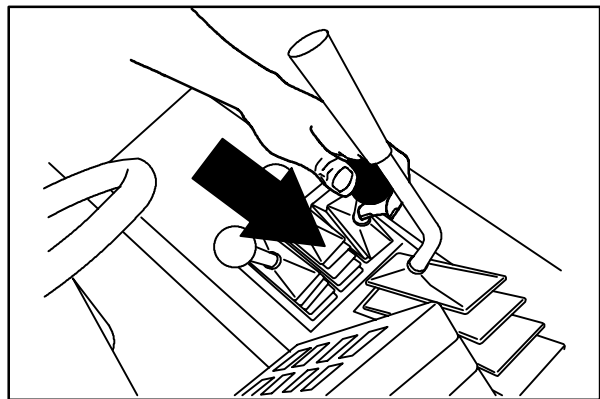


08032

### MAIN BRUSH AND SIDE BRUSH LEVER

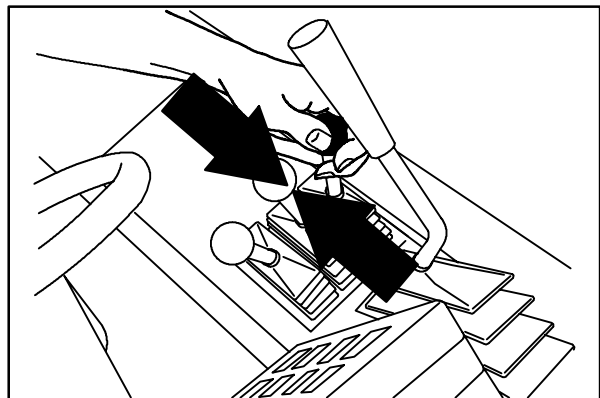
The main brush and side brush lever controls the main brush and side brush rotation.

Main Brush and Side Brush On: Push the main brush and side brush lever into the **On** position.



07773

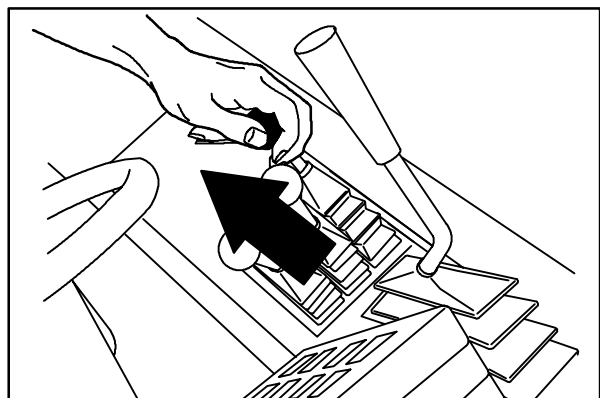
Main Brush and Side Brush Off: Pull the main brush and side brush lever into the middle position.



07774

Main Brush On: Pull the main brush and side brush lever into the **On** position.

*NOTE: Always raise the main brush when the machine is not being operated for some time. This prevents the main brush from getting a flat spot.*

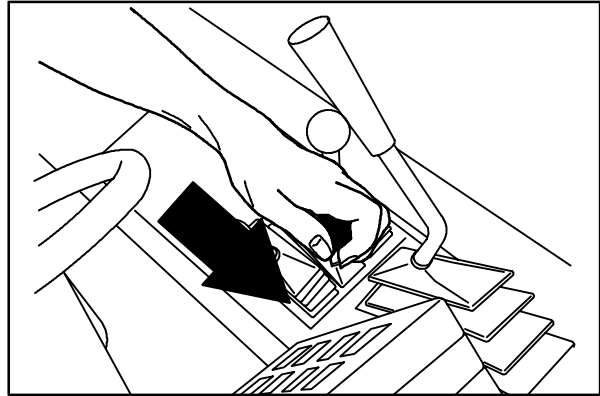


07775

## HOPPER DOOR LEVER

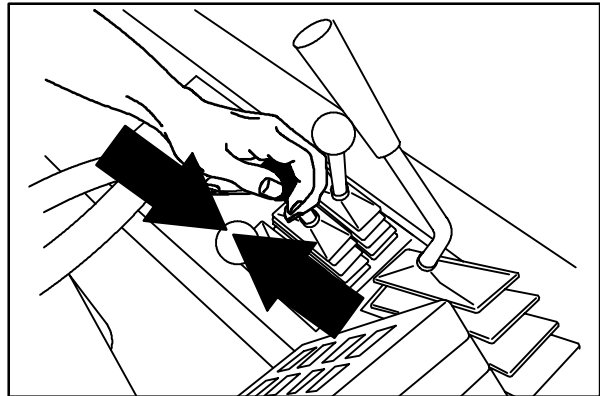
The hopper door lever opens and closes the hopper door and dust door. Open the hopper door when sweeping. Close the hopper door when emptying the hopper to control debris and dust.

**Open:** Push the hopper door lever into the **Open** position and leave it there.



07776

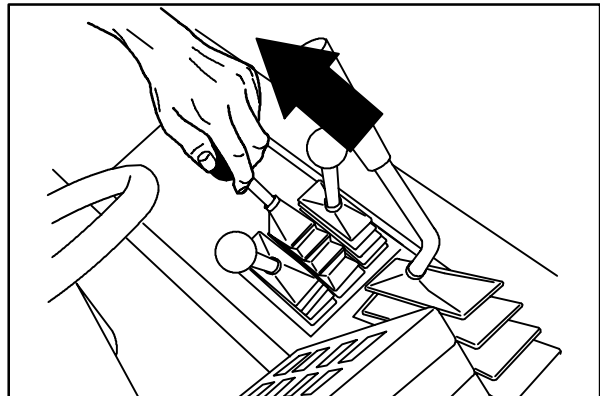
**Hold:** Release the hopper door lever into the middle position.



07777

**Close:** Pull and hold the hopper door lever into the **Close** position.

*NOTE: The hopper door will not close if the main brush, side brush, and vacuum fan are operating.*



07778

## OPERATION

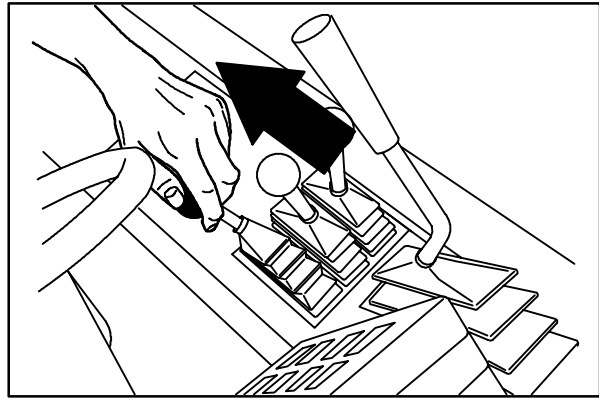
### HOPPER LIFT LEVER

The hopper lift lever raises and lowers the hopper.

Up: Pull and hold the hopper lift lever into the **Up** position.

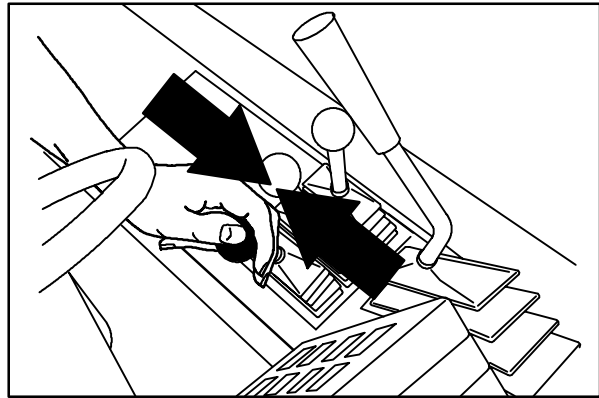
 **WARNING: Raised hopper may fall. Engage hopper support bar.**

*NOTE: The hopper will not raise if the main brush, side brush, and vacuum fan are operating.*



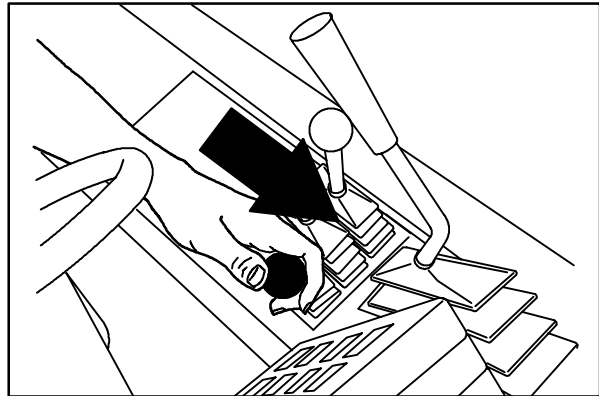
07779

Hold: Release the hopper lift lever up and into the middle position.



07780

Down: Push and hold the hopper lift lever into the **Down** position.

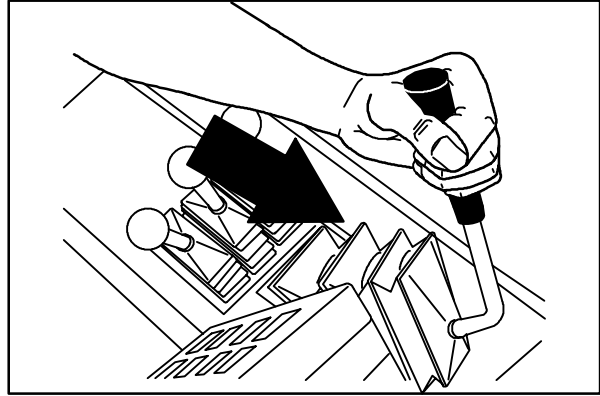


07781

**MAIN BRUSH POSITION LEVER**

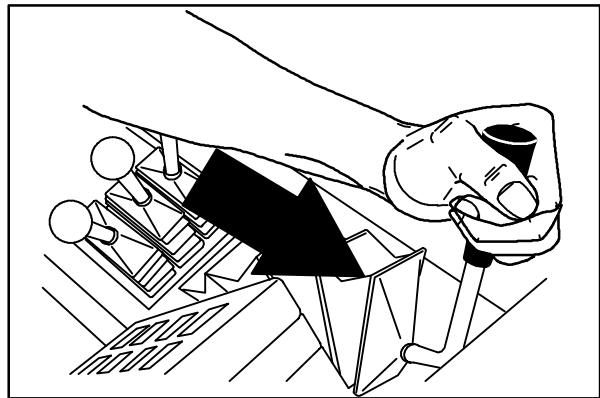
The main brush position lever lowers and raises the main brush. The main brush can be lowered into two sweeping positions; down and float. Down is used for general sweeping. Float is used when sweeping extremely uneven surfaces.

Down: Pull the main brush position lever back and to the left into the **Down** position.



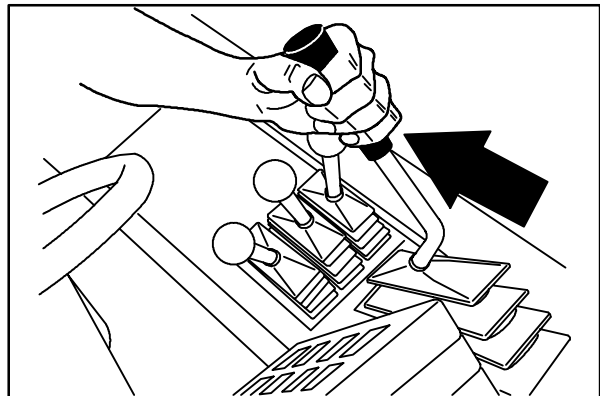
07782

Float: Pull the main brush position lever back and to the left and over into the **Float** position.



07783

Up: Pull the main brush position lever all the way back and to the right into the **Up** position.



07784

## OPERATION

### MAIN BRUSH DOWN PRESSURE KNOB

The main brush down pressure knob changes the main brush contact with the sweeping surface.

Heavy: Turn the main brush down pressure knob counter-clockwise.



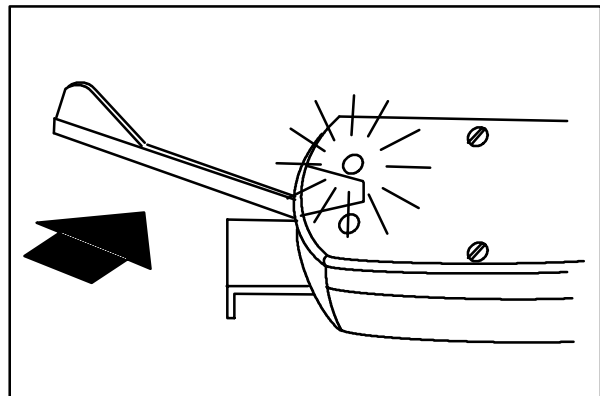
Light: Turn the main brush down pressure knob clockwise.



### TURN SIGNAL SWITCH (OPTION)

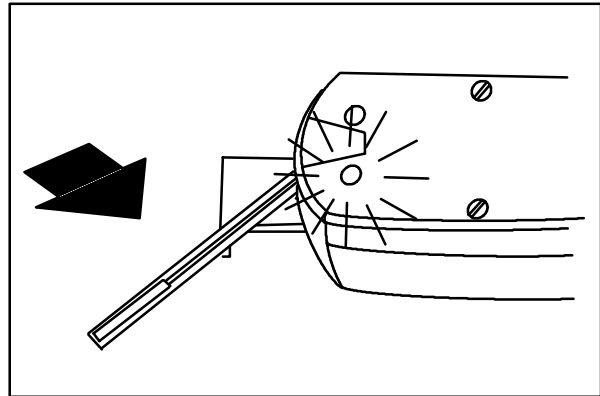
The turn signal switch operates the turn signals.

Right: Push the switch lever forward.



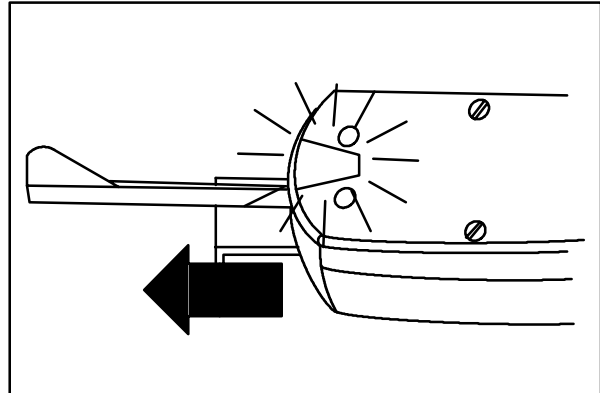
06487

Left: Pull the switch lever back.



06488

Flashers: Pull out the knob.

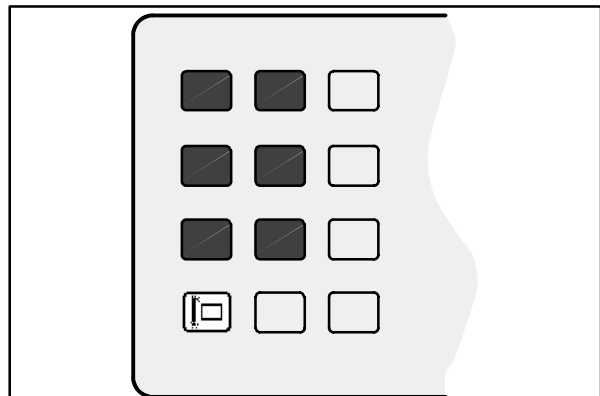


06745

**HOPPER TEMPERATURE LIGHT - THERMO SENTRY™**

The hopper temperature light comes on when there is too much heat in the hopper, possibly from a fire. The Thermo Sentry will stop the vacuum fan.

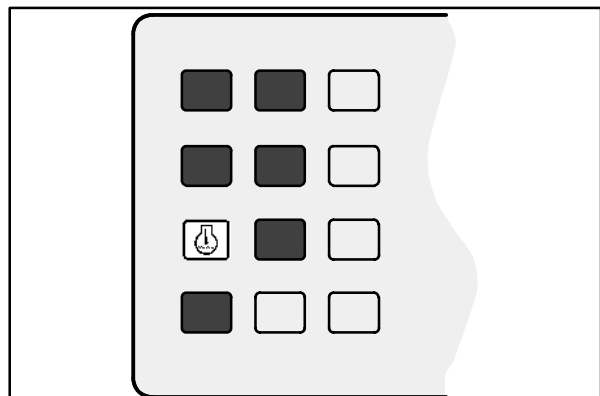
The Thermo Sentry™ has to be reset manually, see *THERMO SENTRY* in *MAINTENANCE*.



07760

**ENGINE WATER TEMPERATURE LIGHT**

The engine water temperature light comes on when the temperature of the engine coolant is more than 107° C (225° F). Stop operating the machine. Locate the problem and have it corrected.

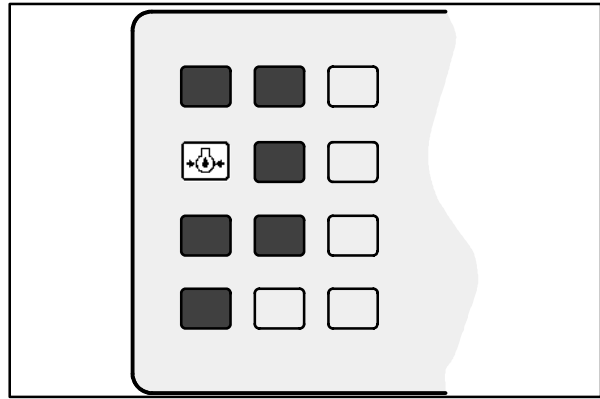


07759

## OPERATION

### ENGINE OIL PRESSURE LIGHT

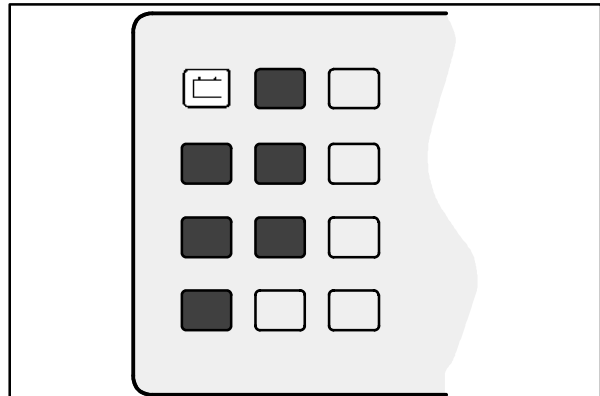
The engine oil pressure light comes on when the engine oil pressure falls below 35 kPa (5 psi). Stop operating the machine. Locate the problem and have it corrected.



07758

### CHARGING SYSTEM LIGHT

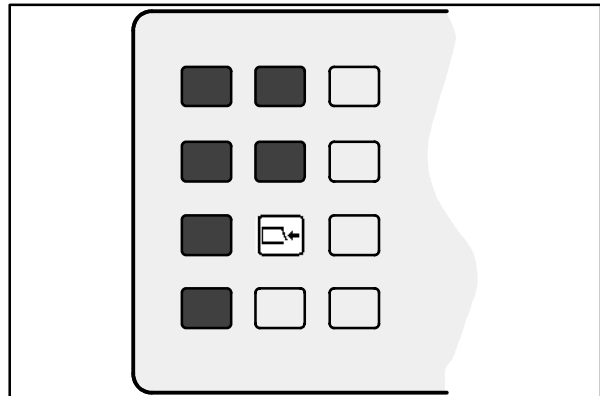
The charging system light comes on when the existing voltage potential of the battery is not within normal range - 10 to 14 Volts. Stop operating the machine. Locate the problem and have it corrected.



07757

### HOPPER DOOR LIGHT

The hopper door light comes on when the hopper door is closed. Make sure the hopper door is open and the hopper door light is off, before sweeping with the machine.

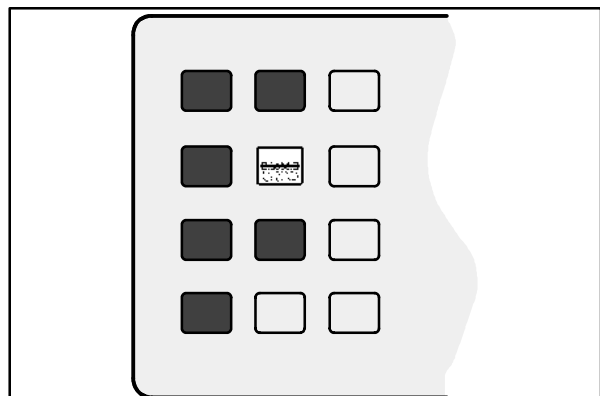


07763

### CLOGGED FILTER LIGHT

The clogged filter light comes on when the hopper dust filter is clogged.

To clean the filter, press the filter shaker switch. If the clogged filter light remains lit, manually clean the hopper dust filter. See *HOPPER DUST FILTER* in *MAINTENANCE*.

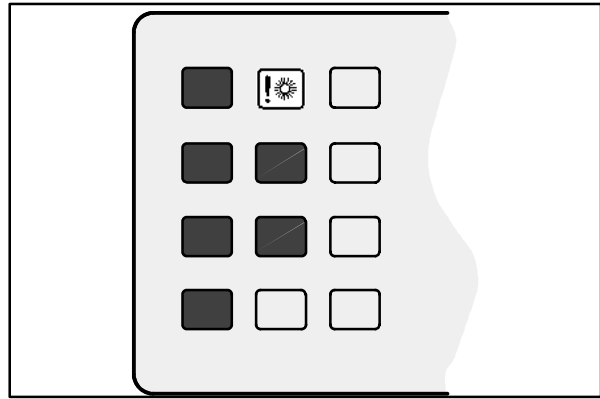


07762



### MAIN BRUSH SHUT DOWN LIGHT

The main brush shut down light comes on when there is excessive down pressure for the main brush, or there is a problem with the main and side brush hydraulic motor circuit. The brush pressures can be reduced with the main brush and side brush pressure knobs.



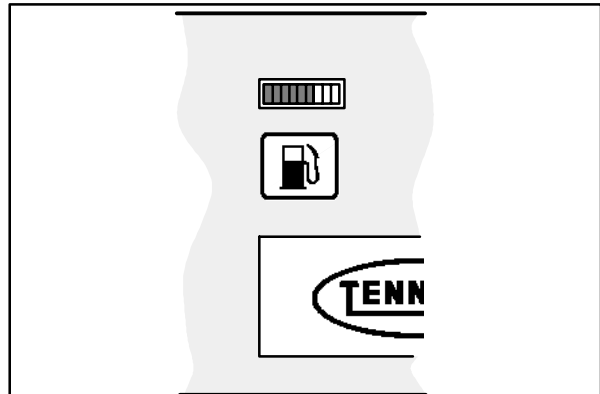
07761

### FUEL LEVEL GAUGE

The fuel level gauge indicates how much fuel is in the fuel tank with a segmented LED light.

Gasoline powered machine: When the tank is full, all ten of the segments are lit. As the fuel tank empties, the segments shut off. The fuel tank is empty when all ten of the segments have shut off.

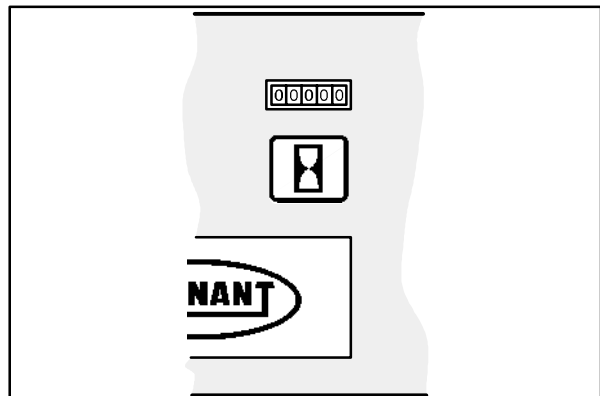
LPG powered machine: When the tank is full, none of the segments are lit. The last two segments will flash when the tank is low on fuel or empty.



07764

### HOURMETER

The hourmeter records the number of hours the machine has been operated. Use this information to determine machine maintenance intervals.



07765

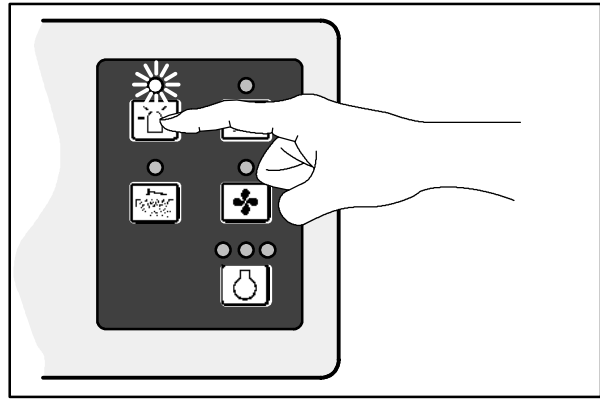
## OPERATION

### HAZARD LIGHT SWITCH (OPTION)

The hazard light switch powers on and off the hazard light.

**On:** Press the hazard light switch. The indicator light above the switch will come on.

**Off:** Press the hazard light switch. The indicator light above the switch will go off.



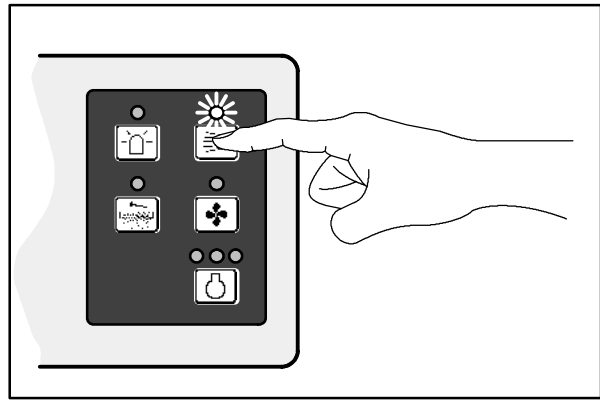
07766

### OPERATING LIGHTS SWITCH

The operating lights switch powers on and off the headlights and taillights.

**On:** Press the operating lights switch. The indicator light above the switch will come on.

**Off:** Press the operating lights switch. The indicator light above the switch will go off.



07768

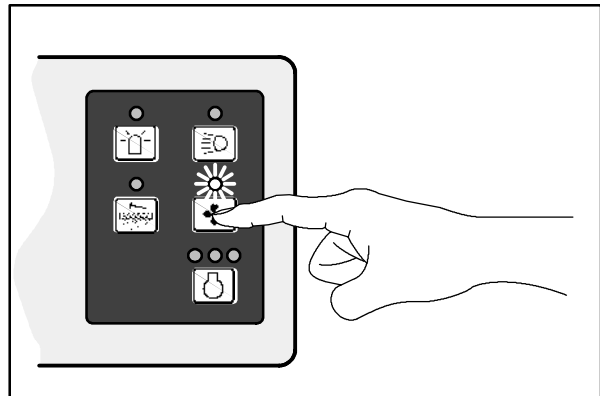
### VACUUM FAN SWITCH

The vacuum fan switch starts and stops the vacuum fan.

**Start:** Press the vacuum fan switch. The indicator light above the switch will come on.

**Stop:** Press the vacuum fan switch. The indicator light above the switch will go off.

*NOTE: The vacuum fan will not operate unless the main brush and side brush are on.*

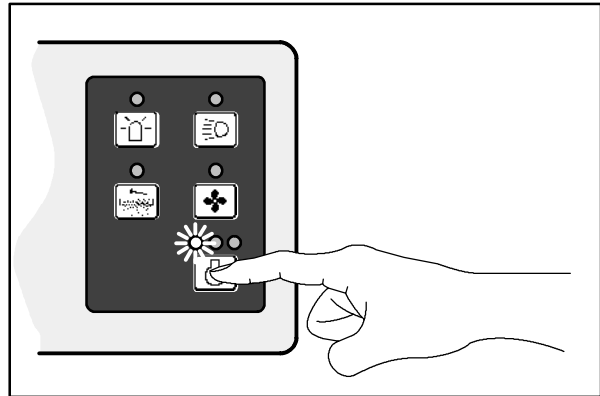


07769

## ENGINE SPEED SWITCH

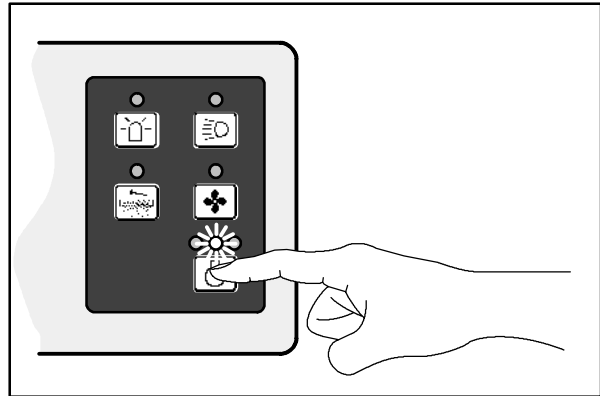
The engine speed switch controls engine governed speed. The three indicator lights above the switch show the engine speed; Idle, Fast1, or Fast2.

**Idle:** The engine will automatically start in idle speed. To return the engine to idle from another engine speed, press the engine speed switch until the first indicator light comes on.



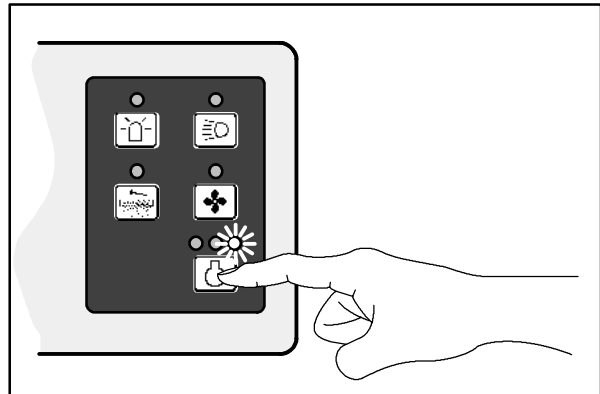
07770

**Fast 1:** Press the engine speed switch until the second indicator light comes on. This speed is for general sweeping.



07771

**Fast 2:** Press the engine speed switch until the third indicator light comes on. This speed is for sweeping light litter.



07772

## OPERATION

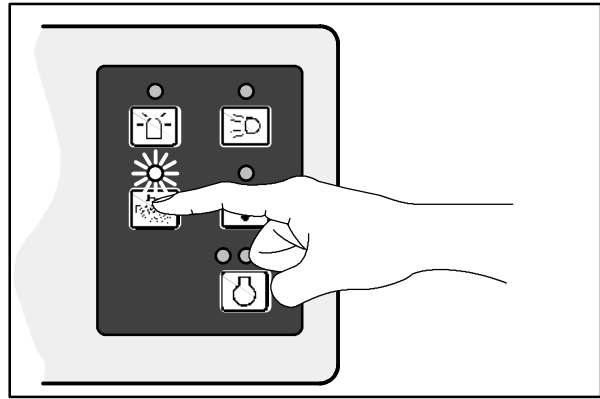
### FILTER SHAKER SWITCH

The filter shaker switch starts the hopper dust filter shaker. The shaker automatically operates for 10 seconds.

**Start:** Press the filter shaker switch. The indicator light will remain on while the filter shaker is operating.

*NOTE: The vacuum fan shuts off while the filter shaker is operating.*

*NOTE: Close the hopper door before operating the filter shaker.*



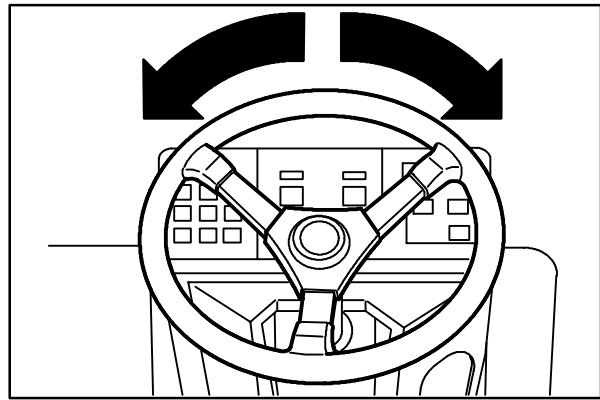
07767

### STEERING WHEEL

The steering wheel controls the machine's direction. The machine is very responsive to the steering wheel movements.

**Left:** Turn the steering wheel to the left.

**Right:** Turn the steering wheel to the right.

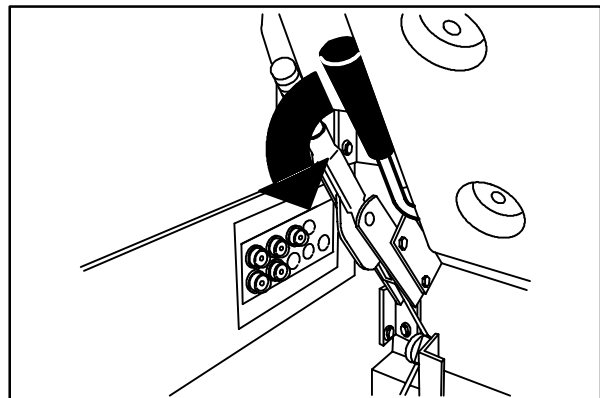


07801

### STEERING COLUMN TILT LEVER

The steering column tilt lever controls the angle of the steering column.

**Adjust:** Pull down on the tilt lever, move the column up or down, and release the tilt lever.



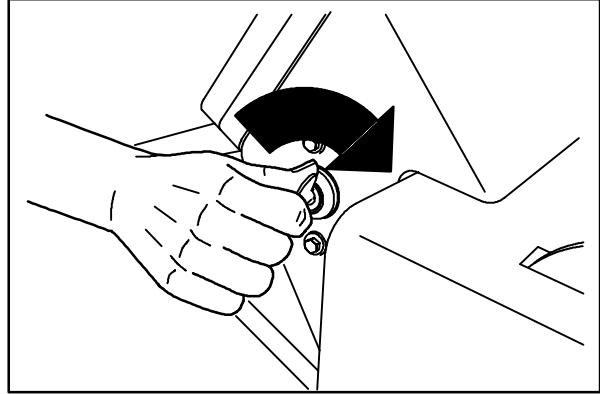
07802

**IGNITION SWITCH**

The ignition switch starts and stops the engine with a key.

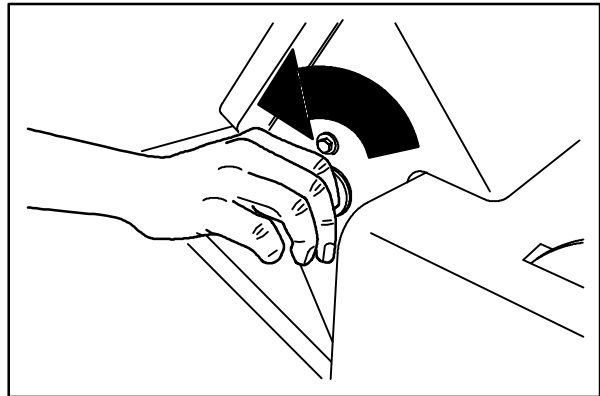
**FOR SAFETY: When starting machine, keep foot on brake and directional pedal in neutral.**

Start: Turn the key all the way clockwise.  
Release the key as soon as the engine starts.



07804

Stop: Turn the key counter-clockwise.



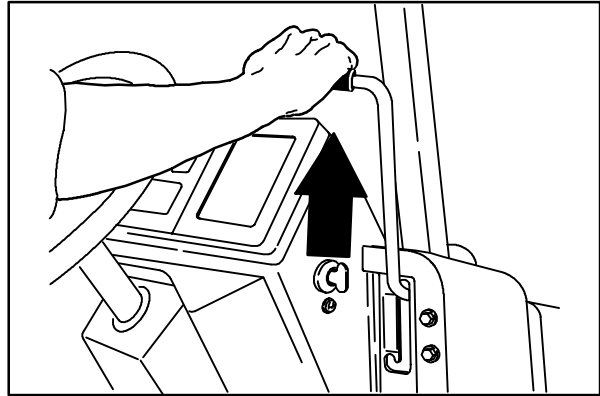
07805

## OPERATION

### SIDE BRUSH POSITION LEVER

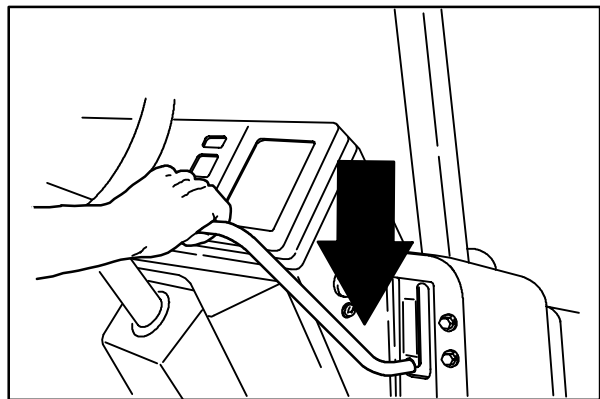
The side brush position lever lowers and raises the side brush.

Down: Pull the side brush position lever back and to the right into the **Down** slot.



07785

Up: Pull the side brush position lever back and to the left into the **Up** slot.



07786

### SIDE BRUSH DOWN PRESSURE KNOB

The side brush down pressure knob changes the side brush contact with the sweeping surface.

Heavy: Turn the side brush down pressure knob counter-clockwise.



07799

Light: Turn the side brush down pressure knob clockwise.



07800

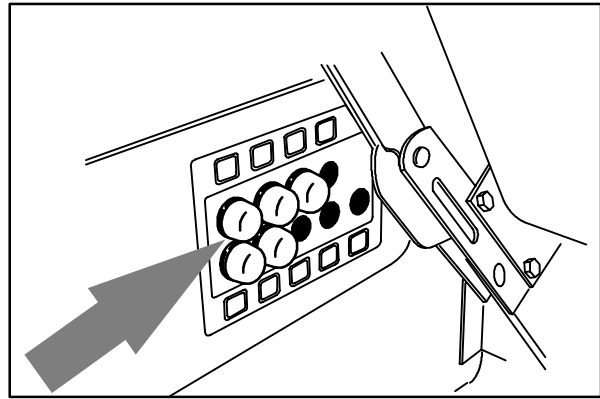
**CIRCUIT BREAKERS**

The circuit breakers are resettable electrical circuit protection devices. Their design stops the flow of current in the event of a circuit overload. Once a circuit breaker is tripped, it must be reset manually. Press the reset button after the breaker has cooled down.

If the overload that caused the circuit breaker to trip is still there, the circuit breaker will continue to stop current flow until the problem is corrected.

All the circuit breakers are located in the operator compartment except CB-10. It is located in the cab control panel.

The chart lists the circuit breakers and the electrical components they protect.



07806

<b>Circuit Breaker</b>	<b>Rating</b>	<b>Circuit Protected</b>
CB-1	15 A	Engine and throttle
CB-2	15 A	Vacuum fan, filter shaker
CB-3	15 A	Operating lights
CB-4	15 A	Hazard light, back-up alarm
CB-5	15 A	Horn
CB-6	2.5 A	Instrument panel
CB-7	15 A	Heater/defrost, windshield wiper
CB-8	15 A	Turn Signals
CB-9	15 A	Auxiliary side brush
CB-10	15 A	Cab Pressurizer

## OPERATION

### LATCHES

The side doors, rear doors, engine cover, hopper cover, and cab door are secured with latches.

Open the Main Brush Side Doors: Push down on the door latch.

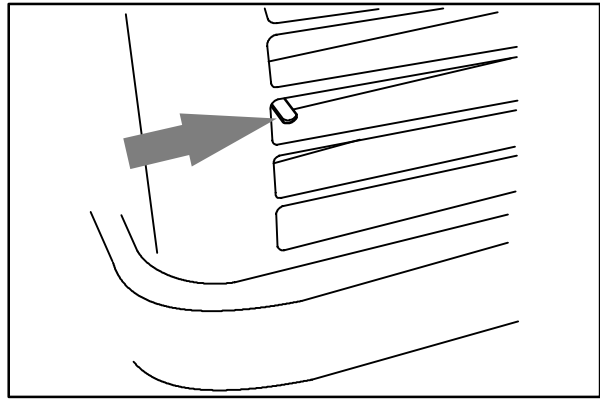
Open the Engine Side Door: Pull up on the door latch.

Open the Grille Doors: Push down on the door latch.

Open the Engine Cover: Push in on the cover latch.

Open the Hopper Cover: Push the cover latch to the right and pull up on the hopper cover.

Open the Cab Door: Pull up on the door handle.



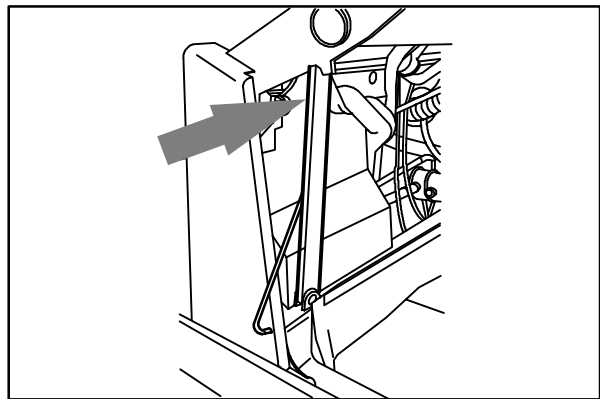
08149

### HOPPER SUPPORT BAR

The hopper support bar is located on the operator's side of the hopper. The hopper support bar holds the hopper in the raised position to allow work under the hopper. DO NOT rely on the machine hydraulic system to keep the hopper raised.



**WARNING: Raised hopper may fall.  
Engage hopper support bar.**



07803

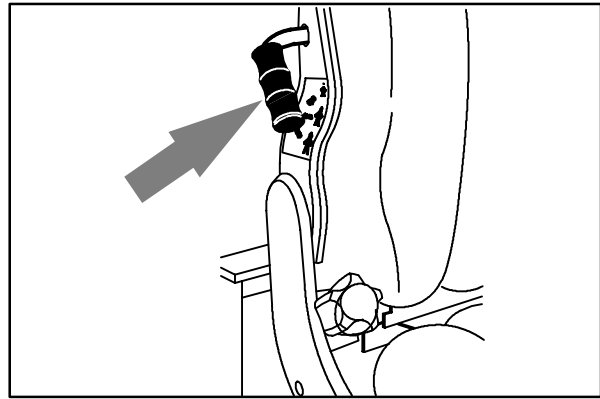


## OPERATOR SEAT

The operator seat has three adjustments. The adjustments are for the operator's weight, backrest angle, and the front-to-rear seat position.

The operator's weight adjustment is controlled with the weight adjustment lever. The lever has three positions; light-weight, middle-weight, and heavy-weight.

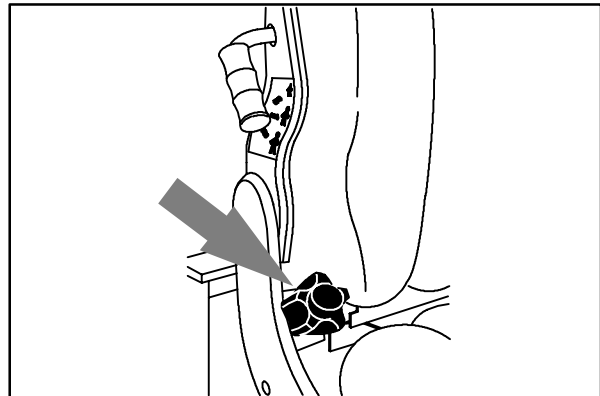
**Adjust:** Pull the lever up for the light-weight position, move the lever to the middle position for middle-weight, and push the lever down for the heavy-weight position.



07795

The backrest angle is adjusted using the angle knob.

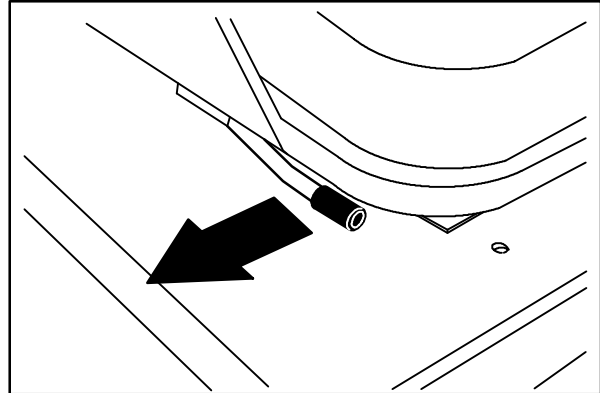
**Adjust:** Turn the angle knob clockwise to decrease the angle of the backrest. Turn the knob counter-clockwise to increase the angle of the backrest.



07796

The seat front-to-rear position is adjusted by the seat position lever.

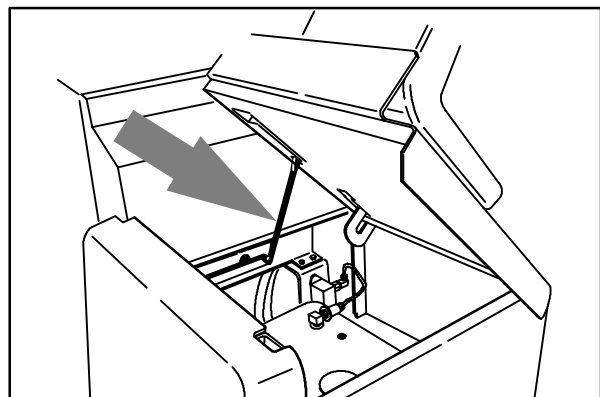
**Adjust:** Pull the lever out, slide the seat backward or forward to the desired position and release the lever.



07797

**Lift:** Pull up on the seat mounting plate until the seat mount locks up.

**Lower:** Pull on the release lever and lower the seat mounting plate.



08052

## OPERATION

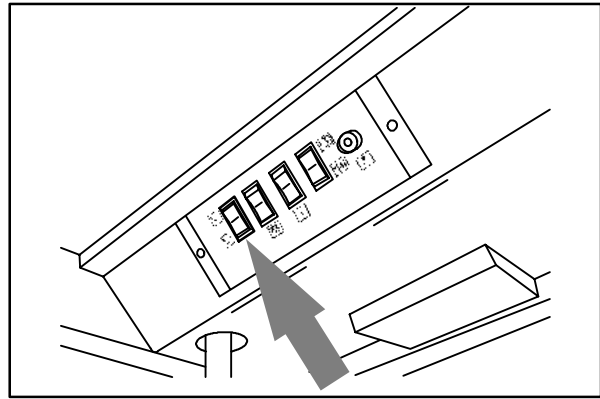
### WINDSHIELD WIPER SWITCH (OPTION)

The windshield wiper switch operates the windshield wiper on the cab option. The wiper can be operated at two speeds.

Slow: Press the top of the switch.

Fast: Press the bottom of the switch.

Off: Return the switch to the middle position.



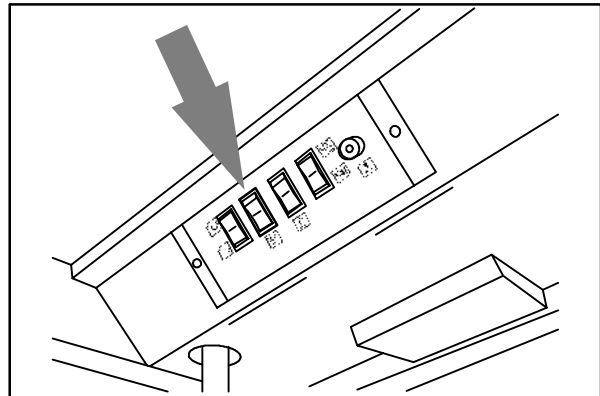
08129

### DOME LIGHT SWITCH (OPTION)

The dome light switch controls the dome light on the cab option.

On: Press the top of the switch.

Off: Press the bottom of the switch.



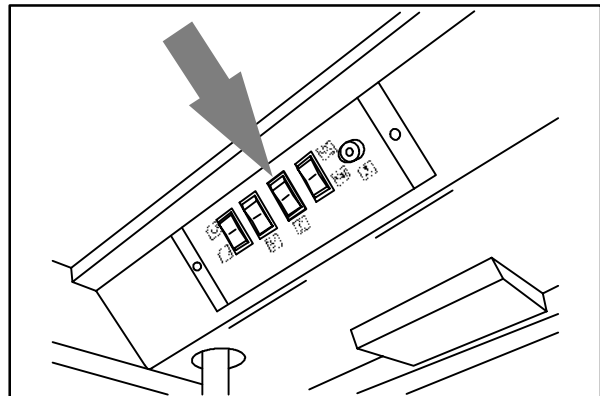
08130

### HEATER SWITCH (OPTION)

The heater switch controls the cab heater on the cab option.

On: Press the top of the switch.

Off: Press the bottom of the switch.



08131

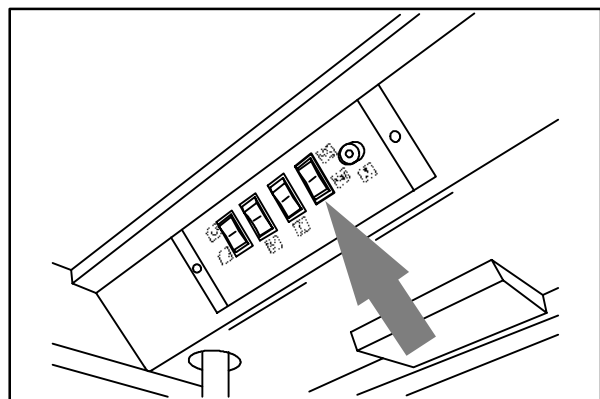
### PRESSURIZER SWITCH (OPTION)

The pressurizer switch operates the cab pressurizer on the cab option. The pressurizer can be operated at two speeds.

Slow: Press the top of the switch.

Fast: Press the bottom of the switch.

Off: Return the switch to the middle position.



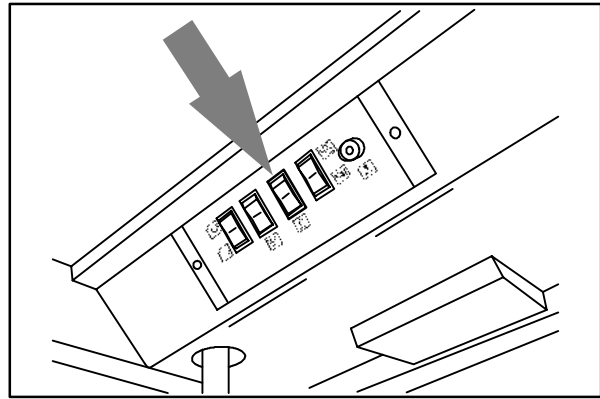
08132

**AIR CONDITIONING SWITCH (OPTION)**

The air conditioning switch operates the cab's air conditioning in the optional cab.

On: Press the top of the switch.

Off: Press the bottom of the switch.



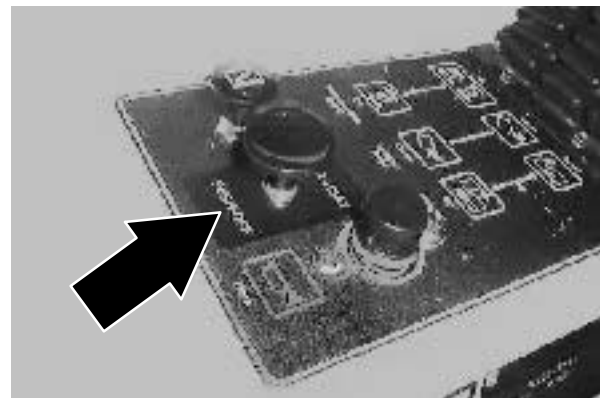
08131

**HEATER KNOB (OPTION)**

The heater knob controls the cab heater on the cab option.

On: Pull the knob out until the air temperature is at the desired comfort level. For maximum heat, pull the knob out all the way.

Off: Push the knob in all the way.

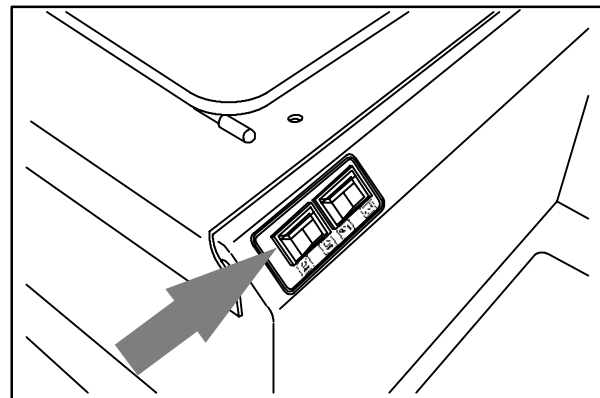


**AUXILIARY SIDE BRUSH IN-OUT SWITCH (OPTION)**

The auxiliary side brush in-out switch controls the in and out movement of the auxiliary side brush option.

In: Press the left side of the switch.

Out: Press the right side of the switch.



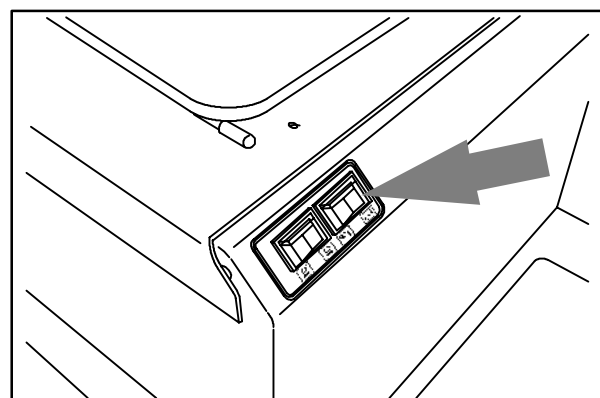
08571

**AUXILIARY SIDE BRUSH UP-DOWN SWITCH (OPTION)**

The auxiliary side brush up-down switch controls the up and down movement of the auxiliary side brush option.

Up: Press the left side of the switch.

Down: Press the right side of the switch.



08570

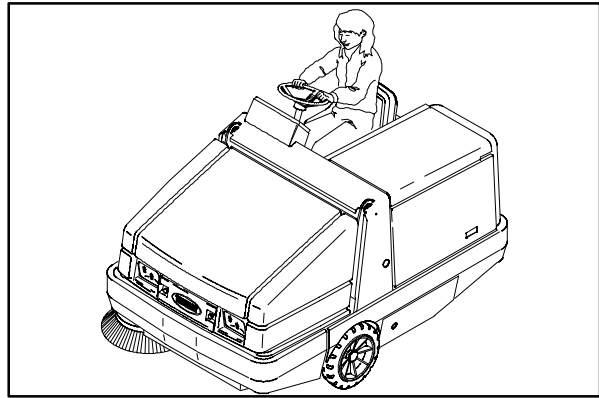
# OPERATION

## HOW THE MACHINE WORKS

The steering wheel controls the direction of machine travel. The directional pedal controls the speed and forward/reverse direction. The brake pedal slows and stops the machine.

The side brush sweeps debris into the path of the main brush. The main brush sweeps debris from the floor into the hopper. The vacuum system pulls dust and air through the hopper and the hopper dust filter.

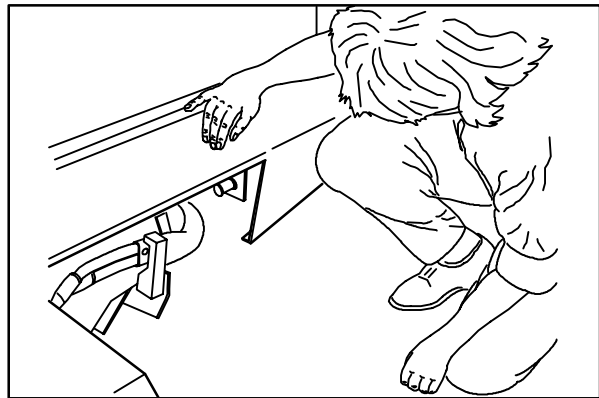
When sweeping is finished, clean the hopper dust filter and empty the hopper.



07816

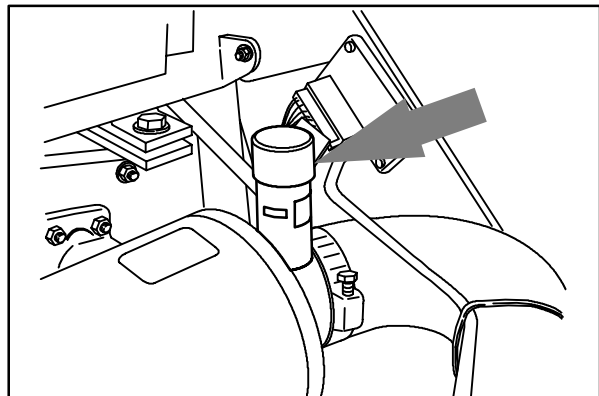
## PRE-OPERATION CHECKLIST

- Check under the machine for leaks (fuel, oil, coolant).



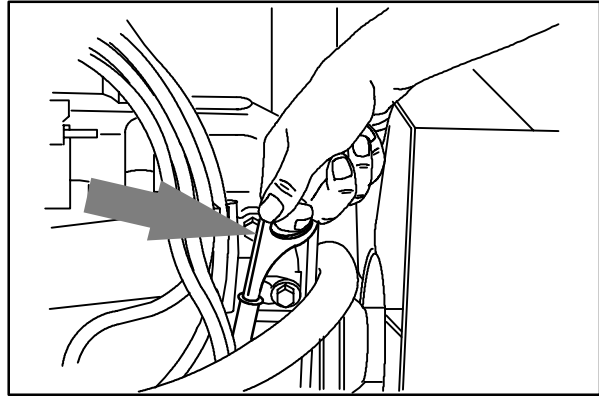
07807

- Check the engine air filter indicator.



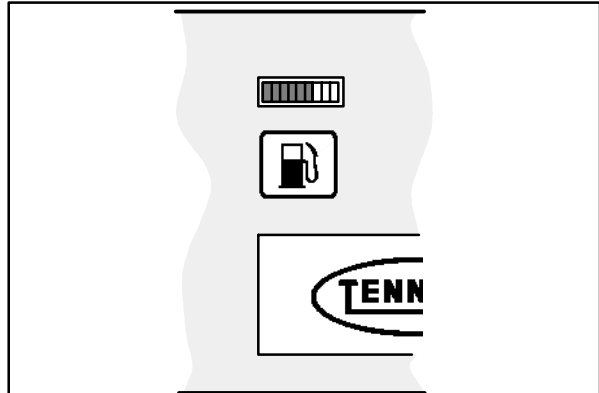
07808

- Check the engine oil level.



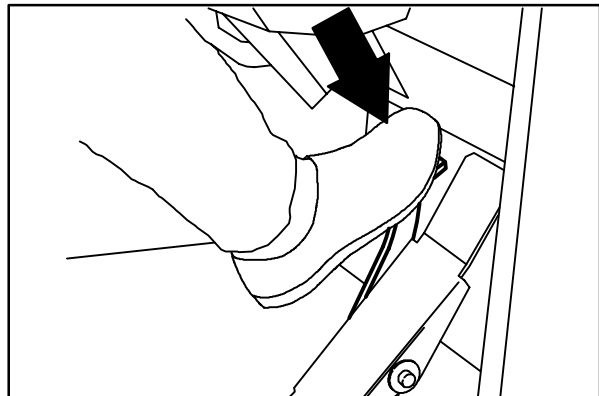
07751

- Check fuel level.



07764

- Check the brakes and steering for proper operation.

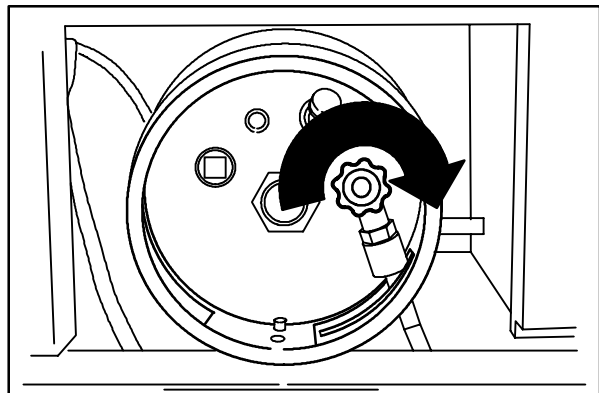


07754

**CHANGING AN LPG FUEL TANK**

1. Park the machine in a designated safe area.
2. Close the tank service valve.
3. Operate the engine until it stops from lack of fuel, then set the machine parking brake.

**FOR SAFETY: When servicing machine, keep flames and sparks away from fuel system service area. Keep area well ventilated.**

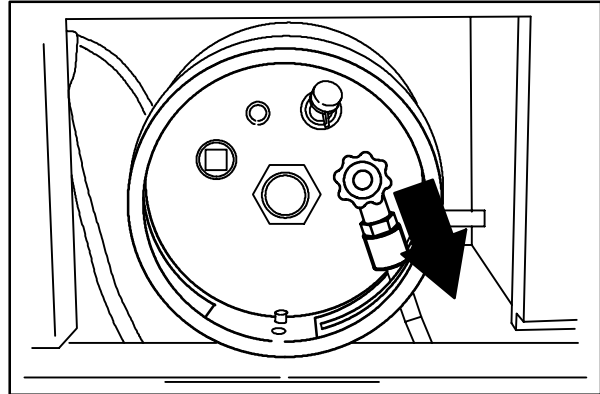


07810

## OPERATION

- Put on gloves and remove the quick-disconnect tank coupling.
- Unlatch and remove the empty LPG fuel tank from the machine and store the tank in a designated, safe area.

*NOTE: Make sure the LPG fuel tank matches the fuel system (liquid tank with liquid system).*

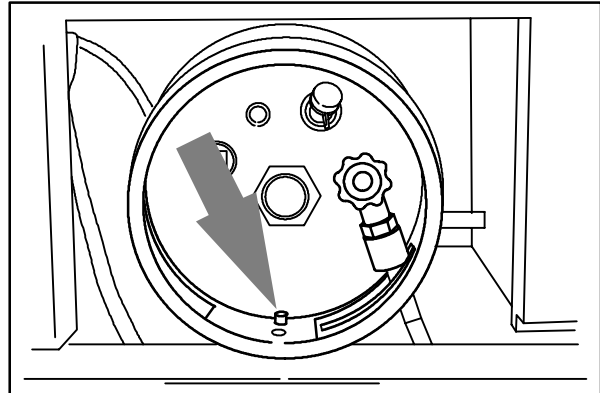


07811

- Carefully put the filled LPG tank in the machine so that the tank centering pin enters the aligning hole in the tank collar.

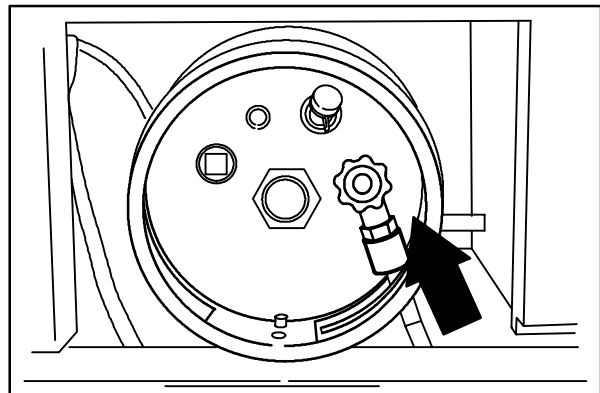
*NOTE: If you cannot line up the centering pin, make sure you have the correct LPG fuel tank and then adjust the pin locator in or out.*

- Fasten the tank hold-down clamp to lock the tank in position.



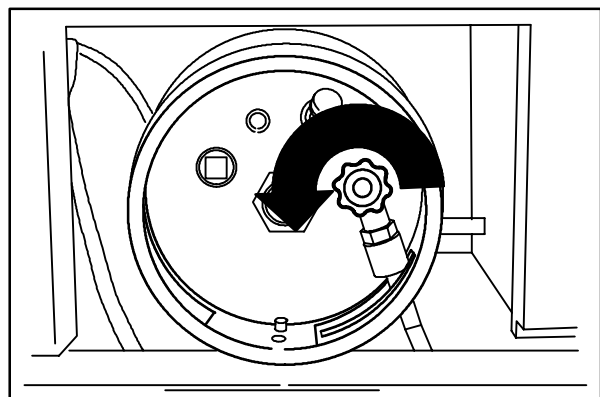
07812

- Connect the LPG fuel line to the tank service coupling. Make sure the service coupling is clean and free of damage. Also make sure it matches the machine service coupling.



07813

- Open the tank service valve slowly and check for leaks. Close the service valve immediately if an LPG leak is found, and tell the appropriate personnel.



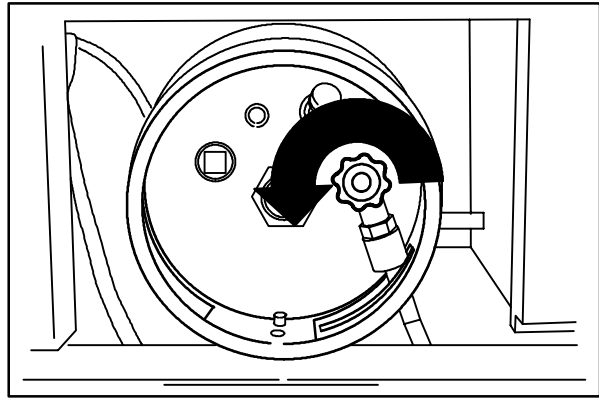
07814

## STARTING THE MACHINE

1. LPG powered machines: Open the liquid service valve slowly.

*NOTE: Opening the service valve too quickly may cause the service check valve to stop the flow of LPG fuel. If the check valve stops the fuel flow, close the service valve, wait a few seconds and open the valve slowly again.*

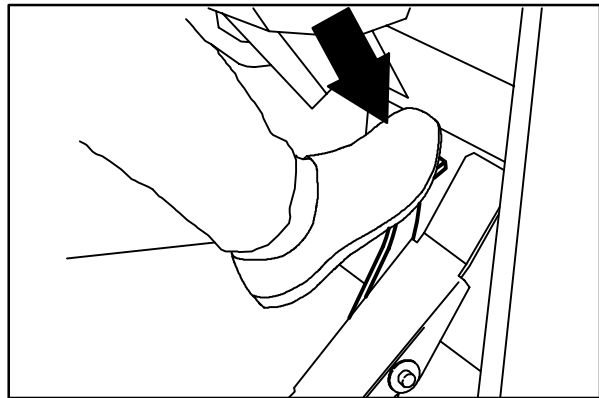
**FOR SAFETY: Before starting machine, make sure back-up alarm sounds and lights when reversing machine.**



07814

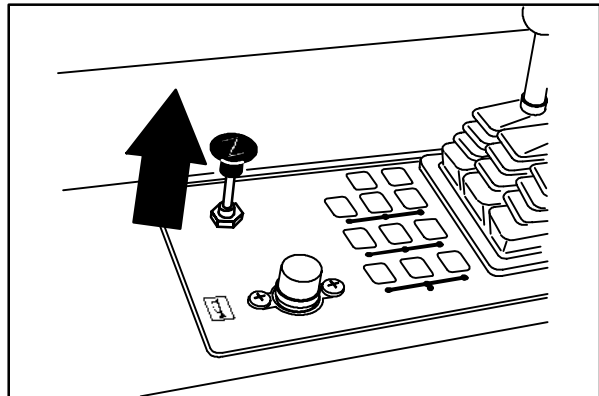
2. You must be in the operator's seat with the directional pedal in neutral, and your foot on the brake pedal or with the parking brake set.

**FOR SAFETY: When starting machine, keep foot on brake and directional pedal in neutral.**



07754

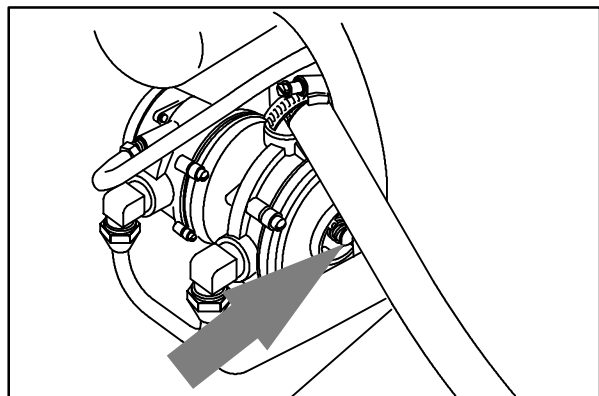
3. Gasoline powered machines: Pull out the choke knob when the engine is cold. Push in the choke knob after the engine is running smoothly.



07755

LPG powered machines for machines before serial number 009008: When the engine is cold and exposed to cold temperatures; open the engine cover, press the primer button on the LPG vaporizer, and close the engine cover.

LPG powered machines for machines serial number 009008 and above: When the engine is cold and exposed to cold temperatures; open the engine cover, press the primer button on the LPG controller, and close the engine cover.



07815

## OPERATION

- Turn the ignition switch key clockwise until the engine starts.

*NOTE: Do not operate the starter motor for more than 10 seconds at a time or after the engine has started. Allow the starter to cool between starting attempts or damage to the starter motor may occur.*

- Allow the engine and hydraulic system to warm up three to five minutes.

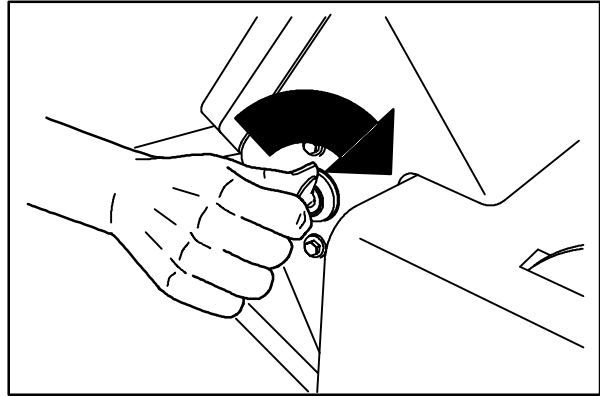
**WARNING: Engine emits toxic gases. Severe respiratory damage or asphyxiation can result. Provide adequate ventilation. Consult with your regulatory authorities for exposure limits. Keep engine properly tuned.**

- Release the machine parking brake.

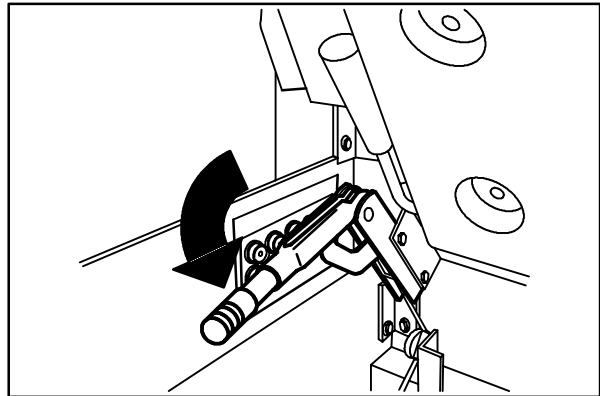
**FOR SAFETY: Before starting machine, make sure back-up alarm sounds and lights when reversing machine.**

- Select the (Fast 1) engine speed with the engine speed switch.

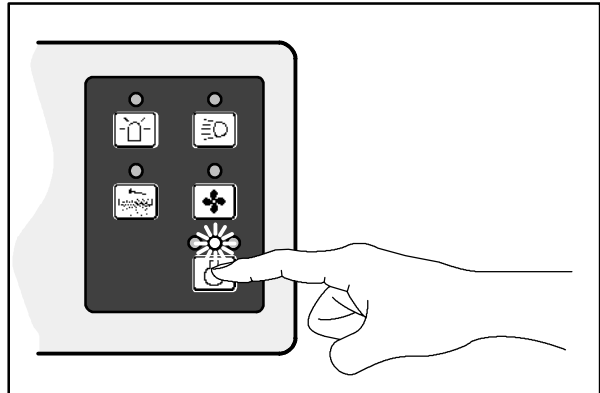
- Drive the machine to the area being swept.



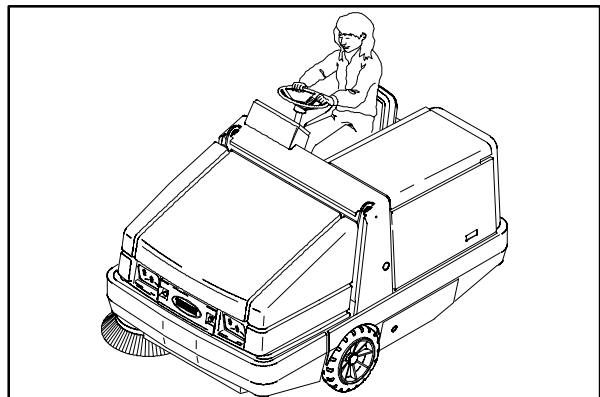
07804



07793



07771



07816



## SWEEPING AND BRUSH INFORMATION

Pick up oversized debris before sweeping. Flatten or remove bulky cartons from aisles before sweeping. Pick up pieces of wire, twine, string, etc., which could become entangled in brush or brush plugs.

Plan the sweeping in advance. Try to arrange long runs with minimum stopping and starting. Sweep debris from very narrow aisles into main aisles ahead of time. Do an entire floor or section at one time. Sweep as straight a path as possible. Avoid bumping into posts or scraping the sides of the sweeper. Overlap the brush paths.

Avoid turning the steering wheel too sharply when the machine is in motion. The machine is very responsive to the movement of the steering wheel. Avoid sudden turns, except in emergencies.

Speed up the engine to (Fast 2) when picking up light litter. This will improve both litter pickup and hopper loading. Do not use the (Fast 2) speed in dusty environments. The machine can dust and clog the hopper dust filter. Operate the engine in the (Fast 1) position when picking up general debris.

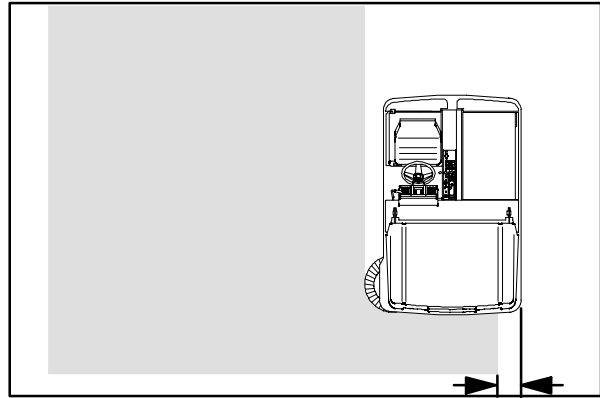
For best results, use the correct brush type for your sweeping application. The following are recommendations for main and side brush applications.

### ***Nylon 8-double Row Main Brush*** -

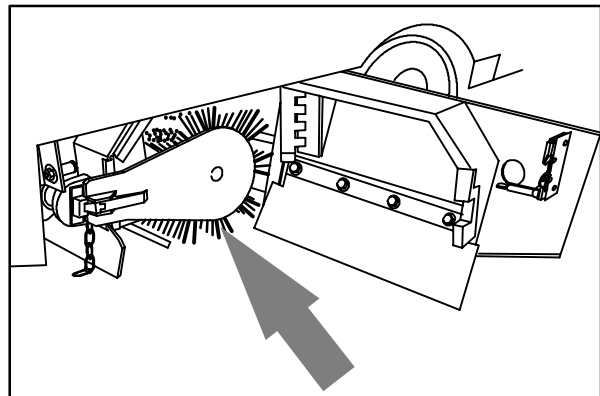
Recommended for general sweeping, and has good hopper loading. Nylon has the longest life of the bristle types. Use this brush for sweeping rough or irregular surfaces.

***Polypropylene and Wire 8-double Row Main Brush*** - The wire bristles loosen slightly packed soilage and heavier debris. The polypropylene bristles sweep up the debris with excellent hopper loading.

***Crinkle Wire 8-double Row Main Brush*** - The stiff wire bristles cut through compacted grime, hard to sweep dirt, and dirt mixed with oil, grease, or mud. This brush is recommended for foundry sweeping where heat may melt synthetic bristles. This brush has good hopper loading ability, but is not recommended for dusty applications.



07817



08002

## OPERATION

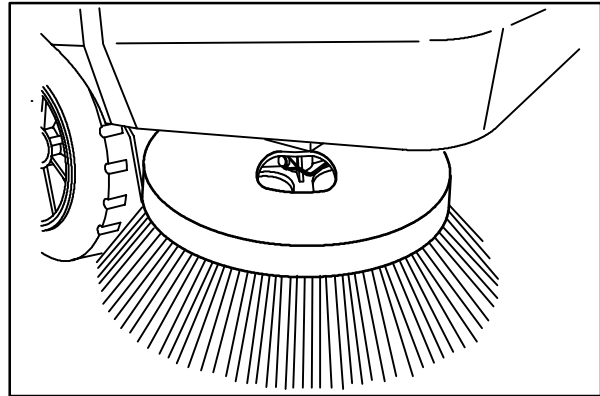
**Nylon 24-row Main Brush** – Recommended for severe dust conditions on rough surfaces. This brush has excellent pickup and long life.

**Fiber and Wire 24-row Main Brush** – Offers good sweeping action and pickup in heavy dust concentrations. This brush is recommended where soilage is slightly encrusted. The brush is not recommended for heavy buildup or hard packed soilage.

**Polypropylene Side Brush** – A good general purpose brush for sweeping of light to medium debris in both indoor and outdoor applications. This brush is recommended when bristles may get wet.

**Nylon Side Brush** – A longer life, general purpose brush that is recommended for rough surfaces.

**Flat Wire Side Brush** – Recommended for outside and curb-side sweeping where soilage is heavy or compacted. The stiff wire bristles dig out soilage. This brush is also recommended for foundry sweeping where heat may melt synthetic bristles.



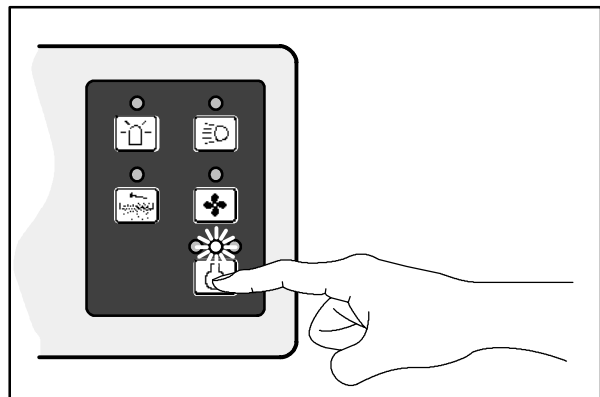
08046

---

## SWEEPING

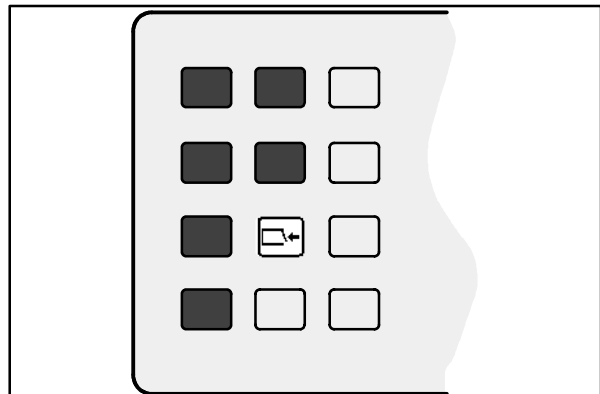
---

1. Select an engine speed.



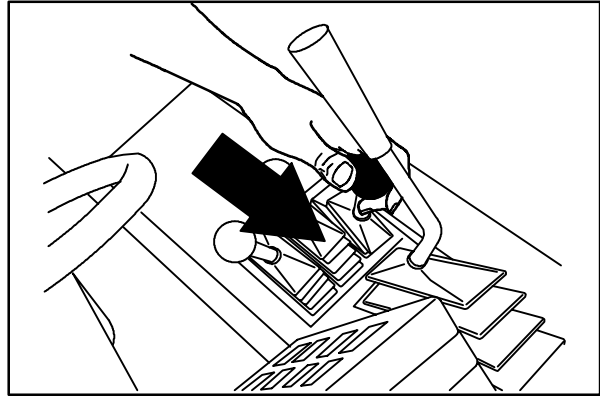
07771

2. Make sure the hopper door light is off. If the hopper door light is on, open the hopper door.



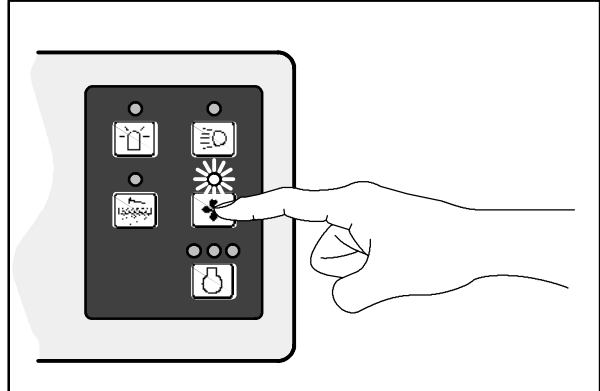
07763

3. Push the main brush and side brush lever into the **On** position, or pull the lever into the **On** position.



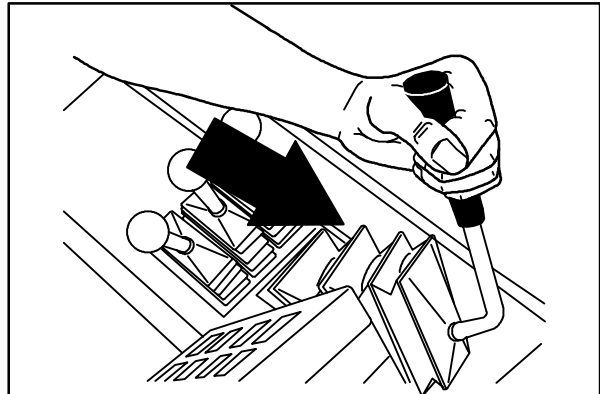
07773

4. Press the vacuum fan switch to start the vacuum.



07769

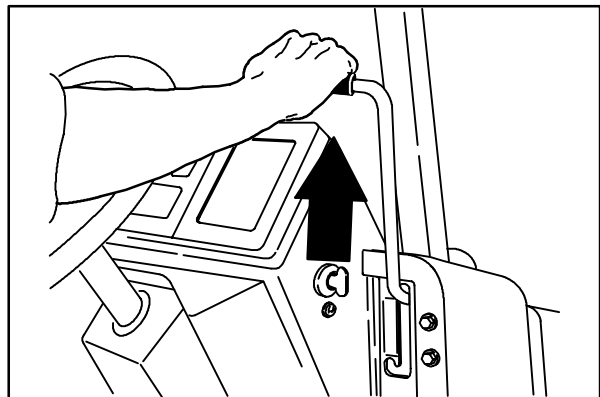
5. Pull the main brush position lever back and to the left into the **Down** position.



07782

6. Pull the side brush position lever back and to the right into the **Down** slot.

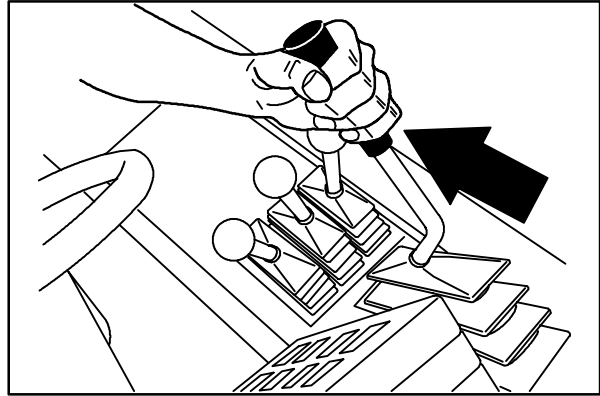
7. Sweep as needed.



07785

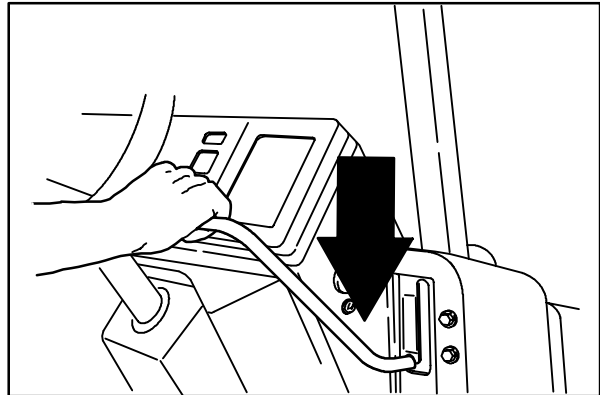
## STOP SWEEPING

1. Pull the main brush position lever all the way back and to the right into the **Up** position.



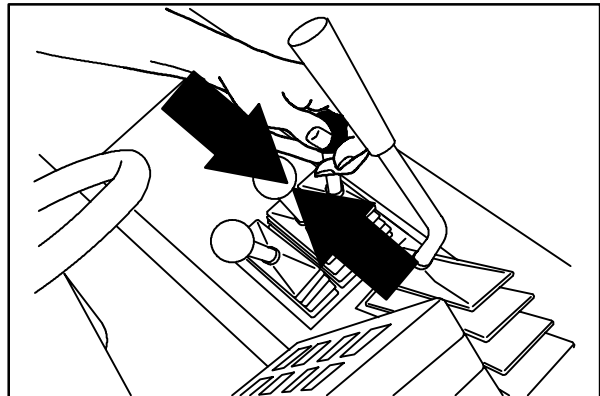
07784

2. Pull the side brush position lever back and to the left into the **Up** slot.



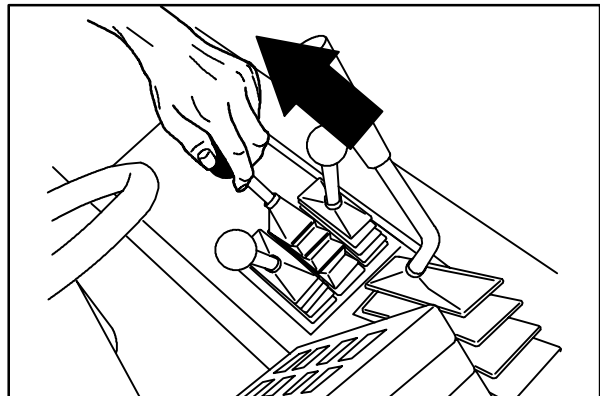
07786

3. Pull the main brush and side brush lever into the middle (Off) position.



07774

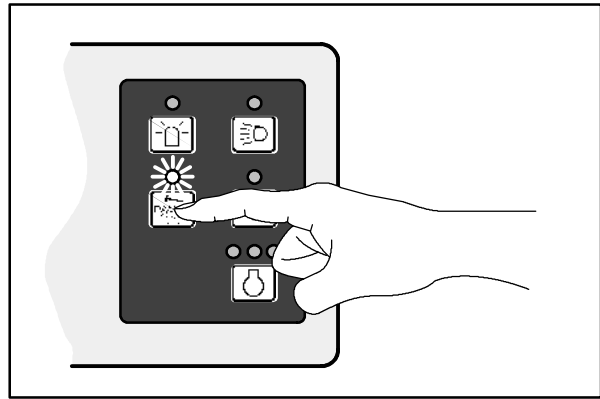
4. Pull the hopper door lever into the **Close** position until the hopper door light comes on.



07778

5. Press the vacuum fan switch to stop the vacuum.

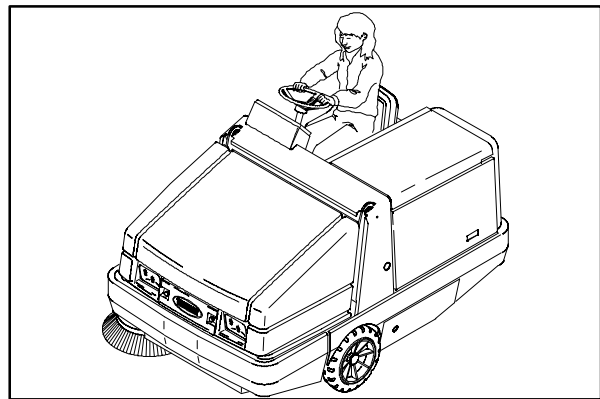
6. Press the filter shaker switch to shake the hopper dust filter.



07767

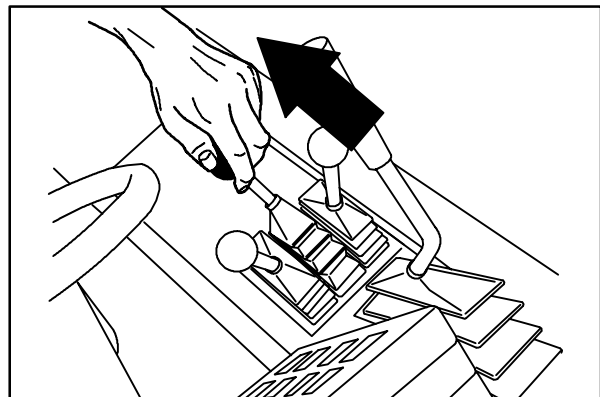
### EMPTYING THE HOPPER

1. Slowly drive the machine to the debris site or debris container.



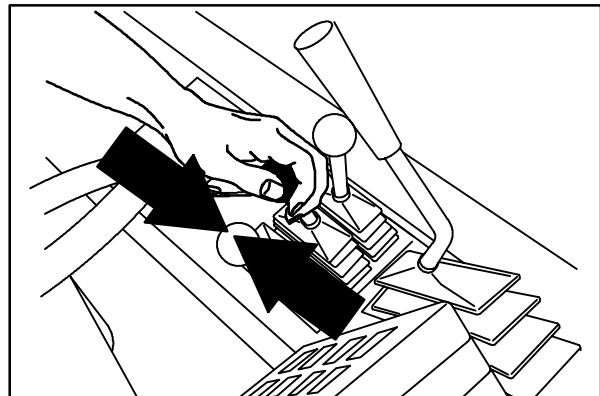
07816

2. Pull the hopper door lever into the **Close** position until the hopper door light comes on.



07778

3. Release the hopper door lever into the middle (Hold) position.



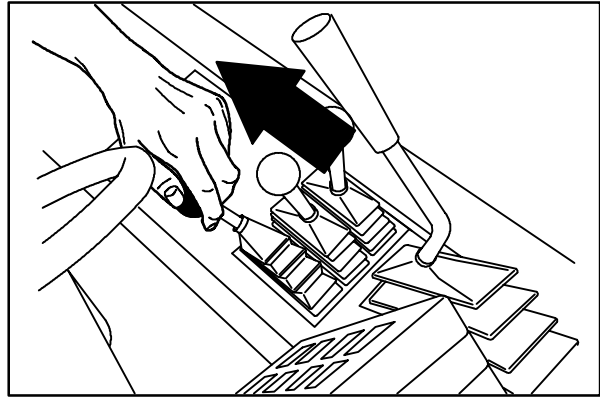
07777

## OPERATION

4. Pull the hopper lift lever into the **Up** position and raise the hopper to the desired height.

**FOR SAFETY: When using machine, make sure adequate clearance is available before raising hopper.**

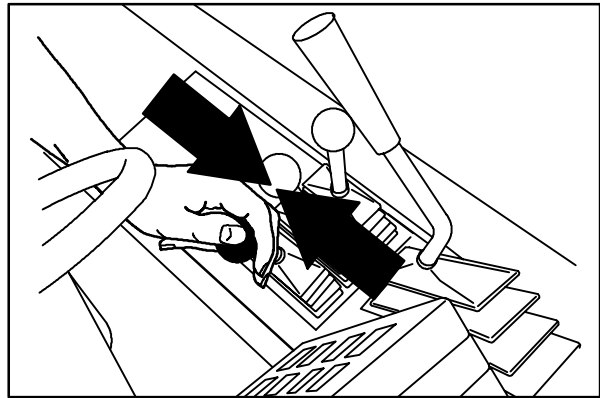
*NOTE: Be aware that the minimum ceiling height needed to high dump the hopper is 2745 mm (9 ft).*



07779

5. Release the hopper lift lever up and into the middle (Hold) position.

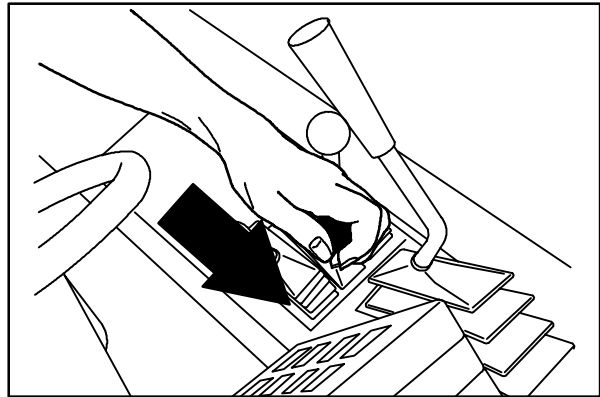
**FOR SAFETY: When using machine, move machine with care when hopper is raised.**



07780

6. Drive the machine up to the debris container.
7. Lower the hopper into the debris container to control dust.
8. Push the hopper door lever into the **Open** position and leave it there.

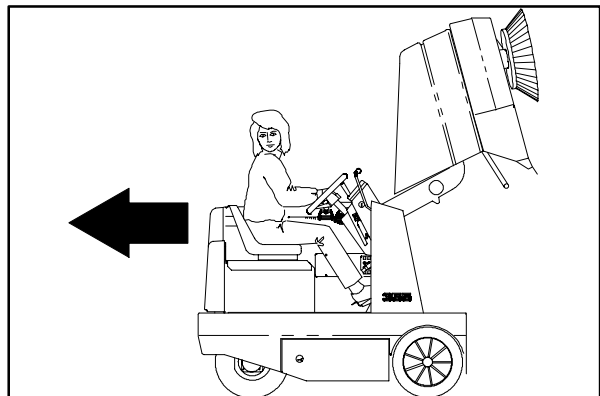
9. Raise the hopper enough and/or close the hopper door to clear the top of the debris container.



07776

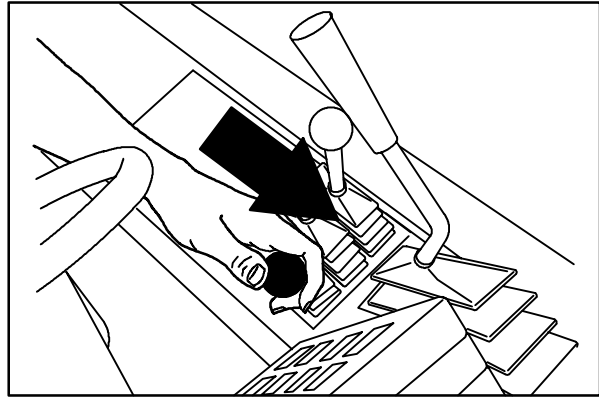
10. Slowly back the machine away from the debris site or debris container.

**For Safety: When using machine, use care when reversing machine.**



07999

11. Push the hopper lift lever into the **Down** position.

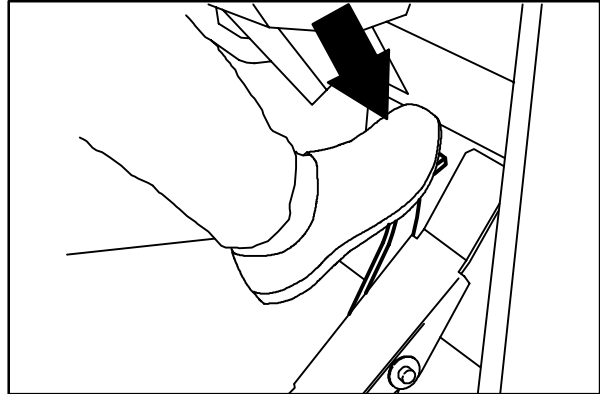


07781

# OPERATION

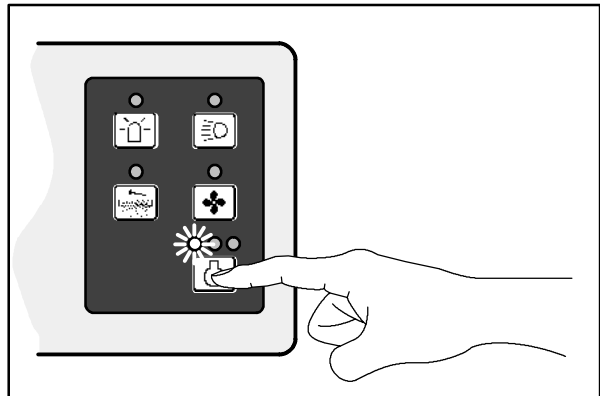
## STOP THE MACHINE

1. Stop sweeping.
2. Take your foot off the directional pedal. Step on the brake pedal.



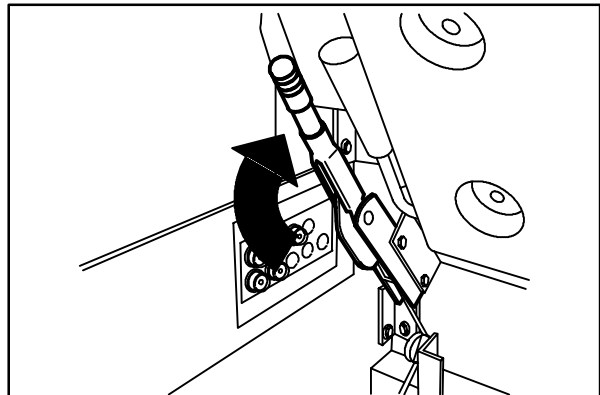
07754

3. Select the (Idle) position with the engine speed switch.



07770

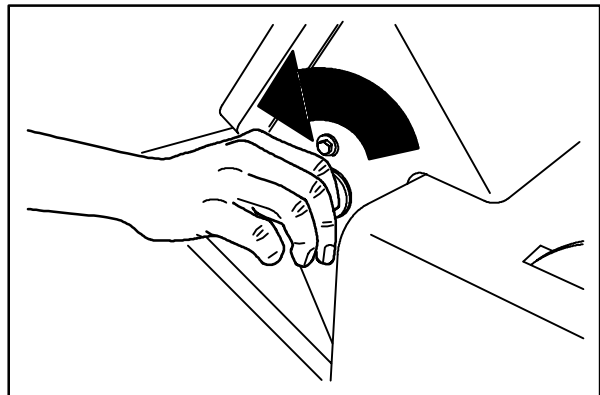
4. Set the machine parking brake.



07794

5. Turn the ignition switch key counter-clockwise to stop the engine. Remove the switch key.

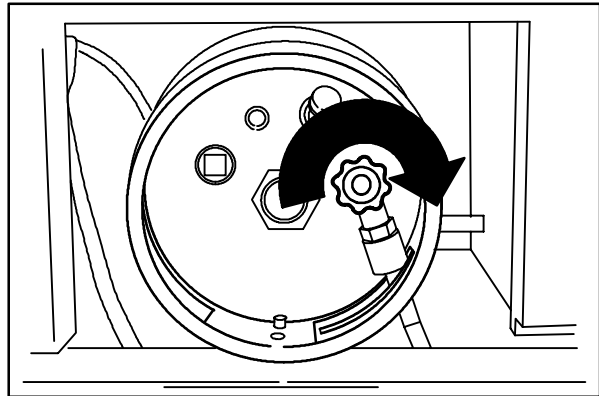
**FOR SAFETY: Before leaving or servicing machine; stop on level surface, set parking brake, turn off machine and remove key.**



07805



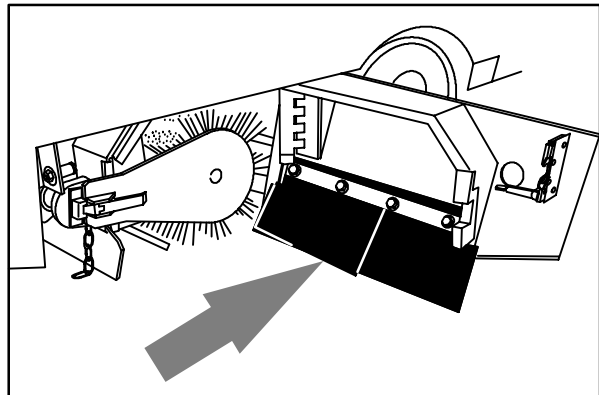
- 6. LPG powered machines: Close the LPG tank's liquid service valve.



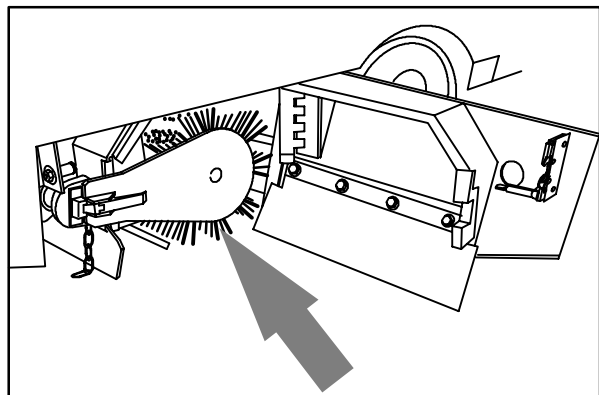
07810

**POST-OPERATION CHECKLIST**

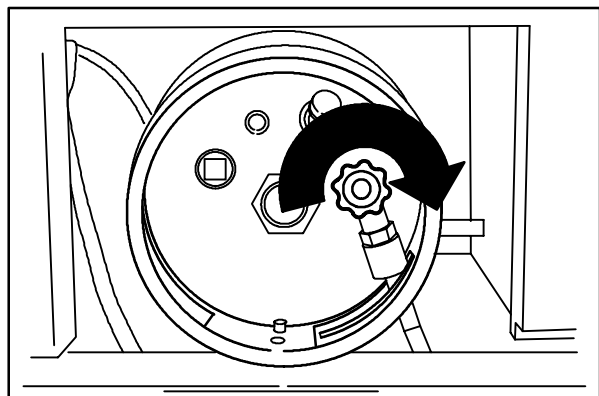
- Check the brush skirts for damage, wear, and adjustment.
  
- Check the brushes adjustment. See *TO CHECK AND ADJUST MAIN BRUSH PATTERN* and *SIDE BRUSH* in *MAINTENANCE*.
  
- Check for wire or string tangled on the main and side brushes
  
- LPG powered machine: Check to make sure the LPG tank service valve is closed.
- Check for fuel odor that indicates a fuel leak.
- Check under the machine for leak spots (fuel, oil, coolant).
- Check the service records to determine maintenance requirements.



08001



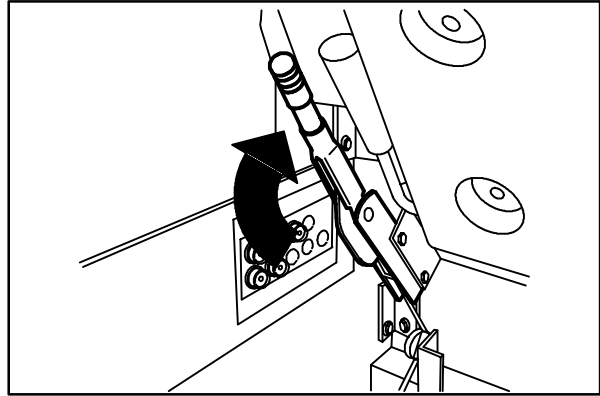
08002



07810

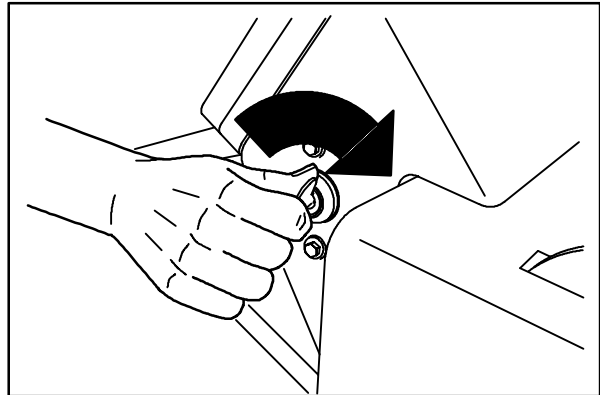
## ENGAGING HOPPER SUPPORT BAR

1. Set the machine parking brake.

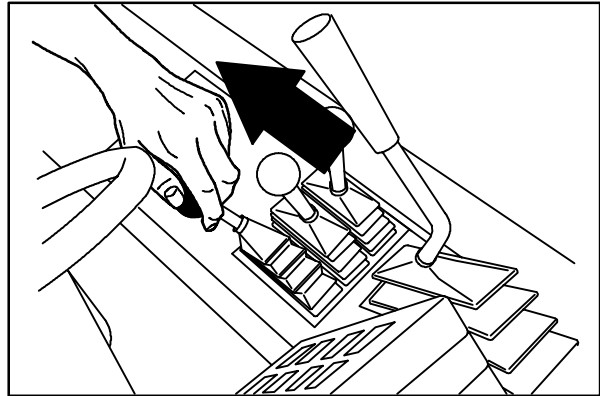


2. Start the engine.

**For Safety: When starting machine, keep foot on brake and directional pedal in neutral.**

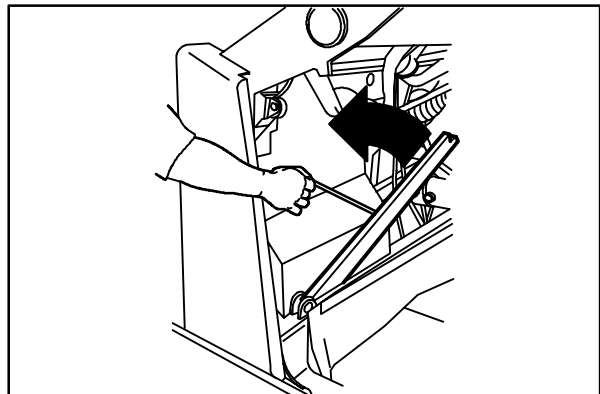


3. Raise the hopper all the way up.



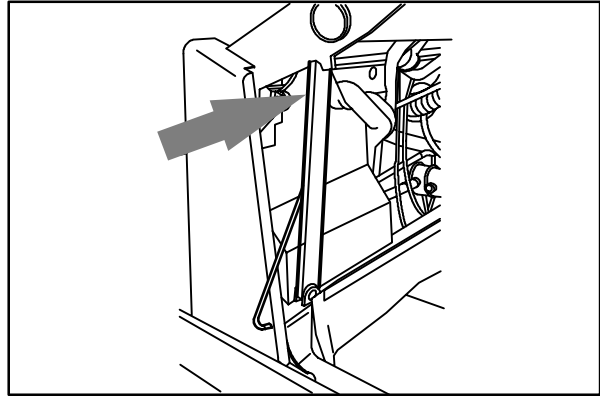
4. Lift and position the hopper support bar under the hopper lift arm.

 **WARNING: Raised hopper may fall. Engage hopper support bar.**



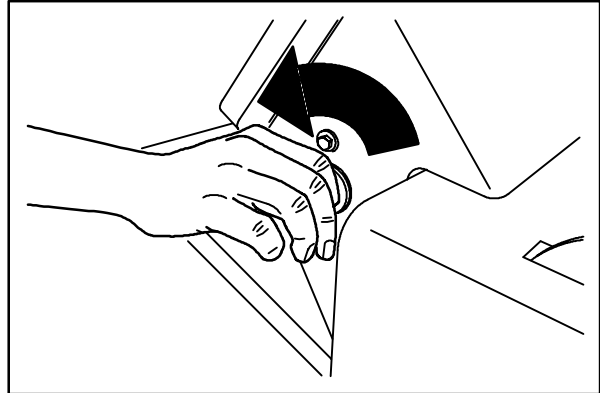
5. Slowly lower the hopper so the lift arm rests on the support bar.

**⚠ WARNING: Lift arm pinch point. Stay clear of hopper lift arms.**



07803

6. Shut the engine off.



07805

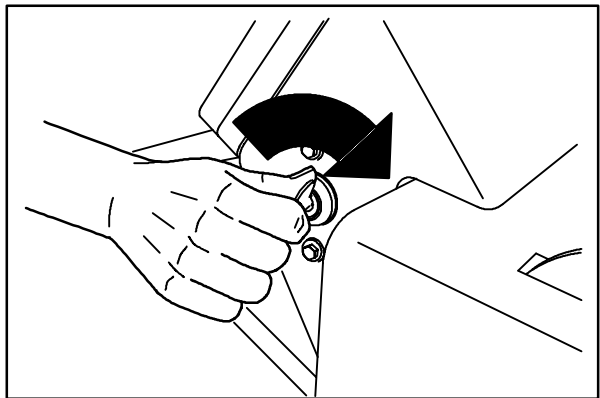
---

**DISENGAGING HOPPER SUPPORT BAR**

---

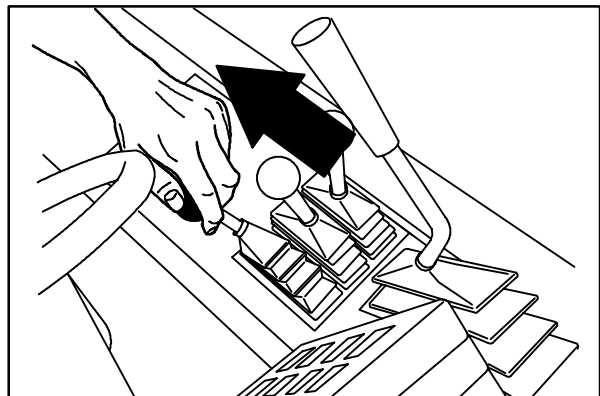
1. Start the engine.

**FOR SAFETY: When starting machine, keep foot on brake and directional pedal in neutral.**



07804

2. Raise the hopper slightly to release the hopper support bar.

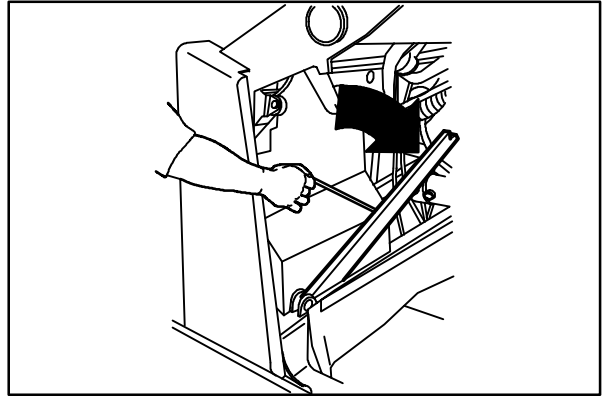


07779

## OPERATION

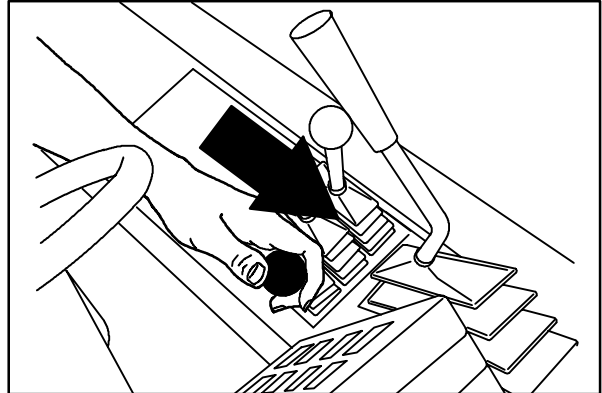
- Put the support bar in its storage position.

 **WARNING: Lift arm pinch point. Stay clear of hopper lift arms.**



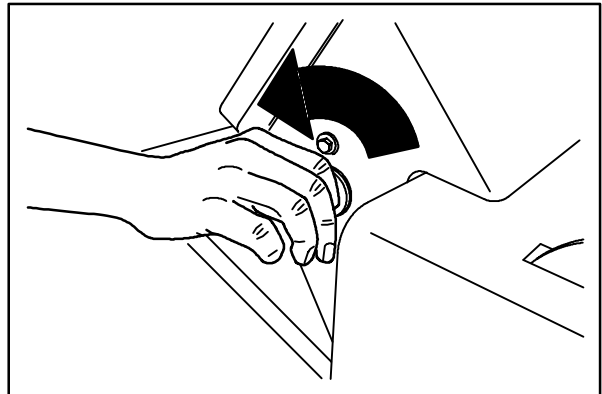
08004

- Lower the hopper.



07781

- Shut the engine off.



07805

---

### OPERATION ON INCLINES

---

Drive the machine slowly on inclines. Use the brake pedal to control machine speed on descending inclines.

The maximum rated incline is 10°.

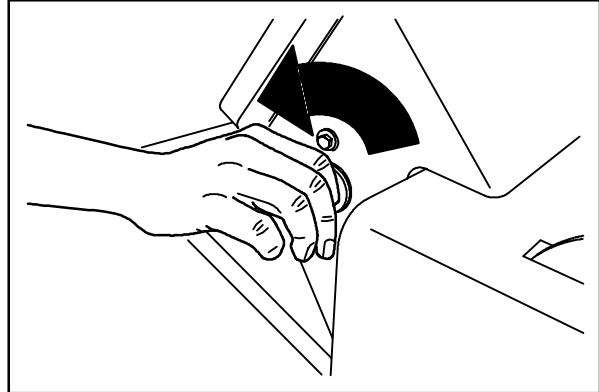
**FOR SAFETY: When using machine, go slow on inclines.**

**OPTIONS**

**VACUUM WAND**

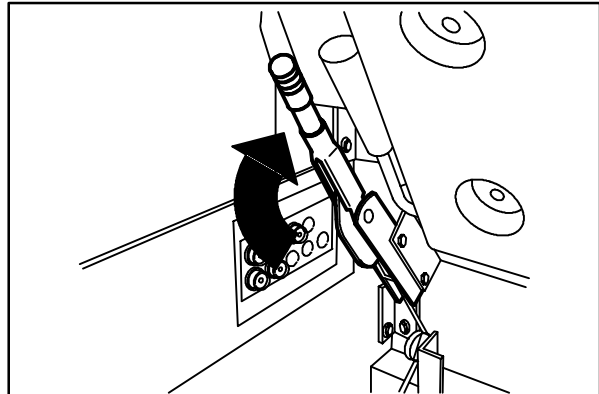
The vacuum wand uses the machine's vacuum system. The vacuum hose and wand allow pick-up of debris that is out of reach of the machine.

1. Stop the machine within reach of the area to be vacuumed.
2. Shut the engine off.



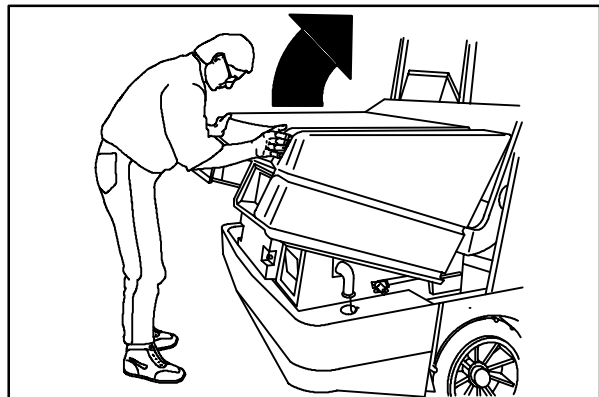
07805

3. Set the machine parking brake.



07794

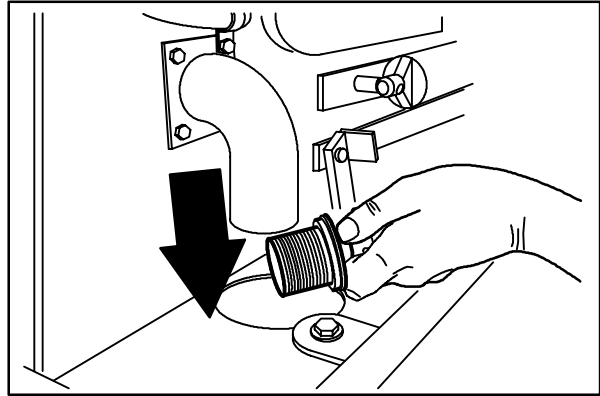
4. Open the hopper cover.



08133

## OPERATION

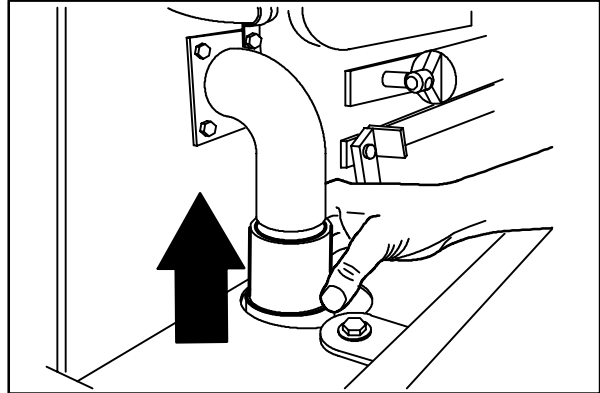
5. Remove the vacuum plug from the side of the hopper.



08134

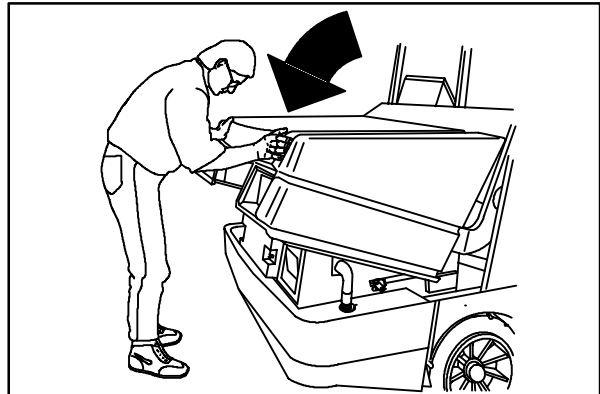
6. Remove the vacuum wand and hose from the mounting clips.

7. Connect the vacuum hose to the hopper connection.



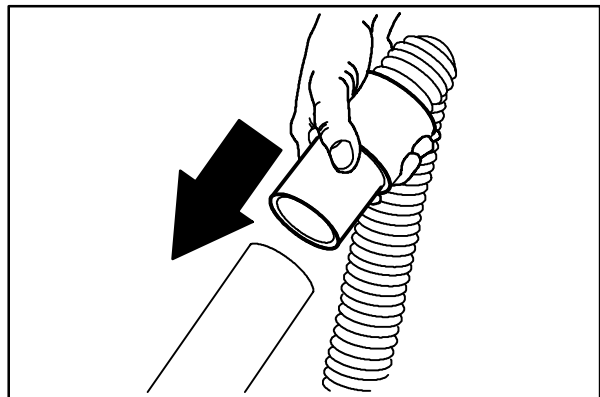
08136

8. Close the hopper cover.



08728

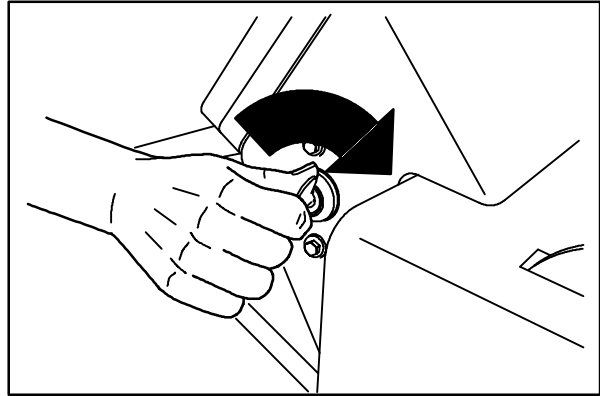
9. Connect the vacuum hose to the vacuum wand.



08138

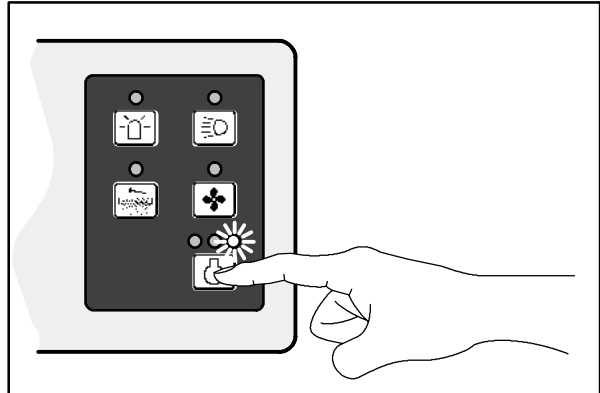
10. Start the engine.

**FOR SAFETY: When starting machine, keep foot on brake and directional pedal in neutral.**



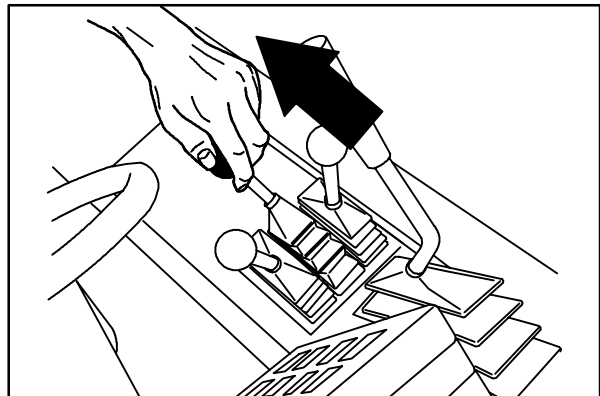
07804

11. Select the (Fast 2) engine speed with the engine speed switch.



07772

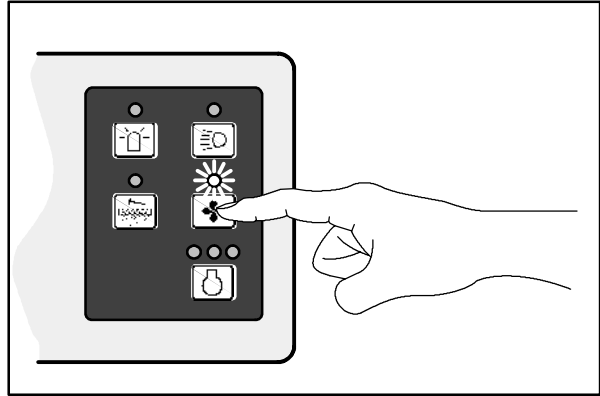
12. Pull and hold the hopper door lever into the **Close** position until the hopper door light comes on.



07778

## OPERATION

13. Press the vacuum fan switch to start the vacuum.



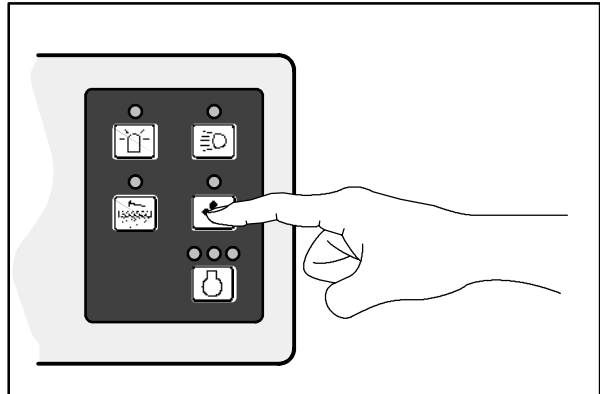
07769

14. Vacuum the area as needed.



08140

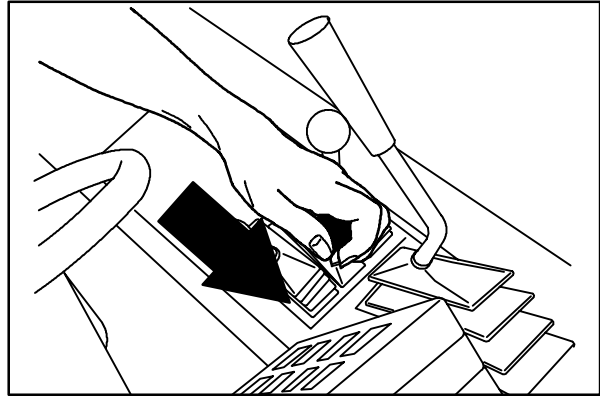
15. Press the vacuum switch to shut off the vacuum.



07998

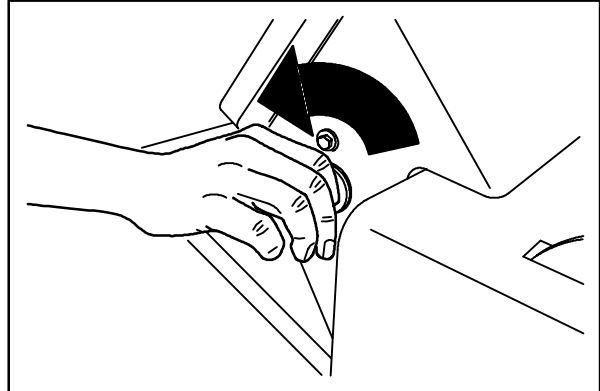


16. Push the hopper door lever into the **Open** position and leave it there.



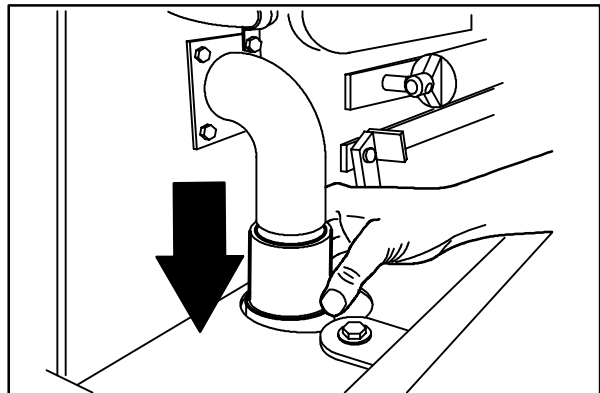
07776

17. Shut the engine off.



07805

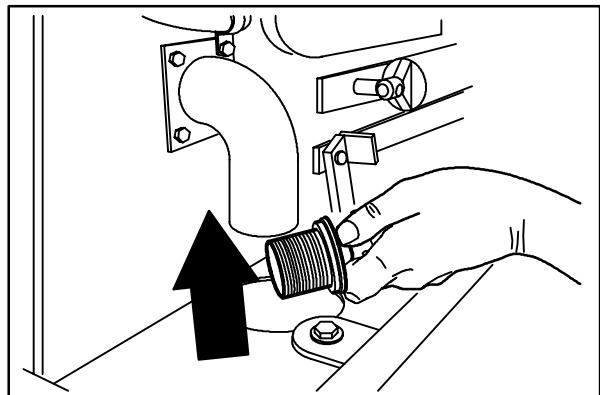
18. Open the hopper cover.



08137

19. Remove the vacuum hose from the hopper connection.

20. Put the vacuum plug in the hopper connection.

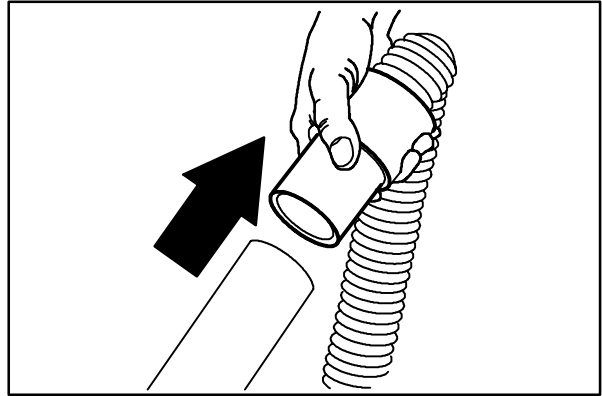


08135

21. Close the hopper cover.

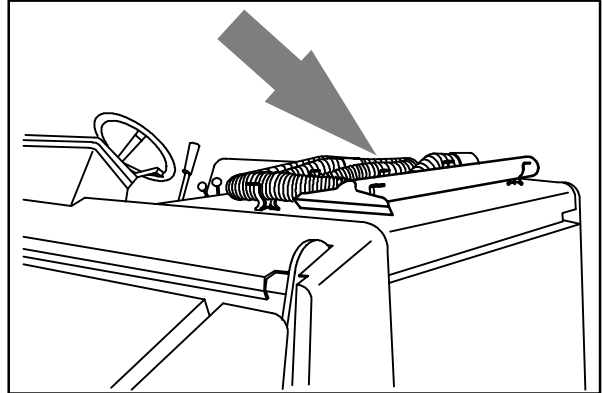
## OPERATION

22. Disconnect the vacuum hose from the vacuum wand.



08139

23. Put the vacuum wand and hose in the mounting clips.

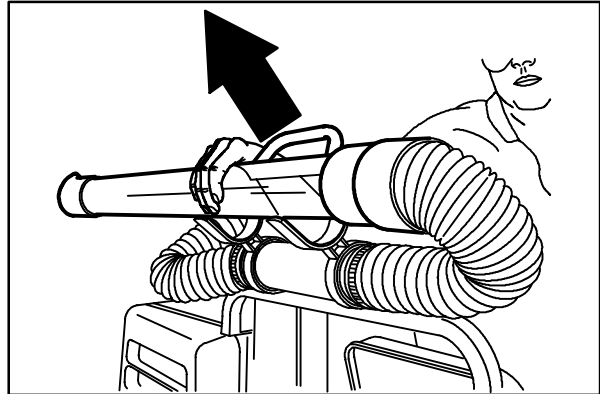


08141

**BLOWER WAND**

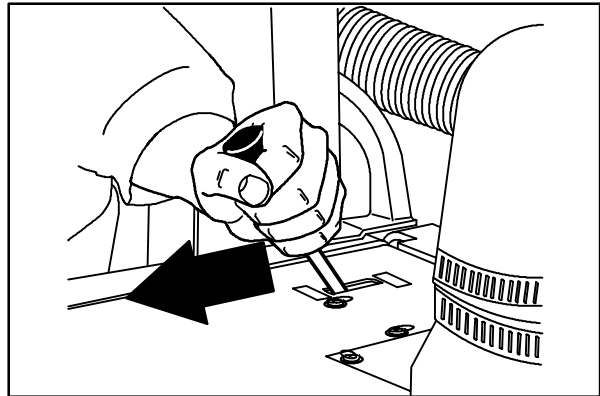
The blower wand uses the machine's vacuum exhaust. The blower wand allows the operator to blow debris out from areas while sweeping with the machine.

1. Remove the blower attachment from the back of the machine.



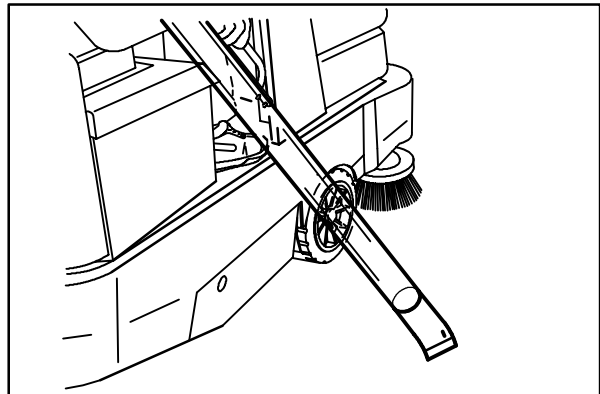
08142

2. Move the lever on the engine cover forward into the **ON** position to start airflow through the wand.



08144

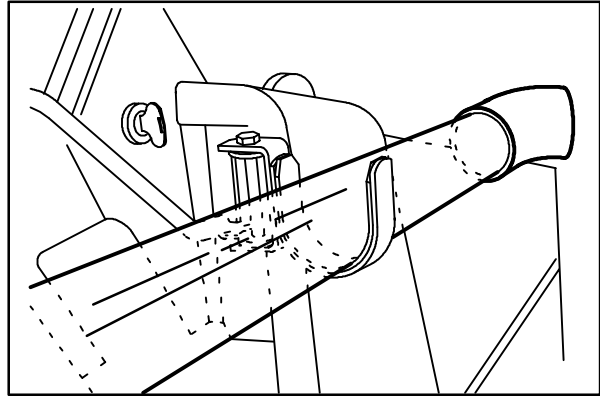
3. Direct the wand into the area of debris.



08146

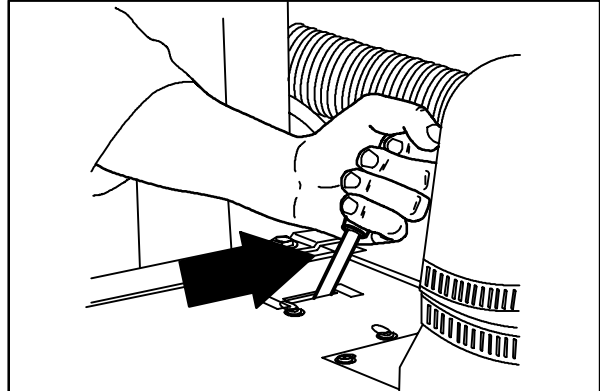
## OPERATION

The operator can rest the wand on the side bracket.



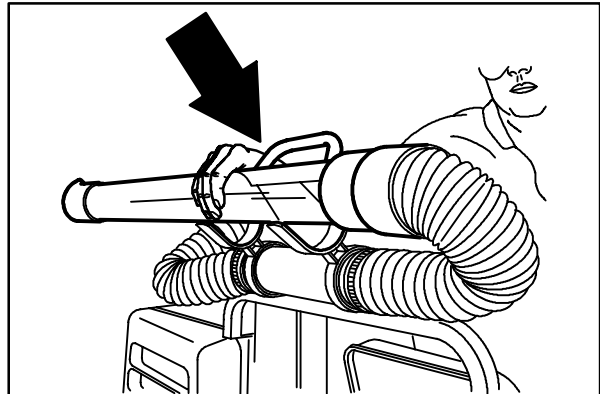
08147

4. Move the lever on the engine cover backward into the **OFF** position to stop airflow through the wand.



08145

5. Put the blower attachment on the back of the machine.

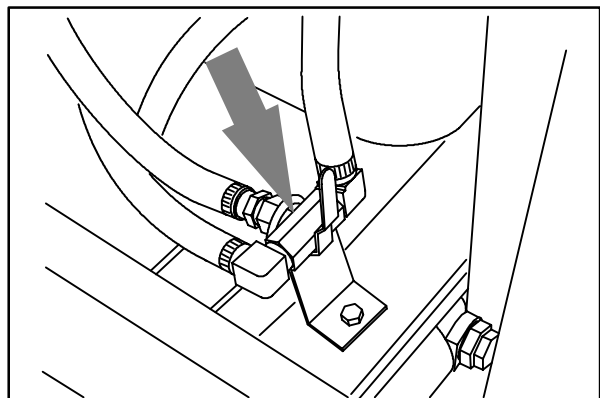


08143

### HEATER VALVE

The heater valve is located at the bottom of the engine compartment. The valve controls the flow of hot coolant to the heater core.

Turning the valve handle 90° to the valve opens the valve, allowing coolant to flow to the heater core. Turning the handle straight with the valve closes the valve, stopping the flow.

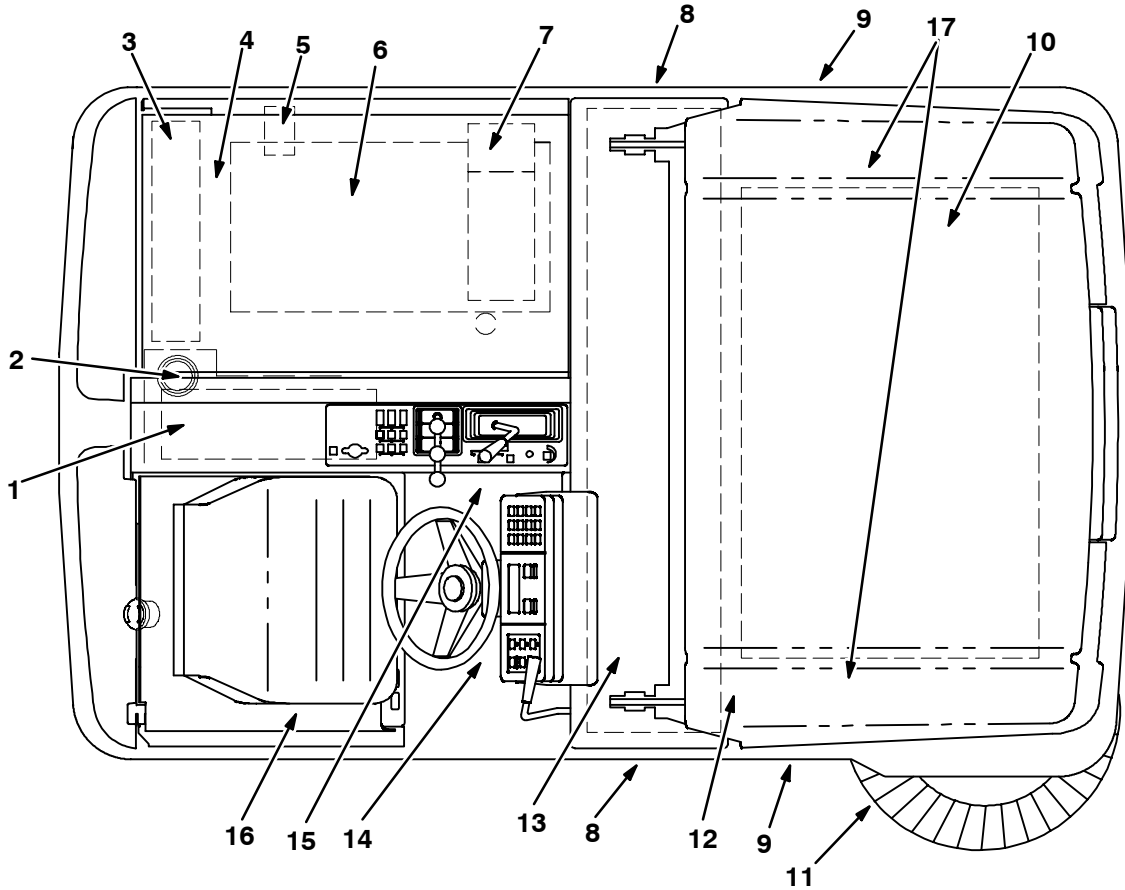


08569

**MACHINE TROUBLESHOOTING**

Problem	Cause	Remedy	
Excessive dusting	Brush skirts and dust seals worn, damaged, out of adjustment	Replace or adjust brush skirts or dust seals	
	Hopper dust filter clogged	Shake and/or clean or replace dust filter	
	Hopper dust filter not shaking clean	Connect shaker solenoid spring	
		Install filter shaker plate correctly	
		Insert shaker solenoid pin into the hole of filter element comb	
	Engine operating at (Fast 2) speed	Operate engine at (Fast 1) speed	
	Vacuum hose damaged	Replace vacuum hose	
	Vacuum fan failure	Contact TENNANT service personnel	
	Hopper door partially or completely closed	Open the hopper door	
Thermo Sentry™ tripped	Reset Thermo Sentry™		
Poor sweeping performance	Brush bristles worn	Replace brushes	
	Main and side brushes not adjusted properly	Adjust main and side brushes	
	Debris caught in main brush drive mechanism	Free drive mechanism of debris	
	Main brush drive failure	Contact TENNANT service personnel	
	Side brush drive failure	Contact TENNANT service personnel	
	Hopper full	Empty hopper	
	Hopper lip skirts worn or damaged	Replace lip skirts	
	Hopper door partially or completely closed	Open the hopper door	
	Wrong sweeping brush	Contact TENNANT representative for recommendations	
	Main brush in <b>Down</b> position	Put main brush in <b>Float</b> position	

**MAINTENANCE**



07747

**MAINTENANCE CHART**

Interval	Key	Description	Procedure	Lubricant/ Fluid	No. of Service Points
Daily	7	Engine air filter	Check indicator	-	1
			Empty dust cap	-	1
	6	Engine crankcase	Check oil level	EO	1
	8	Brush compartment skirts	Check for damage, wear and adjustment	-	5
	12	Hopper lip skirts	Check for damage, wear and adjustment	-	3
	12	Hopper side skirt	Check for damage and wear	-	1
	13	Main brush	Check for damage, wear, and adjustment	-	1
			Check brush pattern	-	1
11	Side brush	Check for damage, wear, and adjustment	-	1	
		Check brush pattern	-	1	
50 Hours	13	Main brush	Rotate end-for-end	-	1

Interval	Key	Description	Procedure	Lubricant/ Fluid	No. of Service Points
100 Hours	10	Hopper dust filter	Check for damage, clean or replace	-	1
	3	Radiator	Clean core exterior	-	1
			Check coolant level	WG	1
	2	Hydraulic fluid reservoir	Check fluid level	HYDO	1
	1	Rear tire	Check pressure	-	1
	8	Main brush and hopper seals	Check for damage or wear	-	8
6	Engine crankcase	Change oil and filter element	EO	1	
200 Hours	4	Engine fan belt	*Check tension	-	1
	3	Radiator hoses and clamps	Check for tightness and wear	-	2
	15	Parking brake	Check adjustment	-	1
	14	Brake pedal	Check and adjust travel	-	1
	1	Rear wheel support bearings	Lubricate	SPL	2
	17	Hopper bearings	Lubricate	SPL	2
11	Side brush guard	Rotate 90°	-	1	
400 Hours	9	Front wheel bearings	Check, lubricate, and adjust	SPL	2
	6	Engine	*Check and adjust valve clearance	-	8
			Check and adjust idle speed	-	1
			Check and adjust carburetor idle mixture	-	1
			Clean or replace and adjust spark plugs	-	4
			Replace oil fill cap/PCV breather Clean PCV hose	-	-
Fuel filters	-	2			
800 Hours	3	Cooling system	Flush	WG	1
	2	Hydraulic fluid reservoir	Replace hydraulic breather	-	1
			Replace suction strainer	-	1
			Change hydraulic fluid	HYDO	1
	5	Hydraulic fluid filter	Change filter element	-	1
	2	Hydraulic hoses	Check for wear and damage	-	31
	1	Propelling motor	*Torque shaft nut	-	1
	1	Rear wheel	*Torque wheel nuts	-	1
16	Battery	*Clean and tighten battery cable connections	-	1	

**LUBRICANT/FLUID**

EO . . . Engine oil, 10W30 SAE-SG/SH rated

HYDO . Tennant Company or approved hydraulic fluid

WG . . . Water and permanent-type ethylene glycol anti-freeze, -34° C (-30° F)

SPL . . . Special lubricant, Lubriplate EMB grease (TENNANT part no. 01433-1)

*NOTE: Also check procedures indicted (\*) after the first 50-hours of operation.*

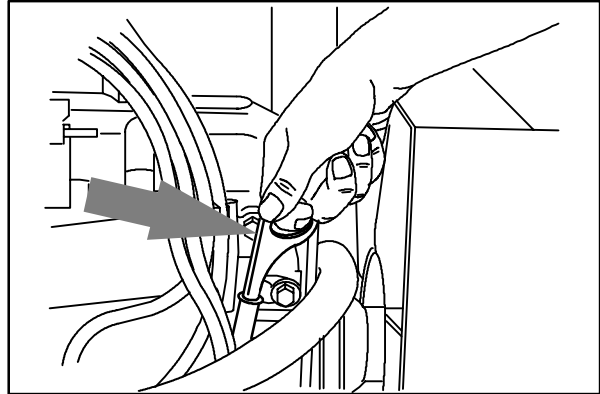
## LUBRICATION

---

### ENGINE

Check the engine oil level daily. Change the engine oil and oil filter every 100 hours of machine operation. Use only 10W30 SAE-SG/SH rated engine oil.

Fill the engine with oil to the level indicated on the oil dipstick. The engine oil capacity is 3.3 L (3.5 qt) including the oil filter.

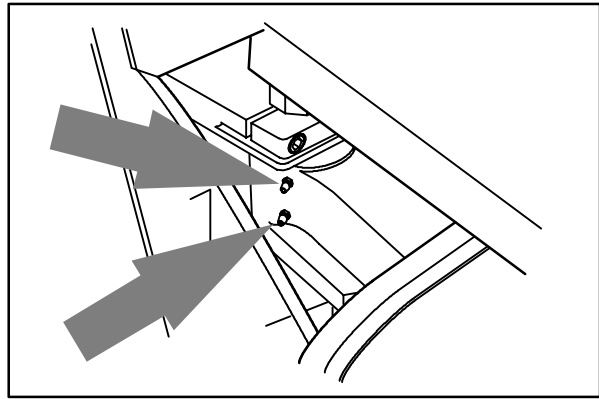


07751



**REAR WHEEL SUPPORT**

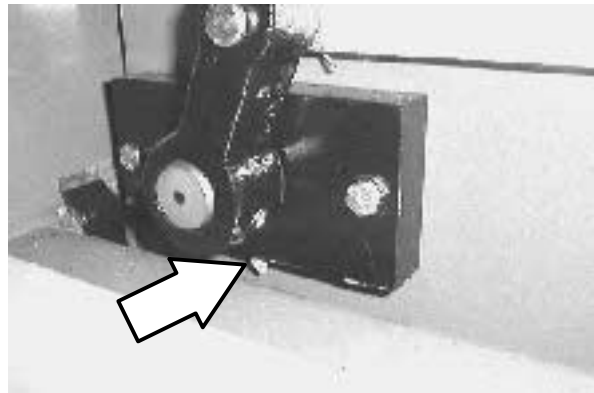
The rear wheel support pivots the rear wheel. The support has two grease fittings for the bearings. The rear wheel support bearings must be lubricated every 200 hours of operation. Use Lubriplate EMB grease (TENNANT part no. 01433-1).



08005

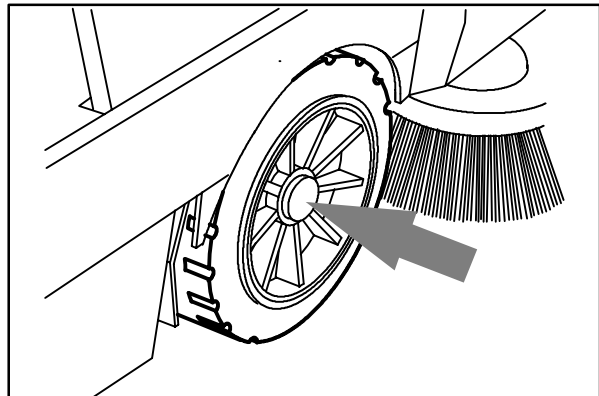
**HOPPER BEARINGS**

The hopper pivots on the hopper bearings whenever the hopper is raised or emptied. The hopper bearings must be lubricated after every 200 hours of operation. Use Lubriplate EMB grease (TENNANT part no. 01433-1).



**FRONT WHEEL BEARINGS**

Inspect the front wheel bearings for seal damage, and repack and adjust every 400 hours of operation. Use Lubriplate EMB grease (TENNANT part no. 01433-1).



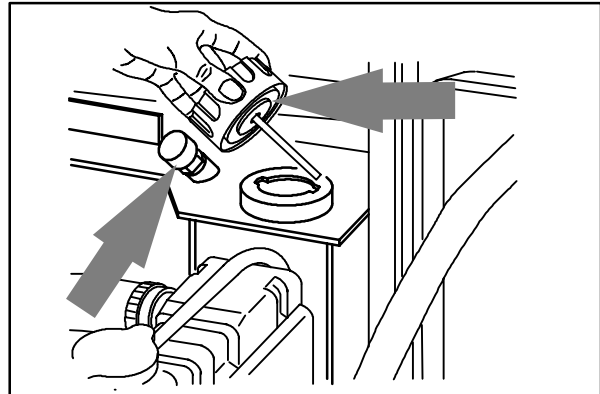
08006

## HYDRAULICS

### HYDRAULIC FLUID RESERVOIR

The reservoir is located in the engine compartment next to the radiator.

Mounted on top of the reservoir is a filler cap with a fluid level dipstick. The reservoir also has a hydraulic breather located next to the filler cap. Replace the hydraulic breather after every 800 hours of operation.

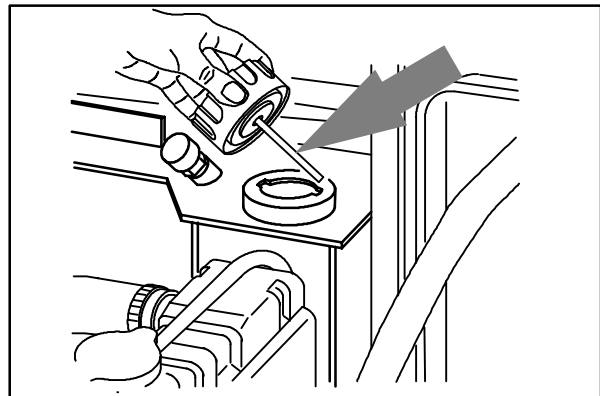


08007

Check the hydraulic fluid level at operating temperature every 100 hours of operation. Make sure the hopper is down when checking hydraulic fluid level. The end of the dipstick is marked with FULL and ADD levels to indicate the level of hydraulic fluid in the reservoir.

Lubricate the filler cap gasket with a film of hydraulic fluid before putting the cap back on the reservoir.

**ATTENTION! Do not overfill the hydraulic fluid reservoir or operate the machine with a low level of hydraulic fluid in the reservoir. Damage to the machine hydraulic system may result.**



07750

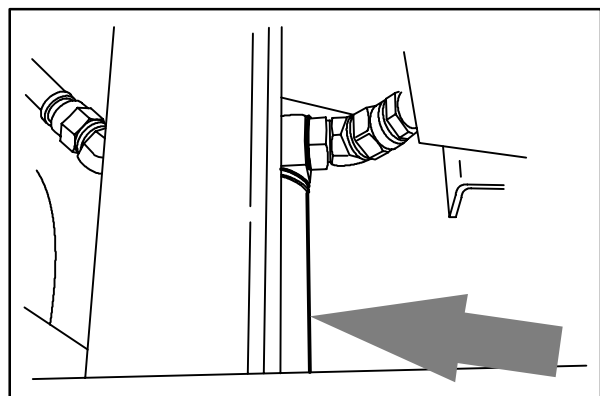
Drain and refill the hydraulic fluid reservoir with new hydraulic fluid every 800 hours of operation.

The hydraulic fluid filter is located at the bottom of the engine compartment. Replace the filter element every 800 hours of operation.

The reservoir has a built-in strainer outlet that filters hydraulic fluid before it enters the system. Replace the strainer every 800 hours of operation.

### HYDRAULIC FLUID

The quality and condition of the hydraulic fluid play a very important role in how well the machine operates. TENNANT's hydraulic fluid is specially selected to meet the needs of TENNANT machines.



08051

TENNANT's hydraulic fluids provide a longer life for the hydraulic components. There are two fluids available for different temperature ranges:

TENNANT part no.	Ambient Temperature
65869	above 7° C (45° F)
65870	below 7° C (45° F)

The higher temperature fluid has a higher viscosity and should not be used at the lower temperatures. Damage to the hydraulic pumps may occur because of improper lubrication.

The lower temperature fluid is a thinner fluid for colder temperatures.

If a locally-available hydraulic fluid is used, make sure the specifications match TENNANT hydraulic fluid specifications. Using substitute fluids can cause premature failure of hydraulic components.

European manufactured machines are filled with locally available hydraulic fluids. Check the label on the hydraulic fluid reservoir.

**ATTENTION! Hydraulic components depend on system hydraulic fluid for internal lubrication. Malfunctions, accelerated wear, and damage will result if dirt or other contaminants enter the hydraulic system.**

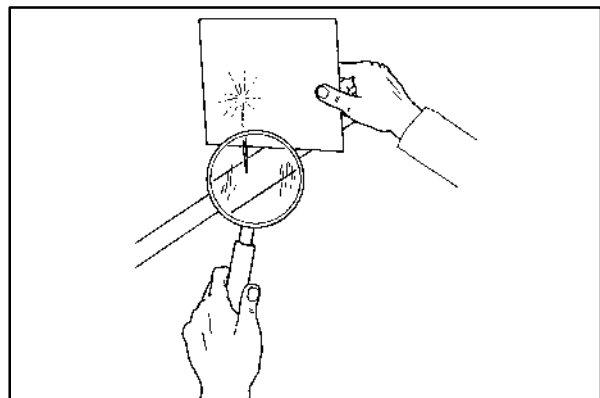
**HYDRAULIC HOSES**

Check the hydraulic hoses every 800 hours of operation for wear or damage.

Fluid escaping at high pressure from a very small hole can be almost invisible, and can cause serious injuries.

See a doctor at once if injury results from escaping hydraulic fluid. Serious infection or reaction can develop if proper medical treatment is not given immediately.

**FOR SAFETY: When servicing machine, use cardboard to locate leaking hydraulic fluid under pressure.**



00002

If you discover a fluid leak, contact your mechanic/supervisor.

**PROPELLING MOTOR**

Torque the shaft nut to 508 Nm (375 ft lb) after the first 50-hours of operation, and every 800 hours there after.

## ENGINE

### COOLING SYSTEM

Check the radiator core exterior for debris every 100 hours of operation. Blow or rinse all dust, which may have collected on the radiator, in through the grille and radiator fins, opposite the direction of normal air flow. The grille and hydraulic cooler open for easier cleaning. Be careful not to bend the cooling fins when cleaning. Clean thoroughly to prevent the fins becoming encrusted with dust. Clean the radiator and cooler only after the radiator has cooled to avoid cracking.

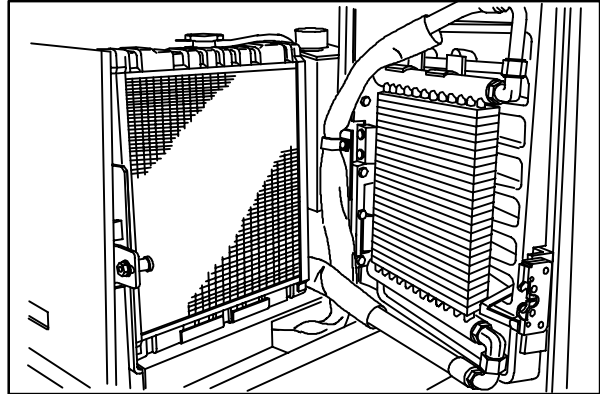
**FOR SAFETY: When servicing machine, wear eye and ear protection when using pressurized air or water.**

Check the radiator coolant level every 100 hours of operation. Use clean water mixed with a permanent-type, ethylene glycol antifreeze to a  $-34^{\circ}\text{C}$  ( $-30^{\circ}\text{F}$ ) rating.

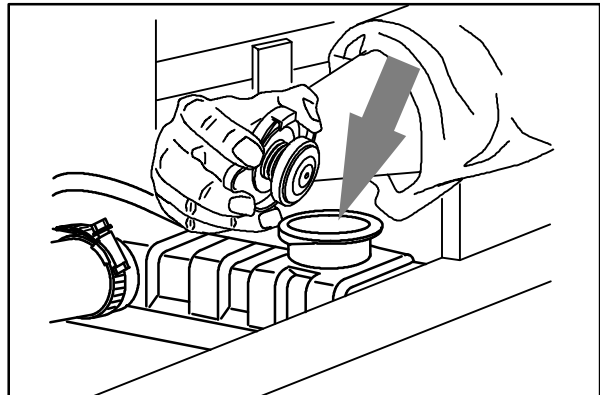
**FOR SAFETY: When servicing machine, avoid contact with hot engine coolant.**

Check the radiator hoses and clamps every 200 hours of operation. Tighten the clamps if they are loose. Replace the hoses and clamps if the hoses are cracked, harden, or swollen.

Flush the radiator and the cooling system every 800 hours of operation, using a dependable cleaning compound.



07809

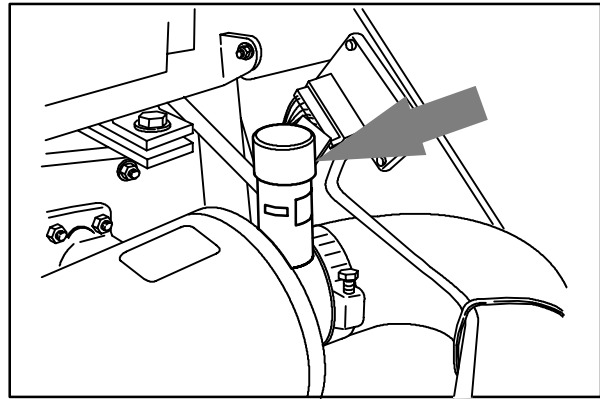


07752

**AIR FILTER INDICATOR**

The air filter indicator shows when to replace the air filter element. Check the indicator daily. The indicator's red line will move as the air filter element fills with dirt. Do not replace the air filter element until the red line reaches 5 kPa (20 in H<sub>2</sub>O) and the "SERVICE WHEN RED" window is filled with red. The indicator's red line may return to a lower reading on the scale when the engine shuts off. The red line will return to a correct reading after the engine runs for a while.

Reset the air filter indicator by pushing the reset button on the end of the indicator after replacing the air filter element.



07808

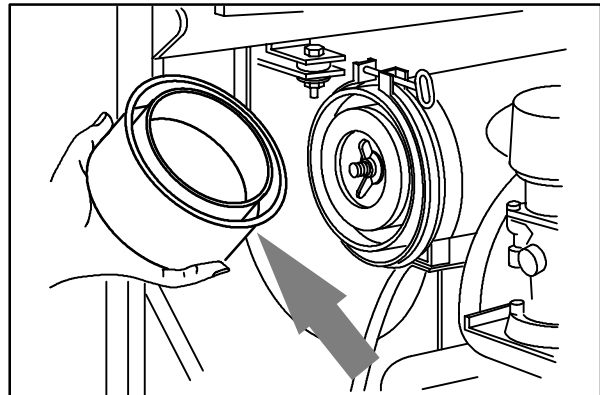
**AIR FILTER**

The engine air filter housing has a dust cap and a dry cartridge-type air filter element. Empty the dust cap daily. The air filter must be replaced whenever the filter element is damaged or when the air filter indicator shows a restriction. The air filters cannot be cleaned.

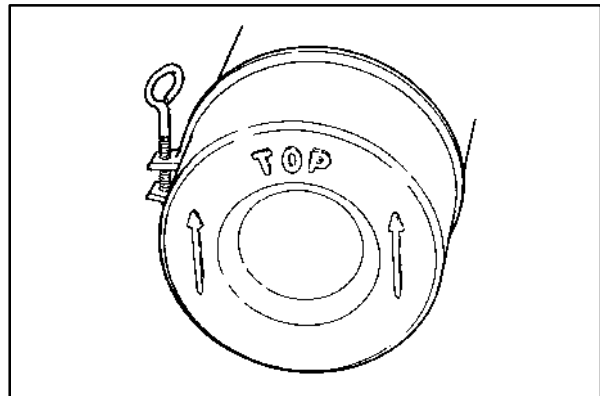
Machines have a heavy duty air filter safety element. It is inside the standard element. Replace this element after the regular element has been damaged or changed three times.

Install the dust cap on the air filter housing with the arrows pointing up.

Replace the air filter element only when the air filter indicator shows restriction in the air intake system. Do not remove the air filter element from the housing unless it is restricting air flow.



08008



02492

## FUEL FILTERS

The fuel filters trap fuel contaminants. One filter is located on the fuel line going into the carburetor. The other fuel filter is located at the fuel tank.

Replace the filter elements every 400 hours of operation.

**FOR SAFETY: When servicing machine, keep flames and sparks away from fuel system service area. Keep area well ventilated.**

## CARBURETOR

The carburetor has two basic adjustments. Those adjustments are idle fuel mixture and idle speed. Check and adjust idle fuel mixture and idle speed every 400 hours of operation.

Idle speed is  $1350 \pm 250$  rpm with no power to the electronic governor.

## SPARK PLUGS

Clean or replace, and set the gap of the spark plugs every 400 hours of operation.

The proper spark plug gap is 1 mm (0.040 in).

## VALVE TAPPET CLEARANCE

Check and adjust the intake valve clearance to 0.22 mm (0.009 in), and the exhaust valve clearance to 0.32 mm (0.013 in) while the engine is cold every 400 hours of operation.

## CRANKCASE VENTILATION SYSTEM

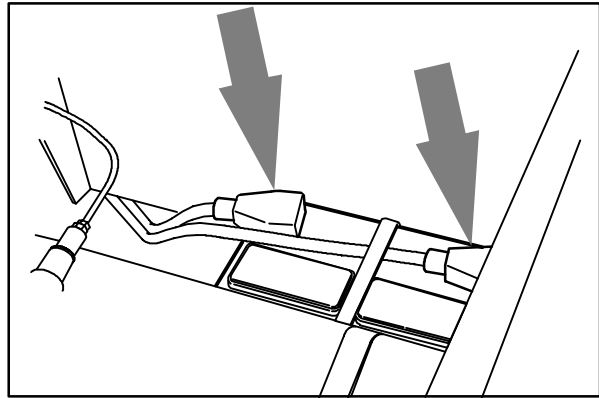
Clean the crankcase ventilation hoses, tubes, and fittings and replace the PCV valve every 400 hours of operation.

**BATTERY**

The battery for the machine is a low maintenance battery. Do not add water to the battery or remove the battery vent plugs.

After the first 50 hours of operation, and every 800 hours after that, clean and tighten the battery connections.

**For Safety: When servicing machine, avoid contact with battery acid.**



08050

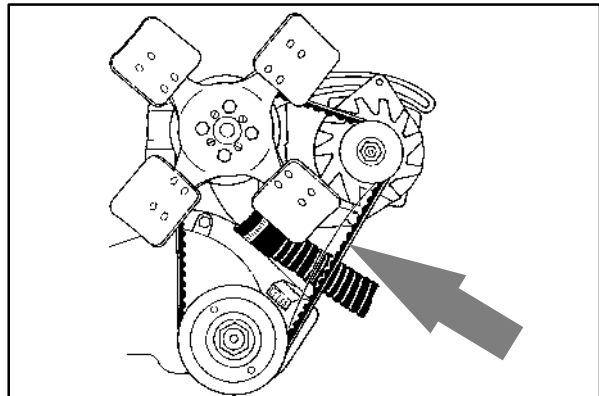
**BELTS AND CHAINS**

**ENGINE FAN BELT**

The engine fan belt is driven by the engine crankshaft pulley and drives the engine fan and alternator pulleys. Proper belt tension is obtained when the belt deflects 13 mm (0.50 in) from a force of 4 to 5 kg (8 to 10 lb) applied at the mid-point of the longest span.

Check and adjust the belt tension every 200 hours of operation.

**⚠ WARNING: Moving belt and fan. Keep away.**

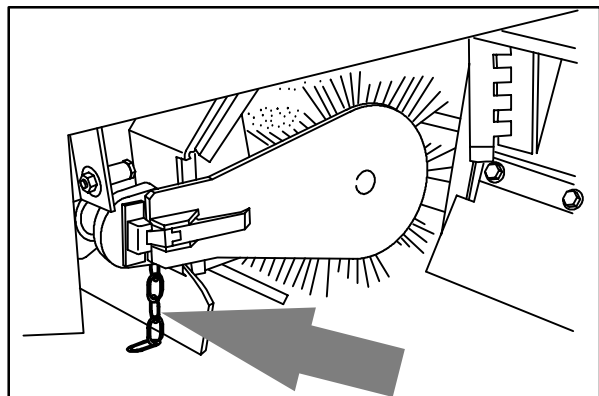


00577

**STATIC DRAG CHAIN**

A static drag chain prevents the buildup of static electricity in the machine. The chain is attached to the machine by a rear main brush skirt retaining bolt.

Make sure the chain is touching the floor at all times.



08009

## DEBRIS HOPPER

---

### HOPPER DUST FILTER

The dust filter filters the air pulled up from the hopper. The dust filter is equipped with a shaker to remove the accumulated dust particles. The dust filter shaker is operated by the filter shaker switch.

The standard dust filter works very well for normal sweeping applications. The synthetic filter works well for humid or wet applications. The surface load filter works well for heavy fine dust applications. It keeps the dust on the outer surface of the filter, making filter shaking more effective.

Shake the dust filter before emptying the hopper and at the end of every work shift. Check and clean or replace the dust filter every 100 hours of operation.

To clean the dust filter, use one of the following methods:

- SHAKING – Press the filter shaker switch.
- TAPPING – Tap the filter gently on a flat surface with the dirty side down. Do not damage the edges of the filter element or the filter will not seat properly in the filter frame.
- AIR – Always wear eye protection when using compressed air. Blow air through the dust filter opposite the direction of the arrows. Never use more than 690kPa (100 psi) of air pressure and never closer than 50 mm (2 in) away from the filter. This may be done with the dust filter in the machine.

**FOR SAFETY: When servicing machine, wear eye and ear protection when using pressurized air or water.**

- WATER – Rinse the synthetic filter with a low pressure garden hose through the dust filter opposite the direction of the arrows. Both the standard and surface load dust filters can also be rinsed, but the filters will degrade with each rinsing and should be replaced after rinsing five times.

*NOTE: Be sure the dust filter is dry before reinstalling it in the machine.*





**TO REPLACE HOPPER DUST FILTER**

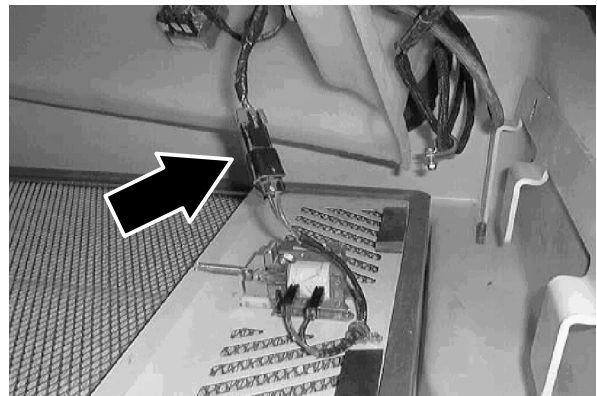
1. Stop the engine and set the machine parking brake.

**FOR SAFETY: Before leaving or servicing machine; stop on level surface, set parking brake, turn off machine and remove key.**

2. Open the hopper cover.
3. Remove the four knobs, washers and the two retaining brackets from the filter cover.



4. Lift the dust filter cover and disconnect the filter shaker wire.

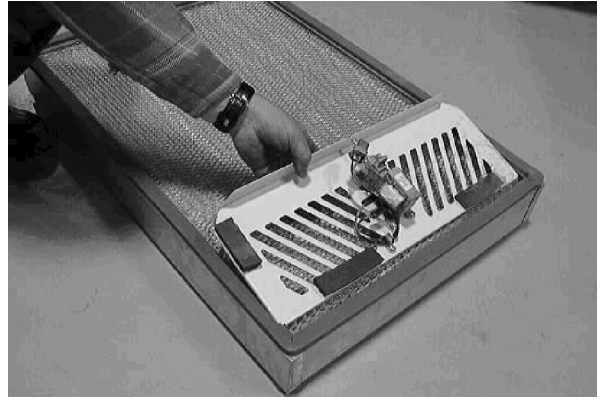


5. Lift the dust filter element assembly out from the hopper insert.

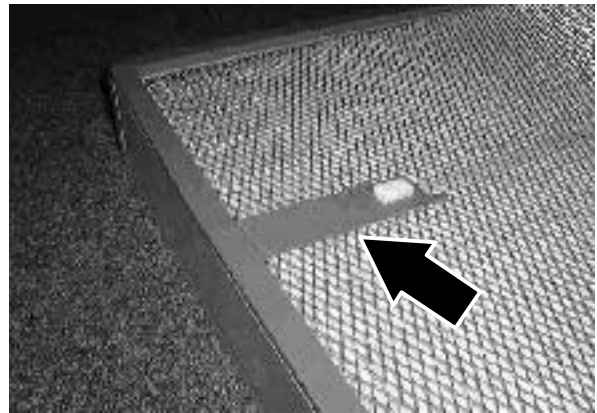


## MAINTENANCE

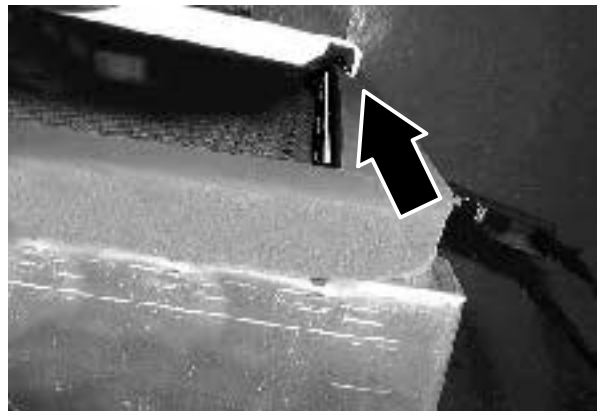
6. Remove the filter shaker plate from the dust filter element.
7. Clean or discard the dust filter element as required.



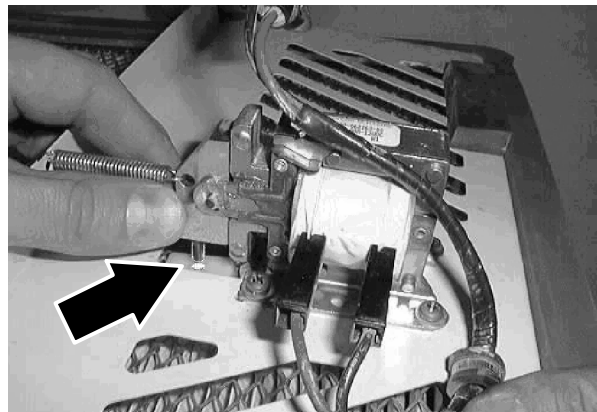
8. Remove the shipping tab from the dust filter element if a new element will be inserted into the machine.



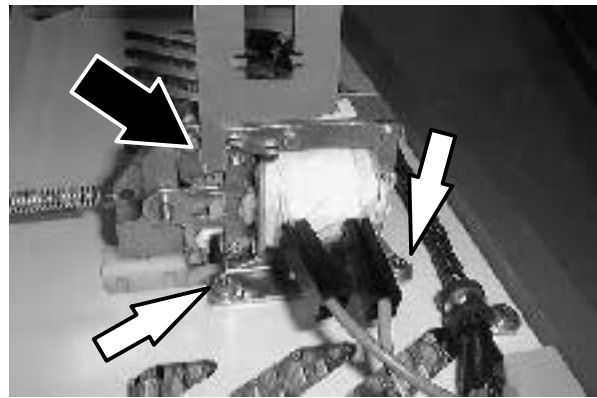
9. Place the filter shaker plate onto the new or cleaned dust filter element. Make sure the lip on the filter shaker plate is fastened over the lip on the dust filter element.



10. Insert the pin from the shaker into the hole on the dust filter element comb.



11. Check the shaker solenoid gap with the end of the shipping tab. The gap should be the same width as the tab. If it is not, loosen the mounting screws, adjust the gap by repositioning the shaker solenoid, then tighten the screws.
12. Place the dust filter element assembly into the hopper insert and reconnect the filter shaker wire.
13. Center the dust filter cover over the element, then push the cover back until the rear vacuum fan seal is pressed against the hopper insert.
14. Fasten the dust filter cover onto the element with the retainer brackets, washers, and knobs.
15. Close the hopper cover.



**THERMO SENTRY™**

The Thermo Sentry™ senses the temperature of the air pulled up from the hopper. If there is a fire in the hopper, the Thermo Sentry™ stops the vacuum fan and cuts off the air flow.

Reset the Thermo Sentry™ by pushing in its reset button.



## BRUSHES

---

### MAIN BRUSH

The main brush is cylindrical and spans the width of the machine, sweeping debris into the hopper.

Check the brush daily for wear or damage. Remove any string or wire tangled on the main brush, main brush drive hub, or main brush idler hub.

Check the main brush pattern daily. The pattern should be 50 to 65 mm (2.0 to 2.5 in) wide with the main brush in the **Down** position. Adjust the main brush pattern by turning the main brush pressure knob located next to the brush position lever.

Rotate the main brush end-for-end every 50 hours of operation for maximum brush life and best sweeping performance.

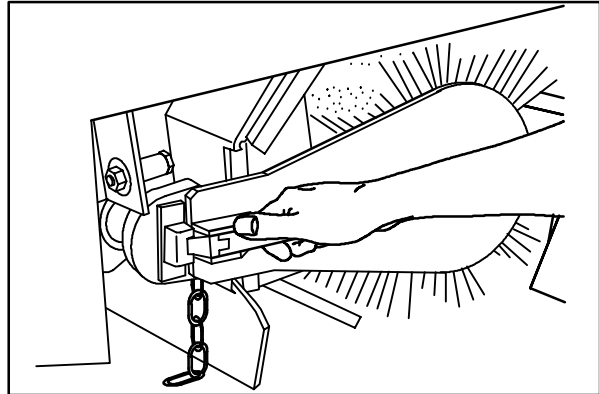
Replace the main brush when the remaining bristles measure 30 mm (1.25 in) in length.

**TO REPLACE MAIN BRUSH**

1. Stop the engine and set the machine parking brake.

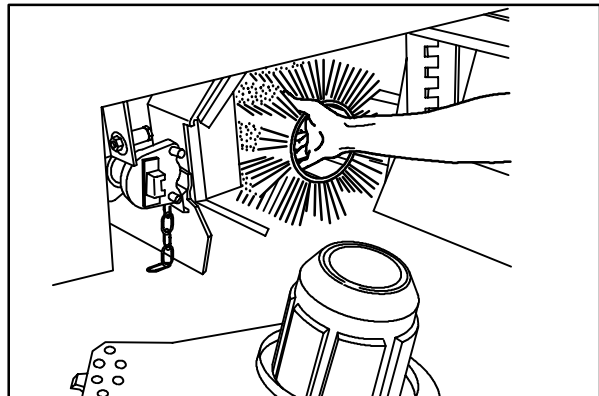
**FOR SAFETY: Before leaving or servicing machine; stop on level surface, set parking brake, turn off machine and remove key.**

2. Raise the main brush.
3. Open the right side main brush access door.
4. Unlatch and remove the brush idler plate.

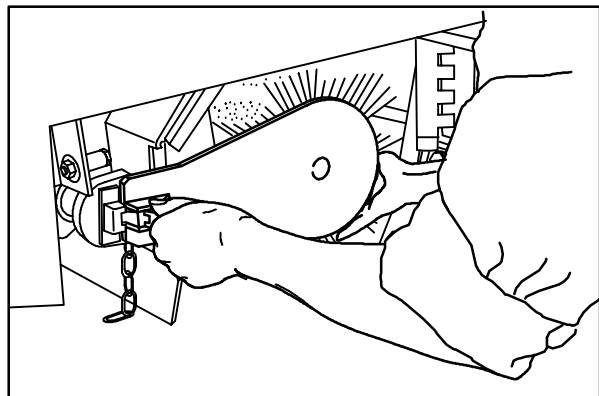


08016

5. Grasp the main brush; pull it off the brush drive plug and out of the main brush compartment.
6. Put the new or rotated end-for-end main brush on the floor next to the access door.
7. Slide the main brush onto the drive plug. Rotate the brush until it engages the drive plug, and push it all the way onto the plug.
8. Slide the main brush idler plate plug onto the main brush.
9. Latch the idler plate onto the machine frame.
10. Close the right side main brush access door.



08017



08018

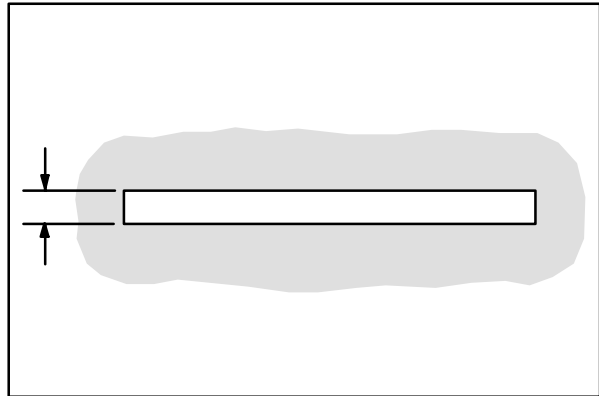
## MAINTENANCE

### TO CHECK AND ADJUST MAIN BRUSH PATTERN

1. Apply chalk, or some other material that will not blow away easily, to a smooth, level floor.
2. Raise the side brush and main brush and position the main brush over the chalked area.
3. Start the main brush.
4. Lower the main brush for 15 to 20 seconds while keeping a foot on the brakes to keep the machine from moving. This will lower the rotating main brush.

*NOTE: If chalk or other material is not available, allow the brushes to spin on the floor for two minutes. A polish mark will remain on the floor.*

5. Raise the main brush.
6. Stop the main brush.
7. Drive the machine off the test area.
8. Observe the width of the brush pattern. The proper brush pattern width is 50 to 65 mm (2.0 to 2.5 in).

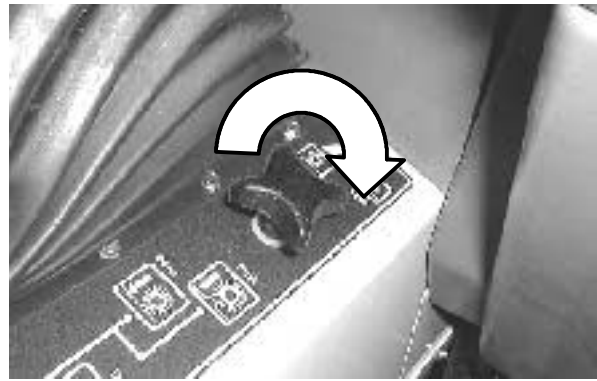


00582

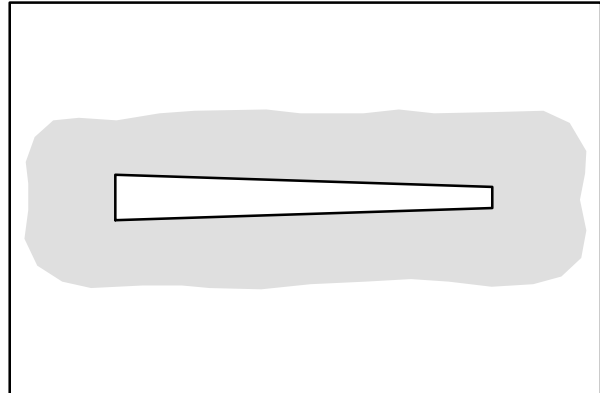
9. To increase the width of the main brush pattern, turn the main brush down pressure knob counter-clockwise.



To decrease the width of the main brush pattern, turn the main brush down pressure knob clockwise.

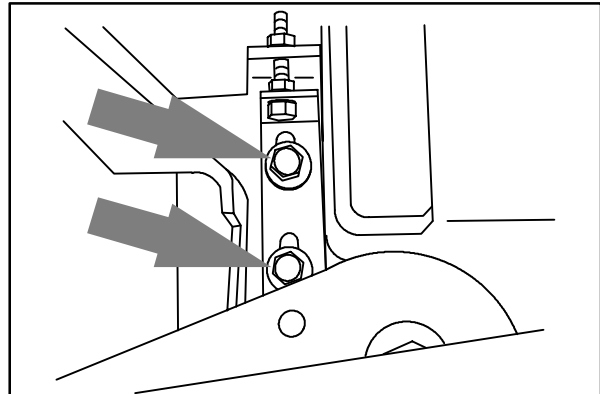


If the main brush pattern is tapered, more than 15 mm (0.5 in) on one end than the other, adjust the taper with the taper adjustment bracket at the drive end of the brush.



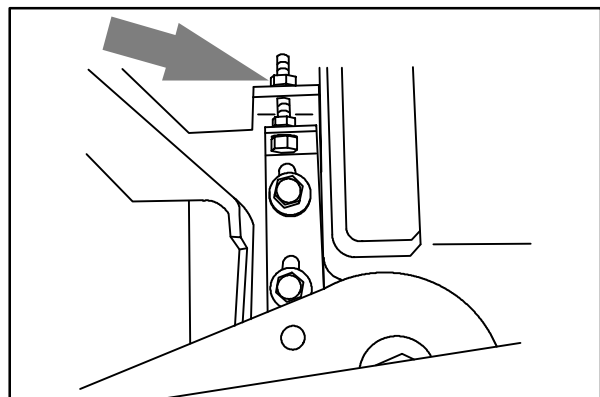
00601

A. Loosen the bracket mounting bolts.



08216

B. Turn the taper adjustment nut counter-clockwise to increase the pattern width at the brush drive end, and clockwise to decrease the pattern width at the brush drive end. Tighten the mounting bolts.



08215

C. Check the main brush pattern and readjust as necessary. Then adjust the width of the main brush pattern.

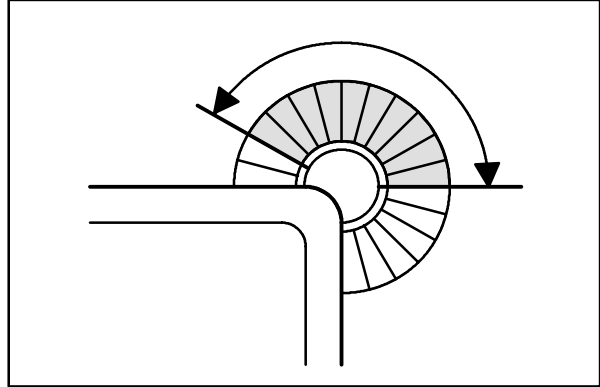
## MAINTENANCE

### SIDE BRUSH

The side brush sweeps debris along edges into the path of the main brush.

Check the brush daily for wear or damage. Remove any string or wire found tangled on the side brush or side brush drive hub.

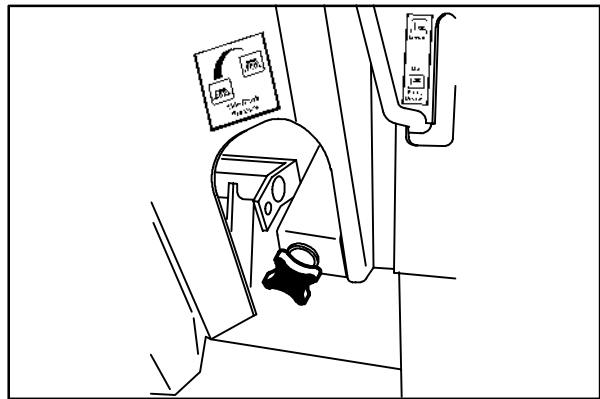
Check the side brush pattern daily. The side brush bristles should contact the floor in a 10 o'clock to 3 o'clock pattern when the brush is in motion.



350327

Adjust the side brush pattern by the side brush down pressure knob. Turn the knob counter-clockwise to increase the brush contact with the sweeping surface, and clockwise to decrease the brush contact with the sweeping surface.

The side brush should be replaced when it no longer sweeps effectively for your application. A guideline length is when the remaining bristles measure 50 mm (2 in) in length. You may change the side brush sooner if you are sweeping light litter, or wear the bristles shorter if you are sweeping heavy debris.



07799



**TO REPLACE SIDE BRUSH**

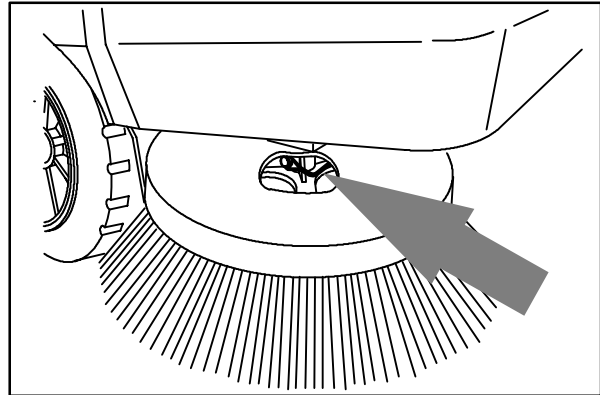
1. Empty the debris hopper.
2. Set the machine parking brake.
3. Stop the engine.

**FOR SAFETY: Before leaving or servicing machine; stop on level surface, set parking brake, turn off machine and remove key.**

4. Raise the side brush.
5. Remove the side brush retaining pin from the side brush drive shaft by pulling the pin keeper off over the end of the pin.
6. Slide the side brush off the side brush drive shaft.

*NOTE: Remove the drive hub and put it on the new brush if one is not installed.*

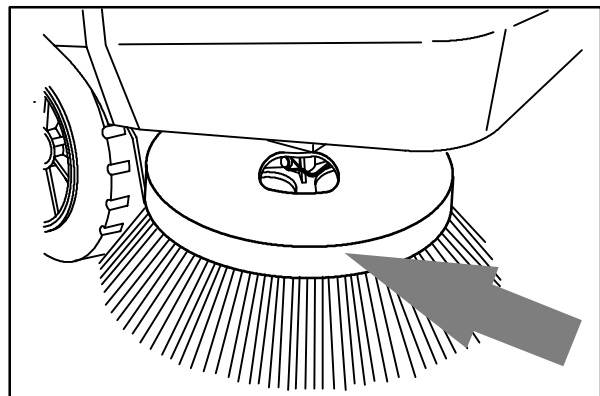
7. Slide the new side brush onto the side brush drive shaft.
8. Insert the side brush retaining pin through the side brush hub and shaft.
9. Secure the pin by clipping the pin keeper over the end of the pin.
10. Disengage the hopper support bar and lower the hopper.
11. Adjust the side brush pattern with the side brush down pressure knob.



08019

**SIDE BRUSH GUARD**

Rotate the side brush guard 90° every 200 hours of operation. Replace the brush guard after all four sides have been used.



08049

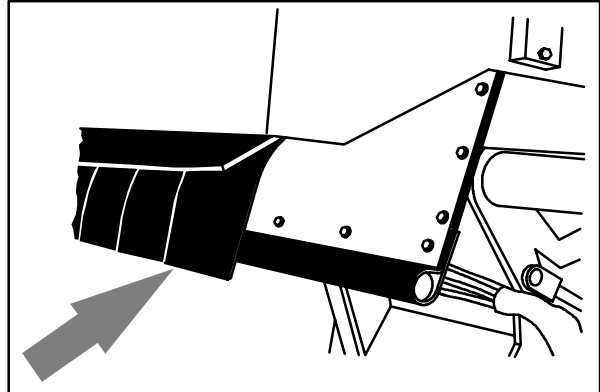
## SKIRTS AND SEALS

### HOPPER LIP SKIRTS

The hopper lip skirts are located on the bottom rear of the hopper. The skirts float over debris and help deflect that debris into the hopper. The hopper lip skirts consist of five bottom lip segments and two additional side lip segments.

Check the hopper lip skirts for wear or damage daily.

Replace the hopper lip skirts when they no longer touch the floor.

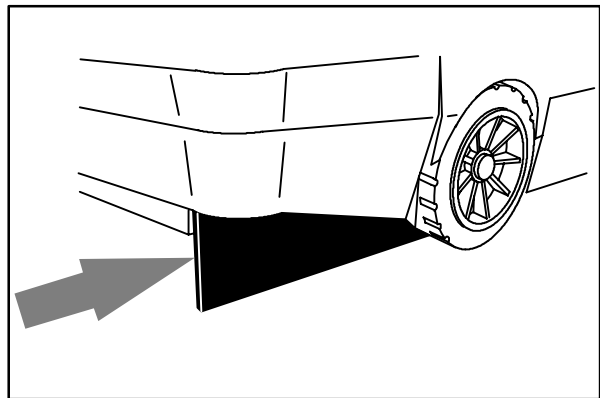


08020

### HOPPER SIDE SKIRT

The hopper side skirt is located on the left side of the hopper.

Check the hopper side skirt for wear or damage daily.



08214

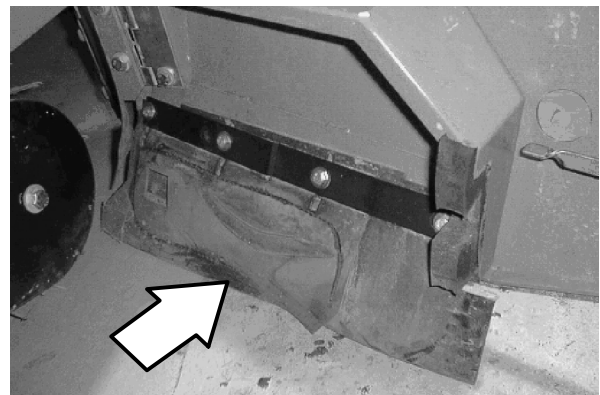
### BRUSH DOOR SKIRTS

The brush door skirts are located on the bottom of each of the two main brush doors. The skirts should clear the floor by 3 to 6 mm (0.12 to 0.25 in).

Check the skirts for wear or damage and adjustment daily.

*NOTE: The brush door skirts have slotted holes to allow for a ground clearance adjustment. The door must be closed for proper adjustment.*

*NOTE: Rear tire pressure will affect skirt clearances.*

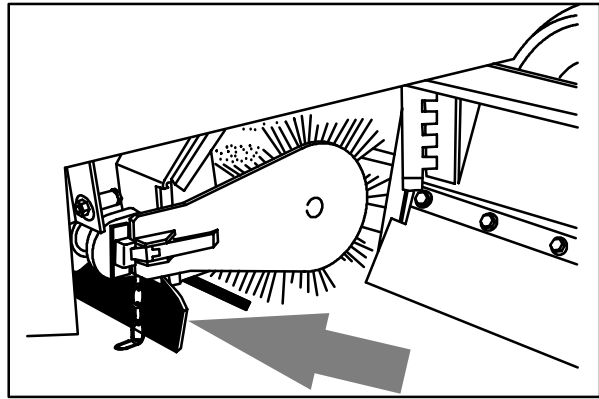


**REAR SKIRTS**

The two rear skirts are located on the bottom rear of the main brush compartment. The vertical skirt should clear the floor up to 5 mm (0.25 in) in dusty conditions, and touch the floor otherwise. The recirculation skirt is self-adjusting.

Check the skirts for wear or damage and adjustment daily.

*NOTE: Rear tire pressure will affect skirt clearances.*

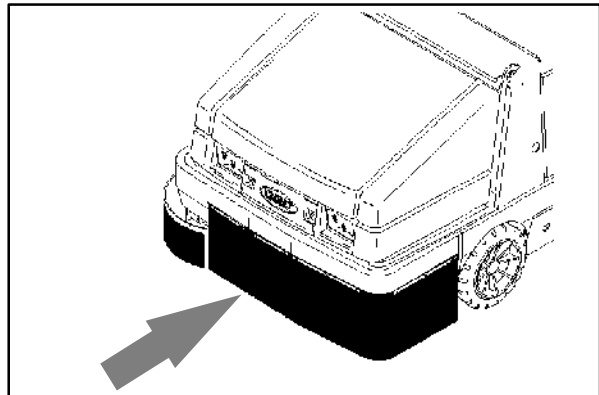


08021

**SIDE BRUSH DUST CONTROL SKIRTS (OPTION)**

The side brush dust control skirts wrap around the side brush and the bottom of the hopper.

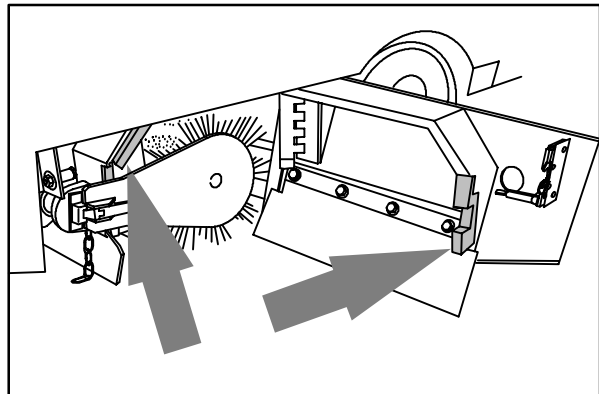
Check the side brush dust control skirts for wear or damage daily.



**BRUSH DOOR SEALS**

The brush door seals are located on both main brush doors and on corresponding portions of the main frame.

Check the seals for wear or damage every 100 hours of operation.



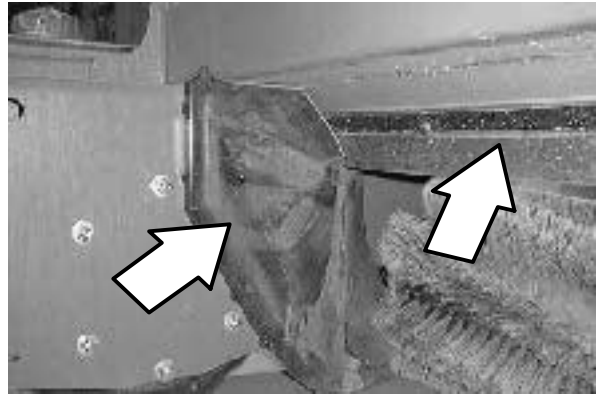
08022

# MAINTENANCE

## HOPPER SEALS

The hopper seals are located on the front and side portions of the machine frame that contact the hopper.

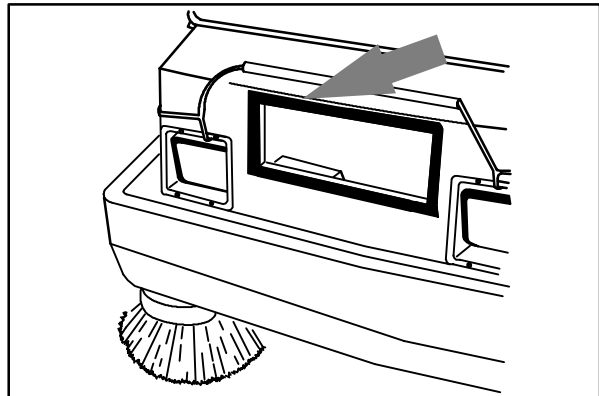
Check the seals for wear or damage every 100 hours of operation.



## HOPPER INSPECTION DOOR SEAL

The hopper inspection door seal is located on the hopper and seals the front of the debris hopper.

Check the seal for wear or damage every 100 hours of operation.

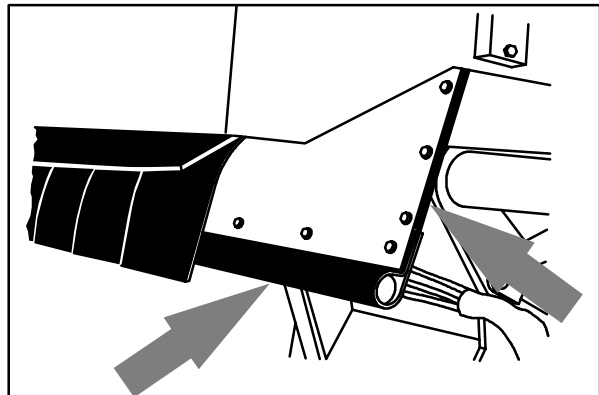


08024

## HOPPER DOOR SEALS

The hopper door seals are located on the hopper door. They seal the hopper when the hopper door is closed.

Check the seals for wear or damage every 100 hours of operation.



08025

**HOPPER COVER SEAL**

The hopper cover seal is located on the top edges of the hopper insert. It seals the hopper filter compartment.

Check the seal for wear or damage every 100 hours of operation.



**HOPPER DUST SEAL**

The hopper dust seal is located under the hopper insert along the top of the hopper.

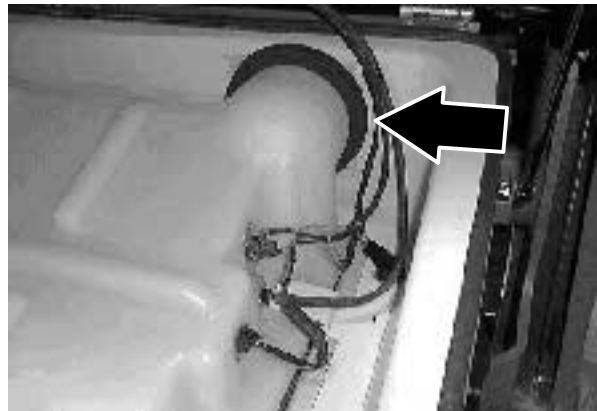
Check the seal for wear or damage every 100 hours of operation. You can reach the seal by removing the hopper insert.



**HOPPER VACUUM FAN SEAL**

The hopper vacuum fan seal is mounted on the neck of the filter cover around the vacuum fan inlet.

Check the seal for wear or damage every 100 hours of operation. You can reach the seal by removing the hopper insert.



**HOPPER FILTER SEALS**

The hopper filter seals are mounted on both sides of the hopper dust filter element.

Check the seals for wear or damage after every 100 hours of operation. You can reach the seals by lifting the dust filter cover and removing the filter element.



## BRAKES AND TIRES

### SERVICE BRAKES

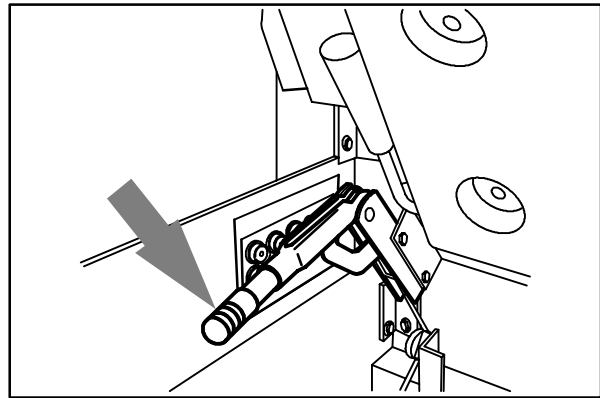
The mechanical service brakes are located on the front wheels. The brakes are operated by the foot brake pedal and connecting cables.

Check the brake adjustment every 200 hours of operation. The brake pedal should not travel more than 25 mm (1 in) to fully engage the brakes.

### PARKING BRAKE

The parking brake is set with the parking brake lever that activates the service brakes.

Adjust the parking brake whenever it becomes very easy to set the parking brake, when the machine rolls after setting the parking brake, and every 200 hours of operation. The parking brake may be tightened by turning the knurled knob on the end of the parking brake clockwise.

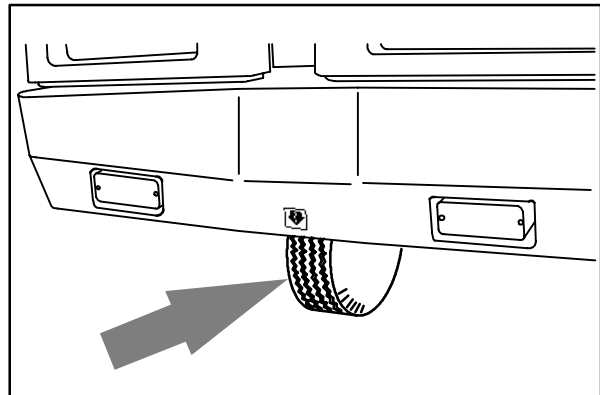


08053

### TIRES

The standard front machine tires are solid. The standard rear machine tire is pneumatic.

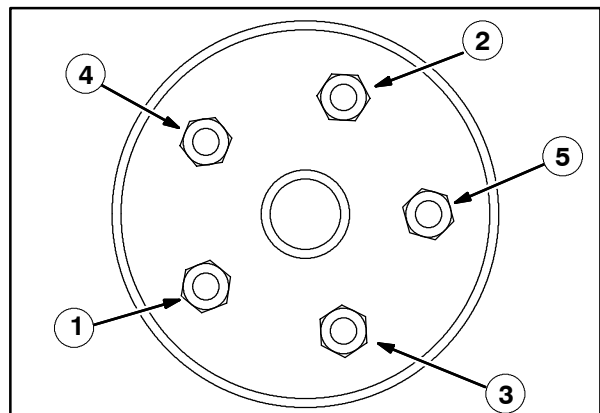
Check the rear tire pressure every 100 hours of operation. The proper tire air pressure is  $790 \pm 35$  kPa ( $115 \pm 5$  psi).



08028

### REAR WHEEL

Torque the rear wheel nuts in a star pattern twice to 142 to 157 Nm (105 to 115 ft lb) after the first 50-hours of operation, and every 800 hours there after.



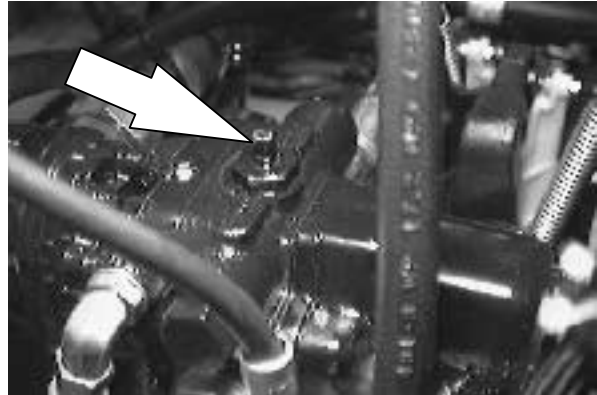
**PUSHING, TOWING, AND TRANSPORTING THE MACHINE**

**PUSHING OR TOWING THE MACHINE**

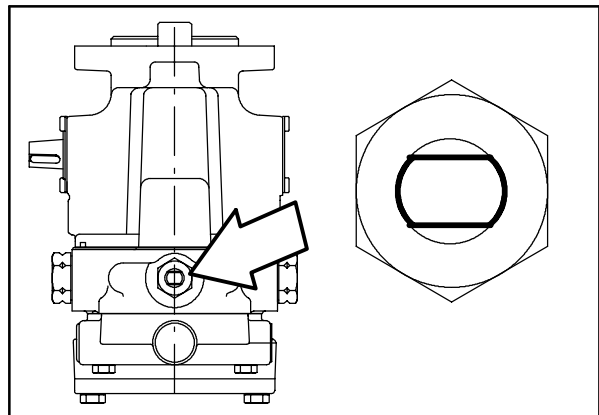
If the machine becomes disabled, it can be pushed from the front or rear, but towed only from the rear.

The propelling pump has a bypass valve to prevent damage to the hydraulic system when the machine is being pushed or towed. This valve allows a disabled machine to be moved for a *very short distance* and at a speed to not exceed 1.6 kp/h (1 mph). The machine is NOT intended to be pushed or towed a long distance or at a high speed.

**ATTENTION! Do not push or tow machine for a long distance and without using the bypass valve, or the machine hydraulic system may be damaged.**



Turn the bypass valve 90° from the normal position before pushing or towing the machine. **The illustration shows the bypass valve in the pushing or towing position.**



**TRANSPORTING THE MACHINE**

1. Position the rear of the machine at the loading edge of the truck or trailer.

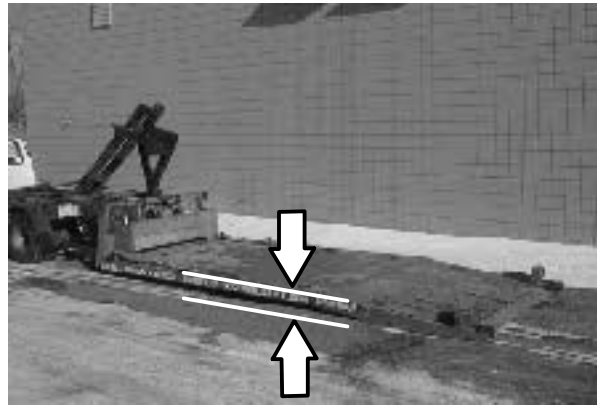
**FOR SAFETY: Use truck or trailer that will support the weight of the machine.**

*NOTE: Empty the hopper before transporting the machine.*

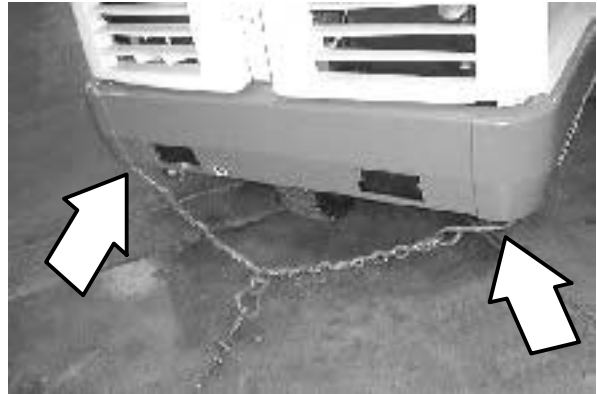
## MAINTENANCE

2. If the loading surface is not horizontal or is higher than 380 mm (15 in) from the ground, use a winch to load machine.

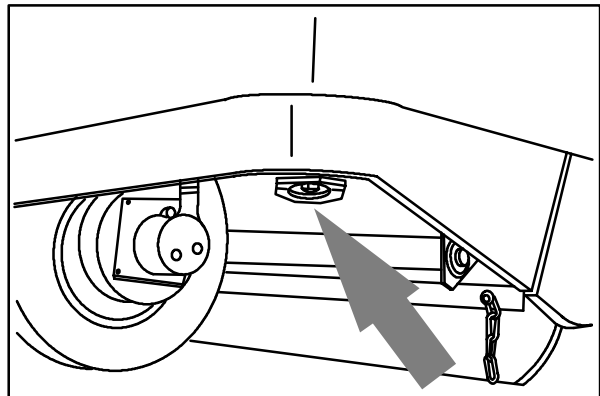
If the loading surface is horizontal AND is 380 mm (15 in) or less from the ground, the machine may be driven onto the truck or trailer.



3. To winch the machine onto the truck or trailer, attach the winching chains in the holes at the bottom of the rear bumper.



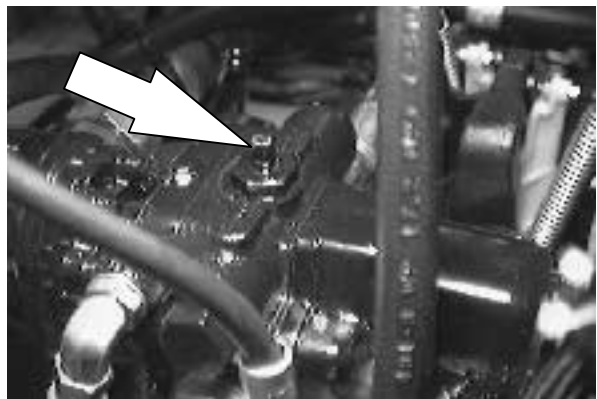
If the machine has the optional rear tie down brackets, attach the winching chains to them.



08151

4. Turn the bypass valve 90° from the normal position before winching the machine onto the truck or trailer. See *PUSHING OR TOWING THE MACHINE* section of this manual. Make sure the machine is centered.

**FOR SAFETY: When loading machine onto truck or trailer, use winch. Do not drive the machine onto the truck or trailer unless the loading surface is horizontal AND is 380 mm (15 in) or less from the ground.**



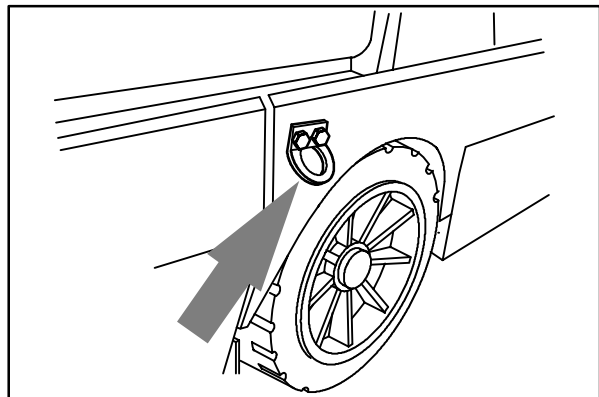


5. Position the machine onto the truck or trailer as far as possible. If the machine starts to veer off the centerline of the truck or trailer, stop and turn the steering wheel to center the machine.
6. Set the parking brake and block the machine tires. Tie down the machine to the truck or trailer before transporting.

The front tie down locations are the holes in the wheel pockets at the front of the machine frame.



If the machine has the optional front tie down brackets above the front tires, attach the winching chains to them.

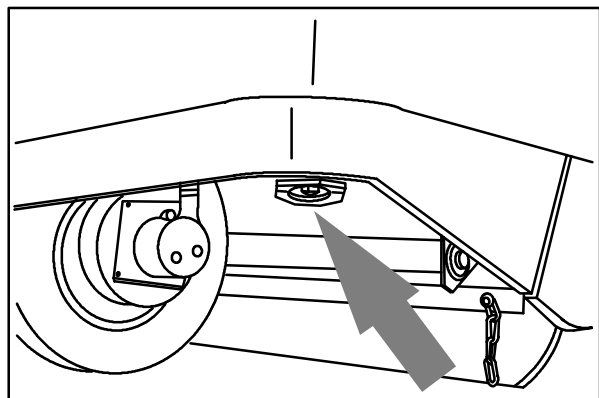


08152

The rear tie down locations are in the holes at the bottom of the rear bumper. If the machine has the optional rear tie down brackets, use them to tie down the machine.

7. If the loading surface is not horizontal or is higher than 380 mm (15 in) from the ground, use a winch to unload machine.

If the loading surface is horizontal AND is 380 mm (15 in) or less from the ground, the machine may be driven off the truck or trailer.



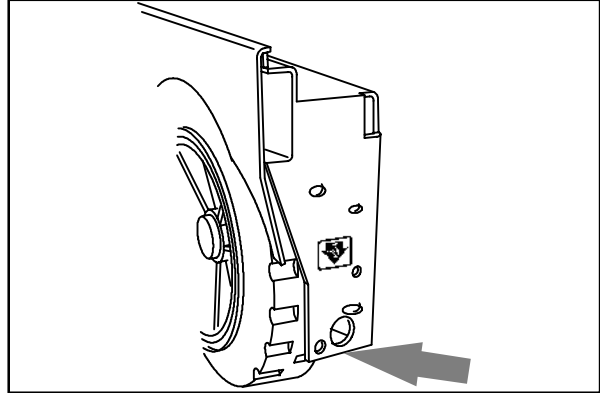
08151

**FOR SAFETY: When unloading machine off truck or trailer, use winch. Do not drive the machine off the truck or trailer unless the loading surface is horizontal AND 380 mm (15 in) or less from the ground.**

## MACHINE JACKING

Empty the hopper before jacking the machine. You can jack up the machine for service at the designated locations. Use a hoist or jack that will support the weight of the machine. Always stop the machine on a flat, level surface and block the tires before jacking the machine up.

The front jacking locations are on the flat bottom edge of the front of the machine frame next to the front tires.

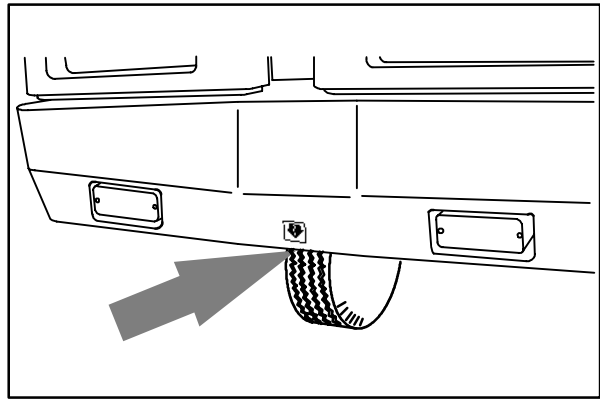


08029

The rear jacking location is the middle flat bottom edge of the rear bumper between the taillights.

**FOR SAFETY: When servicing machine, block machine tires before jacking machine up.**

**FOR SAFETY: When servicing machine, jack machine up at designated locations only. Block machine up with jack stands.**



08030

## STORING MACHINE

Before storing the machine for an extended period of time, the machine needs to be prepped to lessen the chance of rust, sludge, and other undesirable deposits from forming. Contact TENNANT service personnel.

**SPECIFICATIONS**

**GENERAL MACHINE DIMENSIONS/CAPACITIES**

Item	Dimension/capacity
Length	2360 mm (93 in)
Width	1590 mm (62.5 in)
Height	1475 mm (58 in)
Height with overhead guard	2080 mm (82 in)
Height with overhead guard and hazard light	2270 mm (89.5 in)
Height with cab	2100 mm (82.62 in)
Height with cab and hazard light	2285 mm (90 in)
Track	1345 mm (53 in)
Wheelbase	1135 mm (44.75 in)
Main brush diameter	355 mm (14 in)
Main brush length	1145 mm (45 in)
Side brush diameter	660 mm (26 in)
Side brush diameter (auxiliary)	585 mm (23 in)
Sweeping path width	1145 mm (45 in)
Sweeping path width with side brush	1560 mm (61.5 in)
Main brush pattern width	50 to 65 mm (2.0 to 2.5 in)
Hopper weight capacity	545 kg (1200 lb)
Hopper volume capacity	396 L (14 cu ft)
Dust filter area	7.2 m <sup>2</sup> (77 sq ft)
GVWR	2064 kg (4550 lb)
Sound level	80 dBa
Ceiling height minimum dumping clearance	2745 mm (9 ft)

**GENERAL MACHINE PERFORMANCE**

Item	Measure
Maximum forward speed	16.1 kmh (10 mph)
Maximum reverse speed	4.0 kmh (2.5 mph)
Minimum aisle turn width, left	2870 mm (113 in)
Minimum aisle turn width, right	4725 mm (186 in)
Maximum rated climb and descent angle	10°

# SPECIFICATIONS

## POWER TYPE

Engine	Type	Ignition	Cycle	Aspiration	Cylinders	Bore	Stroke	
Ford VSG 1.3L	Piston	Distributor-less-type spark	4	Natural	4	74 mm (2.91 in)	75 mm (2.97 in)	
	Displacement		Net power, governed			Net power, maximum		
	1300 cc (79 cu in)		23.2 kw (32 hp) @ 2400 rpm			39.5 kw (53 hp) @ 4000 rpm		
	Fuel		Cooling system			Electrical system		
	Gasoline, 87 octane minimum, unleaded. Fuel tank: 36 L (9.6 gal)		Water/ethylene glycol antifreeze			12 V nominal		
	LPG, Fuel tank: 15 kg (33 lb)		Total: 4.5 L (1.2 gal) Radiator: 3.8 L (1 gal)			50 A alternator		
	Idle speed, no load		(Fast 1) governed speed, under load			(Fast 2) governed speed, under load		
	1350 ± 250 rpm		2000 ± 50 rpm			2400 ± 50 rpm		
	Spark plug gap		Firing order			Valve clearance, cold		
	1 mm (0.04 in)		1-2-4-3, counterclockwise rotation			<del>0.20 mm (0.008 in)</del> 0.22 mm (0.009 in) intake <del>0.50 mm (0.020 in)</del> 0.32 mm (0.013 in) exhaust		
	Engine lubricating oil with filter		3.3 L (3.5 qt) 10W-30 SAE-SG/SH					

## STEERING

Type	Power source	Emergency steering
Rear wheel, hydraulic cylinder and rotary valve controlled	Hydraulic accessory pump	Manual

## HYDRAULIC SYSTEM

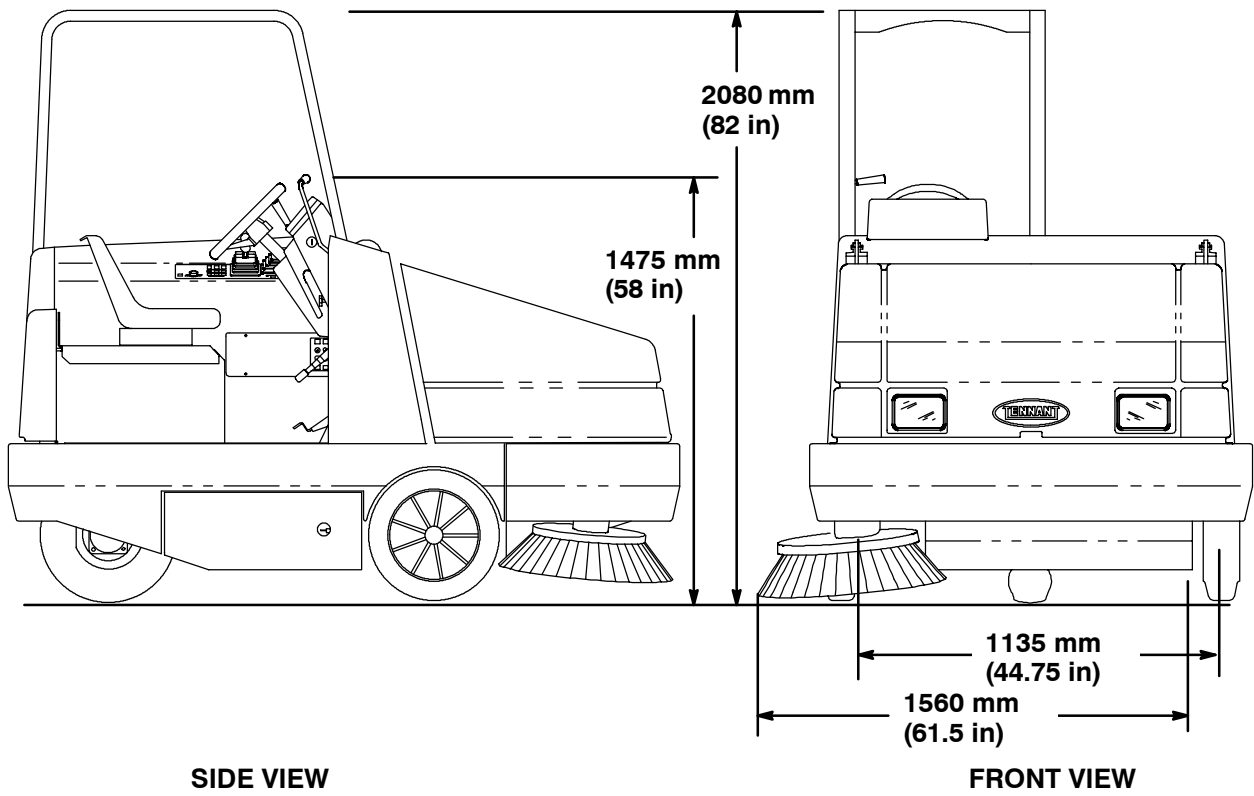
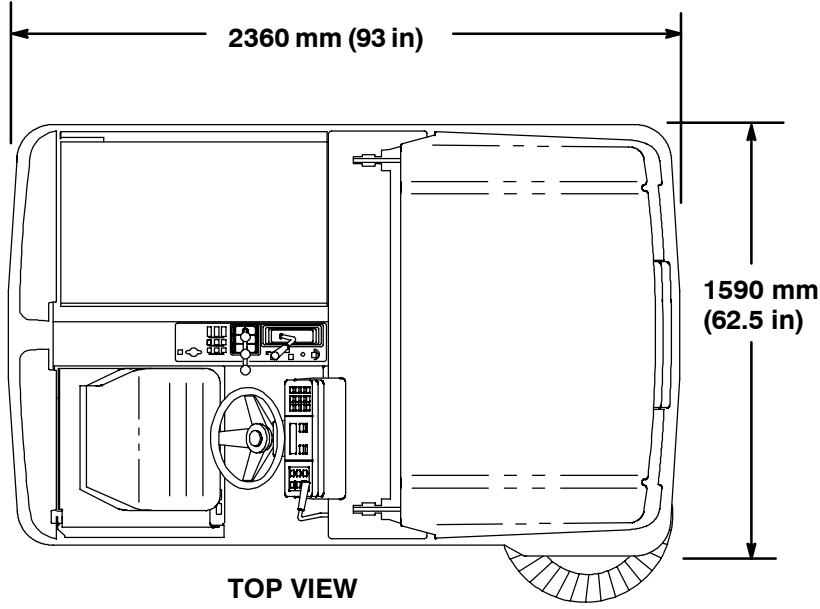
System	Capacity	Fluid Type
Hydraulic reservoir	24.6 L (6.5 gal)	TENNANT part no. 65869 - above 7° C (45° F)
Hydraulic total	N/A L (N/A gal)	TENNANT part no. 65870 - below 7° C (45° F)

## BRAKING SYSTEM

Type	Operation
Service brakes	Mechanical drum brakes (2), one per front wheel, cable actuated
Parking brake	Utilize service brakes, cable actuated

## TIRES

Location	Type	Size	Pressure
Front (2)	Solid	5 x 18 in	-
Rear (1)	Pneumatic	6 x 19 in	790 ± 35 kPa (115 ± 5 psi)



**MACHINE DIMENSIONS**

350662

**INDEX****A**

Air filter, 67  
  Dust cap, 67  
  Element, 67  
  Heavy duty filter option, 67  
Air filter indicator, 67  
Aisle turn, 89  
Auxiliary side brush in-out switch, 33  
Auxiliary side brush up-down switch, 33

**B**

Battery, 69  
  Charging system, Light, 22  
Bearings  
  Front wheel, 63  
  Hopper, 63  
Belts, 69  
  Engine fan belt, 69  
Blower wand, 57–58  
Brake pedal, 14  
Brakes, 35, 84  
  Parking, Adjustment, 84  
  Service, 84  
  System specifications, 90  
Brushes, 39–40, 47, 74–78  
  Adjusting main brush taper, 77–79  
  Checking main brush pattern, 76–78  
  Checking side brush pattern, 78  
  Door latch, 30  
  Door seals, 81  
  Door skirts, 80  
  Main brush, 74–77  
  Main brush bristle length, 74  
  Replacing main brush, 75–76  
  Replacing side brush, 79  
  Side brush, 78–79  
  Side brush bristle length, 78  
Button, Horn, 16  
Bypass valve, 85

**C**

Cab  
  Dome light switch, 32  
  Door latch, 30  
  Heater switch, 32  
  Pressurizer switch, 32  
  Windshield wiper switch, 32  
Capacities, 89  
Carburetor, 68  
Chains, 69  
  Static drag, 69  
Changing LPG fuel tank, 35–36  
Charging system light, 22  
Choke, Engine, 15  
Circuit breakers, 29  
Clogged filter light, 22  
Control panel  
  Clogged filter light, 22  
  Engine oil pressure, 22  
  Engine speed switch, 25  
  Engine water temperature light, 21  
  Filter shaker switch, 26  
  Fuel level gauge, 23  
  Hazard light switch, 24  
  Hopper door light, 22  
  Hopper temperature light, 21  
  Hourmeter, 23  
  Main brush shut down light, 23  
  Operating lights switch, 24  
  Vacuum fan switch, 24  
Controls, 11  
  Auxiliary side brush in-out switch, 33  
  Auxiliary side brush up-down switch, 33  
  Brake pedal, 14  
  Charging system light, 22  
  Circuit breakers, 29  
  Clogged filter light, 22  
  Directional pedal, 12  
  Dome light switch, 32  
  Engine choke knob, 15  
  Engine oil pressure light, 22  
  Engine speed switch, 25  
  Engine water temperature light, 21  
  Filter shaker switch, 26  
  Fuel level gauge, 23  
  Hazard light switch, 24  
  Heater switch, 32  
  Hopper door lever, 17  
  Hopper door light, 22  
  Hopper lift lever, 18  
  Hopper temperature light, 21

Controls (continued), 11  
 Horn button, 16  
 Hourmeter, 23  
 Ignition switch, 27  
 Latches, 30  
 Main brush and side brush lever, 16  
 Main brush down pressure knob, 20  
 Main brush position lever, 19  
 Main brush shut down light, 23  
 Operating lights switch, 24  
 Operation, 12–30  
 Parking brake lever, 14  
 Pressurizer switch, 32  
 Side brush down pressure knob, 28  
 Side brush position lever, 28  
 Steering column tilt lever, 26  
 Steering wheel, 26  
 Symbols, 9–10  
 Turn signal switch, 20  
 Vacuum fan switch, 24  
 Windshield wiper switch, 32

Covers  
 Engine, Latch, 30  
 Hopper  
 Latch, 30  
 Seals, 83

Crankcase ventilation system, 68

## D

Debris hopper, 70–72  
 Dimensions, 89  
 Directional pedal, 12  
 Toe adjustment, 13  
 Disengaging hopper support bar, 49–50  
 Dome light switch, 32  
 Doors  
 Brush  
 Latch, 30  
 Seals, 81  
 Skirts, 80  
 Cab, Latch, 30  
 Engine side, Latch, 30  
 Grille, Latch, 30  
 Hopper, Seals, 82  
 Hopper Inspection, Seal, 82  
 Dust Control, Skirts, 81  
 Dust filter, 70–72  
 Changing, 71–72  
 Cleaning, 70

## E

Electrical  
 Circuit breakers, 29  
 Ignition switch, 27  
 Emptying the hopper, 43–44  
 Engaging hopper support bar, 48–49  
 Engine, 66–68  
 Air filter, 67  
 Air filter indicator, 34, 67  
 Carburetor, 68  
 Choke, 15  
 Coolant temperature, Light, 21  
 Cooling system, 66  
 Cover latch, 30  
 Crankcase ventilation system, 68  
 Fan belt, 69  
 Fuel filters, 68  
 Lubrication, 62  
 Oil capacity, 62  
 Oil level, 6, 35  
 Oil pressure, Light, 22  
 Side door latch, 30  
 Spark Plugs, 68  
 Specifications, 90  
 Speed switch, 25  
 Valve tappets, 68  
 Engine choke knob, 15  
 Engine oil pressure light, 22  
 Engine speed switch, 25  
 Engine water temperature light, 21

## F

Filter shaker switch, 26  
 Fuel filters, 68  
 Fuel level, 35  
 Fuel level gauge, 23  
 Fuel tank  
 Changing LPG, 35–36  
 Gasoline, 7  
 LPG, 7

## G

Gauge, Fuel level, 23  
 Grease fittings  
 Hopper bearings, 63  
 Rear wheel support, 63

**H**

Hazard light switch, 24  
Heater switch, 32  
Heater valve, 58  
Hopper, 70–72  
    Changing dust filter, 71–72  
    Clogged filter, Light, 22  
    Cover latch, 30  
    Cover seal, 83  
    Disengaging hopper support bar, 49–50  
    Door lever, 17  
    Door light, 22  
    Door seals, 82  
    Dust filter, 70–72  
    Dust seal, 83  
    Engaging hopper support bar, 48–49  
    Filter cleaning, 70  
    Filter shaker, 26  
    Inspection door seal, 82  
    Lift, 18  
    Lip skirts, 80  
    Seals, 82  
    Side skirt, 80  
    Support bar, 30  
    Temperature, Light, 21  
    Thermo-Sentry, 73  
    Thermo-sentry, 21  
    Filter seals, 83  
    Vacuum fan seal, 83  
Hopper door, Operate, 17  
Hopper door lever, 17  
Hopper door light, 22  
Hopper lift lever, 18  
Hopper support bar, 30  
Hopper temperature light, 21  
Horn button, 16  
Hourmeter, 23  
How the machine works, 34  
Hydraulic fluid, 64–65  
Hydraulic fluid reservoir, 64  
Hydraulic hoses, 65  
Hydraulics, 64–65  
    Fluid, 64–65  
    Fluid filter, 64  
    Fluid level, 6, 64  
    Hoses, 65  
    Propelling motor, 65  
    Reservoir, 64  
    System specifications, 90

**I**

Ignition switch, 27

**J**

Jack points, 88–89

**K****Knobs**

    Engine choke, 15  
    Main brush down pressure, 20  
    Side brush down pressure, 28

**L****Latches, 30**

    Cab door, 30  
    Engine cover, 30  
    Engine side door, 30  
    Grille doors, 30  
    Hopper cover, 30  
    Main brush doors, 30

**Levers**

    Hopper door, 17  
    Hopper lift, 18  
    Main brush and side brush, 16  
    Main brush position, 19  
    Parking brake, 14  
    Side brush position, 28  
    Steering column tilt, 26

**Lights**

    Charging system, 22  
    Clogged filter, 22  
    Engine oil pressure, 22  
    Engine water temperature, 21  
    Hazard light switch, 24  
    Hopper door, 22  
    Hopper temperature, 21  
    Main brush shut down, 23  
    Operating lights switch, 24

**LPG, 47**

    Changing the fuel tank, 35–36  
    Fuel tank, 7

**Lubrication, 62**

    Engine, 62  
    Front wheel bearings, 63  
    Hopper bearings, 63  
    Rear wheel support, 63



**M**

Machine components, 8  
 Machine dimensions, 91  
 Machine jacking, 88–89  
 Machine leaks, 34, 47  
 Machine tie down location, 87  
 Main brush, 39–40, 74–77  
   Adjust brush taper, 77–79  
   Bristle length, 74  
   Checking brush pattern, 76–78  
   Door latch, 30  
   Door seals, 81  
   Door skirts, 80  
   Down pressure, 20  
   Lever, 16  
   Maintenance, 74  
   Position, 19  
   Replacing, 75–76  
   Shut down light, 23  
 Main brush and side brush lever, 16  
 Main brush down pressure knob, 20  
 Main brush position lever, 19  
 Main brush shut down light, 23  
 Maintenance, 60–81  
   Intervals, 60–61  
   Recommended, 7  
 Maintenance chart, 60–61  
 Motors, Propelling, 65

**O**

Operating lights switch, 24  
 Operation, 6–54  
 Operation on inclines, 50  
 Operator Responsibility, 6  
 Operator seat, 31  
 Options, 51–58  
   Auxiliary side brush in-out switch, 33  
   Auxiliary side brush up-down switch, 33  
   Blower wand, 57–58  
   Cab door latch, 30  
   Dome light switch, 32  
   Hazard light switch, 24  
   Heater switch, 32  
   Heater valve, 58  
   Heavy duty air filter, 67  
   Pressurizer switch, 32  
   Side brush dust control skirts, 81  
   Turn signal switch, 20  
   Vacuum wand, 51–56  
   Windshield wiper switch, 32

**P**

Parking brake, 84  
   Adjustment, 84  
 Parking brake lever, 14  
 Pedal, Directional, Toe adjustment, 13  
 Pedals  
   Brake, 14  
   Directional, 12  
 Post-operation checklist, 47–48  
 Pre-operation checklist, 34–35  
 Pressurizer switch, 32  
 Pushing machine, 85  
 Pushing or towing the machine, 85  
 Pushing, towing, and transporting machine, 85

**R**

Radiator, 66  
   Coolant level, 7, 66  
   Coolant type, 66  
   Flushing system, 66  
   Hoses, 66  
 Rear wheel, 84

**S**

Safety  
   Disengaging hopper support bar, 49–50  
   Engaging hopper support bar, 48–49  
   Hopper support bar, 30  
   Labels, 5  
   Precautions, 3  
 Seals, 80–83  
   Brush doors, 81  
   Hopper, 82  
   Hopper cover, 83  
   Hopper door, 82  
   Hopper dust, 83  
   Hopper inspection door, 82  
   Hopper filter seals, 83  
   Hopper vacuum fan seal, 83  
 Seat, 31  
   Adjustments, 31  
   Lift, 31  
 Service records, 47  
 Side Brush, Dust skirts, 81

Side brush, 40, 78–79  
  Bristle length, 78  
  Checking brush pattern, 78  
  Down pressure, 28  
  Lever, 16  
  Position, 28  
  Replacing, 79

Side brush down pressure knob, 28

Side brush dust control skirts, 81

Side brush guard, 79

Side brush position lever, 28

Skirts, 47, 80–81  
  Brush doors, 80  
  Hopper Lip, 80  
  Hopper side, 80  
  Rear, 81  
  Side brush dust control, 81

Spark plugs, 68

Specifications, 89–91  
  Braking system, 90  
  Hydraulic system, 90  
  Machine capacities, 89  
  Machine dimensions, 89  
  Machine performance, 89  
  Power type, 90  
  Steering, 90  
  Tires, 90

Starting the machine, 37–38

Static drag chain, 69

Steering, 35  
  Specifications, 90

Steering column tilt lever, 26

Steering wheel, 26

Stop sweeping, 42

Stop the machine, 46–47

Storing machine, 88

Sweeping, 40–41

Sweeping and brush information, 39–40

Switches  
  Auxiliary side brush in-out, 33  
  Auxiliary side brush up-down, 33  
  Dome light, 32  
  Engine speed, 25  
  Filter shaker, 26  
  Hazard light, 24  
  Heater, 32  
  Ignition, 27  
  Operating lights, 24  
  Pressurizer, 32  
  Turn signal, 20  
  Vacuum fan, 24  
  Windshield wiper, 32

**T**

Thermo-sentry, 73

Thermo-sentry, 21

Tie down location, 87

Tires, 84–85  
  Pressure, 84  
  Rear wheel, 84  
  Specifications, 90

Towing machine, 85

Transporting machine, 85

Transporting the machine, 85

Travel speed, 89

Troubleshooting, 59

Turn signal switch, 20

**V**

Vacuum fan switch, 24

Vacuum wand, 51–56

Valve tappet clearance, 68

**W**

Windshield wiper switch, 32