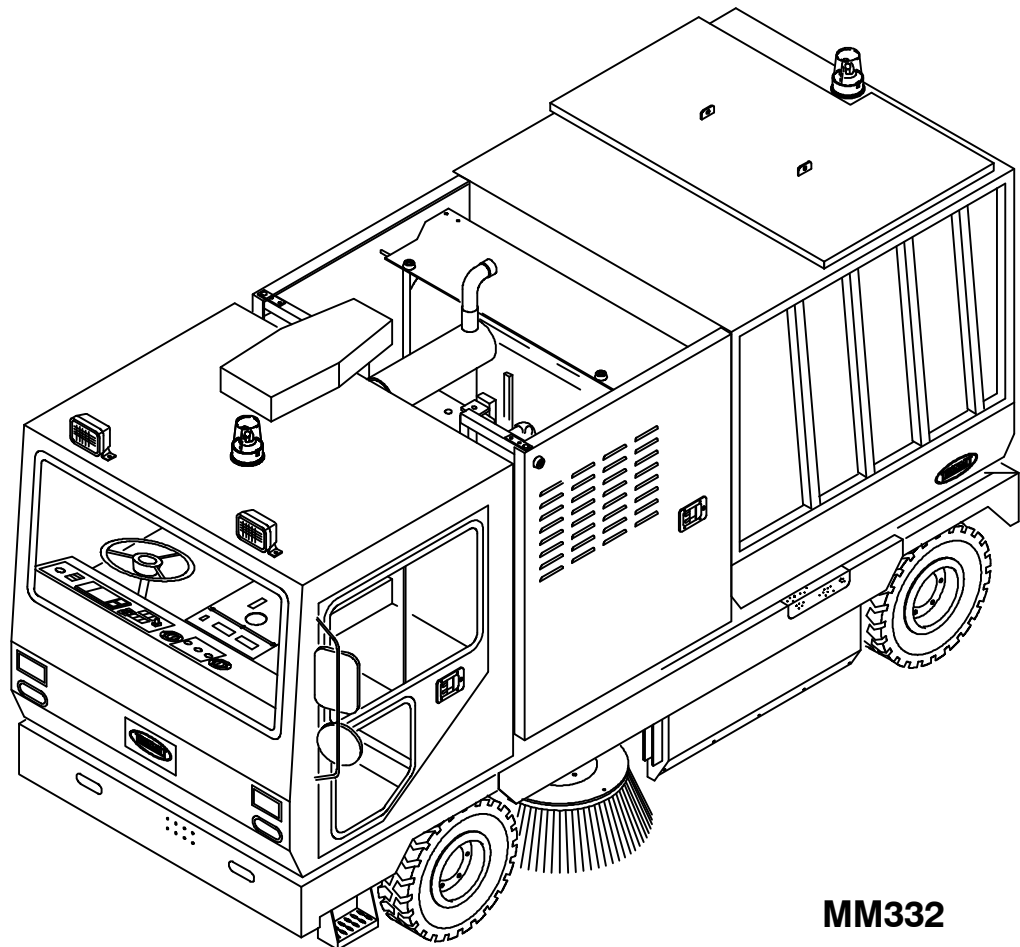




830

Parts Manual



MM332



This manual is furnished with each new TENNANT Model 830.

This manual consists of the *How To Use This Manual; Standard Parts; Options; Breakdowns; Engine Breakdowns; Turbo Engine Breakdowns; and Cross Reference* sections.

MACHINE DATA

Please fill out at time of installation for future reference.

Machine Model Number - 830

Machine Serial Number - _____

Machine Options - _____

TENNANT Representative/phone no. - _____

Customer ID Number - _____

Date of Installation - _____

Manual Number - MM332

Revision: 08

Published: 6-98

HOW TO USE THIS MANUAL

This section on *HOW TO USE THIS MANUAL* will tell you how to:

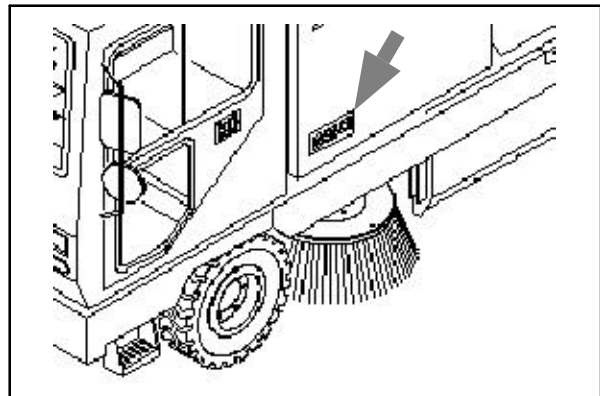
- Find important machine information for ordering correct repair parts.
- Find TENNANT part numbers.
- Order TENNANT parts and supplies.

IMPORTANT INFORMATION

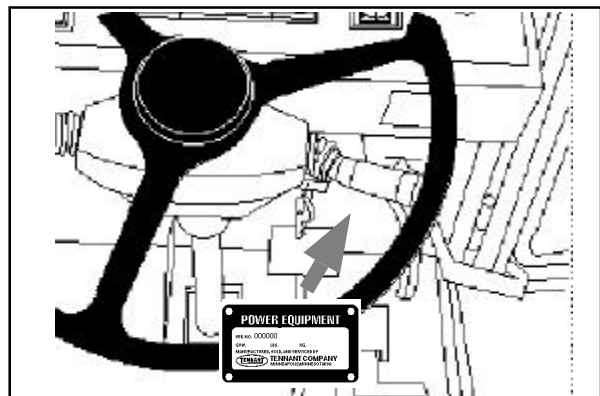
When placing an order for parts, the machine model and machine serial number are important. Refer to the *MACHINE DATA* box which is filled out during the installation of your machine. The *MACHINE DATA* box is located on the inside of the front cover of this manual.

MACHINE DATA	
Please fill out at time of installation for future reference.	
Machine Model Number - 830	
Machine Serial Number - _____	
Machine Options - _____	
TENNANT Representative/phone no. - _____	
Customer ID Number - _____	
Date of Installation - _____	
Manual Number - MM332	
Revision: 00	
Published: 12-93	

The model number of your machine is on the side of the machine.



The serial number of your machine is printed on the machine data plate located as shown.



HOW TO USE THIS MANUAL

FINDING A TENNANT PART NUMBER

This manual contains the following sections:

- HOW TO USE THIS MANUAL
- STANDARD PARTS
- OPTIONS
- BREAKDOWNS
- ENGINE BREAKDOWNS
- CROSS REFERENCE

The STANDARD PARTS section lists repair parts for standard machines. They are grouped in this general order:

- General wear parts.
- Machine frame and related parts.
- Machine propelling system.
- Scrubbing components.
- Electrical parts.

The OPTION section lists repair parts of options.

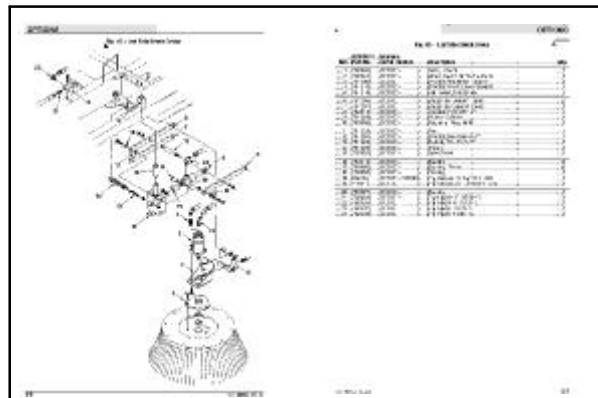
The BREAKDOWN section lists available repair parts of major components.

All sections in this manual consist of parts illustrations and corresponding parts lists.

The parts illustrations are numbered with **Ref** numbers which refer to corresponding parts lists.

The parts lists include a number of columns of information:

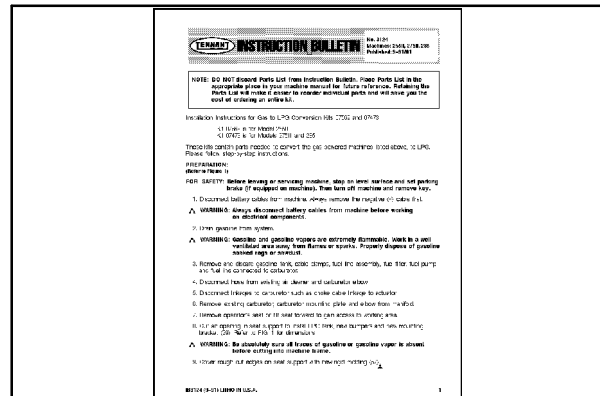
- **Ref** - column refers to the reference number on the parts illustration.
- ∇ - indicates the part is an assembly.
- ▲ - indicates the part is included in the assembly listed just before it.
- **TENNANT Part No.** - column lists the TENNANT part number for the part.
- **Serial Number** - column indicates the set of machines the part number is applicable to. Serial numbers change when the machine design has been modified. The most current design of the machine is shown in the main illustration, older designs are boxed in a corner of the illustration.
- **Description** - column is a brief description of the part.
- **Qty.** - column lists the quantity of that part used in that area of the machine.



Key	TENNANT Part No.	Machine Serial Number	Description	Qty.
∇ 1	87355	(000000-)	Gearbox	1
▲ 2	87840	(000000-)	O-Ring	2
▲ 3	87841	(000000-)	Plug	2
▲ 4	87839	(000000-)	Fitting, Grease	2
▲ 5	87849	(000000-)	Gear, Driving	1
▲ 6	12540	(000000-)	Bolt, Wheel	5
▲ 7	61791	(000000-)	Bearing and Housing Assembly	1
▲ 8	12546	(000000-)	Seal, O-Ring	1
9	31592	(000000-002017)	(See Breakdowns) Replacement Kit Motor For 86356	1
9	60196	(002018-)	Motor (See Breakdowns)	1
10	02076	(000000-)	Cover, Terminal	4
11	09030	(000000-)	Screw, Socket	2
12	09294	(000000-)	Screw, Socket	1
13	85970	(000000-)	Tire and Wheel Assembly	1
14	45027A	(000000-)	Tire, Solid	1
15	87750	(000000-)	Nut, Wheel	5
15	55855	(000000-)	Bumper, Rubber	2
17	51824	(000000-)	Nut, Hex, Thin	1

NOTE: If a service kit is installed on your machine, be sure to keep the **INSTRUCTION BULLETIN** which came with the kit. It contains repair parts numbers needed for ordering future parts.

NOTE: Fasteners used in this machine may be metric or non-metric. Take care when replacing hardware to replace with same thread size.



PLACING AN ORDER

Orders may be placed by phone, fax, or by mail. Phone orders may need written confirmation. Follow the steps below to insure prompt delivery:

1. Identify the model number of your machine.
2. Identify the serial number of your machine.
3. Find the part number of the part you need. Do not order by page number or reference number. If you are not able to find the part number, call your TENNANT representative for help or send the old part as a sample.
4. Determine the quantity of the part you need.
5. Provide the following company information:
 - Company name
 - Customer ID Number
 - Shipping address
 - Billing address
 - First and last name of person ordering parts
 - Telephone number
 - Purchase order number
6. Provide definitive shipping instructions.

HOW TO USE THIS MANUAL

Any claim for loss or damage to a shipment in transit should be filed promptly with the transportation company making the delivery. Shipments will be complete unless the packing list or order acknowledgement indicates items back ordered.

If parts received are suspected to be incorrect or defective, please contact the TENNANT representative from whom you ordered the part. They will give authorization for return and/or handle replacement shipments when required.

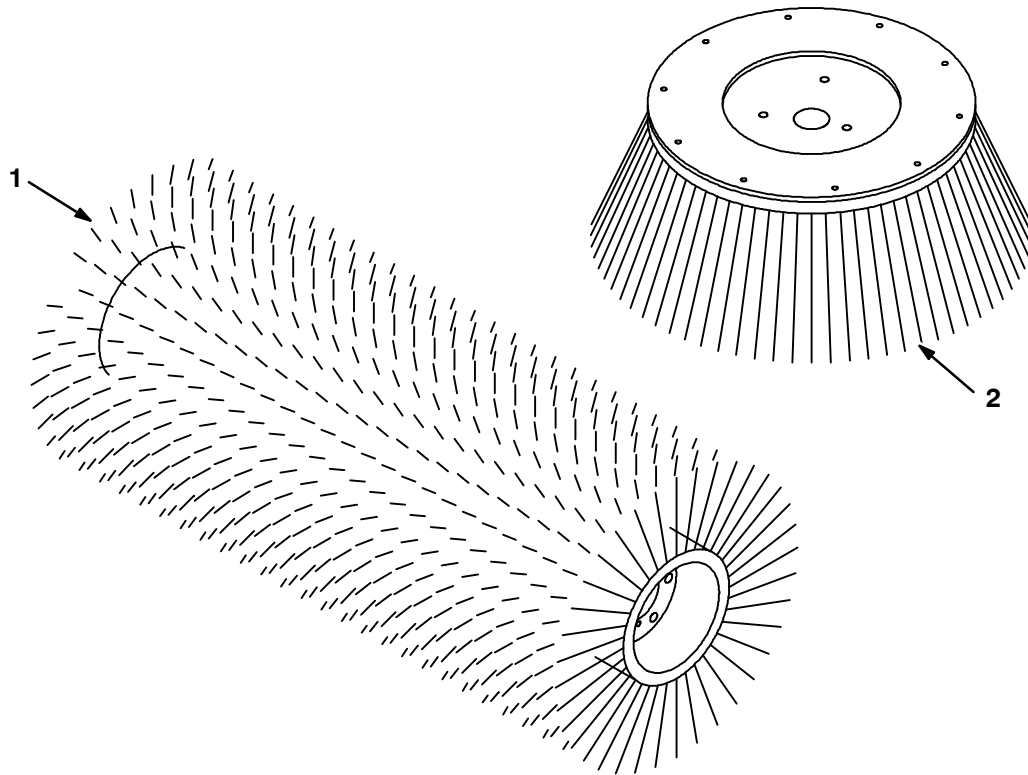
SECTION 2

CONTENTS	PAGE
Fig. 1 - Recommended General Maintenance Items	2-2
Fig. 2 - Replacement Brushes	2-3
Fig. 3 - Main Frame Group	2-4
Fig. 4 - Right Brush Door Group	2-6
Fig. 5 - Left Brush Door Group	2-8
Fig. 6 - Rear Axle Group	2-10
Fig. 7 - Front Axle And Transmission Group	2-12
Fig. 8 - Front Brake Cable And Lines Group	2-14
Fig. 9 - Main Brush Group	2-16
Fig. 10 - Main Brush Lift Group	2-18
Fig. 11 - Engine And Mount Group	2-20
Fig. 12 - Fuel Tank & Lines Group	2-22
Fig. 13 - Radiator And Hydraulic Cooler Group	2-24
Fig. 14 - Muffler Group	2-26
Fig. 15 - Air Cleaner Group (Standard Engine)	2-28
Fig. 16 - Air Cleaner Group (Turbo Engine)	2-29
Fig. 17 - Air Cleaner Group (Waste Gated Turbo Engine)	2-30
Fig. 18 - Battery and Cables Group	2-32
Fig. 19 - Conveyor And Skirts Group	2-34
Fig. 20 - Conveyor And Skirts Group	2-36
Fig. 21 - Conveyor Drive Group	2-38
Fig. 22 - Conveyor Drive Group	2-40
Fig. 23 - Right Conveyor Lift Group	2-42
Fig. 24 - Left Conveyor Lift Group	2-44
Fig. 25 - Hopper Group	2-46
Fig. 26 - Hopper Filter Bags Group	2-48
Fig. 27 - Hopper Tilt Cylinders Group	2-49
Fig. 28 - Hopper Support Bar Assembly	2-50
Fig. 29 - Hopper Support Cylinder Group	2-51
Fig. 30 - Vacuum Fan Group	2-52
Fig. 31 - Wire Harness/Electrical Schematic Group	2-54
Fig. 32 - Instrument Panel Group	2-58
Fig. 33 - Steering Wheel Group	2-60
Fig. 34 - Cab Frame Group	2-62
Fig. 35 - Left Cab Door Group	2-66
Fig. 36 - Right Cab Door Group	2-68
Fig. 37 - Cab Heater Group	2-70
Fig. 38 - Right Side Brush Group	2-72
Fig. 39 - Hydraulic Reservoir Group	2-74
Fig. 40 - Hydraulic Pumps Group	2-76
Fig. 41 - Front Frame Hydraulic Valves Group	2-78
Fig. 42 - Hopper & Main Brush Hydraulic Valve Group	2-80
Fig. 43 - Vacuum Fan Hydraulic Valve Group	2-82
Fig. 44 - Right Brush Hydraulic Valve Group	2-84
Fig. 45 - Hydraulic Hose Group	2-86
Fig. 46 - Propelling Hydraulic Hose Group	2-89
Fig. 47 - Water Spray Group	2-90
Fig. 48 - Dry Dust Control Group	2-92
Fig. 49 - Labels Group	2-94

Fig. 1 - Recommended General Maintenance Items

Ref.	TENNANT Part No.	Machine Serial Number	Description	Qty.
	762124	(000000-) Filter Element,Hyd.In-Tank	1
	762125	(000000-) Filter Element,Hyd.Spin On	1
	762220	(000000-) Tee, Water Spray (Wet Dust Control)	1
	762221	(000000-) Nozzle, Water Spray (Wet Dust Control)	2
	762234	(000000-) Cap, Spray Nozzle (Wet Dust Control)	2
	764018	(000000-) Filter,Fuel	1
	52770-5	(000000-) Filter Element,Oil (Standard Engine)	1
	68986	(000000-) Filter Element,Oil (Turbo Engine)	1
	764131	(000000-) Filter Element,Air Donaldson	1
	760098	(000000-) Plug And Cap Kit, Hyd Ftg	1
	760099	(000000-) O-Ring Kit, Seal Lok	1
	761810	(000000-) Paint, Touch-up, Off-White, 12 oz.	1
	761811	(000000-) Paint, Touch-up, Blue-Green, 12 oz.	1
	65870-5	(000000-) Fluid, Hyd Oil, Lo Tp 5 Gal.	1
	764260	(000000-) Skirt Kit, Front (With 5 U-Nuts) (Dry Dust Control)	1
	764261	(000000-) Skirt Kit, S. B. (1 Per Side With 5 U-Nuts) (Dry Dust Control)	1
	760890	(000000-001835) Strip, Rubber Paddle	10
	760749	(001836-) Strip, Rubber Paddle	11
	760897	(000000-) Skirt, Conveyor Lip	1
	760882	(000000-) Skirt, Conveyor Side	2
	760859	(000000-001685) Guide, Conveyor Chain	4
	760745	(001686-) Guide, Conveyor Chain	4
	760881	(000000-001685) Skirt, Side Deflectors	2
	760837	(001686-) Skirt, Side Deflectors	2
	761117	(000000-) Skirt, Dust, Rear	1
	761158	(000000-) Seal, Brush Door	2
	86385	(000000-) Grease, Anti-Corrosion Electrical	1
	761501	(000000-) Filter Bag Lifting Kit	1
	760868	(000000-001835) Master Link, Conveyor Chain	1
	760869	(000000-001835) Repair Link, Conveyor Chain	1
	761878	(000000-) Filter, Cab Air Intake	1
	760914	(001836-) Pin, Kit Connecting 1.654	1
	760915	(001836-) Attachment, Repair Kit 1.654	1

Fig. 2 - Replacement Brushes



09279/09211

Ref.	TENNANT Part No.	Machine Serial Number	Description	Qty.
1	761126	(000000-) Brush-Main Sweep,51Lg Strp Poly	1
2	761211	(000000-) Brush-Side Sweep 32D Poly&Wire, Side	1
2	761213	(000000-) Brush-Side Sweep -32D Flatwire, Side	1
2	761238	(000000-) Brush-Side Sweep -32D Poly, Side	1
2	761239	(000000-) Brush-Side Sweep -38D Poly, Aux/Vario	1
2	761372	(000000-) Brush-Side Sweep-38D Poly&Wire, Aux/Vario	1

Fig. 3 - Main Frame Group

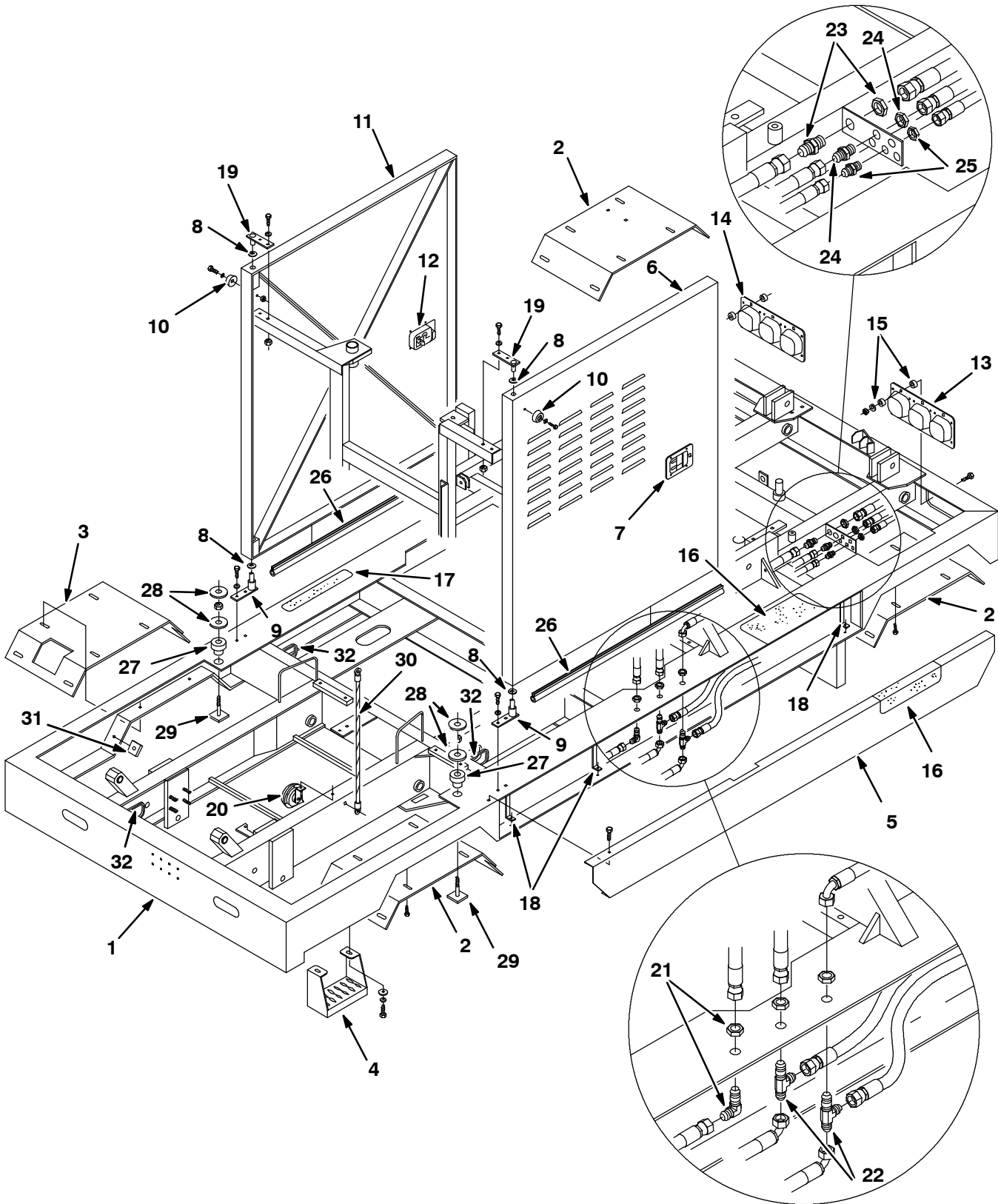


Fig. 3 - Main Frame Group

Ref.	TENNANT Part No.	Machine Serial Number	Description	Qty.	
1	760300	(000000-) Frame Wldt	1	
2	760357	(000000-) Fender	3	
3	760367	(000000-) Fender, Front, Right	1	
4	760302	(000000-) Step Wldt	2	
5	760207	(000000-) Cover, Side Frame, Lh	1	
∇	6	761041	(000000-) Door, Engine, Lh	1
▲∇	7	761956	(000000-) Latch,Eng.Door	1
▲▲	761957	(000000-) Key, Engine Door	1	
8	761044	(000000-) Bushing, Engine Door Hinge	4	
9	761043	(000000-) Pin, Hinge, Lower	2	
10	763060	(000000-) Bumper, Rubber Recessed	2	
∇	11	761040	(000000-) Door, Engine, Rh	1
▲∇	12	761956	(000000-) Latch,Eng.Door	1
▲▲	761957	(000000-) Key, Engine Door	1	
∇	13	761808	(000000-) Taillight, Lh w/Connector	1
▲	762587	(000000-) Gasket, Taillight	3	
▲	45779	(000000-) Bulb, GE (Signal/tail)	2	
▲	45780	(000000-) Bulb, GE (Brake/backup)	1	
∇	14	761807	(000000-) Taillight, Rh w/Connector	1
▲	762587	(000000-) Gasket, Taillight	3	
▲	45779	(000000-) Bulb, GE (signal/tail)	2	
▲	45780	(000000-) Bulb, GE (Brake/backup)	1	
15	762573	(000000-) Isolator, Taillight	12	
16	69571	(000000-) Mat,Floor	2	
17	75430	(000000-) Pad, Tread	1	
18	760395	(000000-) Retainer, Hoses	4	
19	764130	(000000-) Pin, Hinge, Upper	2	
20	14138A	(000000-) Horn, 12V	1	
21	762471	(000000-) Ftg-Hyd Bulkhead, Union E90	1	
22	762444	(000000-) Ftg-Hyd,Bulkhead, Run Tee	2	
23	762472	(000000-002192) Ftg-Hyd Bulkhead, Union	2	
24	762454	(000000-002192) Ftg-Hyd Bulkhead, Union	1	
25	762443	(000000-002192) Ftg-Hyd Bulkhead, Union	3	
26	764135	(000000-) Seal,Engine Door	2	
27	764016	(000000-) Isolator, Cab, Rear	2	
28	764073	(000000-) Washer, Special	4	
29	761058	(000000-) Bolt Weldt.	2	
30	760265	(000000-) Cable, Cab Tilt	1	
31	763126	(000000-) U-Nut, 10mmx1.25x0.75in	16	
32	761237	(000000-) Molding, Rigid	4	

Fig. 4 - Right Brush Door Group

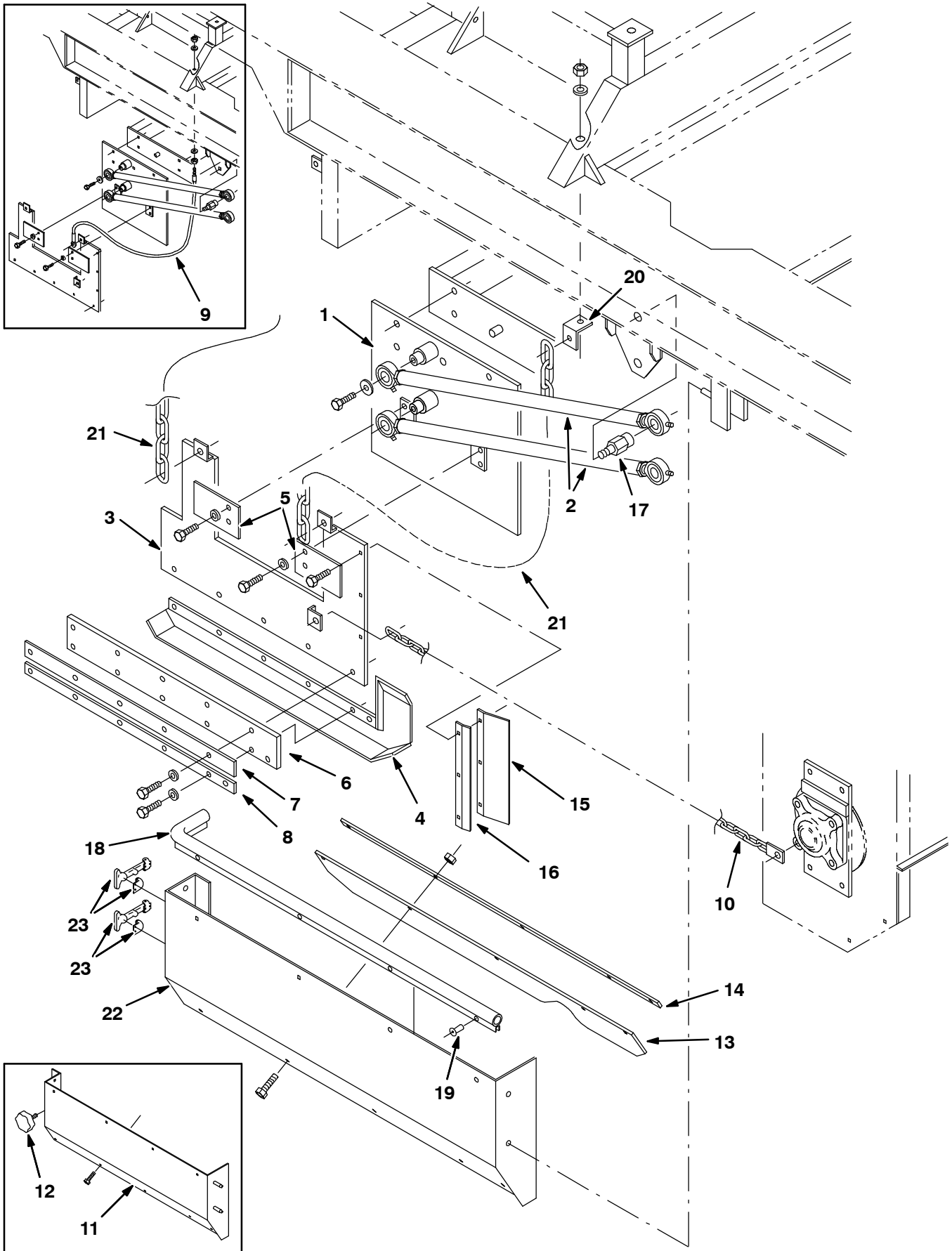


Fig. 4 - Right Brush Door Group

Ref.	TENNANT Part No.	Machine Serial Number	Description	Qty.	
1	761114	(000000-) Plate Wldt, Cage, Rh	1	
2	761147	(000000-) Rod Link, Brush Support Adj	2	
3	761146	(000000-) Plate Wldt, Support, Side, Rh	1	
4	761113	(000000-) Skid, Abrasive Resistant, Rh	1	
∇	761165	(000000-) Skid Kit, Carbide, Rh & Lh	1	
▲	4	761163	(000000-) Skid Weld't, Carbide Rh	1
▲		761162	(000000-) Skid Weld't, Carbide Lh	1
5	761106	(000000-) Plate, Brush Guide	2	
6	761109	(000000-) Cushion, Side Skids	1	
7	761145	(000000-) Strip, Retainer, Upper	1	
8	761110	(000000-) Strip, Retainer Skirt	1	
9	761123	(000000-001313) Replm Kit, Cable F/761122	2	
10	761152	(000000-) Chain, Brush, Cage	1	
11	761182	(000000-001709) Cover Repl. Kit, Main Brush, Rh	1	
12	763046	(000000-001709) Knob, Brush Door	1	
13	761158	(000000-) Seal, Brush Door	1	
14	760208	(000000-) Retainer, Side Skirt, Brushdoor	1	
15	761121	(000000-) Seal, Vertical	1	
16	761120	(000000-) Strip, Retainer, Vertical	2	
17	760097	(000000-) Pivot Kit, Brush Arms (Set of 2)	1	
18	760205	(000000-) Seal, Brush Door	1	
19	763075	(000000-) Rivot, Pop .156Dx.562x.312Dhd	5	
20	761124	(001314-) Angle, Skid Chain	2	
21	761125	(001314-) Chain, 2/0 13 Links	2	
22	760220	(001710-) Cover, Main Brush Rh	1	
23	761179	(001710-) T-Handle, LATCH 5"	2	

Fig. 5 - Left Brush Door Group

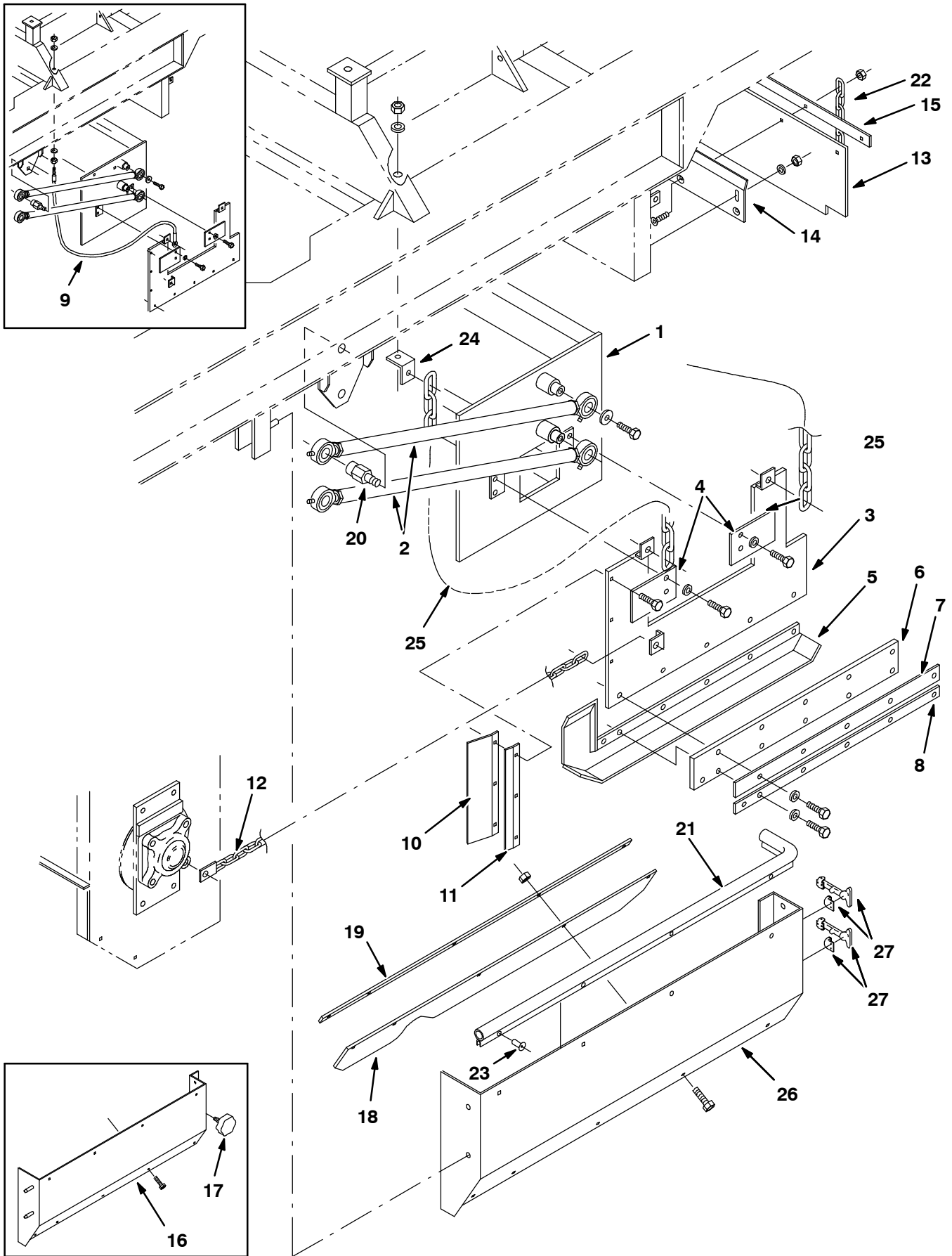


Fig. 5 - Left Brush Door Group

Ref.	TENNANT Part No.	Machine Serial Number	Description	Qty.
1	761104	(000000-) Cage Wldt, Support, Brush	1
2	761147	(000000-) Rod Link, Brush Support Adj	2
3	761105	(000000-) Plate Wldt, Support, Side, Lh	1
4	761106	(000000-) Plate, Brush Guide	2
5	761112	(000000-) Skid, Abrasive Resistant, Lh	1
▽	761165	(000000-) Skid Kit, Carbide, Rh & Lh	1
▲	5 761162	(000000-) Skid Weld't, Carbide Lh	1
▲	761163	(000000-) Skid Weld't, Carbide Rh	1
6	761109	(000000-) Cushion, Side Skids	1
7	761145	(000000-) Strip, Retainer, Upper	1
8	761110	(000000-) Strip, Retainer Skirt	1
9	761123	(000000-001313) Replm Kit, Cable F/761122	2
10	761121	(000000-) Seal, Vertical	1
11	761120	(000000-) Strip, Retainer, Vertical	2
12	761152	(000000-) Chain, Brush, Cage	1
13	761117	(000000-) Skirt, Rear Dust	1
14	761118	(000000-) Bracket, Retainer, Rear	1
15	761119	(000000-) Strip, Retainer, Vertical	1
16	761183	(000000-001709) Cover Repl. Kit, Main Brush, Lh	1
17	763046	(000000-001709) Knob, Brush Door	1
18	761158	(000000-) Seal, Brush, Door	1
19	760208	(000000-) Retainer, Side Skirt, Brushdoor	1
20	760097	(000000-) Pivot Kit, Brush Arms (Set of 2)	1
21	760205	(000000-) Seal, Brush Door	1
22	48183	(000000-) Chain, Link#2/0, 11Links, Zinc Pl	1
23	763075	(000000-) Rivot, Pop .156Dx.562x.312Dhd	5
24	761124	(001314-) Angle, Skid Chain	2
25	761125	(001314-) Chain, 2/0 13 Links	2
26	760219	(001710-) Cover, Main Brush Lh	1
27	761179	(001710-) T-Handle, LATCH 5"	2

Fig. 6 - Rear Axle Group

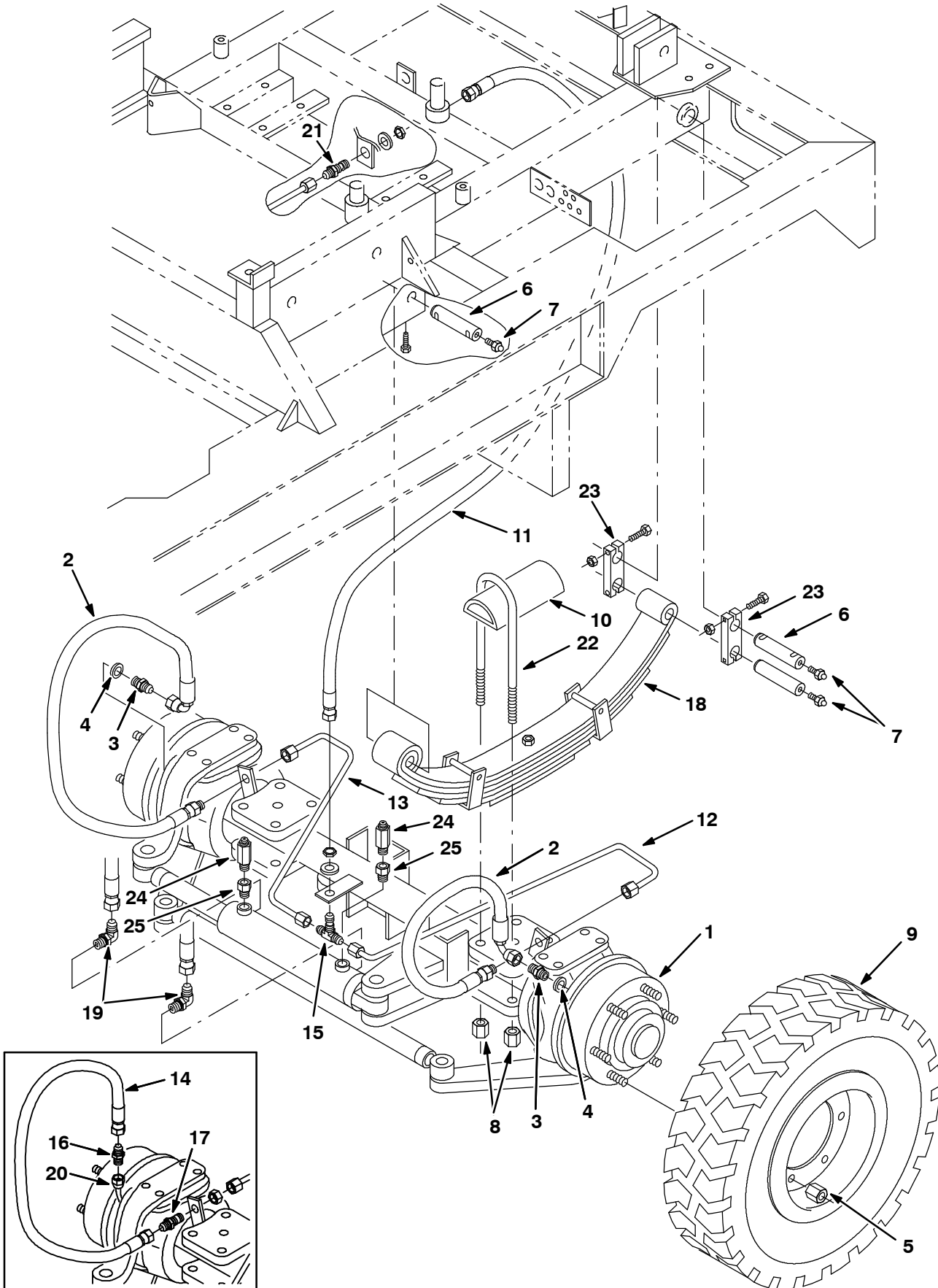


Fig. 6 - Rear Axle Group

	Ref.	TENNANT Part No.	Machine Serial Number	Description	Qty.
▽	1	762702	(000000-) Axle, Rear Melo (See Breakdowns)	1
▲	2	761995	(001050-) Hose	2
▲	3	761992	(001050-) Fitting, Brake Line	2
▲	4	761993	(001050-) Washer, Brake Line	2
▲	5	761025	(000000-) Lug Nut, Flanged	12
	6	761017	(000000-) Pin, Spring	6
	7	06418	(000000-) Ftg, Grease.12 Npt Strt .66L	6
	8	761010	(000000-) Nut, Special U-Bolt, .75 Deep	8
▽	9	761011	(000000-) Tire & Rim Assy, (Bias Ply)	2
▲		761012	(000000-) Wheel	1
▲		761013	(000000-) Tire, 7.00X12 Hd Rib Lug, (Bias Ply)	1
▲		761014	(000000-) Tube, Tire 7.00X12, (Bias Ply)	1
▲		761796	(000000-) Washer, Valve Stem Slot	1
▽	9	761799	(000000-) Tire & Rim Assy, (Radial)	2
▲		761012	(000000-) Wheel	1
▲		761798	(000000-) Tire, 7.00X12, (Radial)	1
▲		761797	(000000-) Tube, Tire 7.00X12, (Radial)	1
▲		761796	(000000-) Washer, Valve Stem Slot	1
	10	761019	(000000-) Saddle, U-Bolt	2
	11	761085	(000000-) Hose, Brake	1
	12	761031	(000000-001049) Tube, Brake, Rear, Lh	1
	12	761996	(001050-) Tube, Brake, Rear, Lh	1
	13	761032	(000000-001049) Tube, Brake, Rear, Rh	1
	13	761997	(001050-) Tube, Brake, Rear, Rh	1
	14	761038	(000000-001049) Hose, Brake	2
	15	34392	(000000-) Ftg-Hyd Tee	1
	16	761084	(000000-001049) Ftg, Str, Brake Line	2
	17	761037	(000000-001049) Ftg, Str, Bulkhead	2
	18	761004	(000000-) Spring, Rear Leaf	2
	19	762432	(000000-) Ftg-Hyd, E90	2
	20	761994	(000000-001049) Tube	2
	21	761037	(000000-) Ftg, Str, Bulkhead	1
	22	761005	(000000-) U-Bolt, Rear Spring	4
	23	761018	(000000-) Bar, Side Spring	4
	24	762430	(000000-) Ftg-Hyd Bleeder, 4	2
	25	762431	(000000-) Ftg-Hyd, 6	2

Fig. 7 - Front Axle And Transmission Group

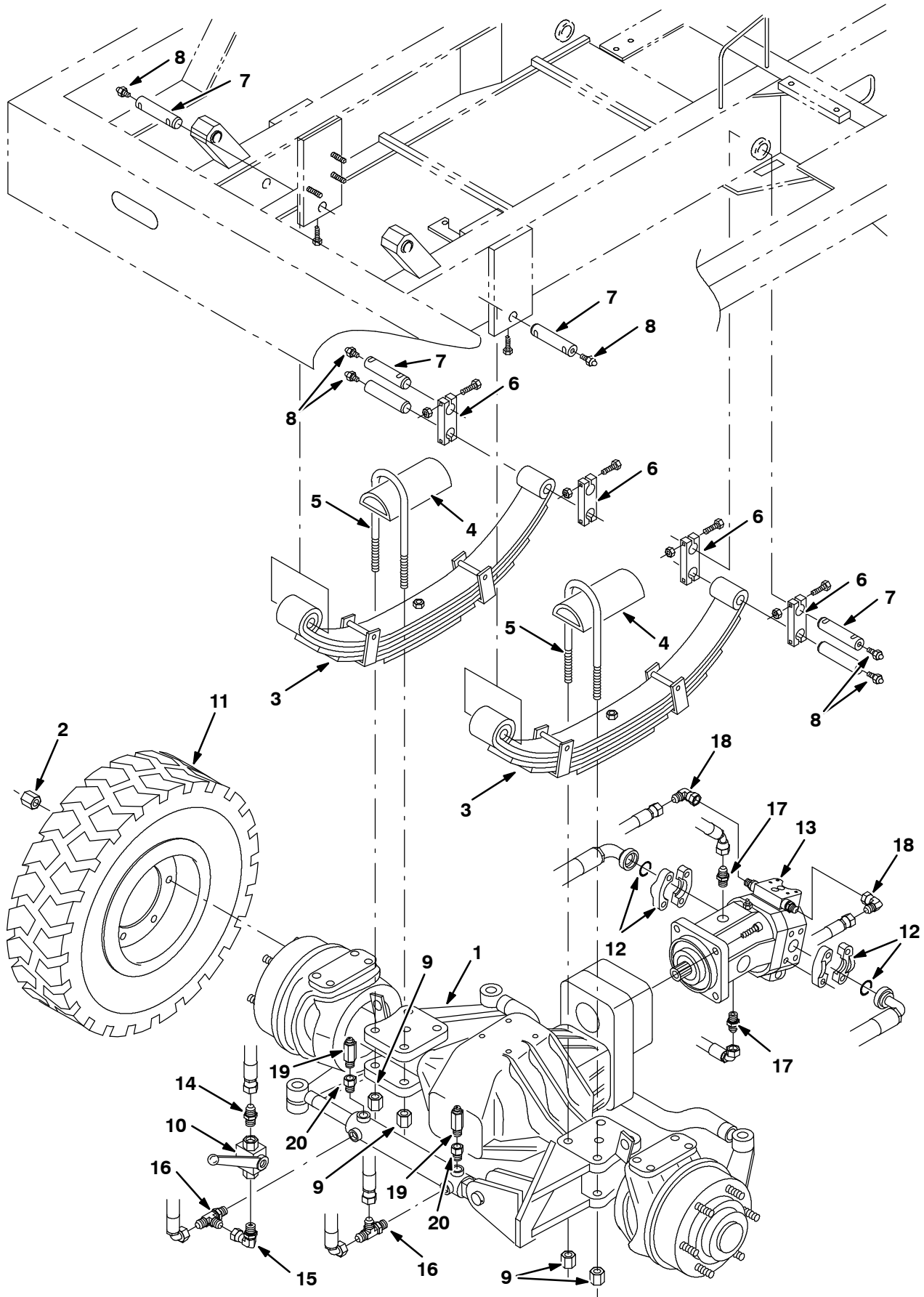


Fig. 7 - Front Axle And Transmission Group

Ref.	TENNANT Part No.	Machine Serial Number	Description	Qty.
▽	1	762701	(000000-) Axle, Front Melo (See Breakdowns)	1
▲	2	761025	(000000-) Lug Nut, Flanged	12
	3	761003	(000000-) Spring, Front Leaf	2
	4	761019	(000000-) Saddle, U-Bolt	2
	5	761022	(000000-) U-Bolt, Front Spring	4
	6	761018	(000000-) Bar, Side Spring	4
	7	761017	(000000-) Pin, Spring	6
	8	06418	(000000-) Ftg, Grease.12 Npt Strt .66L	6
	9	761010	(000000-) Nut, Special U-Bolt, .75 Deep	8
	10	762007	(000000-) Valve, Ball Hycon	1
▽	11	761011	(000000-) Tire & Rim Assy, (Bias Ply)	2
▲		761012	(000000-) Wheel	1
▲		761013	(000000-) Tire, 7.00X12 Hd Rib Lug, (Bias Ply)	1
▲		761014	(000000-) Tube, Tire 7.00X12, (Bias Ply)	1
▲		761796	(000000-) Washer, Valve Stem Slot	1
▽	11	761799	(000000-) Tire & Rim Assy, (Radial)	2
▲		761012	(000000-) Wheel	1
▲		761798	(000000-) Tire, 7.00X12, (Radial)	1
▲		761797	(000000-) Tube, Tire 7.00X12, (Radial)	1
▲		761796	(000000-) Washer, Valve Stem Slot	1
	12	762488	(000000-) Ftg-Hyd Sae Flange	2
	13	762106	(000000-001763) Motor, Piston, Rexroth (Repl. By 762136) (See Breakdowns)	1
	13	762136	(001764-) Motor, Piston, (See Breakdowns)	1
	14	762433	(000000-) Ftg-Hyd, Str	1
	15	762441	(000000-) Ftg-Hyd, E90	1
	16	762434	(000000-) Ftg-Hyd, Tee	2
	17	762109	(000000-) Fitting, Special	2
	18	762427	(000000-) Ftg-Hyd, E90	2
	19	762430	(000000-) Ftg-Hyd, Bleeder, 4	2
	20	762431	(000000-) Ftg-Hyd, 6	2

Fig. 8 - Front Brake Cable And Lines Group

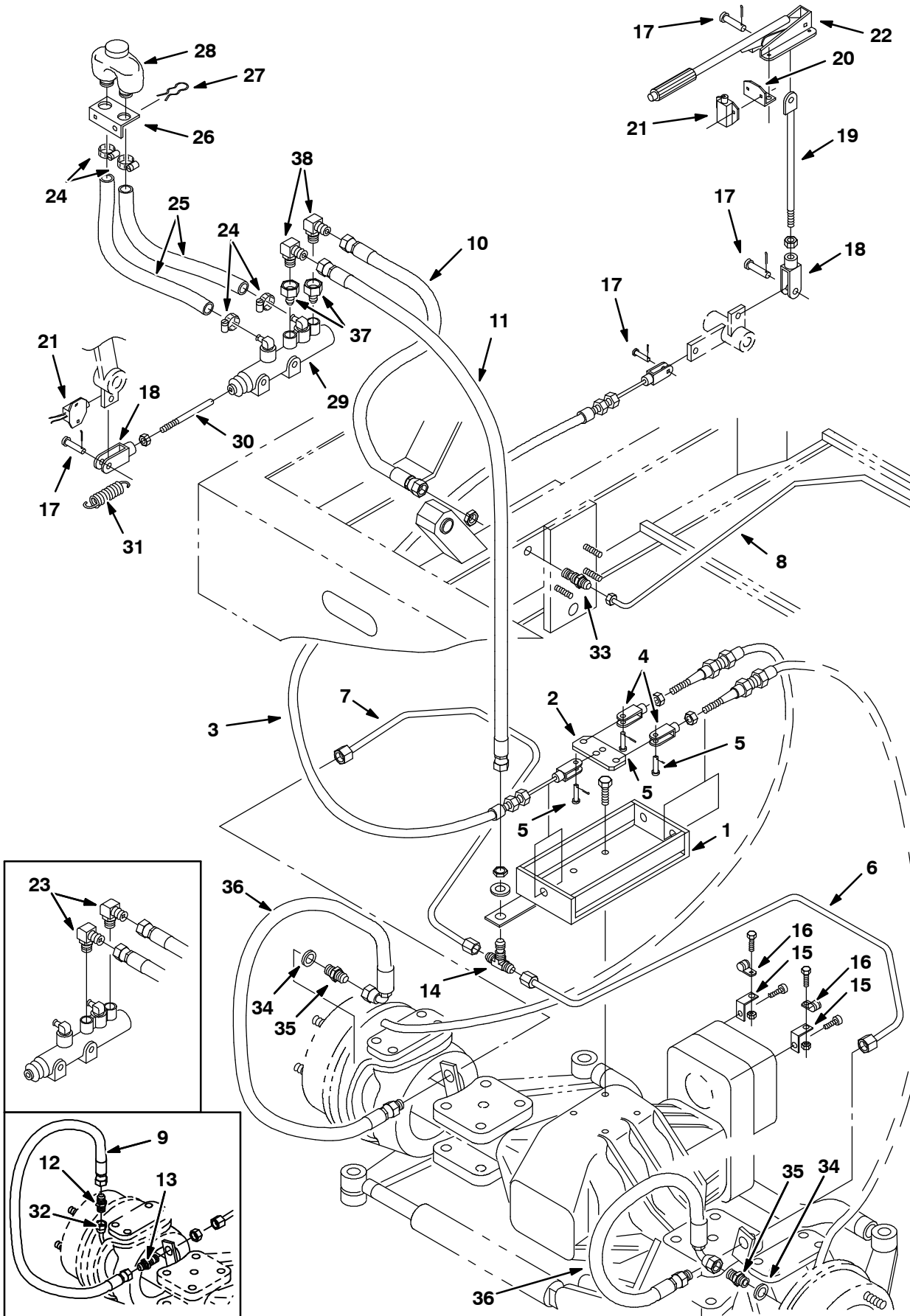


Fig. 8 - Front Brake Cable And Lines Group

Ref.	TENNANT Part No.	Machine Serial Number	Description	Qty.
1	761006	(000000-) Support, Axle Brake Cable	1
2	761007	(000000-) Plate, Brake Cable Coupler	1
3	761023	(000000-) Cable, Parking Brake	1
4	761021	(000000-) Clevis, Brake	2
5	09088	(000000-) Pin,Clevis,0.37 Dia.X 1.00 Lg	3
6	761034	(000000-001049) Tube, Brake, Front, Lh	1
6	761999	(001050-) Tube, Brake, Front, Lh	1
7	761033	(000000-001049) Tube, Brake, Front, Rh	1
7	761998	(001050-) Tube, Brake, Front, Rh	1
8	761088	(000000-) Tube, Brake	1
9	761038	(000000-001049) Hose, Brake	2
10	761086	(000000-) Hose, Brake	1
11	761087	(000000-) Brake, Hose	1
12	761084	(000000-001049) Ftg, Str, Brake Line	2
13	761037	(000000-001049) Ftg, Str, Bulkhead	2
14	34392	(000000-) Ftg-Hyd Tee	1
15	761024	(000000-) Support, Angle Brake Cable	2
16	76736	(000000-) Clamp-Cable, 0.38Dia 0.62Wth	2
17	763382	(000000-) Clevis Pin, M8 With Hole	4
18	763385	(000000-) Yoke, M8X32	2
19	761075	(000000-) Link, Rod	1
20	762574	(000000-) Bracket, Switch	1
21	762502	(000000-) Switch, Micro	2
22	761072	(000000-) Lever, Parking Brake	1
23	761091	(000000-001397) Ftg, Adaptor Kit Master Cyl	2
24	43844	(000000-) Clamp-Wormdrive, 0.25- 0.62D	4
25	761092	(000000-) Hose,Brake Fluid	2
26	761028	(000000-) Bracket, Master Cyl Reservoir	1
27	761029	(000000-) Clip,Hair Pin,Master Cyl Resr	2
28	761071	(000000-) Reservoir, Master Cylinder	1
29	761070	(000000-) Master Cylinder Brakes	1
30	763235	(000000-) Rod,Master Cylinder	1
31	26212	(000000-) Spring, Brake	1
32	761994	(000000-001049) Tube	2
33	761037	(000000-) Ftg, Str, Bulkhead	1
34	761993	(001050-) Washer, Brake Line	2
35	761992	(001050-) Fitting, Brake Line	2
36	761995	(001050-) Hose	2
37	761095	(001398-) Ftg, Str Adaptor Master Cyl	2
38	77097	(001398-) Ftg-Hyd E90 Jm04/Om04	2

Fig. 9 - Main Brush Group

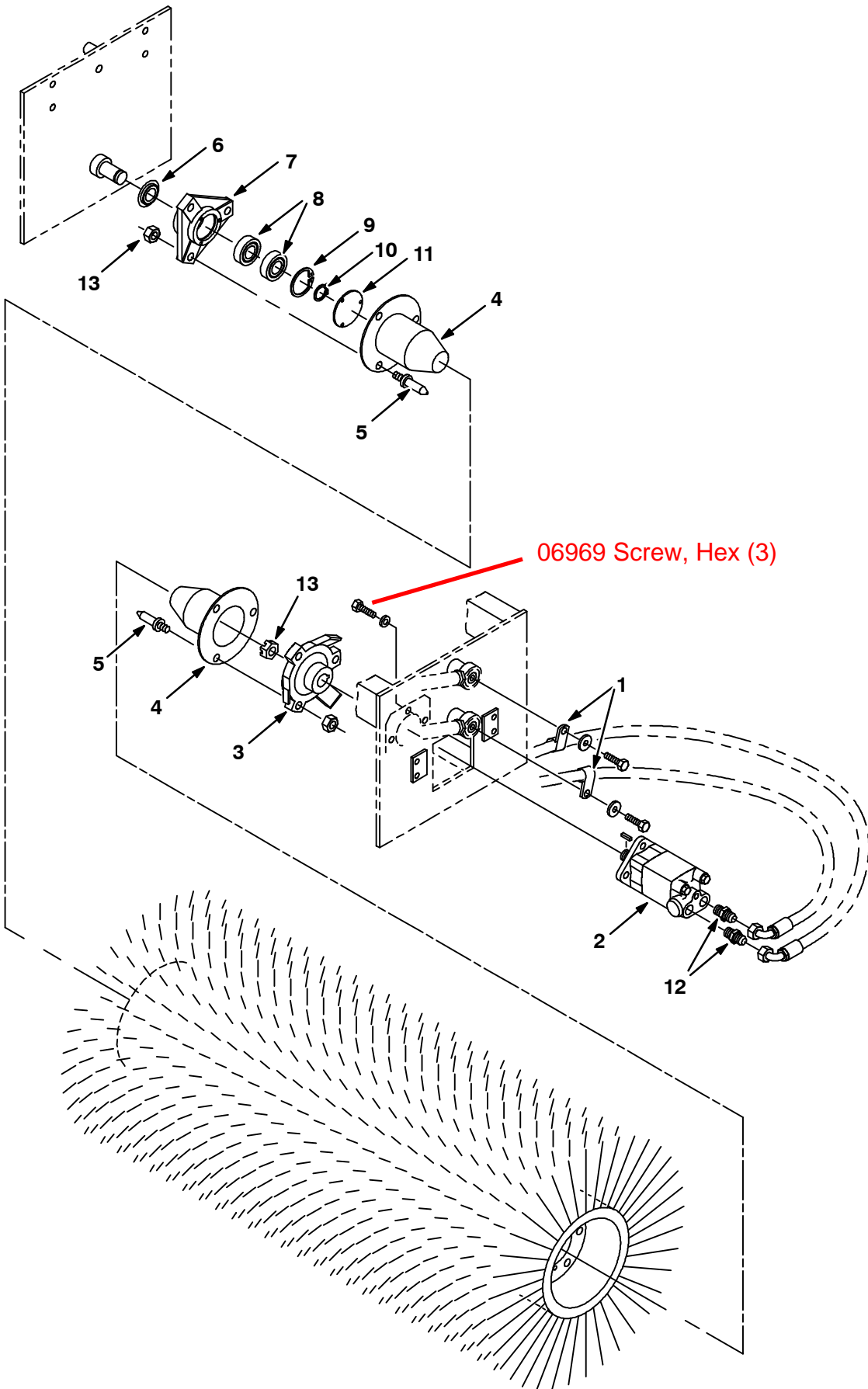


Fig. 9 - Main Brush Group

Ref.	TENNANT Part No.	Machine Serial Number	Description	Qty.
1	69234	(000000-) Clamp-Cable, 1.00Dia. .62Wth	2
2	762045	(000000-) Motor,Hyd Main Brush (See Breakdowns)	1
3	761141	(000000-) Plug, Brush Drive,	1
4	761131	(000000-) Plug, Brush Guide	2
5	761128	(000000-) Pin, Brush Plug	6
6	763134	(000000-) Seal, Dust	1
7	761134	(000000-) Plug, Brush Idler	1
8	763132	(000000-) Bearing	2
9	763133	(000000-) Retaining Ring, 62 Dia	1
10	763131	(000000-) Retaining Ring, 30 Dia	1
11	761130	(000000-) Plate, Lid, Brush Drive	1
12	762463	(000000-) Ftg-Hyd, Str	2
13	33342	(000000-) Nut-Hxlocnyln M16x2.0 Reg Pltd	6

Fig. 10 - Main Brush Lift Group

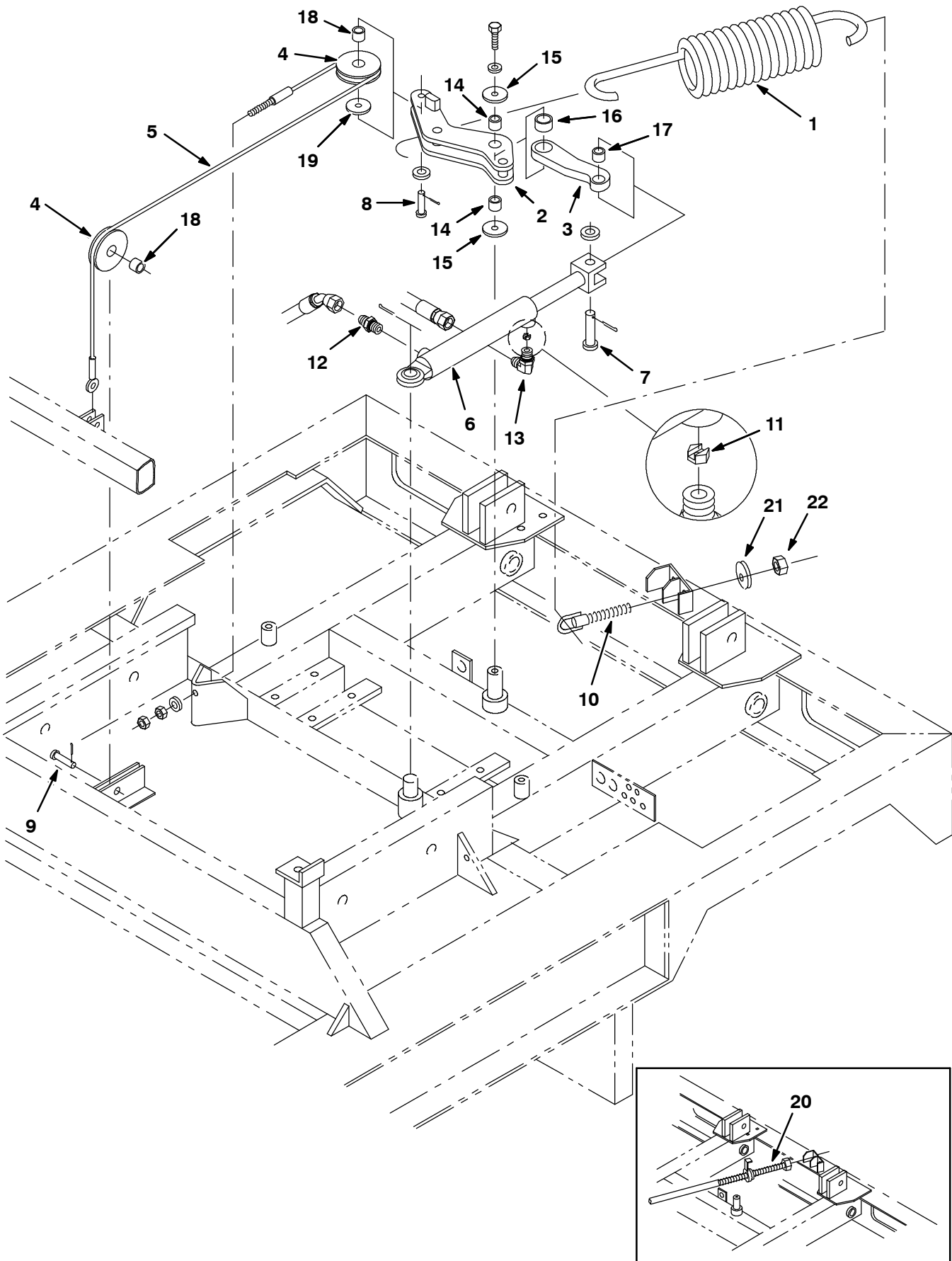
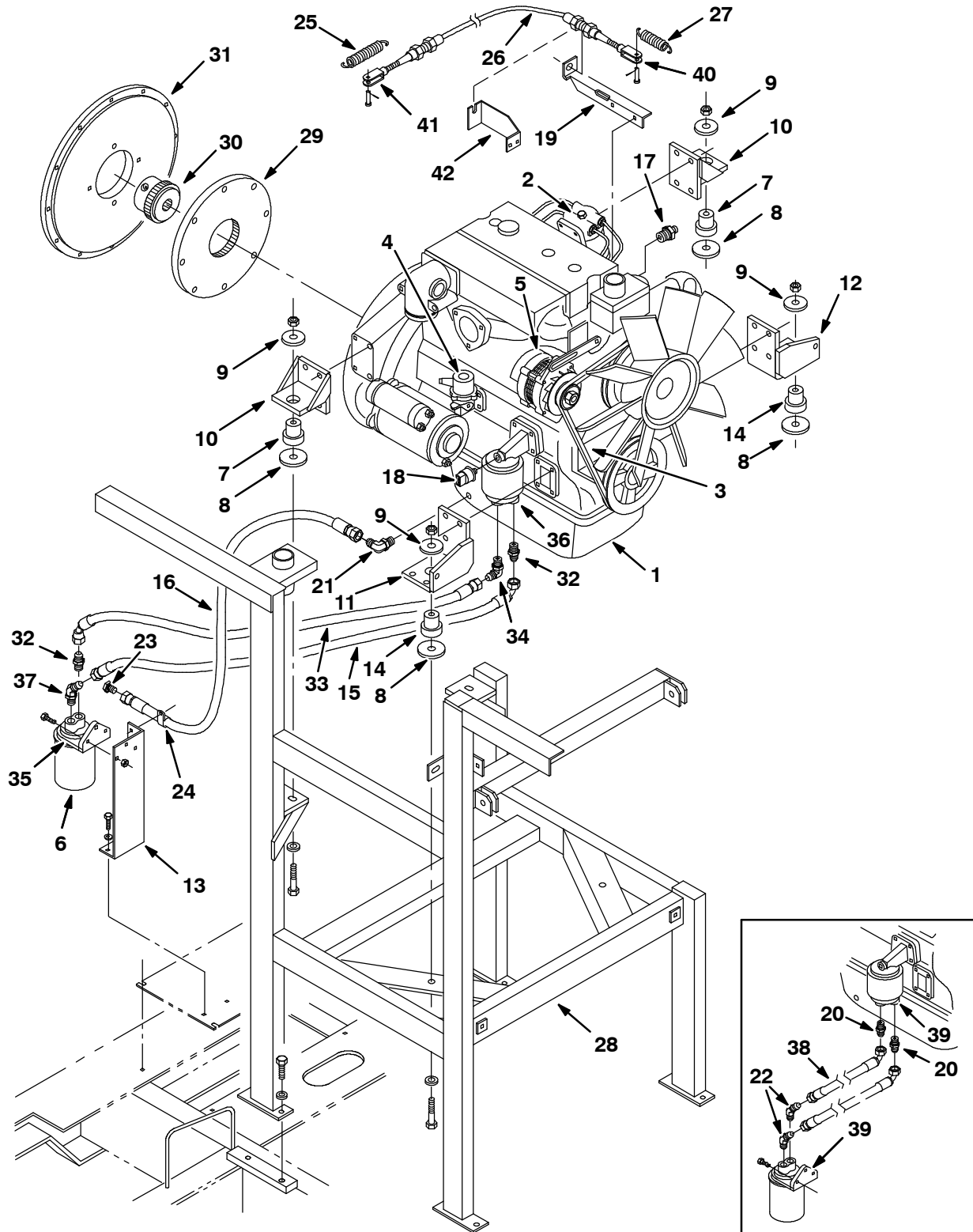


Fig. 10 - Main Brush Lift Group

Ref.	TENNANT Part No.	Machine Serial Number	Description	Qty.
1	760907	(000000-) Spring	1
2	760910	(000000-) Arm Wldt, Brush Lift	1
3	760911	(000000-) Arm Assy	1
4	760916	(000000-) Pulley, 123Mm Dia Brush Lift	2
5	760920	(000000-) Cable, Brush Lift	1
6	762010	(000000-) Cylinder, Hyd Main Brush Lift	1
7	760925	(000000-) Pin, Brush Lift	1
8	760921	(000000-) Pin, Brush Lift	1
9	760917	(000000-) Pin, Brush Lift	1
10	760909	(000000-) Eyebolt	1
11	762056	(000000-) Orifice, Hyd Cylinder	1
12	762426	(000000-) Ftg-Hyd, Str	1
13	762425	(000000-) Ftg-Hyd, E90	1
14	763022	(000000-) Bearing, Sleeve 30x38x10	2
15	763024	(000000-) Washer, Thrust 32.1x50.8x3.2	2
16	763003	(000000-) Bearing	1
17	763007	(000000-) Bearing	1
18	763118	(000000-) Bearing	2
19	763050	(000000-) Bearing, Thrust	1
20	761144	(000000-001631) Rod Assy, Brush Change	1
21	32495	(000000-) Washer-Flt .75 Std	1
22	763036	(000000-) Nut, Hxlocnyln M20x2.5	1

Fig. 11 - Engine And Mount Group



09224/08686

Ref.	TENNANT Part No.	Machine Serial Number	Description	Qty.
▽ 1	764000	(000000-)	Engine Assy, (Std Engine)	1
▲ 2	764018	(000000-)	Filter Element, Fuel	1
▲ 3	764607	(000000-)	Belt, Alternator	1

Fig. 11 - Engine And Mount Group

Ref.	TENNANT Part No.	Machine Serial Number	Description	Qty.
▲	4	764017	(000000-) Pump,Fuel	1
▲	5	764020	(000000-) Alternator	1
▲	6	52770-5	(000000-) Filter Element,Oil	1
▽	1	764001	(000000-002424) Engine Assy, (Turbo Engine)	1
▲	2	764018	(000000-002424) Filter Element, Fuel	1
▲	3	764607	(000000-002424) Belt,Alternator	1
▲	4	764017	(000000-002424) Pump,Fuel	1
▲	5	764020	(000000-002424) Alternator	1
▲	6	764092	(000000-002424) Filter Element,Oil Turbo	1
▽	1	766401	(002425-) Engine Assy, (Waste Gated Turbo Engine)	1
▲	2	764896	(002425-) Filter Element, Fuel	1
▲	3	764607	(002425-) Belt,Alternator	1
▲	4	764017	(002425-) Pump,Fuel	1
▲	5	764020	(002425-) Alternator	1
▲	6	764092	(002425-) Filter Element,Oil Turbo	1
	7	764015	(000000-) Isolator, Mtg,Flywheel,Orange	2
	8	764071	(000000-) Washer, Special	4
	9	764070	(000000-) Washer, Special	4
	10	764009	(000000-) Support,Engine Flywheel	2
	11	764011	(000000-) Support, Eng Fan, Side, Front	1
	12	764012	(000000-) Support,Engine Fan Side Rear	1
	13	764086	(000000-) Bracket,Oil Filter	1
	14	764014	(000000-) Isolator, Mtg, Fan, Side	2
	15	762412	(000000-) Hose,Hyd	1
	16	762409	(000000-) Hose,Hyd	1
	17	762550	(000000-) Sender, Water Temp	1
	18	77603	(000000-) Switch, Pressure, Oil	1
	19	764066	(000000-) Bracket,Throttle Cable (Non-Waste Gated Turbo Engines)	1
	20	762495	(000000-001205) Ftg-Hyd, Str	2
	21	762446	(000000-) Ftg-Hyd, E90	1
	22	762450	(000000-001205) Ftg-Hyd, E45	2
	23	762448	(000000-) Ftg-Hyd, Plug	1
	24	69234	(000000-) Clamp-Cable, 1.00Dia. .62Wth	1
	25	36619	(000000-) Spring, Ext. .50Od X 4.0 Lg	1
	26	764045	(000000-) Cable, Engine Speed	1
	27	764068	(000000-) Spring, Throttle	1
	28	764033	(000000-) Support Weldt,Engine	1
	29	764006	(000000-) Flywheel Flange, Nylon	1
	30	764008	(000000-) Hub, Pump Drive Sae "C"	1
	31	764007	(000000-) Plate, Pump Mount, 2 Bolt "C"	1
	32	762498	(001206-) Ftg-Hyd, Str	2
	33	762410	(001206-) Hose, Hyd	1
	34	762424	(001206-) Ftg-Hyd, E90	1
	35	764152	(001206-) Base, Remote Oil Filter	1
	36	764151	(001206-) Adaptor, Oil Filter	1
	37	762476	(001206-) Ftg-Hyd, E45	1
	38	762412	(000000-001205) Hose, Hyd	1
	39	764132	(000000-001205) Replm Kit, Remote Filter Kit	1
	40	761292	(000000-) Clevis & Spring Assy .250	1
	41	761293	(000000-) Clevis & Spring Assy .188	1
	42	766035	(002425-) Bracket,Throttle Cable (Waste Gated Turbo Engines Only)	1

Fig. 12 - Fuel Tank & Lines Group

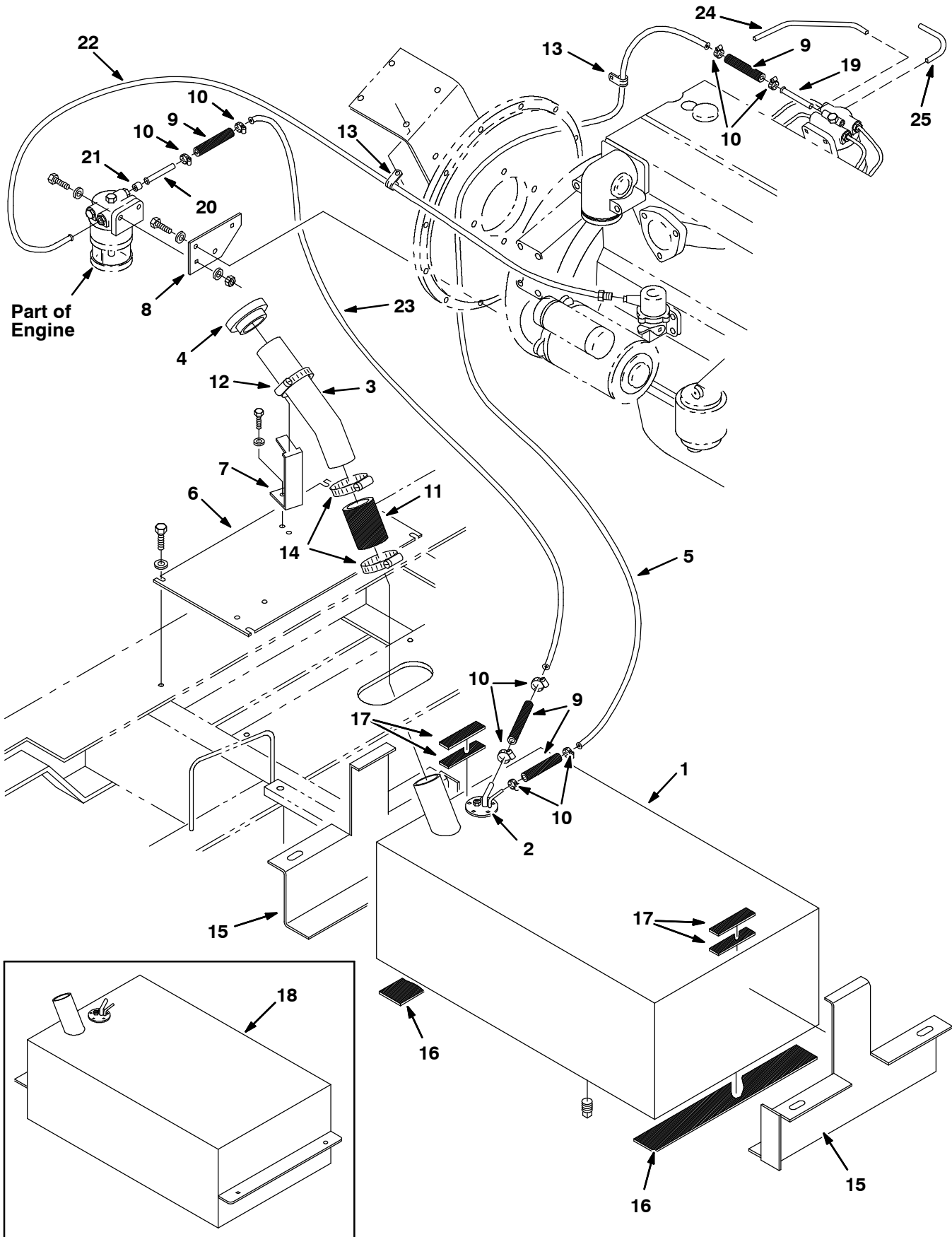


Fig. 12 - Fuel Tank & Lines Group

	Ref.	TENNANT Part No.	Machine Serial Number	Description	Qty.
▽	1	764002	(001212-) Fuel Tank	1
▲	2	764064	(000000-) Sending Unit,Fuel Tank	1
	3	761035	(000000-) Filler, Neck, Fuel Tank	1
	4	761036	(000000-) Cap, Fuel Tank Filler	1
	5	16562	(000000-) Tube Assy, Sediment Bowl	1
	6	760264	(000000-) Floor Plate, Engine	1
	7	764087	(000000-) Bracket,Filler Tube	1
	8	764067	(000000-) Plate,Water Trap	1
	9	32808	(000000-) Hose 1/4 Dia. Fuel LineL	4
	10	43844	(000000-) Clamp-Wormdrive, 0.25- 0.62D	8
	11	764090	(000000-) Hose,Fuel Fill 2.25X3.75In Lg	1
	12	22297	(000000-) Clamp-Wormdrive, 1.56- 2.50D L	1
	13	76736	(000000-) Clamp-Cable, 0.38Dia 0.62Wth	2
	14	14432	(000000-) Clamp-Wormdrive, 1.81- 2.75D	2
	15	764126	(001212-) Bracket Weldt	2
	16	764129	(001212-) Strip, Rubber, Long	2
	17	764139	(001212-) Strip, Rubber, Short	4
	18	764065	(000000-001211) Fuel Tank Replacement Kit	1
	19	764004	(000000-) Tube - Fuel Line .250DX4.0LG (Non-Waste Gated Turbo)	1
	20	764134	(000000-) Tube, Fuel Line	1
	21	764839	(000000-) Olive	1
	22	761503	(000000-) Tube, Fuel Line, Upper	1
	23	761504	(000000-) Tube , Fuel Line, Lower	1
	24	766036	(002425-) Tube, Bleed-off Line (Waste Gated Turbo)	1
	25	766037	(002425-) Tube, Fuel Line, 90 (Waste Gated Turbo)	1

Fig. 13 - Radiator And Hydraulic Cooler Group

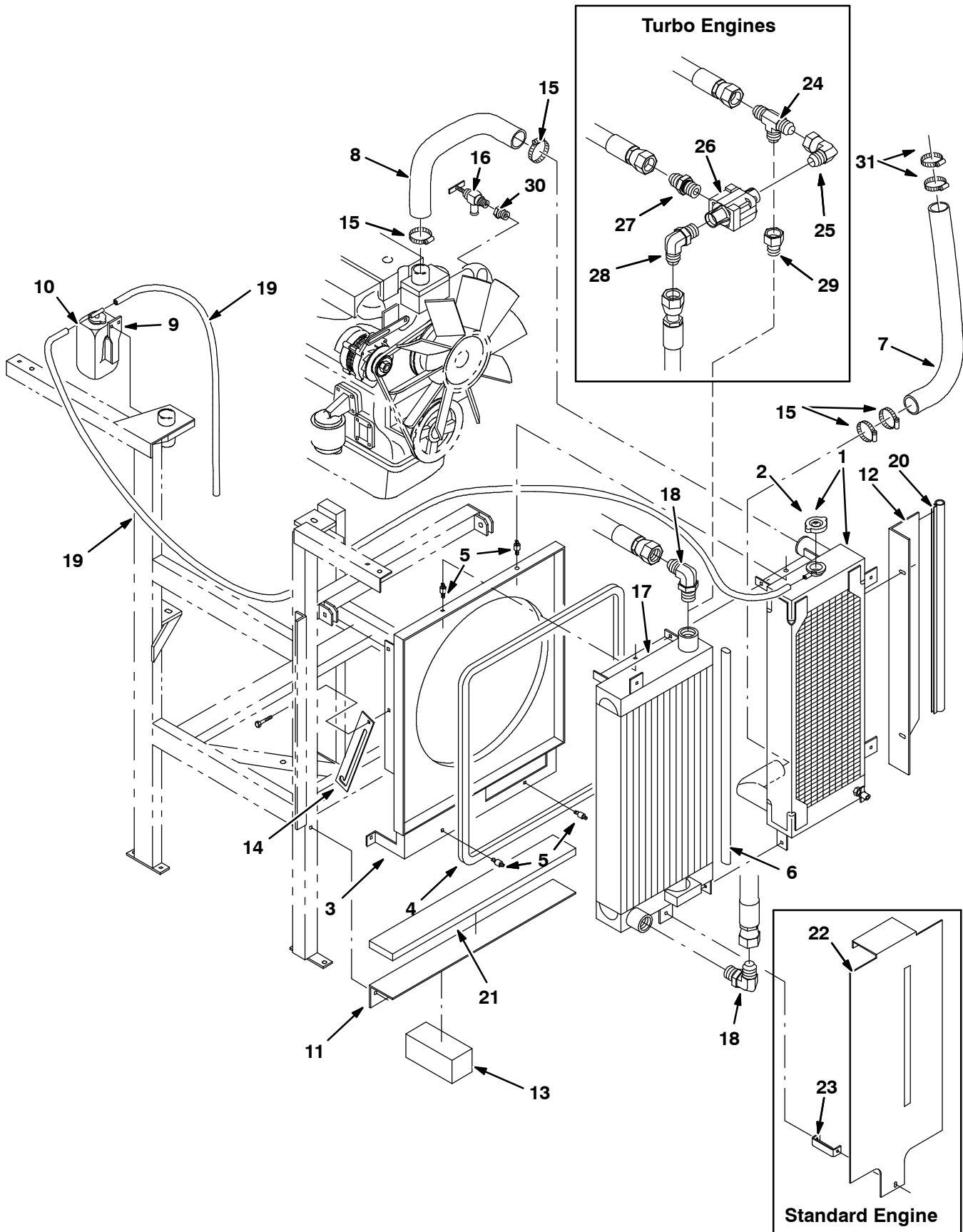


Fig. 13 - Radiator And Hydraulic Cooler Group

Ref.	TENNANT Part No.	Machine Serial Number	Description	Qty.
▽	1	764046	(000000-001205) Radiator (300mm)	1
▲	2	764047	(000000-001205) Cap,Radiator	1
▽	1	764010	(001206-) Radiator (362mm)	1
▲	2	764047	(001206-) Cap,Radiator	1
	3	764024	(000000-) Support,Radiator&Fan Shroud	1
	4	764025	(000000-) Seal,Bulb	1
	5	82661	(000000-) Isolator-Vibration .25-20	4
	6	764041	(000000-) Seal,Foam Rad/Coolr.25X.75X28	1
	7	764111	(000000-001205) Hose,Rad.Lower, 2x2.25x25	1
	7	764119	(001206-) Hose,Rad.Lower, 2x2x24	1
	8	764032	(000000-) Hose,Radiator Upper	1
	9	87978	(000000-) Bracket Tank Coolant	1
	10	87972	(000000-) Tank Recover Coolant	1
	11	764060	(000000-) Angle, Recirculation Seal	1
	12	764054	(000000-) Baffle, Side	1
	13	764056	(000000-) Seal, Neo Foam	1
	14	764069	(000000-) Strap	1
	15	22297	(000000-) Clamp-Wormdrive, 1.56- 2.50D L	4
	16	764183	(000000-) Valve, Water Shut-off, Manual	1
	17	762027	(000000-001205) Cooler, Hydraulic Oil (380mm)	1
	17	764107	(001206-) Cooler, Hydraulic Oil (318mm)	1
	18	762484	(000000-) Ftg-Hyd, E90	2
	19	764034	(000000-) Hose,Radiator Overflow 5/16ld	1
	20	764137	(000000-) Seal,Radiator	1
	21	764057	(000000-) Seal, Neo Foam	1
	22	762076	(000000-001205) Panel, Baffle Cooler (380mm) (Std Engine)	1
	22	764125	(001206-) Panel, Baffle Cooler (318mm) (Std Engine)	1
	23	762077	(000000-) Channel, Baffle Cooler, (Std Engine)	1
	24	762415	(000000-) Ftg, Hyd, Tee (Turbo Engine)	1
	25	762416	(000000-) Ftg, Hyd, E90 (Turbo Engine)	1
	26	762422	(000000-) Valve, Bypass, (Turbo Engine)	1
	27	762481	(000000-) Ftg, Hyd, Str (Turbo Engine)	1
	28	762482	(000000-) Ftg, Hyd, E90 (Turbo Engine)	1
	29	762421	(000000-) Ftg, Hyd, Str (Turbo Engine)	1
	30	47167	(000000-) Ftg-Str Npt/Npt 06pf/08pm	1
	31	14432	(000000-) Clamp- Worm, 1.81-275D	2

Fig. 14 - Muffler Group

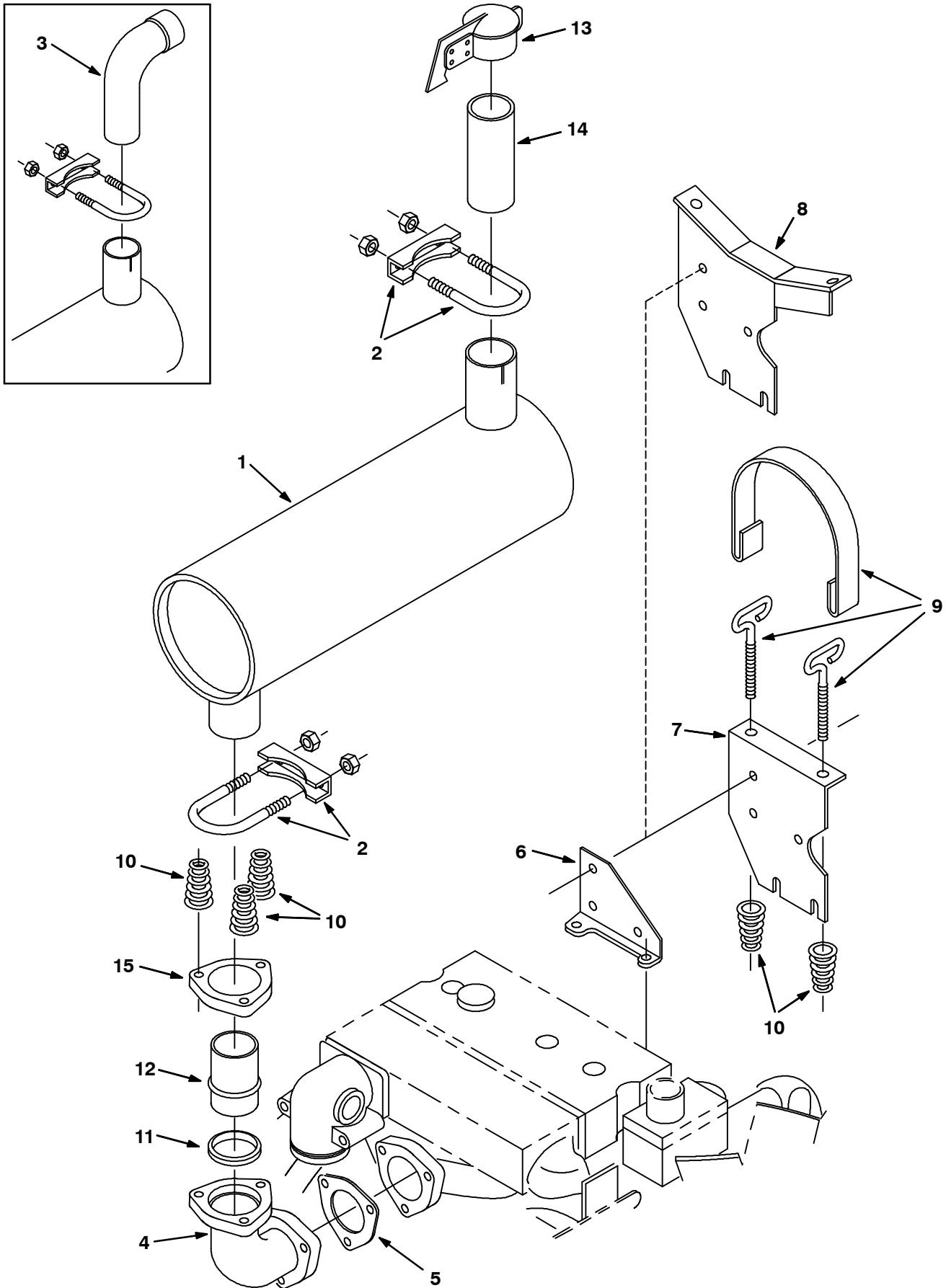
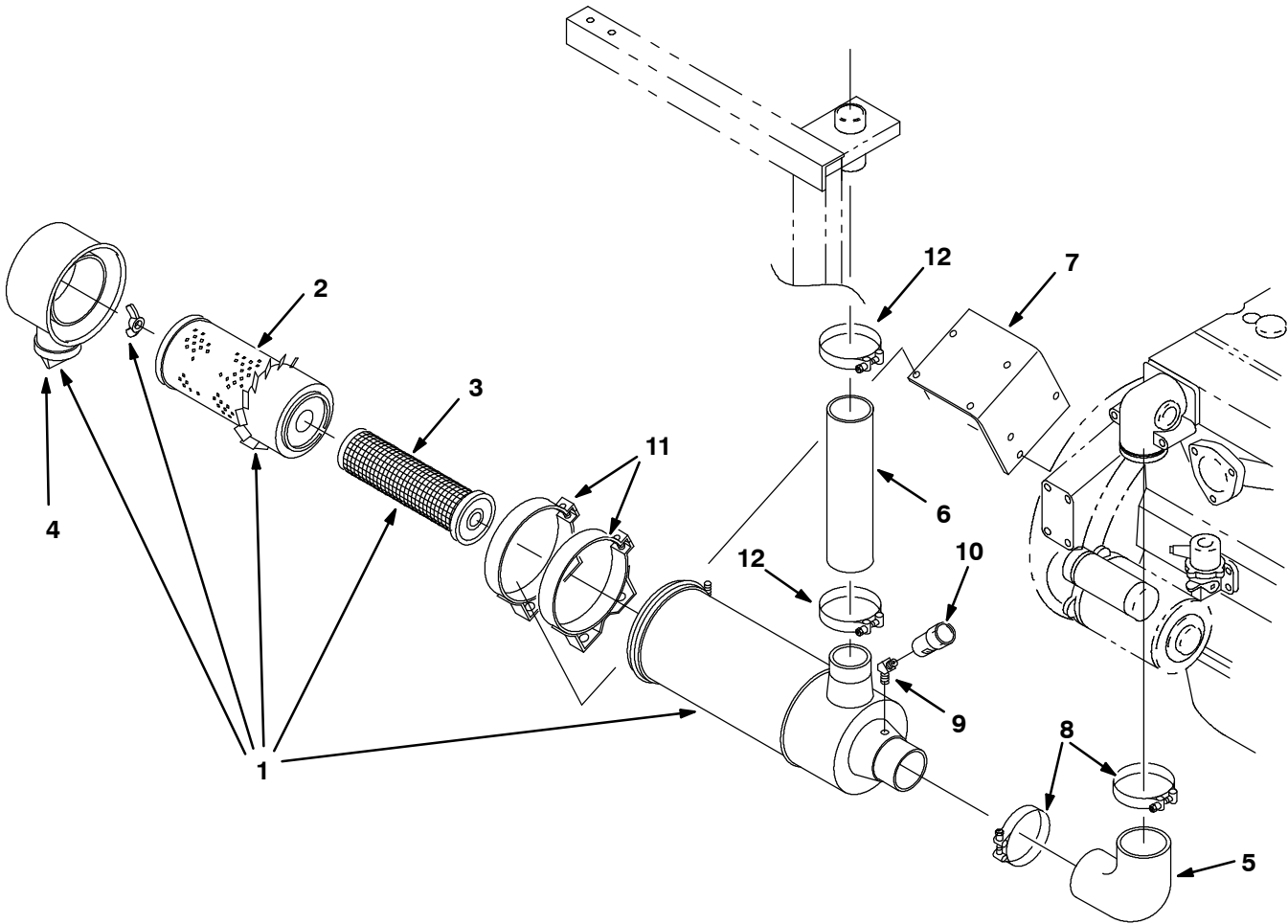


Fig. 14 - Muffler Group

Ref.	TENNANT Part No.	Machine Serial Number	Description	Qty.
1	764077	(000000-) Muffler	1
2	764082	(000000-) Clamp, 2.5 Muffler	2
3	764078	(000000-001157) Elbow, 90-2.5 In	1
4	761825	(000000-) Elbow, Exhaust	1
5	764122	(000000-) Gasket, Exhaust	1
6	764097	(000000-) Bracket, Muffler, .25	1
7	764099	(000000-) Bracket, Muffler, .375, (Std Engine)	1
8	764105	(000000-) Bracket, Muffler, .375, (Turbo Engine)	1
9	764085	(000000-) Clamp,Muf 6-8 In	1
10	764098	(000000-) Spring,Exhaust	5
11	761826	(000000-) Ring, Seal	1
12	764100	(000000-) Adapter, Exhaust Tube, (Std Engine)	1
12	764106	(000000-) Adapter, Exhaust Tube, (Turbo Engine)	1
13	764120	(000000-) Rain Cap, Exhaust	1
14	764123	(000000-) Tube, 2.5x6L	1
15	761824	(000000-) Flange, Exhaust	1

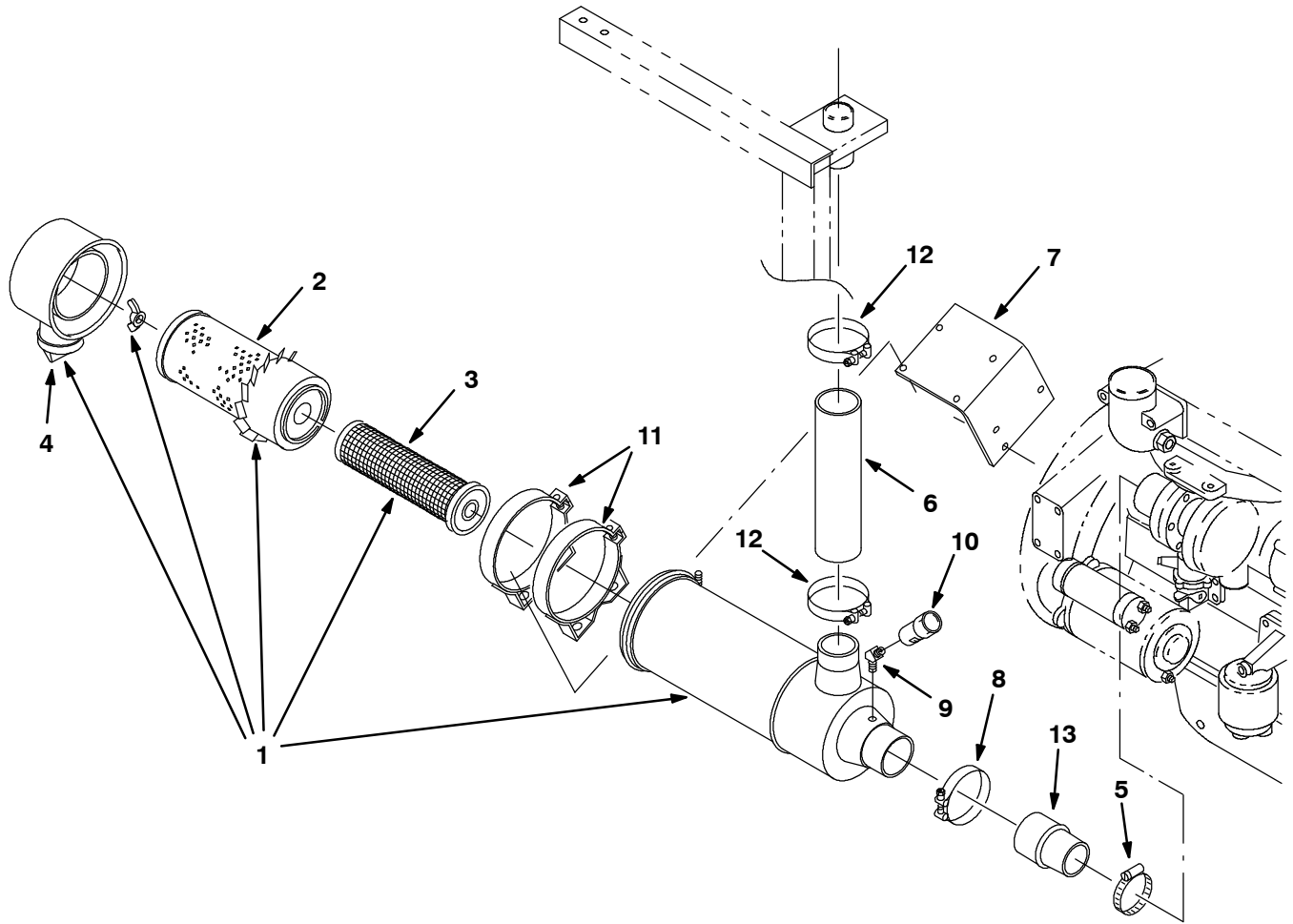
Fig. 15 - Air Cleaner Group (Standard Engine)



09231-08693

Ref.	TENNANT Part No.	Machine Serial Number	Description	Qty.
▽ 1	764027	(000000-) Air Cleaner	1
▲ 2	764131	(000000-) Filter Element,Air Donaldson	1
▲ 3	60933	(000000-) Element, Filter Safety	1
▲ 4	761830	(000000-) Aspirator,Air Cleaner	1
5	75689	(000000-) Hose, Rubber, Elbow, 3.0 (Std Engine)	1
6	764042	(000000-) Hose, Air Cleaner, 9"	1
7	764081	(000000-) Bracket,Air Cleaner Support (Std Engine)	1
8	764026	(000000-) Clamp, 3" Hose	2
9	24976	(000000-) Ftg-Brs E45 Pm02/Pf02	1
10	03026	(000000-) Indicator, Air Cleaner (Std Engine)	1
11	76321	(000000-) Band,Mtg.	2
12	17188	(000000-) Clamp, Wormdrive, 1.62-3.5OD	2

Fig. 16 - Air Cleaner Group (Turbo Engine)



350839-350840

Ref.	TENNANT Part No.	Machine Serial Number	Description	Qty.
▽ 1	764027	(000000-002424)	Air Cleaner	1
▲ 2	764131	(000000-002424)	Filter Element,Air Donaldson	1
▲ 3	60933	(000000-002424)	Element, Filter Safety	1
▲ 4	761830	(000000-002424)	Aspirator,Air Cleaner	1
5	764103	(000000-002424)	Clamp, T-Bolt (Turbo Engine)	1
6	764042	(000000-002424)	Hose, Air Cleaner, 9"	1
7	764109	(000000-002424)	Bracket,Air Cleaner Support (Turbo Engine)	1
8	764026	(000000-002424)	Clamp, 3" Hose	1
9	24976	(000000-002424)	Ftg-Brs E45 Pm02/Pf02	1
10	764112	(000000-002424)	Indicator, Air Cleaner (Turbo Engine)	1
11	76321	(000000-002424)	Band,Mtg.	2
12	17188	(000000-002424)	Clamp, Wormdrive, 1.62-3.5OD	2
13	764108	(000000-002424)	Hose, Air Cleaner, 3x2.5x4.5 (Turbo Engine)	1

Fig. 17 - Air Cleaner Group (Waste Gated Turbo Engine)

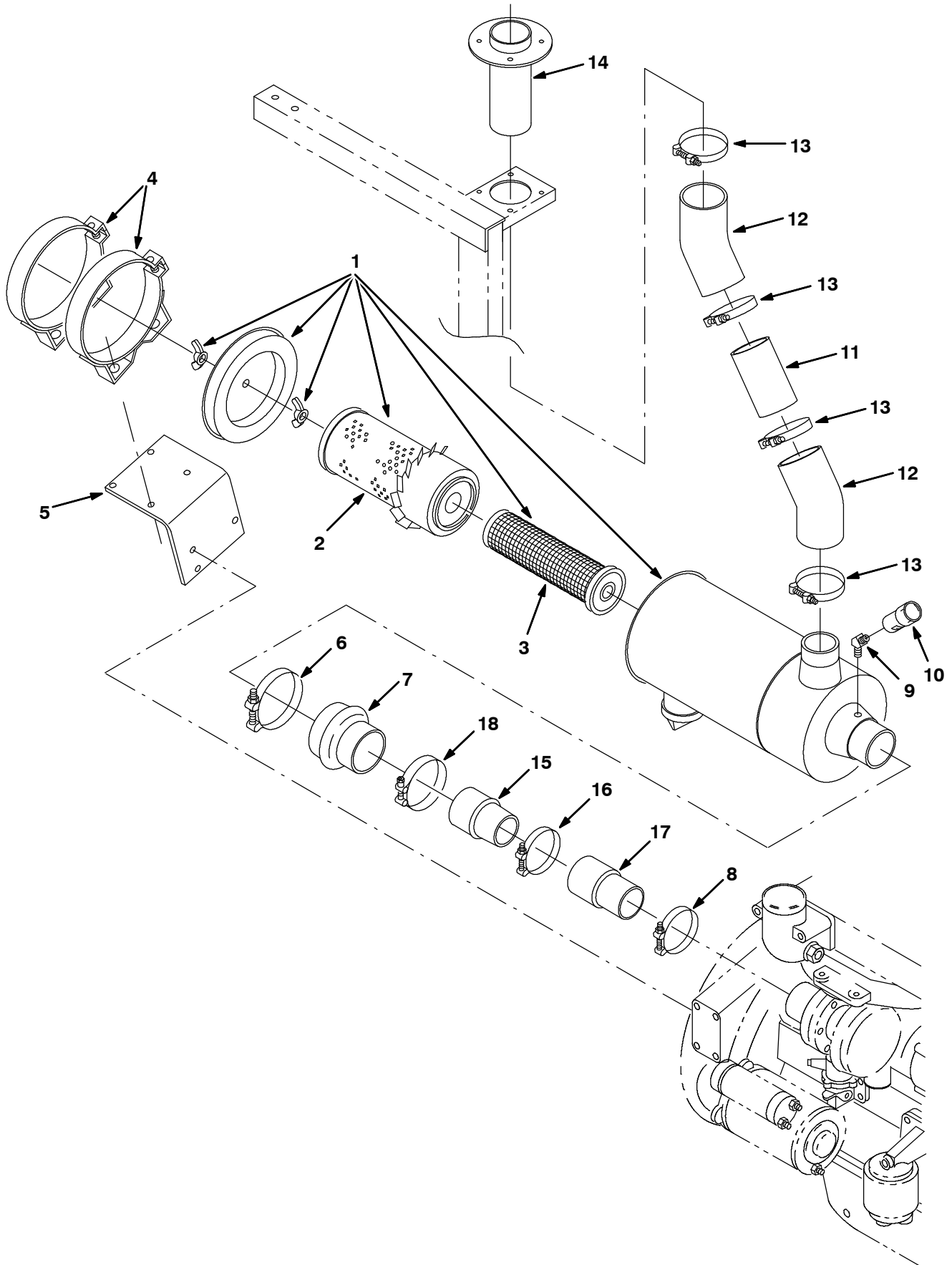


Fig. 17 - Air Cleaner Group (Waste Gated Turbo Engine)

	Ref.	TENNANT Part No.	Machine Serial Number	Description	Qty.
▽	1	764168	(002425-) Air Cleaner, 8 inch	1
▲	2	764190	(002425-) Element, 8 inch Air Cleaner	1
▲	3	764191	(002425-) Element, Safety	1
	4	764182	(002425-) Clamp, 8 inch Air Cleaner	2
	5	764028	(002425-) Bracket Weldt, Air Cleaner	1
	6	17188	(002425-) Clamp-Wormdrive, 1.62-3.5OD	1
	7	764180	(002425-) Reducer	1
	8	14432	(002425-) Clamp-Wormdrive, 1.81-2.75D	1
	9	24976	(002425-) Ftg-Brs E45 Pm02/Pf02	1
	10	764112	(002425-) Indicator, Air Cleaner 30 in	1
	11	764283	(002425-) Tube, Air Cleaner	1
	12	766009	(002425-) Hose, Air Cleaner, 45	2
	13	766606	(002425-) Clamp	4
	14	764288	(002425-) Tube, Air Cleaner, Top	1
	15	764178	(002425-) Tube, 3.0 Od x 2.5 Id	1
	16	764103	(002425-) Clamp, T-bolt 2.38 Id Hose	1
	17	766005	(002425-) Hose, 2.5-2.0 Id	1
	18	764026	(002425-) Clamp, 3" Hose	1

Fig. 18 - Battery and Cables Group

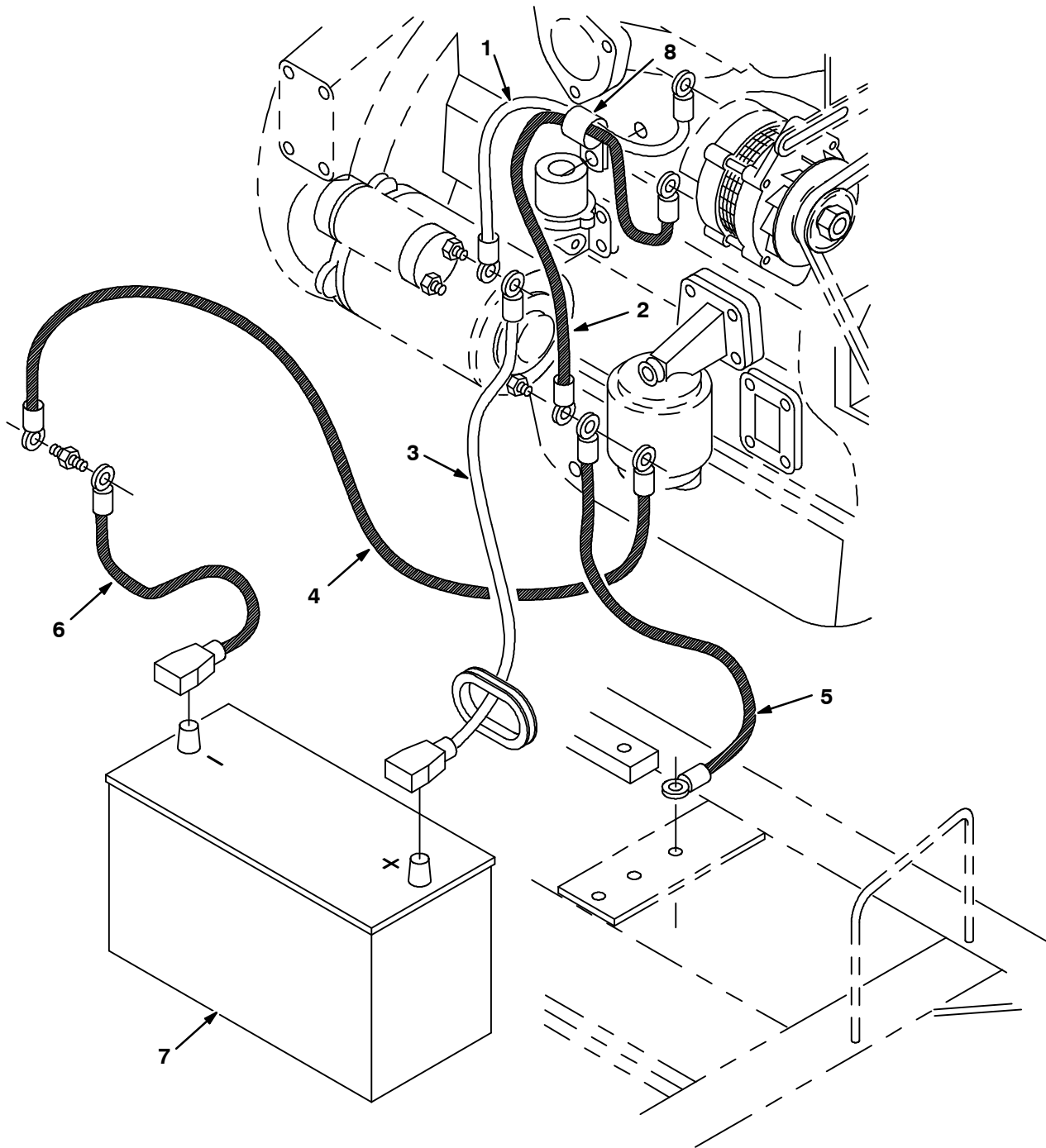


Fig. 18 - Battery and Cables Group

Ref.	TENNANT Part No.	Machine Serial Number	Description	Qty.
1	762559	(000000-) Wire Assy, 20.0 Lg, 6 Ga, Red	1
2	762558	(000000-) Wire Assy, 22.0 Lg, 6 Ga, Blk	1
3	762554	(000000-) Wire Assy, 48.0 Lg, 2 Ga, Pos	1
4	762556	(000000-) Wire Assy, 48.0 Lg, 2 Ga, Blk	1
5	762557	(000000-) Wire Assy, 36.0 Lg, 4 Ga, Blk	1
6	762555	(000000-) Wire Assy, 22.0 Lg, 2 Ga, Neg	1
7	10136	(000000-) Battery, 12V, Cc Amps:730 Wet	1
8	69234	(000000-) Clamp-Cable, 1.00Dia. .62Wth	1

Fig. 19 - Conveyor And Skirts Group

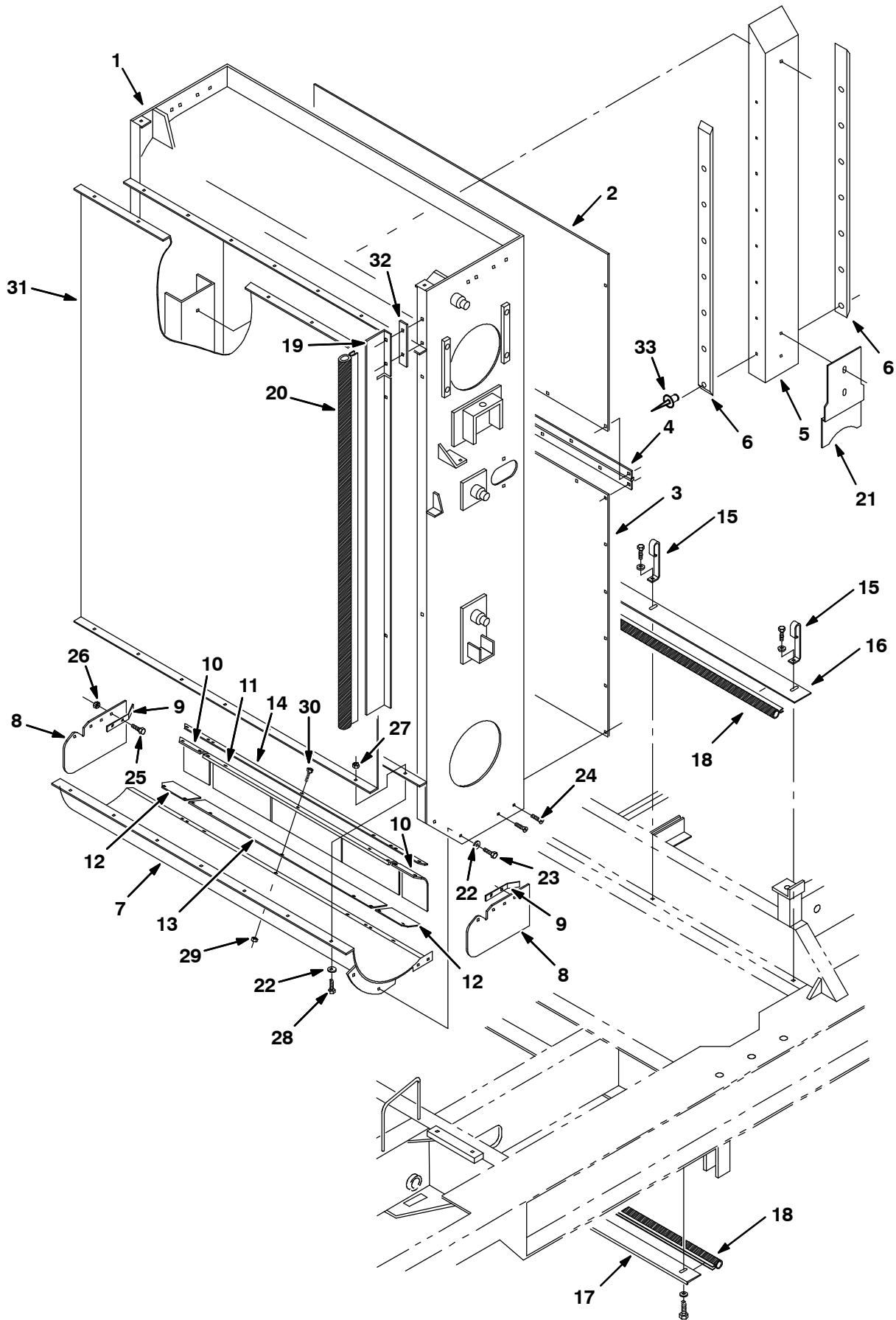


Fig. 19 - Conveyor And Skirts Group

Ref.	TENNANT Part No.	Machine Number	Serial	Description	Qty.
1	760195	(000000-001685)		Conveyor Kit, Housing	1
1	760799	(001686-002630)		Conveyor Weldt, Bolt On Back	1
2	761804	(000000-002630)		Panel,Rear Upper W/Label	1
3	760894	(000000-002630)		Panel,Rear Lower	1
4	760851	(000000-002630)		Hinge, Conveyor	1
5	760813	(000000-001685)		Channel,Support Side	2
5	760746	(001686-001835)		Channel,Support Cover	2
5	760906	(001836-002630)		Channel,Support Cover 1.654	2
6	760859	(000000-001685)		Guide,Chain Conveyor	4
6	760745	(001686-002630)		Guide,Chain	4
7	760847	(000000-001685)		Trough Kit, Conveyor	1
7	760798	(001686-002630)		Trough, Weldment Conveyor	1
8	760881	(000000-001685)		Skirt, Side Deflectors	2
8	760837	(001686-002630)		Skirt, Side Deflector	2
9	760816	(000000-001685)		Retainer,Skirt Conveyor	2
9	760838	(001686-002630)		Angle, Retainer Side Skirt	2
10	760882	(000000-002630)		Skirt, Conveyor Side	2
11	760897	(000000-002630)		Skirt, Conveyor, Lip	1
12	760883	(000000-002630)		Strip, Backup Uhmw	2
13	760884	(000000-002630)		Strip, Backup Main Uhmw	1
14	760896	(000000-002630)		Strip,Retainer Conveyor	1
15	760371	(000000-002630)		Bracket, Hose	3
16	761148	(000000-002630)		Strip, Seal Conveyor	1
17	761153	(000000-002630)		Strip, Seal, Conveyor, Lower	1
18	760785	(000000-002630)		Seal,Conveyor	2
19	764055	(000000-001685)		Baffle, Side	1
19	761540	(001686-002630)		Angle, Baffle, Side	1
20	764136	(000000-002630)		Seal,Radiator/Cooler	1
21	760730	(000000-001685)		Guard, Debris Lower Sprocket	2
21	760873	(001686-001835)		Guard, Debris Lower Sprocket	2
21	760875	(001836-002630)		Guard, Debris 1.654	2
22	41186	(000000-002630)		Washer-Belleville .31	11
23	16931	(000000-002630)		Scr Hex M 8x1.25 20	4
24	32129	(000000-002630)		Scr Flt M 8x1.25 20	4
25	15678	(000000-002630)		Scr Hexssm 6x1.0	8
26	08712	(000000-002630)		Nut-Hxlocnyln M 6x1.0 Reg Ss	6
27	08709	(000000-002630)		Nut Hxlocnyln M 8x1.25	7
28	39277	(000000-002630)		Scr Hex M 8x1.25 25	7
29	08713	(000000-002630)		Nut-Hxlocnyln M 8x1.25 Reg Ss	9
30	09011	(000000-002630)		Scr Hexssm 8x1.25 30	9
31	760794	(001686-002630)		Plate, Weldment Back	1
32	761541	(001686-002630)		Strip, Filler Baffle	1
33	68567	(001686-002630)		Rivet, Pop	32

Fig. 20 - Conveyor And Skirts Group

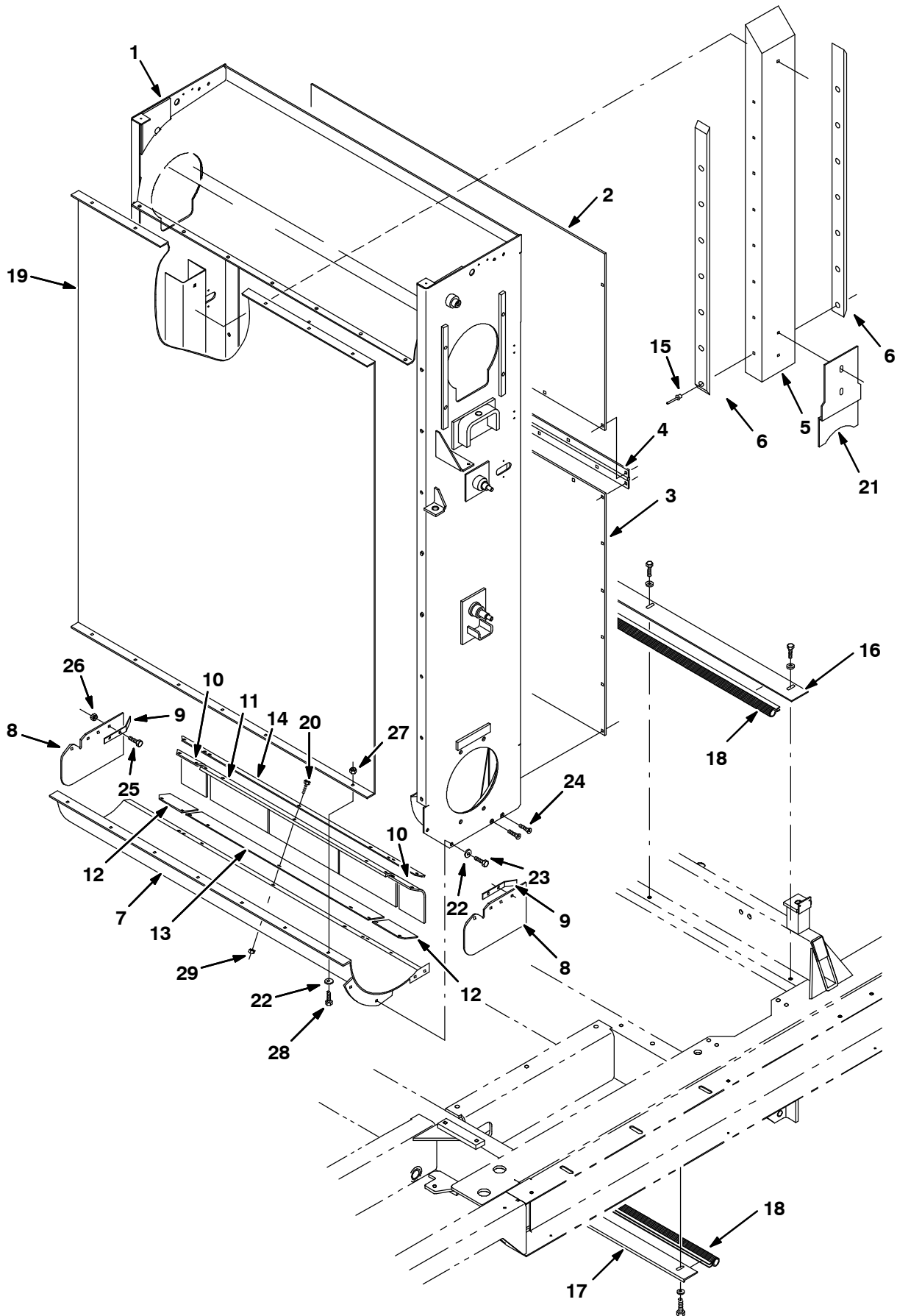
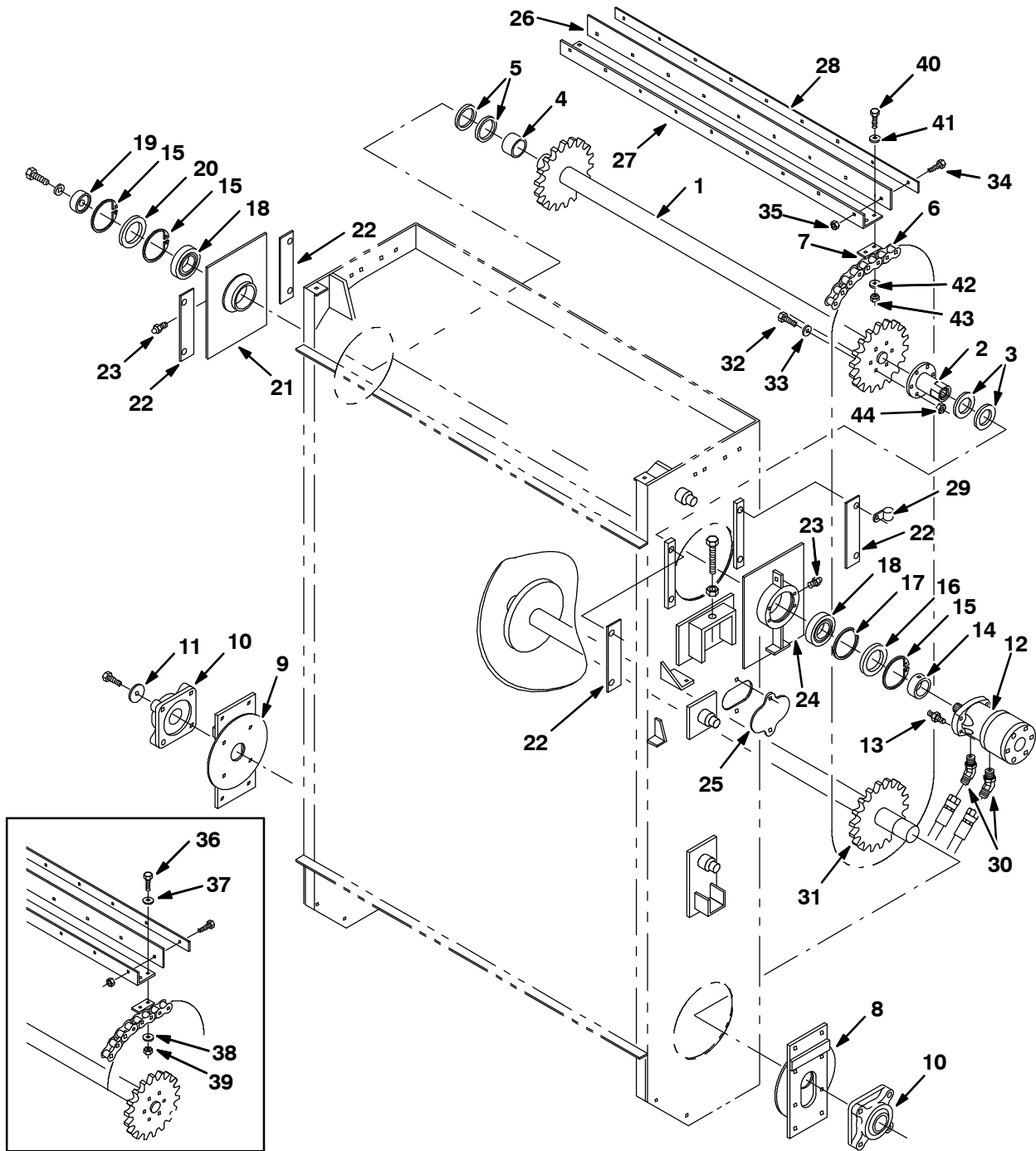


Fig. 20 - Conveyor And Skirts Group

Ref.	TENNANT Part No.	Machine Number	Serial	Description	Qty.
1	761296	(002631-)	Conveyor Wldt, Bolt On Back	1
2	761804	(002631-)	Panel,Rear Upper W/Label	1
3	760894	(002631-)	Panel,Rear Lower	1
4	760851	(002631-)	Hinge, Conveyor	1
5	760906	(002631-)	Channel,Support Cover 1.654	2
6	760745	(002631-)	Guide,Chain	4
7	760798	(002631-)	Trough, Weldment Conveyor	1
8	760837	(002631-)	Skirt, Side Deflector	2
9	760838	(002631-)	Angle, Retainer Side Skirt	2
10	760882	(002631-)	Skirt, Conveyor Side	2
11	760897	(002631-)	Skirt, Conveyor, Lip	1
12	760883	(002631-)	Strip, Backup Uhmw	2
13	760884	(002631-)	Strip, Backup Main Uhmw	1
14	760896	(002631-)	Strip,Retainer Conveyer	1
15	68567	(002631-)	Rivet, Pop	32
16	761148	(002631-)	Strip, Seal Conveyor	1
17	761153	(002631-)	Strip, Seal, Conveyor, Lower	1
18	760785	(002631-)	Seal,Conveyor	2
19	760794	(002631-)	Plate, Weldment Back	1
20	09011	(002631-)	Scr Hexssm 8x1.25 30	9
21	760875	(002631-)	Guard, Debris 1.654	2
22	41186	(002631-)	Washer-Belleville .31	11
23	16931	(002631-)	Scr Hex M 8x1.25 20	4
24	32129	(002631-)	Scr Flt M 8x1.25 20	4
25	15678	(002631-)	Scr Hexssm 6x1.0	8
26	08712	(002631-)	Nut-Hxlocnyln M 6x1.0 Reg Ss	6
27	08709	(002631-)	Nut Hxlocnyln M 8x1.25	7
28	39277	(002631-)	Scr Hex M 8x1.25 25	7
29	08713	(002631-)	Nut-Hxlocnyln M 8x1.25 Reg Ss	9

Fig. 21 - Conveyor Drive Group



09228/08690

Fig. 21 - Conveyor Drive Group

Ref.	TENNANT Part No.	Machine Number	Serial Number	Description	Qty.
1	760854	(000000-001685)		Sprocket Weldt, Upper	1
1	760867	(001686-001835)		Sprocket Weldt, Upper	1
1	760937	(001836-002630)		Sprocket Weldt, Upper	1
2	760857	(000000-001685)		Coupling, Hyd. Motor	1
2	760744	(001686-002630)		Coupling, Hyd. Motor	1
3	763358	(000000-002630)		Seal, Int Sm 45X72X8	2
4	760853	(000000-002630)		Sleeve, Bearing	1

STANDARD PARTS

Ref.	TENNANT Part No.	Machine Number	Serial	Description	Qty.
	5	763350	(000000-002630)	Seal, Int Sm 55X72X8	2
▽	6	760893	(000000-001835)	Chain, Conveyor	2
▲		760868	(000000-001835)	Masterlink	2
▲	7	760869	(000000-001835)	Attachment, Repair Kit Chain (1 attach per kit)	10
▽	6	760901	(001836-002630)	Chain, Conveyor 1.654	2
▲		760914	(001836-002630)	Connecting Pin Kit	2
▲	7	760915	(001836-002630)	Attachment, Repair Kit Chain (1 attach per kit)	11
	8	760815	(000000-002630)	Plate Weldt,Lower Lh	1
	9	760826	(000000-002630)	Plate Weldt,Lower Rh	1
	10	760841	(000000-002630)	Bearing, Flange	2
	11	760823	(000000-002630)	Washer	1
▽	12	762046	(000000-002630)	Motor, Hyd Conveyor	1
▲		762116	(000000-002630)	Seal Kit F/762046	1
	13	760852	(000000-002630)	Stud, Mounting	4
	14	760860	(000000-002630)	Collar,Locking Bearing	1
	15	763343	(000000-002630)	Retaining Ring, Int 85Mm	3
	16	763362	(000000-002630)	Seal, Int Sm 60X85X8	1
	17	760861	(000000-002630)	Spacer, Bearing	1
	18	763344	(000000-002630)	Bearing, Roller	2
	19	760846	(000000-002630)	Cap,Bearing	1
	20	763345	(000000-002630)	Seal, Int Sm55X85X8	1
	21	760849	(000000-001835)	Housing,Bearing Conveyor Rh	1
	21	760935	(001836-002630)	Housing,Bearing Conveyor Rh	1
	22	760836	(000000-002630)	Strip,Sprocket Upper	4
	23	47801	(000000-002630)	Ftg, Grease.25-28Th Strt .63L	2
	24	760876	(000000-001835)	Housing,Bearing Conveyor Lh	1
	24	760936	(001836-002630)	Housing,Bearing Conveyor Lh	1
	25	760721	(000000-002630)	Plate,Cover Lubrication	2
	26	760890	(000000-001835)	Strip, Rubber Paddle	10
	26	760749	(001836-002630)	Strip, Rubber Paddle	11
	27	760892	(000000-001835)	Angle,Paddle Conveyor	10
	27	760905	(001836-002630)	Angle,Paddle Conveyor 1.654	11
	28	760891	(000000-002630)	Strip,Retainer Paddle	11
	29	76736	(000000-002630)	Clamp-Cable, 0.38Dia 0.62Wth	1
	30	762465	(000000-002630)	Ftg-Hyd, E45	2
	31	760827	(000000-001685)	Sprocket Weldt,Lower	1
	31	760870	(001686-001835)	Sprocket Weldt,Lower	1
	31	760940	(001836-002630)	Sprocket Weldt,Lower	1
	32	763027	(000000-001835)	Scr, Hex M10X1.25X30FINEIN961	6
	32	16930	(001836-002630)	Scr, Hex M10X1.5	6
	33	41187	(000000-002630)	Washer-Belleville .38 Pltd	6
	34	09011	(000000-002630)	Scr Hexssm 8x1.25 30	90
	35	08713	(000000-002630)	Nut-Hxlocnyln M 8x1.25 Reg Ss	90
	36	09010	(000000-001835)	Src Hexssm 8x1.25 25	40
	37	41186	(000000-001835)	Washer-Belleville .31	40
	38	32490	(000000-001835)	Washer Flt .25 Hard	40
	39	08713	(000000-001835)	Nut-Hxlocnyln M 8x1.25 RegSS	40
	40	02995	(001836-002630)	Scr, HexSS .38-16x1.25	44
	41	41187	(001836-002630)	Washer-Belleville .38 Pltd	44
	42	32492	(001836-002630)	Washer Flt .38 Hard	44
	43	59156	(001836-002630)	Nut-Hxlocnyln .38-16 RegSS18-8	44
	44	41430	(000000-002630)	Nut-Hxlocnyln M 10X1.5	6

Fig. 22 - Conveyor Drive Group

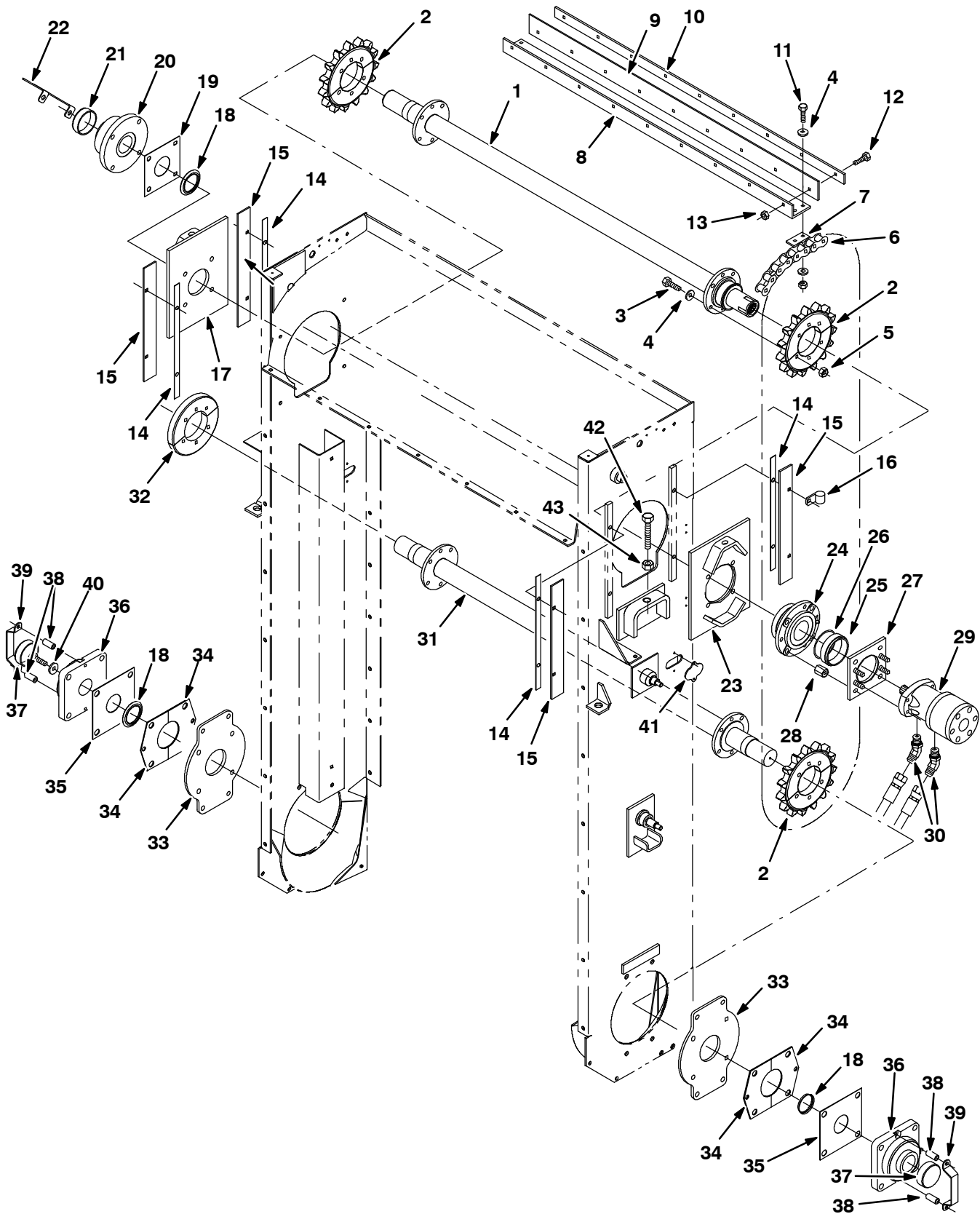
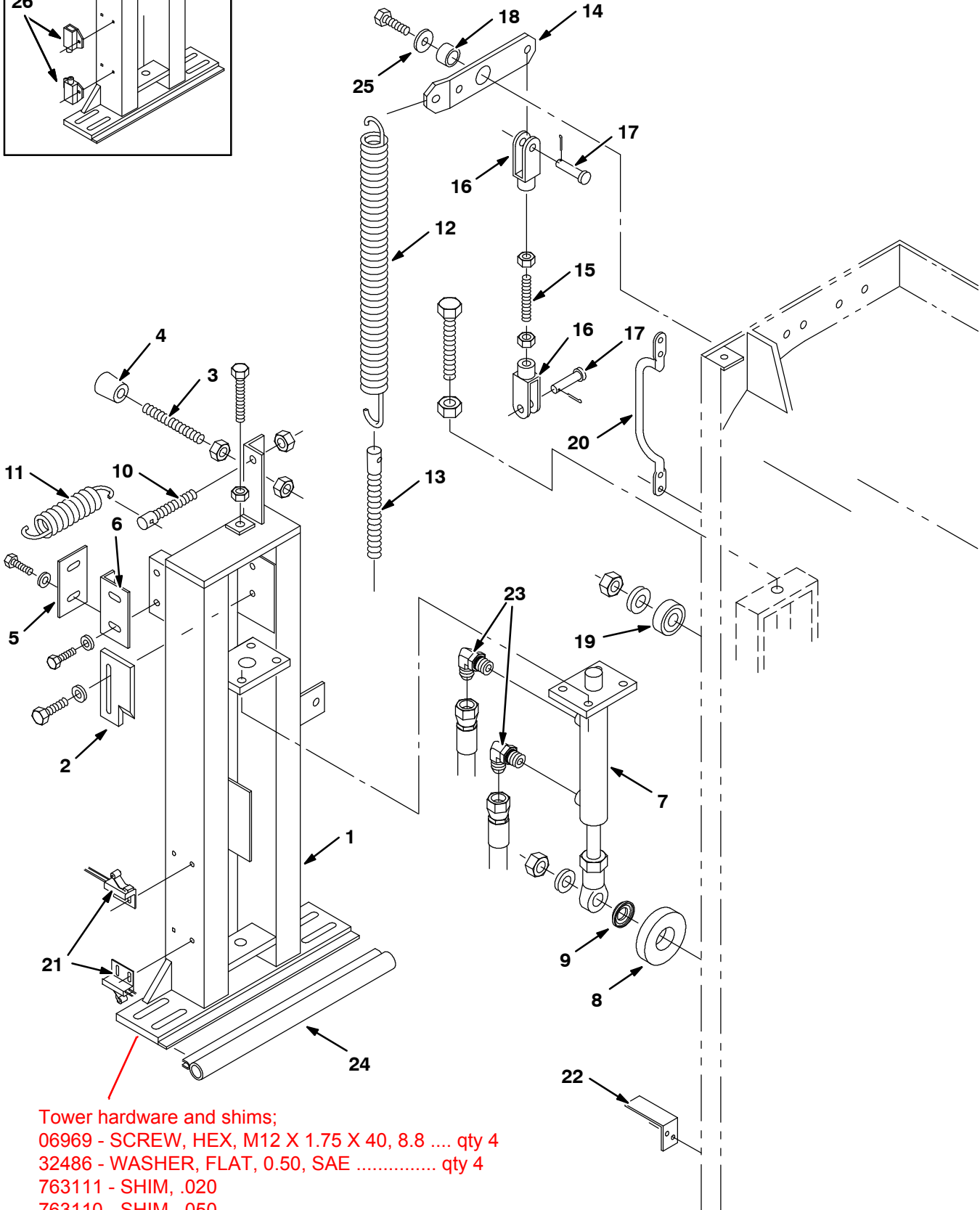
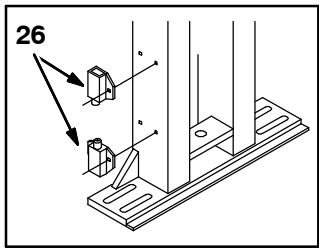


Fig. 22 - Conveyor Drive Group

Ref.	TENNANT Part No.	Machine Number	Serial	Description	Qty.	
1	761279	(002631-)	Shaft Wldt, Upper	1	
2	761283	(002631-)	Sprocket, 15 Tooth, 1.64 Pitch Dia.	3	
3	16930	(002631-)	Screw, Hex, M10-1.5 X 50, 8.8	12	
4	41187	(002631-)	Washer, Belleville, .38	20	
5	41430-5	(002631-)	Nut-Hxlocnyln	12	
▽	6	760901	(002631-)	Chain, Grease, Seals	2
▲		760914	(002631-)	Pin, Kit Connecting 1.654 Chain	2
▲	7	760915	(002631-)	Attachment, Repair Kit 1.654	11
	8	760905	(002631-)	Angle	11
	9	760749	(002631-)	Strip, Rubber	11
760891	10	070891	(002631-)	Strip, Retainer Paddle	11
	11	02995	(002631-)	Screw, Hex, .38-16 X 1.25, Ss	44
	12	09011	(002631-)	Screw, Hex, M08-1.25 X 30, Ss	90
	13	08713	(002631-)	Nut, Hex, Lock, M08-1.25, NI, Ss	90
	14	765813	(002631-)	Shim 18Ga, Bearing Mount	4
	15	765811	(002631-)	Strip, Sprocket Upper	4
	16	76736	(002631-)	Clamp, Cable	1
	17	760939	(002631-)	Plate Wldt, Slide Bearing	1
	18	760697	(002631-)	Seal, Shaft	3
	19	761254	(002631-)	Plate, Seal, Upper	1
	20	761289	(002631-)	Bearing, Flange, Roller	1
	21	765818	(002631-)	Cap, Grease	1
	22	765807	(002631-)	Strap, Upper	1
	23	760919	(002631-)	Plate Wldt, Upper Drive	1
	24	761108	(002631-)	Bearing, Flange	1
	25	761286	(002631-)	Retainer, Grease	1
	26	765816	(002631-)	O-Ring	1
	27	761249	(002631-)	Plate, Motor Mount	1
	28	761266	(002631-)	Spacer, Hex. .75x1.0 Long	4
▽	29	762046	(002631-)	Motor, Hyd	1
▲		762116	(002631-)	Kit, Seal	1
	30	762465	(002631-)	Fitting-Hyd, E45	2
	31	761280	(002631-)	Shaft Wldt, Lower	1
	32	761284	(002631-)	Idler, No Teeth, Split	1
	33	761257	(002631-)	Plate, Conveyor Lower Rh & Lh	2
	34	761265	(002631-)	Shim, Lower Shaft	8
	35	761253	(002631-)	Plate, Seal, Lower	2
	36	761111	(002631-)	Bearing, Flange	2
	37	765817	(002631-)	Cap, Grease	2
	38	765806	(002631-)	Spacer, Strap	4
	39	765805	(002631-)	Strap, Lower	2
	40	760823	(002631-)	Washer	1
	41	760721	(002631-)	Plate	2
	42	763083	(002631-)	Screw, Hex M20x2.5x1.20	2
	43	763067	(002631-)	Nut, Hex Jam M20x2.5	2
	44	765819	(002631-)	Grease, Bearing	1

Fig. 23 - Right Conveyor Lift Group

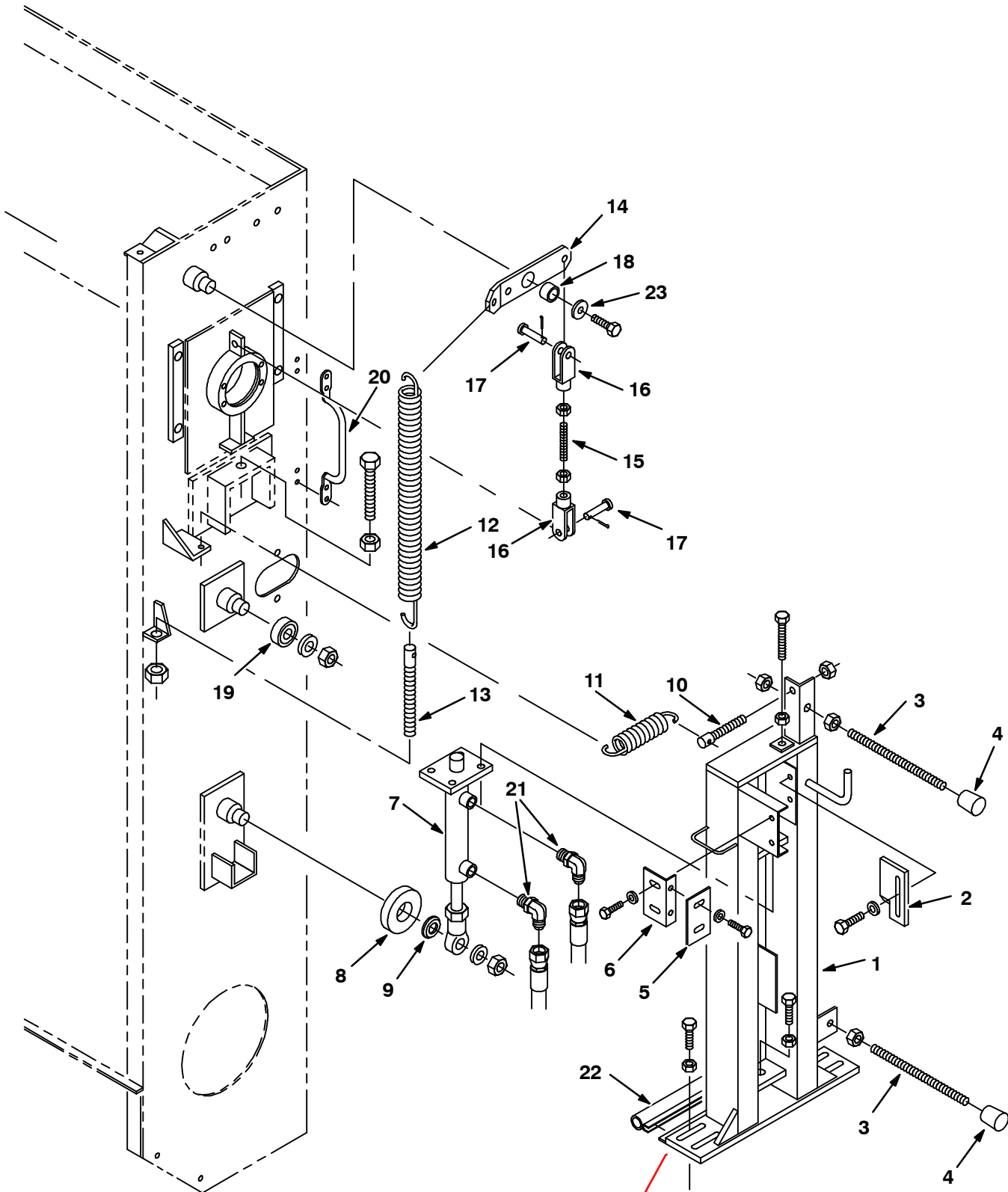


Tower hardware and shims;
 06969 - SCREW, HEX, M12 X 1.75 X 40, 8.8 qty 4
 32486 - WASHER, FLAT, 0.50, SAE qty 4
 763111 - SHIM, .020
 763110 - SHIM, .050

Fig. 23 - Right Conveyor Lift Group

Ref.	TENNANT Part No.	Machine Number	Serial	Description	Qty.
1	760752	(000000-)	Tower Wldt, Conveyor, Rh	1
760753 2	760754	(000000-)	Plate, Cam, Rh	1
3	760757	(000000-)	Stud, M12 X 90	2
4	763061	(000000-)	Bumper, Engine Door	2
5	761049	(000000-)	Plate, Engine Door Latch	1
6	761051	(000000-)	Door Stop	1
▽ 7	762008	(000000-)	Cylinder, Hyd Conveyor Lift	1
▲	762066	(000000-)	Seal Kit	1
8	760756	(000000-)	Roller, Guide	1
9	760755	(000000-)	Washer, Cyl Head	1
10	761225	(000000-)	Eyebolt, .50-13X3.5"	1
11	760778	(000000-)	Spring, Extension 1.18X.25X4.8	1
12	760834	(000000-)	Spring, Ext Conveyor Tension	1
13	760833	(000000-)	Eye Bolt, M20 X 190	1
14	760839	(000000-)	Pivot Weldt, Tensioner	1
15	760840	(000000-001835)	Rod,Thrd.M12X70	1
15	760757	(001836-)	Stud, M12x90	1
16	763384	(000000-)	Yoke, M12	2
17	763383	(000000-)	Pin, Clevis Tensioner Conveyr	2
18	763380	(000000-)	Bushing	1
19	760740	(000000-)	Bearing, Cam Roller 52x14x20	1
20	32822	(000000-)	Handle, Grab	1
21	59965	(001464-)	Switch Assy, Roller-No	2
22	760779	(000000-)	Angle, Switch	1
23	762432	(000000-)	Ftg-Hyd, E90	2
24	760786	(000000-)	Seal,Conveyor Tower	1
25	32493	(000000-)	Washer Hard Flat .50	1
26	762594	(000000-001463)	Switch Kit, Conveyor	1

Fig. 24 - Left Conveyor Lift Group



Tower hardware and shims;
 06969 - SCREW, HEX, M12 X 1.75 X 40, 8.8 qty 4
 32486 - WASHER, FLAT, 0.50, SAE qty 4
 763111 - SHIM, .020
 763110 - SHIM, .050

Fig. 24 - Left Conveyor Lift Group

Ref.	TENNANT Part No.	Machine Number	Serial	Description	Qty.
1	760751	(000000-)	Tower Wldt, Conveyor, Lh	1
760754 2	760753	(000000-)	Plate, Cam, Lh	1
3	760828	(000000-)	Stud, M12 X 200	2
4	763061	(000000-)	Bumper, Engine Door	2
5	761049	(000000-)	Plate, Engine Door Latch	1
6	761051	(000000-)	Door Stop	1
▽ 7	762008	(000000-)	Cylinder, Hyd Conveyor Lift	1
▲	762066	(000000-)	Seal Kit	1
8	760756	(000000-)	Roller, Guide	1
9	760755	(000000-)	Washer, Cyl Head	1
10	761225	(000000-)	Eyebolt, .50-13X3.5"	1
11	760778	(000000-)	Spring, Extension 1.18X.25X4.8	1
12	760834	(000000-)	Spring, Ext Conveyor Tension	1
13	760833	(000000-)	Eye Bolt, M20 X 190	1
14	760839	(000000-)	Pivot Weldt, Tensioner	1
15	760840	(000000-001835)	Rod,Thrd.M12X70	1
15	760757	(001836-)	Stud, M12x90	1
16	763384	(000000-)	Yoke, M12	2
17	763383	(000000-)	Pin, Clevis Tensioner Conveyr	2
18	763380	(000000-)	Bushing	1
19	760740	(000000-)	Bearing Cam, Roller 52x14x20	1
20	32822	(000000-)	Handle, Grab	1
21	762432	(000000-)	Ftg-Hyd, E90	2
22	760786	(000000-)	Seal,Conveyor Tower	1
23	32493	(000000-)	Washer Hard Flat .50	1

STANDARD PARTS

Fig. 25 - Hopper Group

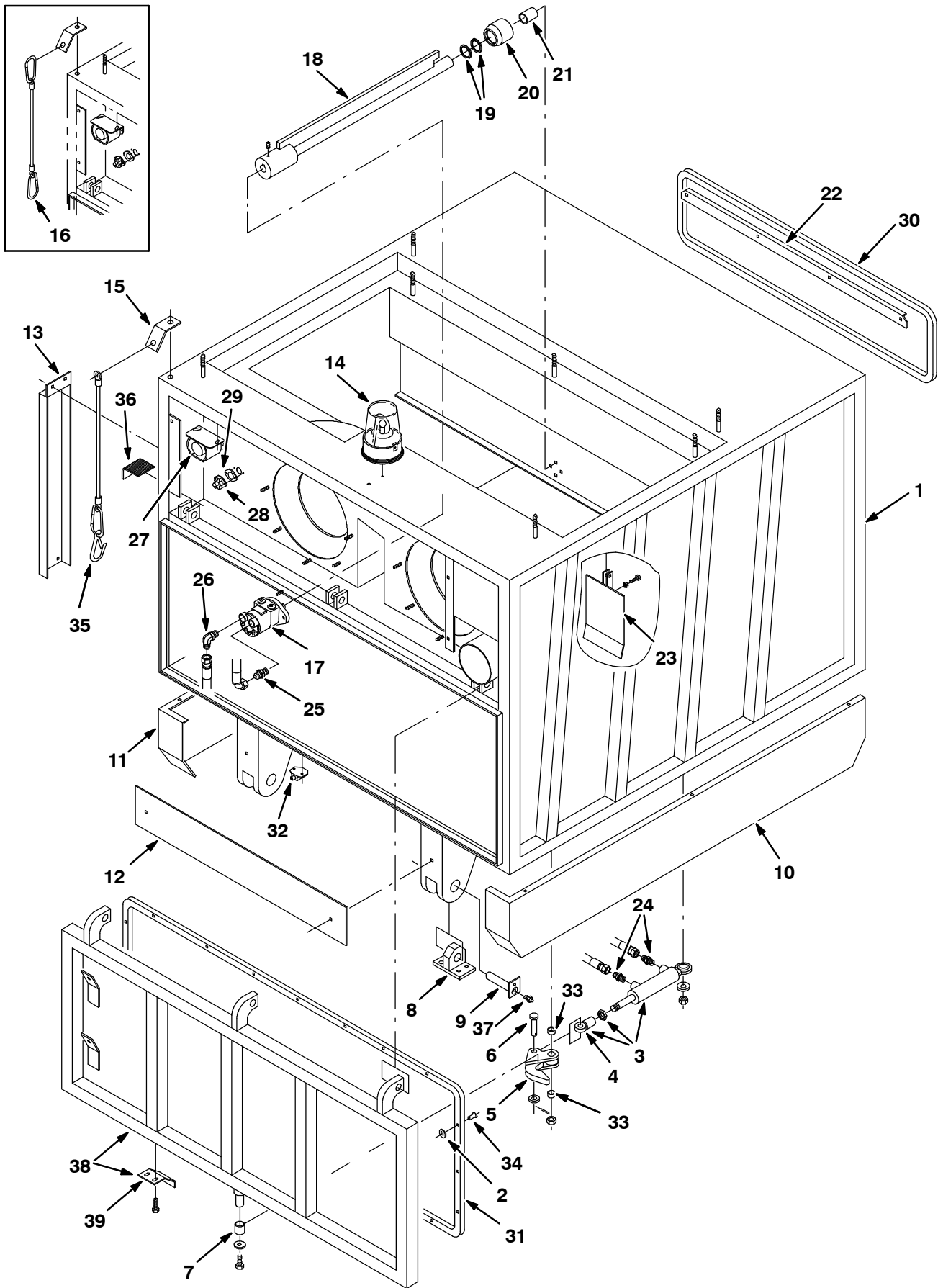
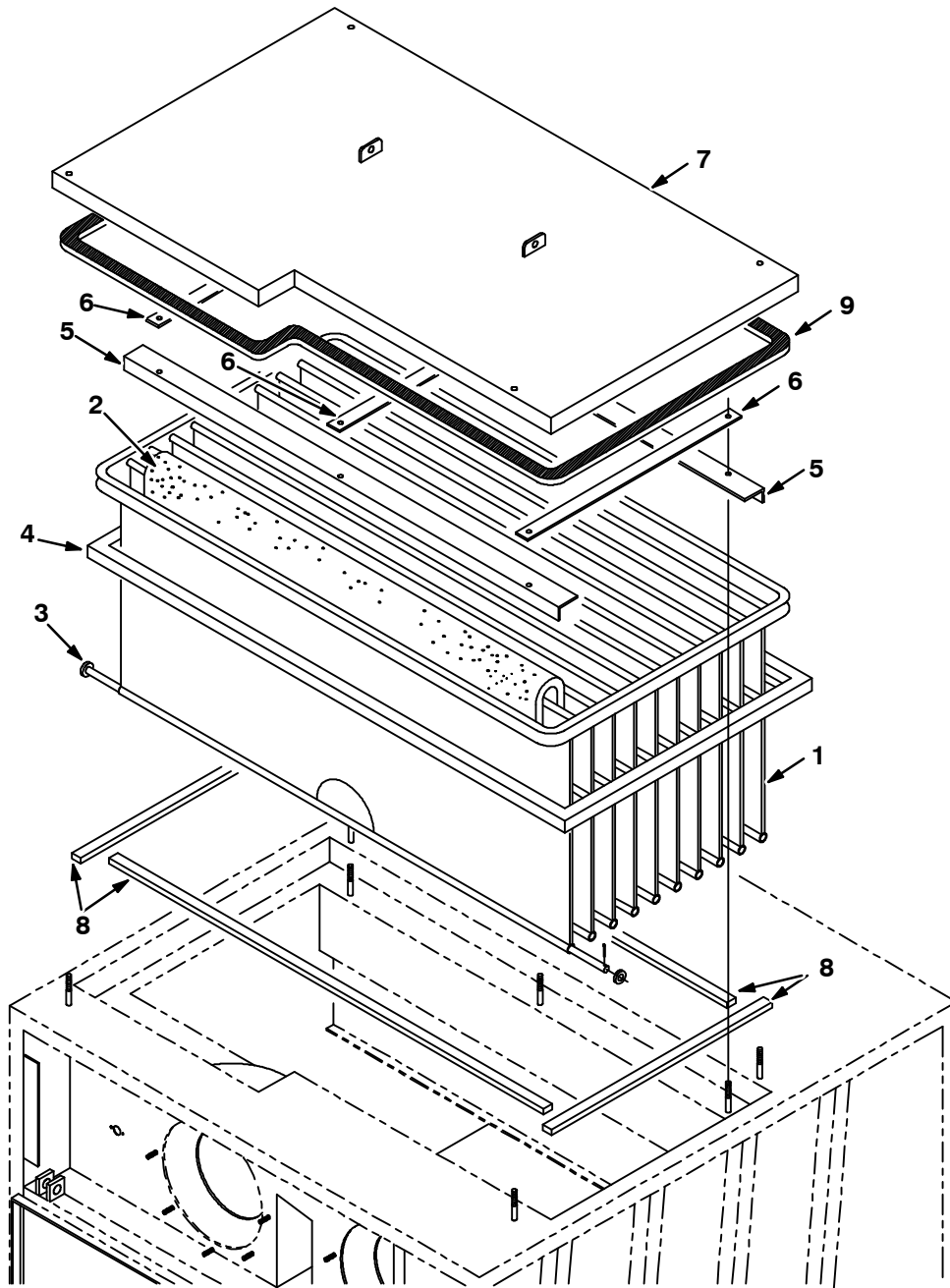


Fig. 25 - Hopper Group

Ref.	TENNANT Part No.	Machine Number	Serial	Description	Qty.
1	760100	(000000-)	Hopper Wldt	1
2	19065	(000000-)	Washer Flt 08	18
▽ ▲	3 762011	(000000-)	Cylinder, Hyd Hopper Door	1
▲	4 762064	(000000-)	Rod End,16Mm	1
	5 760598	(000000-)	Hook, Door Release	1
6	760586	(000000-)	Pin, Hydraulic Cylinder	1
7	760577	(000000-)	Bushing	1
8	760490	(000000-)	Support, Hopper Pivot	2
9	760682	(000000-)	Pin, Hyd Cyl	2
10	761801	(000000-)	Panel,Right Side W/Label	1
11	761802	(000000-)	Panel,Left Side W/Label	1
12	760641	(000000-)	Bar, Fastener, Hopper, Rear	1
13	760503	(000000-)	Cover, Hyd Hoses	1
▽	14 82199	(000000-)	Light Assy Revl Amber 12V	1
▲	45779	(000000-)	Bulb, General Electric #GE1156	1
15	760647	(000000-)	Bracket,Cable Mount	1
16	760664	(000000-001406)	Replm Kit, Cable F/760648	1
17	762035	(000000-)	Motor, Hyd Shaker W/End Ports (See Breakdowns)	1
18	760548	(000000-)	Beater Bar, Filter Bag	1
19	763244	(000000-)	Seal, Shaft	2
20	760543	(000000-)	Bushing, Rear Support	1
21	763278	(000000-)	Bearing, Sleeve	1
22	760523	(000000-)	Clamp, Gasket, Front	2
23	760504	(000000-)	Shutter, Vacuum	1
24	762433	(000000-)	Ftg-Hyd, Str	2
25	762063	(000000-)	Valve, Check	1
26	762446	(000000-)	Ftg-Hyd, E90	1
27	61923	(000000-)	Alarm, Backup, Smart	1
28	02713	(000000-)	Thermostat Assembly,155 Deg	1
29	82733	(000000-)	Gasket, Fire Switch	1
30	760522	(000000-)	Gasket,Hopper Opening	1
31	760565	(000000-)	Gasket,Rear Hopper Door	1
32	762502	(000000-)	Switch, Micro	1
33	763284	(000000-)	Bushing	2
34	763075	(000000-)	Rivot, Pop .156Dx.562x.312Dhd	18
35	760663	(001407-)	Cable, Hopper Door Hook	1
36	761417	(000000-)	Bar Flat, Rubber Hopper	1
37	47801	(000000-)	Ftg, Grease	2
▽	38 760559	(000000-)	Door Kit, Hopper, Rear	1
▲	39 761542	(002016-)	Angle, Switch	1

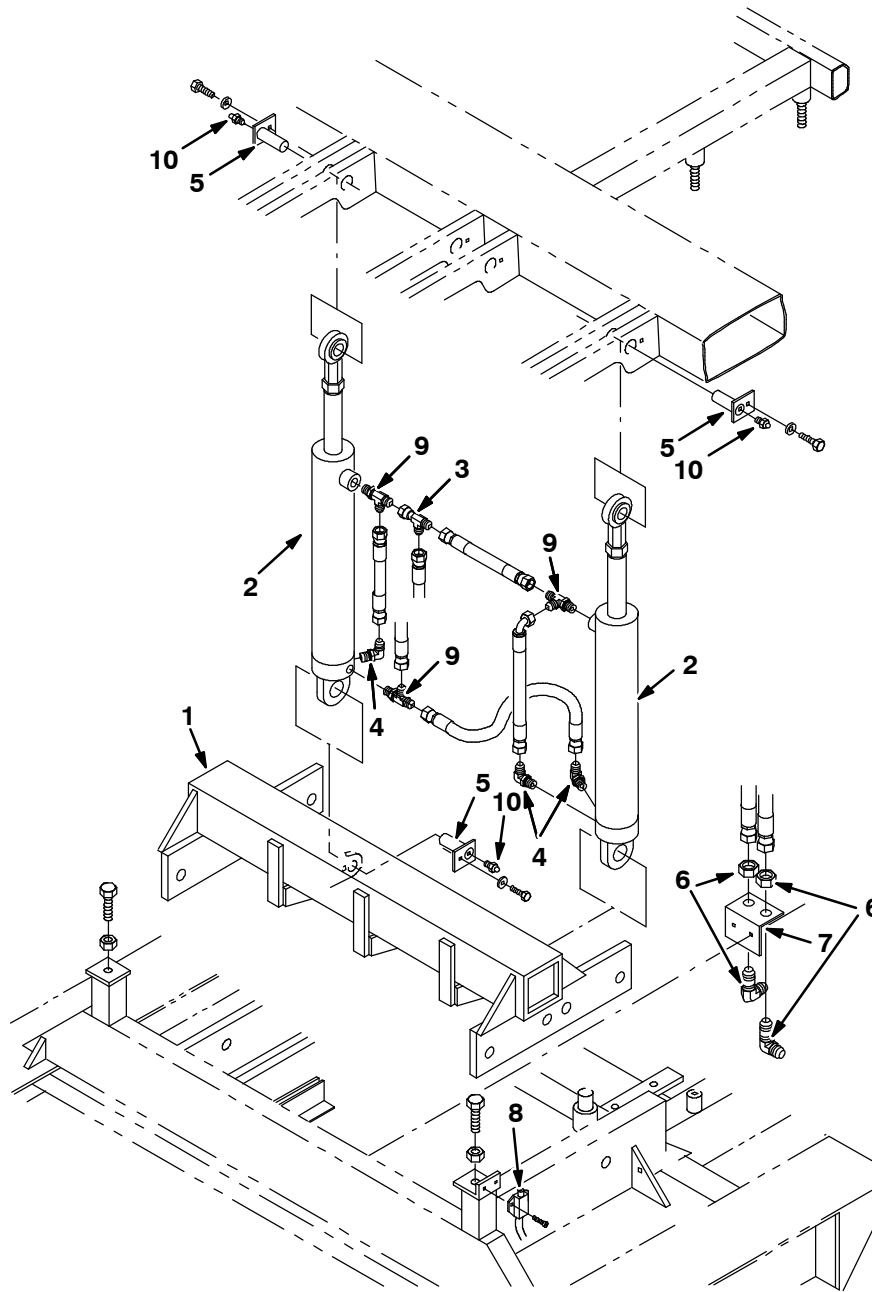
Fig. 26 - Hopper Filter Bags Group



09258/09190

Ref.	TENNANT Part No.	Machine Number	Serial	Description	Qty.
▽	761505	(000000-)	Filter Bag Assy, Hopper	1
▲ 1	760537	(000000-)	Filter Bag	1
▲ 2	760536	(000000-)	Separator, Filter Bag	10
▲ 3	760545	(000000-)	Rod Wldt, Filter Bag	20
▲ 4	760535	(000000-)	Rack, Filter Bag	1
5	760529	(000000-)	Bracket, Filter Bag	2
6	760550	(000000-)	Bar, Stop, Filter Bag	3
7	760538	(000000-)	Cover, Filter Bag	1
8	760532	(000000-)	Gasket, Filter Frame	1
9	760540	(000000-)	Gasket, Filter Bag Cover	1

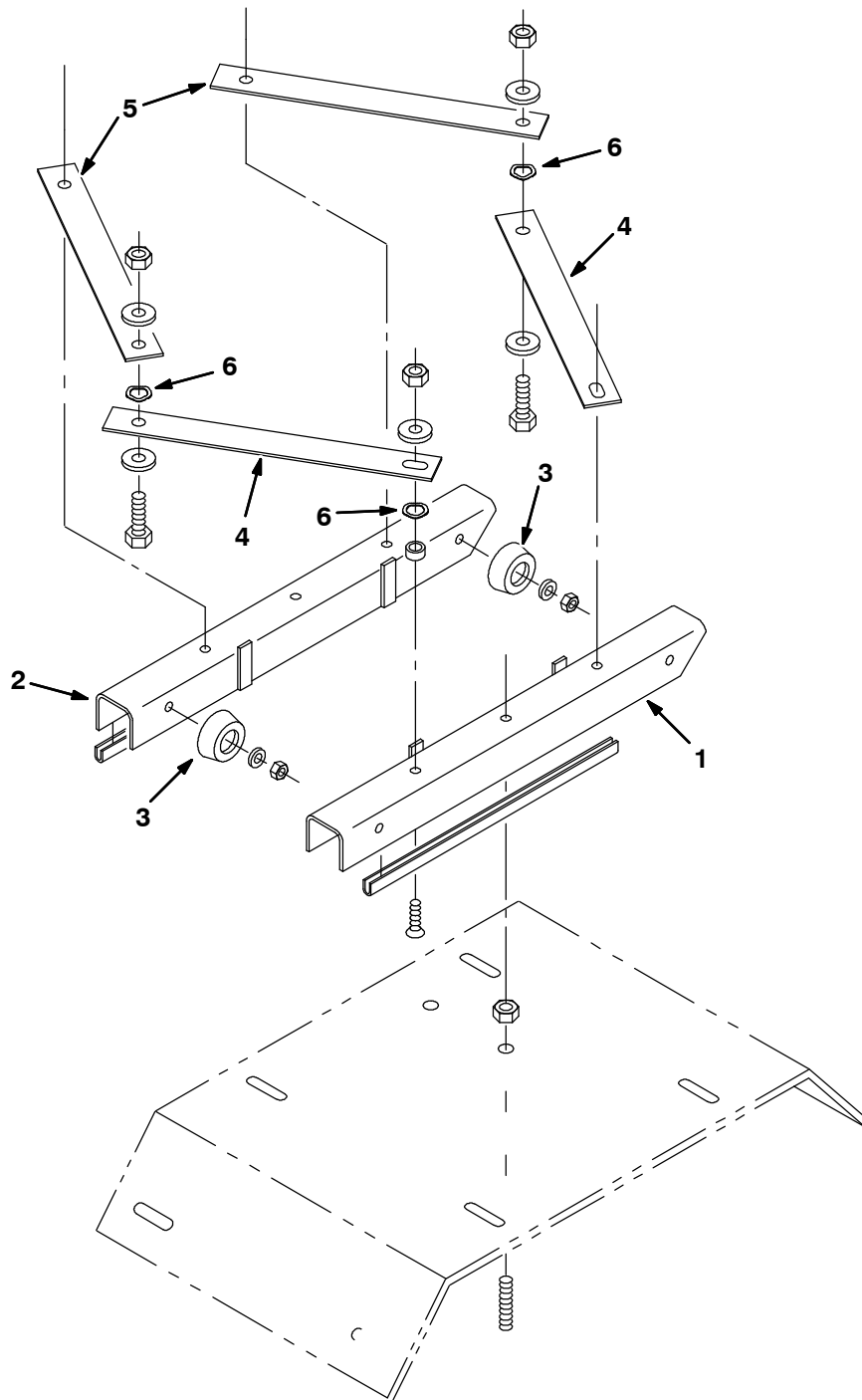
Fig. 27 - Hopper Tilt Cylinders Group



09245/08707

Ref.	TENNANT Part No.	Machine Number	Serial	Description	Qty.	
1	760492	(000000-)	Support, Rollout Cyl Ld	1	
▽	2	762015	(000000-)	Cylinder, Hyd Hopper Tilt	2
▲	762195	(000000-)	Seal Kit	1	
3	762435	(000000-)	Ftg-Hyd, Tee	1	
4	762432	(000000-)	Ftg-Hyd, Elbow	3	
5	760682	(000000-)	Pin Weldment, Safety Leg Lower	4	
6	762491	(000000-)	Ftg-Hyd Bulkhead, Union E90	2	
7	760493	(000000-)	Bracket, Hose	1	
8	762502	(000000-)	Switch, Micro	1	
9	762434	(000000-)	Ftg-Hyd, Tee	3	
10	47801	(000000-)	Ftg, Grease	4	

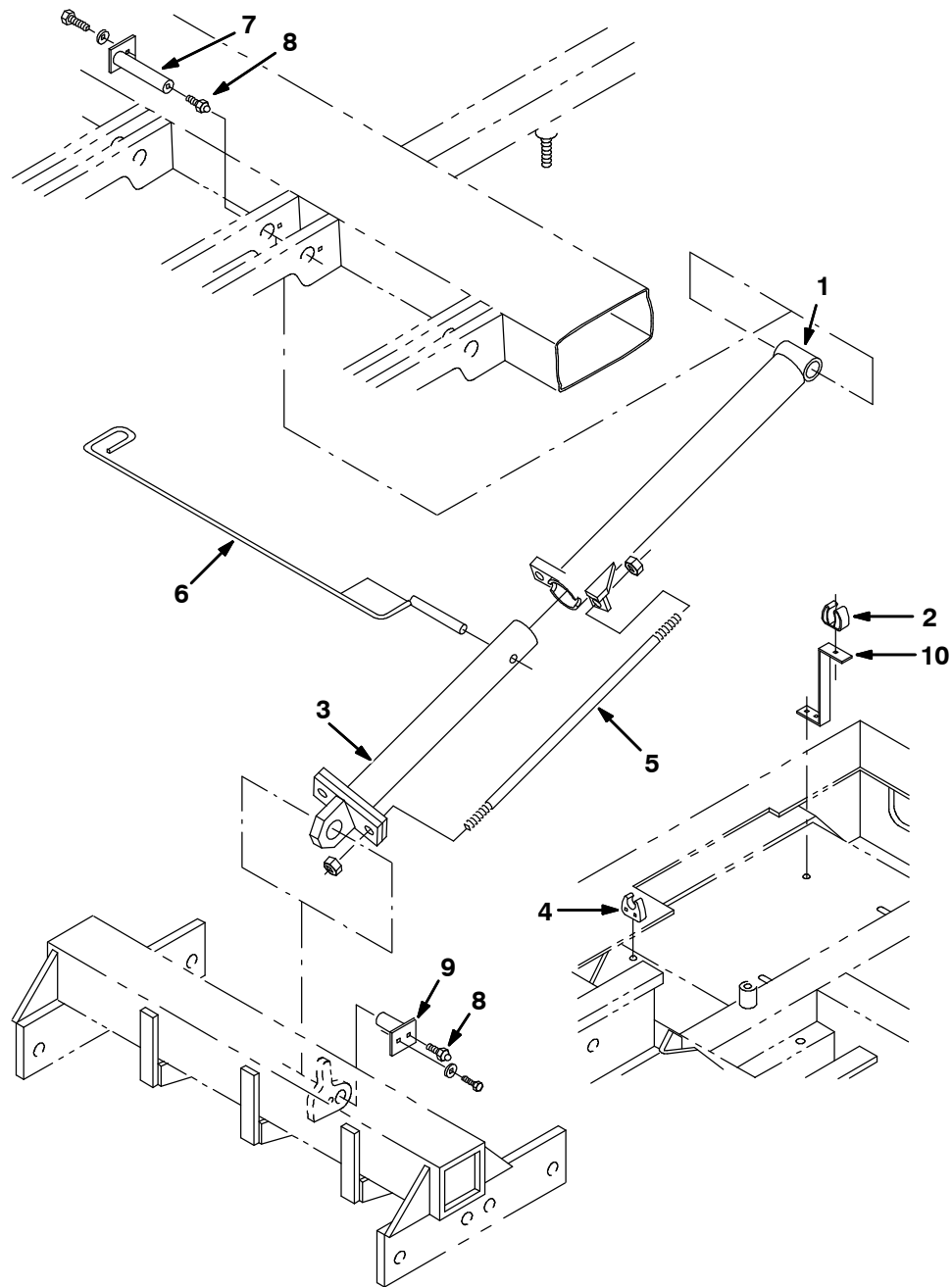
Fig. 28 - Hopper Support Bar Assembly



10488/10489

Ref.	TENNANT Part No.	Machine Number	Serial	Description	Qty.
▽	760596	(000000-001709)		Hopper Support Bar Assembly	1
▲	1 760556	(000000-001709)		Hopper Support Weldment Lh	1
▲	2 760569	(000000-001709)		Hopper Support Weldment Rh	1
▲	3 763060	(000000-001709)		Bumper, Rubber Recessed	2
▲	4 760580	(000000-001709)		Arm W/slot	2
▲	5 760581	(000000-001709)		Arm W/hoie	2
▲	6 52508	(000000-001709)		Washer, Wave Spring .53bx .81D	6

Fig. 29 - Hopper Support Cylinder Group



10955/10956

Ref.	TENNANT Part No.	Machine Number	Serial	Description	Qty.
1	760673	(001710-)	Hopper Support, Upper W/Label	1
2	761524	(001710-)	Clip, Finger Clip, Metal	1
3	760691	(001710-)	Hopper Support, Lower	1
4	760660	(001710-)	Clip, Finger Clip	1
5	760554	(001710-)	Tie Rod, Hopper Support	2
6	760824	(001710-)	Pin W/Label	1
7	760695	(001710-)	Pin Weldment,Safety Leg Upper	1
8	47801	(001710-)	Ftg, Grease.25-28th Strt .63L	2
9	760679	(001710-)	Pin Weldment,Safety Leg Lower	1
10	760668	(001710-)	Bracket, Extended Pin	1

Fig. 30 - Vacuum Fan Group

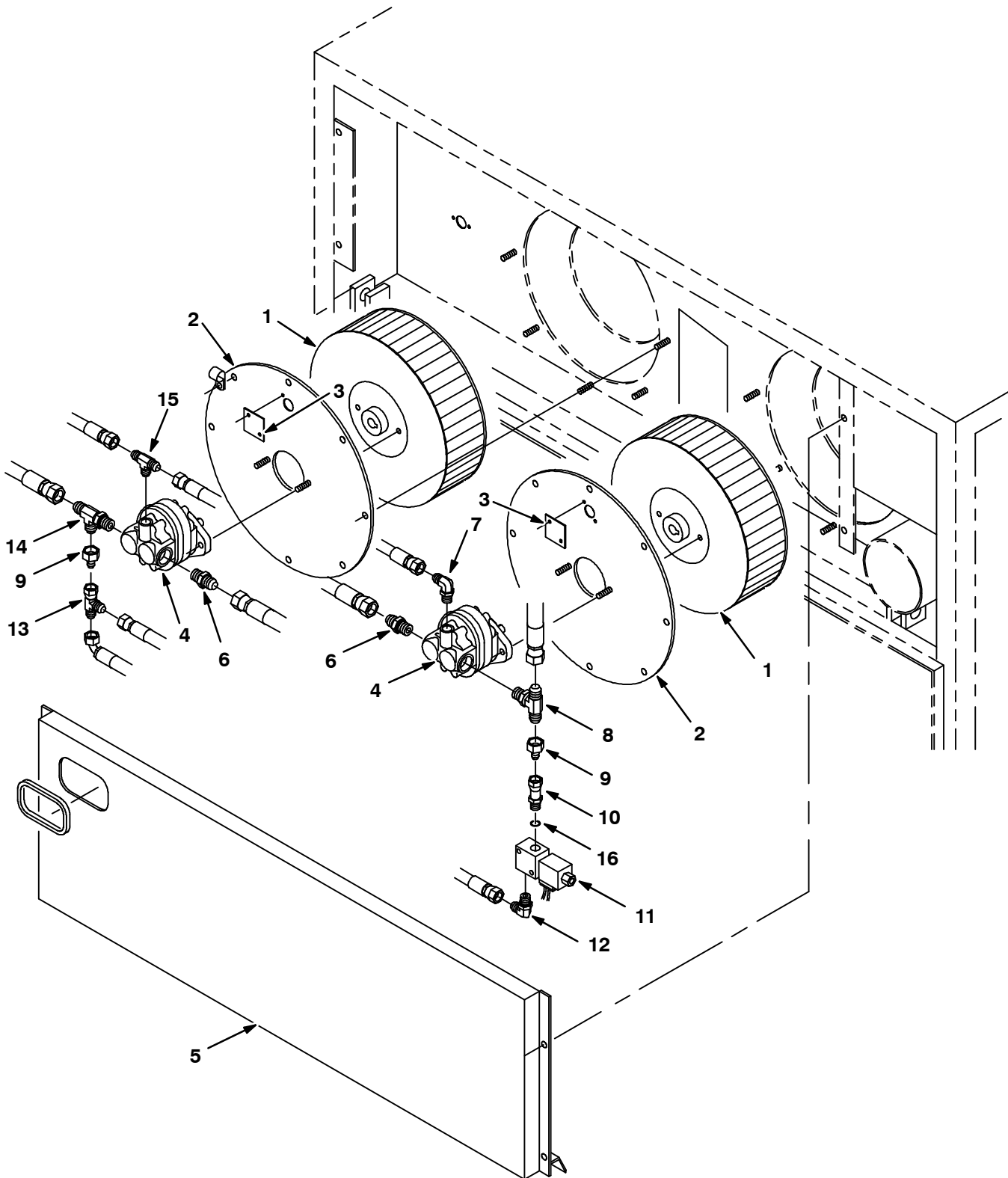


Fig. 30 - Vacuum Fan Group

Ref.	TENNANT Part No.	Machine Number	Serial	Description	Qty.
1	760562	(000000-)	Impeller, Intake	2
2	760560	(000000-)	Plate, Fan Housing	2
3	760566	(000000-)	Plate, Cover, Fan Housing	2
4	762032	(000000-)	Motor, Hyd Vac Fan	2
5	760563	(000000-)	Guard, Motor	1
6	762468	(000000-)	Ftg-Hyd, Str	2
7	762432	(000000-)	Ftg-Hyd, E90	1
8	762477	(000000-)	Ftg-Hyd, Tee	1
9	762479	(000000-)	Ftg-Hyd, Reducer	2
10	762449	(000000-)	Ftg-Hyd,Str	1
▽	11 65391	(000000-)	Valve-Hyd, Solenoid	1
▲	35493	(000000-)	Coil Assy	1
12	762446	(000000-)	Ftg-Hyd, E90	1
13	762447	(000000-)	Ftg-Hyd, Tee	1
14	762480	(000000-)	Ftg-Hyd, Tee	1
15	762436	(000000-)	Ftg-Hyd, Tee	1
16	762493	(000000-)	O-Ring	1

Fig. 31 - Wire Harness/Electrical Schematic Group

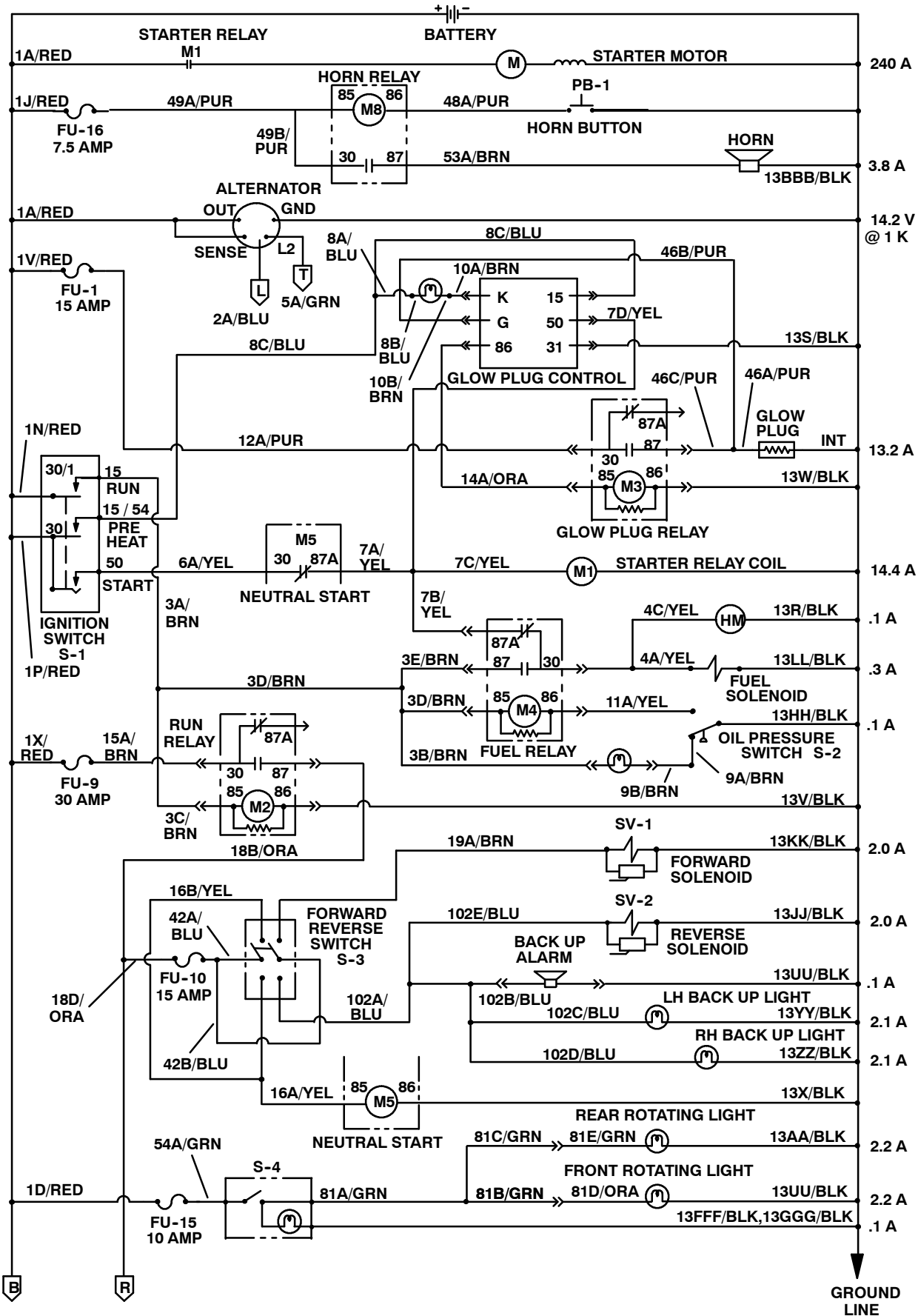


Fig. 31 - Wire Harness/Electrical Schematic Group

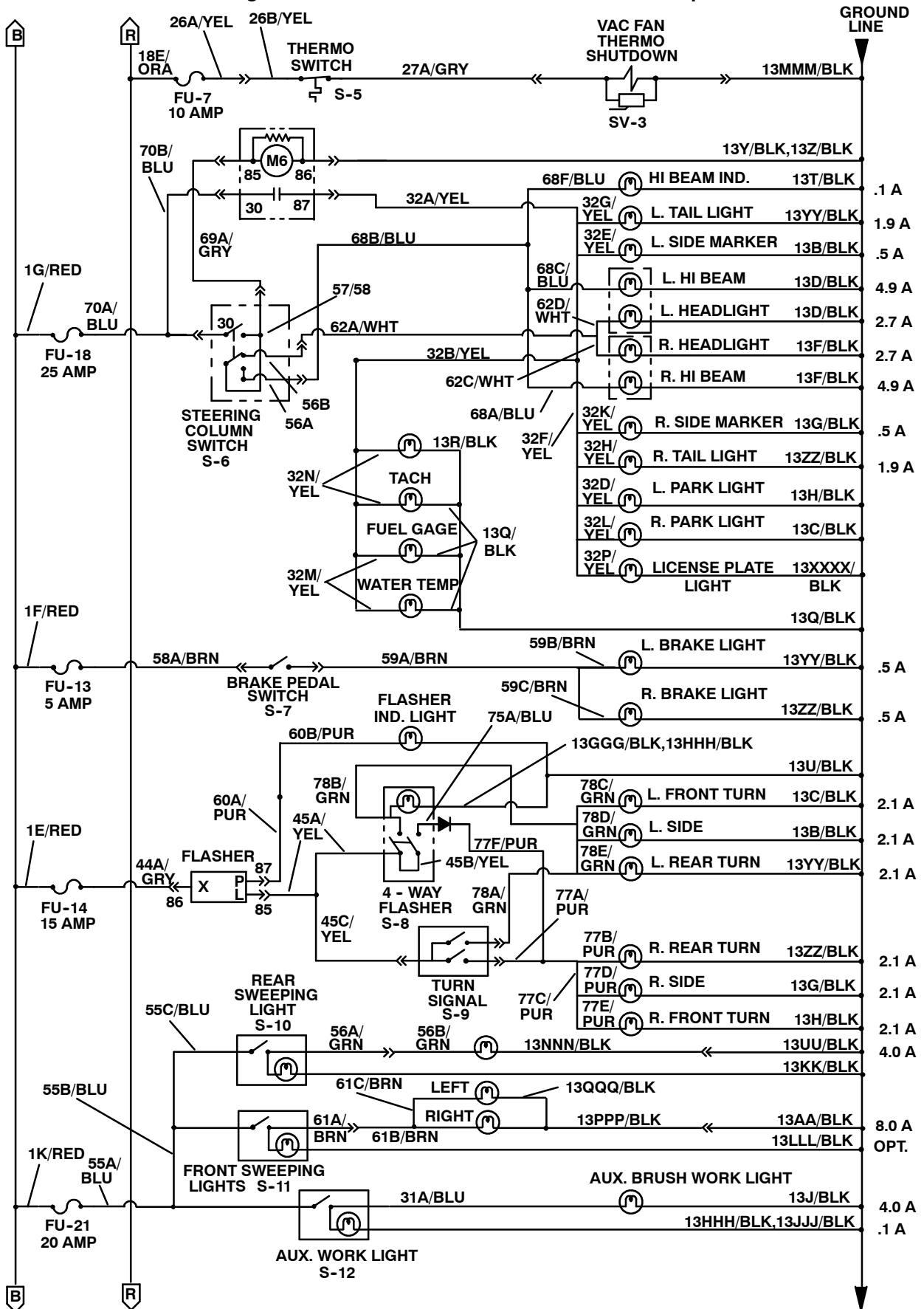


Fig. 31 - Wire Harness/Electrical Schematic Group

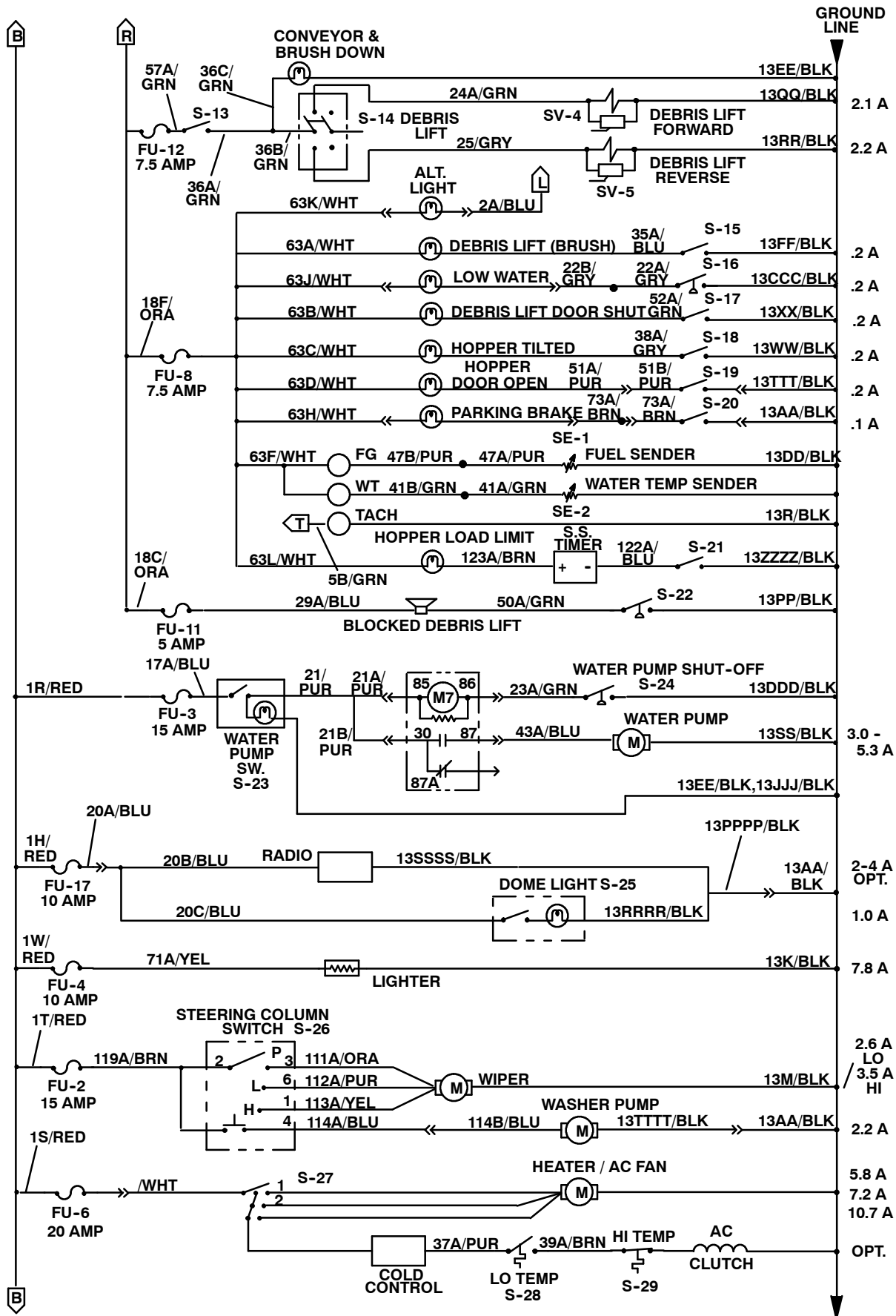
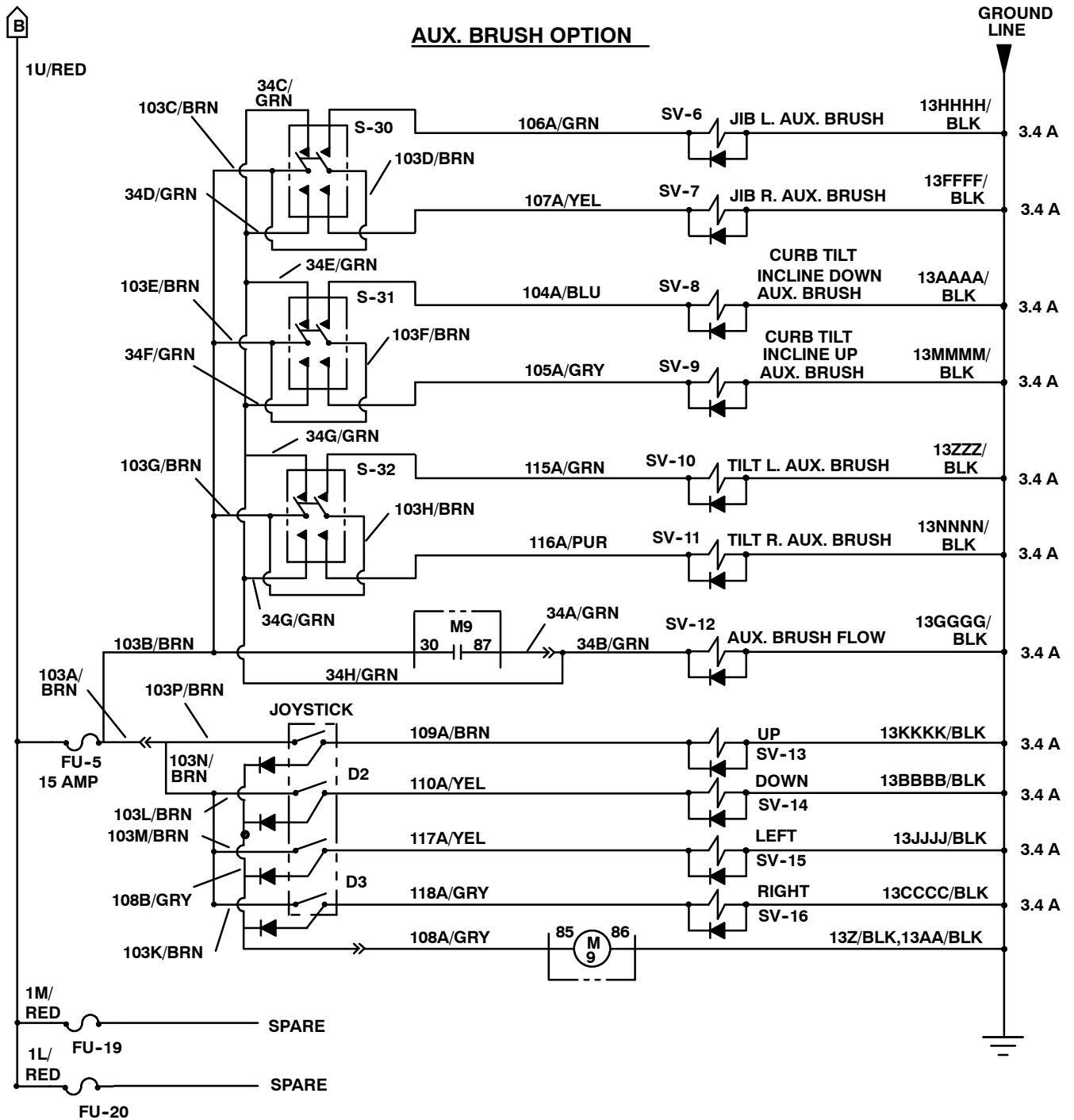


Fig. 31 - Wire Harness/Electrical Schematic Group



09281/09215

Ref.	TENNANT Part No.	Machine Number	Serial	Description	Qty.
	762560	(000000-)	Harness, Cab, Main	1
	762565	(000000-)	Harness, Hopper	1
	762566	(000000-)	Harness, 3Rd Brush	1

Fig. 32 - Instrument Panel Group

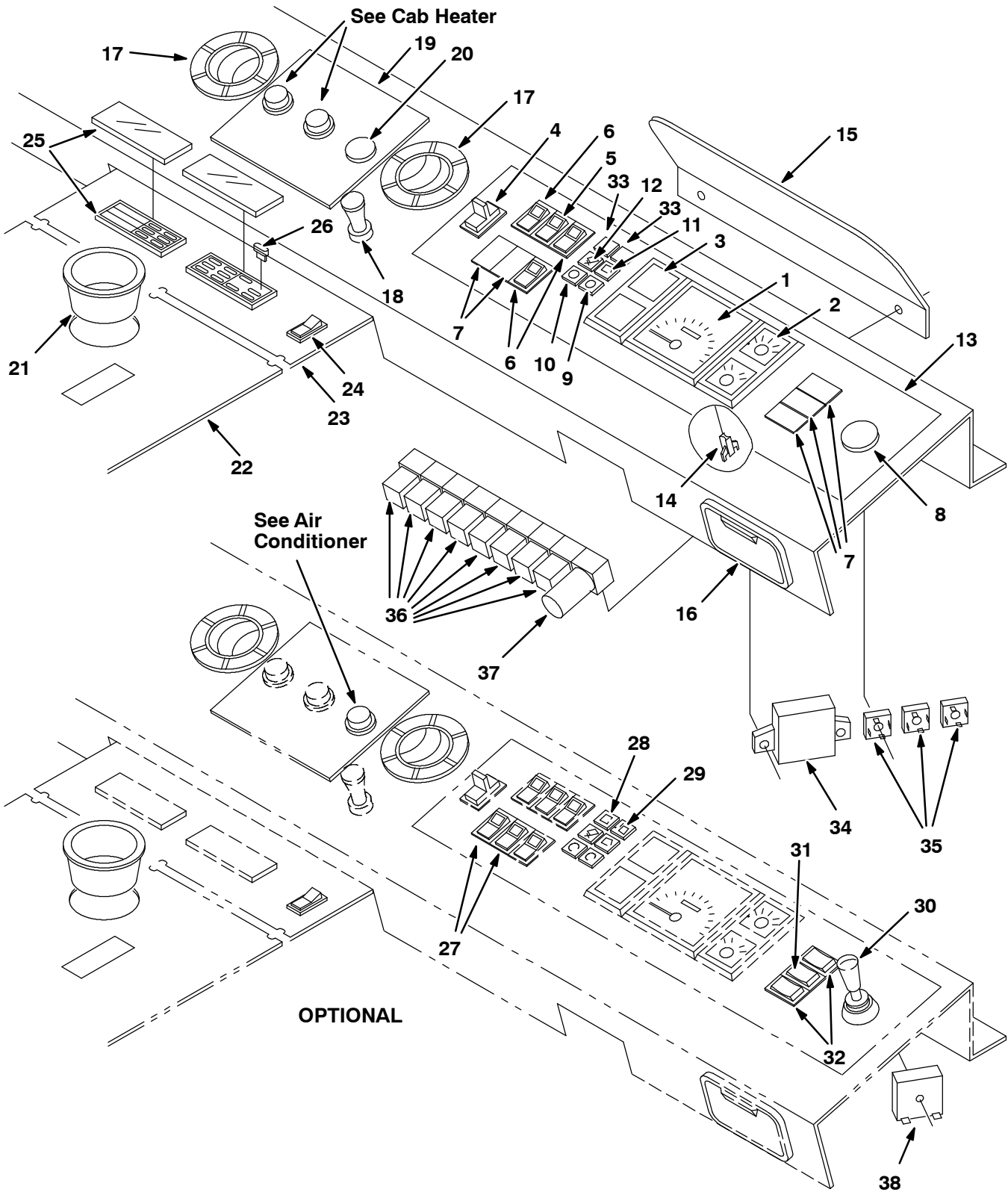


Fig. 32 - Instrument Panel Group

9001388

Ref.	TENNANT Part No.	Machine Number	Serial	Description	Qty.
▽	1	762506	(000000-) Gauge, Tachometer/Hourmeter Replmt Kit, Tachometer	1
▲		762581	(000000-) Bulb And Socket Assy	2
▽	2	762507	(000000-) Gauge, Fuel/Water Temperature	1
▲		762581	(000000-) Bulb And Socket Assy	2
▽	3	762508	(000000-) Light, Warning 8 Light Cluster	1
▲		762581	(000000-) Bulb And Socket Assy	8
	4	762525	(000000-) Switch, Paddle Rocker Dp	1
	5	762585	(000000-) Switch Kit, Dpst	1
	6	762584	(000000-) Switch Kit, Spst	3
	7	762521	(000000-) Plug, Panel Switch	5
	8	82727	(000000-) Plugbtn .88H .03-.12 Blacknyl	1
	9	762539	(000000-) Lamp, Indicator Green	1
	10	762542	(000000-) Lamp, Indicator Red	1
	11	762541	(000000-) Lamp, Indicator Red	1
	12	762540	(000000-) Lamp, Indicator Red	1
	13	761067	(000000-) Plate, Instrument Panel	1
	14	762567	(000000-) Clip, Gauges Vdo	4
	15	761076	(000000-) Sun Screen, Dash	1
	16	761952	(000000-) Ashtray, Side Mtg,Chr	1
	17	761953	(000000-) Louver, Blk Panel Mtg	4
	18	761954	(000000-) Lighter, 12V, Cig	1
	19	761862	(000000-) Panel, Dash, Controls	1
	20	761890	(000000-) Plug, Hole, .50D	1
	21	761955	(000000-) Holder, Cup	1
	22	761066	(000000-) Plate, Hyd Valves	1
	23	761039	(000000-) Plate, Conveyor Switch	1
	24	762512	(000000-) Switch, Rocker, Conveyor/Brush	1
	25	762595	(000000-001199) Fuse Block Repl Kit	1
	25	762535	(001200-) Fuse Block	2
	26	762534	(000000-) Fuse, 5.0Amp	2
	26	762533	(000000-) Fuse, 7.5 Amp	3
	26	762513	(000000-) Fuse, 10Amp	4
	26	762514	(000000-) Fuse, 15 Amp	6
	26	762515	(000000-) Fuse, 20Amp	2
	26	762583	(000000-) Fuse, 25 Amp	1
	26	762516	(000000-) Fuse, 30Amp	1
	27	762584	(000000-) Switch Kit, Spst	2
	28	762538	(000000-) Lamp, Indicator Red	1
	29	762543	(000000-) Lamp, Indicator Yellow	1
	30	762505	(000000-) Joystick	1
	31	762526	(000000-) Switch,Rocker Dpdt Momentary	1
	32	762526	(000000-) Switch,Rocker Dpdt Momentary (Vario Only)	2
	33	762586	(000000-) Lamp,Indicator Red/Plug	2
	34	34801	(000000-) Glow Plug Control Unit	1
	35	10962	(000000-) Diode, Bridge 12 Amp	3
	36	10865	(000000-) Relay 12V Spdt W/Suppression	8
	37	31922	(000000-) Flasher Heavy Duty	1
	38	762578	(000000-) Timer, Load Sensing (Hi Dump)	1

Fig. 33 - Steering Wheel Group

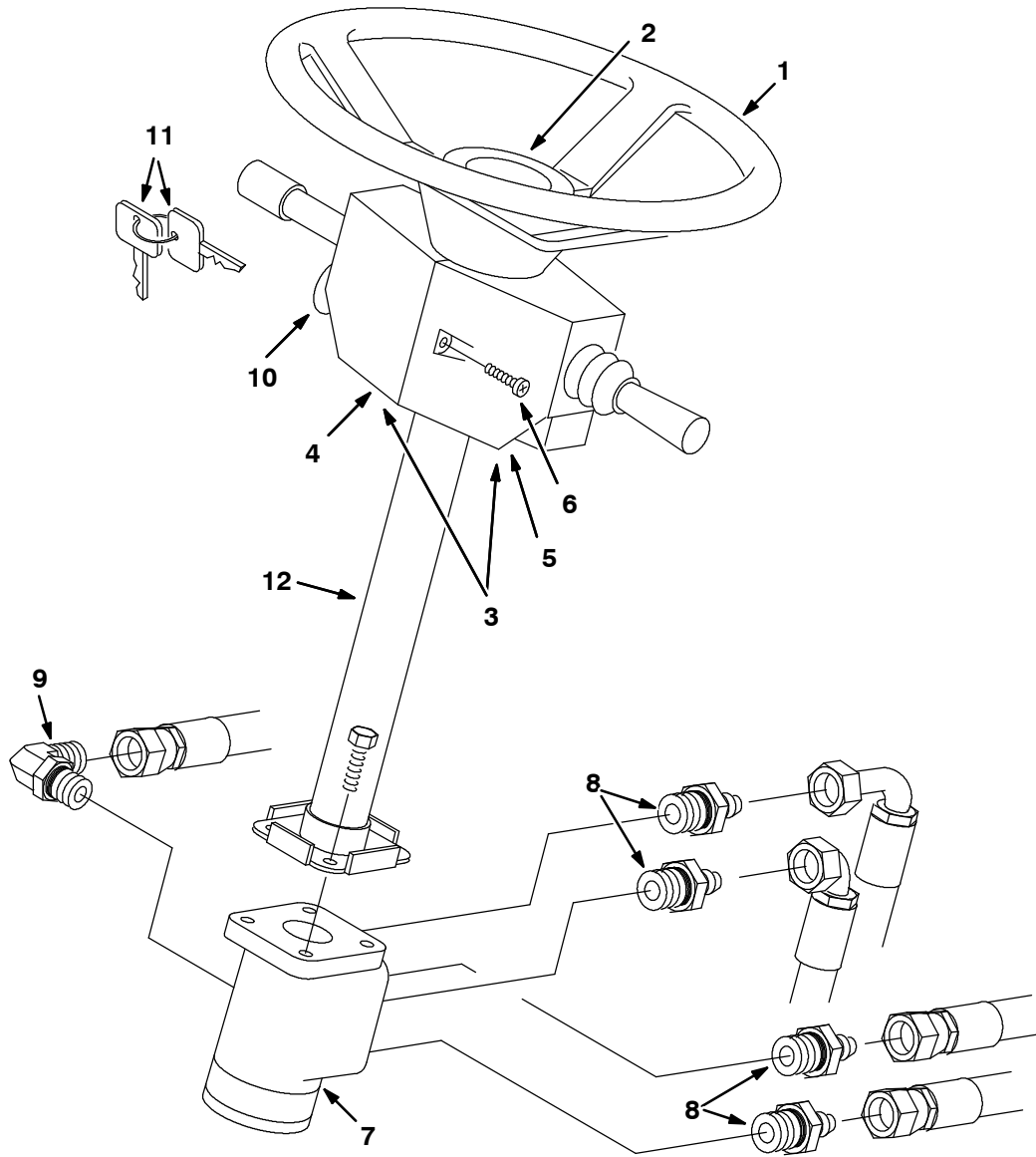


Fig. 33 - Steering Wheel Group

Ref.	TENNANT Part No.	Machine Number	Serial	Description	Qty.
1	763252	(000000-)	Wheel, Steering	1
2	763253	(000000-)	Horn Kit	1
▽ 3	762501	(000000-)	Steering Column Switch	1
▲ 4	762601	(000000-)	Switch, Assy Wipers	1
▲ 5	762602	(000000-)	Switch, Assy Turn/Lights	1
▲ 6	762603	(000000-)	Screw, Switch Assy	2
7	762018	(000000-)	Steering Unit, Hyd Q-Amp	1
8	762438	(000000-)	Ftg-Hyd, Str	4
9	762425	(000000-)	Ftg-Hyd, Elbow, 4-6	1
10	762504	(000000-)	Switch, Key, Steering Column	1
11	762517	(000000-)	Key, Ignition Switch	2
12	762092	(000000-)	Column, Steering	1

Fig. 34 - Cab Frame Group

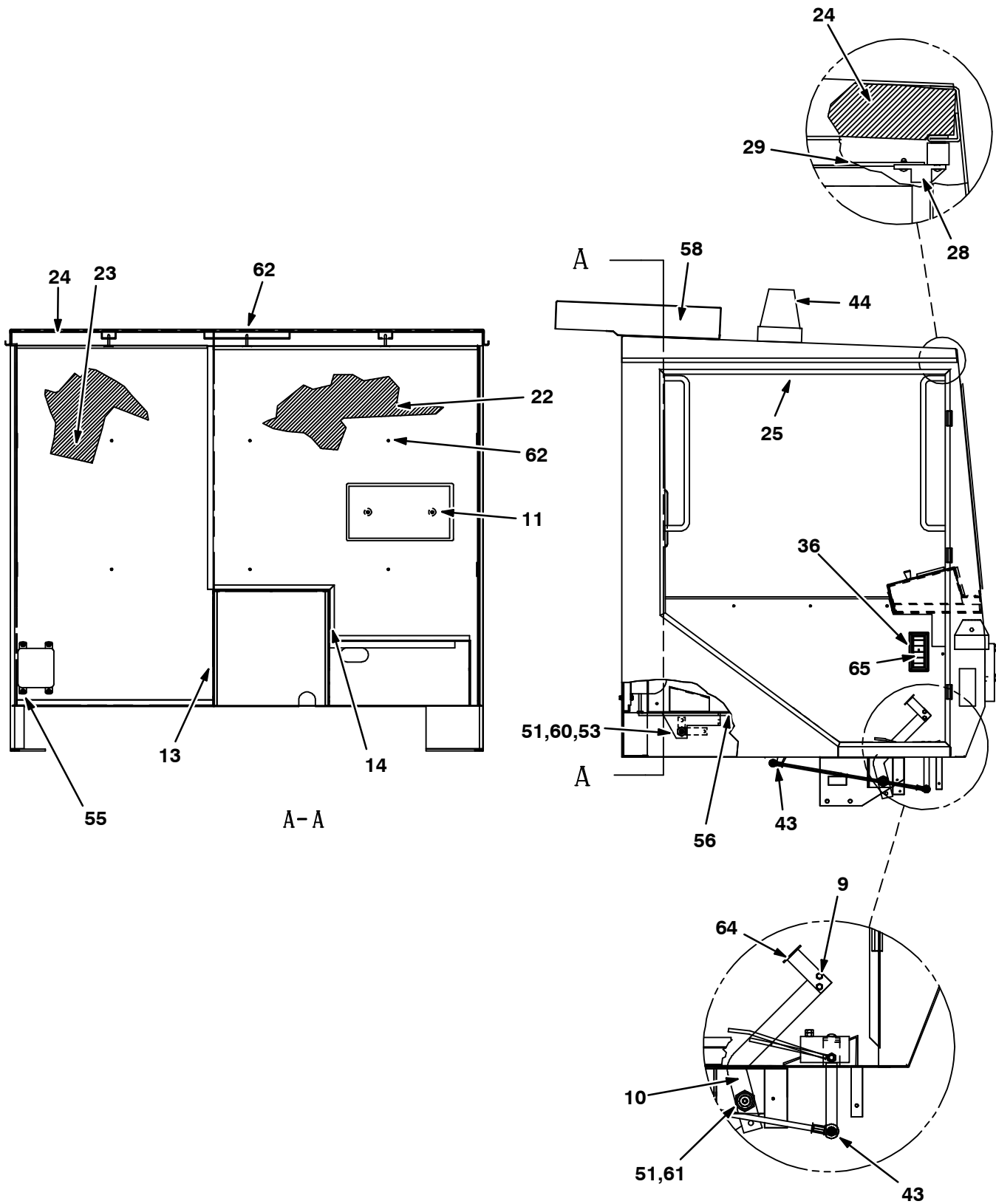


Fig. 34 - Cab Frame Group

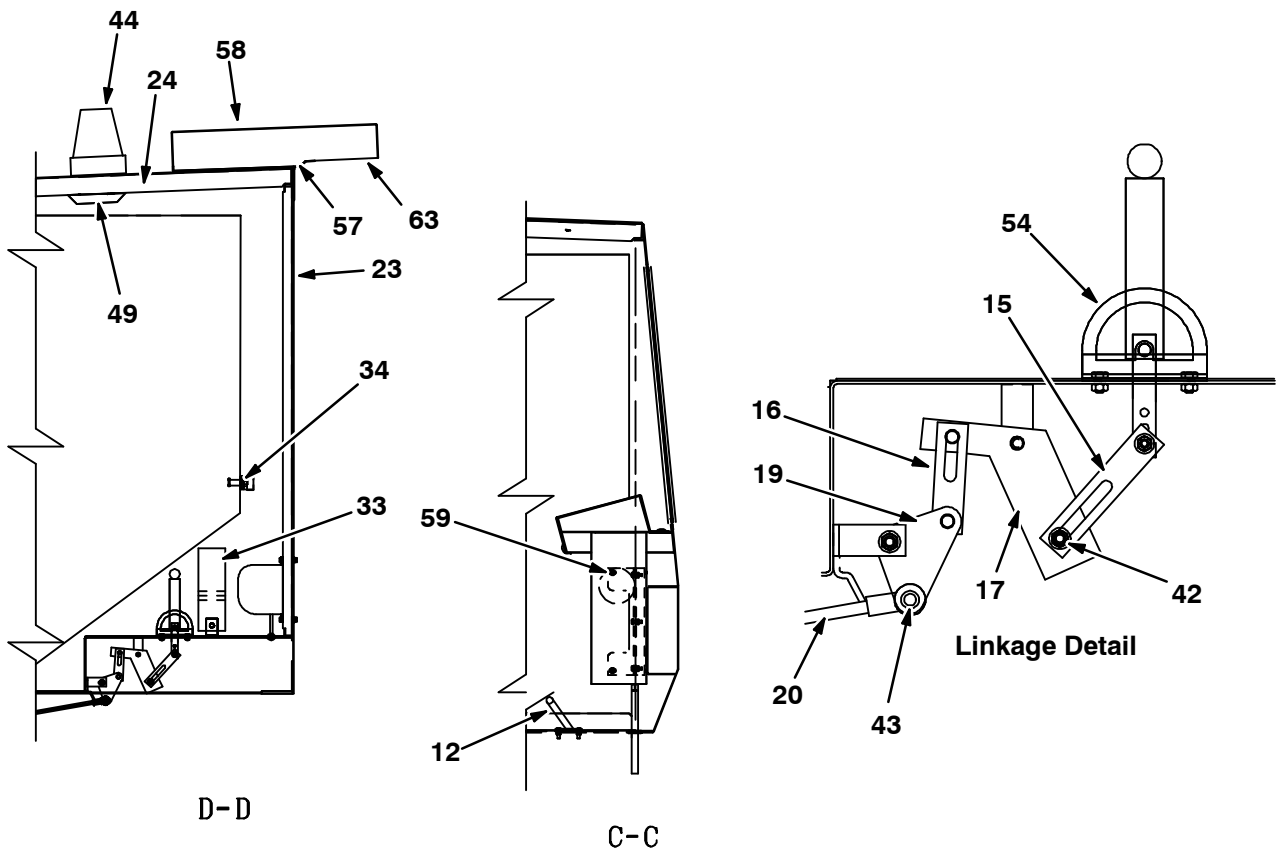
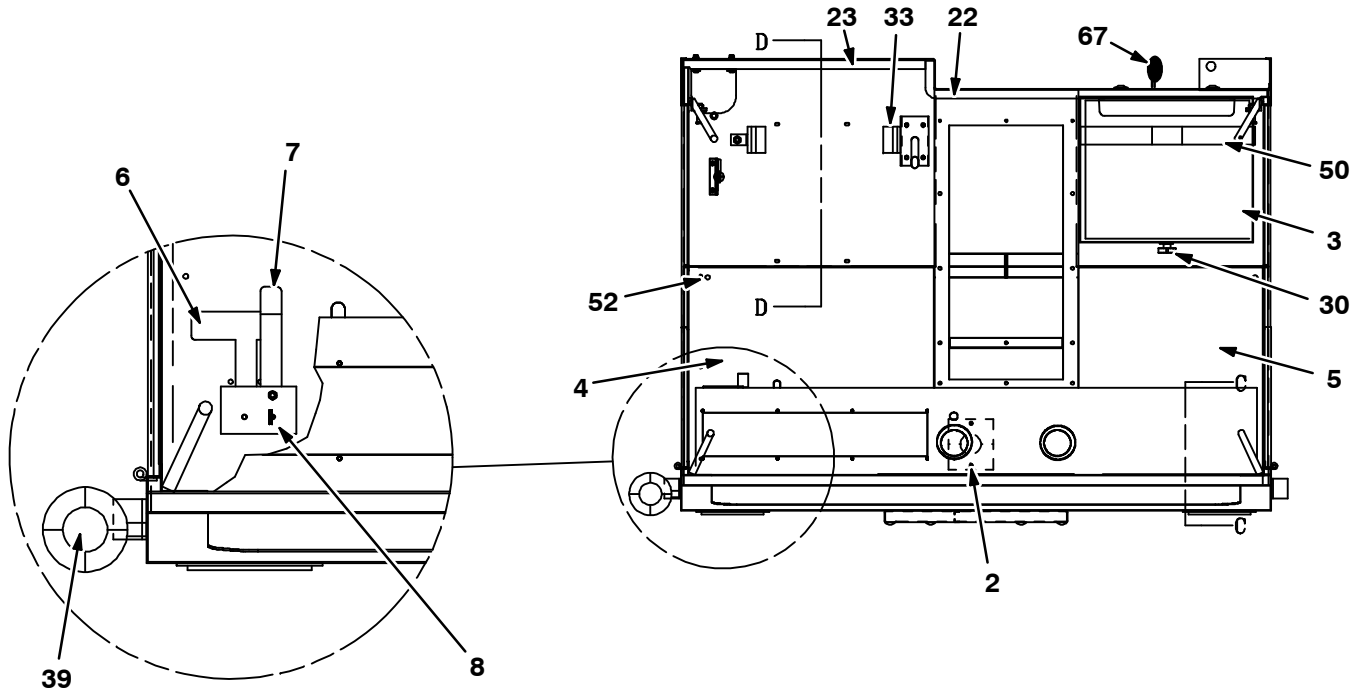
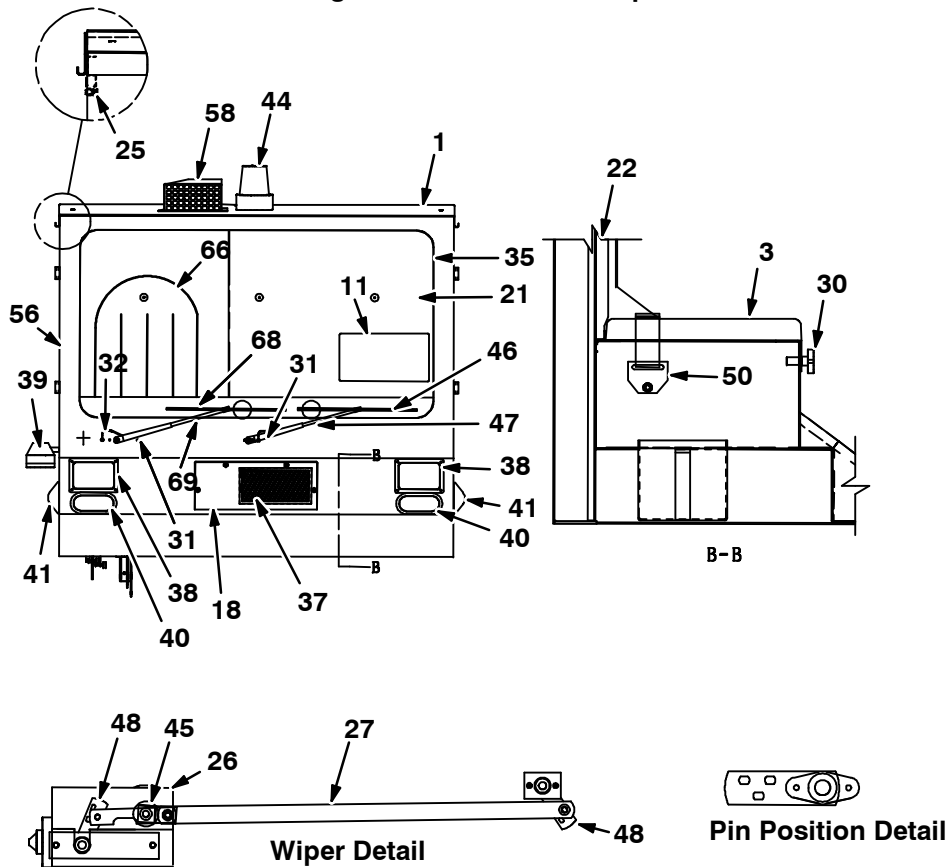


Fig. 34 - Cab Frame Group



09259/09191

Ref.	TENNANT Part No.	Machine Number	Serial	Description	Qty.
1	761840	(000000-)	Cab Wldt	1
2	761843	(000000-)	Bracket Wldt, Grommet	2
3	761844	(000000-)	Seat, Bench	1
4	761845	(000000-)	Floormat, Driver	1
5	761846	(000000-)	Floormat, Pssngr	1
6	761847	(000000-)	Pedal Wldt, Accl, Main	1
7	761848	(000000-)	Pedal Wldt, Accl	1
8	761849	(000000-)	Cover, Accl Pedal	1
9	761850	(000000-)	Pedal Wldt, Brake	1
10	761851	(000000-)	Arm Wldt, Brake	1
11	761852	(000000-)	Backrest	1
12	761853	(000000-)	Rail Wldt, Foot	1
13	761854	(000000-)	Panel, Console, Rh	1
14	761855	(000000-)	Panel, Console, Lh	1
15	761856	(000000-)	Link, Hand Throttle	1
16	761857	(000000-)	Link, Angle, H-Thrtle	1
17	761858	(000000-)	Link Wldt, Throttle	1
18	761859	(000000-)	Cover Wldt, Filter	1
19	761860	(000000-)	Bellcrank, Triangle	1
20	761861	(000000-)	Rod, Accelerator Pedl	1
21	761863	(000000-)	Windshield	1
22	761864	(000000-)	Liner, Rear, Lh	1
23	761865	(000000-)	Liner, Rear, Rh	1

Fig. 34 - Cab Frame Group

Ref.	TENNANT Part No.	Machine Number	Serial	Description	Qty.	
24	761866	(000000-)	Liner, Head	1	
25	761981	(000000-)	Seal, Bulb, 90 Deg, 30' Lng	1	
26	761867	(000000-)	Motor, Ele, 12V,Wiper	1	
27	761868	(000000-)	Link, Connect 19.00	1	
28	761869	(000000-)	Hinge, Adj, Blk Plstc	4	
29	761870	(000000-)	Visor, Sun, Blk Vinyl	2	
30	761871	(000000-)	Knob, Utility, W/Stud	1	
31	761872	(000000-)	Ftg-Bulkhead	2	
32	761873	(000000-)	Tee, Washer Hose	1	
33	761874	(000000-)	Seatbelt, 2.00 W/Hdwr	1	
34	761875	(000000-)	Bolt, Shldr, W/Washer	2	
35	761876	(000000-)	Seal, Window .12 Opng	1	
36	761877	(000000-)	Louver, Blk W/Mod Box	1	
37	761878	(000000-)	Filter, Intake, Pltd	1	
38	761879	(000000-)	Headlamp, Halogn H/L	2	
39	761880	(000000-)	Light, Utility	1	
40	761881	(000000-)	Light, Signal, Amber	2	
41	761882	(000000-)	Light, Signal, Amber	2	
42	761883	(000000-)	Bolt, Shldr .31-18	5	
43	51531	(000000-)	Ball Joint .375-24	2	
▽	44	82199	(000000-)	Light Assy Revl Amber 12V	1
▲		45779	(000000-)	Bulb, General Electric #GE1156	1
	45	761884	(000000-)	Arm, Drive, Dbl Lock	1
	46	761885	(000000-)	Blade, Wiper, Blk 24"	1
▽	47	761886	(000000-)	Arm, Wiper, Radl 18"	1
▲		761738	(000000-)	Wet Arm Washer Kit	1
▲		761739	(000000-)	Wiper Arm, Radial 18" Black	1
	48	761887	(000000-)	Shaft, Pivot .38D 1"	2
	49	761888	(000000-)	Lamp, Dome, W/Switch	1
	50	761889	(000000-)	Seatbelt, 2.00	1
	51	47801	(000000-)	Ftg, Grease.25-28Th Strt .63L	2
	52	761890	(000000-)	Plug, Hole, .50D	2
	53	761891	(000000-)	Brake Wldt, Eme	1
	54	761892	(000000-)	Lever, Pos Lock W/Bkt	1
	55	761893	(000000-)	Bottle, Wshr Fld Wpmp	1
	56	762561	(000000-)	Harness,Cab Upper	1
	57	761894	(000000-)	Base, Air Shroud	1
	58	761895	(000000-)	Cover Wldt, Air Shrd	1
	59	761896	(000000-)	Angle, Heater System	1
	60	761897	(000000-)	Pin, Emergency Brake	1
	61	761898	(000000-)	Pin, Brake Pedal	1
	62	761899	(000000-)	Fastener, X-Mas Tree	12
	63	764138	(000000-)	Seal,Air Shroud	1
	64	51109	(000000-)	Pad	1
	65	762547	(000000-)	Buzzer	1
	66	763254	(000000-)	Seat, Operator	1
	67	764136	(000000-)	Seal, Rear Cab	1
	68	761737	(000000-)	Wiper Blade, Flex Nlk 28"	1
▽	69	761740	(000000-)	Wiper Arm Kit, Radial Wet 20"	1
▲		761738	(000000-)	Wet Arm Washer Kit, Wiper	1
▲		761736	(000000-)	Wiper Arm, Radial 20" Black	1

Fig. 35 - Left Cab Door Group

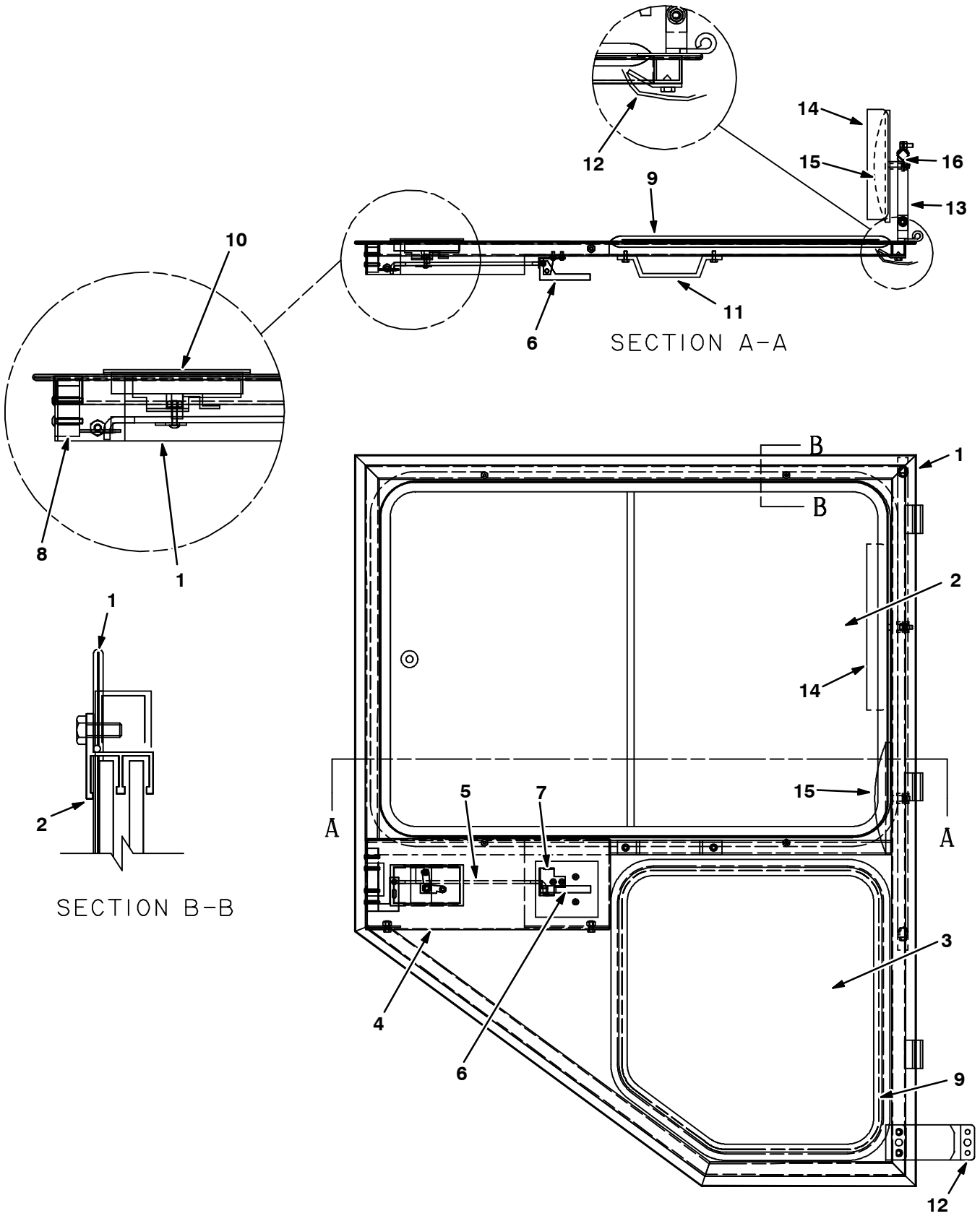


Fig. 35 - Left Cab Door Group

Ref.	TENNANT Part No.	Machine Number	Serial	Description	Qty.
▽	761842	(000000-)	Door Assy, Lh	1
▲ 1	761916	(000000-)	Door Wldt, Lh	1
▲ 2	761982	(000000-)	Window, Sliding	1
▲ 3	761903	(000000-)	Window, Door, Lower	1
▲ 4	761918	(000000-)	Cover Wldt, Latch, Lh	1
▲ 5	761919	(000000-)	Rod Wldt, Lh	1
▲ 6	761920	(000000-)	Handle, Inside Rel,Lh	1
▲ 7	761907	(000000-)	Bezel, Door, Plastic	1
▲ 8	761921	(000000-)	Latch, Cam, Lh	1
▲ 9	761909	(000000-)	Seal, Window, Loc Cnl	1
▲▽ 10	761922	(000000-)	Latch, Pddl, Lh W/Key	1
▲▲	761958	(000000-)	Key,Cab Door Latch	1
▲ 11	761911	(000000-)	Handle, Grab, Pvc,Blk	2
▲ 12	761912	(000000-)	Restraint, Door	1
▲ 13	761913	(000000-)	Mirror Loop	1
▲ 14	761914	(000000-)	Mirror, 8X12,Convex	1
▲ 15	68445	(000000-)	Mirror,8.0 Round,Convex	1
▲ 16	761915	(000000-)	Clamp, Dovetail,.25H	1

Fig. 36 - Right Cab Door Group

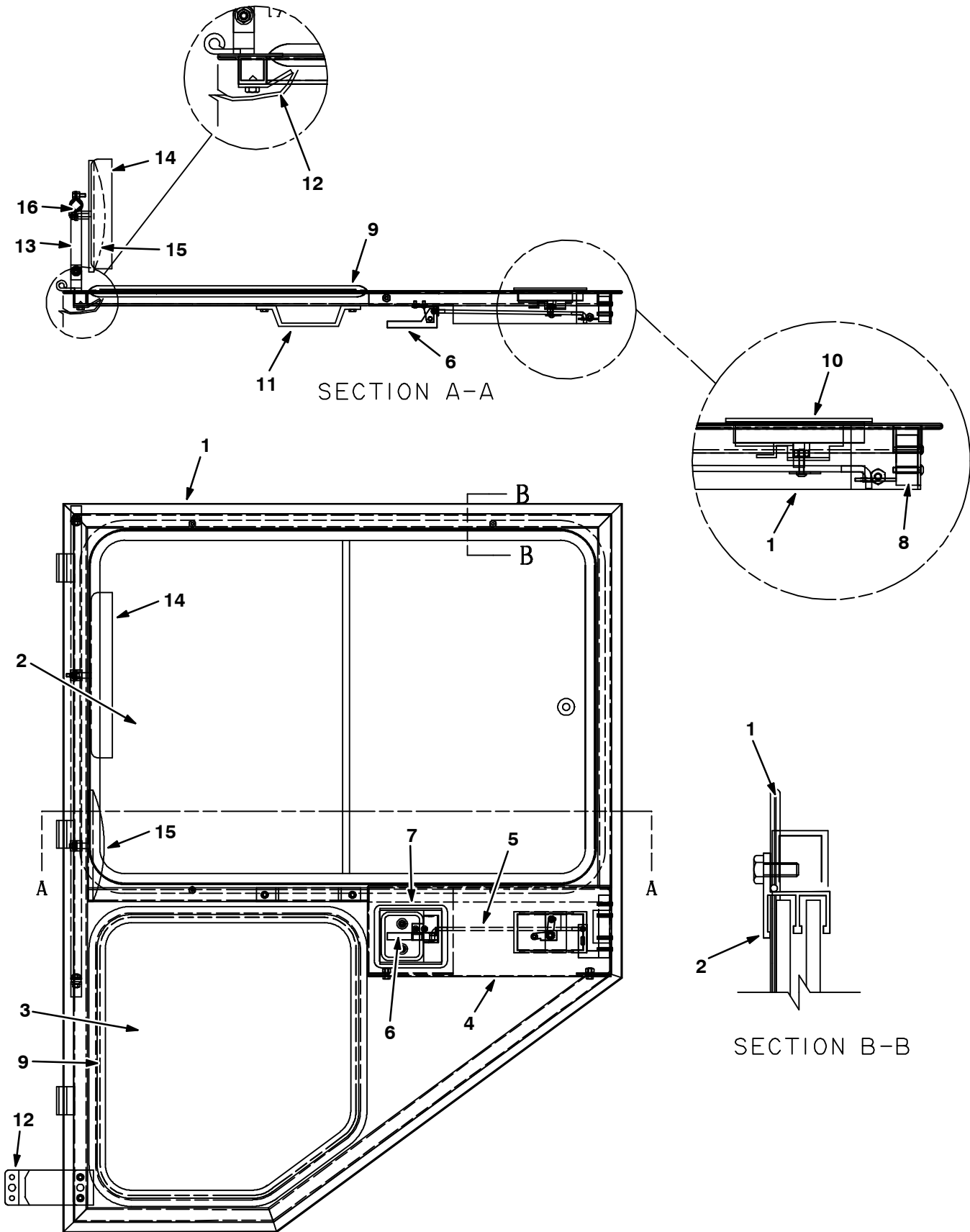


Fig. 36 - Right Cab Door Group

Ref.	TENNANT Part No.	Machine Number	Serial	Description	Qty.
▽	761841	(000000-)	Door Assy, Rh	1
▲ 1	761901	(000000-)	Door Wldt, Rh	1
▲ 2	761982	(000000-)	Window, Sliding	1
▲ 3	761903	(000000-)	Window, Door, Lower	1
▲ 4	761904	(000000-)	Cover Wldt, Latch, Rh	1
▲ 5	761905	(000000-)	Rod Wldt, Rh	1
▲ 6	761906	(000000-)	Handle, Inside Rel,Rh	1
▲ 7	761907	(000000-)	Bezel, Door, Plastic	1
▲ 8	761908	(000000-)	Latch, Cam, Rh	1
▲ 9	761909	(000000-)	Seal, Window, Loc Cnl	1
▲▽ 10	761910	(000000-)	Latch, Pddl, Rh W/Key	1
▲▲	761958	(000000-)	Key,Cab Door Latch	1
▲ 11	761911	(000000-)	Handle, Grab, Pvc,Blk	2
▲ 12	761912	(000000-)	Restraint, Door	1
▲ 13	761913	(000000-)	Mirror Loop	1
▲ 14	761914	(000000-)	Mirror, 8X12,Convex	1
▲ 15	68445	(000000-)	Mirror,8.0 Round,Convex	1
▲ 16	761915	(000000-)	Clamp, Dovetail,.25H	1

Fig. 37 - Cab Heater Group

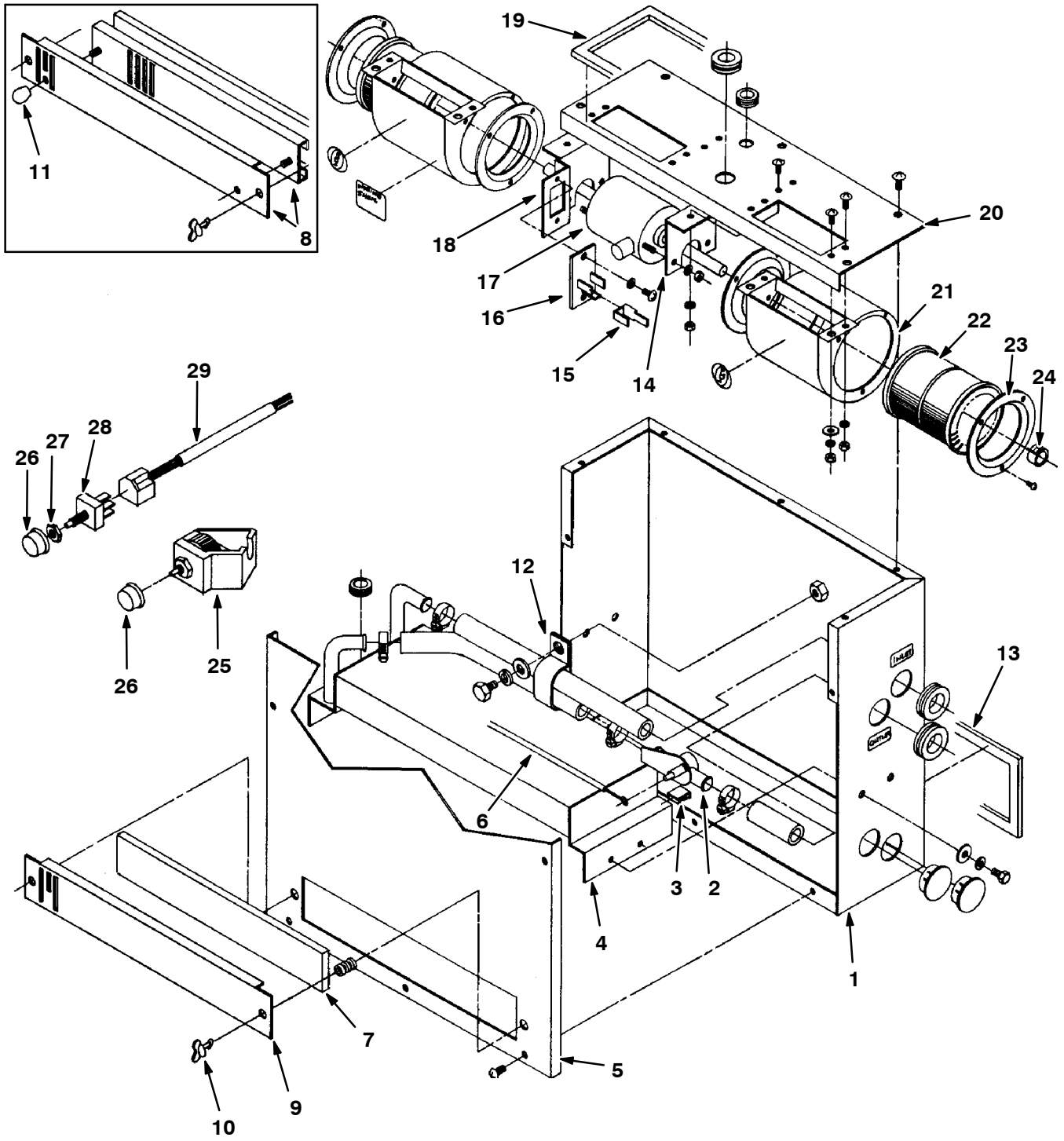


Fig. 37 - Cab Heater Group

Ref.	TENNANT Part No.	Machine Number	Serial	Description	Qty.
1	761951	(000000-)	Housing, Main Wa	1
2	761950	(000000-)	Valve, Water	1
3	761949	(000000-)	Clip, Coil Mtg	2
4	761948	(000000-)	Coil, Heater 6X16 3Ro	1
5	761947	(000000-)	Cover Wa	1
6	761946	(000000-)	Cable, Push/Pull,Cntr	1
7	761838	(000000-)	Filter, Recirculation	1
8	762009	(000000-001547)	Kit,Heater-Ac Recirc Filter	1
9	761990	(001548-)	Cover, Recirculation	1
10	761942	(000000-)	Fastener, Fract Turn	2
11	761941	(000000-001547)	Knob, Recirc Adjmt	2
12	761940	(000000-)	Strap, Hose Dbl	1
13	761939	(000000-)	Weatherstrip, Back	1
14	761938	(000000-)	Mount, Rt Motor	1
15	761937	(000000-)	Connector, Dbl Male	1
16	761936	(000000-)	Resistor, 12V	1
17	761839	(000000-001136)	Motor And Blower Kit	1
1025559	761968	(001137-)	Motor, Ele 12V .312 shaft	1
18	761934	(000000-)	Mount, Lt Motor	1
19	761933	(000000-)	Weatherstrip, Top	1
20	761932	(000000-)	Plate, Blower	1
21	761931	(000000-)	Scroll Wa	2
22	761930	(000000-001136)	Wheel, Blower .375 Bore	2
22	761969	(001137-)	Wheel, Blower .312 Bore	2
23	761929	(000000-)	Ring, End	4
24	761928	(000000-)	Clip, Heavy Spring	2
25	761927	(000000-)	Cable, Rotary Control	1
26	761926	(000000-)	Knob, Switch, Fan	2
27	761925	(000000-)	Nut, Control Mtg	2
28	761924	(000000-)	Switch, Fan, 3-Speed	1
29	761923	(000000-)	Harness, Wire	1

Fig. 38 - Right Side Brush Group

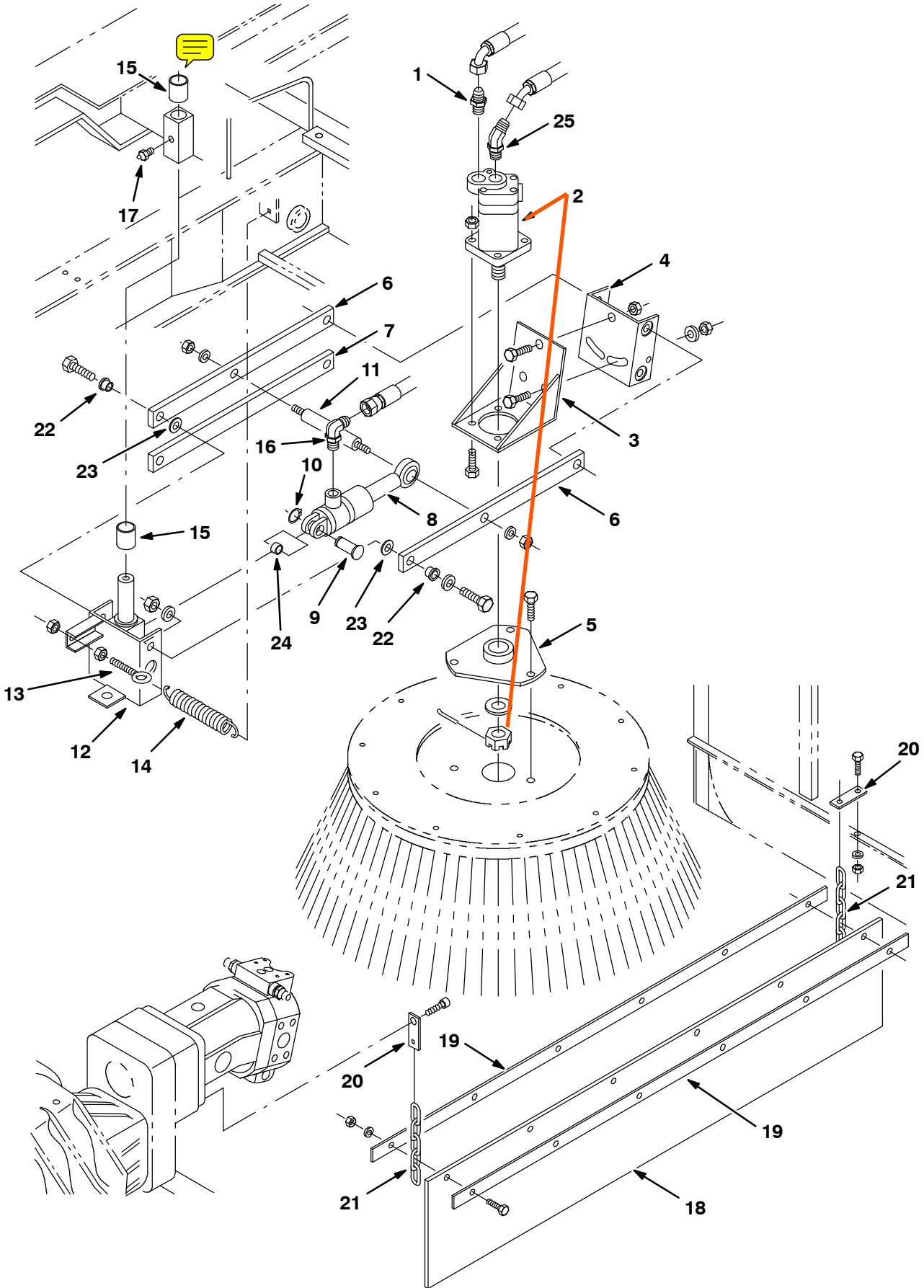


Fig. 38 - Right Side Brush Group

Ref.	TENNANT Part No.	Machine Number	Serial	Description	Qty.	
1	762040	(000000-)	Valve, Check	1	
2	762042	(000000-002267)	Motor, Hyd S Br W/End Ports (See Breakdowns) (Repl by 762068)	1	
2	762059	(002268-)	Motor, Hyd S Br W/End Ports (See Breakdowns)	1	
3	761209	(000000-)	Bracket,Hyd.Motor Support	1	
4	761210	(000000-)	Bracket Weldt,Lower Support	1	
5	761428	(000000-)	Hub Weldt,Side Brush	1	
6	761205	(000000-001619)	Bar,Brush Support Upper	2	
6	761246	(001620-)	Bar,Side Brush Upper	2	
7	761207	(000000-001619)	Bar,Brush Support Lower	1	
7	761247	(001620-)	Bar, Side Brush Lower	1	
▽	8	762043	(000000-)	Cylinder, Hyd S Br Lift	1
▲		762192	(000000-)	Seal Kit	1
	9	761229	(000000-)	Pin,Hyd.Cylinder	1
	10	763005	(000000-)	Retaining Ring, M16	1
	11	761232	(000000-001619)	Rod	1
	11	761248	(001620-)	Shaft, Side Brush	1
	12	761214	(000000-)	Bracket,Side Brush Rh	1
	13	761225	(000000-)	Eyebolt, .50-13X3.5"	1
	14	761223	(000000-)	Spring	1
	15	763003	(000000-)	Bearing	2
	16	762425	(000000-)	Ftg-Hyd, E90	1
	17	06418	(000000-001049)	Ftg, Grease.12 Npt Strt .66L	1
	17	47801	(001050-)	Ftg, Grease.25-28Th Strt .63L	1
	18	761215	(000000-)	Skirt, Rubber	1
	19	761216	(000000-)	Retainer,Skirt	2
	20	761217	(000000-)	Bracket,Skirt	2
	21	40758	(000000-)	Chain,Link#2/08 5Links,Br.Zinc	2
	22	763018	(000000-001619)	Bearing	6
	22	761245	(001620-)	Bushing, Side Brush	6
	23	763050	(000000-)	Bearing, Thrust	6
	24	763007	(000000-)	Bearing	1
	25	762461	(000000-)	Ftg-Hyd, E45	1

Fig. 39 - Hydraulic Reservoir Group

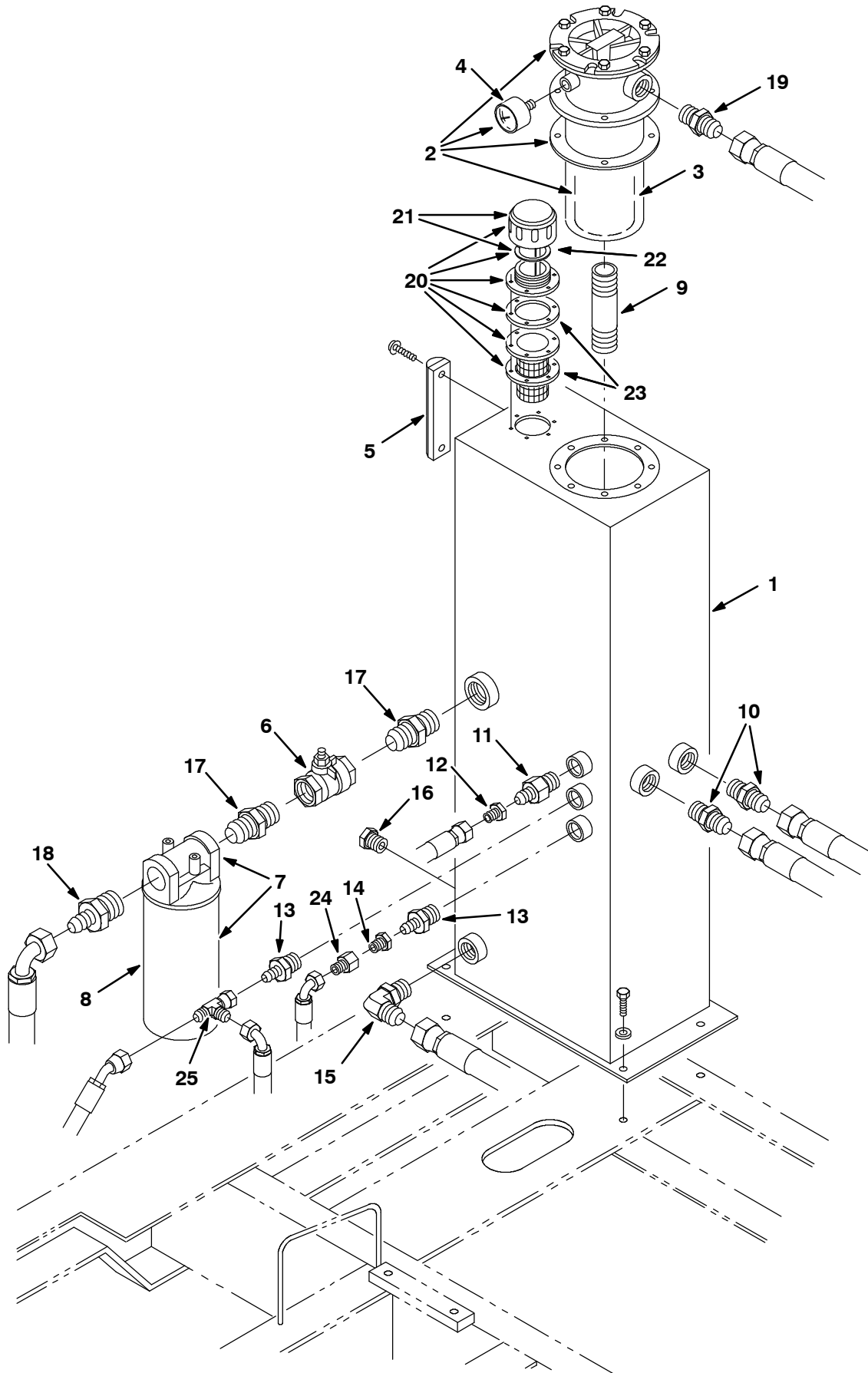


Fig. 39 - Hydraulic Reservoir Group

Ref.	TENNANT Part No.	Machine Number	Serial	Description	Qty.
1	762029	(000000-)	Tank, Hyd Oil	1
▽ 2	762026	(000000-)	Filter, Hyd Return, Parker	1
▲ 3	762124	(000000-)	Filter Element,Hyd.In-Tank	1
▲ 4	762126	(000000-)	Indicator,Color Coded	1
5	762033	(000000-001049)	Sight Gauge, Hyd Tank	1
5	762075	(001050-)	Sight Gage, Hyd Tank 5In	1
6	762108	(000000-)	Valve, Hyd Ball, 1.25 Npt	1
▽ 7	762102	(000000-)	Filter, Hyd	1
▲ 8	762125	(000000-)	Filter Element,Hyd.Spin On	1
9	762111	(000000-)	Nipple,Pipe 1.5Nptx6Lg	1
10	762481	(000000-)	Ftg-Hyd, Str	1
11	762490	(000000-)	Ftg-Hyd, Str	1
12	762105	(000000-)	Valve, Check, Vonberg	1
13	762474	(000000-)	Ftg-Hyd, Str	2
14	762496	(000000-)	Ftg-Hyd, Reducer	1
15	762482	(000000-)	Ftg-Hyd, E90	1
16	762475	(000000-)	Ftg-Hyd, Plug	1
17	762486	(000000-)	Ftg-Hyd Spec,20-1 1/4	2
18	762483	(000000-)	Ftg-Hyd, Str	1
19	762485	(000000-)	Ftg-Hyd, Str	1
▽ 20	34306	(000000-)	Hyd Filler Breather Assembly	1
▲▽ 21	70072	(000000-)	Cap And Gasket, Hyd Filler	1
▲▲ 22	70006	(000000-)	Gasket, Hyd Cap	1
▲ 23	61288	(000000-)	Gasket, Hyd Tank Breather	2
24	762497	(000000-)	Valve, Check	1
25	762447	(000000-)	Ftg-Hyd, 8	1

Fig. 40 - Hydraulic Pumps Group

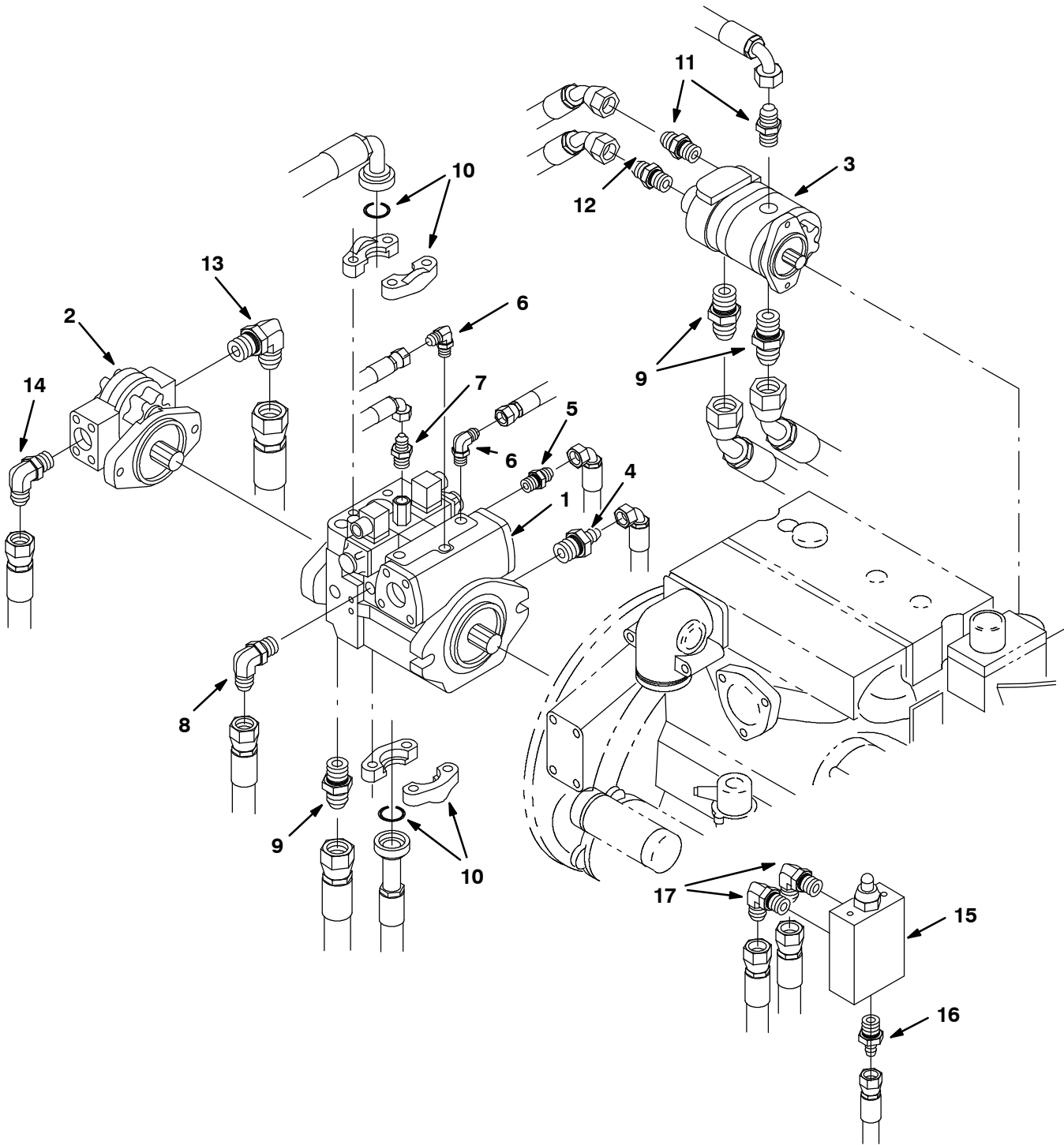


Fig. 40 - Hydraulic Pumps Group

Ref.	TENNANT Part No.	Machine Number	Serial	Description	Qty.
1	762101	(000000-	001361)	Pump, Piston (Repl by 762121) (See Breakdowns)	1
1	762130	(001362-)	Pump, Piston (See Breakdowns)	1
2	762024	(000000-)	Pump, Hyd Gear 1.76 Cid (See Breakdowns)	1
3	762022	(000000-)	Pump, Hyd Double Gear (See Breakdowns)	1
4	762468	(000000-)	Ftg-Hyd, Str	1
5	762426	(000000-)	Ftg-Hyd, Str	1
6	762427	(000000-)	Ftg-Hyd, E90	2
7	762110	(000000-	001361)	Fitting, Special	1
7	762426	(001362-)	Fitting, Special	1
8	762462	(000000-)	Ftg-Hyd, E90	1
9	762481	(000000-)	Ftg-Hyd, Str	3
10	762487	(000000-)	Ftg-Hyd Sae Flange	2
11	762463	(000000-)	Ftg-Hyd, Str	2
12	762445	(000000-)	Ftg-Hyd, Str	1
13	762482	(000000-)	Ftg-Hyd, E90	1
14	762464	(000000-)	Ftg-Hyd, E90	1
15	762103	(000000-)	Valve, Speed Control	1
16	762426	(000000-)	Ftg-Hyd, Str	1
17	762425	(000000-)	Ftg-Hyd, E90	2

Fig. 41 - Front Frame Hydraulic Valves Group

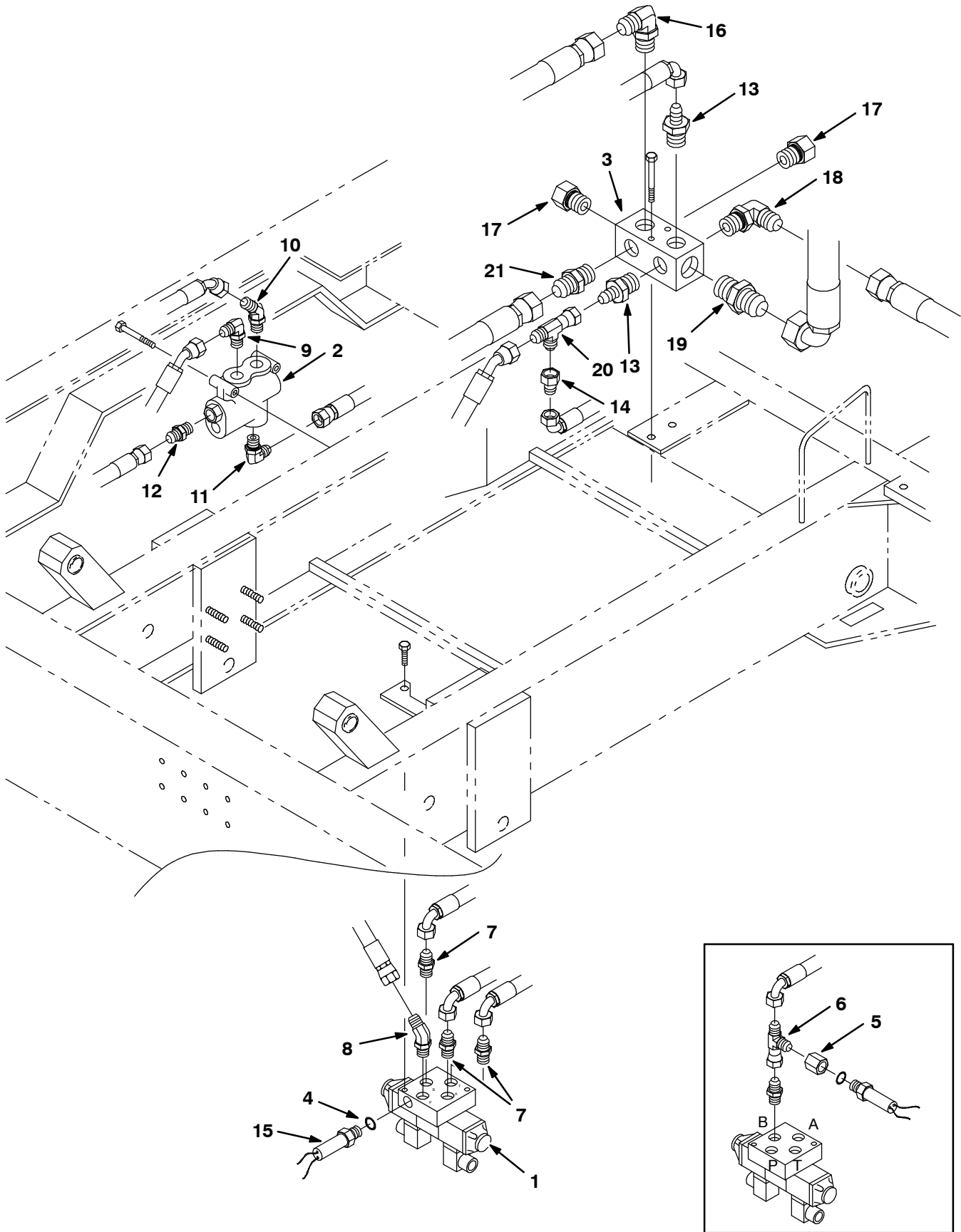


Fig. 41 - Front Frame Hydraulic Valves Group

	Ref.	TENNANT Part No.	Machine Number	Serial	Description	Qty.
▽	1	762044	(000000-)	Valve,Solenoid,Main Br/Conv	1
▲		762055	(000000-)	Coil,Main Brush	2
	2	762060	(000000-)	Priority Valve,Hyd Steering	1
	3	762028	(000000-)	Manifold, Hyd	1
	4	762034	(000000-)	Switch, Hyd Pressure	1
	5	762473	(000000-001817)	Ftg-Hyd Spec	1
	6	762470	(000000-001817)	Ftg-Hyd, Tee	1
	7	762463	(000000-)	Ftg-Hyd, Str	3
	8	762465	(000000-)	Ftg-Hyd, E45	1
	9	762437	(000000-)	Ftg-Hyd, E90	1
	10	762442	(000000-)	Ftg-Hyd, E45	1
	11	762446	(000000-)	Ftg-Hyd, E90	1
	12	762428	(000000-)	Ftg-Hyd, Str	1
	13	762457	(000000-)	Ftg-Hyd, Str	2
	14	762458	(000000-)	Ftg-Hyd, Reducer	1
	15	77005	(000000-)	O-Ring	1
	16	762469	(000000-)	Ftg-Hyd, E90	1
	17	762475	(000000-)	Ftg-Hyd, Plug	2
	18	762492	(000000-)	Ftg-Hyd, E90	1
	19	762489	(000000-)	Ftg-Hyd, Str	1
	20	762447	(000000-)	Ftg-Hyd, Tee	1
	21	762468	(000000-)	Ftg-Hyd, Str	1

Fig. 42 - Hopper & Main Brush Hydraulic Valve Group

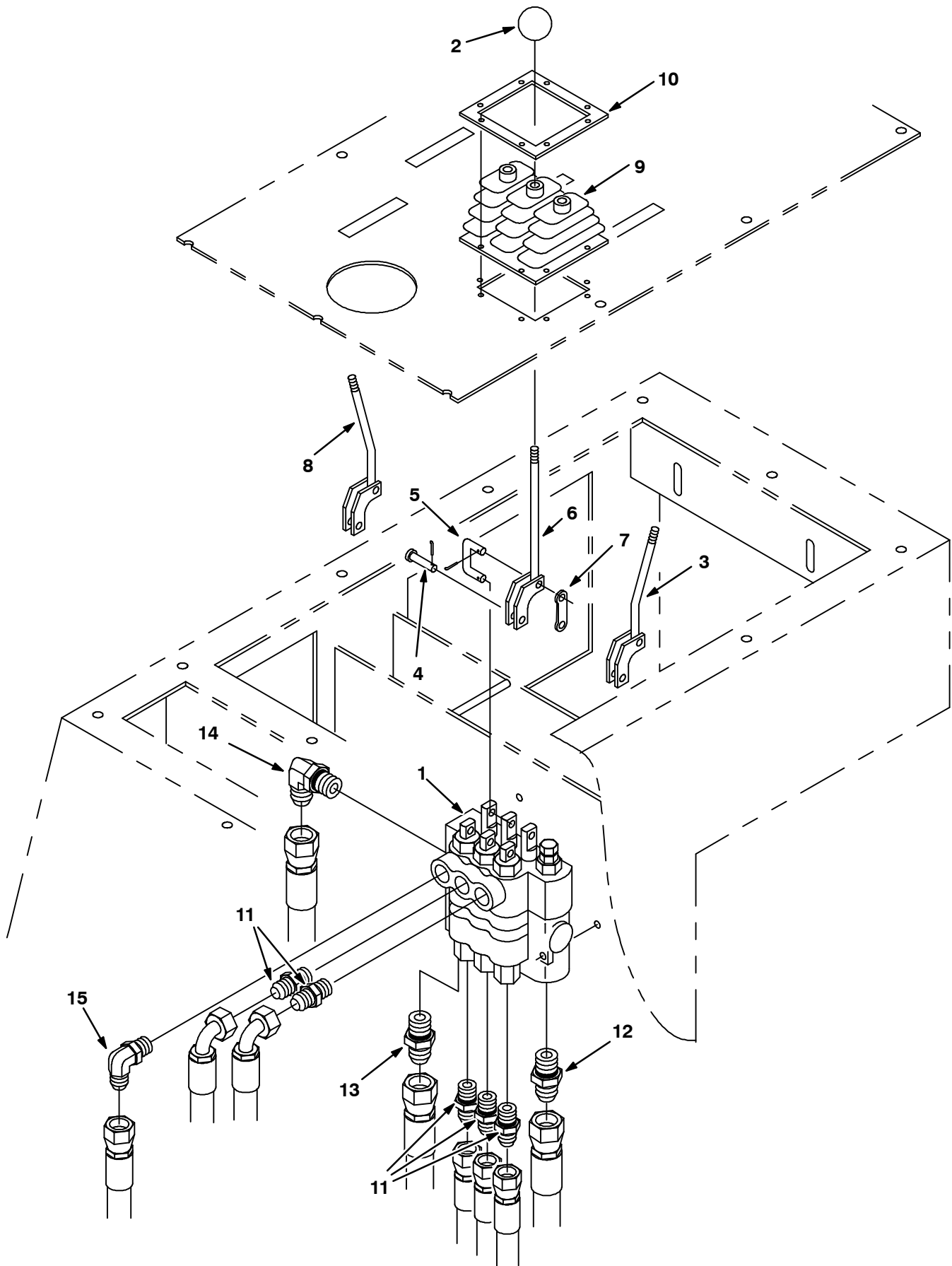


Fig. 42 - Hopper & Main Brush Hydraulic Valve Group

	Ref.	TENNANT Part No.	Machine Number	Serial	Description	Qty.
▽	1	762013	(000000-)	Valve, Hyd 3 Spool (See Breakdowns)	1
▲	2	761970	(000000-)	Knob, Valve	3
▲	3	761974	(000000-)	Handle Weldt, L.H.	1
▲	4	761980	(000000-)	Pin, Clevis	3
▲	5	761971	(000000-)	Pin, Special U	3
▲	6	761973	(000000-)	Handle Weldt	1
▲	7	761978	(000000-)	Clip, Pin	3
▲	8	761975	(000000-)	Handle Weldt, R.H.	1
	9	59180	(000000-)	Bellows, Valve	1
	10	59187	(000000-)	Plate, Mounting, Bellows	1
	11	762433	(000000-)	Ftg-Hyd, Str	5
	12	762467	(000000-001157)	Ftg-Hyd, Str	1
	12	762445	(001158-)	Ftg-Hyd, Str	1
	13	762445	(000000-)	Ftg-Hyd, Str	1
	14	762466	(000000-)	Ftg-Hyd, E90	1
	15	762432	(000000-)	Ftg-Hyd, E90	1

Fig. 43 - Vacuum Fan Hydraulic Valve Group

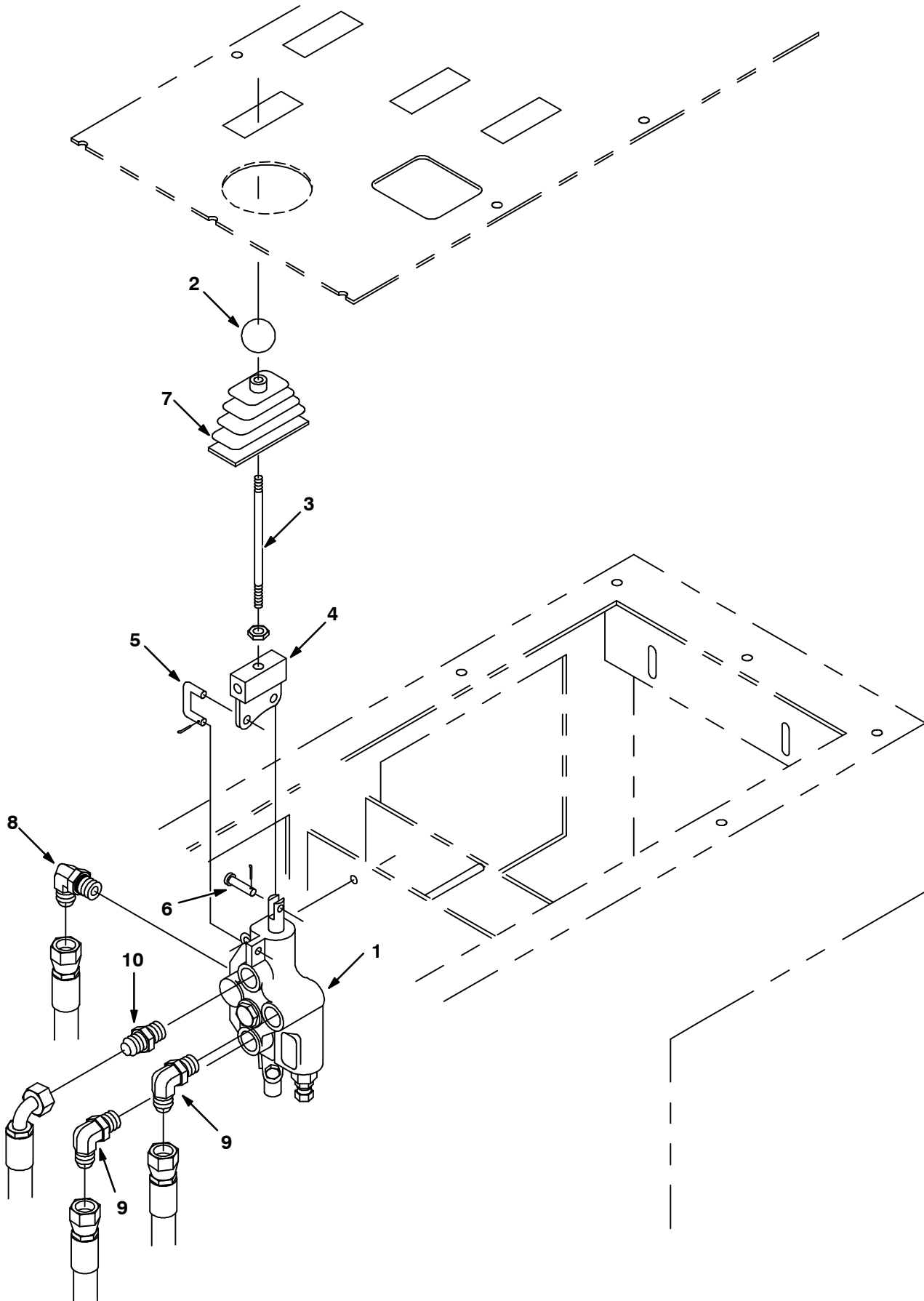


Fig. 43 - Vacuum Fan Hydraulic Valve Group

	Ref.	TENNANT Part No.	Machine Number	Serial	Description	Qty.
▽	1	762031	(000000-)	Valve,Hyd Single Spool (See Breakdowns)	1
▲	2	761970	(000000-)	Knob, Valve	1
▲	3	761976	(000000-)	Handle Weldt	1
▲	4	761979	(000000-)	Bracket, Handle	1
▲	5	761972	(000000-)	Pin, Special U	1
▲	6	761980	(000000-)	Pin, Clevis	1
	7	762087	(000000-)	Bellows, Valve Handle	1
	8	762469	(000000-)	Ftg-Hyd, E90	1
	9	762464	(000000-)	Ftg-Hyd, E90	2
	10	762456	(000000-)	Ftg-Hyd, Str	1

Fig. 44 - Right Brush Hydraulic Valve Group

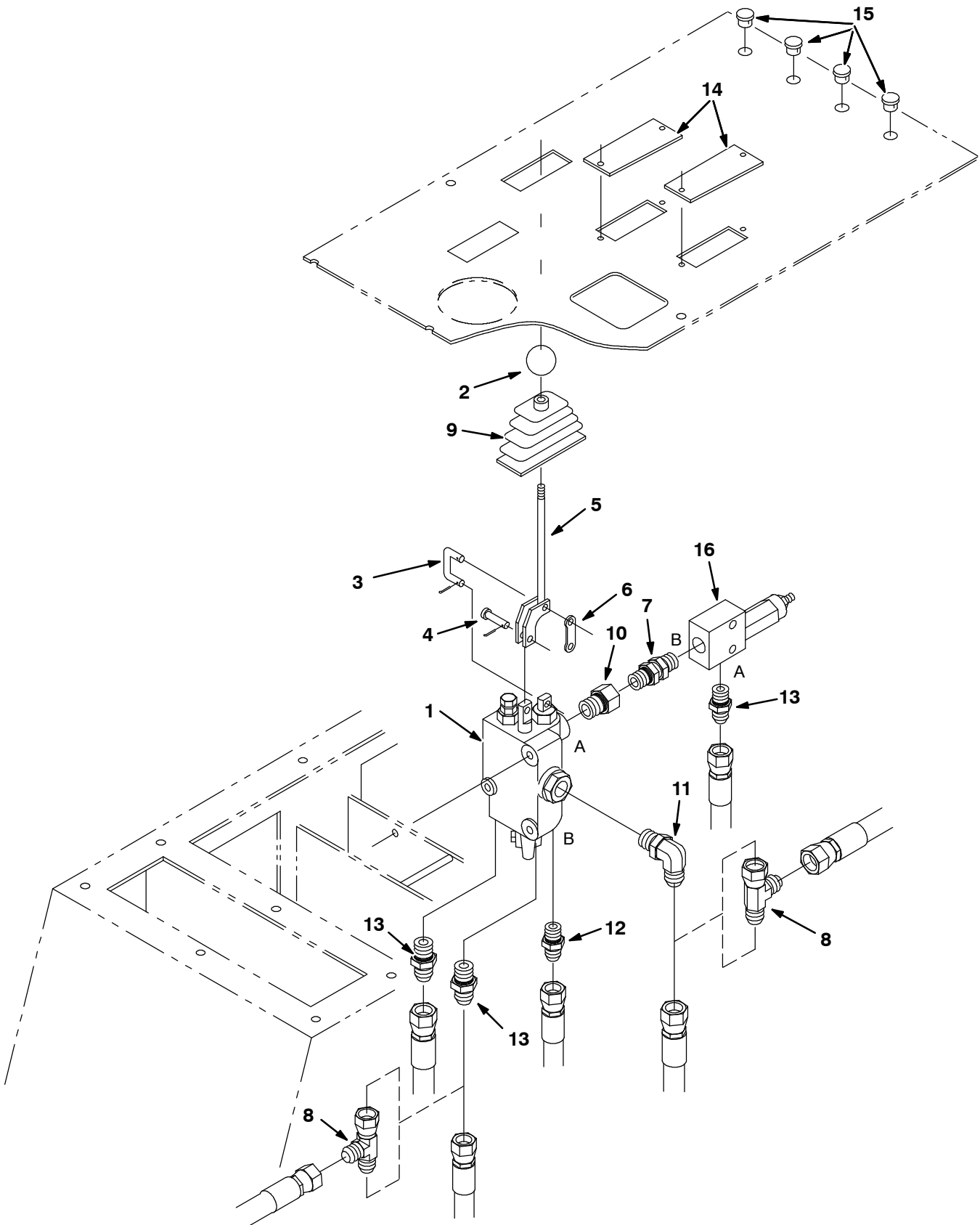


Fig. 44 - Right Brush Hydraulic Valve Group

	Ref.	TENNANT Part No.	Machine Number	Serial	Description	Qty.
▽	1	762041	(000000-)	Valve, Hyd Single Spool (See Breakdowns)	1
▲	2	761970	(000000-)	Knob, Valve	1
▲	3	761971	(000000-)	Pin, Special U	1
▲	4	761980	(000000-)	Pin, Clevis	1
▲	5	761973	(000000-)	Handle Weldt	1
▲	6	761978	(000000-)	Clip, Pin	1
	7	762499	(000000-)	Ftg-Hyd, Str, 8	1
	8	762447	(000000-)	Ftg-Hyd, Tee (Optional)	2
	9	762087	(000000-)	Bellows, Valve Handle	1
	10	762065	(000000-)	Ftg-Hyd, Str, 6-8	1
	11	762446	(000000-)	Ftg-Hyd, E90	1
	12	762433	(000000-)	Ftg-Hyd, Str	1
	13	762445	(000000-)	Ftg-Hyd, Str	3
	14	761831	(000000-)	Plate, Cover	2
	15	56992	(000000-)	Plugbutton, .5, Black	4
▽	16	762070	(000000-)	Valve, Hyd Kick-down Relief	1
▲		762128	(000000-)	Cartridge, Relief	1

Fig. 45 - Hydraulic Hose Group

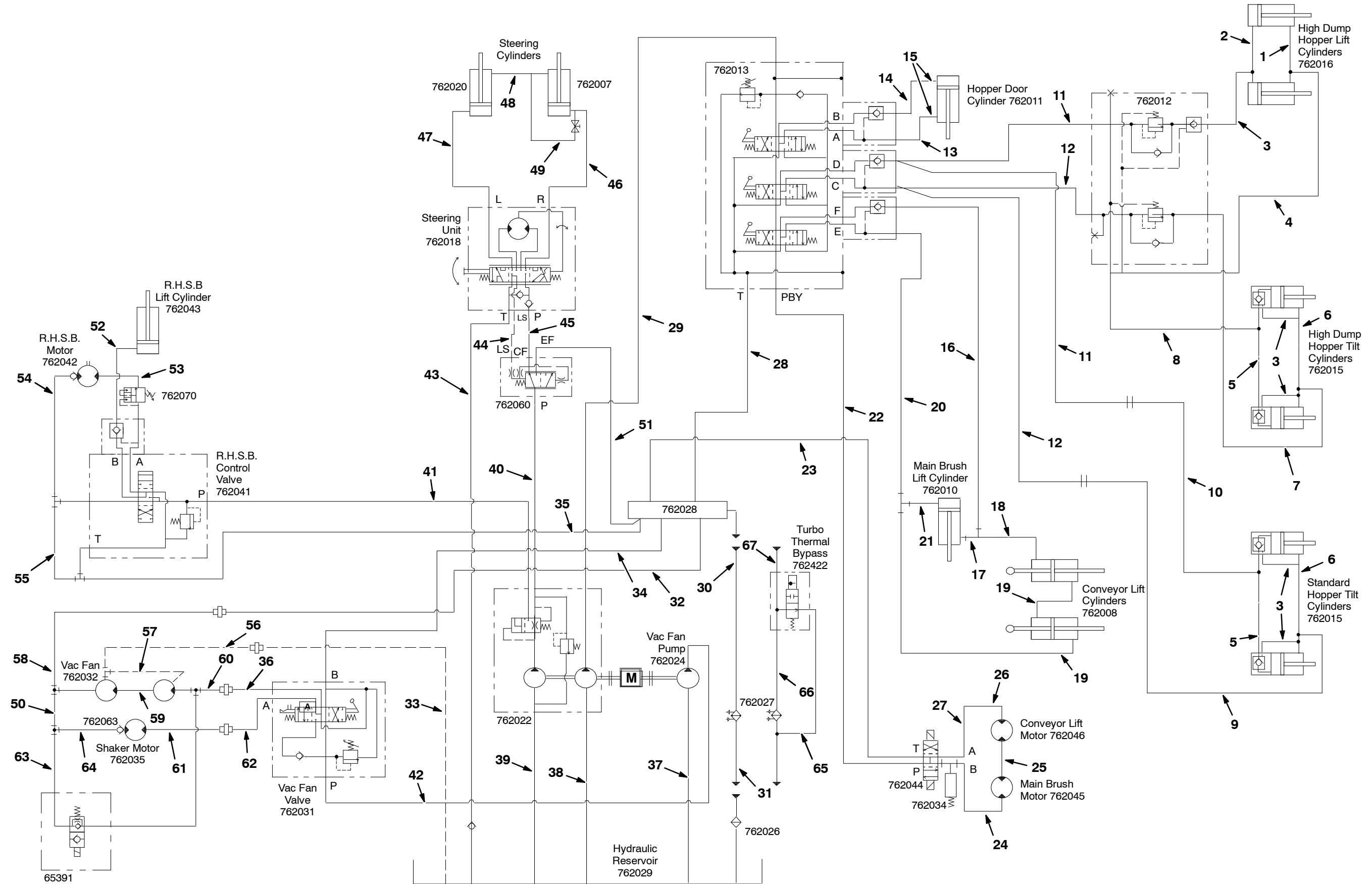


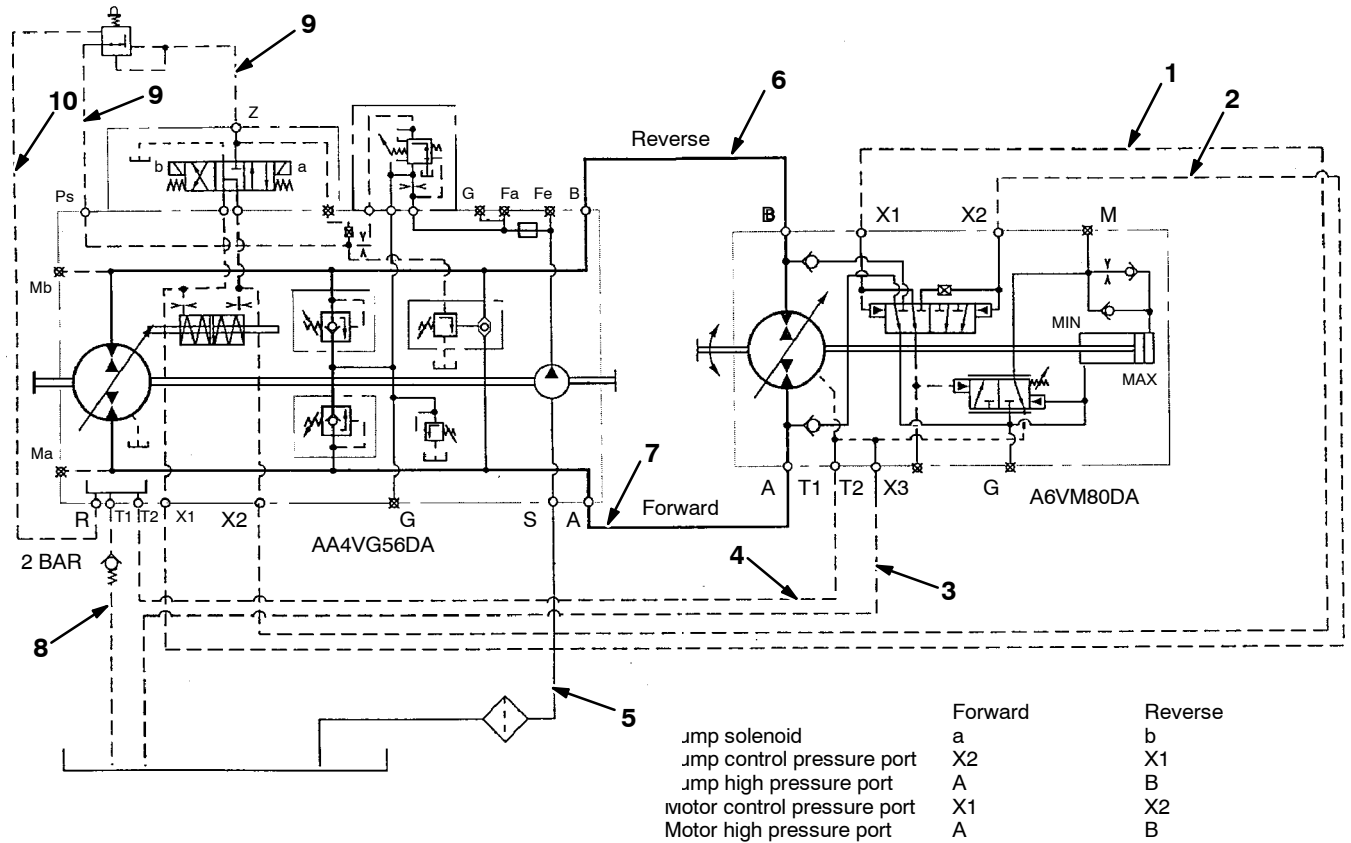
Fig. 45 - Hydraulic Hose Group

Ref.	TENNANT Part No.	Machine Number	Serial	Description	Qty.
1	762399	(000000-)	Hose,Hyd	1
2	762400	(000000-)	Hose,Hyd	1
3	762349	(000000-)	Hose,Hyd	3
4	762353	(000000-)	Hose,Hyd	1
5	762335	(000000-)	Hose,Hyd	1
6	762350	(000000-)	Hose,Hyd	1
7	762401	(000000-)	Hose,Hyd	1
8	762402	(000000-)	Hose,Hyd	1
9	762403	(000000-)	Hose,Hyd	1
10	762414	(000000-)	Hose,Hyd	1
11	762354	(000000-)	Hose,Hyd	1
12	762355	(000000-)	Hose,Hyd	1
13	762357	(000000-)	Hose,Hyd	1
14	762356	(000000-)	Hose,Hyd	1
15	762395	(000000-)	Hose,Hyd	2
16	762358	(000000-)	Hose,Hyd	1
17	762361	(000000-)	Hose,Hyd	1
18	762364	(000000-)	Hose,Hyd	1
19	762366	(000000-)	Hose,Hyd	2
20	762359	(000000-)	Hose,Hyd	1
21	762360	(000000-)	Hose,Hyd	1
22	762344	(000000-)	Hose,Hyd	1
23	762309	(000000-)	Hose,Hyd	1
24	762370	(000000-)	Hose,Hyd	1
25	762367	(000000-)	Hose,Hyd	1
26	762363	(000000-)	Hose,Hyd	1
27	762362	(000000-)	Hose,Hyd	1
28	762351	(000000-)	Hose,Hyd	1
29	761991	(000000-001157)	Hose And Fitting Kit,Hyd	1
29	762423	(001158-)	Hose,Hyd	1
30	762301	(000000-)	Hose,Hyd (Std Engine)	1
31	762302	(000000-)	Hose,Hyd (Std Engine)	1
32	762318	(000000-)	Hose,Hyd	1
33	762407	(000000-)	Hose,Hyd	1
34	762340	(000000-)	Hose,Hyd	1
35	762339	(000000-)	Hose,Hyd	1
36	762341	(000000-)	Hose,Hyd	1
37	762305	(000000-)	Hose,Hyd	1
38	762304	(000000-)	Hose,Hyd	1
39	762303	(000000-)	Hose,Hyd	1
40	762337	(000000-)	Hose,Hyd	1
41	762336	(000000-)	Hose,Hyd	1
42	762332	(000000-)	Hose,Hyd	1
43	762333	(000000-)	Hose,Hyd	1
44	762386	(000000-)	Hose,Hyd	1

Fig. 45 - Hydraulic Hose Group

Ref.	TENNANT Part No.	Machine Number	Serial	Description	Qty.
45	762385	(000000-)	Hose,Hyd	1
46	762387	(000000-)	Hose,Hyd	1
47	762388	(000000-)	Hose,Hyd	1
48	762389	(000000-)	Hose,Hyd	1
49	762399	(000000-)	Hose,Hyd	1
50	762479	(000000-)	Hose,Hyd	1
51	762381	(000000-)	Hose,Hyd	1
52	762324	(000000-)	Hose,Hyd	1
53	762342	(000000-)	Hose,Hyd	1
54	762345	(000000-)	Hose,Hyd	1
55	762320	(000000-)	Hose,Hyd	1
56	762408	(000000-)	Hose,Hyd	1
57	762316	(000000-)	Hose,Hyd	1
58	762315	(000000-)	Hose,Hyd	1
59	762312	(000000-)	Hose,Hyd	1
60	762311	(000000-)	Hose,Hyd	1
61	762313	(000000-)	Hose,Hyd	1
62	762319	(000000-)	Hose,Hyd	1
63	762411	(000000-)	Hose,Hyd	1
64	762314	(000000-)	Hose,Hyd	1
65	762419	(000000-)	Hose,Hyd, (Turbo Engine)	1
66	762420	(000000-)	Hose,Hyd, (Turbo Engine)	1
67	762418	(000000-)	Hose,Hyd, (Turbo Engine)	1

Fig. 46 - Propelling Hydraulic Hose Group



09283/09216

Ref.	TENNANT Part No.	Machine Number	Serial	Description	Qty.
1	762392	(000000-)	Hose,Hyd	1
2	762391	(000000-)	Hose,Hyd	1
3	762394	(000000-)	Hose,Hyd	1
4	762390	(000000-)	Hose,Hyd	1
5	762306	(000000-)	Hose,Hyd	1
6	762307	(000000-)	Hose,Hyd	1
7	762308	(000000-)	Hose,Hyd	1
8	762310	(000000-)	Hose,Hyd	1
9	762397	(000000-)	Hose,Hyd	2
10	762393	(000000-)	Hose,Hyd	1

Fig. 47 - Water Spray Group

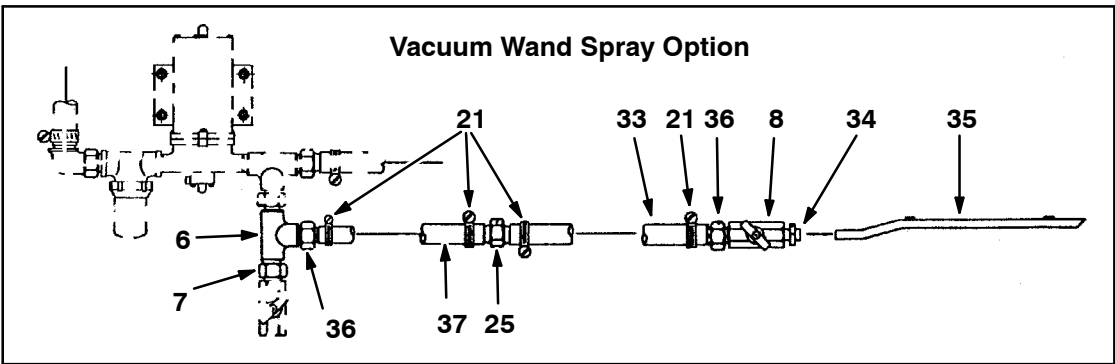
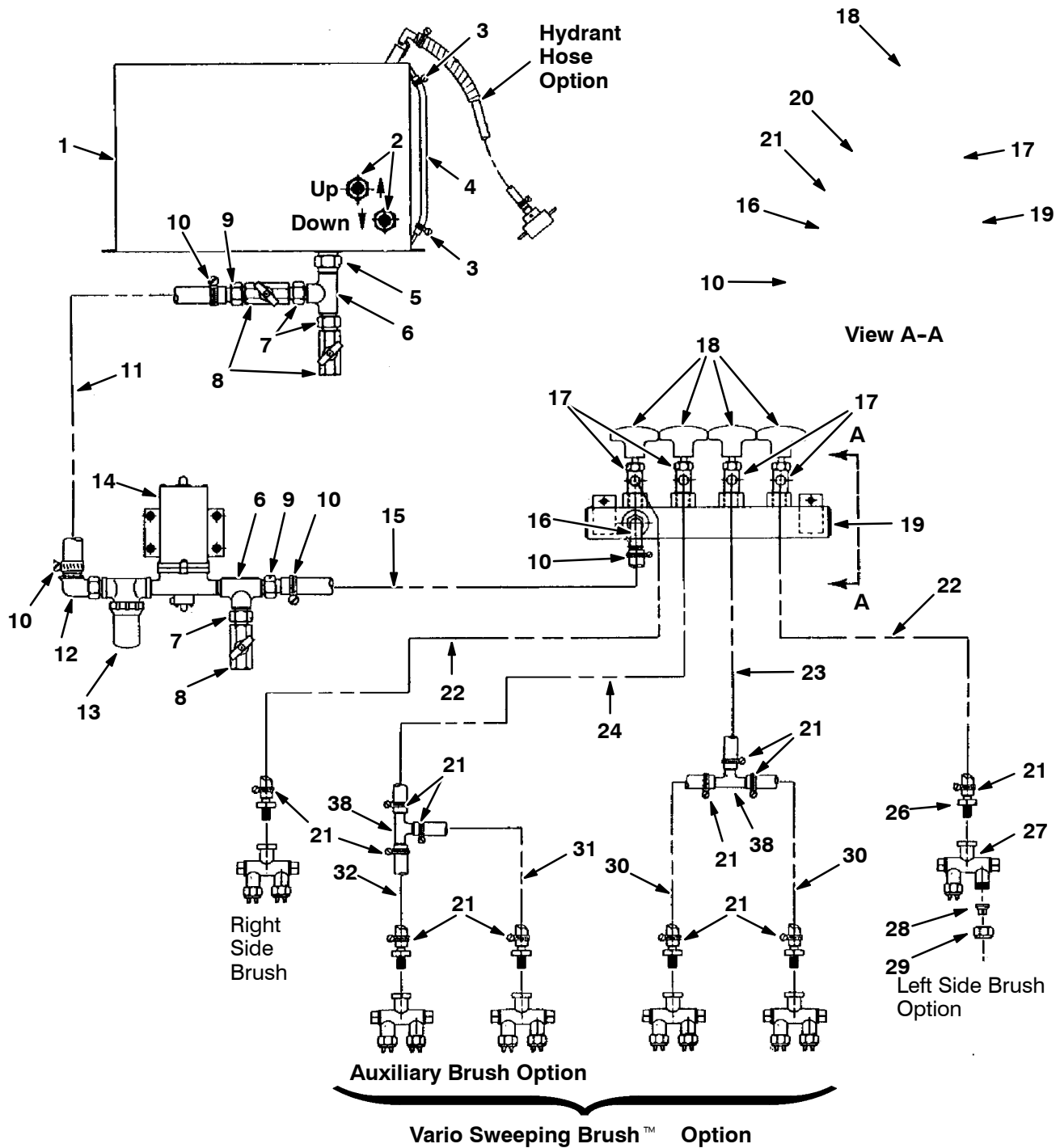


Fig. 47 - Water Spray Group

Ref.	TENNANT Part No.	Machine Number	Serial	Description	Qty.	
1	761805	(000000-)	Water Tank W/Label	1	
2	57145	(000000-)	Switch, Level Sensor	2	
3	43844	(000000-)	Clamp-Wormdrive, 0.25- 0.62D	2	
4	762204	(000000-)	Indicator, Sight Tube	1	
5	762225	(000000-)	Ftg-Hyd Str	1	
6	762212	(000000-)	Tee, .50Fx.50Fx.50F	3	
7	762233	(000000-)	Nipple, .50Mx.50M	4	
8	762228	(000000-)	Valve, Vac Wand Spray .50F	3	
9	762214	(000000-)	Nipple, .50M X .75B	2	
10	11399	(000000-)	Clamp-Wormdrive, 0.81- 1.50D	4	
11	762213	(000000-)	Hose,Water .75Inx7.0Ft	1	
12	40145	(000000-)	Ftg,Plstc,Elb,Barb.50Pt-.75Hse	1	
13	762209	(000000-)	Filter, 50 Mesh Filter Assy, Water, 50 Mesh	1	
▽	14	761828	(000000-)	Pump, Water 12V (With Connectors)	1
▲		761832	(000000-)	Upper Housing	1
▲		761833	(000000-)	Bypass Vlv.Kit	1
▲		761834	(000000-)	Santoprene DiaphKit	1
15	762213	(000000-)	Hose,Water .75Inx7.0Ft	1	
16	75604	(000000-)	Ftg, 90Deg 3/4Pipe T 3/4Hose	1	
17	762217	(000000-)	Valve, Water Spray	4	
18	762236	(000000-)	Knob, Water Valve	4	
19	762215	(000000-)	Manifold, Water	1	
20	63244-1	(000000-)	Ftg,Plstc,Elb,Barb.50Pt-.50Hse	4	
21	54333	(000000-)	Clamp-Wormdrive, 0.31- 0.88D	20	
22	762222	(000000-)	Hose,Water .50Inx8.0Ft	2	
23	762218	(000000-)	Hose,Water .50Inx12.0Ft	1	
24	762218	(000000-)	Hose,Water .50Inx12.0Ft	1	
25	762231	(000000-)	Fitting, Hose Mender .50Bx.50B	1	
26	762249	(000000-)	Ftg-Brs Str Bm08/Pm04	6	
27	762220	(000000-)	Tee, Water Spray	6	
28	762221	(000000-)	Nozzle, Water Spray	12	
29	762234	(000000-)	Cap, Spray Nozzle	12	
30	762224	(000000-)	Hose,Water .50Inx1.0Ft	2	
31	762246	(000000-)	Hose,Water .50Inx2.08Ft	1	
32	762245	(000000-)	Hose,Water .50Inx0.29Ft	1	
33	762230	(000000-)	Hose,Water .50Inx26.0Ft	1	
34	762227	(000000-)	Ftg-Special	1	
35	762226	(000000-)	Tube, Vac Wand Spray	1	
36	762229	(000000-)	Nipple, .50Mx.50B	2	
37	762223	(000000-)	Hose,Water .50Inx16.0Ft	1	
38	762219	(000000-)	Tee, .50Bx.50Bx.50B	2	

Fig. 48 - Dry Dust Control Group

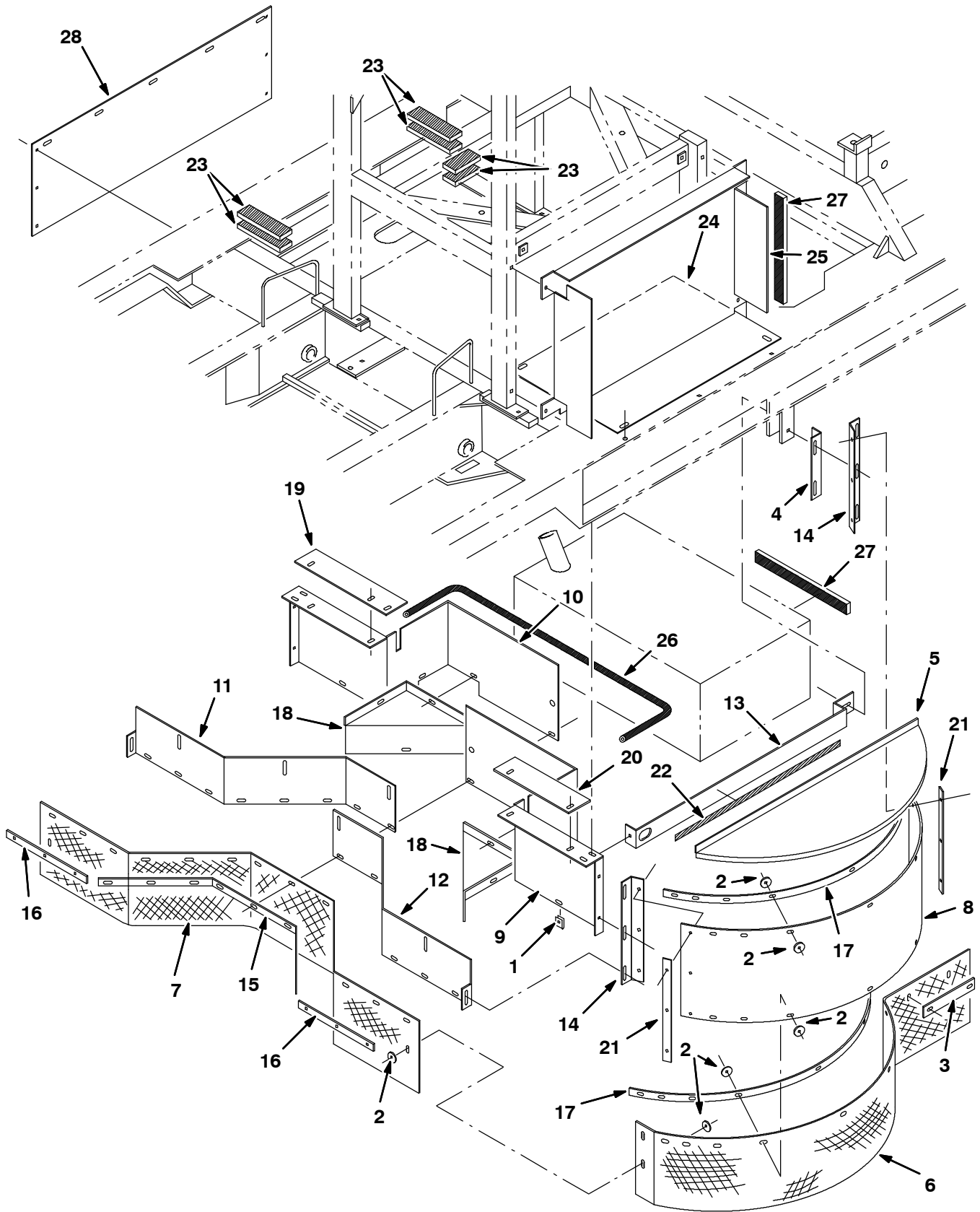
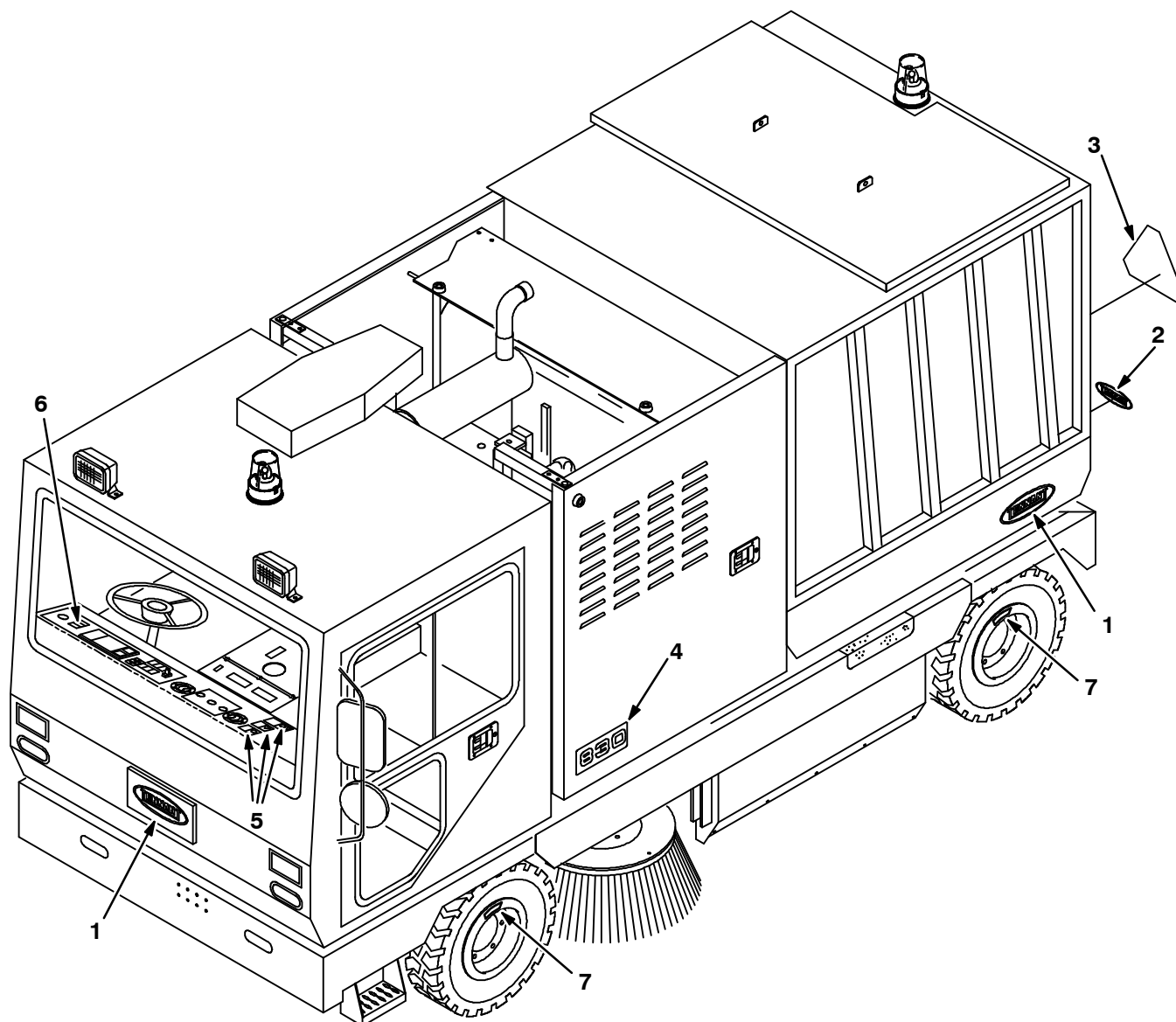


Fig. 48 - Dry Dust Control Group

Ref.	TENNANT Part No.	Machine Number	Serial	Description	Qty.
1	12271	(000000-)	U-Nut, M6 x 1.0	35
2	41178	(000000-)	Washer, Fender .25ID x 1.25 OD	84
3	764224	(000000-)	Retainer, Skirt Brush Door	2
4	764225	(000000-)	Seal, Metal Angle	2
5	760215	(000000-001322)	Kit, Bolt On SBDC Covers	1
5	764227	(001323-)	Cover, Side Brush Top	2
6	764261	(000000-)	Skirt Kit, Side Brush, (With 5 U-Nuts)	2
7	764260	(000000-)	Skirt Kit, Front Dust Control, (With 5 U-Nuts)	1
8	764231	(000000-)	Shroud, Side Poly (W/Lh Side Brush)	2
9	764232	(000000-001784)	Panel Kit, Upper, LH	1
9	764254	(001785-)	Baffle, Upper Support, Fnt LH	1
10	764233	(000000-001784)	Panel Kit, Upper, RH	1
10	764253	(001785-)	Baffle, Upper Support, RH	1
11	764234	(000000-)	Baffle, Front Lower Skirt, RH	1
12	764235	(000000-)	Baffle, Front Lower Skirt, LH	1
13	764236	(000000-)	Bar, Seal Side Upper	2
14	764237	(000000-)	Bracket, Support, Brush Shroud	4
15	764238	(000000-)	Retainer, Skirt Front	1
16	764239	(000000-)	Retainer, Skirt Front Ends	2
17	764240	(000000-)	Retainer, Side Skirt	2
18	764241	(000000-)	Baffle, Front Triangle	2
19	764244	(000000-)	Bar, Support, Front, RH	1
20	764245	(000000-)	Bar, Support, Front, LH	1
21	764256	(000000-)	Retainer, Side Skirt	4
22	764258	(000000-)	Dual Lock, 13 Ft	1
23	764259	(000000-)	Seal Kit, 15 Ft	1
24	760281	(000000-)	Plate, Cover	1
25	760282	(000000-)	Plate, Radiator	1
26	760552	(000000-)	Seal, Str W/.75 Bubble 52" Lg	1
27	764057	(000000-)	Seal,Neo 1.25in x 1.62 x 21.62	2
28	768096	(000000-)	Shroud, Side Poly (With NO Lh Side Brush)	1

Fig. 49 - Labels Group



09240/08702

Ref.	TENNANT Part No.	Machine Number	Serial	Description	Qty.
1	09901	(000000-)	Label, Tennant Logo	3
2	17200	(000000-)	Label, Tennant Logo- 10.0 Blue	1
3	760980	(000000-)	Label, Slow Moving Vehicle	1
4	760954	(000000-)	Label, Numeral, 830	2
4	760982	(000000-)	Label, Numeral, 830XP	2
5	760960	(000000-)	Label, Set, Info & Hazard	1
6	760948	(000000-)	Label, Set, Operational	1
7	760983	(000000-)	Label, Bias Tire	4
7	760984	(000000-)	Label, Radial Tire	4

SECTION 3

CONTENTS	PAGE
Fig. 1 - Hi Dump Hopper Lift Group	3-2
Fig. 2 - Hi Dump Hydraulic Sequencing Valve Group	3-4
Fig. 3 - Left Side Brush Group	3-6
Fig. 4 - Left Side Brush Hydraulic Valve Group	3-8
Fig. 5 - Left Side Brush Hydraulic Hose Group	3-9
Fig. 6 - Aux/Vario Sweeping Brusht Arm Group	3-10
Fig. 7 - Aux/Vario Sweeping Brusht Dolly Group	3-12
Fig. 8 - Aux/Vario Sweeping Brusht Hydraulic Valve Group	3-14
Fig. 9 - Aux/Vario Sweeping Brusht Control Valve Group	3-16
Fig. 10 - Aux/Vario Sweeping Brusht Hydraulic Hose Group	3-18
Fig. 11 - Air Conditioner Group	3-20
Fig. 12 - Vacuum Wand Group	3-22
Fig. 13 - Vacuum Wand Door Group	3-24
Fig. 14 - Hopper Cleanout Tool Kit	3-26
Fig. 15 - Hydrant Hose Group	3-27
Fig. 16 - Foam Tire Group	3-28
Fig. 17 - Protectoseal Fuel Cap Group	3-29
Fig. 18 - Radio/Tape Deck Kit	3-30
Fig. 19 - Night Light Kit	3-31
Fig. 20 - License Plate Bracket Kit	3-32
Fig. 21 - Rear Rubber Bumper Kit	3-33
Fig. 22 - High Pressure Sprayer Wand Group	3-34
Fig. 23 - High Pressure Sprayer Hydraulic Group	3-36
Fig. 24 - CE Group	3-38
Fig. 25 - CE Electrical Schematic Group	3-40
Fig. 26 - TNV Group	3-41
Fig. 27 - Fire Extinguisher Group	3-42
Fig. 28 - Filter Bag Lift Kit	3-43
Fig. 29 - Hydrant Wash Down Kit	3-44
Fig. 30 - Speedometer Kit	3-45
Fig. 31 - Documentation Group	3-46

Fig. 1 - Hi Dump Hopper Lift Group

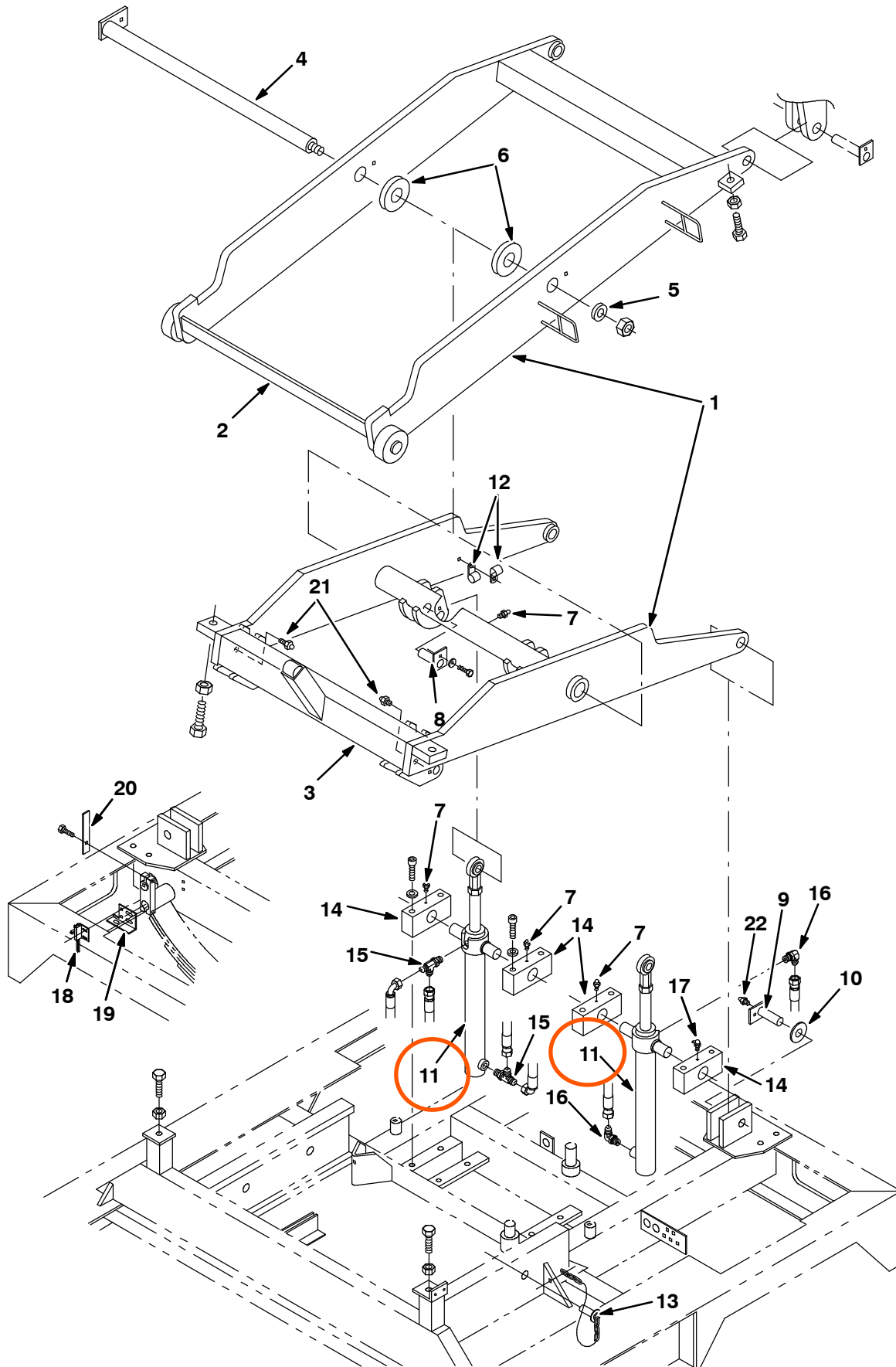


Fig. 1 - Hi Dump Hopper Lift Group

	Ref.	TENNANT Part No.	Machine Number	Serial	Description	Qty.
▽	1	760400	(000000-)	Lift Assy	1
▲	2	761806	(000000-)	Scissors Weldt,Outer w/label	1
▲	3	760404	(000000-)	Scissors Weldt,Inner	1
▲	4	760410	(000000-)	Shaft,Center Scissors	1
▲	5	760429	(000000-)	Washer,Hardened	1
▲	6	763008	(000000-)	Washer, Thrust Sae660 Bronze	2
	7	47801	(000000-)	Ftg, Grease.25-28Th Strt .63L	4
	8	760428	(000000-)	Pin Assy	2
	9	760418	(000000-001049)	Pin	2
	9	763036	(000000-001049)	Nut, Hxlocnyln M20x2.5	2
	9	760682	(001050-)	Pin, Hyd Cyl 25Mm X 2.83	2
	10	760593	(001050-)	Washer	2
▽	11	762016	(000000-)	Cylinder, Hyd Hopper Lift	2
▲		762194	(000000-)	Seal Kit	1
	12	69234	(000000-)	Clamp-Cable, 1.00Dia. .62Wth	2
	13	760445	(000000-)	Pin, Safety	2
	14	760412	(000000-)	Support, Cyl Lift	4
	15	762435	(000000-)	Ftg-Hyd, Tee	2
	16	762437	(000000-)	Ftg-Hyd, E90	2
	17	09718	(000000-)	Ftg, Grease, 90°	1
	18	59965	(000000-)	Switch Assy, Roller-No	1
	19	760446	(000000-)	Bracket, Overload Switch	1
	20	760447	(000000-)	Spring, Overload Switch	1
	21	763141	(000000-)	Ftg, Grease 6MM Str	2
	22	47801	(000000-)	Ftg, Grease	2

11 762016 Cylinder 2
 1040349 Seal kit 1
 1036651 Cylinder 2
 1040350 Seal kit 1

Fig. 2 - Hi Dump Hydraulic Sequencing Valve Group

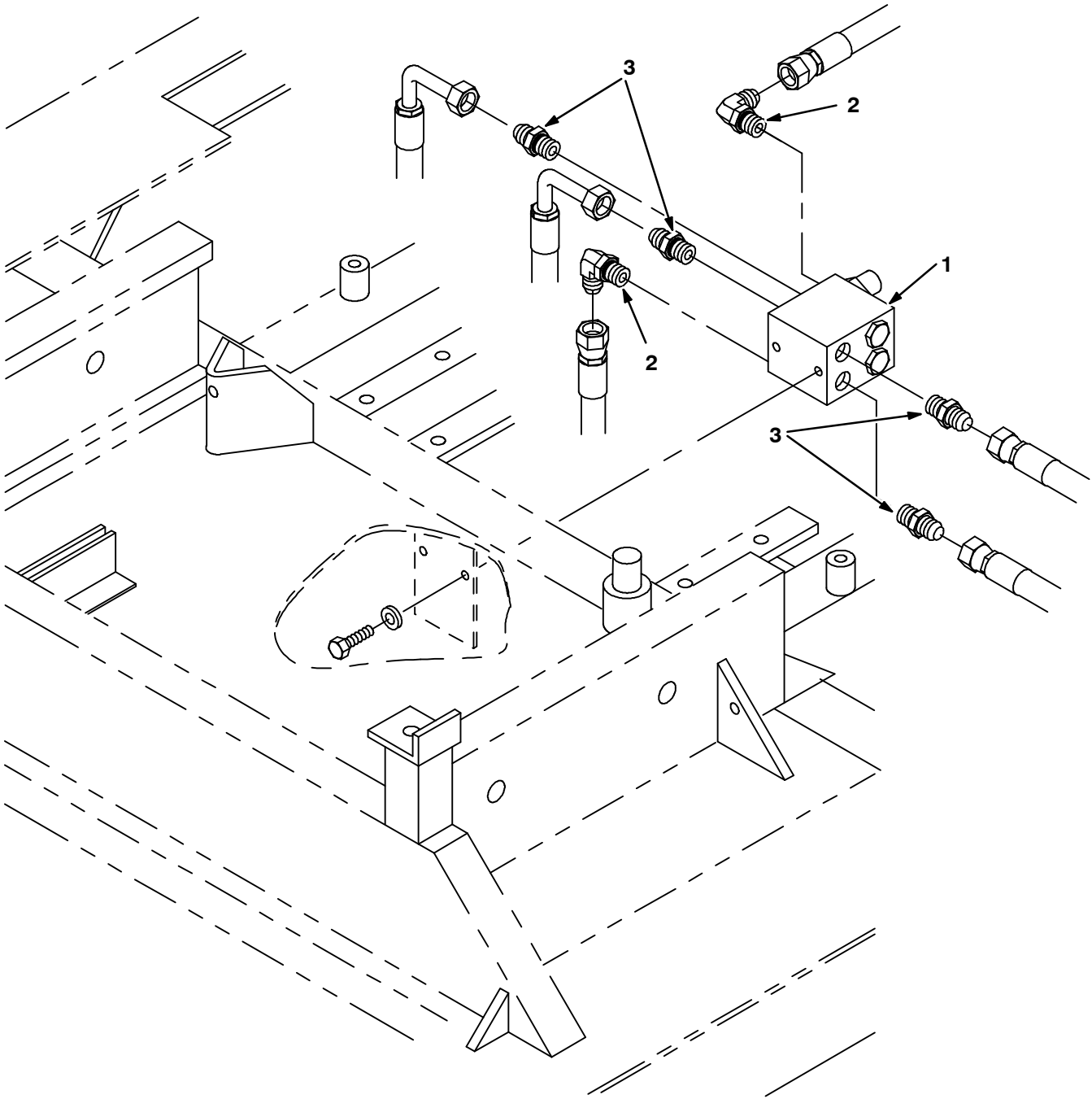


Fig. 2 - Hi Dump Hydraulic Sequencing Valve Group

	Ref.	TENNANT Part No.	Machine Number	Serial	Description	Qty.
▽	1	762012	(000000-)	Valve, Hyd Sequence	1
▲		21919	(000000-)	Cart, Pilot Chk	1
	2	762437	(000000-)	Ftg-Hyd, E90	2
	3	762438	(000000-)	Ftg-Hyd, Str	4

Fig. 3 - Left Side Brush Group

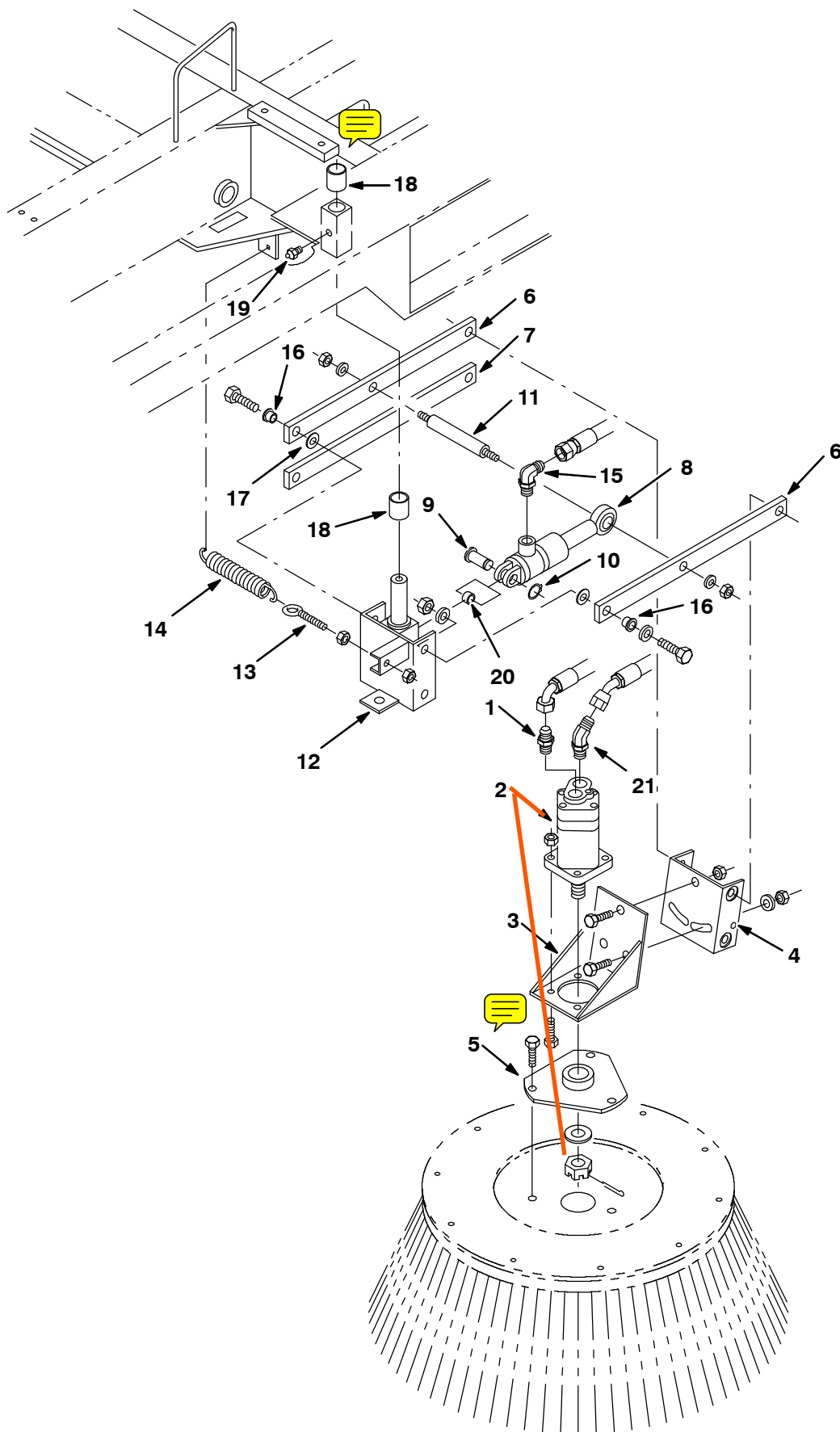
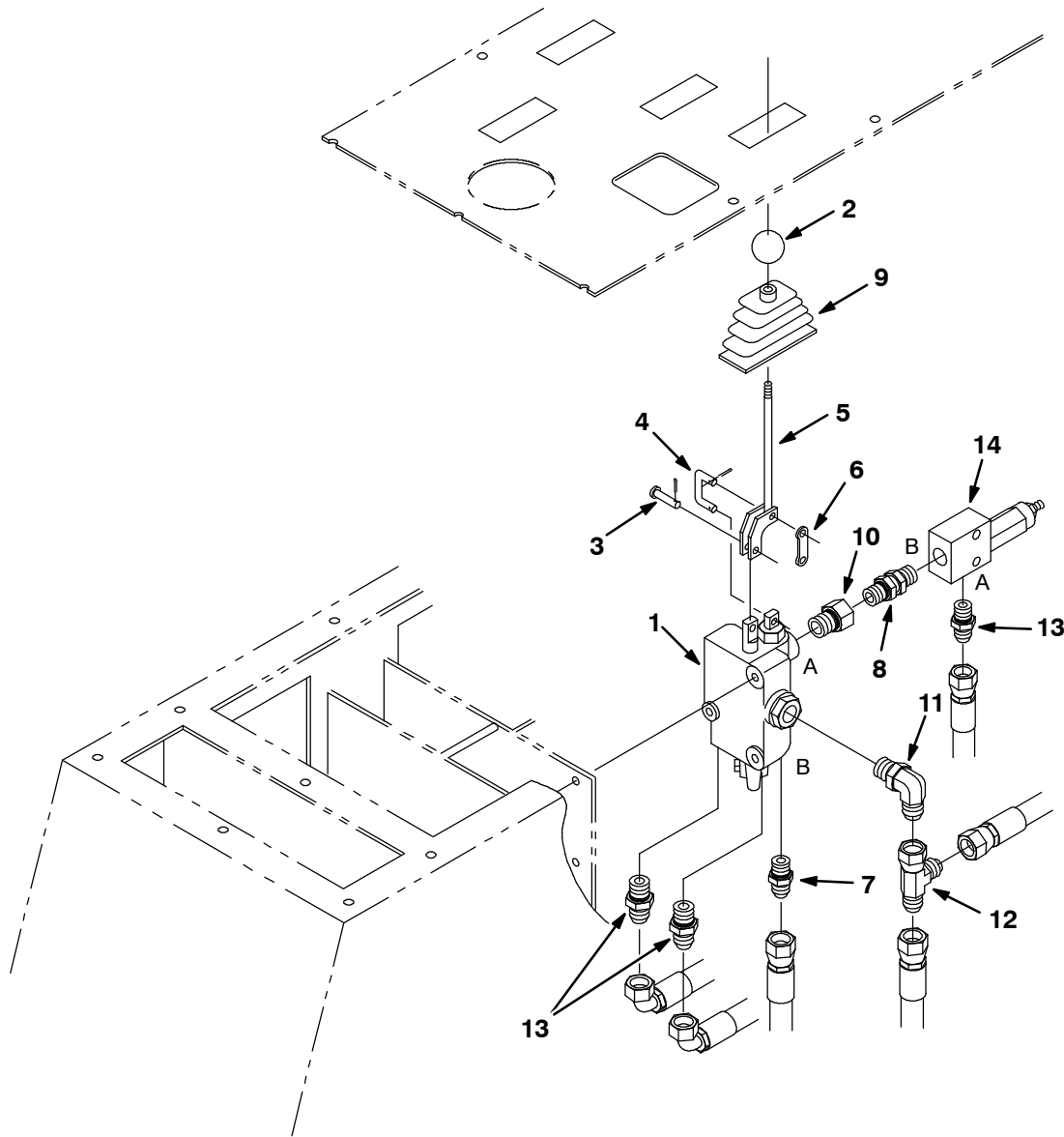


Fig. 3 - Left Side Brush Group

Ref.	TENNANT Part No.	Machine Number	Serial	Description	Qty.	
1	762040	(000000-)	Valve, Check	1	
2	762042	(000000-002267)	Motor, Hyd S Br W/End Ports (See Breakdowns) (Repl by 762068)	1	
2	762059	(002268-)	Motor, Hyd S Br W/End Ports (See Breakdowns)	1	
3	761209	(000000-)	Bracket,Hyd.Motor Support	1	
4	761210	(000000-)	Bracket Weldt,Lower Support	1	
5	761219	(000000-)	Hub Weldt,Side Brush	1	
6	761205	(000000-001619)	Bar,Brush Support Upper	2	
6	761246	(001620-)	Bar,Side Brush Upper	2	
7	761207	(000000-001619)	Bar,Brush Support Lower	1	
7	761247	(001620-)	Bar, Side Brush Lower	1	
∇	8	762043	(000000-)	Cylinder, Hyd S Br Lift	1
▲		762192	(000000-)	Seal Kit	1
	9	761229	(000000-)	Pin,Hyd.Cylinder	1
	10	763005	(000000-)	Retaining Ring, M16	1
	11	761232	(000000-001619)	Rod	1
	11	761248	(001620-)	Shaft, Side Brush	1
	12	761204	(000000-)	Bracket,Side Brush Left	1
	13	761225	(000000-)	Eyebolt, .50-13X3.5"	1
	14	761223	(000000-)	Spring	1
	15	762425	(000000-)	Ftg-Hyd, E90	1
	16	763018	(000000-001619)	Bearing	6
	16	761245	(001620-)	Bushing, Side Brush	6
	17	763050	(000000-)	Bearing, Thrust	6
	18	763003	(000000-)	Bearing,	2
	19	06418	(000000-001049)	Ftg, Grease.12 Npt Strt .66L	1
	19	47801	(001050-)	Ftg, Grease.25-28Th Strt .63L	1
	20	763007	(000000-)	Bearing	1
	21	762461	(000000-)	Ftg-Hyd, E45	1

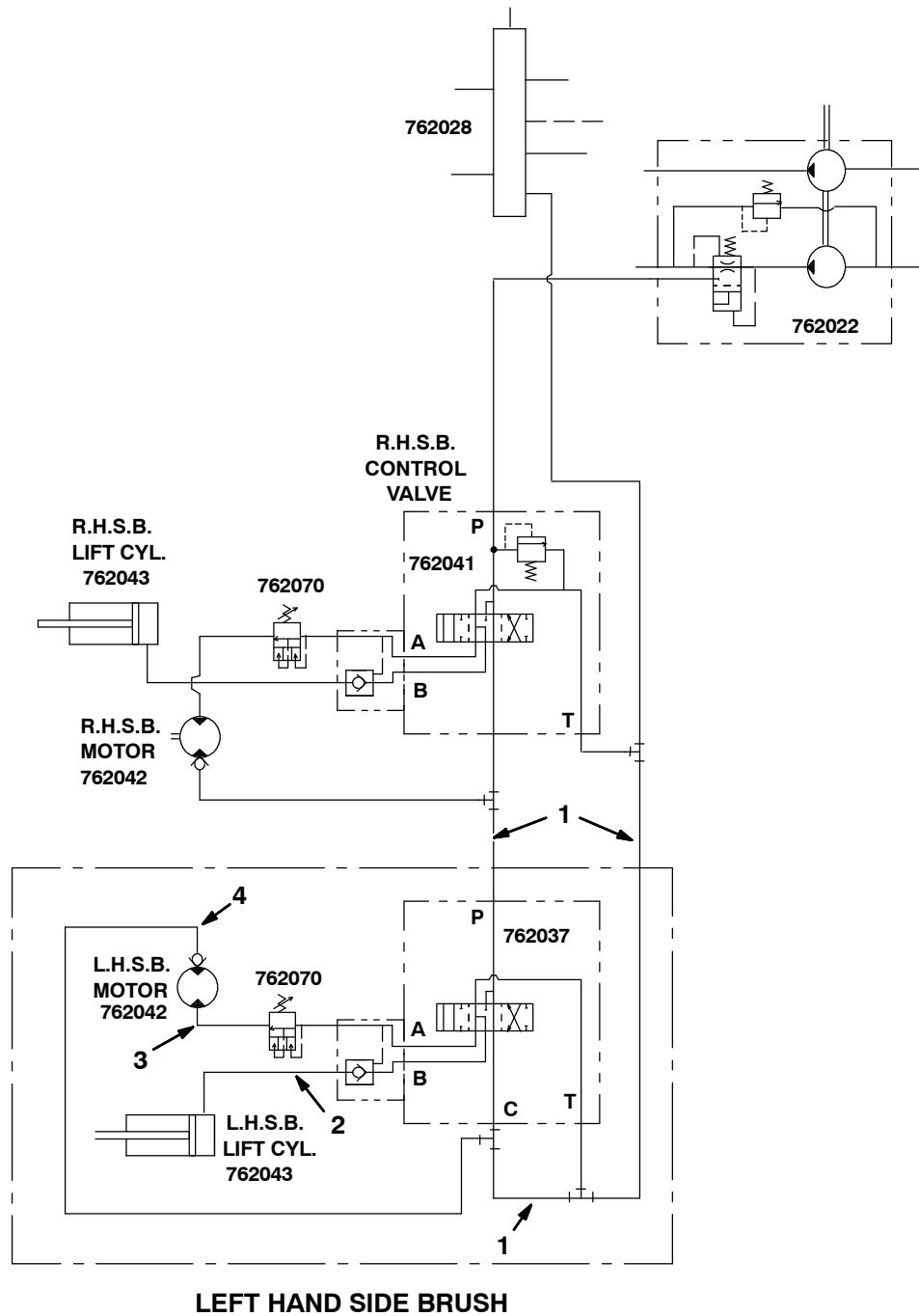
Fig. 4 - Left Side Brush Hydraulic Valve Group



09262/09194

Ref.	TENNANT Part No.	Machine Number	Serial	Description	Qty.
▽	1	762037	(000000-) Valve,Hyd Single Spool (See Breakdowns)	1
▲	2	761970	(000000-) Knob, Valve	1
▲	3	761980	(000000-) Pin, Clevis	1
▲	4	761971	(000000-) Pin, Special U	1
▲	5	761973	(000000-) Handle Weldt	1
▲	6	761978	(000000-) Clip, Pin	1
	7	762438	(000000-) Ftg-Hyd, Str	1
	8	762449	(000000-) Ftg-Hyd, Str, 8	1
	9	762087	(000000-) Bellows, Valve Handle	1
	10	762065	(000000-) Ftg-Hyd, Str, 6-8	1
	11	762446	(000000-) Ftg-Hyd, E90	1
	12	762447	(000000-) Ftg-Hyd, Tee	1
	13	762445	(000000-) Ftg-Hyd, Str	3
▽	14	762070	(000000-) Valve, Hyd Kick-down Relief	1
▲		762128	(000000-) Cartridge, Valve	1

Fig. 5 - Left Side Brush Hydraulic Hose Group



LEFT HAND SIDE BRUSH

09865/09864

Ref.	TENNANT Part No.	Machine Number	Serial	Description	Qty.
1	762320	(000000-)	Hose, Hyd	3
2	762324	(000000-)	Hose, Hyd	1
3	762342	(000000-)	Hose, Hyd	1
4	762345	(000000-)	Hose, Hyd	1

Fig. 6 - Aux/Vario Sweeping Brush™ Arm Group

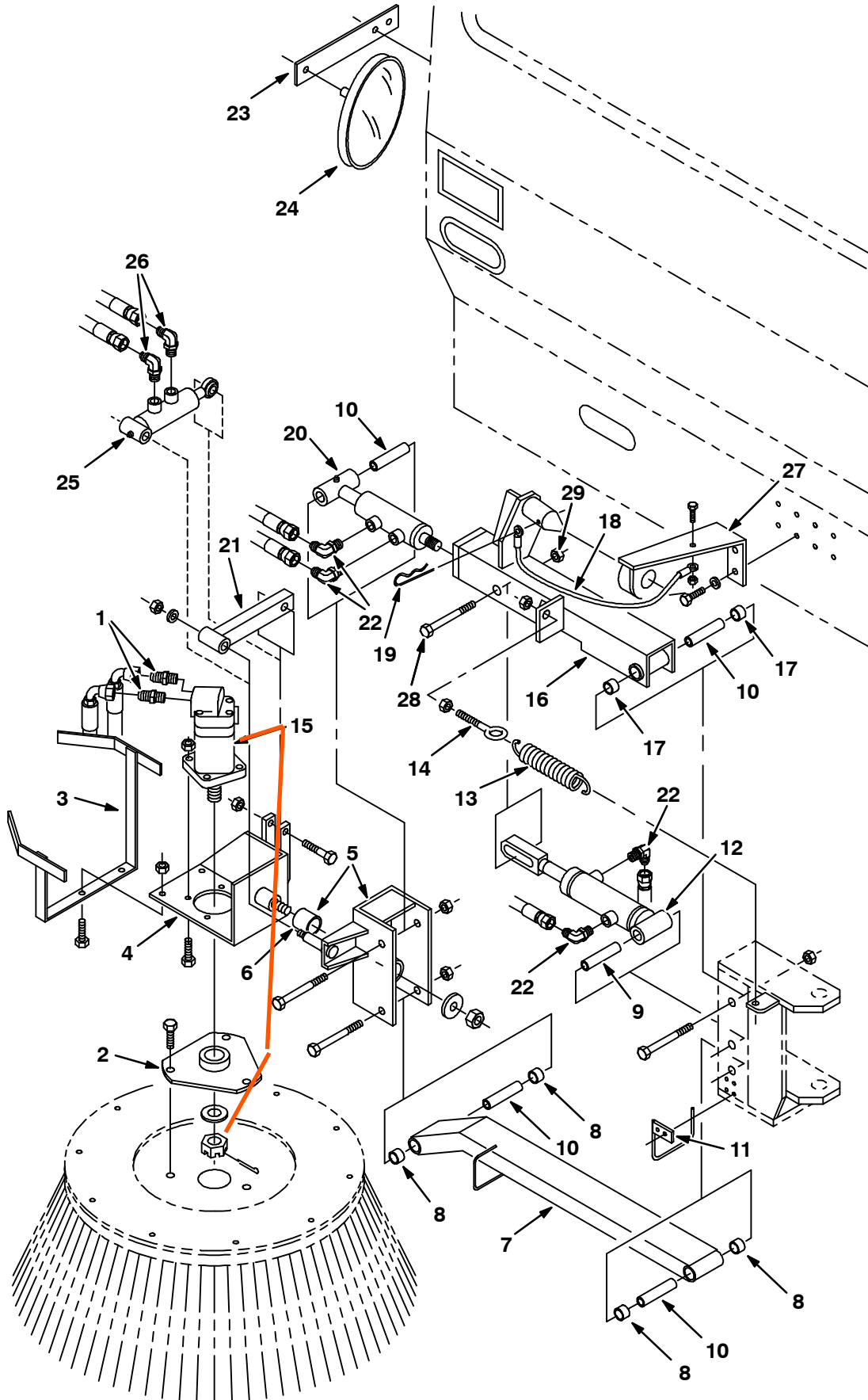


Fig. 6 - Aux/Vario Sweeping Brush™ Arm Group

Ref.	TENNANT Part No.	Machine Number	Serial	Description	Qty.	
1	762456	(000000-)	Ftg-Hyd, Str	2	
2	761428	(000000-)	Hub Weldt,Side Brush	1	
3	761463	(000000-)	Bracket,Water System	1	
4	761451	(000000-)	Bracket Weldt,Hyd.Motor Mount	1	
▽	5	761472	(000000-)	Bracket Weldt,Front Hinge	1
▲	6	761311	(000000-)	Bearing	1
▽	7	761469	(000000-)	Arm Weldt,Lower Brush Support	1
▲	8	761305	(000000-)	Bearing	4
9	761445	(000000-)	Spacer,Hyd.Pivot	1	
10	761444	(000000-)	Spacer,Hyd.Pivot	4	
11	761464	(000000-)	Bracket Weldt,Hyd.Hose	1	
12	762004	(000000-)	Cylinder,Hyd, Brush Lift	1	
13	761343	(000000-)	Spring	1	
14	761225	(000000-)	Eyebolt, .50-13X3.5"	1	
15	762025	(000000-002267)	Motor, Hyd, Brush (See Breakdowns) (Repl by 762054)	1	
15	762058	(002268-)	Motor, Hyd, Brush (See Breakdowns)	1	
▽	16	761470	(000000-)	Arm Ass'y,Upper Brush Support	1
▲	17	761305	(000000-)	Bearing	2
18	57702	(000000-)	Cable, Door, Access	1	
19	763026	(000000-)	Pin,Hair Cotter 1.00D.178Wire	1	
20	762002	(000000-)	Cylinder,Hyd, Curb Tilt	1	
21	761390	(000000-)	Link Wldt, Aux, Tilt	1	
22	762425	(000000-)	Ftg-Hyd, E90	4	
23	761467	(000000-)	Support,Mirror	1	
24	68445	(000000-)	Mirror,8.0 Round,Convex	1	
25	762003	(000000-)	Cylinder,Hyd Brush Tilt (Vario Only)	1	
26	762425	(000000-)	Ftg-Hyd, E90 (Vario Only)	2	
27	761456	(000000-)	Latch Weldt,Brush Support	1	
28	763137	(000000-)	Scr, Hex M16x2.0x100	1	
29	33342	(000000-)	Nut-Hxlocnyln M16x2.0 Reg Pltd	1	

Fig. 7 - Aux/Vario Sweeping Brush™ Dolly Group

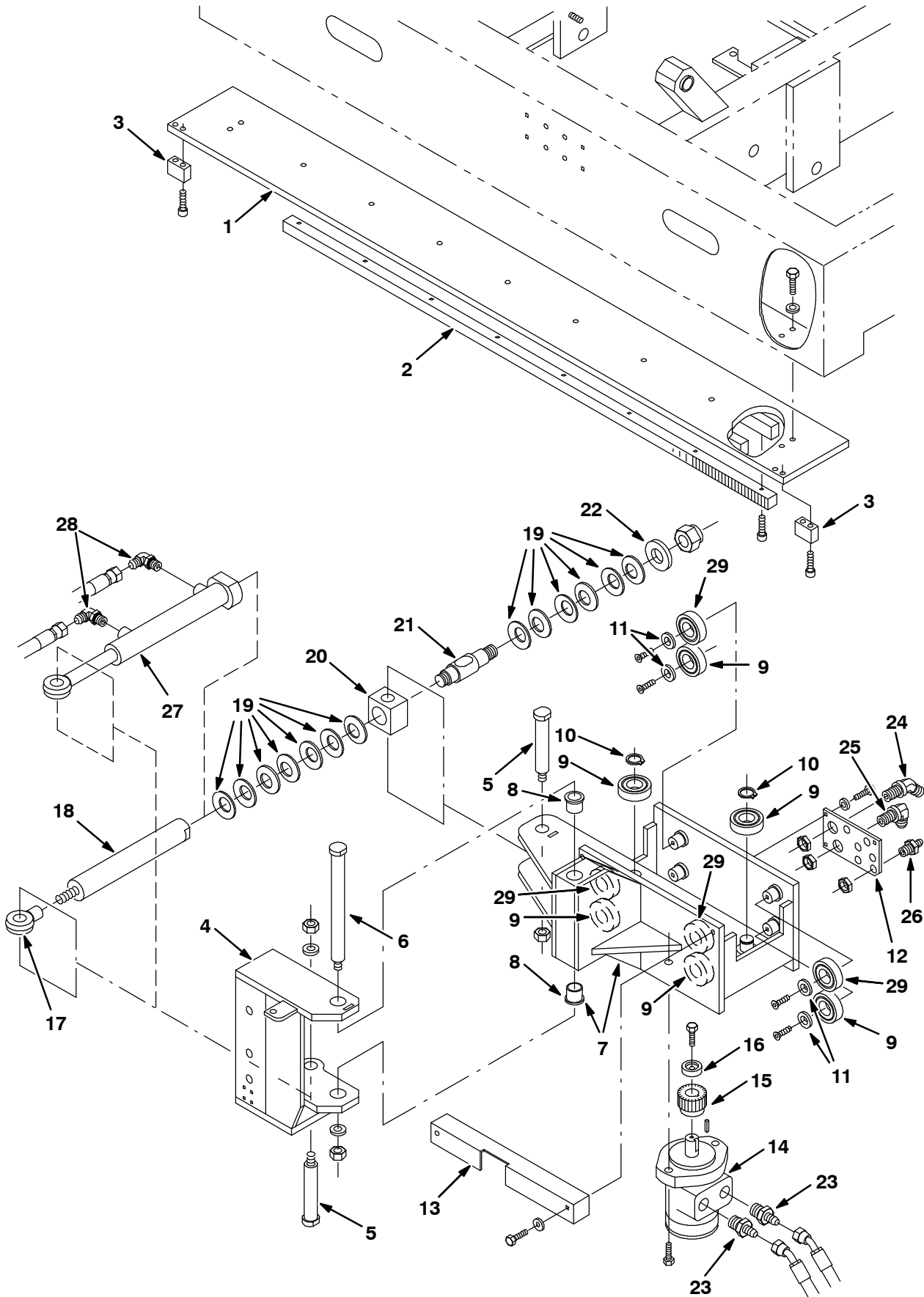


Fig. 7 - Aux/Vario Sweeping Brush™ Dolly Group

Ref.	TENNANT Part No.	Machine Number	Serial	Description	Qty.
1	761447	(000000-)	Guide Weldt,Undercarriage	1
2	761317	(000000-)	Rack, Undercarriage	1
3	761460	(000000-)	Block,Undercarriage Limiter	2
4	761458	(000000-)	Hinge Weldt,Brush Arm	1
5	761455	(000000-)	Pin, Spring Mount	2
6	761457	(000000-)	Pin,Hinge	1
▽ 7	761479	(000000-)	Dolly Weldt,Undercarriage	1
▲ 8	761312	(000000-)	Bearing	2
9	761308	(000000-)	Bearing	6
10	761307	(000000-)	Ring, Retaining Ext 25Mm	2
11	761446	(000000-)	Washer	8
12	761465	(000000-)	Plate,Hyd.Manifold(Face Seal)	1
13	761321	(000000-001556)	Cover,Undercarriage	1
13	761448	(001557-)	Cover,Undercarriage	1
14	762005	(000000-)	Motor, Hyd, Brush Transprt (See Breakdowns)	1
15	761328	(000000-)	Gear	1
16	761449	(000000-)	Washer,Hyd.Motor	1
17	761393	(000000-)	Rod End	1
18	761394	(000000-)	Rod, Aux, Swing	1
19	761340	(000000-)	Spring, Belleville	12
20	761454	(000000-)	Pivot, Spring Guide	1
21	761453	(000000-)	Guide, Spring	1
22	761355	(000000-)	Washer, Mounting, Spring	1
23	762439	(000000-)	Ftg-Hyd, Str	2
24	762453	(000000-)	Ftg-Hyd Bulkhead, Union E45	1
25	762452	(000000-)	Ftg-Hyd Bulkhead, Union E90	1
26	762429	(000000-002264)	Ftg-Hyd Bulkhead, Union	6
27	762006	(000000-)	Cylinder,Hyd, Brush Swing (Vario Only)	1
28	762425	(000000-)	Ftg-Hyd, E90 (Vario Only)	2
29	761345	(000000-)	Bearing, Cam Follower (Top)	4

Fig. 8 - Aux/Vario Sweeping Brush™ Hydraulic Valve Group

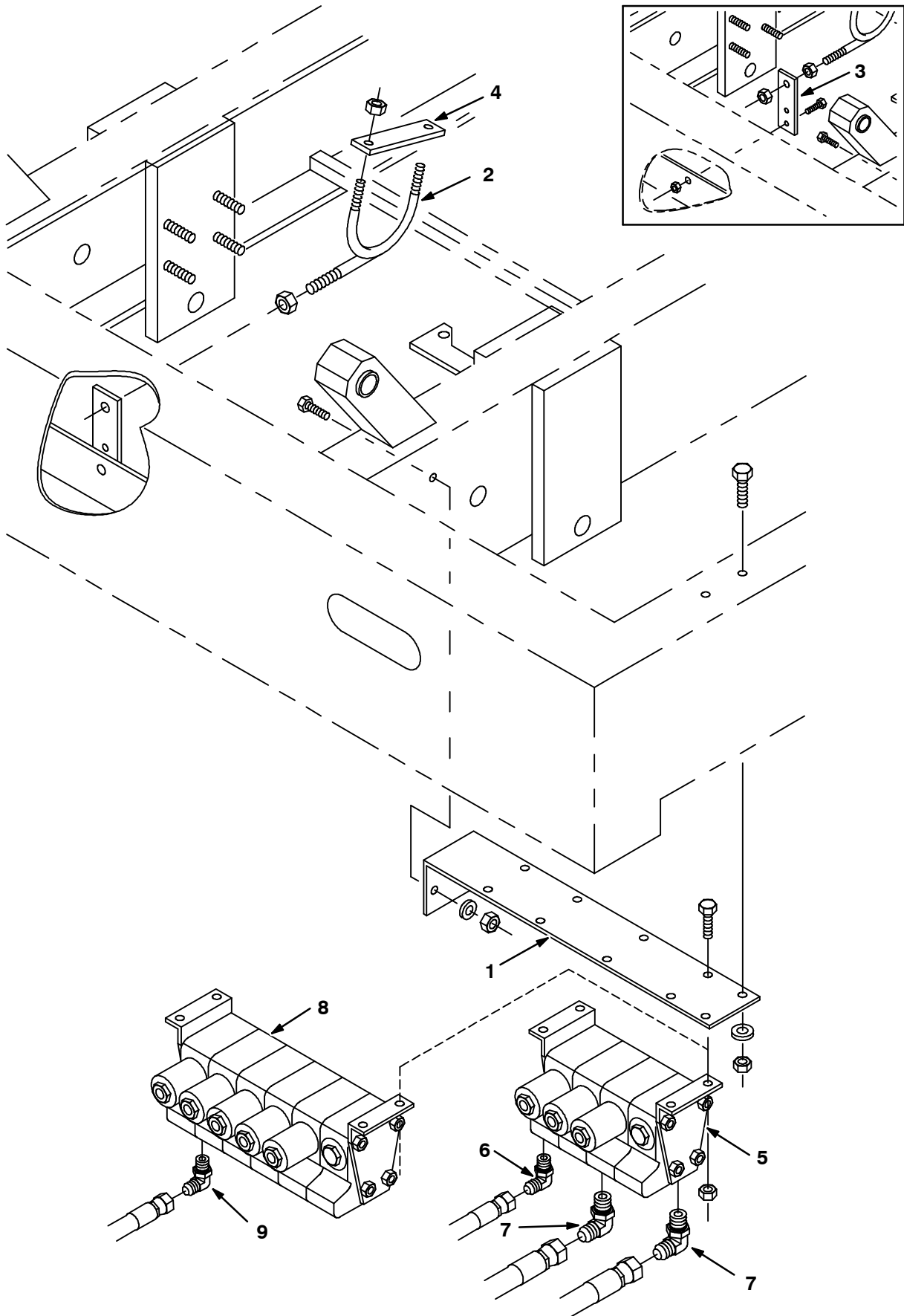


Fig. 8 - Aux/Vario Sweeping Brush™ Hydraulic Valve Group

Ref.	TENNANT Part No.	Machine Number	Serial	Description	Qty.
1	761466	(000000-)	Bracket,Hyd.Controls	1
2	761379	(000000-)	U-Bolt Weldt,Hose Support	1
3	761380	(000000-001064)	Plate,Hyd.Hose Support	1
4	761462	(000000-)	Clamp,Hyd.Hose Support	1
∇ 5	762061	(000000-)	Valve, Solenoid Aux.	1
▲	762123	(000000-)	Coil,Solenoid	7
6	762425	(000000-)	Ftg-Hyd, E90	6
7	762432	(000000-)	Ftg-Hyd, E90	2
∇ 8	762001	(000000-)	Valve, Solenoid, (Vario Only)	1
▲	762123	(000000-)	Coil,Solenoid (Vario Only)	11
9	762425	(000000-)	Ftg-Hyd, E90 (Vario Only)	10

Fig. 9 - Aux/Vario Sweeping Brush™ Control Valve Group

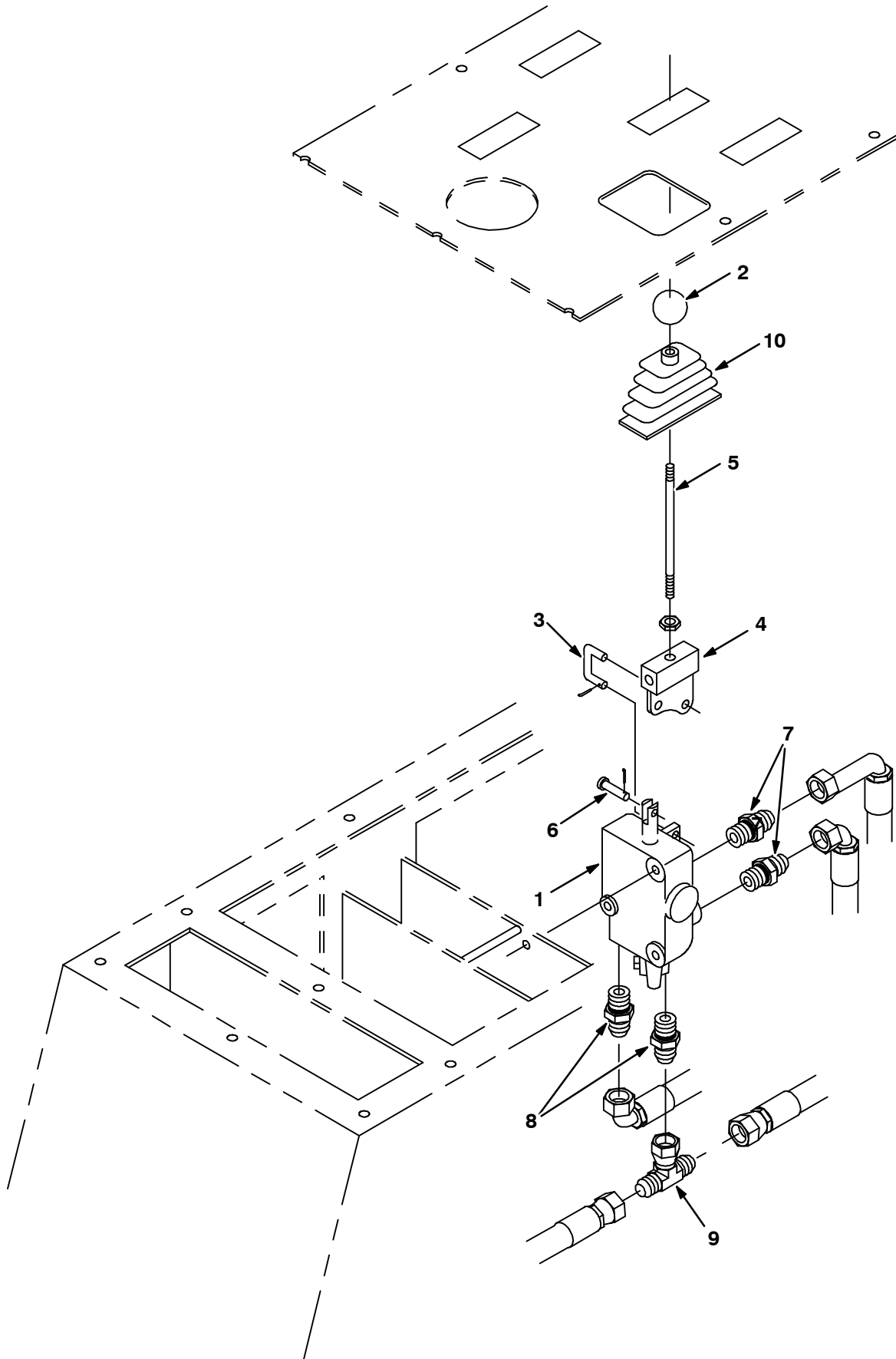


Fig. 9 - Aux/Vario Sweeping Brush™ Control Valve Group

	Ref.	TENNANT Part No.	Machine Number	Serial	Description	Qty.
∇	1	762047	(000000-)	Valve,Hyd Single Spool (See Breakdowns)	1
▲	2	761970	(000000-)	Knob, Valve	1
▲	3	761971	(000000-)	Pin, Special U	1
▲	4	761979	(000000-)	Bracket, Handle	1
▲	5	761977	(000000-)	Rod, Handle	1
▲	6	761980	(000000-)	Pin, Clevis	1
	7	762459	(000000-)	Ftg-Hyd, Str	2
	8	762445	(000000-)	Ftg-Hyd, Str	2
	9	762455	(000000-)	Ftg-Hyd, Tee	1
	10	762087	(000000-)	Bellows, Valve Handle	1

Fig. 10 - Aux/Vario Sweeping Brush™ Hydraulic Hose Group

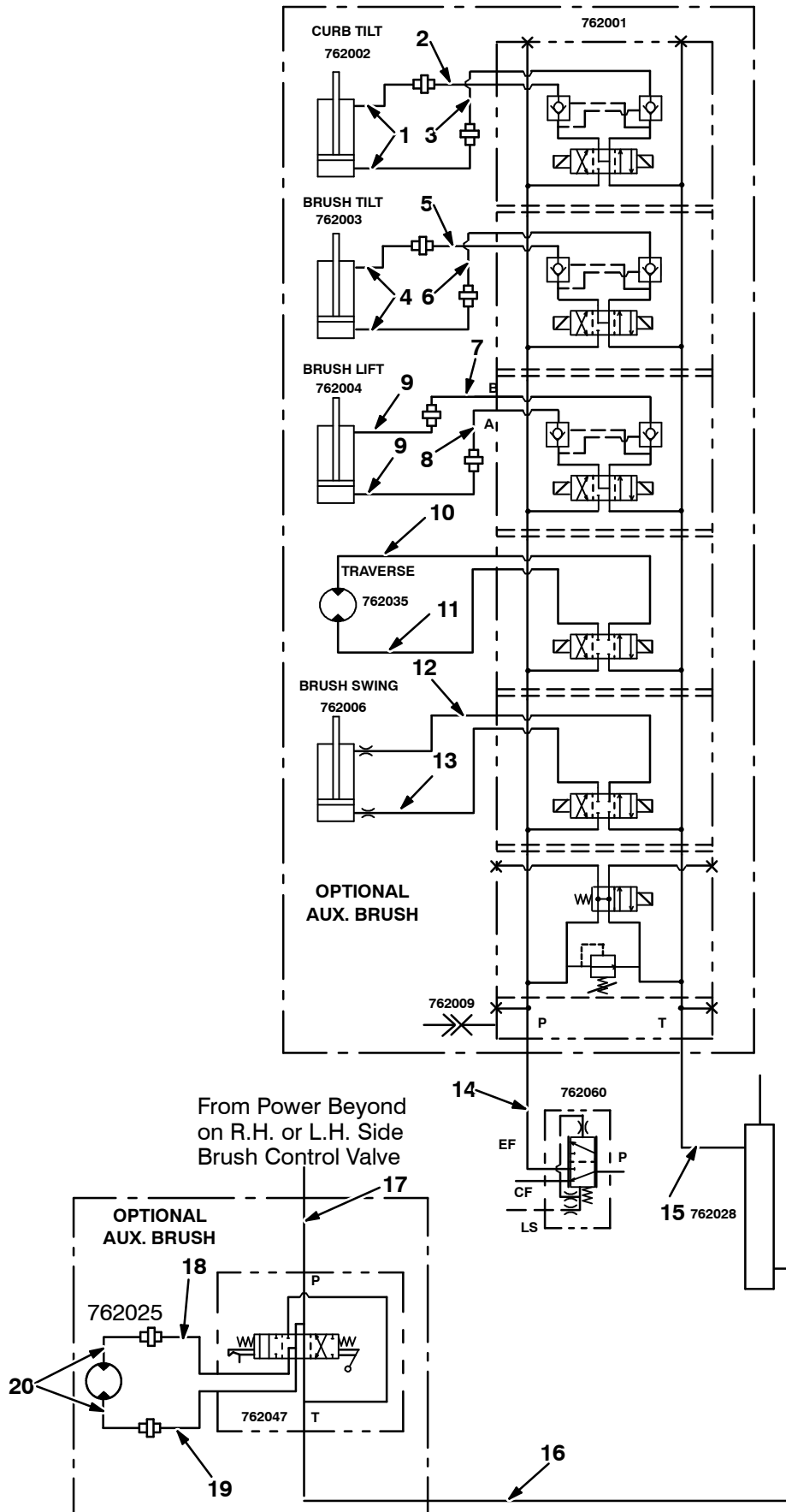


Fig. 10 - Aux/Vario Sweeping Brush™ Hydraulic Hose Group

Ref.	TENNANT Part No.	Machine Number	Serial	Description	Qty.
1	762326	(000000-)	Hose,Hyd	2
2	762380	(000000-)	Hose,Hyd	1
3	762379	(000000-)	Hose,Hyd	1
4	762369	(000000-)	Hose,Hyd	2
5	762377	(000000-)	Hose,Hyd	1
6	762378	(000000-)	Hose,Hyd	1
7	762375	(000000-)	Hose,Hyd	1
8	762376	(000000-)	Hose,Hyd	1
9	762328	(000000-)	Hose,Hyd	2
10	762373	(000000-)	Hose,Hyd	1
11	762374	(000000-)	Hose,Hyd	1
12	762371	(000000-)	Hose,Hyd	1
13	762372	(000000-)	Hose,Hyd	1
14	762381	(000000-)	Hose,Hyd	1
15	762382	(000000-)	Hose,Hyd	1
16	762330	(000000-)	Hose,Hyd	1
17	762320	(000000-)	Hose,Hyd	1
18	762384	(000000-)	Hose,Hyd	1
19	762383	(000000-)	Hose,Hyd	1
20	762322	(000000-)	Hose,Hyd	2

Fig. 11 - Air Conditioner Group

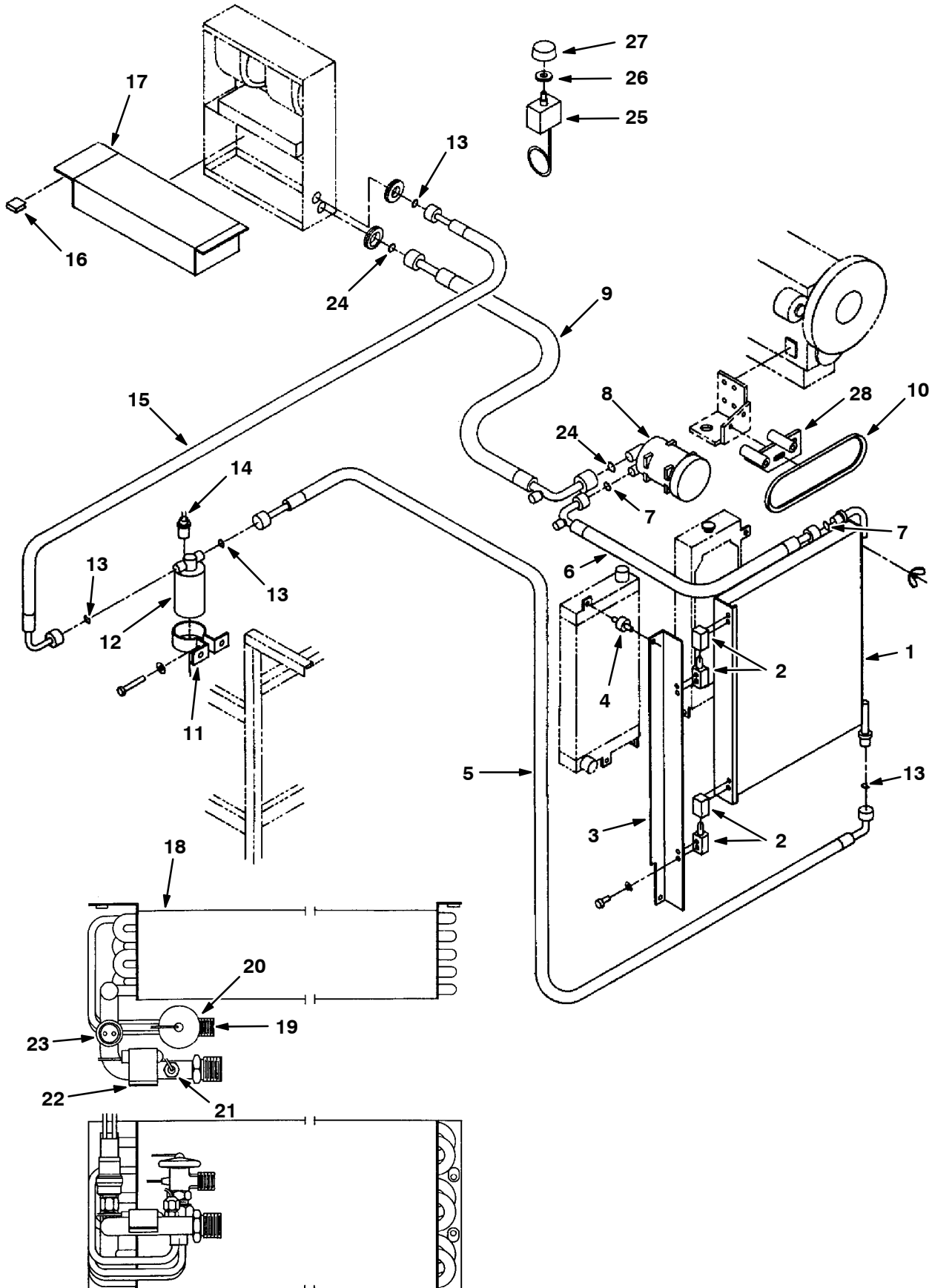


Fig. 11 - Air Conditioner Group

Ref.	TENNANT Part No.	Machine Number	Serial	Description	Qty.
1	764202	(000000-)	Condensor, Air Conditioning	1
2	761963	(000000-)	Hinge Assy	2
3	761964	(000000-)	Brkt,Cndnsr Hinge	1
4	82661	(000000-)	Isolator-Vibration .25-20	4
5	764206	(000000-)	Hose,Condensor To Dryer 78In	1
6	764205	(000000-)	Hose,Compressor To Cond. 60In	1
7	761961	(000000-)	O-Ring,#8	2
8	764201	(000000-)	Compressor,Air Conditioning	1
9	764208	(000000-)	Hose,Evaporator To Comp.120In	1
10	764209	(000000-)	Belt,Air Cond	1
11	764214	(000000-)	Bracket,Dryer	1
12	764204	(000000-)	Dryer,Air Conditioning	1
13	761960	(000000-)	O-Ring,#6	4
14	764211	(000000-)	Control,Hi Press	1
15	764207	(000000-)	Hose,Dryer To Evaporator165In	1
16	761949	(000000-)	Clip, Coil Mtg	2
▽ 17	764215	(000000-)	Evaporator,Air Conditioning	1
▲ 18	761967	(000000-)	Evaporator Coil	1
▲ 19	761965	(000000-)	Valve,Thrmal Expn.	1
▲ 20	761961	(000000-)	O-Ring,#8	1
▲ 21	761959	(000000-)	O-Ring,#4	1
▲ 22	761966	(000000-)	Clamp,Tev Bulb	1
▲ 23	764210	(000000-)	Switch,Low Press.	1
24	761962	(000000-)	O-Ring,#10	2
25	764212	(000000-)	Switch,Cold Cont.	1
26	761925	(000000-)	Nut, Control Mtg	2
27	761926	(000000-)	Knob, Switch, Fan	1
28	764203	(000000-)	Bracket, Compressor	1

Fig. 12 - Vacuum Wand Group

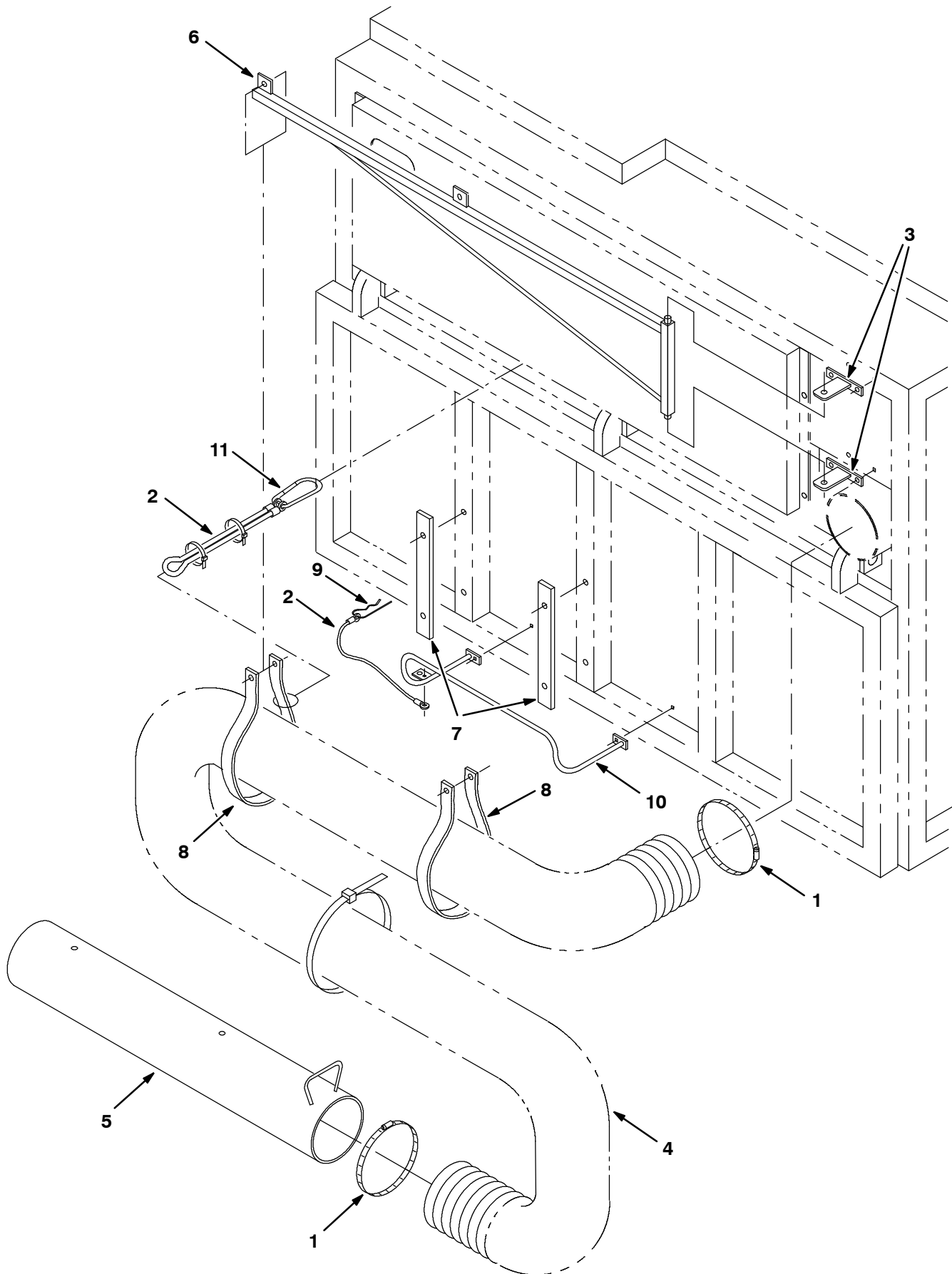


Fig. 12 - Vacuum Wand Group

Ref.	TENNANT Part No.	Machine Number	Serial	Description	Qty.
1	763202	(000000-	001224)	Clamp, Hose, 6"Dia	2
1	763212	(001225-)	Clamp, 6" Dia Bridge R.S.	2
2	57702	(000000-)	Cable, Door, Access	2
3	760507	(000000-)	Support, Vacuum Hose	2
4	761402	(000000-	001224)	Hose Kit, Vacuum Wand	1
4	760509	(001225-)	Hose, 6" Dia x 150 R.S.	1
5	760511	(000000-)	Nozzle, Vacuum Hose	1
6	760629	(000000-)	Boom, Vac Wand Hose	1
7	760640	(000000-)	Strip, Rub Nylon	2
8	760649	(000000-)	Strap, Vacuum Wand	2
9	763026	(000000-)	Pin,Hair Cotter 1.00D.178Wire	1
10	760991	(000000-)	Tube Wldt, Support, Rear	1
11	761233	(000000-)	Snap, Chain 0.25 Dia X 2.4	1

Fig. 13 - Vacuum Wand Door Group

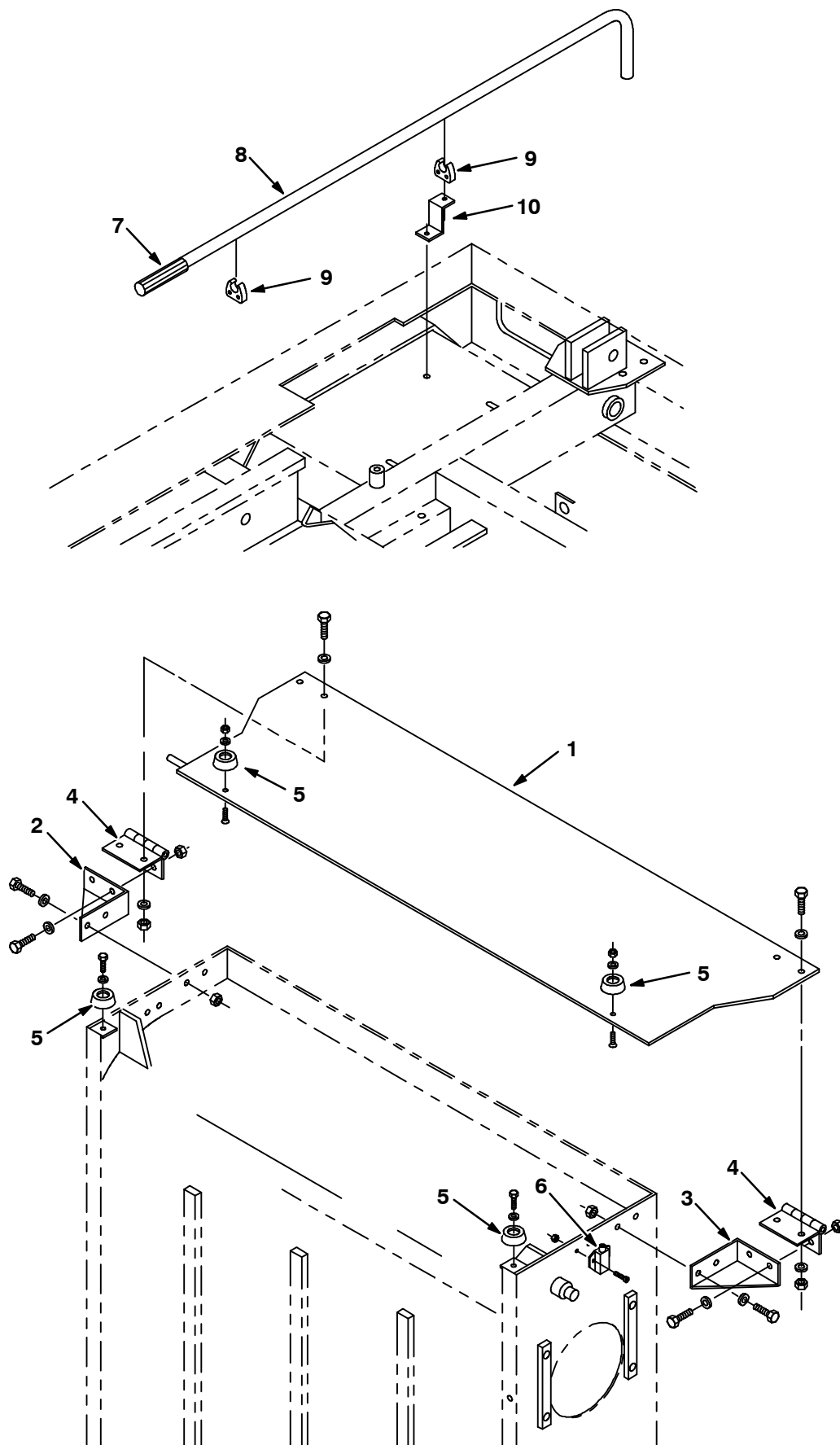
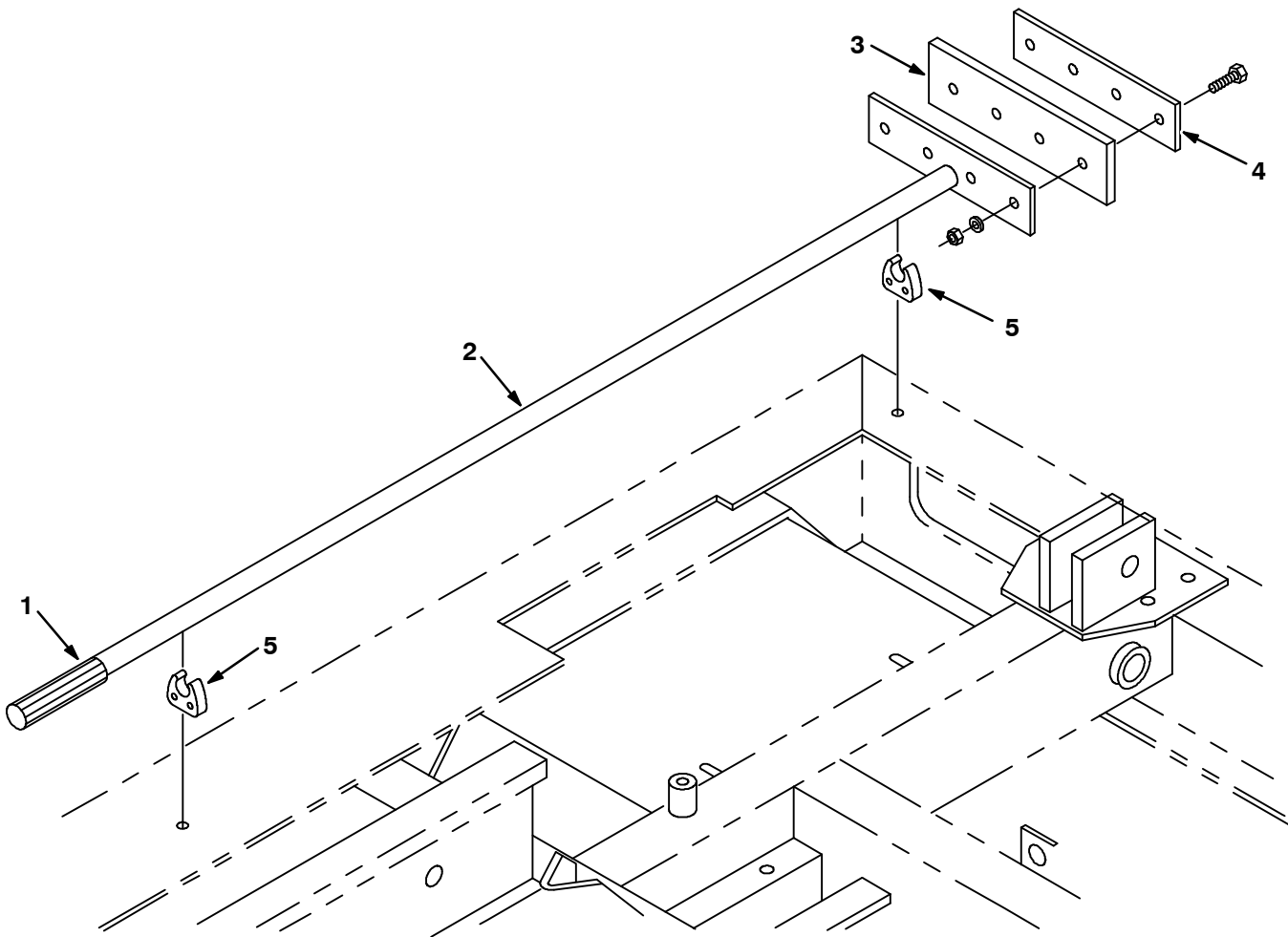


Fig. 13 - Vacuum Wand Door Group

Ref.	TENNANT Part No.	Machine Number	Serial	Description	Qty.
1	760707	(000000-001472)	Door Wldt, Conveyor	1
1	760726	(001473-)	Door, Weldt Vacuum Door	1
2	760718	(000000-001472)	Bracket, Mounting, Hinge, Rh	1
2	760728	(001473-)	Bracket, Hinge Mount, Rh	1
3	760717	(000000-001472)	Bracket, Mounting, Hinges, Lh	1
3	760727	(001473-)	Bracket, Hinge Mount Lh	1
4	760818	(000000-001472)	Hinge, Vac Wand Door	2
4	760729	(001473-)	Hinge, Vacuum Wand Door	2
5	763060	(000000-)	Bumper, Rubber Recessed	4
6	762502	(000000-)	Switch, Micro	1
7	03292B	(000000-)	Grip, Handle-Rnd .72ld X 5.0L	1
8	760653	(000000-)	Tube, Vac Wand Door	1
9	760660	(000000-)	Clip,Finger Grip	2
10	760661	(000000-)	Bracket,Clip Mount	1

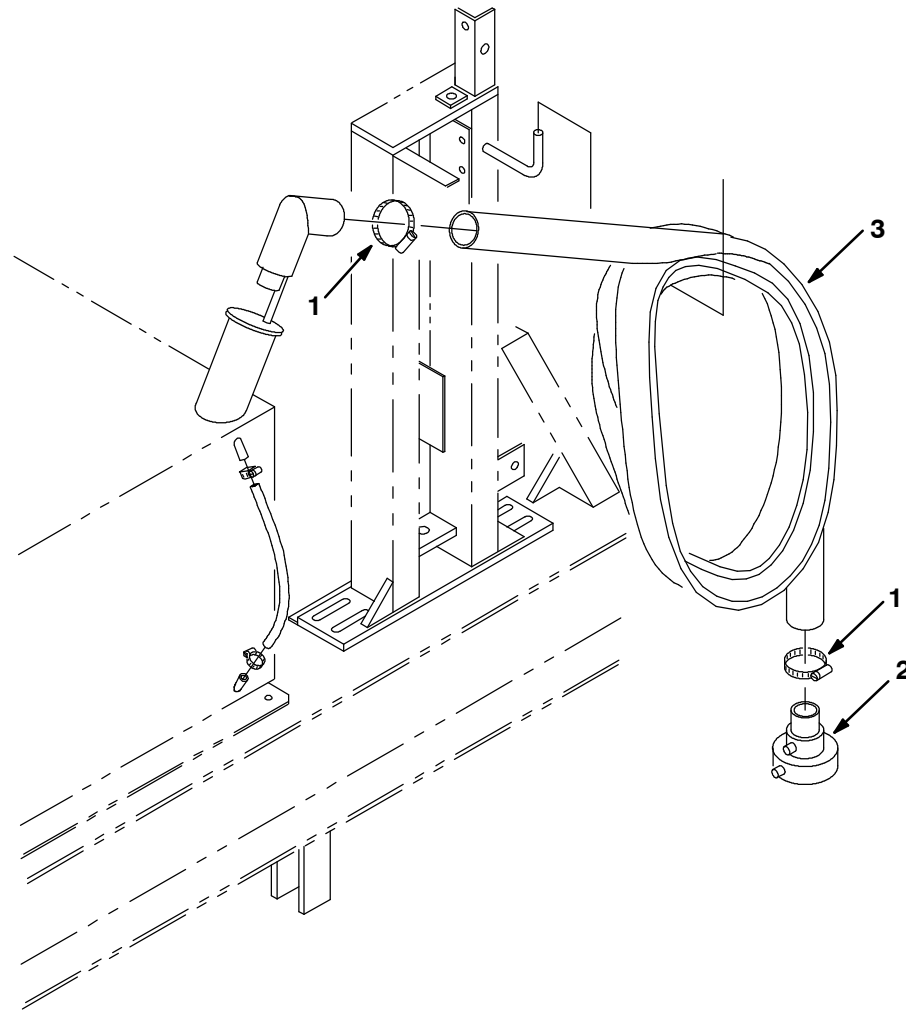
Fig. 14 - Hopper Cleanout Tool Kit



09243/08705

Ref.	TENNANT Part No.	Machine Number	Serial	Description	Qty.
▽	760078	(000000-)	Hopper Cleanout Kit	1
▲▽	79518	(000000-)	Sludge Removal Tool Assy.	1
▲▲ 1	03292B	(000000-)	Grip, Handle-Rnd .72ld X 5.0L	1
▲▲ 2	79517	(000000-)	Handle Weldt.,Sludge Removal	1
▲▲ 3	79515	(000000-)	Skirt,.25T3.0W11.0L 4/.31Hcomc	1
▲▲ 4	79508-1	(000000-)	Strip,.11T2.5W10.0L 4/.31Hcomc	1
▲ 5	760660	(000000-)	Clip,Finger Grip	2

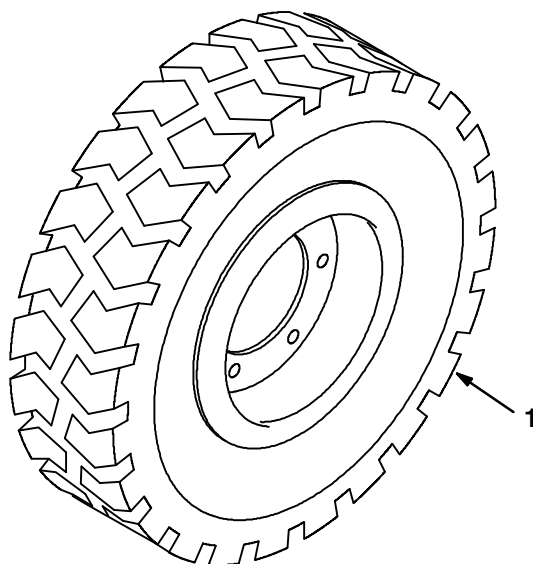
Fig. 15 - Hydrant Hose Group



09275/09207

Ref.	TENNANT Part No.	Machine Number	Serial	Description	Qty.
1	762207	(000000-)	Clamp, 1.25-2.12 Dia Powr Gear	2
2	762201	(000000-)	Coupling, Tank Fill Hose	1
3	762210	(000000-)	Hose, Water Fill	1

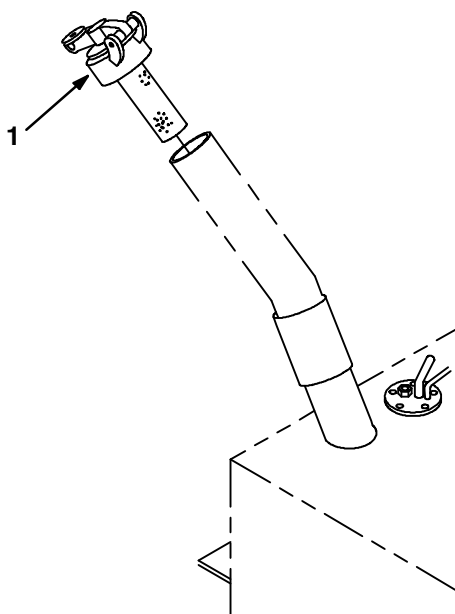
Fig. 16 - Foam Tire Group



09276/09208

Ref.	TENNANT Part No.	Machine Number	Serial	Description	Qty.
1	760105	(000000-)	Tire Assy, Foam Filled, (Bias Ply)	1
1	761795	(000000-)	Tire Assy, Foam Filled, (Radial)	1

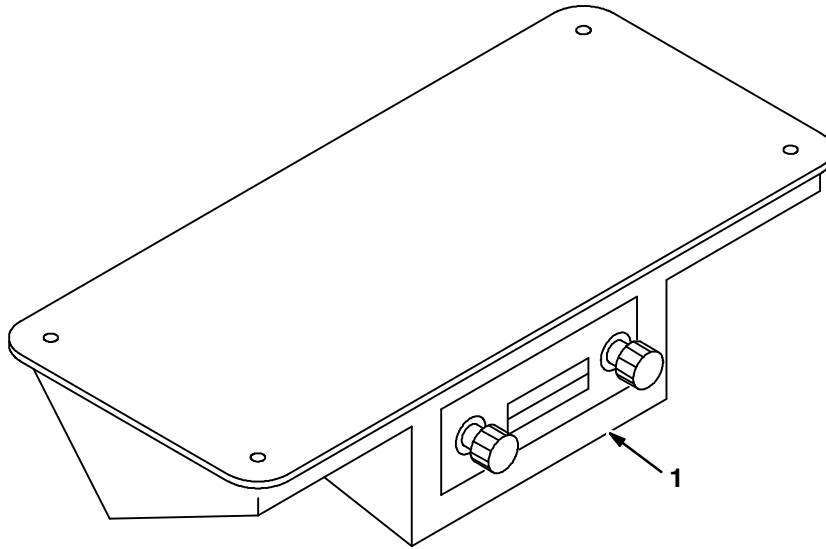
Fig. 17 - Protectoseal Fuel Cap Group



09277/09209

Ref.	TENNANT Part No.	Machine Number	Serial	Description	Qty.
1	02506-6	(000000-)	Cap, Fuel, Protectoseal	1

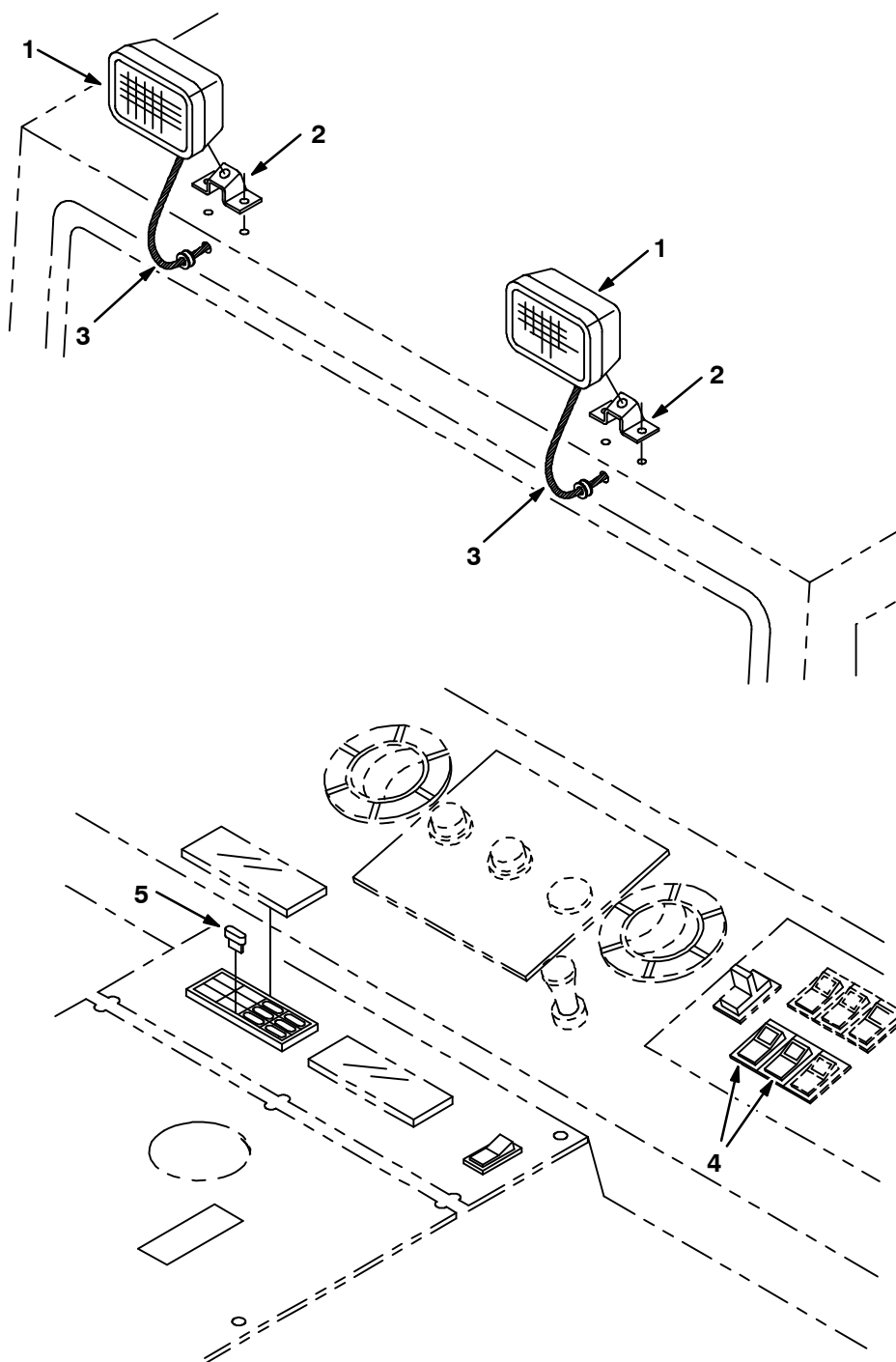
Fig. 18 - Radio/Tape Deck Kit



09278/09219

	Ref.	TENNANT Part No.	Machine Number	Serial	Description	Qty.
▽		760074	(000000-)	Radio/Tape Deck Kit	1
▲	1	763276	(000000-)	Radio/Tapedeck, Overhead	1

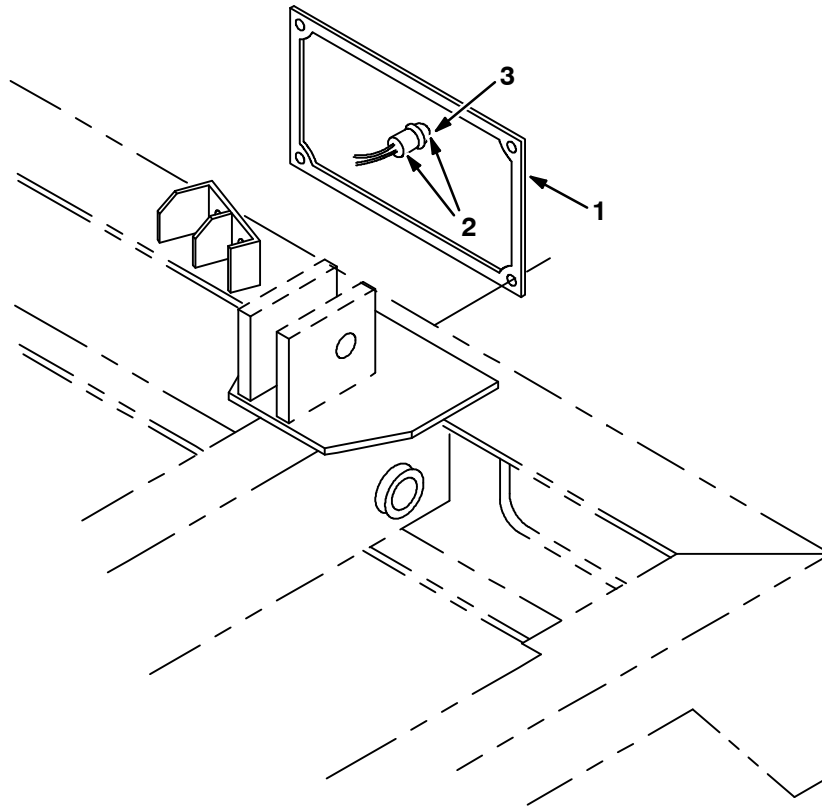
Fig. 19 - Night Light Kit



09273/09205

Ref.	TENNANT Part No.	Machine Number	Serial	Description	Qty.
▽	760079	(000000-)	Light Kit, Halogen Night	1
▲▽ 1	762568	(000000-)	Light, Halogen Flood	3
▲▲	762590	(000000-)	Lamp, Flood, Halogen	3
▲ 2	762572	(000000-)	Bracket, Light, Night Sweeping	3
▲ 3	10632-11	(000000-)	Grommet,Rbr,0.38Id,For .19Matl	2
▲ 4	762584	(000000-)	Switch Kit, Spst	2
▲ 5	762515	(000000-)	Fuse, 20Amp	1

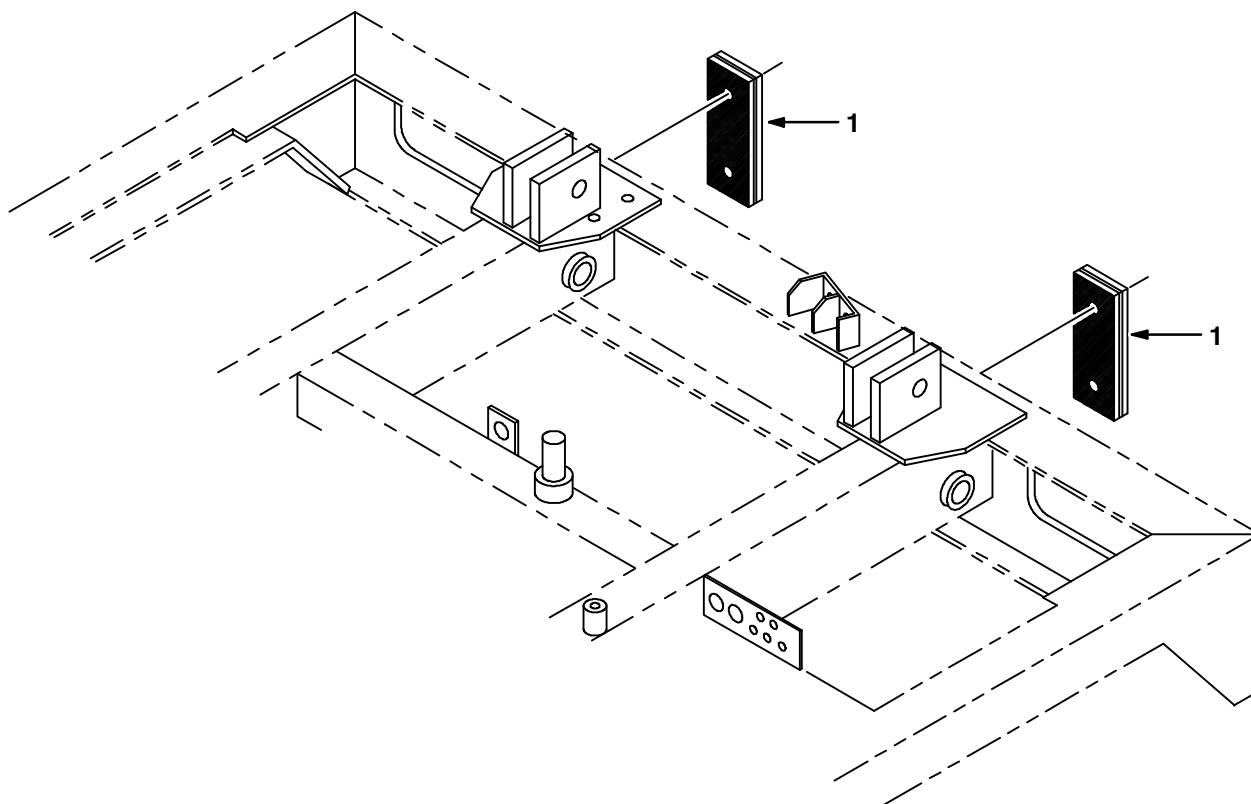
Fig. 20 - License Plate Bracket Kit



09274/09206

Ref.	TENNANT Part No.	Machine Number	Serial	Description	Qty.
▽	760060	(000000-)	Bracket Kit, License Plate	1
▲ 1	760199	(000000-)	Bracket, License Plate	1
▲▽ 2	46711	(000000-)	Light Assy Panl/Clr 12V-0.6A	1
▲▲ 3	24427	(000000-)	Bulb, 12V .6A 4Cp #68	1

Fig. 21 - Rear Rubber Bumper Kit



09869/09868

	Ref.	TENNANT Part No.	Machine Number	Serial	Description	Qty.
▽		760073	(000000-)	Rear Rubber Bumper Kit	1
▲	1	760399	(000000-)	Bumper, Rear Rubber	2

Fig. 22 - High Pressure Sprayer Wand Group

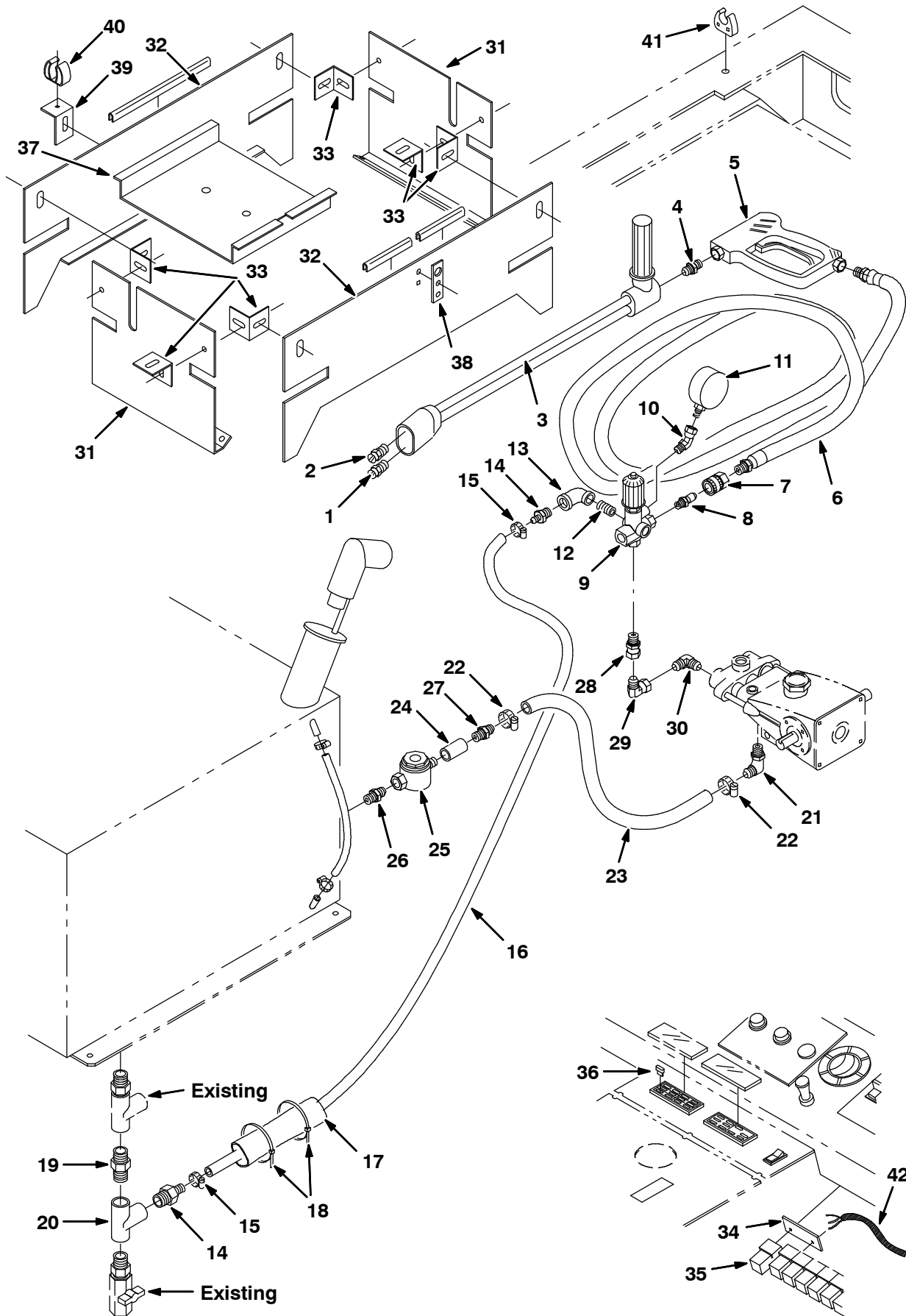


Fig. 22 - High Pressure Sprayer Wand Group

Ref.	TENNANT Part No.	Machine Number	Serial	Description	Qty.
1	762272	(000000-)	Nozzle, High Pressure	1
2	762271	(000000-)	Nozzle, Lo Pressure	1
3	762267	(000000-)	Lance, Dual	1
4	762278	(000000-)	Ftg-Hyd, Str	1
5	762266	(000000-)	Handle, High Pressure Spray	1
6	762270	(000000-)	Hose Assembly, Pressure Wash	1
7	762294	(000000-)	Coupler Body, .375F Brass	1
8	762293	(000000-)	Coupler Plug, .375M Ss	1
9	762264	(000000-)	Valve, Unloader	1
10	762256	(000000-)	Ftg-Hyd, E45	1
11	762265	(000000-)	Gauge, Glycerin	1
12	762292	(000000-)	Ftg,Nipple Galv .375Npt Close	1
13	762254	(000000-)	Ftg,90EI Galv .375X.50 F Npt	1
14	762229	(000000-)	Nipple, .50Mx.50B	2
15	54333	(000000-)	Clamp-Wormdrive, 0.31- 0.88D	2
16	762259	(000000-)	Hose, Water .50In X 10.0Ft	1
17	87677	(000000-)	Sleeve-Nylon #20 20.0L	1
18	763115	(000000-)	Tie, Cable 6.0 Lg	15
	763116	(000000-)	Tie, Cable 15.25 Lg	10
19	762233	(000000-)	Nipple, .50Mx.50M	1
20	762212	(000000-)	Tee, .50Fx.50Fx.50F	1
21	40145	(000000-)	Ftg,Plstc,Elb,Barb.50Pt-.75Hse	1
22	11399	(000000-)	Clamp-Wormdrive, 0.81- 1.50D	2
23	762213	(000000-)	Hose, Water .75Inx7.0Ft	1
24	762291	(000000-)	Ftg-Hyd, Str 8-8	1
25	762269	(000000-)	Filter, Inline Strainer	1
26	762290	(000000-)	Ftg-Hyd, Str 8-8	1
27	762214	(000000-)	Nipple, .50M X .75B	1
28	762286	(000000-)	Ftg-Hyd, Str 8	1
29	762284	(000000-)	Ftg-Hyd, E90 8	1
30	762285	(000000-)	Ftg-Hyd, E90 8	1
31	762296	(000000-)	End, Tool Holder	2
32	762295	(000000-)	Side, Tool Holder	2
33	762297	(000000-)	Angle	6
34	762273	(000000-)	Link, Relay Mount	1
35	10865	(000000-)	Relay 12V Spdt W/Suppression	1
36	762513	(000000-)	Fuse, 10Amp	1
37	760573	(000000-)	Pan, Hopper Support Bar	1
38	760599	(000000-)	Bracket, Tool Box	1
39	760672	(000000-)	Angle	1
40	761524	(000000-)	Clip, Finger Clip, Metal	1
41	760660	(000000-)	Clip, Finger Clip	1
42	762564	(000000-)	Wire Harness, Press Washer	1

Fig. 23 - High Pressure Sprayer Hydraulic Group

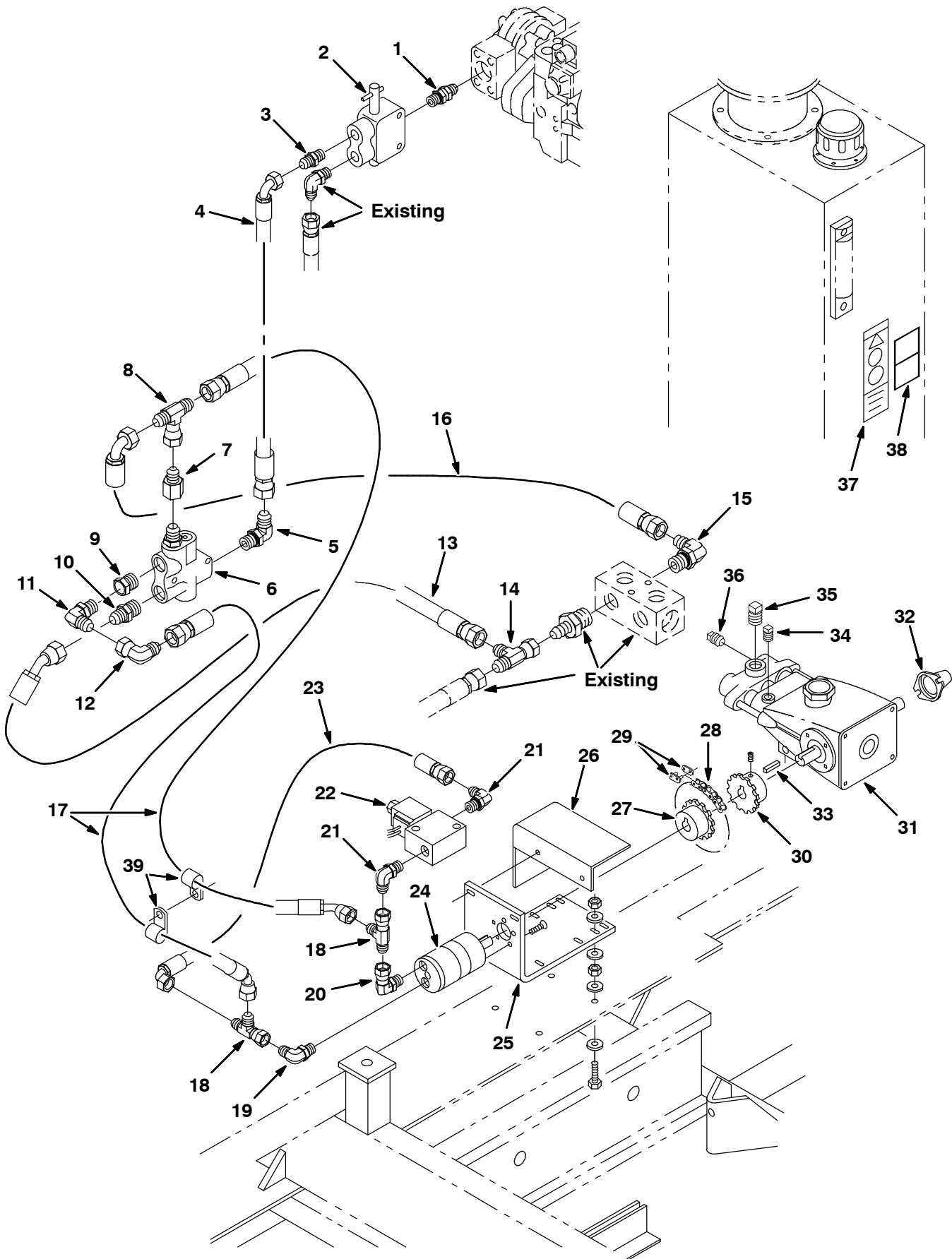


Fig. 23 - High Pressure Sprayer Hydraulic Group

Ref.	TENNANT Part No.	Machine Number	Serial	Description	Qty.	
1	762263	(000000-)	Ftg-Hyd, Str 10	1	
2	762275	(000000-)	Valve, Hyd Selector/Releif	1	
3	762463	(000000-)	Ftg-Hyd, Str10	1	
4	762368	(000000-)	Hose,Hyd-27.5	1	
5	762469	(000000-)	Ftg-Hyd, E90 10-12	1	
6	762276	(000000-)	Flow Divider	1	
7	762289	(000000-)	Ftg-Hyd, Str 8	1	
8	762455	(000000-)	Ftg-Hyd, Tee 8	1	
9	762474	(000000-)	Ftg-Hyd, Str 12-8	1	
10	762468	(000000-)	Ftg-Hyd, Str 10-12	1	
11	762446	(000000-)	Ftg-Hyd, E90 8	1	
12	762288	(000000-)	Ftg-Hyd, E90 8	1	
13	762300	(000000-)	Hose,Hyd-23.0	1	
14	762470	(000000-)	Ftg-Hyd, Tee 10	1	
15	762462	(000000-)	Ftg-Hyd, E90 8-12	1	
16	762299	(000000-)	Hose,Hyd-22.0	1	
17	762396	(000000-)	Hose,Hyd-70.0	2	
18	762435	(000000-)	Ftg-Hyd, Tee 6	2	
19	762432	(000000-)	Ftg-Hyd, E90 6	1	
20	762441	(000000-)	Ftg-Hyd, E90 6	1	
21	762437	(000000-)	Ftg-Hyd, E90 6-8	2	
22	65391	(000000-)	Valve-Hyd, Solenoid	1	
23	762398	(000000-)	Hose,Hyd-10.0	1	
24	762261	(000000-)	Motor, Hyd High Press Sprayer	1	
25	762277	(000000-)	Plate, Mount, Hyd Motor	1	
26	762279	(000000-)	Guard, Pump Coupling	1	
27	762280	(000000-)	Coupling, Motor Press Washer	1	
28	33691	(000000-)	Chain,Rlr, 15Pitches	1	
29	33692	(000000-)	Link, Rlr.Chain	1	
30	40143	(000000-)	Coupling,Chain,L.H Half,Keyed	1	
▽	31	762260	(000000-)	Pump, Cat 290 Press Wash (See Breakdowns)	1
▲		40144-4	(000000-)	Oil, Crankcase, Cat Pump (For 1 oil change)	1
	32	38321	(000000-)	Pump Cover	1
	33	40144-6	(000000-)	Key-5Mm	1
	34	762281	(000000-)	Ftg-Hyd, Plug	1
	35	17521	(000000-)	Ftg-Plug Npt 08Pm Sq Hd	1
	36	762282	(000000-)	Ftg-Hyd, Plug	1
	37	762287	(000000-)	Label, Warning Hi Press Spray	1
	38	762258	(000000-)	Label,Operation Press Washer	1
	39	67767	(000000-)	Clamp-Cable,.69Dia. 62Wth	4

Fig. 24 - CE Group

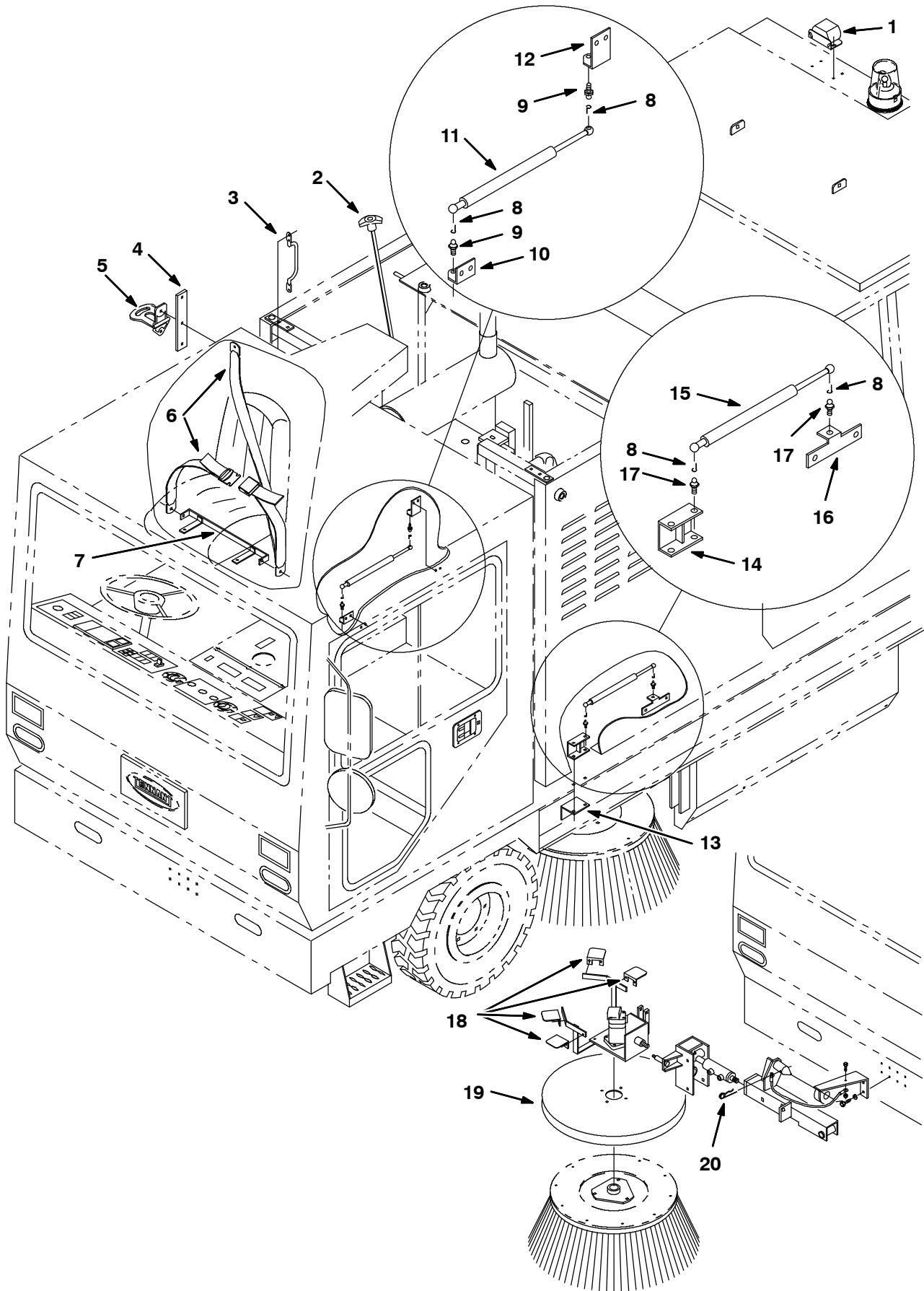
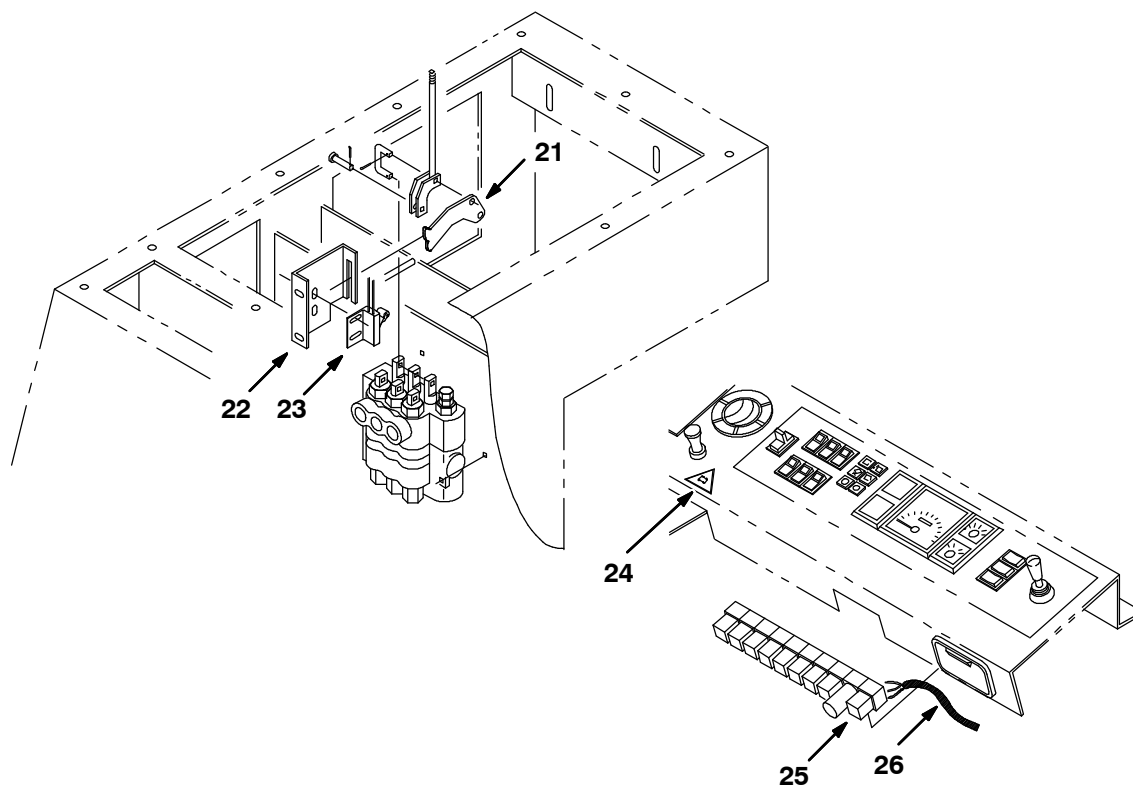


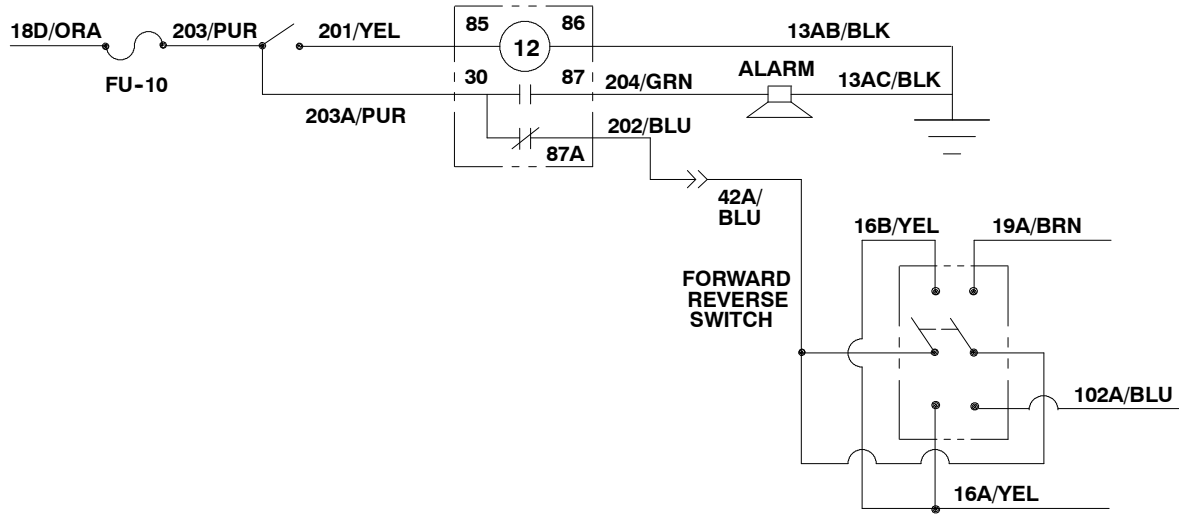
Fig. 24 - CE Group



10494/10490-10493

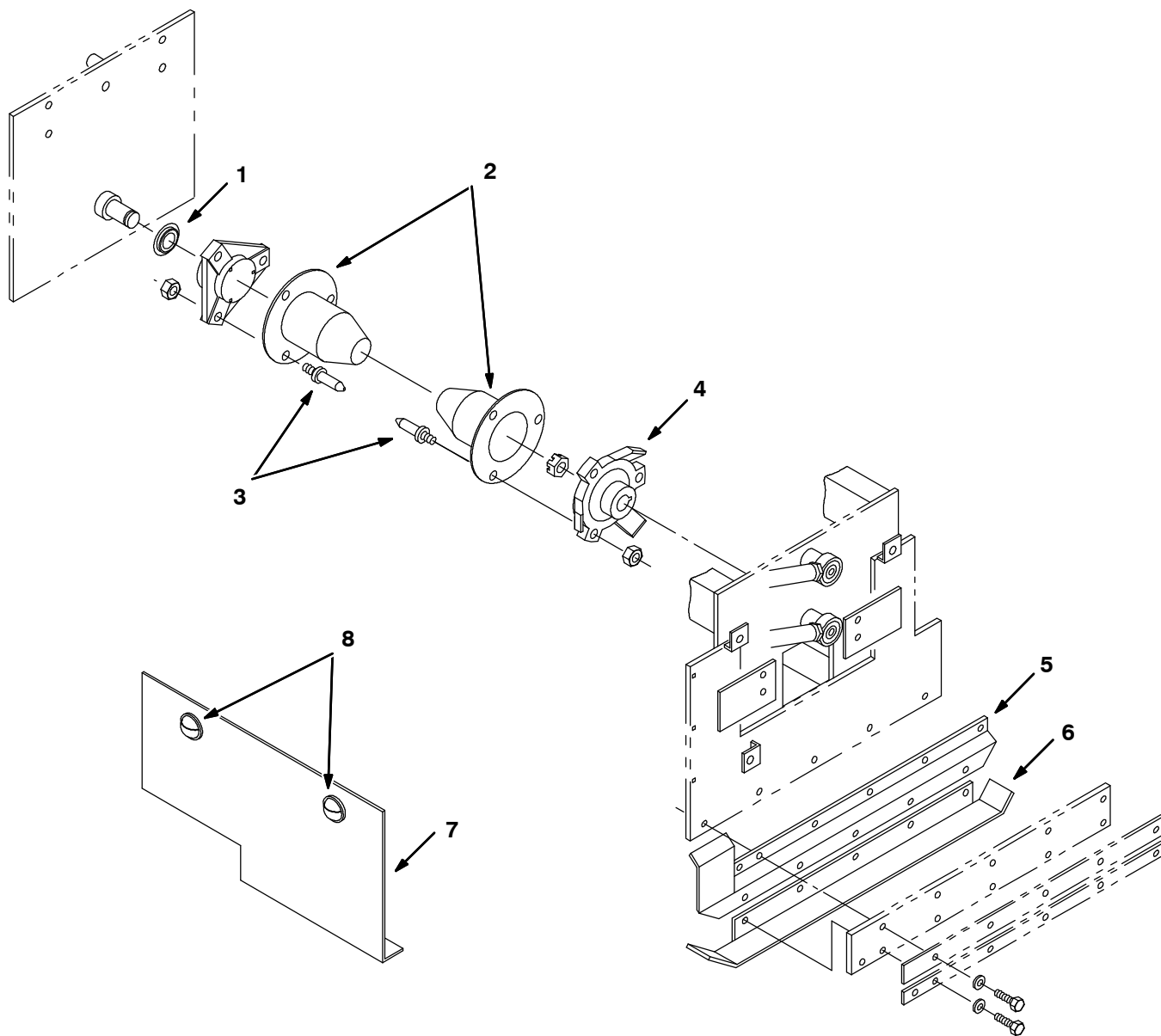
Ref.	TENNANT Part No.	Machine Number	Serial	Description	Qty.
1	761515	(000000-)	Alarm B/Up Constant, CE	1
2	761493	(000000-)	Dip Stick Rework	1
3	32822	(000000-)	Handle, Grab	1
4	761526	(000000-)	Strip, Step	1
5	761525	(000000-)	Step, Large Folding CE	1
6	761423	(000000-)	Seat Belt, Kit 3-Point CE	1
7	761489	(000000-)	Bracket Assembly	1
8	64595	(000000-)	Clip, Safety	8
9	761484	(000000-)	Stud	4
10	761486	(000000-)	Bracket	2
11	761427	(000000-)	Spring-Gas	2
12	761485	(000000-)	Bracket	2
13	761418	(000000-)	Angle, Support L.H. CE	1
14	761416	(000000-)	Channel, Gas Spring	2
15	31182	(000000-)	Spring-Gas 75lbs 6.3 stroke	2
16	761415	(000000-)	Angle, Gas Spring	2
17	58494	(000000-)	Stud, Ball, Gas Spring	4
18	761514	(000000-)	Angle, Gas Spring	4
19	761346	(000000-)	Weldment, Brush Gaurd	3
20	761490	(000000-)	Special Hair Pin	2
21	761521	(000000-)	Plate, Cam CE	1
23	59965	(000000-)	Switch Assy, Roller-No	1
24	761425	(000000-)	Label, Hazard - 4 Wheel Steering	1
25	10865	(000000-)	Relay 12V Spdt With Suppression	1
26	761523	(000000-)	Harness, Wire CE	1

Fig. 25 - CE Electrical Schematic Group



09215

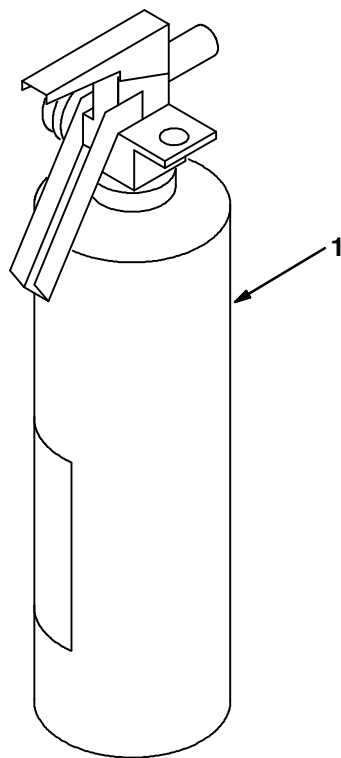
Fig. 26 - TNV Group



10495/10496

Ref.	TENNANT Part No.	Machine Number	Serial	Description	Qty.	
1	761167	(000000-)	Plug, Brush Idler-Special	1	
2	761168	(000000-)	Plug, Brush Guide-Special	2	
3	761166	(000000-)	Pin, Brush Plug-Special	6	
4	761169	(000000-)	Plug, Brush Drive-Special	1	
5	761138	(000000-)	Skid Holder, LH	1	
	761137	(000000-)	Skid Holder, RH (Not Shown)	1	
6	761143	(000000-)	Skid, LH Bolt On	1	
	761142	(000000-)	Skid, RH Bolt On (Not Shown)	1	
7	760198	(000000-)	Bracket, License Plt-Dual Lite	1	
▽	8	46711	(000000-)	Light Assy Panl/Clr 12V-O.6A	2
▲	24427	(000000-)	Bulb, 12V .6A 4CP#68	1	

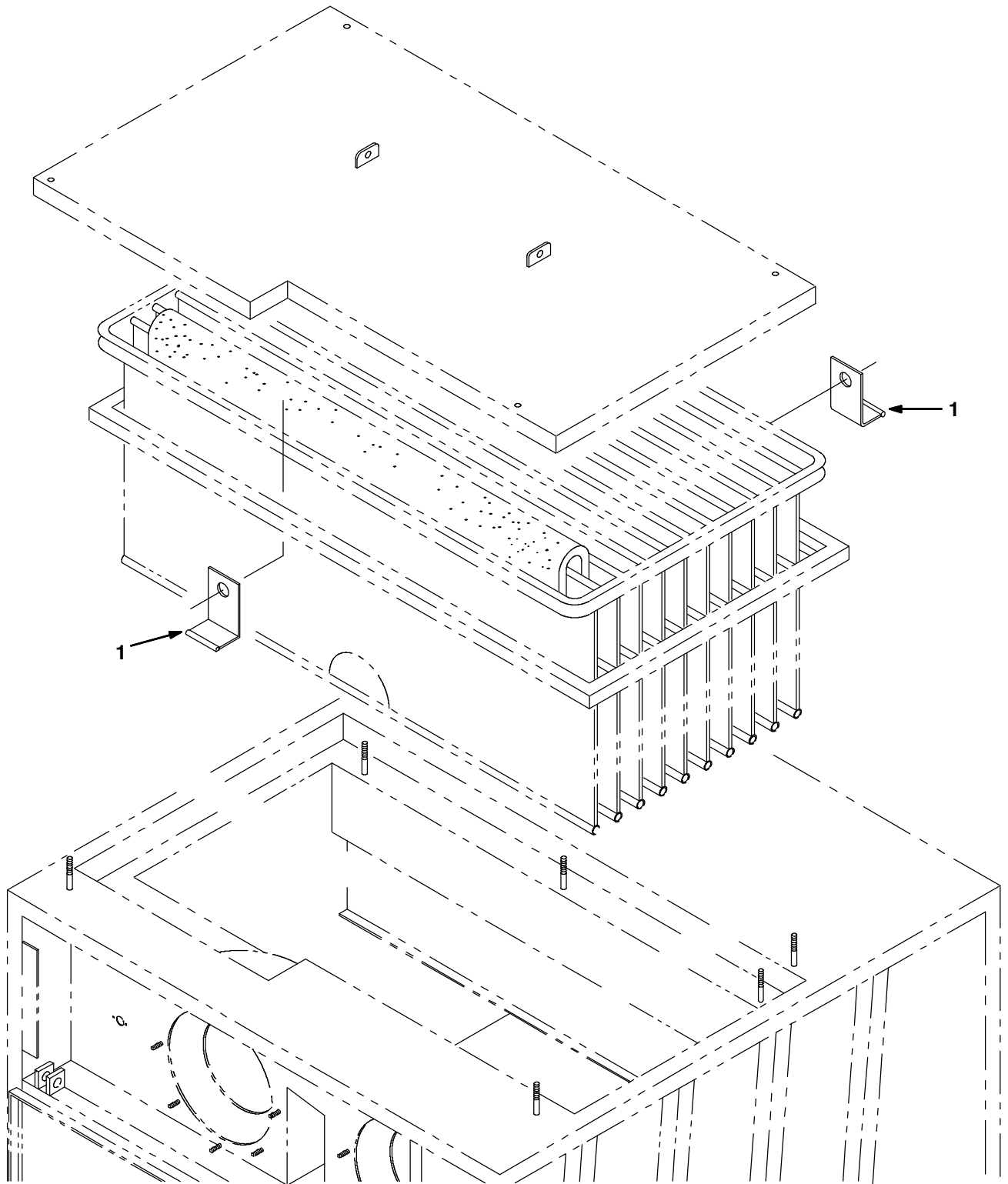
Fig. 27 - Fire Extinguisher Group



10187/07516

Ref.	TENNANT Part No.	Machine Number	Serial	Description	Qty.
1	25312	(000000-)	Extinguisher, Fire	1

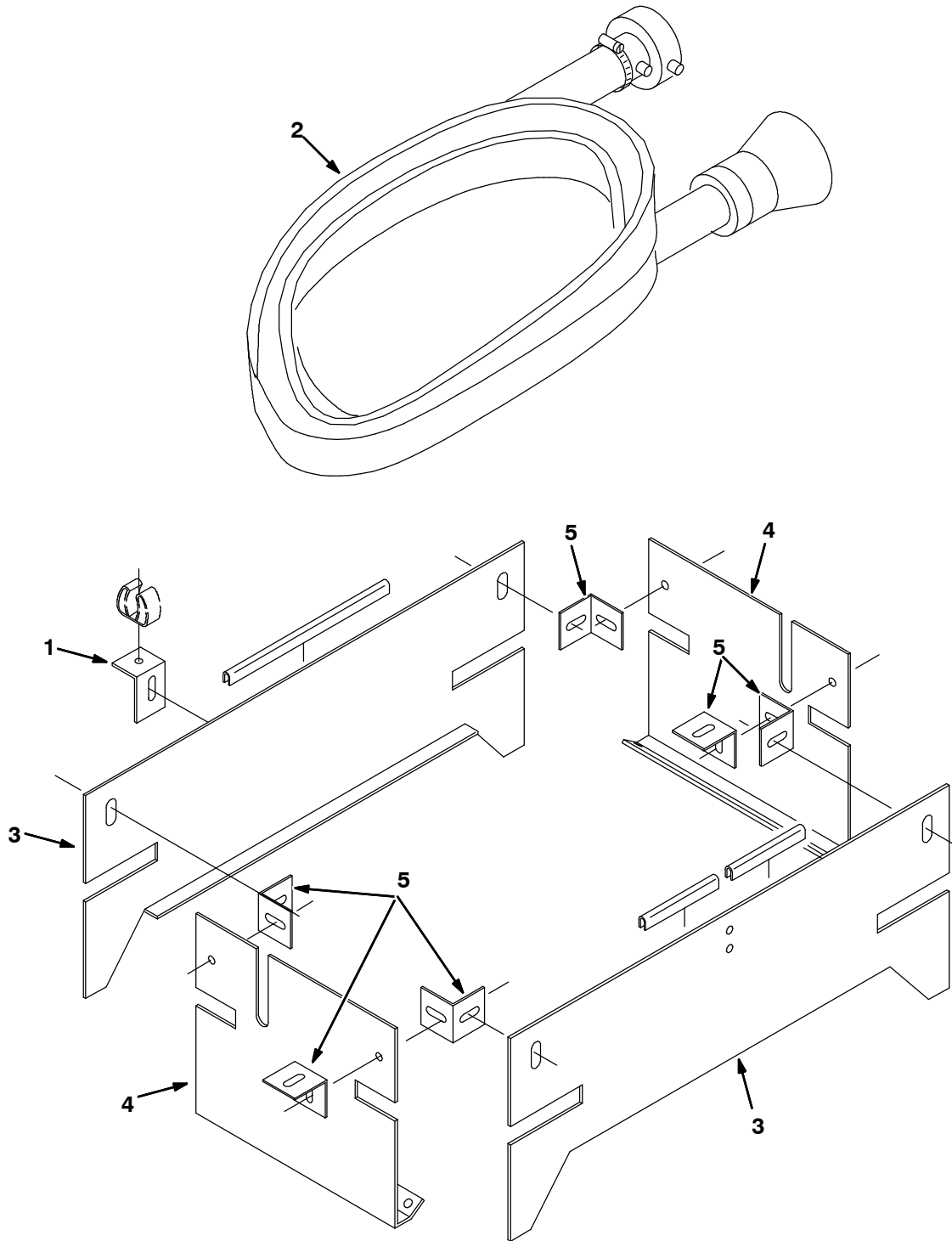
Fig. 28 - Filter Bag Lift Kit



10952/10953

Ref.	TENNANT Part No.	Machine Number	Serial	Description	Qty.
▽	761501	(000000-)	Lift Kit, Filter Bag	1
▲ 1	761791	(000000-)	Angle, Weld't, Filterbag Lift	2

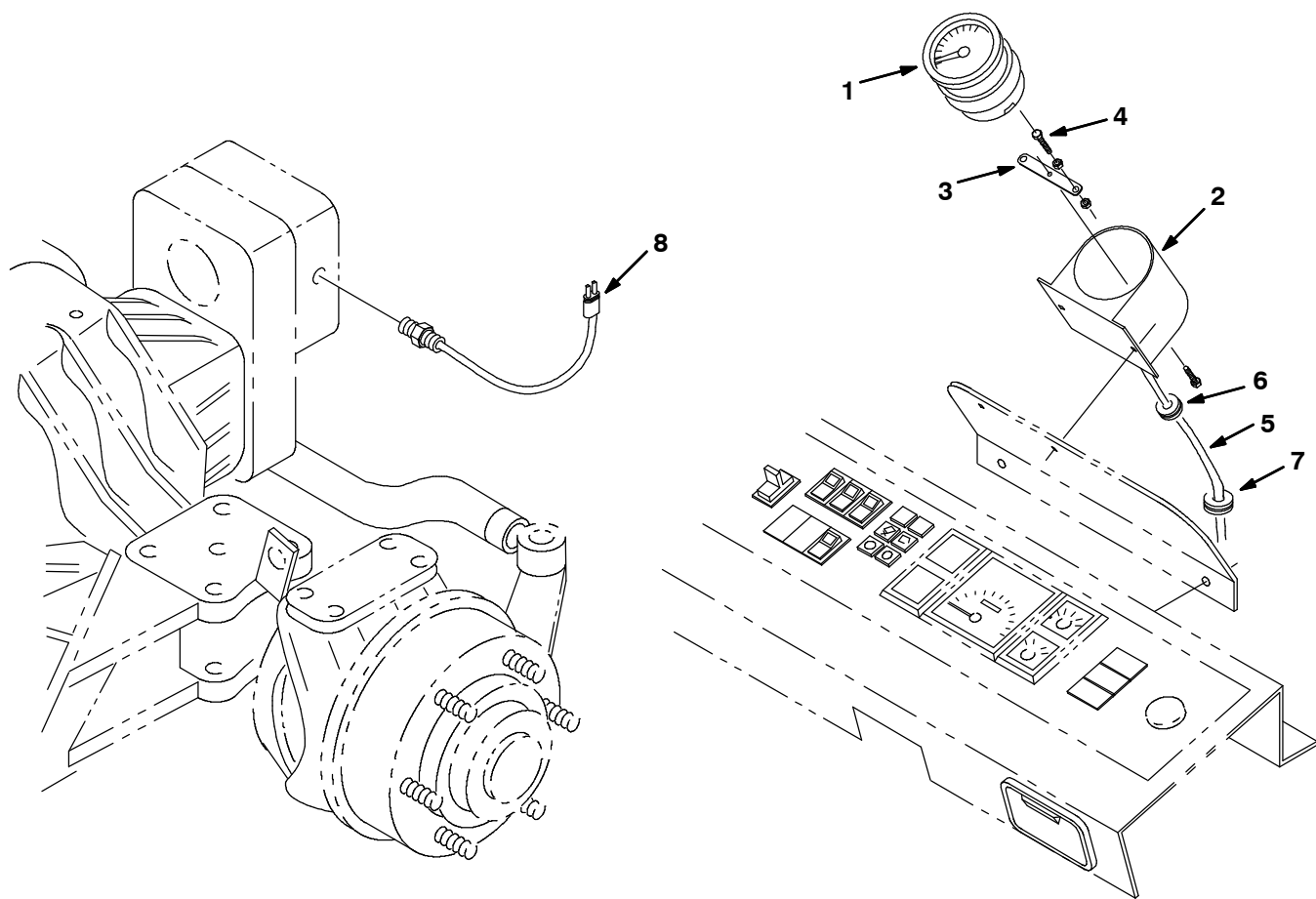
Fig. 29 - Hydrant Wash Down Kit



351224-351223

Ref.	TENNANT Part No.	Machine Number	Serial	Description	Qty.
∇	760147	(000000-)	Hydrant Wash Down Kit	1
▲ 1	760672	(000000-)	Angle	1
▲ 2	762253	(000000-)	Hose Assy	1
▲ 3	762295	(000000-)	Side, Tool Holder	2
▲ 4	762296	(000000-)	End, Tool Holder	2
▲ 5	762297	(000000-)	Angle	6

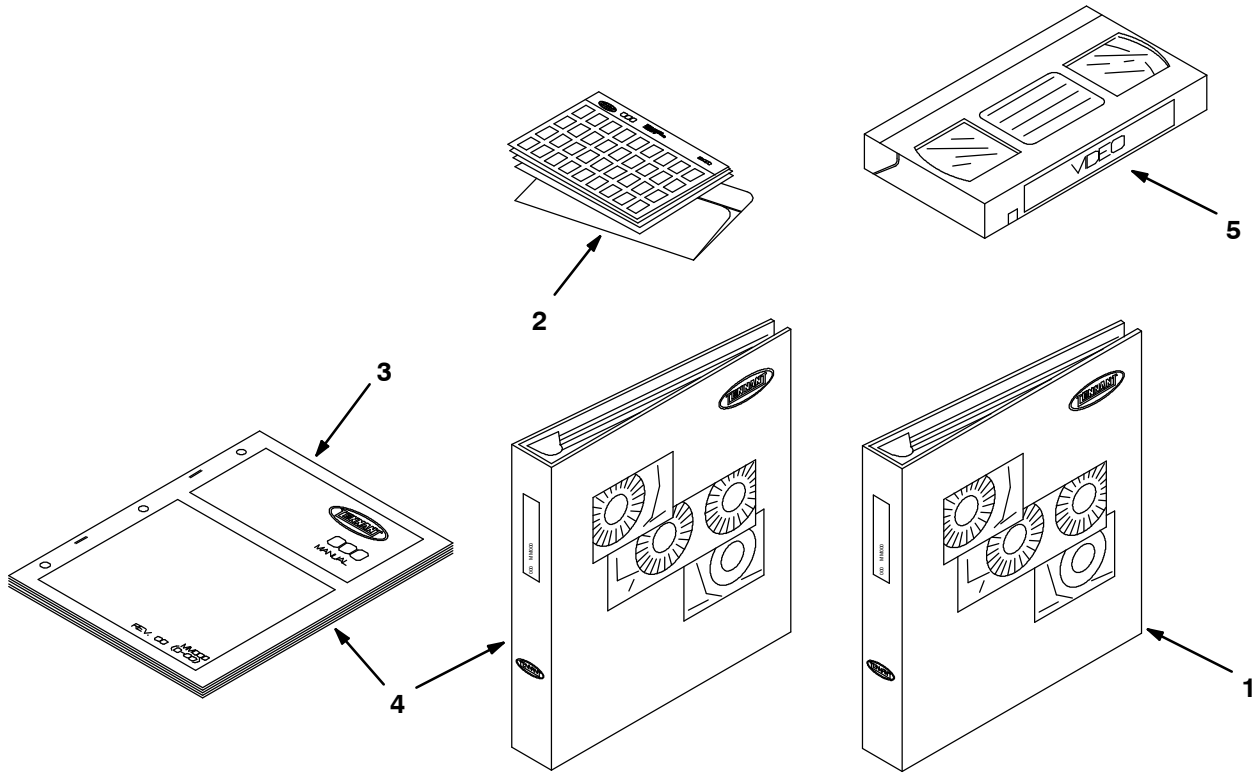
Fig. 30 - Speedometer Kit



351222-351221

Ref.	TENNANT Part No.	Machine Number	Serial	Description	Qty.
▽	760145	(000000-)	Speedometer Kit	1
▲	1 761585	(000000-)	Speedometer	1
▲	2 761546	(000000-)	Cup, Speedometer	1
▲	3 761550	(000000-)	Strip, Speedometer	1
▲	4 761584	(000000-)	Stud Kit, Mounting	1
▲	5 762597	(000000-)	Harness, Speedometer	1
▲	6 10632-20	(000000-)	Grommet, Rbr .38	1
▲	7 59999	(000000-)	Grommet, Rbr .44	1
▲	8 59946	(000000-)	Pickup, Magnetic	1

Fig. 31 - Documentation Group



09870/07501

Ref.	TENNANT Part No.	Machine Number	Serial	Description	Qty.
1	MM333	(000000-)	Service Manual Pkg 830	1
2	85332	(000000-)	Manual-Fiche Pkg 830	1
3	MM332ES	(000000-)	Manual Op/Mt 830 Spanish	1
3	MM332FR	(000000-)	Manual Op/Mt 830 French	1
3	MM332PT	(000000-)	Manual Op/Mt 830 Portuguese	1
4	MM332	(000000-)	Manual Pkg 830	1
5	48845	(000000-)	830 Oper/Video VHS	1
5	48847	(000000-)	830 Oper/Video PAL	1

SECTION 4

CONTENTS	PAGE
Fig. 1 - Hydraulic Piston Pump Breakdown, 762101	4-2
Fig. 2 - Hydraulic Piston Pump Breakdown, 762130	4-4
Fig. 3 - Hydraulic Piston Motor Breakdown, 762106	4-6
Fig. 4 - Hydraulic Piston Motor Breakdown, 762136	4-8
Fig. 5 - Hydraulic Gear Pump Breakdown, 762022	4-10
Fig. 6 - Hydraulic Gear Pump Breakdown, 762024	4-12
Fig. 7 - Hydraulic Valve Breakdown, 762037	4-13
Fig. 8 - Hydraulic Valve Breakdown, 762041	4-14
Fig. 9 - Hydraulic Valve Breakdown, 762031	4-15
Fig. 10 - Hydraulic Valve Breakdown, 762047	4-16
Fig. 11 - Hydraulic Valve Breakdown, 762013	4-17
Fig. 12 - Hydraulic Steering Valve Breakdown, 762018	4-18
Fig. 13 - Hydraulic Motor Breakdown, 762005	4-19
Fig. 14 - Hydraulic Motor Breakdown, 762035	4-20
Fig. 15 - Hydraulic Motor Breakdown, 762025	4-21
Fig. 16 - Hydraulic Gear Motor Breakdown, 762058	4-22
Fig. 17 - Hydraulic Gear Motor Breakdown, 762059	4-24
Fig. 18 - Hydraulic Motor Breakdown, 762042	4-26
Fig. 19 - Hydraulic Motor Breakdown, 762045	4-27
Fig. 20 - Rear Axle And Spindle Breakdown	4-28
Fig. 21 - Rear Axle Brake Breakdown	4-30
Fig. 22 - Rear Axle Wheel Hub Breakdown	4-31
Fig. 23 - Front Axle And Spindle Breakdown	4-32
Fig. 24 - Front Axle Brake Breakdown	4-34
Fig. 25 - Front Axle Wheel Hub Breakdown	4-35
Fig. 26 - Front Axle Differential Breakdown	4-36
Fig. 27 - Front Axle CV Joint Breakdown	4-38
Fig. 28 - Cat Pump Breakdown	4-39

Fig. 1 - Hydraulic Piston Pump Breakdown, 762101

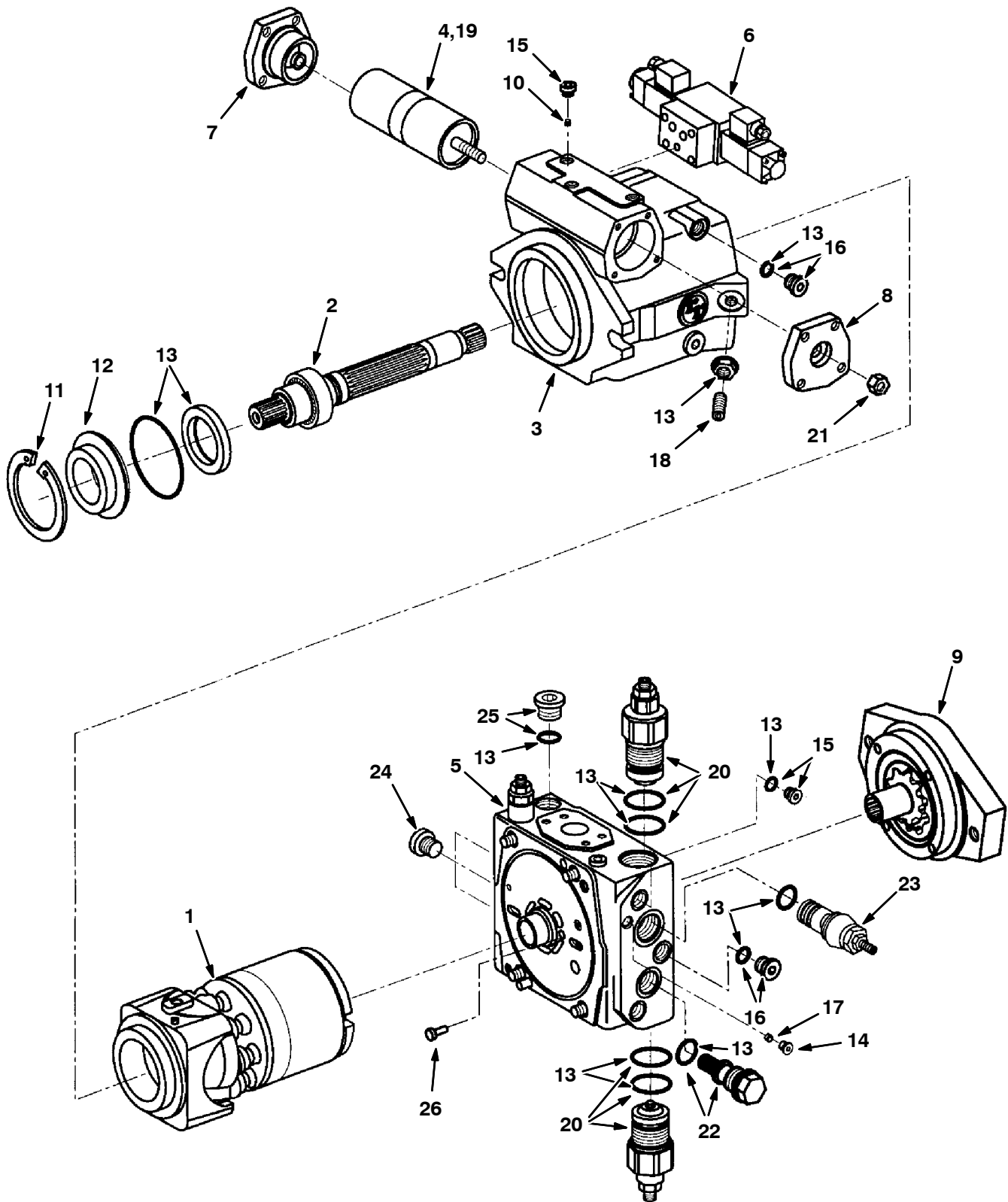


Fig. 1 - Hydraulic Piston Pump Breakdown, 762101

Ref.	TENNANT Part No.	Manufacturer Serial Number	Description	Qty.
▽	762101	(000000-) Pump, Hydraulic Piston	1
▲ 1	763431	(000000-) Rotary Group	1
▲ 2	763432	(000000-) Shaft Assembly	1
▲ 3	763433	(000000-) Housing Assembly	1
▲ 4	763434	(000000-) Piston, Stroking	1
▲ 5	763435	(000000-) Porting Block	1
▲ 6	763931	(000000-) EZ Control Assembly	1
▲ 7	763437	(000000-) Cover Kit, SP	1
▲ 8	763438	(000000-) Cover Kit, SP	1
▲ 9	763439	(000000-) Drive Assembly B	1
▲ 10	763440	(000000-) Orifice	2
▲ 11	763441	(000000-) Ring, Retaining	1
▲ 12	763442	(000000-) Cover, Front	1
▲ 13	763453	(000000-) Seal Kit	1
▲ 14	763452	(000000-) Plug, M08x1.0	3
▲ 15	74098	(000000-) Plug, #4 O-Ring	5
▲ 16	13904	(000000-) Plug, #6 O-Ring	2
▲ 17	763451	(000000-) Orifice 1.8mm	1
▲ 18	763443	(000000-) Screw, Eccentric	1
▲ 19	763444	(000000-) Spring, SP	2
▲ 20	763445	(000000-) Valve, Relief	2
▲ 21	763450	(000000-) Nut, Jam	1
▲ 22	763446	(000000-) Charge Press	1
▲ 23	763449	(000000-) Cartridge, DA	1
▲ 24	763447	(000000-) Plug, M18x1.5	3
▲ 25	13907	(000000-) Plug, #8 O-Ring	1
▲ 26	763448	(000000-) Pin, Locating	1

Fig. 2 - Hydraulic Piston Pump Breakdown, 762130

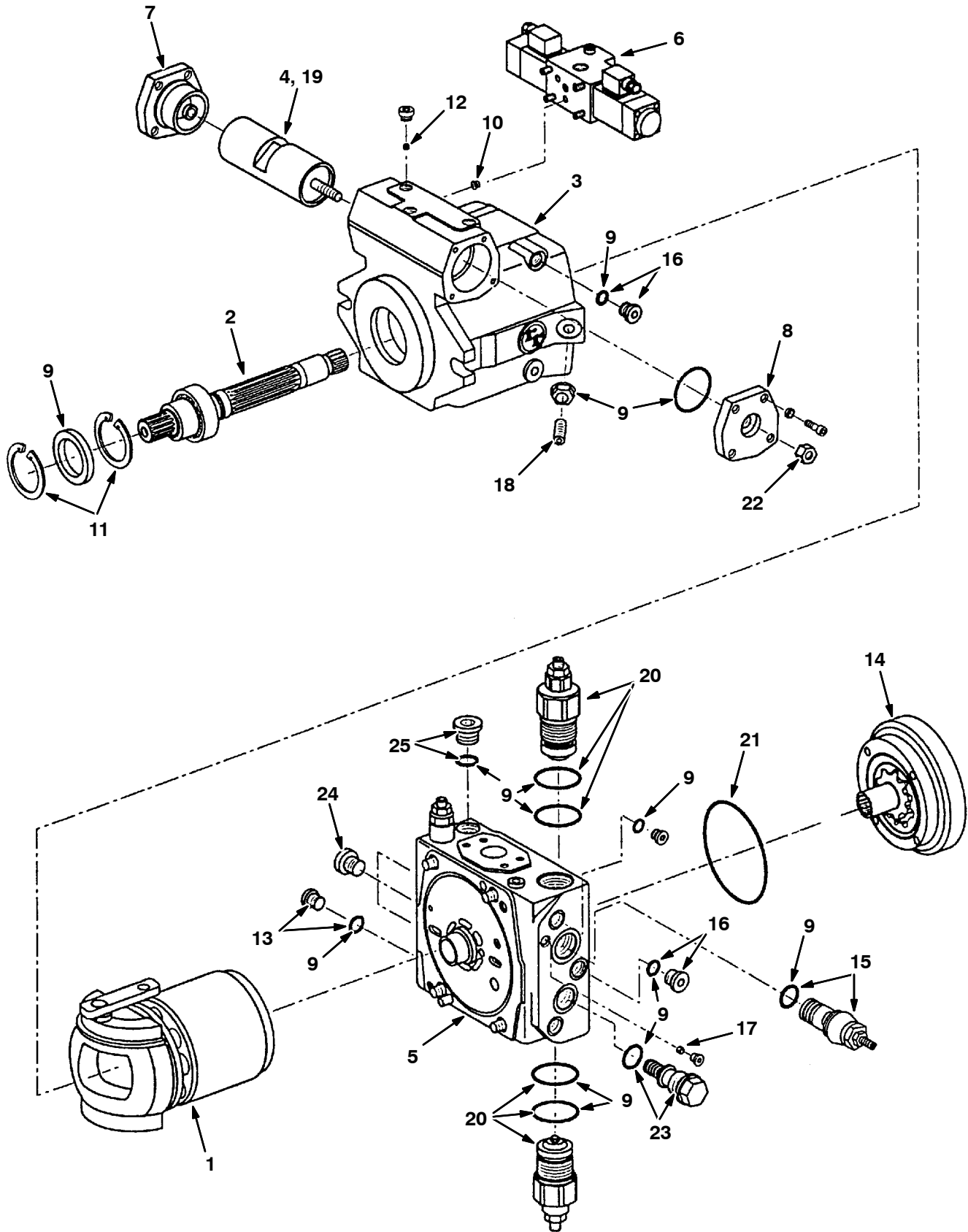


Fig. 2 - Hydraulic Piston Pump Breakdown, 762130

Ref.	TENNANT Part No.	Manufacturer Serial Number	Description	Qty.
▽	762130	(000000-) Pump, Hydraulic Piston	1
▲ 1	763926	(000000-) Rotary Group	1
▲ 2	763927	(000000-) Shaft Assembly	1
▲ 3	763928	(000000-) Housing Assembly	1
▲ 4	763929	(000000-) Stroking Piston Assembly	1
▲ 5	763930	(000000-) Port Block Assembly	1
▲ 6	763931	(000000-) EZ Control Assembly	1
▲ 7	763932	(000000-) Stroking Piston Cover	1
▲ 8	763933	(000000-) Stroking Piston Cover	1
▲ 9	763944	(000000-) Seal Kit	1
▲ 10	763943	(000000-) Orifice (0.8 mm)	1
▲ 11	763934	(000000-) Retaining Ring (67 x 2.5)	2
▲ 12	763440	(000000-) Orifice (1.0 mm)	2
▲ 13	74098	(000000-) Plug (7/16-20)	3
▲ 14	763439	(000000-) Drive Charge Pump Assembly	1
▲ 15	763449	(000000-) DA Cartridge Assembly	1
▲ 16	13904	(000000-) Plug (9/16-18)	2
▲ 17	763451	(000000-) Orifice (1.8 mm)	1
▲ 18	763443	(000000-) Eccentric Screw	1
▲ 19	763945	(000000-) Stroking Piston Spring (Outer)	2
▲ 19	763937	(000000-) Stroking Piston Spring (Inner)	2
▲ 20	763938	(000000-) Relief Valve With Tow Option	2
▲ 21	763942	(000000-) Kantsil Ring	1
▲ 22	763450	(000000-) Jam Nut (M12 x 1.5)	1
▲ 23	763446	(000000-) Charge Pressure R/V Kit	1
▲ 24	763447	(000000-) Plug (M18 x 1.5)	3
▲ 25	13907	(000000-) Plug (3/4-16)	1

Fig. 3 - Hydraulic Piston Motor Breakdown, 762106

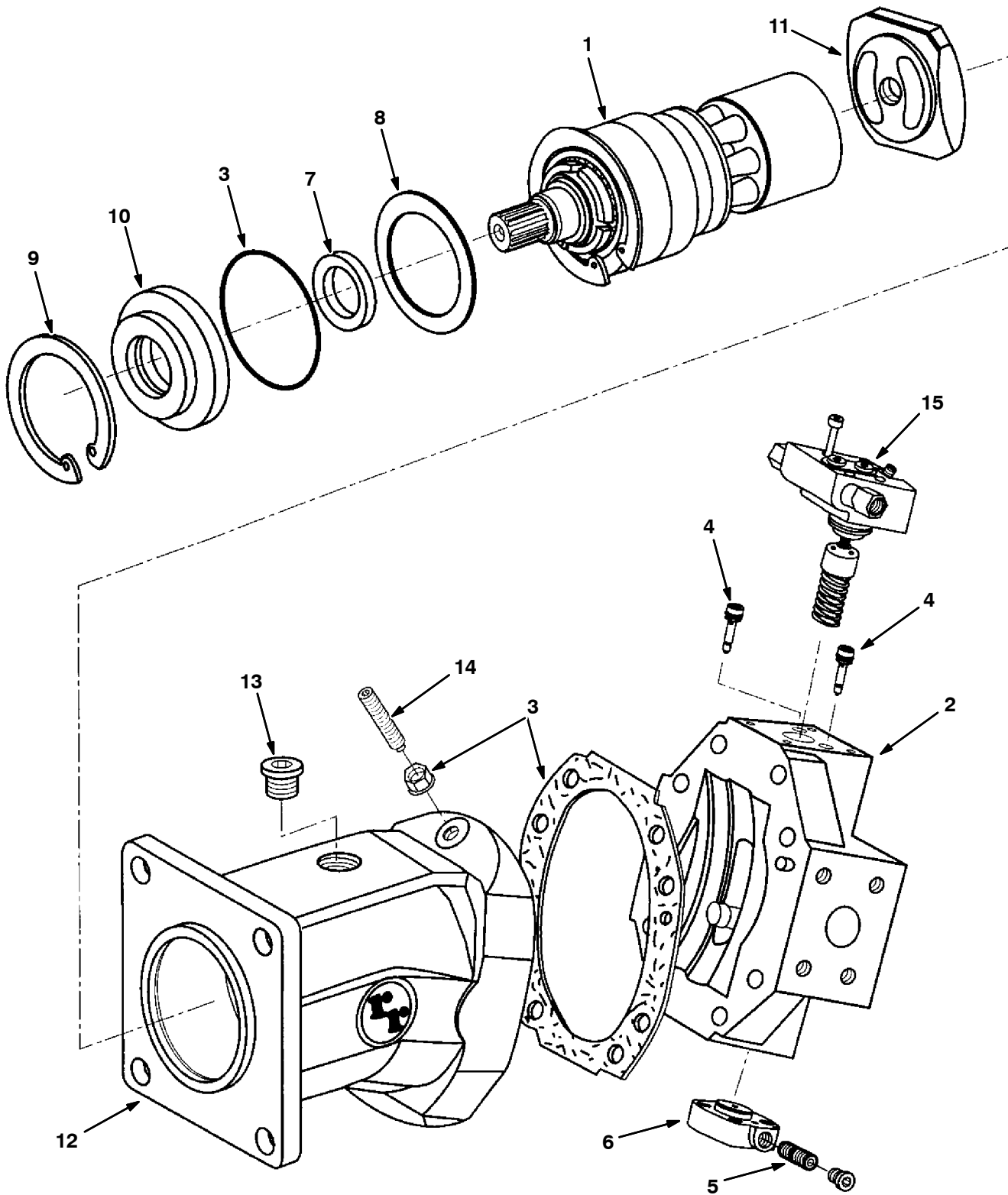


Fig. 3 - Hydraulic Piston Motor Breakdown, 762106

	TENNANT Ref.	Part No.	Manufacturer Serial Number	Description	Qty.
▽		762106	(000000-) Motor, Piston	1
▲	1	763454	(000000-) Rotary Group	1
▲	2	763455	(000000-) Cover, Rear	1
▲	3	763468	(000000-) Seal Kit	1
▲	4	763456	(000000-) Check Valve Kit	2
▲	5	763457	(000000-) Shttle Orifice	1
▲	6	763458	(000000-) Cover, S Piston	1
▲	7	763464	(000000-) Shaft Seal	1
▲	8	763465	(000000-) Shim, 0.1mm	2
▲	8	763466	(000000-) Shim, 0.3mm	1
▲	8	763467	(000000-) Shim, 0.5mm	1
▲	9	763462	(000000-) V-Ring, Seegr	1
▲	10	763463	(000000-) Cover, Front	1
▲	11	763459	(000000-) Control Lens	1
▲	12	763460	(000000-) Housing	1
▲	13	763447	(000000-) Plug, M18x1.5	1
▲	14	763461	(000000-) Stop Screw	1
▲	15	763950	(000000-) DA Control Kit	1

Fig. 4 - Hydraulic Piston Motor Breakdown, 762136

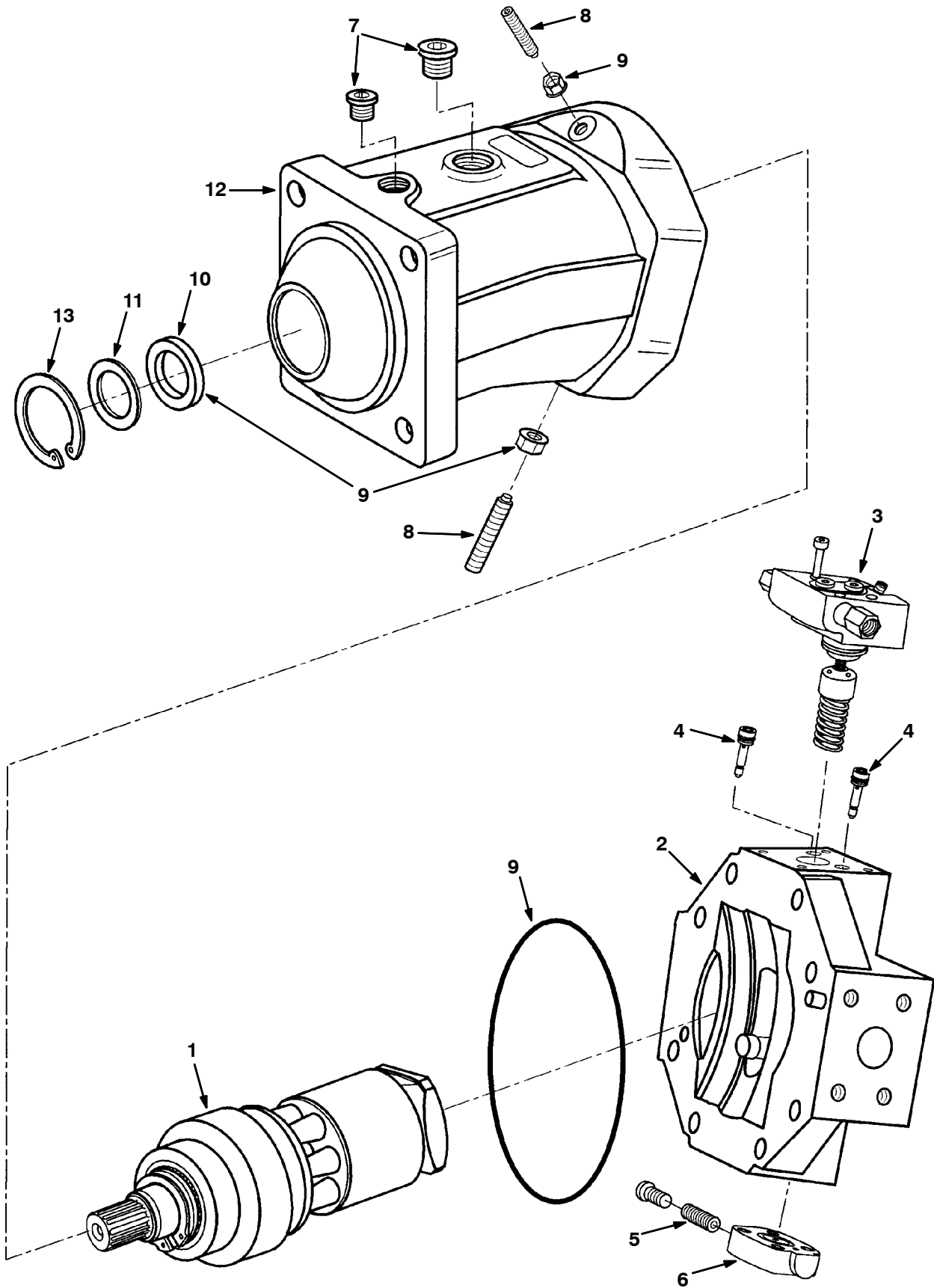


Fig. 4 - Hydraulic Piston Motor Breakdown, 762136

	TENNANT	Manufacturer			
Ref.	Part No.	Serial Number		Description	Qty.
∇	762136	(000000-)	Motor, Piston, Rexroth	1
▲ 1	763948	(000000-)	Rotary Group	1
▲ 2	763949	(000000-)	Rear Cover Assembly	1
▲ 3	763950	(000000-)	DA Control Kit	1
▲ 4	763951	(000000-)	Check Valve Kit	2
▲ 5	763457	(000000-)	Swivel Orifice Kit	1
▲ 6	763952	(000000-)	Stroking Piston Cover	1
▲ 7	763447	(000000-)	Plug (M18 x 1.5)	2
▲ 8	763461	(000000-)	Stop Screw	2
▲∇ 9	763956	(000000-)	Seal Kit	1
▲▲ 10	763464	(000000-)	Shaft Seal	1
▲ 11	763953	(000000-)	Shim	1
▲ 12	763954	(000000-)	Housing	1
▲ 13	763955	(000000-)	Snap Ring	1

Fig. 5 - Hydraulic Gear Pump Breakdown, 762022

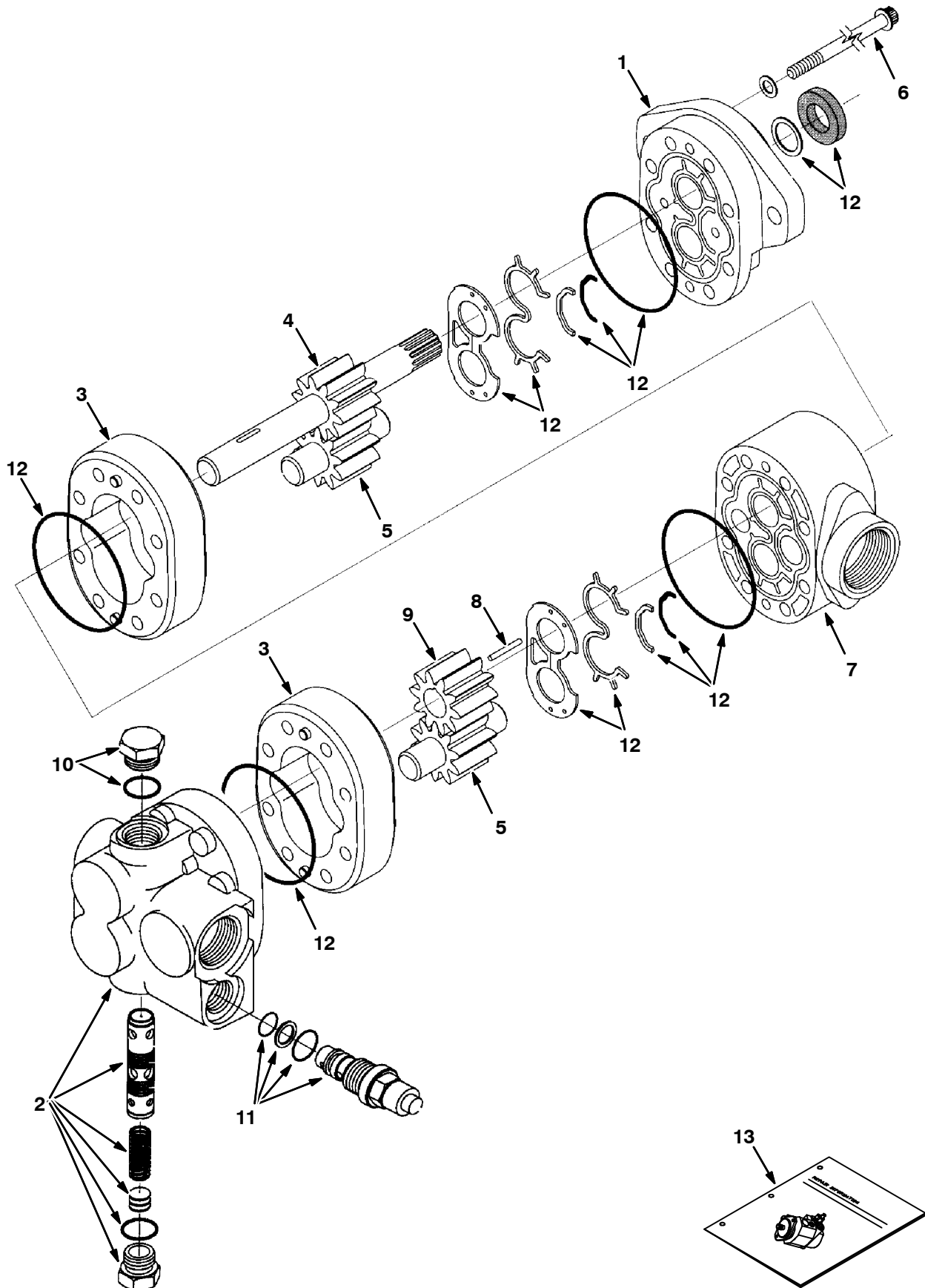
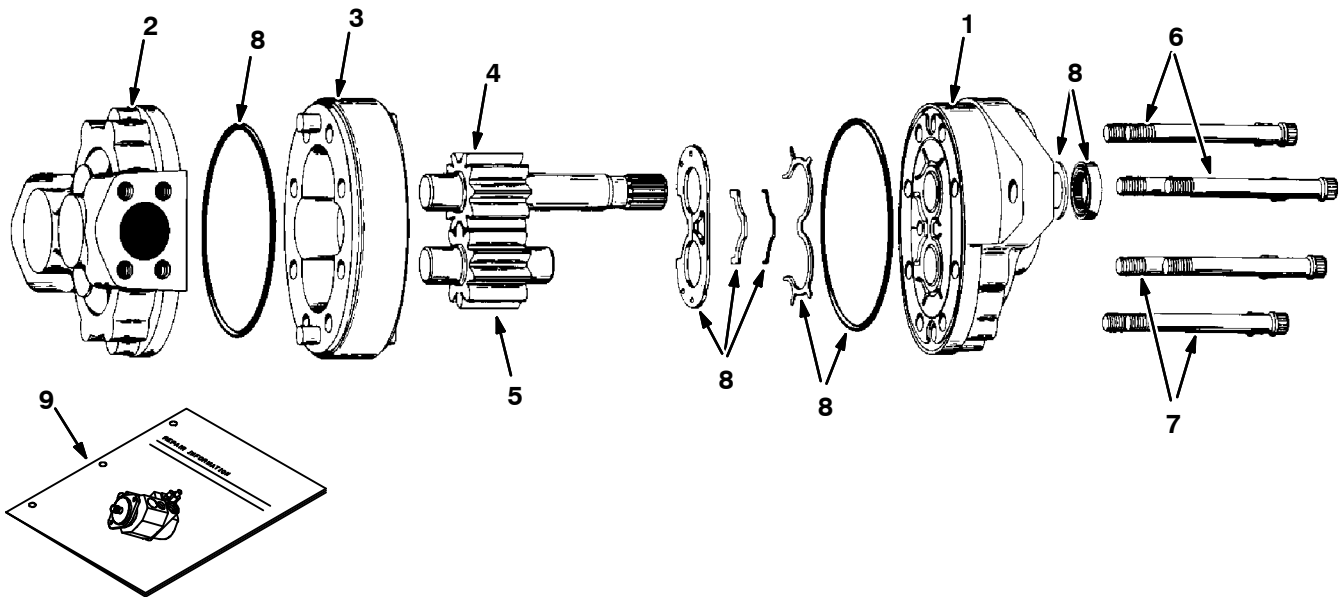


Fig. 5 - Hydraulic Gear Pump Breakdown, 762022

	TENNANT	Manufacturer			
Ref.	Part No.	Serial Number	Description		Qty.
∇	762022	(000000-)	Pump, Hyd Double Gear	1
▲ 1	74149	(000000-)	Frontplate	1
▲ 2	762082	(000000-)	Backplate	1
▲ 3	763470	(000000-)	Body	2
▲ 4	763471	(000000-)	Drive Gear	1
▲ 5	763472	(000000-)	Idler Gear	2
▲ 6	763473	(000000-)	Screw, Cap	8
▲ 7	763474	(000000-)	Plate, Adaptor	1
▲ 8	763475	(000000-)	Key	1
▲ 9	763481	(000000-)	Gear	1
▲ 10	763477	(000000-)	Plug W/O-Ring	1
▲ 11	763482	(000000-)	Relief Valve	1
▲ 12	763484	(000000-)	Seal Kit	1
▲ 13	763483	(000000-)	Repair Info, Pmp	1

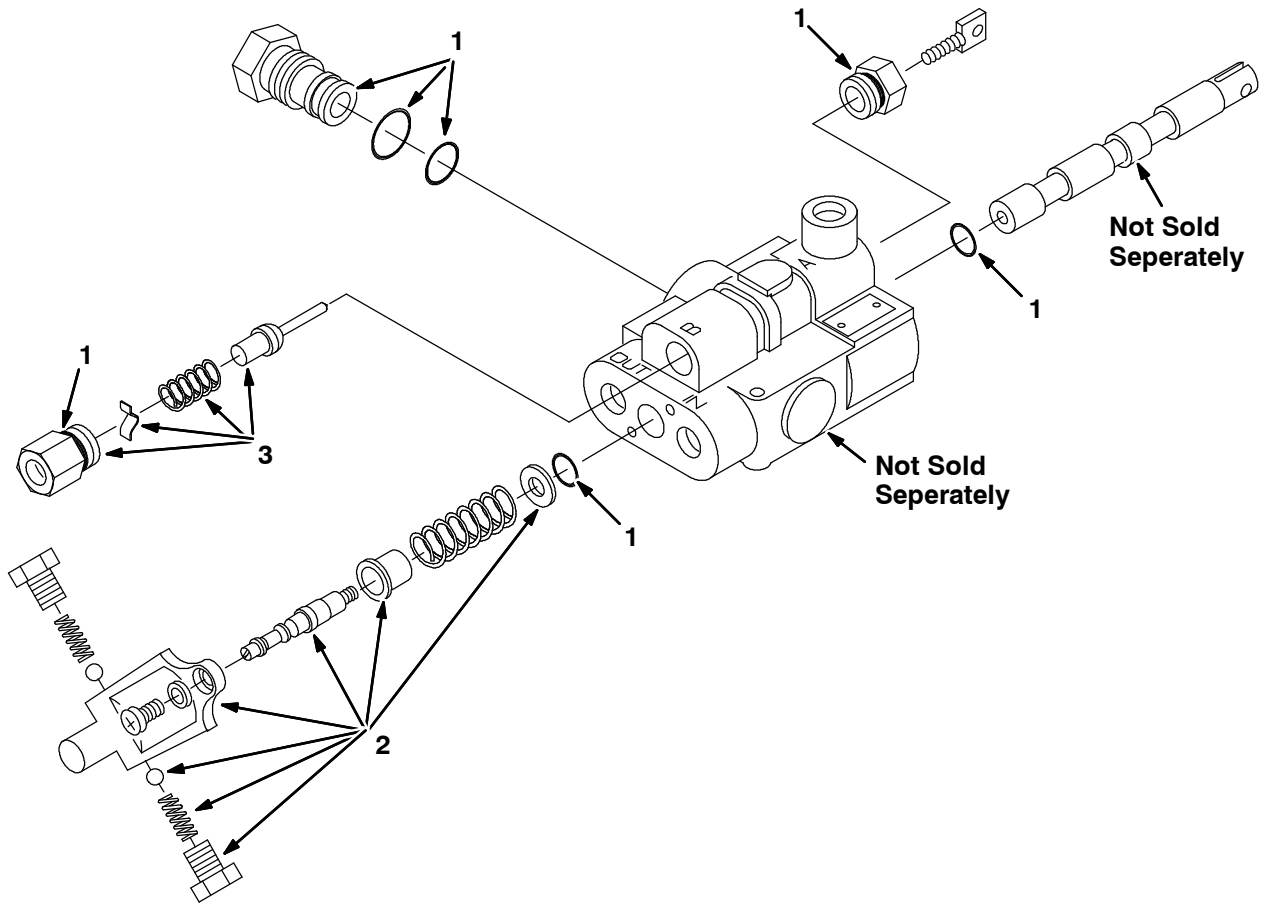
Fig. 6 - Hydraulic Gear Pump Breakdown, 762024



10307/10308/09670

Ref.	TENNANT Part No.	Manufacturer Serial Number	Description	Qty.	
▽	762024	(000000-) Pump, Hyd Gear 1.76 Cid	1	
▲	1	763485	(000000-) Frontplate	1
▲	2	763486	(000000-) Backplate	1
▲	3	763487	(000000-) Body	1
▲	4	763488	(000000-) Drive Gear	1
▲	5	763489	(000000-) Idler Gear	1
▲	6	763490	(000000-) Screw, Cap	4
▲	7	763501	(000000-) Screw, Cap	4
▲	8	763503	(000000-) Seal Kit	1
▲	9	763502	(000000-) Repair Info, Pmp	1

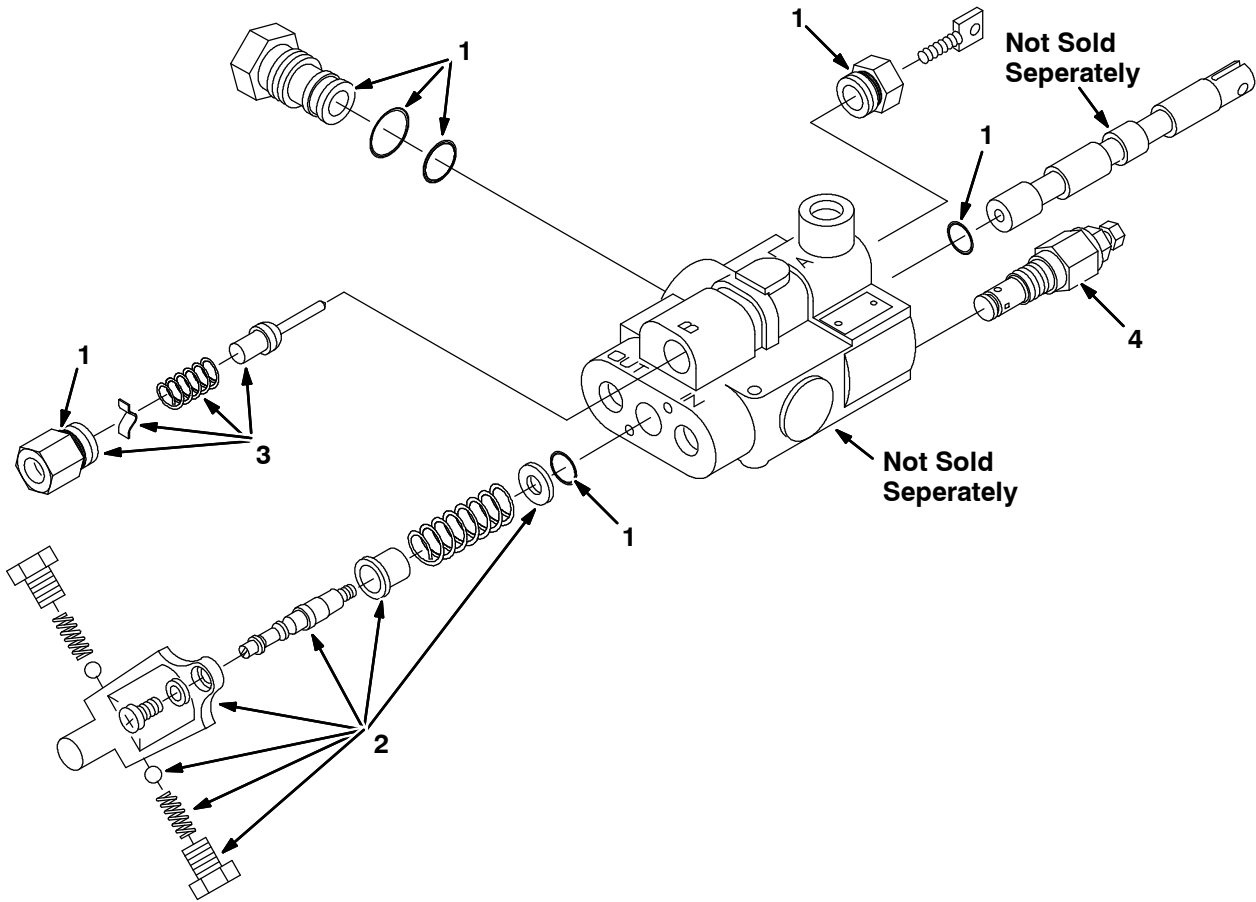
Fig. 7 - Hydraulic Valve Breakdown, 762037



10165/10164

Ref.	TENNANT Part No.	Manufacturer Serial Number	Description	Qty.
▽	762037	(000000-) Valve, Hydraulic	1
▲ 1	763495	(000000-) Seal Kit	1
▲ 2	763496	(000000-) Detent In Kit	1
▲ 3	74130	(000000-) Check Valve Kit, Pilot	1

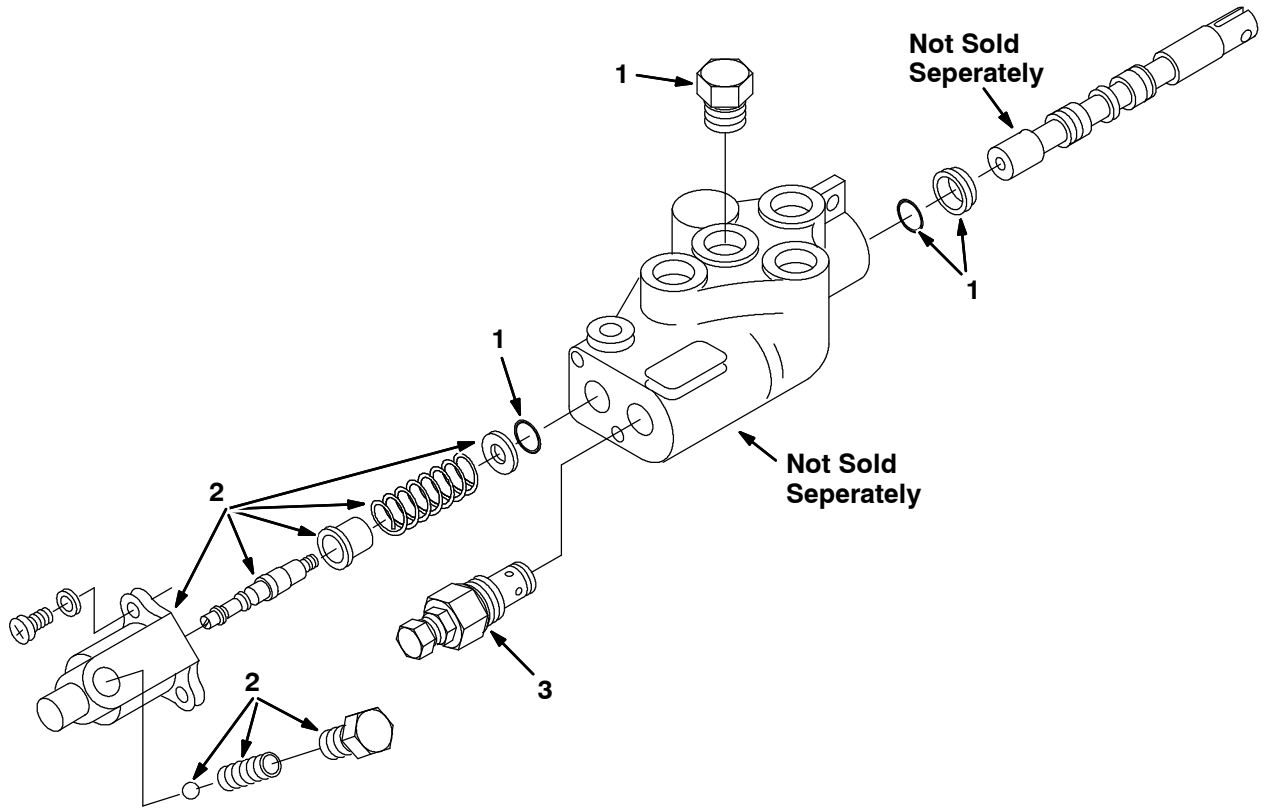
Fig. 8 - Hydraulic Valve Breakdown, 762041



10163/10162

Ref.	TENNANT Part No.	Manufacturer Serial Number	Description	Qty.
▽	762041	(000000-) Valve, Hydraulic	1
▲ 1	763494	(000000-) Seal Kit	1
▲ 2	763496	(000000-) Detent In Kit	1
▲ 3	74130	(000000-) Check Valve Kit, Pilot	1
▲ 4	763500	(000000-) Relief Valve	1

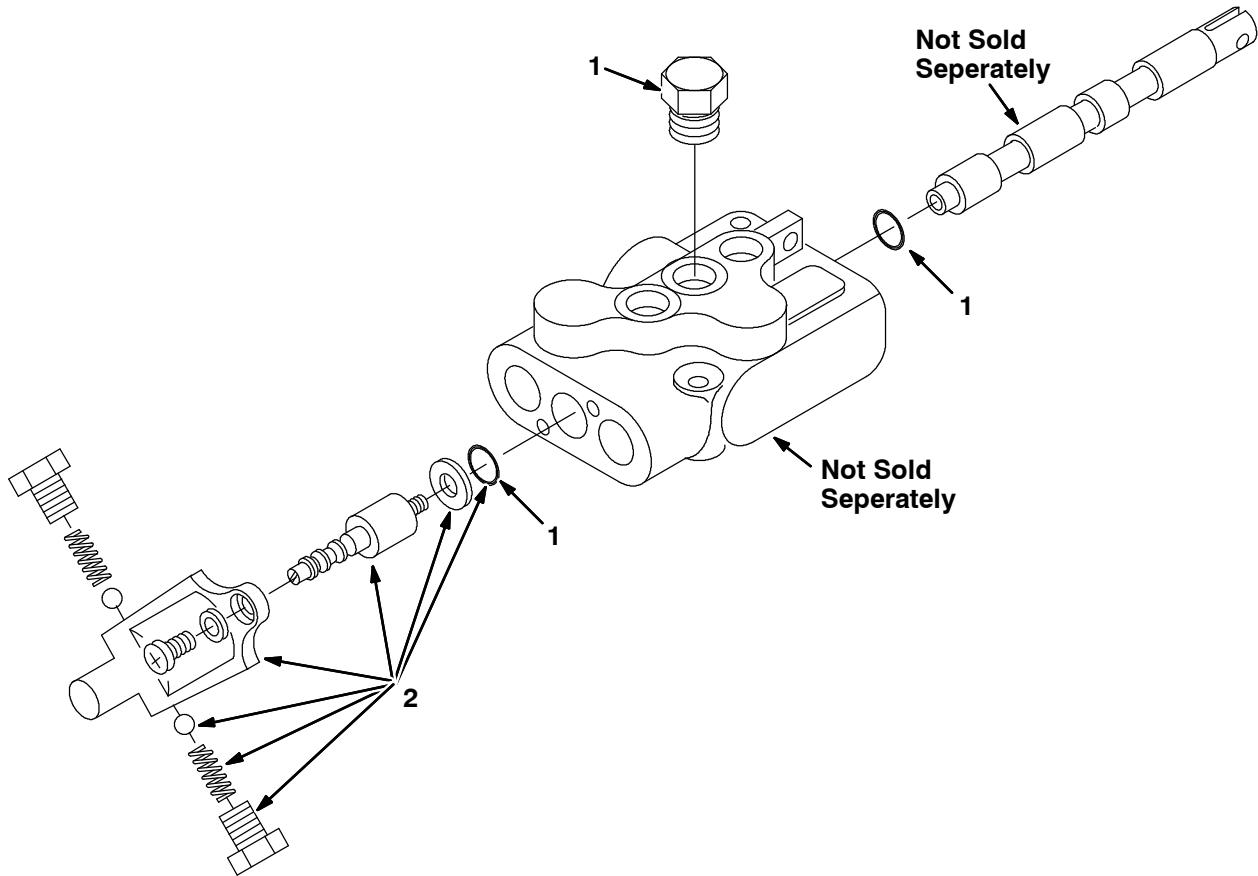
Fig. 9 - Hydraulic Valve Breakdown, 762031



10161/10160

Ref.	TENNANT Part No.	Manufacturer Serial Number	Description	Qty.
▽	762031	(000000-) Valve, Hydraulic	1
▲ 1	763492	(000000-) Seal Kit	1
▲ 2	763498	(000000-) Detent Out Kit	1
▲ 3	763499	(000000-) Relief Valve	1

Fig. 10 - Hydraulic Valve Breakdown, 762047

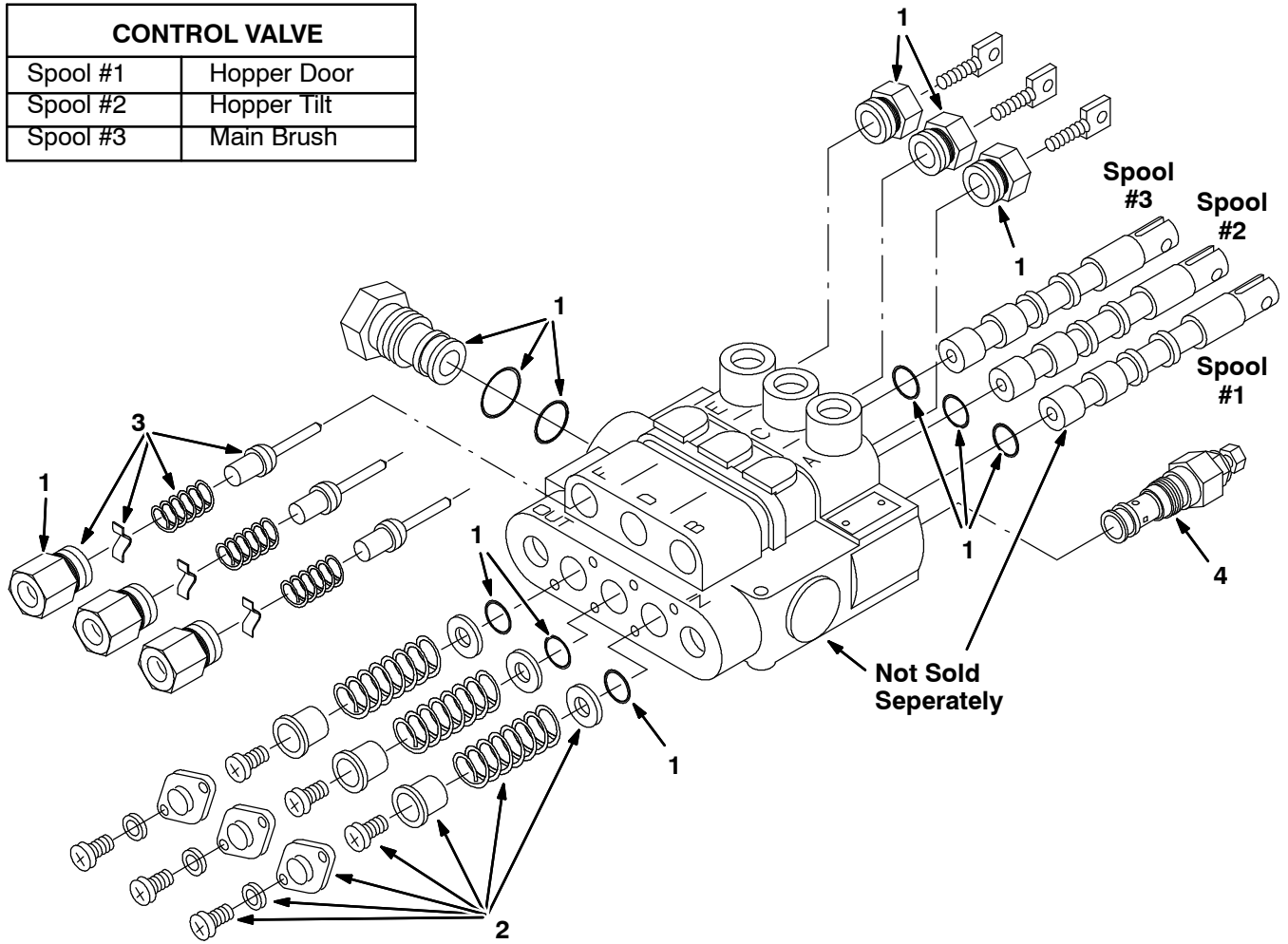


10167/10166

Ref.	TENNANT Part No.	Manufacturer Serial Number	Description	Qty.
▽	762047	(000000-) Valve, Hydraulic	1
▲ 1	763493	(000000-) Seal Kit	1
▲ 2	763497	(000000-) Detent Kit	1

Fig. 11 - Hydraulic Valve Breakdown, 762013

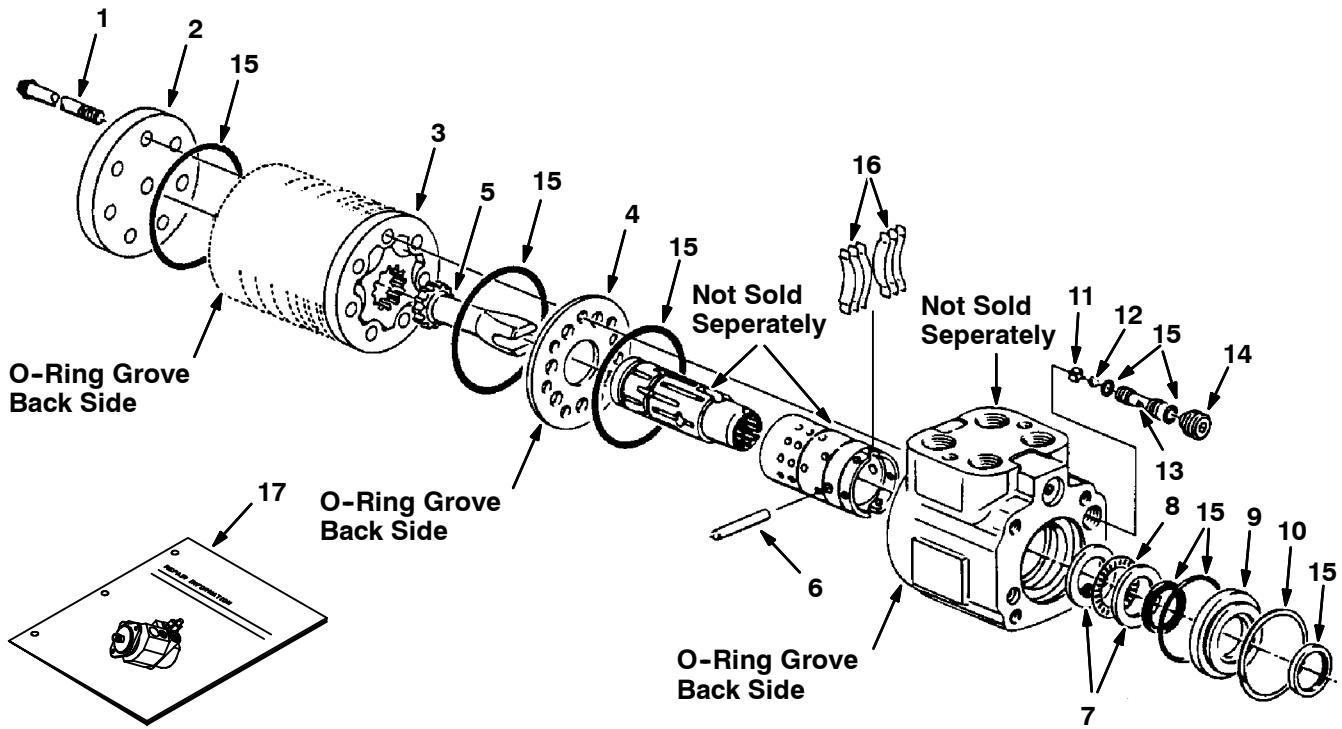
CONTROL VALVE	
Spool #1	Hopper Door
Spool #2	Hopper Tilt
Spool #3	Main Brush



09942/09941

Ref.	TENNANT Part No.	Manufacturer Serial Number	Description	Qty.
▽	762013	(000000-) Valve, Hydraulic	1
▲ 1	763491	(000000-) Seal Kit	1
▲ 2	74126	(000000-) Spring Centering Kit	3
▲ 3	74130	(000000-) Check Valve Kit, Pilot	3
▲ 4	763499	(000000-) Relief Valve	1

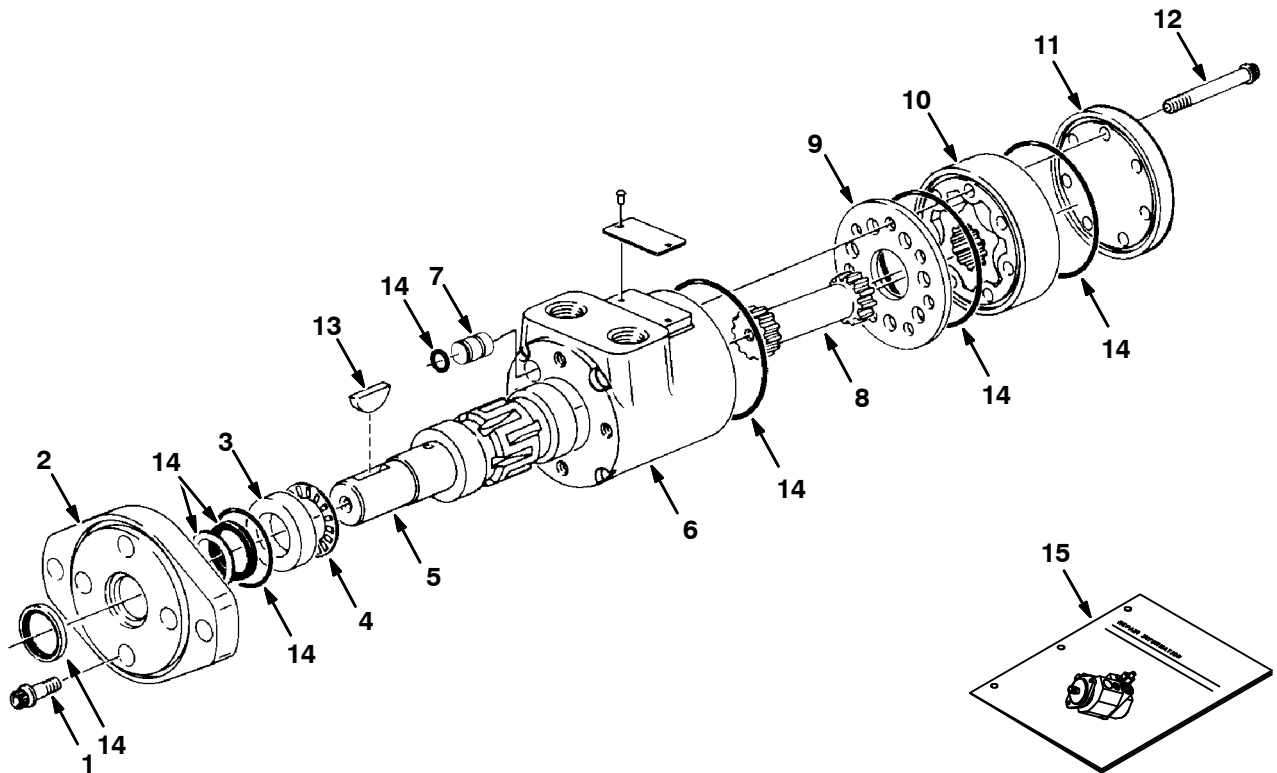
Fig. 12 - Hydraulic Steering Valve Breakdown, 762018



09937/10172/09670

Ref.	TENNANT Part No.	Manufacturer Serial Number	Description	Qty.
	762018	(000000-) Valve, Hydraulic Steering	1
▲ 1	74174	(000000-) Cap, Screw	7
▲ 2	74181	(000000-) Cap, End	1
▲ 3	65235	(000000-) Gerotor Set	1
▲ 4	74182	(000000-) Plate, Wear	1
▲ 5	58596	(000000-) Drive	1
▲ 6	74218	(000000-) Pin	1
▲ 7	74109	(000000-) Race, Bearing	2
▲ 8	74110	(000000-) Bearing, Needle	1
▲ 9	763401	(000000-) Bushing, Gland Seal	1
▲ 10	74111	(000000-) Ring, Retaining	1
▲ 11	74186	(000000-) Retainer, Check	1
▲ 12	74187	(000000-) Ball	1
▲ 13	74188	(000000-) Seat, Check Ball	1
▲ 14	74189	(000000-) Screw, Set	1
▲ 15	763404	(000000-) Seal Kit, Scu	1
▲ 16	763403	(000000-) Spring Kit, Centering	1
▲	763402	(000000-) Check Valve, Inlet	1
▲ 17	763430	(000000-) Repair Info	1

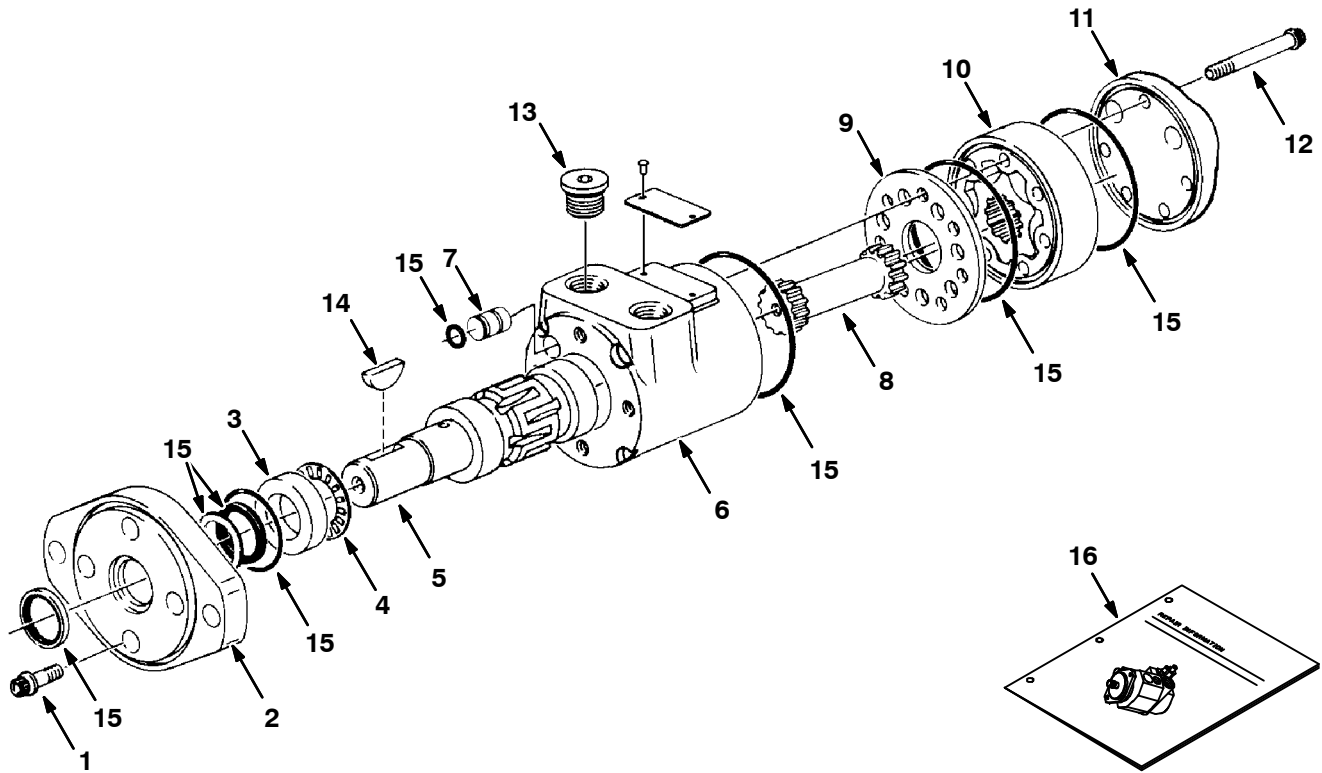
Fig. 13 - Hydraulic Motor Breakdown, 762005



10309/10310/09670

Ref.	TENNANT Part No.	Manufacturer Serial Number	Description	Qty.	
▽	762005	(000000-) Motor, Hyd 3Rd Brush Transprt	1	
▲	1	37555	(000000-) Screw	4
▲	2	763504	(000000-) Flg, Mtg 2-Bolt	1
▲	3	16695	(000000-) Race Thrust	1
▲	4	45628	(000000-) Thrust Bearing	1
▲	5	31357	(000000-) Shaft, Output	1
▲	6	763505	(000000-) Housing	1
▲	7	74093	(000000-) Plug Housing	1
▲	8	34172	(000000-) Drive	1
▲	9	74094	(000000-) Spacer Plate	1
▲	10	763506	(000000-) Gerotor Assy	1
▲	11	38873	(000000-) Cover Cap	1
▲	12	74191	(000000-) Screw, Cap	7
▲	13	00500-15	(000000-) Key-Wdruff 0.25 1.00 Asa#0808	1
▲	14	28835	(000000-) Seal Kit, Motor A/H-Stnd	1
▲	15	763507	(000000-) Repair Info, Mtr	1

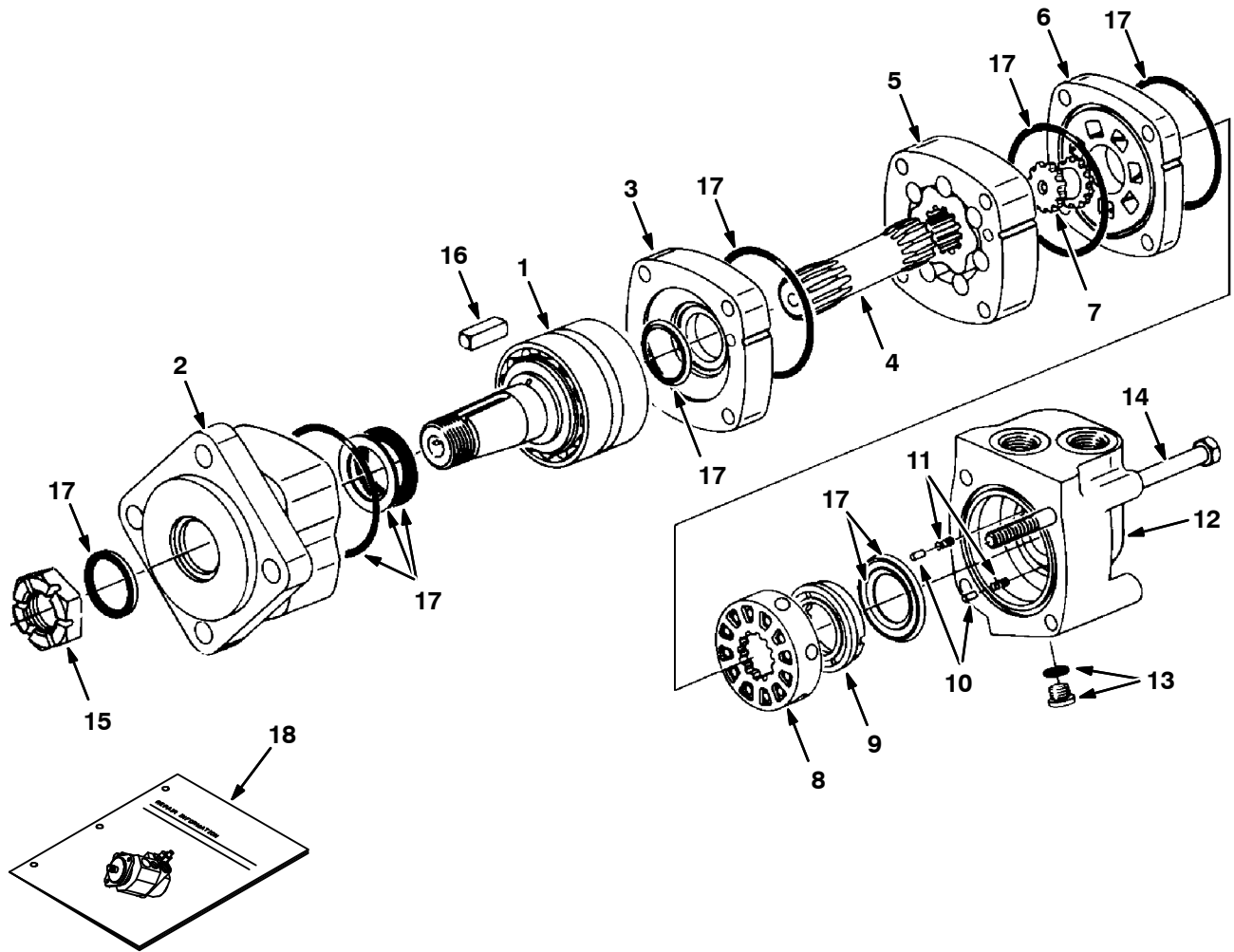
Fig. 14 - Hydraulic Motor Breakdown, 762035



10311/10312/09670

Ref.	TENNANT Part No.	Manufacturer Serial Number	Description	Qty.	
▽	762035	(000000-) Motor, Hyd Shaker W/End Ports	1	
▲	1	37555	(000000-) Screw	4
▲	2	763504	(000000-) Flg, Mtg 2-Bolt	1
▲	3	16695	(000000-) Race Thrust	1
▲	4	45628	(000000-) Thrust Bearing	1
▲	5	763508	(000000-) Output Shaft	1
▲	6	74092	(000000-) Housing	1
▲	7	74093	(000000-) Plug, Housing	1
▲	8	34172	(000000-) Drive	1
▲	9	74094	(000000-) Spacer Plate	1
▲	10	763506	(000000-) Gerotor Assy	1
▲	11	763509	(000000-) End Cap	1
▲	12	74191	(000000-) Screw, Cap	5
▲	13	74099	(000000-) Plug #10	2
▲	14	00500-15	(000000-) Key-Wdruff 0.25 1.00 Asa#0808	1
▲	15	28835	(000000-) Seal Kit, Motor A/H-Stnd	1
▲	16	763507	(000000-) Repair Info, Mtr	1

Fig. 15 - Hydraulic Motor Breakdown, 762025



10313/10314/09670

Ref.	TENNANT Part No.	Manufacturer Serial Number	Description	Qty.
▽	762025	(000000-) Motor, Hyd 3Rd Brush	1
▲	1 02644	(000000-) Shaft Bearing Kit	1
▲	2 763511	(000000-) Housing, Bearng	1
▲	3 51417	(000000-) Plate	1
▲	4 763512	(000000-) Drive	1
▲	5 763513	(000000-) Geroler Assy	1
▲	6 02646	(000000-) Valve Plate	1
▲	7 57370	(000000-) Valve Drive	1
▲	8 02647	(000000-) Valve	1
▲	9 57373	(000000-) Balance Ring	1
▲	10 57374	(000000-) Pin	2
▲	11 57375	(000000-) Spring	2
▲	12 74119	(000000-) Housing, Vlv	1
▲	13 74098	(000000-) Plug #4	1
▲	14 763514	(000000-) Screw, Cap	4
▲	15 38490	(000000-) Nut	1
▲	16 38315	(000000-) Key	1
▲	17 02643	(000000-) Seal Kit	1
▲	18 79729	(000000-) Repair Info, Mtr	1

Fig. 16 - Hydraulic Gear Motor Breakdown, 762058

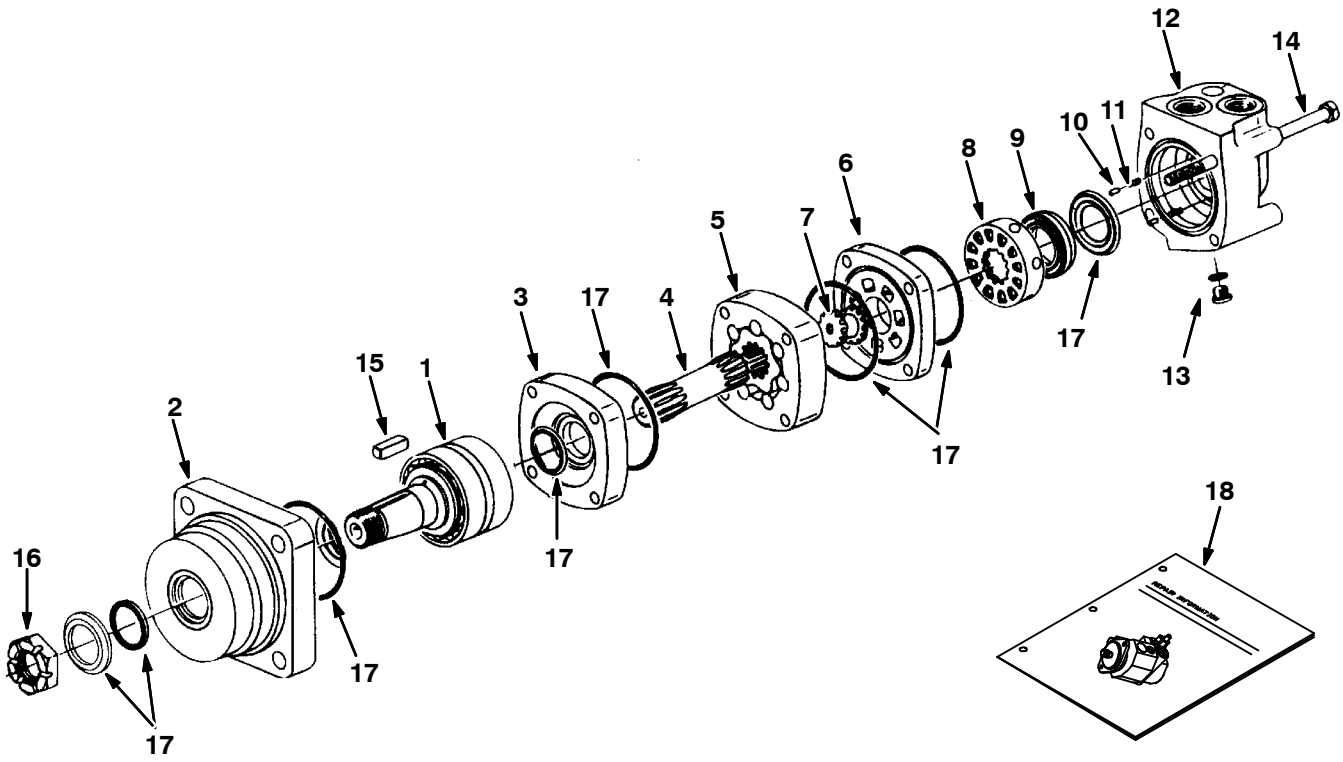


Fig. 16 - Hydraulic Gear Motor Breakdown, 762058

	Tennant Ref.	Part No.	Manufacturer Serial Number	Description	Qty.
▽		762058	(000000-) Motor, Hyd Gear	1
▲	1	21951	(000000-) Shaft/Brg Kit	1
▲	2	762083	(000000-) Housing, Brg	1
▲	3	51417	(000000-) Plate	1
▲	4	763512	(000000-) Drive	1
▲	5	763513	(000000-) Geroler	1
▲	6	02646	(000000-) Valve Plate	1
▲	7	57370	(000000-) Valve Drive	1
▲	8	02647	(000000-) Valve	1
▲	9	57373	(000000-) Balance Ring	1
▲	10	57374	(000000-) Pin	2
▲	11	57375	(000000-) Spring	2
▲	12	74119	(000000-) Housing, Valve	1
▲	13	74098	(000000-) Plug #4	1
▲	14	763514	(000000-) Bolt	4
▲	15	38315	(000000-) Key	1
▲	16	38490	(000000-) Nut	1
▲	17	21953	(000000-) Seal Kit, Mtr	1
	18	79729	(000000-) Repair Info, Motor	1

Fig. 17 - Hydraulic Gear Motor Breakdown, 762059

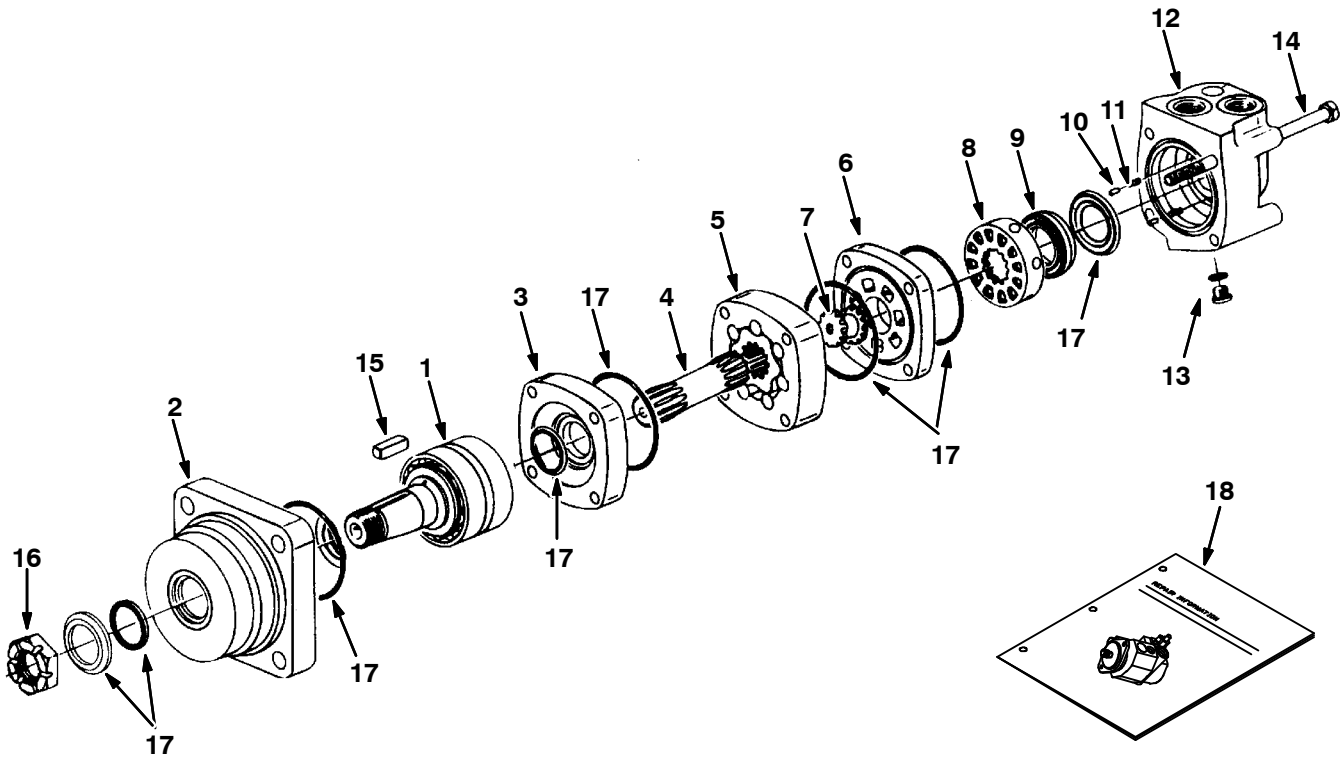
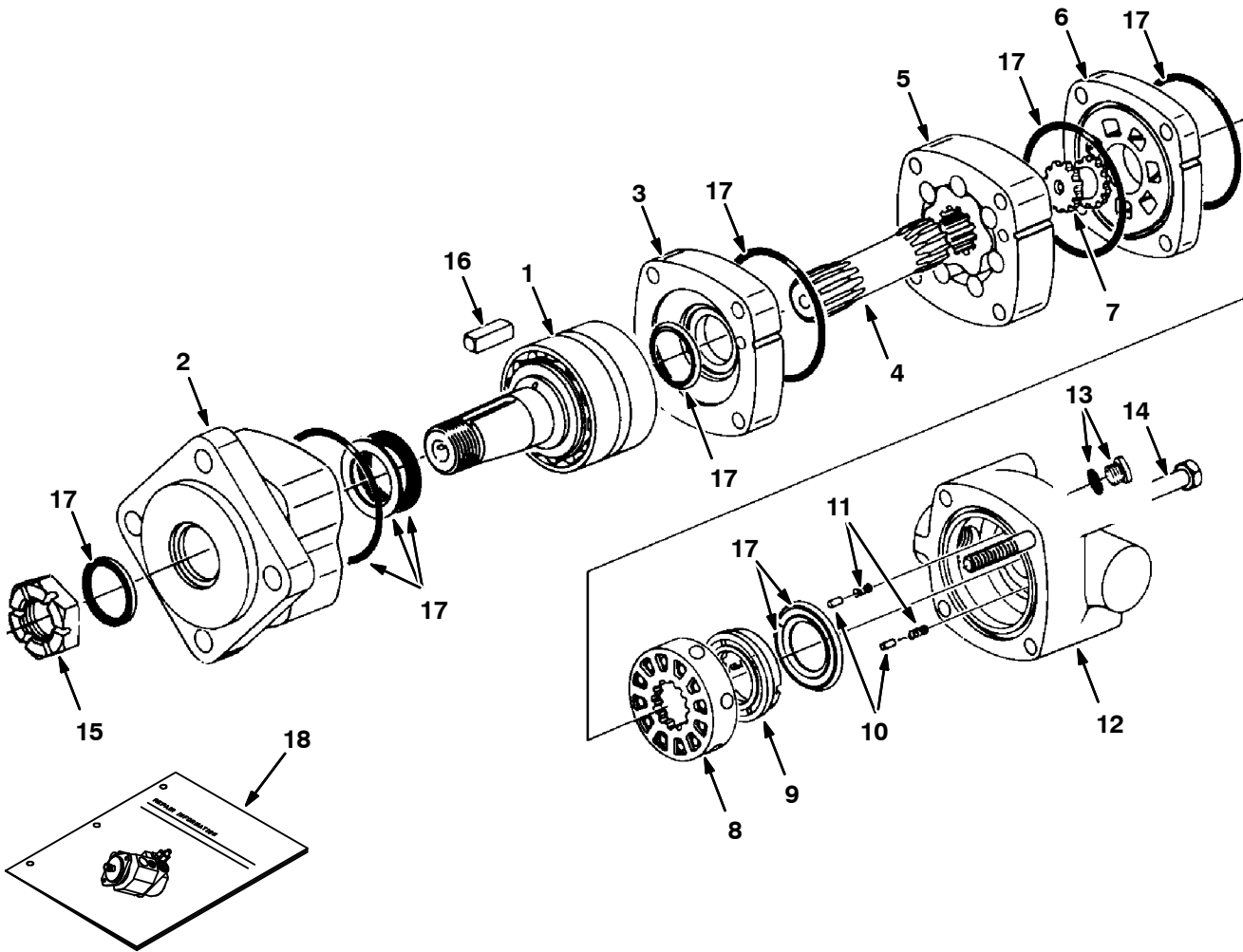


Fig. 17 - Hydraulic Gear Motor Breakdown, 762059

	Tennant Ref.	Part No.	Manufacturer Serial Number	Description	Qty.
▽		762059	(000000-) Motor, Hyd Gear	1
▲	1	21951	(000000-) Shaft/Brg Kit	1
▲	2	762083	(000000-) Housing, Brg	1
▲	3	51417	(000000-) Plate	1
▲	4	02603	(000000-) Drive	1
▲	5	02645	(000000-) Geroler	1
▲	6	02646	(000000-) Valve Plate	1
▲	7	57370	(000000-) Valve Drive	1
▲	8	02647	(000000-) Valve	1
▲	9	57373	(000000-) Balance Ring	1
▲	10	57374	(000000-) Pin	2
▲	11	57375	(000000-) Spring	2
▲	12	763515	(000000-) Housing, Valve	1
▲	13	74098	(000000-) Plug #4	1
▲	14	74120	(000000-) Bolt	4
▲	15	38315	(000000-) Key	1
▲	16	38490	(000000-) Nut	1
▲	17	21953	(000000-) Seal Kit, Mtr	1
	18	79729	(000000-) Repair Info, Motor	1

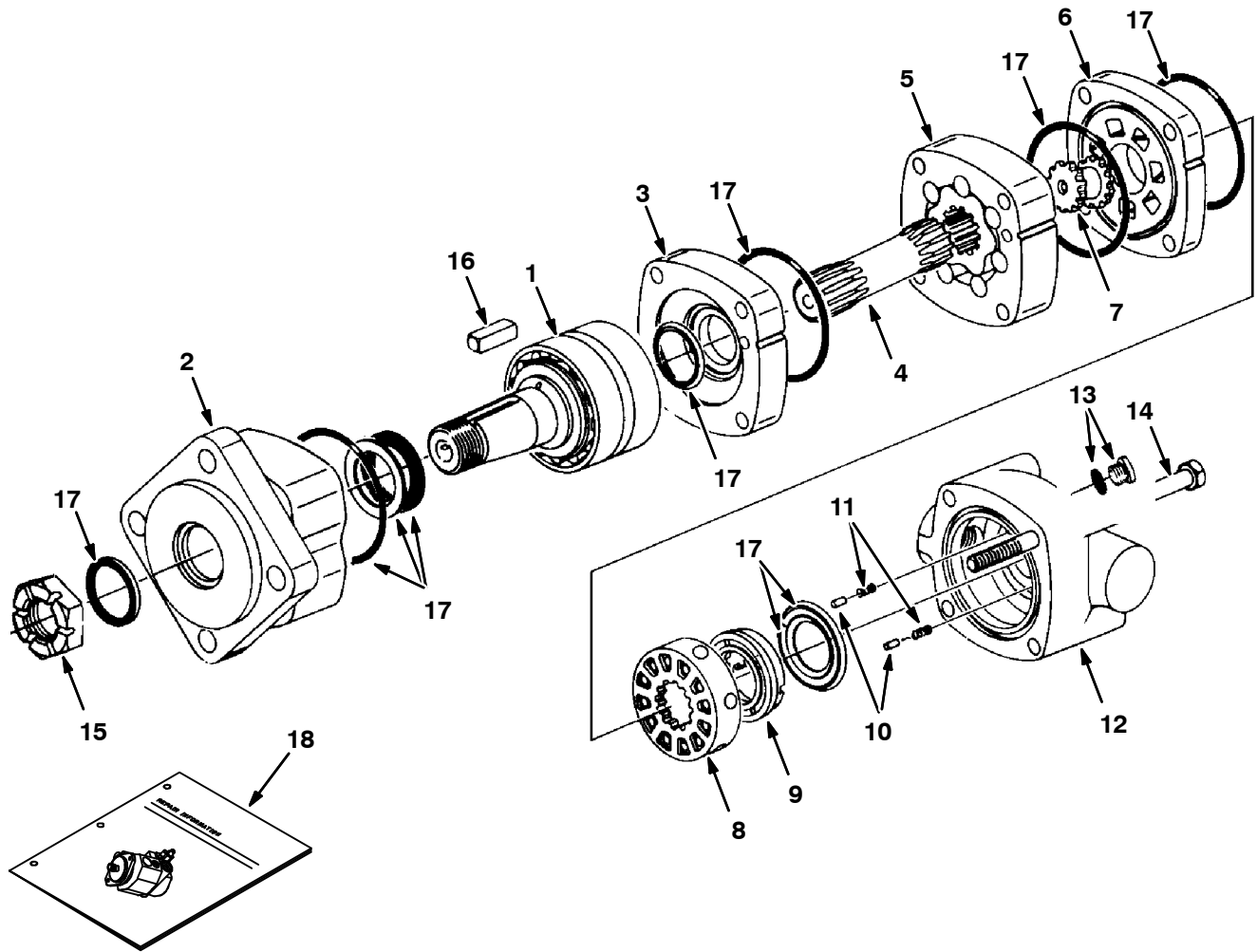
Fig. 18 - Hydraulic Motor Breakdown, 762042



10315/10316/09670

Ref.	TENNANT Part No.	Manufacturer Serial Number	Description	Qty.	
▽	762042	(000000-) Motor, Hyd, S.Brush W/Endports	1	
▲	1	02644	(000000-) Shaft Bearing Kit	1
▲	2	763511	(000000-) Housing, Bearng	1
▲	3	51417	(000000-) Plate	1
▲	4	02603	(000000-) Drive	1
▲	5	02645	(000000-) Geroler	1
▲	6	02646	(000000-) Valve Plate	1
▲	7	57370	(000000-) Valve Drive	1
▲	8	02647	(000000-) Valve	1
▲	9	57373	(000000-) Balance Ring	1
▲	10	57374	(000000-) Pin	2
▲	11	57375	(000000-) Spring	2
▲	12	763515	(000000-) Housing, Valve	1
▲	13	74098	(000000-) Plug #4	1
▲	14	74120	(000000-) Bolt	4
▲	15	38490	(000000-) Nut	1
▲	16	38315	(000000-) Key	1
▲	17	02643	(000000-) Seal Kit	1
▲	18	79729	(000000-) Repair Info, Mtr	1

Fig. 19 - Hydraulic Motor Breakdown, 762045



10317/10316/09670

Ref.	TENNANT Part No.	Manufacturer Serial Number	Description	Qty.
▽	762045	(000000-) Motor, Hyd Main Brush W/Ports	1
▲	1 02644	(000000-) Shaft Bearing Kit	1
▲	2 763517	(000000-) Housing, Bearng	1
▲	3 51417	(000000-) Plate	1
▲	4 87784	(000000-) Drive	1
▲	5 87785	(000000-) Geroler	1
▲	6 02646	(000000-) Valve Plate	1
▲	7 57370	(000000-) Valve Drive	1
▲	8 02647	(000000-) Valve	1
▲	9 57373	(000000-) Balance Ring	1
▲	10 57374	(000000-) Pin	2
▲	11 57375	(000000-) Spring	2
▲	12 763515	(000000-) Housing, Valve	1
▲	13 74098	(000000-) Plug #4	1
▲	14 763516	(000000-) Screw, Cap	4
▲	15 38490	(000000-) Nut	1
▲	16 38315	(000000-) Key	1
▲	17 02643	(000000-) Seal Kit	1
▲	18 79729	(000000-) Repair Info, Mtr	1

Fig. 20 - Rear Axle And Spindle Breakdown

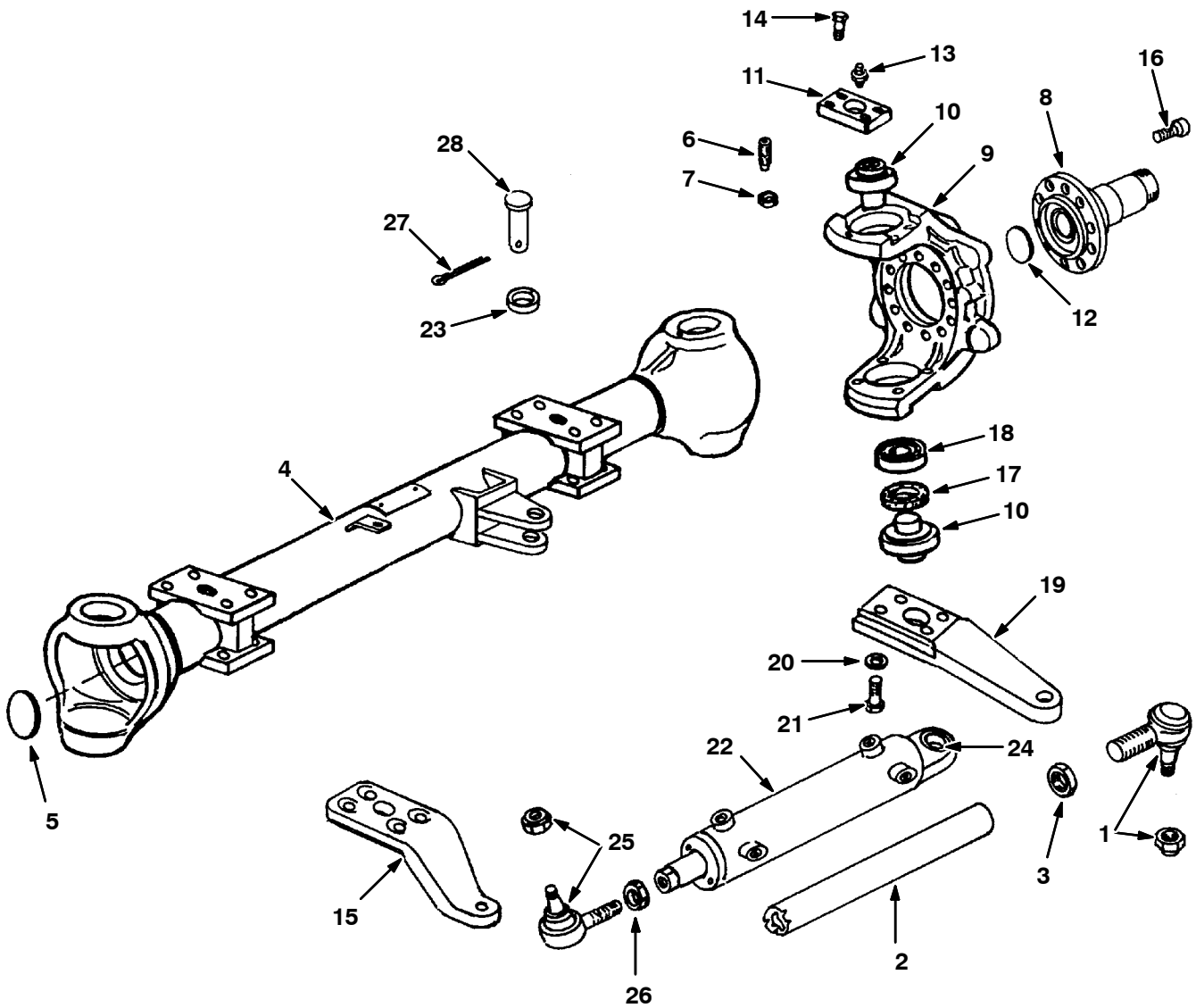
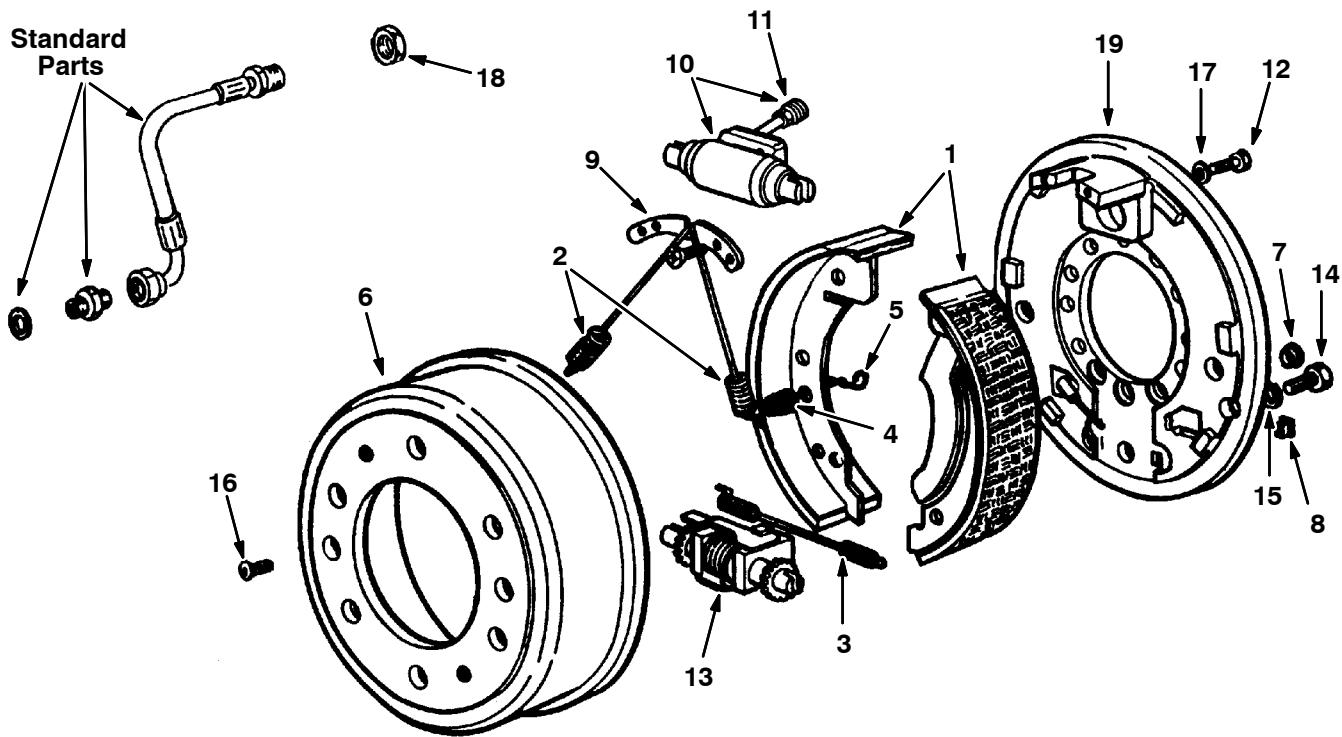


Fig. 20 - Rear Axle And Spindle Breakdown

NOTE: The Rear Axle Breakdown, Tennant part number 762702, includes Fig. 20, Fig. 21, and Fig. 22.

Ref.	TENNANT Part No.	Manufacturer Serial Number	Description	Qty.	
1	761601	(000000-) Rod End Pivot Lh	1	
1	761602	(000000-) Rod End Pivot Rh	1	
2	761603	(000000-) Steering Rod Rear	1	
3	761727	(000000-) Nut, Rh	1	
3	761728	(000000-) Nut, Lh	1	
4	761726	(000000-) Rear Axle Housing	1	
5	761729	(000000-) Dust Cap	2	
6	761607	(000000-) Screw, M8x50	2	
7	761617	(000000-) Nut, Self Lock M8	2	
8	761627	(000000-) Carrying Flange	2	
9	761628	(000000-) Steering Housing	2	
10	761629	(000000-) Pivoting Hub	4	
11	761630	(000000-) Flange	1	
12	761731	(000000-) Dust Cover	2	
13	761631	(000000-) Grease Zerk	4	
14	761612	(000000-) Screw, M12x30	4	
15	761733	(000000-) Steering Lever, Rh, Upper	1	
16	761632	(000000-) Screw, M10x30	24	
17	761609	(000000-) Gasket	4	
18	761610	(000000-) Bearing	4	
19	761635	(000000-) Steering Lever, Lower	1	
19	761732	(000000-) Steering Lever, Lower, Lh	1	
20	761611	(000000-) Washer	16	
21	761633	(000000-) Screw, M12x40	12	
∇	22	762020	(000000-018128) Cylinder, Hydraulic	1	
▲		761714	(000000-018128) Seal Kit, Cylinder	1	
∇	22	762080	(018129-) Cylinder, Hydraulic	1
▲		761714	(018129-) Seal Kit, Cylinder	1
	23	761720	(000000-) Spacer	1
	24	761715	(000000-) Pivoting Hub	1
	25	761716	(000000-) Rod End	1
	26	761717	(000000-) Nut, M18x1.5	1
	27	08280	(000000-) Cotter Pin	1
	28	761719	(000000-) Clevis Pin	1

Fig. 21 - Rear Axle Brake Breakdown

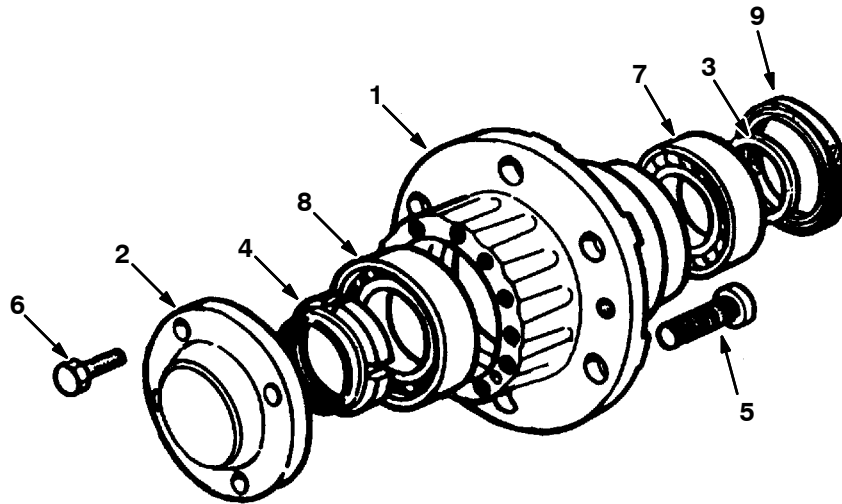


10960/10961

NOTE: The Rear Axle Breakdown, Tennant part number 762702, includes Fig. 20, Fig. 21, and Fig. 22.

Ref.	TENNANT Part No.	Manufacturer Serial Number	Description	Qty.
▽	761989	(000000-)	Kit, Brake Shoe Repair Rear	1
▲	1 761684	(000000-)	Brake Shoe	4
▲	2 761685	(000000-)	Spring	4
▲	3 761686	(000000-)	Lower Spring	2
▲	4 761687	(000000-)	Spring, Shoe Retainer	4
▲	5 761688	(000000-)	Spring, Shoe Retainer	4
	6 761690	(000000-)	Brake Drum	2
	7 761691	(000000-)	Seal	4
	8 761692	(000000-)	Seal	4
	9 761693	(000000-)	Plate	2
▽	10 761695	(000000-)	Wheel Cylinder	2
▲	11 761713	(000000-)	Bleed Screw	2
	12 06944	(000000-)	Screw	4
	13 761698	(000000-)	Auto Adjuster	2
	14 06967	(000000-)	Screw	2
	15 761700	(000000-)	Washer	4
	16 04373	(000000-)	Screw, M10x20	4
	17 07799	(000000-)	Cylinder Washer	4
	18 761712	(000000-)	Nut, M16x1.5	2
	19 763957	(000000-)	Plate, Backing, Rear	2

Fig. 22 - Rear Axle Wheel Hub Breakdown



10962/10963

NOTE: The Rear Axle Breakdown, Tennant part number 762702, includes Fig. 20, Fig. 21, and Fig. 22.

	Ref.	TENNANT Part No.	Manufacturer Serial Number	Description	Qty.
∇		761605	(000000-) Kit, Rear Wheel Hub	2
▲	1	761637	(000000-) Wheel Hub	1
▲	2	761734	(000000-) Cover	1
▲	3	761639	(000000-) Spacer	1
▲	4	761640	(000000-) Retaining Collar	1
▲	5	761641	(000000-) Stud	6
▲	6	39283	(000000-) Screw, M10x25	4
▲	7	761644	(000000-) Bearing, 32013	1
▲	8	761668	(000000-) Bearing, 32012	1
▲	9	761645	(000000-) Ring	1

Fig. 23 - Front Axle And Spindle Breakdown

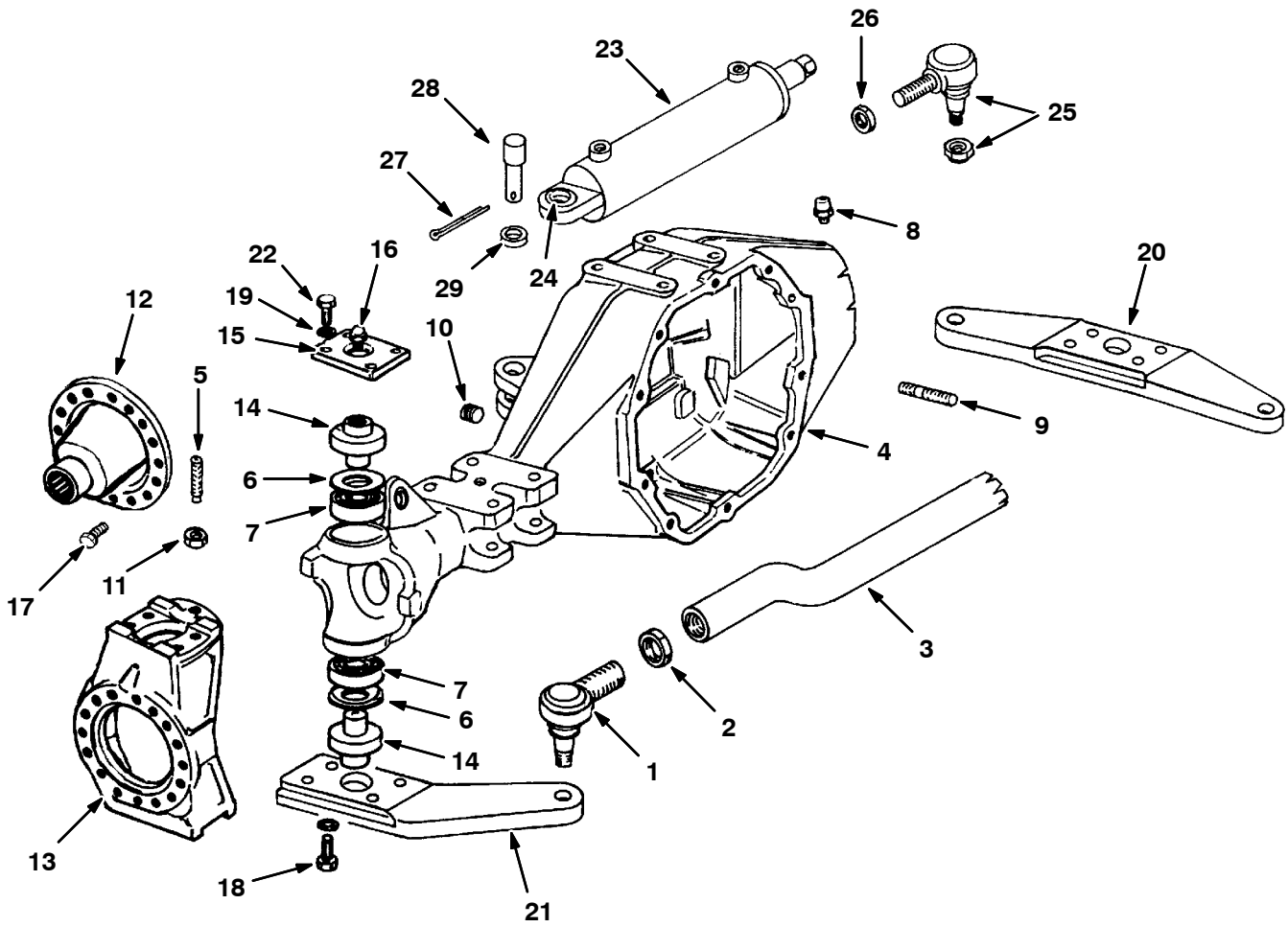
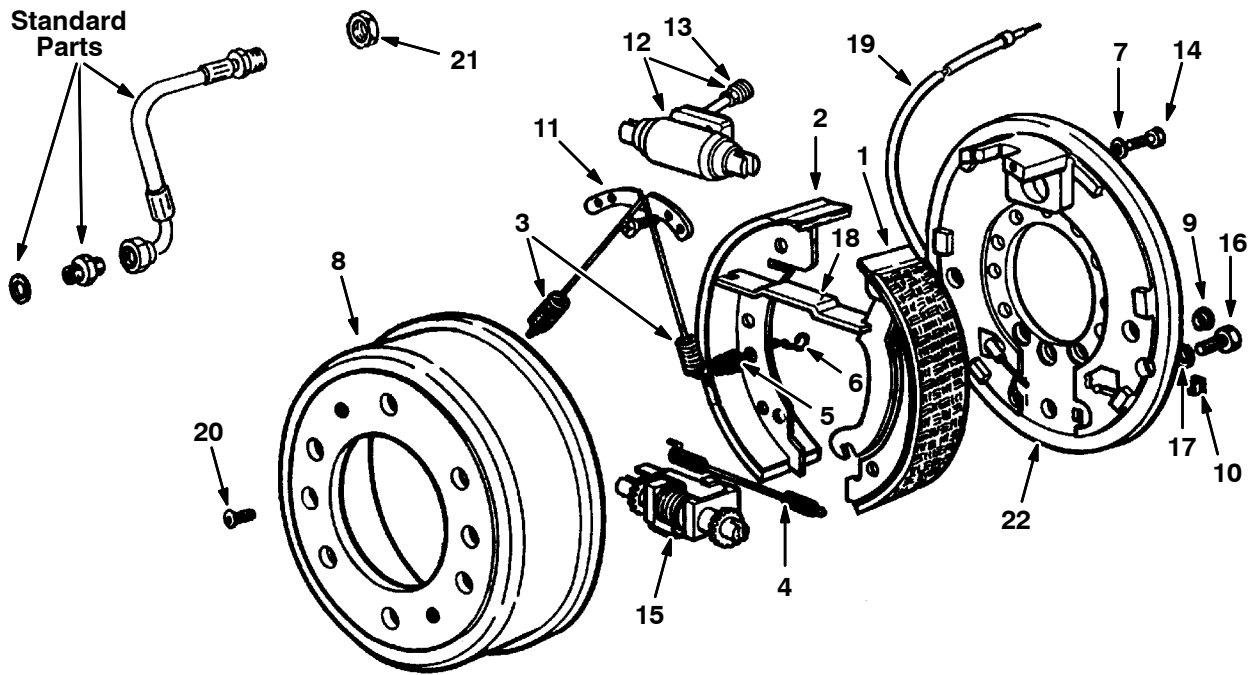


Fig. 23 - Front Axle And Spindle Breakdown

NOTE: The Front Axle Breakdown, Tennant part number 762701, includes Fig. 23, Fig. 24, Fig. 25, Fig. 26, and Fig. 27.

Ref.	TENNANT Part No.	Manufacturer Serial Number	Description	Qty.	
1	761601	(000000-) Rod End Pivot Lh	1	
1	761602	(000000-) Rod End Pivot Rh	1	
2	761727	(000000-) Nut, Rh	1	
2	761728	(000000-) Nut, Lh	1	
3	761600	(000000-) Steering Rod Front	1	
4	761606	(000000-) Front Axle Housing	1	
5	761607	(000000-) Screw, M8x50	2	
6	761609	(000000-) Gasket	4	
7	761610	(000000-) Bearing	4	
8	761613	(000000-) Breather	1	
9	761615	(000000-) Screw, M12x30	1	
10	761616	(000000-) Magnetic Plug	2	
11	761617	(000000-) Nut, Self Lock M8	2	
12	761627	(000000-) Carrying Flange	2	
13	761628	(000000-) Steering Housing	2	
14	761629	(000000-) Pivoting Hub	4	
15	761630	(000000-) Flange	2	
16	761631	(000000-) Grease Zerk	4	
17	761632	(000000-) Screw, M10x30	24	
18	761633	(000000-) Screw, M12x40	8	
19	761611	(000000-) Washer	16	
20	761634	(000000-) Steering Lever, Rh, Lower	1	
21	761635	(000000-) Steering Lever, Lower	1	
22	761612	(000000-) Screw, M12x30	8	
∇	23	762020	(000000-018104) Cylinder, Hydraulic	1	
▲		761714	(000000-018104) Seal Kit, Cylinder	1	
∇	23	762080	(018105-) Cylinder, Hydraulic	1
▲		761714	(018105-) Seal Kit, Cylinder	1
	24	761715	(000000-) Pivoting Hub	1
	25	761716	(000000-) Rod End	1
	26	761717	(000000-) Nut, M18x1.5	1
	27	08280	(000000-) Cotter Pin	1
	28	761719	(000000-) Clevis Pin	1
	29	761720	(000000-) Spacer	1

Fig. 24 - Front Axle Brake Breakdown

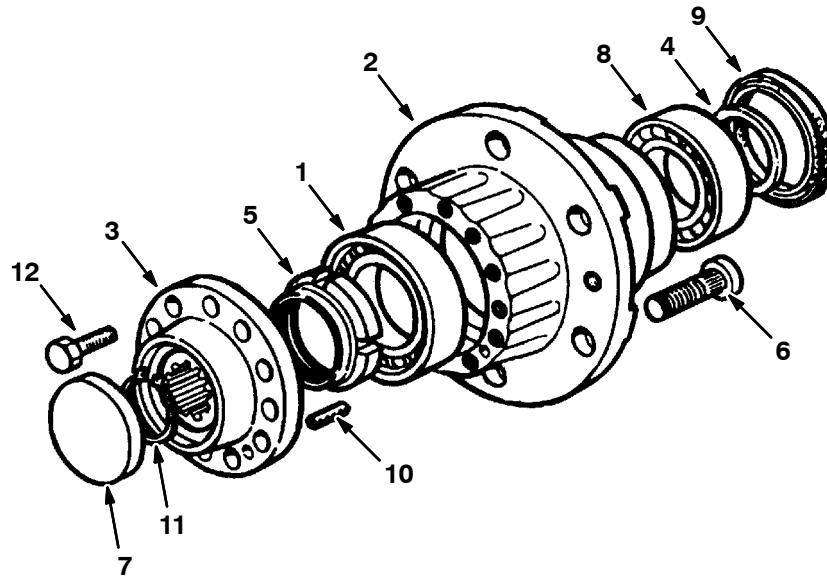


10966/10967

NOTE: The Front Axle Breakdown, Tennant part number 762701, includes Fig. 23, Fig. 24, Fig. 25, Fig. 26, and Fig. 27.

Ref.	TENNANT Part No.	Manufacturer Serial Number	Description	Qty.
∇	761985	(000000-) Kit, Brake Shoe Repair Front	1
▲ 1	761683	(000000-) Brake Shoe Rh Lever	1
▲ 1	761689	(000000-) Brake Shoe Lh Lever	1
▲ 2	761684	(000000-) Brake Shoe Front	2
▲ 3	761685	(000000-) Spring	4
▲ 4	761686	(000000-) Lower Spring	2
▲ 5	761687	(000000-) Spring, Shoe Retainer	4
▲ 6	761688	(000000-) Spring, Shoe Retainer	4
7	07799	(000000-) Cylinder Washer	4
8	761690	(000000-) Brake Drum	2
9	761691	(000000-) Seal	4
10	761692	(000000-) Seal	4
11	761693	(000000-) Plate	2
∇ 12	761695	(000000-) Wheel Cylinder	2
▲ 13	761713	(000000-) Bleed Screw	2
14	06944	(000000-) Screw	4
15	761698	(000000-) Auto Adjuster	2
16	06967	(000000-) Screw	2
17	761700	(000000-) Washer	4
18	761701	(000000-) Parking Brake Lever, Rh	1
18	761703	(000000-) Parking Brake Lever, Lh	1
19	761702	(000000-) Parking Brake Cable	2
20	04373	(000000-) Screw, M10x20	4
21	761712	(000000-) Nut, M16x1.5	2
22	761704	(000000-) Plate, Backing, Lh, Front	1
22	761705	(000000-) Plate, Backing, Rh, Front	1

Fig. 25 - Front Axle Wheel Hub Breakdown



10968/10969

NOTE: The Front Axle Breakdown, Tennant part number 762701, includes Fig. 23, Fig. 24, Fig. 25, Fig. 26, and Fig. 27.

Ref.	TENNANT Part No.	Manufacturer Serial Number	Description	Qty.
▽	761721	(000000-) Kit, Front Wheel Hub	2
▲ 1	761668	(000000-) Bearing, 32012	1
▲ 2	761637	(000000-) Wheel Hub	1
▲ 3	761638	(000000-) Driven Flange	1
▲ 4	761639	(000000-) Spacer	1
▲ 5	761640	(000000-) Retaining Collar	1
▲ 6	761641	(000000-) Stud	6
▲ 7	761643	(000000-) Cover	1
▲ 8	761644	(000000-) Bearing, 32013	1
▲ 9	761645	(000000-) Ring	1
▲ 10	761646	(000000-) Pin	2
▲ 11	761647	(000000-) Ring	1
▲ 12	761648	(000000-) Screw, M10x25	10

Fig. 26 - Front Axle Differential Breakdown

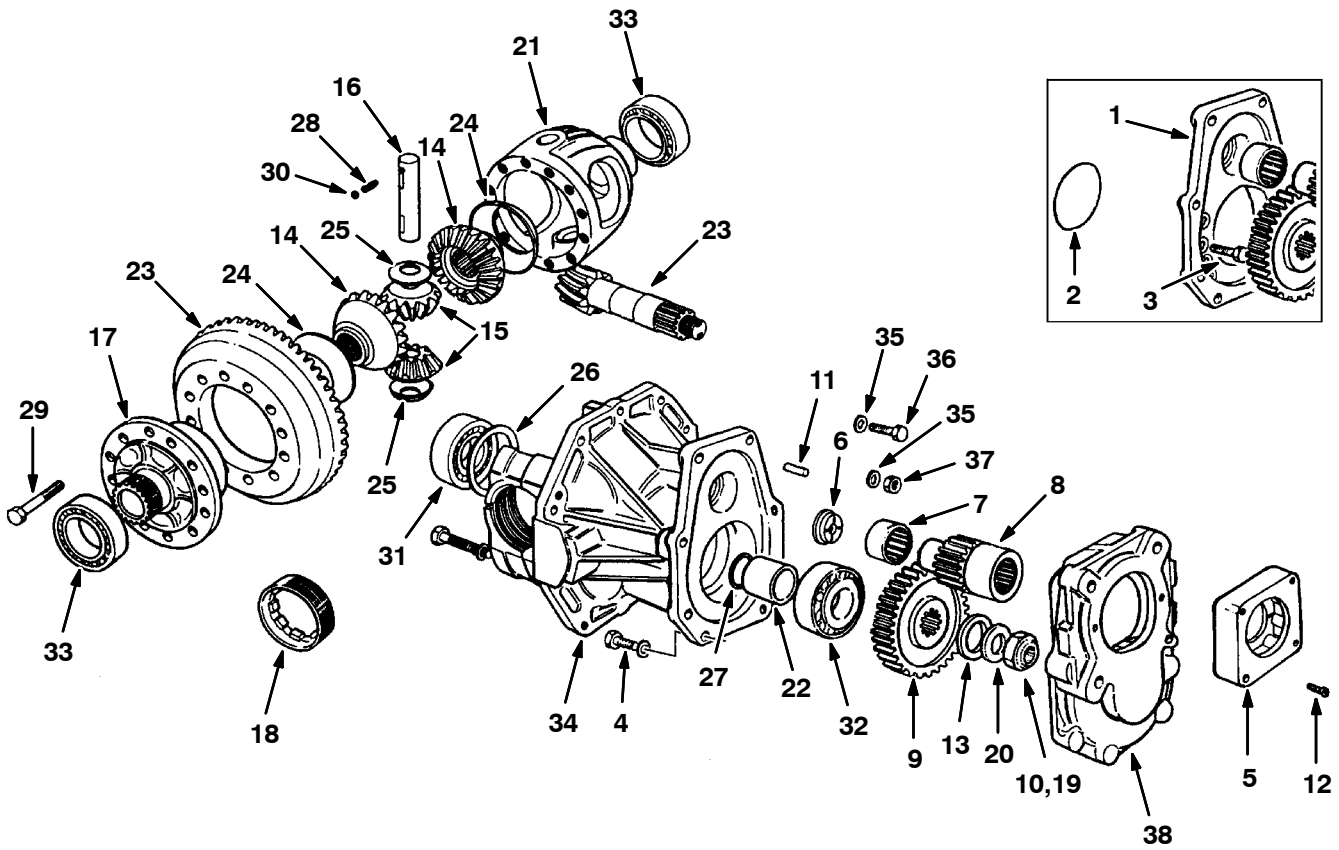


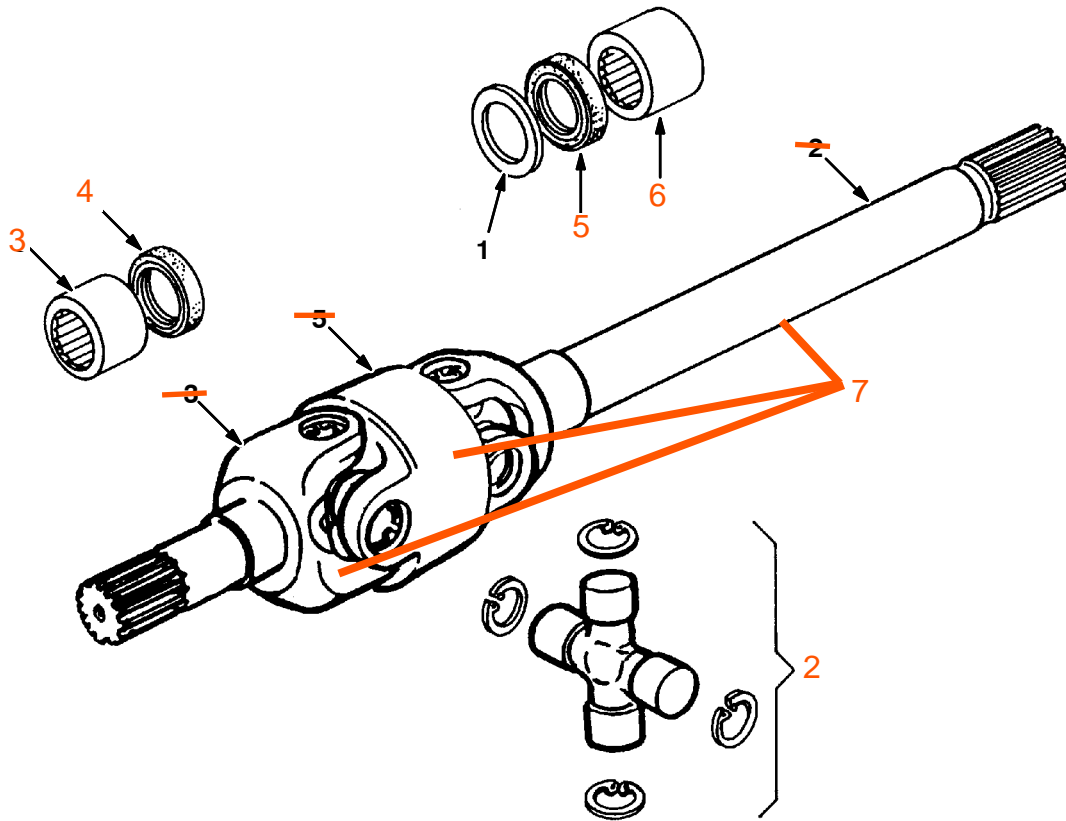
Fig. 26 - Front Axle Differential Breakdown

NOTE: The Front Axle Breakdown, Tennant part number 762701, includes Fig. 23, Fig. 24, Fig. 25, Fig. 26, and Fig. 27.

Ref.	TENNANT Part No.	Manufacturer Serial Number	Description	Qty.	
1	761675	(000000-018104)	Rear Housing	1	
2	761676	(000000-018104)	O-ring	1	
3	761677	(000000-018104)	Screw, M10x30	8	
4	39284	(000000-	Screw, M10x1.5	8	
5	761681	(000000-	Motor Flange	1	
▽	761988	(000000-	Kit, Speed Reducer Gear Set	1	
▲	6	761604	(000000-	Thrust Bushing	1
▲	7	761670	(000000-	Bearing	1
▲	8	761671	(000000-	Input Gear	1
▲	9	761672	(000000-	Output Gear	1
▲	10	761655	(000000-	Nut	1
	11	761682	(000000-	Pin, M8x20	2
	12	761680	(000000-	Screw, M8x25	2
	13	761674	(000000-	Spacer	1
▽	761987	(000000-	Kit, Differential Gear Set	1	
▲	14	761650	(000000-	Planetary Gear	2
▲	15	761651	(000000-	Satellite Gear	2
▲	16	761652	(000000-	Differential Pivot	1
▲	17	761653	(000000-	Differential Flange	1
▲	18	761654	(000000-	Retaining Ring	2
▲	19	761655	(000000-	Nut	1
▲	20	761669	(000000-	Lock Nut, D.25	1
▲	21	761649	(000000-	Differential Housing	1
▲	22	761656	(000000-	Spacer	1
▲	23	761657	(000000-	Ring Gear, Matched Pinion	1
▲	24	761658	(000000-	Planetary Spherical Washer	2
▲	25	761659	(000000-	Satellite Spherical Washer	2
▲	26	761661	(000000-	Spacer	2
▲	27	761662	(000000-	Spacer	1
▲	28	761663	(000000-	Screw, M12x20	1
▲	29	761664	(000000-	Screw, M14x1.5x40	12
▲	30	761665	(000000-	Washer, A6	1
▲	31	761666	(000000-	Bearing	1
▲	32	761667	(000000-	Bearing	1
▲	33	761668	(000000-	Bearing, 32012	2
	34	761608	(000000-	Differential Cover	1
	35	761611	(000000-	Washer	10
	36	761612	(000000-	Screw, M12x30	9
	37	761614	(000000-	Nut	1
	38	761678	(000000-	Front Housing	1

BREAKDOWNS

Fig. 27 - Front Axle CV Joint Breakdown

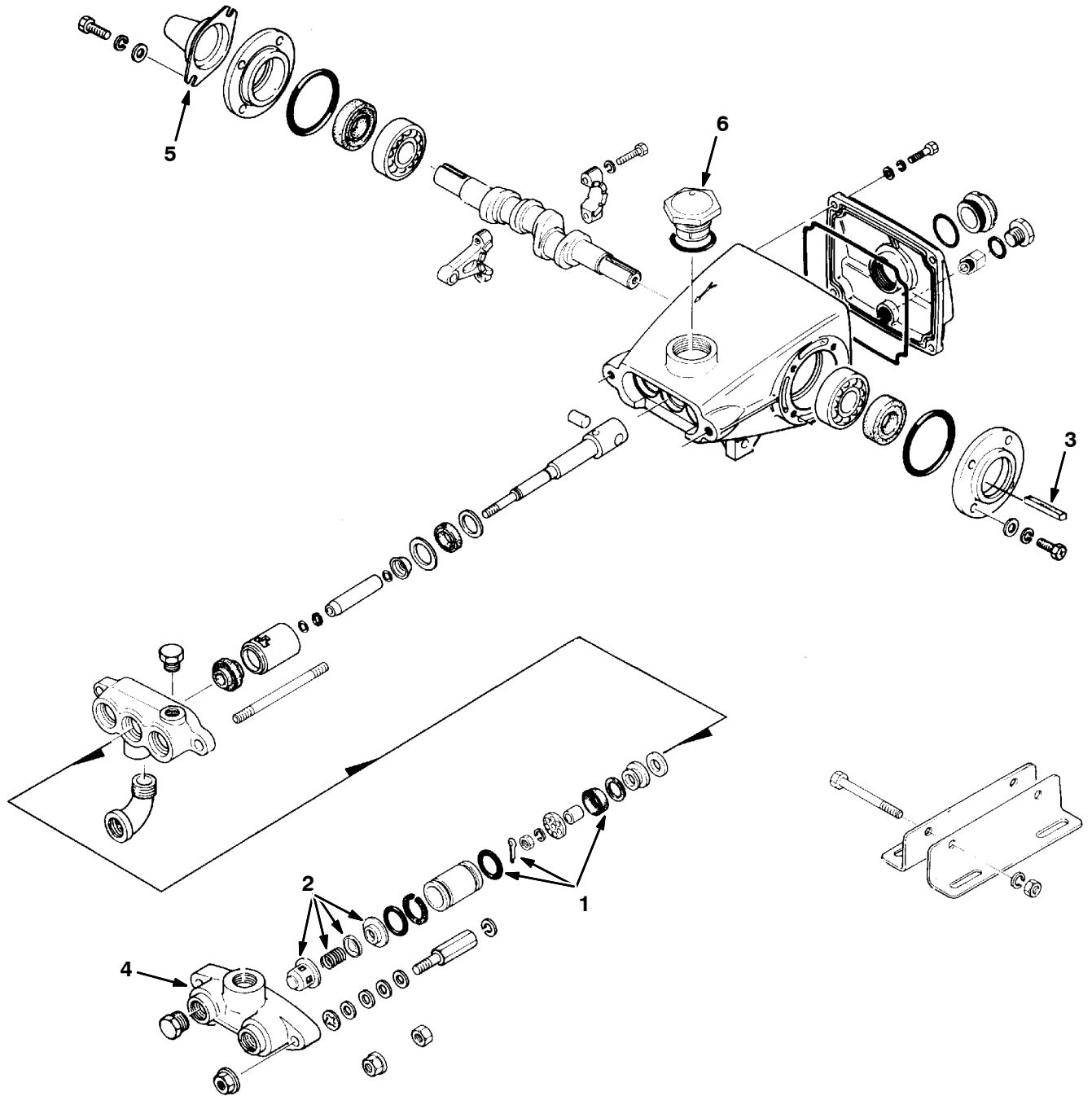


10972/10973

NOTE: The Front Axle Breakdown, Tennant part number 762701, includes Fig. 23, Fig. 24, Fig. 25, Fig. 26, and Fig. 27.

Ref.	TENNANT Part No.	Manufacturer Serial Number	Description	Qty.
∇	761986	(000000-)	Kit, Cv Joints	2
▲ 1	761618	(000000-)	Dust Protector	1
▲ 2	761610	(000000-)	Yoke, Differential Side	1
▲ 3	761620	(000000-)	Yoke, Brake Side	1
▲ 4 2	761621 761660		Cross Bearing Kit	2
▲ 5	761622	(000000-)	Double Yoke	1
▲ 6 3	761623	(000000-)	Bearing	1
▲ 7 4	761624	(000000-)	Ring	1
▲ 8 5	761625	(000000-)	Ring	1
▲ 9 6	761626	(000000-)	Bearing	1
7	1021410		Joint	1

Fig. 28 - Cat Pump Breakdown



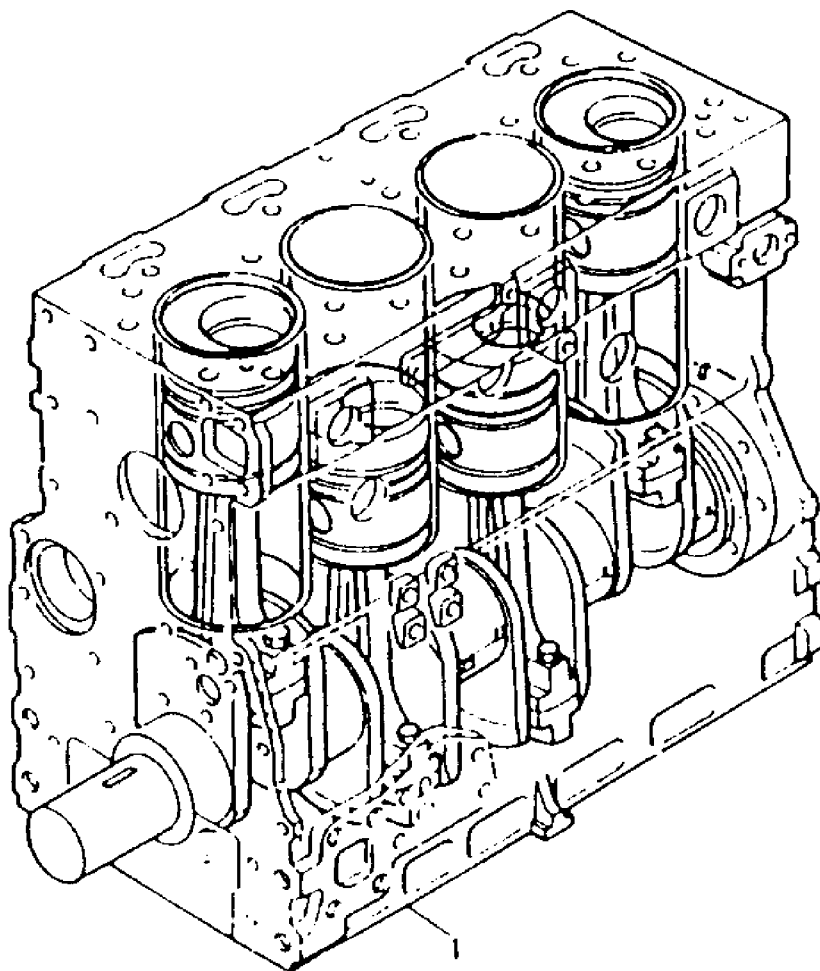
351218-351217

Ref.	TENNANT Part No.	Manufacturer Serial Number	Description	Qty.
▽	762260	(000000-) Pump Breakdown, Cat	1
▲	40144-4	(000000-) Oil, Crankcase (For 1 oil change)	1
▲ 1	40144-21	(000000-) Cup Kit	1
▲ 2	40144-22	(000000-) Dischrg Quiet Vlv Kit	1
▲ 3	40144-6	(000000-) Key, 5mm	1
▲ 4	37778	(000000-) Disc. Manifold	1
▲ 5	38321	(000000-) Cover, Pump	1
▲ 6	37573	(000000-) Cap, Oil Filler	1

CONTENTS

	PAGE
Fig. 1 - Short Engine Group	5-2
Fig. 2 - Pistons and Cylinders Group	5-3
Fig. 3 - Cylinder Block Group	5-4
Fig. 4 - Crankshafts, Pistons and Connecting Rods Group	5-6
Fig. 5 - Cylinder Head Group	5-8
Fig. 6 - Rocker Shaft Group	5-10
Fig. 7 - Timing Gear and Camshaft Group	5-12
Fig. 8 - Lubricating Oil Pump and Delivery Housing Group	5-14
Fig. 9 - Flywheel Housing Group	5-16
Fig. 10 - Starter Ring Group	5-17
Fig. 11 - Starter Motor Group	5-18
Fig. 12 - Starter Motor Breakdown	5-19
Fig. 13 - Fan Drive Group	5-20
Fig. 14 - Fan and Extension Group	5-21
Fig. 15 - Alternator and Generator Group	5-22
Fig. 16 - Gear Drive Auxiliary Drive Options Group	5-24
Fig. 17 - Intake Heater Group	5-25
Fig. 18 - Engine Lifting Group	5-26
Fig. 19 - Mountings (Front and Rear) Group	5-27
Fig. 20 - Throttle and Stop Controls Group	5-28
Fig. 21 - Applications Miscellaneous and Auxiliaries Group	5-29
Fig. 22 - Fuel Injection Equipment (Diesel) Group	5-30
Fig. 23 - Fuel Injection Atomizer Group	5-32
Fig. 24 - Lubricating Oil Sump Group	5-34
Fig. 25 - Lubricating Oil Filler and Breather Group	5-36
Fig. 26 - Lubricating Oil Filter and Integral Oil Cooler Group	5-38
Fig. 27 - Water Pump, Thermostat and Heat Exchanger Group	5-40
Fig. 28 - Front End Drive Input Group	5-42
Fig. 29 - Water Outlet and Inlet Group	5-43
Fig. 30 - Induction Manifold Group	5-44
Fig. 31 - Exhaust Manifold Group	5-45
Fig. 32 - Exhaust Outlet Flange Group	5-46
Fig. 33 - Fuel Pump Breakdown	5-47
Fig. 34 - Low Pressure Fuel System Group	5-48
Fig. 35 - Fuel Filter Group	5-50
Fig. 36 - Fuel Pipe Group	5-51
Fig. 37 - Plug Group	5-52
Fig. 38 - Plug Group	5-53
Fig. 39 - Fuel Pre-Lift Pump Group	5-54
Fig. 40 - Joints and Gaskets-Top Service Kit Group	5-56
Fig. 41 - Joints and Gaskets-Bottom Service Kit Group	5-58

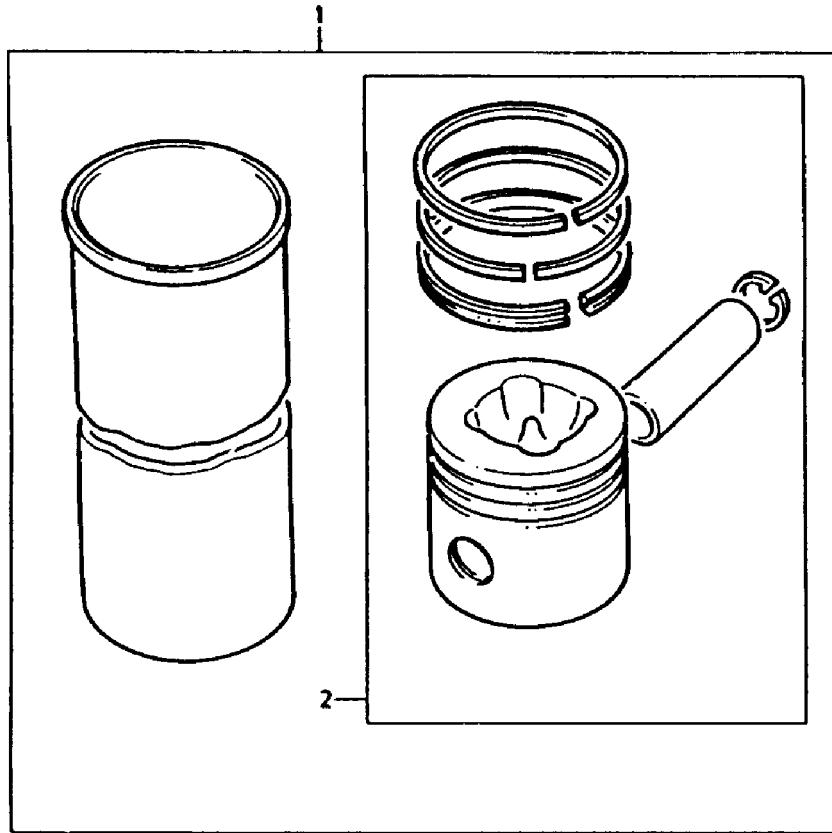
Fig. 1 - Short Engine Group



09983/09332

Ref.	Tennant Part No.	Perkins Part Number	Description	Qty.
1	764449	AA39701	Short engine	1
2			Cylinder block	1
2			Lever	4
2			Crankshaft	1
2			Piston	4
2			Piston ring	4
2			Conrod	4
2			Main bearing	10
2			Big end bearing	8
2			Thrust washer	4
2			Seal	1
2			Housing	1

Fig. 2 - Pistons and Cylinders Group



09984/09335

Ref.	Tennant Part No.	Perkins Part Number	Description	Qty.
1	764450	U5MK0142	Kit, cylinder	4
2	764451	U5PR0016	Kit, piston	1

Fig. 3 - Cylinder Block Group

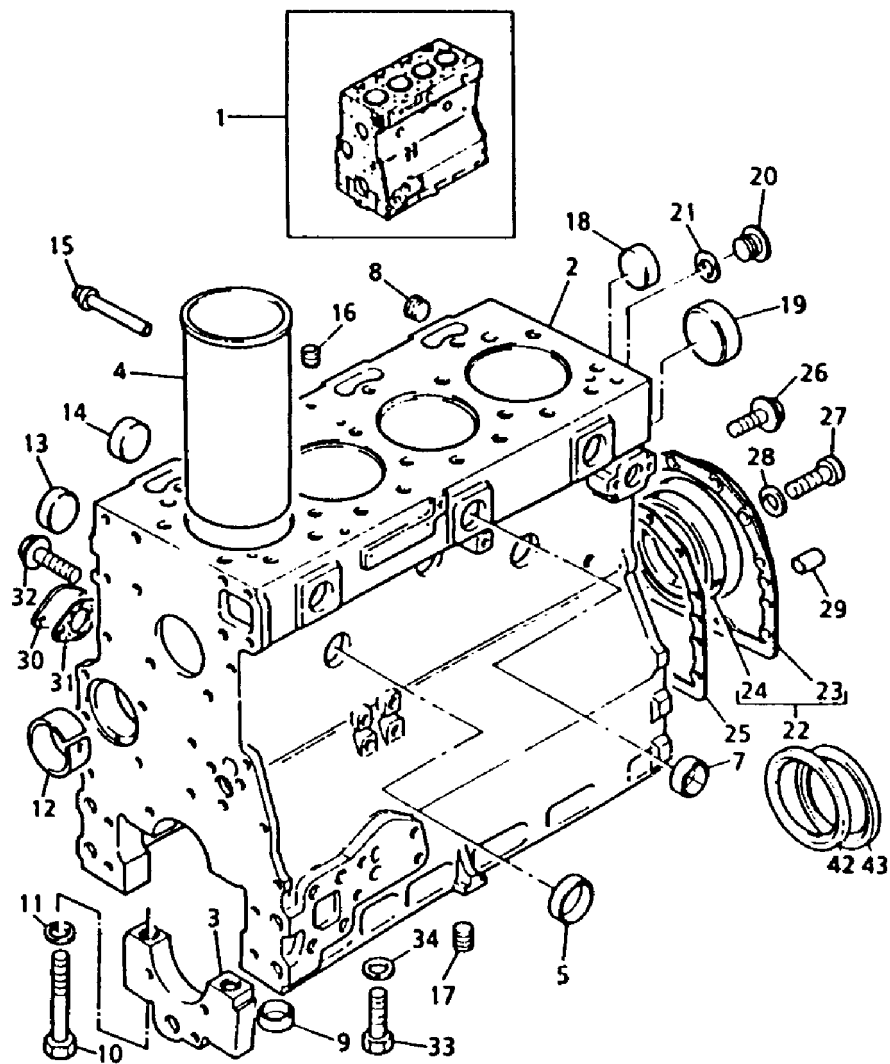


Fig. 3 - Cylinder Block Group

Ref.	Tennant Part No.	Perkins Part Number	Description	Qty.	
1	764452	ZZ 50064	Kit. cyl. block	1	
2			Block	1	
3			Bearing cap	5	
4	764453	3135X042	Liner	4	
4	764454	3135X041	Liner	4	
5	764404	0650710	Plug	2	
6	764455	0650713	Plug	5	
7	764404	0650710	Plug	1	
8	764403	0650588	Plug	1	
9	764456	33142111	Thimble	10	
10	764461	32166329	Bolt	10	
11	764462	33121421	Washer	10	
12	764463	31134164	Bush	1	
13	764465	32418122	Plug	4	
14	764465	32418122	Plug	2	
15	764466	2485A204	Plug	1	
16	764467	32417134	Plug	1	
17	764468	32417117	Plug	1	
18	764465	32418122	Plug	4	
19	764469	32416117	Plug	1	
20	764470	0650582	Plug	1	
21	764471	3311R003	Washer	1	
▽	22	764472	4142V064	Housing	1
▲	23		Cover	1	
▲	24	764473	2418F475	Seal	1
25	763947	3681T008 3681T018	Joint	1	
26	764409	2314H003	Screw	10	
27	764476	2311D060	Screw	2	
28	764477	33112111	Washer	2	
29	764478	0350009	Dowel	2	
30	764479	36171131	Plate	1	
31	764401	0490474	Joint	1	
32	764480	2314H032	Screw	2	
33	764481	2182110	Screw	4	
34	764482	0920469	Spacer	4	

Fig. 4 - Crankshafts, Pistons and Connecting Rods Group

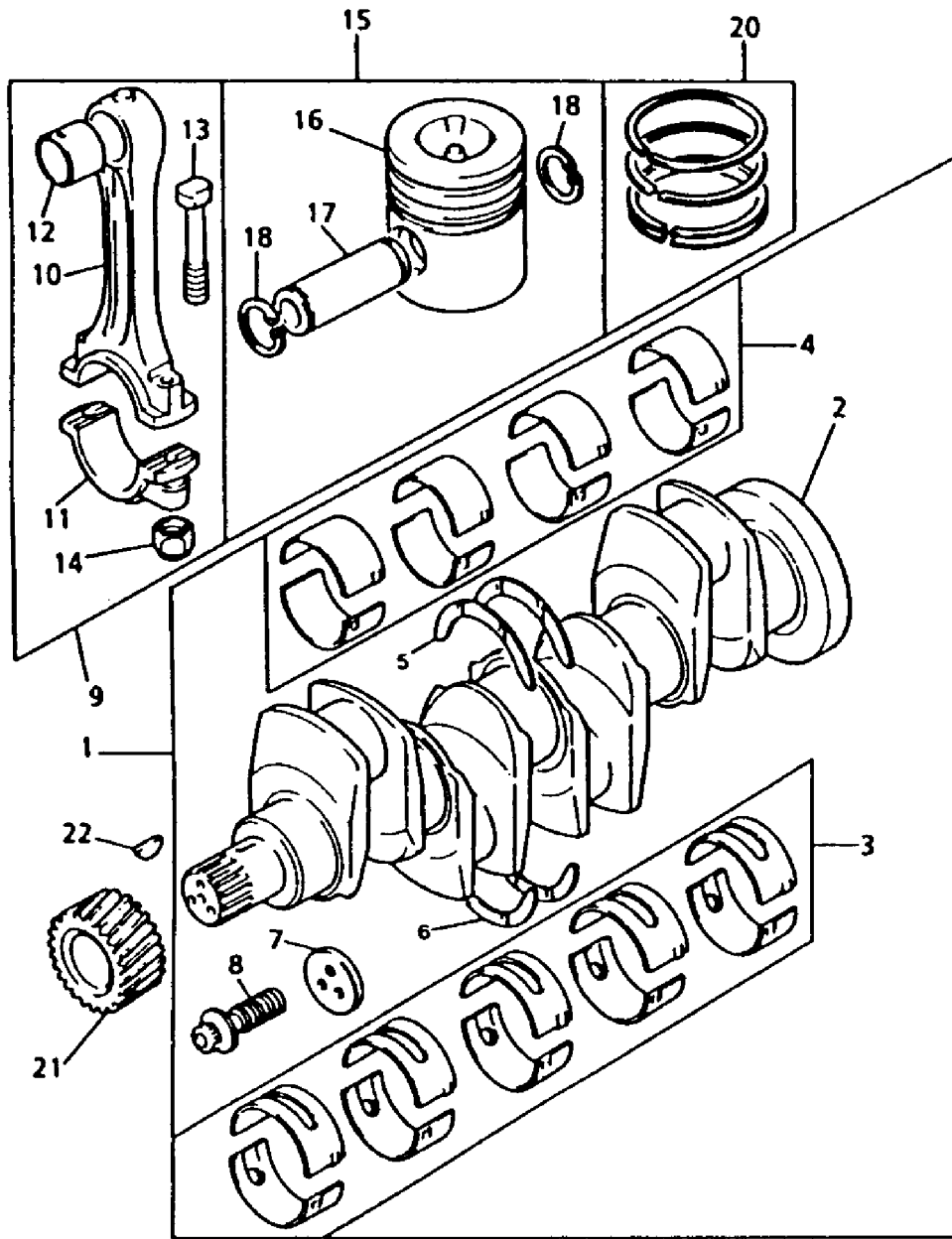


Fig. 4 - Crankshafts, Pistons and Connecting Rods Group

	Ref.	Tennant Part No.	Perkins Part Number	Description	Qty.
▽	1	764483	ZZ90081	Kit, crankshaft	1
▲	2			Crankshaft	1
▲	3	764484	81558	Kit, bearing Std	1
▲	3	764485	81558A	Kit, bearing -.25mm	-
▲	3	764486	81558B	Kit, bearing -.50mm	-
▲	3	764487	81558C	Kit, bearing -.75mm	-
▲	4	764488	85042	Kit, bearing Std	1
▲	4	764489	85042A	Kit, bearing -.25mm	-
▲	4	764490	85042B	Kit, bearing -.50mm	-
▲	4	764491	85042C	Kit, bearing -.75mm	-
▲	5	764492	31137551	Thrust washer Std	2
▲	5	764493	31137312	Thrust washer +.19mm	-
▲	6	764494	31137561	Thrust washer Std	2
▲	6	764495	31137322	Thrust washer +.19mm	-
▲	7			Thrust block	1
▲	8			Screw	3
▽	9	764496	ZZ90009	Kit, conrod	4
▲	10			Conrol	1
▲	11			Cap	1
▲	12	764497	31134123	Bush	1
▲	13	764498	32762144	Bolt	2
▲	14	764499	33221328	Nut	2
▽	15	764500	U5LL0015	Kit, piston	4
▲	16			Piston	1
▲	17			Pin	1
▲	18	764501	0170002	Circlip	2
	20	764502	4181A019	Kit, piston ring	1
	21	764503	3117C061	Gear	1
	22	764402	0500012	Key	1

Fig. 5 - Cylinder Head Group

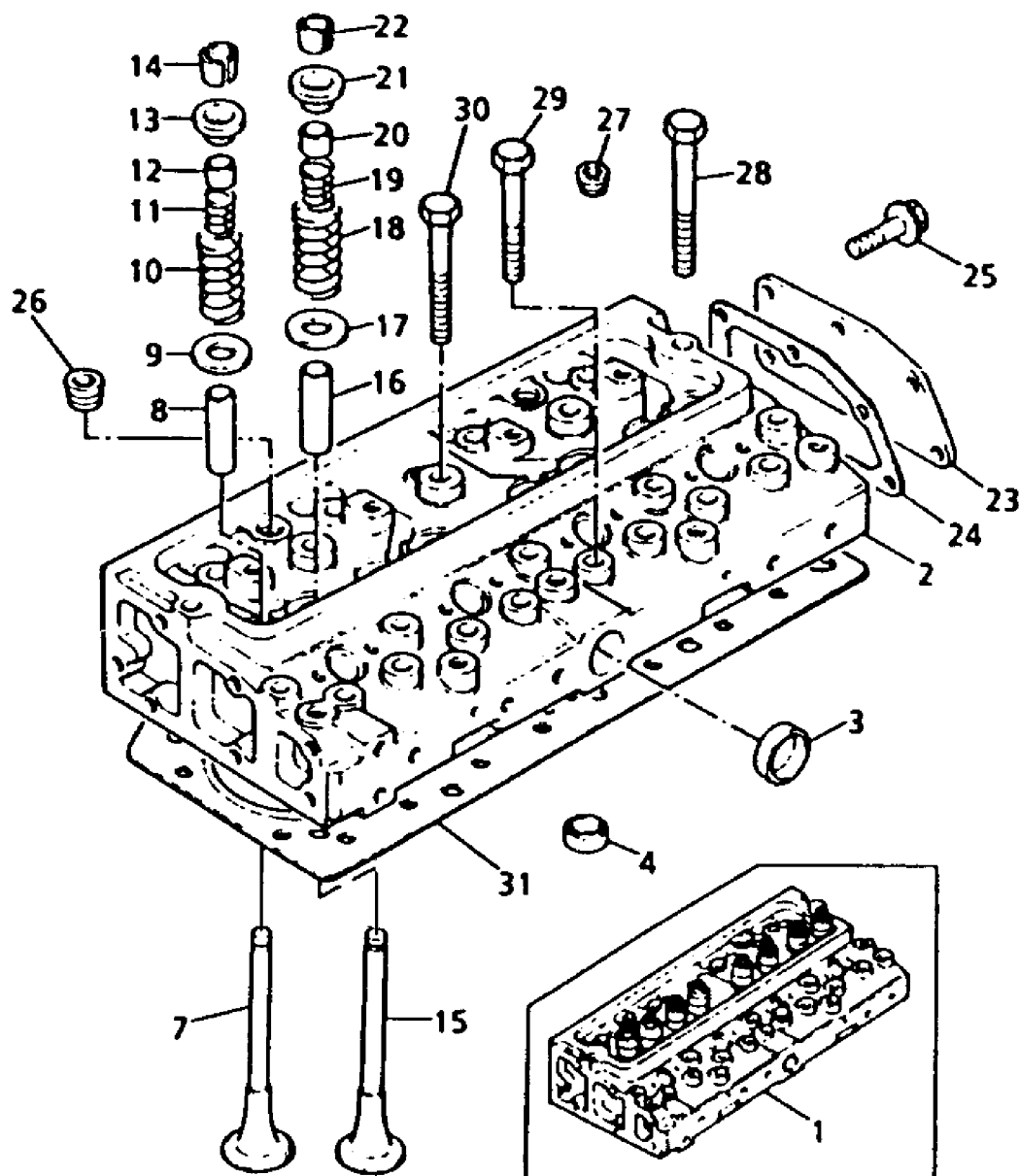


Fig. 5 - Cylinder Head Group

Ref.	Tennant Part No.	Perkins Part Number	Description	Qty.
1	764504	ZZ 80084	Kit, cyl. head	1
2			Cylinder head	1
3	764404	0650710	Plug	1
4	764505	32417121	Plug	4
7	764506	3142L051	Valve inlet	4
8	764507	3343F002	Guide	4
9	764508	33415118	Washer	4
10	764510	31745122	Spring	4
11	764511	31744133	Spring	4
12	764436	33817117	Seal	4
13	764513	33424107	Cap	4
14	764514	33173108	Cotter	8
15	763827	3142A051	Valve exhaust	4
16	764516	3343J002	Guide	4
17	764508	33415118	Washer	4
18	764510	31745122	Spring	4
19	764511	31744133	Spring	4
20	764436	33817117	Seal	4
21	764513	33424107	Cap	4
22	764514	33173108	Cotter	8
23			Cover	1
24			Joint	1
25			Screw	6
26	764425	2431154	Plug	2
27	764517	2431A054	Plug	4
28	764518	32166222	Screw	2
29	764519	32166219	Bolt	8
30	764520	32166221	Bolt	12
31	764521	3681E017	Head gasket	1

Fig. 6 - Rocker Shaft Group

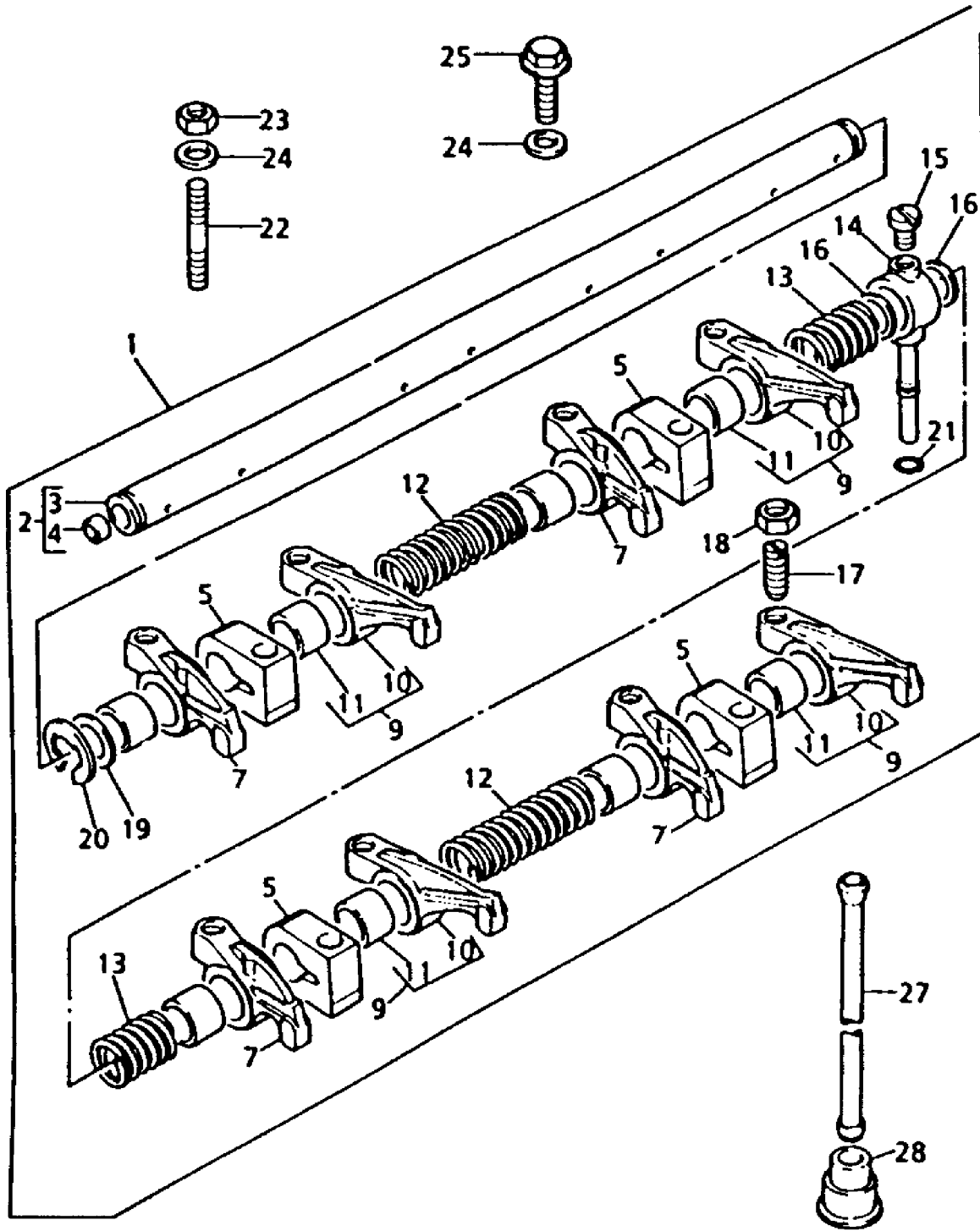


Fig. 6 - Rocker Shaft Group

	Ref.	Tennant Part No.	Perkins Part Number	Description	Qty.
▽	1	764522	ZZ 90158	Rocker shaft assy	1
▲▽	2	764523	ZZ 90032	Rocker shaft	1
▲▲	3			Rocker shaft	1
▲▲	4	764524	0650507	Plug	2
▲	5	763830	3818X901	Bracket	4
	7	764527	41151484	Rockerarm	4
▲▽	9	764528	41151483	Rockerarm	4
▲▲	10			Lever	1
▲▲	11	764529	2511425	Bush	1
▲	12	764530	31744123	Spring	2
▲	13	764531	31743108	Spring	2
▲	14	764532	3775E012	Connection	1
▲	15	764534	2233022	Screw	1
▲	16	764535	33117426	Shim	2
▲	17	764536	0720579	Screw	8
▲	18	764537	0576052	Nut	8
▲	19	764538	33117434	Washer	2
▲	20	764539	0170151	Circlip	2
▲	21	764434	33811113	Olive	1
	22	764540	2313H305	Stud	3
	23	764541	2318A210	Nut	3
	24	764542	3311K009	Washer	4
	25	764543	2314J608	Screw	1
	27	764544	31434307	Pushrod	8
	28	764545	31434163	Tappet	8

Fig. 7 - Timing Gear and Camshaft Group

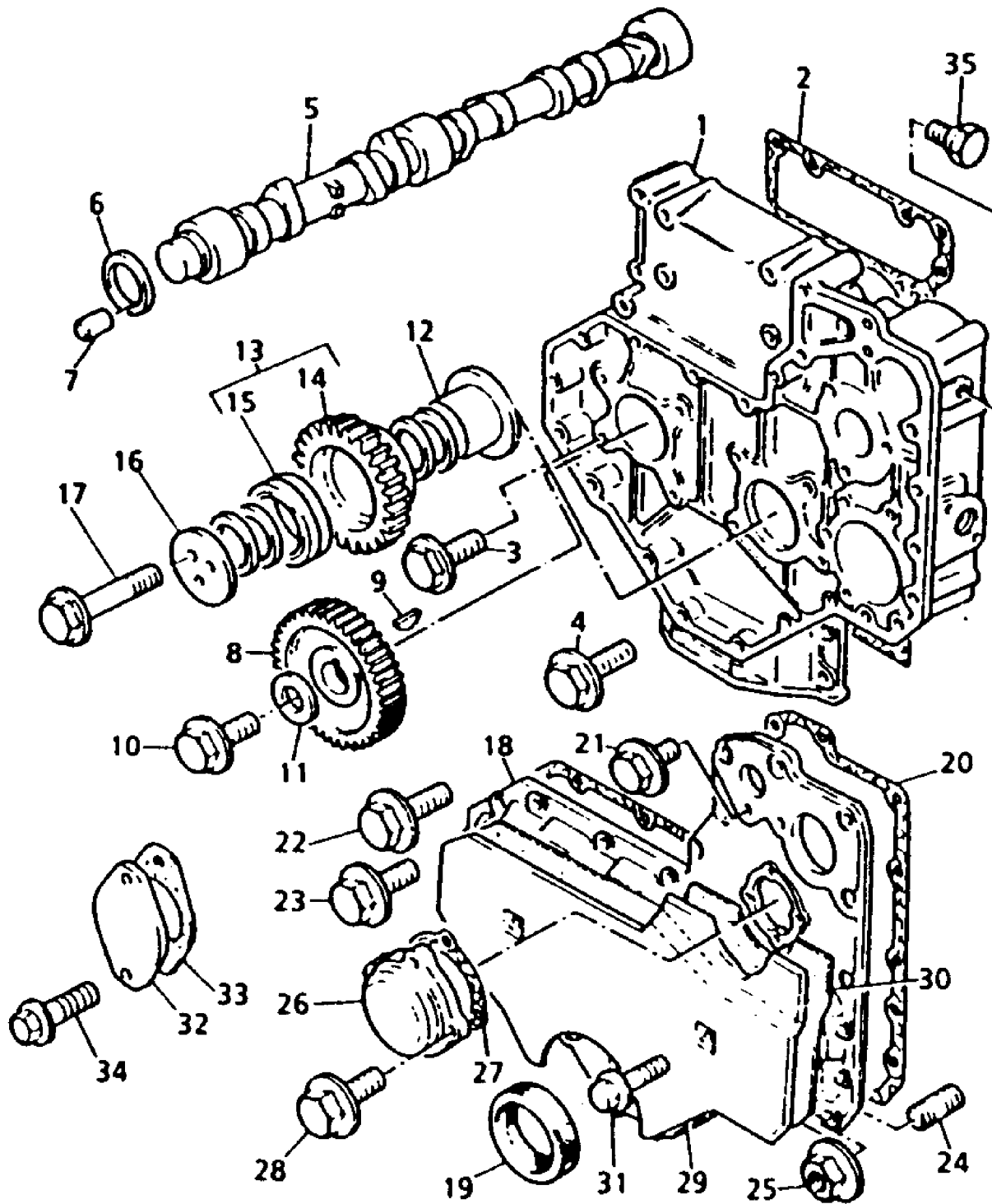


Fig. 7 - Timing Gear and Camshaft Group

Ref.	Tennant Part No.	Perkins Part Number	Description	Qty.	
1	764546	3716C044	Timing gear case	1	
2	764439	3681P002	Joint	1	
3	764409	2314H003	Screw	8	
4	764547	2314H034	Screw	4	
5	764548	31415361	Camshaft	1	
6	764549	33153121	Washer	1	
7	764550	2116053	Pin	1	
8	764551	3117L011	Gear	1	
9	764402	0500012	Key	1	
10	764420	2314J603	Screw	1	
11	764552	3321A003	Washer	1	
12	764553	33426161	Hub	1	
▽	13	764554	4111A013	Gear	1
▲	14		Gear	1	
▲	15	764457	0050345	Bush	1
16	764555	0941082	Plate	1	
17	764556	2314J010	Screw	3	
18	764557	4142A143	Cover	1	
19	764558	2418F436	Seal	1	
20	764872	3681P019	Joint	1	
21	764560	2314H013	Screw	6	
23	764410	2314H004	Screw	7	
24	764561	2313M058	Stud	2	
25	764421	2318A603	Nut	2	
26	764562	3753R111	Cover	1	
27	764563	3682H003	Joint	1	
28	764564	2314F036	Screw	4	
29	764565	3781N006	Shield	1	
30	764566	3781N005	Damper	1	
31	764567	2314F003	Screw	2	
35	764427	2487Y005	Plug	1	

Fig. 8 - Lubricating Oil Pump and Delivery Housing Group

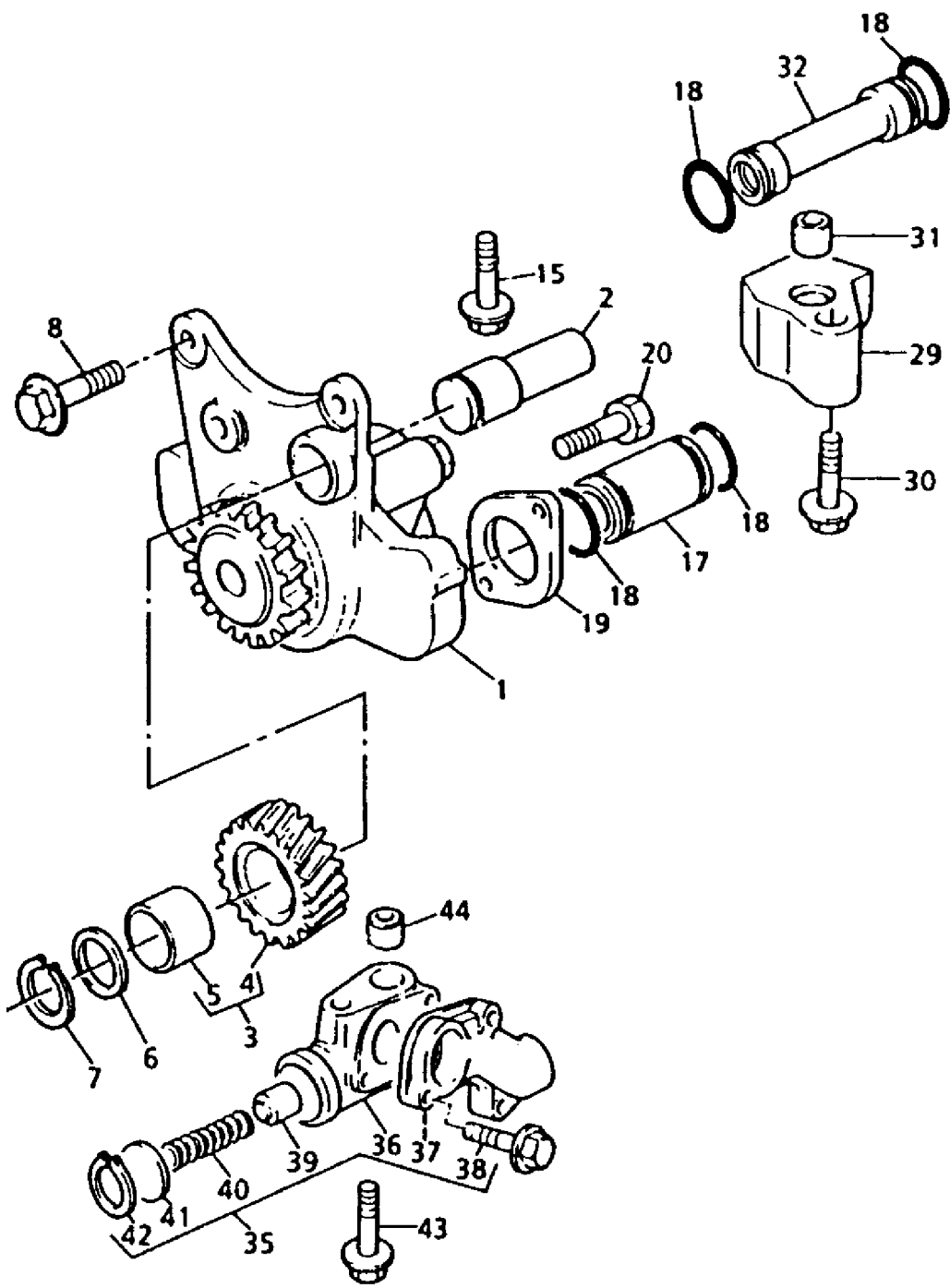
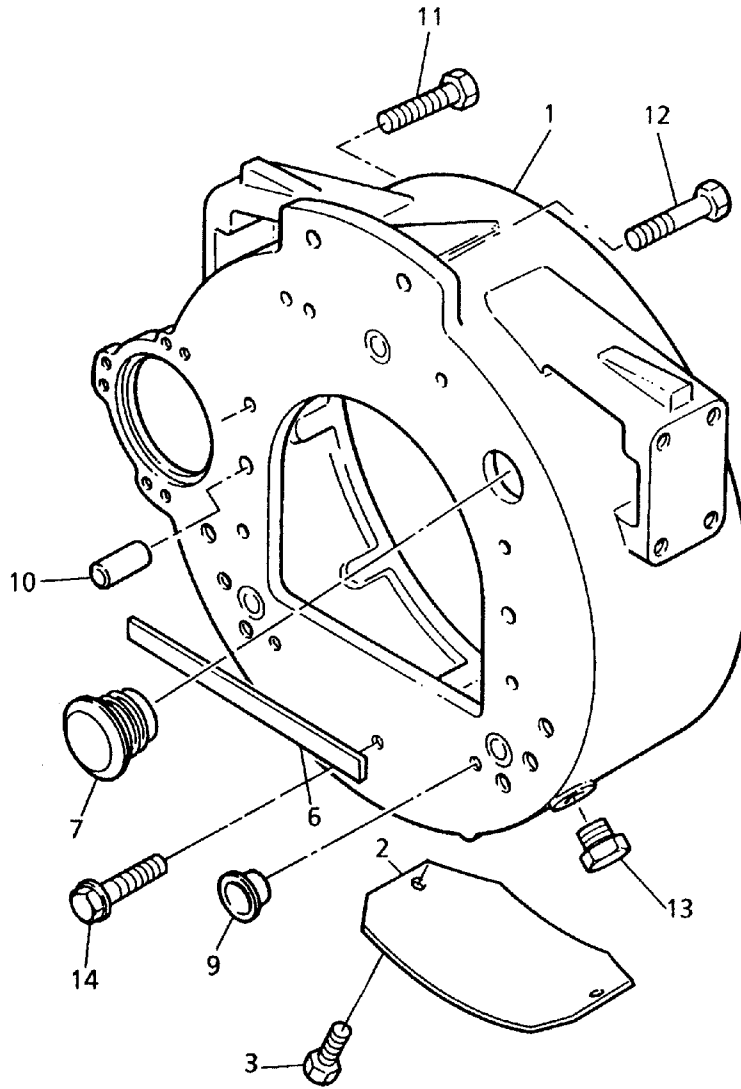


Fig. 8 - Lubricating Oil Pump and Delivery Housing Group

	Ref.	Tennant Part No.	Perkins Part Number	Description	Qty.
	1	764568	4132F051	Oil Pump	1
	2	764570	3271H002	Shaft	1
▽	3	764571	4111A021	Gear	1
▲	4			Gear	1
▲	5	764572	2511437	Bush	1
	6	764573	33123125	Washer	1
	7	764574	2722A206	Circlip	1
	8	764575	2314H005	Screw	3
	17	764576	3343F012	Pipe	1
	18	764577	2415H201	O ring	4
	19	764578	3748C011	Flange	1
	20	764410	2314H004	Screw	2
	29	764579	3763W011	Housing	1
	30	764580	2314J008	Screw	1
	31	764581	33137408	Thimble	1
	32	764582	3343M307	Pipe	1
▽	35	764583	4138A036	Relief valve	1
▲	36			Body	1
▲	37			Cover	1
▲	38	764584	2314F907	Screw	3
▲	39	764585	32712726	Plunger	1
▲	40	764586	3174L003	Spring	1
▲	41	764587	32712111	Seat	1
▲	42	764588	2721130	Circlip	1
	43	764589	2314J011	Screw	1
	44	764581	33137408	Thimble	1

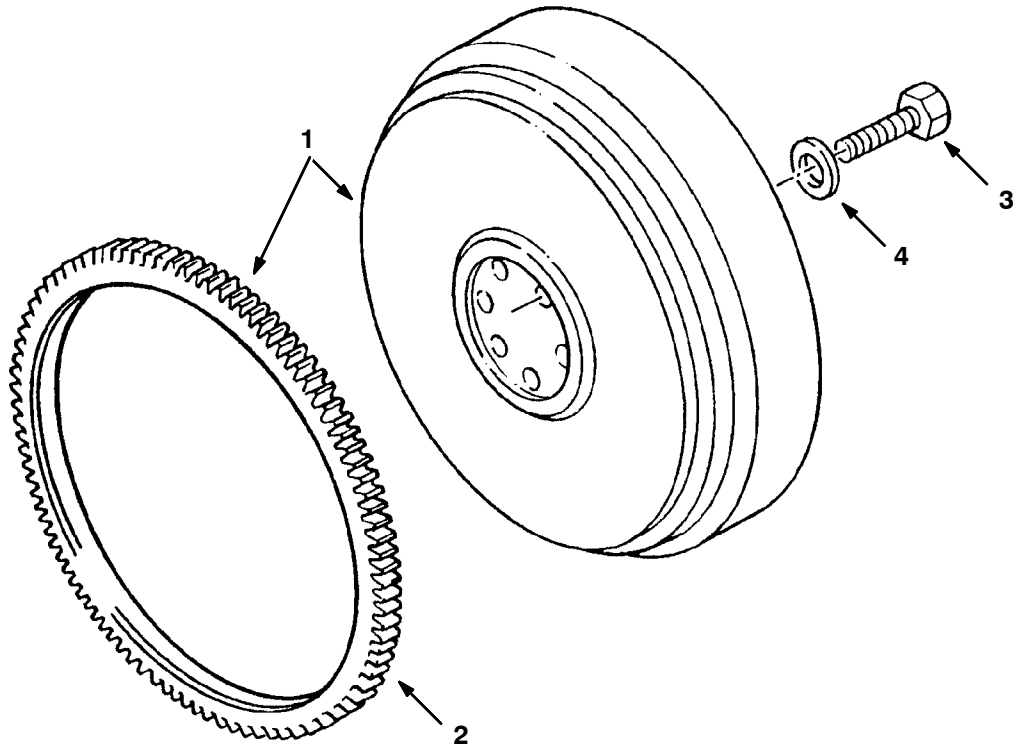
Fig. 9 - Flywheel Housing Group



09991/09340

Ref.	Tennant Part No.	Perkins Part Number	Description	Qty.
1	764590	3713M031	Flywheel housing	1
2	764591	36212132	Plate	1
3	764592	2314H101	Screw	2
6	764593	36843152	Cover	1
7	764594	2487382	Plug	1
9	764595	2487204	Plug	3
10	764596	0350025	Dowel	2
11	764417	2314J004	Screw	6
12	764420	2314J603	Screw	2
13	764427	2487Y005	Plug	1
14	764417	2314J004	Screw	3

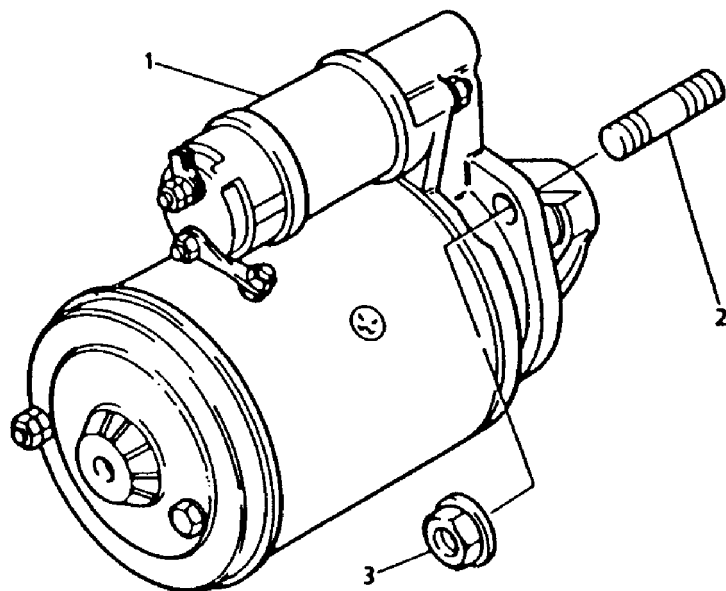
Fig. 10 - Starter Ring Group



09992/09341

	Ref.	Tennant Part No.	Perkins Part Number	Description	Qty.
▽	1	764597	4111D095	Flywheel	1
▲	2	764598	31162121	Gear, Starter Ring	1
	3	764460	0096803	Bolt	6
	4	764599	33117127	Washer	6

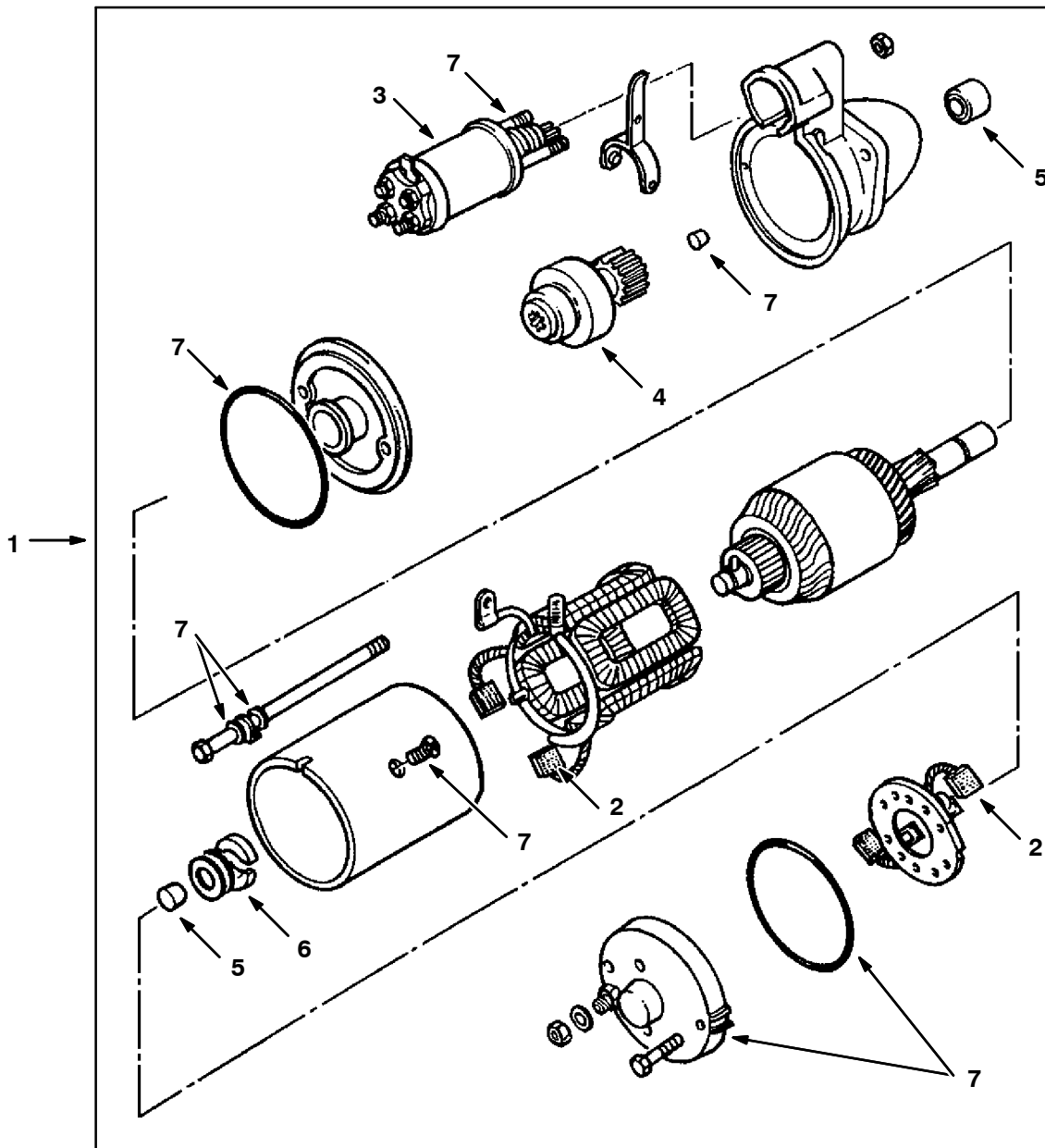
Fig. 11 - Starter Motor Group



09993/09342

Ref.	Tennant Part No.	Perkins Part Number	Description	Qty.
1	764431	2873B056	Startermotor	1
2	764407	2313C077	Stud	3
3	764422	2318A604	Nut	3

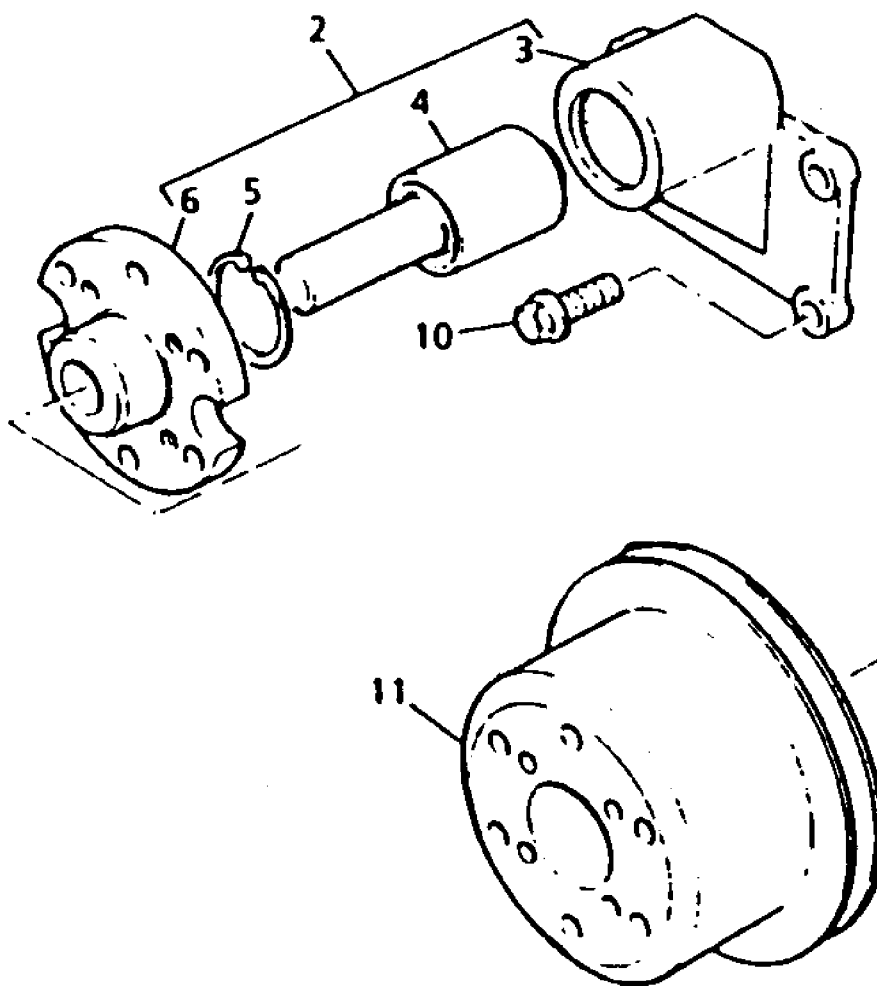
Fig. 12 - Starter Motor Breakdown



09994/09343

	Ref.	Tennant Part No.	Perkins Part Number	Description	Qty.
▽	1	764431	2873B056	Startermotor	1
▲	2	764600	28730184	Brushing Kit	1
▲	3	764601	28730188	Solenoid	1
▲	4	764602	28730191	Drive	1
▲	5	764603	28730238	Brushing Kit	1
▲	6	764604	28730193	Brake Kit	1
▲	7	764605	28730195	Seal Kit	1

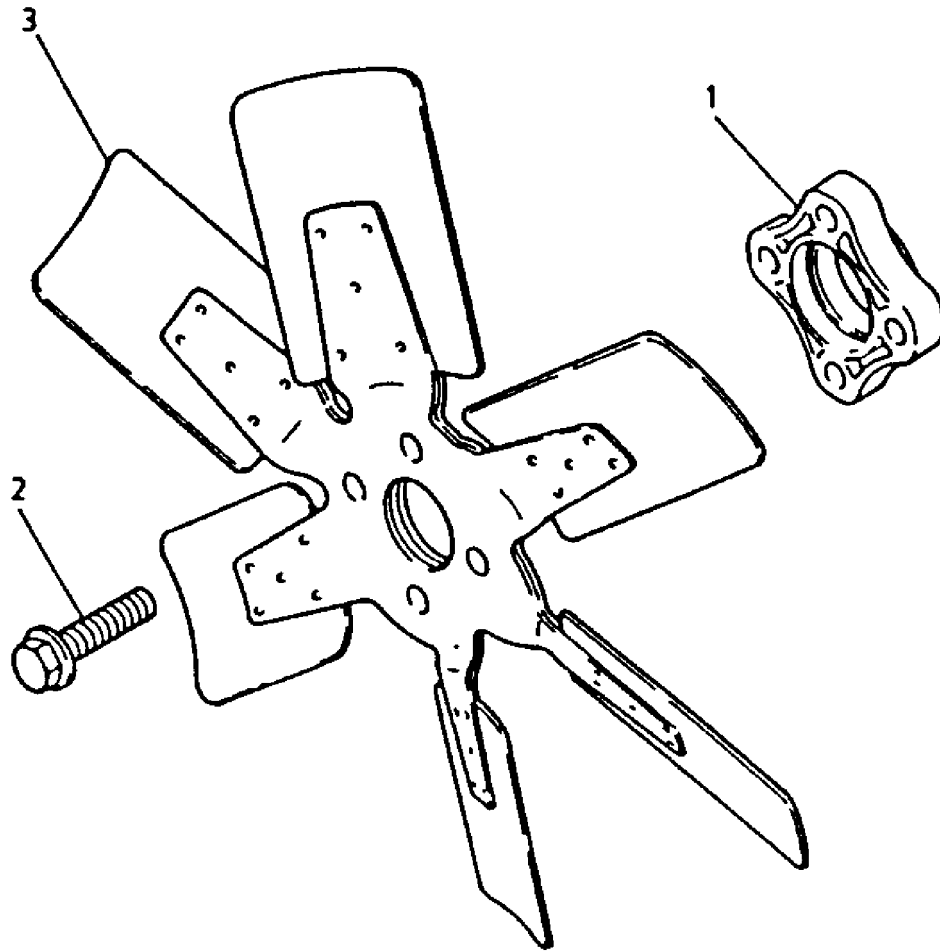
Fig. 13 - Fan Drive Group



09995/09344

Ref.	Tennant Part No.	Perkins Part Number	Description	Qty.
∇ 2	764895	4113H058	Housing	1
▲ 3			Housing	1
▲ 4			Bearing	1
▲ 6			Hub	1
10	764418	2314J015	Screw	4
11	764606	3114X081	Pulley	1

Fig. 14 - Fan and Extension Group



09996/09345

Ref.	Tennant Part No.	Perkins Part Number	Description	Qty.
1	764608	3748W201	Extension	1
2	764609	2314K159	Screw	4
3	764610	2485C509	Fan	1

Fig. 15 - Alternator and Generator Group

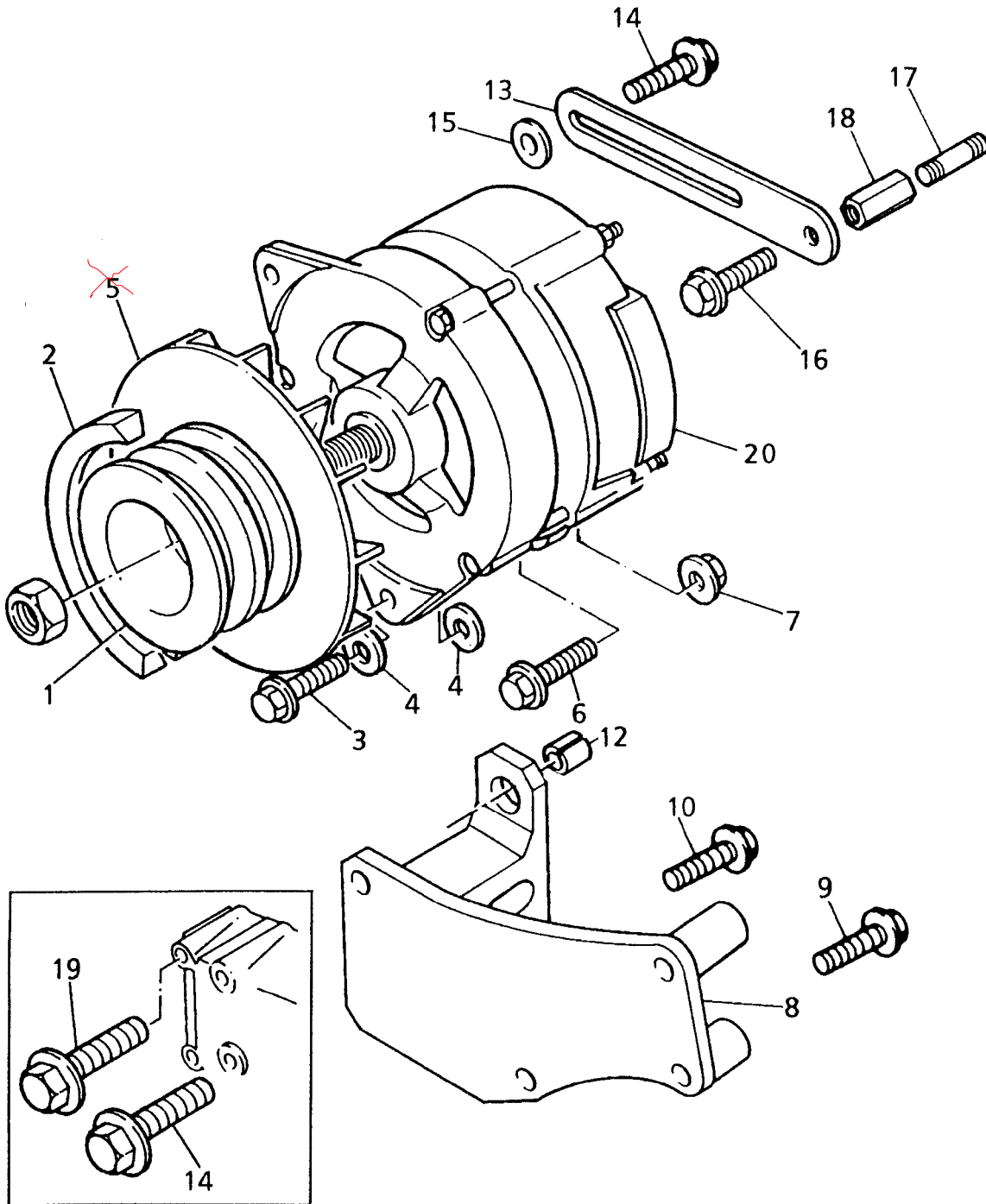
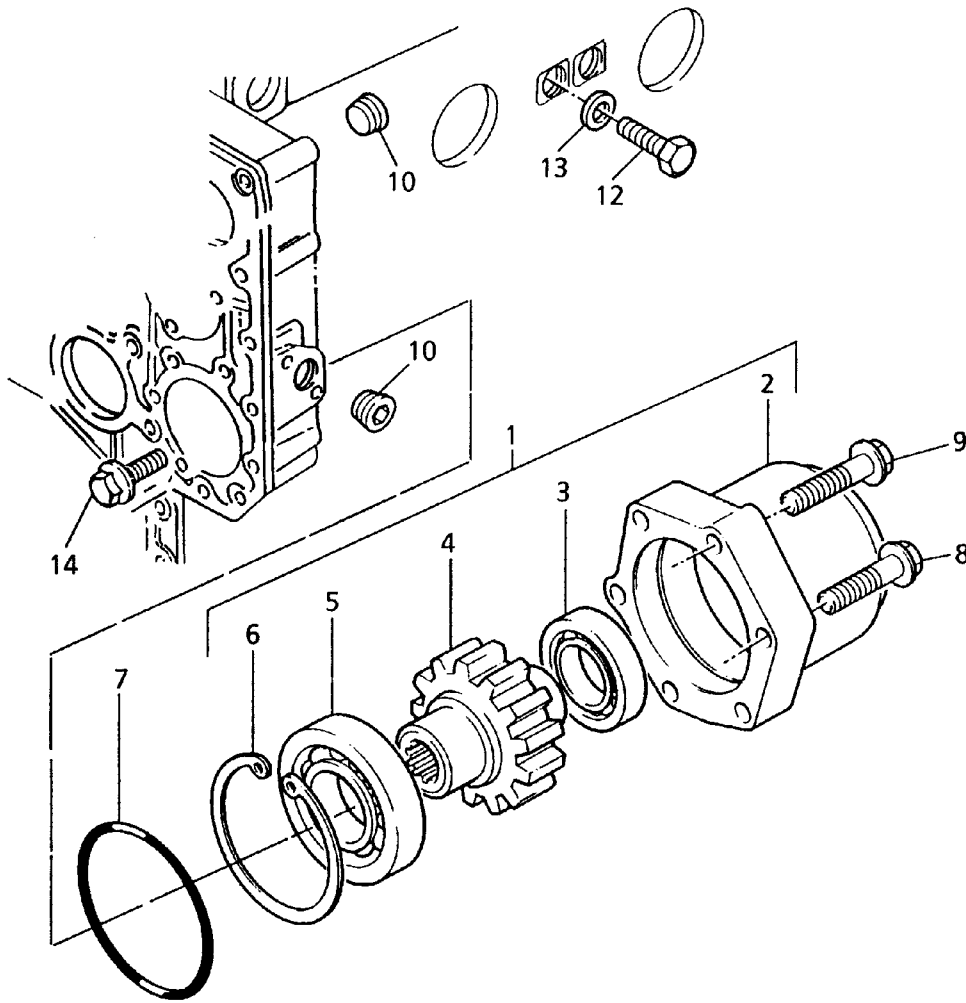


Fig. 15 - Alternator and Generator Group

Ref.	Tennant Part No.	Perkins Part Number	Description	Qty.
1	764611	3115A044	Pulley, alternator	1
2	764607	2614B655	Belt	1
3	764418	2314J015	Screw	1
4	764613	2131A010	Washer	2
5	764266	1978026	Fan	1
6	764614	2314J006	Screw	2
7	764615	2318A664	Nut	1
8	764616	3822P011	Bracket	1
9	764414	2314H017	Screw	1
10	764412	2314H008	Screw	2
12	764618	3318H105	Sleeve	1
13	764619	3615Y005	Lever	1
14	764410	2314H004	Screw	2
15	764406	2131A008	Washer	1
16	764620	2314K161	Screw	2
17	764622	2313M081	Stud	1
18	764623	3334P003	Nut	1
19	764416	2314J003	Screw	1
20	764020 769010	10479927	Alternator, Modified F/M830	1

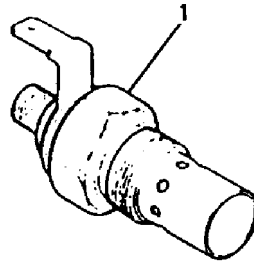
Fig. 16 - Gear Drive Auxiliary Drive Options Group



09998/09347

Ref.	Tennant Part No.	Perkins Part Number	Description	Qty.
1	764624	4113H062	Housing	1
2			Housing	1
3	764625	2521A207	Bearing ball	1
4	764626	3117C112	Gear	1
5	764627	2521A415	Bearing ball	1
6	764628	2721A537	Circlip	1
7	764629	2415B167	O ring	1
8	764630	2311D578	Screw	1
9	764631	2311D559	Screw	5
10	764425	2431154	Plug	2
12	764632	2314C049	Screw	1
13	764633	0920155	Washer	1
14	764417	2314J004	Screw	1

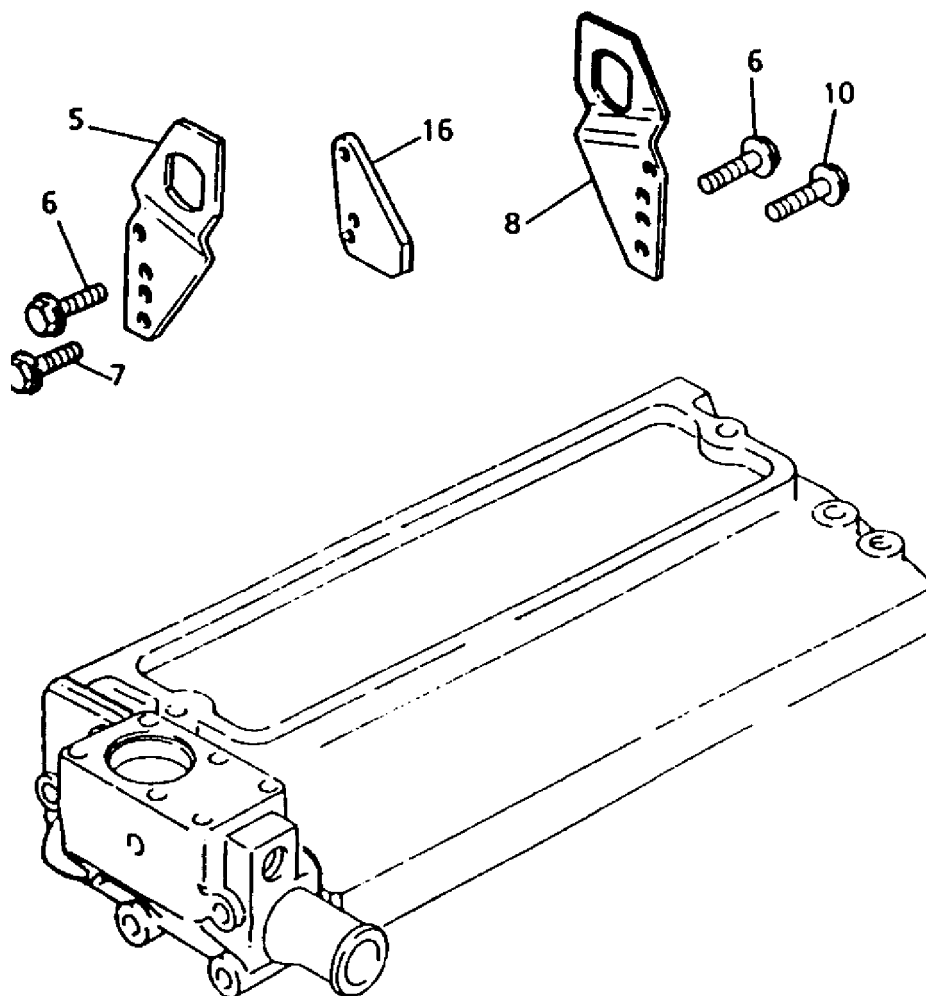
Fig. 17 - Intake Heater Group



09999/09348

Ref.	Tennant Part No.	Perkins Part Number	Description	Qty.
1	764634	2666108	Intake heater	1

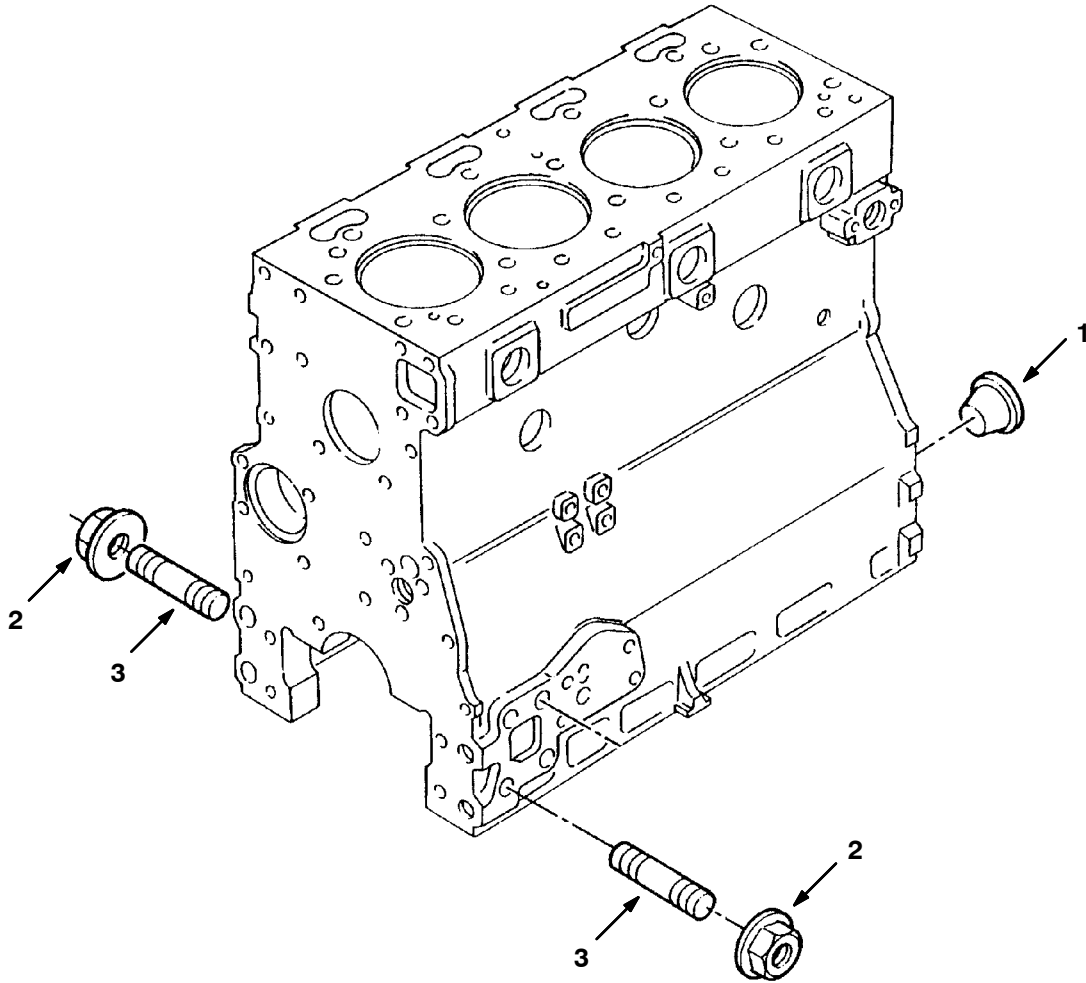
Fig. 18 - Engine Lifting Group



10001/09349

Ref.	Tennant Part No.	Perkins Part Number	Description	Qty.
5	764635	3621X007	Plate	1
6	764416	2314J003	Screw	4
7	764636	2314J005	Screw	2
8	764637	3654W003	Plate	1
10	764415	2314J002	Screw	2
16	764638	3623T007	Plate	1

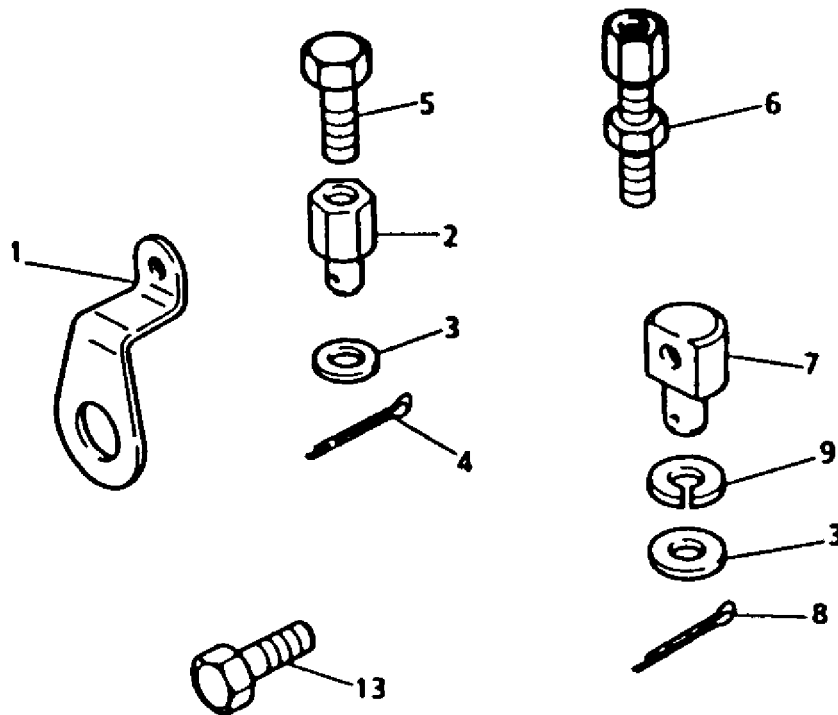
Fig. 19 - Mountings (Front and Rear) Group



10002/09350

Ref.	Tennant Part No.	Perkins Part Number	Description	Qty.
1	764641	2487208	Plug	10
2	764640	2318A605	Nut	8
3	764639	2313M101	Stud	8

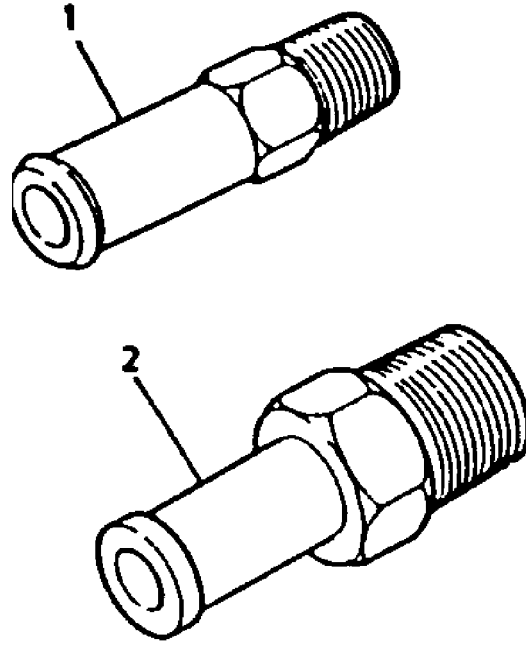
Fig. 20 - Throttle and Stop Controls Group



10003/09352

Ref.	Tennant Part No.	Perkins Part Number	Description	Qty.
1	764642	3653K004	Bracket	1
2	764643	32726522	Pin	1
3	764644	0920002	Washer	2
4	764645	0610042	Pin	1
5	764646	2231226	Screw	1
6	764647	0997195	Adjuster	1
7	764648	32722105	Pin	1
8	764649	0610031	Pin	1
9	764650	0920719	Washer	1
13	764653	2314F001	Screw	2

Fig. 21 - Applications Miscellaneous and Auxiliaries Group



10004/09353

Ref.	Tennant Part No.	Perkins Part Number	Description	Qty.
1	764654	33552412	Connection	1
2	764655	33552414	Adaptor	1

Fig. 22 - Fuel Injection Equipment (Diesel) Group

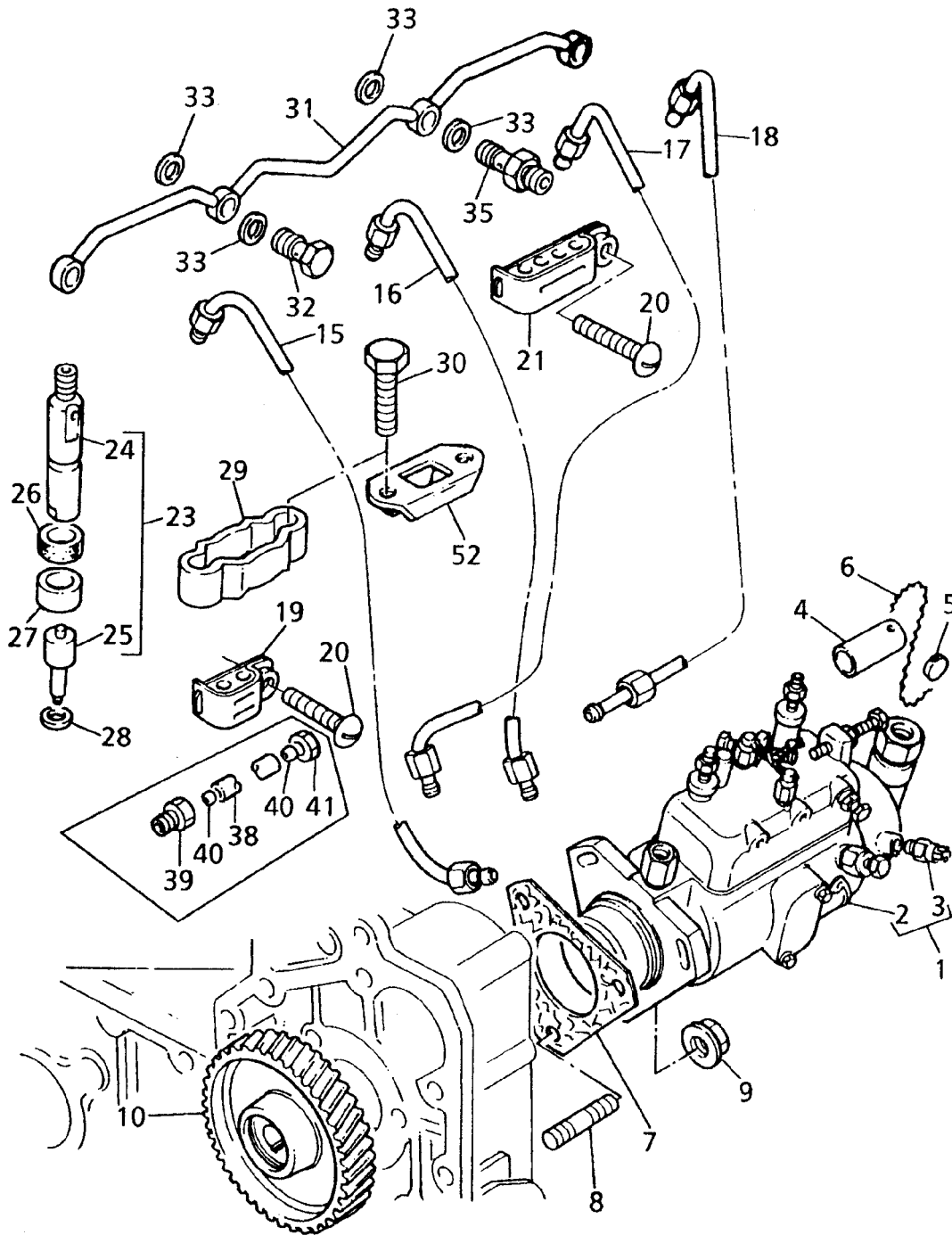


Fig. 22 - Fuel Injection Equipment (Diesel) Group

	Ref.	Tennant Part No.	Perkins Part Number	Description	Qty.
▽	1	764656	2643C612	Injection pump	1
▲	2			Injection pump	1
▲	3	764657	28730179	Solenoid	1
	4	764658	2648A110	Sleeve	1
	5	764659	31718104	Seal	1
	6	764660	31718105	Wire	1
	7	764661	33828108	Joint	1
	8	764662	2313M059	Stud	3
	9	764421	2318A603	Nut	3
	10	764663	3117L052	Gear	1
	15	764664	2646C167	Injection pipe	1
	16	764665	2646C168	Injection pipe	1
	17	764666	2646C157	Injection pipe	1
	18	764667	2646C158	Injection pipe	1
	19	764668	2646E001	Clip	2
	20	764669	2646E151	Screw	3
	21	764670	2646E003	Clip	1
▽	23	764428	2645A017	Atomiser	4
▲	24	764429	2645A302	Holder	1
▲	25	764430	2645A608	Nozzle	1
▲	26	764671	33813129	Spacer	4
▲	27	764435	33813131	Seal	4
	28	764405	0921173	Washer	4
	29			Clamp	4
	30	764411	2314H006	Screw	8
	31	764672	3558X011	Leak-off pipe	1
	32	764458	0095315	Banjo bolt	2
	33	764673	0921176	Washer	8
	35	764674	0201526	Union	2
	38	764675	4131C018	Pipe	1
	39	764676	3353D004	Nut	1
	40	764433	33811112	Olive	2
	41	764432	33225412	Union nut	1
	52	764677	3666V002	Clamp	4

Fig. 23 - Fuel Injection Atomiser Group

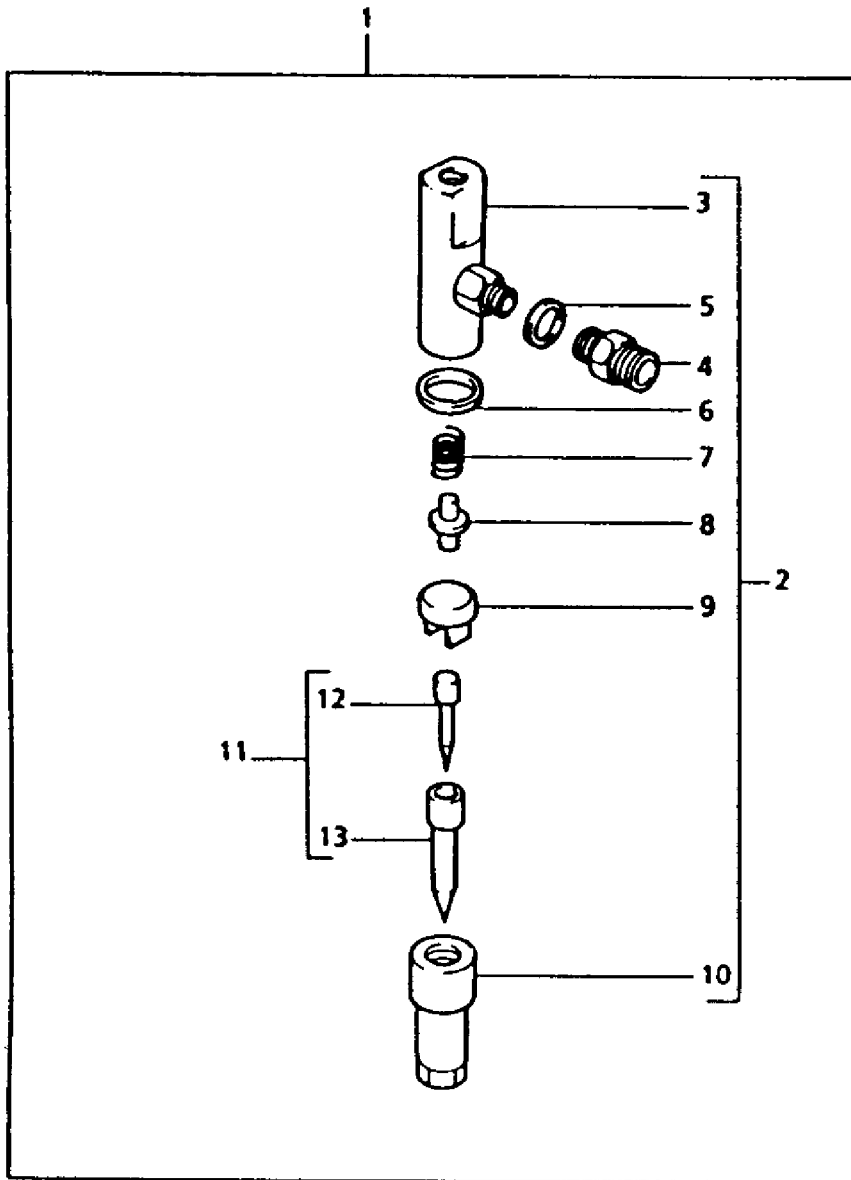


Fig. 23 - Fuel Injection Atomiser Group

	Ref.	Tennant Part No.	Perkins Part Number	Description	Qty.
▽	1	764428	2645A017	Atomiser	4
▲▽	2	764429	2645A302	Holder	1
▲▲	3			Holder	1
▲▲	4			Nut	1
▲▲	5			Washer	1
▲▲	6	764679	26431164A	Shim +.30mm	-
▲▲	6	764680	26431164B	Shim +.42mm	-
▲▲	6	764681	26431164C	Shim +.44mm	-
▲▲	6	764682	26431164D	Shim +.46mm	-
▲▲	6	764683	26431164E	Shim +.48mm	-
▲▲	6	764684	26431164F	Shim +.50mm	-
▲▲	6	764685	26431164G	Shim +.52mm	-
▲▲	6	764686	26431164H	Shim +.54mm	-
▲▲	6	764687	26431164J	Shim +.56mm	-
▲▲	6	764688	26431164K	Shim +.58mm	-
▲▲	6	764689	26431164L	Shim +.60mm	-
▲▲	6	764690	26431164M	Shim +.62mm	-
▲▲	6	764691	26431164N	Shim +.64mm	-
▲▲	6	764692	26431164P	Shim +.66mm	-
▲▲	6	764693	26431164GR	Shim +.68mm	-
▲▲	6	764694	26431164GS	Shim +.70mm	-
▲▲	6	764695	26431164GT	Shim +1.00mm	-
▲▲	6	764696	26431164GU	Shim +1.28mm	-
▲▲	6	764697	26431164GV	Shim +1.56mm	-
▲▲	7	764698	26431823	Spring	1
▲▲	8	764699	26431824	Seat	1
▲▲	9			Plate	1
▲▲	10	764700	26431839	Cap	1
▲▽	11	764430	2645A608	Nozzle	1
▲▲	12			Needle	1
▲▲	13			Nozzle	1

Fig. 24 - Lubricating Oil Sump Group

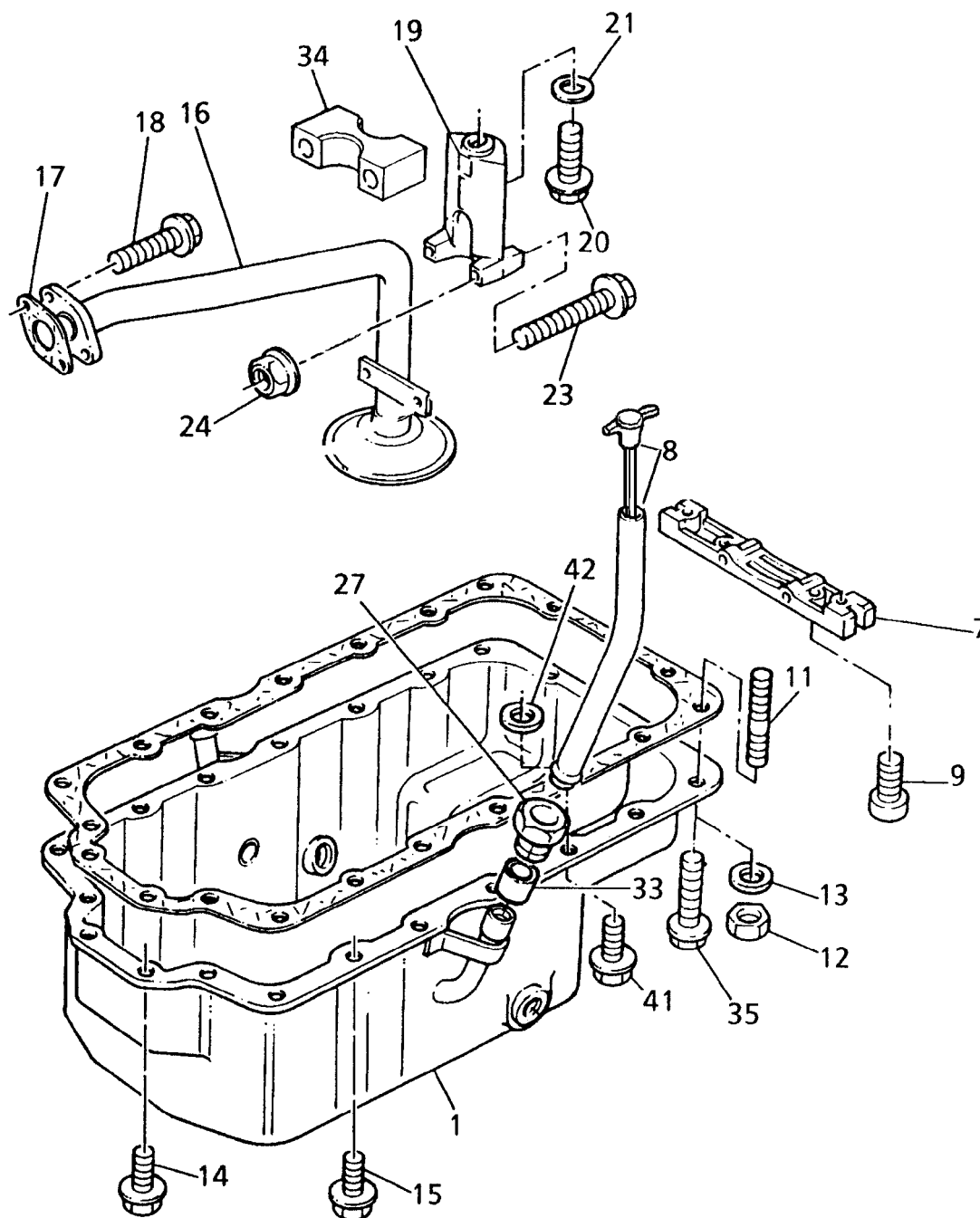


Fig. 24 - Lubricating Oil Sump Group

Ref.	Tennant Part No.	Perkins Part Number	Description	Qty.
1	764701	3717Y002	Sump	1
7	763869	3627P021	Bridge piece	1
8	370714		Dipstick and Tube Kit	1
9	764707	2311D039	Screw	2
11	764708	3254H007	Stud	2
12	764421	2318A603	Nut	2
13	764406	2131A008	Washer	2
14	764408	2314H002	Screw	4
15	764408	2314H002	Screw	14
16	764709	3575A018	Pipe	1
17	764440	36832118	Joint	1
18	764710	2314H007	Screw	2
19	764711	3824A021	Bracket	1
20	764410	2314H004	Screw	1
21	764712	0330807	Spacer	1
23	764713	2314F016	Screw	2
24	764714	2318D802	Nut	2
27	764716	3353D005	Nut	1
33	764717	33812116	Olive	1
34	763870	3735A011	Clamp	1
35	764719	2314H031	Screw	2
41	764409	2314H003	Screw	1
42	764720	0920460	Spacer	1

Fig. 25 - Lubricating Oil Filler and Breather Group

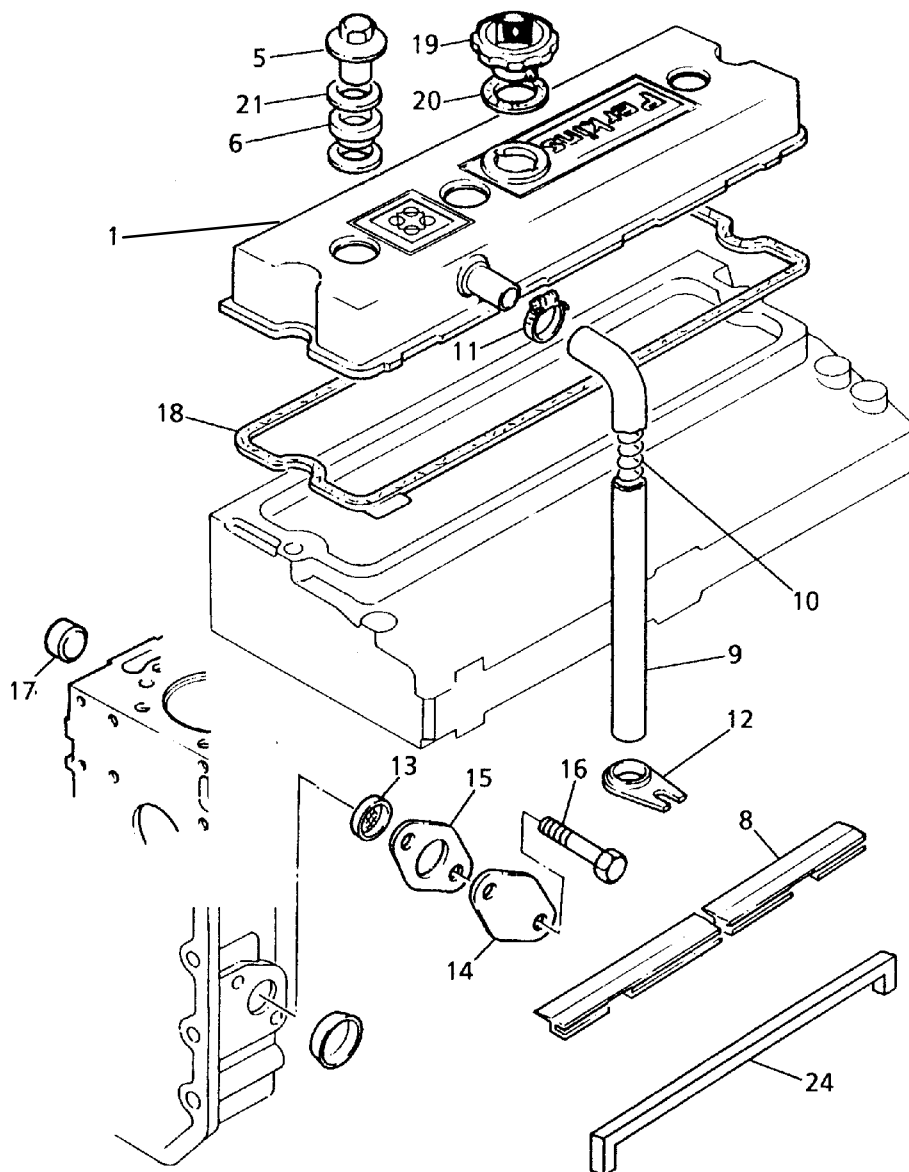


Fig. 25 - Lubricating Oil Filler and Breather Group

Ref.	Tennant Part No.	Perkins Part Number	Description	Qty.
1	764722	4142X016	Cover, cylinder head	1
5	764723	3274P002	Nut	3
6	764724	33817132	Bush	3
8	764725	3688X002	Seal (Repl by None)	1
9	764726	33872525	Pipe	1
10	764727	31754119	Spring	1
11	764426	21825195	Clip	1
12	764728	36241123	Bracket	1
13	764729	3317M001	Strainer	1
14	764730	3617A001	Plate	1
15	764441	3683H003	Joint	1
16	764408	2314H002	Screw	2
17	764731	32418122	Plug	1
18	764732	3681A028	Joint	1
19	764733	3781A003	Cap	1
20	764734	3381J002	Seal	1
21	764735	33121416	Shim	3
24	764736	3687A507	Seal	1

Fig. 26 - Lubricating Oil Filter and Integral Oil Cooler Group

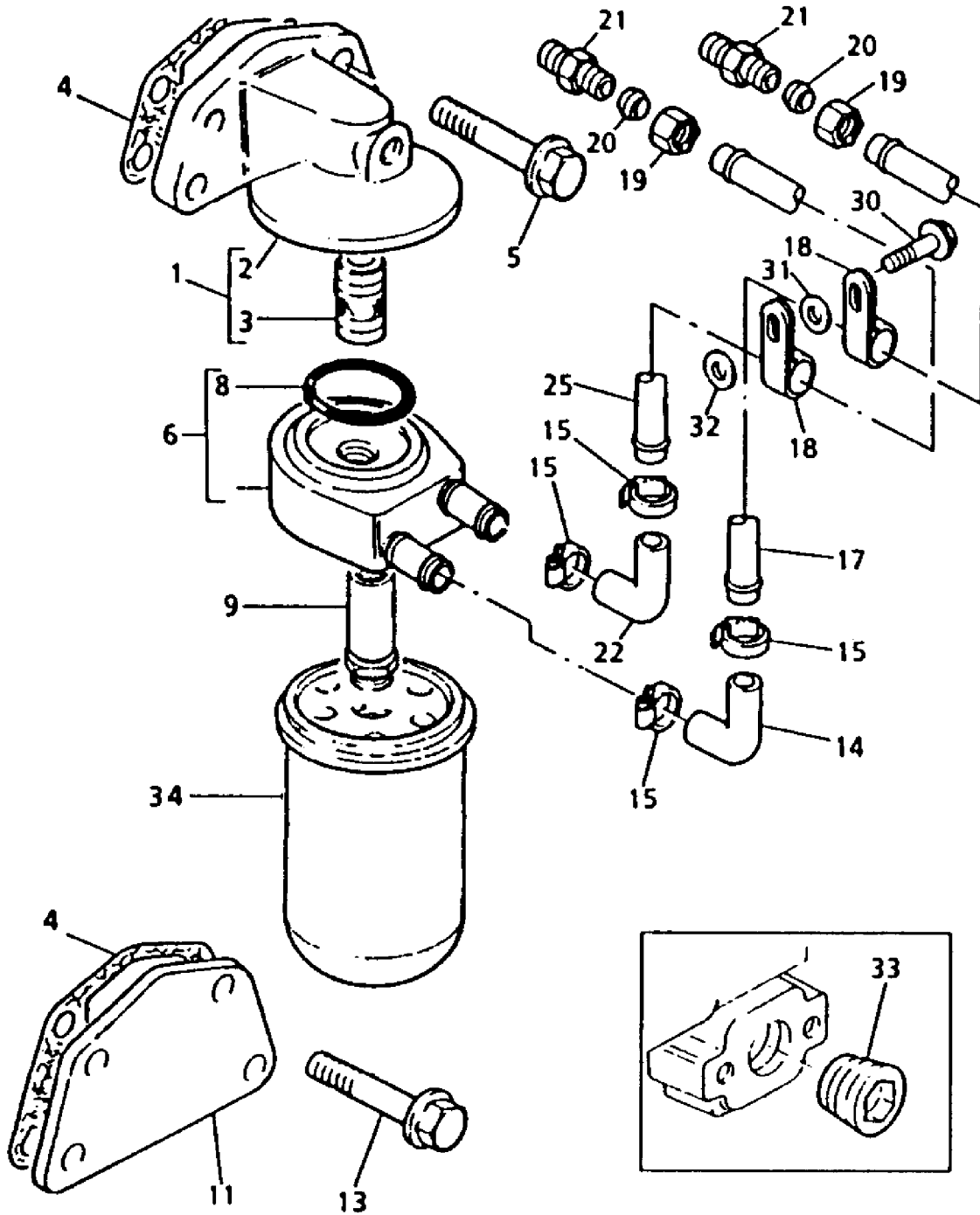


Fig. 26 - Lubricating Oil Filter and Integral Oil Cooler Group

	Ref.	Tennant Part No.	Perkins Part Number	Description	Qty.
▽	1	764737	3773K003	Filter head	1
▲	2			Filter head	1
▲	3			Connection	1
	4	52147	3687W007	Joint	2
	5	764419	2314J034	Screw	4
▽	6	764739	2486A205	Cooler	1
▲	8	764740	2486A211	Gasket	1
	9	764741	2486A208	Connector	1
	11	764743	3623H008	Plate	1
	13	764744	2314J033	Screw	4
	14	764745	34821121	Hose	1
	15	764426	21825195	Clip	4
	17	764746	4126K104	Pipe	1
	18	764747	3656M003	Clip	2
	19	764748	0576117	Nut	2
	20	764749	0566008	Olive	2
	21	764750	0206009	Union	2
	22	764745	34821121	Hose	1
	25	764751	4126K105	Pipe	1
	30	764413	2314H010	Screw	1
	31	764752	33245137	Tube	1
	32	764753	33135427	Spacer	1
	33	764403	0650588	Plug	1
	34	52770-5	2654403	Filter, Oil	1

Fig. 27 - Water Pump, Thermostat and Heat Exchanger Group

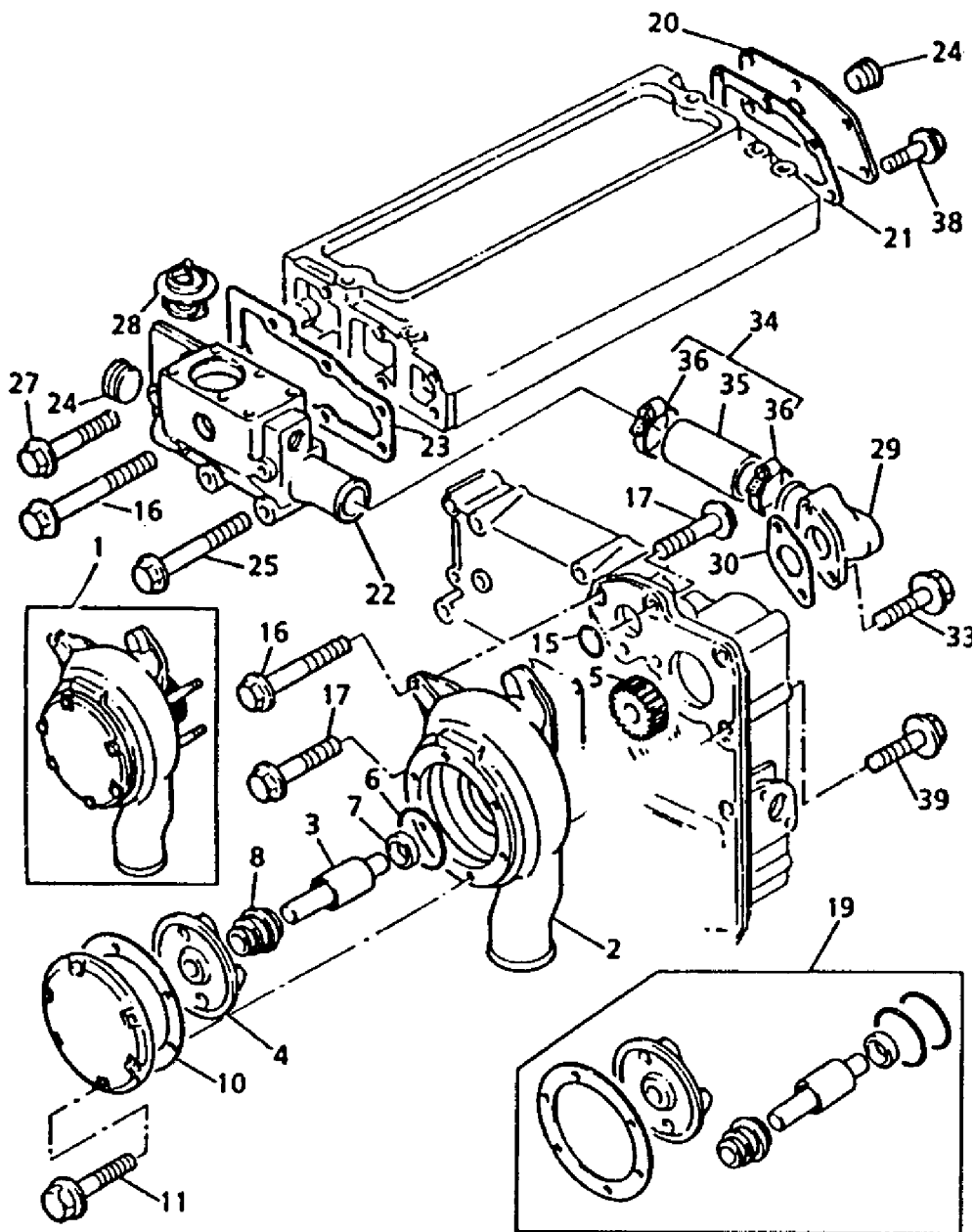
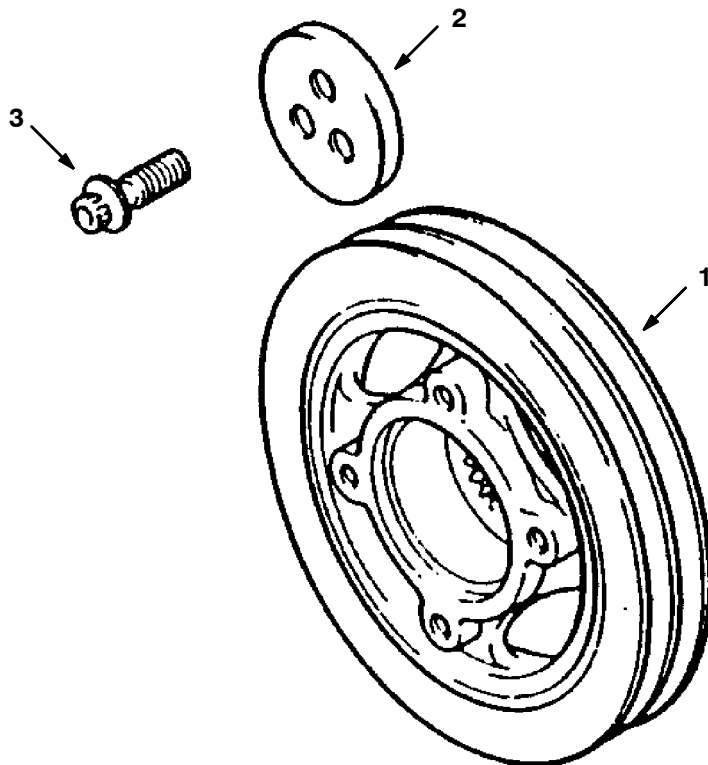


Fig. 27 - Water Pump, Thermostat and Heat Exchanger Group

Ref.	Tennant Part No.	Perkins Part Number	Description	Qty.	
1	764754	4131E012	Water pump	1	
2			Body	1	
3			Shaft	1	
4			Impeller	1	
5	764755	3117A032	Gear	1	
6	764756	2415B155	Seal	1	
7	764757	2418F405	Seal	1	
8			Seal	1	
10	764882	3382P004	Joint	1	
11	764760	2314F034	Screw	6	
11	764761	2314F033	Screw	6	
11	764762	2314M033	Screw	6	
15	764424	2415B152	O-ring	1	
16	764763	2314H015	Screw	2	
17	764411	2314H006	Screw	2	
19	764765	U7LW0071	Kit, repair	1	
20	764766	3623K007	Plate	1	
21	764767	3685R005	Joint	1	
22	764768	3771K111	Housing	1	
23	764851	3685F005	Joint	1	
24	764425	2431154	Plug	3	
25	764769	2314J013	Screw	2	
27	764412	2314H008	Screw	2	
28	51650	2485613	Thermostat	1	
29	764771	3764E061	Connection	1	
30	764887	3683N004	Joint	1	
33	764410	2314H004	Screw	1	
▽	34	764772	U5MH0050	Kit, hose	1
▲	35		Hose	1	
▲	36	764773	21825192	Clip	2
38	764408	2314H002	Screw	3	
39	764775	2314N043	Screw	3	

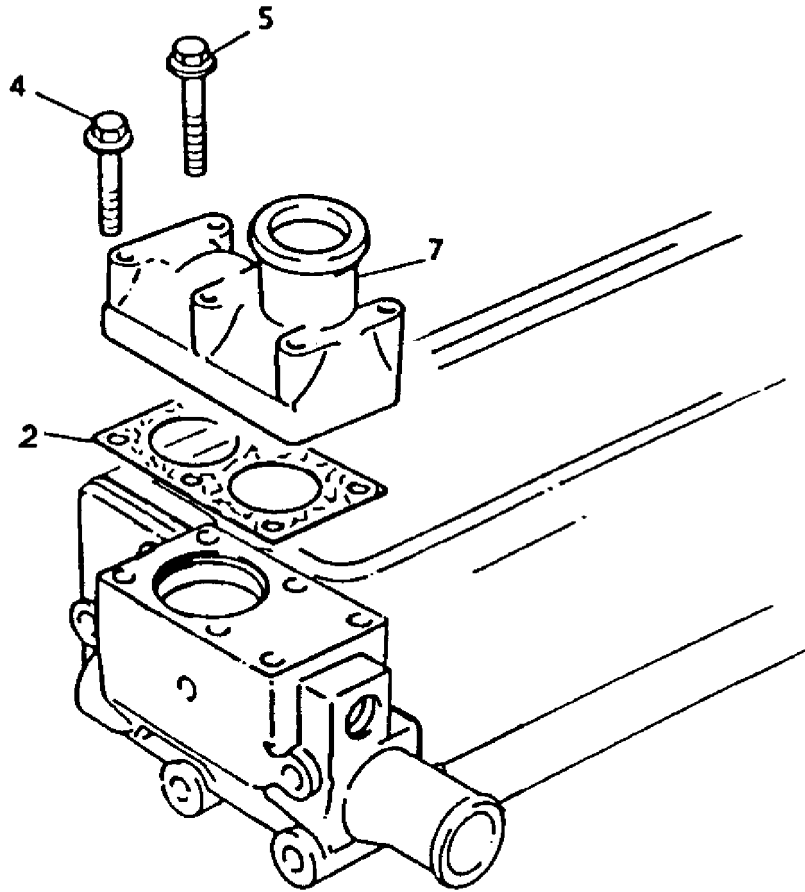
Fig. 28 - Front End Drive Input Group



10011/09359

Ref.	Tennant Part No.	Perkins Part Number	Description	Qty.
1	764778	3115T051	Pulley	1
2	764776	3241N001	Block	1
3	764777	32186137	Bolt	3

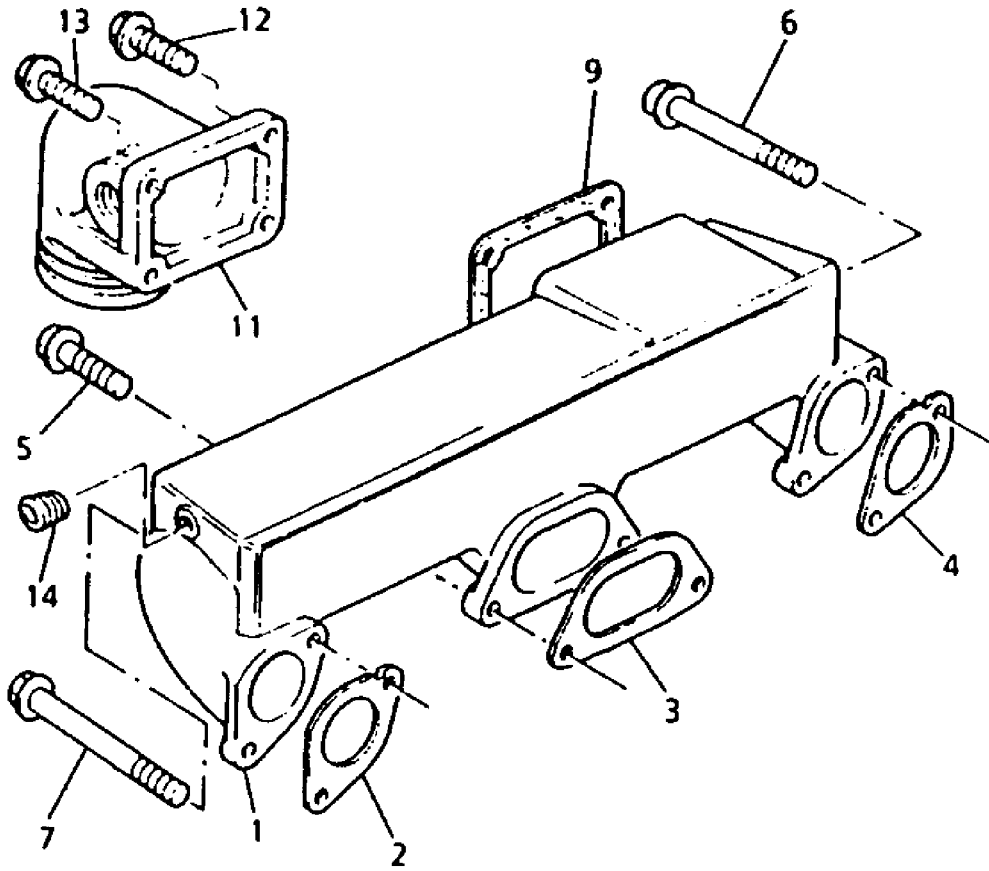
Fig. 29 - Water Outlet and Inlet Group



10012/09361

Ref.	Tennant Part No.	Perkins Part Number	Description	Qty.
2	764853	3684A004	Joint	1
4	764413	2314H010	Screw	4
5	764412	2314H008	Screw	2
7	764779	3771K043	Connection	1

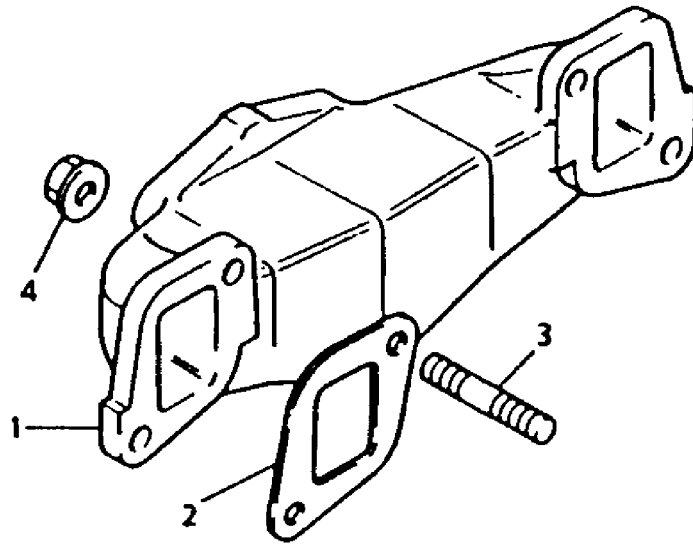
Fig. 30 - Induction Manifold Group



10013/09363

Ref.	Tennant Part No.	Perkins Part Number	Description	Qty.
1	764781	3777E142	Ind manifold	1
2	764446	3688C001	Joint	1
3	764447	3688C002	Joint	1
4	764448	3688C003	Joint	1
5	764419	2314J034	Screw	4
6	764782	2314J041	Screw	1
7	764783	2314J048	Screw	1
9	764444	3684N005	Joint	1
11	764784	3766T041	Elbow	1
12	764410	2314H004	Screw	2
13	764414	2314H017	Screw	2
14	764785	2431131	Plug	1

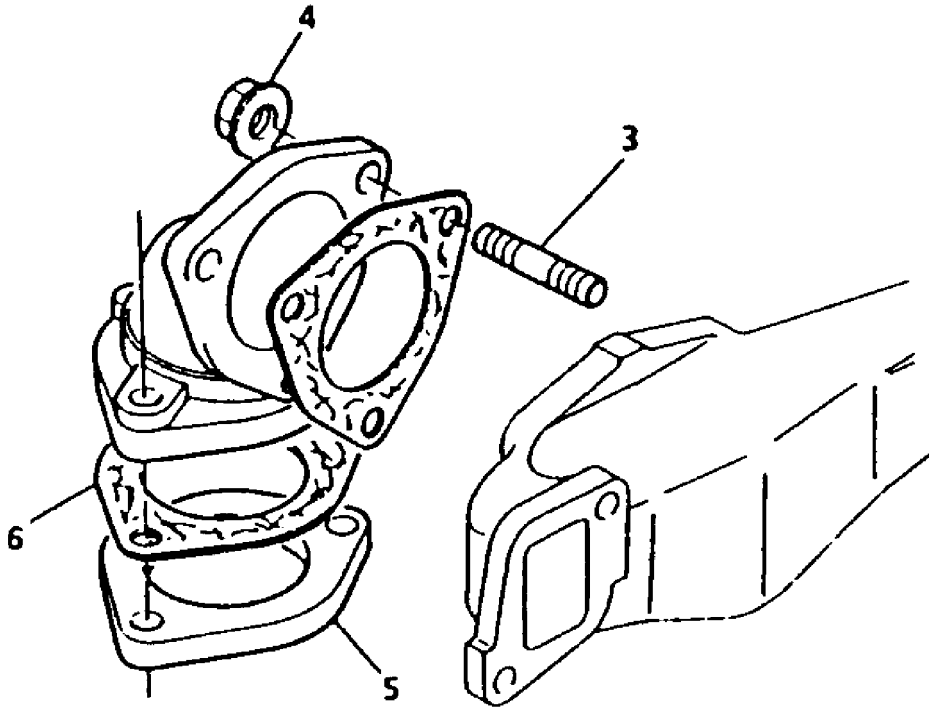
Fig. 31 - Exhaust Manifold Group



10014/09364

Ref.	Tennant Part No.	Perkins Part Number	Description	Qty.
1	764786	3778E031	Manifold	1
2	764787	36862159	Joint	2
3	764788	2313M078	Stud	4
4	764423	2318A634	Nut	4

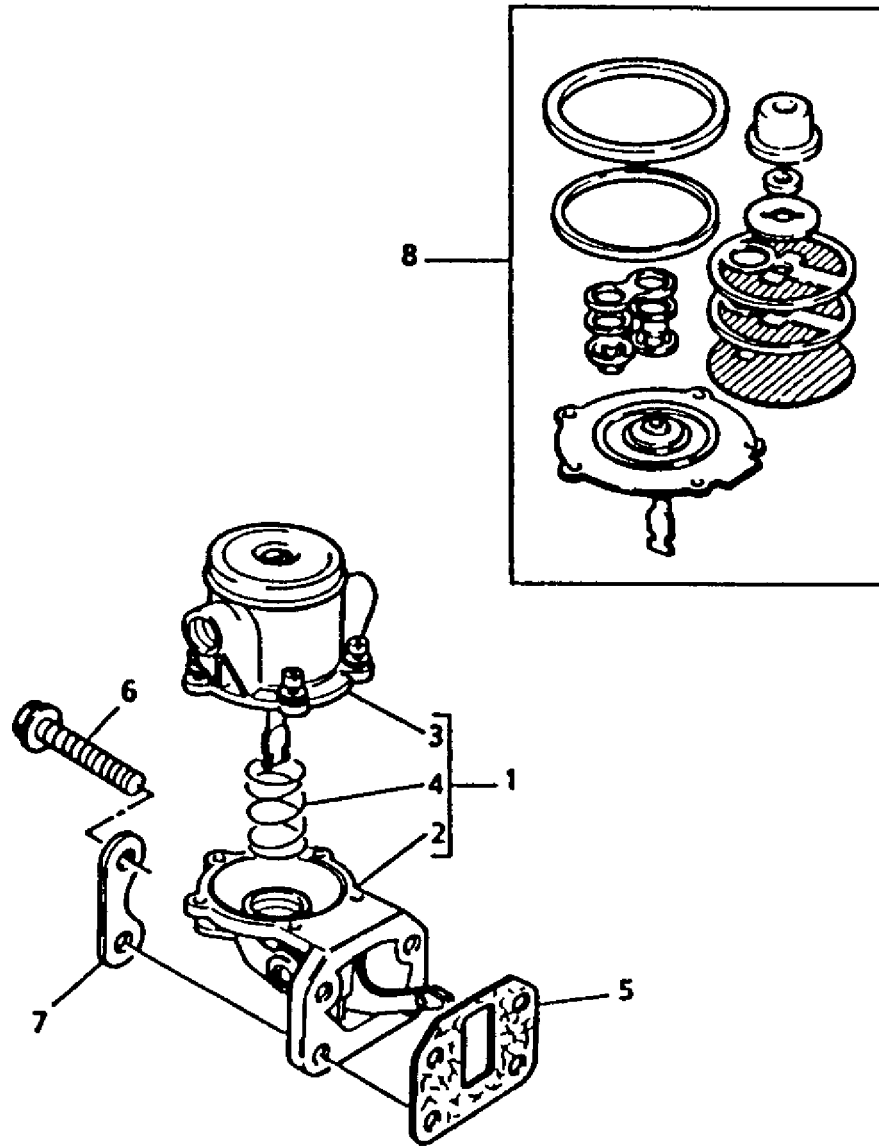
Fig. 32 - Exhaust Outlet Flange Group



10015/09365

Ref.	Tennant Part No.	Perkins Part Number	Description	Qty.
3	764407	2313C077	Stud	3
4	764423	2318A634	Nut	3
5	764789	3623E006	Flange	1
6	764790	3681V502	Joint	1

Fig. 33 - Fuel Pump Breakdown



10088/09366

Ref.	Tennant Part No.	Perkins Part Number	Description	Qty.
▽ 1	764017	2641A057	Lift pump	1
▲ 2			Body	1
▲ 3			Body	1
▲ 4			Spring	1
5	764881	3685R007	Joint	1
6	764794	2314H033	Screw	4
7	764795	36241316	Plate	2
8	38747	26410087	Kit, repair	-

Fig. 34 - Low Pressure Fuel System Group

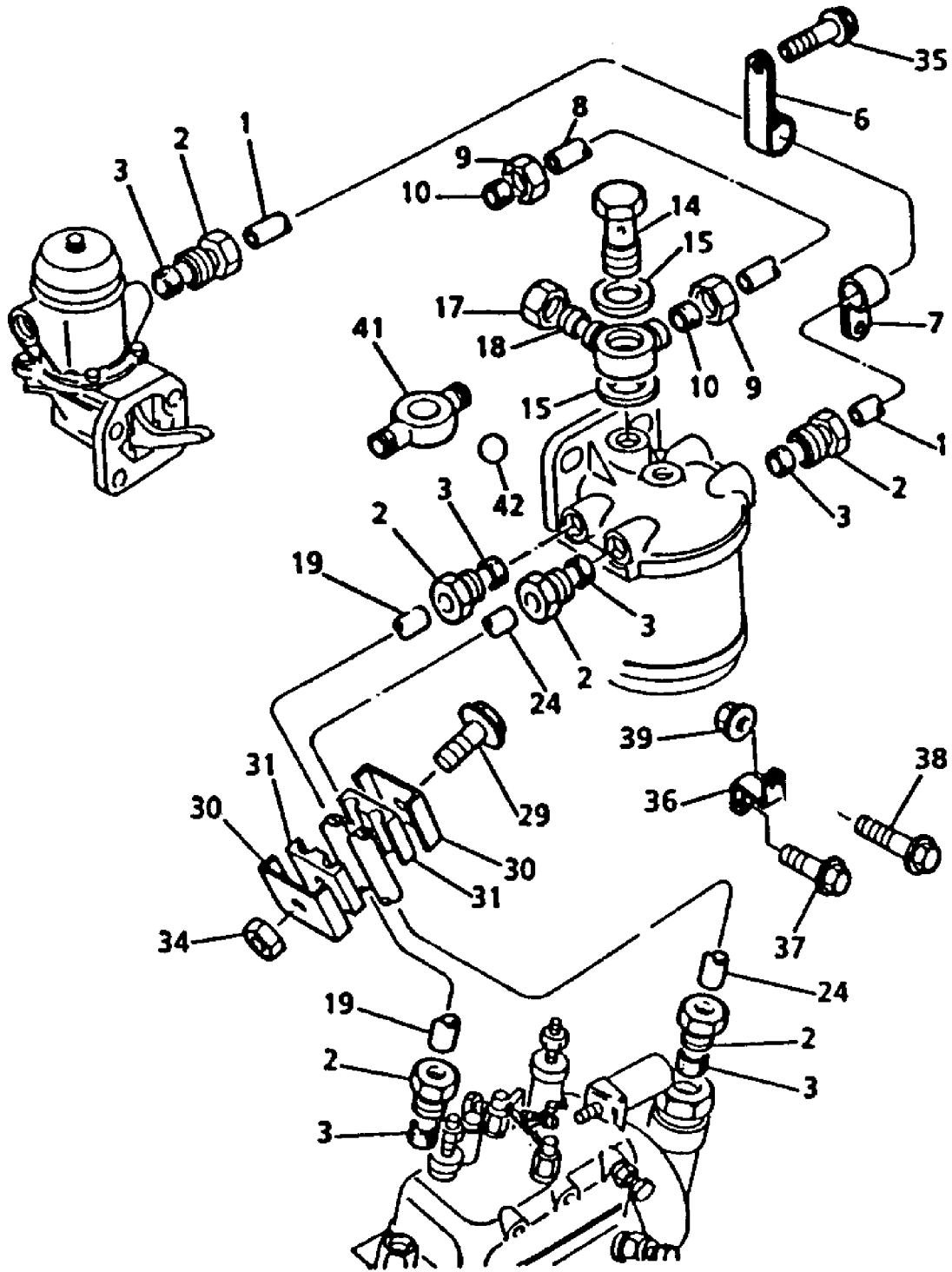
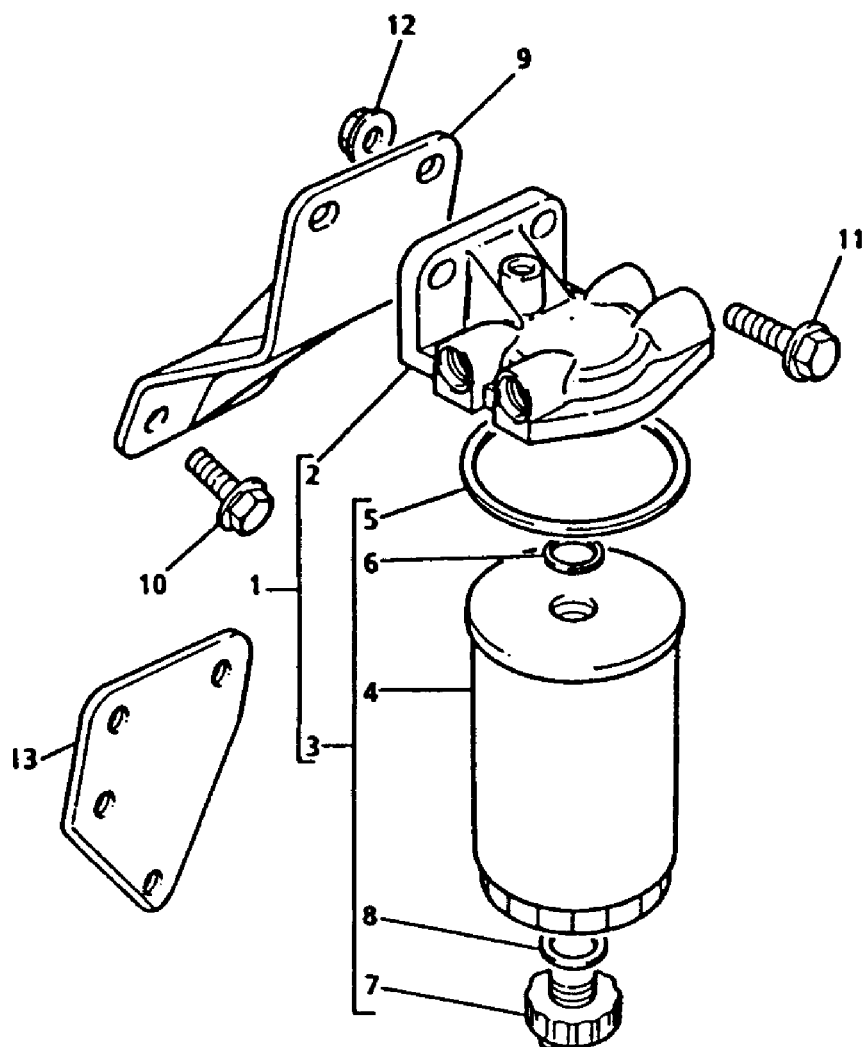


Fig. 34 - Low Pressure Fuel System Group

Ref.	Tennant Part No.	Perkins Part Number	Description	Qty.
1	763918	4121T003	Pipe	1
2	52100	33532128	Nut	6
3	764434	33811113	Olive	6
6	764799	36564422	Clip	1
7	764800	0180043	Clip	1
8	764114		Pipe	1
9	764432	33225412	Union nut	2
10	764433	33811112	Olive	2
14	37828	0095344	Bolt	1
15	764802	0920146	Washer	2
17	764803	0576112	Nut	1
18	764804	0566003	Olive	1
19	764805	4121M011	Fuel pipe	1
24	764806	4121K013	Pipe	1
29	764807	2314E007	Screw	1
30	764808	36511123	Plate	2
31	764809	36844116	Bridle	2
34	764810	2318D205	Nut	1
35	764409	2314H003	Screw	1
36	764811	3653R002	Bracket	1
37	764812	2314F002	Screw	1
38	764813	2314F006	Screw	1
39	764814	2318A602	Nut	1
41	764815	31726241	Connector	1

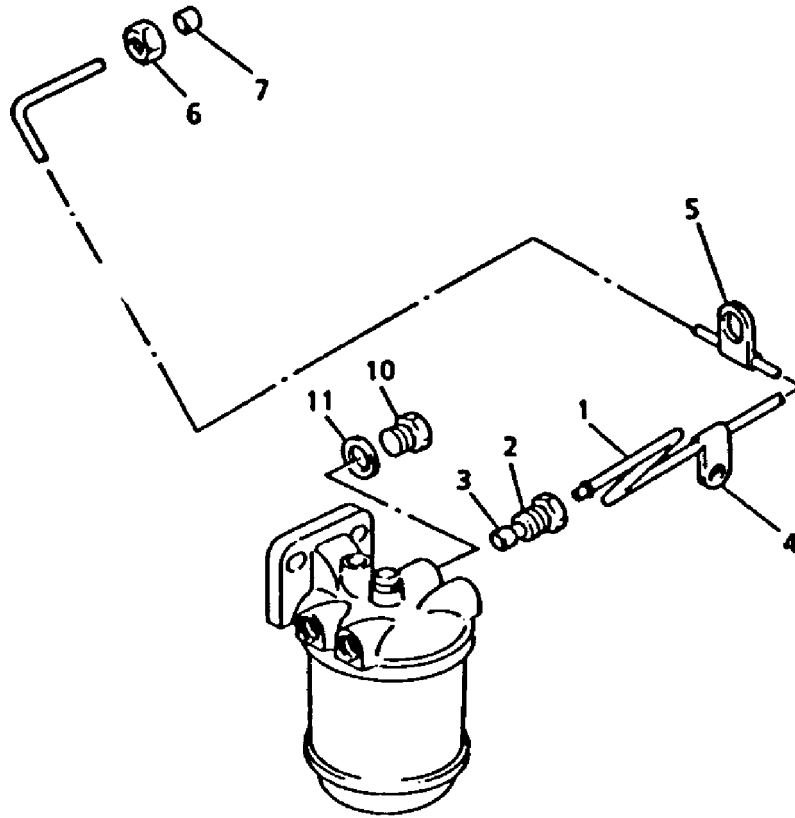
Fig. 35 - Fuel Filter Group



10090/09368

	Ref.	Tennant Part No.	Perkins Part Number	Description	Qty.
▽	1	764816	2656F802	Fuel filter	1
▲	2			Filter head	1
▲▽	3	764018	26561118	Element	1
▲▲	4			Element	1
▲▲	5			Seal	1
▲▲	6			Seal	1
▲▲	7	764818	26560609	Plug	1
▲▲	8	764819	26431192	Washer	1
	9	764820	3831E006	Bracket	1
	10	764415	2314J002	Screw	2
	11	764417	2314J004	Screw	2
	12	764422	2318A604	Nut	2

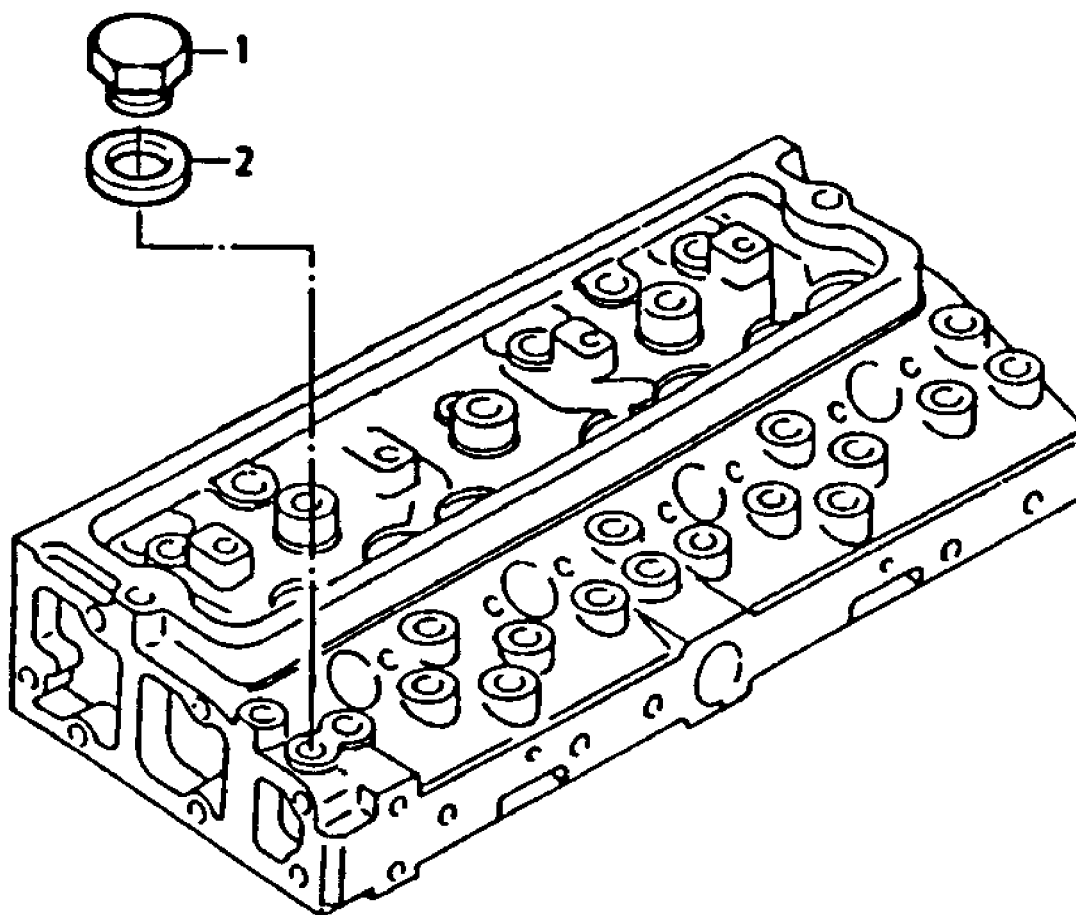
Fig. 36 - Fuel Pipe Group



10091/09369

Ref.	Tennant Part No.	Perkins Part Number	Description	Qty.
1	764821	4124E029	Pipe	1
2	764822	33532148	Nut	1
3	764823	3381A002	Olive	1
4	764824	36564121	Clip	1
5	764825	3656M001	Clip	1
6	764432	33225412	Union nut	1
7	764433	33811112	Olive	1

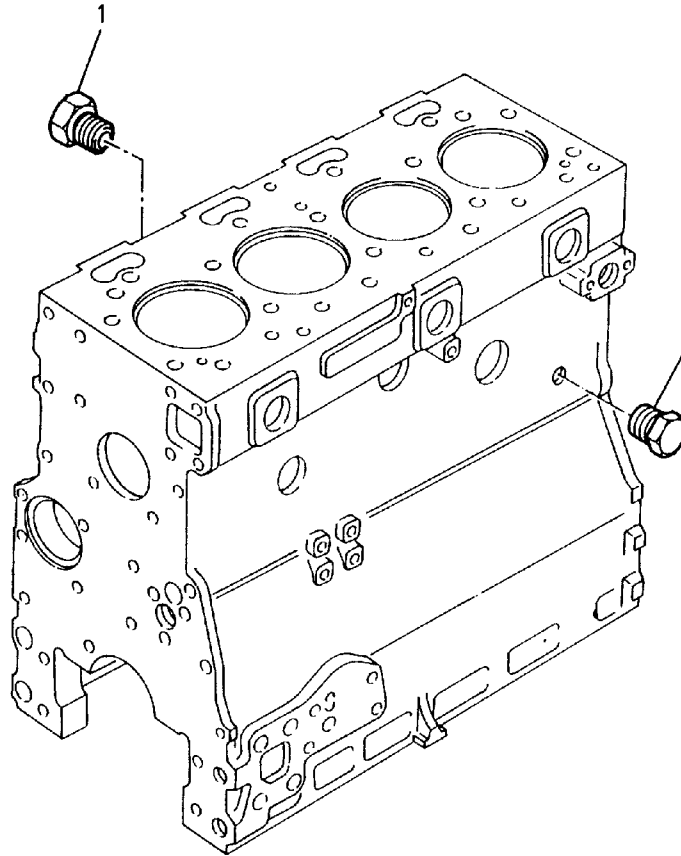
Fig. 37 - Plug Group



10093/09371

Ref.	Tennant Part No.	Perkins Part Number	Description	Qty.
1	764834	0650203	Plug	1
2	764835	2411157	Washer	1

Fig. 38 - Plug Group



10094/09372

Ref.	Tennant Part No.	Perkins Part Number	Description	Qty.
1	764836	32161114	Plug	2

Fig. 39 - Fuel Pre-Lift Pump Group

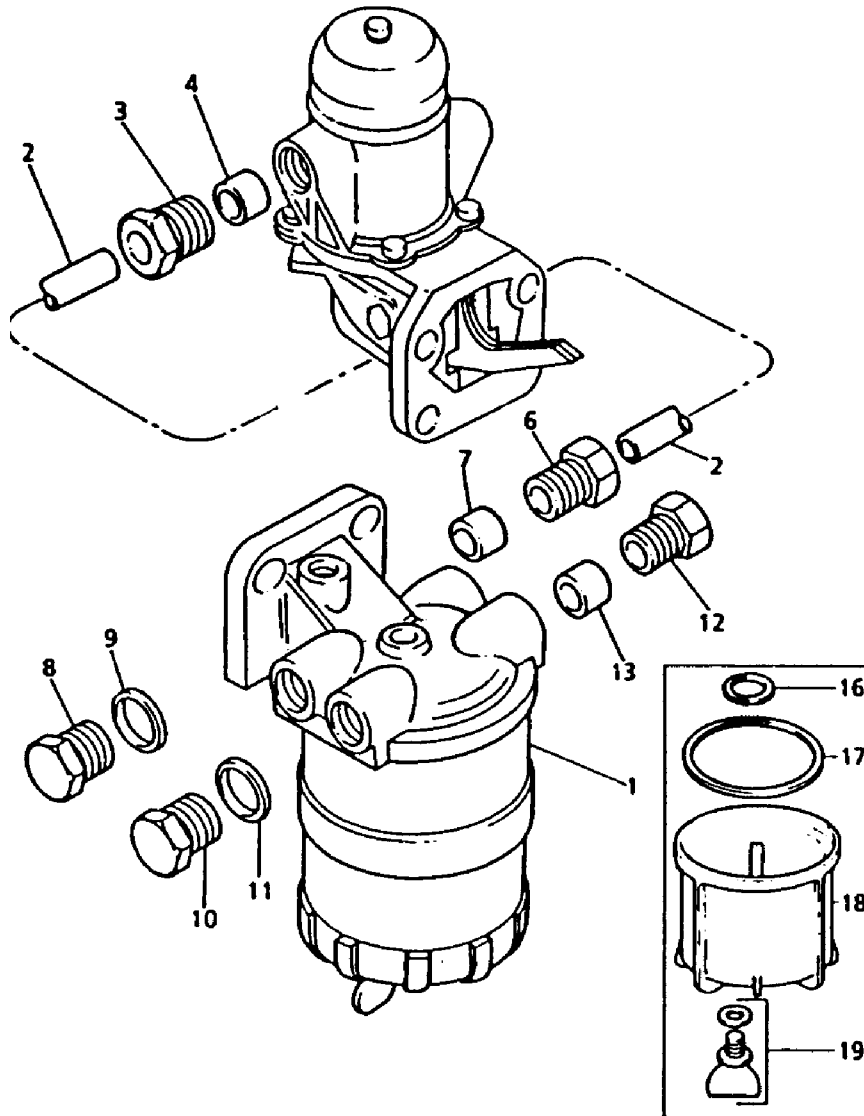


Fig. 39 - Fuel Pre-Lift Pump Group

Ref.	Tennant Part No.	Perkins Part Number	Description	Qty.
1	764837	2656086	Fuel filter	1
3	764838	0571346	Nut	1
4	764839	0566004	Olive	1
6	30063	33532129	Nut	1
7	764839	0566004	Olive	1
8	764840	0650204	Plug	1
9	764841	0920154	Washer	1
10	764840	0650204	Plug	1
11	764841	0920154	Washer	1
12	30063	33532129	Nut	1
13	764839	0566004	Olive	1
16	764842	26560016	Washer	1
17	764843	0490786	Joint	2
18	764844	26560075	Container	1
19	764845	26560614	Plug	1

Fig. 40 - Joints and Gaskets-Top Service Kit Group

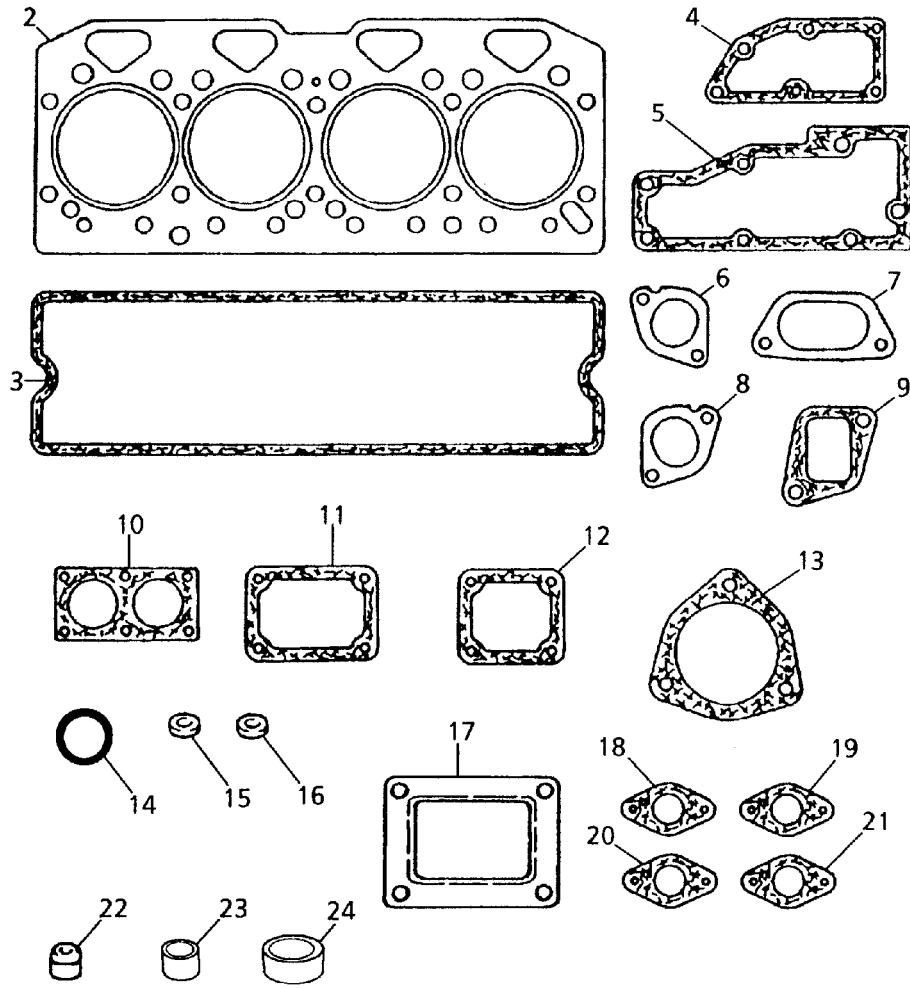


Fig. 40 - Joints and Gaskets-Top Service Kit Group

	Ref.	Tennant Part No.	Perkins Part Number	Description	Qty.
▽	1	764846	U5LT0178	Kit, joint/gasket	1
▲	2	764521	3681E025	Head Gasket	1
▲	3	764732	3681A028	Joint	1
▲	4	764850	3687M018	Joint	1
▲	5	764851	3685F005	Joint	1
▲	6	764446	3688C001	Joint	1
▲	7	764447	3688C002	Joint	1
▲	8	764448	3688C003	Joint	1
▲	9	764852	36862189	Joint	2
▲	10	764853	3684A004	Joint	1
▲	11	764854	3684N009	Joint	1
▲	12	764856	3864N503	Joint	1
▲	13			Joint	1
▲	14			Seal	2
▲	15	764405	0921173	Washer	4
▲	16			Washer	1
▲	17	764857	36885008	Gasket	1
▲	18	764859	36832138	Joint	1
▲	19	764860	36832144	Joint	1
▲	20	764862	3683D006	Joint	1
▲	21	764864	36832151	Joint	1
▲	22	764436	33817117	Seal	8
▲	23	764434	33811113	Olive	10
▲	24	764435	33813131	Seal	4

Fig. 41 - Joints and Gaskets-Bottom Service Kit Group

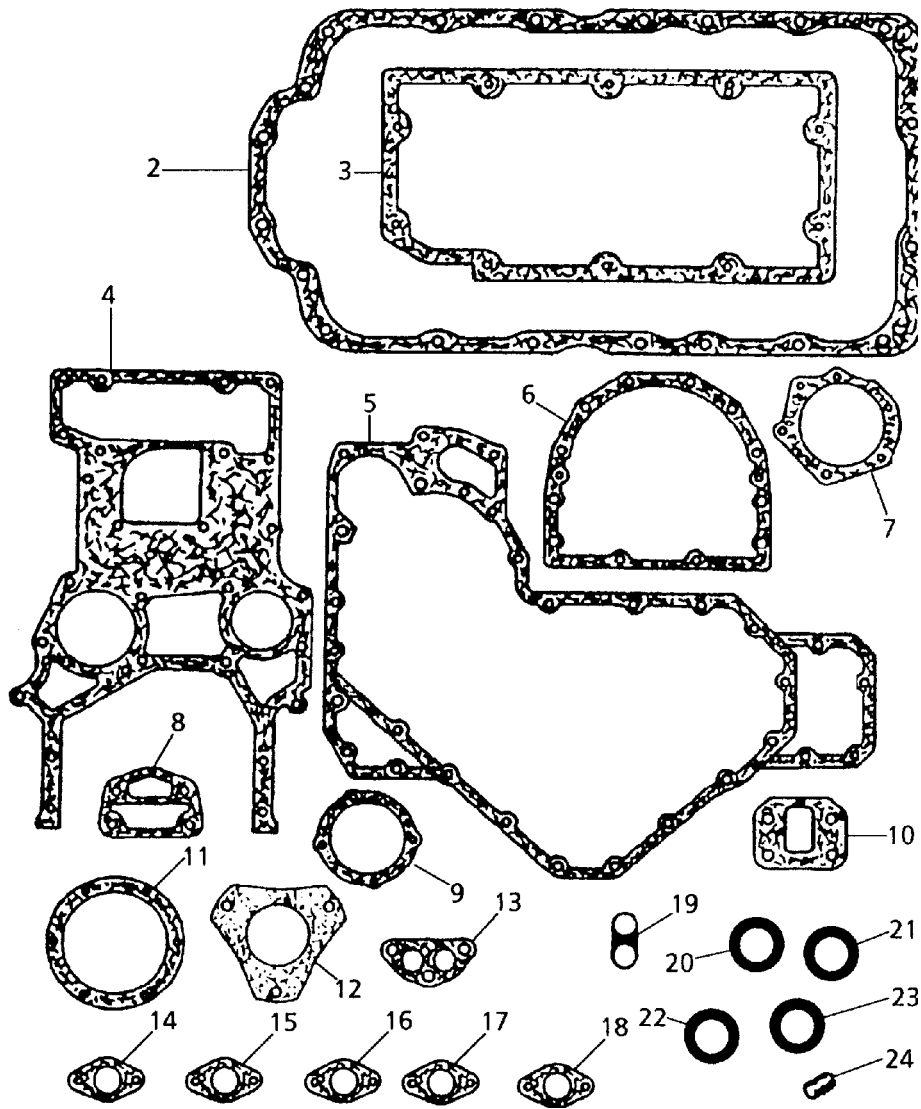


Fig. 41 - Joints and Gaskets - Bottom Service Kit Group

	Ref.	Tennant Part No.	Perkins Part Number	Description	Qty.
▽	1	764866	U5LB0151	Kit, joint/gasket	-
▲	2	764868	3681K005	Joint	1
▲	3	764870	3685F006	Joint	1
▲	4	764871	3681P009	Joint	1
▲	5	764872	3681P019	Joint	1
▲	6	763947	3681T008	Joint	1
▲	7	764563	3682H003	Joint	1
▲	8	764877	3687W008	Joint	1
▲	9	764879	3687H005	Joint	1
▲	10	764881	3685R007	Joint	1
▲	11	764882	3382P004	Joint	1
▲	12	764884	3687H011	Joint	1
▲	13	764886	3686A509	Joint	1
▲	14	764887	3683N004	Joint	1
▲	15	764888	36832137	Joint	1
▲	16	764890	3683L005	Joint	1
▲	17			Joint	1
▲	18			Joint	1
▲	19	764891	3685U002	Joint	1
▲	20	764892	2415B135	O-ring	1
▲	21	764893	2415B148	O-ring	1
▲	22	764424	2415B152	O-ring	1
▲	23			O-ring	1
▲	24	764894	32811408	Joint	2

SECTION 6

CONTENTS

Fig. 1 - Short Engine Group 6-2

Fig. 2 - Pistons and Cylinders Group 6-3

Fig. 3 - Cylinder Block Group 6-4

Fig. 4 - Crankshafts, Pistons and Connecting Rods Group 6-6

Fig. 5 - Cylinder Head Group 6-8

Fig. 6 - Rocker Shaft Group 6-10

Fig. 7 - Timing Gear and Camshaft Group 6-12

Fig. 8 - Lubricating Oil Pump and Delivery Housing Group 6-14

Fig. 9 - Flywheel Housing Group 6-16

Fig. 10 - Starter Ring Group 6-17

Fig. 11 - Starter Motor Group 6-18

Fig. 12 - Starter Motor Breakdown 6-19

Fig. 13 - Fan Drive Group 6-20

Fig. 14 - Fan and Extension Group 6-21

Fig. 15 - Alternator and Generator Group 6-22

Fig. 16 - Gear Drive Auxiliary Drive Options Group 6-24

Fig. 17 - Intake Heater Group 6-25

Fig. 18 - Engine Lifting Group 6-26

Fig. 19 - Mountings (Front and Rear) Group 6-27

Fig. 20 - Throttle and Stop Controls Group 6-28

Fig. 21 - Applications Miscellaneous and Auxiliaries Group 6-29

Fig. 22 - Oil Dipstick Group 6-30

Fig. 23 - Induction Manifold Group 6-31

Fig. 24 - Fuel Injection Atomizer Group 6-32

Fig. 25 - Lubricating Oil Sump Group 6-34

Fig. 26 - Lubricating Oil Filler and Breather Group 6-36

Fig. 27 - Lubricating Oil Filter and Integral Oil Cooler Group 6-38

Fig. 28 - Water Pump, Thermostat and Heat Exchanger Group 6-40

Fig. 29 - Front End Drive Input Group 6-42

Fig. 30 - Water Outlet and Inlet Group 6-43

Fig. 31 - Turbocharger, Manifolds and Air Charge Cooler Group 6-44

Fig. 32 - Remote Air Charge Cooler Group 6-46

Fig. 33 - Fuel Pump Breakdown 6-47

Fig. 34 - Low Pressure Fuel System Group 6-48

Fig. 35 - Fuel Filter Group 6-50

Fig. 36 - Fuel Pipe Group 6-51

Fig. 37 - Cylinder Head Plug Group 6-52

Fig. 38 - Cylinder Plug Group 6-53

Fig. 39 - Joints and Gaskets-Top Service Kit 6-54

Fig. 40 - Joints and Gaskets-Bottom Service Kit 6-56

Fig. 41 - Pump Kit 6-58

Fig. 42 - Cylinder Block Plug Group 6-59

Fig. 43 - Injection Pump Breakdown 6-60

Fig. 44 - Turbocharger, and Air Charge Cooler 6-62

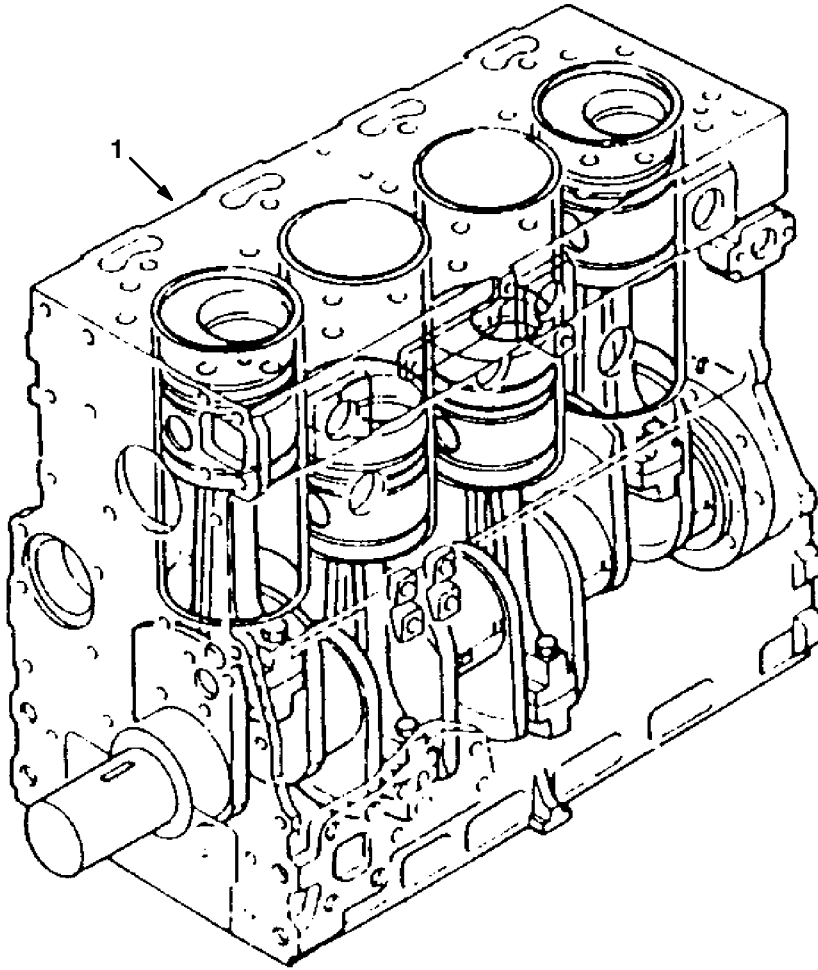
Fig. 45 - Fuel Injection Equipment Group 6-64

Fig. 46 - Fuel Injection Equipment Group 6-66

Fig. 47 - Fuel Pre-Lift Pump Group 6-68

TURBO ENGINE BREAKDOWN

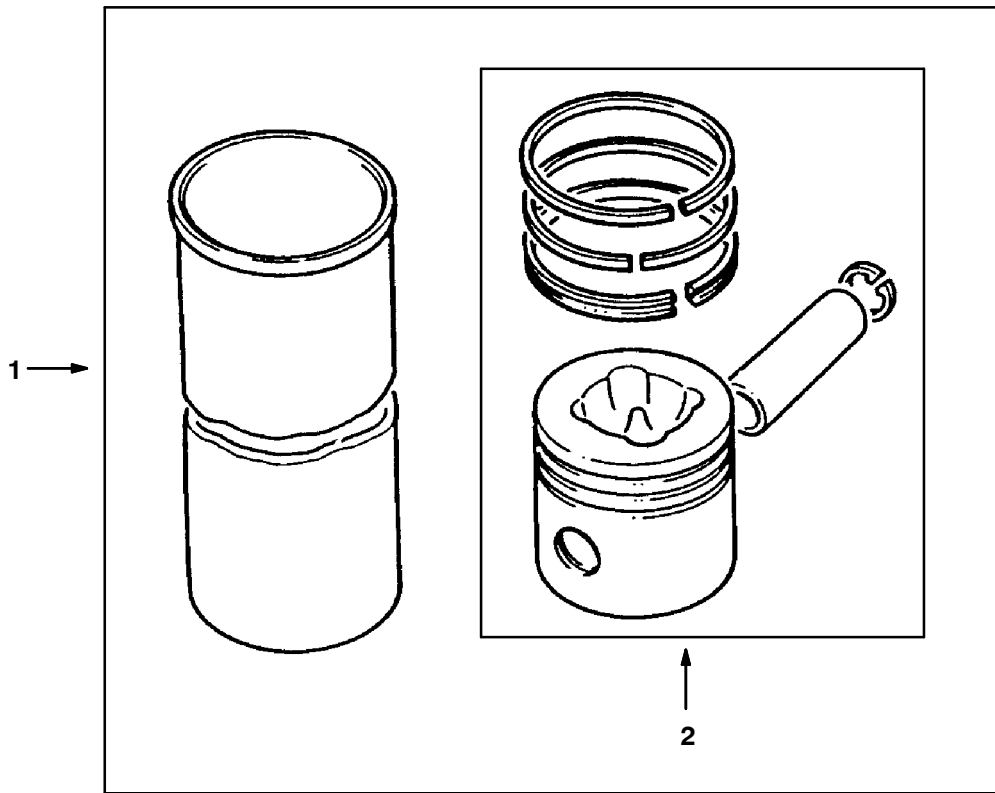
Fig. 1 - Short Engine Group



10560/09332

Ref.	Tennant Part No.	Perkins Part Number	Description	Qty.
1	763800	AB 39717	Short engine	1

Fig. 2 - Pistons and Cylinders Group



10561/09335

	Ref.	Tennant Part No.	Perkins Part Number	Description	Qty.
▽	1	763820	U5MK0245	Cylinder Kit	4
▲	2	763821	U5PR0034	Piston Kit	1

TURBO ENGINE BREAKDOWN

Fig. 3 - Cylinder Block Group

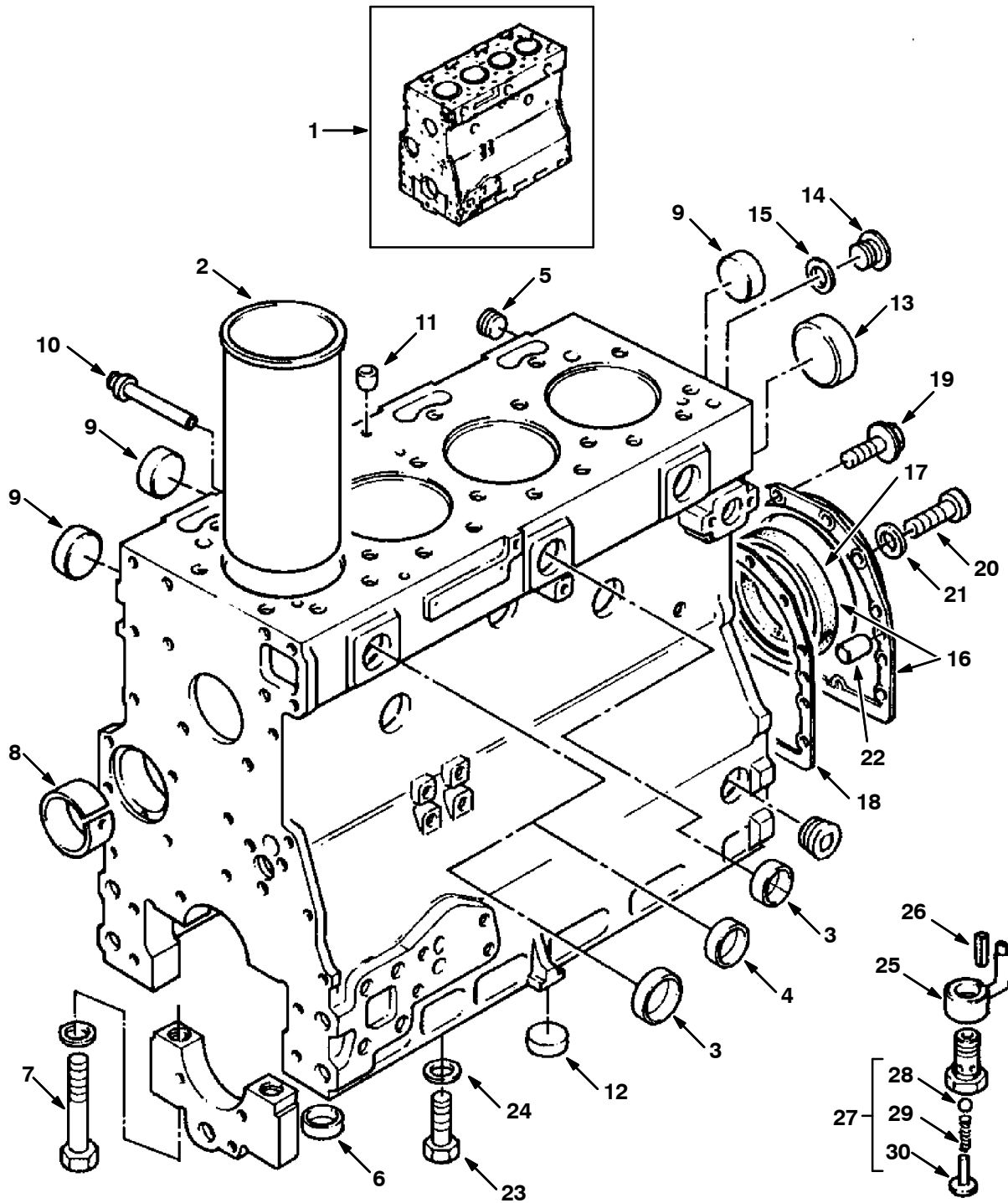


Fig. 3 - Cylinder Block Group

Ref.	Tennant Part No.	Perkins Part Number	Description	Qty.	
1	763801	ZZ 50177	Cylinder Block Kit	1	
2	764453	3135X042	Liner	4	
2	764454	3135X041	Liner	4	
3	764404	0650710	Plug	6	
4	764455	0650713	Plug	2	
5	764403	0650588	Plug	1	
6	764456	33142111	Thimble	10	
7	764461	32166329	Bolt	10	
8	764463	31134164	Bushing	1	
9	764731	32418122	Plug	9	
10	764466	2485A204	Plug	1	
11	764467	32417134	Plug	1	
12	764468	32417117	Plug	1	
13	764469	32416117	Plug	1	
14	764470	0650582	Plug	1	
15	764471	3311R003	Washer	1	
▽	16	763802	4142V066	Housing	1
▲	17	764473	2418F475	Seal	1
	18	764474	36817181	Joint	1
	19	764409	2314H003	Screw	12
	20	764476	2311D060	Screw	2
	21	764477	33112111	Washer	2
	22	764478	0350009	Dowel	2
	23	764707	2311D039	Screw	4
	24	763803	2131009	Washer	4
	25	763804	3536V001	Jet	4
	26	763805	2116A023	Dowel	4
▽	27	763806	4138A017	Valve	4
▲	28	763807	2538753	Ball	1
▲	29	763808	3174A004	Spring	1
▲	30	763809	3271A003	Retainer	1

TURBO ENGINE BREAKDOWN

Fig. 4 - Crankshafts, Pistons and Connecting Rods Group

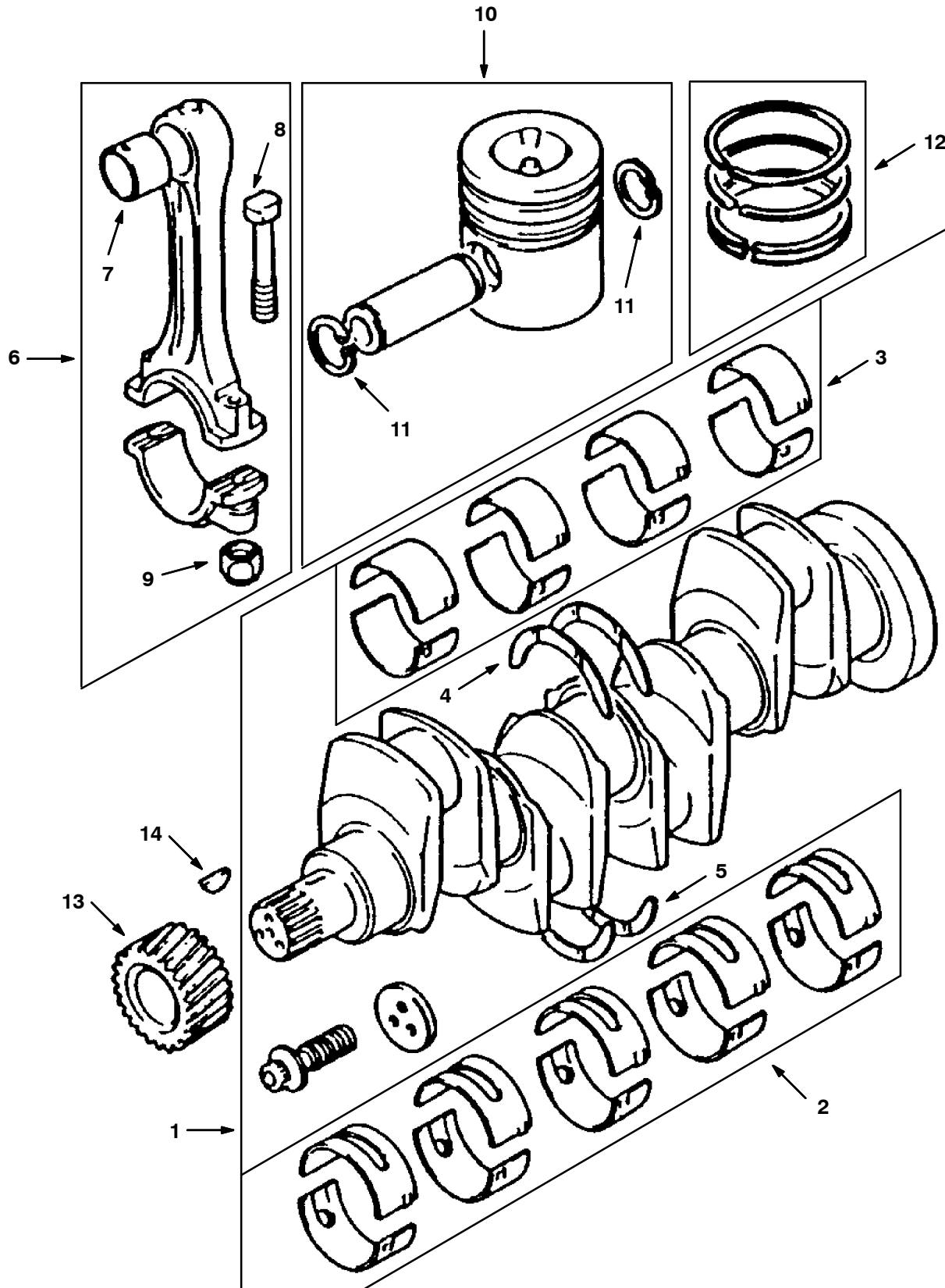


Fig. 4 - Crankshafts, Pistons and Connecting Rods Group

	Ref.	Tennant Part No.	Perkins Part Number	Description	Qty.
▽	1	763810	ZZ 90094	Crankshaft Kit	1
▲	2	764484	81558	Bearing Kit	1
▲	2	764485	81558A	Bearing Kit .25Mm	-
▲	2	764486	81558B	Bearing Kit .50Mm	-
▲	2	764487	81558C	Bearing Kit .75Mm	-
▲	3	763811	U5ME0006	Bearing Kit	1
▲	3	763812	U5ME0006A	Bearing Kit	-
▲	3	763813	U5ME0006B	Bearing Kit	-
▲	3	763814	U5ME0006C	Bearing Kit	-
▲	4	764492	31137551	Thrust Washer Std	2
▲	4	764493	31137312	Thrust Washer + .19Mm	-
▲	5	764494	31137561	Thrust Washer Std	2
▲	5	764495	31137322	Thrust Washer + .19Mm	-
▽	6	763815	ZZ90013	Connection Rod Kit	4
▲	7	763816	31134131	Bushing	1
▲	8	764498	32762144	Bolt	2
▲	9	764499	33221328	Nut	2
▽	10	763817	U5LL0013	Piston Kit	4
▲	11	763818	2721A029	Clip	2
	12	763819	4181A021	Piston Ring Kit	1
	13	764503	3117C061	Gear, Crankshaft	1
	14	764402	0500012	Key, Woodruff	1

Fig. 5 - Cylinder Head Group

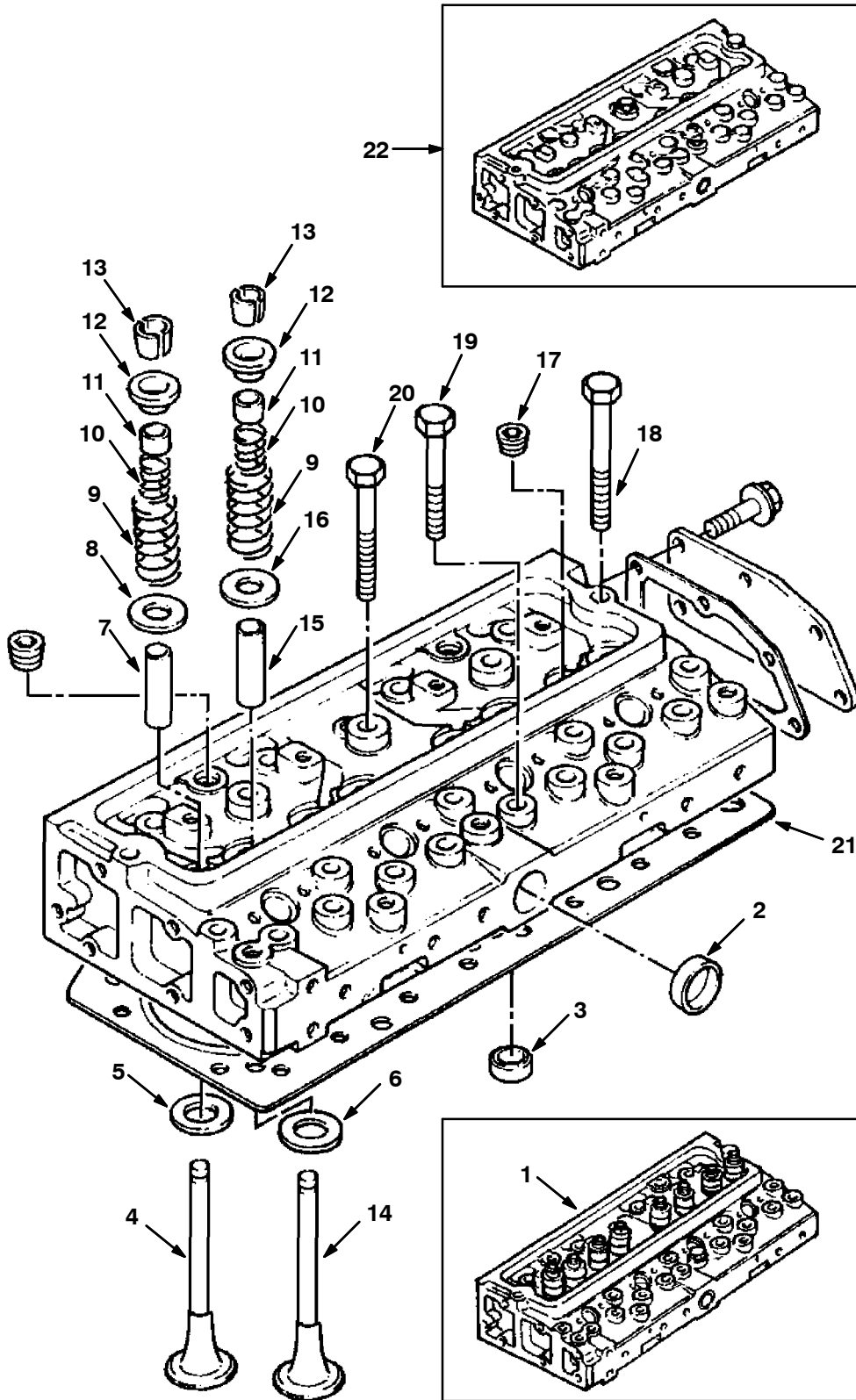


Fig. 5 - Cylinder Head Group

Ref.	Tennant Part No.	Perkins Part Number	Description	Qty.
1	763822	ZZ 80134	Cylinder Head Kit	1
2	764404	0650710	Plug	1
3	764505	32417121	Plug	4
4	763825	3142L071	Valve Insert	4
5	763823	3314A011	Insert	4
6	763824	3314A004	Insert	4
7	763826	3343F031	Guide	4
8	764508	33415118	Washer	4
9	764510	31745122	Spring	8
10	764511	31744133	Spring	8
11	764436	33817117	Seal	8
12	764513	33424107	Cap	8
13	764514	33173108	Cotter	16
14	763827	3142A051	Valve Exhaust	4
15	764516	3343J002	Guide	4
16	764508	33415118	Washer	4
17	764517	2431A054	Plug	4
18	764518	322166222	Screw	2
19	764519	32166219	Bolt	8
20	764520	32166221	Bolt	12
21	764521	3681E017	Head Gasket	1
22	763828	ZZ 80133	Cylinder Head Kit	1

Fig. 6 - Rocker Shaft Group

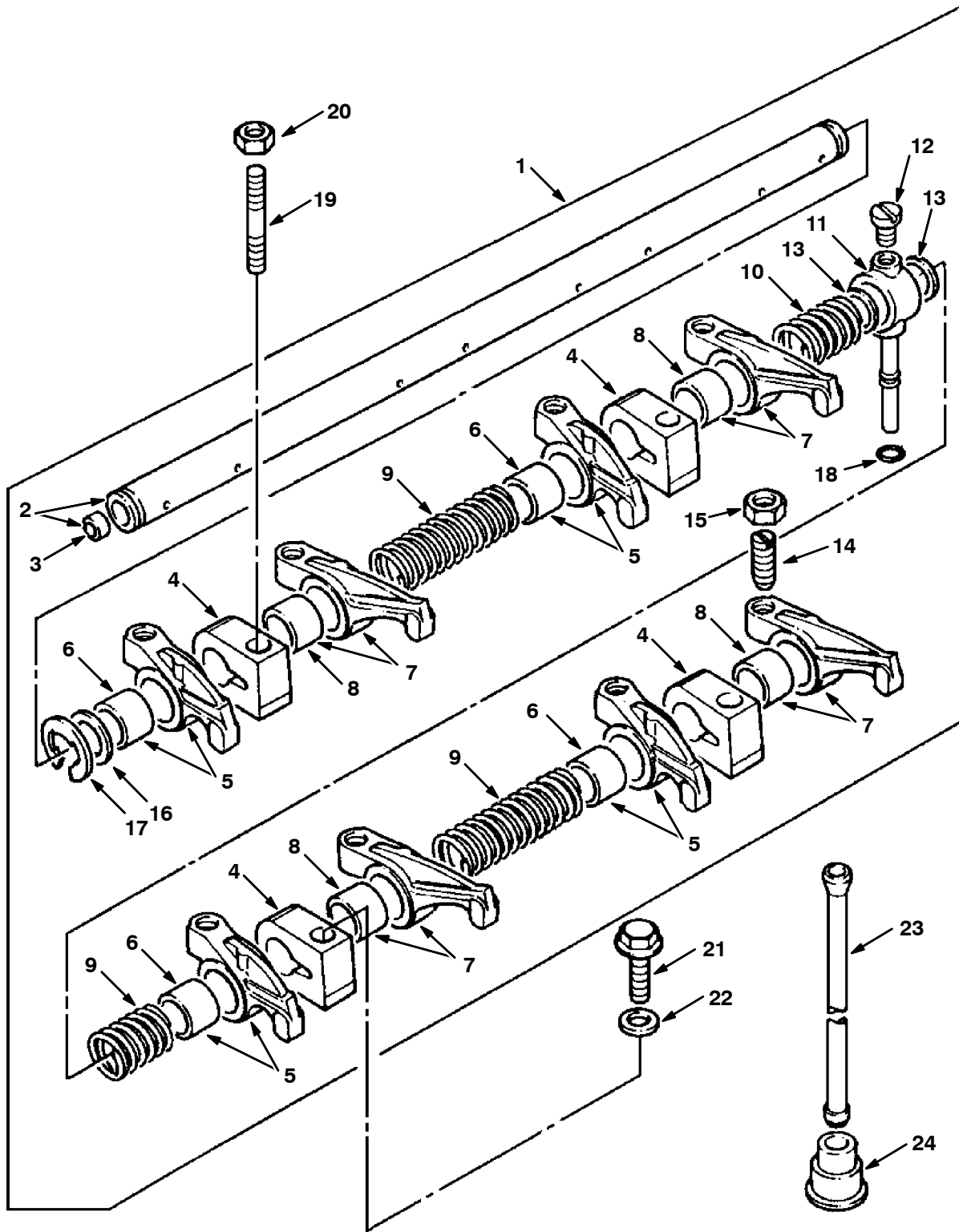


Fig. 6 - Rocker Shaft Group

	Ref.	Tennant Part No.	Perkins Part Number	Description	Qty.
▽	1	763829	ZZ 90017	Rocker Shaft Assy	1
▲▽	2	764523	ZZ90032	Rocker Shaft	1
▲▲	3	764524	0650507	Plug	2
▲	4	763830	3818X901	Bracket Assy	4
▲▽	5	763831	41151482	Rockerarm	4
▲▲	6	764529	2511425	Bushing	4
▲▽	7	764528	41151483	Rockerarm	4
▲▲	8	764529	2511425	Bushing	4
▲	9	764530	31744123	Spring	2
▲	10	764531	31743108	Spring	2
▲	11	764532	3775E012	Connection	1
▲	12	764534	2233022	Screw	1
▲	13	764535	33117426	Shim	2
▲	14	764536	0170151	Screw	8
▲	15	764537	0576052	Nut	8
▲	16	764538	33117434	Washer	2
▲	17	764539	6176151	Circlip	2
▲	18	764434	338811113	Seal	1
	19	763832	2313H331	Stud	3
	20	764640	2318A605	Nut	3
	21	764543	2314J607	Screw	1
	22	764542	3311K009	Washer	1
	23	764544	31434307	Pushrod	8
	24	764545	31434163	Tappet	8

TURBO ENGINE BREAKDOWN

Fig. 7 - Timing Gear and Camshaft Group

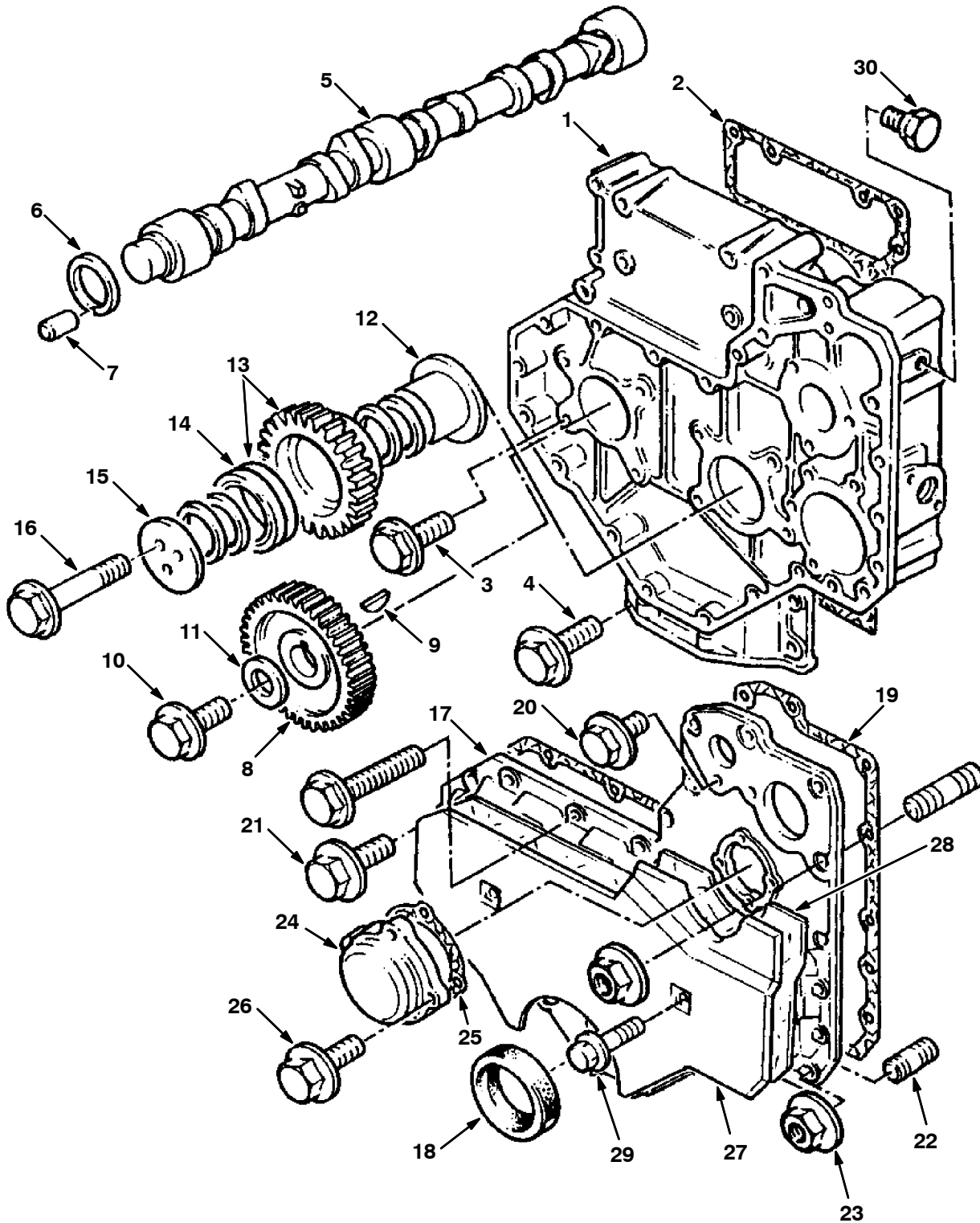


Fig. 7 - Timing Gear and Camshaft Group

Ref.	Tennant Part No.	Perkins Part Number	Description	Qty.
1	763833	3716C046	Timing Gear Case	1
2	764871	3681P009	Joint	1
3	764409	2314H003	Screw	8
4	764547	2314H034	Screw	4
5	764548	31415361	Camshaft	1
6	763834	33153135	Washer	1
7	764550	2116053	Pin	1
8	763835	3117L021	Gear, Camshaft	1
9	764402	0500012	Key, Woodruff	1
10	764420	2314J603	Screw	1
11	764552	3321A003	Washer	1
12	764553	33426161	Hub	1
∇ 13	764554	4111A013	Gear, Idler	1
▲ 14	764457	0050345	Bushing	1
15	764555	0941082	Plate	1
16	764556	2314J010	Screw	3
17	764557	4142A143	Cover	1
18	764558	2418F436	Seal	1
19	764872	3681P019	Joint	1
20	764560	2314H013	Screw	6
21	764410	2314H004	Screw	7
22	764561	2313M058	Stud	2
23	764421	2318A603	Nut	2
24	764562	3753R111	Cover	1
25	764575	2314H005	Screw	1
26	764564	2314F036	Screw	4
27	764565	3781N006	Shield	1
28	764566	3781N005	Damper	1
29	764567	2314F003	Screw	2
30	764427	2487Y005	Plug	1

TURBO ENGINE BREAKDOWN

Fig. 8 - Lubricating Oil Pump and Delivery Housing Group

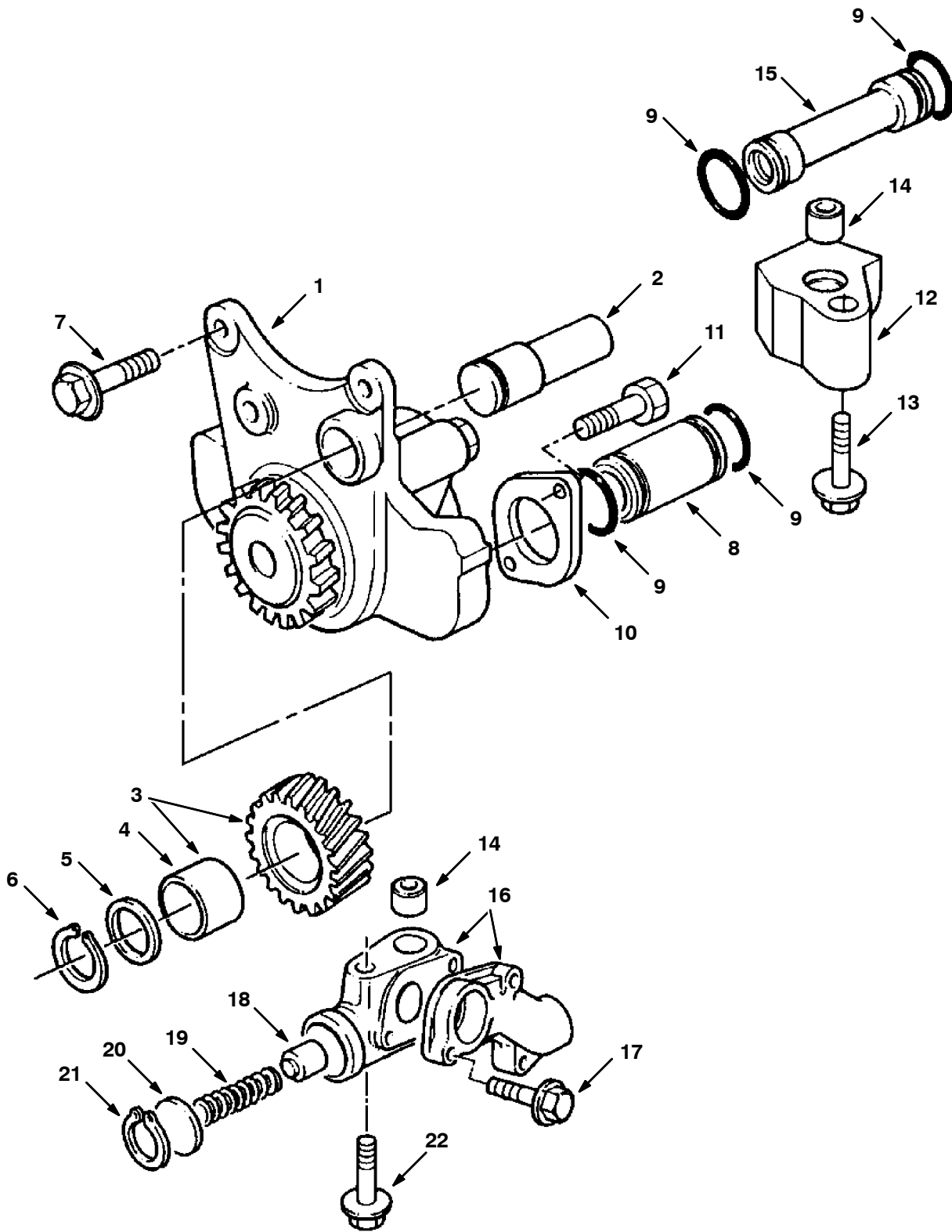
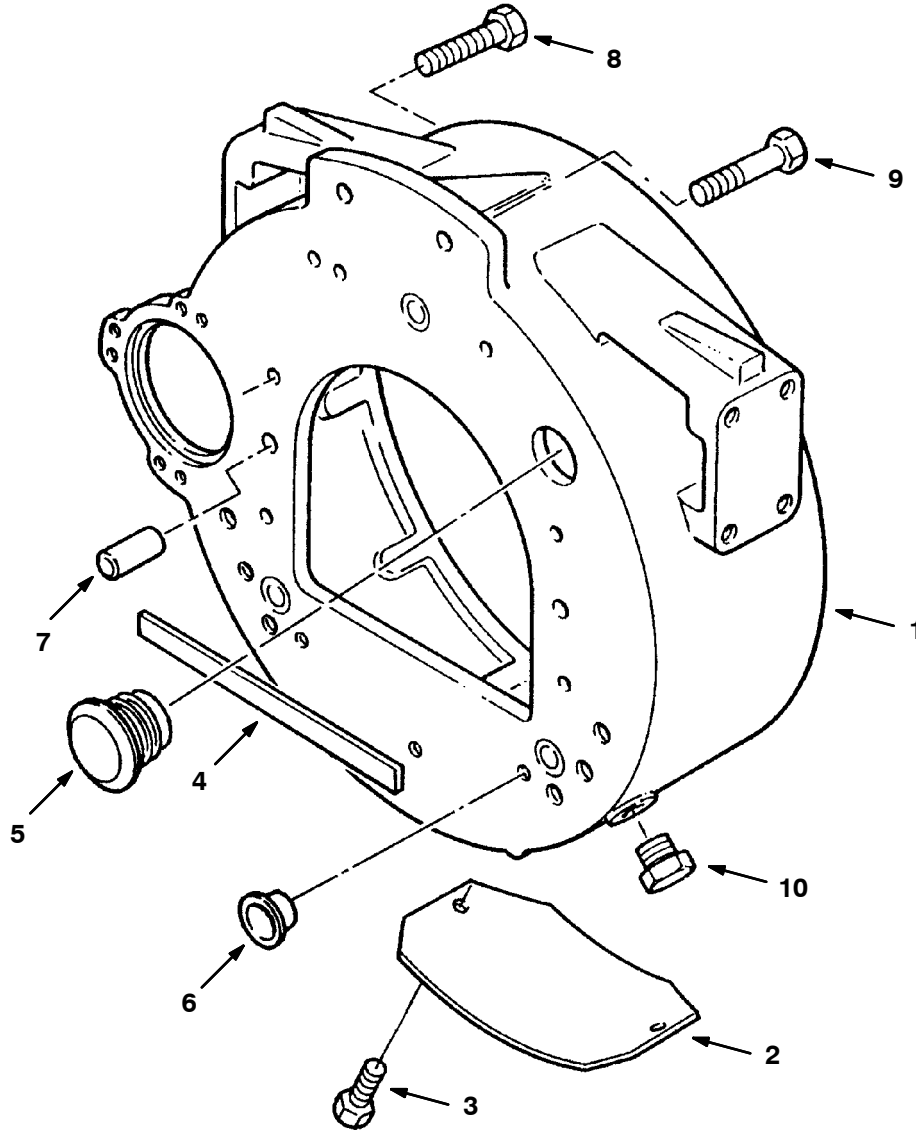


Fig. 8 - Lubricating Oil Pump and Delivery Housing Group

	Ref.	Tennant Part No.	Perkins Part Number	Description	Qty.
	1	763836	4132F056	Oil Pump	1
	2	764570	3271H002	Shaft	1
▽	3	764571	4111A021	Gear, Idler	1
▲	4	764572	2511437	Bushing	1
	5	764573	33123125	Washer	1
	6	764574	2722A206	Circlip	1
	7	764575	2314H005	Screw	3
	8	764576	3343F012	Pipe, Oil	1
	9	764577	2415H201	O-Ring	4
	10	764578	3748C011	Flange	1
	11	764410	2314H004	Screw	2
	12	764579	3763W011	Adaptor	1
	13	764580	2314J008	Screw	1
	14	764581	33137408	Thimble	2
	15	764582	3343M307	Pipe, Oil	1
▽	16	763837	4138A037	Relief Valve	1
▲	17	764584	2314F907	Screw	3
▲	18	764585	32712726	Plunger	1
▲	19	764586	3174L003	Spring	1
▲	20	764587	32712111	Seat	1
▲	21	764588	2721130	Circlip	1
	22	764589	2314J011	Screw	1

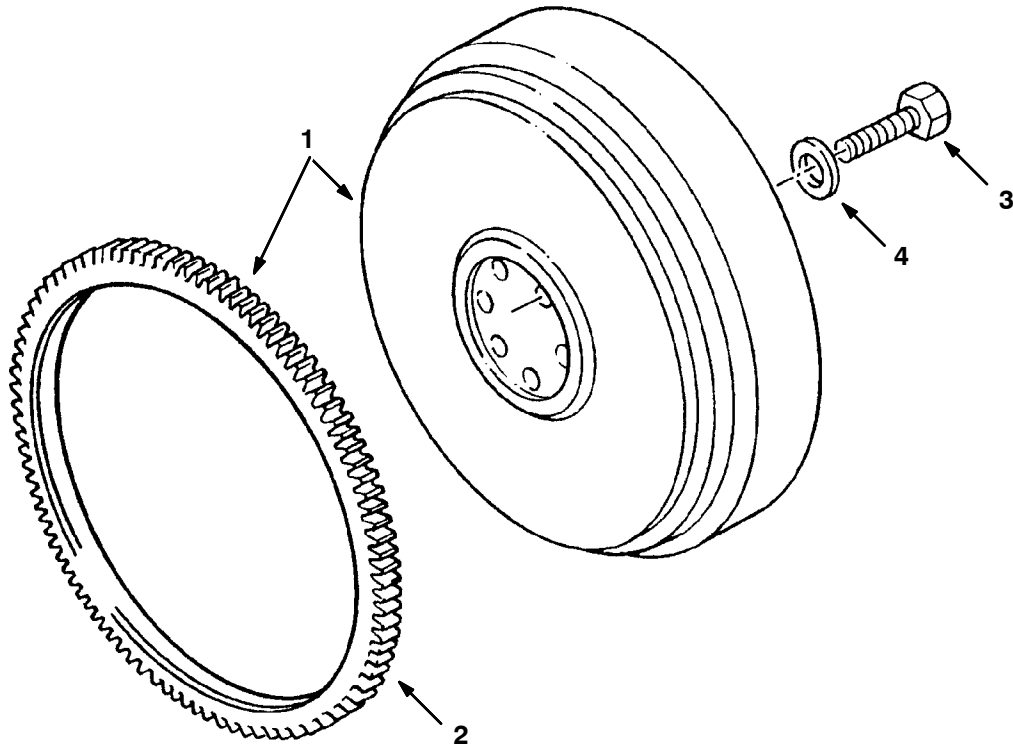
Fig. 9 - Flywheel Housing Group



10568/09340

Ref.	Tennant Part No.	Perkins Part Number	Description	Qty.
1	764590	3713M031	Flywheel housing	1
2	764591	36212132	Plate	1
3	764592	2314H101	Screw	2
4	763868	36843154	Seal	1
5	764594	2487382	Plug	1
6	764595	2487204	Plug	3
7	764596	0350025	Dowel	2
8	764417	2314J204	Screw	6
9	764420	2314J603	Screw	2
10	764427	2487Y005	Plug	1

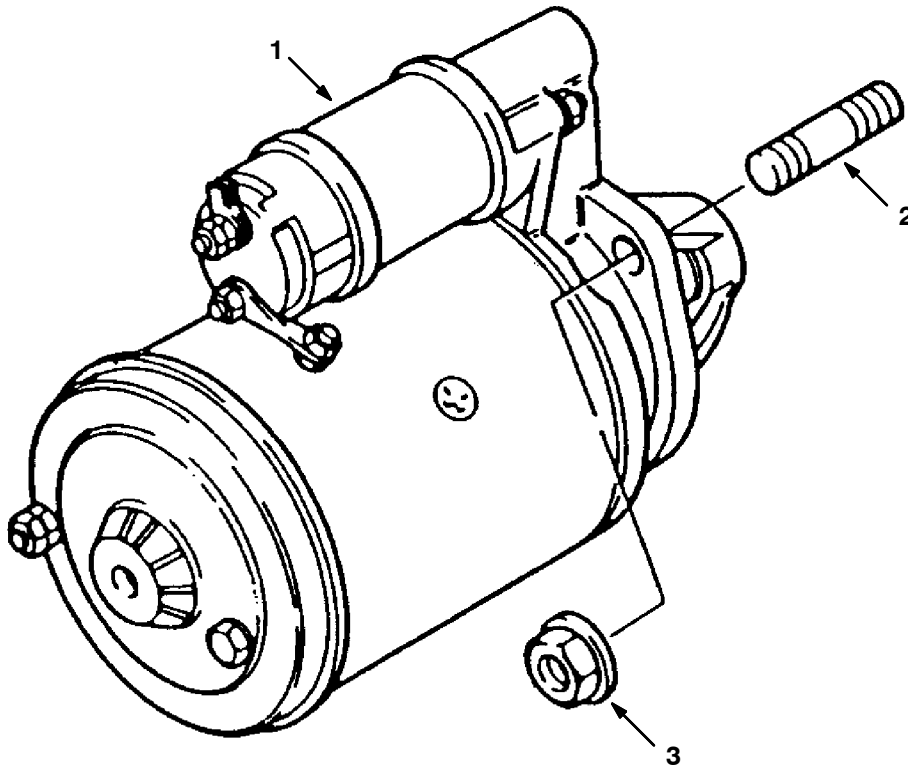
Fig. 10 - Starter Ring Group



09992/09341

	Ref.	Tennant Part No.	Perkins Part Number	Description	Qty.
▽	1	764597	4111D095	Flywheel	1
▲	2	764598	31162121	Gear, Starter Ring	1
	3	764460	0096803	Bolt	6
	4	764599	33117127	Washer	6

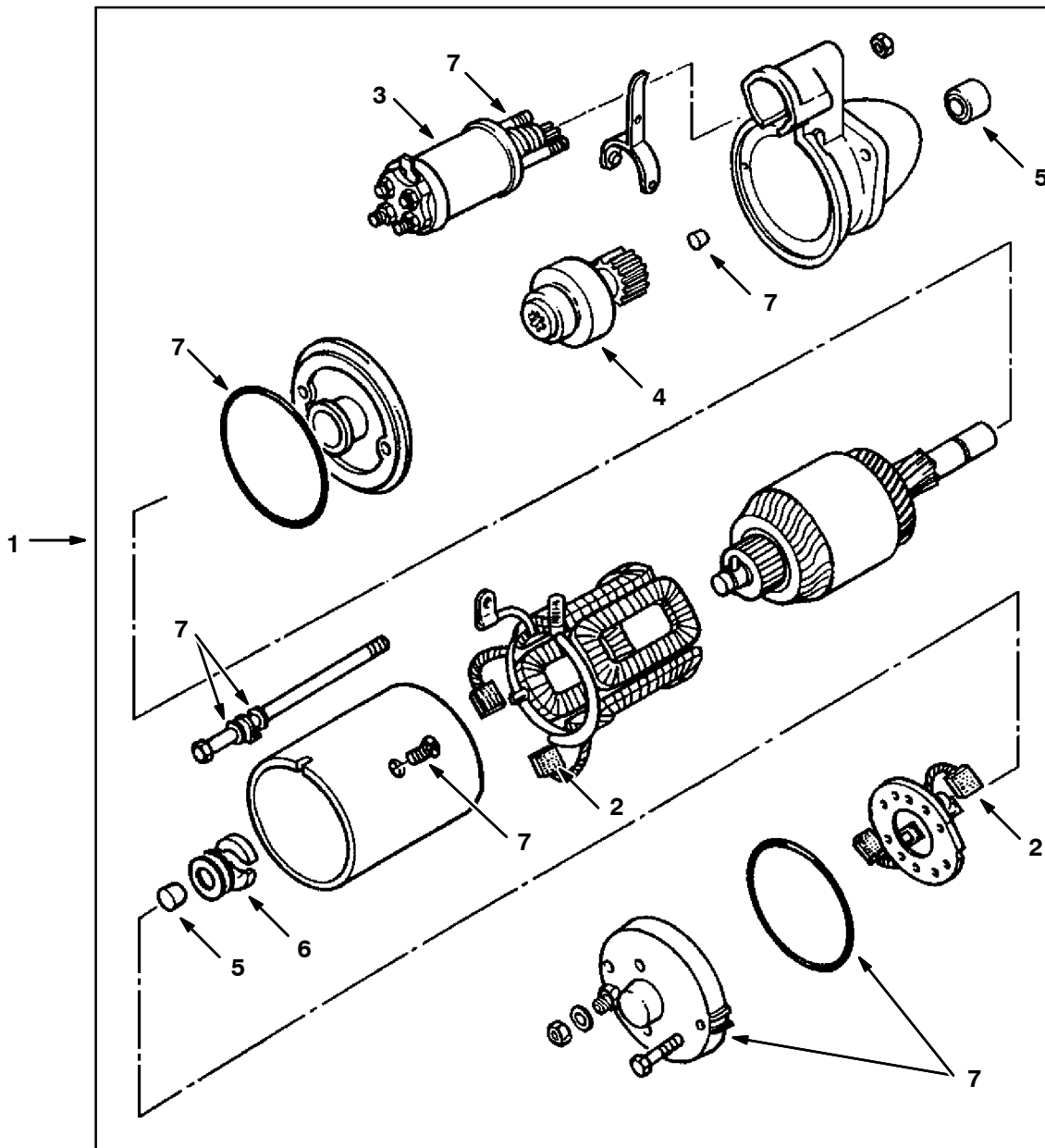
Fig. 11 - Starter Motor Group



09993/09342

Ref.	Tennant Part No.	Perkins Part Number	Description	Qty.
1	764431	2873B056	Startermotor	1
2	764407	2313C077	Stud	3
3	764422	2318A604	Nut	3

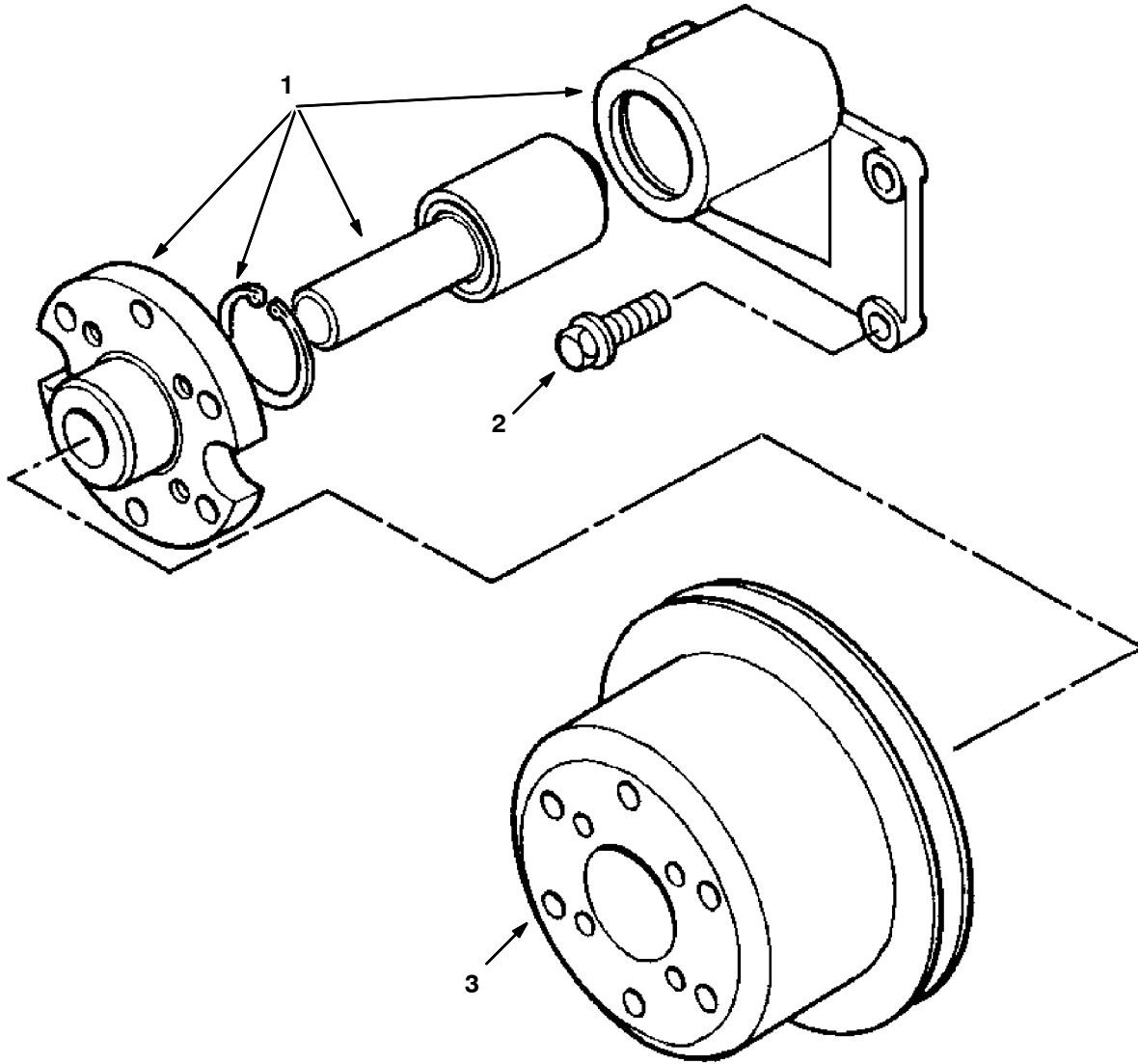
Fig. 12 - Starter Motor Breakdown



09994/09343

	Ref.	Tennant Part No.	Perkins Part Number	Description	Qty.
▽	1	764431	2873B056	Startermotor	1
▲	2	764600	28730184	Brushing Kit	1
▲	3	764601	28730188	Solenoid	1
▲	4	764602	28730191	Drive	1
▲	5	764603	28730238	Brushing Kit	1
▲	6	764604	28730193	Brake Kit	1
▲	7	764605	28730195	Seal Kit	1

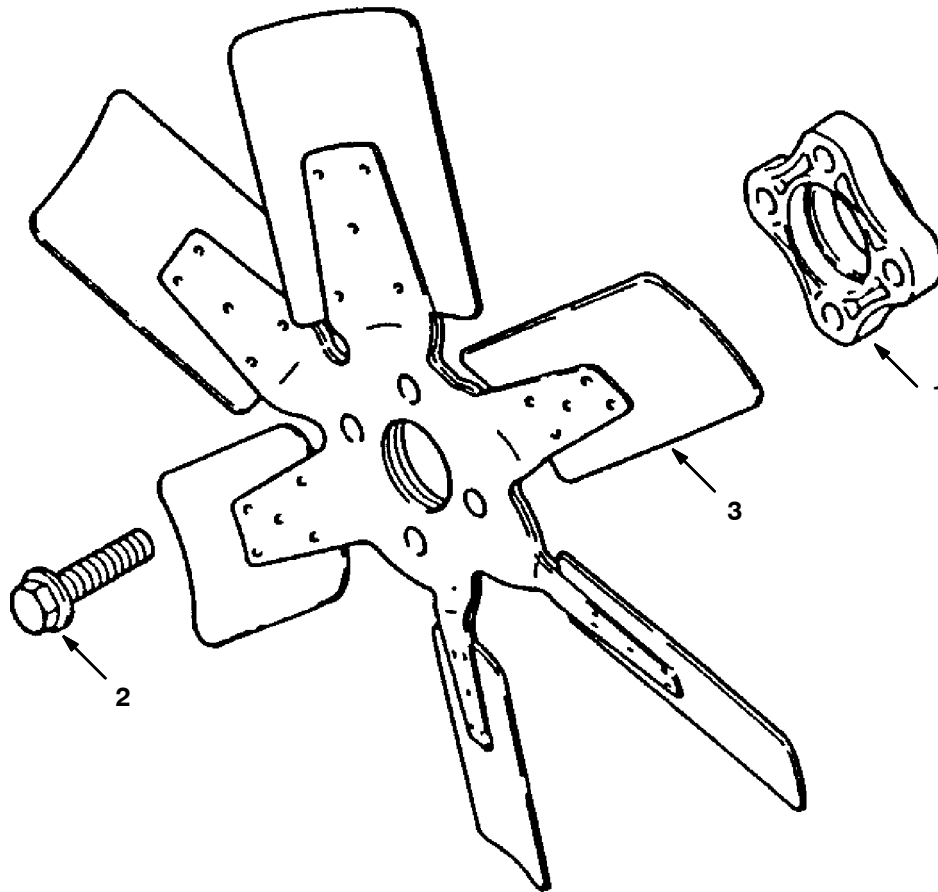
Fig. 13 - Fan Drive Group



10570/09344

Ref.	Tennant Part No.	Perkins Part Number	Description	Qty.
1	764895	4113H058	Housing	1
2	764418	2314J015	Screw	4
3	764606	3114X081	Pulley	1

Fig. 14 - Fan and Extension Group



09996/09345

Ref.	Tennant Part No.	Perkins Part Number	Description	Qty.
1	764608	3748W201	Extension	1
2	764609	2314K159	Screw	4
3	764610	2485C518	Fan	1

Fig. 15 - Alternator and Generator Group

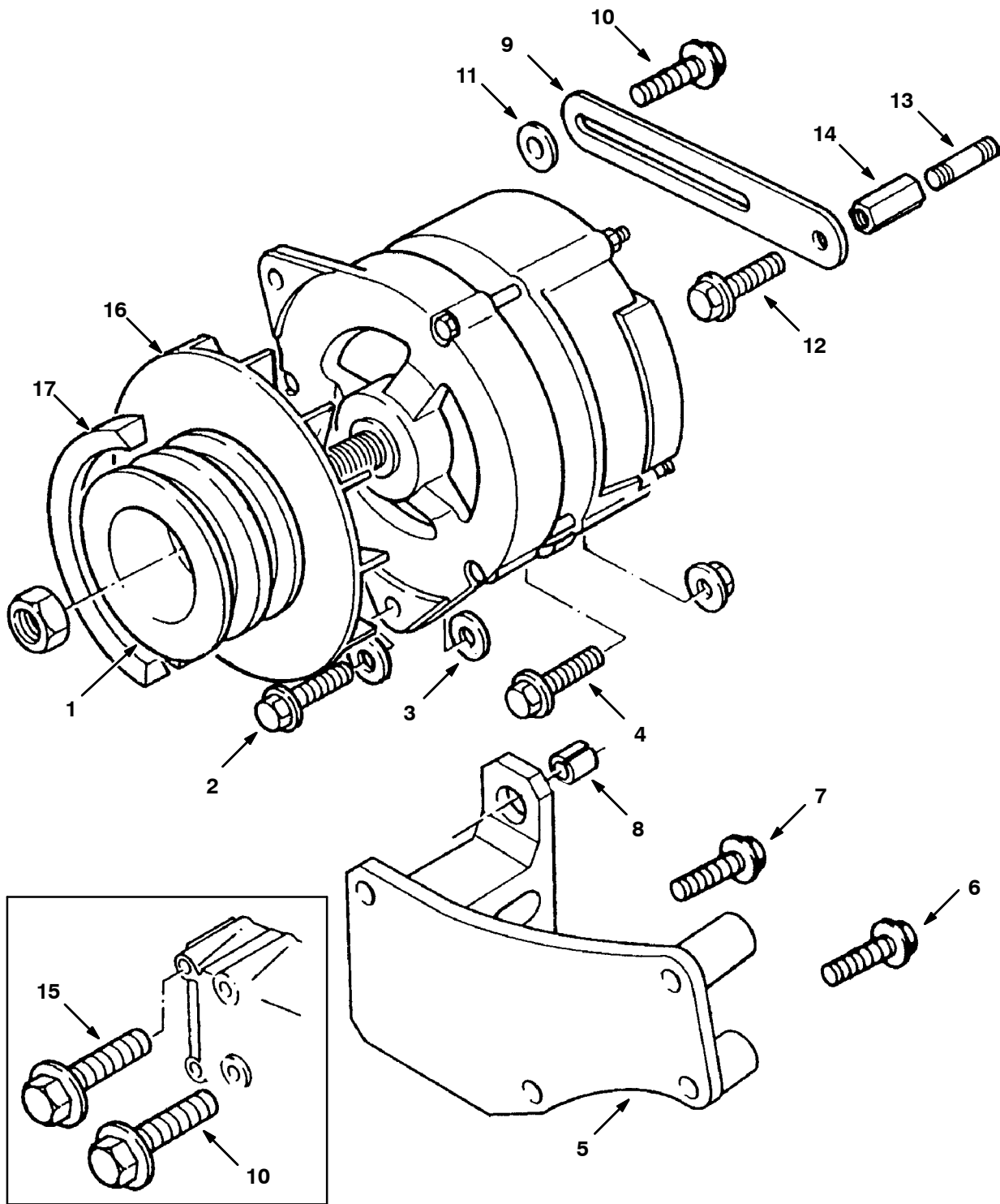
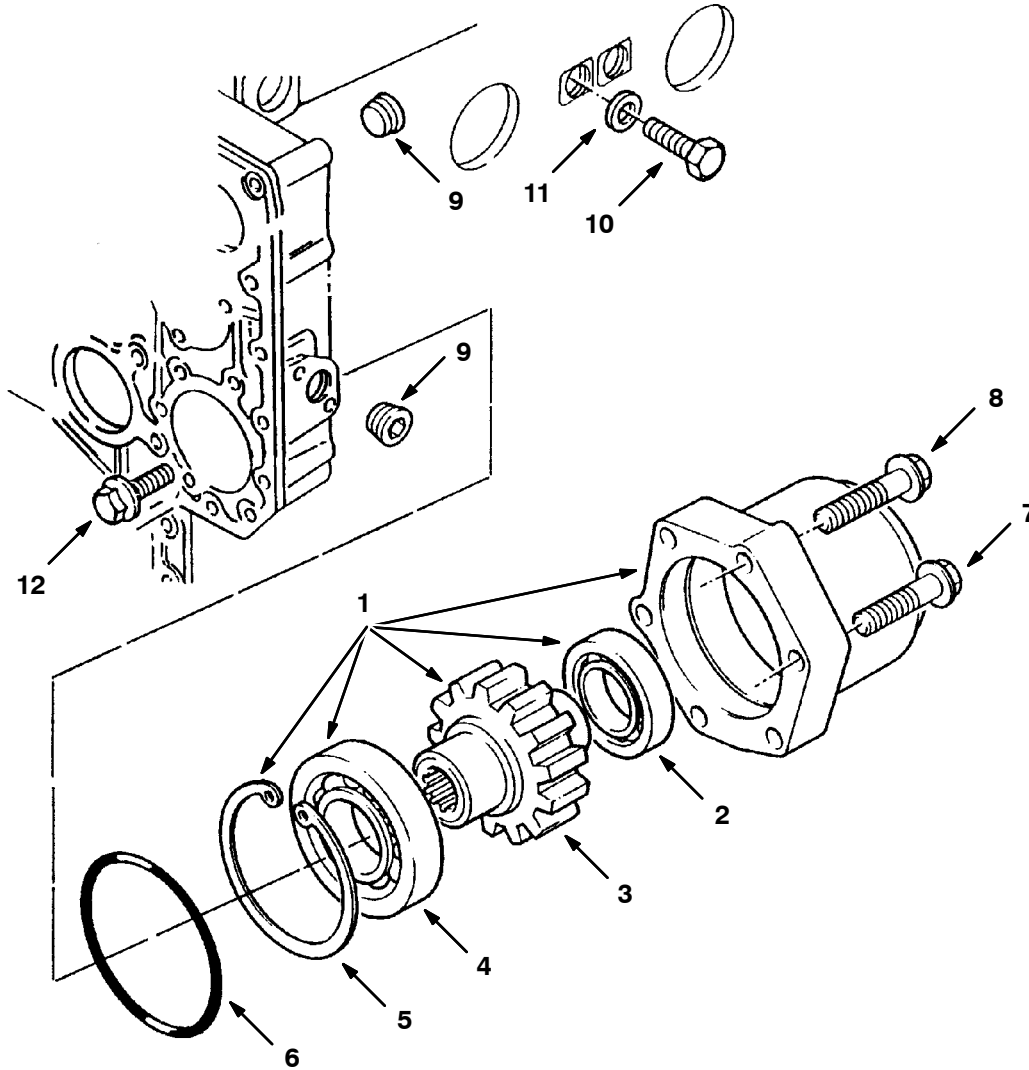


Fig. 15 - Alternator and Generator Group

Ref.	Tennant Part No.	Perkins Part Number	Description	Qty.
1	764611	3115A044	Pulley, alternator	1
2	764418	2314J015	Screw	1
3	764613	2131A010	Washer	1
4	764614	2314J006	Screw	2
5	764616	3822P011	Bracket	1
6	764414	2314H017	Screw	1
7	764412	2314H008	Screw	2
8	764618	3318H105	Sleeve	1
9	764619	3615Y005	Lever	1
10	764410	2314H004	Screw	2
11	764406	2131A008	Washer	1
12	764620	2314K161	Screw	2
13	764622	2313M081	Stud	1
14	764623	3334P003	Nut	1
15	764416	2314J003	Screw	1
16	764266	1978026	Fan	1
17	764607	2614B655	Belt	1

TURBO ENGINE BREAKDOWN

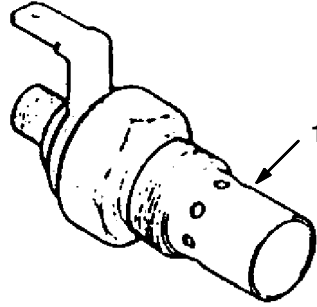
Fig. 16 - Gear Drive Auxiliary Drive Options Group



10573/09347

Ref.	Tennant Part No.	Perkins Part Number	Description	Qty.
▽ 1	764624	4113H068	Housing	1
▲ 2	764625	2521A207	Bearing ball	1
▲ 3	764626	3117C116	Gear, Hydraulic Pump	1
▲ 4	764627	2521A415	Bearing ball	1
▲ 5	764628	2721A537	Circlip	1
6	764629	2415B167	O ring	1
7	764630	2311D578	Screw	1
8	764631	2311D559	Screw	5
9	764425	2431154	Plug	2
10	764632	2314C049	Screw	1
11	764802	0920146	Washer	1
12	764417	2314J004	Screw	1

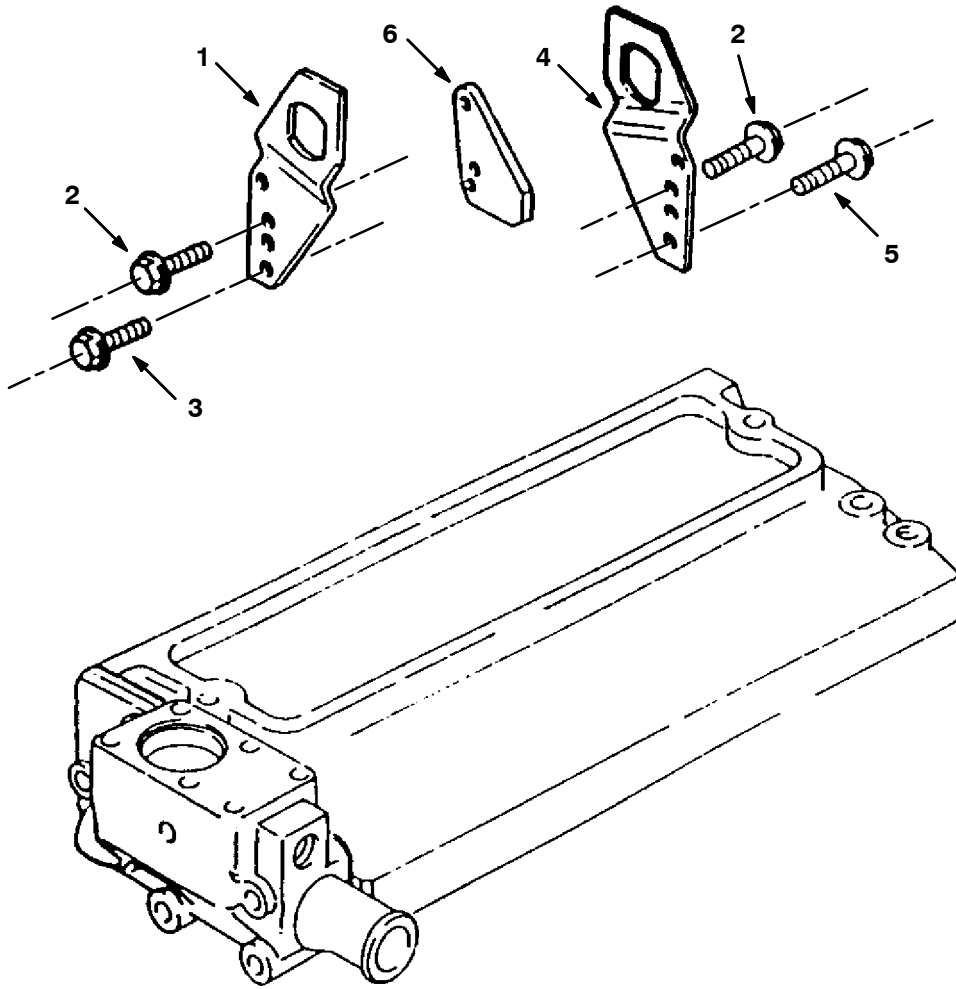
Fig. 17 - Intake Heater Group



09999/09348

Ref.	Tennant Part No.	Perkins Part Number	Description	Qty.
1	764634	2666108	Intake heater	1

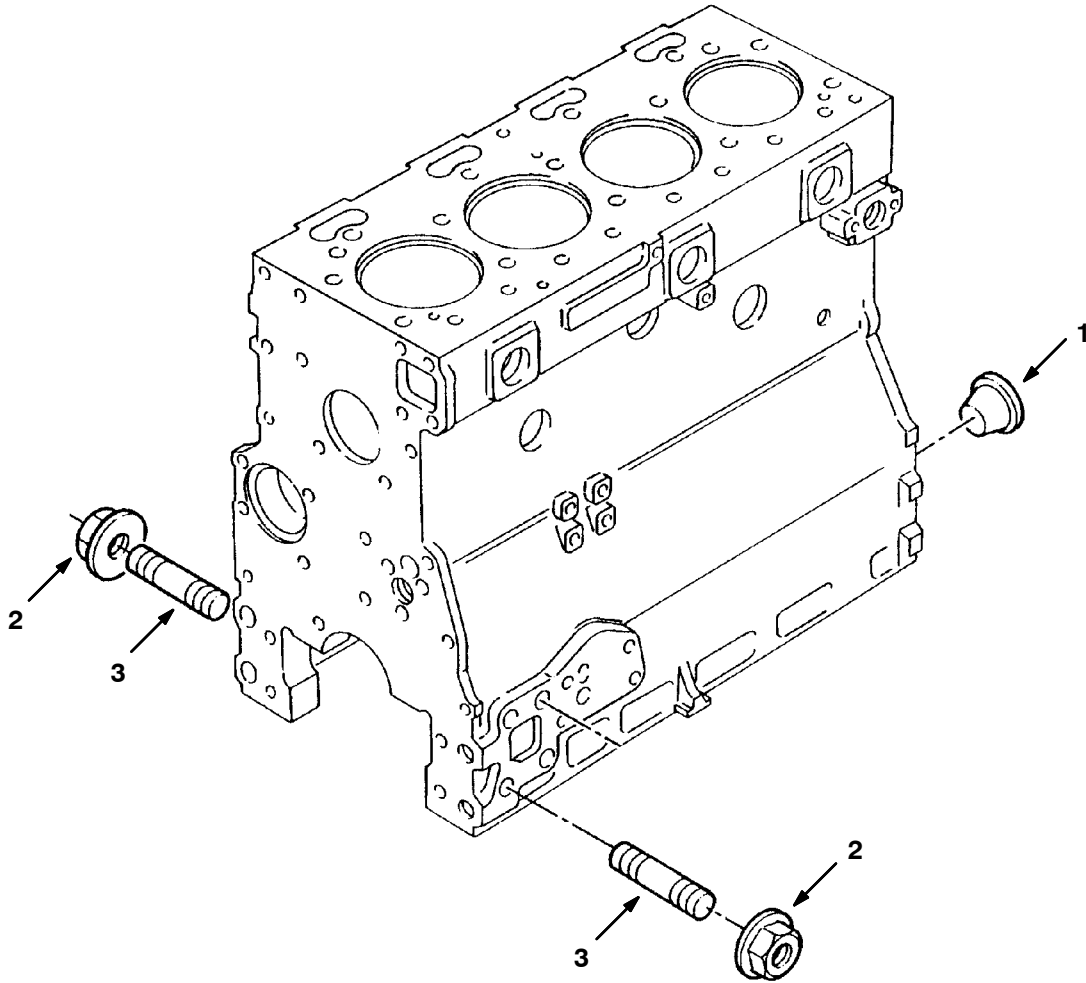
Fig. 18 - Engine Lifting Group



10574/09349

Ref.	Tennant Part No.	Perkins Part Number	Description	Qty.
1	764635	361X007	Plate	1
2	764416	2314J003	Screw	4
3	764636	2314J005	Screw	2
4	764637	3654W003	Plate	1
5	764417	2314J204	Screw	2
6	764638	3623T007	Plate	1

Fig. 19 - Mountings (Front and Rear) Group

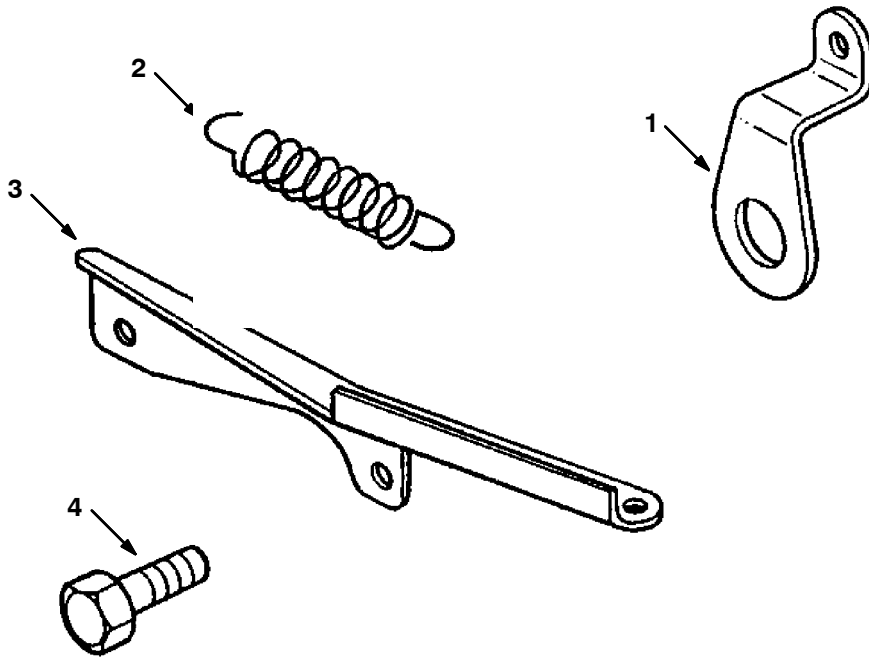


10002/09350

Ref.	Tennant Part No.	Perkins Part Number	Description	Qty.
1	764641	2487208	Plug	10
2	764640	2318A605	Nut	8
3	764639	2313M101	Stud	8

TURBO ENGINE BREAKDOWN

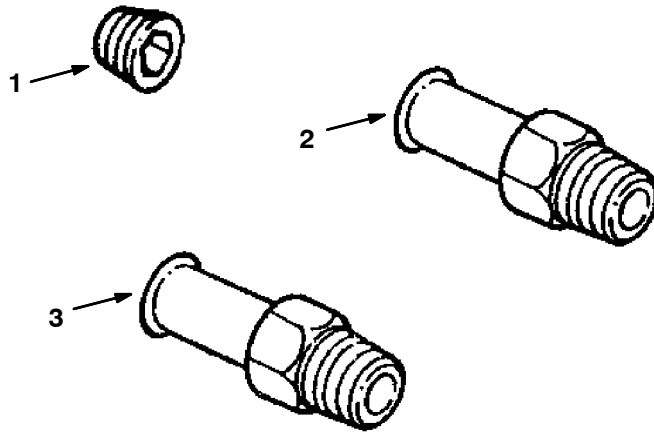
Fig. 20 - Throttle and Stop Controls Group



10575/10547

Ref.	Tennant Part No.	Perkins Part Number	Description	Qty.
1	764642	3653K004	Bracket	1
2	764068		Spring, Throttle	1
3	764066		Bracket, Throttle Cable	1
4	764653	2314F001	Screw	2

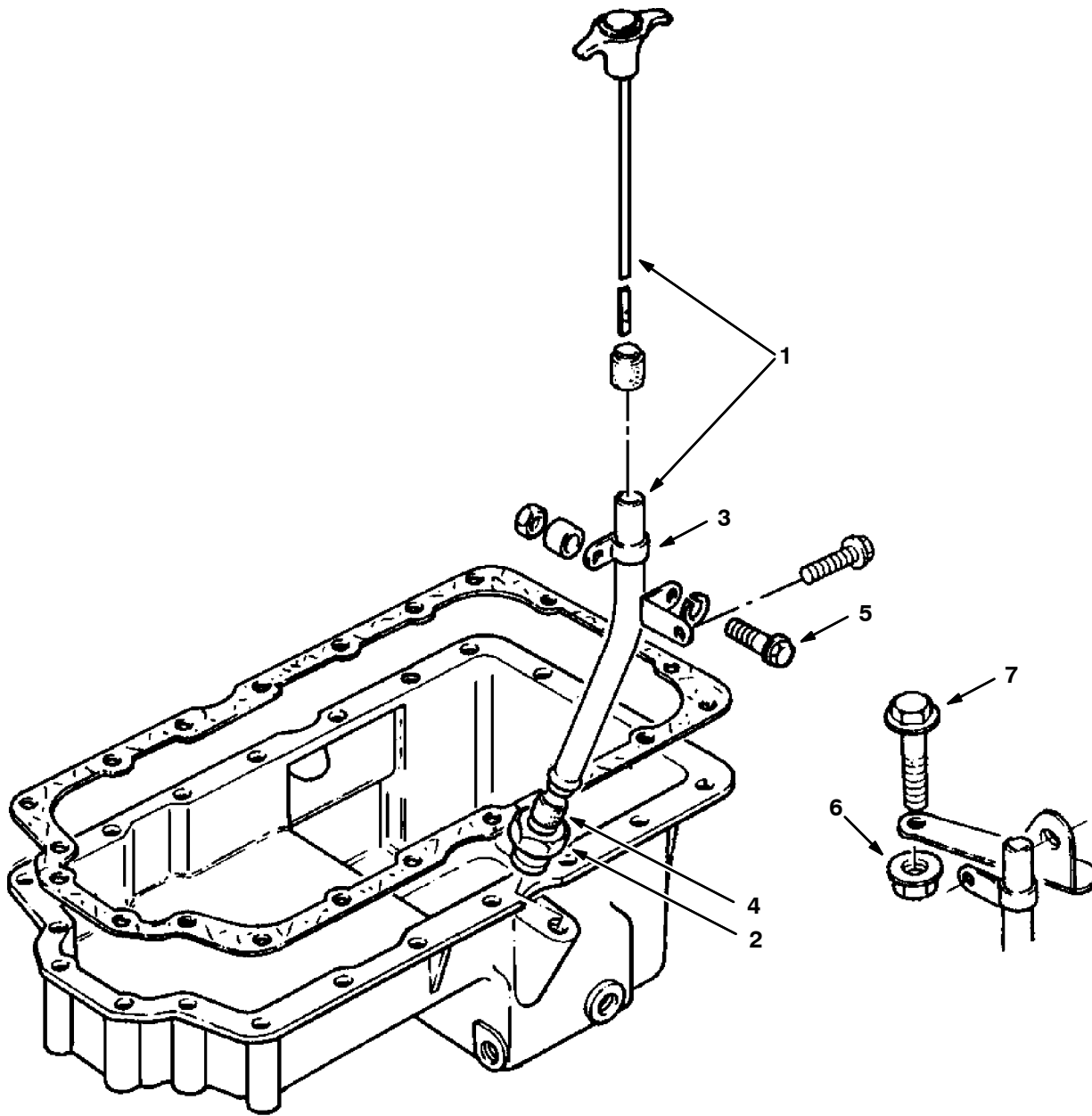
Fig. 21 - Applications Miscellaneous and Auxiliaries Group



10576/10548

Ref.	Tennant Part No.	Perkins Part Number	Description	Qty.
1	764425	2431154	Plug	1
2	764654	33552412	Connection	1
3	764655	33552414	Adaptor	1

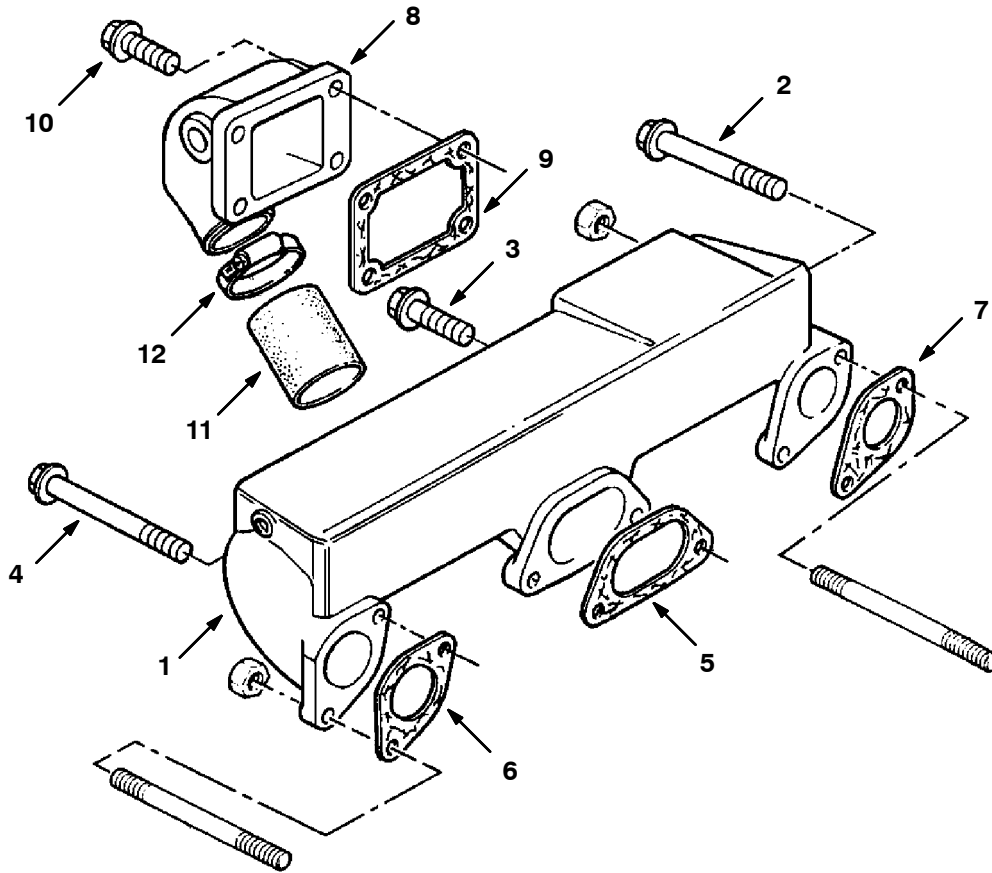
Fig. 22 - Oil Dipstick Group



10569/10596

Ref.	Tennant Part No.	Perkins Part Number	Description	Qty.
1	370714		Dipstick and Tube Kit	1
2	764716	3353D005	Nut	1
3	763872	36565517	Clip	1
4	764717	33812116	Olive	1
5	764415	2314J001	Screw	1
6	764421	2318A603	Nut	1
7	764408	2314H002	Screw	1

Fig. 23 - Induction Manifold Group



10582/10551

Ref.	Tennant Part No.	Perkins Part Number	Description	Qty.
1	764781	3777E145	Induction Manifold	1
2	764782	2314J041	Screw	1
3	764419	2314J034	Screw	4
4	764783	2314J048	Screw	1
5	764447	3688C002	Joint	1
6	764446	3688C001	Joint	1
7	764448	3688C003	Joint	1
8	763914	3766P052	Elbow	1
9	764854	3684N009	Joint	1
10	764410	2314H004	Screw	4
11	763915	3383E003	Hose	1
12	764773	21825199	Clip	2

Fig. 24 - Fuel Injection Atomizer Group

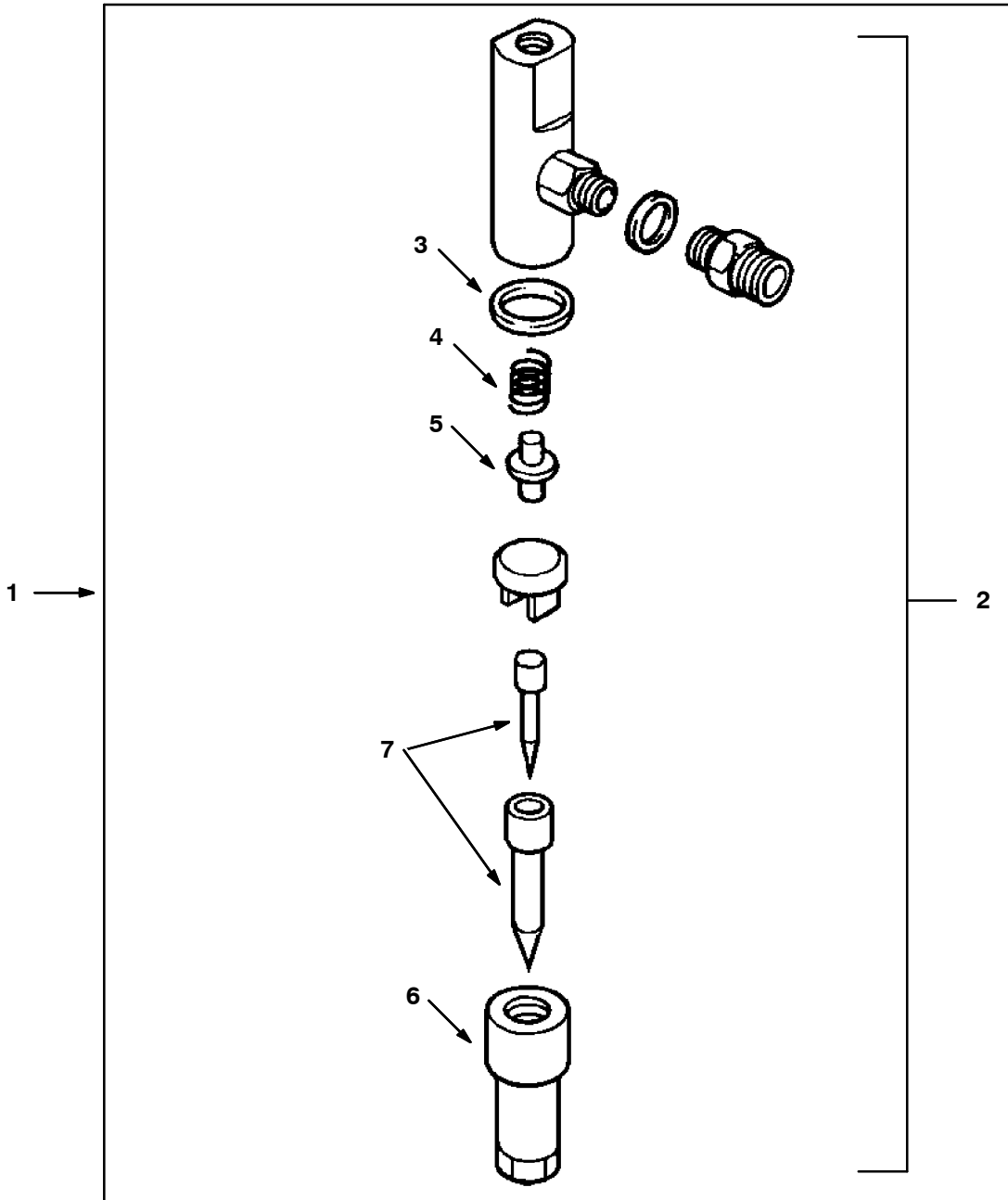


Fig. 24 - Fuel Injection Atomizer Group

	Ref.	Tennant Part No.	Perkins Part Number	Description	Qty.
▽	1	764428	2645A017	Atomizer	4
▲▽	2	764429	2645A302	Holder	1
▲▲	3	764679	26431164A	Shim +.30mm	-
▲▲	3	764680	26431164B	Shim +.42mm	-
▲▲	3	764681	26431164C	Shim +.44mm	-
▲▲	3	764682	26431164D	Shim +.46mm	-
▲▲	3	764683	26431164E	Shim +.48mm	-
▲▲	3	764684	26431164F	Shim +.50mm	-
▲▲	3	764685	26431164G	Shim +.52mm	-
▲▲	3	764686	26431164H	Shim +.54mm	-
▲▲	3	764687	26431164J	Shim +.56mm	-
▲▲	3	764688	26431164K	Shim +.58mm	-
▲▲	3	764689	26431164L	Shim +.60mm	-
▲▲	3	764690	26431164M	Shim +.62mm	-
▲▲	3	764691	26431164N	Shim +.64mm	-
▲▲	3	764692	26431164P	Shim +.66mm	-
▲▲	3	764693	26431164GR	Shim +.68mm	-
▲▲	3	764694	26431164GS	Shim +.70mm	-
▲▲	3	764695	26431164GT	Shim +1.00mm	-
▲▲	3	764696	26431164GU	Shim +1.28mm	-
▲▲	3	764697	26431164GV	Shim +1.56mm	-
▲▲	4	764698	26431823	Spring	1
▲▲	5	764699	26431824	Seat	1
▲▲	6	763866	26431840	Cap	1
▲▲	7	763845	2645A606	Nozzle	1

TURBO ENGINE BREAKDOWN

Fig. 25 - Lubricating Oil Sump Group

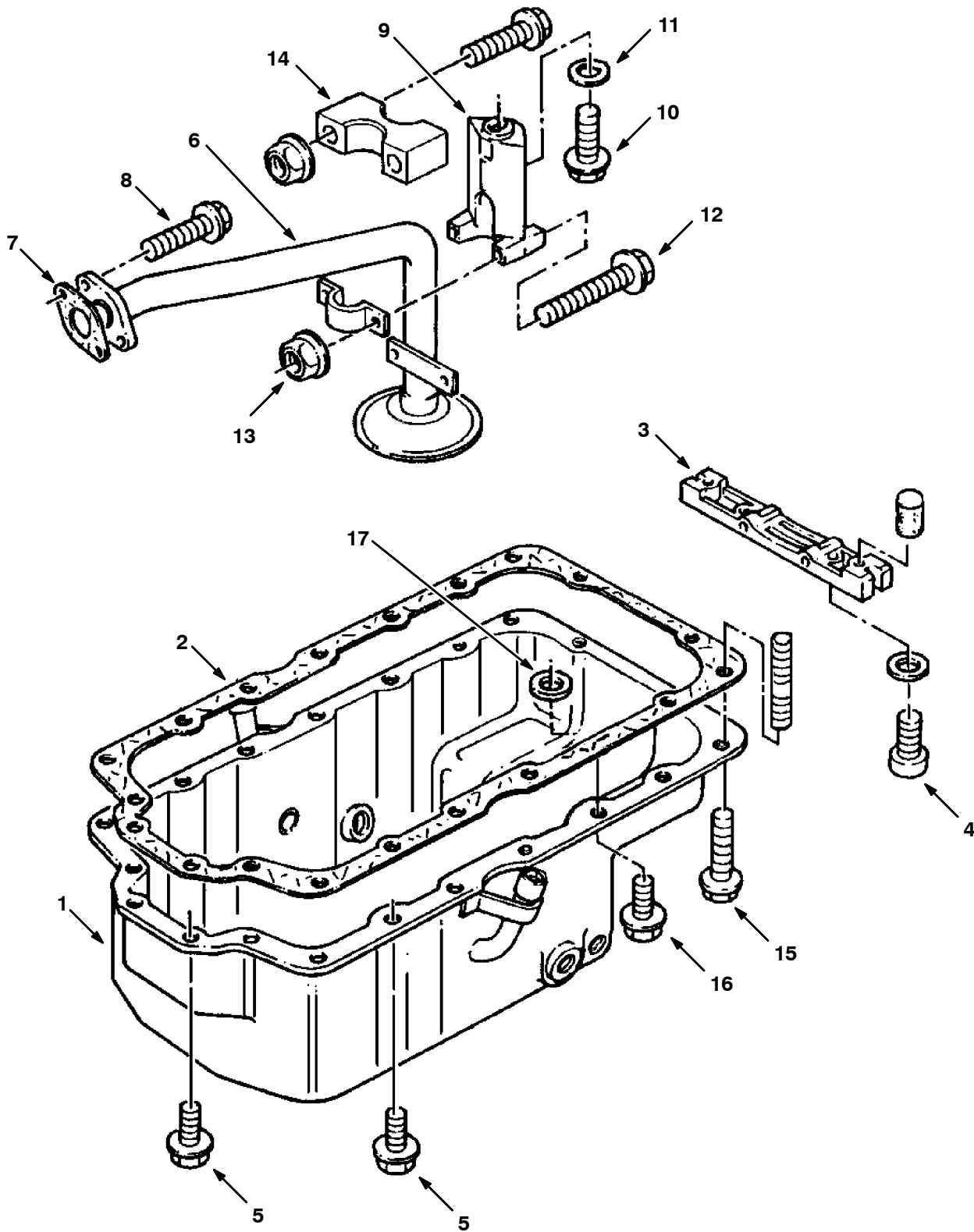


Fig. 25 - Lubricating Oil Sump Group

Ref.	Tennant Part No.	Perkins Part Number	Description	Qty.
1	764701	3717Y002	Sump	1
2	764868	3681K005	Joint	1
3	763869	3627P021	Bridge Piece	1
4	764707	2311D039	Screw	2
5	764408	2314H002	Screw	17
6	764709	3575A018	Pipe, Oil	1
7	764888	36832137	Joint	1
8	764710	2314H007	Screw	2
9	764711	3824A021	Bracket	1
10	764410	2314H004	Screw	1
11	764712	0330807	Spacer	1
12	764713	2314F016	Screw	2
13	764714	2318D802	Nut	2
14	763870	3735A011	Clamp	1
15	764719	2314H031	Screw	2
16	764409	2314H003	Screw	1
17	764720	0920460	Spacer	1

Fig. 26 - Lubricating Oil Filler and Breather Group

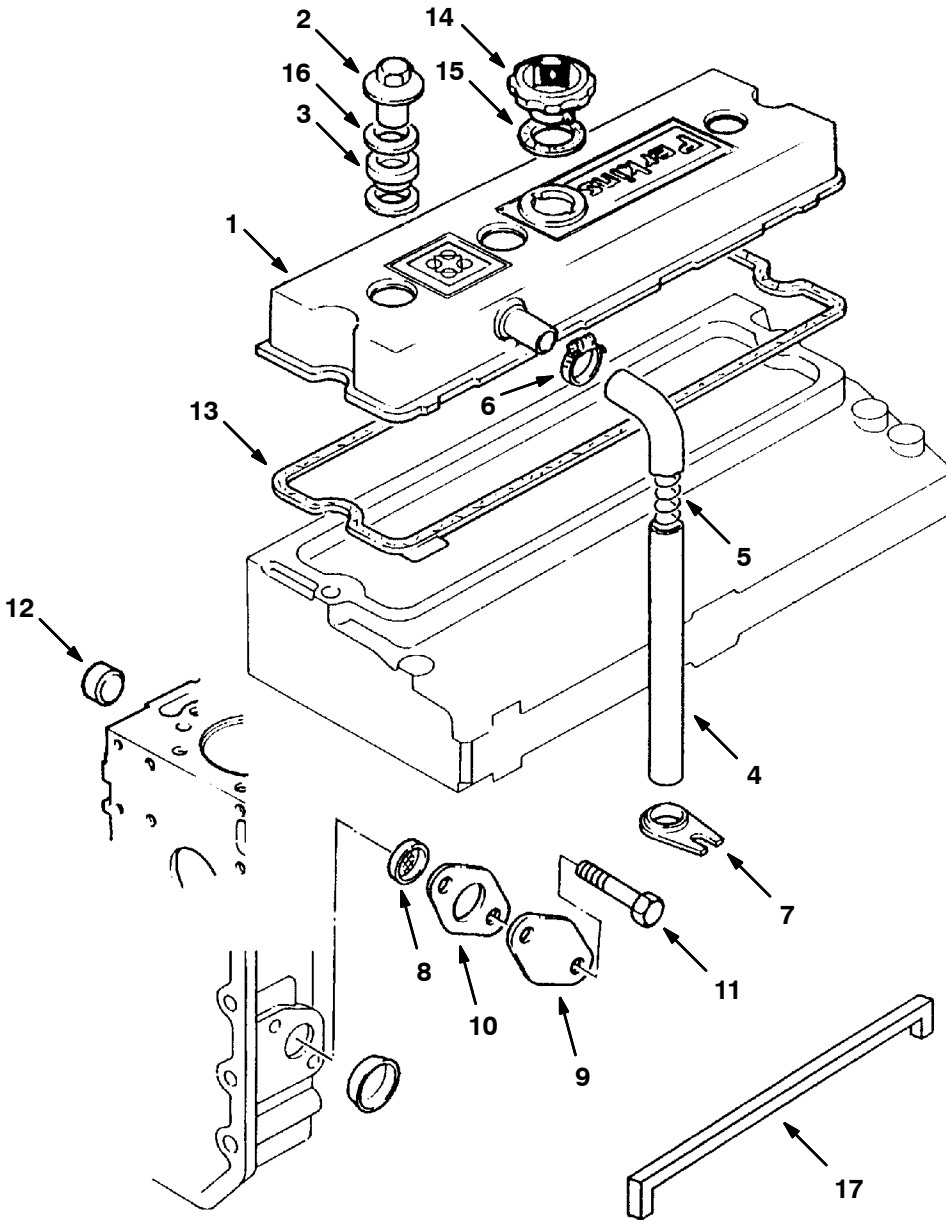


Fig. 26 - Lubricating Oil Filler and Breather Group

Ref.	Tennant Part No.	Perkins Part Number	Description	Qty.
1	764722	4142X016	Cylinder Head Cover	1
2	764723	3274P002	Nut	3
3	764724	33817132	Bushing	3
4	764726	33872525	Pipe	1
5	764727	31754119	Spring	1
6	764426	21825195	Clip	1
7	764728	36241123	Bracket	1
8	764729	3317M001	Strainer	1
9	764730	3617A001	Plate	1
10	764563	3682H003	Joint	1
11	764408	2314H002	Screw	2
12	764731	32418122	Plug	1
13	764732	3681A028	Joint	1
14	764733	3781A003	Cap	1
15	764734	3381J002	Seal	1
16	764735	33121416	Shim	3
17	764736	3687A507	Seal	1

TURBO ENGINE BREAKDOWN

Fig. 27 - Lubricating Oil Filter and Integral Oil Cooler Group

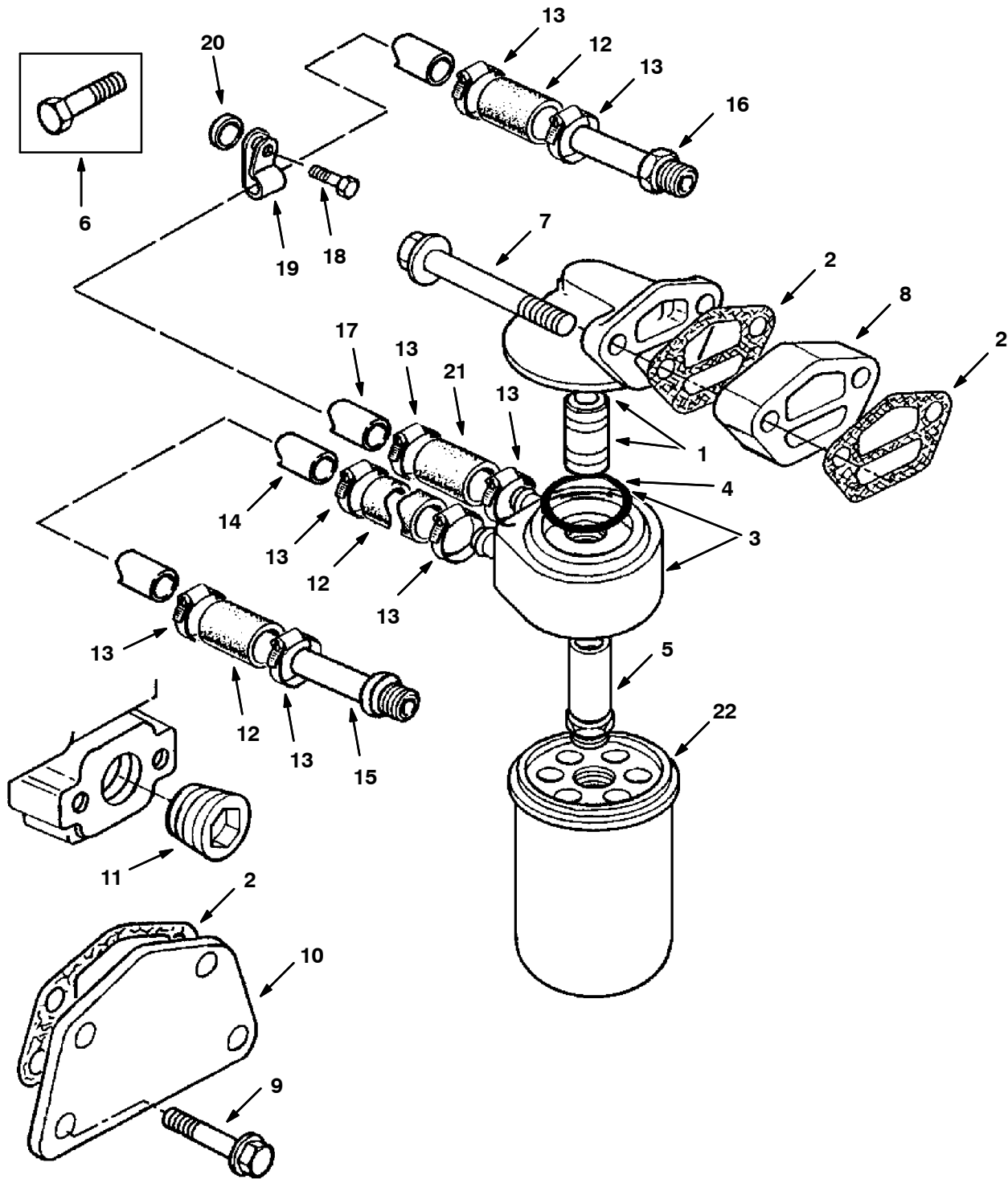


Fig. 27 - Lubricating Oil Filter and Integral Oil Cooler Group

	Tennant Ref. Part No.	Perkins Part Number	Description	Qty.
	1 763873	3773K004	Filter Head	1
	2 764877	3687W008	Joint	3
▽	3 763874	2486A206	Oil Cooler	4
▲	4 763875	24860170	Seal	1
	5 763876	2486A209	Connector	1
	6 763886	2314J001	Screw	1
	7 763877	2314J040	Screw	4
	8 763878	3773T101	Adaptor	1
	9 764744	2314J033	Screw	4
	10 764743	3623H008	Plate	1
	11 764403	0650588	Plug	1
	12 764745	34821121	Hose	3
	13 763879	2481877	Hose Clip	8
	14 763880	3573M009	Pipe, Water	1
	15 763881	3346C006	Adaptor	1
	16 764655	33552414	Adaptor	1
	17 763882	4126K119	Pipe, Oil	1
	18 763883	2314H009	Screw	1
	19 764747	3656M003	Clip	1
	20 763884	33246123	Spacer	1
	21 763885	3383A001	Hose	1
	22 764092	2654407	Filter, Oil	1

TURBO ENGINE BREAKDOWN

Fig. 28 - Water Pump, Thermostat and Heat Exchanger Group

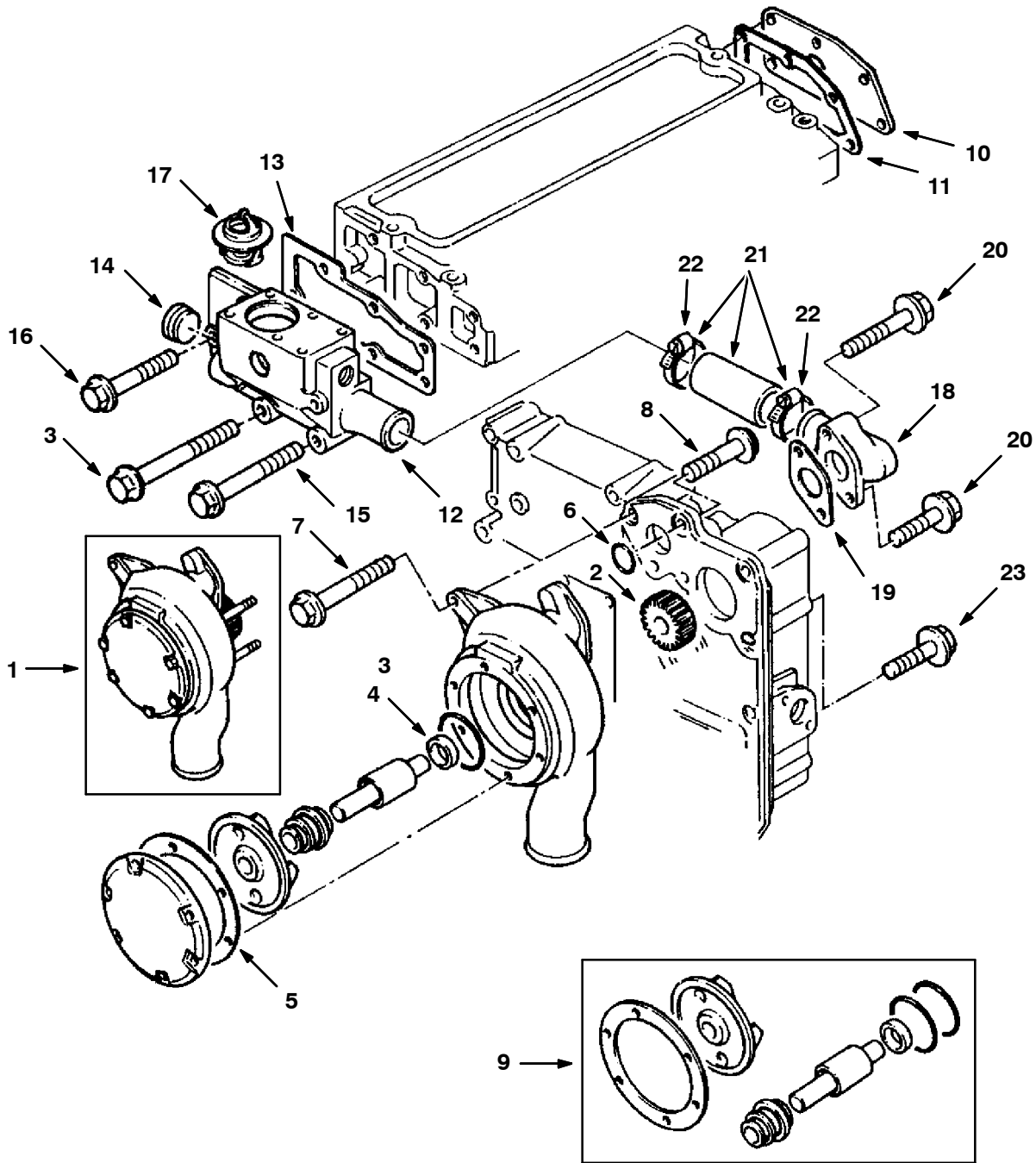
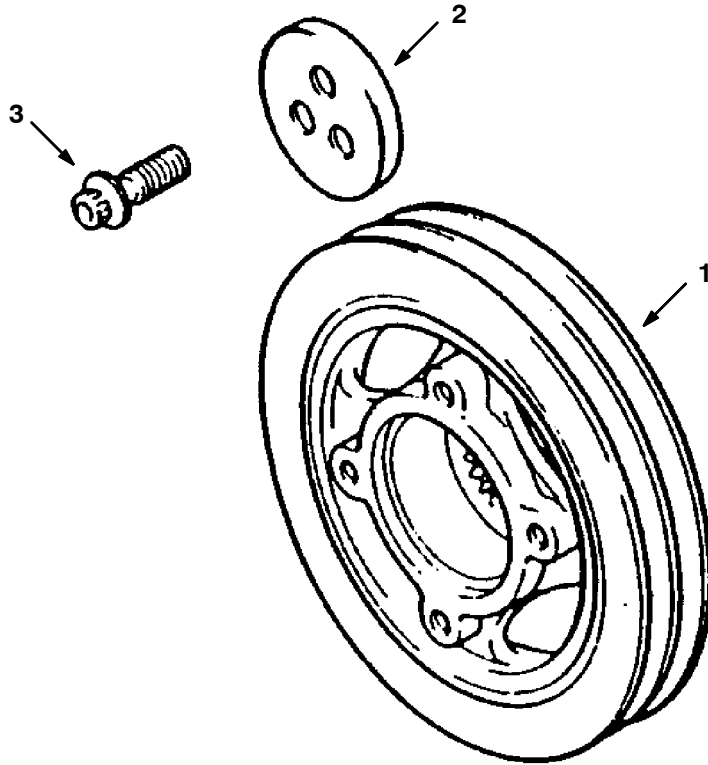


Fig. 28 - Water Pump, Thermostat and Heat Exchanger Group

	Ref.	Tennant Part No.	Perkins Part Number	Description	Qty.
▽	1	764754	4131E012	Water pump	1
▲	2	764755	3117A032	Gear, Water Pump	1
▲	3	764756	2415B155	Seal	1
▲	4	764757	2418F405	Seal	1
▲	5	764882	3382P004	Joint	1
	6	764424	2415B152	O-ring	1
	7	764763	2314H015	Screw	2
	8	764411	2314H006	Screw	2
	9	764765	U7LW0071	Repair Kit	-
	10	764766	3623K007	Plate	1
	11	763888	3685R004	Joint	1
	12	764768	3771K111	Housing, Thermostat	1
	13	764851	3685F005	Joint	1
	14	764425	2431154	Plug	3
	15	764769	2314J013	Screw	2
	16	764412	2314H008	Screw	2
	17	51650	2485613	Thermostat	1
	18	764771	3764E061	Connection	1
	19	764887	3683N004	Joint	1
	20	764410	2314H004	Screw	2
▽	21	764772	U5MH0050	Hose Kit	1
▲	22	764773	21825192	Clip	2
	23	764775	2314N043	Screw	3

TURBO ENGINE BREAKDOWN

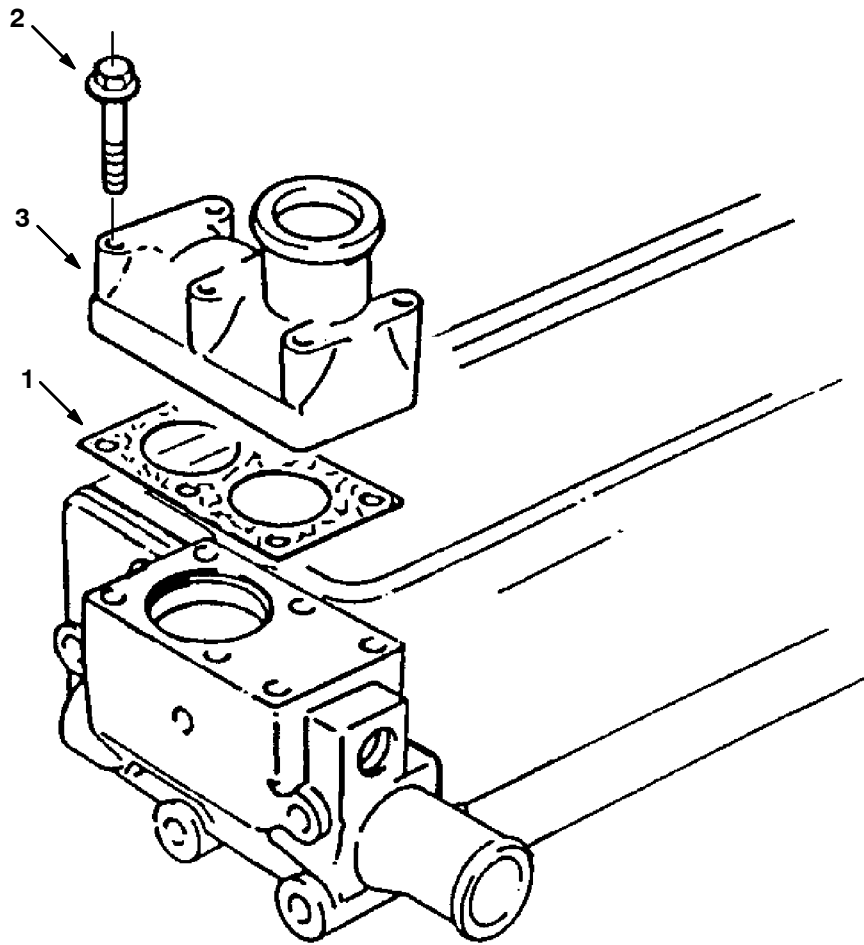
Fig. 29 - Front End Drive Input Group



10011/09359

Ref.	Tennant Part No.	Perkins Part Number	Description	Qty.
1	764778	3115T051	Pulley	1
2	764776	3241N001	Block	1
3	764777	32186137	Bolt	3

Fig. 30 - Water Outlet and Inlet Group



10581/09361

Ref.	Tennant Part No.	Perkins Part Number	Description	Qty.
1	764853	3684A004	Joint	1
2	764413	2314H010	Screw	4
3	764779	3771K043	Connection	1

TURBO ENGINE BREAKDOWN

Fig. 31 - Turbocharger, Manifolds and Air Charge Cooler Group

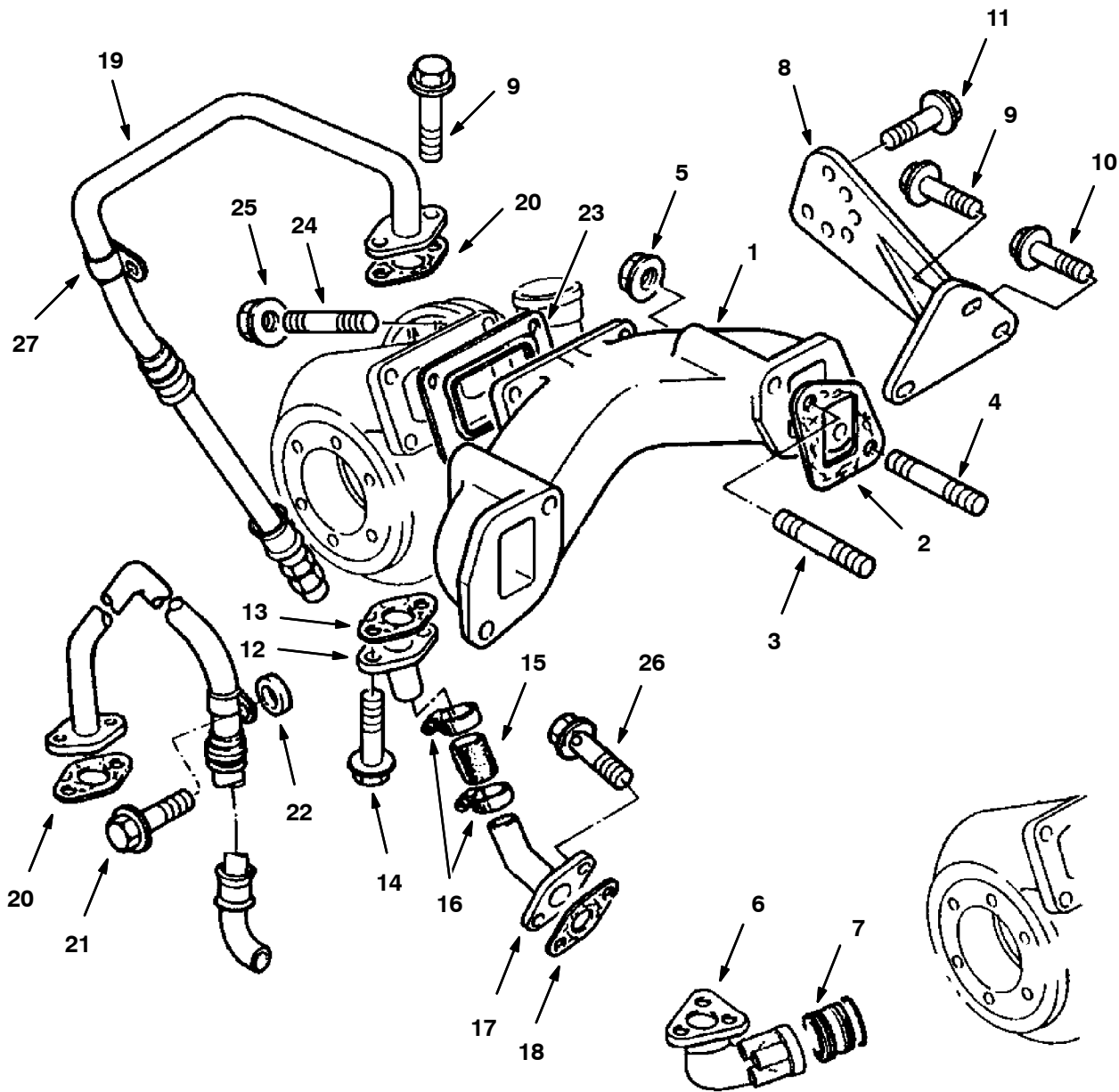
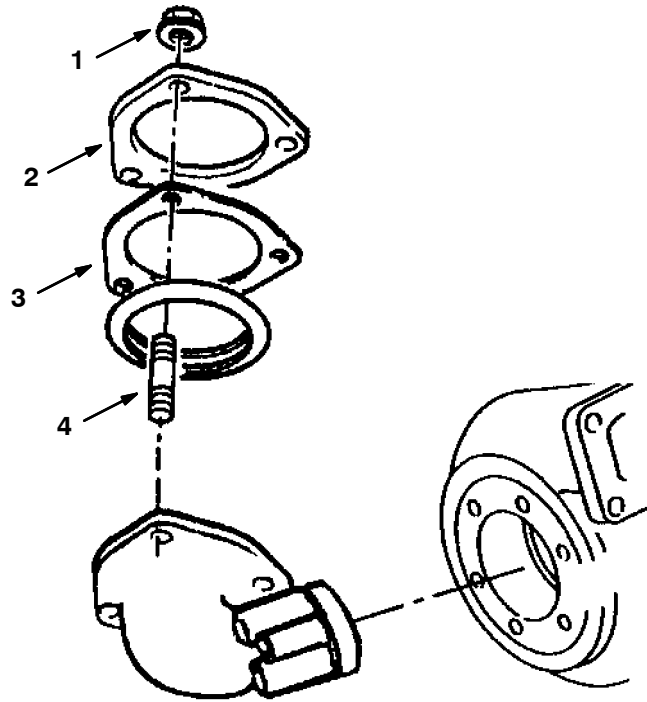


Fig. 31 - Turbocharger, Manifolds and Air Charge Cooler Group

Ref.	Tennant Part No.	Perkins Part Number	Description	Qty.
1	763903	3778H111	Exhaust Manifold	1
2	764787	36862159	Joint	2
3	763904	2313M088	Stud	2
4	764788	2313M078	Stud	2
5	764423	2318A634	Nut	4
6	763905	3766E004	Elbow	1
7	763906	3347A013	Sleeve	1
8	763907	3824V011	Bracket	1
9	764410	2314H004	Screw	3
10	764416	2314J003	Screw	2
11	764417	2314J204	Screw	3
12	763908	3571C019	Pipe, Oil	1
13	764864	36832151	Joint	1
14	764409	2314H003	Screw	2
15	763909	33851126	Hose	1
16	764426	21825195	Clip	2
17	763910	3571C021	Pipe, Oil	1
18	764860	36832144	Joint	1
19	763911	4126X059	Pipe, Oil	1
20	764859	36832138	Joint	1
21	763886	2314J001	Screw	1
22	763912	0920492	Spacer	1
23	764857	36885008	Gasket	1
24	764407	2313C077	Stud	4
25	764423	2318A634	Nut	4
26	764794	2314H033	Screw	2
27	763913	36568145	Clip	1

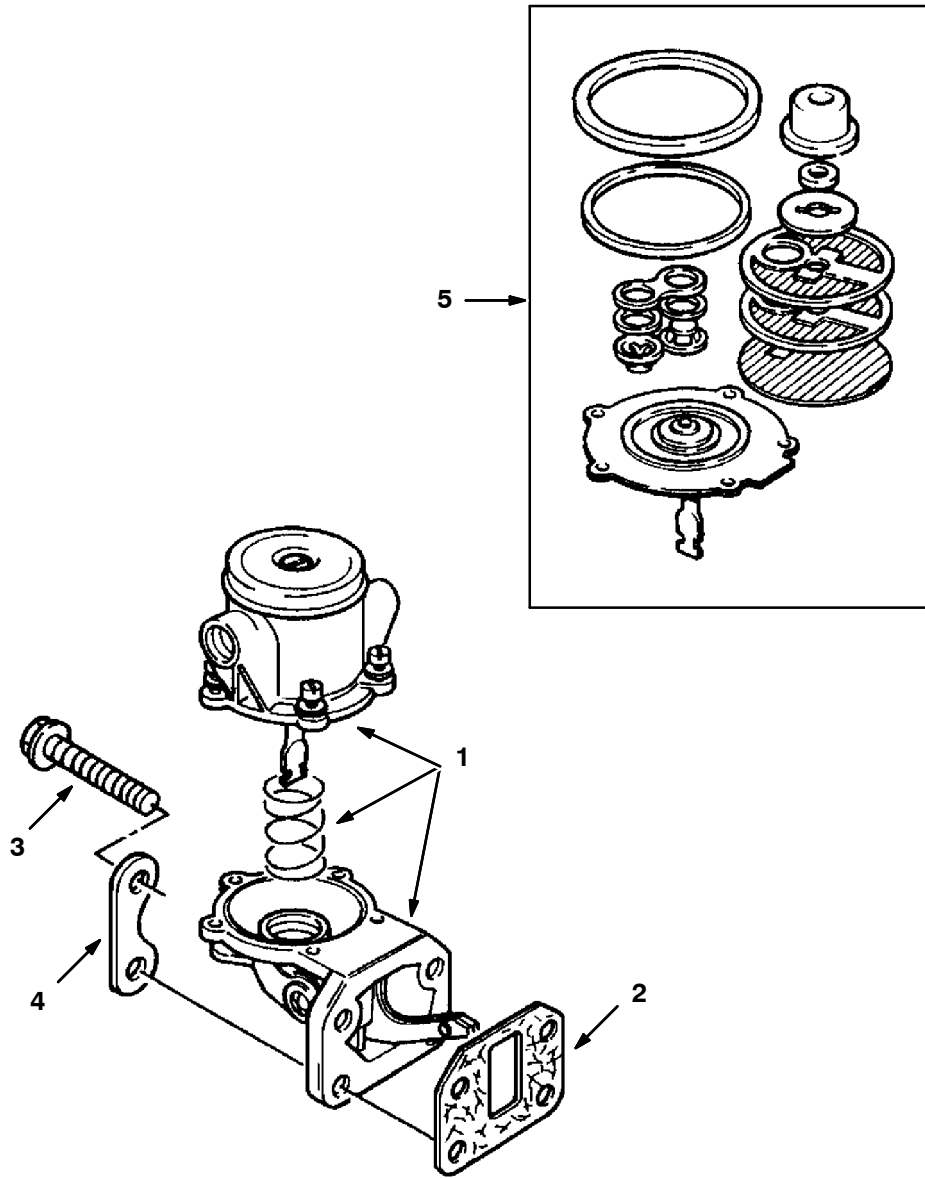
Fig. 32 - Remote Air Charge Cooler Group



10584/10553

Ref.	Tennant Part No.	Perkins Part Number	Description	Qty.
1	764423	2318A634	Nut	3
2	764789	3623E006	Flange	1
3	764790	3681V502	Joint	1
4	764407	2313C077	Stud	3

Fig. 33 - Fuel Pump Breakdown



10585/09366

Ref.	Tennant Part No.	Perkins Part Number	Description	Qty.
1	763916	2641A067	Lift pump	1
2	764881	3685R007	Joint	1
3	764794	2314H033	Screw	4
4	764795	36241316	Plate	2
5	763917	26412504	Kit, repair	-

TURBO ENGINE BREAKDOWN

Fig. 34 - Low Pressure Fuel System Group

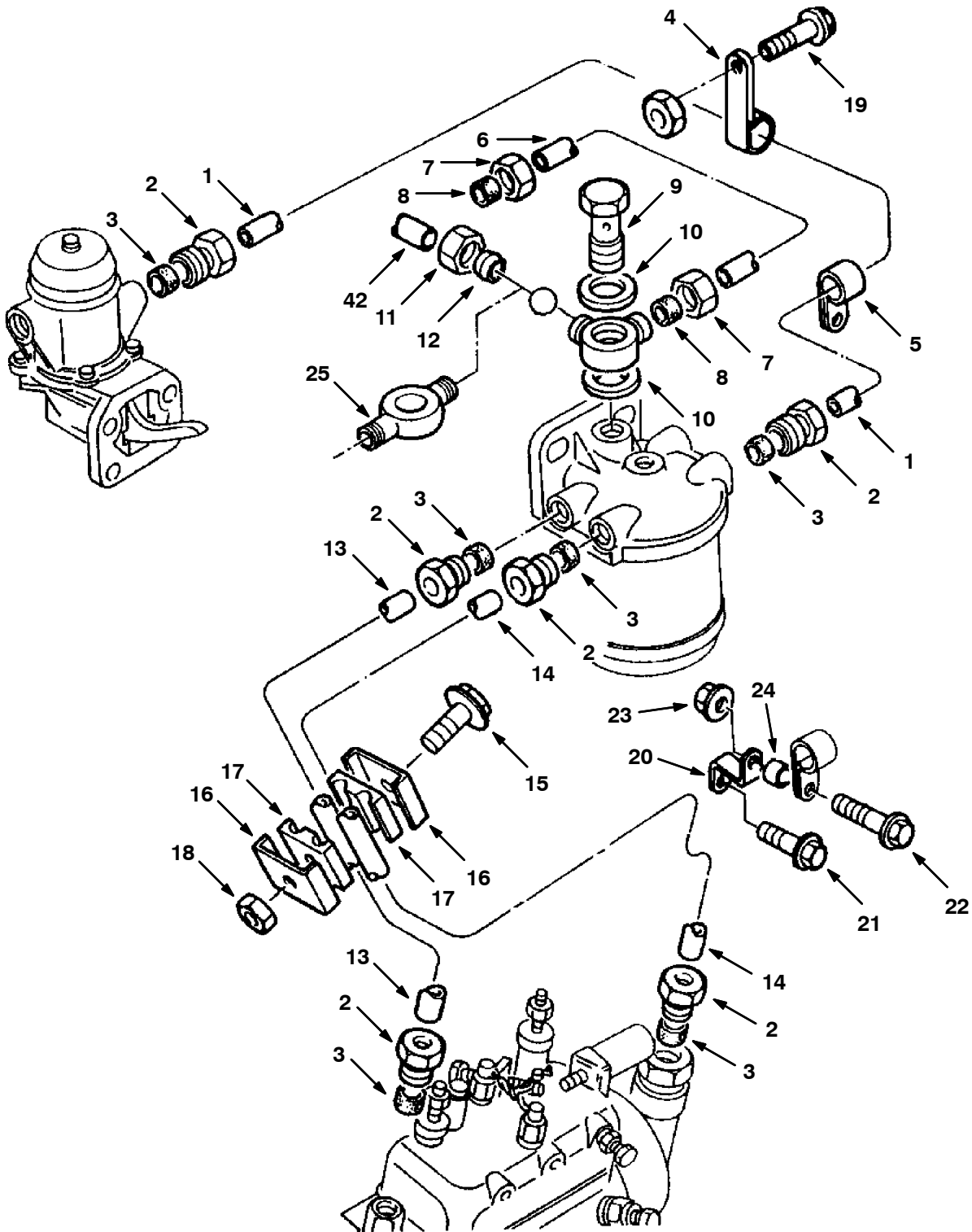
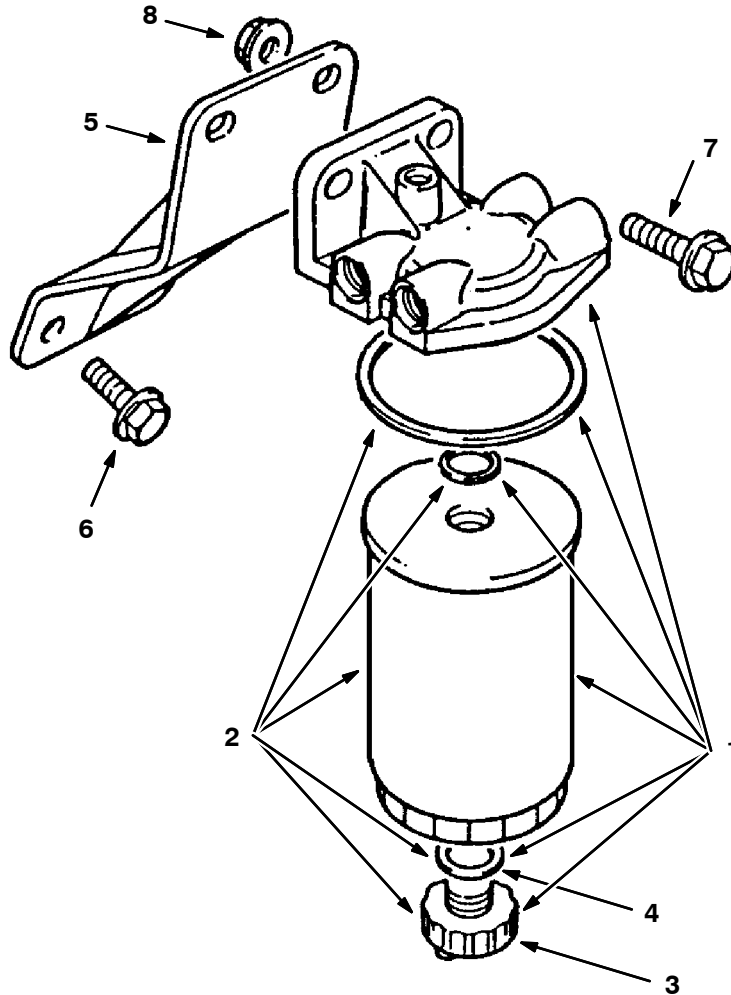


Fig. 34 - Low Pressure Fuel System Group

Ref.	Tennant Part No.	Perkins Part Number	Description	Qty.
1	763918	4121T003	Pipe, Fuel	1
2	52100	52100	Nut	6
3	764434	33811113	Olive	6
4	764799	36564422	Clip	1
5	764800	0180043	Clip	1
6	764114		Fuel Pipe	1
7	52097	33225412	Union Nut	2
8	764433	33811112	Olive	2
9	37828	0095344	Bolt	1
10	764802	0920146	Washer	2
11	764803	0576112	Nut	1
12	764804	0566003	Olive	1
13	763919	4121M012	Pipe, Fuel	1
14	763920	4121K019	Pipe, Fuel	1
15	764807	2314E007	Screw	1
16	764808	36511123	Plate	2
17	764809	36844116	Bridle	2
18	764810	2318D205	Nut	1
19	764409	231H003	Screw	1
20	764811	3653R002	Bracket	1
21	764812	2314F002	Screw	1
22	764567	2314F006	Screw	1
23	764814	2318A602	Nut	1
24	763921	0920496	Washer	1
25	764815	31726241	Connector	1
26	764004		Fuel Tube	1

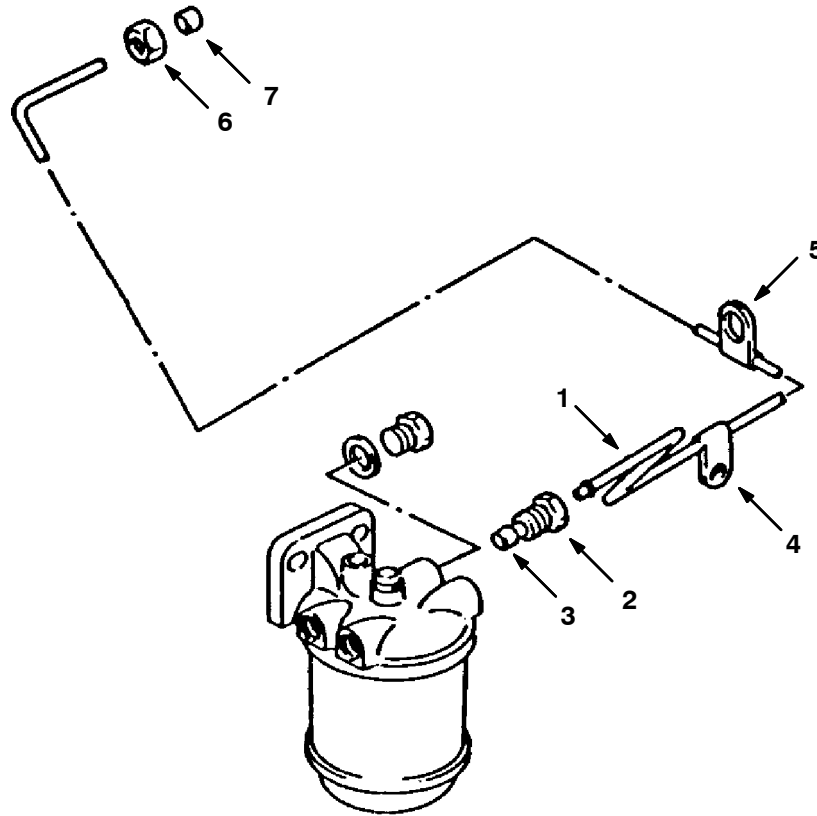
Fig. 35 - Fuel Filter Group



10587/09368

Ref.	Tennant Part No.	Perkins Part Number	Description	Qty.
▽ 1	764816	2656F802	Fuel filter	1
▲▽ 2	763922	26560608	Element, Fuel	1
▲▲ 3	764818	26560609	Plug	1
▲▲ 4	764819	26431192	Washer	1
5	764820	3831E006	Bracket	1
6	764415	2314J002	Screw	2
7	764417	2314J004	Screw	2
8	764422	2318A604	Nut	2

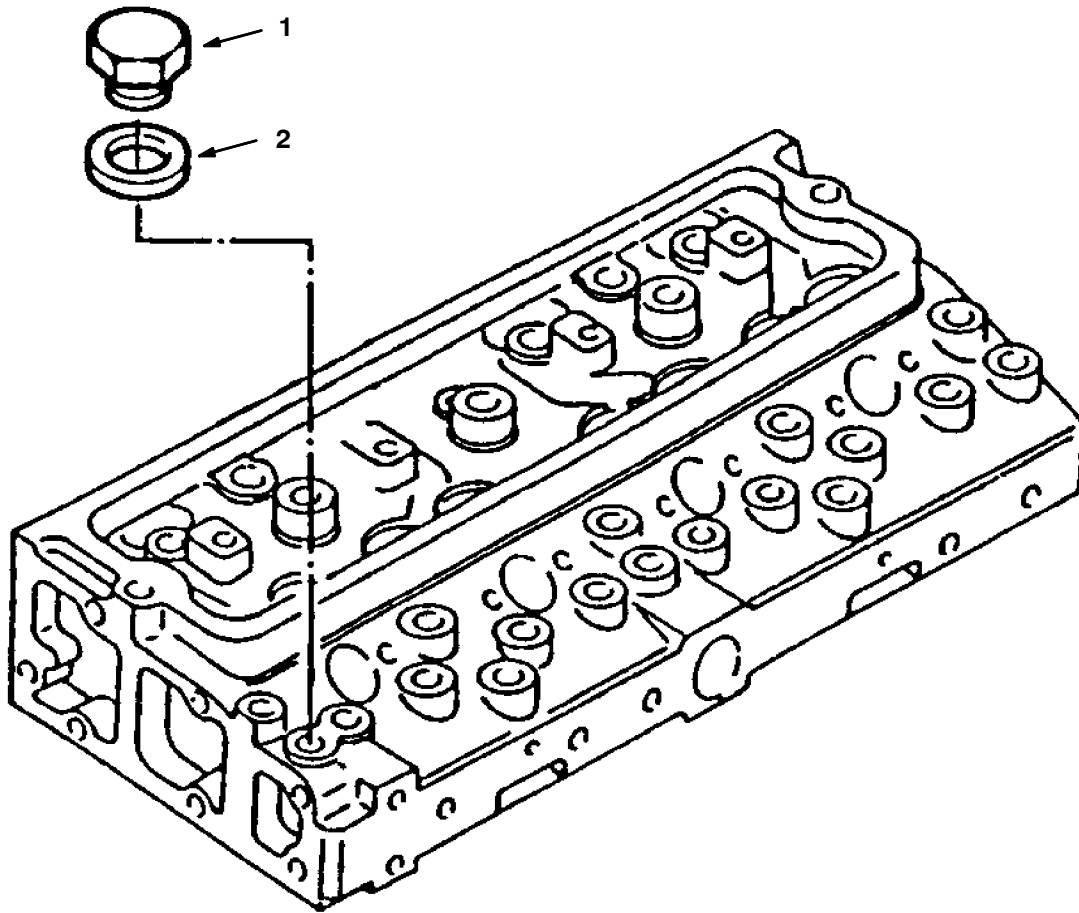
Fig. 36 - Fuel Pipe Group



10588/09369

Ref.	Tennant Part No.	Perkins Part Number	Description	Qty.
1	763923	4124E033	Pipe, Fuel	1
2	764822	33532148	Nut	1
3	764823	3381A002	Olive	1
4	764824	36564121	Clip	1
5	764825	3656M001	Clip	2
6	764432	33225412	Union nut	1
7	764433	33811112	Olive	1

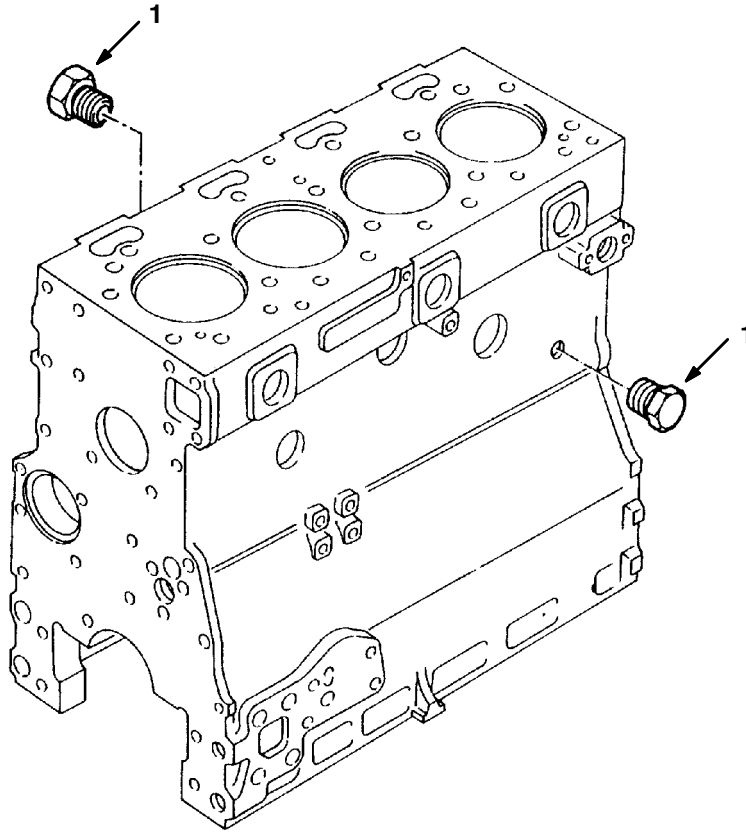
Fig. 37 - Cylinder Head Plug Group



10093/09371

Ref.	Tennant Part No.	Perkins Part Number	Description	Qty.
1	764834	0650203	Plug	1
2	764835	2411157	Washer	1

Fig. 38 - Cylinder Plug Group



10094/09372

Ref.	Tennant Part No.	Perkins Part Number	Description	Qty.
1	764836	32161114	Plug	2

Fig. 39 - Joints and Gaskets-Top Service Kit

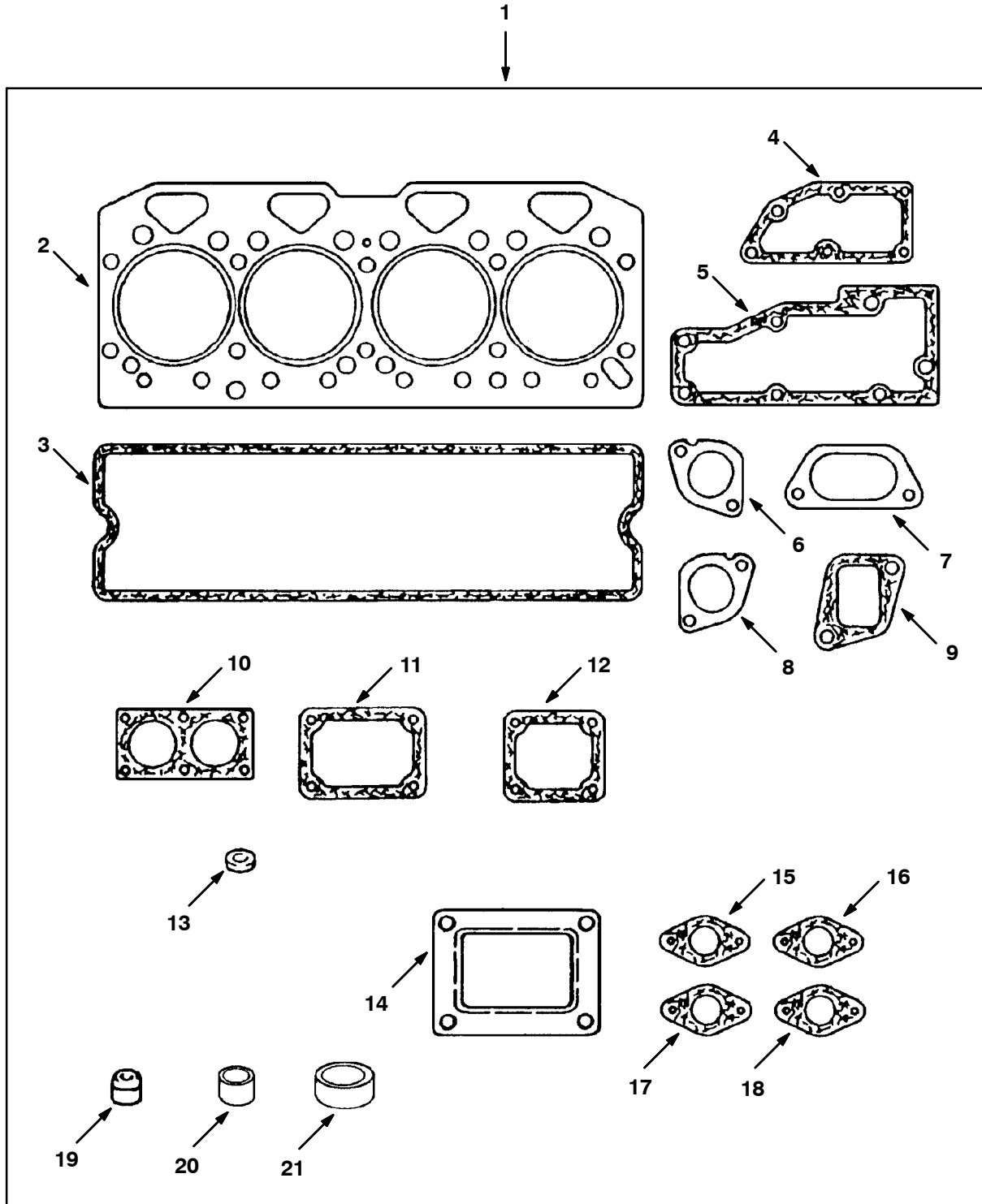


Fig. 39 - Joints and Gaskets-Top Service Kit

	Ref.	Tennant Part No.	Perkins Part Number	Description	Qty.
▽	1	764846	U5LT0178	Joint/Gasket Kit	1
▲	2	764521	3681E025	Head Gasket	1
▲	3	764732	3681A028	Joint	1
▲	4	764850	3687M018	Joint	1
▲	5	764851	3685F005	Joint	1
▲	6	764446	3688C001	Joint	1
▲	7	764447	3688C002	Joint	1
▲	8	764448	3688C003	Joint	1
▲	9	764852	36862189	Joint	2
▲	10	764853	3684A004	Joint	1
▲	11	764854	3684N009	Joint	1
▲	12	764856	3864N503	Joint	1
▲	13	764405	0921173	Washer	4
▲	14	764857	36885008	Gasket	1
▲	15	764859	36832138	Joint	1
▲	16	764860	36832144	Joint	1
▲	17	764862	3683D006	Joint	1
▲	18	764864	36832151	Joint	1
▲	19	764436	33817117	Seal	8
▲	20	764434	33811113	Olive	10
▲	21	764435	33813131	Seal	4

Fig. 40 - Joints and Gaskets-Bottom Service Kit

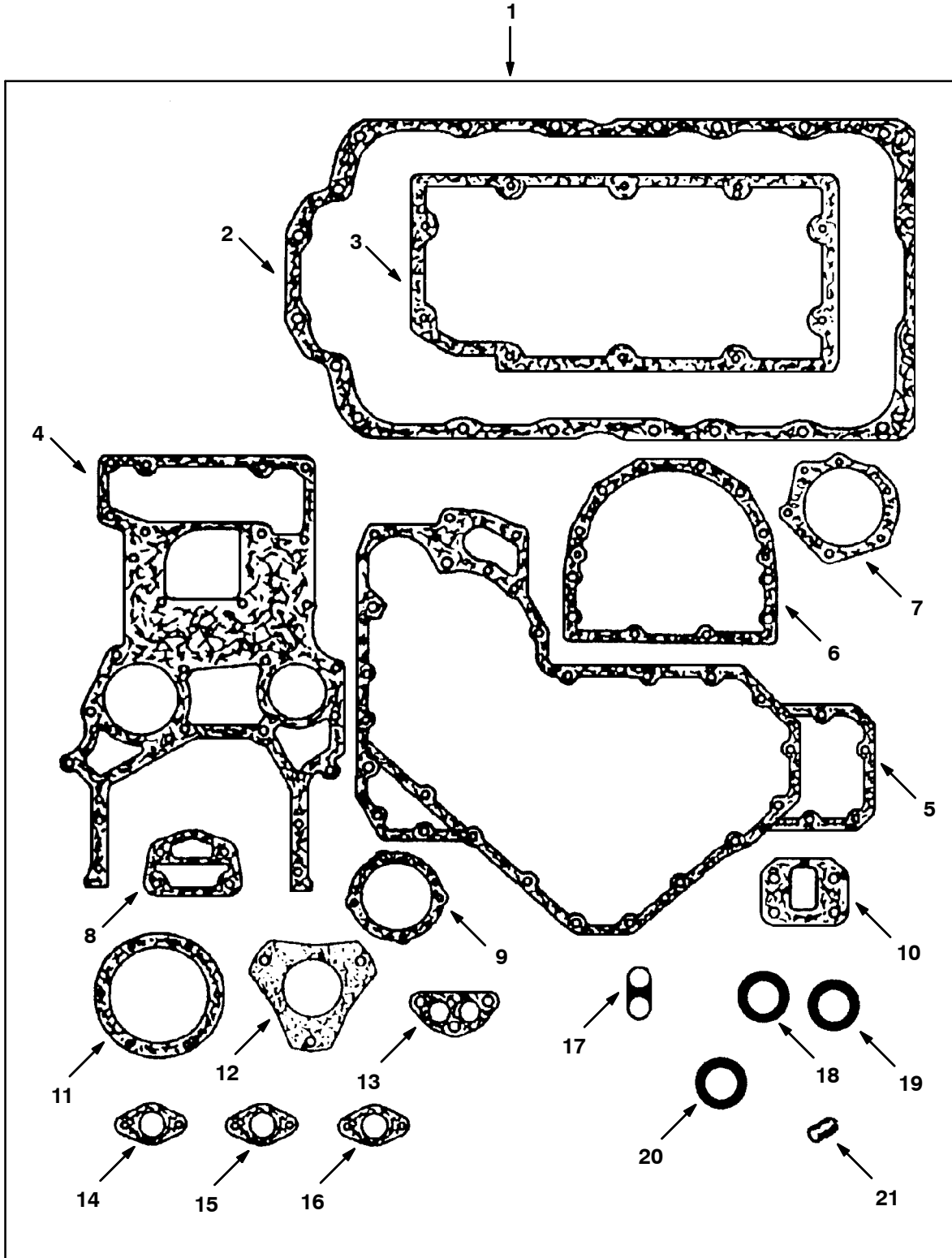
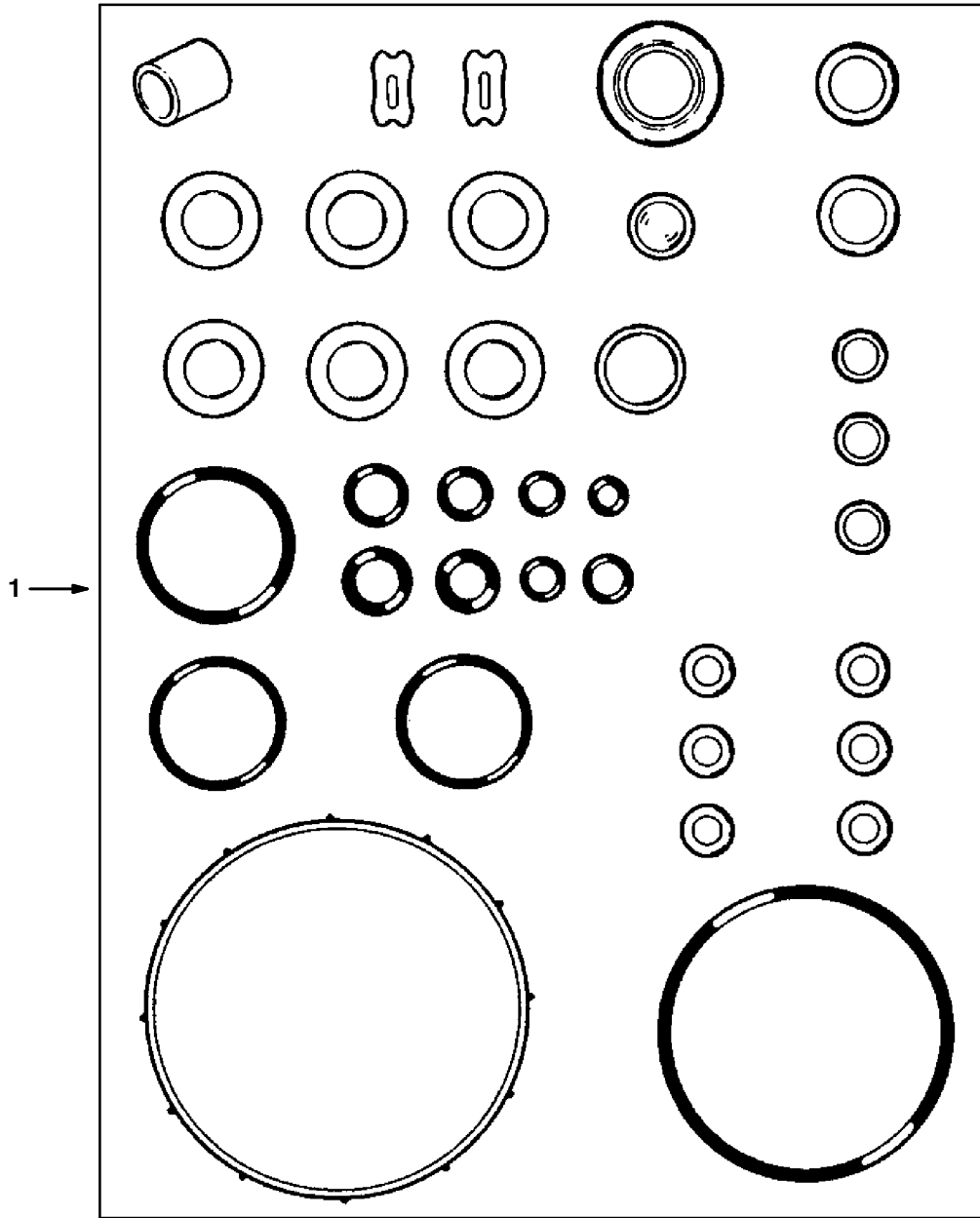


Fig. 40 - Joints and Gaskets-Bottom Service Kit

	Ref.	Tennant Part No.	Perkins Part Number	Description	Qty.
▽	1	764866	U5LB0151	Joint/Gasket Kit	-
▲	2	764868	3681K005	Joint	1
▲	3	764870	3685F006	Joint	1
▲	4	764871	3681P009	Joint	1
▲	5	764872	3681P019	Joint	1
▲	6	763947	3681T008	Joint	1
▲	7	764563	3683H003	Joint	1
▲	8	764877	3687W008	Joint	1
▲	9	764879	3687H005	Joint	1
▲	10	764881	3685R007	Joint	1
▲	11	764882	3382P004	Joint	1
▲	12	764884	3687H011	Joint	1
▲	13	764886	3686A509	Joint	1
▲	14	764887	3683N004	Joint	1
▲	15	764888	36832137	Joint	1
▲	16	764890	3683L005	Joint	1
▲	17	764891	3685U002	Joint	1
▲	18	764892	2415B135	O-ring	1
▲	19	764893	2415B148	O-ring	1
▲	20	764424	2415B152	O-ring	1
▲	21	764894	32811408	Joint	2

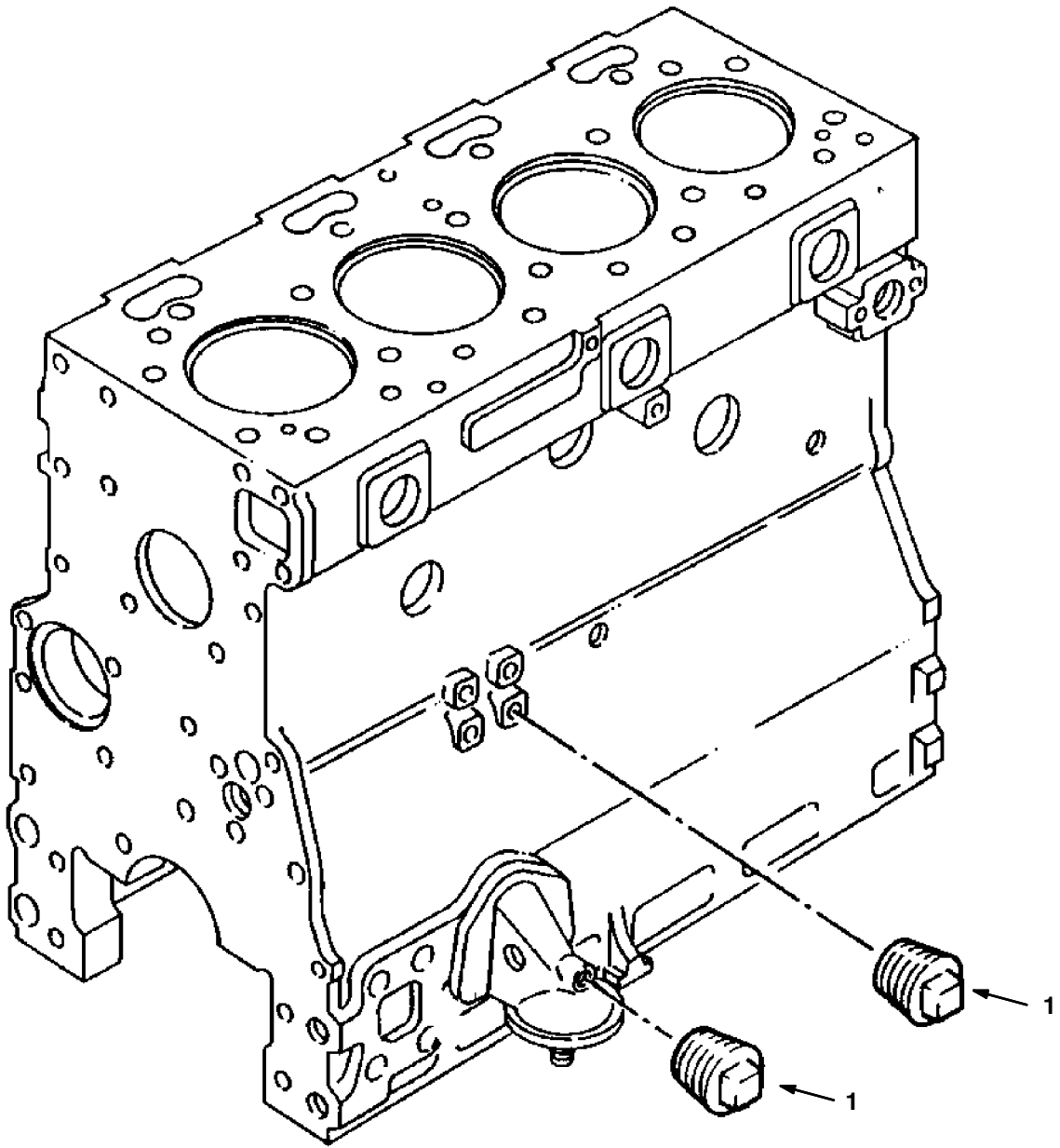
Fig. 41 - Pump Kit



10592/10555

Ref.	Tennant Part No.	Perkins Part Number	Description	Qty.
1	763867	26431815	Pump Kit	-

Fig. 42 - Cylinder Block Plug Group



10593/10557

Ref.	Tennant Part No.	Perkins Part Number	Description	Qty.
1	763924	0650594	Plug	2

Fig. 43 - Injection Pump Breakdown

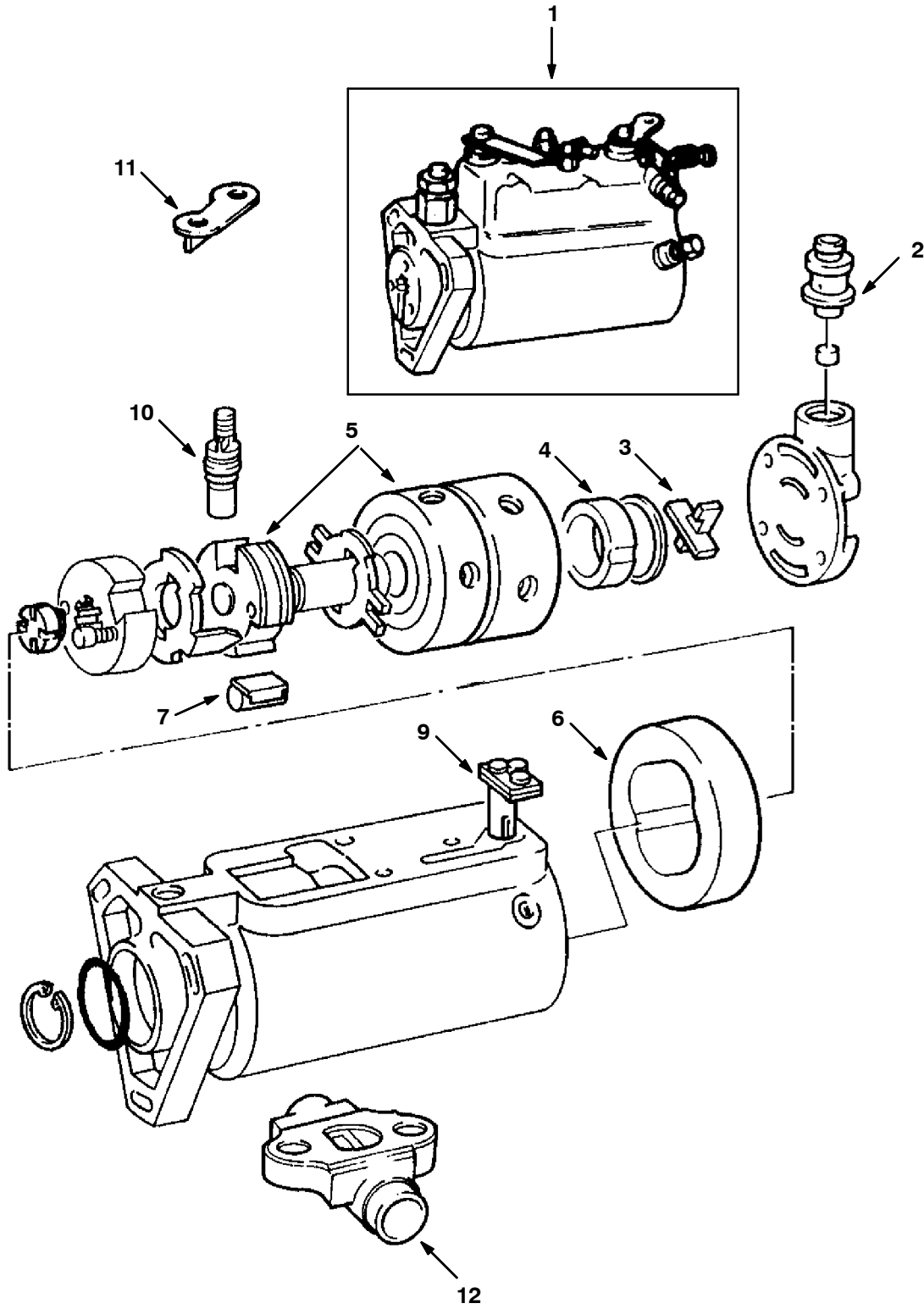


Fig. 43 - Injection Pump Breakdown

	Ref.	Tennant Part No.	Perkins Part Number	Description	Qty.
∇	1	763838	2643L619	Injection Pump	1
▲	2	763855	26431038	Piston	1
▲	3	763856	0997231	Blade	1
▲	4	763857	26430793	Liner	1
▲	5	763858	26431855	Rotor	1
▲	6	763859	26431856	Ring	1
▲	7	763860	26431818	Roller	1
▲	8	763861	26431857	Valve	1
▲	9	763862	26431858	Valve	1
▲	10	763863	26431730	Shaft	1
▲	11	763864	26431708	Lever	1
▲	12	763865	26431859	Housing	1

TURBO ENGINE BREAKDOWN

Fig. 44 - Turbocharger, and Air Charge Cooler

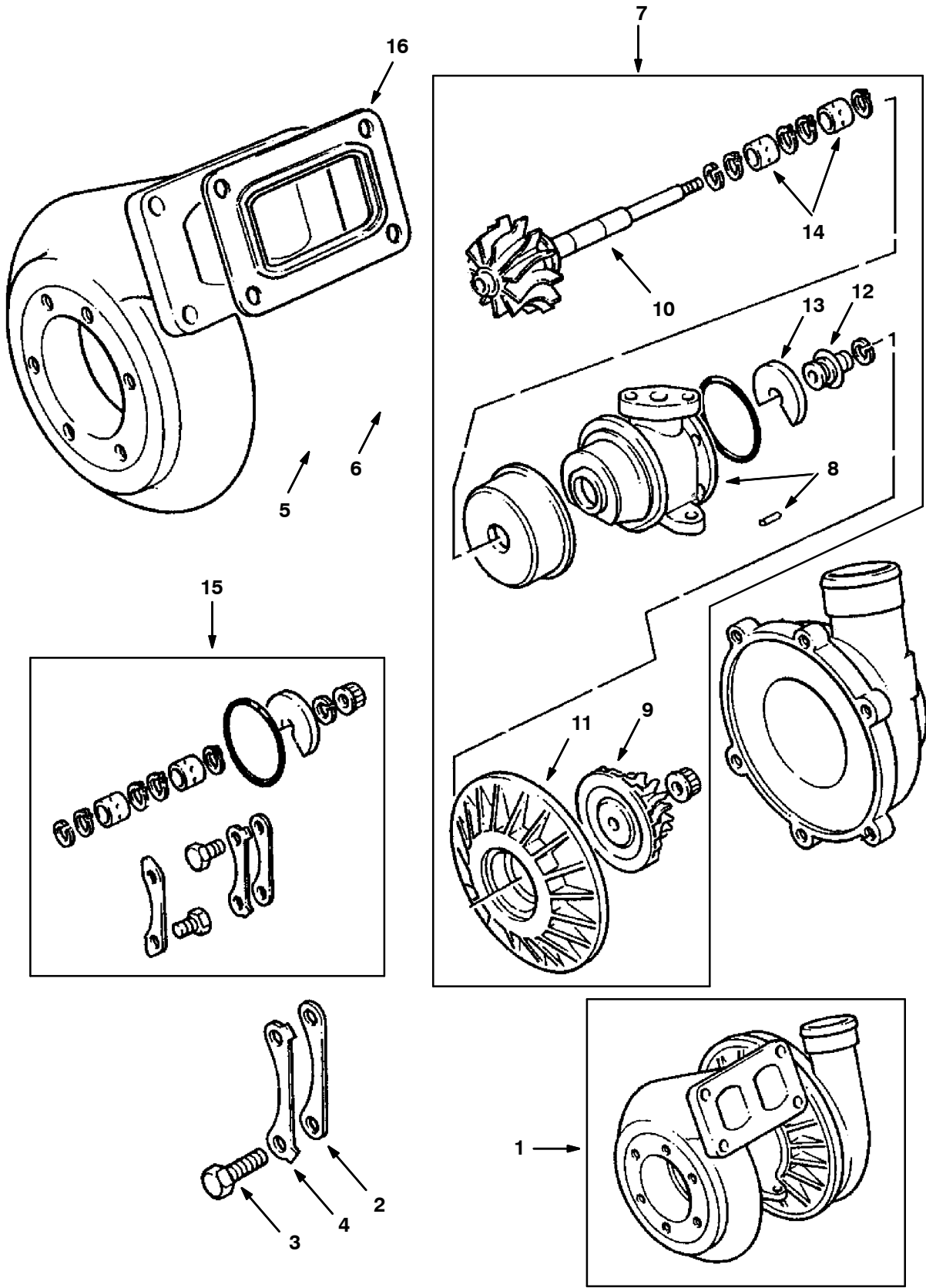


Fig. 44 - Turbocharger, and Air Charge Cooler

	Ref.	Tennant Part No.	Perkins Part Number	Description	Qty.
▽	1	763889	2674394 2674A371	Turbocharger	1
▲	2	763890	26741024	Clamp	3
▲	3	763891	26741080	Bolt	6
▲	4	763892	26741023	Plate	3
▲	5	763893	26741082	Clamp	3
▲	6	763894	26741083	Bolt	6
▲▽	7	763895	26741156	Core	1
▲▲	8	763896	26741123	Housing	1
▲▲	9	763897	26741074	Wheel	1
▲▲	10	763898	26741150	Shaft	1
▲▲	11	763899	26741070	Plate	1
▲▲	12	763900	26741011	Collar	1
▲▲	13	763901	26741012	Thrust Bearing	1
▲▲	14	763902	26741087	Bushing	2
	15	763946	26741068	Repair Kit	-
	16	764857	36885008	Gasket	1

TURBO ENGINE BREAKDOWN

Fig. 45 - Fuel Injection Equipment Group

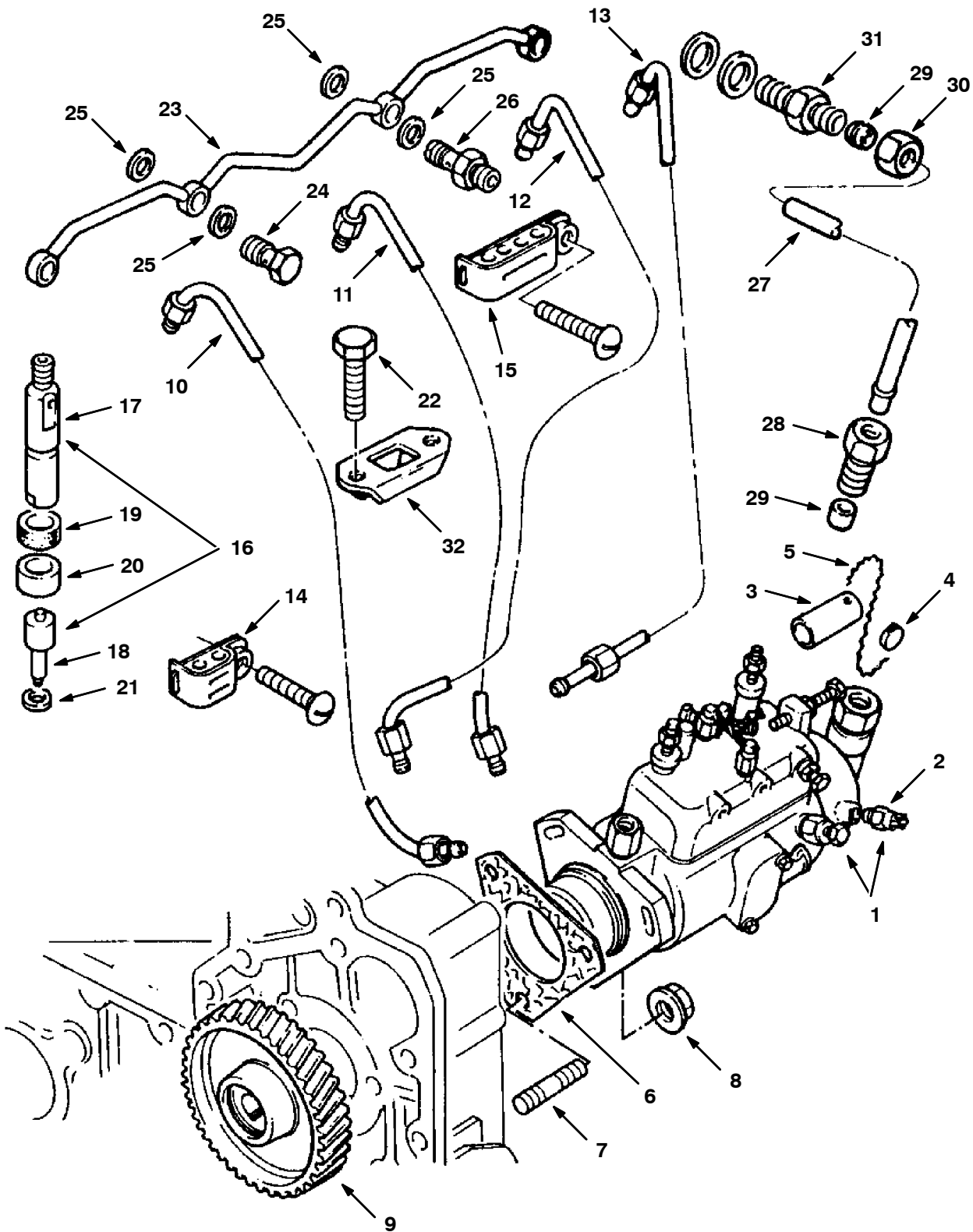


Fig. 45 - Fuel Injection Equipment Group

	Ref.	Tennant Part No.	Perkins Part Number	Description	Qty.
▽	1	763838	2643L619	Injection Pump (See Breakdown)	1
▲	2	764657	28730179	Solenoid	1
	3	764658	2648A110	Sleeve	1
	4	764659	31718104	Seal	1
	5	764660	31718105	Wire	1
	6	764661	33828108	Joint	1
	7	764662	2313M059	Stud	3
	8	764421	2318A603	Nut	3
	9	764663	3117L052	Gear, Fuel Pump	1
	10	763839	2646C151	Injector Pipe-No.1 Cyl	1
	11	763840	2646C152	Injector Pipe-No.2 Cyl	1
	12	763841	2646C153	Injector Pipe-No.3 Cyl	1
	13	763842	2646C154	Injector Pipe-No.4 Cyl	1
	14	764668	2646E012	Clip	2
	15	764670	2646E014	Clip	1
▽	16	763843	2645A021	Atomizer	4
▲	17	763844	2645A304	Holder	1
▲	18	763845	2645A606	Nozzle	1
	19	764671	33813129	Spacer	4
	20	764435	33813131	Seal	4
	21	764405	0921173	Washer	4
	22	764411	2314H006	Screw	8
	23	764672	3558X011	Pipe, Leakoff	1
	24	764458	0095315	Bolt, Banjo	1
	25	764673	0921176	Washer	6
	26	764674	0201526	Union	2
	27	763846	4121C017	Pipe, Fuel	1
	28	764676	3353D004	Nut	1
	29	764433	33811112	Olive	2
	30	764432	33225412	Union Nut	1
	31	764674	0201526	Union	1
	32	763847	3662K002	Clamp	4

TURBO ENGINE BREAKDOWN

Fig. 46 - Fuel Injection Equipment Group

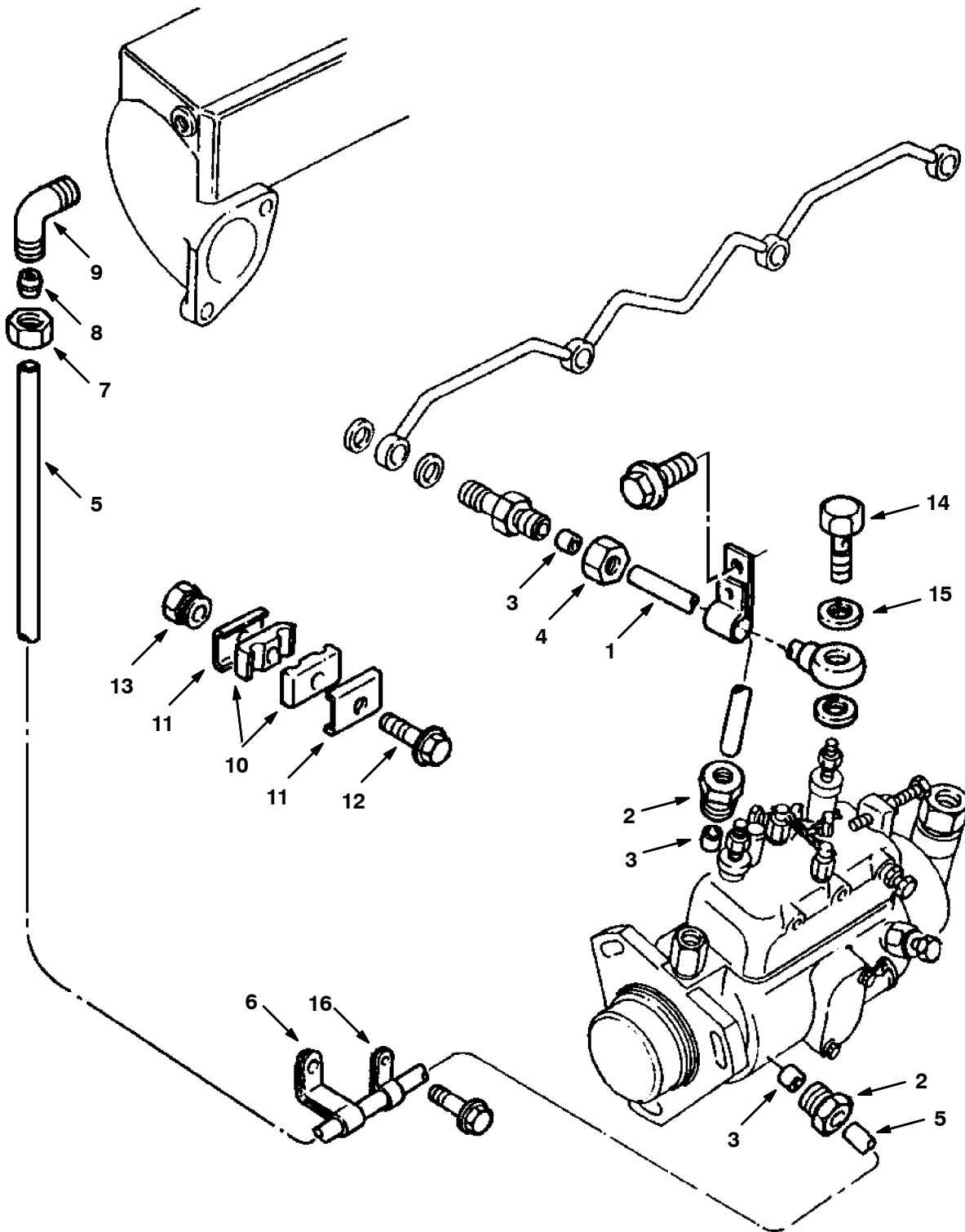
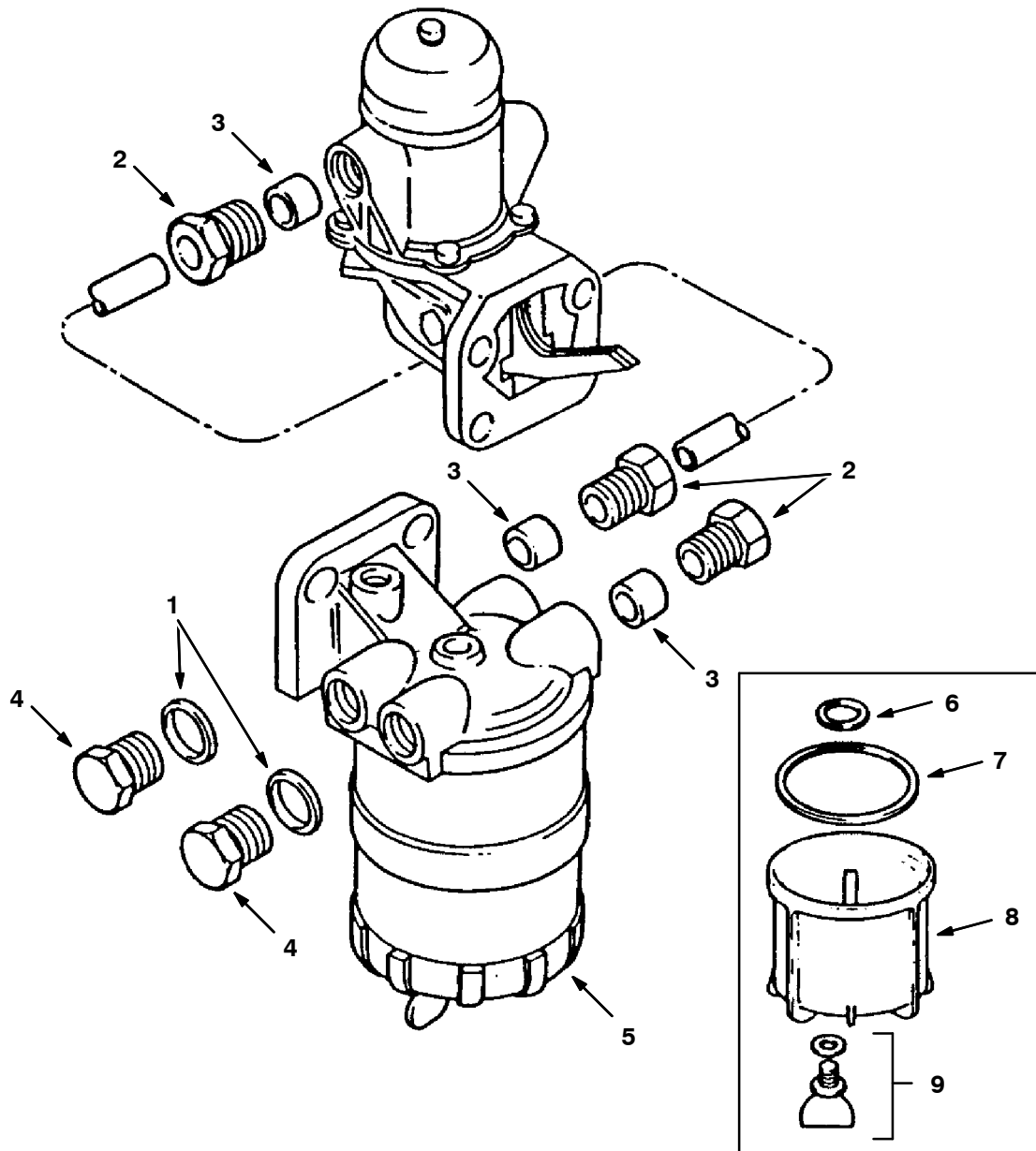


Fig. 46 - Fuel Injection Equipment Group

Ref.	Tennant Part No.	Perkins Part Number	Description	Qty.
1	764118		Pipe, Air	1
2	764676	3353D004	Nut	2
3	764433	33811112	Olive	3
4	764432	33225412	Union Nut	1
5	763848	4124E037	Pipe, Fuel	1
6	763849	36643119	Clip	1
7	763850	0576111	Nut	1
8	763851	0566002	Olive	1
9	763852	0201047	Connection	1
10	764809	36844116	Bridle	2
11	764808	36511123	Plate	2
12	764807	2314E007	Screw	1
13	764810	2318D205	Nut	1
14	763853	32184422	Bolt	1
15	764802	0920146	Washer	1
16	764824	36564121	Clip	1

Fig. 47 - Fuel Pre-Lift Pump Group



10589/09373

Ref.	Tennant Part No.	Perkins Part Number	Description	Qty.
1	764841	0920154	Washer	2
2	30063	33532129	Nut	3
3	764839	0566004	Olive	3
4	764840	0650204	Plug	2
▽ 5	764837	2656086	Fuel Filter	1
▲ 6	764842	26560016	Washer	1
▲ 7	764843	0490786	Joint	2
▲ 8	764844	26560075	Container	1
▲ 9	764845	26560614	Plug	1

SECTION 7

CONTENTS

	PAGE
PART NUMBER TO PAGE NUMBER CROSS REFERENCE LIST	7-2
PART DESCRIPTION TO PAGE NUMBER CROSS REFERENCE LIST	7-25

CROSS REFERENCE

PART NUMBER TO PAGE NUMBER CROSS REFERENCE LIST

Part Number	Page Number	Part Number	Page Number
AA39701	5-2	0350025	5-16, 6-16
AB 39717	6-2	04373	4-30, 4-34
MM332	3-46	0490474	5-5
MM332ES	3-46	0490786	5-55, 6-68
MM332FR	3-46	0500012	5-7, 5-13, 6-7, 6-13
MM332PT	3-46	0566002	6-67
MM333	3-46	0566003	5-49, 6-49
U5LB0151	5-59, 6-57	0566004	5-55, 6-68
U5LL0013	6-7	0566008	5-39
U5LL0015	5-7	0571346	5-55
U5LT0178	5-57, 6-55	0576052	5-11, 6-11
U5ME0006	6-7	0576111	6-67
U5ME0006A	6-7	0576112	5-49, 6-49
U5ME0006B	6-7	0576117	5-39
U5ME0006C	6-7	0610031	5-28
U5MH0050	5-41, 6-41	0610042	5-28
U5MK0142	5-3	06418	2-11, 2-13, 2-73, 3-7
U5MK0245	6-3	0650203	5-52, 6-52
U5PR0016	5-3	0650204	5-55, 6-68
U5PR0034	6-3	0650507	5-11, 6-11
U7LW0071	5-41, 6-41	0650582	5-5, 6-5
ZZ 50064	5-5	0650588	5-5, 5-39, 6-5, 6-39
ZZ 50177	6-5	0650594	6-59
ZZ 80084	5-9	0650710	5-5, 5-9, 6-5, 6-9
ZZ 80133	6-9	0650713	5-5, 6-5
ZZ 80134	6-9	06944	4-30, 4-34
ZZ 90017	6-11	06967	4-30, 4-34
ZZ 90032	5-11	070891	2-41
ZZ 90094	6-7	0720579	5-11
ZZ 90158	5-11	07799	4-30, 4-34
ZZ90009	5-7	08280	4-29, 4-33
ZZ90013	6-7	08709	2-35, 2-37
ZZ90032	6-11	08712	2-35, 2-37
ZZ90081	5-7	08713	2-35, 2-37, 2-39, 2-41
00500-15	4-19, 4-20	09010	2-39
0050345	5-13, 6-13	09011	2-35, 2-37, 2-39, 2-41
0095315	5-31, 6-65	09088	2-15
0095344	5-49, 6-49	0920002	5-28
0096803	5-17, 6-17	0920146	5-49, 6-24, 6-49, 6-67
0170002	5-7	0920154	5-55, 6-68
0170151	5-11, 6-11	0920155	5-24
0180043	5-49, 6-49	0920460	5-35, 6-35
0201047	6-67	0920469	5-5
0201526	5-31, 6-65	0920492	6-45
0206009	5-39	0920496	6-49
02506-6	3-29	0920719	5-28
02603	4-25, 4-26	0921173	5-31, 5-57, 6-55, 6-65
02643	4-21, 4-26, 4-27	0921176	5-31, 6-65
02644	4-21, 4-26, 4-27	0941082	5-13, 6-13
02645	4-25, 4-26	09718	3-3
02646	4-21, 4-23, 4-25, 4-26, 4-27	09901	2-94
02647	4-21, 4-23, 4-25, 4-26, 4-27	0997195	5-28
02713	2-47	0997231	6-61
02995	2-39, 2-41	10136	2-33
03026	2-28	10479927	5-23
03292B	3-25, 3-26	10632-11	3-31
0330807	5-35, 6-35	10632-20	3-45
0350009	5-5, 6-5	10865	2-59, 3-35, 3-39

CROSS REFERENCE

Part Number	Page Number	Part Number	Page Number
10962	2-59	2314H004	5-13, 5-15, 5-23, 5-35, 5-41, 5-44, 6-13, 6-15, 6-23, 6-31, 6-35, 6-41, 6-45
11399	2-91, 3-35	2314H005	5-15, 6-13, 6-15
12271	2-93	2314H006	5-31, 5-41, 6-41, 6-65
13904	4-3, 4-5	2314H007	5-35, 6-35
13907	4-3, 4-5	2314H008	5-23, 5-41, 5-43, 6-23, 6-41
14138A	2-5	2314H009	6-39
14432	2-23, 2-25, 2-31	2314H010	5-39, 5-43, 6-43
15678	2-35, 2-37	2314H013	5-13, 6-13
16562	2-23	2314H015	5-41, 6-41
16695	4-19, 4-20	2314H017	5-23, 5-44, 6-23
16930	2-39, 2-41	2314H031	5-35, 6-35
16931	2-35, 2-37	2314H032	5-5
17188	2-28, 2-29, 2-31	2314H033	5-47, 6-45, 6-47
17200	2-94	2314H034	5-13, 6-13
17521	3-37	2314H101	5-16, 6-16
19065	2-47	2314J001	6-30, 6-39, 6-45
1978026	5-23, 6-23	2314J002	5-26, 5-50, 6-50
2116053	5-13, 6-13	2314J003	5-23, 5-26, 6-23, 6-26, 6-45
2116A023	6-5	2314J004	5-16, 5-24, 5-50, 6-24, 6-50
2131009	6-5	2314J005	5-26, 6-26
2131A008	5-23, 5-35, 6-23	2314J006	5-23, 6-23
2131A010	5-23, 6-23	2314J008	5-15, 6-15
2182110	5-5	2314J010	5-13, 6-13
21825192	5-41, 6-41	2314J011	5-15, 6-15
21825195	5-37, 5-39, 6-37, 6-45	2314J013	5-41, 6-41
21825199	6-31	2314J015	5-20, 5-23, 6-20, 6-23
21919	3-5	2314J033	5-39, 6-39
21951	4-23, 4-25	2314J034	5-39, 5-44, 6-31
21953	4-23, 4-25	2314J040	6-39
22297	2-23, 2-25	2314J041	5-44, 6-31
2231226	5-28	2314J048	5-44, 6-31
2233022	5-11, 6-11	2314J204	6-16, 6-26, 6-45
2311D039	5-35, 6-5, 6-35	2314J603	5-13, 5-16, 6-13, 6-16
2311D060	5-5, 6-5	2314J607	6-11
2311D559	5-24, 6-24	2314J608	5-11
2311D578	5-24, 6-24	2314K159	5-21, 6-21
2313C077	5-18, 5-46, 6-18, 6-45, 6-46	2314K161	5-23, 6-23
2313H305	5-11	2314M033	5-41
2313H331	6-11	2314N043	5-41, 6-41
2313M058	5-13, 6-13	2318A210	5-11
2313M059	5-31, 6-65	2318A602	5-49, 6-49
2313M078	5-45, 6-45	2318A603	5-13, 5-31, 5-35, 6-13, 6-30, 6-65
2313M081	5-23, 6-23	2318A604	5-18, 5-50, 6-18, 6-50
2313M088	6-45	2318A605	5-27, 6-11, 6-27
2313M101	5-27, 6-27	2318A634	5-45, 5-46, 6-45, 6-46
2314C049	5-24, 6-24	2318A664	5-23
2314E007	5-49, 6-49, 6-67	2318D205	5-49, 6-49, 6-67
2314F001	5-28, 6-28	2318D802	5-35, 6-35
2314F002	5-49, 6-49	231H003	6-49
2314F003	5-13, 6-13	2411157	5-52, 6-52
2314F006	5-49, 6-49	2415B135	5-59, 6-57
2314F016	5-35, 6-35	2415B148	5-59, 6-57
2314F033	5-41	2415B152	5-41, 5-59, 6-41, 6-57
2314F034	5-41	2415B155	5-41, 6-41
2314F036	5-13, 6-13	2415B167	5-24, 6-24
2314F907	5-15, 6-15	2415H201	5-15, 6-15
2314H002	5-35, 5-37, 5-41, 6-30, 6-35, 6-37	2418F405	5-41, 6-41
2314H003	5-5, 5-13, 5-35, 5-49, 6-5, 6-13, 6-35, 6-45		

CROSS REFERENCE

Part Number	Page Number	Part Number	Page Number
2418F436	5-13, 6-13	26431818	6-61
2418F475	5-5, 6-5	26431823	5-33, 6-33
2431131	5-44	26431824	5-33, 6-33
2431154	5-9, 5-24, 5-41, 6-24, 6-29, 6-41	26431839	5-33
2431A054	5-9, 6-9	26431840	6-33
24427	3-32, 3-41	26431855	6-61
2481877	6-39	26431856	6-61
2485613	5-41, 6-41	26431857	6-61
2485A204	5-5, 6-5	26431858	6-61
2485C509	5-21	26431859	6-61
2485C518	6-21	2643C612	5-31
24860170	6-39	2643L619	6-61, 6-65
2486A205	5-39	2645A017	5-31, 5-33, 6-33
2486A206	6-39	2645A021	6-65
2486A208	5-39	2645A302	5-31, 5-33, 6-33
2486A209	6-39	2645A304	6-65
2486A211	5-39	2645A606	6-33, 6-65
2487204	5-16, 6-16	2645A608	5-31, 5-33
2487208	5-27, 6-27	2646C151	6-65
2487382	5-16, 6-16	2646C152	6-65
2487Y005	5-13, 5-16, 6-13, 6-16	2646C153	6-65
24976	2-28, 2-29, 2-31	2646C154	6-65
2511425	5-11, 6-11	2646C157	5-31
2511437	5-15, 6-15	2646C158	5-31
2521A207	5-24, 6-24	2646C167	5-31
2521A415	5-24, 6-24	2646C168	5-31
25312	3-42	2646E001	5-31
2538753	6-5	2646E003	5-31
2614B655	5-23, 6-23	2646E012	6-65
26212	2-15	2646E014	6-65
26410087	5-47	2646E151	5-31
26412504	6-47	2648A110	5-31, 6-65
2641A057	5-47	2654403	5-39
2641A067	6-47	2654407	6-39
26430793	6-61	26560016	5-55, 6-68
26431038	6-61	26560075	5-55, 6-68
26431164A	5-33, 6-33	26560608	6-50
26431164B	5-33, 6-33	26560609	5-50, 6-50
26431164C	5-33, 6-33	26560614	5-55, 6-68
26431164D	5-33, 6-33	2656086	5-55, 6-68
26431164E	5-33, 6-33	26561118	5-50
26431164F	5-33, 6-33	2656F802	5-50, 6-50
26431164G	5-33, 6-33	2666108	5-25, 6-25
26431164GR	5-33, 6-33	26741011	6-63
26431164GS	5-33, 6-33	26741012	6-63
26431164GT	5-33, 6-33	26741023	6-63
26431164GU	5-33, 6-33	26741024	6-63
26431164GV	5-33, 6-33	26741068	6-63
26431164H	5-33, 6-33	26741070	6-63
26431164J	5-33, 6-33	26741074	6-63
26431164K	5-33, 6-33	26741080	6-63
26431164L	5-33, 6-33	26741082	6-63
26431164M	5-33, 6-33	26741083	6-63
26431164N	5-33, 6-33	26741087	6-63
26431164P	5-33, 6-33	26741123	6-63
26431192	5-50, 6-50	26741150	6-63
26431708	6-61	26741156	6-63
26431730	6-61	2674394	6-63
26431815	6-58	2721130	5-15, 6-15
		2721A029	6-7

CROSS REFERENCE

Part Number	Page Number	Part Number	Page Number
2721A537	5-24, 6-24	32416117	5-5, 6-5
2722A206	5-15, 6-15	32417117	5-5, 6-5
28730179	5-31, 6-65	32417121	5-9, 6-9
28730184	5-19, 6-19	32417134	5-5, 6-5
28730188	5-19, 6-19	32418122	5-5, 5-37, 6-5, 6-37
28730191	5-19, 6-19	3241N001	5-42, 6-42
28730193	5-19, 6-19	32490	2-39
28730195	5-19, 6-19	32492	2-39
28730238	5-19, 6-19	32493	2-43, 2-45
2873B056	5-18, 5-19, 6-18, 6-19	32495	2-19
28835	4-19, 4-20	3254H007	5-35
30063	5-55, 6-68	32712111	5-15, 6-15
31134123	5-7	32712726	5-15, 6-15
31134131	6-7	3271A003	6-5
31134164	5-5, 6-5	3271H002	5-15, 6-15
31137312	5-7, 6-7	32722105	5-28
31137322	5-7, 6-7	32726522	5-28
31137551	5-7, 6-7	3274P002	5-37, 6-37
31137561	5-7, 6-7	32762144	5-7, 6-7
3114X081	5-20, 6-20	32808	2-23
3115A044	5-23, 6-23	32811408	5-59, 6-57
3115T051	5-42, 6-42	32822	2-43, 2-45, 3-39
31162121	5-17, 6-17	33112111	5-5, 6-5
3117A032	5-41, 6-41	33117127	5-17, 6-17
3117C061	5-7, 6-7	33117426	5-11, 6-11
3117C112	5-24	33117434	5-11, 6-11
3117C116	6-24	3311K009	5-11, 6-11
3117L011	5-13	3311R003	5-5, 6-5
3117L021	6-13	33121416	5-37, 6-37
3117L052	5-31, 6-65	33121421	5-5
31182	3-39	33123125	5-15, 6-15
31357	4-19	33135427	5-39
3135X041	5-5, 6-5	33137408	5-15, 6-15
3135X042	5-5, 6-5	33142111	5-5, 6-5
31415361	5-13, 6-13	3314A004	6-9
3142A051	5-9, 6-9	3314A011	6-9
3142L051	5-9	33153121	5-13
3142L071	6-9	33153135	6-13
31434163	5-11, 6-11	33173108	5-9, 6-9
31434307	5-11, 6-11	3317M001	5-37, 6-37
31718104	5-31, 6-65	3318H105	5-23, 6-23
31718105	5-31, 6-65	3321A003	5-13, 6-13
31726241	5-49, 6-49	33221328	5-7, 6-7
31743108	5-11, 6-11	33225412	5-31, 5-49, 5-51, 6-49, 6-51, 6-65, 6-67
31744123	5-11, 6-11	33245137	5-39
31744133	5-9, 6-9	33246123	6-39
31745122	5-9, 6-9	33342	2-17, 3-11
3174A004	6-5	3334P003	5-23, 6-23
3174L003	5-15, 6-15	33415118	5-9, 6-9
31754119	5-37, 6-37	33424107	5-9, 6-9
31922	2-59	33426161	5-13, 6-13
32129	2-35, 2-37	3343F002	5-9
32161114	5-53, 6-53	3343F012	5-15, 6-15
32166219	5-9, 6-9	3343F031	6-9
32166221	5-9, 6-9	3343J002	5-9, 6-9
32166222	5-9	3343M307	5-15, 6-15
32166329	5-5, 6-5	3346C006	6-39
32184422	6-67	3347A013	6-45
32186137	5-42, 6-42	33532128	5-49
322166222	6-9		

CROSS REFERENCE

Part Number	Page Number	Part Number	Page Number
33532129	5-55, 6-68	36619	2-21
33532148	5-51, 6-51	3662K002	6-65
3353D004	5-31, 6-65, 6-67	36643119	6-67
3353D005	5-35, 6-30	3666V002	5-31
33552412	5-29, 6-29	36817181	6-5
33552414	5-29, 6-29, 6-39	3681A028	5-37, 5-57, 6-37, 6-55
33691	3-37	3681E017	5-9, 6-9
33692	3-37	3681E025	5-57, 6-55
33811112	5-31, 5-49, 5-51, 6-49, 6-51, 6-65, 6-67	3681K005	5-59, 6-35, 6-57
33811113	5-11, 5-49, 5-57, 6-49, 6-55	3681P002	5-13
33812116	5-35, 6-30	3681P009	5-59, 6-13, 6-57
33813129	5-31, 6-65	3681P019	5-13, 5-59, 6-13, 6-57
33813131	5-31, 5-57, 6-55, 6-65	3681T008	5-5, 5-59, 6-57
33817117	5-9, 5-57, 6-9, 6-55	3681V502	5-46, 6-46
33817132	5-37, 6-37	3682H003	5-13, 5-59, 6-37
3381A002	5-51, 6-51	36832118	5-35
3381J002	5-37, 6-37	36832137	5-59, 6-35, 6-57
33828108	5-31, 6-65	36832138	5-57, 6-45, 6-55
3382P004	5-41, 5-59, 6-41, 6-57	36832144	5-57, 6-45, 6-55
3383A001	6-39	36832151	5-57, 6-45, 6-55
3383E003	6-31	3683D006	5-57, 6-55
33851126	6-45	3683H003	5-37, 6-57
33872525	5-37, 6-37	3683L005	5-59, 6-57
338811113	6-11	3683N004	5-41, 5-59, 6-41, 6-57
34172	4-19, 4-20	36843152	5-16
34306	2-75	36843154	6-16
34392	2-11, 2-15	36844116	5-49, 6-49, 6-67
34801	2-59	3684A004	5-43, 5-57, 6-43, 6-55
34821121	5-39, 6-39	3684N005	5-44
3536V001	6-5	3684N009	5-57, 6-31, 6-55
35493	2-53	3685F005	5-41, 5-57, 6-41, 6-55
3558X011	5-31, 6-65	3685F006	5-59, 6-57
3571C019	6-45	3685R004	6-41
3571C021	6-45	3685R005	5-41
3573M009	6-39	3685R007	5-47, 5-59, 6-47, 6-57
3575A018	5-35, 6-35	3685U002	5-59, 6-57
3615Y005	5-23, 6-23	36862159	5-45, 6-45
36171131	5-5	36862189	5-57, 6-55
3617A001	5-37, 6-37	3686A509	5-59, 6-57
361X007	6-26	3687A507	5-37, 6-37
36212132	5-16, 6-16	3687H005	5-59, 6-57
3621X007	5-26	3687H011	5-59, 6-57
3623E006	5-46, 6-46	3687M018	5-57, 6-55
3623H008	5-39, 6-39	3687W007	5-39
3623K007	5-41, 6-41	3687W008	5-59, 6-39, 6-57
3623T007	5-26, 6-26	36885008	5-57, 6-45, 6-55, 6-63
36241123	5-37, 6-37	3688C001	5-44, 5-57, 6-31, 6-55
36241316	5-47, 6-47	3688C002	5-44, 5-57, 6-31, 6-55
3627P021	5-35, 6-35	3688C003	5-44, 5-57, 6-31, 6-55
36511123	5-49, 6-49, 6-67	3688X002	5-37
3653K004	5-28, 6-28	370714	5-35, 6-30
3653R002	5-49, 6-49	3713M031	5-16, 6-16
3654W003	5-26, 6-26	3716C044	5-13
36564121	5-51, 6-51, 6-67	3716C046	6-13
36564422	5-49, 6-49	3717Y002	5-35, 6-35
36565517	6-30	3735A011	5-35, 6-35
36568145	6-45	3748C011	5-15, 6-15
3656M001	5-51, 6-51	3748W201	5-21, 6-21
3656M003	5-39, 6-39	3753R111	5-13, 6-13
		37555	4-19, 4-20

CROSS REFERENCE

Part Number	Page Number	Part Number	Page Number
37573	4-39	4124E029	5-51
3763W011	5-15, 6-15	4124E033	6-51
3764E061	5-41, 6-41	4124E037	6-67
3766E004	6-45	4126K104	5-39
3766P052	6-31	4126K105	5-39
3766T041	5-44	4126K119	6-39
3771K043	5-43, 6-43	4126X059	6-45
3771K111	5-41, 6-41	4131C018	5-31
3773K003	5-39	4131E012	5-41, 6-41
3773K004	6-39	4132F051	5-15
3773T101	6-39	4132F056	6-15
3775E012	5-11, 6-11	4138A017	6-5
37778	4-39	4138A036	5-15
3777E142	5-44	4138A037	6-15
3777E145	6-31	4142A143	5-13, 6-13
3778E031	5-45	4142V064	5-5
3778H111	6-45	4142V066	6-5
3781A003	5-37, 6-37	4142X016	5-37, 6-37
3781N005	5-13, 6-13	41430-5	2-41
3781N006	5-13, 6-13	41430	2-39
37828	5-49, 6-49	4181A019	5-7
3818X901	5-11, 6-11	4181A021	6-7
3822P011	5-23, 6-23	43844	2-15, 2-23, 2-91
3824A021	5-35, 6-35	45628	4-19, 4-20
3824V011	6-45	45779	2-5, 2-47, 2-65
38315	4-21, 4-23, 4-25, 4-26, 4-27	45780	2-5
3831E006	5-50, 6-50	46711	3-32, 3-41
38321	3-37, 4-39	47167	2-25
38490	4-21, 4-23, 4-25, 4-26, 4-27	47801	2-39, 2-47, 2-49, 2-51, 2-65, 2-73, 3-3, 3-7
3864N503	5-57, 6-55	48183	2-9
38747	5-47	48845	3-46
38873	4-19	48847	3-46
39277	2-35, 2-37	51109	2-65
39283	4-31	51417	4-21, 4-23, 4-25, 4-26, 4-27
39284	4-37	51531	2-65
40143	3-37	51650	5-41, 6-41
40144-21	4-39	52097	6-49
40144-22	4-39	52100	5-49, 6-49
40144-4	3-37, 4-39	52147	5-39
40144-6	3-37, 4-39	52508	2-50
40145	2-91, 3-35	52770-5	2-2, 2-21, 5-39
40758	2-73	54333	2-91, 3-35
4111A013	5-13, 6-13	56992	2-85
4111A021	5-15, 6-15	57145	2-91
4111D095	5-17, 6-17	57370	4-21, 4-23, 4-25, 4-26, 4-27
4113H058	5-20, 6-20	57373	4-21, 4-23, 4-25, 4-26, 4-27
4113H062	5-24	57374	4-21, 4-23, 4-25, 4-26, 4-27
4113H068	6-24	57375	4-21, 4-23, 4-25, 4-26, 4-27
41151482	6-11	57702	3-11, 3-23
41151483	5-11, 6-11	58494	3-39
41151484	5-11	58596	4-18
41178	2-93	59156	2-39
41186	2-35, 2-37, 2-39	59180	2-81
41187	2-39, 2-41	59187	2-81
4121C017	6-65	59946	3-45
4121K013	5-49	59965	2-43, 3-3, 3-39
4121K019	6-49	59999	3-45
4121M011	5-49	60933	2-28, 2-29
4121M012	6-49	61288	2-75
4121T003	5-49, 6-49		

CROSS REFERENCE

Part Number	Page Number	Part Number	Page Number
6176151	6-11	760219	2-9
61923	2-47	760220	2-7
63244-1	2-91	760264	2-23
64595	3-39	760265	2-5
65235	4-18	760281	2-93
65391	2-53, 3-37	760282	2-93
65870-5	2-2	760300	2-5
67767	3-37	760302	2-5
68445	2-67, 2-69, 3-11	760357	2-5
68567	2-35, 2-37	760367	2-5
68986	2-2	760371	2-35
69234	2-17, 2-21, 2-33, 3-3	760395	2-5
69571	2-5	760399	3-33
70006	2-75	760400	3-3
70072	2-75	760404	3-3
74092	4-20	760410	3-3
74093	4-19, 4-20	760412	3-3
74094	4-19, 4-20	760418	3-3
74098	4-3, 4-5, 4-21, 4-23, 4-25, 4-26, 4-27	760428	3-3
74099	4-20	760429	3-3
74109	4-18	760445	3-3
74110	4-18	760446	3-3
74111	4-18	760447	3-3
74119	4-21, 4-23	760490	2-47
74120	4-25, 4-26	760492	2-49
74126	4-17	760493	2-49
74130	4-13, 4-14, 4-17	760503	2-47
74149	4-11	760504	2-47
74174	4-18	760507	3-23
74181	4-18	760509	3-23
74182	4-18	760511	3-23
74186	4-18	760522	2-47
74187	4-18	760523	2-47
74188	4-18	760529	2-48
74189	4-18	760532	2-48
74191	4-19, 4-20	760535	2-48
74218	4-18	760536	2-48
75430	2-5	760537	2-48
75604	2-91	760538	2-48
75689	2-28	760540	2-48
760060	3-32	760543	2-47
760073	3-33	760545	2-48
760074	3-30	760548	2-47
760078	3-26	760550	2-48
760079	3-31	760552	2-93
760097	2-7, 2-9	760554	2-51
760098	2-2	760556	2-50
760099	2-2	760559	2-47
760100	2-47	760560	2-53
760105	3-28	760562	2-53
760145	3-45	760563	2-53
760147	3-44	760565	2-47
760195	2-35	760566	2-53
760198	3-41	760569	2-50
760199	3-32	760573	3-35
760205	2-7, 2-9	760577	2-47
760207	2-5	760580	2-50
760208	2-7, 2-9	760581	2-50
760215	2-93	760586	2-47
		760593	3-3

CROSS REFERENCE

Part Number	Page Number	Part Number	Page Number
760596	2-50	760836	2-39
760598	2-47	760837	2-2, 2-35, 2-37
760599	3-35	760838	2-35, 2-37
760629	3-23	760839	2-43, 2-45
760640	3-23	760840	2-43, 2-45
760641	2-47	760841	2-39
760647	2-47	760846	2-39
760649	3-23	760847	2-35
760653	3-25	760849	2-39
760660	2-51, 3-25, 3-26, 3-35	760851	2-35, 2-37
760661	3-25	760852	2-39
760663	2-47	760853	2-38
760664	2-47	760854	2-38
760668	2-51	760857	2-38
760672	3-35, 3-44	760859	2-2, 2-35
760673	2-51	760860	2-39
760679	2-51	760861	2-39
760682	2-47, 2-49, 3-3	760867	2-38
760691	2-51	760868	2-2, 2-39
760695	2-51	760869	2-2, 2-39
760697	2-41	760870	2-39
760707	3-25	760873	2-35
760717	3-25	760875	2-35, 2-37
760718	3-25	760876	2-39
760721	2-39, 2-41	760881	2-2, 2-35
760726	3-25	760882	2-2, 2-35, 2-37
760727	3-25	760883	2-35, 2-37
760728	3-25	760884	2-35, 2-37
760729	3-25	760890	2-2, 2-39
760730	2-35	760891	2-39
760740	2-43, 2-45	760892	2-39
760744	2-38	760893	2-39
760745	2-2, 2-35, 2-37	760894	2-35, 2-37
760746	2-35	760896	2-35, 2-37
760749	2-2, 2-39, 2-41	760897	2-2, 2-35, 2-37
760751	2-45	760901	2-39, 2-41
760752	2-43	760905	2-39, 2-41
760753	2-45	760906	2-35, 2-37
760754	2-43	760907	2-19
760755	2-43, 2-45	760909	2-19
760756	2-43, 2-45	760910	2-19
760757	2-43, 2-45	760911	2-19
760778	2-43, 2-45	760914	2-2, 2-39, 2-41
760779	2-43	760915	2-2, 2-39, 2-41
760785	2-35, 2-37	760916	2-19
760786	2-43, 2-45	760917	2-19
760794	2-35, 2-37	760919	2-41
760798	2-35, 2-37	760920	2-19
760799	2-35	760921	2-19
760813	2-35	760925	2-19
760815	2-39	760935	2-39
760816	2-35	760936	2-39
760818	3-25	760937	2-38
760823	2-39, 2-41	760939	2-41
760824	2-51	760940	2-39
760826	2-39	760948	2-94
760827	2-39	760954	2-94
760828	2-45	760960	2-94
760833	2-43, 2-45	760980	2-94
760834	2-43, 2-45	760982	2-94

CROSS REFERENCE

Part Number	Page Number	Part Number	Page Number
760983	2-94	761111	2-41
760984	2-94	761112	2-9
760991	3-23	761113	2-7
761003	2-13	761114	2-7
761004	2-11	761117	2-2, 2-9
761005	2-11	761118	2-9
761006	2-15	761119	2-9
761007	2-15	761120	2-7, 2-9
761010	2-11, 2-13	761121	2-7, 2-9
761011	2-11, 2-13	761123	2-7, 2-9
761012	2-11, 2-13	761124	2-7, 2-9
761013	2-11, 2-13	761125	2-7, 2-9
761014	2-11, 2-13	761126	2-3
761017	2-11, 2-13	761128	2-17
761018	2-11, 2-13	761130	2-17
761019	2-11, 2-13	761131	2-17
761021	2-15	761134	2-17
761022	2-13	761137	3-41
761023	2-15	761138	3-41
761024	2-15	761141	2-17
761025	2-11, 2-13	761142	3-41
761028	2-15	761143	3-41
761029	2-15	761144	2-19
761031	2-11	761145	2-7, 2-9
761032	2-11	761146	2-7
761033	2-15	761147	2-7, 2-9
761034	2-15	761148	2-35, 2-37
761035	2-23	761152	2-7, 2-9
761036	2-23	761153	2-35, 2-37
761037	2-11, 2-15	761158	2-2, 2-7, 2-9
761038	2-11, 2-15	761162	2-7, 2-9
761039	2-59	761163	2-7, 2-9
761040	2-5	761165	2-7, 2-9
761041	2-5	761166	3-41
761043	2-5	761167	3-41
761044	2-5	761168	3-41
761049	2-43, 2-45	761169	3-41
761051	2-43, 2-45	761179	2-7, 2-9
761058	2-5	761182	2-7
761066	2-59	761183	2-9
761067	2-59	761204	3-7
761070	2-15	761205	2-73, 3-7
761071	2-15	761207	2-73, 3-7
761072	2-15	761209	2-73, 3-7
761075	2-15	761210	2-73, 3-7
761076	2-59	761211	2-3
761084	2-11, 2-15	761213	2-3
761085	2-11	761214	2-73
761086	2-15	761215	2-73
761087	2-15	761216	2-73
761088	2-15	761217	2-73
761091	2-15	761219	3-7
761092	2-15	761223	2-73, 3-7
761095	2-15	761225	2-43, 2-45, 2-73, 3-7, 3-11
761104	2-9	761229	2-73, 3-7
761105	2-9	761232	2-73, 3-7
761106	2-7, 2-9	761233	3-23
761108	2-41	761237	2-5
761109	2-7, 2-9	761238	2-3
761110	2-7, 2-9	761239	2-3

CROSS REFERENCE

Part Number	Page Number	Part Number	Page Number
761245	2-73, 3-7	761460	3-13
761246	2-73, 3-7	761462	3-15
761247	2-73, 3-7	761463	3-11
761248	2-73, 3-7	761464	3-11
761249	2-41	761465	3-13
761253	2-41	761466	3-15
761254	2-41	761467	3-11
761257	2-41	761469	3-11
761265	2-41	761470	3-11
761266	2-41	761472	3-11
761279	2-41	761479	3-13
761280	2-41	761484	3-39
761283	2-41	761485	3-39
761284	2-41	761486	3-39
761286	2-41	761489	3-39
761289	2-41	761490	3-39
761292	2-21	761493	3-39
761293	2-21	761501	2-2, 3-43
761296	2-37	761503	2-23
761305	3-11	761504	2-23
761307	3-13	761505	2-48
761308	3-13	761514	3-39
761311	3-11	761515	3-39
761312	3-13	761521	3-39
761317	3-13	761523	3-39
761321	3-13	761524	2-51, 3-35
761328	3-13	761525	3-39
761340	3-13	761526	3-39
761343	3-11	761540	2-35
761345	3-13	761541	2-35
761346	3-39	761542	2-47
761355	3-13	761546	3-45
761372	2-3	761550	3-45
761379	3-15	761584	3-45
761380	3-15	761585	3-45
761390	3-11	761600	4-33
761393	3-13	761601	4-29, 4-33
761394	3-13	761602	4-29, 4-33
761402	3-23	761603	4-29
761415	3-39	761604	4-37
761416	3-39	761605	4-31
761417	2-47	761606	4-33
761418	3-39	761607	4-29, 4-33
761423	3-39	761608	4-37
761425	3-39	761609	4-29, 4-33
761427	3-39	761610	4-29, 4-33
761428	2-73, 3-11	761611	4-29, 4-33, 4-37
761444	3-11	761612	4-29, 4-33, 4-37
761445	3-11	761613	4-33
761446	3-13	761614	4-37
761447	3-13	761615	4-33
761448	3-13	761616	4-33
761449	3-13	761617	4-29, 4-33
761451	3-11	761618	4-38
761453	3-13	761619	4-38
761454	3-13	761620	4-38
761455	3-13	761621	4-38
761456	3-11	761622	4-38
761457	3-13	761623	4-38
761458	3-13	761624	4-38

CROSS REFERENCE

Part Number	Page Number	Part Number	Page Number
761625	4-38	761690	4-30, 4-34
761626	4-38	761691	4-30, 4-34
761627	4-29, 4-33	761692	4-30, 4-34
761628	4-29, 4-33	761693	4-30, 4-34
761629	4-29, 4-33	761695	4-30, 4-34
761630	4-29, 4-33	761698	4-30, 4-34
761631	4-29, 4-33	761700	4-30, 4-34
761632	4-29, 4-33	761701	4-34
761633	4-29, 4-33	761702	4-34
761634	4-33	761703	4-34
761635	4-29, 4-33	761704	4-34
761637	4-31, 4-35	761705	4-34
761638	4-35	761712	4-30, 4-34
761639	4-31, 4-35	761713	4-30, 4-34
761640	4-31, 4-35	761714	4-29, 4-33
761641	4-31, 4-35	761715	4-29, 4-33
761643	4-35	761716	4-29, 4-33
761644	4-31, 4-35	761717	4-29, 4-33
761645	4-31, 4-35	761719	4-29, 4-33
761646	4-35	761720	4-29, 4-33
761647	4-35	761721	4-35
761648	4-35	761726	4-29
761649	4-37	761727	4-29, 4-33
761650	4-37	761728	4-29, 4-33
761651	4-37	761729	4-29
761652	4-37	761731	4-29
761653	4-37	761732	4-29
761654	4-37	761733	4-29
761655	4-37	761734	4-31
761656	4-37	761736	2-65
761657	4-37	761737	2-65
761658	4-37	761738	2-65
761659	4-37	761739	2-65
761661	4-37	761740	2-65
761662	4-37	761791	3-43
761663	4-37	761795	3-28
761664	4-37	761796	2-11, 2-13
761665	4-37	761797	2-11, 2-13
761666	4-37	761798	2-11, 2-13
761667	4-37	761799	2-11, 2-13
761668	4-31, 4-35, 4-37	761801	2-47
761669	4-37	761802	2-47
761670	4-37	761804	2-35, 2-37
761671	4-37	761805	2-91
761672	4-37	761806	3-3
761674	4-37	761807	2-5
761675	4-37	761808	2-5
761676	4-37	761810	2-2
761677	4-37	761811	2-2
761678	4-37	761824	2-27
761680	4-37	761825	2-27
761681	4-37	761826	2-27
761682	4-37	761828	2-91
761683	4-34	761830	2-28, 2-29
761684	4-30, 4-34	761831	2-85
761685	4-30, 4-34	761832	2-91
761686	4-30, 4-34	761833	2-91
761687	4-30, 4-34	761834	2-91
761688	4-30, 4-34	761838	2-71
761689	4-34	761839	2-71

CROSS REFERENCE

Part Number	Page Number	Part Number	Page Number
761840	2-64	761901	2-69
761841	2-69	761903	2-67, 2-69
761842	2-67	761904	2-69
761843	2-64	761905	2-69
761844	2-64	761906	2-69
761845	2-64	761907	2-67, 2-69
761846	2-64	761908	2-69
761847	2-64	761909	2-67, 2-69
761848	2-64	761910	2-69
761849	2-64	761911	2-67, 2-69
761850	2-64	761912	2-67, 2-69
761851	2-64	761913	2-67, 2-69
761852	2-64	761914	2-67, 2-69
761853	2-64	761915	2-67, 2-69
761854	2-64	761916	2-67
761855	2-64	761918	2-67
761856	2-64	761919	2-67
761857	2-64	761920	2-67
761858	2-64	761921	2-67
761859	2-64	761922	2-67
761860	2-64	761923	2-71
761861	2-64	761924	2-71
761862	2-59	761925	2-71, 3-21
761863	2-64	761926	2-71, 3-21
761864	2-64	761927	2-71
761865	2-64	761928	2-71
761866	2-65	761929	2-71
761867	2-65	761930	2-71
761868	2-65	761931	2-71
761869	2-65	761932	2-71
761870	2-65	761933	2-71
761871	2-65	761934	2-71
761872	2-65	761936	2-71
761873	2-65	761937	2-71
761874	2-65	761938	2-71
761875	2-65	761939	2-71
761876	2-65	761940	2-71
761877	2-65	761941	2-71
761878	2-2, 2-65	761942	2-71
761879	2-65	761946	2-71
761880	2-65	761947	2-71
761881	2-65	761948	2-71
761882	2-65	761949	2-71, 3-21
761883	2-65	761950	2-71
761884	2-65	761951	2-71
761885	2-65	761952	2-59
761886	2-65	761953	2-59
761887	2-65	761954	2-59
761888	2-65	761955	2-59
761889	2-65	761956	2-5
761890	2-59, 2-65	761957	2-5
761891	2-65	761958	2-67, 2-69
761892	2-65	761959	3-21
761893	2-65	761960	3-21
761894	2-65	761961	3-21
761895	2-65	761962	3-21
761896	2-65	761963	3-21
761897	2-65	761964	3-21
761898	2-65	761965	3-21
761899	2-65	761966	3-21

CROSS REFERENCE

Part Number	Page Number	Part Number	Page Number
761967	3-21	762037	3-8, 4-13
761968	2-71	762040	2-73, 3-7
761969	2-71	762041	2-85, 4-14
761970	2-81, 2-83, 2-85, 3-8, 3-17	762042	2-73, 3-7, 4-26
761971	2-81, 2-85, 3-8, 3-17	762043	2-73, 3-7
761972	2-83	762044	2-79
761973	2-81, 2-85, 3-8	762045	2-17, 4-27
761974	2-81	762046	2-39, 2-41
761975	2-81	762047	3-17, 4-16
761976	2-83	762055	2-79
761977	3-17	762056	2-19
761978	2-81, 2-85, 3-8	762058	3-11, 4-23
761979	2-83, 3-17	762059	2-73, 3-7, 4-25
761980	2-81, 2-83, 2-85, 3-8, 3-17	762060	2-79
761981	2-65	762061	3-15
761982	2-67, 2-69	762063	2-47
761985	4-34	762064	2-47
761986	4-38	762065	2-85, 3-8
761987	4-37	762066	2-43, 2-45
761988	4-37	762070	2-85, 3-8
761989	4-30	762075	2-75
761990	2-71	762076	2-25
761991	2-87	762077	2-25
761992	2-11, 2-15	762080	4-29, 4-33
761993	2-11, 2-15	762082	4-11
761994	2-11, 2-15	762083	4-23, 4-25
761995	2-11, 2-15	762087	2-83, 2-85, 3-8, 3-17
761996	2-11	762092	2-61
761997	2-11	762101	2-77, 4-3
761998	2-15	762102	2-75
761999	2-15	762103	2-77
762001	3-15	762105	2-75
762002	3-11	762106	2-13, 4-7
762003	3-11	762108	2-75
762004	3-11	762109	2-13
762005	3-13, 4-19	762110	2-77
762006	3-13	762111	2-75
762007	2-13	762116	2-39, 2-41
762008	2-43, 2-45	762123	3-15
762009	2-71	762124	2-2, 2-75
762010	2-19	762125	2-2, 2-75
762011	2-47	762126	2-75
762012	3-5	762128	2-85, 3-8
762013	2-81, 4-17	762130	2-77, 4-5
762015	2-49	762136	2-13, 4-9
762016	3-3	762192	2-73, 3-7
762018	2-61, 4-18	762194	3-3
762020	4-29, 4-33	762195	2-49
762022	2-77, 4-11	762201	3-27
762024	2-77, 4-12	762204	2-91
762025	3-11, 4-21	762207	3-27
762026	2-75	762209	2-91
762027	2-25	762210	3-27
762028	2-79	762212	2-91, 3-35
762029	2-75	762213	2-91, 3-35
762031	2-83, 4-15	762214	2-91, 3-35
762032	2-53	762215	2-91
762033	2-75	762217	2-91
762034	2-79	762218	2-91
762035	2-47, 4-20	762219	2-91

CROSS REFERENCE

Part Number	Page Number	Part Number	Page Number
762220	2-2, 2-91	762302	2-87
762221	2-2, 2-91	762303	2-87
762222	2-91	762304	2-87
762223	2-91	762305	2-87
762224	2-91	762306	2-89
762225	2-91	762307	2-89
762226	2-91	762308	2-89
762227	2-91	762309	2-87
762228	2-91	762310	2-89
762229	2-91, 3-35	762311	2-88
762230	2-91	762312	2-88
762231	2-91	762313	2-88
762233	2-91, 3-35	762314	2-88
762234	2-2, 2-91	762315	2-88
762236	2-91	762316	2-88
762245	2-91	762318	2-87
762246	2-91	762319	2-88
762249	2-91	762320	2-88, 3-9, 3-19
762253	3-44	762322	3-19
762254	3-35	762324	2-88, 3-9
762256	3-35	762326	3-19
762258	3-37	762328	3-19
762259	3-35	762330	3-19
762260	3-37, 4-39	762332	2-87
762261	3-37	762333	2-87
762263	3-37	762335	2-87
762264	3-35	762336	2-87
762265	3-35	762337	2-87
762266	3-35	762339	2-87
762267	3-35	762340	2-87
762269	3-35	762341	2-87
762270	3-35	762342	2-88, 3-9
762271	3-35	762344	2-87
762272	3-35	762345	2-88, 3-9
762273	3-35	762349	2-87
762275	3-37	762350	2-87
762276	3-37	762351	2-87
762277	3-37	762353	2-87
762278	3-35	762354	2-87
762279	3-37	762355	2-87
762280	3-37	762356	2-87
762281	3-37	762357	2-87
762282	3-37	762358	2-87
762284	3-35	762359	2-87
762285	3-35	762360	2-87
762286	3-35	762361	2-87
762287	3-37	762362	2-87
762288	3-37	762363	2-87
762289	3-37	762364	2-87
762290	3-35	762366	2-87
762291	3-35	762367	2-87
762292	3-35	762368	3-37
762293	3-35	762369	3-19
762294	3-35	762370	2-87
762295	3-35, 3-44	762371	3-19
762296	3-35, 3-44	762372	3-19
762297	3-35, 3-44	762373	3-19
762299	3-37	762374	3-19
762300	3-37	762375	3-19
762301	2-87	762376	3-19

CROSS REFERENCE

Part Number	Page Number	Part Number	Page Number
762377	3-19	762441	2-13, 3-37
762378	3-19	762442	2-79
762379	3-19	762443	2-5
762380	3-19	762444	2-5
762381	2-88, 3-19	762445	2-77, 2-81, 2-85, 3-8, 3-17
762382	3-19	762446	2-21, 2-47, 2-53, 2-79, 2-85, 3-8, 3-37
762383	3-19	762447	2-53, 2-75, 2-79, 2-85, 3-8
762384	3-19	762448	2-21
762385	2-88	762449	2-53, 3-8
762386	2-87	762450	2-21
762387	2-88	762452	3-13
762388	2-88	762453	3-13
762389	2-88	762454	2-5
762390	2-89	762455	3-17, 3-37
762391	2-89	762456	2-83, 3-11
762392	2-89	762457	2-79
762393	2-89	762458	2-79
762394	2-89	762459	3-17
762395	2-87	762461	2-73, 3-7
762396	3-37	762462	2-77, 3-37
762397	2-89	762463	2-17, 2-77, 2-79, 3-37
762398	3-37	762464	2-77, 2-83
762399	2-87, 2-88	762465	2-39, 2-41, 2-79
762400	2-87	762466	2-81
762401	2-87	762467	2-81
762402	2-87	762468	2-53, 2-77, 2-79, 3-37
762403	2-87	762469	2-79, 2-83, 3-37
762407	2-87	762470	2-79, 3-37
762408	2-88	762471	2-5
762409	2-21	762472	2-5
762410	2-21	762473	2-79
762411	2-88	762474	2-75, 3-37
762412	2-21	762475	2-75, 2-79
762414	2-87	762476	2-21
762415	2-25	762477	2-53
762416	2-25	762479	2-53, 2-88
762418	2-88	762480	2-53
762419	2-88	762481	2-25, 2-75, 2-77
762420	2-88	762482	2-25, 2-75, 2-77
762421	2-25	762483	2-75
762422	2-25	762484	2-25
762423	2-87	762485	2-75
762424	2-21	762486	2-75
762425	2-19, 2-61, 2-73, 2-77, 3-7, 3-11, 3-13, 3-15	762487	2-77
762426	2-19, 2-77	762488	2-13
762427	2-13, 2-77	762489	2-79
762428	2-79	762490	2-75
762429	3-13	762491	2-49
762430	2-11, 2-13	762492	2-79
762431	2-11, 2-13	762493	2-53
762432	2-11, 2-43, 2-45, 2-49, 2-53, 2-81, 3-15, 3-37	762495	2-21
762433	2-13, 2-47, 2-81, 2-85	762496	2-75
762434	2-13, 2-49	762497	2-75
762435	2-49, 3-3, 3-37	762498	2-21
762436	2-53	762499	2-85
762437	2-79, 3-3, 3-5, 3-37	762501	2-61
762438	2-61, 3-5, 3-8	762502	2-15, 2-47, 2-49, 3-25
762439	3-13	762504	2-61
		762505	2-59

CROSS REFERENCE

Part Number	Page Number	Part Number	Page Number
762506	2-59	763022	2-19
762507	2-59	763024	2-19
762508	2-59	763026	3-11, 3-23
762512	2-59	763027	2-39
762513	2-59, 3-35	763036	2-19, 3-3
762514	2-59	763046	2-7, 2-9
762515	2-59, 3-31	763050	2-19, 2-73, 3-7
762516	2-59	763060	2-5, 2-50, 3-25
762517	2-61	763061	2-43, 2-45
762521	2-59	763067	2-41
762525	2-59	763075	2-7, 2-9, 2-47
762526	2-59	763083	2-41
762533	2-59	763115	3-35
762534	2-59	763116	3-35
762535	2-59	763118	2-19
762538	2-59	763126	2-5
762539	2-59	763131	2-17
762540	2-59	763132	2-17
762541	2-59	763133	2-17
762542	2-59	763134	2-17
762543	2-59	763137	3-11
762547	2-65	763141	3-3
762550	2-21	763202	3-23
762554	2-33	76321	2-28, 2-29
762555	2-33	763212	3-23
762556	2-33	763235	2-15
762557	2-33	763244	2-47
762558	2-33	763252	2-61
762559	2-33	763253	2-61
762560	2-57	763254	2-65
762561	2-65	763276	3-30
762564	3-35	763278	2-47
762565	2-57	763284	2-47
762566	2-57	763343	2-39
762567	2-59	763344	2-39
762568	3-31	763345	2-39
762572	3-31	763350	2-39
762573	2-5	763358	2-38
762574	2-15	763362	2-39
762578	2-59	763380	2-43, 2-45
762581	2-59	763382	2-15
762583	2-59	763383	2-43, 2-45
762584	2-59, 3-31	763384	2-43, 2-45
762585	2-59	763385	2-15
762586	2-59	763401	4-18
762587	2-5	763402	4-18
762590	3-31	763403	4-18
762594	2-43	763404	4-18
762595	2-59	763430	4-18
762597	3-45	763431	4-3
762601	2-61	763432	4-3
762602	2-61	763433	4-3
762603	2-61	763434	4-3
762701	2-13	763435	4-3
762702	2-11	763437	4-3
763003	2-19, 2-73, 3-7	763438	4-3
763005	2-73, 3-7	763439	4-3, 4-5
763007	2-19, 2-73, 3-7	763440	4-3, 4-5
763008	3-3	763441	4-3
763018	2-73, 3-7	763442	4-3

CROSS REFERENCE

Part Number	Page Number	Part Number	Page Number
763443	4-3, 4-5	763508	4-20
763444	4-3	763509	4-20
763445	4-3	763511	4-21, 4-26
763446	4-3, 4-5	763512	4-21, 4-23
763447	4-3, 4-5, 4-7, 4-9	763513	4-21, 4-23
763448	4-3	763514	4-21, 4-23
763449	4-3, 4-5	763515	4-25, 4-26, 4-27
763450	4-3, 4-5	763516	4-27
763451	4-3, 4-5	763517	4-27
763452	4-3	763800	6-2
763453	4-3	763801	6-5
763454	4-7	763802	6-5
763455	4-7	763803	6-5
763456	4-7	763804	6-5
763457	4-7, 4-9	763805	6-5
763458	4-7	763806	6-5
763459	4-7	763807	6-5
763460	4-7	763808	6-5
763461	4-7, 4-9	763809	6-5
763462	4-7	763810	6-7
763463	4-7	763811	6-7
763464	4-7, 4-9	763812	6-7
763465	4-7	763813	6-7
763466	4-7	763814	6-7
763467	4-7	763815	6-7
763468	4-7	763816	6-7
763470	4-11	763817	6-7
763471	4-11	763818	6-7
763472	4-11	763819	6-7
763473	4-11	763820	6-3
763474	4-11	763821	6-3
763475	4-11	763822	6-9
763477	4-11	763823	6-9
763481	4-11	763824	6-9
763482	4-11	763825	6-9
763483	4-11	763826	6-9
763484	4-11	763827	5-9, 6-9
763485	4-12	763828	6-9
763486	4-12	763829	6-11
763487	4-12	763830	5-11, 6-11
763488	4-12	763831	6-11
763489	4-12	763832	6-11
763490	4-12	763833	6-13
763491	4-17	763834	6-13
763492	4-15	763835	6-13
763493	4-16	763836	6-15
763494	4-14	763837	6-15
763495	4-13	763838	6-61, 6-65
763496	4-13, 4-14	763839	6-65
763497	4-16	763840	6-65
763498	4-15	763841	6-65
763499	4-15, 4-17	763842	6-65
763500	4-14	763843	6-65
763501	4-12	763844	6-65
763502	4-12	763845	6-33, 6-65
763503	4-12	763846	6-65
763504	4-19, 4-20	763847	6-65
763505	4-19	763848	6-67
763506	4-19, 4-20	763849	6-67
763507	4-19, 4-20	763850	6-67

CROSS REFERENCE

Part Number	Page Number	Part Number	Page Number
763851	6-67	763914	6-31
763852	6-67	763915	6-31
763853	6-67	763916	6-47
763855	6-61	763917	6-47
763856	6-61	763918	5-49, 6-49
763857	6-61	763919	6-49
763858	6-61	763920	6-49
763859	6-61	763921	6-49
763860	6-61	763922	6-50
763861	6-61	763923	6-51
763862	6-61	763924	6-59
763863	6-61	763926	4-5
763864	6-61	763927	4-5
763865	6-61	763928	4-5
763866	6-33	763929	4-5
763867	6-58	763930	4-5
763868	6-16	763931	4-3, 4-5
763869	5-35, 6-35	763932	4-5
763870	5-35, 6-35	763933	4-5
763872	6-30	763934	4-5
763873	6-39	763937	4-5
763874	6-39	763938	4-5
763875	6-39	763942	4-5
763876	6-39	763943	4-5
763877	6-39	763944	4-5
763878	6-39	763945	4-5
763879	6-39	763946	6-63
763880	6-39	763947	5-5, 5-59, 6-57
763881	6-39	763948	4-9
763882	6-39	763949	4-9
763883	6-39	763950	4-7, 4-9
763884	6-39	763951	4-9
763885	6-39	763952	4-9
763886	6-39, 6-45	763953	4-9
763888	6-41	763954	4-9
763889	6-63	763955	4-9
763890	6-63	763956	4-9
763891	6-63	763957	4-30
763892	6-63	764000	2-20
763893	6-63	764001	2-21
763894	6-63	764002	2-23
763895	6-63	764004	2-23, 6-49
763896	6-63	764006	2-21
763897	6-63	764007	2-21
763898	6-63	764008	2-21
763899	6-63	764009	2-21
763900	6-63	764010	2-25
763901	6-63	764011	2-21
763902	6-63	764012	2-21
763903	6-45	764014	2-21
763904	6-45	764015	2-21
763905	6-45	764016	2-5
763906	6-45	764017	2-21, 5-47
763907	6-45	764018	2-2, 2-20, 2-21, 5-50
763908	6-45	764020	2-21, 5-23
763909	6-45	764024	2-25
763910	6-45	764025	2-25
763911	6-45	764026	2-28, 2-29, 2-31
763912	6-45	764027	2-28, 2-29
763913	6-45	764028	2-31

CROSS REFERENCE

Part Number	Page Number	Part Number	Page Number
764032	2-25	764139	2-23
764033	2-21	764151	2-21
764034	2-25	764152	2-21
764041	2-25	764168	2-31
764042	2-28, 2-29	764178	2-31
764045	2-21	764180	2-31
764046	2-25	764182	2-31
764047	2-25	764183	2-25
764054	2-25	764190	2-31
764055	2-35	764191	2-31
764056	2-25	764201	3-21
764057	2-25, 2-93	764202	3-21
764060	2-25	764203	3-21
764064	2-23	764204	3-21
764065	2-23	764205	3-21
764066	2-21, 6-28	764206	3-21
764067	2-23	764207	3-21
764068	2-21, 6-28	764208	3-21
764069	2-25	764209	3-21
764070	2-21	764210	3-21
764071	2-21	764211	3-21
764073	2-5	764212	3-21
764077	2-27	764214	3-21
764078	2-27	764215	3-21
764081	2-28	764224	2-93
764082	2-27	764225	2-93
764085	2-27	764227	2-93
764086	2-21	764231	2-93
764087	2-23	764232	2-93
764090	2-23	764233	2-93
764092	2-21, 6-39	764234	2-93
764097	2-27	764235	2-93
764098	2-27	764236	2-93
764099	2-27	764237	2-93
764100	2-27	764238	2-93
764103	2-29, 2-31	764239	2-93
764105	2-27	764240	2-93
764106	2-27	764241	2-93
764107	2-25	764244	2-93
764108	2-29	764245	2-93
764109	2-29	764253	2-93
764111	2-25	764254	2-93
764112	2-29, 2-31	764256	2-93
764114	5-49, 6-49	764258	2-93
764118	6-67	764259	2-93
764119	2-25	764260	2-2, 2-93
764120	2-27	764261	2-2, 2-93
764122	2-27	764266	5-23, 6-23
764123	2-27	764283	2-31
764125	2-25	764288	2-31
764126	2-23	764401	5-5
764129	2-23	764402	5-7, 5-13, 6-7, 6-13
764130	2-5	764403	5-5, 5-39, 6-5, 6-39
764131	2-2, 2-28, 2-29	764404	5-5, 5-9, 6-5, 6-9
764132	2-21	764405	5-31, 5-57, 6-55, 6-65
764134	2-23	764406	5-23, 5-35, 6-23
764135	2-5	764407	5-18, 5-46, 6-18, 6-45, 6-46
764136	2-35, 2-65	764408	5-35, 5-37, 5-41, 6-30, 6-35, 6-37
764137	2-25		
764138	2-65		

CROSS REFERENCE

Part Number	Page Number	Part Number	Page Number
764409	5-5, 5-13, 5-35, 5-49, 6-5, 6-13, 6-35, 6-45, 6-49	764467	5-5, 6-5
764410	5-13, 5-15, 5-23, 5-35, 5-41, 5-44, 6-13, 6-15, 6-23, 6-31, 6-35, 6-41, 6-45	764468	5-5, 6-5
764411	5-31, 5-41, 6-41, 6-65	764469	5-5, 6-5
764412	5-23, 5-41, 5-43, 6-23, 6-41	764470	5-5, 6-5
764413	5-39, 5-43, 6-43	764471	5-5, 6-5
764414	5-23, 5-44, 6-23	764472	5-5
764415	5-26, 5-50, 6-30, 6-50	764473	5-5, 6-5
764416	5-23, 5-26, 6-23, 6-26, 6-45	764474	6-5
764417	5-16, 5-24, 5-50, 6-16, 6-24, 6-26, 6-45, 6-50	764476	5-5, 6-5
764418	5-20, 5-23, 6-20, 6-23	764477	5-5, 6-5
764419	5-39, 5-44, 6-31	764478	5-5, 6-5
764420	5-13, 5-16, 6-13, 6-16	764479	5-5
764421	5-13, 5-31, 5-35, 6-13, 6-30, 6-65	764480	5-5
764422	5-18, 5-50, 6-18, 6-50	764481	5-5
764423	5-45, 5-46, 6-45, 6-46	764482	5-5
764424	5-41, 5-59, 6-41, 6-57	764483	5-7
764425	5-9, 5-24, 5-41, 6-24, 6-29, 6-41	764484	5-7, 6-7
764426	5-37, 5-39, 6-37, 6-45	764485	5-7, 6-7
764427	5-13, 5-16, 6-13, 6-16	764486	5-7, 6-7
764428	5-31, 5-33, 6-33	764487	5-7, 6-7
764429	5-31, 5-33, 6-33	764488	5-7
764430	5-31, 5-33	764489	5-7
764431	5-18, 5-19, 6-18, 6-19	764490	5-7
764432	5-31, 5-49, 5-51, 6-51, 6-65, 6-67	764491	5-7
764433	5-31, 5-49, 5-51, 6-49, 6-51, 6-65, 6-67	764492	5-7, 6-7
764434	5-11, 5-49, 5-57, 6-11, 6-49, 6-55	764493	5-7, 6-7
764435	5-31, 5-57, 6-55, 6-65	764494	5-7, 6-7
764436	5-9, 5-57, 6-9, 6-55	764495	5-7, 6-7
764439	5-13	764496	5-7
764440	5-35	764497	5-7
764441	5-37	764498	5-7, 6-7
764444	5-44	764499	5-7, 6-7
764446	5-44, 5-57, 6-31, 6-55	764500	5-7
764447	5-44, 5-57, 6-31, 6-55	764501	5-7
764448	5-44, 5-57, 6-31, 6-55	764502	5-7
764449	5-2	764503	5-7, 6-7
764450	5-3	764504	5-9
764451	5-3	764505	5-9, 6-9
764452	5-5	764506	5-9
764453	5-5, 6-5	764507	5-9
764454	5-5, 6-5	764508	5-9, 6-9
764455	5-5, 6-5	764510	5-9, 6-9
764456	5-5, 6-5	764511	5-9, 6-9
764457	5-13, 6-13	764513	5-9, 6-9
764458	5-31, 6-65	764514	5-9, 6-9
764460	5-17, 6-17	764516	5-9, 6-9
764461	5-5, 6-5	764517	5-9, 6-9
764462	5-5	764518	5-9, 6-9
764463	5-5, 6-5	764519	5-9, 6-9
764465	5-5	764520	5-9, 6-9
764466	5-5, 6-5	764521	5-9, 5-57, 6-9, 6-55
		764522	5-11
		764523	5-11, 6-11
		764524	5-11, 6-11
		764527	5-11
		764528	5-11, 6-11
		764529	5-11, 6-11
		764530	5-11, 6-11
		764531	5-11, 6-11
		764532	5-11, 6-11

CROSS REFERENCE

Part Number	Page Number	Part Number	Page Number
764534	5-11, 6-11	764596	5-16, 6-16
764535	5-11, 6-11	764597	5-17, 6-17
764536	5-11, 6-11	764598	5-17, 6-17
764537	5-11, 6-11	764599	5-17, 6-17
764538	5-11, 6-11	764600	5-19, 6-19
764539	5-11, 6-11	764601	5-19, 6-19
764540	5-11	764602	5-19, 6-19
764541	5-11	764603	5-19, 6-19
764542	5-11, 6-11	764604	5-19, 6-19
764543	5-11, 6-11	764605	5-19, 6-19
764544	5-11, 6-11	764606	5-20, 6-20
764545	5-11, 6-11	764607	2-20, 2-21, 5-23, 6-23
764546	5-13	764608	5-21, 6-21
764547	5-13, 6-13	764609	5-21, 6-21
764548	5-13, 6-13	764610	5-21, 6-21
764549	5-13	764611	5-23, 6-23
764550	5-13, 6-13	764613	5-23, 6-23
764551	5-13	764614	5-23, 6-23
764552	5-13, 6-13	764615	5-23
764553	5-13, 6-13	764616	5-23, 6-23
764554	5-13, 6-13	764618	5-23, 6-23
764555	5-13, 6-13	764619	5-23, 6-23
764556	5-13, 6-13	764620	5-23, 6-23
764557	5-13, 6-13	764622	5-23, 6-23
764558	5-13, 6-13	764623	5-23, 6-23
764560	5-13, 6-13	764624	5-24, 6-24
764561	5-13, 6-13	764625	5-24, 6-24
764562	5-13, 6-13	764626	5-24, 6-24
764563	5-13, 5-59, 6-37, 6-57	764627	5-24, 6-24
764564	5-13, 6-13	764628	5-24, 6-24
764565	5-13, 6-13	764629	5-24, 6-24
764566	5-13, 6-13	764630	5-24, 6-24
764567	5-13, 6-13, 6-49	764631	5-24, 6-24
764568	5-15	764632	5-24, 6-24
764570	5-15, 6-15	764633	5-24
764571	5-15, 6-15	764634	5-25, 6-25
764572	5-15, 6-15	764635	5-26, 6-26
764573	5-15, 6-15	764636	5-26, 6-26
764574	5-15, 6-15	764637	5-26, 6-26
764575	5-15, 6-13, 6-15	764638	5-26, 6-26
764576	5-15, 6-15	764639	5-27, 6-27
764577	5-15, 6-15	764640	5-27, 6-11, 6-27
764578	5-15, 6-15	764641	5-27, 6-27
764579	5-15, 6-15	764642	5-28, 6-28
764580	5-15, 6-15	764643	5-28
764581	5-15, 6-15	764644	5-28
764582	5-15, 6-15	764645	5-28
764583	5-15	764646	5-28
764584	5-15, 6-15	764647	5-28
764585	5-15, 6-15	764648	5-28
764586	5-15, 6-15	764649	5-28
764587	5-15, 6-15	764650	5-28
764588	5-15, 6-15	764653	5-28, 6-28
764589	5-15, 6-15	764654	5-29, 6-29
764590	5-16, 6-16	764655	5-29, 6-29, 6-39
764591	5-16, 6-16	764656	5-31
764592	5-16, 6-16	764657	5-31, 6-65
764593	5-16	764658	5-31, 6-65
764594	5-16, 6-16	764659	5-31, 6-65
764595	5-16, 6-16	764660	5-31, 6-65

CROSS REFERENCE

Part Number	Page Number	Part Number	Page Number
764661	5-31, 6-65	764730	5-37, 6-37
764662	5-31, 6-65	764731	5-37, 6-5, 6-37
764663	5-31, 6-65	764732	5-37, 5-57, 6-37, 6-55
764664	5-31	764733	5-37, 6-37
764665	5-31	764734	5-37, 6-37
764666	5-31	764735	5-37, 6-37
764667	5-31	764736	5-37, 6-37
764668	5-31, 6-65	764737	5-39
764669	5-31	764739	5-39
764670	5-31, 6-65	764740	5-39
764671	5-31, 6-65	764741	5-39
764672	5-31, 6-65	764743	5-39, 6-39
764673	5-31, 6-65	764744	5-39, 6-39
764674	5-31, 6-65	764745	5-39, 6-39
764675	5-31	764746	5-39
764676	5-31, 6-65, 6-67	764747	5-39, 6-39
764677	5-31	764748	5-39
764679	5-33, 6-33	764749	5-39
764680	5-33, 6-33	764750	5-39
764681	5-33, 6-33	764751	5-39
764682	5-33, 6-33	764752	5-39
764683	5-33, 6-33	764753	5-39
764684	5-33, 6-33	764754	5-41, 6-41
764685	5-33, 6-33	764755	5-41, 6-41
764686	5-33, 6-33	764756	5-41, 6-41
764687	5-33, 6-33	764757	5-41, 6-41
764688	5-33, 6-33	764760	5-41
764689	5-33, 6-33	764761	5-41
764690	5-33, 6-33	764762	5-41
764691	5-33, 6-33	764763	5-41, 6-41
764692	5-33, 6-33	764765	5-41, 6-41
764693	5-33, 6-33	764766	5-41, 6-41
764694	5-33, 6-33	764767	5-41
764695	5-33, 6-33	764768	5-41, 6-41
764696	5-33, 6-33	764769	5-41, 6-41
764697	5-33, 6-33	764771	5-41, 6-41
764698	5-33, 6-33	764772	5-41, 6-41
764699	5-33, 6-33	764773	5-41, 6-31, 6-41
764700	5-33	764775	5-41, 6-41
764701	5-35, 6-35	764776	5-42, 6-42
764707	5-35, 6-5, 6-35	764777	5-42, 6-42
764708	5-35	764778	5-42, 6-42
764709	5-35, 6-35	764779	5-43, 6-43
764710	5-35, 6-35	764781	5-44, 6-31
764711	5-35, 6-35	764782	5-44, 6-31
764712	5-35, 6-35	764783	5-44, 6-31
764713	5-35, 6-35	764784	5-44
764714	5-35, 6-35	764785	5-44
764716	5-35, 6-30	764786	5-45
764717	5-35, 6-30	764787	5-45, 6-45
764719	5-35, 6-35	764788	5-45, 6-45
764720	5-35, 6-35	764789	5-46, 6-46
764722	5-37, 6-37	764790	5-46, 6-46
764723	5-37, 6-37	764794	5-47, 6-45, 6-47
764724	5-37, 6-37	764795	5-47, 6-47
764725	5-37	764799	5-49, 6-49
764726	5-37, 6-37	764800	5-49, 6-49
764727	5-37, 6-37	764802	5-49, 6-24, 6-49, 6-67
764728	5-37, 6-37	764803	5-49, 6-49
764729	5-37, 6-37	764804	5-49, 6-49

CROSS REFERENCE

Part Number	Page Number	Part Number	Page Number
764805	5-49	764893	5-59, 6-57
764806	5-49	764894	5-59, 6-57
764807	5-49, 6-49, 6-67	764895	5-20, 6-20
764808	5-49, 6-49, 6-67	764896	2-21
764809	5-49, 6-49, 6-67	765805	2-41
764810	5-49, 6-49, 6-67	765806	2-41
764811	5-49, 6-49	765807	2-41
764812	5-49, 6-49	765811	2-41
764813	5-49	765813	2-41
764814	5-49, 6-49	765816	2-41
764815	5-49, 6-49	765817	2-41
764816	5-50, 6-50	765818	2-41
764818	5-50, 6-50	765819	2-41
764819	5-50, 6-50	766005	2-31
764820	5-50, 6-50	766009	2-31
764821	5-51	766035	2-21
764822	5-51, 6-51	766036	2-23
764823	5-51, 6-51	766037	2-23
764824	5-51, 6-51, 6-67	766401	2-21
764825	5-51, 6-51	766606	2-31
764834	5-52, 6-52	76736	2-15, 2-23, 2-39, 2-41
764835	5-52, 6-52	768096	2-93
764836	5-53, 6-53	77005	2-79
764837	5-55, 6-68	77097	2-15
764838	5-55	77603	2-21
764839	2-23, 5-55, 6-68	79508-1	3-26
764840	5-55, 6-68	79515	3-26
764841	5-55, 6-68	79517	3-26
764842	5-55, 6-68	79518	3-26
764843	5-55, 6-68	79729	4-21, 4-23, 4-25, 4-26, 4-27
764844	5-55, 6-68	81558	5-7, 6-7
764845	5-55, 6-68	81558A	5-7, 6-7
764846	5-57, 6-55	81558B	5-7, 6-7
764850	5-57, 6-55	81558C	5-7, 6-7
764851	5-41, 5-57, 6-41, 6-55	82199	2-47, 2-65
764852	5-57, 6-55	82661	2-25, 3-21
764853	5-43, 5-57, 6-43, 6-55	82727	2-59
764854	5-57, 6-31, 6-55	82733	2-47
764856	5-57, 6-55	85042	5-7
764857	5-57, 6-45, 6-55, 6-63	85042A	5-7
764859	5-57, 6-45, 6-55	85042B	5-7
764860	5-57, 6-45, 6-55	85042C	5-7
764862	5-57, 6-55	85332	3-46
764864	5-57, 6-45, 6-55	86385	2-2
764866	5-59, 6-57	87677	3-35
764868	5-59, 6-35, 6-57	87784	4-27
764870	5-59, 6-57	87785	4-27
764871	5-59, 6-13, 6-57	87972	2-25
764872	5-13, 5-59, 6-13, 6-57	87978	2-25
764877	5-59, 6-39, 6-57		
764879	5-59, 6-57		
764881	5-47, 5-59, 6-47, 6-57		
764882	5-41, 5-59, 6-41, 6-57		
764884	5-59, 6-57		
764886	5-59, 6-57		
764887	5-41, 5-59, 6-41, 6-57		
764888	5-59, 6-35, 6-57		
764890	5-59, 6-57		
764891	5-59, 6-57		
764892	5-59, 6-57		

PART DESCRIPTION TO PAGE NUMBER CROSS REFERENCE LIST

Numbers

830 Oper/Video PAL, 3-46
 830 Oper/Video VHS, 3-46

A

Adapter, Exhaust Tube, (Std Engine), 2-27
 Adapter, Exhaust Tube, (Turbo Engine), 2-27
 Adaptor, Oil Filter, 2-21
 Adaptor, 5-29, 6-15, 6-29, 6-39
 Adjuster, 5-28
 Air Cleaner, 8 inch, 2-31
 Air Cleaner, 2-28, 2-29
 Alarm B/Up Constant, CE, 3-39
 Alarm, Backup, Smart, 2-47
 Alternator, Modified F/M830, 5-23
 Alternator, 2-21
 Angle, Baffle, Side, 2-35
 Angle, Gas Spring, 3-39
 Angle, Heater System, 2-65
 Angle, Recirculation Seal, 2-25
 Angle, Retainer Side Skirt, 2-35, 2-37
 Angle, Skid Chain, 2-7, 2-9
 Angle, Support L.H. CE, 3-39
 Angle, Switch, 2-43, 2-47
 Angle, Weld't, Filterbag Lift, 3-43
 Angle,Paddle Conveyor 1.654, 2-39
 Angle,Paddle Conveyor, 2-39
 Angle, 2-41, 3-35, 3-44
 Arm Ass'y,Upper Brush Support, 3-11
 Arm Assy, 2-19
 Arm W/hole, 2-50
 Arm W/slot, 2-50
 Arm Weldt,Lower Brush Support, 3-11
 Arm Wldt, Brake, 2-64
 Arm Wldt, Brush Lift, 2-19
 Arm, Drive, Dbl Lock, 2-65
 Arm, Wiper, Radl 18", 2-65
 Ashtray, Side Mtg,Chr, 2-59
 Aspirator,Air Cleaner, 2-28, 2-29

Atomiser, 5-31, 5-33
 Atomizer, 6-33, 6-65
 Attachment, Repair Kit 1.654, 2-2, 2-41
 Attachment, Repair Kit Chain (1 attach per kit), 2-39
 Auto Adjuster, 4-30, 4-34
 Axle, Front Melo (See Breakdowns), 2-13
 Axle, Rear Melo (See Breakdowns), 2-11

B

Backplate, 4-11, 4-12
 Backrest, 2-64
 Baffle, Front Lower Skirt, LH, 2-93
 Baffle, Front Lower Skirt, RH, 2-93
 Baffle, Front Triangle, 2-93
 Baffle, Side, 2-25, 2-35
 Baffle, Upper Support, Fnt LH, 2-93
 Baffle, Upper Support, RH, 2-93
 Balance Ring, 4-21, 4-23, 4-25, 4-26, 4-27
 Ball Joint .375-24, 2-65
 Ball, 4-18, 6-5
 Band,Mtg., 2-28, 2-29
 Banjo bolt, 5-31
 Bar Flat, Rubber Hopper, 2-47
 Bar, Fastener, Hopper, Rear, 2-47
 Bar, Seal Side Upper, 2-93
 Bar, Side Brush Lower, 2-73, 3-7
 Bar, Side Spring, 2-11, 2-13
 Bar, Stop, Filter Bag, 2-48
 Bar, Support, Front, LH, 2-93
 Bar, Support, Front, RH, 2-93
 Bar,Brush Support Lower, 2-73, 3-7
 Bar,Brush Support Upper, 2-73, 3-7
 Bar,Side Brush Upper, 2-73, 3-7
 Base, Air Shroud, 2-65
 Base, Remote Oil Filter, 2-21
 Battery, 12V, Cc Amps:730 Wet, 2-33
 Bearing ball, 5-24, 6-24
 Bearing Cam, Roller 52x14x20, 2-45
 Bearing cap, 5-5
 Bearing Kit .25Mm, 6-7

CROSS REFERENCE

Bearing Kit .50Mm, 6-7
Bearing Kit .75Mm, 6-7
Bearing Kit, 6-7
Bearing, 32012, 4-31, 4-35, 4-37
Bearing, 32013, 4-31, 4-35
Bearing, Cam Follower (Top), 3-13
Bearing, Cam Roller 52x14x20, 2-43
Bearing, Flange, Roller, 2-41
Bearing, Flange, 2-39, 2-41
Bearing, Needle, 4-18
Bearing, Roller, 2-39
Bearing, Sleeve 30x38x10, 2-19
Bearing, Sleeve, 2-47
Bearing, Thrust, 2-19, 2-73, 3-7
Bearing,, 3-7
Bearing, 2-17, 2-19, 2-73, 3-7, 3-11, 3-13, 4-29, 4-33, 4-37, 4-38, 5-20
Beater Bar, Filter Bag, 2-47
Bellcrank, Triangle, 2-64
Bellows, Valve Handle, 2-83, 2-85, 3-8, 3-17
Bellows, Valve, 2-81
Belt,Air Cond, 3-21
Belt,Alternator, 2-20, 2-21
Belt, 5-23, 6-23
Bezel, Door, Plastic, 2-67, 2-69
Big end bearing, 5-2
Blade, Wiper, Blk 24", 2-65
Blade, 6-61
Bleed Screw, 4-30, 4-34
Block,Undercarriage Limiter, 3-13
Block, 5-5, 5-42, 6-42
Body, 4-11, 4-12, 5-15, 5-41, 5-47
Bolt Weldt., 2-5
Bolt, Banjo, 6-65
Bolt, Shldr .31-18, 2-65
Bolt, Shldr, W/Washer, 2-65
Bolt, 4-23, 4-25, 4-26, 5-5, 5-7, 5-9, 5-17, 5-42, 5-49, 6-5, 6-7, 6-9, 6-17, 6-42, 6-49, 6-63, 6-67
Boom, Vac Wand Hose, 3-23
Bottle, Wshr Fld Wpmp, 2-65
Bracket Assembly, 3-39
Bracket Assy, 6-11
Bracket Kit, License Plate, 3-32
Bracket Tank Coolant, 2-25
Bracket Weldt, Air Cleaner, 2-31
Bracket Weldt,Front Hinge, 3-11
Bracket Weldt,Hyd.Hose, 3-11
Bracket Weldt,Hyd.Motor Mount, 3-11
Bracket Weldt,Lower Support, 2-73, 3-7
Bracket Weldt, 2-23
Bracket Wldt, Grommet, 2-64
Bracket, Compressor, 3-21
Bracket, Extended Pin, 2-51
Bracket, Filter Bag, 2-48
Bracket, Handle, 2-83, 3-17
Bracket, Hinge Mount Lh, 3-25
Bracket, Hinge Mount, Rh, 3-25
Bracket, Hose, 2-35, 2-49
Bracket, License Plate, 3-32
Bracket, License Plt-Dual Lite, 3-41
Bracket, Light, Night Sweeping, 3-31
Bracket, Master Cyl Reservoir, 2-15
Bracket, Mounting, Hinge, Rh, 3-25
Bracket, Mounting, Hinges, Lh, 3-25
Bracket, Muffler, .25, 2-27
Bracket, Muffler, .375, (Std Engine), 2-27
Bracket, Muffler, .375, (Turbo Engine), 2-27
Bracket, Overload Switch, 3-3
Bracket, Retainer, Rear, 2-9
Bracket, Support, Brush Shroud, 2-93
Bracket, Switch, 2-15
Bracket, Throttle Cable, 6-28
Bracket, Tool Box, 3-35
Bracket,Air Cleaner Support (Std Engine), 2-28
Bracket,Air Cleaner Support (Turbo Engine), 2-29
Bracket,Cable Mount, 2-47
Bracket,Clip Mount, 3-25
Bracket,Dryer, 3-21
Bracket,Filler Tube, 2-23
Bracket,Hyd.Controls, 3-15
Bracket,Hyd.Motor Support, 2-73, 3-7
Bracket,Oil Filter, 2-21
Bracket,Side Brush Left, 3-7
Bracket,Side Brush Rh, 2-73
Bracket,Skirt, 2-73

Bracket,Throttle Cable (Non-Waste Gated Turbo Engines), 2-21
 Bracket,Throttle Cable (Waste Gated Turbo Engines Only), 2-21
 Bracket,Water System, 3-11
 Bracket, 3-39, 5-11, 5-23, 5-28, 5-35, 5-37, 5-49, 5-50, 6-23, 6-28, 6-35, 6-37, 6-45, 6-49, 6-50
 Brake Drum, 4-30, 4-34
 Brake Kit, 5-19, 6-19
 Brake Shoe Front, 4-34
 Brake Shoe Lh Lever, 4-34
 Brake Shoe Rh Lever, 4-34
 Brake Shoe, 4-30
 Brake Wldt, Eme, 2-65
 Brake, Hose, 2-15
 Breather, 4-33
 Bridge Piece, 6-35
 Bridge piece, 5-35
 Bridle, 5-49, 6-49, 6-67
 Brkt,Cndnsr Hinge, 3-21
 Brush-Main Sweep,51Lg Strp Poly, 2-3
 Brush-Side Sweep -32D Flatwire, Side, 2-3
 Brush-Side Sweep -32D Poly, Side, 2-3
 Brush-Side Sweep -38D Poly, Aux/Vario, 2-3
 Brush-Side Sweep 32D Poly&Wire, Side, 2-3
 Brush-Side Sweep-38D Poly&Wire, Aux/Vario, 2-3
 Brushing Kit, 5-19, 6-19
 Bulb And Socket Assy, 2-59
 Bulb, 12V .6A 4Cp #68, 3-32
 Bulb, 12V .6A 4CP#68, 3-41
 Bulb, GE (Brake/backup), 2-5
 Bulb, GE (Signal/tail), 2-5
 Bulb, GE (signal/tail), 2-5
 Bulb, General Electric #GE1156, 2-47, 2-65
 Bumper, Engine Door, 2-43, 2-45
 Bumper, Rear Rubber, 3-33
 Bumper, Rubber Recessed, 2-5, 2-50, 3-25
 Bush, 5-5, 5-7, 5-11, 5-13, 5-15, 5-37
 Bushing, Engine Door Hinge, 2-5
 Bushing, Gland Seal, 4-18
 Bushing, Rear Support, 2-47
 Bushing, Side Brush, 2-73, 3-7
 Bushing, 2-43, 2-45, 2-47, 6-5, 6-7, 6-11, 6-13, 6-15, 6-37, 6-63

Buzzer, 2-65
 Bypass Vlv.Kit, 2-91

C

Cab Wldt, 2-64
 Cable, Brush Lift, 2-19
 Cable, Cab Tilt, 2-5
 Cable, Door, Access, 3-11, 3-23
 Cable, Engine Speed, 2-21
 Cable, Hopper Door Hook, 2-47
 Cable, Parking Brake, 2-15
 Cable, Push/Pull,Cntr, 2-71
 Cable, Rotary Control, 2-71
 Cage Wldt, Support, Brush, 2-9
 Camshaft, 5-13, 6-13
 Cap And Gasket, Hyd Filler, 2-75
 Cap, End, 4-18
 Cap, Fuel Tank Filler, 2-23
 Cap, Fuel, Protectoseal, 3-29
 Cap, Grease, 2-41
 Cap, Oil Filler, 4-39
 Cap, Screw, 4-18
 Cap, Spray Nozzle (Wet Dust Control), 2-2
 Cap, Spray Nozzle, 2-91
 Cap,Bearing, 2-39
 Cap,Radiator, 2-25
 Cap, 5-7, 5-9, 5-33, 5-37, 6-9, 6-33, 6-37
 Carrying Flange, 4-29, 4-33
 Cart, Pilot Chk, 3-5
 Cartridge, DA, 4-3
 Cartridge, Relief, 2-85
 Cartridge, Valve, 3-8
 Chain, 2/0 13 Links, 2-7, 2-9
 Chain, Brush, Cage, 2-7, 2-9
 Chain, Conveyor 1.654, 2-39
 Chain, Conveyor, 2-39
 Chain, Grease, Seals, 2-41
 Chain,Link#2/0,11Links,Zinc PI, 2-9
 Chain,Link#2/08 5Links,Br.Zinc, 2-73
 Chain,Rlr, 15Pitches, 3-37
 Channel, Baffle Cooler, (Std Engine), 2-25
 Channel, Gas Spring, 3-39

CROSS REFERENCE

Channel,Support Cover 1.654, 2-35, 2-37
Channel,Support Cover, 2-35
Channel,Support Side, 2-35
Charge Press, 4-3
Charge Pressure R/V Kit, 4-5
Check Valve Kit, Pilot, 4-13, 4-14, 4-17
Check Valve Kit, 4-7, 4-9
Check Valve, Inlet, 4-18
Circlip, 5-7, 5-11, 5-15, 5-24, 6-11, 6-15, 6-24
Clamp, 1.25-2.12 Dia Powr Gear, 3-27
Clamp, 2.5 Muffler, 2-27
Clamp, 3" Hose, 2-28, 2-29, 2-31
Clamp, 6" Dia Bridge R.S., 3-23
Clamp, 8 inch Air Cleaner, 2-31
Clamp, Cable, 2-41
Clamp, Dovetail,.25H, 2-67, 2-69
Clamp, Gasket, Front, 2-47
Clamp, Hose, 6"Dia, 3-23
Clamp, T-Bolt (Turbo Engine), 2-29
Clamp, T-bolt 2.38 Id Hose, 2-31
Clamp, Wormdrive, 1.62-3.5OD, 2-28, 2-29
Clamp,Hyd.Hose Support, 3-15
Clamp,Muf 6-8 In, 2-27
Clamp,Tev Bulb, 3-21
Clamp- Worm, 1.81-275D, 2-25
Clamp-Cable, 0.38Dia 0.62Wth, 2-15, 2-23, 2-39
Clamp-Cable, 1.00Dia. .62Wth, 2-17, 2-21, 2-33, 3-3
Clamp-Cable,.69Dia. 62Wth, 3-37
Clamp-Wormdrive, 0.25- 0.62D, 2-15, 2-23, 2-91
Clamp-Wormdrive, 0.31- 0.88D, 2-91, 3-35
Clamp-Wormdrive, 0.81- 1.50D, 2-91, 3-35
Clamp-Wormdrive, 1.56- 2.50D L, 2-23, 2-25
Clamp-Wormdrive, 1.62-3.5OD, 2-31
Clamp-Wormdrive, 1.81- 2.75D, 2-23
Clamp-Wormdrive, 1.81-2.75D, 2-31
Clamp, 2-31, 5-31, 5-35, 6-35, 6-63, 6-65
Clevi & Spring Assy .188, 2-21
Clevi & Spring Assy .250, 2-21
Clevis Pin, M8 With Hole, 2-15
Clevis Pin, 4-29, 4-33
Clevis, Brake, 2-15
Clip□, 6-31
Clip, Coil Mtg, 2-71, 3-21
Clip, Finger Clip, Metal, 2-51, 3-35
Clip, Finger Clip, 2-51, 3-35
Clip, Gauges Vdo, 2-59
Clip, Heavy Spring, 2-71
Clip, Pin, 2-81, 2-85, 3-8
Clip, Safety, 3-39
Clip,Finger Grip, 3-25, 3-26
Clip,Hair Pin,Master Cyl Resr, 2-15
Clip, 5-31, 5-37, 5-39, 5-41, 5-49, 5-51, 6-7, 6-30,
6-37, 6-39, 6-41, 6-45, 6-49, 6-51, 6-65, 6-67
Coil Assy, 2-53
Coil, Heater 6X16 3Ro, 2-71
Coil,Main Brush, 2-79
Coil,Solenoid (Vario Only), 3-15
Coil,Solenoid, 3-15
Collar,Locking Bearing, 2-39
Collar, 6-63
Column, Steering, 2-61
Compressor,Air Conditioning, 3-21
Condensor, Air Conditioning, 3-21
Connecting Pin Kit, 2-39
Connection Rod Kit, 6-7
Connection, 5-11, 5-29, 5-39, 5-41, 5-43, 6-11, 6-29,
6-41, 6-43, 6-67
Connector, Dbl Male, 2-71
Connector, 5-39, 5-49, 6-39, 6-49
Conrod, 5-2
Conrol, 5-7
Container, 5-55, 6-68
Control Lens, 4-7
Control,Hi Press, 3-21
Conveyor Kit, Housing, 2-35
Conveyor Weldt, Bolt On Back, 2-35
Conveyor Wldt, Bolt On Back, 2-37
Cooler, Hydraulic Oil (318mm), 2-25
Cooler, Hydraulic Oil (380mm), 2-25
Cooler, 5-39
Core, 6-63
Cotter Pin, 4-29, 4-33
Cotter, 5-9, 6-9
Coupler Body, .375F Brass, 3-35
Coupler Plug, .375M Ss, 3-35

Coupling, Hyd. Motor, 2-38
Coupling, Motor Press Washer, 3-37
Coupling, Tank Fill Hose, 3-27
Coupling, Chain, L.H Half, Keyed, 3-37
Cover Cap, 4-19
Cover Kit, SP, 4-3
Cover Repl. Kit, Main Brush, Lh, 2-9
Cover Repl. Kit, Main Brush, Rh, 2-7
Cover Wa, 2-71
Cover Wldt, Air Shrd, 2-65
Cover Wldt, Filter, 2-64
Cover Wldt, Latch, Lh, 2-67
Cover Wldt, Latch, Rh, 2-69
Cover, Accl Pedal, 2-64
Cover, cylinder head, 5-37
Cover, Filter Bag, 2-48
Cover, Front, 4-3, 4-7
Cover, Hyd Hoses, 2-47
Cover, Main Brush Lh, 2-9
Cover, Main Brush Rh, 2-7
Cover, Pump, 4-39
Cover, Rear, 4-7
Cover, Recirculation, 2-71
Cover, S Piston, 4-7
Cover, Side Brush Top, 2-93
Cover, Side Frame, Lh, 2-5
Cover, Undercarriage, 3-13
Cover, 4-31, 4-35, 5-5, 5-9, 5-13, 5-15, 5-16, 6-13
Crankshaft Kit, 6-7
Crankshaft, 5-2, 5-7
Cross Bearing Kit, 4-38
Cup Kit, 4-39
Cup, Speedometer, 3-45
Cushion, Side Skids, 2-7, 2-9
Cylinder Block Kit, 6-5
Cylinder block, 5-2
Cylinder Head Cover, 6-37
Cylinder Head Kit, 6-9
Cylinder head, 5-9
Cylinder Kit, 6-3
Cylinder Washer, 4-30, 4-34
Cylinder, Hyd Conveyor Lift, 2-43, 2-45

Cylinder, Hyd Hopper Door, 2-47
Cylinder, Hyd Hopper Lift, 3-3
Cylinder, Hyd Hopper Tilt, 2-49
Cylinder, Hyd Main Brush Lift, 2-19
Cylinder, Hyd S Br Lift, 2-73, 3-7
Cylinder, Hydraulic, 4-29, 4-33
Cylinder, Hyd Brush Tilt (Vario Only), 3-11
Cylinder, Hyd, Brush Lift, 3-11
Cylinder, Hyd, Brush Swing (Vario Only), 3-13
Cylinder, Hyd, Curb Tilt, 3-11

D

DA Cartridge Assembly, 4-5
DA Control Kit, 4-7, 4-9
Damper, 5-13, 6-13
Detent In Kit, 4-13, 4-14
Detent Kit, 4-16
Detent Out Kit, 4-15
Differential Cover, 4-37
Differential Flange, 4-37
Differential Housing, 4-37
Differential Pivot, 4-37
Diode, Bridge 12 Amp, 2-59
Dip Stick Rework, 3-39
Dipstick and Tube Kit, 5-35, 6-30
Disc. Manifold, 4-39
Dischrg Quiet Vlv Kit, 4-39
Dolly Weldt, Undercarriage, 3-13
Door Assy, Lh, 2-67
Door Assy, Rh, 2-69
Door Kit, Hopper, Rear, 2-47
Door Stop, 2-43, 2-45
Door Wldt, Conveyor, 3-25
Door Wldt, Lh, 2-67
Door Wldt, Rh, 2-69
Door, Engine, Lh, 2-5
Door, Engine, Rh, 2-5
Door, Weldt Vacuum Door, 3-25
Double Yoke, 4-38
Dowel, 5-5, 5-16, 6-5, 6-16
Drive Assembly B, 4-3
Drive Charge Pump Assembly, 4-5

CROSS REFERENCE

Drive Gear, 4-11, 4-12
Drive, 4-18, 4-19, 4-20, 4-21, 4-23, 4-25, 4-26, 4-27,
5-19, 6-19
Driven Flange, 4-35
Dryer,Air Conditioning, 3-21
Dual Lock, 13 Ft, 2-93
Dust Cap, 4-29
Dust Cover, 4-29
Dust Protector, 4-38

E

Eccentric Screw, 4-5
Elbow , 6-31
Elbow, 90-2.5 In, 2-27
Elbow, Exhaust, 2-27
Elbow, 5-44, 6-45
Element, 8 inch Air Cleaner, 2-31
Element, Filter Safety, 2-28, 2-29
Element, Fuel, 6-50
Element, Safety, 2-31
Element, 5-50
End Cap, 4-20
End, Tool Holder, 3-35, 3-44
Engine Assy, (Std Engine), 2-20
Engine Assy, (Turbo Engine), 2-21
Engine Assy, (Waste Gated Turbo Engine), 2-21
Evaporator Coil, 3-21
Evaporator,Air Conditioning, 3-21
Exhaust Manifold, 6-45
Extension, 5-21, 6-21
Extinguisher, Fire, 3-42
Eye Bolt, M20 X 190, 2-43, 2-45
Eyebolt, .50-13X3.5", 2-43, 2-45, 2-73, 3-7, 3-11
Eyebolt, 2-19
EZ Control Assembly, 4-3, 4-5

F

Fan, 5-21, 5-23, 6-21, 6-23
Fastener, Fract Turn, 2-71
Fastener, X-Mas Tree, 2-65
Fender, Front, Right, 2-5
Fender, 2-5

Filler, Neck, Fuel Tank, 2-23
Filter Bag Assy, Hopper, 2-48
Filter Bag Lifting Kit, 2-2
Filter Bag, 2-48
Filter Element, Fuel, 2-20, 2-21
Filter Element,Air Donaldson, 2-2, 2-28, 2-29
Filter Element,Hyd.In-Tank, 2-2, 2-75
Filter Element,Hyd.Spin On, 2-2, 2-75
Filter Element,Oil (Standard Engine), 2-2
Filter Element,Oil (Turbo Engine), 2-2
Filter Element,Oil Turbo, 2-21
Filter Element,Oil, 2-21
Filter Head, 6-39
Filter head, 5-39, 5-50
Filter, 50 Mesh, 2-91
Filter, Cab Air Intake, 2-2
Filter, Hyd Return, Parker, 2-75
Filter, Hyd, 2-75
Filter, Inline Strainer, 3-35
Filter, Intake, Pltd, 2-65
Filter, Oil, 5-39, 6-39
Filter, Recirculation, 2-71
Filter,Fuel, 2-2
Fitting, Brake Line, 2-11, 2-15
Fitting, Hose Mender .50Bx.50B, 2-91
Fitting, Special, 2-13, 2-77
Fitting-Hyd, E45, 2-41
Flange, Exhaust, 2-27
Flange, 4-29, 4-33, 5-15, 5-46, 6-15, 6-46
Flasher Heavy Duty, 2-59
Flg, Mtg 2-Bolt, 4-19, 4-20
Floor Plate, Engine, 2-23
Floormat, Driver, 2-64
Floormat, Pssngr, 2-64
Flow Divider, 3-37
Fluid, Hyd Oil, Lo Tp 5 Gal., 2-2
Flywheel Flange, Nylon, 2-21
Flywheel housing, 5-16, 6-16
Flywheel, 5-17, 6-17
Frame Wldt, 2-5
Front Axle Housing, 4-33
Front Housing, 4-37

- Frontplate, 4-11, 4-12
- Ftg, Grease, 3-3
- Ftg, 90Deg 3/4Pipe T 3/4Hose, 2-91
- Ftg, Adaptor Kit Master Cyl, 2-15
- Ftg, Grease 6MM Str, 3-3
- Ftg, Grease.12 Npt Strt .66L, 2-11, 2-13, 2-73, 3-7
- Ftg, Grease.25-28Th Strt .63L, 2-39, 2-65, 2-73, 3-3, 3-7
- Ftg, Grease.25-28th Strt .63L, 2-51
- Ftg, Grease, 90_, 3-3
- Ftg, Grease, 2-47, 2-49
- Ftg, Hyd, E90 (Turbo Engine), 2-25
- Ftg, Hyd, Str (Turbo Engine), 2-25
- Ftg, Hyd, Tee (Turbo Engine), 2-25
- Ftg, Str Adaptor Master Cyl, 2-15
- Ftg, Str, Brake Line, 2-11, 2-15
- Ftg, Str, Bulkhead, 2-11, 2-15
- Ftg,90El Galv .375X.50 F Npt, 3-35
- Ftg,Nipple Galv .375Npt Close, 3-35
- Ftg,Plstc,Elb,Barb.50Pt-.50Hse, 2-91
- Ftg,Plstc,Elb,Barb.50Pt-.75Hse, 2-91, 3-35
- Ftg-Brs E45 Pm02/Pf02, 2-28, 2-29, 2-31
- Ftg-Brs Str Bm08/Pm04, 2-91
- Ftg-Bulkhead, 2-65
- Ftg-Hyd Bleeder, 4, 2-11
- Ftg-Hyd Bulkhead, Union E45, 3-13
- Ftg-Hyd Bulkhead, Union E90, 2-5, 2-49, 3-13
- Ftg-Hyd Bulkhead, Union, 2-5, 3-13
- Ftg-Hyd E90 Jm04/Om04, 2-15
- Ftg-Hyd Sae Flange, 2-13, 2-77
- Ftg-Hyd Spec,20-1 1/4, 2-75
- Ftg-Hyd Spec, 2-79
- Ftg-Hyd Str, 2-91
- Ftg-Hyd Tee, 2-11, 2-15
- Ftg-Hyd, 6, 2-13
- Ftg-Hyd, 6, 2-11
- Ftg-Hyd, 8, 2-75
- Ftg-Hyd, Bleeder,4, 2-13
- Ftg-Hyd, E45, 2-21, 2-39, 2-73, 2-79, 3-7, 3-35
- Ftg-Hyd, E90 (Vario Only), 3-11, 3-13, 3-15
- Ftg-Hyd, E90 10-12, 3-37
- Ftg-Hyd, E90 6-8, 3-37
- Ftg-Hyd, E90 6, 3-37
- Ftg-Hyd, E90 8-12, 3-37
- Ftg-Hyd, E90 8, 3-35, 3-37
- Ftg-Hyd, E90, 2-11, 2-13, 2-19, 2-21, 2-25, 2-43, 2-45, 2-47, 2-53, 2-73, 2-75, 2-77, 2-79, 2-81, 2-83, 2-85, 3-3, 3-5, 3-7, 3-8, 3-11, 3-15
- Ftg-Hyd, Elbow, 4-6, 2-61
- Ftg-Hyd, Elbow, 2-49
- Ftg-Hyd, Plug, 2-21, 2-75, 2-79, 3-37
- Ftg-Hyd, Reducer, 2-53, 2-75, 2-79
- Ftg-Hyd, Str 10-12, 3-37
- Ftg-Hyd, Str 10, 3-37
- Ftg-Hyd, Str 12-8, 3-37
- Ftg-Hyd, Str 8-8, 3-35
- Ftg-Hyd, Str 8, 3-35, 3-37
- Ftg-Hyd, Str, 6-8, 2-85, 3-8
- Ftg-Hyd, Str, 8, 2-85, 3-8
- Ftg-Hyd, Str, 2-13, 2-17, 2-19, 2-21, 2-47, 2-53, 2-61, 2-75, 2-77, 2-79, 2-81, 2-83, 2-85, 3-5, 3-8, 3-11, 3-13, 3-17, 3-35
- Ftg-Hyd, Str10, 3-37
- Ftg-Hyd, Tee (Optional), 2-85
- Ftg-Hyd, Tee 10, 3-37
- Ftg-Hyd, Tee 6, 3-37
- Ftg-Hyd, Tee 8, 3-37
- Ftg-Hyd, Tee, 2-13, 2-49, 2-53, 2-79, 3-3, 3-8, 3-17
- Ftg-Hyd,Bulkhead, Run Tee, 2-5
- Ftg-Hyd,Str, 2-53
- Ftg-Plug Npt 08Pm Sq Hd, 3-37
- Ftg-Special, 2-91
- Ftg-Str Npt/Npt 06pf/08pm, 2-25
- Fuel Filter, 6-68
- Fuel filter, 5-50, 5-55, 6-50
- Fuel Pipe, 6-49
- Fuel pipe, 5-49
- Fuel Tank Replacement Kit, 2-23
- Fuel Tank, 2-23
- Fuel Tube, 6-49
- Fuse Block Repl Kit, 2-59
- Fuse Block, 2-59
- Fuse, 10Amp, 2-59, 3-35
- Fuse, 15 Amp, 2-59
- Fuse, 20Amp, 2-59, 3-31
- Fuse, 25 Amp, 2-59
- Fuse, 30Amp, 2-59

CROSS REFERENCE

Fuse, 5.0Amp, 2-59

Fuse, 7.5 Amp, 2-59

G

Gasket, Exhaust, 2-27

Gasket, Fire Switch, 2-47

Gasket, Hyd Cap, 2-75

Gasket, Hyd Tank Breather, 2-75

Gasket, Taillight, 2-5

Gasket, Filter Bag Cover, 2-48

Gasket, Filter Frame, 2-48

Gasket, Hopper Opening, 2-47

Gasket, Rear Hopper Door, 2-47

Gasket, 4-29, 4-33, 5-39, 5-57, 6-45, 6-55, 6-63

Gauge, Fuel/Water Temperature, 2-59

Gauge, Glycerin, 3-35

Gauge, Tachometer/Hourmeter, 2-59

Gear, Camshaft, 6-13

Gear, Crankshaft, 6-7

Gear, Fuel Pump, 6-65

Gear, Hydraulic Pump, 6-24

Gear, Idler, 6-13, 6-15

Gear, Starter Ring, 5-17, 6-17

Gear, Water Pump, 6-41

Gear, 3-13, 4-11, 5-7, 5-13, 5-15, 5-24, 5-31, 5-41

Geroler Assy, 4-21

Geroler, 4-23, 4-25, 4-26, 4-27

Gerotor Assy, 4-19, 4-20

Gerotor Set, 4-18

Glow Plug Control Unit, 2-59

Grease Zerk, 4-29, 4-33

Grease, Anti-Corrosion Electrical, 2-2

Grease, Bearing, 2-41

Grip, Handle-Rnd .72ld X 5.0L, 3-25, 3-26

Grommet, Rbr .38, 3-45

Grommet, Rbr .44, 3-45

Grommet, Rbr, 0.38ld, For .19Matl, 3-31

Guard, Debris 1.654, 2-35, 2-37

Guard, Debris Lower Sprocket, 2-35

Guard, Motor, 2-53

Guard, Pump Coupling, 3-37

Guide Weldt, Undercarriage, 3-13

Guide, Conveyor Chain, 2-2

Guide, Spring, 3-13

Guide, Chain Conveyor, 2-35

Guide, Chain, 2-35, 2-37

Guide, 5-9, 6-9

H

Handle Weldt., Sludge Removal, 3-26

Handle Weldt, L.H., 2-81

Handle Weldt, R.H., 2-81

Handle Weldt, 2-81, 2-83, 2-85, 3-8

Handle, Grab, Pvc, Blk, 2-67, 2-69

Handle, Grab, 2-43, 2-45, 3-39

Handle, High Pressure Spray, 3-35

Handle, Inside Rel, Lh, 2-67

Handle, Inside Rel, Rh, 2-69

Harness, 3Rd Brush, 2-57

Harness, Cab, Main, 2-57

Harness, Hopper, 2-57

Harness, Speedometer, 3-45

Harness, Wire CE, 3-39

Harness, Wire, 2-71

Harness, Cab Upper, 2-65

Head Gasket, 5-57, 6-9, 6-55

Head gasket, 5-9

Headlamp, Halogen H/L, 2-65

Hinge Assy, 3-21

Hinge Weldt, Brush Arm, 3-13

Hinge, Adj, Blk Plstc, 2-65

Hinge, Conveyor, 2-35, 2-37

Hinge, Vac Wand Door, 3-25

Hinge, Vacuum Wand Door, 3-25

Holder, Cup, 2-59

Holder, 5-31, 5-33, 6-33, 6-65

Hook, Door Release, 2-47

Hopper Cleanout Kit, 3-26

Hopper Support Bar Assembly, 2-50

Hopper Support Weldment Lh, 2-50

Hopper Support Weldment Rh, 2-50

Hopper Support, Lower, 2-51

Hopper Support, Upper W/Label, 2-51

Hopper Wldt, 2-47

Horn Kit, 2-61	Hose,Water .50Inx2.08Ft, 2-91
Horn, 12V, 2-5	Hose,Water .50Inx26.0Ft, 2-91
Hose 1/4 Dia. Fuel LineL, 2-23	Hose,Water .50Inx8.0Ft, 2-91
Hose And Fitting Kit,Hyd, 2-87	Hose,Water .75Inx7.0Ft, 2-91
Hose Assembly, Pressure Wash, 3-35	Hose, 2-11, 2-15, 5-39, 5-41, 6-31, 6-39, 6-45
Hose Assy, 3-44	Housing Assembly, 4-3, 4-5
Hose Clip, 6-39	Housing, Bearng, 4-21, 4-26, 4-27
Hose Kit, Vacuum Wand, 3-23	Housing, Brg, 4-23, 4-25
Hose Kit, 6-41	Housing, Main Wa, 2-71
Hose, 2.5-2.0 Id, 2-31	Housing, Thermostat, 6-41
Hose, 6" Dia x 150 R.S., 3-23	Housing, Valve, 4-23, 4-25, 4-26, 4-27
Hose, Air Cleaner, 3x2.5x4.5 (Turbo Engine), 2-29	Housing, Vlv, 4-21
Hose, Air Cleaner, 45, 2-31	Housing,Bearing Conveyor Lh, 2-39
Hose, Air Cleaner, 9", 2-28, 2-29	Housing,Bearing Conveyor Rh, 2-39
Hose, Brake, 2-11, 2-15	Housing, 4-7, 4-9, 4-19, 4-20, 5-2, 5-5, 5-15, 5-20, 5-24, 5-41, 6-5, 6-20, 6-24, 6-61, 6-63
Hose, Hyd, 2-21, 3-9	Hub Weldt,Side Brush, 2-73, 3-7, 3-11
Hose, Rubber, Elbow, 3.0 (Std Engine), 2-28	Hub, Pump Drive Sae "C", 2-21
Hose, Water .50In X 10.0Ft, 3-35	Hub, 5-13, 5-20, 6-13
Hose, Water .75Inx7.0Ft, 3-35	Hyd Filler Breather Assembly, 2-75
Hose, Water Fill, 3-27	Hydrant Wash Down Kit, 3-44
Hose,Brake Fluid, 2-15	
Hose,Compressor To Cond. 60In, 3-21	I
Hose,Condensor To Dryer 78In, 3-21	Idler Gear, 4-11, 4-12
Hose,Dryer To Evaporator165In, 3-21	Idler, No Teeth, Split, 2-41
Hose,Evaporator To Comp.120In, 3-21	Impeller, Intake, 2-53
Hose,Fuel Fill 2.25X3.75In Lg, 2-23	Impeller, 5-41
Hose,Hyd (Std Engine), 2-87	Ind manifold, 5-44
Hose,Hyd, (Turbo Engine), 2-88	Indicator, Air Cleaner (Std Engine), 2-28
Hose,Hyd-10.0, 3-37	Indicator, Air Cleaner (Turbo Engine), 2-29
Hose,Hyd-22.0, 3-37	Indicator, Air Cleaner 30 in, 2-31
Hose,Hyd-23.0, 3-37	Indicator, Sight Tube, 2-91
Hose,Hyd-27.5, 3-37	Indicator,Color Coded, 2-75
Hose,Hyd-70.0, 3-37	Induction Manifold, 6-31
Hose,Hyd, 2-21, 2-87, 2-88, 2-89, 3-19	Injection pipe, 5-31
Hose,Rad.Lower, 2x2.25x25, 2-25	Injection Pump (See Breakdown), 6-65
Hose,Rad.Lower, 2x2x24, 2-25	Injection Pump, 6-61
Hose,Radiator Overflow 5/16Id, 2-25	Injection pump, 5-31
Hose,Radiator Upper, 2-25	Injector Pipe-No.1 Cyl, 6-65
Hose,Water .50Inx0.29Ft, 2-91	Injector Pipe-No.2 Cyl, 6-65
Hose,Water .50Inx1.0Ft, 2-91	Injector Pipe-No.3 Cyl, 6-65
Hose,Water .50Inx12.0Ft, 2-91	Injector Pipe-No.4 Cyl, 6-65
Hose,Water .50Inx16.0Ft, 2-91	

CROSS REFERENCE

Input Gear, 4-37

Insert, 6-9

Intake heater, 5-25, 6-25

Isolator, Cab, Rear, 2-5

Isolator, Mtg, Fan, Side, 2-21

Isolator, Mtg, Flywheel, Orange, 2-21

Isolator, Taillight, 2-5

Isolator-Vibration .25-20, 2-25, 3-21

J

Jam Nut (M12 x 1.5), 4-5

Jet, 6-5

Joint/Gasket Kit, 6-55, 6-57

Joint, 5-5, 5-9, 5-13, 5-31, 5-35, 5-37, 5-39, 5-41, 5-43, 5-44, 5-45, 5-46, 5-47, 5-55, 5-57, 5-59, 6-5, 6-13, 6-31, 6-35, 6-37, 6-39, 6-41, 6-43, 6-45, 6-46, 6-47, 6-55, 6-57, 6-65, 6-68

Joystick, 2-59

K

Kantsil Ring, 4-5

Key, 5mm, 4-39

Key, Engine Door, 2-5

Key, Ignition Switch, 2-61

Key, Woodruff, 6-7, 6-13

Key, Cab Door Latch, 2-67, 2-69

Key-5Mm, 3-37

Key-Wdruff 0.25 1.00 Asa#0808, 4-19, 4-20

Key, 4-11, 4-21, 4-23, 4-25, 4-26, 4-27, 5-7, 5-13

Kit. cyl. block, 5-5

Kit, bearing -.25mm, 5-7

Kit, bearing -.50mm, 5-7

Kit, bearing -.75mm, 5-7

Kit, bearing Std, 5-7

Kit, Bolt On SBDC Covers, 2-93

Kit, Brake Shoe Repair Front, 4-34

Kit, Brake Shoe Repair Rear, 4-30

Kit, conrod, 5-7

Kit, crankshaft, 5-7

Kit, Cv Joints, 4-38

Kit, cyl. head, 5-9

Kit, cylinder, 5-3

Kit, Differential Gear Set, 4-37

Kit, Front Wheel Hub, 4-35

Kit, hose, 5-41

Kit, joint/gasket, 5-57, 5-59

Kit, piston ring, 5-7

Kit, piston, 5-3, 5-7

Kit, Rear Wheel Hub, 4-31

Kit, repair, 5-41, 5-47, 6-47

Kit, Seal, 2-41

Kit, Speed Reducer Gear Set, 4-37

Kit, Heater-Ac Recirc Filter, 2-71

Knob, Brush Door, 2-7, 2-9

Knob, Recirc Adjmt, 2-71

Knob, Switch, Fan, 2-71, 3-21

Knob, Utility, W/Stud, 2-65

Knob, Valve, 2-81, 2-83, 2-85, 3-8, 3-17

Knob, Water Valve, 2-91

L

Label, Bias Tire, 2-94

Label, Hazard - 4 Wheel Steering, 3-39

Label, Numeral, 830, 2-94

Label, Numeral, 830XP, 2-94

Label, Radial Tire, 2-94

Label, Set, Info & Hazard, 2-94

Label, Set, Operational, 2-94

Label, Slow Moving Vehicle, 2-94

Label, Tennant Logo- 10.0 Blue, 2-94

Label, Warning Hi Press Spray, 3-37

Label, Operation Press Washer, 3-37

Label, Tennant Logo, 2-94

Lamp, Dome, W/Switch, 2-65

Lamp, Flood, Halogen, 3-31

Lamp, Indicator Red, 2-59

Lamp, Indicator Green, 2-59

Lamp, Indicator Red, 2-59

Lamp, Indicator Yellow, 2-59

Lamp, Indicator Red/Plug, 2-59

Lance, Dual, 3-35

Latch Weldt, Brush Support, 3-11

Latch, Cam, Lh, 2-67

Latch, Cam, Rh, 2-69

Latch, Pddl, Lh W/Key, 2-67

- Latch, Pddl, Rh W/Key, 2-69
 - Latch,Eng.Door, 2-5
 - Leak-off pipe, 5-31
 - Lever, Parking Brake, 2-15
 - Lever, Pos Lock W/Bkt, 2-65
 - Lever, 5-2, 5-11, 5-23, 6-23, 6-61
 - Lift Assy, 3-3
 - Lift Kit, Filter Bag, 3-43
 - Lift pump, 5-47, 6-47
 - Light Assy Panl/Clr 12V-0.6A, 3-32
 - Light Assy Panl/Clr 12V-O.6A, 3-41
 - Light Assy Revl Amber 12V, 2-47, 2-65
 - Light Kit, Halogen Night, 3-31
 - Light, Halogen Flood, 3-31
 - Light, Signal, Amber, 2-65
 - Light, Utility, 2-65
 - Light,Warning 8 Light Cluster, 2-59
 - Lighter, 12V, Cig, 2-59
 - Liner, Head, 2-65
 - Liner, Rear, Lh, 2-64
 - Liner, Rear, Rh, 2-64
 - Liner, 5-5, 6-5, 6-61
 - Link Wldt, Aux, Tilt, 3-11
 - Link Wldt, Throttle, 2-64
 - Link, Angle, H-Thrtle, 2-64
 - Link, Connect 19.00, 2-65
 - Link, Hand Throttle, 2-64
 - Link, Relay Mount, 3-35
 - Link, Rlr.Chain, 3-37
 - Link, Rod, 2-15
 - Lock Nut, D.25, 4-37
 - Louver, Blk Panel Mtg, 2-59
 - Louver, Blk W/Mod Box, 2-65
 - Lower Spring, 4-30, 4-34
 - Lug Nut,Flanged, 2-11, 2-13
- M**
- Magnetic Plug, 4-33
 - Main bearing, 5-2
 - Manifold, Hyd, 2-79
 - Manifold, Water, 2-91
 - Manifold, 5-45
 - Manual Op/Mt 830 French, 3-46
 - Manual Op/Mt 830 Portuguese, 3-46
 - Manual Op/Mt 830 Spanish, 3-46
 - Manual Pkg 830, 3-46
 - Manual-Fiche Pkg 830, 3-46
 - Master Cylinder Brakes, 2-15
 - Master Link, Conveyor Chain, 2-2
 - Masterlink, 2-39
 - Mat,Floor, 2-5
 - Mirror Loop, 2-67, 2-69
 - Mirror, 8X12,Convex, 2-67, 2-69
 - Mirror,8.0 Round,Convex, 2-67, 2-69, 3-11
 - Molding, Rigid, 2-5
 - Motor And Blower Kit, 2-71
 - Motor Flange, 4-37
 - Motor, Ele 12V .312 shaft, 2-71
 - Motor, Ele, 12V,Wiper, 2-65
 - Motor, Hyd 3Rd Brush Transprt, 4-19
 - Motor, Hyd 3Rd Brush, 4-21
 - Motor, Hyd Conveyor, 2-39
 - Motor, Hyd Gear, 4-23, 4-25
 - Motor, Hyd High Press Sprayer, 3-37
 - Motor, Hyd Main Brush W/Ports, 4-27
 - Motor, Hyd S Br W/End Ports (See Breakdowns) (Repl by 762068), 2-73, 3-7
 - Motor, Hyd S Br W/End Ports (See Breakdowns), 2-73, 3-7
 - Motor, Hyd Shaker W/End Ports (See Breakdowns), 2-47
 - Motor, Hyd Shaker W/End Ports, 4-20
 - Motor, Hyd Vac Fan, 2-53
 - Motor, Hyd, Brush (See Breakdowns) (Repl by 762054), 3-11
 - Motor, Hyd, Brush (See Breakdowns), 3-11
 - Motor, Hyd, Brush Transprt (See Breakdowns), 3-13
 - Motor, Hyd, S.Brush W/Endports, 4-26
 - Motor, Hyd, 2-41
 - Motor, Piston, (See Breakdowns), 2-13
 - Motor, Piston, Rexroth, 4-9
 - Motor, Piston,Rexroth (Repl. By 762136) (See Breakdowns), 2-13
 - Motor, Piston, 4-7
 - Motor,Hyd Main Brush (See Breakdowns), 2-17
 - Mount, Lt Motor, 2-71

CROSS REFERENCE

Mount, Rt Motor, 2-71

Muffler, 2-27

N

Needle, 5-33

Nipple, .50M X .75B, 2-91, 3-35

Nipple, .50Mx.50B, 2-91, 3-35

Nipple, .50Mx.50M, 2-91, 3-35

Nipple,Pipe 1.5Nptx6Lg, 2-75

Nozzle, High Pressure, 3-35

Nozzle, Lo Pressure, 3-35

Nozzle, Vacuum Hose, 3-23

Nozzle, Water Spray (Wet Dust Control), 2-2

Nozzle, Water Spray, 2-91

Nozzle, 5-31, 5-33, 6-33, 6-65

Nut Hxlocnyln M 8x1.25, 2-35, 2-37

Nut, Control Mtg, 2-71, 3-21

Nut, Hex Jam M20x2.5, 2-41

Nut, Hex, Lock, M08-1.25,NI,Ss, 2-41

Nut, Hxlocnyln M20x2.5, 2-19, 3-3

Nut, Jam, 4-3

Nut, Lh, 4-29, 4-33

Nut, M16x1.5, 4-30, 4-34

Nut, M18x1.5, 4-29, 4-33

Nut, Rh, 4-29, 4-33

Nut, Self Lock M8, 4-29, 4-33

Nut, Special U-Bolt, .75 Deep, 2-11, 2-13

Nut-Hxlocnyln .38-16 RegSS18-8, 2-39

Nut-Hxlocnyln M 10X1.5, 2-39

Nut-Hxlocnyln M 6x1.0 Reg Ss, 2-35, 2-37

Nut-Hxlocnyln M 8x1.25 Reg Ss, 2-35, 2-37, 2-39

Nut-Hxlocnyln M 8x1.25 RegSS, 2-39

Nut-Hxlocnyln M16x2.0 Reg Pltd, 2-17, 3-11

Nut-Hxlocnyln, 2-41

Nut, 4-21, 4-23, 4-25, 4-26, 4-27, 4-37, 5-7, 5-11, 5-13, 5-18, 5-23, 5-27, 5-31, 5-33, 5-35, 5-37, 5-39, 5-45, 5-46, 5-49, 5-50, 5-51, 5-55, 6-7, 6-11, 6-13, 6-18, 6-23, 6-27, 6-30, 6-35, 6-37, 6-45, 6-46, 6-49, 6-50, 6-51, 6-65, 6-67, 6-68

O

O ring, 5-15, 5-24, 6-24

O-Ring Kit, Seal Lok, 2-2

O-Ring,#10, 3-21

O-Ring,#4, 3-21

O-Ring,#6, 3-21

O-Ring,#8, 3-21

O-Ring, 2-41, 2-53, 2-79, 6-15

O-ring, 4-37, 5-41, 5-59, 6-41, 6-57

Oil Cooler, 6-39

Oil Pump, 5-15, 6-15

Oil, Crankcase (For 1 oil change), 4-39

Oil, Crankcase, Cat Pump (For 1 oil change), 3-37

Olive, 2-23, 5-11, 5-31, 5-35, 5-39, 5-49, 5-51, 5-55, 5-57, 6-30, 6-49, 6-51, 6-55, 6-65, 6-67, 6-68

Orifice (0.8 mm), 4-5

Orifice (1.0 mm), 4-5

Orifice (1.8 mm), 4-5

Orifice 1.8mm, 4-3

Orifice, Hyd Cylinder, 2-19

Orifice, 4-3

Output Gear, 4-37

Output Shaft, 4-20

P

Pad, Tread, 2-5

Pad, 2-65

Paint, Touch-up, Blue-Green, 12 oz., 2-2

Paint, Touch-up, Off-White, 12 oz., 2-2

Pan, Hopper Support Bar, 3-35

Panel Kit, Upper, LH, 2-93

Panel Kit, Upper, RH, 2-93

Panel, Baffle Cooler (318mm) (Std Engine), 2-25

Panel, Baffle Cooler (380mm) (Std Engine), 2-25

Panel, Console, Lh, 2-64

Panel, Console, Rh, 2-64

Panel, Dash, Controls, 2-59

Panel,Left Side W/Label, 2-47

Panel,Rear Lower, 2-35, 2-37

Panel,Rear Upper W/Label, 2-35, 2-37

Panel,Right Side W/Label, 2-47

Parking Brake Cable, 4-34

Parking Brake Lever, Lh, 4-34
 Parking Brake Lever, Rh, 4-34
 Pedal Wldt, Accl,Main, 2-64
 Pedal Wldt, Accl, 2-64
 Pedal Wldt, Brake, 2-64
 Pickup, Magnetic, 3-45
 Pin Assy, 3-3
 Pin W/Label, 2-51
 Pin Weldment, Safety Leg Lower, 2-49
 Pin Weldment,Safety Leg Lower, 2-51
 Pin Weldment,Safety Leg Upper, 2-51
 Pin, Brake Pedal, 2-65
 Pin, Brush Plug, 2-17
 Pin, Brush Lift, 2-19
 Pin, Brush Plug-Special, 3-41
 Pin, Clevis Tensioner Conveyr, 2-43, 2-45
 Pin, Clevis, 2-81, 2-83, 2-85, 3-8, 3-17
 Pin, Emergency Brake, 2-65
 Pin, Hinge, Lower, 2-5
 Pin, Hinge, Upper, 2-5
 Pin, Hyd Cyl 25Mm X 2.83, 3-3
 Pin, Hyd Cyl, 2-47
 Pin, Hydraulic Cylinder, 2-47
 Pin, Kit Connecting 1.654 Chain, 2-41
 Pin, Kit Connecting 1.654, 2-2
 Pin, Locating, 4-3
 Pin, M8x20, 4-37
 Pin, Safety, 3-3
 Pin, Special U, 2-81, 2-83, 2-85, 3-8, 3-17
 Pin, Spring, 2-11, 2-13
 Pin,Clevis,0.37 Dia.X 1.00 Lg, 2-15
 Pin,Hair Cotter 1.00D.178Wire, 3-11, 3-23
 Pin,Hinge, 3-13
 Pin,Hyd.Cylinder, 2-73, 3-7
 Pin,Spring Mount, 3-13
 Pin, 3-3, 4-18, 4-21, 4-23, 4-25, 4-26, 4-27, 4-35, 5-7,
 5-13, 5-28, 6-13
 Pipe, Air, 6-67
 Pipe, Fuel, 6-49, 6-51, 6-65, 6-67
 Pipe, Leakoff, 6-65
 Pipe, Oil, 6-15, 6-35, 6-39, 6-45
 Pipe, Water, 6-39
 Pipe, 5-15, 5-31, 5-35, 5-37, 5-39, 5-49, 5-51, 6-37
 Piston Kit, 6-3, 6-7
 Piston Ring Kit, 6-7
 Piston ring, 5-2
 Piston, Stroking, 4-3
 Piston, 5-2, 5-7, 6-61
 Pivot Kit, Brush Arms (Set of 2), 2-7
 Pivot Kit, Brush Arms (Set of 2), 2-9
 Pivot Weldt, Tensioner, 2-43, 2-45
 Pivot, Spring Guide, 3-13
 Pivoting Hub, 4-29, 4-33
 Planetary Gear, 4-37
 Planetary Spherical Washer, 4-37
 Plate Weldt,Lower Lh, 2-39
 Plate Weldt,Lower Rh, 2-39
 Plate Wldt, Cage, Rh, 2-7
 Plate Wldt, Slide Bearing, 2-41
 Plate Wldt, Support, Side, Lh, 2-9
 Plate Wldt, Support, Side, Rh, 2-7
 Plate Wldt, Upper Drive, 2-41
 Plate, Adaptor, 4-11
 Plate, Backing, Lh, Front, 4-34
 Plate, Backing, Rear, 4-30
 Plate, Backing, Rh, Front, 4-34
 Plate, Blower, 2-71
 Plate, Brake Cable Coupler, 2-15
 Plate, Brush Guide, 2-7, 2-9
 Plate, Cam CE, 3-39
 Plate, Cam, Lh, 2-45
 Plate, Cam, Rh, 2-43
 Plate, Conveyor Lower Rh & Lh, 2-41
 Plate, Conveyor Switch, 2-59
 Plate, Cover, Fan Housing, 2-53
 Plate, Cover, 2-85, 2-93
 Plate, Engine Door Latch, 2-43, 2-45
 Plate, Fan Housing, 2-53
 Plate, Hyd Valves, 2-59
 Plate, Instrument Panel, 2-59
 Plate, Lid, Brush Drive, 2-17
 Plate, Motor Mount, 2-41
 Plate, Mount, Hyd Motor, 3-37
 Plate, Mounting, Bellows, 2-81
 Plate, Pump Mount, 2 Bolt "C", 2-21

CROSS REFERENCE

- Plate, Radiator, 2-93
Plate, Seal, Lower, 2-41
Plate, Seal, Upper, 2-41
Plate, Wear, 4-18
Plate, Weldment Back, 2-35, 2-37
Plate,Cover Lubrication, 2-39
Plate,Hyd.Hose Support, 3-15
Plate,Hyd.Manifold(Face Seal), 3-13
Plate,Water Trap, 2-23
Plate, 2-41, 4-21, 4-23, 4-25, 4-26, 4-27, 4-30, 4-34,
5-5, 5-13, 5-16, 5-26, 5-33, 5-37, 5-39, 5-41,
5-47, 5-49, 6-13, 6-16, 6-26, 6-37, 6-39, 6-41,
6-47, 6-49, 6-63, 6-67
Plug (3/4-16), 4-5
Plug (7/16-20), 4-5
Plug (9/16-18), 4-5
Plug (M18 x 1.5), 4-5, 4-9
Plug #10, 4-20
Plug #4, 4-21, 4-23, 4-25, 4-26, 4-27
Plug And Cap Kit, Hyd Ftg, 2-2
Plug Housing, 4-19
Plug W/O-Ring, 4-11
Plug, #4 O-Ring, 4-3
Plug, #6 O-Ring, 4-3
Plug, #8 O-Ring, 4-3
Plug, Brush Drive,, 2-17
Plug, Brush Drive-Special, 3-41
Plug, Brush Guide-Special, 3-41
Plug, Brush Guide, 2-17
Plug, Brush Idler-Special, 3-41
Plug, Brush Idler, 2-17
Plug, Hole, .50D, 2-59, 2-65
Plug, Housing, 4-20
Plug, M08x1.0, 4-3
Plug, M18x1.5, 4-3, 4-7
Plug, Panel Switch, 2-59
Plug, 5-5, 5-9, 5-11, 5-13, 5-16, 5-24, 5-27, 5-37,
5-39, 5-41, 5-44, 5-50, 5-52, 5-53, 5-55, 6-5, 6-9,
6-11, 6-13, 6-16, 6-24, 6-27, 6-29, 6-37, 6-39,
6-41, 6-50, 6-52, 6-53, 6-59, 6-68
Plugbtn .88H .03-.12 Blacknyl, 2-59
Plugbutton, .5, Black, 2-85
Plunger, 5-15, 6-15
Port Block Assembly, 4-5
Porting Block, 4-3
Priority Valve,Hyd Steering, 2-79
Pulley, 123Mm Dia Brush Lift, 2-19
Pulley, alternator, 5-23, 6-23
Pulley, 5-20, 5-42, 6-20, 6-42
Pump Breakdown, Cat, 4-39
Pump Cover, 3-37
Pump Kit, 6-58
Pump, Cat 290 Press Wash (See Breakdowns),
3-37
Pump, Hyd Double Gear (See Breakdowns), 2-77
Pump, Hyd Double Gear, 4-11
Pump, Hyd Gear 1.76 Cid (See Breakdowns), 2-77
Pump, Hyd Gear 1.76 Cid, 4-12
Pump, Hydraulic Piston, 4-3, 4-5
Pump, Piston (Repl by 762121) (See Breakdowns),
2-77
Pump, Piston (See Breakdowns), 2-77
Pump, Water 12V (With Connectors), 2-91
Pump,Fuel, 2-21
Pushrod, 5-11, 6-11
- R**
- Race Thrust, 4-19, 4-20
Race, Bearing, 4-18
Rack, Filter Bag, 2-48
Rack, Undercarriage, 3-13
Radiator (300mm), 2-25
Radiator (362mm), 2-25
Radio/Tape Deck Kit, 3-30
Radio/Tapedeck,Overhead, 3-30
Rail Wldt, Foot, 2-64
Rain Cap, Exhaust, 2-27
Rear Axle Housing, 4-29
Rear Cover Assembly, 4-9
Rear Housing, 4-37
Rear Rubber Bumper Kit, 3-33
Reducer, 2-31
Relay 12V Spdt W/Suppression, 2-59, 3-35

Relay 12V Spdt With Suppression, 3-39
 Relief Valve With Tow Option, 4-5
 Relief Valve, 4-11, 4-14, 4-15, 4-17, 6-15
 Relief valve, 5-15
 Repair Info, Motor, 4-23, 4-25
 Repair Info, Mtr, 4-19, 4-20, 4-21, 4-26, 4-27
 Repair Info, Pmp, 4-11, 4-12
 Repair Info, 4-18
 Repair Kit, 6-41, 6-63
 Repair Link, Conveyor Chain, 2-2
 Replm Kit, Cable F/760648, 2-47
 Replm Kit, Cable F/761122, 2-7, 2-9
 Replm Kit, Remote Filter Kit, 2-21
 Reservoir, Master Cylinder, 2-15
 Resistor, 12V, 2-71
 Restraint, Door, 2-67, 2-69
 Retainer, Check, 4-18
 Retainer, Grease, 2-41
 Retainer, Hoses, 2-5
 Retainer, Side Skirt,Brushdoor, 2-7, 2-9
 Retainer, Side Skirt, 2-93
 Retainer, Skirt Brush Door, 2-93
 Retainer, Skirt Front Ends, 2-93
 Retainer, Skirt Front, 2-93
 Retainer,Skirt Conveyor, 2-35
 Retainer,Skirt, 2-73
 Retainer, 6-5
 Retaining Collar, 4-31, 4-35
 Retaining Ring (67 x 2.5), 4-5
 Retaining Ring, 30 Dia, 2-17
 Retaining Ring, 62 Dia, 2-17
 Retaining Ring, Int 85Mm, 2-39
 Retaining Ring, M16, 2-73, 3-7
 Retaining Ring, 4-37
 Ring Gear, Matched Pinion, 4-37
 Ring, End, 2-71
 Ring, Retaining Ext 25Mm, 3-13
 Ring, Retaining, 4-3, 4-18
 Ring, Seal, 2-27
 Ring, 4-31, 4-35, 4-38, 6-61
 Rivet, Pop, 2-35, 2-37
 Rivot, Pop .156Dx.562x.312Dhd, 2-7, 2-9, 2-47

Rocker Shaft Assy, 6-11
 Rocker shaft assy, 5-11
 Rocker Shaft, 6-11
 Rocker shaft, 5-11
 Rockerarm, 5-11, 6-11
 Rod Assy, Brush Change, 2-19
 Rod End Pivot Lh, 4-29, 4-33
 Rod End Pivot Rh, 4-29, 4-33
 Rod End,16Mm, 2-47
 Rod End, 3-13, 4-29, 4-33
 Rod Link, Brush Support Adj, 2-7, 2-9
 Rod Wldt, Filter Bag, 2-48
 Rod Wldt, Lh, 2-67
 Rod Wldt, Rh, 2-69
 Rod, Accelerator Pedl, 2-64
 Rod, Aux, Swing, 3-13
 Rod, Handle, 3-17
 Rod,Master Cylinder, 2-15
 Rod,Thrd.M12X70, 2-43, 2-45
 Rod, 2-73, 3-7
 Roller, Guide, 2-43, 2-45
 Roller, 6-61
 Rotary Group, 4-3, 4-5, 4-7, 4-9
 Rotor, 6-61

S

Saddle, U-Bolt, 2-11, 2-13
 Santoprene DiaphKit, 2-91
 Satellite Gear, 4-37
 Satellite Spherical Washer, 4-37
 Scissors Weldt,Inner, 3-3
 Scissors Weldt,Outer w/label, 3-3
 Scr Flt M 8x1.25 20, 2-35, 2-37
 Scr Hex M 8x1.25 20, 2-35, 2-37
 Scr Hex M 8x1.25 25, 2-35, 2-37
 Scr Hexssm 6x1.0, 2-35, 2-37
 Scr Hexssm 8x1.25 30, 2-35, 2-37, 2-39
 Scr, HexSS .38-16x1.25, 2-39
 Scr, Hex M10X1.25X30FINEIN961, 2-39
 Scr, Hex M10X1.5, 2-39
 Scr, Hex M16x2.0x100, 3-11
 Screw, Cap, 4-11, 4-12, 4-19, 4-20, 4-21, 4-27

CROSS REFERENCE

- Screw, Eccentric, 4-3
- Screw, Hex M20x2.5x1.20, 2-41
- Screw, Hex, .38-16 X 1.25, Ss, 2-41
- Screw, Hex, M08-1.25 X 30, Ss, 2-41
- Screw, Hex, M10-1.5 X 50, 8.8, 2-41
- Screw, M10x1.5, 4-37
- Screw, M10x20, 4-30, 4-34
- Screw, M10x25, 4-31, 4-35
- Screw, M10x30, 4-29, 4-33, 4-37
- Screw, M12x20, 4-37
- Screw, M12x30, 4-29, 4-33, 4-37
- Screw, M12x40, 4-29, 4-33
- Screw, M14x1.5x40, 4-37
- Screw, M8x25, 4-37
- Screw, M8x50, 4-29, 4-33
- Screw, Set, 4-18
- Screw, Switch Assy, 2-61
- Screw, 4-19, 4-20, 4-30, 4-34, 5-5, 5-7, 5-9, 5-11, 5-13, 5-15, 5-16, 5-20, 5-21, 5-23, 5-24, 5-26, 5-28, 5-31, 5-35, 5-37, 5-39, 5-41, 5-43, 5-44, 5-47, 5-49, 5-50, 6-5, 6-9, 6-11, 6-13, 6-15, 6-16, 6-20, 6-21, 6-23, 6-24, 6-26, 6-28, 6-30, 6-31, 6-35, 6-37, 6-39, 6-41, 6-43, 6-45, 6-47, 6-49, 6-50, 6-65, 6-67
- Scroll Wa, 2-71
- Seal (Repl by None), 5-37
- Seal Kit F/762046, 2-39
- Seal Kit, 15 Ft, 2-93
- Seal Kit, Cylinder, 4-29, 4-33
- Seal Kit, Motor A/H-Stnd, 4-19, 4-20
- Seal Kit, Mtr, 4-23, 4-25
- Seal Kit, Scu, 4-18
- Seal Kit, 2-43, 2-45, 2-49, 2-73, 3-3, 3-7, 4-3, 4-5, 4-7, 4-9, 4-11, 4-12, 4-13, 4-14, 4-15, 4-16, 4-17, 4-21, 4-26, 4-27, 5-19, 6-19
- Seal, Brush Door, 2-2, 2-7
- Seal, Brush, Door, 2-9
- Seal, Bulb, 90 Deg, 30' Lng, 2-65
- Seal, Dust, 2-17
- Seal, Int Sm 45X72X8, 2-38
- Seal, Int Sm 55X72X8, 2-39
- Seal, Int Sm 60X85X8, 2-39
- Seal, Int Sm55X85X8, 2-39
- Seal, Metal Angle, 2-93
- Seal, Neo Foam, 2-25
- Seal, Rear Cab, 2-65
- Seal, Shaft, 2-41, 2-47
- Seal, Str W/.75 Bubble 52" Lg, 2-93
- Seal, Vertical, 2-7, 2-9
- Seal, Window .12 Opng, 2-65
- Seal, Window, Loc Cnl, 2-67, 2-69
- Seal,Air Shroud, 2-65
- Seal,Brush Door, 2-7, 2-9
- Seal,Bulb, 2-25
- Seal,Conveyor Tower, 2-43, 2-45
- Seal,Conveyor, 2-35, 2-37
- Seal,Engine Door, 2-5
- Seal,Foam Rad/Coolr.25X.75X28, 2-25
- Seal,Neo 1.25in x 1.62 x 21.62, 2-93
- Seal,Radiator/Cooler, 2-35
- Seal,Radiator, 2-25
- Seal, 4-30, 4-34, 5-2, 5-5, 5-9, 5-13, 5-31, 5-37, 5-41, 5-50, 5-57, 6-5, 6-9, 6-11, 6-13, 6-16, 6-37, 6-39, 6-41, 6-55, 6-65
- Seat Belt, Kit 3-Point CE, 3-39
- Seat, Bench, 2-64
- Seat, Check Ball, 4-18
- Seat, Operator, 2-65
- Seat, 5-15, 5-33, 6-15, 6-33
- Seatbelt, 2.00 W/Hdwr, 2-65
- Seatbelt, 2.00, 2-65
- Sender, Water Temp, 2-21
- Sending Unit,Fuel Tank, 2-23
- Separator, Filter Bag, 2-48
- Service Manual Pkg 830, 3-46
- Shaft Assembly, 4-3, 4-5
- Shaft Bearing Kit, 4-21, 4-26, 4-27
- Shaft Seal, 4-7, 4-9
- Shaft Wldt, Lower, 2-41
- Shaft Wldt, Upper, 2-41
- Shaft, Output, 4-19
- Shaft, Pivot .38D 1", 2-65
- Shaft, Side Brush, 2-73, 3-7
- Shaft,Center Scissors, 3-3
- Shaft/Brg Kit, 4-23, 4-25
- Shaft, 5-15, 5-41, 6-15, 6-61, 6-63

Shield, 5-13, 6-13
Shim +.30mm, 5-33, 6-33
Shim +.42mm, 5-33, 6-33
Shim +.44mm, 5-33, 6-33
Shim +.46mm, 5-33, 6-33
Shim +.48mm, 5-33, 6-33
Shim +.50mm, 5-33, 6-33
Shim +.52mm, 5-33, 6-33
Shim +.54mm, 5-33, 6-33
Shim +.56mm, 5-33, 6-33
Shim +.58mm, 5-33, 6-33
Shim +.60mm, 5-33, 6-33
Shim +.62mm, 5-33, 6-33
Shim +.64mm, 5-33, 6-33
Shim +.66mm, 5-33, 6-33
Shim +.68mm, 5-33, 6-33
Shim +.70mm, 5-33, 6-33
Shim +1.00mm, 5-33, 6-33
Shim +1.28mm, 5-33, 6-33
Shim +1.56mm, 5-33, 6-33
Shim 18Ga, Bearing Mount, 2-41
Shim, 0.1mm, 4-7
Shim, 0.3mm, 4-7
Shim, 0.5mm, 4-7
Shim, Lower Shaft, 2-41
Shim, 4-9, 5-11, 5-37, 6-11, 6-37
Short engine, 5-2, 6-2
Shroud, Side Poly (W/Lh Side Brush), 2-93
Shroud, Side Poly (With NO Lh Side Brush), 2-93
Shttle Orifice, 4-7
Shutter, Vacuum, 2-47
Side, Tool Holder, 3-35, 3-44
Sight Gage, Hyd Tank 5In, 2-75
Sight Gauge, Hyd Tank, 2-75
Skid Holder, LH, 3-41
Skid Holder, RH (Not Shown), 3-41
Skid Kit, Carbide, Rh & Lh, 2-7, 2-9
Skid Weld't, Carbide Lh, 2-7, 2-9
Skid Weld't, Carbide Rh, 2-7, 2-9
Skid, Abrasive Resistant, Lh, 2-9
Skid, Abrasive Resistant, Rh, 2-7
Skid, LH Bolt On, 3-41
Skid, RH Bolt On (Not Shown), 3-41
Skirt Kit, Front (With 5 U-Nuts) (Dry Dust Control), 2-2
Skirt Kit, Front Dust Control, (With 5 U-Nuts), 2-93
Skirt Kit, S. B. (1 Per Side With 5 U-Nuts) (Dry Dust Control), 2-2
Skirt Kit, Side Brush, (With 5 U-Nuts), 2-93
Skirt.,25T3.0W11.0L 4/.31Hcomc, 3-26
Skirt, Conveyor Lip, 2-2
Skirt, Conveyor Side, 2-2, 2-35, 2-37
Skirt, Conveyor, Lip, 2-35, 2-37
Skirt, Dust, Rear, 2-2
Skirt, Rear Dust, 2-9
Skirt, Rubber, 2-73
Skirt, Side Deflector, 2-35, 2-37
Skirt, Side Deflectors, 2-2, 2-35
Sleeve, Bearing, 2-38
Sleeve-Nylon #20 20.0L, 3-35
Sleeve, 5-23, 5-31, 6-23, 6-45, 6-65
Sludge Removal Tool Assy., 3-26
Snap Ring, 4-9
Snap, Chain 0.25 Dia X 2.4, 3-23
Solenoid, 5-19, 5-31, 6-19, 6-65
Spacer Plate, 4-19, 4-20
Spacer, Bearing, 2-39
Spacer, Hex. .75x1.0 Long, 2-41
Spacer, Strap, 2-41
Spacer,Hyd.Pivot, 3-11
Spacer, 4-29, 4-31, 4-33, 4-35, 4-37, 5-5, 5-31, 5-35, 5-39, 6-35, 6-39, 6-45, 6-65
Special Hair Pin, 3-39
Speedometer Kit, 3-45
Speedometer, 3-45
Spring Centering Kit, 4-17
Spring Kit, Centering, 4-18
Spring, Belleville, 3-13
Spring, Brake, 2-15
Spring, Ext Conveyor Tension, 2-43, 2-45
Spring, Ext. .50Od X 4.0 Lg, 2-21
Spring, Extension 1.18X.25X4.8, 2-43, 2-45
Spring, Front Leaf, 2-13
Spring, Overload Switch, 3-3
Spring, Rear Leaf, 2-11

CROSS REFERENCE

Spring, Shoe Retainer, 4-30, 4-34
Spring, SP, 4-3
Spring, Throttle, 2-21, 6-28
Spring, Exhaust, 2-27
Spring-Gas 75lbs 6.3 stroke, 3-39
Spring-Gas, 3-39
Spring, 2-19, 2-73, 3-7, 3-11, 4-21, 4-23, 4-25, 4-26, 4-27, 4-30, 4-34, 5-9, 5-11, 5-15, 5-33, 5-37, 5-47, 6-5, 6-9, 6-11, 6-15, 6-33, 6-37
Sprocket Weldt, Upper, 2-38
Sprocket Weldt, Lower, 2-39
Sprocket, 15 Tooth, 1.64 Pitch Dia., 2-41
Src Hexssm 8x1.25 25, 2-39
Startermotor, 5-18, 5-19, 6-18, 6-19
Steering Column Switch, 2-61
Steering Housing, 4-29, 4-33
Steering Lever, Lower, Lh, 4-29
Steering Lever, Lower, 4-29, 4-33
Steering Lever, Rh, Lower, 4-33
Steering Lever, Rh, Upper, 4-29
Steering Rod Front, 4-33
Steering Rod Rear, 4-29
Steering Unit, Hyd Q-Amp, 2-61
Step Wldt, 2-5
Step, Large Folding CE, 3-39
Stop Screw, 4-7, 4-9
Strainer, 5-37, 6-37
Strap, Hose Dbl, 2-71
Strap, Lower, 2-41
Strap, Upper, 2-41
Strap, Vacuum Wand, 3-23
Strap, 2-25
Strip, Backup Main Uhmw, 2-35, 2-37
Strip, Backup Uhmw, 2-35, 2-37
Strip, Filler Baffle, 2-35
Strip, Retainer Paddle, 2-41
Strip, Retainer Skirt, 2-7, 2-9
Strip, Retainer, Upper, 2-7, 2-9
Strip, Retainer, Vertical, 2-7, 2-9
Strip, Rub Nylon, 3-23
Strip, Rubber Paddle, 2-2, 2-39
Strip, Rubber, Long, 2-23
Strip, Rubber, Short, 2-23
Strip, Rubber, 2-41
Strip, Seal Conveyor, 2-35, 2-37
Strip, Seal, Conveyor, Lower, 2-35, 2-37
Strip, Speedometer, 3-45
Strip, Sprocket Upper, 2-41
Strip, Step, 3-39
Strip,.11T2.5W10.0L 4/.31Hcomc, 3-26
Strip, Retainer Conveyer, 2-35, 2-37
Strip, Retainer Paddle, 2-39
Strip, Sprocket Upper, 2-39
Stroking Piston Assembly, 4-5
Stroking Piston Cover, 4-5, 4-9
Stroking Piston Spring (Inner), 4-5
Stroking Piston Spring (Outer), 4-5
Stud Kit, Mounting, 3-45
Stud, Ball, Gas Spring, 3-39
Stud, M12 X 200, 2-45
Stud, M12 X 90, 2-43
Stud, M12x90, 2-43, 2-45
Stud, Mounting, 2-39
Stud, 3-39, 4-31, 4-35, 5-11, 5-13, 5-18, 5-23, 5-27, 5-31, 5-35, 5-45, 5-46, 6-11, 6-13, 6-18, 6-23, 6-27, 6-45, 6-46, 6-65
Sump, 5-35, 6-35
Sun Screen, Dash, 2-59
Support Weldt, Engine, 2-21
Support, Angle Brake Cable, 2-15
Support, Axle Brake Cable, 2-15
Support, Cyl Lift, 3-3
Support, Eng Fan, Side, Front, 2-21
Support, Hopper Pivot, 2-47
Support, Rollout Cyl Ld, 2-49
Support, Vacuum Hose, 3-23
Support, Engine Fan Side Rear, 2-21
Support, Engine Flywheel, 2-21
Support, Mirror, 3-11
Support, Radiator & Fan Shroud, 2-25
Switch Assy, Roller-No, 2-43, 3-3, 3-39
Switch Kit, Conveyor, 2-43
Switch Kit, Dpst, 2-59
Switch Kit, Spst, 2-59, 3-31
Switch, Assy Turn/Lights, 2-61
Switch, Assy Wipers, 2-61

Switch, Fan, 3-Speed, 2-71
 Switch, Hyd Pressure, 2-79
 Switch, Key, Steering Column, 2-61
 Switch, Level Sensor, 2-91
 Switch, Micro, 2-15, 2-47, 2-49, 3-25
 Switch, Paddle Rocker Dp, 2-59
 Switch, Pressure, Oil, 2-21
 Switch, Rocker, Conveyor/Brush, 2-59
 Switch, Cold Cont., 3-21
 Switch, Low Press., 3-21
 Switch, Rocker Dpdt Momentary (Vario Only), 2-59
 Switch, Rocker Dpdt Momentary, 2-59
 Swivel Orifice Kit, 4-9

T

T-Handle, LATCH 5", 2-7, 2-9
 Taillight, Lh w/Connector, 2-5
 Taillight, Rh w/Connector, 2-5
 Tank Recover Coolant, 2-25
 Tank, Hyd Oil, 2-75
 Tappet, 5-11, 6-11
 Tee, .50Bx.50Bx.50B, 2-91
 Tee, .50Fx.50Fx.50F, 2-91, 3-35
 Tee, Washer Hose, 2-65
 Tee, Water Spray (Wet Dust Control), 2-2
 Tee, Water Spray, 2-91
 Thermostat Assembly, 155 Deg, 2-47
 Thermostat, 5-41, 6-41
 Thimble, 5-5, 5-15, 6-5, 6-15
 Thrust Bearing, 4-19, 4-20, 6-63
 Thrust block, 5-7
 Thrust Bushing, 4-37
 Thrust Washer + .19Mm, 6-7
 Thrust washer +.19mm, 5-7
 Thrust Washer Std, 6-7
 Thrust washer Std, 5-7
 Thrust washer, 5-2
 Tie Rod, Hopper Support, 2-51
 Tie, Cable 15.25 Lg, 3-35
 Tie, Cable 6.0 Lg, 3-35
 Timer, Load Sensing (Hi Dump), 2-59
 Timing Gear Case, 6-13

Timing gear case, 5-13
 Tire & Rim Assy, (Bias Ply), 2-11, 2-13
 Tire & Rim Assy, (Radial), 2-11, 2-13
 Tire Assy, Foam Filled, (Bias Ply), 3-28
 Tire Assy, Foam Filled, (Radial), 3-28
 Tire, 7.00X12 Hd Rib Lug, (Bias Ply), 2-11, 2-13
 Tire, 7.00X12, (Radial), 2-11, 2-13
 Tower Wldt, Conveyor, Lh, 2-45
 Tower Wldt, Conveyor, Rh, 2-43
 Trough Kit, Conveyor, 2-35
 Trough, Weldment Conveyor, 2-35, 2-37
 Tube, Fuel Line, Lower, 2-23
 Tube - Fuel Line .250DX4.0LG (Non-Waste Gated Turbo), 2-23
 Tube Assy, Sediment Bowl, 2-23
 Tube Wldt, Support, Rear, 3-23
 Tube, 2.5x6L, 2-27
 Tube, 3.0 Od x 2.5 Id, 2-31
 Tube, Air Cleaner, Top, 2-31
 Tube, Air Cleaner, 2-31
 Tube, Bleed-off Line (Waste Gated Turbo), 2-23
 Tube, Brake, Front, Lh, 2-15
 Tube, Brake, Front, Rh, 2-15
 Tube, Brake, Rear, Lh, 2-11
 Tube, Brake, Rear, Rh, 2-11
 Tube, Brake, 2-15
 Tube, Fuel Line, 90 (Waste Gated Turbo), 2-23
 Tube, Fuel Line, Upper, 2-23
 Tube, Fuel Line, 2-23
 Tube, Vac Wand Door, 3-25
 Tube, Vac Wand Spray, 2-91
 Tube, Tire 7.00X12, (Bias Ply), 2-11, 2-13
 Tube, Tire 7.00X12, (Radial), 2-11, 2-13
 Tube, 2-11, 2-15, 5-39
 Turbocharger, 6-63

U

U-Bolt Weldt, Hose Support, 3-15
 U-Bolt, Front Spring, 2-13
 U-Bolt, Rear Spring, 2-11
 U-Nut, 10mmx1.25x0.75in, 2-5
 U-Nut, M6 x 1.0, 2-93

CROSS REFERENCE

Union Nut, 6-49, 6-65, 6-67

Union nut, 5-31, 5-49, 5-51, 6-51

Union, 5-31, 5-39, 6-65

Upper Housing, 2-91

V

V-Ring, Seegr, 4-7

Valve Drive, 4-21, 4-23, 4-25, 4-26, 4-27

Valve Exhaust, 6-9

Valve exhaust, 5-9

Valve inlet, 5-9

Valve Insert, 6-9

Valve Plate, 4-21, 4-23, 4-25, 4-26, 4-27

Valve, Ball Hycon, 2-13

Valve, Bypass, (Turbo Engine), 2-25

Valve, Check, Vonberg, 2-75

Valve, Check, 2-47, 2-73, 2-75, 3-7

Valve, Hyd 3 Spool (See Breakdowns), 2-81

Valve, Hyd Ball, 1.25 Npt, 2-75

Valve, Hyd Kick-down Relief, 2-85, 3-8

Valve, Hyd Selector/Relief, 3-37

Valve, Hyd Sequence, 3-5

Valve, Hyd Single Spool (See Breakdowns), 2-85

Valve, Hydraulic Steering, 4-18

Valve, Hydraulic, 4-13, 4-14, 4-15, 4-16, 4-17

Valve, Relief, 4-3

Valve, Solenoid Aux., 3-15

Valve, Solenoid, (Vario Only), 3-15

Valve, Speed Control, 2-77

Valve, Unloader, 3-35

Valve, Vac Wand Spray .50F, 2-91

Valve, Water Shut-off, Manual, 2-25

Valve, Water Spray, 2-91

Valve, Water, 2-71

Valve, Hyd Single Spool (See Breakdowns), 2-83, 3-8, 3-17

Valve, Solenoid, Main Br/Convr, 2-79

Valve, Thermal Expn., 3-21

Valve-Hyd, Solenoid, 2-53, 3-37

Valve, 4-21, 4-23, 4-25, 4-26, 4-27, 6-5, 6-61

Visor, Sun, Blk Vinyl, 2-65

W

Washer Flt .25 Hard, 2-39

Washer Flt .38 Hard, 2-39

Washer Flt 08, 2-47

Washer Hard Flat .50, 2-43, 2-45

Washer, A6, 4-37

Washer, Belleville, .38, 2-41

Washer, Brake Line, 2-11, 2-15

Washer, Cyl Head, 2-43, 2-45

Washer, Fender .25ID x 1.25 OD, 2-93

Washer, Mounting, Spring, 3-13

Washer, Special, 2-5, 2-21

Washer, Thrust 32.1x50.8x3.2, 2-19

Washer, Thrust Sae660 Bronze, 3-3

Washer, Valve Stem Slot, 2-11, 2-13

Washer, Wave Spring .53bx .81D, 2-50

Washer, Hardened, 3-3

Washer, Hyd. Motor, 3-13

Washer-Belleville .31, 2-35, 2-37, 2-39

Washer-Belleville .38 Pltd, 2-39

Washer-Flt .75 Std, 2-19

Washer, 2-39, 2-41, 3-3, 3-13, 4-29, 4-30, 4-33, 4-34, 4-37, 5-5, 5-9, 5-11, 5-13, 5-15, 5-17, 5-23, 5-24, 5-28, 5-31, 5-33, 5-35, 5-49, 5-50, 5-52, 5-55, 5-57, 6-5, 6-9, 6-11, 6-13, 6-15, 6-17, 6-23, 6-24, 6-49, 6-50, 6-52, 6-55, 6-65, 6-67, 6-68

Water pump, 5-41, 6-41

Water Tank W/Label, 2-91

Weatherstrip, Back, 2-71

Weatherstrip, Top, 2-71

Weldment, Brush Guard, 3-39

Wet Arm Washer Kit, Wiper, 2-65

Wet Arm Washer Kit, 2-65

Wheel Cylinder, 4-30, 4-34

Wheel Hub, 4-31, 4-35

Wheel, Blower .312 Bore, 2-71

Wheel, Blower .375 Bore, 2-71

Wheel, Steering, 2-61

Wheel, 2-11, 2-13, 6-63

Window, Door, Lower, 2-67, 2-69

Window, Sliding, 2-67, 2-69

Windshield, 2-64

Wiper Arm Kit, Radial Wet 20", 2-65

Wiper Arm, Radial 18" Black, 2-65

Wiper Arm, Radial 20" Black, 2-65

Wiper Blade, Flex Nlk 28", 2-65

Wire Assy, 20.0 Lg, 6 Ga, Red, 2-33

Wire Assy, 22.0 Lg, 2 Ga, Neg, 2-33

Wire Assy, 22.0 Lg, 6 Ga, Blk, 2-33

Wire Assy, 36.0 Lg, 4 Ga, Blk, 2-33

Wire Assy, 48.0 Lg, 2 Ga, Blk, 2-33

Wire Assy, 48.0 Lg, 2 Ga, Pos, 2-33

Wire Harness, Press Washer, 3-35

Wire, 5-31, 6-65

Y

Yoke, Brake Side, 4-38

Yoke, Differential Side, 4-38

Yoke, M12, 2-43, 2-45

Yoke, M8X32, 2-15



We Need Your Help...

As part of Tennant's Zero Defects Program, we want to know about errors you have found or suggestions you may have regarding our machine manuals. If you find an error or have a suggestion, please complete this postage-paid form and mail it to us. Thank you for helping us make zero defects a way of life at Tennant.

Manual No. _____ Rev. No. _____ Publish Date _____ Page _____
Machine _____ Report Error Suggestion

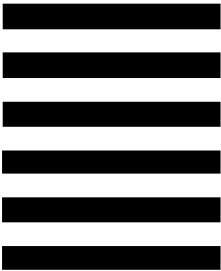
Name _____ Date _____
Customer Number _____
Company _____
Address _____
City/State/Zip Code _____



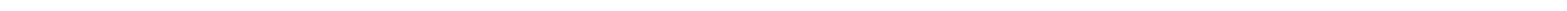
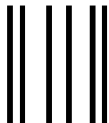
TENNANT COMPANY
 Technical Publications #15
 701 North Lilac Drive
 P.O. Box 1452
 Minneapolis, MN 55440-9947

POSTAGE WILL BE PAID BY ADDRESSEE

BUSINESS REPLY MAIL
 FIRST CLASS MAIL PERMIT NO. 94 MINNEAPOLIS, MN

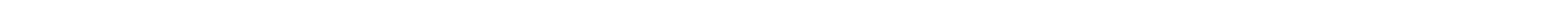


NO POSTAGE
 NECESSARY
 IF MAILED
 IN THE
 UNITED STATES



Fold along dotted lines

Tape here





We Need Your Help...

As part of Tennant's Zero Defects Program, we want to know about errors you have found or suggestions you may have regarding our machine manuals. If you find an error or have a suggestion, please complete this postage-paid form and mail it to us. Thank you for helping us make zero defects a way of life at Tennant.

Manual No. _____ Rev. No. _____ Publish Date _____ Page _____
Machine _____ Report Error Suggestion

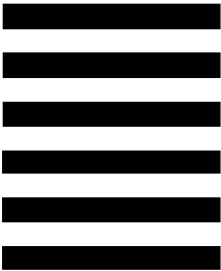
Name _____ Date _____
Customer Number _____
Company _____
Address _____
City/State/Zip Code _____



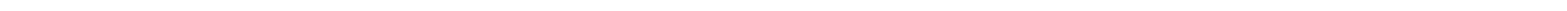
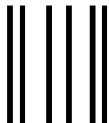
TENNANT COMPANY
 Technical Publications #15
 701 North Lilac Drive
 P.O. Box 1452
 Minneapolis, MN 55440-9947

POSTAGE WILL BE PAID BY ADDRESSEE

BUSINESS REPLY MAIL
 FIRST CLASS MAIL PERMIT NO. 94 MINNEAPOLIS, MN



NO POSTAGE
 NECESSARY
 IF MAILED
 IN THE
 UNITED STATES



Fold along dotted lines

Tape here

