

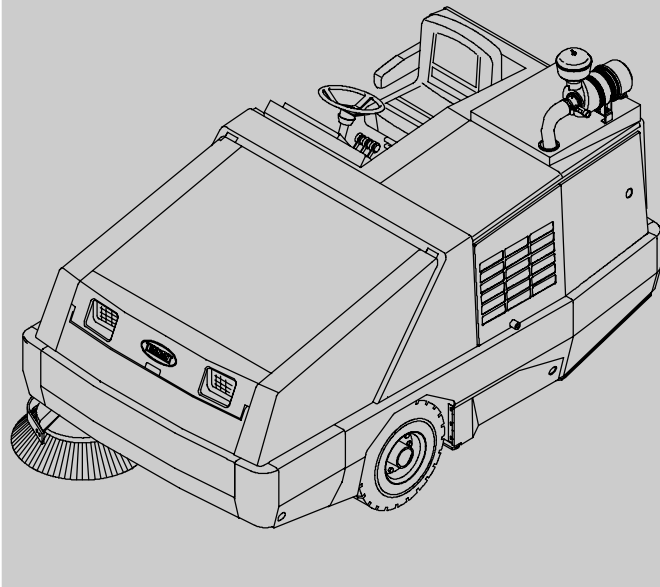
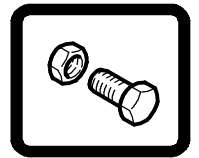


810

(Diesel)

(SN/ 003000-)

Sweeper Parts Manual



North America / International

www.tennantco.com

330180
Rev. 16 (07-2010)



When ordering replacement parts, use the illustrated parts list section in this manual. Before ordering parts or supplies, be sure to have your machine model number and serial number available. Only use TENNANT Company supplied or equivalent parts. Parts and supplies may be ordered online, by phone, or mail from any authorized parts and service center, distributor or from any of the manufacturer's subsidiaries.

This machine will provide excellent service. However, the best results will be obtained at minimum costs if:

- The machine is operated with reasonable care.
- The machine is maintained regularly - per the machine maintenance instructions provided.
- The machine is maintained with manufacturer supplied or equivalent parts.

MACHINE DATA

Please fill out at time of installation for future reference.

Model No. - _____

Serial No. - _____

Machine Options - _____

Sales Rep. - _____

Sales Rep. phone no. - _____

Customer Number - _____

Installation Date - _____

Tennant Company

PO Box 1452

Minneapolis, MN 55440

Phone: (800) 553-8033 or (763) 513-2850

www.tennantco.com

Power Throw, II Speed and Thermo-Sentry, are US registered and unregistered trademarks of Tennant Company.

Specifications and parts are subject to change without notice.

Original instructions, Copyright © 1998-2000, 2002-2005, 2006-2010 TENNANT Company, Printed in U.S.A.

HOW TO USE THIS MANUAL

This section on *HOW TO USE THIS MANUAL* will tell you how to:

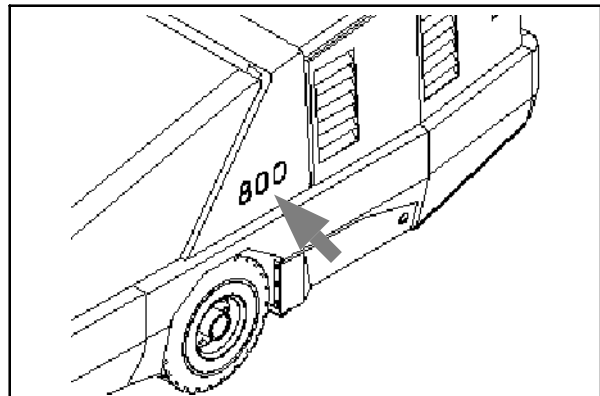
- Find important machine information for ordering correct repair parts.
- Find TENNANT part numbers.
- Order TENNANT parts and supplies.

IMPORTANT INFORMATION

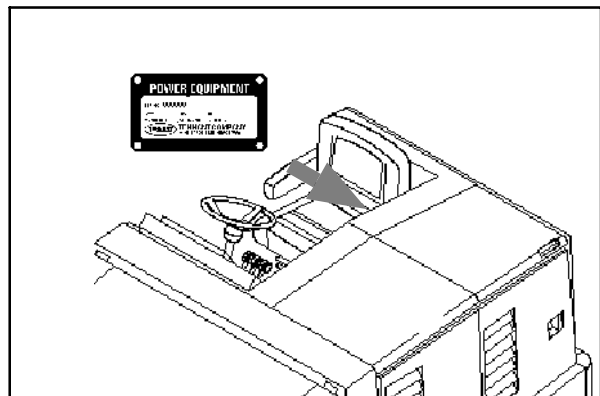
When placing an order for parts, the machine model and machine serial number are important. Refer to the *MACHINE DATA* box which is filled out during the installation of your machine. The *MACHINE DATA* box is located on the inside of the front cover of this manual.

MACHINE DATA	
<i>Please fill out at time of installation for future reference.</i>	
Machine Model Number -	810D
Machine Serial Number -	_____
Machine Options -	_____
TENNANT Representative/phone no. -	_____
Customer ID Number -	_____
Date of Installation -	_____
Manual Number -	330180
Revision:	00
Published:	9-97

The model number of your machine is on the side of the machine.



The serial number of your machine is printed on the machine data plate located as shown.



HOW TO USE THIS MANUAL

FINDING A TENNANT PART NUMBER

This manual contains the following sections:

- HOW TO USE THIS MANUAL
- STANDARD PARTS
- OPTIONS
- BREAKDOWNS
- PERKINS ENGINE BREAKDOWN
- CAT ENGINE BREAKDOWN
- CROSS REFERENCE

The STANDARD PARTS section lists repair parts for standard machines. They are grouped in this general order:

- General wear parts.
- Machine frame and related parts.
- Machine propelling system.
- Sweeping components.
- Electrical parts.

The OPTION section lists repair parts of options.

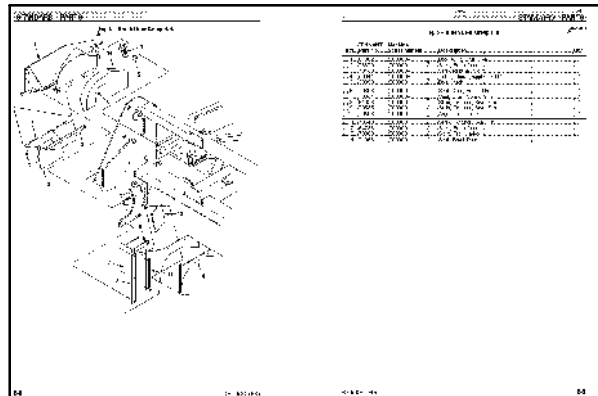
The BREAKDOWN section lists available repair parts of major components.

All sections in this manual consist of parts illustrations and corresponding parts lists.

The parts illustrations are numbered with **Ref** numbers which refer to corresponding parts lists.

The parts lists include a number of columns of information:

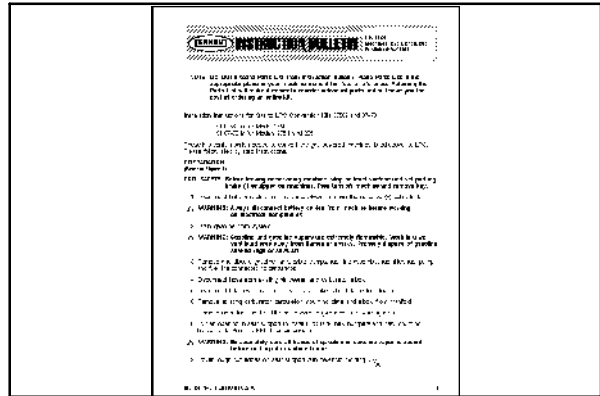
- **Ref** - column refers to the reference number on the parts illustration.
 ▽ - indicates the part is an assembly.
 ▲ - indicates the part is included in the assembly listed just before it.
- **TENNANT Part No.** - column lists the TENNANT part number for the part.
- **Serial Number** - column indicates the set of machines the part number is applicable to. Serial numbers change when the machine design has been modified. The most current design of the machine is shown in the main illustration, older designs are boxed in a corner of the illustration.
- **Description** - column is a brief description of the part.
- **Qty.** - column lists the quantity of that part used in that area of the machine.



TENNANT Part No.	Serial number	Description	Qty.
59E70	000000	Rppm Kit, Instl Pwd	ea1
1 59E76	000000	Rppm Kit, Case	ea1
2 59E77	000000	Rppm Kit, Seal	ea1
3 59E74	000000	Rppm Kit, Of Brand	ea1
4 59E78	000000	Rppm Kit, Hornsecr	ea1
5 59E79	000000	Rppm Kit, Taurh Pansl	ea1
6 59E71	000000	Rppm Kit, Lamp, Backlighting (B)	ea2
7 59E46	000000	Rppm Kit, Lamp (C)	ea1
8 13E32-5	000000	Grommet, Br, 0.25H, For O9Matl	ea4
9 01S09	000000	Switcs, Rckcr, Dpnt	ea1
10 67E07	000000	Cover, Rckcr Switck Seal	ea1
11 07E06	000000	Switcs Ignitcn	ea1
12 87E66	000000	Key Set, Switck Rv	ea1
13 72109	000000	Rppm Kit, Sun Shield	ea1
14 85E45	000000	Panel, Cover, Dash	ea1
15 73E37	000000	Seal, Harde. Valve	ea1

NOTE: If a service kit is installed on your machine, be sure to keep the INSTRUCTION BULLETIN which came with the kit. It contains repair parts numbers needed for ordering future parts.

NOTE: Fasteners used in this machine may be metric or non-metric. Take care when replacing hardware to replace with same thread size.



PLACING AN ORDER

Orders may be placed by phone, fax, or by mail. Phone orders may need written confirmation. Follow the steps below to insure prompt delivery:

1. Identify the model number of your machine.
2. Identify the serial number of your machine.
3. Find the part number of the part you need. Do not order by page number or reference number. If you are not able to find the part number, call your TENNANT representative for help or send the old part as a sample.
4. Determine the quantity of the part you need.
5. Provide the following company information:
 - Company name
 - Customer ID Number
 - Shipping address
 - Billing address
 - First and last name of person ordering parts
 - Telephone number
 - Purchase order number
6. Provide definitive shipping instructions.

HOW TO USE THIS MANUAL

Any claim for loss or damage to a shipment in transit should be filed promptly with the transportation company making the delivery. Shipments will be complete unless the packing list or order acknowledgement indicates items back ordered.

If parts received are suspected to be incorrect or defective, please contact the TENNANT representative from whom you ordered the part. They will give authorization for return and/or handle replacement shipments when required.

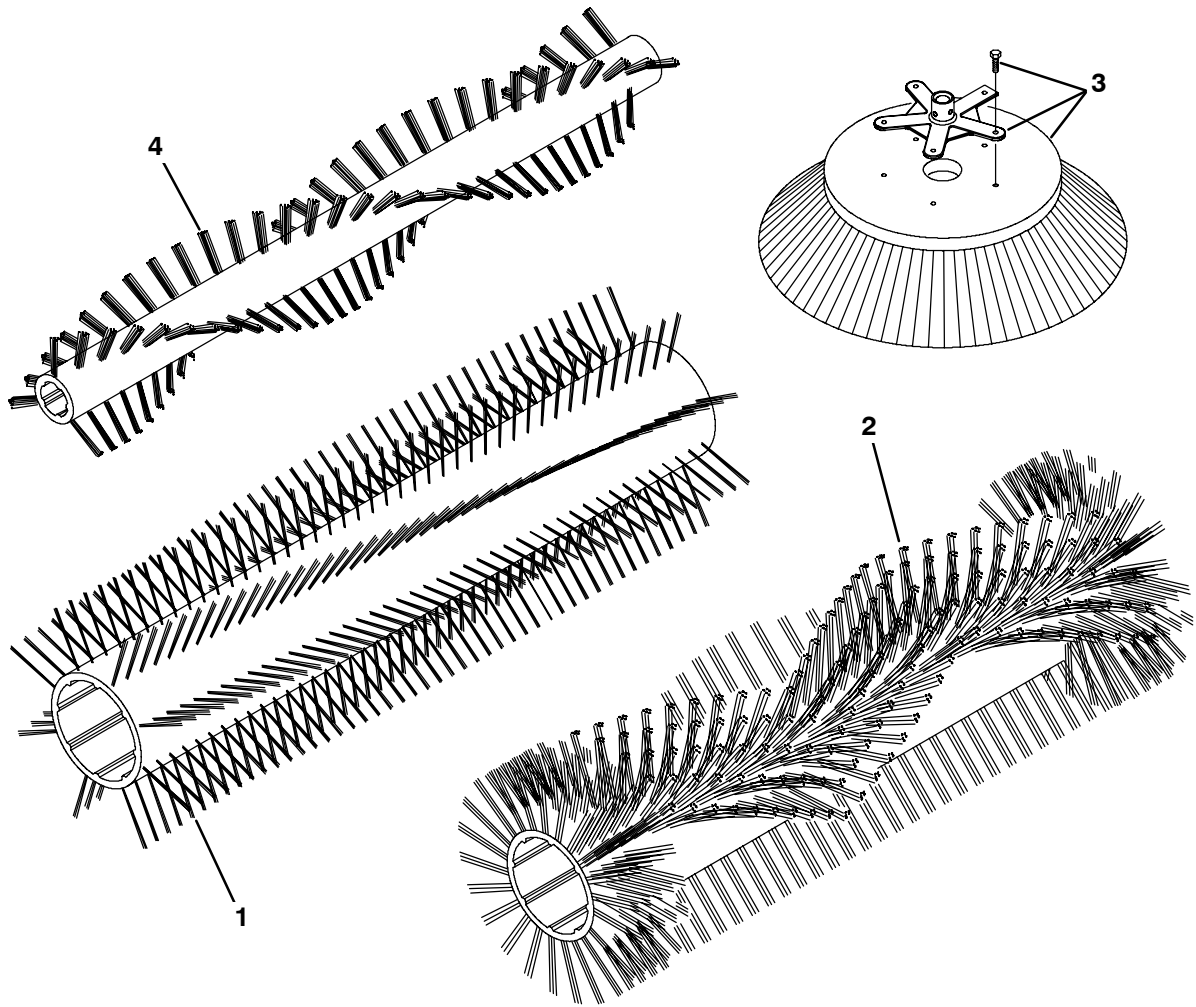
SECTION 2

Contents	Page	Contents	Page
Fig. 1 - General Recommended Maintenance Items	2-2	Fig. 35 - Engine Battery Group (003000-004003)	2-68
Fig. 2 - Brushes, Replacement	2-3	Fig. 36 - Engine Battery Group (004004-)	2-70
Fig. 3 - Main Frame, Skirt and Seals Group	2-4	Fig. 37 - Wheel Drive Group, Rear	2-72
Fig. 4 - Main Frame Left Brush Door Group	2-6	Fig. 38 - Wheels and Brakes Group, Front	2-74
Fig. 5 - Main Frame Right Brush Door Group	2-8	Fig. 39 - Wheel Assembly	2-76
Fig. 6 - Main Frame Operator Station Group	2-10	Fig. 40 - Brake Pedals Group	2-78
Fig. 7 - Main Frame Engine Cover and Lintel Group	2-12	Fig. 41 - Directional Pedal Group	2-80
Fig. 8 - Main Frame Engine Side Door Group (003000-004499)	2-14	Fig. 42 - Hydraulic Pumps Group	2-82
Fig. 9 - Main Frame Engine Side Door Group (004500-)	2-16	Fig. 43 - Hydraulic Schematic	2-84
Fig. 10 - Hydraulic Cooler, Filter and Rear Door Group	2-18	Fig. 44 - Hydraulic Hose Group (003000-003178)	2-86
Fig. 11 - Hopper Lift Arms Group	2-20	Fig. 45 - Hydraulic Hose Group (003179-)	2-88
Fig. 12 - Hopper Lift Cylinders Group	2-22	Fig. 46 - Hydraulic Reservoir Group	2-90
Fig. 13 - Hopper Group	2-24	Fig. 47 - Hydraulic Solenoid Valve Group	2-92
Fig. 14 - Hopper Door Group	2-26	Fig. 48 - Hydraulic Lift Valve Group	2-94
Fig. 15 - Hopper Cover Group	2-28	Fig. 49 - Brush Group, Side	2-96
Fig. 16 - Hopper Bumper Group	2-30	Fig. 50 - Brush Lift Group, Side	2-100
Fig. 17 - Hopper Filter Shaker Group	2-32	Fig. 51 - Brush Drive Group, Main	2-104
Fig. 18 - Hopper Pressure Switch Group	2-34	Fig. 52 - Brush Drive Group, Front	2-106
Fig. 19 - Engine and Mount Group (003000-004003)	2-36	Fig. 53 - Brush Lift Group, Front and Main	2-108
Fig. 20 - Engine and Mount Group (004004-)	2-38	Fig. 54 - Brush Adjustment Group, Main	2-110
Fig. 21 - Engine Throttle Group (004004-)	2-40	Fig. 55 - Vacuum Fan Impeller Group	2-112
Fig. 22 - Engine Alternator Group (003000-004003)	2-42	Fig. 56 - Vacuum Fan Motor Group	2-114
Fig. 23 - Engine Oil Filter Group (003000-004003)	2-44	Fig. 57 - Steering Group	2-116
Fig. 24 - Engine Air Cleaner Group (003000-004003)	2-46	Fig. 58 - Electrical Instrument Panel Assembly	2-118
Fig. 25 - Engine Air Cleaner Group (004004-)	2-48	Fig. 59 - Electrical Circuit Breaker and Relay Group	2-120
Fig. 26 - Engine Muffler Group (003000-004003)	2-50	Fig. 60 - Electrical Schematic (003000- 003066)	2-121
Fig. 27 - Engine Muffler Group (004004-)	2-52	Fig. 61 - Electrical Schematic (003067-004003)	2-125
Fig. 28 - Engine Fuel Tank Group (003000-004003)	2-54	Fig. 62 - Electrical Schematic (004004-)	2-129
Fig. 29 - Engine Fuel Tank Group (004004-)	2-56	Fig. 63 - Wire Harnesses Group, Diesel, Main (003000- 003066)	2-133
Fig. 30 - Engine Radiator Hose Group (003000-004003)	2-58	Fig. 64 - Wire Harnesses Group, Diesel, Hopper (003000-)	2-137
Fig. 31 - Engine Radiator Hose Group (004004-)	2-60	Fig. 65 - Wire Harnesses Group, Diesel, Tail Lights (003000-)	2-138
Fig. 32 - Engine Radiator and Cooling Fan Group (003000-004048)	2-62	Fig. 66 - Wire Harnesses Group, Diesel, Starter (003000- 003066)	2-139
Fig. 33 - Engine Radiator and Cooling Fan Group (004049-004499)	2-64	Fig. 67 - Wire Harnesses Group, Diesel, Main (003067-004003)	2-140
Fig. 34 - Engine Radiator and Cooling Fan Group (004500-)	2-66	Fig. 68 - Wire Harnesses Group, Diesel, Main (004004-)	2-144
		Fig. 69 - Label Group	2-149

Fig. 1 - General Recommended Maintenance Items

Ref.	Part No.	Serial Number	Description	Qty.
▽	77632	(003000-) Maintenance Kit, Skirts	1
▲	73870	(003000-) Skirt, Brush Door	2
▲	64788	(003000-) Skirt, Brush Door	2
▲	70453	(003000-) Strip, Retainer, Skirt	2
▲	62955	(003000-) Skirt, Seal, Main Brush	1
▲	62957	(003000-) Channel, Retainer, Seal, Rear	1
▲	62954	(003000-) Blade, Deflector	1
▲	62956	(003000-) Strap, Retainer, Seal	1
▲	43500	(003000-) Chain, Link#2/0, 7Links	1
▽	79031	(003000-) Maintenance Kit, Skirts 810	1
▲	64919	(003000-) Seal, Pan, Top	1
▲	64920	(003000-) Channel, Retainer	1
▲	70807	(003000-) Seal, Brush Comp, Side	2
▲	73889	(003000-) Skirt, Slotted	2
▽	380740	(003000-004003) Maintenance Kit, 400HR 800/810 Diesel	1
▲	68986	(003000-004003) Filter, Oil	4
▲	36050	(003000-004003) Filter, Fuel	1
▲	55844	(003000-004003) Filter, Fuel, Element	1
▲	60933	(003000-004003) Element, Filter, Air	1
▲	60934	(003000-004003) Element, Filter, Air	1
▽	77634	(003000-) Maintenance Kit, 800HR 800/810	1
▲	34306	(003000-) Breather, Hyd 40Mic No DS	1
▲	31613	(003000-) Strainer-Hyd Suction 25-100-03	1
▲	10664	(003000-) Filter Assy, Spin-on	1
▲	1057711	(003000-) Oil, Hyd [El, Iso 100, 05gal]	3
	1057708	(003000-) Oil, Hyd [El, Iso 32, 05gal]	3
	372654	(004004-) Filter, Oil	1
	36050	(004004-) Filter, Fuel	1
	1017126	(004004-) Element, Fltr, Fuel [Dn]	1
	372652	(004004-) Element, Fltr, Air-clnr	1
	372651	(004004-) Filter, Safety, Air-clnr	1

Fig. 2 - Brushes, Replacement



07628 - 810

Ref.	Part No.	Serial Number	Description	Qty.	
1	35326	(003000-) Brush-Sweep -Polypropylene	1	
1	35324	(003000-) Brush-Sweep -Polypropylene&Wire	1	
1	35327	(003000-) Brush-Sweep -Wire	1	
1	35325	(003000-) Brush-Outsd -Polypropylene	1	
1	35336	(003000-) Brush-Patrl -Nylon	1	
1	35323	(003000-) Brush-Sweep -Nylon (24SR)	1	
1	66020	(004000-) Brush-Sweep -Nylon (8DR)	1	
2	370011	(003000-) Brush, Swp, Wedge, Polypropylene	1	
▽	3	75011	(003000-) Brush-Side Swp -Assy-Nylon	1
▲		51021N	(003000-) Brush-Side Swp -Nylon	1
▲		1042969	(003000-) Hub, Drive, Brush, Side, 1.00b 8.8bc	1
▲		39394	(003000-) Screw, Hex, .31-09 X 1.25, Wood	5
▽	3	75010	(003000-) Brush-Side Swp -Assy-Flat Wire	1
▲		51542	(003000-) Brush-Side Swp -Flat Wire	1
▲		1042969	(003000-) Hub, Drive, Brush, Side, 1.00b 8.8bc	1
▲		39394	(003000-) Screw, Hex, .31-09 X 1.25, Wood	5
▽	3	70649	(003000-) Brush-Side Swp -Assy-Polypropylene	1
▲		70538	(003000-) Brush-Side Swp -Polypropylene	1
▲		1042969	(003000-) Hub, Drive, Brush, Side, 1.00b 8.8bc	1
▲		39394	(003000-) Screw, Hex, .31-09 X 1.25, Wood	5
4	70471	(003000-) Brush-Sweep -Polypropylene	1	

Fig. 3 - Main Frame, Skirt and Seals Group

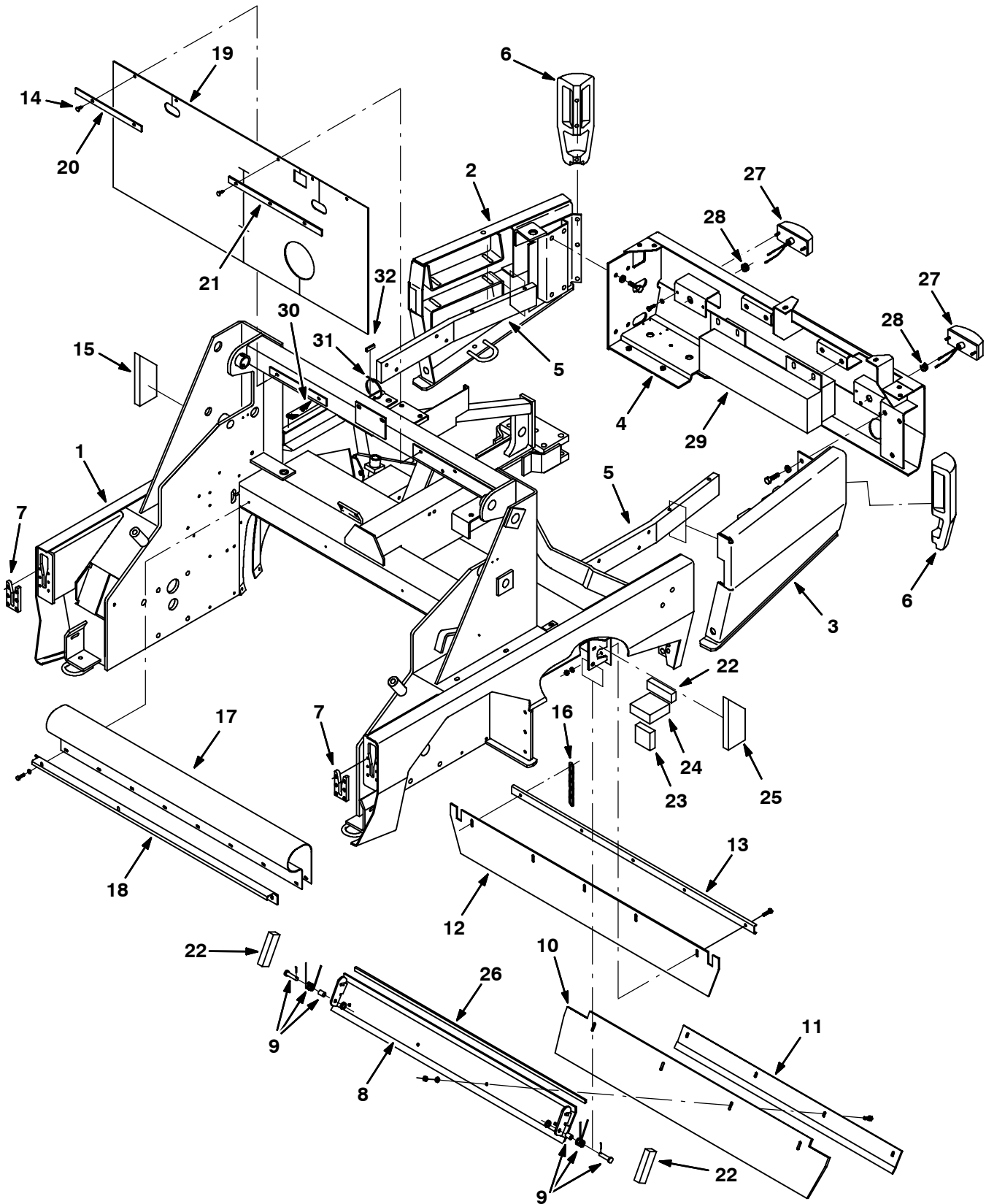


Fig. 3 - Main Frame, Skirt and Seals Group

Ref.	Part No.	Serial Number	Description	Qty.
1	77777	(003000-) Frame	1
2	77782	(003000-) Panel Wldt, Rear, Rh	1
3	77734	(003000-) Panel Wldt, Rear, Lh	1
4	1028300	(003000-) Bumper Wldt, Rear, Gas/Dsl	1
5	77593	(003000-) Bar, Frame	2
6	63544	(003000-) Bumper, Corner, Mach	2
7	63663	(003000-) Plate, Guide, Bumper	2
8	73645	(003000-) Channel, Mounting	1
9	69904	(003000-) Spring, Recirculation	1
10	62954	(003000-) Blade, Deflector	1
11	62956	(003000-) Strap, Retainer, Seal	1
12	62955	(003000-) Skirt, Seal, Main Brush	1
13	62957	(003000-) Channel, Retainer, Seal,Rear	1
14	21168	(003000-) Clip, Pine-Tree .250h Plastic	5
15	74066	(003000-) Insulation, S/Foam	1
16	43500	(003000-) Chain,Link#2/0,7Links	1
17	64919	(003000-) Seal, Pan, Top	1
18	64920	(003000-) Channel, Retainer	1
19	73724	(003000-) Shield, Dust	1
20	70843	(003000-) Strip, Retainer, Shield, Rh	1
21	70844	(003000-) Strip, Retainer, Shield, Lh	1
22	74064	(003000-) Insulation, S/Foam	4
23	73863	(003000-) Insulation, S/Foam 1.0X3.0X3.0	2
24	73862	(003000-) Insulation, S/Foam 1.5X4.0X4.0	2
25	74067	(003000-) Insulation, S/Foam	1
26	79010	(003000-) Seal	1
▽	27	57941	(003000-) Light Assy Stop/Red 12V- . A	2
▲	45780	(003000-) Bulb, 12V .5A 4Cp #1157	1
28	87515	(003000-) Grommet,Rbr,0.50ld,For .25Matl	2
29	79676	(003000-) Weight, Die	1
30	86798	(003000-) Pad, Tread	1
31	49263	(003000-) Tie, Cable, Nyl, 11.4l .19w 3.0 Max D	1
32	361160	(003000-) Molding, Trim, Pvc, .08-.11 01.0l	1

Fig. 4 - Main Frame Left Brush Door Group

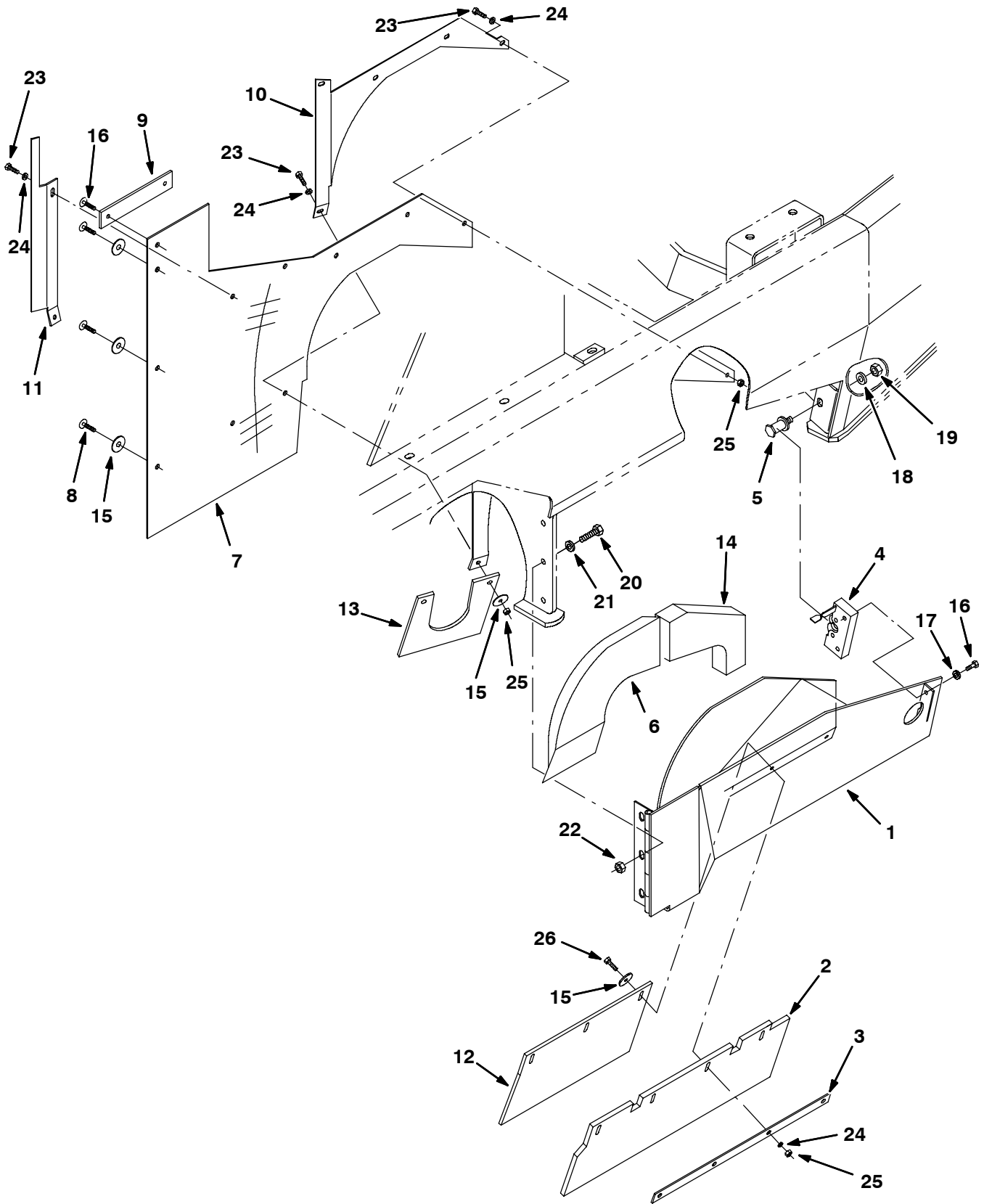


Fig. 4 - Main Frame Left Brush Door Group

Ref.	Part No.	Serial Number	Description	Qty.
1	64801	(003000-) Door Wldt, Brush, Lh	1
2	73870	(003000-) Skirt, Brush Door	1
3	70453	(003000-) Strip, Retainer, Skirt	1
4	58489	(003000-) Latch, Hook (Supplier's Rh)	1
5	58898	(003000-) Bolt, Latch	1
6	70809	(003000-) Seal, Door, Brush, Lh	1
7	70807	(003000-) Seal, Brush Comp, Side 810	1
8	21168	(003000-) Rivet, Plastic	5
9	21282	(003000-) Strip, Retainer, Seal, Side	1
10	70597	(003000-) Angle, Retainer, Seal	1
11	73649	(003000-) Strip, Retainer, Seal, Lh	1
12	64788	(003000-) Skirt, Brush Door	1
13	73889	(003000-) Skirt, Slotted	1
14	74062	(003000-) Seal, Brush Door	1
15	41178	(003000-) Fender Washer	7
16	34323	(003000-) Screw, Hex, .25-20 X 0.75, NI	2
17	41185	(003000-) Washer, Flat, Belleville, .25	2
18	39346	(003000-) Washer, Flat, 0.44, Std	1
19	43955	(003000-) Nut, Hex, Std, .44-14, 5	1
20	39283	(003000-) Screw, Hex, M10 X 1.5 X 25, 8.8	3
21	32492	(003000-) Washer, Flat, 0.38, Std	3
22	07792	(003000-) Nut, Hex, Flng, M10 X 1.50	3
23	06944	(003000-) Screw, Hex, M6 X 1.0 X 25, 8.8	5
24	32483	(003000-) Washer, Flat, 0.25, Sae	14
25	08708	(003000-) Nut, Hex, Lock, M6 X 1.00, NI	11
26	06946	(003000-) Screw, Hex, M6 X 1.0 X 35, 8.8	4

Fig. 5 - Main Frame Right Brush Door Group

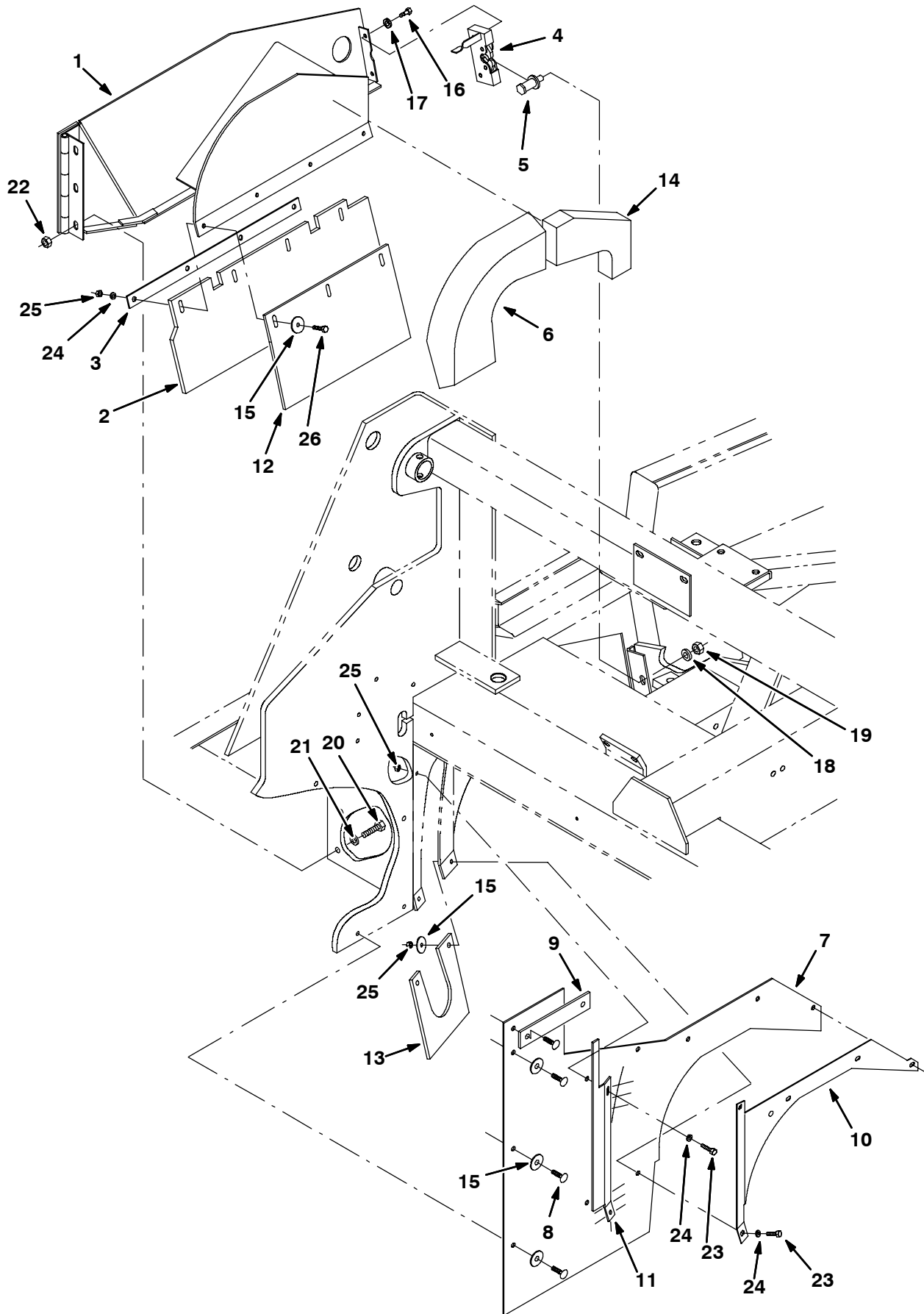


Fig. 5 - Main Frame Right Brush Door Group

Ref.	Part No.	Serial Number	Description	Qty.
1	64802	(003000-) Door Wldt, Brush, Rh	1
2	73870	(003000-) Skirt, Brush Door	1
3	70453	(003000-) Strip, Retainer, Skirt	1
4	58844	(003000-) Latch, Hook (Supplier's Lh)	1
5	58898	(003000-) Bolt, Latch	1
6	70808	(003000-) Seal, Door, Brush, Rh	1
7	70807	(003000-) Seal, Brush Comp, Side 810	1
8	21168	(003000-) Rivet, Plastic	5
9	21282	(003000-) Strip, Retainer, Seal, Side	1
10	70598	(003000-) Angle, Retainer, Seal	1
11	73648	(003000-) Strip, Retainer, Seal, Rh	1
12	64788	(003000-) Skirt, Brush Door	1
13	73889	(003000-) Skirt, Slotted	1
14	74063	(003000-) Seal, Brush Door	1
15	41178	(003000-) Fender Washer	9
16	34323	(003000-) Screw, Hex, .25-20 X 0.75, NI	2
17	41185	(003000-) Washer, Flat, Belleville, .25	2
18	39346	(003000-) Washer, Flat, 0.44, Std	1
19	43955	(003000-) Nut, Hex, Std, .44-14, 5	1
20	39283	(003000-) Screw, Hex, M10 X 1.5 X 25, 8.8	3
21	32492	(003000-) Washer, Flat, 0.38, Std	3
22	07792	(003000-) Nut, Hex, Flng, M10 X 1.50	3
23	06944	(003000-) Screw, Hex, M6 X 1.0 X 25, 8.8	5
24	32483	(003000-) Washer, Flat, 0.25, Sae	14
25	08708	(003000-) Nut, Hex, Lock, M6 X 1.00, NI	11
26	06946	(003000-) Screw, Hex, M6 X 1.0 X 35, 8.8	4

Fig. 6 - Main Frame Operator Station Group

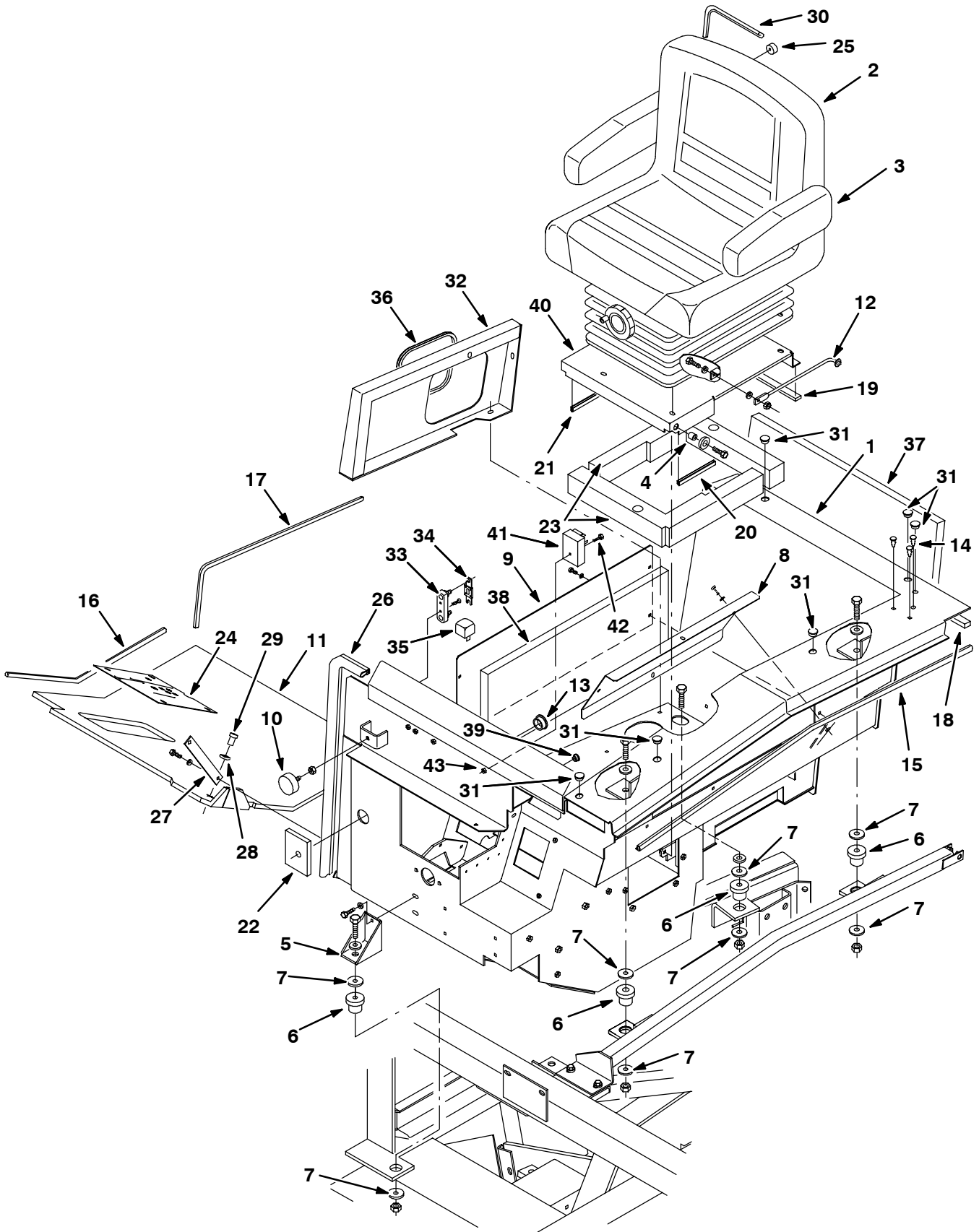


Fig. 6 - Main Frame Operator Station Group

Ref.	Part No.	Serial Number	Description	Qty.
	1	380680	(003000-) Panel Wldt w/label	1
▽	2	63294	(003000-) Seat, Suspension	1
▲	3	311336	(003000-) Armrest, Black	1
	4	40716	(003000-) Sleeve, .385B .62D .62 Cd.Cad	2
	5	63751	(003000-) Bracket, Oper Comp	1
	6	51176	(003000-) Dampner, Engine	4
	7	04414	(003000-) Washer, .531B 1.88D .12Hard Zn	8
	8	64884	(003000-) Panel, Cover, Access	1
	9	70450	(003000-003084) Panel, Air Conditioning	1
	9	375696	(003085-) Panel, Access, Eng.	1
	10	70756	(003000-) Bumper, Rubber	1
	11	76495	(003000-) Tread, Floormat, Rubber	1
	12	54615	(003000-) Rod, Seat	1
	13	76888	(003000-) Plugbtn 1.25h .12 Max Blacknyl	1
	14	77399	(003000-) Clip, Pine-tree .236h Plastic	3
	15	57820	(003000-) Seal, 48.0 Lg.	1
	16	73903	(003000-) Seal, Bulb, Sd-0504 24.50Lg	1
	17	73901	(003000-) Seal, 7.00 Lg	1
	18	74081	(003000-) Seal	1
	19	44777	(003000-) Seal,Foam Rbr, .31 .75W 14.8L	1
	20	62595-3	(003000-) Molding, Trim 11-14Ga 5.75	1
	21	62595-2	(003000-) Molding, Trim 11-14Ga 15.75	1
	22	79028	(003000-) Seal, Rod, Adjuster	1
▽		76494	(003000-) Sealing Kit, Operator Comp	1
▲	23	76285	(003000-) Insulation, S/Foam, Seat	2
▲	24	79116	(003000-) Seal, Dust	1
	25	82921	(003000-) Bumper, Rubber	1
	26	77340	(003000-) Seal, Bulb, Sd-0504 28.00 Lg	1
	27	76492	(003000-) Bar, Retainer	1
	28	41178	(003000-) Washer-Flt .25 Fender Rltd.	1
	29	21246	(003000-) Rivet, Plastic .325D X .787	1
	30	49282	(003000-) Molding, Trim 16Ga&Thinnr 10.0	1
	31	75428	(003000-) Plugbtn .75h .03-.12 Blacknyl	9
	32	380730	(003000-) Panel, Fuel Inlet w/label	1
	33	86381	(003000-) Block, Fuse	1
	34	87319	(003000-) Fuse, 40 Amp	1
	35	380559	(003000-) Relay, 12Vdc 70A Cont Spst	1
	36	380692	(003000-) Trim	1
	37	23946	(003000-) Insulation	1
	38	380765	(003000-003084) Insulation	1
	38	375698	(003085-) Insulation	1
	39	33806	(003000-) Plug	1
	40	70478	(003000-) Panel, Support, Seat	1
	41	382422	(004004-) Timer, 12vdc, 5 Sec On Delay	1
	42	24199	(004004-) Screw, Hex, M5 X 0.8 X 16, Ss	1
	43	09739	(004004-) Nut, Hex, Lock, M5 X 0.8, NI, Ss	1

Fig. 7 - Main Frame Engine Cover and Lintel Group

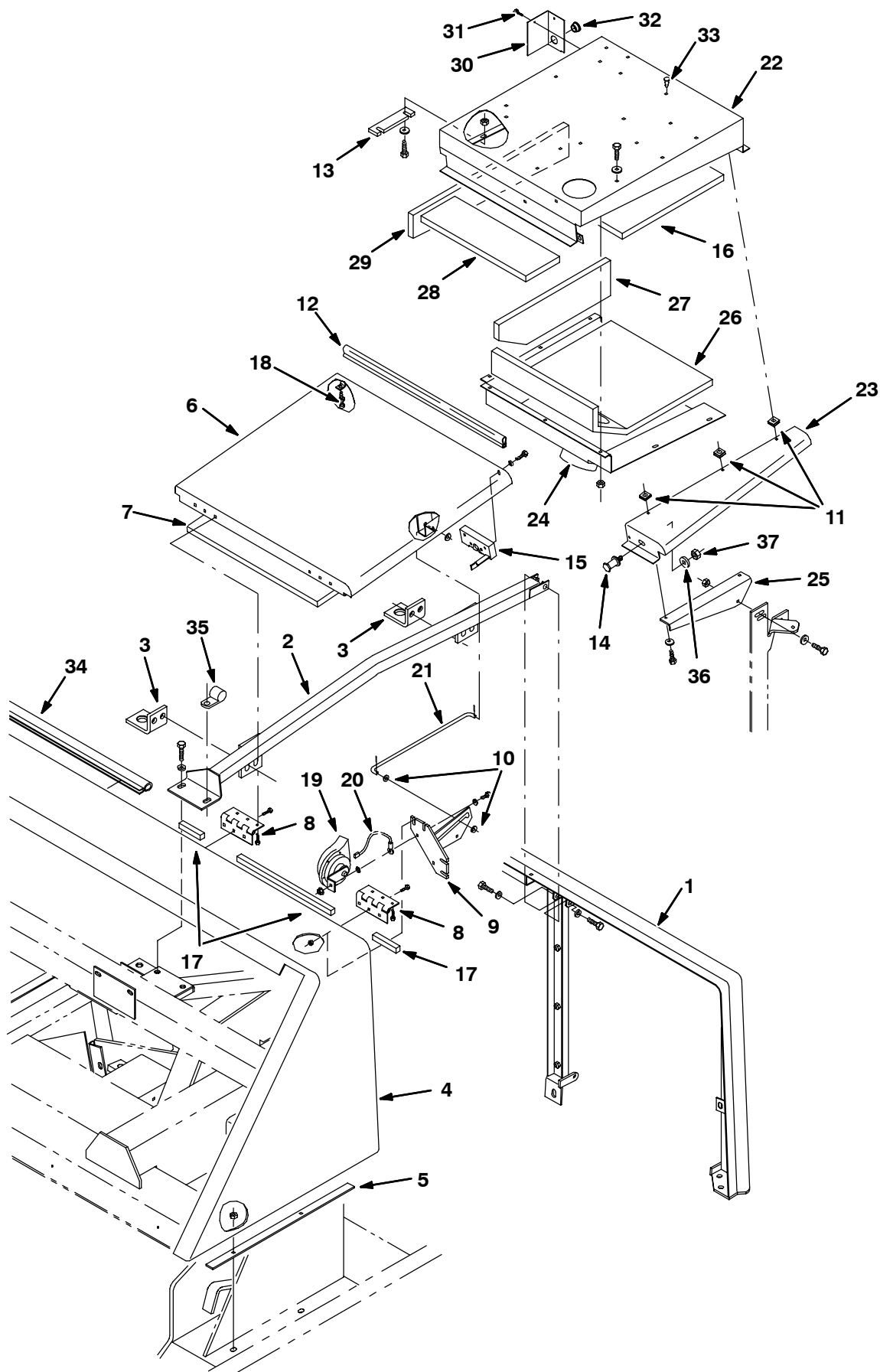


Fig. 7 - Main Frame Engine Cover and Lintel Group

Ref.	Part No.	Serial Number	Description	Qty.
1	64312	(003000-) Lintel, Rear	1
2	380533	(003000-) Tube Wldt, Brace, Center	1
3	380532	(003000-) Bracket, Brace Center	2
4	64278	(003000-) Lintel, Main	1
5	64279	(003000-) Strip, Spacer	2
6	75303	(003000-) Cover Wldt, Engine Se	1
7	76870	(003000-) Insulation,S/Foam .8X19.3X20.3	1
8	74040	(003000-) Hinge	2
9	21131	(003000-) Bracket Wldt, Gas Spring	1
10	43454	(003000-) Washer, .344B .69D .06Nylon	2
11	12271	(003000-) M6 U-Nut Clip	3
12	77778	(003000-) Seal, Bulb, Sd-0504 19.75Lg	1
13	21230	(003000-) Plate, Support, Cover Se	1
14	59192	(003000-) Latch, Bolt	1
15	58844	(003000-) Latch, Hook, Rh	1
16	375537	(003000-) Insulation, S/Foam .5T 17.0X	1
17	53461-2	(003000-) Seal,Foam Rbr, .62 .62W 24.5L	1
18	75128	(003000-) Spindle, Adjustment	1
19	369704	(003000-) Horn, 12 Volt	1
20	21643	(003000-) Wire, Lead	1
21	75883	(003000-) Rod, Support Cover	1
22	375536	(003000-004003) Panel Wldt, Cover Engine	1
22	1014456	(004004-) Panel Wldt, Cover Engine	1
23	77711	(003000-) Panel, Cover, Corner	1
24	47958	(003000-) Panel, Vacuum Duct	1
25	375513	(003000-) Bracket, L 12.0L Hood Support	1
26	380761	(003000-) Insulation, S/Foam, .8T 17.0X15	1
27	380762	(003000-) Insulation, S/Foam, .8T 18.0X4.5	1
28	380763	(003000-) Insulation, S/Foam, .8T 16.5X5	1
29	380764	(003000-) Insulation, S/Foam, .8T 23.0X4X3	1
30	380760	(003000-) Panel, Corner, Eng Cover	1
31	55845	(003000-) Scr-Hxfmgm 5X0.8 16 pltd	1
32	82727	(003000-) Plugbutton .88H .03-.12 Blacknyl	1
33	77399	(003000-) Clip, Tree	11
34	55756	(003000-) Seal	1
35	58366	(003000-) Clamp, Cable, Stl, 1.25d X 1.00w, 1h	1
36	41619	(003000-) Washer, Flat, 0.56b 1.38d .11, Ss	1
37	07788	(003000-) Nut, Hex, Std, M12 X 1.75, Ss	1

Fig. 8 - Main Frame Engine Side Door Group (003000-004499)

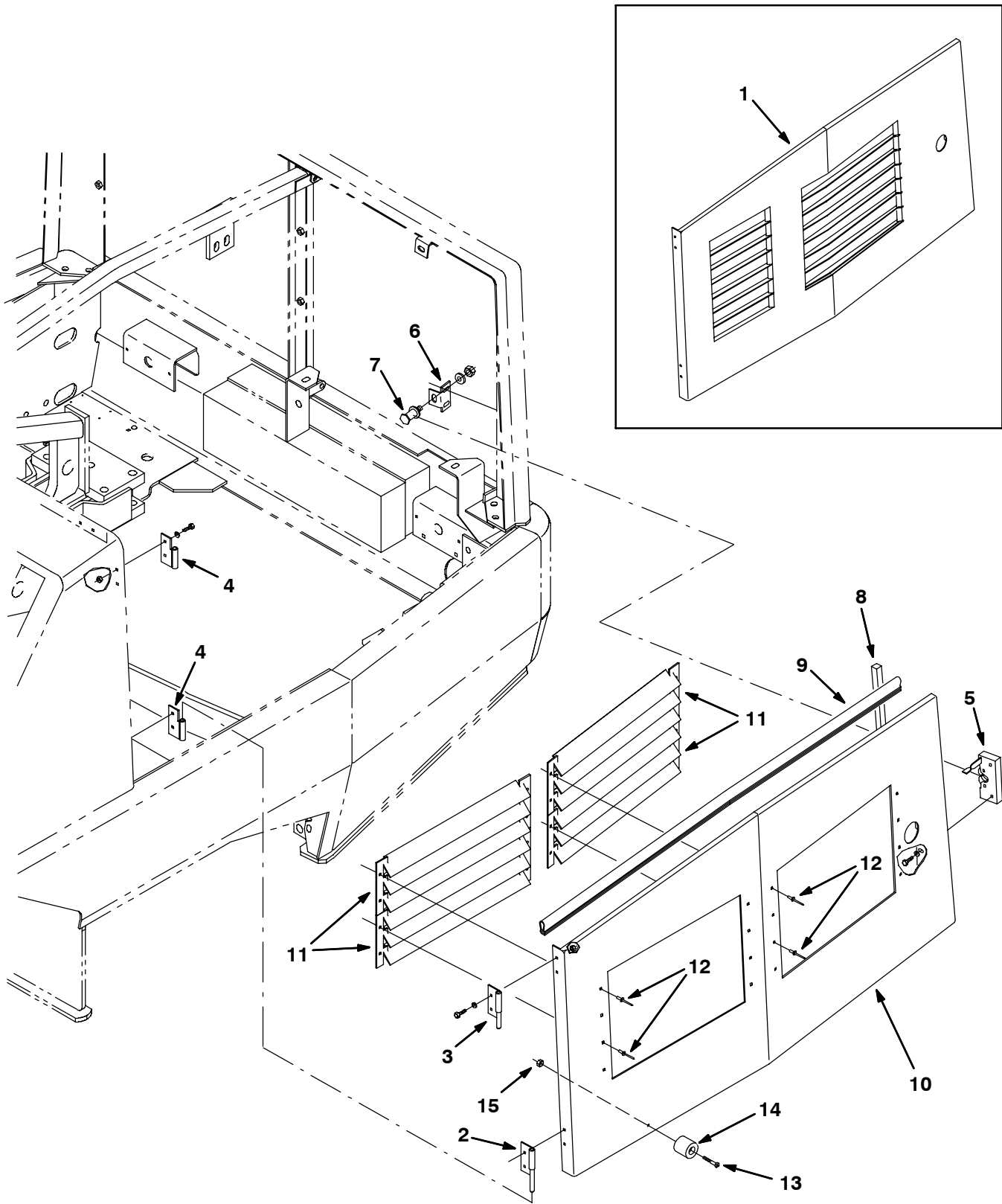


Fig. 8 - Main Frame Engine Side Door Group (003000-004499)

Ref.	Part No.	Serial Number	Description	Qty.
1	23950	(003000-003081)	Door Wldt, Engine	1
2	64543	(003000-004499)	Hinge, W/Pin	1
3	70628	(003000-004499)	Hinge, W/Pin	1
4	64545	(003000-004499)	Hinge	2
5	58489	(003000-004499)	Latch, Hook Rh	1
6	70407	(003000-004499)	Angle, Bolt, Latch	1
7	59192	(003000-004499)	Latch, Bolt	1
8	53461-2	(003000-004499)	Seal,Foam Rbr, .62 .62W 24.5L	1
9	57820	(003000-004499)	Seal, 48.0 Lg.	1
10	375695	(003082-004499)	Door Wldt, Engine	1
11	375693	(003082-004499)	Panel, Louver	4
12	06524	(003082-004499)	Rivet, Pop	16
13	09258	(003171-004499)	Screw, Pan, M 6 X 1.0 X 40, 4.8	1
14	44851	(003171-004499)	Bumper, Rbr, 1.5d 1.50 0.28h	1
15	08708	(003171-004499)	Nut, Hex, Lock, M06 X 1.0, NI	1
16	32493	(003000-004499)	Washer, Flat, 0.50, Std	1
17	39313	(003000-004499)	Nut, Hex, Std, M12 X 1.75	1

Fig. 9 - Main Frame Engine Side Door Group (004500-)

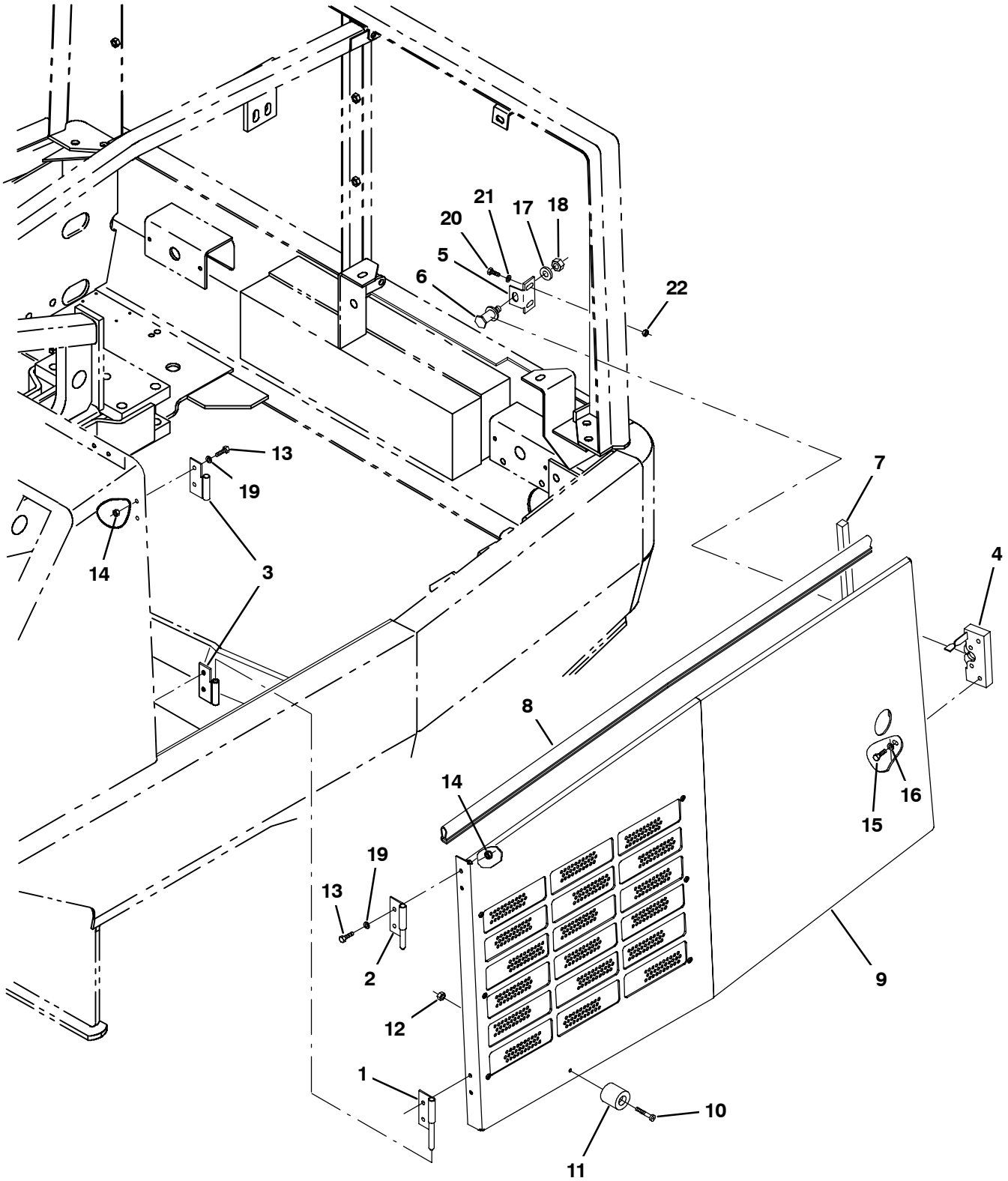


Fig. 9 - Main Frame Engine Side Door Group (004500-)

Ref.	Part No.	Serial Number	Description	Qty.	
1	64543	(004500-) Hinge, W/Pin	1	
2	70628	(004500-) Hinge, W/Pin	1	
3	64545	(004500-) Hinge	2	
4	58489	(004500-) Latch, Hook Rh	1	
5	70407	(004500-) Angle, Bolt, Latch	1	
6	59192	(004500-) Latch, Bolt	1	
7	53461-2	(004500-) Seal,Foam Rbr, .62 .62W 24.5L	1	
8	57820	(004500-) Seal, 48.0 Lg.	1	
▽	9	1046389	(004500-) Door Assy [800/810 08]	1
▲		9004327	(004500-) Screen Kit, Door, Side, Modif	1
10	09258	(004500-) Screw, Pan, M 6 X 1.0 X 40, 4.8	1	
11	44851	(004500-) Bumper, Rbr, 1.5d 1.50 0.28h	1	
12	08708	(004500-) Nut, Hex, Lock, M06 X 1.0, NI	1	
13	06943	(004500-) Screw, Hex, M6 X 1.0 X 20, 8.8	8	
14	07790	(004500-) Nut, Hex, Flng, M6 X 1.00	8	
15	34323	(004500-) Screw, Hex, .25-20 X 0.75, NI	2	
16	32490	(004500-) Washer, Flat, 0.25, Std	2	
17	32493	(004500-) Washer, Flat, 0.50, Std	1	
18	39313	(004500-) Nut, Hex, Std, M12 X 1.75	1	
19	41185	(004500-) Washer, Flat, Belleville, .25	8	
20	16931	(004500-) Screw, Hex, M8 X 1.25 X 20, 8.8	2	
21	32491	(004500-) Washer, Flat, 0.31, Std	2	
22	39311	(004500-) Nut, Hex, Std, M8 X 1.25	2	

Fig. 10 - Hydraulic Cooler, Filter and Rear Door Group

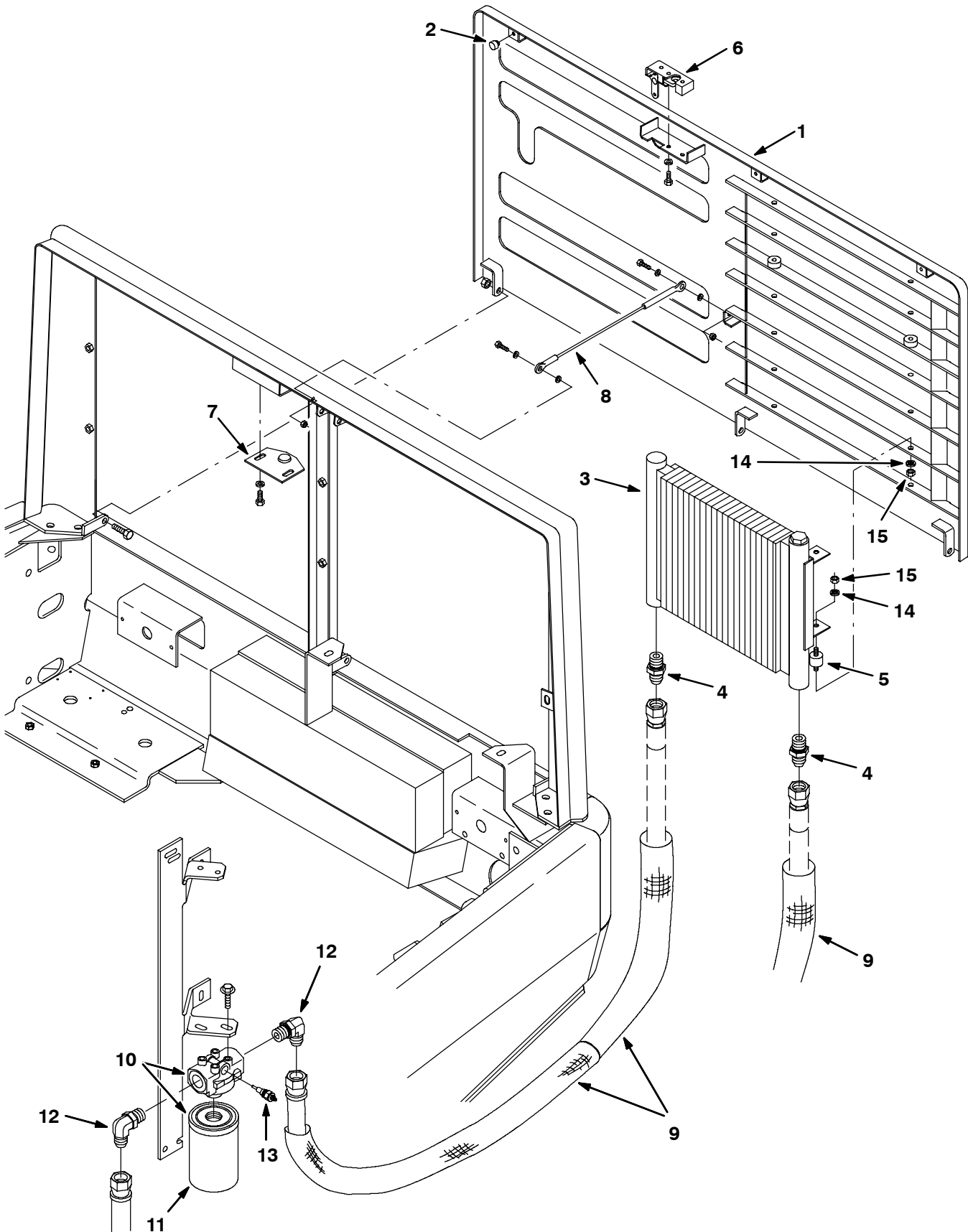


Fig. 10 - Hydraulic Cooler, Filter and Rear Door Group

Ref.	Part No.	Serial Number	Description	Qty.
1	48006	(003000-) Door Wldt, Rear	1
2	51787	(003000-) Bumper, Rubber	3
3	64419	(003000-) Cooler-Hyd	1
4	42260	(003000-) Ftg-Hyd Str Jm12/Om12	2
5	51322	(003000-) Isolator-Vibration .31-18	4
6	59661	(003000-) Latch	1
7	65252	(003000-) Plate, Striker	1
8	36192	(003000-) Lanyard Assy.	1
9	82830	(003000-) Sleeve, Nyl 16.0 L	3
▽	10	10664	(003000-) Filter Assy, Spin-on	1
▲	11	65221	(003000-) Filter Element	1
	12	46481	(003000-) Ftg-Hyd E90 Jm12/om12	2
	13	65222	(003000-) Sender, Filter, Hydraulic	1
	14	32984	(003000-) Washer, Lock, Int, 0.31	4
	15	19313	(003000-) Nut, Hex, Std, .31-18	4

Fig. 11 - Hopper Lift Arms Group

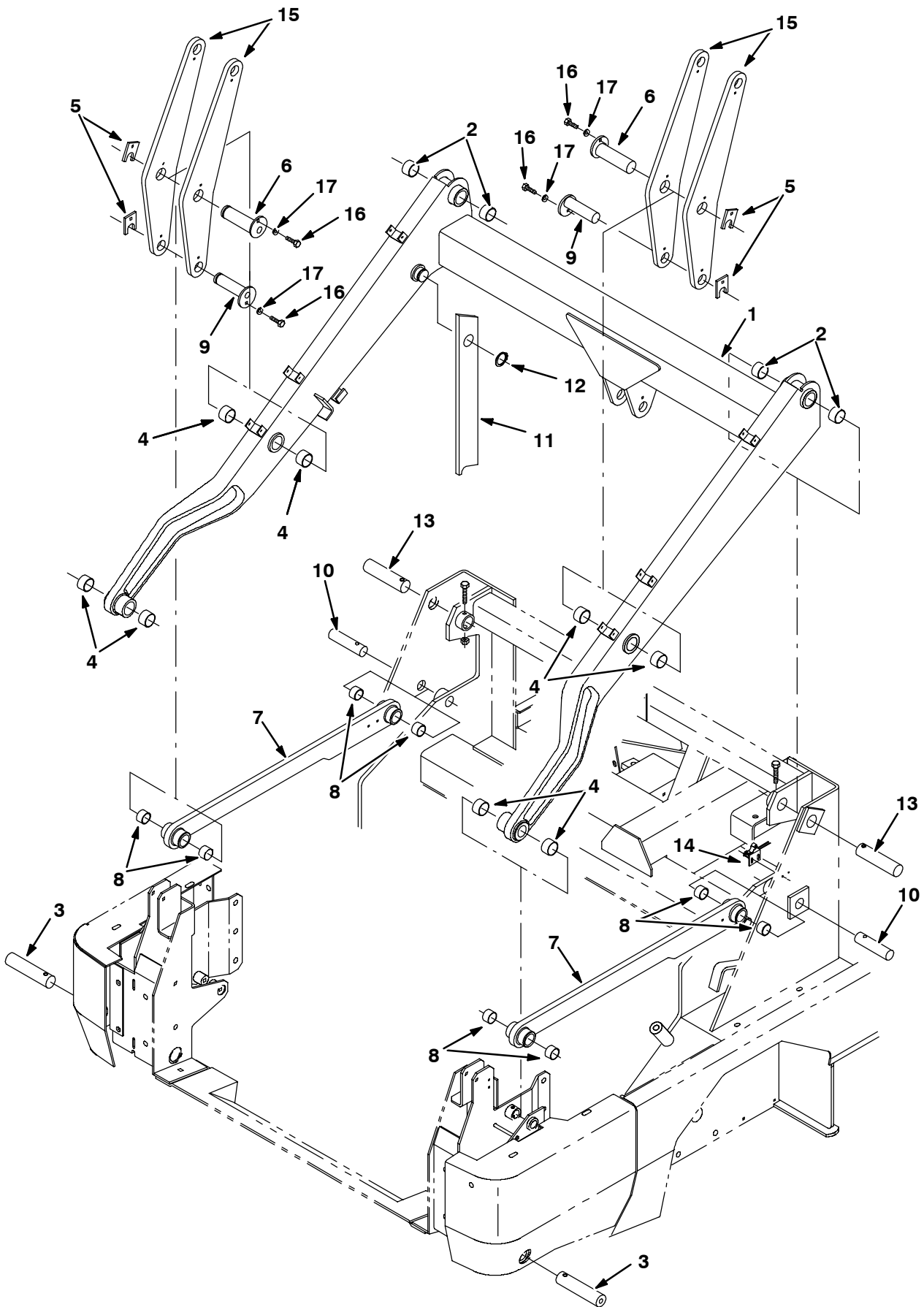


Fig. 11 - Hopper Lift Arms Group

Ref.	Part No.	Serial Number	Description	Qty.
1	75861	(003000-) Arm Wldt, Hopper Lift w label	1
2	58293	(003000-) Bearng-Journal	4
3	77463	(003000-) Pin, 1.500 0Dx7.81, Drilled	2
4	58293	(003000-) Bearng-Journal	8
5	83554	(003000-) Plate, Pin Retainer	4
6	83551	(003000-) Pin Weldt.	2
7	1053518	(003000-) Arm, Lift, Hppr, Lower	2
8	57936	(003000-) Bearing-Journal	2
9	83553	(003000-) Pin Weldt.	2
10	76470	(003000-) Pin	2
11	380681	(003000-) Arm, Safety W/Label	1
12	63926	(003000-) Ring, Retaining, Ex 1.5 Dia Hd	1
13	76471	(003000-) Pin	2
14	59965	(003000-) Switch, Roller	1
15	83549	(003000-) Plate, Link	4
16	10959	(003000-) Screw, Hex, M10 X 1.5 X 20, Ss, NI	4
17	32492	(003000-) Washer, Flat, 0.38 Std	4

Fig. 12 - Hopper Lift Cylinders Group

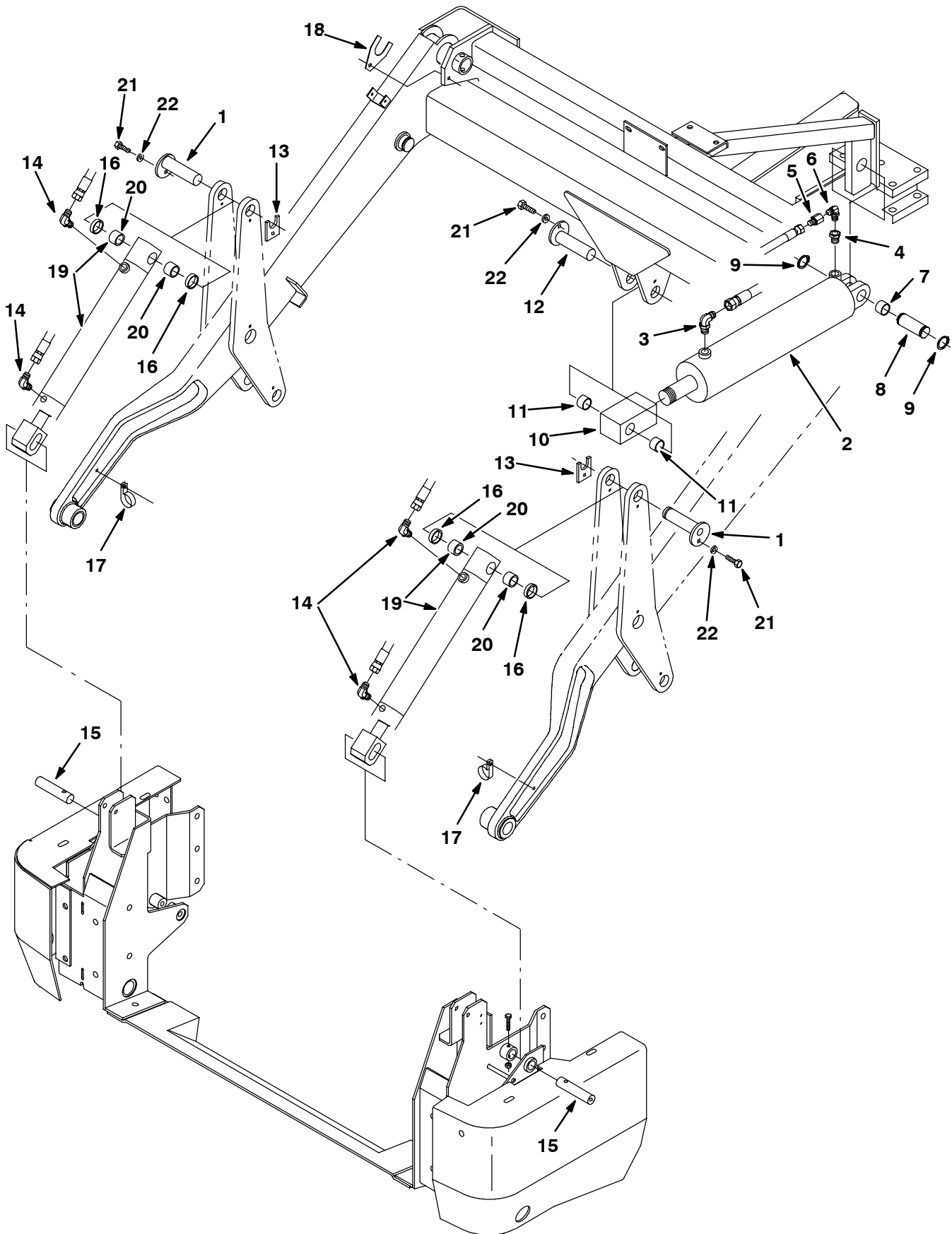


Fig. 12 - Hopper Lift Cylinders Group

Ref.	Part No.	Serial Number	Description	Qty.	
1	83553	(003000-) Pin Wldt.	2	
2	1026719	(003000-) Cylinder, Hyd, 4.0b 29.1l 14.50strk 2500 (See Breakdowns)	1	
3	47512	(003000-) Ftg-Hyd E90 Jm06/Om08	1	
4	55686	(003000-) Ftg-Hyd Str Jm04/Om08	1	
5	16456	(003000-) Ftg-Hyd Rst Jm04/.063	1	
6	39210	(003000-) Ftg-Hyd E90 Jm04/Jf04	1	
7	59866	(003000-) Bearing, Journal	1	
8	63583	(003000-) Pin, 1.25 Odx 3.50, Grooved	1	
9	58359	(003000-) Retaining Ring-External, 1.25D	2	
10	64156	(003000-) Bar, Cylinder End	1	
11	57936	(003000-) Bearing-Journal	2	
12	83553	(003000-) Pin, 1.250 Od X 4.50	1	
13	83554	(003000-) Plate, Pin Retainer	2	
14	47638	(003000-) Ftg-Hyd E90 Jm04/Om06	4	
15	63584	(003000-) Pin, 1.00 Odx 4.50, Drilled	2	
16	83555	(003000-) Spacer	4	
17	67767	(003000-) Clamp-Cable,.69Dia. 62Wth	2	
18	75891	(003000-) Plate, Spacer	2	
▽	19	1042110	(003000-) Cylinder, Hyd, 2.0b 23.8l 14.90strk 2500	2
▲	20	57936	(003000-) Bearing-Journal	2
21	10959	(003000-) Screw, Hex, M10 X 1.5 X 20, Ss, NI	3	
22	32492	(003000-) Washer, Flat, 0.38 Std	3	

Fig. 13 - Hopper Group

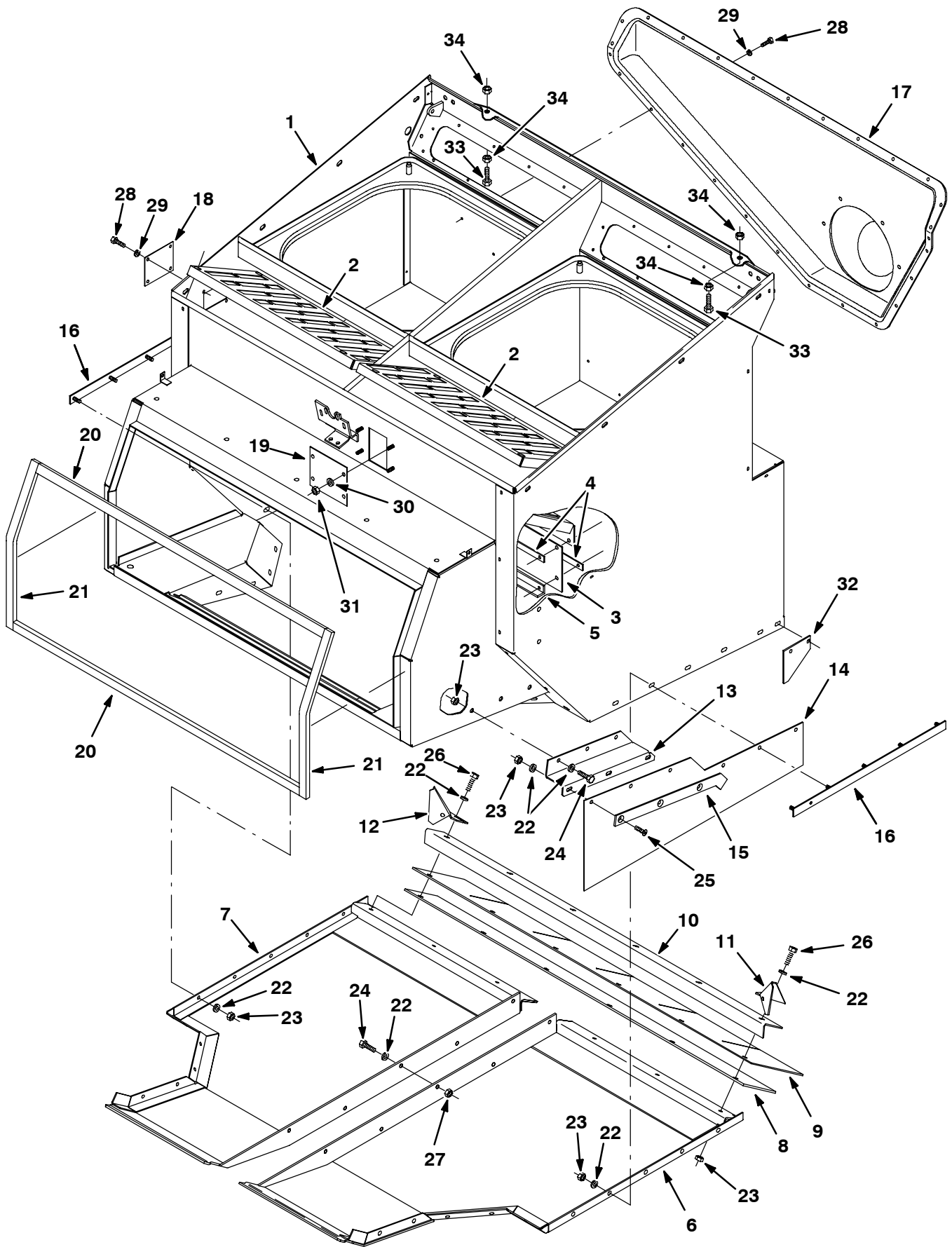


Fig. 13 - Hopper Group

Ref.	Part No.	Serial Number	Description	Qty.
1	76487	(003000-) Hopper Wldt	1
2	63665	(003000-) Panel, Permafilter, Upper	2
3	63667	(003000-) Seal, Dust	1
4	63668	(003000-) Bar, Retainer, Dust Seal	2
5	63669	(003000-) Angle, Dust Seal	1
6	76475	(003000-) Panel, Hopper, Bottom, Lh	1
7	76472	(003000-) Panel, Bottom, Hopper, Rh	1
8	73678	(003000-) Skirt, Lip	1
9	73679	(003000-) Skirt, Lip	1
10	63647	(003000-) Angle, Retainer, Lip	1
11	74046	(003000-) Panel, Deflector, Dirt, Rh	1
12	74045	(003000-) Panel, Deflector, Dirt, Lh	1
13	73772	(003000-) Bracket, Mtg, Skirt	1
14	73771	(003000-) Skirt, Deflector	1
15	73749	(003000-) Strip, Retainer, Skirt, Front	1
16	79139	(003000-) Strip, Hopper	2
17	70388	(003000-) Duct, Inlet, Vac Fan	1
18	74069	(003000-) Plate, Cover	1
19	73887	(003000-) Plate, Cover	1
20	79597	(003000-) Seal, Foam, Urethane Covered	2
21	79600	(003000-) Seal, Foam, Urethane Covered	2
22	01685	(003000-) Washer, Flat, 0.38b 0.88d .08, Ss	27
23	08713	(003000-) Nut, Hex, Lock, M8 X 1.25, NI, Ss	22
24	09740	(003000-) Screw, Hex, M8 X 1.25 X 20, Ss	18
25	79506	(003000-) Screw, Flt, M8 X 1.25 X 30, Ss	3
26	09011	(003000-) Screw, Hex, M8 X 1.25 X 30, Ss	6
27	07791	(003000-) Nut, Hex, Flng, M8 X 1.25	15
28	74455	(003000-) Screw, Hex, M6 X 1.0 X 12, Fmg	33
29	19066	(003000-) Washer, Flat, #10	33
30	39349	(003000-) Washer, Flat, 0.31, Sae	4
31	08709	(003000-) Nut, Hex, Lock, M8 X 1.25, NI	4
32	70470	(003000-) Lip, Side, Hopper	2
33	06972	(003000-) Screw, Hex, M12 X 1.75 X 60, 8.8	2
34	39313	(003000-) Nut, Hex, Std, M12 X 1.75	4

Fig. 14 - Hopper Door Group

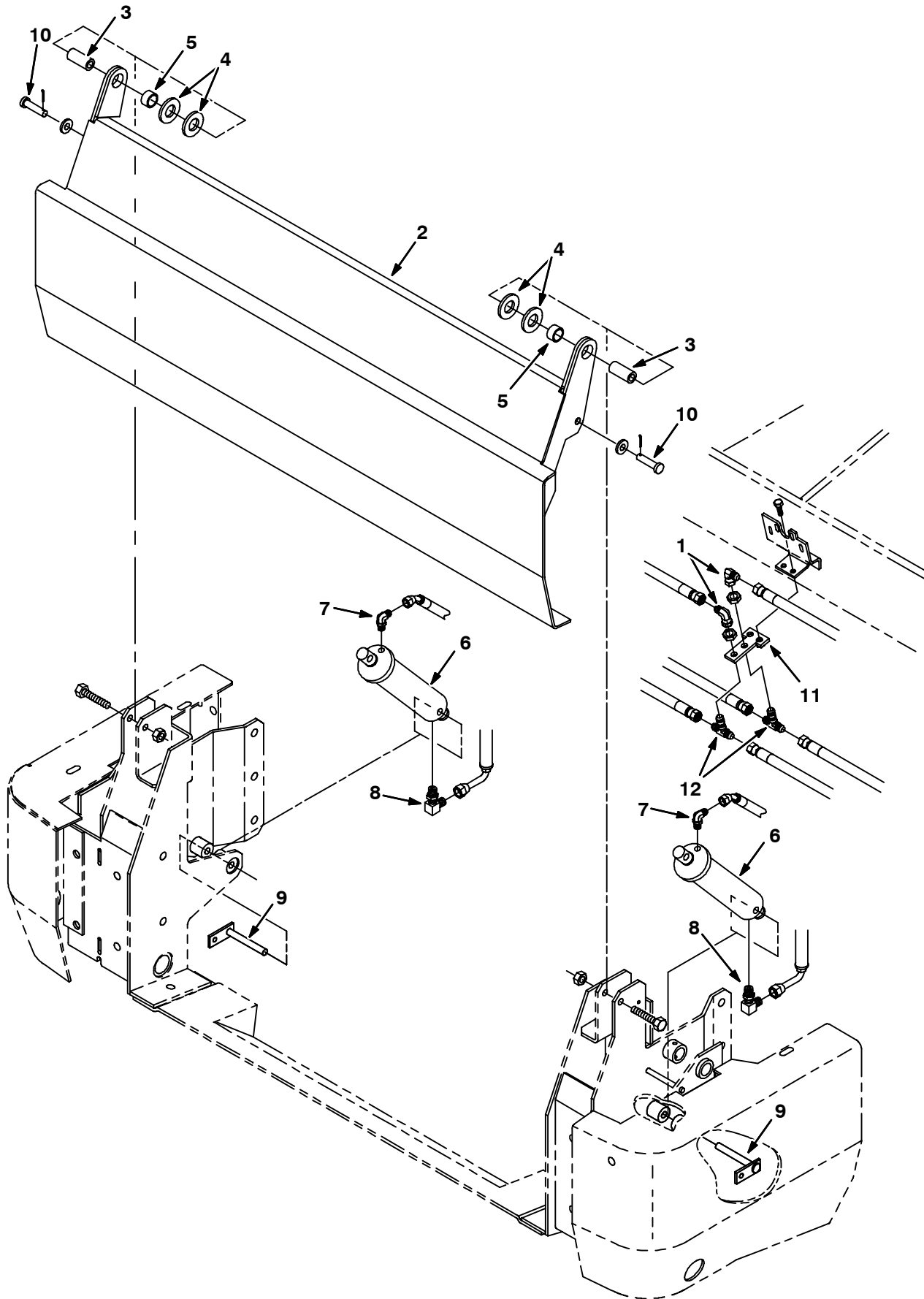


Fig. 14 - Hopper Door Group

Ref.	Part No.	Serial Number	Description	Qty.
1	39210	(003000-) Ftg-Hyd E90 Jm04/Jf04	2
2	83618	(003000-) Door Wldt, Hopper	1
3	79138	(003000-) Sleeve, Pivot, Door	2
4	79596	(003000-) Washer, 1.015B 1.75D .11Hrs	4
5	35688	(003000-) Bearing, Journal	2
6	1041090	(003000-) Cylinder, Hyd, 2.0b 12.0l 08.00strk 2500	2
7	82825	(003000-) Ftg-Hyd E90 Jm04/Om04	2
8	77097	(003000-) Ftg-Hyd E90 Jm04/Om04	2
9	64893	(003000-) Pin	2
10	21722	(003000-) Pin, Clevis .50 Dia X 2.25 Lg	2
11	75012	(003000-) Bracket, Mtg, Ftg	1
12	34392	(003000-) Ftg-Hyd Tee Jm04Jmjm	2

Fig. 15 - Hopper Cover Group

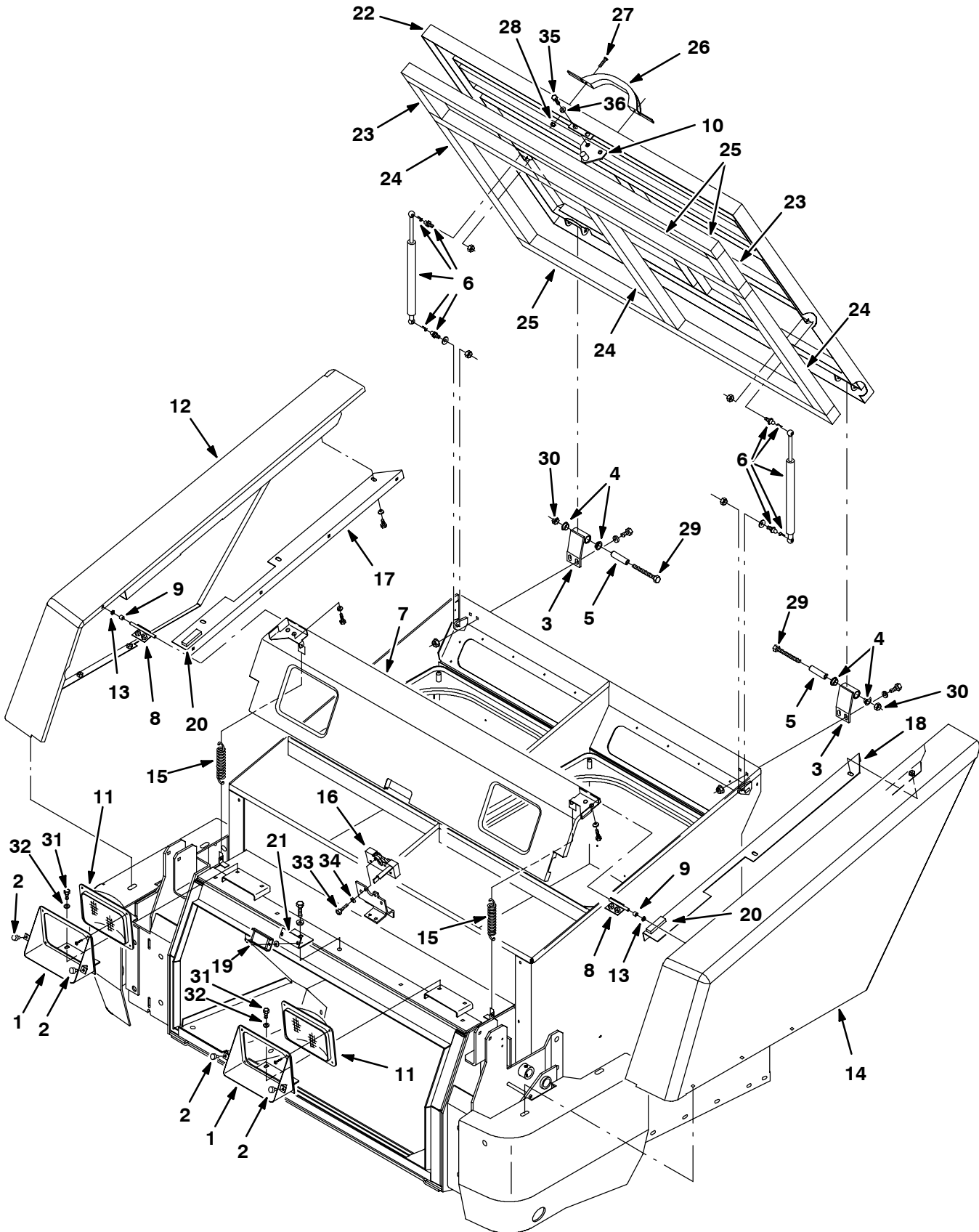


Fig. 15 - Hopper Cover Group

Ref.	Part No.	Serial Number	Description	Qty.	
1	77388	(003000-) Bracket, Mounting, Headlamp	2	
2	51787	(003000-) Bumper, Rubber	4	
3	70762	(003000-) Hinge	2	
4	04843	(003000-) Bearing, Flange .625 Bore	4	
5	70761	(003000-) Tube, 0.62D .44B 2.44, Stl	2	
6	69906	(003000-) Spring-Gas, Engine Cover	2	
7	77394	(003000-) Panel, Headlight	1	
8	70730	(003000-) Hinge	2	
9	74015	(003000-) Sleeve, .320B .32D .49 Lc Stl	2	
10	70742	(003000-) Pin Wldt, Latch	1	
11	58524	(003000-) Headlight, 12V.Rect.	2	
12	65278	(003000-) Panel Wldt, Fender, Rh	1	
13	11747	(003000-) Bearing, Nylon	2	
14	65281	(003000-) Panel Wldt, Fender, Lh	1	
15	01274	(003000-) Sprng,Tens,0.965Odx.09Wire4.4L	2	
16	79019	(003000-) Latch, Hook, Rh, Single Catch	1	
17	75047	(003000-) Bracket, Rh	1	
18	75046	(003000-) Bracket, Lh	1	
19	63378	(003000-) Magnet, Drive Brush	1	
20	79591	(003000-) Bumper, Cover, Hopper	2	
21	77400	(003000-) Angle, Mount	1	
▽	22	21221	(003000-) Cover Assy, Hopper	1
▲	23	375564	(003000-) Seal, Urethane Covered Foam	2
▲	24	375565	(003000-) Seal, Urethane Covered Foam	3
▲	25	375566	(003000-) Seal, Urethane Covered Foam	3
▲	26	381962	(003111-) Handle, Container	1
▲	27	382726	(003111-) Screw, Pan, m06	2
▲	28	08708	(003111-) Nut, Hex Lock m06	2
	29	03193	(003000-) Screw, Hex, M10 X 1.5 X 90, 8.8	2
	30	41430	(003000-) Nut, Hex, Lock, M10 X 1.5, NI	2
	31	16931	(003000-) Screw, Hex, M8 X 1.25 X 20, 8.8	4
	32	32491	(003000-) Washer, Flat, 0.31 Std	4
	33	12274	(003000-) Screw, Hex, M6 X 1.0 X 20, 8.8, NI	4
	34	19066	(003000-) Washer, Flat, #10	4
	35	16735	(003000-) Screw, Hex, M8 X 1.25 X 16, 8.8	2
	36	41186	(003000-) Washer, Belleville, .31	2

Fig. 16 - Hopper Bumper Group

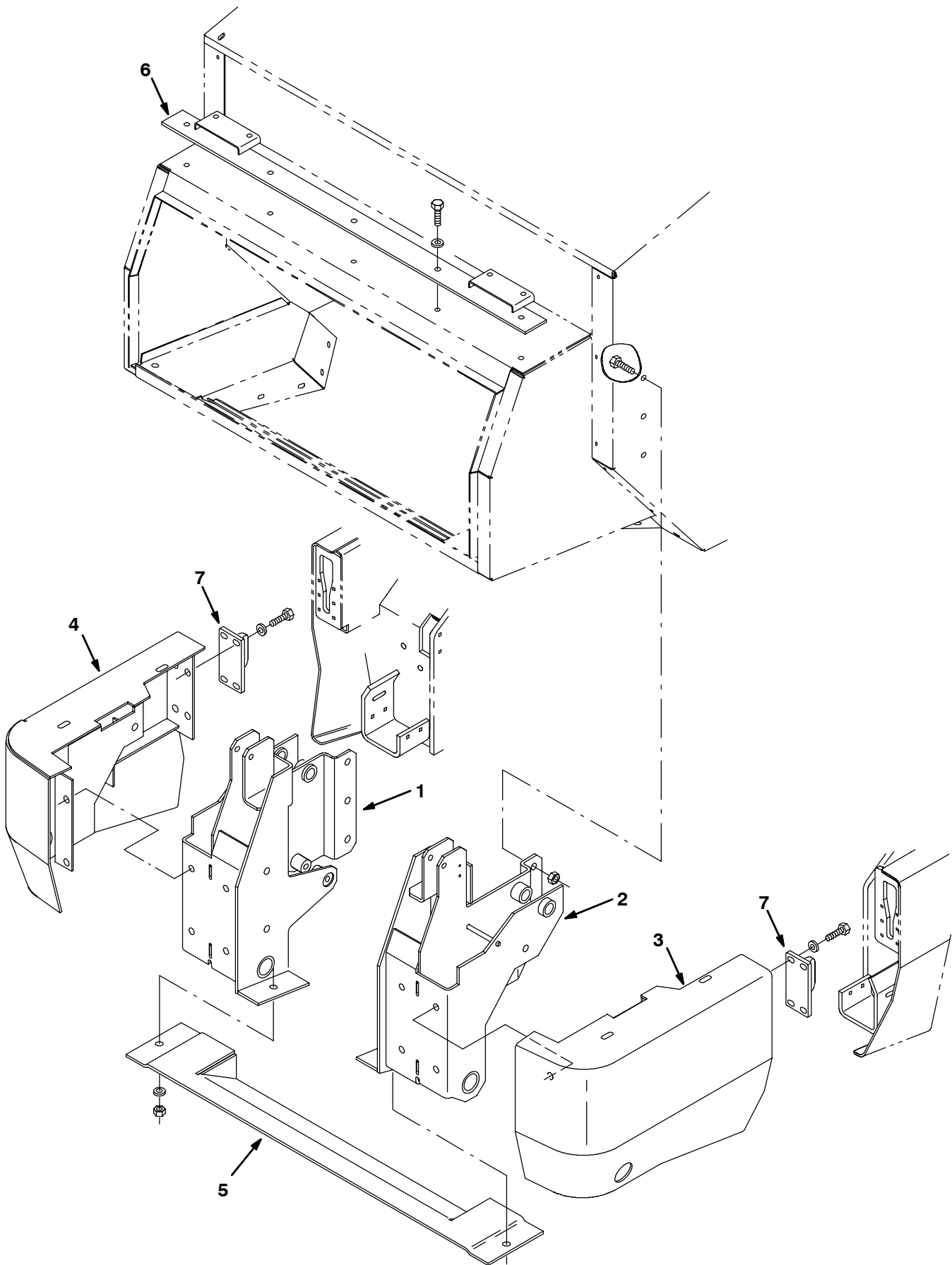


Fig. 16 - Hopper Bumper Group

Ref.	Part No.	Serial Number	Description	Qty.
1	83547	(003000-) Bumper Wldt, Sppt, Hopper, Rh	1
2	83548	(003000-) Support Wldt, Sppt, Hopper Lh	1
3	83620	(003000-) Bumper Wldt, Lh	1
4	83622	(003000-) Bumper Wldt, Rh	1
5	77523	(003000-) Guard Wldt, Hopper	1
6	77516	(003000-) Bracket Wldt, Mtg, Headlight	1
7	63671	(003000-) Latch, Bumper	2

Fig. 17 - Hopper Filter Shaker Group

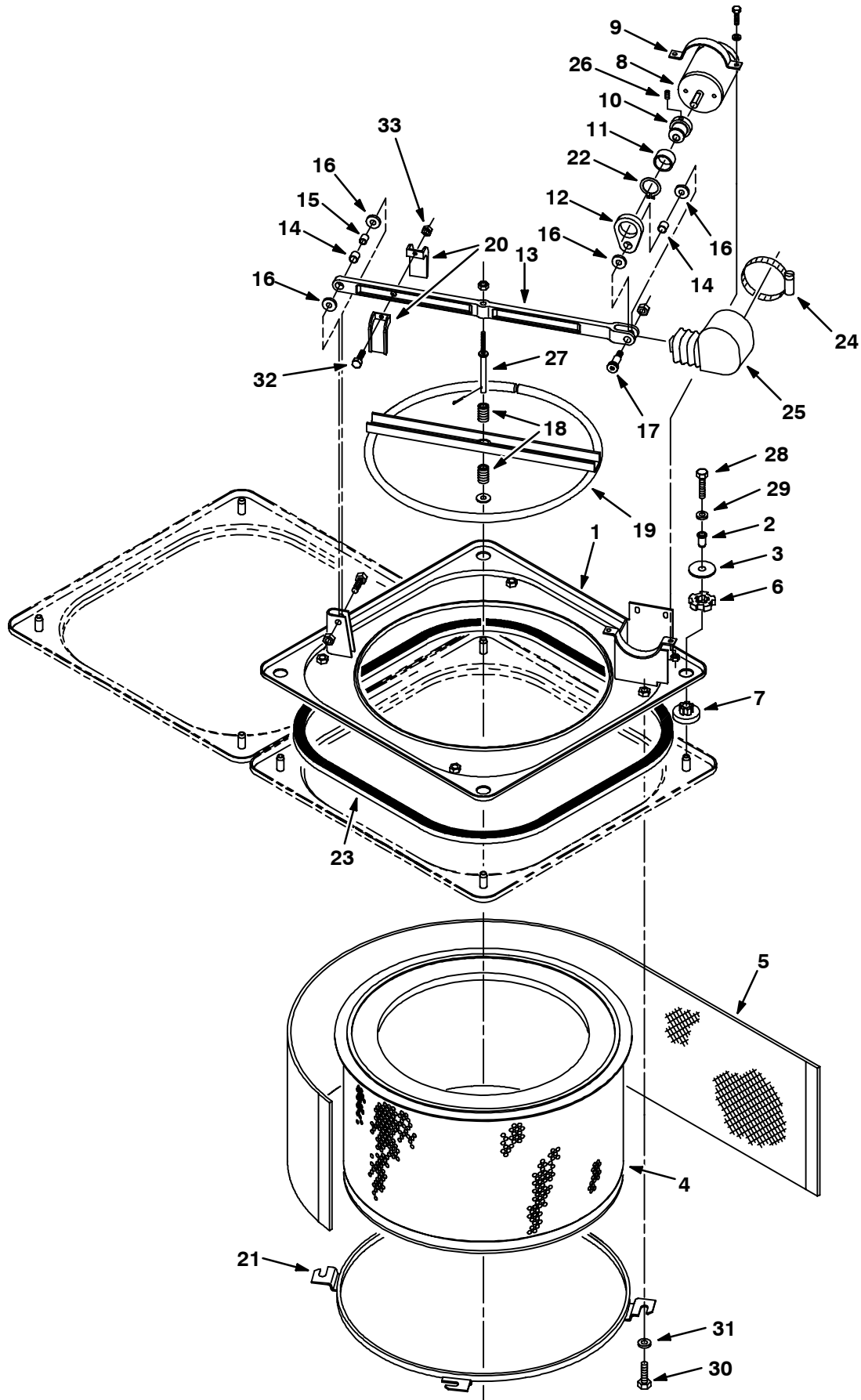


Fig. 17 - Hopper Filter Shaker Group

Ref.	Part No.	Serial Number	Description	Qty.	
1	64580	(003000-) Panel Wldt, Shaker	2	
2	64874	(003000-) Ferrule	8	
3	64873	(003000-) Disc	8	
4	48069	(003000-) Filter Assy, Fine, Hopper (option)	2	
▽	4	63297	(003000-) Filter Assy, (standard)	2
▲	5	63311	(003000-) Screen, Filter	1
6	64618	(003000-) Ring, Isolator, Outer, Rbr	8	
7	64621	(003000-) Bushing, Isolator	8	
8	31999	(003000-) Motor, Electric, 13.6 Vdc	2	
9	64559	(003000-) Clamp, Mtg, Motor, Upper	2	
10	64567	(003000-) Shaft, Eccentric	2	
11	32006	(003000-) Bearing	2	
12	64394	(003000-) Link, Eccentric	2	
▽	13	77471	(003000-) Shaker Bar Replacement Kit	2
▲	14	63233	(003000-) Bearing, Fiberglide .50 X .50	2
▲	15	63234	(003000-) Sleeve, Bearing	1
▲	16	59633	(003000-) Bearing, Thrust - Fiberglide	4
▲	17	58357	(003000-) Shoulder Screw	2
18	64392	(003000-) Spring	4	
19	64501	(003000-) Ring Wldt, Shaker	2	
20	64410	(003000-) Guide	4	
21	64500	(003000-) Ring Wldt, Mtg, Filter	2	
22	70651	(003000-) Ring, Retaining, Ext 1.12	2	
23	21303	(003000-) Seal Kit, Shaker Panel	2	
24	43555	(003000-) Clamp-Wormdrive, 1.62- 3.50D	2	
25	73734	(003000-) Seal, Dust	2	
26	70650	(003000-) Set Screw	2	
27	32009	(003000-) Bar, Shaker Stem	2	
28	39284	(003000-) Screw, Hex, M10 X 1.5 X 35, 8.8	8	
29	32492	(003000-) Washer, Flat, 0.38 Std	8	
30	09028	(003000-) Screw, Hex, M10 X 1.5 X 25, Ss	8	
31	01686	(003000-) Washer, Flat, 0.44b 1.00 .08, Ss	8	
32	09164	(003000-) Screw, Pan, M6 X 1.0 X 20, 4.8	2	
33	08708	(003000-) Nut, Hex, Lock, M6 X 1.0, NI	2	

Fig. 18 - Hopper Pressure Switch Group

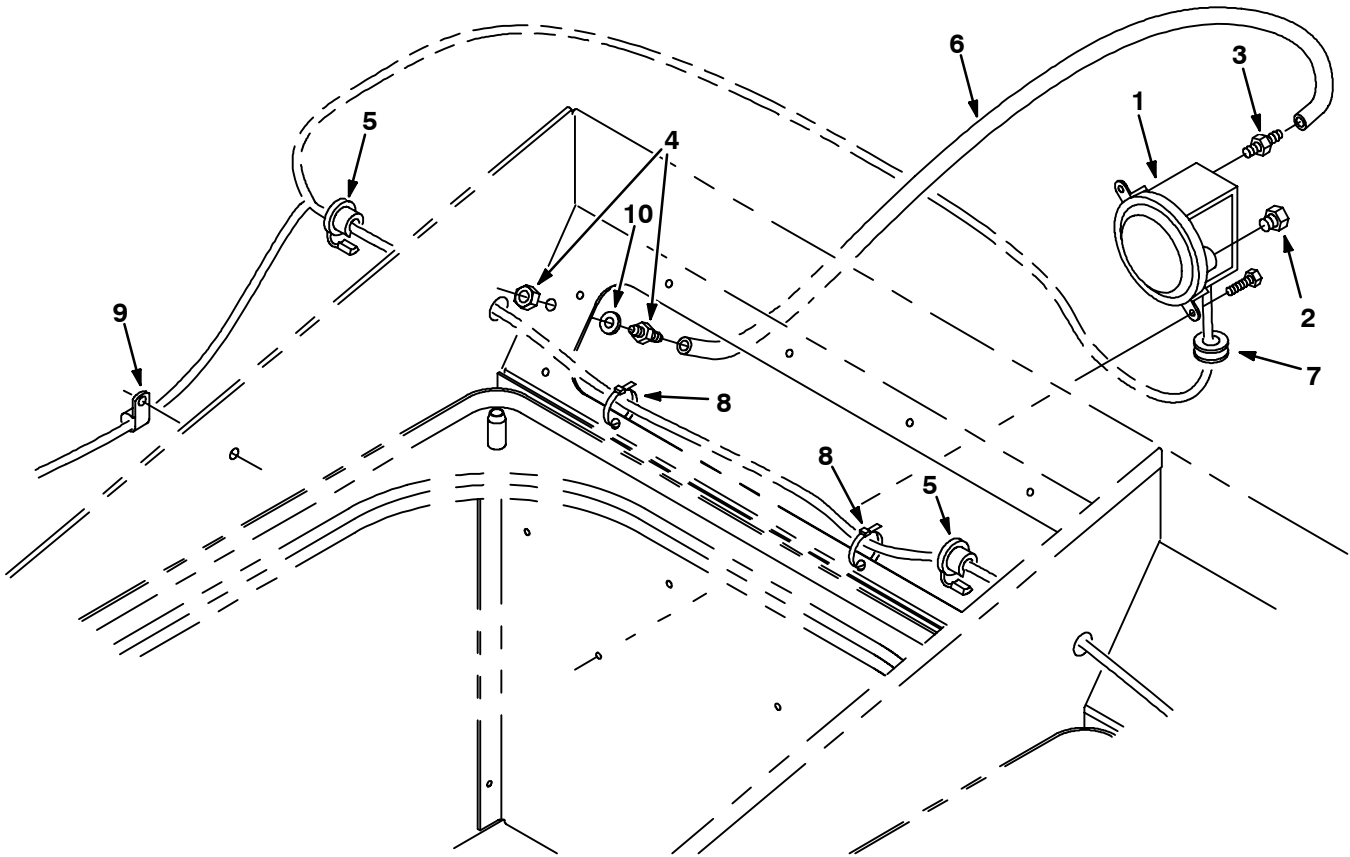


Fig. 18 - Hopper Pressure Switch Group

Ref.	Part No.	Serial Number	Description	Qty.
1	75465	(003000-) Switch, Pressure	1
2	82739	(003000-) Ftg, Breather	1
3	40607	(003000-) Ftg-Brs Str Bm03/Pm02	1
4	39923	(003000-) Ftg,Bulkhead-Barb Wh 1074X4	1
5	34864	(003000-) Strain,Relief	2
6	73727	(003000-) Hose, Vac, Rubber	1
7	10632-4	(003000-) Grommet,Rbr,0.62ld,For .06Matl	1
8	49266	(003000-) Tie, Cable 1.75D Max 7.50Lg	8
9	40678	(003000-) Clamp, Cable, Stl, 0.44d X 0.62w, 1h	2
10	43454	(003000-) Washer	1

Fig. 19 - Engine and Mount Group (003000-004003)

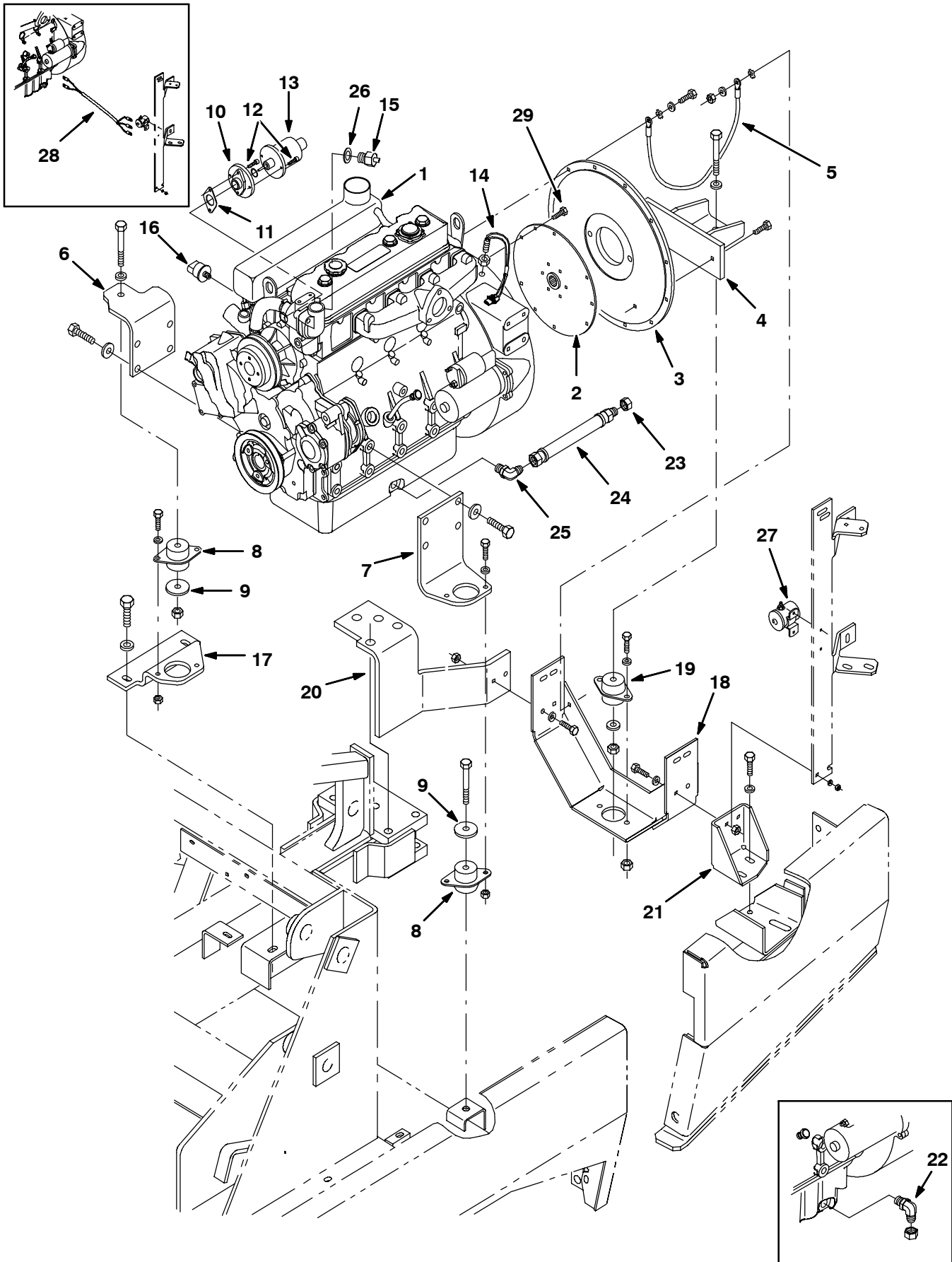


Fig. 19 - Engine and Mount Group (003000-004003)

Ref.	Part No.	Serial Number	Description	Qty.
1	380505	(003000-004003)	Engine Assy, Die (See Perkins Engine Breakdown)	1
2	35980	(003000-004003)	Coupling Flywheel	1
3	380520	(003000-004003)	Housing, Flywheel, Mach 704 Pk	1
4	380507	(003000-004003)	Bracket Wldt, Mtg, Engine Rear	1
5	57773	(003000-004003)	Wire Ass'y-Elect.,Ground	1
6	380511	(003000-004003)	Bracket, Mtg, Engine Front Rh	1
7	380538	(003000-004003)	Bracket, Mtg, Engine Front Lh	1
8	75768	(003000-004003)	Isolator	2
9	57048	(003000-004003)	Washer, .532B 2.13D .11Hr.Znc	2
10	71384	(003000-004003)	Adaptor, Governor	1
11	70165	(003000-004003)	Gasket, Throttle Blk	1
12	71388	(003000-004003)	Scr Soc M 6X1.0	4
13	71385	(003000-004003)	Governor, Diesel	1
14	380521	(003000-004003)	Magnet Assy, Pick-Up	1
15	380554	(003000-004003)	Send Unit, Temp Water .62Unf	1
16	1055106	(003000-004003)	Switch, Press, 0006psi Dpdt	1
17	380530	(003000-004003)	Bracket, Mtg, Engine Front Rh	1
18	77430	(003000-004003)	Bracket, Mounting, Eng, Rear	1
19	63695	(003000-004003)	Isolator, Mounting	1
20	77435	(003000-004003)	Bracket, Mounting, Eng Rear Rh	1
21	77434	(003000-004003)	Bracket, Mounting, Eng,Rear Lh	1
22	42226	(003000- xxxxxx)	Ftg-Hyd E45 Jm08/Om08	1
23	60090	(003000-004003)	Ftg-Hyd Cap Jf08	1
24	374151	(xxxxxx-004003)	Hose, Flex	1
25	371602	(xxxxxx-004003)	Fitting, Pipe, E90, .75-16	1
26	764835	(003000-004003)	Washer	1
27	375117	(003000-004003)	Solenoid	1
28	380752	(003000- xxxxxx)	Harness	1
29	375193	(003000-004003)	Screw, Hex, M 8 X 1.00 X 16, 10.9	6

STANDARD PARTS

Fig. 20 - Engine and Mount Group (004004-)

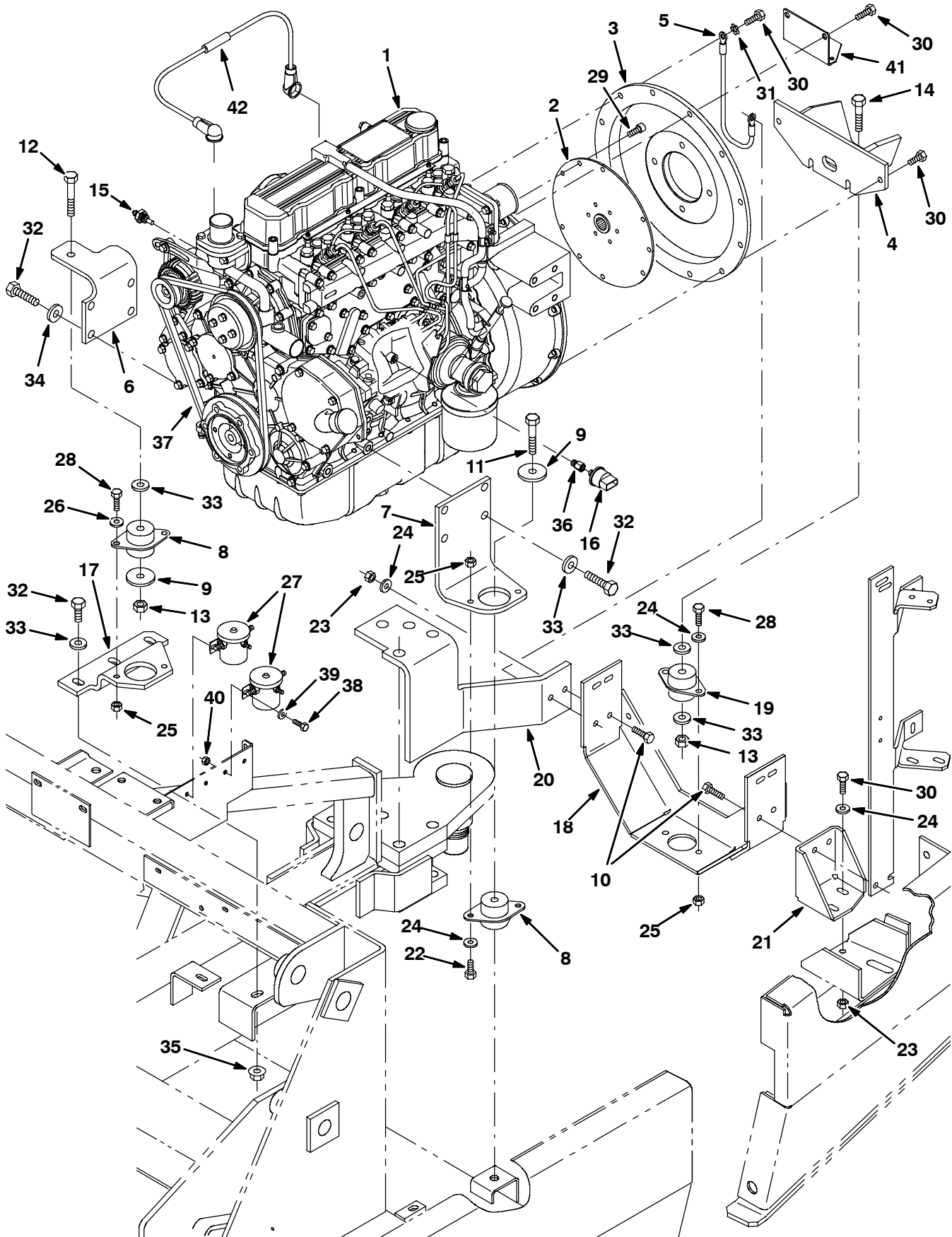


Fig. 20 - Engine and Mount Group (004004-)

Ref.	Part No.	Serial Number	Description	Qty.
1	1011676	(004004-005043)	Engine Assy, Dsl (See CAT Engine Breakdown)	1
1	1040607	(005044-)	Engine, Dsl, 63Hp [CAT 3.4 2008]	1
2	35980	(004004-)	Coupling Flywheel	1
3	380520	(004004-)	Housing, Flywheel, Mach 704 Pk	1
4	380507	(004004-)	Bracket Wldt, Mtg, Engine Rear	1
5	57773	(004004-)	Wire Ass'y-Elect.,Ground	1
6	1010360	(004004-)	Bracket, Mtg, Eng, Front, Rh	1
7	1010361	(004004-)	Bracket, Eng	1
8	75768	(004004-)	Isolator	2
9	57048	(004004-)	Washer, Flat, 0.53b 2.13d .11, Stl, PI	2
10	39284	(004004-)	Screw, Hex, M10 X 1.5 X 35, 8.8	4
11	06973	(004004-)	Screw, Hex, M12 X 1.75 X 70, 8.8	1
12	06974	(004004-)	Screw, Hex, M12 X 1.75 X 80, 8.8	1
13	08711	(004004-)	Nut, Hex, Lock, M12 X 1.75, NI	2
14	06972	(004004-)	Screw, Hex, M12 X 1.75 X 60, 8.8	1
15	33875	(004004-)	Send-Unit, Water, Temp, M16x1.5 113o/195	1
16	1055106	(004004-)	Switch, Press, 0006psi Dpdt	1
17	380530	(004004-)	Bracket, Mtg, Engine Front Rh	1
18	77430	(004004-)	Bracket, Mounting, Eng, Rear	1
19	63695	(004004-)	Isolator, Mounting	1
20	77435	(004004-)	Bracket, Mounting, Eng Rear Rh	1
21	77434	(004004-)	Bracket, Mounting, Eng,Rear Lh	1
22	21197	(004004-)	Screw, Hex, .38-16 X 1.00, 5	2
23	41430	(004004-)	Nut, Hex, Lock, M10 X 1.5, NI	4
24	32492	(004004-)	Washer, Flat, 0.38 Std	8
25	50902	(004004-)	Nut, Hex, Lock, .38-16, NI	6
26	32491	(004004-)	Washer, Flat, 0.31 Std	2
27	375117	(004004-)	Relay, 12vdc, 100a, Spdt N/O [Camdec]	2
28	21198	(004004-)	Screw, Hex, .38-16 X 1.25, 5	4
29	39309	(004004-)	Screw, Soc, M10 X 1.5 X 25, 12.9	6
30	03192	(004004-)	Screw, Hex, M10 X 1.5 X 30, 8.8	14
31	41142	(004004-)	Washer, Lock, Int-Ext, .38	1
32	41346	(004004-)	Screw, Hex, M12 X 1.75 X 30, 8.8	10
33	32493	(004004-)	Washer, Flat, 0.50 Std	9
34	32486	(004004-)	Washer, Flat, 0.50 Sae	4
35	07793	(004004-)	Nut, Hex, Flng, M12 X 1.75	2
36	1011973	(004004-)	Fitting, Hyd, Str 02bsppm/Pf02	1
37	372653	(004004-)	Belt, Pump, Water	1
38	06943	(004004-)	Screw, Hex, M6 X 1.0 X 20, 8.8	4
39	32490	(004004-)	Washer, Flat, 0.25 Std	4
40	08708	(004004-)	Nut, Hex, Lock, M6 X 1.0, NI	4
41	1039548	(005010-)	Bracket, Mtg, Switch	1
42	1011701	(004004-)	Cable, 04ga 32.4l Red, W/150a Fuse	1

Fig. 21 - Engine Throttle Group (004004-)

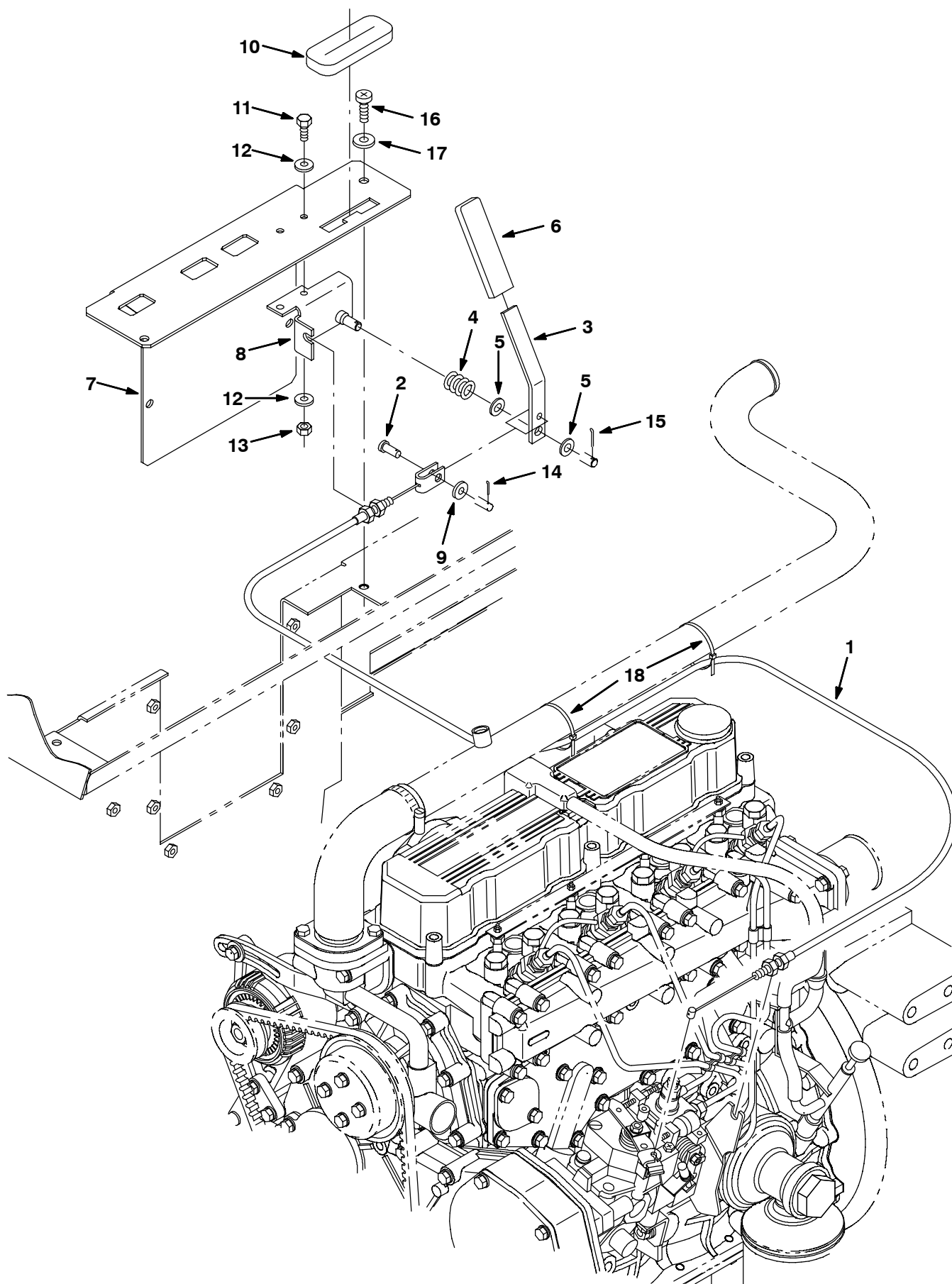


Fig. 21 - Engine Throttle Group (004004-)

Ref.	Part No.	Serial Number	Description	Qty.
1	73799	(004004-) Cable, Pull, 70.5l, .3clevis/.23ball	1
2	14605	(004004-) Pin, Clevis, 0.25 D X 0.75l	1
3	70752	(004004-) Handle, Throttle, Dsl	1
4	69495	(004004-) Spring, Cmpr, 18.3d, 2.0w, 16.5l Mw Zn	1
5	43611	(004004-) Washer, Flat, 0.39b 0.75d .06, Nyl	2
6	87246	(004004-) Grip, Vyl, .18 X .75 X 4.00	1
7	1013318	(004004-) Panel, Instmt, Brush Cntrl	1
8	77693	(004004-) Plate Wldt, Angle	1
9	32490	(004004-) Washer, Flat, 0.25 Std	1
10	77789	(004004-) Seal, Ure, 0.50th, 1.50w X 05.0l, Slit	1
11	06942	(004004-) Screw, Hex, M6 X 1.0 X 16, 8.8	2
12	19066	(004004-) Washer, Flat, #10	4
13	08708	(004004-) Nut, Hex, Lock, M6 X 1.0, NI	2
14	08178	(004004-) Pin, Cotter, .062 X 0.75	1
15	39005	(004004-) Pin, Cotter, .094 X 0.75	1
16	07810	(004004-) Screw, Flt, M8 X 1.25 X 25, 10.9	4
17	32491	(004004-) Washer, Flat, 0.31 Std	4
18	763116	(004004-) Tie, Cable, Nyl, 15.3l . W 4.5 Max D	2

Fig. 22 - Engine Alternator Group (003000-004003)

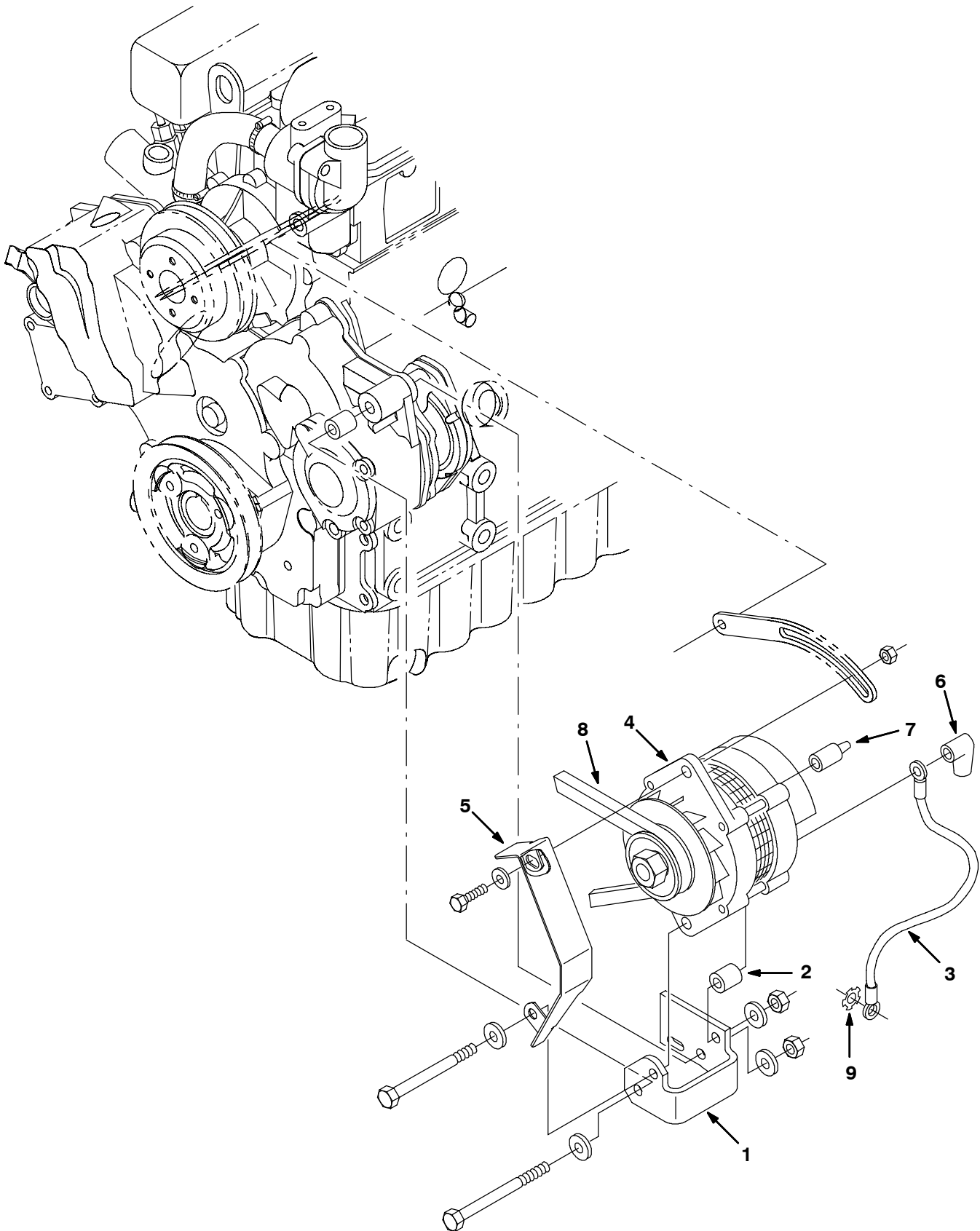


Fig. 22 - Engine Alternator Group (003000-004003)

Ref.	Part No.	Serial Number	Description	Qty.	
1	380512	(003000-004003)	Bracket, Mtg, Alternator Perki	1	
2	380542	(003000-004003)	Tube, 0.75D 0.38B 0.8L Stl Z	2	
3	82731	(003000-004003)	Wire-Ground, Alternator	1	
▽	4	60559	(003000-004003)	Alternator, 50A/12V Mando	1
▲	61931	(003000-004003)	Regulator	1	
▲	86041	(003000-004003)	Bearing,Ball.669B 1.575D .472W	1	
▲	61529	(003000-004003)	Brush Kit	1	
▲	61531	(003000-004003)	Rectifier	1	
▲	70160	(003000-004003)	Pulley, Alternator	1	
5	83581	(003000-004003)	Guard, Alternator	1	
6	34065	(003000-004003)	Boot, Electric (Altern	3	
7	61363	(003000-004003)	Boot, Str .42ld .12H .25L	2	
8	78772	(003000-004003)	V-Belt, Hc38X 45.12	1	
9	41142	(003000-004003)	Washer-Loc Int-Ext .38 Pltd	1	

Fig. 23 - Engine Oil Filter Group (003000-004003)

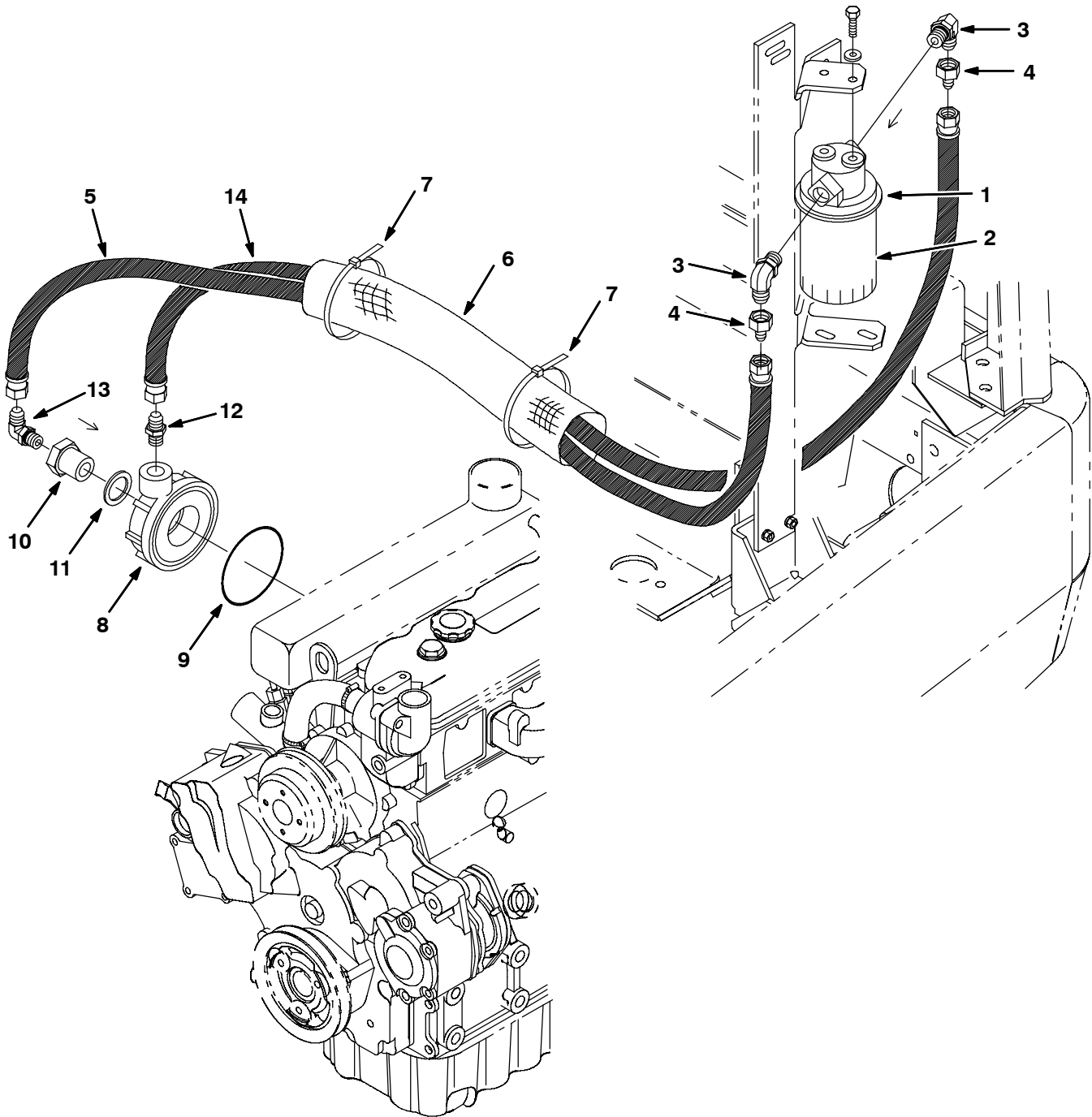


Fig. 23 - Engine Oil Filter Group (003000-004003)

Ref.	Part No.	Serial Number	Description	Qty.
1	380564	(003000-004003)	Filter Head Rework, Oil Kubota	1
2	68986	(003000-004003)	Oil Filter Pack	1
3	51782	(003000-004003)	Ftg-Hyd E90 Jm10/Om10	2
4	47754	(003000-004003)	Ftg-Hyd Str Jm06/Jf10	2
5	34389	(003000-004003)	Hose-Hyd Low04 Jf/Jf	1
6	31646	(003000-004003)	Sleeve-Nyln #24 25.0L	1
7	49266	(003000-004003)	Tie, Cable	2
8	380547	(003000-004003)	Adaptor, Oil Filter Rework	1
9	73292	(003000-004003)	O-Ring	1
10	380548	(003000-004003)	Plug, Oil Filter, Rework	1
11	73293	(003000-004003)	Gasket	1
12	52402	(003000-004003)	Ftg-Hyd Str Jm06/Om08	1
13	47512	(003000-004003)	Ftg-Hyd E90 Jm06/Om08	1
14	375679	(003000-004003)	Hose	1

Fig. 24 - Engine Air Cleaner Group (003000-004003)

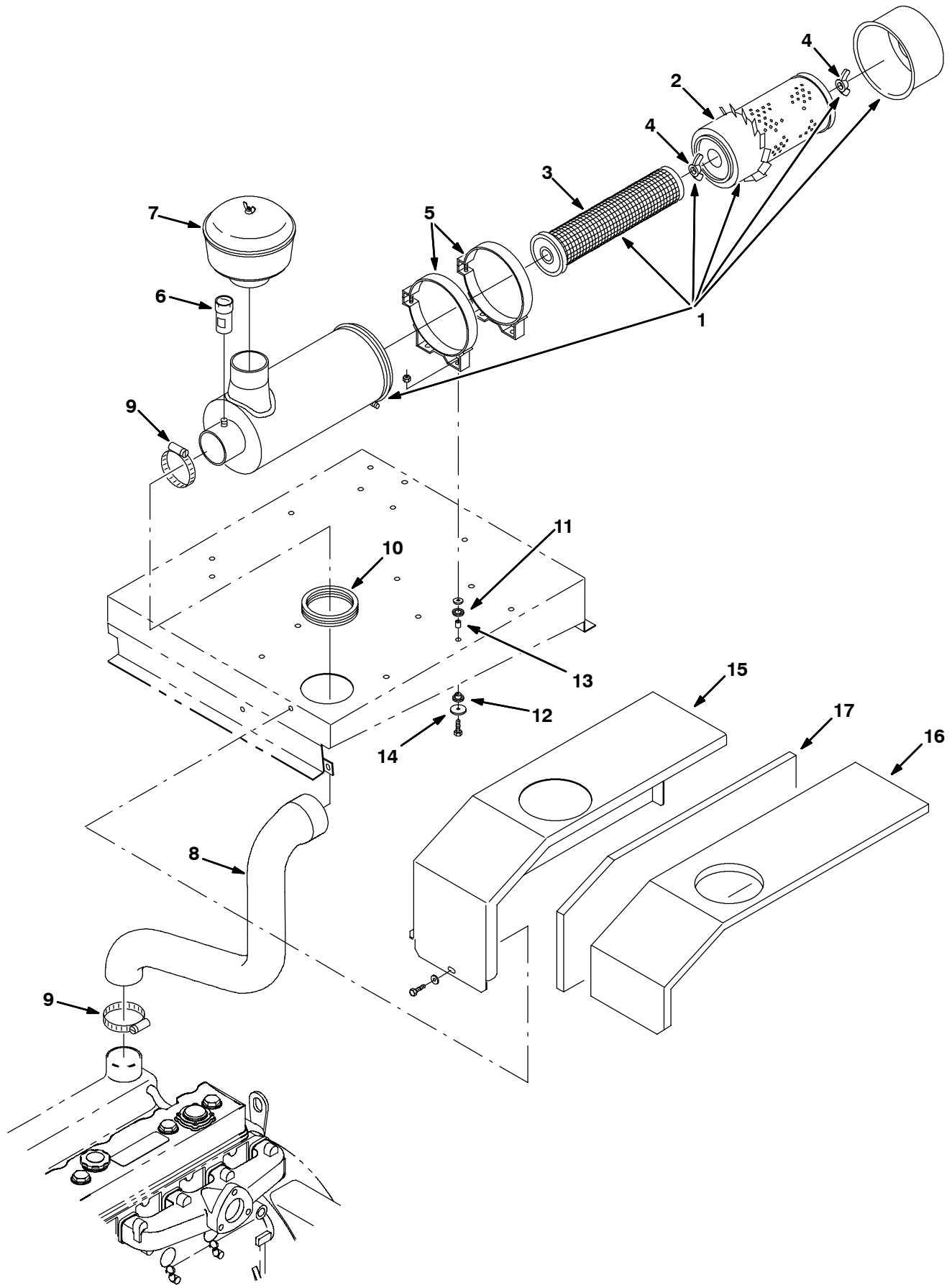


Fig. 24 - Engine Air Cleaner Group (003000-004003)

	Ref.	Part No.	Serial Number	Description	Qty.
▽	1	48014	(003000-004003)	Cleaner, Air Al Se	1
▲	2	60934	(003000-004003)	Element, Air Cleaner	1
▲	3	60933	(003000-004003)	Element, Filter Safety	1
▲	4	07562	(003000-004003)	Nut,Wing .44-20 Special	2
	5	76321	(003000-004003)	Band,Mtg.	2
	6	03026	(003000-004003)	Indicator Service Air Filter	1
	7	75666	(003000-004003)	Filter, Pre-Cleaner, A/C	1
	8	380556	(003000-004003)	Hose, Mold. Air Intake 2.5ld	1
	9	43555	(003000-004003)	Clamp-Wormdrive, 1.62- 3.50D	2
	10	380591	(003000-004003)	Grommet, Rbr, 3.75ld F/ 4.0H .	1
	11	54527	(003000-004003)	Ring, Rubber	4
	12	54528	(003000-004003)	Bushing, Rubber	4
	13	45177	(003000-004003)	Sleeve	4
	14	41178	(003000-004003)	Washer, Fender	4
	15	380759	(003000-004003)	Cover	1
	16	380766	(003000-004003)	Insulation	1
	17	380767	(003000-004003)	Insulation	1

Fig. 25 - Engine Air Cleaner Group (004004-)

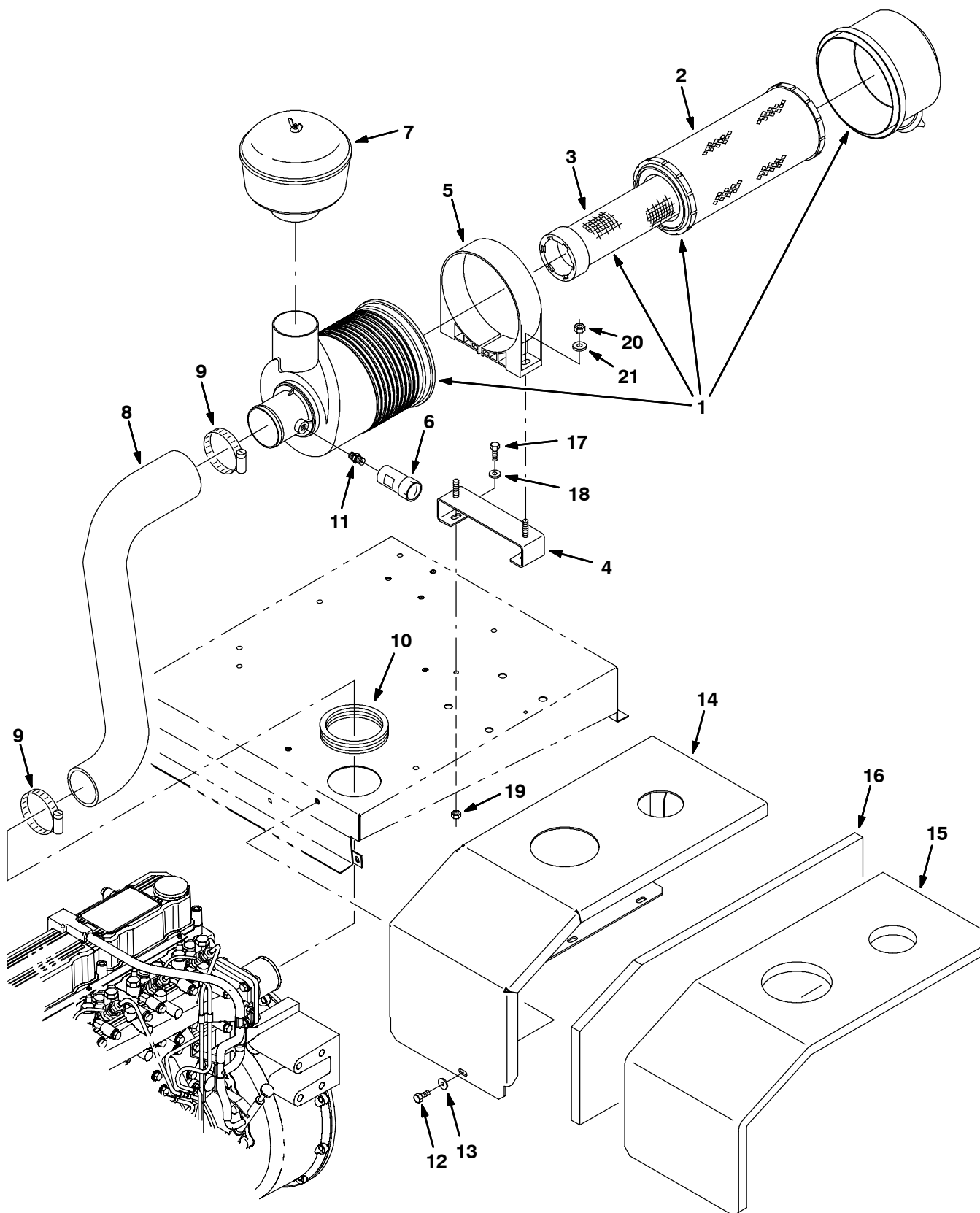


Fig. 25 - Engine Air Cleaner Group (004004-)

Ref.	Part No.	Serial Number	Description	Qty.
▽	1	1013344	(004004-) Filter, Air-Clnr	1
▲	2	372652	(004004-) Element, Fltr, Air-clnr	1
▲	3	372651	(004004-) Filter, Safety, Air-clnr	1
	4	1012754	(004004-) Bracket, Stand-Off, Fltr, Air	2
	5	1013366	(004004-) Mount, Band, Fltr, 7.17id	2
	6	03026	(004004-) Indicator, Filter, Air	1
	7	75666	(004004-) Filter, Air, Pre-Cln, A/C	1
	8	1012150	(004004-) Hose, Air, Intake [800d]	1
	9	43555	(004004-) Clamp, Hose, Wormdrive, 1.62-3.50d	2
	10	380591	(004004-) Grommet, Rbr, 3.25id, F/ 3.5h, .06matl	1
	11	51560-5	(004004-) Fitting, Brs, Str, Pm02, Service	1
	12	06942	(004004-) Screw, Hex, M6 X 1.0 X 16, 8.8	4
	13	32483	(004004-) Washer, Flat, 0.25 Sae	4
	14	1015886	(004004-) Cover Wldt, Air-Clnr	1
	15	1016418	(004004-) Insulation, Acstc, .75th 10.71w	1
	16	1016950	(004004-) Insulation, Acstc, 0.8, 23.0 X 10.0 Cham	1
	17	06949	(004004-) Screw, Hex, M6 X 1.0 X 50, 8.8	2
	18	19066	(004004-) Washer, Flat, #10	2
	19	07791	(004004-) Nut, Hex, Flng, M8 X 1.25	2
	20	08709	(004004-) Nut, Hex, Lock, M8 X 1.25, NI	2
	21	32491	(004004-) Washer, Flat, 0.31 Std	2

Fig. 26 - Engine Muffler Group (003000-004003)

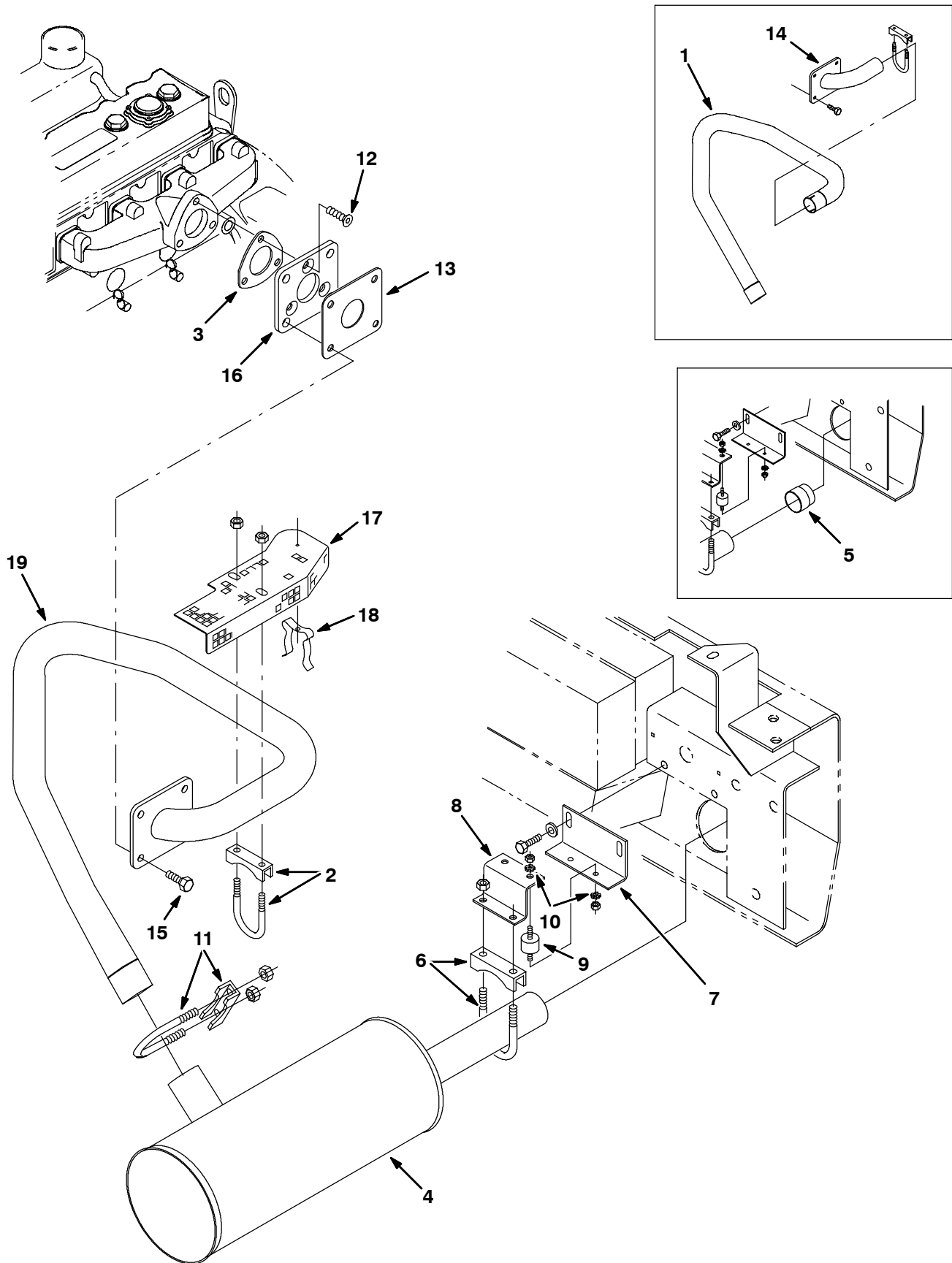


Fig. 26 - Engine Muffler Group (003000-004003)

Ref.	Part No.	Serial Number	Description	Qty.
1	380526	(003000-003122)	Tube, Exhaust, 1.7D 1.87D 1.78	1
2	84579	(003000-004003)	Clamp, Muffler, 1.75d, Hd	1
3	370827	(003000-004003)	Gasket	1
4	76383	(003000-004003)	Muffler, Exhaust	1
5	75603	(003000-xxxxxx)	Tube, Extension	1
6	05881	(003000-004003)	Clamp-Muffler, For 2.00 Od Tube	1
7	21138	(003000-004003)	Bracket, Tail Pipe	1
8	21136	(003000-004003)	Bracket, Tail Pipe	1
9	82661	(003000-004003)	Isolator-Vibration .25-20	2
10	41140	(003000-004003)	Washer-Loc Int-Ext .25 Pltd	4
11	05880	(003000-004003)	Clamp, Muffler, 1.88d	1
12	380587	(003000-004003)	Scr-Flt M10X1.5 20 Ss18-8	3
13	380590	(003000-004003)	Gasket, Exhaust, 4Hole	1
14	380589	(003000-003122)	Tube Wldt, Exhaust 1.7D 4H Fln	1
15	12317	(003000-004003)	Scr Hexssm10X1.5 30	4
16	380581	(003000-004003)	Flange, 3Hole/4Hole 1.8C-Hole	1
17	380632	(003000-004003)	Guard	1
18	22473	(003000-004003)	Clip, Finger Grip	1
19	374756	(003123-004003)	Tube, Exhaust	1

Fig. 27 - Engine Muffler Group (004004-)

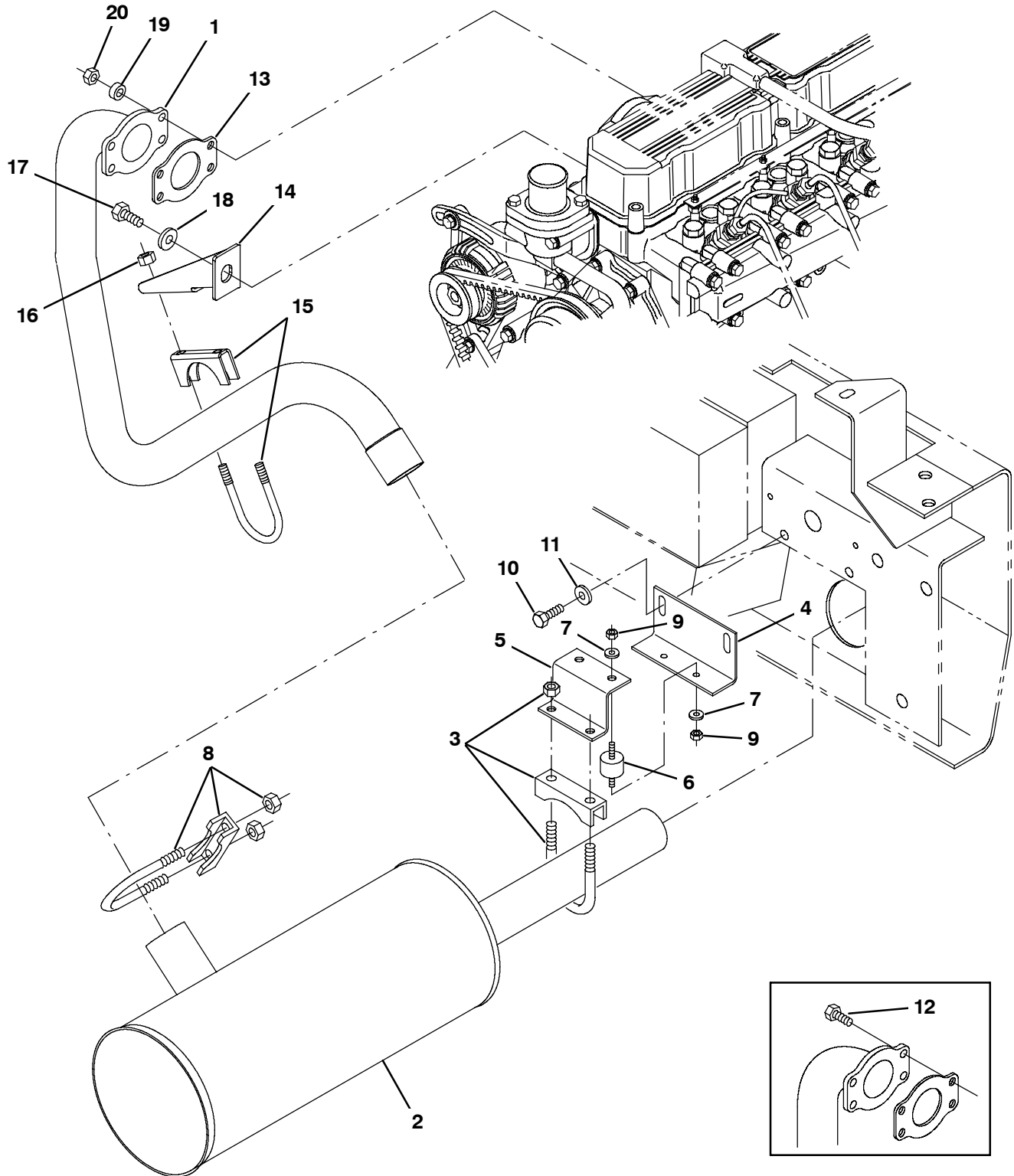


Fig. 27 - Engine Muffler Group (004004-)

Ref.	Part No.	Serial Number	Description	Qty.
1	1012144	(004004-) Tube, Exhaust [800d]	1
2	1012744	(004004-) Muffler, 6.5d 17.0l 1.9/1.9id	1
3	05881	(004004-) Clamp-Muffler,For 2.00 Od Tube	1
4	21138	(004004-) Bracket, Tail Pipe	1
5	1012012	(004004-) Bracket, Tailpipe	1
6	1013588	(004004-) Isolator, Vib, Ring, 1.0d .25-20/.25-20	2
7	32982	(004004-) Washer, Lock, Int, 0.25	4
8	05880	(004004-) Clamp, Muffler, 1.88d	1
9	19312	(004004-) Nut, Hex, Std, .25-20	4
10	16931	(004004-) Screw, Hex, M8 X 1.25 X 20, 8.8	2
11	32491	(004004-) Washer, Flat, 0.31 Std	2
12	16735	(004004-005043) Screw, Hex, M8 X 1.25 X 16, 8.8	4
13	372678	(004004-) Gasket, Exhaust	1
▽	9003905	(005019-) Support Kit, Exhaust, Modif	1
▲	14 1041796	(005019-) Bracket, Pipe, Exhaust	1
▲	15 24012-1	(005019-) Clamp, Muffler, 1.75d	1
▲	16 27979	(005019-) Nut, Hex, Flng, .31-18	2
▲	17 06967	(005019-) Screw, Hex, M12 X 1.75 X 20, 8.8	1
▲	18 32486	(005019-) Washer Flat,0.50,Sae	1
19	1027531	(005044-) Spacer, 0.33B 0.50D 0.15L, PI	4
20	39311	(005044-) Nut, Hex, Std M8 X 1.25	4

Fig. 28 - Engine Fuel Tank Group (003000-004003)

Ref.	Part No.	Serial Number	Description	Qty.
▽	1	76907	(003000-004003) Tank, Fuel	1
▲	2	48267	(003000-004003) Cap, Fuel	1
▲	3	21731	(003000-004003) Send-Unit	1
▲	4	21732	(003000-004003) Gasket, Sending Unit Tc	1
	5	55248	(003000-004003) Mount, Cable Tie	4
	6	49266	(003000-004003) Tie, Cable	4
	7	87396	(003000-004003) Strap	2
	8	70477	(003000-004003) Plate, Mtg	1
	9	15555-1	(003000-004003) Fitting, Brass, Elbow	1
	10	76736	(003000-004003) Clamp, Cable	2
	11	70173	(003000-004003) Hose, Fuel	2
	12	78043	(003000-004003) Fitting, Brass, Str	1
	13	77558	(003000-004003) Fuelline	1
	14	36050	(003000-004003) Filter, Fuel	1
	15	75854	(003000-004003) Bracket, Pump, Fuel	1
	16	59015	(003000-004003) Pump, Fuel	1
	17	40585	(003000-004003) Fitting, Brass, Str	2
	18	83644	(003000-004003) Tube Fuel .31D 05lf/	1
	19	25610	(003000-004003) Fitting, Brass	1
	20	380535	(003000-004003) Bracket, Mtg, Filter, Fuel	1
	21	15555-2	(003000-004003) Fitting, Brass, Elbow	1
▽	22	55850	(003000-004003) Filter, Fuel	1
▲		55844	(003000-004003) Element, Filter, Fuel	1
	23	380528	(003000-004003) Tube Fuel .31D 05lf	1
	24	380527	(003000-004003) Tube Fuel .31D 05lf/	1
	25	380549	(003000-004003) Tube Fuel .31D	1
	26	380637	(003000-004003) Fitting	1
	27	32491	(003000-004003) Washer Flt .31 Hard	2
	28	380679	(003000-004003) Bracket	1
	29	27048	(003000-004003) Fitting, Brass, Elbow	1
	30	391823	(003000-004003) Fitting, Brass, Str	1
	31	380769	(003000-004003) Screw	2
	32	380770	(003000-004003) Clamp	2

Fig. 29 - Engine Fuel Tank Group (004004-)

Ref.	Part No.	Serial Number	Description	Qty.
▽	1	1029502	(004004-) Tank, Fuel, 14.0gal, 14.66w 13.0hi 19.0l	1
▲	2	1033897	(004004-) Gasket, Sender, Fuel	1
▲	3	1033899	(004004-) Send-Unit, Fuel [800/810 2007]	1
▲	4	1032812	(004004-) Cap, Fuel, Tank	1
	5	55248	(004004-) Mount, Cable Tie	4
	6	49266	(004004-) Tie, Cable	4
	7	87396	(004004-) Strap	2
	8	70477	(004004-) Plate, Mtg	1
	9	15555-2	(004004-) Fitting, Brass, Elbow	3
	10	76736	(004004-) Clamp, Cable	5
	11	70173	(004004-) Hose, Fuel	1
	12	78043	(004004-) Fitting, Brass, Str	2
	13	77558	(004004-) Fuelline	1
	14	36050	(004004-) Filter, Fuel	1
	15	75854	(004004-) Bracket, Pump, Fuel	1
	16	59015	(004004-) Pump, Fuel	1
	17	40585	(004004-) Fitting, Brass, Str	2
	18	83644	(004004-) Tube Fuel .31D 05lf/	1
	19	25610	(004004-) Fitting, Brass	3
	20	380535	(004004-) Bracket, Mtg, Filter, Fuel	1
	21	1012738	(004004-) Fitting, Hyd, Str, Metric, Om12/Pf04	1
▽	22	1016827	(004004-) Filter Assy, Fuel, Diesel	1
▲		1017126	(004004-) Element, Fltr, Fuel [Dn]	1
	23	380528	(004004-) Tube Fuel .31D 05lf	1
	24	1012142	(004004-) Tube Fuel .31D 05lf/	1
	25	1011914	(004004-) Tube Fuel .31D	1
	26	54845	(004004-) Hose, Fuel, 0.31id 08.0l	1
	27	32491	(004004-) Washer Flt .31 Hard	8
	28	1012143	(004004-) Fuelline, Dsl [800d]	1
	29	392597	(004004-) Fuelline, .31d 05if/05if Stl	1
	30	43844	(004004-) Clamp, Hose, Wormdrive, 0.25-0.62d	2
	31	380770	(004004-) Clamp, Cable, Stl, 0.31d X 0.88w	1
	32	16931	(004004-) Screw, Hex, M8 X 1.25 X 20, 8.8	3
	33	32493	(004004-) Washer, Flat, 0.50 Std	1
	34	12459	(004004-) Screw, Hex, M6 X 1.0 X 20, Fmg	2
	35	19066	(004004-) Washer, Flat, #10	8
	36	41346	(004004-) Screw, Hex, M12 X 1.75 X 30, 8.8	2
	37	32486	(004004-) Washer, Flat, 0.50 Sae	2
	38	32981	(004004-) Nut, Hex, Lock, .25-20, NI	6
	39	08709	(004004-) Nut, Hex, Lock, M8 X 1.25, NI	2
	40	39277	(004004-) Screw, Hex, M8 X 1.25 X 25, 8.8	2
	41	07791	(004004-) Nut, Hex, Flng, M8 X 1.25	2
	42	06943	(004004-) Screw, Hex, M6 X 1.0 X 20, 8.8	2
	43	08708	(004004-) Nut, Hex, Lock, M6 X 1.0, NI	2
	44	06955	(004004-) Screw, Hex, M8 X 1.25 X 35, 8.8	2

Fig. 30 - Engine Radiator Hose Group (003000-004003)

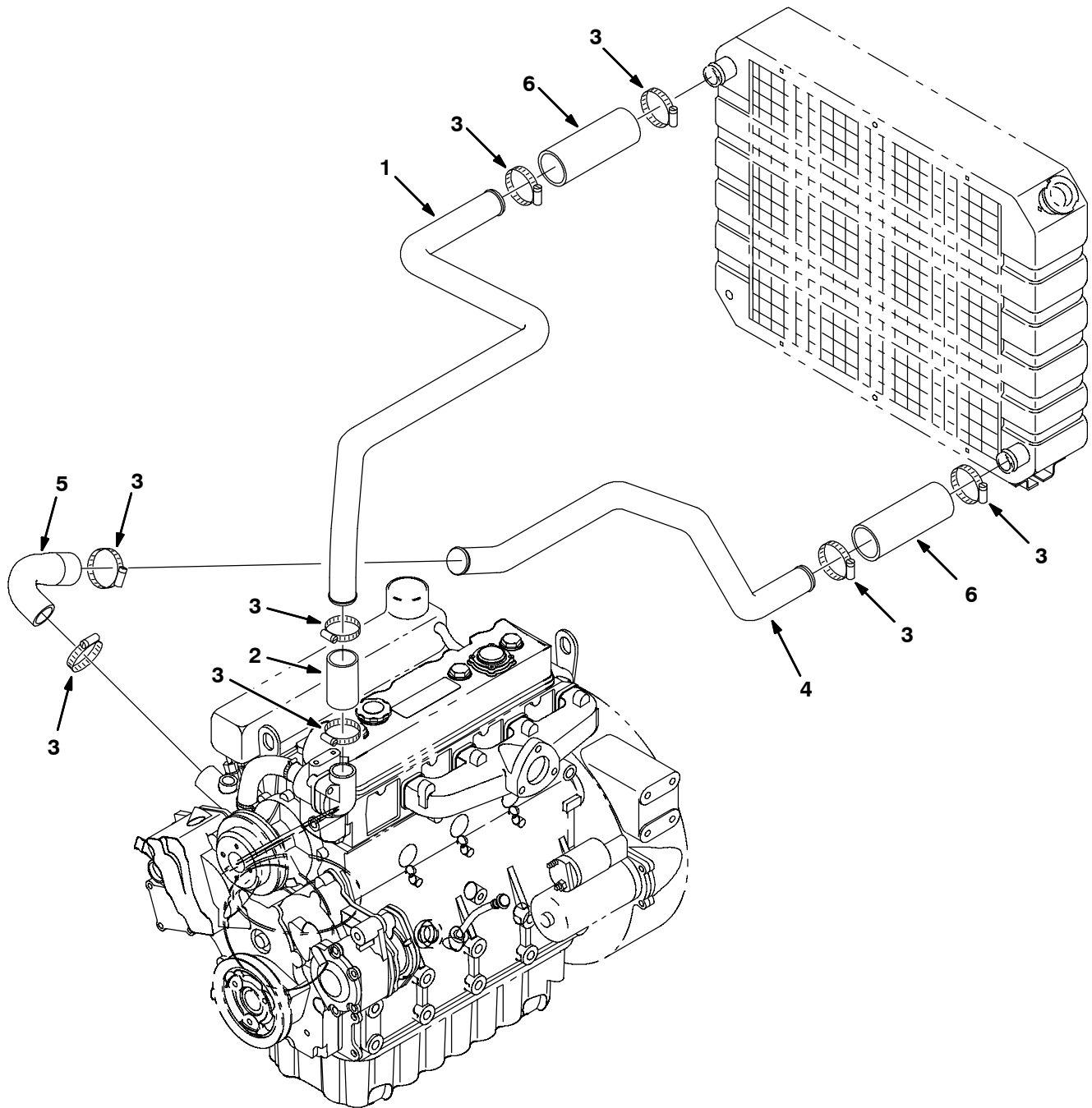


Fig. 30 - Engine Radiator Hose Group (003000-004003)

Ref.	Part No.	Serial Number	Description	Qty.
1	380524	(003000-004003)	Tube, Coolant 1.5D	1
2	62377	(003000-004003)	Hose Radiator,1.50 Idx 3.0 Lg	1
3	11531	(003000-004003)	Clamp-Wormdrive, 1.06- 2.00D	8
4	380525	(003000-004003)	Tube, Coolant 1.5D W/.25Npt	1
5	380748	(003000-004003)	Hose, Radiator, Upper	1
6	78750	(003000-004003)	Hose	2

Fig. 31 - Engine Radiator Hose Group (004004-)

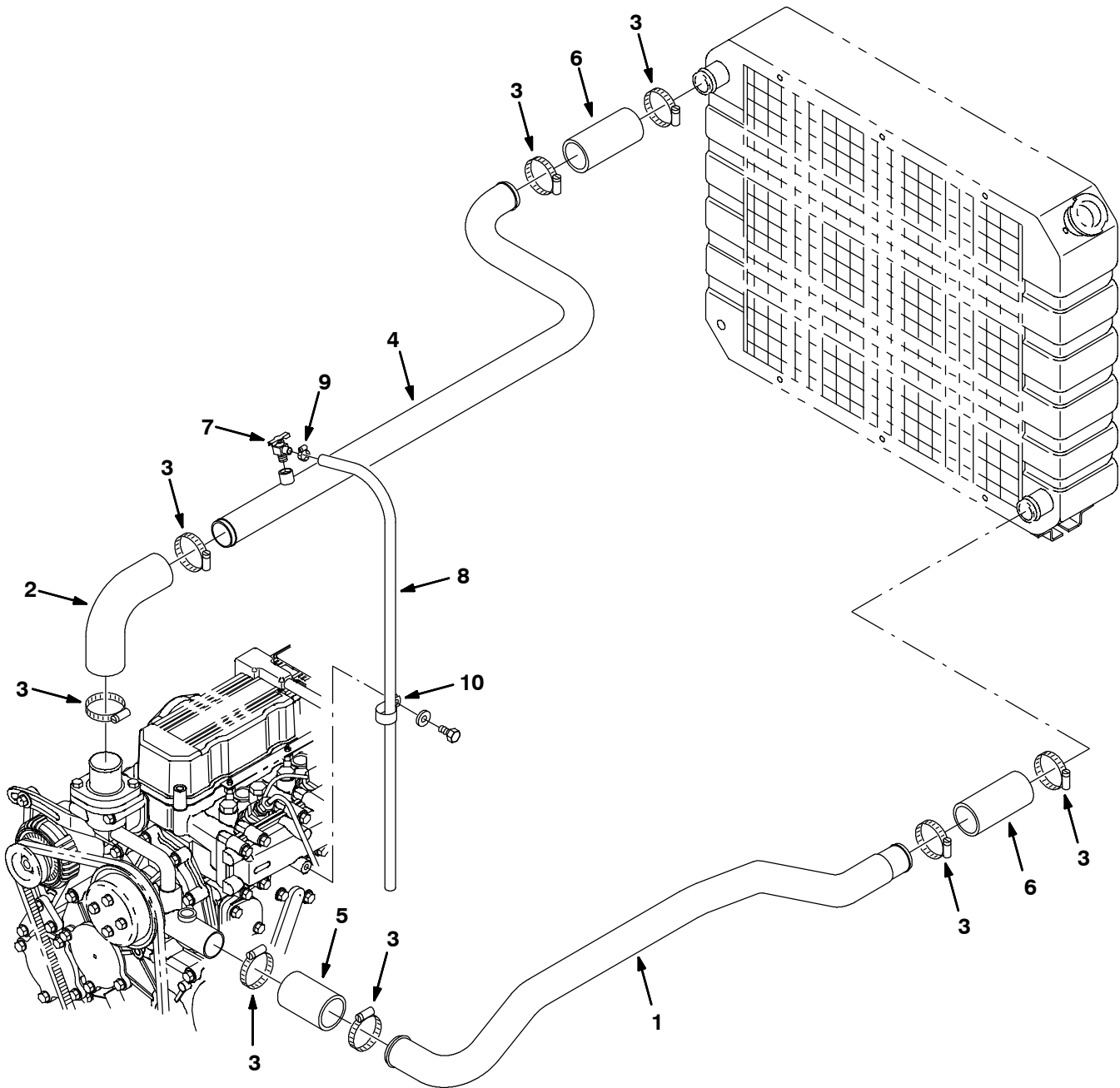


Fig. 31 - Engine Radiator Hose Group (004004-)

Ref.	Part No.	Serial Number	Description	Qty.
1	1011913	(004004-) Tube, Radiator, Lower [800]	1
2	1012737	(004004-) Hose, Radiator	1
3	11531	(004004-) Clamp-Wormdrive, 1.06- 2.00D	8
4	1013275	(004004-) Tube, Radiator, Upper [800ds]	1
5	1012729	(004004-) Hose, Coolant, Mold, 1.63id To 1.63id	1
6	74944	(004004-) Hose, Rbr, 1.50id 1.88od 04.0l	2
7	51305	(004004-) Fitting, Draincock, .25npt 90	1
8	63182-2	(004004-) Hose, Pvc, Clr, 0.38id 0.56od 36.00l	1
9	43844	(004004-) Clamp, Hose, Wormdrive, 0.25-0.62d	1
10	09570	(004004-) Clamp, Cable, Stl, 0.9x1.8x0.62w, 1h	1

Fig. 32 - Engine Radiator and Cooling Fan Group (003000-004048)

Ref.	Part No.	Serial Number	Description	Qty.	
1	48056	(003000-004048)	Duct, Rear	1	
2	1041739AM	(003000-004048)	Radiator	1	
3	1045764	(003000-004048)	Cap, Radiator, 14psi [Stant]	1	
4	51305	(003000-004048)	Drain Cock, .25Npt Wh#120 Angl	1	
5	63818	(003000-004048)	Seal, Duct	4	
6	374230	(003000-004048)	Seal, Ure, 0.38 0.75w 19.5l Adh	4	
7	64621	(003000-004048)	Bushing, Isolator	2	
8	64618	(003000-004048)	Ring, Isolator, Outer Rbr	2	
9	58228	(003000-004048)	Washer, Flat, 0.44b 2.00d .12, Stl, Pl	4	
10	77452	(003000-004048)	Spacer	2	
11	9001070	(003000-004048)	Shroud, Fan, Radiator, W/ Label [800]	1	
12	375511	(003000-004048)	Bracket, L, 2.20,2.00, .18T,1.	1	
13	51322	(003000-004048)	Isolator-Vibration .31-18	3	
14	1019188	(003000-004048)	Channel, Mtg, Fan Motor	1	
▽	15	63542	(003000-004048)	Motor-Hyd, Gear In 10.0 (See Breakdowns)	1
▲	00960	(003000-004048)	Key, Sq, 0.12 X 0.12, 0.50l	1	
16	47512	(003000-004048)	Ftg-Hyd E90 Jm06/Om08	1	
17	31599	(003000-003178)	Ftg-Hyd Tee Jm04Omjm	1	
18	52402	(003000-004048)	Ftg-Hyd Str Jm06/Om08	1	
19	375586	(003000-004048)	Fan, Radiator	1	
20	380754	(003000-004033)	Bracket, Mtg, Fltr, Oil, W/ Label [800]	1	
21	74082	(003000-004048)	Nut-Hxlocnyln .31-24 Reg Pltd	1	
22	02247	(003093-004048)	Fitting, Plug	1	
23	50960	(003179-004048)	Fitting, Hyd, Str, Jm06/Om04	1	
24	19313	(003000-004048)	Nut, Hex, Std, .31-18	6	
25	32984	(003000-004048)	Washer, Lock, Int, 0.31	6	
26	39277	(003000-004048)	Screw, Hex, M8 X 1.25 X 25, 8.8	8	
27	32491	(003000-004048)	Washer, Flat, 0.31 Std	14	
28	08709	(003000-004048)	Nut, Hex, Lock, M8 X 1.25, NI	7	
29	16931	(003000-004048)	Screw, Hex, M8 X 1.25 X 20, 8.8	9	
30	87972	(003000-004033)	Tank, Coolant, 03.5 03.0 06.5deep 1.0 Qt	1	
31	382507	(003000-004033)	Bracket, Mtg, Tank, Coolant F/87972	1	
32	07790	(003000-004048)	Nut, Hex, Flng, M6 X 1.0	2	
33	27990	(003000-004048)	Screw, Hex, .38-16 X 2.00, 5	2	
34	50902	(003000-004048)	Nut, Hex, Lock, .38-16, NI	2	
35	41186	(003000-004048)	Washer, Belleville, .31	1	
36	32492	(003000-004048)	Washer, Flat, 0.38 Std	2	
37	41430	(003000-004048)	Nut, Hex, Lock, M10 X 1.5, NI	2	
38	9001183	(003000-004048)	Bracket, Mtg, Fltr, Oil, W/Label [800]	1	
39	768897	(003000-004048)	Tank, Coolant, 06.0 04.5 06.9deep 2.5 Qt	1	
40	46800	(003000-004048)	Pin, Clevis, 0.31 D X 0.75l	2	
41	44906	(003000-004048)	Pin, Hair Cotter, 0.69 D .092 Wir	2	
42	32490	(003000-004048)	Washer, Flat, 0.25 Std	4	
43	63416	(003000-004048)	Washer, Rbr, .12 0.31b 0.88d	2	

STANDARD PARTS

Fig. 33 - Engine Radiator and Cooling Fan Group (004049-004499)

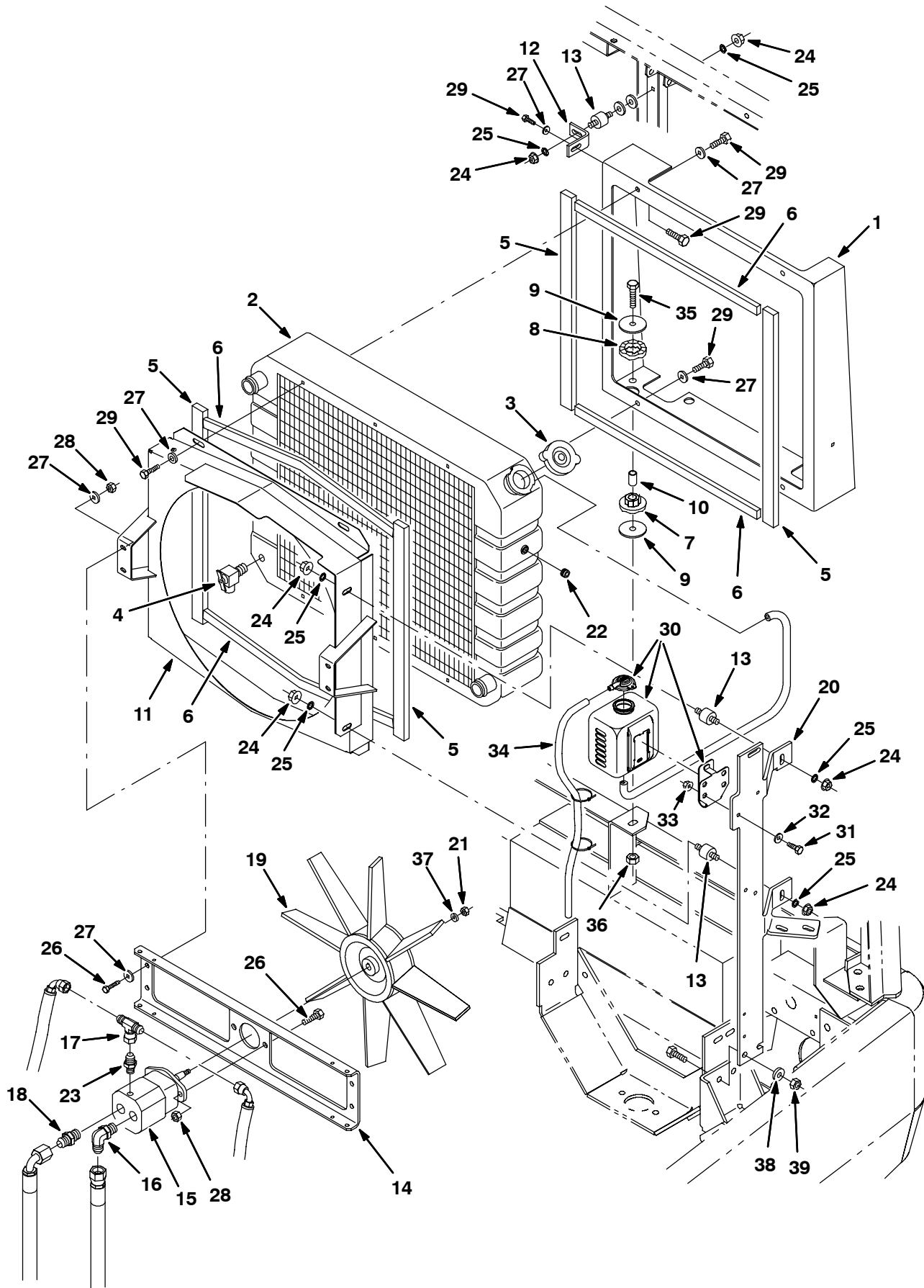


Fig. 33 - Engine Radiator and Cooling Fan Group (004049-004499)

Ref.	Part No.	Serial Number	Description	Qty.	
1	48056	(004049-004499)	Duct, Rear	1	
2	1041739AM	(004049-004499)	Radiator	1	
3	1045764	(004049-004499)	Cap, Radiator, 14psi [Stant]	1	
4	51305	(004049-004499)	Drain Cock, .25Npt Wh#120 Angl	1	
5	63818	(004049-004499)	Seal, Duct	4	
6	374230	(004049-004499)	Seal, Ure, 0.38 0.75w 19.5l Adh	4	
7	64621	(004049-004499)	Bushing, Isolator	2	
8	64618	(004049-004499)	Ring, Isolator, Outer Rbr	2	
9	58228	(004049-004499)	Washer, Flat, 0.44b 2.00d .12, Stl, Pl	4	
10	77452	(004049-004499)	Spacer	2	
11	9001070	(004049-004499)	Shroud, Fan, Radiator, W/ Label [800l]	1	
12	375511	(004049-004499)	Bracket, L, 2.20,2.00, .18T,1.	1	
13	51322	(004049-004499)	Isolator-Vibration .31-18	3	
14	1019188	(004049-004499)	Channel, Mtg, Fan Motor	1	
▽	15	63542	(004049-004499)	Motor-Hyd, Gear In 10.0 (See Breakdowns)	1
▲		00960	(004049-004499)	Key, Sq, 0.12 X 0.12, 0.50l	1
	16	47512	(004049-004499)	Ftg-Hyd E90 Jm06/Om08	1
	17	31599	(004049-004499)	Ftg-Hyd Tee Jm04Omjm	1
	18	52402	(004049-004499)	Ftg-Hyd Str Jm06/Om08	1
	19	375586	(004049-004499)	Fan, Radiator	1
	20	9001554	(004049-004499)	Bracket, Mtg, Fltr, Oil, W/Label [800l]	1
	21	74082	(004049-004499)	Nut-Hxlocnyln .31-24 Reg Pltd	1
	22	02247	(004049-004499)	Fitting, Plug	1
	23	50960	(004049-004499)	Fitting, Hyd, Str, Jm06/Om04	1
	24	19313	(004049-004499)	Nut, Hex, Std, .31-18	6
	25	32984	(004049-004499)	Washer, Lock, Int, 0.31	6
	26	39277	(004049-004499)	Screw, Hex, M8 X 1.25 X 25, 8.8	8
	27	32491	(004049-004499)	Washer, Flat, 0.31 Std	14
	28	08709	(004049-004499)	Nut, Hex, Lock, M8 X 1.25, NI	7
	29	16931	(004049-004499)	Screw, Hex, M8 X 1.25 X 20, 8.8	9
	30	1023853	(004049-004499)	Tank, Coolant, 04.7 03.3 4.7deep, 1liter	1
	31	06943	(004049-004499)	Screw, Hex, M6 X 1.0 X 20, 8.8	2
	32	19066	(004049-004499)	Washer, Flat, #10	2
	33	07790	(004049-004499)	Nut, Hex, Flng, M6 X 1.0	2
	34	381391	(004049-004499)	Hose, Drain, Overflow, Radiator	1
	35	27990	(004049-004499)	Screw, Hex, .38-16 X 2.00, 5	2
	36	50902	(004049-004499)	Nut, Hex, Lock, .38-16, NI	2
	37	41186	(004049-004499)	Washer, Belleville, .31	1
	38	32492	(004049-004499)	Washer, Flat, 0.38 Std	2
	39	41430	(004049-004499)	Nut, Hex, Lock, M10 X 1.5, NI	2

STANDARD PARTS

Fig. 34 - Engine Radiator and Cooling Fan Group (004500-)

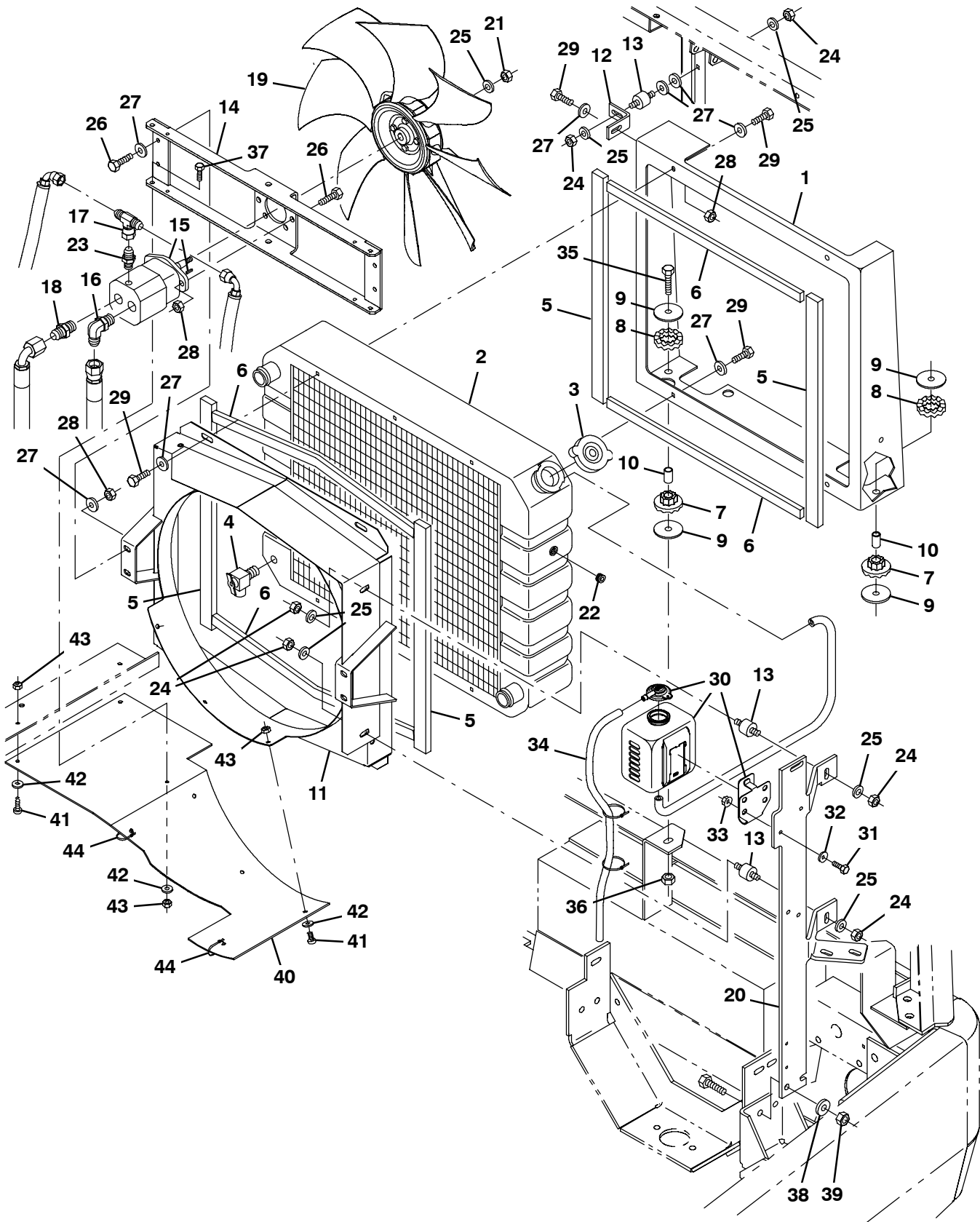


Fig. 34 - Engine Radiator and Cooling Fan Group (004500-)

Ref.	Part No.	Serial Number	Description	Qty.	
1	48056	(004000-) Duct, Rear	1	
2	1041739AM	(004000-) Radiator	1	
3	1045764	(004000-) Cap, Radiator, 14psi [Stant]	1	
4	51305	(004000-) Drain Cock, .25Npt Wh#120 Angl	1	
5	63818	(004000-) Seal, Duct	4	
6	374230	(004000-) Seal, Ure, 0.38 0.75w 19.5l Adh	4	
7	64621	(004000-) Bushing, Isolator	2	
8	64618	(004000-) Ring, Isolator, Outer Rbr	2	
9	58228	(004000-) Washer, Flat, 0.44b 2.00d .12, Stl, Pl	4	
10	77452	(004000-) Spacer	2	
11	9006741	(004000-005047) Shroud Kit, Fan, Radiator [800/810]	1	
11	1056213	(005048-) Shroud Wldt, Fan, Radiator [800/810]	1	
12	375511	(004000-) Bracket, L, 2.20,2.00, .18T,1.	1	
13	51322	(004000-) Isolator-Vibration .31-18	3	
14	1033344	(004000-005047) Bracket Wldt, Mtg, Motor [2007]	1	
14	1051599	(005048-) Bracket Wldt, Mtg, Motor	1	
▽	15	63542	(004000-) Motor-Hyd, Gear In 10.0 (See Breakdowns)	1
▲		00960	(004000-) Key, Sq, 0.12 X 0.12, 0.50l	1
16	47512	(004000-) Ftg-Hyd E90 Jm06/Om08	1	
17	31599	(004000-) Ftg-Hyd Tee Jm04Omjm	1	
18	52402	(004000-) Ftg-Hyd Str Jm06/Om08	1	
19	1033497	(004000-) Fan, Cooling, 18.0d, 8 Blade, 0.5b Taper	1	
20	9001554	(004000-) Bracket, Mtg, Fltr, Oil, W/Label [800l]	1	
21	74082	(004000-) Nut-Hxlocnyln .31-24 Reg Pltd	1	
22	02247	(004000-) Fitting, Plug	1	
23	50960	(004000-) Fitting, Hyd, Str, Jm06/Om04	1	
24	19313	(004000-) Nut, Hex, Std, .31-18	6	
25	41186	(004000-) Washer, Belleville, .31	7	
26	39277	(004000-) Screw, Hex, M8 X 1.25 X 25, 8.8	8	
27	32491	(004000-) Washer, Flat, 0.31 Std	14	
28	08709	(004000-) Nut, Hex, Lock, M8 X 1.25, NI	7	
29	16931	(004000-) Screw, Hex, M8 X 1.25 X 20, 8.8	9	
30	1023853	(004000-) Tank, Coolant, 04.7 03.3 4.7deep, 1liter	1	
31	06943	(004000-) Screw, Hex, M6 X 1.0 X 20, 8.8	2	
32	19066	(004000-) Washer, Flat, #10	2	
33	07790	(004000-) Nut, Hex, Flng, M6 X 1.0	2	
34	381391	(004000-) Hose, Drain, Overflow, Radiator	1	
35	27990	(004000-) Screw, Hex, .38-16 X 2.00, 5	2	
36	50902	(004000-) Nut, Hex, Lock, .38-16, NI	2	
37	06943	(005048-) Screw, Hex, M6 X 1.00 X 20, 8.8	1	
38	32492	(004000-) Washer, Flat, 0.38 Std	2	
39	41430	(004000-) Nut, Hex, Lock, M10 X 1.5, NI	2	
40	1055893	(005048-) Skirt, Cooling Fan [800/810]	1	
41	09145	(005048-) Screw, Pan, Phl, M6 X 1.00 X 16, 4.8	5	
42	32490	(005048-) Washer, Flat, 0.25, Std	6	
43	08708	(005048-) Nut, Hex, Lock, M6 X 1.00, NI	6	
44	763114	(005048-) Tie, Cable, 11.3l, 2.75d Max	2	

Fig. 35 - Engine Battery Group (003000-004003)

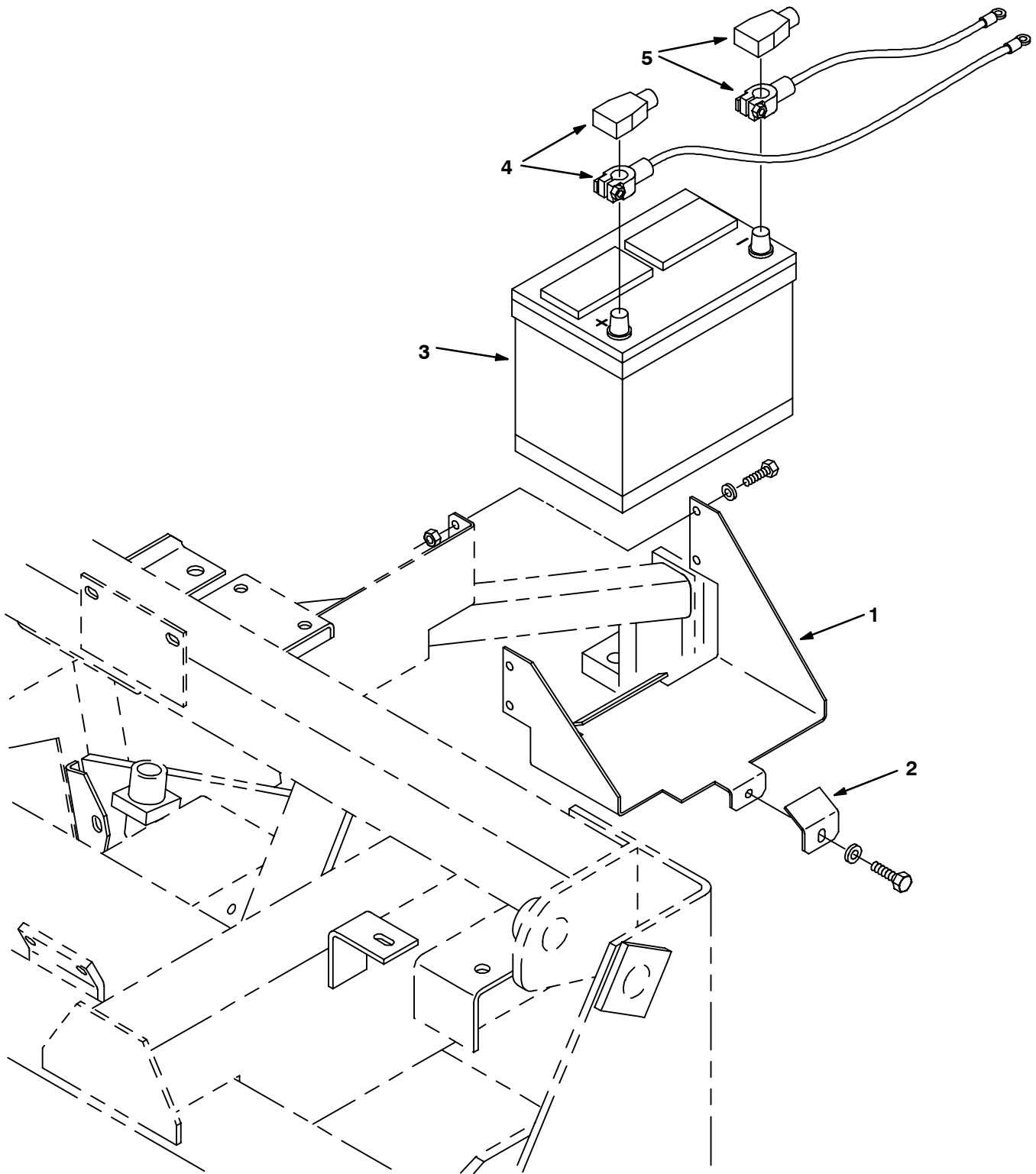


Fig. 35 - Engine Battery Group (003000-004003)

Ref.	Part No.	Serial Number	Description	Qty.
1	77490	(003000-004003)	Bracket, Mtg, Battery	1
2	77579	(003000-004003)	Bracket, Battery	1
3	77602	(003000-004003)	Battery, 12V, Wet	1
4	60294	(003000-004003)	Cable Assy-Batt,Pos, 48.0, 2Ga	1
5	380558	(003000-004003)	Wire, 42.0 Lg, 2Ga, Neg	1

Fig. 36 - Engine Battery Group (004004-)

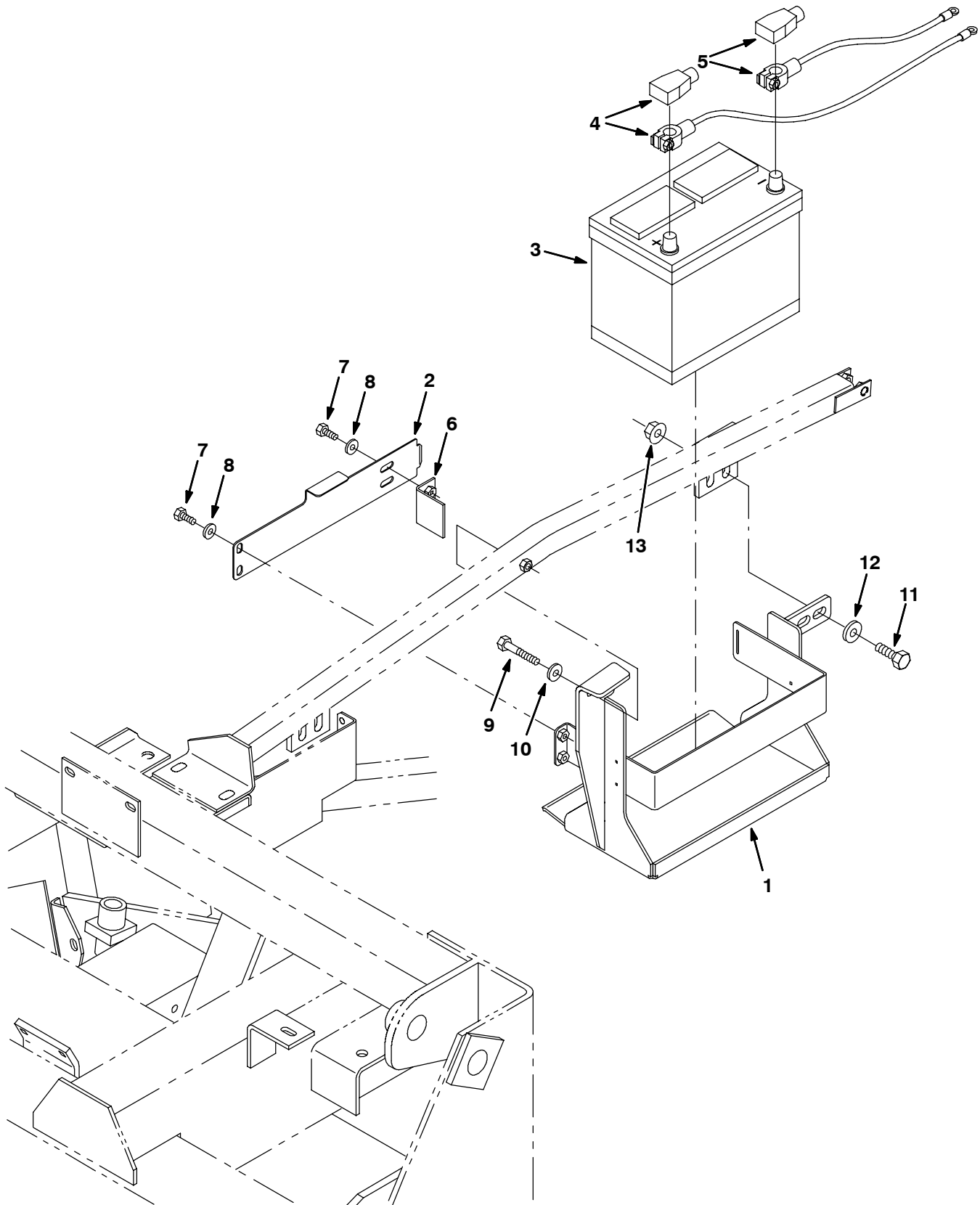


Fig. 36 - Engine Battery Group (004004-)

Ref.	Part No.	Serial Number	Description	Qty.
1	1012785	(004004-) Bracket Wldt, Mtg, Battery	1
2	1011788	(004004-) Bracket, Retainer, Battery	1
3	77602	(004004-) Battery, 12V, Wet	1
4	1011699	(004004-) Cable, Battery, Pos, 38.0l, 2/0 Ga	1
5	1011694	(004004-) Cable, Battery, Neg, 37.0l, 2/0 Ga	1
6	1011795	(004004-) Bracket, Retainer, Battery	1
7	16931	(004004-) Screw, Hex, M8 X 1.25 X 20, 8.8	4
8	41186	(004004-) Washer, Belleville, .31	4
9	06963	(004004-) Screw, Hex, M10 X 1.5 X 60, 8.8	1
10	32492	(004004-) Washer, Flat, 0.38 Std	1
11	06969	(004004-) Screw, Hex, M12 X 1.75 X 40, 8.8	2
12	32486	(004004-) Washer, Flat, 0.50 Sae	2
13	07793	(004004-) Nut, Hex, Flng, M12 X 1.75	2

Fig. 37 - Wheel Drive Group, Rear

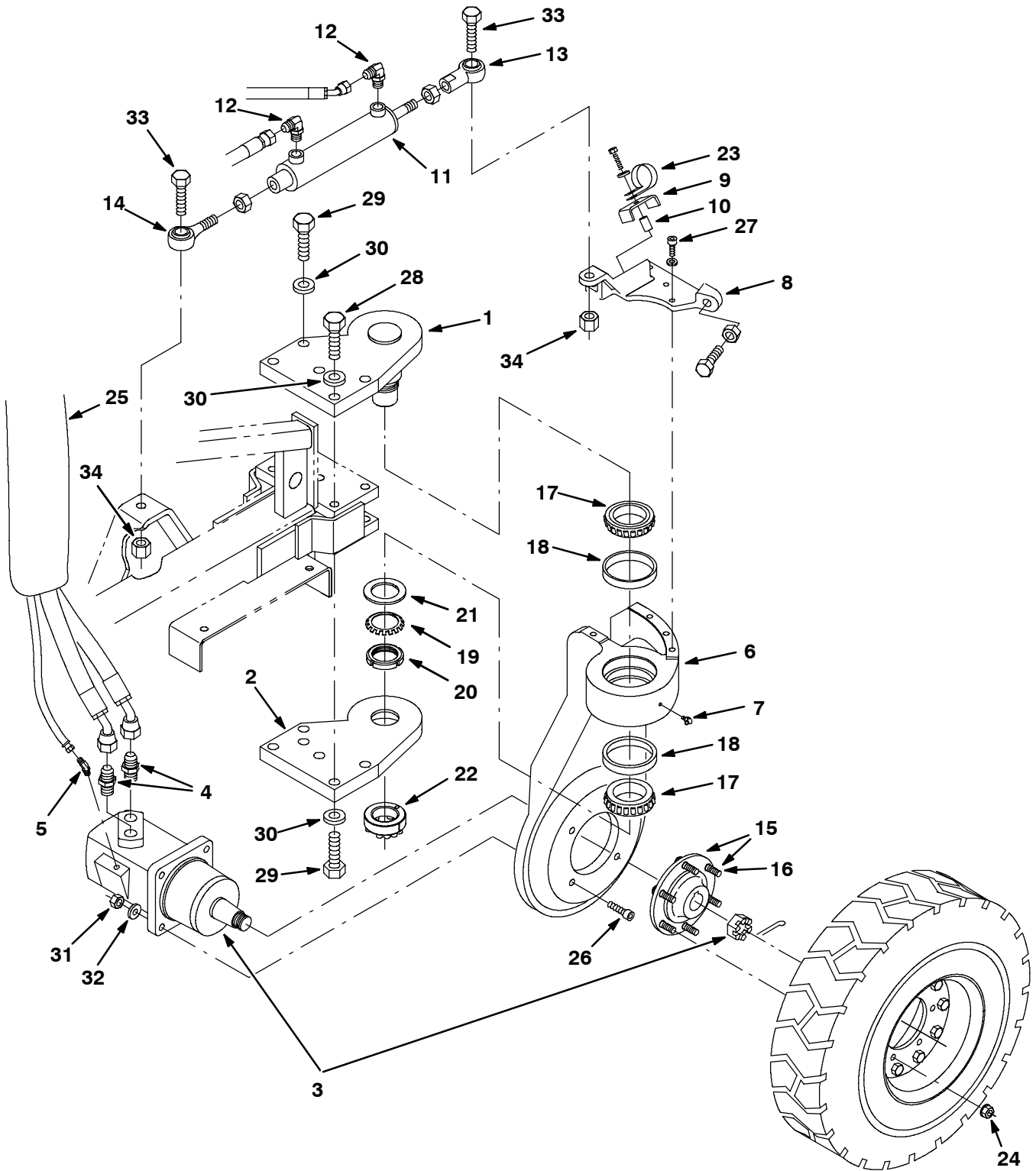


Fig. 37 - Wheel Drive Group, Rear

Ref.	Part No.	Serial Number	Description	Qty.	
1	63491	(003000-) Pivot Wldt, Wheel	1	
2	63471	(003000-) Plate, Pivot, Wheel	1	
3	63426	(003000-003039) Motor-Hyd Gear In (See Breakdowns)	1	
3	22626	(003040-003178) Motor-Hyd Gear (See Breakdowns)	1	
3	373464	(003179-) Motor-Hyd Gear (See Breakdowns)	1	
4	67310	(003000-) Ftg-Hyd Str Jm12/Om16	2	
5	34359	(003000-003178) Ftg-Hyd E45 Jm04/Om04	1	
5	47522	(003179-) Ftg-Hyd E45 Jm04/Om04	1	
6	63540	(003000-003005) Housing, Sppt, Wheel (Repl. by 375534)	1	
6	21740	(003006-) House, Wheel	1	
7	09718	(003000-) Ftg, Grease.25-28Th 90 .75L	1	
8	63543	(003000-003005) Bracket, Steering, Machining (Repl. by 375534)	1	
8	375575	(003006-) Bracket, Steering, Machining	1	
9	73733	(003000-) Channel, Retainer	1	
10	73731	(003000-) Sleeve, .375B .62D1.06 Stl	1	
11	53601	(003000-004077) Cylinder, Hyd, 2.0b,15.0l, Rep.By1028492 (See Breakdowns)	1	
11	1028492	(004078-) Cylinder, Hyd, 2.0b 15.0l 08.00strk 1500	1	
12	56820	(003000-) Ftg-Hyd E90 Jm06/Om06	2	
13	64887	(003000-) Balljoint, Rod End	1	
14	64886	(003000-) Balljoint, Rod End	1	
▽	15	79140	(003000-) Hub and Stud Assy.	1
▲	16	79152	(003000-) Stud, Wheel .56-18x2.13	6
	17	51341	(003000-) Bearing-Cone, 2.63Bore 0.87Wth	2
	18	51340	(003000-) Bearing-Cup , 4.33Dia 0.74Wth	2
	19	369701	(003000-) Washer,Lock Special	1
	20	41073	(003000-) Nut,Lock-Special 2.16-18Uns	1
	21	375762	(003000-) Washer	1
	22	63496	(003000-) Ring, Retainer, Lock	1
	23	67767	(003000-) Clamp, Cable	1
	24	79153	(003000-) Nut, Wheel Lug	6
	25	82832	(003000-) Sleeve, Nyl, 37, 25.0l	1
	26	39305	(003000-) Scr-soc .50-13x2.75 Alloypltd	4
	27	375576	(003000-) Scr-soc M12x1.75 60	4
	28	06995	(003000-) Screw, Hex, M20 X 2.5 X 70, 8.8	3
	29	06993	(003000-) Screw, Hex, M20 X 2.5 X 60, 8.8	7
	30	39350	(003000-) Washer, Flat, 0.75, Sae	10
	31	32985	(003000-) Nut, Hex, Lock, .50-13, NI	4
	32	32486	(003000-) Washer, Flat, 0.50, Sae	4
	33	54833	(003000-) Screw, Hex, .75-10 X 2.50, G5	2
	34	32987	(003000-) Nut, Hex, Lock, .75-10, NI	2

Fig. 38 - Wheels and Brakes Group, Front

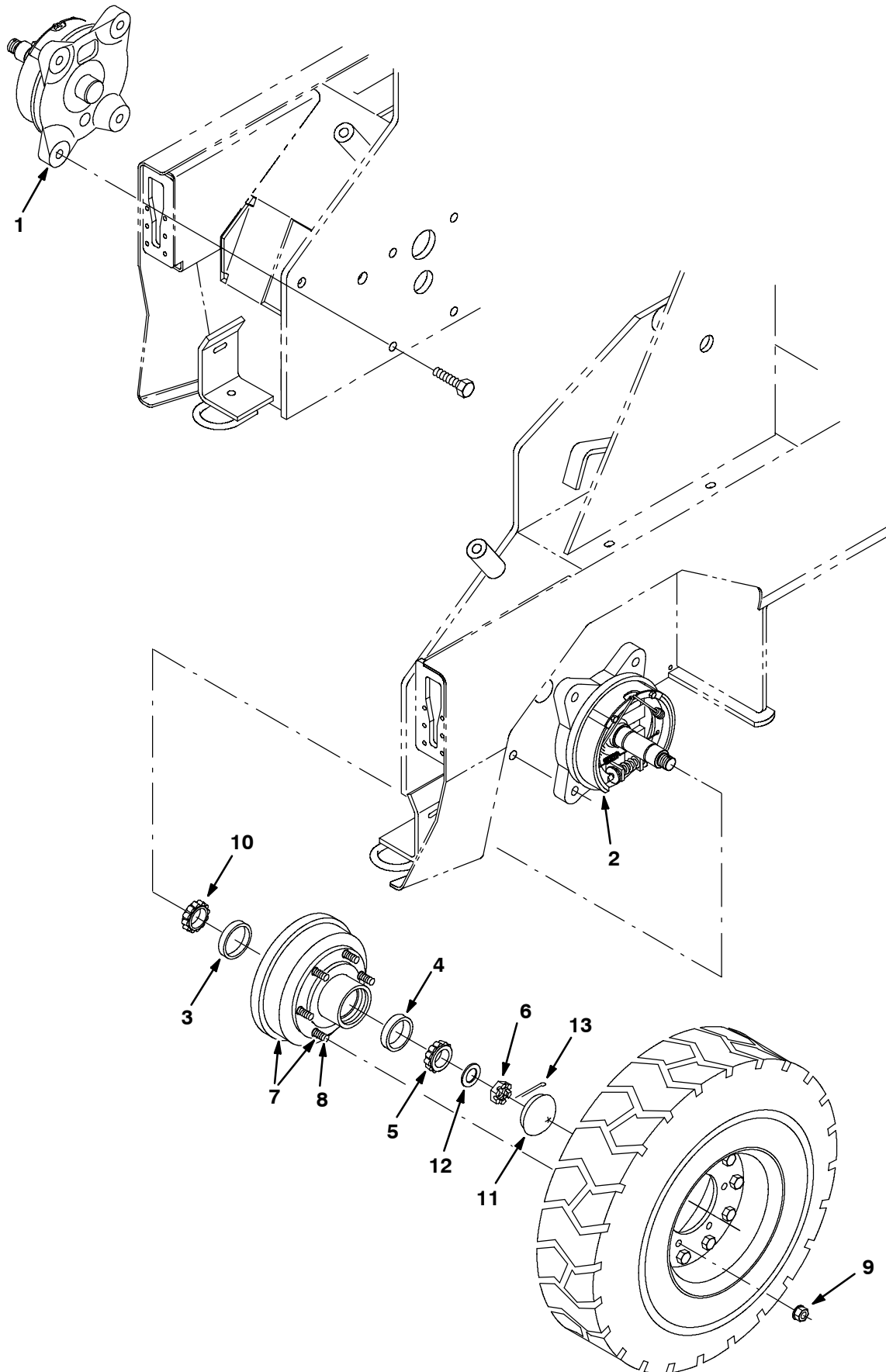


Fig. 38 - Wheels and Brakes Group, Front

Ref.	Part No.	Serial Number	Description	Qty.
1	77790	(003000-) Brake Assy, Rh (See Breakdowns)	1
2	77770	(003000-) Brake Assy, Lh (See Breakdowns)	1
3	17808	(003000-) Bearing-Cup, 2.72Dia 0.59Wth	2
4	51338	(003000-) Bearing-Cup, 2.56Dia 0.55Wth	2
5	51193	(003000-) Bearing-Cone, 1.38Bore 0.72Wth	2
6	14242	(003000-) Nut-Hxslot 1.00-20 Pltd	2
▽	7	79151	(003000-) Drum Assy, Brake 9/16	2
▲	8	79152	(003000-) Stud, Wheel .56-18x2.13	6
9	79153	(003000-) Nut, Wheel Lug, 9/16-18	12
10	17809	(003000-) Bearing-Cone, 1.50Bore 0.75Wth	2
11	51373	(003000-) Cap, Grease Black Paint	2
12	32598	(003000-) Washer, Flat, 1.02b 1.75d .12, Stl	2
13	08180	(003000-) Pin, Cotter, .125 X 2.00	2

Fig. 39 - Wheel Assembly

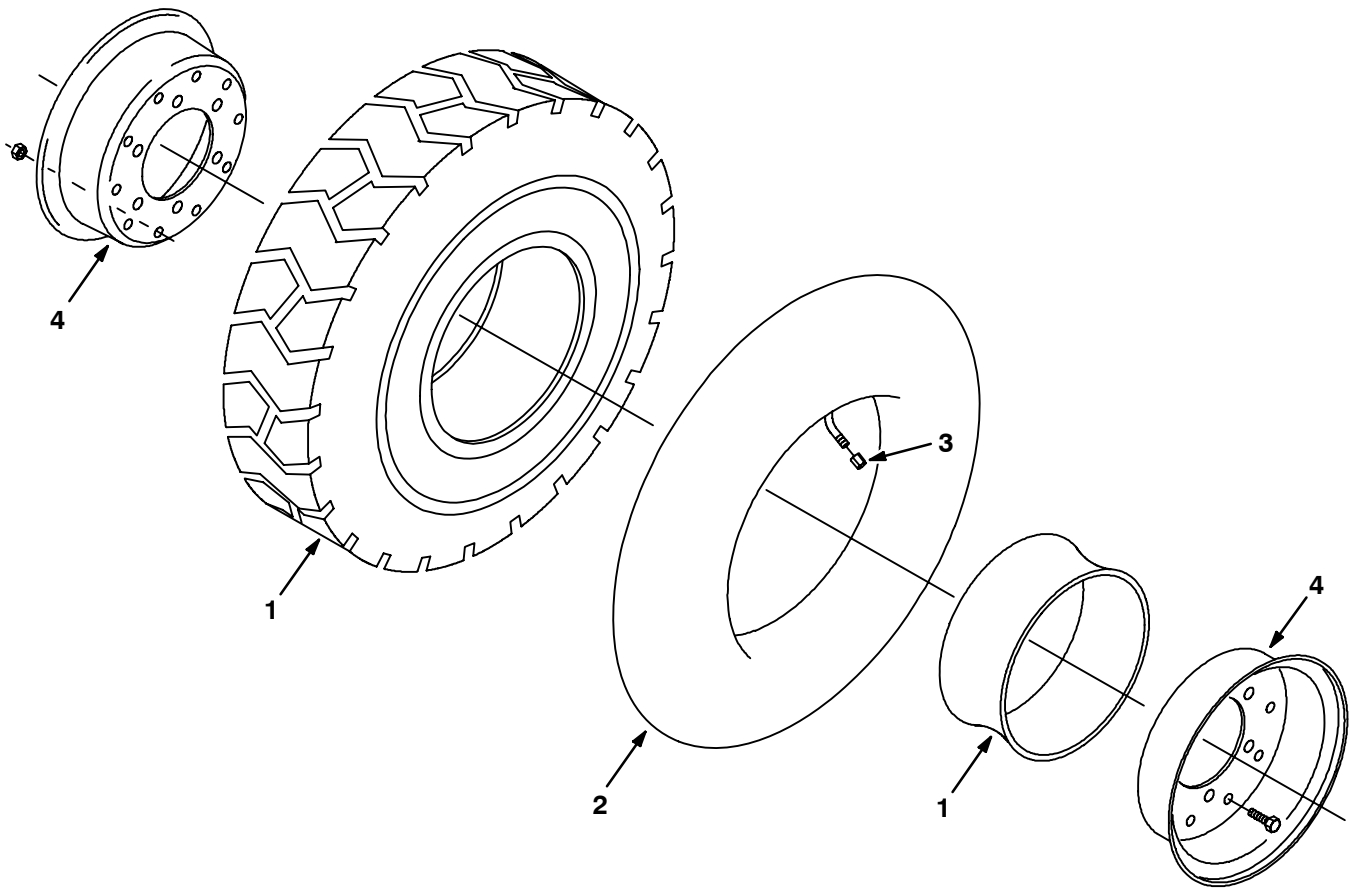


Fig. 39 - Wheel Assembly

	Ref.	Part No.	Serial Number	Description	Qty.
▽		375567	(003000-) Tire & Rim Assy, Pneu 6.50-10	3
▲	1	64059	(003000-) Tire & Flap Assy	1
▲	2	64058	(003000-) Tube, Inner	1
▲	3	45786	(003000-) Cap, Valve Stem	1
▲	4	21672	(003000-) Hub Assy	1

Fig. 40 - Brake Pedals Group

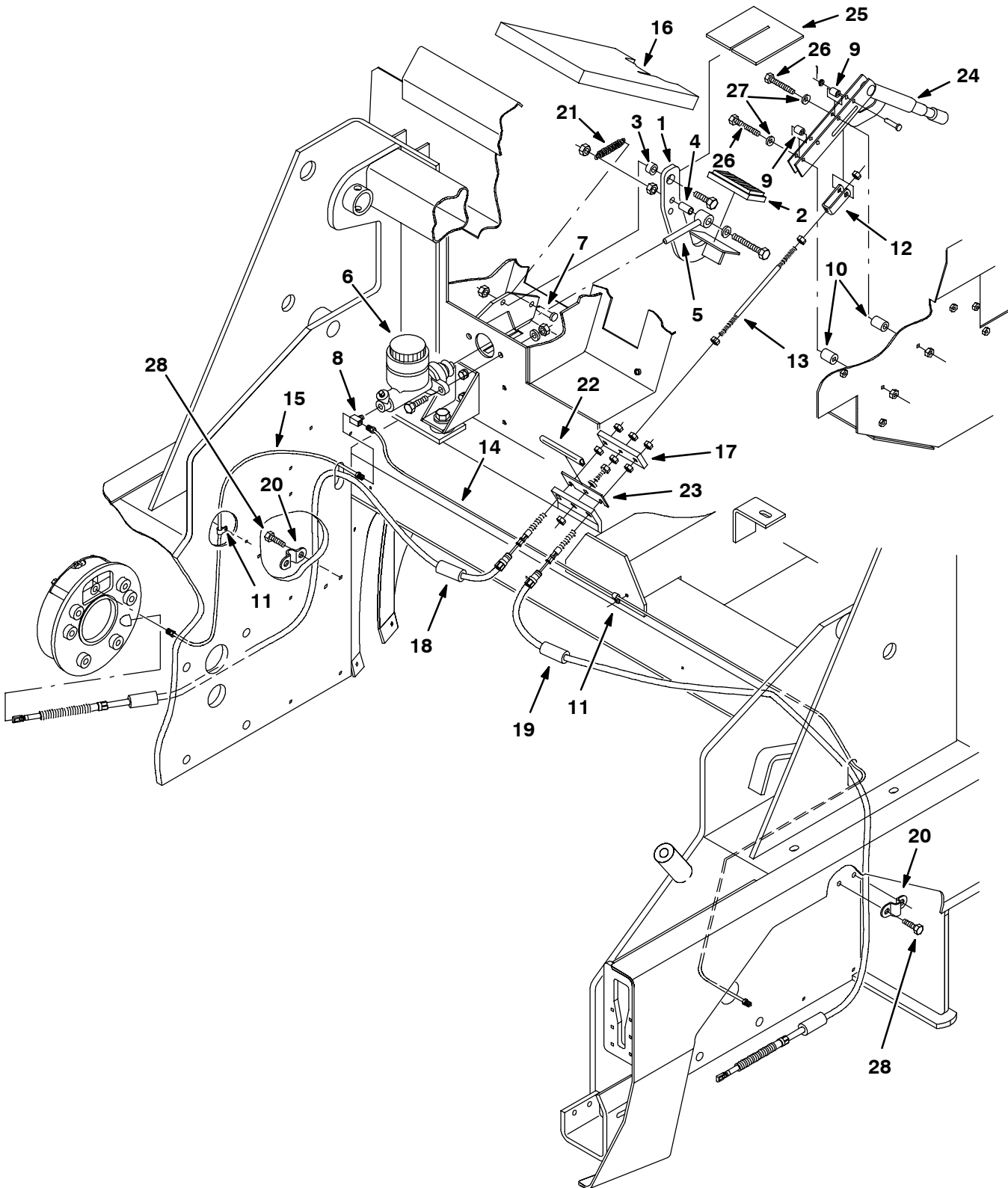


Fig. 40 - Brake Pedals Group

Ref.	Part No.	Serial Number	Description	Qty.	
1	63295	(003000-) Pedal Wldt	1	
2	51109	(003000-) Pad	1	
3	64635	(003000-) Spacer	1	
4	57311	(003000-) Spacer-.50 Od X .055W X 1.0	1	
5	70550	(003000-) Rod Wldt, Push, Brake	1	
▽	6	64950	(003000-) Cylinder, Master Brake	1
▲	374230	(003000-) Cap, Cyl Assy, Master Brake	1	
7	76653	(003000-) Pin, Clevis .375D X 1.000 Lg	1	
8	51483	(003000-) Ftg, Brass, Tee 06lf- 02Pm- 06lf	1	
9	51562	(003000-) Sleeve, .344B .50D .81 Cr.Anc	2	
10	86034	(003000-) Spacer, Brake	2	
11	46236	(003000-) Clamp-Cable, 0.25Dia 0.56Wth	4	
12	76491	(003000-) Bracket, Adjuster, Brake	1	
13	76490	(003000-) Rod-Thread, 2End M08X1.25X10Lg	1	
14	79593	(003000-) Tube Assy, Brake	1	
15	79594	(003000-) Tube Assy, Brake	1	
16	375526	(003000-) Insulation, S/Foam 1.0 Seal Brake Pedal	1	
17	70506	(003000-) Bar, Equalizer	1	
18	64556	(003000-) Cable, Brake, Park	1	
19	64558	(003000-) Cable, Brake, Park	1	
20	65129	(003000-) Clamp, Cable- Brake	2	
21	75575	(003000-) Spring, Tens, 0.5Dx.06Wire 2.5L	1	
22	31775	(003000-) Molding, Trim 11-14Ga 4.0	1	
23	74022	(003000-) Strip, Retainer, Brake Cable	1	
24	51545	(003000-) Lever, Brake	1	
25	380717	(003000-) Insulation, Sound Foam	1	
26	39279	(003000-) Screw, Hex, M8 X 1.25 X 70, 8.8	2	
27	32491	(003000-) Washer, Flat, 0.31 Std	2	
28	16735	(003000-) Screw, Hex, M8 X 1.25 X 16, 8.8	4	

Fig. 41 - Directional Pedal Group

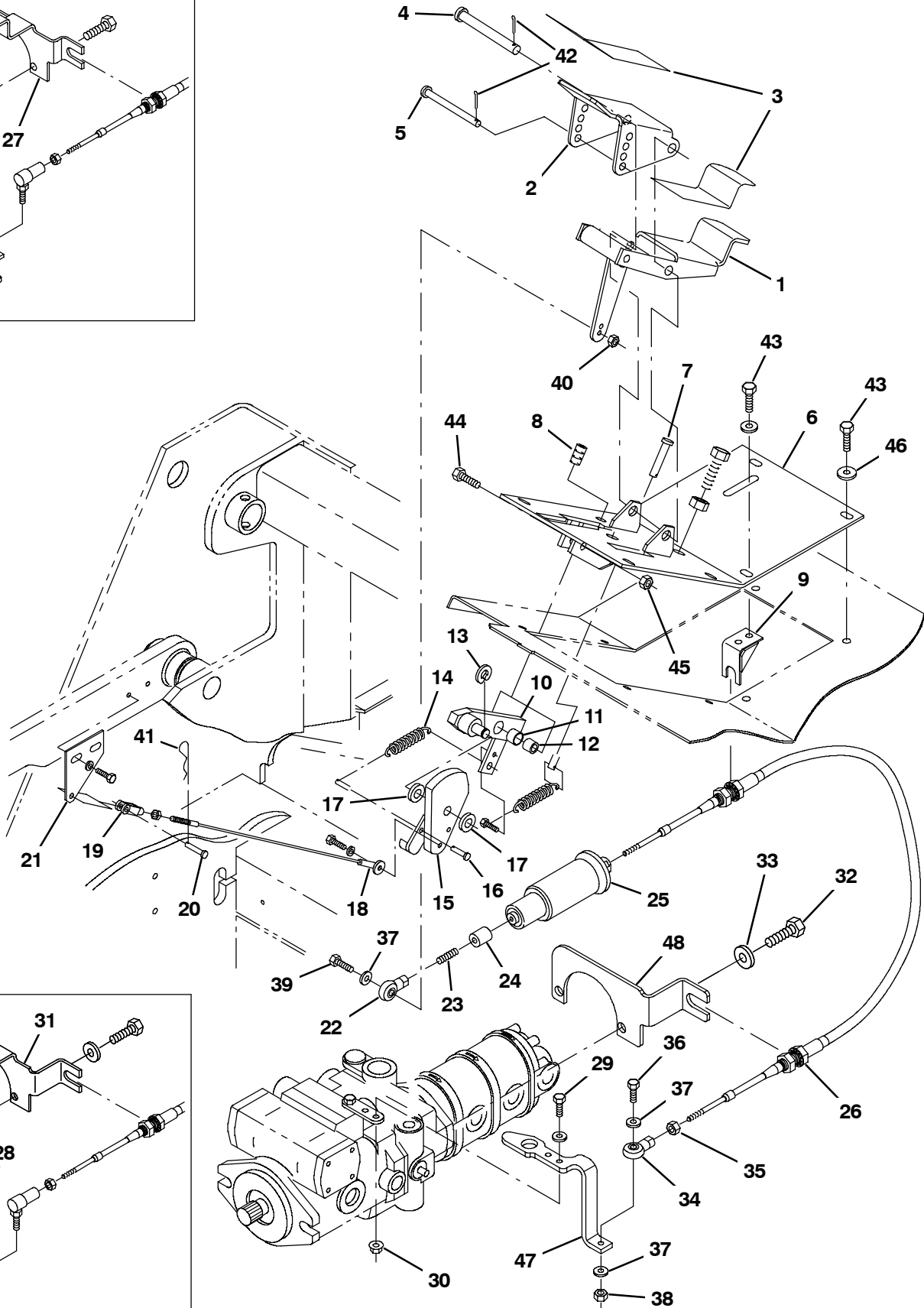
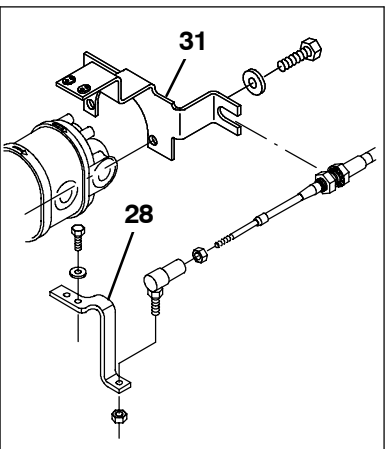
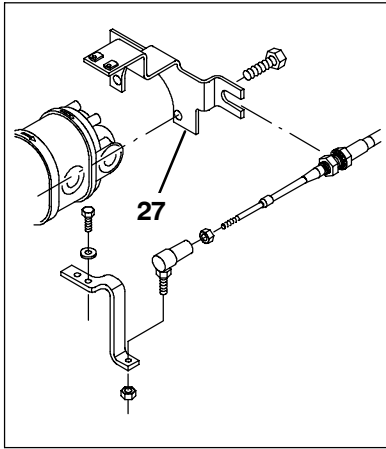


Fig. 41 - Directional Pedal Group

Ref.	Part No.	Serial Number	Description	Qty.
1	380683	(003000-) Pedal Wldt, Propel Lower W/tread	1
2	84103	(003000-) Pedal, Upper W/tread	1
3	82839	(003000-) Pad, Tread	1
4	59668	(003000-) Pin, Clevis .50 Dia X 4.50 Lg	1
5	59672	(003000-) Pin, Clevis .31 Dia X 4.50 Lg	1
6	380566	(003000-) Panel Wldt, Access Floor	1
7	76647	(003000-) Pin, Clevis .375D X 1.312 Lg	1
8	76523	(003000-) Screw-Set M10 X 1.50 2045H	1
9	380567	(003000-) Bracket, Wldt,Cable Mtg	1
10	70747	(003000-) Bar Wldt, Pivot	1
11	07449	(003000-) Bearing, Fiberglide	1
12	74051	(003000-) Sleeve, .408B .62D .53Stl	1
13	86953	(003000-) Ring,Retain,Ex,0.50 Stl Steel	1
14	54222	(003000-) Sprng,Tens,1.00Odx.09Wire 2.8L	2
15	70783	(003000-) Cam	1
16	82168	(003000-) Pin, Clevis .25 Dia, 1.000 Lg.	1
17	41722	(003000-) Washer, .516B .90D .07Cr.	2
18	70749	(003000-) Cable, Speed Control	1
19	14595-1	(003000-) Clevis,Adjust.0.25-28Th.Cad.	1
20	14605	(003000-) Pin, Clevis	1
21	70725	(003000-) Plate	1
22	68866	(003000-) Rod End .250-28 .25Dia	1
23	36971	(003000-) Rod-Thrd, Full .25-28	1
24	380568	(003000-) Spacer, .75D .9L .25-28 Th	1
25	63292	(003000-) Spring, Propel, Centering	1
26	63276	(003000-) Cable, Push,Pull	1
27	9001293	(003000-004034) Bracket Kit, Mtg, Cable, Replmt[800/810]	1
28	380514	(003000-005009) Lever, Pump, Propel	1
29	06943	(003000-) Screw, Hex, M6 X 1.0 X 20, 8.8	2
30	07790	(003000-) Nut, Hex, Flng, M6 X 1.0	2
31	1020982	(004035-005009) Bracket, Mtg, Propel Cable	1
32	46559	(003000-) Screw, Hex, .38-16 X 1.25, NI	2
33	32485	(003000-) Washer, Flat, 0.38 Sae	2
34	68866	(004035-) Rod-End, .25-28rh Fem 0.25b [Teflon]	1
35	32899	(003000-) Nut, Hex, Jam, .25-28	1
36	25046	(004035-) Screw, Hex, .25-20 X 1.00, 5	1
37	32490	(004035-) Washer, Flat, 0.25 Std	5
38	41169	(004035-) Nut, Hex, Lock, .25-20, NI, Ss	1
39	07805	(003000-) Screw, Hex, M6 X 1.0 X 35, Ss	1
40	08712	(003000-) Nut, Hex, Lock, M6 X 1.0, Ss, NI	1
41	08085	(003000-) Pin, Haircotter .31D .058Wire	1
42	08346	(003000-) Pin, Cotter, .125 X 0.75	2
43	12273	(003000-) Screw, Hex, M8 X 1.25 X 20, Ss, NI	9
44	39285	(003000-) Screw, Hex, M10 X 1.5 X 40, 8.8	1
45	41430	(003000-) Nut, Hex, Lock, M10 X 1.5, NI	1
46	1017218	(003000-) Washer, Flat, 0.321b 1.00d .12, Ss	7
47	1039554	(005010-) Arm, Cntrl, Pintle	1
48	1042374	(005010-) Bracket, Mtg, Propel, Cable	1

Fig. 42 - Hydraulic Pumps Group

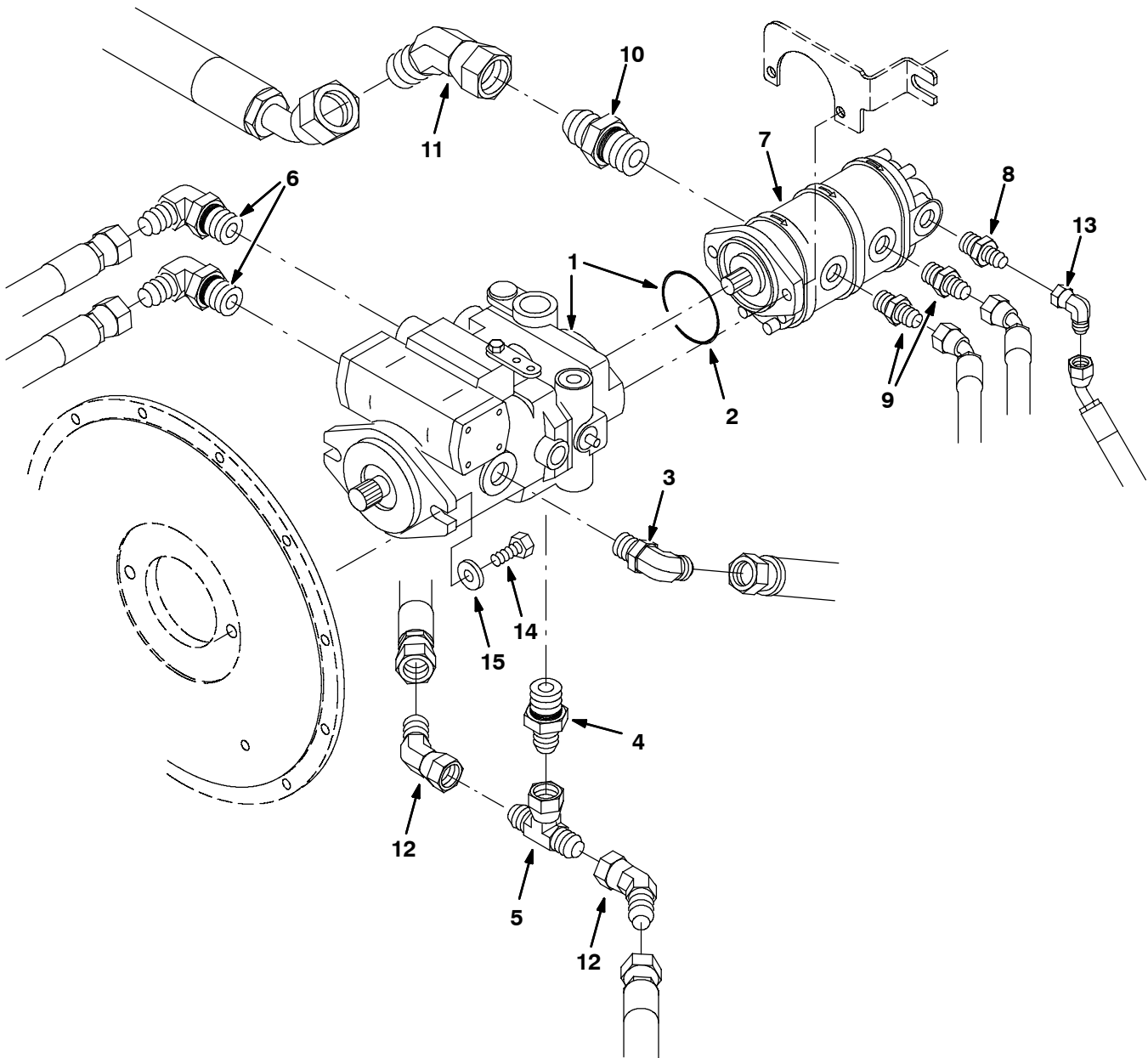


Fig. 42 - Hydraulic Pumps Group

Ref.	Part No.	Serial Number	Description	Qty.
	1	74163	(003000-003106) Pump-Hyd Piston V (See Breakdowns)	1
▽	1	373404	(003107-) Pump-Hyd Piston V (See Breakdowns)	1
▲	2	65145-1	(003000-) O-Ring Gland	1
	3	46481	(003000-) Ftg-Hyd E90 Jm12/Om12	1
	4	67310	(003000-) Ftg-Hyd Str Jm12/Om16	1
	5	62389	(003000-) Ftg-Hyd Tee Jm12/Jfjm	1
	6	52911	(003000-) Ftg-Hyd E90 Jm12/Om16	2
	7	62561	(003000-004003) Pump-Hyd Gear Ex (See Breakdowns)	1
	7	373254	(004004-) Pump-Hyd Gear Ex (See Breakdowns)	1
	8	47508	(003000-) Ftg-Hyd Str Jm06/Om10	1
	9	56692	(003000-) Ftg-Hyd Str Jm08/Om10	2
	10	58858	(003000-) Ftg-Hyd Str Jm20/Om20	1
	11	19544	(003000-) Ftg-Hyd E45 Jm20/Jf20	1
	12	07934	(003000-) Ftg-Hyd E45 Jm12/Jf12	2
	13	47504	(003000-) Ftg-Hyd E90 Jm06/Jf06	1
	14	39810	(003000-) Screw, Hex, .50-13 X 1.25, 5	2
	15	32486	(003000-) Washer, Flat, 0.50 Sae	2

Fig. 43 - Hydraulic Schematic

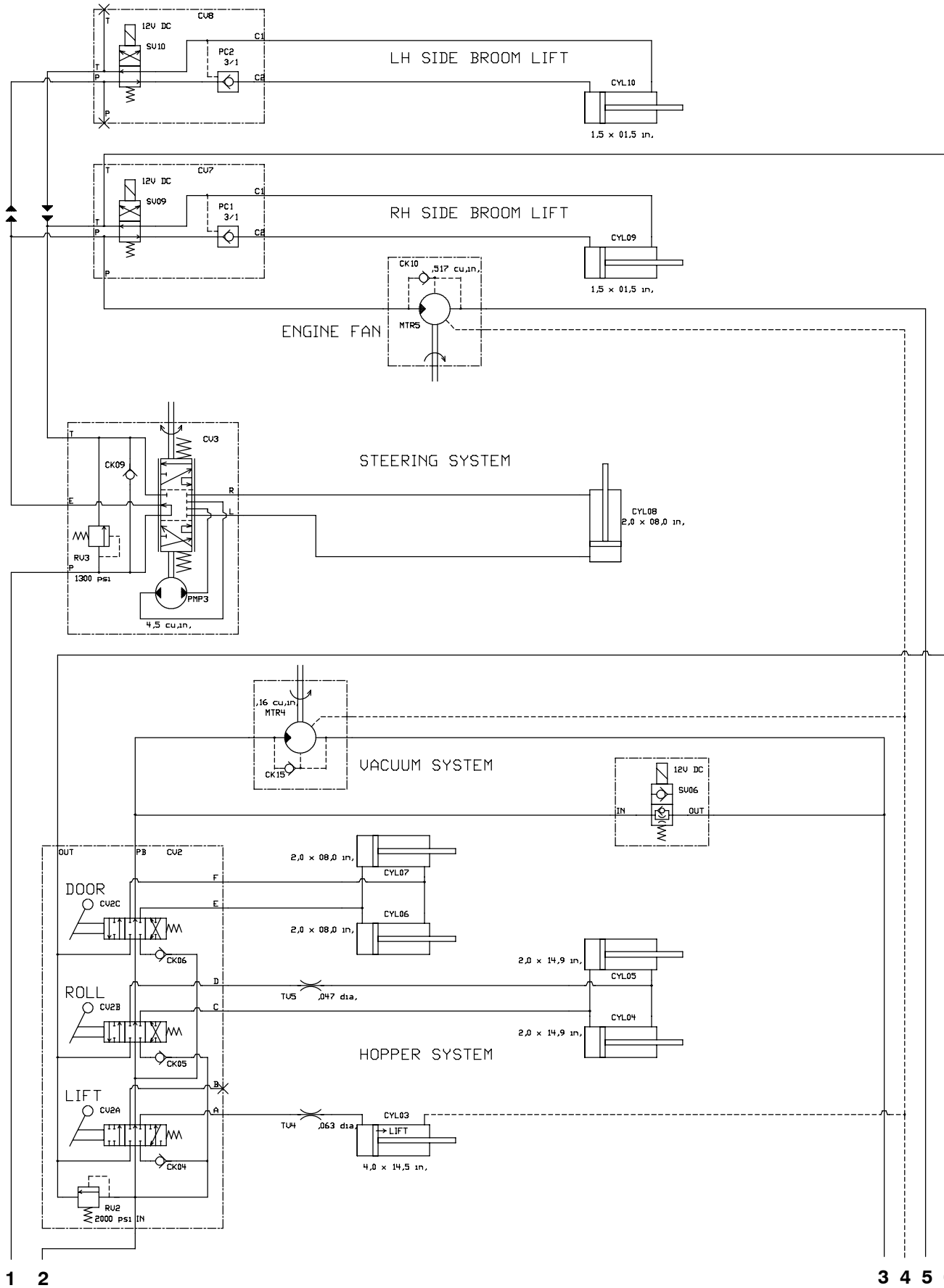


Fig. 44 - Hydraulic Hose Group (003000-003178)

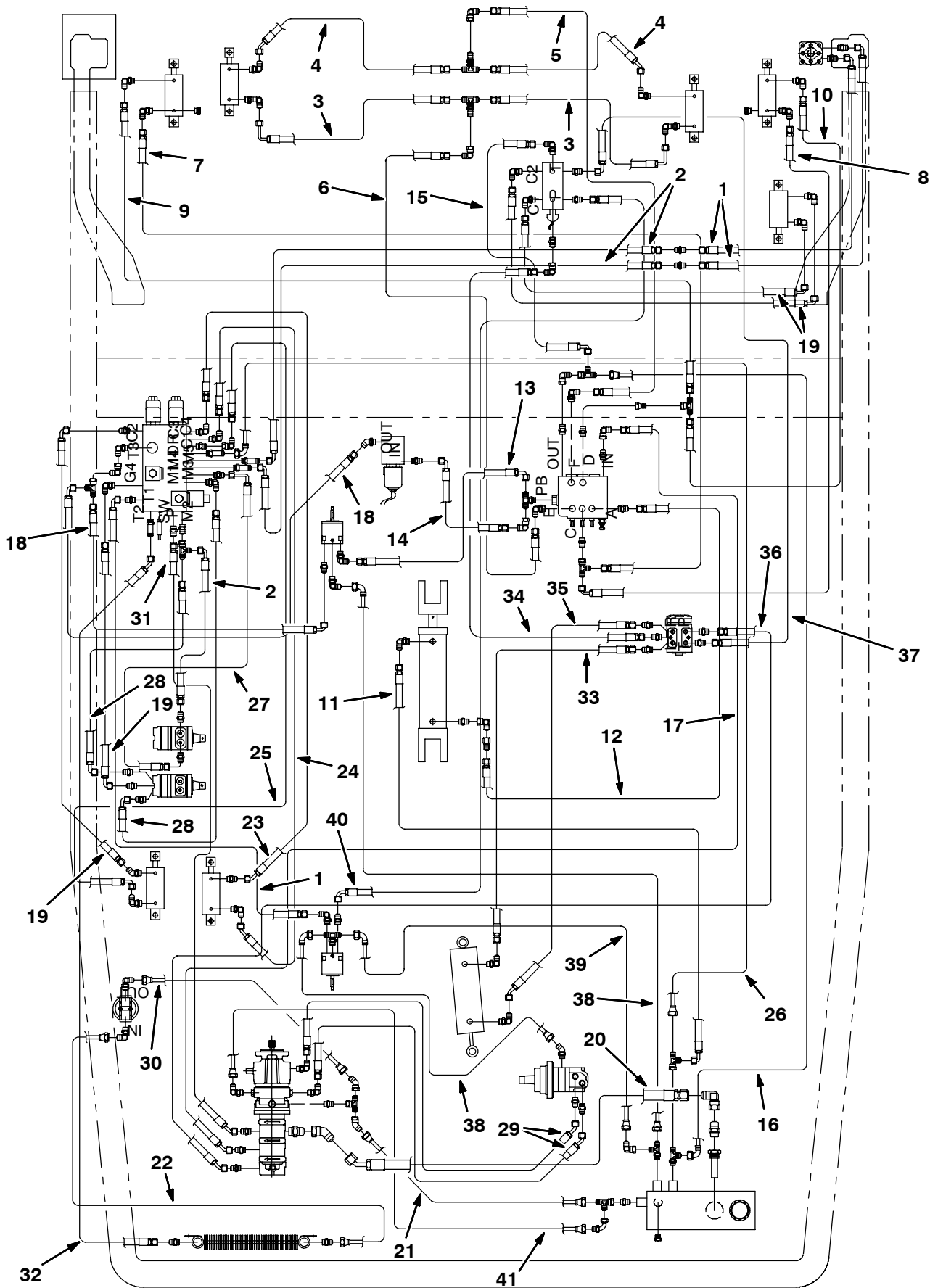


Fig. 44 - Hydraulic Hose Group (003000-003178)

Ref.	Part No.	Serial Number	Description	Qty.
1	65194	(003000-003178)	Hose-Hyd Med06	3
2	65197	(003000-003178)	Hose-Hyd Med08	3
3	65188	(003000-003178)	Hose-Hyd	2
4	57173	(003000-003178)	Hose-Hyd Med04 Jf/J4	2
5	76498	(003000-003178)	Hose-Hyd Ar 04	1
6	79642	(003000-003178)	Hose-Hyd Ar04	1
7	21117	(003000-003178)	Hose-Hyd Ar 04	1
8	21119	(003000-003178)	Hose-Hyd Ar 04	1
9	77641	(003000-003178)	Hose-Hyd Ar 04	1
10	77640	(003000-003178)	Hose-Hyd Ar 04	1
11	71552	(003000-003178)	Hose-Hyd	1
12	55700	(003000-003178)	Hose-Hyd Med04 Jf/Jf	1
13	82843	(003000-003178)	Hose-Hyd Med08 Jf/J9	1
14	82820	(003000-003178)	Hose-Hyd Med78 Jf/J9	1
15	65195	(003000-003178)	Hose-Hyd Med06	1
16	65212	(003000-003178)	Hose-Hyd Low06	1
17	65204	(003000-003178)	Hose-Hyd Med08	1
18	34355	(003000-003178)	Hose-Hyd Med08 Jf/J9	2
19	57963	(003000-003178)	Hose-Hyd Med04	4
20	77473	(003000-003178)	Hose-Hyd Suc20 Spcl 22.5	1
21	65202	(003000-003178)	Hose-Hyd Low12	1
22	82835	(003000-003178)	Hose-Hyd Low12 Jf/Jf	1
23	65207	(003000-003178)	Hose-Hyd	1
24	65206	(003000-003178)	Hose-Hyd Med04	1
25	34379	(003000-003178)	Hose-Hyd Med04 Jf/J9	1
26	65213	(003000-003178)	Hose-Hyd Low06	1
27	65198	(003000-003178)	Hose-Hyd Med08	1
28	34360	(003000-003178)	Hose-Hyd Med08 Jf/J9	2
29	65201	(003000-003178)	Hose-Hyd Med12	2
30	65205	(003000-003178)	Hose-Hyd Low12	1
31	33799	(003000-003178)	Hose-Hyd Med08 Jf/J4	1
32	65199	(003000-003178)	Hose-Hyd Med12	1
33	01987	(003000-003178)	Hose-Hyd Med06 Jf/Jf	1
34	16431	(003000-003178)	Hose-Hyd Med06 Jf/Jf	1
35	76497	(003000-003178)	Hose-Hyd Med06	1
36	65191	(003000-003178)	Hose-Hyd Med06	1
37	57944	(003000-003178)	Hose-Hyd Med06 Jf/J9	1
38	21729	(003000-003178)	Hose-Hyd Low04 Jf/J9	2
39	65196	(003000-003178)	Hose-Hyd Low 04	1
40	31563	(003000-003178)	Hose-Hyd Med06 Jf/J9	1
41	380675	(003000-003178)	Hose-Hyd Low12 Jf/jf	1

Fig. 45 - Hydraulic Hose Group (003179-)

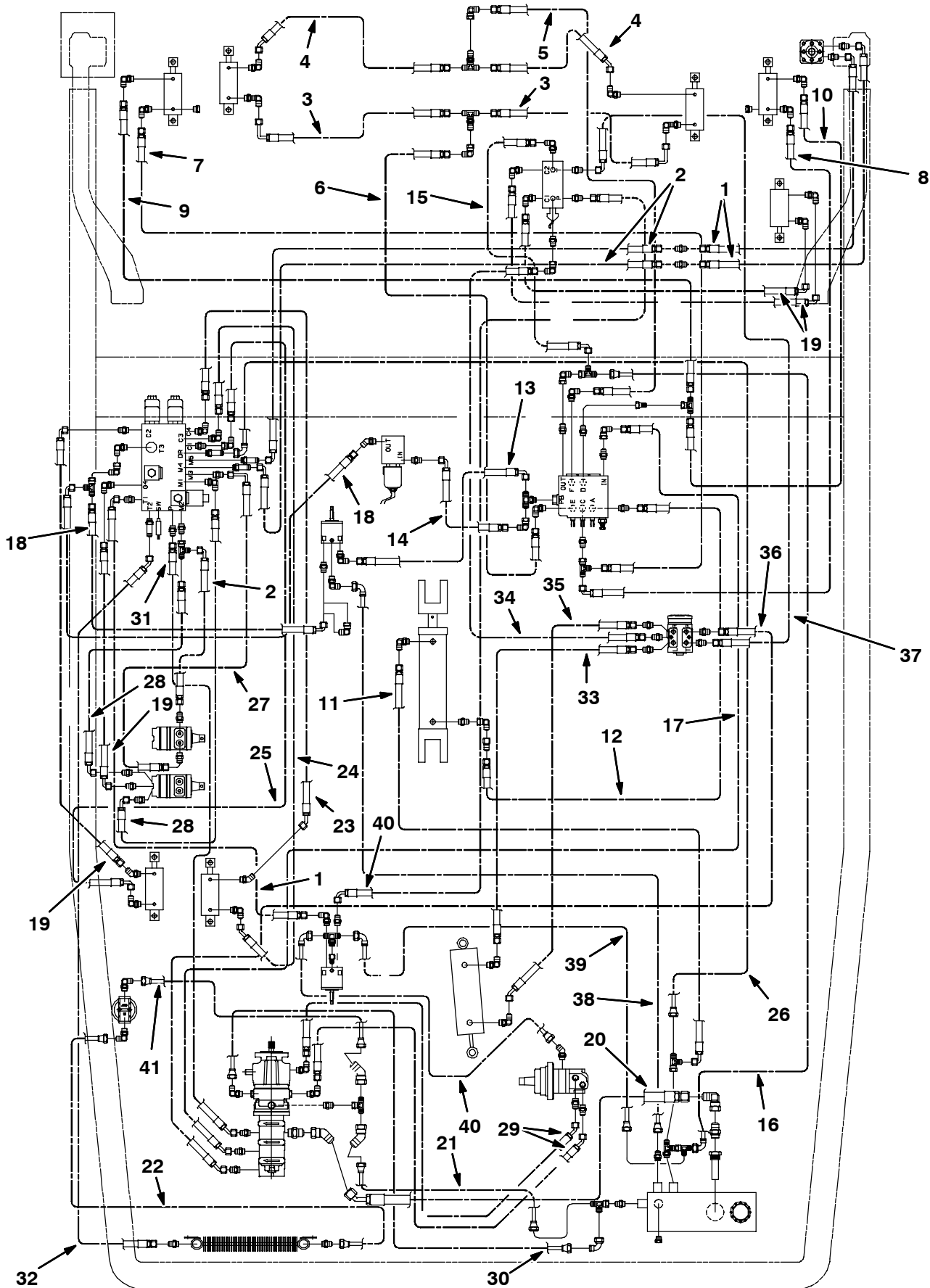


Fig. 45 - Hydraulic Hose Group (003179-)

Ref.	Part No.	Serial Number	Description	Qty.
1	65194	(003179-) Hose-Hyd Med06	3
2	65197	(003179-) Hose-Hyd Med08	3
3	65188	(003179-) Hose-Hyd	2
4	57173	(003179-) Hose-Hyd Med04 Jf/J4	2
5	76498	(003179-) Hose-Hyd Ar 04	1
6	79642	(003179-) Hose-Hyd Ar04	1
7	21117	(003179-) Hose-Hyd Ar 04	1
8	21119	(003179-) Hose-Hyd Ar 04	1
9	77641	(003179-) Hose-Hyd Ar 04	1
10	77640	(003179-) Hose-Hyd Ar 04	1
11	71552	(003179-) Hose-Hyd	1
12	55700	(003179-) Hose-Hyd Med04 Jf/Jf	1
13	82843	(003179-) Hose-Hyd Med08 Jf/J9	1
14	82820	(003179-) Hose-Hyd Med78 Jf/J9	1
15	65195	(003179-) Hose-Hyd Med06	1
16	65212	(003179-) Hose-Hyd Low06	1
17	65204	(003179-) Hose-Hyd Med08	1
18	34355	(003179-) Hose-Hyd Med08 Jf/J9	2
19	57963	(003179-) Hose-Hyd Med04	4
20	77473	(003179-) Hose-Hyd Suc20 Spcl 22.5	1
21	57568	(003179-) Hose-Hyd Low12	1
22	82835	(003179-) Hose-Hyd Low12 Jf/Jf	1
23	65207	(003179-) Hose-Hyd	1
24	65206	(003179-) Hose-Hyd Med04	1
25	34379	(003179-) Hose-Hyd Med04 Jf/J9	1
26	65213	(003179-) Hose-Hyd Low06	1
27	65198	(003179-) Hose-Hyd Med08	1
28	34360	(003179-) Hose-Hyd Med08 Jf/J9	2
29	65201	(003179-) Hose-Hyd Med12	2
30	65205	(003179-) Hose-Hyd Low12	1
31	33799	(003179-) Hose-Hyd Med08 Jf/J4	1
32	65199	(003179-) Hose-Hyd Med12	1
33	01987	(003179-) Hose-Hyd Med06 Jf/Jf	1
34	16431	(003179-) Hose-Hyd Med06 Jf/Jf	1
35	76497	(003179-) Hose-Hyd Med06	1
36	65191	(003179-) Hose-Hyd Med06	1
37	57944	(003179-) Hose-Hyd Med06 Jf/J9	1
38	21729	(003179-) Hose-Hyd Low04 Jf/J9	1
39	31603	(003179-) Hose-Hyd Low 04	1
40	31563	(003179-) Hose-Hyd Med06 Jf/J9	2
41	380675	(003179-) Hose-Hyd Low12 Jf/jf	1

Fig. 46 - Hydraulic Reservoir Group

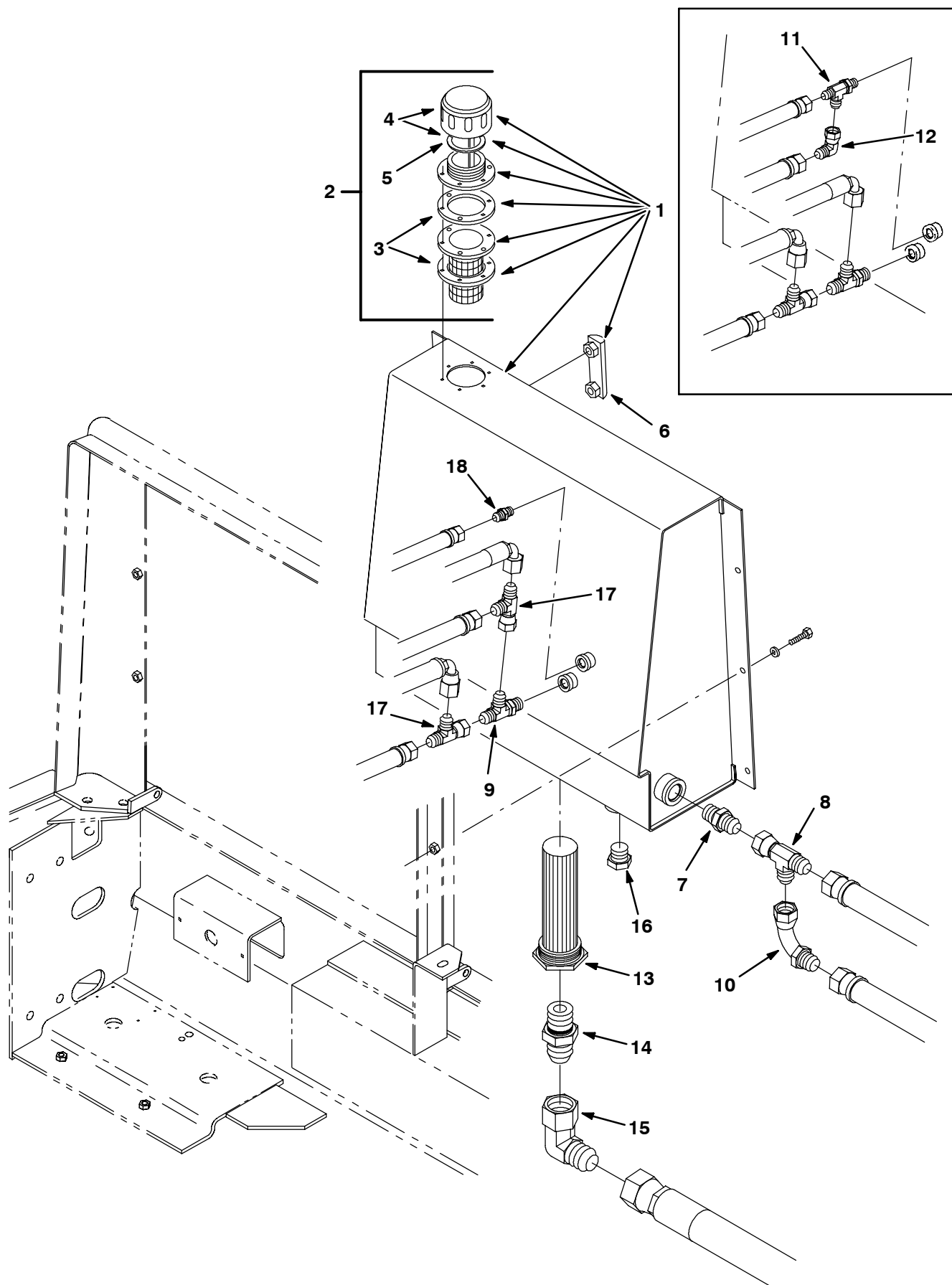


Fig. 46 - Hydraulic Reservoir Group

Ref.	Part No.	Serial Number	Description	Qty.
▽	1	380736	(003000-) Tank Wldt, Hydraulic w/label	1
▲▽	2	34306	(003000-) Breather, Hyd	1
▲▲	3	61288	(003000-) Gasket, Hyd Tank Breather	2
▲▲	4	70072	(003000-) Breather Cap and Gasket	1
▲▲	5	70006	(003000-) Gasket, Hyd Cap	1
▲	6	65215	(003000-) Gauge, Sight Lh	1
	7	42260	(003000-) Ftg-Hyd Str Jm12/Om12	1
	8	40514	(003000-) Ftg-Hyd Tee Jm12Jmjf	1
	9	76316	(003000-) Ftg-Hyd Tee Jm06Jmom	1
	10	57994	(003000-) Ftg-Hyd E90 Special Jm12/Jf12	1
	11	34390	(003000-003178) Ftg-Hyd Tee Jm04Jmom	1
	12	39210	(003000-003178) Ftg-Hyd E90 Jm04/Jf04	1
	13	31613	(003000-) Strainer-Hyd Suction 25-100-03	1
	14	58858	(003000-) Ftg-Hyd Str Jm20/Om20	1
	15	19459	(003000-) Ftg-Hyd E90	1
	16	33817	(003000-) Ftg-Hyd Plg Om12	1
	17	42215	(003179-) Ftg-Hyd Tee Jm06Jmjf	2
	18	55586	(003179-) Fitting, Hyd, Str, Jm04/Om04	1

Fig. 47 - Hydraulic Solenoid Valve Group

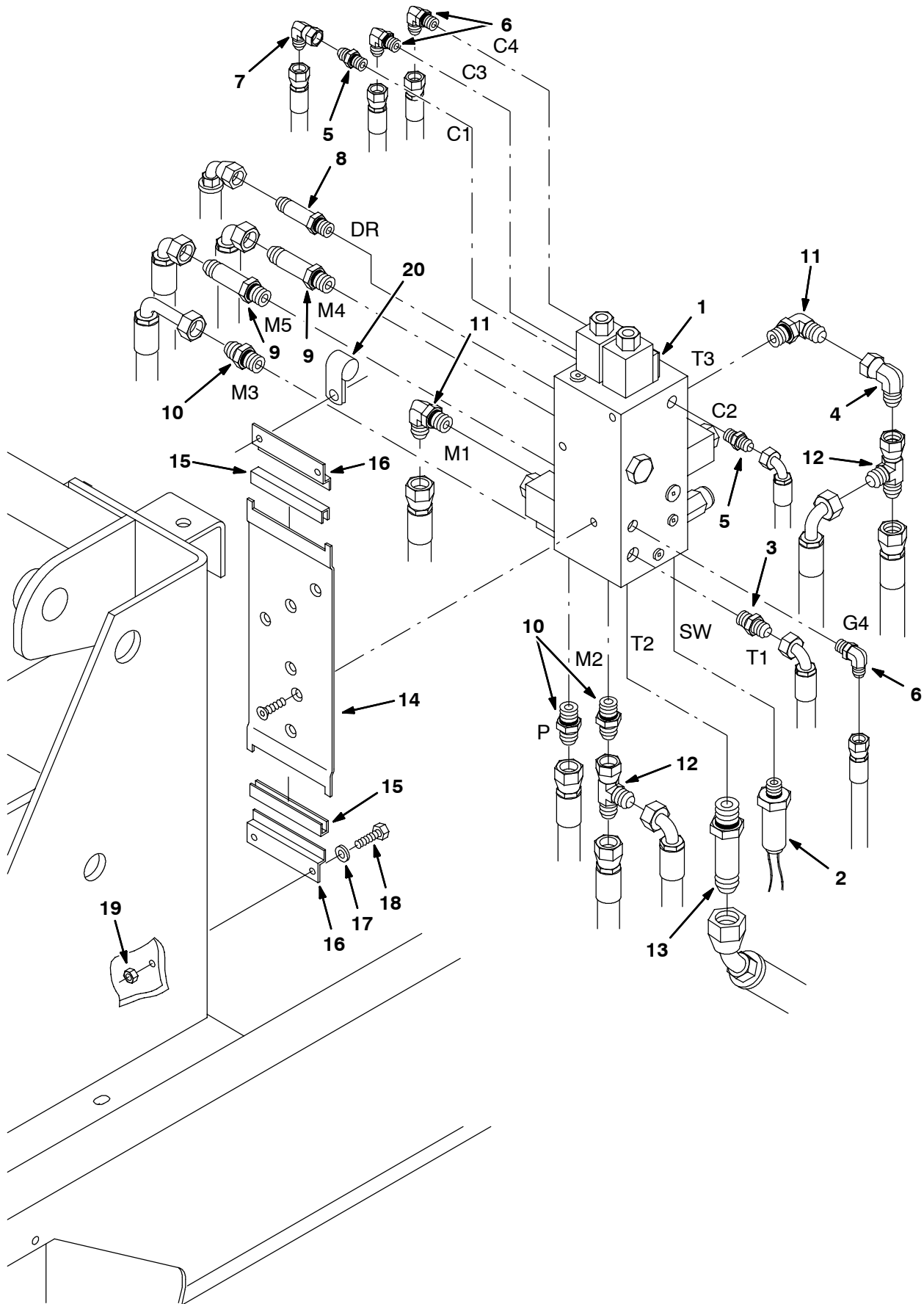


Fig. 47 - Hydraulic Solenoid Valve Group

Ref.	Part No.	Serial Number	Description	Qty.
1	84013	(003000-005041)	Valve-Hyd, Solenoid (See Breakdowns)	1
1	1049209	(005042-)	Valve, Cntrl, Hyd, Solenoid, 12vdc 08gpm (See Break-downs)	1
2	77575	(003000-)	Switch Assy, Pressure, Hyd	1
3	56690	(003000-)	Ftg-Hyd Str Jm06/Om06	1
4	17980	(003000-)	Ftg-Hyd E90 JM08/JF08	1
5	55586	(003000-)	Ftg-Hyd Str Jm04/Om04	2
6	77097	(003000-)	Ftg-Hyd E90 Jm04/Om04	3
7	39210	(003000-)	Ftg-Hyd E90 Jm04/Jf04	1
8	59577	(003000-)	Ftg-Hyd Str Jm06Om06L	1
9	31605	(003000-)	Ftg-Hyd Str Jm08Om08L	2
10	44869	(003000-)	Ftg-Hyd Str Jm08/Om08	3
11	44868	(003000-)	Ftg-Hyd E90 Jm08/Om08	2
12	45482	(003000-)	Ftg-Hyd Tee Jm08Jmjf	2
13	57993	(003000-)	Ftg-Hyd Str Jm12Om12L	1
14	64228	(003000-)	Plate, Mtg, Valve, Solenoid	1
15	10911	(003000-)	Isolator, Vac Fan	2
16	06146	(003000-)	Bracket, Mounting	2
17	19066	(003000-)	Washer, Flat, #10	4
18	06943	(003000-)	Screw, Hex, M6 X 1.0 X 20, 8.8	4
19	07790	(003000-)	Nut, Hex, Flng, M6 X 1.0	4
20	69234	(004000-)	Clamp, Cable, Stl, 1.00d X 0.75w, 1h	1

Fig. 48 - Hydraulic Lift Valve Group

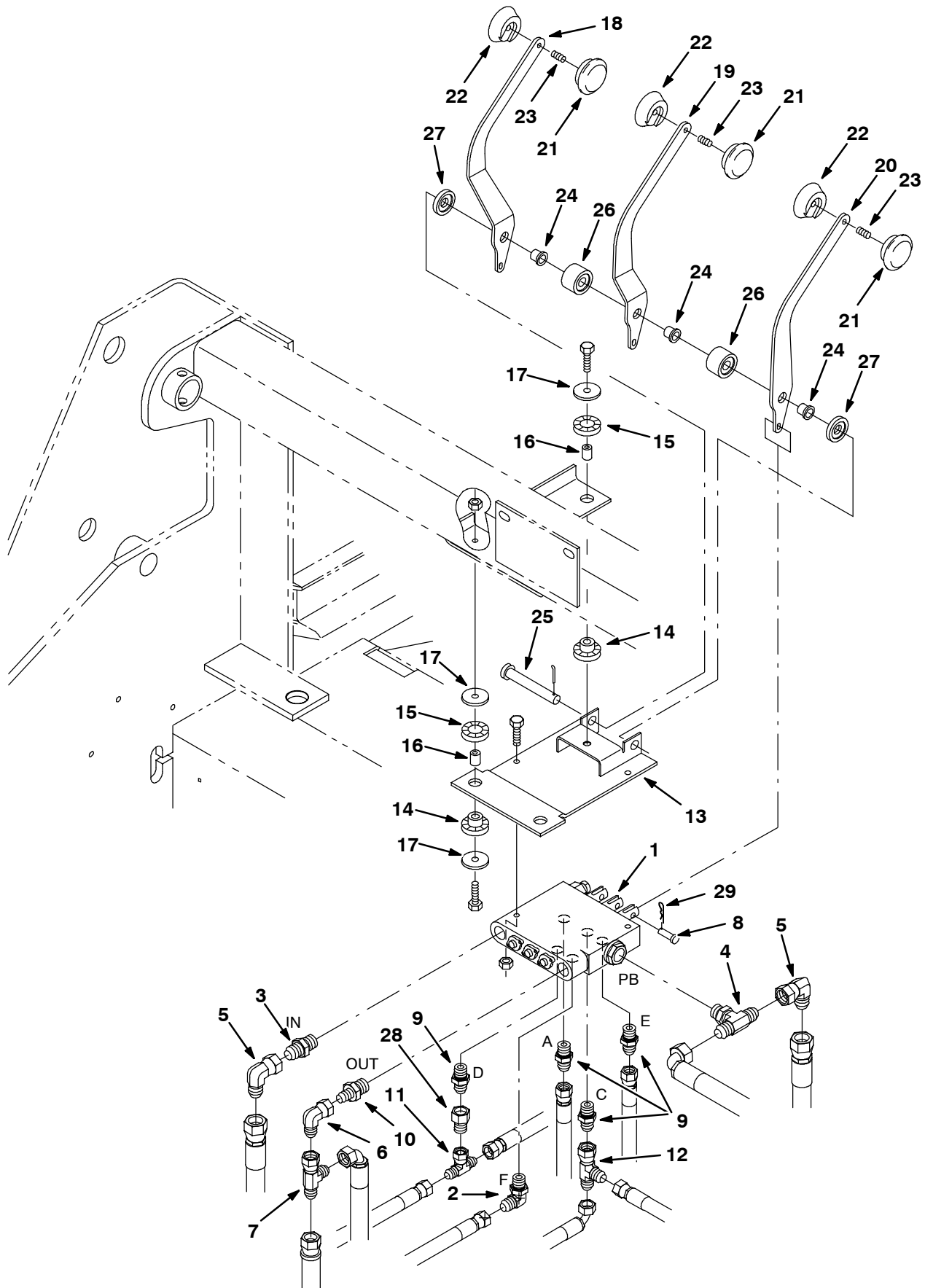


Fig. 48 - Hydraulic Lift Valve Group

Ref.	Part No.	Serial Number	Description	Qty.
1	375563	(003000-) Valve, Hyd Control Man (See Breakdowns)	1
2	47638	(003000-) Ftg-Hyd E90 Jm04/Om06	1
3	44869	(003000-) Ftg-Hyd Str Jm08/Om08	1
4	49933	(003000-) Ftg-Hyd Tee Jm08Omjm	1
5	17980	(003000-) Ftg-Hyd E90 Jm08/Jf08	2
6	47504	(003000-) Ftg-Hyd E90 Jm06/Jf06	1
7	42215	(003000-) Ftg-Hyd Tee Jm06Jmjf	2
8	77488	(003000-) Pin, Clevis .18 Dia.X .62 Lg	3
9	55685	(003000-) Ftg-Hyd Str Jm04/Om06	3
10	52402	(003000-) Ftg-Hyd Str Jm06/Om08	1
11	57411	(003000-) Ftg-Hyd Tee Jm04Jfjm	1
12	57988	(003000-) Ftg-Hyd Tee Jm04Jmjf	1
13	77485	(003000-) Bracket Wldt, Mounting, Valve	1
14	62173	(003000-) Bushing, Isolator-Inner,Rbr.	3
15	62172	(003000-) Ring	3
16	64905	(003000-) Sleeve, .259B .38D .62 Dom	3
17	1014491	(003000-) Washer, Flat, 0.28b 1.38d .12, Hrs Pl	5
18	77491	(003000-) Handle, Rh	1
19	77492	(003000-) Handle, Center	1
20	77493	(003000-) Handle, Lh	1
21	64434	(003000-) Knob	3
22	70827	(003000-) Knob	3
23	70847	(003000-) Screw Set M 6X1.020	3
24	36556	(003000-) Bearing, Nylon .50B	3
25	06474A	(003000-) Pin,Clevis,0.50 Dia.X 3.50 Lg	1
26	77498	(003000-) Spacer, .90L	2
27	77499	(003000-) Spacer, .25 L	2
28	16455	(003000-) Ftg-Hyd Rst JM04/.047	1
29	08085	(003000-) Pin, Haircotter .31d .058wire	3

Fig. 49 - Brush Group, Side

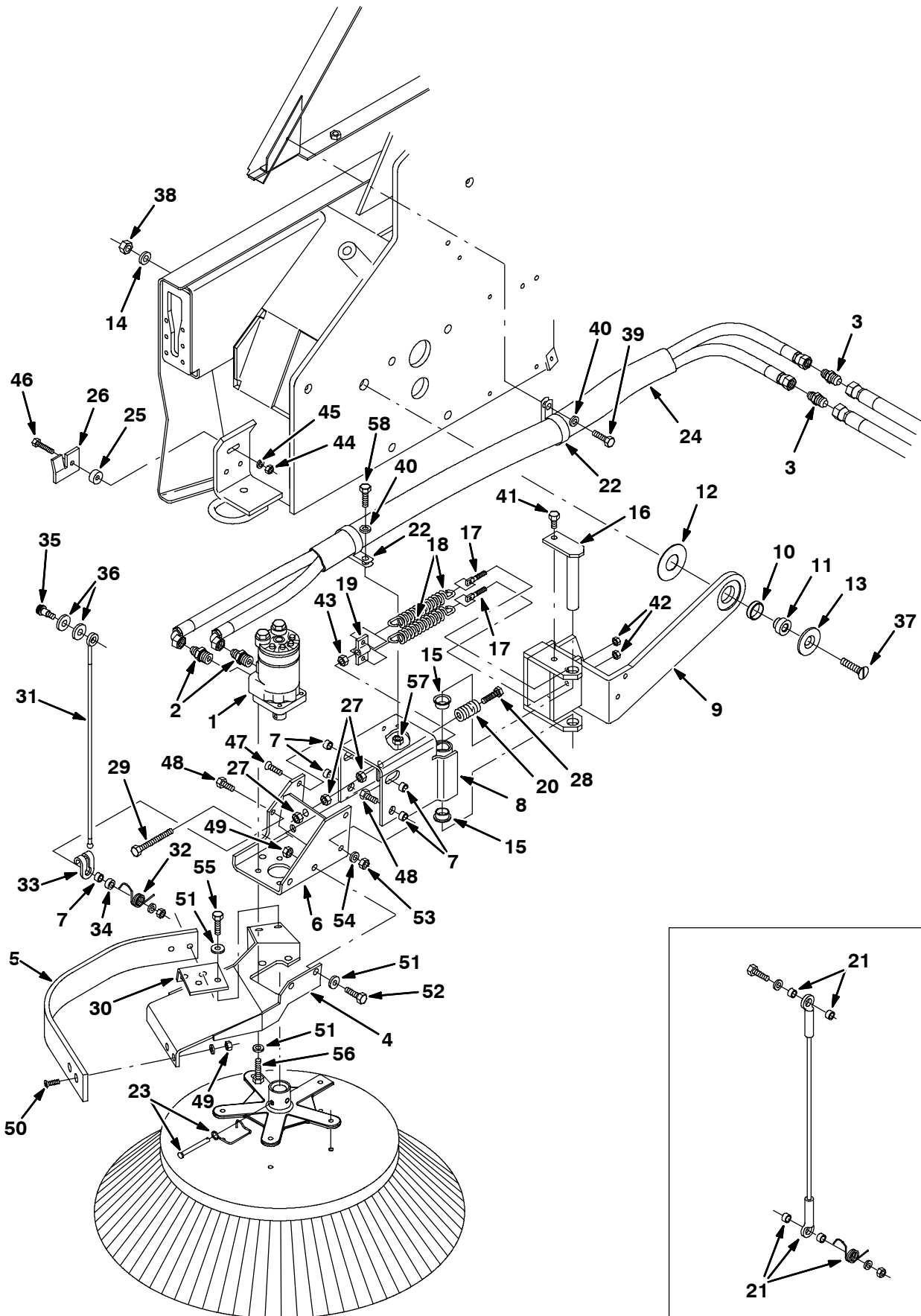


Fig. 49 - Brush Group, Side

Ref.	Part No.	Serial Number	Description	Qty.
1	79781	(003000-) Motor, Hyd, (See Breakdowns)	1
2	47508	(003000-) Ftg-Hyd Str Jm06/Om10	2
3	42207	(003000-) Ftg-Hyd Str Jm08/Jm06	2
4	21224	(003000-) Guard Wldt, Side Brush	1
5	21238	(003000-) Guard, Side Brush	1
6	65168	(003000-) Bracket, Mounting, Motor	1
7	65174	(003000-) Spacer	5
8	65170	(003000-) Bracket, Pivot	1
9	70521	(003000-) Bracket, Lift	1
10	70627	(003000-) Bearing	1
11	70526	(003000-) Shaft, Pivot	1
12	70524	(003000-) Washer, 1.300B 3.000	1
13	70525	(003000-) Spacer	1
14	36328	(003000-) Washer-Belleville .50 Pltd	1
15	04761	(003000-) Bearing, Flange .875 Bore	2
16	70431	(003000-) Pin	1
17	70626	(003000-) Bolt-Eye M8-1.25	2
18	65160	(003000-) Spring, Extension	2
19	65173	(003000-) Bracket, Spring	1
20	65180	(003000-) Spring, Comp	1
21	375400	(003000- xxxxxx) Replacement Kit, Rh. Side Brush Cable	1
22	67366	(003000-) Clamp, Cable, Stl, 1.0x2.0x0.62w, 1hole	1
23	84581	(003000-) Pin Assy, Side Brush W/clip	1
24	75028	(003000-) Sleeve, Nylon #27 65.0L	1
25	74059	(003000-) Spacer	1
26	74060	(003000-) Bracket, Angle	1
27	07787	(004000-) Nut, Hex, Std, M10 X 1.5, Ss	3
28	06537	(003000-) Screw-Hex M10X1.5	1
29	76438	(003000-) Screw-Hex M10X1.5 90 Full Thd	1
30	21215	(003000-) Plate, Angle	1
31	375401	(xxxxxx-) Cable	1
32	375402	(xxxxxx-) Spring, Torsion, Rh	1
33	1017898	(xxxxxx-) Hook, Cable, .44d Ball	1
34	375404	(xxxxxx-) Spacer	1
35	36758	(xxxxxx-) Bolt, Shld, .50d X 0.50, .38-16	1
36	32486	(xxxxxx-) Washer	2
37	20192	(003000-) Screw, Flt, .50-13 X 2.00, Al	1
38	32985	(003000-) Nut, Hex, Lock, .50-13, NI	1
39	12459	(003000-) Screw, Hex, M6 X 1.0 X 20, Fmg	1
40	41185	(003000-) Washer, Belleville, .25	1
41	09291	(003000-) Screw, Hex, M10 X 1.5 X 20, Ss	1
42	39311	(003000-) Nut, Hex, Std, M8 X 1.25	2
43	39312	(003000-) Nut, Hex, Std, M10 X 1.5	1
44	08709	(003000-) Nut, Hex, Lock, M8 X 1.25, NI	1
45	32496	(003000-) Screw, Pan, #10-24 X 0.50, Fmg	1
46	41342	(003000-) Screw, Hex, M8 X 1.25 X 40, 8.8	1
47	06535	(003000-) Screw, Flt, M10 X 1.5 X 35, 10.9	1
48	39284	(003000-) Screw, Hex, M10 X 1.5 X 35, 8.8	3
49	07792	(003000-) Nut, Hex, Flng, M10 X 1.5	8
50	09081	(003000-) Screw, Flt, M10 X 1.5 X 25, 10.9	4

Fig. 49 - Brush Group, Side

Ref.	Part No.	Serial Number	Description	Qty.
51	32485	(003000-) Washer, Flat, 0.38 Sae	9
52	39283	(003000-) Screw, Hex, M10 X 1.5 X 25, 8.8	2
53	41430	(003000-) Nut, Hex, Lock, M10 X 1.5, NI	4
54	32492	(003000-) Washer, Flat, 0.38 Std	7
55	09770	(003000-) Screw, Hex, M10 X 1.5 X 25, Ss, NI	4
56	34195	(003000-) Screw, Hex, .38-16 X 1.00, NI	4
57	07790	(003000-) Nut, Hex, Flng, M6 X 1.00	1
58	06944	(003000-) Screw, Hex, M6 X 1.0 X 25, 8.8	1

Fig. 50 - Brush Lift Group, Side

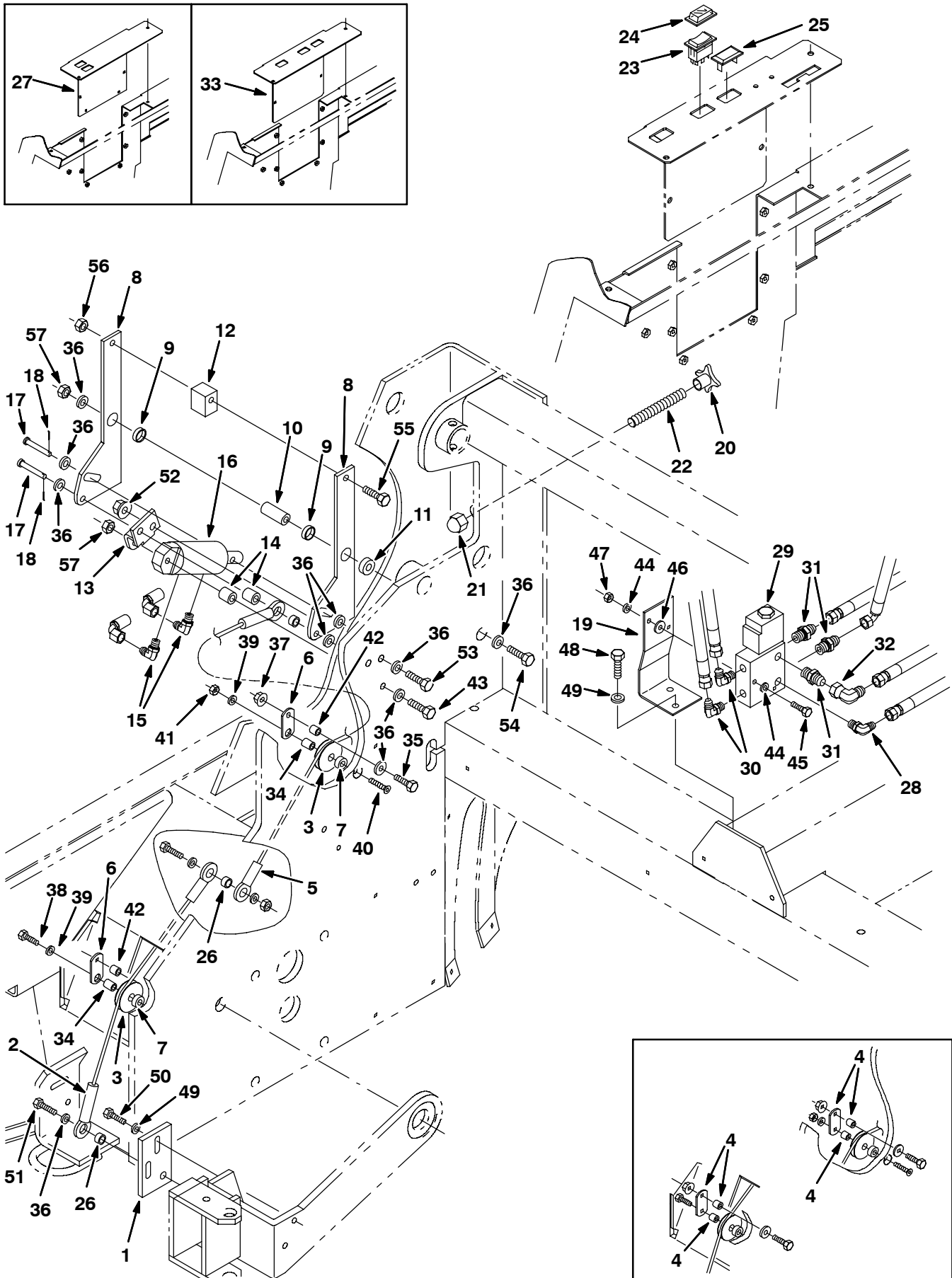


Fig. 50 - Brush Lift Group, Side

Ref.	Part No.	Serial Number	Description	Qty.
1	77669	(003000-) Plate Wldt	1
2	70532	(003000-) Cable, Glv .25d 021.2l .63eye /.63eye	1
3	74391	(003000-) Pulley Assy, Cable, 1.5 Dia	2
4	375416	(003000- xxxxxx) Replacement Kit, Roller, Side Brush Lift	4
5	23936	(003000-) Cable, Glv .25d 016.8l .64eye /.64eye	1
6	375415	(xxxxxx-) Plate, Side Brush Roller	2
7	73737	(003000-) Sleeve, .375B .75D .32 Stl	2
8	77584	(003000-) Plate	2
9	74090	(003000-) Bearing	2
10	77597	(003000-) Sleeve, 0.406B 0.75D1.80 Stl	1
11	77727	(003000-) Sleeve, .438B 1.00D .35 Stl	1
12	77459	(003000-) Spacer	1
13	77601	(003000-) Plate, Angle	1
14	77600	(003000-) Sleeve,0.406B .750D .800 Stl	1
15	77097	(003000-) Ftg-Hyd E90 Jm04/Om04	2
16	1041034	(004000-) Cylinder, Hyd, 1.5b 06.3l 01.50strk 2500	1
17	51813	(003000-) Pin,Clevis,0.37 Dia.X 2.12 Lg	2
18	08179	(003000-) Pin, Cotter .094X1.00	2
19	21231	(003000-) Plate	1
20	77605	(003000-) Knob, Plastic	1
21	41131	(003000-) Nut Low Crown .62-18	1
22	77682	(003000-) Rod, Thread	1
23	65561	(003000-) Switch Rocker Spst	1
24	57807	(003000-) Cover, Rocker Switch Seal	1
25	57772	(003000-) Plate-Cover	1
26	65174	(003000-) Spacer	3
27	21109	(003000-003066) Plate, Cover	1
28	56820	(003000-) Ftg-Hyd E90	1
29	84016	(003000-005041) Valve, Hyd Solenoid (See Breakdowns)	1
29	1049211	(005042-) Valve, Cntrl, Hyd, Solenoid, 12vdc 06gpm (See Break-downs)	1
30	77097	(003000-) Ftg-Hyd E90 Jm04/Om04	2
31	56690	(003000-) Ftg-Hyd str	3
32	47504	(003000-) Ftg-Hyd E90	1
33	375666	(003067-004003) Plate, Cover	1
34	80395	(xxxxxx-) Sleeve	2
35	76570	(xxxxxx-) Screw, Hex m08	2
36	32492	(xxxxxx-) Washer, Flat	2
37	07791	(xxxxxx-) Nut, Hex, Flange	2
38	41342	(xxxxxx-) Screw, Hex m08	2
39	33924	(xxxxxx-) Washer, Flat m10	2
40	09028	(xxxxxx-) Screw, Hex m10	1
41	32715	(xxxxxx-) Nut, Hex Lock m10	1
42	222460	(xxxxxx-) Sleeve, P/M, 0.496d 0.318b 0.50l 430ss	2
43	06965	(003000-) Screw, Hex, M10 X 1.5 X 80, 8.8	1
44	19066	(003000-) Washer, Flat, #10	8
45	06548	(003000-) Screw, Hex, M6 X 1.0 X 60, 8.8	2
46	63416	(003000-) Washer, Rbr, .12 0.31b 0.88d	2
47	08708	(003000-) Nut, Hex, Lock, M6 X 1.0, NI	2
48	16931	(003000-) Screw, Hex, M8 X 1.25 X 20, 8.8	2
49	32491	(003000-) Washer, Flat, 0.31 Std	3
50	09010	(003000-) Screw, Hex, M8 X 1.25 X 25, Ss	2

Fig. 50 - Brush Lift Group, Side

Ref.	Part No.	Serial Number	Description	Qty.
51	39283	(003000-) Screw, Hex, M10 X 1.5 X 25, 8.8	2
52	07792	(003000-) Nut, Hex, Flng, M10 X 1.5	2
53	39284	(003000-) Screw, Hex, M10 X 1.5 X 35, 8.8	1
54	03193	(003000-) Screw, Hex, M10 X 1.5 X 90, 8.8	1
55	06957	(003000-) Screw, Hex, M8 X 1.25 X 60, 8.8	1
56	08709	(003000-) Nut, Hex, Lock, M8 X 1.25, NI	1
57	41430	(003000-) Nut, Hex, Lock, M10 X 1.5, NI	1

Fig. 51 - Brush Drive Group, Main

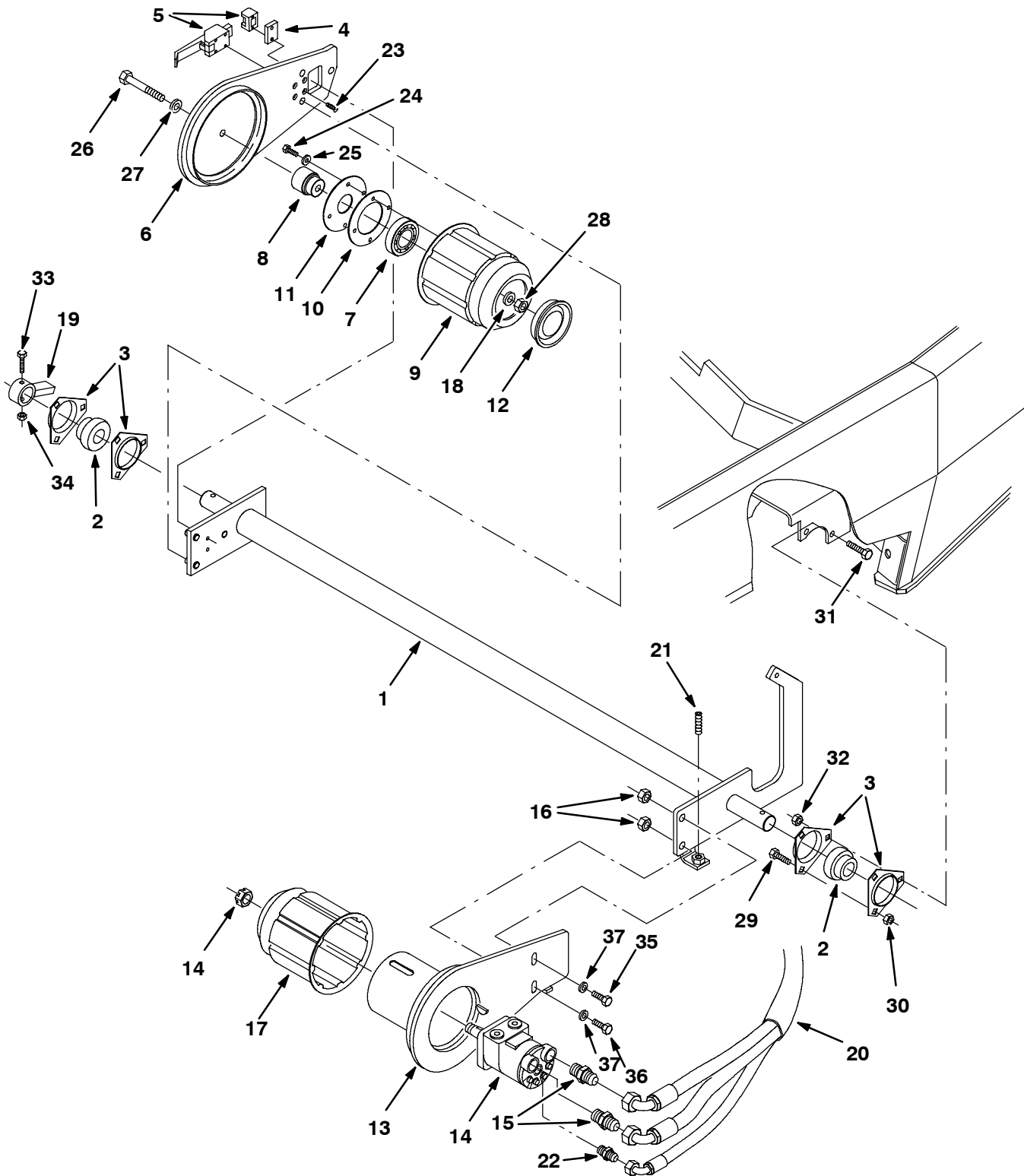


Fig. 51 - Brush Drive Group, Main

Ref.	Part No.	Serial Number	Description	Qty.
1	63436	(003000-) Shaft Wldt, Main Brush	1
2	51448	(003000-) Bearing&Clr , 1.25B 2.44D 1.41W	2
3	51449	(003000-) Flange,Brg,3 Hole	4
4	63541	(003000-) Plate, Mtg, Latch	1
5	54878	(003000-) Latch	1
6	63449	(003000-) Arm Wldt, M Br, Idler	1
7	24899	(003000-) Bearing-Ball,1.38B 2.83D 0.67W	1
8	30251	(003000-) Shaft, Idler	1
9	55779	(003000-) Plug Wldt, Idler	1
10	30252	(003000-) Strip, Retainer, Bearing	1
11	30253	(003000-) Plate, Seal	1
12	30255	(003000-) Plug, Tube	1
13	63450	(003000-) Arm Wldt, M Br, Motor	1
14	62563	(003000-) Motor-Hyd Gear In (See Breakdowns)	1
15	44869	(003000-) Ftg-Hyd Str Jm08/Om08	2
16	07793	(003000-) Nut, Hex, Flng, M12 X 1.75	2
17	87631	(003000-) Plug Weld, Brush Drive, Sweep	1
18	51564	(003000-) Washer, .531B 1.75D .12Cr.Znc	1
19	64811	(003000-) Bar Wldt, Brush Pressure	1
20	34330	(003000-) Sleeve, Hyd 30"	1
21	75612	(003000-) Screw, Set	1
22	55586	(003000-) Ftg-Hyd Str Jm04/Om04	1
23	09120	(003000-) Screw, Flt, M5 X 0.8 X 16, 10.9	6
24	12274	(003000-) Screw, Hex, M6 X 1.0 X 20, 8.8, NI	4
25	32483	(003000-) Washer, Flat, 0.25 Sae	4
26	32895	(003000-) Screw, Hex, .50-13 X 3.50, 5	1
27	36328	(003000-) Washer, Belleville, .50	1
28	02931	(003000-) Nut, Hex, Lock, .50-13, NI, Ss	1
29	10819	(003000-) Bolt, Carriage, .38-16 X 1.00	2
30	50902	(003000-) Nut, Hex, Lock, .38-16, NI	2
31	39283	(003000-) Screw, Hex, M10 X 1.5 X 25, 8.8	4
32	07792	(003000-) Nut, Hex, Flng, M10 X 1.5	4
33	06957	(003000-) Screw, Hex, M8 X 1.25 X 60, 8.8	1
34	08709	(003000-) Nut, Hex, Lock, M8 X 1.25, NI	1
35	06968	(003000-) Screw, Hex, M12 X 1.75 X 35, 8.8	1
36	41346	(003000-) Screw, Hex, M12 X 1.75 X 30, 8.8	1
37	32486	(003000-) Washer, Flat, 0.50 Sae	2

Fig. 52 - Brush Drive Group, Front

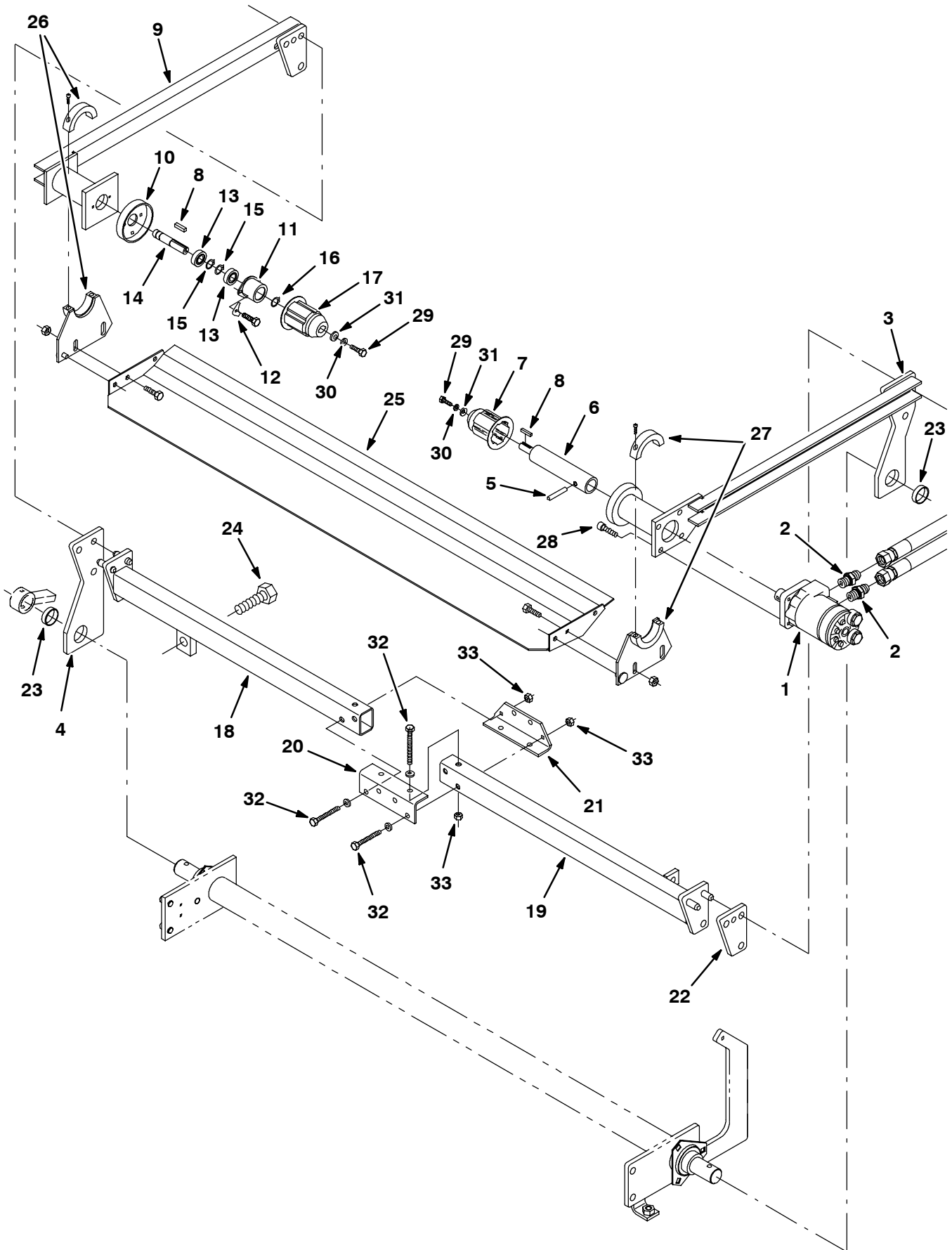


Fig. 52 - Brush Drive Group, Front

Ref.	Part No.	Serial Number	Description	Qty.
1	77406	(003000-003095)	Motor, Hyd Gear (See Breakdowns)	1
1	375719	(003096-)	Motor, Hyd Gear (See Breakdowns)	1
2	56692	(003000-)	Ftg-Hyd Str Jm08/Om10	2
3	21225	(003000-)	Arm Wldt, Brush Arm, Front, Lh	1
4	64350	(003000-)	Plate, Mtg, Brush, Front	1
5	23574	(003000-)	Pin,Roll,.31Odx1.37L,.312/.318	1
6	62607	(003000-)	Shaft, Drive	1
7	86810	(003000-)	Driveplug, Brush - Mach.	1
8	00912	(003000-)	Key Square 0.18 0.18 01.00 Lg	2
9	63338	(003000-)	Arm Wldt, Brush Arm, Front, Rh	1
10	32720	(003000-)	Shield, Plug	1
11	41362	(003000-)	Cup,Bearing,Drive Flange,Pntd	1
12	32408	(003000-)	Plate, Hold Down	2
13	41360	(003000-)	Bearing-Ball,0.59B 1.26D 0.35W	2
14	15522	(003000-)	Shaft, Idler	1
15	01516	(003000-)	Ring,Retain,Ex,0.59Od,Basic	2
16	86773	(003000-)	Ring,Retain,Ex,.59D.Basic	1
17	12269	(003000-)	Plug, Brush Drive - Nylon	1
18	73720	(003000-)	Tube Wldt, Torque, Front Brush	1
19	73721	(003000-)	Tube Wldt, Torque, Front Brush	1
20	74888	(003000-)	Angle, Torque, Tube	1
21	74889	(003000-)	Angle, Torque, Tube	1
22	74056	(003000-)	Plate, Brush Suspension, Front	1
23	62986	(003000-)	Bearing, Journal	2
24	70848	(003000-)	Scr-Hex M20X2.5 80 Full Thd	1
25	375635	(003096-)	Plate, Wldt. Sweep	1
26	375639	(003096-)	Bracket, Mtg, Plate, Rh	1
27	375638	(003096-)	Bracket, Mtg, Plate, Lh	1
28	48998	(003000-)	Screw, Flt, .38-16 X 1.00, Al	4
29	11329	(003000-)	Screw, Hex, M6 X 1.0 X 16, Ss, NI	2
30	01685	(003000-)	Washer, Flat, 0.31 Ss	2
31	41185	(003000-)	Washer, Belleville, .25	2
32	39279	(003000-)	Screw, Hex, M8 X 1.25 X 70, 8.8	6
33	08709	(003000-)	Nut, Hex, Lock, M8 X 1.25, NI	6

Fig. 53 - Brush Lift Group, Front and Main

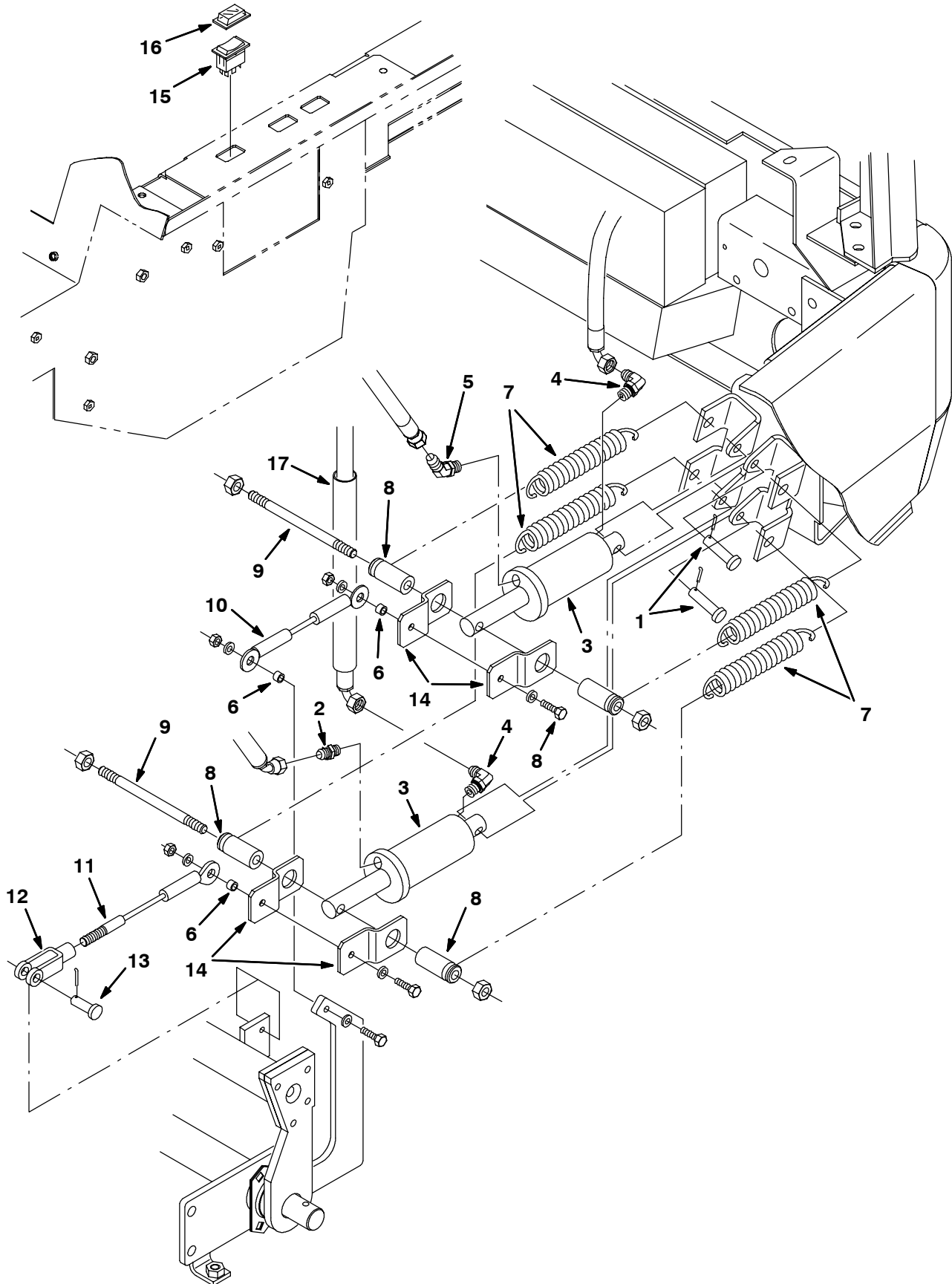


Fig. 53 - Brush Lift Group, Front and Main

Ref.	Part No.	Serial Number	Description	Qty.
1	51534	(003000-) Pin,Clevis,0.50 Dia.X 2.00 Lg	2
2	55586	(003000-) Fitting, Hyd, Str, Jm04/Om04	1
3	1038176	(003000-) Cylinder, Hyd, 2.0b 08.0l 04.00strk 2500	2
4	77097	(003000-) Ftg-Hyd E90 Jm04/Om04	2
5	34359	(003000-) Ftg-Hyd E45 Jm04/Om04	1
6	65249	(003000-) Tube, Spacer, Brush Lift	3
7	33404	(003000-) Spring, Tension	4
8	1012656	(003000-) Tube, Retainer, Spring	4
9	1012657	(003000-) Rod, Threaded .50- 13	2
10	64233	(003000-) Cable, Lift, Main Brush	1
11	64870	(003000-) Cable, Lift, Brush, Front	1
12	51462	(003000-) Clevis,Adjust.0.50-13Th.Cad.	1
13	06598	(003000-) Pin,Clevis,0.50 Dia.X 1.42 Lg	1
14	65248	(003000-) Bracket, Brush Lift, Main	4
15	61969	(003067-) Switch, Rocker, Dpdt.	1
16	57807	(003067-) Cover,Rocker,Switch Seal	1
17	1015036	(003000-) Hose, Sleeve, Fire	1

Fig. 54 - Brush Adjustment Group, Main

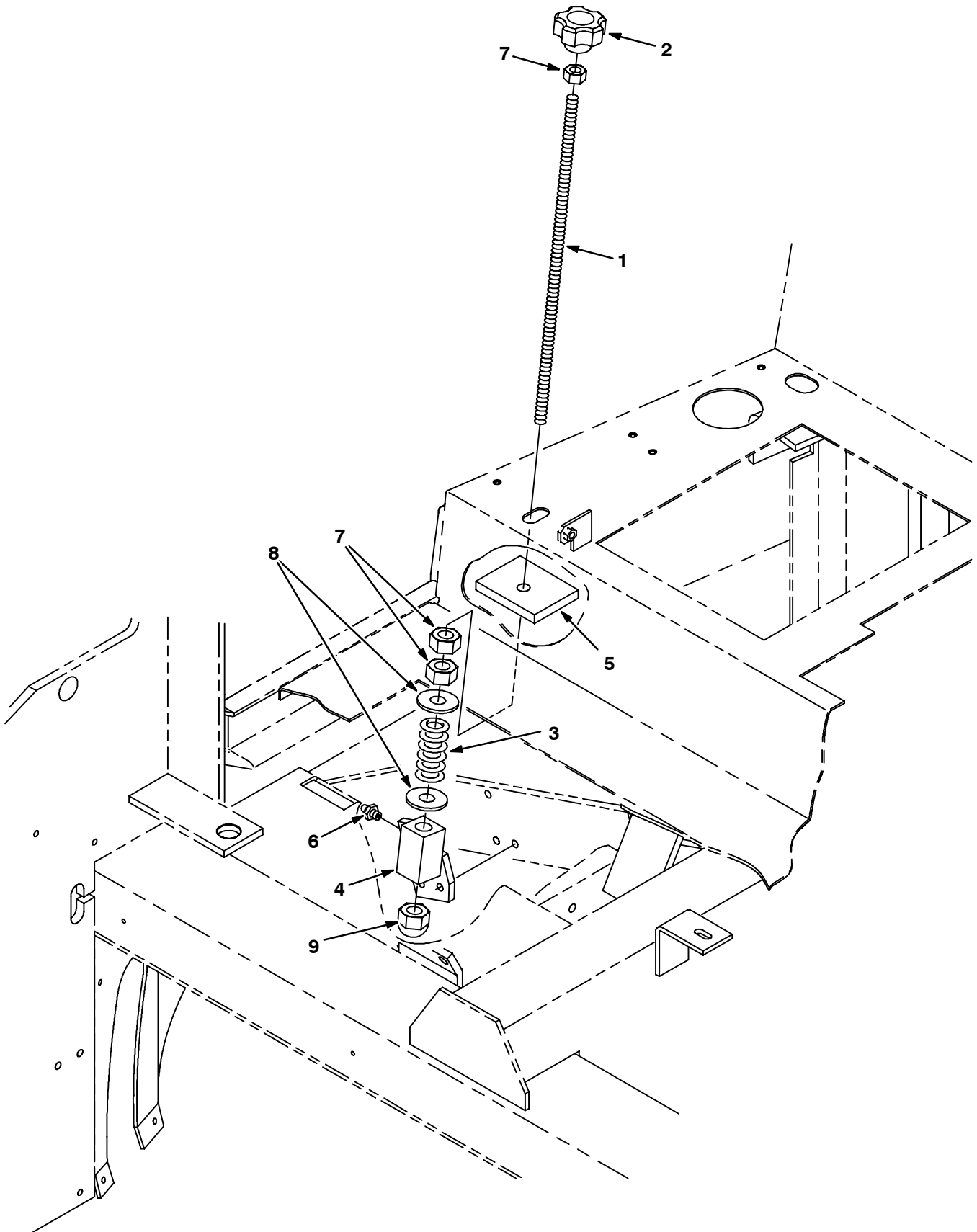


Fig. 54 - Brush Adjustment Group, Main

Ref.	Part No.	Serial Number	Description	Qty.
1	77578	(003000-) Rod, Thread	1
2	77605	(003000-) Knob, Plastic	1
3	51693	(003000-) Sprng,Comp,0.87ldx.10Wire 2.5L	1
4	77580	(003000-) Plate, Adj, Brush	1
5	79028	(003000-) Seal, Rod, Adjuster	1
6	11716	(003000-) Ftg, Grease.12 Npt 45 .88L	1
7	77583	(003000-) Nut, Hex, Std, .62-18	3
8	15331	(003000-) Washer, Flat, 0.62, Sae	2
9	41131	(003000-) Nut, Low Crown, .62-18	1

Fig. 55 - Vacuum Fan Impeller Group

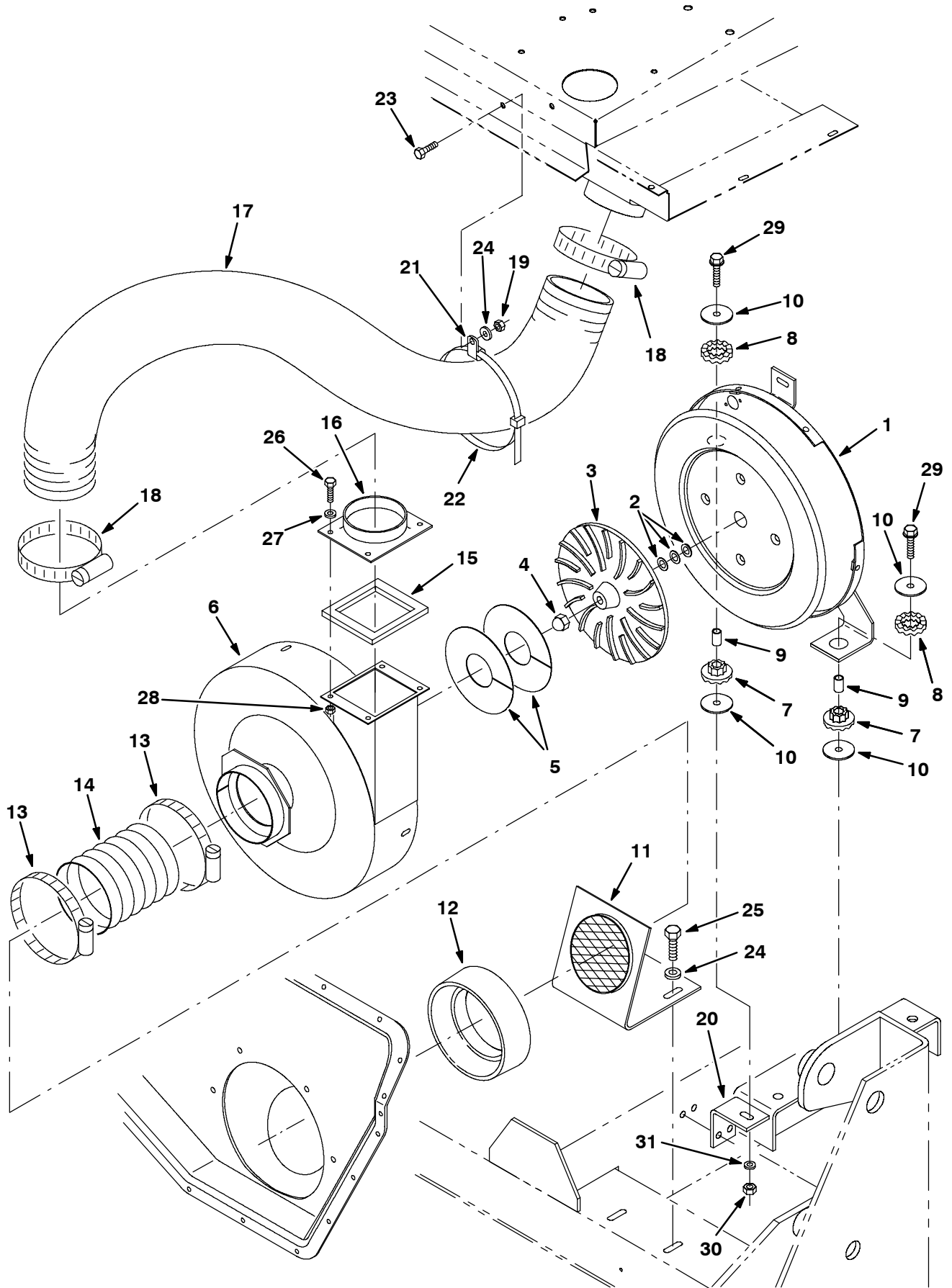


Fig. 55 - Vacuum Fan Impeller Group

Ref.	Part No.	Serial Number	Description	Qty.
1	77531	(003000-) Housing Wldt, Vac Fan, Rear	1
2	75456	(003000-) Shim .003Th 0.88Odx0.506ld	1
2	75456-1	(003000-) Shim .005Th 0.88Odx0.506ld	1
2	75456-2	(003000-) Shim .010Th 0.88Odx0.506ld	1
2	75456-3	(003000-) Shim .020Th 0.88Odx0.506ld	3
2	75456-4	(003000-) Shim .060Th 0.880Dxo.506ld	3
3	03922	(003000-) Impeller 9.5 Dia. 18 Blade Mac	1
4	41130	(003000-) Nut-Low Crown .50-20 Pltd	1
5	58114	(003000-) Fan, Repair Kit, Reassembly	1
6	77532	(003000-) Housing Wldt, Vac Fan, Front	1
7	64621	(003000-) Bushing, Isolator	2
8	64618	(003000-) Ring, Isolator, Outer Rbr	2
9	64299	(003000-) Spacer	2
10	58228	(003000-) Plate, Spring - Side Brush	4
11	70825	(003000-) Bracket Wldt, Fan Inlet	1
12	21241	(003000-) Kit, Replmt, Seal, Vacfan, [800]	1
13	73685	(003000-) Clamp-Wormdrive, 3.62- 5.50D	2
14	73646	(003000-) Hose, Fan Inlet	1
15	73650	(003000-) Insulation, Acoustic, Fan	1
16	77553	(003000-) Plate, Vac Fan	1
17	40870-8	(003000-) Hose&cuff Assy, Vinyl4.0ldx50	1
18	23498	(003000-) Clamp-Wormdrive, 2.63- 4.50D	2
19	08709	(003000-) Nut, Hex, Lock, M8 X 1.25, NI	1
20	375721	(003077-) Bracket, Angle	1
21	69234	(003000-) Clamp, Cable, Stl, 1.00d X 0.75w, 1h	1
22	763113	(003000-) Tie, Cable, 20.0l, 6.00d Max	1
23	16931	(003000-) Screw, Hex, M8 X 1.25 X 20, 8.8	1
24	32491	(003000-) Washer, Flat, 0.31 Std	1
25	76570	(003000-) Screw, Hex, M8 X 1.25 X 30, 8.8	2
26	06943	(003000-) Screw, Hex, M6 X 1.0 X 20, 8.8	4
27	32483	(003000-) Washer, Flat, 0.25, Sae	4
28	08708	(003000-) Nut, Hex, Lock, M6 X 1.00, NI	4
29	16930	(003000-) Screw, Hex, M10 X 1.5 X 50, 8.8	2
30	41430	(003000-) Nut, Hex, Lock, M10 X 1.5, NI	2
31	32492	(003000-) Washer, Flat, 0.38, Std	2

Fig. 56 - Vacuum Fan Motor Group

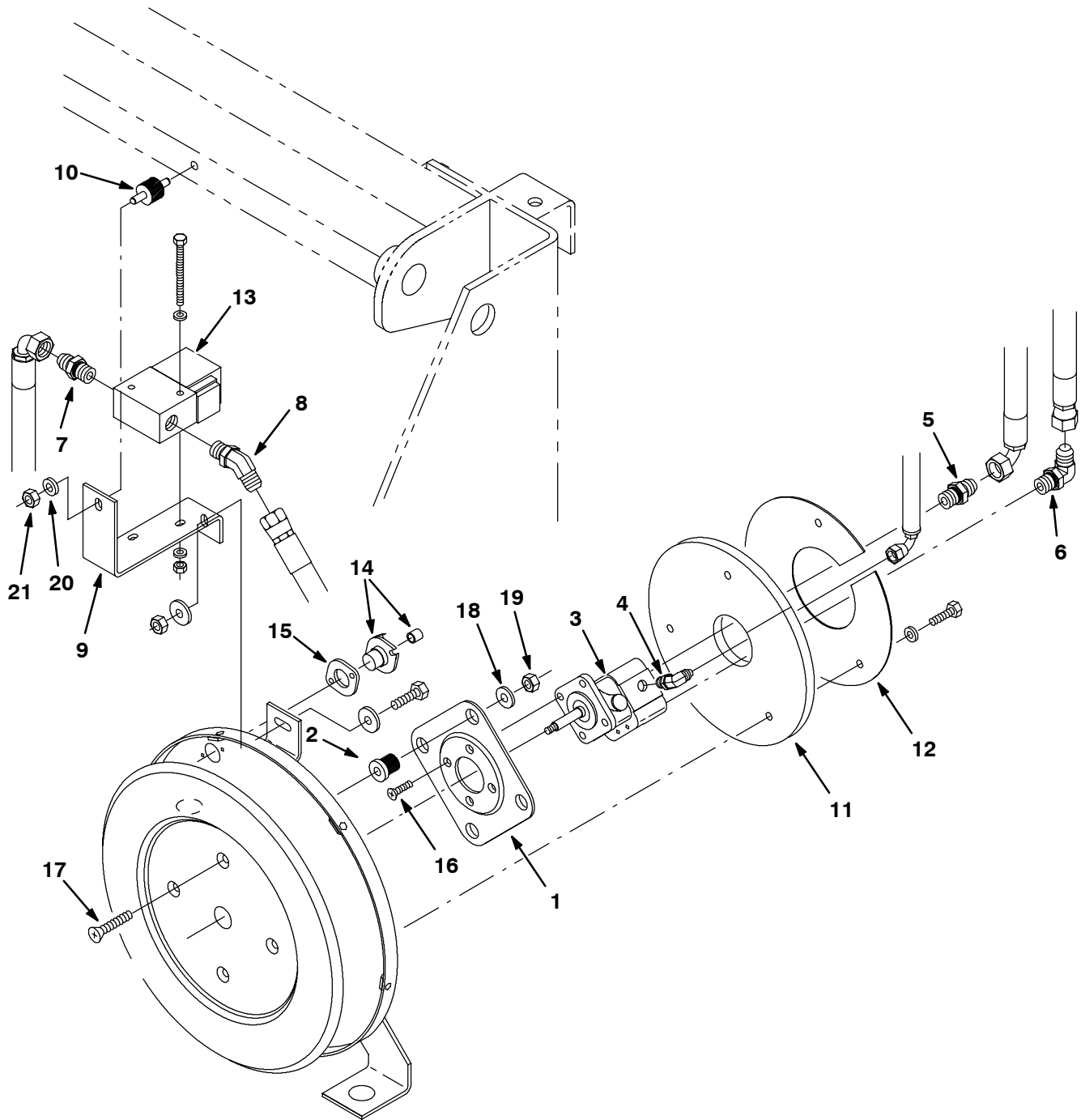


Fig. 56 - Vacuum Fan Motor Group

Ref.	Part No.	Serial Number	Description	Qty.
1	54275A	(003000-) Bracket, Mounting Motor	1
2	54274	(003000-) Isolator-Vibration,60 Lb.Ratng	4
3	19117	(003000-) Motor-Hyd Gear Ex (See Breakdowns)	1
4	77097	(003000-) Ftg-Hyd E90 Jm04/Om04	1
5	56692	(003000-) Ftg-Hyd Str Jm08/Om10	1
6	56821	(003000-) Ftg-Hyd E90 Jm08/Om10	1
7	44869	(003000-) Ftg-Hyd Str Jm08/Jm08	1
8	42226	(003000-) Ftg-Hyd E45 Jm08/Om08	1
9	70775	(003000-) Bracket, Mtg, Valve	1
10	05611	(003000-) Isolator, Vibration	1
11	70810	(003000-) Insulation, Acoustic, Vac Fan	1
12	70790	(003000-) Plate, Retainer, Foam	1
13	84015	(003000-005041) Valve-Hyd, Solenoid (See Breakdowns)	1
13	1049210	(005042-) Valve, Cntrl, Hyd, Solenoid, 12vdc 12gpm (See Break-downs)	1
14	02713	(003000-) Thermostat Assembly, 155 Deg	1
15	82733	(003000-) Gasket, Fire Switch	1
16	39534	(003000-) Screw, Flt	4
17	54862	(003000-) Screw, Flt	4
18	13248	(003000-) Washer, Flat, 0.40b 1.12d .12, Stl, PI	4
19	50902	(003000-) Nut, Hex, Lock, .38-16, NI	4
20	32984	(003000-) Washer, Lock, Int, 0.31	2
21	19313	(003000-) Nut, Hex, Std, .31-18	2

Fig. 57 - Steering Group

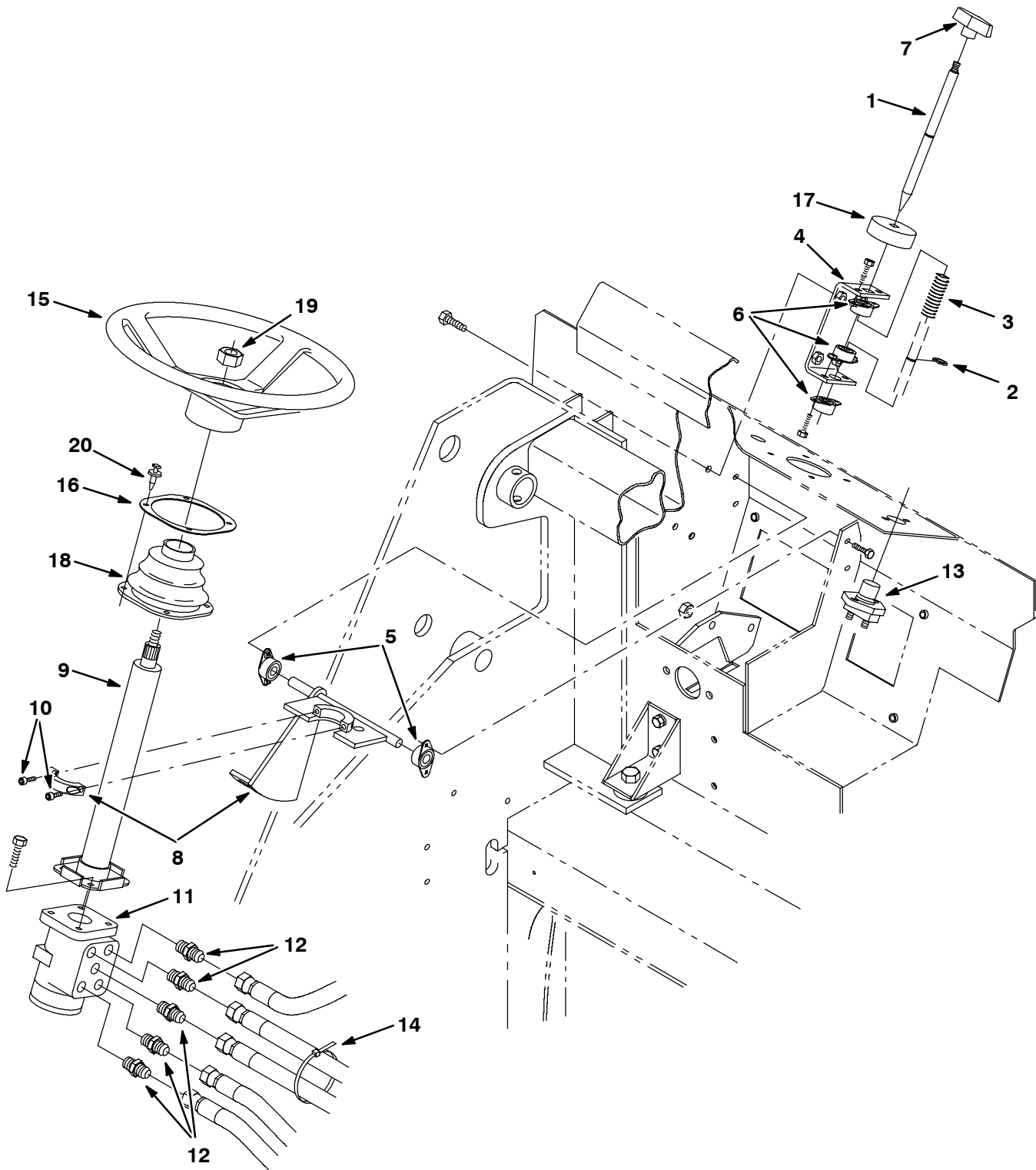


Fig. 57 - Steering Group

Ref.	Part No.	Serial Number	Description	Qty.	
1	64651	(003000-) Rod, Latch, Steering, Tilt	1	
2	70717	(003000-) Ring, Retain, Ex, 0.50Od, Heavy Dt	1	
3	22290	(003000-) Sprng, Comp, 0.62Idx. 06Wire 2.3L	1	
4	64655	(003000-) Channel, Mtg, Steering Latch	1	
5	70709	(003000-) Bearing, Flange .500B	2	
6	47585	(003000-) Bearing-Flange, 2 Hole 0.50Bore	3	
7	04706	(003000-) Handle, Lift, Brush	1	
8	64586	(003000-) Bracket Wldt, Steering Tilt	1	
▽	9	64631	(003000-) Column, Steering 12"	1
▲		64631	(003000-) Boot	1
10	21195	(003000-) Scr Hex .38-16X0.75	2	
11	65242	(003000-) Steer Control, Hyd	1	
12	56690	(003000-) Ftg-Hyd Str Jm06/Om06	5	
13	44078	(003000-) Switch, Pushmom, Spst100A 12V	1	
14	49263	(003000-) Tie, Cable 3.00D Max 11.41Lg	3	
▽	15	56398	(003000-) Wheel, Steering	1
▲		70218	(003000-) Cap, Wheel, Steering	1
▲		70219	(003000-) Insert, Wheel, Steering	1
16	70623	(003000-) Plate, Mtg, Steering Boot	1	
17	75968	(003000-) Seal, Bearing	1	
18	70622	(003000-) Seal, Boot, Steering Column	1	
19	56185	(003000-) Nut-hx Jam M20x1.5 4 Pltd	1	
20	72970	(003000-) Rivet, Plastic .250Dx.898	4	

Fig. 58 - Electrical Instrument Panel Assembly

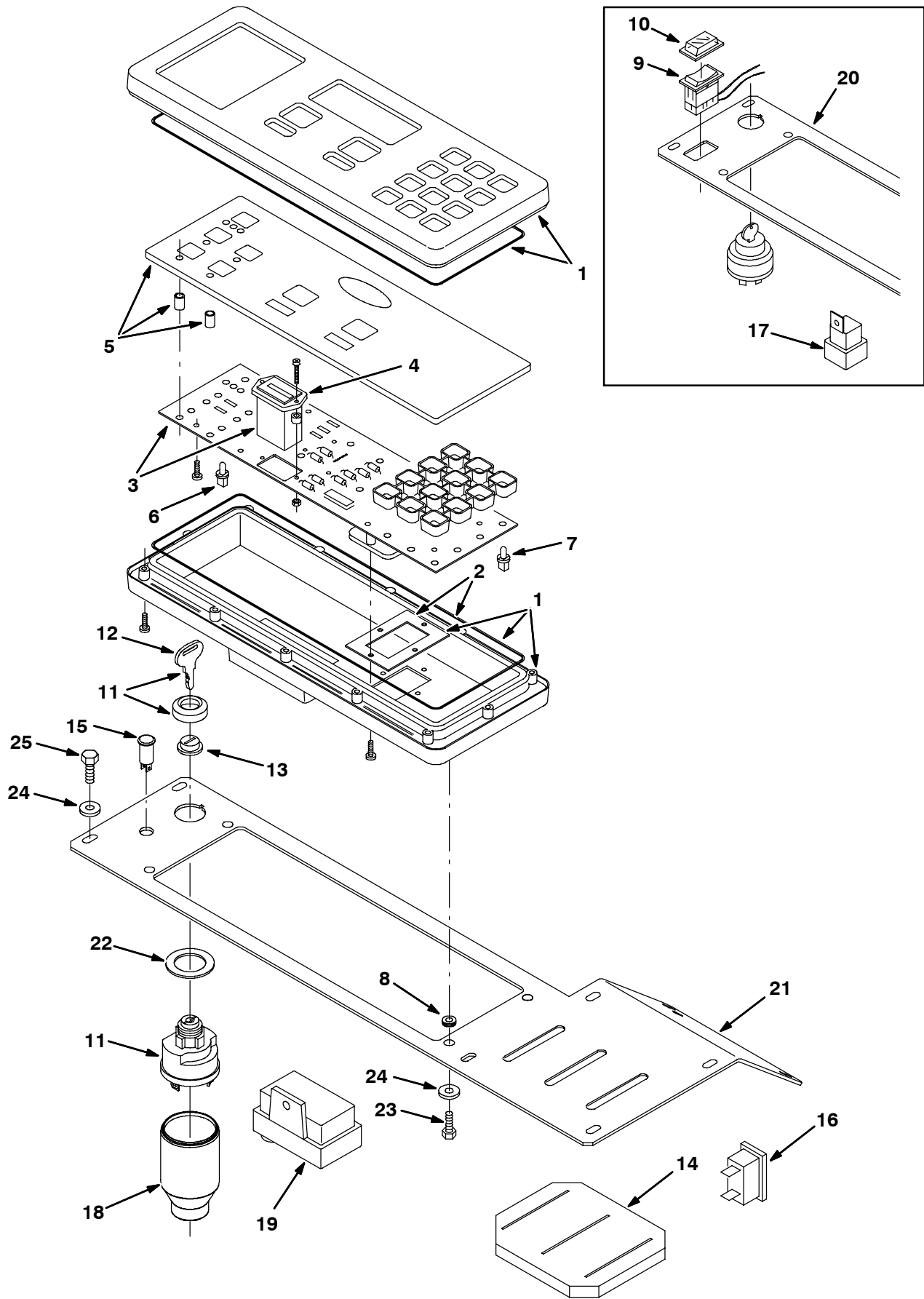
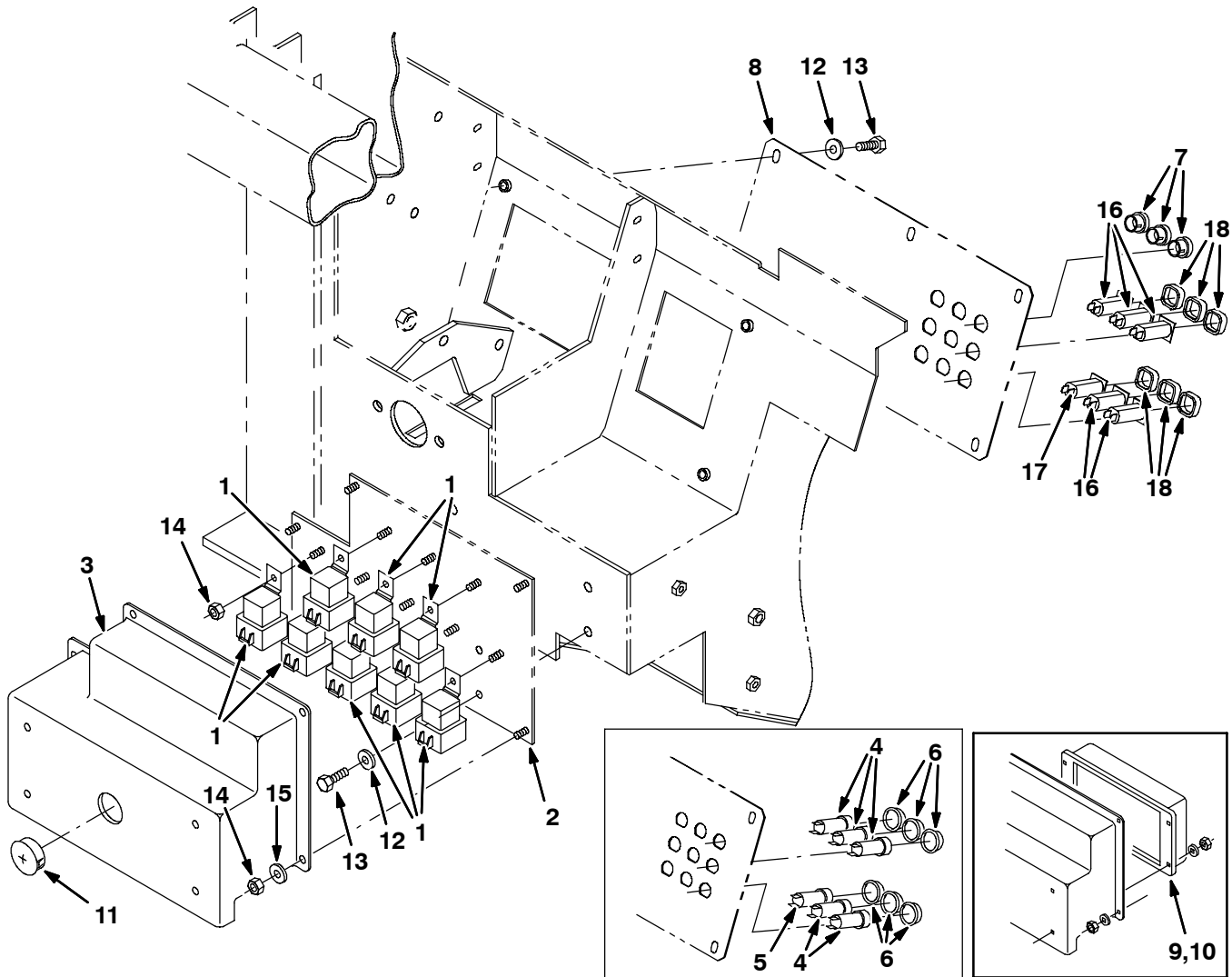


Fig. 58 - Electrical Instrument Panel Assembly

Ref.	Part No.	Serial Number	Description	Qty.
▽	59970	(003000-) Replm Kit, Instr Panel	1
▲	1 59976	(003000-) Replm Kit, Case	1
▲	2 59977	(003000-) Replm Kit, Seal	1
▲▽	3 59974	(003000-) Replm Kit, Cir Board	1
▲▲	4 59978	(003000-) Replm Kit, Hourmeter	1
▲	5 59979	(003000-) Replm Kit, Touch Panel	1
▲	6 59971	(003000-) Replm Kit, Lamp, Backlighting (Set of 8)	2
▲	7 56346	(003000-) Replm Kit, Lamp, Fault (Set of 8)	1
	8 10632-5	(003000-) Grommet,Rbr,0.25ld,For .09Matl	4
	9 61969	(003000-003066) Switch, Rocker, Dpdt	1
	10 57807	(003000-003066) Cover, Rocker Switch Seal	1
▽	11 87536	(003000-) Switch Ignition	1
▲	12 87866	(003000-) Key Set,Switch Ku	1
	13 382516	(003000-) Boot, Switch	1
	14 79648	(003000-) Seal, Handle, Valve	1
	15 34820	(003000-) IndicatorLight, Glow Plug	1
	16 64141	(003000-) Light, Indicator	1
	17 56186	(003000-003066) Relay	8
	18 383165	(003072-) Boot, Switch, Ignition	1
	19 375676	(003067-) Controller	1
	20 65245	(003000-003066) Panel, Cover, Dash	1
	21 1012670	(003067-) Panel, Cover, Dash	1
	22 73736	(003000-) Washer	1
	23 24199	(003000-) Screw, Hex, M5 X 0.8 X 16, Ss	4
	24 19066	(003000-) Washer, Flat, #10	12
	25 06942	(003000-) Screw, Hex, M6 X 1.0 X 16, 8.8	8

STANDARD PARTS

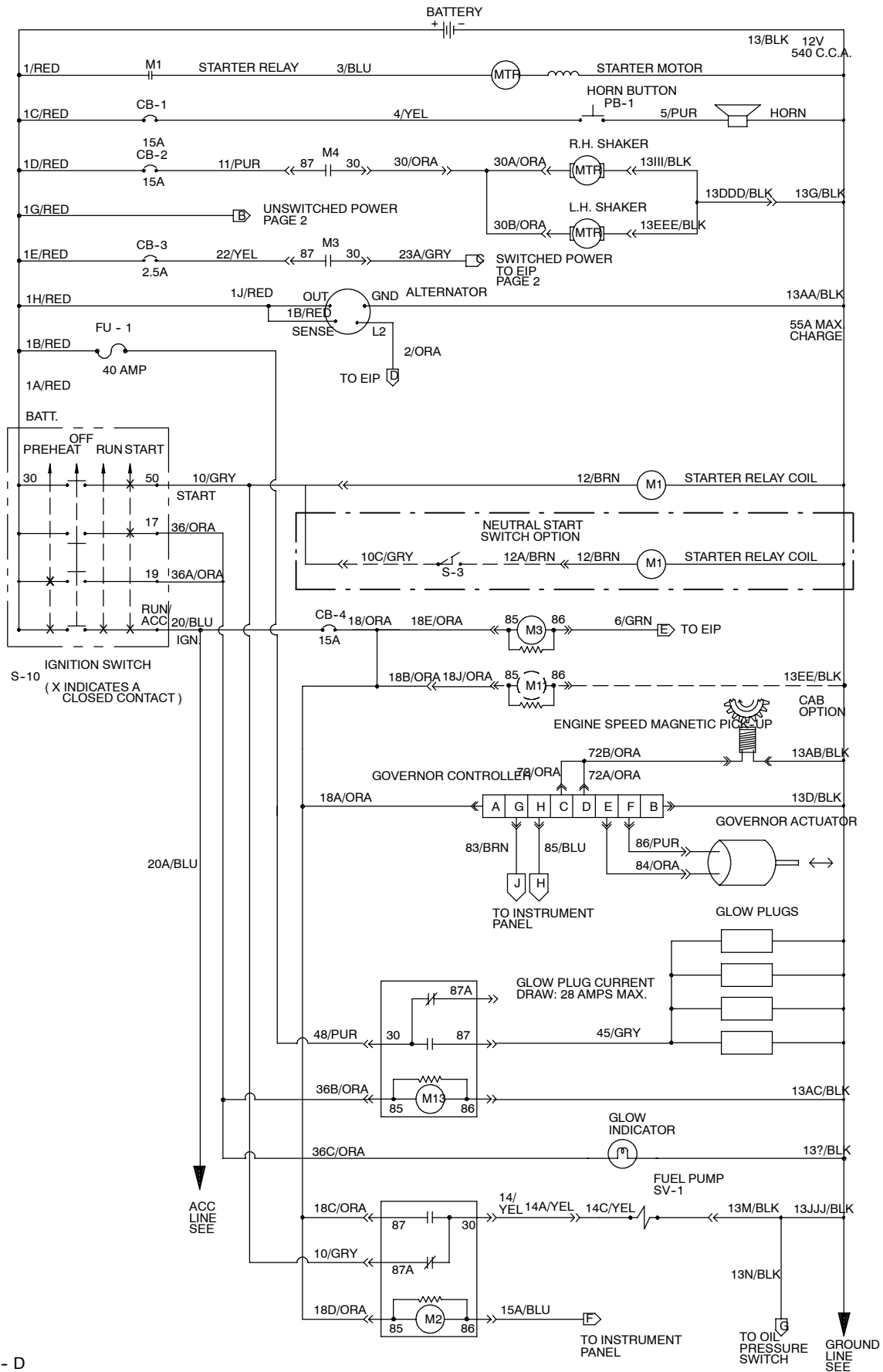
Fig. 59 - Electrical Circuit Breaker and Relay Group



07614 - D

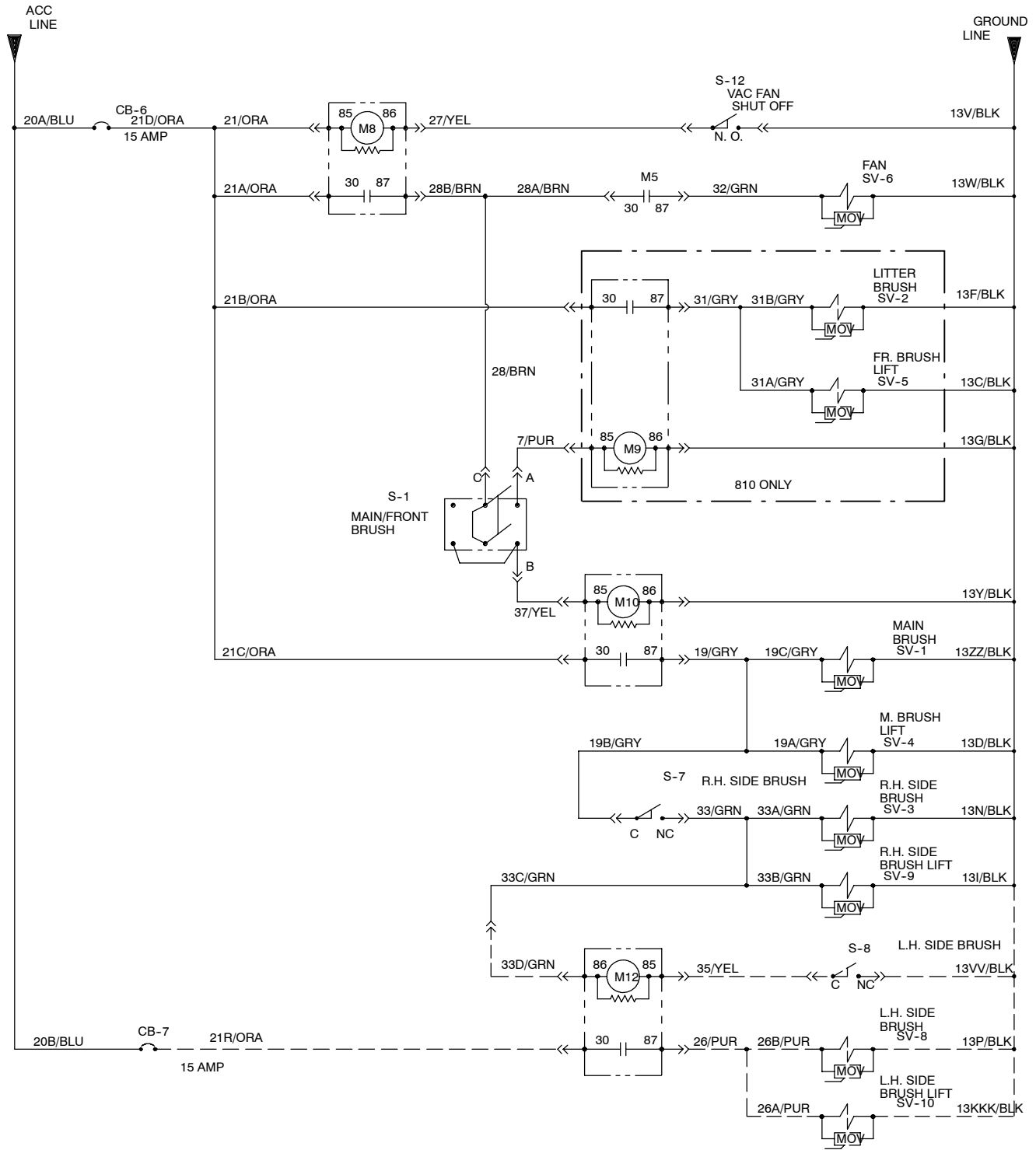
Ref.	Part No.	Serial Number	Description	Qty.
1	56186	(003000-) Relay, Shrouded, 12 Vdc	8
2	70398	(003000-) Plate, Mtg, Relay	1
3	70402	(003000-) Cover, Relay Panel	1
4	57803	(003000-005036) Breaker-Circuit, 15 Resetbl	5
5	87583	(003000-005036) Breaker-Circuit, 2.5 Resetbl	1
6	57751	(003000-005036) Boot-Circuit Breaker	6
7	57167	(003000-) Plugbtn .62H .03-.12 Blacknyl	3
8	70411	(003000-) Plate, Circuit Breaker	1
▽	9	71387	(003000-003146) Control Box, Governor, Diesell (Repl. by 374127)	1
▲		374625	(003000-003146) Plug, Control Box	2
10	374127	(003147-004003) Kit, Replmt, Control, Govnr, [All Purps]	1
11	76888	(003000-) Button, Plug 1.25H	1
12	19066	(003000-) Washer, Flat, #10	10
13	06943	(003000-) Screw, Hex, M6 X 1.0 X 20, 8.8	10
14	08708	(003000-) Nut, Hex, Lock, M6 X 1.0, NI	10
15	32483	(003000-) Washer, Flat, 0.25 Sae	5
16	1045858	(005037-) Circuitbreaker, 15A, Resetable	5
17	1046152	(005037-) Circuitbreaker, 2.5A, Resetable	1
18	1046173	(005037-) Boot, Circuit Breaker	6

Fig. 60 - Electrical Schematic (003000- 003066)



351128 - D

Fig. 60 - Electrical Schematic (003000- 003066)



LEGEND			
M	POWER RELAY	HM	HOURLMETER
MTR	MOTOR	SV	SOLENOID VALVE
CB	CIRCUIT BREAKER	S	SWITCH
PM	PERMANENT MAGNET	ACC	ACCESSORY
J	JACK-FEM. SOCKET	GND	GROUND CHASSIS
P	PLUG-MALE PIN	C	COMMON
PB	PUSHBUTTON	N.O.	NORMALLY OPEN
VM	VOLTMETER	N.C.	NORMALLY CLOSED
FU	FUSE	NOV	METAL OXIDE VARISTOR

351128 - D

Fig. 60 - Electrical Schematic (003000- 003066)

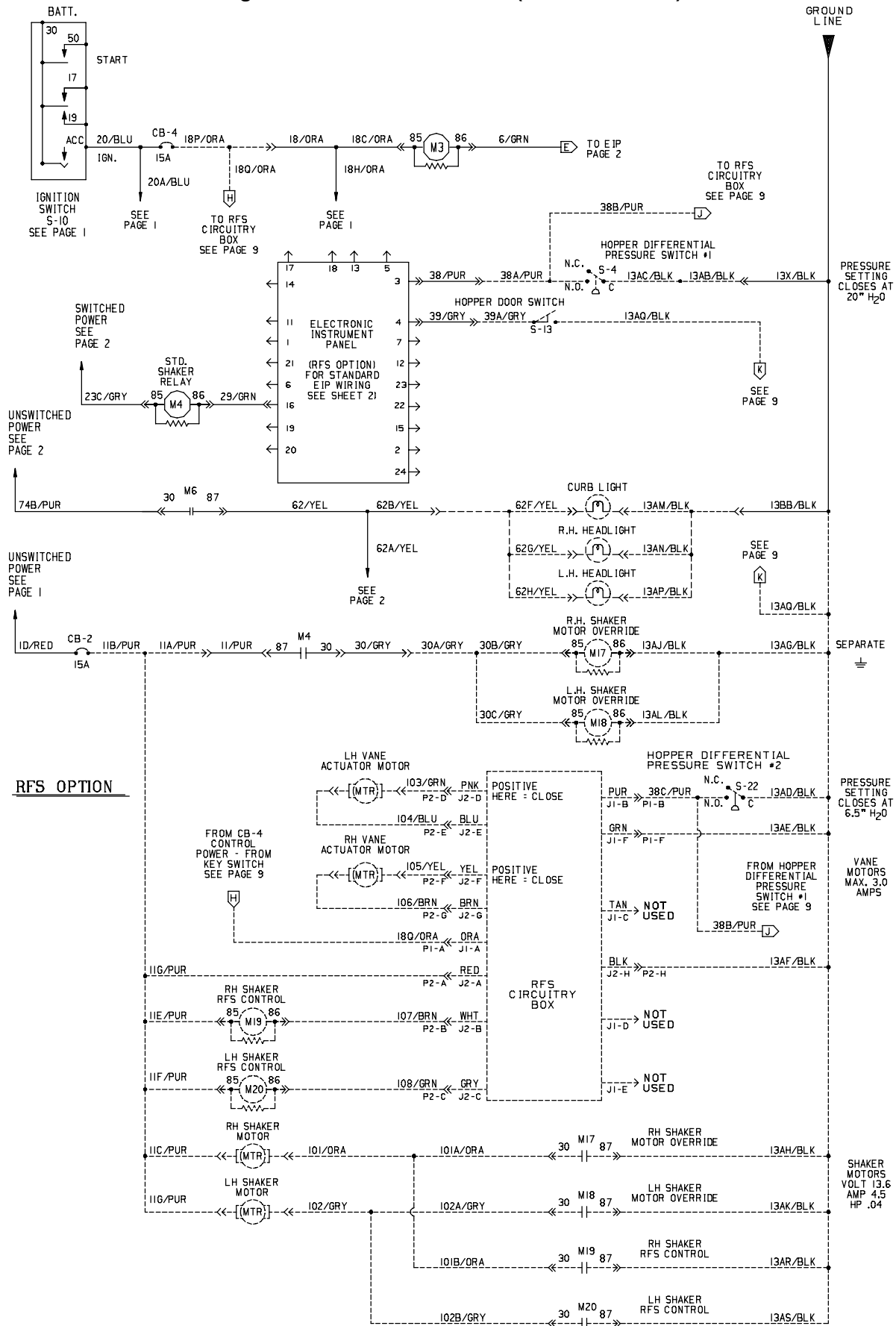
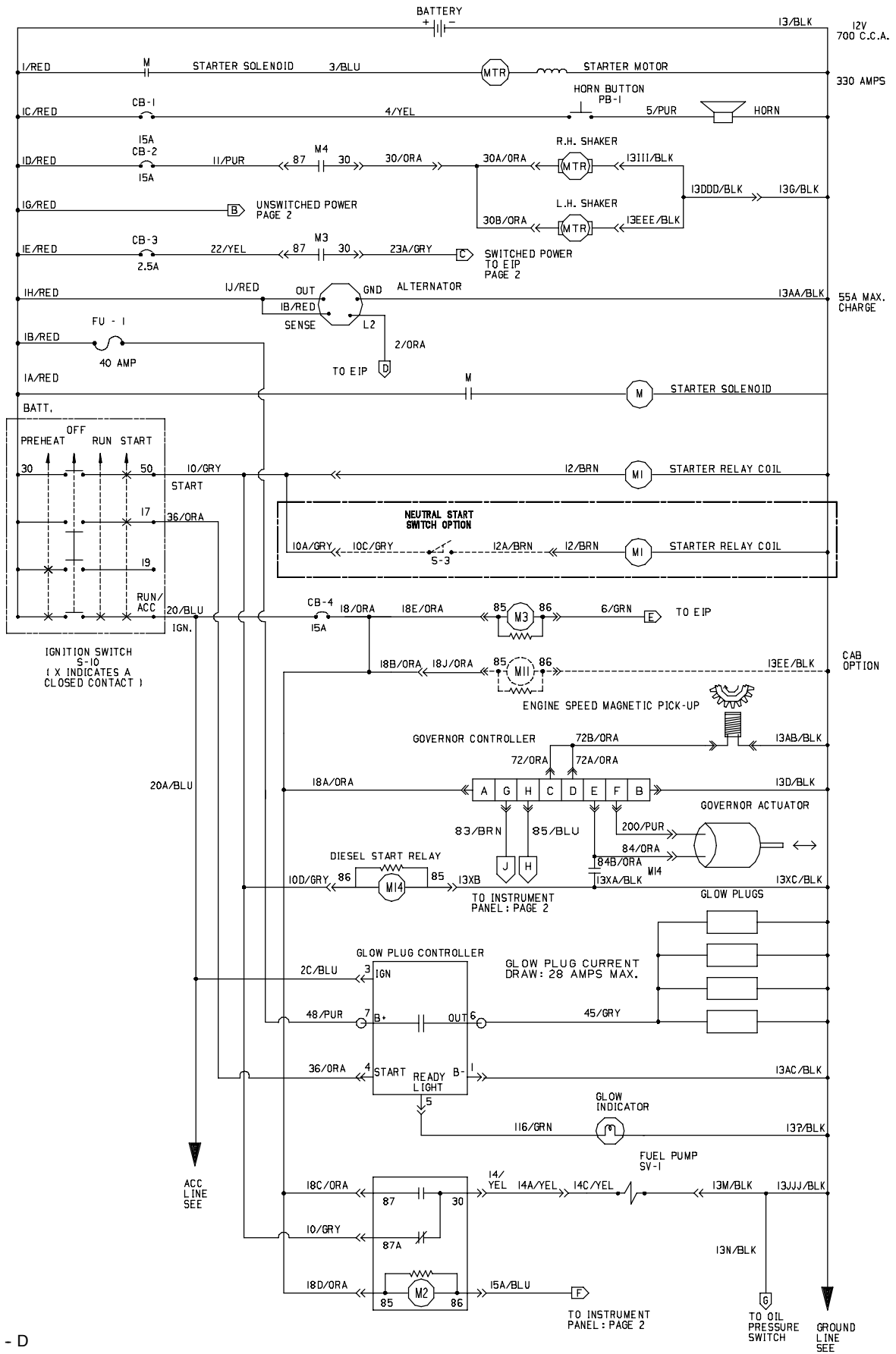
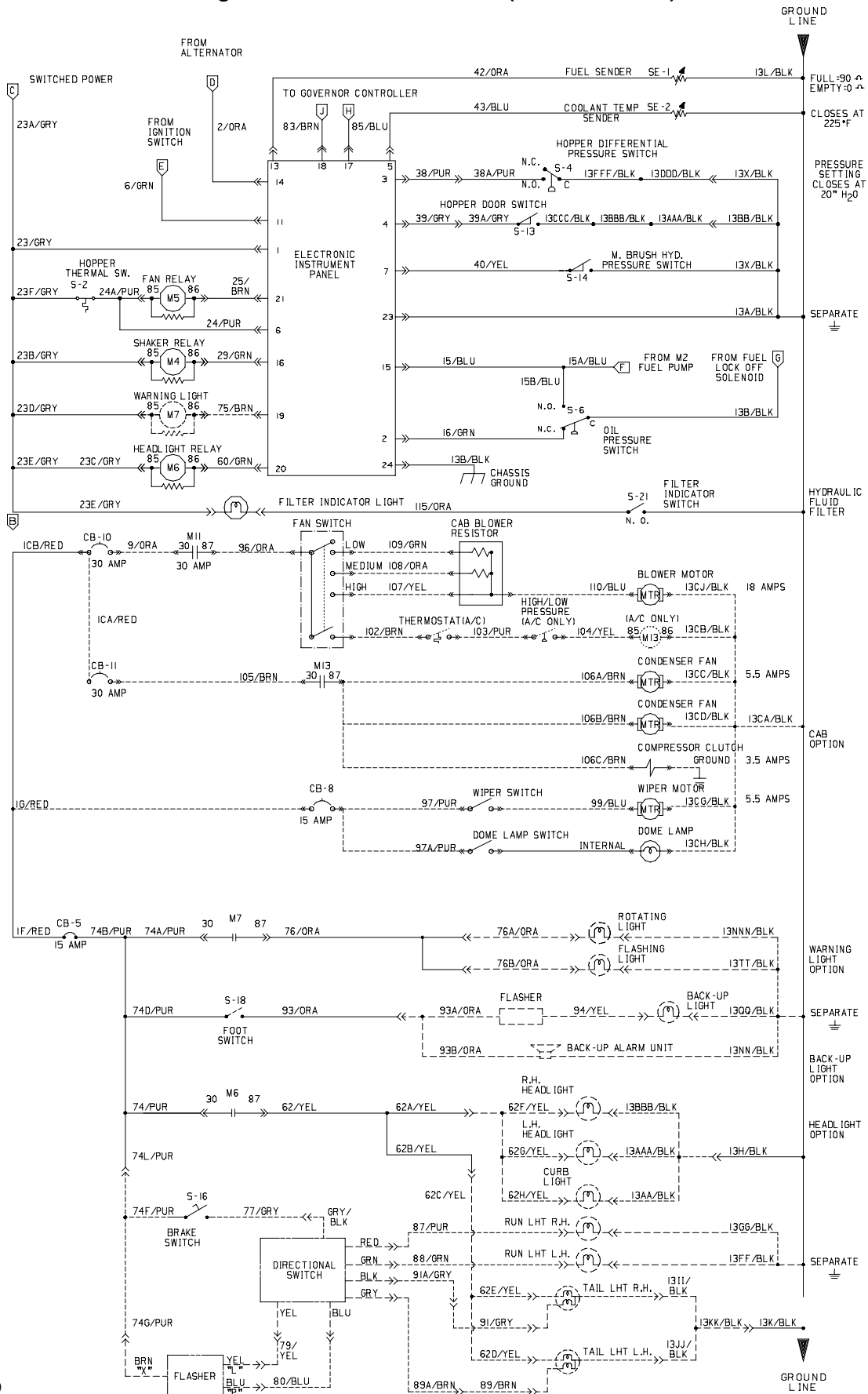


Fig. 61 - Electrical Schematic (003067-004003)



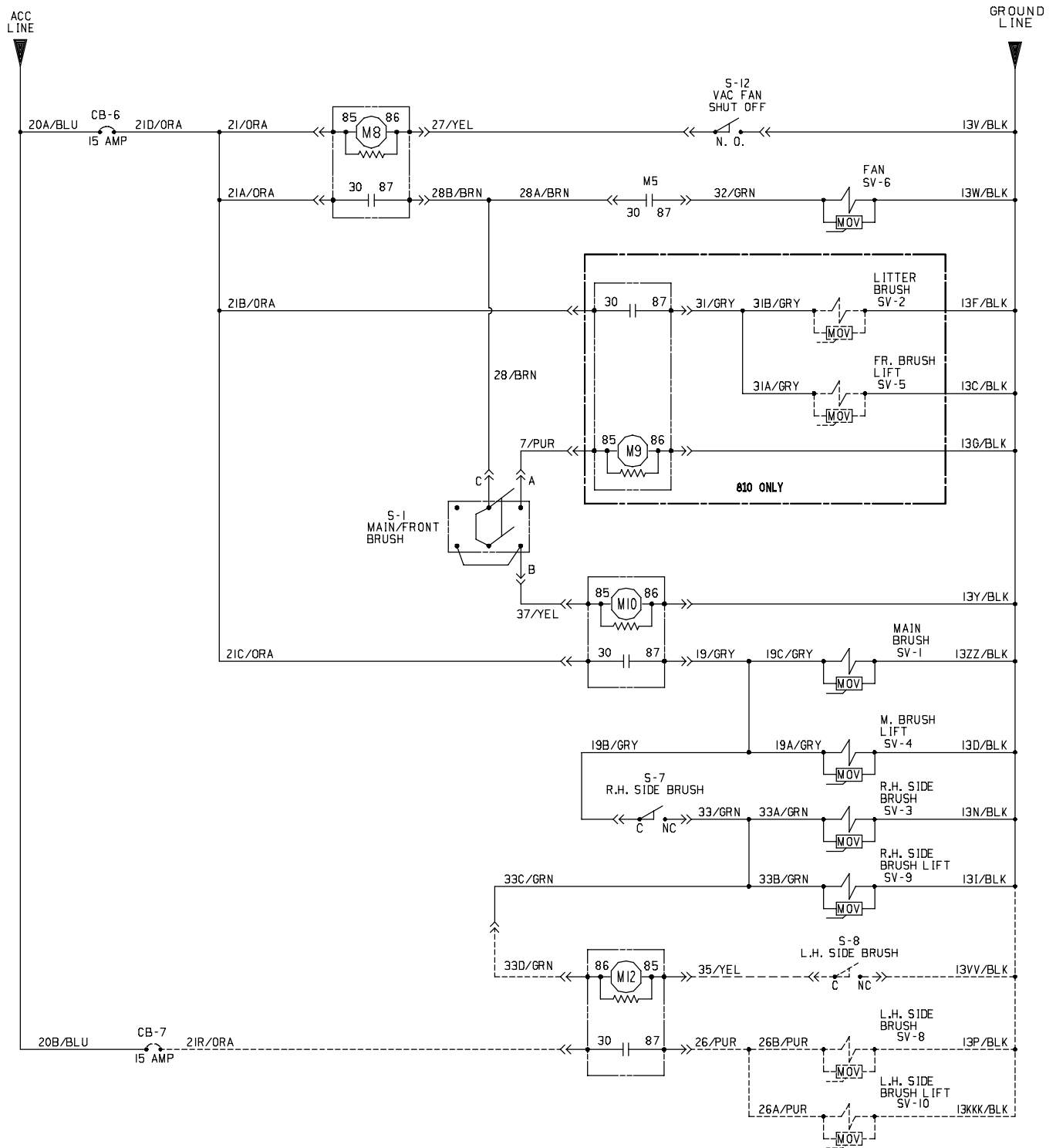
351128 - D

Fig. 61 - Electrical Schematic (003067-004003)



351128 - D

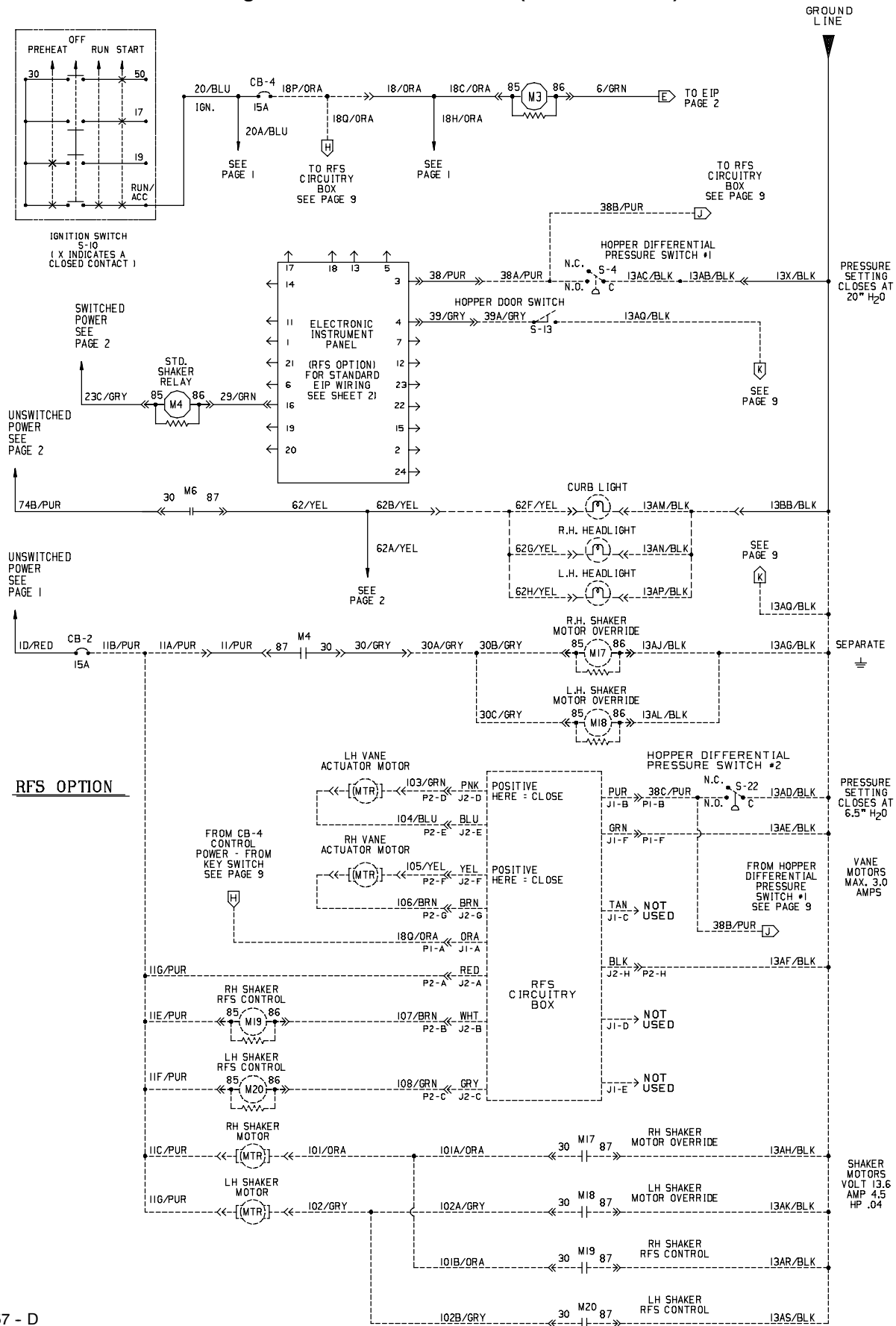
Fig. 61 - Electrical Schematic (003067-004003)



LEGEND			
M	POWER RELAY	HM	HOURLMETER
MTR	MOTOR	SV	SOLENOID VALVE
CB	CIRCUIT BREAKER	S	SWITCH
PM	PERMANENT MAGNET	ACC	ACCESSORY
J	JACK-FEM. SOCKET	GND	GROUND CHASSIS
P	PLUG-MALE PIN	C	COMMON
PB	PUSHBUTTON	N.O.	NORMALLY OPEN
VM	VOLTMETER	N.C.	NORMALLY CLOSED
FU	FUSE	NOV	METAL OXIDE VARISTOR

351128 - D

Fig. 61 - Electrical Schematic (003067-004003)



380557 - D

Fig. 62 - Electrical Schematic (004004-)

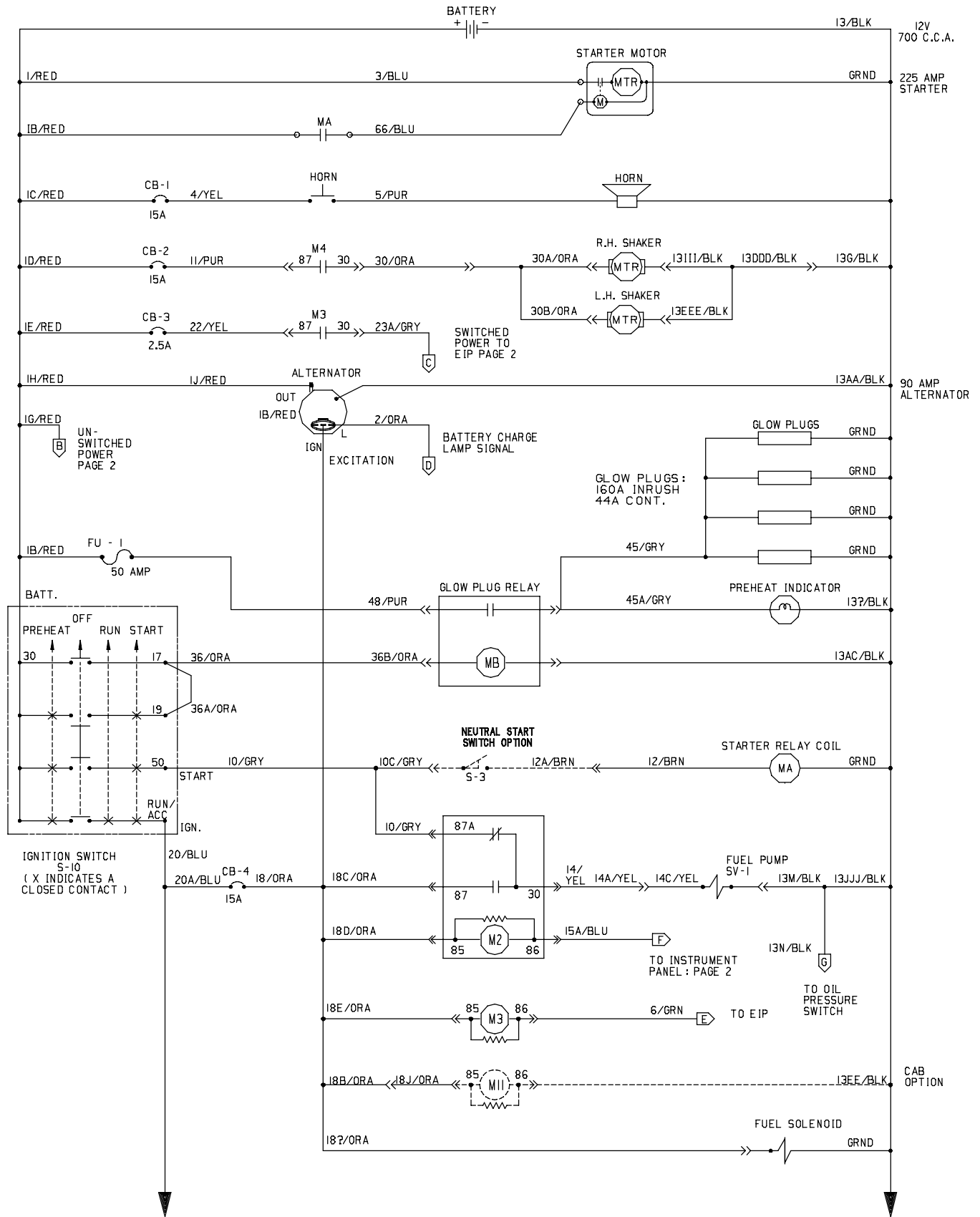
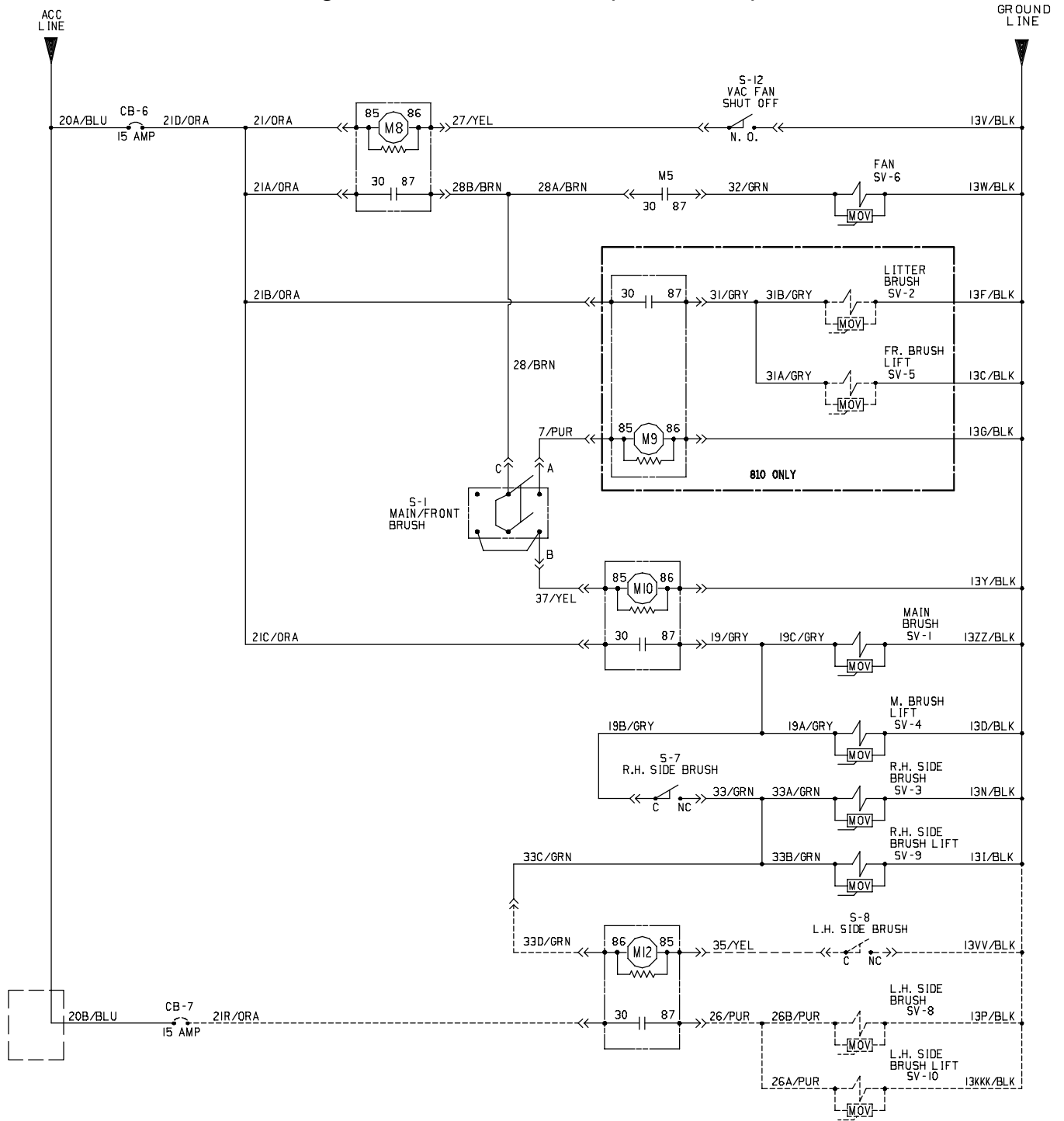


Fig. 62 - Electrical Schematic (004004-)



LEGEND			
M	POWER RELAY	HM	HOURLMETER
MTR	MOTOR	SV	SOLENOID VALVE
CB	CIRCUIT BREAKER	S	SWITCH
PM	PERMANENT MAGNET	ACC	ACCESSORY
J	JACK-FEM. SOCKET	GND	GROUND CHASSIS
P	PLUG-MALE PIN	C	COMMON
PB	PUSHBUTTON	N.O.	NORMALLY OPEN
VM	VOLTMETER	N.C.	NORMALLY CLOSED
FU	FUSE	NOV	METAL OXIDE VARISTOR

354091, 398533 - D

Fig. 63 - Wire Harnesses Group, Diesel, Main (003000- 003066)

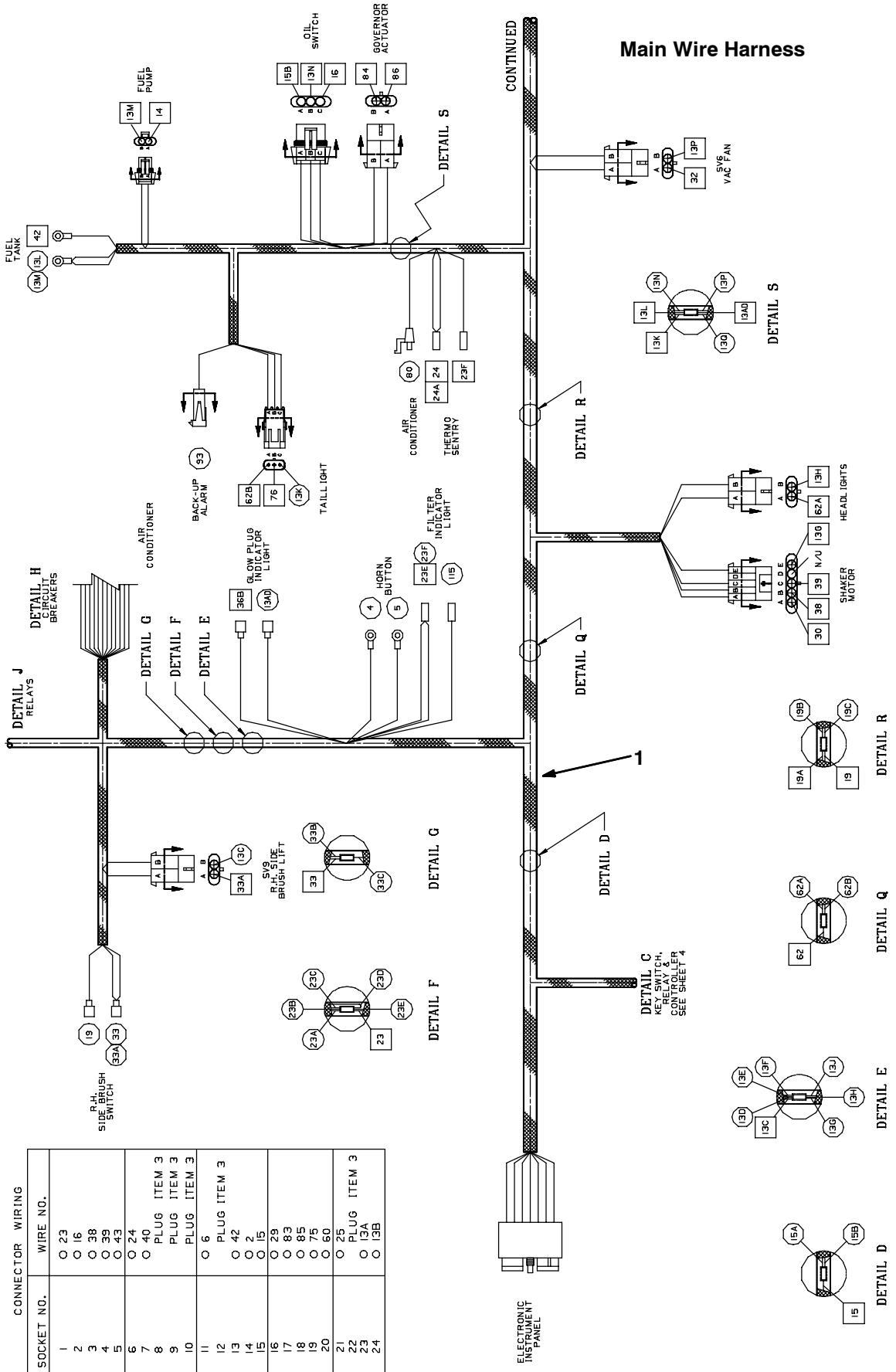


Fig. 63 - Wire Harness Group, Diesel, Main (003000- 003066)

Main Wire Harness

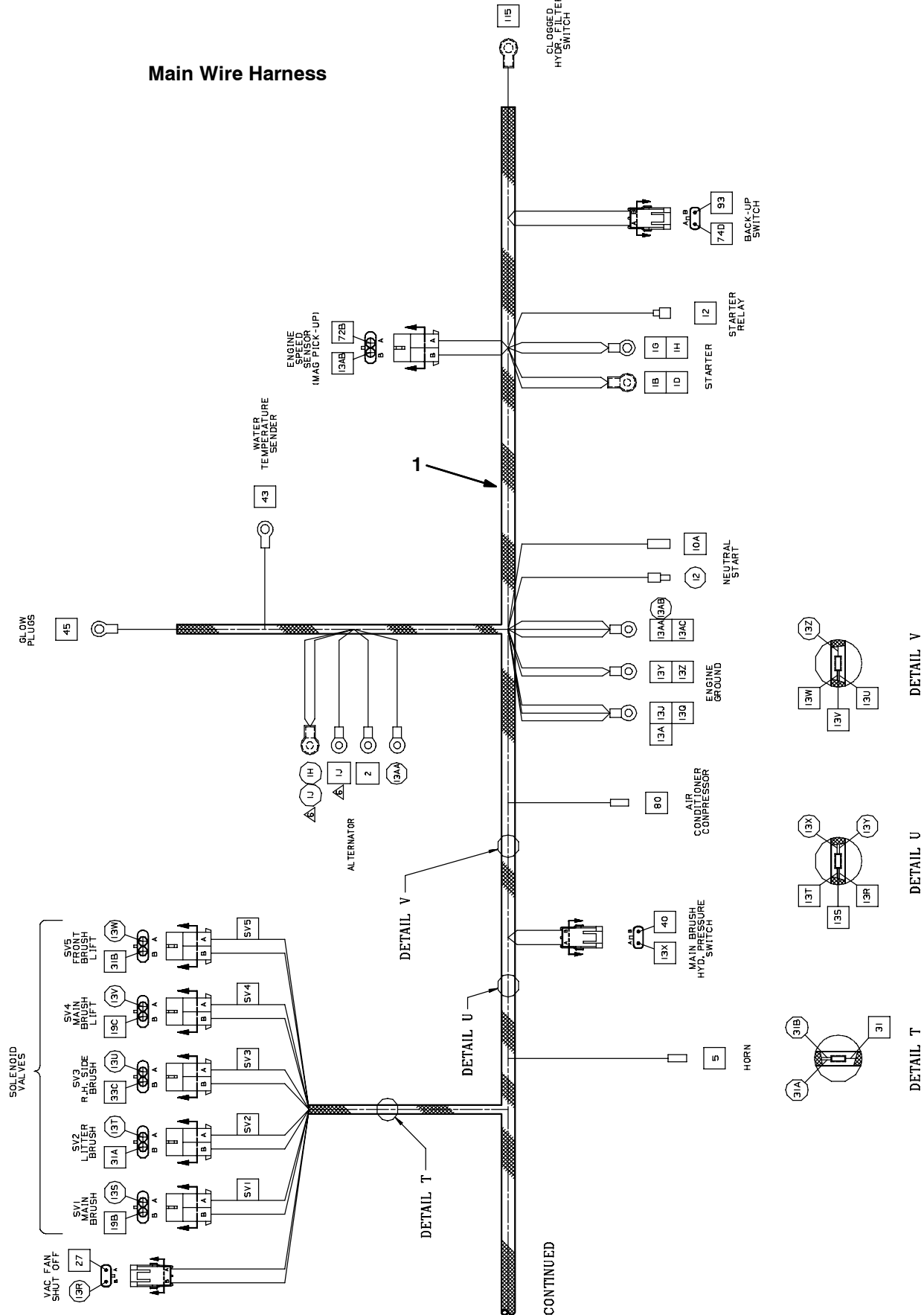
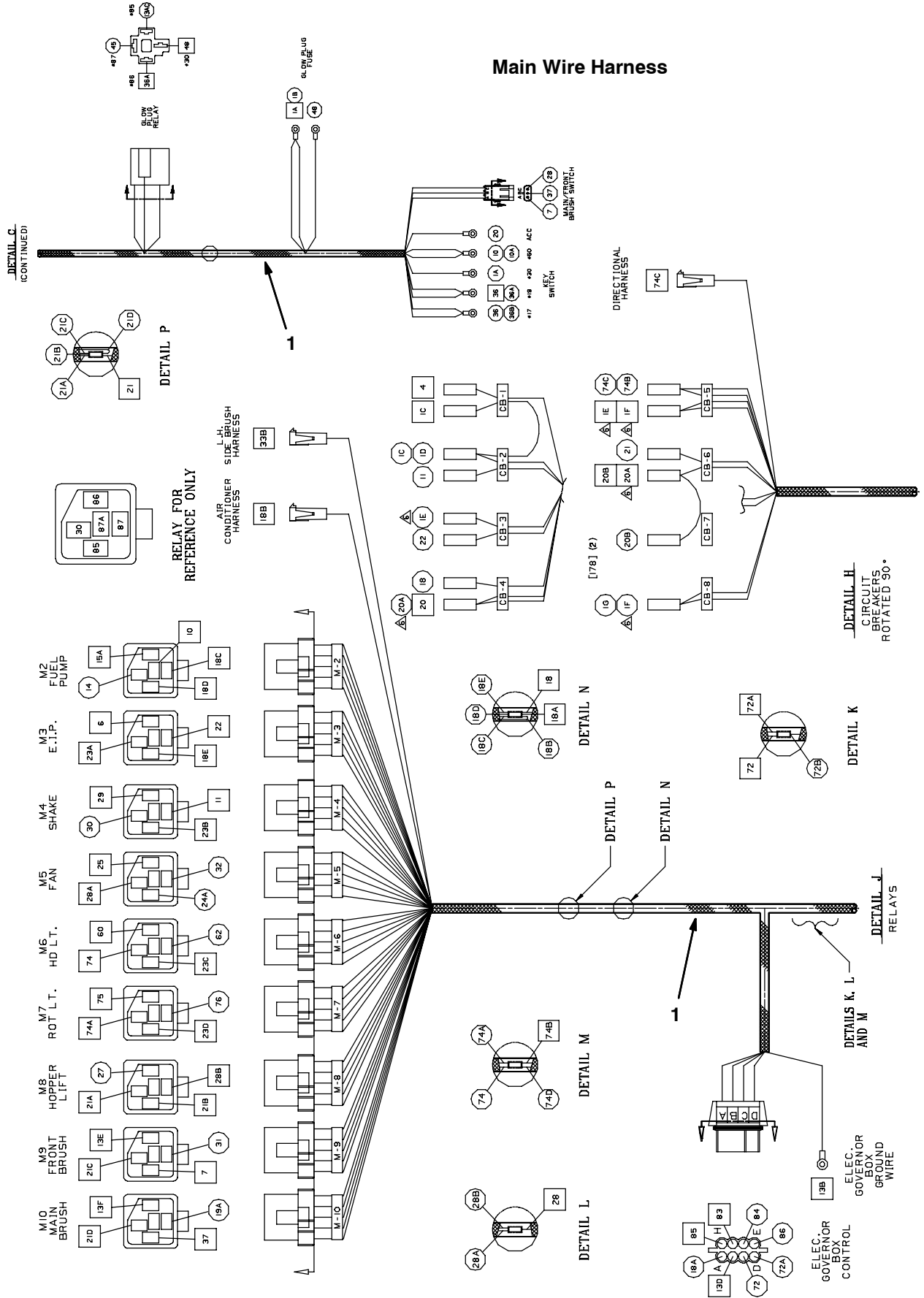


Fig. 63 - Wire Harnesses Group, Diesel, Main (003000- 003066)



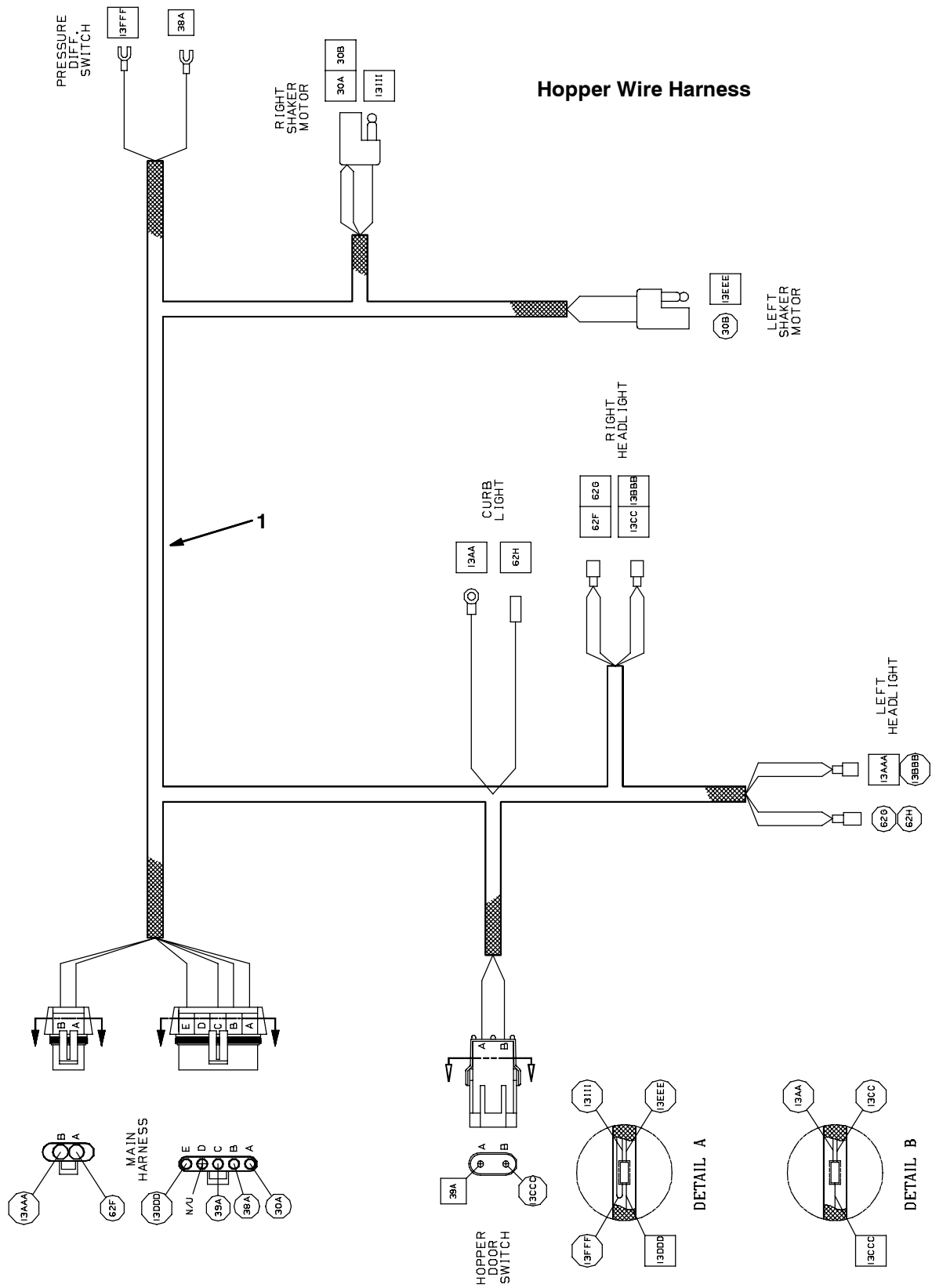
STANDARD PARTS

351149 - D

Fig. 63 - Wire Harnesses Group, Diesel, Main (003000- 003066)

Ref.	Part No.	Serial Number	Description	Qty.
1	380523	(003000-003066)	Harness, Main, Die 800/810	1

Fig. 64 - Wire Harnesses Group, Diesel, Hopper (003000-)

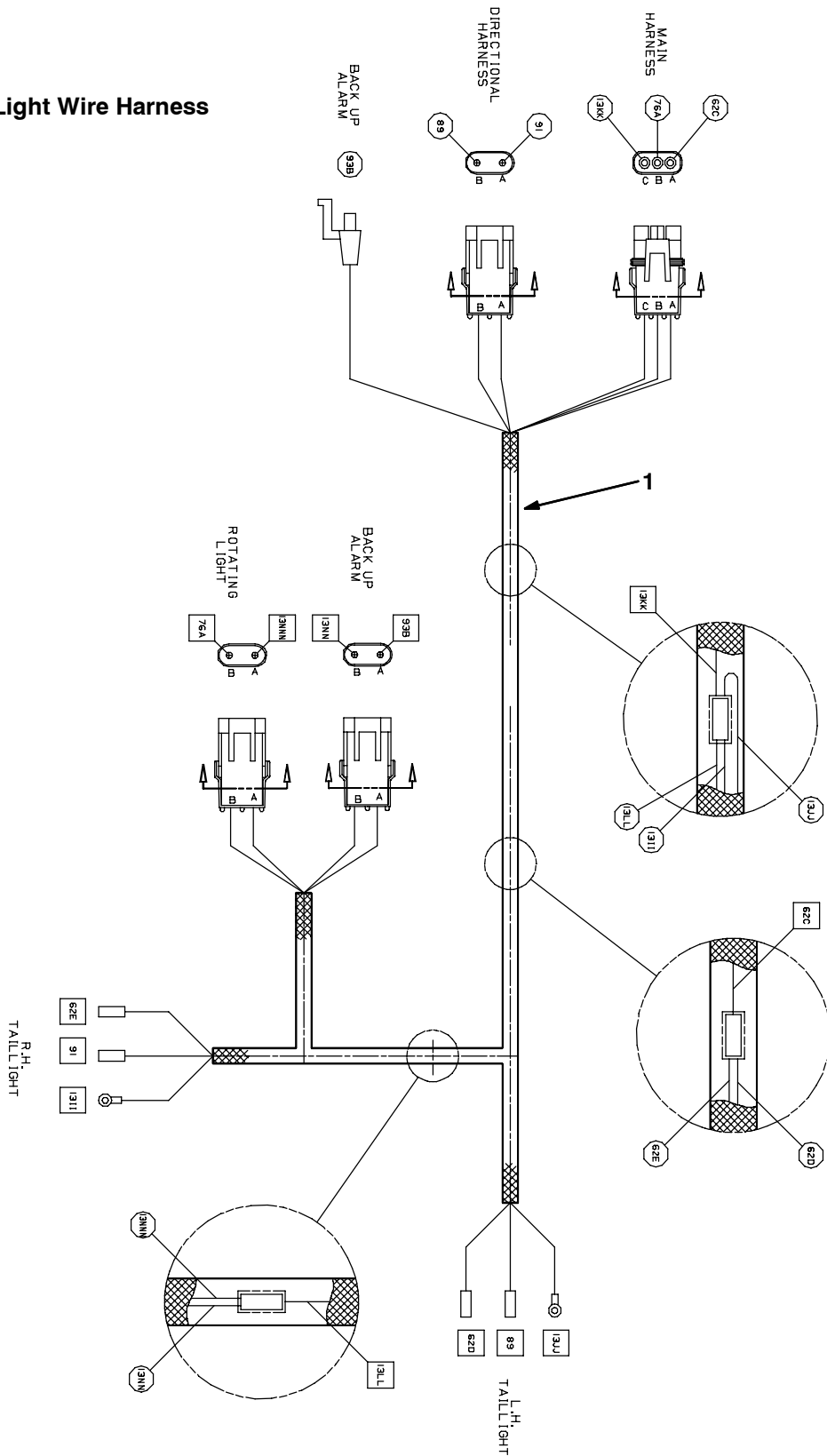


351144 - D

Ref.	Part No.	Serial Number	Description	Qty.
1	83695	(003000-)	Harness, Hopper 800/810	1

Fig. 65 - Wire Harnesses Group, Diesel, Tail Lights (003000-)

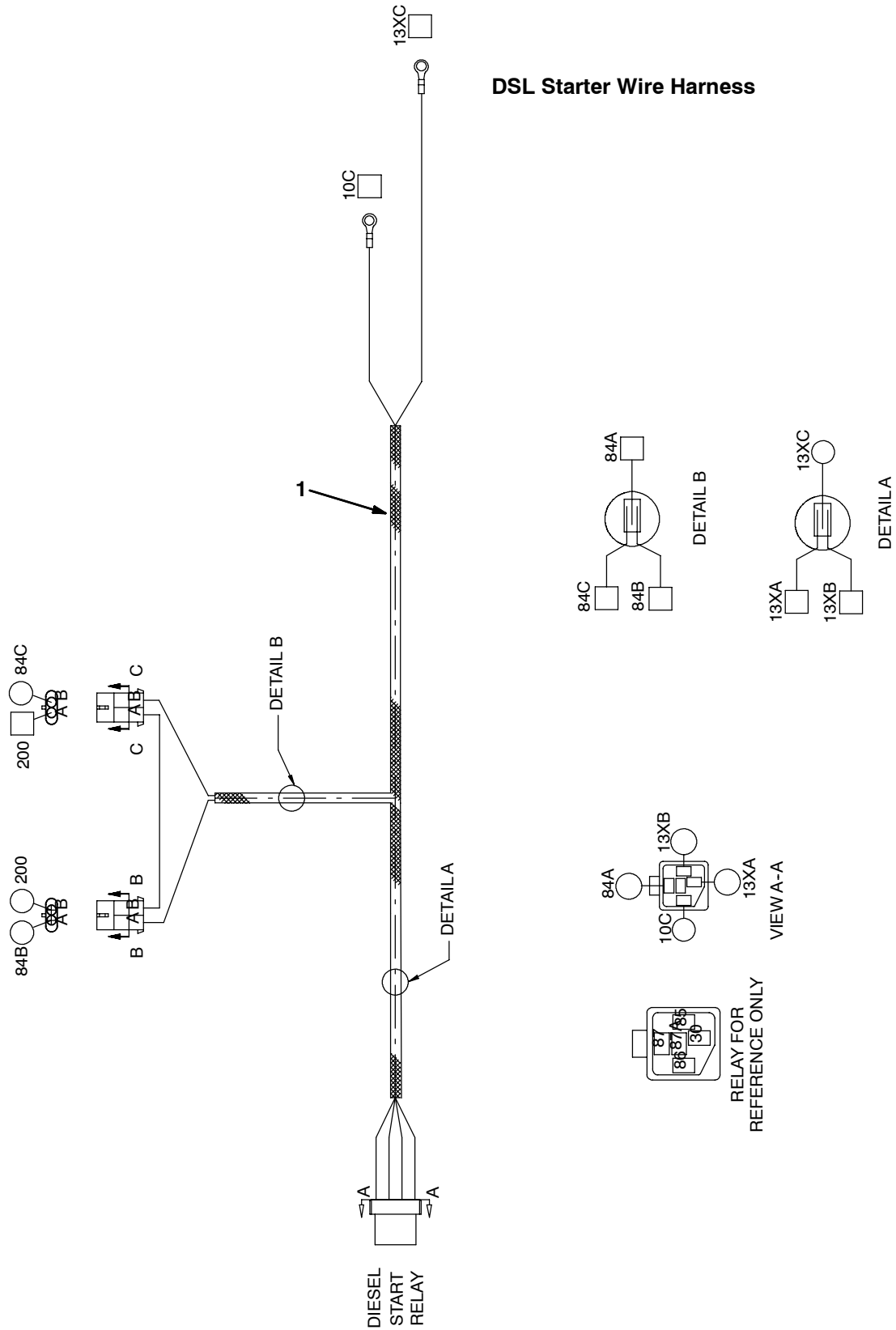
Tail Light Wire Harness



351145 - D

Ref.	Part No.	Serial Number	Description	Qty.
1	70400	(003000-)	Harness, Turn/Rotate/Tail Lights	1

Fig. 66 - Wire Harnesses Group, Diesel, Starter (003000- 003066)



351705 - D

Ref.	Part No.	Serial Number	Description	Qty.
4	380755	(003000-003066)	Harness, Start, DSL	1

Fig. 67 - Wire Harnesses Group, Diesel, Main (003067-004003)

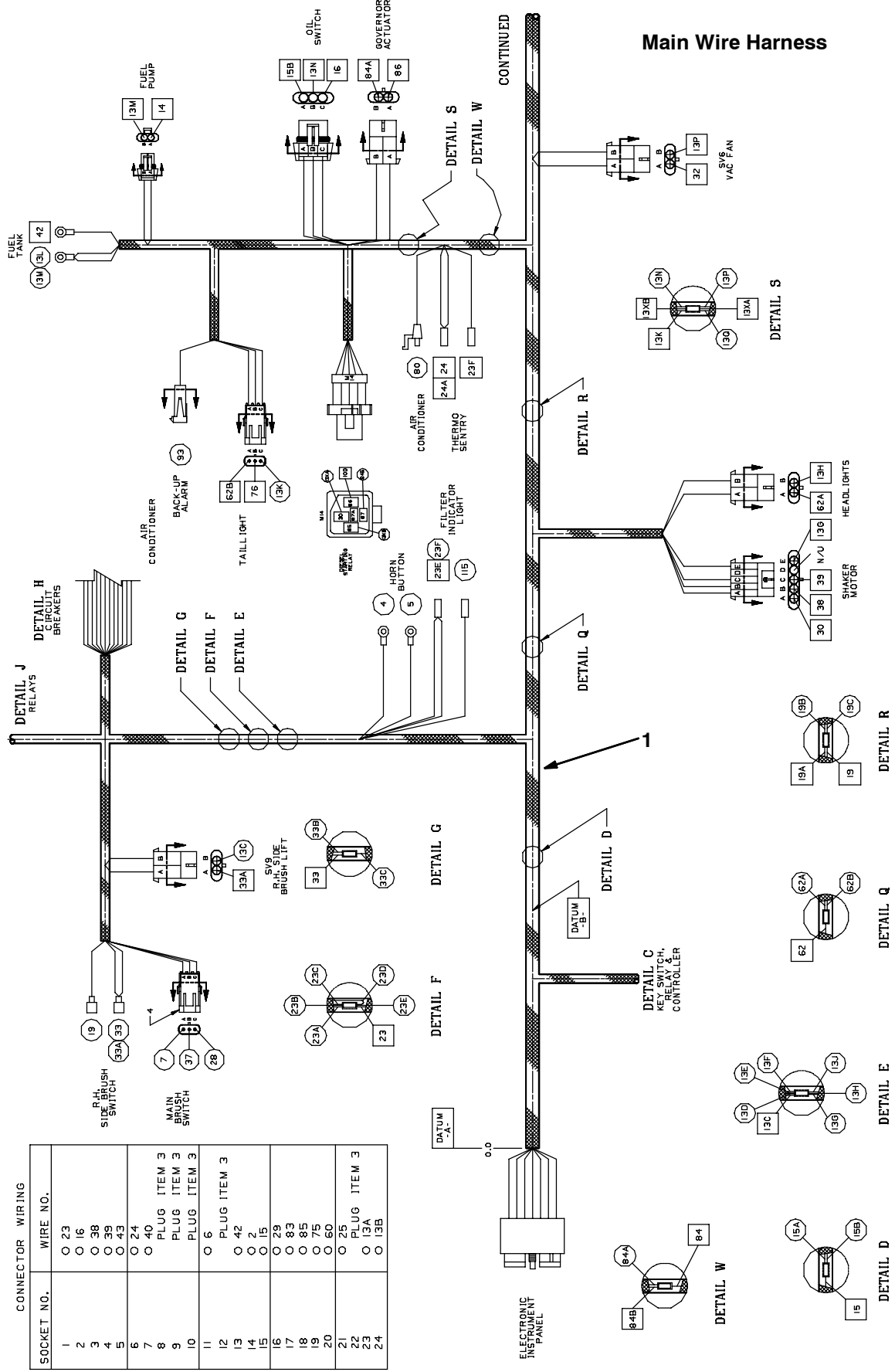


Fig. 67 - Wire Harnesses Group, Diesel, Main (003067-004003)

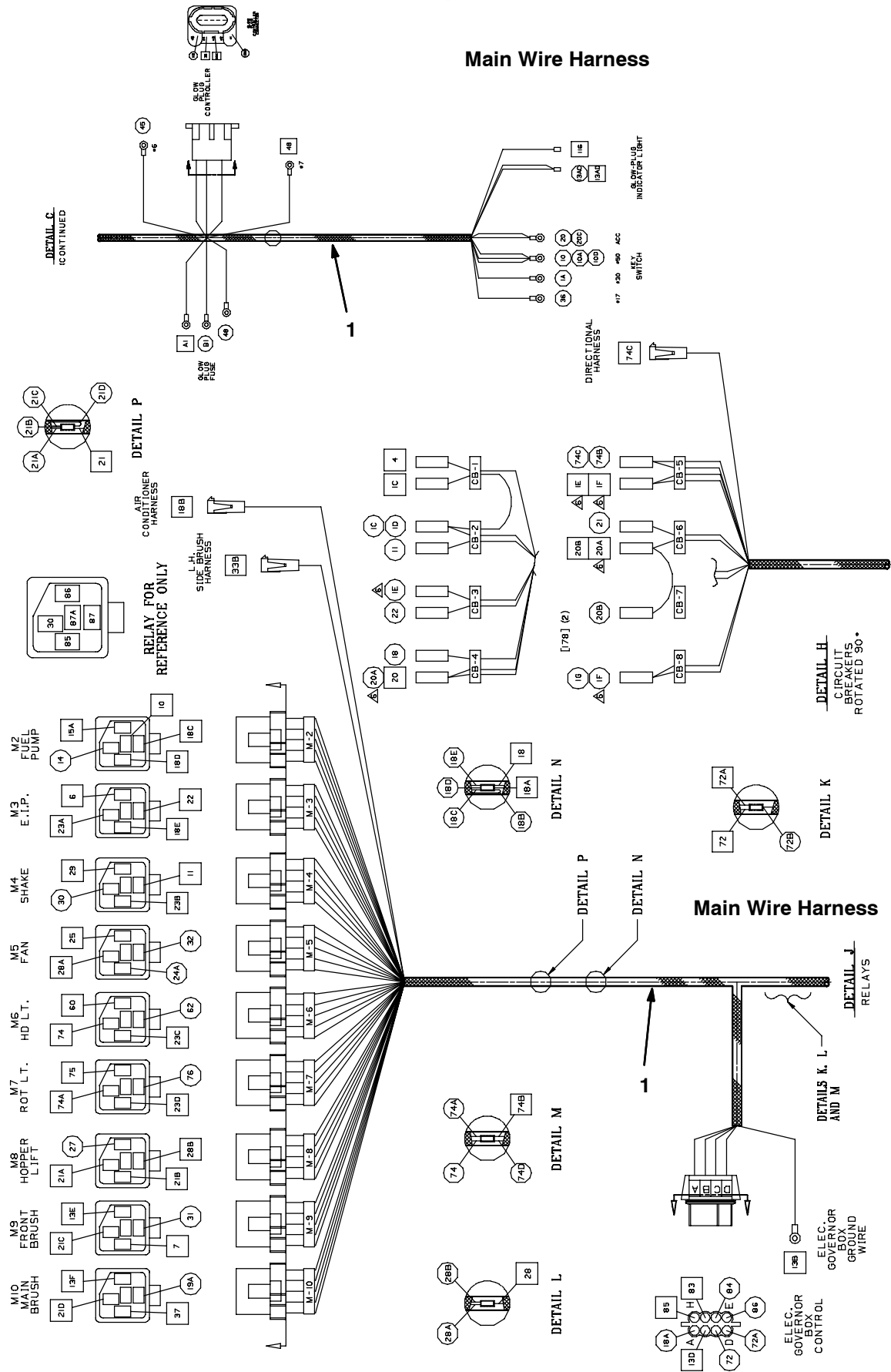


Fig. 67 - Wire Harnesses Group, Diesel, Main (003067-004003)

Ref.	Part No.	Serial Number	Description	Qty.
1	398314	(003067-004003)	Harness, Main, Die 800/810	1

Fig. 68 - Wire Harnesses Group, Diesel, Main (004004-)

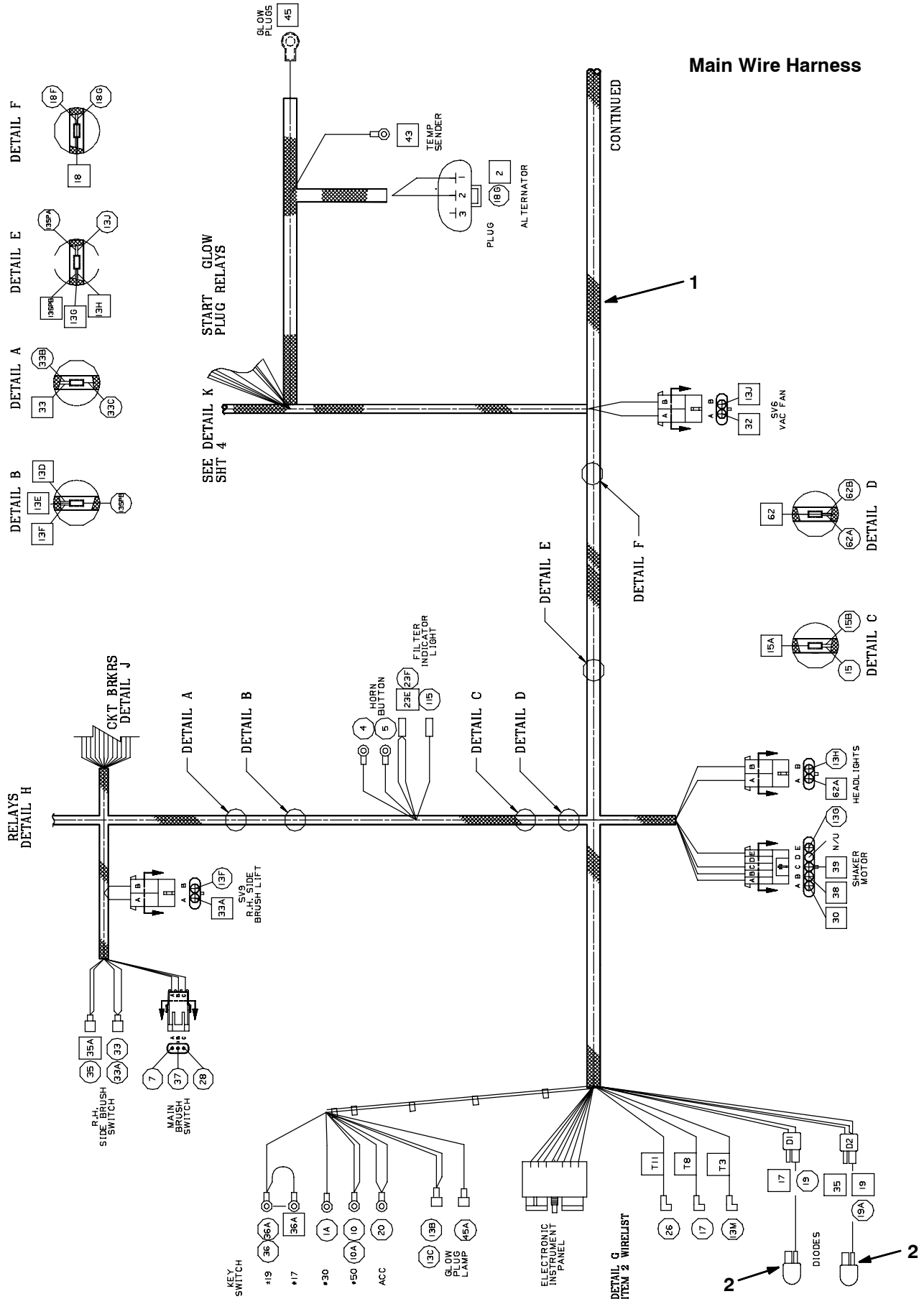


Fig. 68 - Wire Harness Group, Diesel, Main (004004-)

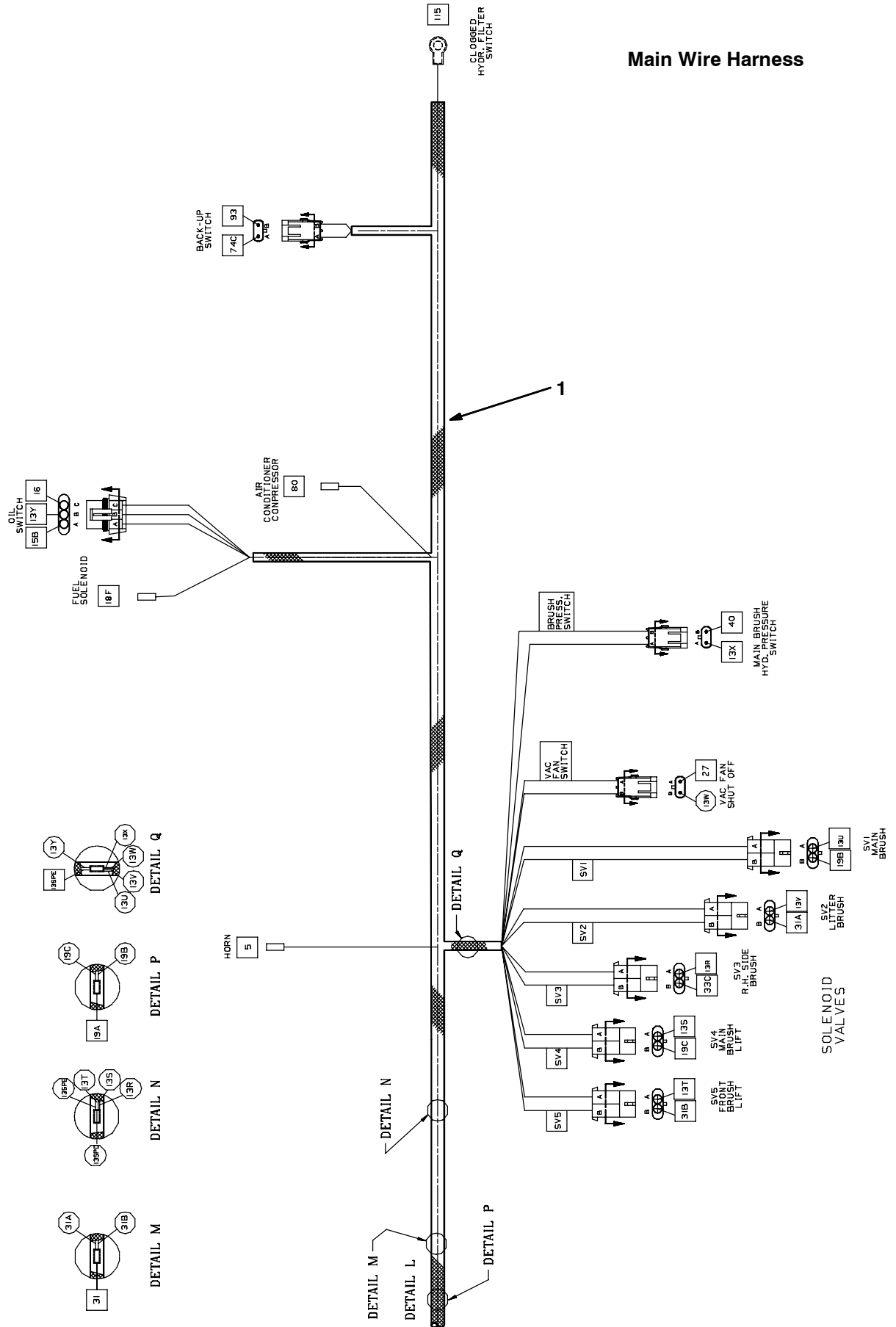


Fig. 68 - Wire Harnesses Group, Diesel, Main (004004-)

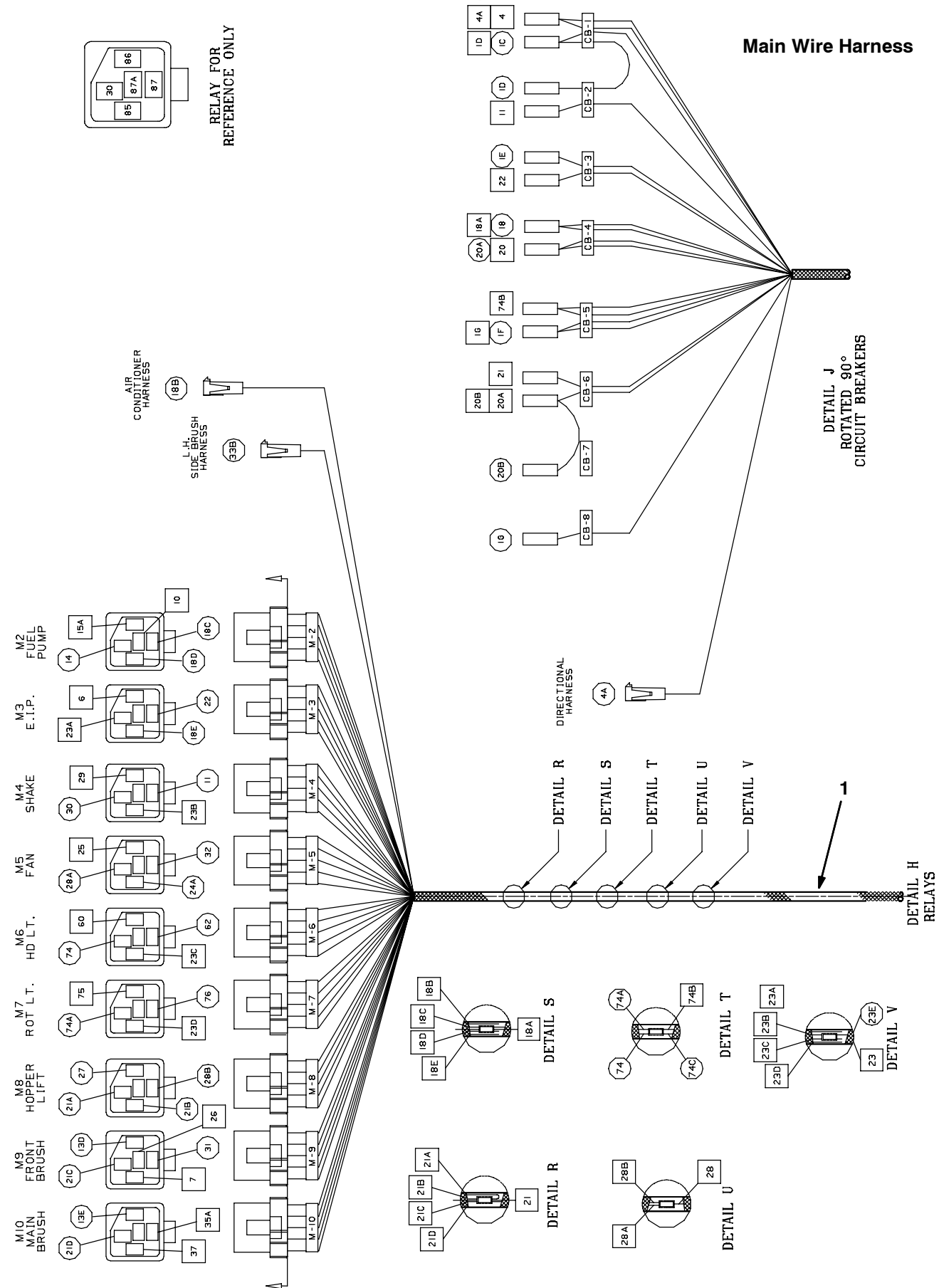
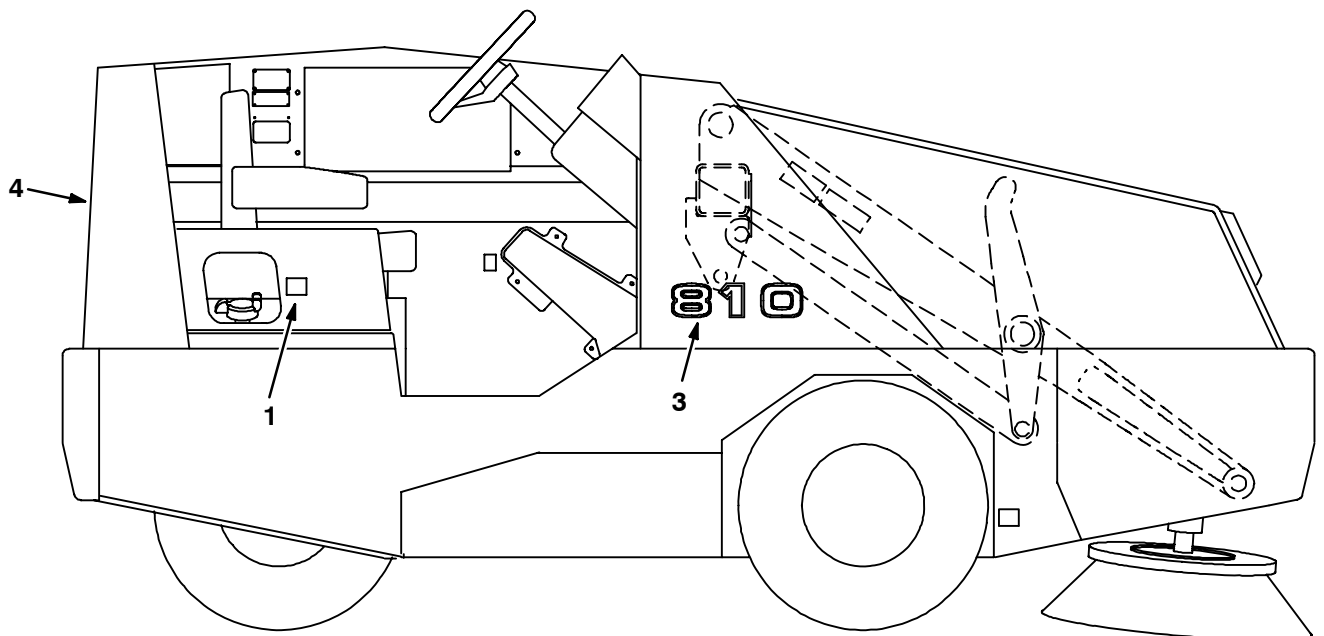
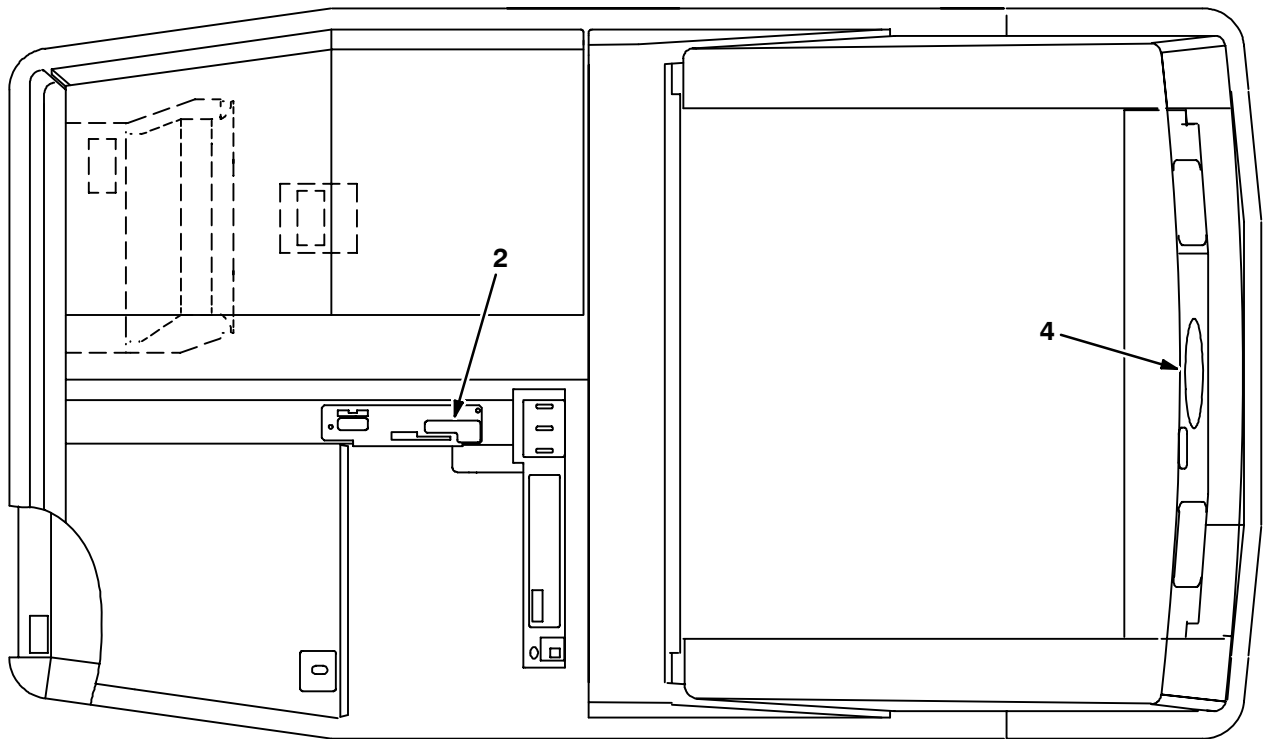


Fig. 68 - Wire Harnesses Group, Diesel, Main (004004-)

	Ref.	Part No.	Serial Number	Description	Qty.
▽	1	380780	(004004-)	Harness, Main, Die 800/810	1
▲		394921	(004004-)	Fuse, Blade, 050a [Maxi]	1
	2	222290	(004004-)	Diode, Ele, Plug	2

Fig. 69 - Label Group



08775 - 810, NA

Ref.	Part No.	Serial Number	Description	Qty.
1	59767	(003000-) Label Set, Info & Hazard	1
2	70705	(003000-) Label Set, Operational 800	1
3	70537	(003000-) Label, Numerals 810	2
4	09806	(003000-) Label, Logo, 10.4l,Oval[Tennant,Blu/Grn]	2

SECTION 3

Contents	Page
Fig. 1 - Light Kit, Flashing Overhead Guard	3-2
Fig. 2 - Light Kit, Flashing Cab	3-4
Fig. 3 - Light Kit, Revolving Overhead Guard . . .	3-6
Fig. 4 - Light Kit, Revolving Cab	3-8
Fig. 5 - Light Kit, Flashing Low	3-10
Fig. 6 - Light Kit, Revolving Low	3-12
Fig. 7 - Back-Up Alarm Kit	3-14
Fig. 8 - Turn Signal Kit	3-16
Fig. 9 - Overhead Guard Kit	3-18
Fig. 10 - Hopper Floor Kit	3-20
Fig. 11 - Bumper Assembly, SE	3-21
Fig. 12 - Brush Lift Group, Side, L.H.	3-22
Fig. 13 - Brush Group, Side, L.H.	3-26
Fig. 14 - Brush Wire Harness Group, Side, L.H.	3-30
Fig. 15 - Brush Hydraulic Hose Group, Side, L.H.	3-31
Fig. 16 - Brush Light Kit, Side	3-32
Fig. 17 - Cab Kit	3-34
Fig. 18 - Cab Mirror Kit	3-36
Fig. 19 - Cab Seals Group	3-38
Fig. 20 - Cab AC and Heater Group	3-40
Fig. 21 - Cab AC Compressor Group	3-42
Fig. 22 - Cab AC and Heater Electrical Group . .	3-43
Fig. 23 - Cab Heater Group	3-44
Fig. 24 - Cab Heater Electrical Group	3-46
Fig. 25 - Alternator Group, SE	3-48
Fig. 26 - Vacuum Wand Kit	3-50
Fig. 27 - Side Brush Dust Control Kit	3-52
Fig. 28 - Protectoseal Fuel Tank Cap Group . . .	3-54
Fig. 29 - Fire Extinguisher Kit	3-55
Fig. 30 - Solid Tire and Rim Assembly	3-56
Fig. 31 - Seat Belt Kit	3-57
Fig. 32 - RFS Filter System Group	3-58
Fig. 33 - Cab AC Drain Hose Kit	3-60
Fig. 34 - Neutral Start Group	3-62
Fig. 35 - Documentation Group	3-63

Fig. 1 - Light Kit, Flashing Overhead Guard

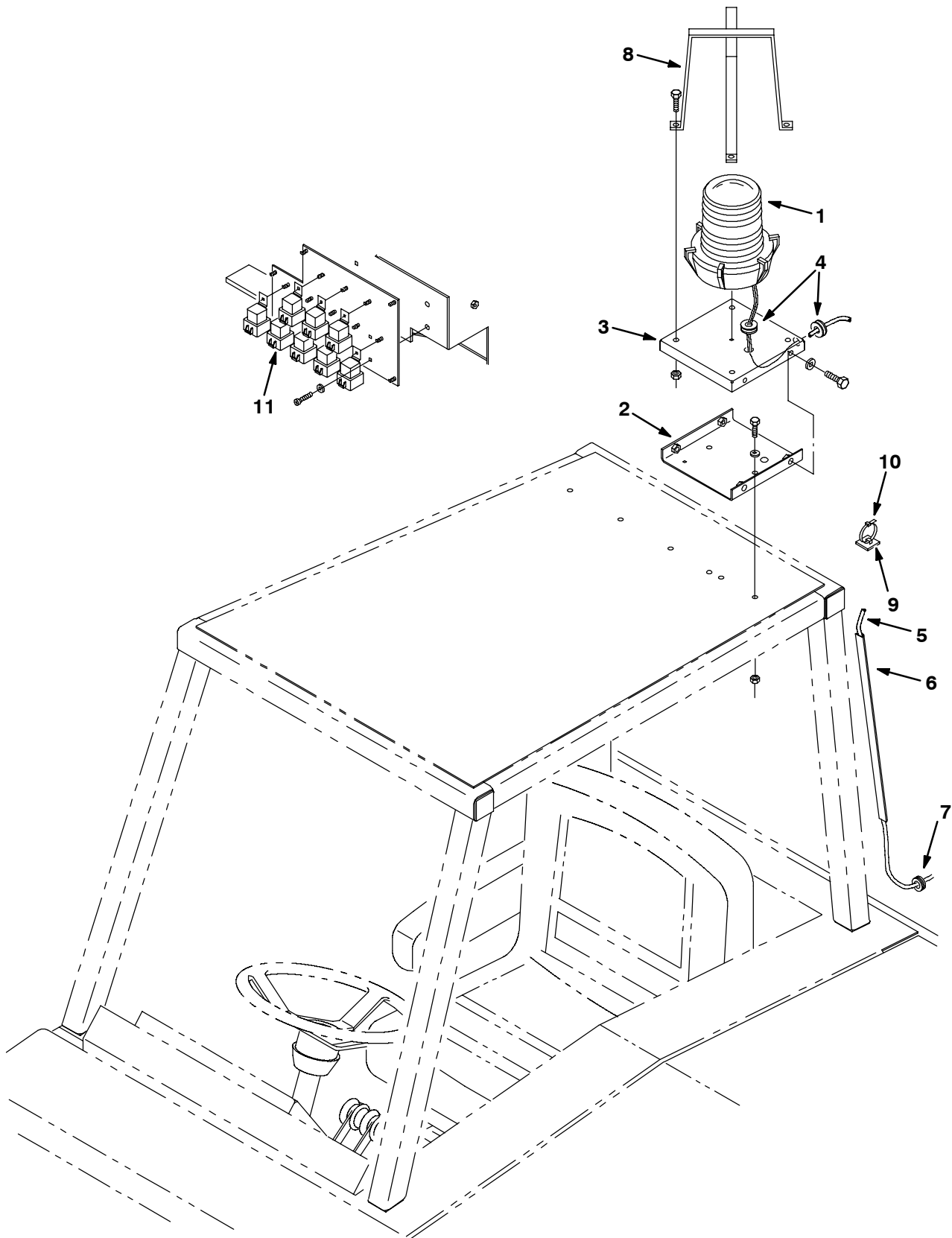


Fig. 1 - Light Kit, Flashing Overhead Guard

	Ref.	Part No.	Serial Number	Description	Qty.
▽		73755	(003000-) Light Kit Flsh 800L Ohg	1
▲▽	1	82063	(003000-) Light, Flashing, Amber, 12V-Re	1
▲▲		58520	(003000-) Lens,Flashing Lite Fr207 Amber	1
▲▲		45779	(003000-) Bulb, 12V	1
▲	2	73899	(003000-) Bracket	1
▲	3	73898	(003000-) Panel	1
▲	4	10632-20	(003000-) Grommet,Rbr,0.38ld,For .06Matl	2
▲	5	74000	(003000-) Harness,Rev/Flsh Light,Cab,Ohg	1
▲	6	1064050	(003000-) Duct, Afmkt, Vyl, 0.40 X 0.75 .25d, 04ft	1
▲	7	10632-4	(003000-) Grommet,Rbr,0.63ld,For .06Matl	1
▲	8	45272	(003000-) Guard Wldt, Lights, Revl & Flsh	1
▲	9	55248	(003000-) Cable Tie Mount	1
▲	10	49266	(003000-) Tie, Cable	1
▲	11	56186	(003000-) Relay, Shrouded, 12V	1
		58518	(003000-) Lens,Flashing Lite Fr207 Red	1
		58519	(003000-) Lens,Flashing Lite Fr207 Blue	1

Fig. 2 - Light Kit, Flashing Cab

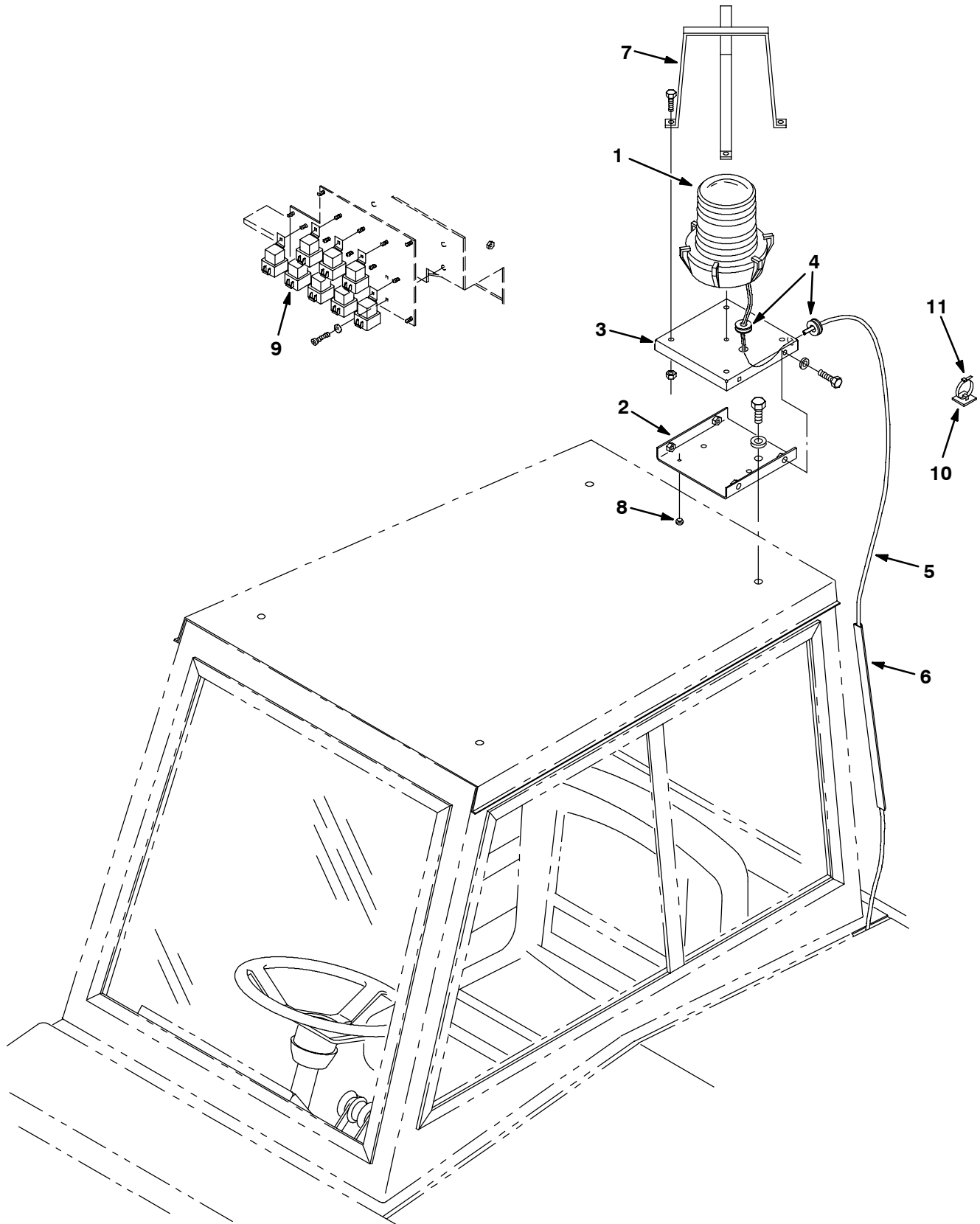


Fig. 2 - Light Kit, Flashing Cab

	Ref.	Part No.	Serial Number	Description	Qty.
▽		73751	(003000-) Light Kit Flsh 800L Cab	1
▲▽	1	82063	(003000-) Light, Flashing, Amber, 12V-Re	1
▲▲		58520	(003000-) Lens,Flashing Lite Fr207 Amber	1
▲▲		45779	(003000-) Bulb, 12V	1
▲	2	73899	(003000-) Bracket	1
▲	3	73898	(003000-) Panel	1
▲	4	10632-20	(003000-) Grommet,Rbr,0.38ld,For .06Matl	2
▲	5	74000	(003000-) Harness,Rev/Flsh Light,Cab,Ohg	1
▲	6	1064050	(003000-) Duct, Afmkt, Vyl, 0.40 X 0.75 .25d, 04ft	1
▲	7	45272	(003000-) Guard Wldt, Lights, Revl & Flsh	1
▲	8	29233	(003000-) Bumper, Rubber	1
▲	9	56186	(003000-) Relay, Shrouded, 12V	1
▲	10	55248	(003000-) Cable Tie Mount	1
▲	11	49266	(003000-) Tie, Cable	1
		58518	(003000-) Lens,Flashing Lite Fr207 Red	1
		58519	(003000-) Lens,Flashing Lite Fr207 Blue	1

Fig. 3 - Light Kit, Revolving Overhead Guard

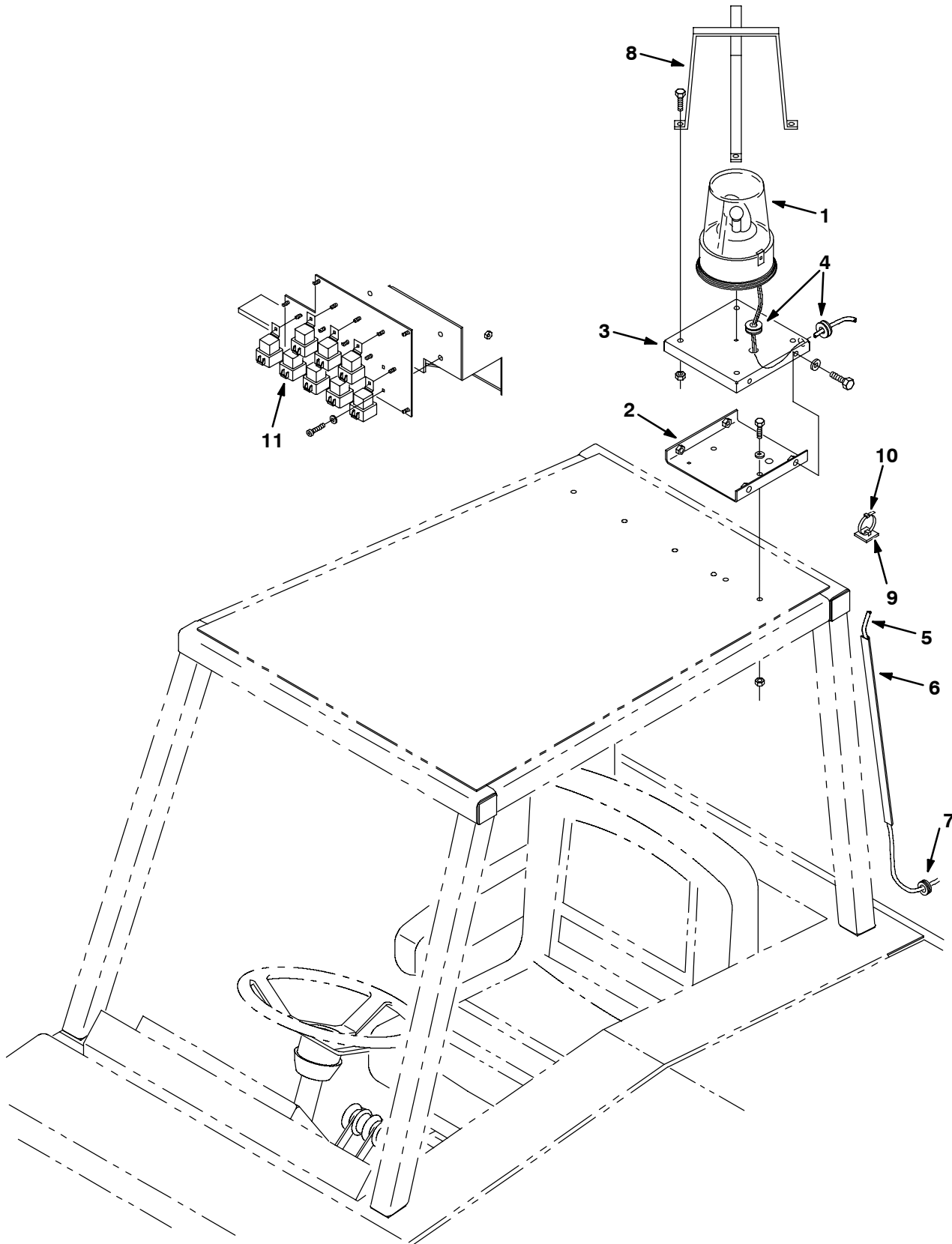


Fig. 3 - Light Kit, Revolving Overhead Guard

	Ref.	Part No.	Serial Number	Description	Qty.
▽		73757	(003000-) Light Kit Revl 800L Ohg	1
▲▽	1	82200	(003000-) Light,Rev.Amber 12V-Reworked	1
▲▲		44681-1	(003000-) Lens,Rev.Light,Amber	1
▲▲		45779	(003000-) Bulb, 12V	1
▲	2	73899	(003000-) Bracket	1
▲	3	73898	(003000-) Panel	1
▲	4	10632-20	(003000-) Grommet,Rbr,0.38ld,For .06Matl	2
▲	5	74000	(003000-) Harness,Rev/Flsh Light,Cab,Ohg	1
▲	6	1064050	(003000-) Duct, Afmkt, Vyl, 0.40 X 0.75 .25d, 04ft	1
▲	7	10632-4	(003000-) Grommet,Rbr,0.63ld,For .06Matl	1
▲	8	45272	(003000-) Guard Wldt, Lights, Revl & Flsh	1
▲	9	55248	(003000-) Cable Tie Mount	1
▲	10	49266	(003000-) Tie, Cable	1
▲	11	56186	(003000-) Relay, Shrouded, 12V	1
		44681	(003000-) Lens,Rev.Light,Red	1
		44681-2	(003000-) Lens,Rev.Light,Blue	1

Fig. 4 - Light Kit, Revolving Cab

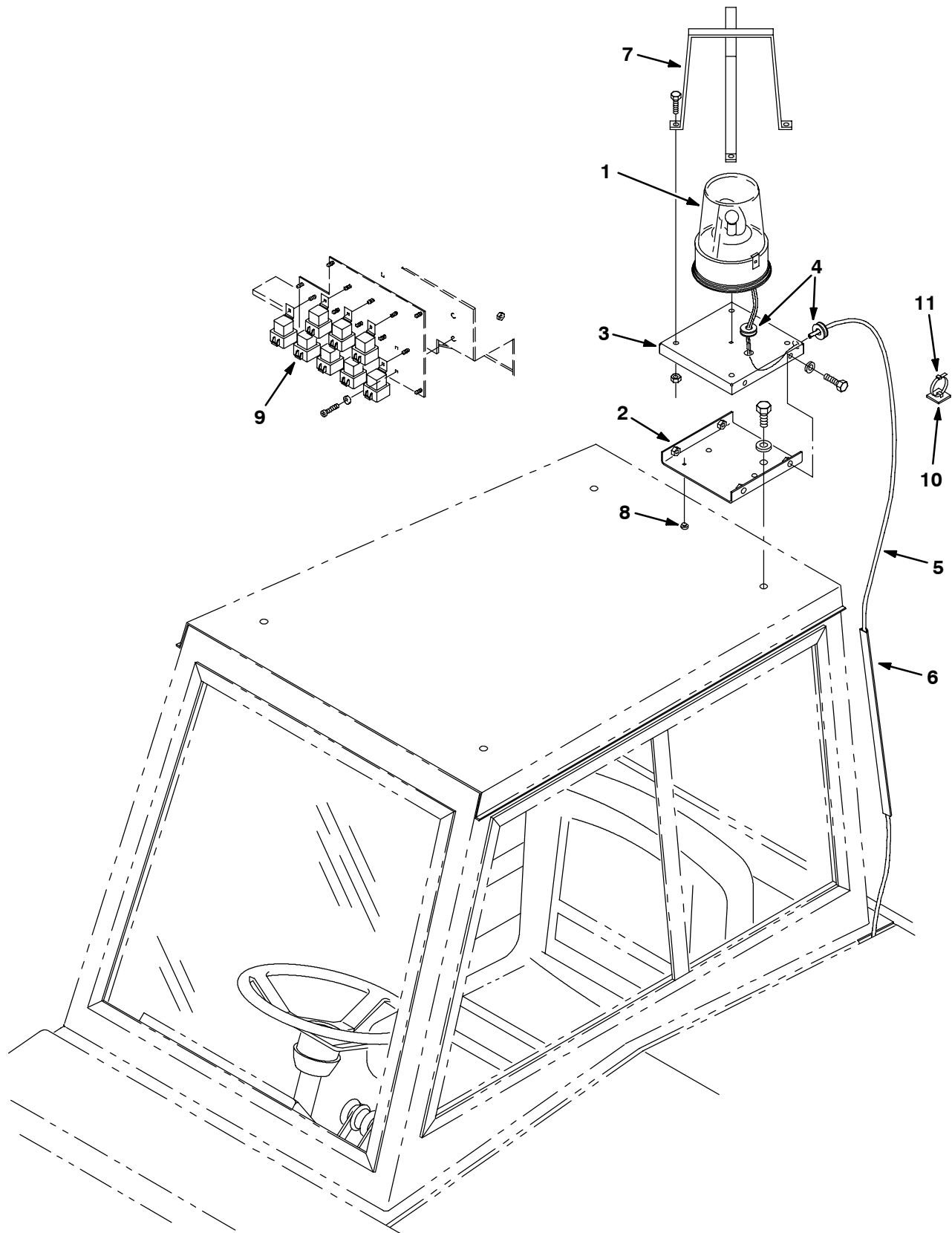


Fig. 4 - Light Kit, Revolving Cab

	Ref.	Part No.	Serial Number	Description	Qty.
▽		73753	(003000-) Light Kit Revl 800L Cab	1
▲▽	1	82200	(003000-) Light,Rev.Amber 12V-Reworked	1
▲▲		44681-1	(003000-) Lens,Rev.Light,Amber	1
▲▲		45779	(003000-) Bulb, 12V	1
▲	2	73899	(003000-) Bracket	1
▲	3	73898	(003000-) Panel	1
▲	4	10632-20	(003000-) Grommet,Rbr,0.38ld,For .06Matl	2
▲	5	74000	(003000-) Harness,Rev/Flsh Light,Cab,Ohg	1
▲	6	1064050	(003000-) Duct, Afmkt, Vyl, 0.40 X 0.75 .25d, 04ft	1
▲	7	45272	(003000-) Guard Wldt, Lights, Revl & Flsh	1
▲	8	29233	(003000-) Bumper, Rubber	1
▲	9	56186	(003000-) Relay, Shrouded, 12V	1
▲	10	55248	(003000-) Cable Tie Mount	1
▲	11	49266	(003000-) Tie, Cable	1
		44681	(003000-) Lens,Rev.Light,Red	1
		44681-2	(003000-) Lens,Rev.Light,Blue	1

Fig. 5 - Light Kit, Flashing Low

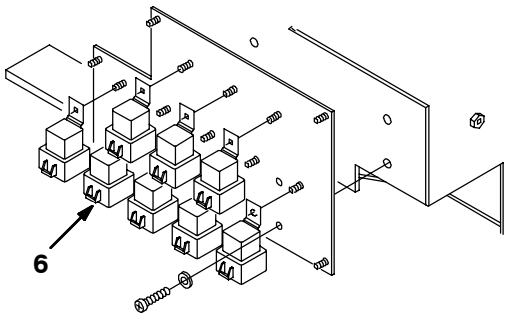
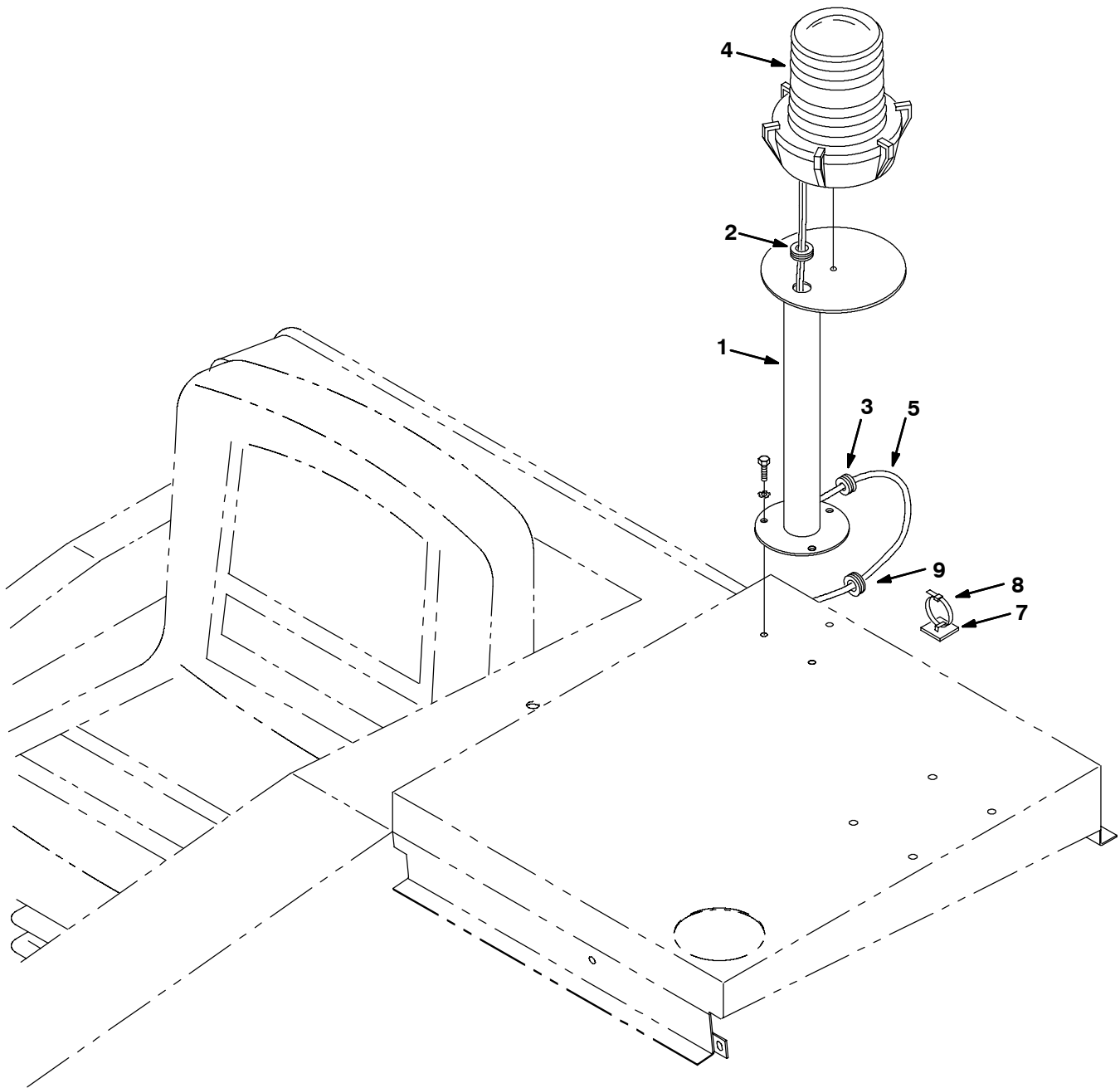


Fig. 5 - Light Kit, Flashing Low

	Ref.	Part No.	Serial Number	Description	Qty.
▽		380643	(003000-) Kit, Light, Flsh, Low	1
▲	1	31954	(003000-) Pedestal Wldt, Light	1
▲	2	10632-9	(003000-) Grommet, Rbr, 0.56 Id For .13mat	1
▲	3	10632-12	(003000-) Grommet, Rbr, 0.38 Id For .12mat	1
▲▽	4	82063	(003000-) Light, Flashing Amb 12v-re	1
▲▲		58520	(003000-) Lens, Flashing Amb 12V	1
▲▲		45779	(003000-) Bulb	1
▲	5	380691	(003000-) Harness, Alarm, Backup	1
▲	6	56186	(003000-) Relay 12Vdc 40A Spdt	1
▲	7	55248	(003000-) Cabletie Mount, Adhesive	2
▲	8	49266	(003000-) Tie, Cable 1.75D Max 7.50Lg	2
▲	9	10632-4	(003000-) Grommet	1
		58518	(003000-) Lens, Flashing Red	1
		58519	(003000-) Lens, Flashing Blue	1

Fig. 6 - Light Kit, Revolving Low

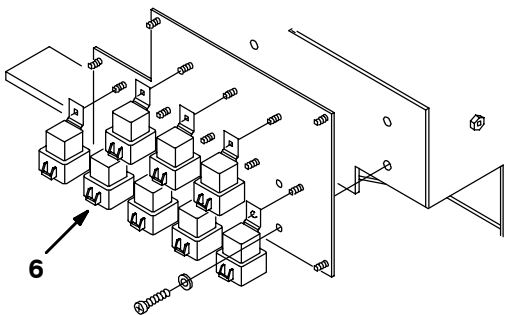
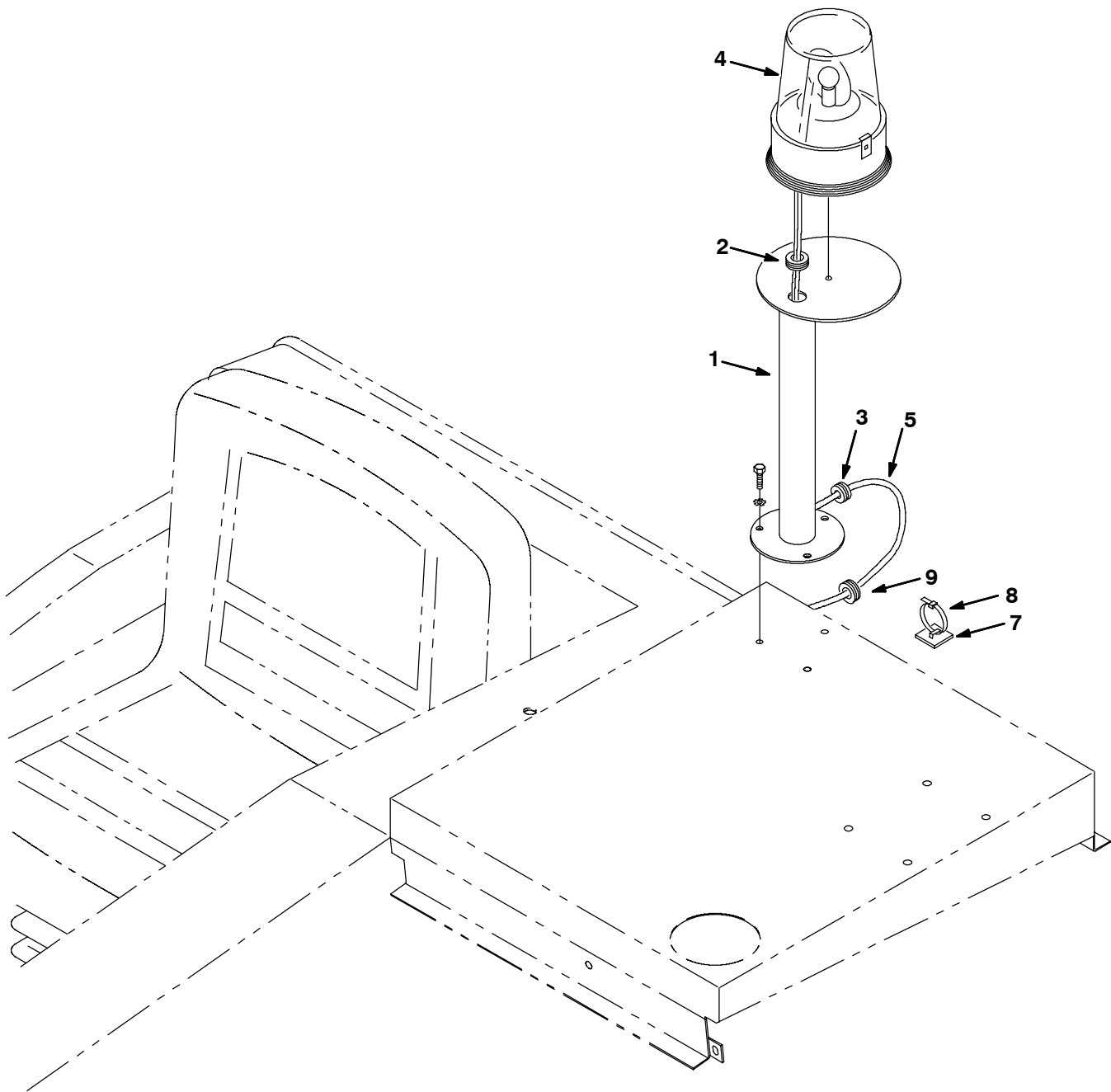


Fig. 6 - Light Kit, Revolving Low

	Ref.	Part No.	Serial Number	Description	Qty.
▽		380644	(003000-) Kit, Light, Revl, Low	1
▲	1	31954	(003000-) Pedestal Wldt, Light	1
▲	2	10632-9	(003000-) Grommet, Rbr, 0.56 Id For .13mat	1
▲	3	10632-12	(003000-) Grommet, Rbr, 0.38 Id For .12mat	1
▲▽	4	82200	(003000-) Light, Rev. Amber 12v-re	1
▲▲		44681-1	(003000-) Lens, Rev. Light, Amber	1
▲▲		45779	(003000-) Bulb	1
▲	5	380691	(003000-) Harness, Alarm, Backup	1
▲	6	56186	(003000-) Relay 12Vdc 40A Spdt	1
▲	7	55248	(003000-) Cabletie Mount, Adhesive	2
▲	8	49266	(003000-) Tie, Cable 1.75D Max 7.50Lg	2
▲	9	10632-4	(003000-) Grommet	1
		44681	(003000-) Lens, Rev. Light, Red	1
		44681-2	(003000-) Lens, Rev. Light, Blue	1

Fig. 7 - Back-Up Alarm Kit

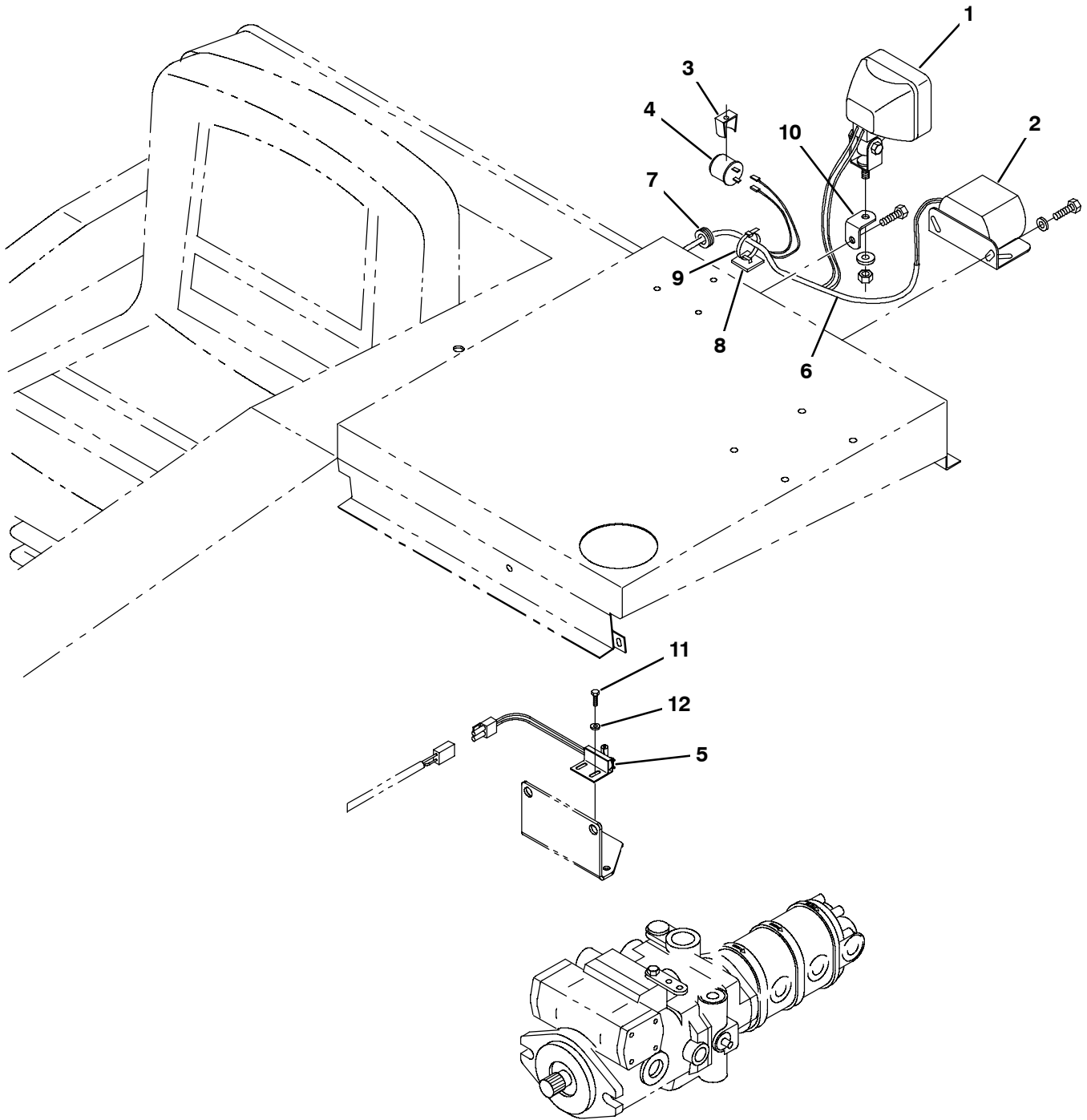


Fig. 7 - Back-Up Alarm Kit

	Ref.	Part No.	Serial Number	Description	Qty.
▽		380640	(003000-) Kit, Alarm, Backup	1
▲▽	1	382978	(003000-) Light, Spot 12V, 32cp	1
▲▲		393770	(003000-) Lamp, 12VDC 55w	1
▲	2	61923	(003000-) Horn, Back-up Alarm	1
▲	3	24576-1	(003000-) Bracket, Flasher	1
▲	4	24576	(003000-) Flasher, 12v	1
▲	5	59965	(003000-) Switch Assy, Roller-no	1
▲	6	380691	(003000-) Harness, Alarm, Back-up	1
▲	7	10632-4	(003000-) Grommet	1
▲	8	55248	(003000-) Mount, Tie	2
▲	9	49266	(003000-) Tie, Cable	2
▲	10	76385	(003000-) Bracket	1
▲	11	09206	(003000-) Screw, Hex, M4 X 0.70 X 12, 8.8	2
▲	12	19065	(003000-) Washer, Flat, 08	2

Fig. 8 - Turn Signal Kit

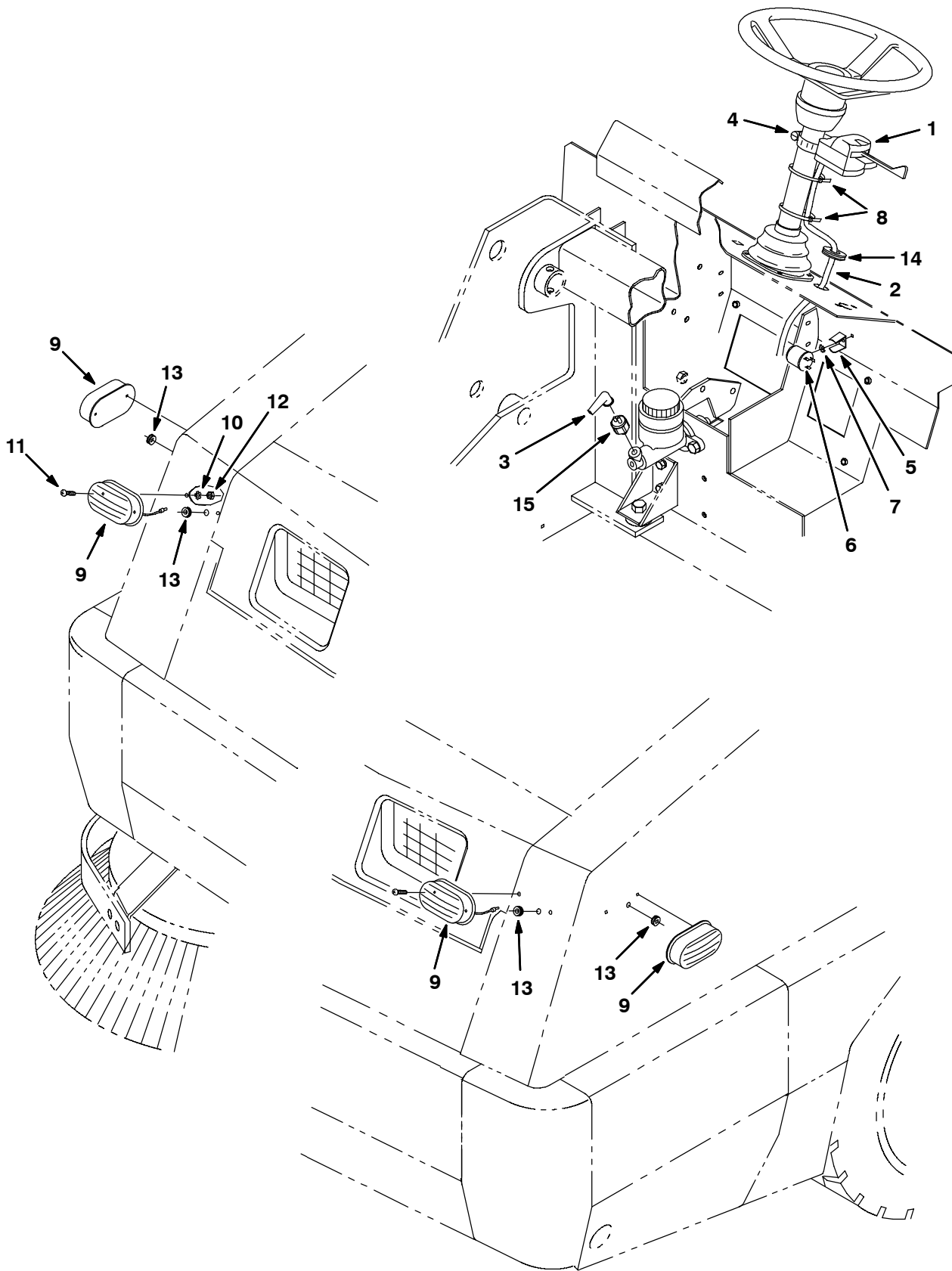


Fig. 8 - Turn Signal Kit

	Ref.	Part No.	Serial Number	Description	Qty.
▽		380712	(003000-) Kit, Signal, Turn	1
▲	1	60751	(003000-) Signal Turn	1
▲	2	76423	(003000-) Harness, Directional	1
▲	3	61365	(003000-) Boot, 90deg .44id 0.62id 1.69l, Blk	1
▲	4	11531	(003000-) Clamp-Wormdrive, 0.81 - 1.50D	1
▲	5	24576-1	(003000-) Bracket, Flasher	1
▲	6	31922	(003000-) Flasher Heavy Duty	1
▲	7	41139	(003000-) Washer-Loc Int-Ext 10 Pltd	1
▲	8	49266	(003000-) Tie, Cable	4
▲▽	9	34848	(003000-) Light Assy Mark/Yel 12V- . A	4
▲▲		87948	(003000-) Bulb, #194	1
▲	10	41140	(003000-) Washer-Loc Int-Ext .25 Pltd	8
▲	11	06927	(003000-) Screw, Pan, M04	8
▲	12	02850	(003000-) Nut, Hex, Lock	8
▲	13	10632-5	(003000-) Grommet Rbr 0.25ld For .09Matl	5
▲	14	10632-8	(003000-) Grommet,Rbr,0.75ld,For .13Matl	1
▲	15	13959	(003000-) Switch	1

Fig. 9 - Overhead Guard Kit

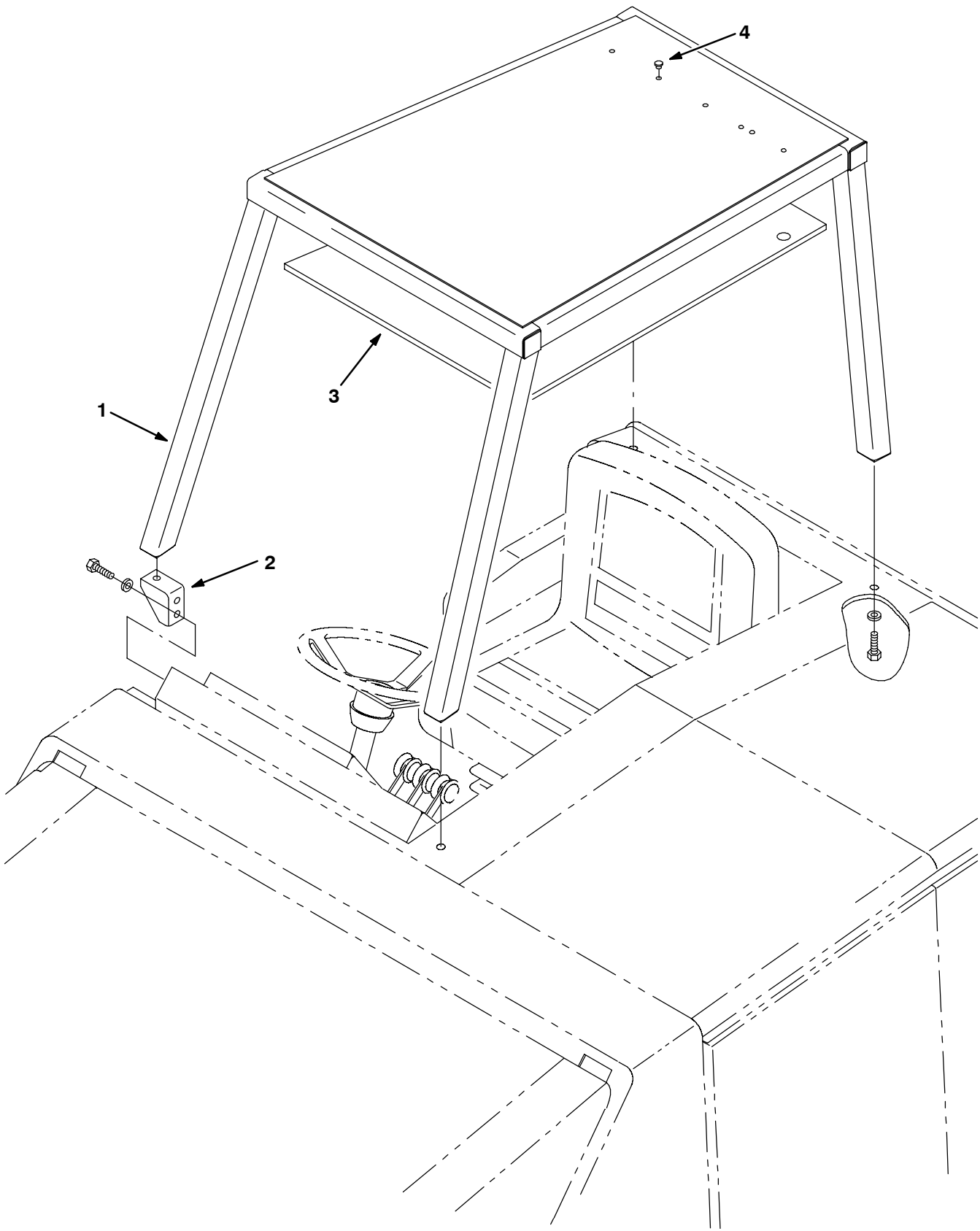
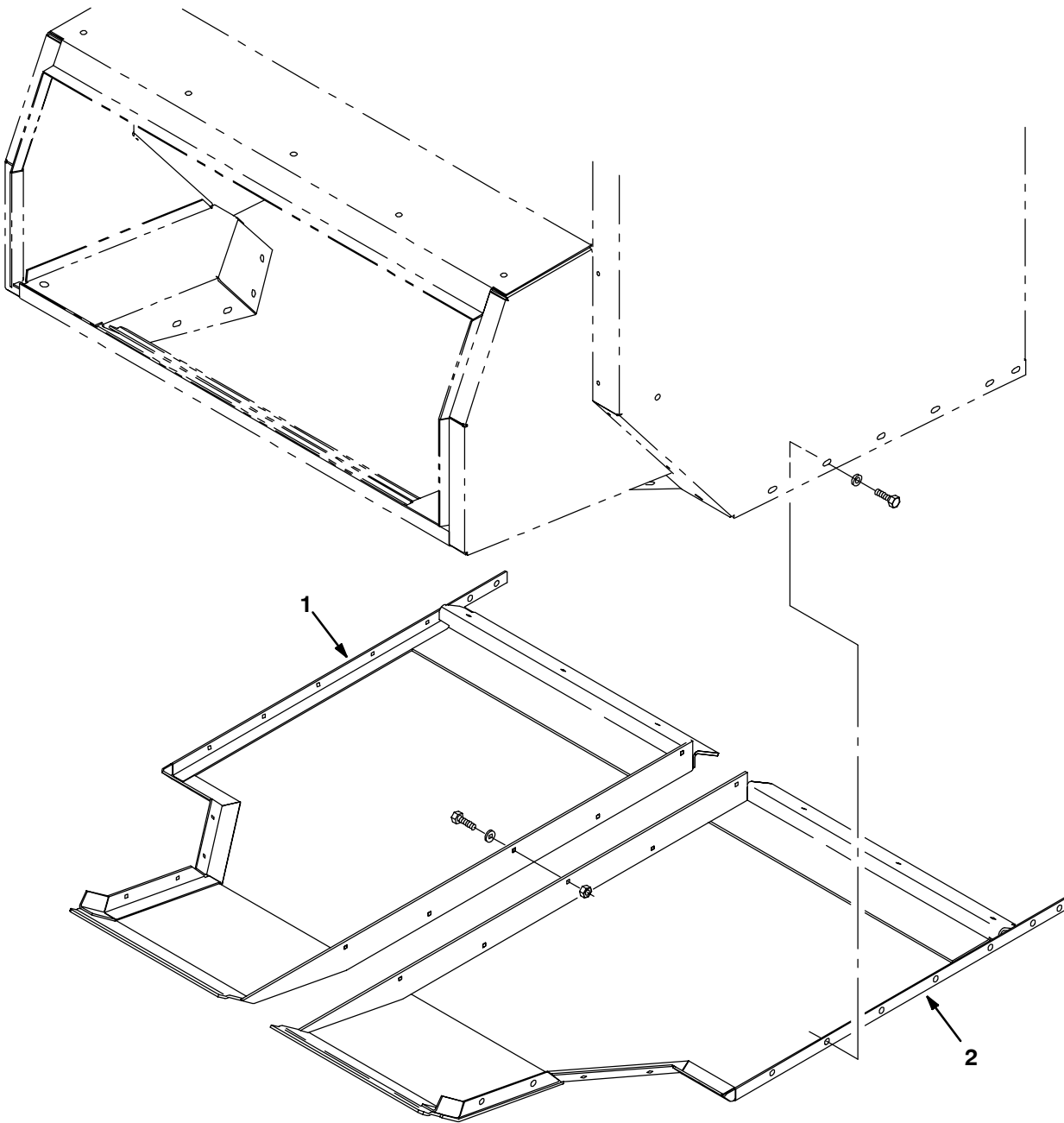


Fig. 9 - Overhead Guard Kit

	Ref.	Part No.	Serial Number	Description	Qty.
▽		70669	(003000-) Guard Kit, Overhead	1
▲	1	65258	(003000-) Guard Wldt, Overhead	1
▲	2	70454	(003000-) Bracket, Mtg, Ohg	1
▲	3	74007	(003000-) Foam, Insulation	1
▲	4	33806	(003000-) Plugbutton	6

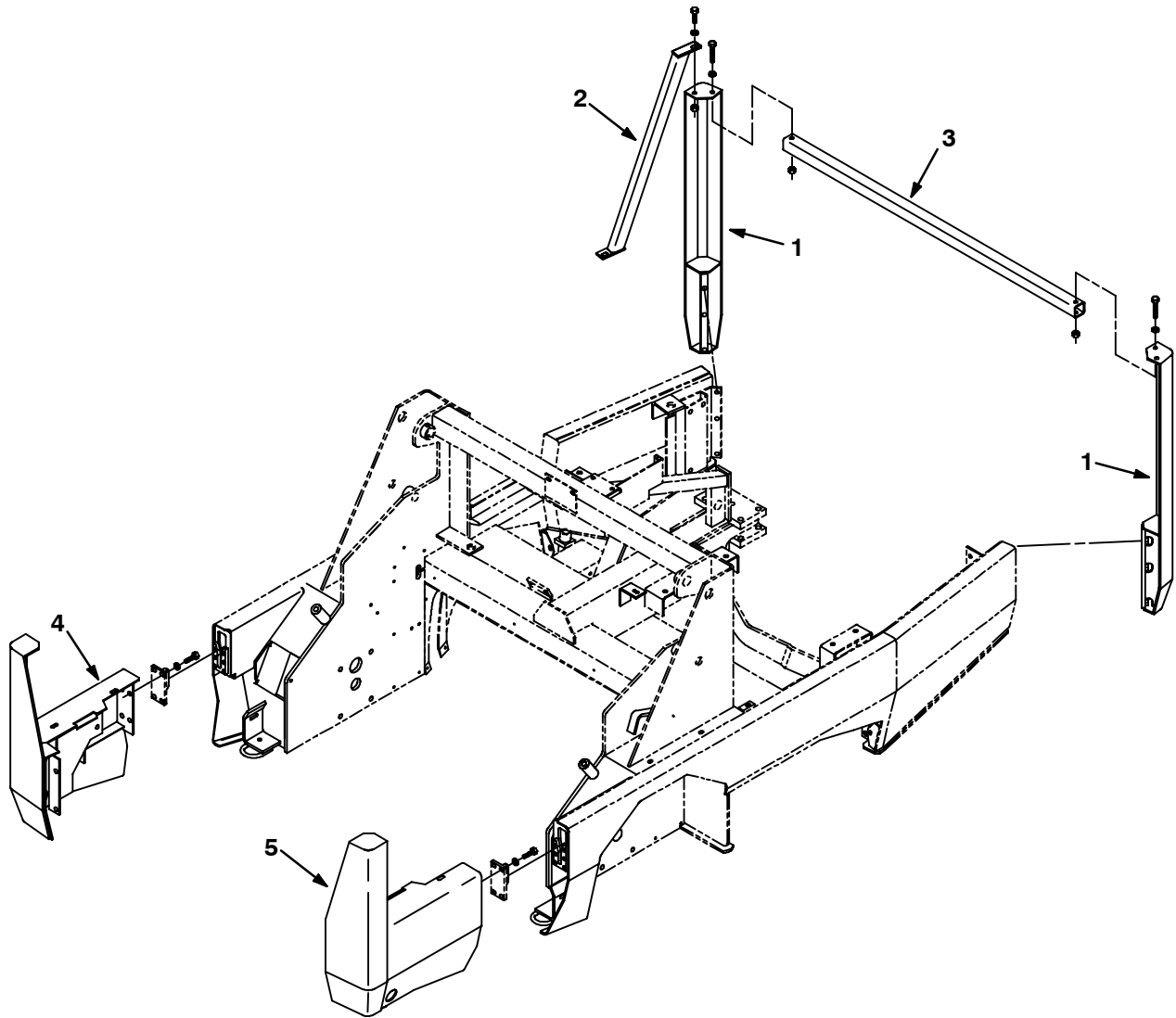
Fig. 10 - Hopper Floor Kit



07670 - 810

Ref.	Part No.	Serial Number	Description	Qty.
▽	73800	(003000-) Hopper Floor Kit, St Stl 810	1
▲	1 77612	(003000-) Panel Wldt, Hopper, Floor, RH	1
▲	2 77614	(003000-) Panel Wldt, Hopper, Floor, LH	1

Fig. 11 - Bumper Assembly, SE



09909 - ALL

Ref.	Part No.	Serial Number	Description	Qty.
▽	83557	(003000-) Bumper Assy, Se	1
▲	1 70802	(003000-) Leg Wldt, Bumper, Se	2
▲	2 70793	(003000-) Brace Wldt, Bumper, Se	1
▲	3 70815	(003000-) Tube, Cross, Bumper, Se	1
▲	4 83626	(003000-) Bumper Wldt, Se, Rh, Front	1
▲	5 83627	(003000-) Bumper Wldt, Se, Lh, Front	1

Fig. 12 - Brush Lift Group, Side, L.H.

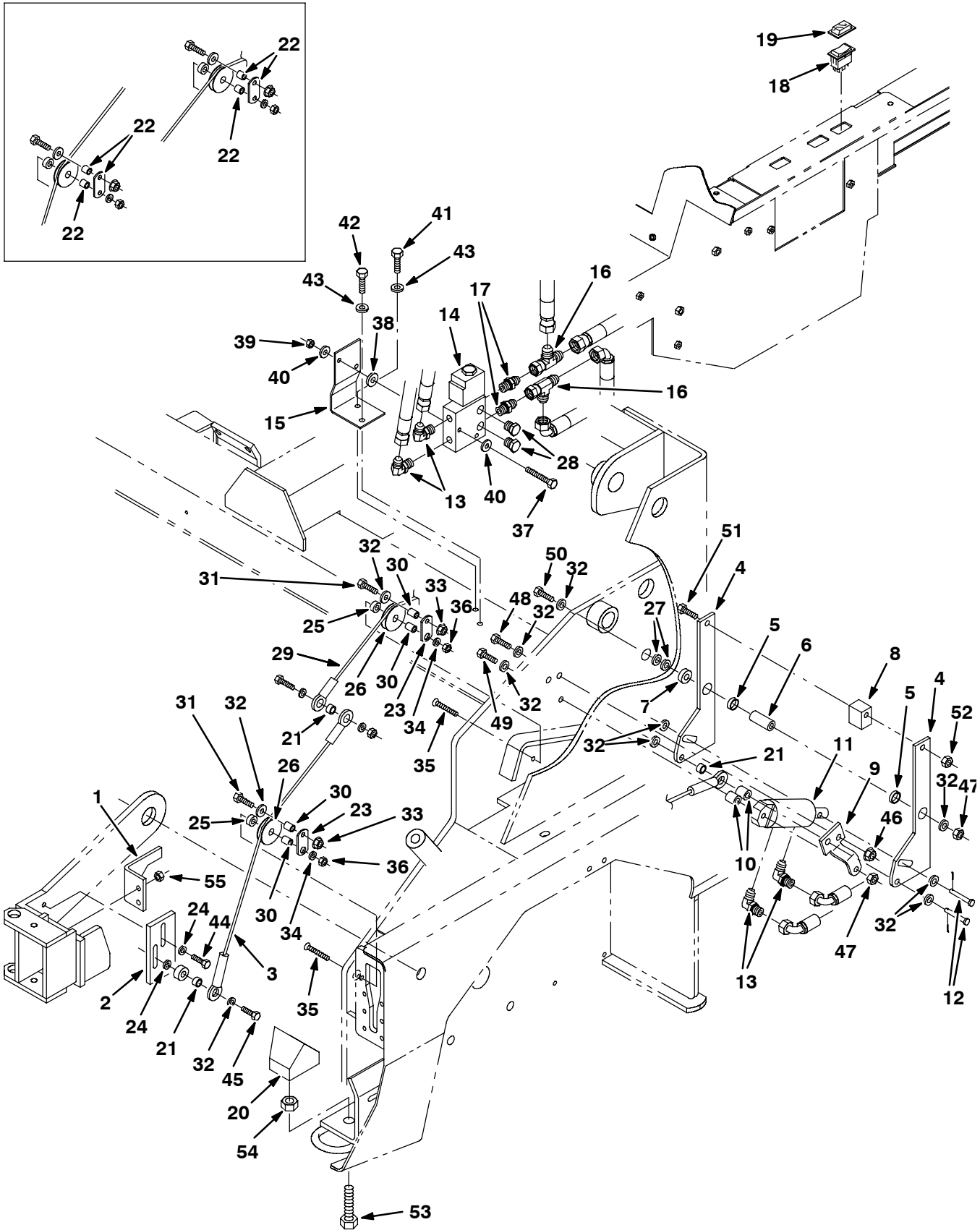


Fig. 12 - Brush Lift Group, Side, L.H.

Ref.	Part No.	Serial Number	Description	Qty.
1	77458	(003000-) Bracket, Angle	1
2	77569	(003000-) Plate Wldt	1
3	23936	(003000-) Cable, Retaining, S Br	1
4	77584	(003000-) Plate	2
5	74090	(003000-) Bearing	2
6	77597	(003000-) Sleeve, 0.406B 0.75D1.80 Stl	1
7	77727	(003000-) Sleeve .438B 1.00D .35Stl	1
8	77459	(003000-) Spacer	1
9	77783	(003000-) Plate, Angle	1
10	77600	(003000-) Sleeve, 0.406B .750D .800Stl	2
11	1041034	(003000-) Cylinder, Hyd, 1.5b 06.3l 01.50strk 2500	1
12	51813	(003000-) Pin,Clevis,0.37 Dia.X 2.12 Lg	2
13	77097	(003000-) Ftg-Hyd E90 Jm04/Om04	4
14	84016	(003000-005041) Valve, Hyd, Solenoid (See Breakdowns)	1
14	1049211	(005042-) Valve, Cntrl, Hyd, Solenoid, 12vdc 06gpm (See Break-downs)	1
15	21231	(003000-) Bracket, Side Brush, Valve	1
16	42215	(003000-) Fitting, Hyd, Tee, Jf06/Jm06/Jm06, Run	2
17	56690	(003000-) Ftg-Hyd Str Jm06/Om06	2
18	65561	(003000-) Switch Rocker Spst	1
19	57807	(003000-) Cover, Rocker Switch Seal	1
20	77738	(003000-) Block	1
21	65174	(003000-) Spacer	3
22	375416	(003000- xxxxxx) Replacement Kit, Roller, Side Brush Lift	1
23	375415	(xxxxxx-) Plate, Side Brush, Roller	2
24	41186	(003000-) Washer-Belleville .31 Pltd	2
25	73737	(003000-) Sleeve, .375B .75D .32 Stl	2
26	74391	(003000-) Pulley - Cable, 1.5 Dia	2
27	32492	(003000-) Flat Washer, 3/8" Hard	2
28	46482	(003000-) Ftg-Hyd Plg Om06	2
29	70532	(003000-) Cable, Side Brush, Lift	1
30	80395	(xxxxxx-) Sleeve	4
31	76570	(xxxxxx-) Screw, Hex m08	2
32	32492	(xxxxxx-) Washer, Flat	12
33	07791	(xxxxxx-) Nut, Hex, Flange	2
34	33924	(xxxxxx-) Washer, Flat m10	2
35	09028	(xxxxxx-) Screw, Hex m10	2
36	32715	(xxxxxx-) Nut, Hex Lock m10	2
37	06548	(003000-) Screw, Hex, M6 X 1.0 X 60, 8.8	2
38	63416	(003000-) Washer, Rbr, .12 0.31b 0.88d	2
39	08708	(003000-) Nut, Hex, Lock, M6 X 1.0, NI	2
40	19066	(003000-) Washer, Flat, #10	4
41	16931	(003000-) Screw, Hex, M8 X 1.25 X 20, 8.8	1
42	76570	(003000-) Screw, Hex, M8 X 1.25 X 30, 8.8	1
43	32491	(003000-) Washer, Flat, 0.31 Std	2
44	09010	(003000-) Screw, Hex, M8 X 1.25 X 25, Ss	2
45	39283	(003000-) Screw, Hex, M10 X 1.5 X 25, 8.8	2
46	07792	(003000-) Nut, Hex, Flng, M10 X 1.5	2
47	41430	(003000-) Nut, Hex, Lock, M10 X 1.5, NI	2
48	39284	(003000-) Screw, Hex, M10 X 1.5 X 35, 8.8	2

Fig. 12 - Brush Lift Group, Side, L.H.

Ref.	Part No.	Serial Number	Description	Qty.
49	06965	(003000-) Screw, Hex, M10 X 1.5 X 80, 8.8	1
50	03193	(003000-) Screw, Hex, M10 X 1.5 X 90, 8.8	1
51	06957	(003000-) Screw, Hex, M8 X 1.25 X 60, 8.8	1
52	08709	(003000-) Nut, Hex, Lock, M8 X 1.25, NI	1
53	77752	(003000-) Screw, Hex, M16 X 2.0 X 70, 8.8, FI	1
54	33342	(003000-) Nut, Hex, Lock, M16 X 2.0, NI	1
55	39311	(003000-) Nut, Hex, Std, M8 X 1.25	1

Fig. 13 - Brush Group, Side, L.H.

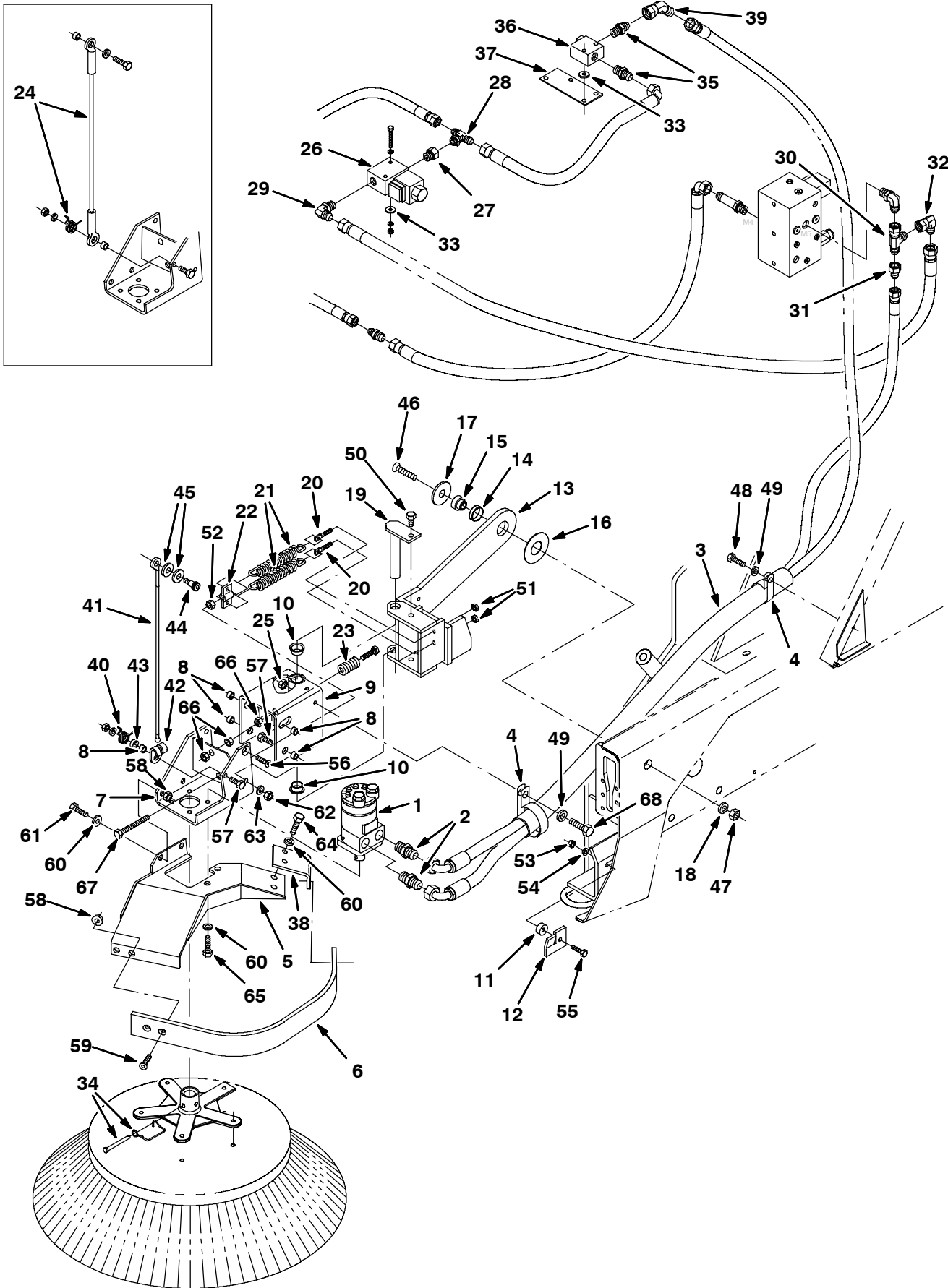


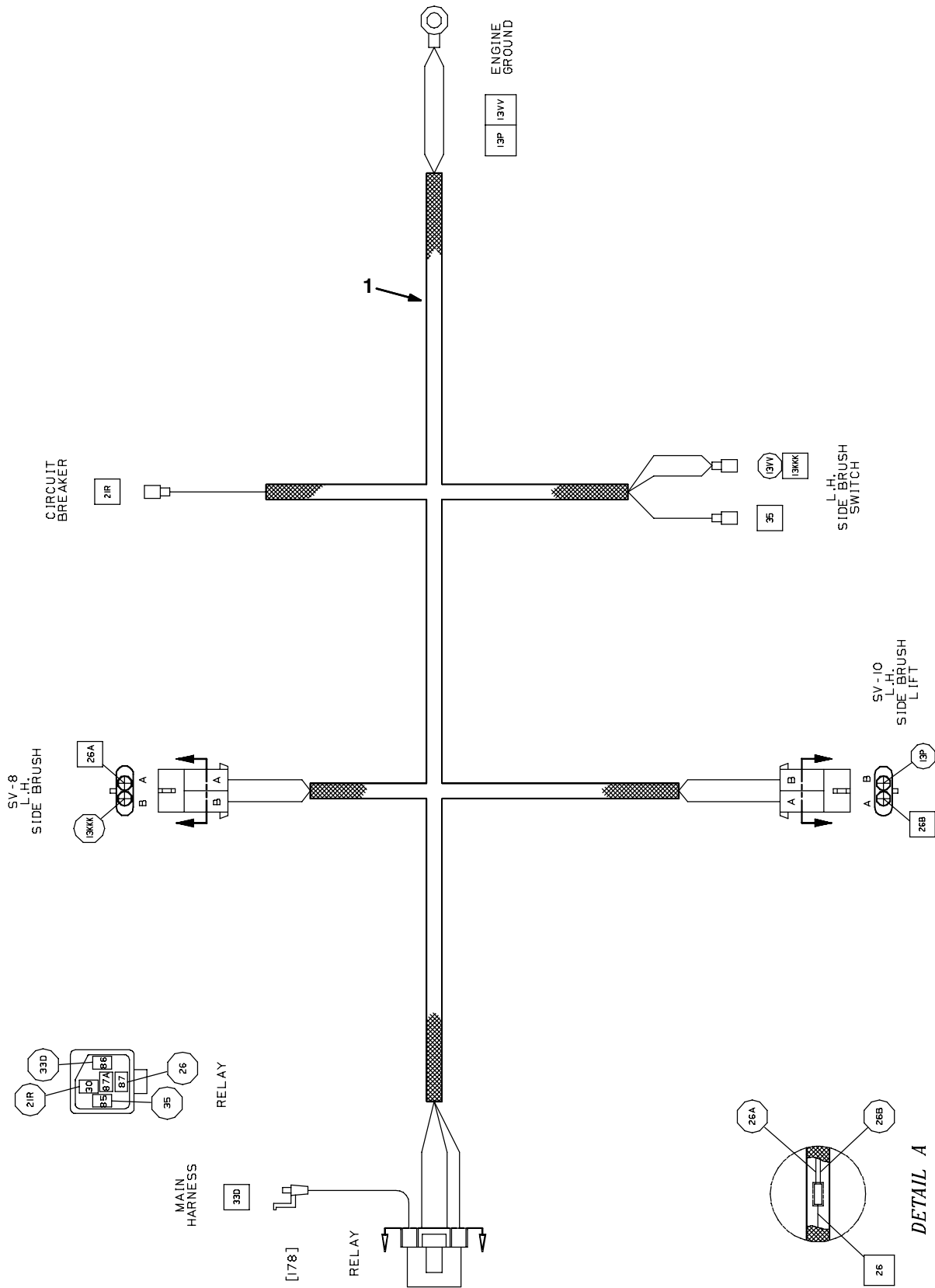
Fig. 13 - Brush Group, Side, L.H.

Ref.	Part No.	Serial Number	Description	Qty.
1	79781	(003000-) Motor, Hyd Gear In 17.9 B 1500 (See Breakdowns)	1
2	47508	(003000-) Ftg-Hyd StrJm06/Om10	2
3	76461	(003000-) Sleeve, Nylon #27 55.OI	1
4	67366	(003000-) Clamp, Cable, Stl, 1.0x2.0x0.62w, 1hole	2
5	21250	(003000-) Guard Wldt, Sidebrush	1
6	21252	(003000-) Guard, Side Brush	1
7	75142	(003000-) Bracket, Mounting, Motor	1
8	65174	(003000-) Spacer	5
9	75099	(003000-) Bracket Wldt, Pivot	1
10	04761	(003000-) Bearing, Flange .875 Bore	2
11	74059	(003000-) Spacer	1
12	75899	(003000-) Bracket, Angle	1
13	75117	(003000-) Bracket Wldt, Lift	1
14	70627	(003000-) Bearing	1
15	70526	(003000-) Shaft, Pivot	1
16	70524	(003000-) Washer, 1.300B 3.000	1
17	70525	(003000-) Spacer	1
18	36328	(003000-) Washer-Belleville .50 Pltd	1
19	70431	(003000-) Pin	1
20	70626	(003000-) Bolt-Eye M8-1.25	2
21	65160	(003000-) Spring, Extension	2
22	65173	(003000-) Bracket, Spring	1
23	65180	(003000-) Spring, Comp	1
24	375417	(003000- xxxxxx) Replacement Kit, Side Brush Cable, Lh	1
25	07790	(003000-) Nut, Hex, Flng, M6 X 1.00	1
26	84015	(003000-005041) Valve-Hyd, Solenoid (See Breakdowns)	1
26	1049210	(005042-) Valve, Cntrl, Hyd, Solenoid, 12vdc 12gpm (See Break-downs)	1
27	47637	(003000-) Ftg-Hyd Str Om08/Of06	1
28	67683	(003000-) Ftg-Hyd Tee Jm06Omjm	1
29	44868	(003000-) Ftg-Hyd E90 Jm08/Om08	1
30	45482	(003000-) Ftg-Hyd Tee Jm08Jmjf	1
31	47753	(003000-) Ftg-Hyd Str Jm06/Jf08	1
32	17980	(003000-) Ftg-Hyd E90 Jm08/Jf08	1
33	63416	(003000-) Washer, .310B .88D .12Rbr	4
34	84581	(003000-) Pin Assy, .312X3.0 W/Lanyard	1
35	56690	(003000-) Ftg-Hyd Str Jm06/Om06	2
36	79621	(003000-) Check Valve, 100 Psi	1
37	79622	(003000-) Plate, Mtg, Check Valve	1
38	21251	(003000-) Plate, Angle	1
39	16472	(003000-) Fitting - 45	1
40	375403	(003000-) Spring, Torsion	1
41	375401	(xxxxxx-) Cable	1
42	1017898	(xxxxxx-) Hook, Cable, .44d Ball	1
43	375404	(xxxxxx-) Spacer	1
44	36758	(xxxxxx-) Bolt, Shld, .50d X 0.50, .38-16	1
45	32486	(xxxxxx-) Washer, Flat	2
46	20192	(003000-) Screw, Flt, .50-13 X 2.00, Al	1
47	32985	(003000-) Nut, Hex, Lock, .50-13, NI	1
48	12459	(003000-) Screw, Hex, M6 X 1.0 X 20, Fmg	1
49	41185	(003000-) Washer, Belleville, .25	2
50	09291	(003000-) Screw, Hex, M10 X 1.5 X 20, Ss	1

Fig. 13 - Brush Group, Side, L.H.

Ref.	Part No.	Serial Number	Description	Qty.
51	39311	(003000-) Nut, Hex, Std, M8 X 1.25	2
52	39312	(003000-) Nut, Hex, Std, M10 X 1.5	1
53	08709	(003000-) Nut, Hex, Lock, M8 X 1.25, NI	1
54	32496	(003000-) Screw, Pan, #10-24 X 0.50, Fmg	1
55	41342	(003000-) Screw, Hex, M8 X 1.25 X 40, 8.8	1
56	06535	(003000-) Screw, Flt, M10 X 1.5 X 35, 10.9	1
57	39284	(003000-) Screw, Hex, M10 X 1.5 X 35, 8.8	3
58	07792	(003000-) Nut, Hex, Flng, M10 X 1.5	8
59	09081	(003000-) Screw, Flt, M10 X 1.5 X 25, 10.9	4
60	32485	(003000-) Washer, Flat, 0.38 Sae	9
61	39283	(003000-) Screw, Hex, M10 X 1.5 X 25, 8.8	2
62	41430	(003000-) Nut, Hex, Lock, M10 X 1.5, NI	4
63	32492	(003000-) Washer, Flat, 0.38 Std	7
64	09770	(003000-) Screw, Hex, M10 X 1.5 X 25, Ss, NI	4
65	34195	(003000-) Screw, Hex, .38-16 X 1.00, NI	4
66	07787	(003000-) Nut, Hex, Std, M10 X 1.5, Ss	3
67	76438	(003000-) Screw, Hex, M10 X 1.5 X 90, 8.8, FI	1
68	06944	(003000-) Screw, Hex, M6 X 1.0 X 25, 8.8	1

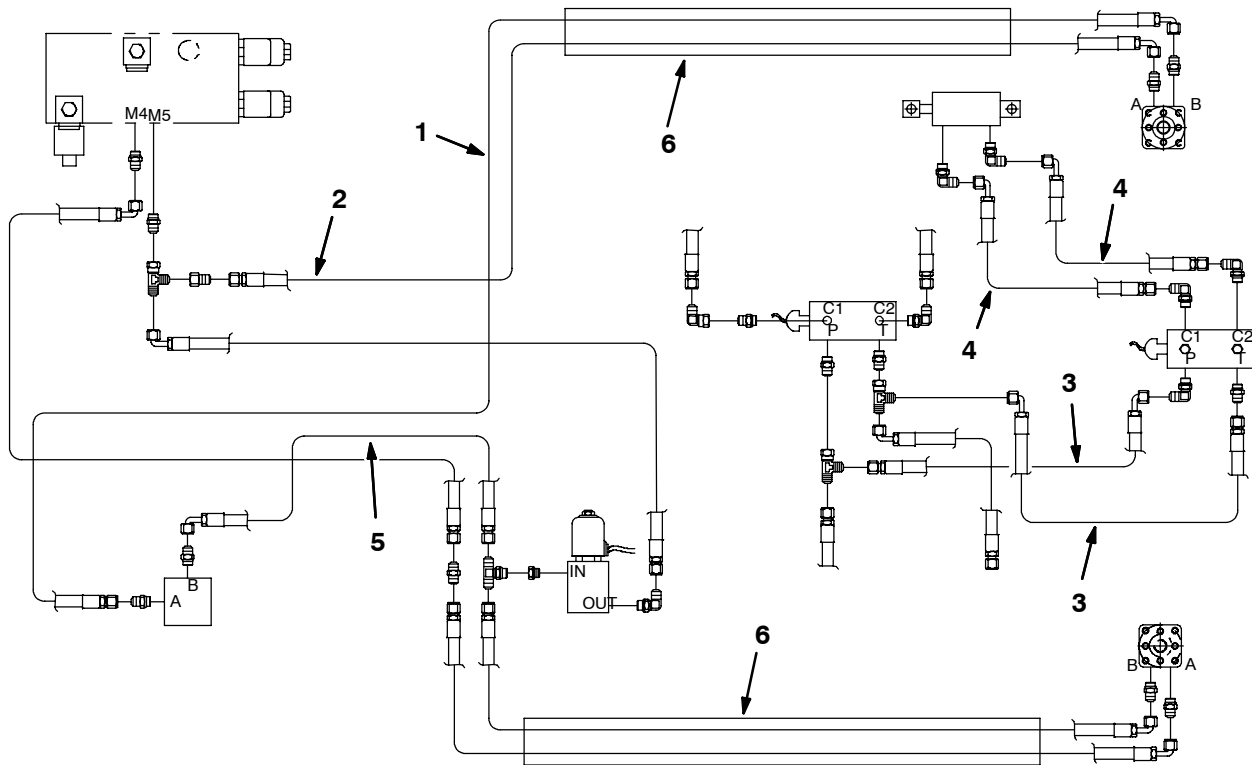
Fig. 14 - Brush Wire Harness Group, Side, L.H.



10501 - ALL

Ref.	Part No.	Serial Number	Description	Qty.
1	83699	(003000-) Harness, Side Brush, L.H.	1

Fig. 15 - Brush Hydraulic Hose Group, Side, L.H.



08765 - 810

Ref.	Part No.	Serial Number	Description	Qty.
1	76684	(003000-) Hose-Hyd Med 06	1
2	65194	(003000-) Hose-Hyd Med 06	1
3	78998	(003000-) Hose-Hyd Med 06	2
4	57963	(003000-) Hose-Hyd Med 04	2
5	01999	(003000-) Hose-Hyd Med 06	1
6	76461	(003000-) Sleeve, Nyl, #27 55.0l	2

Fig. 16 - Brush Light Kit, Side

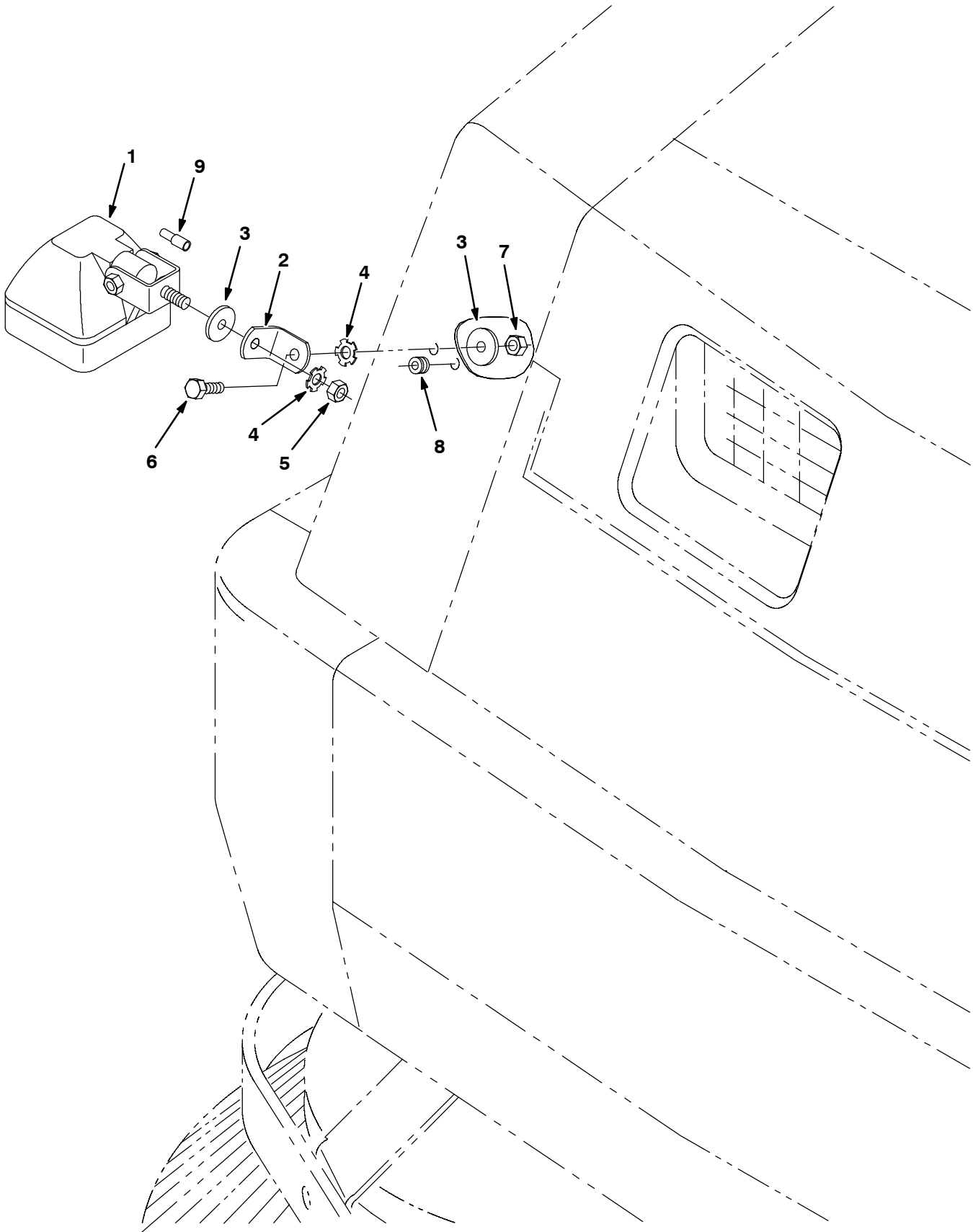


Fig. 16 - Brush Light Kit, Side

	Ref.	Part No.	Serial Number	Description	Qty.
▽		70699	(003000-) Light Kit, Side Brush	1
▲▽	1	382979	(003000-) Light, Spot, 12VDC 55w	1
▲▲		393770	(003000-) Lamp, 12VDC 55w	1
▲	2	76385	(003000-) Bracket, Angle	1
▲	3	30013	(003000-) Washer, Flat, 0.31 Fender	1
▲	4	41141	(003000-) Washer-Loc Int-Ext .31 Pltd	2
▲	5	32960	(003000-) Nut, Hex, Lock, .31-24, NI	1
▲	6	16931	(003000-) Screw, Hex, M08 X 1.25 X 20, 8.8	1
▲	7	08709	(003000-) Nut, Hex, Lock, M08 X 1.25,NI	1
▲	8	10632-5	(003000-) Grommet Rbr 0.25ld For .09Matl	1
▲	9	32668	(003000-) Connector, Ele, Plug, Femal, .156d	1

Fig. 17 - Cab Kit

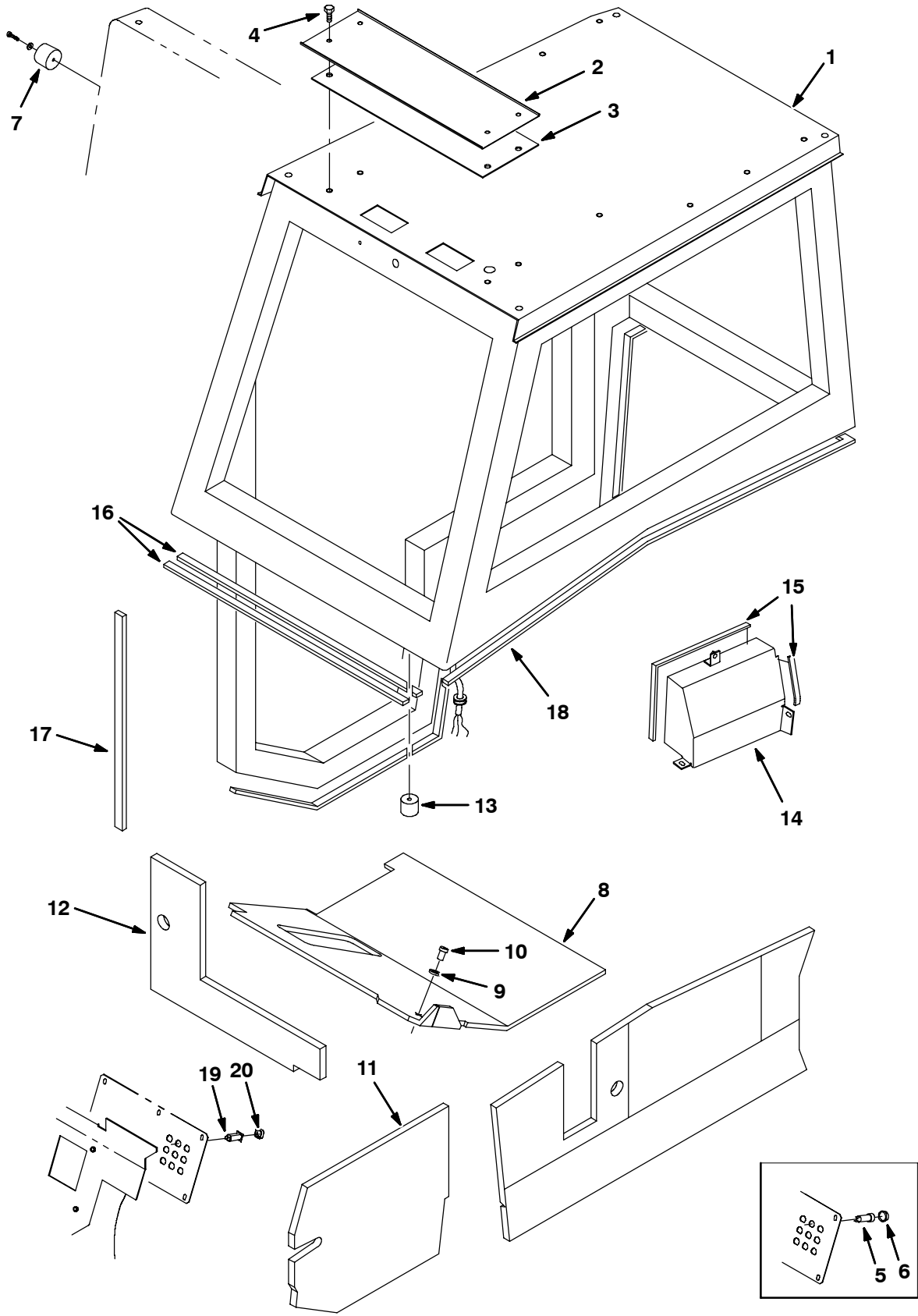


Fig. 17 - Cab Kit

NOTE: The Cab kit, TENNANT Part Number 380601 includes Fig. 17, Fig. 18 and Fig. 19.

Ref.	Part No.	Serial Number	Description	Qty.
1	380602	(003000-) Cab Assembly Operator (See Breakdowns)	1
2	380634	(003000-) Cover, Cab Pressurizer	1
3	380635	(003000-) Gasket, Cab Pressurizer	1
4	74455	(003000-) Scr-Hxfmgm 6x1.0 12 Pltd	4
5	57803	(003000-005036) Breaker-Circuit, 15 Resetable	1
6	57751	(003000-005036) Boot, Circuit Breaker	1
7	44851	(003000-) Bumper, Rubber	1
8	76522	(003000-) Tread, Rubber	1
9	41178	(003000-) Washer-Flt .25 Fender	1
10	21246	(003000-) Rivet, Plastic	1
11	77652	(003000-) Insulation, Foam	1
12	76516	(003000-) Insulation, Acstc	1
13	76515	(003000-) Insulation, Acstc, Side Upper, Cab, .6	1
14	70620	(003000-) Cover Wldt, Fuel Inlet	1
15	79011	(003000-) Seal, Urethane	1
16	374760	(003000-) Seal, Urethane	1
17	374761	(003000-) Seal, Urethane	1
18	374762	(003000-) Seal, Urethane	1
19	1045858	(005037-) Circuitbreaker, 15A, Resetable	1
20	1046173	(005037-) Boot, Circuitbreaker	1

Fig. 18 - Cab Mirror Kit

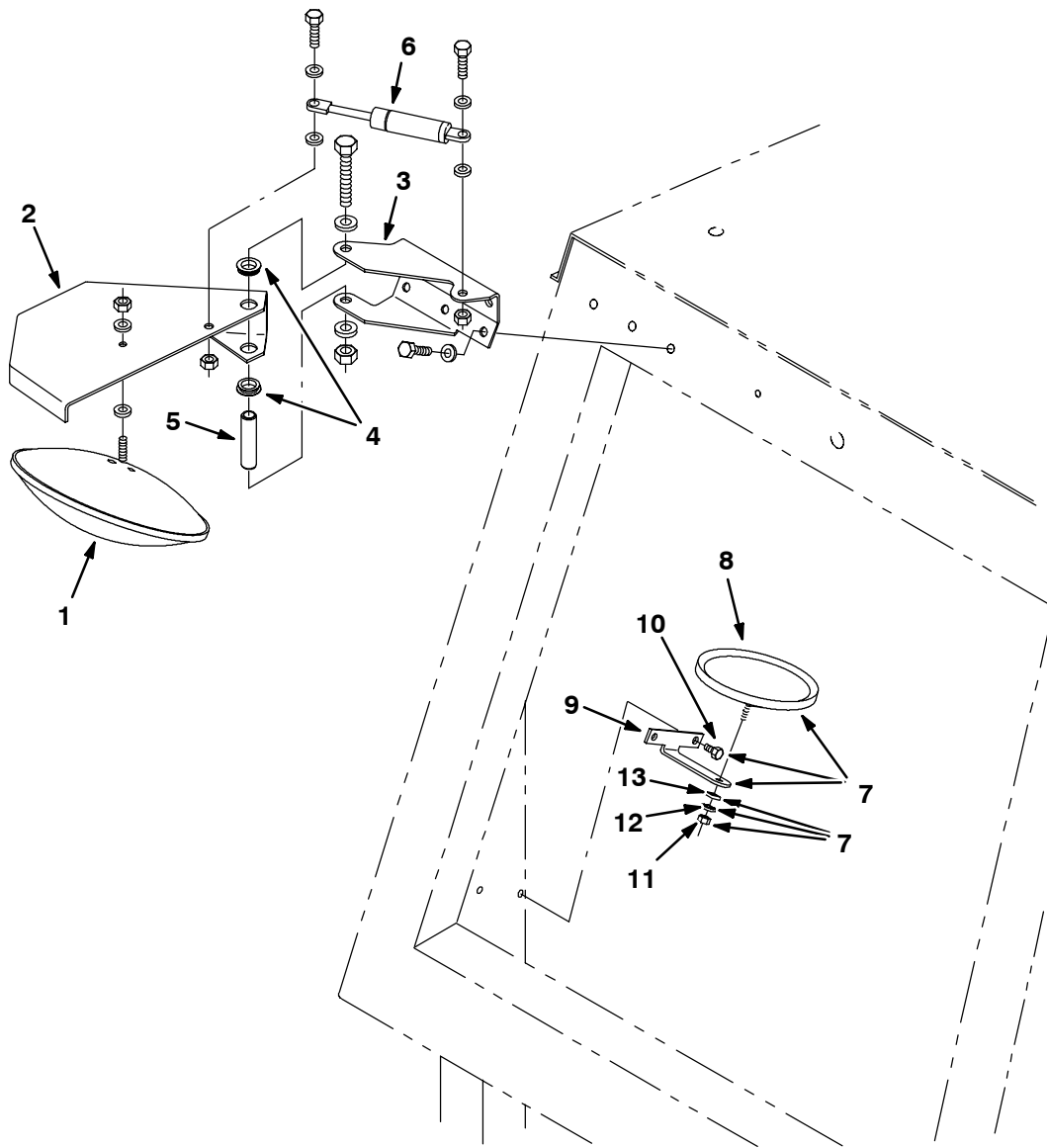


Fig. 18 - Cab Mirror Kit

NOTE: The Cab kit, TENNANT Part Number 380601 includes Fig. 17, Fig. 18 and Fig. 19.

	Ref.	Part No.	Serial Number	Description	Qty.
▽		76898	(003000-) Mirror Kit, Side Brush	1
▲	1	68445	(003000-) Mirror,8.0 Round,Convex	1
▲	2	75881	(003000-) Guard, Mirror	1
▲	3	75880	(003000-) Bracket, Mounting, Mirror	1
▲	4	41434	(003000-) Bshg,Flange,0.62Bx0.68Od,Nylon	2
▲	5	70761	(003000-) Tube, 0.62D .44B 2.44, Stl	1
▲	6	12549	(003000-) Spring, Gas 80 Lb	1
▲▽	7	369786	(003000-) Mirror Assembly	1
▲▲	8	1050295	(003000-) Mirror, Convex, 0.50d	1
▲▲	9	49032	(003000-) Bracket, Mtg, Mirror	1
▲▲	10	74455	(003000-) Screw, Hex m06	2
▲▲	11	01691	(003000-) Nut, Hex, Std, .31-18, Ss	1
▲▲	12	43952	(003000-) Washer, Lock, Int, 0.31 Ss	1
▲▲	13	01685	(003000-) Washer, Flat, 0.31 Ss	1

Fig. 19 - Cab Seals Group

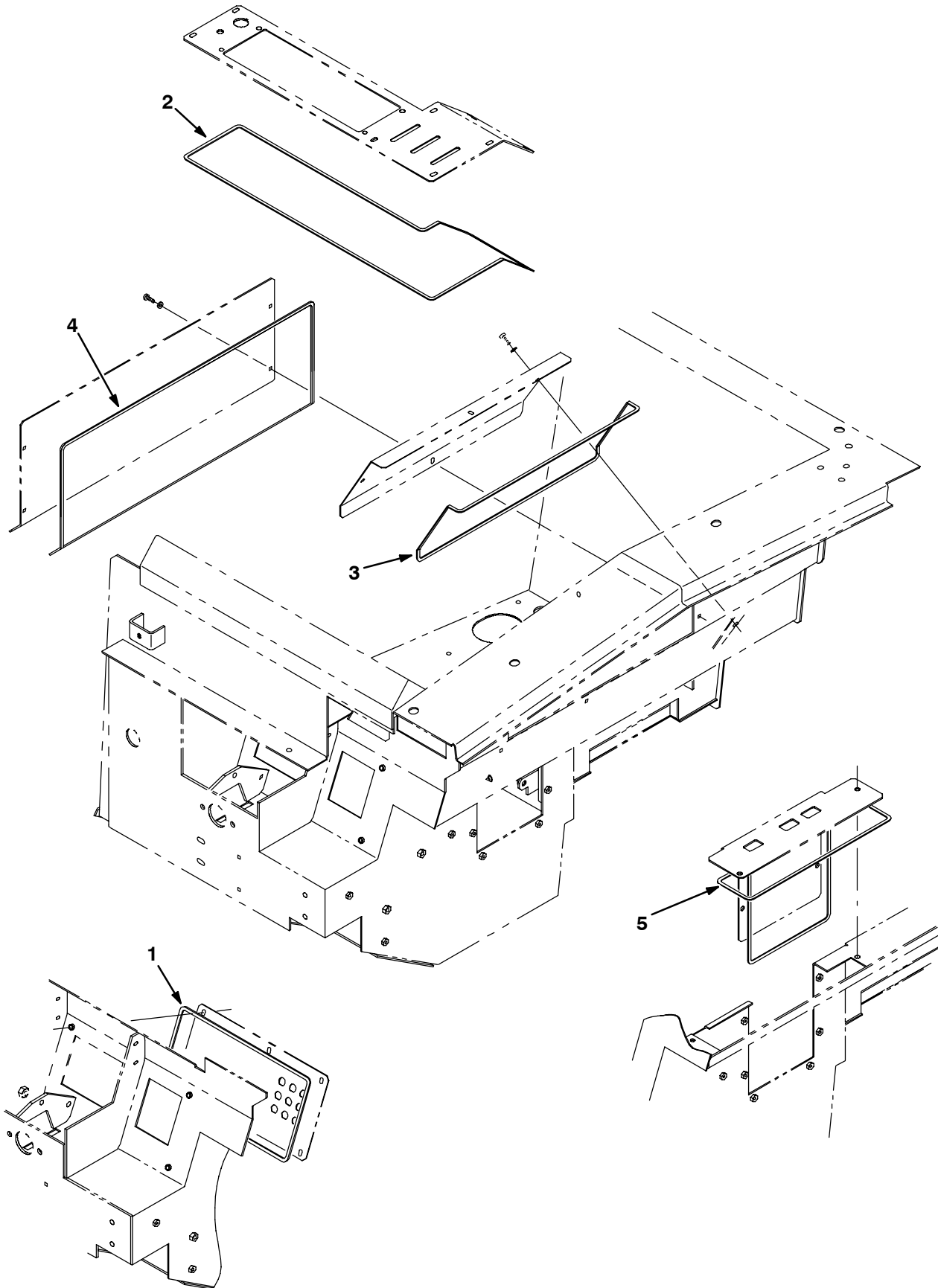


Fig. 19 - Cab Seals Group

NOTE: The Cab kit, TENNANT Part Number 380601 includes Fig. 17, Fig. 18 and Fig. 19.

Ref.	Part No.	Serial Number	Description	Qty.
1	1021969	(003000-) Seal, Foam, .06t .25w 42.0l	1
2	1021968	(003000-) Seal, Foam, .06t .25w 84.0l	1
3	1021937	(003000-) Seal, Foam, .06t .25w 54.0l	1
4	1021966	(003000-) Seal, Foam, .06t .25w 76.0l	1
5	1021951	(003000-) Seal, Foam, .06t .25w 34.0l	1

Fig. 20 - Cab AC and Heater Group

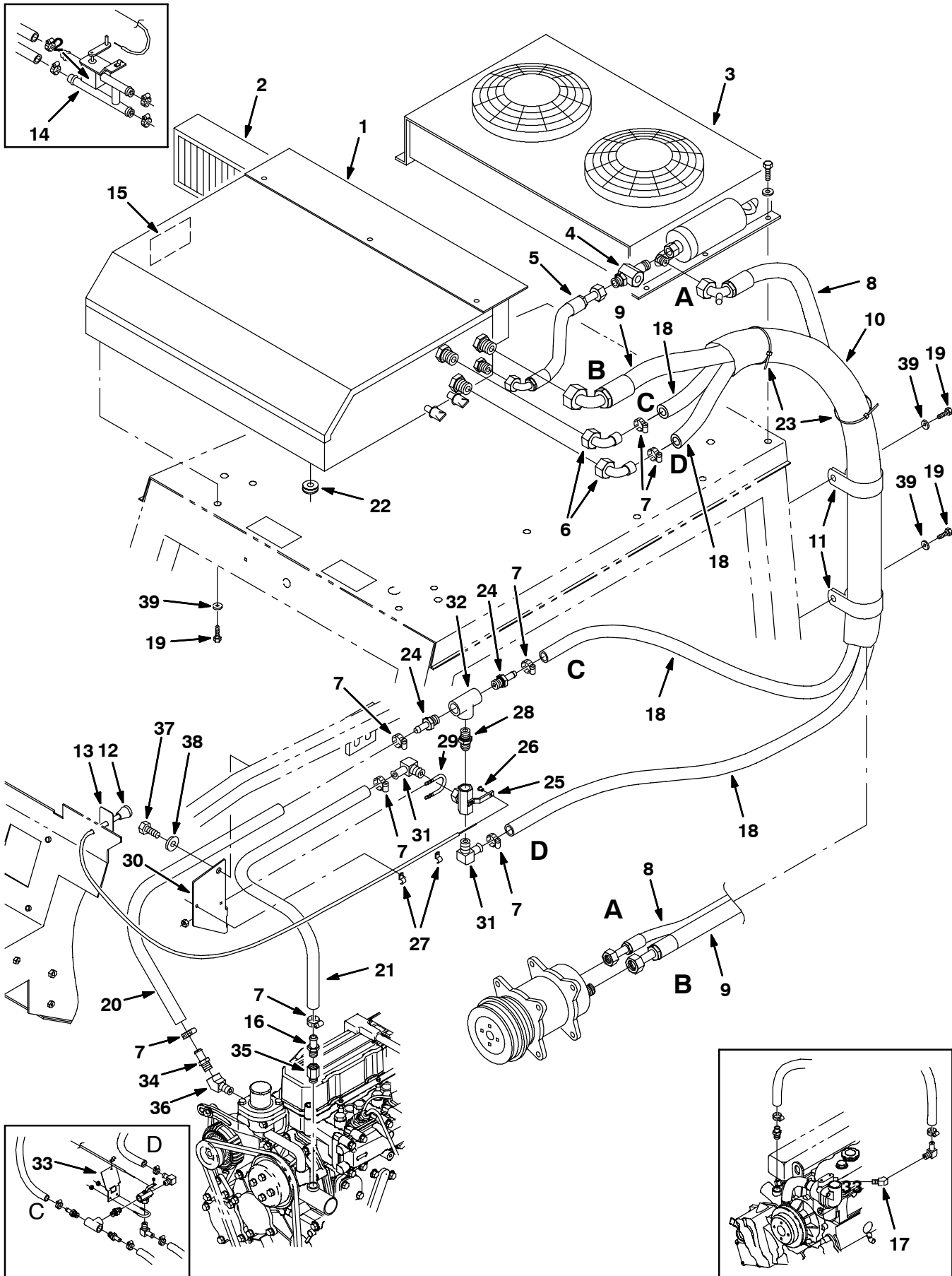


Fig. 20 - Cab AC and Heater Group

NOTE: AC/Heater kit, TENNANT Part Number 380575 includes Fig. 20, Fig. 21, and Fig. 22.

Ref.	Part No.	Serial Number	Description	Qty.	
1	380613	(003000-) Box Assy, Heat/AC (See Breakdowns)	1	
2	380689	(003000-) Filter, Panel 23.5X6.5X2 143Plts	1	
3	380625	(003000-) Condenser Assy, A/C (See Breakdowns)	1	
4	380630	(003000-) Gage, Sight Ac	1	
5	380684	(003000-) A/C Hose#6 134A 9.0L	1	
6	380615	(003000-) Elbow, Heater	2	
7	86824	(003000-) Clamp, Hose, Wormdrive, 0.50-1.06d, .50w	6	
8	380685	(003000-) Hose, A/C, #08 100.0L 109 109	1	
9	375751	(003000-003091) Hose, A/C #12 107.0L 089 069	1	
9	1021797	(003092-) Hose, A/C, 12 127.0l Str E90 R134	1	
10	375512	(003000-) Sleeve, Nyl, #33 65.0l	1	
11	41016	(003000-) Clamp, Hose	2	
12	43558A	(003000-) Cable, Choke	1	
13	380663	(003000-) Label, Pull-Heat	1	
14	380618	(003000-003076) Valve, Heater, H, Manual .62H	1	
15	380673	(003000-) Label, Caution R134A	1	
16	27767	(003000-) Fitting, Brass, Str	1	
17	1043095	(003000-004003) Fitting, Hyd, Brs	1	
18	1016561	(003000-) Hose, Afmkt, Rbr, Heater, 0.62id, 08ft	2	
19	12459	(003000-) Screw, Hex, M6 X 1.0 X 20, Fmg	14	
20	72979	(003000-003121) Hose-Heater, .62id 20.0L	1	
20	1016556	(003122-) Hose, Afmkt, Rbr, Heater, 0.62id, 03ft	1	
21	57532	(003000-003121) Hose-Heater, .62id 26.0L	1	
21	1016556	(003122-) Hose, Afmkt, Rbr, Heater, 0.62id, 03ft	1	
22	77811	(003000-) Grommet	1	
23	763116	(003000-) Tie, Cable, Nyl, 15.3l . W 4.5 Max D	3	
▽	375728	(003077-) Valve Assy, Heater	1	
▲	24	59901	(003077-) Fitting, Brass, Str	2
▲	25	31507	(003077-) Valve -3Way	1
▲	26	43242	(003077-) Swivel	1
▲	27	1043352	(003077-) Clamp, Cable, Stl, 0.18d X 0.75w, 1hole	2
▲	28	40573	(003077-) Fitting, Hyd. Str	1
▲	29	45142	(003077-) Bolt, U	1
▲	30	374129	(003122-) Bracket, Mtg. Valve	1
▲	31	30268	(003077-) Fitting, Brass	2
▲	32	24450	(003077-) Fitting, Brass, Tee	1
	33	375726	(003077-003121) Bracket, Mtg. Valve	1
	34	27767	(004004-) Fitting, Brs, Str, Em10/Pm06	1
	35	1015762	(004004-) Fitting, Hyd, Str, Metric, Om16/Pf06	2
	36	1043095	(004004-) Fitting, Brs, E45, Pf06/Pm06	1
	37	16930	(003000-) Screw, Hex, M10 X 1.5 X 50, 8.8	1
	38	32492	(003000-) Washer, Flat, 0.38 Std	1
	39	32490	(003000-) Washer, Flat, 0.25 Std	14

Fig. 21 - Cab AC Compressor Group

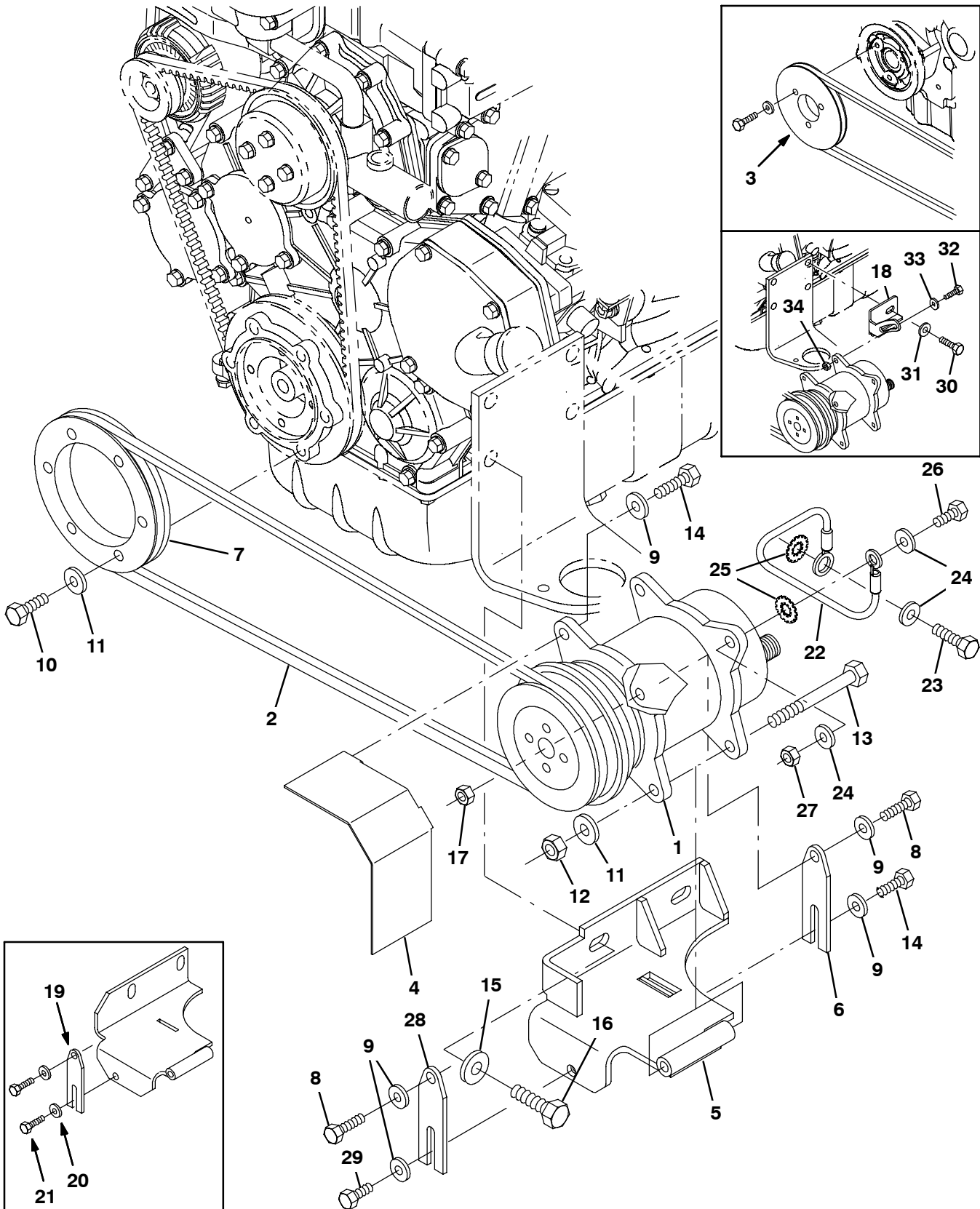


Fig. 21 - Cab AC Compressor Group

NOTE: AC/Heater kit, TENNANT Part Number 380575 includes Fig. 20, Fig. 21, and Fig. 22.

Ref.	Part No.	Serial Number	Description	Qty.
1	393219	(003000-) Compressor, A/C, V Pully [134][Sa-4536]	1
2	1046712	(003000-) Belt, V, 40.30l [Ax]	1
3	380518	(003000-004003) Sheave, Crank, Aux Drive	1
4	1007343	(003000-) Bracket, Belt Guard, A/C	1
5	1055887	(003000-) Bracket Wldt, Compressor, A/C	1
6	380697	(003000-) Link, Tension 2.4L	1
7	1015653	(004004-) Sheave, Crank, Aux Drive	1
8	76570	(003000-005049) Screw, Hex, M8 X 1.25 X 30, 8.8	2
8	36801	(005050-) Screw, Hex, .38-16 X 1.50, FI	2
9	32491	(003000-005049) Washer, Flat, 0.31 Std	5
9	32485	(005050-) Washer, Flat, 0.38, Sae	5
10	33612	(003000-) Screw, Hex, M10 X 1.25 X 35, 8.8	6
11	32492	(003000-) Washer, Flat, 0.38 Std	7
12	59156	(003000-) Nut, Hex, Lock, .38-16, NI, Ss	1
13	20177	(003000-) Screw, Hex, .38-16 X 4.00, G5	1
14	16931	(003000-) Screw, Hex, M8 X 1.25 X 20, 8.8	3
15	32493	(003000-) Washer, Flat, 0.50 Std	2
16	41348	(003000-) Screw, Hex, M14 X 2.0 X 35, 8.8	2
17	08709	(003000-005049) Nut, Hex, Lock, M8 X 1.25, NI	2
17	50902	(005050-) Nut, Hex, Lock, .38-16, NI	2
18	1060510	(003122-005049) Arm, Adjmt, A/C	1
19	380697	(003000-003121) Link, Tension 2.4L	1
20	32491	(003000-003121) Washer, Flat, 0.31 Std	1
21	16931	(003000-003121) Screw, Hex, M8 X 1.25 X 20, 8.8	1
22	31525	(003000-) Wire, 10ga 16.0l Blk .25ring /.38ring	1
23	16931	(003000-) Screw, Hex, M8 X 1.25 X 20, 8.8	1
24	32490	(003000-) Washer, Flat, 0.25, Std	3
25	41141	(003000-) Washer, Lock, Int-Ext, 0.31	2
26	06944	(003000-) Screw, Hex, M6 X 1.00 X 25, 8.8	1
27	08708	(003000-) Nut, Hex, Lock, M6 X 1.00, NI	1
28	380697	(005050-) Arm, Adj, Compressor, A/C, .18 1.3w 3.4l	1
29	16931	(005050-) Screw, Hex, M8 X 1.25 X 20, 8.8	1
30	41348	(003000-005049) Screw, Hex, M14 X 2.00 X 35, 8.8	1
31	32493	(003000-005049) Washer, Flat, 0.50, Std	1
32	76570	(003000-005049) Screw, Hex, M8 X 1.25 X 30, 8.8	1
33	32491	(003000-005049) Washer, Flat, 0.31, Std	1
34	08709	(003000-005049) Nut, Hex, Lock, M8 X 1.25, NI	1

Fig. 22 - Cab AC and Heater Electrical Group

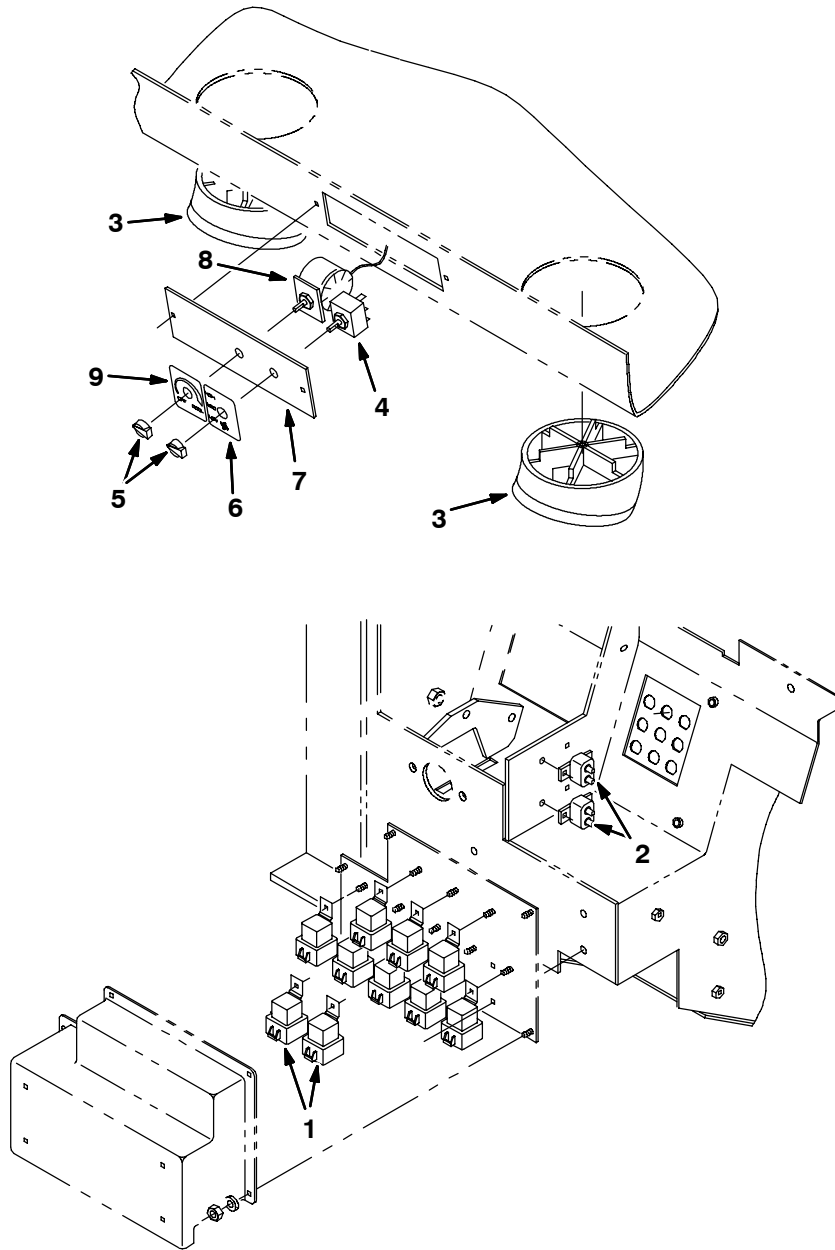


Fig. 22 - Cab AC and Heater Electrical Group

NOTE: AC/Heater kit, TENNANT Part Number 380575 includes Fig. 20, Fig. 21, and Fig. 22.

Ref.	Part No.	Serial Number	Description	Qty.
1	56186	(003000-) Relay, Shrouded, 12 Vdc	2
2	374210	(003000-) Circuitbreaker, 20.0a, Thermal	2
3	380617	(003000-) Duct, Heater A/C	2
4	380619	(003000-) Switch,3Way Blow	1
5	380661	(003000-) Knob	2
6	380662	(003000-) Label, Hi/Med/Lo	1
7	380690	(003000-) Plate, Switch Mntg	1
8	380624	(003000-) Switch, Temp Ac	1
9	380665	(003000-) Label, Thermostat	1

Fig. 23 - Cab Heater Group

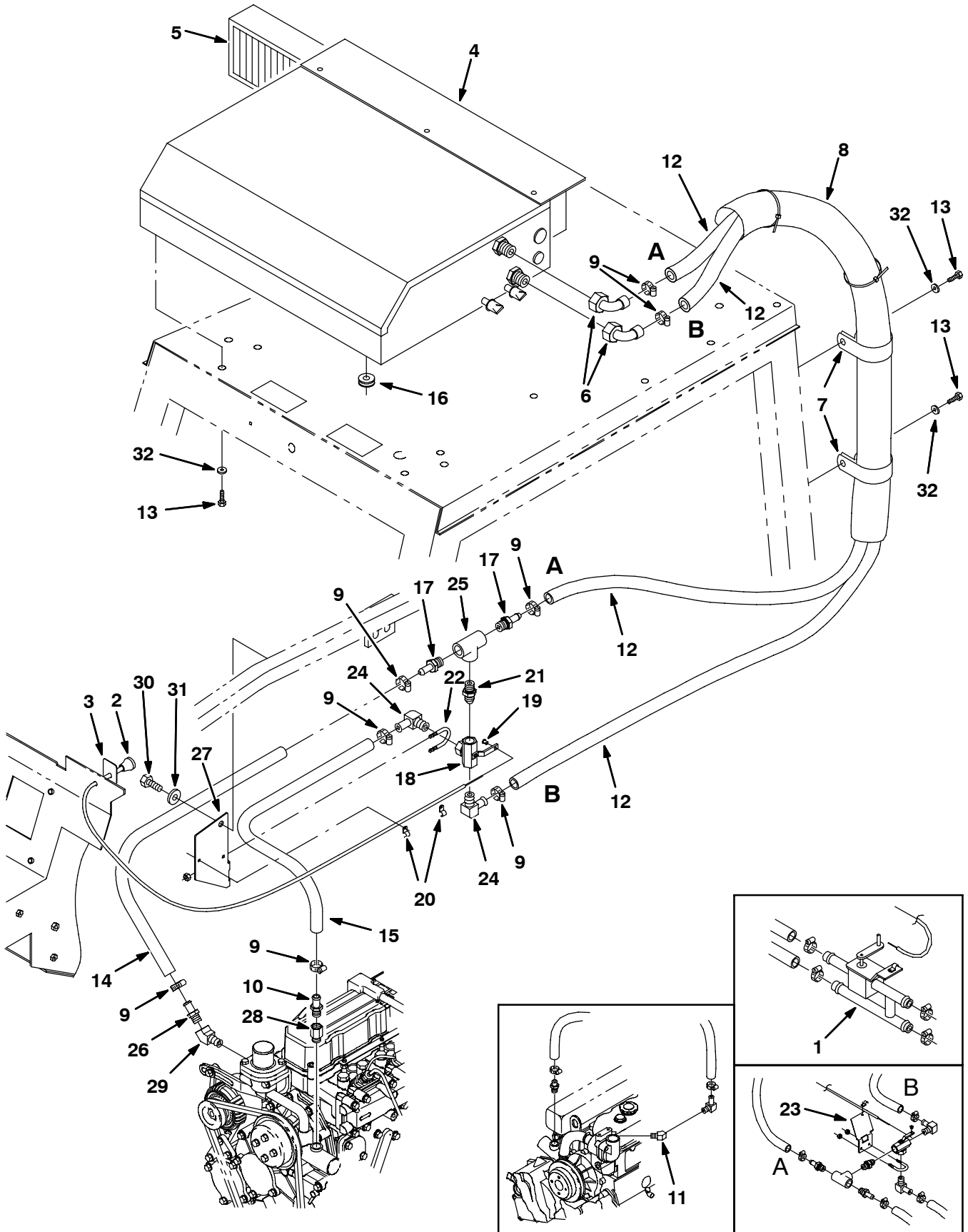


Fig. 23 - Cab Heater Group

NOTE: Heater kit, TENNANT Part Number 380611 includes Fig. 23, and Fig. 24.

Ref.	Part No.	Serial Number	Description	Qty.
1	380618	(003000-003076)	Valve, Heater, H, Manual .62H	1
2	43558A	(003000-	Cable, Choke	1
3	380663	(003000-	Label, Pull-Heat	1
4	380614	(003000-	Box Assy, Heat (See Breakdowns)	1
5	380689	(003000-	Filter, Panel 23.5X6.5X2 143Plts	1
6	380615	(003000-	Elbow, Heater	2
7	86328	(003000-	Clamp, Cable	2
8	375512	(003000-	Sleeve	1
9	86824	(003000-	Clamp, Hose, Wormdrive, 0.50-1.06d, .50w	6
10	27767	(003000-	Fitting, Brass, Str	1
11	1043095	(003000-004003)	Fitting, Brs, E45, Pf06/Pm06	1
12	1016561	(003000-	Hose, Afrmkt, Rbr, Heater, 0.62id, 08ft	2
13	12459	(003000-	Screw, Hex, M6 X 1.0 X 20, Fmg	8
14	72979	(003000-003121)	Hose-Heater, .62id 20.0L	1
14	1016556	(003122-	Hose, Afrmkt, Rbr, Heater, 0.62id, 03ft	1
15	57532	(003000-003121)	Hose-Heater, .62id 26.0L	1
15	1016556	(003122-	Hose, Afrmkt, Rbr, Heater, 0.62id, 03ft	1
16	77811	(003000-	Grommet	1
▽	375728	(003077-	Valve Assy, Heater	1
▲	17 59901	(003077-	Fitting, Brass, Str	2
▲	18 31507	(003077-	Valve -3Way	1
▲	19 43242	(003077-	Swivel	1
▲	20 1043352	(003077-	Clamp, Cable, Stl, 0.18d X 0.75w, 1hole	1
▲	21 40573	(003077-	Fitting, Hyd. Str	1
▲	22 45142	(003077-	Bolt, U	1
▲	23 375726	(003077-003121)	Bracket, Mtg. Valve	1
▲	24 30268	(003077-	Fitting, Brass	2
▲	25 24450	(003077-	Fitting, Brass, Tee	1
▲	26 51839	(003122-	Fitting, Brass	1
▲	27 374129	(003122-	Bracket, Mtg. Valve	1
28	1015762	(004004-	Fitting, Hyd, Str, Metric, Om16/Pf06	2
29	1043095	(004004-	Fitting, Brs, E45, Pf06/Pm06	1
30	16930	(003000-	Screw, Hex, M10 X 1.5 X 50, 8.8	1
31	32492	(003000-	Washer, Flat, 0.38 Std	1
32	32490	(003000-	Washer, Flat, 0.25 Std	8

Fig. 24 - Cab Heater Electrical Group

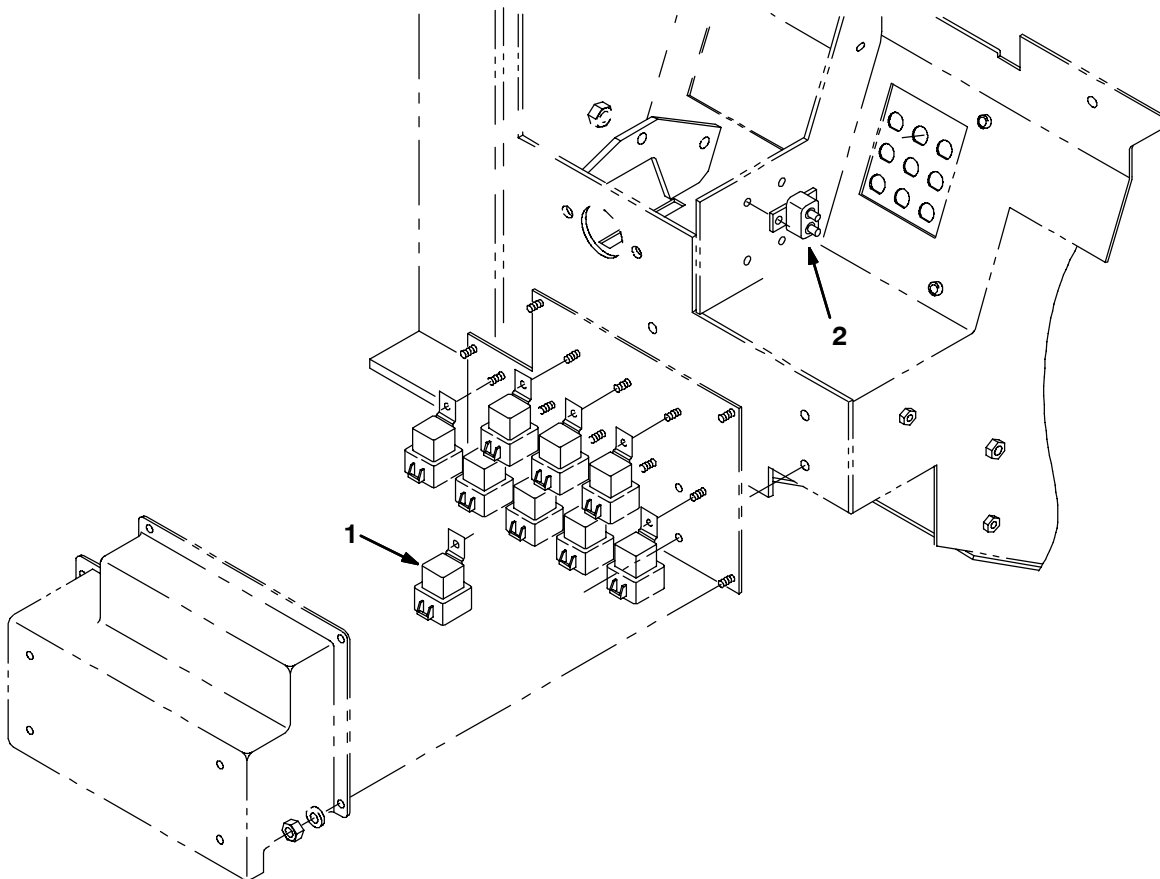
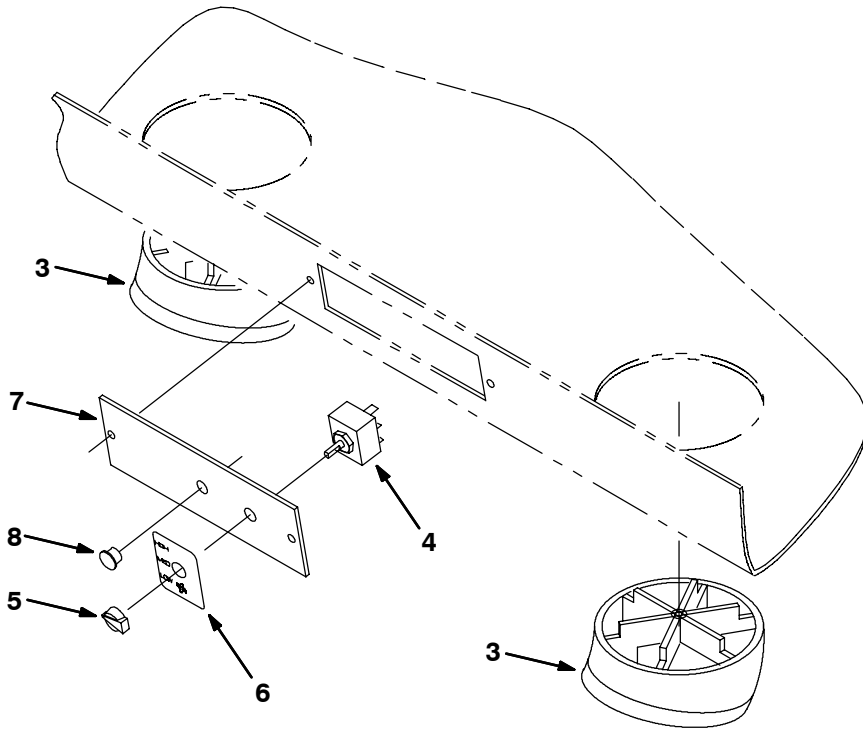


Fig. 24 - Cab Heater Electrical Group

NOTE: Heater kit, TENNANT Part Number 380611 includes Fig. 23, and Fig. 24.

Ref.	Part No.	Serial Number	Description	Qty.
1	56186	(003000-) Relay, Shrouded, 12 Vdc	1
2	374210	(003000-) Circuitbreaker, 20.0a, Thermal	1
3	380617	(003000-) Duct, Heater A/C	2
4	380619	(003000-) Switch,3Way Blow	1
5	380661	(003000-) Knob	1
6	380662	(003000-) Label, Hi/Med/Lo	1
7	380690	(003000-) Plate, Switch Mntg	1
8	56992	(003000-) Plugbtn .50H .03-.12 Blacknyl	1

Fig. 25 - Alternator Group, SE

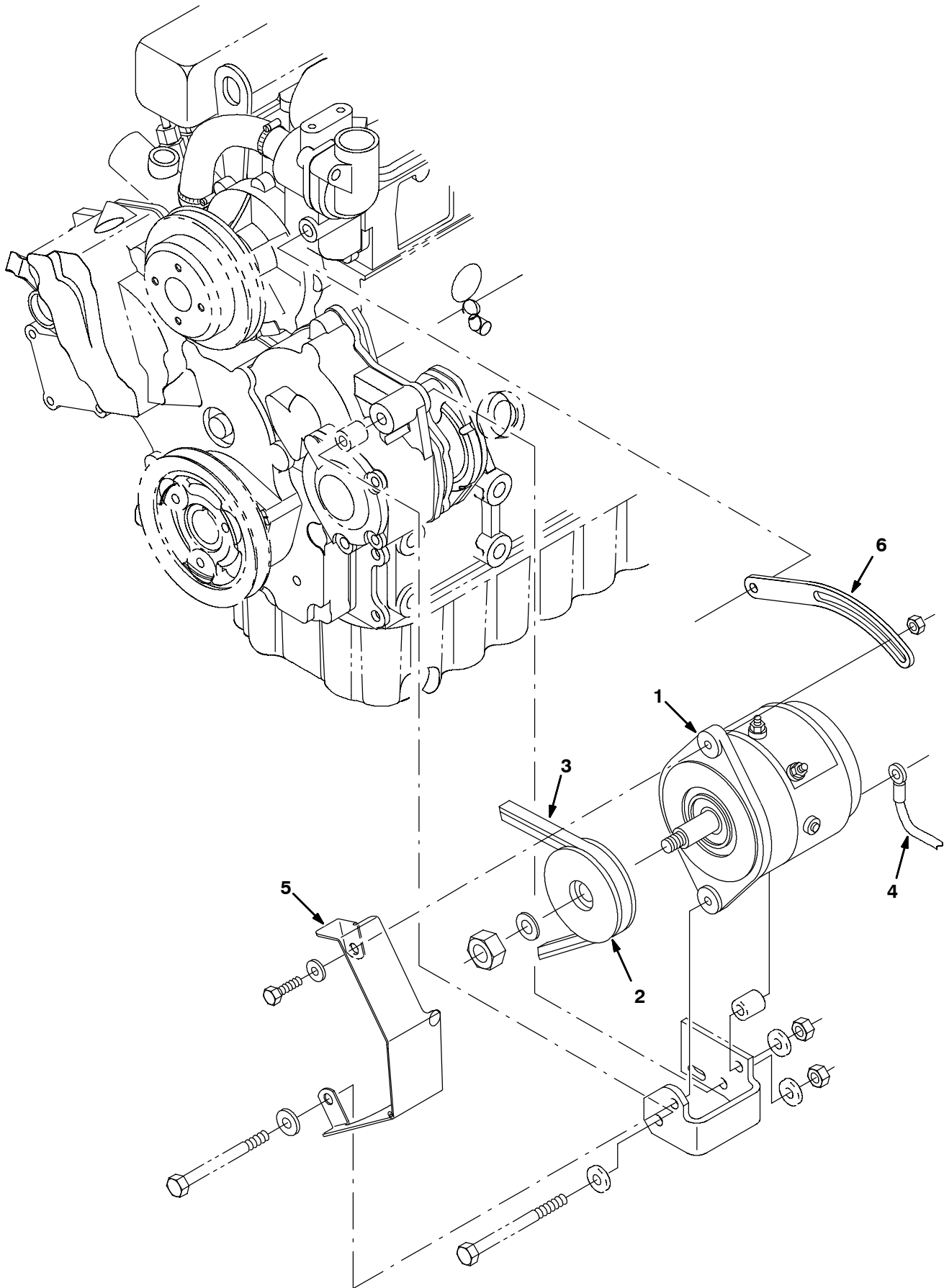


Fig. 25 - Alternator Group, SE

	Ref.	Part No.	Serial Number	Description	Qty.
▽		380606	(003000-) Kit, Alternator, Hd, Die	1
▲	1	75828	(003000-) Alternator	1
▲	2	77555	(003000-) Sheave, Alternator, Se	1
▲	3	83692	(003000-) Belt, V	1
▲	4	31525	(003000-) Wire, Ground	1
▲	5	21223	(003000-) Guard, Alternator	1
▲	6	380636	(003000-) Arm, Alternator	1

Fig. 26 - Vacuum Wand Kit

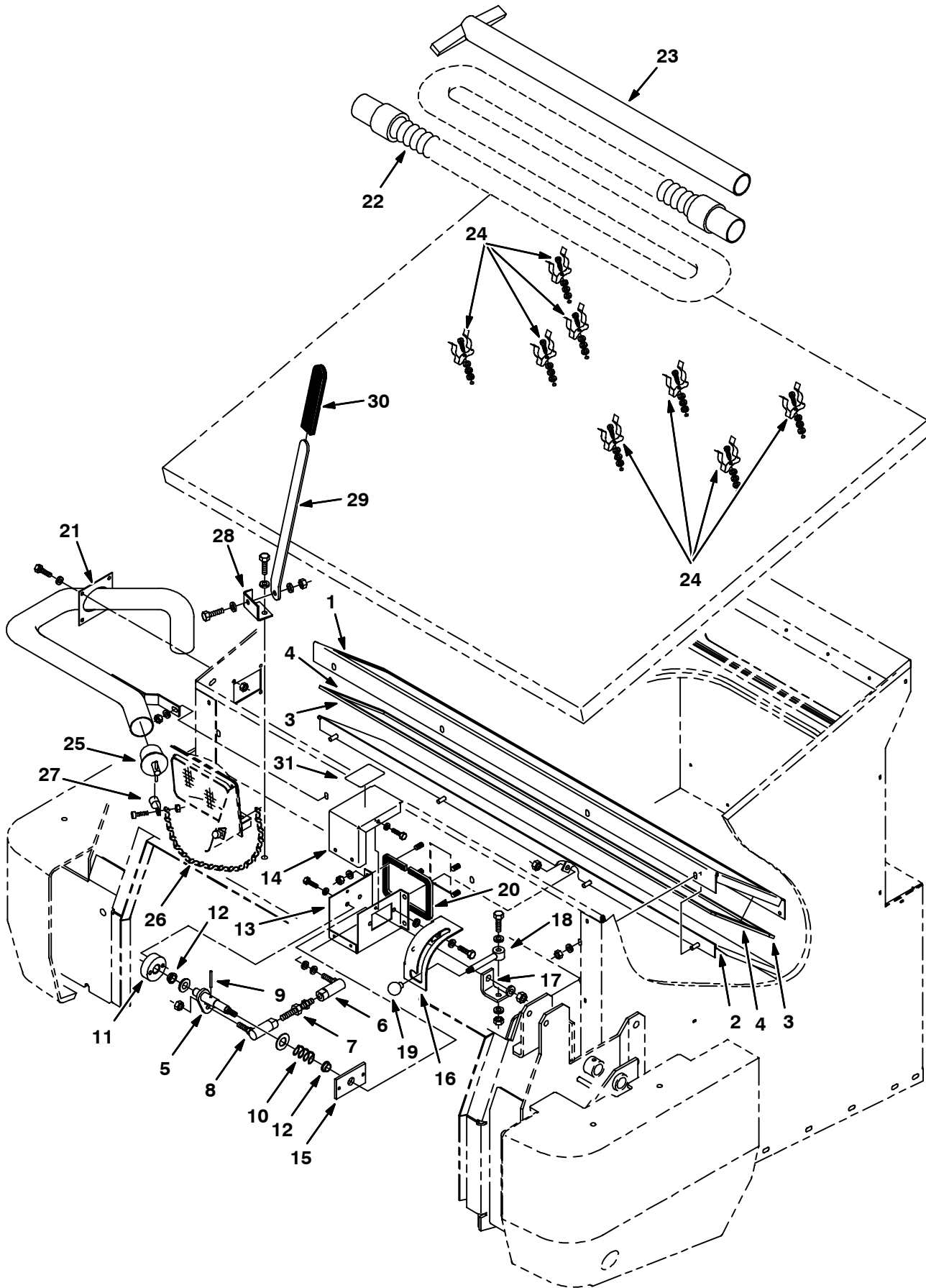


Fig. 26 - Vacuum Wand Kit

	Ref.	Part No.	Serial Number	Description	Qty.
▽		70668	(003000-) Wand Kit, Vac	1
▲	1	73871	(003000-) Plate, Mounting, Vac Door	1
▲	2	75701	(003000-) Plate Wldt, Vac Door	1
▲	3	75876	(003000-) Seal, Foam Rbr, .19 .75W 47.1L	2
▲	4	75877	(003000-) Seal, Foam Rbr .19 .75W 8.43L	2
▲	5	21047	(003000-) Shaft	1
▲	6	82962	(003000-) Balljoint .375-24 Lh	1
▲	7	11676	(003000-) Stud, Adjustment	1
▲	8	51531	(003000-) Ball Joint .375-24	1
▲	9	23146	(003000-) Pin,Roll,.18Odx1.62L,.187/.192	1
▲	10	19035	(003000-) Sprng,Comp,0.83ldx.07Wire 1.0L	1
▲	11	21041	(003000-) Disk	1
▲	12	04843	(003000-) Bearing, Flange .625 Bore	2
▲	13	21054	(003000-) Box, Mounting, Lever, Vac	1
▲	14	21104	(003000-) Panel, Cover	1
▲	15	73880	(003000-) Plate	1
▲	16	79646	(003000-) Plate, Latch	1
▲	17	79647	(003000-) Angle	1
▲	18	79644	(003000-) Handle	1
▲	19	26565	(003000-) Knob,0.38-16,1.25Dia,Plastic	1
▲	20	79674	(003000-) Seal	1
▲	21	74074	(003000-) Adaptor Wldt, Vac Wand	1
▲	22	54009	(003000-) Hose&2Cuff Assy,Vinyl2.0ld10Ft	1
▲	23	54012	(003000-) Wand	1
▲	24	36158	(003000-) Clip Finger Grip	8
▲	25	42124	(003000-) Plug, Drain	1
▲	26	374012	(003000-) Chain, Jack, #12, 08.5l 11 Links	1
▲	27	26395-2	(003000-) Clamp-Cable, 0.38Dia 0.38Wth	1
▲	28	76286	(003000-) Adaptor Wldt, Vac Wand	1
▲	29	76338	(003000-) Bar, Prop	1
▲	30	70659	(003000-) Grip, Handle, Flat	2
▲	31	76406	(003000-) Label, Vac Wand	1

Fig. 27 - Side Brush Dust Control Kit

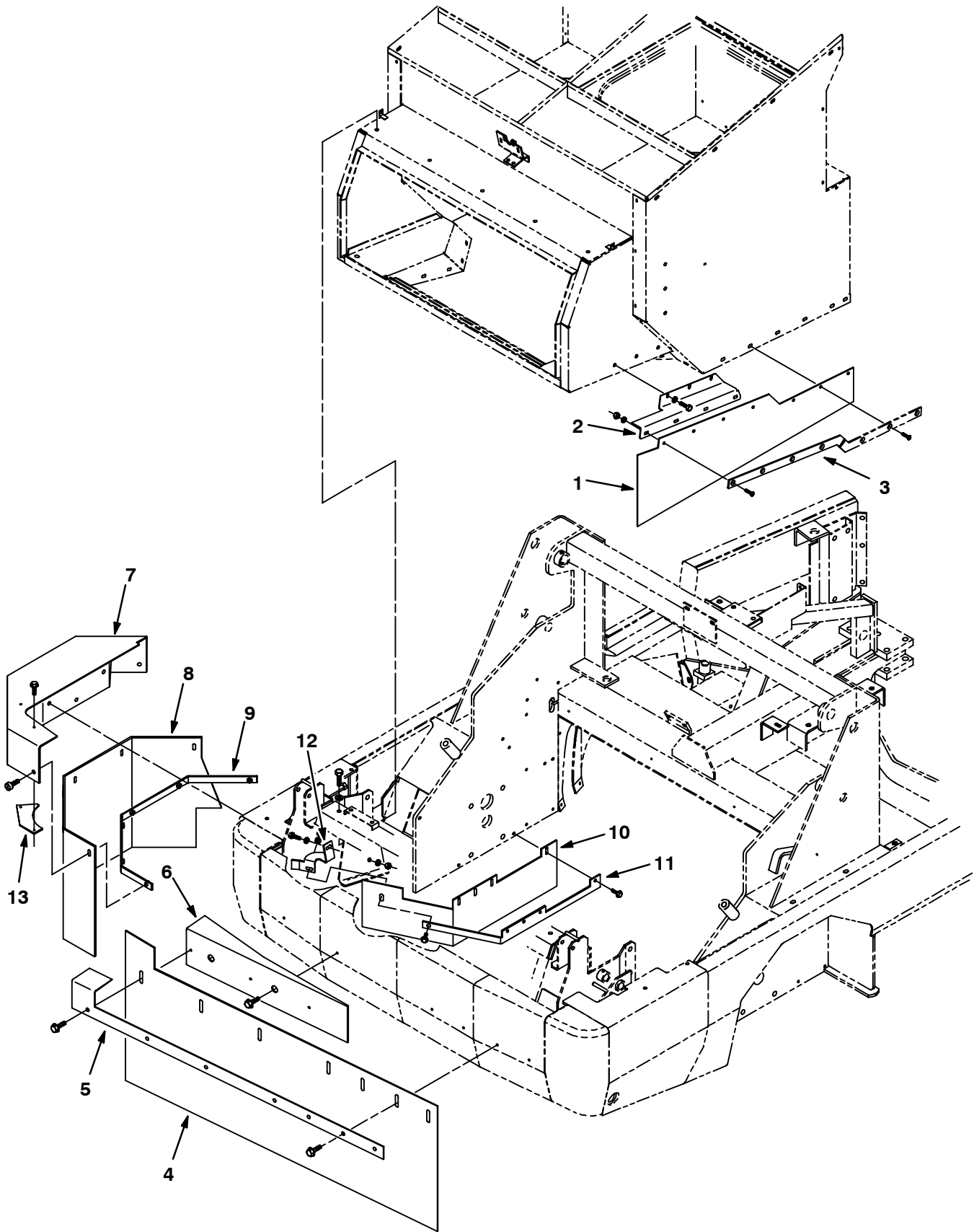
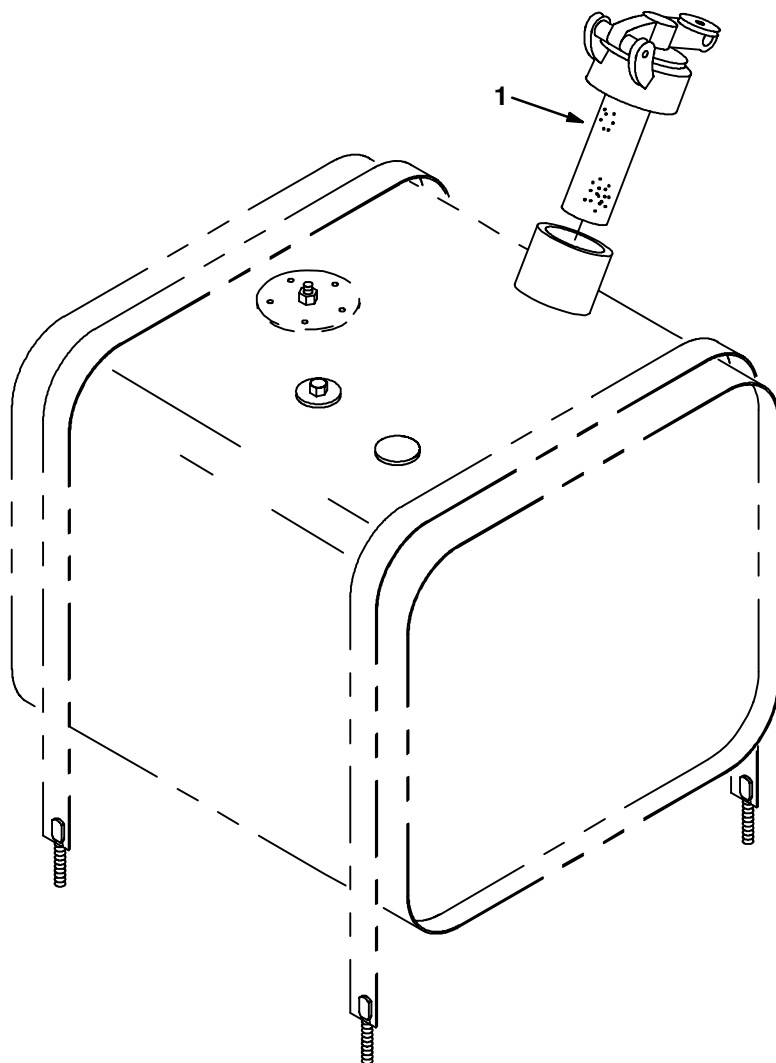


Fig. 27 - Side Brush Dust Control Kit

	Ref.	Part No.	Serial Number	Description	Qty.
▽		76100	(003000-) Dust Control Kit, Side Brush	1
▲	1	76036	(003000-) Skirt, Deflection	1
▲	2	76030	(003000-) Bracket, Mounting, Skirt	1
▲	3	76038	(003000-) Strip, Retainer, Skirt	1
▲	4	75901	(003000-) Skirt, Cover, Sbdc	1
▲	5	76049	(003000-) Skirt, Retainer	1
▲	6	77759	(003000-) Bracket Wldt	1
▲	7	75989	(003000-) Plate Wldt, Skirt	1
▲	8	76069	(003000-) Skirt, Cover, Sbdc	1
▲	9	76055	(003000-) Plate, Retainer	1
▲	10	76074	(003000-) Skirt	1
▲	11	76081	(003000-) Skirt	1
▲	12	76084	(003000-) Bracket	1
▲	13	77755	(003000-) Plate	1

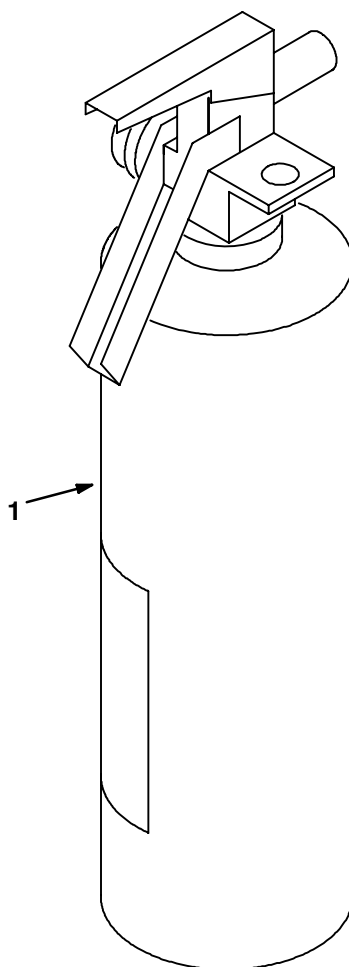
Fig. 28 - Protectoseal Fuel Tank Cap Group



07471 - ALL

Ref.	Part No.	Serial Number	Description	Qty.
1	02506-6	(003000-)	Gas Cap, Protectoseal	1

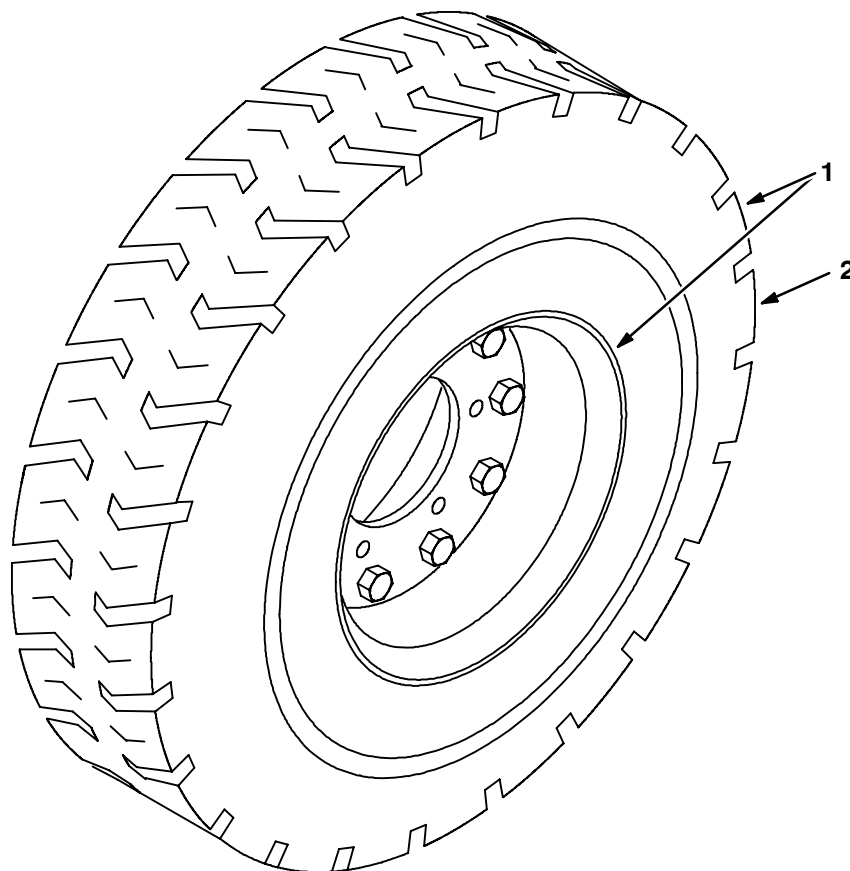
Fig. 29 - Fire Extinguisher Kit



07516 - JP, NA

	Ref.	Part No.	Serial Number	Description	Qty.
▽		70692	(003000-) Extinguisher Kit Fire 800	1
▲	1	25312	(003000-) Extinguisher, Fire	

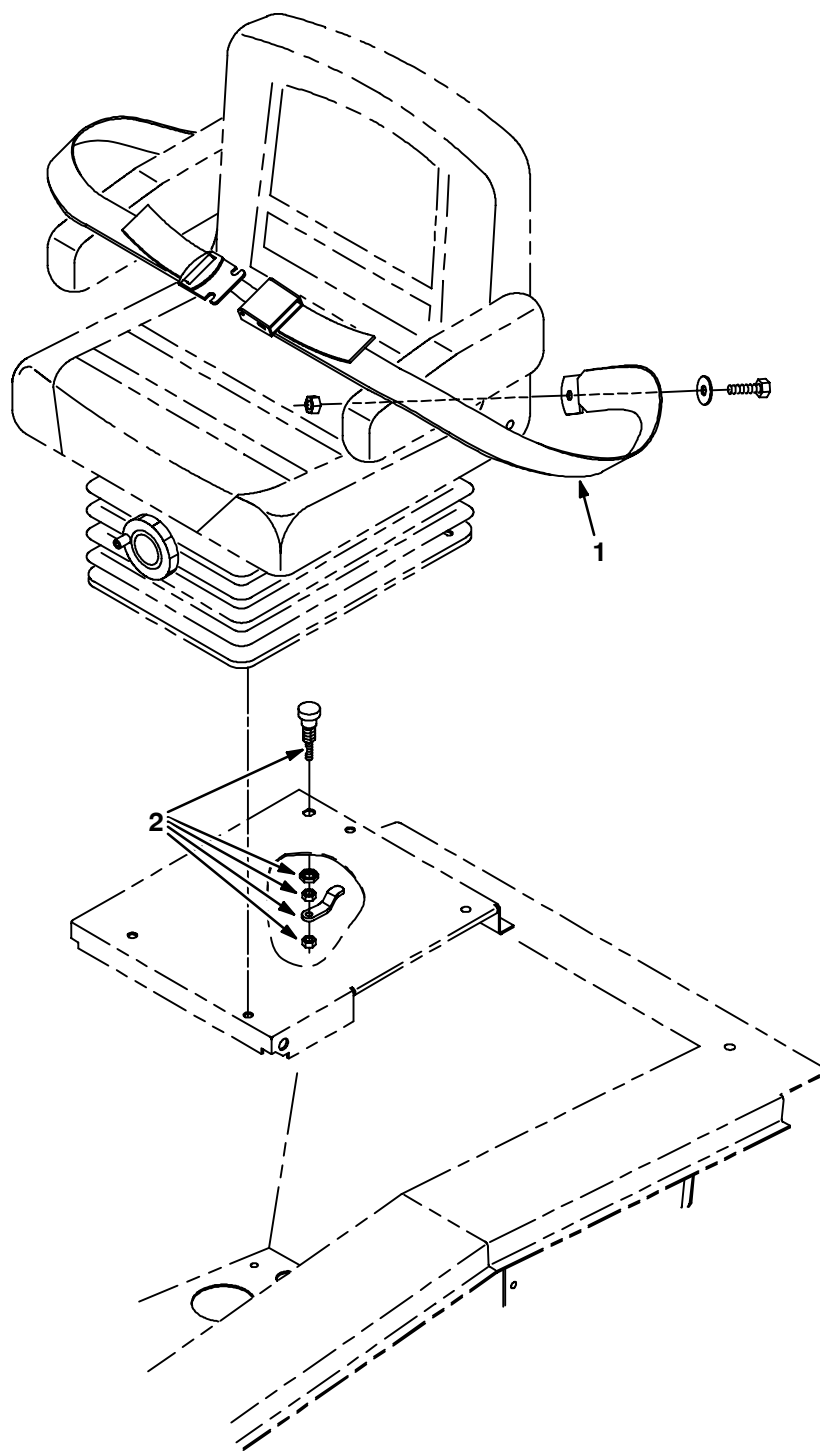
Fig. 30 - Solid Tire and Rim Assembly



07666 - ALL

	Ref.	Part No.	Serial Number	Description	Qty.
▽	1	21671	(003000-) Tire and Rim Assy, Solid 6.5	1
▲	2	63228	(003000-) Tire, Solid	1

Fig. 31 - Seat Belt Kit



07674 - ALL

	Ref.	Part No.	Serial Number	Description	Qty.
▽		70690	(003000-) Seat Belt Kit	1
▲	1	30533	(003000-) Belt, Seat	1
▲	2	87337	(003000-) Latch, Door	1

Fig. 32 - RFS Filter System Group

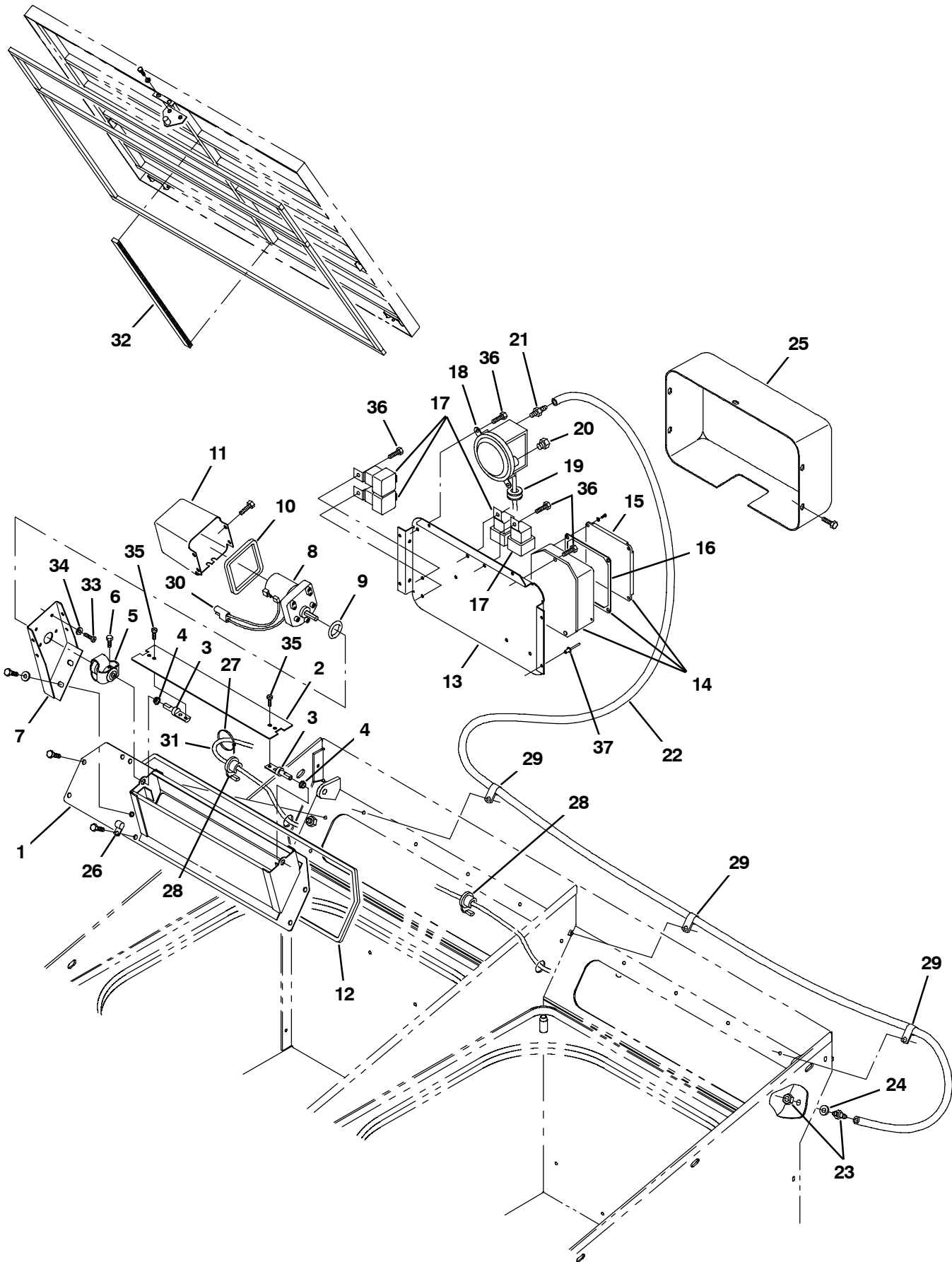


Fig. 32 - RFS Filter System Group

Ref.	Part No.	Serial Number	Description	Qty.
▽	79174	(003000-) Rfs Kit	1
▲	1 79160	(003000-) Duct Wldt, Rfs	2
▲	2 79156	(003000-) Plate, Shutter	2
▲	3 79159	(003000-) Shaft, Pivot	4
▲	4 11747	(003000-) Bearing, Nylon	4
▲	5 79158	(003000-) Coupling	2
▲	6 42011	(003000-) Screw, Hex, 10-24 X 0.50, Ss	4
▲	7 79157	(003000-) Bracket, Mounting, Gearmotor	2
▲	8 79170	(003000-) Motor, Ele, Geared, 12Vdc	2
▲	9 79172	(003000-) Seal, O-Ring .787ldx.210Th	2
▲	10 79167	(003000-) Seal	2
▲	11 79155	(003000-) Cover, Motor	2
▲	12 79168	(003000-) Seal	2
▲	13 79177	(003000-) Plate, Mounting, Rfs Control	1
▲▽	14 79176	(003000-) Controller Assy, Rfs	1
▲▲	15 59954	(003000-) Cover, Housing, Electrical	1
▲▲	16 59921	(003000-) Gasket, Cover, Alum	1
▲	17 56186	(003000-) Relay, Shrouded, 12 Vdc	4
▲	18 75465	(003000-) Switch, Pressure	1
▲	19 10632-4	(003000-) Grommet,Rbr,0.62ld,For .06Matl	1
▲	20 82739	(003000-) Ftg, Breather	1
▲	21 40607	(003000-) Ftg,Brass,St Bm03/Pm02	1
▲	22 21301	(003000-) Hose, Vacuum, .16 ld X 76.0 Lg	1
▲	23 39923	(003000-) Ftg,Bulkhead-Barb Wh 1074X4	1
▲	24 43454	(003000-) Washer, .344B .69D .06Nylon	1
▲	25 79169	(003000-) Cover, Electrical	1
▲	26 40678	(003000-) Clamp,Cable .44D .62Wide	2
▲	27 49266	(003000-) Tie, Cable 1.75D Max 7.50Lg	12
▲	28 34864	(003000-) Strain,Relief	2
▲	29 46236	(003000-) Clamp-Cable, 0.25Dia 0.56Wth	3
▲	30 79025	(003000-) Harness, Motor, Duct	2
▲	31 79026	(003000-) Harness, Hopper, Rfs	1
▲	83706	(003000-) Harness, Rfs Jumper	1
▲	32 70851	(003000-) Seal, Urethane	1
▲	44961	(003000-) Tie, Cable 4.00 Max 14.50Lg	28
▲	23935	(003000-) Seal, Filter	2
▲	57809	(003000-) Breaker-Cicuit, 15 Resetable	2
▲	33 49766	(003000-) Screw, Hex, #08-32 X 0.38, Ss	8
▲	34 02938	(003000-) Washer, Lock, Int, 08 Ss	8
▲	35 06932	(003000-) Screw, Pan, M5 X 0.80 X 10, 4.8	8
▲	36 74455	(003000-) Screw, Hex, M6 X 1.0 X 12, Fmg	9
▲	37 34738	(003000-) Rivet, Blind, .125d X 0.32 X .25d, Stl	6

Fig. 33 - Cab AC Drain Hose Kit

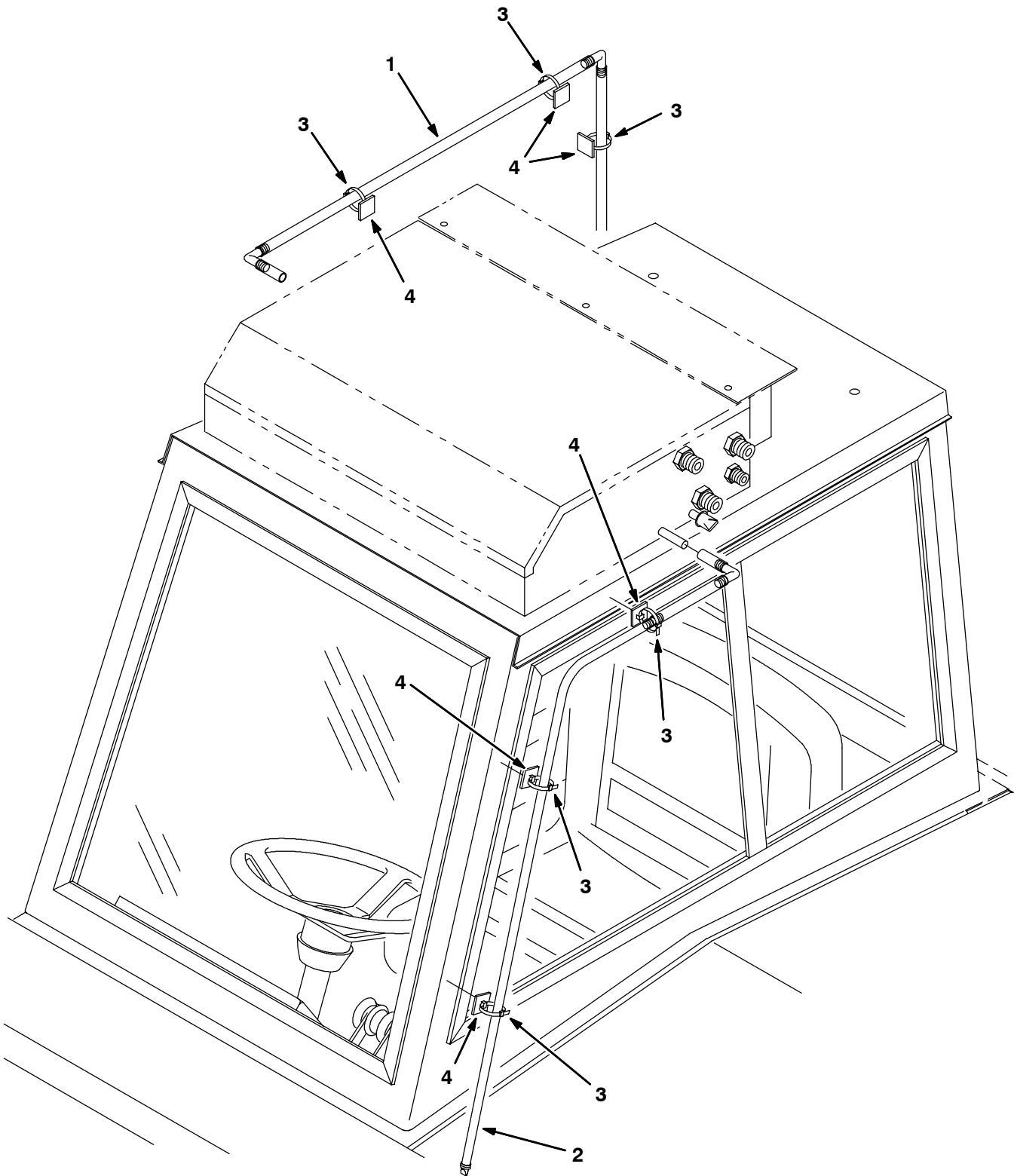
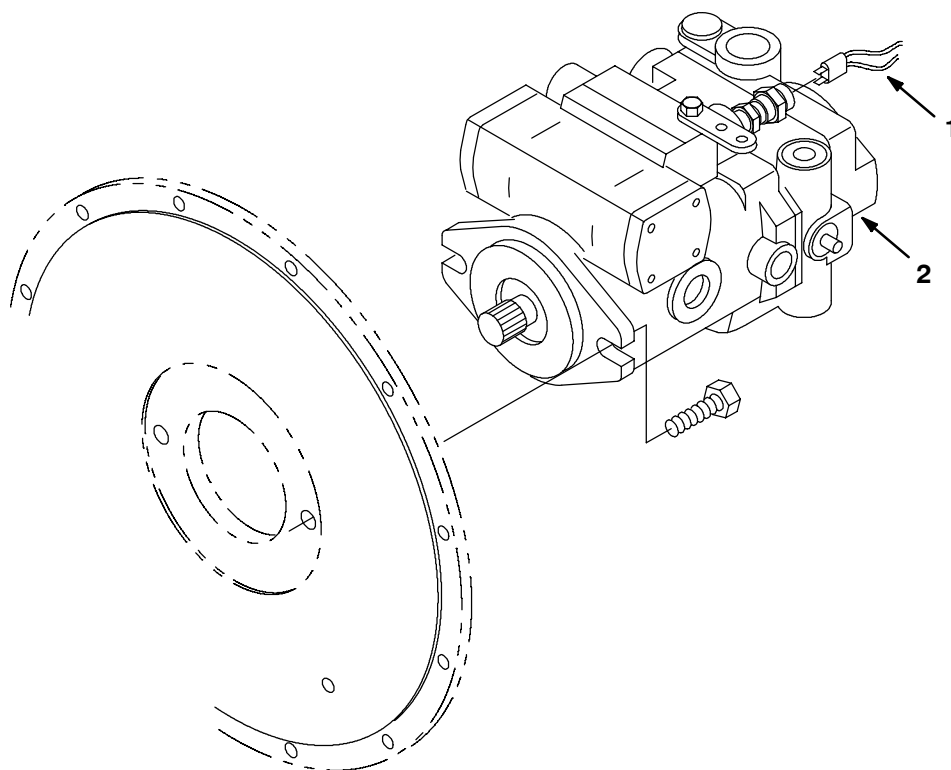


Fig. 33 - Cab AC Drain Hose Kit

	Ref.	Part No.	Serial Number	Description	Qty.
▽		374133	(003000-) Kit, Ci, Drain Hose, A/C	1
▲	1	374134	(003000-) Hose Assy, Drain, A/C	1
▲	2	374135	(003000-) Hose Assy, Drain, A/C	1
▲	3	49266	(003000-) Tie, Cable, Nyl, 07.3l .19w 1.8 Max D	10
▲	4	55248	(003000-) Mount, Cable Tie	10

Fig. 34 - Neutral Start Group



09831 - ALL

Ref.	Part No.	Serial Number	Description	Qty.
1	63407	(003000-)	Harness, Neutral, Start	1
2	74164	(003000-003106)	Pump, Hyd Piston V 2.48 (See breakdowns)	1
2	373405	(003107-)	Pump, Hyd Piston V 2.48 (See breakdowns)	1

Fig. 35 - Documentation Group

Ref.	Part No.	Serial Number	Description	Qty.
	330180	(003000-) Manual Pkg 810D	1
	MM337	(003000-) Manual, Service 800/810	1
	48843	(003000-) Video, Oprtr, Vhs, Ntsc [810]	1
	330182	(003000-) Manual Op/Mt 810D Spanish	1
	330183	(003000-) Manual Op/Mt 810D French	1
	380503	(003000-) Engine Service Manual Pk 700 series	1
	330729	(003000-) Manual, Eng, Perk, F/ Eng 704-30, [Es]	1
	372897	(004004-005043) Manual, Service, [Caterpillar 3044c]	1
	9006204	(005044-) Manual, Service, Eng [Cat C3.4]	1

SECTION 4

Contents	Page	Contents	Page
Fig. 1 - Hydraulic Piston Pump Breakdown, 74163	4-2	Fig. 34 - AC and Heater Box Breakdown, 380613	4-58
Fig. 2 - Hydraulic Piston Pump Breakdown, 74163	4-4	Fig. 35 - Heater Box Breakdown, 380614	4-60
Fig. 3 - Hydraulic Piston Pump Breakdown, 373404	4-6	Fig. 36 - Brake Assy, Right Hand (R.h.) 77790 .	4-62
Fig. 4 - Hydraulic Piston Pump Breakdown, 373404	4-8	Fig. 37 - Brake Assy, Left Hand (L.h.) 77770 . . .	4-64
Fig. 5 - Hydraulic Manual Control Breakdown, 74273	4-10	Fig. 38 - Hydraulic Solenoid Valve Breakdown, 1049210	4-66
Fig. 6 - Hydraulic Piston Pump Breakdown, 74164	4-12	Fig. 39 - Hydraulic Solenoid Valve Breakdown, 1049209	4-68
Fig. 7 - Hydraulic Piston Pump Breakdown, 74164	4-14	Fig. 40 - Hydraulic Solenoid Valve Breakdown, 1049211	4-70
Fig. 8 - Hydraulic Piston Pump Breakdown, 373405	4-16		
Fig. 9 - Hydraulic Piston Pump Breakdown, 373405	4-18		
Fig. 10 - Hydraulic Manual Control Breakdown, 373369	4-20		
Fig. 11 - Hydraulic Gear Pump Breakdown, 62561	4-22		
Fig. 12 - Hydraulic Gear Pump Breakdown, 373254	4-24		
Fig. 13 - Hydraulic Motor Breakdown, 77406 . . .	4-26		
Fig. 14 - Hydraulic Motor Breakdown, 375719 . .	4-28		
Fig. 15 - Hydraulic Motor Breakdown, 63426 . . .	4-30		
Fig. 16 - Hydraulic Motor Breakdown, 22626 . . .	4-32		
Fig. 17 - Hydraulic Motor Breakdown, 373464 . .	4-34		
Fig. 18 - Hydraulic Motor Breakdown, 62563 . . .	4-36		
Fig. 19 - Hydraulic Motor Breakdown, 79781 . . .	4-37		
Fig. 20 - Hydraulic Motor Breakdown, 19117 . . .	4-38		
Fig. 21 - Hydraulic Motor Breakdown, 63542 . . .	4-39		
Fig. 22 - Hydraulic Steering Valve Breakdown, 65242	4-40		
Fig. 23 - Hydraulic Solenoid Valve Breakdown, 84015	4-42		
Fig. 24 - Hydraulic Solenoid Valve Breakdown, 84016	4-43		
Fig. 25 - Hydraulic Valve Breakdown, 375563 . .	4-44		
Fig. 26 - Hydraulic Solenoid Valve Breakdown, 84013	4-46		
Fig. 27 - Hydraulic Cylinder Breakdown, 53601	4-48		
Fig. 28 - Hydraulic Cylinder Breakdown, 1026719	4-49		
Fig. 29 - Cab Assembly	4-50		
Fig. 30 - Cab Door Assembly	4-52		
Fig. 31 - Cab Insulation Group	4-54		
Fig. 32 - Cab Wire Harness Group	4-56		
Fig. 33 - AC Condenser Box Breakdown, 380625	4-57		

Fig. 1 - Hydraulic Piston Pump Breakdown, 74163

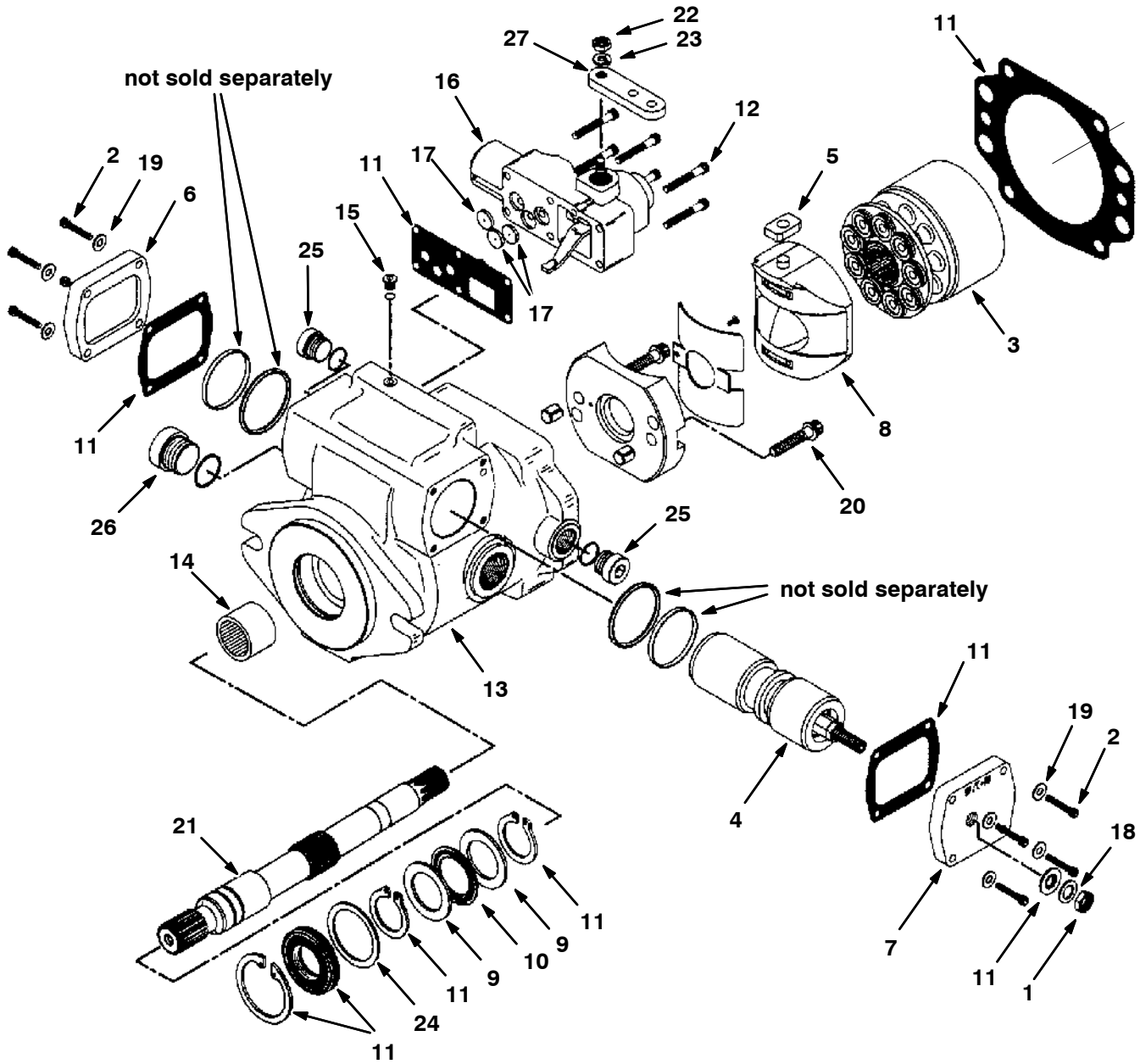


Fig. 1 - Hydraulic Piston Pump Breakdown, 74163

NOTE: Piston Pump, TENNANT Part Number 74163, includes Fig. 1, Fig. 2 and Fig. 5.

Ref.	Part No.	Serial Number	Description	Qty.	
1	74184	(000000-) Nut, Jam	1	
2	74223	(000000-) Screw, Cap	8	
3	61882	(000000-) Rotating Kit	1	
4	74253	(000000-) Piston, Servo	1	
5	74254	(000000-) Follower, Piston	1	
6	74256	(000000-) Plate, Cover En	1	
7	74257	(000000-) Plate, Cover En	1	
8	74258	(000000-) Camplate S/A En	1	
9	74240	(000000-) Race, Bearing Ce	2	
10	74210	(000000-) Bearing	1	
11	74283	(000000-) Seal Kit, Pump En	1	
12	74262	(000000-) Screw, Cap En	6	
▽	74263	(000000-) Housing S/A En	1	
▲	13	79771	(000000-) Housing En	1
▲	14	37462	(000000-) Bearing	1
▲	15	79742	(000000-) Plug S/A En	1
	16	74273	(000000-) Control, Manual (See Breakdowns)	1
	17	74276	(000000-) Orifice, Valve En	3
	18	74280	(000000-) Washer En	1
	19	74281	(000000-) Washer En	8
	20	79747	(000000-) Cap Screw En	2
	21	74265	(000000-) Shaft, Drive Sp En	1
	22	74266	(000000-) Nut En	1
	23	74267	(000000-) Lockwasher En	1
	24	37460	(000000-) Washer	1
	25	13907	(000000-) Plug #8	2
	26	79779	(000000-) Plug,#12 O-Ring Ph	1
	27	74272	(000000-) Arm, Control En	1

Fig. 2 - Hydraulic Piston Pump Breakdown, 74163

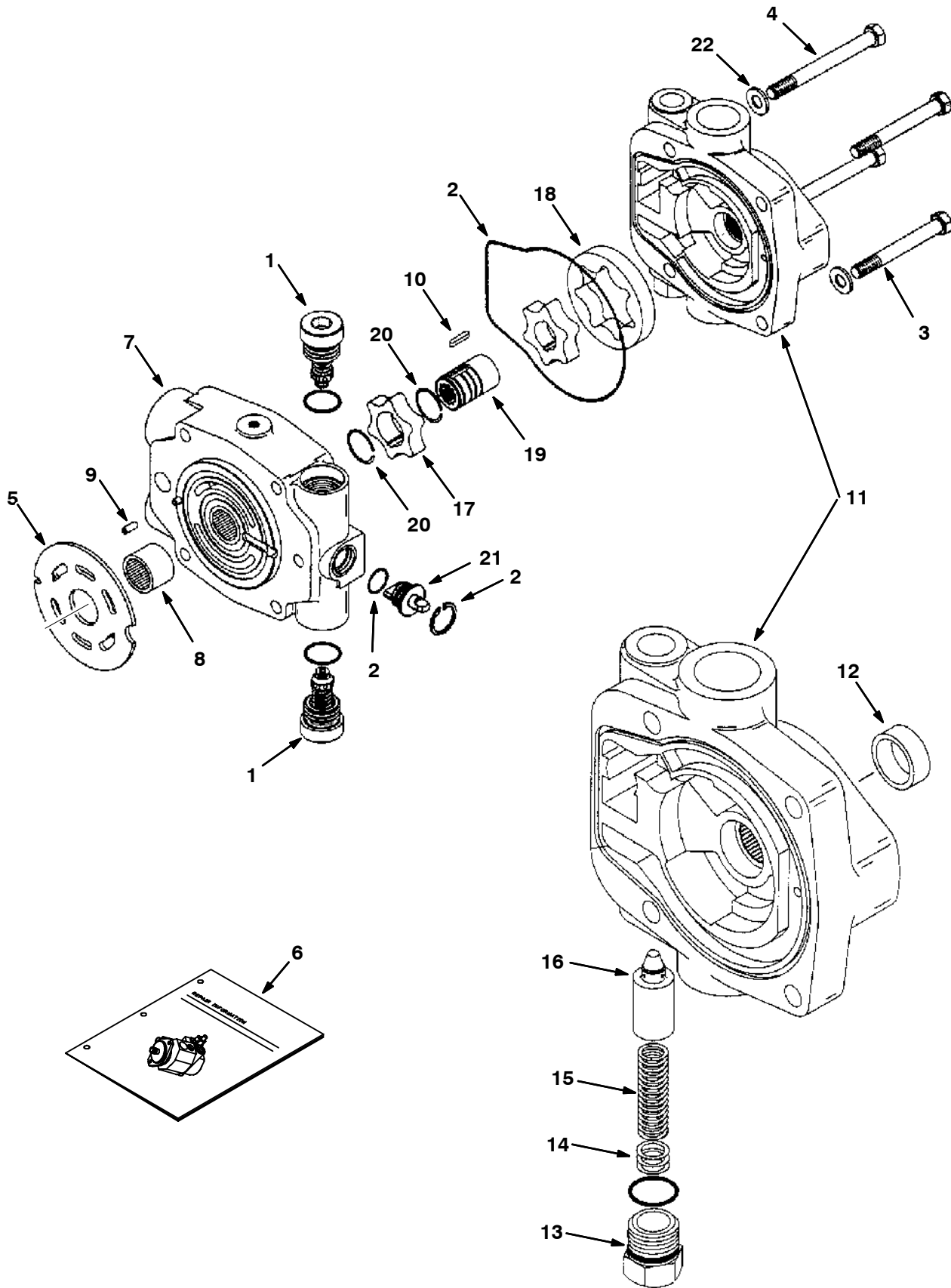


Fig. 2 - Hydraulic Piston Pump Breakdown, 74163

NOTE: Piston Pump, TENNANT Part Number 74163, includes Fig. 1, Fig. 2 and Fig. 5.

Ref.	Part No.	Serial Number	Description	Qty.
1	74259	(000000-) Relief Valve Sa En	2
2	74283	(000000-) Seal Kit, Pump En	1
3	74260	(000000-) Screw, Cap En	2
4	74261	(000000-) Screw, Cap En	2
5	61886	(000000-) Valve Plate	1
6	79708	(000000-) Repair Info,Pmp En	1
▽	7	74264	(000000-) Backplate S/A En	1
▲	8	34159	(000000-) Bearing	1
▲	9	79748	(000000-) Roll Pin En	1
10	74270	(000000-) Key En	1
▽	11	74271	(000000-) Charge Pmp Adap En	1
▲	12	79749	(000000-) Bushing En	1
▲	13	79750	(000000-) Plug En	1
▲	14	79751	(000000-) Shims En	1
▲	15	79752	(000000-) Spring En	1
▲	16	79753	(000000-) Poppet En	1
17	74274	(000000-) Geroter,Ring In En	1
18	74275	(000000-) Geroter,Ring Ot En	1
19	74277	(000000-) Coupler En	1
20	74278	(000000-) Ring, Retaining En	2
21	74279	(000000-) Actuator, Valve En	1
22	74282	(000000-) Washer En	4

Fig. 3 - Hydraulic Piston Pump Breakdown, 373404

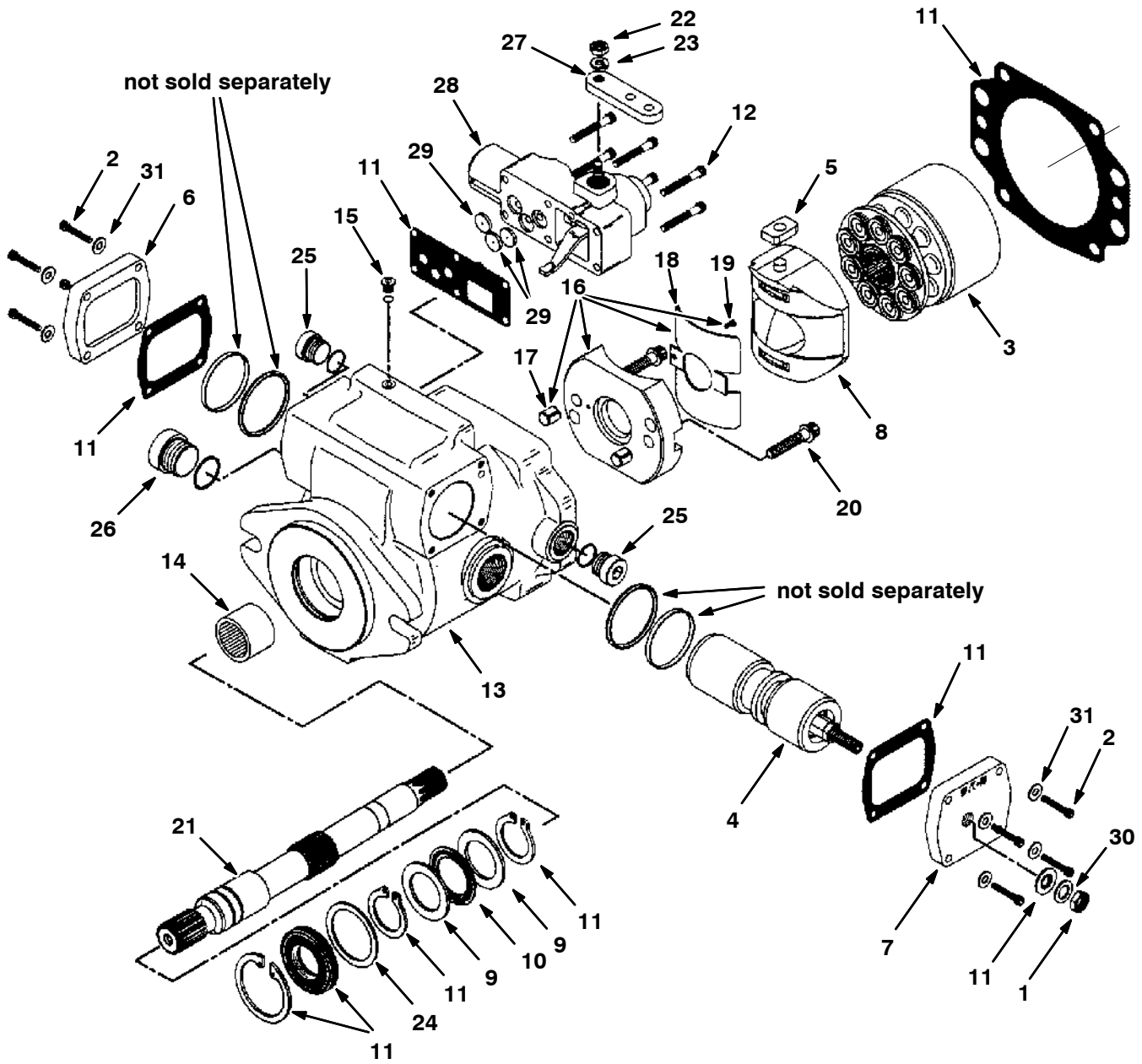


Fig. 3 - Hydraulic Piston Pump Breakdown, 373404

NOTE: Piston Pump, TENNANT Part Number 373404, includes Fig. 3, Fig. 4 and Fig. 5.

Ref.	Part No.	Serial Number	Description	Qty.
1	74184	(000000-) Nut, Jam	1
2	74223	(000000-) Screw, Cap	8
3	61882	(000000-) Rotating Kit	1
4	373407	(000000-) Piston, Servo	1
5	74254	(000000-) Follower, Piston	1
6	74256	(000000-) Plate, Cover En	1
7	74257	(000000-) Plate, Cover En	1
8	74258	(000000-) Camplate S/A En	1
9	74240	(000000-) Race, Bearing Ce	2
10	74210	(000000-) Bearing	1
11	74283	(000000-) Seal Kit, Pump En	1
12	74262	(000000-) Screw, Cap En	6
▽	373408	(000000-) Housing S/A En	1
▲	13 373409	(000000-) Housing En	1
▲	14 37462	(000000-) Bearing	1
▲	15 79742	(000000-) Plug S/A En	1
▽	16 373410	(000000-) Cradle Sub Assy En	1
▲	17 373218	(000000-) Dowel Bushing En	2
▲	18 373414	(000000-) Bushing En	1
▲	19 373415	(000000-) Cap Screw En	1
20	79747	(000000-) Cap Screw En	2
21	74265	(000000-) Shaft, Drive Sp En	1
22	74266	(000000-) Nut En	1
23	74267	(000000-) Lockwasher En	1
24	37460	(000000-) Washer	1
25	13907	(000000-) Plug #8	2
26	79779	(000000-) Plug,#12 O-Ring Ph	1
27	74272	(000000-) Arm, Control En	1
28	74273	(000000-) Control, Manual (See Breakdowns)	1
29	74276	(000000-) Orifice, Valve En	3
30	74280	(000000-) Washer En	1
31	74281	(000000-) Washer En	8

Fig. 4 - Hydraulic Piston Pump Breakdown, 373404

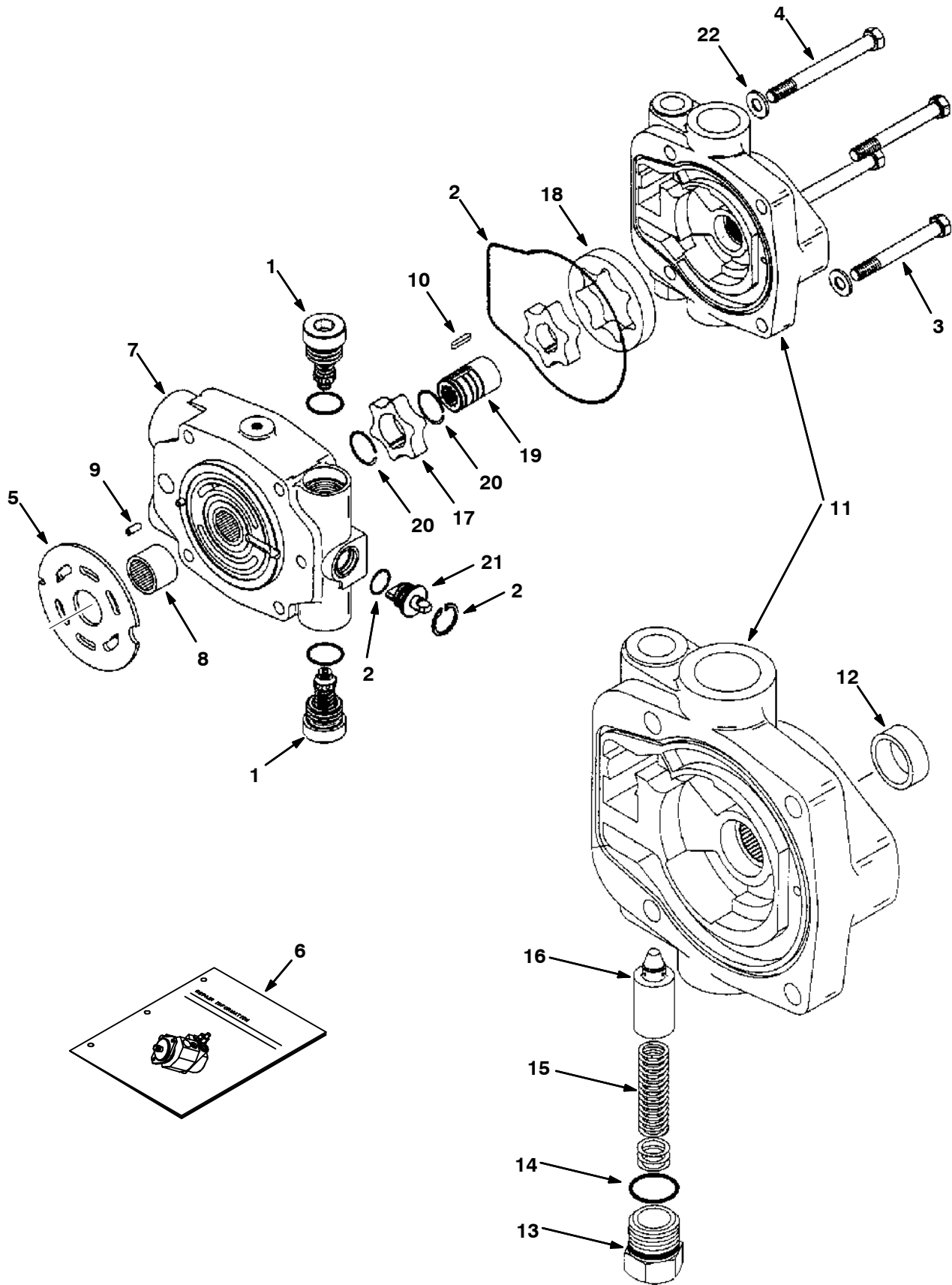


Fig. 4 - Hydraulic Piston Pump Breakdown, 373404

NOTE: Piston Pump, TENNANT Part Number 373404, includes .Fig. 3, Fig. 4 and Fig. 5.

Ref.	Part No.	Serial Number	Description	Qty.	
1	74259	(000000-) Relief Valve Sa En	2	
2	74283	(000000-) Seal Kit, Pump En	1	
3	373374	(000000-) Screw, Cap En	2	
4	373375	(000000-) Screw, Cap En	2	
5	61886	(000000-) Valve Plate	1	
6	373406	(000000-) Repair Info,Pmp En	1	
▽	7	373412	(000000-) Backplate S/A En	1
▲	8	34159	(000000-) Bearing	1
▲	9	79748	(000000-) Roll Pin En	1
10	74270	(000000-) Key En	1	
▽	11	74271	(000000-) Charge Pmp Adap En	1
▲	12	79749	(000000-) Bushing En	1
▲	13	79750	(000000-) Plug En	1
▲	14	79751	(000000-) Shims En	1
▲	15	79752	(000000-) Spring En	1
▲	16	79753	(000000-) Poppet En	1
17	74274	(000000-) Geroter,Ring In En	1	
18	74275	(000000-) Geroter,Ring Ot En	1	
19	74277	(000000-) Coupler En	1	
20	74278	(000000-) Ring, Retaining En	2	
21	373413	(000000-) Actuator, Valve En	1	
22	74282	(000000-) Washer En	4	

Fig. 5 - Hydraulic Manual Control Breakdown, 74273

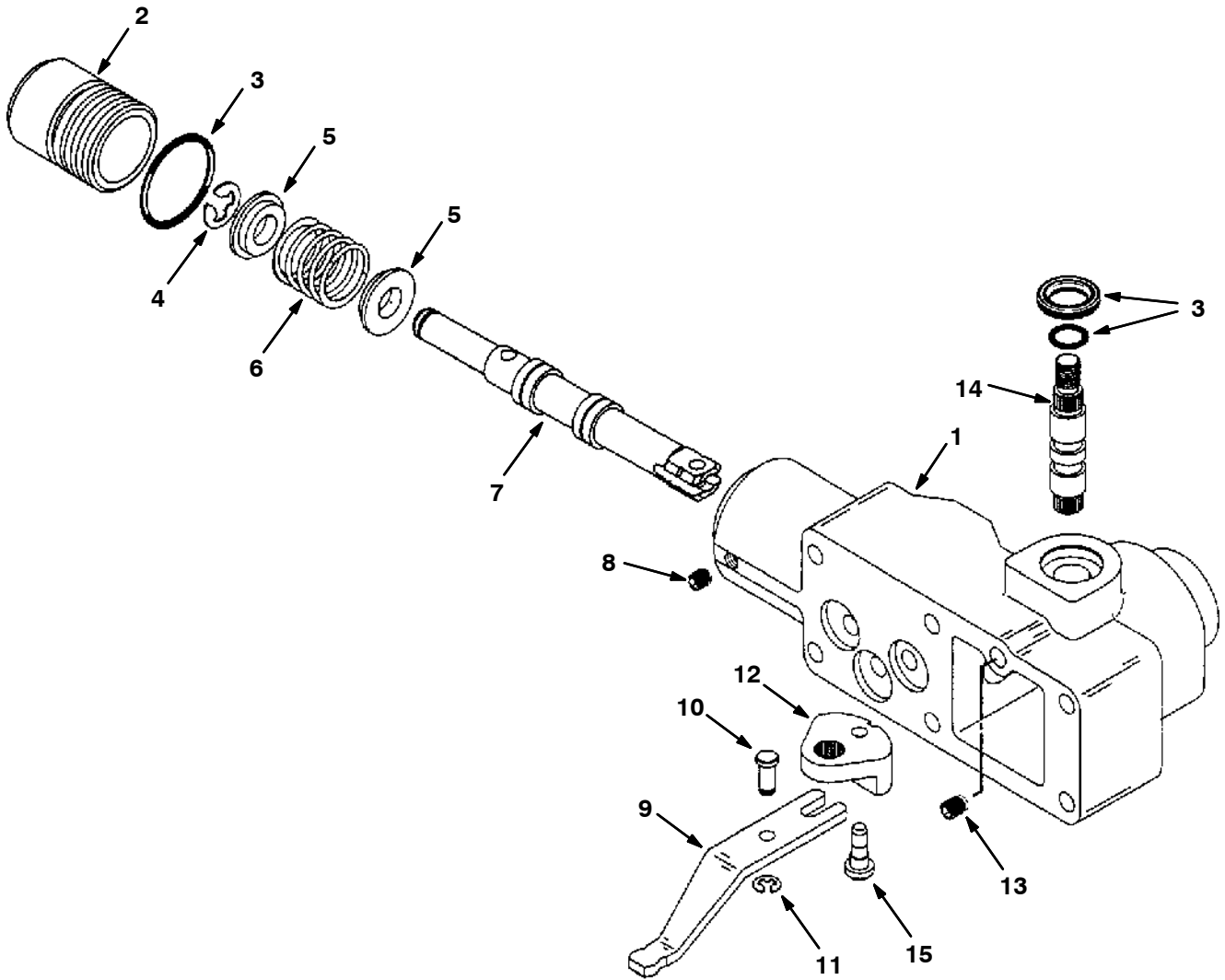


Fig. 5 - Hydraulic Manual Control Breakdown, 74273

NOTE: Piston Pump, TENNANT Part Number 74163, includes Fig. 1, Fig. 2 and Fig. 5.

NOTE: Piston Pump, TENNANT Part Number 373404, includes .Fig. 3, Fig. 4 and Fig. 5.

	Ref.	Part No.	Serial Number	Description	Qty.
▽		74273	(000000-) Control, Manual	1
▲	1	79754	(000000-) Housing,Control	1
▲	2	79755	(000000-) Plug	1
▲	3	79776	(000000-) Seal Kit,Cntrl	1
▲	4	79756	(000000-) Ring, Retaining	1
▲	5	79757	(000000-) Spring,Retainer	2
▲	6	79758	(000000-) Spring, Cntr	1
▲	7	79759	(000000-) Valve Spool	1
▲	8	79760	(000000-) Screw, Set	1
▲	9	79761	(000000-) Link, Feedback	1
▲	10	79762	(000000-) Dowel Pin	1
▲	11	79763	(000000-) Ring, Retaining	1
▲	12	79764	(000000-) Bell Crank	1
▲	13	79765	(000000-) Screw, Set	1
▲	14	79766	(000000-) Shaft, Input	1
▲	15	79767	(000000-) Pin, Headed	1

Fig. 6 - Hydraulic Piston Pump Breakdown, 74164

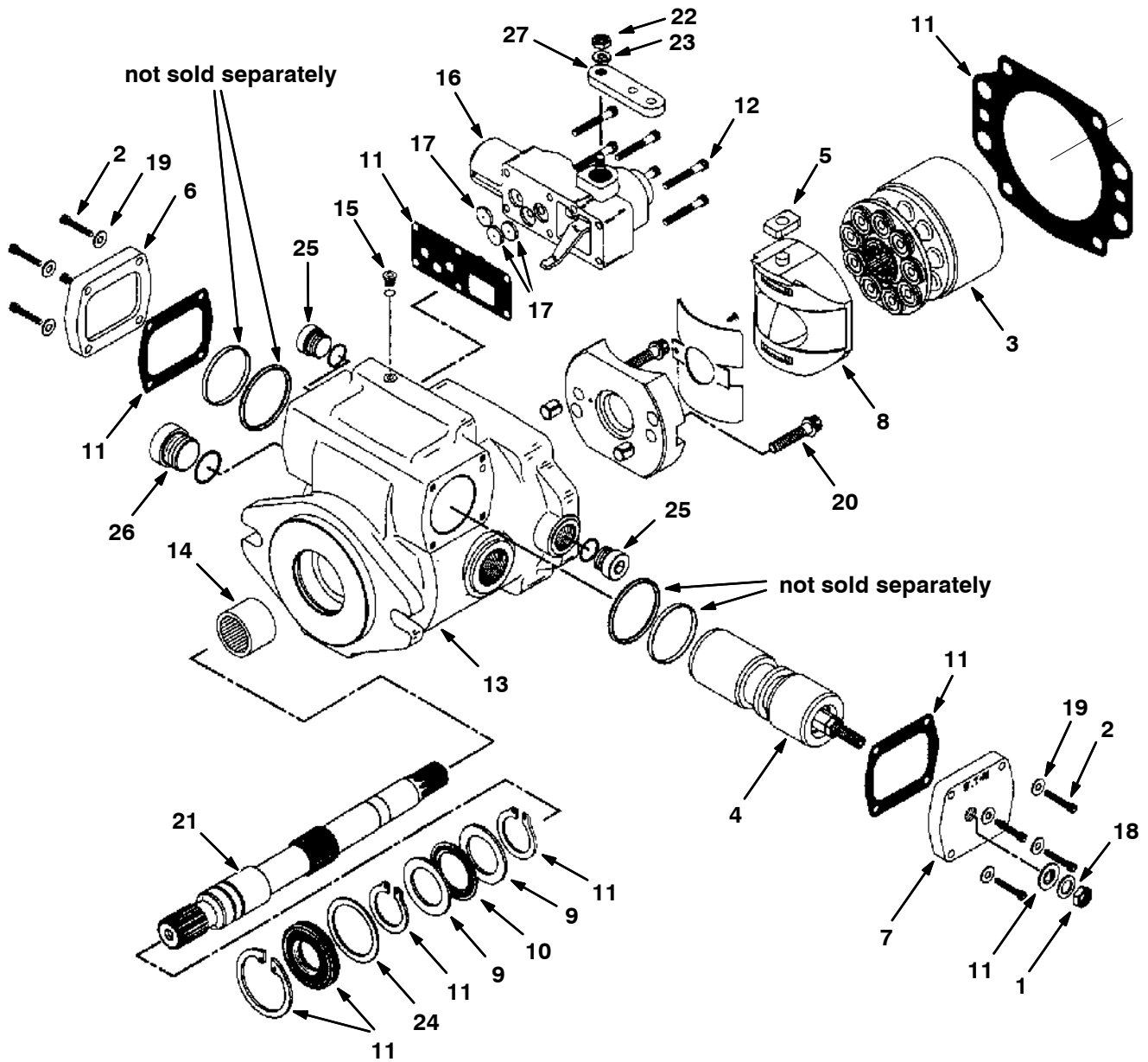


Fig. 6 - Hydraulic Piston Pump Breakdown, 74164

NOTE: Piston Pump, TENNANT Part Number 74164, includes Fig. 6, Fig. 7 and Fig. 10.

Ref.	Part No.	Serial Number	Description	Qty.	
1	74184	(000000-) Nut, Jam	1	
2	74223	(000000-) Screw, Cap	8	
3	61882	(000000-) Rotating Kit	1	
4	74253	(000000-) Piston, Servo	1	
5	74254	(000000-) Follower, Piston	1	
6	74256	(000000-) Plate, Cover En	1	
7	74257	(000000-) Plate, Cover En	1	
8	74258	(000000-) Camplate S/A En	1	
9	74240	(000000-) Race, Bearing Ce	2	
10	74210	(000000-) Bearing	1	
11	74283	(000000-) Seal Kit, Pump En	1	
12	74262	(000000-) Screw, Cap En	6	
▽	74263	(000000-) Housing S/A En	1	
▲	13	79771	(000000-) Housing En	1
▲	14	37462	(000000-) Bearing	1
▲	15	79742	(000000-) Plug S/A En	1
	16	373369	(000000-) Control, Manual (See Breakdowns)	1
	17	74276	(000000-) Orifice, Valve En	3
	18	74280	(000000-) Washer En	1
	19	74281	(000000-) Washer En	8
	20	79747	(000000-) Cap Screw En	2
	21	74265	(000000-) Shaft, Drive Sp En	1
	22	74266	(000000-) Nut En	1
	23	74267	(000000-) Lockwasher En	1
	24	37460	(000000-) Washer	1
	25	13907	(000000-) Plug #8	2
	26	79779	(000000-) Plug,#12 O-Ring Ph	1
	27	74272	(000000-) Arm, Control En	1

Fig. 7 - Hydraulic Piston Pump Breakdown, 74164

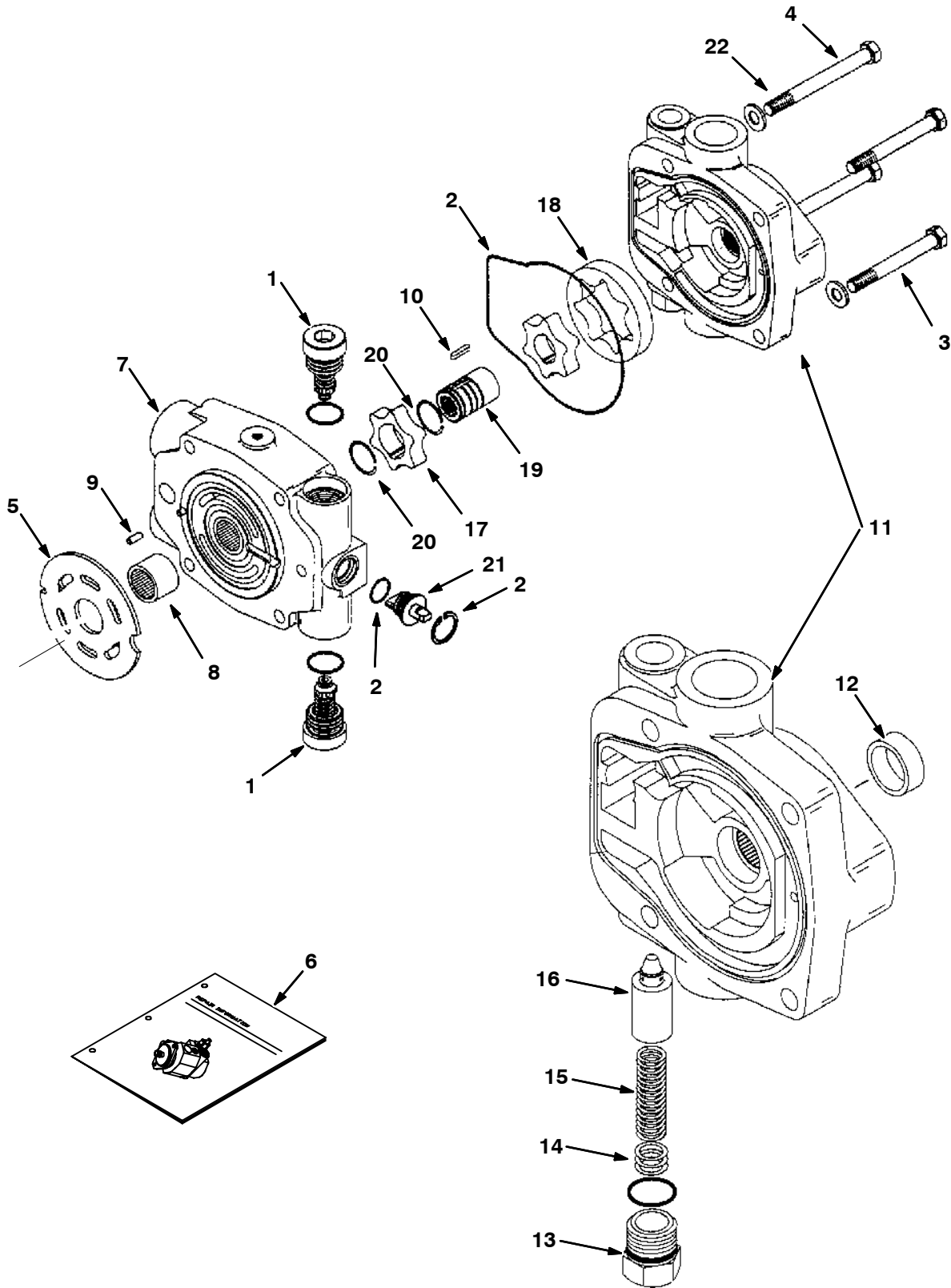


Fig. 7 - Hydraulic Piston Pump Breakdown, 74164

NOTE: Piston Pump, TENNANT Part Number 74164, includes Fig. 6, Fig. 7 and Fig. 10.

Ref.	Part No.	Serial Number	Description	Qty.
1	74259	(000000-) Relief Valve Sa En	2
2	74283	(000000-) Seal Kit, Pump En	1
3	74260	(000000-) Screw, Cap En	2
4	74261	(000000-) Screw, Cap En	2
5	61886	(000000-) Valve Plate	1
6	79708	(000000-) Repair Info,Pmp En	1
▽	7	74264	(000000-) Backplate S/A En	1
▲	8	34159	(000000-) Bearing	1
▲	9	79748	(000000-) Roll Pin En	1
10	74270	(000000-) Key En	1
▽	11	74271	(000000-) Charge Pmp Adap En	1
▲	12	79749	(000000-) Bushing En	1
▲	13	79750	(000000-) Plug En	1
▲	14	79751	(000000-) Shims En	1
▲	15	79752	(000000-) Spring En	1
▲	16	79753	(000000-) Poppet En	1
17	74274	(000000-) Geroter,Ring In En	1
18	74275	(000000-) Geroter,Ring Ot En	1
19	74277	(000000-) Coupler En	1
20	74278	(000000-) Ring, Retaining En	2
21	74279	(000000-) Actuator, Valve En	1
22	74282	(000000-) Washer En	4

Fig. 8 - Hydraulic Piston Pump Breakdown, 373405

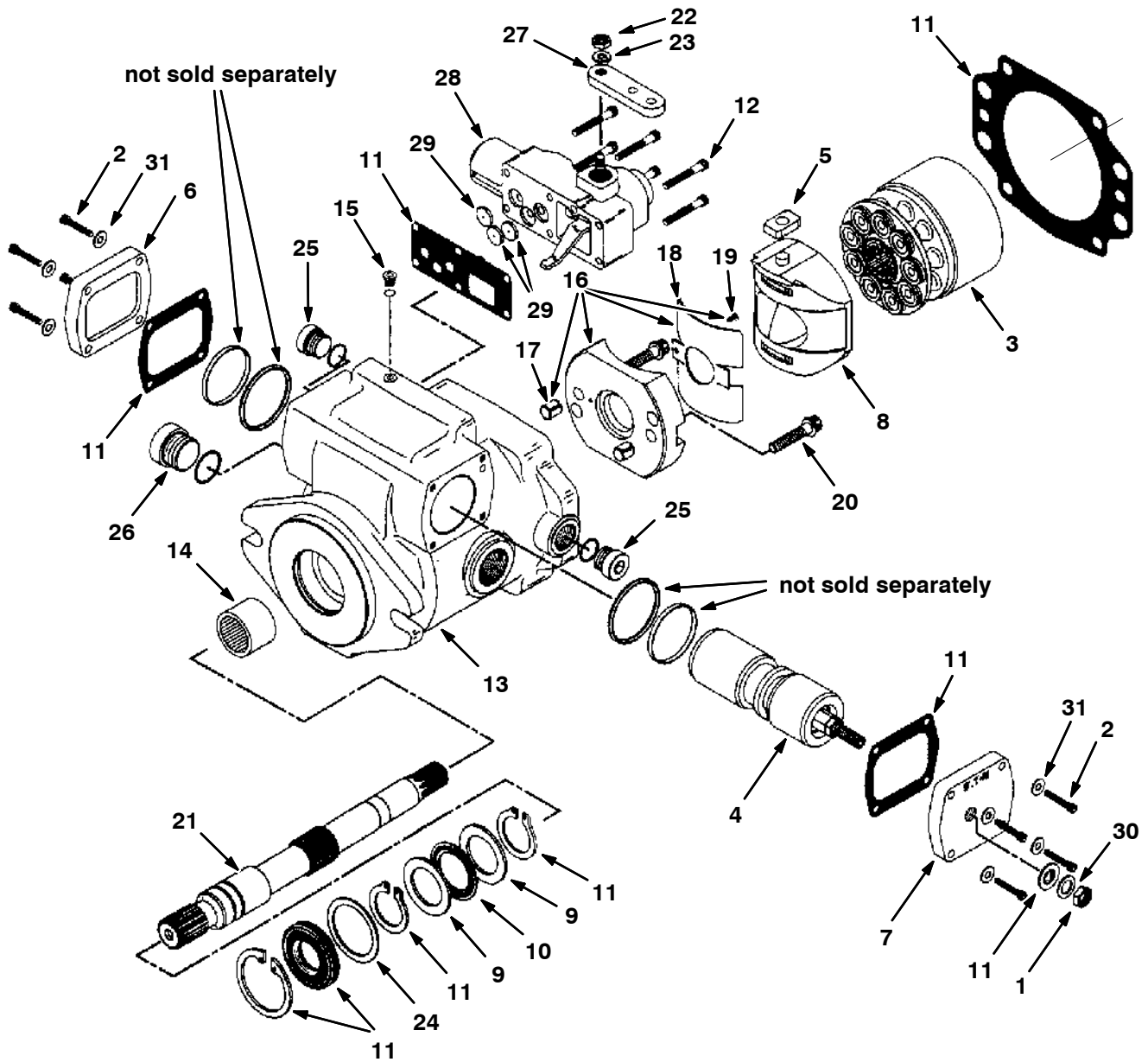


Fig. 8 - Hydraulic Piston Pump Breakdown, 373405

NOTE: Piston Pump, TENNANT Part Number 373405, includes Fig. 8, Fig. 9 and Fig. 10.

Ref.	Part No.	Serial Number	Description	Qty.
1	74184	(000000-) Nut, Jam	1
2	74223	(000000-) Screw, Cap	8
3	61882	(000000-) Rotating Kit	1
4	373407	(000000-) Piston, Servo	1
5	74254	(000000-) Follower, Piston	1
6	74256	(000000-) Plate, Cover En	1
7	74257	(000000-) Plate, Cover En	1
8	74258	(000000-) Camplate S/A En	1
9	74240	(000000-) Race, Bearing Ce	2
10	74210	(000000-) Bearing	1
11	74283	(000000-) Seal Kit, Pump En	1
12	74262	(000000-) Screw, Cap En	6
▽	373408	(000000-) Housing S/A En	1
▲	13 373409	(000000-) Housing En	1
▲	14 37462	(000000-) Bearing	1
▲	15 79742	(000000-) Plug S/A En	1
▽	16 373410	(000000-) Cradle Sub Assy En	1
▲	17 373218	(000000-) Dowel Bushing En	2
▲	18 373414	(000000-) Bushing En	1
▲	19 373415	(000000-) Cap Screw En	1
20	79747	(000000-) Cap Screw En	2
21	74265	(000000-) Shaft, Drive Sp En	1
22	74266	(000000-) Nut En	1
23	74267	(000000-) Lockwasher En	1
24	37460	(000000-) Washer	1
25	13907	(000000-) Plug #8	2
26	79779	(000000-) Plug,#12 O-Ring Ph	1
27	74272	(000000-) Arm, Control En	1
28	373369	(000000-) Control, Manual (See Breakdowns)	1
29	74276	(000000-) Orifice, Valve En	3
30	74280	(000000-) Washer En	1
31	74281	(000000-) Washer En	8

Fig. 9 - Hydraulic Piston Pump Breakdown, 373405

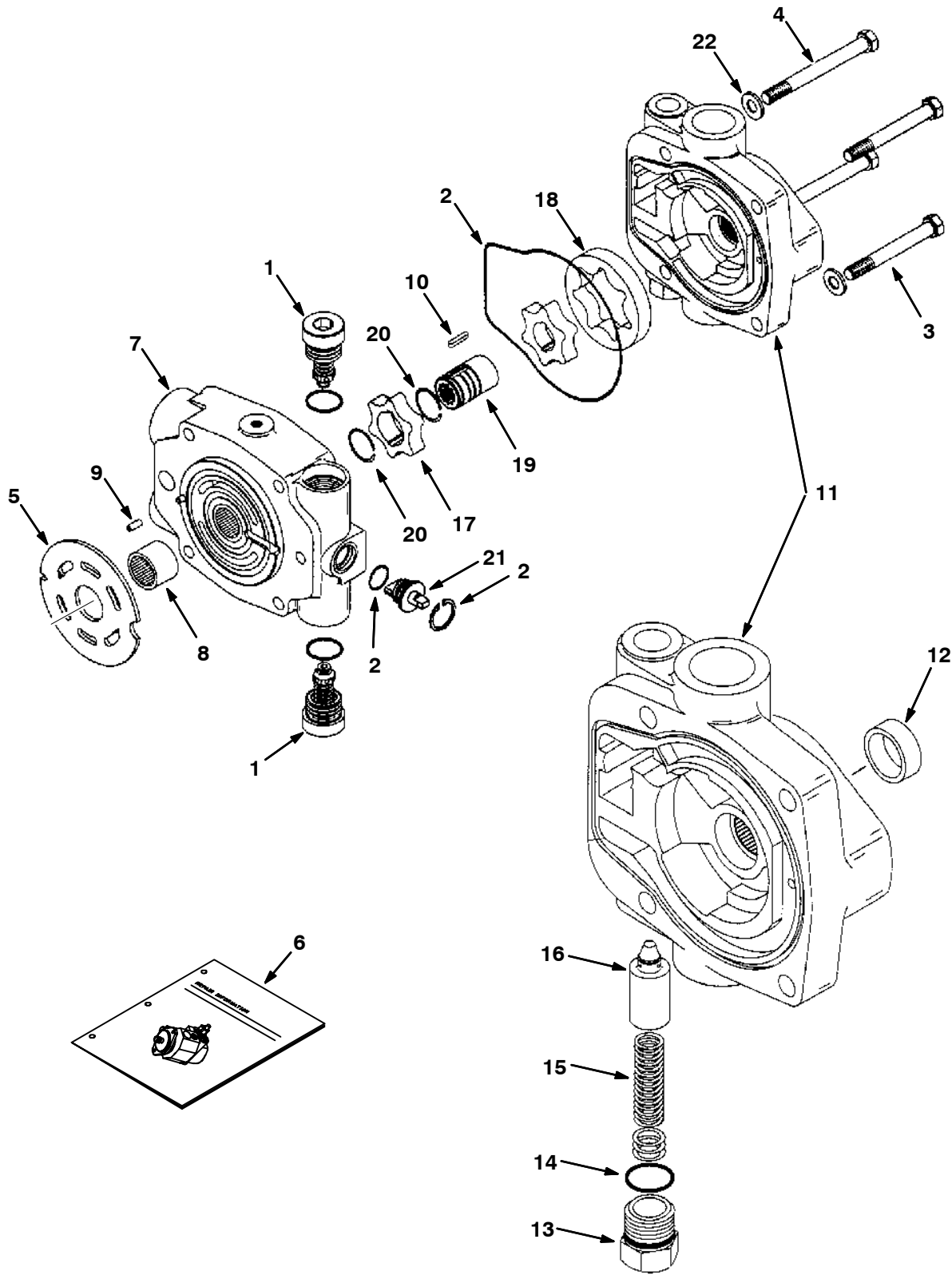


Fig. 9 - Hydraulic Piston Pump Breakdown, 373405

NOTE: Piston Pump, TENNANT Part Number 373405, includes Fig. 8, Fig. 9 and Fig. 10.

Ref.	Part No.	Serial Number	Description	Qty.	
1	74259	(000000-) Relief Valve Sa En	2	
2	74283	(000000-) Seal Kit, Pump En	1	
3	373374	(000000-) Screw, Cap En	2	
4	373375	(000000-) Screw, Cap En	2	
5	61886	(000000-) Valve Plate	1	
6	373406	(000000-) Repair Info,Pmp En	1	
▽	7	373412	(000000-) Backplate S/A En	1
▲	8	34159	(000000-) Bearing	1
▲	9	79748	(000000-) Roll Pin En	1
10	74270	(000000-) Key En	1	
▽	11	74271	(000000-) Charge Pmp Adap En	1
▲	12	79749	(000000-) Bushing En	1
▲	13	79750	(000000-) Plug En	1
▲	14	79751	(000000-) Shims En	1
▲	15	79752	(000000-) Spring En	1
▲	16	79753	(000000-) Poppet En	1
17	74274	(000000-) Geroter,Ring In En	1	
18	74275	(000000-) Geroter,Ring Ot En	1	
19	74277	(000000-) Coupler En	1	
20	74278	(000000-) Ring, Retaining En	2	
21	373413	(000000-) Actuator, Valve En	1	
22	74282	(000000-) Washer En	4	

Fig. 10 - Hydraulic Manual Control Breakdown, 373369

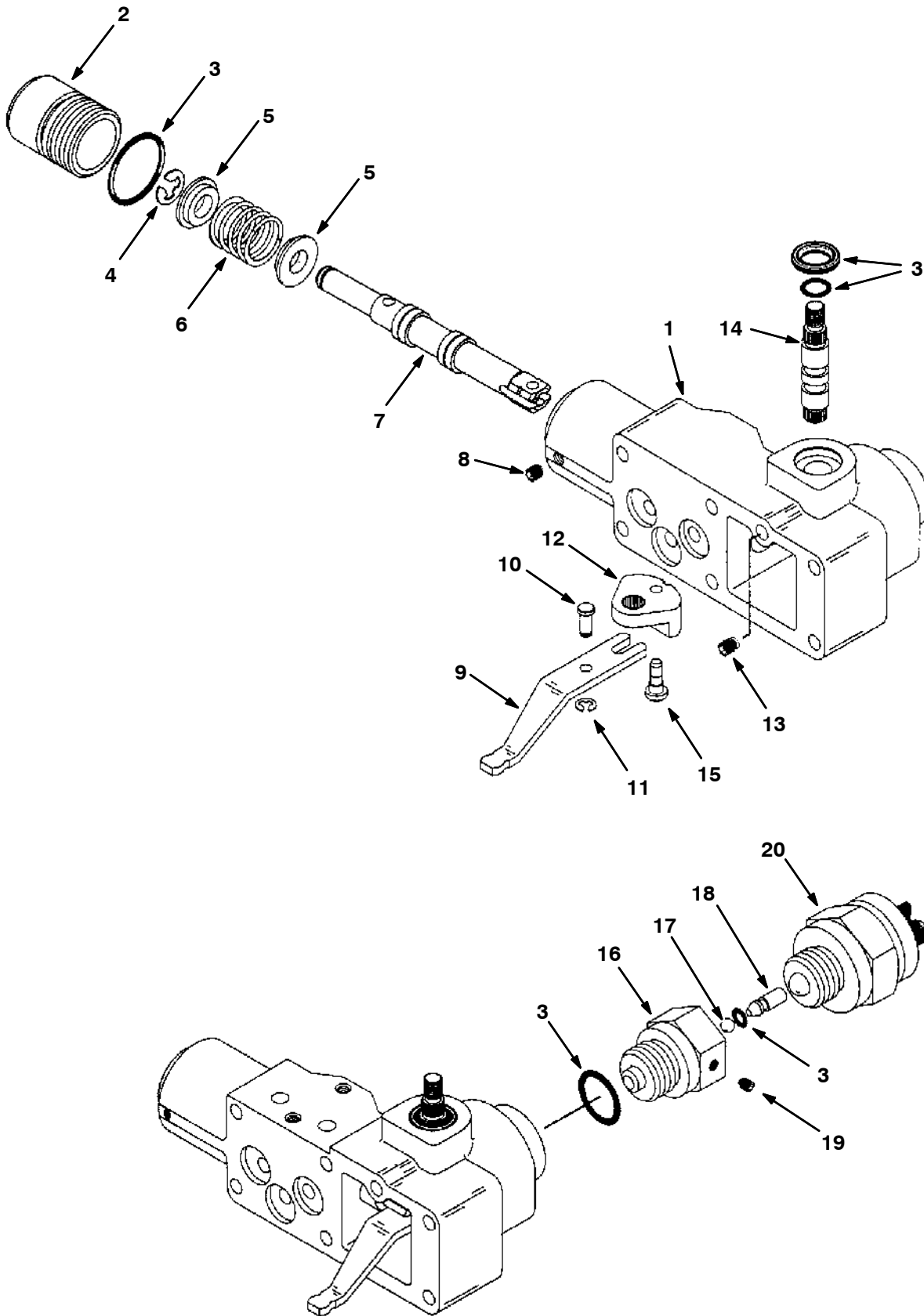


Fig. 10 - Hydraulic Manual Control Breakdown, 373369

NOTE: Piston Pump, TENNANT Part Number 74164, includes Fig. 6, Fig. 7 and Fig. 10.

NOTE: Piston Pump, TENNANT Part Number 373405, includes Fig. 8, Fig. 9 and Fig. 10.

	Ref.	Part No.	Serial Number	Description	Qty.
▽		373369	(000000-) Manual Control En	1
▲	1	79777	(000000-) Housing,Control En	1
▲	2	79755	(000000-) Plug En	1
▲	3	79776	(000000-) Seal Kit,Cntrl En	1
▲	4	79756	(000000-) Ring, Retaining En	1
▲	5	79757	(000000-) Spring,Retainer En	2
▲	6	79758	(000000-) Spring, Cntr En	1
▲	7	79772	(000000-) Vlv Spool Wide En	1
▲	8	79760	(000000-) Screw, Set En	1
▲	9	79761	(000000-) Link, Feedback En	1
▲	10	79762	(000000-) Dowel Pin En	1
▲	11	79763	(000000-) Ring, Retaining En	1
▲	12	79764	(000000-) Bell Crank En	1
▲	13	79765	(000000-) Screw, Set En	1
▲	14	79766	(000000-) Shaft, Input En	1
▲	15	79767	(000000-) Pin, Headed En	1
▲	16	373371	(000000-) Adaptor,Neutral En	1
▲	17	79774	(000000-) Ball En	1
▲	18	373372	(000000-) Pin, Cntrl Assy En	1
▲	19	79760	(000000-) Screw, Set En	1
▲	20	373373	(000000-) Switch,Lockout En	1

Fig. 11 - Hydraulic Gear Pump Breakdown, 62561

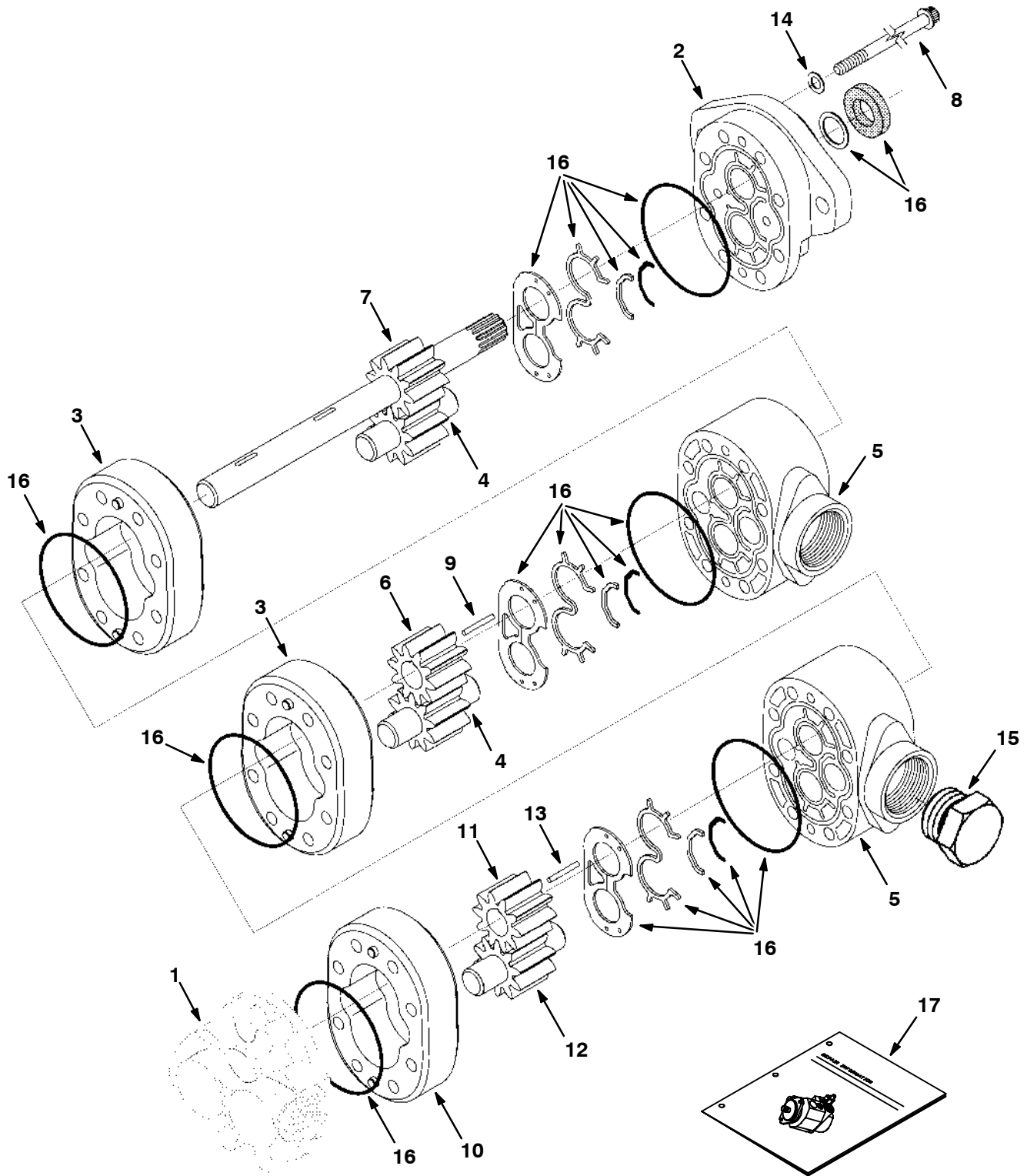


Fig. 11 - Hydraulic Gear Pump Breakdown, 62561

	Ref.	Part No.	Serial Number	Description	Qty.
▽		62561	(000000-) Pump, Hyd	1
▲	1	58242	(000000-) Plate, Back	1
▲	2	74149	(000000-) Plate, Front	1
▲	3	74150	(000000-) Body Assy	2
▲	4	74151	(000000-) Gear, Idler	2
▲	5	74152	(000000-) Plate, Adapter	2
▲	6	74148	(000000-) Gear, Slip Fit	1
▲	7	65226	(000000-) Drive Gear Assembly	1
▲	8	74154	(000000-) Screw, Cap	8
▲	9	74160	(000000-) Key, Round	1
▲	10	74157	(000000-) Body Assembly	1
▲	11	74153	(000000-) Gear	1
▲	12	74158	(000000-) Gear, Idler	1
▲	13	74156	(000000-) Key, Round	1
▲	14	74159	(000000-) Washer	4
▲	15	74161	(000000-) Plug, O-ring	1
▲	16	59305	(000000-) Kit, Seal, Hyd, Pump	1
▲	17	763483	(000000-) Repair Info, Pump	1

Fig. 12 - Hydraulic Gear Pump Breakdown, 373254

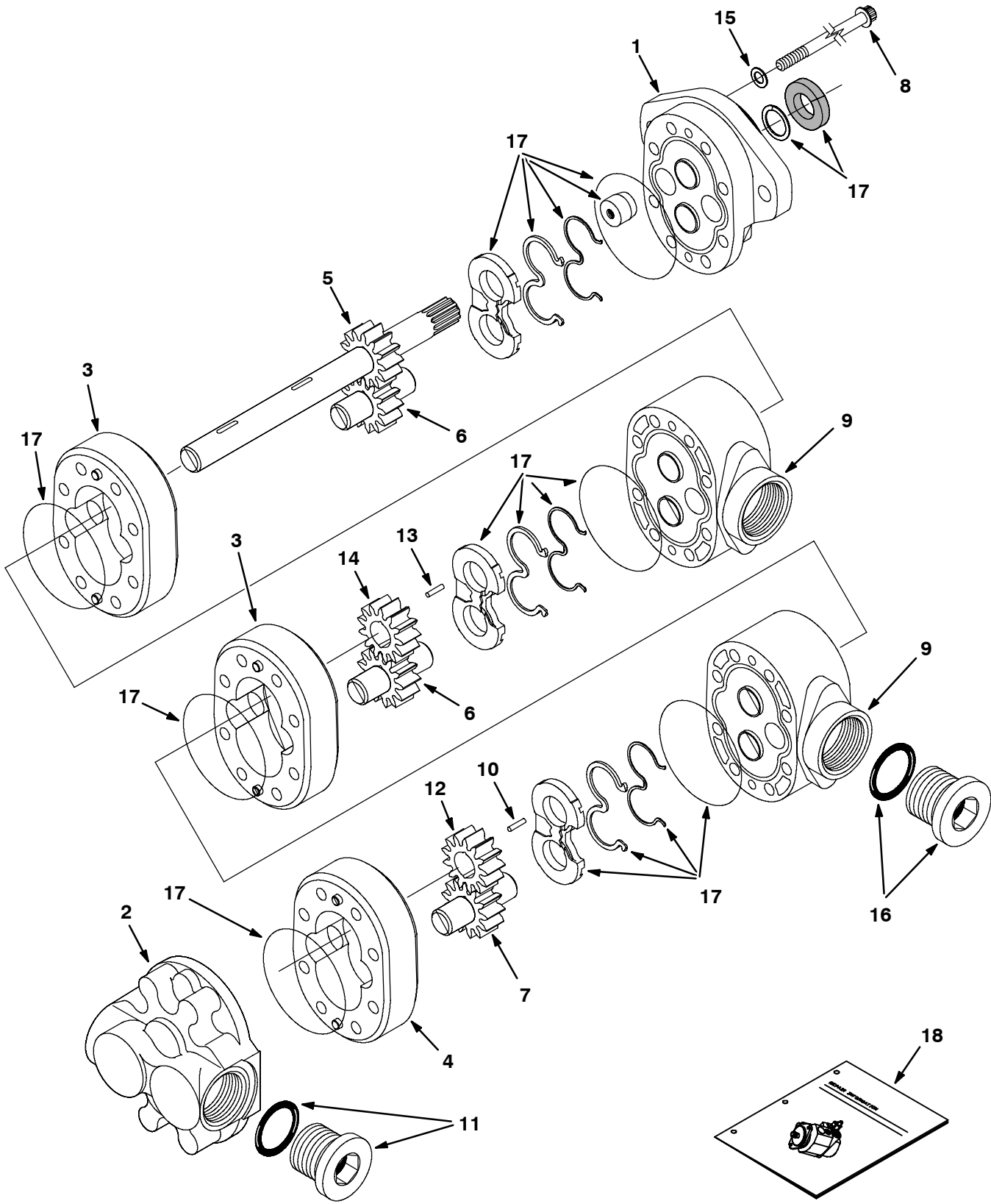


Fig. 12 - Hydraulic Gear Pump Breakdown, 373254

Ref.	Part No.	Serial Number	Description	Qty.
▽	373254	(000000-) Pump, Hyd, Gear, [Ex3] 0.66 [R] 3000	1
▲	1 373201	(000000-) Plate, Front, Pump, Hyd	1
▲	2 373276	(000000-) Plate, Back, Pump, Hyd	1
▲	3 373232	(000000-) Housing	1
▲	4 373256	(000000-) Body	2
▲	5 373457	(000000-) Gear, Drive	1
▲	6 373211	(000000-) Gear Assy, Idler	1
▲	7 373258	(000000-) Gear, Idler	2
▲	8 74154	(000000-) Screw, Cap, Motor, Hyd	8
▲	9 373235	(000000-) Plate, Adaptor	2
▲	10 373458	(000000-) Key	1
▲	11 71725	(000000-) Plug, O-Ring	1
▲	12 373259	(000000-) Gear, [Slip Fit]	1
▲	13 373284	(000000-) Key	1
▲	14 373242	(000000-) Gear	1
▲	15 373243	(000000-) Washer	4
▲	16 74161	(000000-) Plug, O-Ring	1
▲	17 373255	(000000-) Kit, Seal, Pump	1
▲	18 373207	(000000-) Instr, Kit, Repair, Pump, Hyd	1

Fig. 13 - Hydraulic Motor Breakdown, 77406

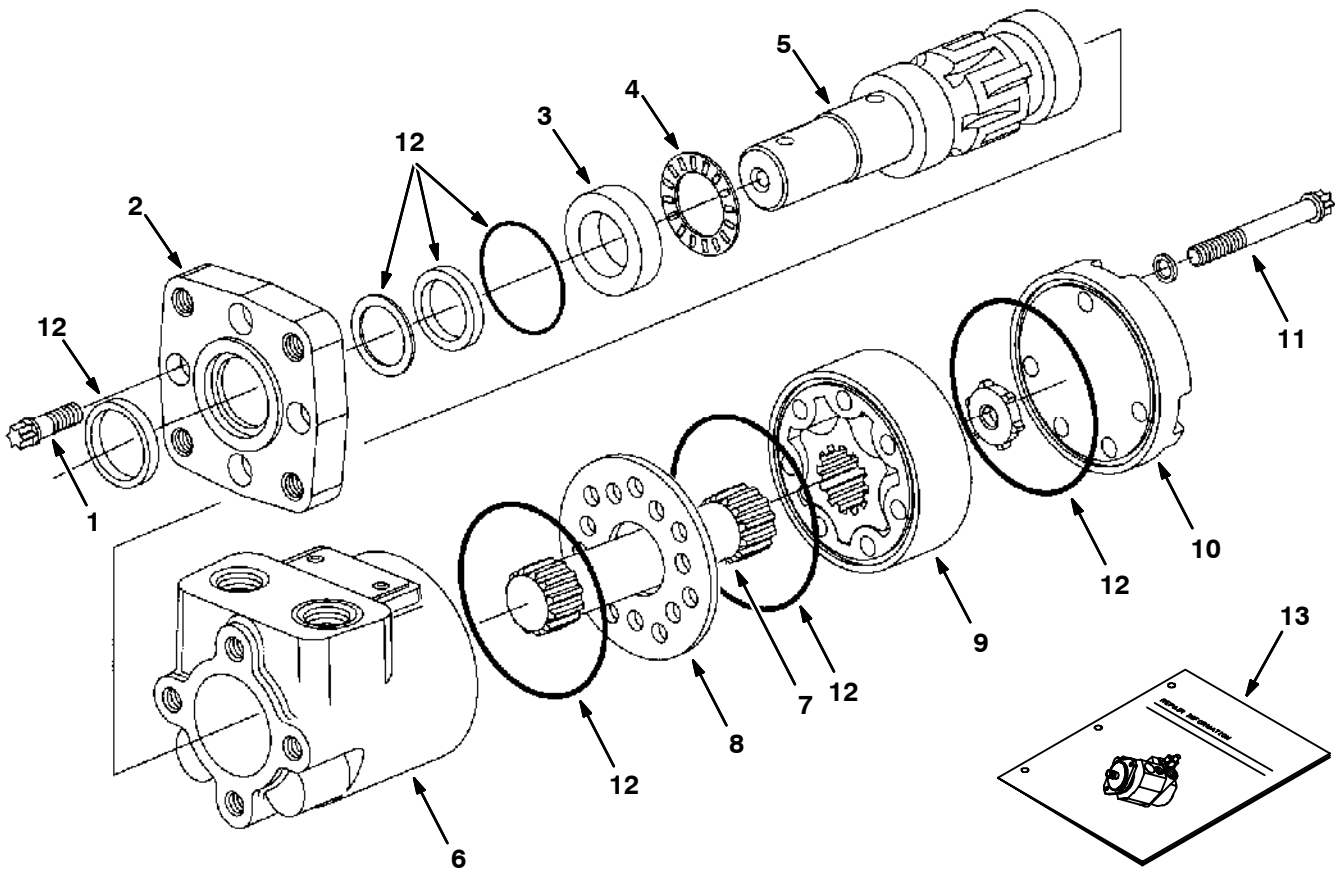


Fig. 13 - Hydraulic Motor Breakdown, 77406

	Ref.	Part No.	Serial Number	Description	Qty.
▽		77406	(000000-) Motor, Hyd Gear IN 03.6 B 1500	1
▲	1	37555	(000000-) Cap, Screw	4
▲	2	31354	(000000-) Flange, Mounting	1
▲	3	16695	(000000-) Race, Thrust	1
▲	4	45628	(000000-) Thrust Bearing	1
▲	5	31373	(000000-) Output Shaft Assembly	1
▲	6	74100	(000000-) Housing Cl	1
▲	7	31379	(000000-) Drive Cl	1
▲	8	74094	(000000-) Spacer Plate Cl	1
▲	9	27763	(000000-) Gerotor Set	1
▲	10	65230	(000000-) End Cap Cl	1
▲	11	65241	(000000-) Screw Cap Cl	5
▲	12	61490	(000000-) Seal Replmt Kit	1
	13	74250	(000000-) Repair Info. Cl	1

Fig. 14 - Hydraulic Motor Breakdown, 375719

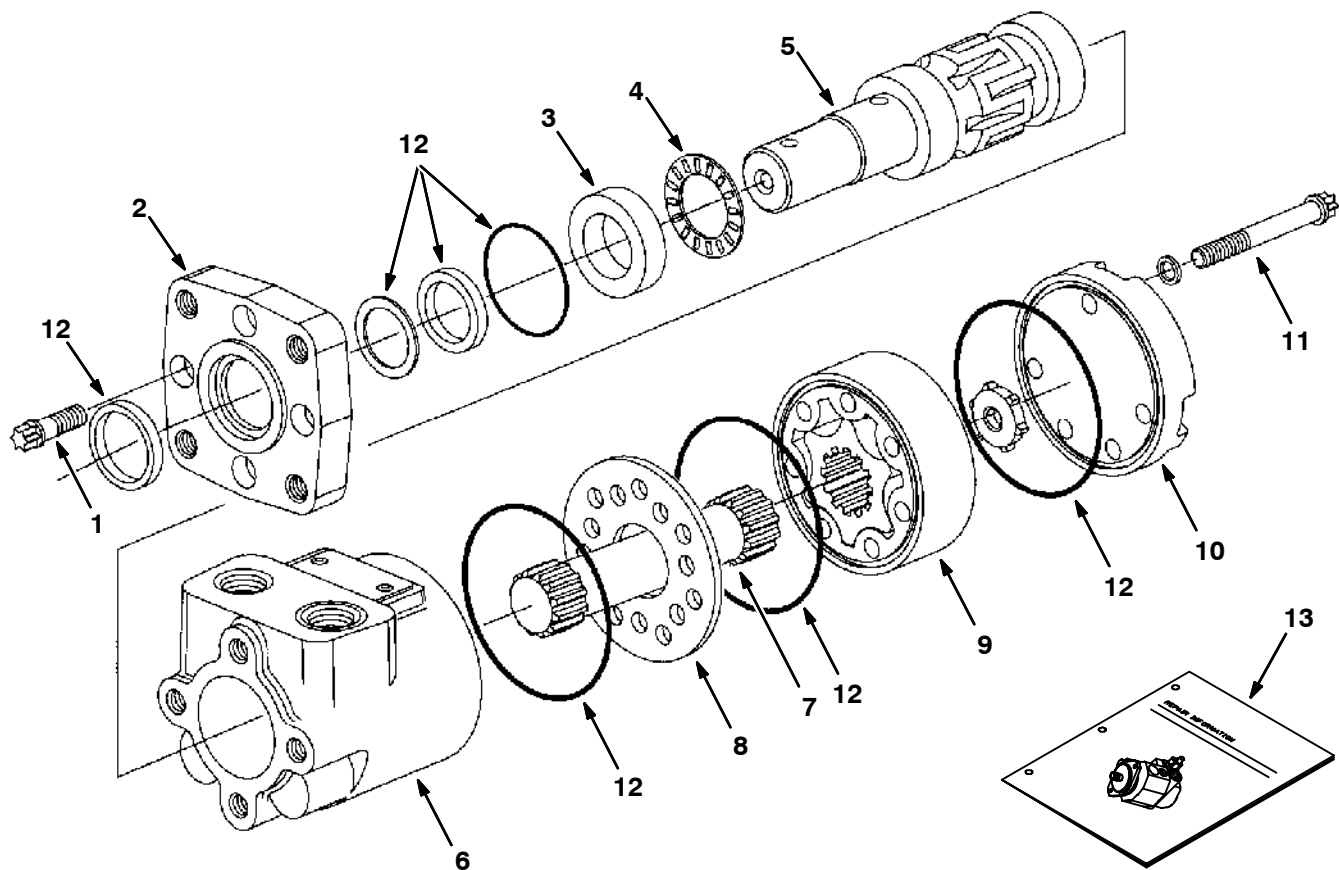


Fig. 14 - Hydraulic Motor Breakdown, 375719

	Ref.	Part No.	Serial Number	Description	Qty.
▽		375719	(000000-) Motor, Hyd Gear	1
▲	1	37555	(000000-) Cap, Screw	4
▲	2	31354	(000000-) Flange, Mounting	1
▲	3	16695	(000000-) Race, Thrust	1
▲	4	45628	(000000-) Thrust Bearing	1
▲	5	31373	(000000-) Output Shaft Assembly	1
▲	6	74100	(000000-) Housing Cl	1
▲	7	34176	(000000-) Drive, Motor, Hyd	1
▲	8	74094	(000000-) Spacer Plate Cl	1
▲	9	65229	(000000-) Gerotor Set	1
▲	10	65230	(000000-) End Cap Cl	1
▲	11	74174	(000000-) Screw Cap Cl	5
▲	12	22654	(000000-) Seal Replmt Kit	1
	13	74250	(000000-) Repair Info. Cl	1

Fig. 15 - Hydraulic Motor Breakdown, 63426

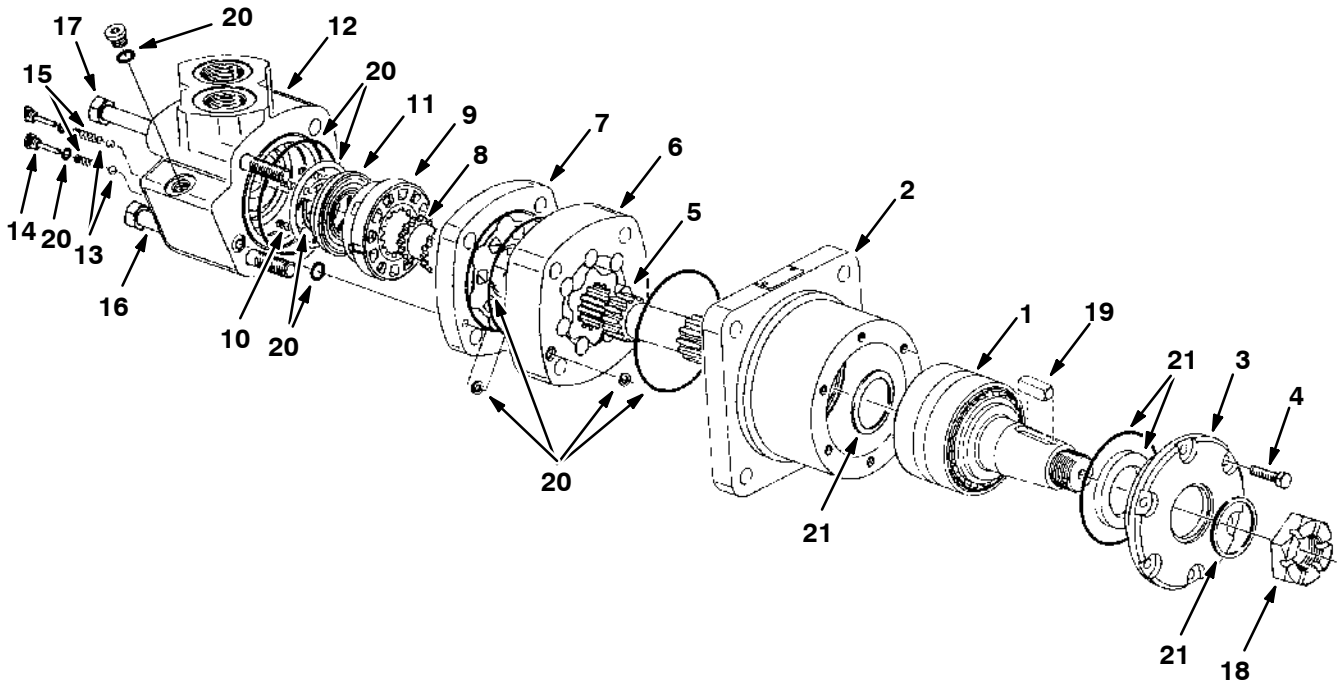


Fig. 15 - Hydraulic Motor Breakdown, 63426

	Ref.	Part No.	Serial Number	Description	Qty.
▽		63426	(000000-) Motor, Propelling	1
▲	1	34180	(000000-) Shaft and Brg	1
▲	2	74132	(000000-) Housing, Brg	1
▲	3	74133	(000000-) Retainer, Frt	1
▲	4	37943	(000000-) Bolt	6
▲	5	34181	(000000-) Drive	1
▲	6	34182	(000000-) Gerotor Set	1
▲	7	34184	(000000-) Valve Plate	1
▲	8	34183	(000000-) Drive, Valve	1
▲	9	34185	(000000-) Valve	1
▲	10	34178	(000000-) Spring	3
▲	11	37723	(000000-) Plate	1
▲	12	74134	(000000-) Housing Assy	1
▲	13	37766	(000000-) Ball	2
▲	14	74137	(000000-) Plug Assembly	2
▲	15	34179	(000000-) Spring	2
▲	16	74135	(000000-) Screw, Cap	2
▲	17	74136	(000000-) Screw, Cap	2
▲	18	45622	(000000-) Nut	1
▲	19	45623	(000000-) Key	1
▲	20	40380	(000000-) Seal Kit, Motor	1
▲	21	65227	(000000-) Seal Kit, Shaft	1

Fig. 16 - Hydraulic Motor Breakdown, 22626

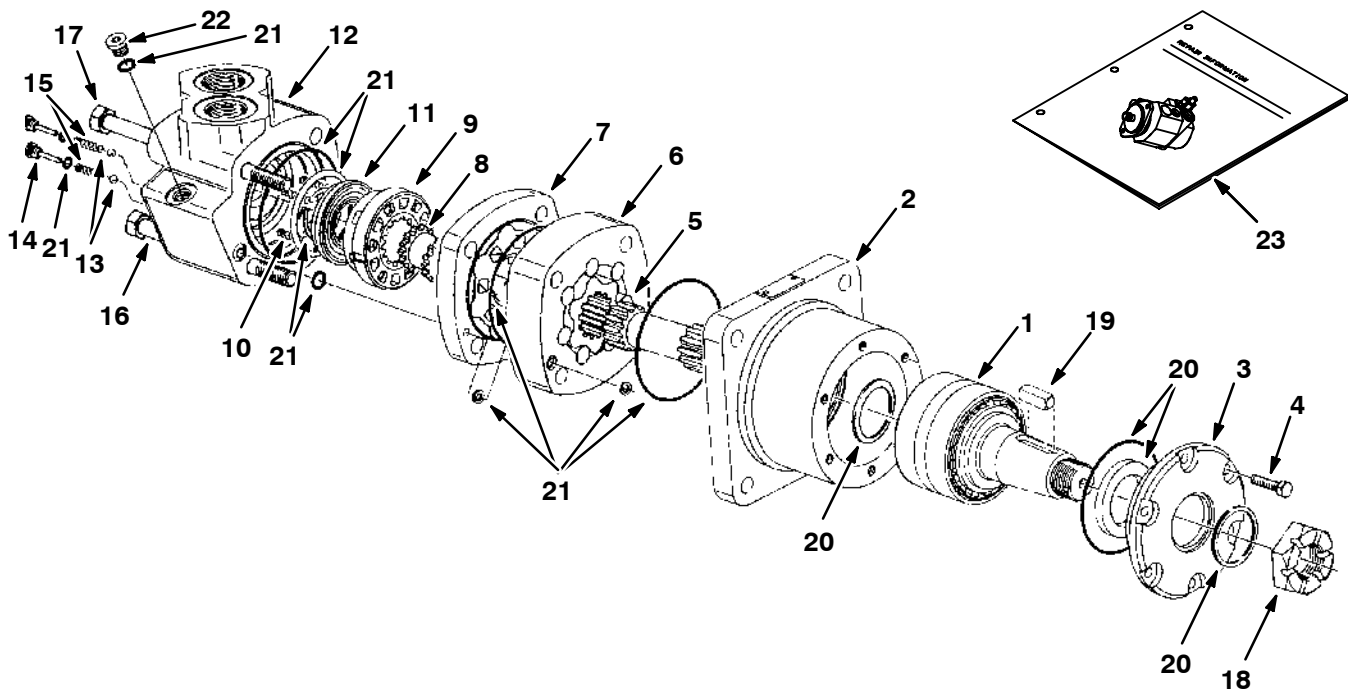


Fig. 16 - Hydraulic Motor Breakdown, 22626

	Ref.	Part No.	Serial Number	Description	Qty.
▽		22626	(000000-) Motor, Propelling	1
▲	1	22629	(000000-) Shaft and Brg	1
▲	2	22630	(000000-) Housing, Brg	1
▲	3	22636	(000000-) Retainer, Frt	1
▲	4	37943	(000000-) Bolt	6
▲	5	34181	(000000-) Drive	1
▲	6	74214	(000000-) Gerotor Set	1
▲	7	34184	(000000-) Valve Plate	1
▲	8	34183	(000000-) Drive, Valve	1
▲	9	34185	(000000-) Valve	1
▲	10	34178	(000000-) Spring	3
▲	11	37723	(000000-) Plate	1
▲	12	74134	(000000-) Housing Assy	1
▲	13	37766	(000000-) Ball	2
▲	14	74137	(000000-) Plug Assembly	2
▲	15	34179	(000000-) Spring	2
▲	16	74135	(000000-) Screw, Cap	2
▲	17	74136	(000000-) Screw, Cap	2
▲	18	45622	(000000-) Nut	1
▲	19	45623	(000000-) Key	1
▲▽	20	22645	(000000-) Seal Kit, Shaft	1
▲▲	21	22646	(000000-) Seal Kit, Motor	1
▲▲		74220	(000000-) Seal Kit, Rear	1
▲	22	74098	(000000-) Plug, O-Ring	1
	23	74246	(000000-) Repair Info, Motor	1

Fig. 17 - Hydraulic Motor Breakdown, 373464

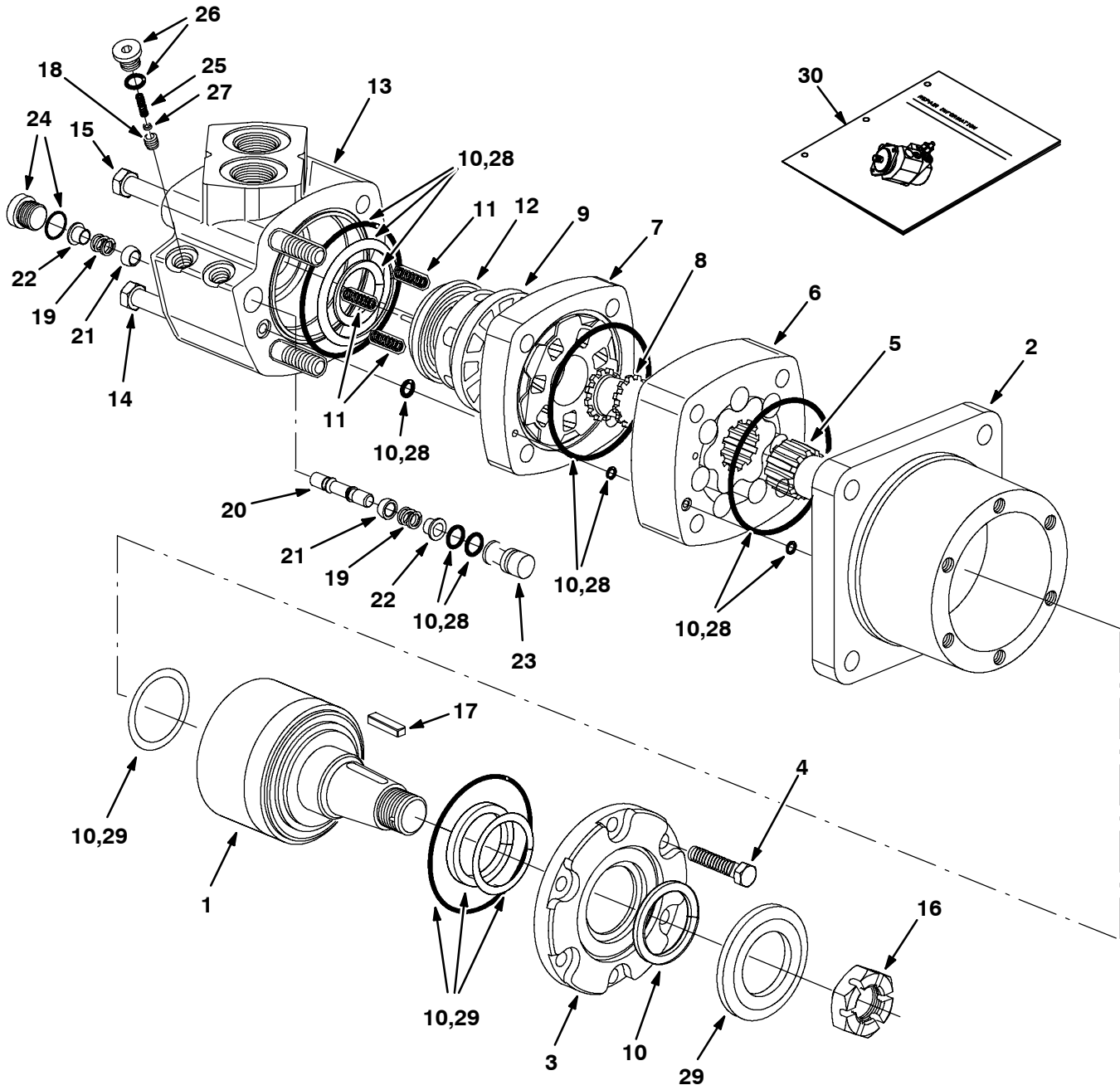
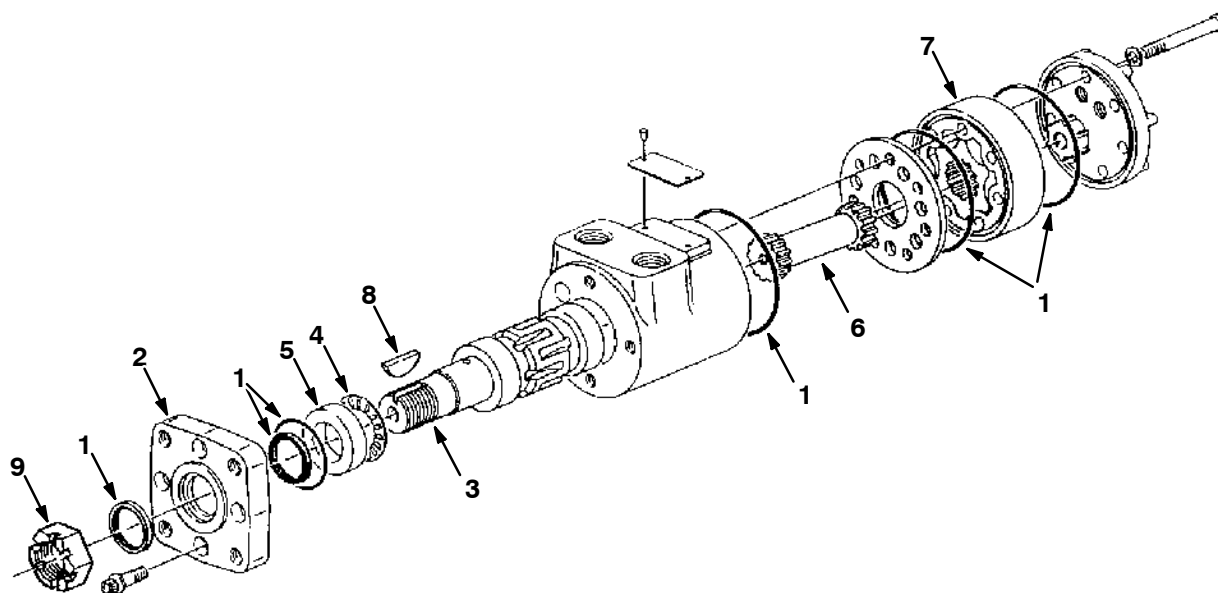


Fig. 17 - Hydraulic Motor Breakdown, 373464

Ref.	Part No.	Serial Number	Description	Qty.
▽	373464	(000000-) Motor, Hyd, Gear, [In] 29.9 B 3000	1
▲	1 22629	(000000-) Shaft, Motor, Hyd	1
▲	2 22630	(000000-) Housing, Bearing, Motor, Hyd	1
▲	3 22636	(000000-) Retainer, Front, Motor, Hyd	1
▲	4 37943	(000000-) Bolt, Motor, Hyd	6
▲	5 34181	(000000-) Drive, Motor, Hyd	1
▲	6 74214	(000000-) Geroler Set, Motor, Hyd	1
▲	7 34184	(000000-) Plate, Valve, Motor, Hyd	1
▲	8 34183	(000000-) Valve, Drive, Motor, Hyd	1
▲	9 373541	(000000-) Valve	1
▲	10 22646	(000000-) Kit, Seal, Motor, Hyd	1
▲	11 34178	(000000-) Spring, Motor, Hyd	3
▲	12 37723	(000000-) Plate, Motor, Hyd	1
▲	13 373549	(000000-) Housing, Valve	1
▲	14 74135	(000000-) Screw, Cap, Motor, Hyd	2
▲	15 74136	(000000-) Screw, Cap, Motor, Hyd	2
▲	16 45622	(000000-) Nut, Motor, Hyd	1
▲	17 45623	(000000-) Key, Motor, Hyd	1
▲	18 373542	(000000-) Poppet	1
▲	19 373291	(000000-) Spring	2
▲	20 373543	(000000-) Piston	1
▲	21 373226	(000000-) Poppet, Pump, Hyd, Gear	2
▲	22 373236	(000000-) Sleeve, Dashpo, Pump, Hyd, Gear	2
▲	23 373544	(000000-) Plug	1
▲	24 373545	(000000-) Plug Assy	1
▲	25 373546	(000000-) Spring	1
▲	26 373547	(000000-) Plug Assy	1
▲	27 373548	(000000-) Shim	1
▲	28 74220	(000000-) Kit, Seal, Hyd, Motor	1
▲	29 22645	(000000-) Kit, Seal, Motor, Hyd	1
	30 74246	(000000-) Repair Info,Mtr Cl	1

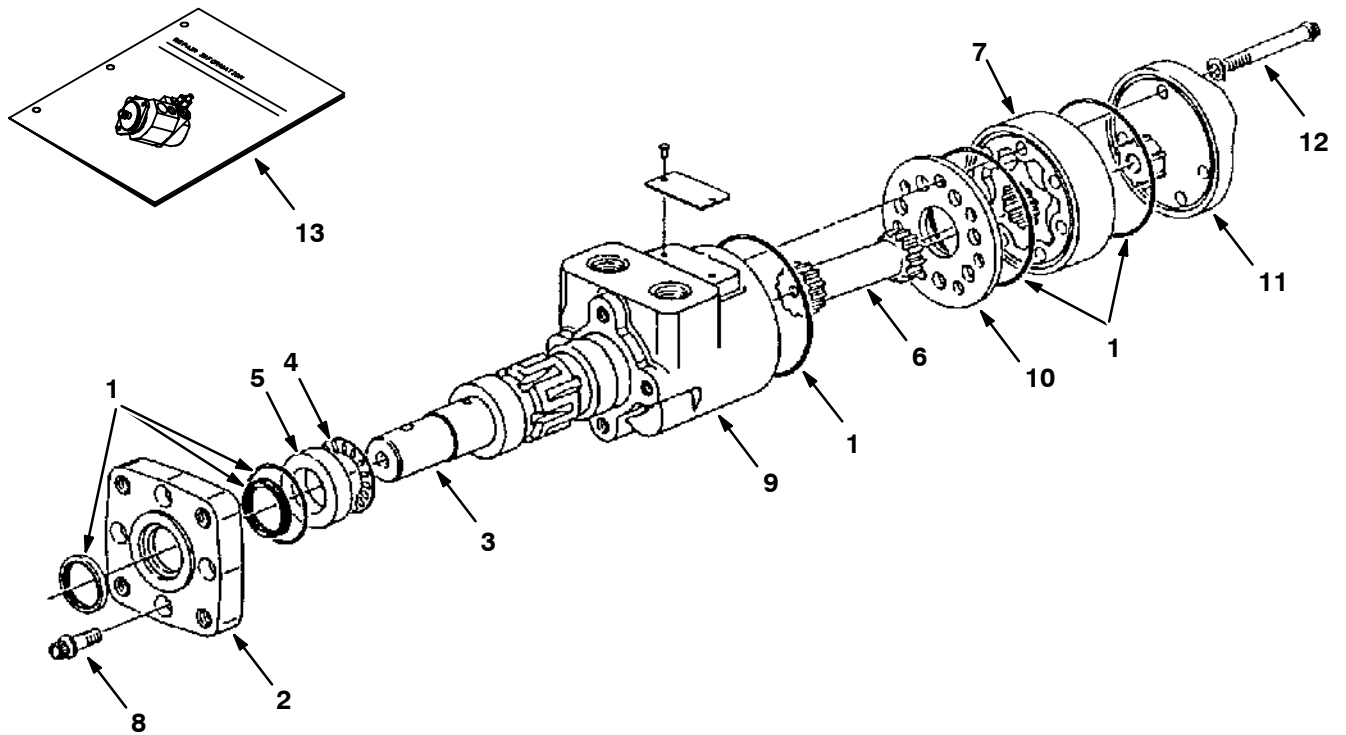
Fig. 18 - Hydraulic Motor Breakdown, 62563



05348 - ALL

Ref.	Part No.	Serial Number	Description	Qty.
▽	62563	(000000-) Motor, Hydraulic	1
▲	1 61490	(000000-) Seal Kit	1
▲	2 31354	(000000-) Flange, Mounting	1
▲	3 31375	(000000-) Shaft	1
▲	4 45628	(000000-) Bearing	1
▲	5 16695	(000000-) Race, Thrust	1
▲	6 34176	(000000-) Drive	1
▲	7 27763	(000000-) Gerotor Set	1
▲	8 00500-15	(000000-) Key, Woodruff	1
▲	9 39527	(000000-) Nut, slotted Hex	1

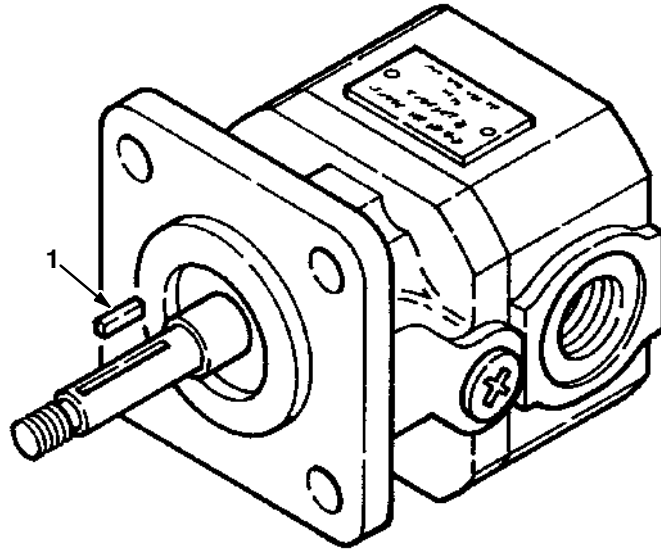
Fig. 19 - Hydraulic Motor Breakdown, 79781



07716,09670 - ALL

Ref.	Part No.	Serial Number	Description	Qty.
▽	79781	(000000-) Motor, Hydraulic	1
▲	1 61490	(000000-) Seal Kit	1
▲	2 79782	(000000-) Flange, Mounting	1
▲	3 16694	(000000-) Shaft	1
▲	4 45628	(000000-) Bearing Thrust	1
▲	5 16695	(000000-) Race, Thrust	1
▲	6 31380	(000000-) Drive	1
▲	7 31385	(000000-) Gerotor Set	1
▲	8 37555	(000000-) Screw	4
▲	9 74100	(000000-) Housing	1
▲	10 74094	(000000-) Spacer Plate	1
▲	11 74101	(000000-) End Cap	1
▲	12 65232	(000000-) Cap Screw	5
▲	13 74250	(000000-) Repair Info, Motor	1

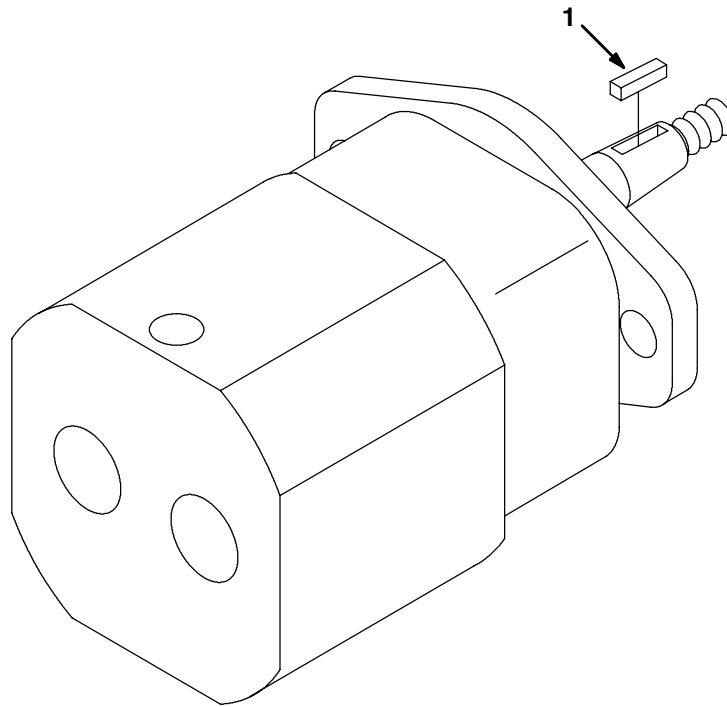
Fig. 20 - Hydraulic Motor Breakdown, 19117



05190 - ALL

	Ref.	Part No.	Serial Number	Description	Qty.
▽		19117	(000000-)	Motor, Hydraulic	1
▲	1	00954	(000000-)	Key	1
▲		74233	(000000-)	Seal Kit	1

Fig. 21 - Hydraulic Motor Breakdown, 63542



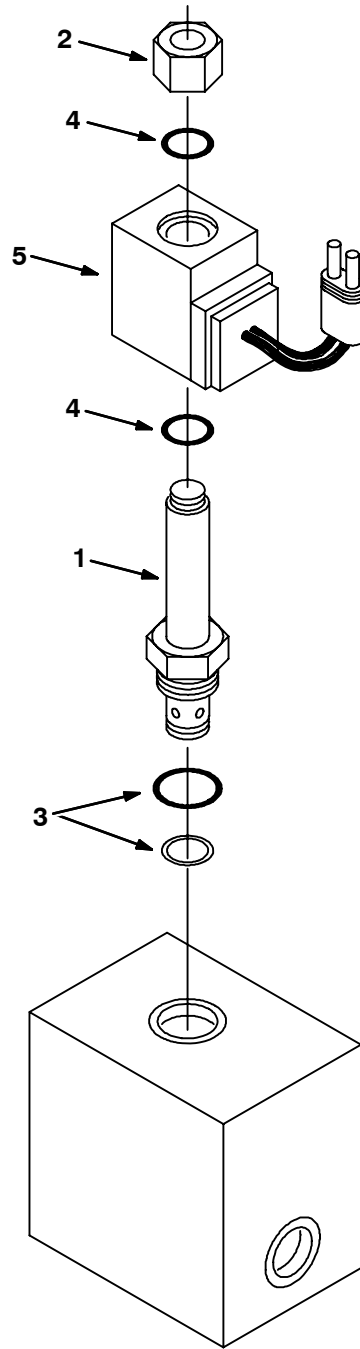
10556 - ALL

	Ref.	Part No.	Serial Number	Description	Qty.
▽		63542	(000000-) Motor, Hydraulic	1
▲	1	00960	(000000-) Key, Square 0.12 0.12 00.50 LG	1
▲		74233	(000000-) Seal Kit, Hyd Mtr Gear	1

Fig. 22 - Hydraulic Steering Valve Breakdown, 65242

	Ref.	Part No.	Serial Number	Description	Qty.
▽		65242	(000000-) Steer Control Hyd#4 04.5 1300	1
▲	1	74174	(000000-) Cap, Screw	6
▲	2	74194	(000000-) Cap, End	1
▲	3	65235	(000000-) Gerotor Set Cl	1
▲	4	74182	(000000-) Plate, Wear	1
▲	5	58596	(000000-) Drive	1
▲	6	74218	(000000-) Pin	1
▲	7	74109	(000000-) Race, Bearing	2
▲	8	74110	(000000-) Bearing, Needle	1
▲	9	74112	(000000-) Bushing, Seal	1
▲	10	74111	(000000-) Ring, Retainer	1
▲	11	74190	(000000-) Seal Kit, Scu	1
▲	12	74195	(000000-) Spring Kit	1
	13	74251	(000000-) Repair Info,Scu Cl	1

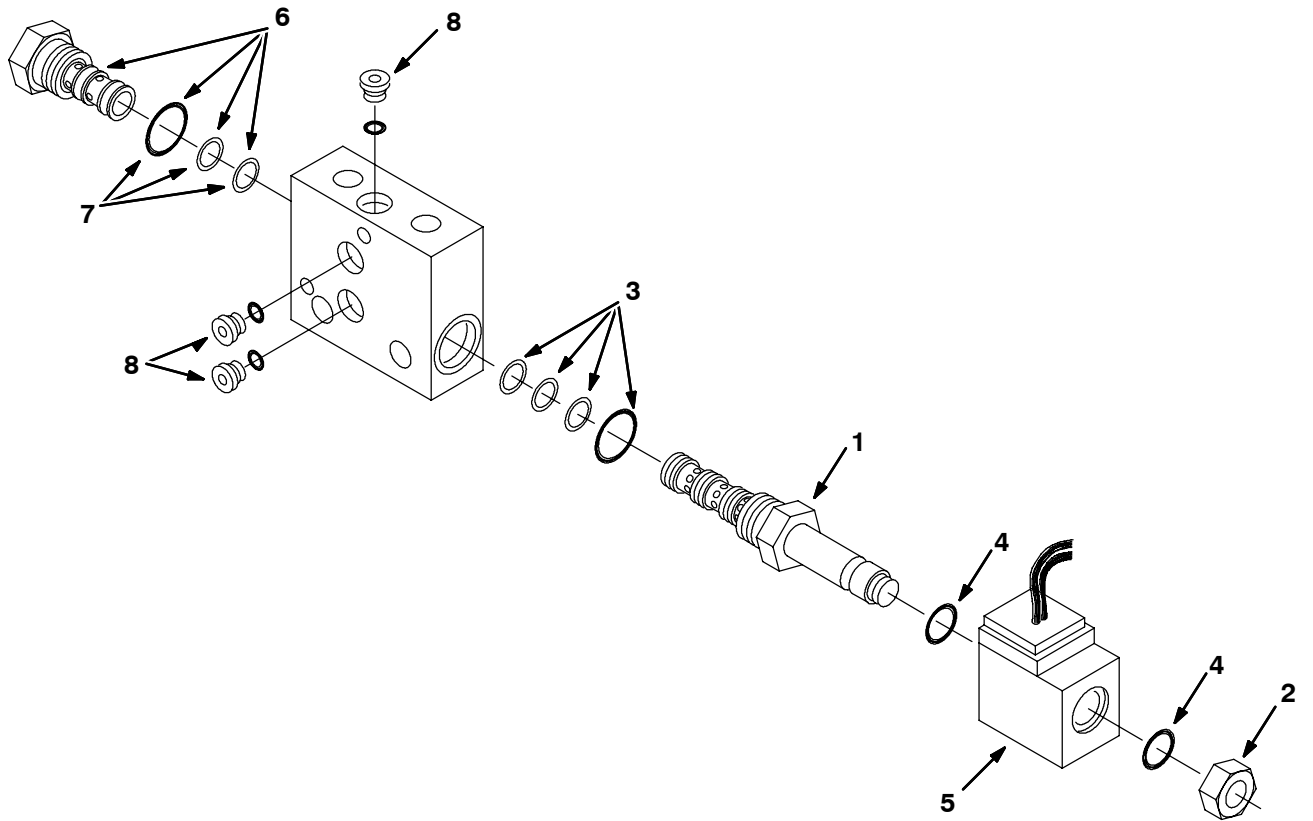
Fig. 23 - Hydraulic Solenoid Valve Breakdown, 84015



07639 - ALL

Ref.	Part No.	Serial Number	Description	Qty.
▽	84015	(000000-) Valve - Hyd., Solenoid	1
▲▽	1 79739	(000000-) Valve Stem, N.D.	1
▲▲	2 79731	(000000-) Nut, Cart., LNG.	1
▲▲	3 79711	(000000-) Seal Kit, Cart.	1
▲▲	4 79740	(000000-) Seal Kit, Coil	1
▲	5 21917	(000000-) Coil, 12V W/Var	1

Fig. 24 - Hydraulic Solenoid Valve Breakdown, 84016



10499 - ALL

Ref.	Part No.	Serial Number	Description	Qty.
▽	84016	(000000-) Valve, Hyd Control Solenoid	1
▲▽	1 79719	(000000-) Valve Stem 4W2P	1
▲▲	2 79728	(000000-) Nut, Cart., Sht	1
▲▲	3 79711	(000000-) Seal Kit, Cart	1
▲▲	4 79740	(000000-) Seal Kit, Coil	1
▲	5 21917	(000000-) Coil, 12V W/Var	1
▲▽	6 74145	(000000-) Cart, Pilot Cntr	1
▲▲	7 79711	(000000-) Seal Kit, Cart	1
▲	8 13902	(000000-) Plug, #2 O-Ring	3

Fig. 25 - Hydraulic Valve Breakdown, 375563

CONTROL VALVE	
Spool #1	Hopper Lift
Spool #2	Hopper Dump
Spool #3	Hopper Door

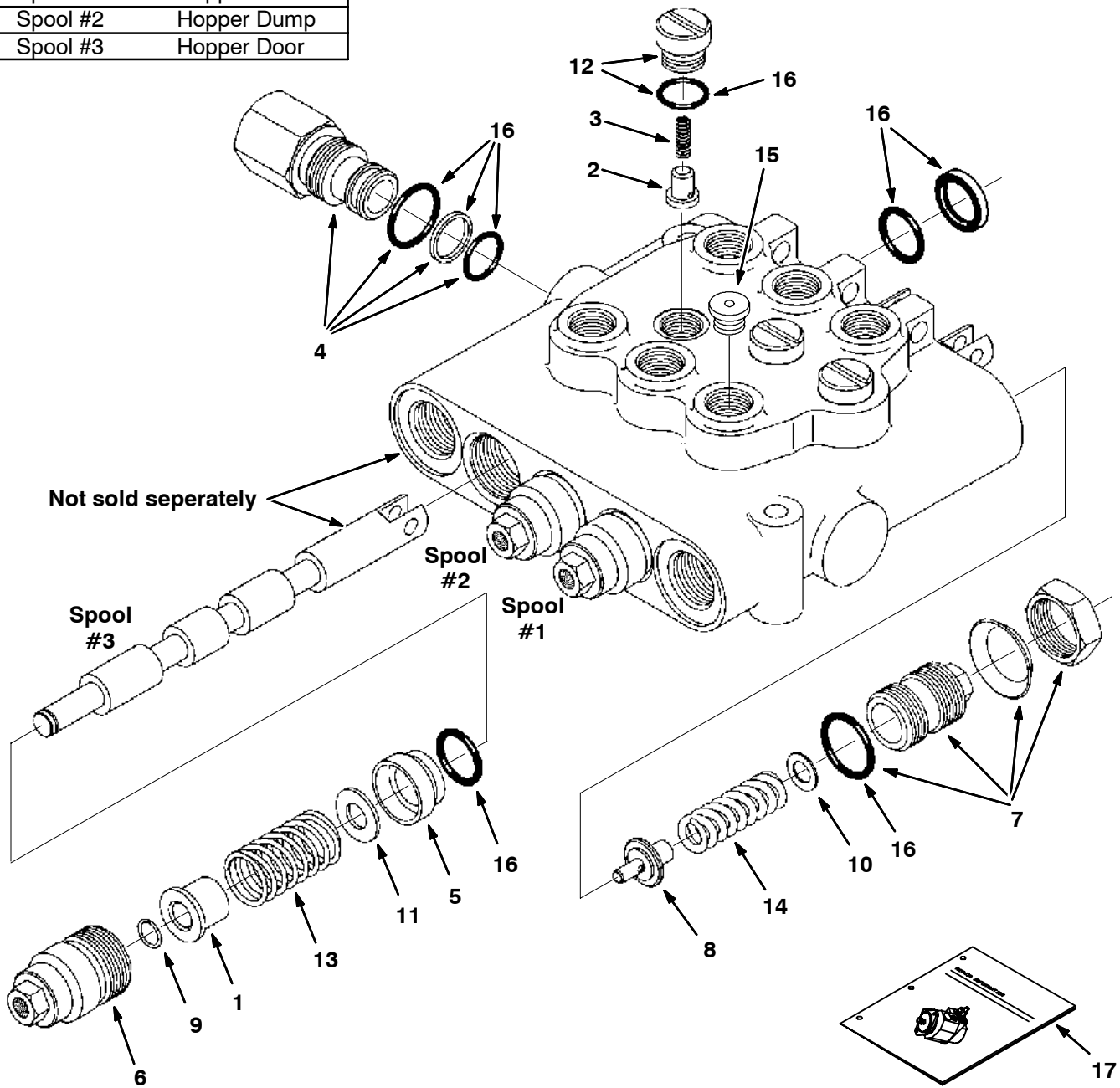


Fig. 25 - Hydraulic Solenoid Valve Breakdown, 375563

	Ref.	Part No.	Serial Number	Description	Qty.
▽		375563	(000000-) Valve, Hyd Control Man	1
▲	1	79822	(000000-) Spacer En	3
▲	2	79786	(000000-) Plunger En	3
▲	3	79787	(000000-) Spring En	3
▲	4	79823	(000000-) Plug Assy,Byd En	1
▲	5	79788	(000000-) Bushing En	3
▲	6	79789	(000000-) Cap Assembly En	3
▲	7	79790	(000000-) Plug Assembly En	1
▲	8	79791	(000000-) Poppet En	1
▲	9	79792	(000000-) Retaining Rng En	3
▲	10	79793	(000000-) Shim .035 Thk En	1
▲	10	79798	(000000-) Shim .015 Thk En	1
▲	10	79799	(000000-) Shim .010 Thk En	1
▲	11	79794	(000000-) Washer En	3
▲	12	79795	(000000-) Plug & O-Ring En	3
▲	13	79824	(000000-) Spring En	3
▲	14	79797	(000000-) Spring En	1
▲	15	13904	(000000-) Plug Gage #6	1
▲	16	79812	(000000-) Seal Kit, Vlv En	1
▲	17	79820	(000000-) Instr. Valve Repair Info	1

Fig. 26 - Hydraulic Solenoid Valve Breakdown, 84013

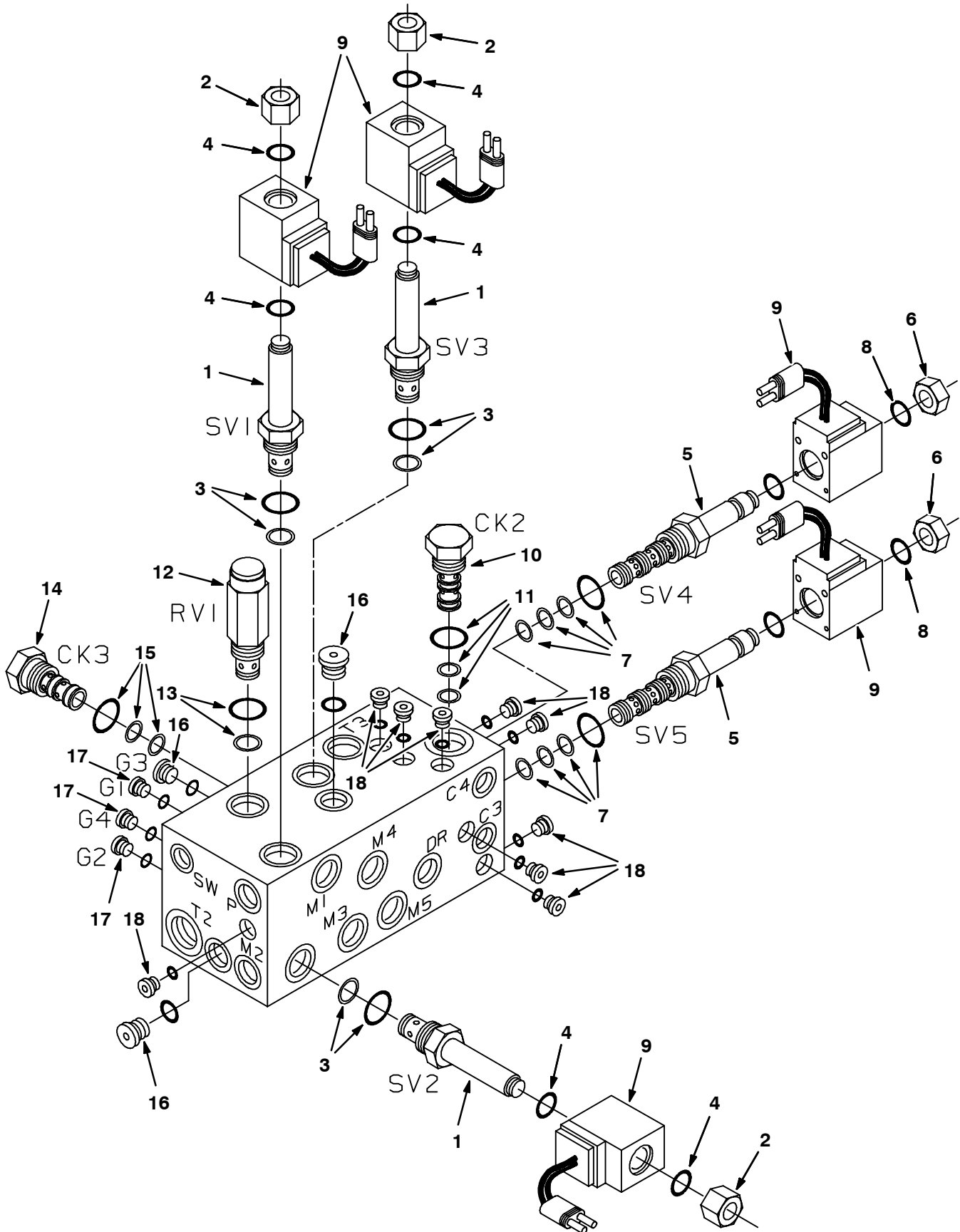
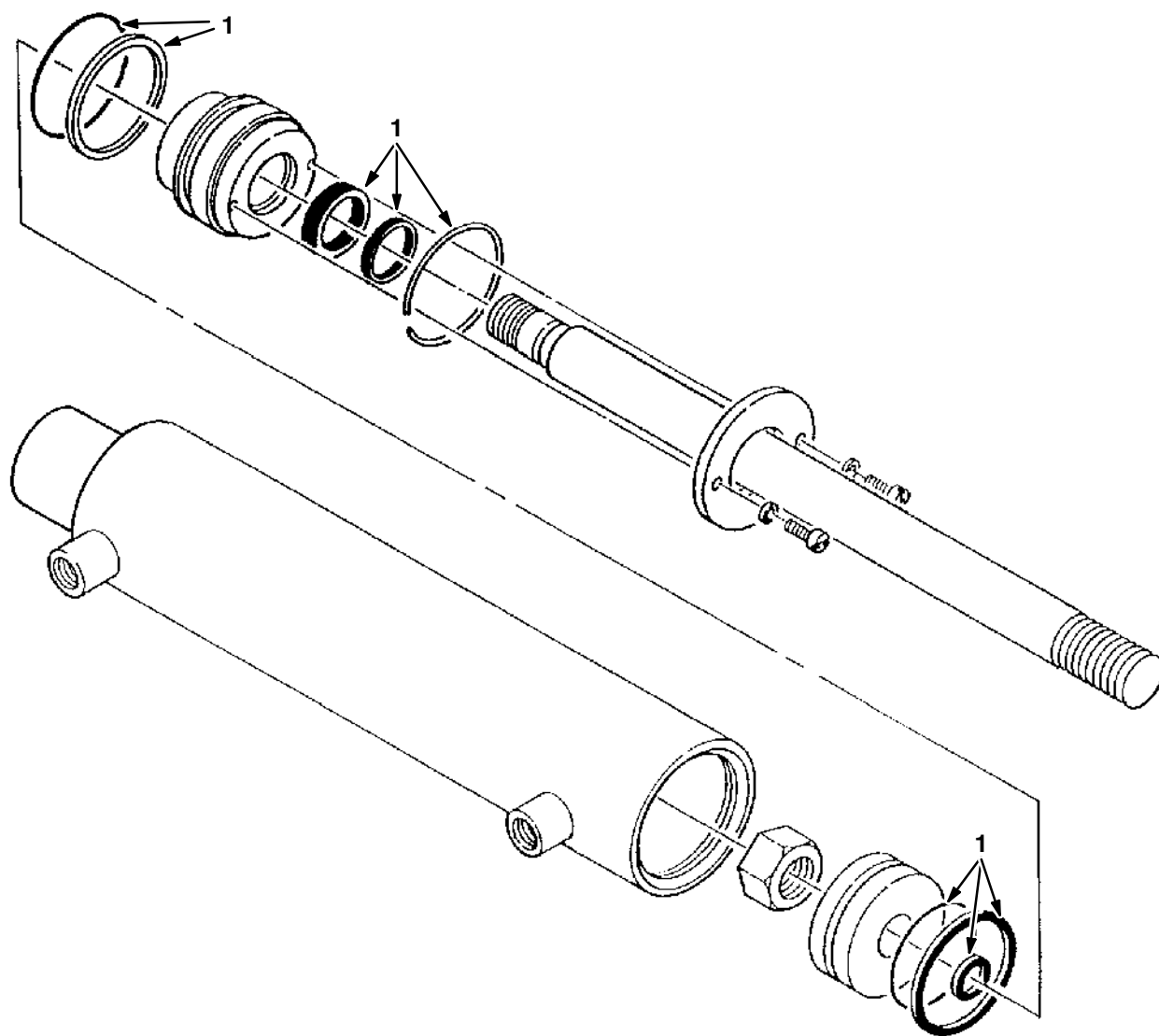


Fig. 26 - Hydraulic Solenoid Valve Breakdown, 84013

	Ref.	Part No.	Serial Number	Description	Qty.
▽		84013	(000000-) Valve-Hyd, Cntl Solenoid	1
▲▽	1	79739	(000000-) Valve Stem N.O. CP	3
▲▲	2	79731	(000000-) Nut, Cart., LNG CP	1
▲▲	3	79711	(000000-) Seal Kit, Cart. CP	1
▲▲	4	79740	(000000-) Seal Kit, COil CP	1
▲▽	5	79719	(000000-) Valve Stem 4W2P CP	2
▲▲	6	79728	(000000-) Nut, Cart., SHT CP	1
▲▲	7	79711	(000000-) Seal Kit, Cart. CP	1
▲▲	8	79740	(000000-) Seal Kit, COil CP	1
▲	9	21917	(000000-) Coil 12V CP	5
▲▽	10	74145	(000000-) Cart., Pilot CNTR CP	1
▲▲	11	79711	(000000-) Seal Kit, Cart. CP	1
▲▽	12	65240	(000000-) Cart., PSI CN CP	1
▲▲	13	79711	(000000-) Seal Kit, Cart. CP	1
▲▽	14	74146	(000000-) Cart., Check Valve CP	1
▲▲	15	79711	(000000-) Seal Kit, Cart. CP	1
▲	16	13904	(000000-) Plug Gage #6	3
▲	17	74098	(000000-) Plug Gage #4	3
▲	18	13902	(000000-) Plug #2	10

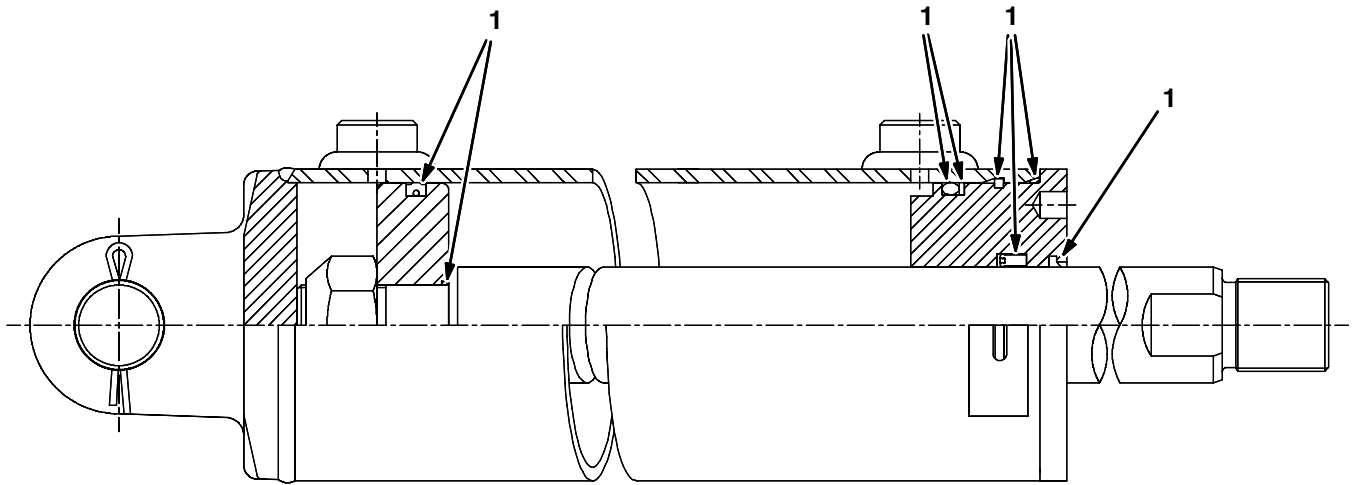
Fig. 27 - Hydraulic Cylinder Breakdown, 53601



07494 - ALL

Ref.	Part No.	Serial Number	Description	Qty.
▽	53601	(000000-) Cylinder, Hyd, 2.0b,15.0l, Rep.By1028492	1
▲	1 04483	(000000-) Seal Kit	1

Fig. 28 - Hydraulic Cylinder Breakdown, 1026719



354486 - ALL

	Ref.	Part No.	Serial Number	Description	Qty.
▽		1026719	(000000-) Cylinder, Hyd, 4.0b 29.1l 14.50strk 2500	1
▲	1	9001702	(000000-) Seal Kit, Cyl, Hyd	1

Fig. 29 - Cab Assembly

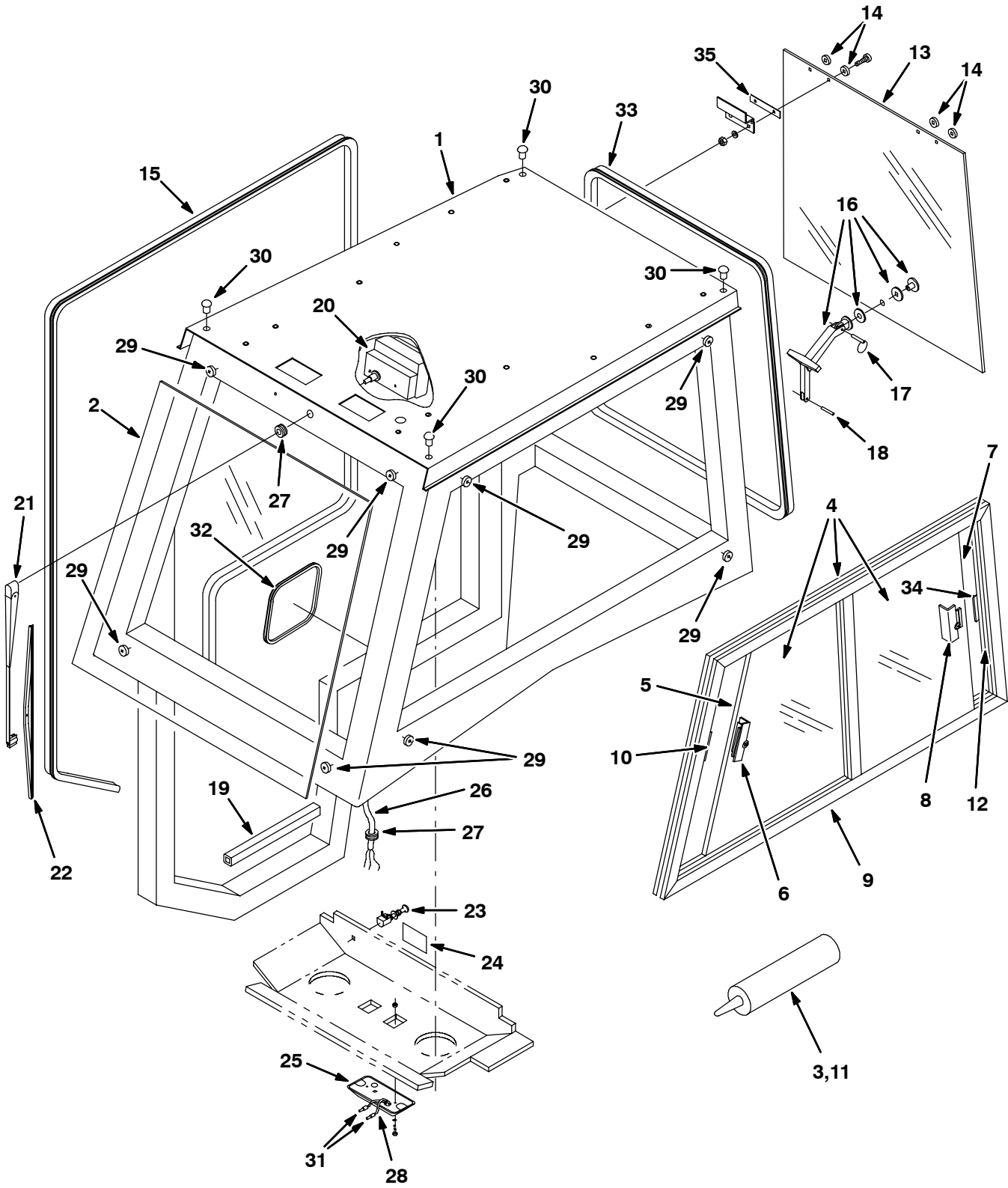


Fig. 29 - Cab Assembly

NOTE: The Cab Assembly, TENNANT Part Number 380602 includes Fig. 29, Fig. 30, Fig. 31, and .Fig. 32

Ref.	Part No.	Serial Number	Description	Qty.
	1	380734	(004000-) Cab Assy, W/Label (DSL)	1
▽	2	75822	(000000-) Pane, Glass, Windshield	1
▲	3	374769	(000000-) Adhesive	1
▽	4	75823	(000000-) Pane Assy, Glass, Sliding, Cab Lh	1
▲▽	5	21307	(000000-) Pane, Glass, Cab, Front	1
▲▲	6	374750	(000000-) Latch, Pane, Cab	1
▲▽	7	21308	(000000-) Pane, Glass, Cab, Rear	1
▲▲	8	374750	(000000-) Latch, Pane, Cab	1
▲▽	9	21309	(000000-) Frame, Pane, Cab, Side	1
▲▲	10	374765	(000000-) Keeper, Latch, Pane	1
▲	11	374769	(000000-) Adhesive	1
	12	21310	(000000-) Seal Kit, Pane, Cab	1
	13	75824	(000000-) Pane, Glass, Cab, Rear	1
	14	75825	(000000-) Spacer, Pane, Glass	5
	15	76948	(000000-) Gasket, Push On	2
	16	76950	(000000-) Latch, Rear Wind	1
	17	76971	(000000-) Ring, Rear Window	1
	18	380708	(000000-) Drive Pin, .31	1
	19	76973	(000000-) Seal Cw	1
	20	76977	(000000-) Motor, Wiper 12V	1
	21	76980	(000000-) Arm, Rear Wiper	1
	22	76982	(000000-) Blade Arm, Rear	1
	23	76985	(000000-) Switch, Wiper Motor	1
	24	380694	(000000-) Label, Wiper	1
▽	25	76996	(000000-) Light, Dome 12V	1
▲		374759	(000000-) Lamp	1
	26	380577	(000000-) Harness, Cab (See Fig. 32)	1
	27	77811	(000000-) Grommet	2
	28	77812	(000000-) Wire, Dome Light	2
	29	77813	(000000-) Spacer	8
	30	77814	(000000-) Closure	4
	31	77815	(000000-) Disconnect, Male	2
	32	380692	(004000-) Molding, Trim	1
	33	380695	(000000-) Seal, Rear Window	1
	34	374294	(000000-) Latch, Keeper, Pane [J-dak]	1
	35	374357	(000000-) Seal, Hinge, Cab Rear Glass [800]	2

Fig. 30 - Cab Door Assembly

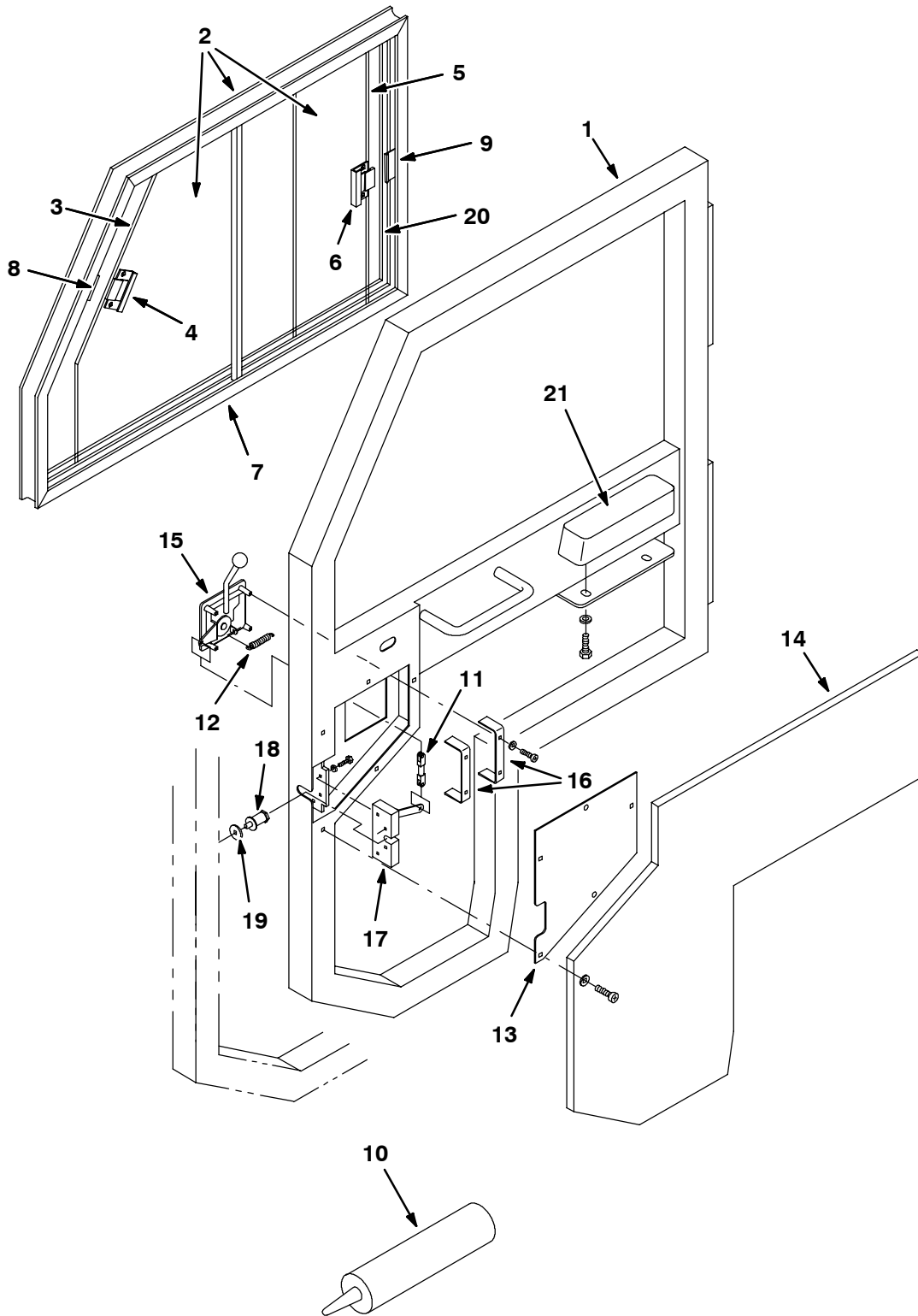


Fig. 30 - Cab Door Assembly

NOTE: The Cab Assembly, TENNANT Part Number 380602 includes Fig. 29, Fig. 30, Fig. 31, and .Fig. 32

	Ref.	Part No.	Serial Number	Description	Qty.
▽		75821	(000000-) Door Assembly, Cab	1
▲	1	77816	(000000-) Door Cw	1
▲▽	2	77817	(000000-) Pane Assy, Glass, Sliding, Cab, Door	1
▲▲	3	21311	(000000-) Pane, Glass, Door Front	1
▲▲	4	374750	(000000-) Latch, Pane, Cab	1
▲▲	5	21312	(000000-) Pane, Glass, Door, Rear	1
▲▲	6	374750	(000000-) Latch, Pane, Cab	1
▲▲	7	21313	(000000-) Frame, Pane, Door, Side	1
▲▲	8	374765	(000000-) Keeper, Latch, Pane	1
▲▲	9	374294	(000000-) Latch, Keeper, Pane [J-dak]	1
▲▲	10	374769	(000000-) Adhesive	1
▲	11	77821	(000000-) Link, Connecting	1
▲	12	77822	(000000-) Pin Assy, Spring	2
▲	13	77823	(000000-) Plate	1
▲	14	77824	(000000-) Foam, Door	1
▲▽	15	77818	(000000-) Paddle Handle	1
▲▲		21150	(000000-) Key Set	1
▲	16	77819	(000000-) Bracket	2
▲	17	77820	(000000-) Clam Latch	1
	18	58490	(000000-) Pin, Latch	1
	19	76976	(000000-) Shim	2
	20	374757	(000000-) Seal Kit, Pane, Door	1
	21	311336	(000000-) Armrest, Black	1

Fig. 31 - Cab Insulation Group

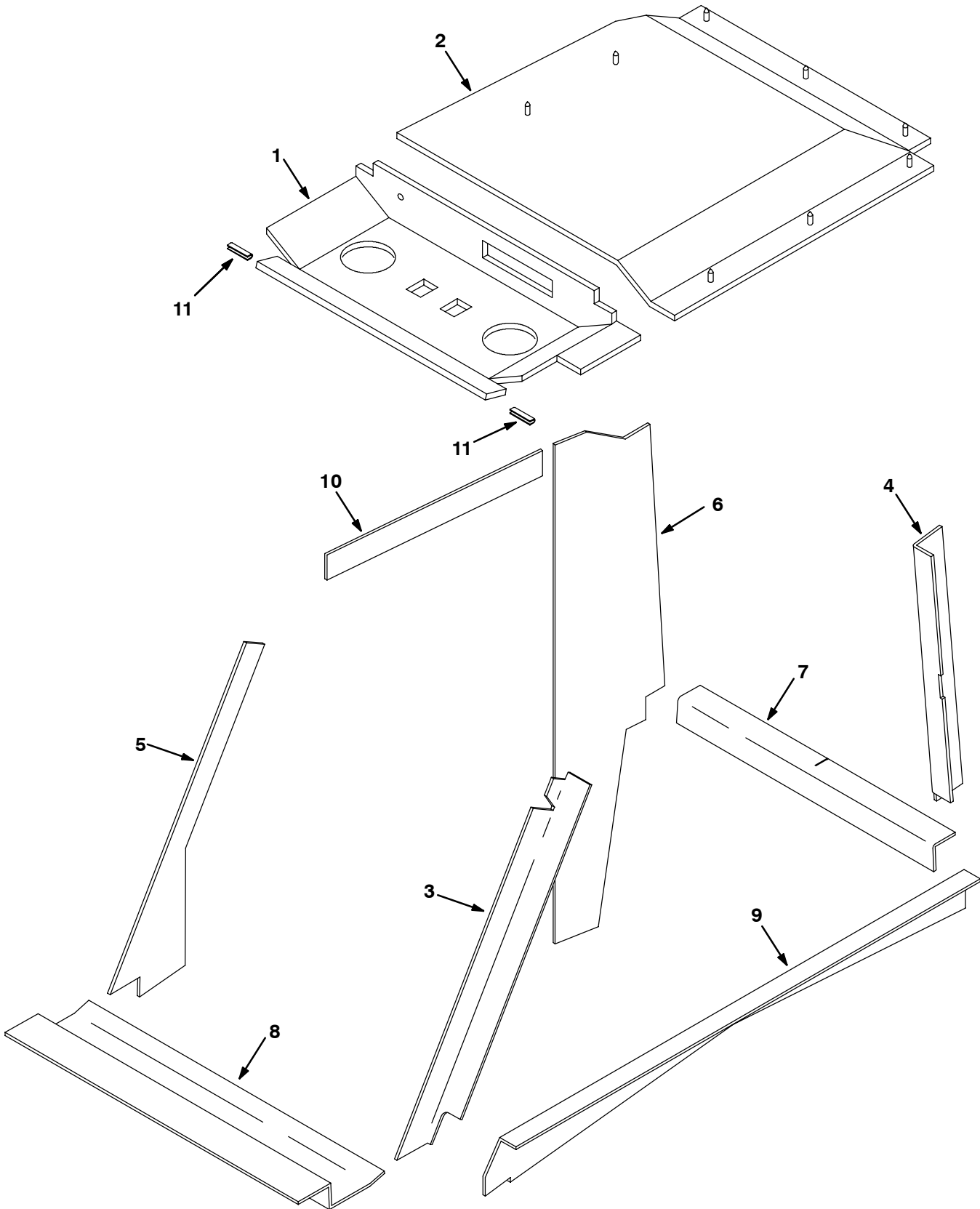
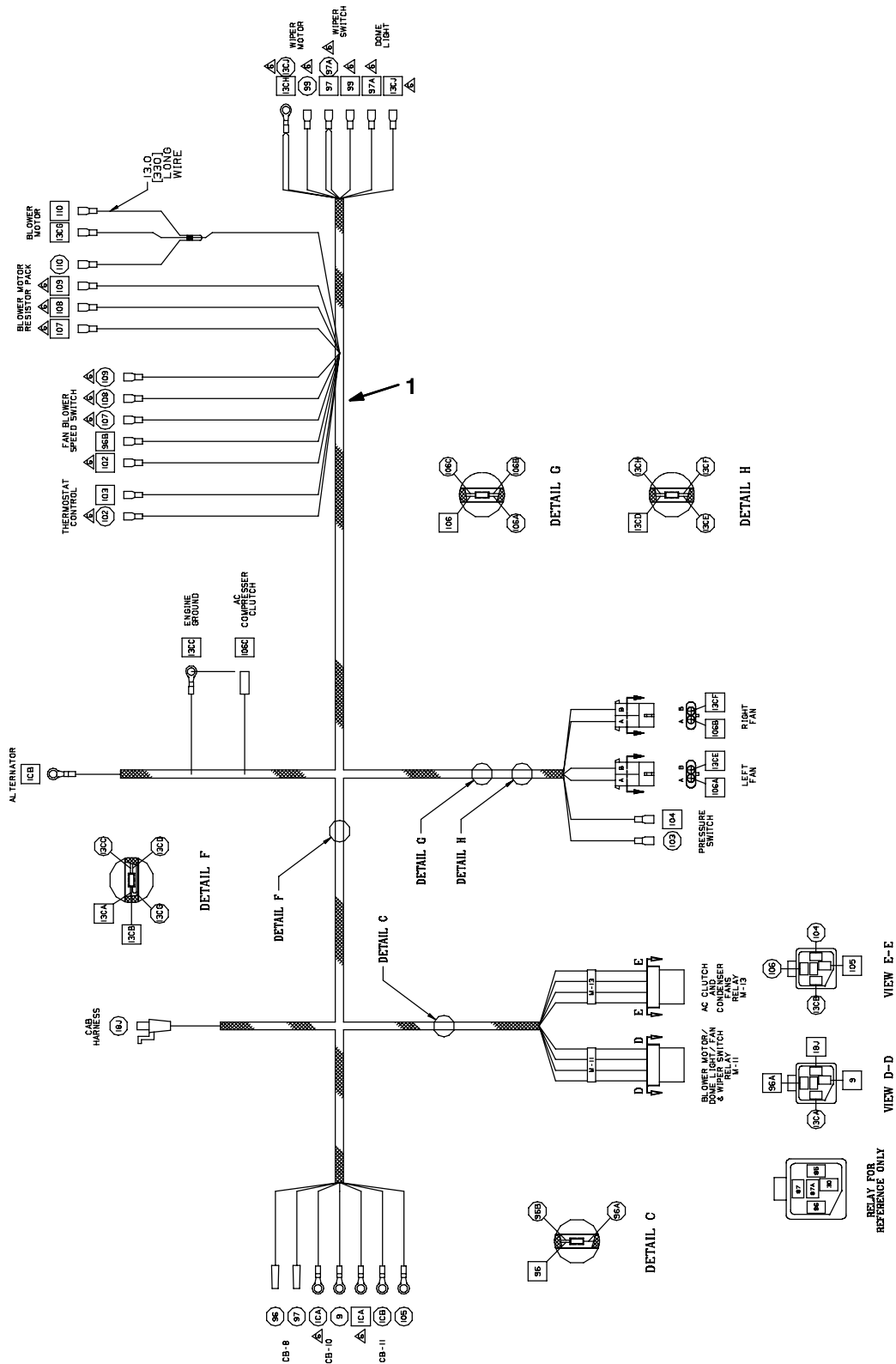


Fig. 31 - Cab Insulation Group

NOTE: The Cab Assembly, TENNANT Part Number 380602 includes Fig. 29, Fig. 30, Fig. 31, and .Fig. 32

Ref.	Part No.	Serial Number	Description	Qty.
1	77800	(000000-) Headliner, Front	1
2	77801	(000000-) Headliner, Rear Cw	1
3	77802	(000000-) Foam, Lh Front Pos	1
4	77803	(000000-) Foam, Lh Rear Pos	1
5	77804	(000000-) Foam, Rh Front Pos	1
6	77805	(000000-) Foam, Rh Rear Pos	1
7	77806	(000000-) Foam, Rear Sill	1
8	77807	(000000-) Foam, Front Sill	1
9	77808	(000000-) Foam, Lh Side Sill	1
10	77809	(000000-) Foam, Rh Upper Sill	1
11	384156	(000000-) Molding, Trim, Pvc,.18-.31 01.5l	2

Fig. 32 - Cab Wire Harness Group

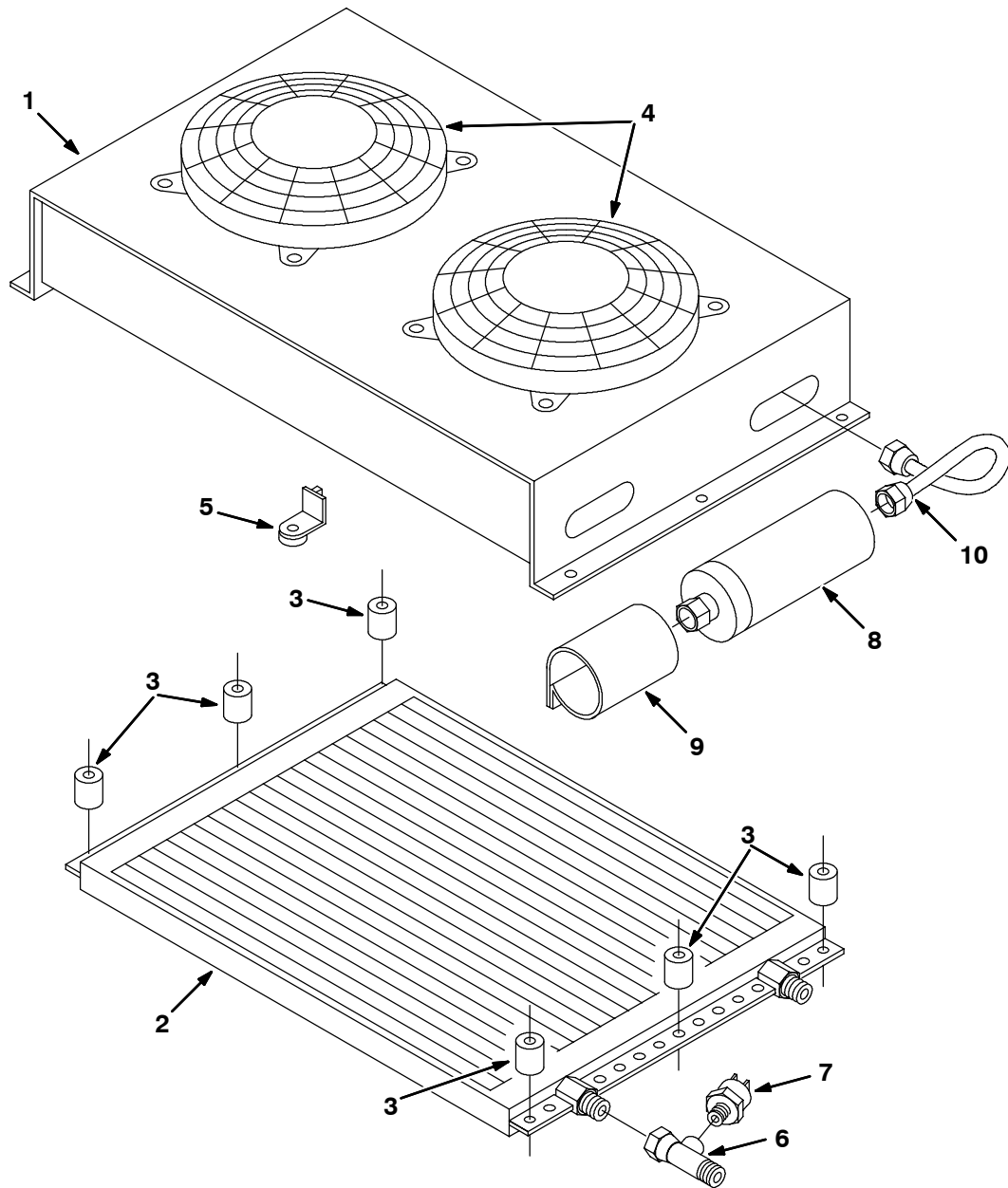


NOTE: The Cab Assembly, TENNANT Part Number 380602 includes Fig. 29, Fig. 30, Fig. 31, and Fig. 32

351143 - ALL

Ref.	Part No.	Serial Number	Description	Qty.
1	380577	(000000-) Harness, Cab, 800/810	1

Fig. 33 - AC Condenser Box Breakdown, 380625



350830 - ALL

Ref.	Part No.	Serial Number	Description	Qty.
▽	380625	(000000-) Condenser Assy, A/C	1
▲	1 380666	(000000-) Housing, Condenser	1
▲	2 380667	(000000-) Coil, Condenser	1
▲	3 380668	(000000-) Spacer, Condenser	6
▲	4 380669	(000000-) Fan, Condenser	2
▲	5 380670	(000000-) Foot, Fan	8
▲	6 380671	(000000-) Ftg, Shrader	1
▲	7 380672	(000000-) Binary	1
▲	8 380627	(000000-) Dryer, Ac	1
▲	9 380628	(000000-) Bracket,A/C Dryer	1
▲	10 380626	(000000-) Tube Asy,Cond/Dry	1

Fig. 34 - AC and Heater Box Breakdown, 380613

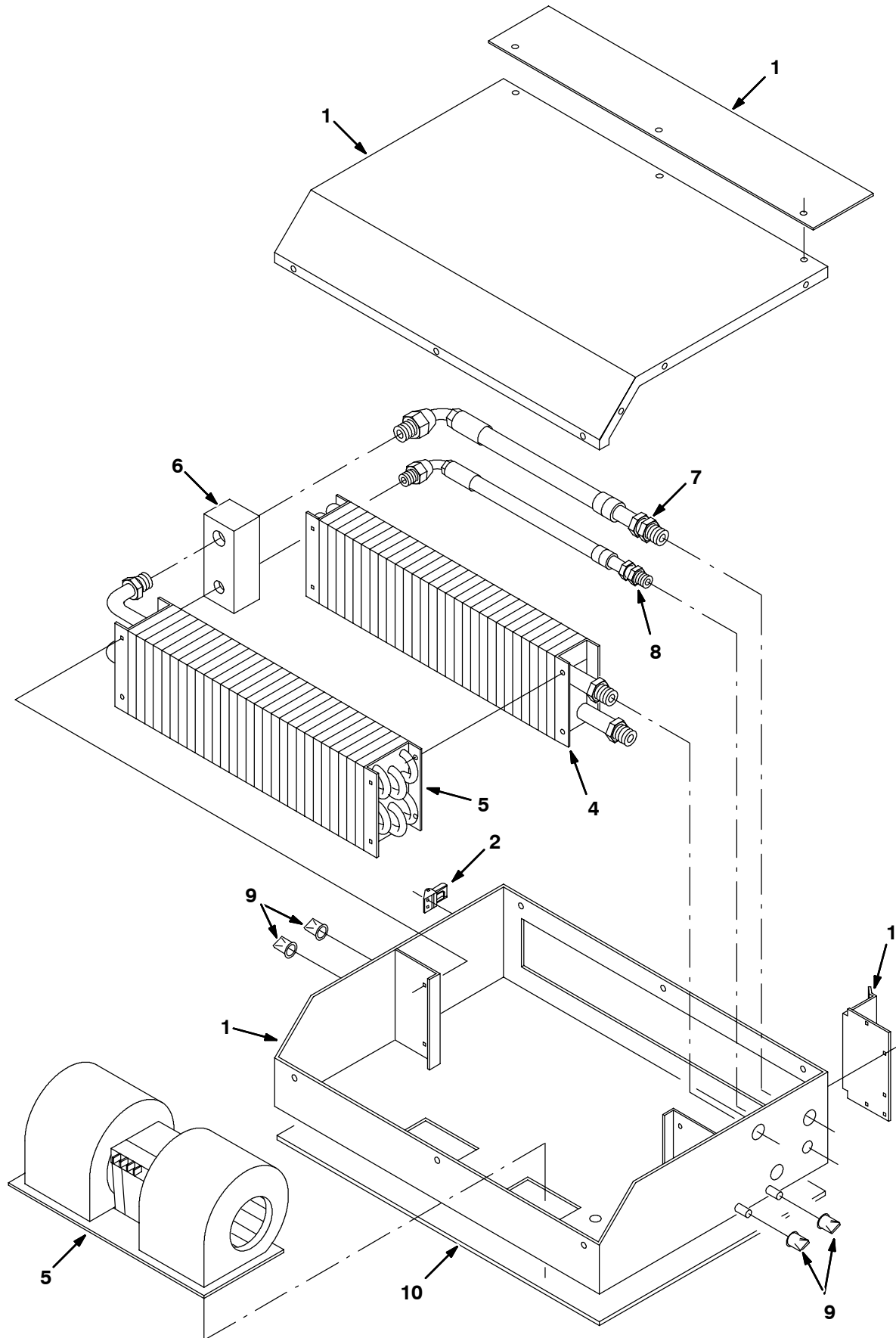


Fig. 34 - AC and Heater Box Breakdown, 380613

	Ref.	Part No.	Serial Number	Description	Qty.
▽		380613	(000000-) Box Assy, Heat/Ac	1
▲	1	388407	(000000-) Housing Assembly	1
▲	2	87579	(000000-) Latch, Tension	1
▲	3	380649	(000000-) Blower, Heat/Ac	1
▲	4	380650	(000000-) Heater Coil	1
▲	5	380651	(000000-) Coil, Evaporator	1
▲	6	380652	(000000-) Valve, Expansion	1
▲	7	380578	(000000-) A/C Hose#10 134A	1
▲	8	380579	(000000-) A/C Hose #6 134A	1
▲	9	380659	(000000-) Duck Bill	4
▲	10	380616	(000000-) Gasket, Box/Cab	1

Fig. 35 - Heater Box Breakdown, 380614

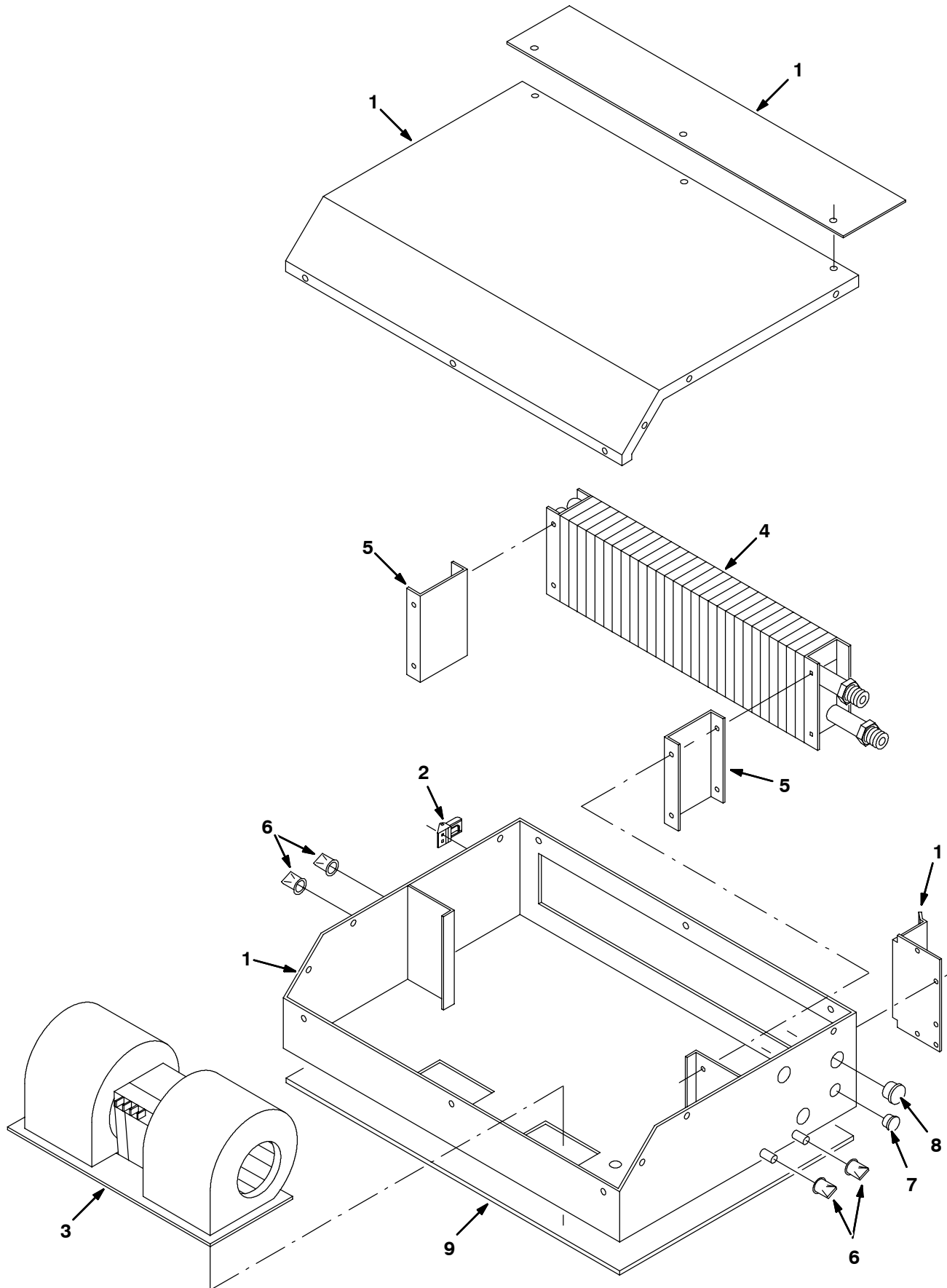


Fig. 35 - Heater Box Breakdown, 380614

	Ref.	Part No.	Serial Number	Description	Qty.
▽		380614	(000000-) Box Assy, Heat	1
▲	1	388407	(000000-) Housing Assembly	1
▲	2	87579	(000000-) Latch, Tension	1
▲	3	380649	(000000-) Blower, Heat/Ac	1
▲	4	380650	(000000-) Heater Coil	1
▲	5	380660	(000000-) Brkt,Mtg,Htr Coil	2
▲	6	380659	(000000-) Duck Bill	4
▲	7	57167	(000000-) Plugbtn .62H .03-.12 Blacknyl	1
▲	8	82727	(000000-) Plugbtn .88H .03-.12 Blacknyl	1
▲	9	380616	(000000-) Gasket, Box/Cab	1

Fig. 36 - Brake Assy, Right Hand (R.h.) 77790

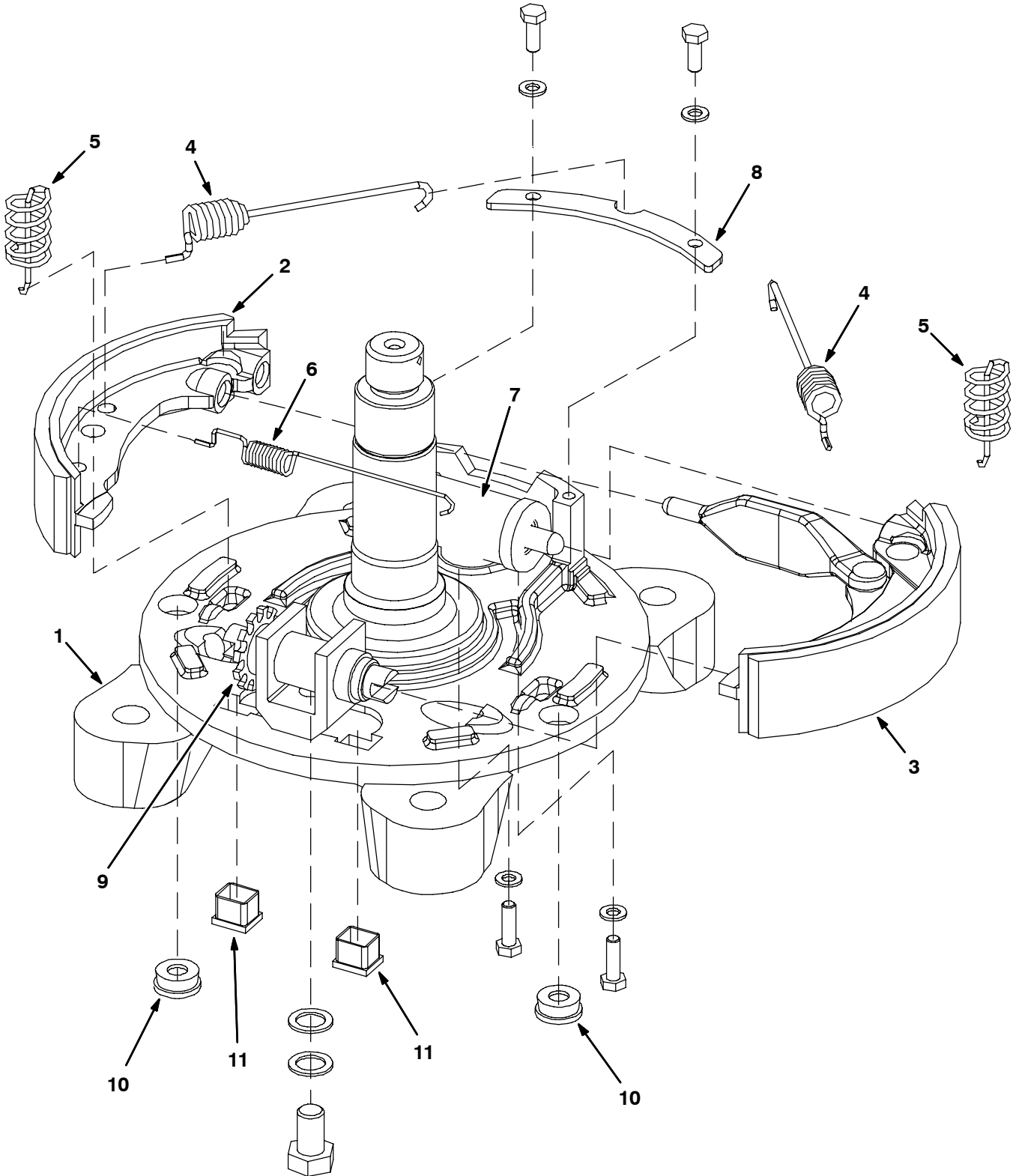


Fig. 36 - Brake Assy, Right Hand (R.h.) 77790

	Ref.	Part No.	Serial Number	Description	Qty.
▽		77790	(000000-) Brake Assy, Drum, Hyd, 08.8d 1.6w Rh	1
▲	1	77768	(000000-) Backing Plate Rh	1
▲	2	70613	(000000-) Shoe, Brake	1
▲	3	70612	(000000-) Shoe, Brake	1
▲	4	21728	(000000-) Spring	2
▲	5	70617	(000000-) Spring	2
▲	6	70618	(000000-) Spring	1
▲	7	70609	(000000-) Cylinder, Wheel, Brake	1
▲	8	70603	(000000-) Clamp, Hold Down	1
▲	9	70615	(000000-) Adjuster, Manual	1
▲	10	372950	(000000-) Plug, Rbr, Rnd	2
▲	11	372951	(000000-) Plug, Plstc, Sq	2

Fig. 37 - Brake Assy, Left Hand (L.h.) 77770

	Ref.	Part No.	Serial Number	Description	Qty.
▽		77770	(000000-) Brake Assy, Drum, Hyd, 08.0d 1.6w Lh	1
▲	1	77769	(000000-) Plate, Backing	1
▲	2	70613	(000000-) Shoe, Brake	1
▲	3	70611	(000000-) Shoe, Brake	1
▲	4	21728	(000000-) Spring	2
▲	5	70617	(000000-) Spring	2
▲	6	70618	(000000-) Spring	1
▲	7	70609	(000000-) Cylinder, Wheel, Brake	1
▲	8	70603	(000000-) Clamp, Hold Down	1
▲	9	70615	(000000-) Adjuster, Manual	1
▲	10	372950	(000000-) Plug, Rbr, Rnd	2
▲	11	372951	(000000-) Plug, Plstc, Sq	2

Fig. 38 - Hydraulic Solenoid Valve Breakdown, 1049210

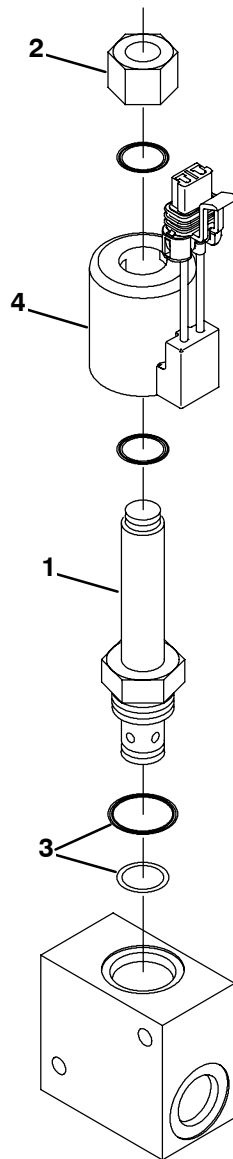


Fig. 38 - Hydraulic Solenoid Valve Breakdown, 1049210

	Ref.	Part No.	Serial Number	Description	Qty.
▽		1049210	(000000-) Valve, Cntrl, Hyd, Solenoid, 12vdc 12gpm	1
▲	1	1050812	(000000-) Stem, Valve, Hyd	1
▲	2	1050811	(000000-) Nut, Valve, Cartridge	1
▲	3	1050780	(000000-) Seal Kit, Cartridge	1
▲	4	1050809	(000000-) Solenoid, Valve, Hyd, 36vdc	1

Fig. 39 - Hydraulic Solenoid Valve Breakdown, 1049209

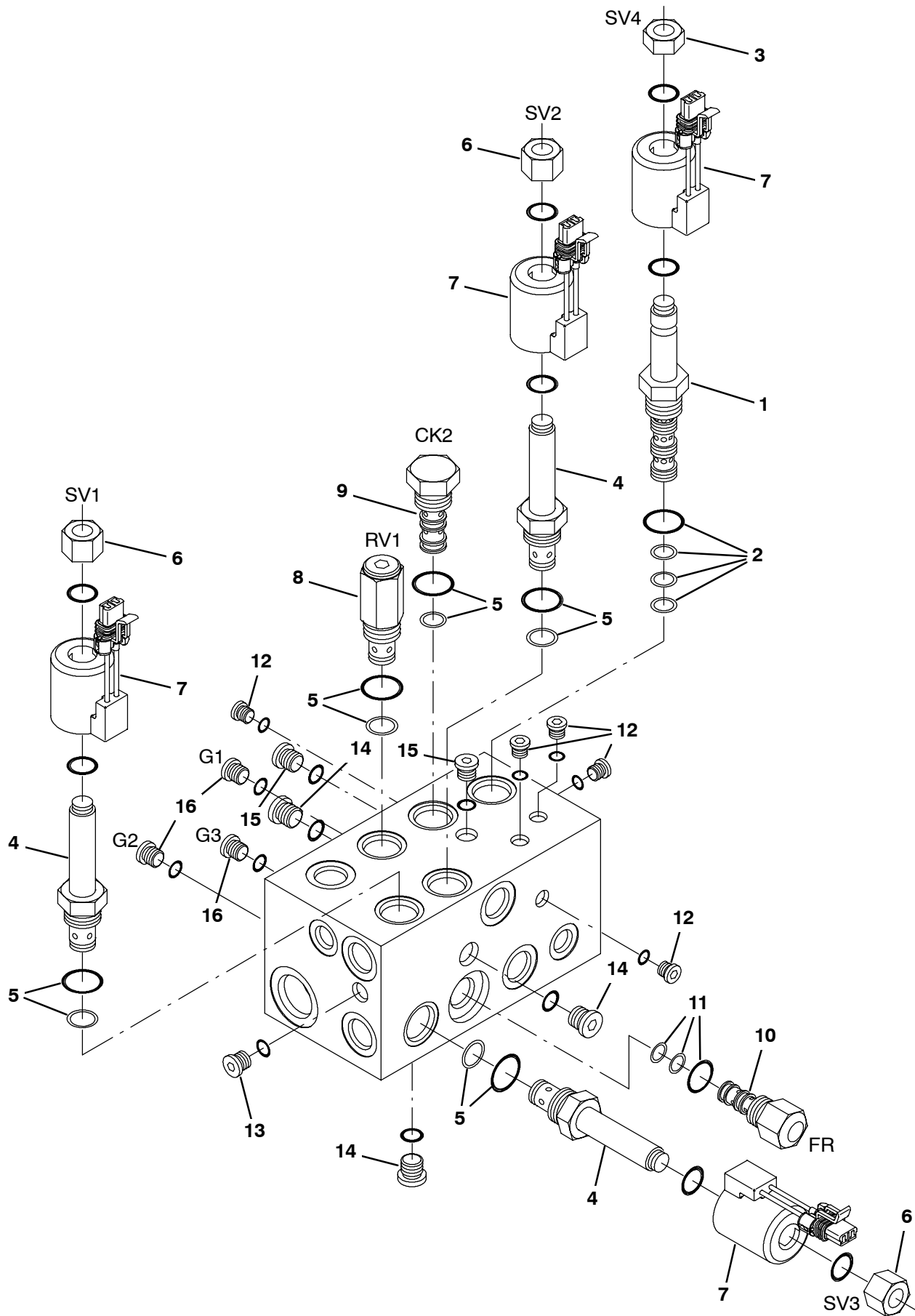
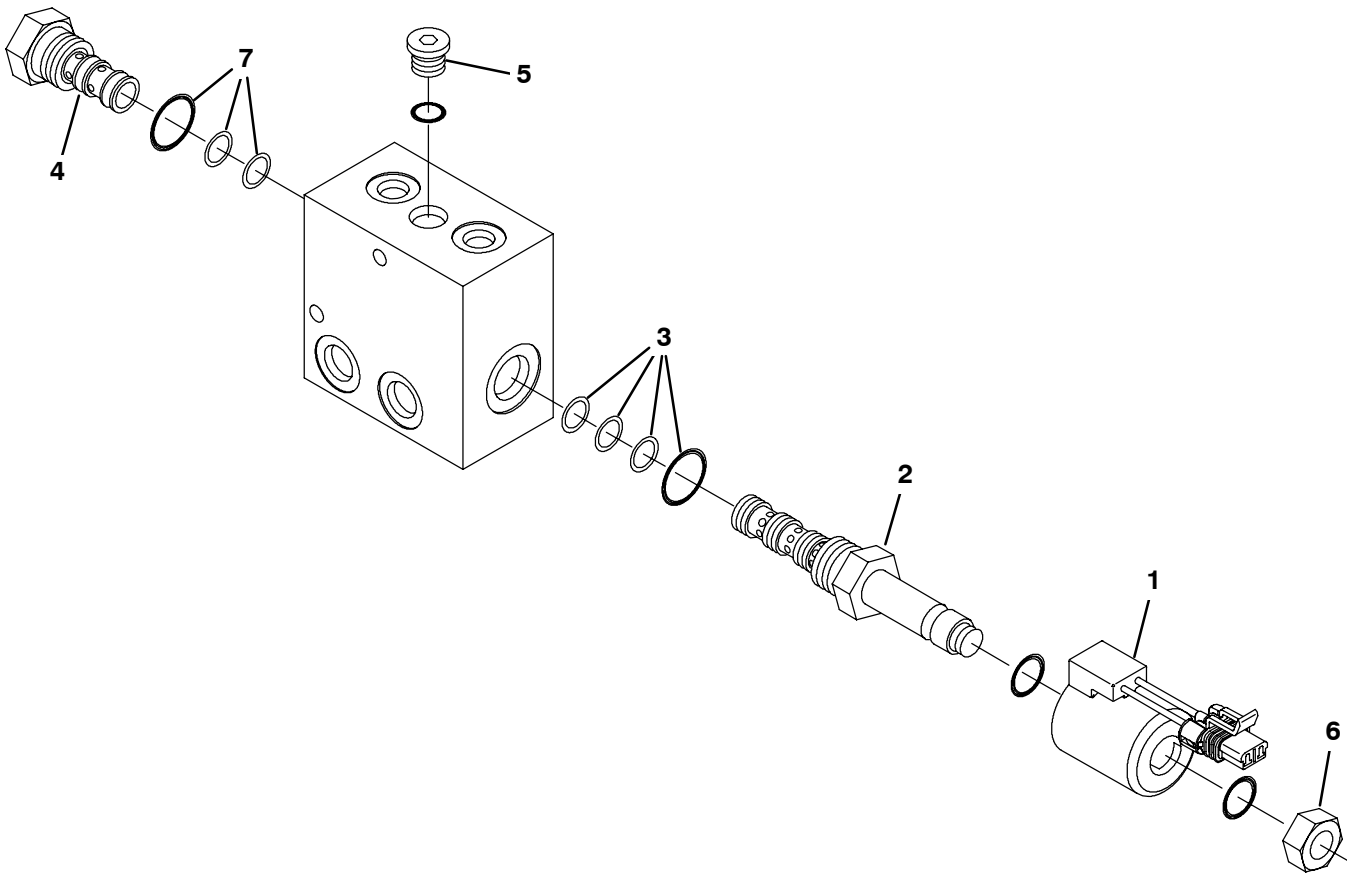


Fig. 39 - Hydraulic Solenoid Valve Breakdown, 1049209

Ref.	Part No.	Serial Number	Description	Qty.	
▽	1049209	(000000-) Valve, Cntrl, Hyd, Solenoid, 12vdc 08gpm	1	
▲	1	1050861	(000000-) Solenoid, Valve, Hyd	1
▲	2	1050870	(000000-) Seal Kit, Cartridge	1
▲	3	373584	(000000-) Nut, Valve, Cartridge	1
▲	4	1050812	(000000-) Stem, Valve, Hyd	3
▲	5	1050780	(000000-) Seal Kit, Cartridge	1
▲	6	373585	(000000-) Nut, Valve, Cartridge	3
▲	7	1050809	(000000-) Solenoid, Valve, Hyd, 36vdc	4
▲	8	1050862	(000000-) Valve, Cartridge, Relief	1
▲	9	1050863	(000000-) Valve, Cartridge, Check	1
▲	10	1050864	(000000-) Valve, Cartridge, Flow Reg	1
▲	11	1050871	(000000-) Seal Kit, Cartridge	1
▲	12	1050865	(000000-) Fitting, Plug, Om02, Valve	5
▲	13	1050866	(000000-) Fitting, Plug, Om04, Valve	1
▲	14	1050867	(000000-) Fitting, Plug, Om06, Valve	3
▲	15	1050868	(000000-) Fitting, Plug, Om05, Valve	2
▲	16	1050869	(000000-) Fitting, Plug, Om04, Valve	3

Fig. 40 - Hydraulic Solenoid Valve Breakdown, 1049211



354900 - ALL

Ref.	Part No.	Serial Number	Description	Qty.	
▽	1049211	(000000-) Valve, Cntrl, Hyd, Solenoid, 12vdc 06gpm	1	
▲	1	1050809	(000000-) Solenoid, Valve, Hyd, 36vdc	1
▲	2	1050861	(000000-) Solenoid, Valve, Hyd	1
▲	3	1050870	(000000-) Seal Kit, Cartridge	1
▲	4	1050872	(000000-) Valve, Cartridge, Check	1
▲	5	1050873	(000000-) Fitting, Plug, Om06, Valve	1
▲	6	1051078	(000000-) Nut, Valve, Cartridge	1
▲	7	1051079	(000000-) Seal Kit, Cartridge	1

SECTION 5

Contents	Page
Fig. 1 - Cylinder Block Group	5-2
Fig. 2 - Crankshaft and Piston Group	5-4
Fig. 3 - Cylinder Head Group	5-6
Fig. 4 - Rocker Shaft Group	5-8
Fig. 5 - Timing Gear, Cover and Camshaft Group	5-10
Fig. 6 - Timing Gear Cover Mount Group	5-12
Fig. 7 - Auxiliary Drive Group	5-14
Fig. 8 - Oil Pump Group	5-16
Fig. 9 - Fuel Injection Pipe Group	5-18
Fig. 10 - Fuel Injection Pump Breakdown	5-20
Fig. 11 - Flywheel Housing and Starter Group ..	5-22
Fig. 12 - Starter Motor Breakdown, 369136	5-24
Fig. 13 - Lubricating Oil Sump Group	5-26
Fig. 14 - Cylinder Head Cover Group	5-28
Fig. 15 - Water Pump and Thermostat Group ..	5-30
Fig. 16 - Manifold Group	5-32
Fig. 17 - Glow Plug and Engine Lift Group	5-33
Fig. 18 - Top Joints and Gaskets Group	5-34
Fig. 19 - Bottom Joints and Gaskets Group	5-35

Fig. 1 - Cylinder Block Group

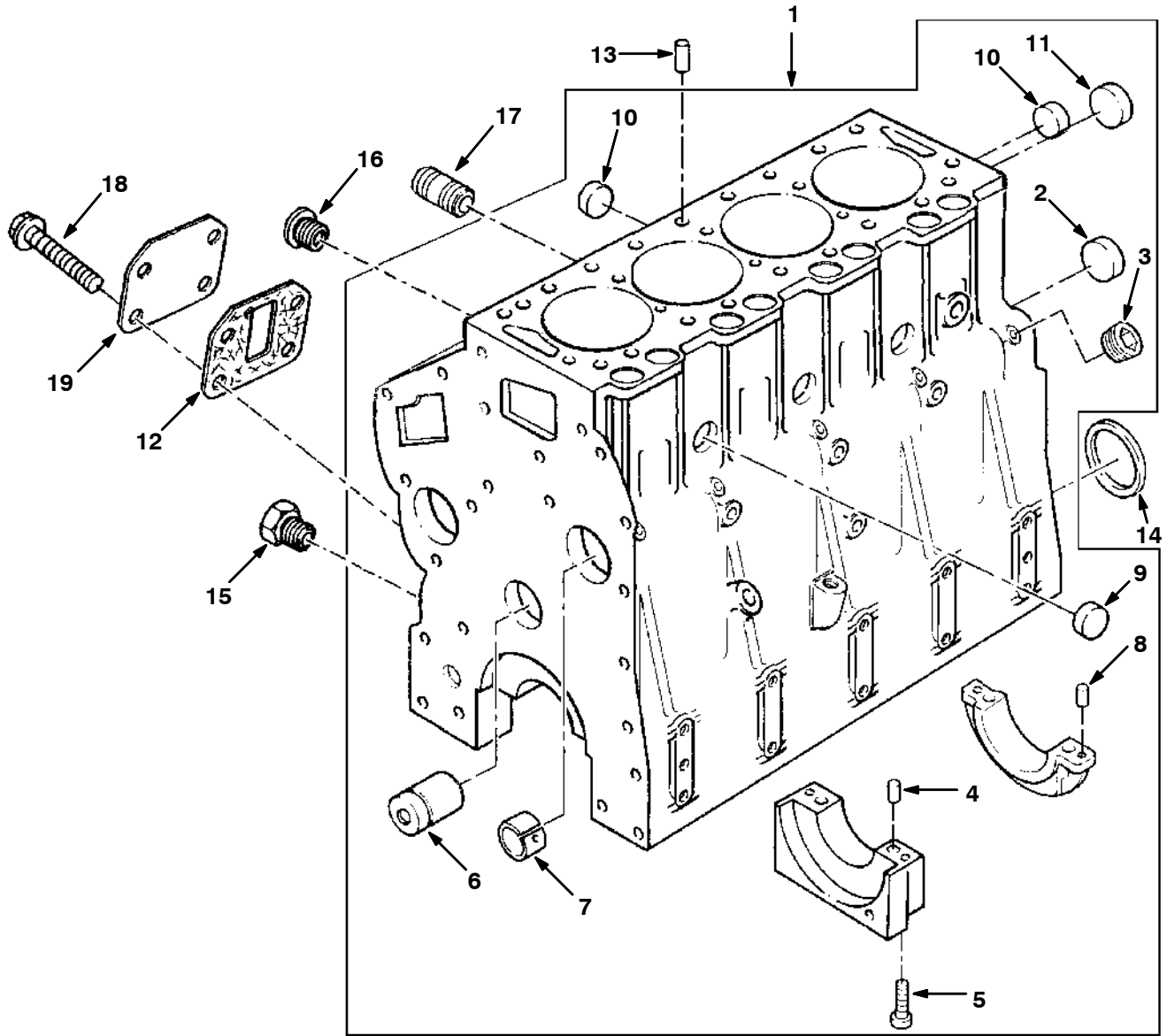


Fig. 1 - Cylinder Block Group

	Ref.	Part No.	Description	Qty.
		377428	Block, Long	1
		370885	Short Block	1
▽	1	369289	Cylinder Block Kit	1
▲	2	764468	Plug	2
▲	3	764785	Plug	10
▲	4	369237	Seal	2
▲	5	369171	Screw	10
▲	6	369182	Shaft	1
▲	7	369140	Bushing	1
▲	8	369238	Seal	4
▲	9	369036	Plug	3
▲	10	764469	Plug	4
▲	11	764731	Plug	1
	12	21796	Gasket	1
	13	369201	Dowel	2
	14	369032	Seal	1
	15	764836	Plug	1
	16	369209	Adaptor	1
	17	369296	Connection	2
	18	369019	Screw	4
	19	369295	Plate	1

Fig. 2 - Crankshaft and Piston Group

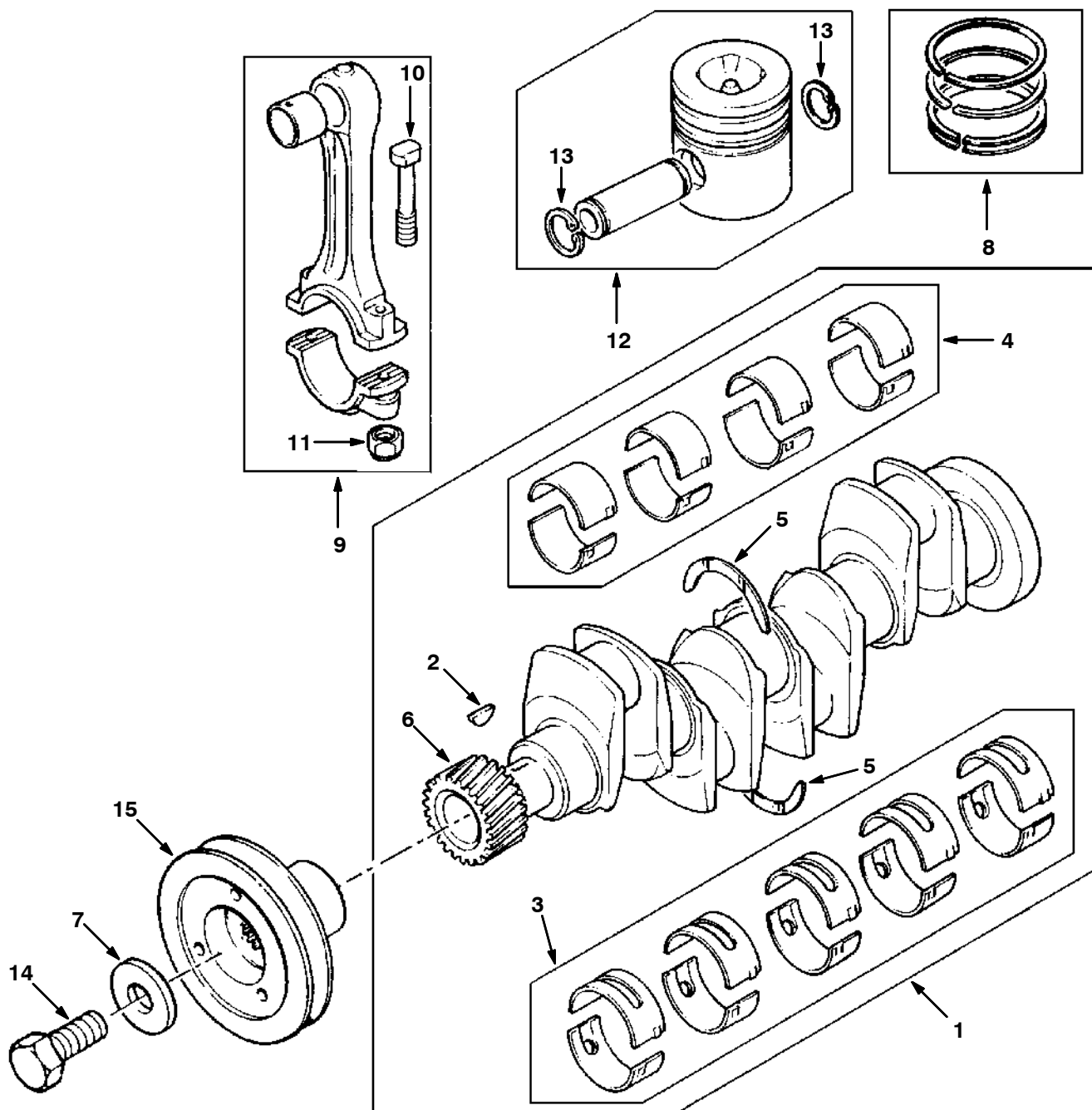


Fig. 2 - Crankshaft and Piston Group

	Ref.	Part No.	Description	Qty.
▽	1	369293	Rockershaft	1
▲	2	764402	Key	1
▲	3	369286	Bearing Kit	1
▲	4	369287	Bearing Kit	1
▲	5	369137	Bushing	2
▲	6	369145	Gear, Crankshaft	1
	7	369207	Washer	1
	8	369298	Kit, Piston Ring	4
▽	9	369297	Kit, Conrod	4
▲	10	369172	Screw	2
▲	11	369208	Nut	2
▽	12	369284	Piston Kit	4
▲	13	369132	Clip	2
	14	369169	Screw	1
	15	369143	Pulley, Crank	1

Fig. 3 - Cylinder Head Group

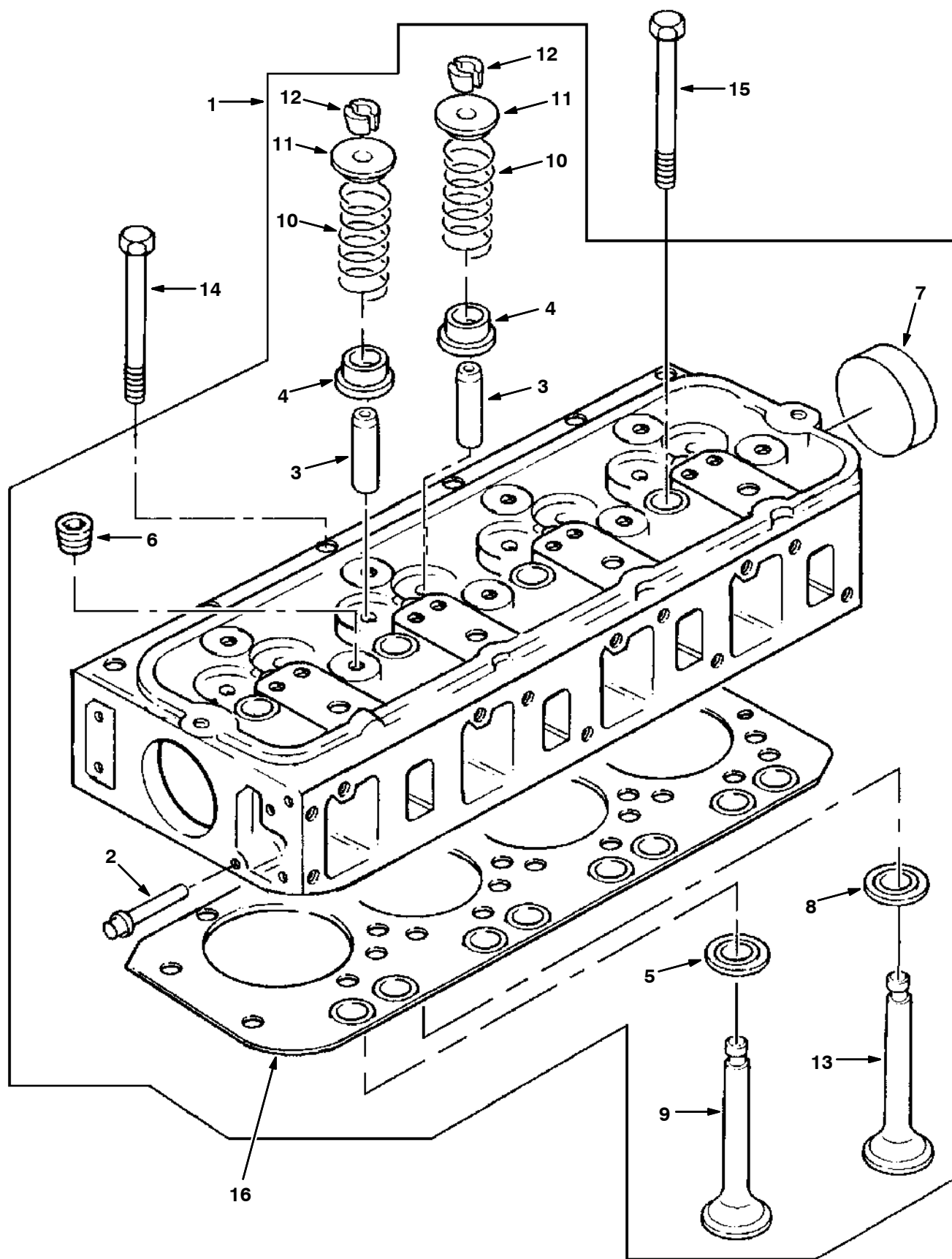


Fig. 3 - Cylinder Head Group

	Ref.	Part No.	Description	Qty.
▽	1	369290	Cylinder Head Kit	1
▲	2	764466	Plug	1
▲	3	369200	Guide	8
▲	4	369261	Seal	8
▲	5	369197	Insert	4
▲	6	764425	Plug	4
▲	7	764469	Plug	2
▲	8	369198	Insert	4
▲	9	369149	Exhaust Valve	4
▲	10	369159	Spring	8
▲	11	369206	Cap	8
▲	12	369153	Cotter	16
▲	13	369150	Inlet Valve	4
	14	369170	Screw	14
	15	369173	Screw	4
	16	369228	Head Gasket	1

Fig. 4 - Rocker Shaft Group

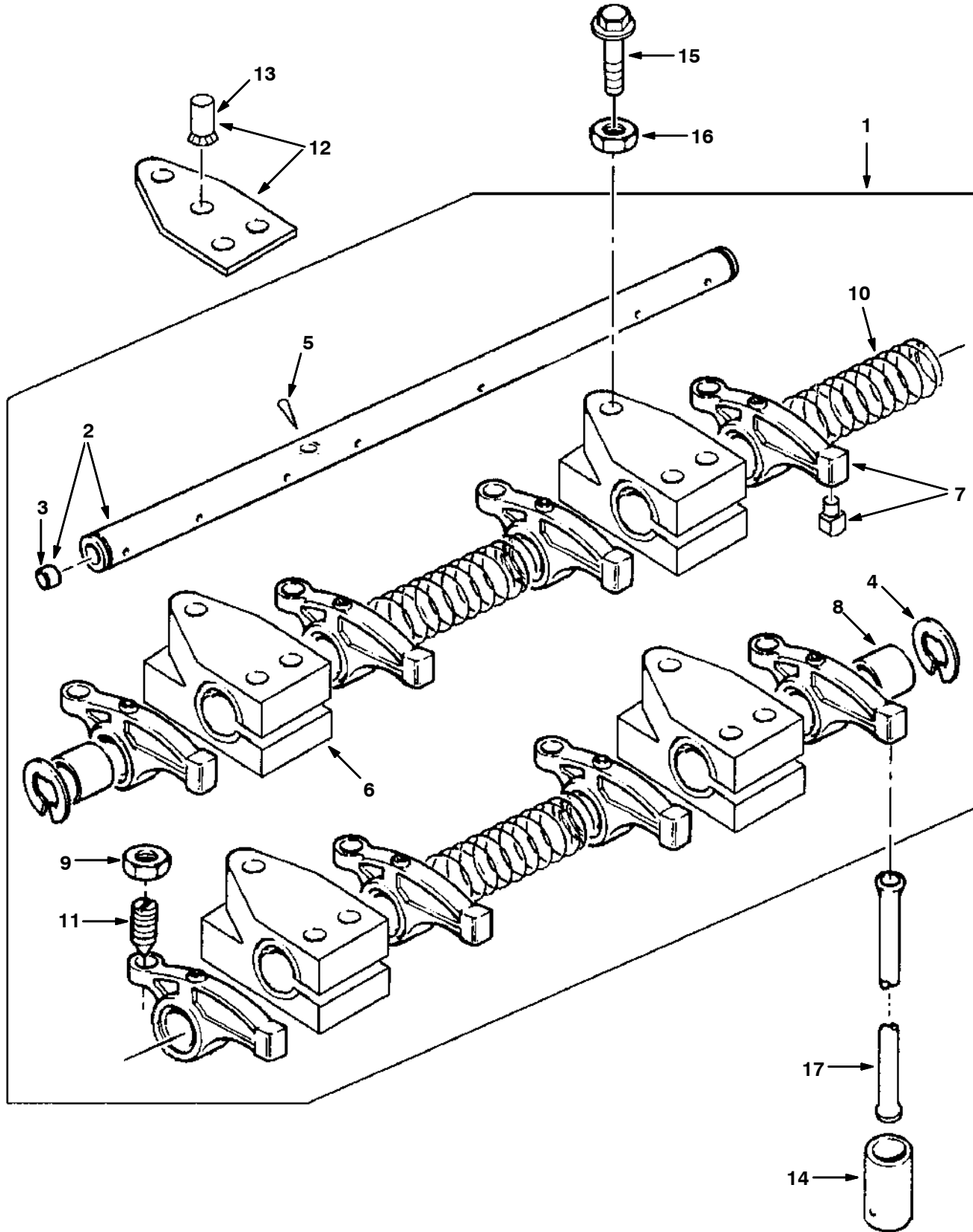


Fig. 4 - Rocker Shaft Group

	Ref.	Part No.	Description	Qty.
▽	1	369292	Rockershaft Assy	1
▲▽	2	369294	Rocker Shaft	1
▲▲	3	369002	Plug	2
▲	4	369134	Circlip	2
▲	5	369005	Pin	1
▲	6	369249	Bracket	4
▲	7	369254	Lever	8
▲	8	369195	Spacer	2
▲	9	369023	Nut	8
▲	10	369160	Spring	3
▲	11	369166	Screw	8
▽	12	369243	Plate	1
▲	13	369187	Stud	1
	14	369151	Tappet	8
	15	369016	Screw	8
	16	764421	Nut	4
	17	369152	Push Rod	8

PERKINS ENGINE BREAKDOWN

Fig. 5 - Timing Gear, Cover and Camshaft Group

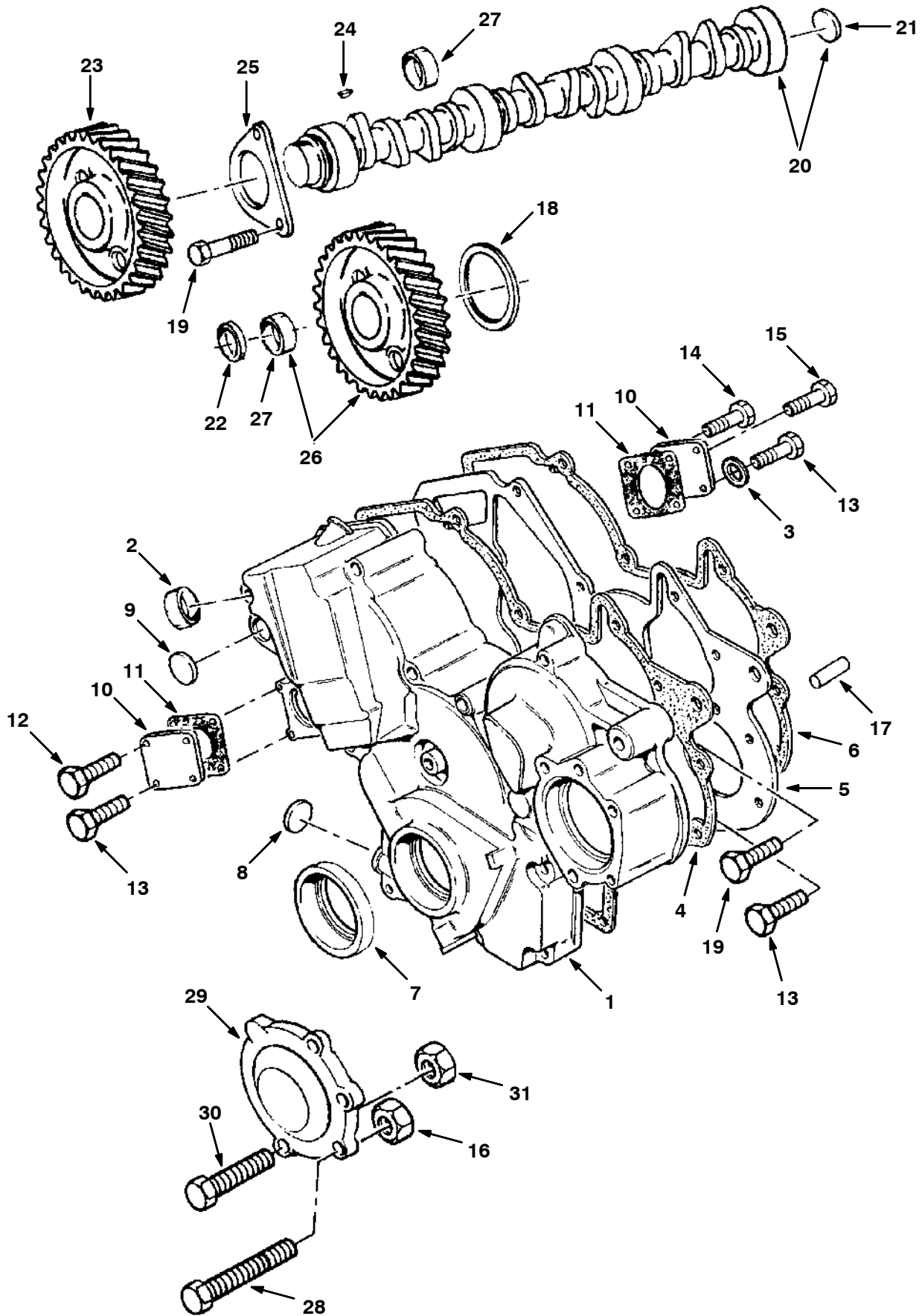


Fig. 5 - Timing Gear, Cover and Camshaft Group

Ref.	Part No.	Description	Qty.	
1	369257	Timing Gear Cover	1	
2	369205	Sleeve	1	
3	369004	Washer	2	
4	369235	Joint	1	
5	369224	Plate	1	
6	369236	Joint	1	
7	369031	Seat	1	
8	369035	Plug	3	
9	369174	Plug	1	
10	369217	Plate	1	
11	369232	Joint	1	
12	369020	Screw	1	
13	764408	Screw	8	
14	764409	Screw	1	
15	764575	Screw	2	
16	764422	Nut	2	
17	369196	Dowel	2	
18	369025	O-Ring	1	
19	764653	Screw	2	
▽	20	393665	Camshaft Kit	1
▲	21	369037	Plug	1
▲		369140	Bushing (Not Shown)	1
	22	369007	Washer	2
	23	369146	Gear, Camshaft	1
	24	369260	Woodruff Key	1
	25	369141	Cover	1
▽	26	369251	Idler Gear	1
▲	27	369138	Bushing	2
	28	764418	Screw	2
	29	369299	Cover	1
	30	370806	Screw	2
	31	764421	Nut	2

Fig. 6 - Timing Gear Cover Mount Group

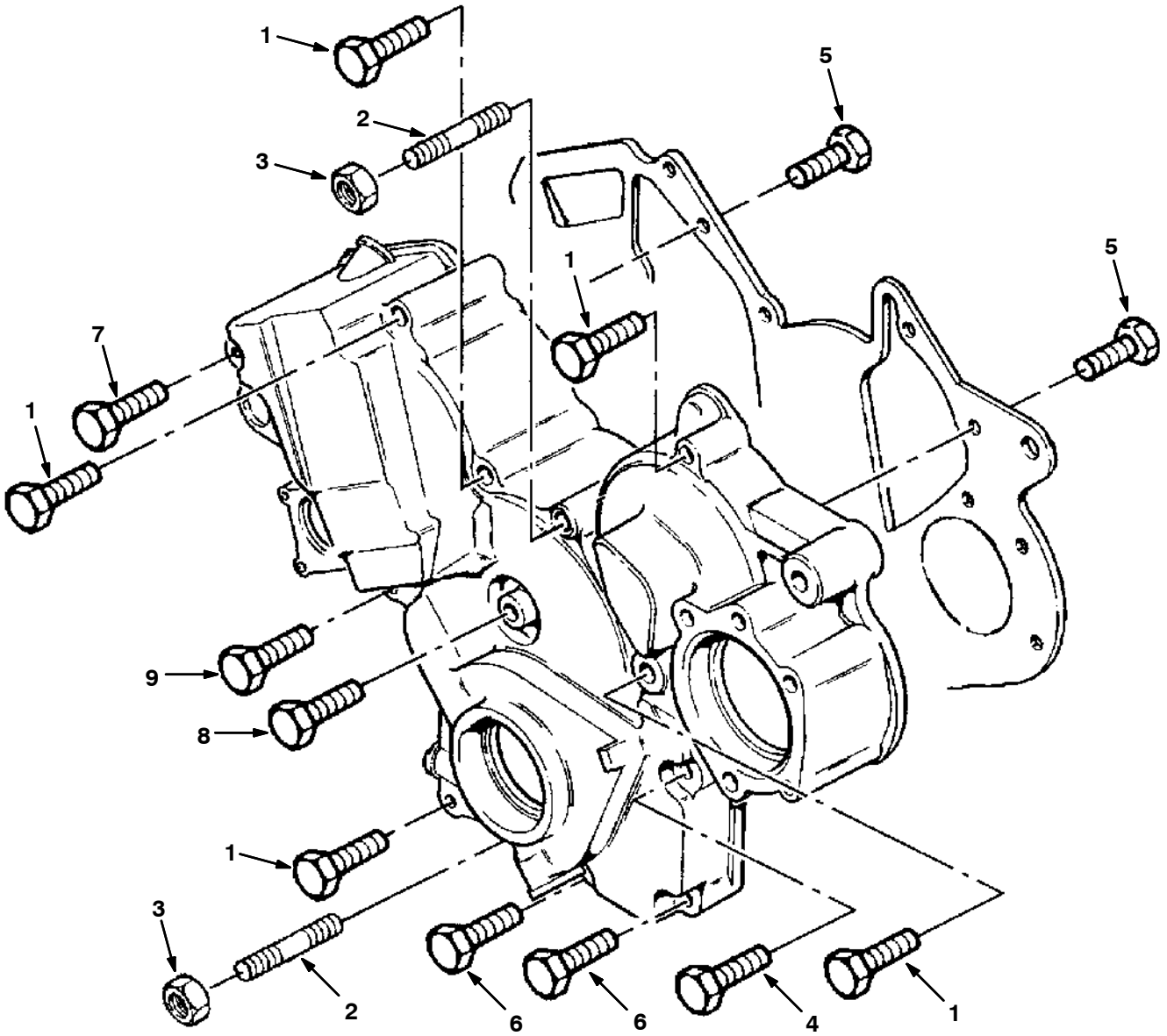
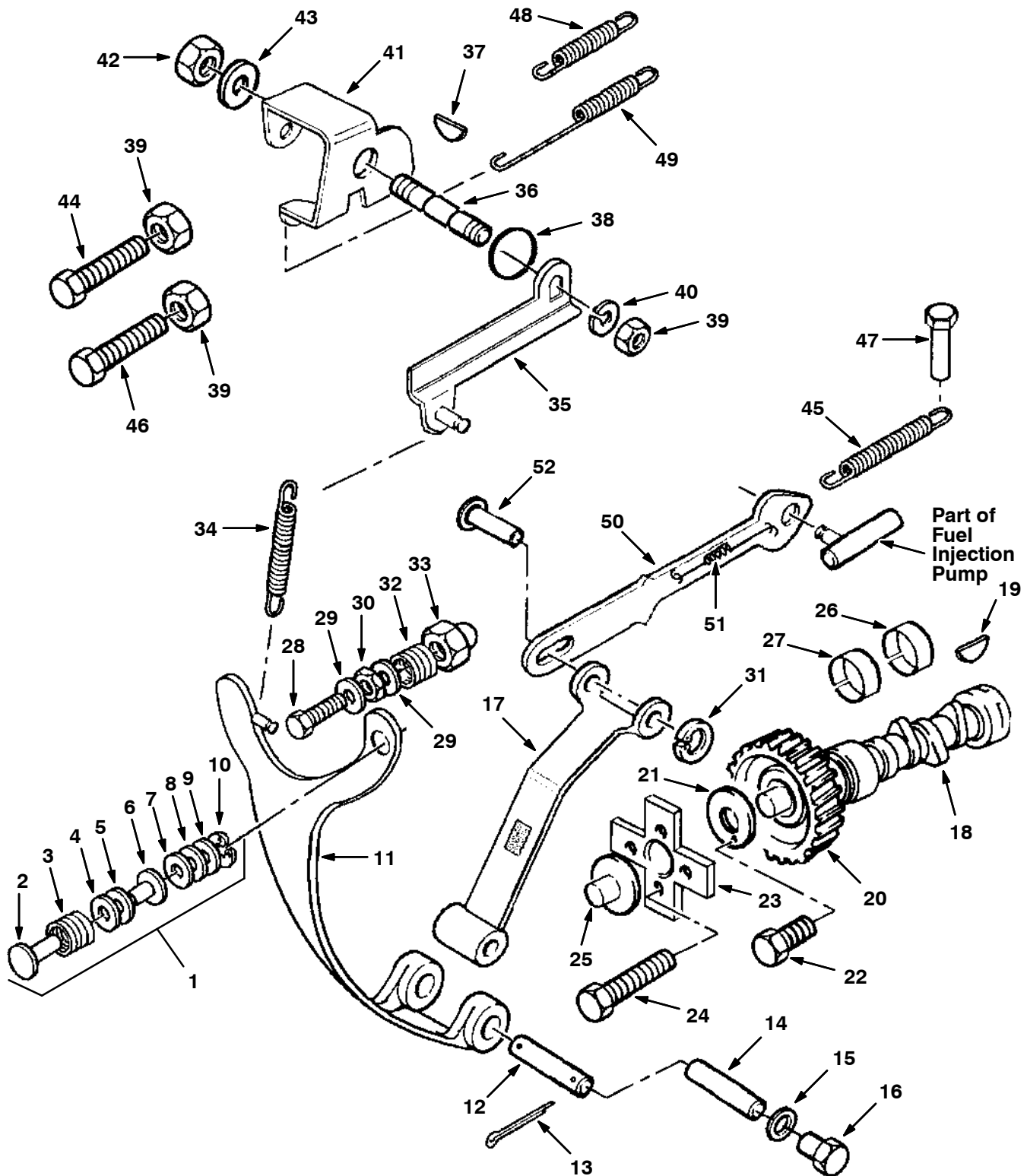


Fig. 6 - Timing Gear Cover Mount Group

Ref.	Part No.	Description	Qty.
1	764560	Screw	5
2	763887	Stud	2
3	764421	Nut	2
4	764620	Screw	1
5	764409	Screw	2
6	764412	Screw	2
7	369018	Screw	1
8	764575	Screw	1
9	764414	Screw	1

PERKINS ENGINE BREAKDOWN

Fig. 7 - Auxiliary Drive Group



351099 - D

Ref.	Part No.	Description	Qty.	
▽	1	369282	Adjuster	1
▲	2	369183	Pin	1
▲	3	369155	Spring	1

Fig. 7 - Auxiliary Drive Group

	Ref.	Part No.	Description	Qty.
▲	4	369191	Shim	1
▲	5	369190	Shim	1
▲	6	369272	Adapter	1
▲	7	369188	Shim	1
▲	8	369189	Shim	1
▲	9	369192	Shim	1
▲	10	369135	Circlip	1
	11	369241	Arm	1
	12	369175	Pin	1
	13	369213	Pin	2
	14	369176	Pin	1
	15	369194	Washer	1
	16	369038	Screw	1
	17	369242	Arm	1
	18	369148	Camshaft	1
	19	369260	Woodruff Key	1
	20	369147	Gear, Pump	1
	21	369177	Plate	1
	22	764812	Screw	1
	23	369253	Weight	1
	24	369015	Screw	4
	25	369142	Slider	1
	26	369040	Bearing	1
	27	369039	Ball Bearing	1
	28	369165	Screw	1
	29	369193	Washer	3
	30	369203	Nut	1
	31	369135	Circlip	1
	32	369268	Spring	1
	33	369186	Nut	1
	34	369269	Spring	1
	35	369279	Arm	1
	36	369167	Shaft	1
	37	369001	Woodruff Key	1
	38	369026	O-Ring	2
	39	369202	Nut	3
	40	369008	Washer	1
	41	369250	Lever	1
	42	369204	Nut	1
	43	369006	Washer	1
	44	369168	Screw	1
	45	369162	Spring	1
	46	369022	Screw	1
	47	369184	Pin	1
	48	369163	Spring	1
	49	369158	Spring	1
	50	370807	Link	1
	51	369162	Spring	1
	52	369270	Pin	1

Fig. 8 - Oil Pump Group

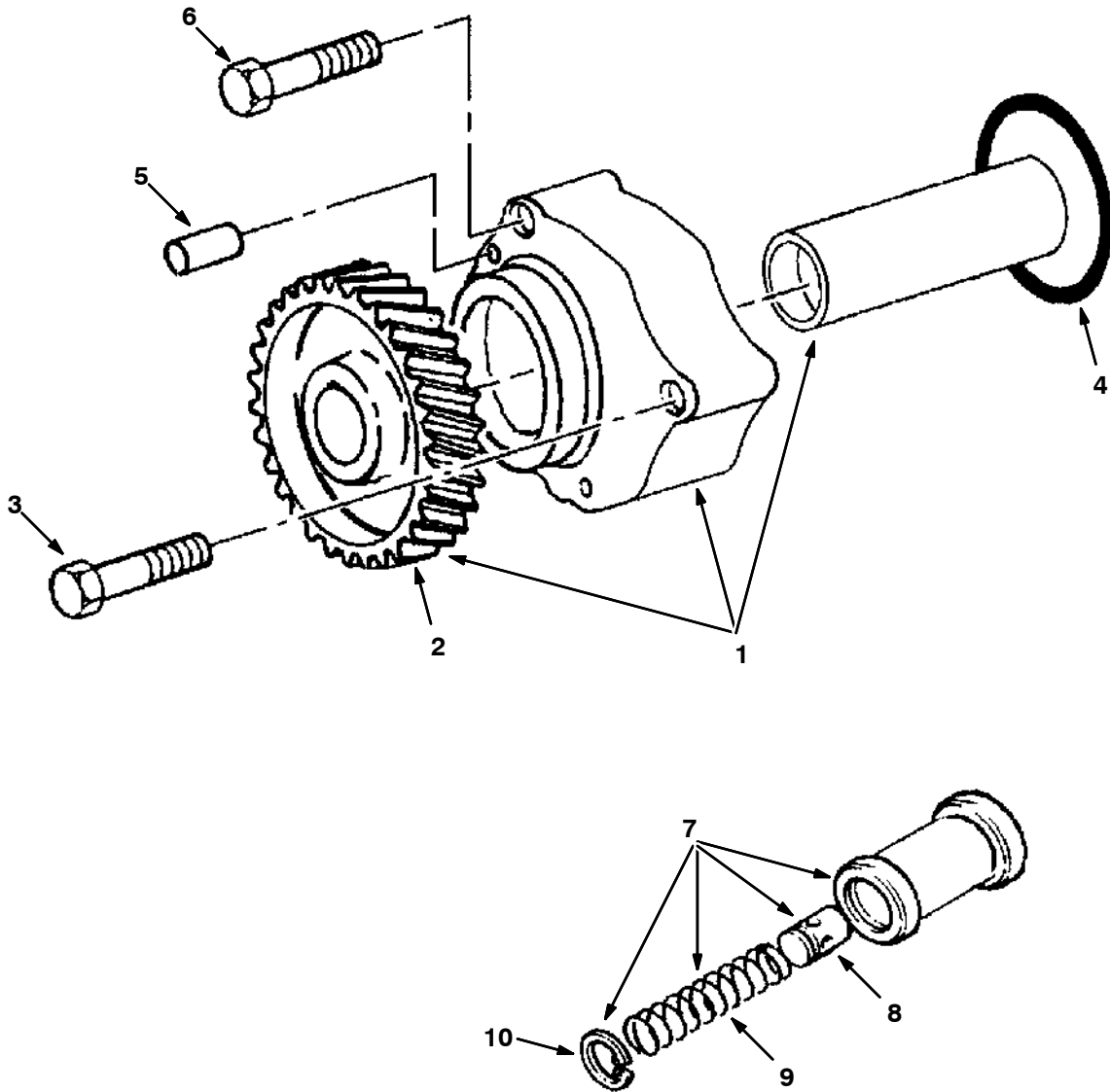


Fig. 8 - Oil Pump Group

	Ref.	Part No.	Description	Qty.
▽	1	369255	Oil Pump	1
▲	2	369144	Gear	1
	3	369012	Screw	1
	4	369027	O-Ring	1
	5	369179	Dowel	2
	6	764707	Screw	2
▽	7	369256	Valve	1
▲	8	369181	Plunger	1
▲	9	369157	Spring	1
▲	10	369133	Circlip	1

Fig. 9 - Fuel Injection Pipe Group

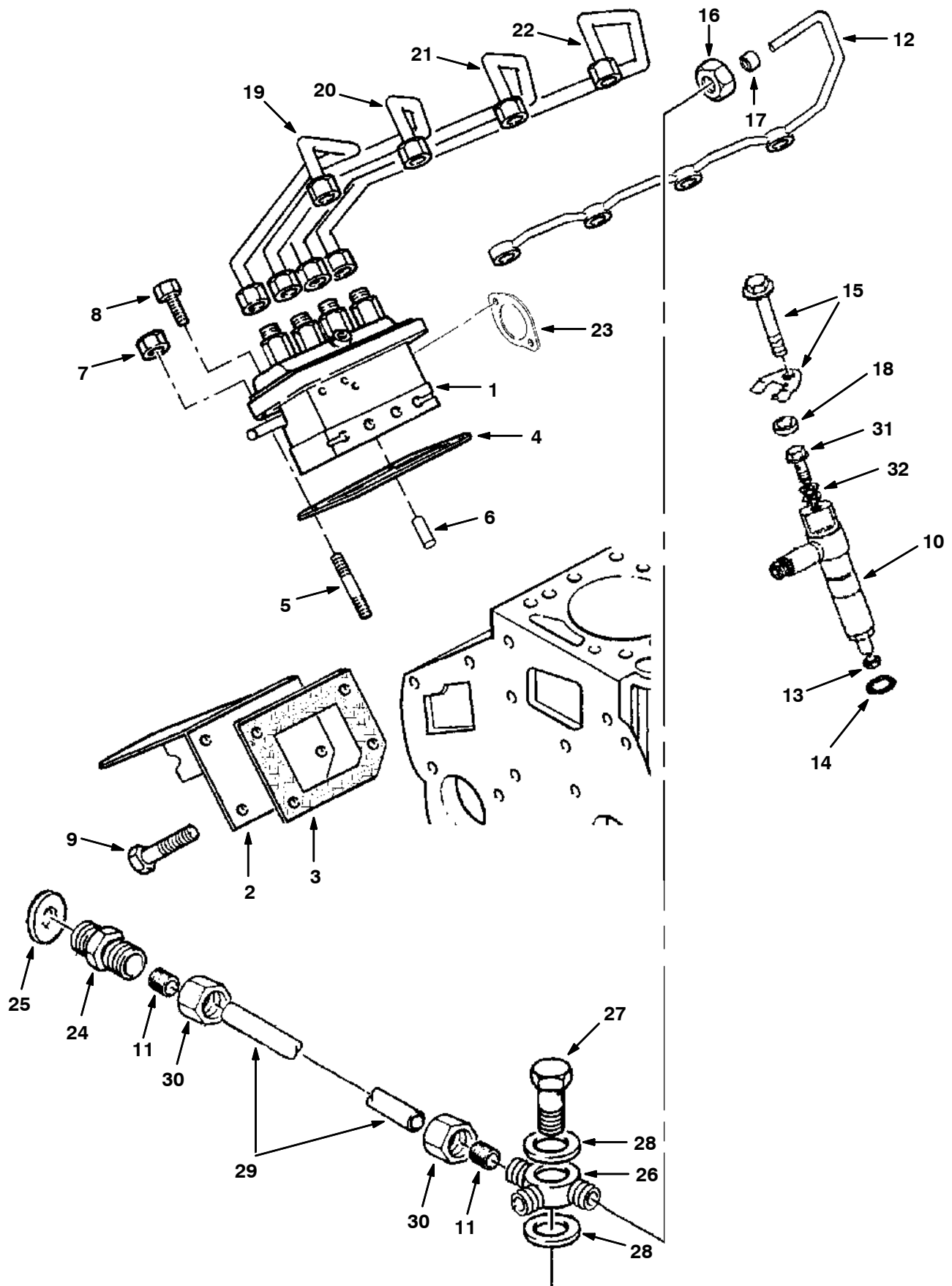


Fig. 9 - Fuel Injection Pipe Group

Ref.	Part No.	Description	Qty.
1	369262	Injection Pump (See Breakdown)	1
2	369226	Cover	1
3	369233	Joint	1
4	388548	Shim Kit, Pump, Injection [Pk]	1
5	764561	Stud	2
6	369178	Dowel	2
7	764421	Nut	2
8	764794	Screw	4
9	764812	Screw	4
10	369263	Atomiser	4
11	369210	Olive .36Od .25Id	2
12	369277	Leak-Off Pipe	1
13	369259	Washer	4
14	369030	O-Ring	4
15	369281	Clamp	4
16	764432	Nut	1
17	764433	Olive	1
18	369271	Spacer	4
19	369273	Inj Pipe #1 Cyl	1
20	369274	Inj Pipe #2 Cyl	1
21	369275	Inj Pipe #3 Cyl	1
22	369276	Inj Pipe #4 Cyl	1
23	369231	Joint	1
24	370811	Connection	1
25	370812	Washer	1
26	369154	Connection	1
27	37828	Bolt	1
28	764802	Washer	2
29	370809	Pipe, Fuel	1
30	370810	Nut, Union	2
31	393675	Bolt	1
32	393676	Gasket	2

Fig. 10 - Fuel Injection Pump Breakdown

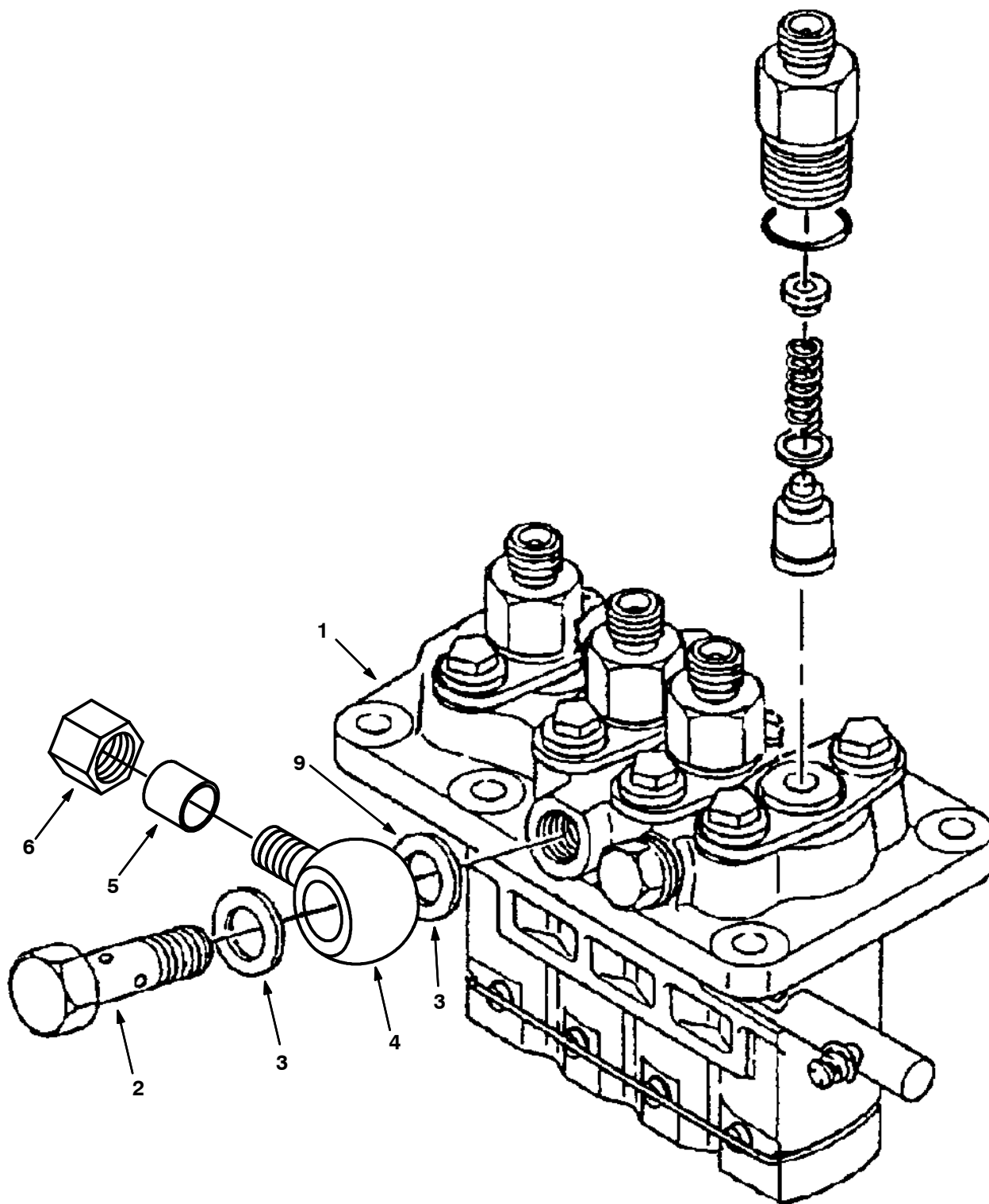


Fig. 10 - Fuel Injection Pump Breakdown

	Ref.	Part No.	Description	Qty.
▽	1	369262	Injection Pump	1
▲	2	369089	Bolt	1
▲	3	369090	Gasket	2
	4	370814	Connection	1
	5	764804	Olive	1
	6	764803	Nut	1

Fig. 11 - Flywheel Housing and Starter Group

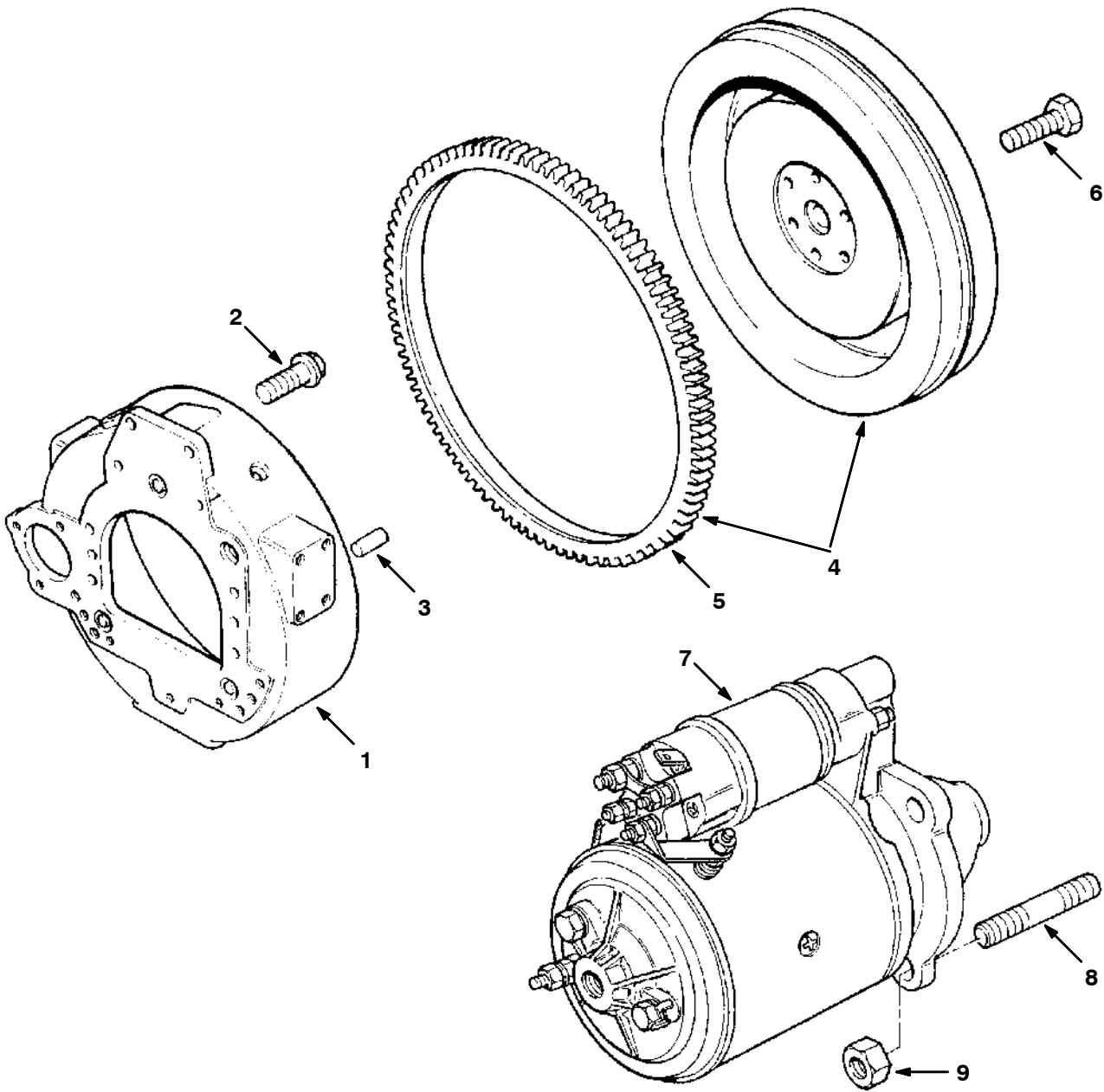


Fig. 11 - Flywheel Housing and Starter Group

Ref.	Part No.	Description	Qty.
1	370818	Housing, Flywheel	1
2	764420	Screw	8
3	370817	Dowel	2
▽ 4	370815	Flywheel Assy	1
▲ 5	37973	Gear, Ring	1
6	370816	Screw	8
7	369136	Starter Motor (See Starter Motor Breakdown)	1
8	764407	Stud	3
9	764422	Nut	3

Fig. 12 - Starter Motor Breakdown, 369136

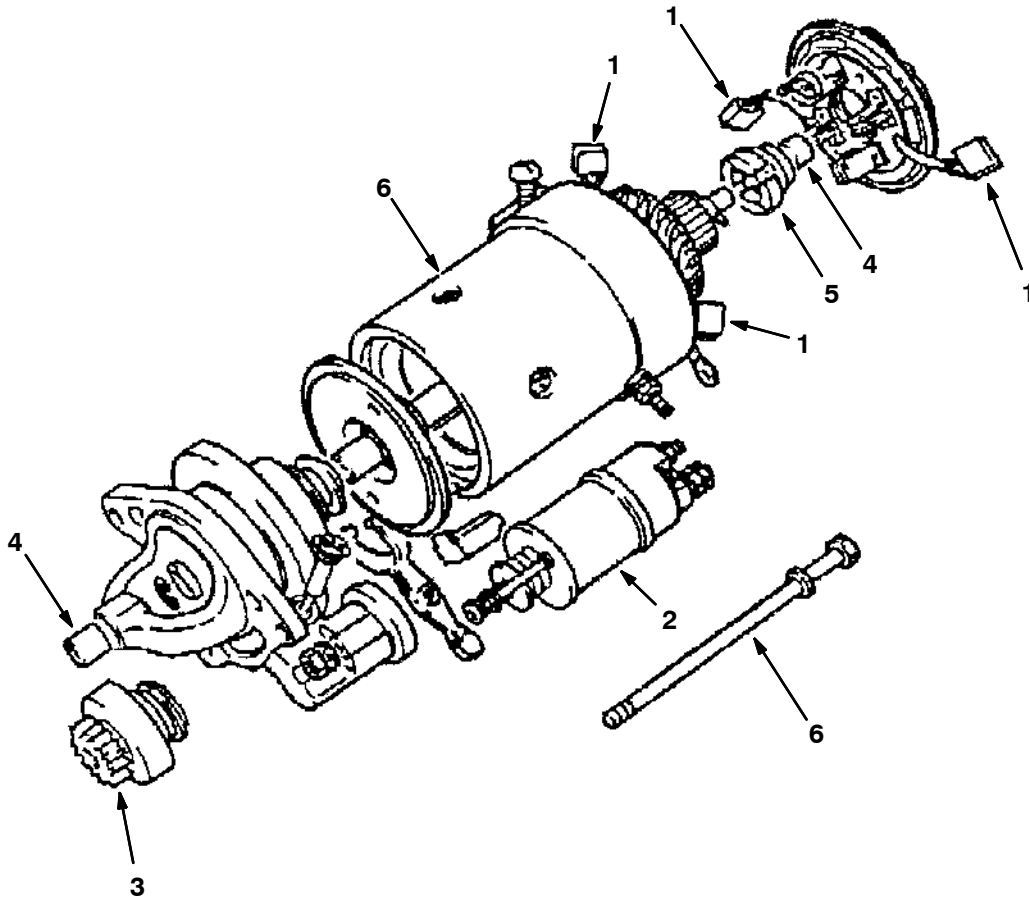


Fig. 12 - Starter Motor Breakdown, 369136

	Ref.	Part No.	Description	Qty.
▽		369136	Starter Motor	1
▲	1	765052	Kit, Brush	1
▲	2	393767	Solenoid	1
▲	3	393768	Drive	1
▲	4	393769	Kit, Bushing	1
▲	5	764604	Kit, Brake	1
▲	6	765053	Kit, Repair	1

Fig. 13 - Lubricating Oil Sump Group

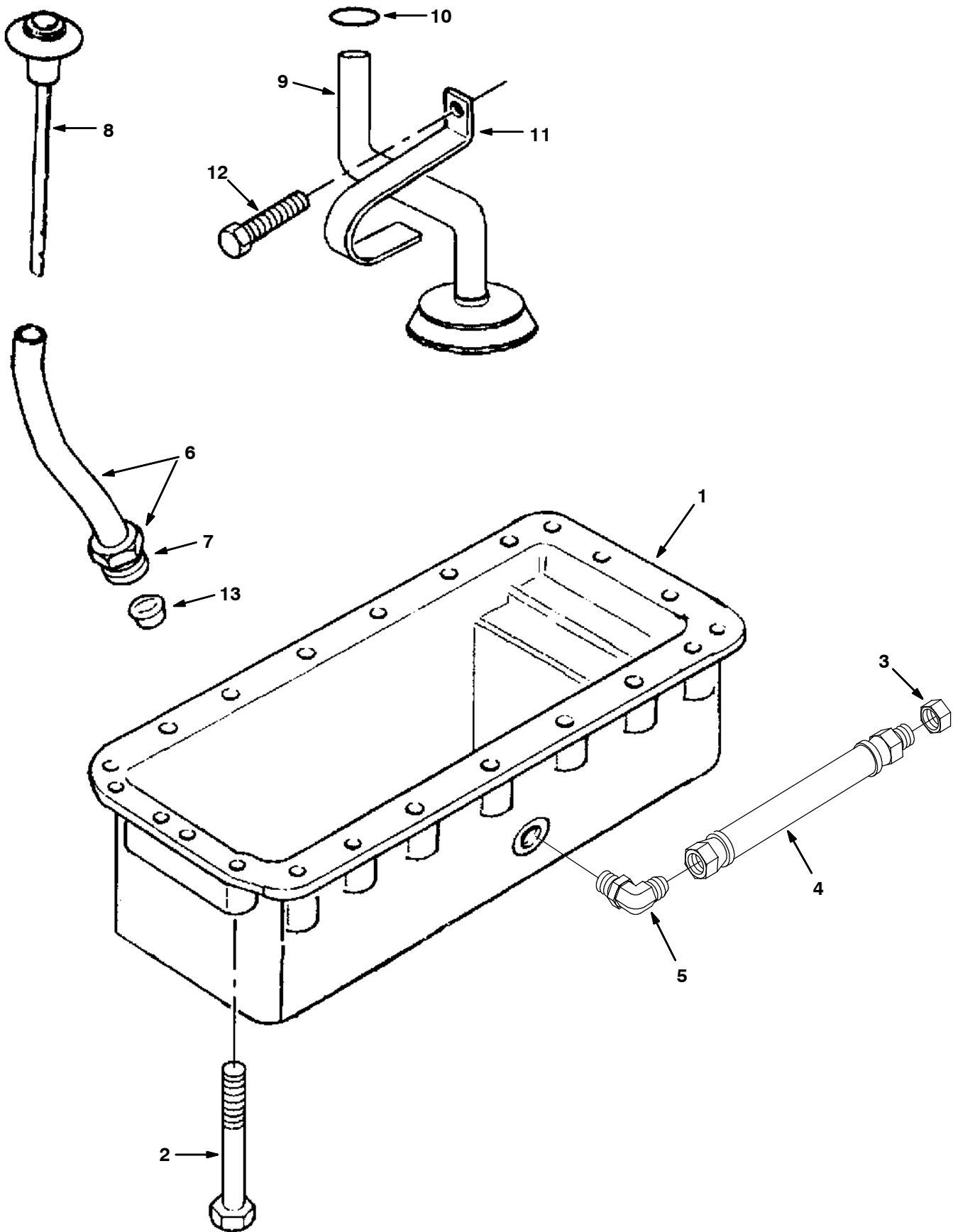


Fig. 13 - Lubricating Oil Sump Group

	Ref.	Part No.	Description	Qty.
▽		374228	Kit, Replmt, Pan, Oil [800d/810d]	1
▲	1	374147	Sump	1
▲	2	374148	Screw	24
▲	3	60090	Fitting, Hyd, Cap, Jf08	1
▲	4	374151	Hose, Hyd, Low [Pk]	1
▲	5	371602	Fitting, Hyd, E90, .75-16 [Pgl]	1
▽	6	369216	Tube Assy	1
▲	7	764716	Nut	1
	8	369164	Dipstick	1
	9	370821	Pipe, Oil	1
	10	370819	O-Ring	1
	11	370820	Clip	1
	12	765049	Screw	1
	13	764717	Olive	1

Fig. 14 - Cylinder Head Cover Group

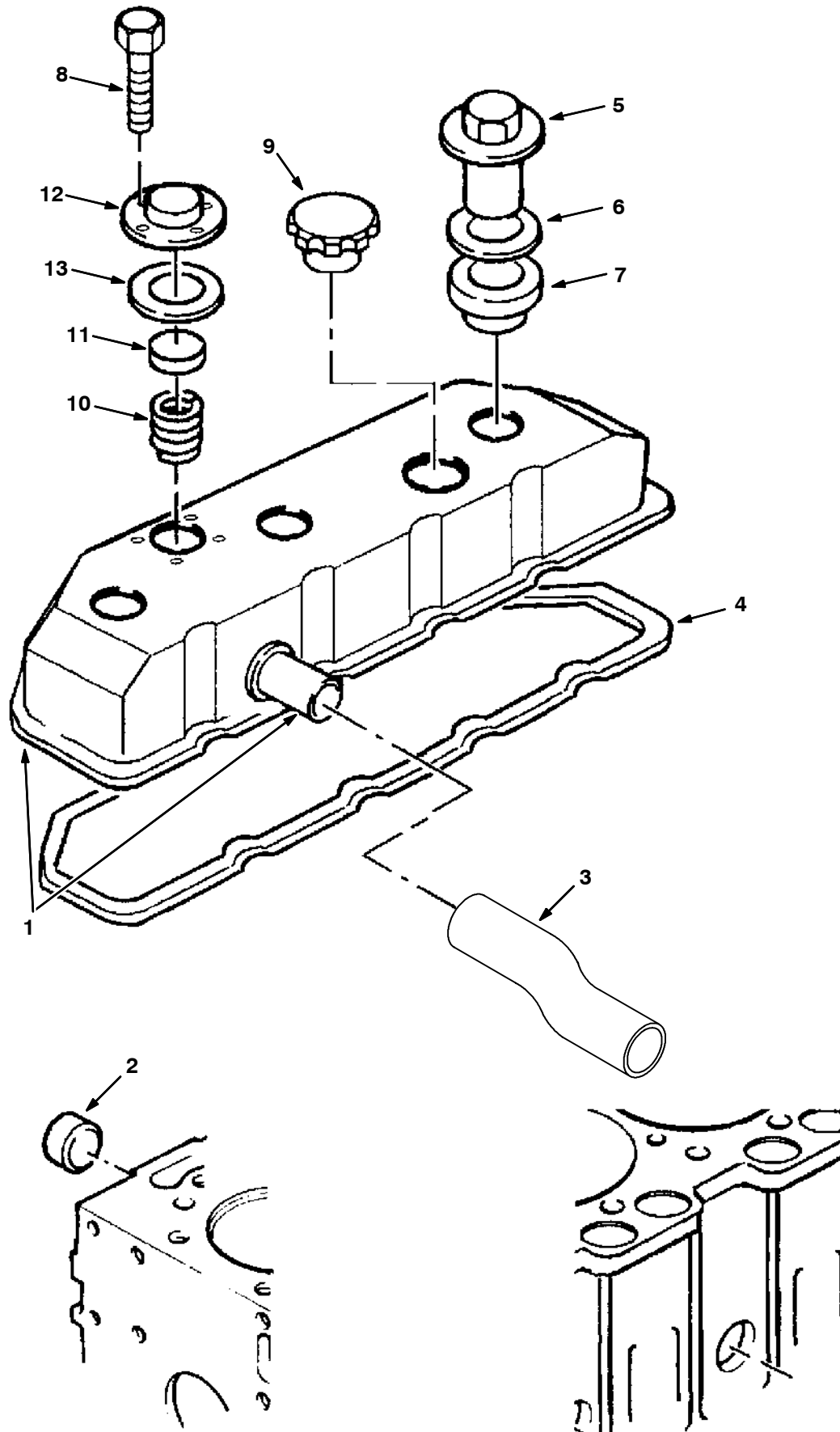


Fig. 14 - Cylinder Head Cover Group

Ref.	Part No.	Description	Qty.
1	369240	Cylinder Head Copy	1
2	764403	Plug	1
3	370823	Hose	1
4	369227	Joint	1
5	369185	Nut	3
6	369003	Washer	3
7	369211	Seal	3
8	369010	Screw	4
9	369212	Cap	1
10	369156	Spring	1
11	369199	Plate	1
12	369245	Cover	1
13	369239	Seal	1

Fig. 15 - Water Pump and Thermostat Group

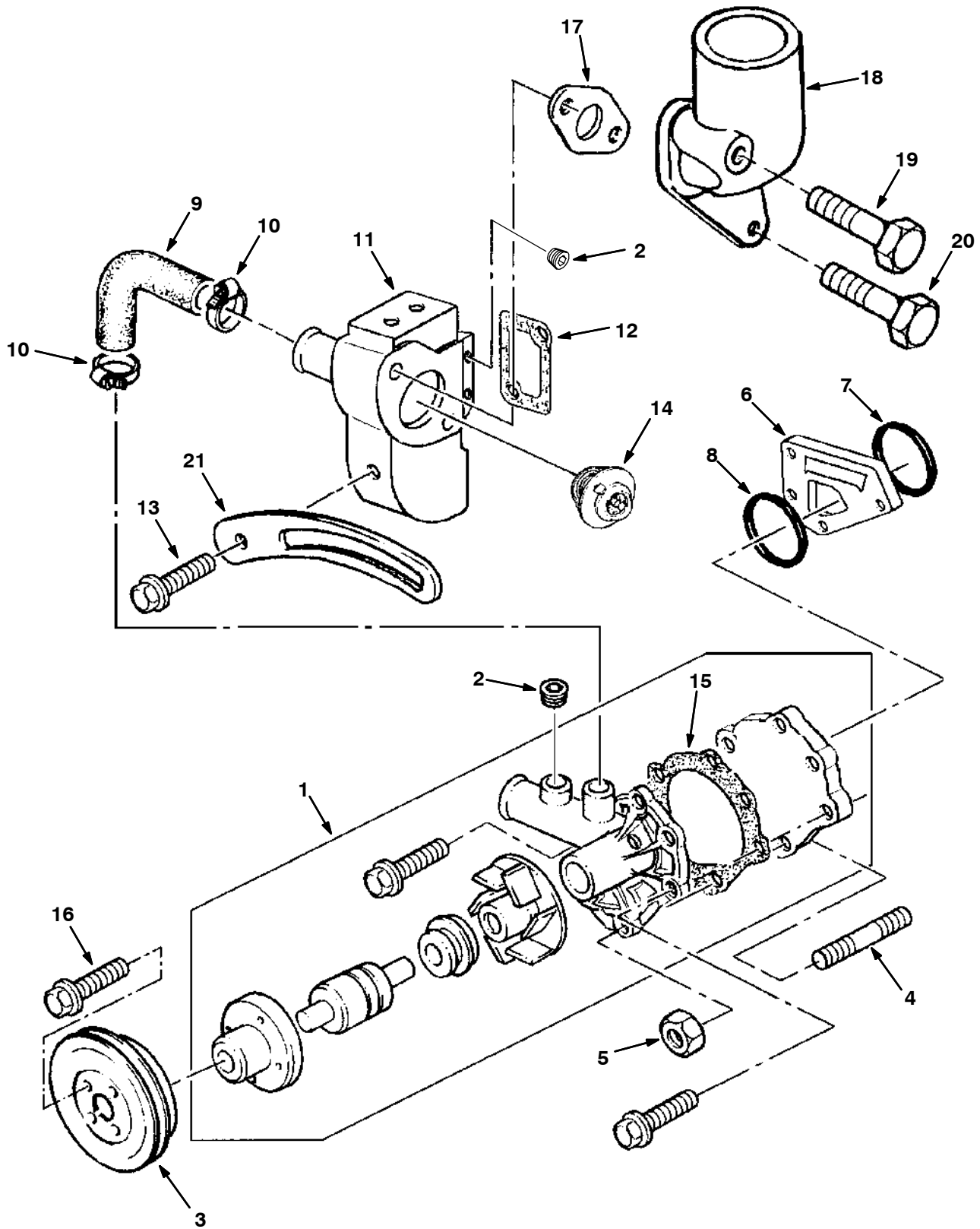
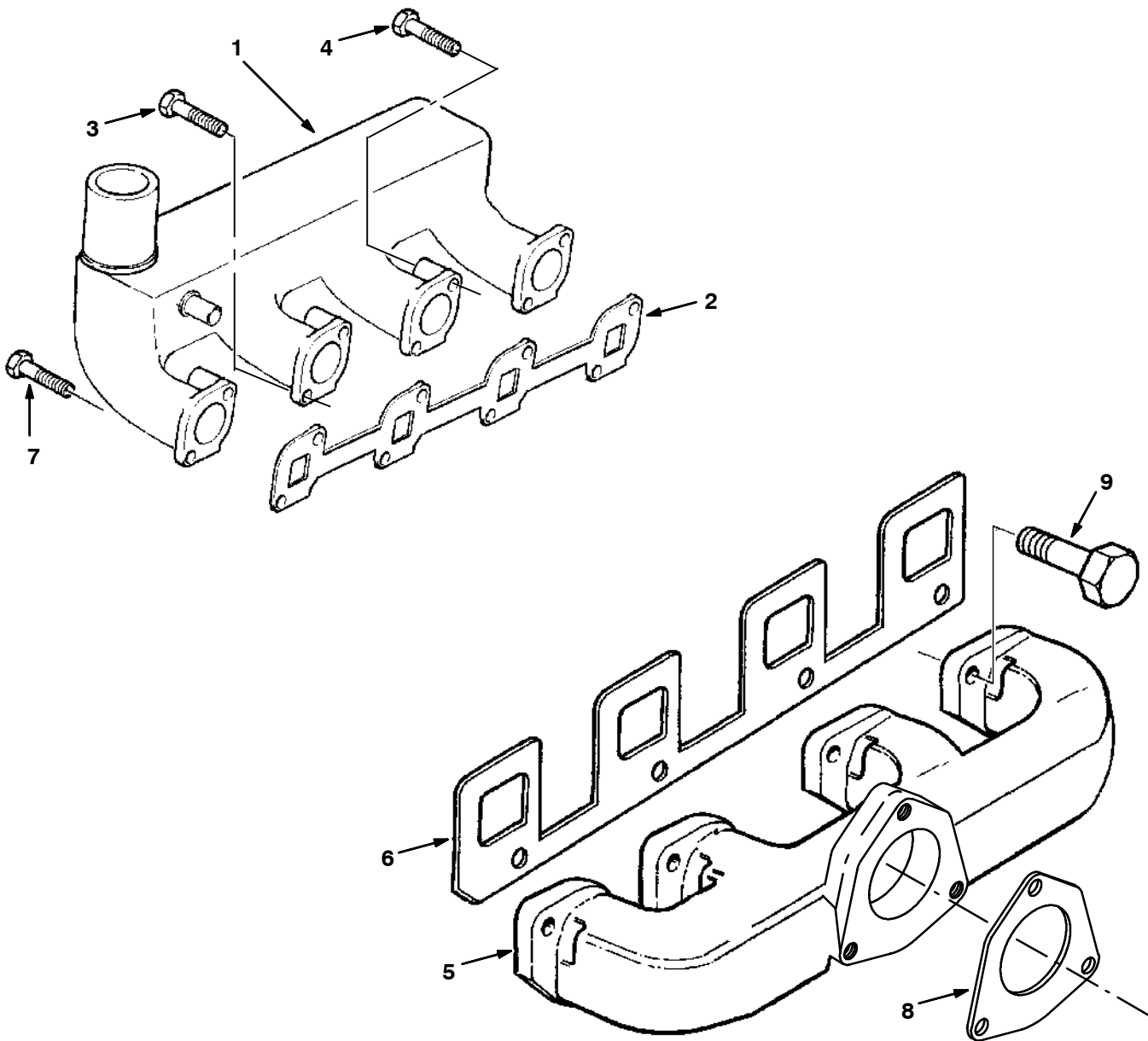


Fig. 15 - Water Pump and Thermostat Group

Ref.	Part No.	Description	Qty.
1	369280	Water Pump	1
2	764517	Plug	2
3	370825	Pulley	1
4	369014	Stud	4
5	764421	Nut	4
6	369244	Spacer	1
7	369029	O-Ring	1
8	369028	O-Ring	1
9	369214	Hose	1
10	369000	Clip	2
11	369247	Housing	1
12	369234	Gasket	1
13	764769	Screw	1
14	369034	Thermostat	1
15	370886	Gasket	1
16	764812	Screw	4
17	369230	Joint	1
18	369246	Connection	1
19	764614	Screw	1
20	764556	Screw	1
21	762094	Lever	1

PERKINS ENGINE BREAKDOWN

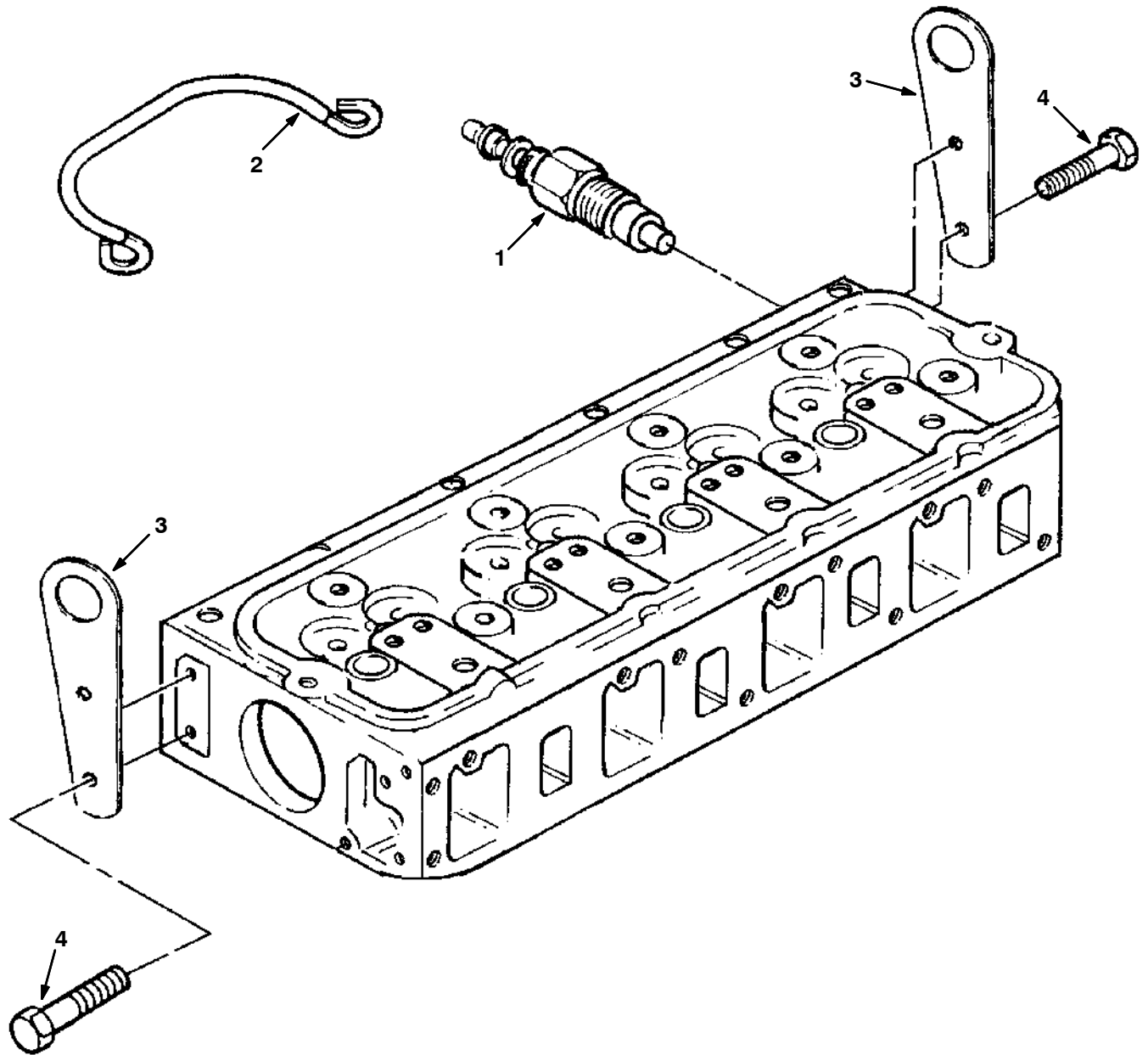
Fig. 16 - Manifold Group



351115 - D

Ref.	Part No.	Description	Qty.
1	370826	Manifold, Intake	1
2	369229	Joint	1
3	764410	Screw	4
4	369021	Screw	3
5	369248	Exhaust Manifold	1
6	369278	Joint	1
7	370887	Screw	1
8	370827	Gasket	1
9	764620	Screw	8

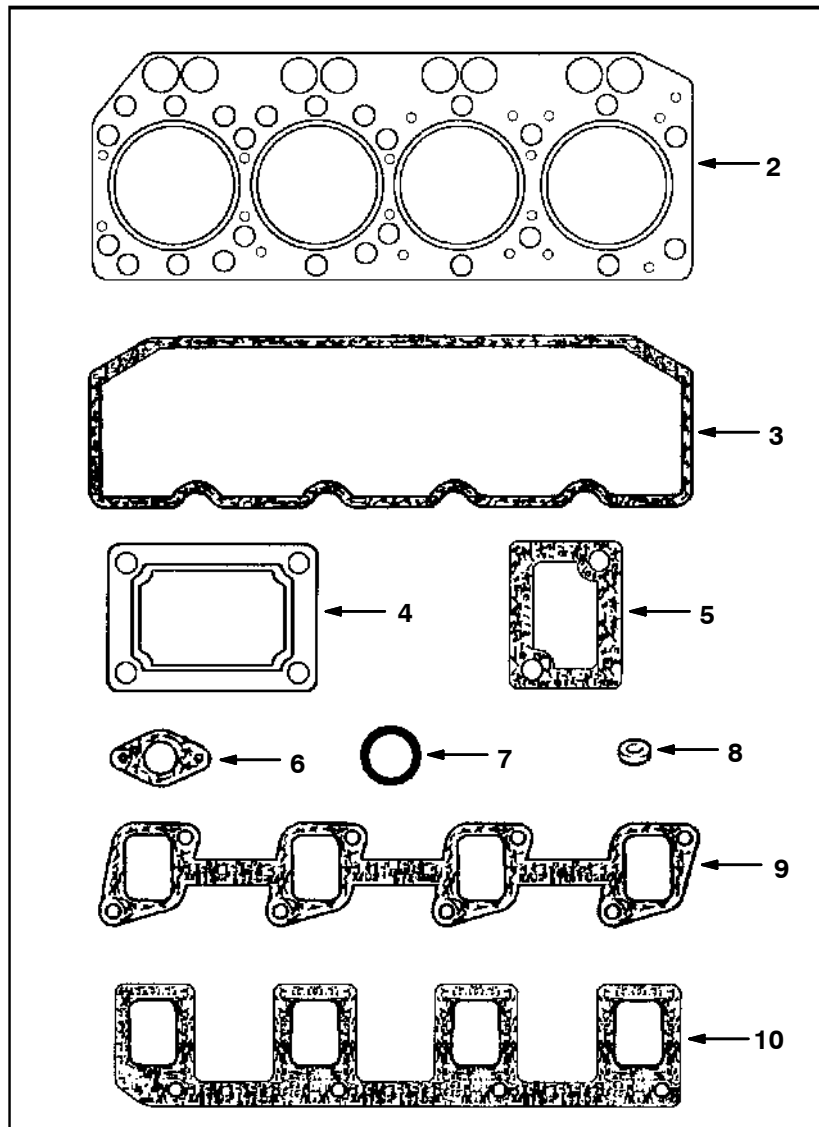
Fig. 17 - Glow Plug and Engine Lift Group



351117 - D

Ref.	Part No.	Description	Qty.
1	369131	Glow Plug	4
2	369258	Cable	3
3	369223	Plate	2
4	764408	Screw	4

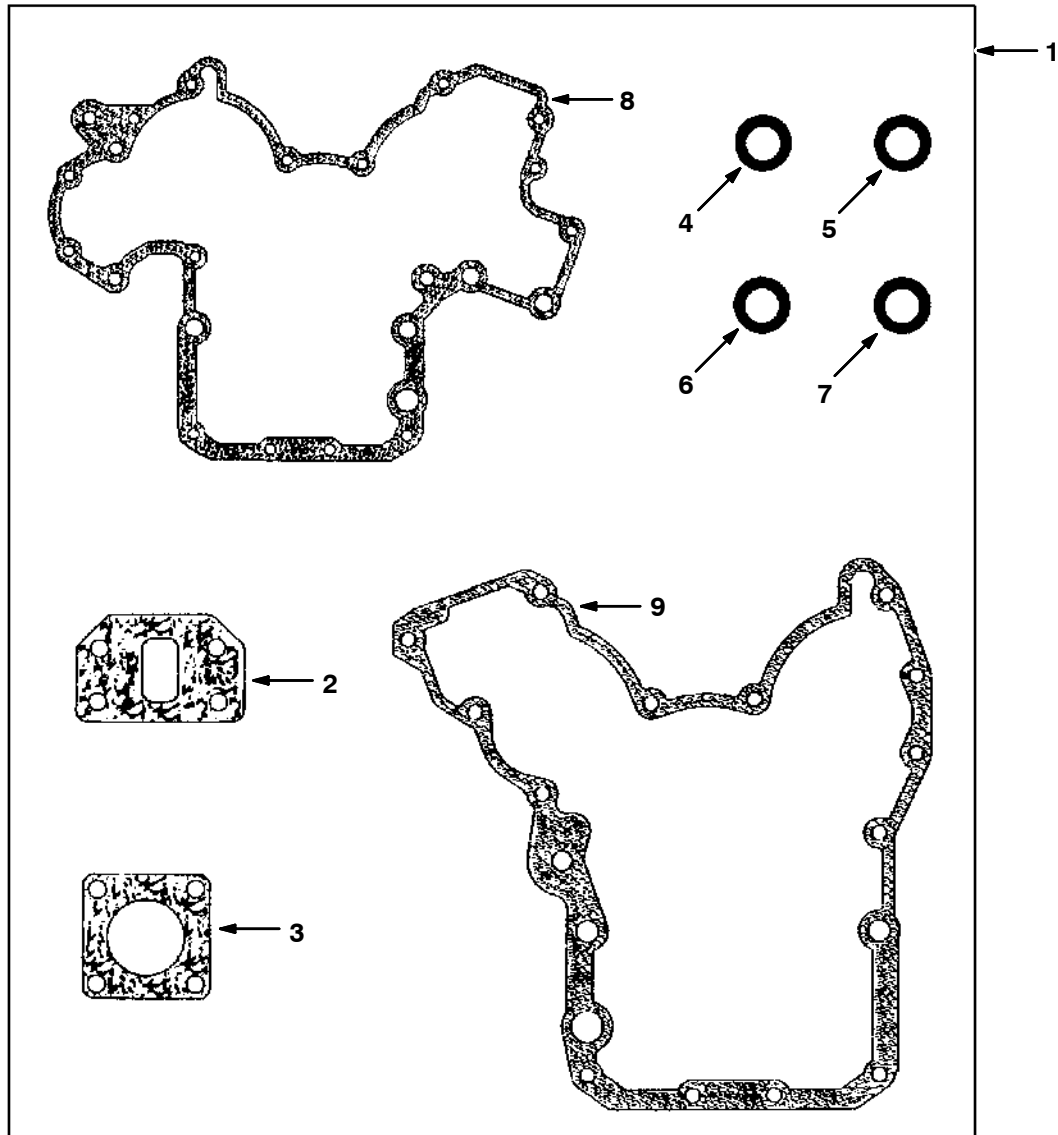
Fig. 18 - Top Joints and Gaskets Group



351119 - D

	Ref.	Part No.	Description	Qty.
▽	1	369285	Joint/Gasket	1
▲	2	369228	Head Gasket	1
▲	3	369227	Joint	1
▲	4	369233	Joint	1
▲	5	369234	Gasket	1
▲	6	369230	Joint	1
▲	7	369030	O-Ring	4
▲	8	369259	Washer	4
▲	9	369229	Joint	1
▲	10	369278	Joint	1

Fig. 19 - Bottom Joints and Gaskets Group



351121 - D

Ref.	Part No.	Description	Qty.	
▽	1	369283	Joint/Gasket Kit	1
▲	2	21796	Gasket	1
▲	3	369232	Joint	1
▲	4	369027	O-Ring	1
▲	5	369009	Washer	1
▲	6	369028	O-Ring	1
▲	7	369029	O-Ring	1
▲	8	369235	Joint	1
▲	9	369236	Joint	1

SECTION 6

Contents	Page
Fig. 1 - Cylinder Block Group	6-2
Fig. 2 - Crankshaft and Piston Group	6-4
Fig. 3 - Cylinder Head and Cover Group	6-6
Fig. 4 - Valve and Rocker Arm Group	6-8
Fig. 5 - Camshaft Group	6-9
Fig. 6 - Front Housing and Gear Group	6-10
Fig. 7 - Flywheel Housing and Starter Group ..	6-12
Fig. 8 - Auxiliary Drive Group	6-13
Fig. 9 - Oil Pan Group	6-14
Fig. 10 - Water Pump and Thermostat Group ..	6-16
Fig. 11 - Cooler Group	6-18
Fig. 12 - Manifold Group	6-20
Fig. 13 - Fuel Group	6-22
Fig. 14 - Fumes Disposal Group	6-24
Fig. 15 - Alternator Group	6-26
Fig. 16 - Glow Plug Group	6-27

Fig. 1 - Cylinder Block Group

Ref.	Part No.	Description	Qty.	
1	372706	Plug	5	
2	372707	Cap	6	
3	372708	Pin	2	
4	372709	Pin, Spring	6	
5	372710	Plug	1	
6	372711	Pin	2	
▽	7	372712	Block Group, Cyl	1
▲	8	372713	Screw	10
▲	9	372714	Cap	10
▲	10	372715	Seal	2
11	372716	Plug	1	
12	372717	Shaft, Idler	1	
13	372718	Pin	2	
14	372719	Bushing	1	
15	372720	Tube, Cooling, Oil	4	
16	372721	Plug, Coolant, Eng	1	
17	372818	Dipstick, Oil, Eng	1	
	372934	Seal, Ds	1	
	372935	Tube, Ds	1	
	372936	Guide, Ds	1	

Fig. 2 - Crankshaft and Piston Group

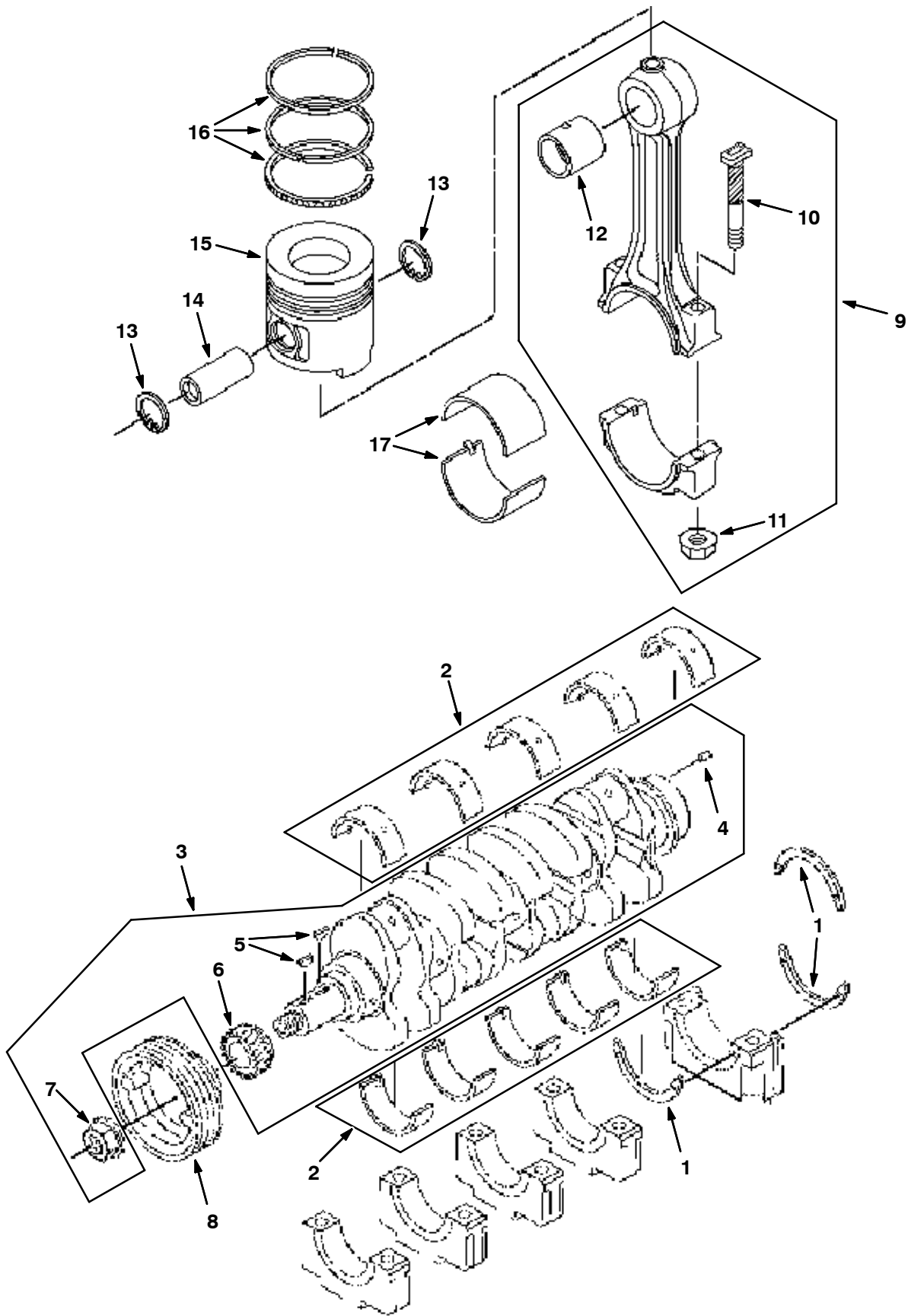


Fig. 2 - Crankshaft and Piston Group

Ref.	Part No.	Description	Qty.
1	372697	Plate, Thrust, Std	3
	372698	Plate, Thrust [+0.15mm]	3
2	372699	Bearing, Rod, Connecting	1
	372700	Bearing [-0.50mm]	1
	372701	Bearing [-0.50mm]	1
	372702	Plate, Thrust [+0.30mm]	3
▽	3	372703 Crankshaft Assy	1
▲	4	372704 Pin	2
▲	5	372691 Key	2
▲	6	372705 Gear, 23 Tooth	1
▲	7	372797 Nut	1
	8	372798 Pulley, Crankshaft	1
▽	9	372737 Rod Assy, Connecting	4
▲	10	372738 Bolt, Rod, Connecting	2
▲	11	372739 Nut	2
▲	12	372740 Bushing	1
	13	372741 Ring	8
	14	372742 Pin	4
	15	372743 Piston, Std	4
		372744 Piston [+0.25mm]	4
		372745 Piston [+0.50mm]	4
16	372746	Ring Set, Piston, Std	4
	372747	Ring Set, Piston [+0.25mm]	4
17	372748	Ring Set, Piston [+0.50mm]	4
	372749	Bearing, Std	1
	372750	Bearing [-0.25mm]	1
	372751	Bearing [-0.50mm]	1
	372752	Bearing [-0.75mm]	1

Fig. 3 - Cylinder Head and Cover Group

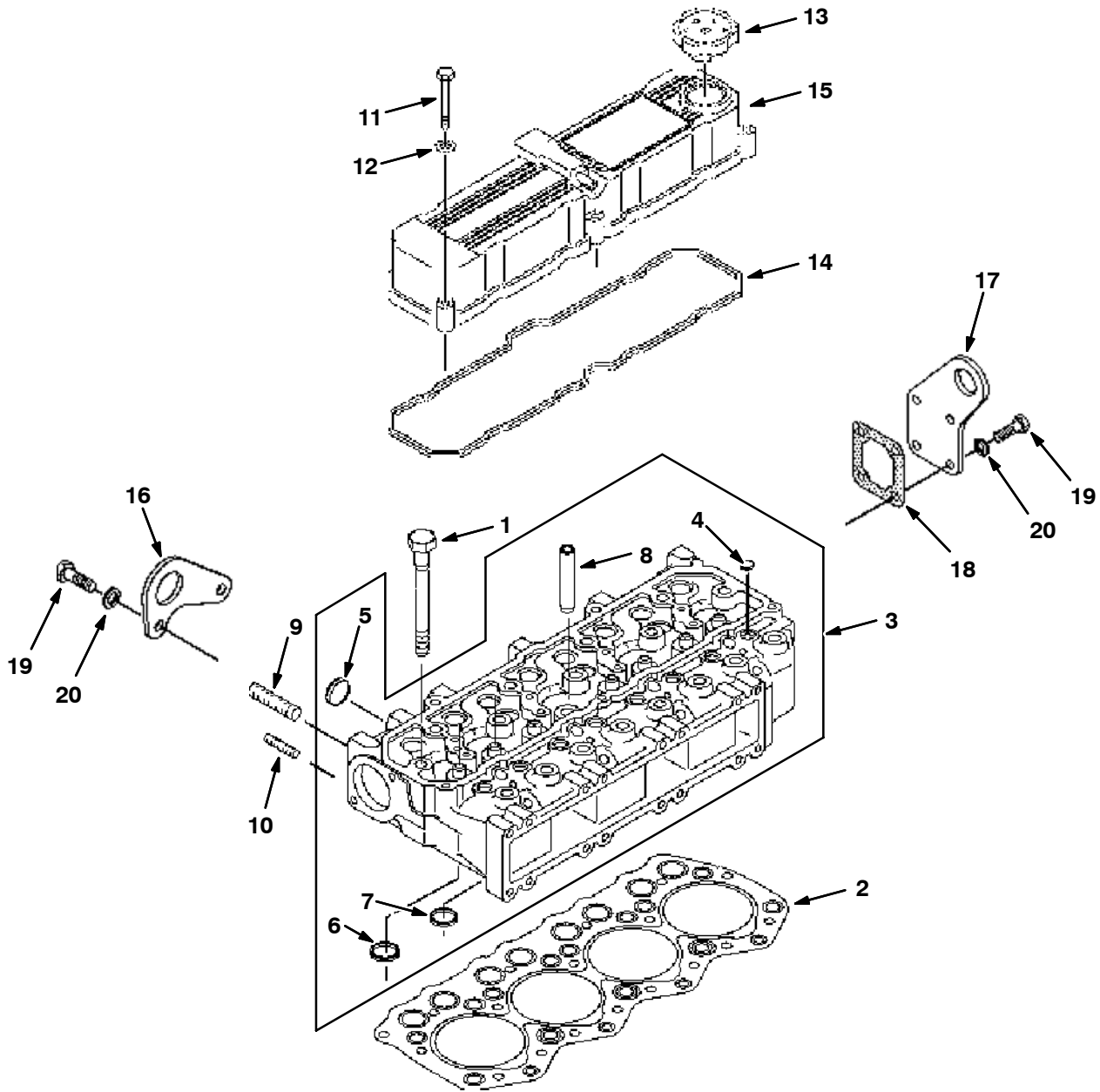
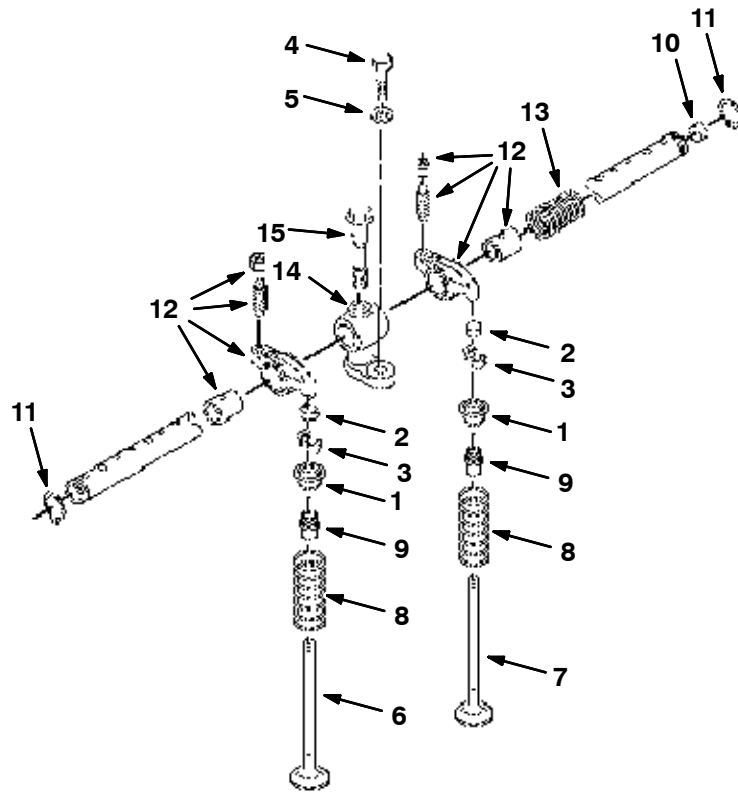


Fig. 3 - Cylinder Head and Cover Group

	Ref.	Part No.	Description	Qty.
	1	372722	Screw, Hex	17
	2	372665	Gasket, Head	1
▽	3	372723	Head Assy, Cylinder	1
▲	4	372724	Cap	8
▲	5	372725	Cap	4
▲	6	372726	Insert, Inlet	4
▲	7	372727	Insert, Exhaust	4
▲	8	372728	Guide	8
	9	372729	Stud	1
	10	372730	Stud	1
	11	41342	Screw, Hex, M8 X 1.25 X 40mm	5
	12	39349	Washer, 8.8mm X 16mm X 2mm	5
	13	372796	Cap, Filler, Oil	1
	14	372664	Gasket, Cover, Valve	1
	15	372696	Cover	1
	16	372938	Plate, Lift, Front	1
	17	372939	Plate, Lift, Rear	1
	18	372940	Gasket, Head, Rear	1
	19	16931	Screw, Hex, M8 X 1.25 X 20, 8.8	2
	20	32491	Washer, Flat, 0.31 Std	2

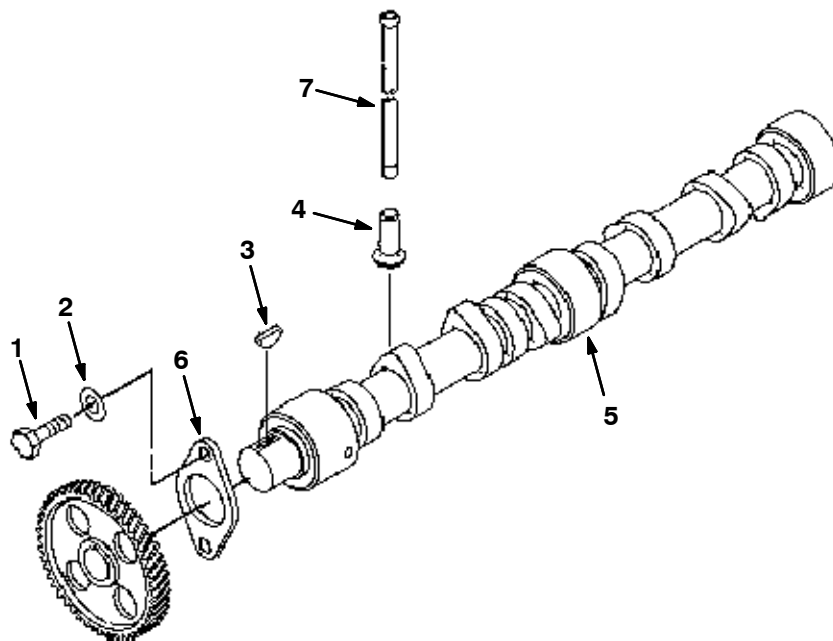
Fig. 4 - Valve and Rocker Arm Group



D

Ref.	Part No.	Description	Qty.	
1	372753	Retainer	8	
2	372754	Cap	8	
3	372767	Retainer	16	
4	39277	Screw, Hex, M8 X 1.25 X 25, 8.8	4	
5	39349	Washer, Flat, 0.31 Sae	4	
6	372755	Valve, Inlet	4	
7	372756	Valve, Exhaust	4	
8	372757	Spring, Valve	8	
9	372758	Seal	8	
▽	372760	Shaft Assy	1	
▲	10	372761	Cap	1
	11	372762	Ring, Snap	2
	12	372763	Arm, Rocker	8
	13	372764	Spring	3
	14	372765	Bracket	4
	15	372766	Bolt, Bracket	4

Fig. 5 - Camshaft Group



D

Ref.	Part No.	Description	Qty.
1	16735	Screw, Hex, M8 X 1.25 X 16mm	2
2	39349	Washer, Flat, 0.31 Sae	2
3	372691	Key	1
4	372692	Tappet	8
5	372693	Camshaft	1
6	372694	Plate, Thrust	1
7	372695	Rod, Push	8

Fig. 6 - Front Housing and Gear Group

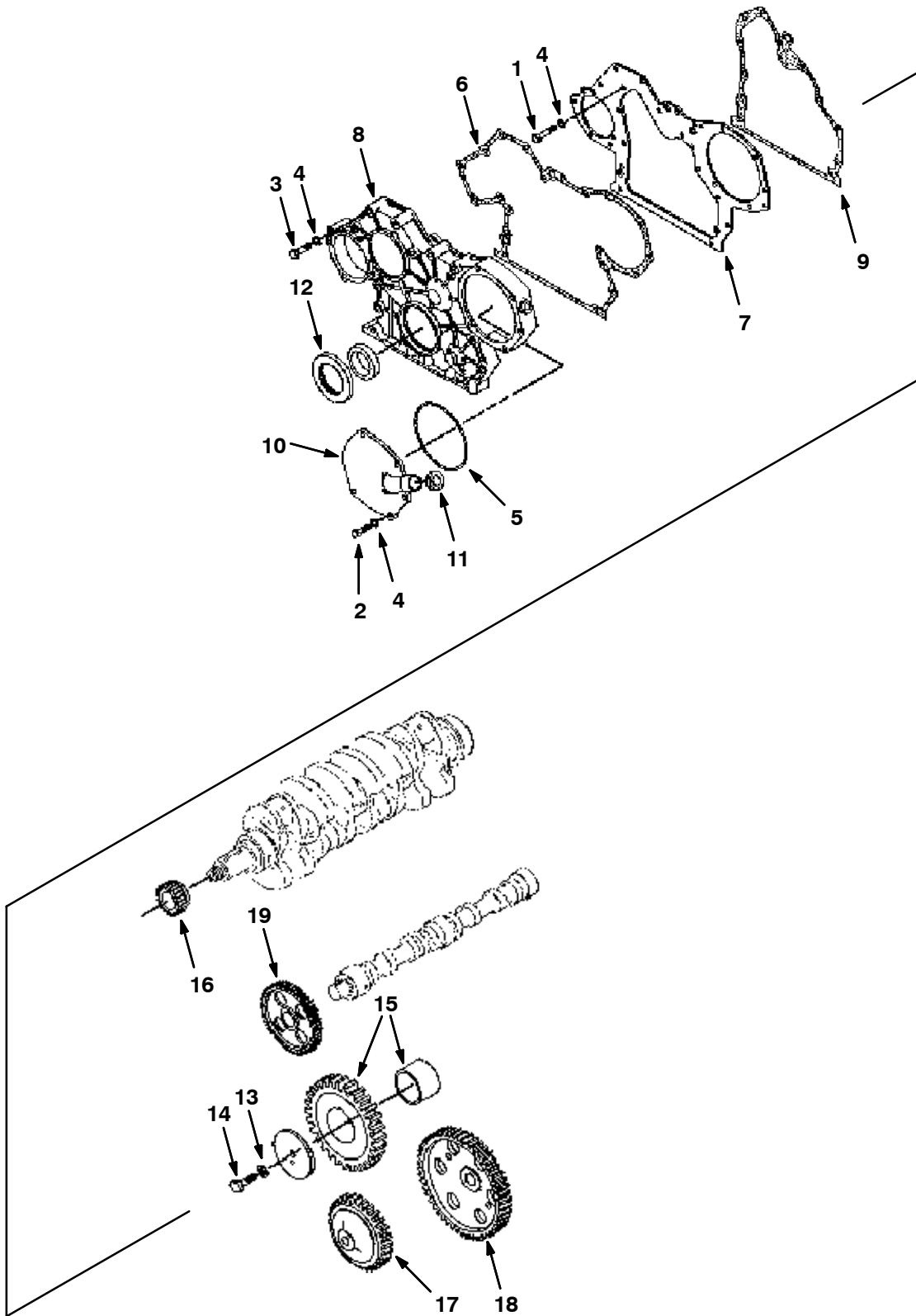
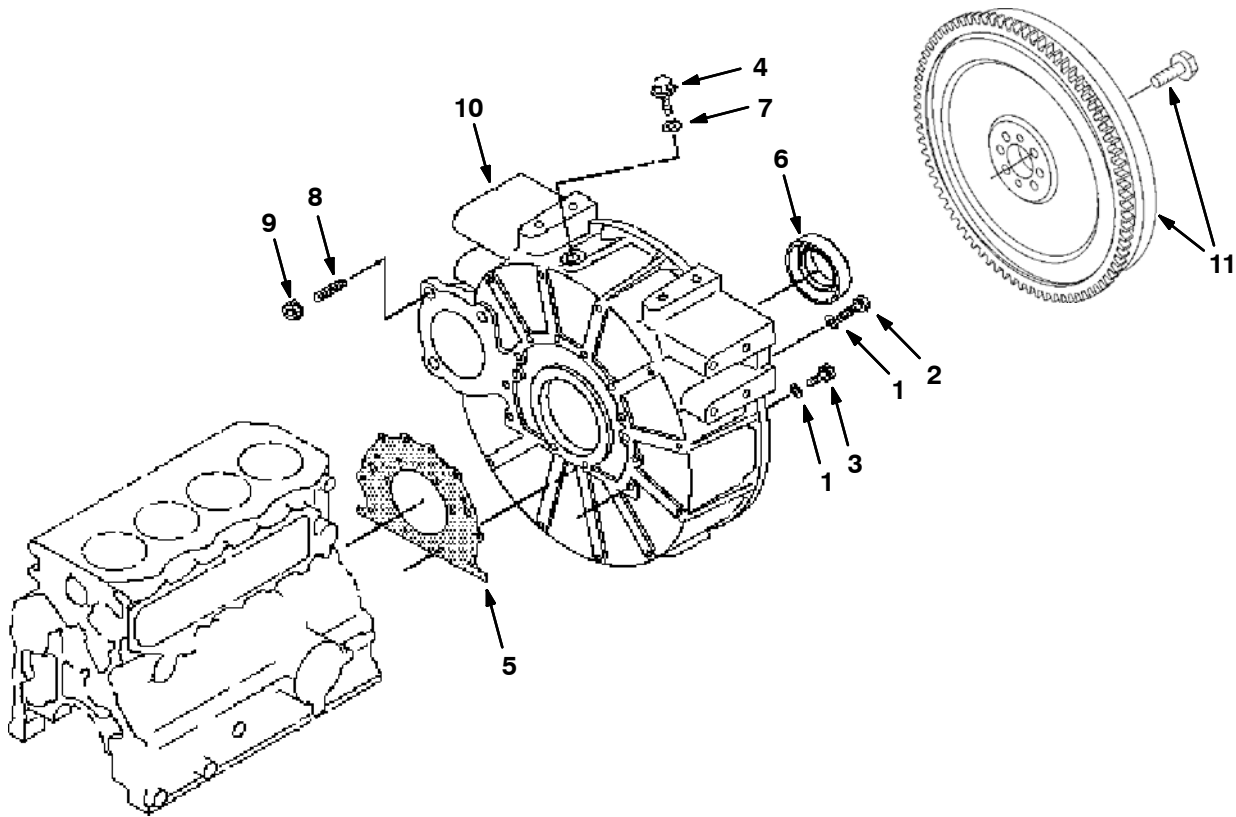


Fig. 6 - Front Housing and Gear Group

Ref.	Part No.	Description	Qty.
1	372788	Screw, Hex	5
2	16735	Screw, Hex, M8 X 1.25 X 16, 8.8	5
3	372789	Screw, Hex	13
4	39349	Washer, Flat, 0.31 Sae	23
5	372790	Seal, Org	1
6	372684	Gasket	1
7	372791	Plate	1
8	372792	Housing, Gear	1
9	372685	Gasket, Plate, Front	1
10	372793	Cover, Gear	1
11	372794	Cap, Filler	1
12	372795	Seal, Crank, Front	1
13	32492	Washer, Flat, 0.38 Std	1
14	06962	Screw, Hex, M10 X 1.5 X 45, 8.8	1
15	372775	Gear, Idler	1
16	372776	Gear	1
17	372777	Gear	1
18	372778	Gear	1
19	372779	Gear, Injection, Fuel	1

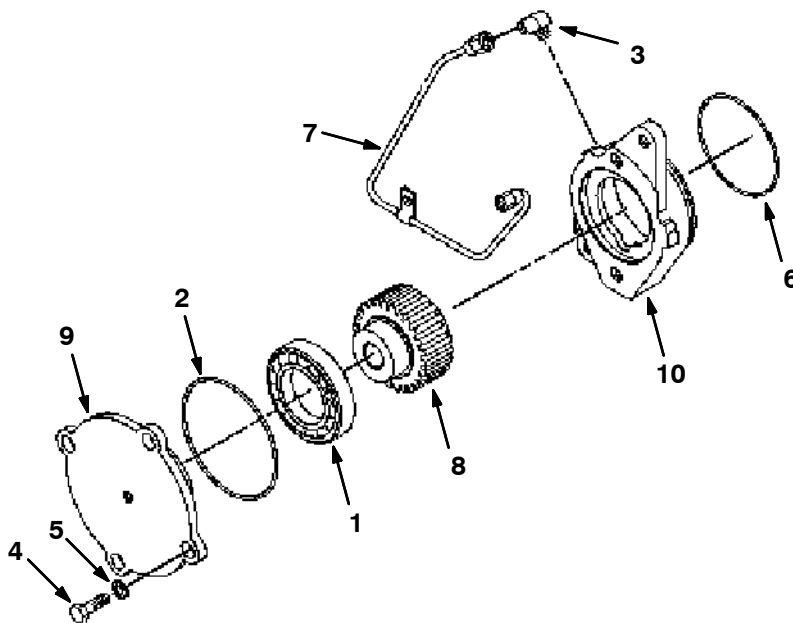
Fig. 7 - Flywheel Housing and Starter Group



D

Ref.	Part No.	Description	Qty.
1	32492	Washer, Flat, 0.38 Std	12
2	39283	Screw, Hex, M10 X 1.5 X 25, 8.8	10
3	03192	Screw, Hex, M10 X 1.5 X 30, 8.8	2
4	372732	Plug	1
5	372666	Gasket, Rear	1
6	372733	Seal	1
7	372667	Gasket	1
8	372734	Stud	3
9	372735	Nut	3
10	372736	Housing, Flywheel	1
11	372731	Flywheel	1
	372660	Starter	1

Fig. 8 - Auxiliary Drive Group



D

Ref.	Part No.	Description	Qty.
1	372780	Bearing, Ball	3
2	372781	Seal, Org	1
3	372782	Fitting, Elbow	2
4	16735	Screw, Hex, M8 X 1.25 X 16, 8.8	7
5	39349	Washer, Flat, 0.31 Sae	7
6	372783	Seal, Org	2
7	372784	Tube	1
8	372785	Gear [Power Take Off]	1
9	372786	Housing, Brg	2
10	372787	Housing, Brg	1

Fig. 9 - Oil Pan Group

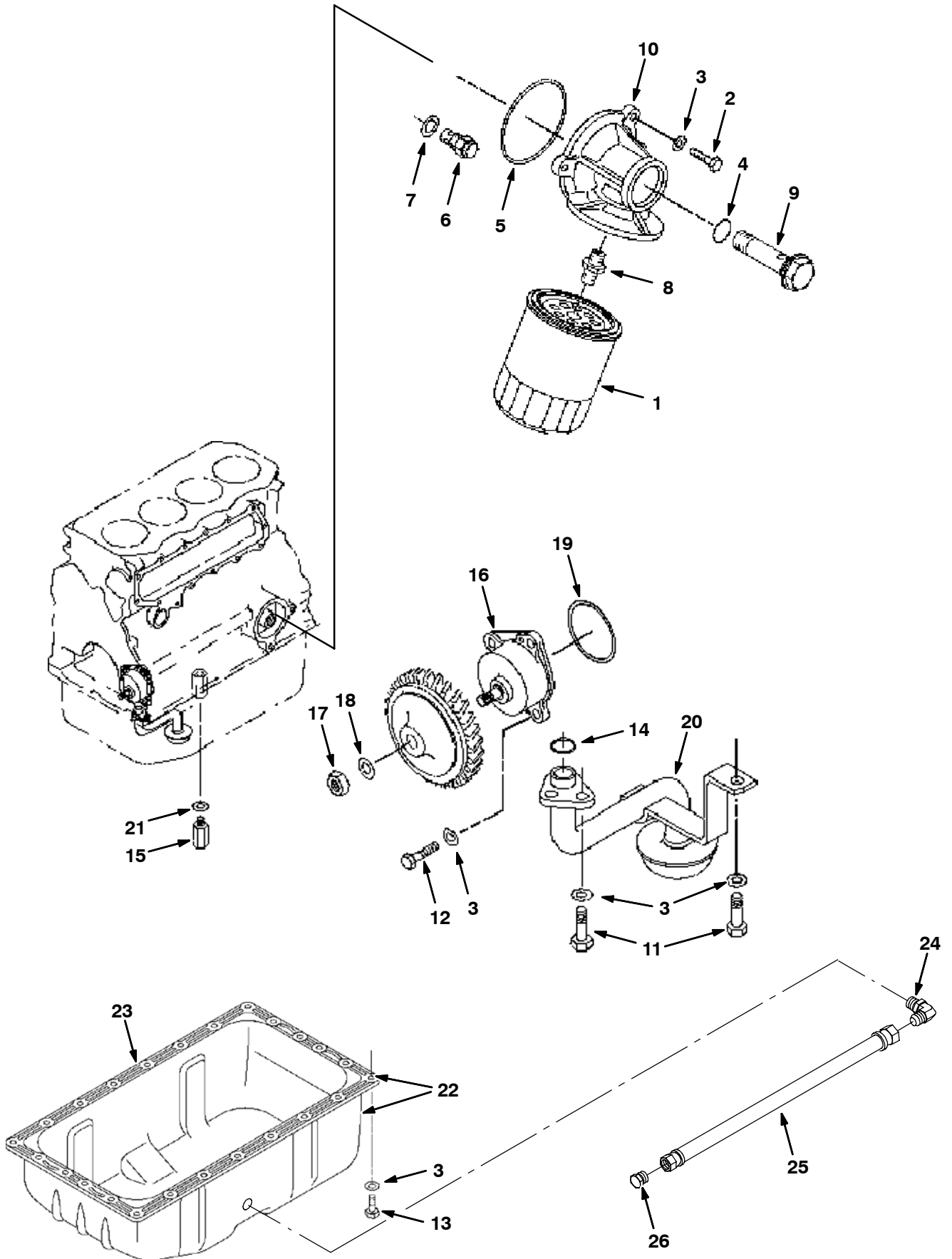


Fig. 9 - Oil Pan Group

Ref.	Part No.	Description	Qty.	
1	372654	Filter, Oil, Eng	1	
2	39277	Screw, Hex, M8 X 1.25 X 25, 8.8	1	
3	39349	Washer, Flat, 0.31 Sae	33	
4	372803	Seal, Org	1	
5	372804	Seal, Org	1	
6	372805	Valve, Relief	1	
7	372669	Gasket	1	
8	372806	Fitting, Str	1	
9	372807	Screw	1	
10	372808	Bracket	1	
11	16735	Screw, Hex, M8 X 1.25 X 16, 8.8	3	
12	16931	Screw, Hex, M8 X 1.25 X 20, 8.8	4	
13	16735	Screw, Hex, M8 X 1.25 X 16, 8.8	25	
14	372809	Seal, Org	1	
15	372810	Valve, Relief, Press, Eng Oil	1	
16	372768	Pump, Oil	1	
17	372769	Nut	1	
18	32492	Washer, Flat, 0.38 Std	1	
19	372770	Seal, Org	1	
20	372771	Strainer, Oil	1	
21	372670	Gasket	1	
▽	22	372800	Pan, Oil, W/ Gasket	1
▲		372801	Plug	1
▲	23	372668	Gasket	1
	24	1046796	Fitting, Hyd, E90, Metric, Spcl	1
	25	365000	Hose, Hyd, Low06, Jf06str/Jf06str, 037.0	1
	26	19747	Fitting, Hyd, Plug, Jm06	1

Fig. 10 - Water Pump and Thermostat Group

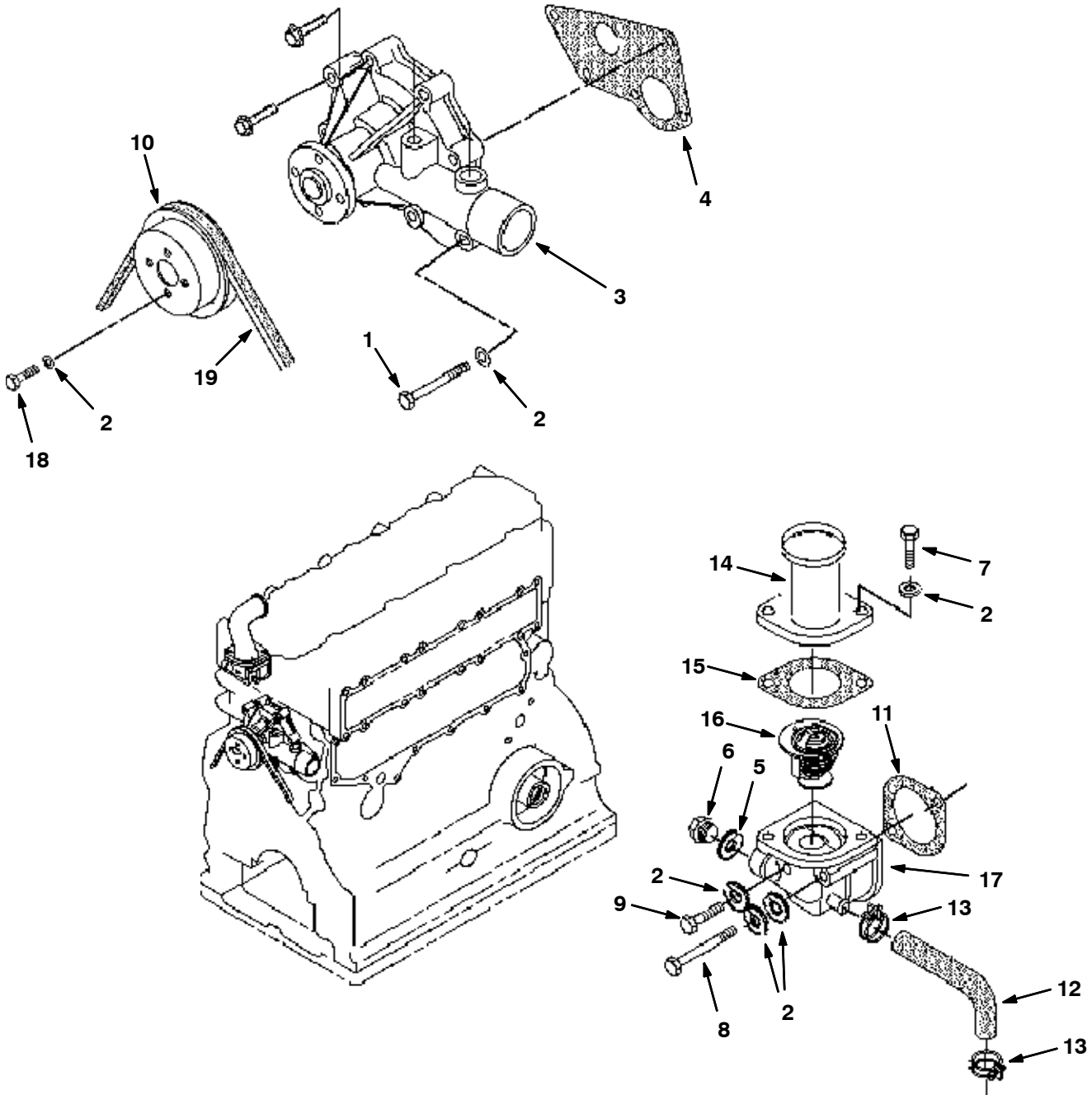


Fig. 10 - Water Pump and Thermostat Group

Ref.	Part No.	Description	Qty.
1	06956	Screw, Hex, M8 X 1.25 X 45mm	5
2	39349	Washer, Flat, 0.31 Sae	14
3	372832	① Pump, Water	1
3	9003796	② Pump, Water	1
4	372676	Gasket	1
5	372667	Gasket	2
6	372732	Plug	2
7	39277	Screw, Hex, M8 X 1.25 X 25, 8.8	2
8	06958	Screw, Hex, M8 X 1.25 X 80, 8.8	1
9	06956	Screw, Hex, M8 X 1.25 X 45, 8.8	1
10	372802	Pulley	1
11	372673	Gasket	1
12	372686	① Hose	1
12	9004033	② Hose	1
13	372812	① Clamp, Hose	2
13	9004034	② Clamp, Hose	2
14	372813	Cover, Thermostat	1
15	372674	Gasket, Coolant	1
16	372814	Thermostat, Coolant	1
17	372815	① Regulator, Temp, Coolant	1
17	9004035	② Regulator, Temp, Coolant	1
18	372853	Screw, Hex, M8 X 1.25 X 14mm	4
19	372653	Belt, Pump, Water	1

① Engine Serial number (00000000-34400832)

② Engine Serial number (34400833-)

Fig. 11 - Cooler Group

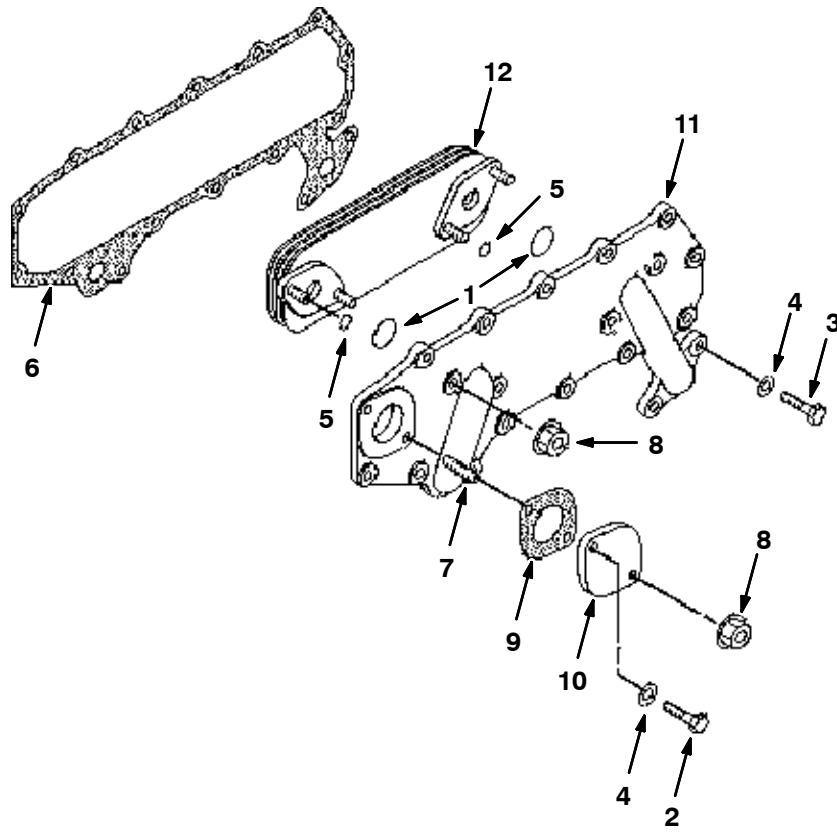


Fig. 11 - Cooler Group

Ref.	Part No.	Description	Qty.
1	372825	Seal, Org	2
2	76570	Screw, Hex, M8 X 1.25 X 30, 8.8	1
3	39277	Screw, Hex, M8 X 1.25 X 25, 8.8	11
4	39349	Washer, Flat, 0.31 Sae	12
5	372826	Seal, Org	4
6	372671	Gasket, Cover, Side	1
7	372827	Stud	1
8	372828	Nut	5
9	372672	Gasket, Heater, Water	1
10	372829	Cover	1
11	372830	Cover	1
12	372831	Cooler	1

Fig. 12 - Manifold Group

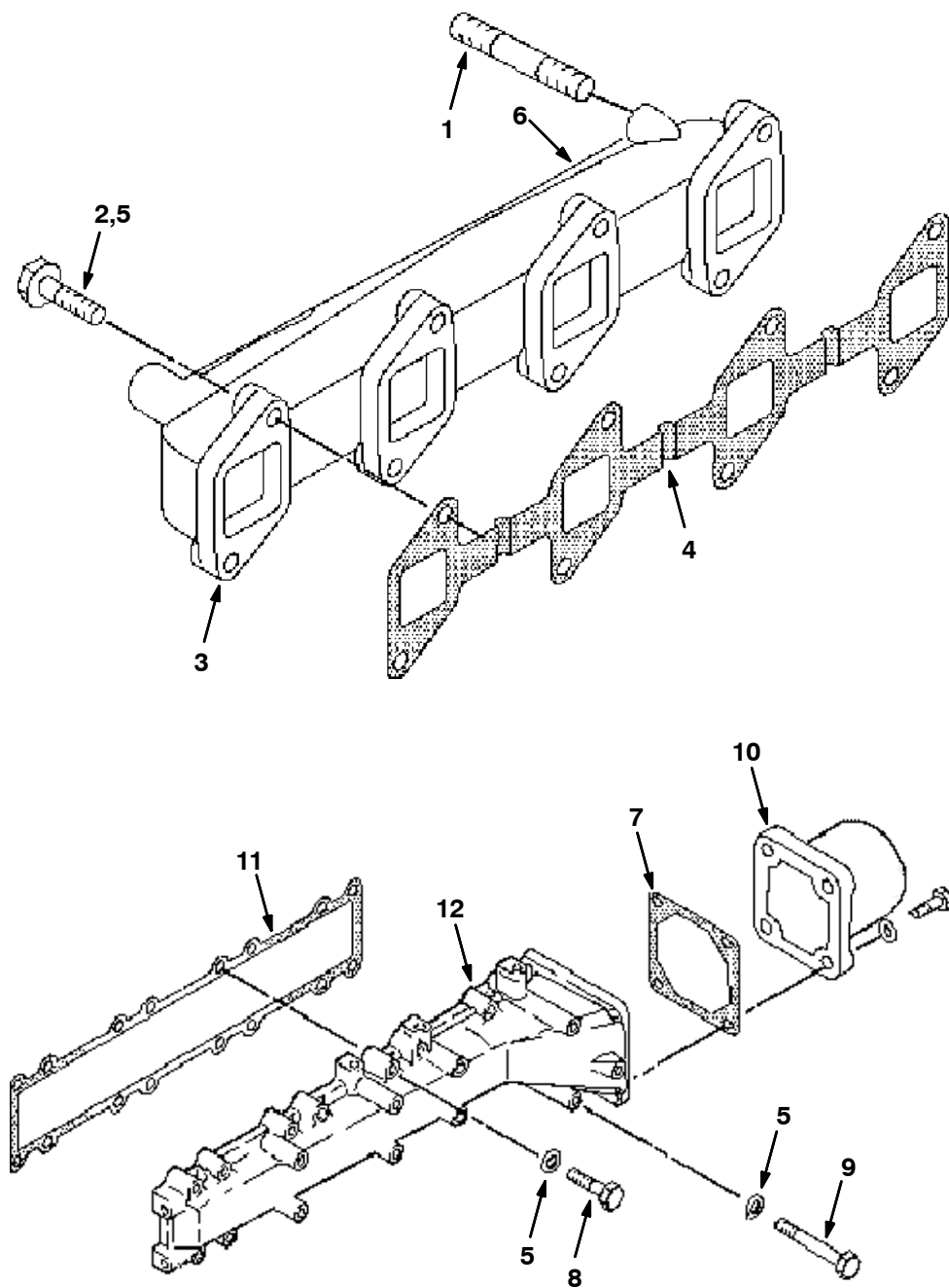


Fig. 12 - Manifold Group

Ref.	Part No.	Description	Qty.
1	372661	Stud	4
2	372662	Screw, Hex	8
3	372663	Manifold, Exhaust	1
4	372677	Gasket, Manifold	1
5	39349	Washer, Flat, 0.31 Sae	26
6	372678	Gasket, Exhaust	1
7	372679	Gasket	1
8	39281	Screw, Hex, M8 X 1.25 X 90, 8.8	2
9	41342	Screw, Hex, M8 X 1.25 X 40, 8.8	14
10	372817	Fitting, Elbow	1
11	372680	Gasket	1
12	372816	Manifold, Inlet	1

Fig. 13 - Fuel Group

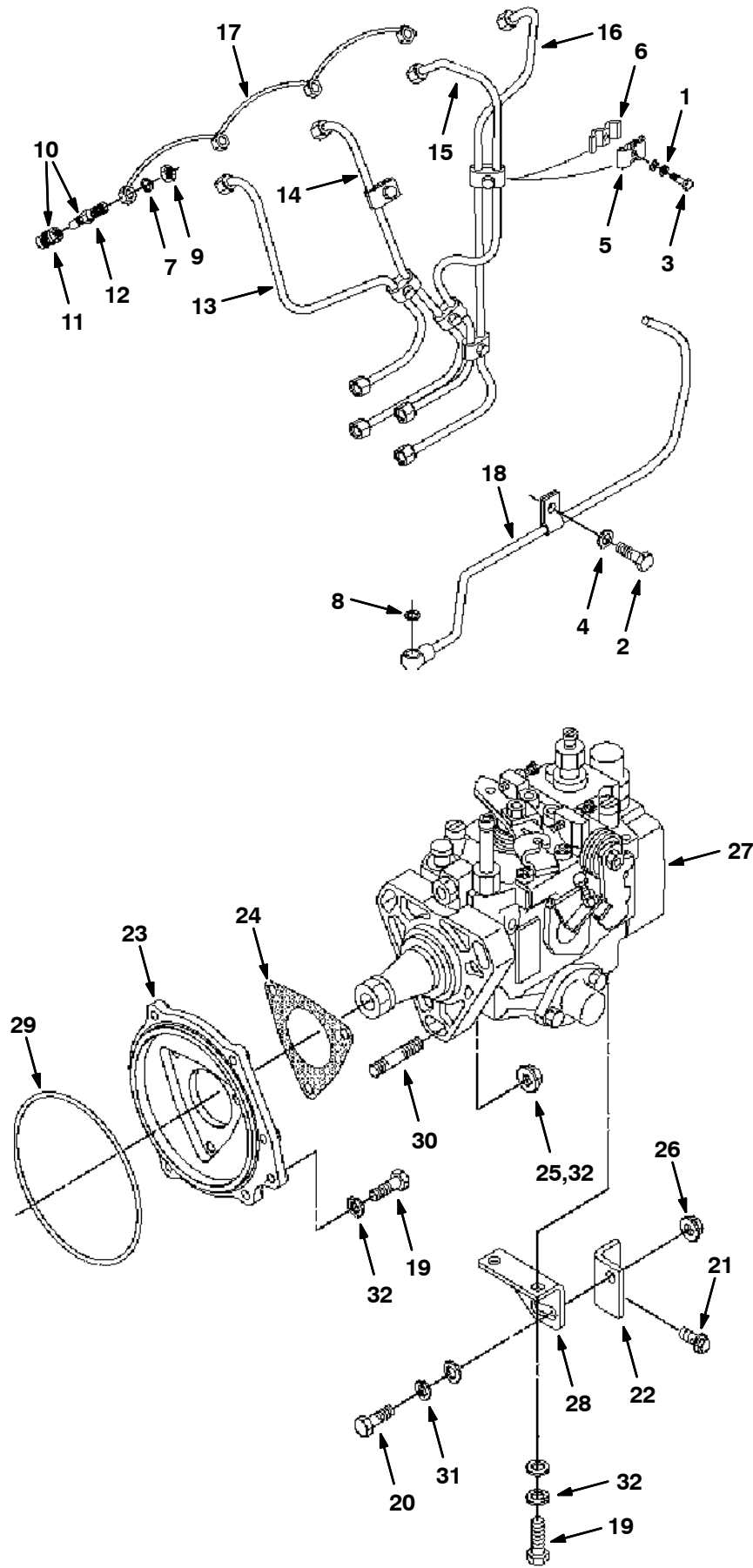


Fig. 13 - Fuel Group

Ref.	Part No.	Description	Qty.
1	32483	Washer, 7.2mm X 14.5mm X 2mm	3
2	16735	Screw, Hex, M8 X 1.25 X 16, 8.8	1
3	06944	Screw, Hex, M6 X 1.0 X 25, 8.8	3
4	39349	Washer, Flat, 0.31 Sae	1
5	372841	Clamp	3
6	372842	Clamp	3
7	372681	Gasket	4
8	372682	Gasket	4
9	372843	Nut	4
∇	10 372844	Nozzle Assy	1
▲	11 372845	Mount, Nozzle	4
▲	12 372852	Cap, Nozzle	4
13	372846	Fueline, Cyl #1	1
14	372847	Fueline, Cyl #2	1
15	372848	Fueline, Cyl #3	1
16	372849	Fueline, Cyl #4	1
17	372850	Fueline, Bleeder	1
18	372851	Fueline, Return	1
19	16931	Screw, Hex, M8 X 1.25 X 20, 8.8	1
20	06961	Screw, Hex, M10 X 1.5 X 20, 8.8	2
21	372834	Screw, Hex	1
22	372835	Bracket	1
23	372836	Flange	1
24	372683	Gasket	1
25	372854	Nut, Hex, M8 X 1.25	3
26	372735	Nut	1
27	372837	Pump, Injection, Fuel	1
28	372838	Retainer	1
29	372839	Seal, Org	1
30	372840	Stud	3
31	32492	Washer, Flat, 0.38 Std	2
32	39349	Washer, Flat, 0.31 Sae	4

Fig. 14 - Fumes Disposal Group

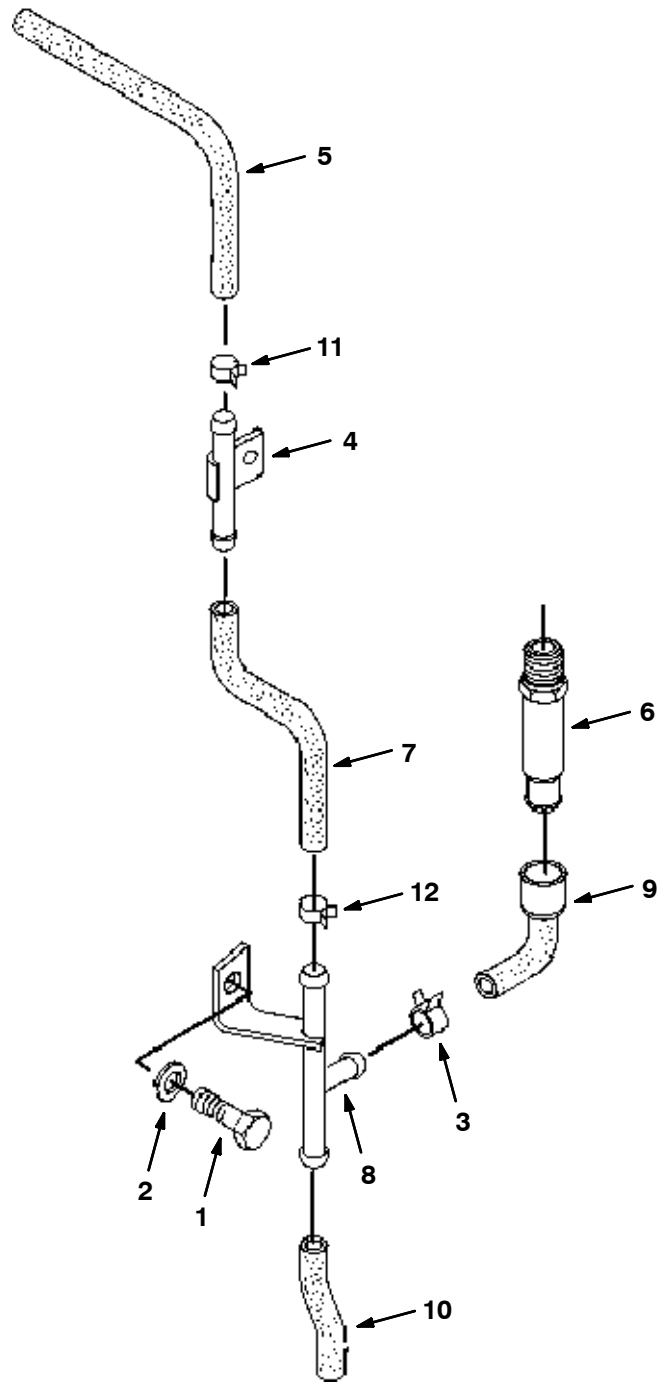
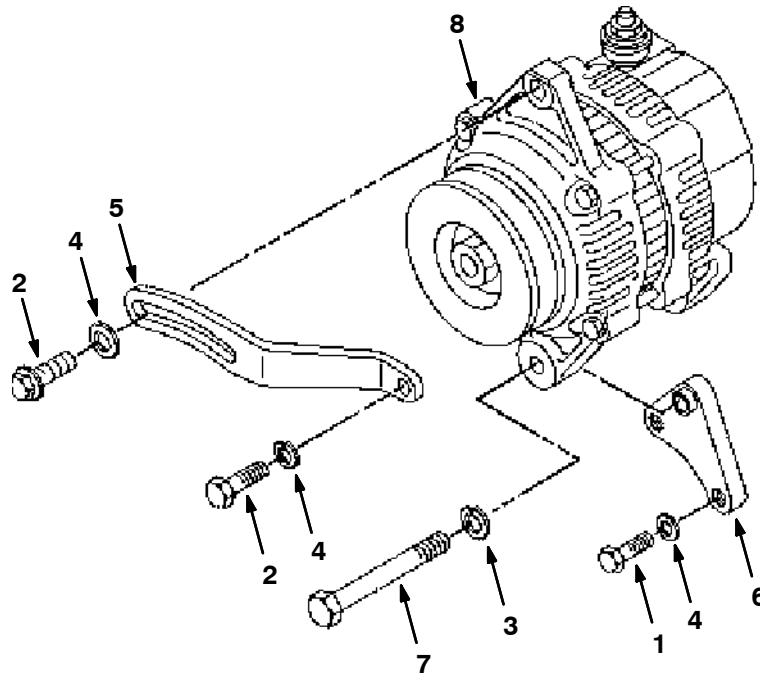


Fig. 14 - Fumes Disposal Group

Ref.	Part No.	Description	Qty.
1	39277	Screw, Hex, M8 X 1.25 X 25mm	1
2	39349	Washer, Flat, 0.31 Sae	1
3	372819	Clip	6
4	372820	Pipe	1
5	372687	Hose, Breather	1
6	372821	Valve, Shutoff	1
7	372688	Hose, Breather	1
8	372822	Pipe, Breather	1
9	372689	Hose, Breather	1
10	372690	Hose, Breather	1
11	372823	Clip	1
12	372824	Clip	1

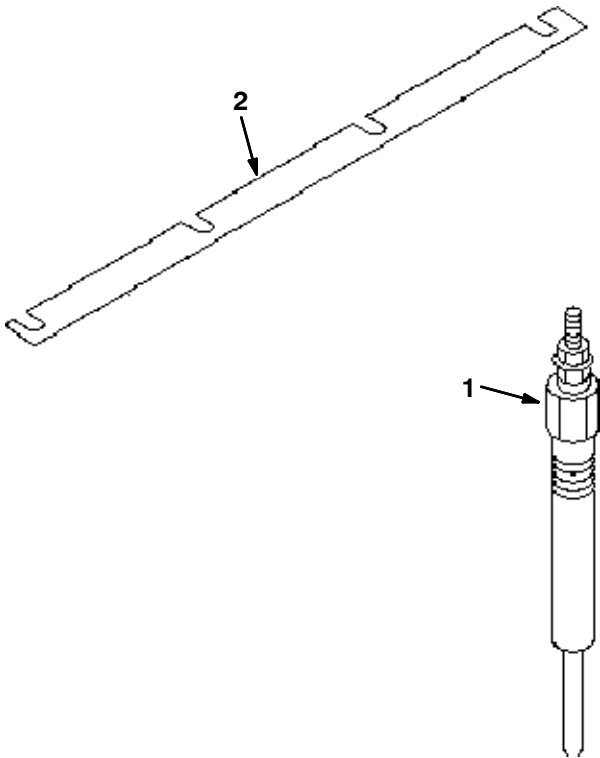
Fig. 15 - Alternator Group



D

Ref.	Part No.	Description	Qty.
1	39277	Screw, Hex, M8 X 1.25 X 25mm	1
2	16931	Screw, Hex, M8 X 1.25 X 20, 8.8	2
3	372655	Washer	1
4	39349	Washer, Flat, 0.31 Sae	3
5	372656	Plate, Adj	1
6	372657	Plate	1
7	372658	Screw, Hex	1
8	372659	Alternator	1

Fig. 16 - Glow Plug Group



Ref.	Part No.	Description	Qty.	D
1	372772	Glow Plug	4	
2	372773	Plate	1	

SECTION 7

Contents	Page
Fig. 1 - Cylinder Block Group	7-2
Fig. 2 - Crankshaft and Piston Group	7-4
Fig. 3 - Cylinder Head and Cover Group	7-6
Fig. 4 - Valve and Rocker Arm Group	7-8
Fig. 5 - Camshaft Group	7-9
Fig. 6 - Front Housing and Gear Group	7-10
Fig. 7 - Flywheel Housing and Starter Group ..	7-12
Fig. 8 - Auxiliary Drive Group	7-13
Fig. 9 - Oil Pan Group	7-14
Fig. 10 - Water Pump and Thermostat Group .	7-16
Fig. 11 - Cooler Group	7-18
Fig. 12 - Manifold Group	7-19
Fig. 13 - Fuel Group	7-20
Fig. 14 - Fumes Disposal Group	7-22
Fig. 15 - Alternator Group	7-23
Fig. 16 - Glow Plug Group	7-24

Fig. 1 - Cylinder Block Group

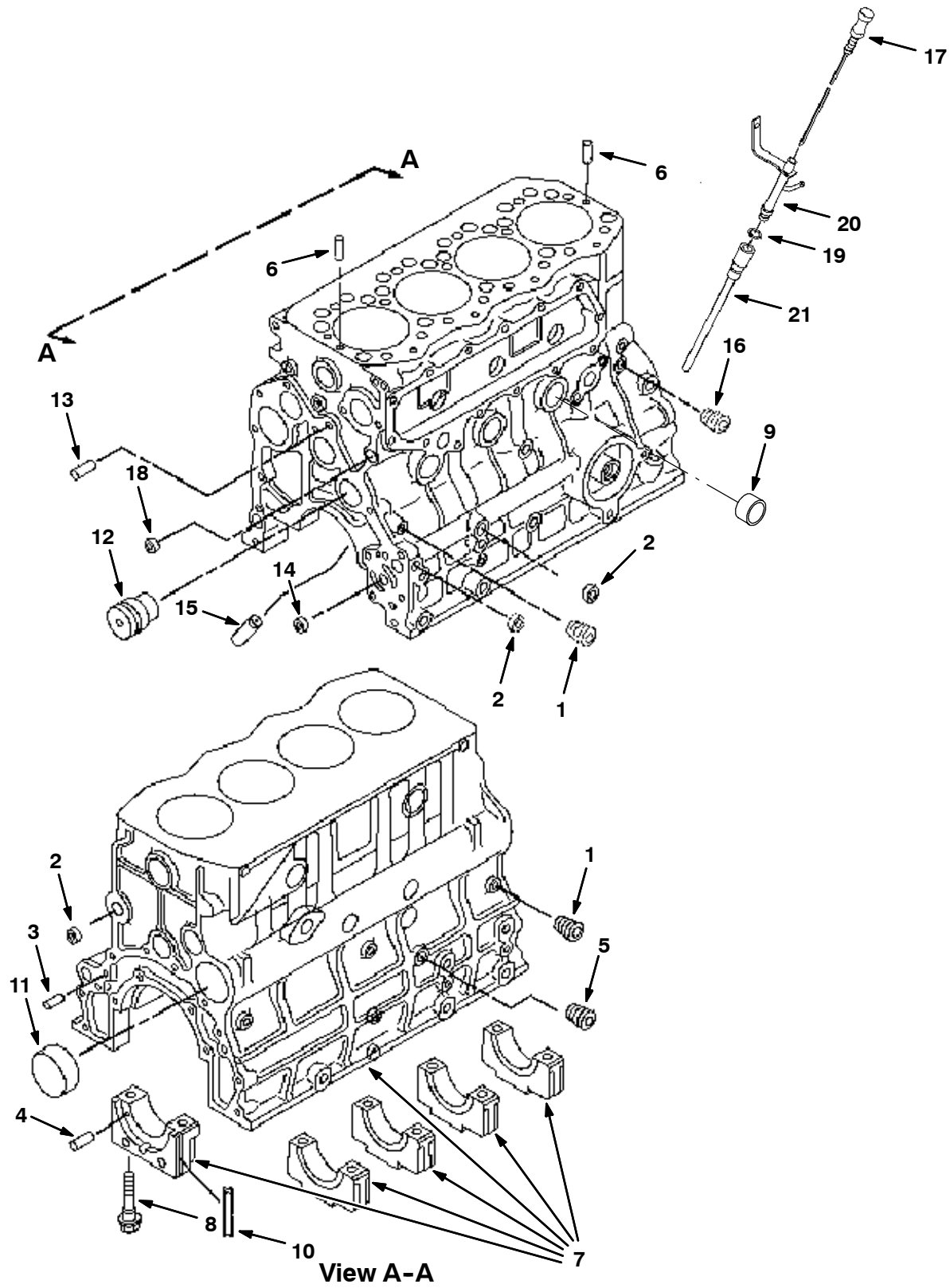


Fig. 1 - Cylinder Block Group

Ref.	Part No.	Description	Qty.	
1	372706	Plug	5	
2	9005198	Cap [Cat 08]	5	
3	372708	Pin	2	
4	372709	Pin, Spring	6	
5	372710	Plug	1	
6	9005197	Pin, Dowel [Cat 08]	2	
▽	7	9005200	Block, Cyl [Cat 08]	1
▲	8	372713	Screw	10
▲	9	9005201	Plug, Clip [Cat 08]	10
10	372715	Seal	2	
11	372716	Plug	1	
12	372717	Shaft, Idler	1	
13	372718	Pin	2	
14	372719	Bushing	1	
15	9005430	Fitting, Orifice, Jet [Cat 08]	1	
16	372721	Plug, Coolant, Eng	1	
17	9005260	Dipstick [Cat 08]	1	
18	9005199	Plug [Cat 08]	1	
19	9005257	Seal [Cat 08]	1	
20	9005259	Guide [Cat 08]	1	
21	9005258	Guide [Cat 08]	1	

Fig. 2 - Crankshaft and Piston Group

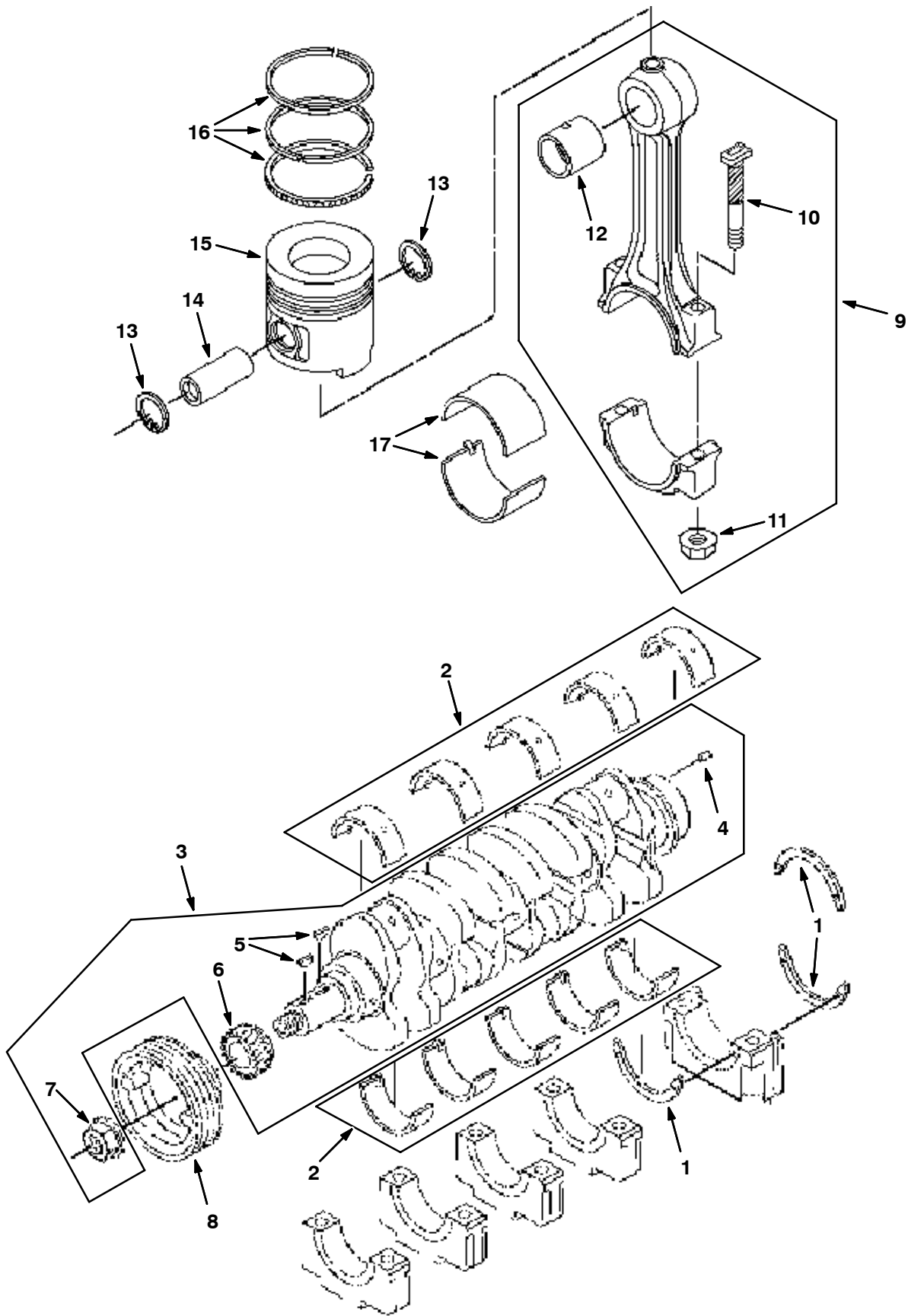


Fig. 2 - Crankshaft and Piston Group

Ref.	Part No.	Description	Qty.	
1	372697	Plate, Thrust, Std	3	
	372698	Plate, Thrust [+0.15mm]	3	
	372702	Plate, Thrust [+0.30mm]	3	
2	372699	Bearing, Rod, Connecting	1	
	9005186	Bearing, Kit [Cat 08]	1	
	9005188	Bearing, Kit [Cat 08]	1	
	9005189	Bearing, Kit [Cat 08]	1	
∇	3	9005196	Crankshaft [Cat 08]	1
▲	4	372704	Pin	2
▲	5	372691	Key	2
▲	6	372705	Gear, 23 Tooth	1
▲	7	372797	Nut	1
	8	9005262	Pulley, Cshaft [Cat 08]	1
∇	9	372737	Rod Assy, Connecting	4
▲	10	372738	Bolt, Rod, Connecting	2
▲	11	372739	Nut	2
▲	12	372740	Bushing	1
	13	9005261	Ring, Snap	8
	14	372742	Pin	4
	15	372743	Piston, Std	4
		372744	Piston [+0.25mm]	4
		372745	Piston [+0.50mm]	4
16	372746	Ring Set, Piston, Std	4	
		372747	Ring Set, Piston [+0.25mm]	4
17	372748	Ring Set, Piston [+0.50mm]	4	
		372749	Bearing, Std	1
		372750	Bearing [-0.25mm]	1
		372751	Bearing [-0.50mm]	1
		372752	Bearing [-0.75mm]	1

Fig. 3 - Cylinder Head and Cover Group

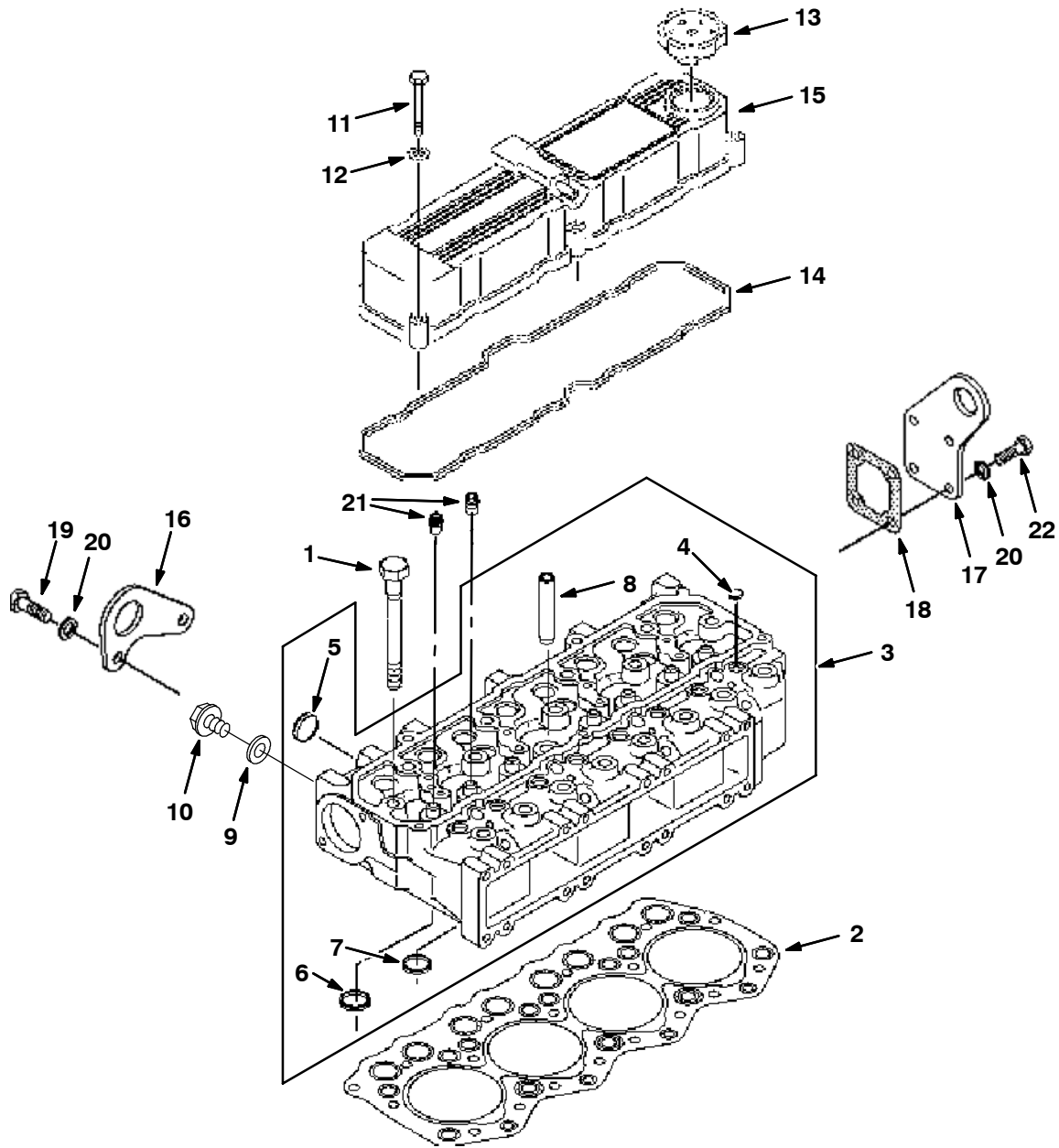
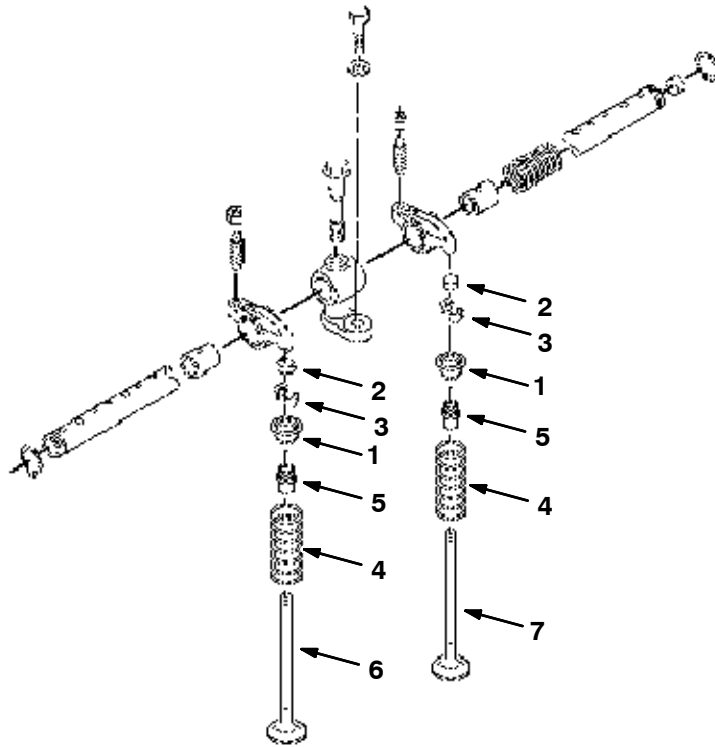


Fig. 3 - Cylinder Head and Cover Group

	Ref.	Part No.	Description	Qty.
	1	372722	Screw, Hex	17
	2	9005206	Gasket, Head [Cat 08]	1
▽	3	9005202	Head, Cyl [Cat 08]	1
▲	4	372724	Cap	8
▲	5	372725	Cap	4
▲	6	9005203	Valve, Seat [Cat 08]	4
▲	7	9005204	Valve, Seat [Cat 08]	4
▲	8	9005205	Valve, Guide [Cat 08]	8
	9	372667	Gasket	1
	10	372732	Plug	1
	11	9005195	Bolt [Cat 08]	5
	12	9005182	Washer, Hard [Cat 08]	5
	13	372796	Cap, Filler, Oil	1
	14	372664	Gasket, Cover, Valve	1
	15	372696	Cover	1
	16	372938	Plate, Lift, Front	1
	17	372939	Plate, Lift, Rear	1
	18	372940	Gasket, Head, Rear	1
	19	9005190	Bolt [Cat 08]	2
	20	9005182	Washer, Hard [Cat 08]	6
	21	9005207	Valve, Seal, Stem [Cat 08]	7
	22	9005183	Bolt [Cat 08]	4

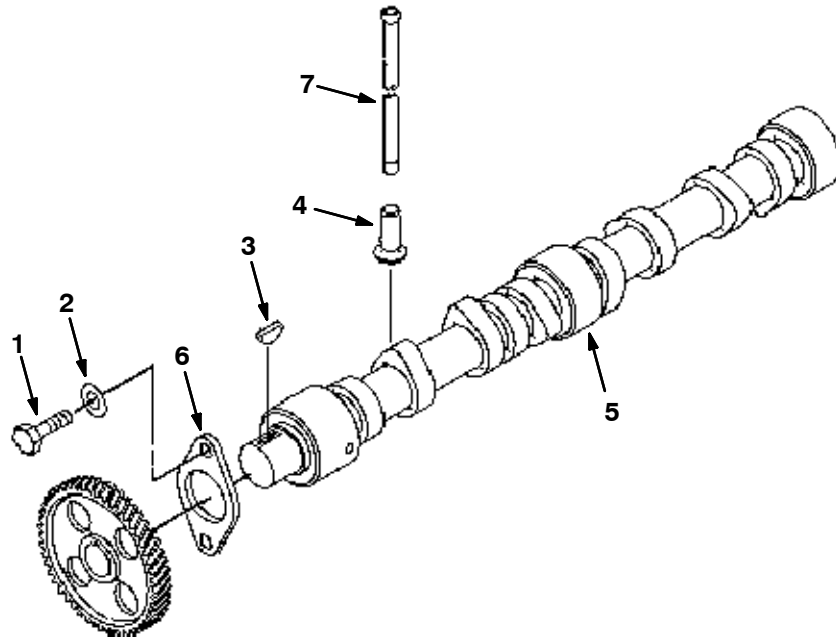
Fig. 4 - Valve and Rocker Arm Group



D

Ref.	Part No.	Description	Qty.
1	372753	Retainer	8
2	372754	Cap	8
3	372767	Retainer	16
4	9005277	Spring [Cat 08]	8
5	9005207	Valve, Seal, Stem [Cat 08]	8
6	372755	Valve, Inlet	4
7	372756	Valve, Exhaust	4

Fig. 5 - Camshaft Group



Ref.	Part No.	Description	Qty.
1	9005190	Bolt [Cat 08]	2
2	9005182	Washer, Hard [Cat 08]	2
3	372691	Key	1
4	372692	Tappet	8
5	372693	Camshaft	1
6	372694	Plate, Thrust	1
7	9005191	Rod, Push [Cat 08]	8

D

Fig. 6 - Front Housing and Gear Group

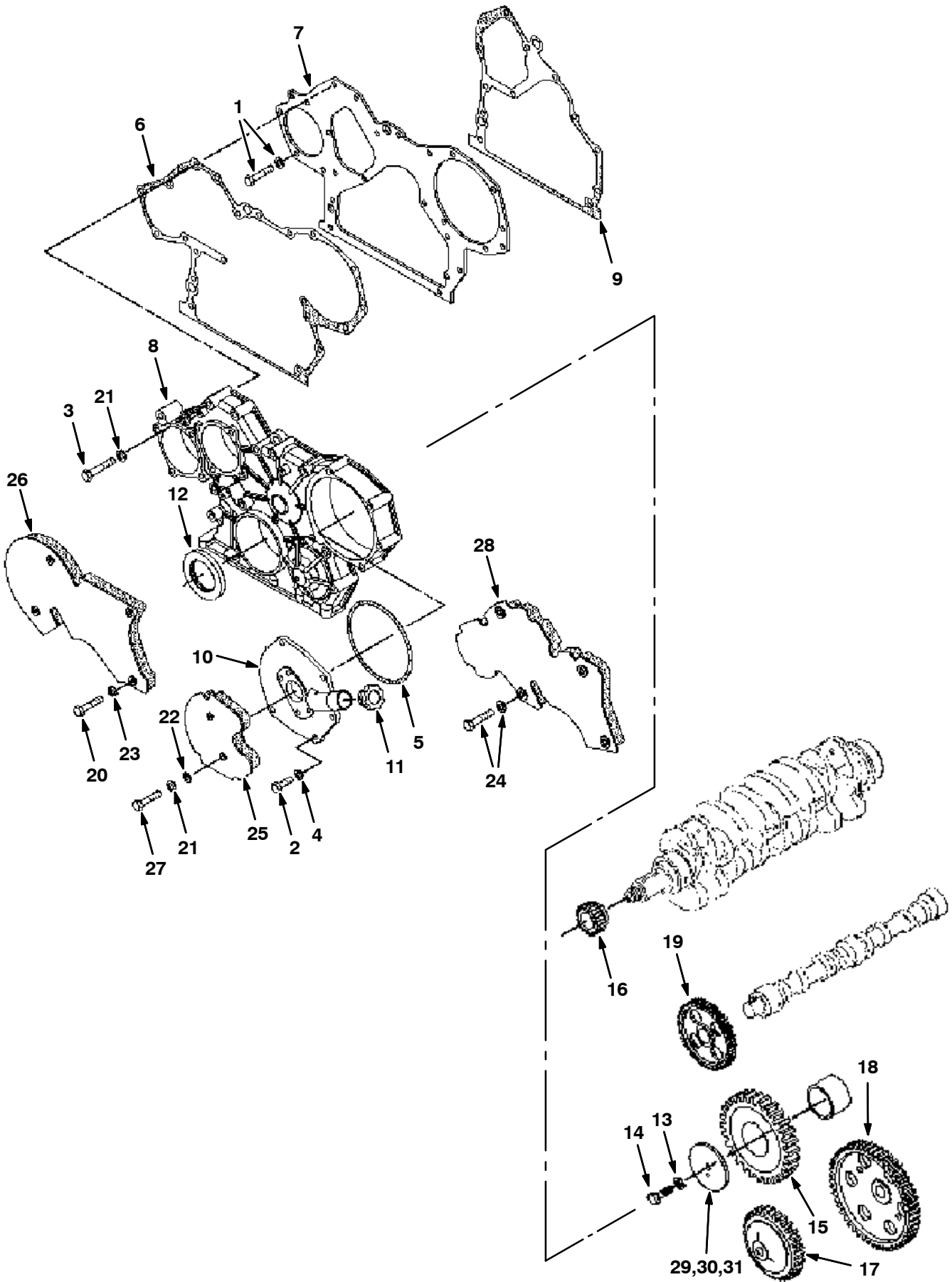
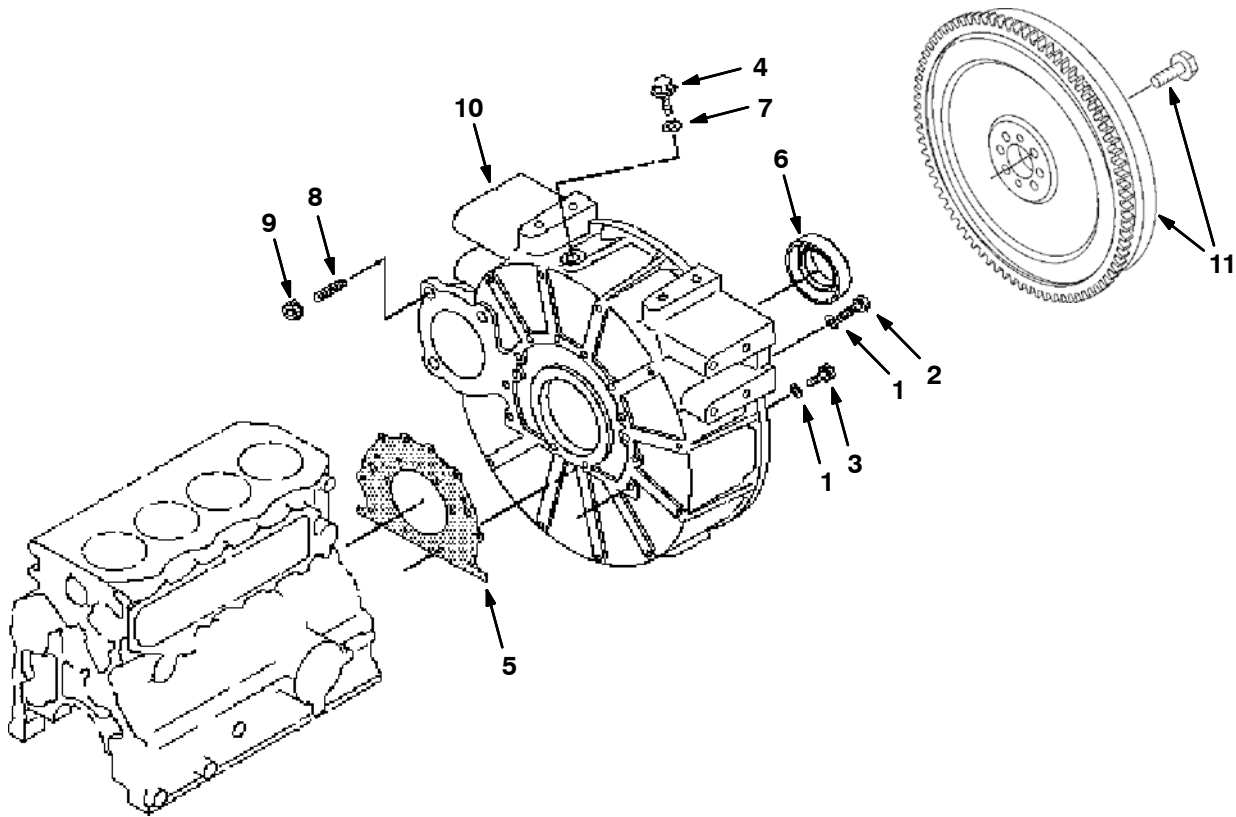


Fig. 6 - Front Housing and Gear Group

Ref.	Part No.	Description	Qty.
1	9005244	Fastener, Cover, Front [Cat 08]	5
2	9005208	Bolt [Cat 08]	5
3	372789	Screw, Hex	13
4	9005185	Washer, Lock [Cat 08]	5
5	372790	Seal, Org	1
6	9005241	Gasket, Cover, Timing [Cat 08]	1
7	9005242	Plate, Back [Cat 08]	1
8	9005240	Housing, Front	1
9	9005243	Gasket, Cover, Timing [Cat 08]	1
10	9005239	Gear, Cover [Cat 08]	1
11	372794	Cap, Filler	1
12	372795	Seal, Crank, Front	1
13	9005220	Washer, Hard [Cat 08]	1
14	9005216	Bolt [Cat 08]	1
15	372775	Gear, Idler	1
16	372776	Gear	1
17	372777	Gear	1
18	372778	Gear	1
19	372779	Gear, Injection, Fuel	1
20	9005231	Bolt [Cat 08]	2
21	9005228	Washer, Hard [Cat 08]	15
22	9005233	Washer [Cat 08]	6
23	9005234	Washer, Lock [Cat 08]	2
24	9005235	Bolt [Cat 08]	4
25	9005236	Insulation, Cover [Cat 08]	1
26	9005237	Insulation, Cover [Cat 08]	1
27	9005238	Bolt [Cat 08]	4
28	9005245	Cover [Cat 08]	1
29	9005217	Shaft [Cat 08]	1
30	9005218	Plate [Cat 08]	1
31	9005219	Bolt [Cat 08]	1

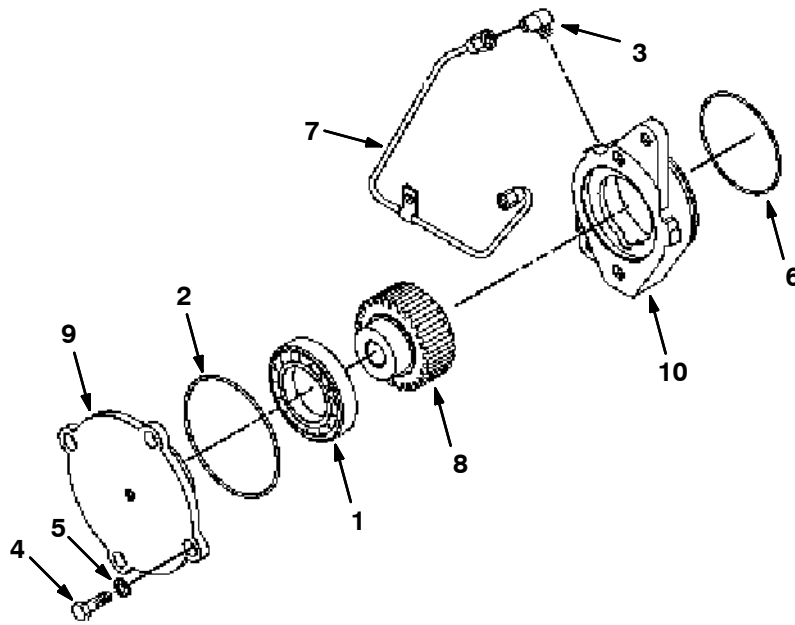
Fig. 7 - Flywheel Housing and Starter Group



D

Ref.	Part No.	Description	Qty.
1	9005228	Washer, Hard [Cat 08]	12
2	9005229	Bolt [Cat 08]	10
3	9005227	Bolt [Cat 08]	2
4	372732	Plug	1
5	372666	Gasket, Rear	1
6	372733	Seal	1
7	372667	Gasket	1
8	372734	Stud	3
9	372735	Nut	3
10	372736	Housing, Flywheel	1
11	372731	Flywheel	1
	372660	Starter	1

Fig. 8 - Auxiliary Drive Group



Ref.	Part No.	Description	Qty.
1	372780	Bearing, Ball	3
2	372781	Seal, Org	1
3	372782	Fitting, Elbow	2
4	9005208	Bolt [Cat 08]	7
5	9005185	Washer, Lock [Cat 08]	7
6	372783	Seal, Org	2
7	372784	Tube	1
8	372785	Gear [Power Take Off]	1
9	372786	Housing, Brg	2
10	372787	Housing, Brg	1

D

Fig. 9 - Oil Pan Group

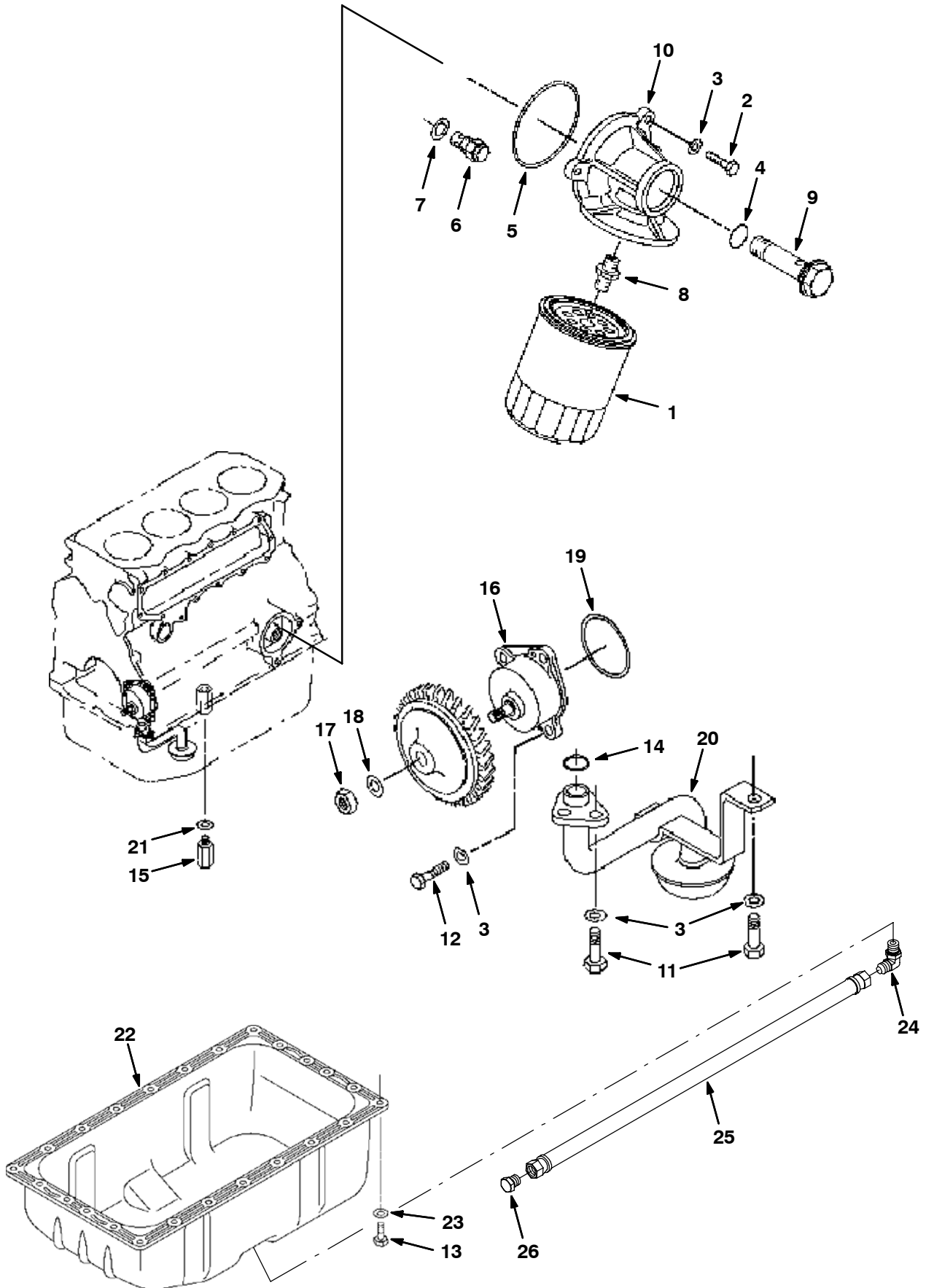


Fig. 9 - Oil Pan Group

Ref.	Part No.	Description	Qty.
1	372654	Filter, Oil, Eng	1
2	9005209	Bolt [Cat 08]	1
3	9005182	Washer, Hard [Cat 08]	8
4	372803	Seal, Org	1
5	372804	Seal, Org	1
6	372805	Valve, Relief	1
7	372669	Gasket	1
8	372806	Fitting, Str	1
9	372807	Screw	1
10	372808	Bracket	1
11	9005190	Bolt [Cat 08]	3
12	9005183	Bolt [Cat 08]	4
13	9005208	Bolt [Cat 08]	25
14	9005194	Seal, Org [Cat 08]	1
15	9005276	Valve, Press, Oil [Cat 08]	1
16	372768	Pump, Oil	1
17	372769	Nut	1
18	9005263	Washer [Cat 08]	1
19	372770	Seal, Org	1
20	372771	Strainer, Oil	1
21	372670	Gasket	1
22	372800	Pan, Oil, W/ Gasket	1
23	9005185	Washer, Lock [Cat 08]	25
24	1046796	Fitting, Hyd, E90, Metric, Spcl	1
25	365000	Hose, Hyd, Low06, Jf06str/Jf06str, 037.0	1
26	19747	Fitting, Hyd, Plug, Jm06	1

Fig. 10 - Water Pump and Thermostat Group

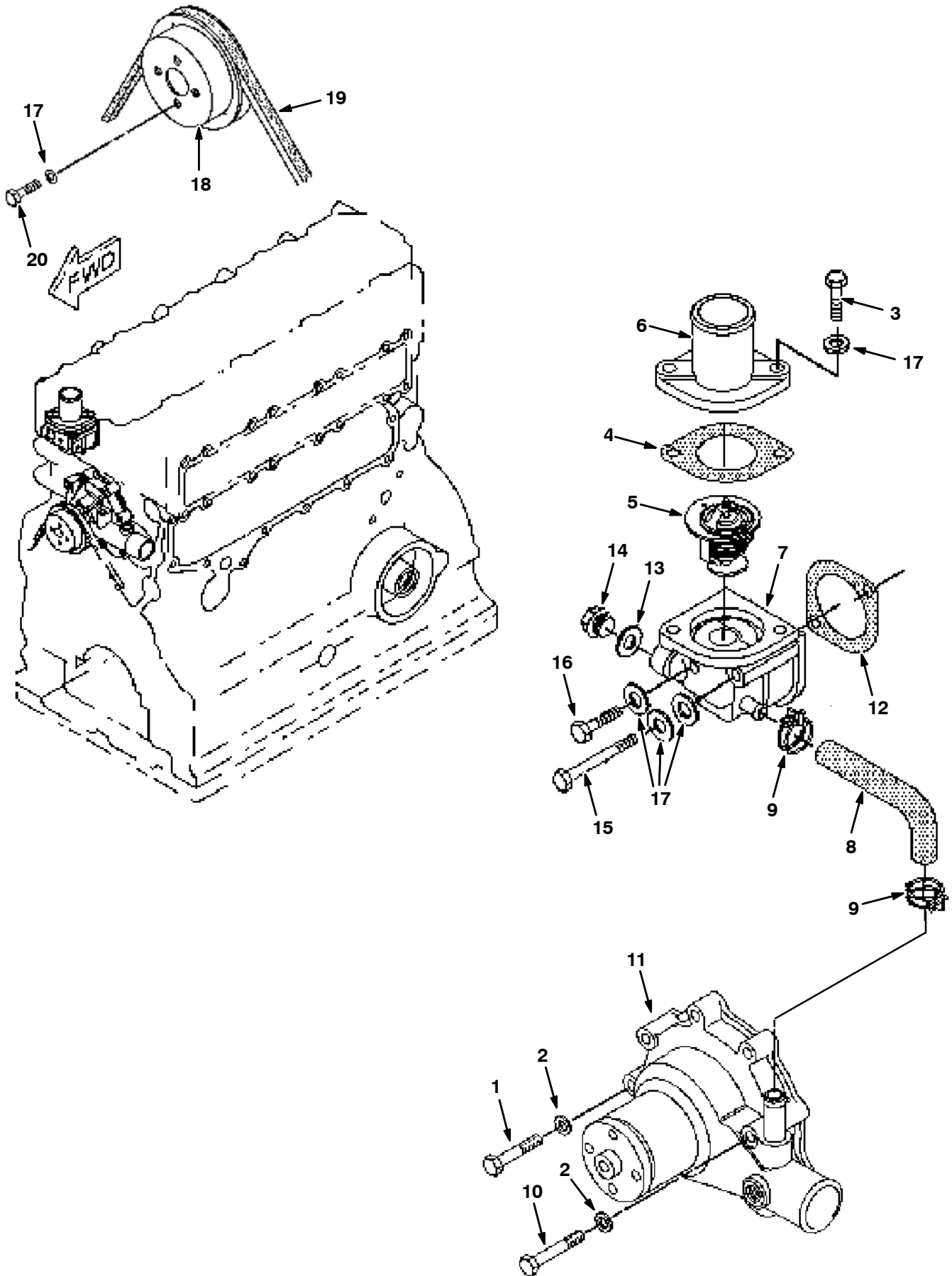
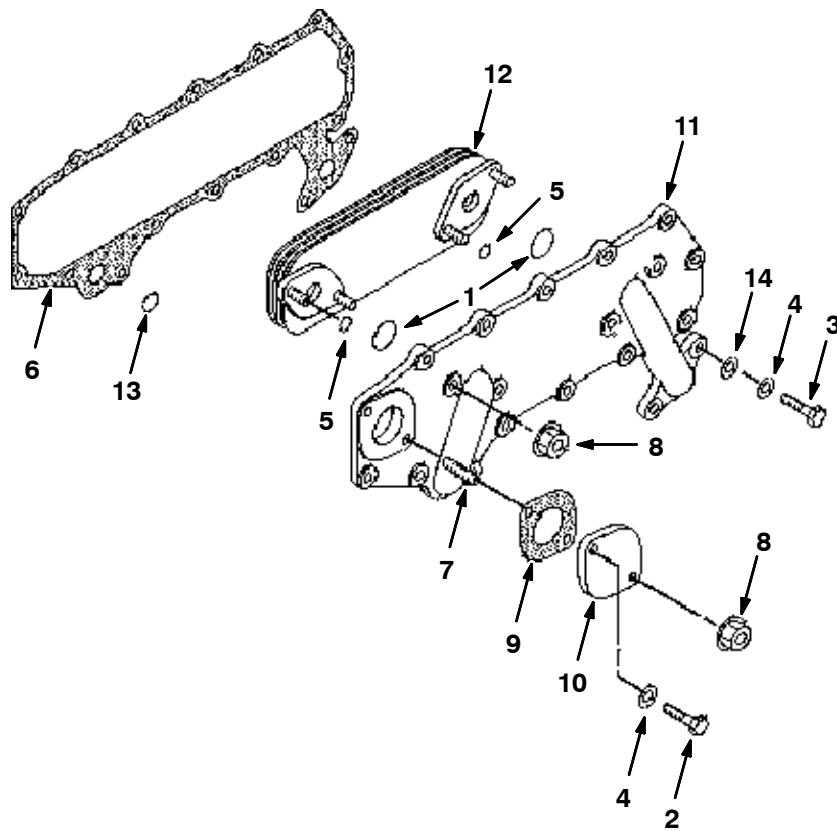


Fig. 10 - Water Pump and Thermostat Group

Ref.	Part No.	Description	Qty.
1	9005269	Bolt [Cat 08]	4
2	9005228	Washer, Hard [Cat 08]	5
3	9005221	Bolt [Cat 08]	2
4	372674	Gasket, Coolant	1
5	372814	Thermostat [Cat]	1
6	9005225	Cover, Thermostat [Cat 08]	1
7	9004035	Regulator, Temp, Coolant	1
8	9004033	Hose	1
9	9004034	Clamp, Hose	2
10	9005238	Bolt [Cat 08]	1
11	9003796	Pump, Water	1
12	9005224	Gasket, Thermostat [Cat 08]	1
13	372667	Gasket	2
14	372732	Plug	2
15	9005222	Bolt [Cat 08]	1
16	9005223	Bolt [Cat 08]	1
17	9005182	Washer, Hard [Cat 08]	9
18	372802	Pulley	1
19	372653	Belt, Pump, Water	1
20	9005181	Bolt [Cat]	4

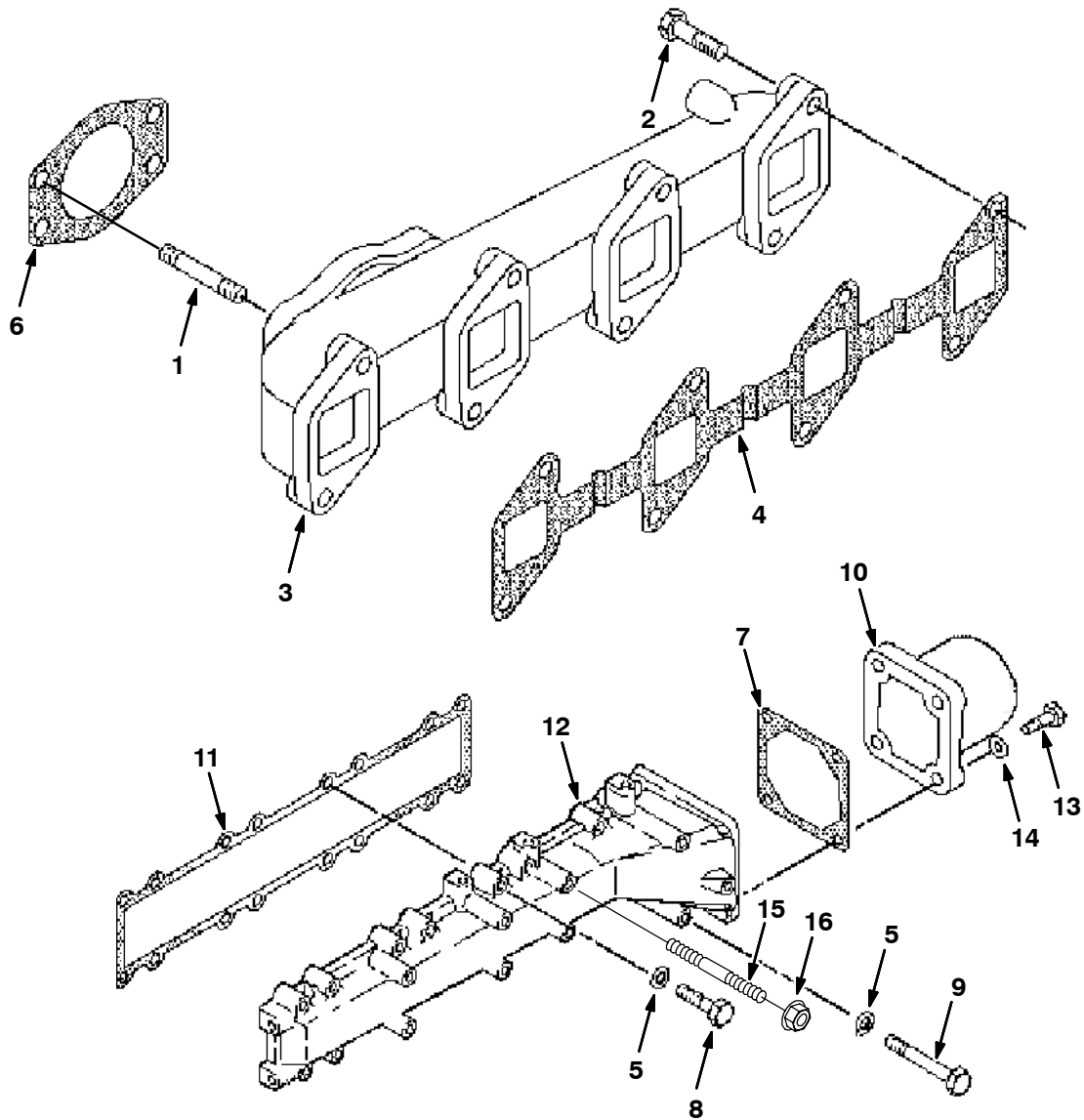
Fig. 11 - Cooler Group



D

Ref.	Part No.	Description	Qty.
1	372825	Seal, Org	2
2	9005192	Bolt [Cat 08]	1
3	9005193	Bolt [Cat 08]	15
4	9005182	Washer, Hard [Cat 08]	16
5	372826	Seal, Org	4
6	372671	Gasket, Cover, Side	1
7	372827	Stud	1
8	9005256	Nut, Flng [Cat 08]	5
9	372672	Gasket, Heater, Water	1
10	372829	Cover	1
11	372830	Cover	1
12	372831	Cooler	1
13	9005194	Seal, Org [Cat 08]	2
14	9005185	Washer, Lock [Cat 08]	15

Fig. 12 - Manifold Group



Ref.	Part No.	Description	Qty.
1	372661	Stud	4
2	9005184	Bolt [Cat 08]	8
3	9005251	Manifold, Exhaust [Cat 08]	1
4	372677	Gasket, Manifold	1
5	9005185	Washer, Lock [Cat 08]	16
6	372678	Gasket, Exhaust	1
7	372679	Gasket	1
8	9005253	Bolt [Cat 08]	14
9	9005252	Bolt [Cat 08]	2
10	9005210	Elbow, Air, Inlet [Cat 08]	1
11	372680	Gasket	1
12	9005254	Manifold, Inlet [Cat 08]	1
13	9005209	Bolt [Cat 08]	4
14	9005182	Washer, Hard [Cat 08]	4
15	9005255	Stud [Cat 08]	1
16	9005256	Nut, Flng [Cat 08]	1

Fig. 13 - Fuel Group

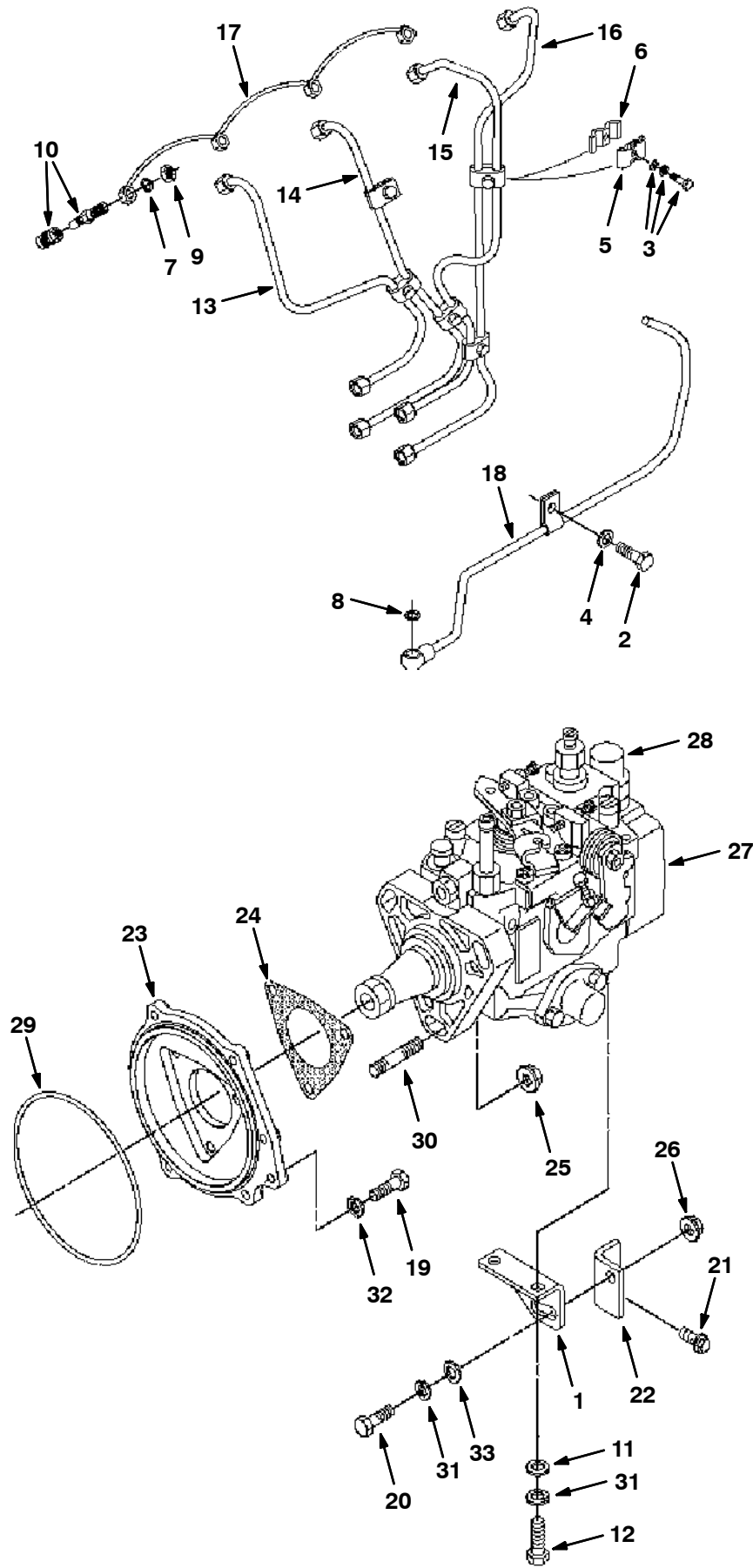
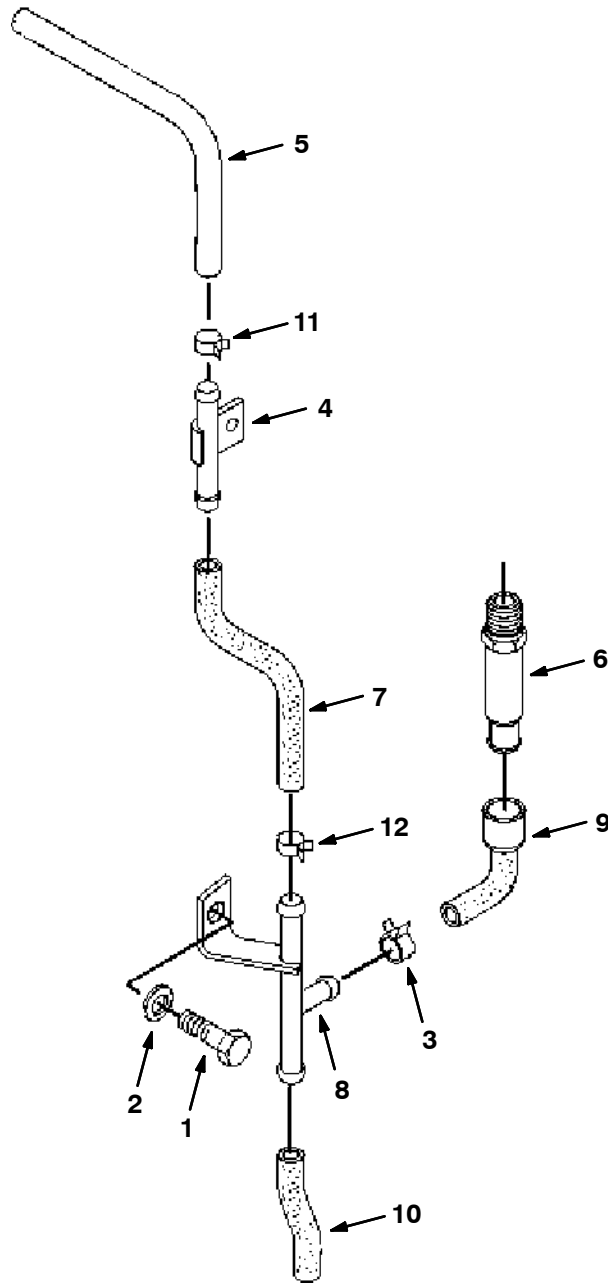


Fig. 13 - Fuel Group

Ref.	Part No.	Description	Qty.	
1	372838	Retainer	3	
2	9005208	Bolt [Cat 08]	1	
3	9005248	Bolt Assy [Cat 08]	3	
4	9005185	Washer, Lock [Cat 08]	1	
5	372841	Clamp	3	
6	372842	Clamp	3	
7	372681	Gasket	4	
8	372682	Gasket	4	
9	9005249	Nut [Cat 08]	4	
10	9005250	Nozzle, Injection [Cat 08]	4	
11	9005220	Washer, Hard [Cat 08]	2	
12	9005264	Bolt [Cat 08]	2	
13	372846	Fueline, Cyl #1	1	
14	372847	Fueline, Cyl #2	1	
15	372848	Fueline, Cyl #3	1	
16	372849	Fueline, Cyl #4	1	
17	372850	Fueline, Bleeder	1	
18	372851	Fueline, Return	1	
19	9005183	Bolt [Cat 08]	1	
20	9005229	Bolt [Cat 08]	1	
21	372834	Screw, Hex	1	
22	372835	Bracket	1	
23	372836	Flange	1	
24	372683	Gasket	1	
25	9005256	Nut, Flng [Cat 08]	3	
26	372735	Nut	1	
▽	27	9005504	Pump, Injection, Fuel [Cat 08]	1
▲	28	9005266	Solenoid [Cat 08]	1
	29	372839	Seal, Org	1
	30	372840	Stud	3
	31	372655	Washer	3
	32	9005182	Washer, Hard [Cat 08]	1
	33	9005265	Washer [Cat 08]	1

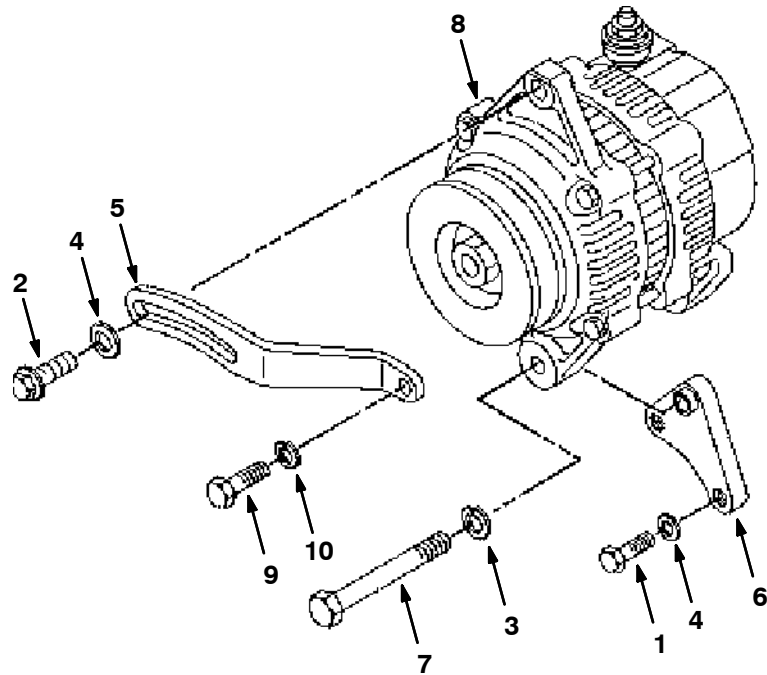
Fig. 14 - Fumes Disposal Group



D

Ref.	Part No.	Description	Qty.
1	9005181	Bolt [Cat]	1
2	9005185	Washer, Lock [Cat 08]	1
3	372819	Clip	6
4	372820	Pipe	1
5	9005215	Pipe, Breather [Cat 08]	1
6	372821	Valve, Shutoff	1
7	372688	Hose, Breather	1
8	372822	Pipe, Breather	1
9	372689	Hose, Breather	1
10	372690	Hose, Breather	1
11	372823	Clip	1
12	372824	Clip	1

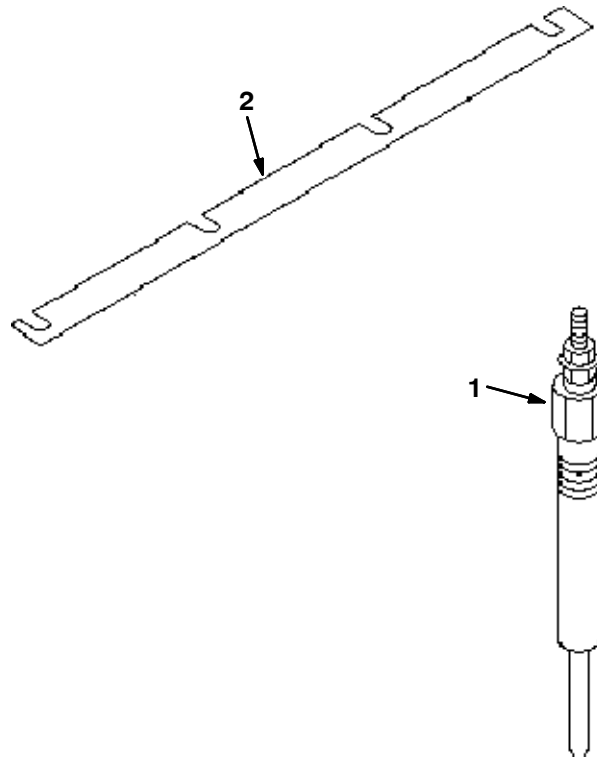
Fig. 15 - Alternator Group



Ref.	Part No.	Description	Qty.
1	9005181	Bolt [Cat]	1
2	9005183	Bolt [Cat 08]	1
3	372655	Washer	1
4	9005182	Washer, Hard [Cat 08]	2
5	372656	Plate, Adj	1
6	372657	Plate	1
7	372658	Screw, Hex	1
8	372659	Alternator	1
9	9005184	Bolt [Cat 08]	1
10	9005185	Washer, Lock [Cat 08]	1

D

Fig. 16 - Glow Plug Group



D

Ref.	Part No.	Description	Qty.
1	372772	Glow Plug	4
2	372773	Plate	1

SECTION 8

CONTENTS	PAGE
PART NUMBER TO PAGE NUMBER CROSS REFERENCE LIST	8-2
PART DESCRIPTION TO PAGE NUMBER CROSS REFERENCE LIST	8-16

CROSS REFERENCE

PART NUMBER TO PAGE NUMBER CROSS REFERENCE LIST

Part Number	Page Number	Part Number	Page Number	Part Number	Page Number
MM337	3-65	06969	2-71	1010361	2-39
00500-15	4-36	06972	2-25, 2-39	1011676	2-39
00912	2-107	06973	2-39	1011694	2-71
00954	4-38	06974	2-39	1011699	2-71
00960	2-63, 2-65, 2-67, 4-39	06993	2-73	1011701	2-39
01274	2-29	06995	2-73	1011788	2-71
01516	2-107	07449	2-81	1011795	2-71
01685	2-25, 2-107, 3-37	07562	2-47	1011913	2-61
01686	2-33	07787	2-97, 3-28	1011914	2-57
01691	3-37	07788	2-13	1011973	2-39
01987	2-87, 2-89	07790	2-17, 2-63, 2-65, 2-67, 2-81, 2-93,	1012012	2-53
01999	3-31		2-98, 3-27	1012142	2-57
02247	2-63, 2-65, 2-67	07791	2-25, 2-49, 2-57, 2-101, 3-23	1012143	2-57
02506-6	3-56			1012144	2-53
02713	2-115	07792	2-7, 2-9, 2-97, 2-102, 2-105, 3-23,	1012150	2-49
02850	3-17		3-28	1012656	2-109
02931	2-105	07793	2-39, 2-71, 2-105	1012657	2-109
02938	3-61	07805	2-81	1012670	2-119
03026	2-47, 2-49	07810	2-41	1012729	2-61
03192	2-39, 6-12	07934	2-83	1012737	2-61
03193	2-29, 2-102, 3-24	08085	2-81, 2-95	1012738	2-57
03922	2-113	08178	2-41	1012744	2-53
04414	2-11	08179	2-101	1012754	2-49
04483	4-48	08180	2-75	1012785	2-71
04706	2-117	08346	2-81	1013275	2-61
04761	2-97, 3-27	08708	2-7, 2-9, 2-15, 2-17, 2-29, 2-33, 2-39,	1013318	2-41
04843	2-29, 3-53		2-41, 2-57, 2-67,	1013344	2-49
05611	2-115		2-101, 2-113, 2-120,	1013366	2-49
05880	2-51, 2-53		3-23, 3-43	1013588	2-53
05881	2-51, 2-53	08709	2-25, 2-49, 2-57, 2-63, 2-65, 2-67,	1014456	2-13
06146	2-93		2-97, 2-102, 2-105,	1014491	2-95
06474A	2-95		2-107, 2-113, 3-24,	1015036	2-109
06524	2-15		3-28, 3-33, 3-43	1015653	3-43
06535	2-97, 3-28	08711	2-39	1015762	3-41, 3-47
06537	2-97	08712	2-81	1015886	2-49
06548	2-101, 3-23	08713	2-25	1016418	2-49
06598	2-109	09010	2-101, 3-23	1016556	3-41, 3-47
06927	3-17	09011	2-25	1016561	3-41, 3-47
06932	3-61	09028	2-33, 2-101, 3-23	1016827	2-57
06942	2-41, 2-49, 2-119	09081	2-97, 3-28	1016950	2-49
06943	2-17, 2-39, 2-57, 2-65, 2-67, 2-81, 2-93, 2-113, 2-120	09120	2-105	1017126	2-2, 2-57
06944	2-7, 2-9, 2-98, 3-28, 3-43, 6-23	09145	2-67	1017218	2-81
06946	2-7, 2-9	09164	2-33	1017898	2-97, 3-27
06949	2-49	09206	3-15	1019188	2-63, 2-65
06955	2-57	09258	2-15, 2-17	1020982	2-81
06956	6-17	09291	2-97, 3-27	1021797	3-41
06957	2-102, 2-105, 3-24	09570	2-61	1021937	3-39
06958	6-17	09718	2-73	1021951	3-39
06961	6-23	09739	2-11	1021966	3-39
06962	6-11	09740	2-25	1021968	3-39
06963	2-71	09770	2-98, 3-28	1021969	3-39
06965	2-101, 3-24	09806	2-149	1023853	2-65, 2-67
06967	2-53	1007343	3-43	1026719	2-23, 4-49
06968	2-105	1010360	2-39	1027531	2-53
				1028300	2-5
				1028492	2-73
				1029502	2-57
				1032812	2-57

CROSS REFERENCE

Part Number	Page Number	Part Number	Page Number	Part Number	Page Number
1033344	2-67	10632-5	2-119, 3-17, 3-33	19312	2-53
1033497	2-67	10632-8	3-17	19313	2-19, 2-63, 2-65, 2-67, 2-115
1033897	2-57	10632-9	3-11, 3-13	19459	2-91
1033899	2-57	1064050	3-3, 3-5, 3-7, 3-9	19544	2-83
1038176	2-109	10664	2-2, 2-19	19747	6-15, 7-15
1039548	2-39	10819	2-105	20177	3-43
1039554	2-81	10911	2-93	20192	2-97, 3-27
1040607	2-39	10959	2-21, 2-23	21041	3-53
1041034	2-101, 3-23	11329	2-107	21047	3-53
1041090	2-27	11531	2-59, 2-61, 3-17	21054	3-53
1041739AM	2-63, 2-65, 2-67	11676	3-53	21104	3-53
1041796	2-53	11716	2-111	21109	2-101
1042110	2-23	11747	2-29, 3-61	21117	2-87, 2-89
1042374	2-81	12269	2-107	21119	2-87, 2-89
1042969	2-3	12271	2-13	21131	2-13
1043095	3-41, 3-47	12273	2-81	21136	2-51
1043352	3-41, 3-47	12274	2-29, 2-105	21138	2-51, 2-53
1045764	2-63, 2-65, 2-67	12317	2-51	21150	4-53
1045858	2-120, 3-35	12459	2-57, 2-97, 3-27, 3-41, 3-47	21168	2-5, 2-7, 2-9
1046152	2-120	12549	3-37	21195	2-117
1046173	2-120, 3-35	13248	2-115	21197	2-39
1046389	2-17	13902	4-43, 4-47	21198	2-39
1046712	3-43	13904	4-45, 4-47	21215	2-97
1046796	6-15, 7-15	13907	4-3, 4-7, 4-13, 4-17	21221	2-29
1049209	2-93, 4-69	13959	3-17	21223	3-51
1049210	2-115, 3-27, 4-67	14242	2-75	21224	2-97
1049211	2-101, 3-23, 4-70	14595-1	2-81	21225	2-107
1050295	3-37	14605	2-41, 2-81	21230	2-13
1050780	4-67, 4-69	15331	2-111	21231	2-101, 3-23
1050809	4-67, 4-69, 4-70	15522	2-107	21238	2-97
1050811	4-67	15555-1	2-55	21241	2-113
1050812	4-67, 4-69	15555-2	2-55, 2-57	21246	2-11, 3-35
1050861	4-69, 4-70	16431	2-87, 2-89	21250	3-27
1050862	4-69	16455	2-95	21251	3-27
1050863	4-69	16456	2-23	21252	3-27
1050864	4-69	16472	3-27	21282	2-7, 2-9
1050865	4-69	16694	4-37	21301	3-61
1050866	4-69	16695	4-27, 4-29, 4-36, 4-37	21303	2-33
1050867	4-69	16735	2-29, 2-53, 2-79, 6-9, 6-11, 6-13, 6-15, 6-23	21307	4-51
1050868	4-69			21308	4-51
1050869	4-69			21309	4-51
1050870	4-69, 4-70			21310	4-51
1050871	4-69			21311	4-53
1050872	4-70	16930	2-113, 3-41, 3-47	21312	4-53
1050873	4-70	16931	2-17, 2-29, 2-53, 2-57, 2-63, 2-65, 2-67, 2-71, 2-101, 2-113, 3-23, 3-33, 3-43, 6-7, 6-15, 6-23, 6-26	21313	4-53
1051078	4-70			21643	2-13
1051079	4-70			21671	3-58
1051599	2-67			21672	2-77
1053518	2-21			21722	2-27
1055106	2-37, 2-39	17808	2-75	21728	4-63, 4-65
1055887	3-43	17809	2-75	21729	2-87, 2-89
1055893	2-67	17980	2-93, 2-95, 3-27	21731	2-55
1056213	2-67	19035	3-53	21732	2-55
1057708	2-2	19065	3-15	21740	2-73
1057711	2-2	19066	2-25, 2-29, 2-41, 2-49, 2-57, 2-65, 2-67, 2-93, 2-101, 2-119, 2-120, 3-23	21796	5-3, 5-35
1060510	3-43			21917	4-42, 4-43, 4-47
10632-12	3-11, 3-13			222290	2-148
10632-20	3-3, 3-5, 3-7, 3-9			222460	2-101
10632-4	2-35, 3-3, 3-7, 3-11, 3-13, 3-15, 3-61	19117	2-115, 4-38	22290	2-117

CROSS REFERENCE

Part Number	Page Number	Part Number	Page Number	Part Number	Page Number
22473	2-51	32408	2-107	34182	4-31
22626	2-73, 4-33	32483	2-7, 2-9, 2-49,	34183	4-31, 4-33, 4-35
22629	4-33, 4-35		2-105, 2-113, 2-120,	34184	4-31, 4-33, 4-35
22630	4-33, 4-35		6-23	34185	4-31, 4-33
22636	4-33, 4-35	32485	2-81, 2-98, 3-28,	34195	2-98, 3-28
22645	4-33, 4-35		3-43	34306	2-2, 2-91
22646	4-33, 4-35	32486	2-39, 2-53, 2-57,	34323	2-7, 2-9, 2-17
22654	4-29		2-71, 2-73, 2-83,	34330	2-105
23146	3-53		2-97, 2-105, 3-27	34355	2-87, 2-89
23498	2-113	32490	2-17, 2-39, 2-41,	34359	2-73, 2-109
23574	2-107		2-63, 2-67, 2-81,	34360	2-87, 2-89
23935	3-61		3-41, 3-43, 3-47	34379	2-87, 2-89
23936	2-101, 3-23	32491	2-17, 2-29, 2-39,	34389	2-45
23946	2-11		2-41, 2-49, 2-53,	34390	2-91
23950	2-15		2-55, 2-57, 2-63,	34392	2-27
24012-1	2-53		2-65, 2-67, 2-79,	34738	3-61
24199	2-11, 2-119		2-101, 2-113, 3-23,	34820	2-119
24450	3-41, 3-47		3-43, 6-7	34848	3-17
24576-1	3-15, 3-17	32492	2-7, 2-9, 2-21, 2-23,	34864	2-35, 3-61
24576	3-15		2-33, 2-39, 2-63,	35323	2-3
24899	2-105		2-65, 2-67, 2-71,	35324	2-3
25046	2-81		2-98, 2-101, 2-113,	35325	2-3
25312	3-57		3-23, 3-28, 3-41,	35326	2-3
25610	2-55, 2-57		3-43, 3-47, 6-11,	35327	2-3
26395-2	3-53		6-12, 6-15, 6-23	35336	2-3
26565	3-53	32493	2-15, 2-17, 2-39,	35688	2-27
27048	2-55		2-57, 3-43	35980	2-37, 2-39
27763	4-27, 4-36	32496	2-97, 3-28	36050	2-2, 2-55, 2-57
27767	3-41, 3-47	32598	2-75	361160	2-5
27979	2-53	32668	3-33	36158	3-53
27990	2-63, 2-65, 2-67	32715	2-101, 3-23	36192	2-19
29233	3-5, 3-9	32720	2-107	36328	2-97, 2-105, 3-27
30013	3-33	32895	2-105	365000	6-15, 7-15
30251	2-105	32899	2-81	36556	2-95
30252	2-105	32960	3-33	36758	2-97, 3-27
30253	2-105	32981	2-57	36801	3-43
30255	2-105	32982	2-53	369000	5-31
30268	3-41, 3-47	32984	2-19, 2-63, 2-65,	369001	5-15
30533	3-59		2-115	369002	5-9
311336	2-11, 4-53	32985	2-73, 2-97, 3-27	369003	5-29
31354	4-27, 4-29, 4-36	32987	2-73	369004	5-11
31373	4-27, 4-29	330180	3-65	369005	5-9
31375	4-36	330182	3-65	369006	5-15
31379	4-27	330183	3-65	369007	5-11
31380	4-37	330729	3-65	369008	5-15
31385	4-37	33342	3-24	369009	5-35
31507	3-41, 3-47	33404	2-109	369010	5-29
31525	3-43, 3-51	33612	3-43	369012	5-17
31563	2-87, 2-89	33799	2-87, 2-89	369014	5-31
31599	2-63, 2-65, 2-67	33806	2-11, 3-19	369015	5-15
31603	2-89	33817	2-91	369016	5-9
31605	2-93	33875	2-39	369018	5-13
31613	2-2, 2-91	33924	2-101, 3-23	369019	5-3
31646	2-45	34065	2-43	369020	5-11
31775	2-79	34159	4-5, 4-9, 4-15, 4-19	369021	5-32
31922	3-17	34176	4-29, 4-36	369022	5-15
31954	3-11, 3-13	34178	4-31, 4-33, 4-35	369023	5-9
31999	2-33	34179	4-31, 4-33	369025	5-11
32006	2-33	34180	4-31	369026	5-15
32009	2-33	34181	4-31, 4-33, 4-35	369027	5-17, 5-35

CROSS REFERENCE

Part Number	Page Number	Part Number	Page Number	Part Number	Page Number
369028	5-31, 5-35	369179	5-17	369247	5-31
369029	5-31, 5-35	369181	5-17	369248	5-32
369030	5-19, 5-34	369182	5-3	369249	5-9
369031	5-11	369183	5-14	369250	5-15
369032	5-3	369184	5-15	369251	5-11
369034	5-31	369185	5-29	369253	5-15
369035	5-11	369186	5-15	369254	5-9
369036	5-3	369187	5-9	369255	5-17
369037	5-11	369188	5-15	369256	5-17
369038	5-15	369189	5-15	369257	5-11
369039	5-15	369190	5-15	369258	5-33
369040	5-15	369191	5-15	369259	5-19, 5-34
369089	5-21	369192	5-15	369260	5-11, 5-15
369090	5-21	369193	5-15	369261	5-7
369131	5-33	369194	5-15	369262	5-19, 5-21
369132	5-5	369195	5-9	369263	5-19
369133	5-17	369196	5-11	369268	5-15
369134	5-9	369197	5-7	369269	5-15
369135	5-15	369198	5-7	369270	5-15
369136	5-23, 5-25	369199	5-29	369271	5-19
369137	5-5	369200	5-7	369272	5-15
369138	5-11	369201	5-3	369273	5-19
369140	5-3, 5-11	369202	5-15	369274	5-19
369141	5-11	369203	5-15	369275	5-19
369142	5-15	369204	5-15	369276	5-19
369143	5-5	369205	5-11	369277	5-19
369144	5-17	369206	5-7	369278	5-32, 5-34
369145	5-5	369207	5-5	369279	5-15
369146	5-11	369208	5-5	369280	5-31
369147	5-15	369209	5-3	369281	5-19
369148	5-15	369210	5-19	369282	5-14
369149	5-7	369211	5-29	369283	5-35
369150	5-7	369212	5-29	369284	5-5
369151	5-9	369213	5-15	369285	5-34
369152	5-9	369214	5-31	369286	5-5
369153	5-7	369216	5-27	369287	5-5
369154	5-19	369217	5-11	369289	5-3
369155	5-14	369223	5-33	369290	5-7
369156	5-29	369224	5-11	369292	5-9
369157	5-17	369226	5-19	369293	5-5
369158	5-15	369227	5-29, 5-34	369294	5-9
369159	5-7	369228	5-7, 5-34	369295	5-3
369160	5-9	369229	5-32, 5-34	369296	5-3
369162	5-15	369230	5-31, 5-34	369297	5-5
369163	5-15	369231	5-19	369298	5-5
369164	5-27	369232	5-11, 5-35	369299	5-11
369165	5-15	369233	5-19, 5-34	369701	2-73
369166	5-9	369234	5-31, 5-34	369704	2-13
369167	5-15	369235	5-11, 5-35	36971	2-81
369168	5-15	369236	5-11, 5-35	369786	3-37
369169	5-5	369237	5-3	370011	2-3
369170	5-7	369238	5-3	370806	5-11
369171	5-3	369239	5-29	370807	5-15
369172	5-5	369240	5-29	370809	5-19
369173	5-7	369241	5-15	370810	5-19
369174	5-11	369242	5-15	370811	5-19
369175	5-15	369243	5-9	370812	5-19
369176	5-15	369244	5-31	370814	5-21
369177	5-15	369245	5-29	370815	5-23
369178	5-19	369246	5-31	370816	5-23

CROSS REFERENCE

Part Number	Page Number	Part Number	Page Number	Part Number	Page Number
370817	5-23	372698	6-5, 7-5	372756	6-8, 7-8
370818	5-23	372699	6-5, 7-5	372757	6-8
370819	5-27	372700	6-5	372758	6-8
370820	5-27	372701	6-5	372760	6-8
370821	5-27	372702	6-5, 7-5	372761	6-8
370823	5-29	372703	6-5	372762	6-8
370825	5-31	372704	6-5, 7-5	372763	6-8
370826	5-32	372705	6-5, 7-5	372764	6-8
370827	2-51, 5-32	372706	6-3, 7-3	372765	6-8
370885	5-3	372707	6-3	372766	6-8
370886	5-31	372708	6-3, 7-3	372767	6-8, 7-8
370887	5-32	372709	6-3, 7-3	372768	6-15, 7-15
371602	2-37, 5-27	372710	6-3, 7-3	372769	6-15, 7-15
372651	2-2, 2-49	372711	6-3	372770	6-15, 7-15
372652	2-2, 2-49	372712	6-3	372771	6-15, 7-15
372653	2-39, 6-17, 7-17	372713	6-3, 7-3	372772	6-27, 7-24
372654	2-2, 6-15, 7-15	372714	6-3	372773	6-27, 7-24
372655	6-26, 7-21, 7-23	372715	6-3, 7-3	372775	6-11, 7-11
372656	6-26, 7-23	372716	6-3, 7-3	372776	6-11, 7-11
372657	6-26, 7-23	372717	6-3, 7-3	372777	6-11, 7-11
372658	6-26, 7-23	372718	6-3, 7-3	372778	6-11, 7-11
372659	6-26, 7-23	372719	6-3, 7-3	372779	6-11, 7-11
372660	6-12, 7-12	372720	6-3	372780	6-13, 7-13
372661	6-21, 7-19	372721	6-3, 7-3	372781	6-13, 7-13
372662	6-21	372722	6-7, 7-7	372782	6-13, 7-13
372663	6-21	372723	6-7	372783	6-13, 7-13
372664	6-7, 7-7	372724	6-7, 7-7	372784	6-13, 7-13
372665	6-7	372725	6-7, 7-7	372785	6-13, 7-13
372666	6-12, 7-12	372726	6-7	372786	6-13, 7-13
372667	6-12, 6-17, 7-7, 7-12, 7-17	372727	6-7	372787	6-13, 7-13
372668	6-15	372728	6-7	372788	6-11
372669	6-15, 7-15	372729	6-7	372789	6-11, 7-11
372670	6-15, 7-15	372730	6-7	372790	6-11, 7-11
372671	6-19, 7-18	372731	6-12, 7-12	372791	6-11
372672	6-19, 7-18	372732	6-12, 6-17, 7-7, 7-12, 7-17	372792	6-11
372673	6-17	372733	6-12, 7-12	372793	6-11
372674	6-17, 7-17	372734	6-12, 7-12	372794	6-11, 7-11
372676	6-17	372735	6-12, 6-23, 7-12, 7-21	372795	6-11, 7-11
372677	6-21, 7-19	372736	6-12, 7-12	372796	6-7, 7-7
372678	2-53, 6-21, 7-19	372737	6-5, 7-5	372797	6-5, 7-5
372679	6-21, 7-19	372738	6-5, 7-5	372798	6-5
372680	6-21, 7-19	372739	6-5, 7-5	372800	6-15, 7-15
372681	6-23, 7-21	372740	6-5, 7-5	372801	6-15
372682	6-23, 7-21	372741	6-5	372802	6-17, 7-17
372683	6-23, 7-21	372742	6-5, 7-5	372803	6-15, 7-15
372684	6-11	372743	6-5, 7-5	372804	6-15, 7-15
372685	6-11	372744	6-5, 7-5	372805	6-15, 7-15
372686	6-17	372745	6-5, 7-5	372806	6-15, 7-15
372687	6-25	372746	6-5, 7-5	372807	6-15, 7-15
372688	6-25, 7-22	372747	6-5, 7-5	372808	6-15, 7-15
372689	6-25, 7-22	372748	6-5, 7-5	372809	6-15
372690	6-25, 7-22	372749	6-5, 7-5	372810	6-15
372691	6-5, 6-9, 7-5, 7-9	372750	6-5, 7-5	372812	6-17
372692	6-9, 7-9	372751	6-5, 7-5	372813	6-17
372693	6-9, 7-9	372752	6-5, 7-5	372814	6-17, 7-17
372694	6-9, 7-9	372753	6-8, 7-8	372815	6-17
372695	6-9	372754	6-8, 7-8	372816	6-21
372696	6-7, 7-7	372755	6-8, 7-8	372817	6-21
372697	6-5, 7-5			372818	6-3
				372819	6-25, 7-22

CROSS REFERENCE

Part Number	Page Number	Part Number	Page Number	Part Number	Page Number
372820	6-25, 7-22	373291	4-35	375193	2-37
372821	6-25, 7-22	373369	4-13, 4-17, 4-21	375400	2-97
372822	6-25, 7-22	373371	4-21	375401	2-97, 3-27
372823	6-25, 7-22	373372	4-21	375402	2-97
372824	6-25, 7-22	373373	4-21	375403	3-27
372825	6-19, 7-18	373374	4-9, 4-19	375404	2-97, 3-27
372826	6-19, 7-18	373375	4-9, 4-19	375415	2-101, 3-23
372827	6-19, 7-18	373404	2-83	375416	2-101, 3-23
372828	6-19	373405	3-64	375417	3-27
372829	6-19, 7-18	373406	4-9, 4-19	375511	2-63, 2-65, 2-67
372830	6-19, 7-18	373407	4-7, 4-17	375512	3-41, 3-47
372831	6-19, 7-18	373408	4-7, 4-17	375513	2-13
372832	6-17	373409	4-7, 4-17	375526	2-79
372834	6-23, 7-21	373410	4-7, 4-17	375536	2-13
372835	6-23, 7-21	373412	4-9, 4-19	375537	2-13
372836	6-23, 7-21	373413	4-9, 4-19	37555	4-27, 4-29, 4-37
372837	6-23	373414	4-7, 4-17	375563	2-95, 4-45
372838	6-23, 7-21	373415	4-7, 4-17	375564	2-29
372839	6-23, 7-21	373457	4-25	375565	2-29
372840	6-23, 7-21	373458	4-25	375566	2-29
372841	6-23, 7-21	373464	2-73, 4-35	375567	2-77
372842	6-23, 7-21	373541	4-35	375575	2-73
372843	6-23	373542	4-35	375576	2-73
372844	6-23	373543	4-35	375586	2-63, 2-65
372845	6-23	373544	4-35	375635	2-107
372846	6-23, 7-21	373545	4-35	375638	2-107
372847	6-23, 7-21	373546	4-35	375639	2-107
372848	6-23, 7-21	373547	4-35	375666	2-101
372849	6-23, 7-21	373548	4-35	375676	2-119
372850	6-23, 7-21	373549	4-35	375679	2-45
372851	6-23, 7-21	373584	4-69	375693	2-15
372852	6-23	373585	4-69	375695	2-15
372853	6-17	374012	3-53	375696	2-11
372854	6-23	374127	2-120	375698	2-11
372897	3-65	374129	3-41, 3-47	375719	2-107, 4-29
372934	6-3	374133	3-63	375721	2-113
372935	6-3	374134	3-63	375726	3-41, 3-47
372936	6-3	374135	3-63	375728	3-41, 3-47
372938	6-7, 7-7	374147	5-27	375751	3-41
372939	6-7, 7-7	374148	5-27	375762	2-73
372940	6-7, 7-7	374151	2-37, 5-27	37723	4-31, 4-33, 4-35
372950	4-63, 4-65	374210	3-45, 3-49	377428	5-3
372951	4-63, 4-65	374228	5-27	37766	4-31, 4-33
373201	4-25	374230	2-63, 2-65, 2-67, 2-79	37828	5-19
373207	4-25	374294	4-51, 4-53	37943	4-31, 4-33, 4-35
373211	4-25	374357	4-51	37973	5-23
373218	4-7, 4-17	37460	4-3, 4-7, 4-13, 4-17	380503	3-65
373226	4-35	37462	4-3, 4-7, 4-13, 4-17	380505	2-37
373232	4-25	374625	2-120	380507	2-37, 2-39
373235	4-25	374750	4-51, 4-53	380511	2-37
373236	4-35	374756	2-51	380512	2-43
373242	4-25	374757	4-53	380514	2-81
373243	4-25	374759	4-51	380518	3-43
373254	2-83, 4-25	374760	3-35	380520	2-37, 2-39
373255	4-25	374761	3-35	380521	2-37
373256	4-25	374762	3-35	380523	2-136
373258	4-25	374765	4-51, 4-53	380524	2-59
373259	4-25	374769	4-51, 4-53	380525	2-59
373276	4-25	375117	2-37, 2-39	380526	2-51
373284	4-25			380527	2-55

CROSS REFERENCE

Part Number	Page Number	Part Number	Page Number	Part Number	Page Number
380528	2-55, 2-57	380667	4-57	392597	2-57
380530	2-37, 2-39	380668	4-57	39277	2-57, 2-63, 2-65,
380532	2-13	380669	4-57		2-67, 6-8, 6-15,
380533	2-13	380670	4-57		6-17, 6-19, 6-25,
380535	2-55, 2-57	380671	4-57		6-26
380538	2-37	380672	4-57	39279	2-79, 2-107
380542	2-43	380673	3-41	39281	6-21
380547	2-45	380675	2-87, 2-89	39283	2-7, 2-9, 2-98,
380548	2-45	380679	2-55		2-102, 2-105, 3-23,
380549	2-55	380680	2-11		3-28, 6-12
380554	2-37	380681	2-21	39284	2-33, 2-39, 2-97,
380556	2-47	380683	2-81		2-102, 3-23, 3-28
380558	2-69	380684	3-41	39285	2-81
380559	2-11	380685	3-41	39305	2-73
380564	2-45	380689	3-41, 3-47	39309	2-39
380566	2-81	380690	3-45, 3-49	39311	2-17, 2-53, 2-97,
380567	2-81	380691	3-11, 3-13, 3-15		3-24, 3-28
380568	2-81	380692	2-11, 4-51	39312	2-97, 3-28
380577	4-51, 4-56	380694	4-51	39313	2-15, 2-17, 2-25
380578	4-59	380695	4-51	393219	3-43
380579	4-59	380697	3-43	39346	2-7, 2-9
380581	2-51	380708	4-51	39349	2-25, 6-7, 6-8, 6-9,
380587	2-51	380712	3-17		6-11, 6-13, 6-15,
380589	2-51	380717	2-79		6-17, 6-19, 6-21,
380590	2-51	380730	2-11		6-23, 6-25, 6-26
380591	2-47, 2-49	380734	4-51	39350	2-73
380602	3-35	380736	2-91	393665	5-11
380606	3-51	380740	2-2	393675	5-19
380613	3-41, 4-59	380748	2-59	393676	5-19
380614	3-47, 4-61	380752	2-37	393767	5-25
380615	3-41, 3-47	380754	2-63	393768	5-25
380616	4-59, 4-61	380755	2-139	393769	5-25
380617	3-45, 3-49	380759	2-47	393770	3-15, 3-33
380618	3-41, 3-47	380760	2-13	39394	2-3
380619	3-45, 3-49	380761	2-13	394921	2-148
380624	3-45	380762	2-13	39527	4-36
380625	3-41, 4-57	380763	2-13	39534	2-115
380626	4-57	380764	2-13	39810	2-83
380627	4-57	380765	2-11	398314	2-143
380628	4-57	380766	2-47	39923	2-35, 3-61
380630	3-41	380767	2-47	40380	4-31
380632	2-51	380769	2-55	40514	2-91
380634	3-35	380770	2-55, 2-57	40573	3-41, 3-47
380635	3-35	380780	2-148	40585	2-55, 2-57
380636	3-51	381391	2-65, 2-67	40607	2-35, 3-61
380637	2-55	381962	2-29	40678	2-35, 3-61
380640	3-15	382422	2-11	40716	2-11
380643	3-11	382507	2-63	40870-8	2-113
380644	3-13	382516	2-119	41016	3-41
380649	4-59, 4-61	382726	2-29	41073	2-73
380650	4-59, 4-61	382978	3-15	41130	2-113
380651	4-59	382979	3-33	41131	2-101, 2-111
380652	4-59	383165	2-119	41139	3-17
380659	4-59, 4-61	384156	4-55	41140	2-51, 3-17
380660	4-61	388407	4-59, 4-61	41141	3-33, 3-43
380661	3-45, 3-49	388548	5-19	41142	2-39, 2-43
380662	3-45, 3-49	39005	2-41	41169	2-81
380663	3-41, 3-47	391823	2-55	41178	2-7, 2-9, 2-11, 2-47,
380665	3-45	39210	2-23, 2-27, 2-91,		3-35
380666	4-57		2-93		

CROSS REFERENCE

Part Number	Page Number	Part Number	Page Number	Part Number	Page Number
41185	2-7, 2-9, 2-17, 2-97, 2-107, 3-27	47504	2-83, 2-95, 2-101	52402	2-45, 2-63, 2-65, 2-67, 2-95
41186	2-29, 2-63, 2-65, 2-67, 2-71, 3-23	47508	2-83, 2-97, 3-27	52911	2-83
41342	2-97, 2-101, 3-28, 6-7, 6-21	47512	2-23, 2-45, 2-63, 2-65, 2-67	53461-2	2-13, 2-15, 2-17
41346	2-39, 2-57, 2-105	47522	2-73	53601	2-73, 4-48
41348	3-43	47585	2-117	54009	3-53
41360	2-107	47637	3-27	54012	3-53
41362	2-107	47638	2-23, 2-95	54222	2-81
41430	2-29, 2-39, 2-63, 2-65, 2-67, 2-81, 2-98, 2-102, 2-113, 3-23, 3-28	47753	3-27	54274	2-115
41434	3-37	47754	2-45	54275A	2-115
41619	2-13	47958	2-13	54527	2-47
41722	2-81	48006	2-19	54528	2-47
42011	3-61	48014	2-47	54615	2-11
42124	3-53	48056	2-63, 2-65, 2-67	54833	2-73
42207	2-97	48069	2-33	54845	2-57
42215	2-91, 2-95, 3-23	48267	2-55	54862	2-115
42226	2-37, 2-115	48843	3-65	54878	2-105
42260	2-19, 2-91	48998	2-107	55248	2-55, 2-57, 3-3, 3-5, 3-7, 3-9, 3-11, 3-13, 3-15, 3-63
43242	3-41, 3-47	49032	3-37	55586	2-91, 2-93, 2-105, 2-109
43454	2-13, 2-35, 3-61	49263	2-5, 2-117	55685	2-95
43500	2-2, 2-5	49266	2-35, 2-45, 2-55, 2-57, 3-3, 3-5, 3-7, 3-9, 3-11, 3-13, 3-15, 3-17, 3-61, 3-63	55686	2-23
43555	2-33, 2-47, 2-49	49282	2-11	55700	2-87, 2-89
43558A	3-41, 3-47	49766	3-61	55756	2-13
43611	2-41	49933	2-95	55779	2-105
43844	2-57, 2-61	50902	2-39, 2-63, 2-65, 2-67, 2-105, 2-115, 3-43	55844	2-2, 2-55
43952	3-37	50960	2-63, 2-65, 2-67	55845	2-13
43955	2-7, 2-9	51021N	2-3	55850	2-55
44078	2-117	51109	2-79	56185	2-117
44681-1	3-7, 3-9, 3-13	51176	2-11	56186	2-119, 2-120, 3-3, 3-5, 3-7, 3-9, 3-11, 3-13, 3-45, 3-49, 3-61
44681-2	3-7, 3-9, 3-13	51193	2-75	56346	2-119
44681	3-7, 3-9, 3-13	51305	2-61, 2-63, 2-65, 2-67	56398	2-117
44777	2-11	51322	2-19, 2-63, 2-65, 2-67	56690	2-93, 2-101, 2-117, 3-23, 3-27
44851	2-15, 2-17, 3-35	51338	2-75	56692	2-83, 2-107, 2-115
44868	2-93, 3-27	51340	2-73	56820	2-73, 2-101
44869	2-93, 2-95, 2-105, 2-115	51341	2-73	56821	2-115
44906	2-63	51373	2-75	56992	3-49
44961	3-61	51448	2-105	57048	2-37, 2-39
45142	3-41, 3-47	51449	2-105	57167	2-120, 4-61
45177	2-47	51462	2-109	57173	2-87, 2-89
45272	3-3, 3-5, 3-7, 3-9	51483	2-79	57311	2-79
45482	2-93, 3-27	51531	3-53	57411	2-95
45622	4-31, 4-33, 4-35	51534	2-109	57532	3-41, 3-47
45623	4-31, 4-33, 4-35	51542	2-3	57568	2-89
45628	4-27, 4-29, 4-36, 4-37	51545	2-79	57751	2-120, 3-35
45779	3-3, 3-5, 3-7, 3-9, 3-11, 3-13	51560-5	2-49	57772	2-101
45780	2-5	51562	2-79	57773	2-37, 2-39
45786	2-77	51564	2-105	57803	2-120, 3-35
46236	2-79, 3-61	51693	2-111	57807	2-101, 2-109, 2-119, 3-23
46481	2-19, 2-83	51782	2-45	57809	3-61
46482	3-23	51787	2-19, 2-29	57820	2-11, 2-15, 2-17
46559	2-81	51813	2-101, 3-23	57936	2-21, 2-23
46800	2-63	51839	3-47	57941	2-5

CROSS REFERENCE

Part Number	Page Number	Part Number	Page Number	Part Number	Page Number
57944	2-87, 2-89	61931	2-43	64156	2-23
57963	2-87, 2-89, 3-31	61969	2-109, 2-119	64228	2-93
57988	2-95	62172	2-95	64233	2-109
57993	2-93	62173	2-95	64278	2-13
57994	2-91	62377	2-59	64279	2-13
58114	2-113	62389	2-83	64299	2-113
58228	2-63, 2-65, 2-67, 2-113	62561	2-83, 4-23	64312	2-13
58242	4-23	62563	2-105, 4-36	64350	2-107
58293	2-21	62595-2	2-11	64392	2-33
58357	2-33	62595-3	2-11	64394	2-33
58359	2-23	62607	2-107	64410	2-33
58366	2-13	62954	2-2, 2-5	64419	2-19
58489	2-7, 2-15, 2-17	62955	2-2, 2-5	64434	2-95
58490	4-53	62956	2-2, 2-5	64500	2-33
58518	3-3, 3-5, 3-11	62957	2-2, 2-5	64501	2-33
58519	3-3, 3-5, 3-11	62986	2-107	64543	2-15, 2-17
58520	3-3, 3-5, 3-11	63182-2	2-61	64545	2-15, 2-17
58524	2-29	63228	3-58	64556	2-79
58596	4-41	63233	2-33	64558	2-79
58844	2-9, 2-13	63234	2-33	64559	2-33
58858	2-83, 2-91	63276	2-81	64567	2-33
58898	2-7, 2-9	63292	2-81	64580	2-33
59015	2-55, 2-57	63294	2-11	64586	2-117
59156	3-43	63295	2-79	64618	2-33, 2-63, 2-65, 2-67, 2-113
59192	2-13, 2-15, 2-17	63297	2-33	64621	2-33, 2-63, 2-65, 2-67, 2-113
59305	4-23	63311	2-33	64631	2-117
59577	2-93	63338	2-107	64635	2-79
59633	2-33	63378	2-29	64651	2-117
59661	2-19	63407	3-64	64655	2-117
59668	2-81	63416	2-63, 2-101, 3-23, 3-27	64788	2-2, 2-7, 2-9
59672	2-81	63426	2-73, 4-31	64801	2-7
59767	2-149	63436	2-105	64802	2-9
59866	2-23	63449	2-105	64811	2-105
59901	3-41, 3-47	63450	2-105	64870	2-109
59921	3-61	63471	2-73	64873	2-33
59954	3-61	63491	2-73	64874	2-33
59965	2-21, 3-15	63496	2-73	64884	2-11
59970	2-119	63540	2-73	64886	2-73
59971	2-119	63541	2-105	64887	2-73
59974	2-119	63542	2-63, 2-65, 2-67, 4-39	64893	2-27
59976	2-119	63543	2-73	64905	2-95
59977	2-119	63544	2-5	64919	2-2, 2-5
59978	2-119	63583	2-23	64920	2-2, 2-5
59979	2-119	63584	2-23	64950	2-79
60090	2-37, 5-27	63647	2-25	65129	2-79
60294	2-69	63663	2-5	65145-1	2-83
60559	2-43	63665	2-25	65160	2-97, 3-27
60751	3-17	63667	2-25	65168	2-97
60933	2-2, 2-47	63668	2-25	65170	2-97
60934	2-2, 2-47	63669	2-25	65173	2-97, 3-27
61288	2-91	63671	2-31	65174	2-97, 2-101, 3-23, 3-27
61363	2-43	63695	2-37, 2-39	65180	2-97, 3-27
61365	3-17	63751	2-11	65188	2-87, 2-89
61490	4-27, 4-36, 4-37	63818	2-63, 2-65, 2-67	65191	2-87, 2-89
61529	2-43	63926	2-21	65194	2-87, 2-89, 3-31
61531	2-43	64058	2-77	65195	2-87, 2-89
61882	4-3, 4-7, 4-13, 4-17	64059	2-77	65196	2-87
61886	4-5, 4-9, 4-15, 4-19	64141	2-119		
61923	3-15				

CROSS REFERENCE

Part Number	Page Number	Part Number	Page Number	Part Number	Page Number
65197	2-87, 2-89	70470	2-25	70825	2-113
65198	2-87, 2-89	70471	2-3	70827	2-95
65199	2-87, 2-89	70477	2-55, 2-57	70843	2-5
65201	2-87, 2-89	70478	2-11	70844	2-5
65202	2-87	70506	2-79	70847	2-95
65204	2-87, 2-89	70521	2-97	70848	2-107
65205	2-87, 2-89	70524	2-97, 3-27	70851	3-61
65206	2-87, 2-89	70525	2-97, 3-27	71384	2-37
65207	2-87, 2-89	70526	2-97, 3-27	71385	2-37
65212	2-87, 2-89	70532	2-101, 3-23	71387	2-120
65213	2-87, 2-89	70537	2-149	71388	2-37
65215	2-91	70538	2-3	71552	2-87, 2-89
65221	2-19	70550	2-79	71725	4-25
65222	2-19	70597	2-7	72970	2-117
65226	4-23	70598	2-9	72979	3-41, 3-47
65227	4-31	70603	4-63, 4-65	73292	2-45
65229	4-29	70609	4-63, 4-65	73293	2-45
65230	4-27, 4-29	70611	4-65	73645	2-5
65232	4-37	70612	4-63	73646	2-113
65235	4-41	70613	4-63, 4-65	73648	2-9
65240	4-47	70615	4-63, 4-65	73649	2-7
65241	4-27	70617	4-63, 4-65	73650	2-113
65242	2-117, 4-41	70618	4-63, 4-65	73678	2-25
65245	2-119	70620	3-35	73679	2-25
65248	2-109	70622	2-117	73685	2-113
65249	2-109	70623	2-117	73720	2-107
65252	2-19	70626	2-97, 3-27	73721	2-107
65258	3-19	70627	2-97, 3-27	73724	2-5
65278	2-29	70628	2-15, 2-17	73727	2-35
65281	2-29	70649	2-3	73731	2-73
65561	2-101, 3-23	70650	2-33	73733	2-73
66020	2-3	70651	2-33	73734	2-33
67310	2-73, 2-83	70659	3-53	73736	2-119
67366	2-97, 3-27	70668	3-53	73737	2-101, 3-23
67683	3-27	70669	3-19	73749	2-25
67767	2-23, 2-73	70690	3-59	73751	3-5
68445	3-37	70692	3-57	73753	3-9
68866	2-81	70699	3-33	73755	3-3
68986	2-2, 2-45	70705	2-149	73757	3-7
69234	2-93, 2-113	70709	2-117	73771	2-25
69495	2-41	70717	2-117	73772	2-25
69904	2-5	70725	2-81	73799	2-41
69906	2-29	70730	2-29	73800	3-20
70006	2-91	70742	2-29	73862	2-5
70072	2-91	70747	2-81	73863	2-5
70160	2-43	70749	2-81	73870	2-2, 2-7, 2-9
70165	2-37	70752	2-41	73871	3-53
70173	2-55, 2-57	70756	2-11	73880	3-53
70218	2-117	70761	2-29, 3-37	73887	2-25
70219	2-117	70762	2-29	73889	2-2, 2-7, 2-9
70388	2-25	70775	2-115	73898	3-3, 3-5, 3-7, 3-9
70398	2-120	70783	2-81	73899	3-3, 3-5, 3-7, 3-9
70400	2-138	70790	2-115	73901	2-11
70402	2-120	70793	3-21	73903	2-11
70407	2-15, 2-17	70802	3-21	74000	3-3, 3-5, 3-7, 3-9
70411	2-120	70807	2-2, 2-7, 2-9	74007	3-19
70431	2-97, 3-27	70808	2-9	74015	2-29
70450	2-11	70809	2-7	74022	2-79
70453	2-2, 2-7, 2-9	70810	2-115	74040	2-13
70454	3-19	70815	3-21	74045	2-25

CROSS REFERENCE

Part Number	Page Number	Part Number	Page Number	Part Number	Page Number
74046	2-25	74250	4-27, 4-29, 4-37	75701	3-53
74051	2-81	74251	4-41	75768	2-37, 2-39
74056	2-107	74253	4-3, 4-13	75821	4-53
74059	2-97, 3-27	74254	4-3, 4-7, 4-13, 4-17	75822	4-51
74060	2-97	74256	4-3, 4-7, 4-13, 4-17	75823	4-51
74062	2-7	74257	4-3, 4-7, 4-13, 4-17	75824	4-51
74063	2-9	74258	4-3, 4-7, 4-13, 4-17	75825	4-51
74064	2-5	74259	4-5, 4-9, 4-15, 4-19	75828	3-51
74066	2-5	74260	4-5, 4-15	75854	2-55, 2-57
74067	2-5	74261	4-5, 4-15	75861	2-21
74069	2-25	74262	4-3, 4-7, 4-13, 4-17	75876	3-53
74074	3-53	74263	4-3, 4-13	75877	3-53
74081	2-11	74264	4-5, 4-15	75880	3-37
74082	2-63, 2-65, 2-67	74265	4-3, 4-7, 4-13, 4-17	75881	3-37
74090	2-101, 3-23	74266	4-3, 4-7, 4-13, 4-17	75883	2-13
74094	4-27, 4-29, 4-37	74267	4-3, 4-7, 4-13, 4-17	75891	2-23
74098	4-33, 4-47	74270	4-5, 4-9, 4-15, 4-19	75899	3-27
74100	4-27, 4-29, 4-37	74271	4-5, 4-9, 4-15, 4-19	75901	3-55
74101	4-37	74272	4-3, 4-7, 4-13, 4-17	75968	2-117
74109	4-41	74273	4-3, 4-7, 4-11	75989	3-55
74110	4-41	74274	4-5, 4-9, 4-15, 4-19	76030	3-55
74111	4-41	74275	4-5, 4-9, 4-15, 4-19	76036	3-55
74112	4-41	74276	4-3, 4-7, 4-13, 4-17	76038	3-55
74132	4-31	74277	4-5, 4-9, 4-15, 4-19	76049	3-55
74133	4-31	74278	4-5, 4-9, 4-15, 4-19	76055	3-55
74134	4-31, 4-33	74279	4-5, 4-15	76069	3-55
74135	4-31, 4-33, 4-35	74280	4-3, 4-7, 4-13, 4-17	76074	3-55
74136	4-31, 4-33, 4-35	74281	4-3, 4-7, 4-13, 4-17	76081	3-55
74137	4-31, 4-33	74282	4-5, 4-9, 4-15, 4-19	76084	3-55
74145	4-43, 4-47	74283	4-3, 4-5, 4-7, 4-9, 4-13, 4-15, 4-17,	76100	3-55
74146	4-47		4-19	762094	5-31
74148	4-23	74391	2-101, 3-23	76285	2-11
74149	4-23	74455	2-25, 3-35, 3-37, 3-61	76286	3-53
74150	4-23			763113	2-113
74151	4-23	74888	2-107	763114	2-67
74152	4-23	74889	2-107	763116	2-41, 3-41
74153	4-23	74944	2-61	76316	2-91
74154	4-23, 4-25	75010	2-3	76321	2-47
74156	4-23	75011	2-3	76338	3-53
74157	4-23	75012	2-27	763483	4-23
74158	4-23	75028	2-97	76383	2-51
74159	4-23	75046	2-29	76385	3-15, 3-33
74160	4-23	75047	2-29	763887	5-13
74161	4-23, 4-25	75099	3-27	76406	3-53
74163	2-83	75117	3-27	76423	3-17
74164	3-64	75128	2-13	76438	2-97, 3-28
74174	4-29, 4-41	75142	3-27	764402	5-5
74182	4-41	75303	2-13	764403	5-29
74184	4-3, 4-7, 4-13, 4-17	75428	2-11	764407	5-23
74190	4-41	75456-1	2-113	764408	5-11, 5-33
74194	4-41	75456-2	2-113	764409	5-11, 5-13
74195	4-41	75456-3	2-113	764410	5-32
74210	4-3, 4-7, 4-13, 4-17	75456-4	2-113	764412	5-13
74214	4-33, 4-35	75456	2-113	764414	5-13
74218	4-41	75465	2-35, 3-61	764418	5-11
74220	4-33, 4-35	75575	2-79	764420	5-23
74223	4-3, 4-7, 4-13, 4-17	75603	2-51	764421	5-9, 5-11, 5-13, 5-19, 5-31
74233	4-38, 4-39	75612	2-105	764422	5-11, 5-23
74240	4-3, 4-7, 4-13, 4-17	75666	2-47, 2-49	764425	5-7
74246	4-33, 4-35				

CROSS REFERENCE

Part Number	Page Number	Part Number	Page Number	Part Number	Page Number
764432	5-19	76971	4-51	77669	2-101
764433	5-19	76973	4-51	77682	2-101
764466	5-7	76976	4-53	77693	2-41
764468	5-3	76977	4-51	77711	2-13
764469	5-3, 5-7	76980	4-51	77727	2-101, 3-23
764517	5-31	76982	4-51	77734	2-5
764556	5-31	76985	4-51	77738	3-23
764560	5-13	76996	4-51	77752	3-24
764561	5-19	77097	2-27, 2-93, 2-101, 2-109, 2-115, 3-23	77755	3-55
764575	5-11, 5-13	77340	2-11	77759	3-55
764604	5-25	77388	2-29	77768	4-63
76461	3-27, 3-31	77394	2-29	77769	4-65
764614	5-31	77399	2-11, 2-13	77770	2-75, 4-65
764620	5-13, 5-32	77400	2-29	77777	2-5
764653	5-11	77406	2-107, 4-27	77778	2-13
76470	2-21	77430	2-37, 2-39	77782	2-5
764707	5-17	77434	2-37, 2-39	77783	3-23
76471	2-21	77435	2-37, 2-39	77789	2-41
764716	5-27	77452	2-63, 2-65, 2-67	77790	2-75, 4-63
764717	5-27	77458	3-23	77800	4-55
76472	2-25	77459	2-101, 3-23	77801	4-55
764731	5-3	77463	2-21	77802	4-55
76475	2-25	77471	2-33	77803	4-55
764769	5-31	77473	2-87, 2-89	77804	4-55
764785	5-3	77485	2-95	77805	4-55
764794	5-19	77488	2-95	77807	4-55
764802	5-19	77490	2-69	77808	4-55
764803	5-21	77491	2-95	77809	4-55
764804	5-21	77492	2-95	77811	3-41, 3-47, 4-51
764812	5-15, 5-19, 5-31	77493	2-95	77812	4-51
764835	2-37	77498	2-95	77813	4-51
764836	5-3	77499	2-95	77814	4-51
76487	2-25	77516	2-31	77815	4-51
76490	2-79	77523	2-31	77816	4-53
76491	2-79	77531	2-113	77817	4-53
76492	2-11	77532	2-113	77818	4-53
76494	2-11	77553	2-113	77819	4-53
76495	2-11	77555	3-51	77820	4-53
76497	2-87, 2-89	77558	2-55, 2-57	77821	4-53
76498	2-87, 2-89	77569	3-23	77822	4-53
765049	5-27	77575	2-93	77823	4-53
765052	5-25	77578	2-111	77824	4-53
765053	5-25	77579	2-69	78043	2-55, 2-57
76515	3-35	77580	2-111	78750	2-59
76516	3-35	77583	2-111	78772	2-43
76522	3-35	77584	2-101, 3-23	78998	3-31
76523	2-81	77593	2-5	79010	2-5
76570	2-101, 2-113, 3-23, 3-43, 6-19	77597	2-101, 3-23	79011	3-35
76647	2-81	77600	2-101, 3-23	79019	2-29
76653	2-79	77601	2-101	79025	3-61
76684	3-31	77602	2-69, 2-71	79026	3-61
76736	2-55, 2-57	77605	2-101, 2-111	79028	2-11, 2-111
76870	2-13	77612	3-20	79031	2-2
76888	2-11, 2-120	77614	3-20	79116	2-11
768897	2-63	77632	2-2	79138	2-27
76898	3-37	77634	2-2	79139	2-25
76907	2-55	77640	2-87, 2-89	79140	2-73
76948	4-51	77641	2-87, 2-89	79151	2-75
76950	4-51	77652	3-35	79152	2-73, 2-75

CROSS REFERENCE

Part Number	Page Number	Part Number	Page Number	Part Number	Page Number
79153	2-73, 2-75	79771	4-3, 4-13	83695	2-137
79155	3-61	79772	4-21	83699	3-30
79156	3-61	79774	4-21	83706	3-61
79157	3-61	79776	4-11, 4-21	84013	2-93, 4-47
79158	3-61	79777	4-21	84015	2-115, 3-27, 4-42
79159	3-61	79779	4-3, 4-7, 4-13, 4-17	84016	2-101, 3-23, 4-43
79160	3-61	79781	2-97, 3-27, 4-37	84103	2-81
79167	3-61	79782	4-37	84579	2-51
79168	3-61	79786	4-45	84581	2-97, 3-27
79169	3-61	79787	4-45	86034	2-79
79170	3-61	79788	4-45	86041	2-43
79172	3-61	79789	4-45	86328	3-47
79174	3-61	79790	4-45	86381	2-11
79176	3-61	79791	4-45	86773	2-107
79177	3-61	79792	4-45	86798	2-5
79506	2-25	79793	4-45	86810	2-107
79591	2-29	79794	4-45	86824	3-41, 3-47
79593	2-79	79795	4-45	86953	2-81
79594	2-79	79797	4-45	87246	2-41
79596	2-27	79798	4-45	87319	2-11
79597	2-25	79799	4-45	87337	3-59
79600	2-25	79812	4-45	87396	2-55, 2-57
79621	3-27	79820	4-45	87515	2-5
79622	3-27	79822	4-45	87536	2-119
79642	2-87, 2-89	79823	4-45	87579	4-59, 4-61
79644	3-53	79824	4-45	87583	2-120
79646	3-53	80395	2-101, 3-23	87631	2-105
79647	3-53	82063	3-3, 3-5, 3-11	87866	2-119
79648	2-119	82168	2-81	87948	3-17
79674	3-53	82200	3-7, 3-9, 3-13	87972	2-63
79676	2-5	82661	2-51	9001070	2-63, 2-65
79708	4-5, 4-15	82727	2-13, 4-61	9001183	2-63
79711	4-42, 4-43, 4-47	82731	2-43	9001293	2-81
79719	4-43, 4-47	82733	2-115	9001554	2-65, 2-67
79728	4-43, 4-47	82739	2-35, 3-61	9001702	4-49
79731	4-42, 4-47	82820	2-87, 2-89	9003796	6-17, 7-17
79739	4-42, 4-47	82825	2-27	9003905	2-53
79740	4-42, 4-43, 4-47	82830	2-19	9004033	6-17, 7-17
79742	4-3, 4-7, 4-13, 4-17	82832	2-73	9004034	6-17, 7-17
79747	4-3, 4-7, 4-13, 4-17	82835	2-87, 2-89	9004035	6-17, 7-17
79748	4-5, 4-9, 4-15, 4-19	82839	2-81	9004327	2-17
79749	4-5, 4-9, 4-15, 4-19	82843	2-87, 2-89	9005181	7-17, 7-22, 7-23
79750	4-5, 4-9, 4-15, 4-19	82921	2-11	9005182	7-7, 7-9, 7-15, 7-17, 7-18, 7-19, 7-21, 7-23
79751	4-5, 4-9, 4-15, 4-19	82962	3-53	9005183	7-7, 7-15, 7-21, 7-23
79752	4-5, 4-9, 4-15, 4-19	83547	2-31	9005184	7-19, 7-23
79753	4-5, 4-9, 4-15, 4-19	83548	2-31	9005185	7-11, 7-13, 7-15, 7-18, 7-19, 7-21, 7-22, 7-23
79754	4-11	83549	2-21	9005186	7-5
79755	4-11, 4-21	83551	2-21	9005188	7-5
79756	4-11, 4-21	83553	2-21, 2-23	9005189	7-5
79757	4-11, 4-21	83554	2-21, 2-23	9005190	7-7, 7-9, 7-15
79758	4-11, 4-21	83555	2-23	9005191	7-9
79759	4-11	83557	3-21	9005192	7-18
79760	4-11, 4-21	83581	2-43	9005193	7-18
79761	4-11, 4-21	83618	2-27	9005194	7-15, 7-18
79762	4-11, 4-21	83620	2-31	9005195	7-7
79763	4-11, 4-21	83622	2-31	9005196	7-5
79764	4-11, 4-21	83626	3-21		
79765	4-11, 4-21	83627	3-21		
79766	4-11, 4-21	83644	2-55, 2-57		
79767	4-11, 4-21	83692	3-51		

Part Number	Page Number	Part Number	Page Number
9005197	7-3	9005265	7-21
9005198	7-3	9005266	7-21
9005199	7-3	9005269	7-17
9005200	7-3	9005276	7-15
9005201	7-3	9005277	7-8
9005202	7-7	9005430	7-3
9005203	7-7	9005504	7-21
9005204	7-7	9006204	3-65
9005205	7-7	9006741	2-67
9005206	7-7		
9005207	7-7, 7-8		
9005208	7-11, 7-13, 7-15, 7-21		
9005209	7-15, 7-19		
9005210	7-19		
9005215	7-22		
9005216	7-11		
9005217	7-11		
9005218	7-11		
9005219	7-11		
9005220	7-11, 7-21		
9005221	7-17		
9005222	7-17		
9005223	7-17		
9005224	7-17		
9005225	7-17		
9005227	7-12		
9005228	7-11, 7-12, 7-17		
9005229	7-12, 7-21		
9005231	7-11		
9005233	7-11		
9005234	7-11		
9005235	7-11		
9005236	7-11		
9005237	7-11		
9005238	7-11, 7-17		
9005239	7-11		
9005240	7-11		
9005241	7-11		
9005242	7-11		
9005243	7-11		
9005244	7-11		
9005245	7-11		
9005248	7-21		
9005249	7-21		
9005250	7-21		
9005251	7-19		
9005252	7-19		
9005253	7-19		
9005254	7-19		
9005255	7-19		
9005256	7-18, 7-19, 7-21		
9005257	7-3		
9005258	7-3		
9005259	7-3		
9005260	7-3		
9005261	7-5		
9005262	7-5		
9005263	7-15		
9005264	7-21		

PART DESCRIPTION TO PAGE NUMBER CROSS REFERENCE LIST

A

A/C Hose #6 134A, 4-59
 A/C Hose#10 134A, 4-59
 A/C Hose#6 134A 9.0L, 3-41
 Actuator, Valve En, 4-5, 4-9, 4-15, 4-19
 Adapter, 5-15
 Adaptor Wldt, Vac Wand, 3-53
 Adaptor, Governor, 2-37
 Adaptor, Oil Filter Rework, 2-45
 Adaptor, Neutral En, 4-21
 Adaptor, 5-3
 Adhesive, 4-51, 4-53
 Adjuster, Manual, 4-63, 4-65
 Adjuster, 5-14
 Alternator, 50A/12V Mando, 2-43
 Alternator, 3-51, 6-26, 7-23
 Angle, Bolt, Latch, 2-15, 2-17
 Angle, Dust Seal, 2-25
 Angle, Mount, 2-29
 Angle, Retainer, Lip, 2-25
 Angle, Retainer, Seal, 2-7, 2-9
 Angle, Torque, Tube, 2-107
 Angle, 3-53
 Arm Wldt, Brush Arm, Front, Lh, 2-107
 Arm Wldt, Brush Arm, Front, Rh, 2-107
 Arm Wldt, Hopper Lift w label, 2-21
 Arm Wldt, M Br, Idler, 2-105
 Arm Wldt, M Br, Motor, 2-105
 Arm, Adj, Compressor, A/C, .18 1.3w 3.4l, 3-43
 Arm, Adjmt, A/C, 3-43
 Arm, Alternator, 3-51
 Arm, Cntrl, Pintle, 2-81
 Arm, Control En, 4-3, 4-7, 4-13, 4-17
 Arm, Lift, Hpr, Lower, 2-21
 Arm, Rear Wiper, 4-51
 Arm, Rocker, 6-8
 Arm, Safety W/Label, 2-21
 Arm, 5-15
 Armrest, Black, 2-11, 4-53
 Atomiser, 5-19

B

Backing Plate Rh, 4-63
 Backplate S/A En, 4-5, 4-9, 4-15, 4-19
 Ball Bearing, 5-15
 Ball En, 4-21
 Ball Joint .375-24, 3-53
 Ball, 4-31, 4-33
 Balljoint .375-24 Lh, 3-53
 Balljoint, Rod End, 2-73
 Band, Mtg., 2-47
 Bar Wldt, Brush Pressure, 2-105
 Bar Wldt, Pivot, 2-81
 Bar, Cylinder End, 2-23
 Bar, Equalizer, 2-79
 Bar, Frame, 2-5
 Bar, Prop, 3-53
 Bar, Retainer, Dust Seal, 2-25
 Bar, Retainer, 2-11

Bar, Shaker Stem, 2-33
 Battery, 12V, Wet, 2-69, 2-71
 Bearing [-0.25mm], 6-5, 7-5
 Bearing [-0.50mm], 6-5, 7-5
 Bearing [-0.75mm], 6-5, 7-5
 Bearing Kit, 5-5
 Bearing Thrust, 4-37
 Bearing, Ball, 6-13, 7-13
 Bearing, Fiberglide .50 X .50, 2-33
 Bearing, Fiberglide, 2-81
 Bearing, Flange .500B, 2-117
 Bearing, Flange .625 Bore, 2-29, 3-53
 Bearing, Flange .875 Bore, 2-97, 3-27
 Bearing, Journal, 2-23, 2-27, 2-107
 Bearing, Kit [Cat 08], 7-5
 Bearing, Needle, 4-41
 Bearing, Nylon .50B, 2-95
 Bearing, Nylon, 2-29, 3-61
 Bearing, Rod, Connecting, 6-5, 7-5
 Bearing, Std, 6-5, 7-5
 Bearing, Thrust - Fiberglide, 2-33
 Bearing, Ball.669B 1.575D .472W, 2-43
 Bearing&Clr ,1.25B 2.44D 1.41W, 2-105
 Bearing-Ball,0.59B 1.26D 0.35W, 2-107
 Bearing-Ball,1.38B 2.83D 0.67W, 2-105
 Bearing-Cone, 1.38Bore 0.72Wth, 2-75
 Bearing-Cone, 1.50Bore 0.75Wth, 2-75
 Bearing-Cone, 2.63Bore 0.87Wth, 2-73
 Bearing-Cup , 4.33Dia 0.74Wth, 2-73
 Bearing-Cup, 2.56Dia 0.55Wth, 2-75
 Bearing-Cup, 2.72Dia 0.59Wth, 2-75
 Bearing-Flange,2 Hole 0.50Bore, 2-117
 Bearing-Journal, 2-21, 2-23
 Bearing, 2-33, 2-97, 2-101, 3-23, 3-27, 4-3, 4-5, 4-7, 4-9, 4-13, 4-15, 4-17, 4-19, 4-36, 5-15
 Bearng-Journal, 2-21
 Bell Crank En, 4-21
 Bell Crank, 4-11
 Belt, Pump, Water, 2-39, 6-17, 7-17
 Belt, Seat, 3-59
 Belt, V, 40.30l [Ax], 3-43
 Belt, V, 3-51
 Binary, 4-57
 Blade Arm, Rear, 4-51
 Blade, Deflector, 2-2, 2-5
 Block Group, Cyl, 6-3
 Block, Cyl [Cat 08], 7-3
 Block, Fuse, 2-11
 Block, Long, 5-3
 Block, 3-23
 Blower, Heat/Ac, 4-59, 4-61
 Body Assembly, 4-23
 Body Assy, 4-23
 Body, 4-25
 Bolt [Cat 08], 7-7, 7-9, 7-11, 7-12, 7-13, 7-15, 7-17, 7-18, 7-19, 7-21, 7-23
 Bolt [Cat], 7-17, 7-22, 7-23
 Bolt Assy [Cat 08], 7-21
 Bolt, Bracket, 6-8
 Bolt, Carriage, .38-16 X 1.00, 2-105

Bolt, Latch, 2-7, 2-9
 Bolt, Motor, Hyd, 4-35
 Bolt, Rod, Connecting, 6-5, 7-5
 Bolt, Shld, .50d X 0.50, .38-16, 2-97, 3-27
 Bolt, U, 3-41, 3-47
 Bolt-Eye M8-1.25, 2-97, 3-27
 Bolt, 4-31, 4-33, 5-19, 5-21
 Boot, 90deg .44id 0.62id 1.69l, Blk, 3-17
 Boot, Circuit Breaker, 2-120, 3-35
 Boot, Circuitbreaker, 3-35
 Boot, Electric (Altern, 2-43
 Boot, Str .42ld .12H .25L, 2-43
 Boot, Switch, Ignition, 2-119
 Boot, Switch, 2-119
 Boot-Circuit Breaker, 2-120
 Boot, 2-117
 Box Assy, Heat (See Breakdowns), 3-47
 Box Assy, Heat/Ac (See Breakdowns), 3-41
 Box Assy, Heat/Ac, 4-59
 Box Assy, Heat, 4-61
 Box, Mounting, Lever, Vac, 3-53
 Brace Wldt, Bumper, Se, 3-21
 Bracket Kit, Mtg, Cable, Replmt[800/810], 2-81
 Bracket Wldt, Compressor, A/C, 3-43
 Bracket Wldt, Fan Inlet, 2-113
 Bracket Wldt, Gas Spring, 2-13
 Bracket Wldt, Lift, 3-27
 Bracket Wldt, Mounting, Valve, 2-95
 Bracket Wldt, Mtg, Battery, 2-71
 Bracket Wldt, Mtg, Engine Rear, 2-37, 2-39
 Bracket Wldt, Mtg, Headlight, 2-31
 Bracket Wldt, Mtg, Motor [2007], 2-67
 Bracket Wldt, Mtg, Motor, 2-67
 Bracket Wldt, Pivot, 3-27
 Bracket Wldt, Steering Tilt, 2-117
 Bracket Wldt, 3-55
 Bracket, Adjuster, Brake, 2-79
 Bracket, Angle, 2-97, 2-113, 3-23, 3-27, 3-33
 Bracket, Battery, 2-69
 Bracket, Belt Guard, A/C, 3-43
 Bracket, Brace Center, 2-13
 Bracket, Brush Lift, Main, 2-109
 Bracket, Eng, 2-39
 Bracket, Flasher, 3-15, 3-17
 Bracket, L 12.0L Hood Support, 2-13
 Bracket, L, 2.20,2.00, .18T,1., 2-63, 2-65, 2-67
 Bracket, Lh, 2-29
 Bracket, Lift, 2-97
 Bracket, Mounting Motor, 2-115
 Bracket, Mounting, Eng Rear Rh, 2-37, 2-39
 Bracket, Mounting, Eng, Rear, 2-37, 2-39
 Bracket, Mounting, Eng,Rear Lh, 2-37, 2-39
 Bracket, Mounting, Gearmotor, 3-61

Bracket, Mounting, Headlamp, 2-29
 Bracket, Mounting, Mirror, 3-37
 Bracket, Mounting, Motor, 2-97, 3-27
 Bracket, Mounting, Skirt, 3-55
 Bracket, Mounting, 2-93
 Bracket, Mtg. Valve, 3-41, 3-47
 Bracket, Mtg, Alternator Perki, 2-43
 Bracket, Mtg, Battery, 2-69
 Bracket, Mtg, Eng, Front, Rh, 2-39
 Bracket, Mtg, Engine Front Lh, 2-37
 Bracket, Mtg, Engine Front Rh, 2-37, 2-39
 Bracket, Mtg, Filter, Fuel, 2-55, 2-57
 Bracket, Mtg, Fltr, Oil, W/ Label [800],
 2-63
 Bracket, Mtg, Fltr, Oil, W/Label [800],
 2-63, 2-65, 2-67
 Bracket, Mtg, Ftg, 2-27
 Bracket, Mtg, Mirror, 3-37
 Bracket, Mtg, Ohg, 3-19
 Bracket, Mtg, Plate, Lh, 2-107
 Bracket, Mtg, Plate, Rh, 2-107
 Bracket, Mtg, Propel Cable, 2-81
 Bracket, Mtg, Propel, Cable, 2-81
 Bracket, Mtg, Skirt, 2-25
 Bracket, Mtg, Switch, 2-39
 Bracket, Mtg, Tank, Coolant F/87972, 2-63
 Bracket, Mtg, Valve, 2-115
 Bracket, Oper Comp, 2-11
 Bracket, Pipe, Exhaust, 2-53
 Bracket, Pivot, 2-97
 Bracket, Pump, Fuel, 2-55, 2-57
 Bracket, Retainer, Battery, 2-71
 Bracket, Rh, 2-29
 Bracket, Side Brush, Valve, 3-23
 Bracket, Spring, 2-97, 3-27
 Bracket, Stand-Off, Fltr, Air, 2-49
 Bracket, Steering, Machining (Repl. by
 375534), 2-73
 Bracket, Steering, Machining, 2-73
 Bracket, Tail Pipe, 2-51, 2-53
 Bracket, Tailpipe, 2-53
 Bracket, Wldt, Cable Mtg, 2-81
 Bracket, A/C Dryer, 4-57
 Bracket, 2-55, 3-3, 3-5, 3-7, 3-9, 3-15,
 3-55, 4-53, 5-9, 6-8, 6-15, 6-23,
 7-15, 7-21
 Brake Assy, Drum, Hyd, 08.0d 1.6w Lh,
 4-65
 Brake Assy, Drum, Hyd, 08.8d 1.6w Rh,
 4-63
 Brake Assy, Lh (See Breakdowns), 2-75
 Brake Assy, Rh (See Breakdowns), 2-75
 Breaker-Circuit, 15 Resetable, 3-61
 Breaker-Circuit, 2.5 Resetbl, 2-120
 Breaker-Circuit, 15 Resetbl, 2-120
 Breaker-Circuit, 15 Resetable, 3-35
 Breather Cap and Gasket, 2-91
 Breather, Hyd 40Mic No DS, 2-2
 Breather, Hyd, 2-91
 Brkt, Mtg, Htr Coil, 4-61
 Brush Kit, 2-43
 Brush, Swp, Wedge, Polypropylene, 2-3
 Brush-Outsd -Polypropylene, 2-3

Brush-Patrl -Nylon, 2-3
 Brush-Side Swp -Assy-Nylon, 2-3
 Brush-Side Swp -Assy-Polypropylene,
 2-3
 Brush-Side Swp -Nylon, 2-3
 Brush-Side Swp -Polypropylene, 2-3
 Brush-Side Swp -Assy-Flat Wire, 2-3
 Brush-Side Swp -Flat Wire, 2-3
 Brush-Sweep -Nylon (24SR), 2-3
 Brush-Sweep -Nylon (8DR), 2-3
 Brush-Sweep -Polypropylene&Wire, 2-3
 Brush-Sweep -Polypropylene, 2-3
 Brush-Sweep -Wire, 2-3
 Bshg, Flange, 0.62Bx0.68Od, Nylon, 3-37
 Bulb, #194, 3-17
 Bulb, 12V .5A 4Cp #1157, 2-5
 Bulb, 12V, 3-3, 3-5, 3-7, 3-9
 Bulb, 3-11, 3-13
 Bumper Assy, Se, 3-21
 Bumper Wldt, Lh, 2-31
 Bumper Wldt, Rear, Gas/Dsl, 2-5
 Bumper Wldt, Rh, 2-31
 Bumper Wldt, Se, Rh, Front, 3-21
 Bumper Wldt, Sppt, Hopper, Rh, 2-31
 Bumper Wldt, Se, Lh, Front, 3-21
 Bumper, Corner, Mach, 2-5
 Bumper, Cover, Hopper, 2-29
 Bumper, Rbr, 1.5d 1.50 0.28h, 2-15, 2-17
 Bumper, Rubber, 2-11, 2-19, 2-29, 3-5,
 3-9, 3-35
 Bushing En, 4-7, 4-17
 Bushing (Not Shown), 5-11
 Bushing En, 4-5, 4-9, 4-15, 4-19, 4-45
 Bushing, Isolator-Inner, Rbr., 2-95
 Bushing, Isolator, 2-33, 2-63, 2-65, 2-67,
 2-113
 Bushing, Rubber, 2-47
 Bushing, Seal, 4-41
 Bushing, 5-3, 5-5, 5-11, 6-3, 6-5, 7-3,
 7-5
 Button, Plug 1.25H, 2-120

C

Cab Assembly Operator (See
 Breakdowns), 3-35
 Cab Assy, W/Label (DSL), 4-51
 Cable Assy-Batt, Pos, 48.0, 2Ga, 2-69
 Cable Tie Mount, 3-3, 3-5, 3-7, 3-9
 Cable, 04ga 32.4l Red, W/150a Fuse,
 2-39
 Cable, Battery, Neg, 37.0l, 2/0 Ga, 2-71
 Cable, Battery, Pos, 38.0l, 2/0 Ga, 2-71
 Cable, Brake, Park, 2-79
 Cable, Choke, 3-41, 3-47
 Cable, Glv .25d 016.8l .64eye /.64eye,
 2-101
 Cable, Glv .25d 021.2l .63eye /.63eye,
 2-101
 Cable, Lift, Brush, Front, 2-109
 Cable, Lift, Main Brush, 2-109
 Cable, Pull, 70.5l, .3clevis/.23ball, 2-41
 Cable, Push, Pull, 2-81

Cable, Retaining, S Br, 3-23
 Cable, Side Brush, Lift, 3-23
 Cable, Speed Control, 2-81
 Cable, 2-97, 3-27, 5-33
 Cabletie Mount, Adhesive, 3-11, 3-13
 Cam, 2-81
 Camplate S/A En, 4-3, 4-7, 4-13, 4-17
 Camshaft Kit, 5-11
 Camshaft, 5-15, 6-9, 7-9
 Cap [Cat 08], 7-3
 Cap Assembly En, 4-45
 Cap Screw En, 4-3, 4-7, 4-13, 4-17
 Cap Screw, 4-37
 Cap, Cyl Assy, Master Brake, 2-79
 Cap, End, 4-41
 Cap, Filler, Oil, 6-7, 7-7
 Cap, Filler, 6-11, 7-11
 Cap, Fuel, Tank, 2-57
 Cap, Fuel, 2-55
 Cap, Grease Black Paint, 2-75
 Cap, Nozzle, 6-23
 Cap, Radiator, 14psi [Stant], 2-63, 2-65,
 2-67
 Cap, Screw, 4-27, 4-29, 4-41
 Cap, Valve Stem, 2-77
 Cap, Wheel, Steering, 2-117
 Cap, 5-7, 5-29, 6-3, 6-7, 6-8, 7-7, 7-8
 Cart., Check Valve CP, 4-47
 Cart., Pilot CNTR CP, 4-47
 Cart., PSI CN CP, 4-47
 Cart, Pilot Cntr, 4-43
 Chain, Jack, #12, 08.5l 11 Links, 3-53
 Chain, Link#2/0, 7Links, 2-2
 Chain, Link#2/0, 7Links, 2-5
 Channel, Mounting, 2-5
 Channel, Mtg, Fan Motor, 2-63, 2-65
 Channel, Mtg, Steering Latch, 2-117
 Channel, Retainer, Seal, Rear, 2-2
 Channel, Retainer, Seal, Rear, 2-5
 Channel, Retainer, 2-2, 2-5, 2-73
 Charge Pmp Adap En, 4-5, 4-9, 4-15,
 4-19
 Check Valve, 100 Psi, 3-27
 Circlip, 5-9, 5-15, 5-17
 Circuitbreaker, 15A, Resetable, 2-120,
 3-35
 Circuitbreaker, 2.5A, Resetable, 2-120
 Circuitbreaker, 20.0a, Thermal, 3-45, 3-49
 Clam Latch, 4-53
 Clamp, Cable, Stl, 0.18d X 0.75w, 1hole,
 3-41, 3-47
 Clamp, Cable, Stl, 0.31d X 0.88w, 2-57
 Clamp, Cable, Stl, 0.44d X 0.62w, 1h,
 2-35
 Clamp, Cable, Stl, 0.9x1.8x0.62w, 1h,
 2-61
 Clamp, Cable, Stl, 1.00d X 0.75w, 1h,
 2-93, 2-113
 Clamp, Cable, Stl, 1.0x2.0x0.62w, 1hole,
 2-97, 3-27
 Clamp, Cable, Stl, 1.25d X 1.00w, 1h,
 2-13
 Clamp, Cable- Brake, 2-79

CROSS REFERENCE

Clamp, Cable, 2-55, 2-57, 2-73, 3-47
Clamp, Hold Down, 4-63, 4-65
Clamp, Hose, Wormdrive, 0.25-0.62d,
2-57, 2-61
Clamp, Hose, Wormdrive, 0.50-1.06d,
.50w, 3-41, 3-47
Clamp, Hose, Wormdrive, 1.62-3.50d,
2-49
Clamp, Hose, 3-41, 6-17, 7-17
Clamp, Mtg, Motor, Upper, 2-33
Clamp, Muffler, 1.75d, Hd, 2-51
Clamp, Muffler, 1.75d, 2-53
Clamp, Muffler, 1.88d, 2-51, 2-53
Clamp, Cable .44D .62Wide, 3-61
Clamp-Cable, 0.25Dia 0.56Wth, 2-79,
3-61
Clamp-Cable, 0.38Dia 0.38Wth, 3-53
Clamp-Cable, .69Dia. 62Wth, 2-23
Clamp-Muffler, For 2.00 Od Tube, 2-51,
2-53
Clamp-Wormdrive, 0.81- 1.50D, 3-17
Clamp-Wormdrive, 1.06- 2.00D, 2-59,
2-61
Clamp-Wormdrive, 1.62- 3.50D, 2-33,
2-47
Clamp-Wormdrive, 2.63- 4.50D, 2-113
Clamp-Wormdrive, 3.62- 5.50D, 2-113
Clamp, 2-55, 5-19, 6-23, 7-21
Cleaner, Air Al Se, 2-47
Clevis, Adjust. 0.25-28Th. Cad., 2-81
Clevis, Adjust. 0.50-13Th. Cad., 2-109
Clip Finger Grip, 3-53
Clip, Finger Grip, 2-51
Clip, Pine-tree .236h Plastic, 2-11
Clip, Pine-Tree .250h Plastic, 2-5
Clip, Tree, 2-13
Clip, 5-5, 5-27, 5-31, 6-25, 7-22
Closure, 4-51
Coil 12V CP, 4-47
Coil, 12V W/Var, 4-42, 4-43
Coil, Condenser, 4-57
Coil, Evaporator, 4-59
Column, Steering 12", 2-117
Compressor, A/C, V Pully [134][Sa-4536],
3-43
Condenser Assy, A/C (See Breakdowns),
3-41
Condenser Assy, A/C, 4-57
Connection, 5-3, 5-19, 5-21, 5-31
Connector, Ele, Plug, Femal, .156d, 3-33
Control Box, Governor, Diesell (Repl. by
374127), 2-120
Control, Manual (See Breakdowns), 4-3,
4-7, 4-13, 4-17
Control, Manual, 4-11
Controller Assy, Rfs, 3-61
Controller, 2-119
Cooler-Hyd, 2-19
Cooler, 6-19, 7-18
Cotter, 5-7
Coupler En, 4-5, 4-9, 4-15, 4-19
Coupling Flywheel, 2-37, 2-39
Coupling, 3-61

Cover [Cat 08], 7-11
Cover Assy, Hopper, 2-29
Cover Wldt, Air-Clnr, 2-49
Cover Wldt, Engine Se, 2-13
Cover Wldt, Fuel Inlet, 3-35
Cover, Cab Pressurizer, 3-35
Cover, Electrical, 3-61
Cover, Gear, 6-11
Cover, Housing, Electrical, 3-61
Cover, Motor, 3-61
Cover, Relay Panel, 2-120
Cover, Rocker Switch Seal, 2-101, 2-119,
3-23
Cover, Thermostat [Cat 08], 7-17
Cover, Thermostat, 6-17
Cover, Rocker, Switch Seal, 2-109
Cover, 2-47, 5-11, 5-19, 5-29, 6-7, 6-19,
7-7, 7-18
Cradle Sub Assy En, 4-7, 4-17
Crankshaft [Cat 08], 7-5
Crankshaft Assy, 6-5
Cup, Bearing, Drive Flange, Pntd, 2-107
Cylinder Block Kit, 5-3
Cylinder Head Copy, 5-29
Cylinder Head Kit, 5-7
Cylinder, Hyd, 1.5b 06.3l 01.50strk 2500,
2-101, 3-23
Cylinder, Hyd, 2.0b 08.0l 04.00strk 2500,
2-109
Cylinder, Hyd, 2.0b 12.0l 08.00strk 2500,
2-27
Cylinder, Hyd, 2.0b 15.0l 08.00strk 1500,
2-73
Cylinder, Hyd, 2.0b 23.8l 14.90strk 2500,
2-23
Cylinder, Hyd, 2.0b, 15.0l, Rep. By 1028492
(See Breakdowns), 2-73
Cylinder, Hyd, 2.0b, 15.0l, Rep. By 1028492,
4-48
Cylinder, Hyd, 4.0b 29.1l 14.50strk 2500
(See Breakdowns), 2-23
Cylinder, Hyd, 4.0b 29.1l 14.50strk 2500,
4-49
Cylinder, Master Brake, 2-79
Cylinder, Wheel, Brake, 4-63, 4-65

D

Dampner, Engine, 2-11
Diode, Ele, Plug, 2-148
Dipstick [Cat 08], 7-3
Dipstick, Oil, Eng, 6-3
Dipstick, 5-27
Disc, 2-33
Disconnect, Male, 4-51
Disk, 3-53
Door Cw, 4-53
Door Assembly, Cab, 4-53
Door Assy [800/810 08], 2-17
Door Wldt, Brush, Lh, 2-7
Door Wldt, Brush, Rh, 2-9
Door Wldt, Engine, 2-15
Door Wldt, Hopper, 2-27

Door Wldt, Rear, 2-19
Dowel Bushing En, 4-7, 4-17
Dowel Pin En, 4-21
Dowel Pin, 4-11
Dowel, 5-3, 5-11, 5-17, 5-19, 5-23
Drain Cock, .25Npt Wh#120 Angl, 2-63,
2-65, 2-67
Drive Cl, 4-27
Drive Gear Assembly, 4-23
Drive Pin, .31, 4-51
Drive, Motor, Hyd, 4-29, 4-35
Drive, Valve, 4-31, 4-33
Drive, 4-31, 4-33, 4-36, 4-37, 4-41, 5-25
Driveplug, Brush - Mach., 2-107
Drum Assy, Brake 9/16, 2-75
Dryer, Ac, 4-57
Duck Bill, 4-59, 4-61
Duct Wldt, Rfs, 3-61
Duct, Afmkt, Vyl, 0.40 X 0.75 .25d, 04ft,
3-3, 3-5, 3-7, 3-9
Duct, Heater A/C, 3-45, 3-49
Duct, Inlet, Vac Fan, 2-25
Duct, Rear, 2-63, 2-65, 2-67
Dust Control Kit, Side Brush, 3-55

E

Elbow, Air, Inlet [Cat 08], 7-19
Elbow, Heater, 3-41, 3-47
Element, Air Cleaner, 2-47
Element, Filter Safety, 2-47
Element, Filter, Air, 2-2
Element, Filter, Fuel, 2-55
Element, Fltr, Air-clnr, 2-2, 2-49
Element, Fltr, Fuel [Dn], 2-2, 2-57
End Cap Cl, 4-27, 4-29
End Cap, 4-37
Engine Assy, Die (See Perkins Engine
Breakdown), 2-37
Engine Assy, Dsl (See CAT Engine
Breakdown), 2-39
Engine Service Manual Pk 700 series,
3-65
Engine, Dsl, 63Hp [CAT 3.4 2008], 2-39
Exhaust Manifold, 5-32
Exhaust Valve, 5-7
Extinguisher Kit Fire 800, 3-57
Extinguisher, Fire, 3-57

F

Fan, Condenser, 4-57
Fan, Cooling, 18.0d, 8 Blade, 0.5b Taper,
2-67
Fan, Radiator, 2-63, 2-65
Fan, Repair Kit, Reassembly, 2-113
Fastener, Cover, Front [Cat 08], 7-11
Fender Washer, 2-7, 2-9
Ferrule, 2-33
Filter Assy, (standard), 2-33
Filter Assy, Fine, Hopper (option), 2-33
Filter Assy, Fuel, Diesel, 2-57

Filter Assy, Spin-on, 2-2, 2-19
 Filter Element, 2-19
 Filter Head Rework, Oil Kubota, 2-45
 Filter, Air, Pre-Cln, A/C, 2-49
 Filter, Air-Clnr, 2-49
 Filter, Fuel, Element, 2-2
 Filter, Fuel, 2-2, 2-55, 2-57
 Filter, Oil, Eng, 6-15, 7-15
 Filter, Oil, 2-2
 Filter, Pre-Cleaner, A/C, 2-47
 Filter, Safety, Air-clnr, 2-2, 2-49
 Filter, Panel 23.5X6.5X2 143Plts, 3-41, 3-47
 Fitting - 45, 3-27
 Fitting, Brass, Elbow, 2-55, 2-57
 Fitting, Brass, Str, 2-55, 2-57, 3-41, 3-47
 Fitting, Brass, Tee, 3-41, 3-47
 Fitting, Brass, 2-55, 2-57, 3-41, 3-47
 Fitting, Brs, E45, Pf06/Pm06, 3-41, 3-47
 Fitting, Brs, Str, Em10/Pm06, 3-41
 Fitting, Brs, Str, Pm02, Service, 2-49
 Fitting, Draincock, .25npt 90, 2-61
 Fitting, Elbow, 6-13, 6-21, 7-13
 Fitting, Hyd. Str, 3-41, 3-47
 Fitting, Hyd, Brs, 3-41
 Fitting, Hyd, Cap, Jf08, 5-27
 Fitting, Hyd, E90, .75-16 [Pgl], 5-27
 Fitting, Hyd, E90, Metric, Spcl, 6-15, 7-15
 Fitting, Hyd, Plug, Jm06, 6-15, 7-15
 Fitting, Hyd, Str 02bsppm/Pf02, 2-39
 Fitting, Hyd, Str, Jm04/Om04, 2-91, 2-109
 Fitting, Hyd, Str, Jm06/Om04, 2-63, 2-65, 2-67
 Fitting, Hyd, Str, Metric, Om12/Pf04, 2-57
 Fitting, Hyd, Str, Metric, Om16/Pf06, 3-41, 3-47
 Fitting, Hyd, Tee, Jf06/Jm06/Jm06, Run, 3-23
 Fitting, Orifice, Jet [Cat 08], 7-3
 Fitting, Pipe, E90, .75-16, 2-37
 Fitting, Plug, Om02, Valve, 4-69
 Fitting, Plug, Om04, Valve, 4-69
 Fitting, Plug, Om05, Valve, 4-69
 Fitting, Plug, Om06, Valve, 4-69, 4-70
 Fitting, Plug, 2-63, 2-65, 2-67
 Fitting, Str, 6-15, 7-15
 Fitting, 2-55
 Flange, 3Hole/4Hole 1.8C-Hole, 2-51
 Flange, Mounting, 4-27, 4-29, 4-36, 4-37
 Flange, Brg, 3 Hole, 2-105
 Flange, 6-23, 7-21
 Flasher Heavy Duty, 3-17
 Flasher, 12v, 3-15
 Flat Washer, 3/8" Hard, 3-23
 Flywheel Assy, 5-23
 Flywheel, 6-12, 7-12
 Foam, Door, 4-53
 Foam, Front Sill, 4-55
 Foam, Insulation, 3-19
 Foam, Lh Front Pos, 4-55
 Foam, Lh Rear Pos, 4-55
 Foam, Lh Side Sill, 4-55
 Foam, Rear Sill, 4-55

Foam, Rh Front Pos, 4-55
 Foam, Rh Rear Pos, 4-55
 Foam, Rh Upper Sill, 4-55
 Follower, Piston, 4-3, 4-7, 4-13, 4-17
 Foot, Fan, 4-57
 Frame, Pane, Cab, Side, 4-51
 Frame, Pane, Door, Side, 4-53
 Frame, 2-5
 Ftg, Breather, 2-35, 3-61
 Ftg, Grease.12 Npt 45 .88L, 2-111
 Ftg, Grease.25-28Th 90 .75L, 2-73
 Ftg, Shrader, 4-57
 Ftg, Brass, St Bm03/Pm02, 3-61
 Ftg, Brass, Tee 06lf- 02Pm- 06lf, 2-79
 Ftg, Bulkhead-Barb Wh 1074X4, 3-61
 Ftg, Bulkhead-Barb Wh 1074X4, 2-35
 Ftg-Brs Str Bm03/Pm02, 2-35
 Ftg-Hyd Cap Jf08, 2-37
 Ftg-Hyd E45 Jm04/Om04, 2-73, 2-109
 Ftg-Hyd E45 Jm08/Om08, 2-37, 2-115
 Ftg-Hyd E45 Jm12/Jf12, 2-83
 Ftg-Hyd E45 Jm20/Jf20, 2-83
 Ftg-Hyd E90 Jm04/Om04, 2-101
 Ftg-Hyd E90 Jm04/Jf04, 2-23, 2-27, 2-91, 2-93
 Ftg-Hyd E90 Jm04/Om04, 2-27, 2-93, 2-101, 2-109, 2-115, 3-23
 Ftg-Hyd E90 Jm04/Om06, 2-23, 2-95
 Ftg-Hyd E90 Jm06/Jf06, 2-83, 2-95
 Ftg-Hyd E90 Jm06/Om06, 2-73
 Ftg-Hyd E90 Jm06/Om08, 2-23, 2-45, 2-63, 2-65, 2-67
 Ftg-Hyd E90 JM08/JF08, 2-93
 Ftg-Hyd E90 Jm08/Jf08, 2-95, 3-27
 Ftg-Hyd E90 Jm08/Om08, 2-93, 3-27
 Ftg-Hyd E90 Jm08/Om10, 2-115
 Ftg-Hyd E90 Jm10/Om10, 2-45
 Ftg-Hyd E90 Jm12/Om12, 2-83
 Ftg-Hyd E90 Jm12/om12, 2-19
 Ftg-Hyd E90 Jm12/Om16, 2-83
 Ftg-Hyd E90 Special Jm12/Jf12, 2-91
 Ftg-Hyd E90, 2-91, 2-101
 Ftg-Hyd Plg Om06, 3-23
 Ftg-Hyd Plg Om12, 2-91
 Ftg-Hyd Rst JM04/.047, 2-95
 Ftg-Hyd Rst Jm04/.063, 2-23
 Ftg-Hyd Str Jm12/Om16, 2-83
 Ftg-Hyd Str Jm04/Om04, 2-93, 2-105
 Ftg-Hyd Str Jm04/Om06, 2-95
 Ftg-Hyd Str Jm04/Om08, 2-23
 Ftg-Hyd Str Jm06/Jf08, 3-27
 Ftg-Hyd Str Jm06/Jf10, 2-45
 Ftg-Hyd Str Jm06/Om06, 2-93, 2-117, 3-23, 3-27
 Ftg-Hyd Str Jm06/Om08, 2-45, 2-63, 2-65, 2-67, 2-95
 Ftg-Hyd Str Jm06/Om10, 2-83, 2-97
 Ftg-Hyd Str Jm06Om06L, 2-93
 Ftg-Hyd Str Jm08/Jm06, 2-97
 Ftg-Hyd Str Jm08/Jm08, 2-115
 Ftg-Hyd Str Jm08/Om08, 2-93, 2-95, 2-105

Ftg-Hyd Str Jm08/Om10, 2-83, 2-107, 2-115
 Ftg-Hyd Str Jm08Om08L, 2-93
 Ftg-Hyd Str Jm12/Om12, 2-19, 2-91
 Ftg-Hyd Str Jm12/Om16, 2-73
 Ftg-Hyd Str Jm12Om12L, 2-93
 Ftg-Hyd Str Jm20/Om20, 2-83, 2-91
 Ftg-Hyd Str Om08/Of06, 3-27
 Ftg-Hyd str, 2-101
 Ftg-Hyd StrJm06/Om10, 3-27
 Ftg-Hyd Tee Jm04Jfjm, 2-95
 Ftg-Hyd Tee Jm04Jmjf, 2-95
 Ftg-Hyd Tee Jm04Jmjm, 2-27
 Ftg-Hyd Tee Jm04Jmom, 2-91
 Ftg-Hyd Tee Jm04Omjm, 2-63, 2-65, 2-67
 Ftg-Hyd Tee Jm06Jmjf, 2-91, 2-95
 Ftg-Hyd Tee Jm06Jmom, 2-91
 Ftg-Hyd Tee Jm06Omjm, 3-27
 Ftg-Hyd Tee Jm08Jmjf, 2-93, 3-27
 Ftg-Hyd Tee Jm08Omjm, 2-95
 Ftg-Hyd Tee Jm12Jfjm, 2-83
 Ftg-Hyd Tee Jm12Jmjf, 2-91
 Fueline, Bleeder, 6-23, 7-21
 Fueline, Cyl #1, 6-23, 7-21
 Fueline, Cyl #2, 6-23, 7-21
 Fueline, Cyl #3, 6-23, 7-21
 Fueline, Cyl #4, 6-23, 7-21
 Fueline, Return, 6-23, 7-21
 Fuelline, .31d 05if/05if Stil, 2-57
 Fuelline, Dsl [800d], 2-57
 Fuelline, 2-55, 2-57
 Fuse, 40 Amp, 2-11
 Fuse, Blade, 050a [Maxi], 2-148

G

Gage, Sight Ac, 3-41
 Gas Cap, Protectoseal, 3-56
 Gasket, Box/Cab, 4-59, 4-61
 Gasket, Cab Pressurizer, 3-35
 Gasket, Coolant, 6-17, 7-17
 Gasket, Cover, Alum, 3-61
 Gasket, Cover, Side, 6-19, 7-18
 Gasket, Cover, Timing [Cat 08], 7-11
 Gasket, Cover, Valve, 6-7, 7-7
 Gasket, Exhaust, 4Hole, 2-51
 Gasket, Exhaust, 2-53, 6-21, 7-19
 Gasket, Fire Switch, 2-115
 Gasket, Head [Cat 08], 7-7
 Gasket, Head, Rear, 6-7, 7-7
 Gasket, Head, 6-7
 Gasket, Heater, Water, 6-19, 7-18
 Gasket, Hyd Cap, 2-91
 Gasket, Hyd Tank Breather, 2-91
 Gasket, Manifold, 6-21, 7-19
 Gasket, Plate, Front, 6-11
 Gasket, Push On, 4-51
 Gasket, Rear, 6-12, 7-12
 Gasket, Sender, Fuel, 2-57
 Gasket, Sending Unit Tc, 2-55
 Gasket, Thermostat [Cat 08], 7-17
 Gasket, Throttle Blk, 2-37

CROSS REFERENCE

Gasket, 2-45, 2-51, 5-3, 5-19, 5-21,
5-31, 5-32, 5-34, 5-35, 6-11, 6-12,
6-15, 6-17, 6-21, 6-23, 7-7, 7-12,
7-15, 7-17, 7-19, 7-21
Gauge, Sight Lh, 2-91
Gear [Power Take Off], 6-13, 7-13
Gear Assy, Idler, 4-25
Gear, [Slip Fit], 4-25
Gear, 23 Tooth, 6-5, 7-5
Gear, Camshaft, 5-11
Gear, Cover [Cat 08], 7-11
Gear, Crankshaft, 5-5
Gear, Drive, 4-25
Gear, Idler, 4-23, 4-25, 6-11, 7-11
Gear, Injection, Fuel, 6-11, 7-11
Gear, Pump, 5-15
Gear, Ring, 5-23
Gear, Slip Fit, 4-23
Gear, 4-23, 4-25, 5-17, 6-11, 7-11
Geroler Set, Motor, Hyd, 4-35
Geroter, Ring In En, 4-5, 4-9, 4-15, 4-19
Geroter, Ring Ot En, 4-5, 4-9, 4-15, 4-19
Gerotor Set Cl, 4-41
Gerotor Set, 4-27, 4-29, 4-31, 4-33,
4-36, 4-37
Glow Plug, 5-33, 6-27, 7-24
Governor, Diesel, 2-37
Grip, Handle, Flat, 3-53
Grip, Vyl, .18 X .75 X 4.00, 2-41
Grommet Rbr 0.25ld For .09Matl, 3-17,
3-33
Grommet, Rbr, 0.38 ld For .12mat, 3-11,
3-13
Grommet, Rbr, 0.56 ld For .13mat, 3-11,
3-13
Grommet, Rbr, 3.25id, F/ 3.5h, .06matl,
2-49
Grommet, Rbr, 3.75ld F/ 4.0H ., 2-47
Grommet, Rbr, 0.25ld, For .09Matl, 2-119
Grommet, Rbr, 0.38ld, For .06Matl, 3-3,
3-5, 3-7, 3-9
Grommet, Rbr, 0.50ld, For .25Matl, 2-5
Grommet, Rbr, 0.62ld, For .06Matl, 2-35,
3-61
Grommet, Rbr, 0.63ld, For .06Matl, 3-3, 3-7
Grommet, Rbr, 0.75ld, For .13Matl, 3-17
Grommet, 3-11, 3-13, 3-15, 3-41, 3-47,
4-51
Guard Kit, Overhead, 3-19
Guard Wldt, Hopper, 2-31
Guard Wldt, Lights, Revl & Flsh, 3-3, 3-5,
3-7, 3-9
Guard Wldt, Overhead, 3-19
Guard Wldt, Side Brush, 2-97
Guard Wldt, Sidebrush, 3-27
Guard, Alternator, 2-43, 3-51
Guard, Mirror, 3-37
Guard, Side Brush, 2-97, 3-27
Guard, 2-51
Guide [Cat 08], 7-3
Guide, Ds, 6-3
Guide, 2-33, 5-7, 6-7

H

Handle, Center, 2-95
Handle, Container, 2-29
Handle, Lh, 2-95
Handle, Lift, Brush, 2-117
Handle, Rh, 2-95
Handle, Throttle, Dsl, 2-41
Handle, 3-53
Harness, Rfs Jumper, 3-61
Harness, Alarm, Back-up, 3-15
Harness, Alarm, Backup, 3-11, 3-13
Harness, Cab (See Fig. 32), 4-51
Harness, Cab, 800/810, 4-56
Harness, Directional, 3-17
Harness, Hopper 800/810, 2-137
Harness, Hopper, Rfs, 3-61
Harness, Main, Die 800/810, 2-136,
2-143, 2-148
Harness, Motor, Duct, 3-61
Harness, Neutral, Start, 3-64
Harness, Side Brush, L.H., 3-30
Harness, Start, DSL, 2-139
Harness, Turn/Rotate/Tail Lights, 2-138
Harness, Rev/Flsh Light, Cab, Ohg, 3-3,
3-5, 3-7, 3-9
Harness, 2-37
Head Assy, Cylinder, 6-7
Head Gasket, 5-7, 5-34
Head, Cyl [Cat 08], 7-7
Headlight, 12V, Rect., 2-29
Headliner, Front, 4-55
Headliner, Rear Cw, 4-55
Heater Coil, 4-59, 4-61
Hinge, W/Pin, 2-15, 2-17
Hinge, 2-13, 2-15, 2-17, 2-29
Hook, Cable, .44d Ball, 2-97, 3-27
Hopper Floor Kit, St Stl 810, 3-20
Hopper Wldt, 2-25
Horn, 12 Volt, 2-13
Horn, Back-up Alarm, 3-15
Hose Assy, Drain, A/C, 3-63
Hose Radiator, 1.50 ldx 3.0 Lg, 2-59
Hose, A/C #12 107.0L 089 069, 3-41
Hose, A/C, #08 100.0L 109 109, 3-41
Hose, A/C, 12 127.0l Str E90 R134, 3-41
Hose, Afmkt, Rbr, Heater, 0.62id, 03ft,
3-41, 3-47
Hose, Afmkt, Rbr, Heater, 0.62id, 08ft,
3-41, 3-47
Hose, Air, Intake [800d], 2-49
Hose, Breather, 6-25, 7-22
Hose, Coolant, Mold, 1.63id To 1.63id,
2-61
Hose, Drain, Overflow, Radiator, 2-65,
2-67
Hose, Fan Inlet, 2-113
Hose, Flex, 2-37
Hose, Fuel, 0.31id 08.0l, 2-57
Hose, Fuel, 2-55, 2-57
Hose, Hyd, Low [Pk], 5-27
Hose, Hyd, Low06, Jf06str/Jf06str, 037.0,
6-15, 7-15
Hose, Mold, Air Intake 2.5ld, 2-47

Hose, Pvc, Clr, 0.38id 0.56od 36.00l,
2-61
Hose, Radiator, Upper, 2-59
Hose, Radiator, 2-61
Hose, Rbr, 1.50id 1.88od 04.0l, 2-61
Hose, Sleeve, Fire, 2-109
Hose, Vac, Rubber, 2-35
Hose, Vacuum, .16 ld X 76.0 Lg, 3-61
Hose&2Cuff Assy, Vinyl2.0ld10Ft, 3-53
Hose&cuff Assy, Vinyl4.0ldx50, 2-113
Hose-Heater, .62ld 20.0L, 3-41, 3-47
Hose-Heater, .62ld 26.0L, 3-41, 3-47
Hose-Hyd Ar 04, 2-87, 2-89
Hose-Hyd Ar04, 2-87, 2-89
Hose-Hyd Low 04, 2-87, 2-89
Hose-Hyd Low04 Jf/Jf, 2-87, 2-89
Hose-Hyd Low04 Jf/Jf, 2-45
Hose-Hyd Low06, 2-87, 2-89
Hose-Hyd Low12 Jf/Jf, 2-87, 2-89
Hose-Hyd Low12 Jf/jf, 2-87, 2-89
Hose-Hyd Low12, 2-87, 2-89
Hose-Hyd Med 04, 3-31
Hose-Hyd Med 06, 3-31
Hose-Hyd Med04 Jf/J4, 2-87, 2-89
Hose-Hyd Med04 Jf/J9, 2-87, 2-89
Hose-Hyd Med04 Jf/Jf, 2-87, 2-89
Hose-Hyd Med04, 2-87, 2-89
Hose-Hyd Med06 Jf/J9, 2-87, 2-89
Hose-Hyd Med06 Jf/Jf, 2-87, 2-89
Hose-Hyd Med06, 2-87, 2-89
Hose-Hyd Med08 Jf/J4, 2-87, 2-89
Hose-Hyd Med08 Jf/J9, 2-87, 2-89
Hose-Hyd Med08, 2-87, 2-89
Hose-Hyd Med12, 2-87, 2-89
Hose-Hyd Med78 Jf/J9, 2-87, 2-89
Hose-Hyd Suc20 Spcl 22.5, 2-87, 2-89
Hose-Hyd, 2-87, 2-89
Hose, 2-45, 2-59, 5-29, 5-31, 6-17, 7-17
House, Wheel, 2-73
Housing Assembly, 4-59, 4-61
Housing Assy, 4-31, 4-33
Housing Cl, 4-27, 4-29
Housing En, 4-3, 4-7, 4-13, 4-17
Housing S/A En, 4-3, 4-7, 4-13, 4-17
Housing Wldt, Vac Fan, Front, 2-113
Housing Wldt, Vac Fan, Rear, 2-113
Housing, Bearing, Motor, Hyd, 4-35
Housing, Brg, 4-31, 4-33, 6-13, 7-13
Housing, Condenser, 4-57
Housing, Flywheel, Mach 704 Pk, 2-37,
2-39
Housing, Flywheel, 5-23, 6-12, 7-12
Housing, Front, 7-11
Housing, Gear, 6-11
Housing, Sppt, Wheel (Repl. by 375534),
2-73
Housing, Valve, 4-35
Housing, Control En, 4-21
Housing, Control, 4-11
Housing, 4-25, 4-37, 5-31
Hub and Stud Assy., 2-73
Hub Assy, 2-77
Hub, Drive, Brush, Side, 1.00b 8.8bc, 2-3

I

Idler Gear, 5-11
 Impeller 9.5 Dia. 18 Blade Mac, 2-113
 Indicator Service Air Filter, 2-47
 Indicator, Filter, Air, 2-49
 IndicatorLight, Glow Plug, 2-119
 Inj Pipe #1 Cyl, 5-19
 Inj Pipe #2 Cyl, 5-19
 Inj Pipe #3 Cyl, 5-19
 Inj Pipe #4 Cyl, 5-19
 Injection Pump (See Breakdown), 5-19
 Injection Pump, 5-21
 Inlet Valve, 5-7
 Insert, Exhaust, 6-7
 Insert, Inlet, 6-7
 Insert, Wheel, Steering, 2-117
 Insert, 5-7
 Instr. Valve Repair Info, 4-45
 Instr, Kit, Repair, Pump, Hyd, 4-25
 Insulation, Acoustic, Fan, 2-113
 Insulation, Acoustic, Vac Fan, 2-115
 Insulation, Acstc, .75th 10.71w, 2-49
 Insulation, Acstc, 0.8, 23.0 X 10.0 Cham, 2-49
 Insulation, Acstc, Side Upper, Cab, .6, 3-35
 Insulation, Acstc, 3-35
 Insulation, Cover [Cat 08], 7-11
 Insulation, Foam, 3-35
 Insulation, S/Foam .5T 17.0X, 2-13
 Insulation, S/Foam 1.0 Seal Brake Pedal, 2-79
 Insulation, S/Foam 1.0X3.0X3.0, 2-5
 Insulation, S/Foam 1.5X4.0X4.0, 2-5
 Insulation, S/Foam, .8T 16.5X5, 2-13
 Insulation, S/Foam, .8T 17.0X15, 2-13
 Insulation, S/Foam, .8T 18.0X4.5, 2-13
 Insulation, S/Foam, .8T 23.0X4X3, 2-13
 Insulation, S/Foam, Seat, 2-11
 Insulation, S/Foam, 2-5
 Insulation, Sound Foam, 2-79
 Insulation,S/Foam .8X19.3X20.3, 2-13
 Insulation, 2-11, 2-47
 Isolator, Mounting, 2-37, 2-39
 Isolator, Vac Fan, 2-93
 Isolator, Vib, Ring, 1.0d .25-20/.25-20, 2-53
 Isolator, Vibration, 2-115
 Isolator-Vibration .25-20, 2-51
 Isolator-Vibration .31-18, 2-19, 2-63, 2-65, 2-67
 Isolator-Vibration,60 Lb.Ratng, 2-115
 Isolator, 2-37, 2-39

J

Joint/Gasket Kit, 5-35
 Joint/Gasket, 5-34
 Joint, 5-11, 5-19, 5-29, 5-31, 5-32, 5-34, 5-35

K

Keeper, Latch, Pane, 4-51, 4-53
 Key En, 4-5, 4-9, 4-15, 4-19
 Key Set,Switch Ku, 2-119
 Key Set, 4-53
 Key Square 0.18 0.18 01.00 Lg, 2-107
 Key, Motor, Hyd, 4-35
 Key, Round, 4-23
 Key, Sq, 0.12 X 0.12, 0.50l, 2-63, 2-65, 2-67
 Key, Square 0.12 0.12 00.50 LG, 4-39
 Key, Woodruff, 4-36
 Key, 4-25, 4-31, 4-33, 4-38, 5-5, 6-5, 6-9, 7-5, 7-9
 Kit, Alarm, Backup, 3-15
 Kit, Alternator, Hd, Die, 3-51
 Kit, Brake, 5-25
 Kit, Brush, 5-25
 Kit, Bushing, 5-25
 Kit, Ci, Drain Hose, A/C, 3-63
 Kit, Conrod, 5-5
 Kit, Light, Flsh, Low, 3-11
 Kit, Light, Revl, Low, 3-13
 Kit, Piston Ring, 5-5
 Kit, Repair, 5-25
 Kit, Replmt, Control, Govnr, [All Purps], 2-120
 Kit, Replmt, Pan, Oil [800d/810d], 5-27
 Kit, Replmt, Seal, Vacfan, [800l], 2-113
 Kit, Seal, Hyd, Motor, 4-35
 Kit, Seal, Hyd, Pump, 4-23
 Kit, Seal, Motor, Hyd, 4-35
 Kit, Seal, Pump, 4-25
 Kit, Signal, Turn, 3-17
 Knob, Plastic, 2-101, 2-111
 Knob,0.38-16,1.25Dia,Plastic, 3-53
 Knob, 2-95, 3-45, 3-49

L

Label Set, Info & Hazard, 2-149
 Label Set, Operational 800, 2-149
 Label, Hi/Med/Lo, 3-45, 3-49
 Label, Logo, 10.4l,Oval[Tennant,Blu/Grn], 2-149
 Label, Numerals 810, 2-149
 Label, Pull-Heat, 3-41, 3-47
 Label, Thermostat, 3-45
 Label, Vac Wand, 3-53
 Label, Wiper, 4-51
 Label,Caution R134A, 3-41
 Lamp, 12VDC 55w, 3-15, 3-33
 Lamp, 4-51
 Lanyard Assy., 2-19
 Latch, Bolt, 2-13, 2-15, 2-17
 Latch, Bumper, 2-31
 Latch, Door, 3-59
 Latch, Hook (Supplier's Lh), 2-9
 Latch, Hook (Supplier's Rh), 2-7
 Latch, Hook Rh, 2-15, 2-17
 Latch, Hook, Rh, Single Catch, 2-29
 Latch, Hook, Rh, 2-13

Latch, Keeper, Pane [J-dak], 4-51, 4-53
 Latch, Pane, Cab, 4-51, 4-53
 Latch, Rear Wind, 4-51
 Latch, Tension, 4-59, 4-61
 Latch, 2-19, 2-105
 Leak-Off Pipe, 5-19
 Leg Wldt, Bumper, Se, 3-21
 Lens, Flashing Amb 12V, 3-11
 Lens, Flashing Blue, 3-11
 Lens, Flashing Red, 3-11
 Lens, Rev. Light, Amber, 3-13
 Lens, Rev. Light, Blue, 3-13
 Lens, Rev. Light, Red, 3-13
 Lens,Flashing Lite Fr207 Amber, 3-3, 3-5
 Lens,Flashing Lite Fr207 Blue, 3-3, 3-5
 Lens,Flashing Lite Fr207 Red, 3-3, 3-5
 Lens,Rev.Light,Amber, 3-7, 3-9
 Lens,Rev.Light,Blue, 3-7, 3-9
 Lens,Rev.Light,Red, 3-7, 3-9
 Lever, Brake, 2-79
 Lever, Pump, Propel, 2-81
 Lever, 5-9, 5-15, 5-31
 Light Assy Mark/Yel 12V- . A, 3-17
 Light Assy Stop/Red 12V- . A, 2-5
 Light Kit Flsh 800L Cab, 3-5
 Light Kit Flsh 800L Ohg, 3-3
 Light Kit Revl 800L Cab, 3-9
 Light Kit Revl 800L Ohg, 3-7
 Light Kit, Side Brush, 3-33
 Light, Dome 12V, 4-51
 Light, Flashing Amb 12v-re, 3-11
 Light, Flashing, Amber, 12V-Re, 3-3, 3-5
 Light, Indicator, 2-119
 Light, Rev. Amber 12v-re, 3-13
 Light, Spot 12V, 32cp, 3-15
 Light, Spot, 12VDC 55w, 3-33
 Light,Rev.Amber 12V-Reworked, 3-7, 3-9
 Link, Connecting, 4-53
 Link, Eccentric, 2-33
 Link, Feedback En, 4-21
 Link, Feedback, 4-11
 Link, Tension 2.4L, 3-43
 Link, 5-15
 Lintel, Main, 2-13
 Lintel, Rear, 2-13
 Lip, Side, Hopper, 2-25
 Lockwasher En, 4-3, 4-7, 4-13, 4-17

M

M6 U-Nut Clip, 2-13
 Magnet Assy, Pick-Up, 2-37
 Magnet, Drive Brush, 2-29
 Maintenance Kit, 400HR 800/810 Diesel, 2-2
 Maintenance Kit, 800HR 800/810, 2-2
 Maintenance Kit, Skirts 810, 2-2
 Maintenance Kit, Skirts, 2-2
 Manifold, Inlet [Cat 08], 7-19
 Manifold, Exhaust [Cat 08], 7-19
 Manifold, Exhaust, 6-21
 Manifold, Inlet, 6-21
 Manifold, Intake, 5-32

CROSS REFERENCE

Manual Op/Mt 810D French, 3-65
Manual Control En, 4-21
Manual Op/Mt 810D Spanish, 3-65
Manual Pkg 810D, 3-65
Manual, Eng, Perk, F/ Eng 704-30, [Es], 3-65
Manual, Service 800/810, 3-65
Manual, Service, [Caterpillar 3044c], 3-65
Manual, Service, Eng [Cat C3.4], 3-65
Mirror Assembly, 3-37
Mirror Kit, Side Brush, 3-37
Mirror, Convex, 0.50d, 3-37
Mirror, 8.0 Round, Convex, 3-37
Molding, Trim 11-14Ga 4.0, 2-79
Molding, Trim 11-14Ga 15.75, 2-11
Molding, Trim 11-14Ga 5.75, 2-11
Molding, Trim 16Ga&Thinnr 10.0, 2-11
Molding, Trim, Pvc, .08-.11 01.0l, 2-5
Molding, Trim, Pvc, .18-.31 01.5l, 4-55
Molding, Trim, 4-51
Motor, Ele, Geared, 12Vdc, 3-61
Motor, Electric, 13.6 Vdc, 2-33
Motor, Hyd Gear (See Breakdowns), 2-107
Motor, Hyd Gear IN 03.6 B 1500, 4-27
Motor, Hyd Gear In 17.9 B 1500 (See Breakdowns), 3-27
Motor, Hyd Gear, 4-29
Motor, Hyd, (See Breakdowns), 2-97
Motor, Hyd, Gear, [In] 29.9 B 3000, 4-35
Motor, Hydraulic, 4-36, 4-37, 4-38, 4-39
Motor, Propelling, 4-31, 4-33
Motor, Wiper 12V, 4-51
Motor-Hyd Gear (See Breakdowns), 2-73
Motor-Hyd Gear Ex (See Breakdowns), 2-115
Motor-Hyd Gear In (See Breakdowns), 2-73, 2-105
Motor-Hyd, Gear In 10.0 (See Breakdowns), 2-63, 2-65, 2-67
Mount, Band, Fitr, 7.17id, 2-49
Mount, Cable Tie, 2-55, 2-57, 3-63
Mount, Nozzle, 6-23
Mount, Tie, 3-15
Muffler, 6.5d 17.0l 1.9/1.9id, 2-53
Muffler, Exhaust, 2-51

N

Nozzle Assy, 6-23
Nozzle, Injection [Cat 08], 7-21
Nut [Cat 08], 7-21
Nut En, 4-3, 4-7, 4-13, 4-17
Nut Low Crown .62-18, 2-101
Nut, Cart., LNG CP, 4-47
Nut, Cart., LNG., 4-42
Nut, Cart., SHT CP, 4-47
Nut, Cart., Sht, 4-43
Nut, Flng [Cat 08], 7-18, 7-19, 7-21
Nut, Hex Lock m06, 2-29
Nut, Hex Lock m10, 2-101, 3-23
Nut, Hex, Flange, 2-101, 3-23
Nut, Hex, Flng, .31-18, 2-53

Nut, Hex, Flng, M10 X 1.5, 2-97, 2-102, 2-105, 3-23, 3-28
Nut, Hex, Flng, M10 X 1.50, 2-7, 2-9
Nut, Hex, Flng, M12 X 1.75, 2-39, 2-71, 2-105
Nut, Hex, Flng, M6 X 1.0, 2-63, 2-65, 2-67, 2-81, 2-93
Nut, Hex, Flng, M6 X 1.00, 2-17, 2-98, 3-27
Nut, Hex, Flng, M8 X 1.25, 2-25, 2-49, 2-57
Nut, Hex, Jam, .25-28, 2-81
Nut, Hex, Lock, .25-20, NI, Ss, 2-81
Nut, Hex, Lock, .25-20, NI, 2-57
Nut, Hex, Lock, .31-24, NI, 3-33
Nut, Hex, Lock, .38-16, NI, Ss, 3-43
Nut, Hex, Lock, .38-16, NI, 2-39, 2-63, 2-65, 2-67, 2-105, 2-115, 3-43
Nut, Hex, Lock, .50-13, NI, Ss, 2-105
Nut, Hex, Lock, .50-13, NI, 2-73, 2-97, 3-27
Nut, Hex, Lock, .75-10, NI, 2-73
Nut, Hex, Lock, M06 X 1.0, NI, 2-15, 2-17
Nut, Hex, Lock, M08 X 1.25, NI, 3-33
Nut, Hex, Lock, M10 X 1.5, NI, 2-29, 2-39, 2-63, 2-65, 2-67, 2-81, 2-98, 2-102, 2-113, 3-23, 3-28
Nut, Hex, Lock, M12 X 1.75, NI, 2-39
Nut, Hex, Lock, M16 X 2.0, NI, 3-24
Nut, Hex, Lock, M5 X 0.8, NI, Ss, 2-11
Nut, Hex, Lock, M6 X 1.0, NI, 2-33, 2-39, 2-41, 2-57, 2-101, 2-120, 3-23
Nut, Hex, Lock, M6 X 1.0, Ss, NI, 2-81
Nut, Hex, Lock, M6 X 1.00, NI, 2-7, 2-9, 2-67, 2-113, 3-43
Nut, Hex, Lock, M8 X 1.25, NI, Ss, 2-25
Nut, Hex, Lock, M8 X 1.25, NI, 2-25, 2-49, 2-57, 2-63, 2-65, 2-67, 2-97, 2-102, 2-105, 2-107, 2-113, 3-24, 3-28, 3-43
Nut, Hex, Lock, 3-17
Nut, Hex, M8 X 1.25, 6-23
Nut, Hex, Std M8 X 1.25, 2-53
Nut, Hex, Std, .25-20, 2-53
Nut, Hex, Std, .31-18, Ss, 3-37
Nut, Hex, Std, .31-18, 2-19, 2-63, 2-65, 2-67, 2-115
Nut, Hex, Std, .44-14, 5, 2-7, 2-9
Nut, Hex, Std, .62-18, 2-111
Nut, Hex, Std, M10 X 1.5, Ss, 2-97, 3-28
Nut, Hex, Std, M10 X 1.5, 2-97, 3-28
Nut, Hex, Std, M12 X 1.75, Ss, 2-13
Nut, Hex, Std, M12 X 1.75, 2-15, 2-17, 2-25
Nut, Hex, Std, M8 X 1.25, 2-17, 2-97, 3-24, 3-28
Nut, Jam, 4-3, 4-7, 4-13, 4-17
Nut, Low Crown, .62-18, 2-111
Nut, Motor, Hyd, 4-35
Nut, slotted Hex, 4-36
Nut, Union, 5-19
Nut, Valve, Cartridge, 4-67, 4-69, 4-70
Nut, Wheel Lug, 9/16-18, 2-75

Nut, Wheel Lug, 2-73
Nut, Lock-Special 2.16-18Uns, 2-73
Nut, Wing .44-20 Special, 2-47
Nut-hx Jam M20x1.5 4 Pltd, 2-117
Nut-Hxlocnyln .31-24 Reg Pltd, 2-63, 2-65, 2-67
Nut-Hxslot 1.00-20 Pltd, 2-75
Nut-Low Crown .50-20 Pltd, 2-113
Nut, 4-31, 4-33, 5-5, 5-9, 5-11, 5-13, 5-15, 5-19, 5-21, 5-23, 5-27, 5-29, 5-31, 6-5, 6-12, 6-15, 6-19, 6-23, 7-5, 7-12, 7-15, 7-21

O

O-Ring Gland, 2-83
O-Ring, 2-45, 5-11, 5-15, 5-17, 5-19, 5-27, 5-31, 5-34, 5-35
Oil Filter Pack, 2-45
Oil Pump, 5-17
Oil, Hyd [El, Iso 100, 05gal], 2-2
Oil, Hyd [El, Iso 32, 05gal], 2-2
Olive .36Od .25ld, 5-19
Olive, 5-19, 5-21, 5-27
Orifice, Valve En, 4-3, 4-7, 4-13, 4-17
Output Shaft Assembly, 4-27, 4-29

P

Pad, Tread, 2-5, 2-81
Pad, 2-79
Paddle Handle, 4-53
Pan, Oil, W/ Gasket, 6-15, 7-15
Pane Assy, Glass, Sliding, Cab Lh, 4-51
Pane Assy, Glass, Sliding, Cab, Door, 4-53
Pane, Glass, Cab, Front, 4-51
Pane, Glass, Cab, Rear, 4-51
Pane, Glass, Door Front, 4-53
Pane, Glass, Door, Rear, 4-53
Pane, Glass, Windshield, 4-51
Panel Wldt w/label, 2-11
Panel Wldt, Access Floor, 2-81
Panel Wldt, Cover Engine, 2-13
Panel Wldt, Fender, Lh, 2-29
Panel Wldt, Fender, Rh, 2-29
Panel Wldt, Hopper, Floor, LH, 3-20
Panel Wldt, Hopper, Floor, RH, 3-20
Panel Wldt, Rear, Lh, 2-5
Panel Wldt, Rear, Rh, 2-5
Panel Wldt, Shaker, 2-33
Panel, Access, Eng., 2-11
Panel, Air Conditioning, 2-11
Panel, Bottom, Hopper, Rh, 2-25
Panel, Corner, Eng Cover, 2-13
Panel, Cover, Access, 2-11
Panel, Cover, Corner, 2-13
Panel, Cover, Dash, 2-119
Panel, Cover, 3-53
Panel, Deflector, Dirt, Lh, 2-25
Panel, Deflector, Dirt, Rh, 2-25
Panel, Fuel Inlet w/label, 2-11

- Panel, Headlight, 2-29
- Panel, Hopper, Bottom, Lh, 2-25
- Panel, Instrmt, Brush Cntrl, 2-41
- Panel, Louver, 2-15
- Panel, Permafilter, Upper, 2-25
- Panel, Support, Seat, 2-11
- Panel, Vacuum Duct, 2-13
- Panel, 3-3, 3-5, 3-7, 3-9
- Pedal Wldt, Propel Lower W/tread, 2-81
- Pedal Wldt, 2-79
- Pedal, Upper W/tread, 2-81
- Pedestal Wldt, Light, 3-11, 3-13
- Pin Assy, .312X3.0 W/Lanyard, 3-27
- Pin Assy, Side Brush W/clip, 2-97
- Pin Assy, Spring, 4-53
- Pin Weldt., 2-21
- Pin Wldt., 2-23
- Pin Wldt, Latch, 2-29
- Pin, 1.00 Odx 4.50, Drilled, 2-23
- Pin, 1.25 Odx 3.50, Grooved, 2-23
- Pin, 1.250 Od X 4.50, 2-23
- Pin, 1.500 ODx7.81, Drilled, 2-21
- Pin, Clevis .18 Dia.X .62 Lg, 2-95
- Pin, Clevis .25 Dia, 1.000 Lg., 2-81
- Pin, Clevis .31 Dia X 4.50 Lg, 2-81
- Pin, Clevis .375D X 1.000 Lg, 2-79
- Pin, Clevis .375D X 1.312 Lg, 2-81
- Pin, Clevis .50 Dia X 2.25 Lg, 2-27
- Pin, Clevis .50 Dia X 4.50 Lg, 2-81
- Pin, Clevis, 0.25 D X 0.75l, 2-41
- Pin, Clevis, 0.31 D X 0.75l, 2-63
- Pin, Clevis, 2-81
- Pin, Cntrl Assy En, 4-21
- Pin, Cotter .094X1.00, 2-101
- Pin, Cotter, .062 X 0.75, 2-41
- Pin, Cotter, .094 X 0.75, 2-41
- Pin, Cotter, .125 X 0.75, 2-81
- Pin, Cotter, .125 X 2.00, 2-75
- Pin, Dowel [Cat 08], 7-3
- Pin, Hair Cotter, 0.69 D .092 Wir, 2-63
- Pin, Haircotter .31D .058Wire, 2-81
- Pin, Haircotter .31d .058wire, 2-95
- Pin, Headed En, 4-21
- Pin, Headed, 4-11
- Pin, Latch, 4-53
- Pin, Spring, 6-3, 7-3
- Pin,Clevis,0.37 Dia.X 2.12 Lg, 2-101, 3-23
- Pin,Clevis,0.50 Dia.X 1.42 Lg, 2-109
- Pin,Clevis,0.50 Dia.X 2.00 Lg, 2-109
- Pin,Clevis,0.50 Dia.X 3.50 Lg, 2-95
- Pin,Roll,.18Odx1.62L,.187/.192, 3-53
- Pin,Roll,.31Odx1.37L,.312/.318, 2-107
- Pin, 2-21, 2-27, 2-97, 3-27, 4-41, 5-9, 5-14, 5-15, 6-3, 6-5, 7-3, 7-5
- Pipe, Breather [Cat 08], 7-22
- Pipe, Breather, 6-25, 7-22
- Pipe, Fuel, 5-19
- Pipe, Oil, 5-27
- Pipe, 6-25, 7-22
- Piston [+0.25mm], 6-5, 7-5
- Piston [+0.50mm], 6-5, 7-5
- Piston Kit, 5-5
- Piston, Servo, 4-3, 4-7, 4-13, 4-17
- Piston, Std, 6-5, 7-5
- Piston, 4-35
- Pivot Wldt, Wheel, 2-73
- Plate [Cat 08], 7-11
- Plate Wldt, Angle, 2-41
- Plate Wldt, Skirt, 3-55
- Plate Wldt, Vac Door, 3-53
- Plate Wldt, 2-101, 3-23
- Plate, Adapter, 4-23
- Plate, Adaptor, 4-25
- Plate, Adj, Brush, 2-111
- Plate, Adj, 6-26, 7-23
- Plate, Angle, 2-97, 2-101, 3-23, 3-27
- Plate, Back [Cat 08], 7-11
- Plate, Back, Pump, Hyd, 4-25
- Plate, Back, 4-23
- Plate, Backing, 4-65
- Plate, Brush Suspension, Front, 2-107
- Plate, Circuit Breaker, 2-120
- Plate, Cover En, 4-3, 4-7, 4-13, 4-17
- Plate, Cover, 2-25, 2-101
- Plate, Front, Pump, Hyd, 4-25
- Plate, Front, 4-23
- Plate, Guide, Bumper, 2-5
- Plate, Hold Down, 2-107
- Plate, Latch, 3-53
- Plate, Lift, Front, 6-7, 7-7
- Plate, Lift, Rear, 6-7, 7-7
- Plate, Link, 2-21
- Plate, Motor, Hyd, 4-35
- Plate, Mounting, Rfs Control, 3-61
- Plate, Mounting, Vac Door, 3-53
- Plate, Mtg, Brush, Front, 2-107
- Plate, Mtg, Check Valve, 3-27
- Plate, Mtg, Latch, 2-105
- Plate, Mtg, Relay, 2-120
- Plate, Mtg, Steering Boot, 2-117
- Plate, Mtg, Valve, Solenoid, 2-93
- Plate, Mtg, 2-55, 2-57
- Plate, Pin Retainer, 2-21, 2-23
- Plate, Pivot, Wheel, 2-73
- Plate, Retainer, Foam, 2-115
- Plate, Retainer, 3-55
- Plate, Seal, 2-105
- Plate, Shutter, 3-61
- Plate, Side Brush Roller, 2-101
- Plate, Side Brush, Roller, 3-23
- Plate, Spacer, 2-23
- Plate, Spring - Side Brush, 2-113
- Plate, Striker, 2-19
- Plate, Support, Cover Se, 2-13
- Plate, Switch Mntg, 3-45, 3-49
- Plate, Thrust [+0.15mm], 6-5, 7-5
- Plate, Thrust [+0.30mm], 6-5, 7-5
- Plate, Thrust, Std, 6-5, 7-5
- Plate, Thrust, 6-9, 7-9
- Plate, Vac Fan, 2-113
- Plate, Valve, Motor, Hyd, 4-35
- Plate, Wear, 4-41
- Plate, Wldt. Sweep, 2-107
- Plate-Cover, 2-101
- Plate, 2-81, 2-101, 3-23, 3-53, 3-55, 4-31, 4-33, 4-53, 5-3, 5-9, 5-11, 5-15, 5-29, 5-33, 6-11, 6-26, 6-27, 7-23, 7-24
- Plug [Cat 08], 7-3
- Plug & O-Ring En, 4-45
- Plug #2, 4-47
- Plug #8, 4-3, 4-7, 4-13, 4-17
- Plug Assembly En, 4-45
- Plug Assembly, 4-31, 4-33
- Plug Assy,Byd En, 4-45
- Plug Assy, 4-35
- Plug En, 4-5, 4-9, 4-15, 4-19, 4-21
- Plug Gage #4, 4-47
- Plug Gage #6, 4-45, 4-47
- Plug S/A En, 4-3, 4-7, 4-13, 4-17
- Plug Weld, Brush Drive, Sweep, 2-105
- Plug Wldt, Idler, 2-105
- Plug, #2 O-Ring, 4-43
- Plug, Brush Drive - Nylon, 2-107
- Plug, Clip [Cat 08], 7-3
- Plug, Control Box, 2-120
- Plug, Coolant, Eng, 6-3, 7-3
- Plug, Drain, 3-53
- Plug, O-Ring, 4-25, 4-33
- Plug, O-ring, 4-23
- Plug, Oil Filter, Rework, 2-45
- Plug, Plstc, Sq, 4-63, 4-65
- Plug, Rbr, Rnd, 4-63, 4-65
- Plug, Tube, 2-105
- Plug,#12 O-Ring Ph, 4-3, 4-7, 4-13, 4-17
- Plug, 2-11, 4-11, 4-35, 5-3, 5-7, 5-9, 5-11, 5-29, 5-31, 6-3, 6-12, 6-15, 6-17, 7-3, 7-7, 7-12, 7-17
- Plugbtn .62H .03-.12 Blacknyl, 2-120
- Plugbtn .50H .03-.12 Blacknyl, 3-49
- Plugbtn .62H .03-.12 Blacknyl, 4-61
- Plugbtn .75h .03-.12 Blacknyl, 2-11
- Plugbtn .88H .03-.12 Blacknyl, 4-61
- Plugbtn 1.25h .12 Max Blacknyl, 2-11
- Plugbutton .88H .03-.12 Blacknyl, 2-13
- Plugbutton, 3-19
- Plunger En, 4-45
- Plunger, 5-17
- Poppet En, 4-5, 4-9, 4-15, 4-19, 4-45
- Poppet, Pump, Hyd, Gear, 4-35
- Poppet, 4-35
- Pulley - Cable, 1.5 Dia, 3-23
- Pulley Assy, Cable, 1.5 Dia, 2-101
- Pulley, Alternator, 2-43
- Pulley, Crank, 5-5
- Pulley, Crankshaft, 6-5
- Pulley, Cshaft [Cat 08], 7-5
- Pulley, 5-31, 6-17, 7-17
- Pump, Fuel, 2-55, 2-57
- Pump, Hyd Piston V 2.48 (See breakdowns), 3-64
- Pump, Hyd, Gear, [Ex3] 0.66 [R] 3000, 4-25
- Pump, Hyd, 4-23
- Pump, Injection, Fuel [Cat 08], 7-21
- Pump, Injection, Fuel, 6-23
- Pump, Oil, 6-15, 7-15

CROSS REFERENCE

Pump, Water, 6-17, 7-17
Pump-Hyd Gear Ex (See Breakdowns),
2-83
Pump-Hyd Piston V (See Breakdowns),
2-83
Push Rod, 5-9

R

Race, Bearing Ce, 4-3, 4-7, 4-13, 4-17
Race, Bearing, 4-41
Race, Thrust, 4-27, 4-29, 4-36, 4-37
Radiator, 2-63, 2-65, 2-67
Rectifier, 2-43
Regulator, Temp, Coolant, 6-17, 7-17
Regulator, 2-43
Relay 12Vdc 40A Spdt, 3-11, 3-13
Relay, 12Vdc 70A Cont Spst, 2-11
Relay, 12vdc, 100a, Spdt N/O [Camdec],
2-39
Relay, Shrouded, 12 Vdc, 2-120, 3-45,
3-49, 3-61
Relay, Shrouded, 12V, 3-3, 3-5, 3-7, 3-9
Relay, 2-119
Relief Valve Sa En, 4-5, 4-9, 4-15, 4-19
Repair Info. Cl, 4-27, 4-29
Repair Info, Motor, 4-33, 4-37
Repair Info, Pump, 4-23
Repair Info, Mtr Cl, 4-35
Repair Info, Pmp En, 4-5, 4-9, 4-15, 4-19
Repair Info, Scu Cl, 4-41
Replacement Kit, Rh. Side Brush Cable,
2-97
Replacement Kit, Roller, Side Brush Lift,
2-101, 3-23
Replacement Kit, Side Brush Cable, Lh,
3-27
Replm Kit, Case, 2-119
Replm Kit, Cir Board, 2-119
Replm Kit, Hourmeter, 2-119
Replm Kit, Instr Panel, 2-119
Replm Kit, Lamp, Backlighting (Set of 8),
2-119
Replm Kit, Lamp, Fault (Set of 8), 2-119
Replm Kit, Seal, 2-119
Replm Kit, Touch Panel, 2-119
Retainer, Front, Motor, Hyd, 4-35
Retainer, Frt, 4-31, 4-33
Retainer, 6-8, 6-23, 7-8, 7-21
Retaining Ring-External, 1.25D, 2-23
Retaining Rng En, 4-45
Rfs Kit, 3-61
Ring Set, Piston [+0.25mm], 6-5, 7-5
Ring Set, Piston [+0.50mm], 6-5, 7-5
Ring Set, Piston, Std, 6-5, 7-5
Ring Wldt, Mtg, Filter, 2-33
Ring Wldt, Shaker, 2-33
Ring, Isolator, Outer Rbr, 2-63, 2-65,
2-67, 2-113
Ring, Isolator, Outer, Rbr, 2-33
Ring, Rear Window, 4-51
Ring, Retainer, Lock, 2-73
Ring, Retainer, 4-41

Ring, Retaining En, 4-5, 4-9, 4-15, 4-19,
4-21
Ring, Retaining, Ex 1.5 Dia Hd, 2-21
Ring, Retaining, Ext 1.12, 2-33
Ring, Retaining, 4-11
Ring, Rubber, 2-47
Ring, Snap, 6-8, 7-5
Ring, Retain, Ex, .59D. Basic, 2-107
Ring, Retain, Ex, 0.50 Stl Steel, 2-81
Ring, Retain, Ex, 0.50Od, Heavy Dt, 2-117
Ring, Retain, Ex, 0.59Od, Basic, 2-107
Ring, 2-95, 6-5
Rivet, Blind, .125d X 0.32 X .25d, Stl, 3-61
Rivet, Plastic .250Dx.898, 2-117
Rivet, Plastic .325D X .787, 2-11
Rivet, Plastic, 2-7, 2-9, 3-35
Rivet, Pop, 2-15
Rocker Shaft, 5-9
Rockershaft Assy, 5-9
Rockershaft, 5-5
Rod Assy, Connecting, 6-5, 7-5
Rod End .250-28 .25Dia, 2-81
Rod Wldt, Push, Brake, 2-79
Rod, Latch, Steering, Tilt, 2-117
Rod, Push [Cat 08], 7-9
Rod, Push, 6-9
Rod, Seat, 2-11
Rod, Support Cover, 2-13
Rod, Thread, 2-101, 2-111
Rod, Threaded .50-13, 2-109
Rod-End, .25-28rh Fem 0.25b [Teflon],
2-81
Rod-Thrd, Full .25-28, 2-81
Rod-Thread, 2End M08X1.25X10Lg, 2-79
Roll Pin En, 4-5, 4-9, 4-15, 4-19
Rotating Kit, 4-3, 4-7, 4-13, 4-17

S

Scr Hex .38-16X0.75, 2-117
Scr Hexssm10X1.5 30, 2-51
Scr Soc M 6X1.0, 2-37
Scr-Fit M10X1.5 20 Ss18-8, 2-51
Scr-Hex M20X2.5 80 Full Thd, 2-107
Scr-Hxfmgm 5X0.8 16 pltd, 2-13
Scr-Hxfmgm 6x1.0 12 Pltd, 3-35
Scr-soc .50-13x2.75 Alloypltd, 2-73
Scr-soc M12x1.75 60, 2-73
Screen Kit, Door, Side, Modif, 2-17
Screen, Filter, 2-33
Screw Cap Cl, 4-27, 4-29
Screw Set M 6X1.020, 2-95
Screw, Cap En, 4-3, 4-5, 4-7, 4-9, 4-13,
4-15, 4-17, 4-19
Screw, Cap, Motor, Hyd, 4-25, 4-35
Screw, Cap, 4-3, 4-7, 4-13, 4-17, 4-23,
4-31, 4-33
Screw, Flt, .38-16 X 1.00, Al, 2-107
Screw, Flt, .50-13 X 2.00, Al, 2-97, 3-27
Screw, Flt, M10 X 1.5 X 25, 10.9, 2-97,
3-28
Screw, Flt, M10 X 1.5 X 35, 10.9, 2-97,
3-28
Screw, Flt, M5 X 0.8 X 16, 10.9, 2-105
Screw, Flt, M8 X 1.25 X 25, 10.9, 2-41
Screw, Flt, M8 X 1.25 X 30, Ss, 2-25
Screw, Flt, 2-115
Screw, Hex m06, 3-37
Screw, Hex m08, 2-101, 3-23
Screw, Hex m10, 2-101, 3-23
Screw, Hex, .25-20 X 0.75, NI, 2-7, 2-9,
2-17
Screw, Hex, .25-20 X 1.00, 5, 2-81
Screw, Hex, .31-09 X 1.25, Wood, 2-3
Screw, Hex, .38-16 X 1.00, 5, 2-39
Screw, Hex, .38-16 X 1.00, NI, 2-98, 3-28
Screw, Hex, .38-16 X 1.25, 5, 2-39
Screw, Hex, .38-16 X 1.25, NI, 2-81
Screw, Hex, .38-16 X 1.50, Fl, 3-43
Screw, Hex, .38-16 X 2.00, 5, 2-63, 2-65,
2-67
Screw, Hex, .38-16 X 4.00, G5, 3-43
Screw, Hex, .50-13 X 1.25, 5, 2-83
Screw, Hex, .50-13 X 3.50, 5, 2-105
Screw, Hex, .75-10 X 2.50, G5, 2-73
Screw, Hex, #08-32 X 0.38, Ss, 3-61
Screw, Hex, 10-24 X 0.50, Ss, 3-61
Screw, Hex, M 8 X 1.00 X 16, 10.9, 2-37
Screw, Hex, M08 X 1.25 X 20, 8.8, 3-33
Screw, Hex, M10 X 1.25 X 35, 8.8, 3-43
Screw, Hex, M10 X 1.5 X 20, 8.8, 6-23
Screw, Hex, M10 X 1.5 X 20, Ss, NI, 2-21,
2-23
Screw, Hex, M10 X 1.5 X 20, Ss, 2-97,
3-27
Screw, Hex, M10 X 1.5 X 25, 8.8, 2-7,
2-9, 2-98, 2-102, 2-105, 3-23, 3-28,
6-12
Screw, Hex, M10 X 1.5 X 25, Ss, NI, 2-98,
3-28
Screw, Hex, M10 X 1.5 X 25, Ss, 2-33
Screw, Hex, M10 X 1.5 X 30, 8.8, 2-39,
6-12
Screw, Hex, M10 X 1.5 X 35, 8.8, 2-33,
2-39, 2-97, 2-102, 3-23, 3-28
Screw, Hex, M10 X 1.5 X 40, 8.8, 2-81
Screw, Hex, M10 X 1.5 X 45, 8.8, 6-11
Screw, Hex, M10 X 1.5 X 50, 8.8, 2-113,
3-41, 3-47
Screw, Hex, M10 X 1.5 X 60, 8.8, 2-71
Screw, Hex, M10 X 1.5 X 80, 8.8, 2-101,
3-24
Screw, Hex, M10 X 1.5 X 90, 8.8, Fl, 3-28
Screw, Hex, M10 X 1.5 X 90, 8.8, 2-29,
2-102, 3-24
Screw, Hex, M12 X 1.75 X 20, 8.8, 2-53
Screw, Hex, M12 X 1.75 X 30, 8.8, 2-39,
2-57, 2-105
Screw, Hex, M12 X 1.75 X 35, 8.8, 2-105
Screw, Hex, M12 X 1.75 X 40, 8.8, 2-71
Screw, Hex, M12 X 1.75 X 60, 8.8, 2-25,
2-39
Screw, Hex, M12 X 1.75 X 70, 8.8, 2-39
Screw, Hex, M12 X 1.75 X 80, 8.8, 2-39
Screw, Hex, M14 X 2.0 X 35, 8.8, 3-43
Screw, Hex, M14 X 2.00 X 35, 8.8, 3-43

- Screw, Hex, M16 X 2.0 X 70, 8.8, Fl, 3-24
 Screw, Hex, M20 X 2.5 X 60, 8.8, 2-73
 Screw, Hex, M20 X 2.5 X 70, 8.8, 2-73
 Screw, Hex, M4 X 0.70 X 12, 8.8, 3-15
 Screw, Hex, M5 X 0.8 X 16, Ss, 2-11, 2-119
 Screw, Hex, M6 X 1.0 X 12, Fmg, 2-25, 3-61
 Screw, Hex, M6 X 1.0 X 16, 8.8, 2-41, 2-49, 2-119
 Screw, Hex, M6 X 1.0 X 16, Ss, NI, 2-107
 Screw, Hex, M6 X 1.0 X 20, 8.8, NI, 2-29, 2-105
 Screw, Hex, M6 X 1.0 X 20, 8.8, 2-17, 2-39, 2-57, 2-65, 2-67, 2-81, 2-93, 2-113, 2-120
 Screw, Hex, M6 X 1.0 X 20, Fmg, 2-57, 2-97, 3-27, 3-41, 3-47
 Screw, Hex, M6 X 1.0 X 25, 8.8, 2-7, 2-9, 2-98, 3-28, 6-23
 Screw, Hex, M6 X 1.0 X 35, 8.8, 2-7, 2-9
 Screw, Hex, M6 X 1.0 X 35, Ss, 2-81
 Screw, Hex, M6 X 1.0 X 50, 8.8, 2-49
 Screw, Hex, M6 X 1.0 X 60, 8.8, 2-101, 3-23
 Screw, Hex, M6 X 1.00 X 20, 8.8, 2-67
 Screw, Hex, M6 X 1.00 X 25, 8.8, 3-43
 Screw, Hex, M8 X 1.25 X 14mm, 6-17
 Screw, Hex, M8 X 1.25 X 16, 8.8, 2-29, 2-53, 2-79, 6-11, 6-13, 6-15, 6-23
 Screw, Hex, M8 X 1.25 X 16mm, 6-9
 Screw, Hex, M8 X 1.25 X 20, 8.8, 2-17, 2-29, 2-53, 2-57, 2-63, 2-65, 2-67, 2-71, 2-101, 2-113, 3-23, 3-43, 6-7, 6-15, 6-23, 6-26
 Screw, Hex, M8 X 1.25 X 20, Ss, NI, 2-81
 Screw, Hex, M8 X 1.25 X 20, Ss, 2-25
 Screw, Hex, M8 X 1.25 X 25, 8.8, 2-57, 2-63, 2-65, 2-67, 6-8, 6-15, 6-17, 6-19
 Screw, Hex, M8 X 1.25 X 25, Ss, 2-101, 3-23
 Screw, Hex, M8 X 1.25 X 25mm, 6-25, 6-26
 Screw, Hex, M8 X 1.25 X 30, 8.8, 2-113, 3-23, 3-43, 6-19
 Screw, Hex, M8 X 1.25 X 30, Ss, 2-25
 Screw, Hex, M8 X 1.25 X 35, 8.8, 2-57
 Screw, Hex, M8 X 1.25 X 40, 8.8, 2-97, 3-28, 6-21
 Screw, Hex, M8 X 1.25 X 40mm, 6-7
 Screw, Hex, M8 X 1.25 X 45, 8.8, 6-17
 Screw, Hex, M8 X 1.25 X 45mm, 6-17
 Screw, Hex, M8 X 1.25 X 60, 8.8, 2-102, 2-105, 3-24
 Screw, Hex, M8 X 1.25 X 70, 8.8, 2-79, 2-107
 Screw, Hex, M8 X 1.25 X 80, 8.8, 6-17
 Screw, Hex, M8 X 1.25 X 90, 8.8, 6-21
 Screw, Hex, 6-7, 6-11, 6-21, 6-23, 6-26, 7-7, 7-11, 7-21, 7-23
 Screw, Pan, #10-24 X 0.50, Fmg, 2-97, 3-28
 Screw, Pan, M 6 X 1.0 X 40, 4.8, 2-15, 2-17
 Screw, Pan, M04, 3-17
 Screw, Pan, m06, 2-29
 Screw, Pan, M5 X 0.80 X 10, 4.8, 3-61
 Screw, Pan, M6 X 1.0 X 20, 4.8, 2-33
 Screw, Pan, Phl, M6 X 1.00 X 16, 4.8, 2-67
 Screw, Set En, 4-21
 Screw, Set, 2-105, 4-11
 Screw, Soc, M10 X 1.5 X 25, 12.9, 2-39
 Screw-Hex M10X1.5 90 Full Thd, 2-97
 Screw-Hex M10X1.5, 2-97
 Screw-Set M10 X 1.50 2045H, 2-81
 Screw, 2-55, 4-37, 5-3, 5-5, 5-7, 5-9, 5-11, 5-13, 5-15, 5-17, 5-19, 5-23, 5-27, 5-29, 5-31, 5-32, 5-33, 6-3, 6-15, 7-3, 7-15
 Seal Cw, 4-51
 Seal Kit, 4-36, 4-37
 Seal [Cat 08], 7-3
 Seal Kit, C0il CP, 4-47
 Seal Kit, Cart. CP, 4-47
 Seal Kit, Cart., 4-42
 Seal Kit, Cart, 4-43
 Seal Kit, Cartridge, 4-67, 4-69, 4-70
 Seal Kit, Coil, 4-42, 4-43
 Seal Kit, Cyl, Hyd, 4-49
 Seal Kit, Hyd Mtr Gear, 4-39
 Seal Kit, Motor, 4-31, 4-33
 Seal Kit, Pane, Cab, 4-51
 Seal Kit, Pane, Door, 4-53
 Seal Kit, Pump En, 4-3, 4-5, 4-7, 4-9, 4-13, 4-15, 4-17, 4-19
 Seal Kit, Rear, 4-33
 Seal Kit, Scu, 4-41
 Seal Kit, Shaft, 4-31, 4-33
 Seal Kit, Shaker Panel, 2-33
 Seal Kit, Vlv En, 4-45
 Seal Kit,Cntrl En, 4-21
 Seal Kit,Cntrl, 4-11
 Seal Kit, 4-38, 4-48
 Seal Replmt Kit, 4-27, 4-29
 Seal, 48.0 Lg., 2-11, 2-15, 2-17
 Seal, 7.00 Lg, 2-11
 Seal, Bearing, 2-117
 Seal, Boot, Steering Column, 2-117
 Seal, Brush Comp, Side 810, 2-7, 2-9
 Seal, Brush Comp, Side, 2-2
 Seal, Brush Door, 2-7, 2-9
 Seal, Bulb, Sd-0504 19.75Lg, 2-13
 Seal, Bulb, Sd-0504 24.50Lg, 2-11
 Seal, Bulb, Sd-0504 28.00 Lg, 2-11
 Seal, Crank, Front, 6-11, 7-11
 Seal, Door, Brush, Lh, 2-7
 Seal, Door, Brush, Rh, 2-9
 Seal, Ds, 6-3
 Seal, Duct, 2-63, 2-65, 2-67
 Seal, Dust, 2-11, 2-25, 2-33
 Seal, Filter, 3-61
 Seal, Foam Rbr .19 .75W 8.43L, 3-53
 Seal, Foam Rbr .19 .75W 47.1L, 3-53
 Seal, Foam, .06t .25w 34.0l, 3-39
 Seal, Foam, .06t .25w 42.0l, 3-39
 Seal, Foam, .06t .25w 54.0l, 3-39
 Seal, Foam, .06t .25w 76.0l, 3-39
 Seal, Foam, .06t .25w 84.0l, 3-39
 Seal, Foam, Urethane Covered, 2-25
 Seal, Handle, Valve, 2-119
 Seal, Hinge, Cab Rear Glass [800]], 4-51
 Seal, O-Ring .787ldx.210Th, 3-61
 Seal, Org [Cat 08], 7-15, 7-18
 Seal, Org, 6-11, 6-13, 6-15, 6-19, 6-23, 7-11, 7-13, 7-15, 7-18, 7-21
 Seal, Pan, Top, 2-2, 2-5
 Seal, Rear Window, 4-51
 Seal, Rod, Adjuster, 2-11, 2-111
 Seal, Ure, 0.38 0.75w 19.5l Adh, 2-63, 2-65, 2-67
 Seal, Ure, 0.50th, 1.50w X 05.0l, Slit, 2-41
 Seal, Urethane Covered Foam, 2-29
 Seal, Urethane, 3-35, 3-61
 Seal,Foam Rbr, .31 .75W 14.8L, 2-11
 Seal,Foam Rbr, .62 .62W 24.5L, 2-13, 2-15, 2-17
 Seal, 2-5, 2-11, 2-13, 3-53, 3-61, 5-3, 5-7, 5-29, 6-3, 6-8, 6-12, 7-3, 7-12
 Sealing Kit, Operator Comp, 2-11
 Seat Belt Kit, 3-59
 Seat, Suspension, 2-11
 Seat, 5-11
 Send Unit, Temp Water .62Unf, 2-37
 Send-Unit, Fuel [800/810 2007], 2-57
 Send-Unit, Water, Temp, M16x1.5 113o/195, 2-39
 Send-Unit, 2-55
 Sender, Filter, Hydraulic, 2-19
 Set Screw, 2-33
 Shaft [Cat 08], 7-11
 Shaft and Brg, 4-31, 4-33
 Shaft Assy, 6-8
 Shaft Wldt, Main Brush, 2-105
 Shaft, Drive Sp En, 4-3, 4-7, 4-13, 4-17
 Shaft, Drive, 2-107
 Shaft, Eccentric, 2-33
 Shaft, Idler, 2-105, 2-107, 6-3, 7-3
 Shaft, Input En, 4-21
 Shaft, Input, 4-11
 Shaft, Motor, Hyd, 4-35
 Shaft, Pivot, 2-97, 3-27, 3-61
 Shaft, 3-53, 4-36, 4-37, 5-3, 5-15
 Shaker Bar Replacement Kit, 2-33
 Sheave, Alternator, Se, 3-51
 Sheave, Crank, Aux Drive, 3-43
 Shield, Dust, 2-5
 Shield, Plug, 2-107
 Shim .003Th 0.88Odx0.506ld, 2-113
 Shim .005Th 0.88Odx0.506ld, 2-113
 Shim .010 Thk En, 4-45
 Shim .010Th 0.88Odx0.506ld, 2-113
 Shim .015 Thk En, 4-45
 Shim .020Th 0.88Odx0.506ld, 2-113
 Shim .035 Thk En, 4-45
 Shim .060Th 0.88Odx0.506ld, 2-113
 Shim Kit, Pump, Injection [Pk], 5-19
 Shim, 4-35, 4-53, 5-15

CROSS REFERENCE

- Shims En, 4-5, 4-9, 4-15, 4-19
Shoe, Brake, 4-63, 4-65
Short Block, 5-3
Shoulder Screw, 2-33
Shroud Kit, Fan, Radiator [800/810], 2-67
Shroud Wldt, Fan, Radiator [800/810], 2-67
Shroud, Fan, Radiator, W/ Label [800], 2-63, 2-65
Signal Turn, 3-17
Skirt, Brush Door, 2-2, 2-7, 2-9
Skirt, Cooling Fan [800/810], 2-67
Skirt, Cover, Sbdc, 3-55
Skirt, Deflection, 3-55
Skirt, Deflector, 2-25
Skirt, Lip, 2-25
Skirt, Retainer, 3-55
Skirt, Seal, Main Brush, 2-2, 2-5
Skirt, Slotted, 2-2, 2-7, 2-9
Skirt, 3-55
Sleeve .438B 1.00D .35Stl, 3-23
Sleeve, .259B .38D .62 Dom, 2-95
Sleeve, .320B .32D .49 Lc Stl, 2-29
Sleeve, .344B .50D .81 Cr.Anc, 2-79
Sleeve, .375B .62D1.06 Stl, 2-73
Sleeve, .375B .75D .32 Stl, 2-101, 3-23
Sleeve, .385B .62D .62 Cd.Cad, 2-11
Sleeve, .408B .62D .53Stl, 2-81
Sleeve, .438B 1.00D .35 Stl, 2-101
Sleeve, 0.406B .750D .800Stl, 3-23
Sleeve, 0.406B 0.75D1.80 Stl, 2-101, 3-23
Sleeve, Bearing, 2-33
Sleeve, Dashpo, Pump, Hyd, Gear, 4-35
Sleeve, Hyd 30", 2-105
Sleeve, Nyl 16.0 L, 2-19
Sleeve, Nyl, #27 55.0l, 3-31
Sleeve, Nyl, #33 65.0l, 3-41
Sleeve, Nyl, 37, 25.0l, 2-73
Sleeve, Nylon #27 65.0L, 2-97
Sleeve, Nylon #27 55.0l, 3-27
Sleeve, P/M, 0.496d 0.318b 0.50l 430ss, 2-101
Sleeve, Pivot, Door, 2-27
Sleeve, 0.406B .750D .800 Stl, 2-101
Sleeve-Nyln #24 25.0L, 2-45
Sleeve, 2-47, 2-101, 3-23, 3-47, 5-11
Slider, 5-15
Solenoid [Cat 08], 7-21
Solenoid, Valve, Hyd, 36vdc, 4-67, 4-69, 4-70
Solenoid, Valve, Hyd, 4-69, 4-70
Solenoid, 2-37, 5-25
Spacer En, 4-45
Spacer Plate Cl, 4-27, 4-29
Spacer Plate, 4-37
Spacer, .25 L, 2-95
Spacer, .75D .9L .25-28 Th, 2-81
Spacer, .90L, 2-95
Spacer, 0.33B 0.50D 0.15L, Pl, 2-53
Spacer, Brake, 2-79
Spacer, Condenser, 4-57
Spacer, Pane, Glass, 4-51
Spacer-.50 Od X .055W X 1.0, 2-79
Spacer, 2-23, 2-63, 2-65, 2-67, 2-79, 2-97, 2-101, 2-113, 3-23, 3-27, 4-51, 5-9, 5-19, 5-31
Spindle, Adjustment, 2-13
Spring En, 4-45
Spring [Cat 08], 7-8
Spring En, 4-5, 4-9, 4-15, 4-19, 4-45
Spring Kit, 4-41
Spring, Cmpr, 18.3d, 2.0w, 16.5l Mw Zn, 2-41
Spring, Cntr En, 4-21
Spring, Cntr, 4-11
Spring, Comp, 2-97, 3-27
Spring, Extension, 2-97, 3-27
Spring, Gas 80 Lb, 3-37
Spring, Motor, Hyd, 4-35
Spring, Propel, Centering, 2-81
Spring, Recirculation, 2-5
Spring, Tens, 0.5Dx.06Wire 2.5L, 2-79
Spring, Tension, 2-109
Spring, Torsion, Rh, 2-97
Spring, Torsion, 3-27
Spring, Valve, 6-8
Spring, Retainer En, 4-21
Spring, Retainer, 4-11
Spring-Gas, Engine Cover, 2-29
Spring, 2-33, 4-31, 4-33, 4-35, 4-63, 4-65, 5-7, 5-9, 5-14, 5-15, 5-17, 5-29, 6-8
Sprng, Comp, 0.62l dx. 06Wire 2.3L, 2-117
Sprng, Comp, 0.83l dx. 07Wire 1.0L, 3-53
Sprng, Comp, 0.87l dx. 10Wire 2.5L, 2-111
Sprng, Tens, 0.965Odx. 09Wire 4.4L, 2-29
Sprng, Tens, 1.00Odx. 09Wire 2.8L, 2-81
Starter Motor, 5-25
Starter Motor (See Starter Motor Breakdown), 5-23
Starter, 6-12, 7-12
Steer Control Hyd#4 04.5 1300, 4-41
Steer Control, Hyd, 2-117
Stem, Valve, Hyd, 4-67, 4-69
Strain, Relief, 2-35, 3-61
Strainer, Oil, 6-15, 7-15
Strainer-Hyd Suction 25-100-03, 2-2, 2-91
Strap, Retainer, Seal, 2-2, 2-5
Strap, 2-55, 2-57
Strip, Hopper, 2-25
Strip, Retainer, Bearing, 2-105
Strip, Retainer, Brake Cable, 2-79
Strip, Retainer, Seal, Lh, 2-7
Strip, Retainer, Seal, Rh, 2-9
Strip, Retainer, Seal, Side, 2-7, 2-9
Strip, Retainer, Shield, Lh, 2-5
Strip, Retainer, Shield, Rh, 2-5
Strip, Retainer, Skirt, Front, 2-25
Strip, Retainer, Skirt, 2-2, 2-7, 2-9, 3-55
Strip, Spacer, 2-13
Stud [Cat 08], 7-19
Stud, Adjustment, 3-53
Stud, Wheel .56-18x2.13, 2-73, 2-75
Stud, 5-9, 5-13, 5-19, 5-23, 5-31, 6-7, 6-12, 6-19, 6-21, 6-23, 7-12, 7-18, 7-19, 7-21
Sump, 5-27
Support Kit, Exhaust, Modif, 2-53
Support Wldt, Sppt, Hopper Lh, 2-31
Switch Assy, Pressure, Hyd, 2-93
Switch Assy, Roller-no, 3-15
Switch Ignition, 2-119
Switch Rocker Spst, 2-101, 3-23
Switch, Press, 0006psi Dpdt, 2-37, 2-39
Switch, Pressure, 2-35, 3-61
Switch, Pushmom, Spst100A 12V, 2-117
Switch, Rocker, Dpdt., 2-109
Switch, Rocker, Dpdt, 2-119
Switch, Roller, 2-21
Switch, Temp Ac, 3-45
Switch, Wiper Motor, 4-51
Switch, 3Way Blow, 3-45, 3-49
Switch, Lockout En, 4-21
Switch, 3-17
Swivel, 3-41, 3-47

T

- Tank Wldt, Hydraulic w/label, 2-91
Tank, Coolant, 03.5 03.0 06.5deep 1.0 Qt, 2-63
Tank, Coolant, 04.7 03.3 4.7deep, 1liter, 2-65, 2-67
Tank, Coolant, 06.0 04.5 06.9deep 2.5 Qt, 2-63
Tank, Fuel, 14.0gal, 14.66w 13.0hi 19.0l, 2-57
Tank, Fuel, 2-55
Tappet, 5-9, 6-9, 7-9
Thermostat [Cat], 7-17
Thermostat Assembly, 155 Deg, 2-115
Thermostat, Coolant, 6-17
Thermostat, 5-31
Thrust Bearing, 4-27, 4-29
Tie, Cable 1.75D Max 7.50Lg, 2-35
Tie, Cable 1.75D Max 7.50Lg, 3-11, 3-13, 3-61
Tie, Cable 3.00D Max 11.41Lg, 2-117
Tie, Cable 4.00 Max 14.50Lg, 3-61
Tie, Cable, 11.3l, 2.75d Max, 2-67
Tie, Cable, 20.0l, 6.00d Max, 2-113
Tie, Cable, Nyl, 07.3l .19w 1.8 Max D, 3-63
Tie, Cable, Nyl, 11.4l .19w 3.0 Max D, 2-5
Tie, Cable, Nyl, 15.3l . W 4.5 Max D, 2-41, 3-41
Tie, Cable, 2-45, 2-55, 2-57, 3-3, 3-5, 3-7, 3-9, 3-15, 3-17
Timer, 12vdc, 5 Sec On Delay, 2-11
Timing Gear Cover, 5-11
Tire & Flap Assy, 2-77
Tire & Rim Assy, Pneu 6.50-10, 2-77
Tire and Rim Assy, Solid 6.5, 3-58
Tire, Solid, 3-58
Tread, Floor mat, Rubber, 2-11
Tread, Rubber, 3-35

Trim, 2-11
 Tube Fuel .31D 05lf/, 2-55, 2-57
 Tube Fuel .31D 05lf, 2-55
 Tube Fuel .31D, 2-55
 Tube Fuel .31D 05lf/, 2-57
 Tube Fuel .31D 05lf, 2-57
 Tube Fuel .31D, 2-57
 Tube Assy, Brake, 2-79
 Tube Assy, 5-27
 Tube Asy,Cond/Dry, 4-57
 Tube Wldt, Brace, Center, 2-13
 Tube Wldt, Exhaust 1.7D 4H Fln, 2-51
 Tube Wldt, Torque, Front Brush, 2-107
 Tube, 0.62D .44B 2.44, Stil, 2-29, 3-37
 Tube, 0.75D 0.38B 0.8L Stil Z, 2-43
 Tube, Coolant 1.5D W/.25Npt, 2-59
 Tube, Coolant 1.5D, 2-59
 Tube, Cooling, Oil, 6-3
 Tube, Cross, Bumper, Se, 3-21
 Tube, Ds, 6-3
 Tube, Exhaust [800d], 2-53
 Tube, Exhaust, 1.7D 1.87D 1.78, 2-51
 Tube, Exhaust, 2-51
 Tube, Extension, 2-51
 Tube, Inner, 2-77
 Tube, Radiator, Lower [800], 2-61
 Tube, Radiator, Upper [800ds], 2-61
 Tube, Retainer, Spring, 2-109
 Tube, Spacer, Brush Lift, 2-109
 Tube, 6-13, 7-13

V

V-Belt, Hc38X 45.12, 2-43
 Valve - Hyd., Solenoid, 4-42
 Valve -3Way, 3-41, 3-47
 Valve Assy, Heater, 3-41, 3-47
 Valve Plate, 4-5, 4-9, 4-15, 4-19, 4-31, 4-33
 Valve Spool, 4-11
 Valve Stem N.O. CP, 4-47
 Valve Stem 4W2P CP, 4-47
 Valve Stem 4W2P, 4-43
 Valve Stem, N.D., 4-42
 Valve, Cartridge, Check, 4-69, 4-70
 Valve, Cartridge, Flow Reg, 4-69
 Valve, Cartridge, Relief, 4-69
 Valve, Cntrl, Hyd, Solenoid, 12vdc 06gpm (See Breakdowns), 2-101, 3-23
 Valve, Cntrl, Hyd, Solenoid, 12vdc 06gpm, 4-70
 Valve, Cntrl, Hyd, Solenoid, 12vdc 08gpm (See Breakdowns), 2-93
 Valve, Cntrl, Hyd, Solenoid, 12vdc 08gpm, 4-69
 Valve, Cntrl, Hyd, Solenoid, 12vdc 12gpm (See Breakdowns), 2-115, 3-27
 Valve, Cntrl, Hyd, Solenoid, 12vdc 12gpm, 4-67
 Valve, Drive, Motor, Hyd, 4-35
 Valve, Exhaust, 6-8, 7-8
 Valve, Expansion, 4-59
 Valve, Guide [Cat 08], 7-7

Valve, Heater, H, Manual .62H, 3-41
 Valve, Heater, H, Manual .62H, 3-47
 Valve, Hyd Control Man (See Breakdowns), 2-95
 Valve, Hyd Control Man, 4-45
 Valve, Hyd Control Solenoid, 4-43
 Valve, Hyd Solenoid (See Breakdowns), 2-101
 Valve, Hyd, Solenoid (See Breakdowns), 3-23
 Valve, Inlet, 6-8, 7-8
 Valve, Press, Oil [Cat 08], 7-15
 Valve, Relief, Press, Eng Oil, 6-15
 Valve, Relief, 6-15, 7-15
 Valve, Seal, Stem [Cat 08], 7-7, 7-8
 Valve, Seat [Cat 08], 7-7
 Valve, Shutoff, 6-25, 7-22
 Valve-Hyd, Cntl Solenoid, 4-47
 Valve-Hyd, Solenoid (See Breakdowns), 2-93, 2-115, 3-27
 Valve, 4-31, 4-33, 4-35, 5-17
 Video, Oprtr, Vhs, Ntsc [810], 3-65
 Vlv Spool Wide En, 4-21

W

Wand Kit, Vac, 3-53
 Wand, 3-53
 Washer Flat,0.50,Sae, 2-53
 Washer [Cat 08], 7-11, 7-15, 7-21
 Washer En, 4-3, 4-5, 4-7, 4-9, 4-13, 4-15, 4-17, 4-19, 4-45
 Washer Flt .31 Hard, 2-55, 2-57
 Washer, .310B .88D .12Rbr, 3-27
 Washer, .344B .69D .06Nylon, 3-61
 Washer, .344B .69D .06Nylon, 2-13
 Washer, .516B .90D .07Cr., 2-81
 Washer, .531B 1.75D .12Cr.Znc, 2-105
 Washer, .531B 1.88D .12Hard Zn, 2-11
 Washer, .532B 2.13D .11Hr.Znc, 2-37
 Washer, 1.015B 1.75D .11Hrs, 2-27
 Washer, 1.300B 3.000, 2-97, 3-27
 Washer, 7.2mm X 14.5mm X 2mm, 6-23
 Washer, 8.8mm X 16mm X 2mm, 6-7
 Washer, Belleville, .25, 2-97, 2-107, 3-27
 Washer, Belleville, .31, 2-29, 2-63, 2-65, 2-67, 2-71
 Washer, Belleville, .50, 2-105
 Washer, Fender, 2-47
 Washer, Flat m10, 2-101, 3-23
 Washer, Flat, #10, 2-25, 2-29, 2-41, 2-49, 2-57, 2-65, 2-67, 2-93, 2-101, 2-119, 2-120, 3-23
 Washer, Flat, 0.25 Sae, 2-49, 2-105, 2-120
 Washer, Flat, 0.25 Std, 2-39, 2-41, 2-63, 2-81, 3-41, 3-47
 Washer, Flat, 0.25, Sae, 2-7, 2-9, 2-113
 Washer, Flat, 0.25, Std, 2-17, 2-67, 3-43
 Washer, Flat, 0.28b 1.38d .12, Hrs Pl, 2-95
 Washer, Flat, 0.31 Fender, 3-33
 Washer, Flat, 0.31 Sae, 6-8, 6-9, 6-11,

6-13, 6-15, 6-17, 6-19, 6-21, 6-23, 6-25, 6-26
 Washer, Flat, 0.31 Ss, 2-107, 3-37
 Washer, Flat, 0.31 Std, 2-29, 2-39, 2-41, 2-49, 2-53, 2-63, 2-65, 2-67, 2-79, 2-101, 2-113, 3-23, 3-43, 6-7
 Washer, Flat, 0.31, Sae, 2-25
 Washer, Flat, 0.31, Std, 2-17, 3-43
 Washer, Flat, 0.321b 1.00d .12, Ss, 2-81
 Washer, Flat, 0.38 Sae, 2-81, 2-98, 3-28
 Washer, Flat, 0.38 Std, 2-21, 2-23, 2-33, 2-39, 2-63, 2-65, 2-67, 2-71, 2-98, 3-28, 3-41, 3-43, 3-47, 6-11, 6-12, 6-15, 6-23
 Washer, Flat, 0.38, Sae, 3-43
 Washer, Flat, 0.38, Std, 2-7, 2-9, 2-113
 Washer, Flat, 0.38b 0.88d .08, Ss, 2-25
 Washer, Flat, 0.39b 0.75d .06, Nyl, 2-41
 Washer, Flat, 0.40b 1.12d .12, Stil, Pl, 2-115
 Washer, Flat, 0.44, Std, 2-7, 2-9
 Washer, Flat, 0.44b 1.00 .08, Ss, 2-33
 Washer, Flat, 0.44b 2.00d .12, Stil, Pl, 2-63, 2-65, 2-67
 Washer, Flat, 0.50 Sae, 2-39, 2-57, 2-71, 2-83, 2-105
 Washer, Flat, 0.50 Std, 2-39, 2-57, 3-43
 Washer, Flat, 0.50, Sae, 2-73
 Washer, Flat, 0.50, Std, 2-15, 2-17, 3-43
 Washer, Flat, 0.53b 2.13d .11, Stil, Pl, 2-39
 Washer, Flat, 0.56b 1.38d .11, Ss, 2-13
 Washer, Flat, 0.62, Sae, 2-111
 Washer, Flat, 0.75, Sae, 2-73
 Washer, Flat, 08, 3-15
 Washer, Flat, 1.02b 1.75d .12, Stil, 2-75
 Washer, Flat, Belleville, .25, 2-7, 2-9, 2-17
 Washer, Flat, 2-101, 3-23, 3-27
 Washer, Hard [Cat 08], 7-7, 7-9, 7-11, 7-12, 7-15, 7-17, 7-18, 7-19, 7-21, 7-23
 Washer, Lock [Cat 08], 7-11, 7-13, 7-15, 7-18, 7-19, 7-21, 7-22, 7-23
 Washer, Lock, Int, 0.25, 2-53
 Washer, Lock, Int, 0.31 Ss, 3-37
 Washer, Lock, Int, 0.31, 2-19, 2-63, 2-65, 2-115
 Washer, Lock, Int, 08 Ss, 3-61
 Washer, Lock, Int-Ext, .38, 2-39
 Washer, Lock, Int-Ext, 0.31, 3-43
 Washer, Rbr, .12 0.31b 0.88d, 2-63, 2-101, 3-23
 Washer,Lock Special, 2-73
 Washer-Belleville .31 Pltd, 3-23
 Washer-Belleville .50 Pltd, 2-97
 Washer-Belleville .50 Pltd, 3-27
 Washer-Flt .25 Fender Rltd., 2-11
 Washer-Flt .25 Fender, 3-35
 Washer-Loc Int-Ext .31 Pltd, 3-33
 Washer-Loc Int-Ext .25 Pltd, 2-51, 3-17
 Washer-Loc Int-Ext .38 Pltd, 2-43
 Washer-Loc Int-Ext 10 Pltd, 3-17

CROSS REFERENCE

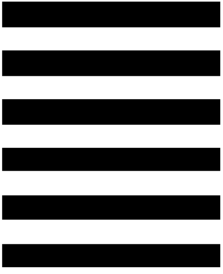
Washer, 2-35, 2-37, 2-73, 2-97, 2-119,
4-3, 4-7, 4-13, 4-17, 4-23, 4-25,
5-5, 5-11, 5-15, 5-19, 5-29, 5-34,
5-35, 6-26, 7-21, 7-23
Water Pump, 5-31
Weight, Die, 2-5
Weight, 5-15
Wheel, Steering, 2-117
Wire Ass'y-Elect.,Ground, 2-37, 2-39
Wire, 10ga 16.0l Blk .25ring /.38ring, 3-43
Wire, 42.0 Lg, 2Ga, Neg, 2-69
Wire, Dome Light, 4-51
Wire, Ground, 3-51
Wire, Lead, 2-13
Wire-Ground, Alternator, 2-43
Woodruff Key, 5-11, 5-15



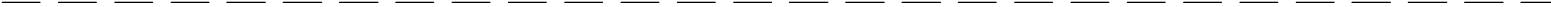
TENNANT COMPANY
 Technical Publications #15
 701 North Lilac Drive
 P.O. Box 1452
 Minneapolis, MN 55440-9947

POSTAGE WILL BE PAID BY ADDRESSEE

BUSINESS REPLY MAIL
 FIRST CLASS MAIL PERMIT NO. 94 MINNEAPOLIS, MN



NO POSTAGE
 NECESSARY
 IF MAILED
 IN THE
 UNITED STATES



Fold along dotted lines

Tape here

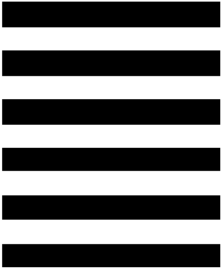




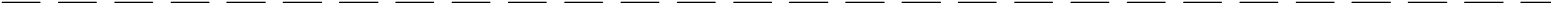
TENNANT COMPANY
 Technical Publications #15
 701 North Lilac Drive
 P.O. Box 1452
 Minneapolis, MN 55440-9947

POSTAGE WILL BE PAID BY ADDRESSEE

BUSINESS REPLY MAIL
 FIRST CLASS MAIL PERMIT NO. 94 MINNEAPOLIS, MN



NO POSTAGE
 NECESSARY
 IF MAILED
 IN THE
 UNITED STATES



Fold along dotted lines

Tape here

