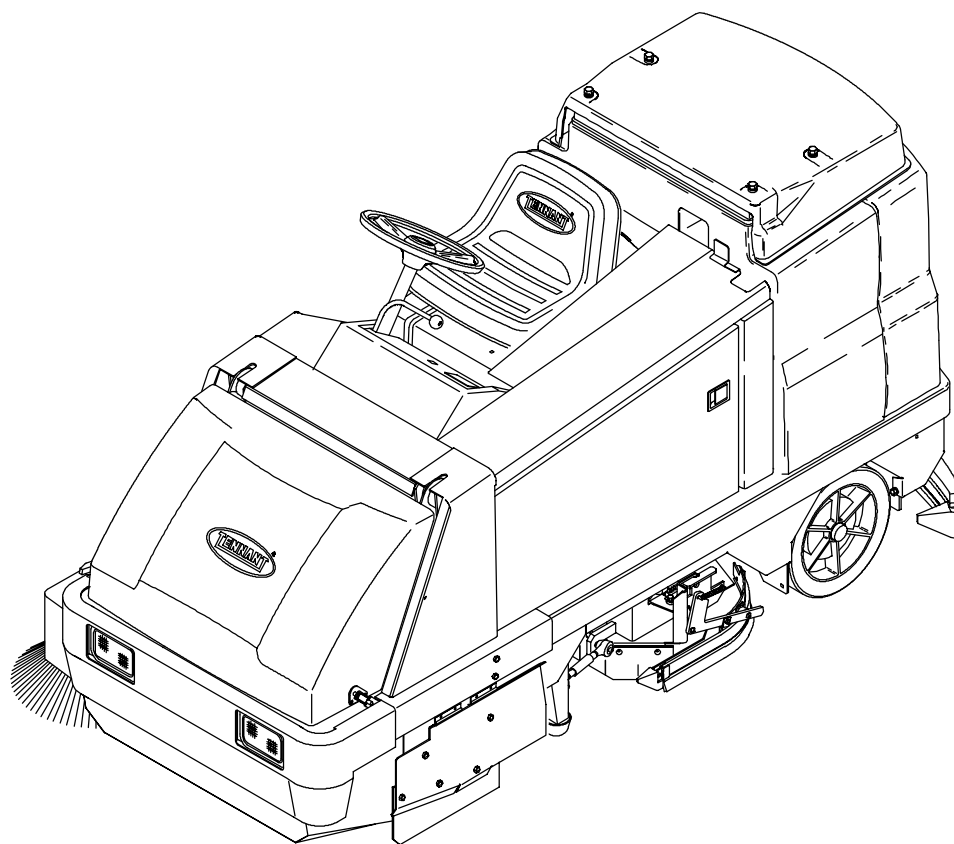




8010

Operator Manual



330100
Rev.04





This manual is furnished with each new TENNANT Model 8010. It provides necessary operating and preventive maintenance instructions. Read this manual completely and understand the machine before operating or servicing it.

This machine will provide excellent service. However, the best results will be obtained at minimum costs if:

- The machine is operated with reasonable care.
- The machine is maintained regularly - per the maintenance instructions provided.
- The machine is maintained with TENNANT supplied or equivalent parts.

Manual Number - 330100

Revision: 04

Published: 6-00

CONTENTS

	Page		Page
SAFETY PRECAUTIONS	3	STOP SCRUBBING	42
OPERATION	5	DRAINING AND CLEANING	
OPERATOR RESPONSIBILITY	5	THE TANKS	43
MACHINE COMPONENTS	6	STOP THE MACHINE	46
SYMBOL DEFINITIONS	7	POST-OPERATION CHECKLIST	47
CONTROLS AND INSTRUMENTS	9	OPERATION ON INCLINES	48
DIRECTIONAL PEDAL	10	OPTIONS	49
BRAKE PEDAL	11	VACUUM WAND	49
STEERING WHEEL	11	POWER WAND	53
SOLUTION FLOW LEVER	11	MACHINE TROUBLESHOOTING	58
BATTERY DISCHARGE INDICATOR ..	12	MAINTENANCE	60
HOURMETER	12	MAINTENANCE CHART	60
CONTROL PANEL MESSAGE		LUBRICATION	62
DISPLAY	13	PROPELLING GEARBOX	62
CHANGING MESSAGE DISPLAY		FRONT WHEEL SUPPORT	
LANGUAGE	14	BEARING	62
RECOVERY TANK FULL INDICATOR ..	14	STEERING UNIVERSAL JOINT	62
ES™ SWITCH (OPTION)	15	SCRUB HEAD PARALLEL ARMS	63
EDGE SCRUB SWITCH	15	REAR SQUEEGEE CASTER	64
REAR SQUEEGEE SWITCH	15	HOPPER LIFT ARMS	64
SCRUB SWITCH	16	STEERING GEAR CHAINS	64
ON-OFF KEY SWITCH	17	HYDRAULICS	65
HORN BUTTON	17	HYDRAULIC FLUID RESERVOIR	65
SWEEPING SWITCH	17	HYDRAULIC FLUID	65
SIDE BRUSH(ES) SWITCH	17	HYDRAULIC HOSES	66
HOPPER LIFT SWITCH	18	BATTERIES	67
HOPPER DOOR SWITCH	18	CHARGING THE BATTERIES	68
SWEEPING VACUUM FAN AND		CONTROL PANEL	70
FILTER SHAKER SWITCH	18	ELECTRIC MOTORS	71
OPERATING LIGHTS SWITCH	19	PROPELLING CIRCUIT	71
PARKING BRAKE	19	SCRUB HEAD	71
POWER WAND SWITCH (OPTION) ..	20	SCRUB HEAD FLOOR SKIRTS	72
SIDE BRUSH ADJUSTMENT KNOB ...	20	SCRUB HEAD GAS SPRING	72
CIRCUIT BREAKERS	21	SCRUB HEAD ADJUSTMENTS	72
FUSES	22	SCRUB BRUSHES	72
SOLUTION TANK DRAIN HOSE	22	REPLACING THE SCRUB	
RECOVERY TANK DRAIN HOSE	22	BRUSHES	73
POSITIVE SOLUTION CONTROL		SOLUTION SYSTEM	74
DRAIN (OPTION)	23	SOLUTION VALVE	74
OPERATOR SEAT	23	RECOVERY TANK	74
HOPPER SUPPORT BAR	23	SOLUTION TANK	75
HOW THE MACHINE WORKS	24	SQUEEGEES	76
PRE-OPERATION CHECKLIST	25	REAR SQUEEGEE	76
STARTING THE MACHINE	26	LEVELING THE REAR	
FILLING THE TANKS	27	SQUEEGEE	76
SWEEPING, SCRUBBING, AND		ADJUSTING REAR SQUEEGEE	
BRUSH INFORMATION	29	BLADE DEFLECTION	77
SWEEPING	31	SIDE SQUEEGEE ADJUSTMENT	78
STOP SWEEPING	32	SQUEEGEE BLADES	78
EMPTYING THE HOPPER	33	REAR SQUEEGEE BLADES	78
ENGAGING HOPPER SUPPORT BAR ...	35	REPLACING OR ROTATING THE	
DISENGAGING HOPPER SUPPORT		REAR SQUEEGEE BLADES	79
BAR	37	SIDE SQUEEGEES BLADES	80
SCRUBBING	38	REPLACING SIDE SQUEEGEE	
DOUBLE SCRUBBING	40	BLADES	80
LOCKING UP SIDE SQUEEGEES	40		
UNLOCKING SIDE SQUEEGEES	41		

CONTENTS

	Page		Page
SWEEPING ASSEMBLY	81	SPECIFICATIONS	98
DUST FILTER	81	GENERAL MACHINE	
REMOVING THE DUST FILTER	82	DIMENSIONS/CAPACITIES	98
THERMO SENTRY™	82	GENERAL MACHINE PERFORMANCE ..	98
MAIN SWEEPING BRUSH	83	POWER TYPE	99
REPLACING THE MAIN SWEEPING		STEERING	99
BRUSH (For machines serial number		BRAKING SYSTEM	99
000128 and below.)	83	TIRES	99
REPLACING THE MAIN SWEEPING		MACHINE DIMENSIONS	100
BRUSH (For machines serial number		INDEX	101
000129 and above.)	84		
CHECKING AND ADJUSTING THE			
MAIN SWEEPING BRUSH			
PATTERN (For machines serial			
number 000128 and below.) ..	84		
CHECKING AND ADJUSTING THE			
MAIN SWEEPING BRUSH			
PATTERN (For machines serial			
number 000129 and above.) ..	85		
SIDE SWEEPING BRUSH	87		
REPLACING AND ADJUSTING THE			
SIDE SWEEPING BRUSH(ES) ..	87		
SWEEPING BRUSH SIDE SKIRTS	88		
SWEEPING REAR SKIRT	88		
RECIRCULATION FLAP	88		
DEBRIS HOPPER SLIT SKIRT	88		
HOPPER SEALS	89		
HOPPER VACUUM FAN SEAL	89		
BELTS AND CHAINS	90		
SWEEPING MAIN BRUSH			
DRIVE BELT	90		
SWEEPING VACUUM FAN BELT	90		
STEERING GEAR CHAIN	90		
STATIC DRAG CHAIN	91		
BRAKES AND TIRES	92		
BRAKES	92		
TIRES	92		
FRONT WHEEL	92		
PUSHING, TOWING, AND			
TRANSPORTING THE MACHINE	93		
PUSHING OR TOWING			
THE MACHINE	93		
TRANSPORTING THE MACHINE	94		
MACHINE JACKING	96		
STORAGE INFORMATION	97		

SAFETY PRECAUTIONS

The following symbols are used throughout this manual as indicated in their description:



WARNING: To warn of hazards or unsafe practices that could result in severe personal injury or death.

FOR SAFETY: To identify actions that must be followed for safe operation of equipment.

The following information signals potentially dangerous conditions to the operator or equipment. Read this manual carefully. Know when these conditions can exist. Locate all safety devices on the machine. Then, take necessary steps to train machine operating personnel. Report machine damage or faulty operation immediately. Do not use the machine if it is not in proper operating condition.

FOR SAFETY:

1. **Do not operate machine:**
 - Unless trained and authorized.
 - Unless operation manual is read and understood.
 - In flammable or explosive areas unless designed for use in those areas.
 - In areas with possible falling objects unless equipped with overhead guard.
2. **Before starting machine:**
 - Make sure all safety devices are in place and operate properly.
 - Check brakes and steering for proper operation.
3. **When starting machine:**
 - Keep foot on brake and directional pedal in neutral.
4. **When using machine:**
 - Use brakes to stop machine.
 - Go slow on inclines and slippery surfaces.
 - Use care when backing machine.
 - Do not carry riders on machine.
 - Always follow safety and traffic rules.
 - Report machine damage or faulty operation immediately.
 - Follow mixing and handling instructions on chemical containers.

5. **Before leaving or servicing machine:**
 - Stop on level surface.
 - Set parking brake.
 - Turn off machine and remove key.
6. **When servicing machine:**
 - Avoid moving parts. Do not wear loose jackets, shirts, or sleeves when working on machine.
 - Block machine tires before jacking machine up.
 - Jack machine up at designated locations only. Block machine up with jack stands.
 - Use hoist or jack of adequate capacity to lift machine.
 - Wear eye and ear protection when using pressurized air or water.
 - Disconnect battery connections before working on machine.
 - Avoid contact with battery acid.
 - Use Tennant supplied or equivalent replacement parts.
7. **When loading/unloading machine onto/off truck or trailer:**
 - Turn off machine.
 - Use winch. Do not drive the machine onto/off the truck or trailer unless the load height is 380 mm (15 in) or less from the ground.
 - Set parking brake after machine is loaded.
 - Block machine tires.
 - Tie machine down to truck or trailer.



WARNING: Batteries emit hydrogen gas. Explosion or fire can result. Keep sparks and open flame away. Keep covers open when charging.



WARNING: Flammable materials can cause an explosion or fire. Do not use flammable materials in tank(s).



WARNING: Flammable materials or reactive metals can cause an explosion or fire. Do not pickup.



WARNING: Moving belt and fan. Keep away.



WARNING: Raised hopper may fall. Engage hopper support bar.

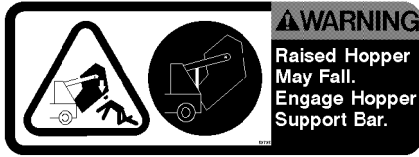


WARNING: Lift arm pinch point. Stay clear of hopper lift arms.

SAFETY PRECAUTIONS

The safety labels appear on the machine in the locations indicated. If these or any label becomes damaged or illegible, install a new label in its place.

RAISED HOPPER LABEL - LOCATED ON THE HOPPER COVER.



MOVING BELT & FAN LABEL - LOCATED ON THE HOPPER COVER.



HOPPER LIFT ARM LABEL - LOCATED ON THE HOPPER COVER.



FLAMMABLE SPILLS LABEL - LOCATED ON THE TOP COVER.



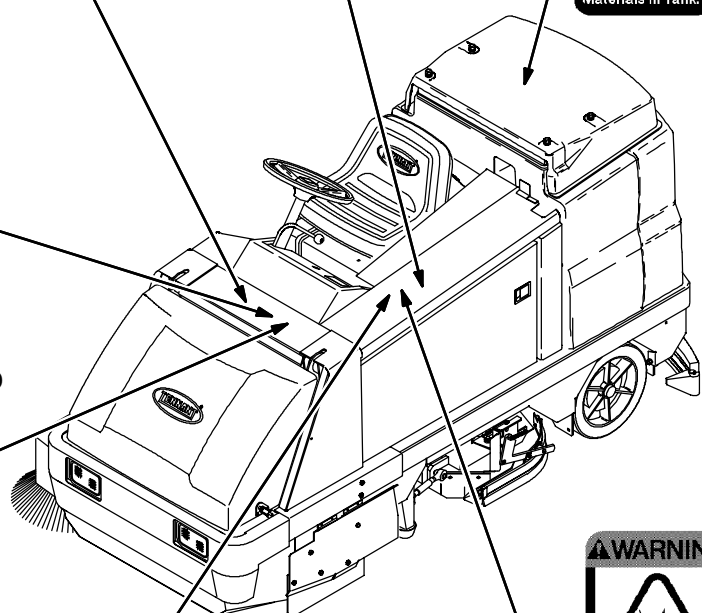
CLEANING SOLUTION LABEL - LOCATED ON THE TANKS COVER.



FOR SAFETY LABEL - LOCATED ON THE TOP COVER.



BATTERY CHARGING LABEL - LOCATED ON THE TOP COVER.



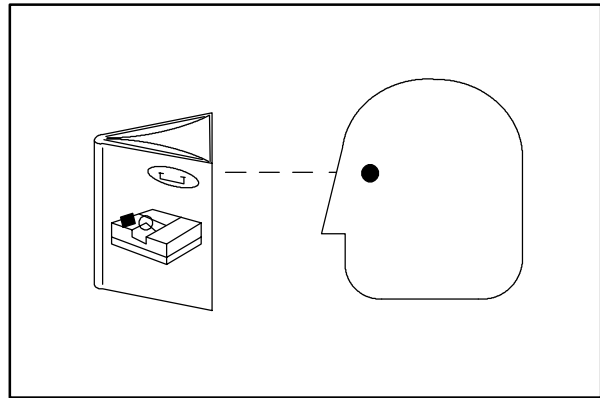
OPERATION

OPERATOR RESPONSIBILITY

- The operator's responsibility is to take care of the daily maintenance and checkups of the machine to keep it in good working condition. The operator must inform the service mechanic or supervisor when the maintenance intervals are required as stated in the *MAINTENANCE* section of this manual.
- Read this manual carefully before operating this machine.

FOR SAFETY: Do not operate machine, unless operation manual is read and understood.

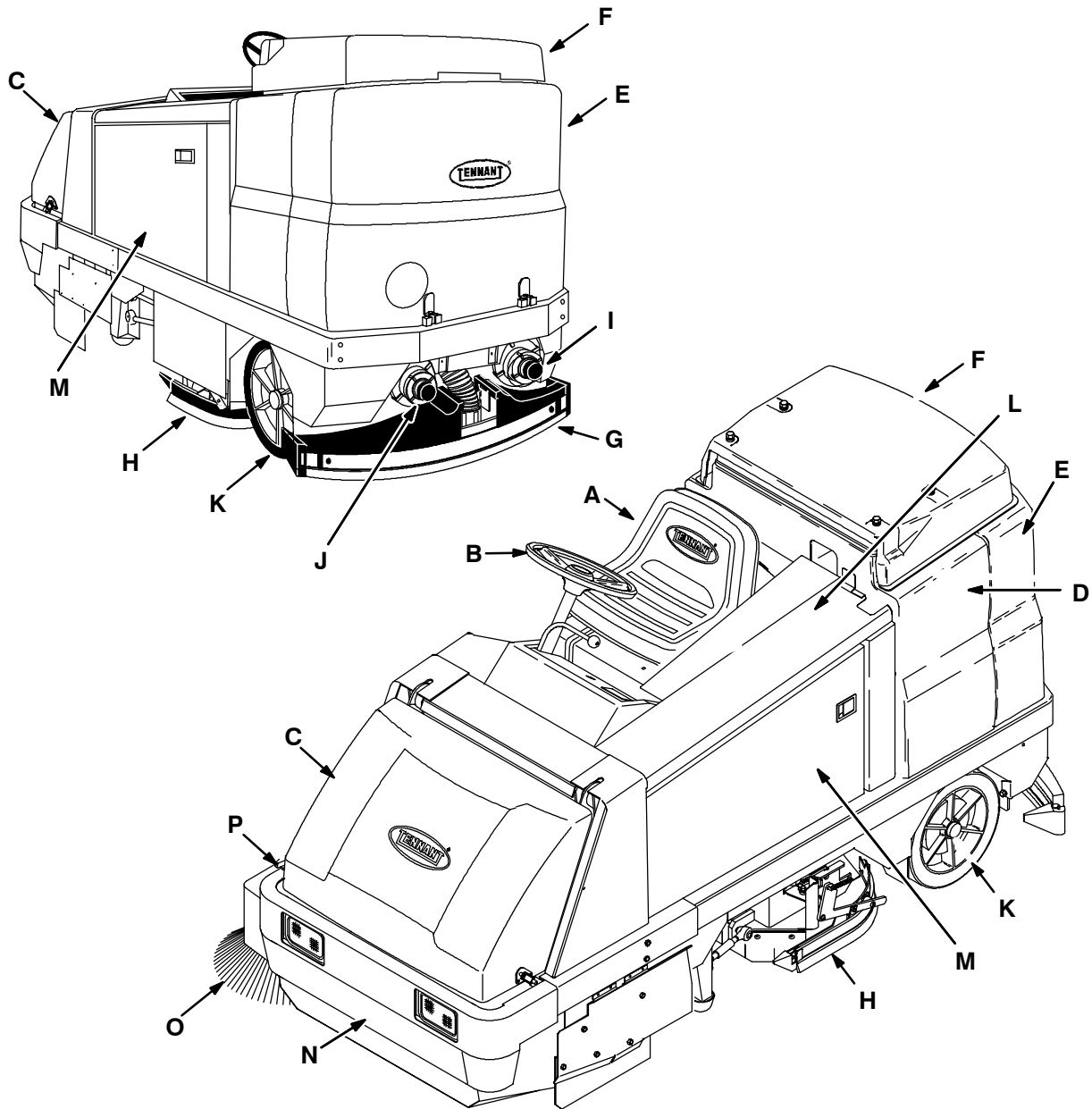
- Check the machine for shipping damage. Check to make sure the machine is complete per shipping instructions.
- Keep your machine regularly maintained by following the maintenance information in this manual. We recommend taking advantage of a regularly scheduled service contract from your Tennant representative.
- Order parts and supplies directly from your authorized Tennant representative. Use the parts manual provided when ordering parts.
- After the first 50 hours of operation, follow the recommended procedures stated in the *MAINTENANCE CHART*.



07324

OPERATION

MACHINE COMPONENTS

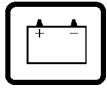


351015-351016

- A. Operator seat
- B. Steering wheel
- C. Hopper cover
- D. Recovery tank
- E. Solution tank
- F. Tank cover
- G. Rear squeegee
- H. Side squeegee
- I. Solution tank drain
- J. Recovery tank drain
- K. Rear wheel
- L. Top cover
- M. Side access door
- N. Hopper
- O. Side brush
- P. Side brush adjustment knob

SYMBOL DEFINITIONS

These symbols identify controls, displays, and features on the machine:



Battery charging system



Hour meter



Recovery tank full



ES™



Scrub brush edge clean



Squeegee down



Brush down pressure



Scrub brush down and on



Horn



Key switch



Sweep brushes on



Side brush(es) on



Hopper up



Hopper down



Hopper door open



Hopper door open closed



Headlights



Vacuum fan



Filter shaker



Solution flow



Circuit breaker #1



Circuit breaker #2



Circuit breaker #3



Circuit breaker #4



Circuit breaker #5



Circuit breaker #6

OPERATION



Circuit breaker #7



Circuit breaker #8



Circuit breaker #9



Circuit breaker #10



Circuit breaker #11



Circuit breaker #12



Circuit breaker #13



Circuit breaker #14



Circuit breaker #15



Circuit breaker #16



Circuit breaker #17



Circuit breaker #18

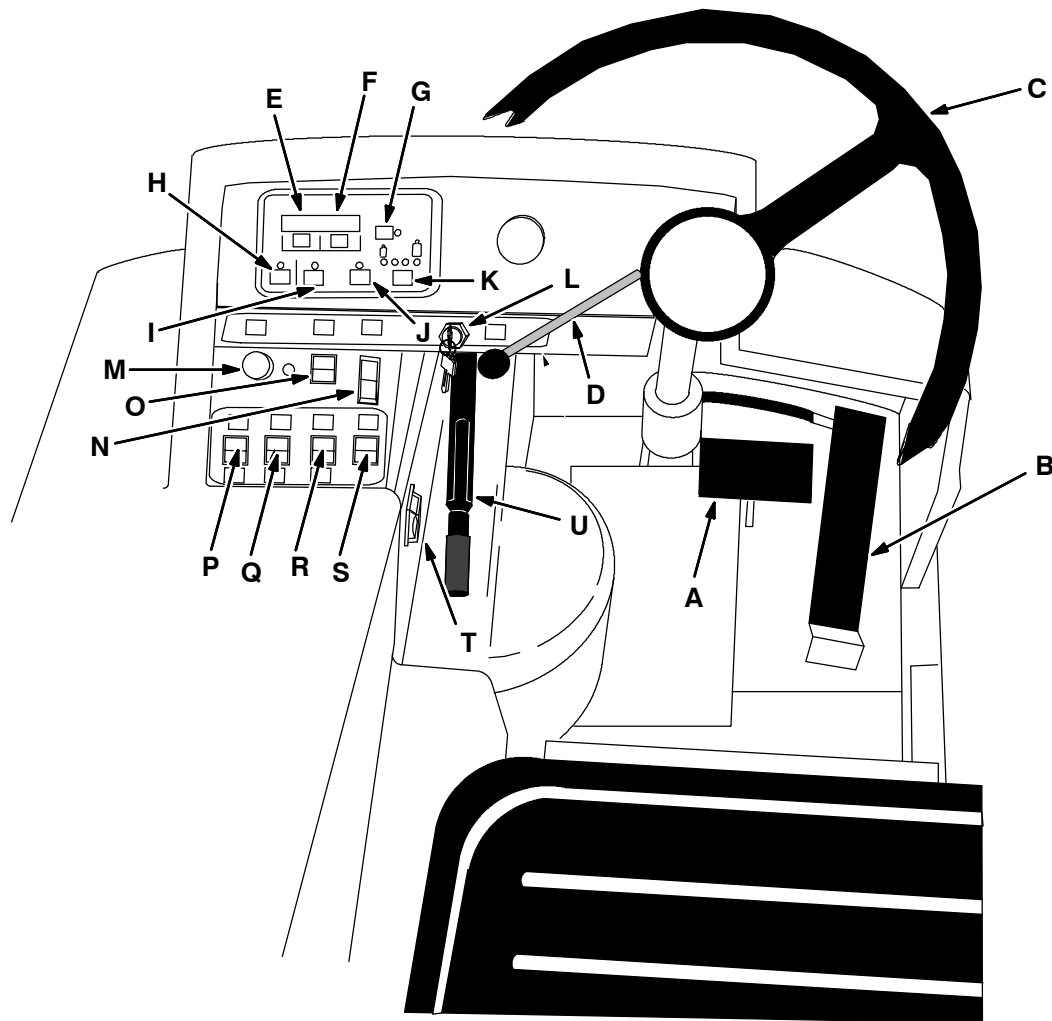


Circuit breaker #19



Jack-point

CONTROLS AND INSTRUMENTS



- A. Brake pedal
- B. Directional pedal
- C. Steering wheel
- D. Solution flow lever
- E. Battery discharge indicator
- F. Hour meter
- G. Recovery tank full indicator
- H. ES™ switch (option)
- I. Edge scrub switch
- J. Rear squeegee switch
- K. Scrub switch
- L. On-off key switch
- M. Horn button
- N. Sweeping switch
- O. Side brush(es) switch
- P. Hopper lift switch
- Q. Sweeping vacuum fan/filter shaker switch
- R. Hopper door switch
- S. Operating lights switch
- T. Power wand switch (option)
- U. Parking brake

351014

OPERATION

DIRECTIONAL PEDAL

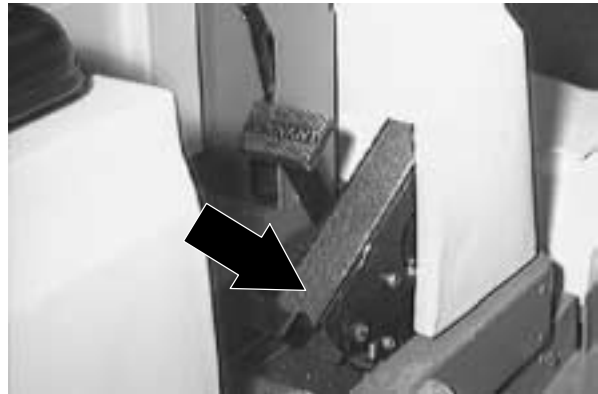
The directional pedal controls direction of travel and the propelling speed of the machine. You change the speed of the machine with the pressure of your foot; the harder you press the faster the machine travels.

The machine will coast for a short distance before changing direction when it is moving, and the direction is reversed with the directional pedal. Use the brake pedal to stop the machine.

Forward: Press the top of the directional pedal with the toe of your foot.



Reverse: Press the bottom of the directional pedal with the heel of your foot.



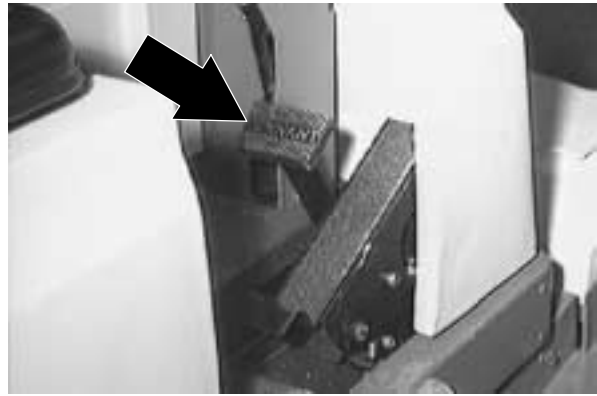
Neutral: Take your foot off the directional pedal and it will return to the neutral position.



BRAKE PEDAL

The brake pedal stops the machine.

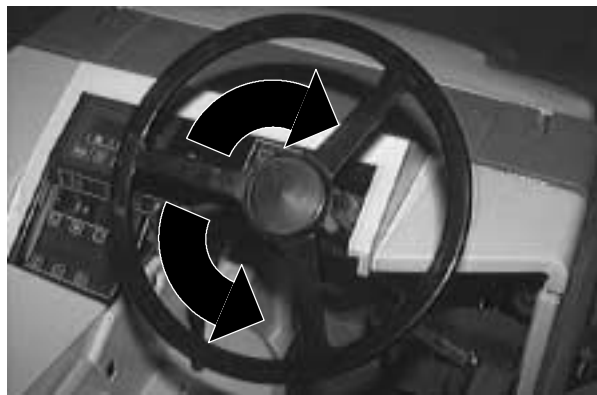
Stop: Take your foot off the directional pedal and let it return to the neutral position. Step on the brake pedal.

**STEERING WHEEL**

The steering wheel controls the machine's direction. The machine is very responsive to the steering wheel movements.

Left: Turn the steering wheel to the left.

Right: Turn the steering wheel to the right.

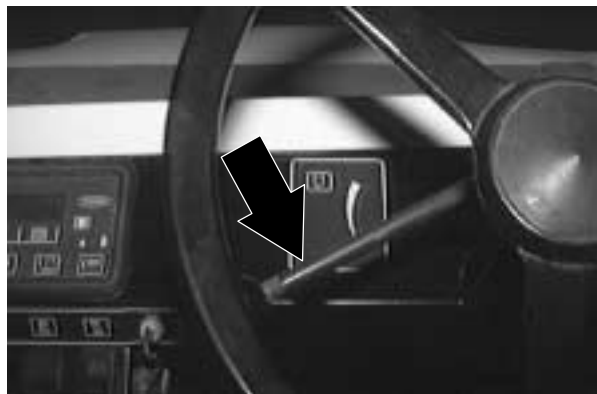
**SOLUTION FLOW LEVER**

The solution lever controls the amount of solution flow to the floor.

Increase: Move the lever up.

Decrease: Move the lever down.

Stop: Move the lever all the way down.



OPERATION

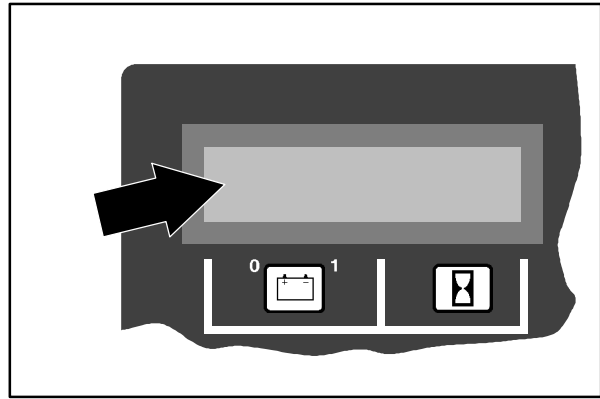
BATTERY DISCHARGE INDICATOR

The battery discharge indicator shows the charge level of the batteries with a segmented display.

When the batteries are fully charged, all the segments are lit. As the batteries discharge, the segments shut off.

The batteries should be recharged when all the segments have shut off. At this point, the scrubbing functions will automatically shut off to alert the operator of the battery condition. The squeegee and vacuum can be operated, with the rear squeegee switch, for an additional 30 seconds to pick up any excess water.

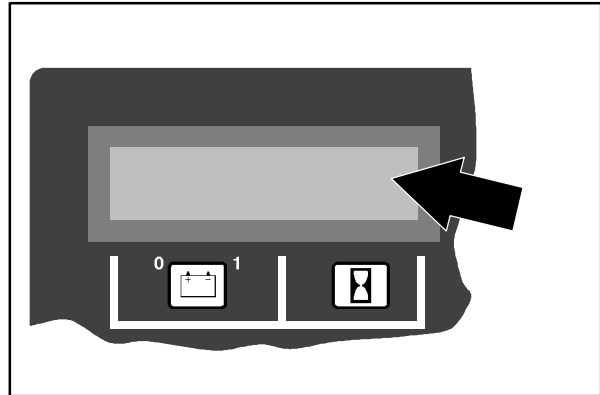
NOTE: Do not charge the batteries more often than necessary to prolong the life of the batteries. Do not charge the batteries with a "top off" charge if there is enough remaining charge in the batteries for the next machine use. Discharge the batteries to a 20% level, when the battery discharge indicator segments shut off, before fully charging the batteries. Do not allow the batteries to become completely discharged as this will also damage the batteries. See BATTERIES in the MAINTENANCE section.



10658

HOURLMETER

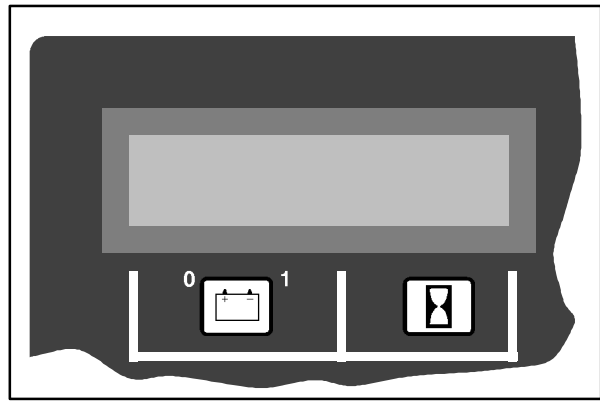
The hourmeter records the number of hours the machine has been operating. This information is useful when maintaining the machine.



10659

CONTROL PANEL MESSAGE DISPLAY

The hour meter and battery discharge indicator display also logs and displays messages to the operator. When a scheduled maintenance interval has passed, the control panel will internally log the event and display a message the next time the machine is powered on. See the chart below for the normal operating messages. If any messages appear other than those listed in the chart, contact your service personnel.



10660

Message	Description
Tanks Full	The auto-fill has turned off. The tanks are filled to the proper level.
Rec. Tank Full	Recovery tank is full.
XX hour check	Check the Maintenance Chart for the scheduled maintenance at the number of hours stated in the message.
XX hour lube	Check the Maintenance Chart for the scheduled maintenance at the number of hours stated in the message.
Breaker CB3	Brush circuit breaker has tripped for the right brush motor. The circuit breaker must be reset before resuming scrubbing.
Breaker CB4	Brush circuit breaker has tripped for the left brush motor. The circuit breaker must be reset before resuming scrubbing.
Breaker CB5	Brush circuit breaker has tripped for the center brush motor (MaxPro™ 1200 option). The circuit breaker must be reset before resuming scrubbing.

To remove the message from the hour meter and battery discharge indicator display, turn the machine power off and then back on again.

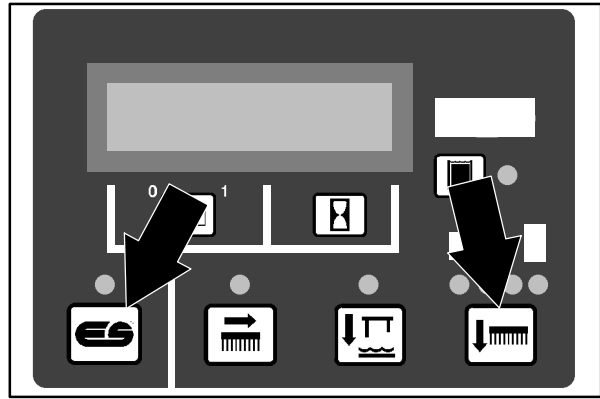
The message display language can be changed. The available languages are:

- | | |
|---------|------------|
| English | Swedish |
| Dutch | Danish |
| Italian | Norwegian |
| Spanish | Finnish |
| French | Portuguese |
| German | Japanese |

OPERATION

CHANGING MESSAGE DISPLAY LANGUAGE

1. With the machine powered off, press and hold the scrub and edge scrub switches.



10734

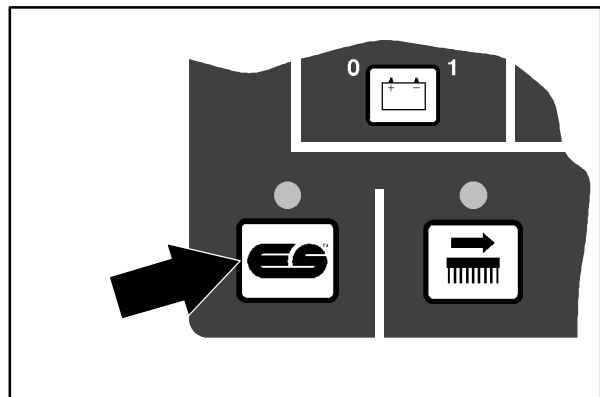
2. Turn the machine power on.

FOR SAFETY: When starting machine, keep foot on brake and directional pedal in neutral.

3. Continue pressing the scrub and edge scrub switches for 5 more seconds.
4. Release the scrub and edge scrub switches.



5. Press the ES™ switch to scroll through the list of languages until the desired language is displayed.
6. Turn the machine power off, and the new language will be stored in the control panel.



10662

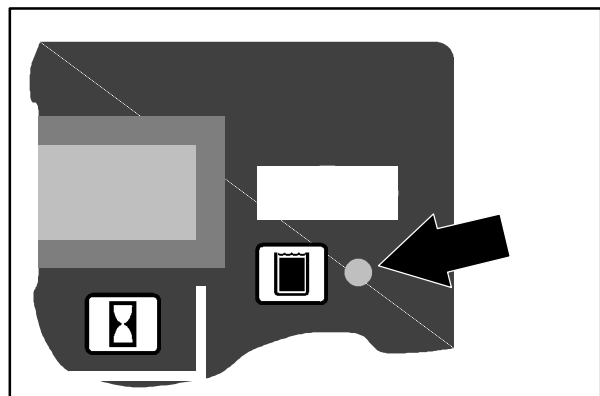
RECOVERY TANK FULL INDICATOR

The recovery tank full indicator comes on when the recovery tank is full.

If the recovery tank full indicator stays on for more than 7 seconds, the "Rec. Tank Full" message will appear in the hourmeter display. The scrub brushes and vacuum will shut off, and the rear squeegee will raise.

To pick up excess water after the vacuum has shut off and the rear squeegee has raised, press and hold the rear squeegee switch.

Note: Do not overfill the recovery tank. Overfilling the recovery tank may damage the vacuum fans.



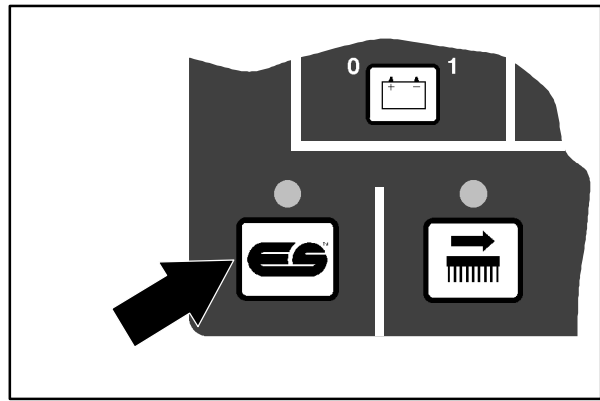
10661

ES™ SWITCH (OPTION)

The ES™ switch turns on and off the solution recycling system.

On: Press the switch. The indicator will light.

Off: Press the switch.



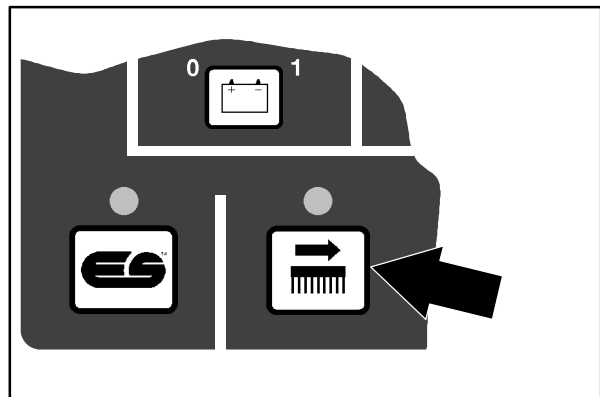
10662

EDGE SCRUB SWITCH

The edge scrub switch extends the scrub head to the right to allow close edge scrubbing.

On: Press the switch during normal scrubbing. The indicator will light.

Off: Press the switch again.



10663

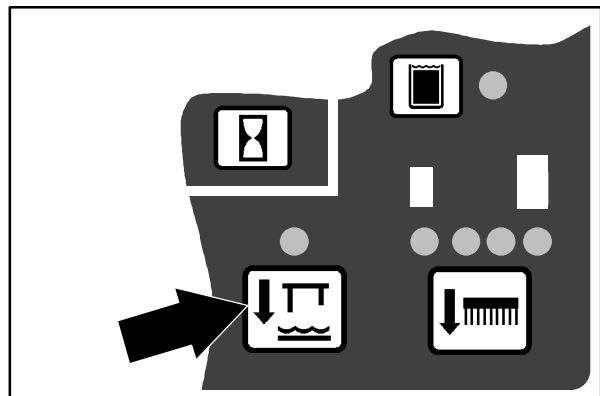
REAR SQUEEGEE SWITCH

The rear squeegee switch, along with the direction of travel, controls the rear squeegee position and scrubbing vacuum fan.

Lower squeegee and start vacuum: Press the switch. The indicator will light.

Raise squeegee and stop vacuum: Press the switch.

The rear squeegee lifts when the machine travels in reverse. This prevents the rear squeegee from being damaged when reversing the machine. The rear squeegee will lower again when the machine travels forward.



10880

When finished scrubbing, drain and clean the recovery tank. If using the ES™ system, drain and clean the solution tank, and clean the ES™ filter.

OPERATION

SCRUB SWITCH

The scrub switch controls the scrubbing operations. The scrub switch also sets the scrub brush pressure.

The scrubbing operations include the following. The scrub head lowers and the brushes turn on. The rear squeegee will lower and the vacuum will start. Also, the optional ES™ system will start.

Start scrubbing: Press the switch. The indicators will light to the preset brush pressure. The scrubbing system will start when the machine moves forward.

NOTE: The brush pressure setting, the edge scrub, and the ES™ system will default to the last setting used when the scrubbing operations are started again.

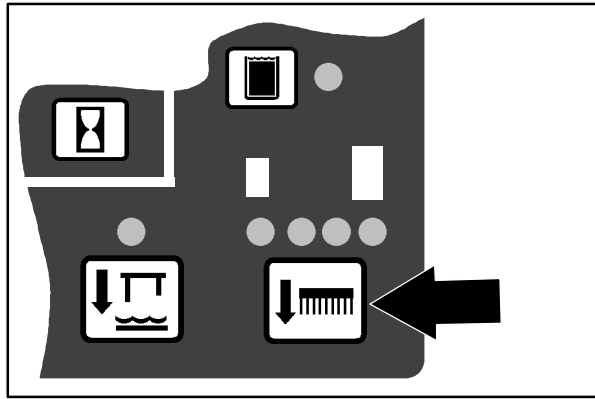
Stop scrubbing: Press the switch. The indicators will go off. First the scrub brushes will stop and raise, then the rear squeegee will raise and the vacuum will shut off.

Scrub brush pressure: Press and hold the scrub switch. The brush pressure will scroll through the four settings. Whatever pressure setting is selected when the switch is released, will be the new default brush pressure setting.

The brush pressure has four positions. Under normal conditions, the brush pressure should be set in the minimum settings. Under heavy grime conditions, the brush pressure should be set in the maximum settings. Travel speed and floor conditions will affect the scrubbing performance.

NOTE: The rear squeegee will raise and the vacuum will shut off when the machine travels in reverse. The squeegee will lower and the vacuum starts again when the machine travels forward.

NOTE: The scrub brushes will stop when the machine is stopped for a short time. The brushes will start again when the machine travels forward.



10881

ON-OFF KEY SWITCH

The on-off key switch controls machine power with a key.

On: Turn the key clockwise all the way.

FOR SAFETY: When starting machine, keep foot on brake and directional pedal in neutral.

Off: Turn the key counter-clockwise.

**HORN BUTTON**

The horn button operates the horn.

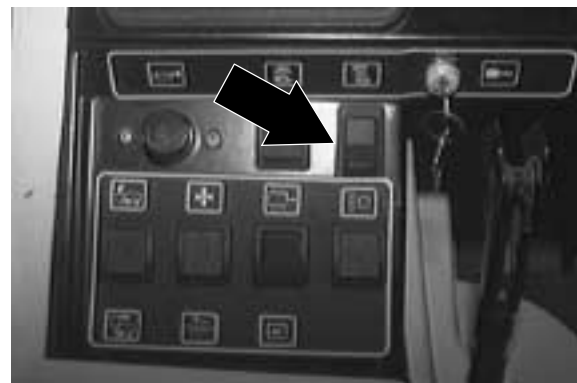
Sound: Press the button.

**SWEEPING SWITCH**

The sweeping switch controls the position of the sweeping assembly and the rotation of the sweeping brush. The sweeping operation starts when the machine travels forward.

Lower sweeping assembly, start brush and open the hopper door: Press the top of the switch.

Raise sweeping assembly and stop brush: Press the bottom of the switch.

**SIDE BRUSH(ES) SWITCH**

The side brush(es) switch controls the position and rotation of the side sweeping brush(es). The side brush(es) will not activate unless the sweeping switch is pressed first.

Side brush(es) down and on: Press the top of the side brush switch.

Side brush(es) up and off: Press the bottom of the side brush switch.



OPERATION

HOPPER LIFT SWITCH

The hopper lift switch controls the position of the hopper for emptying the debris.

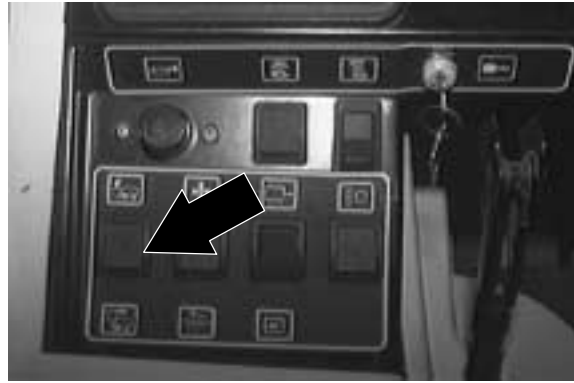
FOR SAFETY: When using machine, make sure adequate clearance is available before raising hopper.

Lower hopper: Press and hold the top of the switch until the hopper has lowered to the floor.

⚠ WARNING: Lift arm pinch point. Stay clear of hopper lift arms.

Raise hopper: Press and hold the bottom of the switch until the hopper reaches the desired height.

⚠ WARNING: Raised hopper may fall. Engage hopper support bar.



HOPPER DOOR SWITCH

The hopper door switch controls the position of the hopper door.

NOTE: The hopper door will automatically open when the sweeping switch is pressed, regardless of the position of the hopper door switch.

Open door: Press the bottom of the switch.

Close door: Press the top of the switch.



SWEEPING VACUUM FAN AND FILTER SHAKER SWITCH

The sweeping vacuum fan and filter shaker switch control the sweeping vacuum fan and hopper dust filter shaker.

NOTE: The vacuum fan will NOT turn on if the hopper is not in the lowered position.

Vacuum on: Press the top of the switch.

Vacuum off: Place the switch in the middle position.

Filter shaker on: Press the bottom of the switch; the filter will shake for 15 seconds then stop automatically.

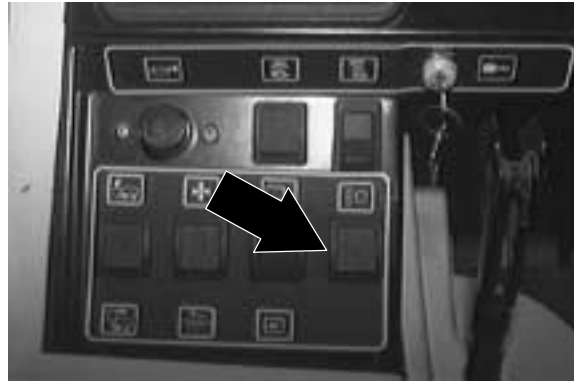


OPERATING LIGHTS SWITCH

The operating lights switch powers on and off the headlights, taillights, and hazard light.

On: Press the top of the switch.

Off: Press the bottom of the switch.



PARKING BRAKE

The parking brake lever sets and releases the rear wheel brakes.

Set: Pull the parking brake lever up.

FOR SAFETY: Before leaving or servicing machine; stop on level surface, set parking brake, turn off machine and remove key.



Release: Push the parking brake lever down.



OPERATION

POWER WAND SWITCH (OPTION)

The power wand switch turns on and off the power wand solution system.

On: Press the top of the switch. The switch will light up.

Off: Press the bottom of the switch.



SIDE BRUSH ADJUSTMENT KNOB

The side brush adjustment knob changes the amount of contact the side brush has with the surface being swept.

Increase: Turn the side brush adjustment knob counter-clockwise.

Decrease: Turn the side brush adjustment knob clockwise.

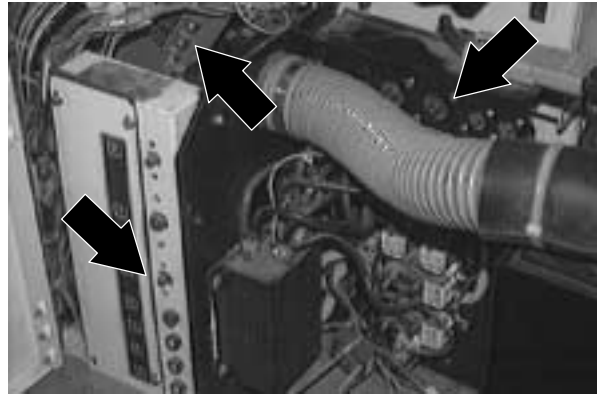


CIRCUIT BREAKERS

The circuit breakers are resettable electrical circuit protection devices. They stop the flow of current in the event of a circuit overload. Reset a tripped circuit breaker manually by pressing the reset button after the breaker has cooled down.

The circuit breakers are located near the control boxes. If the overload that caused the circuit breaker to trip is still there, the circuit breaker will continue to stop current flow until the problem is corrected.

The chart below shows the circuit breakers and the electrical components they protect.



Circuit Breaker	Rating	Circuit Protected
CB-1	20 A	Scrubbing vacuum fan motor
CB-2	20 A	Scrubbing vacuum fan motor
CB-3	40 A	Right scrub brush motor
CB-3	50 A	Heavy duty right scrub brush motor (option)
CB-4	40 A	Left scrub brush motor
CB-4	50 A	Heavy duty left scrub brush motor (option)
CB-5	40 A	Center scrub brush motor (MaxPro™ 1200)
CB-6	2.5 A	Control circuit
CB-7	15 A	Control panel
CB-8	15 A	Horn, hazard/operating lights
CB-9	15 A	Sweeping assembly
CB-10	20 A	Sweeping vacuum fan
CB-11	30 A	Sweeping brush
CB-12	7 A	Sweeping assembly lift
CB-13	30 A	Sw. main brush motor
CB-14	40 A	Hydraulic pump motor
CB-15	7.5 A	Sw. side brush motor
CB-16	20 A	Sweeping vacuum fan motor
CB-17	7 A	Sw. brush lift actuators
CB-18	10 A	Shaker timer & motor, hopper raise/lower, & vac fan relays
CB-19	2.5 A	Hopper door actuator

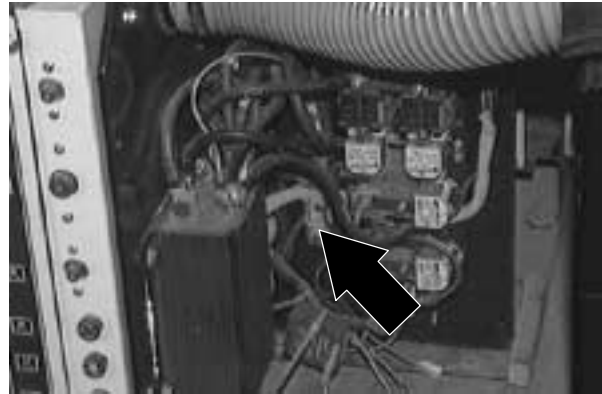
OPERATION

FUSES

Fuses are a one-time protection device designed to stop the flow of current in the event of a circuit overload. Never substitute higher value fuses than specified.

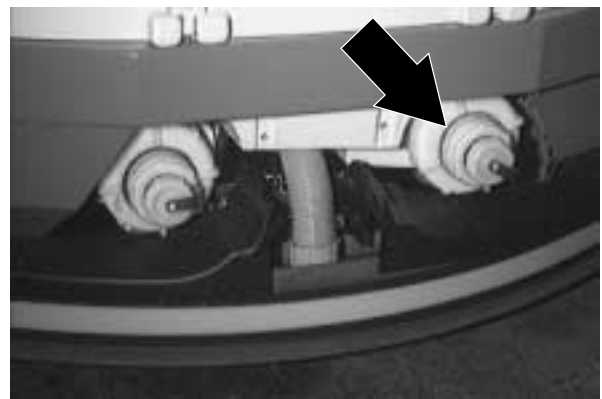
The fuses are located near the main control box.

Fuse	Rating	Circuit Protected
FU-1	100 A	Propelling
FU-2	100 A	Sweeping



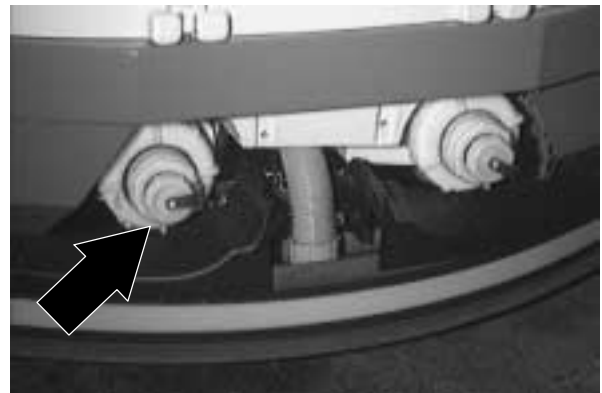
SOLUTION TANK DRAIN HOSE

The solution tank drain hose is used to drain the solution tank. Drain the solution tank by removing the drain hose cap from the tank access cap. Pull out the solution tank hose and remove the drain hose end cap.



RECOVERY TANK DRAIN HOSE

The recovery tank drain hose is used to drain the recovery tank. Drain the recovery tank by removing the drain hose cap from the tank access cap. Pull out the recovery tank hose and remove the drain hose end cap.



POSITIVE SOLUTION CONTROL DRAIN (OPTION)

For machines with the positive solution control drain option, remove the dust cap. Connect the drain hose to the solution control drain and open the drain valve.



OPERATOR SEAT

The operator seat is a fixed back style with a forward-backward adjustment.

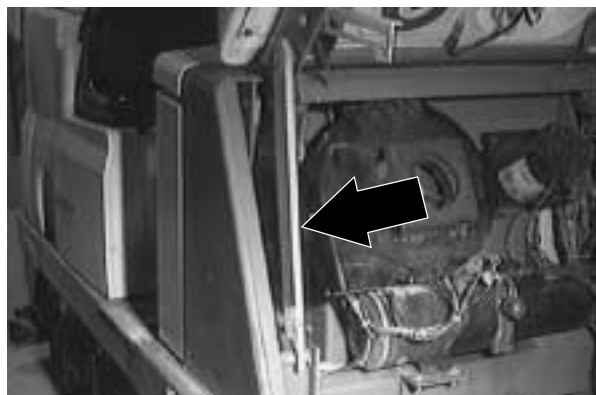
Adjust: Remove the seat mounting bolts. Move the seat to the desired position; reinstall and tighten the bolts.



HOPPER SUPPORT BAR

The hopper support bar is located on the operator side of the machine. When working under the hopper, engage the hopper support bar to hold the hopper in the raised position. DO NOT rely on the machine hydraulic system to keep the hopper in the raised position.

 **WARNING: Raised hopper may fall. Engage hopper support bar.**



HOW THE MACHINE WORKS

The steering wheel controls the direction of machine travel. The directional pedal controls the speed and forward/reverse directions. The brake pedal slows and stops the machine.

The machine consists of separate sweeping and scrubbing components.

The sweeping components of the machine are a debris hopper, hopper dust filter, and sweeping brushes.

The side brush sweeps debris into the path of the main sweeping brush. The main brush sweeps debris from the floor into the hopper. The vacuum system pulls dust and air through the hopper and hopper dust filter.

The scrub components of the machine are a solution tank, scrub brushes, rear and side squeegees, a vacuum system, and a recovery tank.

Water and detergent, from the solution tank, flow to the floor through a solution valve to the scrub brushes. The brushes scrub the floor. As the machine is moved forward the squeegees wipe the dirty solution off the floor, which is then picked up and drawn into the recovery tank.

When using the ES™ mode, the solution in the recovery tank is filtered and returned to the solution tank to be reused.

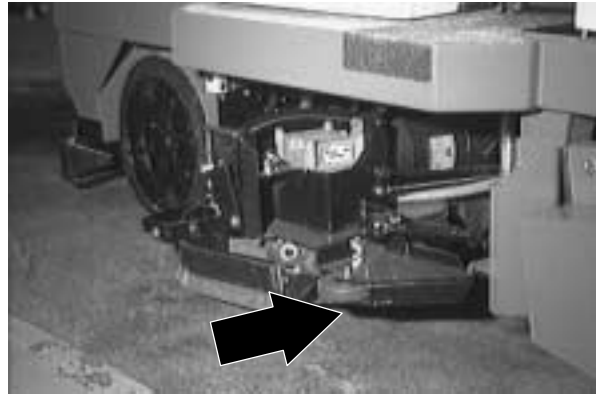
Two different widths of scrub heads are available for the machine. The MaxPro™ 1000 scrub head contains two disk scrub brushes. The MaxPro™ 1200 scrub head contains three disk scrub brushes.

When finished sweeping and scrubbing, clean the hopper dust filter, empty the hopper, and drain and clean the recovery tank. If using the ES™ system, drain and clean the solution tank, and clean the ES™ filter.

PRE-OPERATION CHECKLIST

Check over this list of items before operating the machine:

- Check under the machine for leaks.



- Check the brakes and steering for proper operation.



- Check the squeegee for proper deflection. Check the squeegee blade for wear, rounded edges, nicks, or cuts.



STARTING THE MACHINE

1. You must be in the operator's seat with the directional pedal in neutral, and your foot on the brake pedal or with the parking brake set.
2. Turn the machine power on.

FOR SAFETY: When starting machine, keep foot on brake and directional pedal in neutral.



3. Release the machine parking brake.



FILLING THE TANKS

1. Start the machine.
2. Drive the machine to the filling site.



3. Turn the machine power off.



4. Set the parking brake.

FOR SAFETY: Before leaving or servicing machine; stop on level surface, set parking brake, turn off machine and remove key.



OPERATION

5. Open the tank cover and pour the required amount of detergent into the solution tank fill opening. Fill the solution tank with water to 75 mm (3 in) below the tank opening.

*NOTE: If you **do not** want to use the ES™ system, make sure the ES™ system is off. **DO NOT** fill the recovery tank.*

NOTE: If you are going to scrub in the ES™ mode, the recovery tank can be partially filled to extend scrub time. Make sure the ES™ system is on.

FOR SAFETY: Follow mixing and handling instructions on chemical containers.

6. ES™ mode: Connect the hose and adaptor from the water source to the auto-fill connection on the machine.

NOTE: When using the auto-fill feature on the ES™ machine, both tanks should be empty to prevent overfilling of the tanks.

Turn the machine power on, and turn on the water source. The auto-fill will automatically fill the tanks to the proper level for ES™ operation. When the auto-fill stops, the message “Tanks Full” will appear on the hourmeter display.

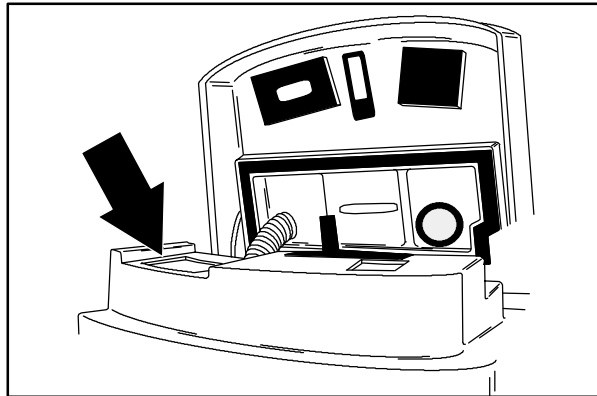
The tanks can also be filled manually. Fill the solution tank with water to 75 mm (3 in) below the tank opening. Fill the recovery tank half full.

NOTE: Floor conditions, water condition, amount of soilage, types of soilage, and brush action all play an important role in determining the type and concentration of detergent used. For specific recommendations, contact your Tennant representative.

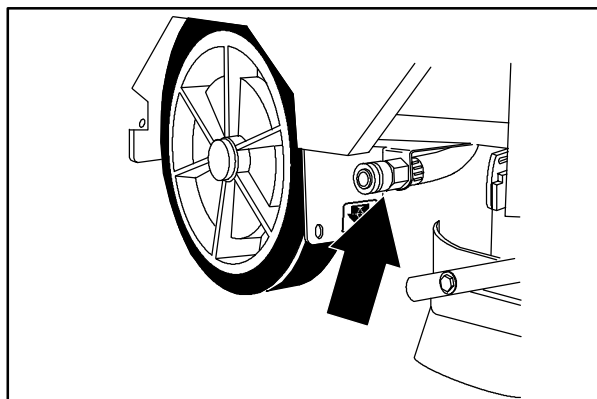


WARNING: Flammable materials can cause an explosion or fire. Do not use flammable materials in tank(s).

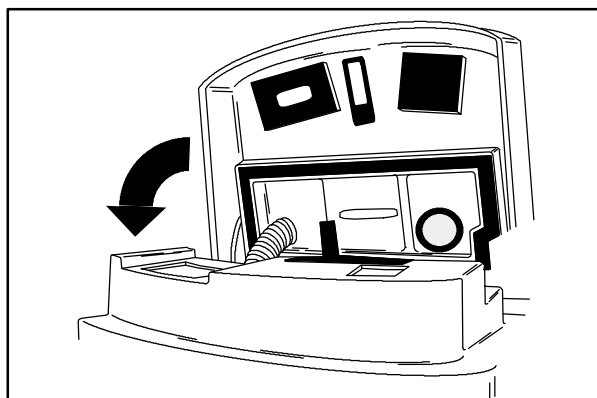
7. Close the tank cover.



05921



05922



05921

SWEEPING, SCRUBBING, AND BRUSH INFORMATION

Pick up oversized debris before cleaning. Pick up pieces of wire, string, twine, etc., which could become wrapped around the sweeping or scrubbing brushes.

Plan the sweeping and scrubbing in advance. Try to arrange long runs with minimum stopping and starting. Sweep debris from very narrow aisles into main aisles ahead of time. Do an entire floor or section at one time.

Drive as straight a path as possible. Avoid bumping into posts or scraping the sides of the machine. Overlap the scrub paths by several centimeters (a few inches).

Avoid turning the steering wheel too sharply when the machine is in motion. The machine is very responsive to the movement of the steering wheel. Avoid sudden turns, except in emergencies.

When scrubbing dead end aisles, start at the closed end of the aisle and scrub your way out.

Adjust the machine speed, scrub brush pressure, and solution flow as required when scrubbing. Use minimum scrub brush pressure and solution flow required for the best results. The machine has an edge clean feature for scrubbing against an edge.

If you see poor scrubbing performance, stop scrubbing and refer to *MACHINE TROUBLESHOOTING*.

For best results, use the correct brush type for your cleaning application. The following are recommended brush applications.

Polypropylene side sweeping brush - A good general purpose brush for sweeping of light to medium debris in both indoor and outdoor applications. This brush is recommended when bristles may get wet.

Polypropylene sweeping brush - Superior pick-up of sand, gravel, and paper litter. Polypropylene retains its stiffness when wet, and can be used indoors or out with equal performance. Not recommended for high-temperature debris.

OPERATION

Non-scuff polypropylene scrub brush - This brush uses a softer, general purpose polypropylene bristle to lift lightly compacted soilage without scuffing high-gloss coated floors.

Nylon scrub brush - Recommended for scrubbing coated floors. Cleans without scuffing.

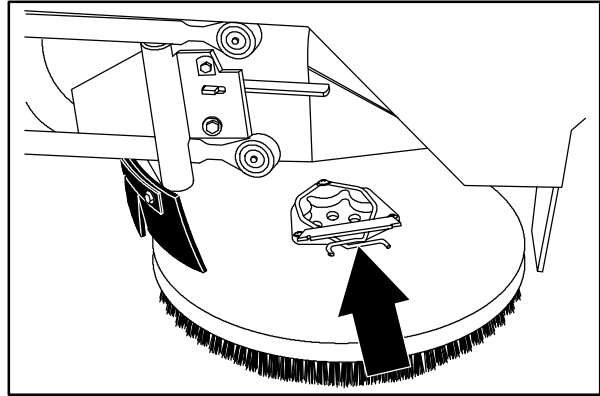
Super abrasive bristle scrub brush - Nylon fiber impregnated with abrasive grit to remove stains and soilage. Strong action on any surface, performing well on buildup, grease, or tire marks.

Stripping pad - This brown pad is for stripping floors. Quickly and easily cuts through old finish to prepare the floor for re-coating.

Scrubbing pad - This blue pad is for scrubbing floors. Removes dirt, spills and scuffs, leaving a clean surface ready for re-coating.

Buffing pad - This red pad is for buffing floors. Quickly cleans and removes scuff marks while polishing the floor to a high gloss.

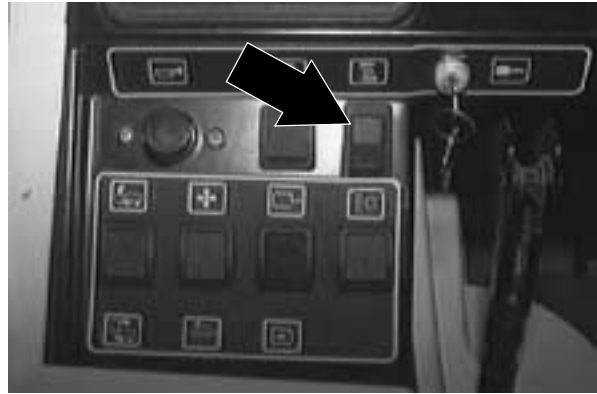
Polishing pad - This white pad is for polishing floors. Maintains a high gloss. Use for buffing very soft finishes and lower traffic areas, or use for polishing soft waxes on wood floors.



05939

SWEEPING

1. Press the top of the sweeping switch to lower and start the main brush.



2. Press the top of the side brush switch to lower the side brush(es) if desired.



3. Press the top of the vacuum fan and filter shaker switch to start the vacuum.



OPERATION

STOP SWEEPING

1. Press the bottom of the sweeping vacuum fan and filter shaker switch to shake the dust filter. The filter will shake for 15 seconds then stop automatically.



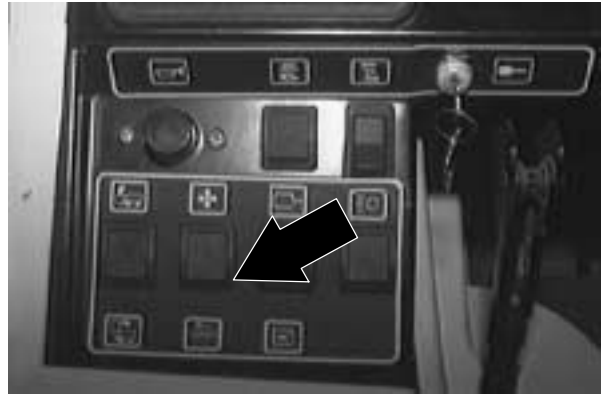
2. Press the bottom of the sweeping switch to raise and stop the sweeping brush.

NOTE: If used, the side brush(es) will automatically raise when the bottom of the sweeping brush switch is pressed.



EMPTYING THE HOPPER

1. Slowly drive the machine near the debris dump site.
2. Press the bottom of the sweeping vacuum fan and filter shaker switch to shake the dust filter.

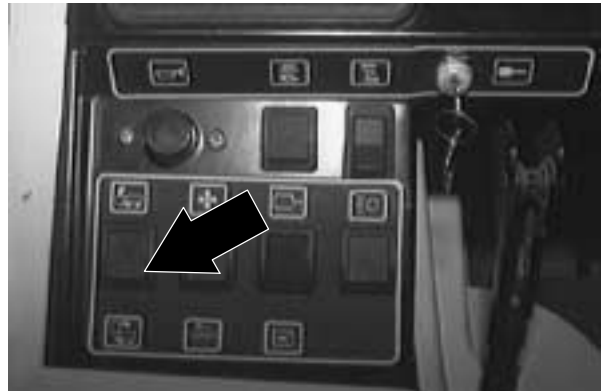


3. Press the top of the hopper door switch to close the hopper door.



4. Press and hold the bottom of the hopper lift switch to raise the hopper until it stops.

NOTE: Make sure the machine is far enough away from the dumpster to raise the hopper without interference.



OPERATION

5. Slowly drive the machine forward until the hopper is directly over the dumpster.
6. Press the bottom of the hopper door switch to open the hopper door. Allow all debris from the hopper to fall into the dumpster.



7. Slowly drive the machine backward until the machine is far enough away from the dumpster to lower the hopper without interference.
8. Press and hold the top of the hopper lift switch to lower the hopper until it stops.

ENGAGING HOPPER SUPPORT BAR

1. Set the parking brake.

FOR SAFETY: Before leaving or servicing machine; stop on level surface, set parking brake, turn off machine and remove key.



2. Turn the machine power on.

FOR SAFETY: When starting machine, keep foot on brake and directional pedal in neutral.



3. Press and hold the bottom of the hopper lift switch to raise the hopper until it stops.

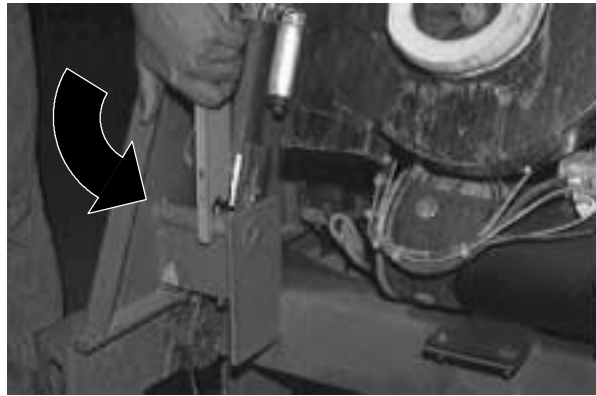
FOR SAFETY: When using machine, make sure adequate clearance is available before raising hopper.




OPERATION

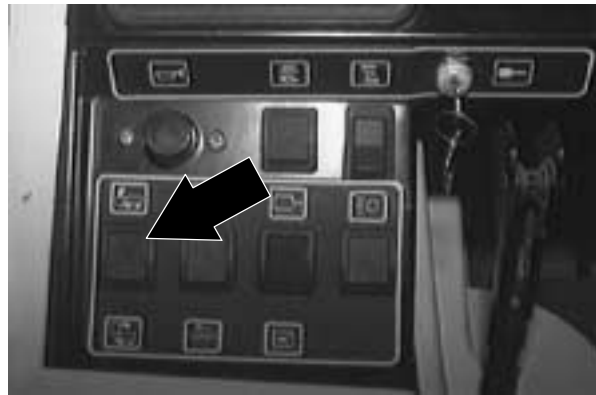
4. Lower and position the hopper support bar onto the bar stop.

 **WARNING: Raised hopper may fall. Engage hopper support bar.**



5. Press and hold the top of the hopper lift switch until the hopper support bar rests on the bar stop.

 **WARNING: Lift arm pinch point. Stay clear of hopper lift arms.**



6. Turn the machine power off.



DISENGAGING HOPPER SUPPORT BAR

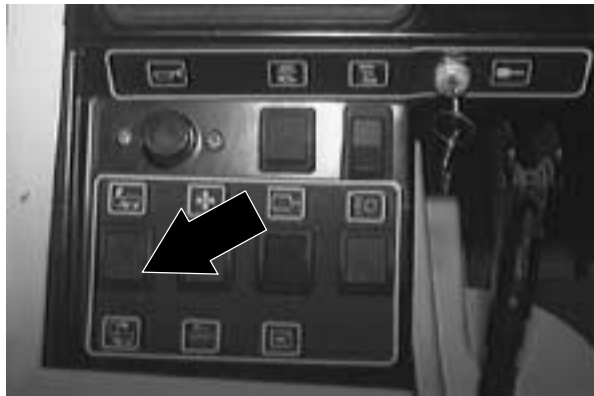
1. Turn the machine power on.

FOR SAFETY: When starting machine, keep foot on brake and directional pedal in neutral.



2. Press and hold the bottom of the hopper lift switch to slightly raise the hopper.

FOR SAFETY: When using machine, make sure adequate clearance is available before raising hopper.



3. Put the hopper support bar in its storage position.

⚠ WARNING: Lift arm pinch point. Stay clear of hopper lift arms.



4. Press and hold the top of the hopper lift switch to lower the hopper until it stops.

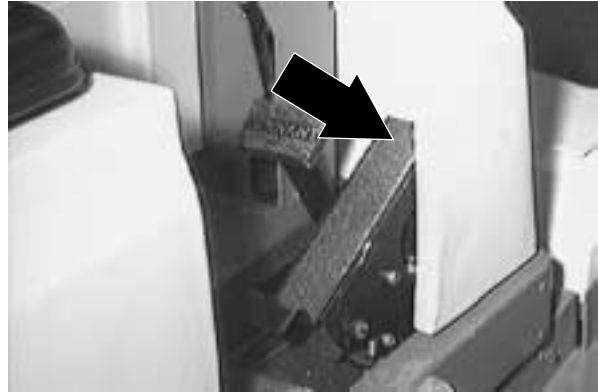
OPERATION

SCRUBBING

1. Start the machine.

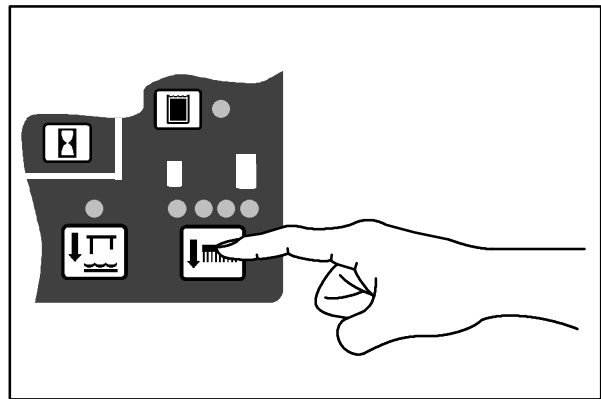
FOR SAFETY: When starting machine, keep foot on brake and directional pedal in neutral.

2. Drive the machine to the area to be cleaned.



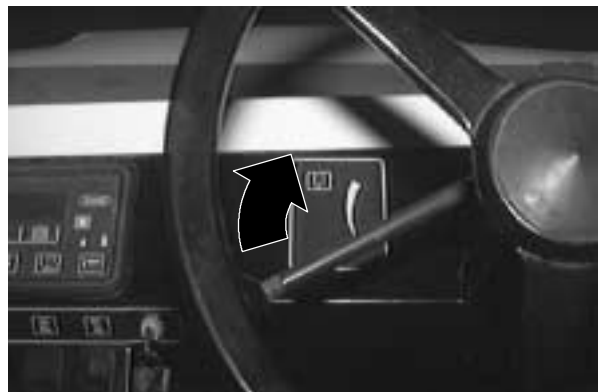
3. Press the scrub switch.

When the machine travels forward, the rear squeegee will lower, the scrubbing vacuum will start, the scrub head will lower, and the scrub brushes will start.



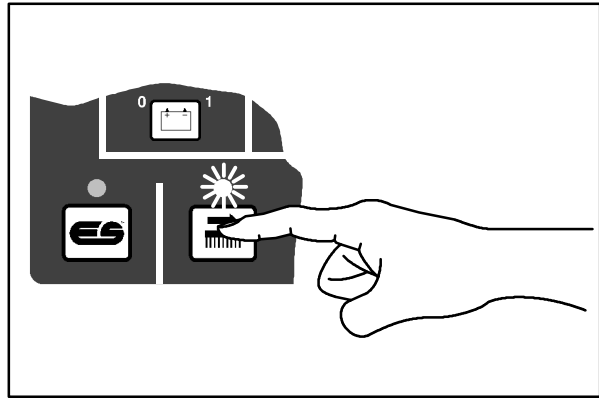
10884

4. Move the solution lever up to start the solution flow.



5. To scrub close to edges with the MaxPro™ 1000, press the edge scrub switch.
6. Drive the machine forward and scrub as required.

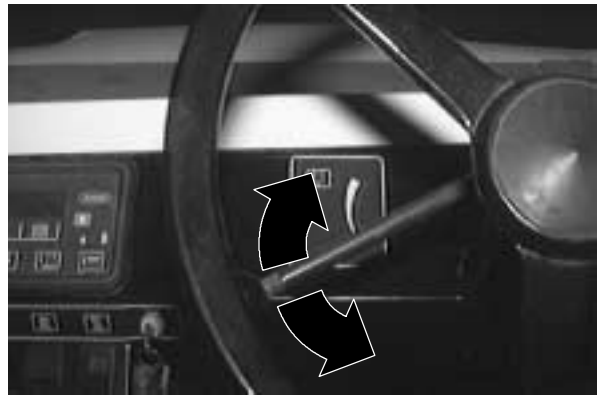
! WARNING: Flammable materials or reactive metals can cause an explosion or fire. Do not pickup.



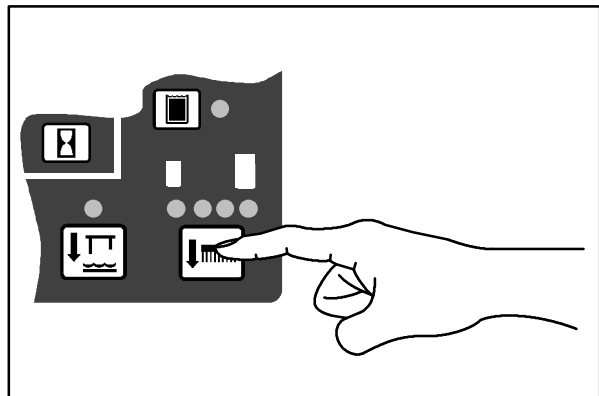
10883

7. Adjust the solution flow to the floor as needed.

NOTE: When approaching a corner, reduce the solution flow just before turning the corner. Increase the solution flow once the machine has completed the turn.



8. Adjust the brush pressure for the cleaning application.



10884

DOUBLE SCRUBBING

Double scrubbing is a method for removing heavy floor accumulations. This is done by making two or more passes over the area to be cleaned with the machine.

First, make a pass over the area scrubbing with the side and rear squeegees up. This dispenses solution over the area allowing the solution to soak on the floor. Let the solution remain on the floor for 15 to 20 minutes. Then make a second pass scrubbing with the squeegees down.

Lock the side squeegees up during double scrubbing.

FOR SAFETY: When using machine, go slow on inclines and slippery surfaces.

LOCKING UP SIDE SQUEEGEES

1. Turn the machine power off.



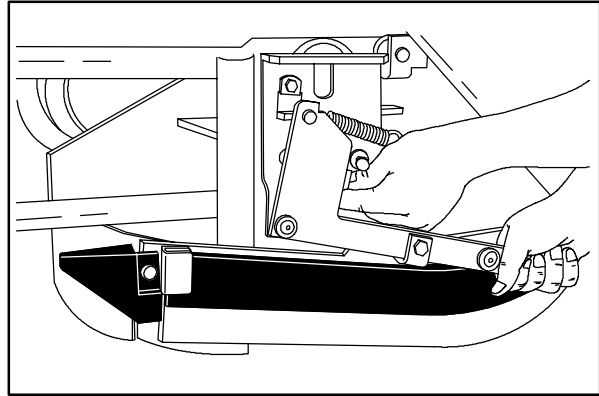
2. Set the parking brake.

FOR SAFETY: Before leaving or servicing machine; stop on level surface, set parking brake, turn off machine and remove key.



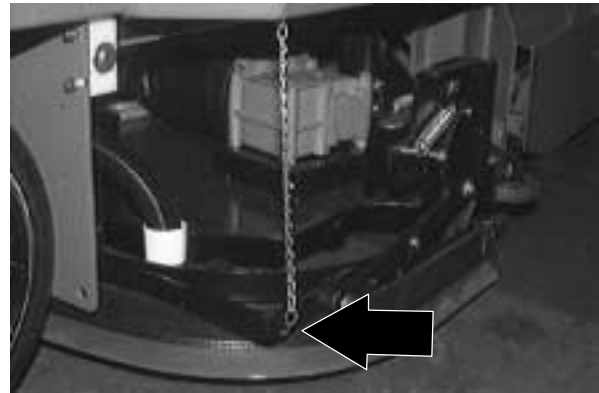
3. Lift the left side squeegee up.

4. Turn the squeegee stop towards the front of the machine and hold in place.
5. Lower the side squeegee against the stop.



05927

6. Repeat the steps with the right side squeegee for the MaxPro™ 1000 scrub head. For the MaxPro™ 1200 scrub head, disconnect the lift chain from the machine frame. Lift up the right side of the scrub head and connect the lift chain to the bottom of the side bracket.



UNLOCKING SIDE SQUEEGEES

1. Turn the machine power off.
2. Set the parking brake.

FOR SAFETY: Before leaving or servicing machine; stop on level surface, set parking brake, turn off machine and remove key.

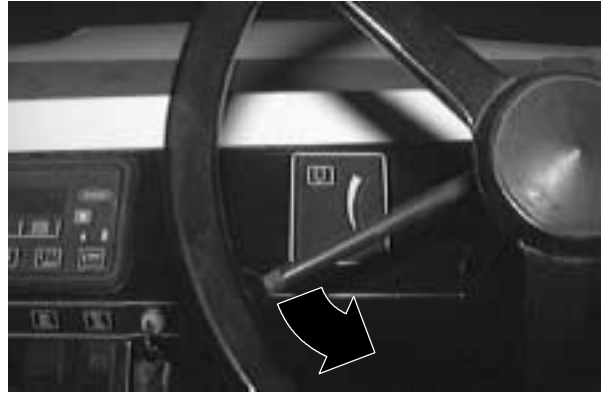
3. Lift the left side squeegee. The stop will move out of the way.
4. Lower the side squeegee to the floor.
5. Repeat the steps with the right side squeegee on the MaxPro™ 1000 scrub head. For the MaxPro™ 1200 scrub head, lift up the right side of the scrub head and disconnect the lift chain from the bottom of the side bracket. Lower the scrub head. Connect the lift chain to the main frame.

OPERATION

STOP SCRUBBING

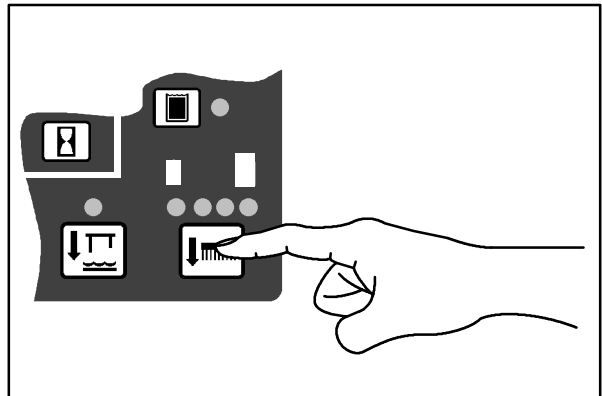
1. Move the solution flow lever all the way down to stop solution flow to the floor.

ES™ mode: Press the ES™ switch to turn off the ES™ system.



2. Press the scrub switch.

The scrub head will raise, the scrub brush motors will stop, the rear squeegee will raise after a short delay, and the vacuum will shut off.



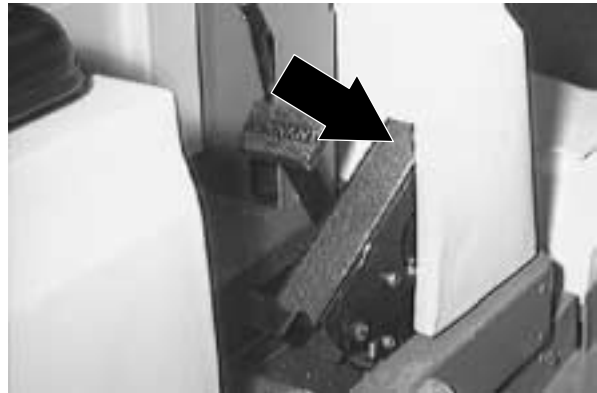
10884

DRAINING AND CLEANING THE TANKS

When you are finished scrubbing, or when the recovery tank full indicator comes on, the recovery tank should be drained and cleaned. The solution tank then can be filled again for additional scrubbing.

If you used the machine in ES™ mode, the solution tank should also be drained and cleaned when you are finished scrubbing.

1. Stop scrubbing.
2. Drive the machine next to an appropriate disposal site.



3. Turn the machine power off.



4. Set the parking brake.

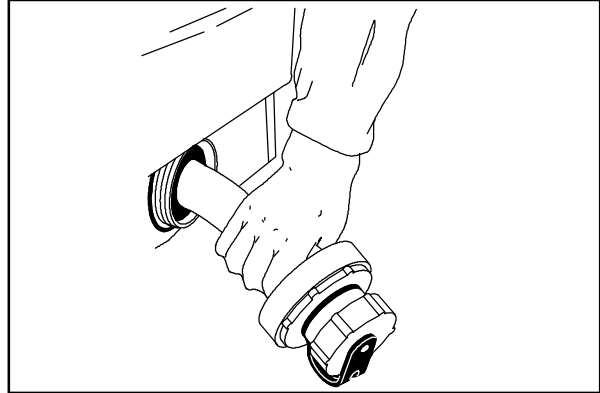
FOR SAFETY: Before leaving or servicing machine; stop on level surface, set parking brake, turn off machine and remove key.



OPERATION

5. Unscrew the drain hose cap from the recovery tank drain access cap.
6. Pull out and place the drain hose next to the floor drain. Remove the drain end cap from the hose. Stand back because the solution rushes out of the drain hose.

ES™ mode: Unscrew the drain hose cap from the solution tank drain access cap and drain the solution tank.



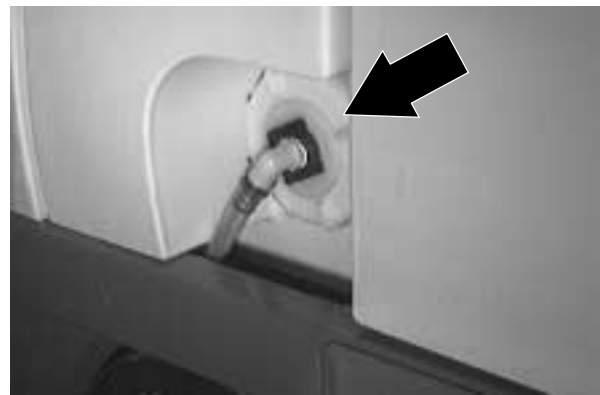
05914

For machines with the positive solution control drain option, remove the drain cap and connect the hose. Place the hose end next to the floor drain and open the drain valve.

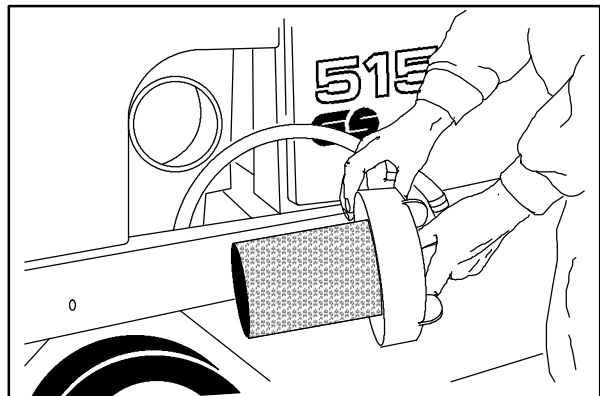


7. Open the tank cover.
8. Spray the inside of the recovery tank. The recovery tank has two access caps, one on the side of the machine, and one at the tank drain.

ES™ mode: Flush out the solution tank with clean water through the fill opening.

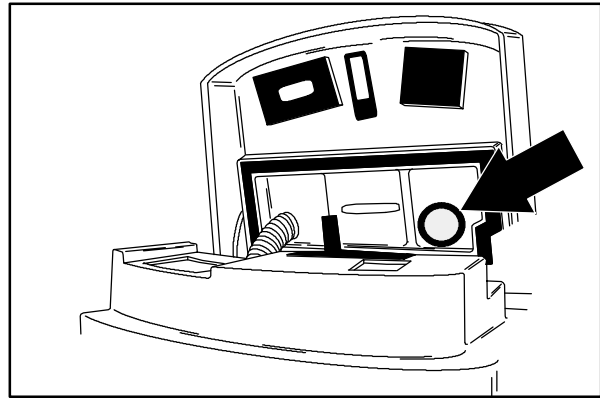


9. ES™ mode: Remove the ES™ filter from the recovery tank and clean. Place the filter back in the recovery tank. Place the drain end cap on the recovery tank drain hose, or close the drain valve. Then add enough water to the tank to cover the outlet filter and operate the ES™ pump to flush the ES™ system.



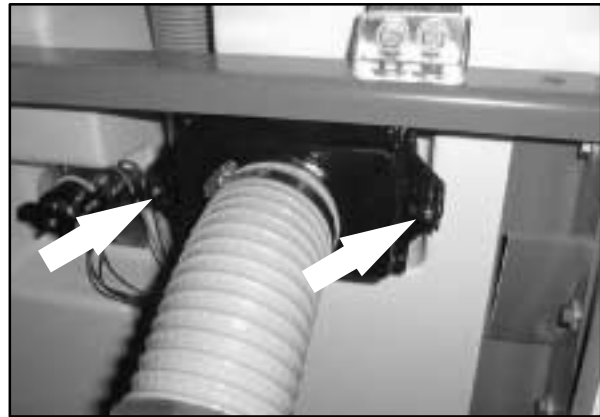
10916

10. Remove the vacuum inlet screen from the tank cover and clean. Place the inlet filter back in the tank cover.



05921

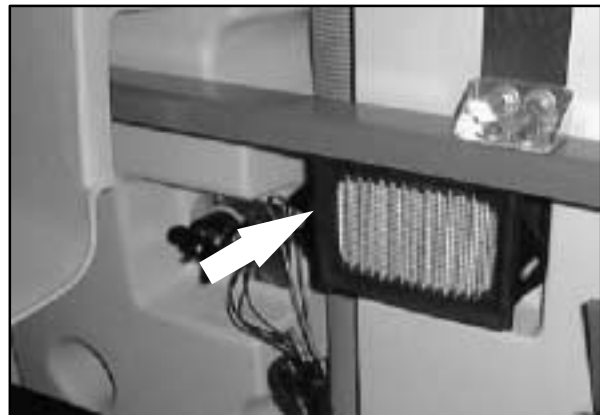
11. For machines serial number 000132 and above, open the machine covers to gain access to the vacuum fan filter. Remove the knobs and the vacuum filter cover.



Remove and clean the vacuum fan filter by shaking the dust, using low pressure air, or rinsing pleats with low pressure water.

NOTE: Be sure the vacuum fan filter is dry before reinstalling it in the machine.

Insert the filter and place the cover back into the machine. Close the machine covers.



12. Place the drain end caps on the tank drain hoses. Push the drain hoses back into the tanks.

For machines with the positive solution control drain option, close the drain valve. Remove the hose and connect the drain cap.

OPERATION

STOP THE MACHINE

1. Stop scrubbing.
2. Turn the machine power off.



3. Set the parking brake.

FOR SAFETY: Before leaving or servicing machine; stop on level surface, set parking brake, turn off machine and remove key.

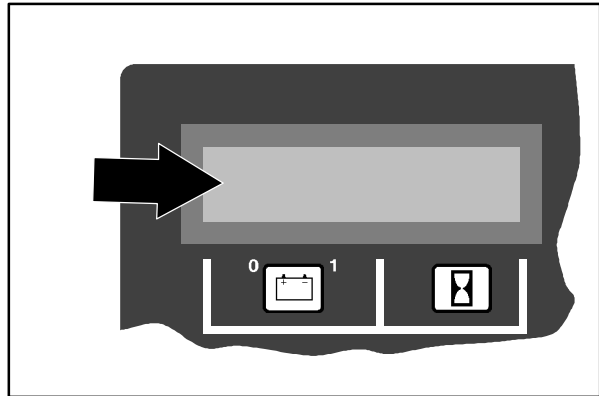


POST-OPERATION CHECKLIST

Check over this list of items after you have finished scrubbing with the machine powered on:

- Check the battery charge level.

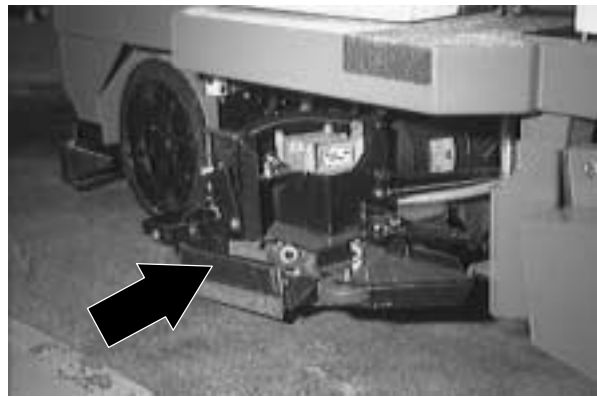
NOTE: The reading on the battery discharge indicator is not accurate when the machine is first powered on. Operate the machine a few minutes before reading the charge level of the batteries.



10658

Check over this list of items with the machine powered off:

- Check for wire, string, or twine wrapped around the sweeping and scrubbing brushes.

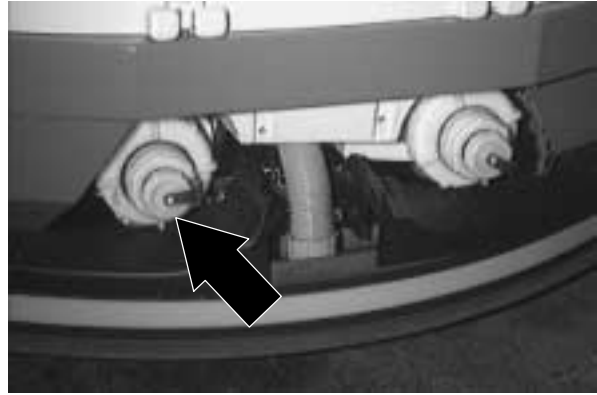


- Check the squeegees for wear or damage.

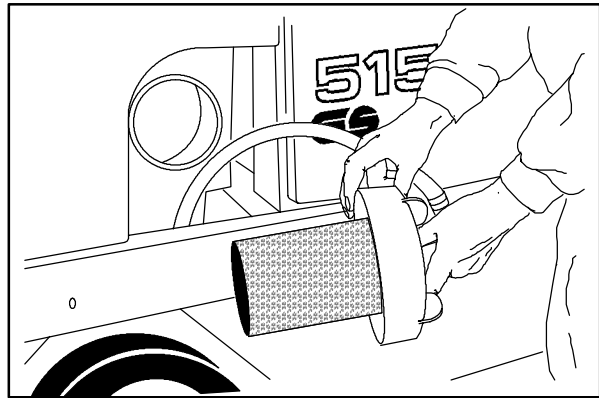


OPERATION

- Drain and clean the recovery tank.



- ES™ machines: Drain and clean the solution tank. Clean the ES™ filter. Then add enough water to the tank to cover the outlet filter and operate the ES™ pump to flush the ES™ system.



10916

- Shake the dust filter and empty the debris hopper.
- Check the vacuum hoses for obstructions.
- Check for any machine leaks.
- Check the service records to determine service requirements.



OPERATION ON INCLINES

Drive the machine slowly on inclines.


FOR SAFETY: When using machine, go slow on inclines and slippery surfaces.

The maximum rated climb and descent incline with empty tanks is 8.5°, and with full tanks is 5.7°.

OPTIONS

VACUUM WAND

The vacuum wand uses the machine's vacuum system. The vacuum wand and hose allows pick-up of spills that are out of reach of the machine.

 **WARNING: Flammable materials or reactive metals can cause an explosion or fire. Do not pickup.**

1. Turn the machine power off.

FOR SAFETY: Before leaving or servicing machine; stop on level surface, turn off machine.



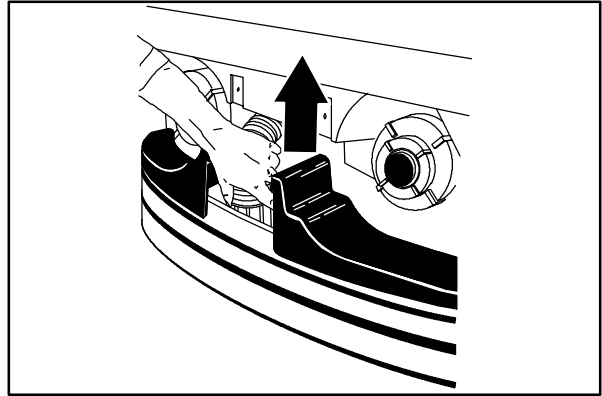
2. Set the parking brake.



3. Remove the vacuum wand equipment from the tank cover.

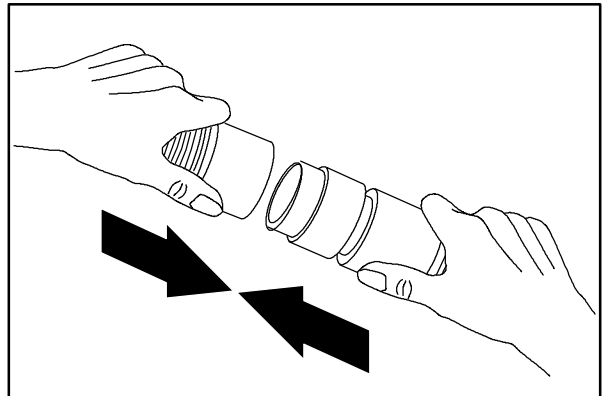
OPERATION

4. Remove the squeegee suction hose from the top of the rear squeegee.



05930

5. Connect the vacuum wand hose and the squeegee suction hose and secure with the retainer clip.

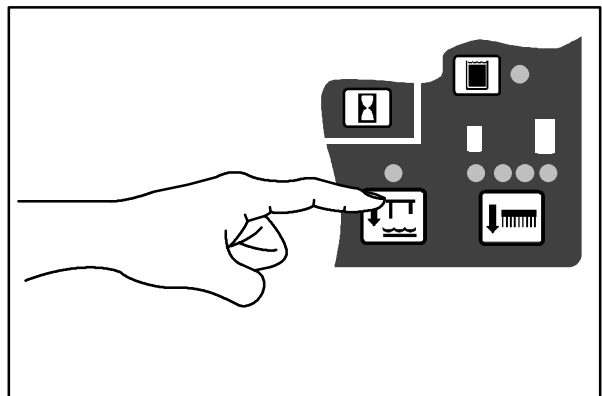


10945

6. Put together the wand and the wand hose.
7. Turn the machine power on.

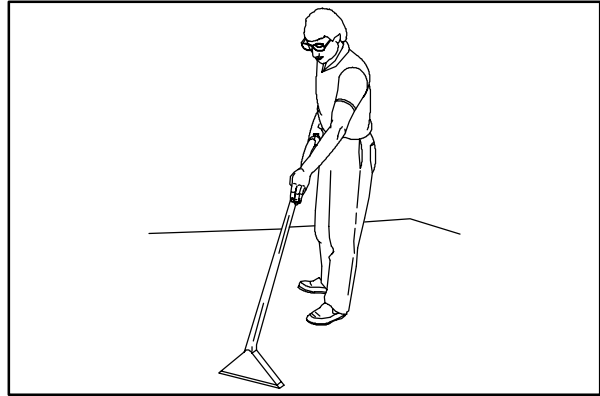


8. Press the rear squeegee switch to turn on the vacuum.



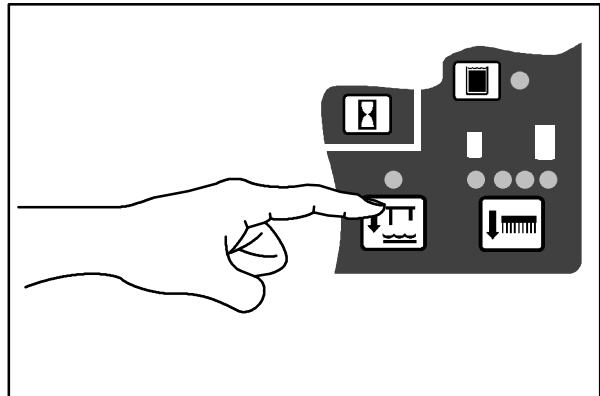
10885

9. Vacuum the floor.



06599

10. When finished, shut off the vacuum with the rear squeegee switch.



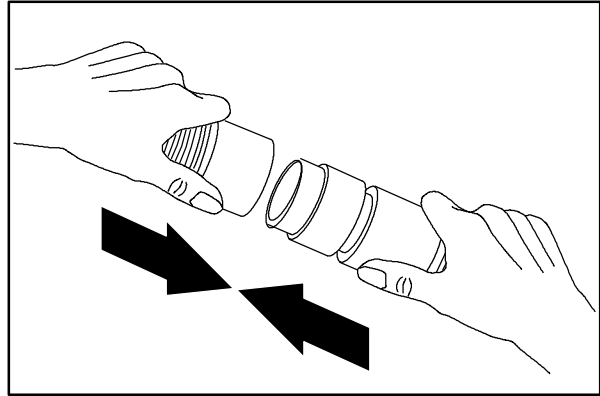
10885

11. Turn the machine power off.



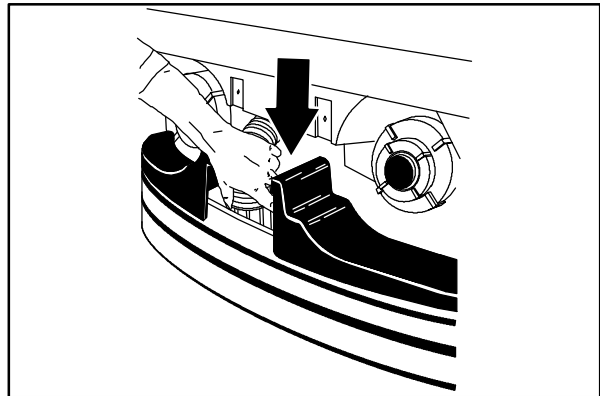
OPERATION

12. Remove the retainer clip, and disconnect the vacuum hose from the squeegee suction hose.



10945

13. Reconnect the squeegee suction hose to the top of the squeegee.



05930

14. Clean and rinse the vacuum wand equipment.
15. Secure the vacuum wand equipment on top of the tank cover.

POWER WAND

The power wand uses the machine's vacuum and solution systems. The power wand allows scrubbing of floors that are out of reach of the machine.

⚠ WARNING: Flammable materials or reactive metals can cause an explosion or fire. Do not pickup.

1. Turn the machine power off.

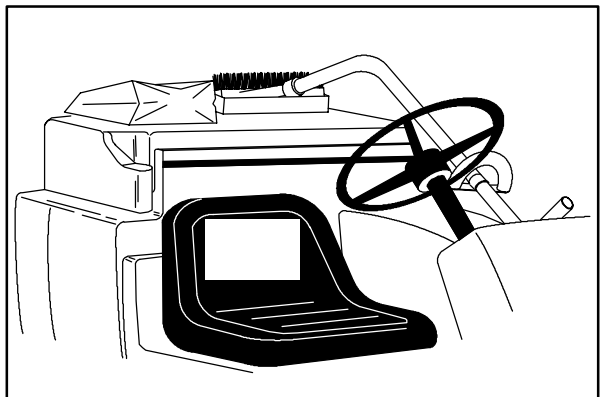
FOR SAFETY: Before leaving or servicing machine; stop on level surface, turn off machine.



2. Set the parking brake.



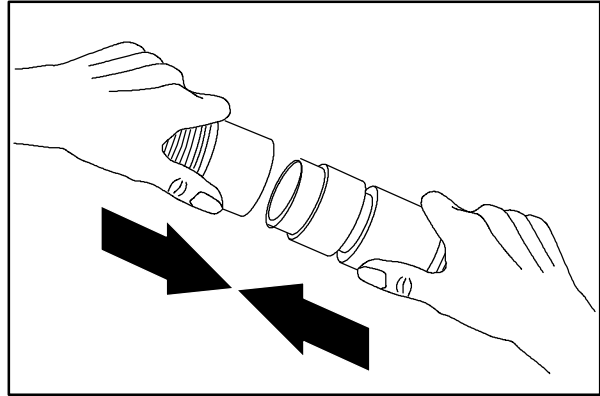
3. Remove the power wand equipment from the tank cover.
4. Remove the squeegee suction hose from the top of the rear squeegee.



08067

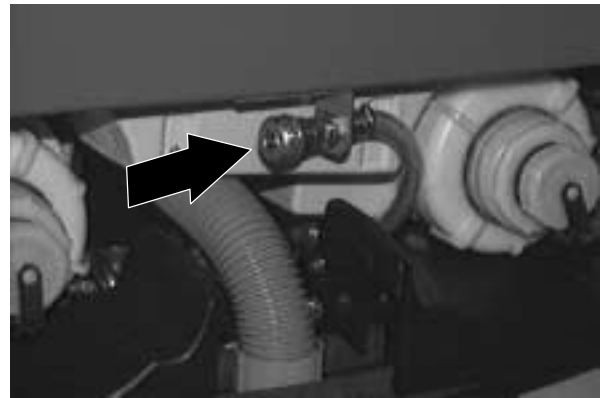
OPERATION

5. Connect the vacuum wand hose and the squeegee suction hose with the adaptor.

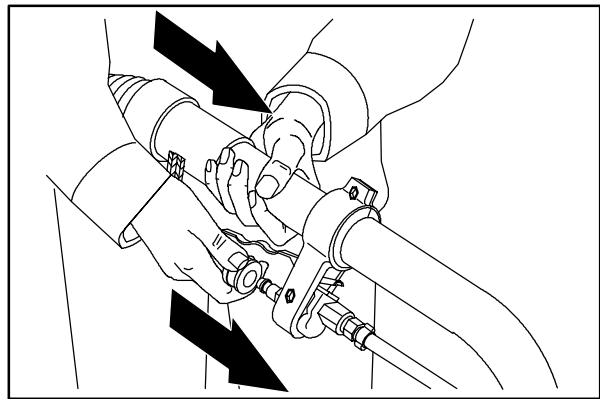


10945

6. Attach the end of solution hose to the quick-disconnect. Push the connector in until it stops. Pull on the hose to make sure it is connected.



7. Attach the other ends of the solution and vacuum hoses to the power wand.

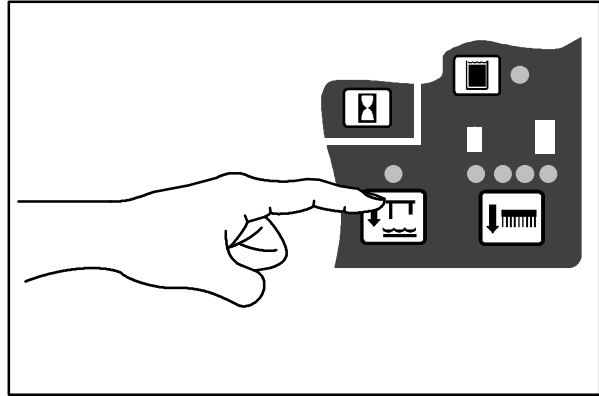


07320

8. Turn the machine power on.



9. Press the rear squeegee switch to turn on the vacuum.

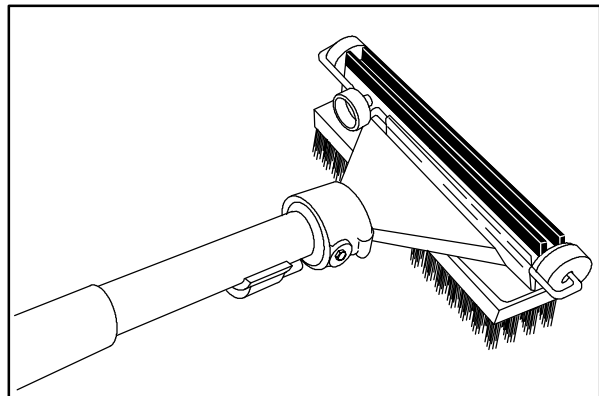


10885

10. Switch the power wand on.

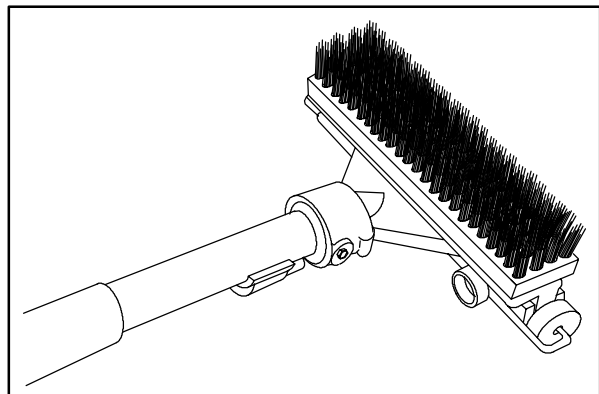


11. Squeeze the solution lever on the power wand to spray solution on the floor. Scrub the floor with the brush side of the cleaning tool.



06601

12. Vacuum up the solution by turning over the cleaning tool so the squeegee side is down.

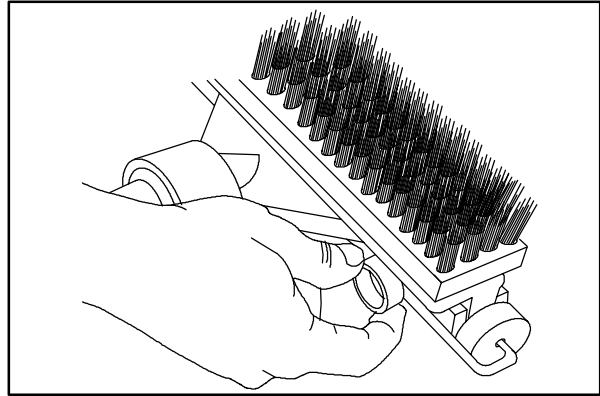


06202

OPERATION

If the cleaning tool is hard to push or is not picking up the solution very well, adjust the roller wheels on the tool by turning the black adjustment knob.

NOTE: The wheels are properly adjusted when the squeegee blades deflect slightly while the tool is pushed back and forth.

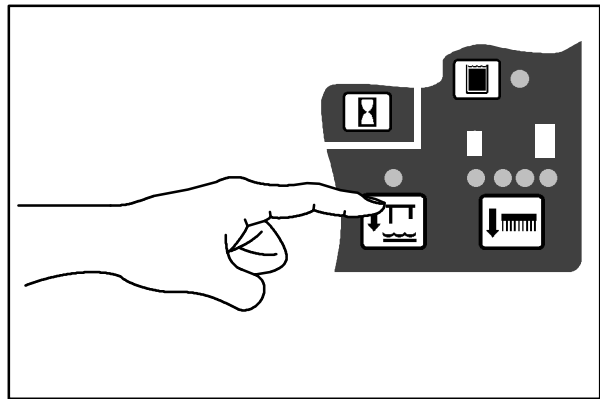


06604

13. When finished, switch the power wand off.



14. Press the rear squeegee switch to shut off the vacuum.

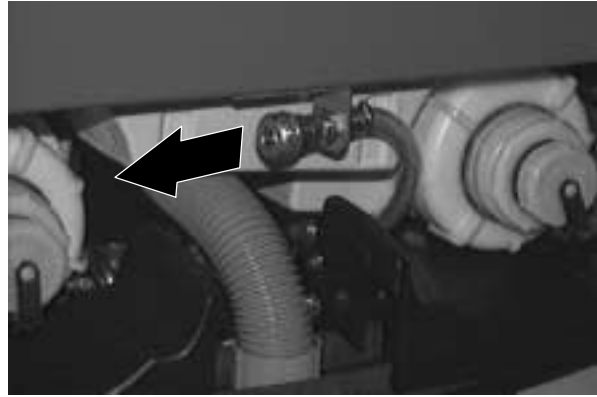


10885

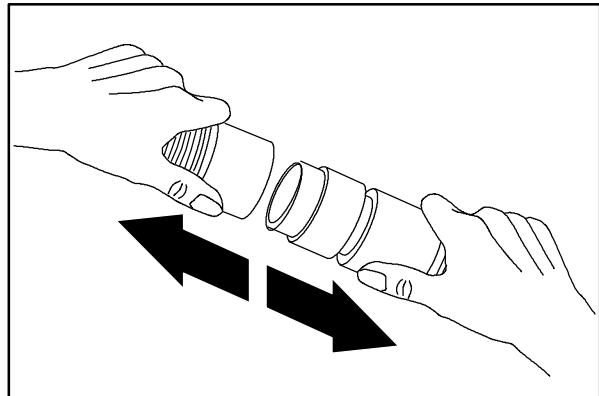
15. Turn the machine power off.



16. Disconnect the solution hose from the machine.

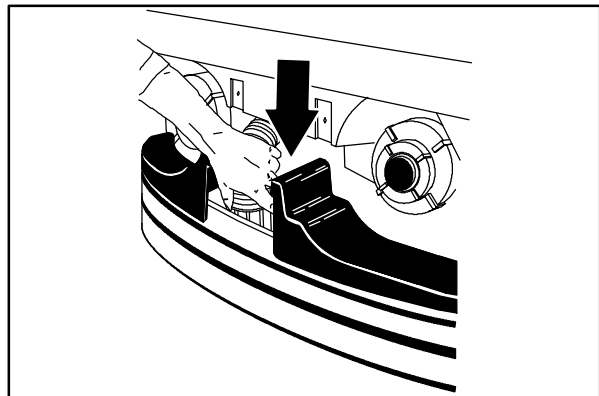


17. Remove the vacuum hose from the squeegee suction hose.



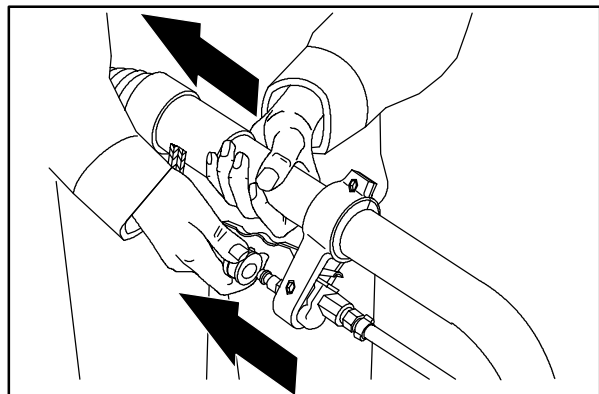
10946

18. Reconnect the squeegee suction hose to the squeegee.



05930

19. Disconnect the other ends of the solution and vacuum hoses from the power wand.
20. Secure the power wand equipment on top of the tank cover.



07321

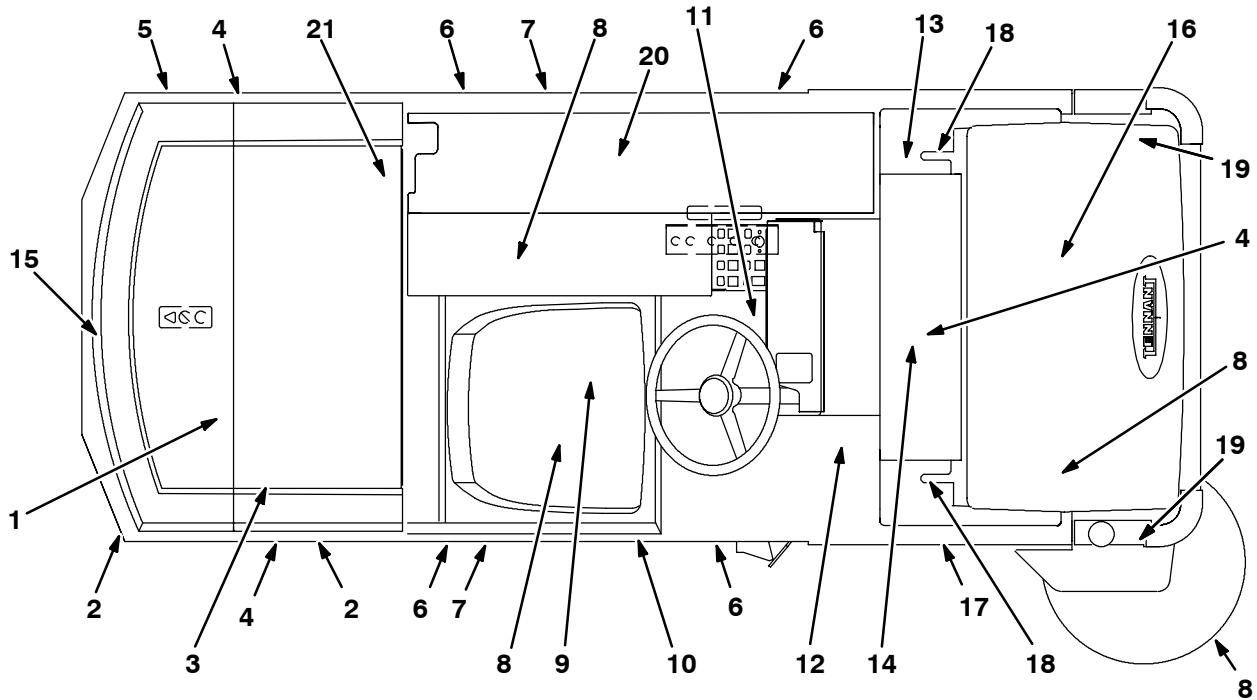
OPERATION

MACHINE TROUBLESHOOTING

Problem	Cause	Remedy
Trailing water - poor or no water pickup.	Worn rear squeegee blades.	Rotate or replace squeegee blades.
	Rear squeegee out of adjustment.	Adjust rear squeegee.
	Side squeegees raised.	Lower side squeegees.
	Worn side squeegee blades.	Replace side squeegee blades.
	Side squeegees out of adjustment.	Adjust side squeegees.
	Too much solution flow to floor.	Reduce solution flow to floor.
	Vacuum hose clogged.	Flush vacuum hoses.
	Recovery tank full.	Drain recovery tank.
	Float stuck shutting off vacuum.	Clean float.
	Debris caught on rear squeegee.	Remove debris.
	Foam filling recovery tank.	Empty recovery tank; use less or change detergent.
	Vacuum hose to rear squeegee disconnected or damaged.	Reconnect or replace vacuum hose.
	Vacuum fan to recovery tank hose damaged.	Replace hose.
Scrubbing vacuum fan will not turn on	Recovery tank full	Drain recovery tank
	Foam filling recovery tank	Empty recovery tank
		Use less or change detergent
		Use a defoamer
	Vacuum fan circuit breaker tripped	Reset circuit breaker
Vacuum fan failure	Contact Tennant service representative	
Little or no solution flow to the floor.	Solution tank empty.	Fill solution tank.
	Solution control linkage broken or out of adjustment.	Replace and/or adjust cable.
	Solution supply lines plugged.	Flush solution supply lines.
	ES™ switch off.	Turn ES™ switch on.
Poor scrubbing performance.	Debris caught on scrub brushes.	Remove debris.
	Improper detergent or brushes used.	Check with TENNANT representative for advice.
	Worn scrub brushes.	Replace scrub brushes.
ES™ system does not fill solution tank.	Clogged solution pump or lines.	Flush ES™ system.
	ES™ float switch(es) stuck.	Clean switch floats of debris.
	Clogged ES™ filter.	Clean filter.
	Water levels too low in tanks.	Add water.

Problem	Cause	Remedy
Excessive dusting.	Brush skirts and dust seals worn, damaged, out of adjustment.	Replace or adjust brush skirts or dust seals.
	Hopper dust filter clogged.	Shake and/or clean or replace dust filter.
	Sweeping vacuum will not activate.	Make sure hopper is in the lowered position
		Reset Thermo Sentry™
		Contact Tennant service representative.
Thermo Sentry™ tripped.	Reset Thermo Sentry™ .	
Poor sweeping performance.	Brush bristles worn.	Replace brushes.
	Sweeping brushes not properly adjusted.	Adjust brushes.
	Debris caught in brush drive mechanism.	Remove debris.
	Brush drive failure.	Contact Tennant service representative.
	Hopper full.	Empty hopper.
	Hopper lip skirts worn or damaged.	Replace lip skirts.

MAINTENANCE



351054

MAINTENANCE CHART

Interval	Key	Description	Procedure	Lubricant/ Fluid	No. of Service Points
Daily	5	Rear Squeegee	Check for damage, wear and adjustment	-	1
	7	Side Squeegees	Check for damage and wear	-	2
	8	Brushes	Check for damage and wear	-	5, (4)
	3	Recovery tank	Clean	-	1
	3	Recovery tank, ES™ mode	Clean ES™ filter	-	1
	1	Vacuum fan inlet filter	Clean	-	1
	2	Solution tank, ES™ mode	Clean and flush	-	1
	16	Debris hopper	Clean	-	1
	16	Dust filter	Clean	-	1
	21	Vacuum fan filter	Clean	-	1
	-	Machine	Check for leaks	-	1
50 Hours	10	Scrub head floor skirts	Check for damage and wear and adjust	-	5
	16	Hopper	Check skirts and seals for damage and wear	-	2
	16	Dust filter	Check for damage, clean or replace	-	1
	17	Sweeping main brush drive belt	Check for damage and wear	-	1
	16	Sweeping vacuum fan belt	Check for damage and wear	-	1
	-	Battery	Check electrolyte level	-	1

Interval	Key	Description	Procedure	Lubricant/ Fluid	No. of Service Points
100 Hours	4	Tires	Check for damage	-	3
	14	Propelling gearbox	Check lubricant level	GL	1
	14	Front wheel support bearing	Lubricate	SPL	2
	6	Scrub head parallel arm pivot points	Lubricate	SPL	8(4)
	14	Steering universal joint	Lubricate	SPL	2
	18	Hopper lift arms	Lubricate	SPL	2
	15	Rear squeegee caster	Lubricate	SPL	1
	11	Brakes	Check adjustment	-	1
	20	Hydraulic fluid	Check level and condition	-	1
500 Hours	13	Scrubbing vacuum fan motor	Check motor brushes	-	1
	12	Steering gear chains	■ Check tension and lubricate	GL	2
	14	Front wheel	■ Torque wheel nuts	-	1
	6	Scrub head gas spring	Check for wear and operation	-	1
800 Hours	20	Hydraulic fluid reservoir cap	Replace	-	1
	20	Hydraulic fluid	Drain and replace	HYDO	1
	20	Hydraulic hoses	Inspect	-	2
1000 Hours	14	Propelling gearbox	■ Change gear lubricant	GL	1
			■ Change fill-level plug seals	-	1
	9	Scrubbing brush drive motors	Check motor brushes	-	2(3)
	4	Sweeping vacuum fan motor	Check motor brushes	-	1
	14	Propelling motor	Check motor brushes	-	1
	19	Side brush motor(s)	Check motor brushes	-	1
12	Sweeping brush drive motors	Check motor brushes	-	1	

SPL - Special lubricant, Lubriplate EMB grease (Tennant part no. 01433-1)

GL - SAE 90 weight gear lubricant

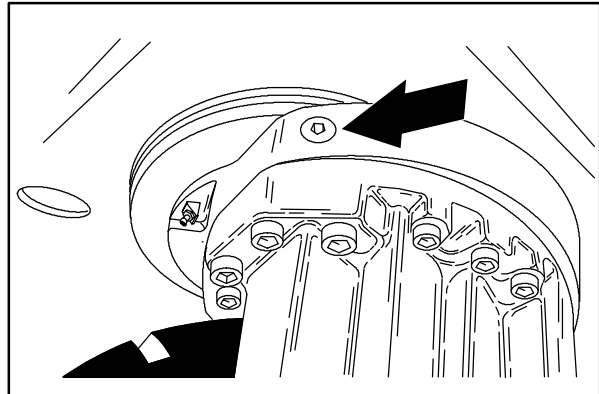
HYDO - Tennant or approved hydraulic fluid

NOTE: Also check procedures indicated (■) after the first 50-hours of operation.

LUBRICATION

PROPELLING GEARBOX

Check the lubricant level in the propelling gearbox every 100 hours of operation. Change the gear lubricant, and the drain and fill-level plug seals after the first 50 hours of operation, and then every 1000 hours of operation. Use SAE 90 weight gear lubricant.

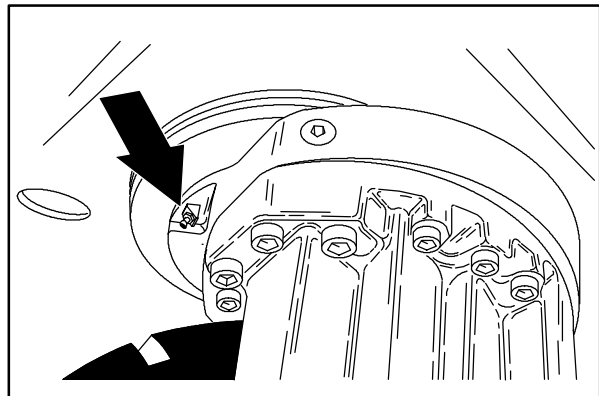


05934

FRONT WHEEL SUPPORT BEARING

The front wheel support has two grease fittings for the bearing. Raise the machine so the front wheel is off the floor. Fill one of the grease fittings while rotating the gearbox from stop to stop. Fill the second grease fitting while rotating the gearbox back to the original position. The bearing cavity is full when grease comes out of the fittings, or out of the top seal.

Lubricate with Lubriplate EMB grease (Tennant part no. 01433-1) every 100 hours of machine operation, or after steam cleaning the gearbox area.



05934

FOR SAFETY: When servicing machine, block machine tires before jacking machine up.

FOR SAFETY: When servicing machine, jack machine up at designated locations only. Block machine up with jack stands.

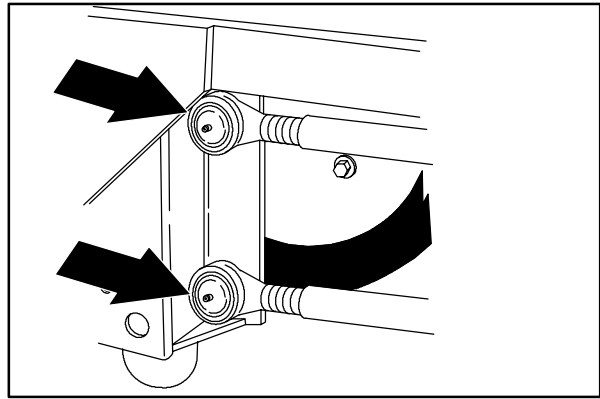
STEERING UNIVERSAL JOINT

The steering universal joint has two grease fittings. Lubricate with Lubriplate EMB grease (Tennant Part No. 01433-1) every 100 hours of operation.

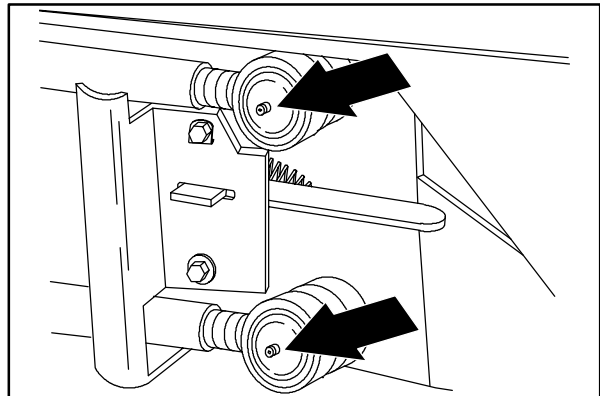


SCRUB HEAD PARALLEL ARMS

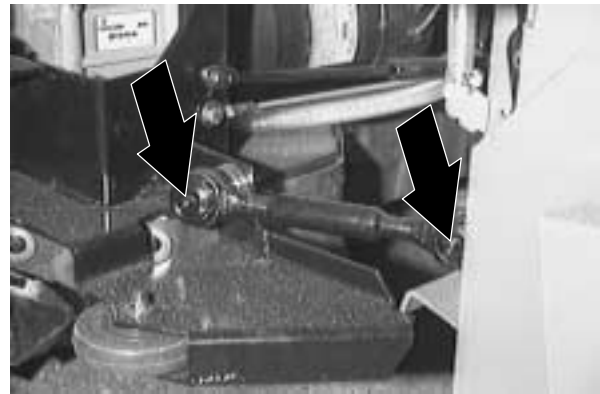
The scrub head parallel arms have a grease fitting at each of the eight pivot points. Lubricate with Lubriplate EMB grease (Tennant Part No. 01433-1) every 100 hours of operation.



05917



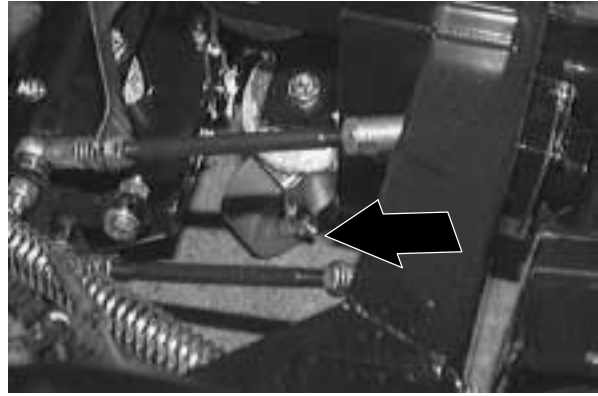
05919



MAINTENANCE

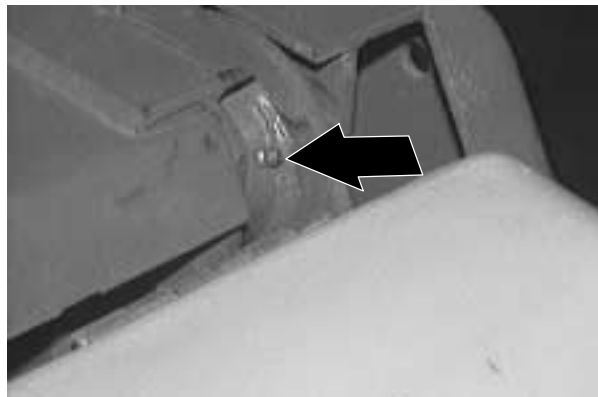
REAR SQUEEGEE CASTER

The rear caster has one grease fitting. The caster must be lubricated every 100 hours of operation. Use Lubriplate EMB grease (Tennant part no. 01433-1).



HOPPER LIFT ARMS

The hopper lift arms each have a grease fitting at the pivot point. Lubricate with Lubriplate EMB grease (Tennant Part No. 01433-1) every 100 hours of operation.



STEERING GEAR CHAINS

The steering gear chains are located by the foot pedals. Lubricate the chains with SAE 90 weight gear lubricant after 500 hours of operation.



HYDRAULICS

HYDRAULIC FLUID RESERVOIR

The reservoir is located underneath the hopper. A filler cap is mounted on top of the reservoir. It has a built-in breather. Replace the cap after every 800 hours of operation.

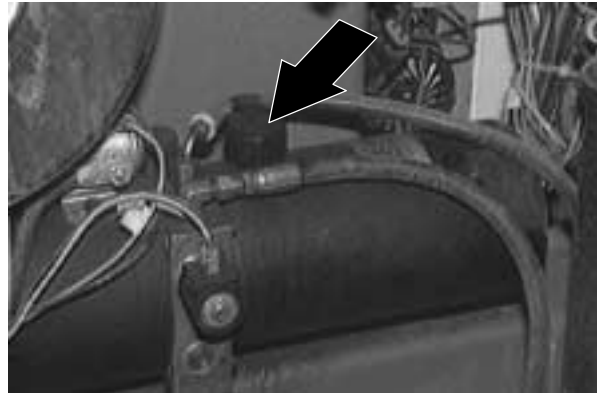
⚠ WARNING: Raised hopper may fall. Engage hopper support bar.

Check the hydraulic fluid level at operating temperature after every 100 hours of operation.

Lubricate the filler cap gasket with a film of hydraulic fluid before putting the cap back on the reservoir.

Drain and refill the hydraulic fluid reservoir with new hydraulic fluid after every 800 hours of operation.

ATTENTION! Do not overfill the hydraulic fluid reservoir or operate the machine with a low level of hydraulic fluid in the reservoir. Damage to the machine hydraulic system may result.



HYDRAULIC FLUID

The quality and condition of the hydraulic fluid play a very important role in how well the machine operates. Tennant's hydraulic fluid is specially selected to meet the needs of Tennant machines.

Tennant's hydraulic fluids provide a longer life for the hydraulic components.

Tennant hydraulic fluid	
Part number	Fluid weight
65870	SHP 5/20

If another hydraulic fluid is used, make sure the specifications match Tennant hydraulic fluid specifications. Using substitute fluids can cause premature failure of hydraulic components.

ATTENTION! Hydraulic components depend on system hydraulic fluid for internal lubrication. Malfunctions, accelerated wear, and damage will result if dirt or other contaminants enter the hydraulic system.

HYDRAULIC HOSES

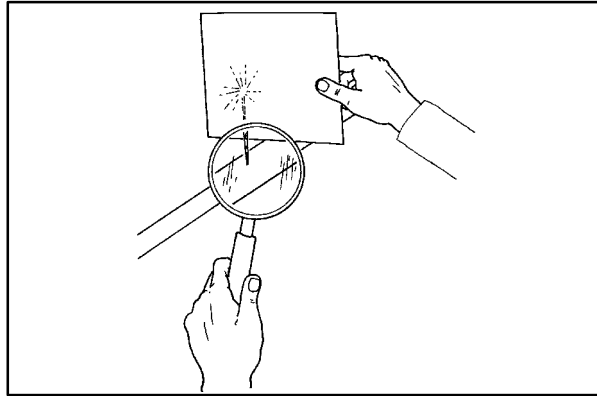
Check the hydraulic hoses after every 800 hours of operation for wear or damage.

Fluid escaping at high pressure from a very small hole can be almost invisible, and can cause serious injuries.

See a doctor at once if injury results from escaping hydraulic fluid. Serious infection or reaction can develop if proper medical treatment is not given immediately.

FOR SAFETY: When servicing machine, use cardboard to locate leaking hydraulic fluid under pressure.

If you discover a fluid leak, contact your mechanic or supervisor.



00002

BATTERIES

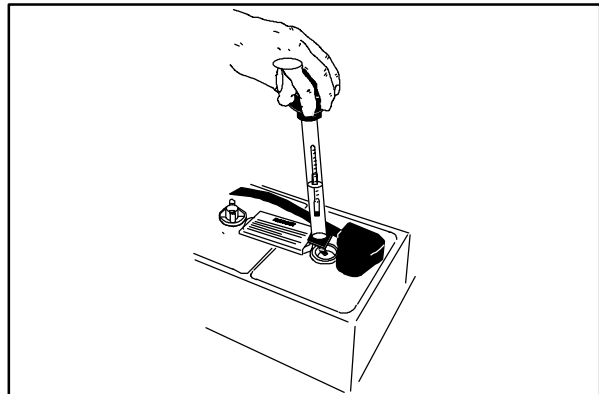
The batteries are unique in that they hold their power for long periods of time. The lifetime of the batteries is limited by the number of charges the batteries receive. To get the most life from the batteries, charge them when all the battery discharge indicator segments shut off (20% charge left). Use an automatic charger with the proper rating for the batteries.

Periodically clean the top surface of the batteries and the terminals, and check for loose connections. Use a strong solution of baking soda and water. Brush the solution sparingly over the battery tops, terminals, and cable clamps. Do not allow any baking soda solution to enter the batteries. Use a wire brush to clean the terminal posts and the cable connectors. After cleaning, apply a coating of clear battery post protectant to the terminals and the cable connectors. Keep the tops of the batteries clean and dry.

Keep all metallic objects off the top of the batteries, which may cause a short circuit. Replace any worn or damaged wires.

Check the electrolyte level in each battery after charging, and every 50 hours of operation. Never add acid to the batteries, only distilled water. Always keep the battery caps on, except when adding water or taking hydrometer readings.

Measuring the specific gravity, using a hydrometer, is a way to determine the charge level and condition of the batteries. If one or more of the battery cells test lower than the other battery cells (0.050 or more), the cell is damaged, shorted, or is about to fail.



04380

MAINTENANCE

NOTE: Do not take readings immediately after adding distilled water. If the water and acid are not thoroughly mixed, the readings may not be accurate. Check the hydrometer readings against the following chart to determine the remaining battery charge level:

SPECIFIC GRAVITY at 27° C (80° F)	BATTERY CHARGE
1.290	100% Charged
1.252	75% Charged
1.200	50% Charged
1.177	25% Charged
1.140	Discharged

NOTE: If the readings are taken when the battery electrolyte is any temperature other than 27° C (80° F), the reading must be temperature corrected. Add or subtract to the specific gravity reading 0.004, 4 points, for each 6° C (10° F) above or below 27° C (80° F).

CHARGING THE BATTERIES

1. Drive the machine to a flat, dry surface in a well-ventilated area.
2. Turn the machine power off and set the parking brake.

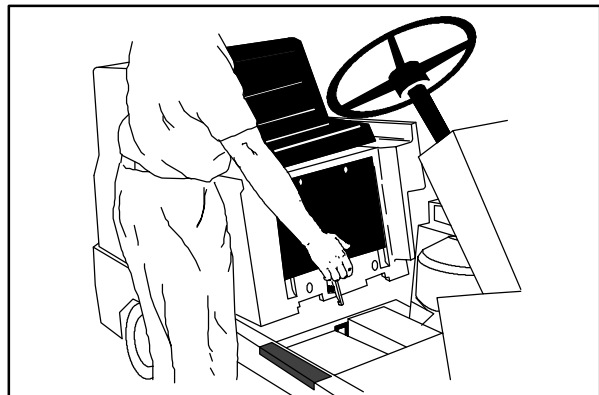
FOR SAFETY: Before leaving or servicing machine; stop on level surface, turn off machine.

3. Open the top machine cover.



WARNING: Batteries emit hydrogen gas. Explosion or fire can result. Keep sparks and open flame away. Keep covers open when charging.

4. Remove the seat support.

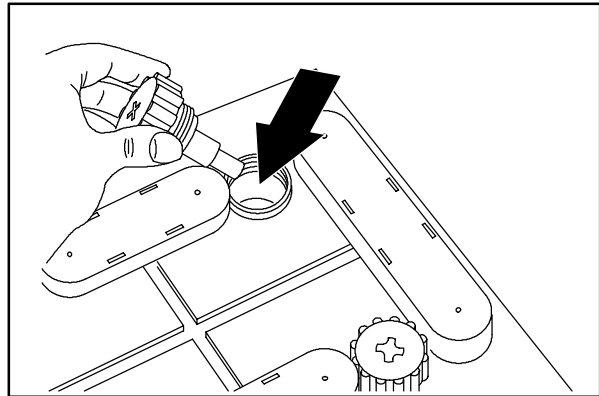


05916

5. Check the water level in all the battery cells. If the level is low, add just enough distilled water to cover the plates. **DO NOT OVERFILL.** The batteries can overflow during charging due to expansion.

NOTE: Make sure the battery caps are in place while charging.

FOR SAFETY: When maintaining or servicing machine, avoid contact with battery acid.



08247

6. Unplug the battery connector from the machine connector.



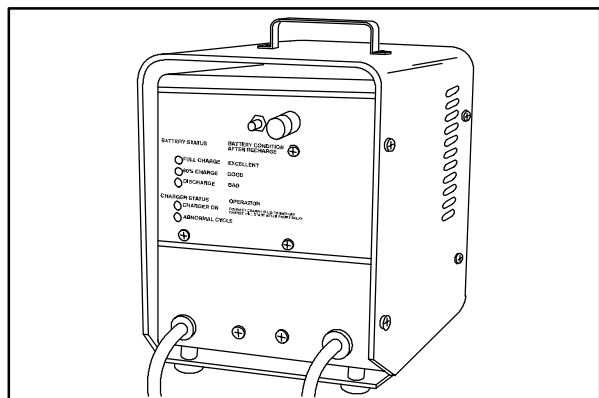
7. Plug the charger connector into the battery connector.

8. Plug the battery charger into the wall outlet.

NOTE: If the red "ABNORMAL CYCLE" lamp lights when the TENNANT charger is plugged into a wall outlet, the charger can not charge the battery and there is something wrong with the battery.

9. The Tennant charger will start automatically. When the batteries are fully charged, the Tennant charger will automatically turn off.

NOTE: Use a charger with the proper rating for the batteries to prevent damage to the batteries or reduce the battery life.



07224

NOTE: If the charger needs to be disconnected from the machine before the batteries are fully charged and the charger has not automatically shut off, turn off the charger before disconnecting it.

10. After the charger has turned off, unplug the charger from the wall outlet.

11. Unplug the charger connector from the battery connector on the machine.

FOR SAFETY: When maintaining or servicing machine, avoid contact with battery acid.

MAINTENANCE

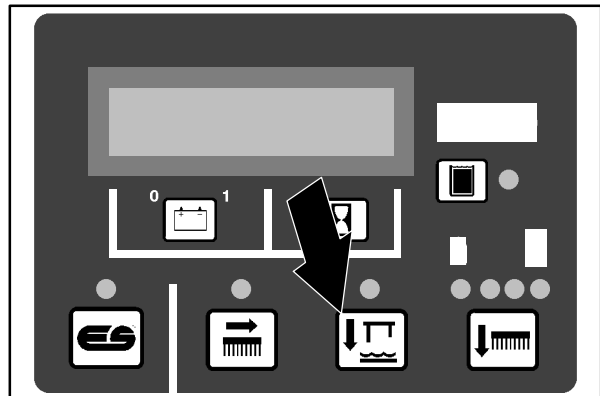
12. Reconnect the battery connector to the machine connector.
13. Check the electrolyte level in each battery cell. Add just enough distilled water to bring the electrolyte level up to the bottom of the fill rings.
14. Replace the seat support.
15. Close the top machine cover.

CONTROL PANEL

The control panel can be used to run a self-diagnostic test of the machine electrical components and system. When the self-diagnostic test is running, motors and actuators on the machine will activate.

FOR SAFETY: When servicing machine, avoid moving parts. Do not wear loose jackets, shirts, or sleeves.

1. Turn the machine power off.
2. While pressing the squeegee switch, turn the machine power on. Continue pressing the squeegee switch a few seconds, then release the switch.
3. While the diagnostic is running, the machine systems will activate as follows:
 - The brushes and squeegee raise.
 - The vacuum fan starts and the squeegee lowers. The squeegee raises and the vacuum fan shuts off.
 - The scrub head lowers and moves out to the edge scrub position. The scrub head moves back in again and raises.
 - The brushes turn on and off.
 - The solution tank auto-fill valve turns on and off.
 - The ES™ pump turns on and off, if the machine has the ES™ option.
 - The vacuum fan starts and shuts off.
 - The brushes turn on and off.

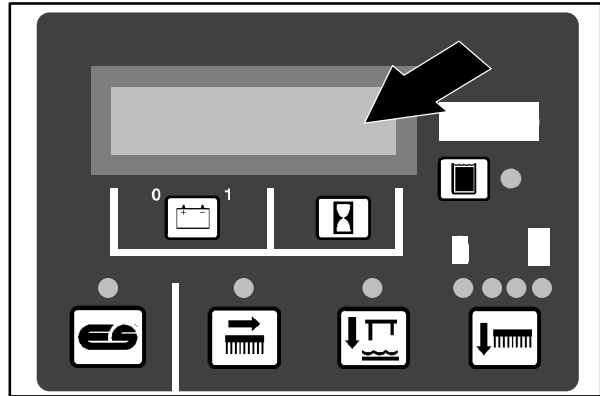


10734

- The sweeper assembly lowers and raises.
 - The recovery tank auto-fill valve turns on and off.
4. If the electrical system passes the self-diagnostic test, an OK message will appear on the control panel display.

If the self-diagnostic test finds an error in the system, an error message will appear on the control panel display. Note the error message displayed, and contact the service personnel.

5. Turn off the diagnostic by turning off the machine power.



10734

ELECTRIC MOTORS

The carbon brushes on the scrubbing vacuum fan motor should be inspected every 500 hours of machine operation. The carbon brushes brush on the sweeping vacuum fan, the scrubbing and sweeping brush drive motors, and the propelling motor should be inspected every 1000 hours of operation.

PROPELLING CIRCUIT

The propelling circuit is a transistorized controller. It controls the forward and reverse speed of the machine and is located in the controller panel. The circuit cannot be serviced by the user - only trained personnel should be allowed to work on it. Do not steam clean or spray the panel with water because the electrical system may be damaged.

NOTE: A static discharge grounding strap should be used when servicing the electronic circuitry.

SCRUB HEAD

The machine can be equipped with either a MaxPro™ 1000 or MaxPro™ 1200 scrub head. The MaxPro™ 1000 is the standard two disk brush scrub head. The optional MaxPro™ 1200 is a three disk brush scrub head. The scrub head floor skirts control water spray from the brushes.

MAINTENANCE

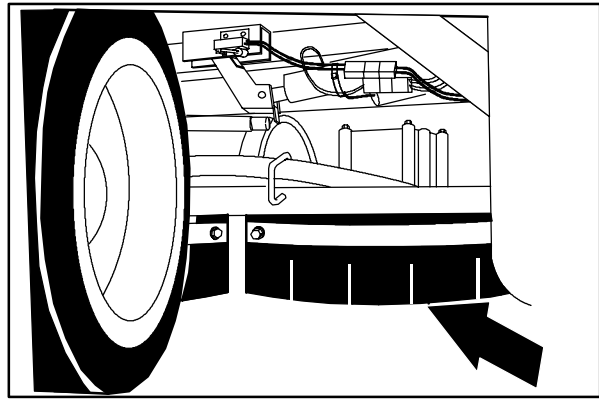
SCRUB HEAD FLOOR SKIRTS

The skirts are located in front and rear of the scrub head. Check these skirts for wear and damage every 50 hours of operation.

The skirts should clear the floor by 0 to 6 mm (0 to 0.25 in) when the scrub head is down. Check the floor skirt adjustment every 50 hours of operation.

The rear scrub head floor skirts can be adjusted by pulling the skirt up or down without loosening the retainer hardware.

The front scrub head floor skirts need the retainer hardware loosened to move the skirt up or down. Tighten the retainer hardware enough to hold the skirt firmly in place.



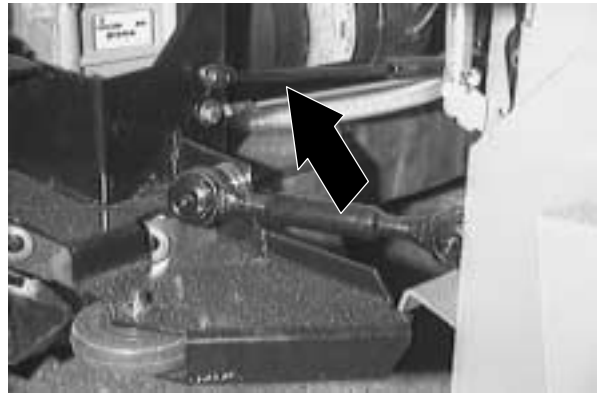
05937

SCRUB HEAD GAS SPRING

Check the scrub head gas spring for wear and proper operation every 500 hours of operation.

SCRUB HEAD ADJUSTMENTS

The scrub head is factory adjusted, and the measurements should not be changed unless scrub head parts are damaged or are replaced.



SCRUB BRUSHES

Check the scrub brushes daily for wire or string tangled around the brush or brush drive hub. Also check the brushes for any damage and wear.

The scrub brushes should be replaced if large amounts of bristles are missing, or if the remaining bristles' length is less than 6 mm (0.25 in).

NOTE: Replace scrub brushes in sets to prevent one brush from scrubbing more aggressively than the other.

Cleaning pads must be placed on pad drives before they are ready to use. The cleaning pad is held in place by a pad holder.

Cleaning pads need to be cleaned immediately after using with soap and water. Do not wash the pads with a pressure washer. Hang dry pads, or lie flat to dry.

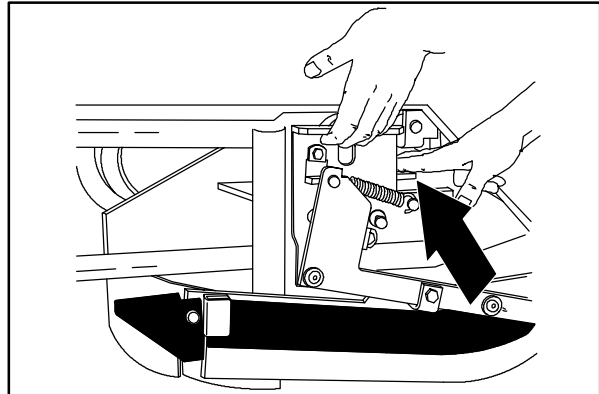
REPLACING THE SCRUB BRUSHES

1. Raise the scrub head.
2. Turn the machine power off and set the parking brake.

FOR SAFETY: Before leaving or servicing machine; stop on level surface, set parking brake, turn off machine and remove key.

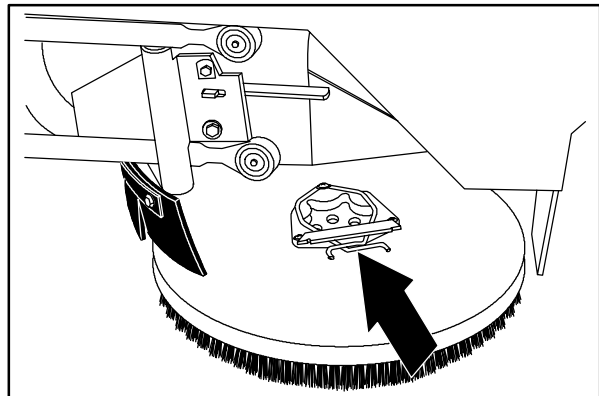
3. Push back on the side squeegee release lever. Pull up on the side squeegee assembly and remove it from the scrub head. Repeat for the other side of the scrub head.

NOTE: Remove the suction hose from the right-hand side squeegee assembly on the MaxPro™ 1200 scrub head.



05938

4. Press the brush spring clip ends together with your thumb and index finger to remove the scrub brush. Repeat for the other brush or brushes.
5. For the MaxPro™ 1200 scrub head, start with the center brush. Slide the new scrub brush under the scrub brush drive assembly.
6. Line up the scrub brush drive socket with the drive plug.
7. Lift and snap the scrub brush onto the drive plug.
8. Check to make sure the brush is securely mounted on the brush hub.
9. Push back on the side squeegee release lever. Slide the side squeegee assembly onto the scrub head. Repeat on the other side of the scrub head.



05939

NOTE: Reconnect the suction hose to the right-hand side squeegee assembly on the MaxPro™ 1200 scrub head.

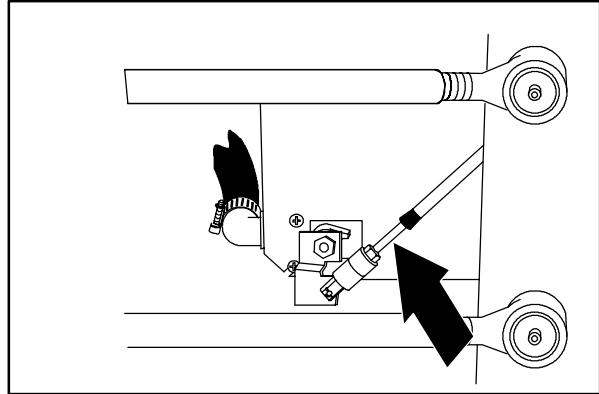
10. Check the scrub head front and rear skirt adjustments as described in *SCRUB HEAD FLOOR SKIRTS*.

SOLUTION SYSTEM

SOLUTION VALVE

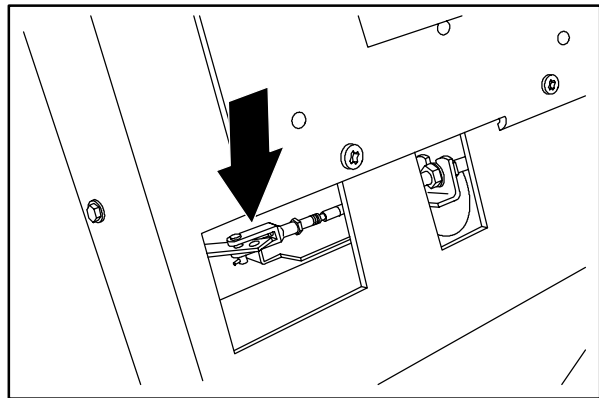
The solution valve controls the flow of solution to the scrub brushes. The valve linkage should provide the valve with fully open to fully closed positions.

The solution control cable can be adjusted at the solution lever or valve ends of the cable. To adjust the cable at the solution lever end, open the machine cover. To adjust the cable at the solution valve end of the cable, locate the valve by the scrub head. Adjust the cable with the valve in the off position.



05941

The solution lever has two mounting holes for the solution cable clevis. In the factory, the cable is mounted on the inside hole. The cable clevis can be moved to the outside hole for greater solution flow to the floor. This mounting position would be for rough floor conditions only.

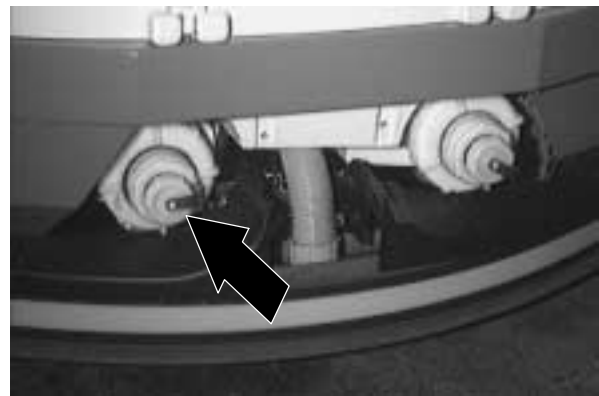


06011

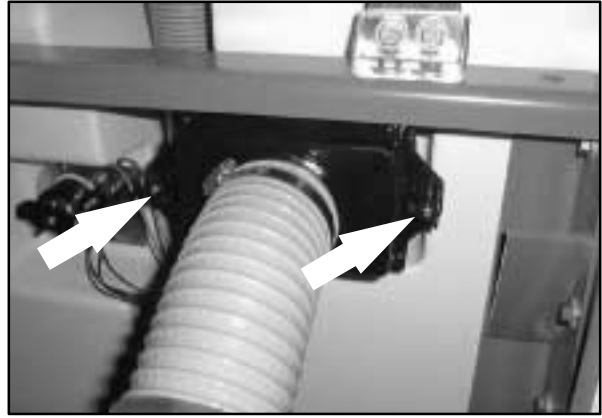
RECOVERY TANK

The recovery tank stores recovered solution.

The recovery tank should be drained and cleaned daily, after the solution tank is empty, whenever the float stops the vacuum fan, or the recovery tank full indicator lights. See *DRAINING AND CLEANING THE TANKS* section of this manual.

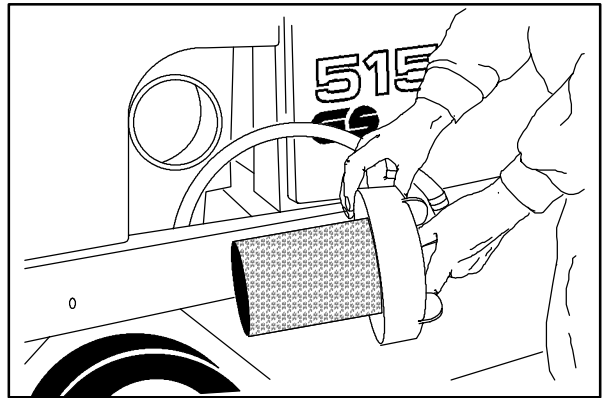


For machines serial number 000132 and above, the vacuum fan filter should be cleaned daily. See *DRAINING AND CLEANING THE TANKS* section of this manual.



ES™ option: The ES™ filter should be cleaned daily.

The outside of the tank can be cleaned with vinyl cleaner.

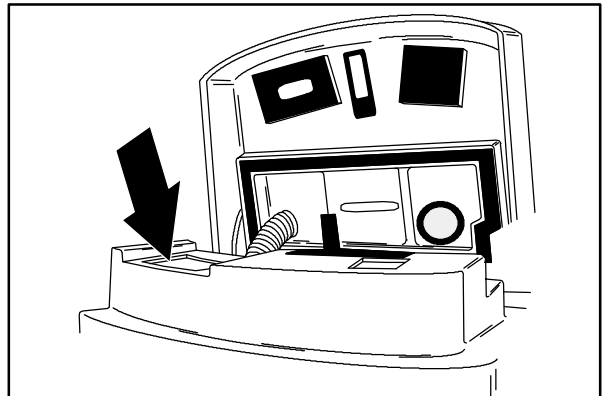


10916

SOLUTION TANK

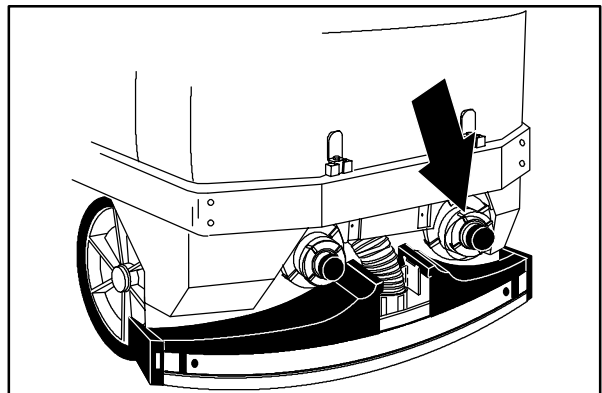
The solution tank stores the cleaning solution.

The solution tank does not require regular maintenance. If deposits form on the bottom of the tank, rinse the tank with a strong blast of warm water. The tank can be flushed through the fill opening. Drain the tank with the solution tank drain hose.



05921

ES™ option: The solution tank should be drained and cleaned daily.



05940

SQUEEGEES

As the machine travels forward the squeegees wipe the dirty solution off the floor, which is then picked up and drawn into the recovery tank. The front blade channels the water, and the rear blade wipes the floor.

The side squeegees control water spray and channel water into the path of the rear squeegee.

REAR SQUEEGEE

Check the squeegee blades for damage and wear daily. Rotate or replace either of the squeegee blades if the leading edge is torn or worn half-way through the thickness of the blade.

The squeegee can be adjusted for leveling and deflection. The deflection and leveling of the squeegee blades should be checked daily, or when scrubbing a different type of floor.

LEVELING THE REAR SQUEEGEE

Leveling of the squeegee assures even contact the length of the squeegee blade with the surface being scrubbed. Make sure this adjustment is done on an even, level floor.

1. Turn the machine power on.
2. Lower the squeegee.
3. Set the machine parking brake while the driving machine slowly forward, and turn the machine power off.

FOR SAFETY: Before leaving or servicing machine; stop on level surface, set parking brake, turn off machine and remove key.

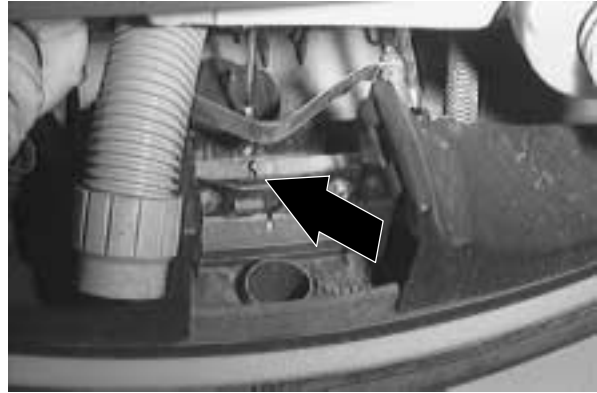
4. Look at the deflection of the squeegee blade, over the full length of the squeegee blade.

5. If the deflection is not the same over the full length of the blade, adjust the deflection by turning the leveling adjustment screw.

Turn the leveling adjustment screw clockwise to decrease the deflection at the ends of the squeegee blade.

Turn the leveling adjustment screw counter-clockwise to increase the deflection at the ends of the squeegee blade.

6. Release the parking brake and drive the machine forward again with the squeegee down to check the squeegee blade deflection.
7. Readjust the squeegee level if necessary.



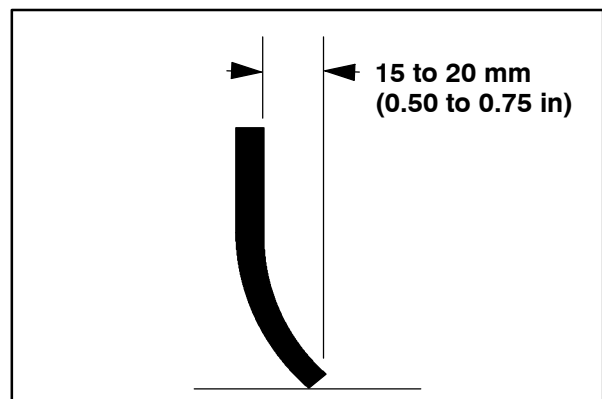
ADJUSTING REAR SQUEEGEE BLADE DEFLECTION

Deflection is the amount of curl the squeegee blade has when the machine moves forward with the squeegee lowered to the floor. The best deflection is when the squeegee wipes the floor just dry with a minimum amount of deflection.

1. Turn the machine power on.
2. Lower the squeegee.
3. Set the machine parking brake while driving the machine slowly forward, and turn the machine power off.

FOR SAFETY: Before leaving or servicing machine; stop on level surface, set parking brake, turn off machine and remove key.

4. Look at the deflection of the squeegee blade. The correct amount of deflection is 15 to 20 mm (0.50 to 0.75 in).



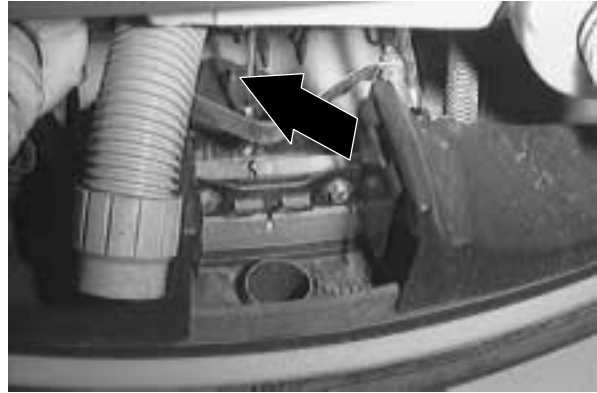
03719

MAINTENANCE

5. To adjust the amount of deflection, loosen the caster jam nut. Turn the caster shaft using the flats.

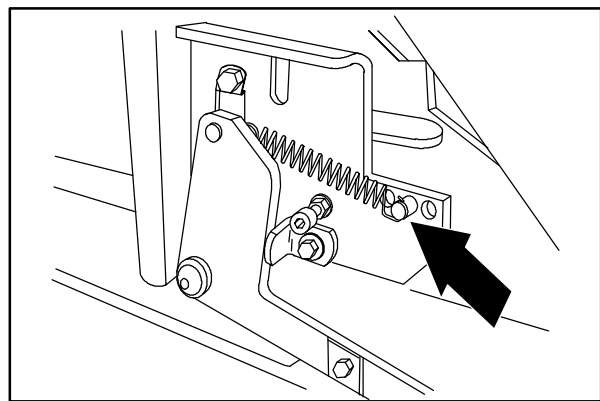
Turn the shaft clockwise to decrease the blade deflection. Turn the shaft counter-clockwise to increase blade deflection. Tighten the jam nut.

6. Release the parking brake and drive the machine forward again to check the squeegee blade deflection.
7. Readjust the squeegee blade deflection if necessary.



SIDE SQUEEGEE ADJUSTMENT

The side squeegee has one adjustment; height. To change the height adjustment, disconnect the squeegee spring from the clevis pin and move the clevis pin to a different hole location. The factory setting is in the middle hole location.



05918

SQUEEGEE BLADES

The rear squeegee assembly channels water into the vacuum suction. The front blade channels the water, and the rear blade wipes the floor.

The side squeegees control water spray and channel water into the path of the rear squeegee.

Replace any worn or damaged squeegee blades.

REAR SQUEEGEE BLADES

Check the squeegee blades for damage and wear daily. Rotate or replace either of the squeegee blades if the leading edge is torn or worn half-way through the thickness of the blade.

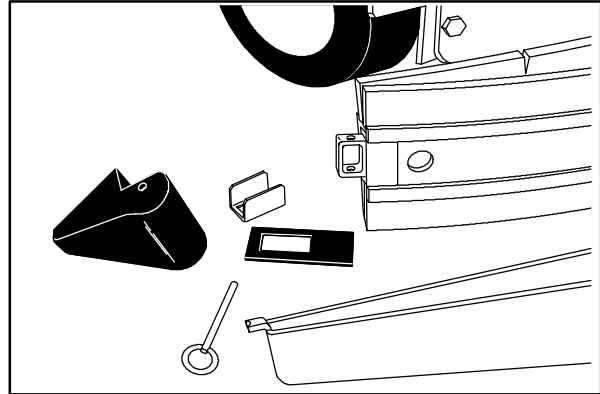
The squeegee has two squeegee blades, the front and rear. Each blade has four wiping edges. To use them all, start with one wiping edge. To use the next wiping edge, rotate the blade end-for-end. To use the next wiping edge, rotate the top edges down, bottom edges up. To use the last edge, rotate the blade end-for-end.

REPLACING OR ROTATING THE REAR SQUEEGEE BLADES

1. Make sure the squeegee is raised off the floor.
2. Turn the machine power off and set the parking brake.

FOR SAFETY: Before leaving or servicing machine; stop on level surface, set parking brake, turn off machine and remove key.

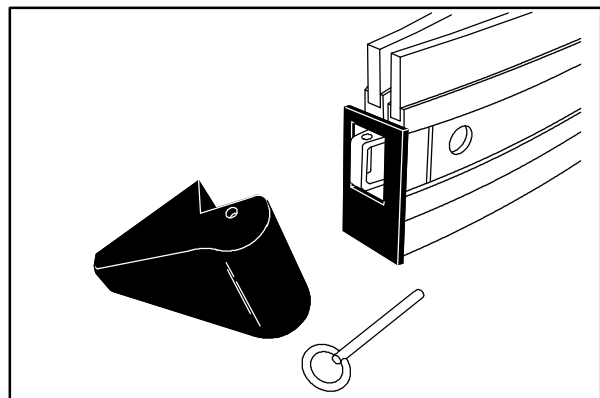
3. Remove the ringed pin, deflector, gasket, retainer bracket, and retainer strip from the end of the squeegee.
4. Pull off the squeegee assembly cover.
5. Pull the squeegee blade off the squeegee frame.
6. Replace or rotate the squeegee to allow a new edge to face the front of the machine.
7. Slide the squeegee blade onto the squeegee frame.



05943

NOTE: Lubricating the squeegee frame where the squeegee makes contact will make it easier to install the squeegee blade.

8. Slip the retainer strip into the squeegee blade. Slip the retainer bracket on the end of the squeegee frame. Place the squeegee gasket on the end of the squeegee frame with the long end down and back.
9. Replace the squeegee assembly cover.
10. Replace the deflector and the ringed pin.
11. Adjust the rear squeegee as described in *LEVELING THE REAR SQUEEGEE* and *ADJUSTING REAR SQUEEGEE BLADE DEFLECTION*.



05945

SIDE SQUEEGEES BLADES

The side squeegees control water spray and channel water into the path of the rear squeegee. Check the side squeegees for damage and wear daily.

Replace the side squeegee blades whenever they become damaged or lose their shape or resiliency. Replace the squeegee deflectors whenever they become worn.

REPLACING SIDE SQUEEGEE BLADES

1. Raise the scrub head.
2. Turn the machine power off and set the parking brake.

FOR SAFETY: Before leaving or servicing machine; stop on level surface, set parking brake, turn off machine and remove key.

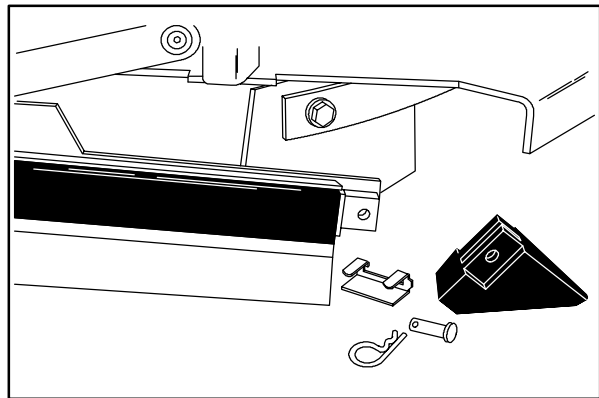
3. Remove the cotter pin, clevis pin, deflector, and the retainer bracket from the front of the side squeegee.
4. Pull the squeegee blade off the front of the squeegee frame.

NOTE: On the MaxPro™ 1200 scrub head, check the inside squeegee on the right side of the scrub head for damage and wear. Replace if necessary.

5. Slide the new squeegee blade onto the frame.

NOTE: Lubricating the squeegee frame where the squeegee makes contact will make it easier to install the squeegee blade.

6. Replace the retainer bracket, deflector, clevis pin, and cotter pin.
7. Repeat for the side squeegee on the other side of the scrub head.



05942

SWEEPING ASSEMBLY

The sweeping assembly allows the machine to pick up small debris.

DUST FILTER

The dust filter filters the air pulled up from the hopper. The dust filter is equipped with a shaker to remove the accumulated dust particles. The dust filter shaker is operated by pressing the bottom of the sweeping vacuum fan and filter shaker switch.

Shake the dust filter before emptying the hopper and at the end of every work shift. Check and clean or replace the dust filter every 50 hours of operation.

To clean the dust filter, use one of the following methods:

- **SHAKING** – Press the sweeping vacuum fan and filter shaker switch.
- **TAPPING** – Tap the filter gently on a flat surface, with the dirty side down. Do not damage the edges of the filter element or the filter will not seat properly in the filter frame.
- **AIR** – Blow air through the dust filter, opposite the direction of the arrows. This may be done with the dust filter in the machine. Always wear eye protection when using compressed air.

FOR SAFETY: When servicing machine, wear eye and ear protection when using pressurized air or water.

- **WATER** – Soak the dust filter in a water and mild detergent solution. Rinse the dust filter until it is clean. Air dry the wet dust filter; do not use compressed air.

NOTE: Be sure the dust filter is dry before reinstalling it in the machine.



MAINTENANCE

REMOVING THE DUST FILTER

1. Turn the machine power off and set the parking brake.

FOR SAFETY: Before leaving or servicing machine; stop on level surface, set parking brake, turn off machine and remove key.

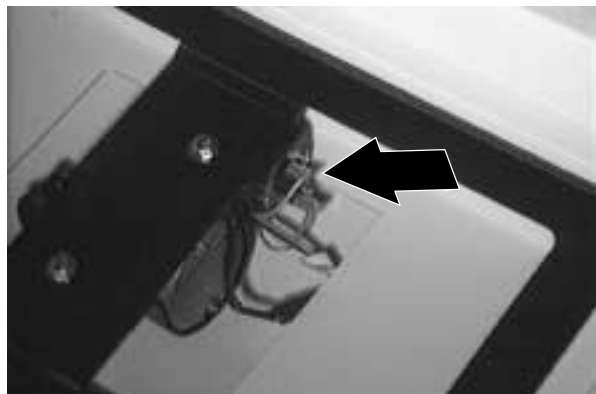
2. Unlatch the hopper cover.
3. Swing the hopper cover upward and position the end of the support rod through the pivot bracket.
4. Lift the dust filter element out of the hopper.
5. Clean or replace the dust filter element as required.
6. Place the cleaned or new dust filter into the hopper insert with the arrows pointing up. Make sure the element is set securely in the hopper for proper sealing.
7. Raise the hopper cover slightly and release the support rod, then close the hopper cover.
8. Latch the hopper cover.



THERMO SENTRY™

The Thermo Sentry™ senses the temperature of the air pulled up from the hopper. If there is a fire in the hopper, the Thermo Sentry™ stops the vacuum fan air flow.

Reset the Thermo Sentry™ by pushing in its reset button.



MAIN SWEEPING BRUSH

The main sweeping brush is cylindrical and spans the width of the sweeping assembly. The brush sweeps small debris into the debris hopper.

The brush should be inspected daily for wear and damage. Remove any string or wire found tangled on the brush, brush drive hub, or brush idler.

Check the main brush pattern every time a new brush is installed. The brush should be replaced whenever the bristles measure 30 mm (1.25 in) or less in length.

REPLACING THE MAIN SWEEPING BRUSH
(For machines serial number 000128 and below.)

1. Raise the sweeping assembly.
2. Turn the machine power off and set the parking brake.

FOR SAFETY: Before leaving or servicing machine; stop on level surface, set parking brake, turn off machine and remove key.

3. Unlatch and open the left side main brush door.
4. Remove the hardware mounting the brush idler plate to brush arm.
5. Pull the idler plate off the brush.
6. Line up the drive end of the new brush with the drive plug.
7. Install the idler plate to the brush arm with the mounting hardware.
8. Check the brush pattern as described in *CHECKING AND ADJUSTING THE SWEEPING MAIN BRUSH PATTERN.*
9. Close and latch the main brush door.



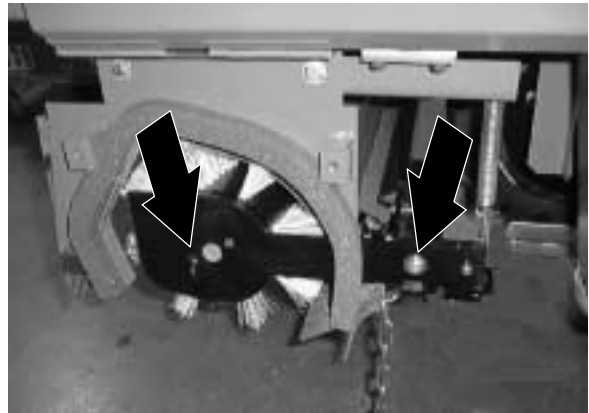
MAINTENANCE

REPLACING THE MAIN SWEEPING BRUSH (For machines serial number 000129 and above.)

1. Raise the sweeping assembly.
2. Turn the machine power off and set the parking brake.

FOR SAFETY: Before leaving or servicing machine; stop on level surface, set parking brake, turn off machine and remove key.

3. Remove the hardware and lift open the left side main brush door.
4. Remove the hardware mounting the brush idler plate to brush arm.
5. Pull the idler plate off the brush.
6. Line up the drive end of the new brush with the drive plug.
7. Install the idler plate to the brush arm with the mounting hardware.
8. Check the brush pattern as described in *CHECKING AND ADJUSTING THE SWEEPING MAIN BRUSH PATTERN.*
9. Close and latch the main brush door.

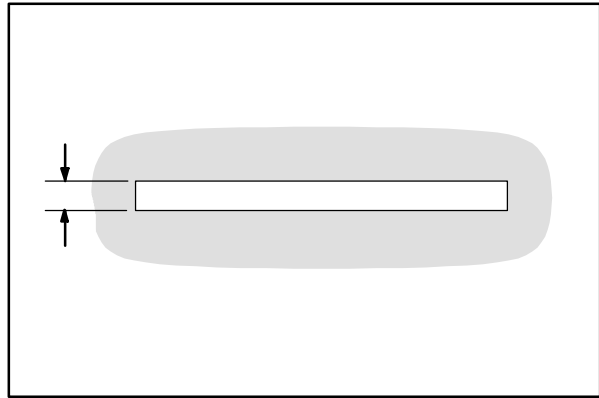


CHECKING AND ADJUSTING THE MAIN SWEEPING BRUSH PATTERN (For machines serial number 000128 and below.)

1. Apply chalk, or some other material that will not blow away easily, to a smooth, level floor.
2. Turn the machine on. With the sweeping assembly raised, position the sweeping assembly over the chalked area.
3. With a foot on the brake to keep the machine from moving, lower the sweeping assembly to the floor for 15 to 20 seconds. Raise the sweeping assembly and back the machine away from the test area.

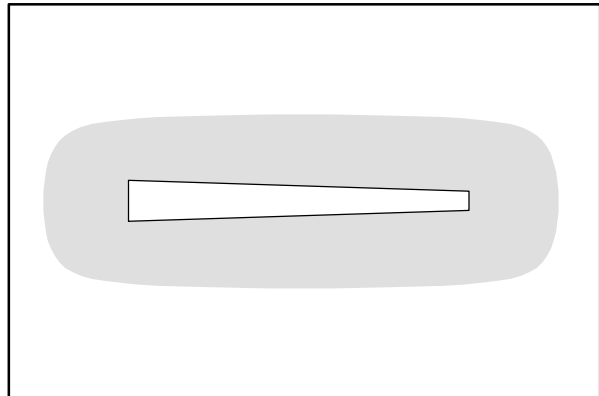
NOTE: If no chalk or other material is available, allow the brush to spin on the floor for two minutes.

4. Look at the main brush pattern made. The pattern should measure evenly 25 to 50 mm (1 to 2 in) across the length of the brush.



00582

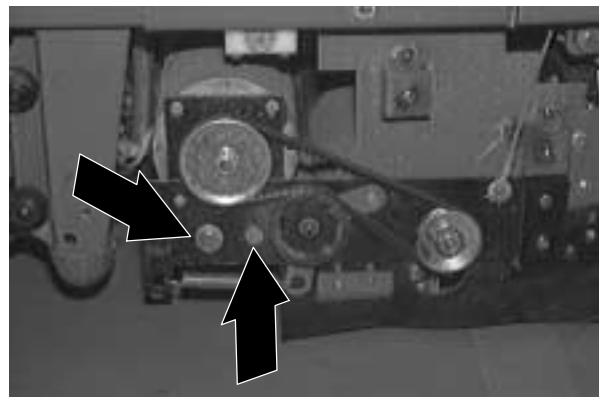
5. If the brush pattern is tapered more than 15 mm (0.50 in) from one end of the pattern to the other, the main brush needs to be leveled.



00601

To level the main brush, open the right side brush door. Loosen the brush pivot screw (on the right) and the slot screw to its left. Move the brush idler end up if the drive end is narrower than the idler end. Move the brush idler end down if the drive end is wider than the idler end. Tighten the slot screw (left) first, then the pivot screw.

6. Check the brush pattern again, and readjust if necessary.
7. Mount the left side panel, if it was removed.



CHECKING AND ADJUSTING THE MAIN SWEEPING BRUSH PATTERN (For machines serial number 000129 and above.)

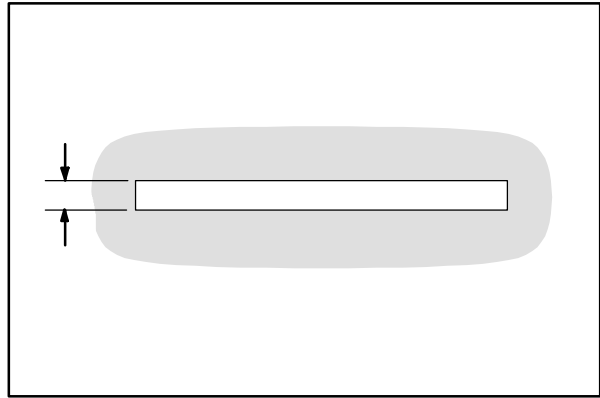
1. Apply chalk, or some other material that will not blow away easily, to a smooth, level floor.
2. Turn the machine on. With the sweeping assembly raised, position the sweeping assembly over the chalked area.

MAINTENANCE

3. With a foot on the brake to keep the machine from moving, lower the sweeping assembly to the floor for 15 to 20 seconds. Raise the sweeping assembly and back the machine away from the test area.

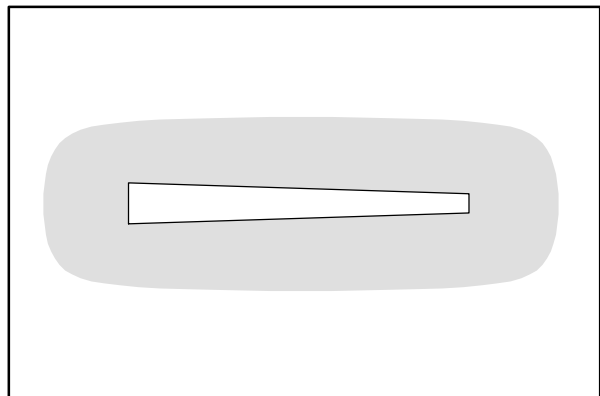
NOTE: If no chalk or other material is available, allow the brush to spin on the floor for two minutes.

4. Look at the main brush pattern made. The pattern should measure evenly 25 to 50 mm (1 to 2 in) across the length of the brush.



00582

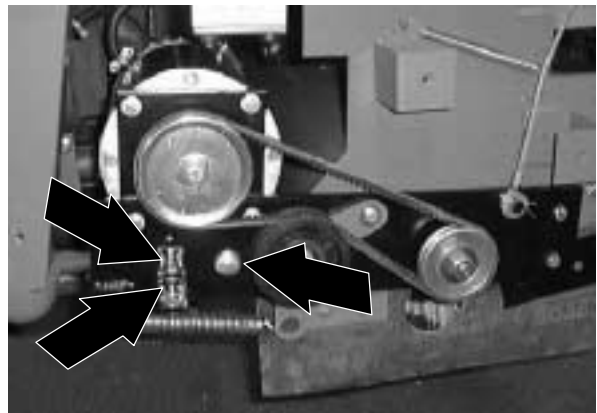
5. If the brush pattern is tapered more than 15 mm (0.50 in) from one end of the pattern to the other, the main brush needs to be leveled.



00601

To level the main brush, remove the right side brush panel. Loosen the brush pivot screw (on the right) and the top two nuts on the adjusting screw to its left. Raise or lower the front of the brusharm by raising or lowering these top two nuts on the adjustment screw. Tighten the nuts on the adjustment screw first, then the pivot screw.

6. Check the brush pattern again, and readjust if necessary.
7. Mount the left side panel, if it was removed.

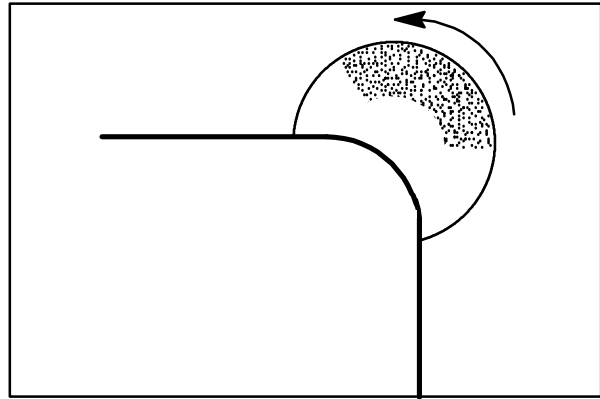


SIDE SWEEPING BRUSH

The side sweeping brush(es) sweep debris into the path of the main brush. Check the side brush(es) daily for wear or damage. Remove any string or wire found tangled on the side brush(es) or side brush drive shafts.

The side sweeping brush(es) pattern should be checked periodically. The side brush bristles should contact the floor in a 10 o'clock to 3 o'clock pattern when the brush is in motion. The side brush pattern adjustment is made by turning the side brush adjustment knob.

The side sweeping brush(es) should be replaced when the remaining brush bristle measures 25 mm (1 in) or less in length.



03376

REPLACING AND ADJUSTING THE SIDE SWEEPING BRUSH(ES)

1. Raise the hopper assembly.
2. Turn the machine power off and set the parking brake.

FOR SAFETY: Before leaving or servicing machine; stop on level surface, set parking brake, turn off machine and remove key.

3. Remove the retaining hardware mounting the side brush to the side brush drive shaft.
4. Slide the side brush off the side brush drive shaft.
5. Slide the new side brush onto the side brush drive shaft.
6. Mount the new side brush to the drive shaft with the mounting hardware.
7. Lower the hopper assembly
8. Check the side brush pattern. To increase the bristle contact with the floor, turn the side brush adjustment knob counter-clockwise. To decrease, turn the side brush adjustment knob clockwise.



MAINTENANCE

SWEEPING BRUSH SIDE SKIRTS

The brush side skirts are located on both sides of the sweeping assembly. Check the side skirts after every 50 hours of operation for damage or wear, and adjustment. The side skirts should be just touching the floor, or 4 mm (0.188 in) off the floor in dusty sweeping conditions.



SWEEPING REAR SKIRT

The rear skirt helps keep debris away from the scrub brushes. The skirt is located behind the sweeping main brush. Check the rear skirt after every 50 hours of operation for damage, wear, or adjustment. The rear skirts should clear the floor by 5 mm (0.25 in).



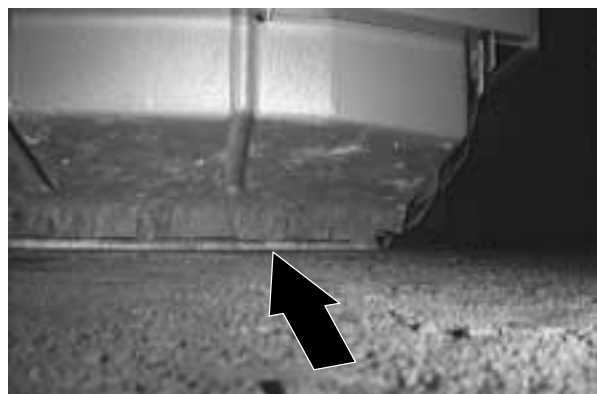
RECIRCULATION FLAP

The recirculation flap is located behind the main brush. Inspect the recirculation flap for damage and wear after every 50 hours of operation.



DEBRIS HOPPER SLIT SKIRT

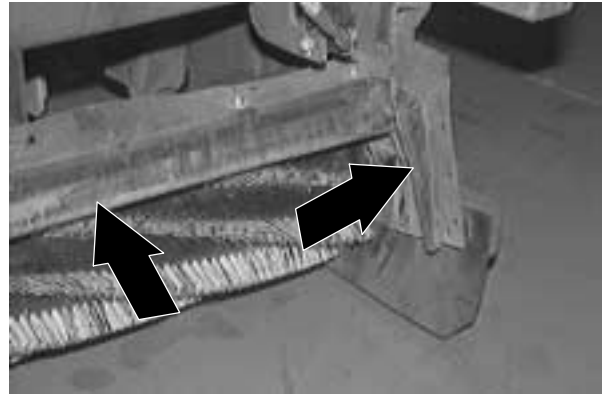
The debris hopper slit skirt helps direct debris into the debris hopper. The skirt is located at the bottom rear of the debris hopper. The rear lip of the slit should always lie flat and contact the floor. Check the skirt for damage or wear.



HOPPER SEALS

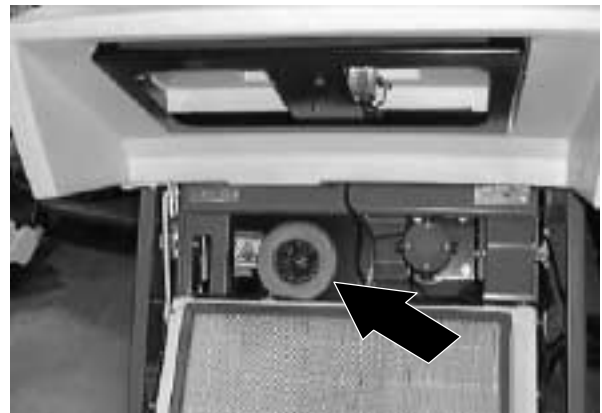
The hopper seals are located on the top and side portions of the machine frame that contact the hopper.

Check these seals for damage and wear after every 50 hours of operation.

**HOPPER VACUUM FAN SEAL**

The vacuum fan seal is located between the hopper cover and vacuum fan inlet.


Check this seal after every 50 hours of operation for damage or wear.

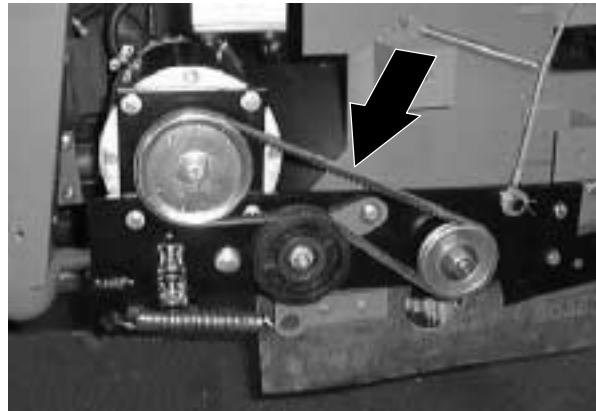


BELTS AND CHAINS

SWEEPING MAIN BRUSH DRIVE BELT

The main brush belt is automatically tensioned by a spring loaded idler. The belt should be checked after every 50 hours of operation for wear.

 **WARNING: Moving belt and fan. Keep away.**

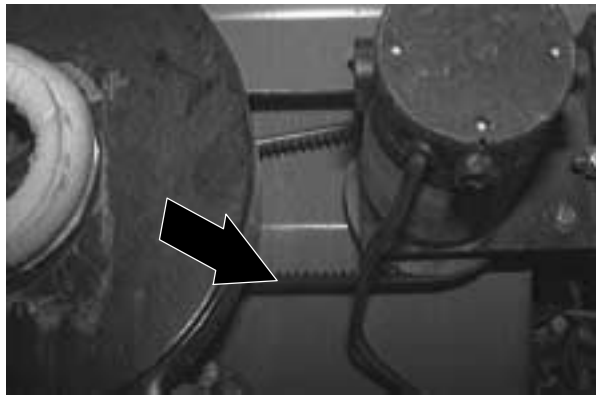


SWEEPING VACUUM FAN BELT

The sweeping vacuum fan brush belt is located underneath the hopper. The deflection should be 3 to 7mm (0.125 to 0.25 in) when a force of 2.3 kg (5 lb) is applied at the belt midpoint. The belt should be checked after every 50 hours of operation for wear.

 **WARNING: Raised hopper may fall. Engage hopper support bar.**

 **WARNING: Moving belt and fan. Keep away.**



STEERING GEAR CHAINS

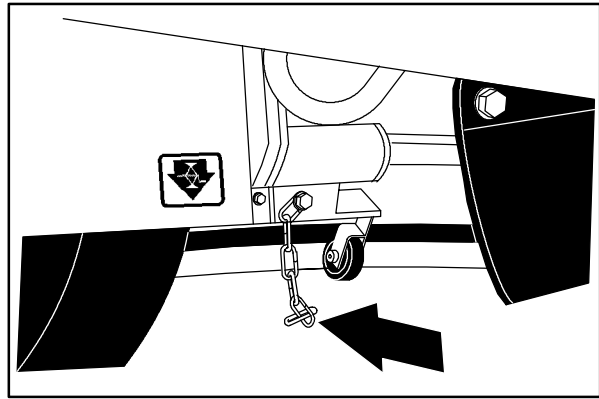
The steering gear chains tension should be checked after the first 50 hours of operation and every 500 hours thereafter. The deflection of the chains should be 3 to 6 mm (0.12 to 0.25 in) when the steering wheel is turned as far as it will go in either direction.



STATIC DRAG CHAIN

A static drag chain prevents the buildup of static electricity in the machine. The chain is attached to the transaxle.

Make sure the chain is always touching the floor.



05936

BRAKES AND TIRES

BRAKES

The foot brake and the parking brake operate the linkage that controls the brakes on the rear wheels.

The parking brake should be adjusted after every 100 hour of operation or whenever it becomes very easy to engage.

To adjust the parking brake, turn the knurled knob on the end of the parking brake lever counter-clockwise.

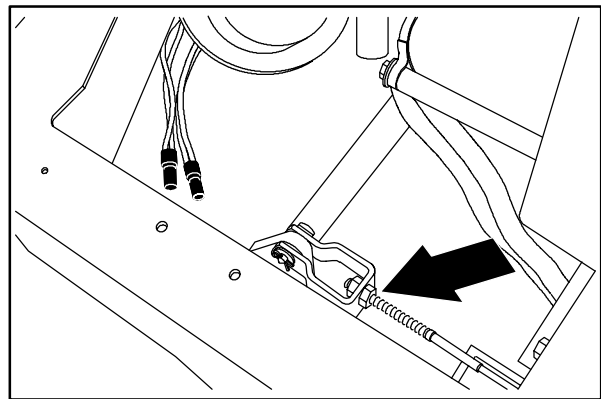
The foot pedal should not travel more than 25 mm (1 in) to engage the brake. Check the brake adjustment after every 100 hours of operation.

Park the machine on a level surface. Turn the machine power off, and block the machine tires.

Loosen the adjustment nuts. Adjust the brake cable with one nut and lock in place with the other nut.

Adjust the brake cable so that the brake pedal travels no more than 25 mm (1 in) to fully engage the brakes. Readjust the brake cable if necessary.

Remove the blocks from the machine tires.



05947

TIRES

All the machine tires are solid. Check the tires for wear every 100 hours of operations.

FRONT WHEEL

Torque the front wheel nuts to 122 to 155 Nm (90 to 110 ft lb) after the first 50 hours of operation, and every 500 hours of operation.

**PUSHING, TOWING, AND TRANSPORTING
THE MACHINE**

PUSHING OR TOWING THE MACHINE

If the machine becomes disabled, it can be pushed from the front or rear, but tow it only from the rear.

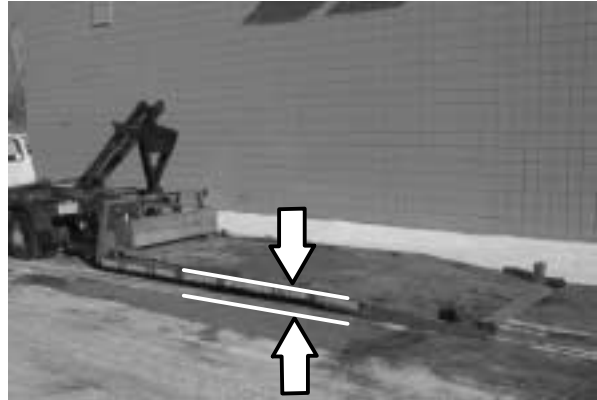
Only push or tow the machine for a *very short distance* and do not exceed 3.2 kp/h (2 mph). It is NOT intended to be pushed or towed for a long distance or at a high speed.

ATTENTION! Do not push or tow machine for a long distance or damage may occur to the propelling system.

TRANSPORTING THE MACHINE

1. Position the rear of the machine at the loading edge of the truck or trailer.
2. If the loading surface is not horizontal or is higher than 380 mm (15 in) from the ground, use a winch to load machine.

If the loading surface is horizontal AND is 380 mm (15 in) or less from the ground, the machine may be driven onto the truck or trailer.



3. To winch the machine onto the truck or trailer, attach the winching chains at the bottom of the rear bumper.

If the machine has the optional rear tie down brackets, attach the winching chains to them.



FOR SAFETY: When loading machine onto truck or trailer, use winch. Do not drive the machine onto the truck or trailer unless the loading surface is horizontal AND is 380 mm (15 in) or less from the ground.

4. Position the machine onto the truck or trailer as far as possible. If the machine starts to veer off the centerline of the truck or trailer, stop and turn the steering wheel to center the machine.

5. Set the parking brake and block the machine tires. Tie down the machine to the truck or trailer before transporting.

The tie down locations are at each corner of the machine fram.

If the machine has the optional tie down brackets, attach the winching chains to them.



6. If the loading surface is not horizontal or is higher than 380 mm (15 in) from the ground, use a winch to unload machine.

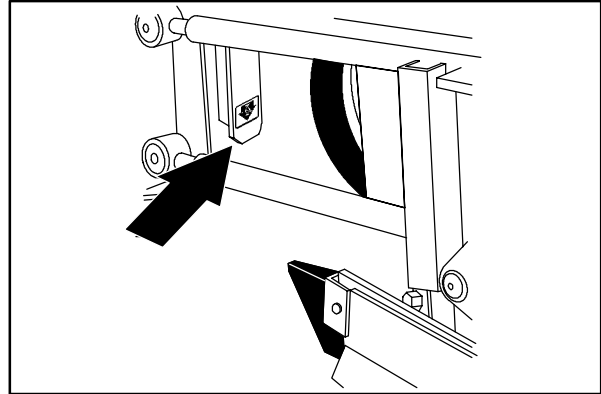
If the loading surface is horizontal AND is 380 mm (15 in) or less from the ground, the machine may be driven off the truck or trailer.

FOR SAFETY: When unloading machine off truck or trailer, use winch. Do not drive the machine off the truck or trailer unless the loading surface is horizontal AND 380 mm (15 in) or less from the ground.

MACHINE JACKING

You can jack up the machine for service at the designated locations. Use a jack of adequate capacity and in good working condition. Always stop the machine on a flat, level surface and block the tires before jacking up the machine.

The front jacking location is the main frame just in front of the scrub head.



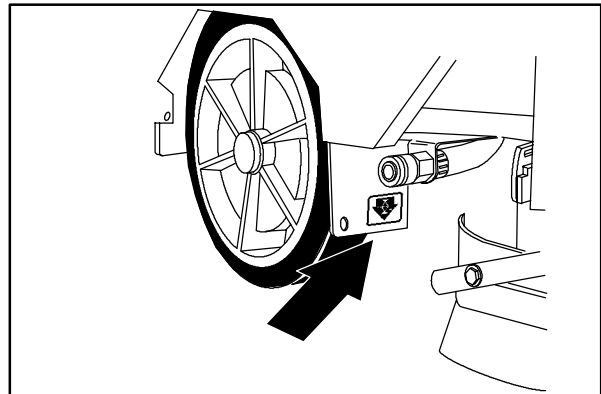
05931

The rear jacking locations are the main frame just in front of the rear tires.

Always stop the machine on a flat level surface and block the machine tires before jacking up the machine.

FOR SAFETY: When servicing machine, block machine tires before jacking machine up.

FOR SAFETY: When servicing machine, jack machine up at designated locations only. Block machine up with jack stands.



05922

STORAGE INFORMATION

The following steps should be taken when storing the machine for extended periods of time.

1. Drain and clean the solution and recovery tanks.

ES™ machines: Run clean water through the solution system and the ES™ solution pump.
2. Empty and clean the debris hopper. Raise the sweeper assembly.
3. Raise the rear squeegee and the scrub head.
4. Park the machine in a cool, dry area.
5. Remove the batteries, or charge them after every three months.

SPECIFICATIONS

SPECIFICATIONS

GENERAL MACHINE DIMENSIONS/CAPACITIES

Item	Dimension/capacity
Length	2670 mm (105 in)
Width, frame and single side brush	1200 mm (47 in)
Width, frame and dual side brush	1305 mm (51 in)
Width, rear squeegee	1210 mm (47.5 in)
Width with MaxPro™ 1200 scrub head (option)	1295 mm (51 in)
Height, standard	1450 mm (57 in)
Height with overhead guard (option)	2035 mm (80 in)
GVWR, net	1060 kg (2335 lb)
GVWR with standard battery	1495 kg (3295 lb)
Scrub brush diameter (2 disk)	510 mm (20 in)
Main sweeping brush length	915 mm (36 in)
Side sweeping brush diameter	485 mm (19 in)
Sweeping path width, single side brush (RH)	1270 mm (50 in)
Sweeping path width, dual side brushes	1625 mm (64 in)
Hopper volume capacity	105 L (3.75 ft ³)
Hopper weight capacity	54 kg (120 lb)
Scrubbing path width, standard (MaxPro™ 1000)	1020 mm (40 in)
Scrubbing path width, optional (MaxPro™ 1200)	1220 mm (48 in)
Solution tank capacity	210 L (55 gal)
Solution tank capacity with ES™ (option)	340 L (90 gal)
Recovery tank capacity	190 L (50 gal)
Propelling gear box 90 weight gear lubricant capacity	2.6 L (2.7 qt)

GENERAL MACHINE PERFORMANCE

Item	Measure
Maximum forward speed	8 km/h (5 mph)
Maximum reverse speed	4.8 km/h (3 mph)
Minimum turnaround width	2870 mm (113 in)
Maximum rated climb and descent angle with empty tanks	8°
Maximum rated climb and descent angle with full tanks	6°

POWER TYPE

Type	Quantity	Volts	Ah Rating	Weight
Batteries	1	36	380 @ 6 hr rate	436 kg (960 lb)
	1	36	420 @ 6 hr rate	585 kg (1290 lb)
	1	36	690 @ 6 hr rate	850 kg (1875 lb)

Type	Use	VDC	Kw (hp)
Electric Motors	Scrub brush	36	0.75 (1)
	Heavy duty scrub brush	36	1.12 (1.5)
	Scrubbing vacuum fan	36	0.63 (0.85)
	Propelling	36	2.2 (3)
	Sweeping brush	36	0.60 (0.80)
	Sweeping vacuum fan	36	0.56 (0.75)
	Side brush motor(s)	36	0.2 (0.25)

Type	VDC	amp	Hz	Phase	VAC
Chargers	36	120	60	1	208-240-480
	36	120	60	3	208-240-480
	36	120	50	1	208-240-480
	36	120	50	3	208-240-480
	36	75	50	1	208-240-480
	36	75	60	1	208-240-480
	36	75	60	3	208-240-480
	36	50	60	1	240
	36	50	50	1	230
	36	45	50 and 60	1	200

STEERING

Type	Power source	Emergency steering
Front wheel controlled, universal joint to gear and chain	Manual	Manual

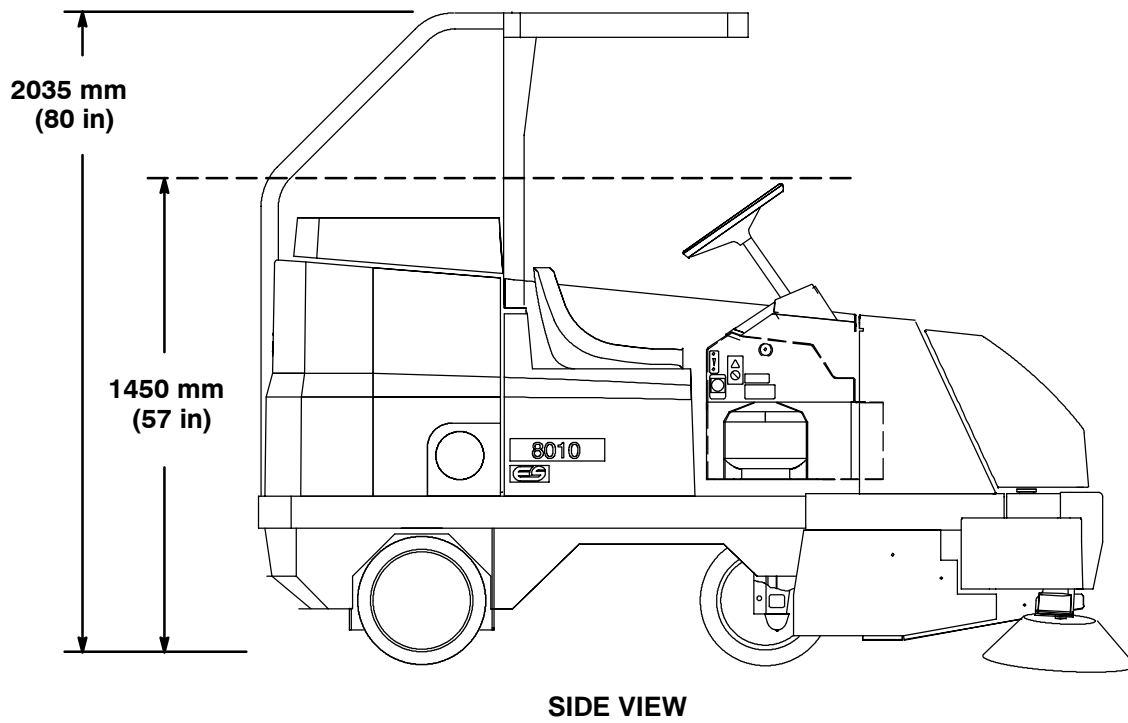
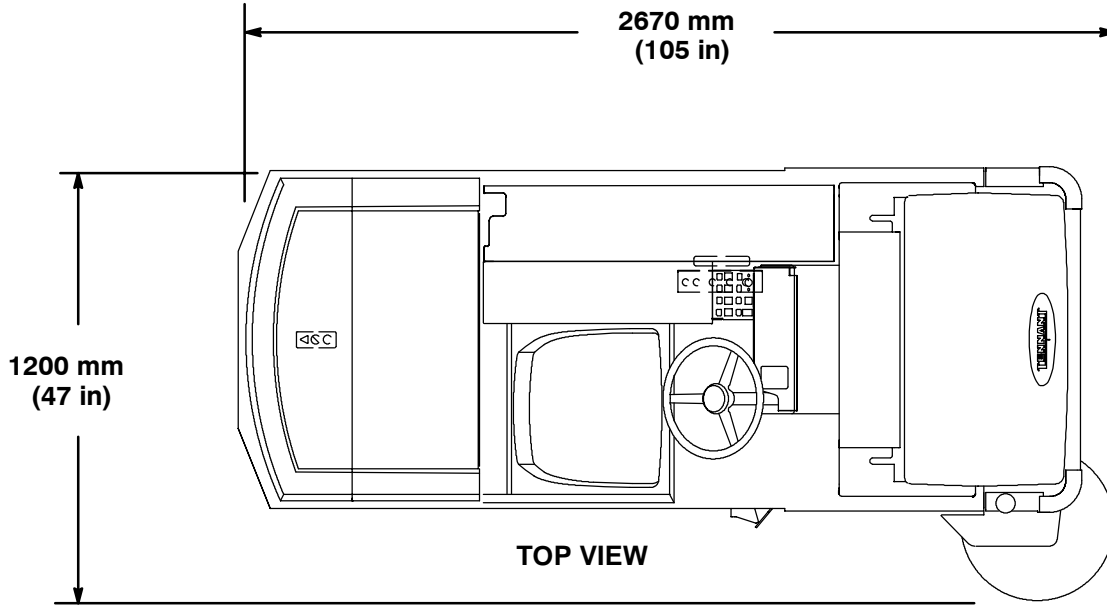
BRAKING SYSTEM

Type	Operation
Service brakes	Mechanical drum brakes (2), one per rear wheel, cable actuated
Parking brake	Utilizes service brakes, cable actuated

TIRES

Location	Type	Size
Front (1)	Solid	16.25 x 6
Rear (2)	Solid	16 x 3.5

SPECIFICATIONS



MACHINE DIMENSIONS

351054

INDEX

B**Batteries**

- charger specifications, 99
- charging, 68–70
- discharge indicator, 12
- maintenance, 67
- specifications, 99

Battery discharge indicator, 12**Belts**

- main brush, sweeping, 90
- vacuum fan, sweeping, 90

Brakes

- brake pedal adjustment, 92
- maintenance, 92
- parking brake, 19
- parking brake adjustment, 92
- pedal, 11

Braking system, specifications, 99**Brushes**

- information, recommendations, 29
- main brush information, 83
- main sweeping brush replacement, 83
- scrub, replacement, 73
- side sweeping brush replacement, 87
- sweeping brush pattern adjustment, 84

C**Capacities, machine, 98****Chains**

- static drag, 91
- steering gear, 90

Circuit breakers, 21**Circuit, propelling, 71****Control panel**

- battery discharge indicator, 12
- changing display language, 14
- edge scrub switch, 15
- ES™ switch (option), 15
- hopper door switch, 18
- hopper lift switch, 18
- hourmeter, 12
- message display, 13
- operating lights switch, 19
- optional languages, 13
- rear squeegee switch, 15
- recovery tank full indicator, 14
- scrub switch, 16
- self-diagnostic test, 70
- side brush(es) switch, 17
- sweeping switch, 17
- sweeping vacuum fan & filter shaker switch, 18

Controls

- brake pedal, 11
- directional pedal, 10
- horn button, 17
- on-off key switch, 17
- parking brake lever, 19
- power wand switch (option), 20
- Side Brush adjustment Knob (option), 20
- solution flow lever, 11
- steering wheel, 11

Controls & instruments, 9**D****Dimensions, machine, 98****Directional pedal, 10****Door switch, hopper, 18****Dust filter cleaning, 81****Dust filter removal, 82****E****Edge scrub switch, 15****Electric motors**

- maintenance, 71
- specifications, 99

Electrical system

- batteries, 67–70
- charging batteries, 68–70
- circuit breakers, 21
- fuses, 22

ES™ switch (option), 15**ES™ system (option)**

- auto-fill, 28
- filling the tanks, 27–29

F**Filter shaker switch, 18****Filter, dust, cleaning, 81****Filter, dust, removal, 82****Front wheel, maintenance, 92****Front wheel support bearing, lubrication, 62****Fuses, 22**

H

Hazard light switch, 19

Hopper

- dust filter cleaning, 81
- dust filter removal, 82
- hopper door switch, 18
- hopper lift switch, 18
- seals, 89
- slit skirt, 88
- support bar, 23
- Thermo-Sentry, 82
- vacuum fan seal, 89

Hopper lift arms, lubrication, 64

Horn button, 17

Hoses

- recovery tank drain, 22
- solution tank drain, 22

Hourmeter, 12

Hydraulic fluid, 65

Hydraulic fluid reservoir, 65

Hydraulic hoses, 66

I

Instruments & controls, 9

J

Jack points, 96

K

Knob, Side Brush adjustment Knob, 20

L

Lift switch, hopper, 18

Lights, operating lights switch, 19

Locking up side squeegees, 40

Lubrication

- front wheel support bearing, 62
- hopper lift arms, 64
- propelling gearbox, 62
- rear squeegee casters, 64
- scrub head parallel arms, 63
- Steering Gear Chains, 64
- steering universal joint, 62

M

Machine

- jacking, 96
- storage information, 97
- towing, 93
- transporting, 93

Machine components, 6

Machine dimensions, 100

Machine performance, traveling specifications, 98

Machine tie down location, 95

Machine troubleshooting, 58

Main brush

- drive belt, sweeping, 90
- information, 83
- sweeping brush pattern adjustment, 84
- sweeping brush replacement, 83

Maintenance

- brakes, 92
- rear squeegee, 76
- rear squeegee blades, 78
- recovery tank, 74
- scrub brushes, 72
- scrub head floor skirts, 72
- scrub head gas spring, 72
- solution tank, 75
- solution valve adjustment, 74

Maintenance chart, 60

Message display, control panel, 13

Motors, electric, 99

Motors, electric, maintenance, 71

O

Operating lights switch, 19

Operation

- disengaging hopper support bar, 37
- double scrubbing, 40
- draining & cleaning tanks, 43
- emptying the hopper, 33
- engaging hopper support bar, 35
- how the machine works, 24
- on inclines, 48
- post-operation checklist, 47
- pre-operation checklist, 25
- scrubbing, 38
- starting the machine, 26
- stop scrubbing, 42
- stop sweeping, 32
- stop the machine, 46
- sweeping, 31
- unlocking side squeegees, 41

Operator responsibility, 5

Operator seat, 23

Options

- ES™ switch, 15
- positive solution control drain, 23
- power wand, 53–57
- power wand switch, 20
- vacuum wand, 49–52

P

Parking brake, 19

Parking brake adjustment, 92

Pedals

- brake, 11
- brake, adjustment, 92
- directional, 10

Positive solution control drain (option), 23

Power wand (option), 53–57

Power wand switch (option), 20

Propelling circuit, 71

Propelling gearbox, lubrication, 62

Pushing or towing the machine, 93

R

Rear squeegee

- blade deflection adjustment, 77
- blade maintenance, 78
- blade replacement & rotation, 79
- leveling, 76

Rear squeegee casters, lubrication, 64

Rear squeegee maintenance, 76

Rear squeegee switch, 15

Recirculation flap, 88

Recovery tank

- drain hose, 22
- full indicator, 14
- maintenance, 74

S

Safety

- labels, 4
- precautions, 3

Scrub brushes

- maintenance, 72
- replacement, 73

Scrub head

- adjustment, 72
- floor skirts, 72
- gas spring, 72
- information, 71
- parallel arms, lubrication, 63

Scrub switch, 16

Scrubbing information, 29

Seals

- hopper, 89
- vacuum fan, 89

Seat, operator, 23

Side Brush Adjustment Knob, 20

Side brush(es), replacement & adjustment, 87

Side brush(es) switch, 17

Side Squeegees, locking up, 40

Side squeegees

- adjustment, 78
- blade information, 80
- blade replacement, 80

Side sweeping brush(es), information, 87

Skirts

- debris hopper, slit, 88
- recirculation flap, 88
- scrub head, floor, 72
- sweeping brush, side, 88
- sweeping, rear, 88

Solution flow lever, 11

Solution tank

- drain hose, 22
- filling, 27–29
- maintenance, 75

Solution valve adjustment, 74

Specifications, 98–100

- battery chargers, 99
- braking system, 99
- electric motors, 99
- machine capacities, 98
- machine dimensions, 98, 100
- machine performance, 98
- steering, 99
- tires, 99

Squeegees

- blade information, 78
- information, 76
- rear deflection adjustment, 77
- rear, rotation & replacement, 79
- side blade replacement, 80
- side squeegee adjustment, 78
- side squeegee information, 80

Static drag chain, 91
Steering, specifications, 99
Steering gear chain, 90
Steering Gear Chains, lubrication, 64
Steering universal joint, lubrication, 62
Steering wheel, 11
Storage information, 97
Support bar, hopper, 23
Sweeping brush side skirts, 88
Sweeping brushes
 main brush pattern adjustment, 84
 main brush replacement, 83
 side brush information, 87
 side brush(es) replacement & adjustment, 87
Sweeping information, 29
Sweeping rear skirt, 88
Sweeping switch, 17
Sweeping vacuum fan switch, 18
Switches
 edge scrub, 15
 ES™ switch (option), 15
 hopper door switch, 18
 hopper lift switch, 18
 on-off key, 17
 operating lights switch, 19
 power wand switch (option), 20
 rear squeegee, 15
 scrub switch, 16
 side brush(es) switch, 17
 sweeping switch, 17
 sweeping vacuum fan & filter shaker, 18
Symbol definitions, 7

T

Thermo-Sentry, 82
Tie down location, 95
Tires
 front wheel maintenance, 92–93
 information, 92–93
 specifications, 99
Towing the machine, 93–94
Transporting the machine, 93–94

V

Vacuum fan belt, sweeping, 90
Vacuum wand (option), 49–52