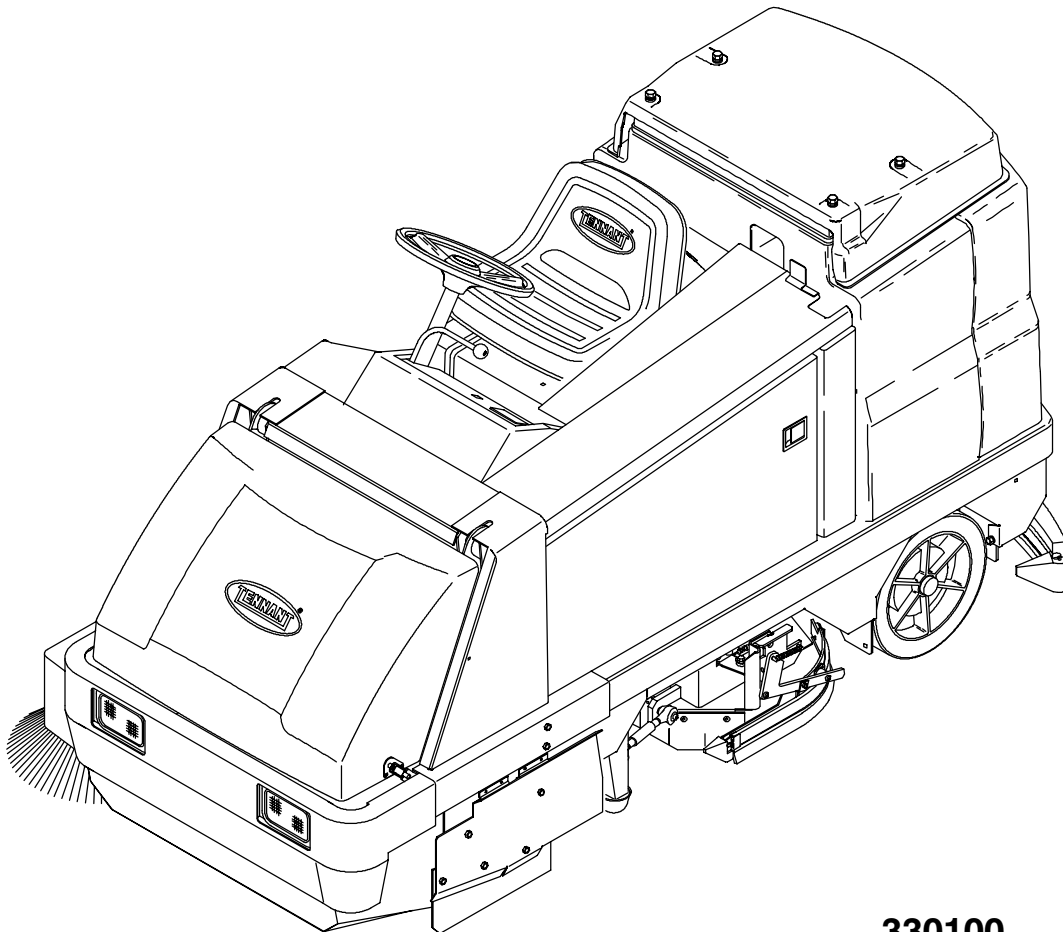




8010

Parts Manual



330100
Rev.04





This manual is furnished with each new TENNANT Model 8010.

This manual consists of the How To Use This Manual; Standard Parts; Options; Breakdowns; and Cross Reference sections.

MACHINE DATA

Please fill out at time of installation for future reference.

Machine Model Number - 8010

Machine Serial Number - _____

Machine Options - _____

TENNANT Representative/phone no. - _____

Customer ID Number - _____

Date of Installation - _____

Manual Number -330100

Revision: 04

Published: 6-00

HOW TO USE THIS MANUAL

This section on *HOW TO USE THIS MANUAL* will tell you how to:

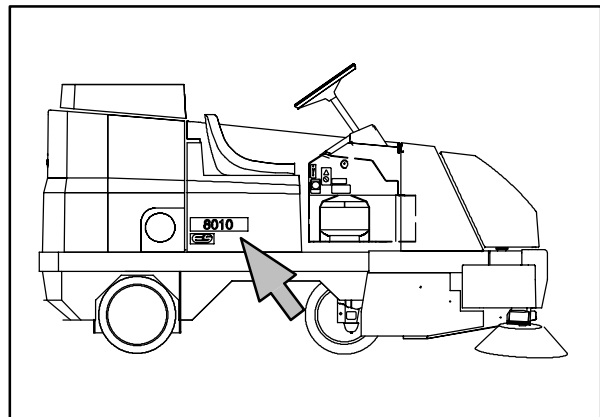
- Find important machine information for ordering correct repair parts.
- Find TENNANT part numbers.
- Order TENNANT parts and supplies.

IMPORTANT INFORMATION

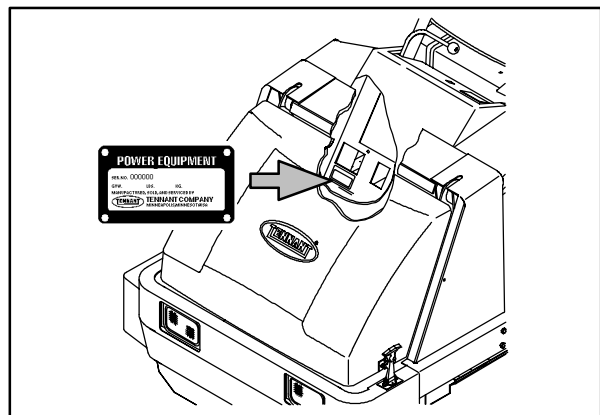
When placing an order for parts, the machine model and machine serial number are important. Refer to the *MACHINE DATA* box which is filled out during the installation of your machine. The *MACHINE DATA* box is located on the inside of the front cover of this manual.

| MACHINE DATA | |
|--|--------|
| Please fill out at time of installation for future reference | |
| Machine Model Number - | 8010 |
| Machine Serial Number - | _____ |
| Machine Options - | _____ |
| TENNANT Representative/Phone no. - | _____ |
| Customer ID Number - | _____ |
| Date of Installation - | _____ |
| Manual Number - | 330100 |
| Revision - | 00 |
| Published - | 05-97 |

The model number of your machine is on the side of the machine.



The serial number of your machine is printed on the machine data plate located as shown.



HOW TO USE THIS MANUAL

FINDING A TENNANT PART NUMBER

This manual contains the following sections:

- HOW TO USE THIS MANUAL
- STANDARD PARTS
- OPTIONS
- BREAKDOWNS
- CROSS REFERENCE

The STANDARD PARTS section lists repair parts for standard machines. They are grouped in this general order:

- General wear parts.
- Machine frame and related parts.
- Machine propelling system.
- Scrubbing components.
- Electrical parts.

The OPTION section lists repair parts of options.

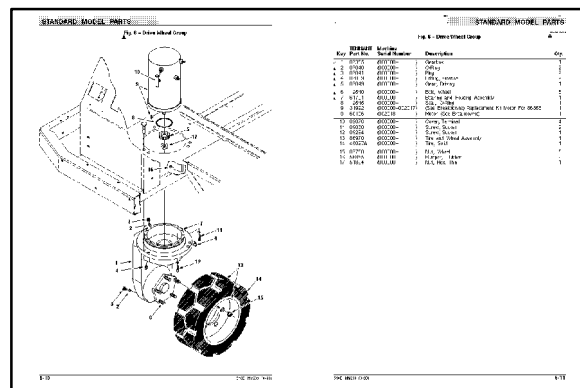
The BREAKDOWN section lists available repair parts of major components.

All sections in this manual consist of parts illustrations and corresponding parts lists.

The parts illustrations are numbered with **Ref** numbers which refer to corresponding parts lists.

The parts lists include a number of columns of information:

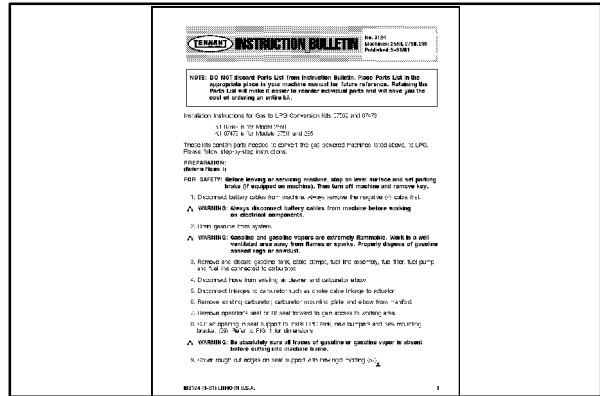
- **Ref** - column refers to the reference number on the parts illustration.
 - indicates the part is an assembly.
 - ▲ - indicates the part is included in the assembly listed just before it.
- **TENNANT Part No.** - column lists the TENNANT part number for the part.
- **Serial Number** - column indicates the set of machines the part number is applicable to. Serial numbers change when the machine design has been modified. The most current design of the machine is shown in the main illustration, older designs are boxed in a corner of the illustration.
- **Description** - column is a brief description of the part.
- **Qty.** - column lists the quantity of that part used in that area of the machine.



| Key | TENNANT Part No. | Machine Serial Number | Description | Qty. |
|-----|------------------|-----------------------|--|------|
| 1 | 87355 | (000000- | Gearbox | 1 |
| ▲ 2 | 87840 | (000000- | O-Ring | 2 |
| ▲ 3 | 87841 | (000000- | Plug | 2 |
| ▲ 4 | 87639 | (000000- | Fitting, Grease | 2 |
| ▲ 5 | 87849 | (000000- | Gear, Driving | 1 |
| ▲ 6 | 12540 | (000000- | Bolt, Wheel | 5 |
| ▲ 7 | 61791 | (000000- | Bearing and Housing Assembly | 1 |
| ▲ 8 | 12545 | (000000- | Seal, O-Ring | 1 |
| 9 | 31992 | (000000-002017) | (See Breakdowns) Replacement Kit Motor For 86356 | 1 |
| 9 | 60196 | (002018- | Motor (See Breakdowns) | 1 |
| 10 | 02076 | (000000- | Cover, Terminal | 4 |
| 11 | 09030 | (000000- | Screw, Socket | 2 |
| 12 | 09294 | (000000- | Screw, Socket | 1 |
| 13 | 88970 | (000000- | Tire and Wheel Assembly | 1 |
| 14 | 45027A | (000000- | Tire, Solid | 1 |
| 15 | 87750 | (000000- | Nut, Wheel | 5 |
| 15 | 55265 | (000000- | Bumper, Flubber | 2 |
| 17 | 51824 | (000000- | Nut, Hex, Thin | 1 |

NOTE: If a service kit is installed on your machine, be sure to keep the **INSTRUCTION BULLETIN** which came with the kit. It contains repair parts numbers needed for ordering future parts.

NOTE: Fasteners used in this machine may be metric or non-metric. Take care when replacing hardware to replace with same thread size.



PLACING AN ORDER

Orders may be placed by phone, fax, or by mail. Phone orders may need written confirmation. Follow the steps below to insure prompt delivery:

1. Identify the model number of your machine.
2. Identify the serial number of your machine.
3. Find the part number of the part you need. Do not order by page number or reference number. If you are not able to find the part number, call your TENNANT representative for help or send the old part as a sample.
4. Determine the quantity of the part you need.
5. Provide the following company information:
 - Company name
 - Customer ID Number
 - Shipping address
 - Billing address
 - First and last name of person ordering parts
 - Telephone number
 - Purchase order number
6. Provide definitive shipping instructions.

HOW TO USE THIS MANUAL

Any claim for loss or damage to a shipment in transit should be filed promptly with the transportation company making the delivery. Shipments will be complete unless the packing list or order acknowledgement indicates items back ordered.

If parts received are suspected to be incorrect or defective, please contact the TENNANT representative from whom you ordered the part. They will give authorization for return and/or handle replacement shipments when required.

SECTION 2

| CONTENTS | PAGE |
|---|------|
| Fig. 1 - Recommended General Maintenance Items | 2-3 |
| Fig. 2 - Replacement Brushes for MaxPro™ 1000 Two-Brush System | 2-4 |
| Fig. 3 - Replacement Brushes for MaxPro™ 1200 Three-Brush System | 2-6 |
| Fig. 4 - Main Frame Group | 2-8 |
| Fig. 5 - Shroud Group | 2-10 |
| Fig. 6 - Seat Assembly | 2-12 |
| Fig. 7 - Steering Group | 2-14 |
| Fig. 8 - Drive Wheel Group | 2-16 |
| Fig. 9 - Front Brake Linkage Group | 2-18 |
| Fig. 10 - Rear Brake Linkage Group | 2-20 |
| Fig. 11 - Rear Wheel and Brake Group | 2-22 |
| Fig. 12 - Floor Plate Group | 2-24 |
| Fig. 13 - Directional Pedal Group | 2-26 |
| Fig. 14 - Scrub Head Drive Group for MaxPro™ 1000 Two-Brush System | 2-28 |
| Fig. 15 - Scrub Head Mount Group for MaxPro™ 1000 Two-Brush System | 2-30 |
| Fig. 16 - Scrub Head Stop and Squeegee Mount Group for MaxPro™ 1000 Two-Brush System | 2-31 |
| Fig. 17 - Scrub Head Lift Group for MaxPro™ 1000 Two-Brush System | 2-32 |
| Fig. 18 - Edge Scrub Group for MaxPro™ 1000 Two-Brush System | 2-34 |
| Fig. 19 - Solution Valve Group for MaxPro™ 1000 Two-Brush System | 2-36 |
| Fig. 20 - Right Side Squeegee Group for MaxPro™ 1000 Two-Brush System | 2-38 |
| Fig. 21 - Left Side Squeegee Group for MaxPro™ 1000 Two-Brush System | 2-39 |
| Fig. 22 - Scrubhead Drive Group for MaxPro™ 1200 Three-Brush System | 2-40 |
| Fig. 23 - Scrub Head Lift Group for MaxPro™ 1200 Three-Brush System | 2-42 |
| Fig. 24 - Edge Scrub Group for MaxPro™ 1200 Three-Brush System | 2-44 |
| Fig. 25 - Scrub Head Stops and Squeegee Mount Group for MaxPro™ 1200 Three-Brush System | 2-46 |
| Fig. 26 - Scrub Head Mount Group for MaxPro™ 1200 Three-Brush System | 2-47 |
| Fig. 27 - Solution Group for MaxPro™ 1200 Three-Brush System | 2-48 |
| Fig. 28 - Right Side Squeegee Group for MaxPro™ 1200 Three-Brush System | 2-50 |
| Fig. 29 - Left Side Squeegee Group for MaxPro™ 1200 Three-Brush System | 2-52 |
| Fig. 30 - Rear Squeegee Mount Group | 2-54 |
| Fig. 31 - Rear Squeegee Group | 2-56 |
| Fig. 32 - Rear Squeegee Linkage Group | 2-57 |
| Fig. 33 - Recovery Tank Group | 2-58 |
| Fig. 34 - Solution Tank Group | 2-60 |
| Fig. 35 - Demister and Cover Group | 2-62 |
| Fig. 36 - Instrument Panel Group | 2-64 |
| Fig. 37 - Electronic Panel Group | 2-66 |
| Fig. 38 - Control Box Group | 2-68 |
| Fig. 39 - Sweeper Control Box | 2-70 |
| Fig. 40 - Vacuum Fan Group | 2-72 |
| Fig. 41 - Main Brush Drive Group | 2-74 |
| Fig. 42 - Main Brush Idler Group | 2-76 |
| Fig. 43 - Main Brush Lift Group | 2-78 |
| Fig. 44 - Side Brush Group | 2-80 |
| Fig. 45 - Hopper Skirts and Seals Group | 2-82 |
| Fig. 46 - Hopper Lift and Bumper Group | 2-84 |
| Fig. 47 - Hopper Hood and Filter Shaker Group | 2-86 |
| Fig. 48 - Hopper Dump Door Group | 2-88 |
| Fig. 49 - Hopper Vacuum Fan Group | 2-90 |
| Fig. 50 - Hydraulic Hopper Lift Group | 2-92 |
| Fig. 51 - Hydraulic Schematic | 2-94 |
| Fig. 52 - Electrical Schematic | 2-95 |
| Fig. 53 - Electrical Schematic (Sweeping) | 2-96 |

STANDARD PARTS

| CONTENTS | PAGE |
|---|-------|
| Fig. 54 - Main Wire Harness Group | 2-97 |
| Fig. 55 - Hopper Wire Harness Group | 2-101 |
| Fig. 56 - Label Group | 2-104 |

Fig. 1 - Recommended General Maintenance Items

| Ref. | Tennant Part No. | Machine Serial Number | Description | Qty. |
|------|------------------|-----------------------|-------------------------------|------|
| | 24304 | (000000- |) Squeegee Kit Rear | 1 |
| | 14575 | (000000- |) Squeegee Front | 1 |
| | 86812 | (000000- |) Gasket, Squeegee | 2 |
| | 12542 | (000000- |) Bracket, Retainer | 2 |
| | 86859 | (000000- |) Squeegee, Side | 2 |
| | 14672 | (000000- |) Skirt, Brush, Rh Front | 1 |
| | 14674 | (000000- |) Strip, Retainer, Skirt, Rh | 1 |
| | 14671 | (000000- |) Skirt, Brush, Lh Front | 1 |
| | 14673 | (000000- |) Strip, Retainer, Skirt, Lh | 1 |
| | 15952 | (000000- |) Skirt, Brushrear | 3 |
| | 15951 | (000000- |) Strip, Retainer, Skirt-Rear | 3 |
| | 363123 | (000000- |) Blade Assy, Squeegee, Side | 1 |
| | 363165 | (000000- |) Blade, Side Squeegee, Front | 1 |
| | 363166 | (000000- |) Retainer, Mtg, Front Blade | 1 |
| | 363163 | (000000- |) Skirt, Scrub Head Front | 1 |
| | 72971 | (000000- |) Rivet, Plastic .325Dx.787 | 12 |
| | 41178 | (000000- |) Washer-Flt .25 Fender Pltd | 12 |
| | 363864 | (000000- |) Skirt, Brush, Lh | 1 |
| | 363792 | (000000- |) Seal | 1 |
| | 363861 | (000000- |) Seal | 1 |
| | 363757 | (000000- |) Skirt, Recirculation Flap | 1 |
| | 363758 | (000000- |) Skirt, Rear | 1 |
| | 363860 | (000000- |) Seal, Brushwrap | 1 |
| | 363770 | (000000- |) Skirt, Hopper Lip | 1 |
| | 363426 | (000000- |) Seal, Shaker | 1 |
| | 363689 | (000000- |) Seal, Hopper Door, Top | 1 |
| | 363690 | (000000- |) Seal, Hoper Door, Lower | 1 |
| | 363691 | (000000- |) Spong Cord, Hopper Door | 1 |
| | 360686 | (000000- |) V-Belt, Vac Fan | 1 |
| | 374516 | (000000- |) V-Belt, Brush Drive | 1 |
| | 363796 | (000000- |) Seal, Vac Fan | 1 |

Fig. 2 - Replacement Brushes for MaxPro™ 1000 Two-Brush System

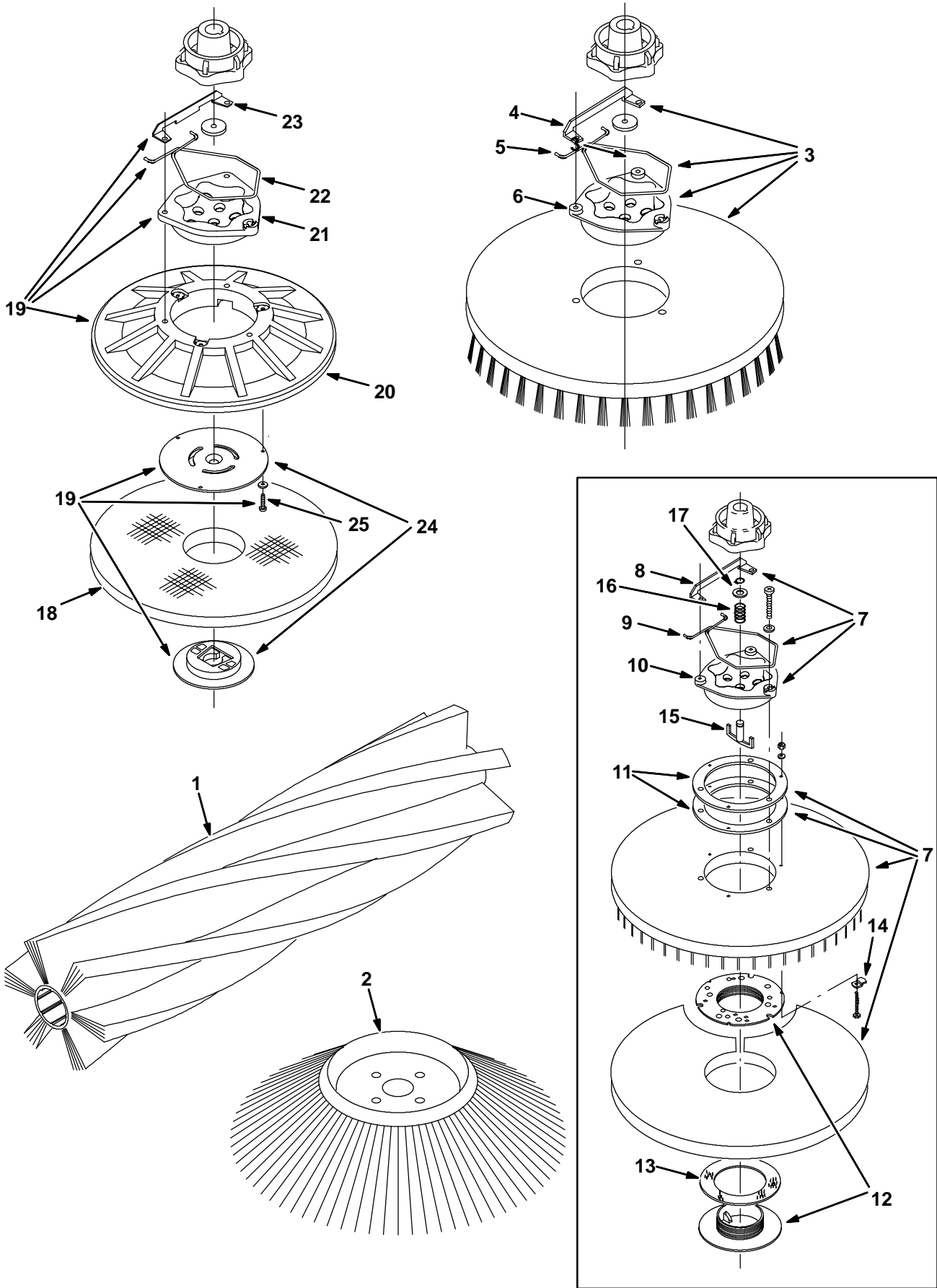


Fig. 2 - Replacement Brushes for MaxPro™ 1000 Two-Brush System

| Ref. | Tennant Part No. | Machine Serial Number | Description | Qty. |
|------|------------------|-----------------------|--------------------------------|------|
| 1 | 363868 | (000000-) | Brush-Sweep Spl-36Lg- 8Sr-Poly | 1 |
| 2 | 87419 | (000000-) | Brush, Disk, Sweep, 19D, Poly | 1 |
| ▽ 3 | 14967 | (000000-) | Brush, Disk, Scrub, 20D, Nyl | 2 |
| ▲ 4 | 24299 | (000000-) | Bracket | 1 |
| ▲ 5 | 14838 | (000000-) | Spring, Brush Retaining | 1 |
| ▲ 6 | 15539 | (000000-) | Adaptor | 1 |
| ▽ 3 | 14953 | (000000-) | Brush, Disk, Scrub, 20D, Poly | 2 |
| ▲ 4 | 24299 | (000000-) | Bracket | 1 |
| ▲ 5 | 14838 | (000000-) | Spring, Brush Retaining | 1 |
| ▲ 6 | 15539 | (000000-) | Adaptor | 1 |
| ▽ 3 | 14586 | (000000-) | Brush, Disk, Scrub, 20D, S Ab | 2 |
| ▲ 4 | 24299 | (000000-) | Bracket | 1 |
| ▲ 5 | 14838 | (000000-) | Spring, Brush Retaining | 1 |
| ▲ 6 | 15539 | (000000-) | Adaptor | 1 |
| ▽ 7 | 14584 | (000000-xxxxxx) | Driver, Pad, 20Dia, Poly | 2 |
| ▲ 8 | 24299 | (000000-xxxxxx) | Bracket | 1 |
| ▲ 9 | 14838 | (000000-xxxxxx) | Spring, Brush Retaining | 1 |
| ▲ 10 | 15539 | (000000-xxxxxx) | Adaptor | 1 |
| ▲ 11 | 11218 | (000000-xxxxxx) | Spacer | 2 |
| ▲ 12 | 32506 | (000000-xxxxxx) | Pad Holder, Threaded | 1 |
| ▲ 13 | 32505 | (000000-xxxxxx) | Washer | 1 |
| ▲ 14 | 32432 | (000000-xxxxxx) | Clip, Retaining | 3 |
| ▲ 15 | 32657 | (000000-xxxxxx) | Clip, Locking | 1 |
| ▲ 16 | 32661 | (000000-xxxxxx) | Spring Compression | 1 |
| ▲ 17 | 86953 | (000000-xxxxxx) | Ring, Retaining | 1 |
| 18 | 17260 | (000000-) | Pad, Polish, 20Dia, White | 2 |
| 18 | 17261 | (000000-) | Pad, Buff, 20Dia, Red | 2 |
| 18 | 17262 | (000000-) | Pad, Scrub, 20Dia, Blue | 2 |
| 18 | 17263 | (000000-) | Pad, Strip, 20Dia, Brown | 2 |
| ▽ 19 | 370020 | (xxxxxx-) | Pad, Driver | 1 |
| ▲ 20 | 370080 | (xxxxxx-) | Back, Pad Driver, w/Face 20Dia | 1 |
| ▲ 21 | 15539 | (xxxxxx-) | Adapter, Brush | 1 |
| ▲ 22 | 14838 | (xxxxxx-) | Spring, Brush Retaining | 1 |
| ▲ 23 | 24299 | (xxxxxx-) | Bracket, Spring Retainer | 1 |
| ▲ 24 | 370090 | (xxxxxx-) | Center Device Assembly | 1 |
| ▲ 25 | 09198 | (xxxxxx-) | Scr Pan Ss M4x0.7 | 3 |

Fig. 3 - Replacement Brushes for MaxPro™ 1200 Three-Brush System

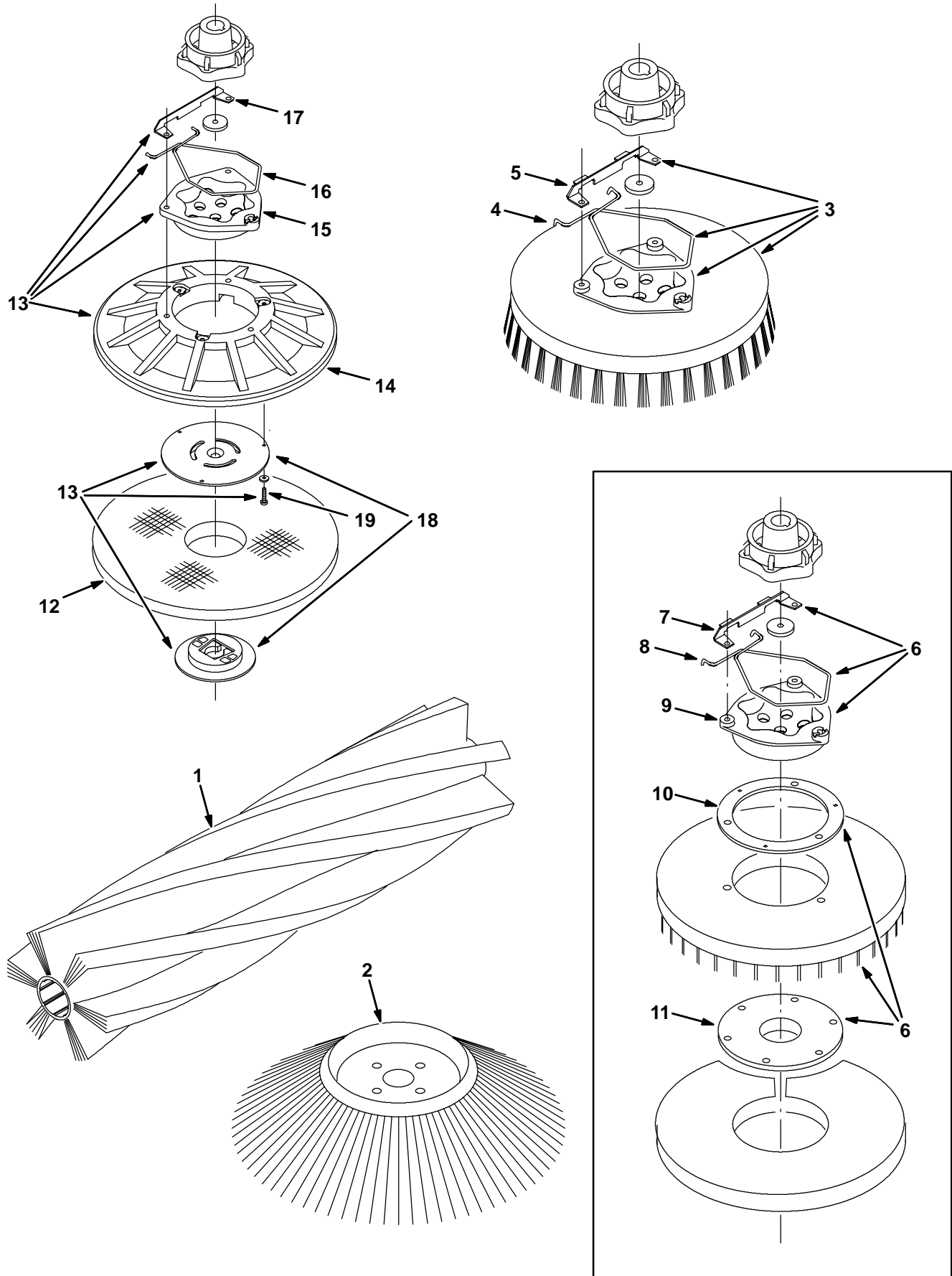


Fig. 3 - Replacement Brushes for MaxPro™ 1200 Three-Brush System

| Ref. | Tennant Part No. | Machine Serial Number | Description | Qty. | |
|------|------------------|-----------------------|------------------|--------------------------------|---|
| | 1 | 363868 | (000000-) | Brush-Sweep Spl-36Lg- 8Sr-Poly | 1 |
| | 2 | 87419 | (000000-) | Brush, Disk, Sweep, 19D, Poly | 1 |
| ▽ | 3 | 05724 | (000000-) | Brush, Disk, Scrub, 16D, Nyl | 3 |
| ▲ | 4 | 14838 | (000000-) | Spring, Brush Retaining | 1 |
| ▲ | 5 | 24299 | (000000-) | Bracket | 1 |
| ▽ | 3 | 30241 | (000000-) | Brush, Disk, Scrub, 16D, Poly | 3 |
| ▲ | 4 | 14838 | (000000-) | Spring, Brush Retaining | 1 |
| ▲ | 5 | 24299 | (000000-) | Bracket | 1 |
| ▽ | 3 | 05726 | (000000-) | Brush, Disk, Scrub, 16D, S Ab | 3 |
| ▲ | 4 | 14838 | (000000-) | Spring, Brush Retaining | 1 |
| ▲ | 5 | 24299 | (000000-) | Bracket | 1 |
| ▽ | 6 | 30216 | (000000-xxxxxx) | Brush, Pad Drive, 16D, Poly | 3 |
| ▲ | 7 | 24299 | (000000-xxxxxx) | Bracket | 1 |
| ▲ | 8 | 14838 | (000000-xxxxxx) | Spring, Brush Retaining | 1 |
| ▲ | 9 | 15539 | (000000-xxxxxx) | Adaptor | 1 |
| ▲ | 10 | 11218 | (000000-xxxxxx) | Spacer | 1 |
| ▲ | 11 | 19783 | (000000-xxxxxx) | Pad, Holder | 1 |
| | 12 | 63248-1 | (000000-) | Pad, Strip, 16Dia, Brown | 3 |
| | 12 | 63248-2 | (000000-) | Pad, Scrub, 16Dia, Blue | 3 |
| | 12 | 63248-3 | (000000-) | Pad, Buff, 16Dia, Red | 3 |
| | 12 | 63248-4 | (000000-) | Pad, Polish, 16Dia, White | 3 |
| ▽ | 13 | 370020 | (xxxxxx-) | Pad, Driver | 1 |
| ▲ | 14 | 370080 | (xxxxxx-) | Back, Pad Driver, w/Face 20Dia | 1 |
| ▲ | 15 | 15539 | (xxxxxx-) | Adapter, Brush | 1 |
| ▲ | 16 | 14838 | (xxxxxx-) | Spring, Brush Retaining | 1 |
| ▲ | 17 | 24299 | (xxxxxx-) | Bracket, Spring Retainer | 1 |
| ▲ | 18 | 370090 | (xxxxxx-) | Center Device Assembly | 1 |
| ▲ | 19 | 09198 | (xxxxxx-) | Scr Pan Ss M4x0.7 | 3 |

Fig. 4 - Main Frame Group

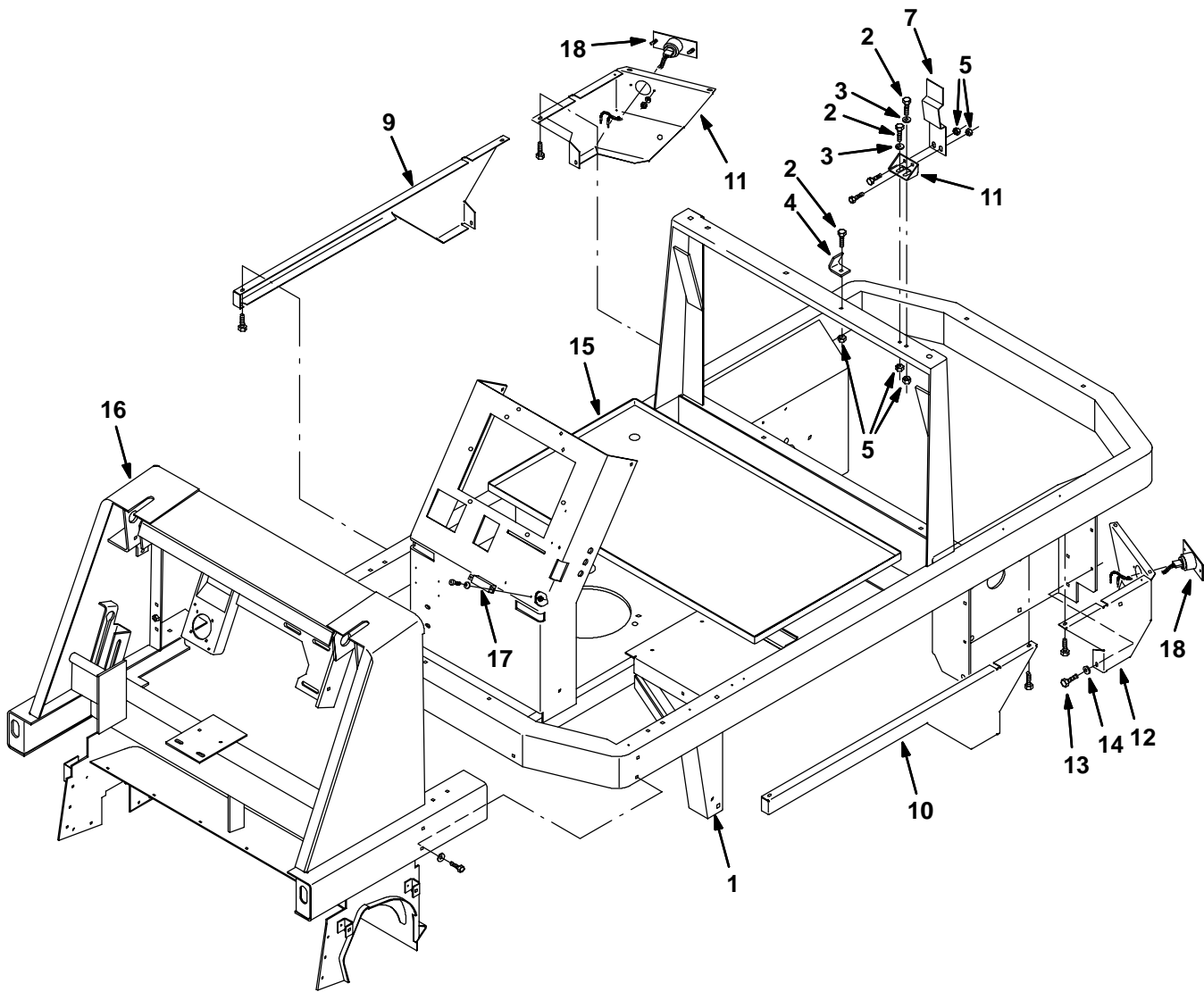


Fig. 4 - Main Frame Group

| Ref. | Tennant Part No. | Machine Serial Number | Description | Qty. | |
|------|------------------|-----------------------|----------------------------------|--------------------|---|
| 1 | 363280 | (000000- |) Frame Wldt | 1 | |
| 2 | 16931 | (000000- |) Screw, Hex, M08-1.25 X 20, 8.8 | 3 | |
| 3 | 32491 | (000000- |) Washer, Flat, .31 Hard | 2 | |
| 4 | 41352 | (000000- |) Angle, Guide | 1 | |
| 5 | 07791 | (000000- |) Nut, Hex, Flange, M08-1.25 | 5 | |
| 6 | 16539 | (000000- |) Angle, Mtg | 1 | |
| 7 | 363715 | (000000- |) Latch, Cover | 1 | |
| 8 | 16735 | (000000- |) Screw, Hex, M08-1.25 X 16, 8.8 | 2 | |
| 9 | 14994 | (000000- |) Skirt, Frame, Rh Side | 1 | |
| 10 | 14995 | (000000- |) Skirt, Frame Lh Side | 1 | |
| 11 | 15991 | (000000- |) Skirt Frame Rh Rear | 1 | |
| 12 | 16893 | (000000- |) Skirt Frame Lh Rear | 1 | |
| 13 | 16944 | (000000- |) Screw, Hex, Fmg, M04-0.7 X 10 | 21 | |
| 14 | 41579 | (000000- |) Washer, Flat, #08 Ss | 6 | |
| 15 | 17191 | (000000- |) Tray, Battery | 1 | |
| 16 | 363650 | (000000- |) Frame Wldt, Sweeper, Hd | 1 | |
| 17 | 87349 | (000000- |) Resistor, 40.00Ohms-40.00Watt | 1 | |
| ▽ | 18 | 87346 | (000000- |) Light Assy Tail | 2 |
| ▲ | | 87948 | (000000- |) Lamp | 1 |
| ▲ | | 87949 | (000000- |) Lampholder | 1 |
| | | 55272 | (000000- |) Terminal, Snaplg | 1 |

Fig. 5 - Shroud Group

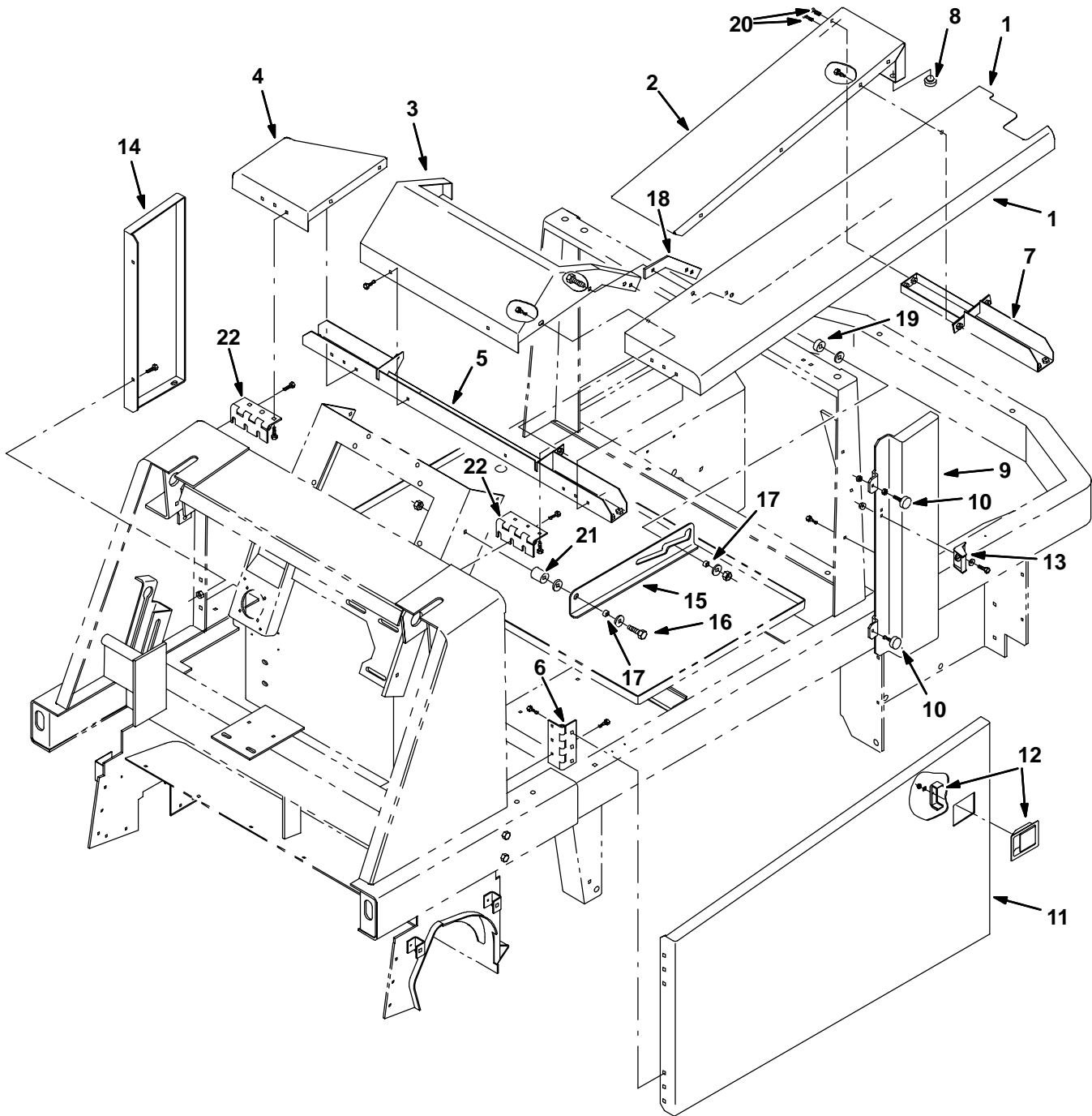


Fig. 5 - Shroud Group

| Ref. | Tenant Part No. | Machine Serial Number | Description | Qty. |
|------|-----------------|-----------------------|----------------------------------|------|
| 1 | 363700 | (000000- |) Panel Wldt, Cover, Lh | 1 |
| 2 | 363704 | (000000- |) Panel, Cover, Center | 1 |
| 3 | 363711 | (000000- |) Panel Wldt, Cover, Dash | 1 |
| 4 | 363714 | (000000- |) Panel, Cover, Rh | 1 |
| 5 | 363725 | (000000- |) Channel Wldt | 1 |
| 6 | 74040 | (000000- |) Hinge | 2 |
| 7 | 363705 | (000000- |) Channel Wldt | 1 |
| 8 | 71891 | (000000- |) Bumper, Rubber | 2 |
| 9 | 363719 | (000000- |) Panel Wldt, Door Frame | 1 |
| 10 | 20802 | (000000- |) Bumper, Rubber | 2 |
| 11 | 363793 | (000000- |) Panel, Door, Side With Decal | 1 |
| 12 | 20822 | (000000- |) Latch Door | 1 |
| 13 | 363761 | (000000- |) Bracket | 1 |
| 14 | 363721 | (000000- |) Panel, Side | 1 |
| 15 | 363751 | (000000- |) Angle, Prop | 1 |
| 16 | 87531 | (000000- |) Screw, Hex, M08-1.25 X 65, 8.8 | 1 |
| 17 | 222516 | (000000- |) Sleeve | 2 |
| 18 | 363945 | (000000- |) Plate | 1 |
| 19 | 02965 | (000000- |) Sleeve | 1 |
| 20 | 222464 | (000000- |) Scr-flt M6x1.0 nylon loc | 3 |
| 21 | 363301 | (000000- |) Sleeve .35B X .625 X 1.2L | 1 |
| 22 | 375044 | (000000- |) Hinge | 2 |

Fig. 6 - Seat Assembly

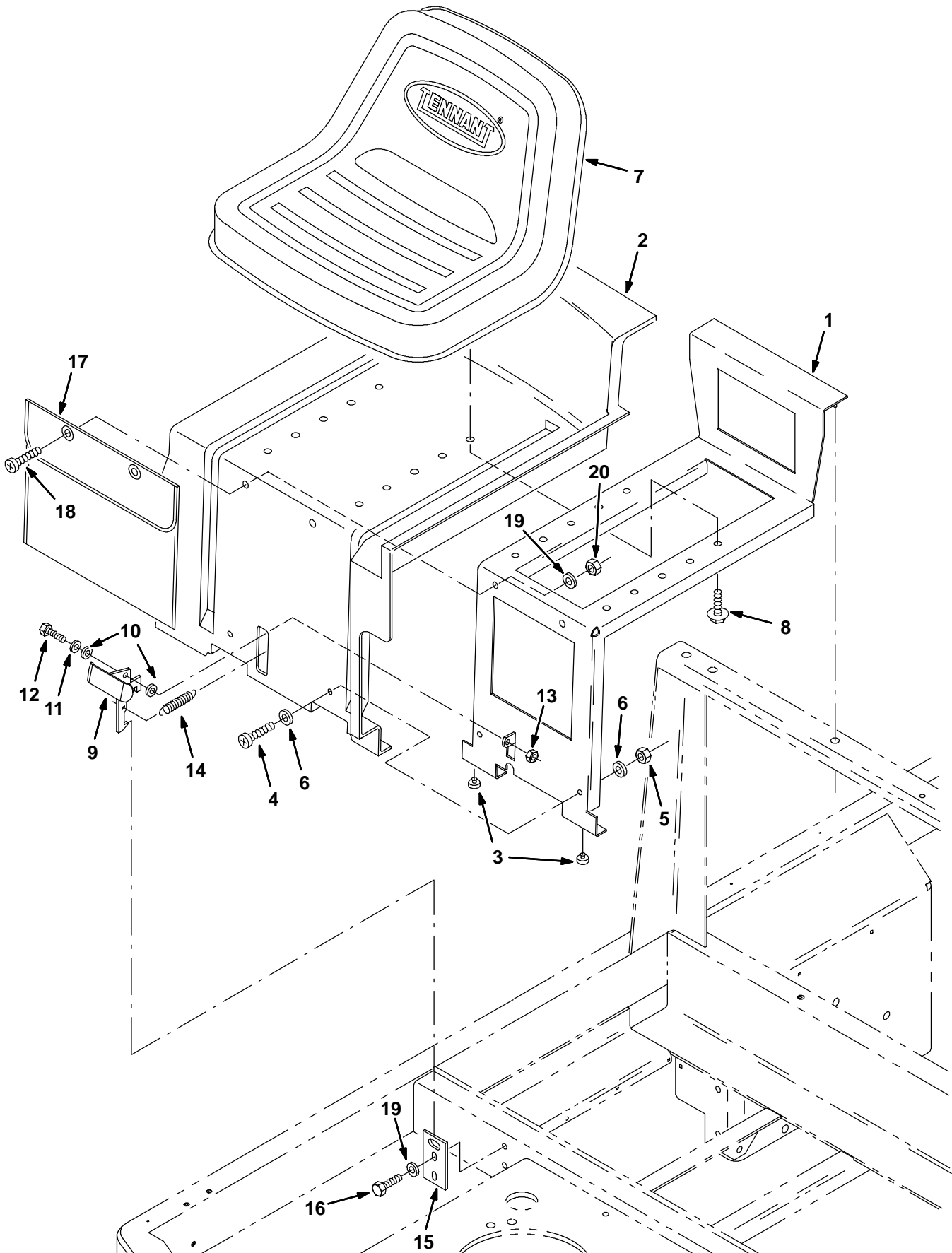


Fig. 6 - Seat Assembly

| Ref. | Tenant Part No. | Machine Serial Number | Description | Qty. |
|------|-----------------|-----------------------|----------------------------------|------|
| ▽ | 14516 | (000000- |) Seat, W/ Support | 1 |
| ▲ | 1 16201 | (000000- |) Frame, Support, Seat | 1 |
| ▲ | 2 16200 | (000000- |) Panel, Shroud, Seat Support | 1 |
| ▲ | 3 29233 | (000000- |) Bumper, 3/32 Matl. | 2 |
| ▲ | 4 09297 | (000000- |) Screw Pan 8X1.25 30 | 2 |
| ▲ | 5 08709 | (000000- |) Nut Hxlocnyln M 8X1.25 | 2 |
| ▲ | 6 32491 | (000000- |) Washer Flt .31 Hard | 4 |
| ▲ | 7 82342 | (000000- |) Seat Assy | 1 |
| ▲ | 8 01764 | (000000- |) Scr-Hex .38-16X1.00 Sems Pltd | 4 |
| ▲ | 9 16193 | (000000- |) Latch | 1 |
| ▲ | 10 24924 | (000000- |) Washer, .281B .62D .06Nylon | 2 |
| ▲ | 11 32490 | (000000- |) Washer Flt .25 Hard | 1 |
| ▲ | 12 06943 | (000000- |) Scr Hex M6X1.0 20 | 1 |
| ▲ | 13 08708 | (000000- |) Nut Hxlocnyln M 6X1.0 | 1 |
| ▲ | 14 09087 | (000000- |) Sprng,Tens,0.56Odx.05Wire 0.9L | 1 |
| | 15 16196 | (000000- |) Plate, Strike | 1 |
| | 16 16931 | (000000- |) Scr-Hex M 8X1.25 20 8.8 Pltd | 2 |
| | 17 48790 | (000000- |) Pouch Operator Handbook | 1 |
| | 18 09297 | (000000- |) Screw Pan 8X1.25 30 | 2 |
| | 19 32491 | (000000- |) Washer Flt .31 Hard | 4 |
| | 20 08709 | (000000- |) Nut Hxlocnyln M 8X1.25 | 2 |

Fig. 7 - Steering Group

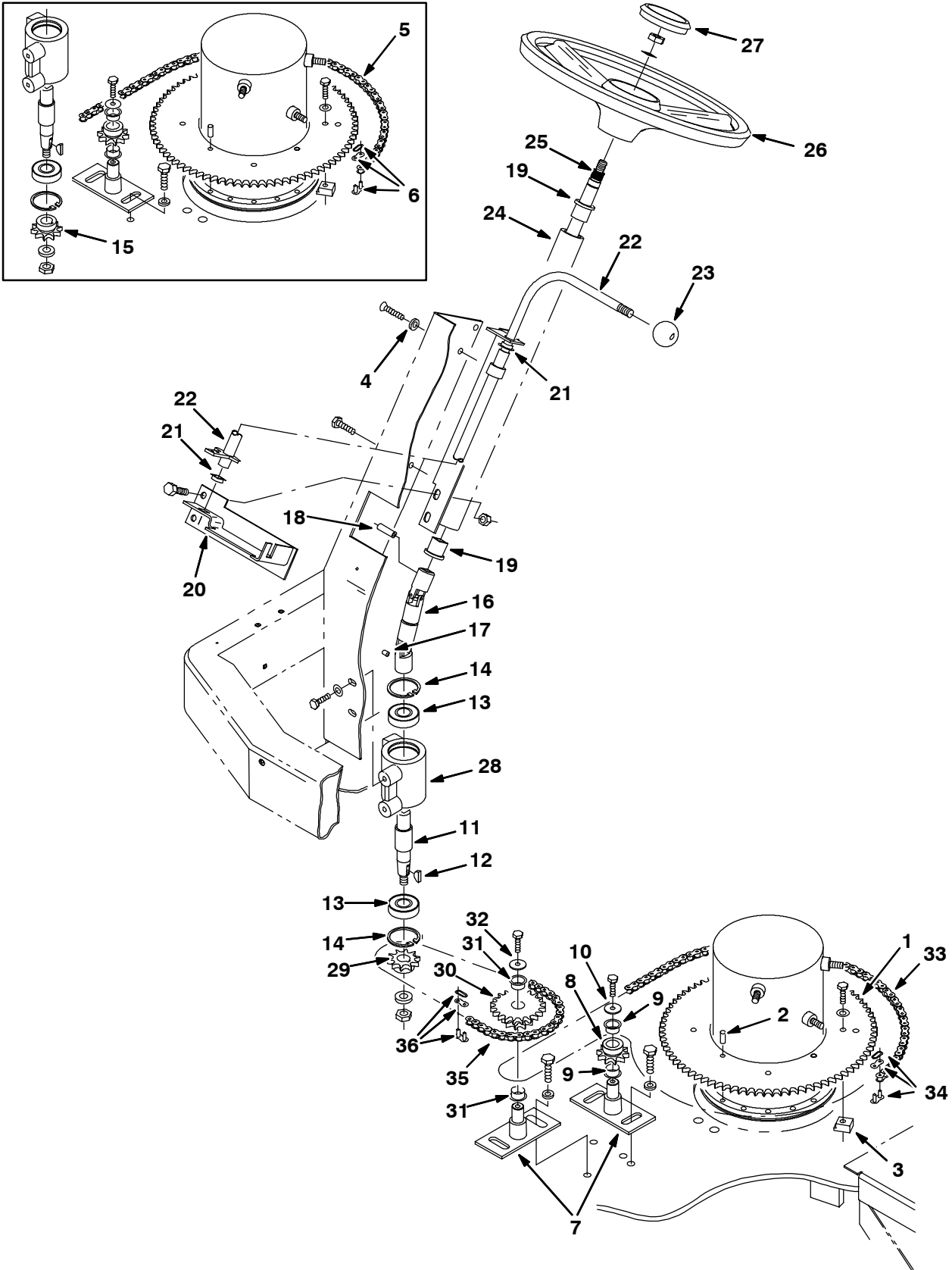


Fig. 7 - Steering Group

| Ref. | Tennant Part No. | Machine Serial Number | Description | Qty. | |
|------|------------------|-----------------------|-------------------------------------|------------------------------|---|
| 1 | 363385 | (000000- |) Sprocket, Steering | 1 | |
| 2 | 14296 | (000000- |) Pin, Roll | 4 | |
| 3 | 14150 | (000000- |) Clip, Sprocket | 4 | |
| 4 | 222466 | (000000- |) Washer, Finishing | 1 | |
| ▽ | 5 | 363441 | (000000-000251) Steering Chain Kit | 1 | |
| ▲ | 6 | 07112 | (000000-000251) Link, Chain | 1 | |
| | 7 | 363986 | (000000- |) Plate Wldt, Idler Mounting | 2 |
| ▽ | 8 | 24353 | (000000- |) Chain Idler Kit | 1 |
| ▲ | 9 | 16370 | (000000- |) Bearing, Flange | 2 |
| ▲ | 10 | 30013 | (000000- |) Washer, Fender | 1 |
| | 11 | 14335 | (000000- |) Rod, Lower Steering | 1 |
| | 12 | 00500-10 | (000000- |) Key, Woodruff | 1 |
| | 13 | 46390 | (000000- |) Bearing, Ball | 2 |
| | 14 | 26428 | (000000- |) Ring, Retaining | 2 |
| | 15 | 16386 | (000000-000251) Sprocket | 1 | |
| | 16 | 14355 | (000000- |) Joint, Universal | 1 |
| | 17 | 50011 | (000000- |) Screw, Set | 1 |
| | 18 | 26103 | (000000- |) Pin, Roll | 1 |
| | 19 | 16367 | (000000- |) Bearing, Flange | 2 |
| | 20 | 15830 | (000000- |) Plate, Cable Mounting | 1 |
| | 21 | 04843 | (000000- |) Bearing, Flange | 2 |
| | 22 | 15815 | (000000- |) Rod, Control | 1 |
| | 23 | 26156 | (000000- |) Knob | 1 |
| | 24 | 14336 | (000000- |) Column, Steering | 1 |
| | 25 | 14333 | (000000- |) Shaft, Steering | 1 |
| | 26 | 87488 | (000000- |) Wheel, Steering | 1 |
| | 27 | 57497 | (000000- |) Cap, Steering Wheel | 1 |
| | 28 | 14351 | (000000- |) Housing, Bearing | 1 |
| | 29 | 310447 | (000252- |) Sprocket, 10 T | 1 |
| ▽ | 30 | 310449 | (000252- |) Sprocket Kit, 10 x 20 T | 1 |
| ▲ | 31 | 16370 | (000252- |) Bushing | 2 |
| ▲ | 32 | 30013 | (000252- |) Washer, Fender | 1 |
| ▽ | 33 | 363984 | (000252- |) Chain Kit, 122 P | 1 |
| ▲ | 34 | 07112 | (000252- |) Link, Chain | 1 |
| ▽ | 35 | 363985 | (000252- |) Chain Kit, 28 P | 1 |
| ▲ | 36 | 07112 | (000252- |) Link, Chain | 1 |

Fig. 8 - Drive Wheel Group

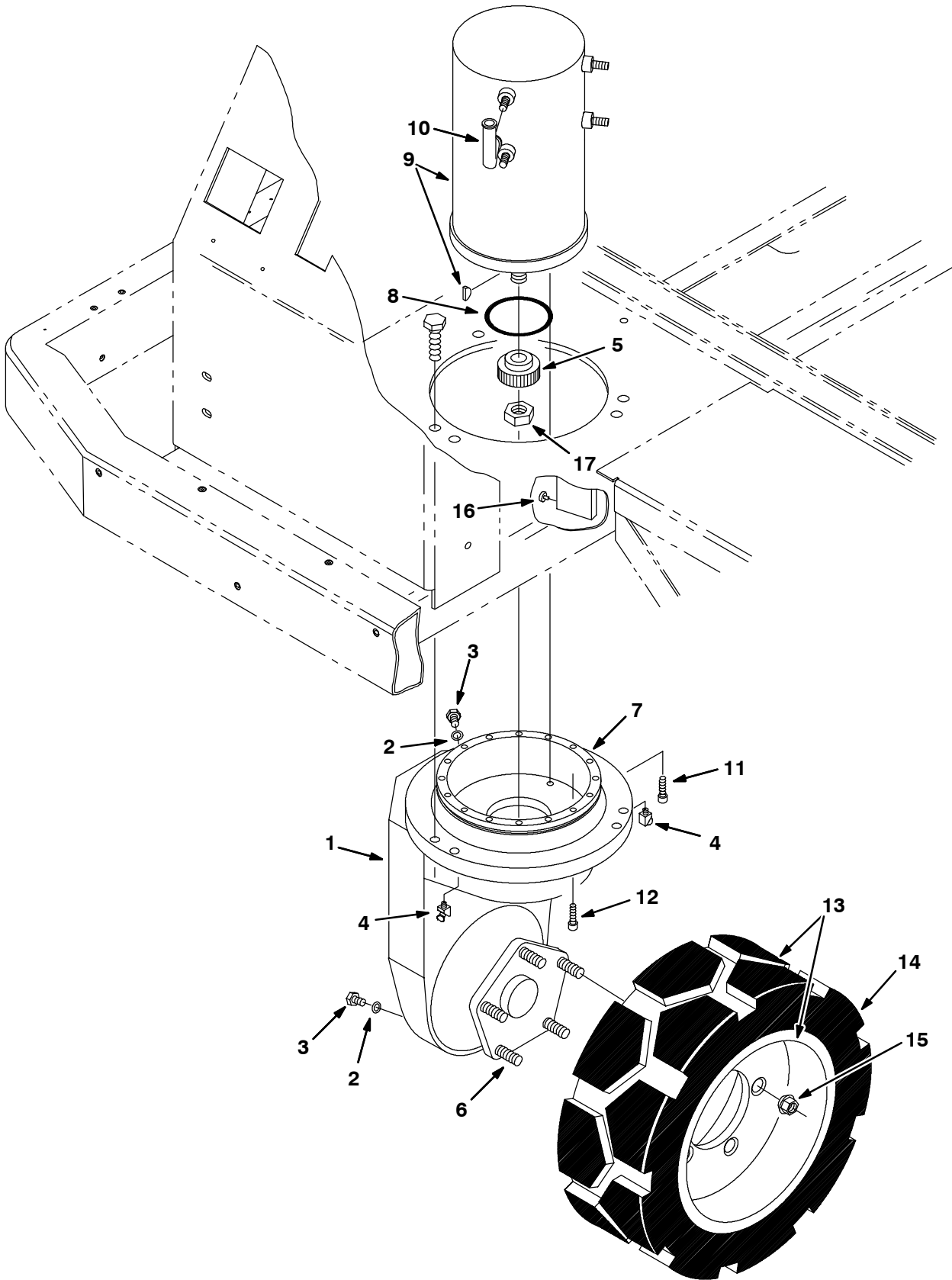


Fig. 8 - Drive Wheel Group

| | Ref. | Tenant Part No. | Machine Serial Number | Description | Qty. |
|---|------|-----------------|-----------------------|------------------------------------|------|
| ▽ | 1 | 87355 | (000000- |) Gearbox, Hurth | 1 |
| ▲ | 2 | 87840 | (000000- |) O-Ring | 2 |
| ▲ | 3 | 87841 | (000000- |) Plug | 2 |
| ▲ | 4 | 87839 | (000000- |) Grease Fitting | 2 |
| ▲ | 5 | 87849 | (000000- |) Driving Gear | 1 |
| ▲ | 6 | 12540 | (000000- |) Wheel Bolt | 5 |
| ▲ | 7 | 61791 | (000000- |) Bearing & Housing | 1 |
| | 8 | 360980 | (000000- |) Seal, O-Ring 2.987ld X .103T | 1 |
| | 9 | 60198 | (000000- |) Motor, Traction 3.0Hp | 1 |
| | 10 | 02076 | (000000- |) Boot, 90Deg .50D .57X .84 | 4 |
| | 11 | 09030 | (000000- |) Scr Soc M 8X1.25 80 | 2 |
| | 12 | 09294 | (000000- |) Scr Soc M 8X1.25 60 | 1 |
| ▽ | 13 | 86970 | (000000- |) Tire & Wheel 16.25X6 | 1 |
| ▲ | 14 | 45027A | (000000- |) Tire, 16.25X6X11.25 Sf/Xg, Solid | 1 |
| | 15 | 87750 | (000000- |) Nut-Wheel M14 X 1.5 | 5 |
| | 16 | 56855 | (000000- |) Bumper, Rbr, W. Knurled Stud | 2 |
| | 17 | 51824 | (000000- |) Nut-Hxlocnyln .50-20 Thin Pltd | 1 |

Fig. 9 - Front Brake Linkage Group

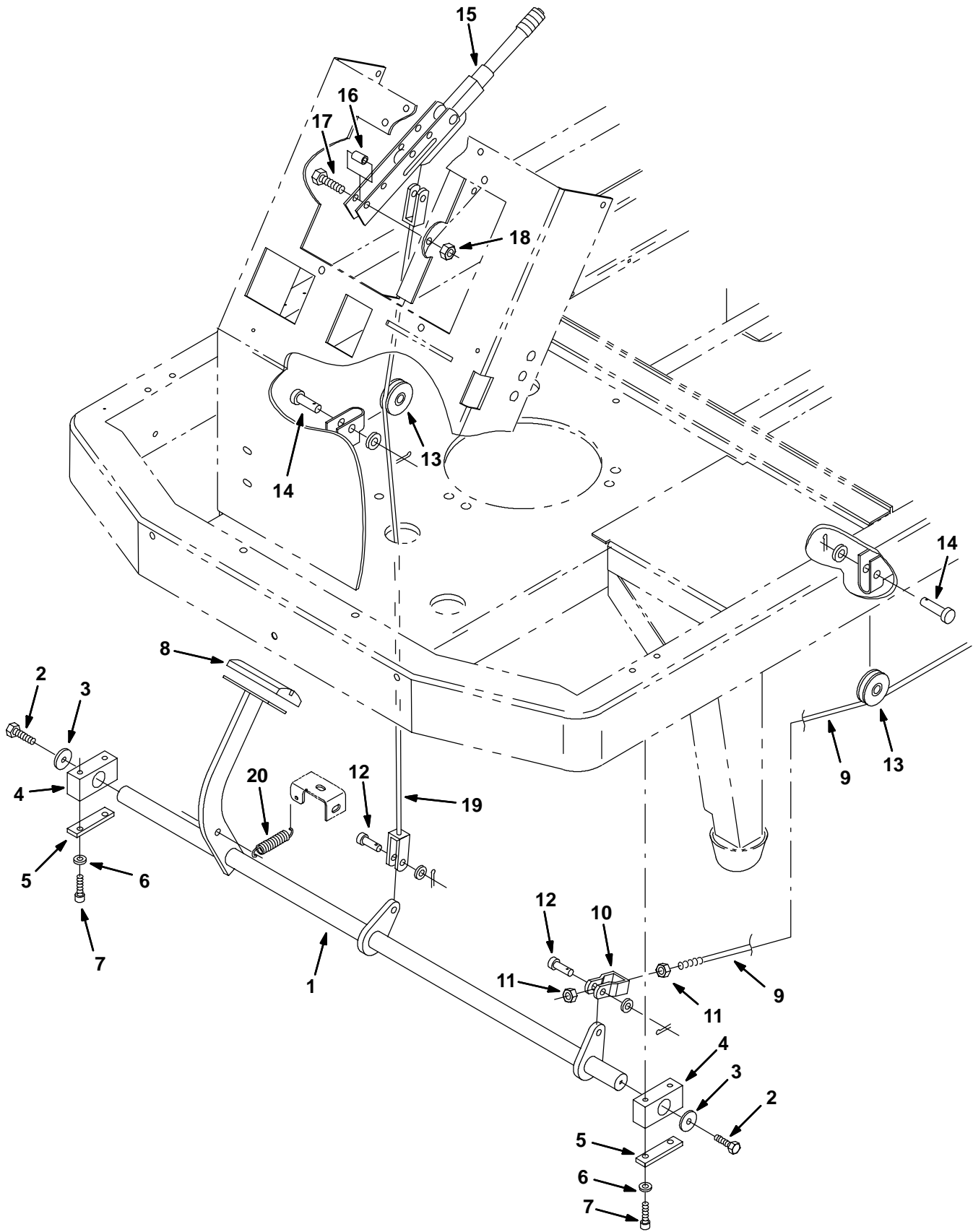


Fig. 9 - Front Brake Linkage Group

| Ref. | Tenant Part No. | Machine Serial Number | Description | Qty. |
|------|-----------------|-----------------------|----------------------------------|------|
| 1 | 363210 | (000000- |) Shaft Wldt, Cross, Brake,Front | 1 |
| 2 | 06942 | (000000- |) Screw M 6 X 1.0 16 | 2 |
| 3 | 41178 | (000000- |) Washer-Flt .25 Fender Pltd | 2 |
| 4 | 363215 | (000000- |) Bearing, Brake | 2 |
| 5 | 363425 | (000000- |) Bar, Support, Brg | 2 |
| 6 | 01685 | (000000- |) Washer Flt .31 Ss | 4 |
| 7 | 09294 | (000000- |) Scr, Soc M 8X1.25 | 4 |
| 8 | 51109 | (000000- |) Pad | 1 |
| 9 | 14473 | (000000- |) Cable Brake | 1 |
| 10 | 14910 | (000000- |) Clevis, Brake Adjust | 1 |
| 11 | 25014 | (000000- |) Nut Hx Std .38-16 | 2 |
| 12 | 09088 | (000000- |) Pin,Clevis,0.37 Dia.X 1.00 Lg | 2 |
| 13 | 74391 | (000000- |) Pulley Assy, Cable, 1.5 Dia | 2 |
| 14 | 06598 | (000000- |) Pin Clevis 0.50 Dia.X 1.42 Lg | 2 |
| 15 | 51545 | (000000- |) Lever, Brake | 1 |
| 16 | 51562 | (000000- |) Sleeve, .344B .50D .81 Cr.Anc | 2 |
| 17 | 41342 | (000000- |) Scr-Hex M 8X1.25 40 | 2 |
| 18 | 07791 | (000000- |) Nut Hx Flange M 8X1.25See25572 | 2 |
| 19 | 14475 | (000000- |) Cable Service Brake | 1 |
| 20 | 87222 | (000000- |) Spring, Ext. .85X.085X2.75 | 1 |

Fig. 10 - Rear Brake Linkage Group

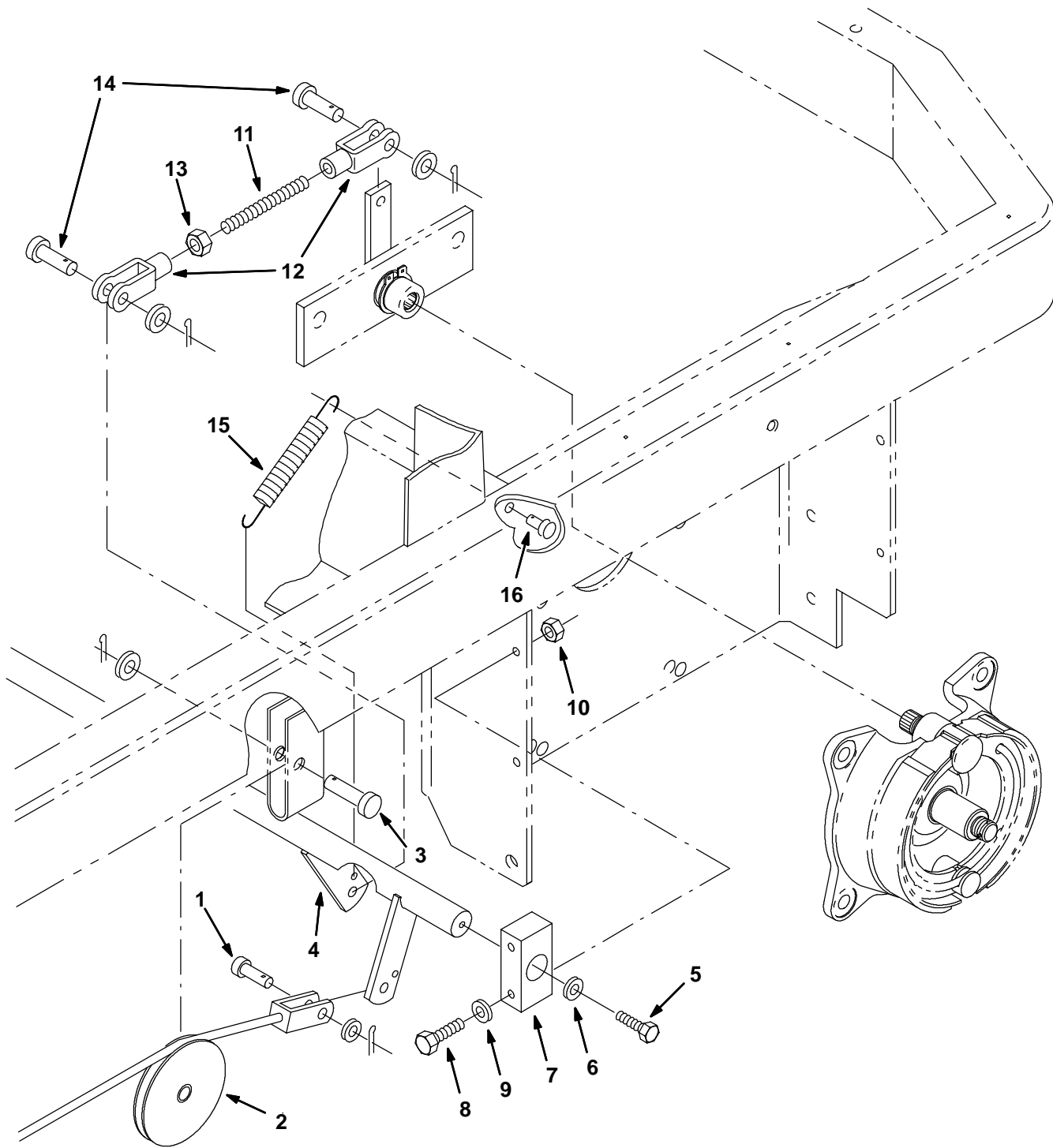


Fig. 10 - Rear Brake Linkage Group

| Ref. | Tenant Part No. | Machine Serial Number | Description | Qty. |
|------|-----------------|-----------------------|---------------------------------|------|
| 1 | 09088 | (000000- |) Pin,Clevis,0.37 Dia.X 1.00 Lg | 1 |
| 2 | 363178 | (000000- |) Pulley Assy, Cable, 3.5 Dia | 1 |
| 3 | 06598 | (000000- |) Pin Clevis 0.50 Dia.X 1.42 Lg | 1 |
| 4 | 14227 | (000000- |) Shaft Wldt, Cross, Brake Rear | 1 |
| 5 | 06942 | (000000- |) Screw M 6 X 1.0 16 | 2 |
| 6 | 41178 | (000000- |) Washer-Flt .25 Fender Pltd | 2 |
| 7 | 363215 | (000000- |) Bearing, Brake | 2 |
| 8 | 39278 | (000000- |) Scr-Hex M 8X1.25 50 | 4 |
| 9 | 01685 | (000000- |) Washer Flt .31 Ss | 4 |
| 10 | 08709 | (000000- |) Nut Hxlocnyln M 8X1.25 | 4 |
| 11 | 75290 | (000000- |) Rod-Thrd, Full .38-24 | 2 |
| 12 | 14330 | (000000- |) Yoke,End,Adjustable | 4 |
| 13 | 43954 | (000000- |) Nut Hx Std .38-24 | 2 |
| 14 | 86240 | (000000- |) Pin Clevis .375 Dia X 1.13 Lg | 4 |
| 15 | 87222 | (000000- |) Spring, Ext. .85X.085X2.75 | 2 |
| 16 | 09370 | (000000- |) Pin,Clevis,0.31 Dia.X 1.25 Lg | 2 |

Fig. 11 - Rear Wheel and Brake Group

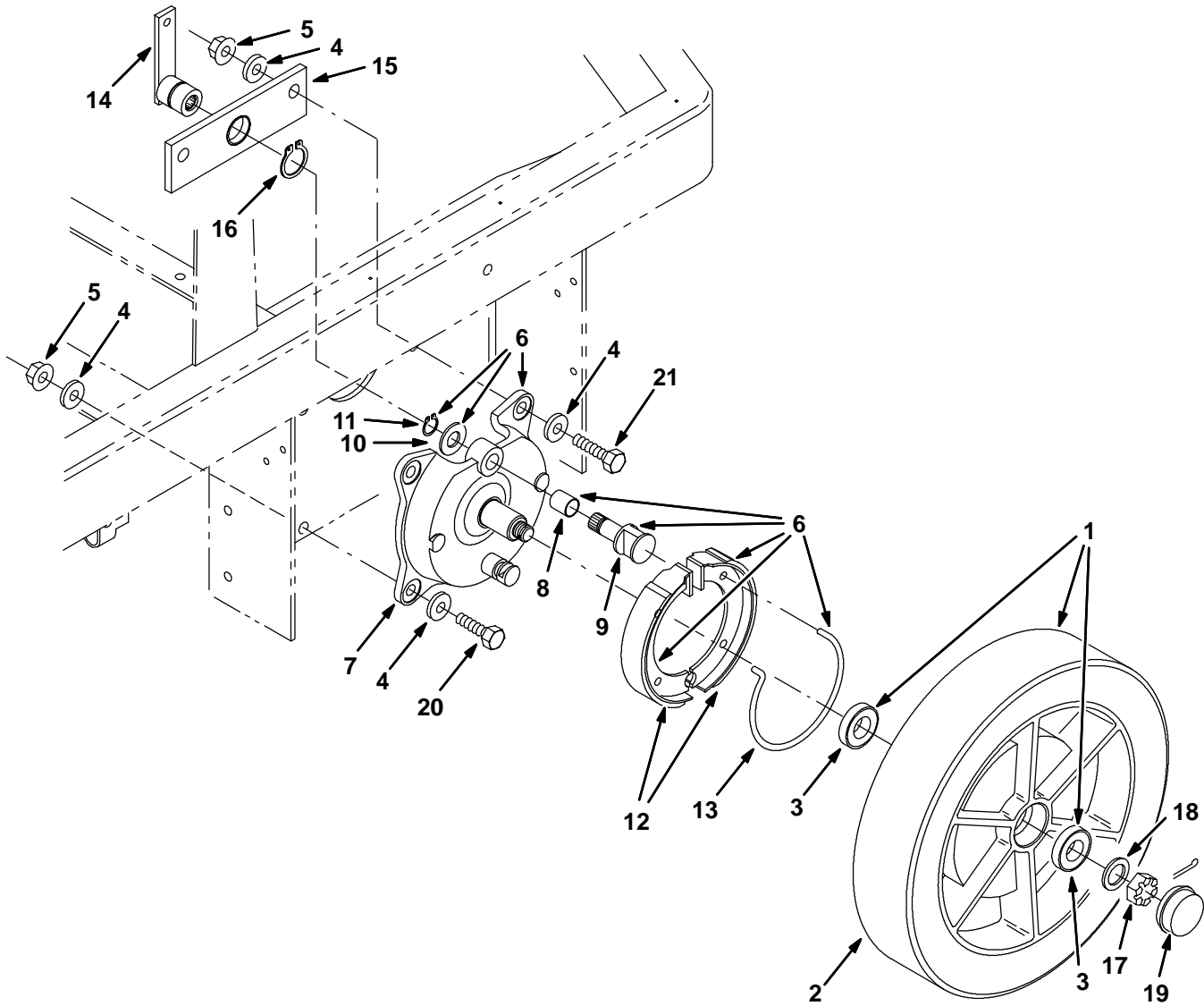


Fig. 11 - Rear Wheel and Brake Group

| | Ref. | Tennant Part No. | Machine Serial Number | Description | Qty. |
|---|------|---------------------|--------------------------|----------------------------------|------|
| ▽ | 1 | 363218 | (000000- |) Wheel Assy, Rear | 2 |
| ▲ | 2 | 25197A | (000000- |) Tire,16X3.5X12.12 Sf,Sol.Smth | 1 |
| ▲ | 3 | 360074 | (000000- |) Bearing-Ball,1.18B 2.44D 0.63W | 2 |
| | 4 | 32486 | (000000- |) Washer Flt .50 Sae | 16 |
| | 5 | 08711 | (000000- |) Nut Hxlocnyln M12X1.75 | 8 |
| ▽ | 6 | 360023 | (000000- |) Brake Assy | 2 |
| ▲ | 7 | 360270 | (000000- |) Backing Plate | 1 |
| ▲ | 8 | 360271 | (000000- |) Bushing | 1 |
| ▲ | 9 | 360272 | (000000- |) Cam,Nickel Plated | 1 |
| ▲ | 10 | 360273 | (000000- |) Washer | 1 |
| ▲ | 11 | 360274 | (000000- |) Retainer Ring | 1 |
| ▲ | 12 | 360275 | (000000- |) Shoe Assembly | 2 |
| ▲ | 13 | 360276 | (000000- |) Return Spring | 1 |
| | 14 | 363283 | (000000- |) Lever, Brake | 2 |
| | 15 | 363284 | (000000- |) Plate Assy, Mtg,Brake Arm Brg | 2 |
| | 16 | 58359 | (000000- |) Retaining Ring-External, 1.25D | 2 |
| | 17 | 86659 | (000000- |) Nut-Hxslot .75-16 Pltd | 2 |
| | 18 | 49145 | (000000- |) Washer, .765B 1.50D .06Ss18-8 | 2 |
| | 19 | 54390 | (000000- |) Cap, Hub | 2 |
| | 20 | 06969 | (000000- |) Screw Hex M12X1.75 40 | 4 |
| | 21 | 06971 | (000000- |) Screw-Hex M12X1.75 | 4 |

Fig. 12 - Floor Plate Group

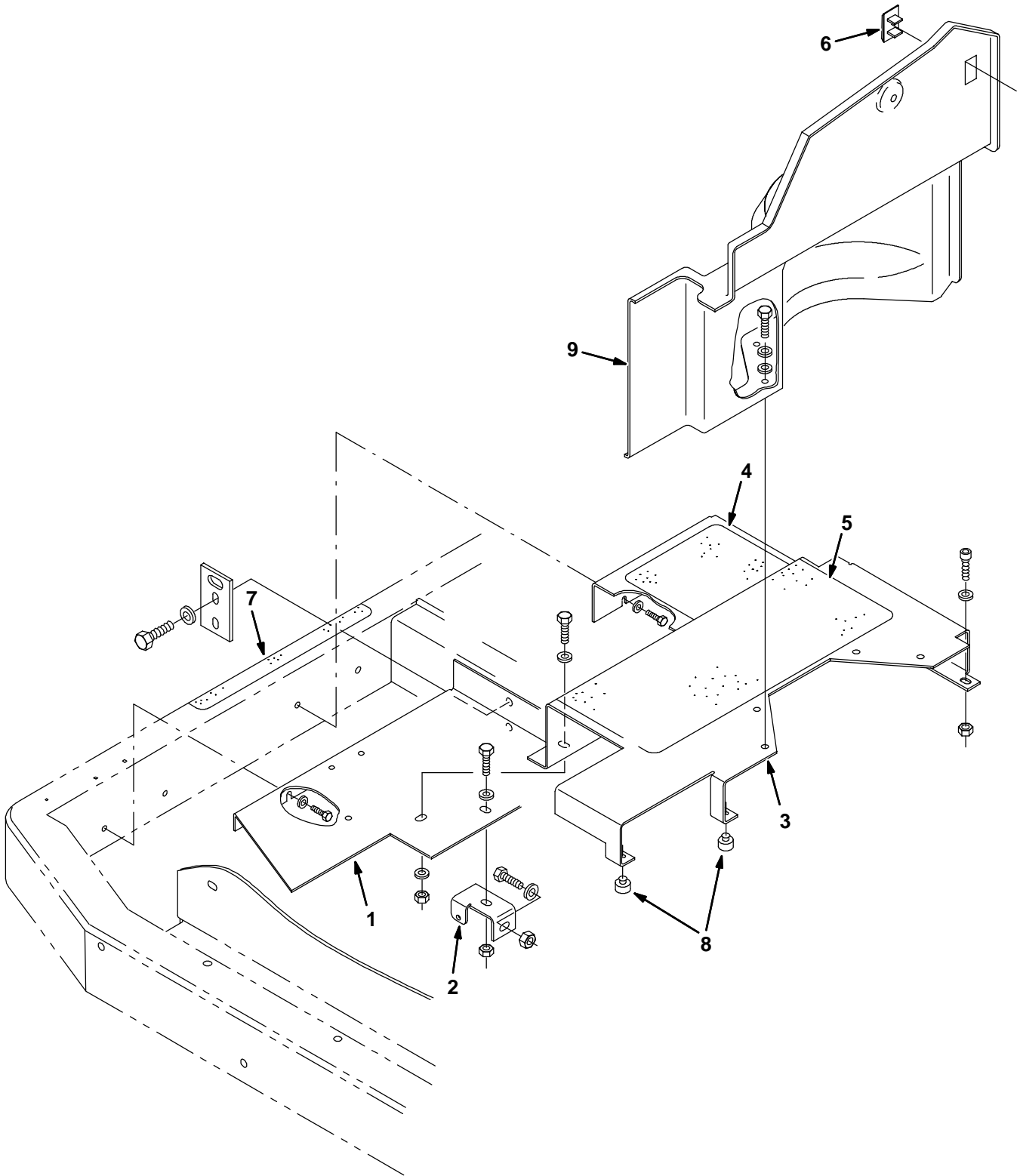


Fig. 12 - Floor Plate Group

| Ref. | Tenant Part No. | Machine Serial Number | Description | Qty. |
|------|-----------------|-----------------------|----------------------------|------|
| 1 | 14282 | (000000- |) Panel, Floor Rh | 1 |
| 2 | 363423 | (000000- |) Angle, Mtg, Floor Plate | 1 |
| ▽ 3 | 363935 | (000000- |) Panel, Floor, Lh w/Tread | 1 |
| ▲ 4 | 16368 | (000000- |) Tread, Floor | 1 |
| ▲ 5 | 16369 | (000000- |) Tread, Floor | 1 |
| 6 | 57772 | (000000- |) Plate-Cover | 1 |
| 7 | 58819 | (000000- |) Tread,Pedal, Anti-Slip | 1 |
| 8 | 29233 | (000000- |) Bumper, 3/32 Matl. | 2 |
| 9 | 363442 | (000000- |) Panel Assy, W/Label | 1 |

Fig. 13 - Directional Pedal Group

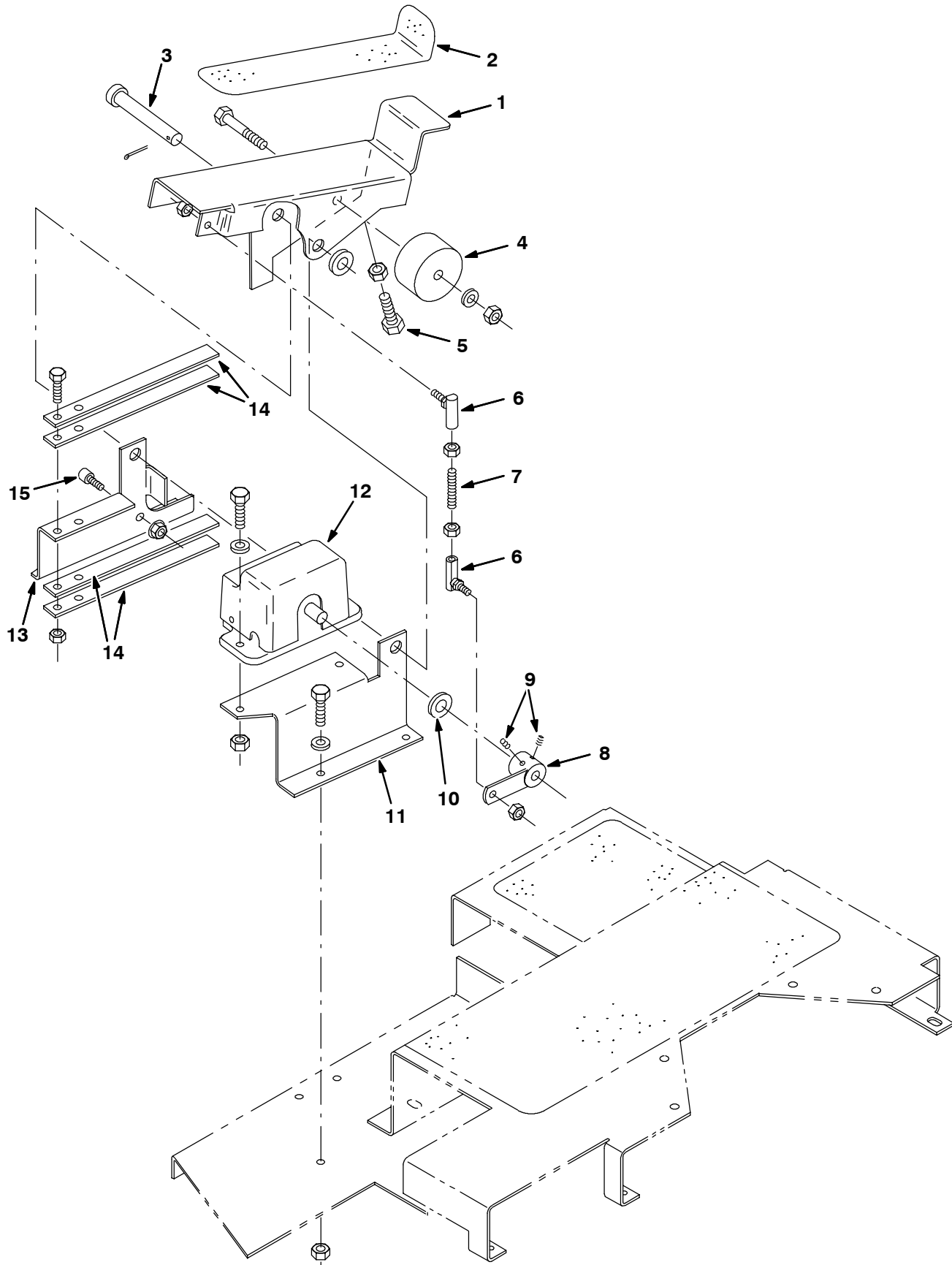


Fig. 13 - Directional Pedal Group

| | Ref. | Tennant Part No. | Machine Serial Number | Description | Qty. |
|---|------|---------------------|--------------------------|---------------------------|------|
| ▽ | 1 | 363936 | (000000- |) Pedal w/Tread | 1 |
| ▲ | 2 | 82839 | (000000- |) Pad, Tread | 1 |
| | 3 | 06474A | (000000- |) Pin, Clevis | 1 |
| | 4 | 87725 | (000000- |) Spacer | 1 |
| | 5 | 36801 | (000000- |) Screw, Hex | 1 |
| | 6 | 12263 | (000000- |) Balljoint | 2 |
| | 7 | 14397 | (000000- |) Rod, Threaded | 1 |
| | 8 | 14400 | (000000- |) Arm | 1 |
| | 9 | 17186 | (000000- |) Screw, Set | 2 |
| | 10 | 43611 | (000000- |) Washer, Nylon | 1 |
| | 11 | 14409 | (000000- |) Bracket, Mounting, L.H. | 1 |
| | 12 | 14368 | (000000- |) Accelerator | 1 |
| | 13 | 87718 | (000000- |) Bracket, Mounting, R.H. | 1 |
| | 14 | 49681 | (000000- |) Plate, Spring | 4 |
| | 15 | 39308 | (000000- |) Screw, Socket | 1 |

Fig. 14 - Scrub Head Drive Group for MaxPro™ 1000 Two-Brush System

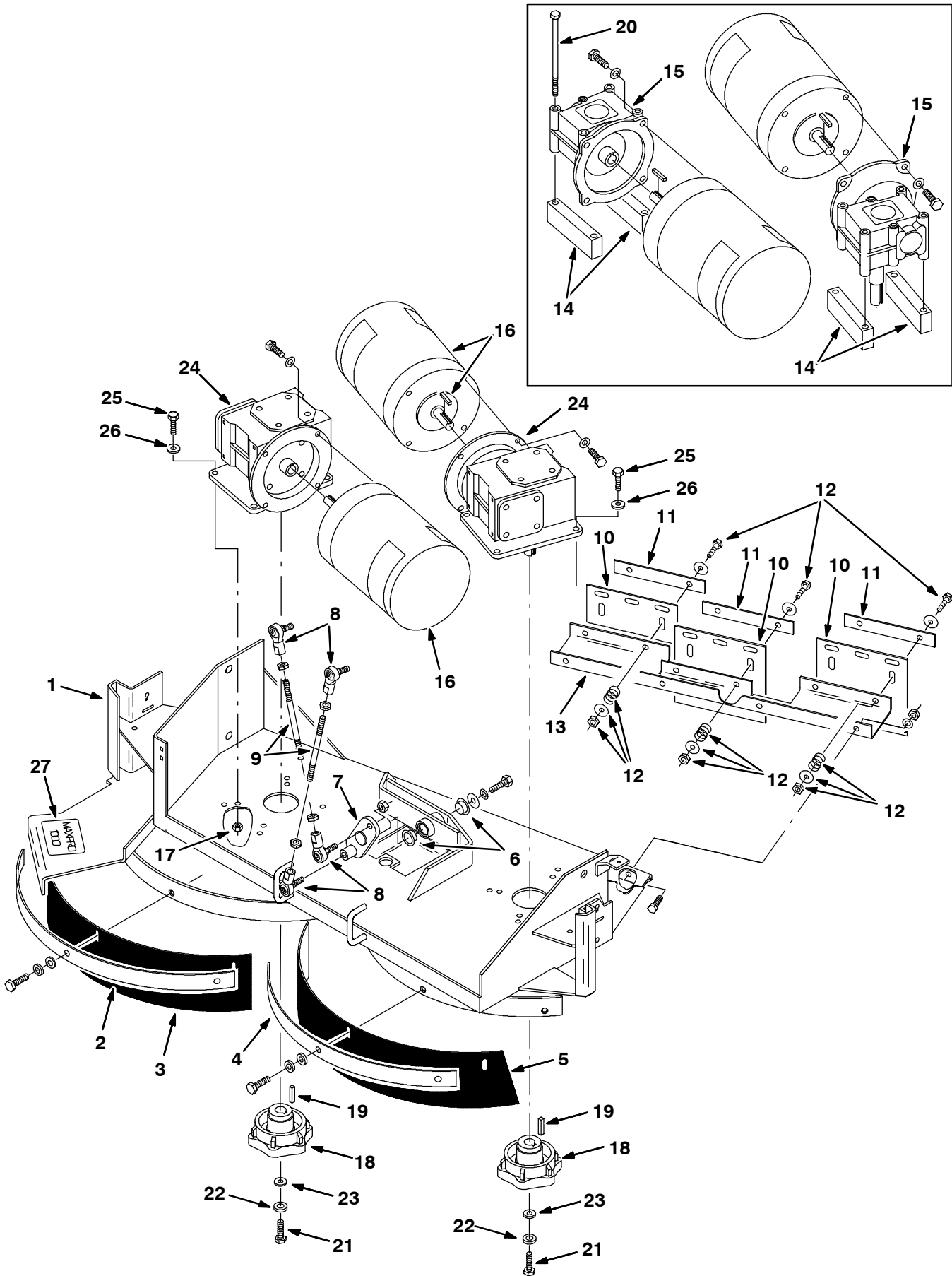
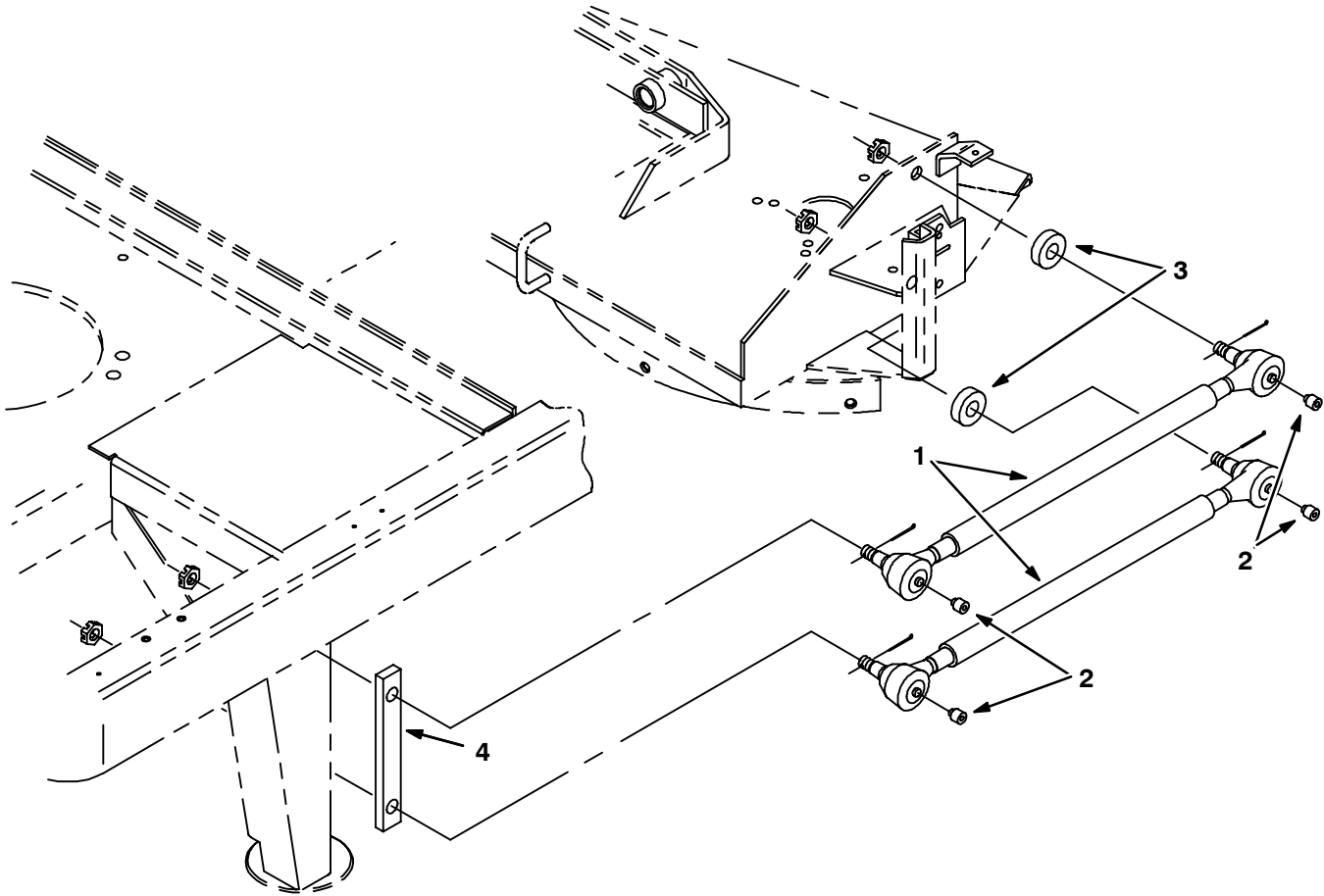


Fig. 14 - Scrub Head Drive Group for MaxPro™ 1000 Two-Brush System

| Ref. | Tennant Part No. | Machine Serial Number | Description | Qty. |
|------|------------------|-----------------------|--|------|
| 1 | 14626 | (000000- |) Frame, Scrubber Head | 1 |
| 2 | 14674 | (000000- |) Strip, Skirt Retainer, R.H. | 1 |
| 3 | 14672 | (000000- |) Skirt, Front Brush, R.H. | 1 |
| 4 | 14673 | (000000- |) Strip, Skirt Retainer, L.H. | 1 |
| 5 | 14671 | (000000- |) Skirt, Front Brush, L.H. | 1 |
| 6 | 24329 | (000000- |) Head Bushing Kit | 1 |
| 7 | 14666 | (000000- |) Pivot, Equalizer | 1 |
| 8 | 05686 | (000000- |) End, Rod | 4 |
| 9 | 14567 | (000000- |) Rod, Threaded | 2 |
| 10 | 15952 | (000000- |) Skirt, Rear Brush | 3 |
| 11 | 15951 | (000000- |) Strip, Rear Skirt Retainer | 3 |
| 12 | 24310 | (000000- |) Skirt Spring Retaining Kit | 6 |
| 13 | 15953 | (000000- |) Bracket, Rear Skirt | 1 |
| 14 | 16942 | (000000- xxxxxx |) Spacer, Gearbox | 4 |
| 15 | 16223 | (000000- xxxxxx |) Gearbox (Repl. by 375066) (See Breakdowns) | 2 |
| 16 | 16224 | (000000- |) Motor, Electric (See Breakdowns) | 2 |
| 17 | 08713 | (000000- |) Nut, Hex | 8 |
| 18 | 222506 | (000000- |) Hub, Brush Drive | 2 |
| 19 | 00927 | (000000- |) Key, Square | 2 |
| 20 | 16946 | (000000- xxxxxx |) Screw, Hex | 8 |
| 21 | 09740 | (000000- |) Screw, Hexssm 8x1.25 | 2 |
| 22 | 41186 | (000000- |) Washer Flt .38Ss | 2 |
| 23 | 01686 | (000000- |) Washer-Belleville .31 Pltd | 2 |
| 24 | 375100 | (xxxxxx- |) Gearbox, W/Mount (See Breakdowns) | 2 |
| 25 | 09011 | (xxxxxx- |) Screw, Hex, M8 Ss | 8 |
| 26 | 01685 | (xxxxxx- |) Washer, Flt .31 Ss | 8 |
| 27 | 365156 | (000000- |) Label Set, Info & Hazard, Max Pro™ 1000 | 1 |

STANDARD PARTS

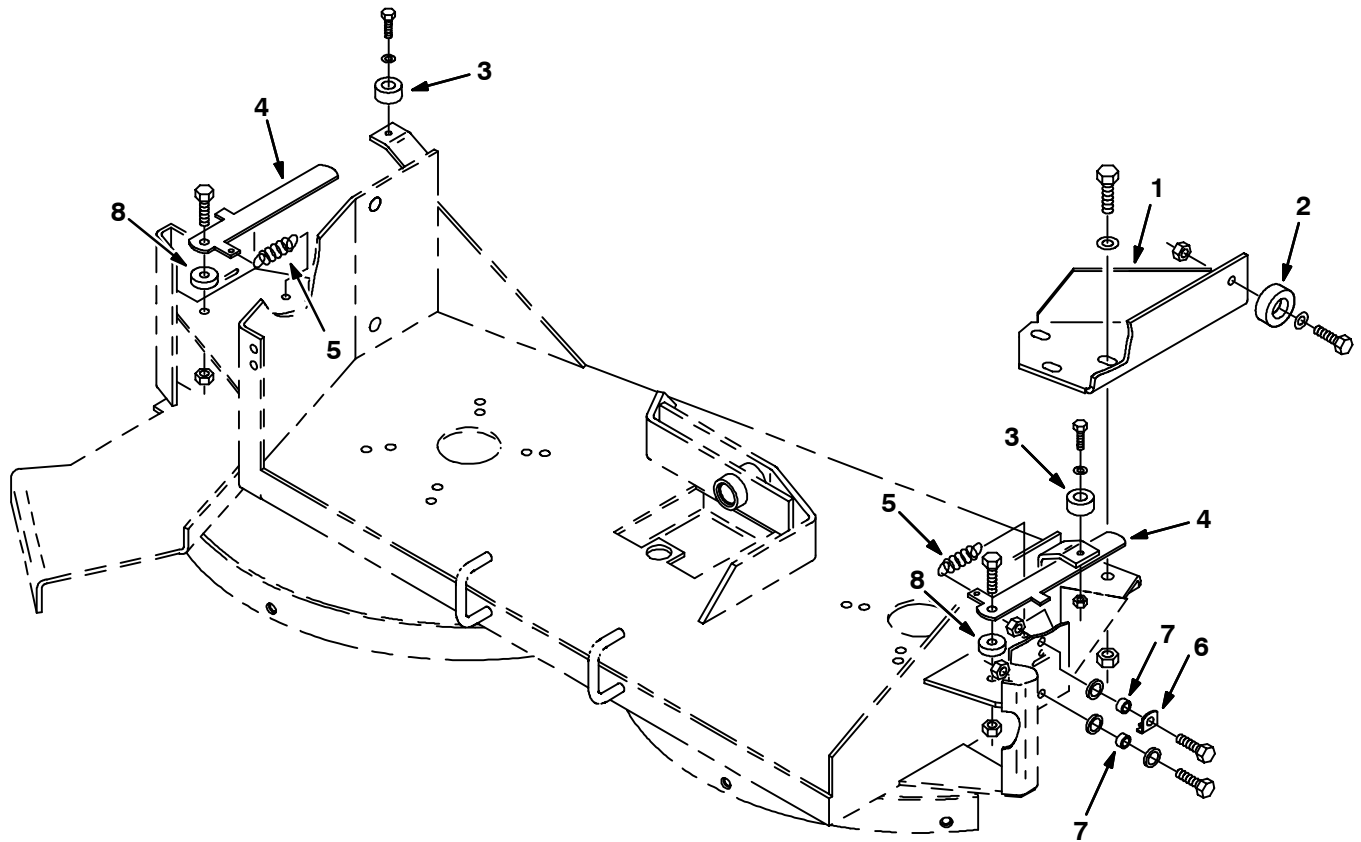
Fig. 15 - Scrub Head Mount Group for MaxPro™ 1000 Two-Brush System



05425/05425

| | Ref. | Tennant Part No. | Machine Serial Number | Description | Qty. |
|---|------|------------------|-----------------------|--------------------------|------|
| ▽ | 1 | 14523 | (000000-) | Link, Scrubber Head Lift | 4 |
| ▲ | 2 | 07259 | (000000-) | Fitting, Grease | 8 |
| | 3 | 14524 | (000000-) | Spacer, Washer | 4 |
| | 4 | 24254 | (000000-) | Bar, Spacer | 2 |

Fig. 16 - Scrub Head Stop and Squeegee Mount Group for MaxPro™ 1000 Two-Brush System



05222/05222

| Ref. | Tennant Part No. | Machine Serial Number | Description | Qty. |
|------|------------------|-----------------------|-----------------------------------|------|
| 1 | 15018 | (000000- |) Bracket, Stop | 1 |
| 2 | 15023 | (000000- |) Bumper | 1 |
| 3 | 82921 | (000000- |) Bumper, Rubber | 2 |
| 4 | 15569 | (000000- |) Lever, Stop | 2 |
| 5 | 09087 | (000000- |) Spring, Tension | 2 |
| 6 | 15900 | (000000- |) Guide, Squeegee | 2 |
| 7 | 363479 | (000000- |) Spacer, .50 ODX .34IDX .312L Ss | 4 |
| 8 | 15649 | (000000- |) Tube | 2 |

Fig. 17 - Scrub Head Lift Group for MaxPro™ 1000 Two-Brush System

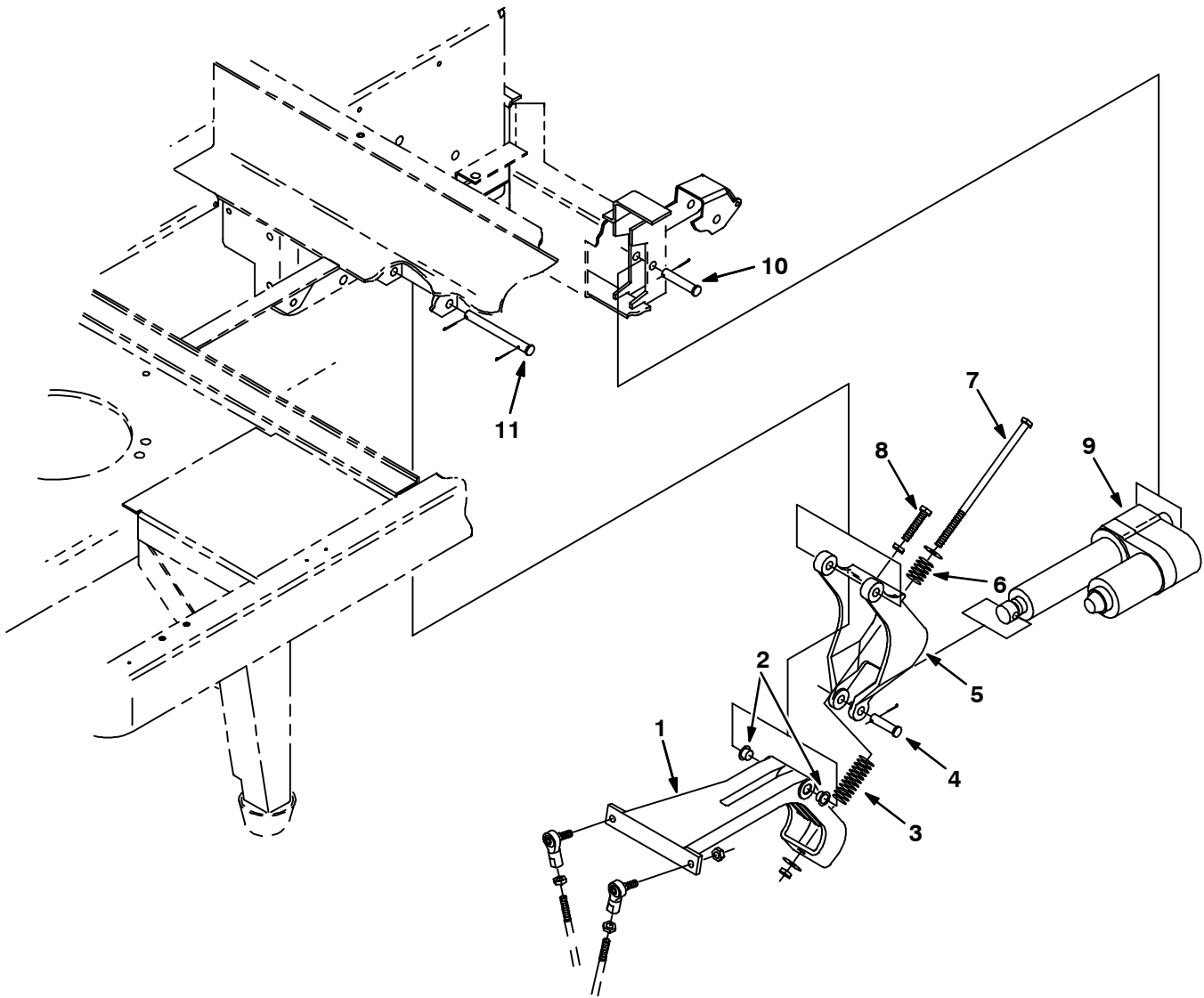


Fig. 17 - Scrub Head Lift Group for MaxPro™ 1000 Two-Brush System

| Ref. | Tennant Part No. | Machine Serial Number | Description | Qty. |
|------|------------------|-----------------------|---------------------------------|------|
| 1 | 15864 | (000000- |) Bracket, Head Lift | 1 |
| 2 | 15648 | (000000- |) Bearing, Flange 0.500 Bore | 2 |
| 3 | 363544 | (000000- |) Spring, Die, Red, 4.0Lg | 1 |
| 4 | 63147 | (000000- |) Pin,Clevis,0.50 Dia.X 1.87 Lg | 1 |
| 5 | 15742 | (000000- |) Bracket, Head Lift | 1 |
| 6 | 15650 | (000000- |) Spring Comp Die X 1.5Lg | 1 |
| 7 | 17194 | (000000- |) Scr-Hx M10X1.5 180 8.8 Pltd | 1 |
| 8 | 06416 | (000000- |) Scr-Hex M12X1.75 50 Full Thd | 1 |
| 9 | 363150 | (000000- |) Actuator, Scrubhead Lift 515 | 1 |
| 10 | 06279 | (000000- |) Pin,Clevis,0.50 Dia.X 2.50 Lg | 1 |
| 11 | 14933 | (000000- |) Pin, Clevis .50 Dia X 5.75 Lg | 1 |

Fig. 18 - Edge Scrub Group for MaxPro™ 1000 Two-Brush System

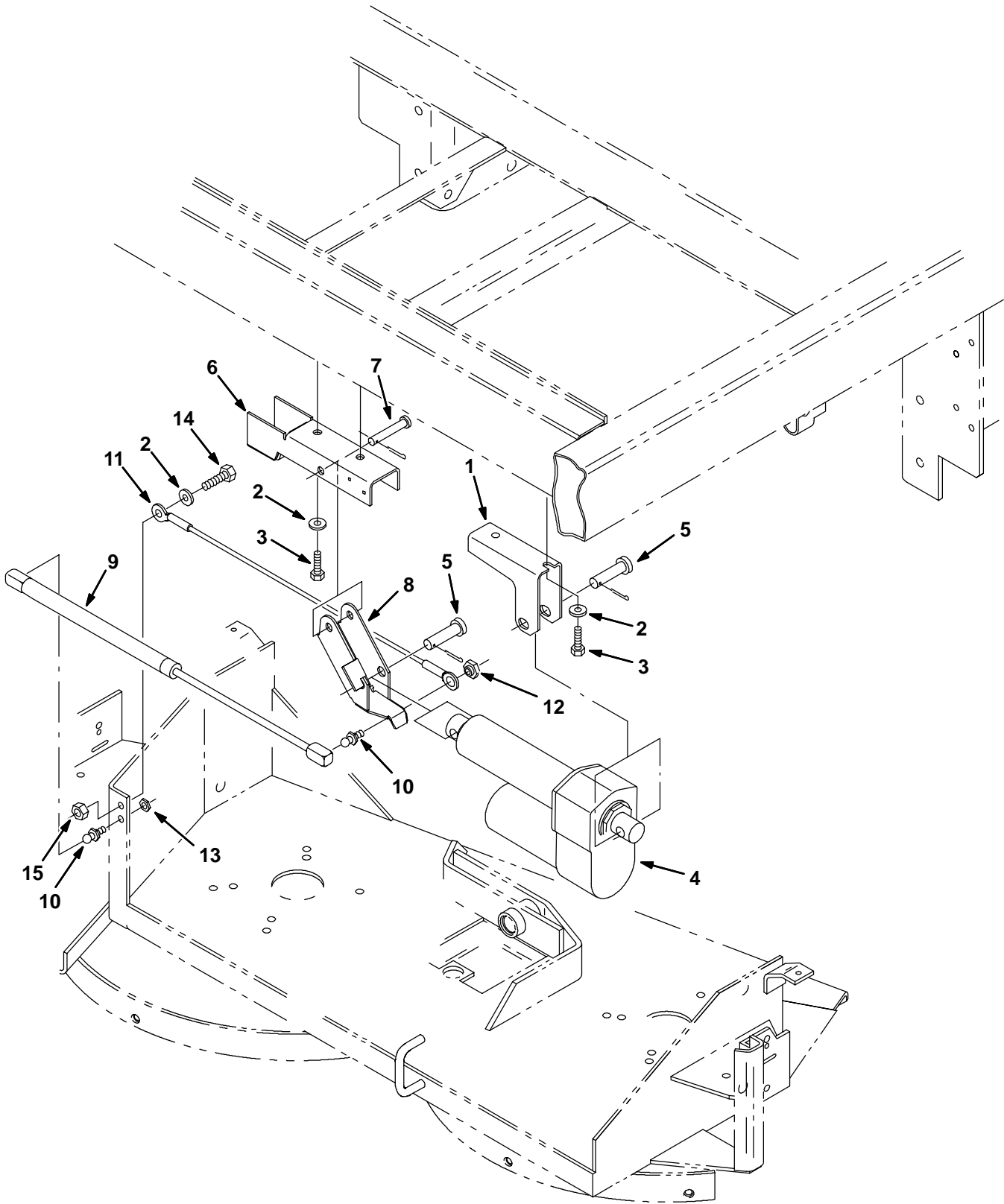


Fig. 18 - Edge Scrub Group for MaxPro™ 1000 Two-Brush System

| Ref. | Tenant Part No. | Machine Serial Number | Description | Qty. |
|------|-----------------|-----------------------|----------------------------------|------|
| 1 | 363289 | (000000- |) Bracket, Mtg, Actuator | 1 |
| 2 | 01685 | (000000- |) Washer Flt .31 Ss | 5 |
| 3 | 15675 | (000000- |) Scr Hexssm 8X1.25 | 4 |
| 4 | 363152 | (000000- |) Actuator, Edge Scrub, 515 | 1 |
| 5 | 63147 | (000000- |) Pin,Clevis,0.50 Dia.X 1.87 Lg | 2 |
| 6 | 363290 | (000000- |) Bracket Wldt, Pivot | 1 |
| 7 | 51813 | (000000- |) Pin,Clevis,0.37 Dia.X 2.12 Lg | 1 |
| 8 | 363293 | (000000- |) Bracket Wldt, Gas Spring | 1 |
| 9 | 14464 | (000000- |) Spring, Gas 30Lb 8.04 Stroke | 1 |
| 10 | 58494 | (000000- |) Stud, Ball, Gas Spring | 2 |
| 11 | 363515 | (000000- |) Cable, Retaining, Side Scrub | 1 |
| 12 | 14725 | (000000- |) Nut, Retainer .31-18 | 1 |
| 13 | 01760 | (000000- |) Nut-Hxlocnyln .31-18 Thin Pltd | 1 |
| 14 | 09740 | (000000- |) Scr Hexssm 8X1.25 | 1 |
| 15 | 08713 | (000000- |) Nut-Hxlocnyln M 8X1.25 Reg Ss | 1 |

STANDARD PARTS

Fig. 19 - Solution Valve Group for MaxPro™ 1000 Two-Brush System

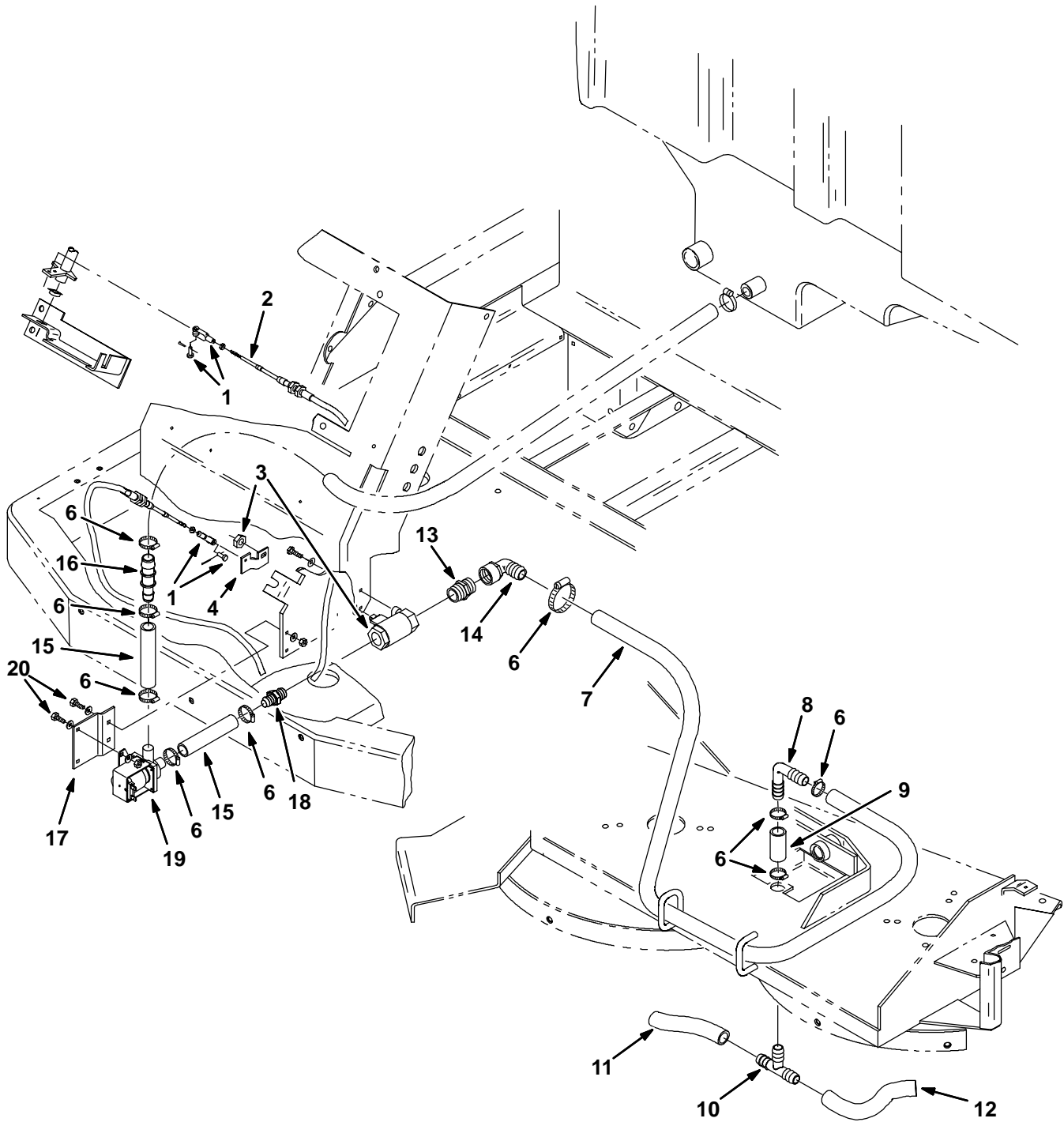
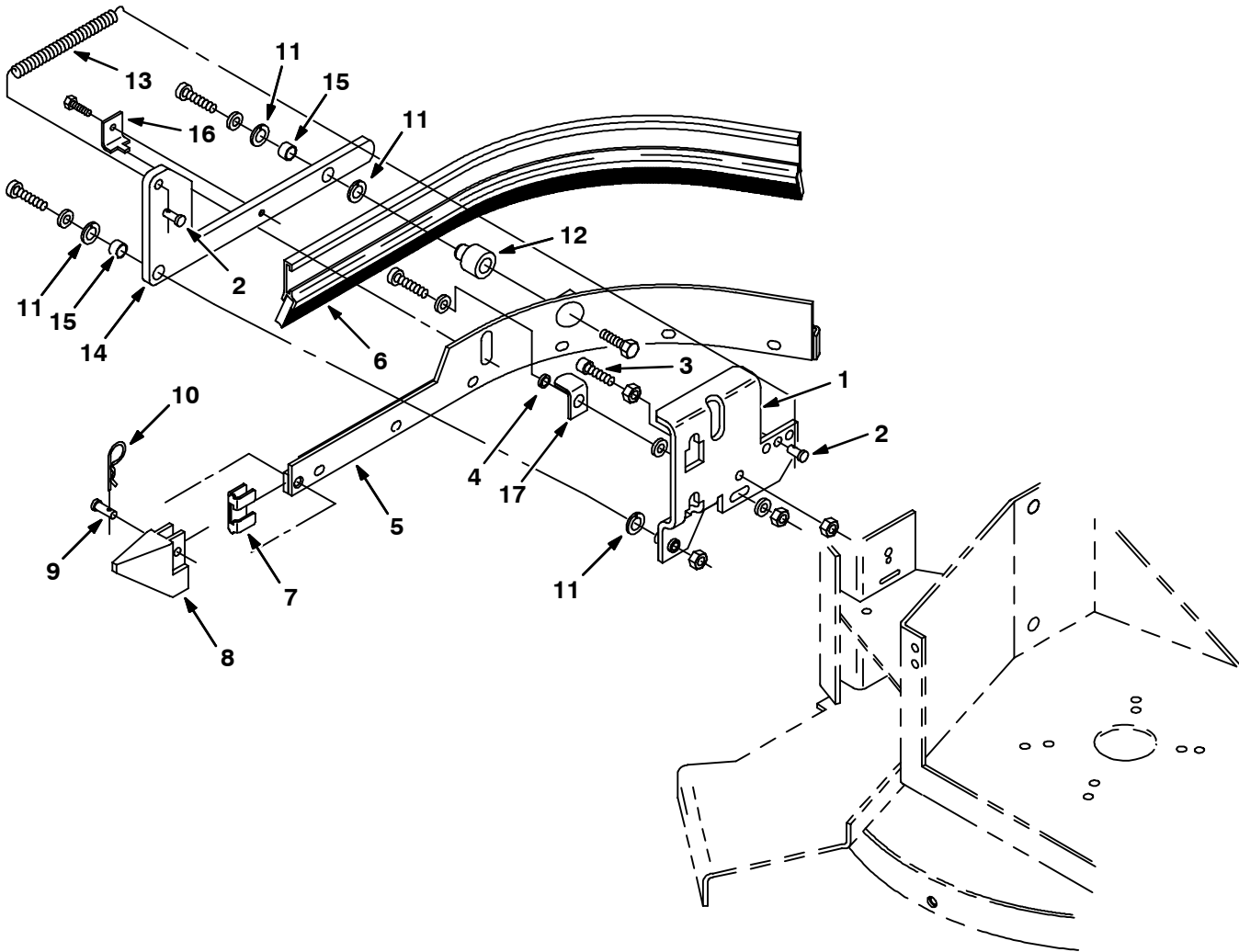


Fig. 19 - Solution Valve Group for MaxPro™ 1000 Two-Brush System

| Ref. | Tenant Part No. | Machine Serial Number | Description | Qty. |
|------|-----------------|-----------------------|--------------------------------------|------|
| 1 | 27880 | (000000- |) Yoke Assembly | 2 |
| 2 | 14811 | (000000- |) Cable, Control | 1 |
| 3 | 12060 | (000000- |) Valve, Water | 1 |
| 4 | 15057 | (000000- |) Lever, Valve | 1 |
| 5 | 14877 | (000000- |) Fitting, Barbed Elbow | 1 |
| 6 | 86824 | (000000- |) Clamp, Worm Drive | 9 |
| 7 | 16913 | (000000- |) Hose, Vinyl | 1 |
| 8 | 40566 | (000000- |) Fitting, Barbed Elbow | 1 |
| 9 | 16914 | (000000- |) Hose, Vinyl | 1 |
| 10 | 41315 | (000000- |) Fitting, Barbed Tee | 1 |
| 11 | 48595 | (000000- |) Hose, Vinyl | 1 |
| 12 | 48596 | (000000- |) Hose, Vinyl | 1 |
| 13 | 24544 | (000000- |) Fitting, Straight | 1 |
| 14 | 24543 | (000000- |) Fitting, Barbed Elbow | 1 |
| 15 | 363522 | (000000- |) Hose-Heater .62Id 4.5L | 1 |
| 16 | 363543 | (000000- |) Fitting, Reducer, 5/8-3/4 | 2 |
| 17 | 363489 | (000000- |) Bracket, Mtg, Elect Valve | 1 |
| 18 | 71628 | (000000- |) Ftg, Plstc, Str, Barb .75Pt-.62Hse | 1 |
| 19 | 84028 | (000000- |) Valve, Water, Sol .62 Hose 36V | 1 |
| 20 | 15678 | (000000- |) Scr Hex Ss M6x1.0 | 4 |

STANDARD PARTS

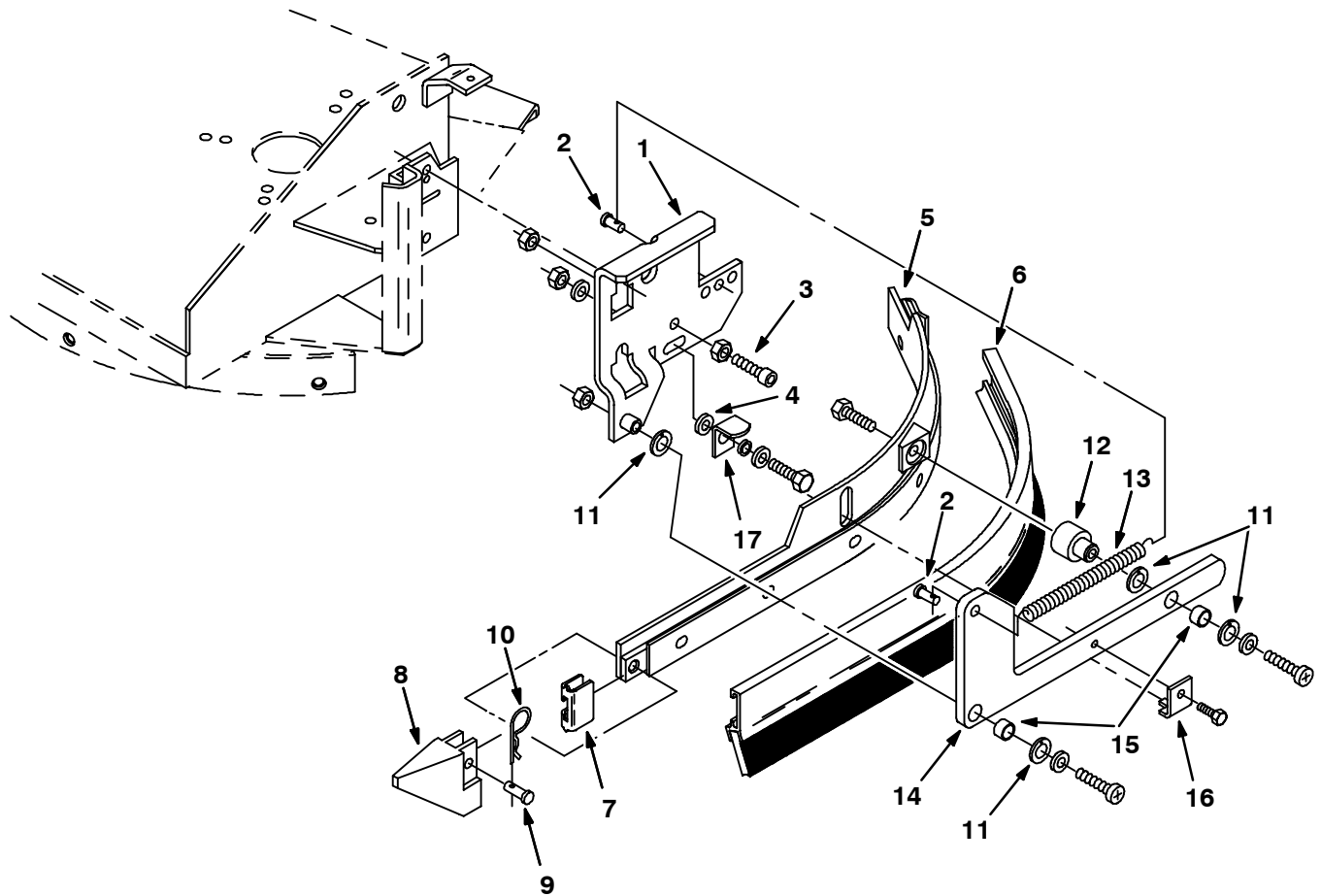
Fig. 20 - Right Side Squeegee Group for MaxPro™ 1000 Two-Brush System



05421/04521

| Ref. | Tennant Part No. | Machine Serial Number | Description | Qty. |
|------|------------------|-----------------------|--------------------------------------|------|
| ▽ | 32707 | (000000- |) Right Side Squeegee Group Assembly | 1 |
| ▲ 1 | 15645 | (000000- |) Bracket, R.H. | 1 |
| ▲ 2 | 41305 | (000000- |) Pin, Clevis | 2 |
| ▲ 3 | 41445 | (000000- |) Screw, Socket | 1 |
| ▲ 4 | 41308 | (000000- |) Spacer | 1 |
| ▲ 5 | 14676 | (000000- |) Frame, Side Squeegee, R.H. | 1 |
| ▲ 6 | 86859 | (000000- |) Squeegee Assembly, Side | 1 |
| ▲ 7 | 86759 | (000000- |) Retainer, Squeegee | 1 |
| ▲ 8 | 14648 | (000000- |) Guide, Side Squeegee | 1 |
| ▲ 9 | 69582 | (000000- |) Pin, Clevis | 1 |
| ▲ 10 | 44906 | (000000- |) Pin, Hair Cotter | 1 |
| ▲ 11 | 86860 | (000000- |) Bearing, Thrust | 4 |
| ▲ 12 | 15681 | (000000- |) Bar, Mounting | 1 |
| ▲ 13 | 15047 | (000000- |) Spring, Extension | 1 |
| ▲ 14 | 14675 | (000000- |) Bar, Squeegee Lift | 1 |
| ▲ 15 | 64173 | (000000- |) Bearing | 2 |
| ▲ 16 | 15966 | (000000- |) Angle, Stop | 1 |
| ▲ 17 | 41307 | (000000- |) Angle | 1 |

Fig. 21 - Left Side Squeegee Group for MaxPro™ 1000 Two-Brush System



05418/05418

| Ref. | Tenant Part No. | Machine Serial Number | Description | Qty. |
|------|-----------------|-----------------------|-------------------------------------|------|
| ▽ | 32710 | (000000- |) Left Side Squeegee Group Assembly | 1 |
| ▲ | 1 15647 | (000000- |) Bracket, L.H. | 1 |
| ▲ | 2 41305 | (000000- |) Pin, Clevis | 2 |
| ▲ | 3 41445 | (000000- |) Screw, Socket | 1 |
| ▲ | 4 41308 | (000000- |) Spacer | 1 |
| ▲ | 5 14677 | (000000- |) Frame, Side Squeegee, L.H. | 1 |
| ▲ | 6 86859 | (000000- |) Squeegee Assembly, Side | 1 |
| ▲ | 7 86759 | (000000- |) Retainer, Squeegee | 1 |
| ▲ | 8 14648 | (000000- |) Guide, Side Squeegee | 1 |
| ▲ | 9 69582 | (000000- |) Pin, Clevis | 1 |
| ▲ | 10 44906 | (000000- |) Pin, Hair Cotter | 1 |
| ▲ | 11 86860 | (000000- |) Bearing, Thrust | 4 |
| ▲ | 12 15681 | (000000- |) Bar, Mounting | 1 |
| ▲ | 13 15047 | (000000- |) Spring, Extension | 1 |
| ▲ | 14 14675 | (000000- |) Bar, Squeegee Lift | 1 |
| ▲ | 15 64173 | (000000- |) Bearing | 2 |
| ▲ | 16 15966 | (000000- |) Angle, Stop | 1 |
| ▲ | 17 41307 | (000000- |) Angle | 1 |

STANDARD PARTS

Fig. 22 - Scrubhead Drive Group for MaxPro™ 1200 Three-Brush System

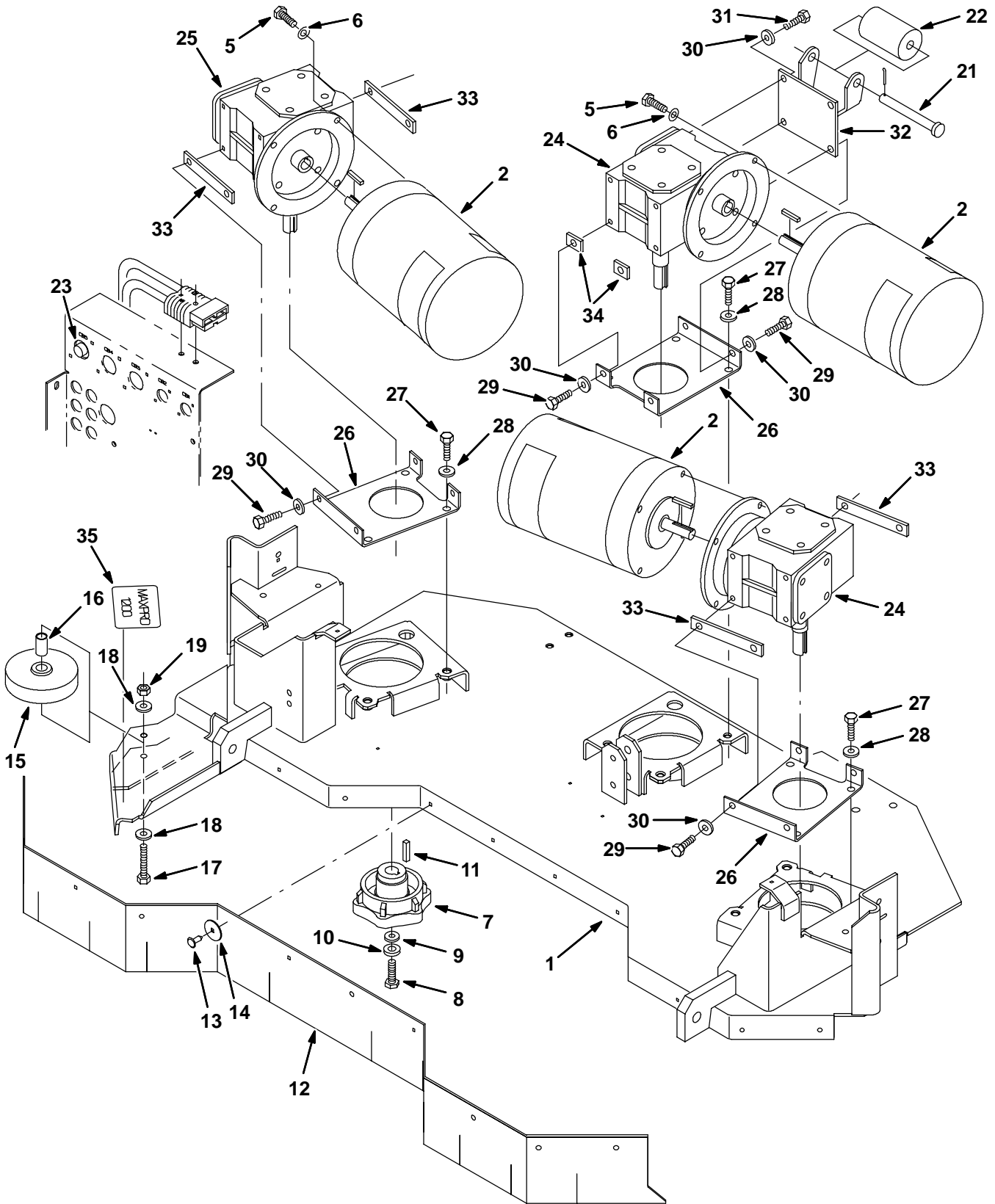
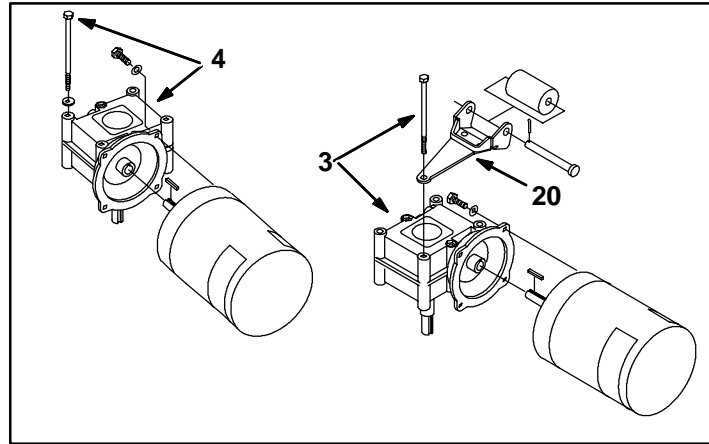


Fig. 22 - Scrubhead Drive Group for MaxPro™ 1200 Three-Brush System



| Ref. | Tennant Part No. | Machine Serial Number | Description | Qty. |
|------|------------------|-----------------------|---|------|
| 1 | 363100 | (000000-) | Frame Wldt, Mounting, Scrub Hd | 1 |
| 2 | 16224 | (000000-) | Motor, Ele (See Breakdowns) | 3 |
| 3 | 363164 | (000000- xxxxxx) | Gearbox, (Repl. by 375075) (See Breakdowns) | 2 |
| 4 | 16223 | (000000- xxxxxx) | Gearbox, (Repl. by 375074) (See Breakdowns) | 1 |
| 5 | 21196 | (000000-) | Scr Hex .38-16X0.88 | 12 |
| 6 | 32485 | (000000-) | Washer Flt .38 Sae | 12 |
| 7 | 222506 | (000000-) | Hub, Brush Drive | 3 |
| 8 | 09740 | (000000-) | Scr Hexssm 8X1.25 | 3 |
| 9 | 01686 | (000000-) | Washer Flt .38 Ss | 3 |
| 10 | 41186 | (000000-) | Washer-Belleville .31 Pltd | 3 |
| 11 | 00927 | (000000-) | Key Square 0.25 0.25 0.125 Lg | 3 |
| 12 | 363163 | (000000-) | Skirt, Scrub Head Front | 1 |
| 13 | 72971 | (000000-) | Rivet, Plastic .325Dx.787 | 12 |
| 14 | 41178 | (000000-) | Washer-Flt .25 Fender Pltd | 12 |
| 15 | 363162 | (000000-) | Wheel, Guide, Scrubhead | 1 |
| 16 | 363301 | (000000-) | Sleeve, .344B X .625D X 1.19Lg | 1 |
| 17 | 49694 | (000000-) | Scr Hex Ssm 8X1.25 50 | 1 |
| 18 | 01685 | (000000-) | Washer Flt .31 Ss | 2 |
| 19 | 08713 | (000000-) | Nut-Hxlocnyln M 8X1.25 Reg Ss | 1 |
| 20 | 363432 | (000000- xxxxxx) | Bracket, Stop, Scrubhead | 1 |
| 21 | 222196 | (000000-) | Pin, Roller | 1 |
| 22 | 222178 | (000000-) | Roller, Bumper | 1 |
| 23 | 375118 | (000000-) | Breaker-Circuit, 40 Resetable | 1 |
| 24 | 375111 | (xxxxxx-) | Gearbox, W/O Mount (See Breakdowns) | 2 |
| 25 | 375110 | (xxxxxx-) | Gearbox, W/O Mount (See Breakdowns) | 1 |
| 26 | 375040 | (xxxxxx-) | Bracket, Mount | 3 |
| 27 | 69225 | (xxxxxx-) | Screw, Hex .38 Ss x 1.0 | 9 |
| 28 | 01686 | (xxxxxx-) | Washer, Flat .38 Ss | 9 |
| 29 | 02992 | (xxxxxx-) | Screw, Hex .31 Ss x 1.0 | 12 |
| 30 | 01685 | (xxxxxx-) | Washer, Flat .31 Ss | 14 |
| 31 | 02991 | (xxxxxx-) | Screw, Hex .31 Ss x .75 | 2 |
| 32 | 375070 | (xxxxxx-) | Stop Wldt, Scrubhead | 1 |
| 33 | 375065 | (xxxxxx-) | Plate, Spacer | 4 |
| 34 | 375086 | (xxxxxx-) | Spacer, Square | 2 |
| 35 | 365156 | (000000-) | Label Set, Info & Hazard, Max Pro™ 1200 | 1 |

Fig. 23 - Scrub Head Lift Group for MaxPro™ 1200 Three-Brush System

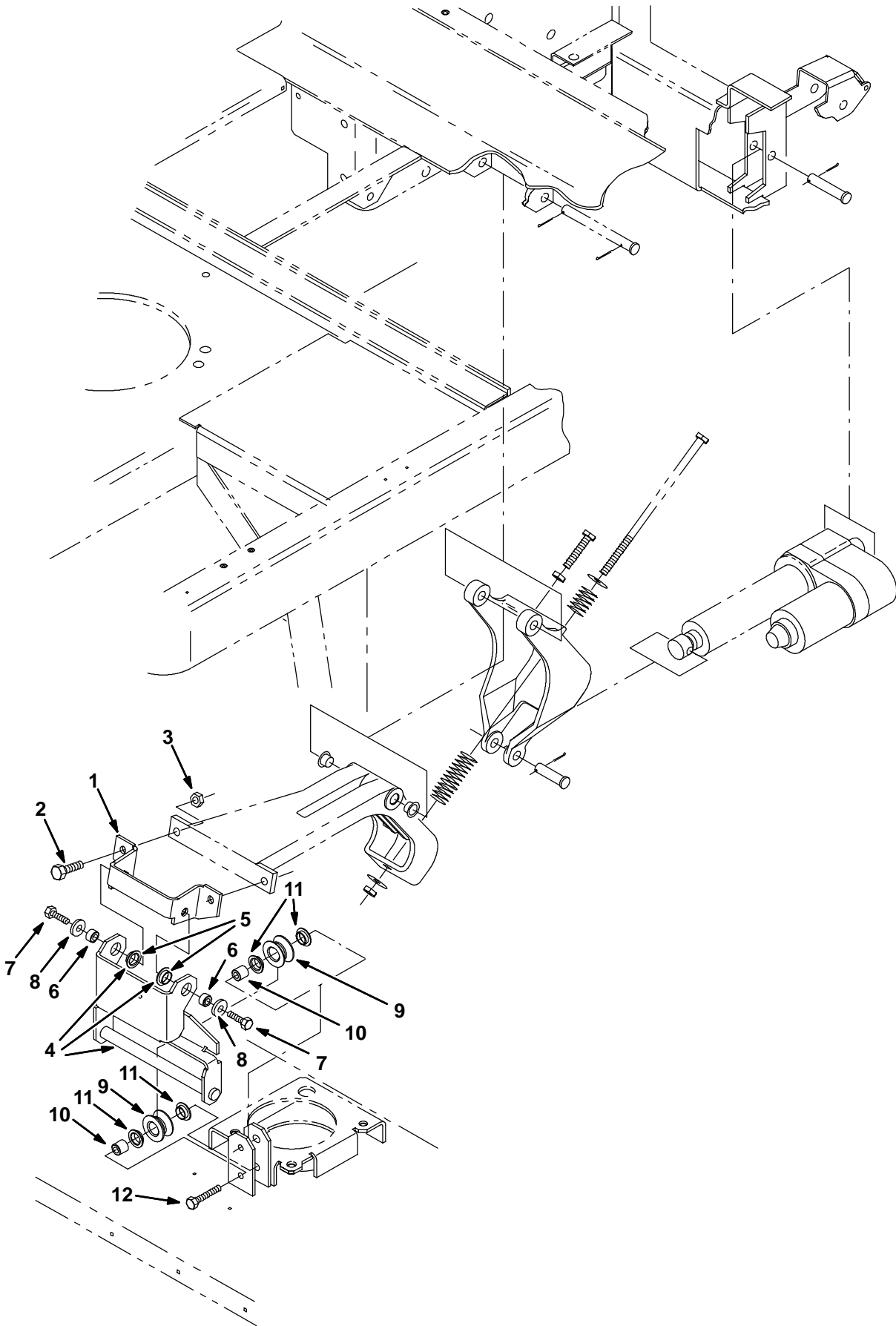


Fig. 23 - Scrub Head Lift Group for MaxPro™ 1200 Three-Brush System

| Ref. | Tennant Part No. | Machine Serial Number | Description | Qty. |
|-------------|-------------------------|------------------------------|----------------------------------|-------------|
| 1 | 363139 | (000000- |) Bracket, Mtg, Lift Link | 1 |
| 2 | 09028 | (000000- |) Scr Hexssm 10X1.5 25 | 2 |
| 3 | 08714 | (000000- |) Nut-Hxlocnyln M10X1.5 Reg 18-8 | 2 |
| ▽ 4 | 363310 | (000000- |) Bracket Assy, Head Lift | 1 |
| ▲ 5 | 04843 | (000000- |) Bearing, Flange .625 Bore | 2 |
| 6 | 222556 | (000000- |) Sleeve, .34B .62D .38 | 2 |
| 7 | 09010 | (000000- |) Scr Hexssm 8X1.25 25 | 2 |
| 8 | 32491 | (000000- |) Washer Flt .31 Hard | 2 |
| 9 | 363120 | (000000- |) Roller, Mounting, Brush Head | 2 |
| 10 | 222277 | (000000- |) Sleeve, .344B .62D.93 Bronze | 2 |
| 11 | 04843 | (000000- |) Bearing, Flange .625 Bore | 4 |
| 12 | 222505 | (000000- |) Screw Hex Ssm 8X1.25 45 | 2 |

Fig. 24 - Edge Scrub Group for MaxPro™ 1200 Three-Brush System

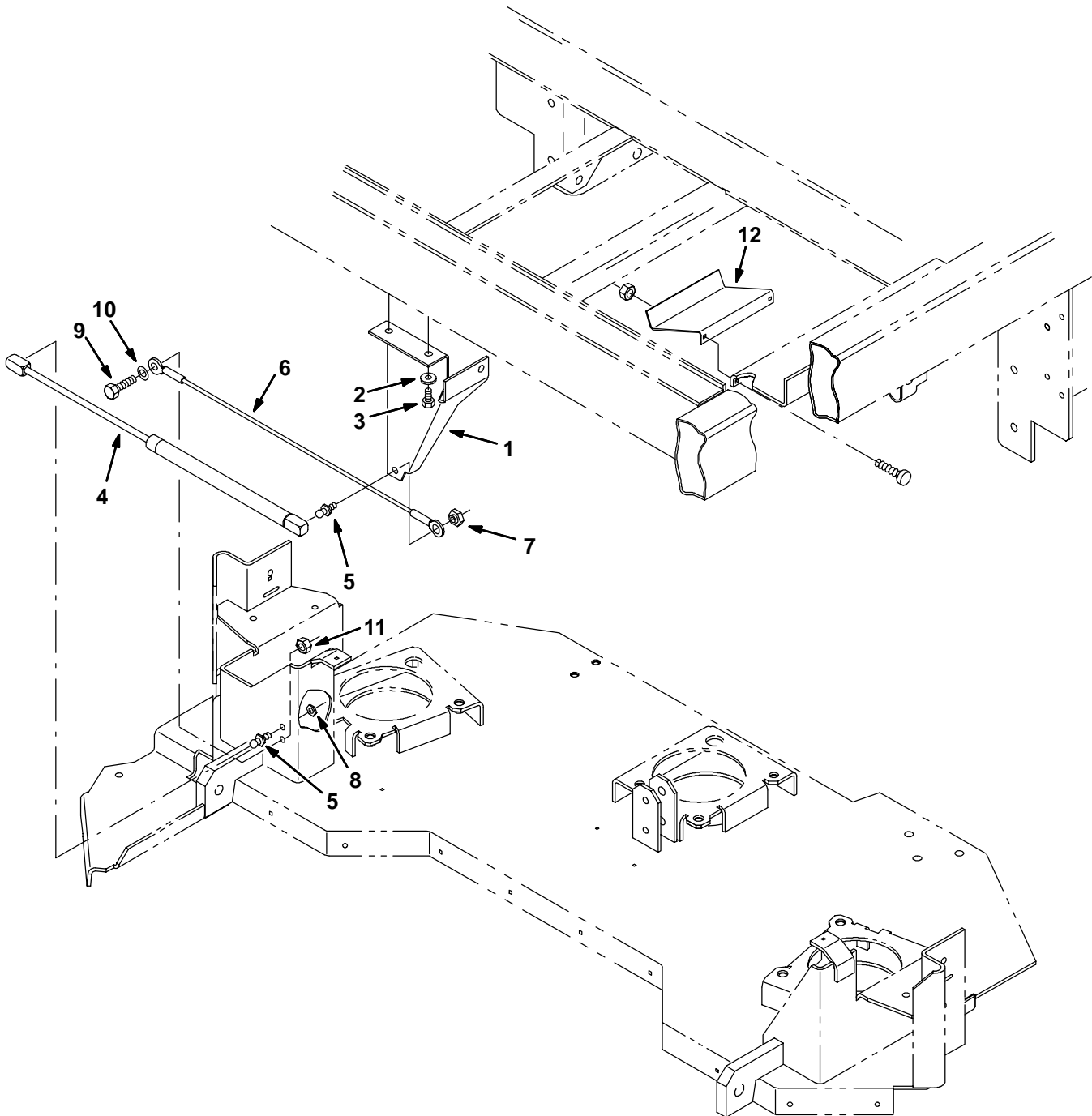
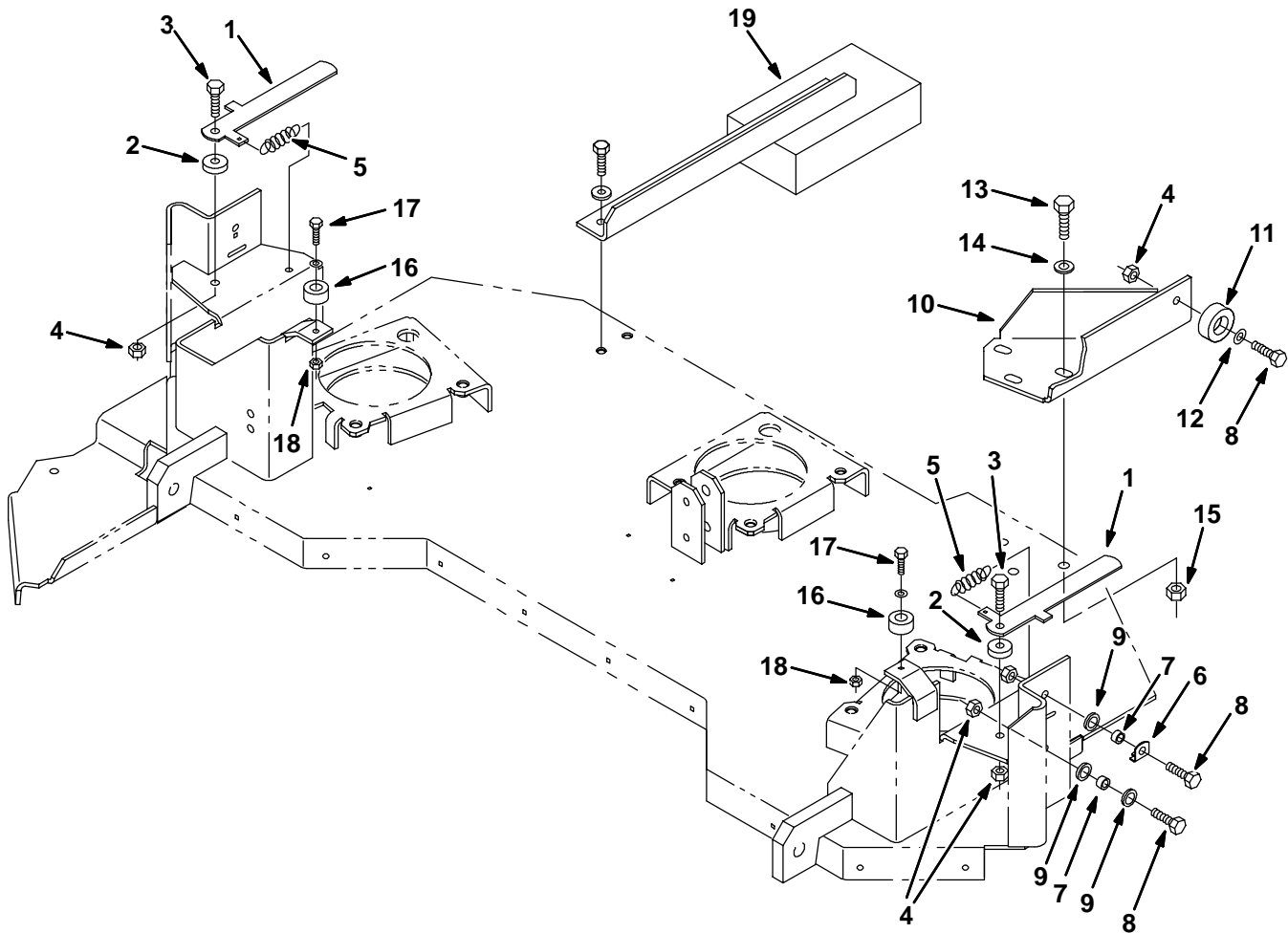


Fig. 24 - Edge Scrub Group for MaxPro™ 1200 Three-Brush System

| Ref. | Tenant Part No. | Machine Serial Number | Description | Qty. |
|------|-----------------|-----------------------|----------------------------------|------|
| 1 | 363116 | (000000- |) Bracket, Mtg, Gas Shock | 1 |
| 2 | 01685 | (000000- |) Washer Flt .31 Ss | 2 |
| 3 | 15675 | (000000- |) Scr Hexssm 8X1.25ls | 2 |
| 4 | 14464 | (000000- |) Spring, Gas 30Lb 8.04 Stroke | 1 |
| 5 | 58494 | (000000- |) Stud, Ball, Gas Spring | 2 |
| 6 | 14530 | (000000- |) Cable, Retaining, Side Brush | 1 |
| 7 | 14725 | (000000- |) Nut, Retainer .31-18 | 1 |
| 8 | 01760 | (000000- |) Nut-Hxlocnyln .31-18 Thin Pltd | 1 |
| 9 | 09740 | (000000- |) Scr Hexssm 8X1.25 | 1 |
| 10 | 01685 | (000000- |) Washer Flt .31 Ss | 1 |
| 11 | 08713 | (000000- |) Nut-Hxlocnyln M 8X1.25 Reg Ss | 1 |
| 12 | 24107 | (000000- |) Bracket, Retainer | 1 |

STANDARD PARTS

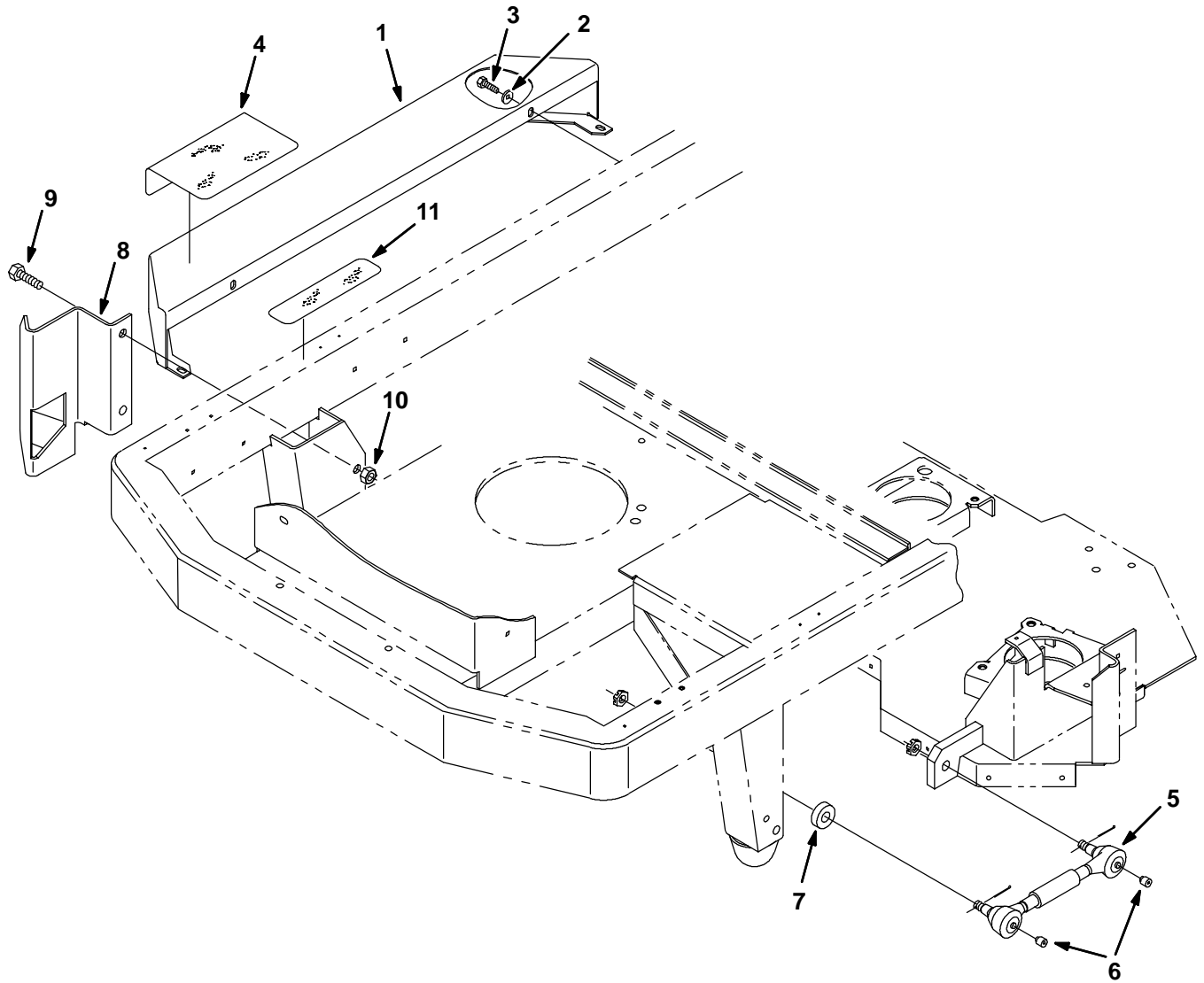
Fig. 25 - Scrub Head Stops and Squeegee Mount Group for MaxPro™ 1200 Three-Brush System



10365/10366

| Ref. | Tennant Part No. | Machine Serial Number | Description | Qty. |
|------|------------------|-----------------------|--------------------------------|------|
| 1 | 15569 | (000000-) | Lever, Stop | 2 |
| 2 | 15649 | (000000-) | Tube, Rnd, .34B 1.00D .30Lg | 2 |
| 3 | 09011 | (000000-) | Scr HexssM 8X1.25 30 | 2 |
| 4 | 08713 | (000000-) | Nut-Hxlocnyln M 8X1.25 Reg Ss | 7 |
| 5 | 09087 | (000000-) | Sprng,Tens,0.56Odx.05Wire 0.9L | 2 |
| 6 | 15900 | (000000-) | Guide, Sqge Mtg | 2 |
| 7 | 15568 | (000000-) | Tube, Rnd, .34B .50D .27Lg | 4 |
| 8 | 09010 | (000000-) | Scr HexssM 8X1.25 25 | 5 |
| 9 | 32491 | (000000-) | Washer Flt .31 Hard | 6 |
| 10 | 15018 | (000000-) | Bracket, Stop, Frame | 1 |
| 11 | 15023 | (000000-) | Bumper, Polyethylene | 1 |
| 12 | 01685 | (000000-) | Washer Flt .31 Ss | 1 |
| 13 | 09028 | (000000-) | Scr Hexss M10X1.5 25 | 3 |
| 14 | 01686 | (000000-) | Washer-Flt .38 Ss | 3 |
| 15 | 08714 | (000000-) | Nut-Hxlocnyln M10X1.5 Reg 18-8 | 3 |
| 16 | 82921 | (000000-) | Bumper, Rubber | 2 |
| 17 | 24199 | (000000-) | Screw HexssM 5X0.8 | 2 |
| 18 | 09739 | (000000-) | Nut-Hxlocnyln M 5X0.8 Reg 18-8 | 2 |
| 19 | 363439 | (000000-) | Bar Assembly, Weight | 1 |

Fig. 26 - Scrub Head Mount Group for MaxPro™ 1200 Three-Brush System



10727/10360

| Ref. | Tennant Part No. | Machine Serial Number | Description | Qty. |
|------|------------------|-----------------------|---------------------------------|------|
| 1 | 363168 | (000000- |) Bumper, Side | 1 |
| 2 | 32491 | (000000- |) Washer Flt .31 Hard | 4 |
| 3 | 09740 | (000000- |) Scr Hexssm 8X1.25 | 4 |
| 4 | 16368 | (000000- |) Tread, Floor | 1 |
| 5 | 363113 | (000000- |) Link Wldt, Head, Drag | 2 |
| 6 | 07259 | (000000- |) Ftg, Grease.25-28Th Strt .47L | 4 |
| 7 | 14524 | (000000- |) Spacer, Washer | 2 |
| 8 | 363142 | (000000- |) Bracket Wldt, Mtg, Drag Link | 1 |
| 9 | 09745 | (000000- |) Screw Hexssm 12X1.75 | 2 |
| 10 | 09741 | (000000- |) Nut-Hxlocnynmm12X1.75 Reg Ss | 2 |
| 11 | 363458 | (000000- |) Tread, Floor | 1 |

Fig. 27 - Solution Group for MaxPro™ 1200 Three-Brush System

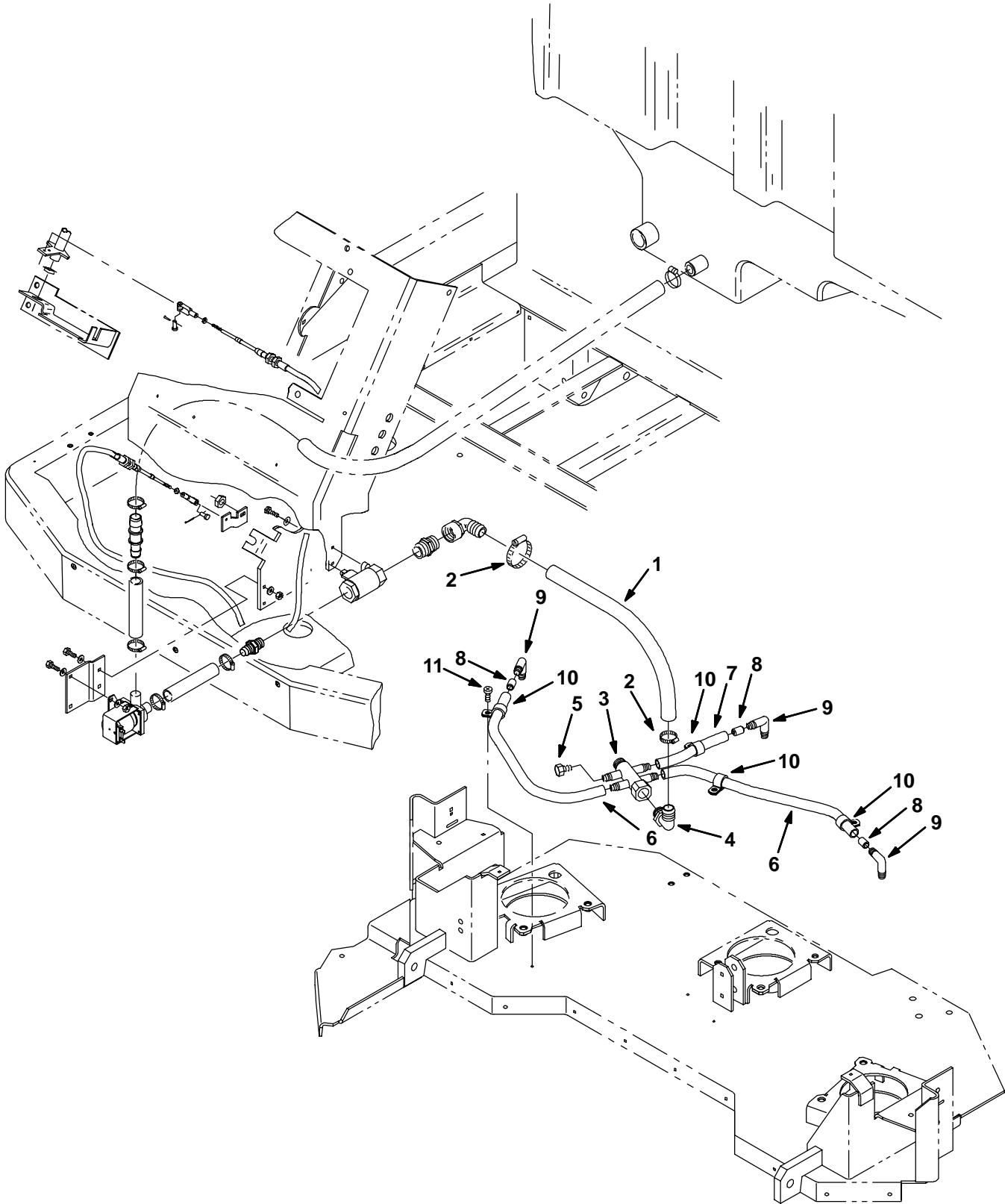


Fig. 27 - Solution Group for MaxPro™ 1200 Three-Brush System

| Ref. | Tennant Part No. | Machine Serial Number | Description | Qty. |
|------|------------------|-----------------------|----------------------------------|------|
| 1 | 363490 | (000000- |) Hose, Vinyl,Clr, .75ldx 16.Lg | 1 |
| 2 | 86824 | (000000- |) Clamp-Wormdrive 0.50-1.06D | 2 |
| 3 | 72950 | (000000- |) Manifold, Plastic | 1 |
| 4 | 40145 | (000000- |) Ftg,Plstc,Elb,Barb.50Pt-.75Hse | 1 |
| 5 | 50896 | (000000- |) Ftg-Plug Npt 02Pm Hx Hd Plasti | 1 |
| 6 | 49142 | (000000- |) Hose, Vinyl Clr,.50ld X 18.Lg | 2 |
| 7 | 363322 | (000000- |) Hose, Vinyl, Clear | 1 |
| 8 | 77334 | (000000- |) Fitting, Plastic, Str,Ba.31ld- | 3 |
| 9 | 63987-1 | (000000- |) Ftg,Plstc,Elb,Barb.50Hs-.50Hse | 3 |
| 10 | 67767 | (000000- |) Clamp-Cable,.69Dia. 62Wth | 4 |
| 11 | 15675 | (000000- |) Scr Hexssm 8X1.25 | 4 |

STANDARD PARTS

Fig. 28 - Right Side Squeegee Group for MaxPro™ 1200 Three-Brush System

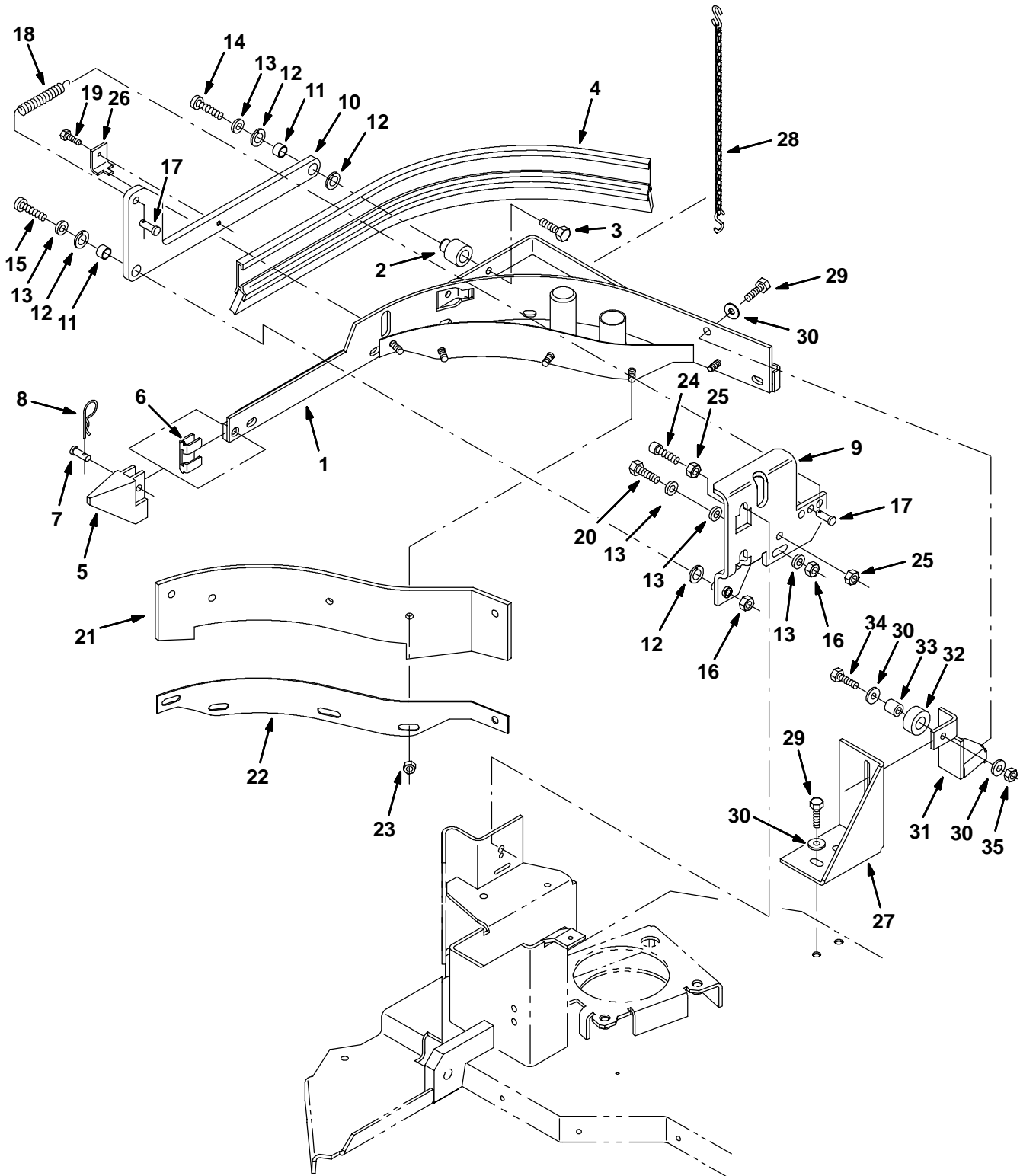


Fig. 28 - Right Side Squeegee Group for MaxPro™ 1200 Three-Brush System

| Ref. | Tennant Part No. | Machine Serial Number | Description | Qty. |
|------|------------------|-----------------------|-----------------------------------|------|
| ▽ | 363122 | (000000- |) Squeegee Assy, Side, Rh | 1 |
| ▲ 1 | 363125 | (000000- |) Frame Wldt, Side Squeegee, Rh | 1 |
| ▲ 2 | 15681 | (000000- |) Bar, Mtg | 1 |
| ▲ 3 | 15675 | (000000- |) Scr Hexssm 8X1.25 | 1 |
| ▲ 4 | 363123 | (000000- |) Blade Assy, Squeegee, Side | 1 |
| ▲ 5 | 14648 | (000000- |) Guide, Side Squeegee | 1 |
| ▲ 6 | 86759 | (000000- |) Retainer, Squeegee | 1 |
| ▲ 7 | 69582 | (000000- |) Pin,Clevis,0.31 Dia X 1.00 Lg | 1 |
| ▲ 8 | 44906 | (000000- |) Pin,Hair Cotter #Lhcot-2,Leitk | 1 |
| ▲ 9 | 15645 | (000000- |) Bracket, Wldt, Rh | 1 |
| ▲ 10 | 363430 | (000000- |) Bar, Sqge Lift | 1 |
| ▲ 11 | 64173 | (000000- |) Bearing,.50X.38 | 2 |
| ▲ 12 | 86860 | (000000- |) Bearing, Thrust .500 | 4 |
| ▲ 13 | 01685 | (000000- |) Washer Flt .31 Ss | 5 |
| ▲ 14 | 17284 | (000000- |) Scr-Butn M8X1.25 16 Ss18-8 | 1 |
| ▲ 15 | 17288 | (000000- |) Scr-Butn M8X1.25 35 10.9Pltd | 1 |
| ▲ 16 | 08713 | (000000- |) Nut-Hxlocnyln M 8X1.25 Reg Ss | 2 |
| ▲ 17 | 76653 | (000000- |) Pin Clevis 0.37 Dia X 1.00 Lg | 2 |
| ▲ 18 | 363469 | (000000- |) Spring, Tension, .750X.105X3.00 | 1 |
| ▲ 19 | 09744 | (000000- |) Scr Hexssm 6X1.0 | 1 |
| ▲ 20 | 09011 | (000000- |) Scr Hexssm 8X1.25 30 | 1 |
| ▲ 21 | 363165 | (000000- |) Blade, Side Squeegee, Front | 1 |
| ▲ 22 | 363166 | (000000- |) Retainer, Mtg, Front Blade | 1 |
| ▲ 23 | 41437 | (000000- |) Nut-Hxlocnyln .31-18 Regss18-8 | 5 |
| ▲ 24 | 41445 | (000000- |) Scr Soc M8X1.25 | 1 |
| ▲ 25 | 07786 | (000000- |) Nut Hx Ss M 8X1.25 | 2 |
| ▲ 26 | 15966 | (000000- |) Angle, Stop, Side Squeegee | 1 |
| 27 | 363396 | (000000- |) Angle, Mtg, Squeegee Lift | 1 |
| 28 | 363466 | (000000- |) Chain, Double Scrub | 1 |
| 29 | 09740 | (000000- |) Scr Hexssm 8X1.25 | 3 |
| 30 | 01685 | (000000- |) Washer Flt .31 Ss | 5 |
| 31 | 363443 | (000000- |) Brkt Wldt, Sq Lift | 1 |
| 32 | 363445 | (000000- |) Bearing, Sq Lift | 1 |
| 33 | 363446 | (000000- |) Spacer | 1 |
| 34 | 09026 | (000000- |) Scr Hexssm 8X1.25 40 | 1 |
| 35 | 07786 | (000000- |) Nut Hx Ss M 8X1.25 | 1 |

Fig. 29 - Left Side Squeegee Group for MaxPro™ 1200 Three-Brush System

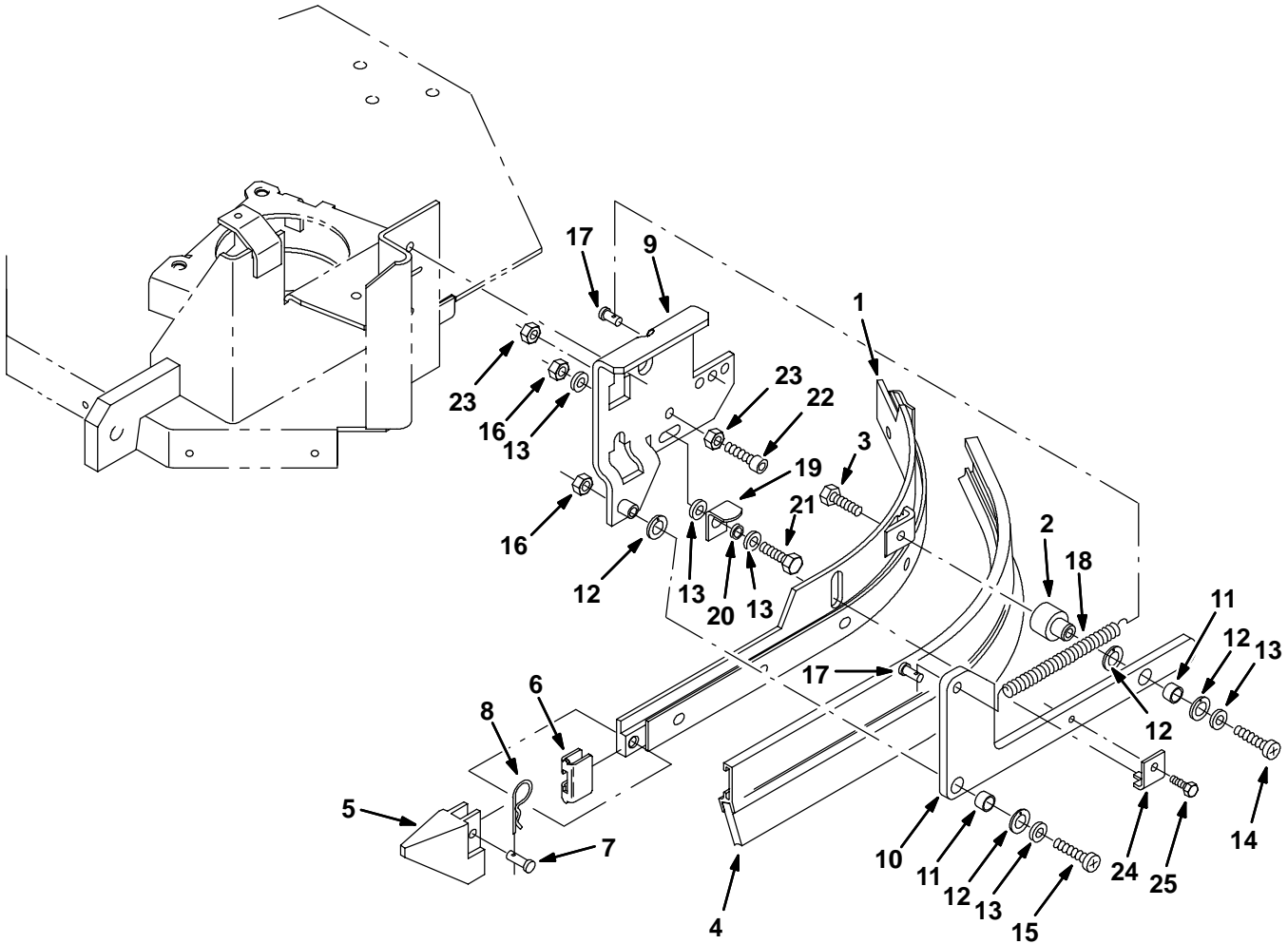


Fig. 29 - Left Side Squeegee Group for MaxPro™ 1200 Three-Brush System

| Ref. | Tennant Part No. | Machine Serial Number | Description | Qty. |
|------|------------------|-----------------------|----------------------------------|------|
| ▽ | 32710 | (000000- |) Squeegee, Side Left Hand | 1 |
| ▲ 1 | 14677 | (000000- |) Frame Wldt, Side Squeegee, Lh | 1 |
| ▲ 2 | 15681 | (000000- |) Bar, Mtg | 1 |
| ▲ 3 | 15675 | (000000- |) Scr Hexssm 8X1.25 | 1 |
| ▲ 4 | 86859 | (000000- |) Squeegee, Side | 1 |
| ▲ 5 | 14648 | (000000- |) Guide, Side Squeegee | 1 |
| ▲ 6 | 86759 | (000000- |) Retainer, Squeegee | 1 |
| ▲ 7 | 69582 | (000000- |) Pin,Clevis,0.31 Dia X 1.00 Lg | 1 |
| ▲ 8 | 44906 | (000000- |) Pin,Hair Cotter #Lhcot-2,Leitk | 1 |
| ▲ 9 | 15647 | (000000- |) Bracket Wldt, Lh | 1 |
| ▲ 10 | 14675 | (000000- |) Bar, Squeegee Lift | 1 |
| ▲ 11 | 64173 | (000000- |) Bearing,.50X.38 | 2 |
| ▲ 12 | 86860 | (000000- |) Bearing, Thrust .500 | 4 |
| ▲ 13 | 01685 | (000000- |) Washer Flt .31 Ss | 5 |
| ▲ 14 | 17284 | (000000- |) Scr-Butn M8X1.25 16 Ss18-8 | 1 |
| ▲ 15 | 17288 | (000000- |) Scr-Butn M8X1.25 35 10.9Pltd | 1 |
| ▲ 16 | 08713 | (000000- |) Nut-Hxlocnyln M 8X1.25 Reg Ss | 2 |
| ▲ 17 | 41305 | (000000- |) Pin Clevis 0.37 Dia X 0.75 Lg | 2 |
| ▲ 18 | 15047 | (000000- |) Spring Extension | 1 |
| ▲ 19 | 41307 | (000000- |) Angle | 1 |
| ▲ 20 | 41308 | (000000- |) Spacer | 1 |
| ▲ 21 | 09011 | (000000- |) Scr Hexssm 8X1.25 30 | 1 |
| ▲ 22 | 41445 | (000000- |) Scr Soc M8X1.25 | 1 |
| ▲ 23 | 07786 | (000000- |) Nut Hx Ss M 8X1.25 | 2 |
| ▲ 24 | 15966 | (000000- |) Angle, Stop, Side Squeegee | 1 |
| ▲ 25 | 09744 | (000000- |) Scr Hexssm 6X1.0 | 1 |

Fig. 30 - Rear Squeegee Mount Group

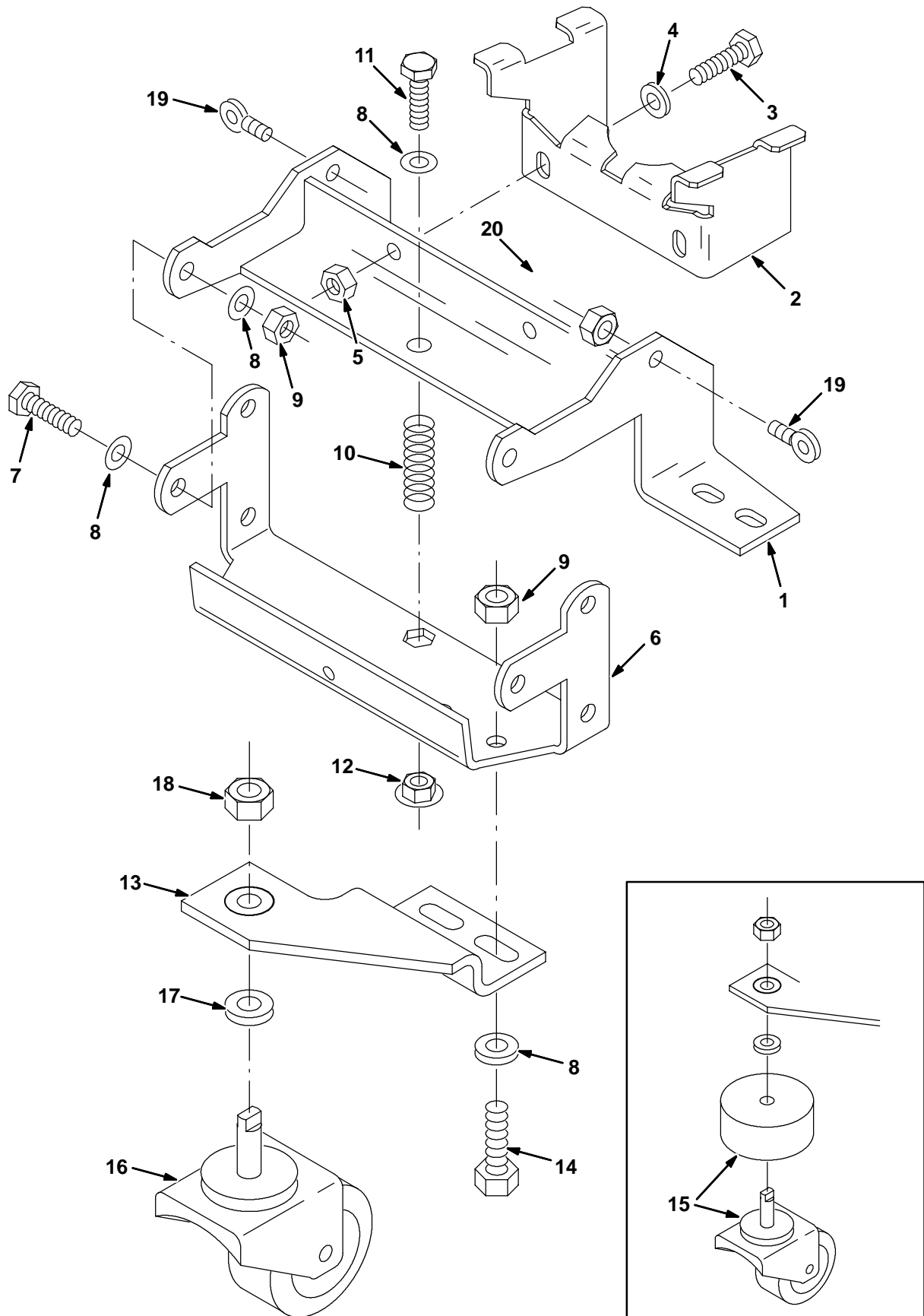
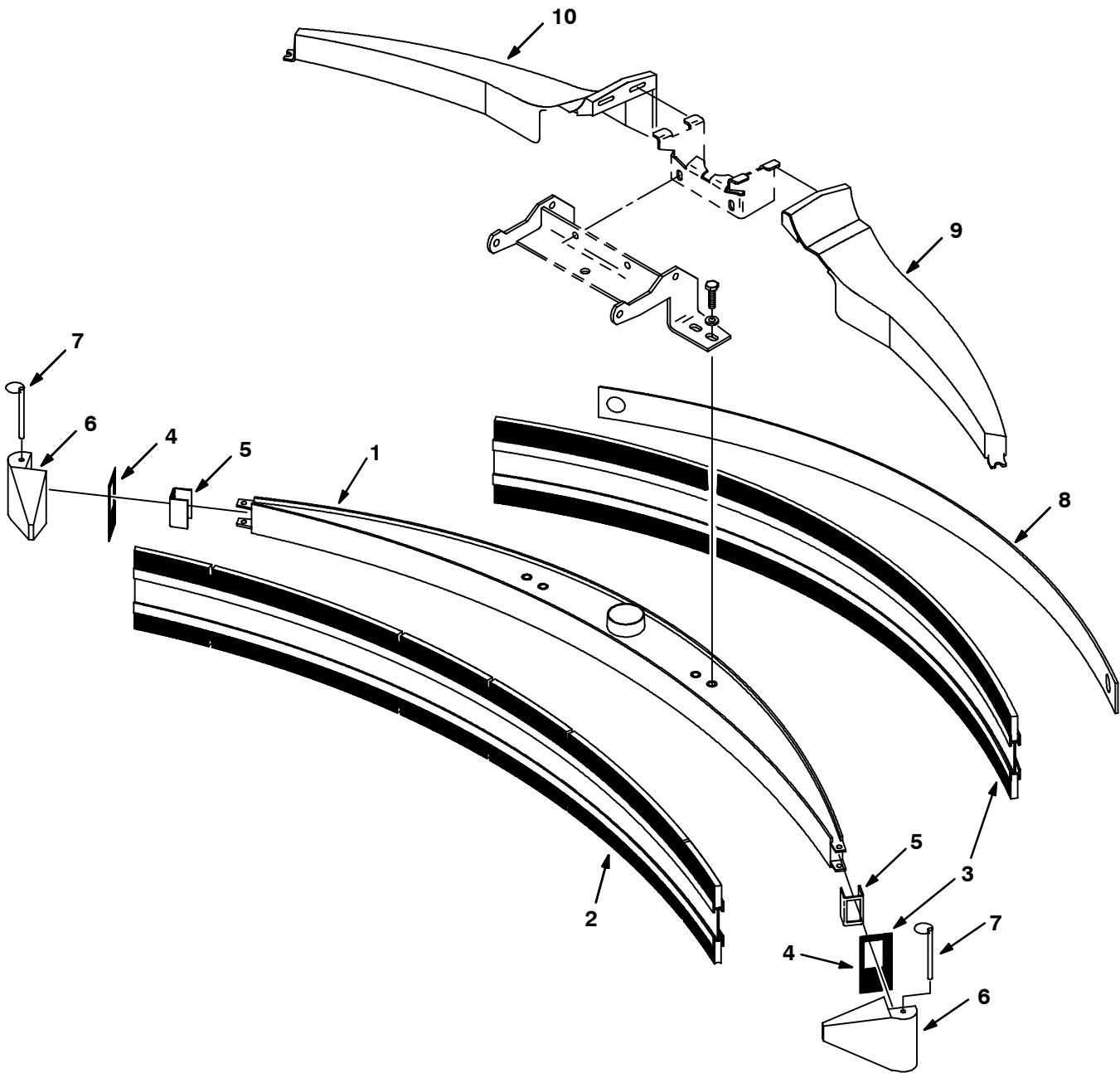


Fig. 30 - Rear Squeegee Mount Group

| Ref. | Tenant Part No. | Machine Serial Number | Description | Qty. |
|------|-----------------|-----------------------|----------------------------------|------|
| 1 | 16355 | (000000- |) Bracket, Mtg, Squeegee | 1 |
| 2 | 15990 | (000000- |) Bracket, Hose, Sqge | 1 |
| 3 | 09740 | (000000- |) Scr Hexssm 8X1.25 | 2 |
| 4 | 01685 | (000000- |) Washer Flt .31 Ss | 2 |
| 5 | 08713 | (000000- |) Nut-Hxlocnyln M 8X1.25 Reg Ss | 2 |
| 6 | 363231 | (000000- |) Pivot, Lift, Squeegee | 1 |
| 7 | 12317 | (000000- |) Scr Hexssm10X1.5 30 | 2 |
| 8 | 01686 | (000000- |) Washer-Flt .38 Ss | 7 |
| 9 | 08714 | (000000- |) Nut-Hxlocnyln M10X1.5 Reg 18-8 | 4 |
| 10 | 16816 | (000000- |) Spring, Comp .50ld 1.00Od 2.0 | 1 |
| 11 | 04417 | (000000- |) Screw Hex Ssm 10X1.5 | 1 |
| 12 | 07792 | (000000- |) Nut Hx Flange M10X1.5 | 1 |
| 13 | 32735 | (000000- |) Bracket,Caster | 1 |
| 14 | 09028 | (000000- |) Scr Hexssm 10X1.5 25 | 2 |
| 15 | 370134 | (000000-000102 |) Caster Kit, Sealed. 3.0Dia | 1 |
| 16 | 370133 | (000103- |) Caster, Swivel, Sealed 3.0Dia | 1 |
| 17 | 51564 | (000000- |) Washer, .531B 1.75D .12Cr.Znc | 1 |
| 18 | 32523 | (000000- |) Nut Hx Jam .50-13 | 1 |
| 19 | 48079 | (000000- |) Bolt-Eye, .25-20Th .25B 1.4L | 2 |
| 20 | 41169 | (000000- |) Nut-Hxlocnyln .25-20 Regss18-8 | 3 |

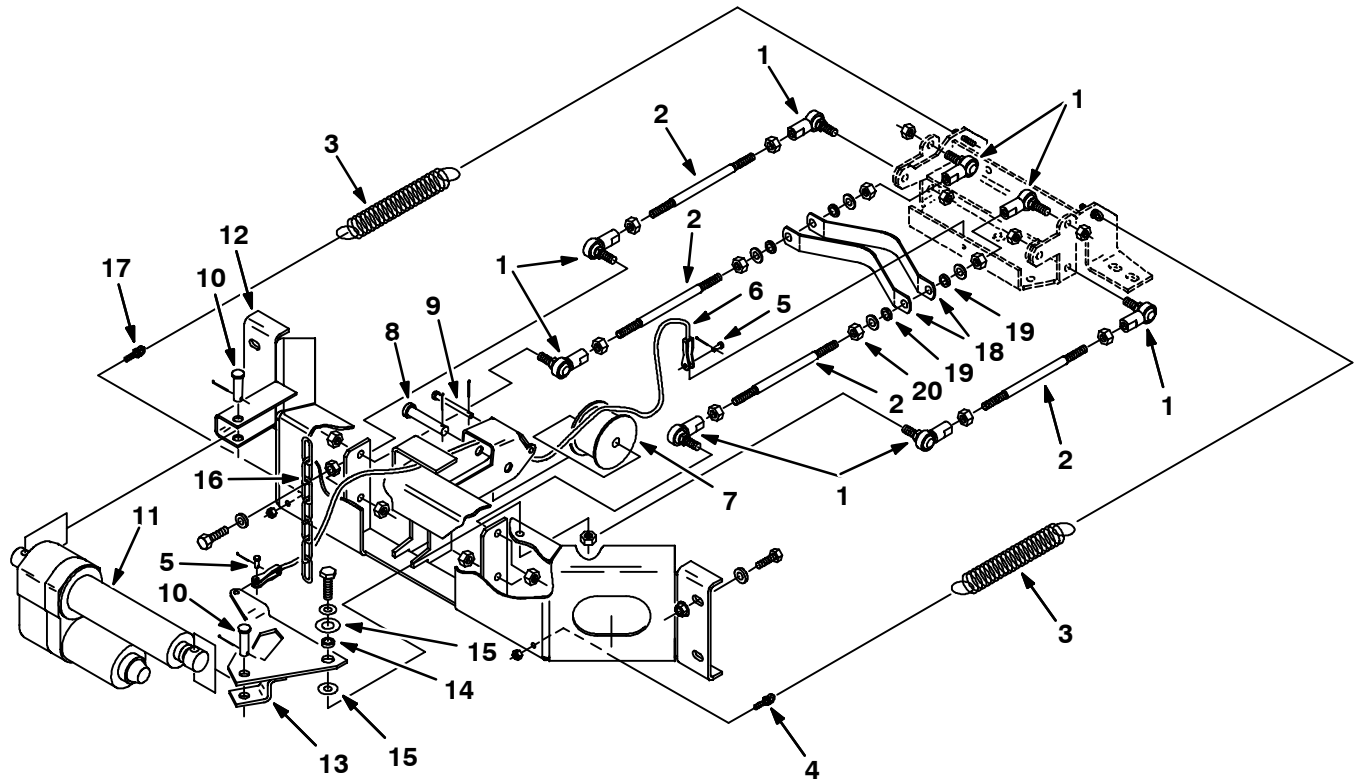
Fig. 31 - Rear Squeegee Group



05216-05216

| Ref. | Tennant Part No. | Machine Serial Number | Description | Qty. |
|------|------------------|-----------------------|--------------------------|------|
| 1 | 17104 | (000000-) | Frame, Squeegee | 1 |
| 2 | 14575 | (000000-) | Squeegee Assembly, Front | 1 |
| ▽ 3 | 24304 | (000000-) | Rear Squeegee Kit | 1 |
| ▲ 4 | 86812 | (000000-) | Gasket, Squeegee | 2 |
| 5 | 12542 | (000000-) | Bracket, Retainer | 2 |
| 6 | 17038 | (000000-) | Bumper, Squeegee | 2 |
| 7 | 86327 | (000000-) | Pin, Hitch | 2 |
| 8 | 17140 | (000000-) | Strip, Retaining | 1 |
| 9 | 17084 | (000000-) | Cover, Squeegee, L.H. | 1 |
| 10 | 17083 | (000000-) | Cover, Squeegee, R.H. | 1 |

Fig. 32 - Rear Squeegee Linkage Group



10699-05218

| Ref. | Tennant Part No. | Machine Serial Number | Description | Qty. |
|------|------------------|-----------------------|----------------------------------|------|
| ▽ | 24306 | (000000- |) Link Rear Squeegee | 4 |
| ▲ | 1 05686 | (000000- |) Rod End M10 X1.5 W/Stud | 2 |
| ▲ | 2 14555 | (000000- |) Rod-Thread, 2End M10X1.5X7.35 | 1 |
| 3 | 52238 | (000000- |) Sprng,Tens,1.12Odx.12Wire 6.2L | 2 |
| 4 | 48079 | (000000- |) Bolt-Eye, .25-20Th .25B 1.4L | 1 |
| 5 | 76782 | (000000- |) Pin,Clevic,0.19 Dia.X 0.75 Lg | 2 |
| 6 | 363230 | (000000- |) Cable, Control,Sqg Lift Rear | 1 |
| 7 | 223054 | (000000- |) Drum, Lift Cable | 1 |
| 8 | 06279 | (000000- |) Pin,Clevis,0.50 Dia.X 2.50 Lg | 1 |
| 9 | 04733-10 | (000000- |) Pin, Clevis,0.25 Dia X 2.44 Lg | 1 |
| 10 | 51534 | (000000- |) Pin,Clevis,0.50 Dia.X 2.00 Lg | 2 |
| 11 | 363151 | (000000- |) Actuator, Squeegee Lift 515 | 1 |
| 12 | 363404 | (000000- |) Bracket Wldt, Mounting, Squeeg | 1 |
| 13 | 14662 | (000000- |) Lever Wldt, Sqge Lift | 1 |
| 14 | 363420 | (000000- |) Sleeve, Bearing | 1 |
| 15 | 64425 | (000000- |) Washer, .656B 1.25D .06 | 2 |
| 16 | 43500 | (000000- |) Chain,Link#2/0,7Links | 1 |
| 17 | 10444 | (000000- |) Eye Bolt,0.188Eye,.25-20Thd. | 1 |
| 18 | 32739 | (000000- |) Spring, Centering Squeegee | 2 |
| 19 | 32713 | (000000- |) Washer .812 Od 406 Id Ureth | 4 |
| 20 | 32715 | (000000- |) Nut Hxloc, M10 X.5 | 2 |

Fig. 33 - Recovery Tank Group

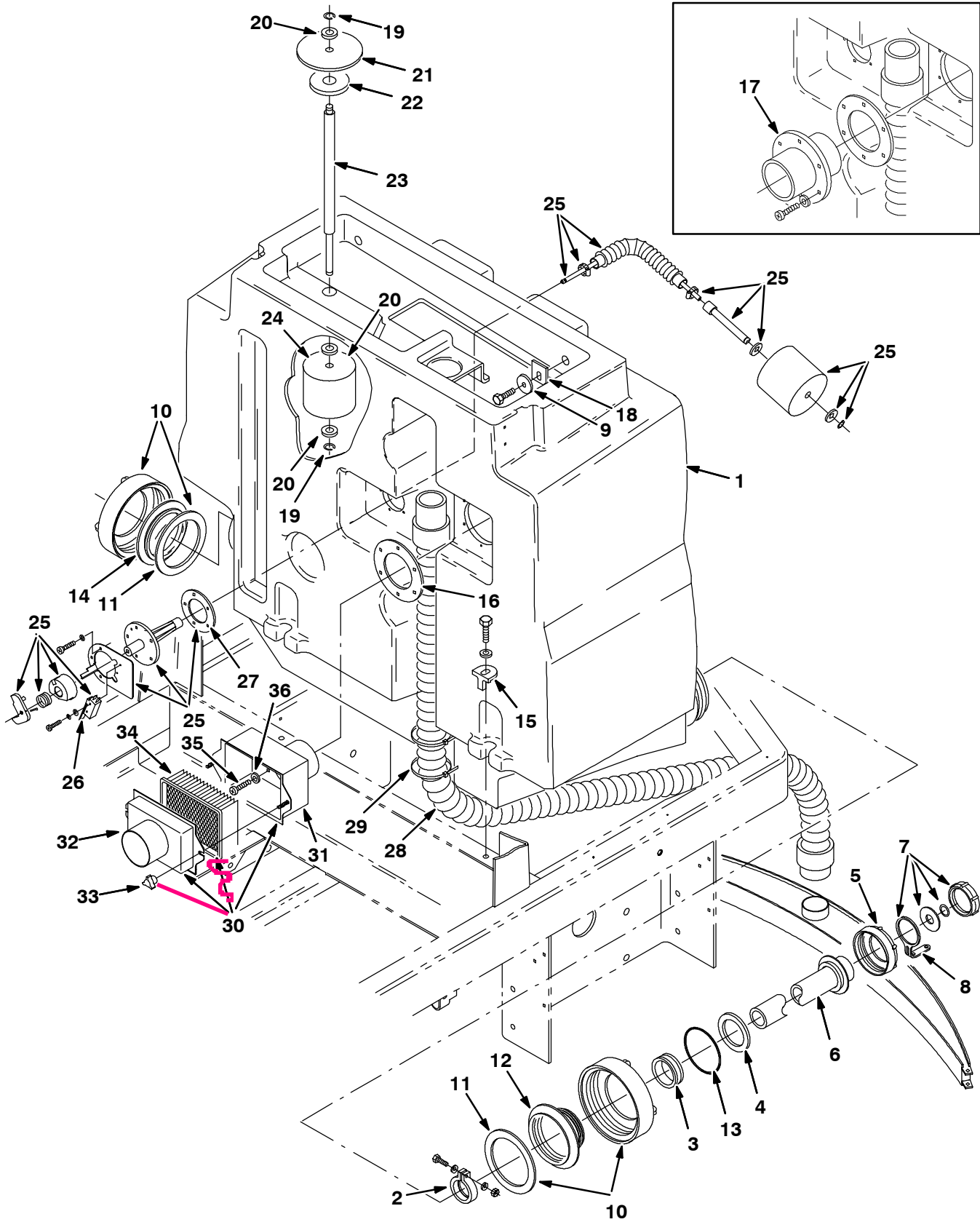


Fig. 33 - Recovery Tank Group

| Ref. | Tennant Part No. | Machine Serial Number | Description | Qty. |
|------|------------------|-----------------------|--------------------------------|------|
| 1 | 14148 | (000000- |) Tank, Recovery | 1 |
| ▽ | 32503 | (000000- |) Drain Hose Kit | 1 |
| ▲ | 2 41454 | (000000- |) Clamp, Hose | 1 |
| ▲ | 3 41421 | (000000- |) Seal, Hose | 1 |
| ▲ | 4 41451 | (000000- |) Gasket, Lid | 1 |
| ▲ | 5 14880 | (000000- |) Cap, Drain Hose | 1 |
| ▲ | 6 24174 | (000000- |) Hose Assembly, Drain | 1 |
| ▲▽ | 7 32501 | (000000- |) Cap, Drain Kit | 1 |
| ▲▲ | 8 32508 | (000000- |) Strap, Cap Retainer | 1 |
| 9 | 32662 | (000000- |) Washer | 2 |
| ▽ | 10 24358 | (000000- |) Tank Cap Kit | 2 |
| ▲ | 11 374675 | (000000- |) Gasket, Lid | 1 |
| 12 | 14864 | (000000- |) Cover, Insert | 1 |
| 13 | 79320 | (000000- |) Gasket, Drain Cap | 1 |
| 14 | 86636 | (000000- |) Lid, Cover | 1 |
| 15 | 14439 | (000000- |) Washer, Molded Plastic | 2 |
| 16 | 16203 | (000000- |) Gasket, Fitting | 1 |
| 17 | 16202 | (000000-000131 |) Fitting, Plastic | 1 |
| 18 | 24438 | (000000- |) Plate | 2 |
| 19 | 86953 | (000000- |) Ring, Retaining | 2 |
| 20 | 86952 | (000000- |) Washer, Nylon | 3 |
| 21 | 15034 | (000000- |) Plate, Plastic | 1 |
| 22 | 16205 | (000000- |) Gasket, Float | 1 |
| 23 | 15025 | (000000- |) Rod, Plastic | 1 |
| 24 | 32663 | (000000- |) Float, Polyfoam | 1 |
| ▽ | 25 24288 | (000000- |) Level Sensing Kit, Standard | 1 |
| ▲ | 26 44847 | (000000- |) Switch | 1 |
| ▲ | 27 86591 | (000000- |) Gasket | 1 |
| 28 | 16917 | (000000- |) Hose, Vacuum | 1 |
| 29 | 44961 | (000000- |) Tie, Cable | 2 |
| ▽ | 370106 | (000132- |) Kit, Syn Fltr, Vac-Fan | 1 |
| ▲▽ | 30 370123 | (000132- |) Box Assy, Air Filter | 1 |
| ▲▲ | 31 370140 | (000132- |) Housing Wldt, Air Filter | 1 |
| ▲▲ | 32 370141 | (000132- |) Cover Wldt, Air Filter | 1 |
| ▲▲ | 33 370167 | (000132- |) Knob 3Prong W/.25x20-Knob-Lo | 2 |
| ▲ | 34 370113 | (000132- |) Filter, Vac Fan | 1 |
| ▲ | 35 24196 | (000132- |) Scr Panssm 5x0.8 | 4 |
| ▲ | 36 07514 | (000132- |) Washer-Loc Int Ss | 4 |

Fig. 34 - Solution Tank Group

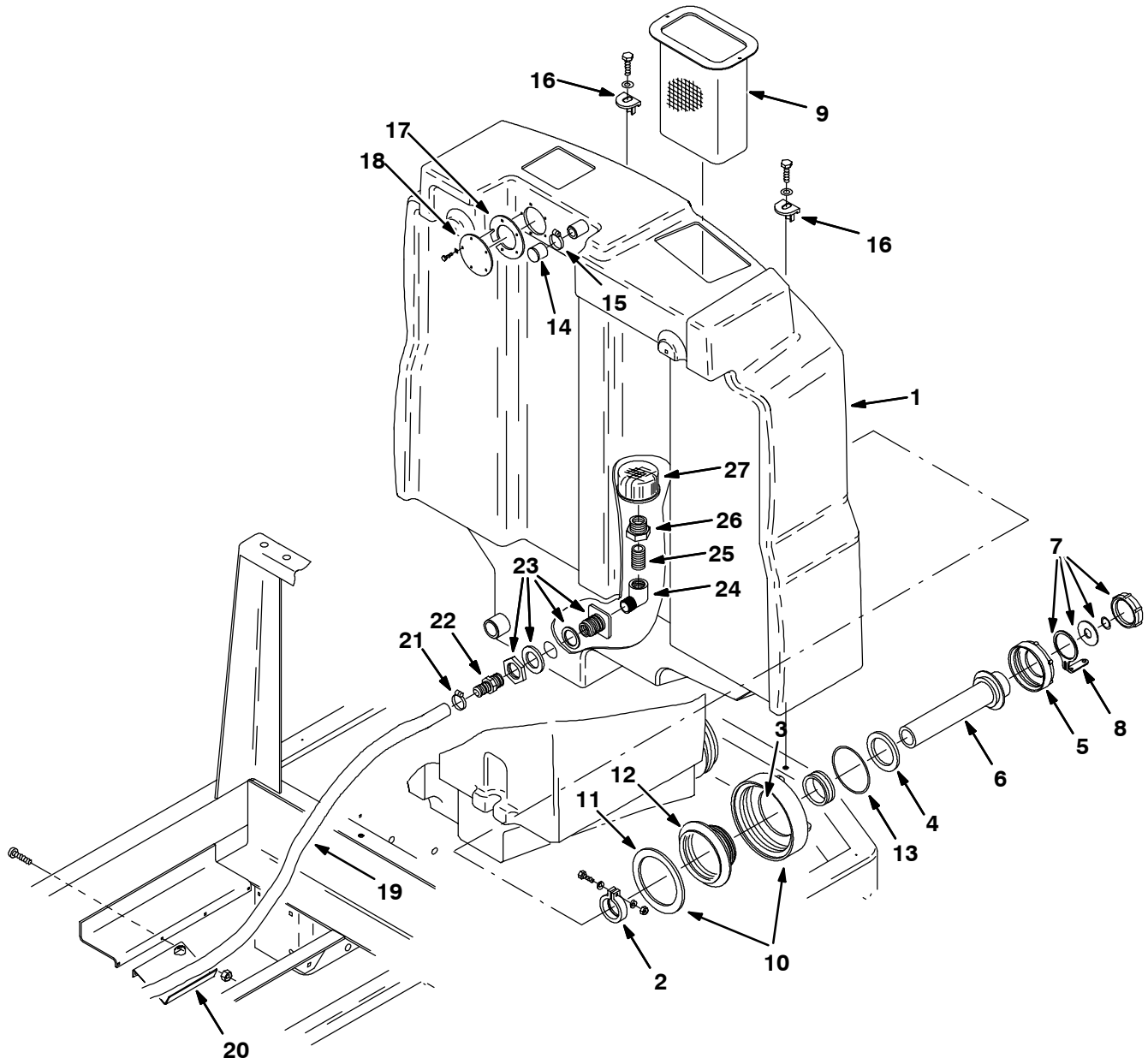


Fig. 34 - Solution Tank Group

| Ref. | Tennant Part No. | Machine Serial Number | Description | Qty. |
|------|------------------|-----------------------|-------------------------------|------|
| 1 | 14147 | (000000- |) Tank, Solution | 1 |
| ▽ | 32502 | (000000- |) Drain, Hose Kit | 1 |
| ▲ | 2 41454 | (000000- |) Clamp, Hose | 1 |
| ▲ | 3 41421 | (000000- |) Seal, Hose | 1 |
| ▲ | 4 41451 | (000000- |) Gasket, Lid | 1 |
| ▲ | 5 14880 | (000000- |) Cap, Drain Hose | 1 |
| ▲ | 6 24175 | (000000- |) Hose Assembly, Drain | 1 |
| ▲▽ | 7 32501 | (000000- |) Cap, Drain Kit | 1 |
| ▲▲ | 8 32508 | (000000- |) Strap, Cap Retainer | 1 |
| 9 | 375025 | (000000- |) Basket | 1 |
| ▽ | 10 24358 | (000000- |) Tank Cap Kit | 1 |
| ▲ | 11 374675 | (000000- |) Gasket, Lid | 1 |
| | 12 14864 | (000000- |) Cover, Insert | 1 |
| | 13 79320 | (000000- |) Gasket, Drain Cap | 1 |
| | 14 32790 | (000000- |) Cap, End | 1 |
| | 15 86824 | (000000- |) Clamp, Worm Drive | 1 |
| | 16 14439 | (000000- |) Washer, Molded Plastic | 2 |
| | 17 86591 | (000000- |) Gasket | 1 |
| | 18 86755 | (000000- |) Cap, Plate | 1 |
| | 19 375024 | (000000- |) Hose, Clear Vinyl | 1 |
| | 20 24107 | (000000- |) Bracket, Retainer | 1 |
| | 21 11399 | (000000- |) Clamp, Worm Drive | 1 |
| | 22 79273-2 | (000000- |) Ftg-Plstc Str | 1 |
| | 23 370112 | (000000- |) Ftg-Plstc Str Blkhd Chmfred | 1 |
| | 24 69785 | (000000- |) Ftg-Plstc E90 | 1 |
| | 25 69784 | (000000- |) Ftg-Plstc Str | 1 |
| | 26 20811 | (000000- |) Ftg-Plstc Str | 1 |
| | 27 20810 | (000000- |) Strainer, Screen | 1 |

Fig. 35 - Demister and Cover Group

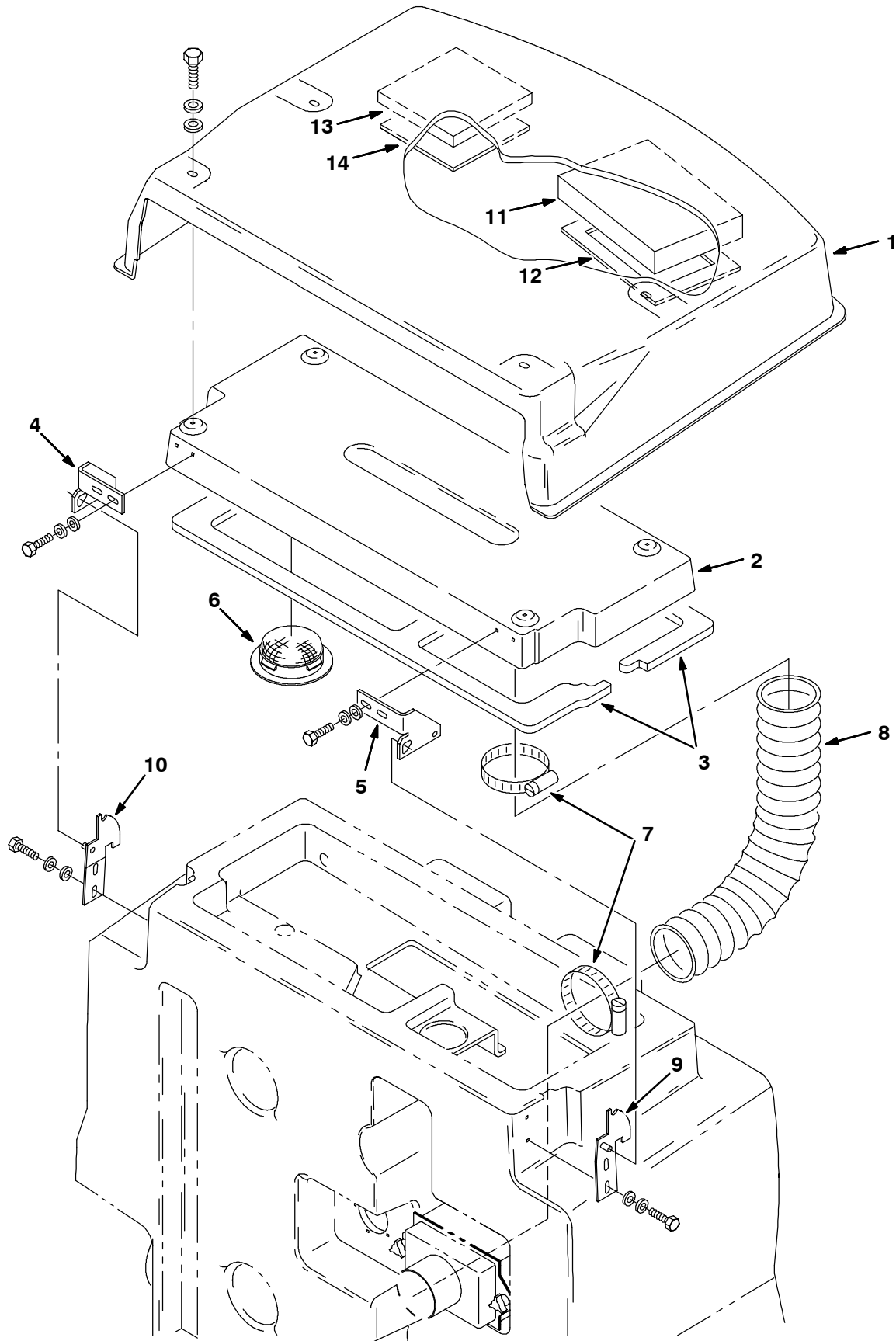


Fig. 35 - Demister and Cover Group

| Ref. | Tennant Part No. | Machine Serial Number | Description | Qty. |
|------|------------------|-----------------------|----------------------------|------|
| 1 | 14731 | (000000- |) Cover and Label Assembly | 1 |
| 2 | 14441 | (000000- |) Tank, Demister | 1 |
| 3 | 16204 | (000000- |) Gasket Set | 1 |
| 4 | 14422 | (000000- |) Hinge, Top Tank, R.H. | 1 |
| 5 | 14416 | (000000- |) Hinge, Top Tank, L.H. | 1 |
| 6 | 15977 | (000000- |) Screen | 1 |
| 7 | 17188 | (000000- |) Clamp, Worm Drive | 2 |
| 8 | 48728 | (000000- |) Hose, Vacuum | 1 |
| 9 | 14426 | (000000- |) Hinge, Bottom Tank, L.H. | 1 |
| 10 | 14438 | (000000- |) Hinge, Bottom Tank, R.H. | 1 |
| 11 | 33289 | (000000- |) Filter, Foam | 1 |
| 12 | 15491 | (000000- |) Seal, Tank | 1 |
| 13 | 33288 | (000000- |) Filter, Foam | 1 |
| 14 | 15493 | (000000- |) Seal, Tank | 1 |

Fig. 36 - Instrument Panel Group

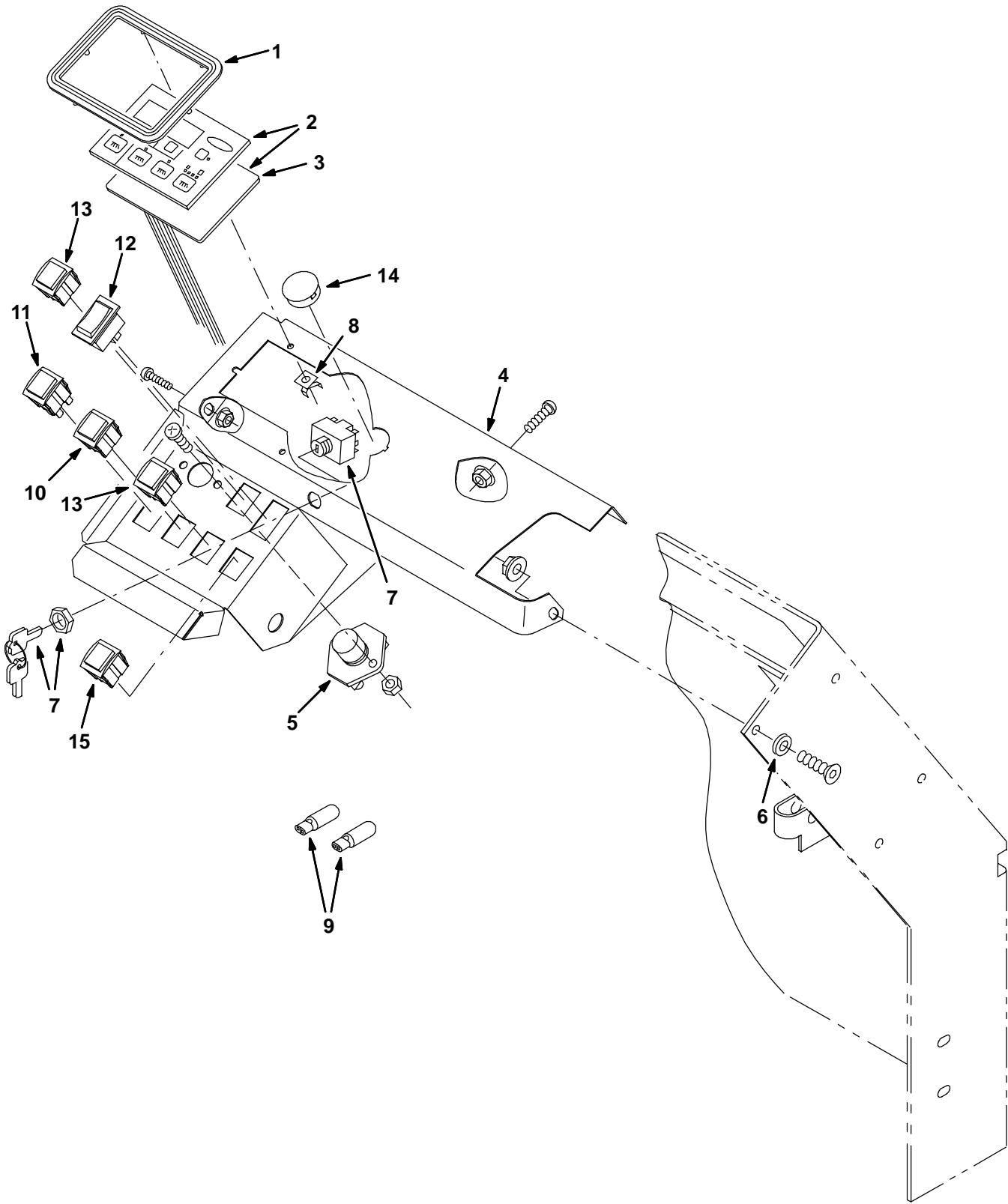


Fig. 36 - Instrument Panel Group

| Ref. | Tenant Part No. | Machine Serial Number | Description | Qty. |
|------|-----------------|-----------------------|--|------|
| 1 | 16906 | (000000- |) Bezel, Tough Panel | 1 |
| ▽ 2 | 362199 | (000000- |) Panel, Membrane Touch Panel, Touch,[515SS/8010] | 1 |
| ▲ 3 | 16923 | (000000- |) Gasket, Tough Panel Gasket, Touch Panel | 1 |
| 4 | 363794 | (000000- |) Panel, Instrument Weldment | 1 |
| 5 | 44078 | (000000- |) Switch | 1 |
| 6 | 222466 | (000000- |) Washer, spec, 8.5x25x 5.0 | 2 |
| ▽ 7 | 11651 | (000000- |) Switch assy | 1 |
| ▲ | 31204 | (000000- |) Key (set of 2) | |
| 8 | 05280 | (000000- |) Clip, Stud | 2 |
| 9 | 222290 | (000000- |) Diode, Elec. Plug | 2 |
| 10 | 383831 | (000000- |) Switch, Rocker dpdt 3positn | 2 |
| 11 | 222116 | (000000- |) Switch, Rocker dpdt | 1 |
| 12 | 363608 | (000000- |) Switch, On/None/On Dpdt Hiamp | 1 |
| 13 | 363607 | (000000- |) Switch, Rocker On/None/On Dpdt | 2 |
| 14 | 76888 | (000000- |) Plugbyn 1.25h .12 Max. Blacknyl | 1 |
| 15 | 360521 | (000000- |) Switch, Rocker On/None/On Dpdt | 1 |

Fig. 37 - Electronic Panel Group

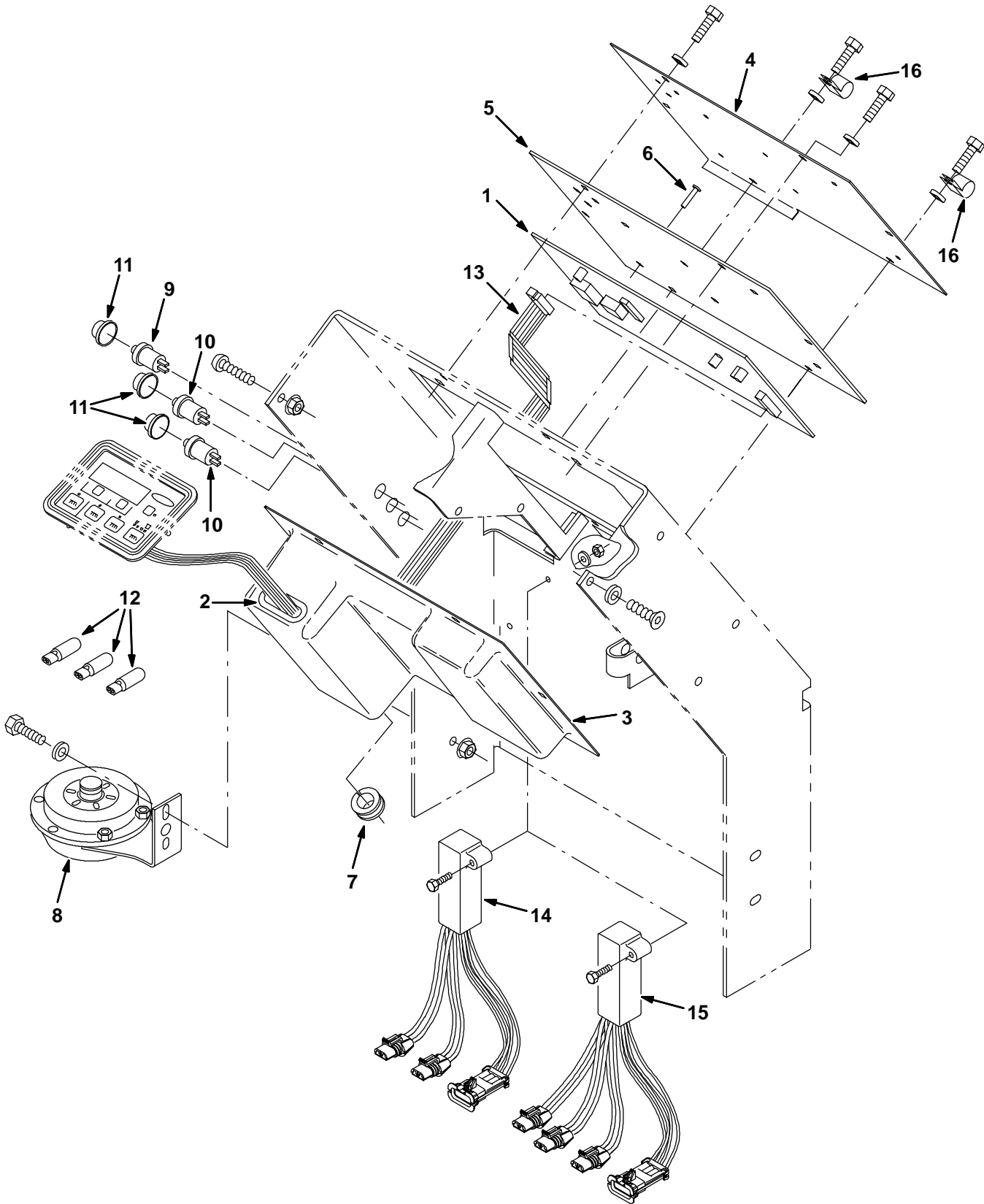


Fig. 37 - Electronic Panel Group

| Ref. | Tenant Part No. | Machine Serial Number | Description | Qty. |
|------|-----------------|-----------------------|---|------|
| 1 | 370176 | (000000- |) Kit, Rpl, Controller, Machine, Max Pro™ 1000 Two-Brush System | 1 |
| 1 | 370175 | (000000- |) Kit, Rpl, Controller, Machine, Max Pro™ 1200 Three-Brush System | 1 |
| 2 | 27928 | (000000- |) Grommet, ribbon | 1 |
| 3 | 363303 | (000000- |) Cover, circuit board | 1 |
| 4 | 15391 | (000000- |) Plate, mounting, circuitboard | 1 |
| 5 | 15392 | (000000- |) Gasket, circuitboard | 1 |
| 6 | 15840 | (000000- |) Pin, prong, circuitboard | 9 |
| 7 | 10632-1 | (000000- |) Grommet, 1.38 x 0.19 x 1.06 | 1 |
| 8 | 369702 | (000000- |) Horn | 1 |
| 9 | 87583 | (000000- |) Circuit breaker | 1 |
| 10 | 57803 | (000000- |) Circuit breaker, 12v 15a | 2 |
| 11 | 57751 | (000000- |) Boot,circuit breaker | 3 |
| 12 | 222290 | (000000- |) Diode, elec. plug | 3 |
| 13 | 362200 | (000000- |) Cable, Ribbon | 1 |
| 14 | 363236 | (000000- |) Shunt, 2 Std Mtrs for Max Pro™ 1000 Two-Brush System | 1 |
| 15 | 363238 | (000000- |) Shunt, 3 Std Mtrs for Max Pro™ 1200 Three-Brush System | 1 |
| 16 | 67767 | (000000- |) Clamp-Cable, .69Dia. 62Wth | 2 |

Fig. 38 - Control Box Group

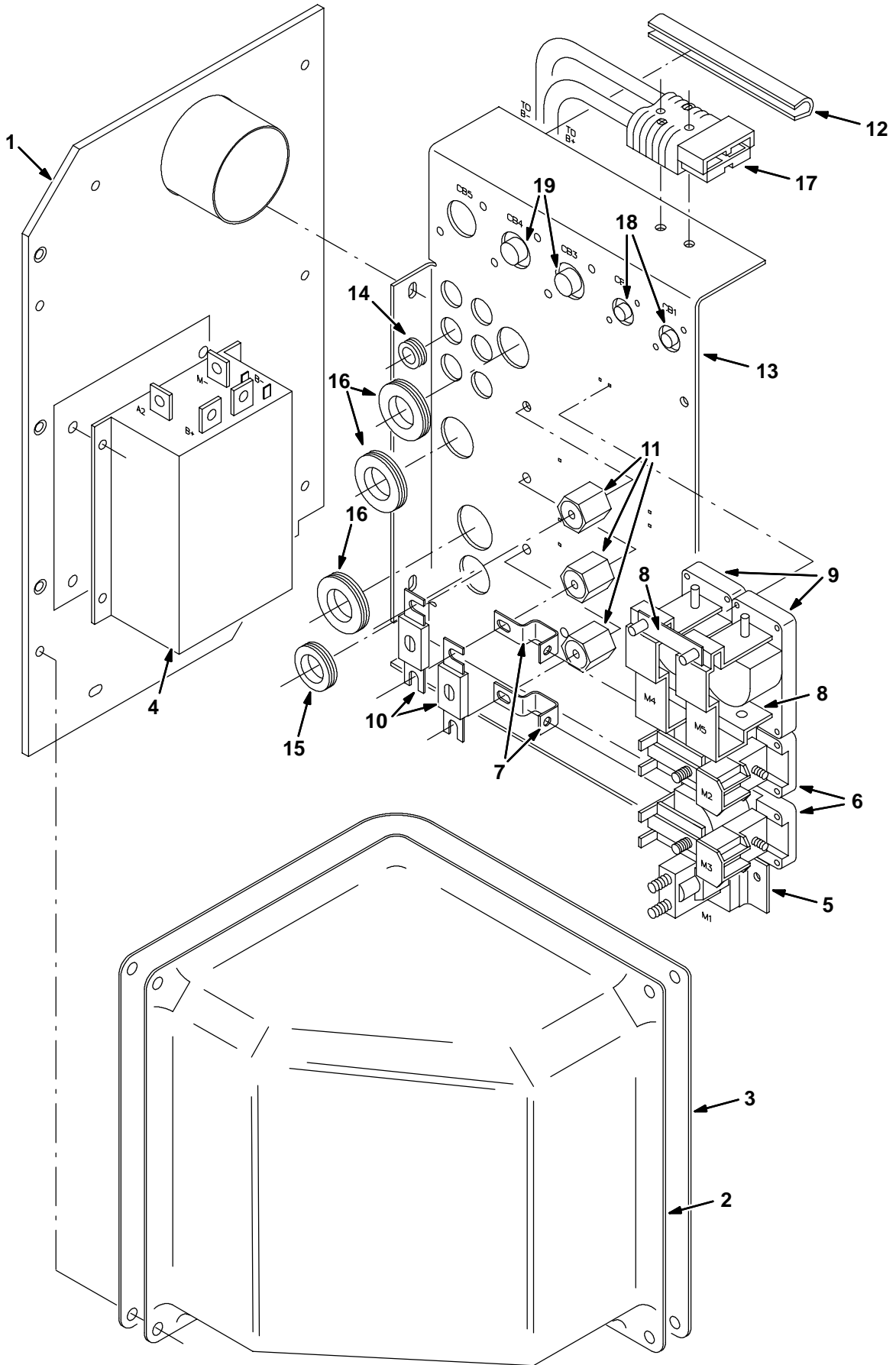


Fig. 38 - Control Box Group

| Ref. | Tenant Part No. | Machine Serial Number | Description | Qty. |
|------|-----------------|-----------------------|----------------------------------|------|
| 1 | 363387 | (000000- |) Plate Wldt, Mounting | 1 |
| 2 | 15012 | (000000- |) Cover, Control | 1 |
| 3 | 41423 | (000000- |) Gasket, Control Cover | 1 |
| 4 | 363553 | (000000- |) Controller, Motor Speed | 1 |
| 5 | 375091 | (000000- |) Contactor Spst | 1 |
| 6 | 86375 | (000000- |) Contactor, 36 Volt/Spno | 2 |
| 7 | 87507 | (000000- |) Buss Bar, Fuse | 2 |
| 8 | 87483 | (000000- |) Buss Bar, Relay | 2 |
| 9 | 87482 | (000000- |) Contactor, 36 Volt/Spdt | 2 |
| 10 | 86379 | (000000- |) Fuse, | 2 |
| 11 | 76062 | (000000- |) Insulator, Panel & Switchboard | 3 |
| 12 | 62595-3 | (000000- |) Trim, Molding 11-14 Ga 5.75 | 1 |
| 13 | 363224 | (000000- |) Panel, Mtg Control | 1 |
| 14 | 10632-17 | (000000- |) Grommet, 0.75 x 0.12 x 0.50 | 6 |
| 15 | 10632 | (000000- |) Grommet, 1.19 x 0.14 x 0.88 | 1 |
| 16 | 10632-1 | (000000- |) Grommet, 1.38 x 0.19 x 1.06 | 3 |
| 17 | 362193 | (000000- |) Harness, Wire, Controller | 1 |
| 18 | 04679 | (000000- |) Circuit-Breaker, 20a Resetable | 2 |
| 19 | 375118 | (000000- |) Circuit-Breaker, 40a Resetable | 2 |

Fig. 39 - Sweeper Control Box

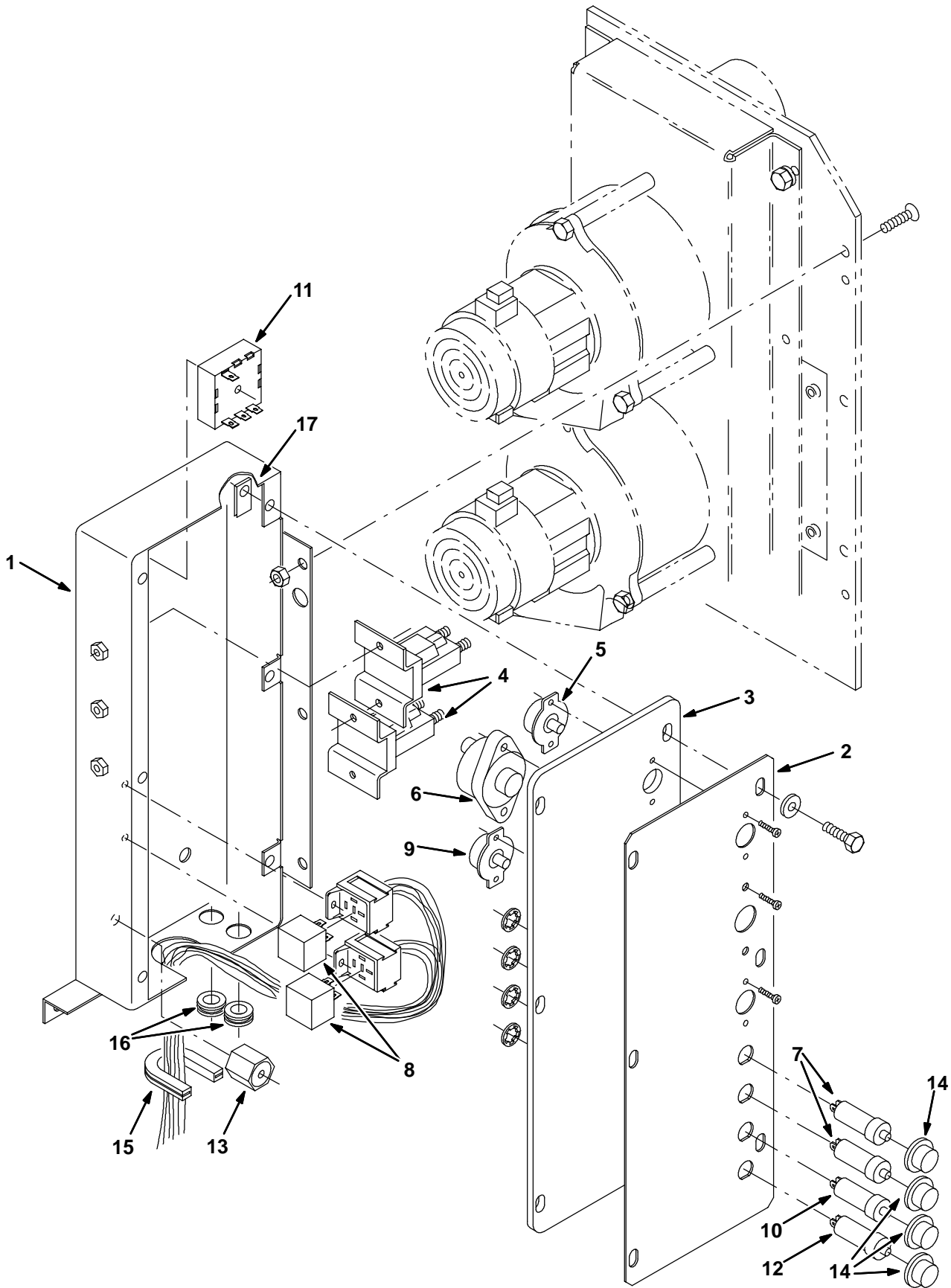


Fig. 39 - Sweeper Control Box

| Ref. | Tenant Part No. | Machine Serial Number | Description | Qty. |
|------|-----------------|-----------------------|----------------------------------|------|
| 1 | 363870 | (000000- |) Panel Wldt, Mtg, Elec | 1 |
| 2 | 363795 | (000000- |) Panel, Elect Box With Decal | 1 |
| 3 | 363853 | (000000- |) Gasket, Elec Cover | 1 |
| 4 | 375091 | (000000- |) Contactor | 2 |
| 5 | 222298 | (000000- |) Circuitbreaker 30A | 1 |
| 6 | 15740 | (000000- |) Circuitbreaker 40A, resetable | 1 |
| 7 | 87977 | (000000- |) Circuitbreaker 7A, resetable | 2 |
| 8 | 222111 | (000000- |) Relay, Control 36V | 2 |
| 9 | 222296 | (000000- |) Circuitbreaker 20A | 1 |
| 10 | 57164 | (000000- |) Circuitbreaker 10A, resetable | 1 |
| 11 | 363949 | (000000- |) Timer, 36v, 30 Seconds | 1 |
| 12 | 87583 | (000000- |) Circuitbreaker 2.5A, resetable | 1 |
| 13 | 76062 | (000000- |) Insulator, Panel & Switchboard | 1 |
| 14 | 57751 | (000000- |) Boot | 4 |
| 15 | 10632-14 | (000000- |) Grommet, Rbr, 1.00id | 1 |
| 16 | 10632-3 | (000000- |) Grommet, Rbr, 0.50id | 2 |
| 17 | 12271 | (000000- |) Nut, U M6x1.0 | 6 |

Fig. 40 - Vacuum Fan Group

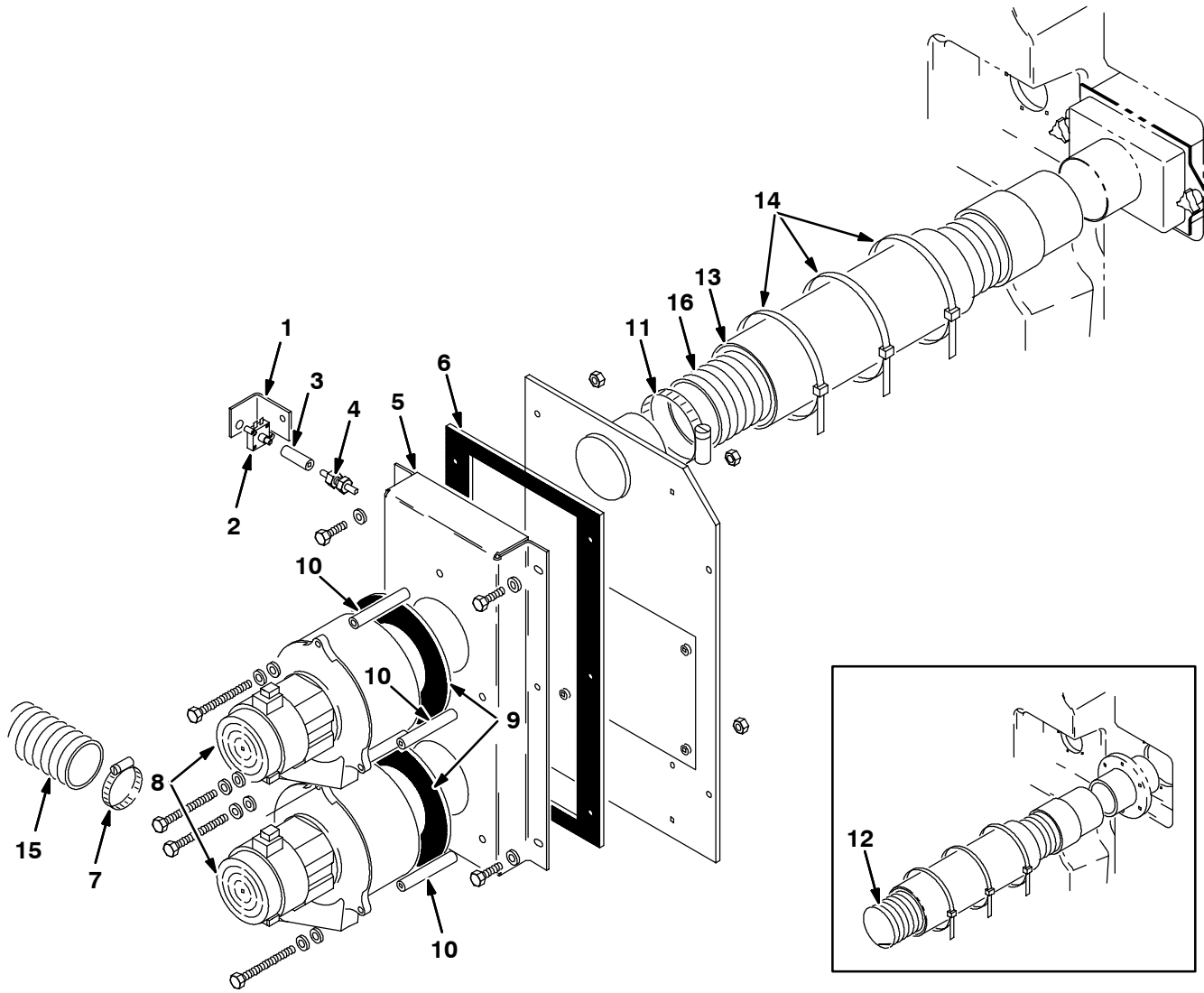


Fig. 40 - Vacuum Fan Group

| Ref. | Tenant Part No. | Machine Serial Number | Description | Qty. |
|------|-----------------|-----------------------|-------------------------------------|------|
| 1 | 16967 | (000000- |) Bracket, Vacuum Switch Mounting | 1 |
| 2 | 17129 | (000000- |) Switch, Vacuum | 1 |
| 3 | 17164 | (000000- |) Hose, Vacuum | 1 |
| 4 | 39923 | (000000- |) Fitting, Bulkhead | 1 |
| 5 | 16902 | (000000- |) Box, Fan Mounting | 1 |
| 6 | 16903 | (000000- |) Gasket, Vacuum Fan | 1 |
| 7 | 22297 | (000000- |) Clamp, Worm Drive | 1 |
| 8 | 17363 | (000000- |) Fan Assy, Vacuum (See Breakdowns) | 2 |
| 9 | 223264 | (000000- |) Seal, Vacuum Fan | 2 |
| 10 | 18811 | (000000- |) Tube | 6 |
| 11 | 17188 | (000000- |) Clamp, Worm Drive | 1 |
| 12 | 16919 | (000000-000131 |) Hose, Cuff | 1 |
| 13 | 75375 | (000000- |) Flap, Containment | 1 |
| 14 | 44961 | (000000- |) Tie, Cable | 3 |
| 15 | 32454 | (000000- |) Hose | 1 |
| 16 | 370160 | (000132- |) Hose,Cuff | 1 |

Fig. 41 - Main Brush Drive Group

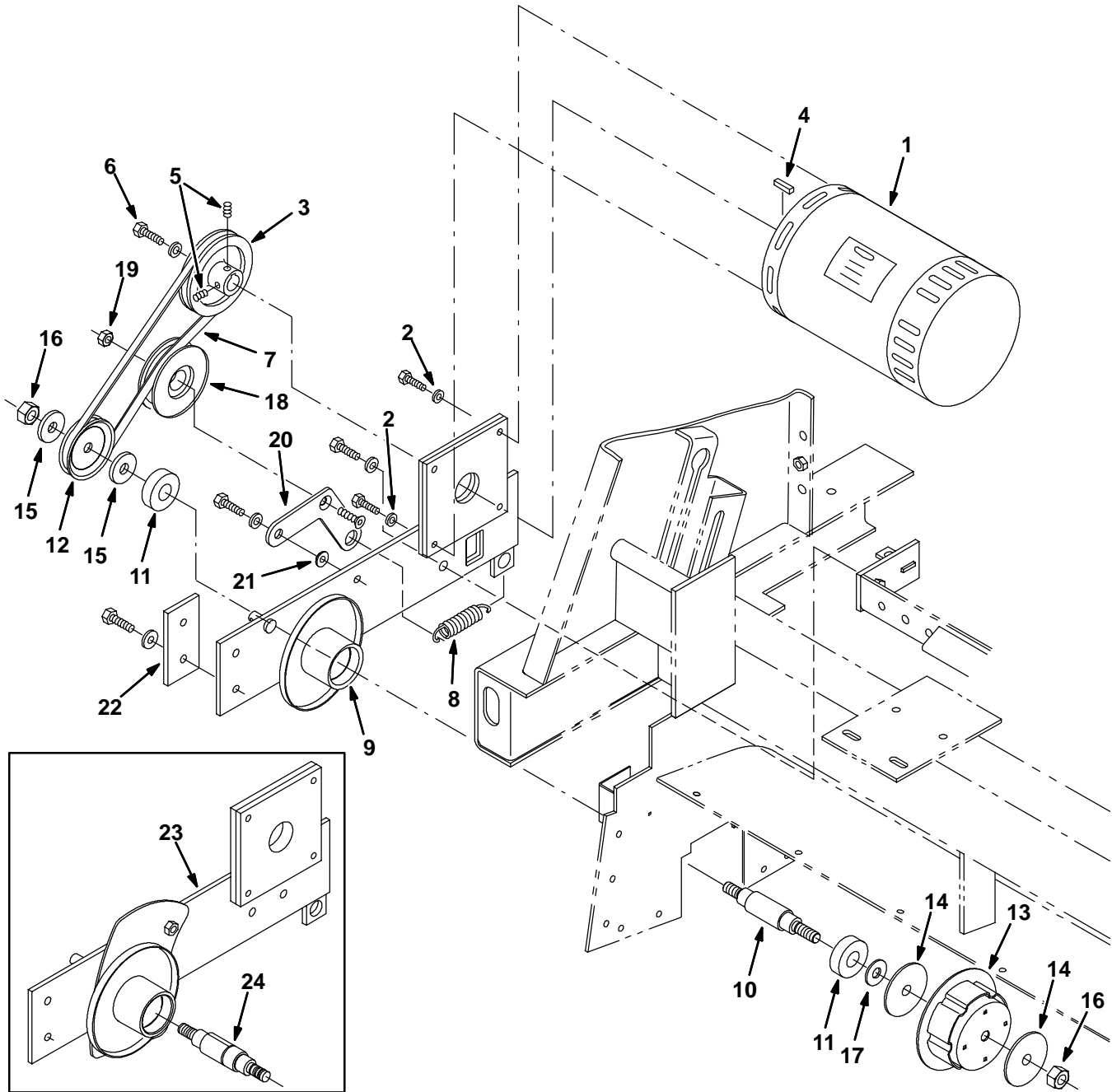


Fig. 41 - Main Brush Drive Group

| Ref. | Tennant Part No. | Machine Serial Number | Description | Qty. |
|------|------------------|-----------------------|---------------------------------|------|
| 1 | 04922 | (000000-) | Motor, .8 Hp. 36V | 1 |
| 2 | 41185 | (000000-) | Washer, Belleville, .25 | 4 |
| 3 | 363048 | (000000-) | Sheave, 3V 4.00 Od .75ld | 1 |
| 4 | 00926 | (000000-) | Key, Square | 1 |
| 5 | 39334 | (000000-) | Screw, Set, .31-18 X 0.25, | 2 |
| 6 | 49826 | (000000-) | Screw, Hexssm 8x1.25 | 2 |
| 7 | 374516 | (000000-) | Belt, V, Hc41 32.5L | 1 |
| 8 | 29499 | (000000-) | Spring, Tension | 1 |
| ▽ | 363624 | (000000-) | Arm Assy, Brush Drive | 1 |
| ▲ | 9 363965 | (000129-) | Arm Wldt, Brush Drive, Rh | 1 |
| ▲ | 10 363953 | (000129-) | Shaft, Brush Drive | 1 |
| ▲ | 11 46390 | (000000-) | Bearing, Ball | 2 |
| ▲ | 12 363971 | (000000-) | Sheave, 3V, 3.00 Od | 1 |
| ▲ | 13 81819 | (000000-) | Plug, Brush Drive, Splined | 1 |
| ▲ | 14 35843 | (000000-) | Washer | 2 |
| ▲ | 15 02384 | (000000-) | Washer | 2 |
| ▲ | 16 35846 | (000000-) | Nut, Hex, Std, .50-13, Lh | 2 |
| ▲ | 17 39346 | (000000-) | Washer, Flat, .44 Std Hard | 1 |
| ▲ | 18 04186 | (000000-) | Pulley, Idler-W/Bearing-Plastic | 1 |
| ▲ | 19 36643 | (000000-) | Nut-Hxlocnylnl .31-18 Thin Pltd | 1 |
| ▲ | 20 363632 | (000000-) | Arm, Mounting, Tension Pulley | 1 |
| ▲ | 21 01047 | (000000-) | Retainer | 1 |
| ▲ | 22 363898 | (000000-) | Plate, Weight, Counter Balance | 1 |
| | 23 363625 | (000000-00128) | Arm Wldt (Replaced by 363978) | 2 |
| | 24 02050 | (000000-00128) | Shaft , Brush Drive | 2 |

Fig. 42 - Main Brush Idler Group

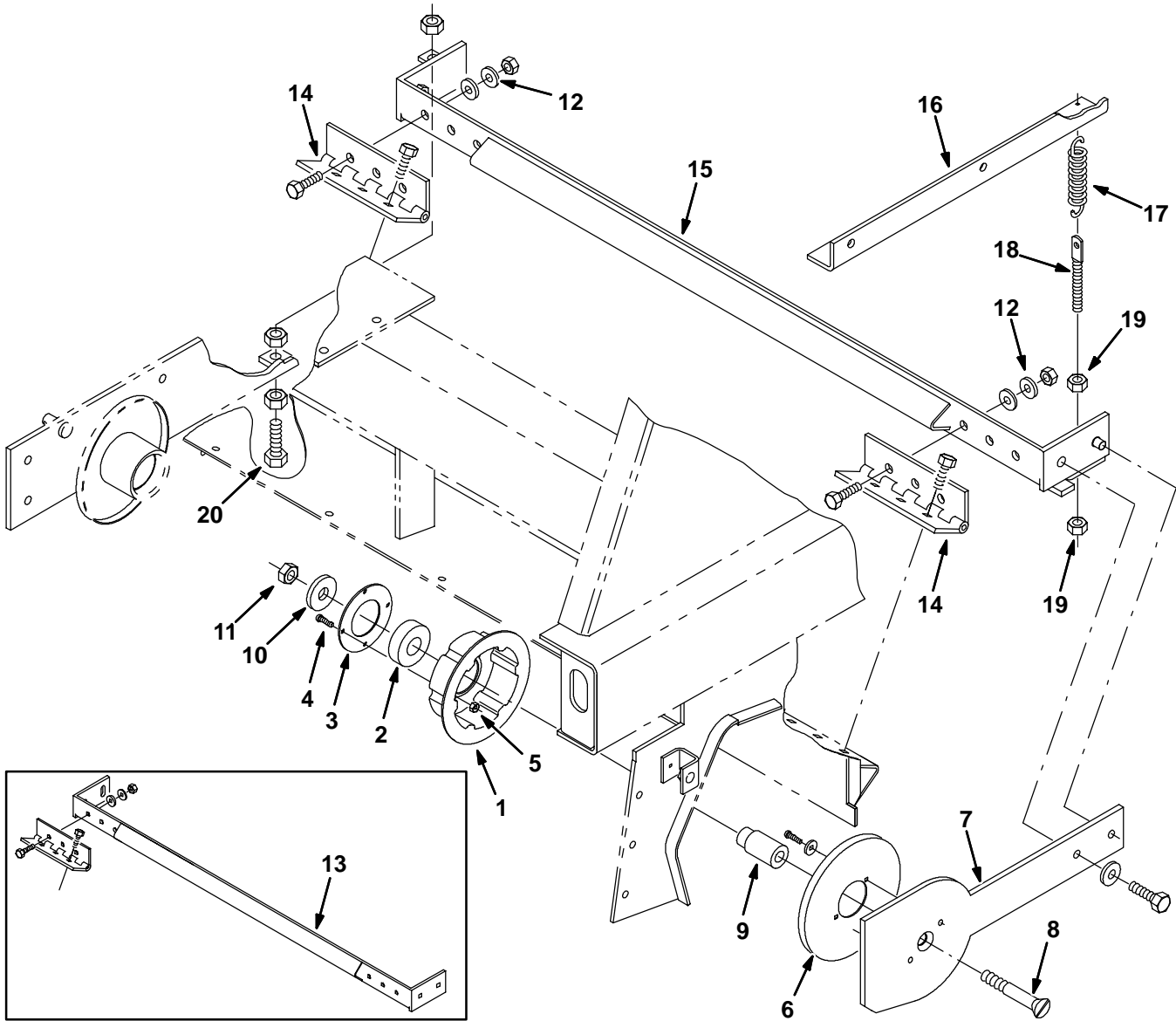


Fig. 42 - Main Brush Idler Group

| | Ref. | Tennant Part No. | Machine Serial Number | Description | Qty. |
|---|------|---------------------|--------------------------|--------------------------------|------|
| ▽ | | 363899 | (000000-) | Arm Assy, Brush Idler | 1 |
| ▲ | 1 | 81818 | (000000-) | Plug, Brush, Drive | 1 |
| ▲ | 2 | 46390 | (000000-) | Bearing, Ball | 1 |
| ▲ | 3 | 35836 | (000000-) | Retainer, Bearing | 1 |
| ▲ | 4 | 09200 | (000000-) | Scr Panssm 5x0.8 | 4 |
| ▲ | 5 | 09739 | (000000-) | Nut-Hxlocnyln m5x0.8 Reg Ss | 4 |
| ▲ | 6 | 35835 | (000000-) | Shield, Plug | 1 |
| ▲ | 7 | 363963 | (000000-) | Arm, Brush, Drive, Lh | 1 |
| ▲ | 8 | 25045 | (000000-) | Screw, Flat, .50-13 X 3.00, Al | 1 |
| ▲ | 9 | 35837 | (000000-) | Shaft, Plug | 1 |
| ▲ | 10 | 35843 | (000000-) | Washer | 1 |
| ▲ | 11 | 36644 | (000000-) | Nut, Hex, Lock, .50-13, NI | 1 |
| | 12 | 41141 | (000000-) | Washer, Lock, Int-Ext, .31 | 4 |
| | 13 | 363628 | (000000-00128) | Angle Wldt, Brush Pivot | 1 |
| | 14 | 35964 | (000000-) | Hinge | 2 |
| | 15 | 363961 | (000129-) | Angle Wldt, Brush Pivot | 1 |
| | 16 | 363975 | (000129-) | Bracket, Angle | 1 |
| | 17 | 29499 | (000129-) | Spring, Tens, 0.75Dx.10 Wire | 1 |
| | 18 | 11843 | (000129-) | Bolt, Eye, .38-16th .28B 3.22l | 1 |
| | 19 | 01692 | (000129-) | Nut, Hx Std Ss .38-16 | 1 |
| | 20 | 363976 | (000129-) | Scr-Hex M8x1.25 60 Fill Thd | 1 |

Fig. 43 - Main Brush Lift Group

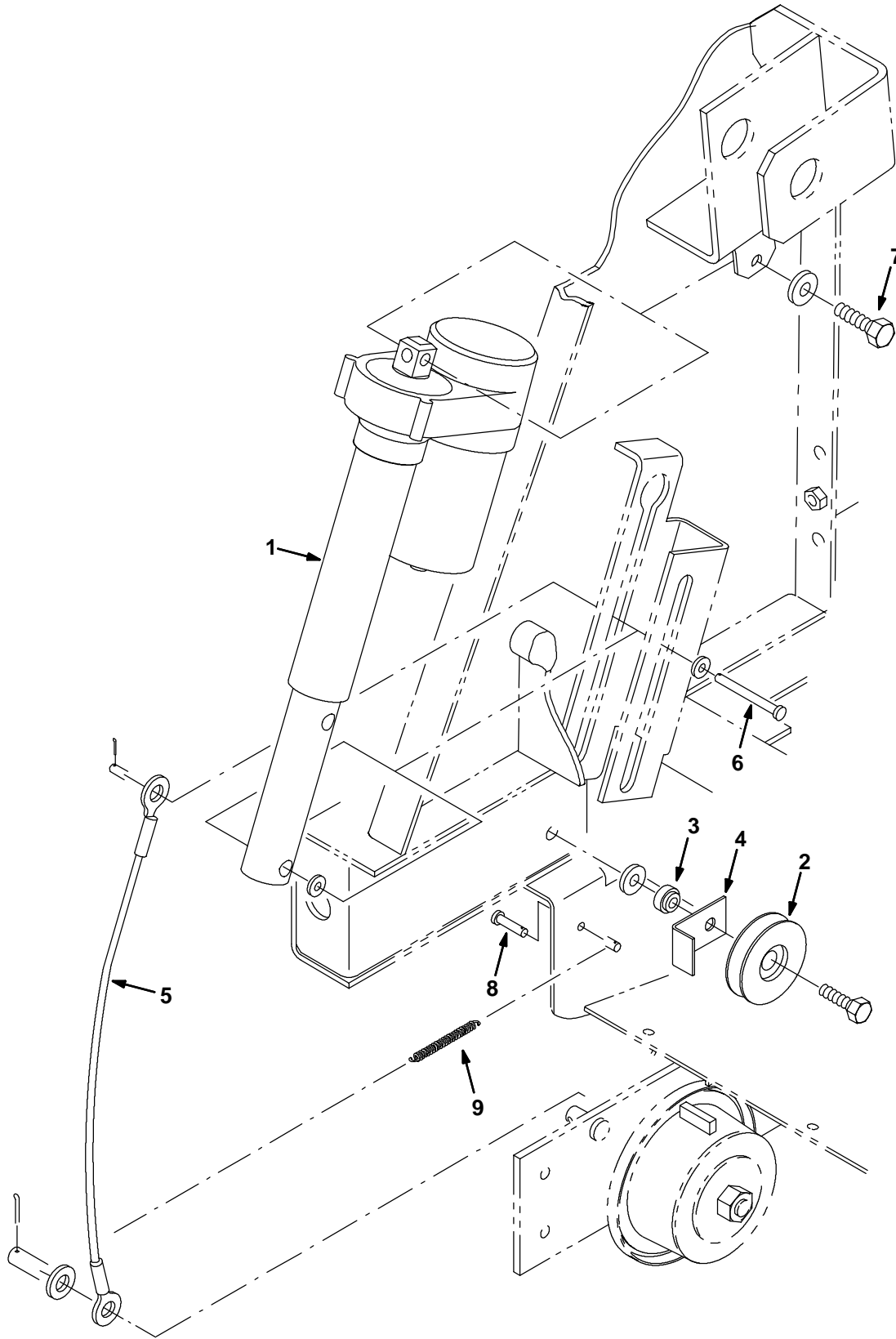


Fig. 43 - Main Brush Lift Group

| Ref. | Tennant Part No. | Machine Serial Number | Description | Qty. |
|------|------------------|-----------------------|------------------------------|------|
| 1 | 363907 | (000000-) | Replm Kit, Actuator, Sw 8010 | 1 |
| 2 | 80235 | (000000-) | Idler, 15Mm Id 2.44 | 1 |
| 3 | 80487 | (000000-) | Spacer, Idler .25 Lg | 1 |
| 4 | 363850 | (000000-) | Angle, Cable Keeper | 1 |
| 5 | 363615 | (000000-) | Cable, .5X.5X15Lg Brush Lift | 1 |
| 6 | 51103 | (000000-) | Pin, Clevis | 1 |
| 7 | 73399 | (000000-) | Scr-Hex M 8X1.5 50 Nylonloc | 1 |
| 8 | 28296 | (000000-) | Pin, Clevis | 1 |
| 9 | 363981 | (000000-) | Spring, Extention | 1 |

Fig. 44 - Side Brush Group

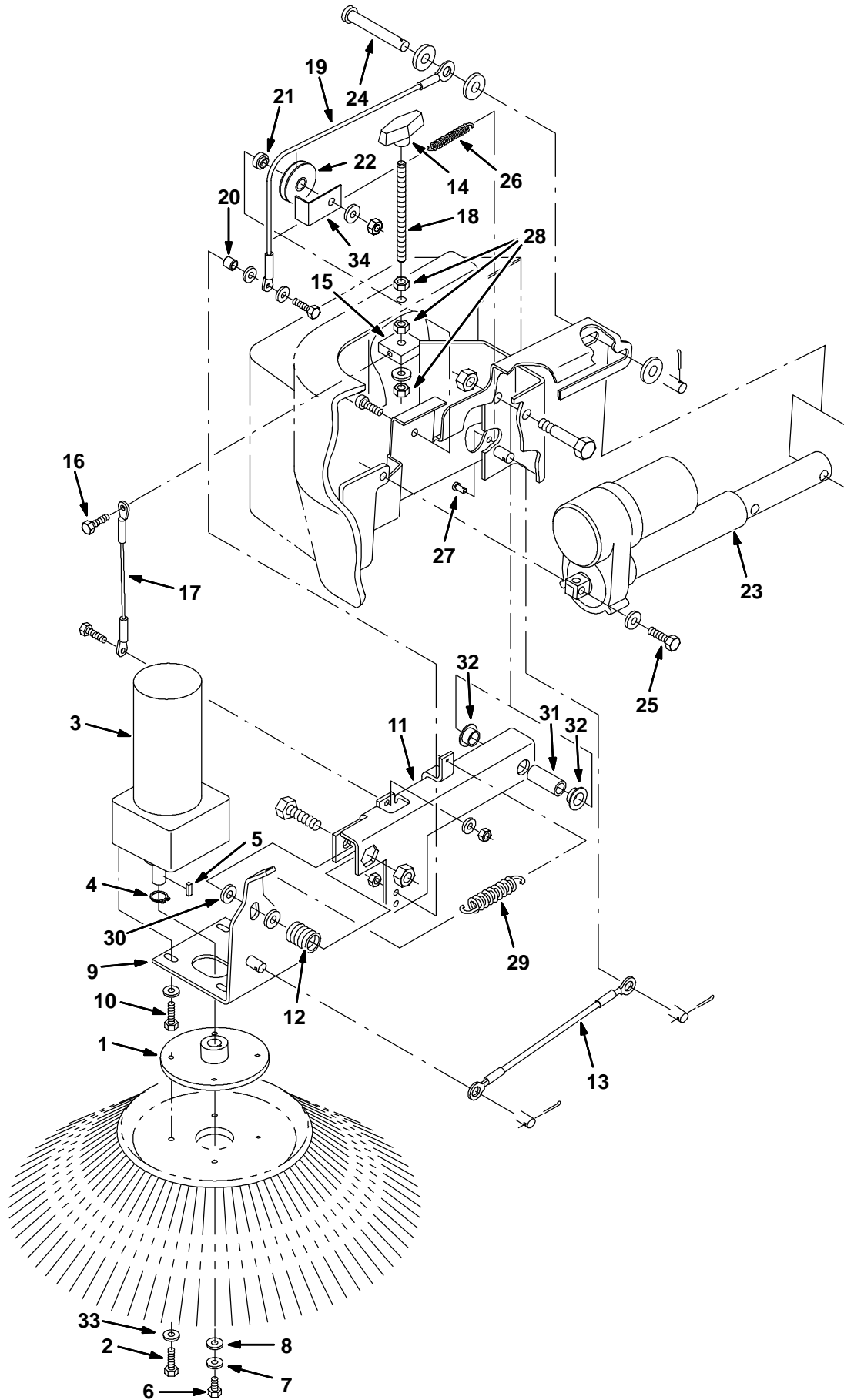


Fig. 44 - Side Brush Group

| Ref. | Tennant Part No. | Machine Serial Number | Description | Qty. |
|------|------------------|-----------------------|------------------------------------|------|
| 1 | 363802 | (000000- |) Plate, Mounting, Side Brush | 1 |
| 2 | 09007 | (000000- |) Screw, Hex, M06-1.0 X 25, Ss | 4 |
| 3 | 363620 | (000000- |) Motor, 36V 120Rpm, .25Hp | 1 |
| 4 | 33373 | (000000- |) Ring, Retaining | 1 |
| 5 | 00910 | (000000- |) Key, Square | 1 |
| 6 | 58670 | (000000- |) Screw, Hex, .25-20 X 0.50, NI | 1 |
| 7 | 41178 | (000000- |) Washer, Flat, .25 Fender | 1 |
| 8 | 41185 | (000000- |) Washer, Belleville, .25 | 1 |
| 9 | 363812 | (000000- |) Bracket, Mounting, Sbr Motor | 1 |
| 10 | 34323 | (000000- |) Screw, Hex, .25-20 X 0.75, NI | 4 |
| 11 | 363872 | (000000- |) Channelwdt, Mtg, Sb | 1 |
| 12 | 363614 | (000000- |) Spring, Die, .50ld 1.0Od 1.0Lg | 1 |
| 13 | 363957 | (000000- |) Cable, Side Brush | 1 |
| 14 | 04706 | (000000- |) Handle | 1 |
| 15 | 87293 | (000000- |) Block, Threaded | 1 |
| 16 | 58670 | (000000- |) Screw, Hex, .25-20 X 0.50, NI | 1 |
| 17 | 87297 | (000000- |) Cable, Brush Adjustment | 1 |
| 18 | 363797 | (000000- |) Rod Thread, .37-16x5.5Lg | 1 |
| 19 | 363803 | (000000- |) Cable, Brush Lift | 1 |
| 20 | 363750 | (000000- |) Sleeve, .80 L | 1 |
| 21 | 80487 | (000000- |) Spacer, Idler .25 Lg | 1 |
| 22 | 80235 | (000000- |) Idler, 15Mm Id 2.44 | 1 |
| 23 | 363907 | (000000- |) Replm Kit, Actuator, Sw 8010 | 1 |
| 24 | 51103 | (000000- |) Pin, Clevis, 0.5 Diax2.62Lg | 1 |
| 25 | 73399 | (000000- |) Scr-Hex M 8X1.5 50 Nylonloc | 1 |
| 26 | 363981 | (000000- |) Spring, Extention | 1 |
| 27 | 28296 | (000000- |) Pin, Clevis | 1 |
| 28 | 36643 | (000000- |) Nut hxlocflex, 3/8 unc c | 3 |
| 29 | 29499 | (000000- |) Spring, Tens, 0.75dx.10wire 4.5l | 1 |
| 30 | 59633 | (000000- |) Bearing, Thrust, Fiberglide | 1 |
| 31 | 363937 | (000000- |) Sleeve | 1 |
| 32 | 04928 | (000000- |) Bearing, Flange .750 Bore | 2 |
| 33 | 01684 | (000000- |) Washer, Flt .22 Ss | 4 |
| 34 | 363850 | (000000- |) Angle, Cable Keeper | 1 |

Fig. 45 - Hopper Skirts and Seals Group

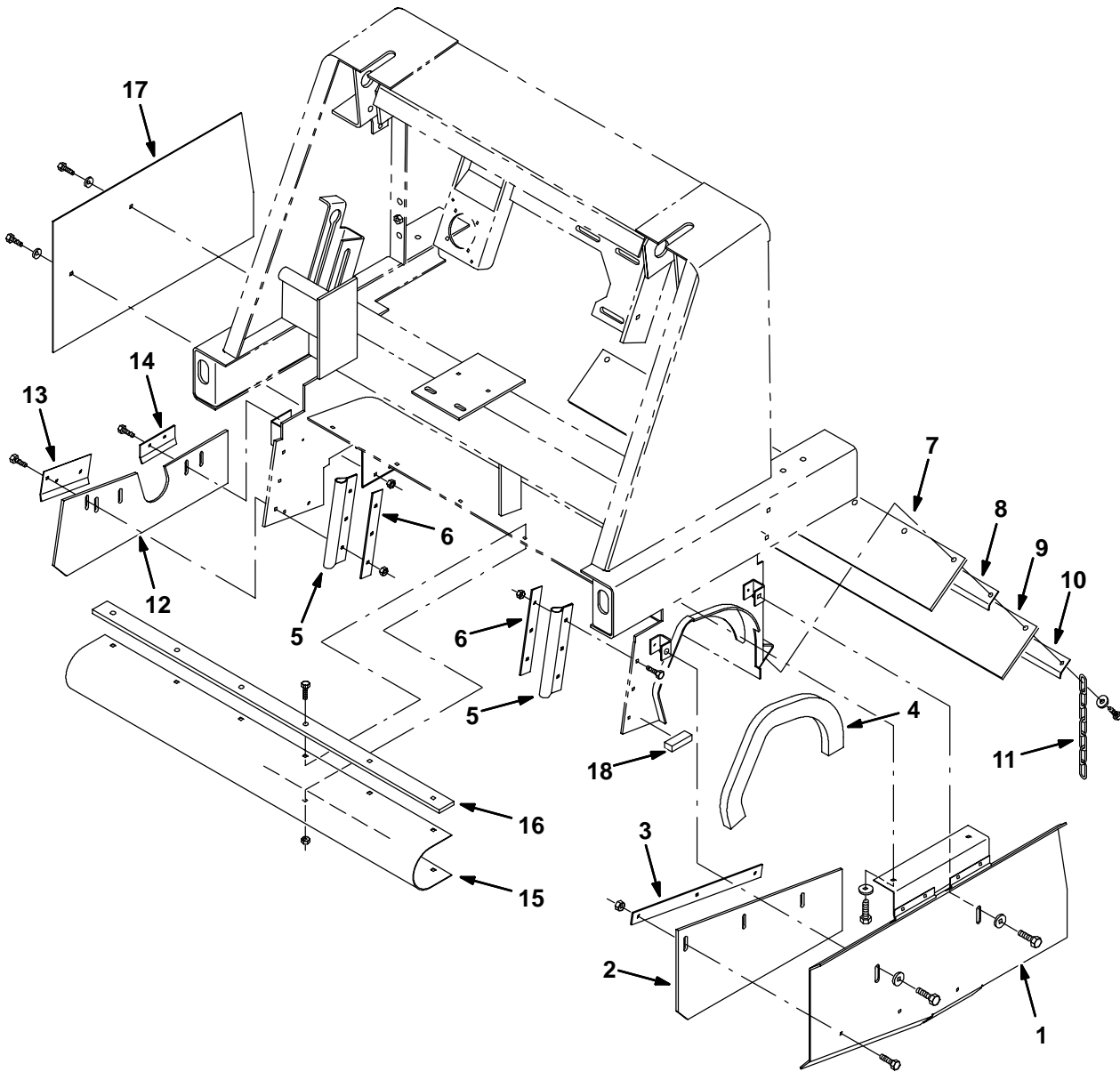


Fig. 45 - Hopper Skirts and Seals Group

| Ref. | Tennant Part No. | Machine Serial Number | Description | Qty. |
|------|------------------|-----------------------|------------------------------|------|
| 1 | 363951 | (000000- |) Panel Wldt, Lower, Lh | 1 |
| 2 | 363864 | (000000- |) Skirt, Brush, Lh | 1 |
| 3 | 363772 | (000000- |) Strip, Retainer, Lh | 1 |
| 4 | 363792 | (000000- |) Seal, Foam, Brush Door | 1 |
| 5 | 363861 | (000000- |) Seal, Hopper, Side | 2 |
| 6 | 363862 | (000000- |) Retainr, Seal, Hopper | 2 |
| 7 | 363757 | (000000- |) Skirt, Recirculation Flap | 1 |
| 8 | 363966 | (000000- |) Strip, Retainer | 1 |
| 9 | 363758 | (000000- |) Skirt, Rear | 1 |
| 10 | 363967 | (000000- |) Strip, Retainer | 1 |
| 11 | 09342 | (000000- |) Chain | 1 |
| 12 | 363860 | (000000- |) Skirt, Brush, Rh | 1 |
| 13 | 363859 | (000000- |) Retainer, Skirt, Brush, Rh | 1 |
| 14 | 363756 | (000000- |) Retainer, Seal, Rh | 1 |
| 15 | 363877 | (000000- |) Seal, Brushwrap, Top | 1 |
| 16 | 363940 | (000000- |) Strip | 1 |
| 17 | 363901 | (000000- |) Panel, Lower, Rh | |
| 18 | 363968 | (000000- |) Seal, Urethane | |

Fig. 46 - Hopper Lift and Bumper Group

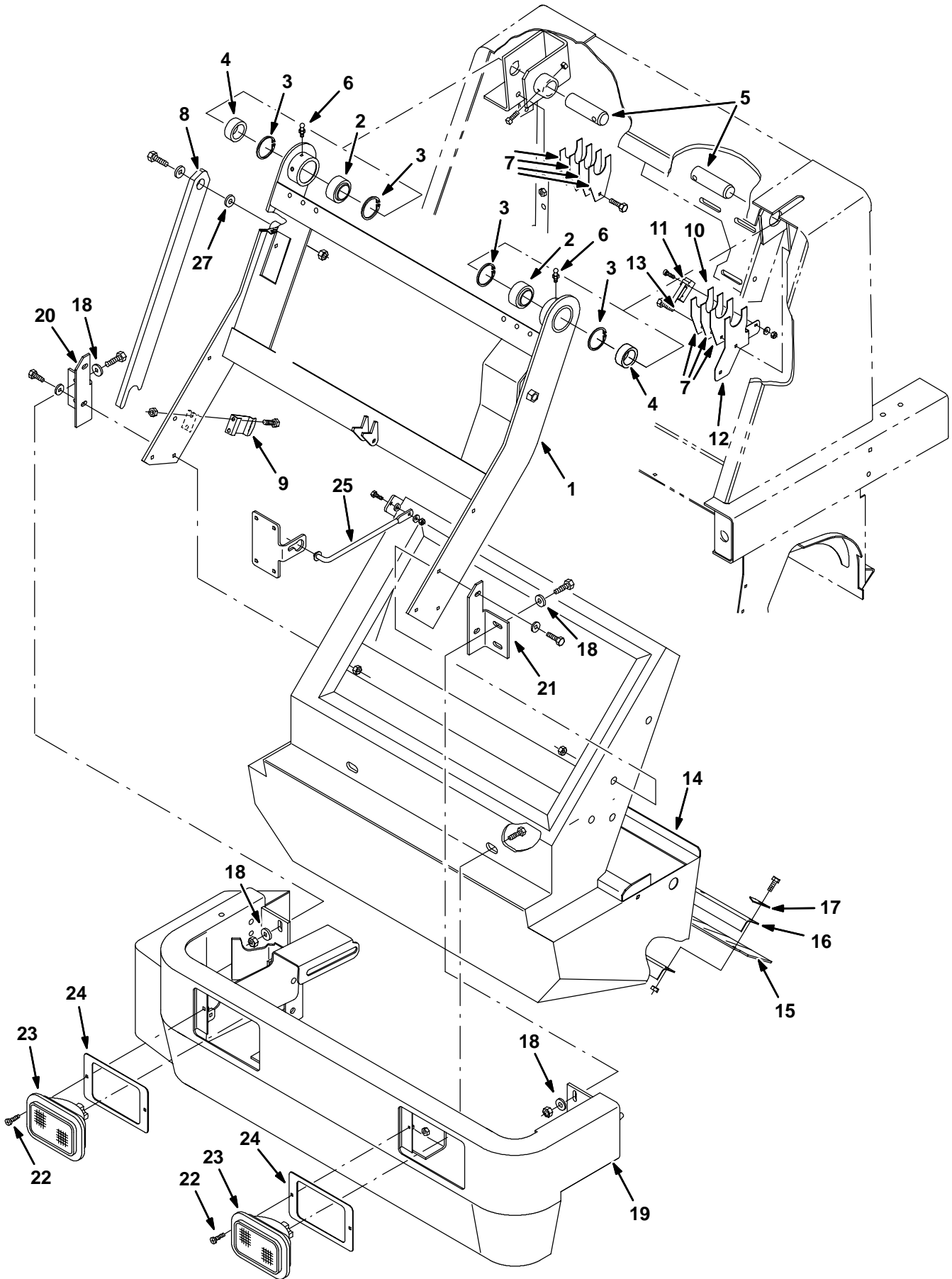


Fig. 46 - Hopper Lift and Bumper Group

| Ref. | Tennant Part No. | Machine Serial Number | Description | Qty. |
|------|------------------|-----------------------|--------------------------------|------|
| 1 | 363908 | (000000-) | Arm Wldt, Hopper Lift W/lables | 1 |
| 2 | 42120-1 | (000000-) | Bearing, Self Align | 2 |
| 3 | 59542 | (000000-) | Ring, Retaining | 4 |
| 4 | 360455 | (000000-) | Sleeve | 2 |
| 5 | 363893 | (000000-) | Pin, Hopper Lift/Lintel | 2 |
| 6 | 07259 | (000000-) | Fitting, Grease | 2 |
| 7 | 360768 | (000000-) | Plate, Spacer, Lift Arm | 7 |
| 8 | 363642 | (000000-) | Arm, Safety | 1 |
| 9 | 87244 | (000000-) | Clip, Spring | 1 |
| 10 | 44847 | (000000-) | Switch, 15Amp 125/250Vac | 1 |
| 11 | 33933 | (000000-) | Screw, Pan, M03-0.5 X 25, Ss | 2 |
| 12 | 363780 | (000000-) | Bracket, Mtg, Switch | 1 |
| 13 | 74455 | (000000-) | Screw, Hex, Fmg, M06-1.0 X 12 | 2 |
| 14 | 363805 | (000000-) | Hopper Wldt | 1 |
| 15 | 363770 | (000000-) | Skirt, Hopper Lip | 1 |
| 16 | 363777 | (000000-) | Strip, Retainer, Hopper Lip | 1 |
| 17 | 363752 | (000000-) | Plate, Deflector | 2 |
| 18 | 13248 | (000000-) | Washer | 20 |
| 19 | 363830 | (000000-) | Bumper Wldt | 1 |
| 20 | 363895 | (000000-) | Angle, Bumper To Hopper Lift, | 1 |
| 21 | 363896 | (000000-) | Angle, Bumper To Hopper Lift L | 1 |
| 22 | 74027 | (000000-) | Screw, Pan, M06-1.0 X 12, NI | 4 |
| 23 | 223044 | (000000-) | Headlight | 2 |
| 24 | 363827 | (000000-) | Plate, Headlight | 2 |
| 25 | 363947 | (000000-) | Rod Wldt, Cover | 1 |
| 26 | 06945 | (000000-) | Washer, .65B 2.25D .38Crs | 2 |

Fig. 47 - Hopper Hood and Filter Shaker Group

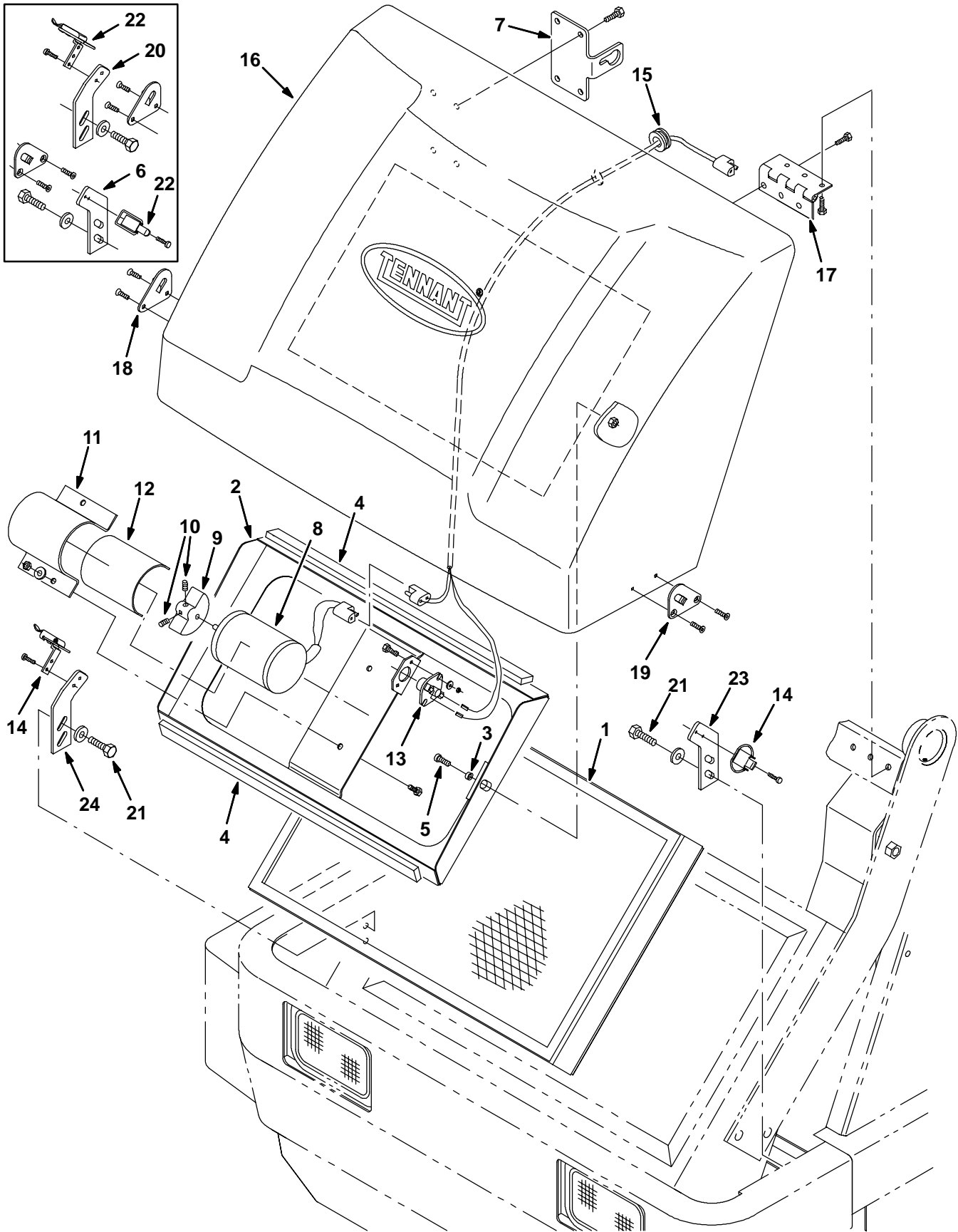


Fig. 47 - Hopper Hood and Filter Shaker Group

| Ref. | Tennant Part No. | Machine Serial Number | Description | Qty. |
|------|------------------|-----------------------|-------------------------------|------|
| 1 | 363463 | (000000-) | Filter, Dust, Panel | 1 |
| 2 | 363785 | (000000-) | Plate Wldt, Shaker | 1 |
| 3 | 03281 | (000000-) | Sleeve | 2 |
| 4 | 363426 | (000000-) | Seal, Foam Rbr. .5X1.0X20.0 | 2 |
| 5 | 06532 | (000000-) | Screw, Soc | 2 |
| 6 | 363767 | (000000-00130) | Bracket, Mtg, Latch, Lh | 1 |
| 7 | 363948 | (000000-) | Plate, Pivot | 1 |
| 8 | 44939 | (000000-) | Motor, Ele, Shaker | 1 |
| 9 | 55130 | (000000-) | Weight, Eccentric | 1 |
| 10 | 20634 | (000000-) | Screw, Set, #10-24 X 0.25, NI | 2 |
| 11 | 36666 | (000000-) | Strap, Motor, Shaker | 1 |
| 12 | 36658 | (000000-) | Bar, Flat | 1 |
| 13 | 02715 | (000000-) | Thermostat | 1 |
| 14 | 363973 | (000131-) | Latch, Pull Down | 2 |
| 15 | 363982 | (000000-) | Grommet, Rubber | 1 |
| 16 | 363722 | (000000-) | Cover, Hopper, 515Hd | 1 |
| 17 | 363856 | (000000-) | Hinge, 3X4, .25Dia W-Slots | 2 |
| 18 | 363782 | (000000-) | Bracket, Latch Rh | 1 |
| 19 | 363783 | (000000-) | Bracket, Latch Lh | 1 |
| 20 | 363766 | (000000-00130) | Bracket, Mtg, Latch, Rh | 1 |
| 21 | 12333 | (000000-) | Screw, Hex, M08-1.25 X 25, Ss | 4 |
| 22 | 23709 | (000000-00130) | Catch, Draw Pull | 2 |
| 23 | 363954 | (000131-) | Bracket, Mtg, Latch, Lh | 1 |
| 24 | 363955 | (000131-) | Bracket, Mtg, Latch, Rh | 1 |

Fig. 48 - Hopper Dump Door Group

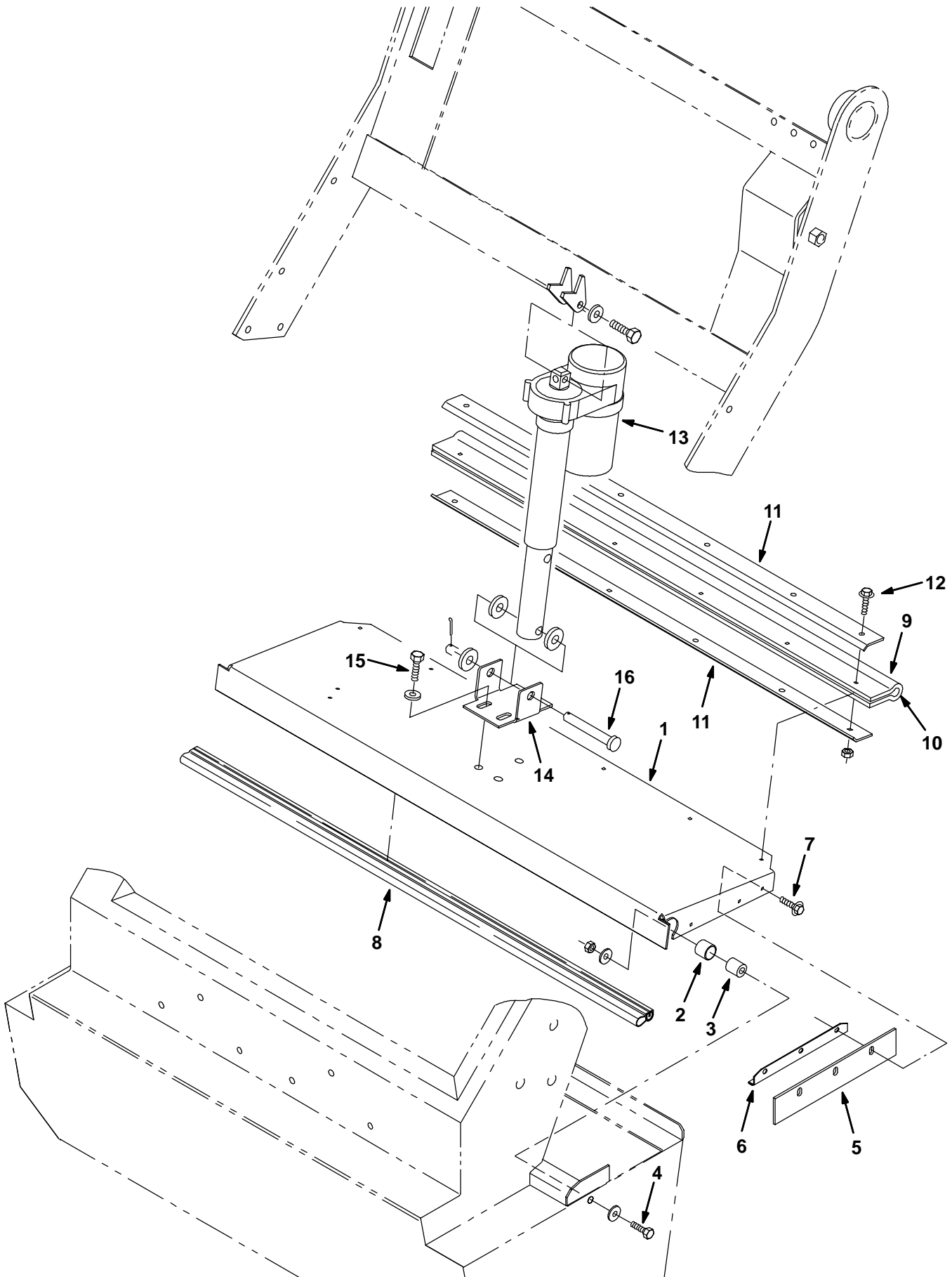


Fig. 48 - Hopper Dump Door Group

| Ref. | Tennant Part No. | Machine Serial Number | Description | Qty. |
|------|------------------|-----------------------|--------------------------------|------|
| 1 | 363684 | (000000-) | Door Wldt, Hopper Dump | 1 |
| 2 | 64379 | (000000-) | Bearing, Journal | 2 |
| 3 | 87104 | (000000-) | Bushing, Door Pivot | 2 |
| 4 | 09026 | (000000-) | Screw, Hex, M08-1.25 X 40, Ss | 2 |
| 5 | 363687 | (000000-) | Seal, Dump Door, Side | 2 |
| 6 | 363686 | (000000-) | Channel, Retainer, Door, Side | 2 |
| 7 | 74455 | (000000-) | Screw, Hex, Fmg, M06-1.0 X 12 | 6 |
| 8 | 363689 | (000000-) | Seal, Dump Door, Top | 1 |
| 9 | 363690 | (000000-) | Seal, Wrap, Dump Door, Lower | 1 |
| 10 | 363691 | (000000-) | Sponge Cord | 1 |
| 11 | 363692 | (000000-) | Strip, Mtg, Dump Door, Lower | 1 |
| 12 | 361339 | (000000-) | Scr-Hxfmgm 6x1.0 16 Pltd | 6 |
| 13 | 363907 | (000000-) | Replm Kit, Actuator, Sw 8010 | 1 |
| 14 | 363695 | (000000-) | Channel, Mtg, Hopperdoor Act | 1 |
| 15 | 87531 | (000000-) | Screw, Hex, M08-1.25 X 65, 8.8 | 3 |
| 16 | 06474A | (000000-) | Pin, Clevis | 1 |

Fig. 49 - Hopper Vacuum Fan Group

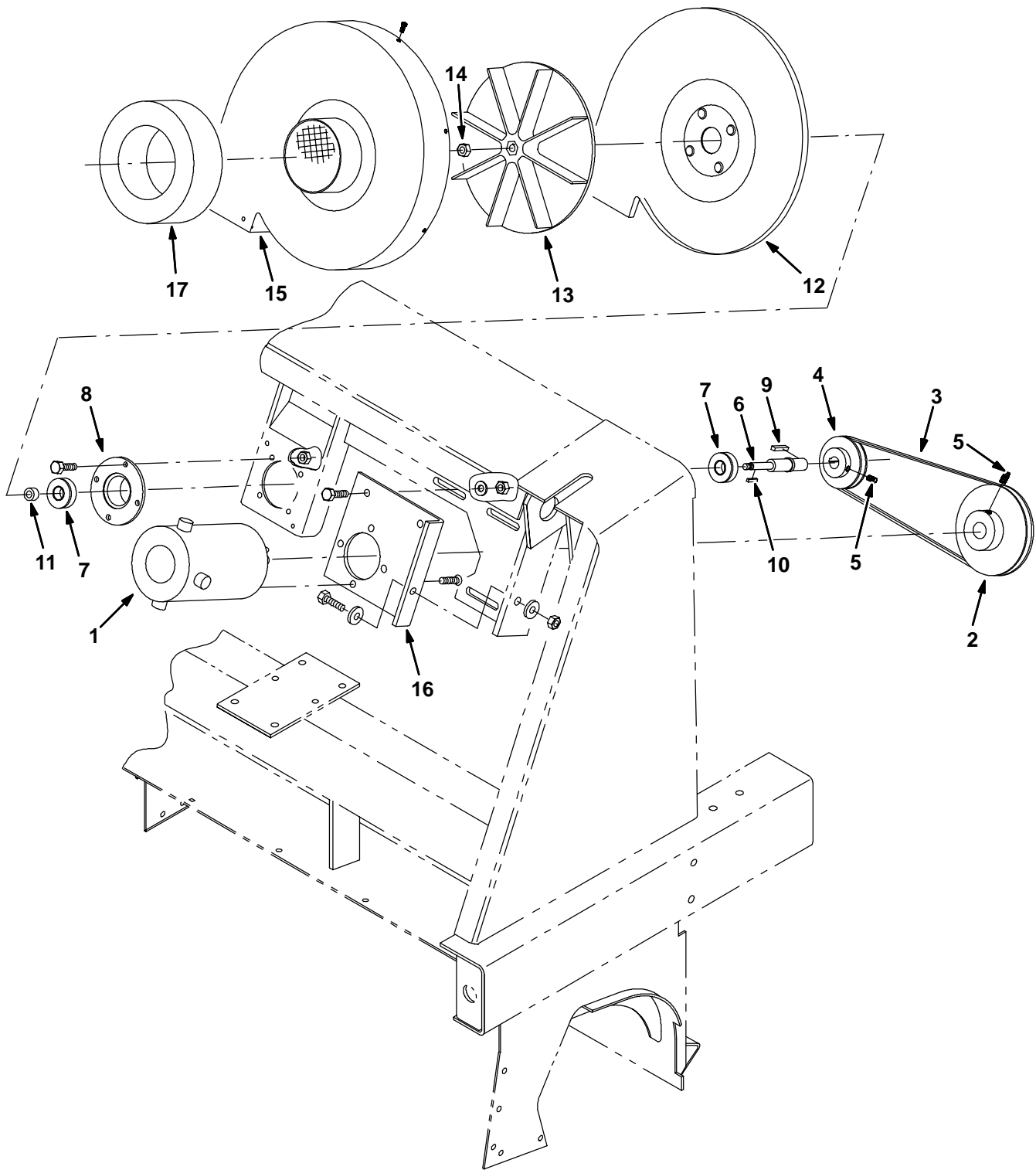


Fig. 49 - Hopper Vacuum Fan Group

| Ref. | Tennant Part No. | Machine Serial Number | Description | Qty. |
|------|------------------|-----------------------|--------------------------------------|------|
| 1 | 222409 | (000000- |) Motor, .75Hp, 36V, 2500Rpm | 1 |
| 2 | 363617 | (000000- |) Sheave, 3V, | 1 |
| 3 | 360686 | (000000- |) Belt, V | 1 |
| 4 | 360181 | (000000- |) Sheave, 3V, 2.60 Pd | 1 |
| 5 | 39338 | (000000- |) Screw, Set, .31 - 18 X 0.50, Soc | 4 |
| ▽ | 59108 | (000000- |) Bearing Assy | 1 |
| ▲ | 6 59078 | (000000- |) Shaft, Impeller | 1 |
| ▲ | 7 32525 | (000000- |) Bearing, Ball | 2 |
| ▲ | 8 41561 | (000000- |) Flange, Bearing | 1 |
| 9 | 00911 | (000000- |) Key, Square | 1 |
| 10 | 00954 | (000000- |) Key, Square | 1 |
| 11 | 10362 | (000000- |) Spacer | 1 |
| 12 | 36593 | (000000- |) Plate Weldm., Fan Backing | 1 |
| 13 | 74454 | (000000- |) Impeller, 9.00Dia x 1.40W x 0.376B | 1 |
| 14 | 87299 | (000000- |) Nut, Hex, Flexlock, .31 - 24 | 1 |
| 15 | 59040 | (000000- |) Housing, Fan, Vacuum | 1 |
| 16 | 363688 | (000000- |) Angle, Mtg, Vac Fan Motor | 1 |
| 17 | 363796 | (000000- |) Seal, Vac Fan, 8010 | 1 |

Fig. 50 - Hydraulic Hopper Lift Group

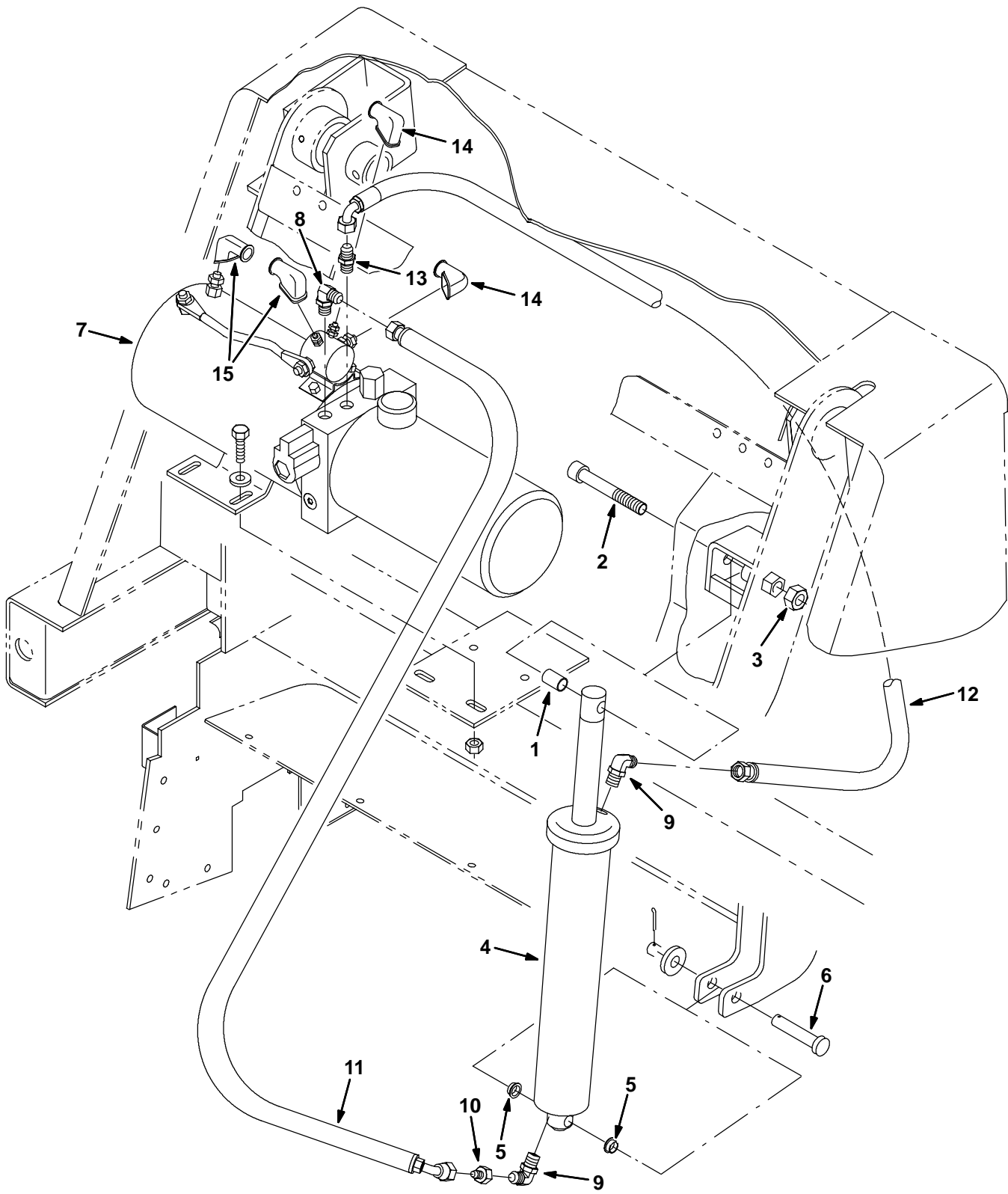
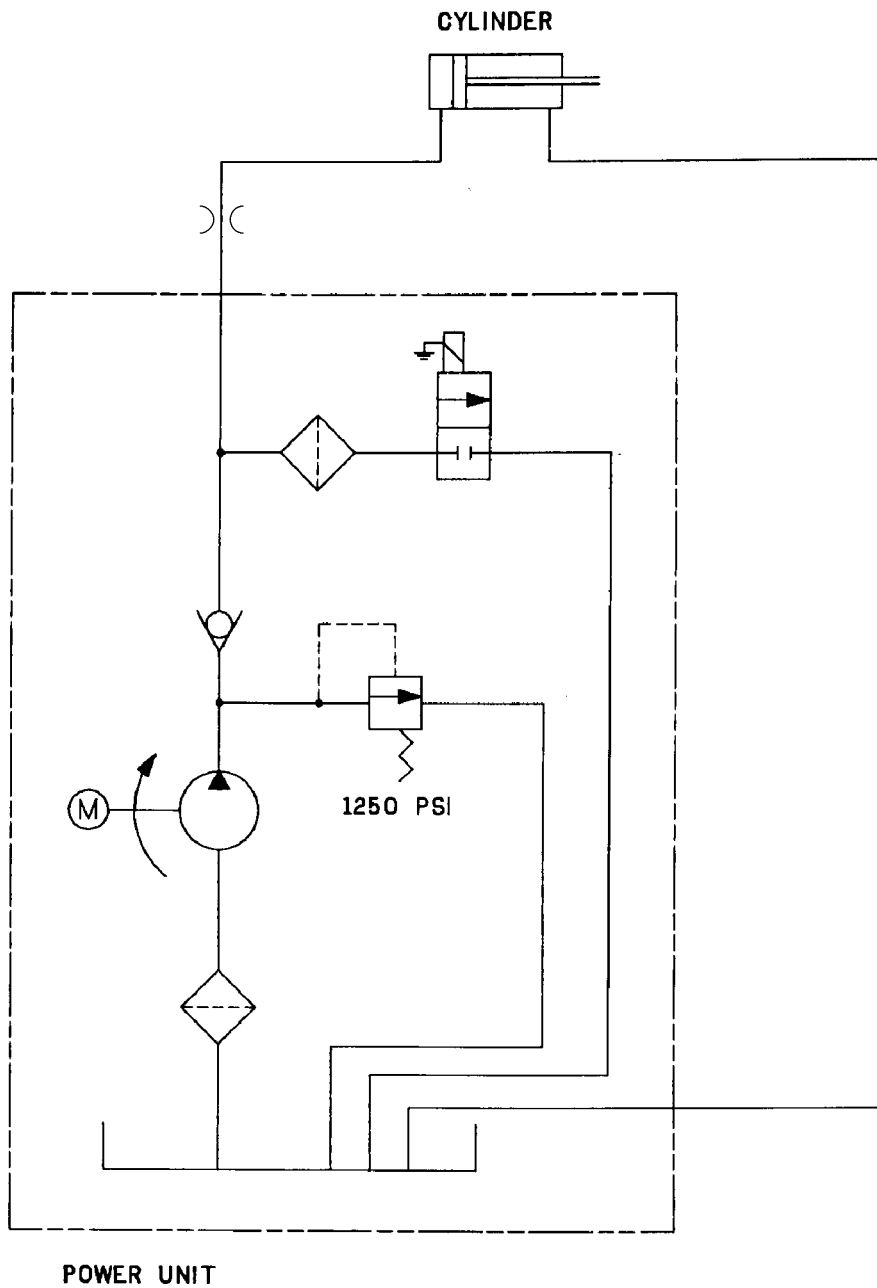


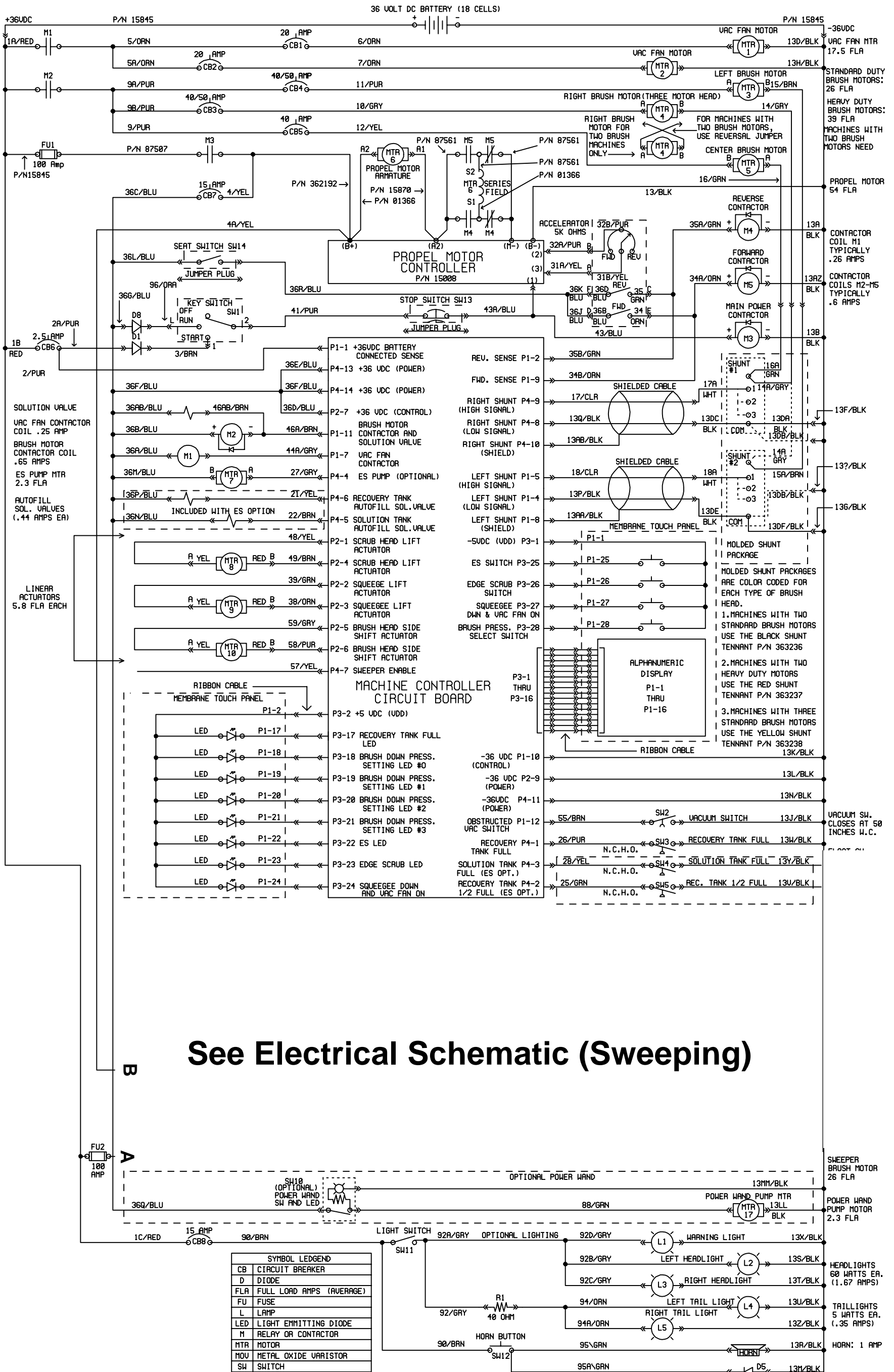
Fig. 50 - Hydraulic Hopper Lift Group

| Ref. | Tennant Part No. | Machine Serial Number | Description | Qty. |
|------|------------------|-----------------------|-----------------------------------|------|
| 1 | 363616 | (000000- |) Bearing, .50Bx 1.00L Fiberglid | 1 |
| 2 | 363889 | (000000- |) Scr-Soc, .50 X 3.50 | 1 |
| 3 | 01704 | (000000- |) Nut, Hex, Jam, .50-13, Ss | 1 |
| 4 | 363618 | (000000- |) Cylinder, Hyd, 2.0Bx 12.0S | 1 |
| 5 | 15648 | (000000- |) Bearing, Flange | 2 |
| 6 | 363903 | (000000- |) Pin, .50 Dia X 2.75, Hardened | 1 |
| 7 | 363619 | (000000- |) Pump, Hyd, 36V (See Breakdowns) | 1 |
| 8 | 47638 | (000000- |) Fitting, Hyd, Elbow | 1 |
| 9 | 77097 | (000000- |) Fitting, Hyd, Elbow | 2 |
| 10 | 79447 | (000000- |) Fitting, Hyd, Restrictor | 1 |
| 11 | 02361 | (000000- |) Hose, Hyd | 1 |
| 12 | 02205 | (000000- |) Hose, Hyd | 1 |
| 13 | 55586 | (000000- |) Fitting, Hyd, Str | 1 |
| 14 | 76368 | (000000- |) Boot, 90Deg .59D .25D | 2 |
| 15 | 02076 | (000000- |) Boot, 90Deg .50D .57x.84 | 2 |

Fig. 51 - Hydraulic Schematic



351694

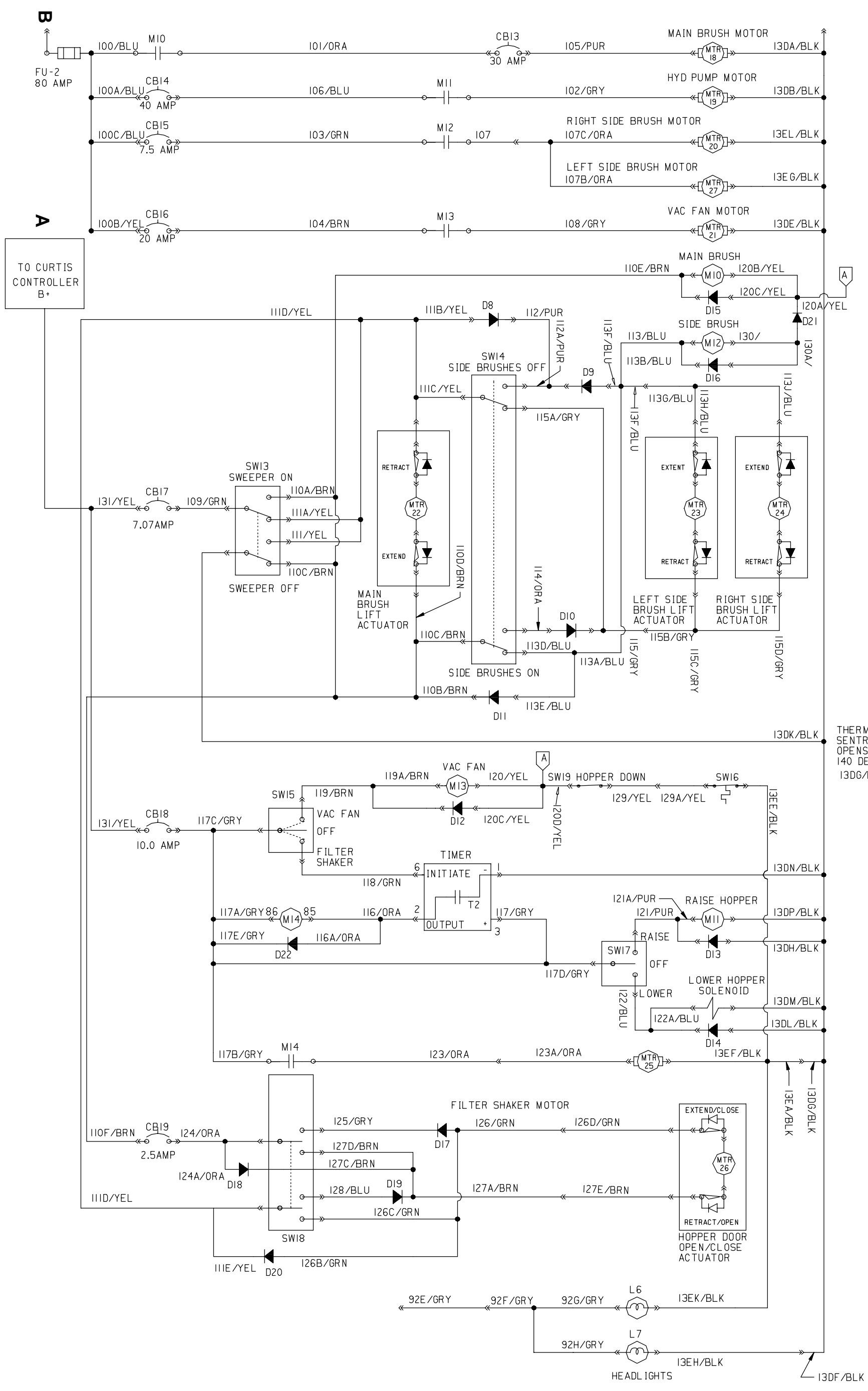


See Electrical Schematic (Sweeping)

Fig. 52 - Electrical Schematic

STANDARD PARTS

Fig. 53 - Electrical Schematic (Sweeping)



THERMAL SENTRY OPENS AT 140 DEG. F 13D6/BLK

Fig. 54 - Main Wire Harness Group

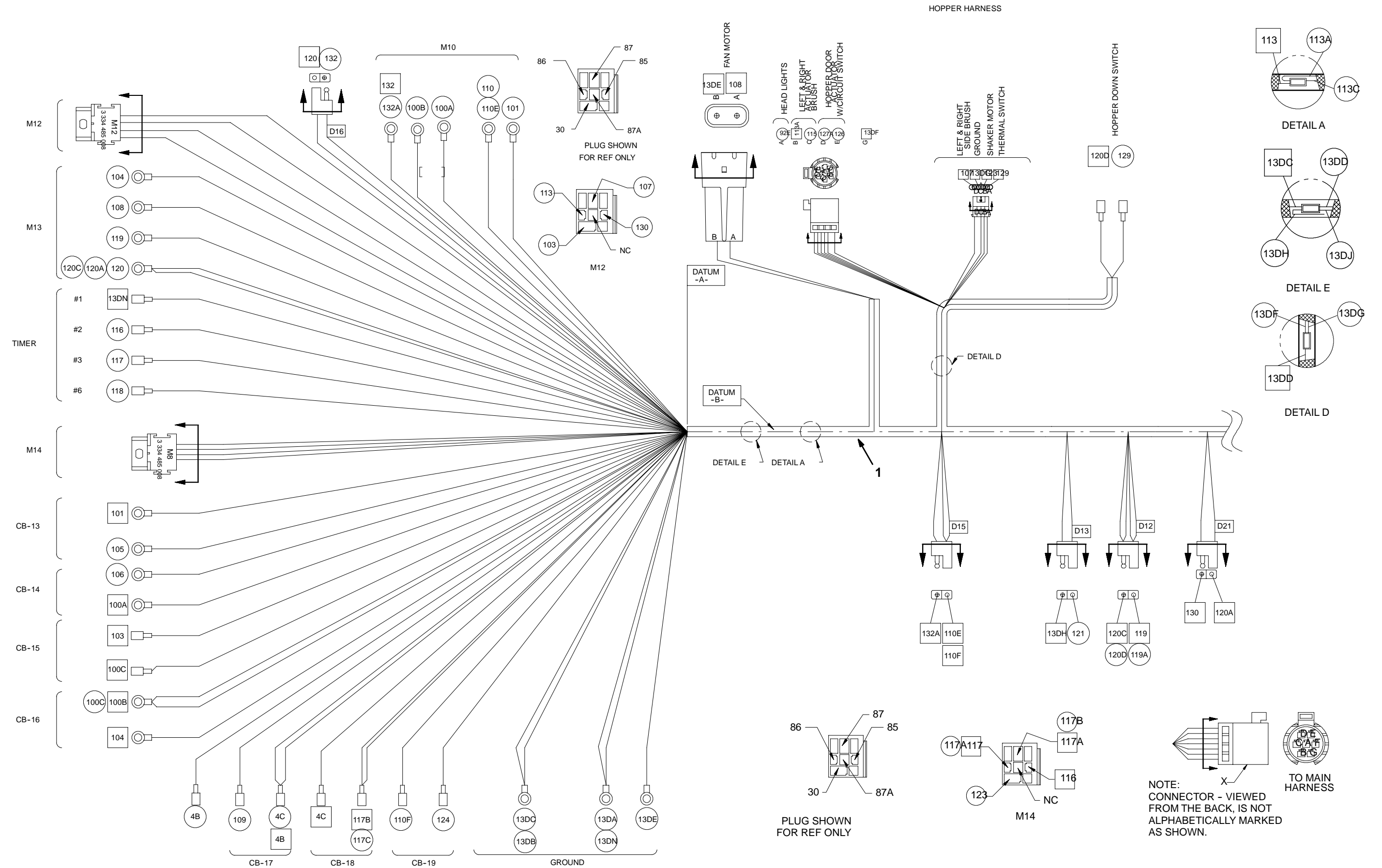


Fig. 54 - Main Wire Harness Group

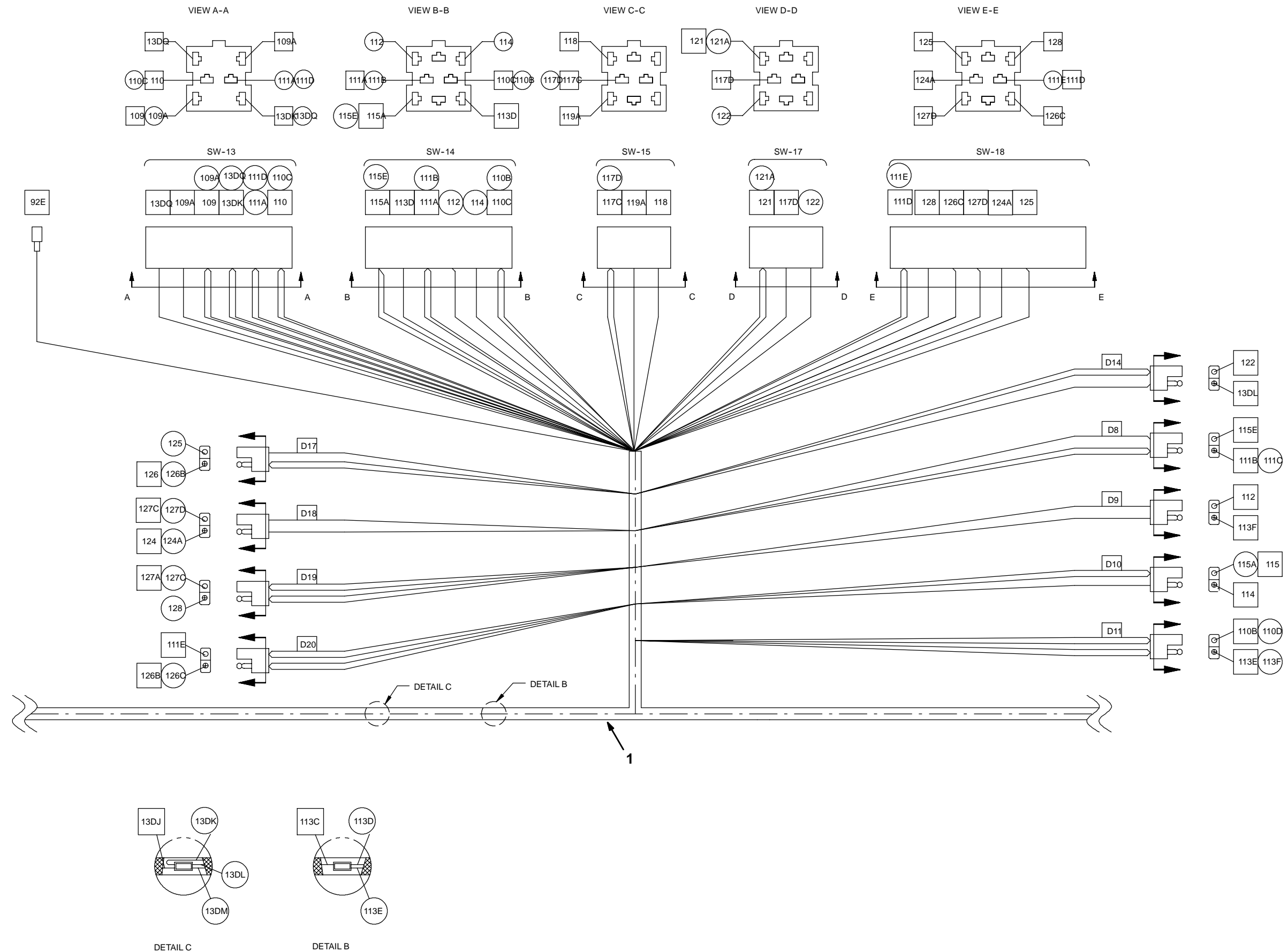
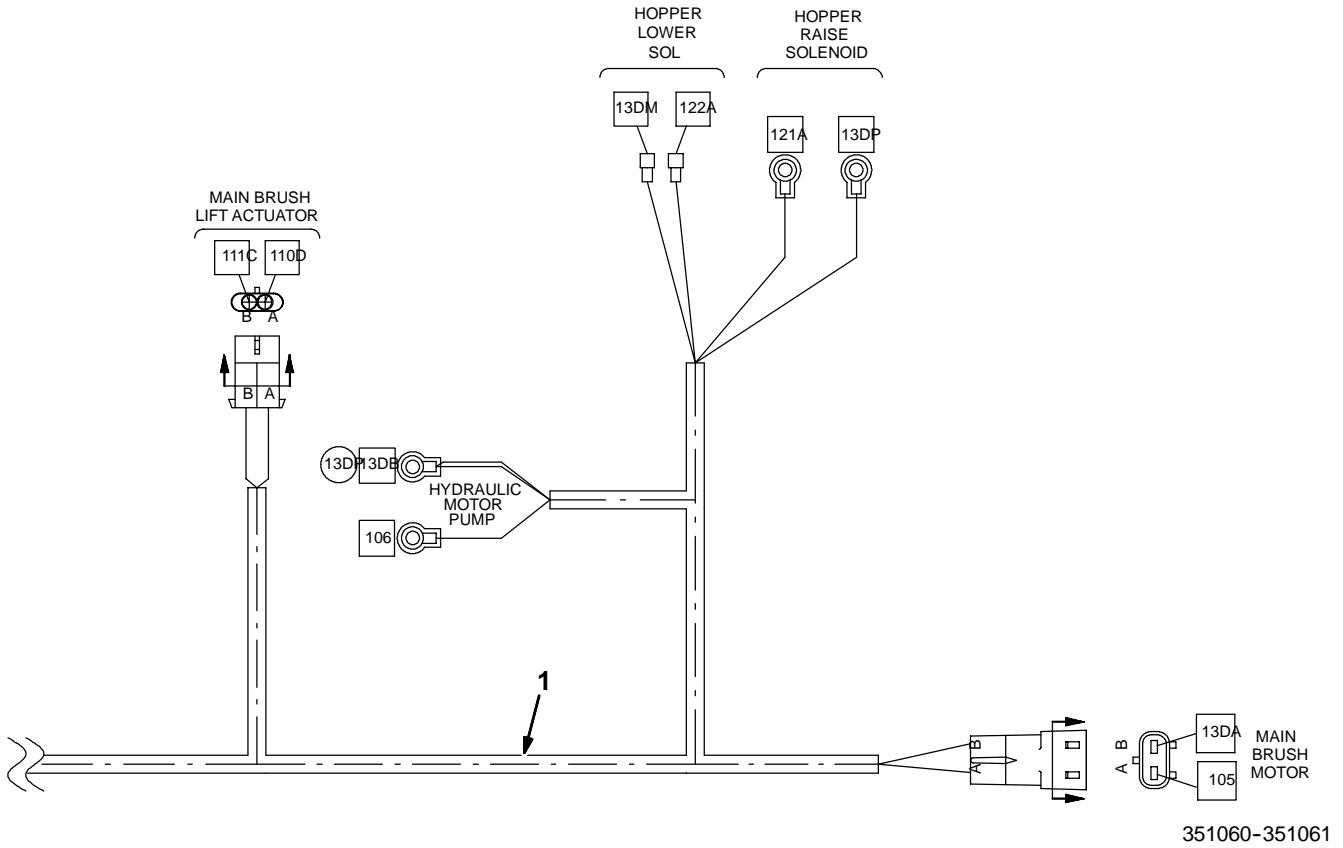


Fig. 54 - Main Wire Harness Group



| Ref. | Tennant Part No. | Machine Serial Number | Description | Qty. |
|------|------------------|-----------------------|-----------------------|------|
| 1 | 363612 | (000000-) | Harness, Wiring, 8010 | 1 |

Fig. 55 - Hopper Wire Harness Group

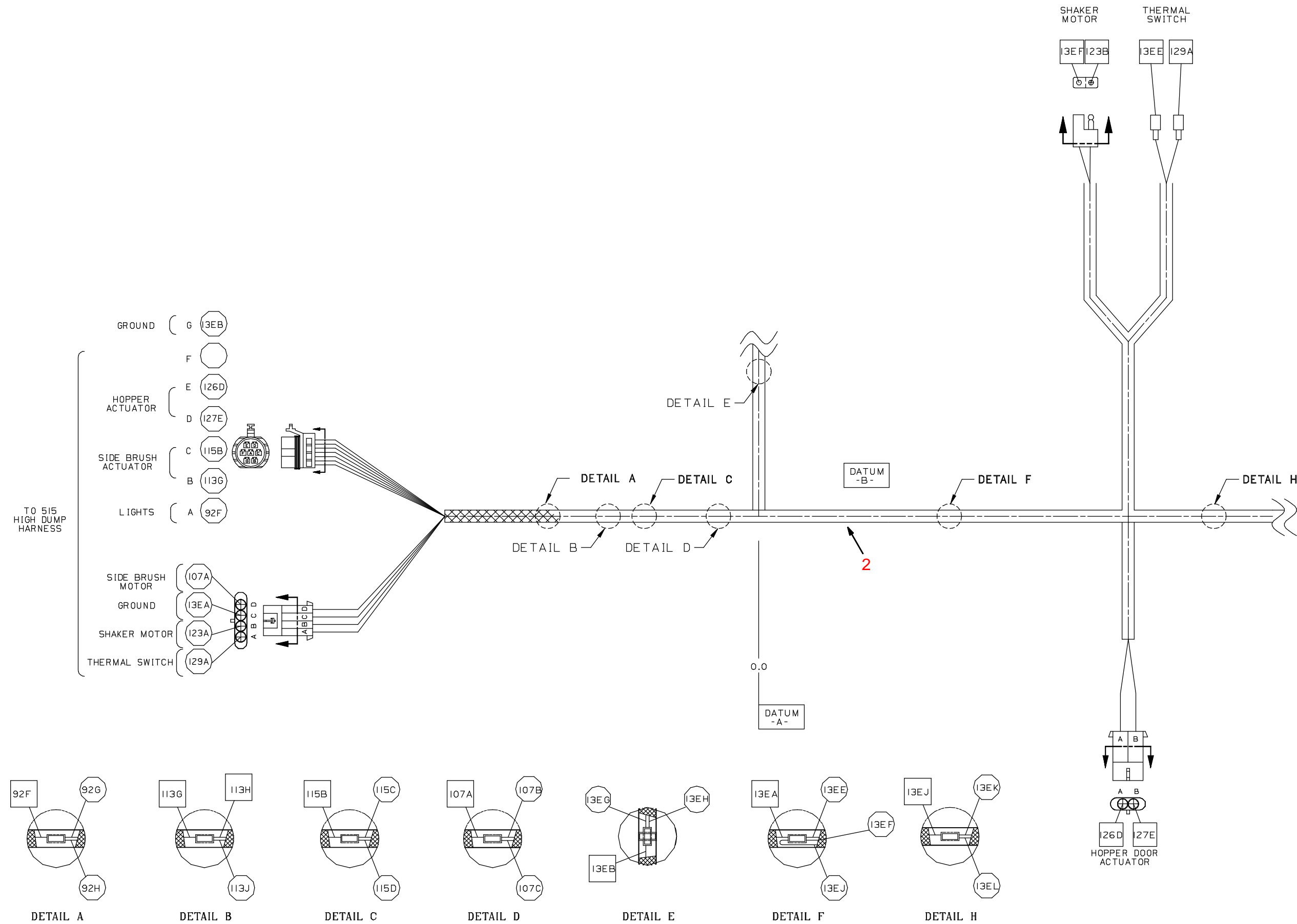


Fig. 55 - Hopper Wire Harness Group

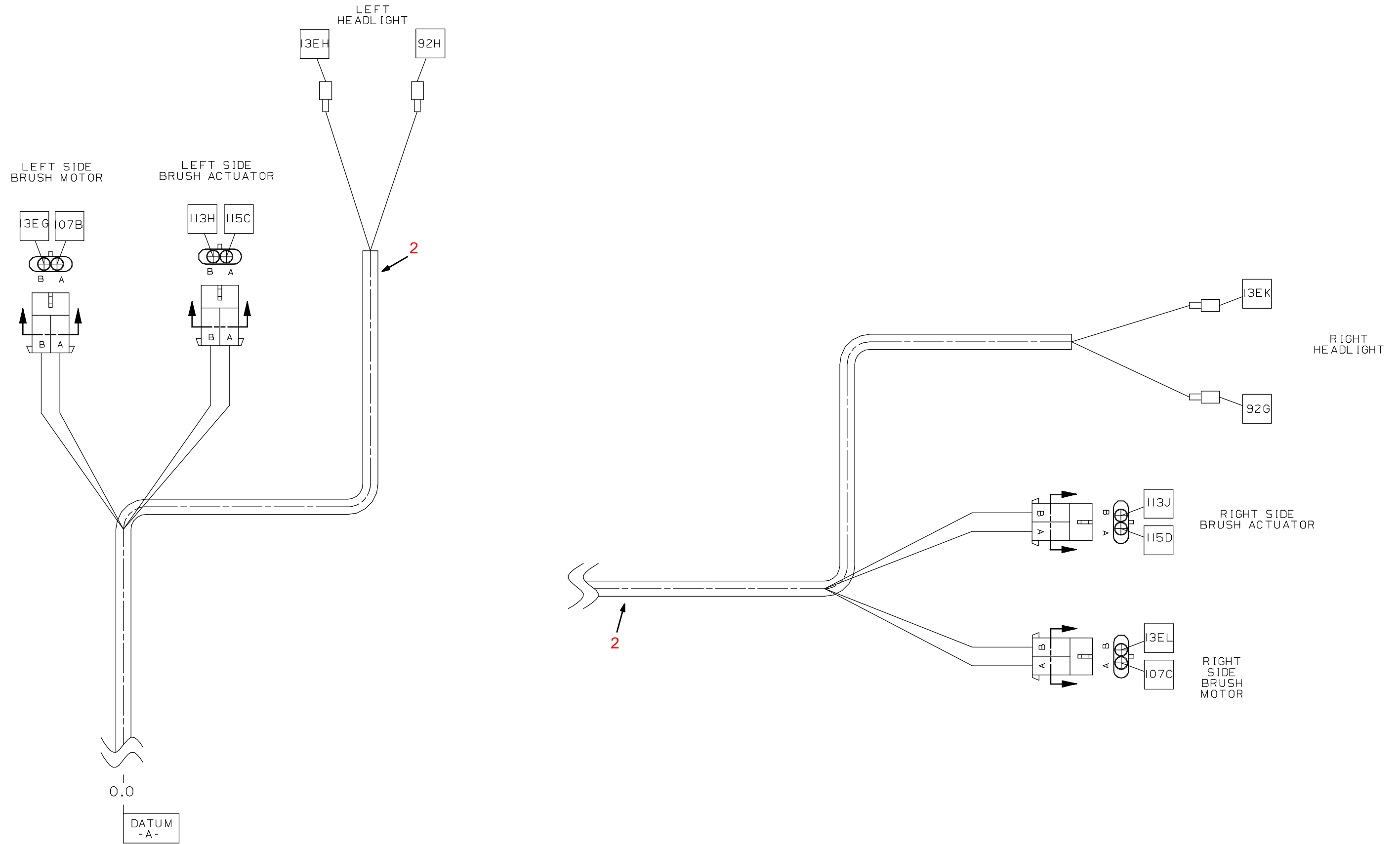
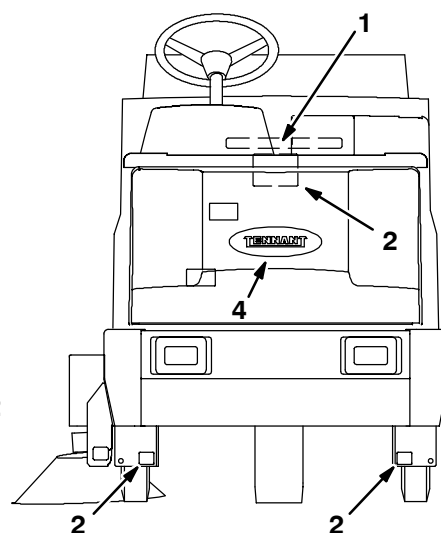
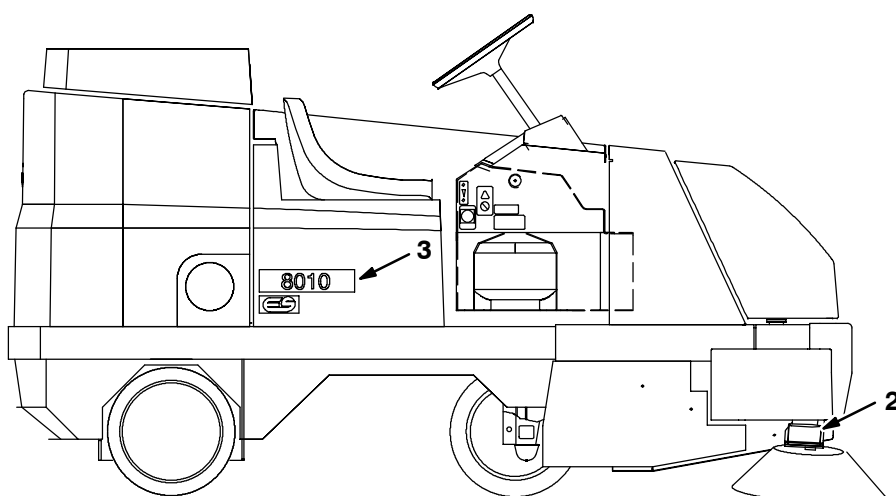
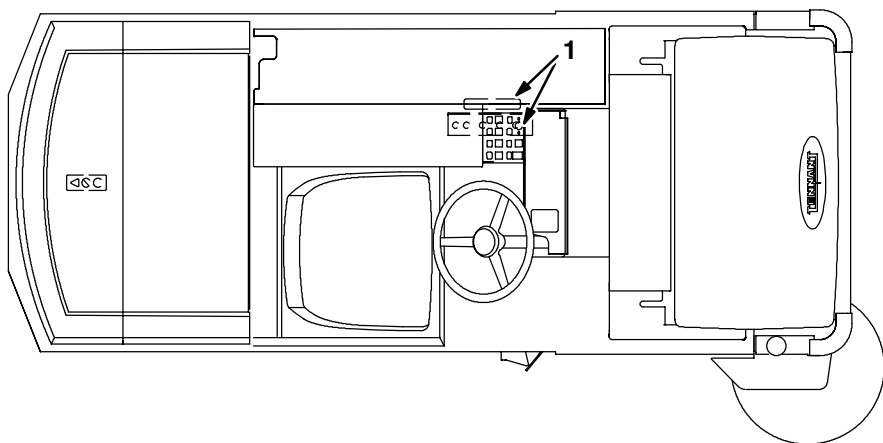


Fig. 55 - Hopper Wire Harness Group

| Ref. | Tennant Part No. | Machine Serial Number | Description | Qty. |
|-------------|-------------------------|------------------------------|---|-------------|
| 1 | 363613 | (000000- |) Harness, Hopper, 8010 Hopper High Dump) | 1 |
| 2 | 363524 | (000000- |) Harness, Main, Scrubber..... | 1 |

Fig. 56 - Label Group



351053-351054

| Ref. | Tennant Part No. | Machine Serial Number | Description | Qty. |
|------|------------------|-----------------------|--------------------------|------|
| 1 | 363840 | (000000-) | Label Set, Operational | 1 |
| 2 | 59767 | (000000-) | Label Set, Info & Hazard | 1 |
| 3 | 363891 | (000000-) | Label, Numerals 8010 | 1 |
| 4 | 17200 | (000000-) | Label, Tennant Logo | 1 |

SECTION 3

| CONTENTS | PAGE |
|--|------|
| Fig. 1 - Dual Side Brush Group | 3-2 |
| Fig. 2 - Dual Side Brush Lift Group | 3-4 |
| Fig. 3 - Extended Scrub Group | 3-6 |
| Fig. 4 - Revolving Light Kit, Lintel | 3-8 |
| Fig. 5 - Revolving Light Kit, Overhead Guard | 3-10 |
| Fig. 6 - Overhead Guard Kit | 3-12 |
| Fig. 7 - Heavy Duty Bumper Kit | 3-13 |
| Fig. 8 - Suspension Slide Seat Kit | 3-14 |
| Fig. 9 - Side Squeegee Vac Hose Group | 3-15 |
| Fig. 10 - Vacuum Wand Kit | 3-16 |
| Fig. 11 - Wet Vac Filter Kit | 3-17 |
| Fig. 12 - Seat Support Group, Heavy Duty Battery | 3-18 |
| Fig. 13 - Heavy Duty Motor Kit for MaxPro™ 1000 Two-Brush System | 3-20 |
| Fig. 14 - Transport Kit | 3-22 |
| Fig. 15 - Grooved Tire Assembly | 3-24 |
| Fig. 16 - Non-Mark, Non-Skid Tires | 3-25 |
| Fig. 17 - Battery Kit, 380 A/h, Wet | 3-26 |
| Fig. 18 - Battery Kit, 420 A/h, Wet | 3-27 |
| Fig. 19 - Battery Kit, 690 A/h, Wet | 3-28 |
| Fig. 20 - Battery Kit, 700 A/h, Dry, International Only | 3-29 |
| Fig. 21 - Battery Charger Group, 380 A/h Batteries, 60Hz | 3-30 |
| Fig. 22 - Battery Charger Group, 380 A/h Batteries, 50Hz, International Only | 3-31 |
| Fig. 23 - Battery Charger Group, 420 A/h Batteries, 60Hz | 3-32 |
| Fig. 24 - Battery Charger Group, 420 A/h Batteries, 50Hz, International Only | 3-33 |
| Fig. 25 - Battery Charger Group, 690 A/h Batteries, 60Hz | 3-34 |
| Fig. 26 - Battery Charger Group, 630 A/h Batteries, 50Hz, International Only | 3-35 |
| Fig. 27 - Positive Solution Control Drain Kit, Std | 3-36 |
| Fig. 28 - Positive Solution Control Drain Kit, ES™ | 3-37 |
| Fig. 29 - Power Wand Mount and Pump Group | 3-38 |
| Fig. 30 - Power Wand Assembly | 3-40 |
| Fig. 31 - Power Wand Hose Assembly | 3-42 |
| Fig. 32 - Front Squeegee Blade Group, Tile | 3-43 |
| Fig. 33 - Fire Extinguisher Kit | 3-44 |
| Fig. 34 - Documentation Group | 3-45 |

Fig. 1 - Dual Side Brush Group

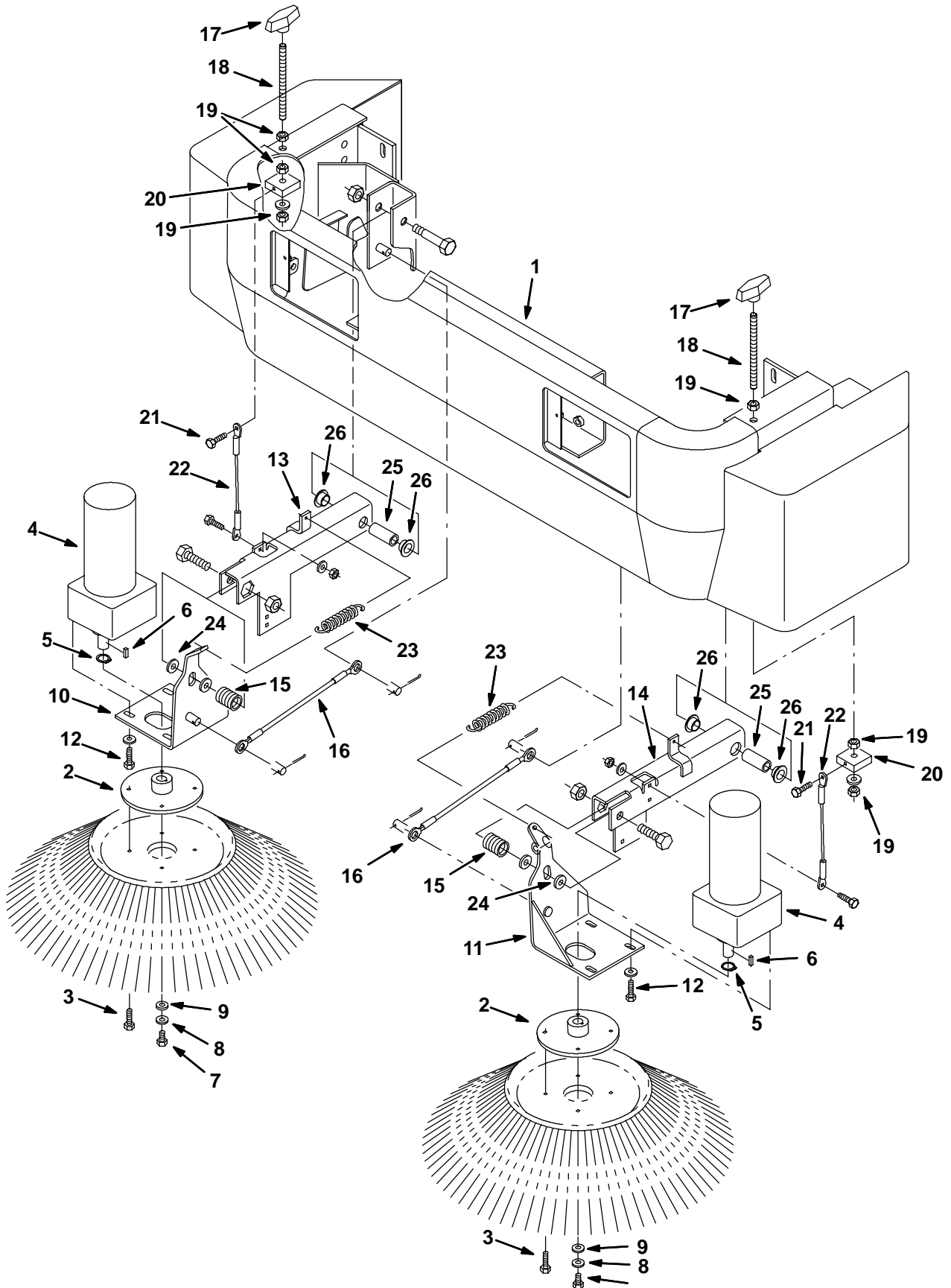


Fig. 1 - Dual Side Brush Group

| Ref. | Tennant Part No. | Machine Serial Number | Description | Qty. |
|------|------------------|-----------------------|--------------------------------------|------|
| ▽ | 363900 | (000000- |) Bumper Assy, Dual Side Brush | 1 |
| ▲ 1 | 363890 | (000000- |) Bumper Wldt, Dual Side Brush | 1 |
| ▲ 2 | 363802 | (000000- |) Plate , Mtg Side Brush | 2 |
| ▲ 3 | 09007 | (000000- |) Scr Hexssm 6x1.0 | 8 |
| ▲ 4 | 363620 | (000000- |) Motor, 36V 120rpm, .25Hp | 2 |
| ▲ 5 | 33373 | (000000- |) Ring, Retain, Ex, 0.620D, Heavy Dt | 2 |
| ▲ 6 | 00910 | (000000- |) Key, Square | 2 |
| ▲ 7 | 58670 | (000000- |) Scr -hx .25-20x0.50 Nylon Loc | 2 |
| ▲ 8 | 41178 | (000000- |) Washer -Flt .25 Fender Pltd | 2 |
| ▲ 9 | 41185 | (000000- |) Washer-Belleville .25 Pltd | 2 |
| ▲ 10 | 363812 | (000000- |) Bracket Wldt, Mtg, Sbr Motor | 1 |
| ▲ 11 | 363886 | (000000- |) Bracket Wldt, Mtg, Sb Motor, Lh | 1 |
| ▲ 12 | 34323 | (000000- |) Scr-Hex Nyloc, 1/4 uncx 3/4 c | 8 |
| ▲ 13 | 363872 | (000000- |) Channel wldt, Mtg, Sb | 1 |
| ▲ 14 | 363887 | (000000- |) Channel wldt, Mtg, Lh Sb | 1 |
| ▲ 15 | 363614 | (000000- |) Spring, Die, .50ld 1.00D 1.0Lg | 2 |
| ▲ 16 | 363957 | (000000- |) Cable, Side Brush | 2 |
| ▲ 17 | 04706 | (000000- |) Handle, Lift, Brush | 2 |
| ▲ 18 | 363797 | (000000- |) Rod, Thread, 3/8-16x5.5 Lg | 2 |
| ▲ 19 | 36643 | (000000- |) Nut-hxlocnyln .38-16 Thin Pltd | 6 |
| ▲ 20 | 87293 | (000000- |) Block, Threaded | 2 |
| ▲ 21 | 58670 | (000000- |) Scr hx nyloc, 1/4 uncx 1/2 c | 2 |
| ▲ 22 | 87297 | (000000- |) Cable, Brush Adjustment | 2 |
| ▲ 23 | 29499 | (000000- |) Spring, Tens, 0.75dx.10wire 4.5l | 2 |
| ▲ 24 | 59633 | (000000- |) Bearing, Thrust, Fiberglide | 2 |
| ▲ 25 | 363937 | (000000- |) Sleeve | 2 |
| ▲ 26 | 04928 | (000000- |) Bearing, Flange .750 Bore | 4 |

Fig. 2 - Dual Side Brush Lift Group

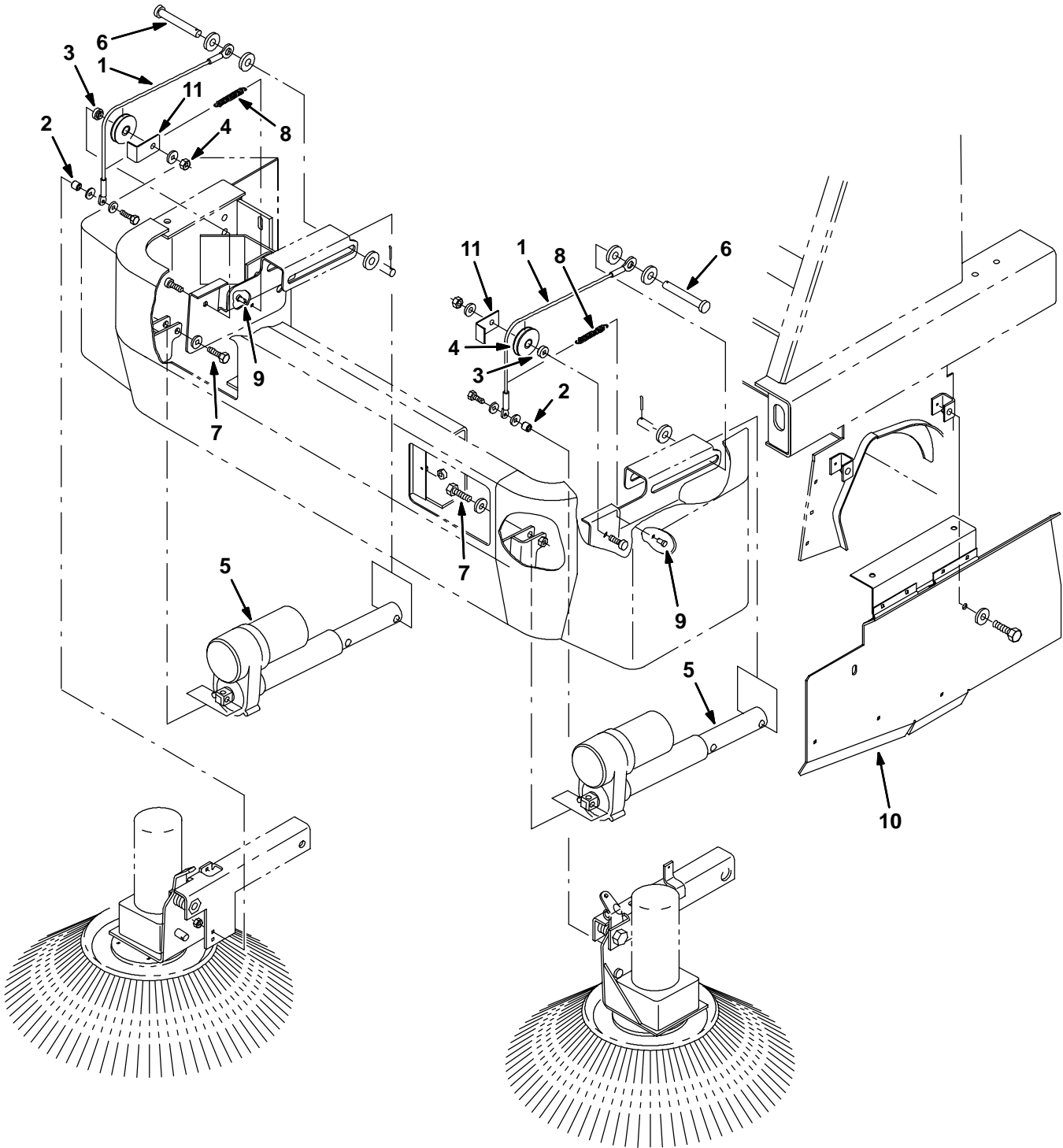


Fig. 2 - Dual Side Brush Lift Group

| Ref. | Tennant Part No. | Machine Serial Number | Description | Qty. |
|-------------|-------------------------|------------------------------|---------------------------------|-------------|
| 1 | 363803 | (000000- |) Cable, Brush Lift | 2 |
| 2 | 363750 | (000000- |) Sleeve, .50D .34B .8L | 2 |
| 3 | 80487 | (000000- |) Spacer, Idler .25 Lg | 2 |
| 4 | 80235 | (000000- |) Idler, 15mm Id 2.44 Pd | 2 |
| 5 | 363907 | (000000- |) replm kit, Actuator, Sw 8010 | 2 |
| 6 | 51103 | (000000- |) Pin clevis, 0.50d x 2.62lg | 2 |
| 7 | 73399 | (000000- |) Scr-Hex M8x1.5 50 Nylonloc | 2 |
| 8 | 363981 | (000000- |) Spring, Exten, .5D .07W 3.00L | 2 |
| 9 | 28296 | (000000- |) Pin clevis, 0.25d x 0.50lg | 2 |
| 10 | 363865 | (000000- |) Panel Wldt, Lower, Lh | 1 |
| 11 | 363850 | (000000- |) Angle, Cable Keeper | 2 |

Fig. 3 - Extended Scrub Group

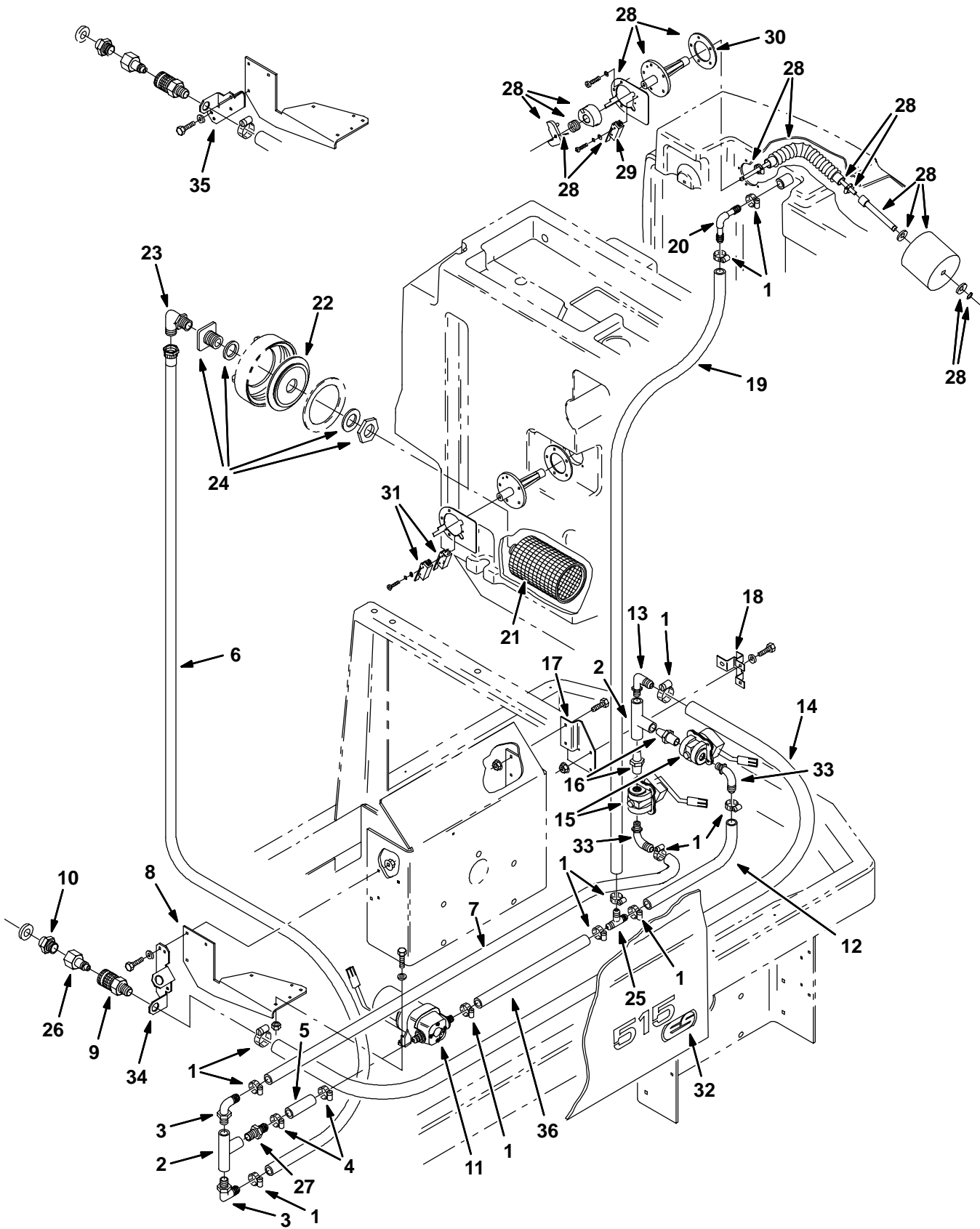


Fig. 3 - Extended Scrub Group

| Ref. | Tennant Part No. | Machine Serial Number | Description | Qty. |
|------|------------------|-----------------------|--|------|
| 1 | 86824 | (000000- |) Clamp, Worm Drive | 12 |
| 2 | 79497 | (000000- |) Fitting, Plastic Tee | 2 |
| 3 | 47701 | (000000- |) Fitting, Barbed Elbow | 2 |
| 4 | 11399 | (000000- |) Clamp, Worm Drive | 2 |
| 5 | 16910 | (000000- |) Hose, Clear Vinyl | 1 |
| 6 | 375022 | (000000- |) Hose, Vinyl | 1 |
| 7 | 41427 | (000000- |) Hose, Clear Vinyl | 1 |
| 8 | 363312 | (000000- |) Plate, Pump Mounting | 1 |
| 9 | 24105 | (000000- |) Fitting, Quick-disconnect, Female | 1 |
| 10 | 33295 | (000000- |) Fitting, Quick-disconnect, Male | 1 |
| 11 | 17333 | (000000- |) Pump Assembly (See Breakdowns) | 1 |
| 12 | 41435 | (000000- |) Hose, Clear Vinyl, .63ldX11.00Lg | 1 |
| 13 | 48697 | (000000- |) Fitting, Barbed Elbow Brass 3/4 Hose | 1 |
| 14 | 73476 | (000000- |) Hose, Clear Vinyl, .75ldX30.00 Lg | 1 |
| 15 | 41410 | (000000- |) Valve, Solenoid | 2 |
| 16 | 11442-3 | (000000- |) Fitting, Nipple Blk 1/2NPT | 2 |
| 17 | 15838 | (000000- |) Plate, Bent | 1 |
| 18 | 15965 | (000000- |) Plate, Bent | 1 |
| 19 | 16911 | (000000- |) Hose, Clear Vinyl | 1 |
| 20 | 45486 | (000000- |) Fitting, Barbed Elbow | 1 |
| 21 | 370101 | (000000- |) Screen, Solution 35 Mesh 10.5 Lg | 1 |
| 22 | 15987 | (000000- |) Cover, Lid | 1 |
| 23 | 17118 | (000000- |) Fitting, Elbow | 1 |
| 24 | 370112 | (000000- |) Fitting, Straight | 1 |
| 25 | 16356 | (000000- |) Fitting, Tee | 1 |
| 26 | 33294 | (000000- |) Fitting, Brass | 1 |
| 27 | 41440 | (000000- |) Fitting, Straight | 1 |
| ▽ | 28 | 24301 | (000000-) Level Sensing Kit, ES™ | 1 |
| ▲ | 29 | 41407 | (000000-) Switch, 15Amp | 1 |
| ▲ | 30 | 86591 | (000000-) Gasket | 1 |
| 31 | 44847 | (000000- |) Switch, 15 A mp | 2 |
| 32 | 14715 | (000000- |) Label, ES™ Logo | 2 |
| 33 | 30268 | (000000- |) Fitting, Brass 5/8 Hose | 2 |
| 34 | 363470 | (000000- |) Bracket, Hose Fitting, Max Pro™ 1000 | 1 |
| 35 | 363470 | (000000- |) Bracket, Hose Fitting, Max Pro™ 1200 | 1 |
| 36 | 363462 | (000000- |) Hose, Clear Vinyl, .62ldX7.00Lg | 1 |

Fig. 4 - Revolving Light Kit, Lintel

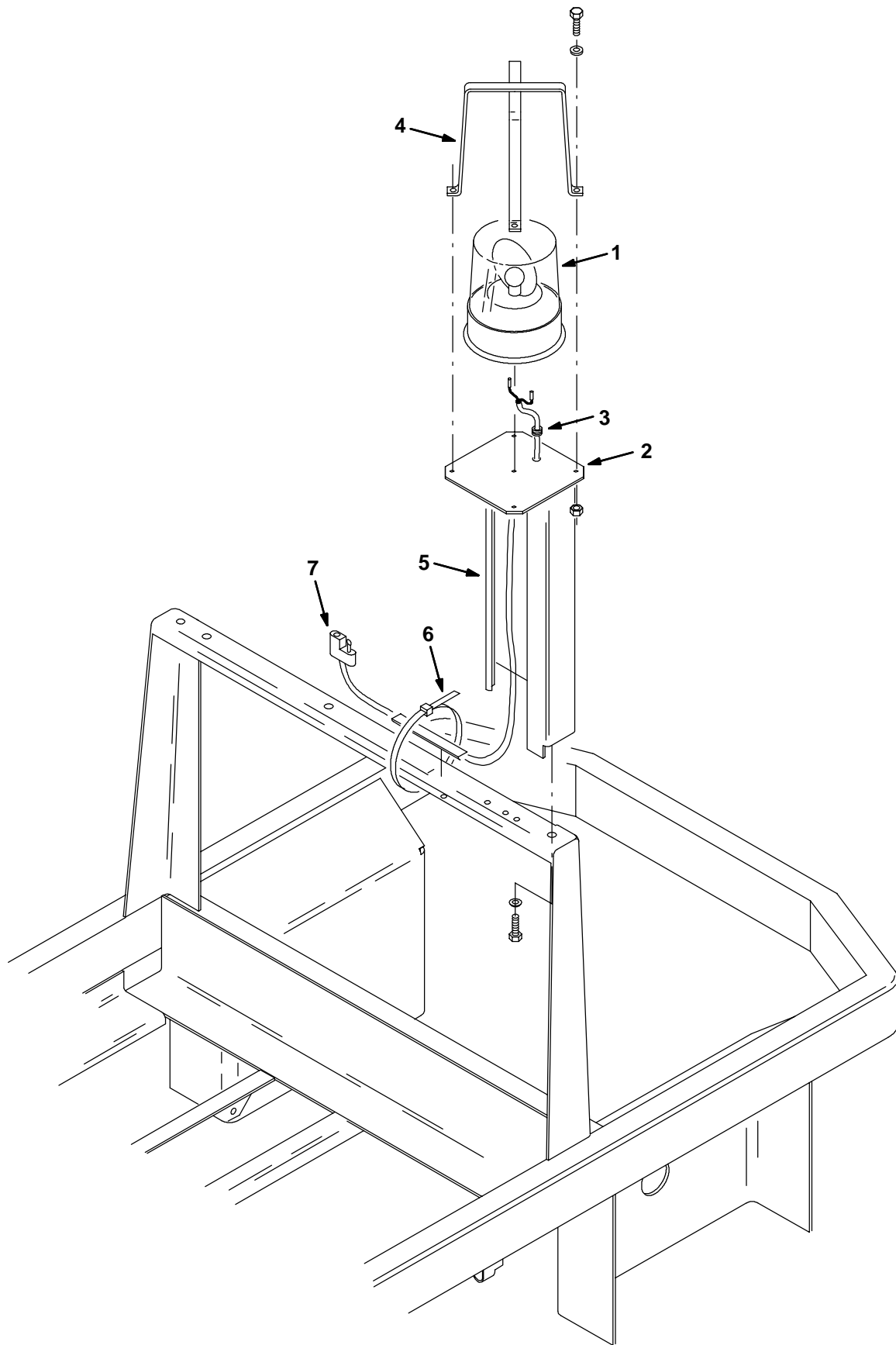


Fig. 4 - Revolving Light Kit, Lintel

| | Ref. | Tennant Part No. | Machine Serial Number | Description | Qty. |
|----|-------------|-------------------------|------------------------------|----------------------------------|-------------|
| ▽ | | 363451 | (000000- |) Light Kit Revolving Lintel | 1 |
| ▲▽ | 1 | 87709 | (000000- |) Light, Rev. Amber 36V-Rework | 1 |
| ▲▲ | | 44681-1 | (000000- |) Lens,Rev.Light,Amber | 1 |
| ▲▲ | | 45283 | (000000- |) Bulb, 40V .9A 50Cp #1062 | 1 |
| ▲ | 2 | 14807 | (000000- |) Bracket Light | 1 |
| ▲ | 3 | 10632-11 | (000000- |) Grommet,Rbr,0.38ld,For .19Matl | 1 |
| ▲ | 4 | 45272 | (000000- |) Guard Wldt, Lights, Revl&Flsh | 1 |
| ▲ | 5 | 369817 | (000000- |) Duct, Vinyl,.40X .75X48.0 25D | 1 |
| ▲ | 6 | 49266 | (000000- |) Tie, Cable 1.75D Max 7.50Lg | 3 |
| ▲ | 7 | 87649 | (000000- |) Wire Harness Warning Light | 1 |
| | | 44681 | (000000- |) Lens,Rev.Light,Red | 1 |
| | | 44681-2 | (000000- |) Lens,Rev.Light,Blue | 1 |

Fig. 5 - Revolving Light Kit, Overhead Guard

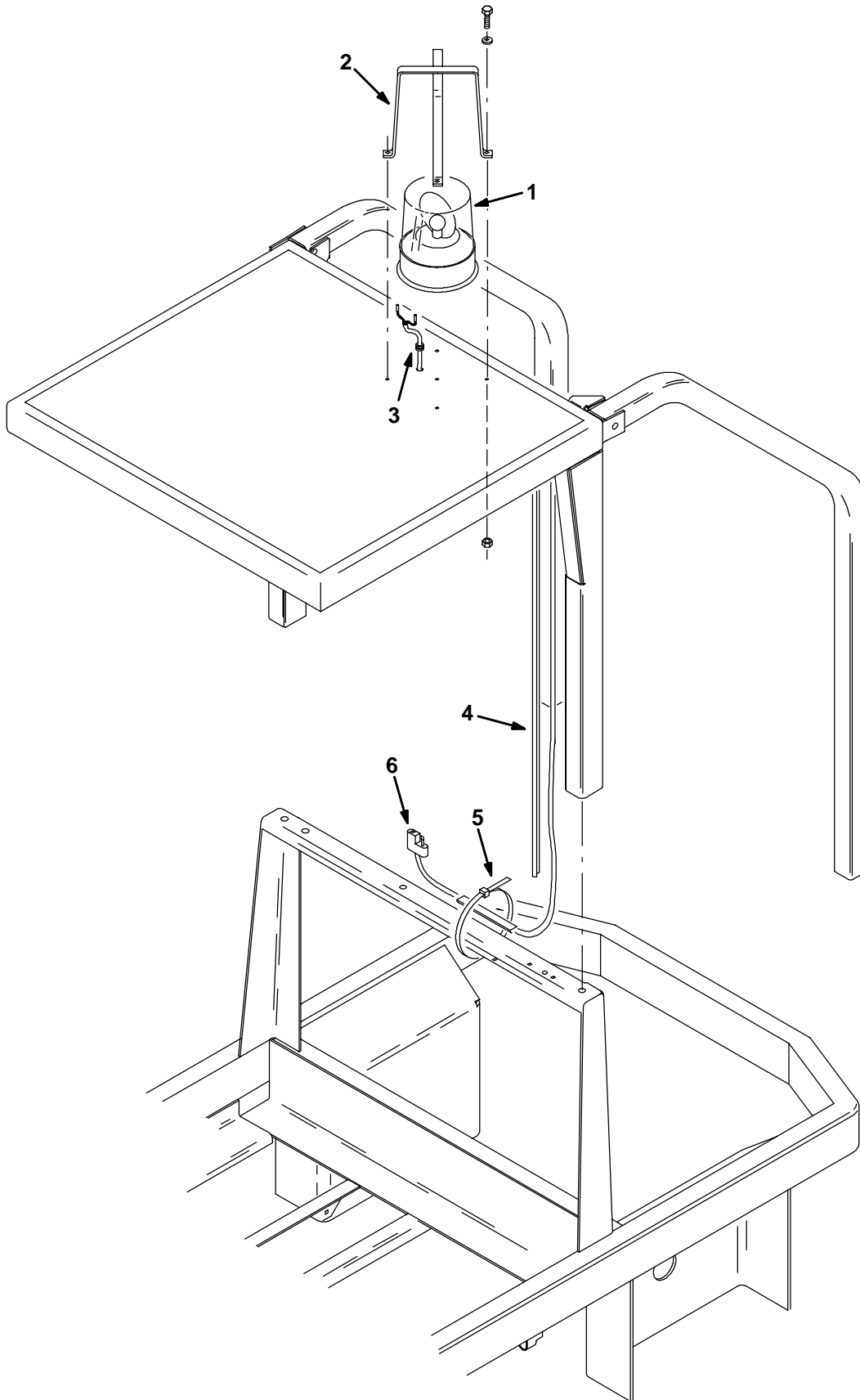
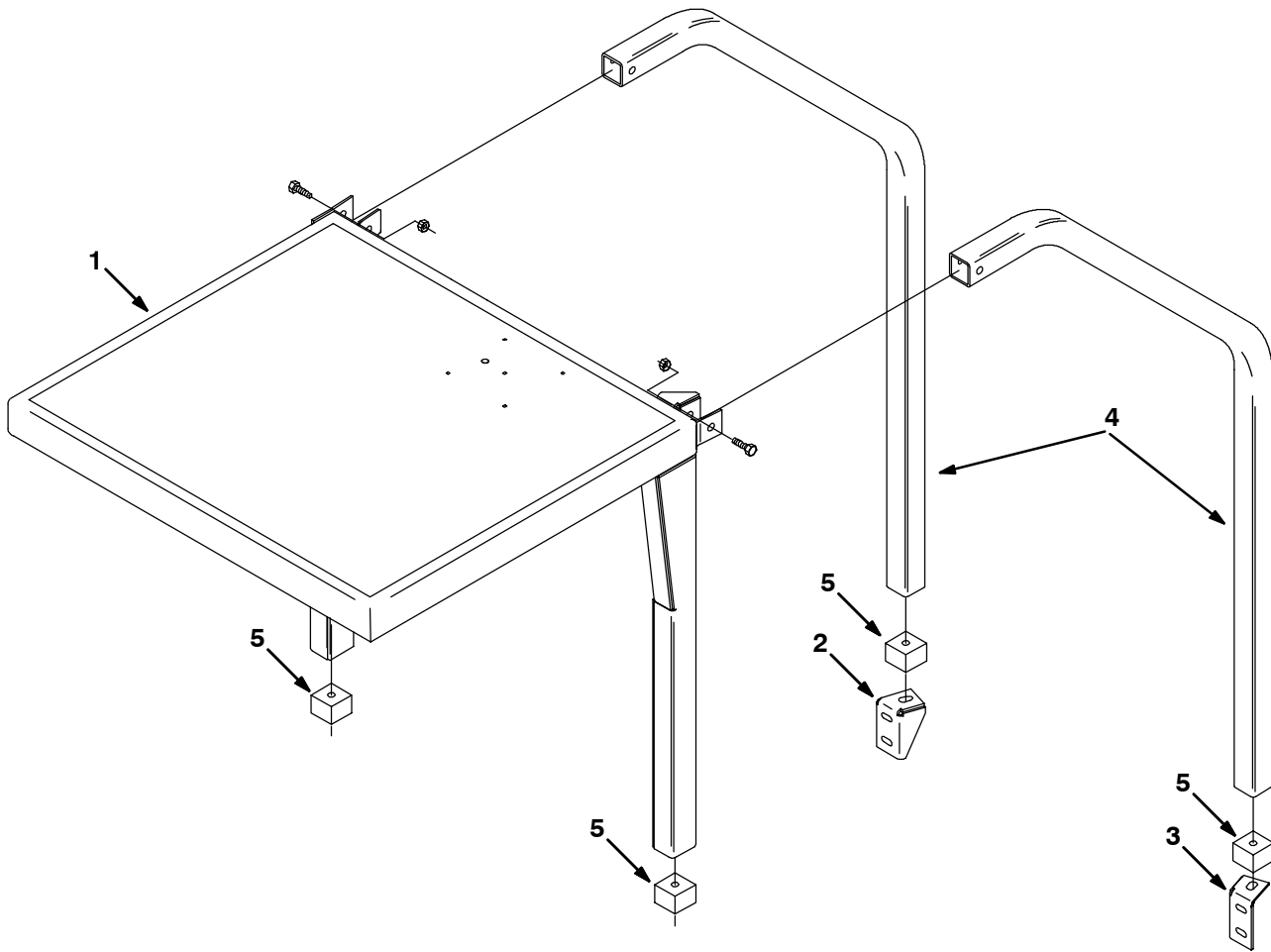


Fig. 5 - Revolving Light Kit, Overhead Guard

| | Ref. | Tennant Part No. | Machine Serial Number | Description | Qty. |
|----|-------------|-------------------------|------------------------------|----------------------------------|-------------|
| ▽ | | 363452 | (000000- |) Light Kit Revl Amb 510E Ohgd | 1 |
| ▲▽ | 1 | 87709 | (000000- |) Light, Rev. Amber 36V-Rework | 1 |
| ▲▲ | | 44681-1 | (000000- |) Lens,Rev.Light,Amber | 1 |
| ▲▲ | | 45283 | (000000- |) Bulb, 40V .9A 50Cp #1062 | 1 |
| ▲ | 2 | 45272 | (000000- |) Guard Wldt, Lights, Revl&Fish | 1 |
| ▲ | 3 | 10632-12 | (000000- |) Grommet,Rbr,0.38ld,For .12Matl | 1 |
| ▲ | 4 | 369817 | (000000- |) Duct, Vinyl,.40X .75X48.0 25D | 1 |
| ▲ | 5 | 49266 | (000000- |) Tie, Cable 1.75D Max 7.50Lg | 2 |
| ▲ | 6 | 87649 | (000000- |) Wire Harness Warning Light | 1 |
| | | 44681 | (000000- |) Lens,Rev.Light,Red | 1 |
| | | 44681-2 | (000000- |) Lens,Rev.Light,Blue | 1 |

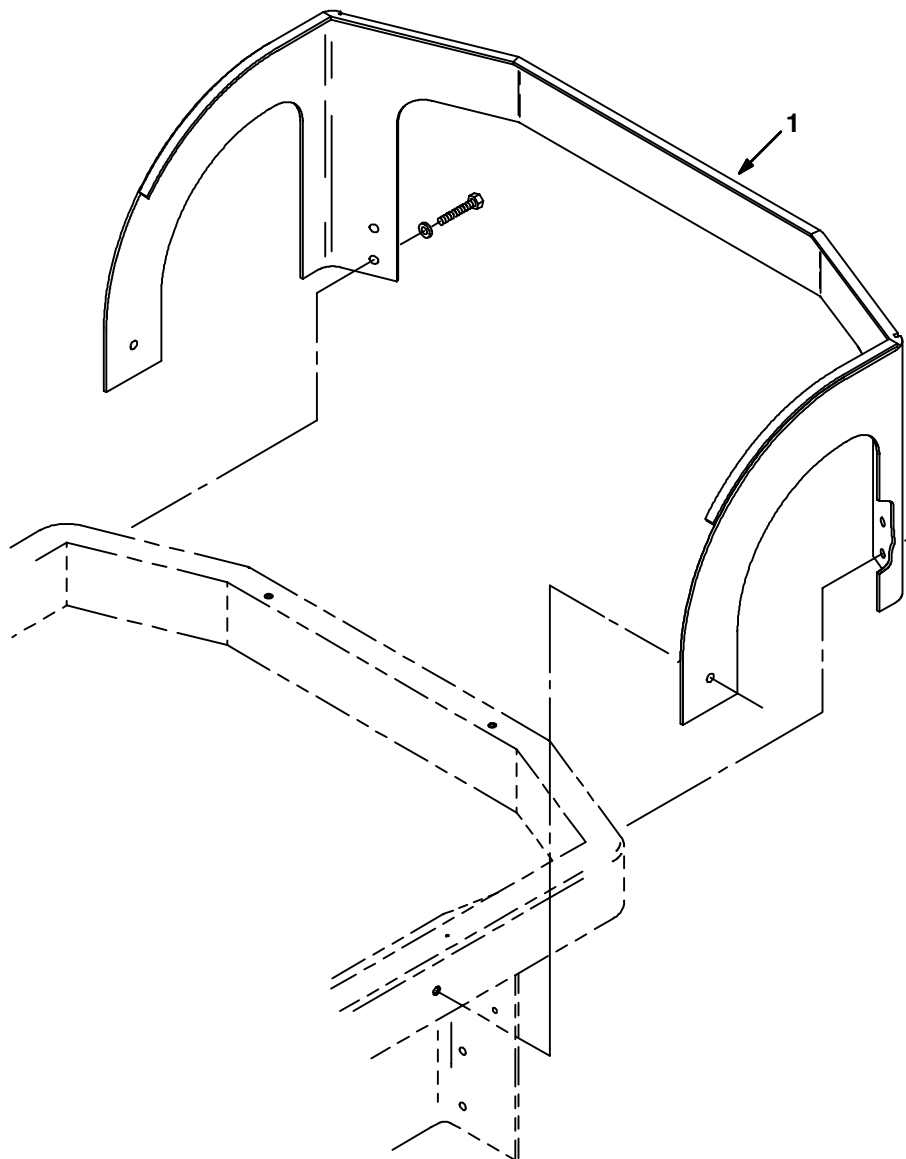
Fig. 6 - Overhead Guard Kit



06066-06066

| Ref. | Tennant Part No. | Machine Serial Number | Description | Qty. |
|------|------------------|-----------------------|------------------------------|------|
| ▽ | 14727 | (000000- |) Guard Kit, Overhead | 1 |
| ▲ 1 | 16880 | (000000- |) Guard, Overhead | 1 |
| ▲ 2 | 16889 | (000000- |) Bracket, Mounting, R.H. | 1 |
| ▲ 3 | 16890 | (000000- |) Bracket, Mounting, L.H. | 1 |
| ▲ 4 | 41316 | (000000- |) Leg, Overhead Guard | 2 |
| ▲ 5 | 363520 | (000000- |) Spacer, Heavy Duty Battery | 4 |

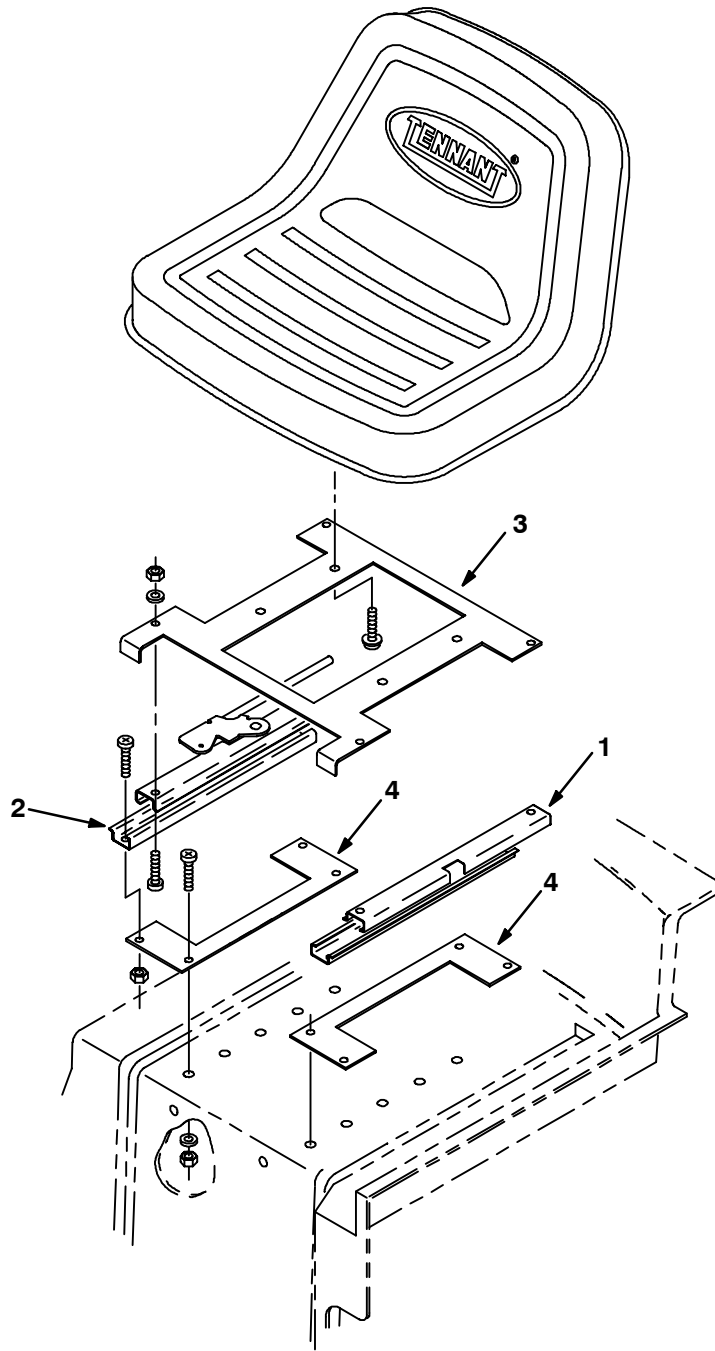
Fig. 7 - Heavy Duty Bumper Kit



06081-06081

| | Ref. | Tennant Part No. | Machine Serial Number | Description | Qty. |
|---|------|------------------|-----------------------|--------------------------|------|
| ▽ | | 14820 | (000000- |) Bumper Kit, Heavy Duty | 1 |
| ▲ | 1 | 14987 | (000000- |) Bumper, Heavy Duty | 1 |

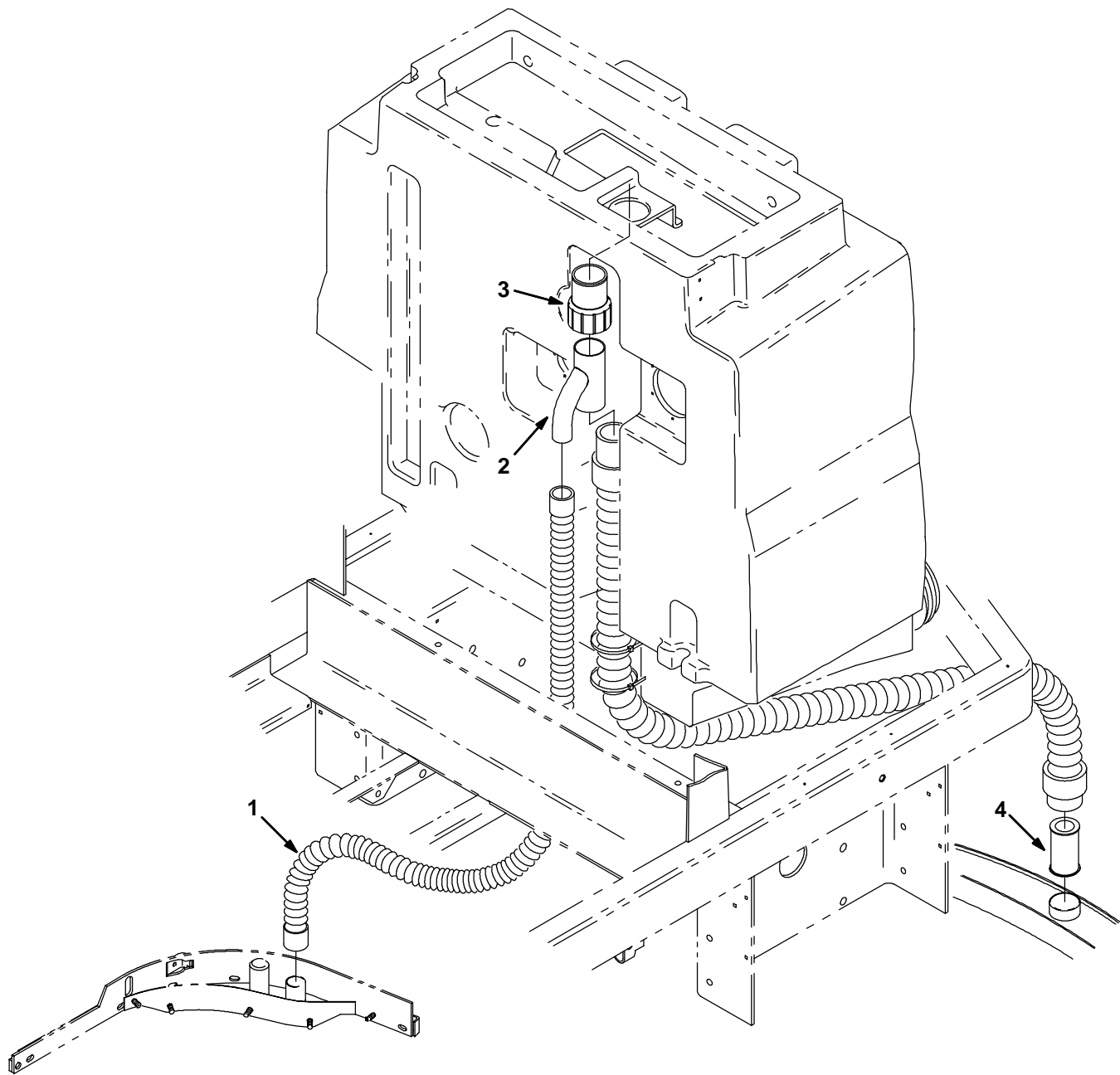
Fig. 8 - Suspension Slide Seat Kit



06062-06062

| Ref. | Tennant Part No. | Machine Serial Number | Description | Qty. |
|------|------------------|-----------------------|--------------------------|------|
| ▽ | 14971 | (000000- |) Seat, Suspension Slide | 1 |
| ▲ 1 | 14657 | (000000- |) Rail, Slide Adjuster | 1 |
| ▲ 2 | 14724 | (000000- |) Bracket Assembly, Seat | 1 |
| ▲ 3 | 14998 | (000000- |) Plate, Seat Mounting | 1 |
| ▲ 4 | 14514 | (000000- |) Bracket, Seat Support | 2 |

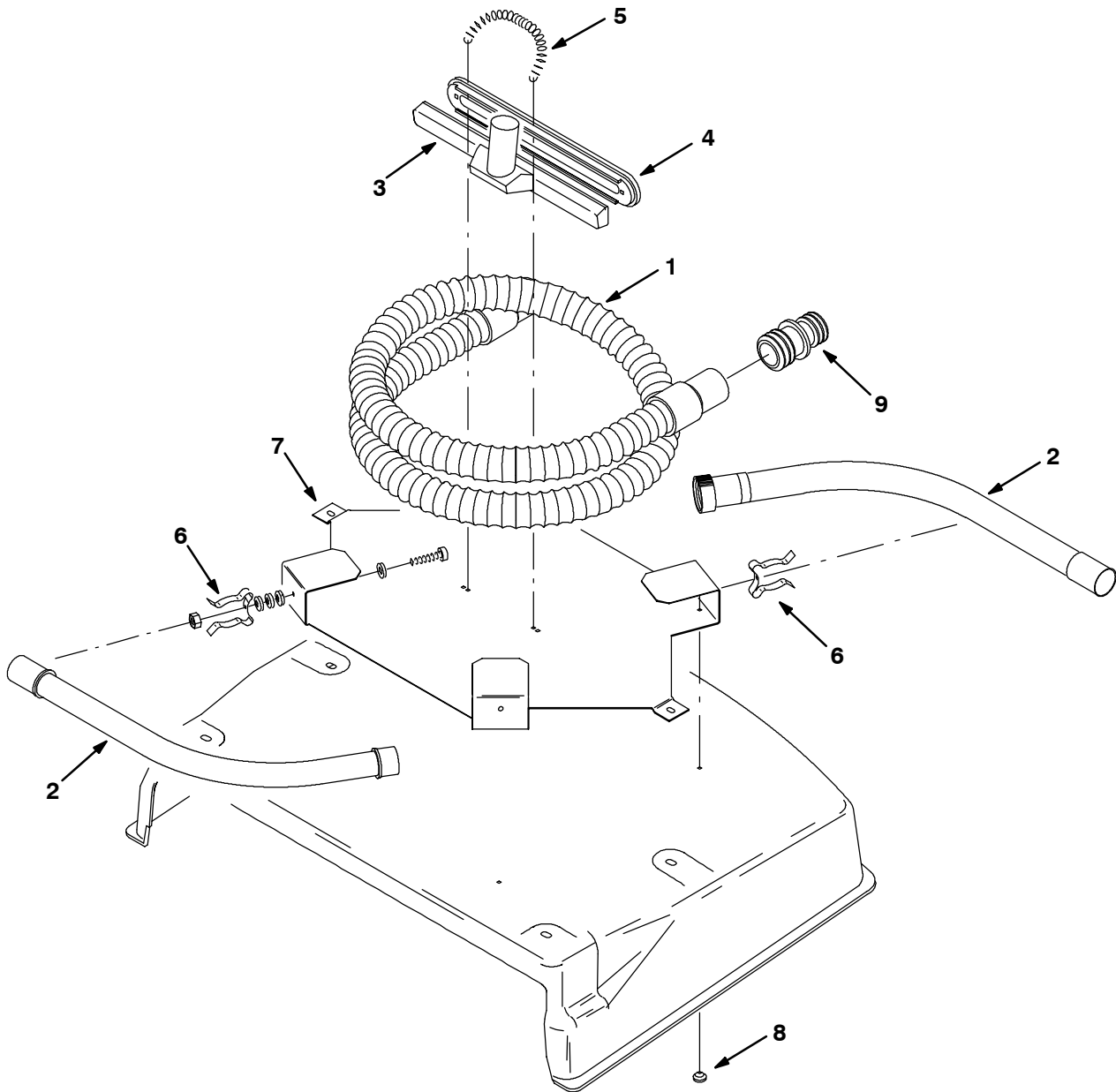
Fig. 9 - Side Squeegee Vac Hose Group



10666-10667

| Ref. | Tennant Part No. | Machine Serial Number | Description | Qty. |
|------|------------------|-----------------------|-------------------------|------|
| 1 | 363401 | (000000-) | Hose, Vacuum | 1 |
| 2 | 363311 | (000000-) | Tube, Wye, Round, 2X2X1 | 1 |
| 3 | 363233 | (000000-) | Cuff, Vac | 1 |
| 4 | 363232 | (000000-) | Restrictor | 1 |

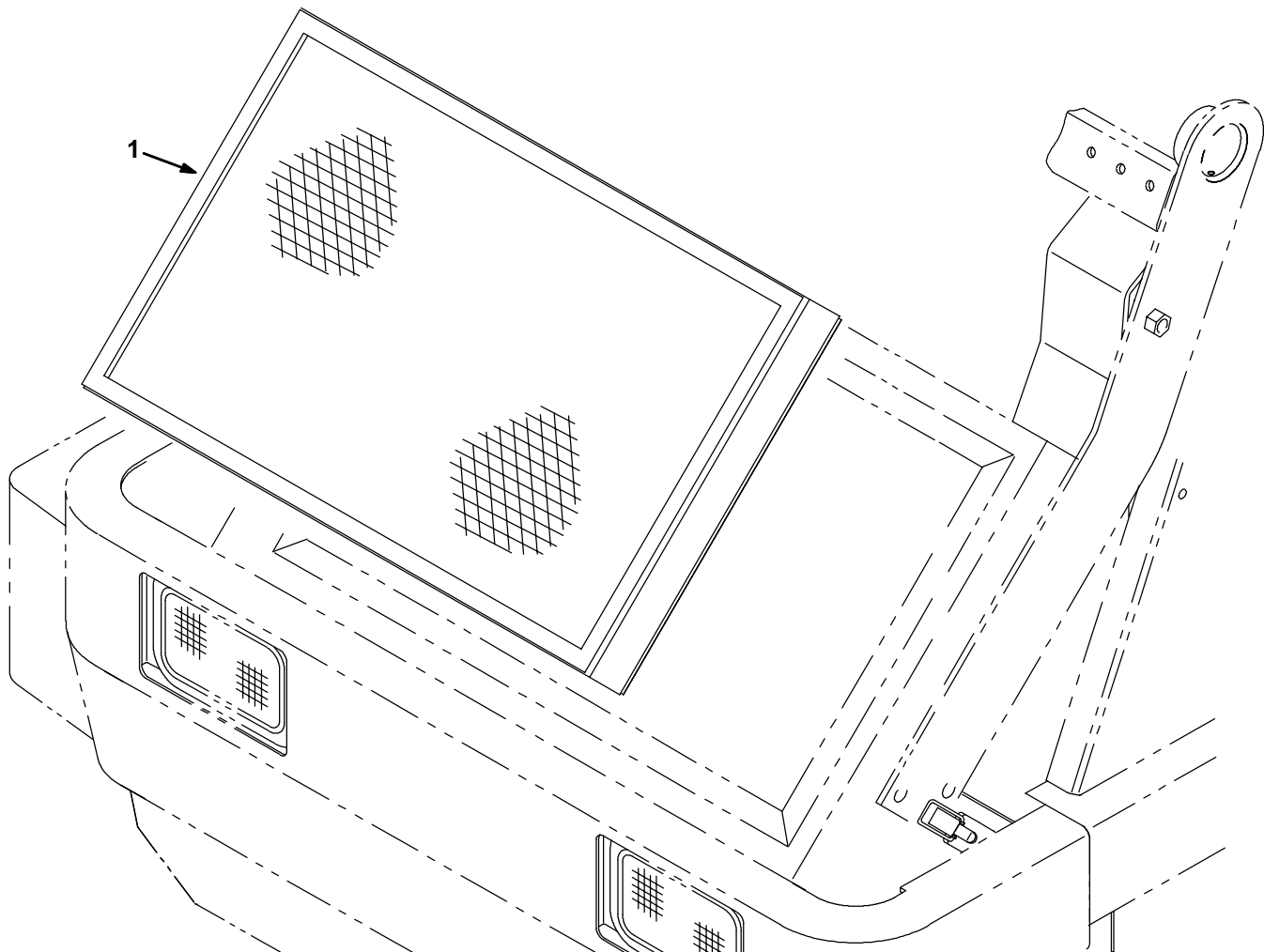
Fig. 10 - Vacuum Wand Kit



06064-06064

| Ref. | Tennant Part No. | Machine Serial Number | Description | Qty. | |
|------|------------------|-----------------------|--------------------|--------------------------|---|
| ▽ | 14465 | (000000- |) Wand Kit, Vacuum | 1 | |
| ▲ | 1 | 86767 | (000000- |) Hose and Cuff Assembly | 1 |
| ▲ | 2 | 63448 | (000000- |) Wand, Metal, 2 Piece | 1 |
| ▲ | 3 | 63451 | (000000- |) Nozzle, Plastic Wand | 1 |
| ▲ | 4 | 63430 | (000000- |) Shoe, Plastic Squeegee | 1 |
| ▲ | 5 | 50304 | (000000- |) Spring | 1 |
| ▲ | 6 | 67004 | (000000- |) Clip, Finger Grip | 4 |
| ▲ | 7 | 14951 | (000000- |) Wand Kit, Cradle | 1 |
| ▲ | 8 | 29233 | (000000- |) Bumper | 4 |
| ▲ | 9 | 48609 | (000000- |) Ftg-Plstc Str | 1 |

Fig. 11 - Wet Vac Filter Kit



351076-351077

| Ref. | Tennant Part No. | Machine Serial Number | Description | Qty. |
|------|------------------|-----------------------|---------------------------|------|
| 1 | 370137 | (000000- |) Kit, Syn. Filter, Panel | 1 |

Fig. 12 - Seat Support Group, Heavy Duty Battery

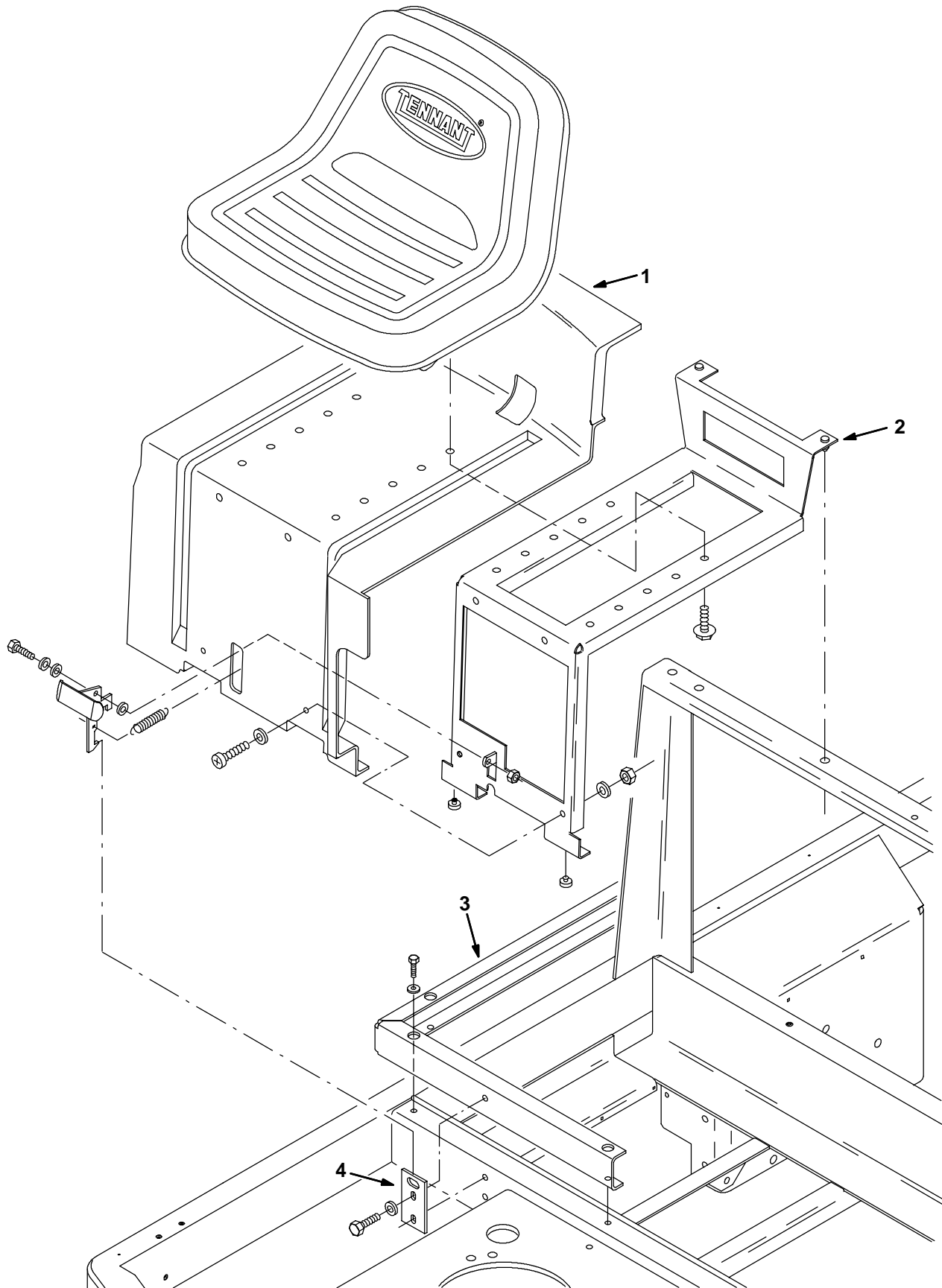


Fig. 12 - Seat Support Group, Heavy Duty Battery

| Ref. | Tennant Part No. | Machine Serial Number | Description | Qty. |
|-------------|-------------------------|------------------------------|-------------------------------|-------------|
| 1 | 363199 | (000000- |) Panel, Shroud, Seat Support | 1 |
| 2 | 363200 | (000000- |) Seat Wldt, Support | 1 |
| 3 | 363202 | (000000- |) Channel, Mtg, Seat Support | 1 |
| 4 | 363203 | (000000- |) Plate, Strike | 1 |

Fig. 13 - Heavy Duty Motor Kit for MaxPro™ 1000 Two-Brush System

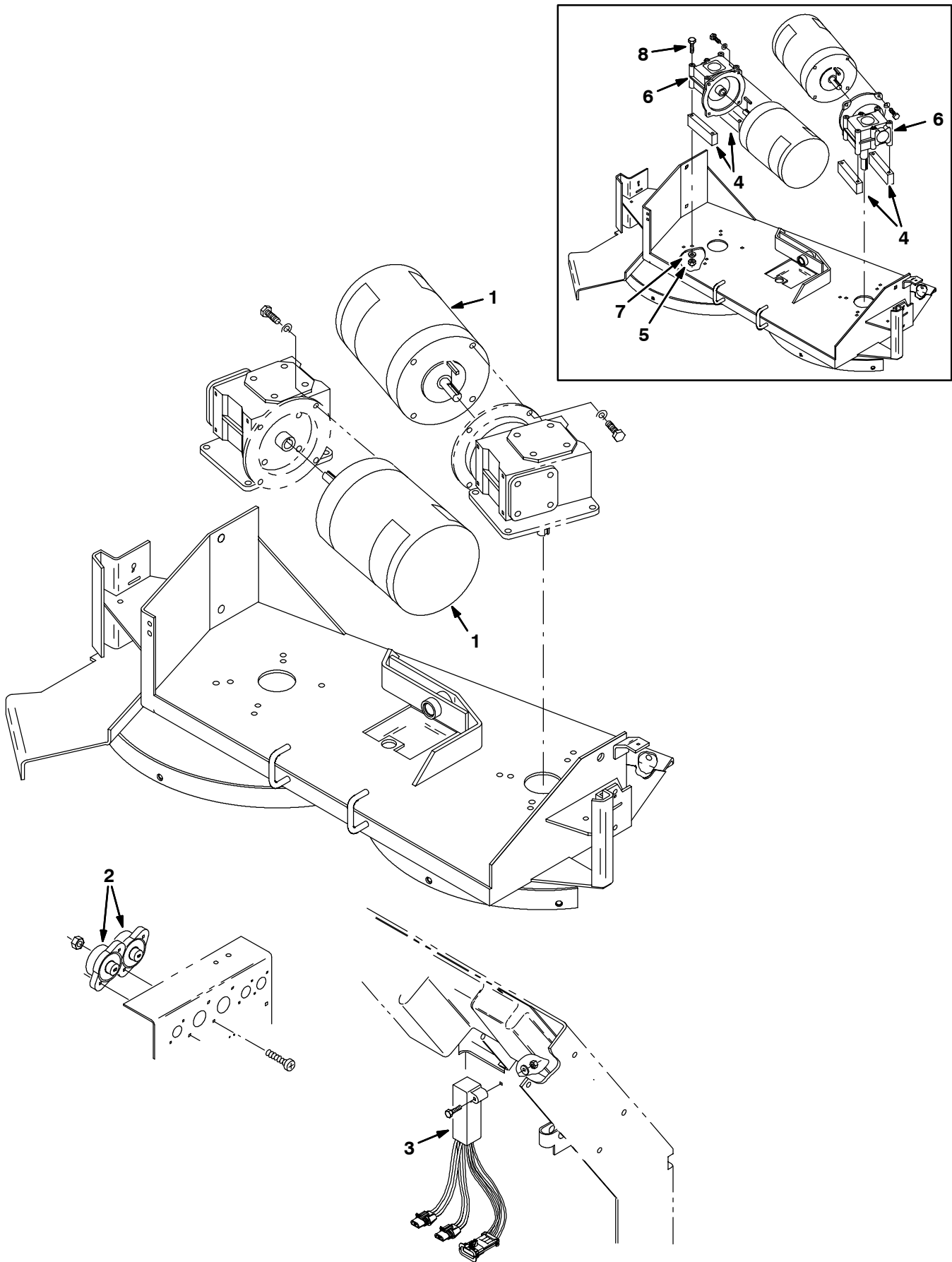


Fig. 13 - Heavy Duty Motor Kit for MaxPro™ 1000 Two-Brush System

| | Ref. | Tennant Part No. | Machine Serial Number | Description | Qty. |
|---|-------------|-------------------------|------------------------------|--|-------------|
| ▽ | | 16966 | (000000-) | Motor Kit, Heavy Duty | 1 |
| ▲ | 1 | 16225 | (000000-) | Motor (See Breakdowns) (Replaced by 377369) | 2 |
| ▲ | 2 | 375119 | (000000-) | Breaker, Circuit, 50 A | 2 |
| ▲ | 3 | 363237 | (004287-) | Shunt, 2 Hd Mtrs | 1 |
| | 4 | 16891 | (000000- xxxxxx) | Spacer, Gearbox | 4 |
| | 5 | 08713 | (000000- xxxxxx) | Nut, Hex | 8 |
| | 6 | 16226 | (000000- xxxxxx) | Gearbox (Repl by 375066) (See Breakdowns) | 2 |
| | 7 | 01685 | (000000- xxxxxx) | Washer, Flat, .31 Ss | 2 |
| | 8 | 14455 | (000000- xxxxxx) | Screw, Hex | 8 |

Fig. 14 - Transport Kit

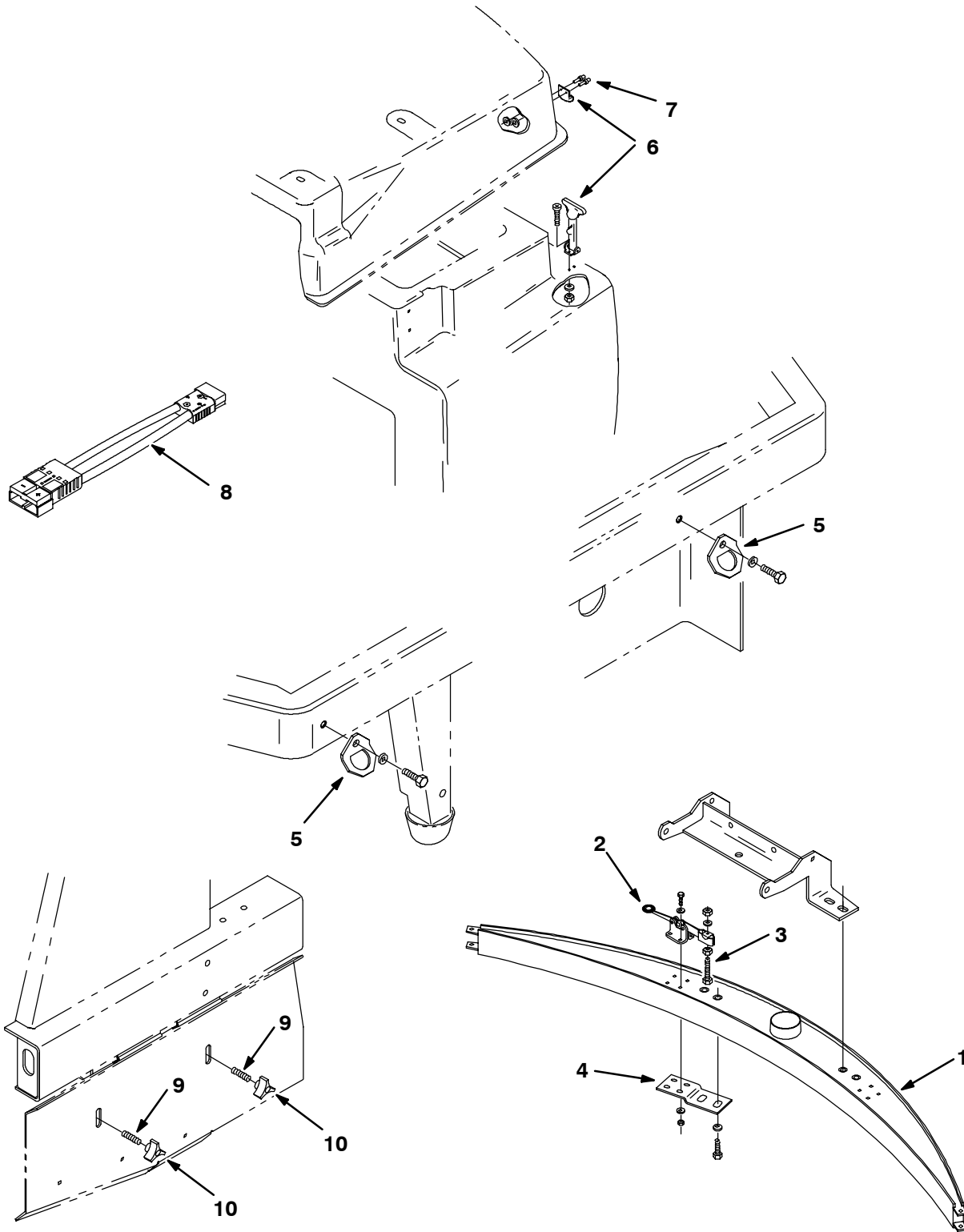
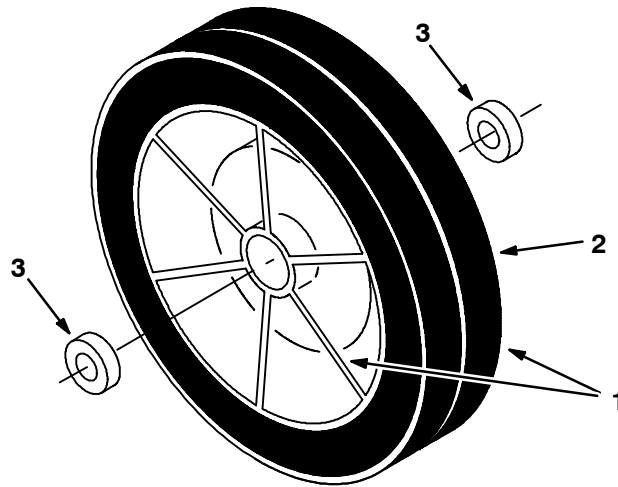


Fig. 14 - Transport Kit

| | Ref. | Tennant Part No. | Machine Serial Number | Description | Qty. |
|---|-------------|-------------------------|------------------------------|---------------------------------|-------------|
| ▽ | | 363943 | (000000- |) Transport Kit | 1 |
| ▲ | 1 | 41392 | (000000- |) Frame Squeege Quick | 1 |
| ▲ | 2 | 15513 | (000000- |) Clamp Toggle | 2 |
| ▲ | 3 | 39612 | (000000- |) Scr-Hex .31-18X2.00 Full Thd | 2 |
| ▲ | 4 | 16179 | (000000- |) Bracket | 2 |
| ▲ | 5 | 14983 | (000000- |) Bracket Tie Down | 4 |
| ▲ | 6 | 11636 | (000000- |) Latch, Draw, Flexible | 2 |
| ▲ | 7 | 56799 | (000000- |) Rivet Pop-.125Dx.38X.25Dhd Al | 4 |
| ▲ | 8 | 363480 | (000000- |) Adapter, Wire | 1 |
| ▲ | 9 | 30327 | (000000- |) Stud M8x1.25 25 8.8 Pltd | 1 |
| ▲ | 10 | 222470 | (000000- |) Knob, M8x1.25 Insert | 1 |

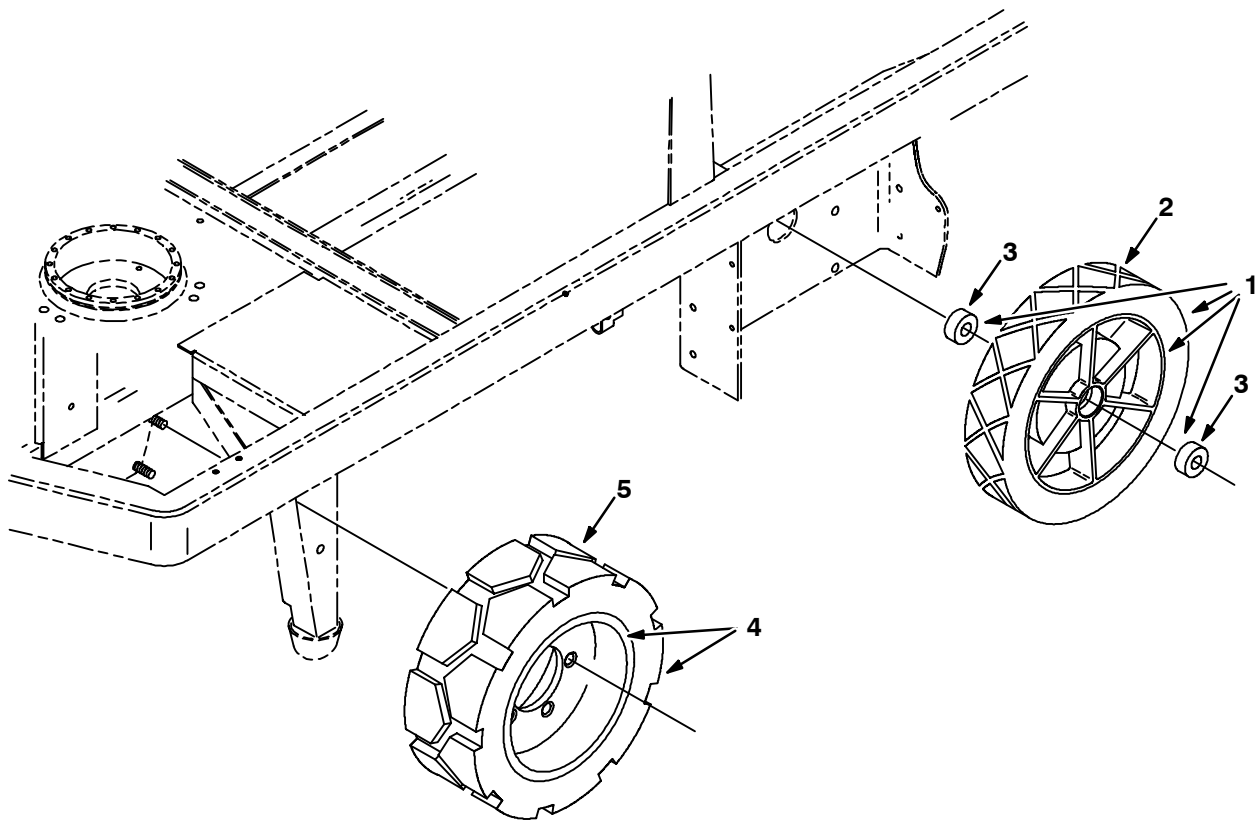
Fig. 15 - Grooved Tire Assembly



10713-06063

| | Ref. | Tennant Part No. | Machine Serial Number | Description | Qty. |
|---|------|------------------|-----------------------|----------------------------------|------|
| ▽ | 1 | 363175 | (000000- |) Tire Assy, Grooved | 2 |
| ▲ | 2 | 33320 | (000000- |) Tire, 16 X 3.5 X 12.13 Grooved | 1 |
| ▲ | 3 | 360074 | (000000- |) Bearing-Ball,1.18B 2.44D 0.63W | 2 |

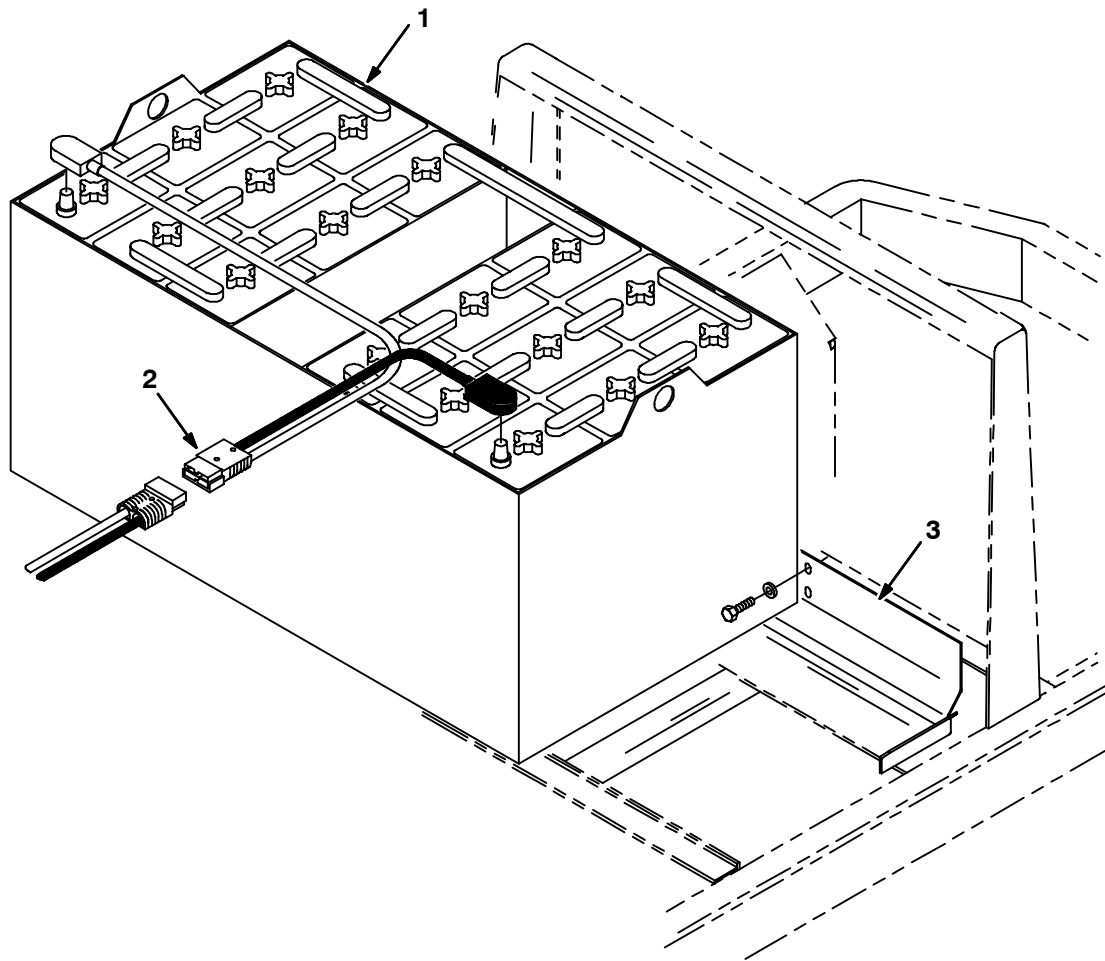
Fig. 16 - Non-Mark, Non-Skid Tires



10714-08039

| | Ref. | Tennant Part No. | Machine Serial Number | Description | Qty. |
|---|------|------------------|-----------------------|----------------------------------|------|
| ▽ | 1 | 363413 | (000000- |) Tire Assy, Non-Skid, 16 X 3.5 | 2 |
| ▲ | 2 | 48588 | (000000- |) Tire 16.0x3.5x12.1 Non Skid | 2 |
| ▲ | 3 | 360074 | (000000- |) Bearing-Ball,1.18B 2.44D 0.63W | 2 |
| ▽ | 4 | 48591 | (000000- |) Tire, Non-Skid, 16.25 X 6 | 1 |
| ▲ | 5 | 48589 | (000000- |) Tire 16.25X6.00X11.25 Non Skid | 1 |

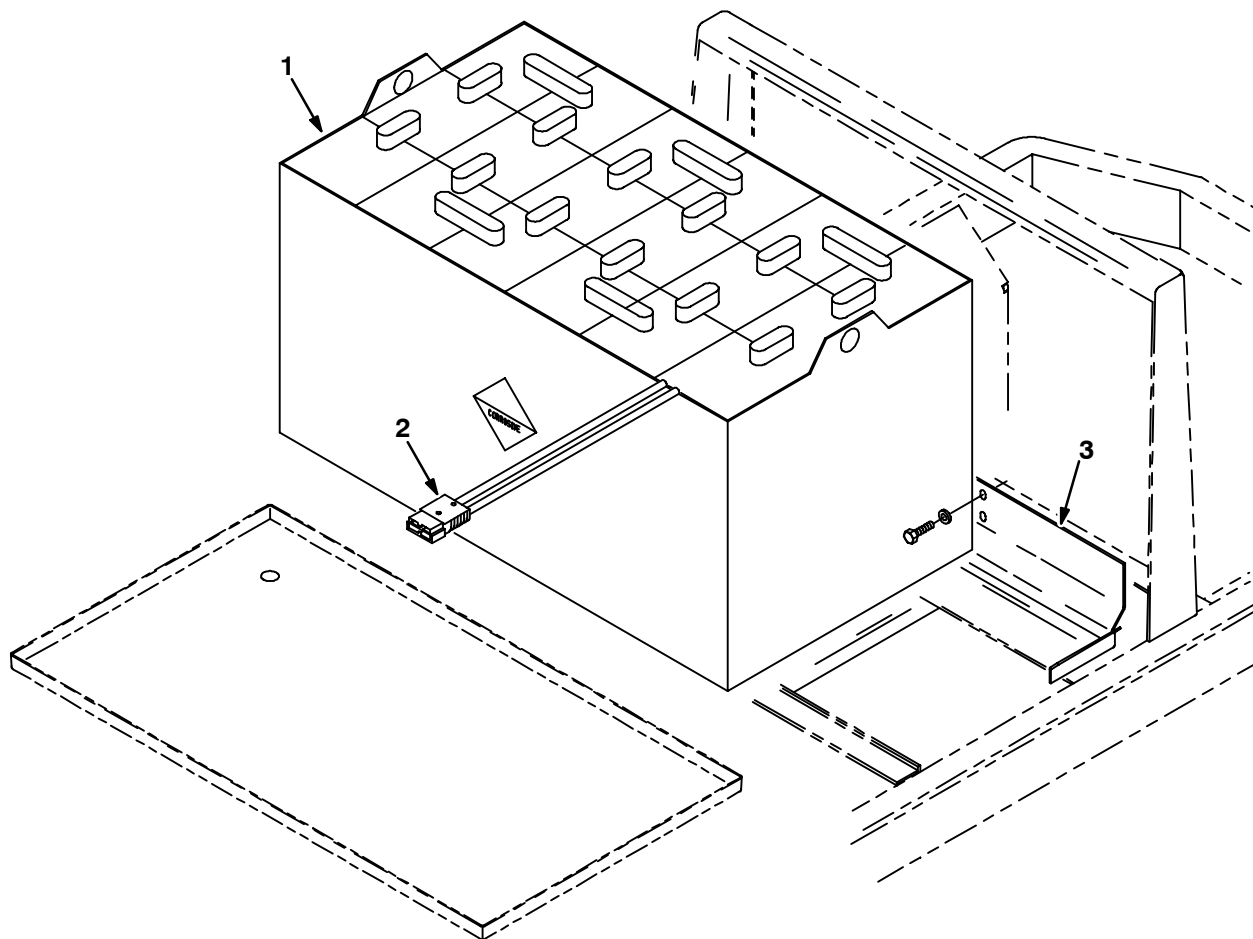
Fig. 17 - Battery Kit, 380 A/h, Wet



10716-06043

| | Ref. | Tennant Part No. | Machine Serial Number | Description | Qty. |
|---|-------------|-----------------------------|----------------------------------|------------------------|-------------|
| ▽ | 1 | 363305 | (000000-) | Battery, 36V 380Ah Wet | 1 |
| ▲ | 2 | 01726 | (000000-) | Connector, | 1 |

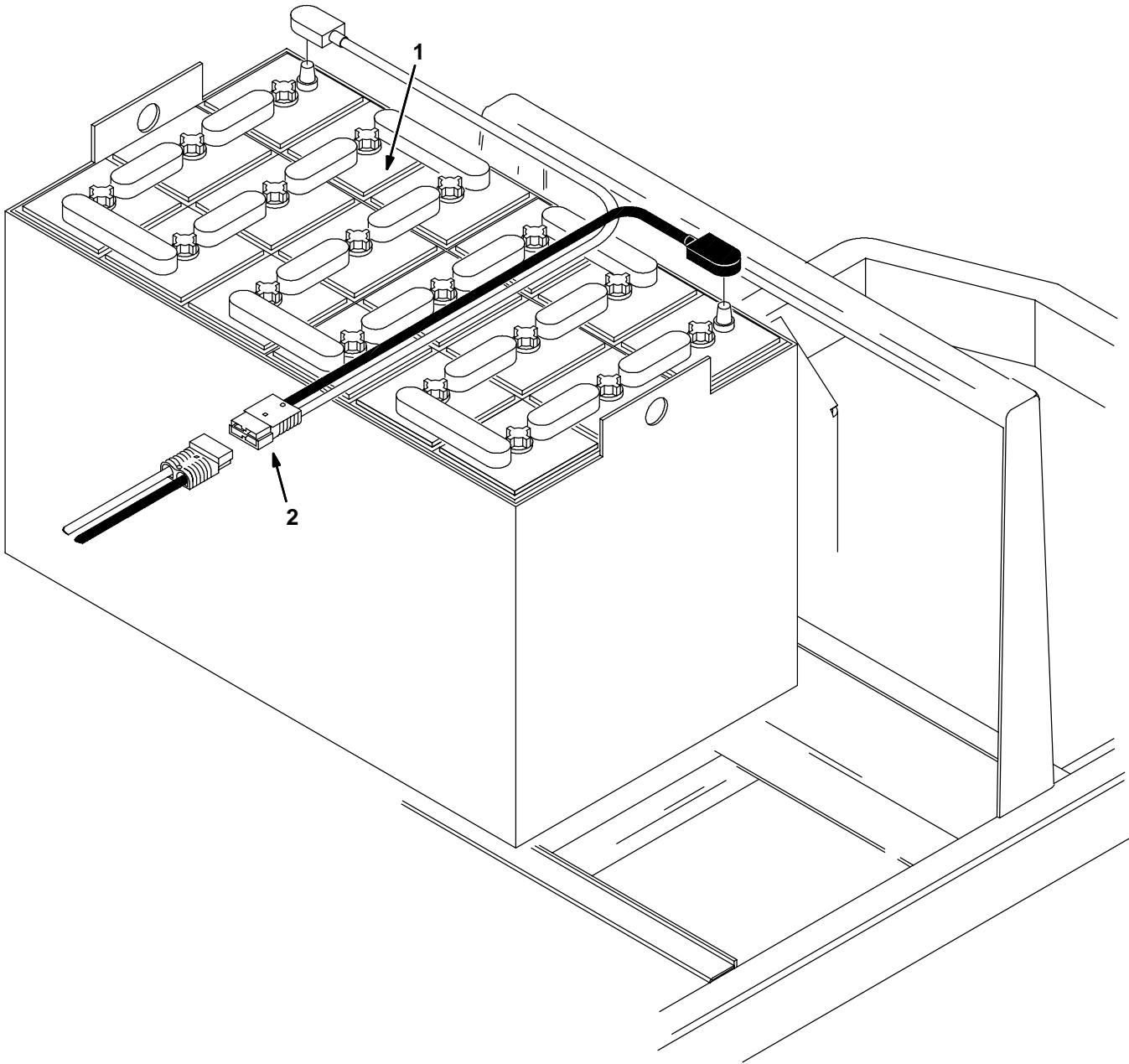
Fig. 18 - Battery Kit, 420 A/h, Wet



10717-06050

| | Ref. | Tennant Part No. | Machine Serial Number | Description | Qty. |
|---|------|------------------|-----------------------|-------------------------|------|
| ▽ | 1 | 363306 | (000000-) | Battery, 36V-420Ah, Wet | 1 |
| ▲ | 2 | 01726 | (000000-) | Connector, | 1 |

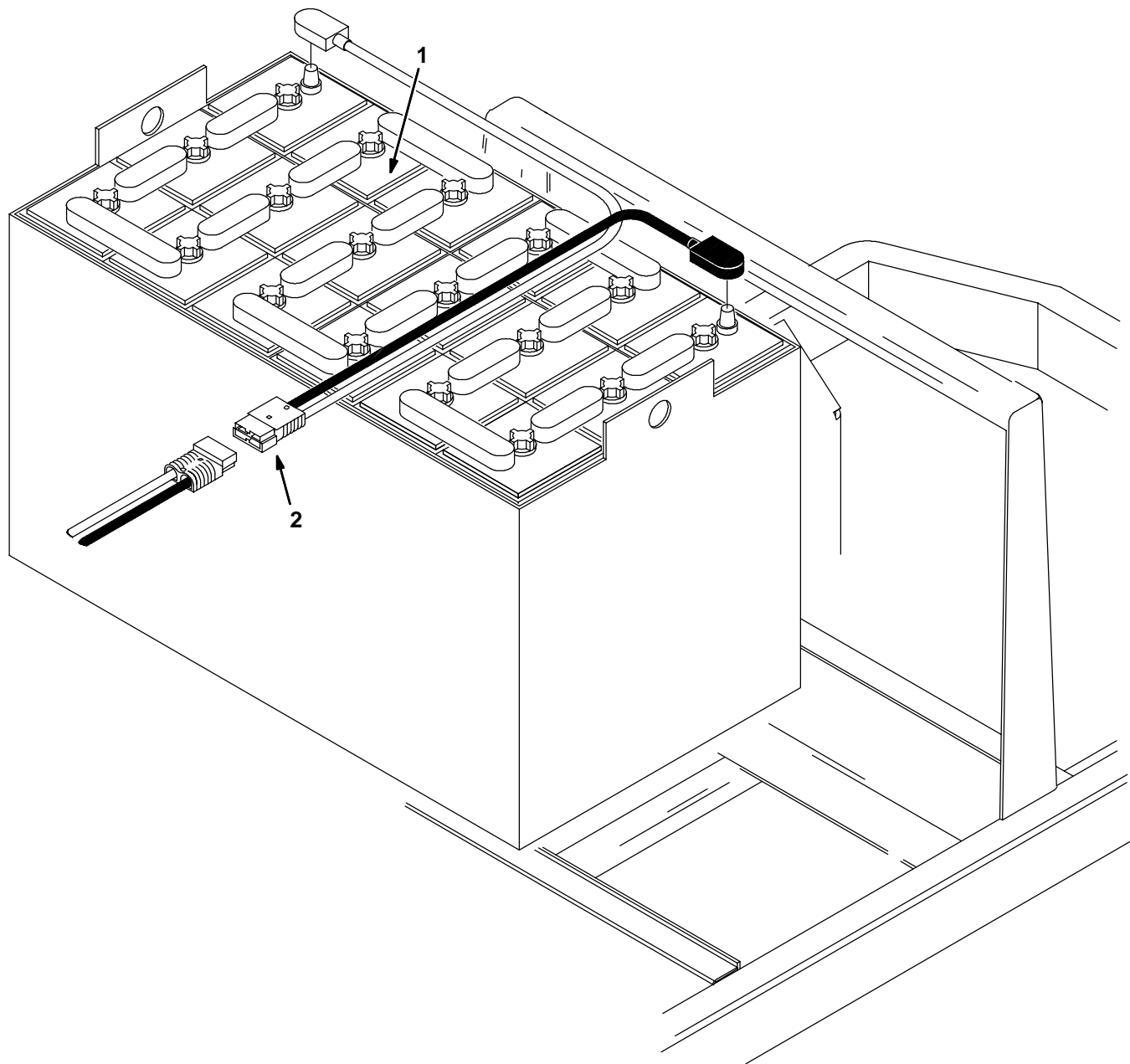
Fig. 19 - Battery Kit, 690 A/h, Wet



10375-10376

| | Ref. | Tenant Part No. | Machine Serial Number | Description | Qty. |
|---|-------------|------------------------|------------------------------|--------------------------|-------------|
| ▽ | 1 | 363153 | (000000-) | Battery, 36V-690A/h, Wet | 1 |
| ▲ | 2 | 01726 | (000000-) | Connector, | 1 |

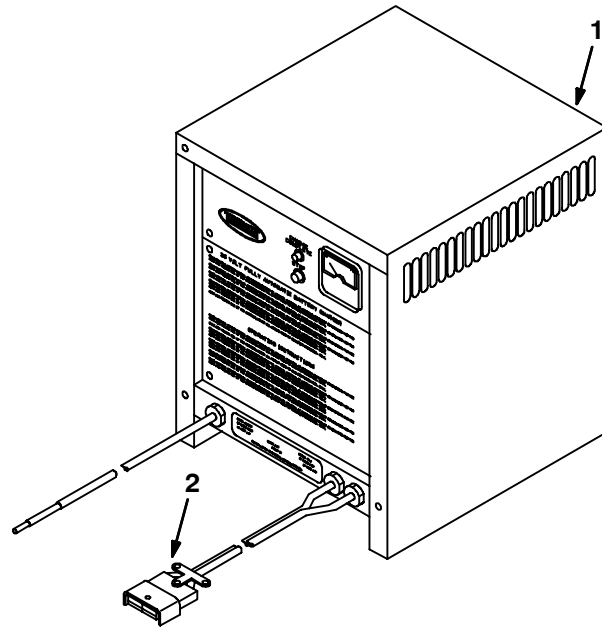
Fig. 20 - Battery Kit, 700 A/h, Dry, International Only



10715-10376

| | Ref. | Tennant Part No. | Machine Serial Number | Description | Qty. |
|---|------|------------------|-----------------------|----------------------------|------|
| ▽ | 1 | 363304 | (000000- |) Battery, 36V 700A/h, Dry | 1 |
| ▲ | 2 | 01726 | (000000- |) Connector, | 1 |

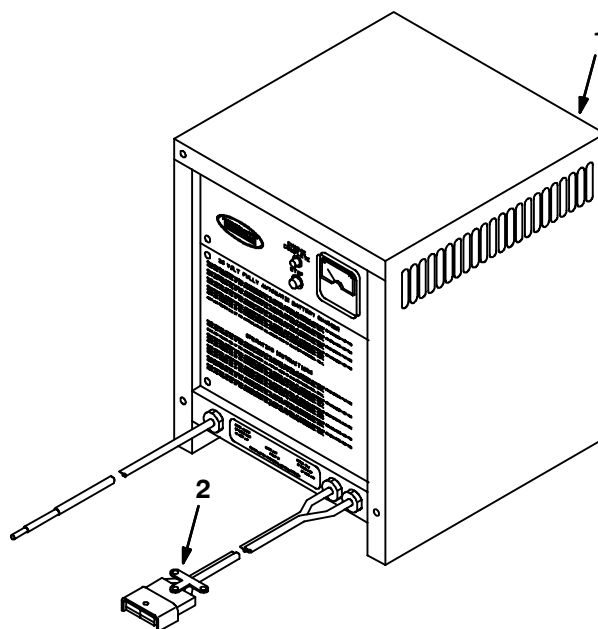
Fig. 21 - Battery Charger Group, 380 A/h Batteries, 60Hz



10720-06049

| | Ref. | Tennant Part No. | Machine Serial Number | Description | Qty. |
|---|-------------|-------------------------|------------------------------|------------------------------|-------------|
| ▽ | 1 | 363354 | (000000-) | Charger Fi, 36V/50A 60Hz/1Ph | 1 |
| ▲ | 2 | 01726 | (000000-) | Connector, | 1 |
| ▽ | 1 | 363352 | (000000-) | Charger, 36V/075A 60Hz/3Ph | 1 |
| ▲ | 2 | 01726 | (000000-) | Connector, | 1 |
| ▽ | 1 | 363510 | (000000-) | Charger, 36V/045A 60Hz/1Ph | 1 |
| ▲ | 2 | 01726 | (000000-) | Connector, | 1 |

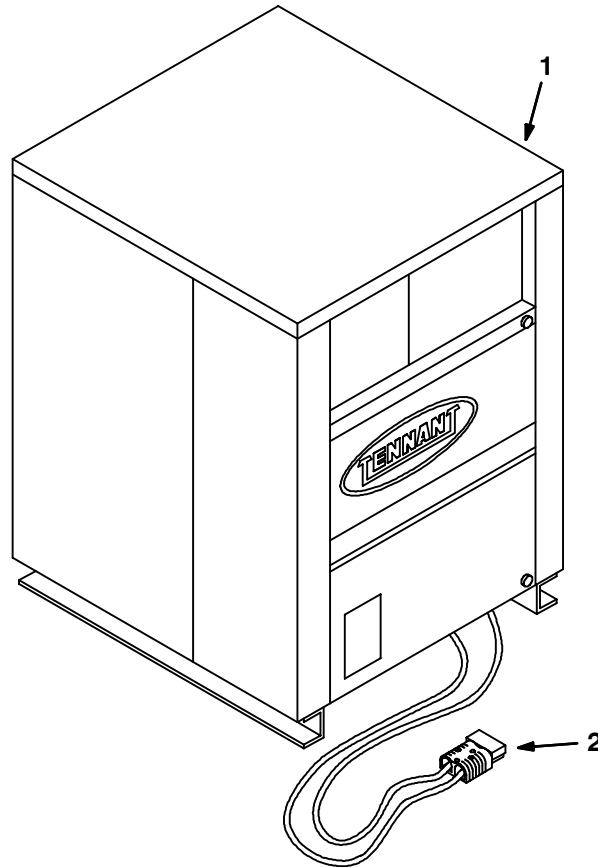
Fig. 22 - Battery Charger Group, 380 A/h Batteries, 50Hz, International Only



10721-06049

| | Ref. | Tennant Part No. | Machine Serial Number | Description | Qty. |
|---|------|------------------|-----------------------|------------------------------|------|
| ▽ | 1 | 363509 | (000000- |) Charger, 36V/050A 50Hz/1Ph | 1 |
| ▲ | 2 | 01726 | (000000- |) Connector, | 1 |
| ▽ | 1 | 363512 | (000000- |) Charger, 36V/075A 50Hz/3Ph | 1 |
| ▲ | 2 | 01726 | (000000- |) Connector, | 1 |
| ▽ | 1 | 363510 | (000000- |) Charger, 36V/045A 60Hz/1Ph | 1 |
| ▲ | 2 | 01726 | (000000- |) Connector, | 1 |

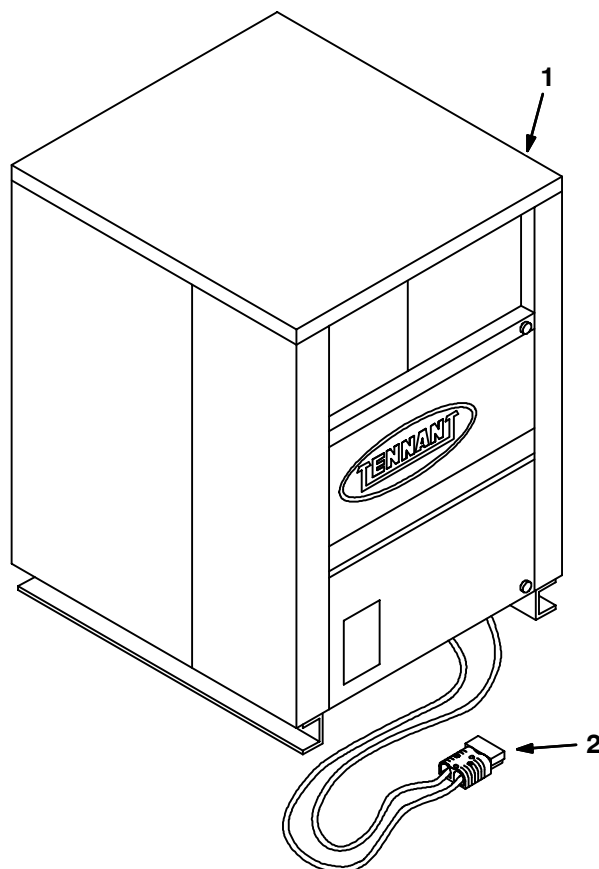
Fig. 23 - Battery Charger Group, 420 A/h Batteries, 60Hz



10722-07528

| | Ref. | Tennant Part No. | Machine Serial Number | Description | Qty. |
|---|------|------------------|-----------------------|------------------------------|------|
| ▽ | 1 | 363353 | (000000- |) Charger, 36V/75A 60Hz/1Ph | 1 |
| ▲ | 2 | 01726 | (000000- |) Connector, | 1 |
| ▽ | 1 | 363352 | (000000- |) Charger, 36V/075A 60Hz/3Ph | 1 |
| ▲ | 2 | 01726 | (000000- |) Connector, | 1 |

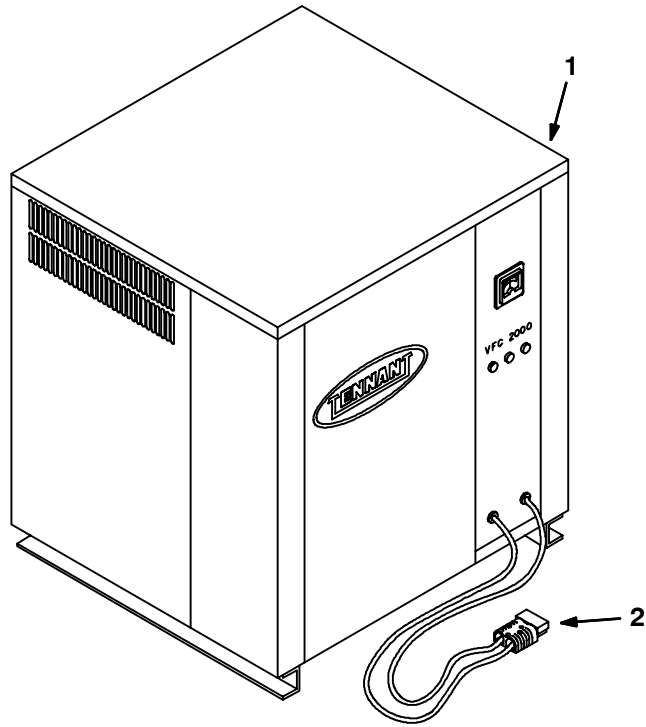
Fig. 24 - Battery Charger Group, 420 A/h Batteries, 50Hz, International Only



10723-07528

| | Ref. | Tennant Part No. | Machine Serial Number | Description | Qty. |
|---|------|------------------|-----------------------|------------------------------|------|
| ▽ | 1 | 363511 | (000000- |) Charger, 36V/075A 50Hz/1Ph | 1 |
| ▲ | 2 | 01726 | (000000- |) Connector, | 1 |
| ▽ | 1 | 363512 | (000000- |) Charger, 36V/075A 50Hz/3Ph | 1 |
| ▲ | 2 | 01726 | (000000- |) Connector, | 1 |

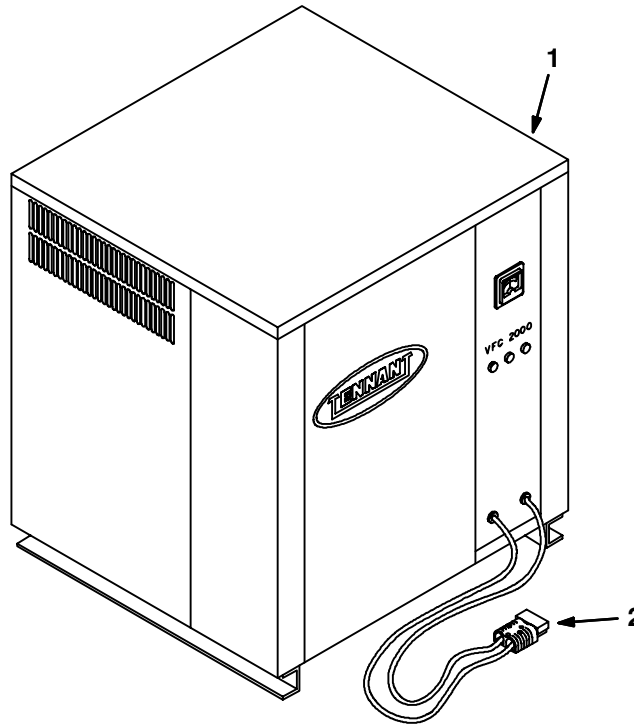
Fig. 25 - Battery Charger Group, 690 A/h Batteries, 60Hz



10724-06051

| | Ref. | Tennant Part No. | Machine Serial Number | Description | Qty. |
|---|------|------------------|-----------------------|------------------------------|------|
| ▽ | 1 | 363507 | (000000- |) Charger 36V/120A 60Hz/1Ph | 1 |
| ▲ | 2 | 01726 | (000000- |) Connector, | 1 |
| ▽ | 1 | 363508 | (000000- |) Charger, 36V/120A 60Hz/3Ph | 1 |
| ▲ | 2 | 01726 | (000000- |) Connector, | 1 |

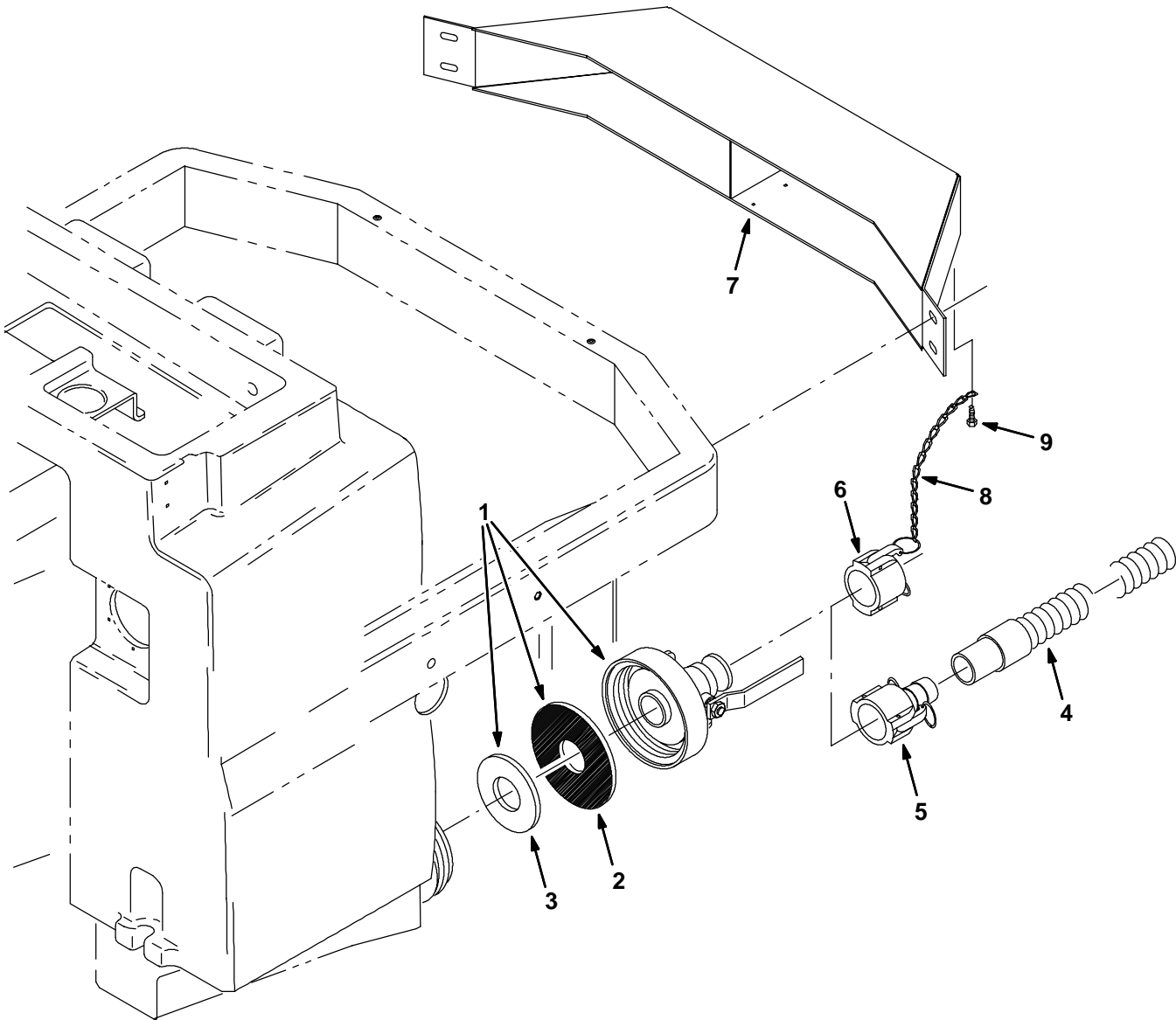
Fig. 26 - Battery Charger Group, 630 A/h Batteries, 50Hz, International Only



10725-06051

| | Ref. | Tennant Part No. | Machine Serial Number | Description | Qty. |
|---|------|------------------|-----------------------|------------------------------|------|
| ▽ | 1 | 363513 | (000000- |) Charger, 36V/120A 50Hz/1Ph | 1 |
| ▲ | 2 | 01726 | (000000- |) Connector, | 1 |
| ▽ | 1 | 363514 | (000000- |) Charger, 36V/120A 50Hz/3Ph | 1 |
| ▲ | 2 | 01726 | (000000- |) Connector, | 1 |

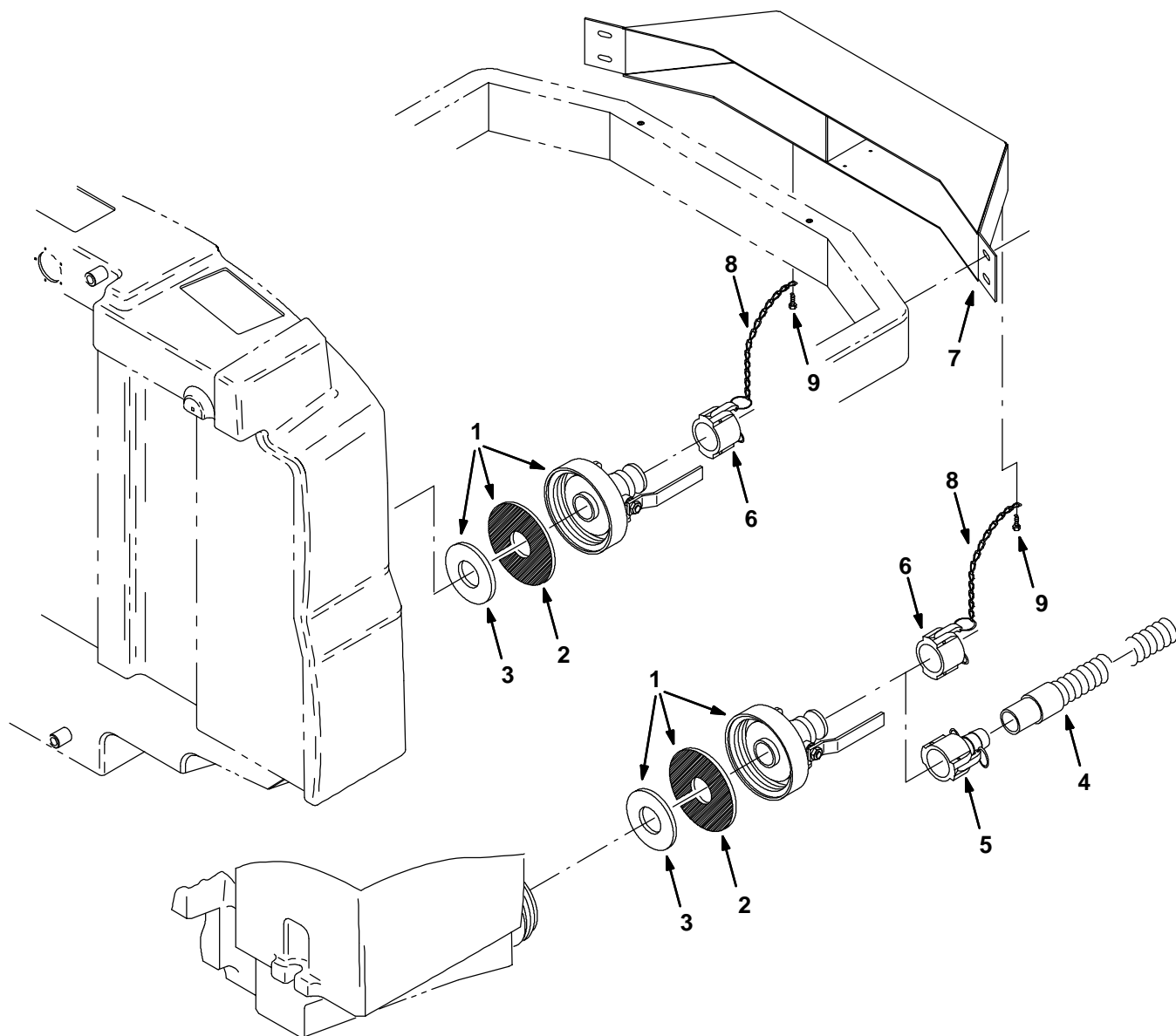
Fig. 27 - Positive Solution Control Drain Kit, Std



10198-10199

| Ref. | Tennant Part No. | Machine Serial Number | Description | Qty. |
|------|------------------|-----------------------|----------------------------------|------|
| ▽ | 48725 | (000000- |) Posi-Sol Control Drain Sys Kit | 1 |
| ▲▽ | 1 48739 | (000000- |) Cap Assy, Pos Drain | 1 |
| ▲▲ | 23456 | (000000- |) Cap, Drain | 1 |
| ▲▲ | 375014 | (000000- |) Kit, Valve Handle | 1 |
| ▲▲ | 374618 | (000000- |) Kit, Ball and Seal | 1 |
| ▲▲ | 2 20933 | (000000- |) Gasket | 1 |
| ▲▲ | 3 20932 | (000000- |) Washer, Polyethylene | 1 |
| ▲ | 4 75635 | (000000- |) Hose & Cuff Assy | 1 |
| ▲ | 5 48734 | (000000- |) Coupler, Female X Hose Shank | 1 |
| ▲ | 6 48733 | (000000- |) Cap, Dust | 1 |
| ▲ | 7 48738 | (000000- |) Bumper Wldt | 1 |
| ▲ | 8 19903 | (000000- |) Chain,Sash#35 ,13Links,Zn 7.15 | 1 |
| ▲ | 9 16944 | (000000- |) Scr-Hxfgmg 4X0.7 10 Pltd | 1 |

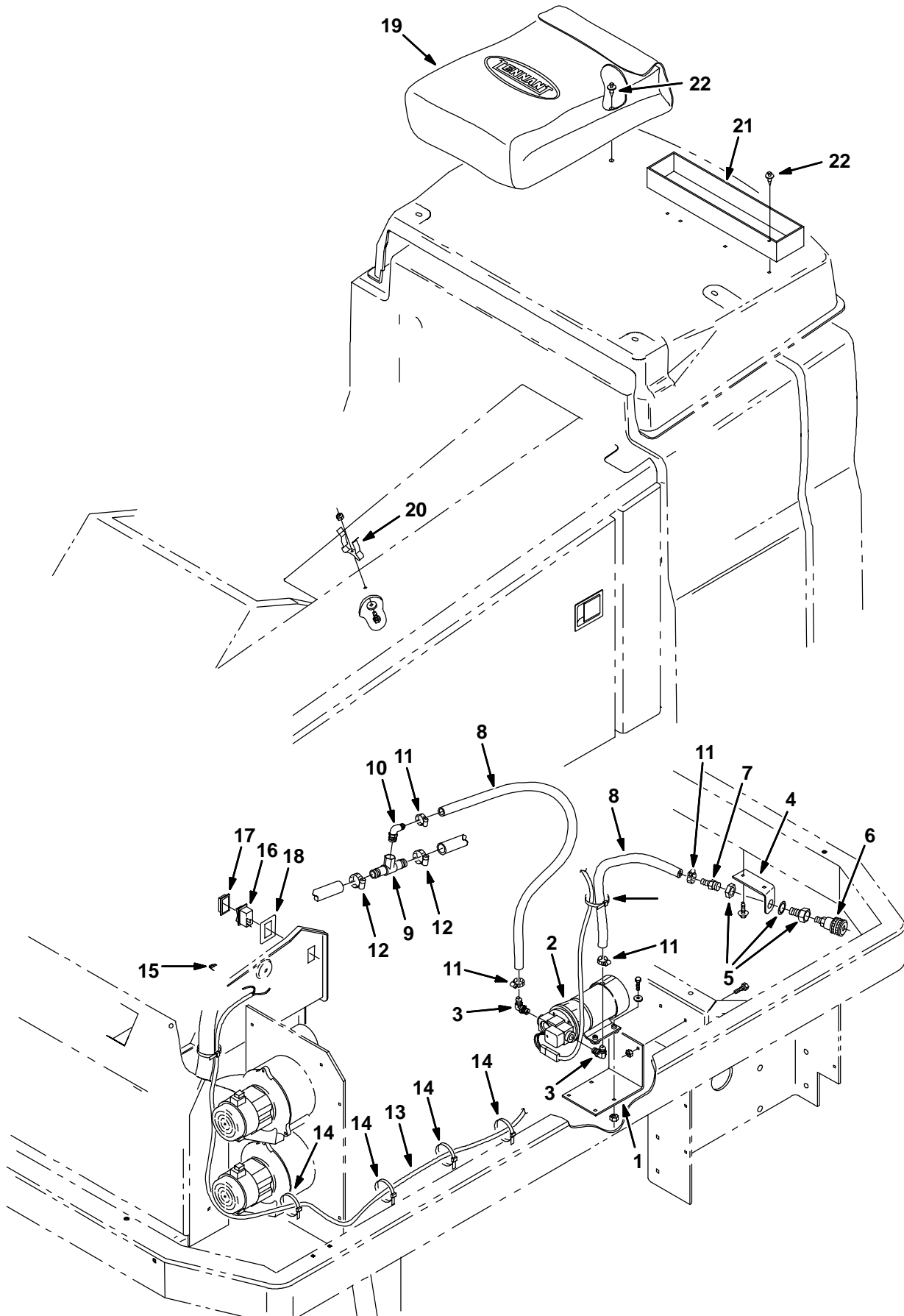
Fig. 28 - Positive Solution Control Drain Kit, ES™



10200-10201

| Ref. | Tennant Part No. | Machine Serial Number | Description | Qty. |
|------|------------------|-----------------------|----------------------------------|------|
| ▽ | 48726 | (000000- |) Posi-Sol Control Drain Sys Es | 1 |
| ▲▽ | 1 48739 | (000000- |) Cap Assy, Pos Drain | 2 |
| ▲▲ | 23456 | (000000- |) Cap, Drain | 1 |
| ▲▲ | 375014 | (000000- |) Kit, Valve Handle | 1 |
| ▲▲ | 374618 | (000000- |) Kit, Ball and Seal | 1 |
| ▲▲ | 2 20933 | (000000- |) Gasket | 1 |
| ▲▲ | 3 20932 | (000000- |) Washer, Polyethylene | 1 |
| ▲ | 4 75635 | (000000- |) Hose & Cuff Assy | 1 |
| ▲ | 5 48734 | (000000- |) Coupler, Female X Hose Shank | 1 |
| ▲ | 6 48733 | (000000- |) Cap, Dust | 2 |
| ▲ | 7 48738 | (000000- |) Bumper Wldt | 1 |
| ▲ | 8 19903 | (000000- |) Chain,Sash#35 ,13Links,Zn 7.15 | 2 |
| ▲ | 9 16944 | (000000- |) Scr-Hxfmgm 4X0.7 10 Pltd | 2 |

Fig. 29 - Power Wand Mount and Pump Group

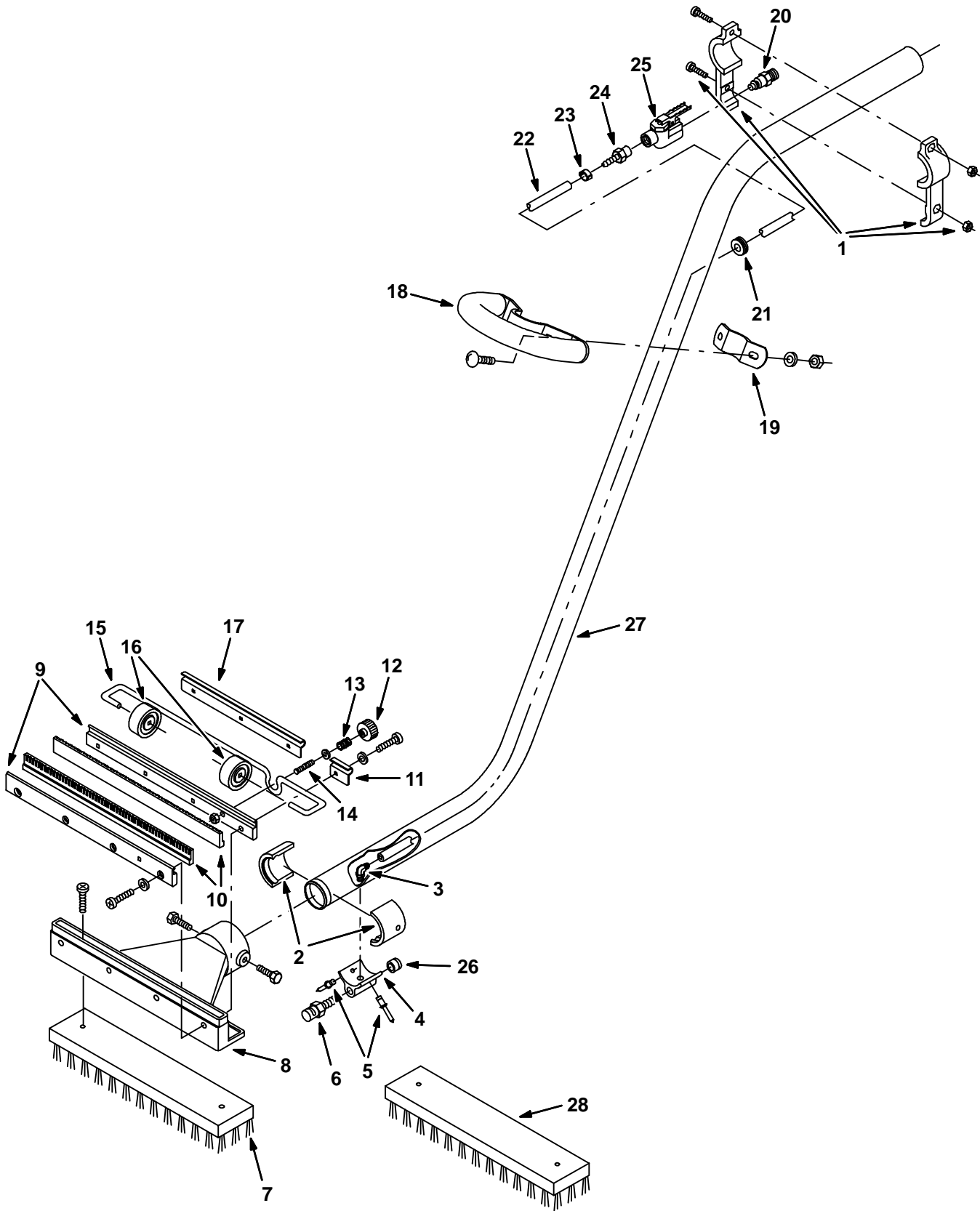


NOTE: Power Wand Kit, TENNANT Part Number 48601, includes Fig. 29, Fig. 30, Fig. 31.

Fig. 29 - Power Wand Mount and Pump Group

| Ref. | Tennant Part No. | Machine Serial Number | Description | Qty. |
|------|------------------|-----------------------|-------------------------------------|------|
| 1 | 48606 | (000000- |) Bracket, Mounting, Pump | 1 |
| 2 | 65590 | (000000- |) Pump, Power Wand (See Breakdowns) | 1 |
| 3 | 65581 | (000000- |) Fitting, Plastic, EI90.25Npt | 2 |
| 4 | 48607 | (000000- |) Bracket, Mounting, Valve | 1 |
| 5 | 78122 | (000000- |) Ftg,Bulkhead .25Npt Wh W21204 | 1 |
| 6 | 65342 | (000000- |) Fitting-Brs,Female Quick Conn | 1 |
| 7 | 48610 | (000000- |) Fitting, Plastic .25Npt.50Barb | 1 |
| 8 | 65588 | (000000- |) Hose, Pvc .50Idx.73Od 37.0Lg | 2 |
| 9 | 64740 | (000000- |) Ftg,Plstc,Tee,Barb.75-.50Pt-.7 | 1 |
| 10 | 63244-1 | (000000- |) Ftg,Plstc,Elb,Barb.50Pt-.50Hse | 1 |
| 11 | 54333 | (000000- |) Clamp-Wormdrive, 0.31- 0.88D | 4 |
| 12 | 63810 | (000000- |) Clamp-Wormdrive, 0.56- 1.06D | 2 |
| 13 | 48608 | (000000- |) Harness, Wire, Power Wand | 1 |
| 14 | 49266 | (000000- |) Tie, Cable 1.75D Max 7.50Lg | 6 |
| 15 | 27184 | (000000- |) Connector,3-Way Quick-Disc. | 1 |
| 16 | 65557 | (000000- |) Switch, Rocker Spst Lighted36V | 1 |
| 17 | 57807 | (000000- |) Cover, Rocker Switch Seal | 1 |
| 18 | 19800 | (000000- |) Label, Solution Control-Nv | 1 |
| 19 | 65580 | (000000- |) Bag, Power Wand | 1 |
| 20 | 67004 | (000000- |) Clip-Finger Grip | 1 |
| 21 | 61212 | (000000- |) Tray, Wand | 1 |
| 22 | 72968 | (000000- |) Rivet, plastic | 7 |

Fig. 30 - Power Wand Assembly

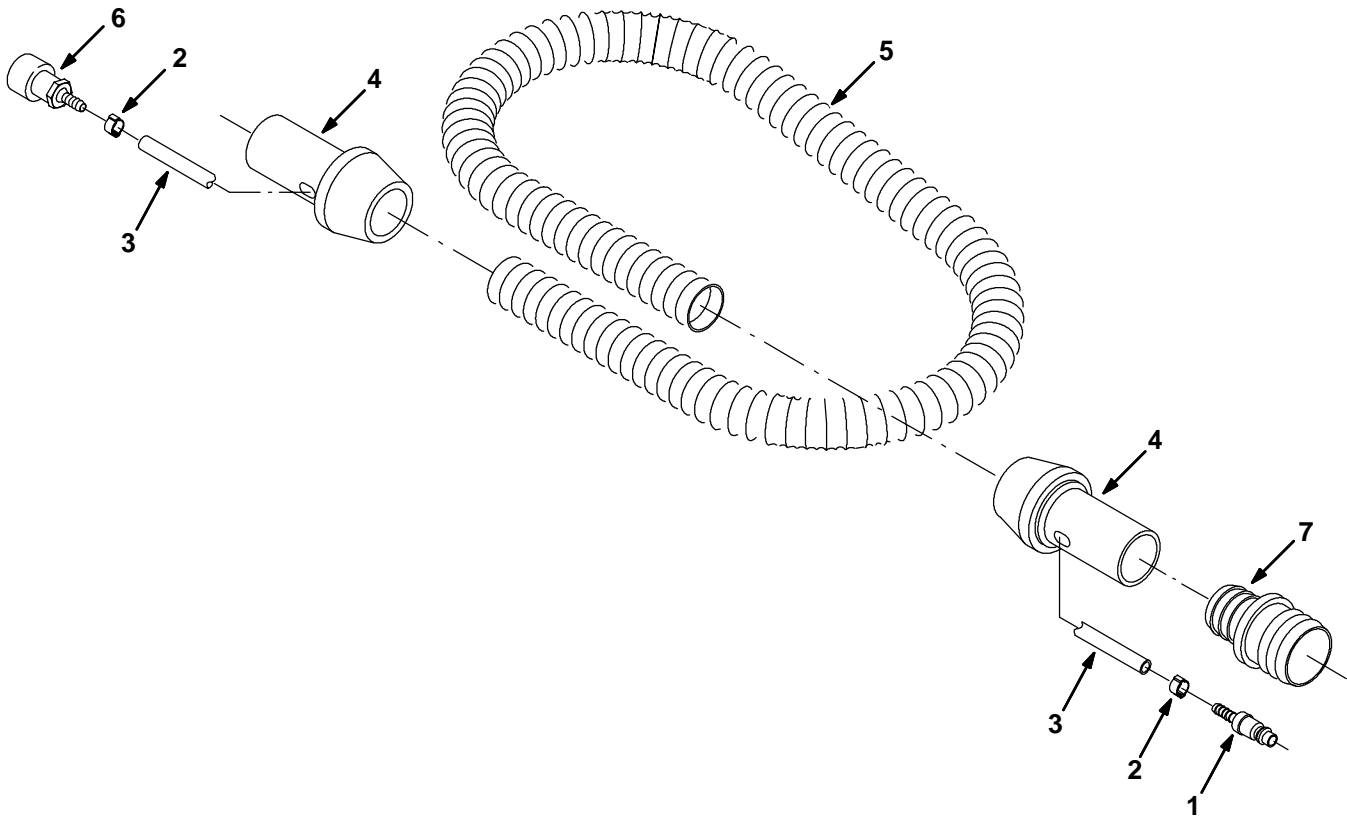


NOTE: Power Wand Kit, TENNANT Part Number 48601, includes Fig. 29, Fig. 30, Fig. 31.

Fig. 30 - Power Wand Assembly

| Ref. | Tennant Part No. | Machine Serial Number | Description | Qty. |
|------|------------------|-----------------------|------------------------------|------|
| ▽ | 65340 | (000000- |) Wand Assembly | 1 |
| ▲ 1 | 578077 | (000000- |) Bracket, Valve Mounting | 1 |
| ▲ 2 | 578061 | (000000- |) Adapter, Head | 2 |
| ▲ 3 | 578214 | (000000- |) Fitting, 90° Elbow | 1 |
| ▲ 4 | 578067 | (000000- |) Adapter, Nozzle | 1 |
| ▲ 5 | 602036 | (000000- |) Rivet, Pop | 2 |
| ▲ 6 | 578066 | (000000- |) Nozzle, Spray | 1 |
| ▲ 7 | 65610 | (000000- |) Brush, Wand, Poly | 1 |
| ▲ 8 | 578063 | (000000- |) Head, Wand | 1 |
| ▲ 9 | 578078 | (000000- |) Strip, Retainer | 2 |
| ▲ 10 | 578074 | (000000- |) Blade, Squeegee | 2 |
| ▲ 11 | 578124 | (000000- |) Bracket, Axle | 1 |
| ▲ 12 | 578439 | (000000- |) Knob, Adjustable, Squeegee | 1 |
| ▲ 13 | 578228 | (000000- |) Spring, Compression | 1 |
| ▲ 14 | 578143 | (000000- |) Stud, Adjustable | 1 |
| ▲ 15 | 578126 | (000000- |) Axle, Wand | 1 |
| ▲ 16 | 578125 | (000000- |) Wheel, Guide | 2 |
| ▲ 17 | 578123 | (000000- |) Bracket, Axle | 1 |
| ▲ 18 | 578155 | (000000- |) Handle, Wand | 1 |
| ▲ 19 | 578154 | (000000- |) Bracket, Handle Mounting | 1 |
| ▲ 20 | 578091 | (000000- |) Fitting, Quick Disconnect | 1 |
| ▲ 21 | 578164 | (000000- |) Grommet | 1 |
| ▲ 22 | 578821 | (000000- |) Hose, Solution | 1 |
| ▲ 23 | 578161 | (000000- |) Clamp, Hose | 2 |
| ▲ 24 | 578094 | (000000- |) Fitting, Straight | 1 |
| ▲ 25 | 578064 | (000000- |) Valve, Water | 1 |
| ▲ 26 | 150208 | (000000- |) Fitting, Plug | 1 |
| ▲ 27 | 578060 | (000000- |) Wand, Off-Aisle | 1 |
| ▲ 28 | 65582 | (000000- |) Brush, Wand AB | 1 |

Fig. 31 - Power Wand Hose Assembly

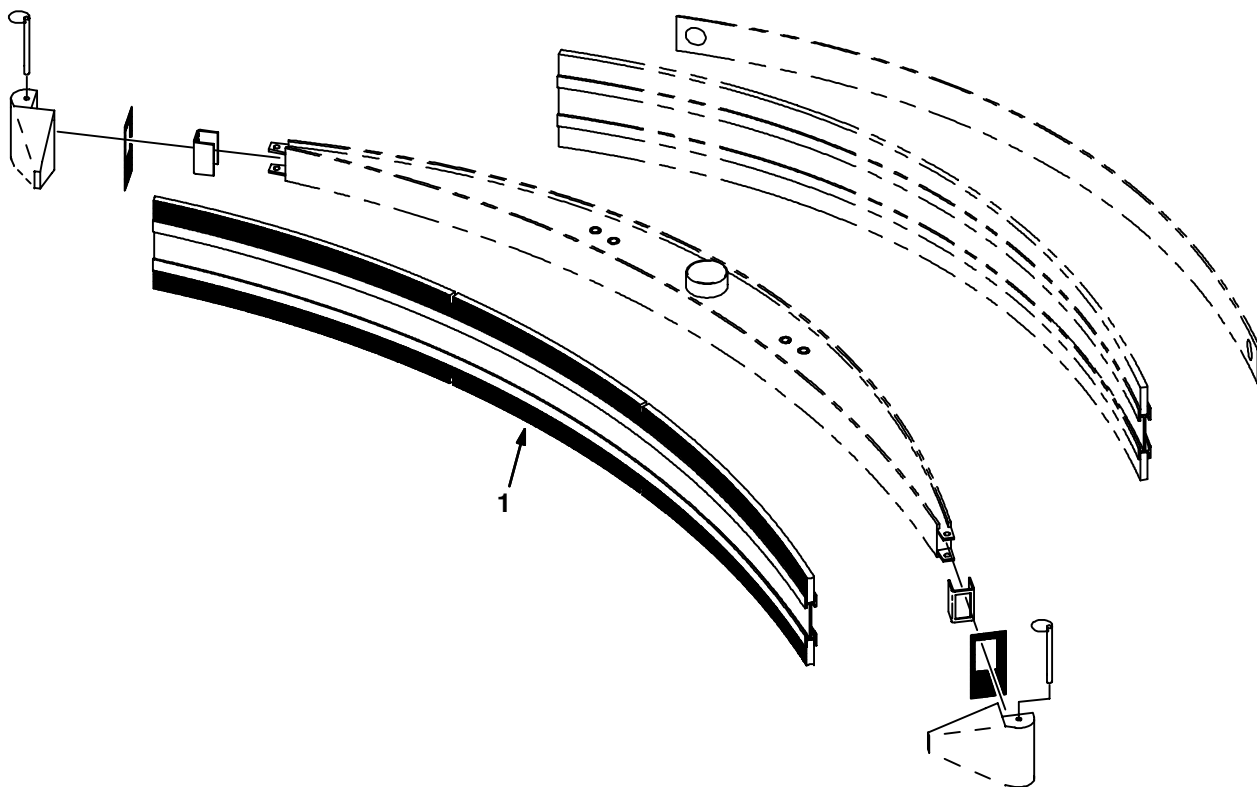


08045-08042

NOTE: Power Wand Kit, TENNANT Part Number 48601, includes Fig. 29, Fig. 30, Fig. 31.

| Ref. | Tennant Part No. | Machine Serial Number | Description | Qty. |
|------|------------------|-----------------------|---------------------------|------|
| ▽ | 65341 | (000000-) | Hose Assembly | 1 |
| ▲ | 1 578318 | (000000-) | Fitting, Quick Disconnect | 1 |
| ▲ | 2 578160 | (000000-) | Clamp, Hose | 2 |
| ▲ | 3 578820 | (000000-) | Hose | 1 |
| ▲ | 4 578072 | (000000-) | Cuff, Swivel | 2 |
| ▲ | 5 578276 | (000000-) | Hose, Vacuum | 1 |
| ▲ | 6 578071 | (000000-) | Fitting, Quick Disconnect | 1 |
| | 7 48609 | (000000-) | Fitting, Plastic | 1 |

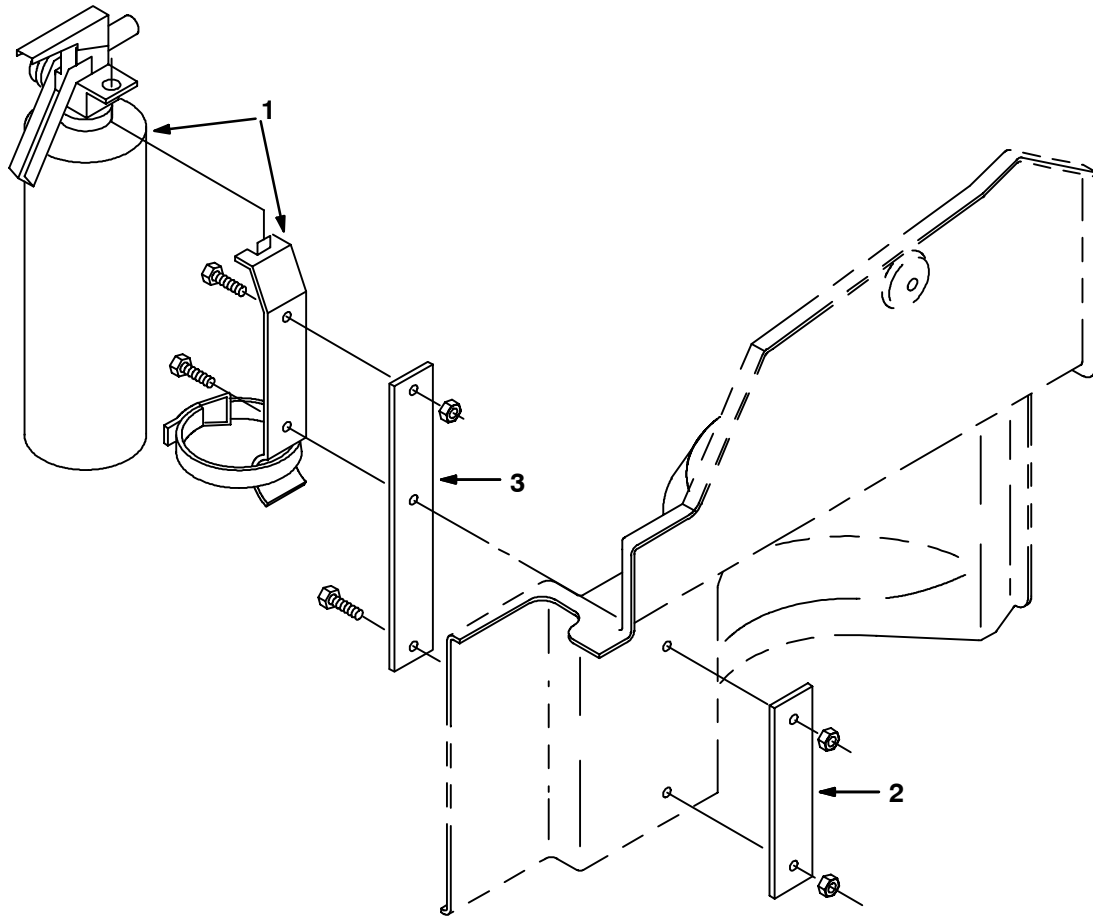
Fig. 32 - Front Squeegee Blade Group, Tile



06410-06410

| Ref. | Tennant Part No. | Machine Serial Number | Description | Qty. |
|------|------------------|-----------------------|------------------------------|------|
| 1 | 32600 | (000000- |) Front Squeegee Blade, Tile | 1 |

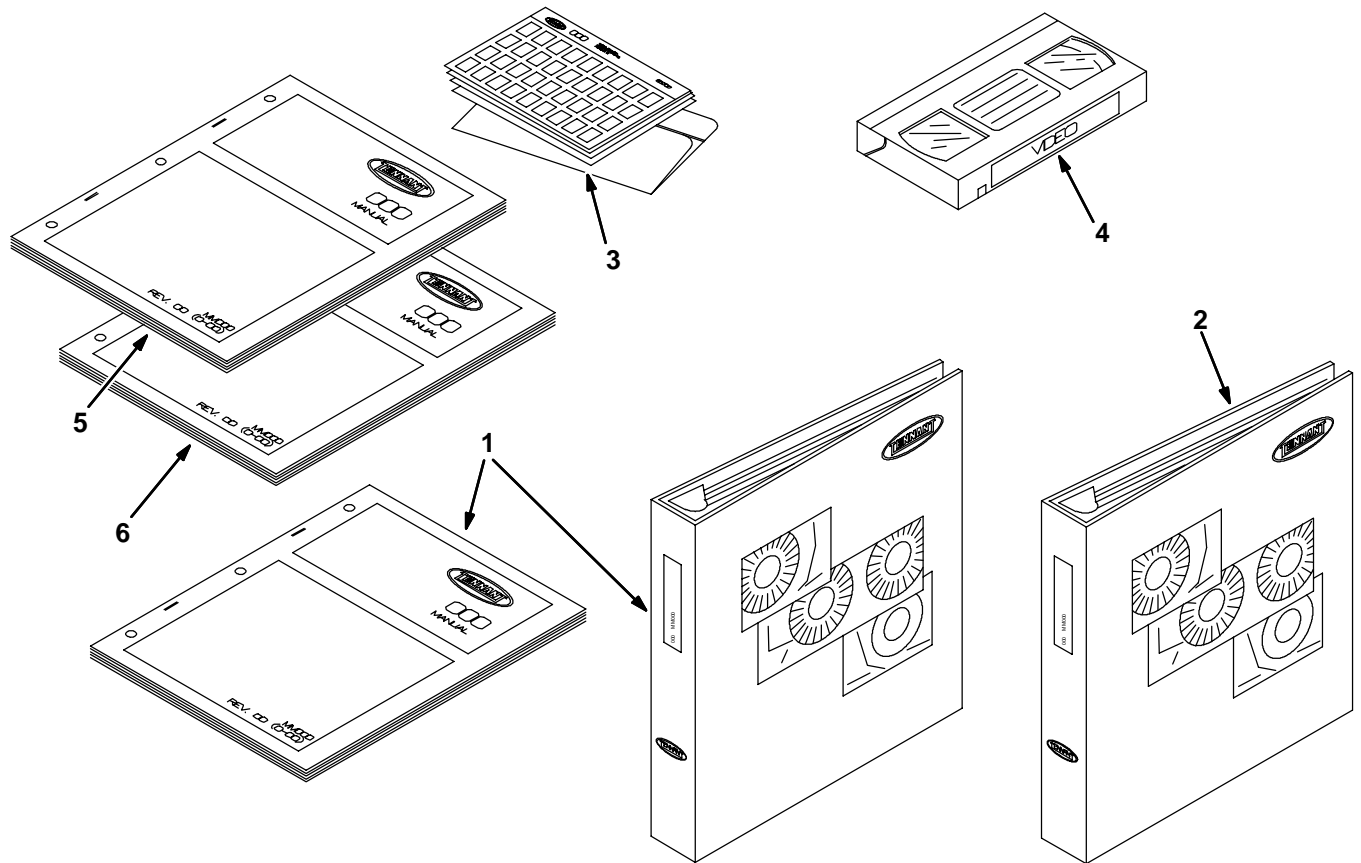
Fig. 33 - Fire Extinguisher Kit



06087-06087

| | Ref. | Tennant Part No. | Machine Serial Number | Description | Qty. |
|---|-------------|-------------------------|------------------------------|-------------------------|-------------|
| ▽ | | 41328 | (000000- |) Fire Extinguisher Kit | 1 |
| ▲ | 1 | 25312 | (000000- |) Extinguisher, Fire | 1 |
| ▲ | 2 | 41329 | (000000- |) Bar | 1 |
| ▲ | 3 | 41330 | (000000- |) Bar | 1 |

Fig. 34 - Documentation Group



350926-07501

| Ref. | Tenant Part No. | Machine Serial Number | Description | Qty. |
|------|-----------------|-----------------------|------------------------------|------|
| 1 | 330100 | (000000- |) Manual Pkg 8010 | 1 |
| 2 | 330105 | (000000- |) Manual Service 8010 | 1 |
| 3 | 330101 | (000000- |) Manual - Fiche Pkg 8010 | 1 |
| 4 | 363927 | (000000- |) Tape, Video, Operator 8010 | 1 |
| 5 | 330102 | (000000- |) Manual Opmt 8010 Es | 1 |
| 6 | 330103 | (000000- |) Manual Opmt 8010 Fr | 1 |

SECTION 4

| CONTENTS | PAGE |
|---|------|
| Fig. 1 - Electric Motor Breakdown, 17363 | 4-2 |
| Fig. 2 - Electric Motor Breakdown, 16225 | 4-4 |
| Fig. 3 - Electric Motor Breakdown, 16224 | 4-5 |
| Fig. 4 - Electric Motor Breakdown, 60198 | 4-6 |
| Fig. 5 - Electric Motor Breakdown, 04922 | 4-7 |
| Fig. 6 - Water Pump Breakdown, 17333 | 4-8 |
| Fig. 7 - Water Pump Breakdown, 65590 | 4-9 |
| Fig. 8 - Hydraulic Pump Breakdown, 363619 | 4-10 |
| Fig. 9 - Gearbox Breakdown, 16223 | 4-11 |
| Fig. 10 - Gearbox Breakdown, 16226 | 4-12 |
| Fig. 11 - Gearbox Breakdown, 363164 | 4-13 |
| Fig. 12 - Gearbox Breakdown, 375111 | 4-14 |
| Fig. 13 - Gearbox Breakdown, 375110 | 4-15 |
| Fig. 14 - Gearbox Breakdown, 375100 | 4-16 |

Fig. 1 - Electric Motor Breakdown, 17363

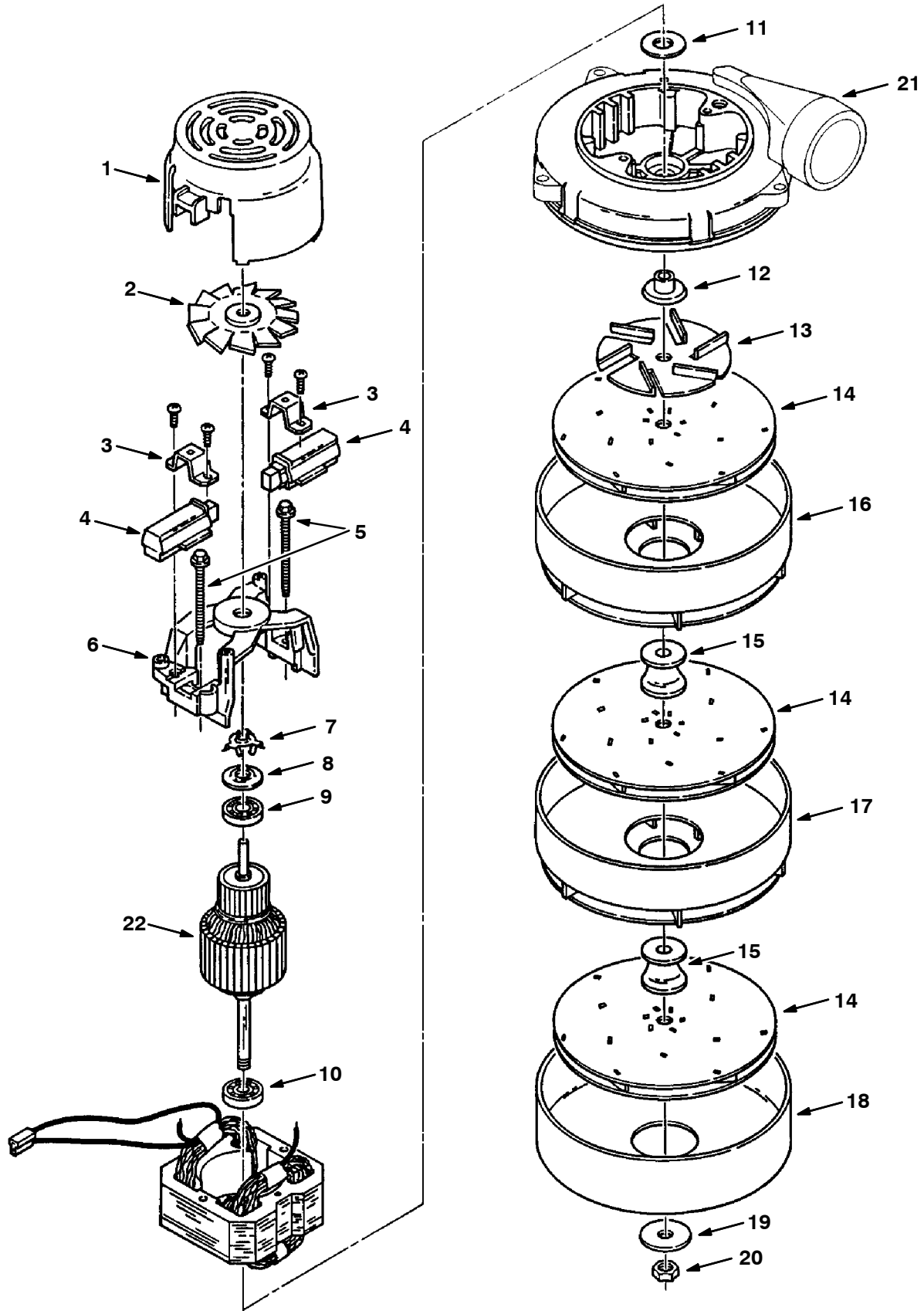
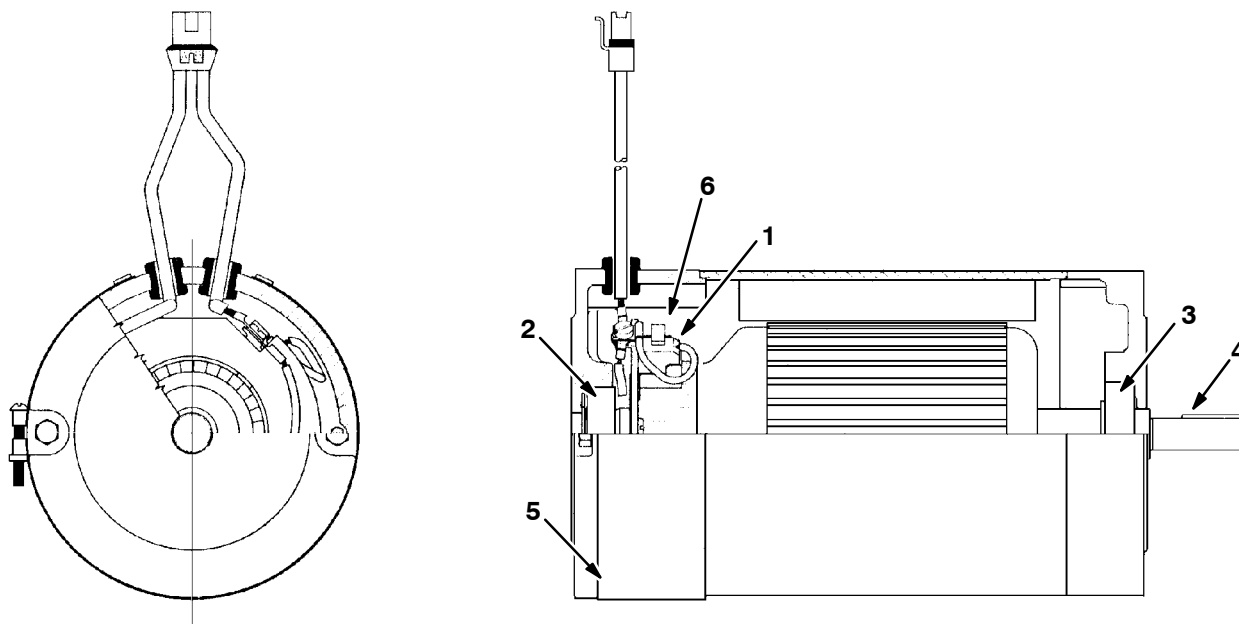


Fig. 1 - Electric Motor Breakdown, 17363

| | Ref. | Tenant Part No. | Machine Serial Number | Description | Qty. |
|---|------|-----------------|-----------------------|--------------------------|------|
| ▽ | | 17363 | (000000- |) Fan, Vacuum | 1 |
| ▲ | 1 | 37926 | (000000- |) Housing | 1 |
| ▲ | 2 | 61298 | (000000- |) Fan | 1 |
| ▲ | 3 | 01982 | (000000- |) Clamp | 2 |
| ▲ | 4 | 11756 | (000000- |) Brush Mechanism | 2 |
| ▲ | 5 | 01969 | (000000- |) Screw | 2 |
| ▲ | 6 | 01983 | (000000- |) Comm. Bracket | 1 |
| ▲ | 7 | 01856 | (000000- |) Spring | 1 |
| ▲ | 8 | 37909 | (000000- |) Disc | 1 |
| ▲ | 9 | 01842 | (000000- |) Bearing | 1 |
| ▲ | 10 | 01837 | (000000- |) Bearing | 1 |
| ▲ | 11 | 37912 | (000000- |) Washer, Neo. | 1 |
| ▲ | 12 | 18627 | (000000- |) Spacer | 1 |
| ▲ | 13 | 01971 | (000000- |) Fan | 1 |
| ▲ | 14 | 18628 | (000000- |) Vacuum Fan | 3 |
| ▲ | 15 | 18630 | (000000- |) Spacer | 2 |
| ▲ | 16 | 61300 | (000000- |) Stationary Fan | 1 |
| ▲ | 17 | 61297 | (000000- |) Stationary Fan | 1 |
| ▲ | 18 | 61301 | (000000- |) Shell | 1 |
| ▲ | 19 | 18632 | (000000- |) Washer | 1 |
| ▲ | 20 | 37929 | (000000- |) Nut | 1 |
| ▲ | | 10925 | (000000- |) Connector, 2 Conductor | 1 |
| ▲ | | 10926 | (000000- |) Terminal, Female | 2 |
| ▲ | 21 | 60386 | (000000- |) Bracket, Fan End | 1 |
| ▲ | 22 | 21765 | (000000- |) Armature | 1 |

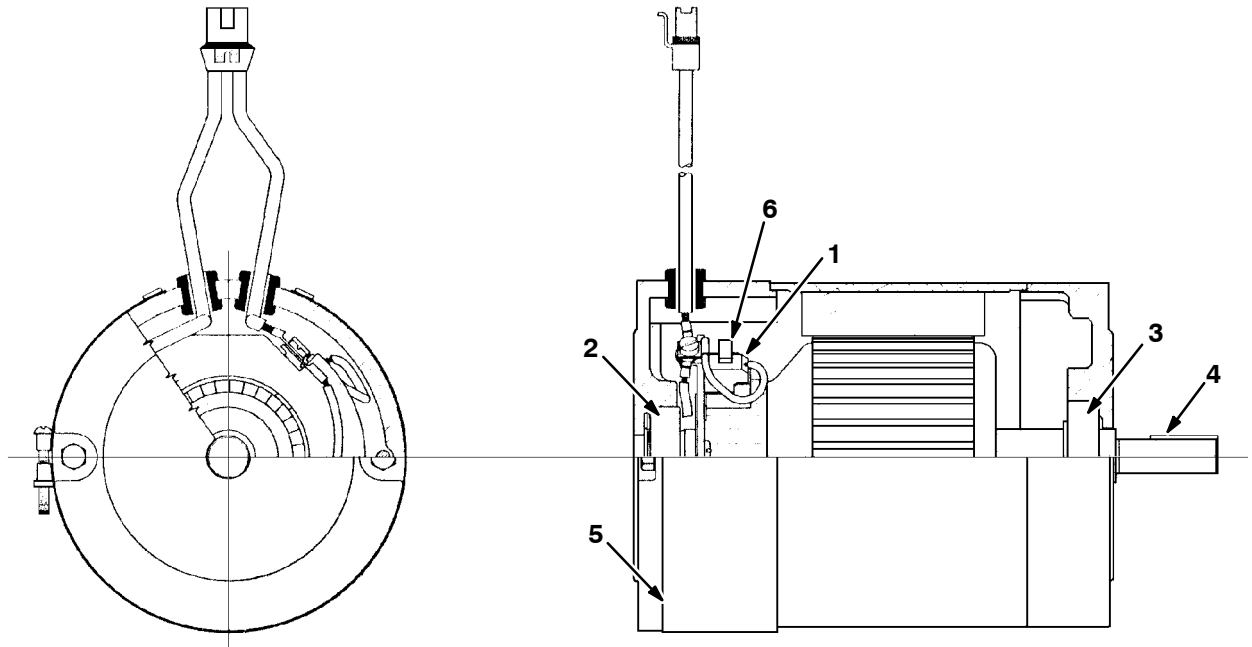
Fig. 2 - Electric Motor Breakdown, 16225



06858/06859

| Ref. | Tennant Part No. | Machine Serial Number | Description | Qty. |
|------|------------------|-----------------------|------------------------------|------|
| ▽ | 16225 | (000000- |) Motor, Electric | 1 |
| ▲ 1 | 41367 | (000000- |) Brush Kit | 4 |
| ▲ 2 | 41368 | (000000- |) Bearing | 1 |
| ▲ 3 | 41369 | (000000- |) Bearing | 1 |
| ▲ 4 | 00918 | (000000- |) Key, Square | 1 |
| ▲ | 24537 | (000000- |) Terminal, Female | 2 |
| ▲ | 10925 | (000000- |) Connector, 2 Conductor | 1 |
| ▲ 5 | 375017 | (000000- |) Band Assembly | 1 |
| ▲ 6 | 21799 | (000000- |) Brush Ring/Holder Assembly | 1 |

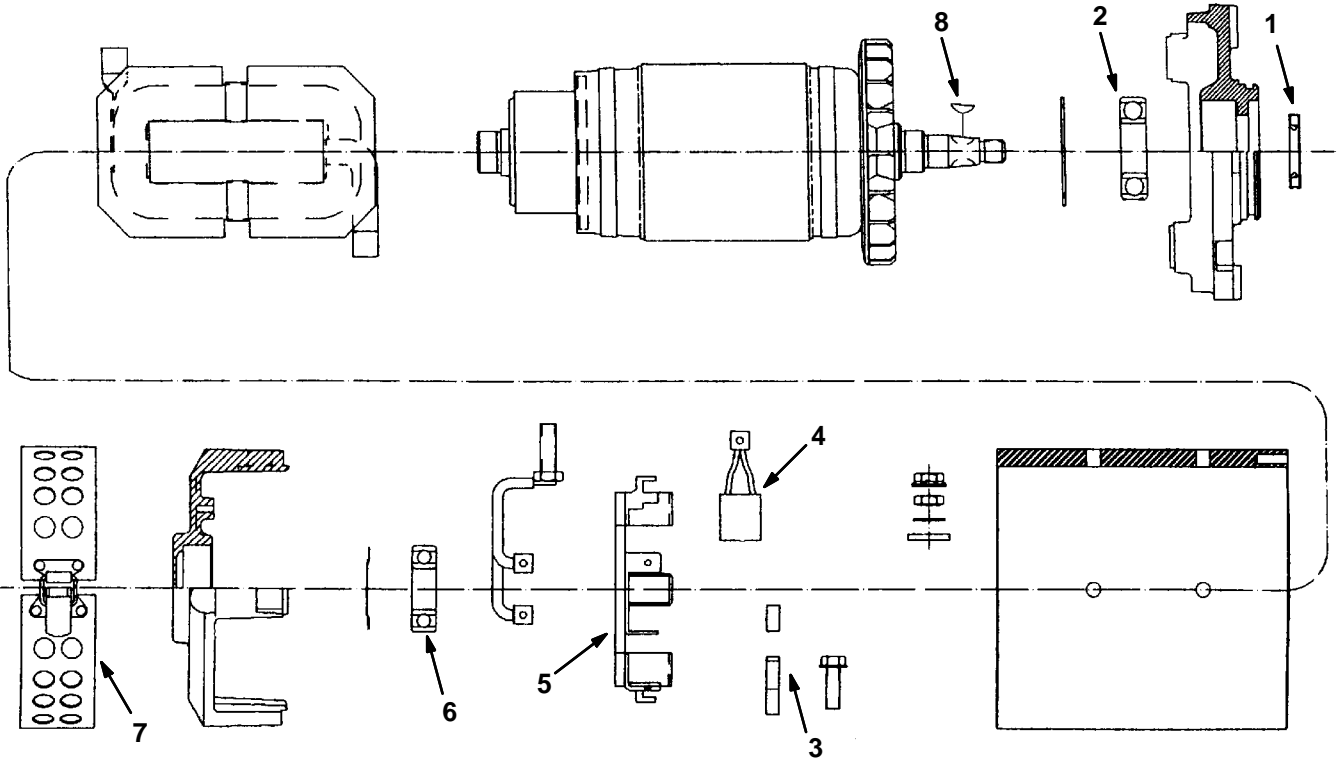
Fig. 3 - Electric Motor Breakdown, 16224



06860/06861

| Ref. | Tennant Part No. | Machine Serial Number | Description | Qty. |
|------|------------------|-----------------------|------------------------------|------|
| ▽ | 16224 | (000000- |) Motor, Electric | 1 |
| ▲ | 1 41367 | (000000- |) Brush Kit | 4 |
| ▲ | 2 41368 | (000000- |) Bearing | 1 |
| ▲ | 3 41371 | (000000- |) Bearing | 1 |
| ▲ | 4 00918 | (000000- |) Key, Square | 1 |
| ▲ | 24537 | (000000- |) Terminal, Female | 2 |
| ▲ | 10925 | (000000- |) Connector, 2 Conductor | 1 |
| ▲ | 5 375017 | (000000- |) Band Assembly | 1 |
| ▲ | 6 21799 | (000000- |) Brush Ring/Holder Assembly | 1 |

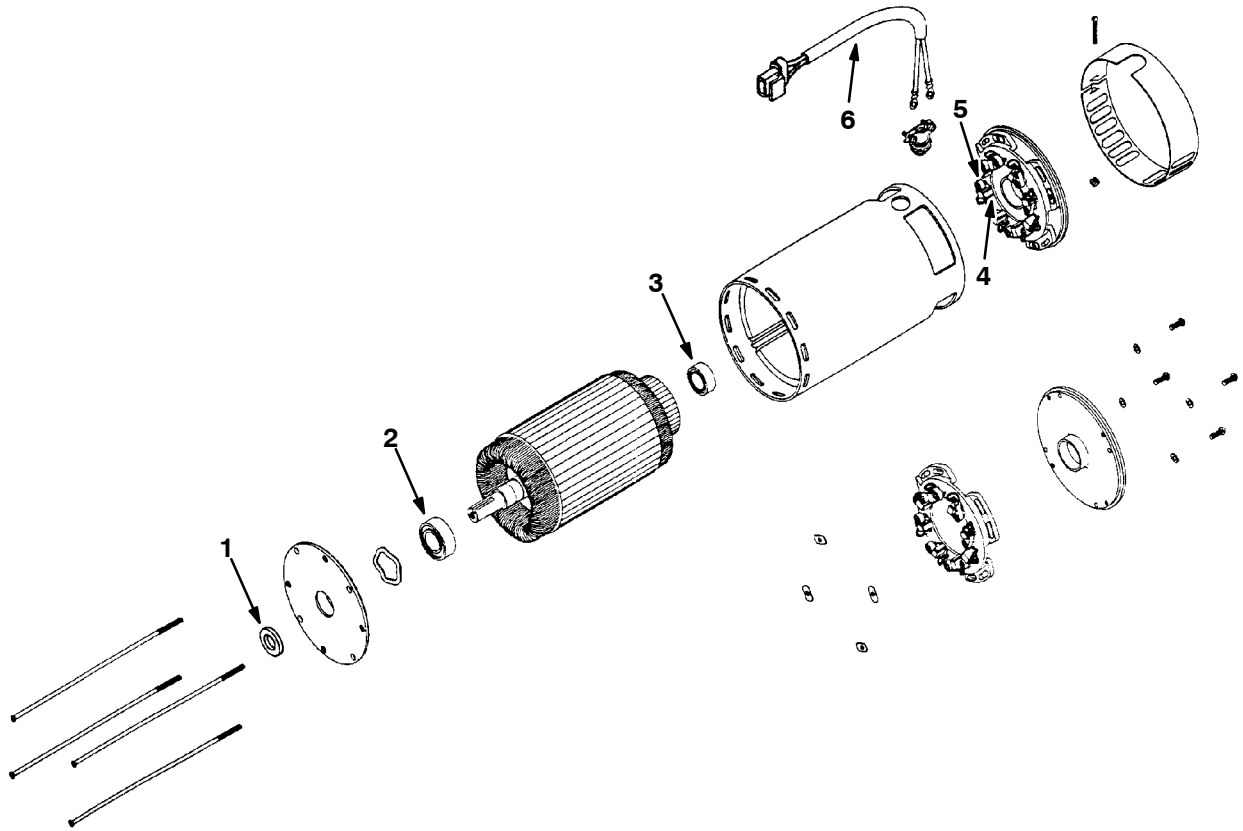
Fig. 4 - Electric Motor Breakdown, 60198



10413/10414

| Ref. | Tennant Part No. | Machine Serial Number | Description | Qty. | |
|------|------------------|-----------------------|--------------------------|--------------------------------|---|
| ▽ | 60198 | (000000- |) Motor, Traction 3.0 Hp | 1 | |
| ▲ | 1 | 48753 | (000000- |) Seal | 1 |
| ▲ | 2 | 48754 | (000000- |) Bearing | 1 |
| ▲ | 3 | 48755 | (000000- |) Brush Spring | 4 |
| ▲ | 4 | 363491 | (000000- |) Brush Kit, Propelling Motor | 1 |
| ▲ | 5 | 48757 | (000000- |) Brush Box And Plate Assembly | 1 |
| ▲ | 6 | 48758 | (000000- |) Bearing | 1 |
| ▲ | 7 | 48759 | (000000- |) Head Band Ass'y | 1 |
| ▲ | 8 | 00500-7 | (000000- |) Key-Wdruff 0.16 0.62 | 1 |

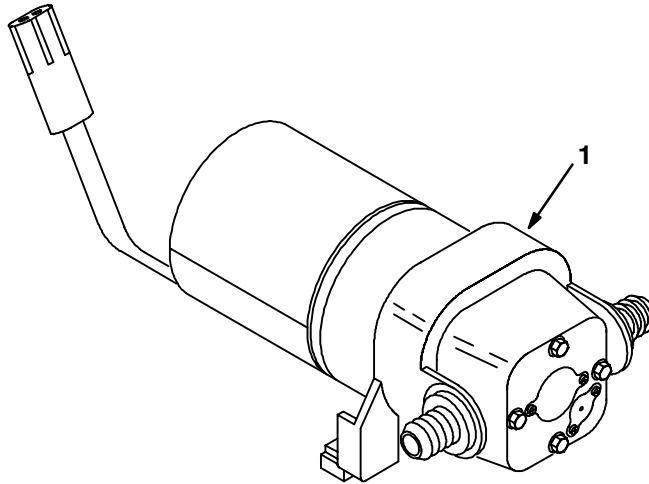
Fig. 5 - Electric Motor Breakdown, 04922



05208/00169

| Ref. | Tennant Part No. | Machine Serial Number | Description | Qty. |
|------|------------------|-----------------------|-------------------|------|
| ▽ | 04922 | (000000- |) Motor, Electric | 1 |
| ▲ | 1 37637 | (000000- |) Seal, Oil | 1 |
| ▲ | 2 18626 | (000000- |) Bearing | 1 |
| ▲ | 3 38378 | (000000- |) Bearing | 1 |
| ▲ | 4 37638 | (000000- |) Brush Assembly | 8 |
| ▲ | 5 11757 | (000000- |) Spring | 8 |
| ▲ | 6 21757 | (000000- |) Cord, Lead | 1 |

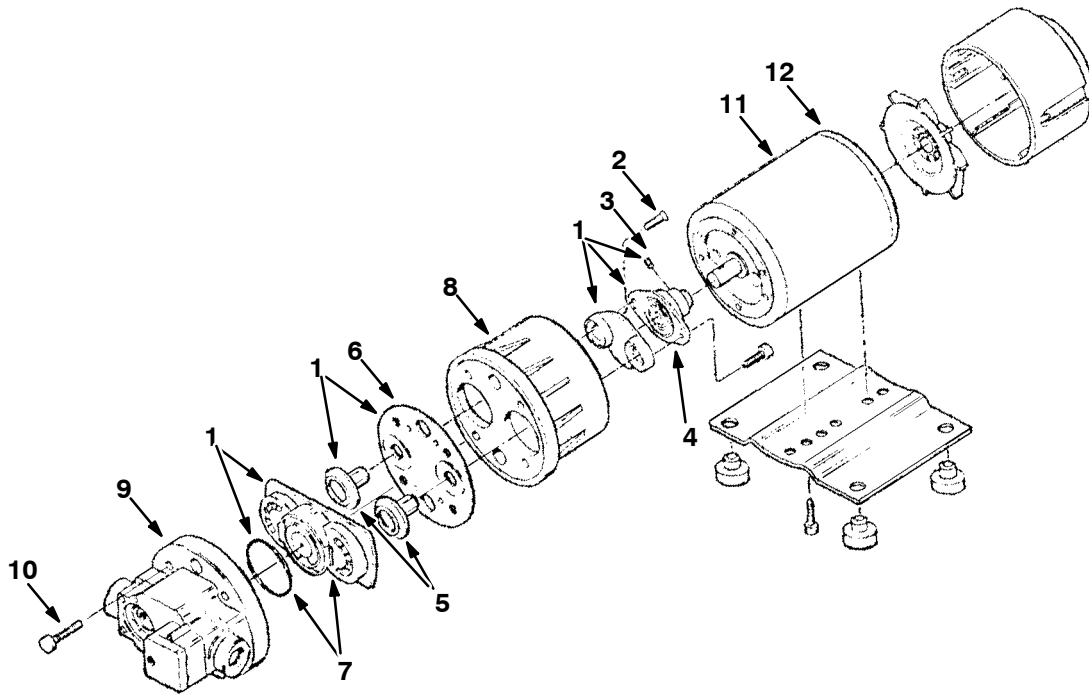
Fig. 6 - Water Pump Breakdown, 17333



06862/06865

| Ref. | Tennant Part No. | Machine Serial Number | Description | Qty. |
|------|------------------|-----------------------|--------------------------|------|
| ▽ 1 | 17333 | (000000- |) Pump, Water | 1 |
| ▲ | 41309 | (000000- |) Motor, 36VDC | 1 |
| ▲ | 41310 | (000000- |) Endbell, Brush | 1 |
| ▲ | 41311 | (000000- |) Diaphragm Kit | 1 |
| ▲ | 41312 | (000000- |) Cam/Bearing Kit | 1 |
| ▲ | 375010 | (000000- |) Check Valve Assembly | 1 |
| ▲ | 375011 | (000000- |) Port Kit | 2 |
| ▲ | 10918 | (000000- |) Connector, 2 Conductor | 1 |
| ▲ | 10919 | (000000- |) Terminal, Male | 2 |
| ▲ | 10917 | (000000- |) Seal, Connector | 2 |

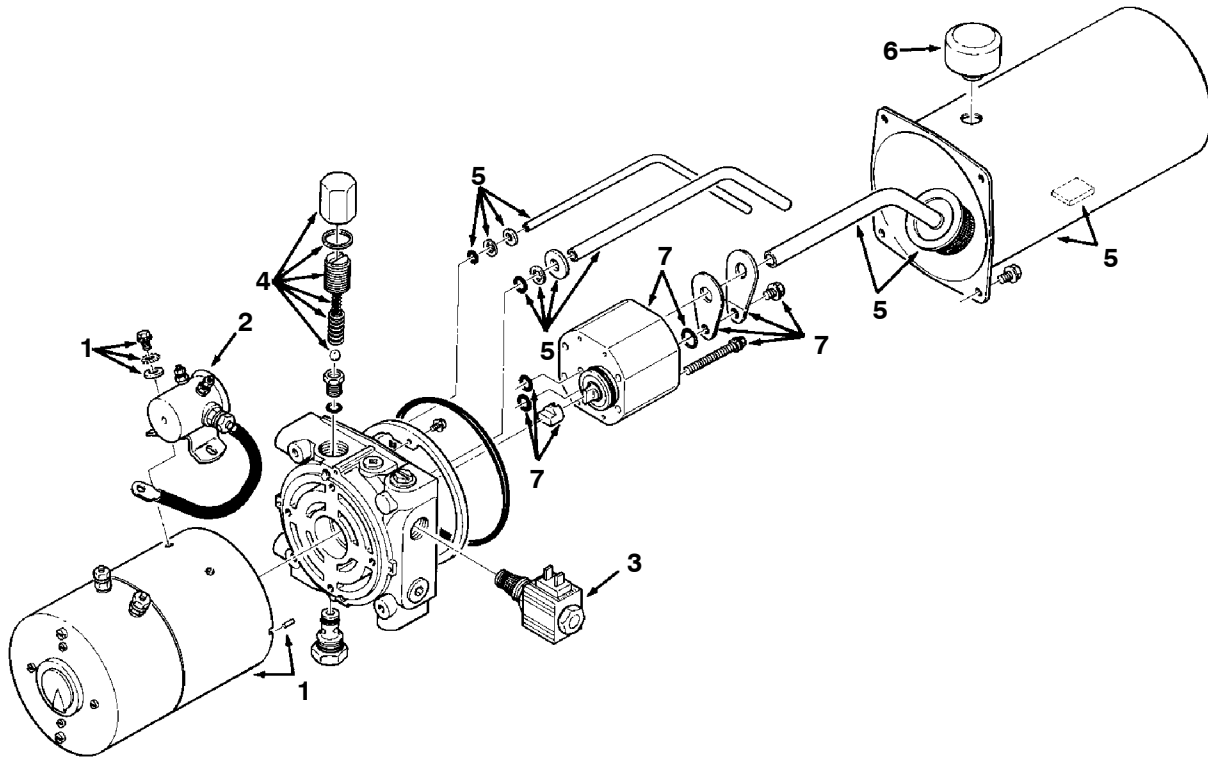
Fig. 7 - Water Pump Breakdown, 65590



07525/07526

| Ref. | Tennant Part No. | Machine Serial Number | Description | Qty. |
|------|------------------|-----------------------|-----------------------------|------|
| ▽ | 65590 | (000000- |) Pump, Water | 1 |
| ▲ | 1 65678 | (000000- |) Seal Kit | 1 |
| ▲ | 2 65667 | (000000- |) Cam/Bearing Screw | 1 |
| ▲ | 3 65668 | (000000- |) Cam/Bearing Set Screw | 1 |
| ▲ | 4 370923 | (000000- |) Cam/Bearing/Diaphragm Kit | 1 |
| ▲ | 5 65671 | (000000- |) Piston Inner/Out | 1 |
| ▲ | 6 65672 | (000000- |) Diaphragm Kit | 1 |
| ▲ | 7 65673 | (000000- |) Check Valve Assembly | 1 |
| ▲ | 8 65670 | (000000- |) Bearing Cover | 1 |
| ▲ | 9 65674 | (000000- |) Switch Assembly/Housing | 1 |
| ▲ | 10 65675 | (000000- |) Pump Screws | 1 |
| ▲ | 11 65676 | (000000- |) Motor, 36VDC | 1 |
| ▲ | 12 65677 | (000000- |) Brush/Rectifier Assembly | 1 |
| ▲ | 10923 | (000000- |) Connector, 2 Conductor | 1 |
| ▲ | 10924 | (000000- |) Terminal, Male | 2 |
| ▲ | 10917 | (000000- |) Seal, Connector | 2 |

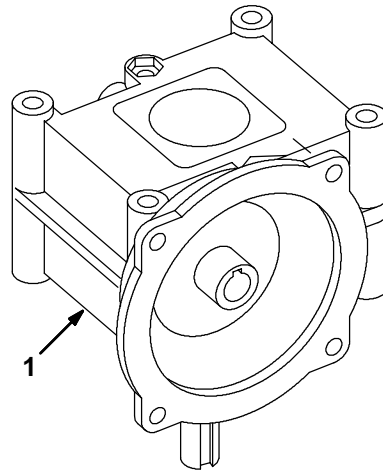
Fig. 8 - Hydraulic Pump Breakdown, 363619



351058-351059

| Ref. | Tennant Part No. | Machine Serial Number | Description | Qty. |
|------|------------------|-----------------------|------------------------|------|
| ▽ | 363619 | (000000- |) Hydraulic pump | 1 |
| ▲ | 1 363921 | (000000- |) Motor | 1 |
| ▲ | 2 363924 | (000000- |) Sol start switch kit | 1 |
| ▲ | 3 363920 | (000000- |) Sol release valve | 1 |
| ▲ | 4 363919 | (000000- |) Relief valve kit | 1 |
| ▲ | 5 06485 | (000000- |) Reservoir kit | 1 |
| ▲ | 6 06483 | (000000- |) Breather | 1 |
| ▲ | 7 363918 | (000000- |) Fluid Pump | 1 |
| ▲ | 363925 | (000000- |) Seal kit | 1 |
| ▲ | 363922 | (000000- |) Adapter | 1 |
| ▲ | 42268 | (000000- |) Ftg-Hyd Plug | 1 |

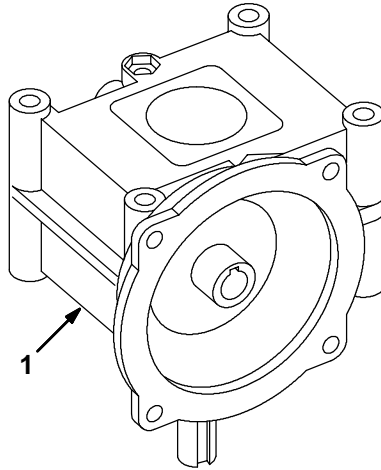
Fig. 9 - Gearbox Breakdown, 16223



352789-352790

| | Ref. | Tennant Part No. | Manufacturer Serial Number | Description | Qty. |
|---|-------------|-------------------------|-----------------------------------|-------------------------------------|-------------|
| ▽ | 1 | 16223 | (000000- |) Gearbox | 1 |
| ▲ | | 41412 | (000000- |) Bearing | 4 |
| ▲ | | 41413 | (000000- |) Seal, Input Oil | 1 |
| ▲ | | 41414 | (000000- |) Seal, Output Oil | 1 |
| ▲ | | 41415 | (000000- |) Plug | 2 |
| ▲ | | 24451 | (000000- |) Lubricant, Synthetic | 1 |
| ▲ | | 32740 | (000000- |) Shaft Assembly, Output, Std. Duty | 1 |

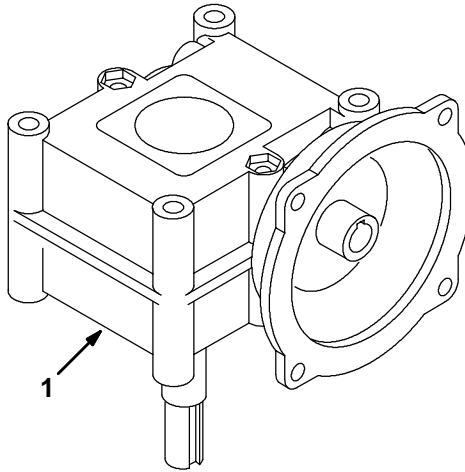
Fig. 10 - Gearbox Breakdown, 16226



352787-352788

| Ref. | Tennant Part No. | Manufacturer Serial Number | Description | Qty. |
|------|------------------|----------------------------|--------------------------------------|------|
| ▽ 1 | 16226 | (000000- |) Gearbox | 1 |
| ▲ | 41416 | (000000- |) Bearing | 4 |
| ▲ | 41417 | (000000- |) Seal, Input Oil | 1 |
| ▲ | 41418 | (000000- |) Seal, Output Oil | 1 |
| ▲ | 41419 | (000000- |) Plug | 2 |
| ▲ | 24451 | (000000- |) Lubricant, Synthetic | 1 |
| ▲ | 32741 | (000000- |) Shaft Assembly, Output, Heavy Duty | 1 |

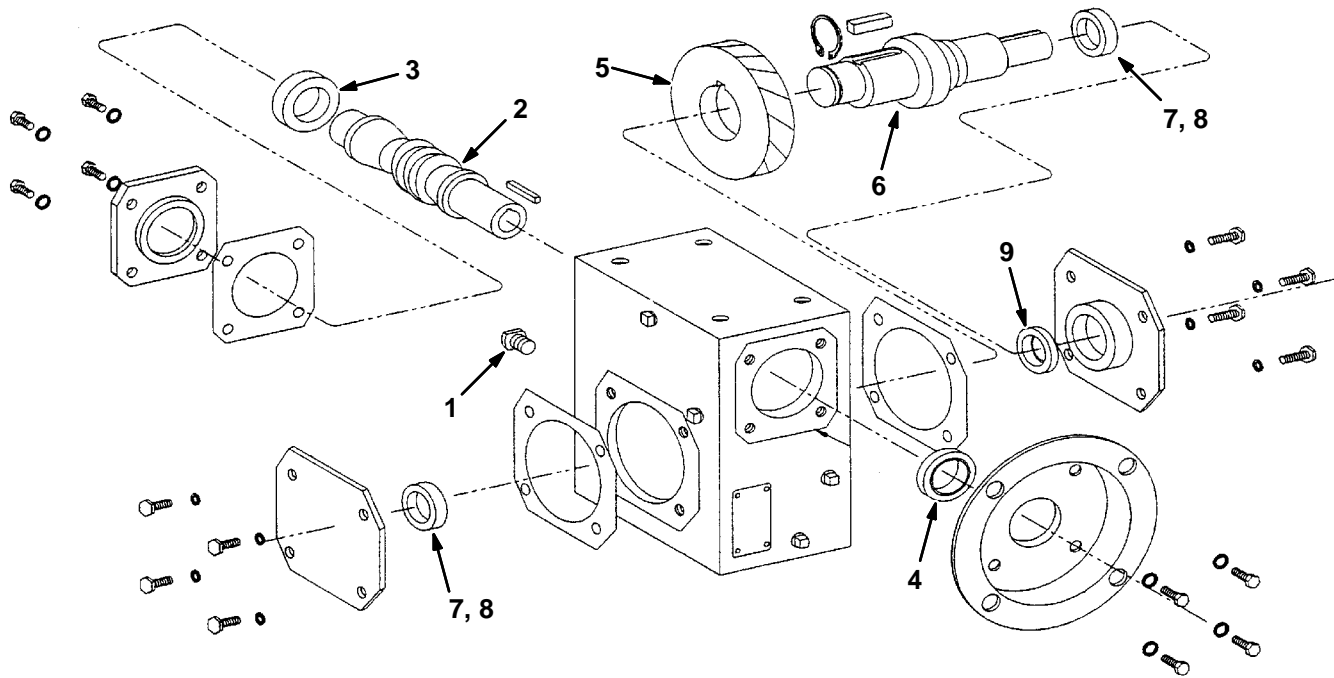
Fig. 11 - Gearbox Breakdown, 363164



352785-352786

| | Ref. | Tennant Part No. | Manufacturer Serial Number | Description | Qty. |
|---|-------------|-------------------------|-----------------------------------|-------------------------------------|-------------|
| ▽ | 1 | 363164 | (000000- |) Gearbox | 1 |
| ▲ | | 41412 | (000000- |) Bearing | 4 |
| ▲ | | 41413 | (000000- |) Seal, Input Oil | 1 |
| ▲ | | 41414 | (000000- |) Seal, Output Oil | 1 |
| ▲ | | 41415 | (000000- |) Plug | 2 |
| ▲ | | 24451 | (000000- |) Lubricant, Synthetic | 1 |
| ▲ | | 32740 | (000000- |) Shaft Assembly, Output, Std. Duty | 1 |

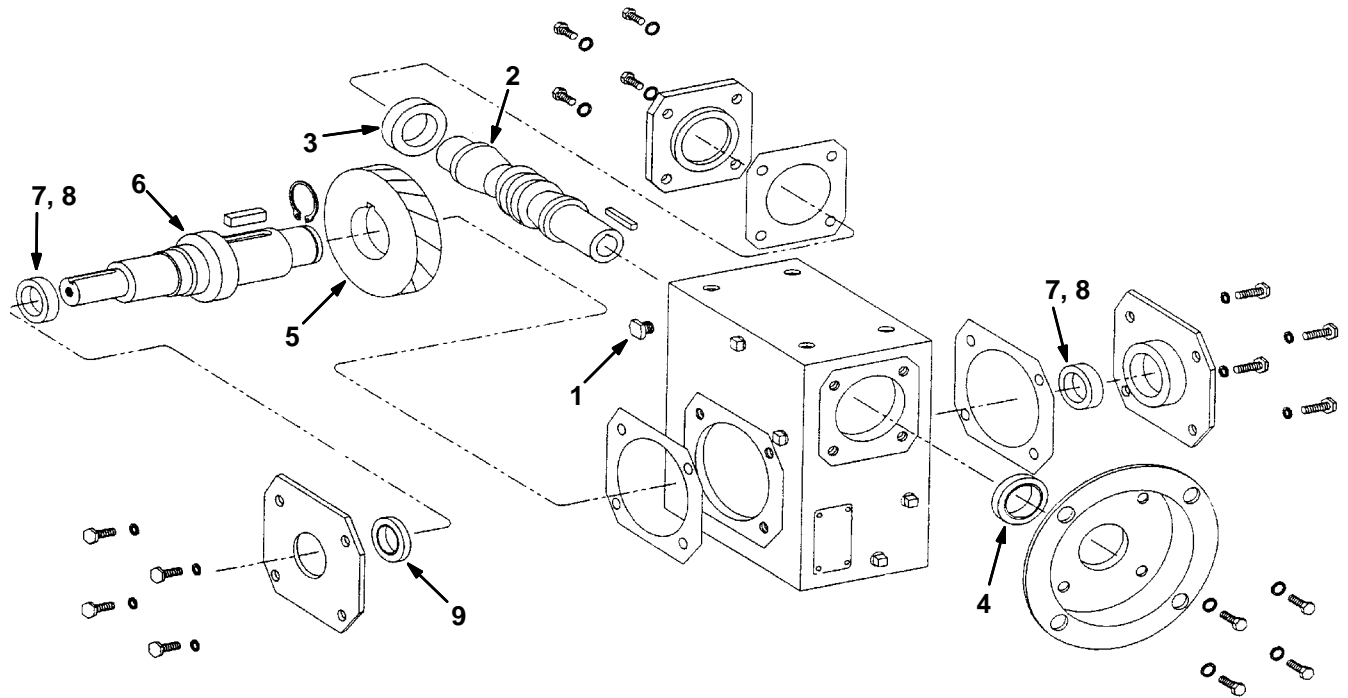
Fig. 12 - Gearbox Breakdown, 375111



352779-352780

| Ref. | Tennant Part No. | Manufacturer Serial Number | Description | Qty. | |
|------|------------------|----------------------------|----------------------|----------------|---|
| ▽ | 375111 | (000000- |) Gearbox, W/O Mount | 1 | |
| ▲ | 1 | 375089 | (000000- |) Breather | 1 |
| ▲ | 2 | 375090 | (000000- |) Input Shaft | 1 |
| ▲ | 3 | 375092 | (000000- |) Bearing | 1 |
| ▲ | 4 | 375093 | (000000- |) Seal | 1 |
| ▲ | 5 | 375094 | (000000- |) Gear | 1 |
| ▲ | 6 | 375095 | (000000- |) Output Shaft | 1 |
| ▲ | 7 | 375097 | (000000- |) Bearing Cone | 2 |
| ▲ | 8 | 375098 | (000000- |) Bearing Cup | 2 |
| ▲ | 9 | 375099 | (000000- |) Seal | 1 |

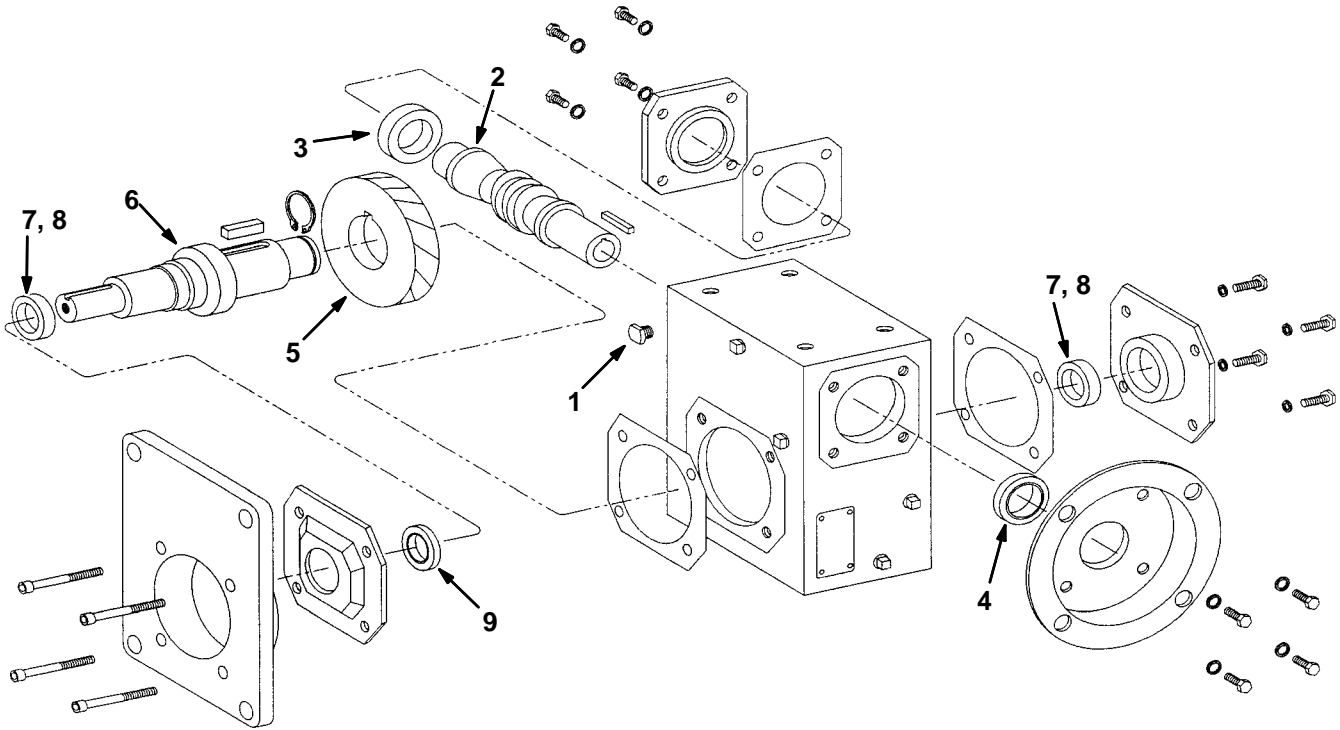
Fig. 13 - Gearbox Breakdown, 375110



352781-352782

| Ref. | Tennant Part No. | Manufacturer Serial Number | Description | Qty. | |
|------|------------------|----------------------------|----------------------|----------------|---|
| ▽ | 375110 | (000000- |) Gearbox, W/O Mount | 1 | |
| ▲ | 1 | 375089 | (000000- |) Breather | 1 |
| ▲ | 2 | 375090 | (000000- |) Input Shaft | 1 |
| ▲ | 3 | 375092 | (000000- |) Bearing | 1 |
| ▲ | 4 | 375093 | (000000- |) Seal | 1 |
| ▲ | 5 | 375094 | (000000- |) Gear | 1 |
| ▲ | 6 | 375095 | (000000- |) Output Shaft | 1 |
| ▲ | 7 | 375097 | (000000- |) Bearing Cone | 2 |
| ▲ | 8 | 375098 | (000000- |) Bearing Cup | 2 |
| ▲ | 9 | 375099 | (000000- |) Seal | 1 |

Fig. 14 - Gearbox Breakdown, 375100



352783-352784

| Ref. | Tennant Part No. | Manufacturer Serial Number | Description | Qty. | |
|------|------------------|----------------------------|--------------------|----------------|---|
| ▽ | 375100 | (000000- |) Gearbox, W Mount | 1 | |
| ▲ | 1 | 375089 | (000000- |) Breather | 1 |
| ▲ | 2 | 375090 | (000000- |) Input Shaft | 1 |
| ▲ | 3 | 375092 | (000000- |) Bearing | 1 |
| ▲ | 4 | 375093 | (000000- |) Seal | 1 |
| ▲ | 5 | 375094 | (000000- |) Gear | 1 |
| ▲ | 6 | 375096 | (000000- |) Output Shaft | 1 |
| ▲ | 7 | 375097 | (000000- |) Bearing Cone | 2 |
| ▲ | 8 | 375098 | (000000- |) Bearing Cup | 2 |
| ▲ | 9 | 375099 | (000000- |) Seal | 1 |

SECTION 5

CONTENTS

PAGE

PART NUMBER TO PAGE NUMBER CROSS REFERENCE LIST 5-2
PART DESCRIPTION TO PAGE NUMBER CROSS REFERENCE LIST 5-11

CROSS REFERENCE

PART NUMBER TO PAGE NUMBER CROSS REFERENCE LIST

| Part Number | Page Number | Part Number | Page Number |
|-------------|--|-------------|---|
| 00500-10 | 2-15 | 06969 | 2-23 |
| 00500-7 | 4-6 | 06971 | 2-23 |
| 00910 | 2-81, 3-3 | 07112 | 2-15 |
| 00911 | 2-91 | 07259 | 2-30, 2-47, 2-85 |
| 00918 | 4-4, 4-5 | 07514 | 2-59 |
| 00926 | 2-75 | 07786 | 2-51, 2-53 |
| 00927 | 2-29, 2-41 | 07791 | 2-9, 2-19 |
| 00954 | 2-91 | 07792 | 2-55 |
| 01047 | 2-75 | 08708 | 2-13 |
| 01684 | 2-81 | 08709 | 2-13, 2-21 |
| 01685 | 2-19, 2-21, 2-29, 2-35, 2-41, 2-45, 2-46, 2-51, 2-53, 2-55, 3-21 | 08711 | 2-23 |
| 01686 | 2-29, 2-41, 2-46, 2-55 | 08713 | 2-29, 2-35, 2-41, 2-45, 2-46, 2-51, 2-53, 2-55, 3-21 |
| 01692 | 2-77 | 08714 | 2-43, 2-46, 2-55 |
| 01704 | 2-93 | 09007 | 2-81, 3-3 |
| 01726 | 3-26, 3-27, 3-28, 3-29, 3-30, 3-31, 3-32, 3-33, 3-34, 3-35 | 09010 | 2-43, 2-46 |
| 01760 | 2-35, 2-45, 2-75 | 09011 | 2-29, 2-46, 2-51, 2-53 |
| 01764 | 2-13 | 09026 | 2-51, 2-89 |
| 01837 | 4-3 | 09028 | 2-43, 2-46, 2-55 |
| 01842 | 4-3 | 09030 | 2-17 |
| 01856 | 4-3 | 09087 | 2-13, 2-31, 2-46 |
| 01969 | 4-3 | 09088 | 2-19, 2-21 |
| 01971 | 4-3 | 09198 | 2-5, 2-7 |
| 01982 | 4-3 | 09200 | 2-77 |
| 01983 | 4-3 | 09294 | 2-17, 2-19 |
| 02050 | 2-75 | 09297 | 2-13 |
| 02076 | 2-17, 2-93 | 09342 | 2-83 |
| 02205 | 2-93 | 09370 | 2-21 |
| 02361 | 2-93 | 09739 | 2-46, 2-77 |
| 02384 | 2-75 | 09740 | 2-29, 2-35, 2-41, 2-45, 2-47, 2-51, 2-55 |
| 02715 | 2-87 | 09741 | 2-47 |
| 02965 | 2-11 | 09744 | 2-51, 2-53 |
| 02991 | 2-41 | 09745 | 2-47 |
| 02992 | 2-41 | 10362 | 2-91 |
| 03281 | 2-87 | 10444 | 2-57 |
| 04186 | 2-75 | 10632-1 | 2-67, 2-69 |
| 04417 | 2-55 | 10632-11 | 3-9 |
| 04679 | 2-69 | 10632-12 | 3-11 |
| 04706 | 2-81, 3-3 | 10632-14 | 2-71 |
| 04733-10 | 2-57 | 10632-17 | 2-69 |
| 04843 | 2-15, 2-43 | 10632-3 | 2-71 |
| 04922 | 2-75, 4-7 | 10632 | 2-69 |
| 04928 | 2-81, 3-3 | 10917 | 4-8, 4-9 |
| 05280 | 2-65 | 10918 | 4-8 |
| 05686 | 2-29, 2-57 | 10919 | 4-8 |
| 05724 | 2-7 | 10923 | 4-9 |
| 05726 | 2-7 | 10924 | 4-9 |
| 06279 | 2-33, 2-57 | 10925 | 4-3, 4-4, 4-5 |
| 06416 | 2-33 | 10926 | 4-3 |
| 06474A | 2-27, 2-89 | 11218 | 2-5, 2-7 |
| 06483 | 4-10 | 11399 | 2-61, 3-7 |
| 06485 | 4-10 | 11442-3 | 3-7 |
| 06532 | 2-87 | 11636 | 3-23 |
| 06598 | 2-19, 2-21 | 11651 | 2-65 |
| 06942 | 2-19, 2-21 | 11756 | 4-3 |
| 06943 | 2-13 | 11757 | 4-7 |
| 06945 | 2-85 | 11843 | 2-77 |
| | | 12060 | 2-37 |

| Part Number | Page Number | Part Number | Page Number |
|--------------------|------------------------|--------------------|------------------------------|
| 12263 | 2-27 | 14731 | 2-63 |
| 12271 | 2-71 | 14807 | 3-9 |
| 12317 | 2-55 | 14811 | 2-37 |
| 12333 | 2-87 | 14820 | 3-13 |
| 12540 | 2-17 | 14838 | 2-5, 2-7 |
| 12542 | 2-3, 2-56 | 14864 | 2-59, 2-61 |
| 13248 | 2-85 | 14877 | 2-37 |
| 14147 | 2-61 | 14880 | 2-59, 2-61 |
| 14148 | 2-59 | 14910 | 2-19 |
| 14150 | 2-15 | 14933 | 2-33 |
| 14227 | 2-21 | 14951 | 3-16 |
| 14282 | 2-25 | 14953 | 2-5 |
| 14296 | 2-15 | 14967 | 2-5 |
| 14330 | 2-21 | 14971 | 3-14 |
| 14333 | 2-15 | 14983 | 3-23 |
| 14335 | 2-15 | 14987 | 3-13 |
| 14336 | 2-15 | 14994 | 2-9 |
| 14351 | 2-15 | 14995 | 2-9 |
| 14355 | 2-15 | 14998 | 3-14 |
| 14368 | 2-27 | 15012 | 2-69 |
| 14397 | 2-27 | 15018 | 2-31, 2-46 |
| 14400 | 2-27 | 150208 | 3-41 |
| 14409 | 2-27 | 15023 | 2-31, 2-46 |
| 14416 | 2-63 | 15025 | 2-59 |
| 14422 | 2-63 | 15034 | 2-59 |
| 14426 | 2-63 | 15047 | 2-38, 2-39, 2-53 |
| 14438 | 2-63 | 15057 | 2-37 |
| 14439 | 2-59, 2-61 | 15391 | 2-67 |
| 14441 | 2-63 | 15392 | 2-67 |
| 14455 | 3-21 | 15491 | 2-63 |
| 14464 | 2-35, 2-45 | 15493 | 2-63 |
| 14465 | 3-16 | 15513 | 3-23 |
| 14473 | 2-19 | 15539 | 2-5, 2-7 |
| 14475 | 2-19 | 15568 | 2-46 |
| 14514 | 3-14 | 15569 | 2-31, 2-46 |
| 14516 | 2-13 | 15645 | 2-38, 2-51 |
| 14523 | 2-30 | 15647 | 2-39, 2-53 |
| 14524 | 2-30, 2-47 | 15648 | 2-33, 2-93 |
| 14530 | 2-45 | 15649 | 2-31, 2-46 |
| 14555 | 2-57 | 15650 | 2-33 |
| 14567 | 2-29 | 15675 | 2-35, 2-45, 2-49, 2-51, 2-53 |
| 14575 | 2-3, 2-56 | 15678 | 2-37 |
| 14584 | 2-5 | 15681 | 2-38, 2-39, 2-51, 2-53 |
| 14586 | 2-5 | 15740 | 2-71 |
| 14626 | 2-29 | 15742 | 2-33 |
| 14648 | 2-38, 2-39, 2-51, 2-53 | 15815 | 2-15 |
| 14657 | 3-14 | 15830 | 2-15 |
| 14662 | 2-57 | 15838 | 3-7 |
| 14666 | 2-29 | 15840 | 2-67 |
| 14671 | 2-3, 2-29 | 15864 | 2-33 |
| 14672 | 2-3, 2-29 | 15900 | 2-31, 2-46 |
| 14673 | 2-3, 2-29 | 15951 | 2-3, 2-29 |
| 14674 | 2-3, 2-29 | 15952 | 2-3, 2-29 |
| 14675 | 2-38, 2-39, 2-53 | 15953 | 2-29 |
| 14676 | 2-38 | 15965 | 3-7 |
| 14677 | 2-39, 2-53 | 15966 | 2-38, 2-39, 2-51, 2-53 |
| 14715 | 3-7 | 15977 | 2-63 |
| 14724 | 3-14 | 15987 | 3-7 |
| 14725 | 2-35, 2-45 | 15990 | 2-55 |
| 14727 | 3-12 | 15991 | 2-9 |

CROSS REFERENCE

| Part Number | Page Number | Part Number | Page Number |
|------------------------|------------------------|------------------------|------------------------|
| 16179 | 3-23 | 17263 | 2-5 |
| 16193 | 2-13 | 17284 | 2-51, 2-53 |
| 16196 | 2-13 | 17288 | 2-51, 2-53 |
| 16200 | 2-13 | 17333 | 3-7, 4-8 |
| 16201 | 2-13 | 17363 | 2-73, 4-3 |
| 16202 | 2-59 | 18626 | 4-7 |
| 16203 | 2-59 | 18627 | 4-3 |
| 16204 | 2-63 | 18628 | 4-3 |
| 16205 | 2-59 | 18630 | 4-3 |
| 16223 | 2-29, 2-41, 4-11 | 18632 | 4-3 |
| 16224 | 2-29, 2-41, 4-5 | 18811 | 2-73 |
| 16225 | 3-21, 4-4 | 19783 | 2-7 |
| 16226 | 3-21, 4-12 | 19800 | 3-39 |
| 16355 | 2-55 | 19903 | 3-36, 3-37 |
| 16356 | 3-7 | 20634 | 2-87 |
| 16367 | 2-15 | 20802 | 2-11 |
| 16368 | 2-25, 2-47 | 20810 | 2-61 |
| 16369 | 2-25 | 20811 | 2-61 |
| 16370 | 2-15 | 20822 | 2-11 |
| 16386 | 2-15 | 20932 | 3-36, 3-37 |
| 16539 | 2-9 | 20933 | 3-36, 3-37 |
| 16735 | 2-9 | 21196 | 2-41 |
| 16816 | 2-55 | 21757 | 4-7 |
| 16880 | 3-12 | 21765 | 4-3 |
| 16889 | 3-12 | 21799 | 4-4, 4-5 |
| 16890 | 3-12 | 22211 | 2-71 |
| 16891 | 3-21 | 222116 | 2-65 |
| 16893 | 2-9 | 222178 | 2-41 |
| 16902 | 2-73 | 222196 | 2-41 |
| 16903 | 2-73 | 222277 | 2-43 |
| 16906 | 2-65 | 222290 | 2-65, 2-67 |
| 16910 | 3-7 | 222296 | 2-71 |
| 16911 | 3-7 | 222298 | 2-71 |
| 16913 | 2-37 | 222409 | 2-91 |
| 16914 | 2-37 | 222464 | 2-11 |
| 16917 | 2-59 | 222466 | 2-15, 2-65 |
| 16919 | 2-73 | 222470 | 3-23 |
| 16923 | 2-65 | 222505 | 2-43 |
| 16931 | 2-9, 2-13 | 222506 | 2-29, 2-41 |
| 16942 | 2-29 | 222516 | 2-11 |
| 16944 | 2-9, 3-36, 3-37 | 222556 | 2-43 |
| 16946 | 2-29 | 22297 | 2-73 |
| 16966 | 3-21 | 223044 | 2-85 |
| 16967 | 2-73 | 223054 | 2-57 |
| 17038 | 2-56 | 223264 | 2-73 |
| 17083 | 2-56 | 23456 | 3-36, 3-37 |
| 17084 | 2-56 | 23709 | 2-87 |
| 17104 | 2-56 | 24105 | 3-7 |
| 17118 | 3-7 | 24107 | 2-45, 2-61 |
| 17129 | 2-73 | 24174 | 2-59 |
| 17140 | 2-56 | 24175 | 2-61 |
| 17164 | 2-73 | 24196 | 2-59 |
| 17186 | 2-27 | 24199 | 2-46 |
| 17188 | 2-63, 2-73 | 24254 | 2-30 |
| 17191 | 2-9 | 24288 | 2-59 |
| 17194 | 2-33 | 24299 | 2-5, 2-7 |
| 17200 | 2-104 | 24301 | 3-7 |
| 17260 | 2-5 | 24304 | 2-3, 2-56 |
| 17261 | 2-5 | 24306 | 2-57 |
| 17262 | 2-5 | 24310 | 2-29 |

| Part Number | Page Number | Part Number | Page Number |
|--------------------|-----------------------------|--------------------|--------------------|
| 24329 | 2-29 | 330101 | 3-45 |
| 24353 | 2-15 | 330102 | 3-45 |
| 24358 | 2-59, 2-61 | 330103 | 3-45 |
| 24438 | 2-59 | 330105 | 3-45 |
| 24451 | 4-11, 4-12, 4-13 | 33288 | 2-63 |
| 24537 | 4-4, 4-5 | 33289 | 2-63 |
| 24543 | 2-37 | 33294 | 3-7 |
| 24544 | 2-37 | 33295 | 3-7 |
| 24924 | 2-13 | 33320 | 3-24 |
| 25014 | 2-19 | 33373 | 2-81, 3-3 |
| 25045 | 2-77 | 33933 | 2-85 |
| 25197A | 2-23 | 34323 | 2-81, 3-3 |
| 25312 | 3-44 | 35835 | 2-77 |
| 26103 | 2-15 | 35836 | 2-77 |
| 26156 | 2-15 | 35837 | 2-77 |
| 26428 | 2-15 | 35843 | 2-75, 2-77 |
| 27184 | 3-39 | 35846 | 2-75 |
| 27880 | 2-37 | 35964 | 2-77 |
| 27928 | 2-67 | 360023 | 2-23 |
| 28296 | 2-79, 2-81, 3-5 | 360074 | 2-23, 3-24, 3-25 |
| 29233 | 2-13, 2-25, 3-16 | 360181 | 2-91 |
| 29499 | 2-75, 2-77, 2-81, 3-3 | 360270 | 2-23 |
| 30013 | 2-15 | 360271 | 2-23 |
| 30216 | 2-7 | 360272 | 2-23 |
| 30241 | 2-7 | 360273 | 2-23 |
| 30268 | 3-7 | 360274 | 2-23 |
| 30327 | 3-23 | 360275 | 2-23 |
| 310447 | 2-15 | 360276 | 2-23 |
| 310449 | 2-15 | 360455 | 2-85 |
| 31204 | 2-65 | 360521 | 2-65 |
| 32432 | 2-5 | 360686 | 2-3, 2-91 |
| 32454 | 2-73 | 360768 | 2-85 |
| 32485 | 2-41 | 360980 | 2-17 |
| 32486 | 2-23 | 361339 | 2-89 |
| 32490 | 2-13 | 362193 | 2-69 |
| 32491 | 2-9, 2-13, 2-43, 2-46, 2-47 | 362199 | 2-65 |
| 32501 | 2-59, 2-61 | 362200 | 2-67 |
| 32502 | 2-61 | 363048 | 2-75 |
| 32503 | 2-59 | 363100 | 2-41 |
| 32505 | 2-5 | 363113 | 2-47 |
| 32506 | 2-5 | 363116 | 2-45 |
| 32508 | 2-59, 2-61 | 363120 | 2-43 |
| 32523 | 2-55 | 363122 | 2-51 |
| 32525 | 2-91 | 363123 | 2-3, 2-51 |
| 32600 | 3-43 | 363125 | 2-51 |
| 32657 | 2-5 | 363139 | 2-43 |
| 32661 | 2-5 | 363142 | 2-47 |
| 32662 | 2-59 | 363150 | 2-33 |
| 32663 | 2-59 | 363151 | 2-57 |
| 32707 | 2-38 | 363152 | 2-35 |
| 32710 | 2-39, 2-53 | 363153 | 3-28 |
| 32713 | 2-57 | 363162 | 2-41 |
| 32715 | 2-57 | 363163 | 2-3, 2-41 |
| 32735 | 2-55 | 363164 | 2-41, 4-13 |
| 32739 | 2-57 | 363165 | 2-3, 2-51 |
| 32740 | 4-11, 4-13 | 363166 | 2-3, 2-51 |
| 32741 | 4-12 | 363168 | 2-47 |
| 32790 | 2-61 | 363175 | 3-24 |
| 32891 | 3-21 | 363178 | 2-21 |
| 330100 | 3-45 | 363199 | 3-19 |

CROSS REFERENCE

| Part Number | Page Number | Part Number | Page Number |
|-------------|-------------|-------------|-------------|
| 363200 | 3-19 | 363489 | 2-37 |
| 363202 | 3-19 | 363490 | 2-49 |
| 363203 | 3-19 | 363491 | 4-6 |
| 363210 | 2-19 | 363507 | 3-34 |
| 363215 | 2-19, 2-21 | 363508 | 3-34 |
| 363218 | 2-23 | 363509 | 3-31 |
| 363224 | 2-69 | 363510 | 3-30, 3-31 |
| 363230 | 2-57 | 363511 | 3-33 |
| 363231 | 2-55 | 363512 | 3-31, 3-33 |
| 363232 | 3-15 | 363513 | 3-35 |
| 363233 | 3-15 | 363514 | 3-35 |
| 363236 | 2-67 | 363515 | 2-35 |
| 363237 | 3-21 | 363520 | 3-12 |
| 363238 | 2-67 | 363522 | 2-37 |
| 363280 | 2-9 | 363543 | 2-37 |
| 363283 | 2-23 | 363544 | 2-33 |
| 363284 | 2-23 | 363553 | 2-69 |
| 363289 | 2-35 | 363607 | 2-65 |
| 363290 | 2-35 | 363608 | 2-65 |
| 363293 | 2-35 | 363612 | 2-99 |
| 363301 | 2-11, 2-41 | 363613 | 2-103 |
| 363303 | 2-67 | 363614 | 2-81, 3-3 |
| 363304 | 3-29 | 363615 | 2-79 |
| 363305 | 3-26 | 363616 | 2-93 |
| 363306 | 3-27 | 363617 | 2-91 |
| 363310 | 2-43 | 363618 | 2-93 |
| 363311 | 3-15 | 363619 | 2-93, 4-10 |
| 363312 | 3-7 | 363620 | 2-81, 3-3 |
| 363322 | 2-49 | 363624 | 2-75 |
| 363352 | 3-30, 3-32 | 363625 | 2-75 |
| 363353 | 3-32 | 363628 | 2-77 |
| 363354 | 3-30 | 363632 | 2-75 |
| 363385 | 2-15 | 363642 | 2-85 |
| 363387 | 2-69 | 363650 | 2-9 |
| 363396 | 2-51 | 363684 | 2-89 |
| 363401 | 3-15 | 363686 | 2-89 |
| 363404 | 2-57 | 363687 | 2-89 |
| 363413 | 3-25 | 363688 | 2-91 |
| 363420 | 2-57 | 363689 | 2-3, 2-89 |
| 363423 | 2-25 | 363690 | 2-3, 2-89 |
| 363425 | 2-19 | 363691 | 2-3, 2-89 |
| 363426 | 2-3, 2-87 | 363692 | 2-89 |
| 363430 | 2-51 | 363695 | 2-89 |
| 363432 | 2-41 | 363700 | 2-11 |
| 363439 | 2-46 | 363704 | 2-11 |
| 363441 | 2-15 | 363705 | 2-11 |
| 363442 | 2-25 | 363711 | 2-11 |
| 363443 | 2-51 | 363714 | 2-11 |
| 363445 | 2-51 | 363715 | 2-9 |
| 363446 | 2-51 | 363719 | 2-11 |
| 363451 | 3-9 | 363721 | 2-11 |
| 363452 | 3-11 | 363722 | 2-87 |
| 363458 | 2-47 | 363725 | 2-11 |
| 363462 | 3-7 | 363750 | 2-81, 3-5 |
| 363463 | 2-87 | 363751 | 2-11 |
| 363466 | 2-51 | 363752 | 2-85 |
| 363469 | 2-51 | 363756 | 2-83 |
| 363470 | 3-7 | 363757 | 2-3, 2-83 |
| 363479 | 2-31 | 363758 | 2-3, 2-83 |
| 363480 | 3-23 | 363761 | 2-11 |

CROSS REFERENCE

| Part Number | Page Number | Part Number | Page Number |
|-------------|-----------------------|-------------|-----------------|
| 363766 | 2-87 | 363937 | 2-81, 3-3 |
| 363767 | 2-87 | 363940 | 2-83 |
| 363770 | 2-3, 2-85 | 363943 | 3-23 |
| 363772 | 2-83 | 363945 | 2-11 |
| 363777 | 2-85 | 363947 | 2-85 |
| 363780 | 2-85 | 363948 | 2-87 |
| 363782 | 2-87 | 363949 | 2-71 |
| 363783 | 2-87 | 363951 | 2-83 |
| 363785 | 2-87 | 363953 | 2-75 |
| 363792 | 2-3, 2-83 | 363954 | 2-87 |
| 363793 | 2-11 | 363955 | 2-87 |
| 363794 | 2-65 | 363957 | 2-81, 3-3 |
| 363795 | 2-71 | 363961 | 2-77 |
| 363796 | 2-3, 2-91 | 363963 | 2-77 |
| 363797 | 2-81, 3-3 | 363965 | 2-75 |
| 363802 | 2-81, 3-3 | 363966 | 2-83 |
| 363803 | 2-81, 3-5 | 363967 | 2-83 |
| 363805 | 2-85 | 363968 | 2-83 |
| 363812 | 2-81, 3-3 | 363971 | 2-75 |
| 363827 | 2-85 | 363973 | 2-87 |
| 363830 | 2-85 | 363975 | 2-77 |
| 363840 | 2-104 | 363976 | 2-77 |
| 363850 | 2-79, 2-81, 3-5 | 363981 | 2-79, 2-81, 3-5 |
| 363853 | 2-71 | 363982 | 2-87 |
| 363856 | 2-87 | 363984 | 2-15 |
| 363859 | 2-83 | 363985 | 2-15 |
| 363860 | 2-3, 2-83 | 363986 | 2-15 |
| 363861 | 2-3, 2-83 | 365156 | 2-29, 2-41 |
| 363862 | 2-83 | 36593 | 2-91 |
| 363864 | 2-3, 2-83 | 36643 | 2-81, 3-3 |
| 363865 | 3-5 | 36644 | 2-77 |
| 363868 | 2-5, 2-7 | 36658 | 2-87 |
| 363870 | 2-71 | 36666 | 2-87 |
| 363872 | 2-81, 3-3 | 36801 | 2-27 |
| 363877 | 2-83 | 369702 | 2-67 |
| 363886 | 3-3 | 369817 | 3-9, 3-11 |
| 363887 | 3-3 | 370020 | 2-5, 2-7 |
| 363889 | 2-93 | 370080 | 2-5, 2-7 |
| 363890 | 3-3 | 370090 | 2-5, 2-7 |
| 363891 | 2-104 | 370101 | 3-7 |
| 363893 | 2-85 | 370106 | 2-59 |
| 363895 | 2-85 | 370112 | 2-61, 3-7 |
| 363896 | 2-85 | 370113 | 2-59 |
| 363898 | 2-75 | 370123 | 2-59 |
| 363899 | 2-77 | 370133 | 2-55 |
| 363900 | 3-3 | 370134 | 2-55 |
| 363901 | 2-83 | 370137 | 3-17 |
| 363903 | 2-93 | 370140 | 2-59 |
| 363907 | 2-79, 2-81, 2-89, 3-5 | 370141 | 2-59 |
| 363908 | 2-85 | 370160 | 2-73 |
| 363918 | 4-10 | 370167 | 2-59 |
| 363919 | 4-10 | 370175 | 2-67 |
| 363920 | 4-10 | 370176 | 2-67 |
| 363921 | 4-10 | 370923 | 4-9 |
| 363922 | 4-10 | 374516 | 2-3, 2-75 |
| 363924 | 4-10 | 374618 | 3-36, 3-37 |
| 363925 | 4-10 | 374675 | 2-59, 2-61 |
| 363927 | 3-45 | 375010 | 4-8 |
| 363935 | 2-25 | 375011 | 4-8 |
| 363936 | 2-27 | 375014 | 3-36, 3-37 |

CROSS REFERENCE

| Part Number | Page Number | Part Number | Page Number |
|-------------|----------------------------------|-------------|------------------------|
| 375017 | 4-4, 4-5 | 41352 | 2-9 |
| 375022 | 3-7 | 41367 | 4-4, 4-5 |
| 375024 | 2-61 | 41368 | 4-4, 4-5 |
| 375025 | 2-61 | 41369 | 4-4 |
| 375040 | 2-41 | 41371 | 4-5 |
| 375044 | 2-11 | 41392 | 3-23 |
| 375065 | 2-41 | 41407 | 3-7 |
| 375070 | 2-41 | 41410 | 3-7 |
| 375086 | 2-41 | 41412 | 4-11, 4-13 |
| 375089 | 4-14, 4-15, 4-16 | 41413 | 4-11, 4-13 |
| 375090 | 4-14, 4-15, 4-16 | 41414 | 4-11, 4-13 |
| 375091 | 2-69, 2-71 | 41415 | 4-11, 4-13 |
| 375092 | 4-14, 4-15, 4-16 | 41416 | 4-12 |
| 375093 | 4-14, 4-15, 4-16 | 41417 | 4-12 |
| 375094 | 4-14, 4-15, 4-16 | 41418 | 4-12 |
| 375095 | 4-14, 4-15 | 41419 | 4-12 |
| 375096 | 4-16 | 41421 | 2-59, 2-61 |
| 375097 | 4-14, 4-15, 4-16 | 41423 | 2-69 |
| 375098 | 4-14, 4-15, 4-16 | 41427 | 3-7 |
| 375099 | 4-14, 4-15, 4-16 | 41435 | 3-7 |
| 375100 | 2-29, 4-16 | 41437 | 2-51 |
| 375110 | 2-41, 4-15 | 41440 | 3-7 |
| 375111 | 2-41, 4-14 | 41445 | 2-38, 2-39, 2-51, 2-53 |
| 375118 | 2-41, 2-69 | 41451 | 2-59, 2-61 |
| 375119 | 3-21 | 41454 | 2-59, 2-61 |
| 37637 | 4-7 | 41561 | 2-91 |
| 37638 | 4-7 | 41579 | 2-9 |
| 37909 | 4-3 | 42120-1 | 2-85 |
| 37912 | 4-3 | 42268 | 4-10 |
| 37926 | 4-3 | 43500 | 2-57 |
| 37929 | 4-3 | 43611 | 2-27 |
| 38378 | 4-7 | 43954 | 2-21 |
| 383831 | 2-65 | 44078 | 2-65 |
| 39278 | 2-21 | 44681-1 | 3-9, 3-11 |
| 39308 | 2-27 | 44681-2 | 3-9, 3-11 |
| 39334 | 2-75 | 44681 | 3-9, 3-11 |
| 39338 | 2-91 | 44847 | 2-59, 2-85, 3-7 |
| 39346 | 2-75 | 44906 | 2-38, 2-39, 2-51, 2-53 |
| 39612 | 3-23 | 44939 | 2-87 |
| 39923 | 2-73 | 44961 | 2-59, 2-73 |
| 40145 | 2-49 | 45027A | 2-17 |
| 40566 | 2-37 | 45272 | 3-9, 3-11 |
| 41141 | 2-77 | 45283 | 3-9, 3-11 |
| 41169 | 2-55 | 45486 | 3-7 |
| 41178 | 2-3, 2-19, 2-21, 2-41, 2-81, 3-3 | 46390 | 2-15, 2-75, 2-77 |
| 41185 | 2-75, 2-81, 3-3 | 47638 | 2-93 |
| 41186 | 2-29, 2-41 | 47701 | 3-7 |
| 41305 | 2-38, 2-39, 2-53 | 48079 | 2-55, 2-57 |
| 41307 | 2-38, 2-39, 2-53 | 48588 | 3-25 |
| 41308 | 2-38, 2-39, 2-53 | 48589 | 3-25 |
| 41309 | 4-8 | 48591 | 3-25 |
| 41310 | 4-8 | 48595 | 2-37 |
| 41311 | 4-8 | 48596 | 2-37 |
| 41312 | 4-8 | 48606 | 3-39 |
| 41315 | 2-37 | 48607 | 3-39 |
| 41316 | 3-12 | 48608 | 3-39 |
| 41328 | 3-44 | 48609 | 3-16, 3-42 |
| 41329 | 3-44 | 48610 | 3-39 |
| 41330 | 3-44 | 48697 | 3-7 |
| 41342 | 2-19 | 48725 | 3-36 |

CROSS REFERENCE

| Part Number | Page Number | Part Number | Page Number |
|-------------|-----------------|-------------|------------------------|
| 48726 | 3-37 | 578126 | 3-41 |
| 48728 | 2-63 | 578143 | 3-41 |
| 48733 | 3-36, 3-37 | 578154 | 3-41 |
| 48734 | 3-36, 3-37 | 578155 | 3-41 |
| 48738 | 3-36, 3-37 | 578160 | 3-42 |
| 48739 | 3-36, 3-37 | 578161 | 3-41 |
| 48753 | 4-6 | 578164 | 3-41 |
| 48754 | 4-6 | 578214 | 3-41 |
| 48755 | 4-6 | 578228 | 3-41 |
| 48757 | 4-6 | 578276 | 3-42 |
| 48758 | 4-6 | 578318 | 3-42 |
| 48759 | 4-6 | 578439 | 3-41 |
| 48790 | 2-13 | 578820 | 3-42 |
| 49142 | 2-49 | 578821 | 3-41 |
| 49145 | 2-23 | 58359 | 2-23 |
| 49266 | 3-9, 3-11, 3-39 | 58494 | 2-35, 2-45 |
| 49681 | 2-27 | 58670 | 2-81, 3-3 |
| 49694 | 2-41 | 58819 | 2-25 |
| 49826 | 2-75 | 59040 | 2-91 |
| 50011 | 2-15 | 59078 | 2-91 |
| 50304 | 3-16 | 59108 | 2-91 |
| 50896 | 2-49 | 59542 | 2-85 |
| 51103 | 2-79, 2-81, 3-5 | 59633 | 2-81, 3-3 |
| 51109 | 2-19 | 59767 | 2-104 |
| 51534 | 2-57 | 60198 | 2-17, 4-6 |
| 51545 | 2-19 | 602036 | 3-41 |
| 51562 | 2-19 | 60386 | 4-3 |
| 51564 | 2-55 | 61212 | 3-39 |
| 51813 | 2-35 | 61297 | 4-3 |
| 51824 | 2-17 | 61298 | 4-3 |
| 52238 | 2-57 | 61300 | 4-3 |
| 54333 | 3-39 | 61301 | 4-3 |
| 54390 | 2-23 | 61791 | 2-17 |
| 55130 | 2-87 | 62595-3 | 2-69 |
| 55272 | 2-9 | 63147 | 2-33, 2-35 |
| 55586 | 2-93 | 63244-1 | 3-39 |
| 56799 | 3-23 | 63248-1 | 2-7 |
| 56855 | 2-17 | 63248-2 | 2-7 |
| 57164 | 2-71 | 63248-3 | 2-7 |
| 57497 | 2-15 | 63248-4 | 2-7 |
| 57751 | 2-67, 2-71 | 63430 | 3-16 |
| 57772 | 2-25 | 63448 | 3-16 |
| 57803 | 2-67 | 63451 | 3-16 |
| 578060 | 3-41 | 63810 | 3-39 |
| 578061 | 3-41 | 63987-1 | 2-49 |
| 578063 | 3-41 | 64173 | 2-38, 2-39, 2-51, 2-53 |
| 578064 | 3-41 | 64379 | 2-89 |
| 578066 | 3-41 | 64425 | 2-57 |
| 578067 | 3-41 | 64740 | 3-39 |
| 57807 | 3-39 | 65340 | 3-41 |
| 578071 | 3-42 | 65341 | 3-42 |
| 578072 | 3-42 | 65342 | 3-39 |
| 578074 | 3-41 | 65557 | 3-39 |
| 578077 | 3-41 | 65580 | 3-39 |
| 578078 | 3-41 | 65581 | 3-39 |
| 578091 | 3-41 | 65582 | 3-41 |
| 578094 | 3-41 | 65588 | 3-39 |
| 578123 | 3-41 | 65590 | 3-39, 4-9 |
| 578124 | 3-41 | 65610 | 3-41 |
| 578125 | 3-41 | 65667 | 4-9 |

CROSS REFERENCE

| Part Number | Page Number | Part Number | Page Number |
|-------------|------------------------|-------------|------------------------|
| 65668 | 4-9 | 86767 | 3-16 |
| 65670 | 4-9 | 86812 | 2-3, 2-56 |
| 65671 | 4-9 | 86824 | 2-37, 2-49, 2-61, 3-7 |
| 65672 | 4-9 | 86859 | 2-3, 2-38, 2-39, 2-53 |
| 65673 | 4-9 | 86860 | 2-38, 2-39, 2-51, 2-53 |
| 65674 | 4-9 | 86952 | 2-59 |
| 65675 | 4-9 | 86953 | 2-5, 2-59 |
| 65676 | 4-9 | 86970 | 2-17 |
| 65677 | 4-9 | 87104 | 2-89 |
| 65678 | 4-9 | 87222 | 2-19, 2-21 |
| 67004 | 3-16, 3-39 | 87244 | 2-85 |
| 67767 | 2-49, 2-67 | 87293 | 2-81, 3-3 |
| 69225 | 2-41 | 87297 | 2-81, 3-3 |
| 69582 | 2-38, 2-39, 2-51, 2-53 | 87299 | 2-91 |
| 69784 | 2-61 | 87346 | 2-9 |
| 69785 | 2-61 | 87349 | 2-9 |
| 71628 | 2-37 | 87355 | 2-17 |
| 71891 | 2-11 | 87419 | 2-5, 2-7 |
| 72950 | 2-49 | 87482 | 2-69 |
| 72968 | 3-39 | 87483 | 2-69 |
| 72971 | 2-3, 2-41 | 87488 | 2-15 |
| 73399 | 2-79, 2-81, 3-5 | 87507 | 2-69 |
| 73476 | 3-7 | 87531 | 2-11, 2-89 |
| 74027 | 2-85 | 87583 | 2-67, 2-71 |
| 74040 | 2-11 | 87649 | 3-9, 3-11 |
| 74391 | 2-19 | 87709 | 3-9, 3-11 |
| 74454 | 2-91 | 87718 | 2-27 |
| 74455 | 2-85, 2-89 | 87725 | 2-27 |
| 75290 | 2-21 | 87750 | 2-17 |
| 75375 | 2-73 | 87839 | 2-17 |
| 75635 | 3-36, 3-37 | 87840 | 2-17 |
| 76062 | 2-69, 2-71 | 87841 | 2-17 |
| 76368 | 2-93 | 87849 | 2-17 |
| 76653 | 2-51 | 87948 | 2-9 |
| 76782 | 2-57 | 87949 | 2-9 |
| 76888 | 2-65 | 87977 | 2-71 |
| 77097 | 2-93 | | |
| 77334 | 2-49 | | |
| 78122 | 3-39 | | |
| 79273-2 | 2-61 | | |
| 79320 | 2-59, 2-61 | | |
| 79447 | 2-93 | | |
| 79497 | 3-7 | | |
| 80235 | 2-79, 2-81, 3-5 | | |
| 80487 | 2-79, 2-81, 3-5 | | |
| 81818 | 2-77 | | |
| 81819 | 2-75 | | |
| 82342 | 2-13 | | |
| 82839 | 2-27 | | |
| 82921 | 2-31, 2-46 | | |
| 84028 | 2-37 | | |
| 86240 | 2-21 | | |
| 86327 | 2-56 | | |
| 86375 | 2-69 | | |
| 86379 | 2-69 | | |
| 86591 | 2-59, 2-61, 3-7 | | |
| 86636 | 2-59 | | |
| 86659 | 2-23 | | |
| 86755 | 2-61 | | |
| 86759 | 2-38, 2-39, 2-51, 2-53 | | |

PART DESCRIPTION TO PAGE NUMBER CROSS REFERENCE LIST

A

Accelerator, 2-27
 Actuator, Edge Scrub, 515, 2-35
 Actuator, Scrubhead Lift 515, 2-33
 Actuator, Squeegee Lift 515, 2-57
 Adapter, Brush, 2-5, 2-7
 Adapter, Head, 3-41
 Adapter, Nozzle, 3-41
 Adapter, Wire, 3-23
 Adapter, 4-10
 Adaptor, 2-5, 2-7
 Angle Wldt, Brush Pivot, 2-77
 Angle, Bumper To Hopper Lift L, 2-85
 Angle, Bumper To Hopper Lift,, 2-85
 Angle, Cable Keeper, 2-79, 2-81, 3-5
 Angle, Guide, 2-9
 Angle, Mtg, Floor Plate, 2-25
 Angle, Mtg, Squeegee Lift, 2-51
 Angle, Mtg, Vac Fan Motor, 2-91
 Angle, Mtg, 2-9
 Angle, Prop, 2-11
 Angle, Stop, Side Squeegee, 2-51, 2-53
 Angle, Stop, 2-38, 2-39
 Angle, 2-38, 2-39, 2-53
 Arm Assy, Brush Drive, 2-75
 Arm Assy, Brush Idler, 2-77
 Arm Wldt (Replaced by 363978), 2-75
 Arm Wldt, Brush Drive, Rh, 2-75
 Arm Wldt, Hopper Lift W/lables, 2-85
 Arm, Brush, Drive, Lh, 2-77
 Arm, Mounting, Tension Pulley, 2-75
 Arm, Safety, 2-85
 Arm, 2-27
 Armature, 4-3
 Axle, Wand, 3-41

B

Back, Pad Driver, w/Face 20Dia, 2-5, 2-7
 Backing Plate, 2-23
 Bag, Power Wand, 3-39

Balljoint, 2-27
 Band Assembly, 4-4, 4-5
 Bar Assembly, Weight, 2-46
 Bar, Flat, 2-87
 Bar, Mounting, 2-38, 2-39
 Bar, Mtg, 2-51, 2-53
 Bar, Spacer, 2-30
 Bar, Sqge Lift, 2-51
 Bar, Squeegee Lift, 2-38, 2-39, 2-53
 Bar, Support, Brg, 2-19
 Bar, 3-44
 Basket, 2-61
 Battery, 36V 380Ah Wet, 3-26
 Battery, 36V 700A/h, Dry, 3-29
 Battery, 36V-420Ah, Wet, 3-27
 Battery, 36V-690A/h, Wet, 3-28
 Bearing & Housing, 2-17
 Bearing Assy, 2-91
 Bearing Cone, 4-14, 4-15, 4-16
 Bearing Cover, 4-9
 Bearing Cup, 4-14, 4-15, 4-16
 Bearing, .50Bx 1.00L Fiberglid, 2-93
 Bearing, Ball, 2-15, 2-75, 2-77, 2-91
 Bearing, Brake, 2-19, 2-21
 Bearing, Flange 0.500 Bore, 2-33
 Bearing, Flange .625 Bore, 2-43
 Bearing, Flange .750 Bore, 2-81, 3-3
 Bearing, Flange, 2-15, 2-93
 Bearing, Journal, 2-89
 Bearing, Self Align, 2-85
 Bearing, Sq Lift, 2-51
 Bearing, Thrust .500, 2-51, 2-53
 Bearing, Thrust, Fiberglide, 2-81, 3-3
 Bearing, Thrust, 2-38, 2-39
 Bearing,.50X.38, 2-51, 2-53
 Bearing-Ball,1.18B 2.44D 0.63W, 2-23, 3-24, 3-25
 Bearing, 2-38, 2-39, 4-3, 4-4, 4-5, 4-6, 4-7, 4-11,
 4-12, 4-13, 4-14, 4-15, 4-16
 Belt, V, Hc41 32.5L, 2-75

CROSS REFERENCE

Belt, V, 2-91
Bezel, Tough Panel, 2-65
Blade Assy, Squeegee, Side, 2-3, 2-51
Blade, Side Squeegee, Front, 2-3, 2-51
Blade, Squeegee, 3-41
Block, Threaded, 2-81, 3-3
Bolt, Eye, .38-16th .28B 3.22I, 2-77
Bolt-Eye, .25-20Th .25B 1.4L, 2-55, 2-57
Boot, 90Deg .50D .57X .84, 2-17
Boot, 90Deg .50D .57x.84, 2-93
Boot, 90Deg .59D .25D, 2-93
Boot,circuit breaker, 2-67
Boot, 2-71
Box Assy, Air Filter, 2-59
Box, Fan Mounting, 2-73
Bracket Light, 3-9
Bracket Assembly, Seat, 3-14
Bracket Assy, Head Lift, 2-43
Bracket Tie Down, 3-23
Bracket Wldt, Gas Spring, 2-35
Bracket Wldt, Lh, 2-53
Bracket Wldt, Mounting, Squeeg, 2-57
Bracket Wldt, Mtg, Drag Link, 2-47
Bracket Wldt, Mtg, Sb Motor, Lh, 3-3
Bracket Wldt, Mtg, Sbr Motor, 3-3
Bracket Wldt, Pivot, 2-35
Bracket, Angle, 2-77
Bracket, Axle, 3-41
Bracket, Fan End, 4-3
Bracket, Handle Mounting, 3-41
Bracket, Head Lift, 2-33
Bracket, Hose Fitting, Max Prot 1000, 3-7
Bracket, Hose Fitting, Max Prot 1200, 3-7
Bracket, Hose, Sqge, 2-55
Bracket, L.H., 2-39
Bracket, Latch Lh, 2-87
Bracket, Latch Rh, 2-87
Bracket, Mount, 2-41
Bracket, Mounting, L.H., 2-27, 3-12
Bracket, Mounting, Pump, 3-39
Bracket, Mounting, R.H., 2-27, 3-12
Bracket, Mounting, Sbr Motor, 2-81
Bracket, Mounting, Valve, 3-39
Bracket, Mtg, Actuator, 2-35
Bracket, Mtg, Elect Valve, 2-37
Bracket, Mtg, Gas Shock, 2-45
Bracket, Mtg, Latch, Lh, 2-87
Bracket, Mtg, Latch, Rh, 2-87
Bracket, Mtg, Lift Link, 2-43
Bracket, Mtg, Squeeggee, 2-55
Bracket, Mtg, Switch, 2-85
Bracket, R.H., 2-38
Bracket, Rear Skirt, 2-29
Bracket, Retainer, 2-3, 2-45, 2-56, 2-61
Bracket, Seat Support, 3-14
Bracket, Spring Retainer, 2-5, 2-7
Bracket, Stop, Frame, 2-46
Bracket, Stop, Scrubhead, 2-41
Bracket, Stop, 2-31
Bracket, Vacuum Switch Mounting, 2-73
Bracket, Valve Mounting, 3-41
Bracket, Wldt, Rh, 2-51
Bracket,Caster, 2-55
Bracket, 2-5, 2-7, 2-11, 3-23
Brake Assy, 2-23
Breaker, Circuit, 50 A, 3-21
Breaker-Circuit, 40 Resetable, 2-41
Breather, 4-10, 4-14, 4-15, 4-16
Brkt Wldt, Sq Lift, 2-51
Brush Assembly, 4-7
Brush Box And Plate Assembly, 4-6
Brush Kit, Propelling Motor, 4-6
Brush Kit, 4-4, 4-5
Brush Mechanism, 4-3
Brush Ring/Holder Assembly, 4-4, 4-5
Brush Spring, 4-6
Brush, Disk, Scrub, 16D, Nyl, 2-7
Brush, Disk, Scrub, 16D, Poly, 2-7
Brush, Disk, Scrub, 16D, S Ab, 2-7
Brush, Disk, Scrub, 20D, Nyl, 2-5
Brush, Disk, Scrub, 20D, Poly, 2-5
Brush, Disk, Scrub, 20D, S Ab, 2-5
Brush, Disk, Sweep, 19D, Poly, 2-5, 2-7
Brush, Pad Drive, 16D, Poly, 2-7

Brush, Wand AB, 3-41
 Brush, Wand, Poly, 3-41
 Brush-Sweep Spl-36Lg- 8Sr-Poly, 2-5, 2-7
 Brush/Rectifier Assembly, 4-9
 Bulb, 40V .9A 50Cp #1062, 3-9, 3-11
 Bumper Assy, Dual Side Brush, 3-3
 Bumper Kit, Heavy Duty, 3-13
 Bumper Wldt, Dual Side Brush, 3-3
 Bumper Wldt, 2-85, 3-36, 3-37
 Bumper, 3/32 Matl., 2-13, 2-25
 Bumper, Heavy Duty, 3-13
 Bumper, Polyethylene, 2-46
 Bumper, Rubber, 2-11, 2-31, 2-46
 Bumper, Side, 2-47
 Bumper, Squeegee, 2-56
 Bumper,Rbr,W.Knurled Stud, 2-17
 Bumper, 2-31, 3-16
 Bushing, Door Pivot, 2-89
 Bushing, 2-15, 2-23
 Buss Bar, Fuse, 2-69
 Buss Bar, Relay, 2-69

C

Cable Brake, 2-19
 Cable Service Brake, 2-19
 Cable, .5X.5X15Lg Brush Lift, 2-79
 Cable, Brush Adjustment, 2-81, 3-3
 Cable, Brush Lift, 2-81, 3-5
 Cable, Control,Sqg Lift Rear, 2-57
 Cable, Control, 2-37
 Cable, Retaining, Side Brush, 2-45
 Cable, Retaining, Side Scrub, 2-35
 Cable, Ribbon, 2-67
 Cable, Side Brush, 2-81, 3-3
 Cam,Nickel Plated, 2-23
 Cam/Bearing Kit, 4-8
 Cam/Bearing Screw, 4-9
 Cam/Bearing Set Screw, 4-9
 Cam/Bearing/Diaphragm Kit, 4-9
 Cap Assy, Pos Drain, 3-36, 3-37
 Cap, Drain Hose, 2-59, 2-61
 Cap, Drain Kit, 2-59, 2-61

Cap, Drain, 3-36, 3-37
 Cap, Dust, 3-36, 3-37
 Cap, End, 2-61
 Cap, Hub, 2-23
 Cap, Plate, 2-61
 Cap, Steering Wheel, 2-15
 Caster Kit, Sealed. 3.0Dia, 2-55
 Caster, Swivel, Sealed 3.0Dia, 2-55
 Catch, Draw Pull, 2-87
 Center Device Assembly, 2-5, 2-7
 Chain Idler Kit, 2-15
 Chain Kit, 122 P, 2-15
 Chain Kit, 28 P, 2-15
 Chain, Double Scrub, 2-51
 Chain,Link#2/0,7Links, 2-57
 Chain,Sash#35 ,13Links,Zn 7.15, 3-36, 3-37
 Chain, 2-83
 Channel wldt, Mtg, Lh Sb, 3-3
 Channel wldt, Mtg, Sb, 3-3
 Channel Wldt, 2-11
 Channel, Mtg, Hopperdoor Act, 2-89
 Channel, Mtg, Seat Support, 3-19
 Channel, Retainer, Door, Side, 2-89
 Channelwldt, Mtg, Sb, 2-81
 Charger 36V/120A 60Hz/1Ph, 3-34
 Charger Fi, 36V/50A 60Hz/1Ph, 3-30
 Charger, 36V/045A 60Hz/1Ph, 3-30, 3-31
 Charger, 36V/050A 50Hz/1Ph, 3-31
 Charger, 36V/075A 50Hz/1Ph, 3-33
 Charger, 36V/075A 50Hz/3Ph, 3-31, 3-33
 Charger, 36V/075A 60Hz/3Ph, 3-30, 3-32
 Charger, 36V/120A 50Hz/1Ph, 3-35
 Charger, 36V/120A 50Hz/3Ph, 3-35
 Charger, 36V/120A 60Hz/3Ph, 3-34
 Charger, 36V/75A 60Hz/1Ph, 3-32
 Check Valve Assembly, 4-8, 4-9
 Circuit breaker, 12v 15a, 2-67
 Circuit breaker, 2-67
 Circuit-Breaker, 20a Resetable, 2-69
 Circuit-Breaker, 40a Resetable, 2-69, 2-71
 Circuitbreaker 10A, resetable, 2-71
 Circuitbreaker 20A, 2-71

CROSS REFERENCE

Circuitbreaker 2.5A, resetable, 2-71
Circuitbreaker 30A, 2-71
Circuitbreaker 7A, resetable, 2-71
Clamp Toggle, 3-23
Clamp, Hose, 2-59, 2-61, 3-41, 3-42
Clamp, Worm Drive, 2-37, 2-61, 2-63, 2-73, 3-7
Clamp-Cable, .69Dia. 62Wth, 2-67
Clamp-Cable,.69Dia. 62Wth, 2-49
Clamp-Wormdrive 0.50-1.06D, 2-49
Clamp-Wormdrive, 0.31- 0.88D, 3-39
Clamp-Wormdrive, 0.56- 1.06D, 3-39
Clamp, 4-3
Clevis, Brake Adjust, 2-19
Clip, Finger Grip, 3-16
Clip, Locking, 2-5
Clip, Retaining, 2-5
Clip, Spring, 2-85
Clip, Sprocket, 2-15
Clip, Stud, 2-65
Clip-Finger Grip, 3-39
Column, Steering, 2-15
Comm. Bracket, 4-3
Connector, 2 Conductor, 4-3, 4-4, 4-5, 4-8, 4-9
Connector,, 3-26, 3-27, 3-28, 3-29, 3-30, 3-31, 3-32,
3-33, 3-34, 3-35
Connector,3-Way Quick-Disc., 3-39
Contactor Spst, 2-69
Contactor, 36 Volt/Spdt, 2-69
Contactor, 36 Volt/Spno, 2-69
Contactor, 2-71
Controller, Motor Speed, 2-69
Cord, Lead, 4-7
Coupler, Female X Hose Shank, 3-36, 3-37
Cover and Label Assembly, 2-63
Cover Wldt, Air Filter, 2-59
Cover, circuit board, 2-67
Cover, Control, 2-69
Cover, Hopper, 515Hd, 2-87
Cover, Insert, 2-59, 2-61
Cover, Lid, 3-7
Cover, Rocker Switch Seal, 3-39
Cover, Squeegee, L.H., 2-56
Cover, Squeegee, R.H., 2-56

Cuff, Swivel, 3-42
Cuff, Vac, 3-15
Cylinder, Hyd, 2.0Bx 12.0S, 2-93

D

Diaphragm Kit, 4-8, 4-9
Diode, Elec. Plug, 2-65
Diode, elec. plug, 2-67
Disc, 4-3
Door Wldt, Hopper Dump, 2-89
Drain Hose Kit, 2-59
Drain, Hose Kit, 2-61
Driver, Pad, 20Dia, Poly, 2-5
Driving Gear, 2-17
Drum, Lift Cable, 2-57
Duct, Vinyl,.40X .75X48.0 25D, 3-9, 3-11

E

End, Rod, 2-29
Endbell, Brush, 4-8
Extinguisher, Fire, 3-44
Eye Bolt,0.188Eye,.25-20Thd., 2-57

F

Fan Assy, Vacuum (See Breakdowns), 2-73
Fan, Vacuum, 4-3
Fan, 4-3
Filter, Dust, Panel, 2-87
Filter, Foam, 2-63
Filter, Vac Fan, 2-59
Fire Extinguisher Kit, 3-44
Fitting, Straight, 2-37
Fitting, 90_ Elbow, 3-41
Fitting, Barbed Elbow Brass 3/4 Hose, 3-7
Fitting, Barbed Elbow, 2-37, 3-7
Fitting, Barbed Tee, 2-37
Fitting, Brass 5/8 Hose, 3-7
Fitting, Brass, 3-7
Fitting, Bulkhead, 2-73
Fitting, Elbow, 3-7
Fitting, Grease, 2-30, 2-85

Fitting, Hyd, Elbow, 2-93
 Fitting, Hyd, Restrictor, 2-93
 Fitting, Hyd, Str, 2-93
 Fitting, Nipple Blk 1/2NPT, 3-7
 Fitting, Plastic .25Npt.50Barb, 3-39
 Fitting, Plastic Tee, 3-7
 Fitting, Plastic, El90.25Npt, 3-39
 Fitting, Plastic, Str,Ba.31Id-, 2-49
 Fitting, Plastic, 2-59, 3-42
 Fitting, Plug, 3-41
 Fitting, Quick Disconnect, 3-41, 3-42
 Fitting, Quick-disconnect, Female, 3-7
 Fitting, Quick-disconnect, Male, 3-7
 Fitting, Reducer, 5/8-3/4, 2-37
 Fitting, Straight, 3-7, 3-41
 Fitting, Tee, 3-7
 Fitting-Brs,Female Quick Conn, 3-39
 Flange, Bearing, 2-91
 Flap, Containment, 2-73
 Float, Polyfoam, 2-59
 Fluid Pump, 4-10
 Frame Squeegee Quick, 3-23
 Frame Wldt, Mounting, Scrub Hd, 2-41
 Frame Wldt, Side Squeegee, Lh, 2-53
 Frame Wldt, Side Squeegee, Rh, 2-51
 Frame Wldt, Sweeper, Hd, 2-9
 Frame Wldt, 2-9
 Frame, Scrubber Head, 2-29
 Frame, Side Squeegee, L.H., 2-39
 Frame, Side Squeegee, R.H., 2-38
 Frame, Squeegee, 2-56
 Frame, Support, Seat, 2-13
 Front Squeegee Blade, Tile, 3-43
 Ftg, Grease.25-28Th Strt .47L, 2-47
 Ftg, Plstc, Str, Barb .75Pt-.62Hse, 2-37
 Ftg,Bulkhead .25Npt Wh W21204, 3-39
 Ftg,Plstc,Elb,Barb.50Hs-.50Hse, 2-49
 Ftg,Plstc,Elb,Barb.50Pt-.50Hse, 3-39
 Ftg,Plstc,Elb,Barb.50Pt-.75Hse, 2-49
 Ftg,Plstc,Tee,Barb.75-.50Pt-.7, 3-39
 Ftg-Hyd Plug, 4-10
 Ftg-Plstc Str, 2-61

Ftg-Plstc E90, 2-61
 Ftg-Plstc Str, 3-16
 Ftg-Plstc Str , 2-61
 Ftg-Plstc Str Blkhd Chmfred, 2-61
 Ftg-Plstc Str, 2-61
 Ftg-Plug Npt 02Pm Hx Hd Plasti, 2-49
 Fuse,, 2-69

G

Gasket Set, 2-63
 Gasket, circuitboard, 2-67
 Gasket, Control Cover, 2-69
 Gasket, Drain Cap, 2-59, 2-61
 Gasket, Elec Cover, 2-71
 Gasket, Fitting, 2-59
 Gasket, Float, 2-59
 Gasket, Lid, 2-59, 2-61
 Gasket, Squeegee, 2-3, 2-56
 Gasket, Tough Panel, 2-65
 Gasket, Vacuum Fan, 2-73
 Gasket, 2-59, 2-61, 3-7, 3-36, 3-37
 Gear, 4-14, 4-15, 4-16
 Gearbox (Repl by 375066) (See Breakdowns), 3-21
 Gearbox (Repl. by 375066) (See Breakdowns), 2-29
 Gearbox, (Repl. by 375074) (See Breakdowns), 2-41
 Gearbox, (Repl. by 375075) (See Breakdowns), 2-41
 Gearbox, Hurth, 2-17
 Gearbox, W Mount, 4-16
 Gearbox, W/Mount (See Breakdowns), 2-29
 Gearbox, W/O Mount (See Breakdowns), 2-41
 Gearbox, W/O Mount, 4-14, 4-15
 Gearbox, 4-11, 4-12, 4-13
 Grease Fitting, 2-17
 Grommet, 0.75 x 0.12 x 0.50, 2-69
 Grommet, 1.19 x 0.14 x 0.88, 2-69
 Grommet, 1.38 x 0.19 x 1.06, 2-67, 2-69
 Grommet, Rbr, 0.50id, 2-71
 Grommet, Rbr, 1.00id, 2-71
 Grommet, ribbon, 2-67
 Grommet, Rubber, 2-87
 Grommet,Rbr,0.38Id,For .12Matl, 3-11
 Grommet,Rbr,0.38Id,For .19Matl, 3-9

CROSS REFERENCE

Grommet, 3-41
Guard Kit, Overhead, 3-12
Guard Wldt, Lights, Revl&Flsh, 3-9, 3-11
Guard, Overhead, 3-12
Guide, Side Squeegee, 2-38, 2-39, 2-51, 2-53
Guide, Sqge Mtg, 2-46
Guide, Squeegee, 2-31

H

Handle, Lift, Brush, 3-3
Handle, Wand, 3-41
Handle, 2-81
Harness, Hopper, 8010, 2-103
Harness, Wire, Controller, 2-69
Harness, Wire, Power Wand, 3-39
Harness, Wiring, 8010, 2-99
Head Band Ass'y, 4-6
Head Bushing Kit, 2-29
Head, Wand, 3-41
Headlight, 2-85
Hinge, 3X4, .25Dia W-Slots, 2-87
Hinge, Bottom Tank, L.H., 2-63
Hinge, Bottom Tank, R.H., 2-63
Hinge, Top Tank, L.H., 2-63
Hinge, Top Tank, R.H., 2-63
Hinge, 2-11, 2-77
Hopper Wldt, 2-85
Horn, 2-67
Hose & Cuff Assy, 3-36, 3-37
Hose and Cuff Assembly, 3-16
Hose Assembly, Drain, 2-59, 2-61
Hose Assembly, 3-42
Hose, Clear Vinyl, .62ldX7.00Lg, 3-7
Hose, Clear Vinyl, .63ldX11.00Lg, 3-7
Hose, Clear Vinyl, .75ldX30.00 Lg, 3-7
Hose, Clear Vinyl, 2-61, 3-7
Hose, Cuff, 2-73
Hose, Hyd, 2-93
Hose, Pvc .50ldx.73Od 37.0Lg, 3-39
Hose, Solution, 3-41
Hose, Vacuum, 2-59, 2-63, 2-73, 3-15, 3-42

Hose, Vinyl Clr,.50ld X 18.Lg, 2-49
Hose, Vinyl, Clear, 2-49
Hose, Vinyl,Clr, .75ldx 16.Lg, 2-49
Hose, Vinyl, 2-37, 3-7
Hose,Cuff, 2-73
Hose-Heater .62ld 4.5L, 2-37
Hose, 2-73, 3-42
Housing Wldt, Air Filter, 2-59
Housing, Bearing, 2-15
Housing, Fan, Vacuum, 2-91
Housing, 4-3
Hub, Brush Drive, 2-29, 2-41
Hydraulic pump, 4-10

I

Idler, 15mm Id 2.44 Pd, 3-5
Idler, 15Mm Id 2.44, 2-79, 2-81
Impeller, 9.00Diax1.40Wx0.376B, 2-91
Input Shaft, 4-14, 4-15, 4-16
Insulator, Panel & Switchboard, 2-69, 2-71

J

Joint, Universal, 2-15

K

Key (set of 2), 2-65
Key Square 0.25 0.25 01.25 Lg, 2-41
Key, Square, 2-29, 2-75, 2-81, 2-91, 3-3, 4-4, 4-5
Key, Woodruff, 2-15
Key-Wdruff 0.16 0.62, 4-6
Kit, Ball and Seal, 3-36, 3-37
Kit, Rpl, Controller, Machine, Max Prot 1000
Two-Brush System, 2-67
Kit, Rpl, Controller, Machine, Max Prot 1200
Three-Brush System, 2-67
Kit, Syn Fltr, Vac-Fan, 2-59
Kit, Syn. Filter, Panel, 3-17
Kit, Valve Handle, 3-36, 3-37
Knob 3Prong W/.25x20-Knob-Lo, 2-59
Knob, Adjustable, Squeegee, 3-41
Knob, M8x1.25 Insert, 3-23
Knob, 2-15

L

Label Set, Info & Hazard, Max Prot 1000, 2-29
 Label Set, Info & Hazard, Max Prot 1200, 2-41
 Label Set, Info & Hazard, 2-104
 Label Set, Operational, 2-104
 Label, ES™ Logo, 3-7
 Label, Numerals 8010, 2-104
 Label, Solution Control-Nv, 3-39
 Label, Tennant Logo, 2-104
 Lamp, 2-9
 Lampholder, 2-9
 Latch Door, 2-11
 Latch, Cover, 2-9
 Latch, Draw, Flexible, 3-23
 Latch, Pull Down, 2-87
 Latch, 2-13
 Left Side Squeegee Group Assembly, 2-39
 Leg, Overhead Guard, 3-12
 Lens,Rev.Light,Amber, 3-9, 3-11
 Lens,Rev.Light,Blue, 3-9, 3-11
 Lens,Rev.Light,Red, 3-9, 3-11
 Level Sensing Kit, ES™, 3-7
 Level Sensing Kit, Standard, 2-59
 Lever Wldt, Sqge Lift, 2-57
 Lever, Brake, 2-19, 2-23
 Lever, Stop, 2-31, 2-46
 Lever, Valve, 2-37
 Lid, Cover, 2-59
 Light Assy Tail, 2-9
 Light Kit Revl Amb 510E Ohgd, 3-11
 Light Kit Revolving Lintel, 3-9
 Light, Rev. Amber 36V-Rework, 3-9, 3-11
 Link Rear Squeegee, 2-57
 Link Wldt, Head, Drag, 2-47
 Link, Chain, 2-15
 Link, Scrubber Head Lift, 2-30
 Lubricant, Synthetic, 4-11, 4-12, 4-13

M

Manifold, Plastic, 2-49
 Manual - Fiche Pkg 8010, 3-45
 Manual Opmt 8010 Es, 3-45
 Manual Opmt 8010 Fr, 3-45
 Manual Pkg 8010, 3-45
 Manual Service 8010, 3-45
 Motor (See Breakdowns), 3-21
 Motor Kit, Heavy Duty, 3-21
 Motor, .75Hp, 36V, 2500Rpm, 2-91
 Motor, .8 Hp. 36V, 2-75
 Motor, 36V 120Rpm, .25Hp, 2-81
 Motor, 36V 120rpm, .25Hp, 3-3
 Motor, 36VDC, 4-8, 4-9
 Motor, Ele (See Breakdowns), 2-41
 Motor, Ele, Shaker, 2-87
 Motor, Electric (See Breakdowns), 2-29
 Motor, Electric, 4-4, 4-5, 4-7
 Motor, Traction 3.0 Hp, 4-6
 Motor, Traction 3.0Hp, 2-17
 Motor, 4-10

N

Nozzle, Plastic Wand, 3-16
 Nozzle, Spray, 3-41
 Nut Hx Flange M 8X1.25See25572, 2-19
 Nut Hx Flange M10X1.5, 2-55
 Nut Hx Jam .50-13, 2-55
 Nut Hx Ss M 8X1.25, 2-51, 2-53
 Nut Hx Std .38-16, 2-19
 Nut Hx Std .38-24, 2-21
 Nut Hxloc, M10 X.5, 2-57
 Nut hxlocflex, 3/8 unc c, 2-81
 Nut Hxlocnyln M 6X1.0, 2-13
 Nut Hxlocnyln M 8X1.25, 2-13, 2-21
 Nut Hxlocnyln M12X1.75, 2-23
 Nut, Hex, Flange, M08-1.25, 2-9

CROSS REFERENCE

Nut, Hex, Flexlock, .31-24, 2-91
Nut, Hex, Jam, .50-13, Ss, 2-93
Nut, Hex, Lock, .50-13, NI, 2-77
Nut, Hex, Std, .50-13, Lh, 2-75
Nut, Hex, 2-29, 3-21
Nut, Hx Std Ss .38-16, 2-77
Nut, Retainer .31-18, 2-35, 2-45
Nut, U M6x1.0, 2-71
Nut-Hxlocnyln .25-20 Regss18-8, 2-55
Nut-Hxlocnyln .31-18 Regss18-8, 2-51
Nut-Hxlocnyln .31-18 Thin Pltd, 2-35, 2-45
Nut-hxlocnyln .38-16 Thin Pltd, 3-3
Nut-Hxlocnyln .50-20 Thin Pltd, 2-17
Nut-Hxlocnyln M 5X0.8 Reg 18-8, 2-46
Nut-Hxlocnyln M 8X1.25 Reg Ss, 2-35, 2-41, 2-45,
2-46, 2-51, 2-53, 2-55
Nut-Hxlocnyln M10X1.5 Reg 18-8, 2-43, 2-46, 2-55
Nut-Hxlocnyln m5x0.8 Reg Ss, 2-77
Nut-Hxlocnylnl .31-18 Thin Pltd, 2-75
Nut-Hxlocnynmm12X1.75 Reg Ss, 2-47
Nut-Hxslot .75-16 Pltd, 2-23
Nut-Wheel M14 X 1.5, 2-17
Nut, 4-3

O

O-Ring, 2-17
Output Shaft, 4-14, 4-15, 4-16

P

Pad Holder, Threaded, 2-5
Pad, Buff, 16Dia, Red, 2-7
Pad, Buff, 20Dia, Red, 2-5
Pad, Driver, 2-5, 2-7
Pad, Holder, 2-7
Pad, Polish, 16Dia, White, 2-7
Pad, Polish, 20Dia, White, 2-5
Pad, Scrub, 16Dia, Blue, 2-7
Pad, Scrub, 20Dia, Blue, 2-5
Pad, Strip, 16Dia, Brown, 2-7
Pad, Strip, 20Dia, Brown, 2-5
Pad, Tread, 2-27

Pad, 2-19
Panel Assy, W/Label, 2-25
Panel Wldt, Cover, Dash, 2-11
Panel Wldt, Cover, Lh, 2-11
Panel Wldt, Door Frame, 2-11
Panel Wldt, Lower, Lh, 2-83, 3-5
Panel Wldt, Mtg, Elec, 2-71
Panel, Cover, Center, 2-11
Panel, Cover, Rh, 2-11
Panel, Door, Side With Decal, 2-11
Panel, Elect Box With Decal, 2-71
Panel, Floor Rh, 2-25
Panel, Floor, Lh w/Tread, 2-25
Panel, Instrument, 2-65
Panel, Lower, Rh, 2-83
Panel, Membrane Touch, 2-65
Panel, Mtg Control, 2-69
Panel, Shroud, Seat Support, 2-13, 3-19
Panel, Side, 2-11
Pedal w/Tread, 2-27
Pin Clevis .375 Dia X 1.13 Lg, 2-21
Pin Clevis 0.37 Dia X 0.75 Lg, 2-53
Pin Clevis 0.37 Dia X 1.00 Lg, 2-51
Pin Clevis 0.50 Dia.X 1.42 Lg, 2-19, 2-21
Pin clevis, 0.25d x 0.50lg, 3-5
Pin clevis, 0.50d x 2.62lg, 3-5
Pin, .50 Dia X 2.75, Hardened, 2-93
Pin, Clevis .50 Dia X 5.75 Lg, 2-33
Pin, Clevis, 0.5 DiaX2.62Lg, 2-81
Pin, Clevis,0.25 Dia X 2.44 Lg, 2-57
Pin, Clevis, 2-27, 2-38, 2-39, 2-79, 2-81, 2-89
Pin, Hair Cotter, 2-38, 2-39
Pin, Hitch, 2-56
Pin, Hopper Lift/Lintel, 2-85
Pin, prong, circuitboard, 2-67
Pin, Roll, 2-15
Pin, Roller, 2-41
Pin,Clevic,0.19 Dia.X 0.75 Lg, 2-57
Pin,Clevic,0.31 Dia X 1.00 Lg, 2-51, 2-53
Pin,Clevic,0.31 Dia.X 1.25 Lg, 2-21
Pin,Clevic,0.37 Dia.X 1.00 Lg, 2-19, 2-21

Pin,Clevis,0.37 Dia.X 2.12 Lg, 2-35
 Pin,Clevis,0.50 Dia.X 1.87 Lg, 2-33, 2-35
 Pin,Clevis,0.50 Dia.X 2.00 Lg, 2-57
 Pin,Clevis,0.50 Dia.X 2.50 Lg, 2-33, 2-57
 Pin,Hair Cotter #Lhcot-2,Leitk, 2-51, 2-53
 Piston Inner/Out, 4-9
 Pivot, Equalizer, 2-29
 Pivot, Lift, Squeegee, 2-55
 Plate , Mtg Side Brush, 3-3
 Plate Assy, Mtg,Brake Arm Brg, 2-23
 Plate Weldm.,Fan Backing, 2-91
 Plate Wldt, Idler Mounting, 2-15
 Plate Wldt, Mounting, 2-69
 Plate Wldt, Shaker, 2-87
 Plate, Bent, 3-7
 Plate, Cable Mounting, 2-15
 Plate, Deflector, 2-85
 Plate, Headlight, 2-85
 Plate, mounting, circuitboard, 2-67
 Plate, Mounting, Side Brush, 2-81
 Plate, Pivot, 2-87
 Plate, Plastic, 2-59
 Plate, Pump Mounting, 3-7
 Plate, Seat Mounting, 3-14
 Plate, Spacer, Lift Arm, 2-85
 Plate, Spacer, 2-41
 Plate, Spring, 2-27
 Plate, Strike, 2-13, 3-19
 Plate, Weight, Counter Balance, 2-75
 Plate-Cover, 2-25
 Plate, 2-11, 2-59
 Plug, Brush Drive, Splined, 2-75
 Plug, Brush, Drive, 2-77
 Plug, 2-17, 4-11, 4-12, 4-13
 Plugbyn 1.25h .12 Max. Blacknyl, 2-65
 Port Kit, 4-8
 Posi-Sol Control Drain Sys Es, 3-37
 Posi-Sol Control Drain Sys Kit, 3-36
 Pouch Operator Handbook, 2-13
 Pulley Assy, Cable, 1.5 Dia, 2-19

Pulley Assy, Cable, 3.5 Dia, 2-21
 Pulley,Idler-W/Bearing-Plastic, 2-75
 Pump Assembly (See Breakdowns), 3-7
 Pump Screws, 4-9
 Pump, Hyd, 36V (See Breakdowns), 2-93
 Pump, Power Wand (See Breakdowns), 3-39
 Pump, Water, 4-8, 4-9

R

Rail, Slide Adjuster, 3-14
 Rear Squeegee Kit, 2-56
 Relay, Control 36V, 2-71
 Relief valve kit, 4-10
 Replm Kit, Actuator, Sw 8010, 2-79, 2-81, 2-89
 replm kit, Actuator, Sw 8010, 3-5
 Reservoir kit, 4-10
 Resistor, 40.00Ohms-40.00Watt, 2-9
 Restrictor, 3-15
 Retainer Ring, 2-23
 Retainer, Bearing, 2-77
 Retainer, Mtg, Front Blade, 2-3, 2-51
 Retainer, Seal, Rh, 2-83
 Retainer, Skirt, Brush, Rh, 2-83
 Retainer, Squeegee, 2-38, 2-39, 2-51, 2-53
 Retainer, 2-75
 Retaining Ring-External, 1.25D, 2-23
 Retainr, Seal, Hopper, 2-83
 Return Spring, 2-23
 Right Side Squeegee Group Assembly, 2-38
 Ring, Retain, Ex, 0.620D, Heavy Dt, 3-3
 Ring, Retaining, 2-5, 2-15, 2-59, 2-81, 2-85
 Rivet Pop-.125Dx.38X.25Dhd Al, 3-23
 Rivet, Plastic .325Dx.787, 2-3, 2-41
 Rivet, plastic, 3-39
 Rivet, Pop, 3-41
 Rod End M10 X1.5 W/Stud, 2-57
 Rod Thread, .37-16x5.5Lg, 2-81
 Rod Wldt, Cover, 2-85
 Rod, Control, 2-15
 Rod, Lower Steering, 2-15
 Rod, Plastic, 2-59

CROSS REFERENCE

Rod, Thread, 3/8-16x5.5 Lg, 3-3
Rod, Threaded, 2-27, 2-29
Rod-Thrd, Full .38-24, 2-21
Rod-Thread, 2End M10X1.5X7.35, 2-57
Roller, Bumper, 2-41
Roller, Mounting, Brush Head, 2-43

S

Scr -hx .25-20x0.50 Nylon Loc, 3-3
Scr Hex .38-16X0.88, 2-41
Scr Hex M6X1.0 20, 2-13
Scr Hex Ss M6x1.0, 2-37
Scr Hex Ssm 8X1.25 50, 2-41
Scr Hexss M10X1.5 25, 2-46
Scr Hexssm 10X1.5 25, 2-43, 2-55
Scr Hexssm 6X1.0, 2-51, 2-53
Scr Hexssm 6x1.0, 3-3
Scr HexssM 8X1.25 30, 2-46
Scr Hexssm 8X1.25 30, 2-51, 2-53
Scr HexssM 8X1.25 25, 2-46
Scr Hexssm 8X1.25 25, 2-43
Scr Hexssm 8X1.25 40, 2-51
Scr Hexssm 8X1.25, 2-35, 2-41, 2-45, 2-47, 2-49, 2-51, 2-53, 2-55
Scr Hexssm 8X1.25ls, 2-45
Scr Hexssm10X1.5 30, 2-55
Scr hx nyloc, 1/4 uncx 1/2 c, 3-3
Scr Pan Ss M4x0.7, 2-5, 2-7
Scr Panssm 5x0.8, 2-59, 2-77
Scr Soc M 8X1.25 60, 2-17
Scr Soc M 8X1.25 80, 2-17
Scr Soc M8X1.25, 2-51, 2-53
Scr, Soc M 8X1.25, 2-19
Scr-Butn M8X1.25 16 Ss18-8, 2-51, 2-53
Scr-Butn M8X1.25 35 10.9Pltd, 2-51, 2-53
Scr-flt M6x1.0 nylon loc, 2-11
Scr-Hex .31-18X2.00 Full Thd, 3-23
Scr-Hex .38-16X1.00 Sems Pltd, 2-13
Scr-Hex M 8X1.25 20 8.8 Pltd, 2-13
Scr-Hex M 8X1.25 40, 2-19
Scr-Hex M 8X1.25 50, 2-21
Scr-Hex M 8X1.5 50 Nylonloc, 2-79, 2-81
Scr-Hex M12X1.75 50 Full Thd, 2-33
Scr-Hex M8x1.25 60 Fill Thd, 2-77
Scr-Hex M8x1.5 50 Nylonloc, 3-5
Scr-Hex Nyloc, 1/4 uncx 3/4 c, 3-3
Scr-Hx M10X1.5 180 8.8 Pltd, 2-33
Scr-Hxfmgm 4X0.7 10 Pltd, 3-36, 3-37
Scr-Hxfmgm 6x1.0 16 Pltd, 2-89
Scr-Soc, .50 X 3.50, 2-93
Screen, Solution 35 Mesh 10.5 Lg, 3-7
Screen, 2-63
Screw Hex M12X1.75 40, 2-23
Screw Hex Ssm 10X1.5, 2-55
Screw Hex Ssm 8X1.25 45, 2-43
Screw Hexssm 12X1.75, 2-47
Screw HexssM 5X0.8, 2-46
Screw M 6 X 1.0 16, 2-19, 2-21
Screw Pan 8X1.25 30, 2-13
Screw, Flat, .50-13 X 3.00, Al, 2-77
Screw, Hex .31 Ss x .75, 2-41
Screw, Hex .31 Ss x 1.0, 2-41
Screw, Hex .38 Ss x 1.0, 2-41
Screw, Hex, .25-20 X 0.50, NI, 2-81
Screw, Hex, .25-20 X 0.75, NI, 2-81
Screw, Hex, Fmg, M04-0.7 X 10, 2-9
Screw, Hex, Fmg, M06-1.0 X 12, 2-85, 2-89
Screw, Hex, M06-1.0 X 25, Ss, 2-81, 2-87
Screw, Hex, M08-1.25 X 16, 8.8, 2-9
Screw, Hex, M08-1.25 X 20, 8.8, 2-9
Screw, Hex, M08-1.25 X 40, Ss, 2-89
Screw, Hex, M08-1.25 X 65, 8.8, 2-11, 2-89
Screw, Hex, M8 Ss, 2-29
Screw, Hex, 2-27, 2-29, 3-21
Screw, Hexssm 8x1.25, 2-29, 2-75
Screw, Pan, M03-0.5 X 25, Ss, 2-85
Screw, Pan, M06-1.0 X 12, NI, 2-85
Screw, Set, .31-18 X 0.25,, 2-75
Screw, Set, .31-18 X 0.50, Soc, 2-91
Screw, Set, #10-24 X 0.25, NI, 2-87
Screw, Set, 2-15, 2-27
Screw, Soc, 2-87

Screw, Socket, 2-27, 2-38, 2-39
Screw-Hex M12X1.75, 2-23
Screw, 4-3
Seal Kit, 4-9
Seal kit, 4-10
Seal, Brushwrap, Top, 2-83
Seal, Brushwrap, 2-3
Seal, Connector, 4-8, 4-9
Seal, Dump Door, Side, 2-89
Seal, Dump Door, Top, 2-89
Seal, Foam Rbr. .5X1.0X20.0, 2-87
Seal, Foam, Brush Door, 2-83
Seal, Hoper Door, Lower, 2-3
Seal, Hopper Door, Top, 2-3
Seal, Hopper, Side, 2-83
Seal, Hose, 2-59, 2-61
Seal, Input Oil, 4-11, 4-12, 4-13
Seal, O-Ring 2.987ld X .103T, 2-17
Seal, Oil, 4-7
Seal, Output Oil, 4-11, 4-12, 4-13
Seal, Shaker, 2-3
Seal, Tank, 2-63
Seal, Urethane, 2-83
Seal, Vac Fan, 8010, 2-91
Seal, Vac Fan, 2-3
Seal, Vacuum Fan, 2-73
Seal, Wrap, Dump Door, Lower, 2-89
Seal, 2-3, 4-6, 4-14, 4-15, 4-16
Seat Assy, 2-13
Seat Wldt, Support, 3-19
Seat, Suspension Slide, 3-14
Seat, W/ Support, 2-13
Shaft , Brush Drive, 2-75
Shaft Assembly, Output, Heavy Duty, 4-12
Shaft Assembly, Output, Std. Duty, 4-11, 4-13
Shaft Wldt, Cross, Brake Rear, 2-21
Shaft Wldt, Cross, Brake,Front, 2-19
Shaft, Brush Drive, 2-75
Shaft, Impeller, 2-91
Shaft, Plug, 2-77
Shaft, Steering, 2-15
Sheave, 3V 4.00 Od .75ld, 2-75
Sheave, 3V, 2.60 Pd, 2-91
Sheave, 3V, 3.00 Od, 2-75
Sheave, 3V,, 2-91
Shell, 4-3
Shield, Plug, 2-77
Shoe Assembly, 2-23
Shoe, Plastic Squeegee, 3-16
Shunt, 2 Hd Mtrs, 3-21
Shunt, 2 Std Mtrs for Max Prot 1000 Two-Brush System, 2-67
Shunt, 3 Std Mtrs for Max Prot 1200 Three-Brush System, 2-67
Skirt Frame Lh Rear, 2-9
Skirt Frame Rh Rear, 2-9
Skirt Spring Retaining Kit, 2-29
Skirt, Brush, Lh Front, 2-3
Skirt, Brush, Lh, 2-3, 2-83
Skirt, Brush, Rh Front, 2-3
Skirt, Brush, Rh, 2-83
Skirt, Brushrear, 2-3
Skirt, Frame Lh Side, 2-9
Skirt, Frame, Rh Side, 2-9
Skirt, Front Brush, L.H., 2-29
Skirt, Front Brush, R.H., 2-29
Skirt, Hopper Lip, 2-3, 2-85
Skirt, Rear Brush, 2-29
Skirt, Rear, 2-3, 2-83
Skirt, Recirculation Flap, 2-3, 2-83
Skirt, Scrub Head Front, 2-3, 2-41
Sleeve .35B X .625 X 1.2L, 2-11
Sleeve, .344B .50D .81 Cr.Anc, 2-19
Sleeve, .344B .62D.93 Bronze, 2-43
Sleeve, .344B X .625D X 1.19Lg, 2-41
Sleeve, .34B .62D .38, 2-43
Sleeve, .50D .34B .8L, 3-5
Sleeve, .80 L, 2-81
Sleeve, Bearing, 2-57
Sleeve, 2-11, 2-81, 2-85, 2-87, 3-3
Sol release valve, 4-10
Sol start switch kit, 4-10
Spacer, .50 ODX .34IDX .312L Ss, 2-31
Spacer, Gearbox, 2-29, 3-21

CROSS REFERENCE

Spacer, Heavy Duty Battery, 3-12
Spacer, Idler .25 Lg, 2-79, 2-81, 3-5
Spacer, Square, 2-41
Spacer, Washer, 2-30, 2-47
Spacer, 2-5, 2-7, 2-27, 2-38, 2-39, 2-51, 2-53, 2-91, 4-3
Spong Cord, Hopper Door, 2-3
Sponge Cord, 2-89
Spring Comp Die X 1.5Lg, 2-33
Spring Compression, 2-5
Spring Extension, 2-53
Spring, Brush Retaining, 2-5, 2-7
Spring, Centering Squeegee, 2-57
Spring, Comp .50ld 1.00Od 2.0, 2-55
Spring, Compression, 3-41
Spring, Die, .50ld 1.00D 1.0Lg, 3-3
Spring, Die, Red, 4.0Lg, 2-33
Spring, Die,.50ld 1.00d 1.0Lg, 2-81
Spring, Ext. .85X.085X2.75, 2-19, 2-21
Spring, Exten, ..5D .07W 3.00L, 3-5
Spring, Extension, 2-38, 2-39
Spring, Extention, 2-79, 2-81
Spring, Gas 30Lb 8.04 Stroke, 2-35, 2-45
Spring, Tens, 0.75Dx.10 Wire, 2-77
Spring, Tens, 0.75dx.10wire 4.5l, 2-81, 3-3
Spring, Tension, .750X.105X3.00, 2-51
Spring, Tension, 2-31, 2-75
Spring, 3-16, 4-3, 4-7
Sprng,Tens,0.56Odx.05Wire 0.9L, 2-13, 2-46
Sprng,Tens,1.12Odx.12Wire 6.2L, 2-57
Sprocket Kit, 10 x 20 T, 2-15
Sprocket, 10 T, 2-15
Sprocket, Steering, 2-15
Sprocket, 2-15
Squeegee Assembly, Front, 2-56
Squeegee Assembly, Side, 2-38, 2-39
Squeegee Assy, Side, Rh, 2-51
Squeegee Front, 2-3
Squeegee Kit Rear, 2-3
Squeegee, Side Left Hand, 2-53
Squeegee, Side, 2-3, 2-53
Stationary Fan, 4-3

Steering Chain Kit, 2-15
Stop Wldt, Scrubhead, 2-41
Strainer, Screen, 2-61
Strap, Cap Retainer, 2-59, 2-61
Strap, Motor, Shaker, 2-87
Strip, Mtg, Dump Door, Lower, 2-89
Strip, Rear Skirt Retainer, 2-29
Strip, Retainer, Hopper Lip, 2-85
Strip, Retainer, Lh, 2-83
Strip, Retainer, Skirt, Lh, 2-3
Strip, Retainer, Skirt, Rh, 2-3
Strip, Retainer, Skirt-Rear, 2-3
Strip, Retainer, 2-83, 3-41
Strip, Retaining, 2-56
Strip, Skirt Retainer, L.H., 2-29
Strip, Skirt Retainer, R.H., 2-29
Strip, 2-83
Stud M8x1.25 25 8.8 Pltd, 3-23
Stud, Adjustable, 3-41
Stud, Ball, Gas Spring, 2-35, 2-45
Switch Assembly/Housing, 4-9
Switch assy, 2-65
Switch, 15Amp, 3-7
Switch, 15 A mp, 3-7
Switch, 15Amp 125/250Vac, 2-85
Switch, On/None/On Dpdt Hiamp, 2-65
Switch, Rocker dpdt 3positn, 2-65
Switch, Rocker dpdt, 2-65
Switch, Rocker On/None/On Dpdt, 2-65
Switch, Rocker Spst Lighted36V, 3-39
Switch, Vacuum, 2-73
Switch, 2-59, 2-65

T

Tank Cap Kit, 2-59, 2-61
Tank, Demister, 2-63
Tank, Recovery, 2-59
Tank, Solution, 2-61
Tape, Video, Operator 8010, 3-45
Terminal, Female, 4-3, 4-4, 4-5
Terminal, Male, 4-8, 4-9

Terminal, Snaplg, 2-9
 Thermostat, 2-87
 Tie, Cable 1.75D Max 7.50Lg, 3-9, 3-11, 3-39
 Tie, Cable, 2-59, 2-73
 Timer, 36v, 30 Seconds, 2-71
 Tire & Wheel 16.25X6, 2-17
 Tire 16.0x3.5x12.1 Non Skid, 3-25
 Tire 16.25X6.00X11.25 Non Skid, 3-25
 Tire Assy, Grooved, 3-24
 Tire Assy, Non-Skid, 16 X 3.5, 3-25
 Tire, 16 X 3.5 X 12.13 Grooved, 3-24
 Tire, Non-Skid, 16.25 X 6, 3-25
 Tire,16.25X6X11.25 Sf/Xg,Solid, 2-17
 Tire,16X3.5X12.12 Sf,Sol.Smth, 2-23
 Transport Kit, 3-23
 Tray, Battery, 2-9
 Tray, Wand, 3-39
 Tread, Floor, 2-25, 2-47
 Tread,Pedal, Anti-Slip, 2-25
 Trim, Molding 11-14 Ga 5.75, 2-69
 Tube, Rnd, .34B .50D .27Lg, 2-46
 Tube, Rnd, .34B 1.00D .30Lg, 2-46
 Tube, Wye, Round, 2X2X1, 3-15
 Tube, 2-31, 2-73

V

V-Belt, Brush Drive, 2-3
 V-Belt, Vac Fan, 2-3
 Vacuum Fan, 4-3
 Valve, Solenoid, 3-7
 Valve, Water, Sol .62 Hose 36V, 2-37
 Valve, Water, 2-37, 3-41

W

Wand Assembly, 3-41
 Wand Kit, Cradle, 3-16
 Wand Kit, Vacuum, 3-16
 Wand, Metal, 2 Piece, 3-16
 Wand, Off-Aisle, 3-41
 Washer .812 Od 406 Id Ureth, 2-57
 Washer -Flt .25 Fender Pltd, 3-3

Washer , 2-23
 Washer Flt .25 Hard, 2-13
 Washer Flt .31 Hard, 2-13, 2-43, 2-46, 2-47
 Washer Flt .31 Ss, 2-19, 2-21, 2-35, 2-41, 2-45, 2-46, 2-51, 2-53, 2-55
 Washer Flt .38 Sae, 2-41
 Washer Flt .38 Ss, 2-41
 Washer Flt .50 Sae, 2-23
 Washer Flt .38Ss, 2-29
 Washer, .281B .62D .06Nylon, 2-13
 Washer, .531B 1.75D .12Cr.Znc, 2-55
 Washer, .656B 1.25D .06, 2-57
 Washer, .65B 2.25D .38CrS, 2-85
 Washer, .765B 1.50D .06Ss18-8, 2-23
 Washer, Belleville, .25, 2-75, 2-81
 Washer, Fender, 2-15
 Washer, Finishing, 2-15
 Washer, Flat .31 Ss, 2-41
 Washer, Flat .38 Ss, 2-41
 Washer, Flat, .25 Fender, 2-81
 Washer, Flat, .31 Hard, 2-9
 Washer, Flat, .31 Ss, 3-21
 Washer, Flat, .44 Std Hard, 2-75
 Washer, Flat, #08 Ss, 2-9
 Washer, Flt .22 Ss, 2-81
 Washer, Flt .31 Ss, 2-29
 Washer, Lock, Int-Ext, .31, 2-77
 Washer, Molded Plastic, 2-59, 2-61
 Washer, Neo., 4-3
 Washer, Nylon, 2-27, 2-59
 Washer, Polyethylene, 3-36, 3-37
 Washer, spec, 8.5x25x 5.0, 2-65
 Washer-Belleville .25 Pltd, 3-3
 Washer-Belleville .31 Pltd, 2-29, 2-41
 Washer-Flt .25 Fender Pltd, 2-3, 2-19, 2-41
 Washer-Flt .25 Fender Pltd, 2-21
 Washer-Flt .38 Ss, 2-46
 Washer-Flt .38 Ss, 2-55
 Washer-Loc Int Ss, 2-59
 Washer, 2-5, 2-59, 2-75, 2-77, 2-85, 4-3
 Weight, Eccentric, 2-87
 Wheel Assy, Rear, 2-23

CROSS REFERENCE

Wheel Bolt, 2-17

Wheel, Guide, Scrubhead, 2-41

Wheel, Guide, 3-41

Wheel, Steering, 2-15

Wire Harness Warning Light, 3-9, 3-11

Y

Yoke Assembly, 2-37

Yoke,End,Adjustable, 2-21

Fold along dotted lines

Tape here



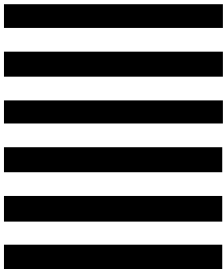
NO POSTAGE
NECESSARY
IF MAILED
IN THE
UNITED STATES

BUSINESS REPLY MAIL
FIRST CLASS MAIL PERMIT NO. 94 MINNEAPOLIS, MN

POSTAGE WILL BE PAID BY ADDRESSEE

TENNANT COMPANY

Technical Publications #15
701 North Lilac Drive
P.O. Box 1452
Minneapolis, MN 55440-9947





We Need Your Help...

As part of Tennant's Zero Defects Program, we want to know about errors you have found or suggestions you may have regarding our machine manuals. If you find an error or have a suggestion, please complete this postage-paid form and mail it to us. Thank you for helping us make zero defects a way of life at Tennant.

Manual No. _____ Rev. No. _____ Publish Date _____ Page _____
Machine _____ Report Error Suggestion

Name _____ Date _____
Customer Number _____
Company _____
Address _____
City/State/Zip Code _____

Fold along dotted lines

Tape here



NO POSTAGE
NECESSARY
IF MAILED
IN THE
UNITED STATES

BUSINESS REPLY MAIL
FIRST CLASS MAIL PERMIT NO. 94 MINNEAPOLIS, MN

POSTAGE WILL BE PAID BY ADDRESSEE

TENNANT COMPANY

Technical Publications #15
701 North Lilac Drive
P.O. Box 1452
Minneapolis, MN 55440-9947

