



Creating a cleaner, safer world.™

7200SS Sweeper/Scrubber

In-line vacuum filter cartridge keeps dust, lint and foam from damaging fan motors.

Ergonomically designed for operator comfort; features one-button scrubbing, low-effort steering and simple controls.

Rugged wrap-around steel bumper protects your investment.

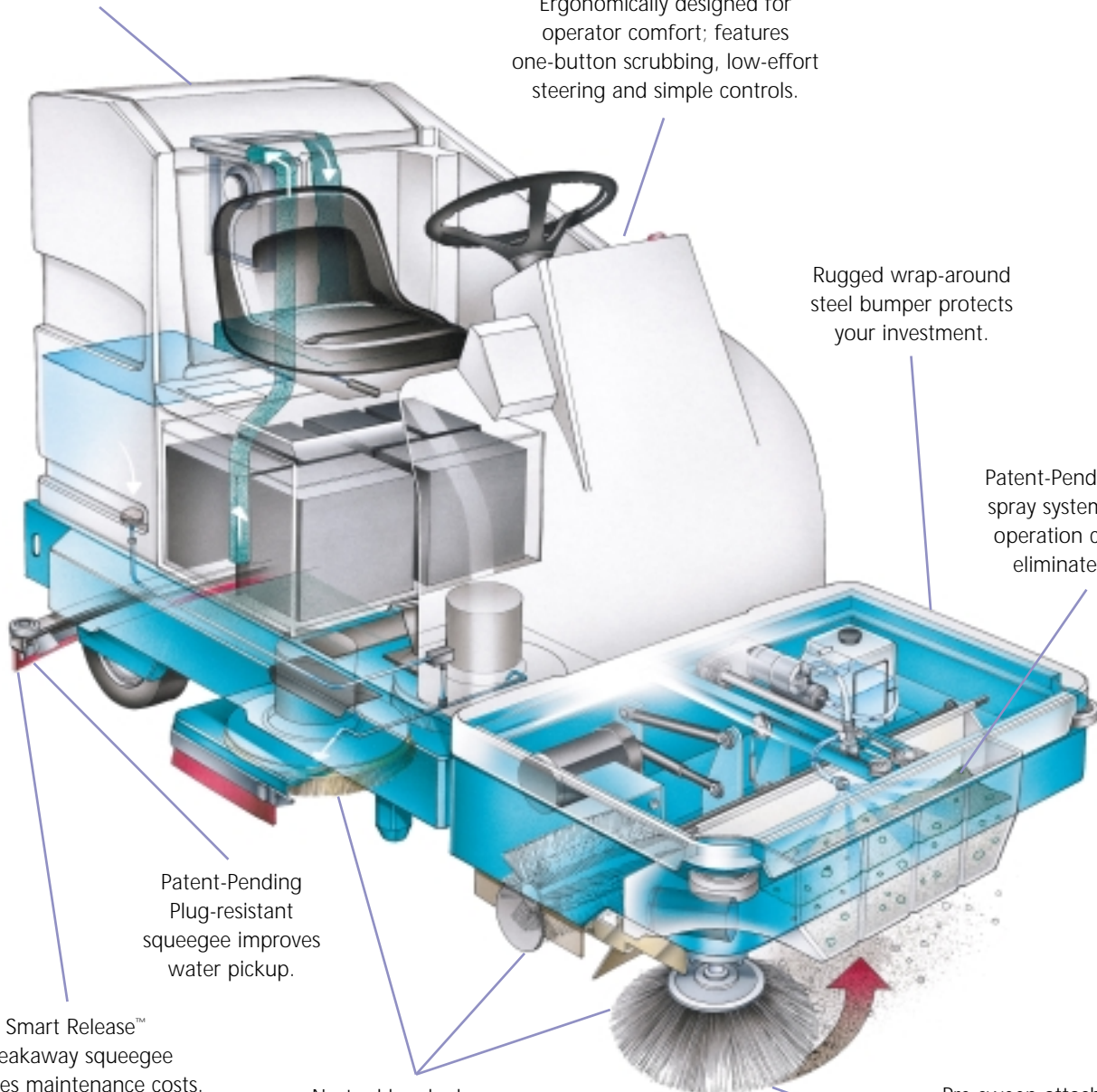
Patent-Pending water spray system reduces operation costs and eliminates dust.

Patent-Pending Plug-resistant squeegee improves water pickup.

Smart Release™ breakaway squeegee reduces maintenance costs.

No-tool brush changes means more time scrubbing, less time maintaining.

Pre-sweep attachment efficiently picks up debris before scrubbing—saving time and money.



7200SS Sweeper/Scrubber

Specifications



The 7200SS sweeps and scrubs in one pass and maneuvers in tight areas.

Productivity Made Easy.

The Model 7200SS battery-powered sweeper/scrubber combines a compact size with superior maneuverability for fast, efficient cleaning—ideal for warehouses, manufacturing facilities, shopping malls and schools. It can be configured with both cylindrical and disc scrubbing brushes and different battery packages. The 7200SS also is available without the pre-sweep attachment.

Clean. Dry. Spotless.

The 7200SS first sweeps, then lays down solution and aggressively cleans smooth concrete floors, tile or terrazzo. Brush pressure is maintained electronically, even on irregular surfaces. The powerful vacuum and plug-resistant squeegee system ensures water pickup on smooth surfaces as well as over cracks and around sharp turns.

Put Tennant to Work for You.

For more information on what the 7200SS can do to keep your operation running at peak efficiency, contact your local Tennant Sales Representative.

Applications

- Smooth concrete floors, tile, tile grout lines and terrazzo.
- Speed cleaning in environments with tight spaces and narrow aisles.

Sweeper/Scrubber Options

Available in three versions:

1. With pre-sweep attachment. This can be ordered with disc or cylindrical brushes
2. Without pre-sweep attachment. This can be ordered with disc or cylindrical brushes (for sweeping up occasional debris).
3. With edge sweeping cylindrical scrubbing.

Propelling System

Transport speed (variable to)	6 mph	9.6 km/h
Scrubbing speed (variable to)	3.5 mph	5.6 km/h
Battery power (propelling motor)	1.5 hp	1.1 kW
Transport gradeability (empty)	11 deg/19.4%	
Scrubbing gradeability	4 deg/7%	

Sweeping System

Cleaning path	39 in	990 mm
Cleaning path with dual side brush	46 in	1170 mm
Hopper volume capacity	1.35 ft ³	38 L
Hopper weight capacity	50 lb	23 kg

Scrubbing System

Cleaning path	36 in	900 mm
Solution tank capacity	35 gal	130 L
Recovery tank capacity	55 gal	210 L
Brush—cylindrical system (2 brushes)		
Length	36 in	900 mm
Diameter	6 in	150 mm
Speed	750 rpm	750 rpm
Brush motor (2)	.75 hp	.56 kW
Brush—disc system (2 brushes)		
Diameter	18 in	455 mm
Speed	320 rpm	320 rpm
Brush motor (2)	.75 hp	.56 kW
Vacuum fan speed	14,000 rpm	14,000 rpm
Vacuum fan	.8 hp	.6 kW

Standard Value-Added Equipment

- On-board diagnostics
- Corrosion resistant tanks and shroud
- Vacuum fan in-line air filter
- Sliding seat
- Cup holder
- Use and care guide
- One-button operation
- Smart Release™ squeegee
- Plug-resistant squeegee

Optional Equipment

- ES™ (extended scrubbing)
- Positive drain control for easy cleaning
- Off-aisle Power Wand for cleaning hard-to-reach spaces
- Multiple battery packages
- Overhead guard
- Non-marking rear tire
- Dual vacuum fans
- Roll-out battery system
- Audio backup alarm
- Suspension seat
- Side bumper rollers



The edge sweep attachment for cylindrical scrubbing allows you to sweep and scrub at the same time.

The plug-resistant squeegee efficiently collects water and eliminates streaking.



Creating a cleaner, safer world.™

Tennant Company

P.O. Box 1452, Minneapolis, MN, U.S.A. 55440
 Call toll-free: 1-800-553-8033
 In Quebec phone: 514-335-6061
 Fax: 763-540-1437
 www.tennantco.com

Tennant Company, Commercial Products

12875 Ransom Street, Holland, MI 49424
 Call toll-free: 1-800-982-7658
 Phone: 616-786-2330
 Fax: 616-786-2345