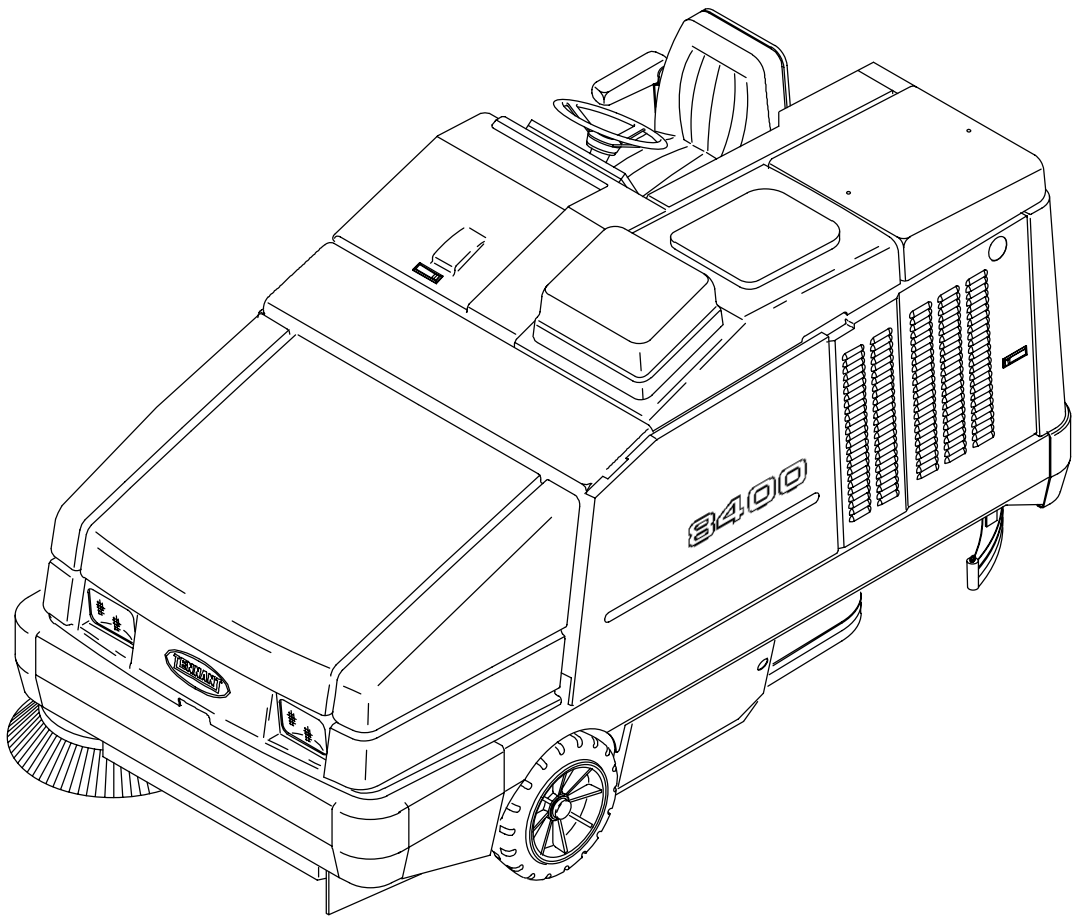




# 8400

Par s Manual



MM311



This manual is furnished with each new TENNANT Model 8400.

This manual consists of the How To Use This Manual; Standard Parts; Options; Breakdowns; Engine Breakdown; and Cross Reference sections.

**MACHINE DATA**

*Please fill out at time of installation for future reference.*

Machine Model Number – 8400

Machine Serial Number – \_\_\_\_\_

Machine Options – \_\_\_\_\_

TENNANT Representative/phone no. – \_\_\_\_\_

Customer ID Number – \_\_\_\_\_

Date of Installation – \_\_\_\_\_

Manual Number – MM311

Revision: 03

Published: 4-96

## HOW TO USE THIS MANUAL

This section on *HOW TO USE THIS MANUAL* will tell you how to:

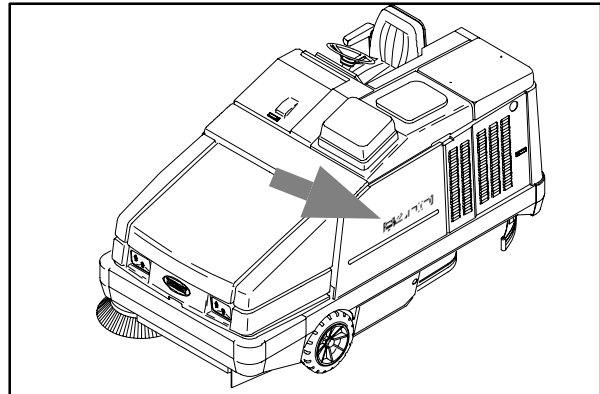
- Find important machine information for ordering correct repair parts.
- Find TENNANT part numbers.
- Order TENNANT parts and supplies.

### IMPORTANT INFORMATION

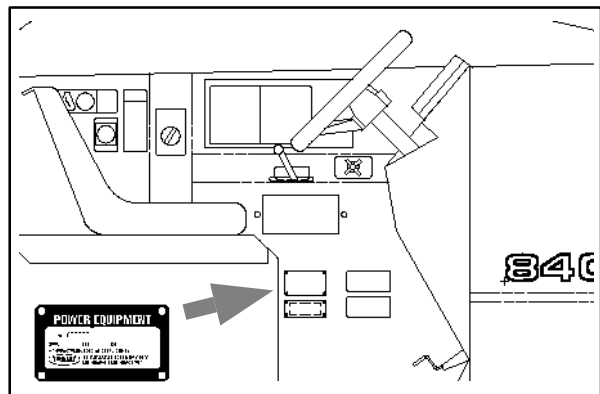
When placing an order for parts, the machine model and machine serial number are important. Refer to the *MACHINE DATA* box which is filled out during the installation of your machine. The *MACHINE DATA* box is located on the inside of the front cover of this manual.

MACHINE DATA	
<i>Please fill out at time of installation for future reference.</i>	
Machine Model Number - 8400	
Machine Serial Number - _____	
Machine Options - _____	
TENNANT Representative phone no. - _____	
Customer ID Number - _____	
Date of Installation - _____	
Manual Number - MM311	
Revision: 00	
Published: 2-94	

The model number of your machine is on the side of the machine.



The serial number of your machine is printed on the machine data plate located as shown.



# HOW TO USE THIS MANUAL

## FINDING A TENNANT PART NUMBER

This manual contains the following sections:

- HOW TO USE THIS MANUAL
- STANDARD PARTS
- OPTIONS
- BREAKDOWNS
- ENGINE BREAKDOWN
- CROSS REFERENCE

The STANDARD PARTS section lists repair parts for standard machines. They are grouped in this general order:

- General wear parts.
- Machine frame and related parts.
- Machine propelling system.
- Scrubbing components.
- Electrical parts.

The OPTION section lists repair parts of options.

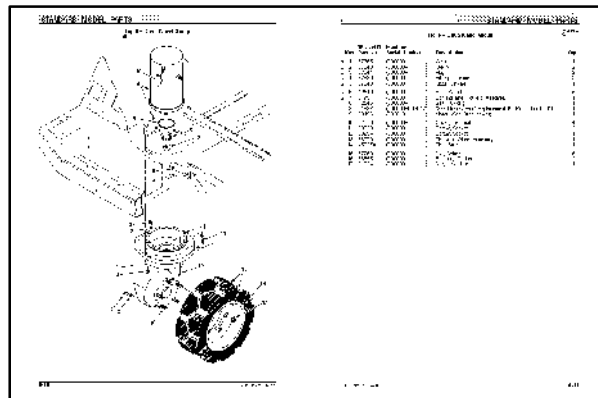
The BREAKDOWN section lists available repair parts of major components.

All sections in this manual consist of parts illustrations and corresponding parts lists.

The parts illustrations are numbered with **Ref** numbers which refer to corresponding parts lists.

The parts lists include a number of columns of information:

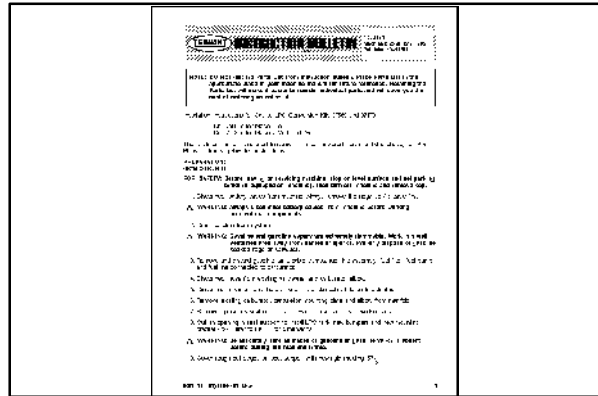
- **Ref** – column refers to the reference number on the parts illustration.
- $\nabla$  – indicates the part is an assembly.
  - indicates the part is included in the assembly listed just before it.
- **TENNANT Part No.** – column lists the TENNANT part number for the part.
- **Serial Number** – column indicates the set of machines the part number is applicable to. Serial numbers change when the machine design has been modified. The most current design of the machine is shown in the main illustration, older designs are boxed in a corner of the illustration.
- **Description** – column is a brief description of the part.
- **Qty.** – column lists the quantity of that part used in that area of the machine.



Key	TENNANT Part No.	Machine Serial Number	Description	Qty.
1	87356	(000000-)	Gearset	1
2	87840	(000000-)	O-Ring	2
3	87841	(UUUUU-)	Hud	2
4	87839	(000000-)	Fitting, Grease	2
5	87840	(000000-)	Gear, Driving	1
6	12540	(000000-)	Bolt, Wheel	5
7	01791	(000000-)	Dearing and Housing Assembly	1
8	12545	(000000-)	Seal, O-ring	1
9	31932	(000000-032017)	(See Breakdown) Replacement Kit Motor For 86356	1
9	60196	(000013-)	Motor (See Breakdown)	1
10	02076	(000000-)	Cover, Terminal	4
11	09000	(000000-)	Screw, Socket	2
12	09294	(000000-)	Screw, Socket	1
13	86970	(000000-)	Tire and Wheel Assembly	1
14	45027A	(000000-)	Tire, Solid	1
15	87750	(000000-)	Nut, Wheel	5
16	56855	(000000-)	Bumper, Rubber	2
17	51824	(000000-)	Nut, Hex, Trin	1

**NOTE:** If a service kit is installed on your machine, be sure to keep the **INSTRUCTION BULLETIN** which came with the kit. It contains repair parts numbers needed for ordering future parts.

**NOTE:** Fasteners used in this machine may be metric or non-metric. Take care when replacing hardware to replace with same thread size.



## PLACING AN ORDER

Orders may be placed by phone, fax, or by mail. Phone orders may need written confirmation. Follow the steps below to insure prompt delivery:

1. Identify the model number of your machine.
2. Identify the serial number of your machine.
3. Find the part number of the part you need. Do not order by page number or reference number. If you are not able to find the part number, call your TENNANT representative for help or send the old part as a sample.
4. Determine the quantity of the part you need.
5. Provide the following company information:
  - Company name
  - Customer ID Number
  - Shipping address
  - Billing address
  - First and last name of person ordering parts
  - Telephone number
  - Purchase order number
6. Provide definitive shipping instructions.

## HOW TO USE THIS MANUAL

---

Any claim for loss or damage to a shipment in transit should be filed promptly with the transportation company making the delivery. Shipments will be complete unless the packing list or order acknowledgement indicates items back ordered.

If parts received are suspected to be incorrect or defective, please contact the TENNANT representative from whom you ordered the part. They will give authorization for return and/or handle replacement shipments when required.

## SECTION 2

## CONTENTS

	PAGE
Fig. 1 – General Recommended Maintenance Items .....	2-3
Fig. 2 – Replacement Brushes .....	2-4
Fig. 3 – Main Frame And Skirt Group .....	2-6
Fig. 4 – Left Brush Door Group .....	2-8
Fig. 5 – Right Brush Door Group .....	2-10
Fig. 6 – Seat and Shroud Group .....	2-12
Fig. 7 – Engine Cover Group .....	2-14
Fig. 8 – Engine Side Door Group .....	2-16
Fig. 9 – Right Rear and Side Instrument Panel Group .....	2-18
Fig. 10 – Tank Cover and Panel Group .....	2-20
Fig. 11 – Hopper Lift Arms Group .....	2-22
Fig. 12 – Hopper and Dump Door Group .....	2-24
Fig. 13 – Hopper Hood and Bumper Group .....	2-26
Fig. 14 – Filter Box Group .....	2-28
Fig. 15 – Hopper Cylinder and Dust Door Group .....	2-30
Fig. 16 – Hopper Solenoid Valve Group .....	2-32
Fig. 17 – Vacuum Fan Group .....	2-34
Fig. 18 – Pressure Switch Group .....	2-36
Fig. 19 – Engine Group .....	2-38
Fig. 20 – Engine Mount Group .....	2-40
Fig. 21 – Alternator Group .....	2-42
Fig. 22 – Carburetor Group, Gasoline .....	2-44
Fig. 23 – Carburetor Group, LPG .....	2-46
Fig. 24 – Vaporizer Group .....	2-48
Fig. 25 – Air Cleaner Group .....	2-50
Fig. 26 – Muffler Group .....	2-52
Fig. 27 – Fuel Tank Group, Gasoline .....	2-54
Fig. 28 – Fuel Tank Group, LPG .....	2-56
Fig. 29 – Fuel Tank Group, LPG .....	2-58
Fig. 30 – Radiator and Hydraulic Cooler Group .....	2-60
Fig. 31 – Radiator Housing and Fan Motor Group .....	2-62
Fig. 32 – Radiator Hose and Hydraulic Filter Group .....	2-64
Fig. 33 – Battery Group .....	2-66
Fig. 34 – Rear Drive Wheel Group .....	2-68
Fig. 35 – Front Wheels and Brakes Group .....	2-70
Fig. 36 – Brake Pedals Group .....	2-72
Fig. 37 – Directional Pedal Group .....	2-74
Fig. 38 – Directional Control Group .....	2-76
Fig. 39 – Hydraulic Pumps Group .....	2-78
Fig. 40 – Hydraulic Schematic .....	2-80
Fig. 41 – Hydraulic Hose Group .....	2-82
Fig. 42 – Hydraulic Hose Group .....	2-84
Fig. 43 – Hydraulic Reservoir Group .....	2-86
Fig. 44 – Main Hydraulic Valve Group .....	2-88
Fig. 45 – Side Brush Lift Group .....	2-90
Fig. 46 – Side Brush Motor and Pivot Group .....	2-92
Fig. 47 – Main Brush Lift Group .....	2-94
Fig. 48 – Main Brush Drive Group .....	2-96
Fig. 49 – Scrub Brush Frame Group .....	2-98
Fig. 50 – Left Scrub Brush Group .....	2-100

CONTINUED

## CONTENTS

	<b>PAGE</b>
Fig. 51 – Center Scrub Brush Group .....	2-102
Fig. 52 – Right Scrub Brush Group .....	2-104
Fig. 53 – Hydraulic Control Solenoid Valve Group .....	2-106
Fig. 54 – Right Side Squeegee Group .....	2-108
Fig. 55 – Left Side Squeegee Group .....	2-110
Fig. 56 – Rear Squeegee Linkage Group .....	2-112
Fig. 57 – Rear Squeegee Frame and Lift Group .....	2-114
Fig. 58 – Solution Control Group .....	2-116
Fig. 59 – Solution Tank Group .....	2-118
Fig. 60 – Recovery Tank Group .....	2-120
Fig. 61 – Vacuum System Group .....	2-122
Fig. 62 – Steering Group .....	2-124
Fig. 63 – Instrument Panel Assembly Main Group .....	2-126
Fig. 64 – Instrument Panel Auxiliary Group .....	2-128
Fig. 65 – Circuit Breaker and Relay Group .....	2-130
Fig. 66 – Electrical Schematic .....	2-132
Fig. 67 – Wire Harnesses Group .....	2-135
Fig. 68 – Label Group .....	2-140



Fig. 1 – General Recommended Maintenance Items

Ref.	TENNANT Part No.	Machine Serial Number	Description	Qty.
∇	72067	(000000– )	Maint. Kit, Skirts, 355 Line	1
	59687	(000000– )	Seal, Door, Dump, Side	2
	59688	(000000– )	Strap, Door, Dump, Side	2
	55864	(000000– )	Cord, Sponge	1
	59685	(000000– )	Seal, Door, Dump	1
	59686	(000000– )	Strap, Door, Dump	1
∇	72068	(000000– )	Maint. Kit, Seals 355 Line	1
	59680	(000000– )	Skirt, Lip	1
	59681	(000000– )	Skirt, Lip	1
	55890	(000000– )	Strap, Main Lip	1
	54089	(000000– )	Skirt, Side, Sbdc,	1
	54013	(000000– )	Plate, Retainer	1
	54014	(000000– )	Plate, Retainer, Front	1
∇	79274	(000000– )	Performance Pkg 400Hr Gas 8400	1
	60846	(000000– )	Spark Plug	4
	73995	(000000– )	Gasket	1
	39703–2	(000000– )	Filter Element,Oil,Gas–Se	1
	58120	(000000– )	Filter Element, Air	1
	36050	(000000– )	Filter, Fuel	1
	65869–5	(000000– )	Oil, Hydr. 15/40	2
	65221	(000000– )	Element, Filter	1
∇	79279	(000000– )	Performance Pkg 400Hr Lp 8400	1
	60846	(000000– )	Spark Plug	4
	73995	(000000– )	Gasket	1
	39703–2	(000000– )	Filter Element,Oil,Gas–Se	1
	58120	(000000– )	Filter Element, Air	1
	65869–5	(000000– )	Oil, Hydr. 15/40	2
	65221	(000000– )	Element, Filter	1

Fig. 2 – Replacement Brushes

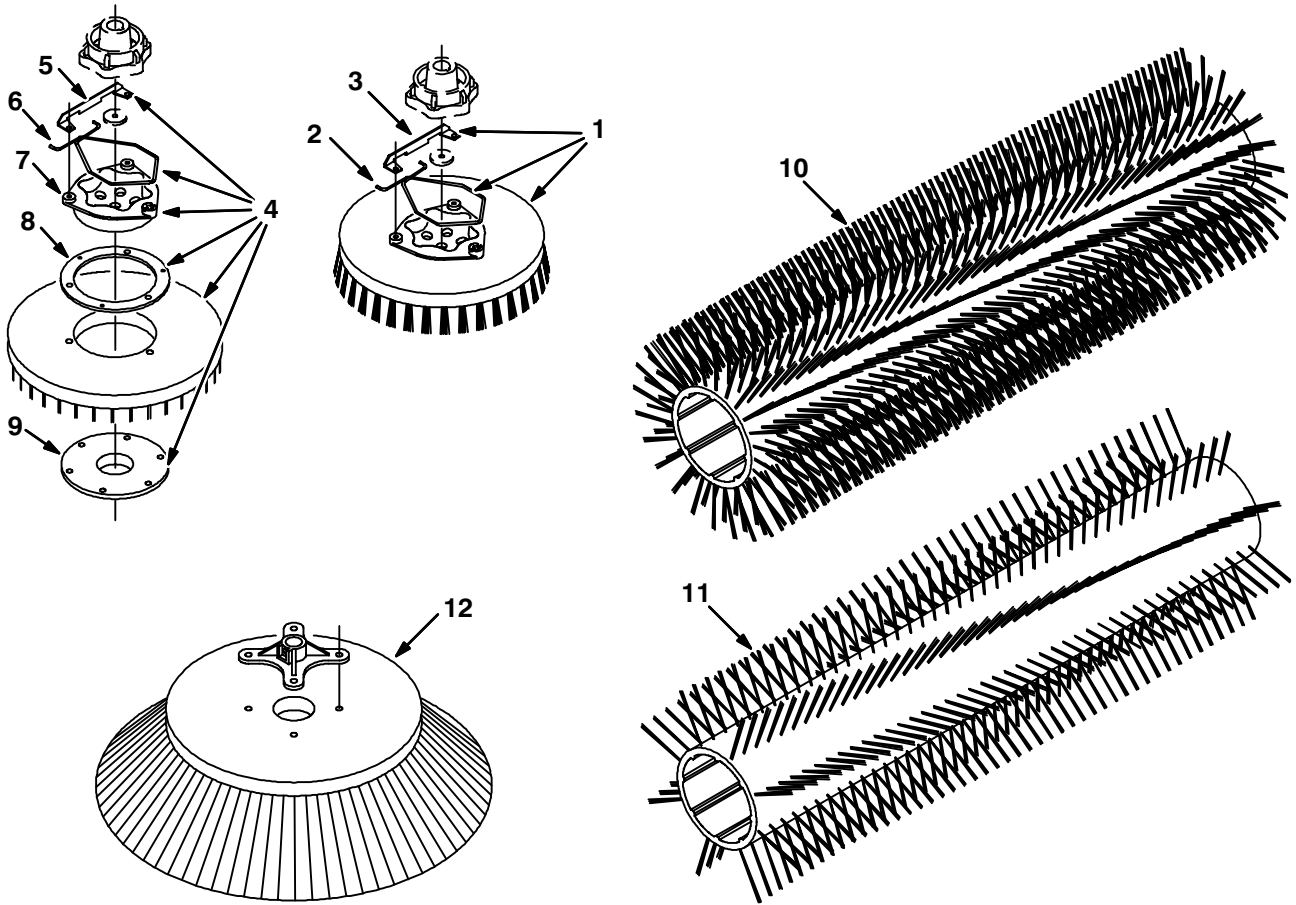


Fig. 2 – Replacement Brushes

Ref.	TENNANT Part No.	Machine Serial Number	Description	Qty.
∇ 1	05725	(000000– )	Brush–Disk Scr–16 D–Assy–Stfp	3
2	14838	(000000– )	Spring, Brush Retaining	1
3	24299	(000000– )	Bracket Spring Retainer	1
∇	05724	(000000– )	Brush–Disk Scr 16 D–Assy–Nyl	3
	14838	(000000– )	Spring, Brush Retaining	1
	24299	(000000– )	Bracket Spring Retainer	1
∇	05726	(000000– )	Brush–Disk Scr 16 D–Assy–S Ab	3
	14838	(000000– )	Spring, Brush Retaining	1
	24299	(000000– )	Bracket Spring Retainer	1
∇	05036	(000000– )	Brush–Disk Scr–16 D–Assy–Bass	3
	14838	(000000– )	Spring, Brush Retaining	1
	24299	(000000– )	Bracket Spring Retainer	1
∇	30241	(000000– )	Brush–Disk Scr 16 D Assy Poly	3
	14838	(000000– )	Spring, Brush Retaining	1
	24299	(000000– )	Bracket Spring Retainer	1
∇ 4	30216	(000000– )	Brush–Pad Drive–16 D–Assy–Poly	3
5	24299	(000000– )	Bracket Spring Retainer	1
6	14838	(000000– )	Spring, Brush Retaining	1
7	15539	(000000– )	Adaptor, Brush	1
8	11218	(000000– )	Spacer Pad Holder	1
9	19783	(000000– )	Pad Holder, Malish	1
10	54922	(000000– )	Brush–Sweep Spl 45Lg 24Sr Nylo	1
10	54927	(000000– )	Brush–Sweep Spl 45Lg 24Sr F&W	1
11	54923	(000000– )	Brush–Sweep Spl 45Lg 8Dr Nylon	1
11	54925	(000000– )	Brush–Sweep Spl 45Lg 8Dr P&W	1
11	66018	(000000– )	Brush–Sweep Spl–45Lg–5Dr–Nyl	1
11	66019	(000000– )	Brush–Sweep Spl 45Lg 8Dr Poly	1
11	59440	(000000– )	Brush–Sweep Spl 45Lg 8Dr–Wire	1
11	69963	(000000– )	Brush–Sweep Dmo 45Lg 8Dr P&W	1
12	59431	(000000– )	Brush–Side Swp 23D Poly	1
12	59432	(000000– )	Brush–Side Swp 23 D	1
12	08013N	(000000– )	Brush Side Swp.–24 D– Nyl	1

Fig. 3 – Main Frame And Skirt Group

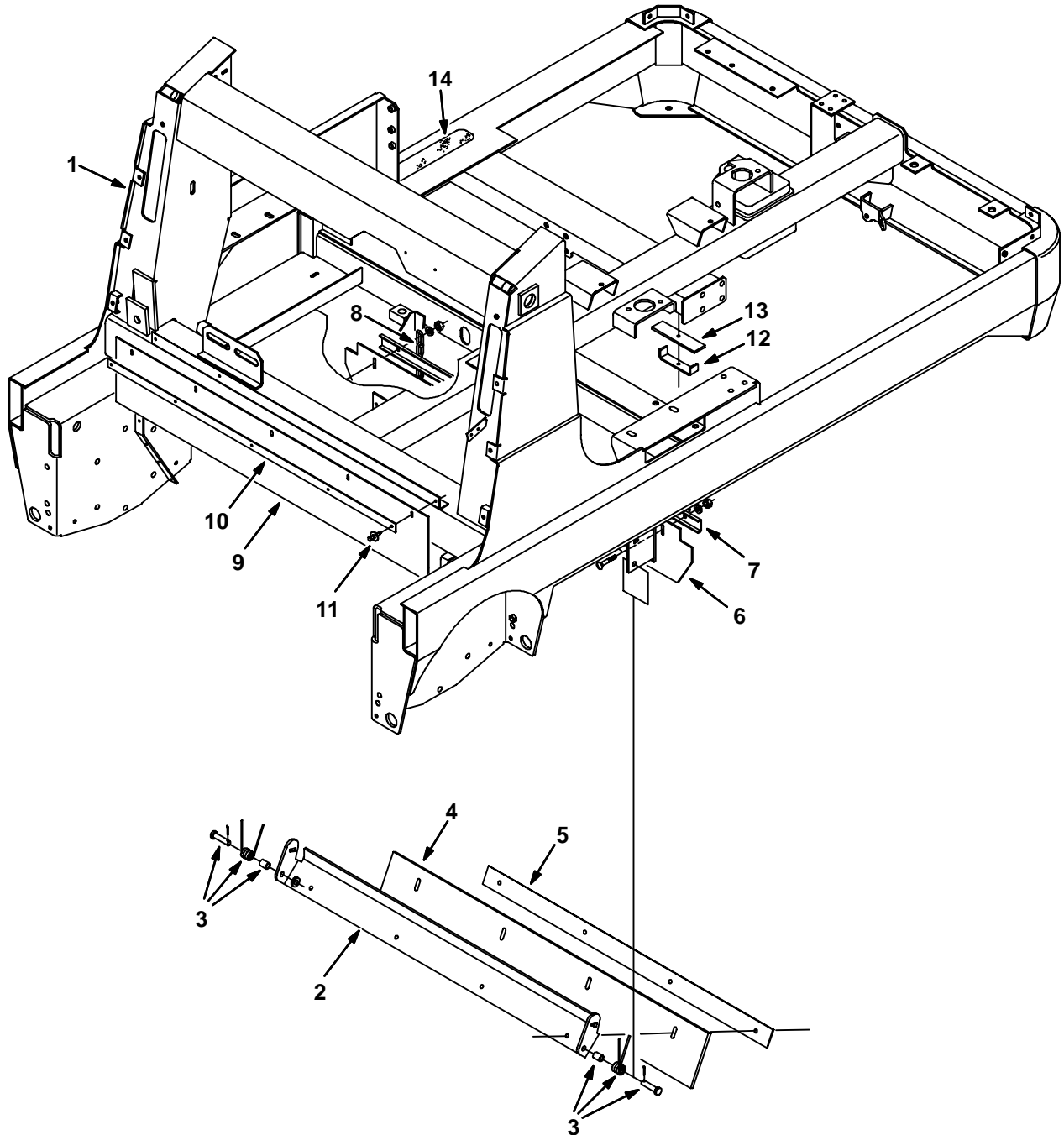


Fig. 3 – Main Frame And Skirt Group

Ref.	TENNANT Part No.	Machine Serial Number	Description	Qty.
1	73054	(000000– )	Frame Wldt	1
2	54182	(000000– )	Bracket, Flap, Recirculation	1
3	69904	(000000– )	Spring Assy, Recirculation	1
4	54190	(000000– )	Blade, Deflector	1
5	54184	(000000– )	Strip, Retainer, Seal	1
6	54197	(000000– )	Skirt, Seal Main Brush	1
7	54192	(000000– )	Channel, Retainer, Seal, Rear	1
8	09342	(000000– )	Chain, Link#2/0, 5 Links Plain	1
9	56872	(000000– )	Skirt,Hoppertop	1
10	56890	(000000– )	Strap, Backing Hopper	1
11	72968	(000000– )	Rivet, Plastic .250X.898	5
12	77297	(000000– )	Bracket, Hose, Clamp Down	1
13	77298	(000000– )	Isolator, Rubber .25X1.50X6.00	1
14	82839	(000000– )	Pad, Tread	1

Fig. 4 – Left Brush Door Group

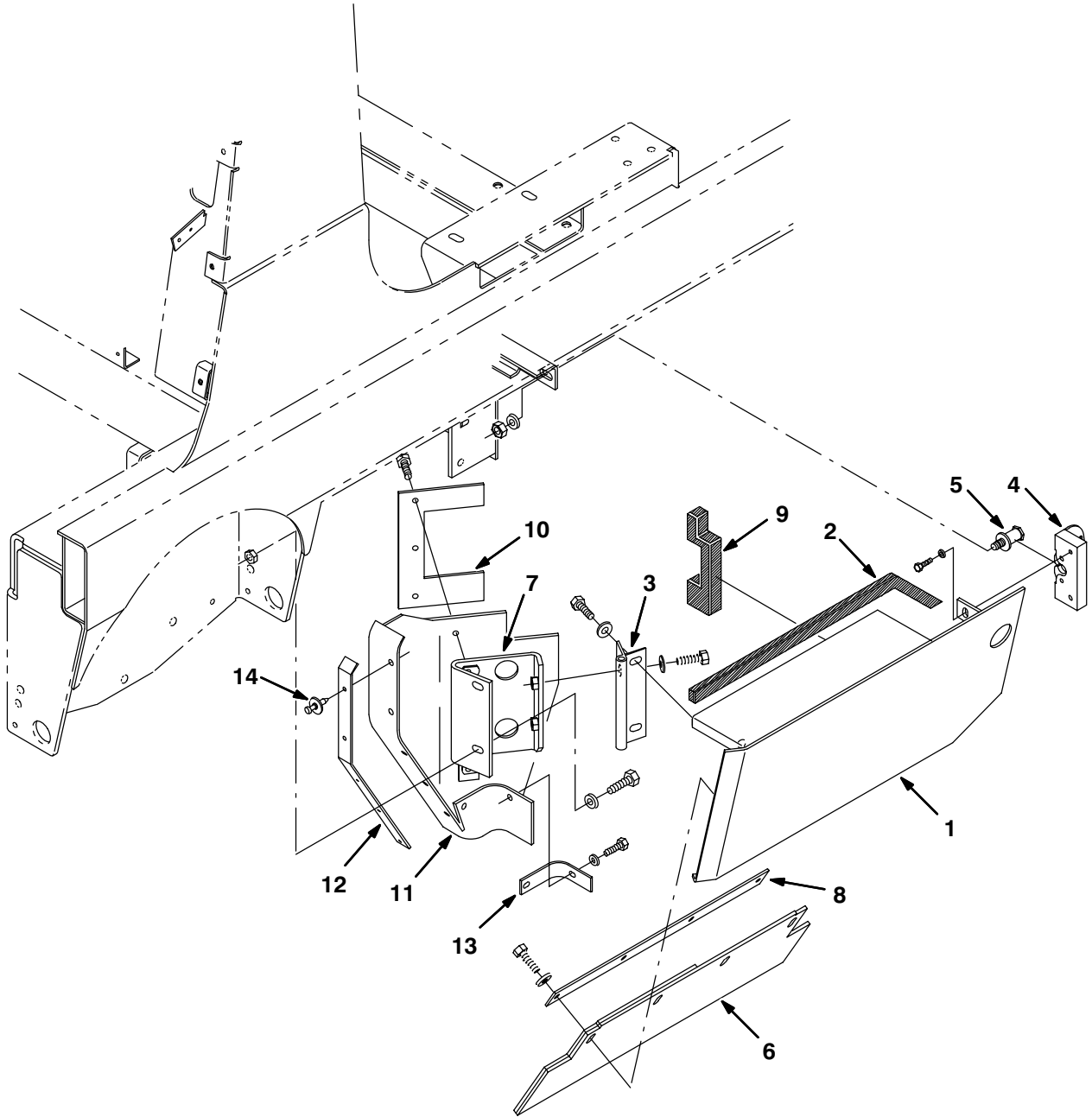


Fig. 4 – Left Brush Door Group

Ref.	TENNANT Part No.	Machine Serial Number	Description	Qty.
1	72888	(000000– )	Door Wldt, Brush, Lh	1
2	69931	(000000– )	Seal, Foam Rubber	1
3	72120	(000000– )	Hinge, Door, Brush	1
4	<del>72884</del>	(000000– )	Latch, <del>Hook, Lh</del>	1
59514	59192	(000000– )	Latch, Bolt	1
6	70275	(000000– )	Skirt, Brushdoor	1
7	72119	(000000– )	Bracket, Mounting, Hinge, Lh	1
8	55433	(000000– )	Strip, Retainer, Skirt	1
9	59538	(000000– )	Seal, Door, Brush	1
10	59692	(000000– )	Strap, Deflector	1
11	72069	(000000– )	Skirt, Deflection	2
12	56914	(000000– )	Strap	2
13	58770	(000000– )	Strip, Retainer	2
14	72968	(000000– )	Rivet, Plastic .250X.898	5

Fig. 5 – Right Brush Door Group

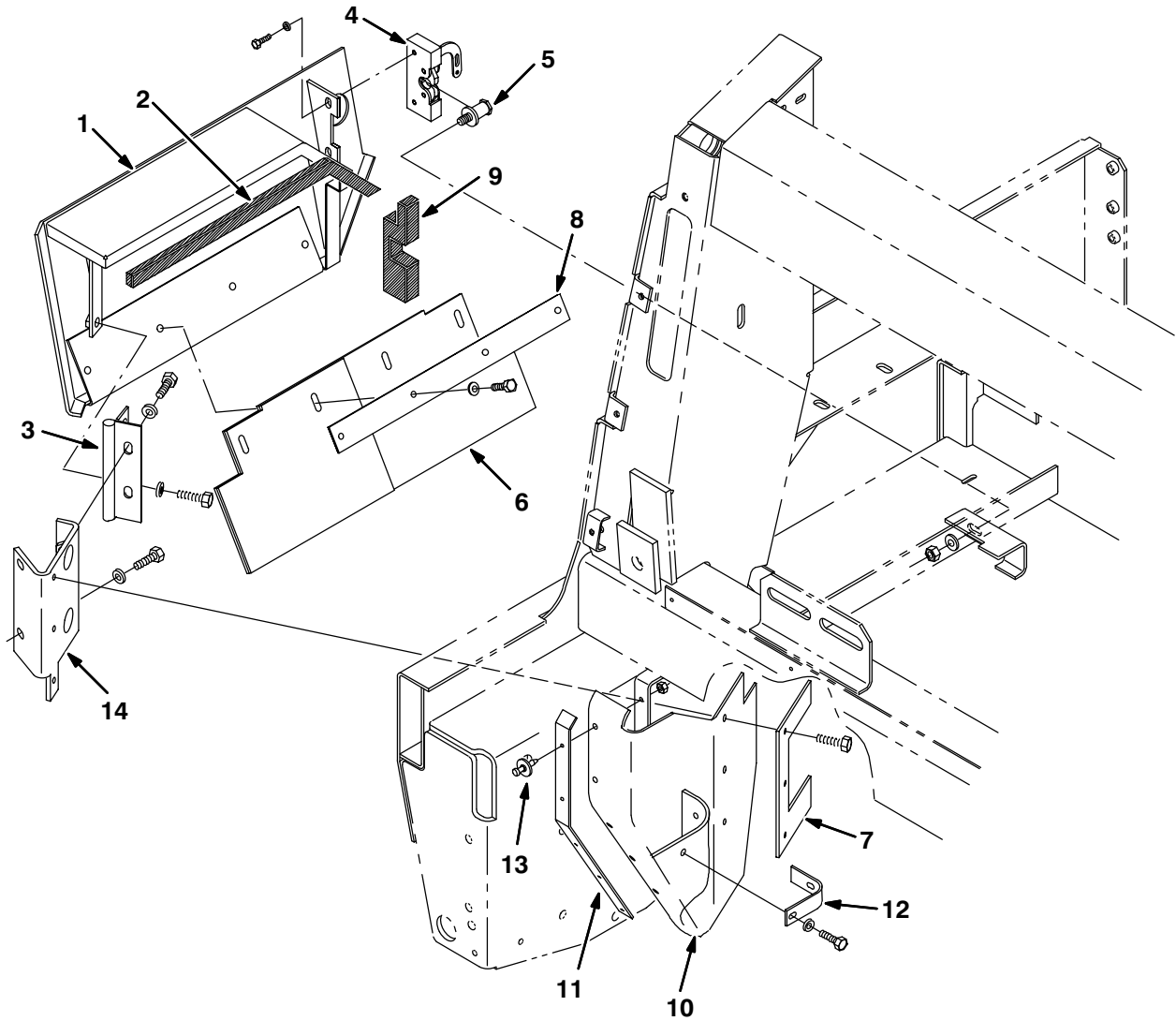




Fig. 5 –Right Brush Door Group

Ref.	TENNANT Part No.	Machine Serial Number	Description	Qty.
1	72887	(000000– )	Door Wldt, Brush, Rh	1
2	69931	(000000– )	Seal, Foam Rubber	1
3	72120	(000000– )	Hinge, Door, Brush	1
4	<del>59514</del>	(000000– )	Latch	1
5	59192	(000000– )	Latch, Bolt	1
6	70276	(000000– )	Skirt, Brushdoor	1
7	59692	(000000– )	Strap, Deflector	1
8	55433	(000000– )	Strip, Retainer, Skirt	1
9	59537	(000000– )	Seal, Door, Brush	1
10	72069	(000000– )	Skirt, Deflection	1
11	56914	(000000– )	Strap	1
12	58770	(000000– )	Strip, Retainer	2
13	72968	(000000– )	Rivet, Plastic .250X.898	5
14	72118	(000000– )	Bracket, Mounting, Hinge,Rh	1

72884

Fig. 6 – Seat and Shroud Group

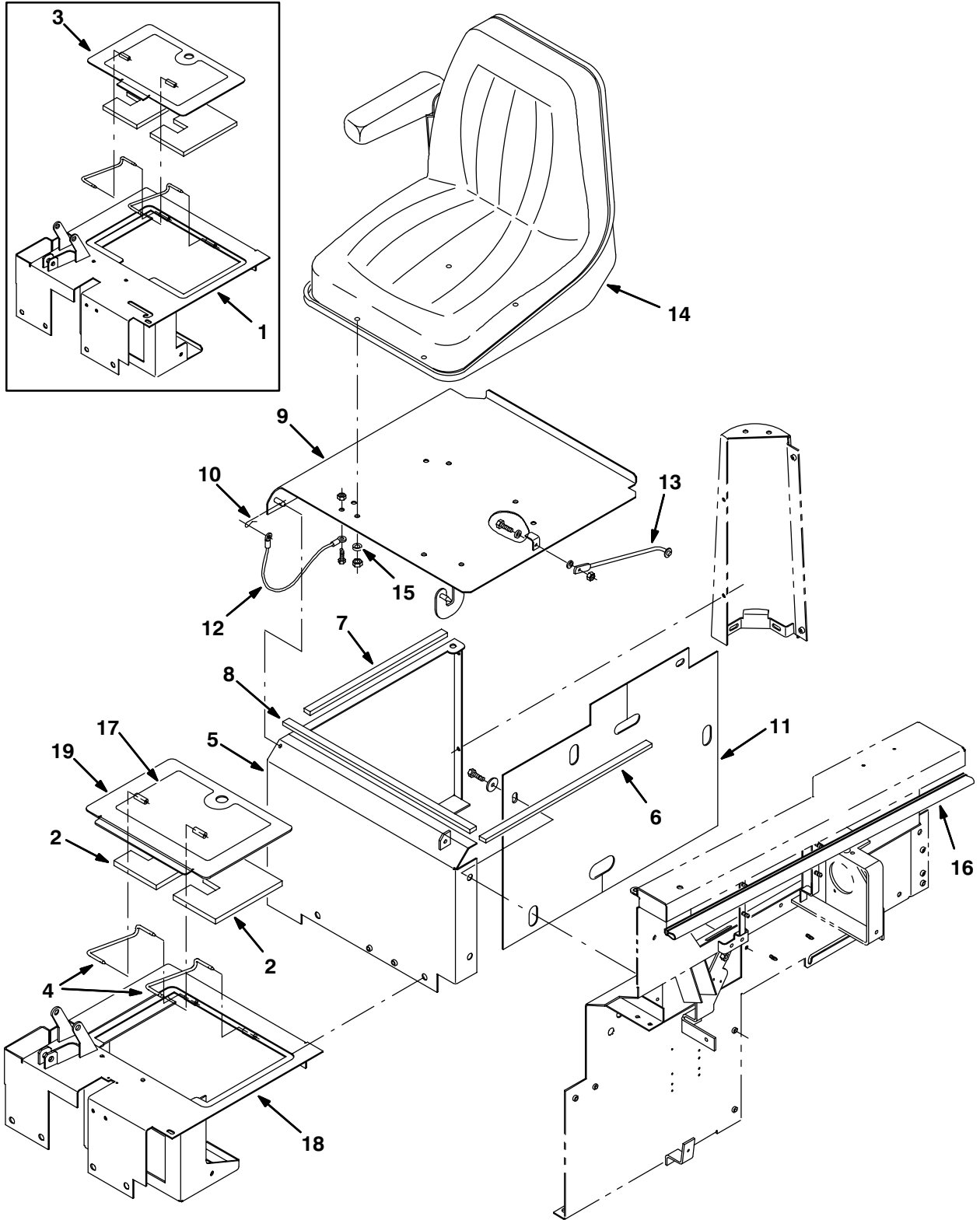


Fig. 6 – Seat and Shroud Group

Ref.	TENNANT Part No.	Machine Serial Number	Description	Qty.
1	22729	(000000– 010461)	Plate Wldt, Floor	1
2	72814	(000000– )	Insulation, Acoustic	2
3	77207	(000000– 010461)	Plate Wldt, Hinge	1
4	77211	(000000– )	Rod, Hinge	2
5	73123	(000000– )	Panel Wldt, Sppt, Seat	1
6	78855	(000000– )	Seal, Seat, Inner	1
7	10579	(000000– )	Seal, Seat, Side	1
8	10576	(000000– )	Seal, Seat, Front	1
9	73185	(000000– )	Cover Wldt, Sppt, Seat	1
10	44906	(000000– )	Pin, Hair Cotter #Lhcot-2,Leitk	1
11	78848	(000000– )	Skirt, Center	1
12	57702	(000000– )	Cable, Door, Access	1
13	54615	(000000– )	Rod, Seat	1
14	77235	(000000– )	Seat, Michigan	1
15	41186	(000000– )	Washer–Belleville .31 Pltd	4
16	79197	(000000– )	Seal, Bulb, Sd–0504 40.50 Lg	1
17	32270	(000000– )	Tread, Floor–Nonskid	1
18	22729	(010462– )	Plate Wldt., Floor .	1
19	22737	(010462– )	Cover, Wldt., Battery	1

Fig. 7 – Engine Cover Group

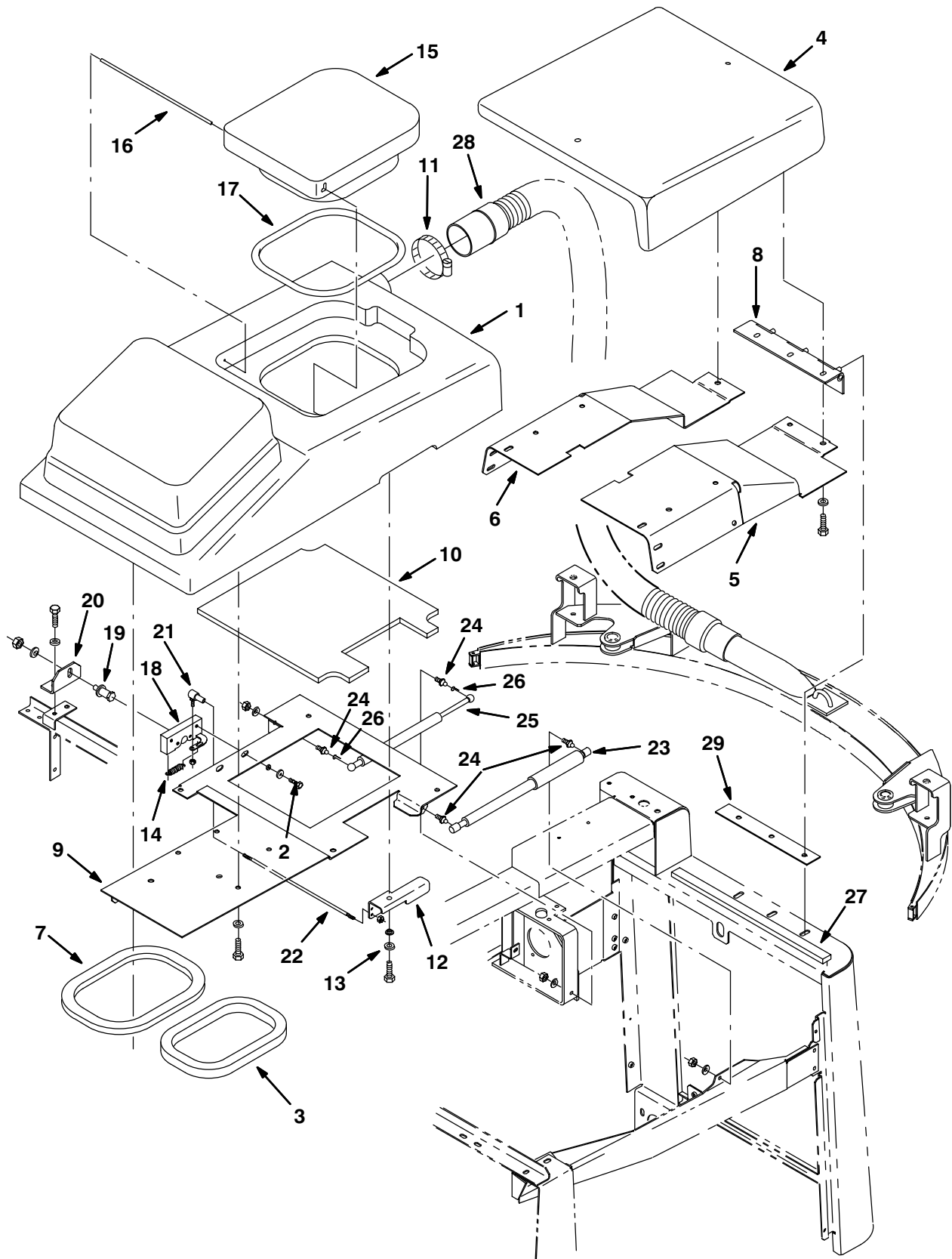


Fig. 7 – Engine Cover Group

Ref.	TENNANT Part No.	Machine Serial Number	Description	Qty.
1	77240	(000000– )	Cover, Demister	1
2	78783	(000000– )	Sleeve, .250B .49D .14 Stl Znc	2
3	77326	(000000– )	Seal, Foam	1
4	77241	(000000– )	Cover, Engine	1
5	78826	(000000– )	Bracket, Hood, Lh	1
6	78827	(000000– )	Bracket, Hood, Rh	1
7	78851	(000000– )	Seal, Foam	1
8	78738	(000000– )	Hinge, Rework	1
9	73177	(000000– )	Bracket, Mounting, Spring	1
10	78782	(000000– )	Insulation, Acoustic	1
11	23498	(000000– )	Clamp, Hose 3.6Min.–4.5Max	1
12	73169	(000000– )	Handle, Latch	1
13	01047	(000000– )	Retainer	1
14	53091	(000000– )	Sprng, Tens,0.50Odx.05Wire 1.0L	1
15	73173	(000000– )	Cover, Cleanout	1
16	77264	(000000– )	Rod, Plastic	1
17	73277	(000000– )	Seal, Tube, Silicone	1
18	59514	(000000– 010675)	Latch	1
18	84639	(010676– )	Latch, Single Stage	1
19	59192	(000000– )	Latch, Bolt	1
20	73242	(000000– )	Bracket, Latch	1
21	14601	(000000– )	Ball Joint, 250–28	1
22	77212	(000000– )	Rod, Latch, Engine Cover	1
23	77363	(000000– )	Spring, Gas, 74 Lbs	1
24	58494	(000000– )	Stud, Ball, Gas Spring	4
25	78771	(000000– )	Spring, Gas, 74 Lbs	1
26	64595	(000000– )	Clip Safety	2
27	79195	(000000– )	Seal, Foam	1
28	72912	(000000– )	Hose, Vacuum	1
29	22966	(000000– )	Plate, Spacer, Engine Cover	1

Fig. 8 – Engine Side Door Group

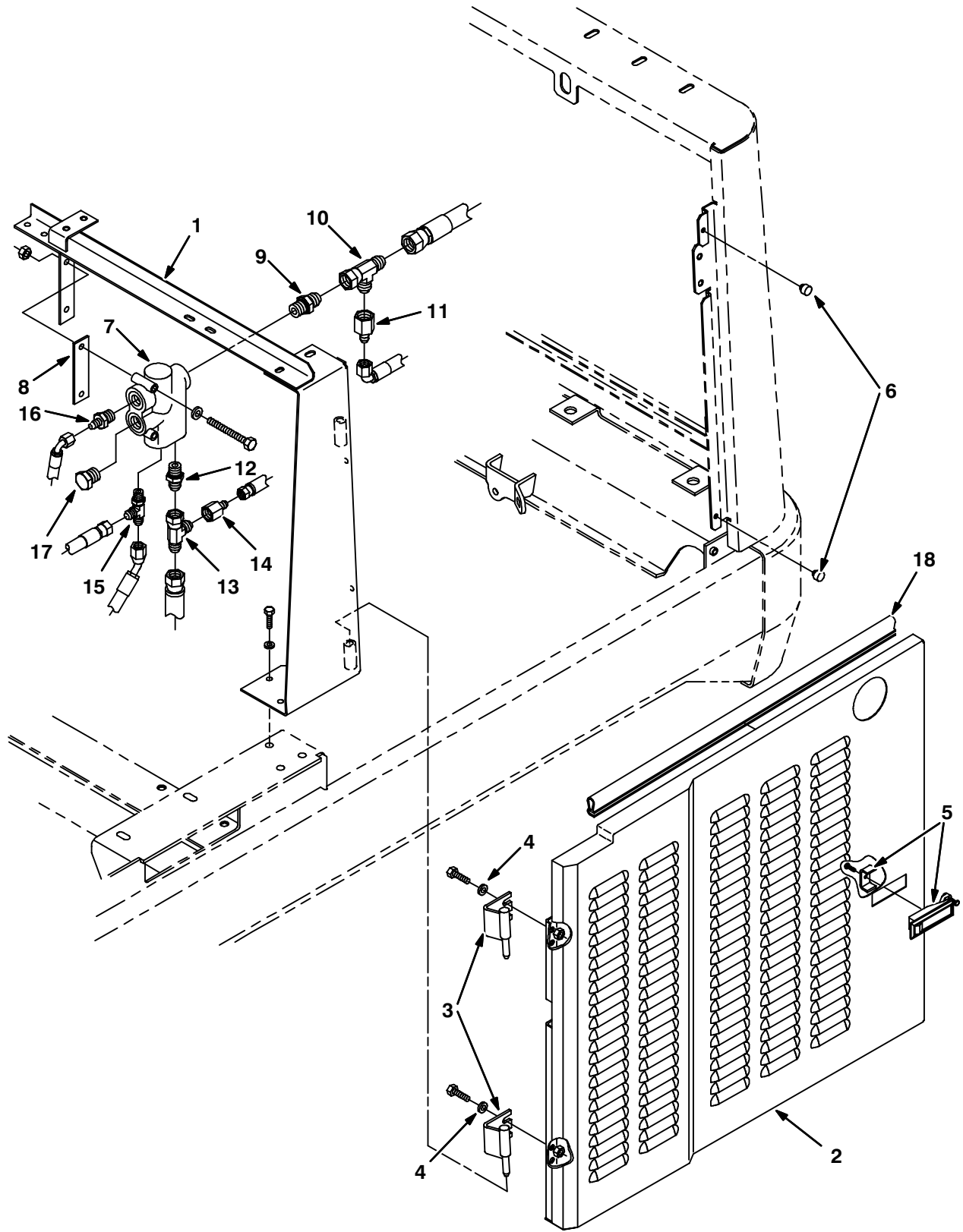


Fig. 8 – Engine Side Door Group

Ref.	TENNANT Part No.	Machine Serial Number	Description	Qty.
1	73250	(000000– )	Angle Wldt, Lh	1
2	77244	(000000– )	Door Wldt, Side, Engine	1
3	59377	(000000– )	Hinge, Door, Engine	2
4	41186	(000000– )	Washer–Belleville .31 Pltd	4
5	64533	(000000– )	Latch, Trigger	1
6	51787	(000000– )	Bumper, Rubber	2
7	73094	(000000– )	Valve, Hyd Priority Ds16G1000	1
8	78898	(000000– )	Isolator	1
9	56692	(000000– )	Ftg–Hyd Str Jm08/Om10	1
10	45482	(000000– )	Ftg–Hyd Tee Jm08Jmjf	1
11	57979	(000000– )	Ftg–Hyd Str Jm04/Jf08	1
12	50960	(000000– )	Ftg–Hyd Str Jm06/Om04	1
13	42215	(000000– )	Ftg–Hyd Tee Jm06Jmjf	1
14	47752	(000000– )	Ftg–Hyd Str Jm04/Jf06	1
15	34390	(000000– )	Ftg–Hyd Tee Jm04Jmom	1
16	52402	(000000– )	Ftg–Hyd Str Jm06/Om08	1
17	40362	(000000– )	Ftg–Hyd Plg Om10	1
18	77340	(000000– )	Seal, Bulb, Sd–0504 28.00 Lg	1

Fig. 9 – Right Rear and Side Instrument Panel Group

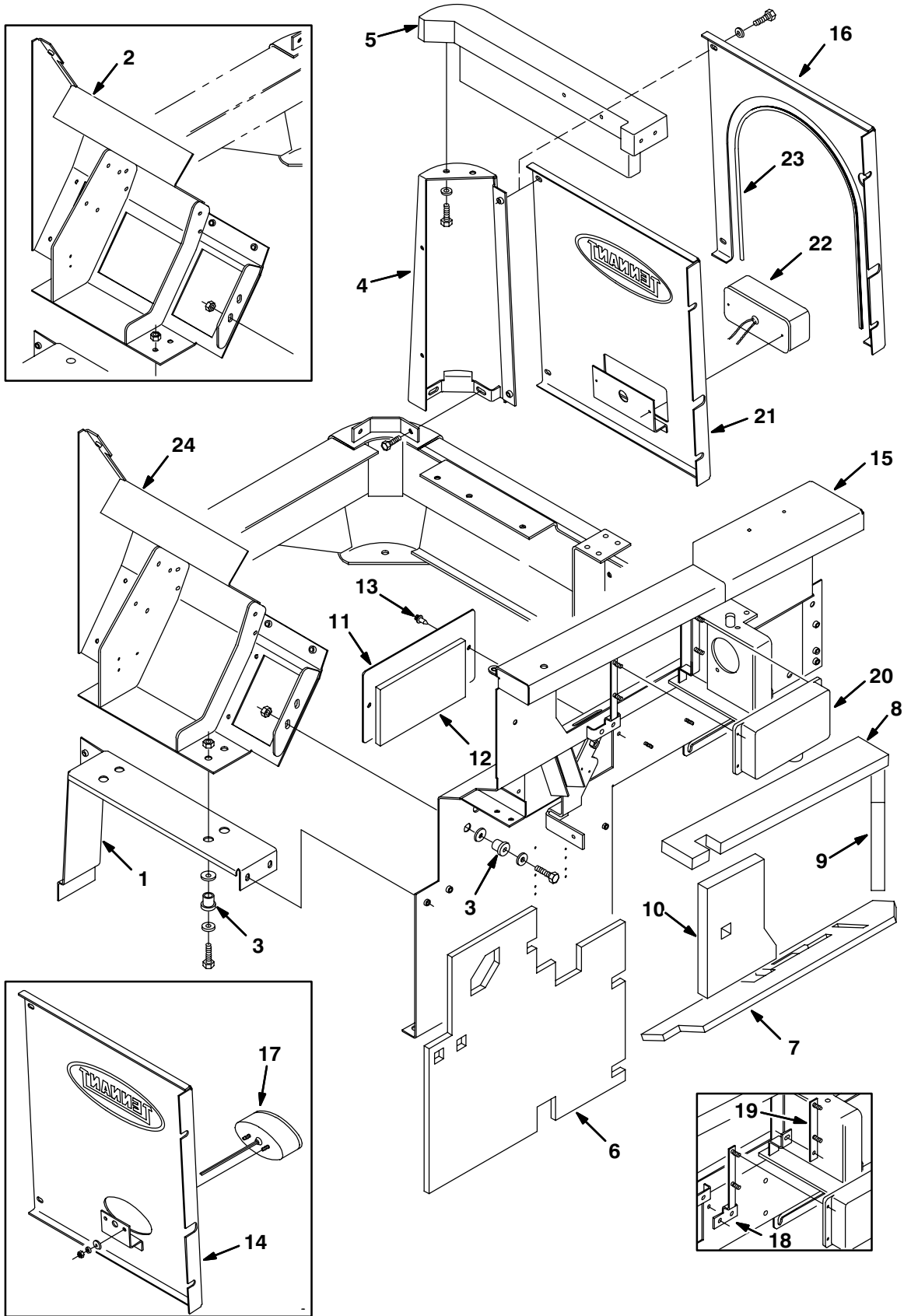




Fig. 9 – Right Rear and Side Instrument Panel Group

Ref.	TENNANT Part No.	Machine Serial Number	Description	Qty.
1	73186	(000000– )	Panel, Instr, Lower	1
2	10721	(000000– xxxxxx )	Replacement Kit Instrument Panel	1
3	54274	(000000– )	Isolator–Vibration,125Lb.Ratng	6
4	72641	(000000– )	Tower Wldt, Corner, Rh	1
5	72642	(000000– )	Cap, Door	1
6	72807	(000000– )	Insulation, Acoustic	1
7	72808	(000000– )	Insulation, Acoustic	1
8	72809	(000000– )	Insulation, Acoustic	1
9	72821	(000000– )	Insulation, Acoustic	1
10	72818	(000000– )	Insulation, Acoustic	1
11	72785	(000000– )	Plate	1
12	77299	(000000– )	Insulation Acoustic	1
13	72971	(000000– )	Rivet, Plastic .325Dx.787	2
14	72646	(000000– 10371 )	Door, Rear, Rh	1
15	78871	(000000– )	Panel Assy. Instr. W/Label	1
16	72680	(000000– )	Door, Rear, Rh (LPG)	1
∇ 17	55274	(000000– 10371 )	Taillight Assy	1
	45780	(000000– 10371 )	Bulb, 12V.5A 4CP #1157	1
18	73436	(000000– 10371 )	Bracket, Governor	1
19	73434	(000000– 10371 )	Bracket, Governor	1
20	73426	(10372– )	Control Box, Gov	1
21	10565	(10372– )	Door Wldt, Rear RH	1
∇ 22	59949	(10372– )	Taillight Assy.	1
	45780	(10372– )	Bulb, 12V .5A 4CP#1157	1
23	62595–14	(10372– )	Molding, Trim 11–1GA 44.0	1
24	10611	(xxxxxx– )	Panel Wldt, Instrument	1

Fig. 10 – Tank Cover and Panel Group

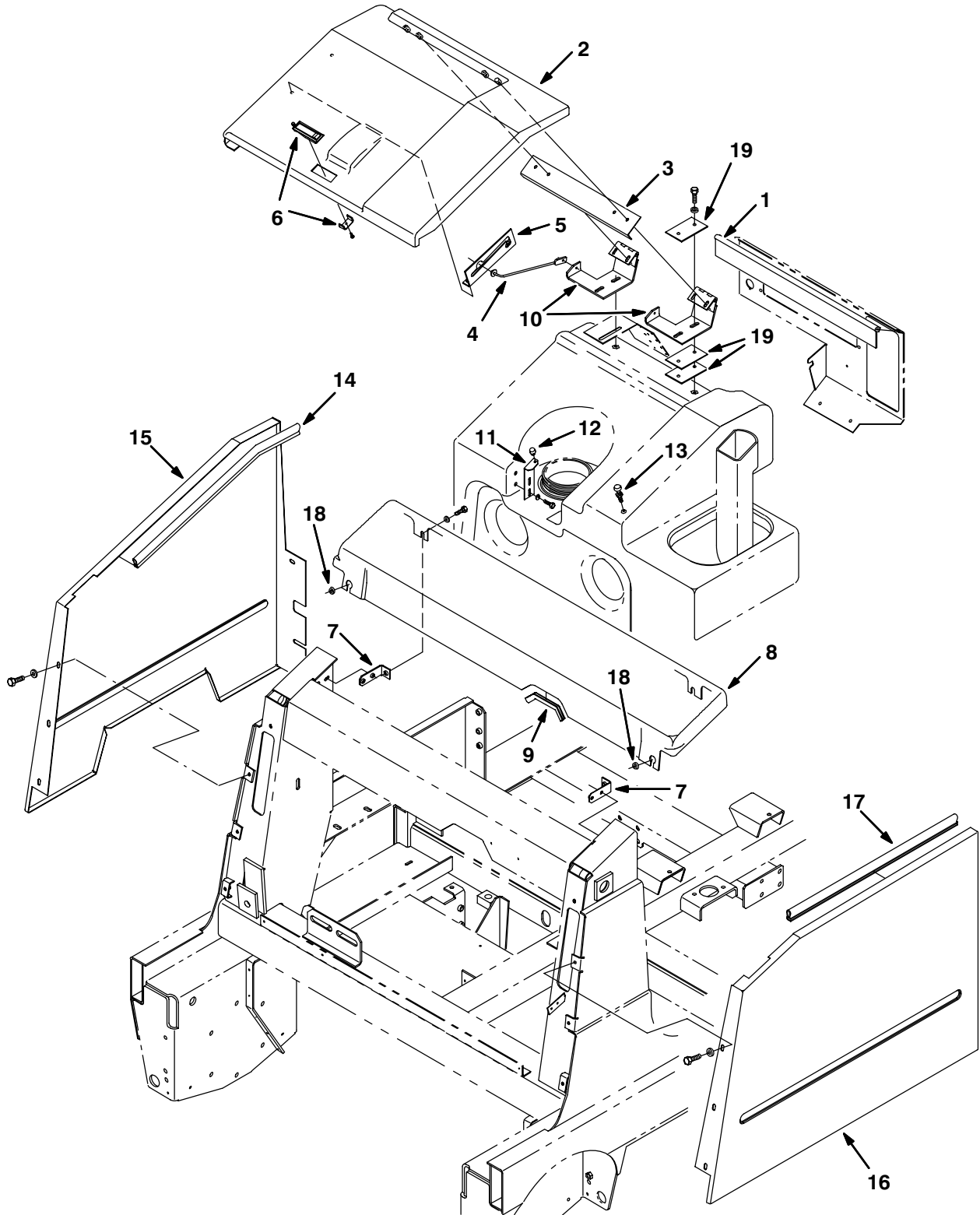


Fig. 10 – Tank Cover and Panels Group

Ref.	TENNANT Part No.	Machine Serial Number	Description	Qty.
1	78727	(000000– )	Seal, Lip	1
2	73273	(000000– )	Cover, Recovery Tank	1
3	78726	(000000– )	Bracket, Hinge	1
4	54615	(000000– )	Rod, Seat	1
5	77372	(000000– )	Bracket, Cover	1
6	64533	(000000– )	Latch, Trigger	1
7	73330	(000000– )	Bracket, Cover	2
8	73327	(000000– )	Cover, Lintel	1
9	62595–16	(000000– )	Molding, Trim 11–14Ga 8.50	1
10	73255	(000000– )	Hinge Wldt	2
11	78722	(000000– )	Bracket, Cover	1
12	51787	(000000– )	Bumper, Rubber	1
13	75128	(000000– )	Spindle, Adjustment	1
14	77340	(000000– )	Seal, Bulb, Sd–0504 28.00 Lg	1
15	73244	(000000– )	Panel Wldt, Rh	1
16	73249	(000000– )	Panel Wldt, Lh	1
17	77342	(000000– )	Seal, Bulb, Sd–0504 26.00 Lg	1
18	78923	(000000– )	Washer, Rubber	4
19	79287	(000000– )	Plate, Spacer	As Req.

Fig. 11 – Hopper Lift Arms Group

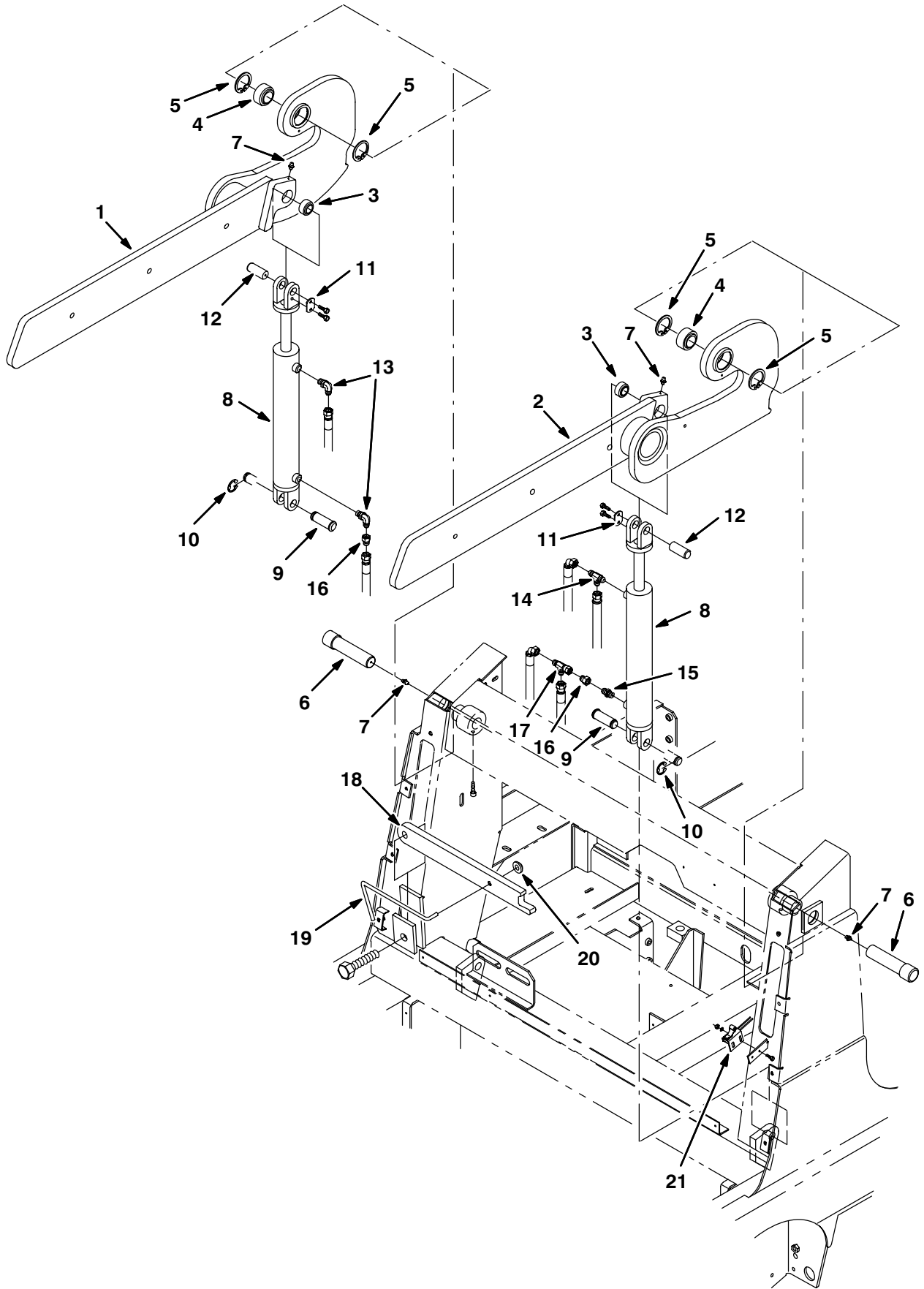


Fig. 11 – Hopper Lift Arms Group

Ref.	TENNANT Part No.	Machine Serial Number	Description	Qty.
1	78906	(000000– )	Arm Assy, Lift, Rh W/Label	1
2	78907	(000000– )	Arm Assy, Lift, Lh W/Label	1
3	73302	(000000– )	Bearing, Self Align, Sealed	2
4	72895	(000000– )	Bearing, Self Align, Sealed	2
5	59542	(000000– )	Ring, Retaining, Intl 2.00Dia	4
6	73068	(000000– )	Pin, Lift Arm	2
7	07259	(000000– )	Ftg, Grease.25–28Th Strt .47L	4
8	73076	(000000– )	Cylinder, Hyd 2.0B 12.0S 2500	2
9	73077	(000000– )	Pin, Clevis, Grooved	2
10	72899	(000000– )	Ring, Retaining, Ext, .88 Dia	2
11	72897	(000000– )	Plate, Pin, Clevis, Upper	2
12	72898	(000000– )	Pin, Clevis, Upper	2
13	77097	(000000– )	Ftg–Hyd E90 Jm04/Om04	2
14	34390	(000000– )	Ftg–Hyd Tee Jm04Jmom	1
15	55586	(000000– )	Ftg–Hyd Str Jm04/Om04	1
16	16455	(000000– )	Ftg–Hyd Rst Jm04/.047	2
17	57988	(000000– )	Ftg–Hyd Tee Jm04Jmjf	1
18	78936	(000000– )	Arm Assy, Safety W/Label	1
19	72805	(000000– )	Handle, Arm, Safety	1
20	59849	(000000– )	Nut, Retainer R/.312 Dia	1
21	59965	(000000– )	Switch, Roller	1

Fig. 12 – Hopper and Dump Door Group

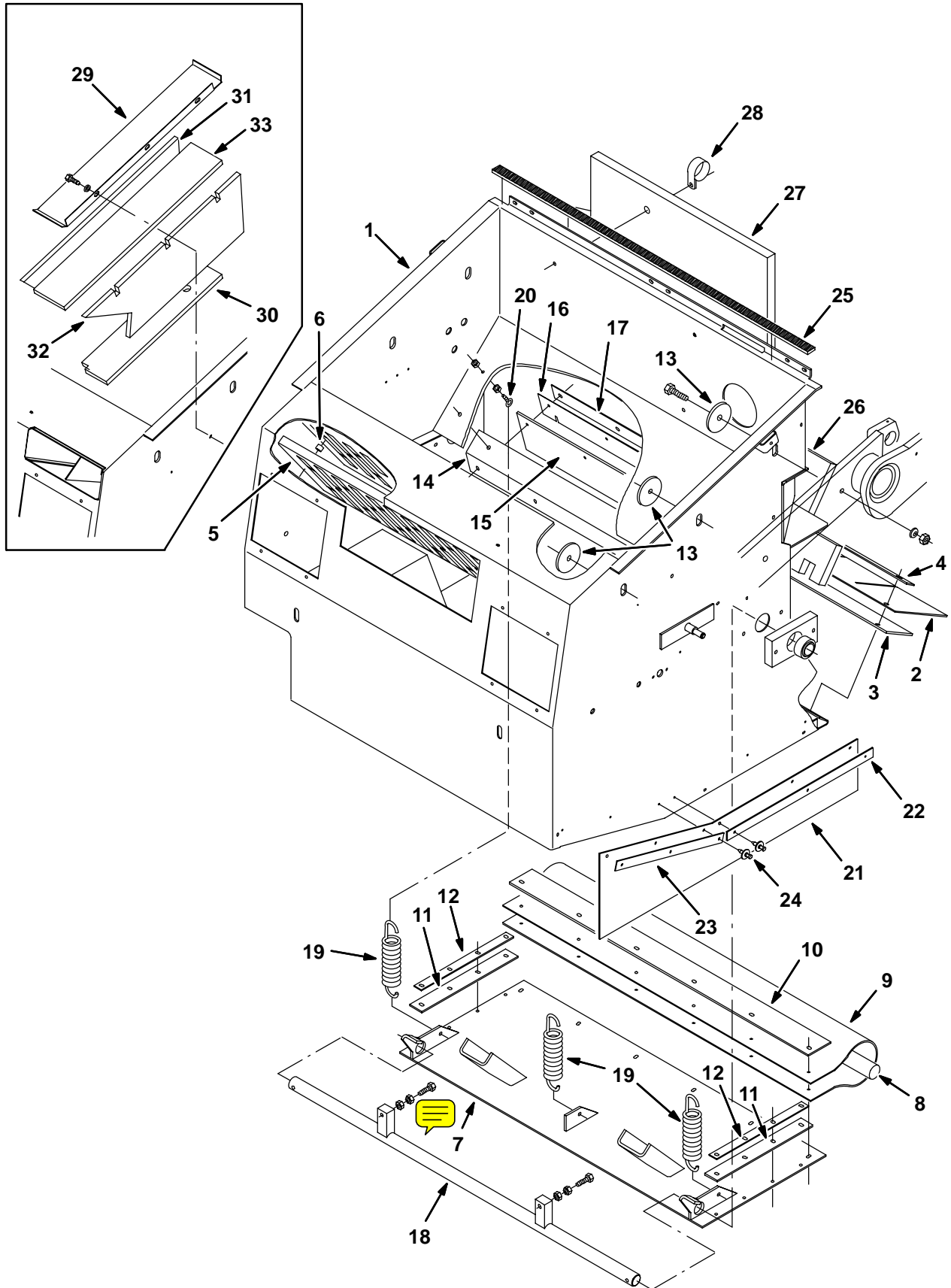


Fig. 12 – Hopper and Dump Door Group

Ref.	TENNANT Part No.	Machine Serial Number	Description	Qty.
1	73318	(000000-010249)	Hopper Wldt	1
1	21211	(010250- )	Hopper Wldt	1
2	59680	(000000- )	Skirt, Lip	1
3	59681	(000000- )	Skirt, Lip	1
4	55890	(000000- )	Strap, Main Lip	1
5	73317	(00000-010249)	Panel, Perma-Filter	1
6	82483	(000000- )	Tube, Spacer, .41Dx.32Bx1.OI	2
7	55886	(000000- )	Door, Dump	1
8	55864	(000000- )	Cord, Sponge	1
9	59685	(000000- )	Seal, Door, Dump	1
10	59686	(000000- )	Strap, Door, Dump	1
11	59687	(000000- )	Seal, Door, Dump, Side	2
12	59688	(000000- )	Strap, Door, Dump, Side	2
13	72159	(000000- )	Plate, Mtg, Lift Arm	6
14	55879	(000000- )	Angle, Hopper	1
15	58103	(000000- )	Seal, Door, Hopper	1
16	59105	(000000- )	Seal, Door, Hopper	1
17	55884	(000000- )	Strap	1
18	55889	(000000- )	Rod Wldt, Pivot	1
19	55892	(000000- )	Spring, Tension	3
20	11893	(000000- )	Bolt-Eye, .25-20Zinc.56D 2.00L	3
21	54089	(000000- )	Skirt, Side, Sbdc,	1
22	54013	(000000- )	Plate, Retainer	1
23	54014	(000000- )	Plate, Retainer, Front	1
24	72968	(000000- )	Rivet, Plastic .250X.898	6
25	72071	(000000- )	Seal, Foam Rubber	1
26	72980	(000000- )	Insulation, Acoustic, Hopper,	1
27	72981	(000000- )	Insulation,Acoustic,Hopper,Upp	1
28	53468	(000000- )	Clamp, Hose	1
29	73311	(000000-010249)	Cover, Duct, Exhaust, Top	1
30	72982	(000000-010249)	Insulation, Acoustic, Duct,Bot	1
31	72983	(000000-010249)	Insulation,Acoustic, Duct, Rh	1
32	72984	(000000-010249)	Insulation, Acoustic, Duct, Lh	1
33	72985	(000000-010249)	Insulation, Acoustic, Duct, Co	1
5	55021	(010250- )	Panel, Perma filter .....	1

**Fig. 13 – Hopper Hood and Bumper Group**

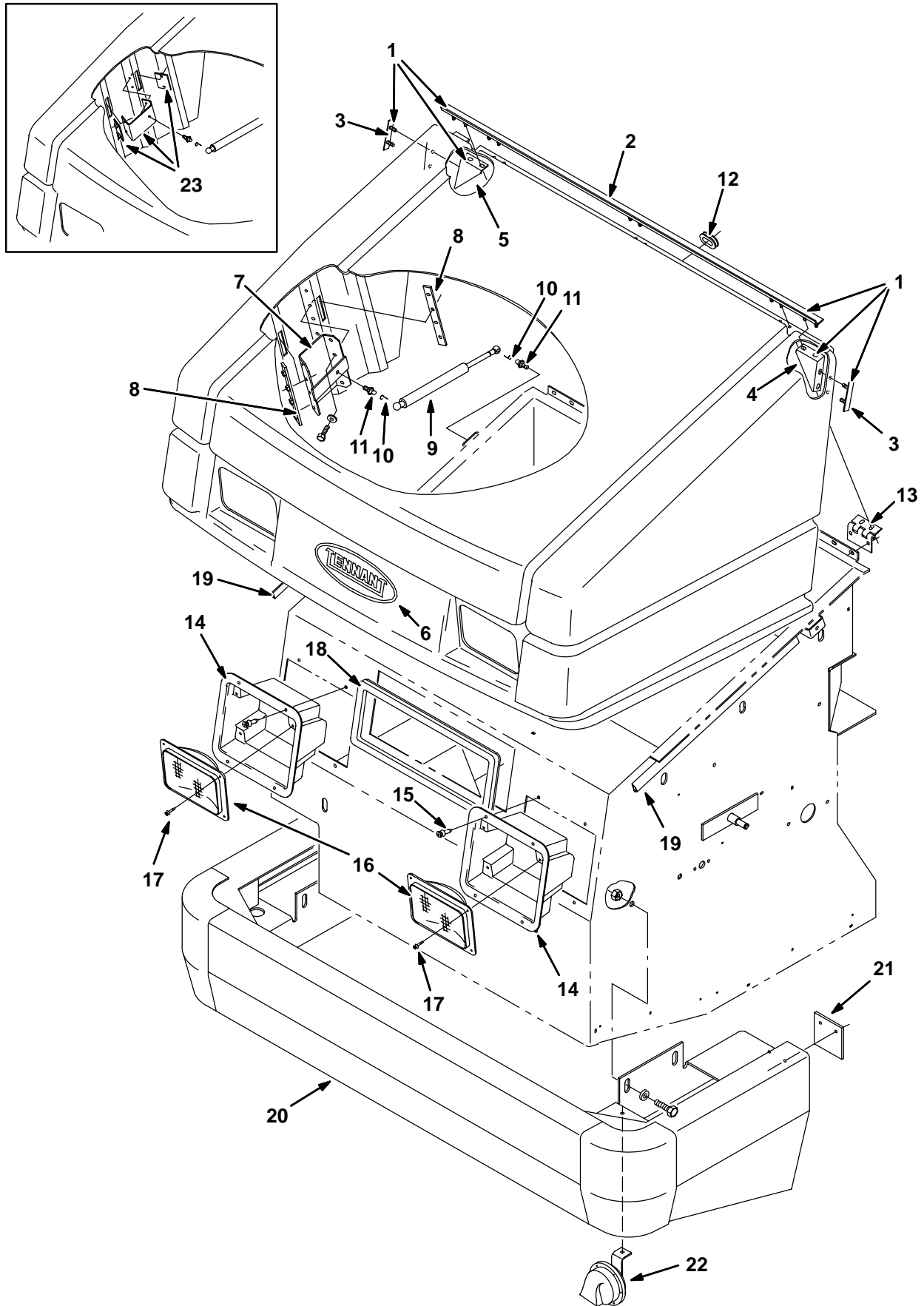




Fig. 13– Hopper Hood and Bumper Group

Ref.	TENNANT Part No.	Machine Serial Number	Description	Qty.
∇ 1	73378	(000000–010187 )	Cover Assy, Hopper	1
∇ 1	10688	(010188– )	Cover Assy, Hopper	1
2	59442	(000000– )	Strip, Mtg, Hinge	1
3	59738	(000000– )	Strip, Mtg, Gusset	2
4	59737	(000000– )	Bracket, Gusset, Corner, Lh	1
5	59739	(000000– )	Bracket, Gusset, Corner, Rh	1
6	17200	(000000– )	Label, Tennant Logo– 10.0 Blue	1
7	70185	(010188– )	Bracket, Mtg, Spring	2
8	70178	(010188– )	Plate, Backing	4
9	64535	(000000– )	Spring–Gas 120Lb 7.1 Stroke	2
10	64595	(000000– )	Clip Safety	4
11	58494	(000000– )	Stud, Ball, Gas Spring	4
12	10632–1	(000000– )	Grommet, Rbr,1.06ld,For .19Matl	1
13	58500	(000000– )	Hinge, Coverhopper	3
14	59004	(000000– )	Housing, Headlight	2
15	72971	(000000– )	Rivet, Plastic .325Dx.787	8
16	58524	(000000– )	Headlight, 12V.Rect.	2
17	72969	(000000– )	Rivet, Plastic .181Dx.720	8
18	74409	(000000– )	Seal, Bulb, Sd–0355 50.00Lg	1
19	77375	(000000– )	Duct, Vinyl .40X .75X24.0 .25D	2
20	72065	(000000– )	Bumper Wldt, Front	1
21	59448	(000000– )	Skirt, Bumperstop	2
22	14138A	(000000– )	Horn, 12V	1
23	70182	(000000–010187 )	Bracket Repl Kit,Hpr Cvr Sprng	1

Fig. 14 – Filter Box Group

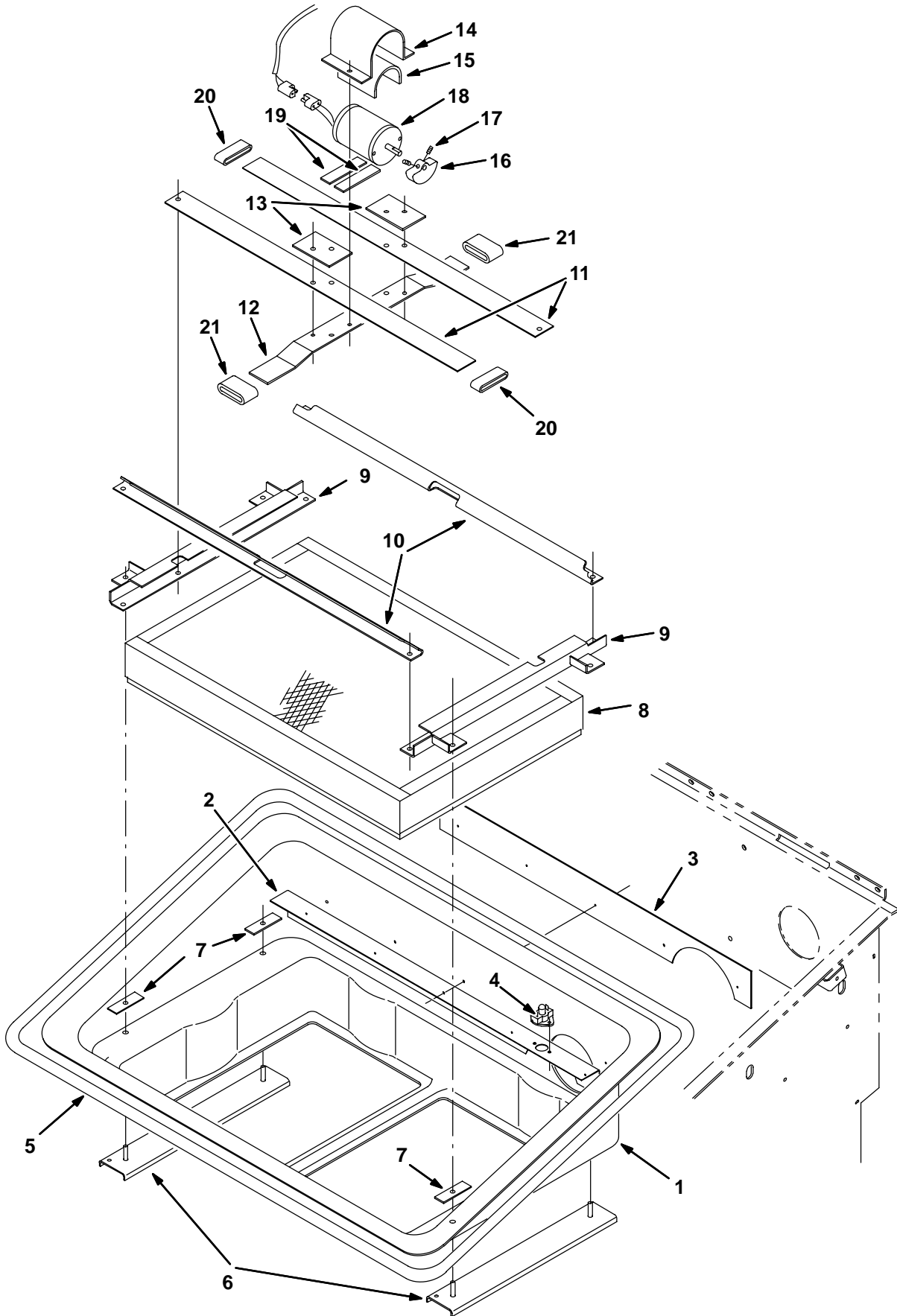


Fig. 14 – Filter Box Group

Ref.	TENNANT Part No.	Machine Serial Number	Description	Qty.
1	73323	(000000– )	Tray, Filter Carrier	1
2	73322	(000000– )	Angle, Stiffener, Tray, Filter	1
3	73321	(000000– )	Plate, Stiffener, Tray, Filter	1
4	02712	(000000– )	Thermostat Assembly, 140 Deg	1
5	79425	(000000– )	Seal, Bulb 140.0 Lg	1
6	73320	(000000– )	Plate, Mounting, Shaker Filter	4
7	56610	(000000– )	Plate	4
8	10594	(000000– )	Filter, PKG, Panel, 94 Pleats	1
9	59545	(000000– )	Bracket	2
10	53786	(000000– )	Bracket, Filter	2
11	58482	(000000– )	Spring, Shaker	2
12	58483	(000000– )	Bar, Shaker	1
13	82475	(000000– )	Bar, Shaker Spring	2
14	36666	(000000– )	Strap, Motor, Shaker	1
15	36658	(000000– )	Bar–Flt .06T 4.00W 5.00L, Rbr	1
16	55130	(000000– )	Weight, Eccentric	1
17	20634	(000000– )	Scr–Set 10–24X0.25 Nylon Loc	2
18	54121	(000000– )	Motor, Elec Shaker 12V	1
19	36661	(000000– )	Bar–Flt .06T 1.00W 4.00L, Rbr	2
20	36663	(000000– )	Sleeve, 1.12B 1.38D1.00 Rubber	2
21	36665	(000000– )	Sleeve, 1.12B 1.62D1.50 Rubber	2

Fig. 15 – Hopper Cylinder and Dust Door Group

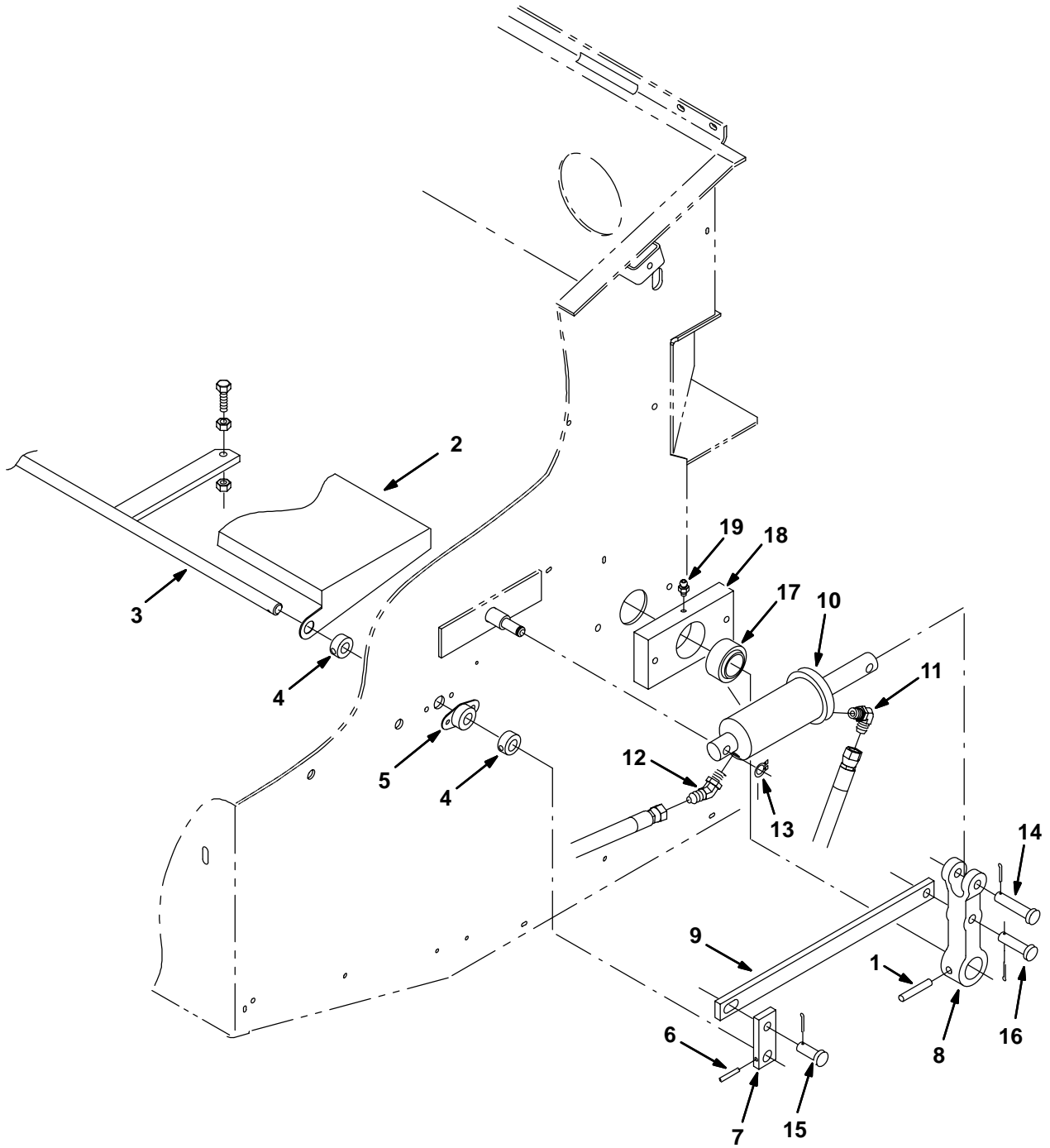


Fig. 15 – Hopper Cylinder and Dust Door Group

Ref.	TENNANT Part No.	Machine Serial Number	Description	Qty.
1	51317	(000000– )	Pin,Roll,.38Odx2.00L,.375/.382	2
2	53910	(000000– )	Door, Dust	1
3	53915	(000000– )	Rod	1
4	34725	(000000– )	Collar, Locking, Plated	4
5	34096	(000000– )	Bearing–Flange,2 Hole .625Bore	2
6	26103	(000000– )	Pin,Roll,.18Odx1.25L,.187/.192	2
7	59966	(000000– )	Bar, Link	2
8	78787	(000000– )	Yoke, Pivot, Machining	2
9	55893	(000000– )	Bar, Link	2
10	54096	(000000– )	Cylinder–Hyd2.0X4.0Da2500Psi	2
11	77097	(000000– )	Ftg–Hyd E90 Jm04/Om04	2
12	34359	(000000– )	Ftg–Hyd E45 Jm04/Om04	2
13	23524	(000000– )	Ring,Retain,Ex,0.50Od,Selflock	2
14	11211	(000000– )	Pin, Clevis .50 Dia X 2.25 Lg	2
15	58078	(000000– )	Pin,Clevis, .50 DiaX 1.25 Lg	2
16	51534	(000000– )	Pin,Clevis,0.50 Dia.X 2.00 Lg	2
17	42120–1	(000000– )	Bearing–Self Align 1.250 Bore	2
18	55914	(000000– )	Hub, Pivot	2
19	47801	(000000– )	Ftg, Grease.25–28Th Strt .63L	2

Fig. 16 – Hopper Solenoid Valve Group

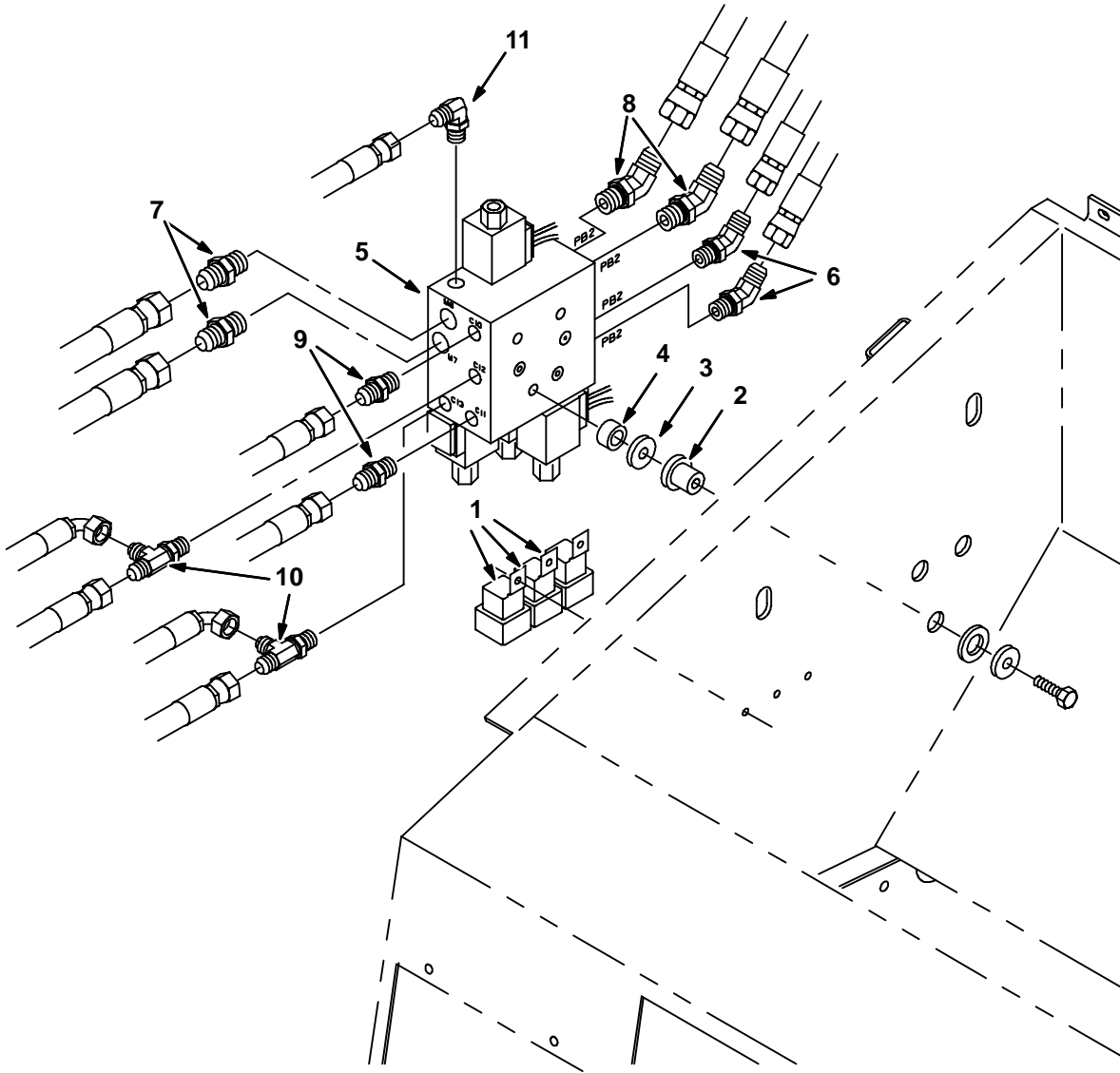


Fig. 16 – Hopper Solenoid Valve Group

Ref.	TENNANT Part No.	Machine Serial Number	Description	Qty.
1	56186	(000000– )	Relay, Shrouded, 12 Vdc	3
2	54274	(000000– )	Isolator–Vibration, 125Lb. Ratng	3
3	13248	(000000– )	Washer .400B 1.12D .12Cr Znc	6
4	82229	(000000– )	Sleeve, .562B .88D .50 Zinc	3
5	73086	(000000– )	Valve, Hyd Cntrl Sol (See Breakdowns)	1
6	34359	(000000– )	Ftg–Hyd E45 Jm04/Om04	2
7	44869	(000000– )	Ftg–Hyd Str Jm08/Om08	2
8	42226	(000000– )	Ftg–Hyd E45 Jm08/Om08	2
9	55586	(000000– )	Ftg–Hyd Str Jm04/Om04	2
10	34390	(000000– )	Ftg–Hyd Tee Jm04Jmom	2
11	77097	(000000– )	Ftg–Hyd E90 Jm04/Om04	1

Fig. 17 – Vacuum Fan Group

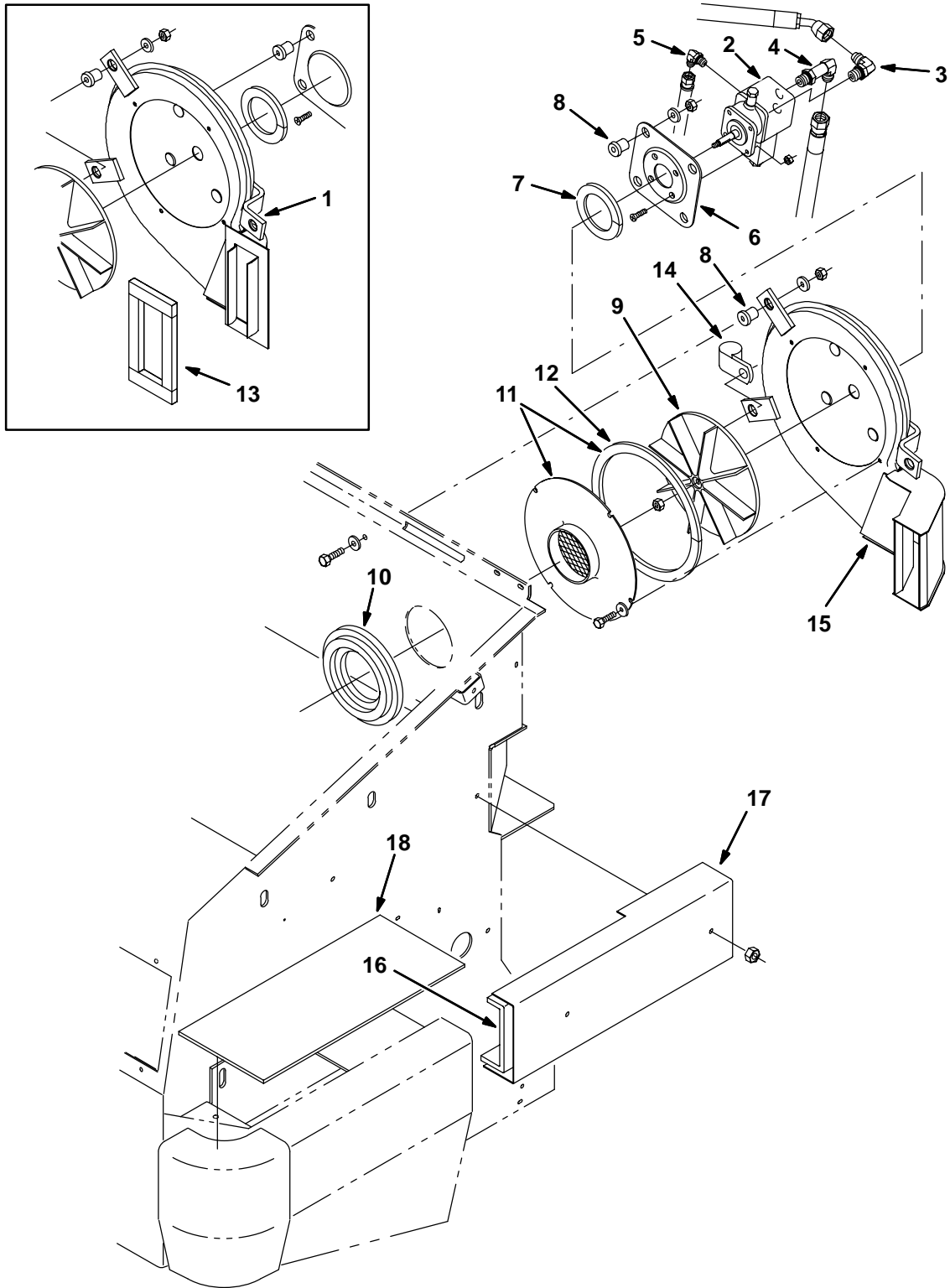




Fig. 17 – Vacuum Fan Group

Ref.	TENNANT Part No.	Machine Serial Number	Description	Qty.
1	73164	(000000–010249 )	Housing, Vac Fan	1
2	53485	(000000– )	Motor–Hyd Gear Ex .194 R3000 (See Breakdowns)	1
3	44868	(000000– )	Ftg–Hyd E90 Jm08/Om08	1
4	69173	(000000– )	Ftg–Hyd E90 Jm08/Om08	1
5	77097	(000000– )	Ftg–Hyd E90 Jm04/Om04	1
6	54275A	(000000– )	Bracket, Mounting Motor	1
7	59967	(000000– )	Seal, Fan, Vac, Motor	1
8	54274	(000000– )	Isolator–Vibration, 125Lb.Ratng	7
9	08143	(000000– )	Impeller, 9.00 Dia X 0.376B	1
10	73397	(000000– )	Seal, Fan, Vac, Inlet	1
∇ 11	59656	(000000– )	Duct Assy, Vac Fan W/Seal	1
12	59735	(000000– )	Seal, Fan, Vac, Inlet	1
13	73396	(000000–010249 )	Seal, Fan, Vac, Outlet	1
14	53468	(000000– )	Clamp, Hose	1
15	21207	(010250– )	Housing, Vac Fan	1
16	10695	(010250– )	Insulation, S/Foam, Vac Duct	1
17	21206	(010250– )	Duct, Side	1
18	10693	(010250– )	Insulation, S/Foam, BUMPER	1

**Fig. 18 – Pressure Switch Group**

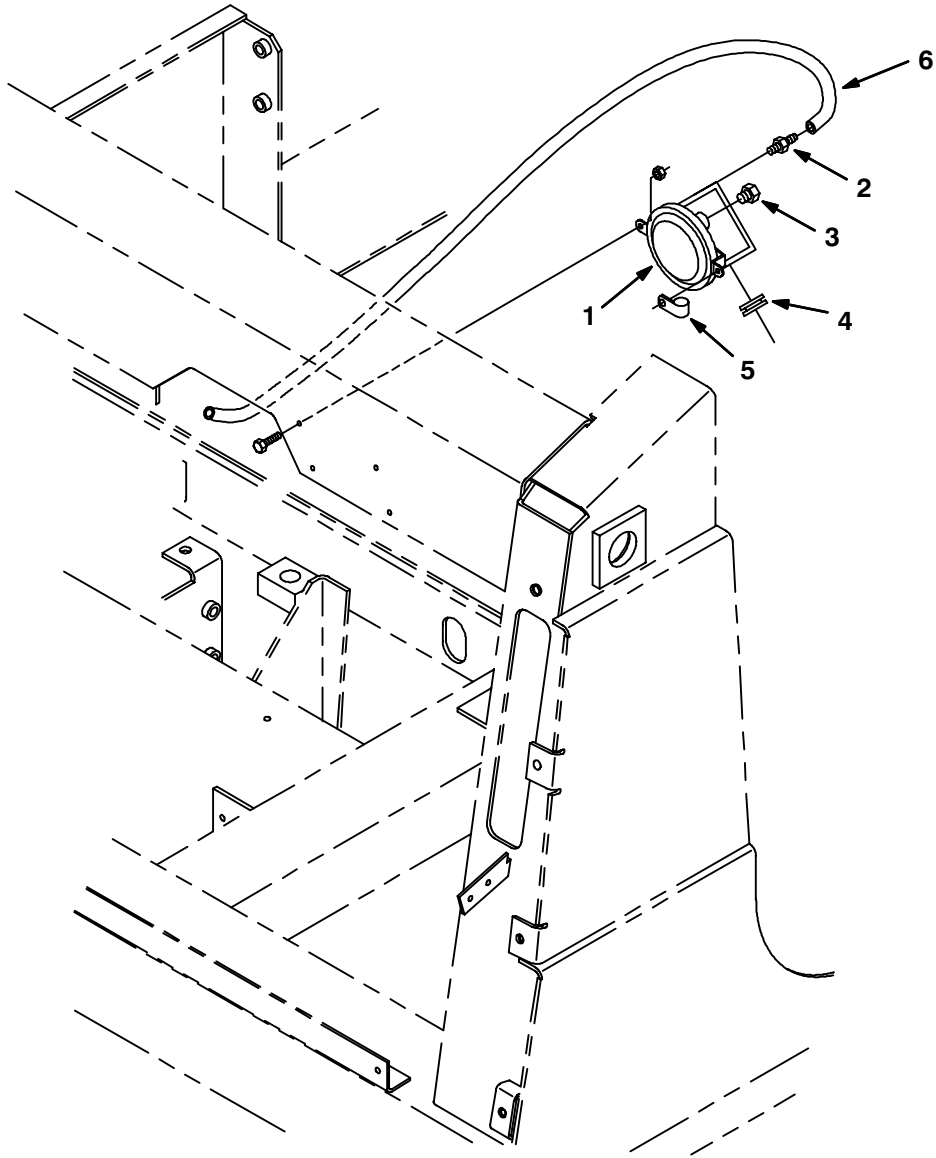


Fig. 18 – Pressure Switch Group

Ref.	TENNANT Part No.	Machine Serial Number	Description	Qty.
1	34868	(000000– )	Switch, Pressure	1
2	40607	(000000– )	Ftg, Brass,St Bm03/Pm02	1
3	82739	(000000– )	Ftg, Breather	1
4	10632–4	(000000– )	Grommet, Rbr,0.62ld,For .06Matl	1
5	46236	(000000– )	Clamp–Cable, 0.25Dia 0.56Wth	1
6	39780–1	(000000– )	Hose, Vacuum,.16ld X 28.0Lg	1

Fig. 19 – Engine Group

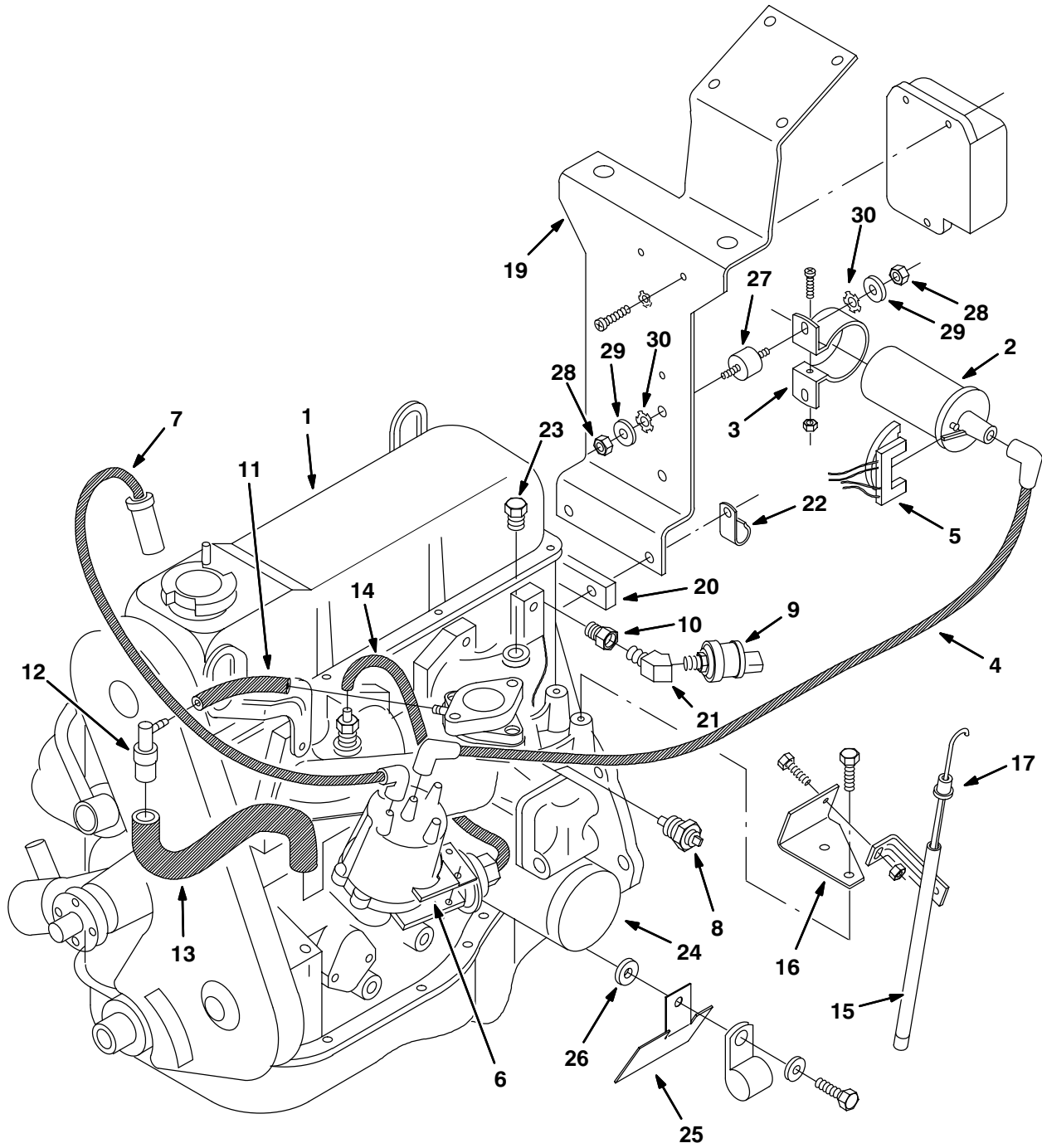


Fig. 19 – Engine Group

Ref.	TENNANT Part No.	Machine Serial Number	Description	Qty.
1	61854	(000000– )	Engine Assy,Lsg423 (See Breakdown)	1
2	36012	(000000– )	Coil Ignition	1
3	54911–30	(000000– )	Strap, Coil	1
4	36011	(000000– )	Wire Ing Coil Suppressor	1
5	61871	(000000– )	Wiring Assy	1
6	36008	(000000– )	Shield, Distributor	1
7	36037	(000000– )	Wire Assy, Spark Plug (Set of 4)	1
8	36165	(000000– )	Send Unit, Temperature	1
9	77603	(000000– 010362)	Switch, Pressure, Oil	1
9	79399	(010363– )	Switch, Pressure, Oil	1
10	17414	(000000– )	Ftg–Hyd Str Pm04/Pf02	1
11	35992	(000000– )	Hose, Pcv	1
12	35993	(000000– )	Valve Pcv	1
13	36032	(000000– )	Hose Pcv	1
14	19774	(000000– )	Hose, Vacuum,.16ld X 15.0 Lg	1
15	36046	(000000– )	Tube, Dipstick	1
16	35983	(000000– )	Bracket,Dipstick Tube	1
17	36045	(000000– )	Dipstick	1
18	36006	(000000– )	Module,Ignition	1
19	78733	(000000– )	Bracket, Mounting	1
20	72967	(000000– )	Spacer, Bracket, Fan	1
21	32376	(000000– )	Ftg–Hyd E45 Pm02/Pf02	1
22	30407	(000000– )	Clip, Keeper, Open	2
23	02247	(000000– )	Ftg–Plug Npt 04Pm Hx Soc	1
24	39703–2	(000000– )	filter Element, Oil Cont Gas SE	1
25	79403	(000000– )	Bracket, Deflector	1
26	07026	(000000– )	Sleeve	1
27	82661	(010610– )	Isolator	2
28	19312	(010610– )	Nut, Hex	4
29	32490	(010610– )	Flat Washer	4
30	41140	(010610– )	Internal/External lock Washer	4

Fig. 20 – Engine Mount Group

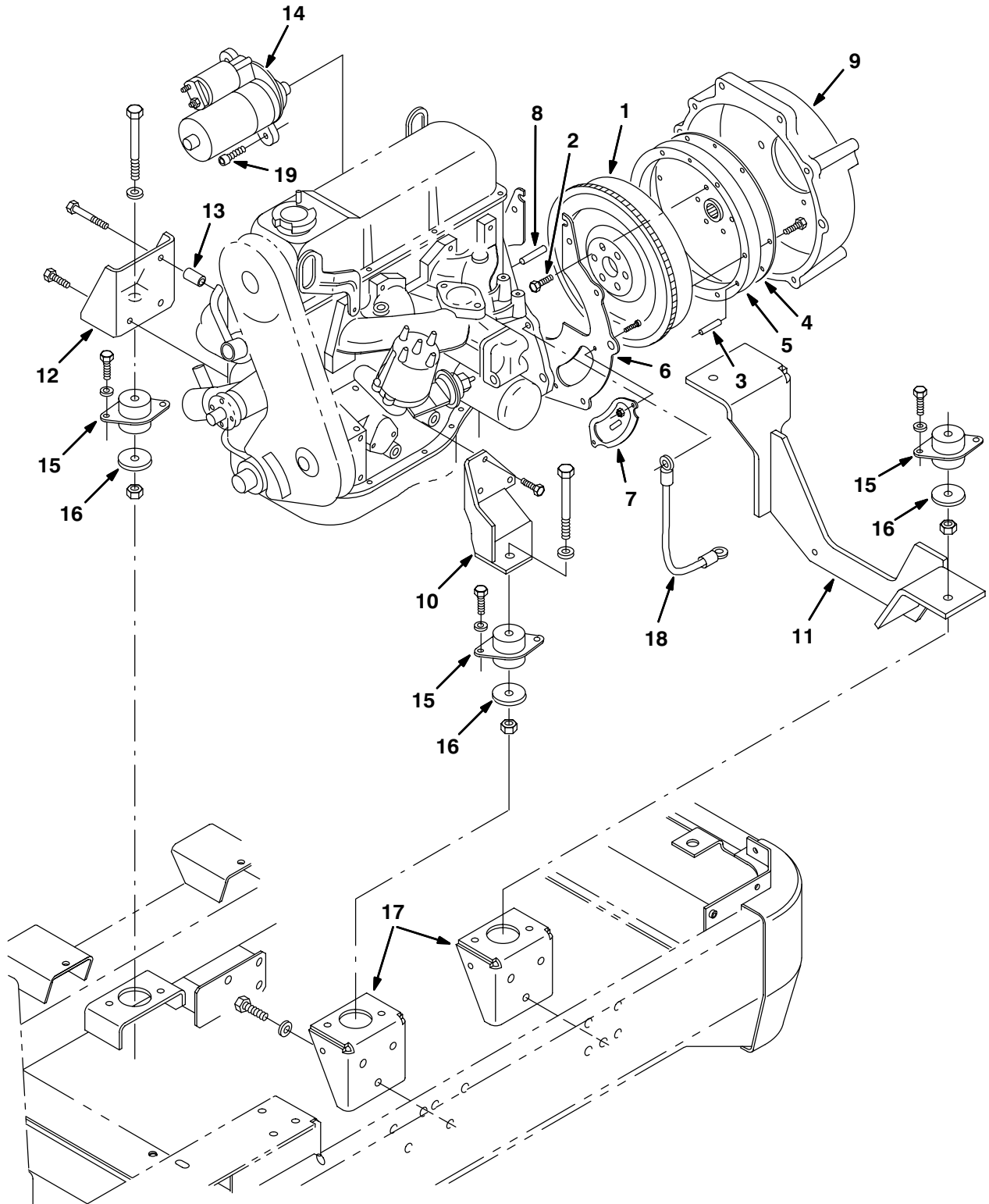


Fig. 20 – Engine Mount Group

Ref.	TENNANT Part No.	Machine Serial Number	Description	Qty.
1	36016	(000000– )	Flywheel	1
2	36065	(000000– )	Bolt–Hex M10X1.0X30.0 Locking	6
3	23574	(000000– )	Pin,Roll,.31Odx1.37L,.312/.318	3
4	35980	(000000– )	Coupling Flywheel	1
5	72699	(000000– )	Spacer, Machined	1
6	36023	(000000– )	Plate, Engine Rear	1
7	36024	(000000– )	Cover Access	1
8	54911–16	(000000– )	Dowel,Cyl.Block To Flywhl.Hsg.	1
9	72790	(000000– )	Housing, Flywheel	1
10	77202	(000000– )	Bracket Wldt,Mounting, Engine	1
11	73289	(000000– )	Bracket Wldt, Eng, Rear	1
12	73019	(000000– )	Bracket, Engine, Rh Front, Upp	1
13	43609	(000000– )	Sleeve, .500B .69D1.281Cr.Cad	1
14	60938	(000000– )	Motor, Starting, Perm Mag, 12V (See Engine Bkdn)	1
15	63695	(000000– )	Isolator, Mounting	4
16	04414	(000000– )	Washer, .531B 1.88D .12Hard Zn	4
17	73072	(000000– )	Bracket, Engine,Lh,Rear,Lower	2
18	73446	(000000– )	Wire Assy	1
19	41358	(000000– )	Screw, Socket M10X1.5	3

Fig. 21 – Alternator Group

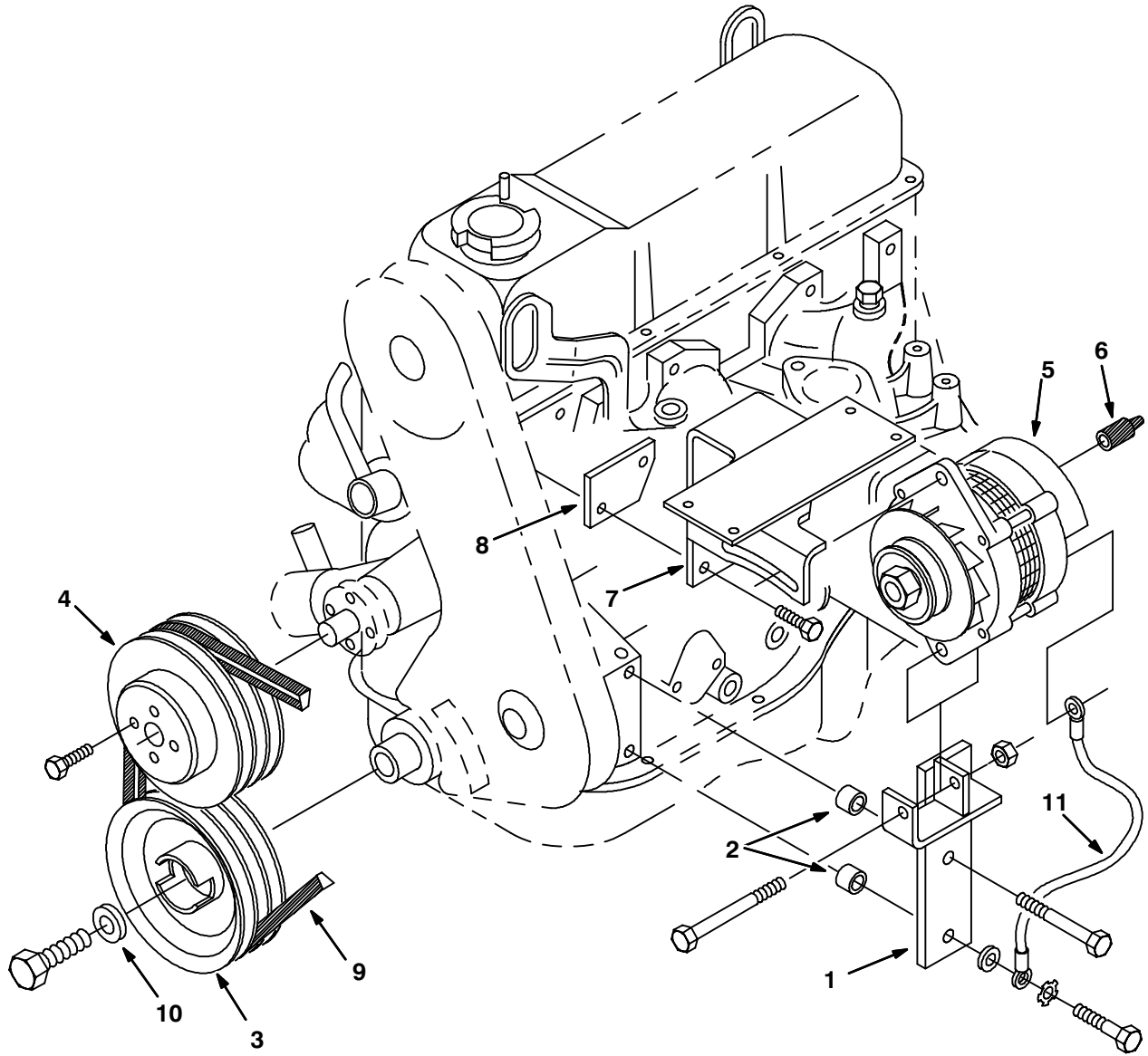




Fig. 21 – Alternator Group

Ref.	TENNANT Part No.	Machine Serial Number	Description	Qty.
1	78762	(000000– )	Bracket Wldt, Mtg, Alternator	1
2	74051	(000000– )	Sleeve, .408B .62D .53Stl	2
3	36015	(000000– )	Sheave Crankshaft	1
4	36014	(000000– )	Sheave Water Pump	1
∇ 5	60559	(000000– )	Alternator, 50A/12V Mando	1
	61931	(000000– )	Regulator	1
	86041	(000000– )	Bearing–Ball,.669B 1.575D .472W	1
	61529	(000000– )	Brush Kit	1
	61531	(000000– )	Rectifier	1
	70160	(000000– )	Altrntr Pully MD	1
6	61363	(000000– )	Boot, Alternator	2
7	78766	(000000– )	Bracket Wldt, Alternator	1
8	36085	(000000– )	Spacer Alternator Arm	1
9	78772	(000000– )	Belt–V, Hc 38 X 45.12	1
10	35753	(000000– )	Washer–Flat 15.0X37.0X5.5 M15	1
11	82731	(000000– )	Wire–Ground, Alternator	1

Fig. 22 – Carburetor Group, Gasoline

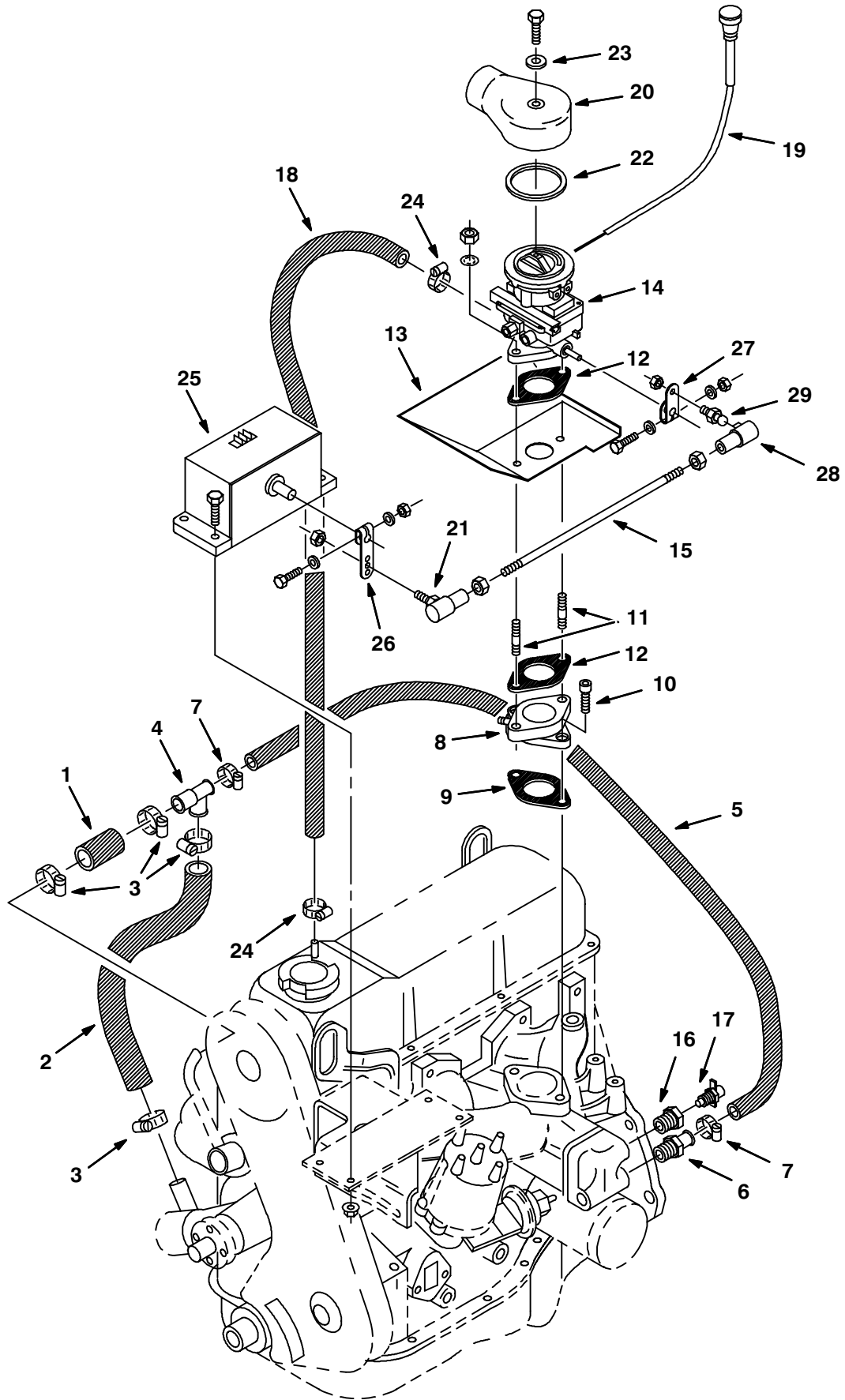


Fig. 22 – Carburetor Group, Gasoline

Ref.	TENNANT Part No.	Machine Serial Number	Description	Qty.
1	60716	(000000– )	Hose Rubber .62 ldx2.0 Lg	1
2	60717	(000000– )	Hose Rubber .62 ldx11.5 Lg	1
3	63810	(000000– )	Clamp–Wormdrive, 0.56– 1.06D	4
4	36035	(000000– )	Ftg– Plastic Tee Bm06/Bm10/Bm	1
5	60718	(000000– )	Hose Rubber .38ld X 35.0Lg	1
6	36159	(000000– )	Ftg–Brs Str Bm06/Pm06	1
7	54333	(000000– )	Clamp–Wormdrive, 0.31– 0.88D	2
8	79448	(000000– )	Adaptor, Carb	1
9	36021	(000000– )	Gasket, Carburetor	1
10	39309	(000000– )	Scr Soc M10X1.5 25	2
11	36026	(000000– )	Rod–Thrd 2End M08X1.3X7.87	2
12	74443	(000000– )	Gasket, Carb To Engine	2
13	78812	(000000– )	Plate, Drip Shield	1
∇ 14	78897	(000000– )	Carburetor For Lsg–423 Vent	1
	61945	(000000– )	Carburetor Repair Kit	1
15	70723	(000000– )	Rod, Actuator, Control	1
16	15791–1	(000000– )	Ftg–Hyd Str Pm06/Pf04	1
17	54911–32	(000000– )	Draincock,End.Block	1
18	34878	(000000– )	Hose, Rubber	1
19	47313A	(000000– )	Cable Assy,Choke 67.00Lg	1
20	57934	(000000– )	Adaptor, Carburetor	1
21	14601	(000000– )	Ball Joint, 250–28	1
22	16738	(000000– )	Gasket, Carburetor Air Horn	1
23	24924	(000000– )	Washer, .281B .62D .06Nylon	1
24	43844	(000000– )	Clamp–Wormdrive, 0.25– 0.62D	2
25	07539	(000000– )	Actuator, Governor	1
26	30481	(000000– )	Lever Governor Actuator	1
27	30480	(000000– )	Lever Carburator	1
28	50332–1	(000000– )	Ball Joint .250–28 Body Clip	1
29	50332–2	(000000– )	Ball Joint .250–28 Ball Stud	1

Fig. 23 – Carburetor Group, LPG

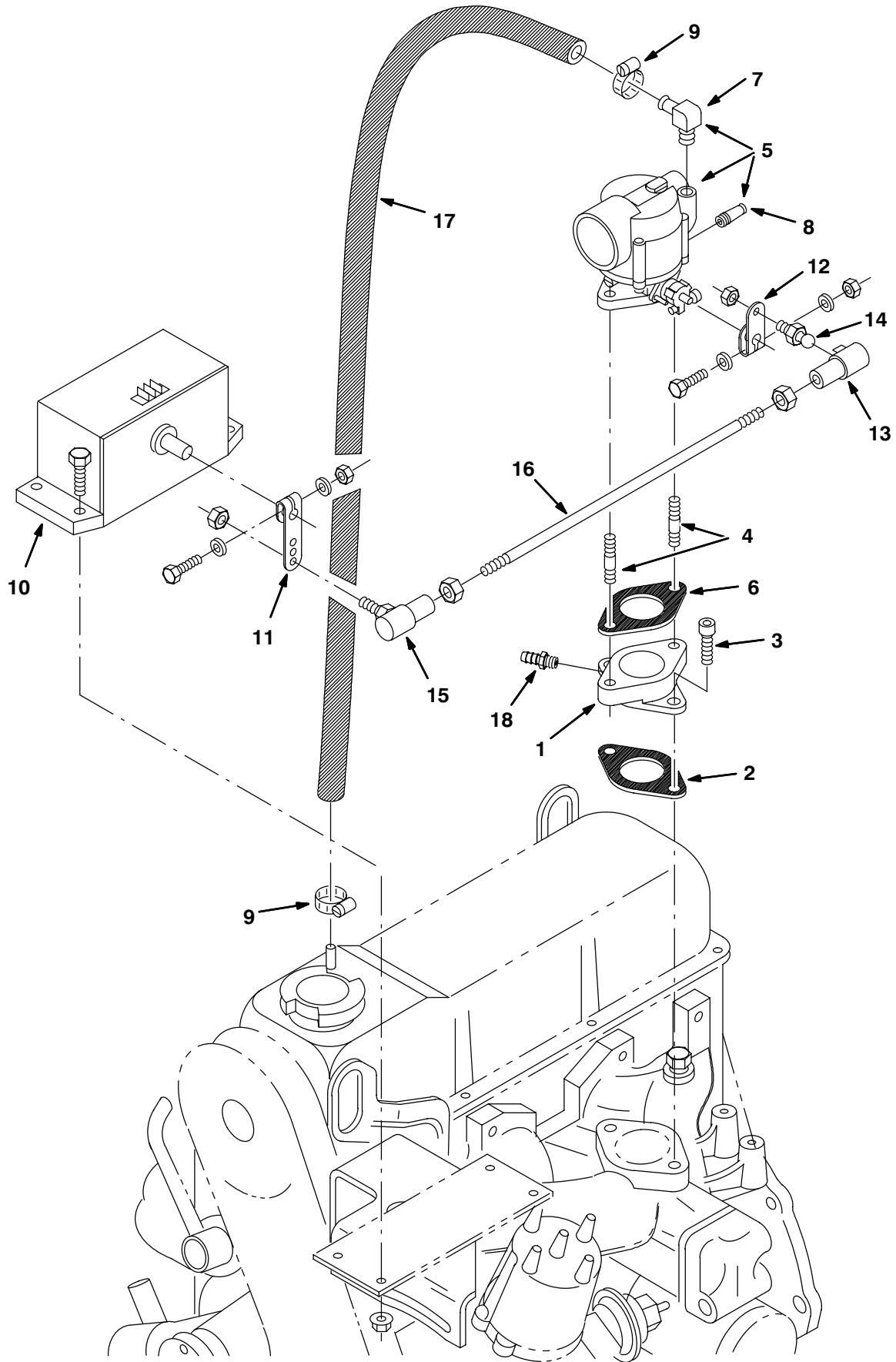


Fig. 23 – Carburetor Group, LPG

Ref.	TENNANT Part No.	Machine Serial Number	Description	Qty.
1	79448	(000000– )	Adaptor, Carb	1
2	36021	(000000– )	Gasket, Carburetor	1
3	39309	(000000– )	Scr Soc M10X1.5 25	2
4	36026	(000000– )	Rod–Thrd 2End M08X1.3X7.87	2
∇ 5	73017	(000000– )	Carburetor, Lpg	1
	78881	(000000– )	Carb.Repair Kit–Lp Im	1
6	74443	(000000– )	Gasket	1
7	53029	(000000– )	Ftg–Brs E90 Bm05/Pm02	1
8	74402	(000000– )	Fitting, Special, Carb	1
9	43844	(000000– )	Clamp–Wormdrive, 0.25– 0.62D	2
10	07539	(000000– )	Actuator, Governor	1
11	30481	(000000– )	Lever Governor Actuator	1
12	30480	(000000– )	Lever Carburetor	1
13	50332–1	(000000– )	Ball Joint .250–28 Body Clip	1
14	50332–2	(000000– )	Ball Joint .250–28 Ball Stud	1
15	14601	(000000– )	Ball Joint, 250–28	1
16	70723	(000000– )	Rod, Actuator, Control	1
17	34878	(000000– )	Hose, Rubber	1
18	36159	(010275– )	Ftg–Brs Str	1

Fig. 24 – Vaporizer Group

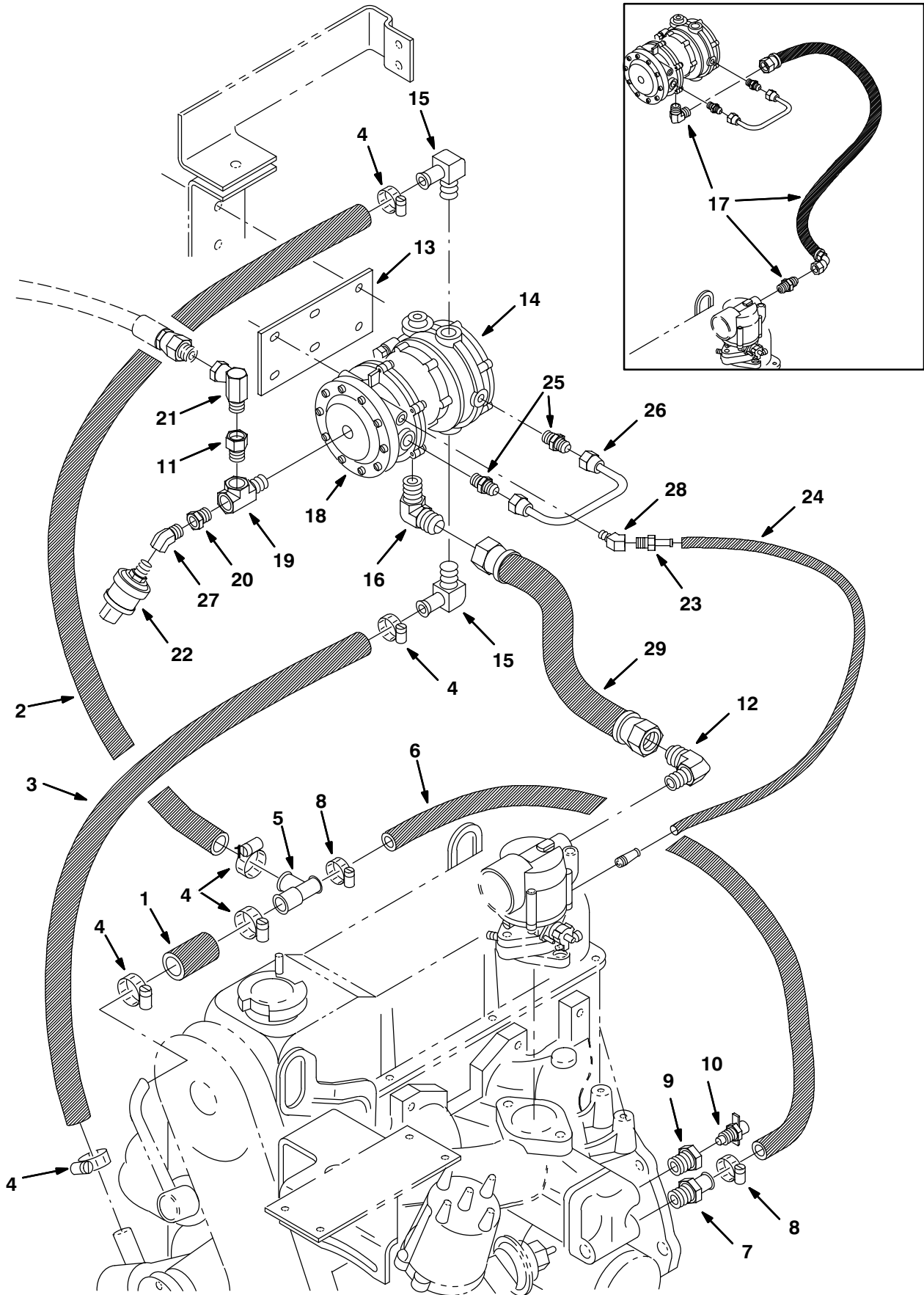


Fig. 24 – Vaporizer Group, LPG

Ref.	TENNANT Part No.	Machine Serial Number	Description	Qty.
1	60716	(000000– )	Hose Rubber .62 Idx2.0 Lg	1
2	60726	(000000– )	Hose, Rbr .62 Id X 15.0 Lg	1
3	72979	(000000– )	Hose, .62 Id X 20.0 Lng Heater	1
4	63810	(000000– )	Clamp–Wormdrive, 0.56– 1.06D	6
5	36035	(000000– )	Ftg– Plastic Tee Bm06/Bm10/Bm	1
6	60718	(000000– )	Hose Rubber .38ld X 35.0Lg	1
7	36159	(000000– )	Ftg–Brs Str Bm06/Pm06	1
8	54333	(000000– )	Clamp–Wormdrive, 0.31– 0.88D	2
9	15791–1	(000000– )	Ftg–Hyd Str Pm06/Pf04	1
10	54911–32	(000000– )	Draincock,End.Block	1
11	59892	(000000– )	Fitting–Str	1
12	69097	(010636– )	Ftg–Hyd Str Pm06/Jm10	1
13	73299	(000000– )	Plate, Mounting, Vaporizer	1
∇ 14	73018	(000000– )	Vaporizer, Lpg	1
	78880	(000000– )	Vaporizer Repairkit Im	1
15	51839	(000000– )	Ftg–Brs E90 Bm10/Pm06	2
16	46611	(000000– )	Ftg–Hyd E90 Pm08/Jm10	1
17	84630	(000000– 010635)	Replacement Kit, LP Hose	1
∇ 18	73020	(000000– )	Filter, Fuellockoff, Lpg	1
	65527	(000000– )	Fuellock Replacement Kit	1
19	56976A	(000000– )	Ftg–Tee Npt 04Pm– 04Pf– 04Pf	1
20	17414	(000000– )	Ftg–Hyd Str Pm04/Pf02	1
21	11442–1	(000000– )	Ftg–El90 Npt/Npt S04Pf–04Pm	1
22	23185	(000000– )	Switch, Pressure, Lpg 70 PSI	1
23	40607	(000000– )	Ftg,Brass,St Bm03/Pm02	1
24	07464	(000000– )	Hose, Vacuum,.16ld X 19.0Lg	1
25	15724	(000000– )	Ftg–Hyd Str Pm04/Jm06	2
26	59808	(000000– )	Fuelline, .375 Od	1
27	32376	(000000– )	Ftg–Hyd E45 Pm02/Pf02	1
28	24976	(000000– )	Ftg,Brass E45	1
29	84629	(010636– )	LP Hose 14” Long	1

Fig. 25 – Air Cleaner Group

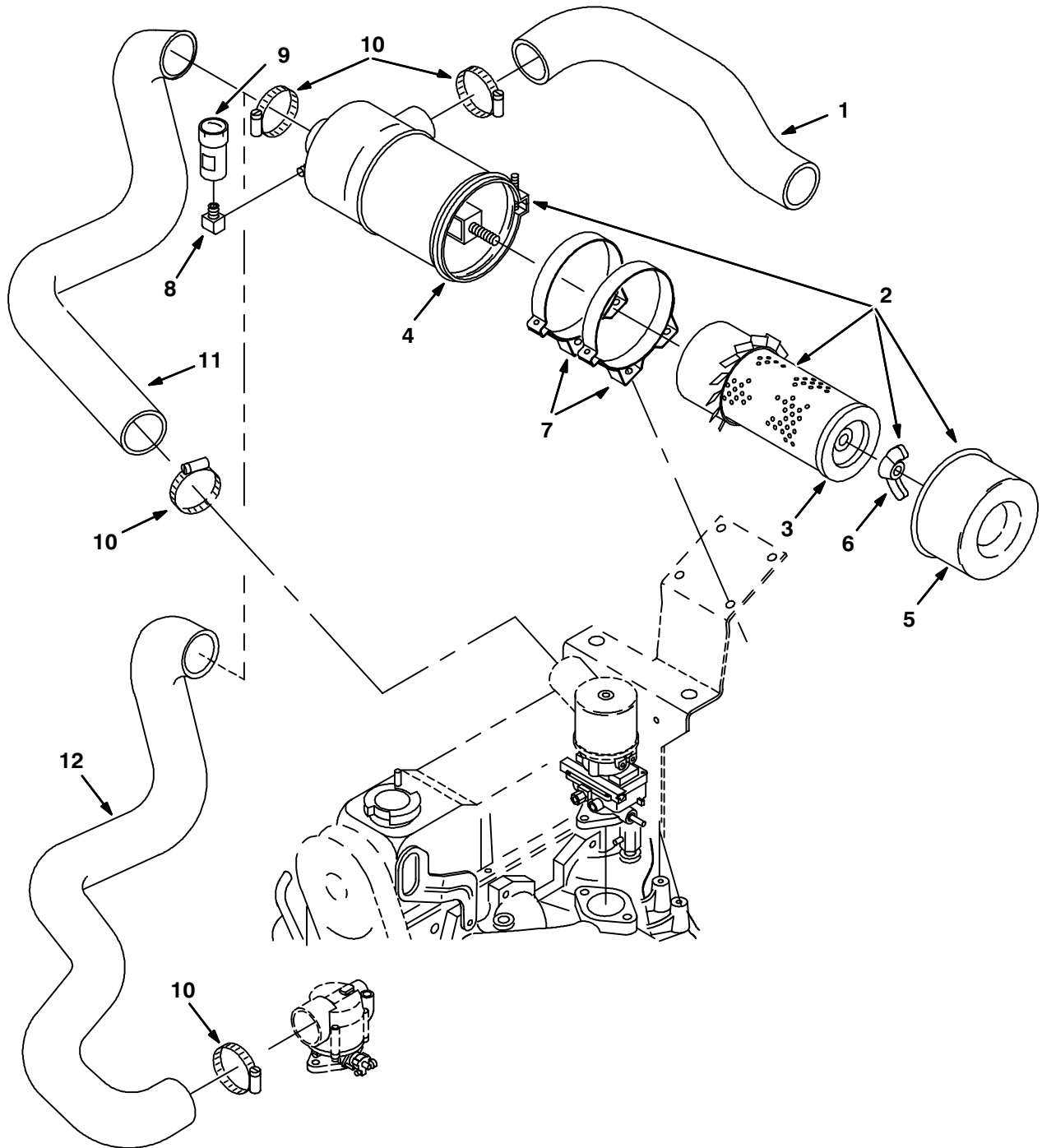




Fig. 25 – Air Cleaner Group

Ref.	TENNANT Part No.	Machine Serial Number	Description	Qty.
1	78845	(000000– )	Hose, Air Intake, Molded	1
∇ 2	58538	(000000– )	Air Cleaner	1
3	58120	(000000– )	Filter Element, Air	1
4	02740	(000000– )	Clamp Assy	1
5	02741	(000000– )	Cup Assy	1
6	07562	(000000– )	Nut,Wing .44–20 Special	1
7	51560–3	(000000– )	Clamp,Mounting,Cyclopac Aircl.	2
8	11984	(000000– )	Ftg, EI90 Npt/02Pf–02Pm	1
9	03026	(000000– )	Indicator Service Air Filter	1
10	14432	(000000– )	Clamp–Wormdrive, 1.81– 2.75D	3
11	78824	(000000– )	Hose, Air Intake, Molded, Gas	1
12	78823	(000000– )	Hose, Air Intake, Molded, LPG	1

Fig. 26 – Muffler Group

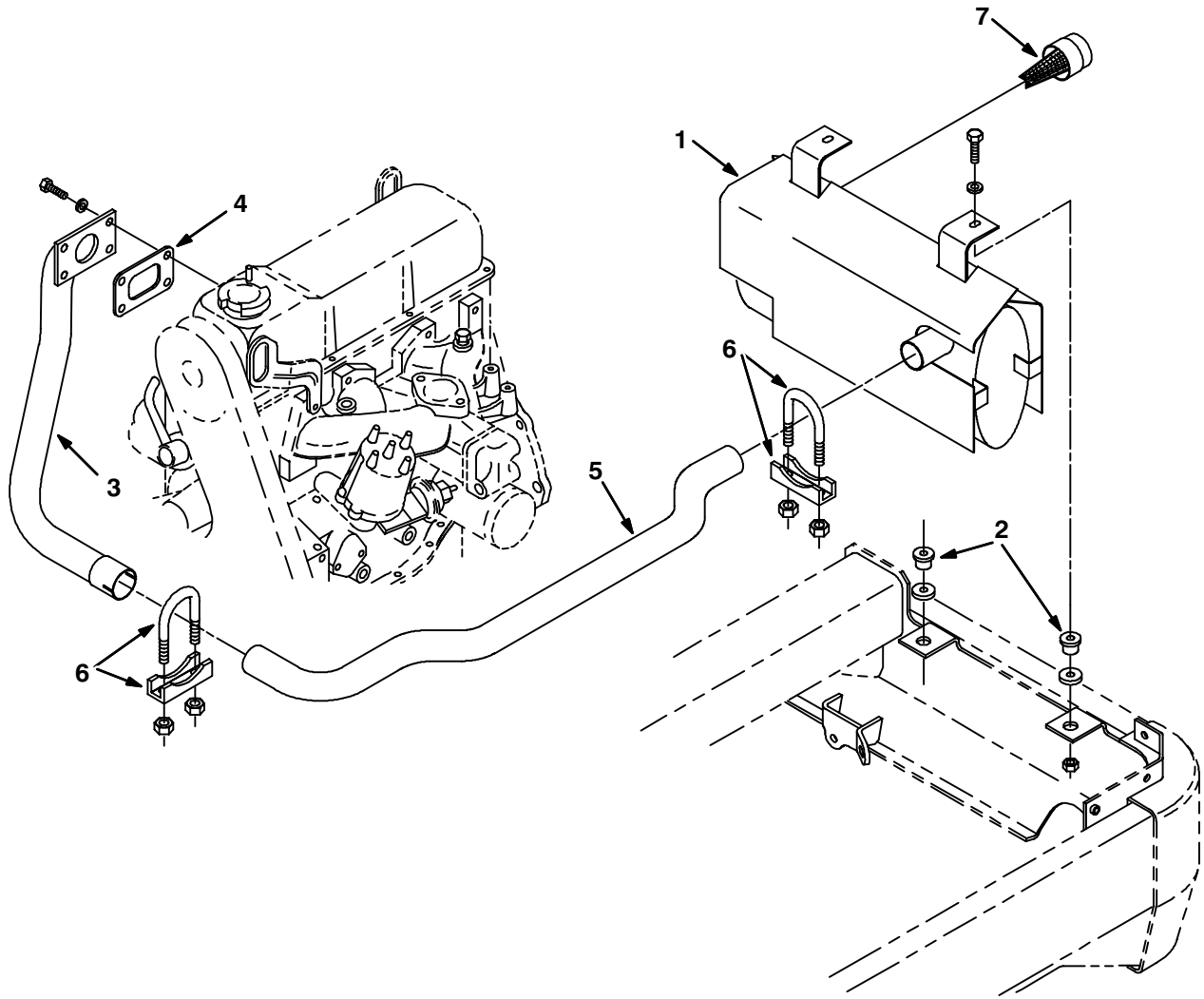


Fig. 26 – Muffler Group

Ref.	TENNANT Part No.	Machine Serial Number	Description	Qty.
1	73030	(000000– )	Muffler, Exhaust	1
2	54274	(000000– )	Isolator–Vibration,125Lb.Ratng	2
3	73028	(000000– )	Pipe Wldt., Exhaust, Ford 2.3	1
4	36048	(000000– )	Gasket Exhaust Flange	1
5	77287	(000000– )	Pipe, Exhaust, Gas/Lpg	1
6	24012	(000000– )	Clamp–Muffler,For 1.62 Od Tube	2
7	70832	(000000– )	Screen, Muffler	1

Fig. 27 – Fuel Tank Group, Gasoline

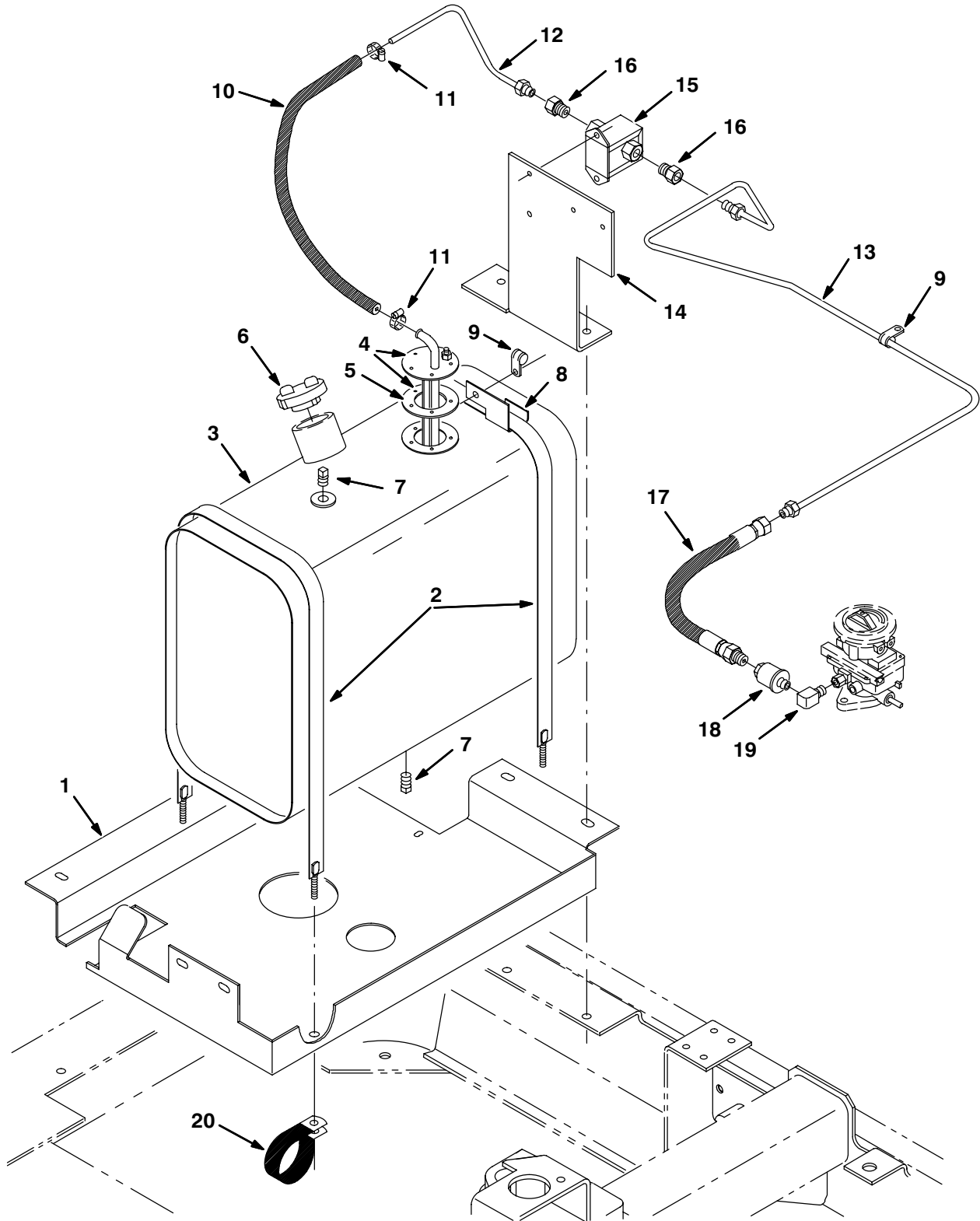


Fig. 27 – Fuel Tank Group, Gasoline

Ref.	TENNANT Part No.	Machine Serial Number	Description	Qty.
1	73187	(000000– )	Tray, Gas	1
2	87396	(000000– )	Strap Weldmt, Gas Tank	2
∇ 3	72992	(000000– )	Tank, Fuel 9.3Gal	1
∇ 4	78937	(000000– )	Sending Unit Tc	1
5	14131	(000000– )	Gasket, 2.7D 1.5B.12T 5/ 2.1Bc	1
6	48267	(000000– )	Cap, Fuel	1
7	48126	(000000– )	Ftg–Plug Npt 02Pm Sq Hd	2
8	70767	(000000– )	Tab, Fuelline	1
9	76736	(000000– )	Clamp–Cable, 0.38Dia 0.62Wth	2
10	70629	(000000– )	Hose, Fuelline .31Id X 6.0Lg	1
11	43844	(000000– )	Clamp–Wormdrive, 0.25– 0.62D	2
12	73334	(000000– )	Tube, Fuelline, Diesel	1
13	73271	(000000– )	Tube, Fuelline, Gas	1
14	73328	(000000– )	Bracket, Mounting, Fuel Pump	1
15	59945	(000000– )	Pump, Fuel, Ele	1
16	40585	(000000– )	Ftg–Brs Str lf05/Pm02	2
17	70173	(000000– )	Hose, Fuelline, 10.0L	1
18	36050	(000000– )	Filter, Fuel	1
19	11984	(000000– )	Ftg, EI90 Npt/02Pf–02Pm	1
20	73735	(000000– )	Clamp, Cable, 2.50D 1.00W STL	1

Fig. 28 – Fuel Tank Group, LPG

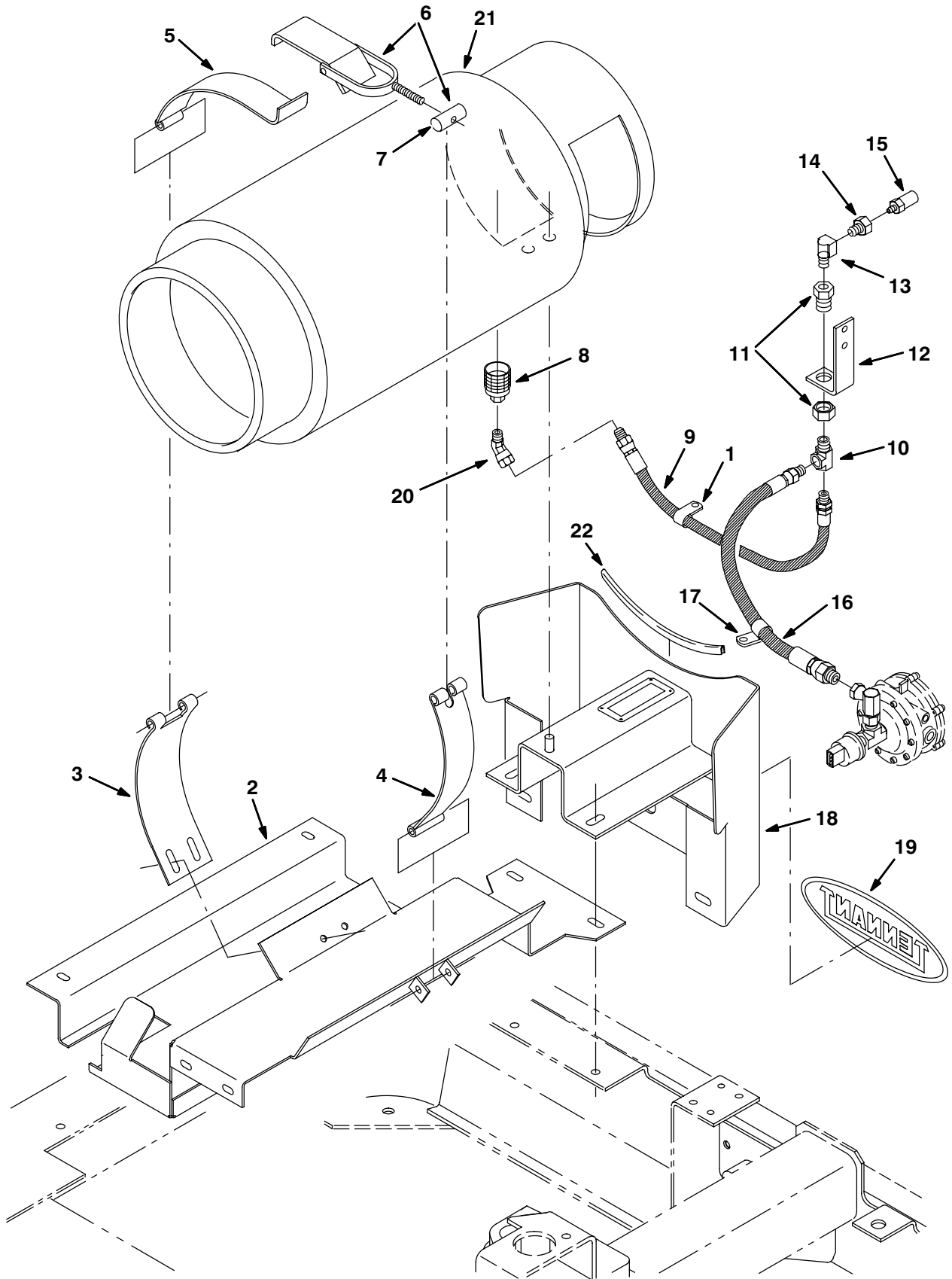


Fig. 28 – Fuel Tank Group, LPG

Ref.	TENNANT Part No.	Machine Serial Number	Description	Qty.
1	67767	(000000– 010371)	Clamp–Cable,.69Dia. .62Wth	1
2	73180	(000000– 010371)	Panel, Cradle, Tank, Lpg	1
3	58589	(000000– 010371)	Strap, Mtg.– Lp Tank	1
4	58590	(000000– 010371)	Strap, Tank Retainer – Lp	1
5	57297	(000000– 010371)	Strap, Hinge – Lp Tank Mtg	1
∇ 6	53400–1	(000000– 010371)	Latch Assy, Lpg Tank Mtg,W/Nut	1
7	53400–4	(000000– 010371)	Nut, Adjustable, Lpg Tank Mtg	1
8	26496	(000000– 010371)	Coupling, Quick Disc. Shwd	1
9	22308	(000000– 010371)	Hose Lpg, 4Lpg X 27.0 Lg	1
10	56976A	(000000– 010371)	Ftg–Tee Npt 04Pm– 04Pf– 04Pf	1
11	78122	(000000– 010371)	Ftg,Bulkhead .25Npt Wh W21204	1
12	73116	(000000– 010371)	Bracket, Mounting Relief Valve	1
13	27048	(000000– 010371)	Fitting, El 90Npt/Npt 04Pf–	1
14	59892	(000000– 010371)	Fitting–Str	1
15	24047	(000000– 010371)	Valve, Press Relief, Lpg Rego	1
16	47395	(000000– 010371)	Hose, Lpg, 4Lpg X 43.0Lg	1
17	69234	(000000– 010371)	Clamp–Cable, 1.00Dia. .62Wth	2
18	78941	(000000– 010371)	Bracket Assy, Lpg Tank W/Label	1
19	86877	(000000– 010371)	Label, Tennant Logo–10.5 White	1
20	47720	(000000– 010371)	Ftg–Hyd E45 8 Pm04/Pf04	1
21	24928–1	(000000– 010371)	Tank–Lp,33@,Liq,Both,Fill Ga L	1
22	62595–4	(000000– 010371)	Molding, Trim 11–14 Ga 10.00	1

Fig. 29 – Fuel Tank Group, LPG

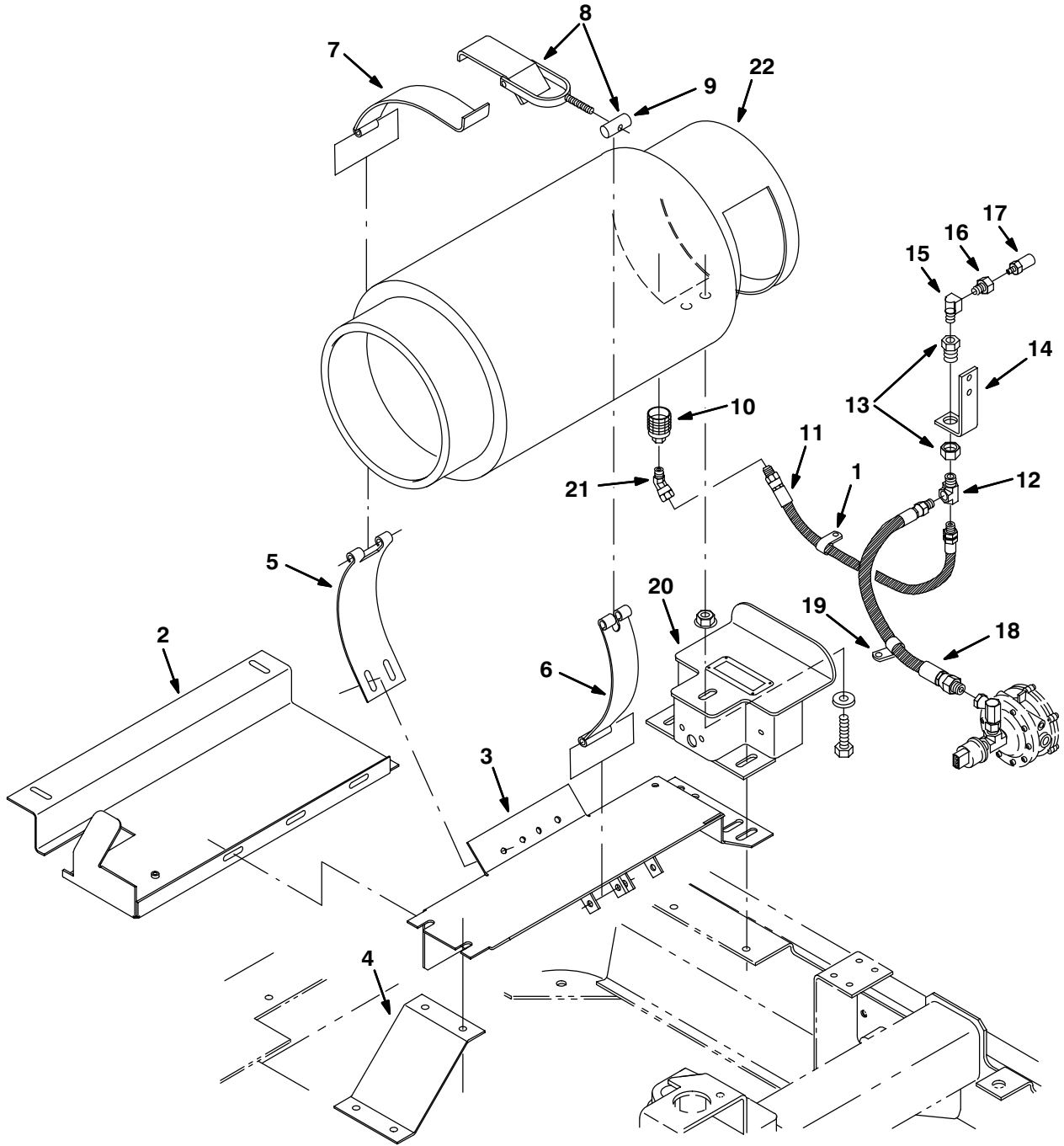




Fig. 29 – Fuel Tank Group, LPG

Ref.	TENNANT Part No.	Machine Serial Number	Description	Qty.
1	67767	(010372– )	Clamp–Cable,.69Dia. 62Wth	1
2	10653	(010372– )	Tray, Detergent	1
3	10652	(010372– )	Panel Wldt	1
4	10654	(010372– )	Bracket	1
5	58589	(010372– )	Strap, Mtg.– Lp Tank	1
6	58590	(010372– )	Strap, Tank Retainer – Lp	1
7	57297	(010372– )	Strap, Hinge – Lp Tank Mtg	1
∇ 8	53400–1	(010372– )	Latch Assy, Lpg Tank Mtg,W/Nut	1
9	53400–4	(010372– )	Nut, Adjustable, Lpg Tank Mtg	1
10	26496	(010372– )	Couplng, Quick Disc. Shwd	1
11	22308–3	(010372– )	Hose, Lpg, 4Lpg X 35.0 Lg	1
12	56976A	(010372– )	Ftg–Tee Npt 04Pm– 04Pf– 04Pf	1
13	78122	(010372– )	Ftg,Bulkhead .25Npt Wh W21204	1
14	73116	(010372– )	Bracket, Mounting Relief Valve	1
15	27048	(010372– )	Fitting, EI 90Npt/Npt 04Pf–	1
16	59892	(010372– )	Fitting–Str	1
17	24047	(010372– )	Valve, Press Relief, Lpg Rego	1
18	47395	(010372– )	Hose, Lpg, 4Lpg X 43.0Lg	1
19	69234	(010372– )	Clamp–Cable, 1.00Dia. .62Wth	2
20	10661	(010372– )	Bracket Assy, Lpg Tank W/Label	1
21	47720	(010372– )	Ftg–Hyd E45 8 Pm04/Pf04	1
22	24928–1	(010372– )	Tank–Lp,33@ ,Liq,Both,Fill Ga L	1

Fig. 30 – Radiator and Hydraulic Cooler Group

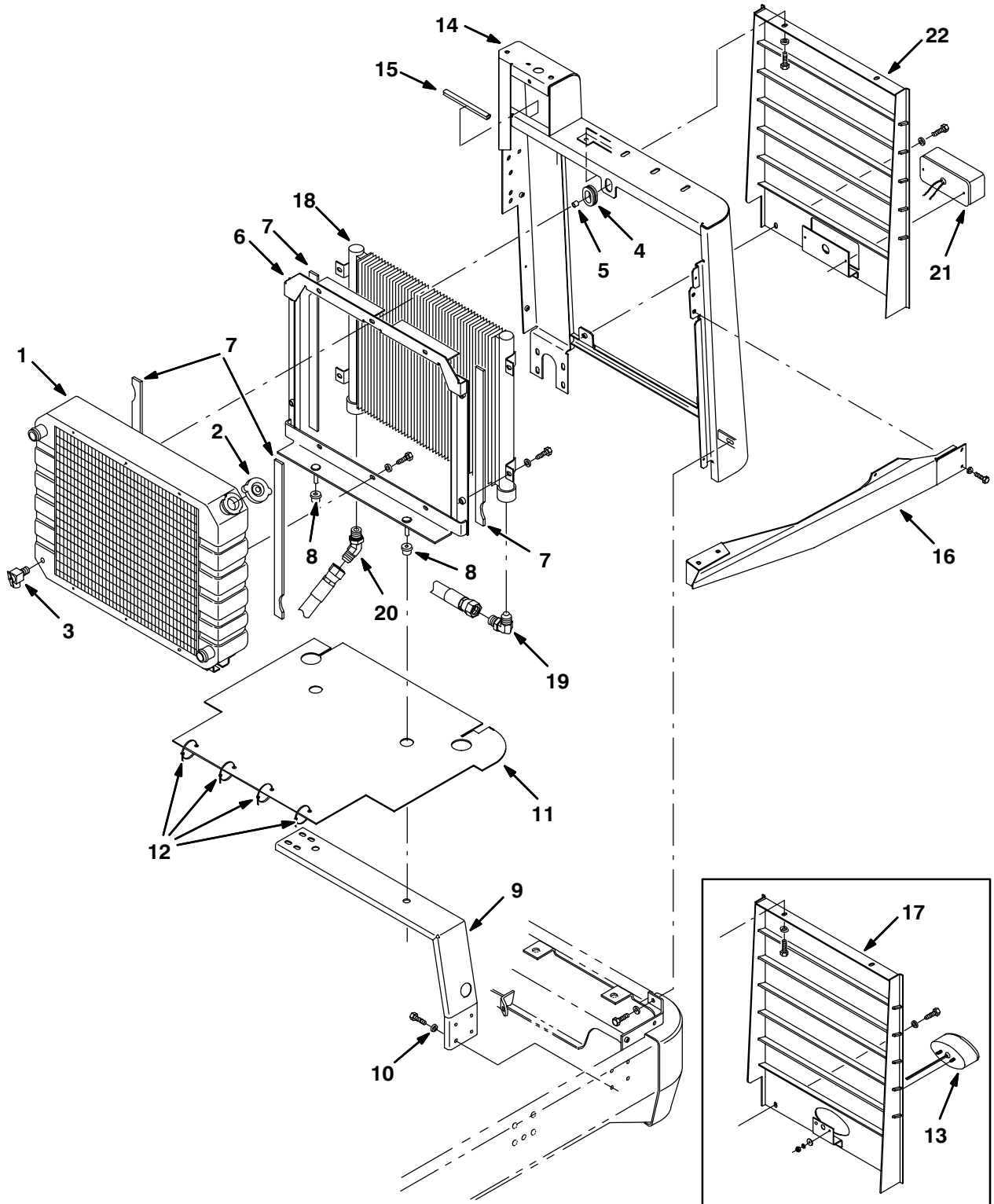


Fig. 30 – Radiator and Hydraulic Cooler Group

Ref.	TENNANT Part No.	Machine Serial Number	Description	Qty.
1	73140	(000000– )	Radiator, 4 Row, 6 Fin	1
2	31755	(000000– )	Cap Radiator	1
3	51305	(000000– )	Drain Cock,.25Npt Wh#120 Angl	1
4	10632–14	(000000– )	Grommet,Rbr,1.00ld,For .12Matl	1
5	22140	(000000– )	Sleeve, .370B .50D .50 Butwcd	1
6	78928	(000000– )	Frame Wldt, Mtg, Radiator	1
7	63818	(000000– )	Seal, Duct	4
8	54274	(000000– )	Isolator–Vibration,125Lb.Ratng	2
9	72688	(000000– )	Channel, Mounting, Radiator	1
10	41186	(000000– )	Washer–Belleville .31 Pltd	13
11	73422	(000000– )	Skirt, Lower	1
12	49266	(000000– )	Tie, Cable 1.75D Max 7.50Lg	4
∇ 13	55274	(000000– 010371)	Taillight Assy	1
	45780	(000000– 010371)	Bulb, 12V.5A 4CP #1157	1
14	78755	(000000– )	Tower Wldt, Corner, Lh	1
15	57569	(000000– )	Molding, Trim 11–14Ga 6.75	1
16	78889	(000000– )	Channel, Brace	1
17	78749	(000000– 010371)	Panel Wldt, Grill	1
18	73106	(000000– )	Cooler, Hyd 25Gpm 400Btu 0500	1
19	53077	(000000– )	Ftg–Hyd E90 Jm16/Om16	1
20	57479	(000000– )	Ftg–Hyd E45	1
∇ 21	59949	(010372– )	Tail light Assy.	1
	45780	(010372– )	Bulb 12V. 5A 4cp #1157	1
22	10568	(010372– )	Panel Wldt. Grill	1

**Fig. 31 – Radiator Housing and Fan Motor Group**

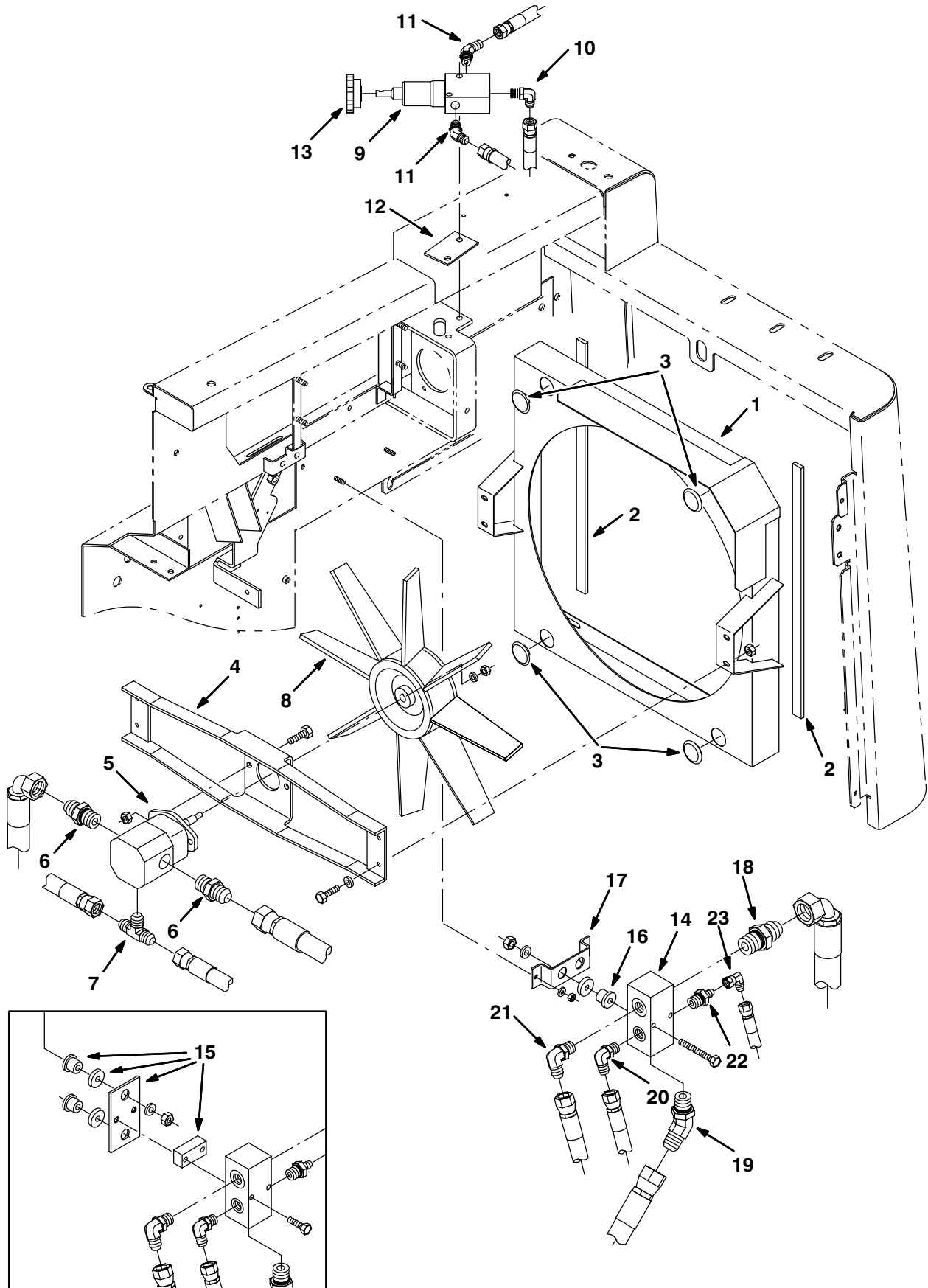


Fig. 31 – Radiator Housing and Fan Motor Group

Ref.	TENNANT Part No.	Machine Serial Number	Description	Qty.
1	73130	(000000– )	Cover Wldt, Fan	1
2	28950–2	(000000– )	Seal,Foam Rbr, .31 .38W 19.5L	2
3	50967	(000000– )	Plug, Buttom	4
4	70703	(000000– )	Channel Wldt, Fan Motor	1
5	73098	(000000– )	Motor, Hyd Gear Ex 0.26 R 3000 (See Breakdowns)	1
6	52402	(000000– )	Ftg–Hyd Str Jm06/Om08	2
7	31599	(000000– )	Ftg–Hyd Tee Jm04Omjm	1
8	63280	(000000– )	Fan, Radiator	1
9	73097	(000000– )	Valve, Hyd Psi Reducer 400/600	1
10	77097	(000000– )	Ftg–Hyd E90 Jm04/Om04	1
11	34359	(000000– )	Ftg–Hyd E45 Jm04/Om04	2
12	77216	(000000– )	Isolator, Valve	1
13	78770	(000000– )	Knob, Plastic	1
14	73108	(000000– )	Manifold, Hyd Collector	1
15	10749	(000000– 010291)	Replacement Kit, Spacer & Plt.	1
16	54274	(000000– )	Isolator–Vibration,125Lb.Ratng	2
17	10740	(010292– )	Bracket, Sppt	1
18	52929	(000000– )	Ftg–Hyd Str Jm16/Om16	1
19	16081	(000000– )	Ftg–Hyd E45 Jm12/Om12	1
20	56820	(000000– )	Ftg–Hyd E90 Jm06/Om06	1
21	44868	(000000– )	Ftg–Hyd E90 Jm08/Om08	1
22	55686	(000000– )	Ftg–Hyd Str Jm04/Om08	1
23	39210	(000000– )	Ftg–Hyd E90 Jm04/Jf04	1

Fig. 32 – Radiator Hose and Hydraulic Filter Group

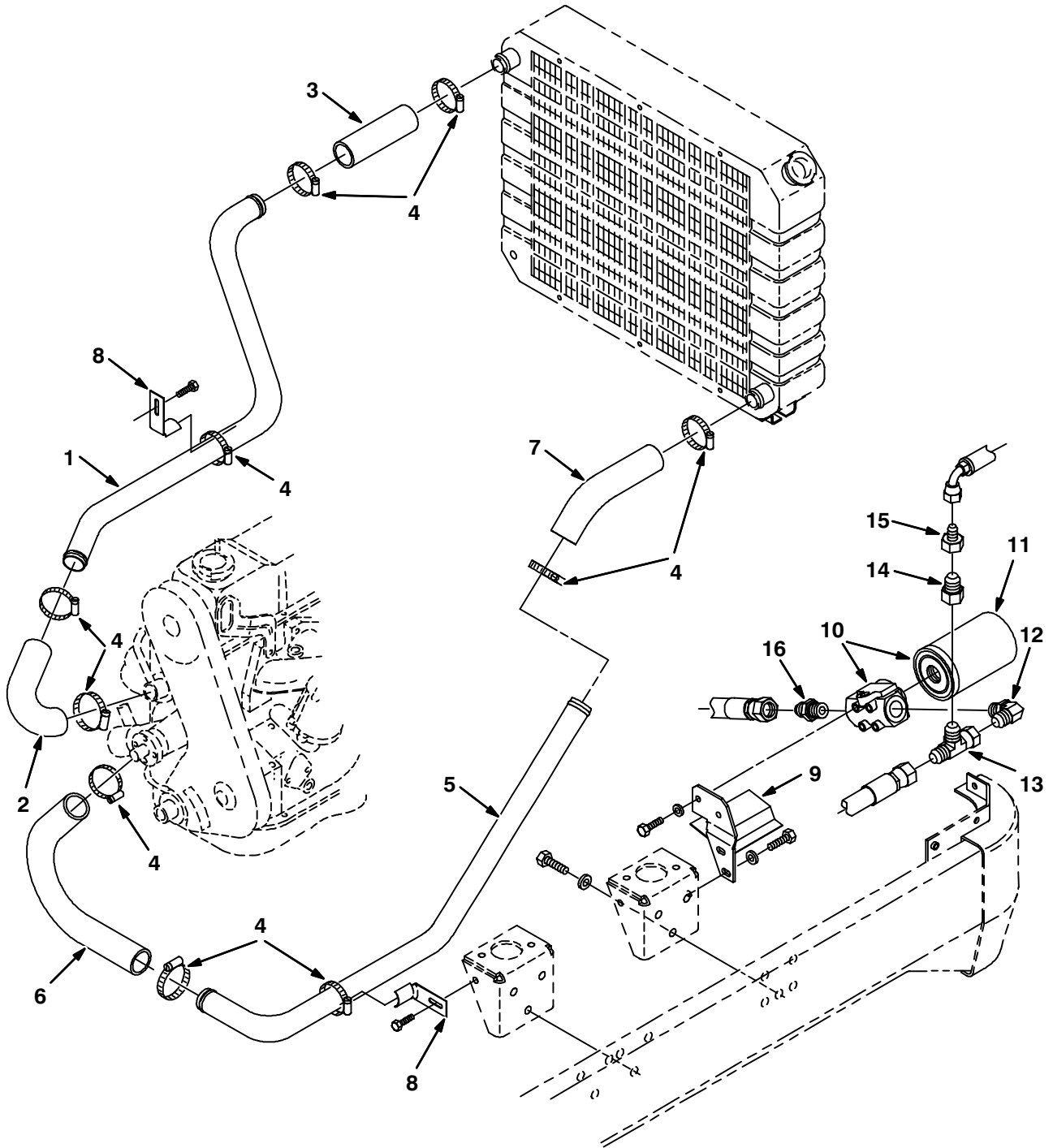


Fig. 32 – Radiator Hose and Hydraulic Filter Group

Ref.	TENNANT Part No.	Machine Serial Number	Description	Qty.
1	73265	(000000– )	Tube, Radiator, Upper, Gas/Lpg	1
2	70636	(000000– )	Hose, Radiator, Upper	1
3	78750	(000000– )	Hose, Radiator 1.50ld X 6.0Lg	1
4	79381	(000000– )	Clamp–Wormdrive, 1.06– 2.00D	10
5	73266	(000000– )	Tube, Radiator, Lower, Gas/Lpg	1
6	70633	(000000– )	Hose, Radiator, Lower	1
7	77289	(000000– )	Hose, Elbow, Molded 45 1.50ld	1
8	74058	(000000– )	Bracket	2
9	77362	(000000– )	Bracket Wldt	1
∇ 10	10664	(000000– )	Filter Assy, Spin–On	1
11	65221	(000000– )	Filter Element	1
12	52142	(000000– )	Ftg–Hyd E90 Jm16/Om12	1
13	73113	(000000– )	Fitting–Hyd Tee	1
14	35002	(000000– )	Ftg–Hyd Str See60054 Jm12/Jf16	1
15	78143	(000000– )	Ftg–Hyd Str Jm08/Jf12	1
16	34357	(000000– )	Ftg–Hyd Str Jm16/Om12	1

Fig. 33 – Battery Group

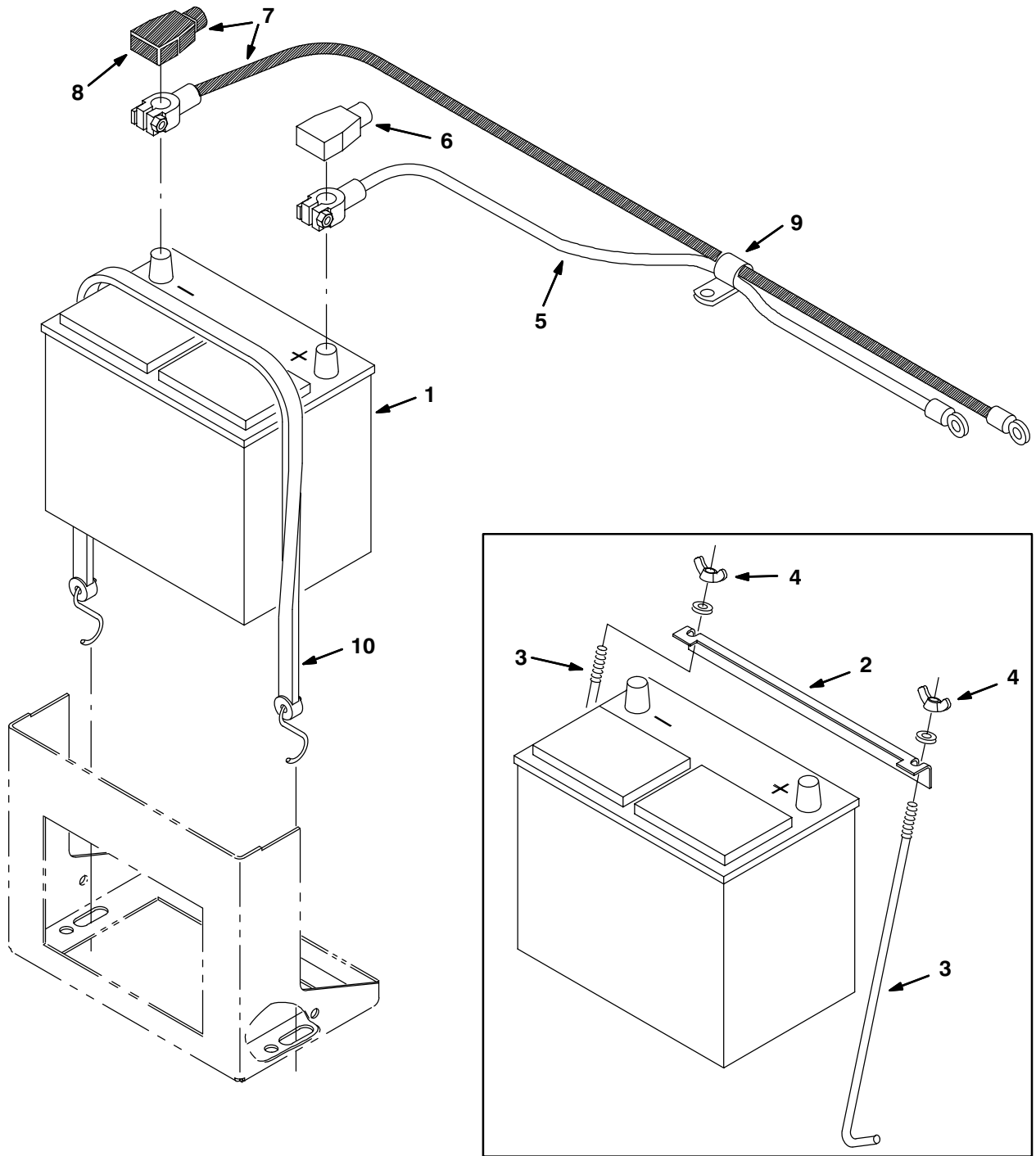




Fig. 33 – Battery Group

Ref.	TENNANT Part No.	Machine Serial Number	Description	Qty.
1	10137	(000000– )	Battery, 12V, Cc Amps:475 Wet	1
2	72977	(000000– 010461)	Angle, Battery	1
3	13015	(000000– 010461)	Bolt, Hold Down, Battery, 7.5 Lg	2
4	39272	(000000– 010461)	Nut–Wing .31–18 Pltd	2
5	34823	(000000– )	Cable, Batt. Pos. 33.0Lg	1
6	68873	(000000– )	Boot, Batt. Term. 1–2Ga. Red	1
∇ 7	60295	(000000– )	Wire, 60.0 Lg, 2Ga, Neg	1
8	68872	(000000– )	Boot, Batt. Term. 1–2Ga. Black	1
9	69234	(000000– )	Clamp–Cable, 1.00Dia. .62Wth	1
10	33671	(010462– )	Strap, Rubber Tie–Down	1

Fig. 34 – Rear Drive Wheel Group

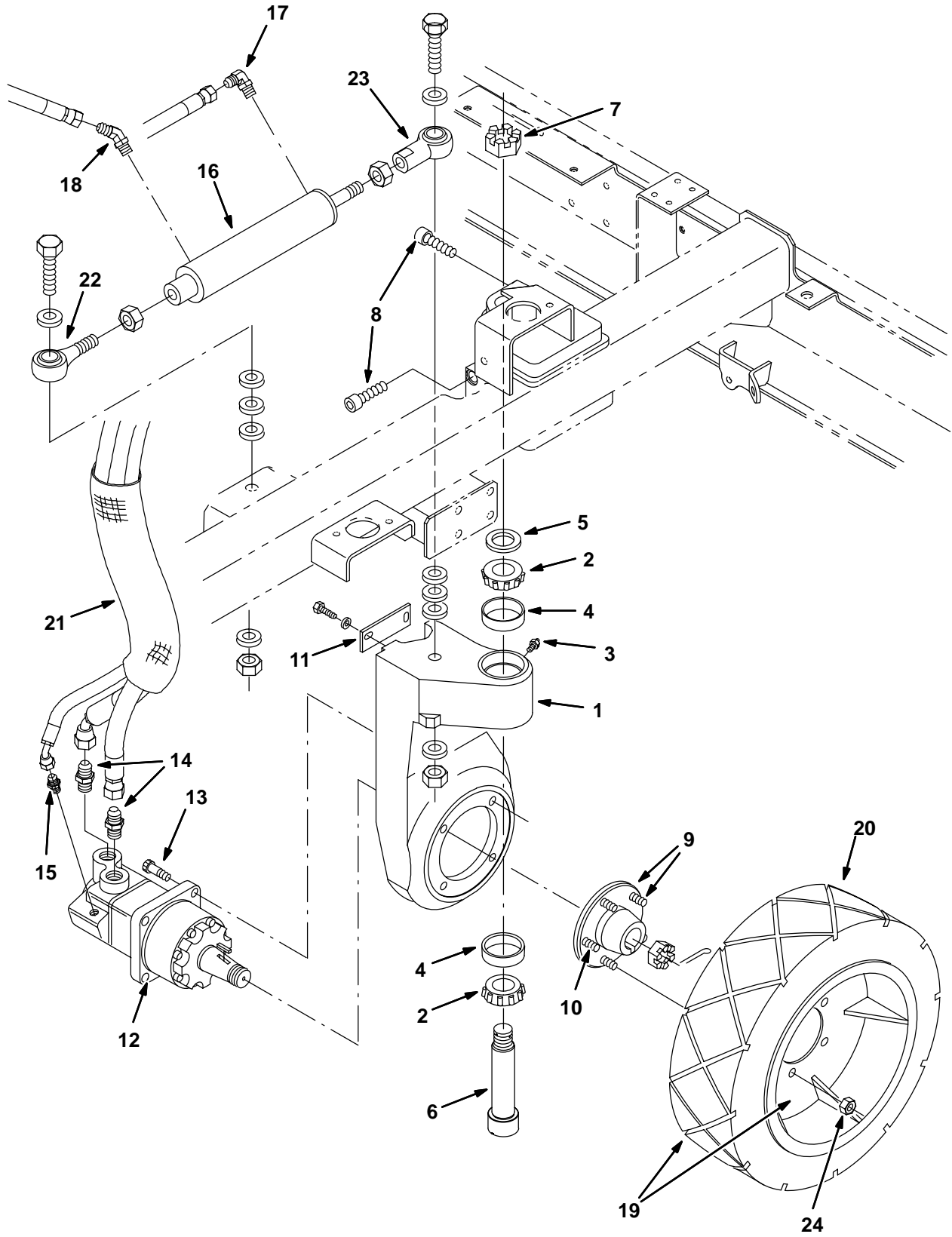


Fig. 34 – Rear Drive Wheel Group

Ref.	TENNANT Part No.	Machine Serial Number	Description	Qty.
1	53612	(000000– )	Housing Support, Wheel	1
2	51339	(000000– )	Bearing–Cone, 1.38Bore 0.71Wth	2
3	47801	(000000– )	Ftg, Grease.25–28Th Strt .63L	1
4	51338	(000000– )	Bearing–Cup , 2.56Dia 0.55Wth	2
5	54051	(000000– )	Washer, Thrust	1
6	73281	(000000– )	Pin, Support, Wheel, Rear	1
7	54052	(000000– )	Nut–Hex Slot 1.12–18	1
8	72926	(000000– )	Scr–Soc M16X2.0 50 12.9Pltd	2
∇ 9	54087	(000000– )	Hub & Stud	1
10	54086	(000000– )	Stud, Wheel .50–20X1.50 pLTD	5
11	58842	(000000– )	Plate – Hose Support	1
12	74162	(000000– )	Motor, Hyd Gear In 19.0 (See Breakdowns)	1
13	19583	(000000– )	Scr Soc .50–13X1.50	4
14	42223	(000000– )	Ftg–Hyd Str Jm10/Om12	2
15	55586	(000000– )	Ftg–Hyd Str Jm04/Om04	1
16	53601	(000000– )	Cylinder, Hyd 2.0B 08.0S 2500	1
17	56820	(000000– )	Ftg–Hyd E90 Jm06/Om06	1
18	47522	(000000– )	Ftg–Hyd E45 Jm06/Om06	1
∇ 19	84597	(000000– )	Tire & Wheel Assy	1
20	84596	(000000– )	Tire, Solid, 18X6X12.125	1
21	82832	(000000– )	Sleeve, Nyl	1
22	64886	(000000– )	Balljoint, Rod End	1
23	64887	(000000– )	Balljoint, Rod End	1
24	24339	(000000– )	Nut Wheel .50–20 60 Angle	5

Fig. 35 – Front Wheels and Brakes Group

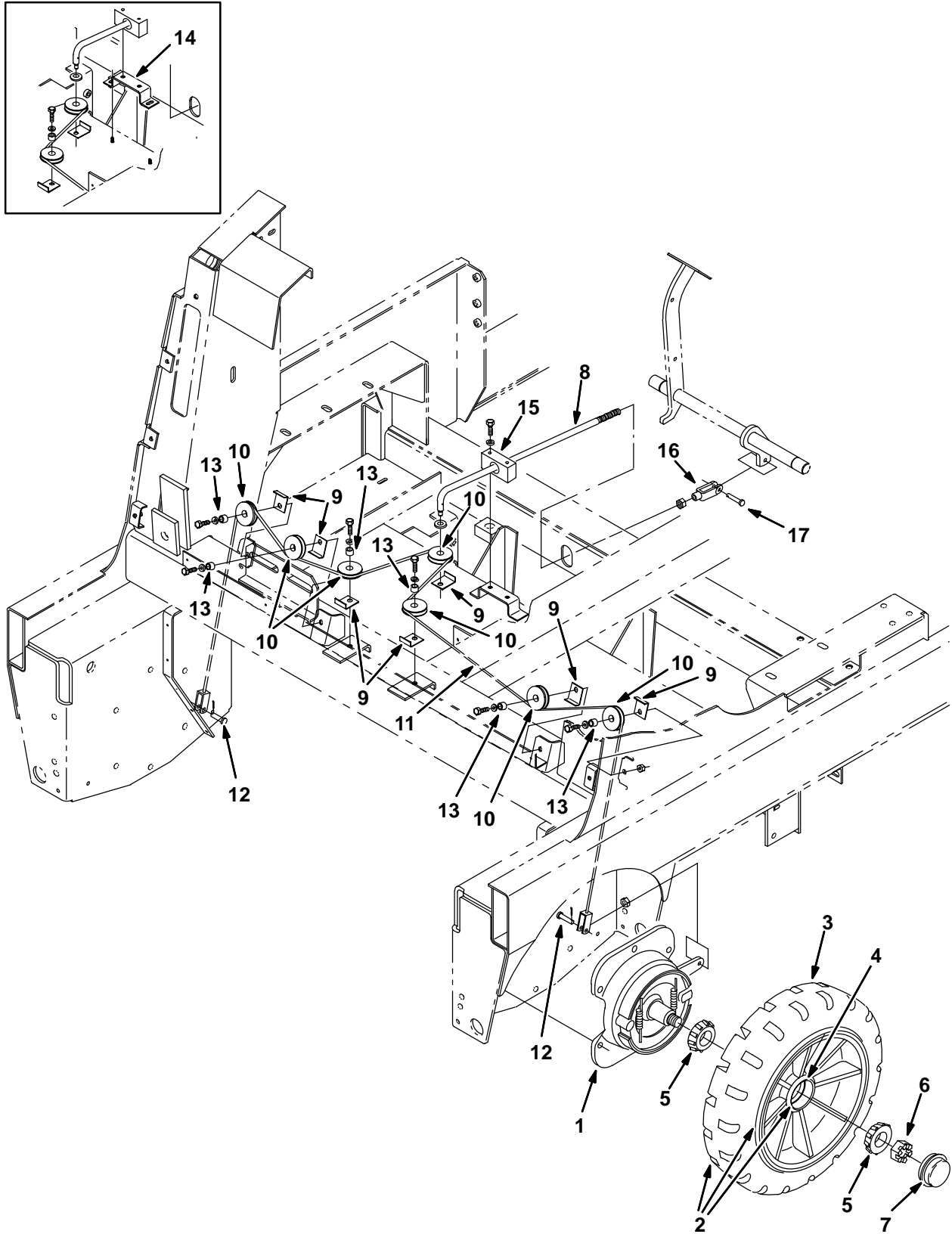


Fig. 35 – Front Wheels and Brakes Group

Ref.	TENNANT Part No.	Machine Serial Number	Description	Qty.
∇ 1	54577	(000000– )	Brake Assy	2
	66211	(000000– )	Brake Shoes	2
∇	66213	(000000– )	Brake Repair Kit KN	1
	70161	(000000– )	Crome Pltd. Camshaft KN	1
	70158	(000000– )	Return Spring–Brakes KN	2
∇ 2	54437	(000000– )	Wheel Assy	2
3	54567	(000000– )	Tire, 18X5X12.12 Solid	1
4	51338	(000000– )	Bearing–Cup, 2.56Dia 0.55Wth	2
5	51339	(000000– )	Bearing–Cone, 1.38Bore 0.71Wth	4
6	14242	(000000– )	Nut–Hxslot 1.00–20 Pltd	2
7	54390	(000000– )	Cap, Hub	2
8	72735	(000000– )	Rod, Brake	1
9	54400	(000000– )	Angle, Cable Keeper	7
10	74391	(000000– )	Pulley Assy, Cable, 1.5 Dia	7
11	72734	(000000– )	Cable, Brake, Service	1
12	09088	(000000– )	Pin,Clevis,0.37 Dia.X 1.00 Lg	2
13	56624	(000000– )	Spacer, Pulley	6
14	72716	(000000– 010274)	Bracket, Support	1
15	86751	(000000– )	Bearing, Brake	1
16	54467	(000000– )	Clevis, Adjustable	1
17	86240	(000000– )	Pin Clevis .375 Dia X 1.13 Lg	1

**Fig. 36 – Brake Pedals Group**

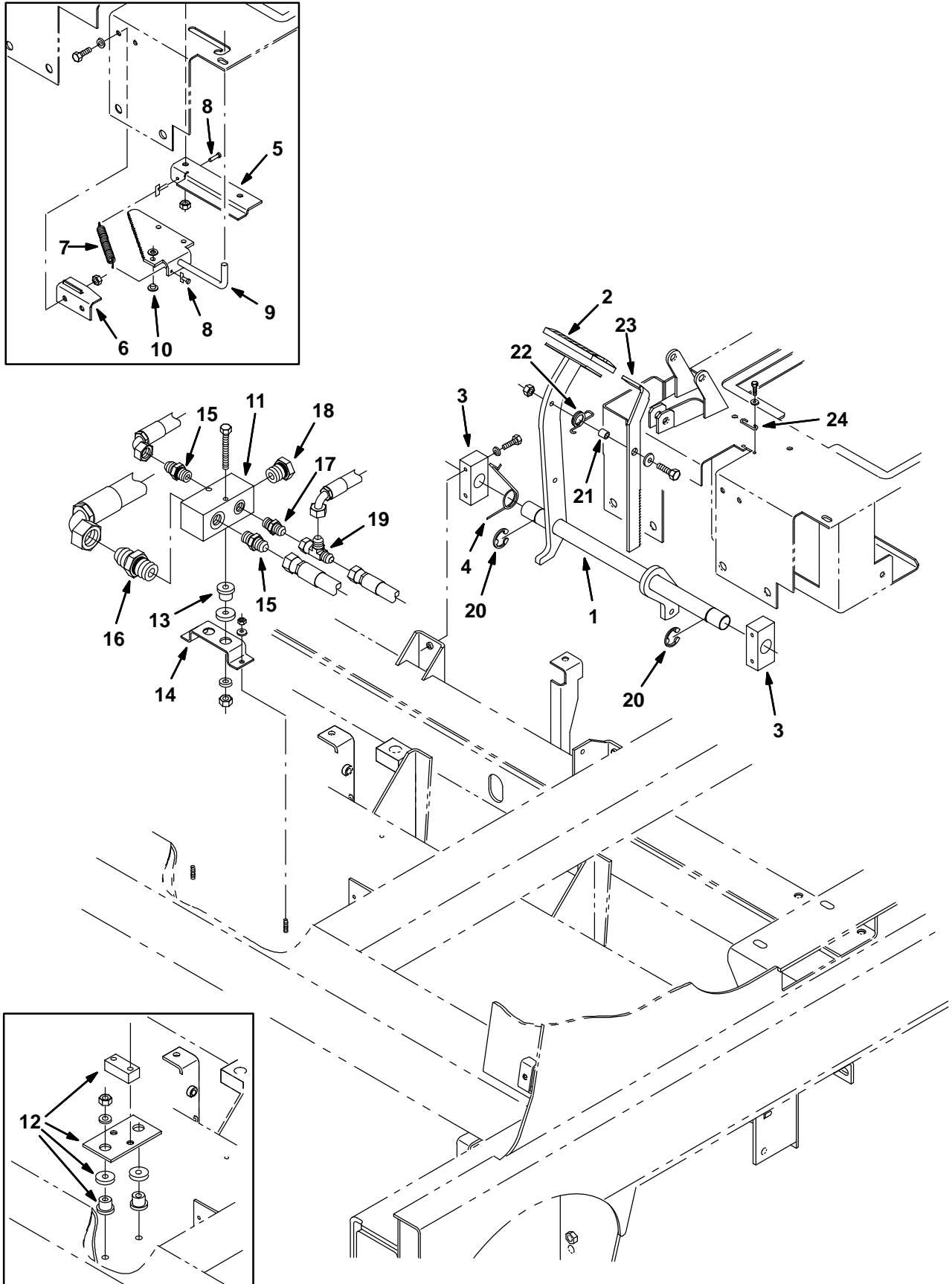


Fig. 36 – Brake Pedals Group

Ref.	TENNANT Part No.	Machine Serial Number	Description	Qty.
1	22727	(000000– )	Shaft Wldt, Brake	1
2	51109	(000000– )	Pad	1
3	86751	(000000– )	Bearing, Brake	2
4	54607	(000000– )	Spring, Torsion	1
5	72766	(000000– 010461)	Bracket	1
6	72830	(000000– 010461)	Plate Wldt	1
7	50304	(000000– 010461)	Spring, Ext.	1
8	36376	(000000– 010461)	Pin,Clevis, .19 Dia.X .50 Lg	2
9	72182	(000000– 010461)	Brake Wldt, Emergency	1
10	77284	(000000– 010461)	Rivet, Snap–.320D Plastic	3
11	73108	(000000– )	Manifold, Hyd Collector	1
12	10749	(000000– 010291)	Replacement Kit, Spcr & PH	1
13	54274	(000000– )	Isolator–Vibration,125Lb.Ratng	2
14	10740	(010292– )	Bracket, Support	1
15	44869	(000000– )	Ftg–Hyd Str Jm08/Om08	2
16	67310	(000000– )	Fitting–Hyd Str	1
17	55685	(000000– )	Ftg–Hyd Str Jm04/Om06	1
18	33817	(000000– )	Ftg–Hyd Plg Om12	1
19	57988	(000000– )	Ftg–Hyd Tee Jm04Jmjf	1
20	23788	(000000– )	Ring, Retain, Ex .98, E–Ring	2
21	46563	(010462– )	Bushing	1
22	59009	(010462– )	Spring	1
23	22731	(010462– )	Pedal Brake Lock	1
24	97031	(010462– )	Spring, Parking Brake	1

**Fig. 37 – Directional Pedal Group**

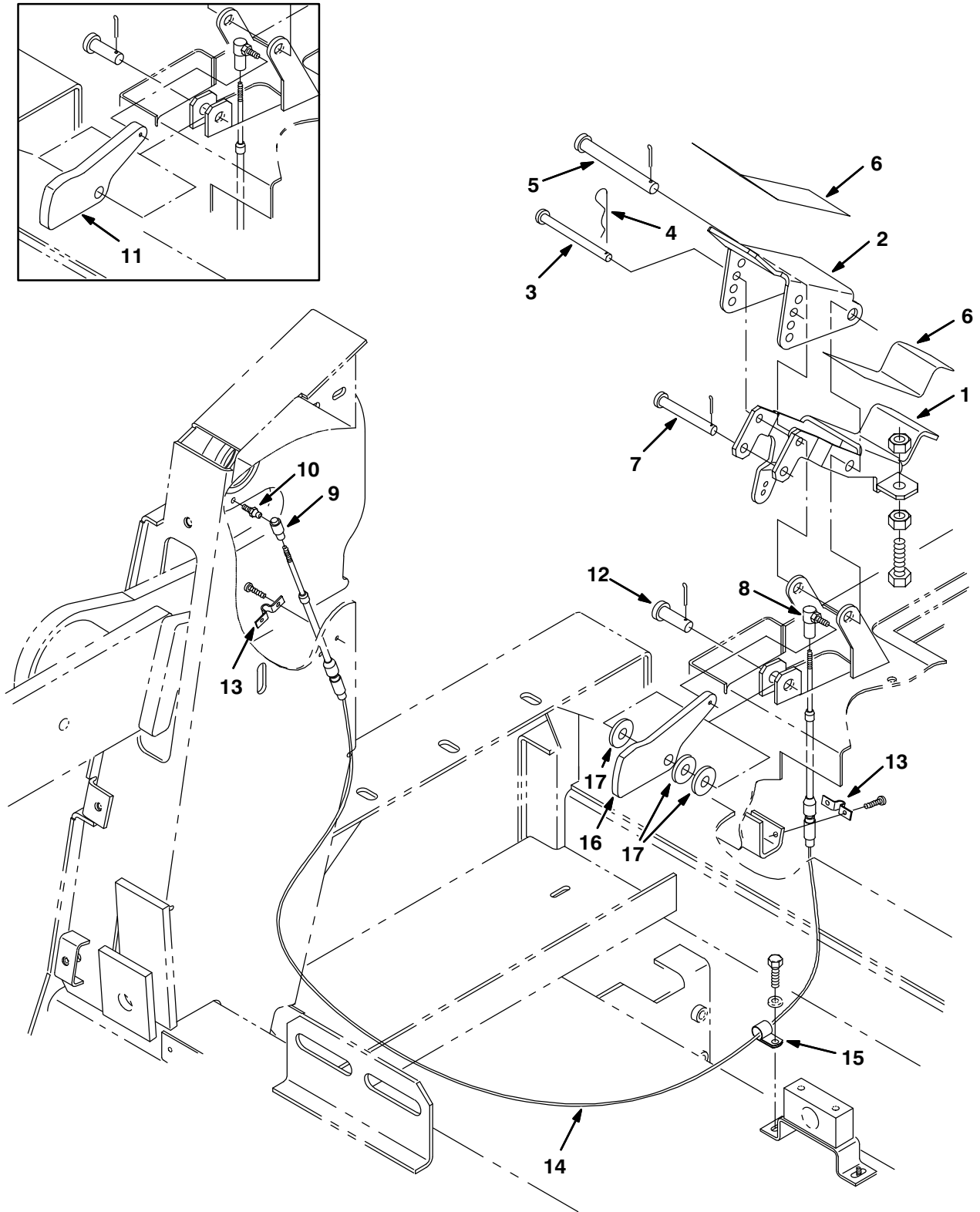




Fig. 37 – Directional Pedal Group

Ref.	TENNANT Part No.	Machine Serial Number	Description	Qty.
1	72732	(000000– )	Pedal Wldt, Lower	1
2	75305	(000000– )	Pedal, Upper	1
3	59672	(000000– )	Pin, Clevis .31 Dia X 4.50 Lg	1
4	97163	(000000– )	Pin, Hair Cotter 13D 3 Wire	1
5	59668	(000000– )	Pin, Clevis .50 Dia X 4.50 Lg	1
6	82839	(000000– )	Pad, Tread	2
7	23191	(000000– )	Pin, Clevis, 0.37 Dia. X 3.00 Lg	1
8	14506–1	(000000– )	Ball Joint, 10–32	1
9	72947	(000000– )	Balljoint 10–32 Body Clip	1
10	72948	(000000– )	Balljoint 10–32 Ball Stud	1
11	10604	(000000– 010438)	Repl. Kit, Cam	1
12	04733–7	(000000– )	Pin Clevis 0.50 Dia X 1.50 Lg	1
13	72949	(000000– )	Clamp–Conduit, 2 Hole .38Dia	2
14	72882	(000000– )	Cable, Push/Pull	1
15	76736	(000000– )	Clamp–Cable, 0.38Dia 0.62Wth	1
16	10603	(010439– )	Cam, Speed Limiter	1
17	32493	(010439– )	Washer, Flat	3

Fig. 38 – Directional Control Group

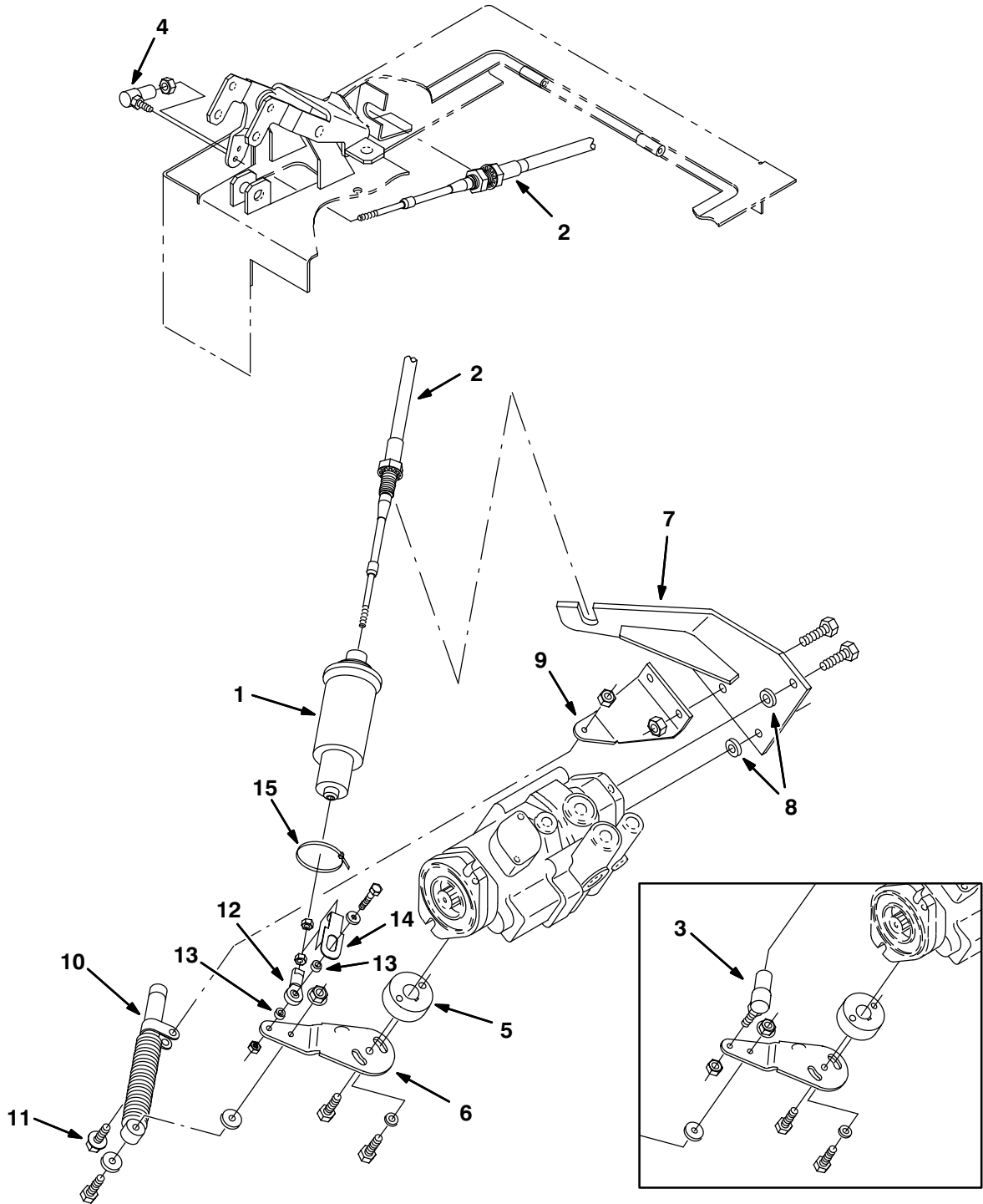


Fig. 38 – Directional Control Group

Ref.	TENNANT Part No.	Machine Serial Number	Description	Qty.
1	63292	(000000– )	Spring, Propel, Centering	1
2	10539	(000000– )	Replacement Kit, Propel Cabel	1
3	83881	(000000– 010656)	Replacement Kit, Propel Rod End	1
4	14601	(000000– )	Ball Joint, 250–28	1
5	72728	(000000– )	Hub	1
6	72729	(000000– )	Arm	1
7	73437	(000000– )	Bracket, Propel	1
8	32492	(000000– )	Washer Flt .38 Hard	2
9	73423	(000000– )	Bracket, Shock	1
10	73411	(000000– )	Shock Absorber	2
11	16213	(000000– )	Scr–Shld .312Dx1.00L .25–20	1
12	68866	(010657– )	Rod End .250–28	1
13	65441	(010657– )	Spacer, .259ID .375OD .250 Lg	3
14	83887	(010657– )	Bracket, Safety Clip	1
15	49266	(010657– )	Tie, Cable 1.75D 7.5Lg	1

**Fig. 39 – Hydraulic Pumps Group**

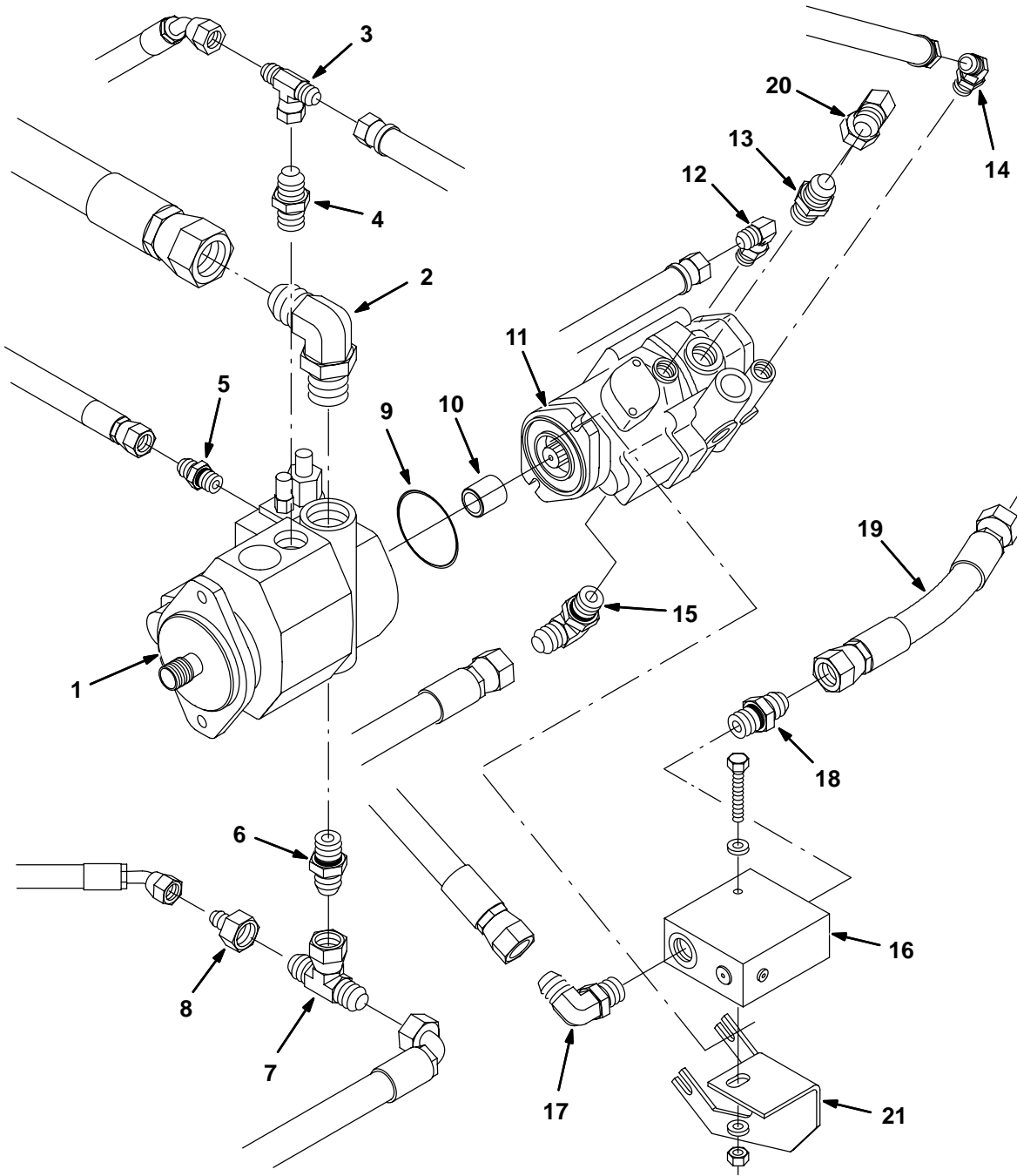


Fig. 39 – Hydraulic Pumps Group

Ref.	TENNANT Part No.	Machine Serial Number	Description	Qty.
1	73101	(000000– )	Pump, Hyd Piston L 2.77 R 2500 (See Breakdowns)	1
2	73109	(000000– )	Fitting–Hyd	1
3	76315	(000000– )	Ftg–Hyd Tee Jm08Jfjm	1
4	56835	(000000– )	Ftg–Hyd Str Jm08/Om06	1
5	50960	(000000– )	Ftg–Hyd Str Jm06/Om04	1
6	67310	(000000– )	Fitting–Hyd Str	1
7	62389	(000000– )	Ftg–Hyd Tee Jm12Jfjm	1
8	78143	(000000– )	Ftg–Hyd Str Jm08/Jf12	1
9	65145–1	(000000– )	O–Ring Gland	1
10	73111	(000000– )	Coupler	1
11	70181	(000000– 010241)	Replacement Kit, Pump for 73102 (See Breakdowns)	1
11	79770	(010242– )	Pump, Hyd Piston V 1.24 R 4000 (See Breakdowns)	1
12	42213	(000000– )	Ftg–Hyd E90 Jm08/Om06	1
13	42223	(000000– )	Ftg–Hyd Str Jm10/Om12	1
14	42226	(000000– )	Ftg–Hyd E45 Jm08/Om08	1
15	53076	(000000– )	Ftg–Hyd E90 Jm10/Om12	1
16	73430	(000000– )	Switch, Hyd Flow Sensor (See Breakdowns)	1
17	53076	(000000– )	Ftg–Hyd E90 Jm10/Om12	1
18	42223	(000000– )	Ftg–Hyd Str Jm10/Om12	1
19	73107	(000000– )	Tube–Hyd 10	1
20	54194	(000000– )	Ftg–Hyd E90 Jm10/Jf10	1
21	77239	(000000– )	Bracket, Mounting, Flow Switch	1



Fig. 40 – Hydraulic Schematic

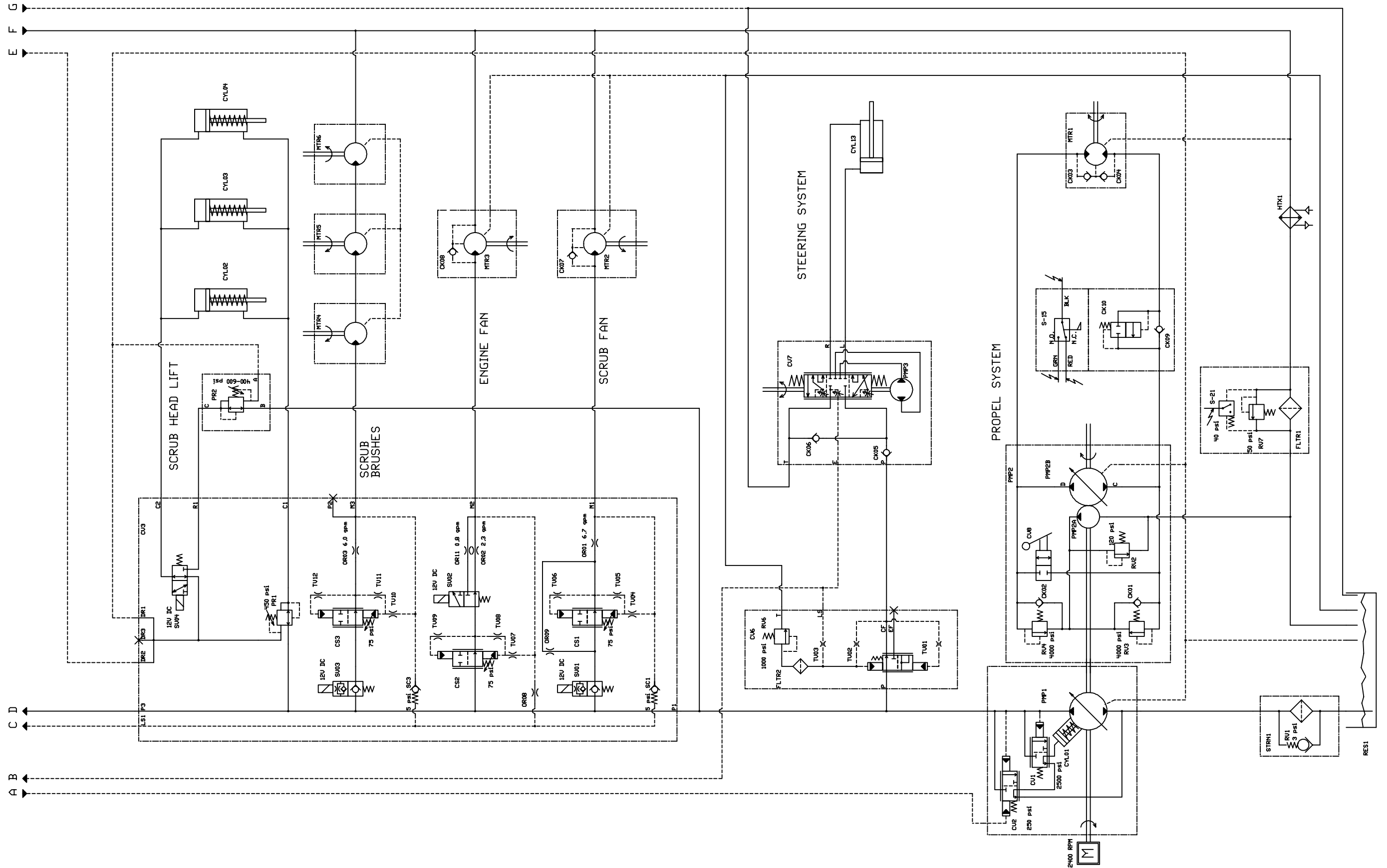


Fig. 41 – Hydraulic Hose Group

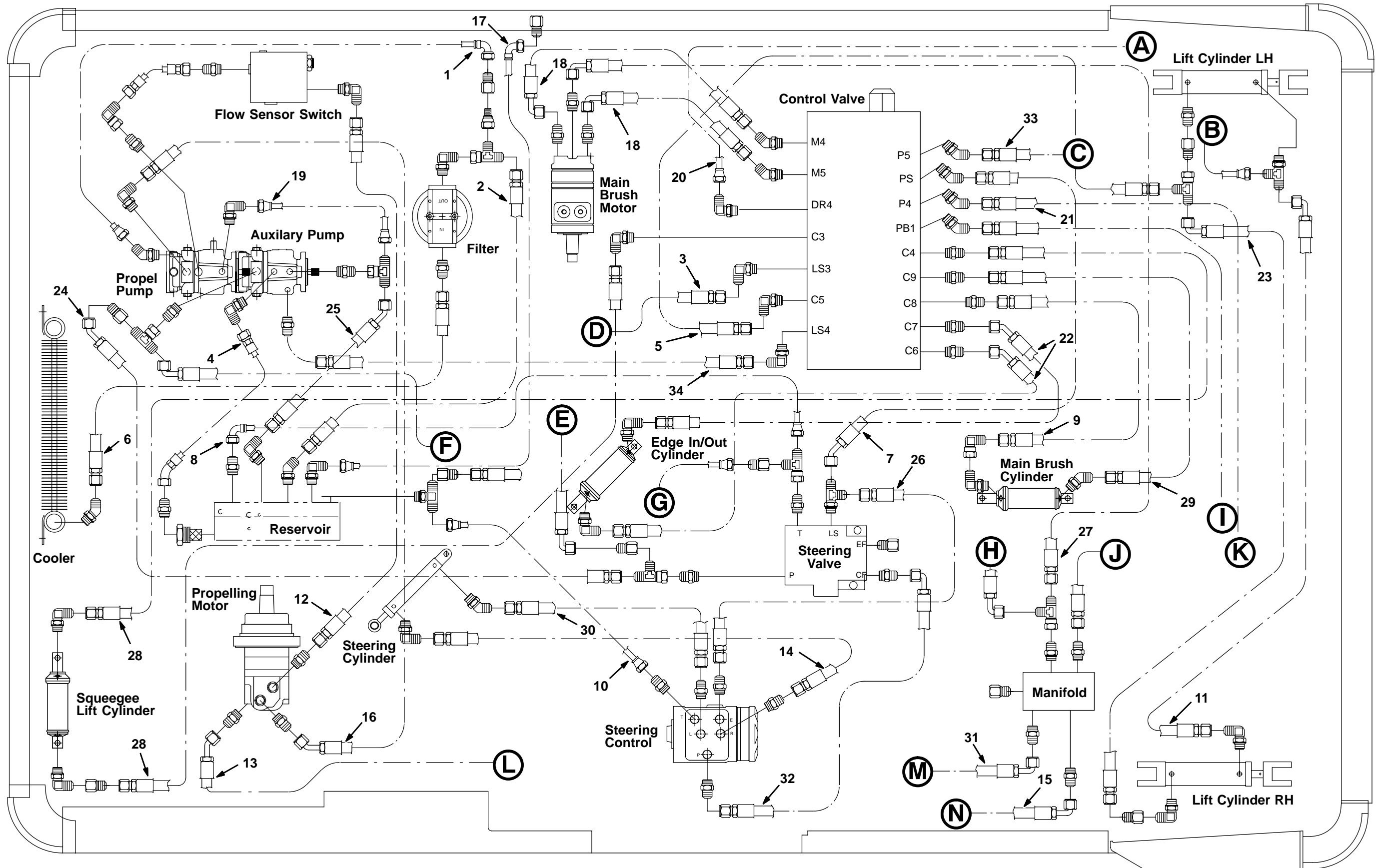




Fig. 41 – Hydraulic Hose Group

Ref.	TENNANT Part No.	Machine Serial Number	Description	Qty.
1	78811	(000000– )	Hose, Hyd Low08	1
2	77316	(000000– )	Hose–Hyd Med16	1
3	77307	(000000– )	Hose–Hyd Med04	1
4	77312	(000000– )	Hose–Hyd Suc20	1
5	77308	(000000– )	Hose–Hyd Med04	1
6	78777	(000000– )	Hose–Hyd Med16 Jf/Jf	1
7	77305	(000000– )	Hose–Hyd Med04	1
8	77309	(000000– )	Hose–Hyd Low06	1
9	77306	(000000– )	Hose–Hyd Med04	1
10	76762	(000000– )	Hose–Hyd Low06 Jf/Jf	1
11	77303	(000000– )	Hose–Hyd Med04	1
12	77314	(000000– )	Hose–Hyd Ar 10	1
13	19644	(000000– )	Hose–Hyd Med04 Jf/J4	1
14	77304	(000000– )	Hose–Hyd Med06	1
15	78776	(000000– )	Hose–Hyd Med12 Jf/J9	1
16	77315	(000000– )	Hose–Hyd Ar 10	1
17	57974	(000000– )	Hose–Hyd Low08 Jf/J9	1
18	34355	(000000– )	Hose–Hyd Med08 Jf/J9	2
19	13115	(000000– )	Hose–Hyd Low08 Jf/Jf	1
20	31602	(000000– )	Hose–Hyd Low04 Jf/J9	1
21	82844	(000000– )	Hose–Hyd Med08 Jf/J9	1
22	02361	(000000– )	Hose–Hyd Med04 Jf/J4	2
23	87681	(000000– )	Hose–Hyd Med 04 Jf/J9	1
24	16462	(000000– )	Hose–Hyd Med08 Jf/J4	1
25	77338	(000000– )	Hose–Hyd Med08 Jf/J4	1
26	55700	(000000– )	Hose–Hyd Med04 Jf/Jf	1
27	82817	(000000– )	Hose–Hyd Med04 Jf/J9	1
28	82815	(000000– )	Hose–Hyd Med04 Jf/Jf	2
29	31568	(000000– )	Hose–Hyd Med04 Jf/Jf	1
30	62100	(000000– )	Hose–Hyd Med06 Jf/Jf	1
31	02676	(000000– )	Hose–Hyd	1
32	57944	(000000– )	Hose–Hyd Med06 Jf/J9	1
33	01988	(000000– )	Hose Hyd Med04	1
34	79449	(000000– )	Hose–Hyd Med06 Jf/Jf	1

Fig. 42 – Hydraulic Hose Group

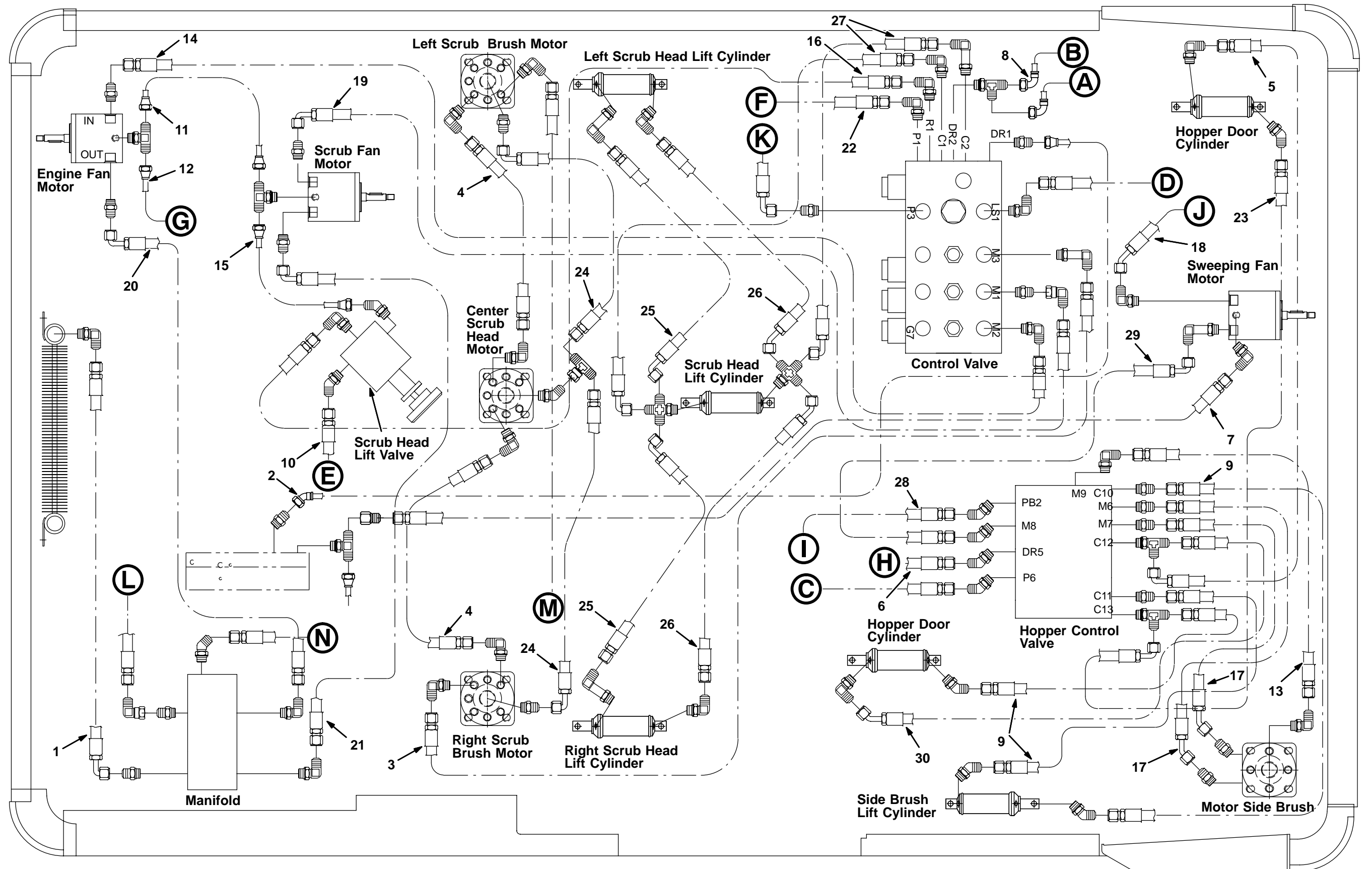


Fig. 42 – Hydraulic Hose Group

Ref.	TENNANT Part No.	Machine Serial Number	Description	Qty.
1	78780	(000000– )	Hose–Hyd Med16 Jf/J9	1
2	77311	(000000– )	Hose–Hyd Low06	1
3	77301	(000000– )	Hose–Hyd Med08	1
4	77302	(000000– )	Hose–Hyd Med08	2
5	77359	(000000– )	Hose–Hyd Med04 Jf/J9	1
6	87652	(000000– )	Hose–Hyd Med 04 Jf/J9	1
7	57966	(000000– )	Hose–Hyd Med04 Jf/Jf	1
8	31602	(000000– )	Hose–Hyd Low04 Jf/J9	1
9	82814	(000000– )	Hose–Hyd Med04 Jf/Jf	3
10	87681	(000000– )	Hose–Hyd Med 04 Jf/J9	1
11	16465	(000000– )	Hose–Hyd Low04 Jf/Jf	1
12	78779	(000000– )	Hose–Hyd Low04 Jf/Jf	1
13	31568	(000000– )	Hose–Hyd Med04 Jf/Jf	1
14	77337	(000000– )	Hose–Hyd Med 06	1
15	34368	(000000– )	Hose–Hyd Low04 Jf/Jf	1
16	01988	(000000– )	Hose Hyd Med04	1
17	57219	(000000– )	Hose–Hyd Med08 Jf/J4	2
18	78821	(000000– )	Hose–Hyd Med08 Jf/J4	1
19	78810	(000000– )	Hose, Hyd Med08	1
20	78781	(000000– )	Hose–Hyd Med06 Jf/J9	1
21	78775	(000000– )	Hose–Hyd Med08 Jf/J9	1
22	57193	(000000– )	Hose–Hyd Hi 12 Jf/J9	1
23	59579	(000000– )	Hose–Hyd Med04	1
24	87651	(000000– )	Hose–Hyd Med04 Jf/J9	2
25	48617	(000000– )	Hose–Hyd Med04 Jf/J9	2
26	57972	(000000– )	Hose–Hyd Med04	2
27	57963	(000000– )	Hose–Hyd Med04	2
28	57160	(000000– )	Hose–Hyd Med08 Jf/Jf	1
29	78820	(000000– )	Hose–Hyd Med08 Jf/J9	1
30	57173	(000000– )	Hose–Hyd Med04 Jf/J4	1

Fig. 43 – Hydraulic Reservoir Group

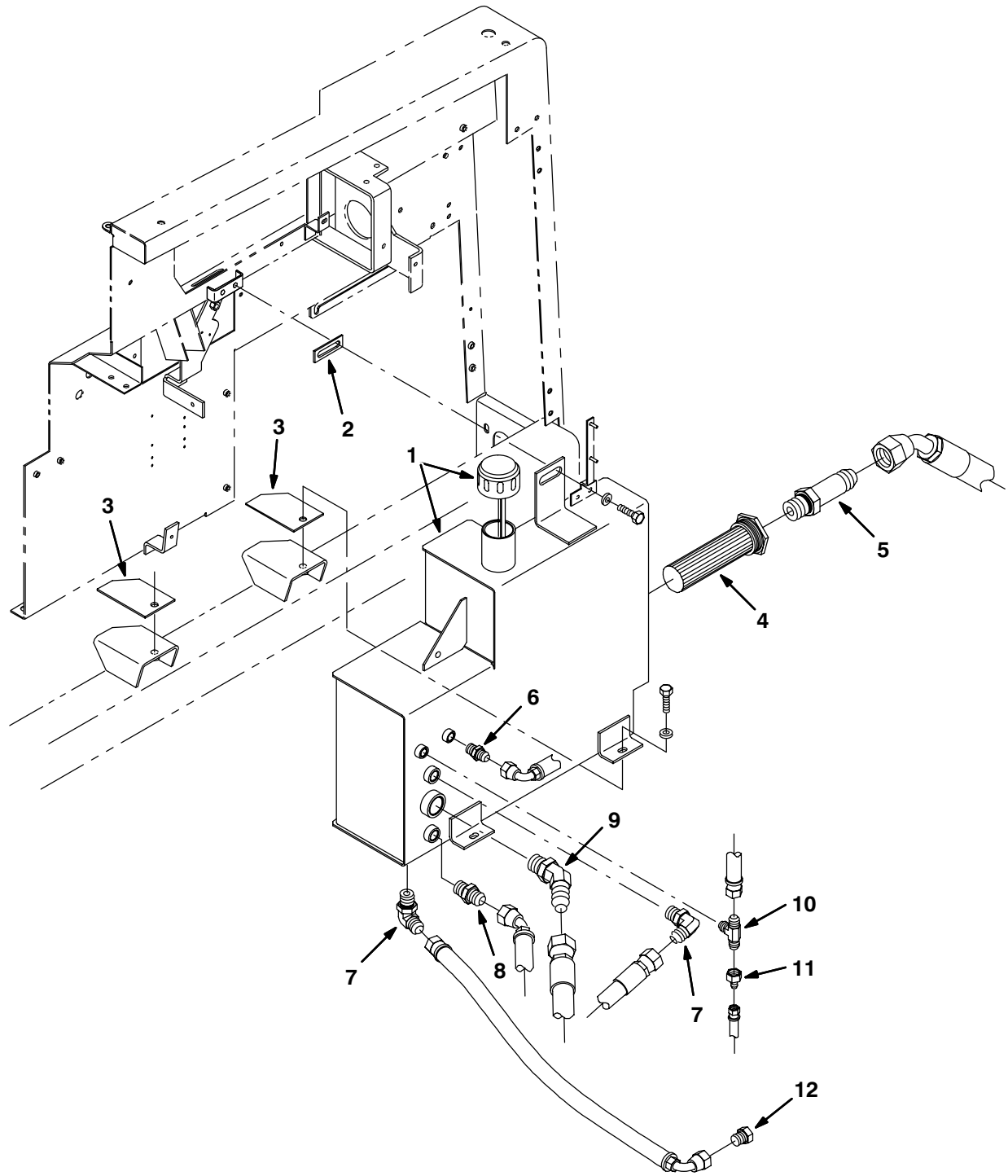


Fig. 43 – Hydraulic Reservoir Group

Ref.	TENNANT Part No.	Machine Serial Number	Description	Qty.
∇ 1	77361	(000000– )	Reservoir, Hyd 08.0 Gal	1
∇	78730	(000000– )	Breather, Hyd Cap 40 Mic 8.5 DS	1
	70006	(000000– )	Hyd Cap Gasket	1
2	78744	(000000– )	Pad, Hyd Tank, Upper	1
3	78743	(000000– )	Pad, Hyd Tank, Lower	2
4	31613	(000000– )	Strainer–Hyd Suction 25–100–03	1
5	19458	(000000– )	Ftg–Hyd Str	1
6	56690	(000000– )	Ftg–Hyd Str Jm06/Om06	1
7	44868	(000000– )	Ftg–Hyd E90 Jm08/Om08	2
8	52402	(000000– )	Ftg–Hyd Str Jm06/Om08	1
9	57479	(000000– )	Ftg–Hyd E45	1
10	67683	(000000– )	Ftg–Hyd Tee Jm06Omjm	1
11	47752	(000000– )	Ftg–Hyd Str Jm04/Jf06	1
12	16376	(000000– )	Ftg–Hyd Plg Jm08	1

Fig. 44 – Main Hydraulic Valve Group

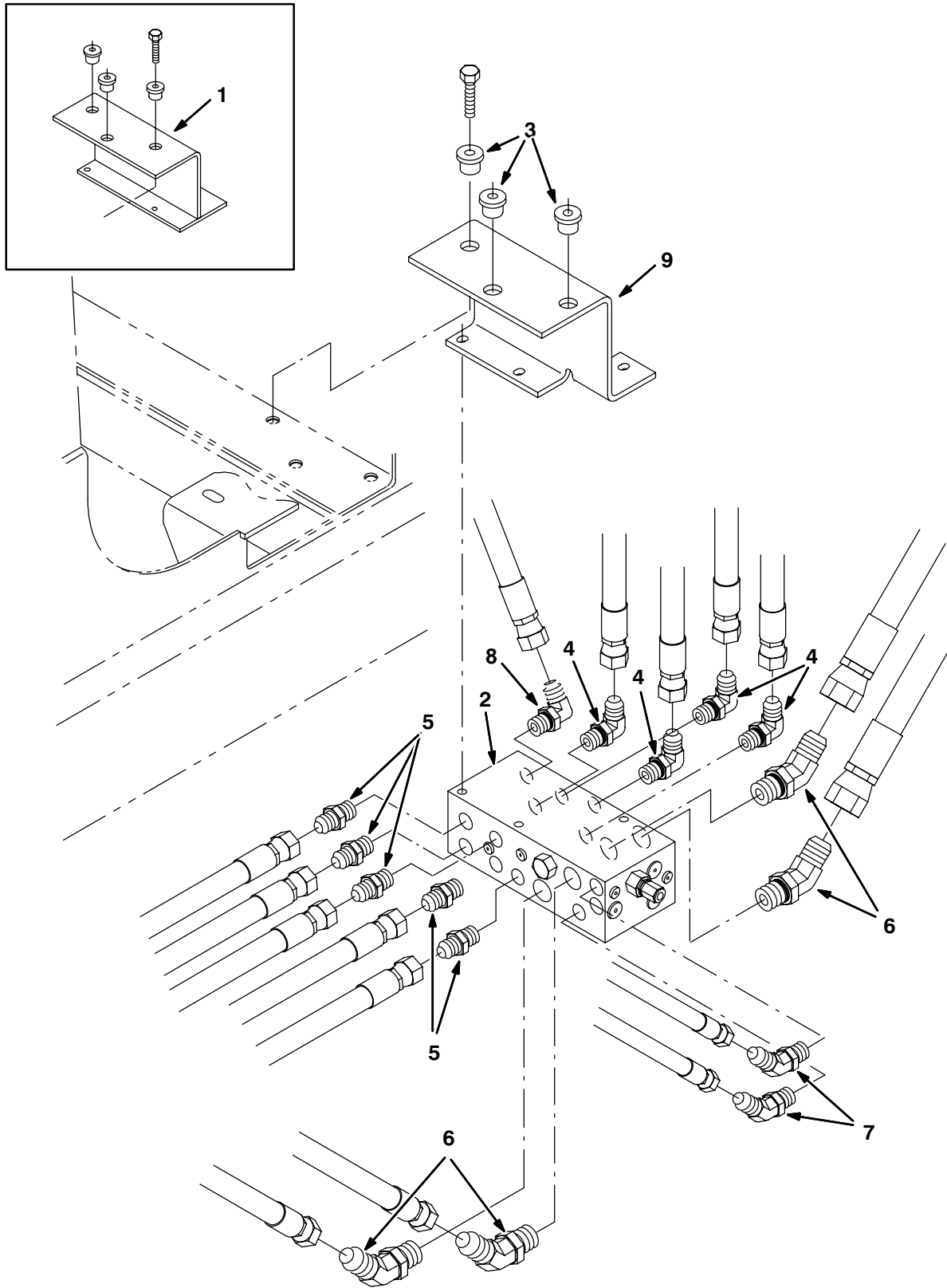


Fig. 44 – Main Hydraulic Valve Group

Ref.	TENNANT Part No.	Machine Serial Number	Description	Qty.
1	72960	(000000-010307 )	Bracket Wldt, Mtg, Valve	1
2	73103	(000000- )	Valve, Hyd Control Sol (See Breakdowns)	1
3	54274	(000000- )	Isolator-Vibration,125Lb.Ratng	3
4	77097	(000000- )	Ftg-Hyd E90 Jm04/Om04	4
5	55586	(000000- )	Ftg-Hyd Str Jm04/Om04	5
6	42226	(000000- )	Ftg-Hyd E45 Jm08/Om08	4
7	34359	(000000- )	Ftg-Hyd E45 Jm04/Om04	2
8	77098	(000000- )	Ftg-Hyd E90 Jm06/Om04	1
9	10618	(010308- )	Bracket Wldt, Mtg, Valve	1

Fig. 45 – Side Brush Lift Group

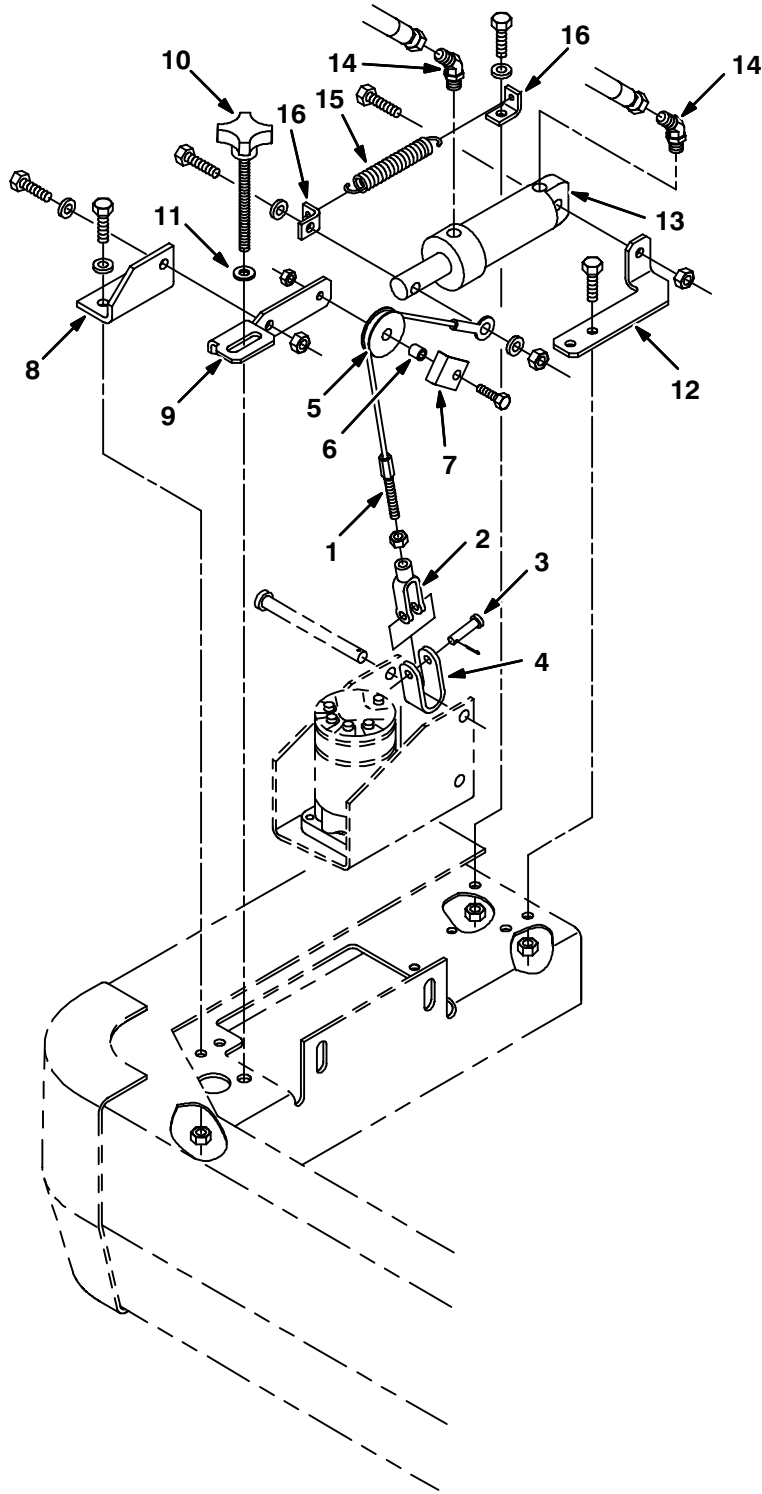




Fig. 45 – Side Brush Lift Group

Ref.	TENNANT Part No.	Machine Serial Number	Description	Qty.
1	77335	(000000– )	Cable, Lift, Side Brush	1
2	12267	(000000– )	Yoke, End–Adjustable	1
3	29558	(000000– )	Pin,Clevis,0.37 Dia.X 1.50 Lg	1
4	59899	(000000– )	Bracket, Side Brush	1
5	74391	(000000– )	Pulley Assy, Cable, 1.5 Dia	1
6	56624	(000000– )	Spacer, Pulley	1
7	54400	(000000– )	Angle, Cable Keeper	1
8	72743	(000000– )	Bracket, Support, Pulley	1
9	72740	(000000– )	Bracket, Adjustment, Sidebrush	1
10	54848	(000000– )	Knob, Adjusting	1
11	52296	(000000– )	Washer,Nyl,0.405Bx0.812X.060Th	1
12	72741	(000000– )	Bracket, Support, Cylinder	1
13	73089	(000000– )	Cylinder, Hyd 1.5B 02.8S.2500	1
14	34359	(000000– )	Ftg–Hyd E45 Jm04/Om04	2
15	29499	(000000– )	Spring, Tens.750Dx.10Wirex4.5	1
16	77336	(000000– )	Angle, Retainer, Spring	2

Fig. 46 – Side Brush Motor and Pivot Group

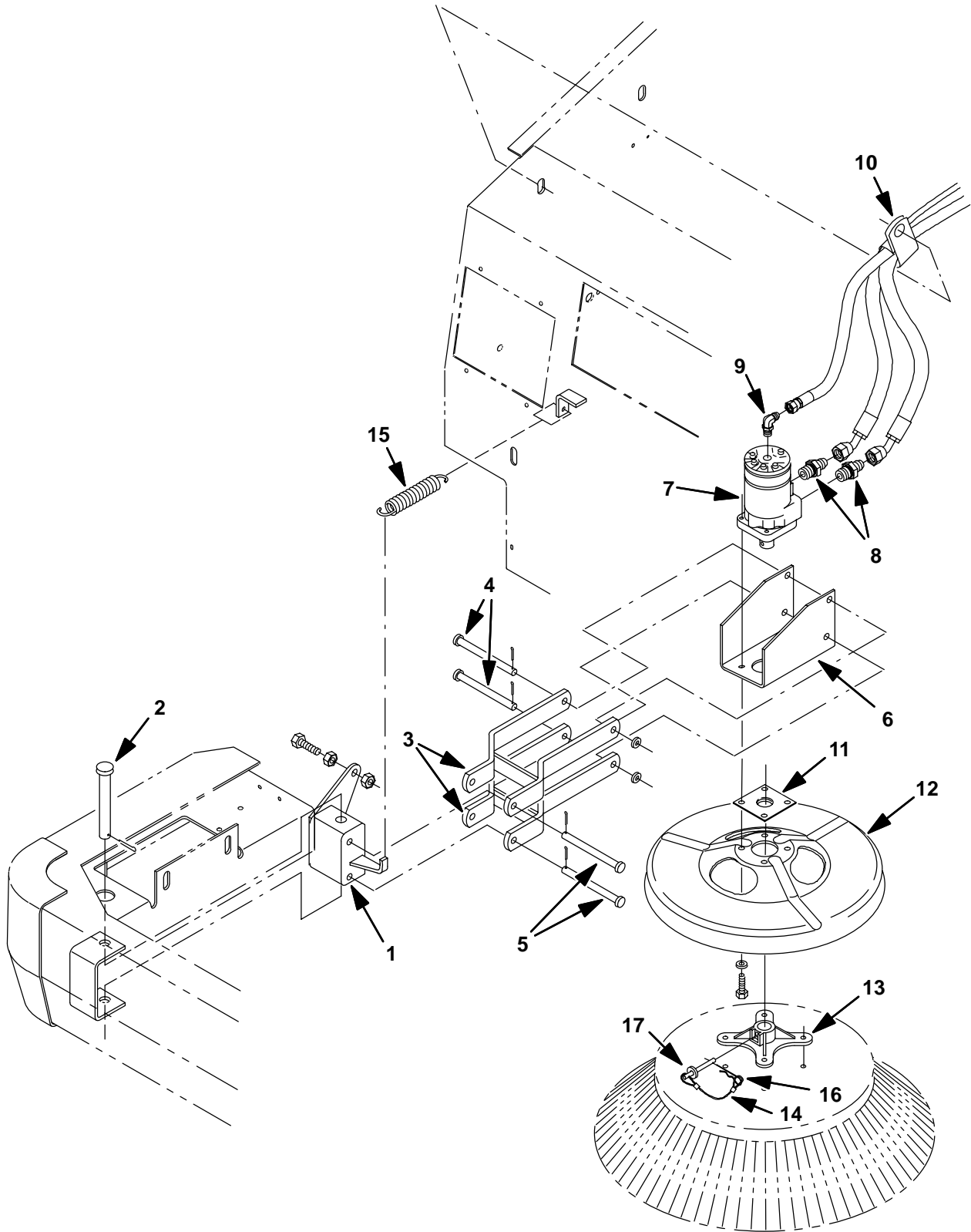


Fig. 46 – Side Brush Motor and Pivot Group

Ref.	TENNANT Part No.	Machine Serial Number	Description	Qty.
1	54050	(000000– )	Pivot Assy, S Br	1
2	54660	(000000– )	Pin, Clevis .75 Diax5.5Lg	1
3	53965	(000000– )	Arm, Lift	2
4	51225	(000000– )	Pin,Clevis,0.50 Dia.X 5.50 Lg	2
5	51538	(000000– )	Pin,Clevis,0.50 Dia.X 5.00 Lg	2
6	71540	(000000– )	Bracket, Motor	1
7	53435	(000000– )	Motor–Hyd Gear In 11.3 B1500 (See Breakdowns)	1
8	56692	(000000– )	Ftg–Hyd Str Jm08/Om10	2
9	77097	(000000– )	Ftg–Hyd E90 Jm04/Om04	1
10	53466	(000000– )	Clamp, Hose	4
11	16082	(000000– )	Guard, String, Brush Motor	1
12	53984	(000000– )	Guard, Brush	1
13	47501	(000000– )	Hub, Brush Adaptor, 1.00B	1
14	21035	(000000– )	Pin Assy, Keeper .312x3.0 W/Lanyard	1
15	47745	(000000– )	Sprng,Tens,1.12Odx.14Wire 4.8L	1
16	44906	(000000– )	Pin, Haircotter	1
17	32490	(000000– )	Washer, Flt	1

Fig. 47 – Main Brush Lift Group

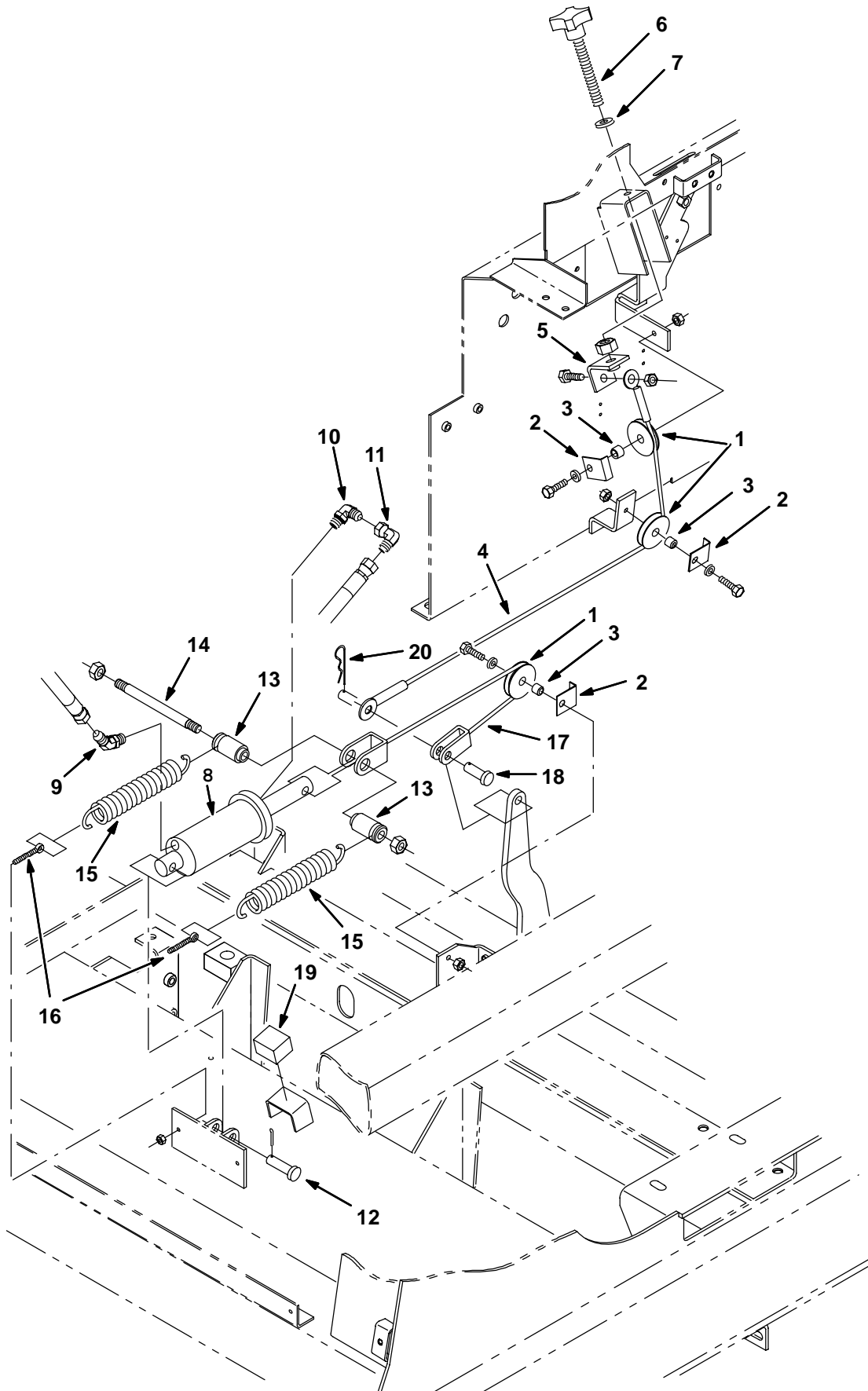


Fig. 47– Main Brush Lift Group

Ref.	TENNANT Part No.	Machine Serial Number	Description	Qty.
1	74391	(000000– )	Pulley Assy, Cable, 1.5 Dia	3
2	54400	(000000– )	Angle, Cable Keeper	3
3	56624	(000000– )	Spacer, Pulley	3
4	73261	(000000– )	Cable, Adj, Main Brush	1
5	56662	(000000– )	Bracket	1
6	54848	(000000– )	Knob, Adjusting	1
7	52296	(000000– )	Washer, Nyl, 0.405Bx0.812X.060Th	1
8	54096	(000000– )	Cylinder–Hyd 2.0X4.0Da2500Psi	1
9	34359	(000000– )	Ftg–Hyd E45 Jm04/Om04	1
10	77097	(000000– )	Ftg–Hyd E90 Jm04/Om04	1
11	39210	(000000– )	Ftg–Hyd E90 Jm04/Jf04	1
12	43290	(000000– )	Pin, Clevis, 0.50 Dia. X 1.75 Lg	1
13	72847	(000000– )	Tube, Retainer, Spring	2
14	72848	(000000– )	Rod, Threaded, Brush Lift	1
15	33404	(000000– )	Spring, Tension	2
16	78944	(000000– )	Bolt–Eye, .31–18Th .18B 2.75L	2
17	72849	(000000– )	Cable, Brushlift	1
18	75520	(000000– )	Pin Clevis 0.50 Dia. X 1.50 Lg	1
19	72858	(000000– )	Pad	1
20	08175	(000000– )	Pin, Cotter	1

Fig. 48 – Main Brush Drive Group

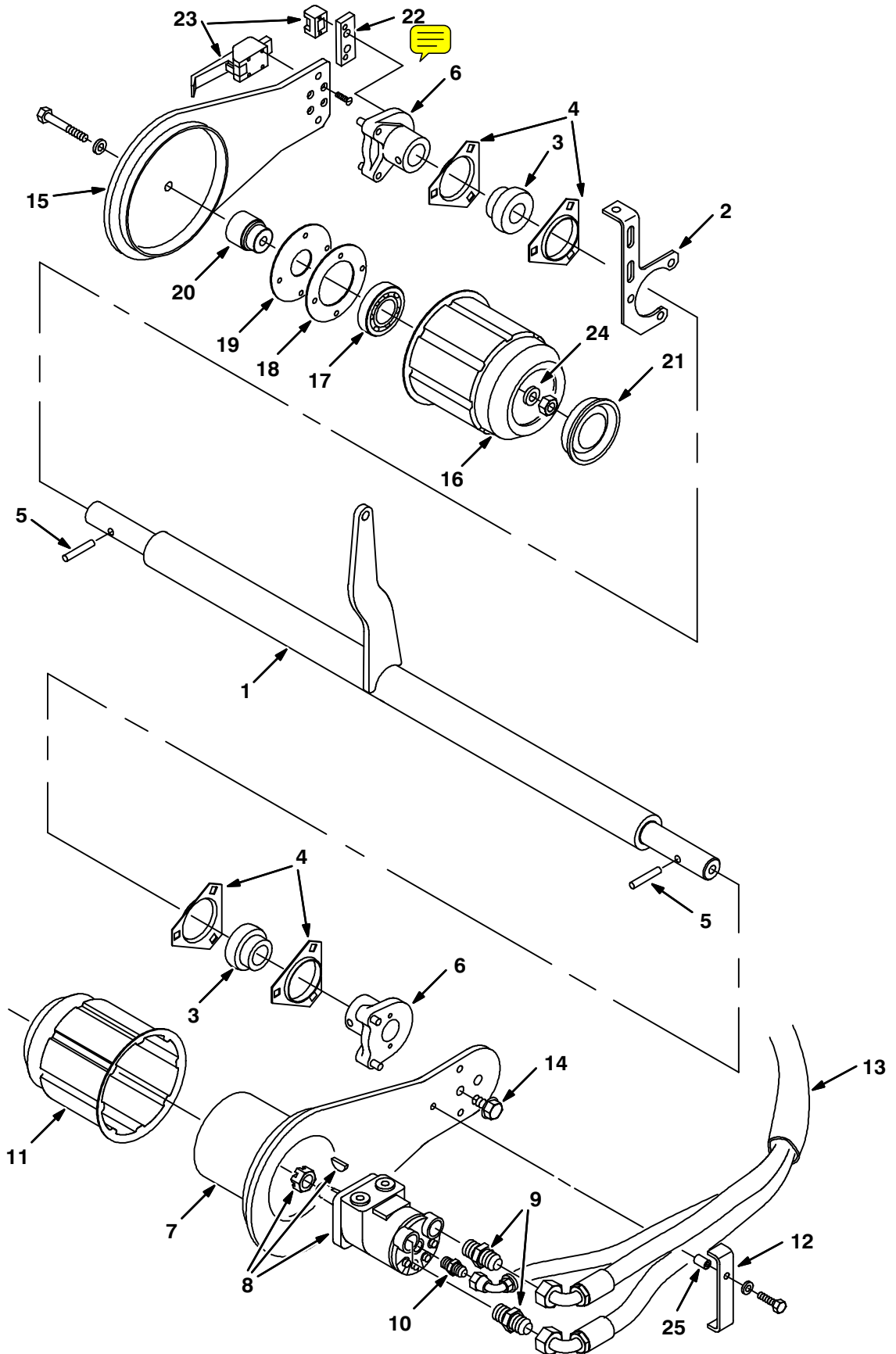


Fig. 48 – Main Brush Drive Group

Ref.	TENNANT Part No.	Machine Serial Number	Description	Qty.
1	73258	(000000– )	Shaft Wldt, Main Brush	1
2	72458	(000000– )	Plate, Mtg, Main Brush Shaft	1
3	51448	(000000– )	Bearing&Clr ,1.25B 2.44D 1.41W	2
4	51449	(000000– )	Flange,Brg,3 Hole	4
5	51317	(000000– )	Pin,Roll,.38Odx2.00L,.375/.382	2
6	54680	(000000– )	Hub Assy, Brush Arm	2
7	13156	(000000– )	Arm Wldt, Brush, Drive	1
8	74468	(000000– )	Motor, Hyd Gear In 02.8 B 1500 (See Breakdowns)	1
9	44869	(000000– )	Ftg–Hyd Str Jm08/Om08	2
10	55586	(000000– )	Ftg–Hyd Str Jm04/Om04	1
11	87631	(000000– )	Plug Weld, Brush Drive, Sweep	1
12	63516	(000000– )	Bracket, Hose	1
13	82832	(000000– )	Sleeve–NylN #38 25.0L	1
14	53985	(000000– )	Plug Thread 1/2–13	1
15	54659	(000000– )	Arm Wldt, Idlerr, W/Brush	1
16	55779	(000000– )	Plug Wldt, Idler	1
17	24899	(000000– )	Bearing–Ball,1.38B 2.83D 0.67W	1
18	30252	(000000– )	Strip Retainer Bearing	1
19	30253	(000000– )	Plate Seal	1
20	30251	(000000– )	Shaft Idler	1
21	30255	(000000– )	Plug Tube	1
22	54204	(000000– )	Plate, Mounting, Latch	1
23	54878	(000000– )	Latch	1
24	51564	(000000– )	Washer, .531B 1.75D .12Cr.Znc	1
25	09900–1	(000000– )	Sleeve	1

Fig. 49 – Scrub Brush Frame Group

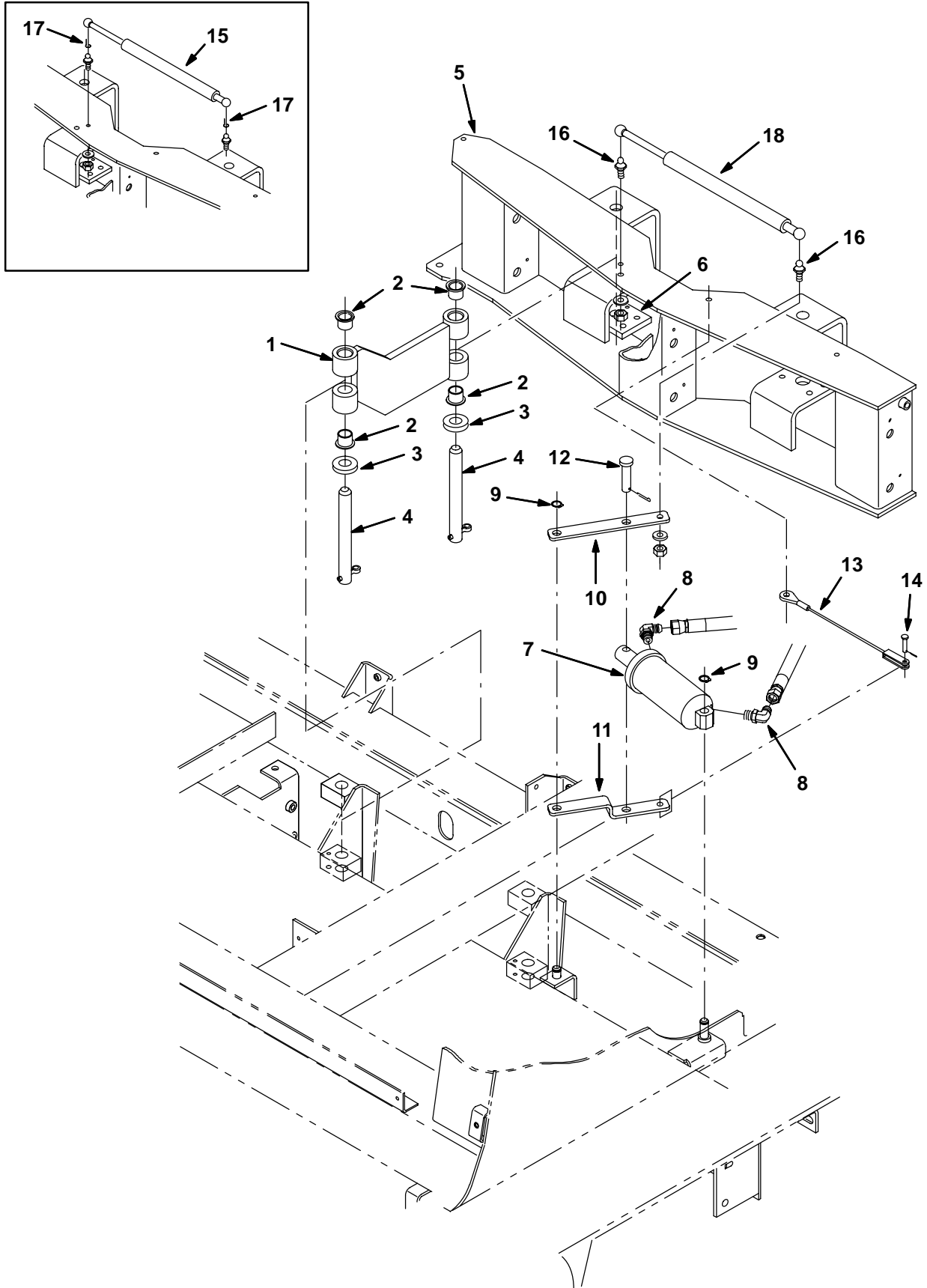




Fig. 49 – Scrub Brush Frame Group

Ref.	TENNANT Part No.	Machine Serial Number	Description	Qty.
1	72599	(000000– )	Link Wldt, Edge Scrubbing	2
2	72763	(000000– )	Bearing, Flange, .750 Bore	8
3	32495	(000000– )	Washer Flt .75 Hard	4
4	72776	(000000– )	Pin, Scrub Head, .75D X 6.812L	4
5	72768	(000000– )	Frame Wldt, Mtg, Brush	1
6	72836	(000000– )	Bar, Adjustment, Pivot	2
7	54096	(000000– )	Cylinder–Hyd2.0X4.0Da2500Psi	1
8	77097	(000000– )	Ftg–Hyd E90 Jm04/Om04	2
9	23524	(000000– )	Ring,Retain,Ex,0.50Od,Selflock	2
10	72622	(000000– )	Lever, Edge Scrubbing	1
11	72623	(000000– )	Lever, Edge Scrubbing	1
12	75520	(000000– )	Pin,Clevis,0.50 Dia.X 1.50 Lg	1
13	72833	(000000– )	Cable	1
14	23786	(000000– )	Pin,Clevis,0.25 Dia.X 0.75 Lg	1
15	10543	(000000– 010147)	Replacement Kit, Gas Spring	1
16	58494	(000000– )	Stud, Ball, Gas Spring	2
17	64595	(000000– 010147)	Clip Safety	2
18	79376	(010148– )	Spring–Gas 34Lb 6.3 Stroke	1

Fig. 50 – Left Scrub Brush Group

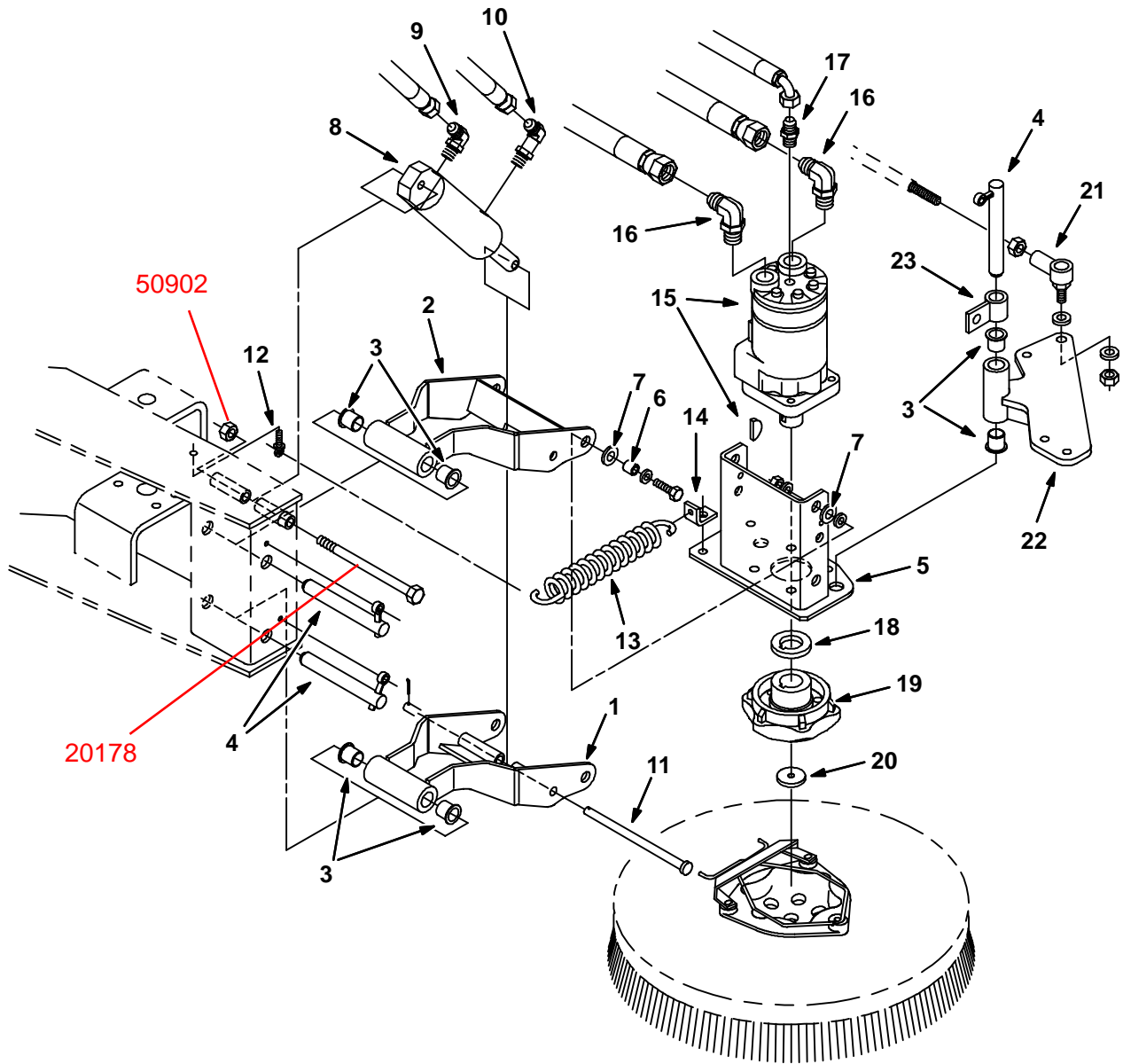


Fig. 50 – Left Scrub Brush Group

Ref.	TENNANT Part No.	Machine Serial Number	Description	Qty.
1	72663	(000000– )	Link, Lower	1
2	72773	(000000– )	Link Wldt, Upper	1
3	72777	(000000– )	Bushing, Flanged, .625 Id	4
4	72775	(000000– )	Pin, Scrub Brush, .625D 5.00L	3
5	72839	(000000– )	Bracket, Motor	1
6	56624	(000000– )	Spacer, Pulley	4
7	86952	(000000– )	Washer–Flat .44 Std Nylon	8
8	73089	(000000– )	Cylinder, Hyd 1.5B 02.8S.2500	1
9	77097	(000000– )	Ftg–Hyd E90 Jm04/Om04	1
10	82825	(000000– )	Ftg–Hyd E90 Jm04/Om04	1
11	49924	(000000– )	Pin,Clevis,0.37 Dia.X 6.12 Lg	1
12	48079	(000000– )	Bolt–Eye, .25–20Th .25B 1.4L	1
13	33404	(000000– )	Spring, Tension	1
14	72832	(000000– )	Angle, Retainer, Spring	1
15	73090	(000000– )	Motor, Hyd Gear In 07.3 B 1500 (See Breakdowns)	1
16	44868	(000000– )	Ftg–Hyd E90 Jm08/Om08	2
17	55586	(000000– )	Ftg–Hyd Str Jm04/Om04	1
18	25611	(000000– )	Spacer Hub	1
19	72625	(000000– )	Hub, Brush Drive	1
20	19191	(000000– )	Spacer Hub	1
21	05686	(000000– )	Rod End M10 X1.5 W/Stud	1
22	72860	(000000– )	Arm Wldt, Support, Sqge,Lh	1
23	72842	(000000– )	Tube	1

Fig. 51 – Center Scrub Brush Group

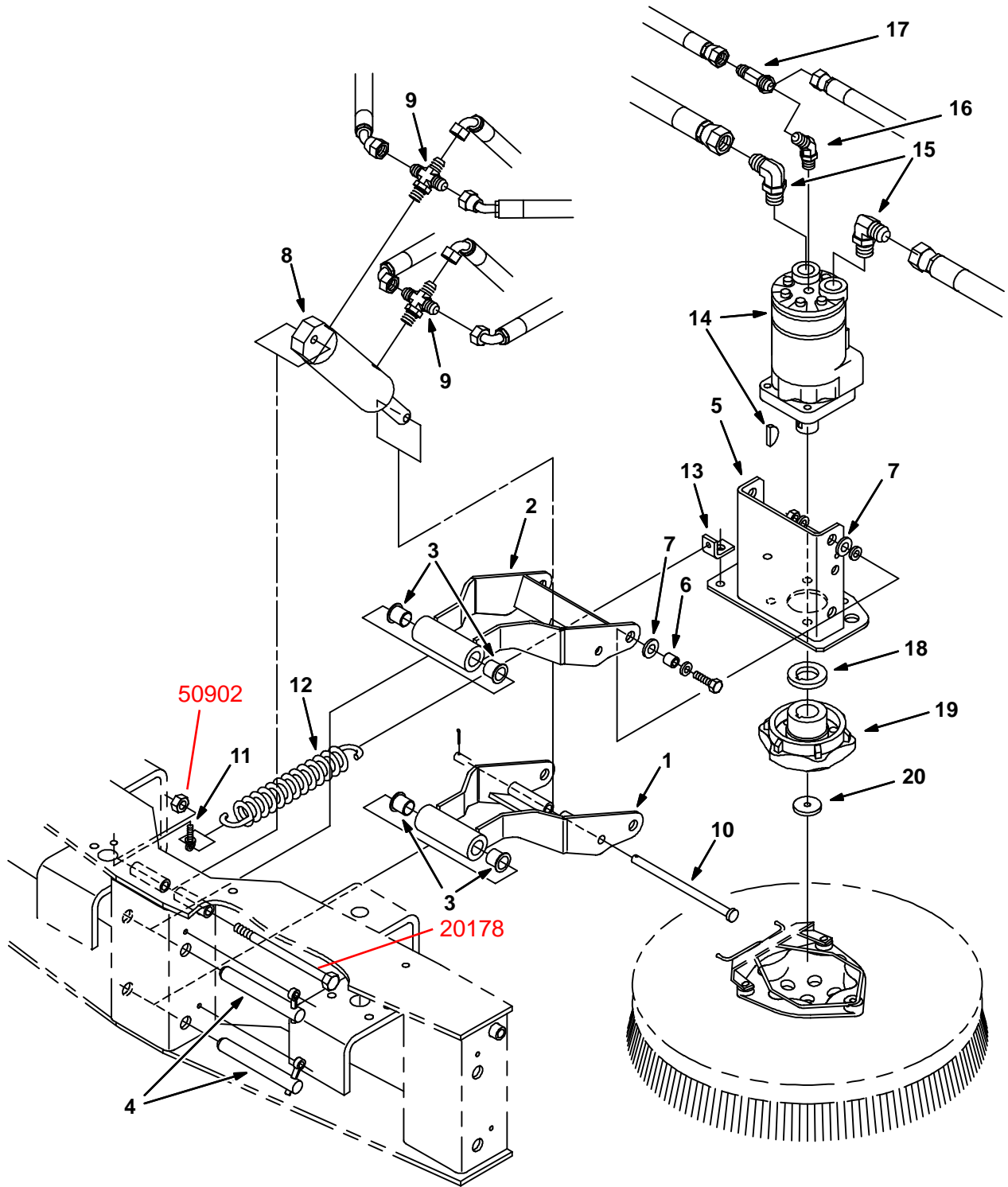


Fig. 51 – Center Scrub Brush Group

Ref.	TENNANT Part No.	Machine Serial Number	Description	Qty.
1	72663	(000000– )	Link, Lower	1
2	72773	(000000– )	Link Wldt, Upper	1
3	72777	(000000– )	Bushing, Flanged, .625 Id	4
4	72775	(000000– )	Pin, Scrub Brush, .625D 5.00L	2
5	72839	(000000– )	Bracket, Motor	1
6	56624	(000000– )	Spacer, Pulley	4
7	86952	(000000– )	Washer–Flat .44 Std Nylon	8
8	73089	(000000– )	Cylinder, Hyd 1.5B 02.8S.2500	1
9	82802	(000000– )	Ftg–Hyd Crs Jm04/Om04	2
10	49924	(000000– )	Pin,Clevis,0.37 Dia.X 6.12 Lg	1
11	48079	(000000– )	Bolt–Eye, .25–20Th .25B 1.4L	1
12	33404	(000000– )	Spring, Tension	1
13	72832	(000000– )	Angle, Retainer, Spring	1
14	73090	(000000– )	Motor, Hyd Gear In 07.3 B 1500 (See Breakdowns)	1
15	44868	(000000– )	Ftg–Hyd E90 Jm08/Om08	2
16	34359	(000000– )	Ftg–Hyd E45 Jm04/Om04	1
17	57411	(000000– )	Ftg–Hyd Tee Jm04Jfjm	1
18	25611	(000000– )	Spacer Hub	1
19	72625	(000000– )	Hub, Brush Drive	1
20	19191	(000000– )	Spacer Hub	1

Fig. 52 – Right Scrub Brush Group

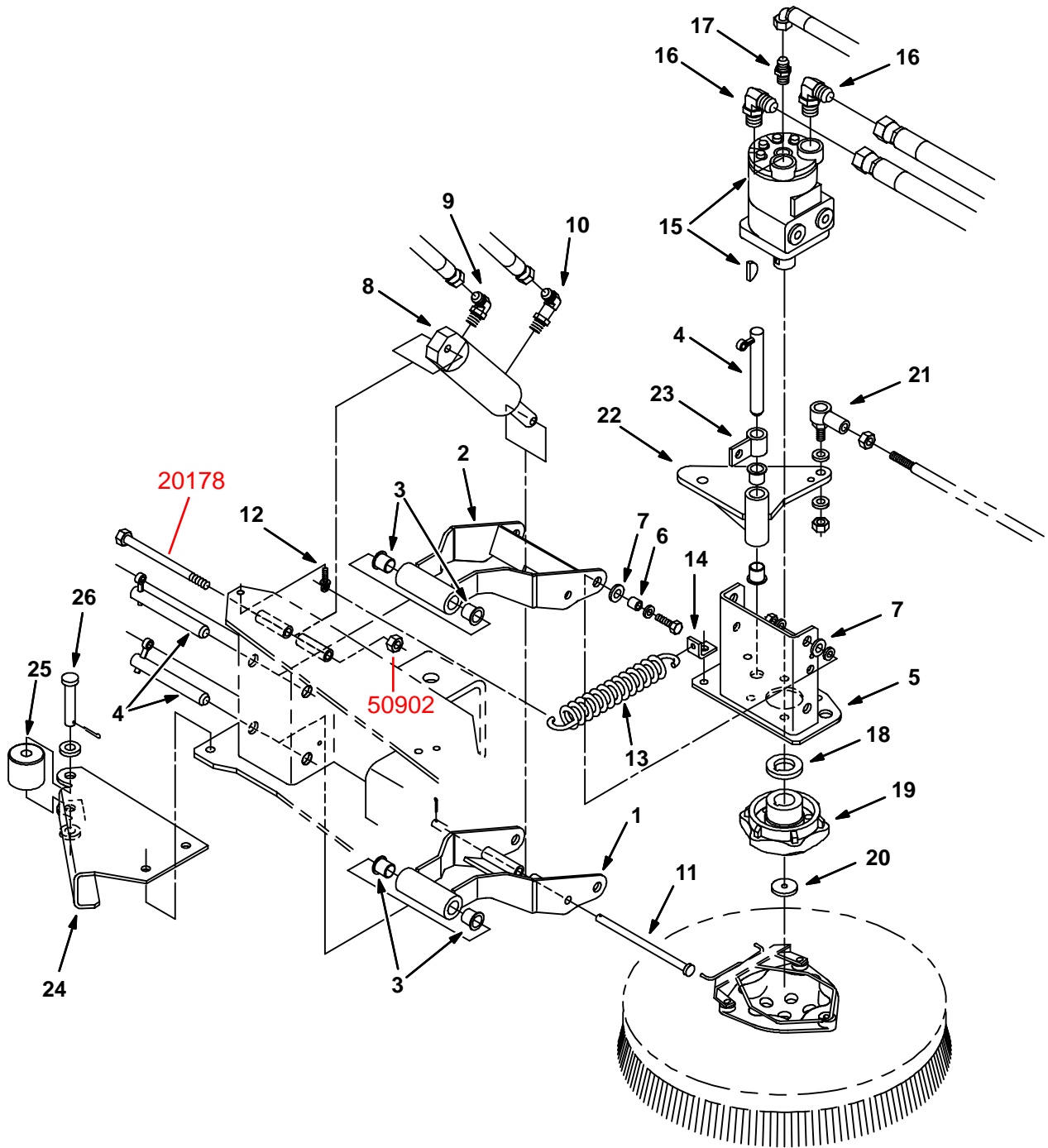


Fig. 52 – Right Scrub Brush Group

Ref.	TENNANT Part No.	Machine Serial Number	Description	Qty.
1	72663	(000000– )	Link, Lower	1
2	72773	(000000– )	Link Wldt, Upper	1
3	72777	(000000– )	Bushing, Flanged, .625 Id	4
4	72775	(000000– )	Pin, Scrub Brush, .625D 5.00L	3
5	72839	(000000– )	Bracket, Motor	1
6	56624	(000000– )	Spacer, Pulley	4
7	86952	(000000– )	Washer–Flat .44 Std Nylon	8
8	73089	(000000– )	Cylinder, Hyd 1.5B 02.8S.2500	1
9	77097	(000000– )	Ftg–Hyd E90 Jm04/Om04	1
10	82825	(000000– )	Ftg–Hyd E90 Jm04/Om04	1
11	49924	(000000– )	Pin,Clevis,0.37 Dia.X 6.12 Lg	1
12	48079	(000000– )	Bolt–Eye, .25–20Th .25B 1.4L	1
13	33404	(000000– )	Spring, Tension	1
14	72832	(000000– )	Angle, Retainer, Spring	1
15	73090	(000000– )	Motor, Hyd Gear In 07.3 B 1500 (See Breakdowns)	1
16	44868	(000000– )	Ftg–Hyd E90 Jm08/Om08	2
17	55586	(000000– )	Ftg–Hyd Str Jm04/Om04	1
18	25611	(000000– )	Spacer Hub	1
19	72625	(000000– )	Hub, Brush Drive	1
20	19191	(000000– )	Spacer Hub	1
21	05686	(000000– )	Rod End M10 X1.5 W/Stud	1
22	72859	(000000– )	Arm Wldt, Support, Squeegee,Rh	1
23	72842	(000000– )	Tube	1
24	72945	(000000– )	Guard, Scrub, Edge	1
25	72946	(000000– )	Roller 1.75	1
26	06279	(000000– )	Pin,Clevis,0.50 Dia.X 2.50 Lg	1

**Fig. 53 – Hydraulic Control Solenoid Valve Group**

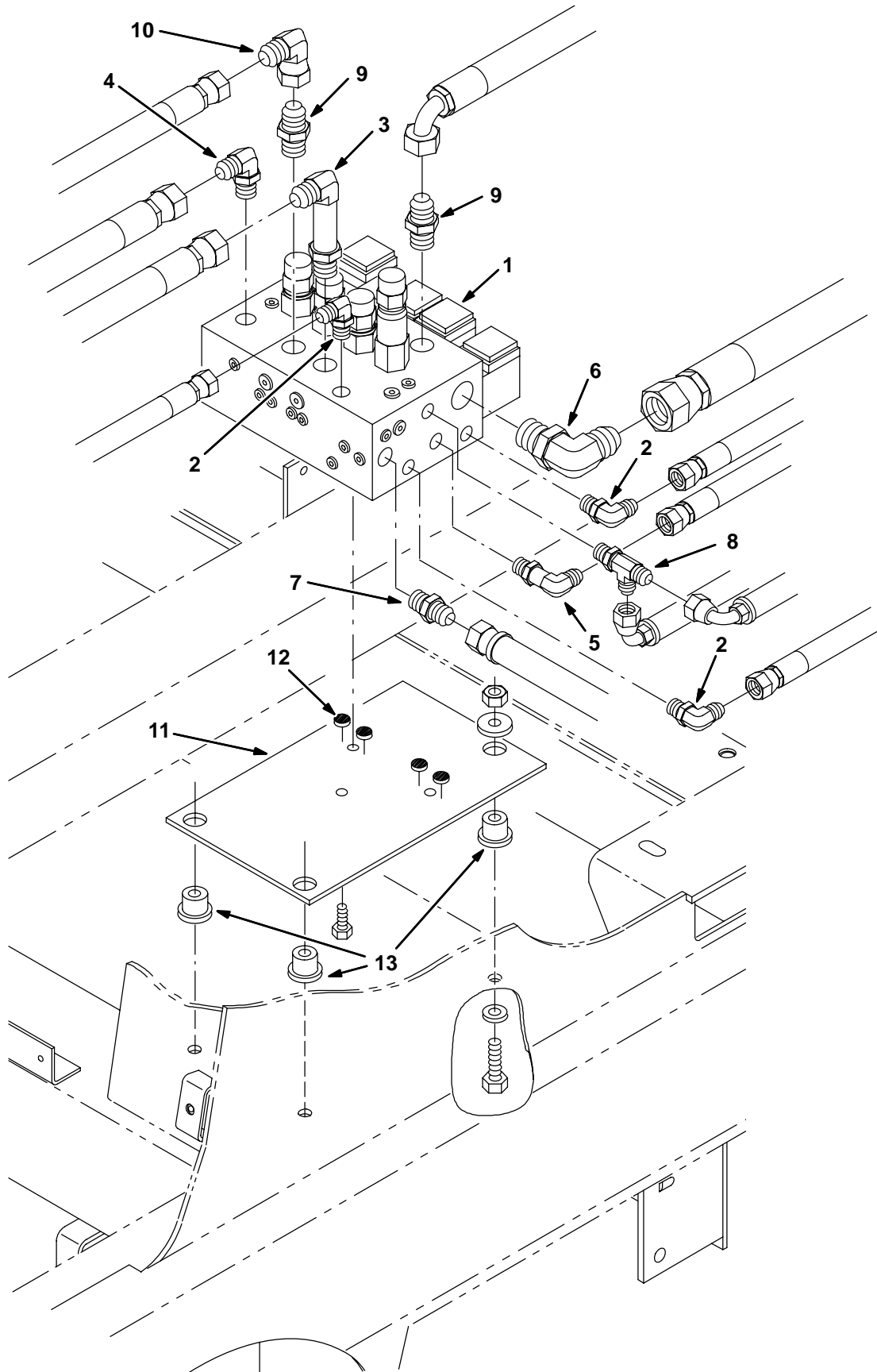




Fig. 53 – Hydraulic Control Solenoid Valve Group

Ref.	TENNANT Part No.	Machine Serial Number	Description	Qty.
1	73099	(000000– )	Valve, Hyd Control Sol (See Breakdowns)	1
2	77097	(000000– )	Ftg–Hyd E90 Jm04/Om04	3
3	69173	(000000– )	Ftg–Hyd E90 Jm08/Om08	1
4	56820	(000000– )	Ftg–Hyd E90 Jm06/Om06	1
5	82825	(000000– )	Ftg–Hyd E90 Jm04/Om04	1
6	46481	(000000– )	Ftg–Hyd E90 Jm12/Om12	1
7	56690	(000000– )	Ftg–Hyd Str Jm06/Om06	1
8	34390	(000000– )	Ftg–Hyd Tee Jm04Jmom	1
9	44869	(000000– )	Ftg–Hyd Str Jm08/Om08	2
10	17980	(000000– )	Ftg–Hyd E90 Jm08/Jf08	1
11	77260	(000000– )	Plate, Mounting, Valve	1
12	64757	(000000– )	Bumper, rubber, .50 Dia	4
13	54274	(000000– )	Isolator–Vibration,125Lb.Ratng	3

Fig. 54 – Right Side Squeegee Group

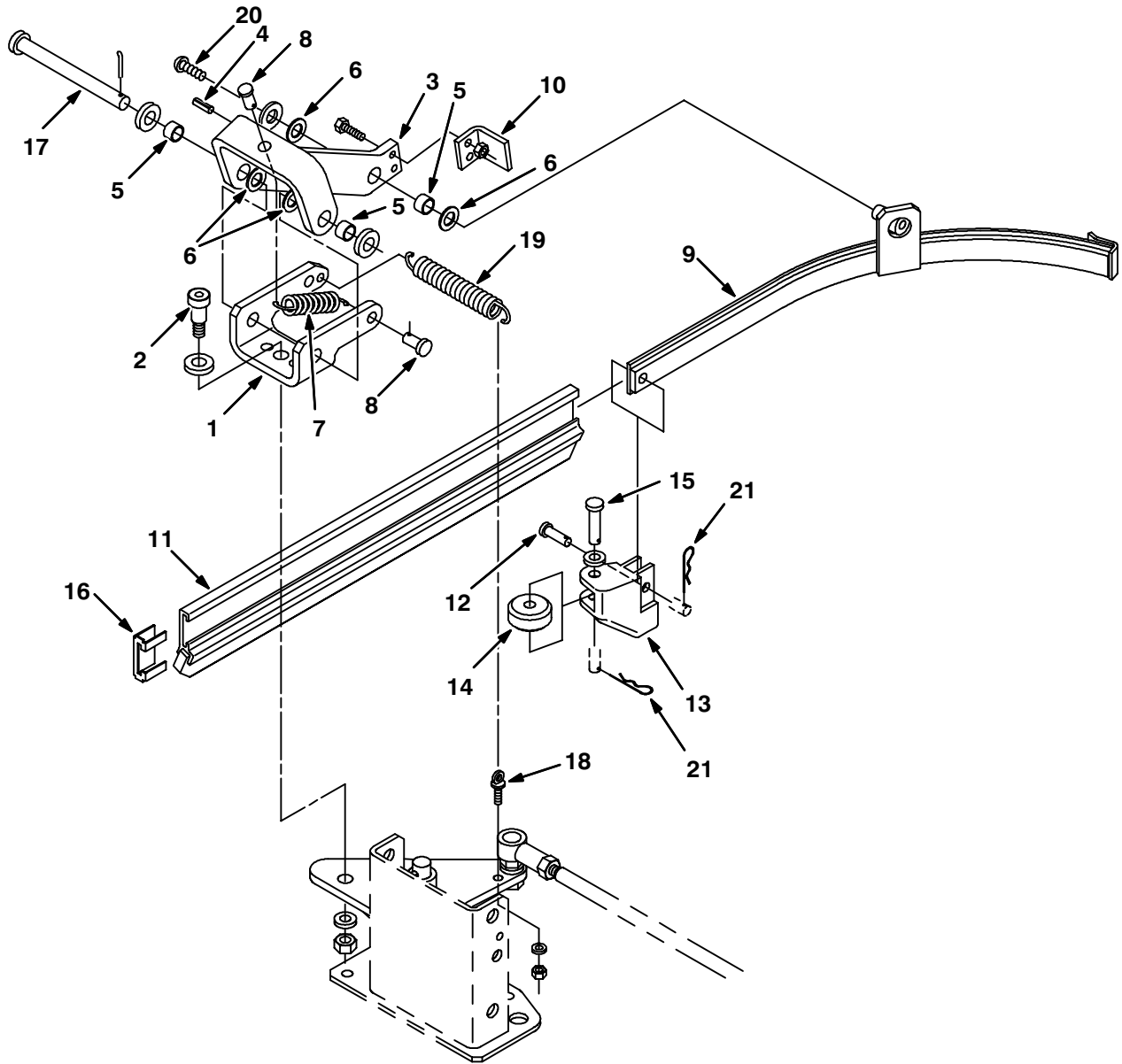


Fig. 54 – Right Side Squeegee Group

Ref.	TENNANT Part No.	Machine Serial Number	Description	Qty.
1	72664	(000000– )	Bracket, Pivot	1
2	33123	(000000– )	Scr–Shld .50Odx0.75L .38–16	1
3	72870	(000000– )	Arm, Squeegee, Rh	1
4	17404	(000000– )	Pin,Roll,.25Odx0.75L,.250/.256	1
5	64173	(000000– )	Bearing,.50X.38	3
6	86860	(000000– )	Bearing, Thrust .500	4
7	87816	(000000– )	Spring, Extension	1
8	41305	(000000– )	Pin Clevis 0.37 Dia X 0.75 Lg	2
9	72876	(000000– )	Frame Wldt, Squeegee , Rh	1
10	72871	(000000– )	Angle, Stop, Squeegee	1
11	72934	(000000– )	Blade Assy, Squeegee, Side, Rh	1
12	69582	(000000– )	Pin,Clevis,0.31 Dia X 1.00 Lg	1
13	77333	(000000– )	Guide, Side Squeegee	1
14	77331	(000000– )	Roller,Side Squeegee	1
15	29558	(000000– )	Pin,Clevis,0.37 Dia.X 1.50 Lg	1
16	86759	(000000– )	Retainer, Squeegee	1
17	51538	(000000– )	Pin,Clevis,0.50 Dia.X 5.00 Lg	1
18	48079	(000000– )	Bolt–Eye, .25–20Th .25B 1.4L	1
19	29499	(000000– )	Spring, Tens.750Dx.10Wirex4.5	1
20	17284	(000000– )	Scr–Butn M8X1.25 16 Ss18–8	1
21	08085	(000000– )	Pin, Hair Cotter	2

Fig. 55 – Left Side Squeegee Group

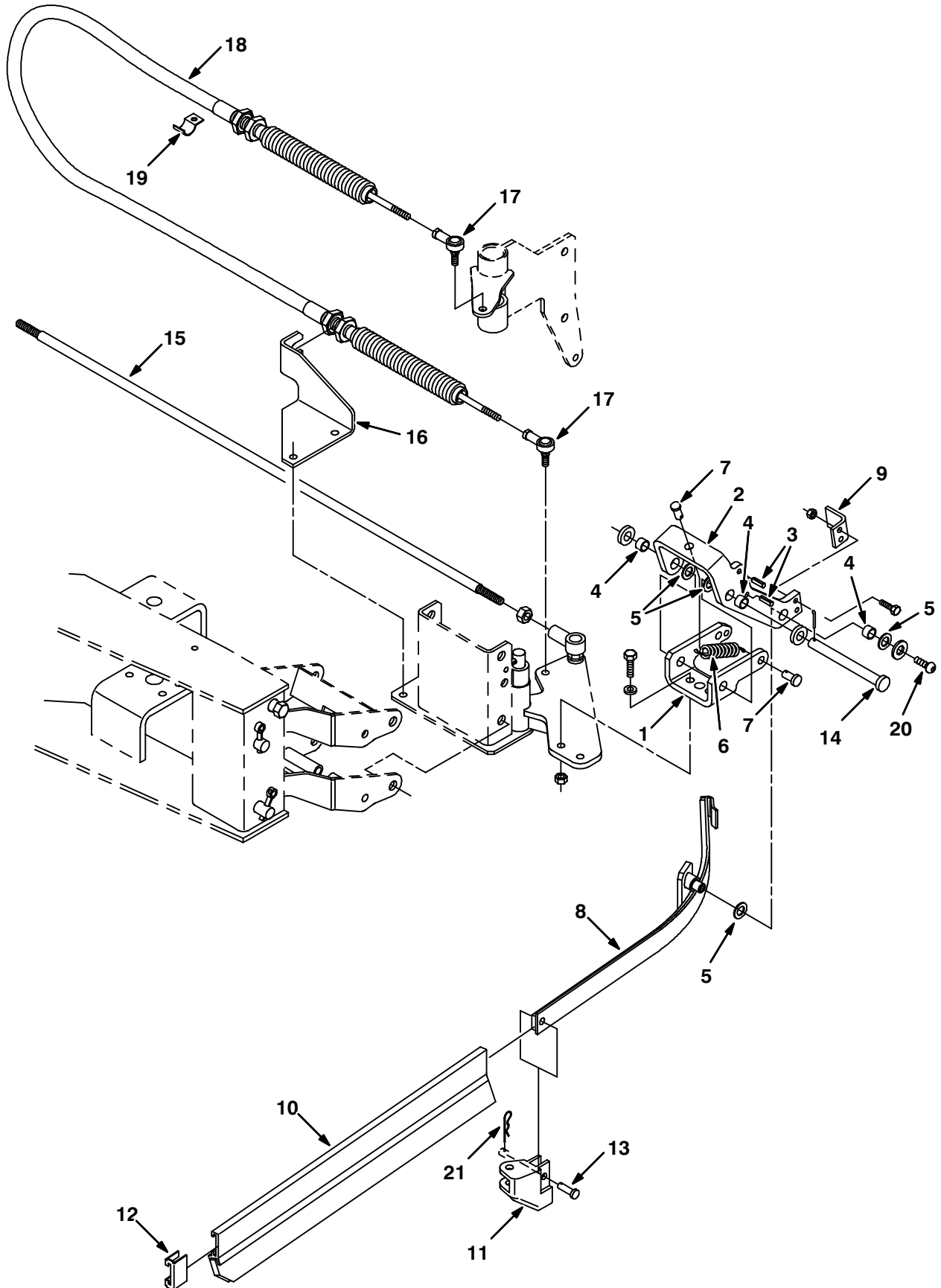


Fig. 55 – Left Side Squeegee Group

Ref.	TENNANT Part No.	Machine Serial Number	Description	Qty.
1	72664	(000000– )	Bracket, Pivot	1
2	72869	(000000– )	Arm, Squeegee, Lh	1
3	17404	(000000– )	Pin,Roll,.25Odx0.75L,.250/.256	2
4	64173	(000000– )	Bearing,.50X.38	3
5	86860	(000000– )	Bearing, Thrust .500	4
6	87816	(000000– )	Spring, Extension	1
7	41305	(000000– )	Pin Clevis 0.37 Dia X 0.75 Lg	2
8	72875	(000000– )	Frame Wldt, Squeegee, Lh	1
9	72871	(000000– )	Angle, Stop, Squeegee	1
10	72933	(000000– )	Blade Assy, Squeegee, Side, Lh	1
11	77333	(000000– )	Guide, Side Squeegee	1
12	86759	(000000– )	Retainer, Squeegee	1
13	69582	(000000– )	Pin,Clevis,0.31 Dia X 1.00 Lg	1
14	51538	(000000– )	Pin,Clevis,0.50 Dia.X 5.00 Lg	1
15	72838	(000000– )	Rod, Tie, Squeegee	1
16	72864	(000000– )	Bracket, Support, Cable	1
17	36466	(000000– )	Rod End .312–24 W/Stud	2
18	72837	(000000– )	Cable, Push/Pull	1
19	15128–1	(000000– )	Clamp–Conduit, 1 Hole 0.50Dia	1
20	17284	(000000– )	Scr–Butn M8X1.25 16 Ss18–8	1
21	08085	(000000– )	Pin, Hair Cotter	1

Fig. 56 – Rear Squeegee Linkage Group

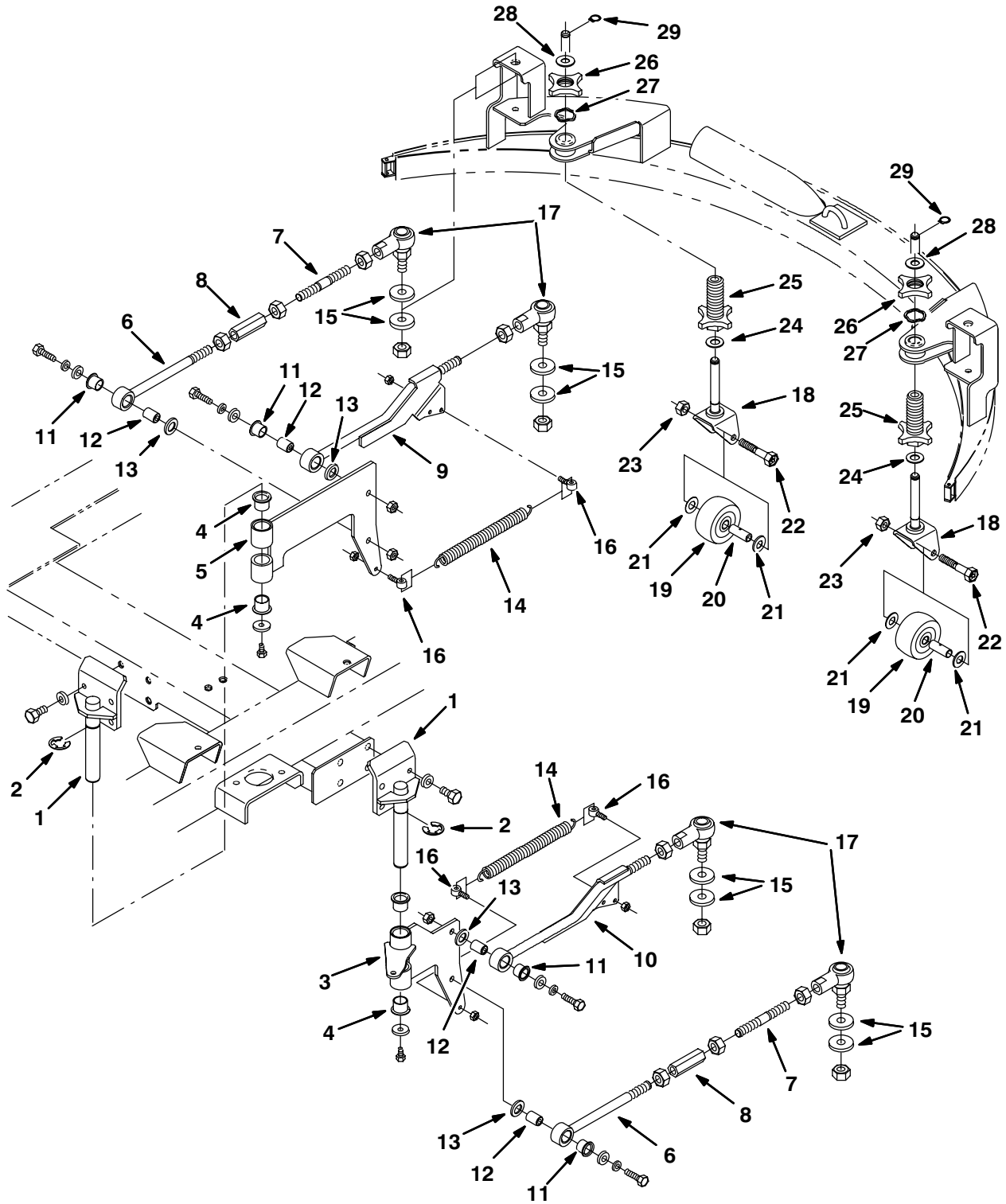


Fig. 56 – Rear Squeegee Linkage Group

Ref.	TENNANT Part No.	Machine Serial Number	Description	Qty.
1	72715	(000000– )	Pivot Wldt	2
2	23788	(000000– )	Ring, Retain, Ex, 0.98Od, E–Ring	2
3	73368	(000000– )	Pivot Wldt, Lh	1
4	54618	(000000– )	Bearing, Flange, 1.00 Bore	4
5	73365	(000000– )	Pivot Wldt, Rh	1
6	73375	(000000– )	Arm Wldt, Bottom	2
7	77224	(000000– )	Arm	2
8	72919	(000000– )	Turnbuckle	2
9	73372	(000000– )	Arm Wldt, Top, Rh	1
10	77273	(000000– )	Arm Wldt, Top, Lh	1
11	72763	(000000– )	Bearing, Flange, .750 Bore	4
12	73370	(000000– )	Sleeve, .414B .74D .92 Stl	4
13	04846	(000000– )	Washer, Thrust	4
14	46785–1	(000000– )	Sprng, Tens, 0.87Odx. 13Wire 9.0L	2
15	32494	(000000– )	Washer Flt .62 Hard	8
16	69998	(000000– )	Bolt–Eye, M 8X1.25 .328 1.18L	4
17	77275	(000000– )	Balljoint, Rod End 5/8–18	4
▽	78979	(000000– )	Squeegee Caster Replacement Kit	2
18	84593	(000000– )	Pivot Wldt, Squeegee Caster	1
19	10165	(000000– )	Wheel, Caster 3.00D	1
20	75050	(000000– )	Bushing, Spanner – Special 550	1
21	64425	(000000– )	Washer, .656B 1.25D .06W	2
22	76943	(000000– )	Bolt, Axle w/Zerk	1
23	02931	(000000– )	Nut–Hxlocnyln .50–13 RegSS18–8	1
24	07450	(000000– )	Bearing, Thrust .66B 1.25D .06W	1
25	77228	(000000– )	Knob, Adjuster	1
26	77227	(000000– )	Knob, Jam	1
27	79217	(000000– )	Washer, Wave Spring 1.20B X 1.54D	1
28	77272	(000000– )	Washer .60 OB 1.13D .10 SS8–8	1
29	01516	(000000– )	Ring, Retain, Ex, 0.59OD, Basic	1

assembly

Fig. 57 – Rear Squeegee Frame and Lift Group

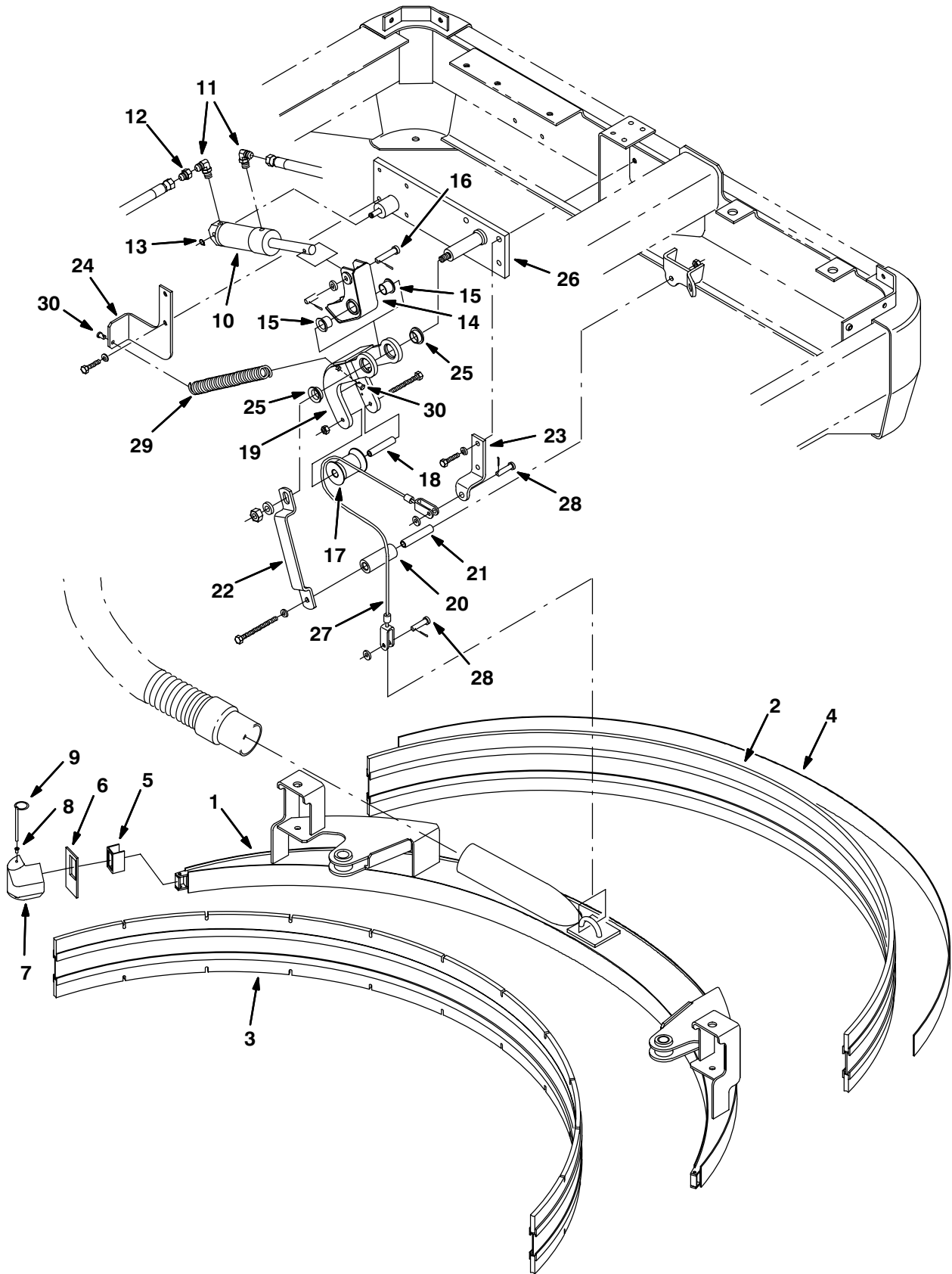




Fig. 57 – Rear Squeegee Frame and Lift Group

Ref.	TENNANT Part No.	Machine Serial Number	Description	Qty.
1	73344	(000000– )	Frame Wldt, Squeegee	1
2	73357	(000000– )	Blade Assy, Squeegee, Rear	1
3	73360	(000000– )	Blade Assy, Squeegee, Front	1
4	72917	(000000– )	Strip, Retaining	1
5	12542	(000000– )	Bracket, Retainer	2
6	86812	(000000– )	Gasket, Squeegee	2
∇	10687	(000000– )	Bumper Kit, Squeegee	2
7	10683	(000000– )	Bumper, Squeegee	1
8	79219	(000000– )	Retainer	2
9	86327	(000000– )	Pin, Hitch	2
10	73089	(000000– )	Cylinder, Hyd 1.5B 02.8S.2500	1
11	77097	(000000– )	Ftg–Hyd E90 Jm04/Om04	2
12	79447	(000000– )	Ftg–Hyd Rst Jm04/.036	1
13	23524–1	(000000– )	Ring,Retain,Ex,0.37Od,Selflock	1
14	83780	(000000– )	Bellcrank Assy, Upper	1
15	56166	(000000– )	Bearing, 1.00 DIA x .75 L	2
16	222260	(000000– )	Pin,Clevis,0.37 Dia.X 2.25 Lg	1
17	83749	(000000– )	Roller Thimble	1
18	83756	(000000– )	Sleeve, Roller	1
19	83781	(000000– )	Bellcrank Assy, Lower	1
20	23006	(000000– )	Roller	2
21	23005	(000000– )	Sleeve, Roller	2
22	23002	(000000– )	Bracket, Gusset, Rear	1
23	72910	(000000– )	Bracket, Cable Clip	1
24	23001	(000000– )	Bracket, Spring	1
25	83733	(000000– )	Bearing, 1.00 DIA x .38 L	2
26	23004	(000000– )	Pin Wldt	1
27	10542	(000000– )	Cable	1
28	86240	(000000– )	Pin, Clevis .375 Dia X 1.13 Lg	2
29	23007	(000000– )	Spring, Extension	1
30	41305	(000000– )	Pin, Clevis	2

Fig. 58 – Solution Control Group

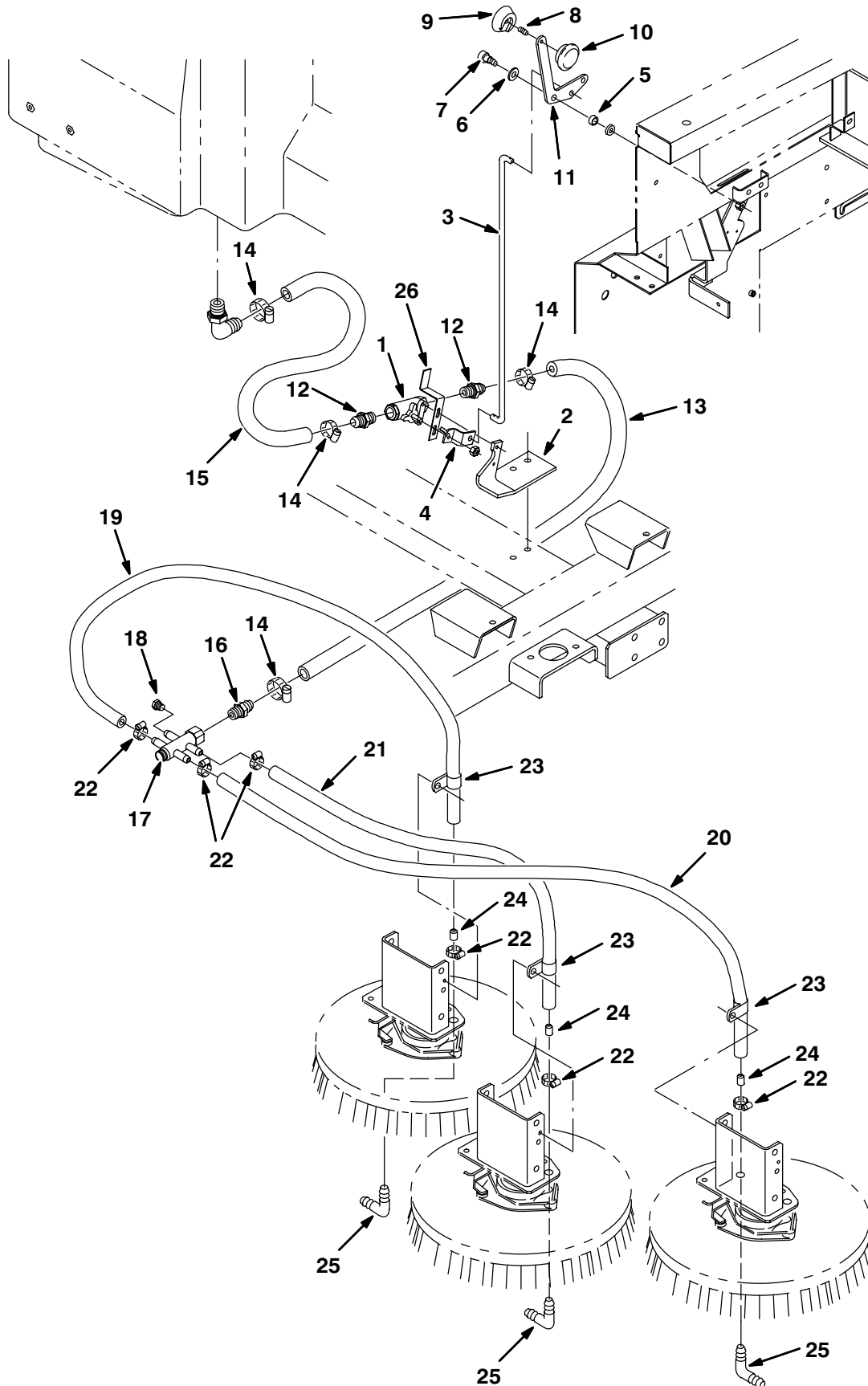


Fig. 58 – Solution Control Group

Ref.	TENNANT Part No.	Machine Serial Number	Description	Qty.
1	12060	(000000-010081)	Valve Water 3/4 Nptf	1
1	79350	(010082- )	Valve Water 3/4 Nptf	1
2	72753	(000000- )	Bracket, Valve	1
3	72752	(000000- )	Rod, Valve	1
4	72751	(000000- )	Lever, Valve	1
5	46231	(000000- )	Sleeve, .515B .62D .28 Cr.	1
6	89710	(000000- )	Washer, Nylon .5X1.0X.03	1
7	36758	(000000- )	Scr-Shld .500Dx0.50L .38-16	1
8	70847	(000000- )	Screw Set M 6X1.020	1
9	70827	(000000- )	Knob	1
10	64434	(000000- )	Knob	1
11	72754	(000000- )	Handle, Valve	1
12	79273-2	(000000- )	Ftg,Plstc,Cplg,Barb.75Pt-.75Hs	2
13	73477	(000000- )	Hose, Vinyl, Clr, .75ldx 50.Lg	1
14	86824	(000000- )	Clamp-Wormdrive 0.50-1.06D	4
15	73474	(000000- )	Hose, Vinyl,Clear	1
16	78398	(000000- )	Ftg,Plstc,Str,Barb.50Pt-.75Hse	1
17	72950	(000000- )	Manifold, Plastic	1
18	50896	(000000- )	Ftg-Plug Npt 02Pm Hx Hd Plasti	1
19	72951	(000000- )	Hose, Pvc .50ldx.73Od 18.0Lg	1
20	72953	(000000- )	Hose, Pvc .50ldx.73Od 23.0Lg	1
21	72952	(000000- )	Hose, Pvc .50ldx.73Od 12.5Lg	1
22	54333	(000000- )	Clamp-Wormdrive, 0.31- 0.88D	6
23	67767	(000000- )	Clamp-Cable,.69Dia. 62Wth	3
24	77334	(000000- )	Fitting, Plastic, Str,Ba.31ld-	3
25	63987-1	(000000- )	Ftg,Plstc,Elb,Barb.50Hs-.50Hse	3
26	79336	(010082- )	Bracket, Holder	1

Fig. 59 – Solution Tank Group

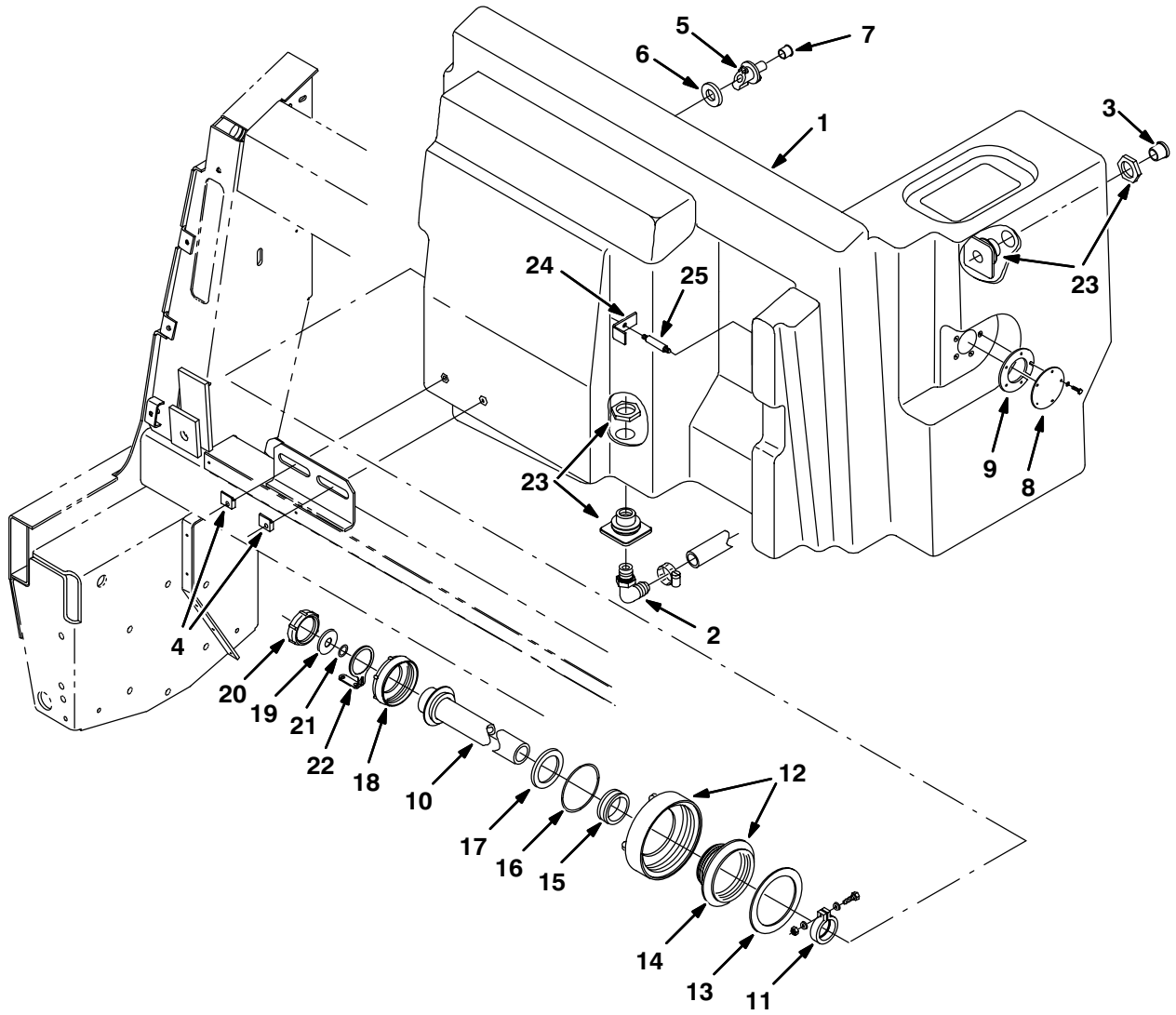


Fig. 59 – Solution Tank Group

Ref.	TENNANT Part No.	Machine Serial Number	Description	Qty.
1	78868	(000000– )	Tank, Solution W/Label	1
2	14877	(000000– )	Ftg Plastic E90 .75Barb .75Npt	1
3	75611	(000000– )	Ftg–Plug Npt 12Pm Rd Hd Plstc.	1
4	73142	(000000– )	Clamp, Mtg, Tank	2
5	78840	(000000– )	Valve, Check Gr	1
6	73342	(000000– )	Gasket, Valve Gr	1
7	78740	(000000– )	Plug, Cap, Check Valve	1
8	86755	(000000– )	Cap, Plate	1
9	86591	(000000– )	Gasket	1
10	73149	(000000– )	Hose Assy, Drain	1
11	41454	(000000– )	Clamp, Hose	1
∇ 12	24358	(000000– )	Cap, Assembly, Tank	1
13	86579	(000000– )	Gasket, Lid	1
14	14864	(000000– )	Cover, Insert	1
15	41421	(000000– )	Seal, Hose	1
16	79320	(000000– )	Drain Cap Gasket	1
17	41451	(000000– )	Gasket Lid	1
18	14880	(000000– )	Cap, Drain Hose	1
19	32614	(000000– )	Gasket Cap	1
20	32613	(000000– )	Cap Drain	1
21	32669	(000000– )	Ring Retain E	1
22	32508	(000000– )	Strap Cap Retainer	1
23	77343	(000000– )	Ftg,Plstc,Str,Bk 12Pf/12Pf	1
24	78887	(000000– )	Bracket	1
25	78886	(000000– )	Threaded Rod	1

Fig. 60 – Recovery Tank Group

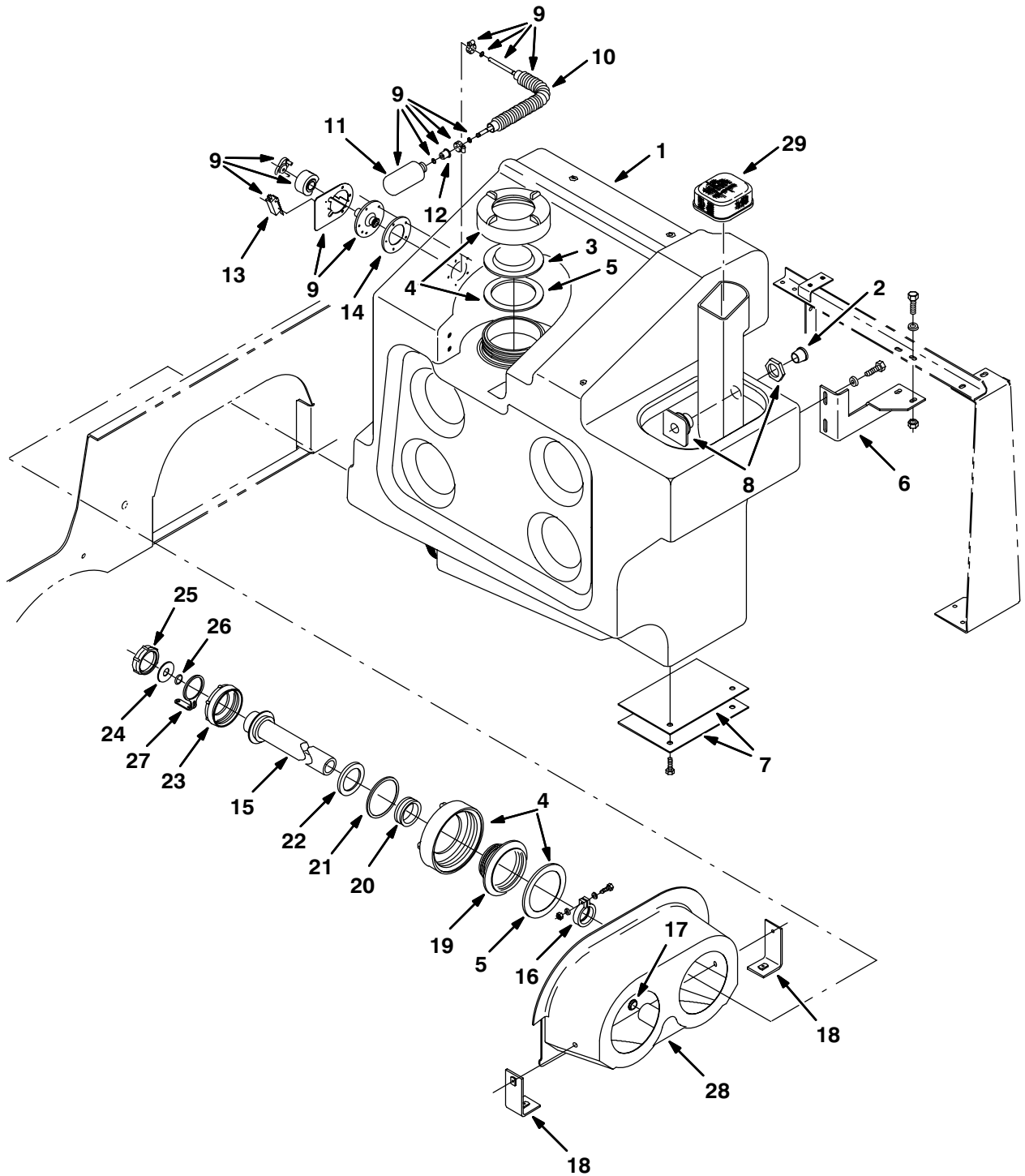


Fig. 60 – Recovery Tank Group

Ref.	TENNANT Part No.	Machine Serial Number	Description	Qty.
1	78869	(000000– )	Tank, Recovery W/Labels	1
2	75611	(000000– )	Ftg–Plug Npt 12Pm Rd Hd Plstc.	1
3	86636	(000000– )	Cover Lid	1
∇ 4	24358	(000000– )	Cap Assembly, Tank	3
5	86579	(000000– )	Gasket, Lid	1
6	77323	(000000– )	Bracket, Mtg, Tank	1
7	71079	(000000– )	Shim, Spacer	as Req.
8	77343	(000000– )	Ftg,Plstc,Str,Bk 12Pf/12Pf	2
∇ 9	73147	(000000– )	Level Sensing Assy	1
10	73145	(000000– )	Bellows, .75 Id 10.3L	1
11	50238	(000000– )	Float Bottle	1
12	50256	(000000– )	Plug, Float	1
13	44847	(000000– )	Switch, 15Amp 125/250Vac	1
14	86591	(000000– )	Gasket	1
15	73149	(000000– )	Hose Assy, Drain	1
16	41454	(000000– )	Clamp, Hose	1
17	58248	(000000– )	Plug	1
18	77234	(000000– )	Bracket	2
19	14864	(000000– )	Cover, Insert	1
20	41421	(000000– )	Seal, Hose	1
21	79320	(000000– )	Gasket, Drain Cap	1
22	41451	(000000– )	Gasket Lid	1
23	14880	(000000– )	Cap, Drain Hose	1
24	32614	(000000– )	Gasket Cap	1
25	32613	(000000– )	Cap Drain	1
26	32669	(000000– )	Ring Retain Ex, 0.75D	1
27	32508	(000000– )	Strap Cap Retainer	1
28	10679	(000000– )	Cover, Cleanout	1
29	10663	(000000– )	Screen, Vac Fan Inlet	1

Fig. 61 – Vacuum System Group

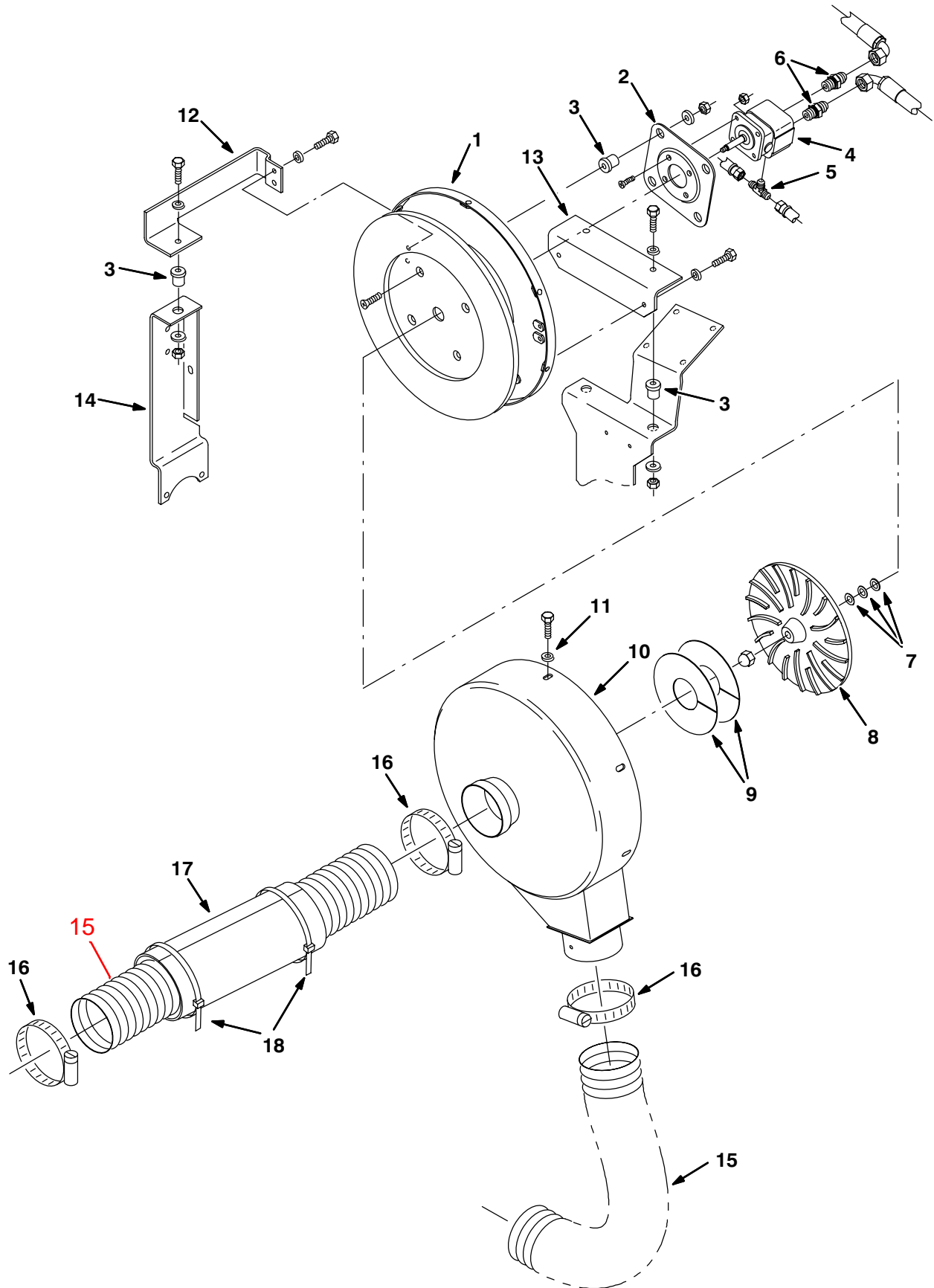




Fig. 61 – Vacuum System Group

Ref.	TENNANT Part No.	Machine Serial Number	Description	Qty.
1	73270	(000000– )	Housing Wldt, Rear	1
2	54275A	(000000– )	Bracket, Mounting Motor	1
3	54274	(000000– )	Isolator–Vibration,125Lb.Ratng	7
4	73112	(000000– )	Motor, Hyd Gear Ex 0.13L 3000 (See Breakdowns)	1
5	31599	(000000– )	Ftg–Hyd Tee Jm04Omjm	1
6	56692	(000000– )	Ftg–Hyd Str Jm08/Om10	2
7	75456–3	(000000– )	Shim .020Th 0.88Odx0.506ld	3
8	03922	(000000– )	Impeller 9.5 Dia. 18 Blade Mac	1
9	58114	(000000– )	Fan Reassembly Repair Kit	2
10	77222	(000000– )	Housing, Vac Fan W/Label	1
11	41186	(000000– )	Washer–Belleville .31 Pltd	6
12	72634	(000000– )	Bracket, Fan	1
13	72635	(000000– )	Bracket, Fan	1
14	72636	(000000– )	Bracket, Mtg, Fan	1
15	77320	(000000– )	Hose, Vacuum	2
16	79380	(000000– )	Clamp–Wormdrive, 2.63– 4.50D	3
17	75375	(010523– )	Flap, Containment, (LPG only)	1
18	79380	(000000– )	Cable, 9in Bundle Dia, (LPG only)	2

Fig. 62 – Steering Group

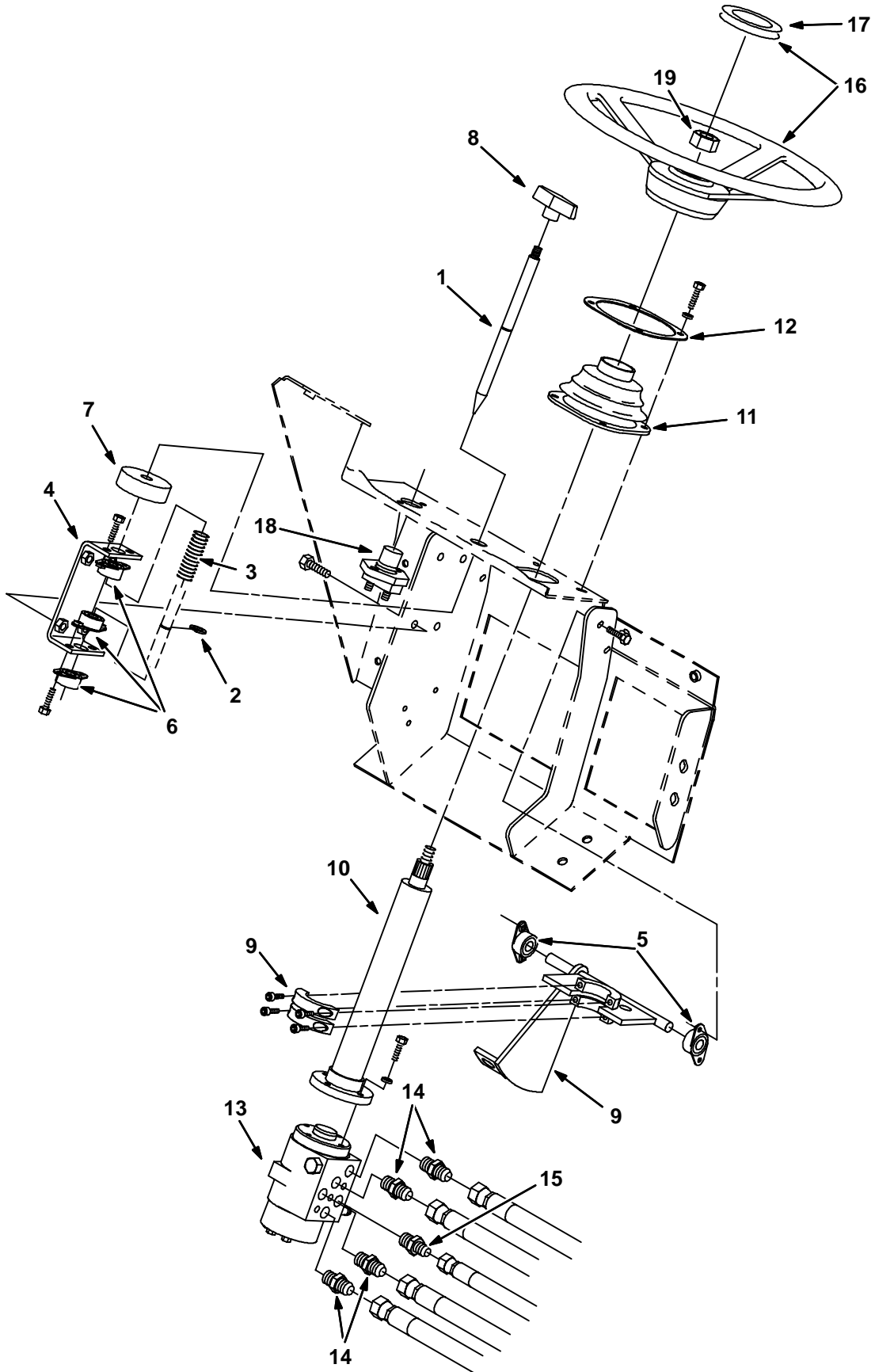


Fig. 62 – Steering Group

Ref.	TENNANT Part No.	Machine Serial Number	Description	Qty.
1	64651	(000000– )	Rod, Latch, Steering, Tilt	1
2	70717	(000000– )	Ring, Retain, Ex0.50Od,Heavydt	1
3	22290	(000000– )	Sprng,Comp,0.62Idx.06Wire 2.3L	1
4	64655	(000000– )	Channel, Mounting, Steering La	1
5	70709	(000000– )	Bearing, Flange .500B	2
6	47585	(000000– )	Bearing–Flange,2 Hole 0.50Bore	3
7	75968	(000000– )	Seal, Bearing	1
8	04706	(000000– )	Handle Lift Brush	1
9	73027	(000000– )	Bracket Wldt, Steering, Tilt	1
10	73061	(000000– )	Column, Steering #2 10Lg Wire	1
11	70622	(000000– )	Seal, Boot, Steering Column	1
12	70623	(000000– )	Plate, Mtg, Steering Boot	1
13	73093	(000000– )	Steer Control, Hyd#2 06.1 1000 (See Breakdowns)	1
14	56690	(000000– )	Ftg–Hyd Str Jm06/Om06	4
15	55685	(000000– )	Ftg–Hyd Str Jm04/Om06	1
∇ 16	56398	(000000– )	Wheel Steering 14DiAx36T	1
17	70218	(000000– )	Steering Wheel Cap	1
	70219	(000000– )	Steering Wheel Insert	1
18	44078	(000000– )	Switch, Pushmom, Spst100A 12V	1
19	56185	(000000– )	Nut	1

Fig. 63 – Instrument Panel Assembly Main Group

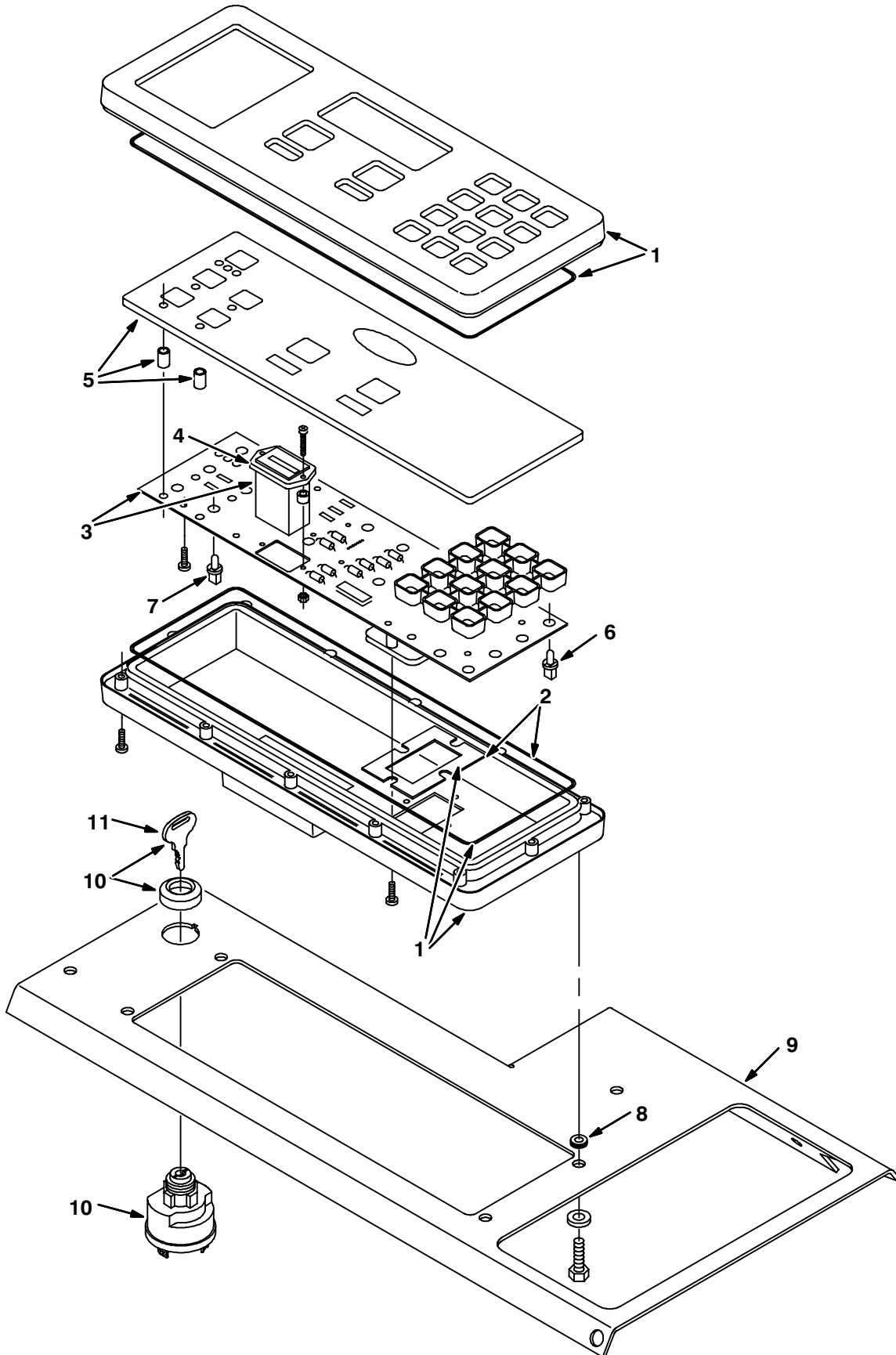


Fig. 63 – Instrument Panel Assembly Main Group

Ref.	TENNANT Part No.	Machine Serial Number	Description	Qty.
∇	73229	(000000– )	Replm Kit, Instr Panel	1
1	59976	(000000– )	Case, Replmt Kit	1
2	59977	(000000– )	Seal, Replmt Kit	1
∇ 3	73232	(000000– )	Replm Kit, Cir Board	1
4	59978	(000000– )	Hourmeter Replmt Kit	1
5	73231	(000000– )	Replm Kit, Touch Panel	1
6	59971	(000000– )	Lamp, Replmt Kit (8)	2
7	56346	(000000– )	Lamp, Replmt Kit (8)	2
8	10632–5	(000000– )	Grommet Rbr 0.25ld For .09Matl	4
9	73183	(000000– )	Panel, Instr	1
∇ 10	87536	(000000– )	Switch Ignition	1
11	87866	(000000– )	Key Set,Switch	1

Fig. 64 – Instrument Panel Auxiliary Group

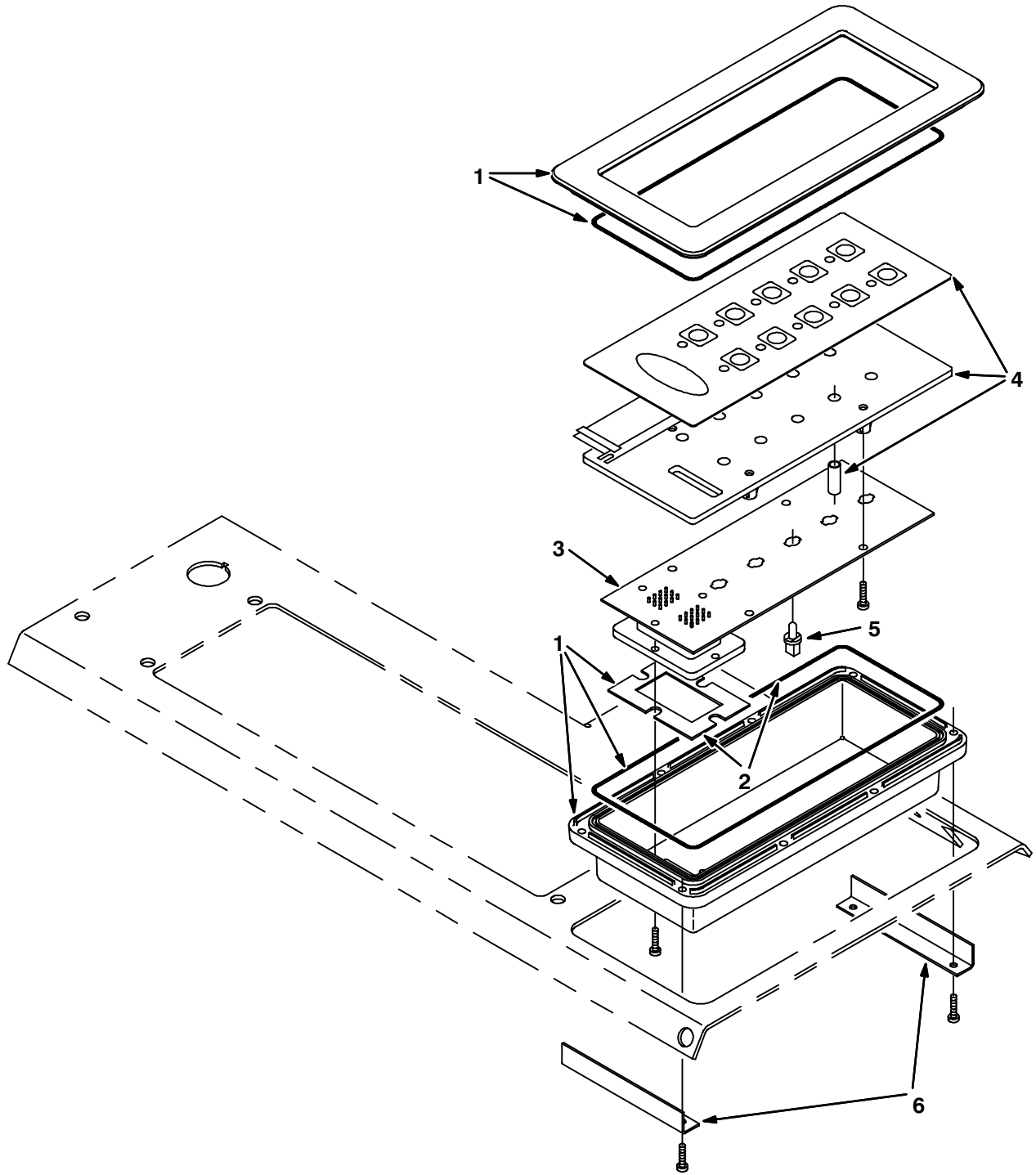


Fig. 64 – Instrument Panel Auxiliary Group

Ref.	TENNANT Part No.	Machine Serial Number	Description	Qty.
∇	73236	(000000– )	Replm Kit, Instr Panel	1
1	73235	(000000– )	Replm Kit, Case	1
2	73234	(000000– )	Replm Kit, Seal	1
3	73233	(000000– )	Replm Kit, Cir Board	1
4	73230	(000000– )	Replm Kit, Touch Panel	1
5	73205	(000000– )	Replm Kit, Lamp (5)	2
6	73239	(000000– )	Bracket, L	2

Fig. 65 – Circuit Breaker and Relay Group

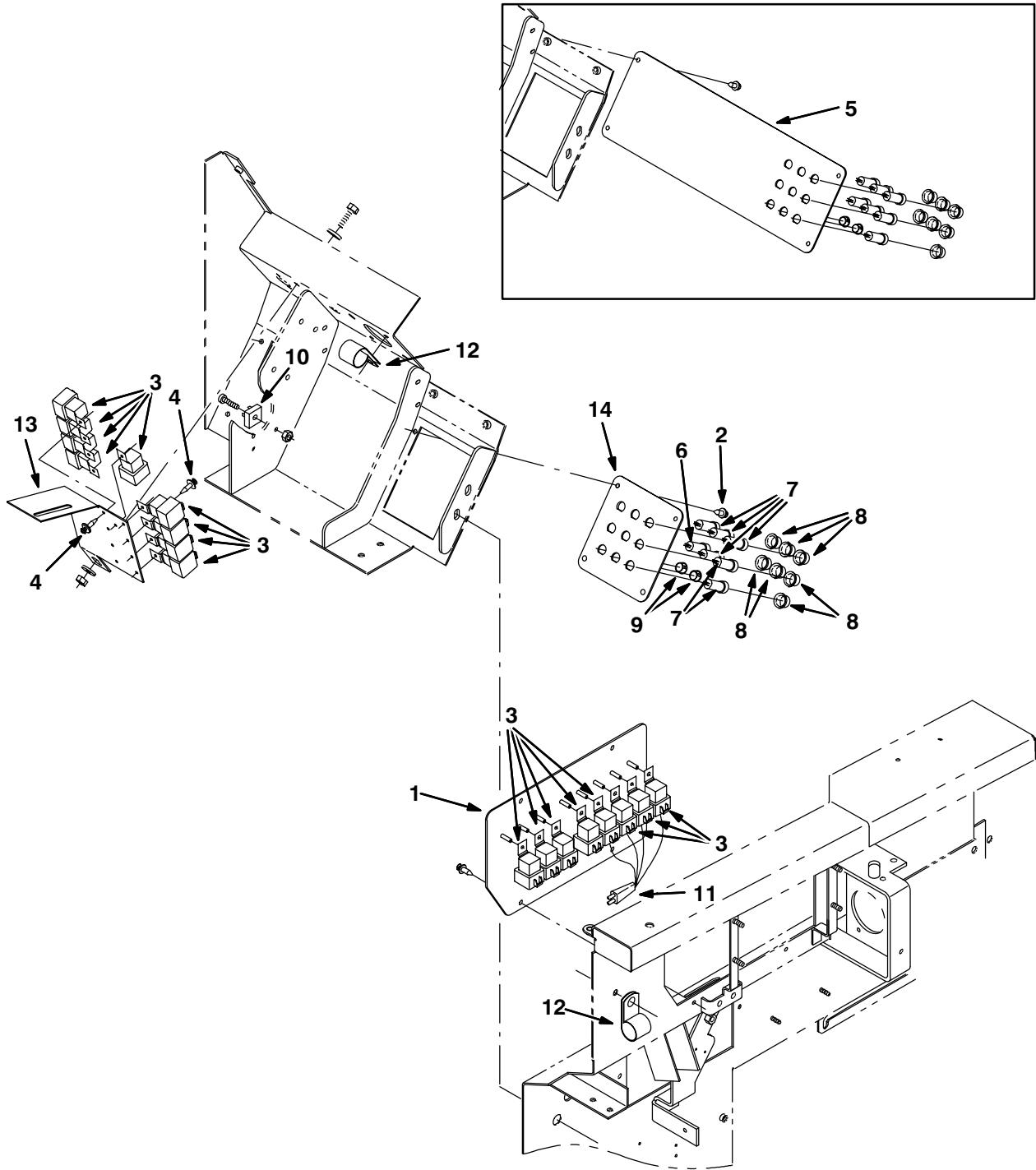




Fig. 65 – Circuit Breaker and Relay Group

Ref.	TENNANT Part No.	Machine Serial Number	Description	Qty.
1	73178	(000000– )	Plate, Relay	1
2	72971	(000000– )	Rivet, Plastic .325Dx.787	8
3	56186	(000000– )	Relay, Shrouded, 12 Vdc	17
4	72970	(000000– )	Rivet, Plastic .250Dx.898	9
5	73058	(000000– xxxxxx )	Plate, Circuit Breaker	1
6	57164	(000000– )	Breaker–Circuit 10 Resetable	1
7	57803	(000000– )	Breaker–Circuit, 15A Resetable	6
8	57751	(000000– )	Boot–Circuit Breaker	7
9	57167	(000000– )	Plugbtn .62H .03–.12 Blacknyl	2
10	10962	(000000– )	Diode, Bridge 12 Amp	1
11	73445	(000000– )	Diode Assy	1
12	58366	(000000– )	Clamp, Cable	2
13	72792	(000000– )	Bracket	1
14	10612	( xxxxxx– )	Plate, Circuit Breaker	1

Fig. 66 – Electrical Schematic

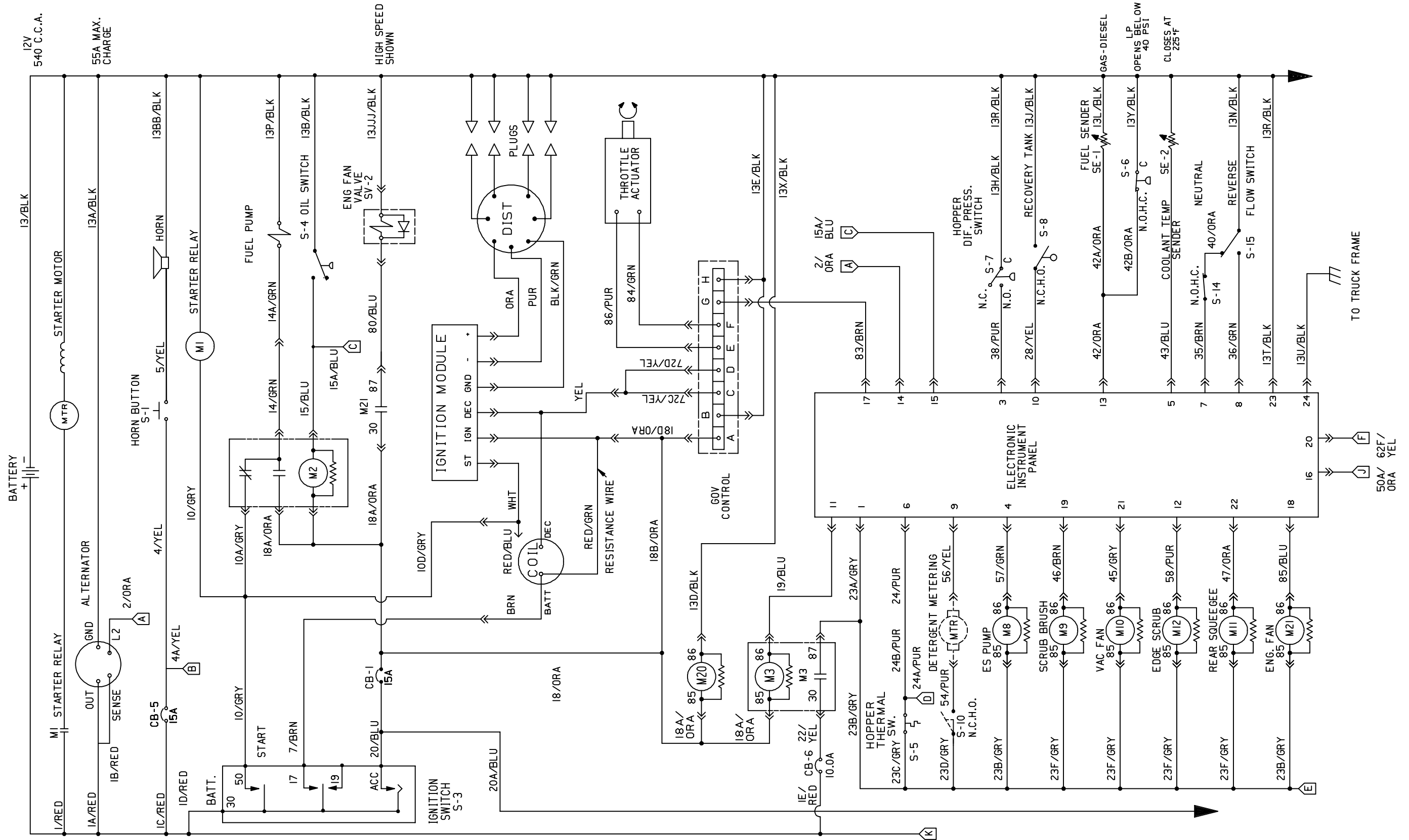
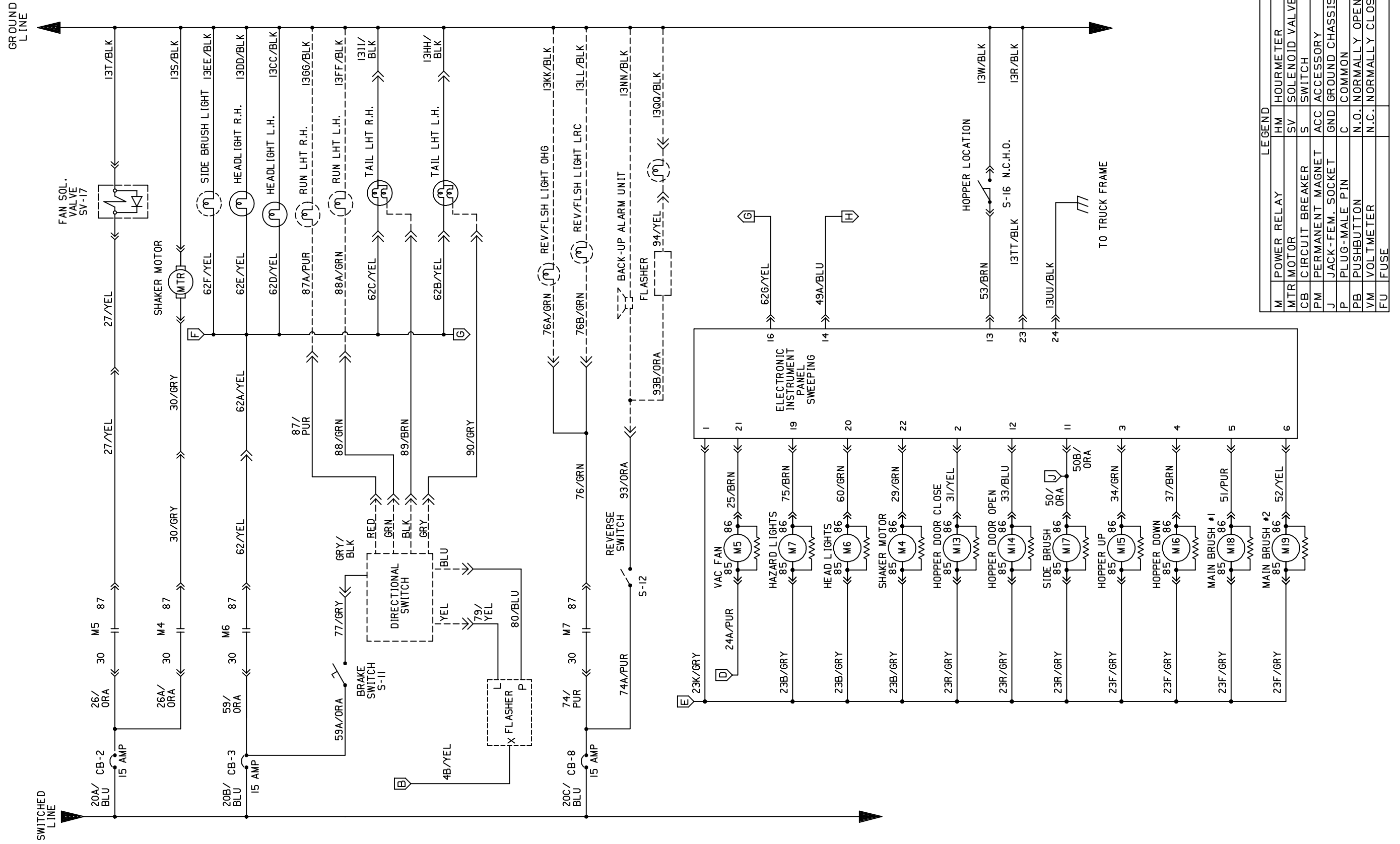


Fig. 66 – Electrical Schematic



LEGEND	
M	POWER RELAY
HM	HOURMETER
MTR	MOTOR
SV	SOLENOID VALVE
S	SWITCH
CB	CIRCUIT BREAKER
PM	PERMANENT MAGNET
ACC	ACCESSORY
J	JACK-FEM. SOCKET
GND	GROUND CHASSIS
P	PLUG-MALE PIN
PB	PUSHBUTTON
N.O.	NORMALLY OPEN
VM	VOLTMETER
N.C.	NORMALLY CLOSED
FU	FUSE

Fig. 66 – Electrical Schematic

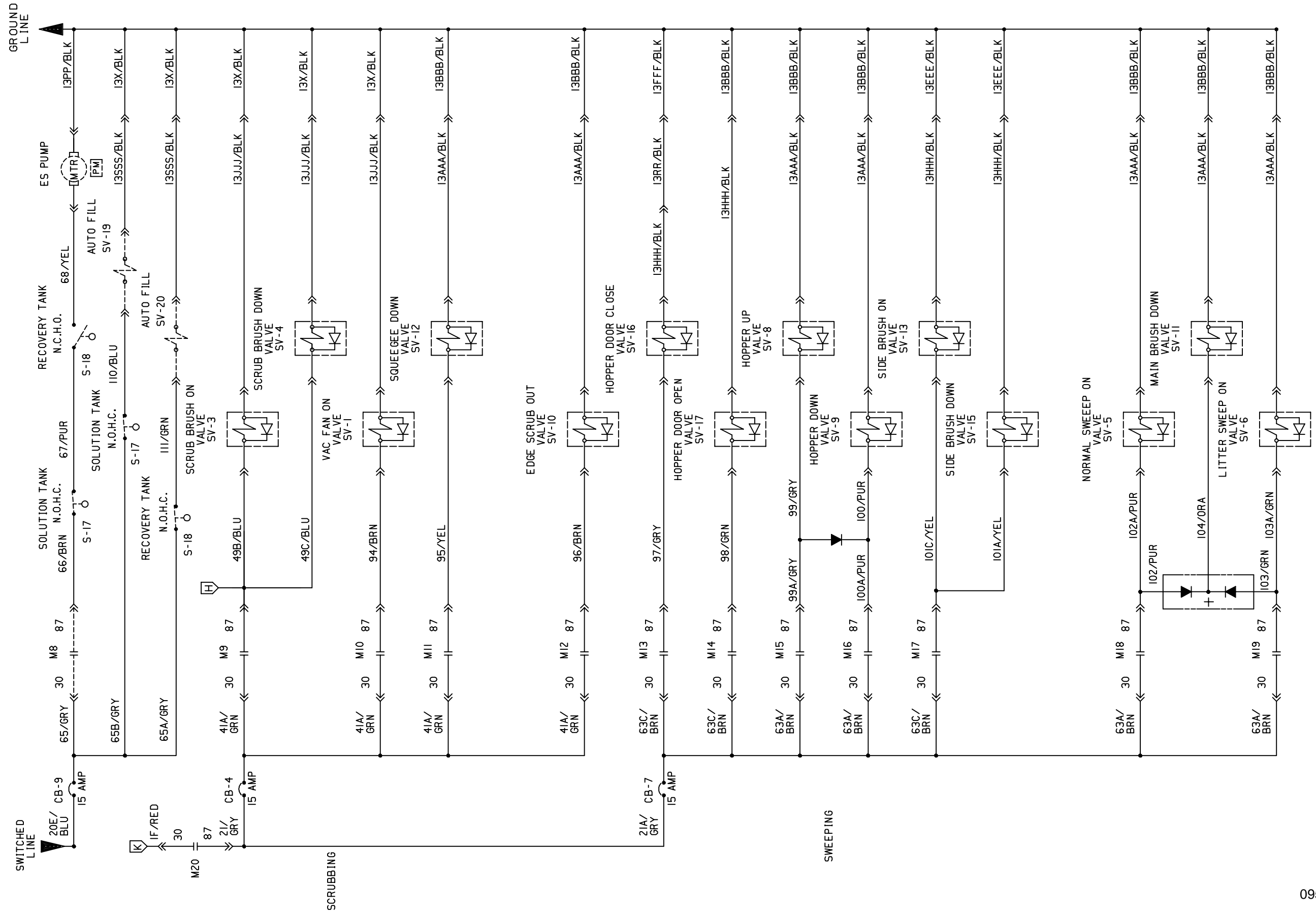


Fig. 67 - Wire Harness Group

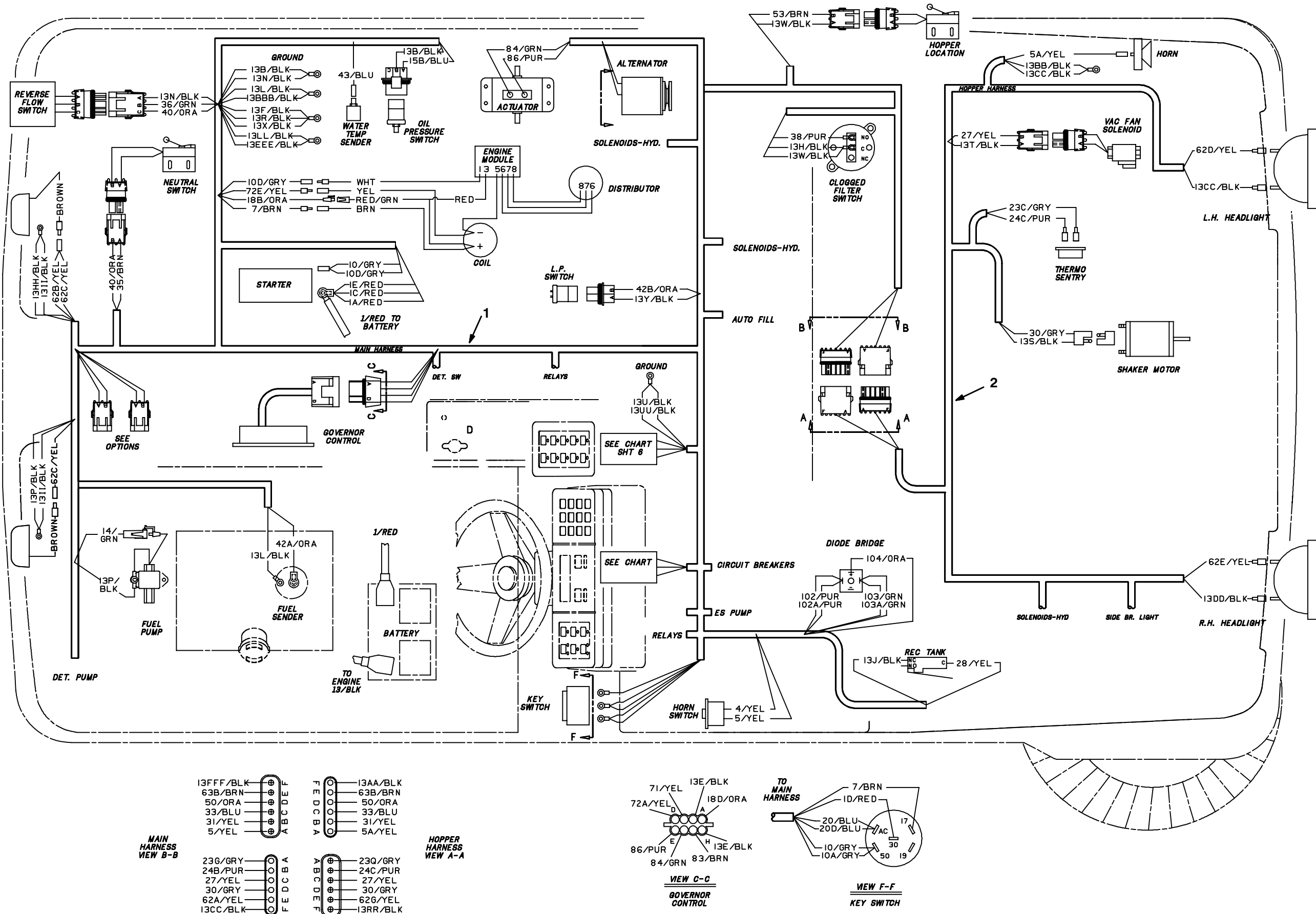
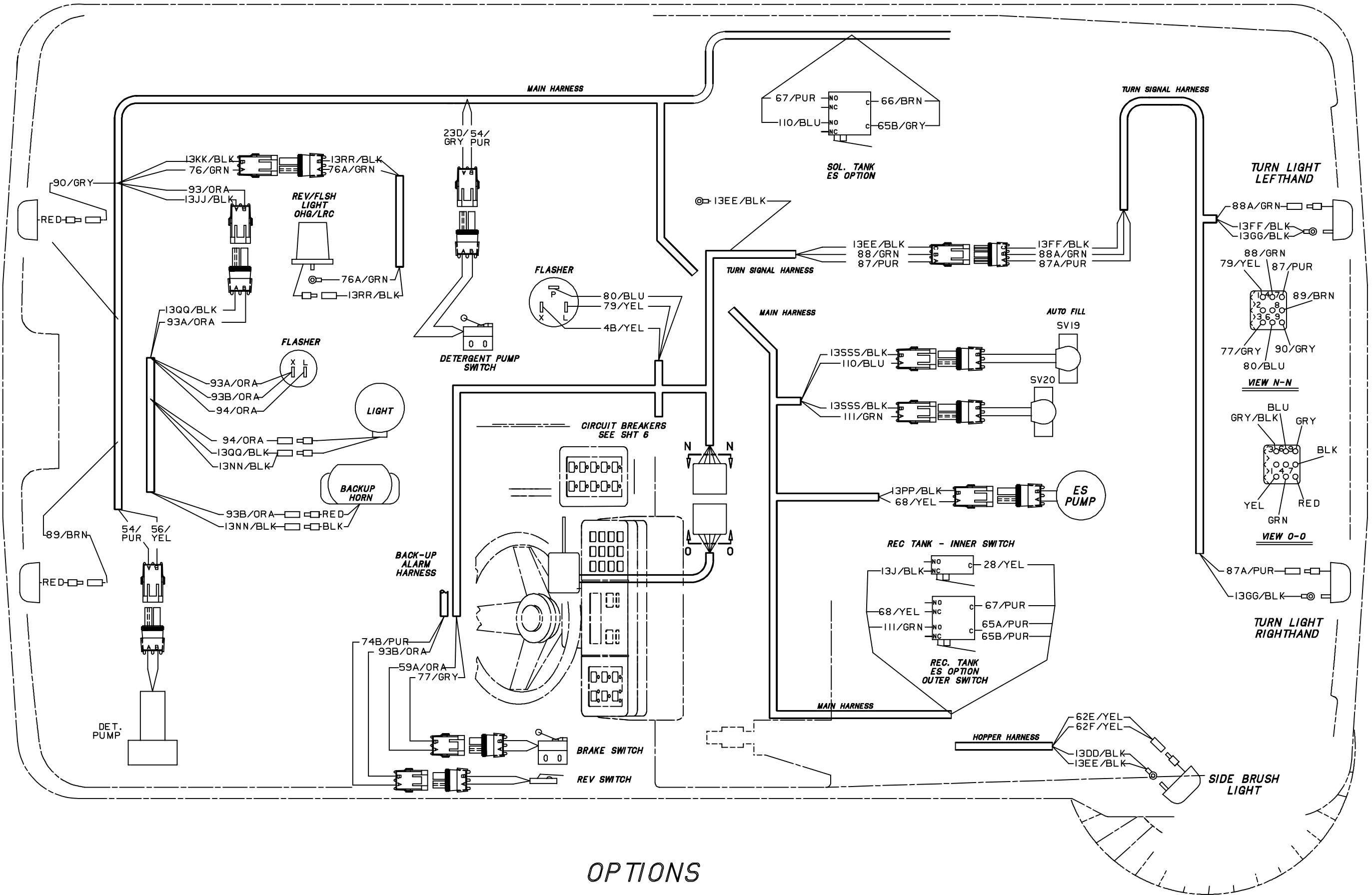


Fig. 67 – Wire Harnesses Group



OPTIONS

Fig. 67 – Wire Harness Group

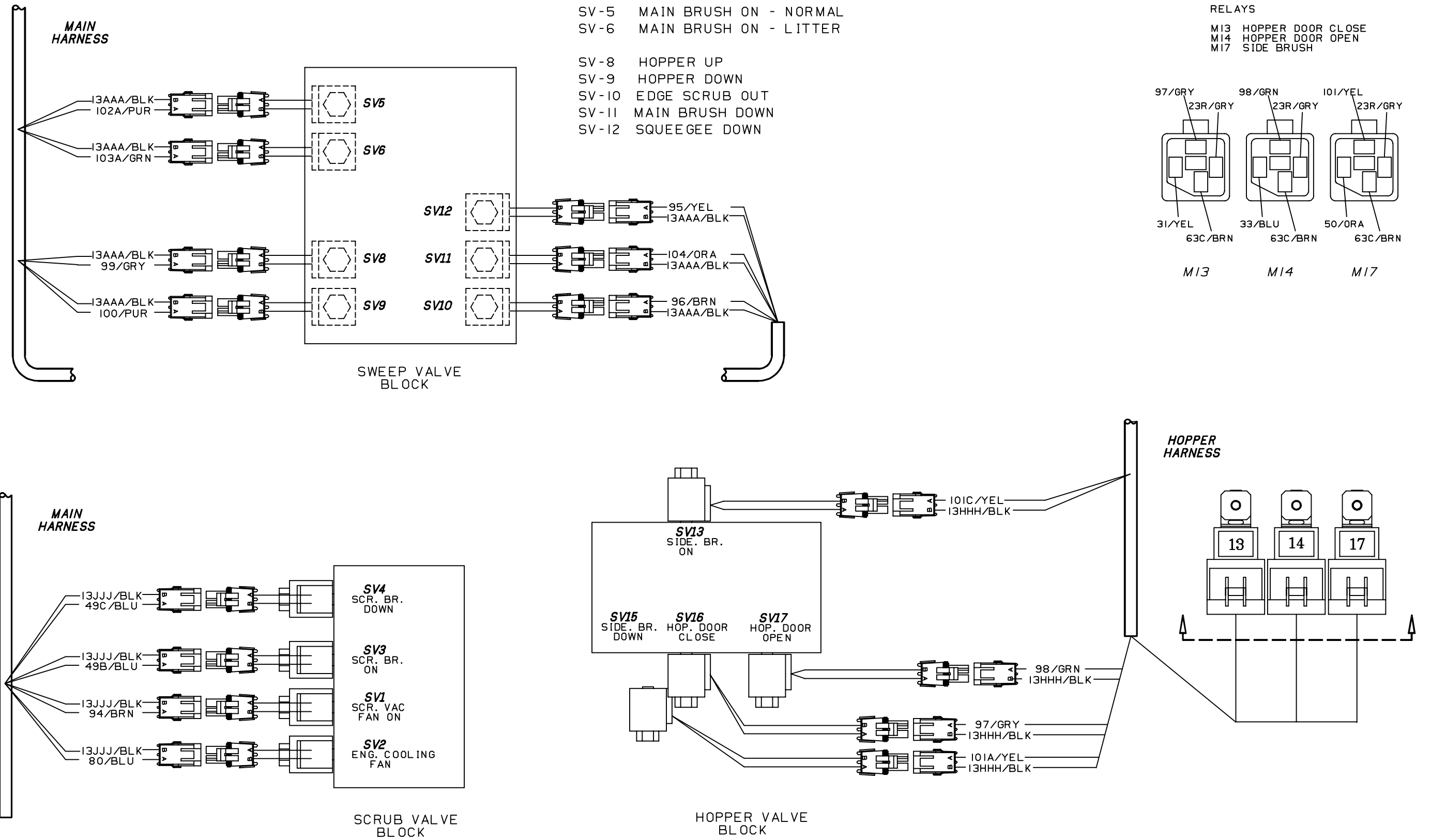
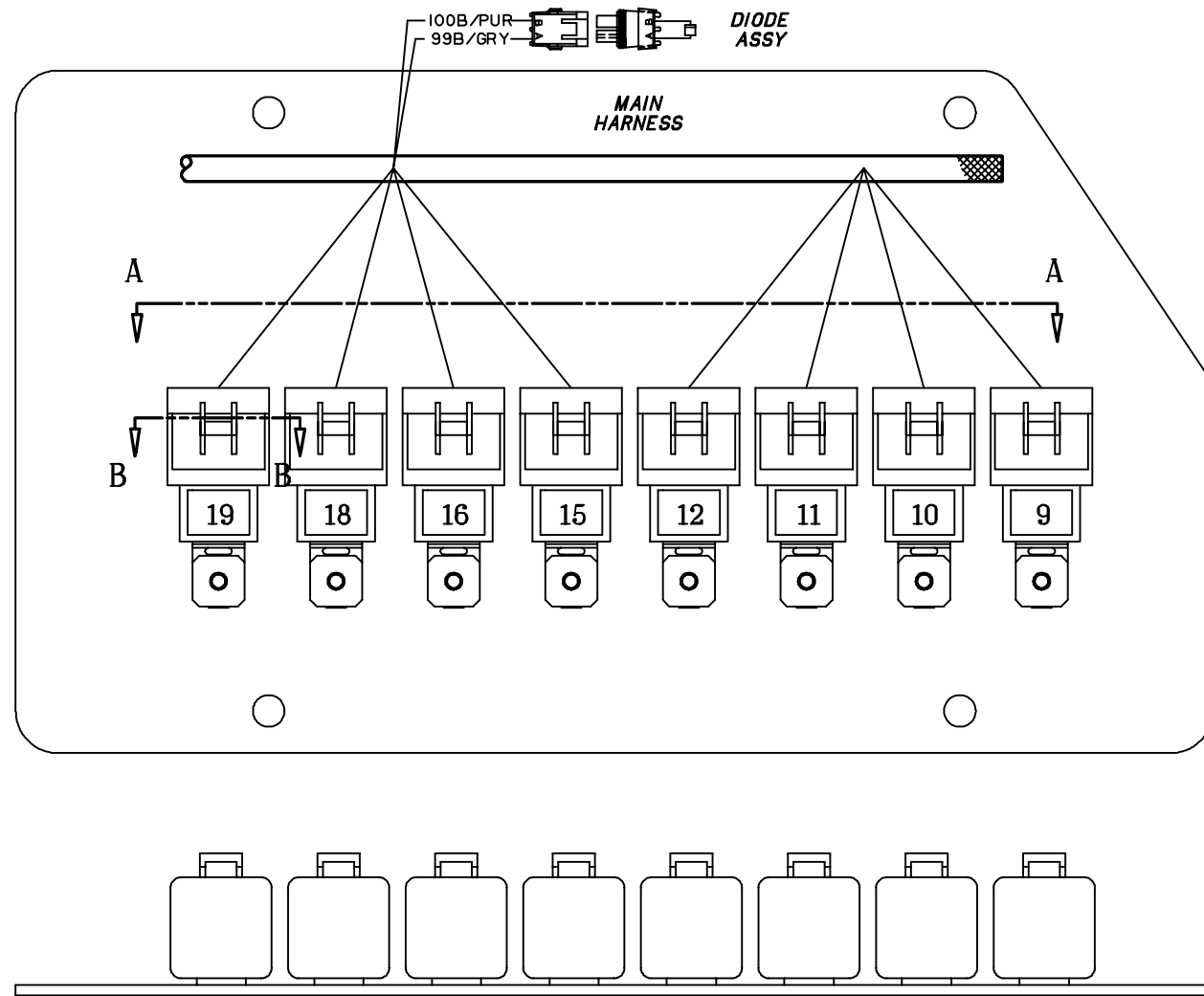
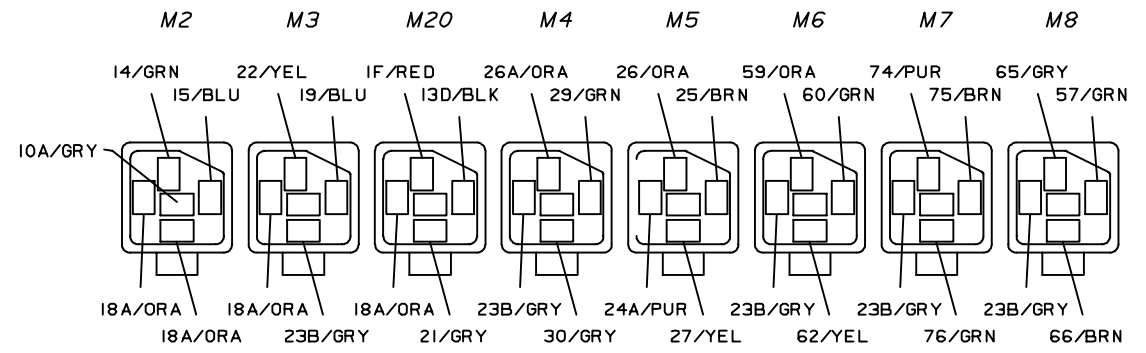
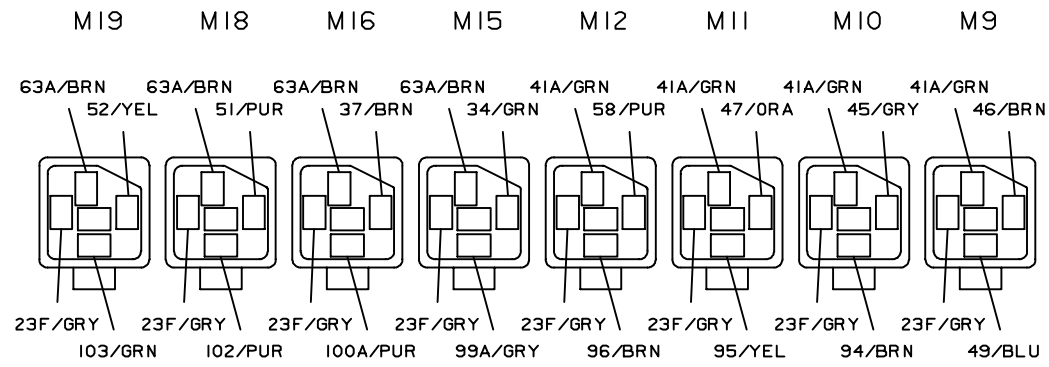
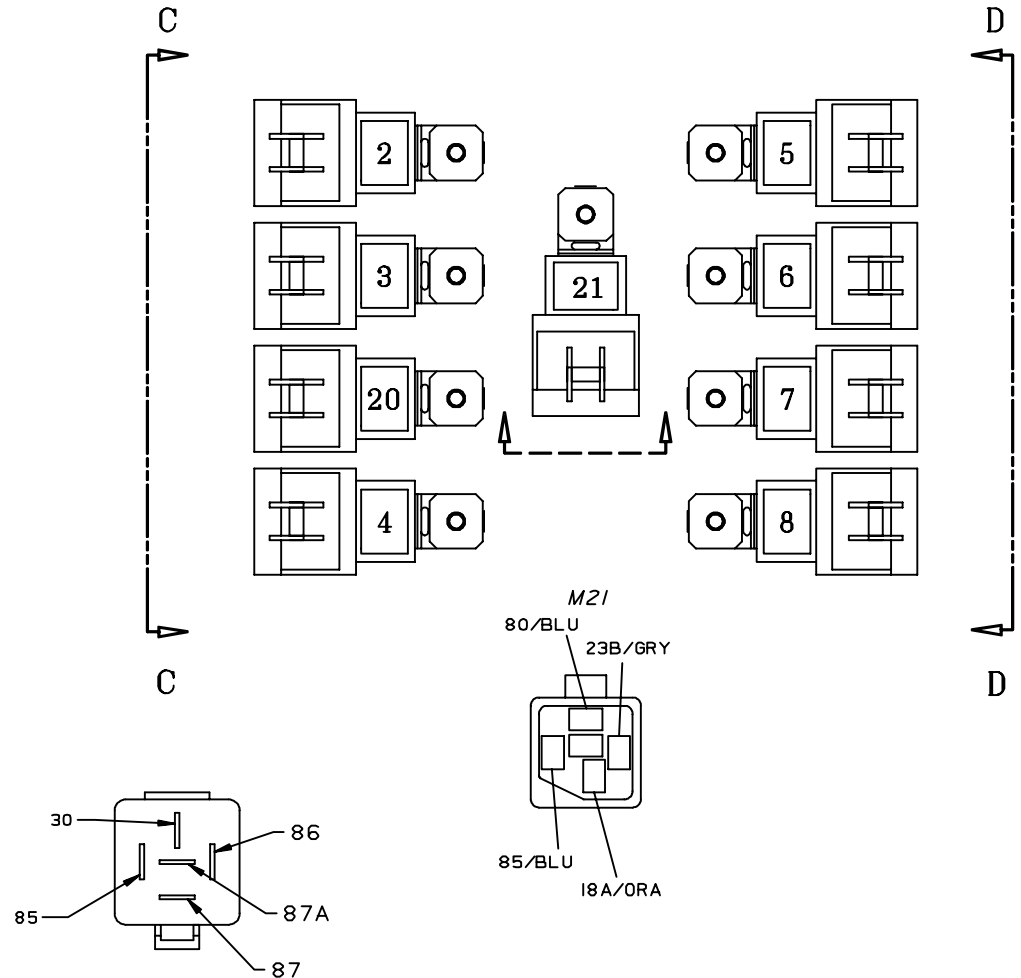


Fig. 67 – Wire Harness Group



VIEW C-C  
ROTATED

VIEW D-D  
ROTATED



RELAYS

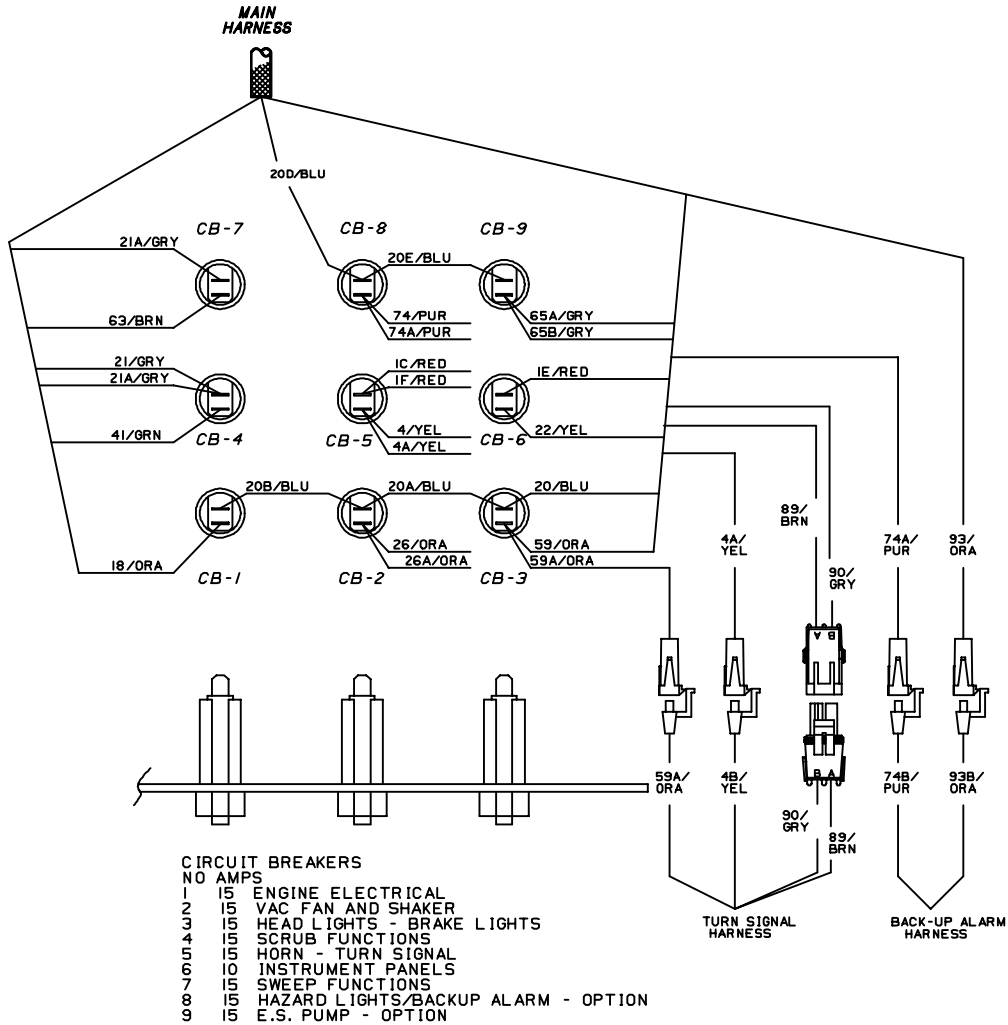
- |                                |  |
|--------------------------------|--|
| M2 FUEL PUMP                   | M10 VAC FAN SOLENOID (SCRUBBING)                   |
| M3 INSTRUMENT PANELS           | M11 REAR SQUEEGEE SOLENOID                         |
| M4 SHAKER MOTOR                | M12 EDGE SCRUB SOLENOID                            |
| M5 VAC FAN SOLENOID (SWEEPING) | M15 HOPPER UP SOLENOID                             |
| M6 HEAD LIGHTS                 | M16 HOPPER DOWN SOLENOID                           |
| M7 HAZAARD LIGHTS              | M18 MAIN BRUSH SOLENOID - NORMAL                   |
| M8 ES PUMP                     | M19 MAIN BRUSH SOLENOID - LITTER                   |
| M9 SCRUB BRUSH SOLENOID        | M20 POWER TO SCRUB (CB 4) & SWEEP (CB 7) FUNCTIONS |
|                                | M21 ENGINE COOLING FAN                             |

- 85 COIL +
- 86 COIL -
- 30 COMMON CONTACT
- 87 N.O. CONTACT
- 87A N.C. CONTACT

SECTION B-B

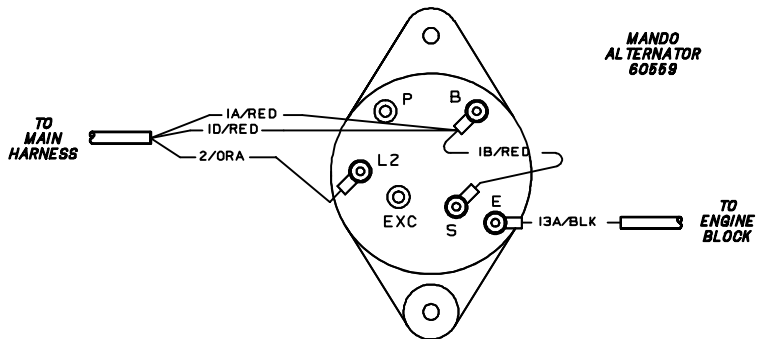


Fig. 67 – Wire Harnesses Group



CONNECTOR WIRING

SOC. NO.	CONN. A.	CONN. B.
1	23A/GRY	23K/GRY
2	PLUG	31/YEL
3	38/PUR	34/GRN
4	57/GRN	37/BRN
5	43/BLU	51/PUR
6	24/PUR	52/YEL
7	35/BRN	PLUG
8	36/GRN	PLUG
9	56/YEL	PLUG
10	28/YEL	PLUG
11	19/BLU	50B/ORA
12	58/PUR	33/BLU
13	42/ORA	53/BRN
14	2/ORA	49A/BLU
15	15A/BLU	PLUG
16	50A/ORA	62G/YEL
17	83/BRN	PLUG
18	85/BLU	PLUG
19	46/BRN	75/BRN
20	62F/YEL	60/GRN
21	45/GRY	25/BRN
22	47/ORA	29/GRN
23	13T/BLK	13TT/BLK
24	13U/BLK	13UU/BLK



09593/09594

Ref.	Part No.	TENNANT Machine Serial Number	Description	Qty.
1	73202	(000000- )	Harness, Main	1
2	73203	(000000- )	Harness, Hopper	1

Fig. 68 – Label Group

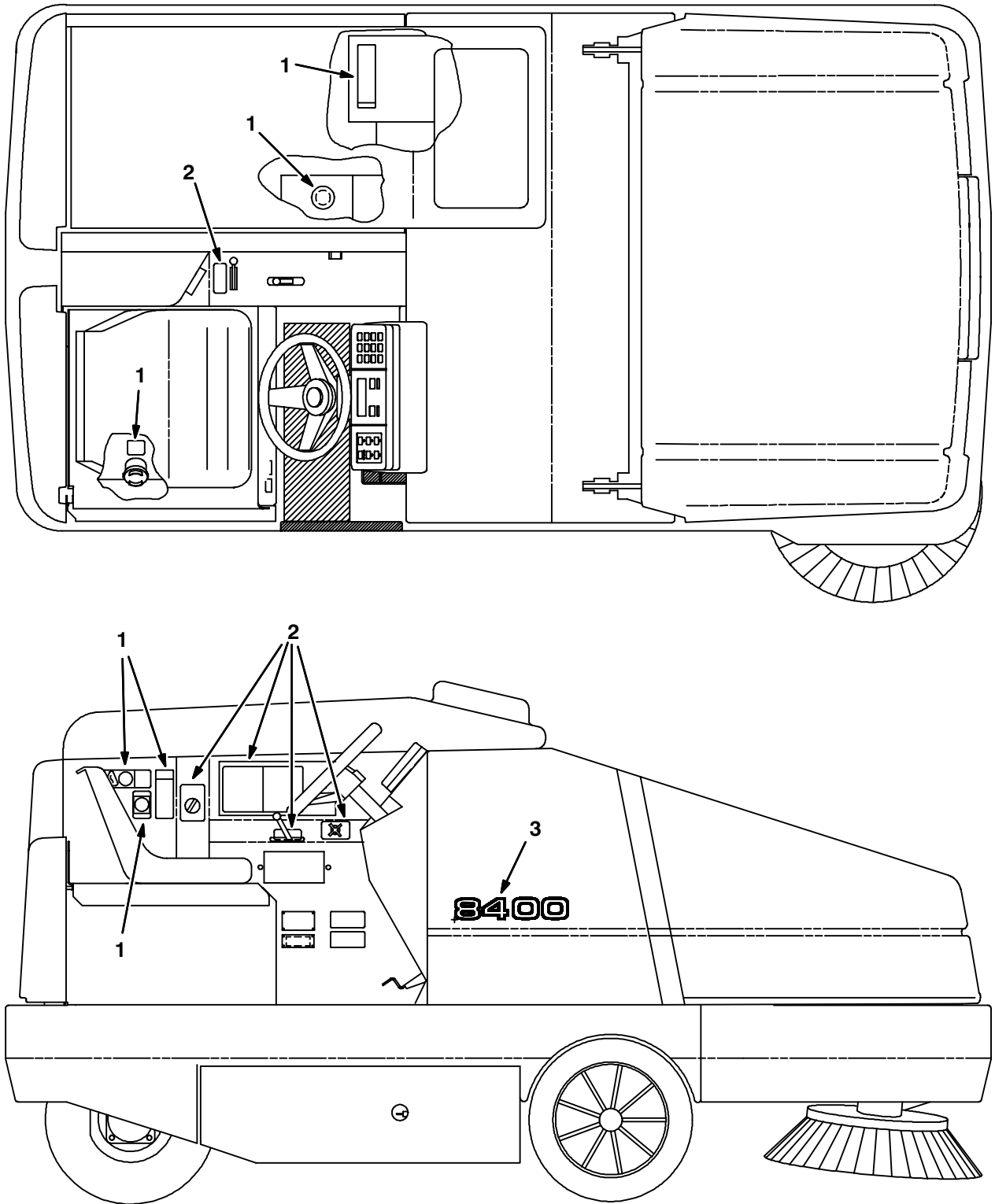


Fig. 68 – Label Group

Ref.	TENNANT Part No.	Machine Serial Number	Description	Qty.
1	77221	(000000– )	Label Set, Info & HZD 8400	1
2	77352	(000000– )	Label Set, Operational 8400	1
3	77350	(000000– )	Label, Numerals 8400	1



# SECTION 3

## CONTENTS

	PAGE
Fig. 1 – ES™ Autofill Group .....	3-2
Fig. 2 – ES™ Pump Column Group .....	3-4
Fig. 3 – ES™ Detergent Tank Group .....	3-6
Fig. 4 – Signal Light Kit .....	3-8
Fig. 5 – Flashing Light Kit, Overhead Guard .....	3-10
Fig. 6 – Revolving Light Kit, Overhead Guard .....	3-11
Fig. 7 – Flashing Light Kit, LRC .....	3-12
Fig. 8 – Revolving Light Kit, LRC .....	3-13
Fig. 9 – Side Brush Light Kit .....	3-14
Fig. 10 – Back-Up Alarm Kit .....	3-15
Fig. 11 – Overhead Guard Kit .....	3-16
Fig. 12 – 87" Overhead Guard Kit .....	3-17
Fig. 13 – Seat Kit .....	3-18
Fig. 14 – Seat Mounting Bracket Kit .....	3-19
Fig. 15 – Seat Belt Kit .....	3-20
Fig. 16 – LPG Tank Mount Kit, 43 lb .....	3-21
Fig. 17 – Fire Extinguisher Kit .....	3-22
Fig. 18 – Squeegee Blade Kit .....	3-23
Fig. 19 – Spark Arresting Muffler Group .....	3-24
Fig. 20 – Protectoseal Fuel Tank Cap Group .....	3-25
Fig. 21 – Squeegee Wand Kit .....	3-26
Fig. 22 – Positive Solution Control Drain System Kit Std .....	3-27
Fig. 23 – Positive Solution Control Drain System Kit ES .....	3-28
Fig. 24 – Drip Tray Group .....	3-29
Fig. 25 – Air Filter Safety Element Kit .....	3-30
Fig. 26 – Vacuumized Skirt Kit, Main Brush .....	3-31
Fig. 27 – Side Brush Dust Control Kit .....	3-32
Fig. 28 – Side Squeegee Kit SE .....	3-34
Fig. 29 – Demo Group .....	3-36
Fig. 30 – Documentation Group .....	3-38

Fig. 1 – ES™ Autofill Group

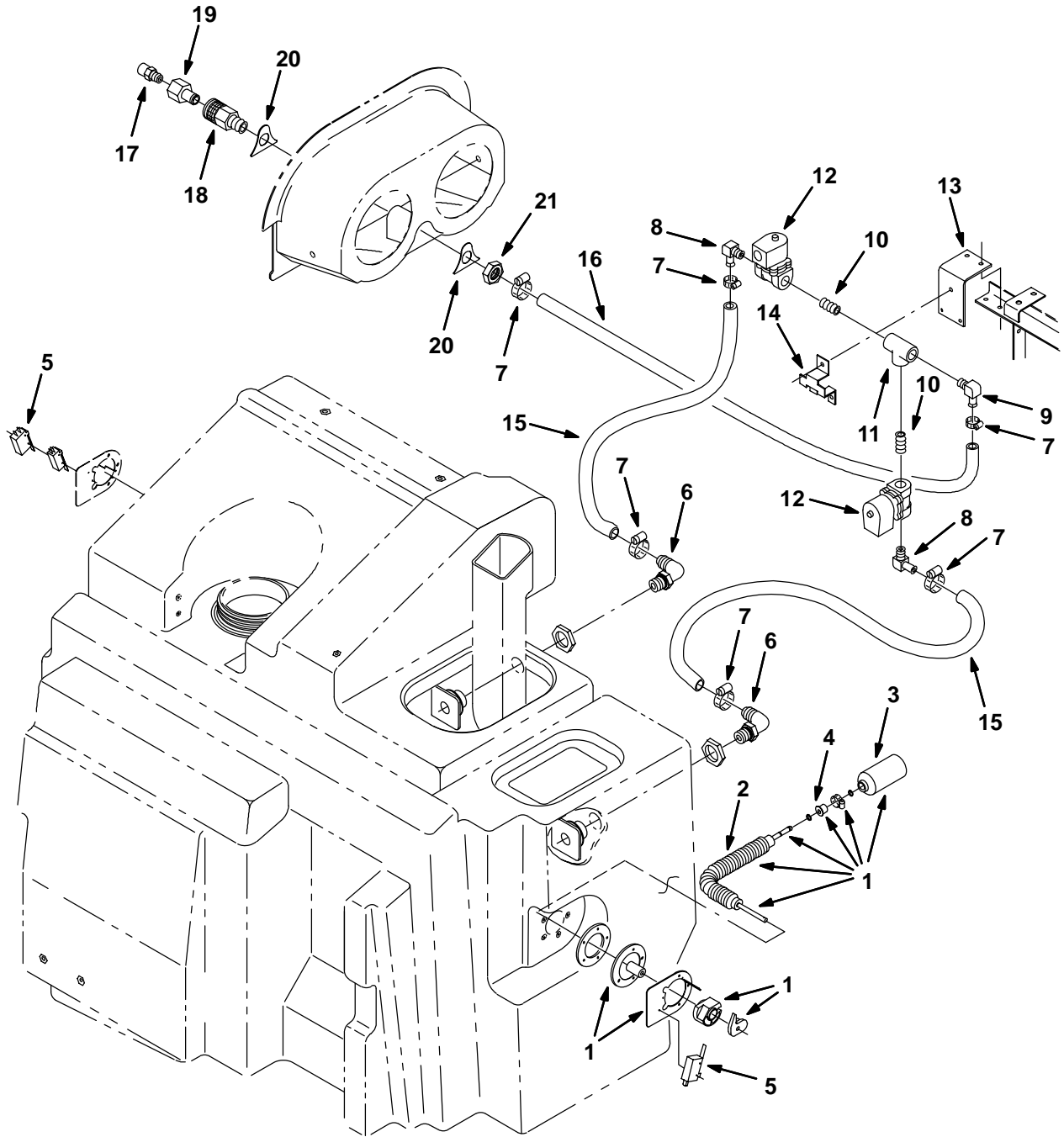
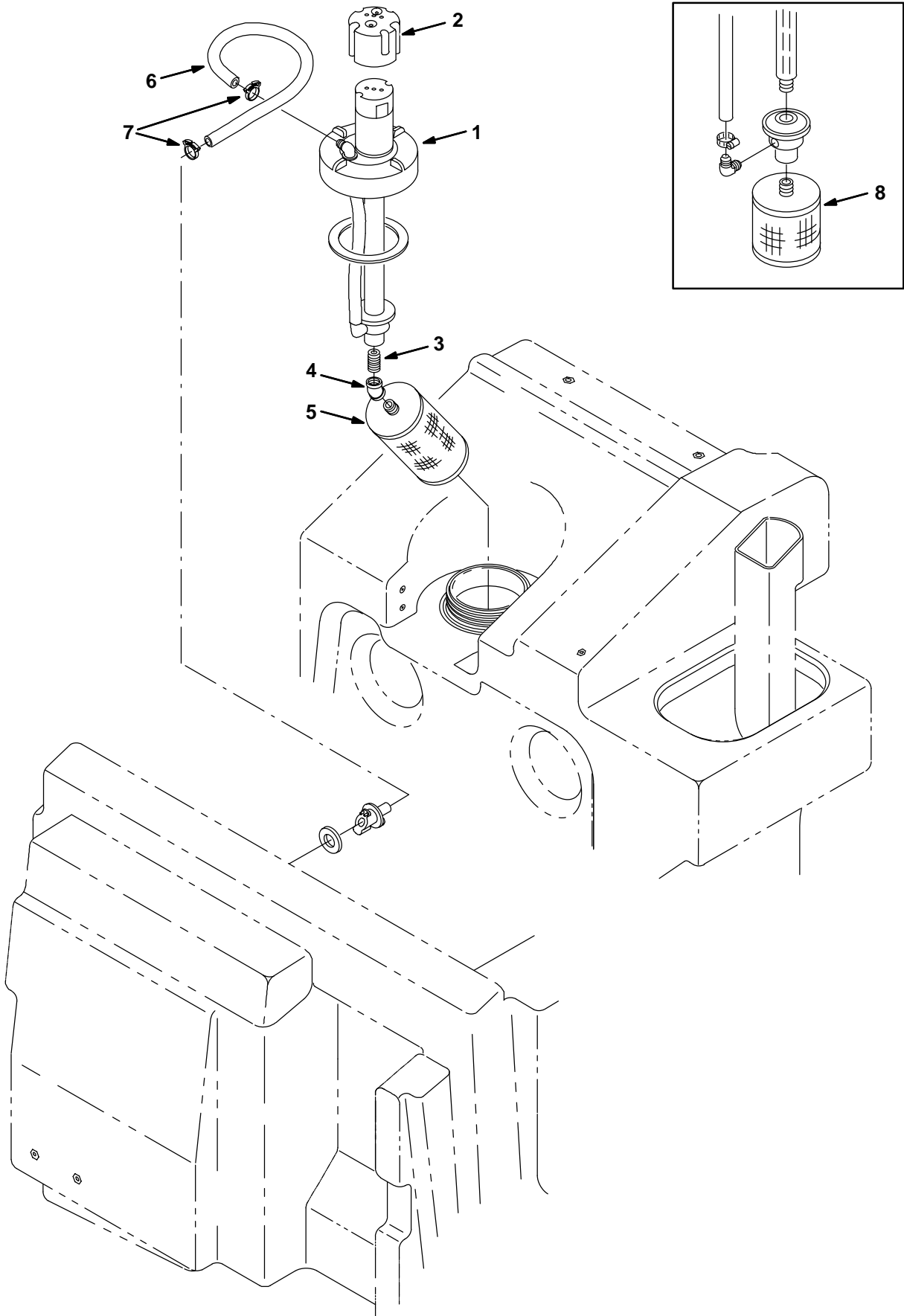


Fig. 1 – ES™ Autofill Group

Ref.	TENNANT Part No.	Machine Serial Number	Description	Qty.
∇ 1	73147	(000000– )	Level Sensing Assy	1
2	73145	(000000– )	Bellows, .75 Id 10.3L	1
3	50238	(000000– )	Float Bottle	1
4	50256	(000000– )	Plug, Float	1
5	41407	(000000– )	Switch Micro 15 Amp Dpdt	2
6	73468	(000000– )	Fitting–Pls E90	2
7	86824	(000000– )	Clamp–Wormdrive 0.50–1.06D	6
8	30268	(000000– )	Ftg Brs E90	2
9	48697	(000000– )	Fitting–Brs	1
10	11442–3	(000000– )	Ftg,Pipe,Nip.Close 0.50Pt.Blk	2
11	79497	(000000– )	Ftg,Plstc,Tee.50–.50–.50Pipe	1
12	73433	(000000– )	Valve, Solenoid, 12V Dc	2
13	73429	(000000– )	Bracket, Valve	1
14	15965	(000000– )	Plate Bent	1
15	73472	(000000– )	Hose, Vinyl Clr, .62ldx 18.0Lg	2
16	73478	(000000– )	Hose, Vinyl Clr, .75ldx 65.0Lg	1
17	33294	(000000– )	<del>Ftg, Plastic 1/2 Nptm Chnf</del> Fitting, Brass	1
18	10678	(000000– )	Fitting, Bulkhead Fem,	1
19	33295	(000000– )	Ftg Qkdisc, Male	1
20	10672	(000000– )	Plate, Backup	2
21	48988	(000000– )	Nut–Hx Jam 1.00–14 Pltd	1

Fig. 2 – ES Pump Column Group

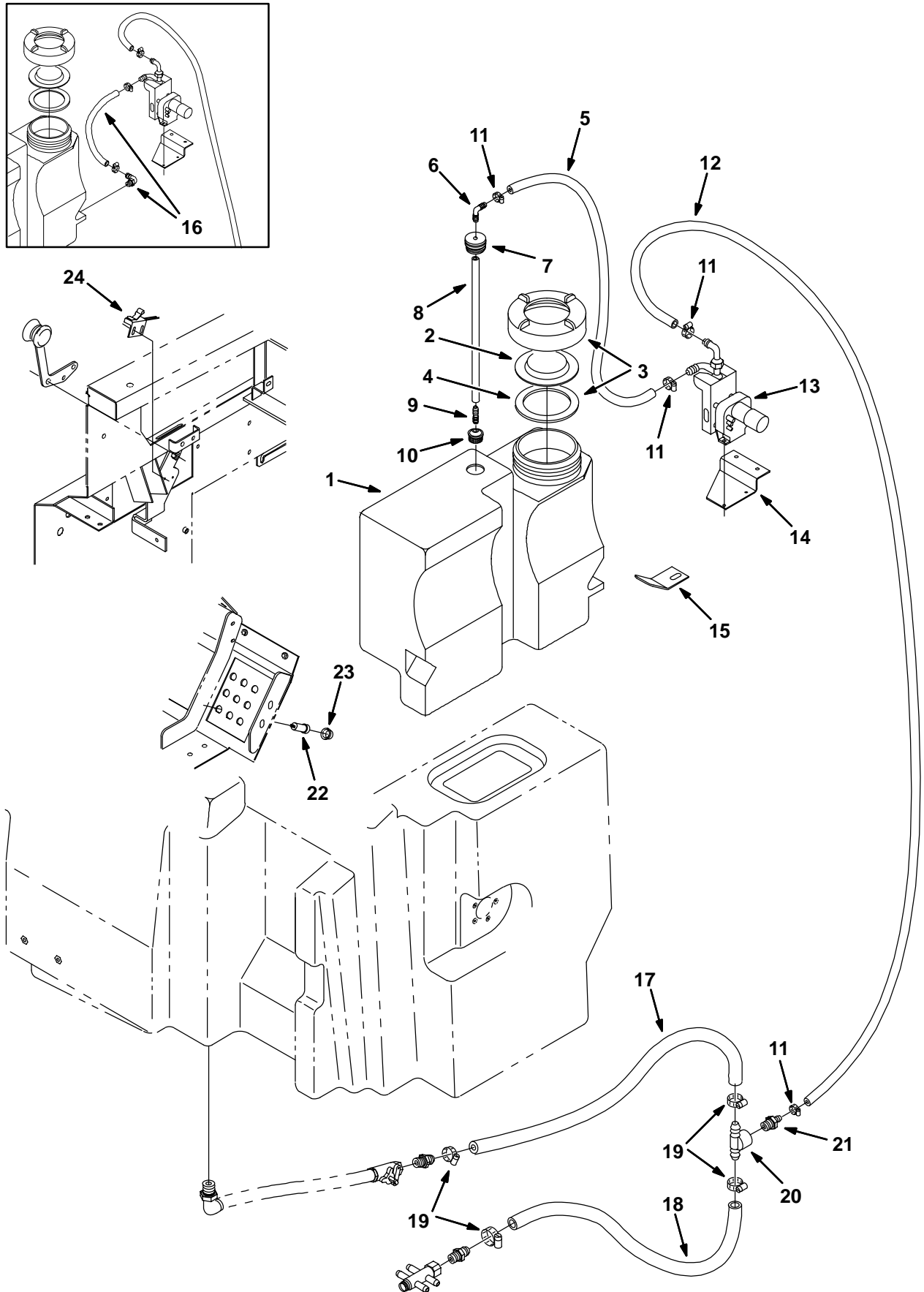




**Fig. 2 – ES Pump Column Group**

<b>Ref.</b>	<b>TENNANT Part No.</b>	<b>Machine Serial Number</b>	<b>Description</b>	<b>Qty.</b>
1	72955	(000000– )	Pump, Column, Es	1
2	77237	(000000– )	Cover, Motor	1
3	69784	(010215– )	Ftg,Plstc,Nip. 0.75Ptx 1.68Lg	1
4	10575	(010215– )	Fitting–Plastic E45 12Pf–12Pf	1
5	10573	(010215– )	Screen, Sol, Dbl Cylindrical	1
6	71167	(000000– )	Hose, Pump	1
7	71168	(000000– )	Clamp, Hose, Plastic	2
8	10577	(000000– 010214)	Filter Replmt Kit, ES™	1

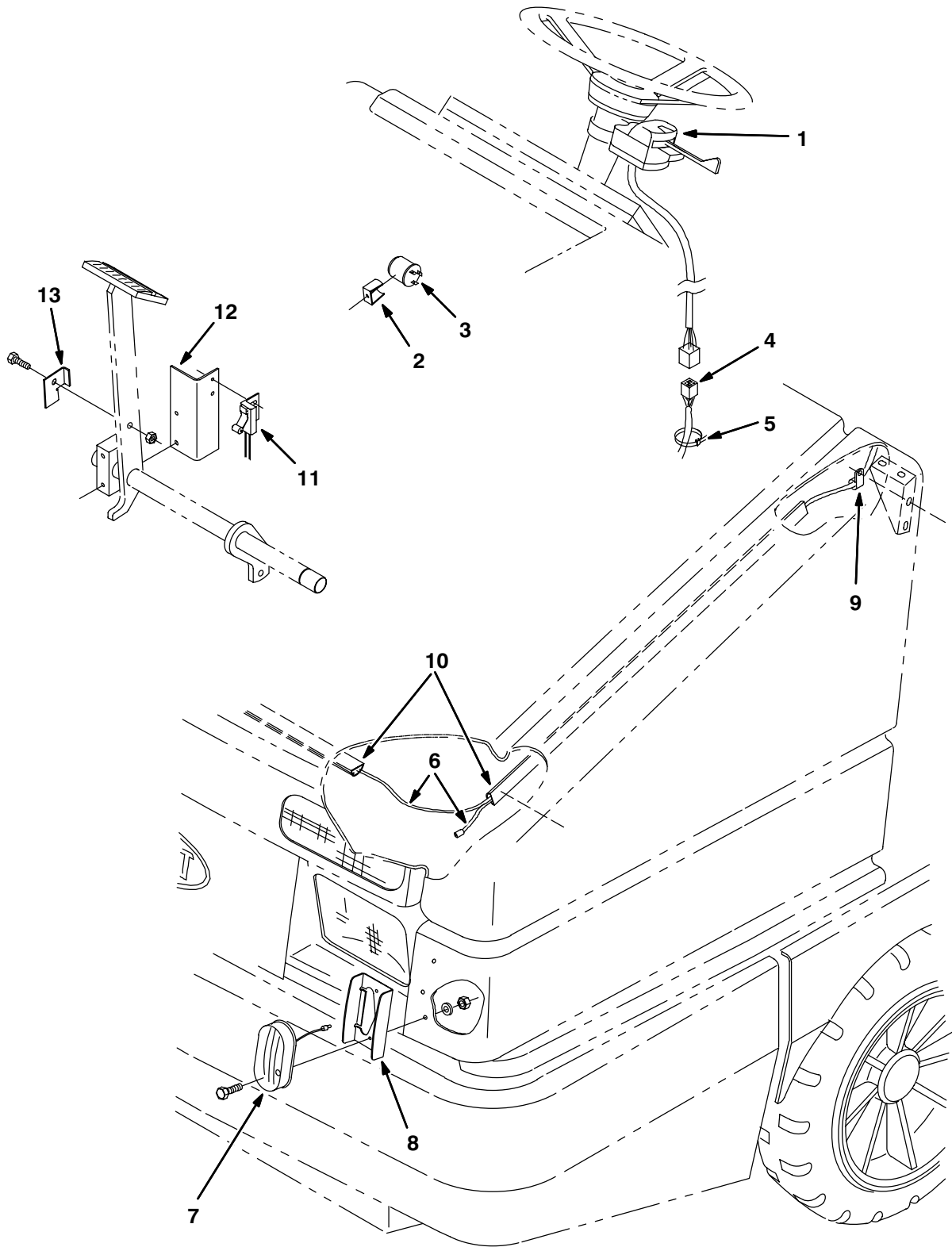
**Fig. 3 –ES Detergent Tank Group**



**Fig. 3 – ES Detergent Tank Group**

Ref.	TENNANT Part No.	Machine Serial Number	Description	Qty.
1	72991	(000000– )	Tank, Detergent	1
2	86636	(000000– )	Cover Lid	1
∇ 3	24358	(000000– )	Cap Tank	1
4	86579	(000000– )	Gasket, Lid	1
5	22787	(000000– )	Hose, Vinyl, CI Nyre .38ldx28L	1
6	20951	(000000– )	Fitting–Barb,90Deg,3/8 Id Hose	1
7	20944	(000000– )	Grommet, Detergent Tank	1
8	22786	(000000– )	Hose, Vinyl, CI Nyre .38ldx21L	1
9	20950	(000000– )	Fitting–Barb, Strt 3/8 Id Hose	1
10	20952	(000000– )	Screen, Pump, Detergent	1
11	43844	(000000– )	Clamp–Wormdrive, 0.25– 0.62D	4
12	73471	(000000– )	Hose, Vinyl, Clear	1
13	73260	(000000– )	Pump, Detergent Metering	1
14	72990	(000000– )	Bracket, Metering Pump	1
15	72989	(000000– )	Bracket, Detergent Tank	1
16	22789	(000000– xxxxxx )	Screen, Detergent Tank Kit	1
17	73475	(000000– )	Hose, Vinyl,Clr, .75ldx 19.Lg	1
18	73476	(000000– )	Hose, Vinyl Clr, .75ldx 30.0Lg	1
19	86824	(000000– )	Clamp–Wormdrive 0.50–1.06D	4
20	76075	(000000– )	Ftg,Plstc,Tee,Barb.75–.75–.75	1
21	73467	(000000– )	Fitting–Pls Str	1
22	57803	(000000– )	Breaker–Circuit, 15A Resetable	1
23	57751	(000000– )	Boot,Circuit Breaker	1
24	59962	(000000– )	Switch, Roller	1

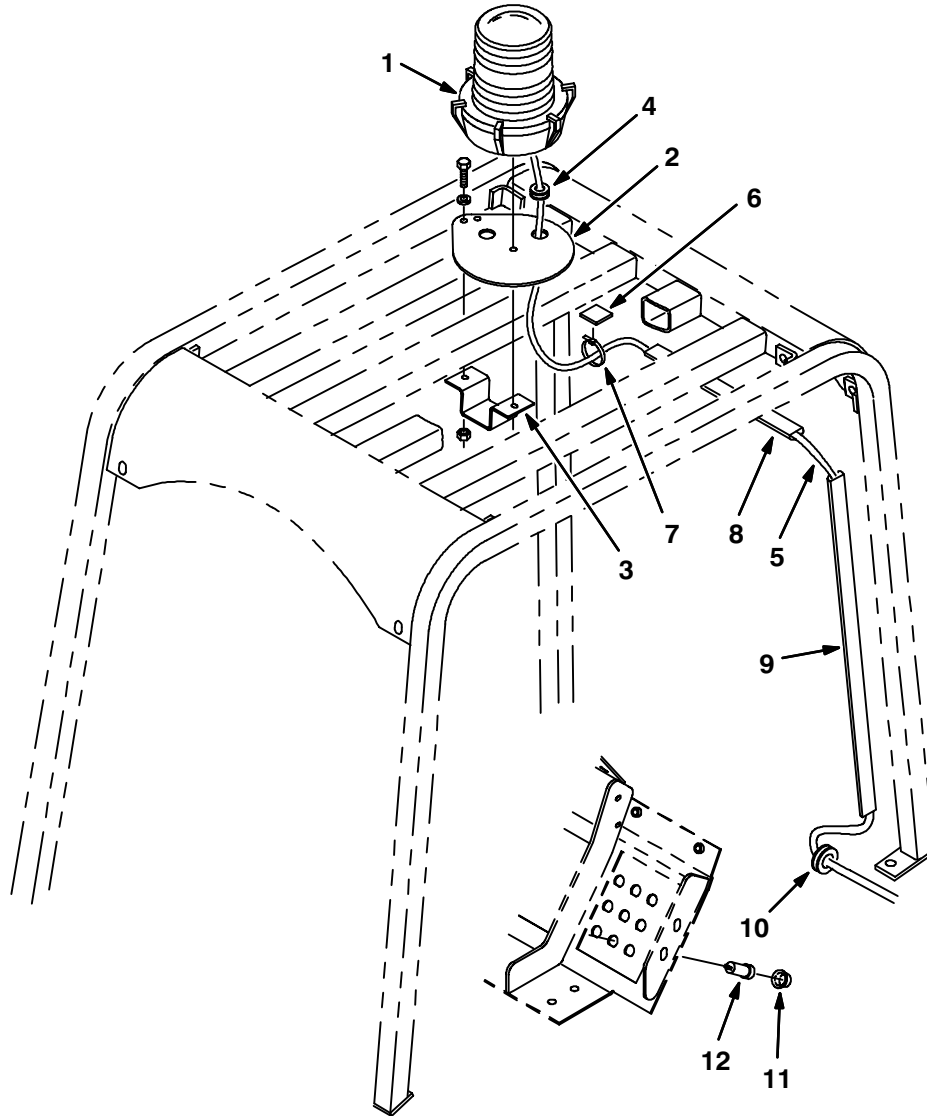
Fig. 4 – Signal Light Kit



**Fig. 4 – Signal Light Kit**

<b>Ref.</b>	<b>TENNANT Part No.</b>	<b>Machine Serial Number</b>	<b>Description</b>	<b>Qty.</b>
∇	73455	(000000– )	Light Kit Signal	1
∇ 1	60751	(000000– )	Signal Turn	1
	48570	(000000– )	Bulb, 12V .1A 01Cp #53	1
2	24576–1	(000000– )	Bracket, Flasher	1
3	31922	(000000– )	Flasher Heavy Duty	1
4	73440	(000000– )	Harness, Turn Signal	1
5	49266	(000000– )	Tie, Cable 1.75D Max 7.50Lg	6
6	60284	(000000– )	Harness, Turn Signal	1
∇ 7	34848	(000000– )	Light Assy Mark/Yel 12V– . A	2
	87948	(000000– )	Bulb, 12V .27A 2Cp #194	1
8	72178	(000000– )	Bracket, Light, Sbdc	2
9	40678	(000000– )	Clamp,Cable .44D .62Wide	1
10	86332	(000000– )	Duct, Vinyl .40X.75X26.0 .25D	2
11	59962	(000000– )	Switch, Roller	1
12	73425	(000000– )	Bracket, Switch	1
13	78935	(000000– )	Bracket	1

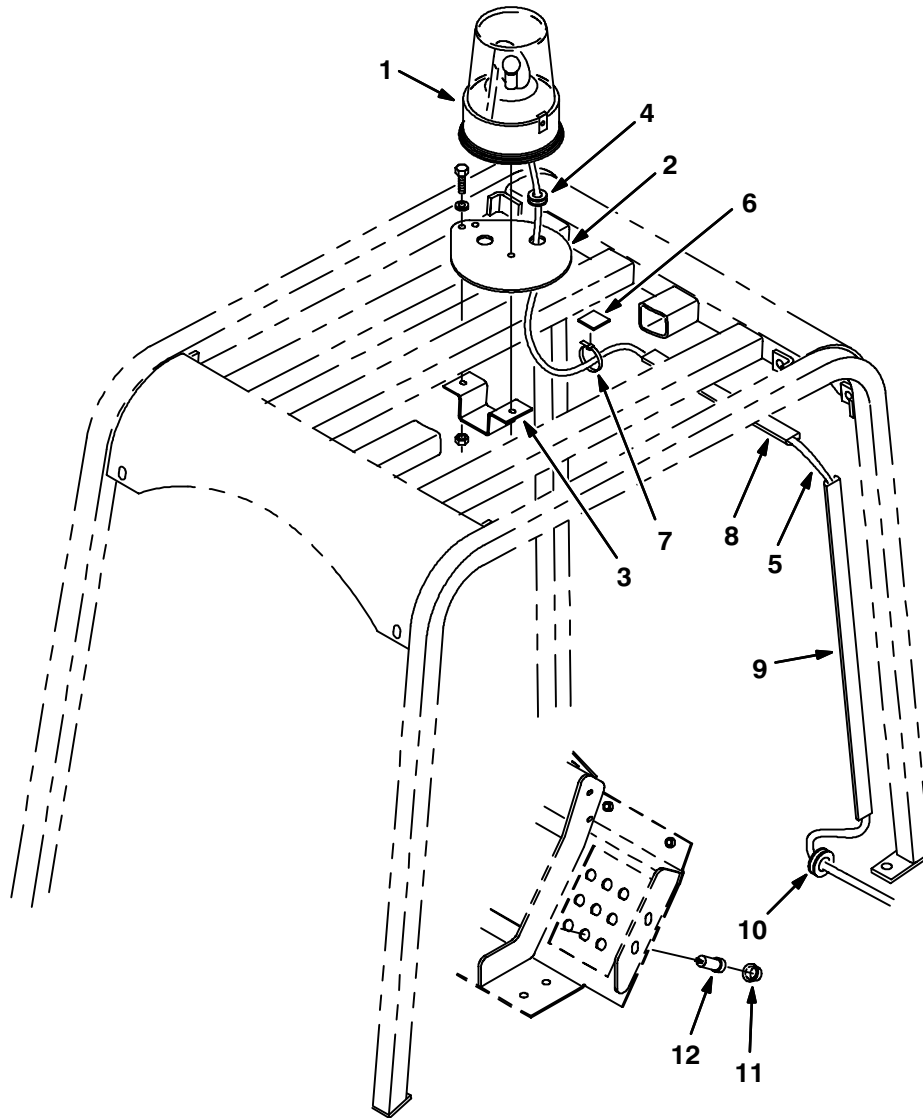
**Fig. 5 – Flashing Light Kit, Overhead Guard**



09679/09680

Ref.	TENNANT Part No.	Machine Serial Number	Description	Qty.
∇	73457	(000000– )	Light Kit Flsh Ohg	1
∇ 1	82063	(000000– )	Light, Flashing, Amber, 12V–Re	1
	58520	(000000– )	Lens,Flashing Lite Fr207 Amber	1
	45779	(000000– )	Bulb, General Electric	1
2	57220	(000000– )	Plate, Light Mtg.	1
3	59447	(000000– )	Bracket, Mtg, Light, Ohg	1
4	10632–2	(000000– )	Grommet,Rbr,0.63ld,For .13Matl	1
5	60288	(000000– )	Harness, Revolv Light, Cab,Ohg	1
6	55248	(000000– )	Cabletie Mount, Adhesive	5
7	49266	(000000– )	Tie, Cable 1.75D Max 7.50Lg	8
8	86330	(000000– )	Duct, Vinyl 10.0 In	2
9	78732	(000000– )	Duct, Vinyl 19.0 In.	1
	72114	(000000– )	Duct, Vinyl 6.0 In.	1
10	10632–18	(000000– )	Grommet, Rbr, 0.69 ID	1
11	57751	(000000– )	Boot, Circuit Breaker	1
12	57803	(000000– )	Breaker–Circuit, 15A, Resetbl	1
	58518	(000000– )	Lens,Flashing Lite Fr207 Red	1
	58519	(000000– )	Lens,Flashing Lite Fr207 Blue	1

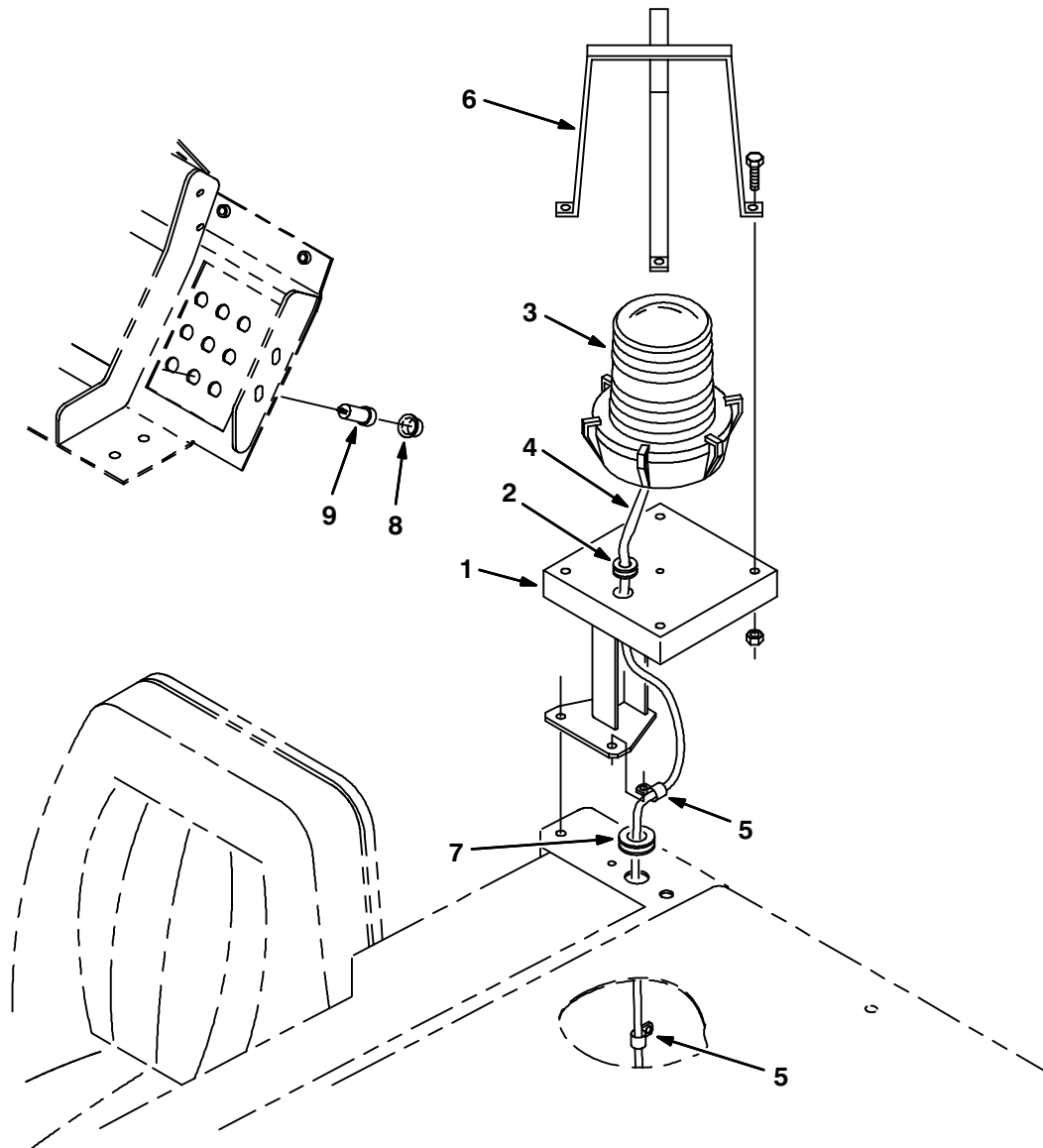
Fig. 6 – Revolving Light Kit, Overhead Guard



09681/09682

Ref.	TENNANT Part No.	Machine Serial Number	Description	Qty.
∇	73459	(000000- )	Light Kit Revl Ohg	1
∇ 1	82200	(000000- )	Light,Rev.Amber 12V-Reworked	1
	44681-1	(000000- )	Lens,Rev.Light,Amber	1
	45779	(000000- )	Bulb, General Electric	1
2	57220	(000000- )	Plate, Light Mtg.	1
3	59447	(000000- )	Bracket, Mtg, Light, Ohg	1
4	10632-2	(000000- )	Grommet,Rbr,0.63ld,For .13Matl	1
5	60288	(000000- )	Harness, Revolv Light, Cab,Ohg	1
6	55248	(000000- )	Cabletie Mount, Adhesive	5
7	49266	(000000- )	Tie, Cable 1.75D Max 7.50Lg	8
8	86330	(000000- )	Duct, Vinyl 10.0 In.	2
9	78732	(000000- )	Duct, Vinyl 19.0 In.	1
	72114	(000000- )	Duct, Vinyl 6.0 In.	1
10	10632-18	(000000- )	Grommet, Rbr, 0.69 ID	1
11	57751	(000000- )	Boot, Circuit Breaker	1
12	57803	(000000- )	Breaker-Circuit, 15A, Resetbl	1
	44681	(000000- )	Lens,Rev.Light,Red	1
	44681-2	(000000- )	Lens,Rev.Light,Blue	1

**Fig. 7 – Flashing Light Kit, LRC**

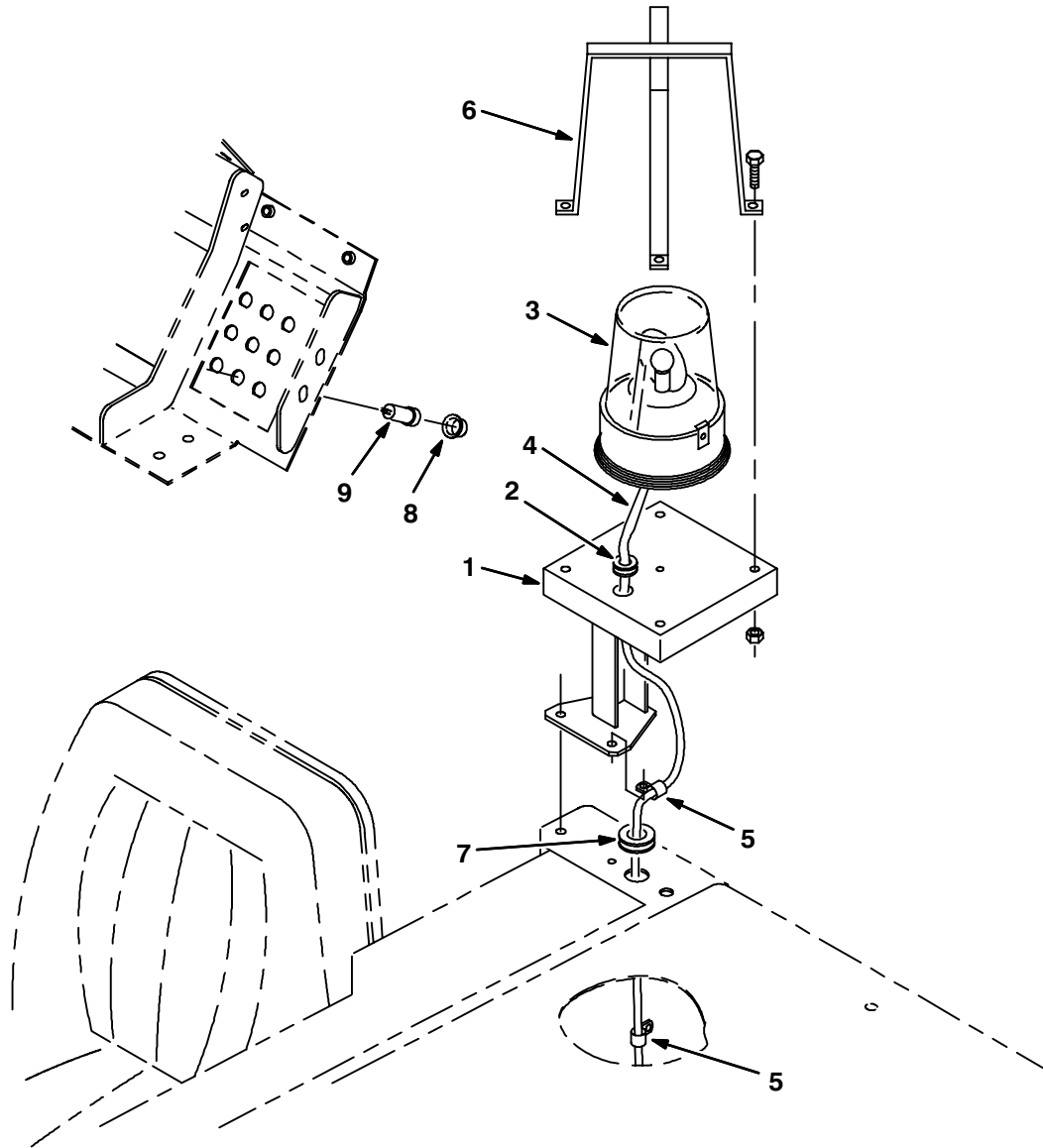


09683/09684

Ref.	TENNANT Part No.	Machine Serial Number	Description	Qty.
∇	73461	(000000– )	Light Kit Fish Lrc	1
1	73405	(000000– )	Bracket Wldt, Light, Rotating	1
2	10632–9	(000000– )	Grommet,Rbr,0.56ld,For .13Matl	1
∇ 3	82063	(000000– )	Light, Flashing, Amber, 12V–Re	1
	58520	(000000– )	Lens,Flashing Lite Fr207 Amber	1
	45779	(000000– )	Bulb, General Electric	1
4	71543	(000000– )	Harness, Wire, Hazard	1
5	46236	(000000– )	Clamp	2
6	45272	(000000– )	Guard Wldt, Lights, Revl&Fish	1
7	10632–18	(000000– )	Grommet, Rbr, 0.69 ID	2
8	57751	(000000– )	Boot, Circuit Breaker	1
9	57803	(000000– )	Breaker–Circuit, 15A, Resetbl	1
	58518	(000000– )	Lens,Flashing Lite Fr207 Red	1
	58519	(000000– )	Lens,Flashing Lite Fr207 Blue	1



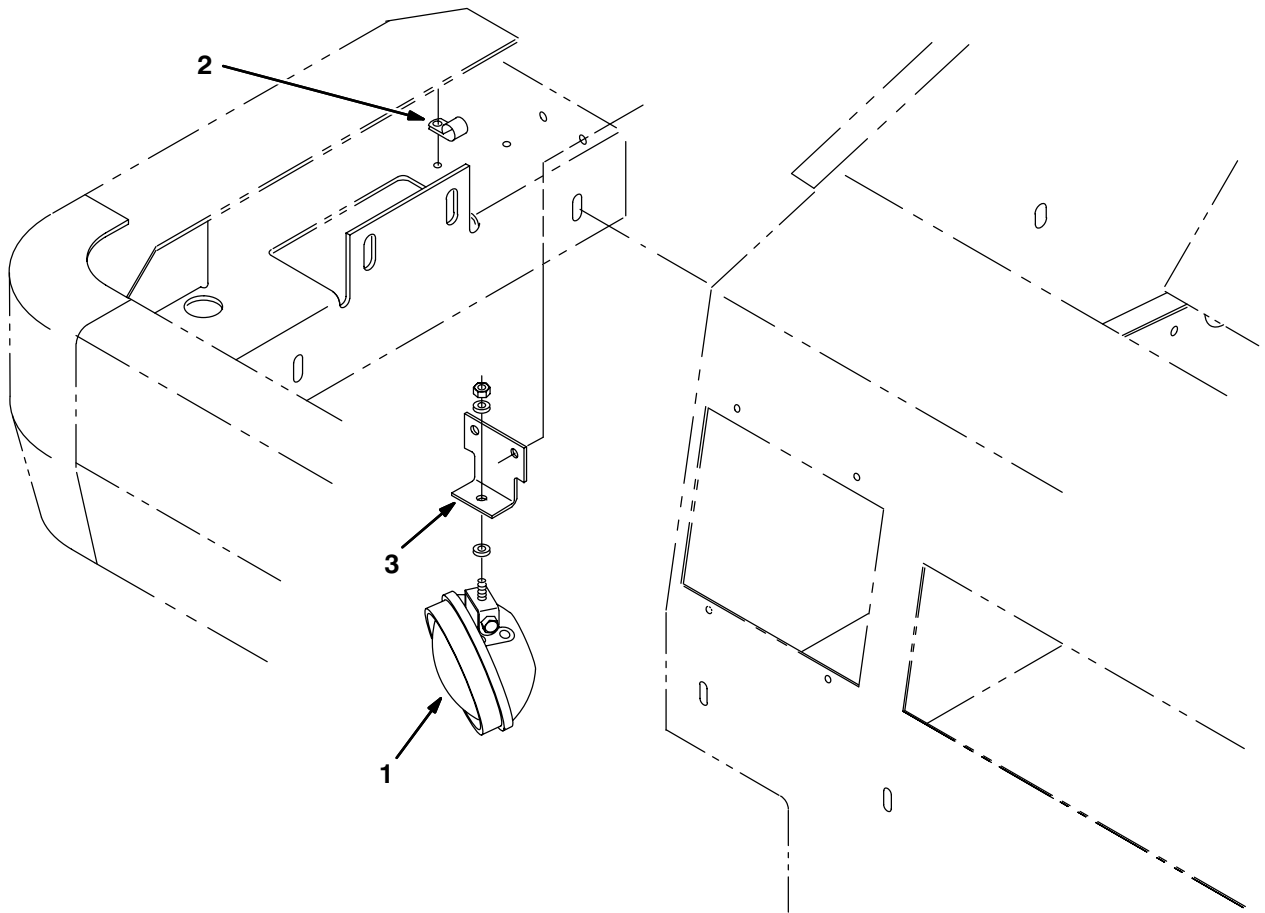
Fig. 8 – Revolving Light Kit, LRC



09685/09686

Ref.	TENNANT Part No.	Machine Serial Number	Description	Qty.
∇	73463	(000000- )	Light Kit Revl Lrc	1
1	73405	(000000- )	Bracket Wldt, Light, Rotating	1
2	10632-9	(000000- )	Grommet,Rbr,0.56Id,For .13Matl	1
∇ 3	82200	(000000- )	Light,Rev.Amber 12V-Reworked	1
	44681-1	(000000- )	Lens,Rev.Light,Amber	1
	45779	(000000- )	Bulb, General Electric	1
4	71543	(000000- )	Harness, Wire, Hazard	1
5	46236	(000000- )	Clamp	2
6	45272	(000000- )	Guard Wldt, Lights, Revl&Fish	1
7	10632-18	(000000- )	Grommet, Rbr, 0.69 ID	2
8	57751	(000000- )	Boot, Circuit Breaker	1
9	57803	(000000- )	Breaker-Circuit, 15A, Resetbl	1
	44681	(000000- )	Lens,Rev.Light,Red	1
	44681-2	(000000- )	Lens,Rev.Light,Blue	1

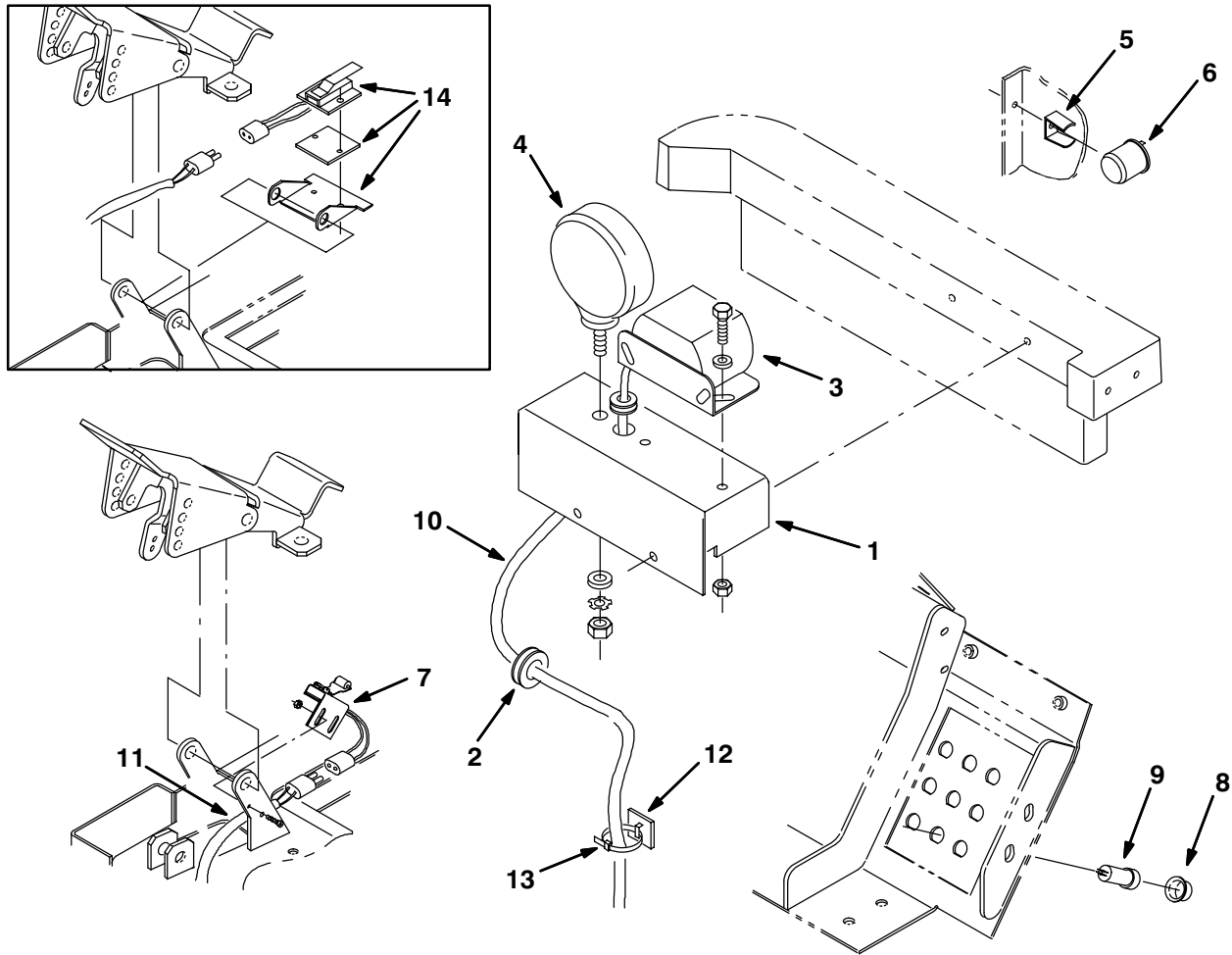
**Fig. 9 – Side Brush Light Kit**



09687/09688

Ref.	TENNANT Part No.	Machine Serial Number	Description	Qty.
∇	73470	(000000– )	Light Kit, Side Brush	1
∇ 1	73403	(000000– )	Light Assy Work/Clr 12V– . A	1
	51570	(000000– )	Bulb GE	1
2	40678	(000000– )	Clamp, Cable .44D .62Wide	1
3	79397	(000000– )	Bracket, Mounting	1

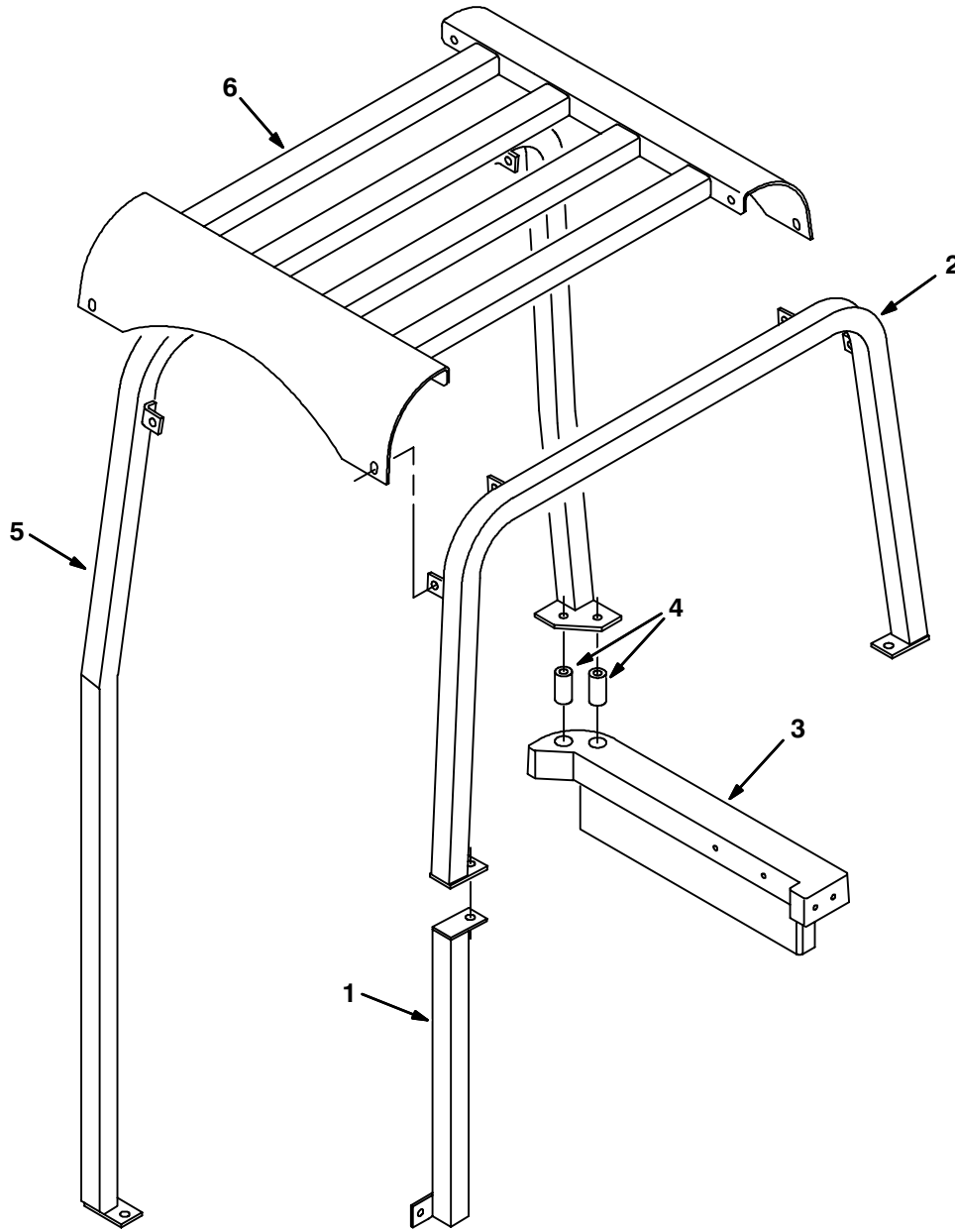
Fig. 10 – Back-Up Alarm Kit



09677/09678

Ref.	TENNANT Part No.	Machine Serial Number	Description	Qty.
∇	73451	(000000– )	Alarm Kit, Backup	1
1	73421	(000000– )	Bracket, Alarm Backup	1
2	10632–18	(000000– )	Grommet,Rbr,0.69ld,For.25Matl	1
3	61920	(000000– )	Horn, Back–Up Alarm	1
∇ 4	36438	(000000– )	Headlight Assy,210G	1
	36439	(000000– )	Bulb, 12V .9A 15	1
5	24576–1	(000000– )	Bracket, Flasher	1
6	24576	(000000– )	Flasher,12V.Ideal	1
7	59965	(010609– )	Switch Assy, Roller–No	1
8	57751	(000000– )	Boot–Circuit Breaker	1
9	57803	(000000– )	Breaker–Circuit, 15A Resetable	1
10	71544	(000000– )	Harness, Alarm, Backup	1
11	73439	(000000– )	Harness, Alarm, Backup	1
12	55248	(000000– )	Cabletie Mount, Adhesive	2
13	49266	(000000– )	Tie, Cable 1.75D Max 7.50Lg	5
14	23231	(000000– 010608)	Replm Kit, Backup Switch	1

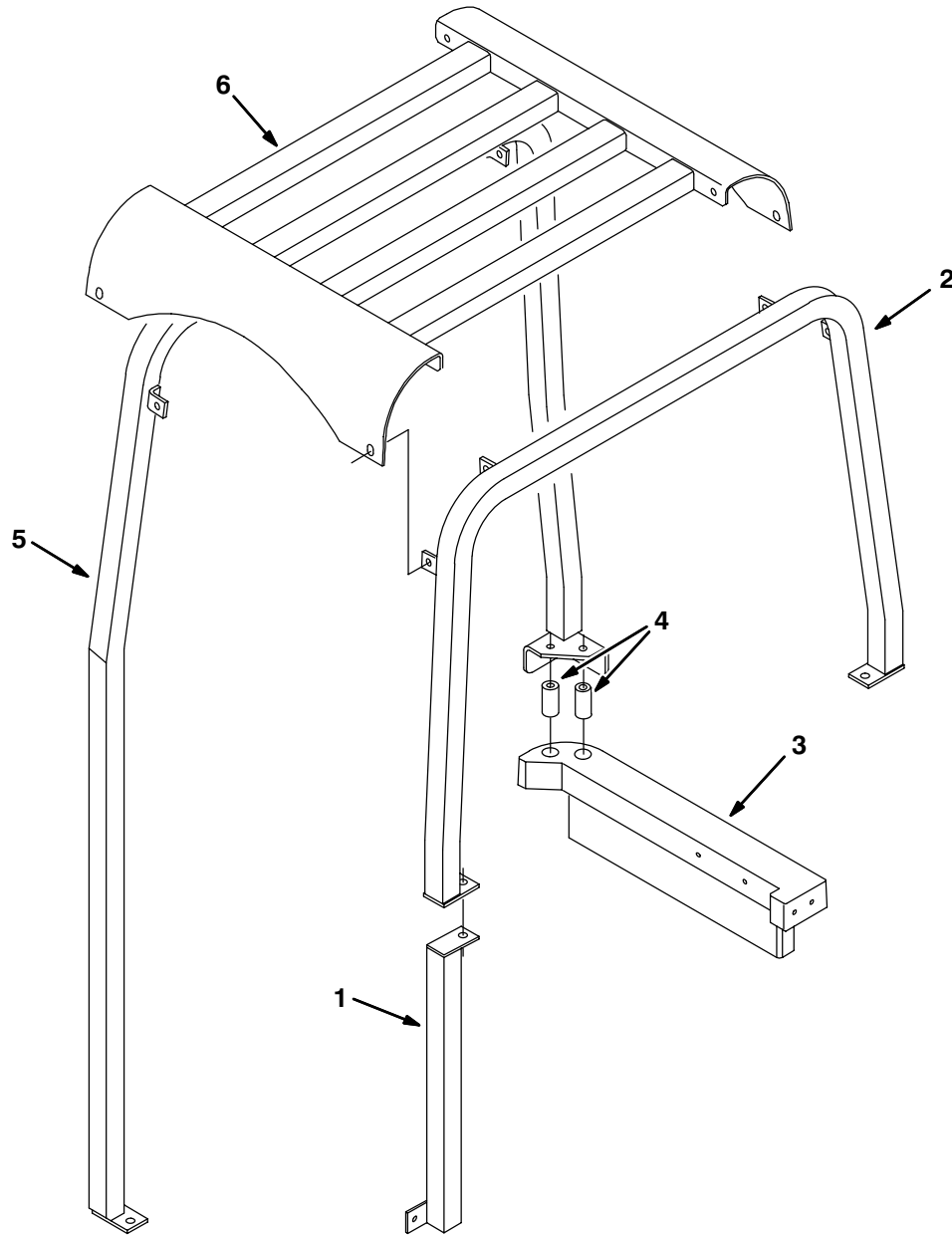
**Fig. 11 – Overhead Guard Kit**



09675/09676

Ref.	TENNANT Part No.	Machine Serial Number	Description	Qty.
∇	73453	(000000– )	Guard Kit, Ohg	1
1	73400	(000000– )	Tube, Leg, Ohg	1
2	73404	(000000– )	Tube, Leg, Ohg, Lh	1
3	73414	(000000– )	Cap, Rework, Ohg	1
4	73409	(000000– )	Sleeve	2
5	73408	(000000– )	Tube, Leg, Ohg, Rh	1
6	73412	(000000– )	Guard Wldt, Oh, Top	1

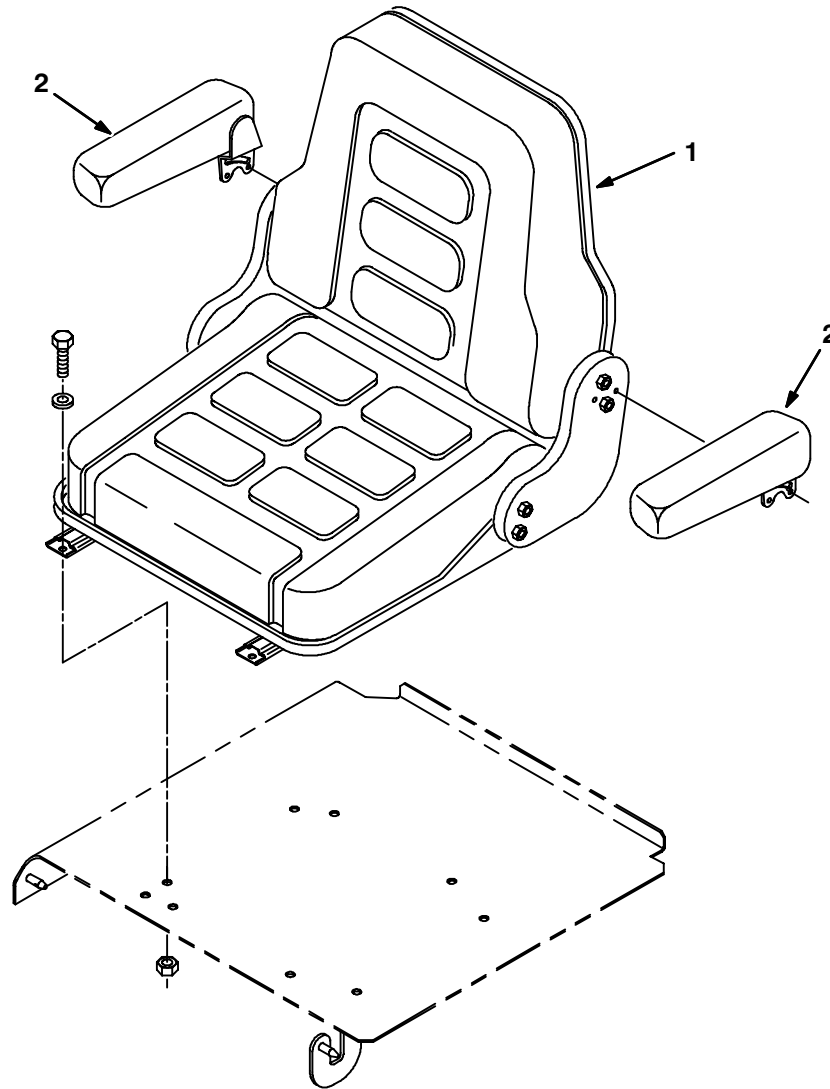
Fig. 12 – 87” Overhead Guard Kit



10941/10942

Ref.	TENNANT Part No.	Machine Serial Number	Description	Qty.
∇	22933	(000000– )	Guard Kit, Overhead, 87 Height	1
1	73400	(000000– )	Tube, Leg, Ohg	1
2	22911	(000000– )	Tube Wldt, Leg, Ohg, Lh	1
3	73414	(000000– )	Cap, Ohg	1
4	73409	(000000– )	Sleeve	2
5	22912	(000000– )	Tube Wldt, Leg, Ohg, Rh	1
6	73412	(000000– )	Guard Wldt, Oh, Top	1

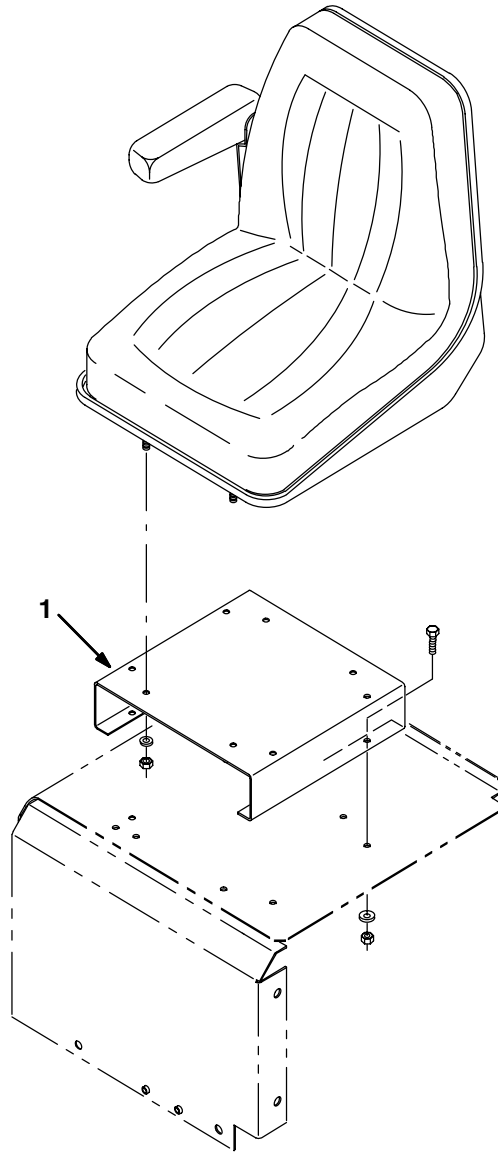
**Fig. 13 – Seat Kit**



09105/09106

Ref.	TENNANT Part No.	Machine Serial Number	Description	Qty.
∇	78981	(000000– )	Seat Kit, Grammer 8400	1
1	53845	(000000– )	Seat, Grammer	1
2	34252	(000000– )	Armrest Assy,Lh& Rh	1

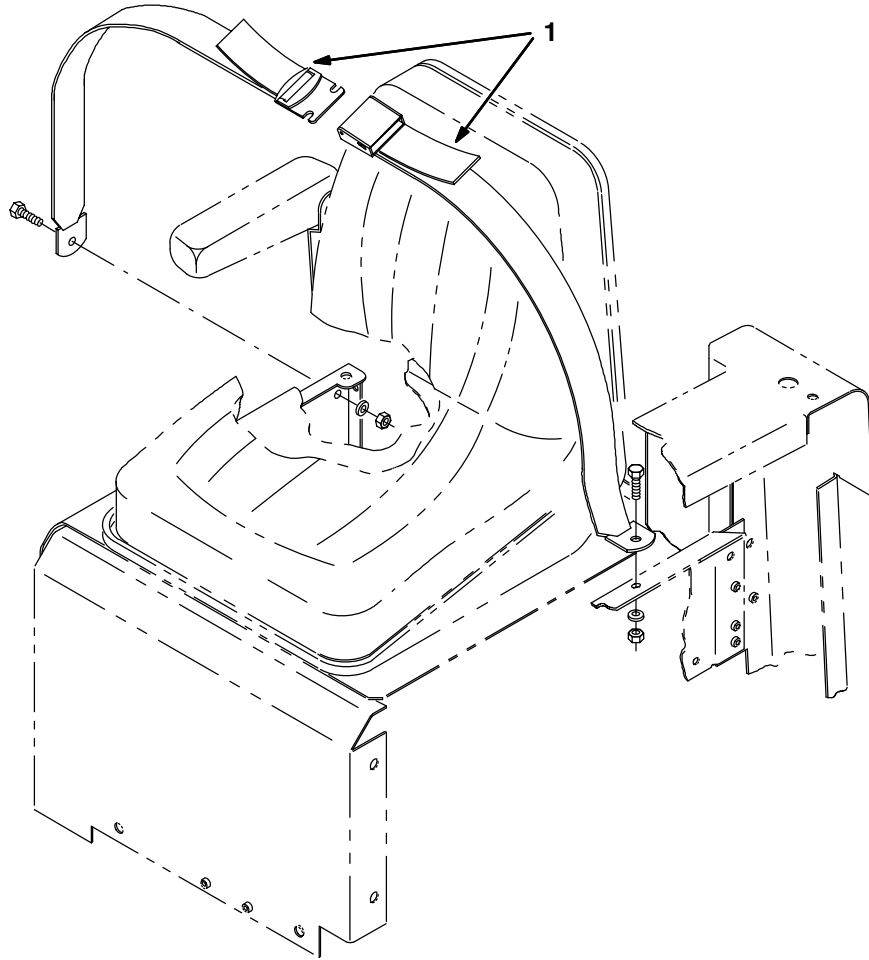
Fig. 14 – Seat Mounting Bracket Kit



10235/10234

Ref.	TENNANT Part No.	Machine Serial Number	Description	Qty.
∇	10595	(000000– )	Bracket, Mounting, Seat Kit	1
1	10581	(000000– )	Bracket, Mounting, Seat	1

**Fig. 15 – Seat Belt Kit**

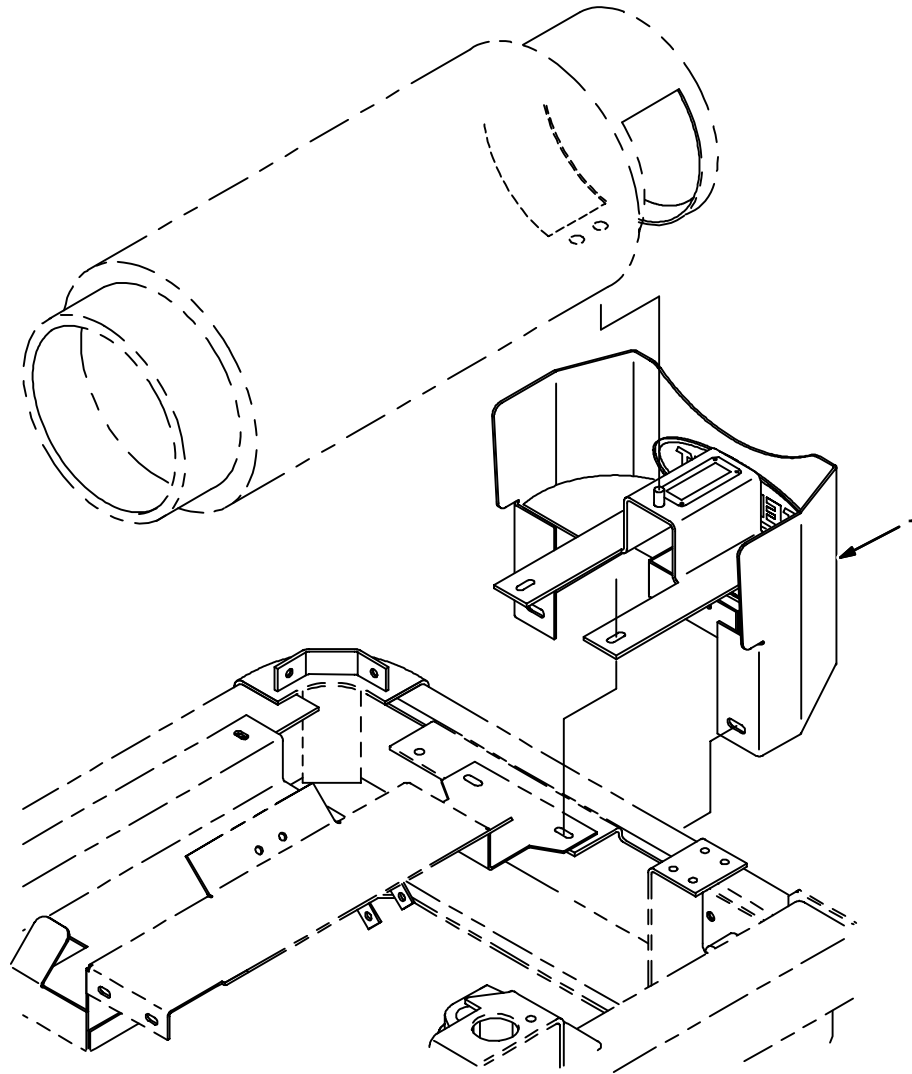


09107/09108

Ref.	TENNANT Part No.	Machine Serial Number	Description	Qty.
∇	78985	(000000– )	Seat Belt Kit 8400	1
1	30533	(000000– )	Seat Belt	1



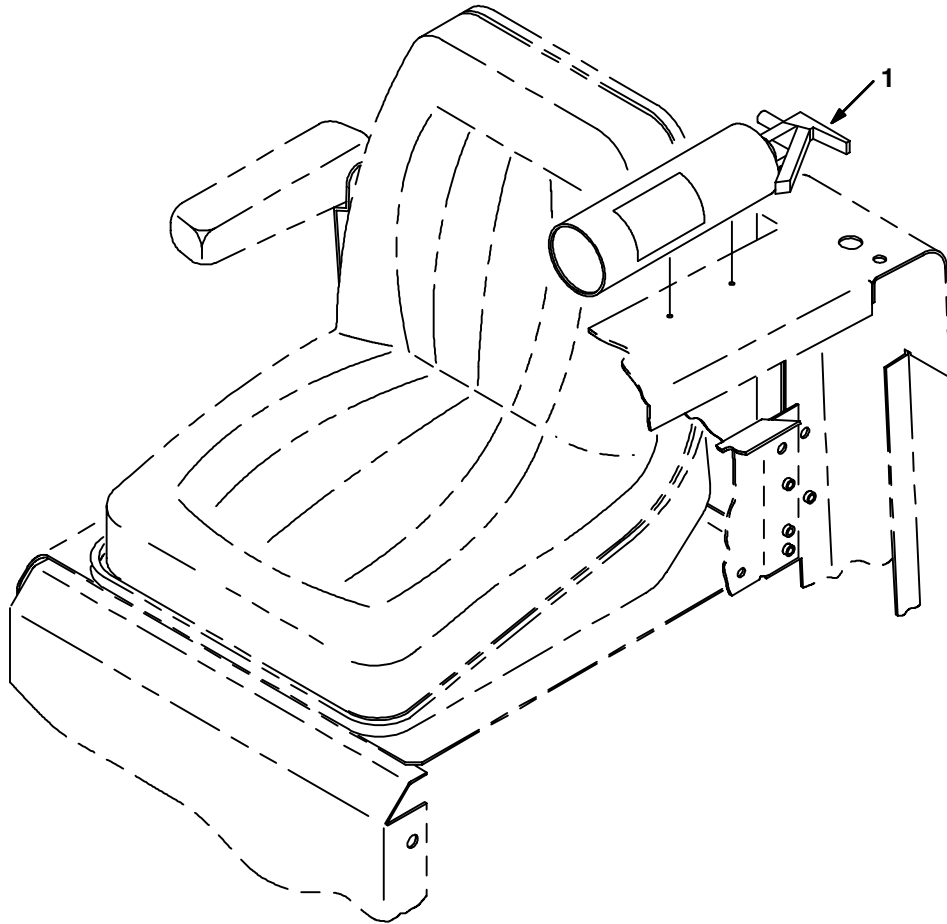
Fig. 16 – LPG Tank Mount Kit, 43 lb



09101/09102

Ref.	TENNANT Part No.	Machine Serial Number	Description	Qty.
∇	78983	(000000– )	Tank Kit, Lpg, 43# 8400	1
1	78942	(000000– )	Bracket Assy, Lpg Tank W/Label	1

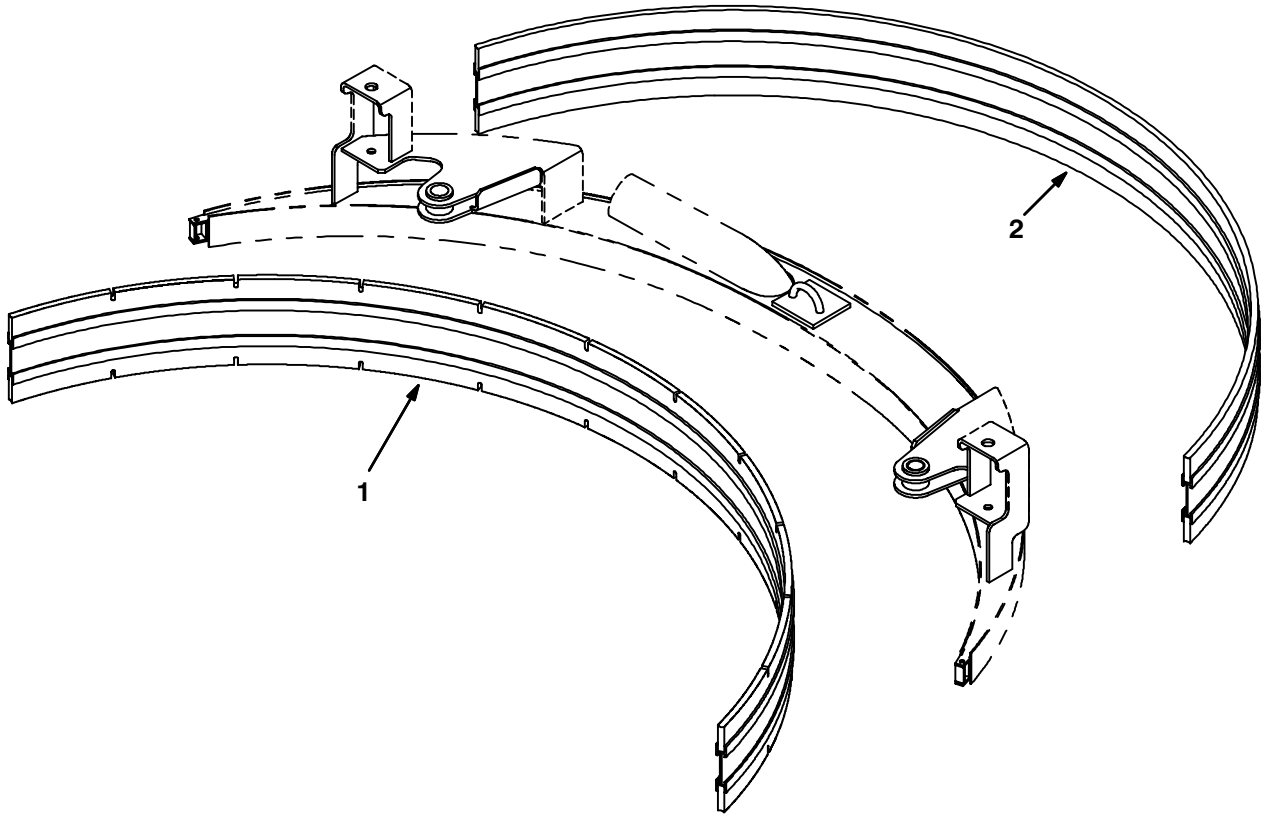
**Fig. 17 – Fire Extinguisher Kit**



09103/09104

Ref.	TENNANT Part No.	Machine Serial Number	Description	Qty.
∇	78987	(000000– )	Extinguisher Kit Fire 8400	1
1	25312	(000000– )	Extinguisher, Fire	1

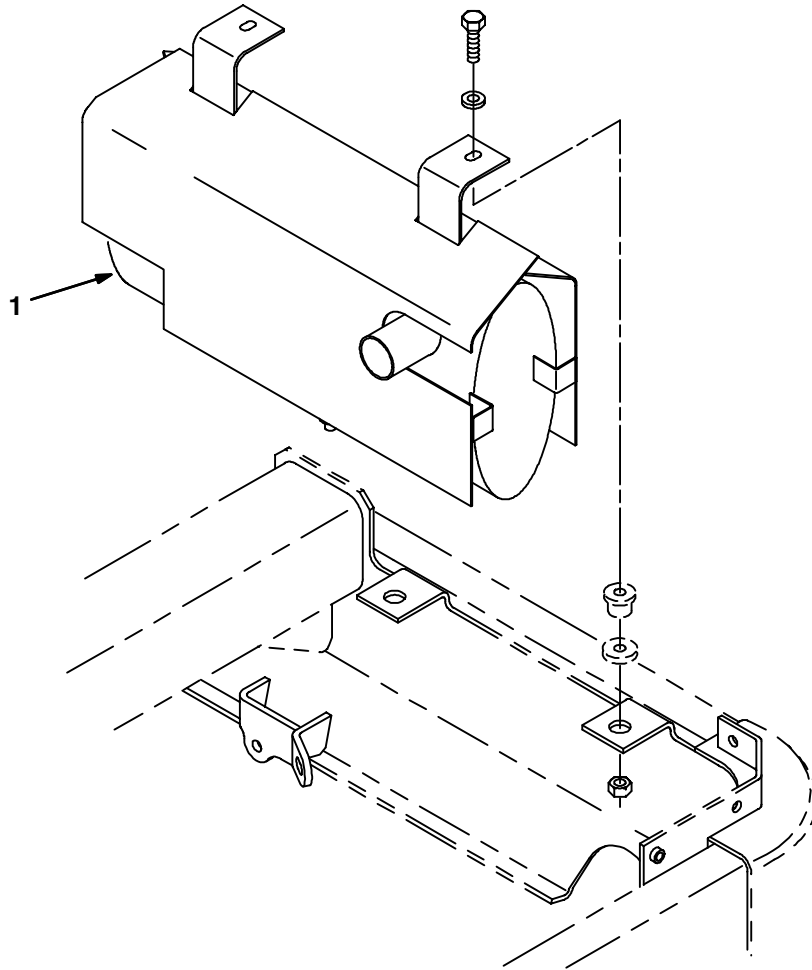
Fig. 18 – Squeegee Blade Kit



09637/09650

Ref.	TENNANT Part No.	Machine Serial Number	Description	Qty.
▽	78877	(000000– )	Squeegee Kit 8400	1
1	78816	(000000– )	Blade Assy, Sqge, Front, .25	1
2	78818	(000000– )	Blade Assy, Sqge, Rear, .25	1

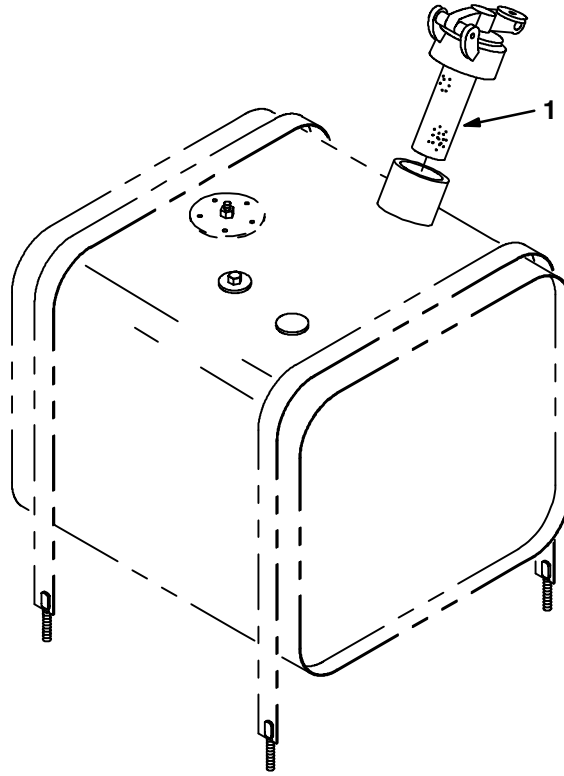
**Fig. 19 – Spark Arresting Muffler Group**



09689/09690

Ref.	TENNANT Part No.	Machine Serial Number	Description	Qty.
1	78860	(000000– )	Muffler, Spark Arresting	1

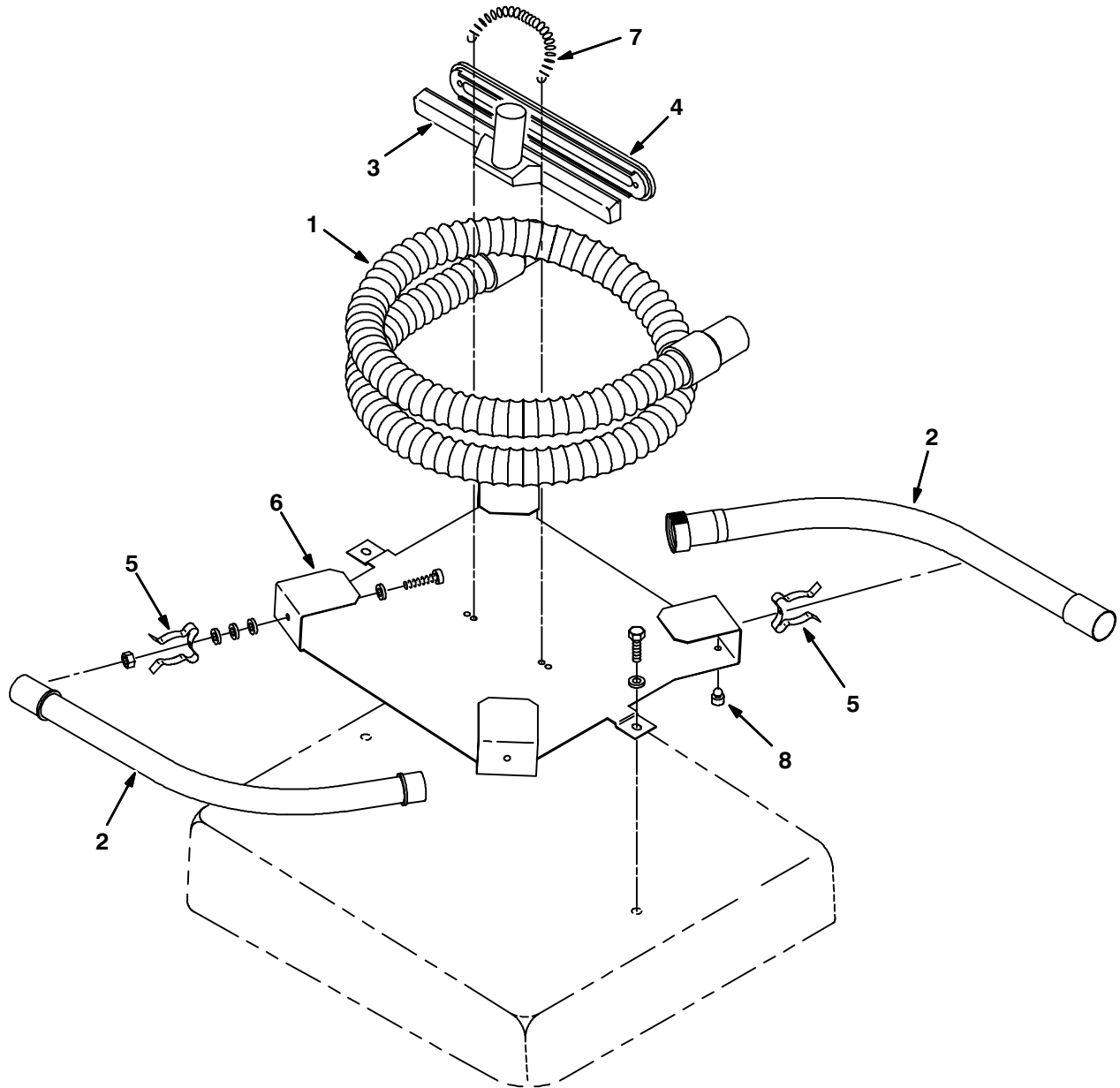
Fig. 20 – Protectoseal Fuel Tank Cap Group



07867/07471

Ref.	TENNANT Part No.	Machine Serial Number	Description	Qty.
1	02506-6	(000000- )	Gas Cap, Protectoseal	1

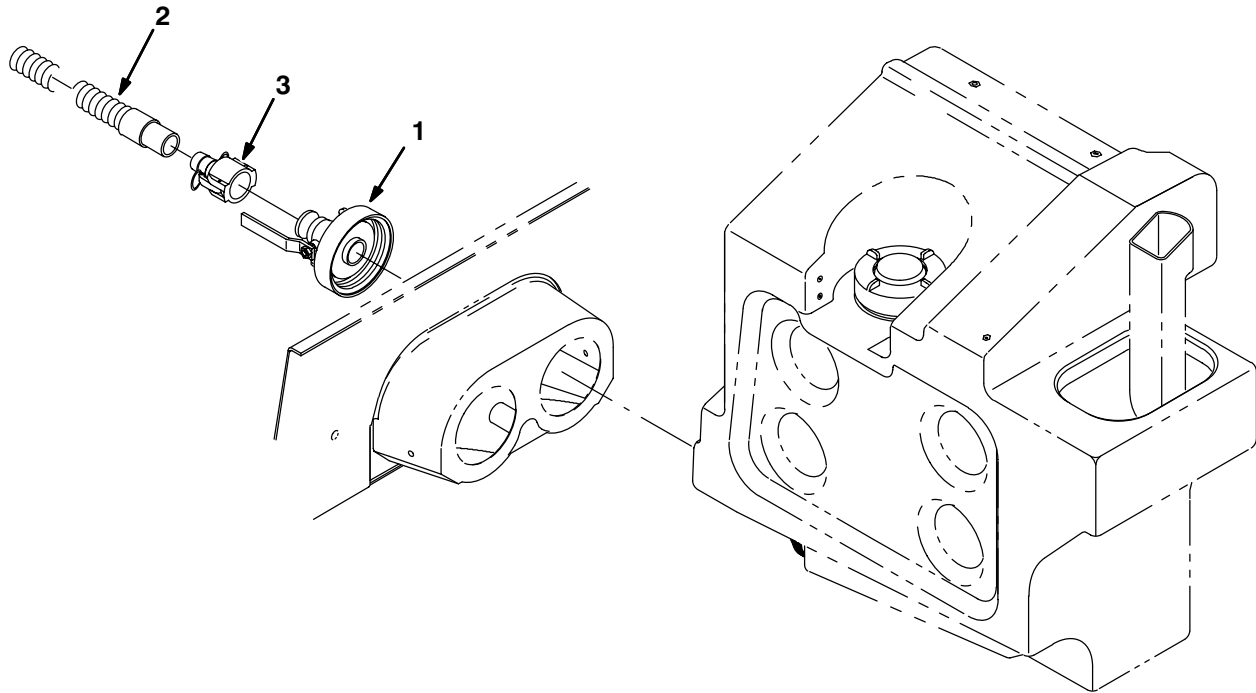
**Fig. 21 – Squeegee Wand Kit**



09113/09114

Ref.	TENNANT Part No.	Machine Serial Number	Description	Qty.
∇	77321	(000000- )	Squeegee Wand Kit 8400	1
1	78808	(000000- )	Hose, Vacuum	1
2	63448	(000000- )	Wand, Metal – 2PC	1
3	63451	(000000- )	Nozzle, Plastic Wand 14.OLG	1
4	63430	(000000- )	Shoe, Plastic-Squeegee 14IN	1
5	67004	(000000- )	Clip-Finger Grip	4
6	77322	(000000- )	Panel, MTG, Hose	1
7	50304	(000000- )	Spring, EXT	1
8	51787	(000000- )	Bumper, Rubber	4

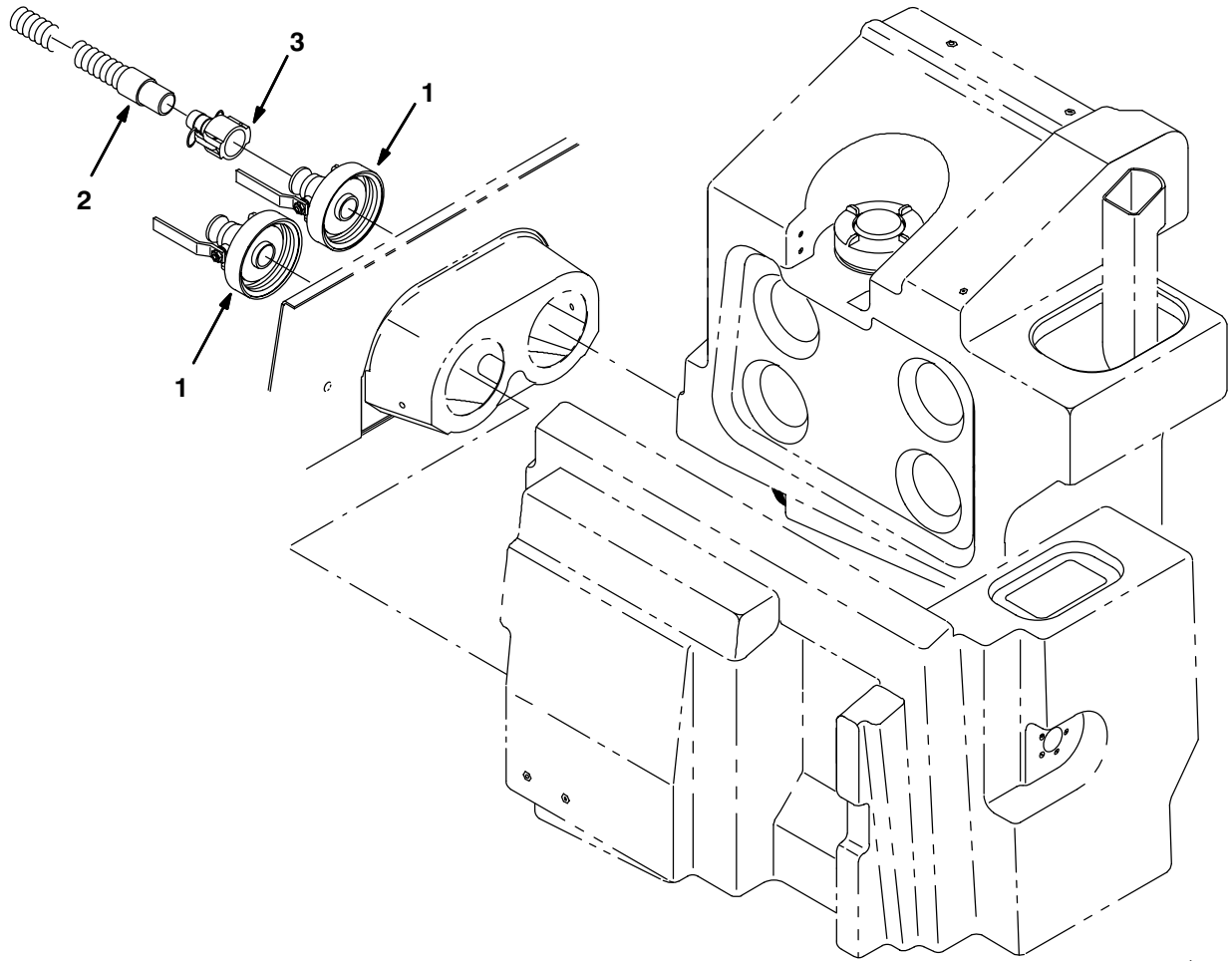
**Fig. 22 – Posi i e Solu ion Con rol Drain S s em Ki S**



10217/10218

Ref.	TENNANT Part No.	Machine Serial Number	Description	Qty.
▽	48742	(000000– )	Pos Sol Control Drain Sys Kits	1
1	48739	(000000– )	Cap Assy, Pos Drain	1
2	75635	(000000– )	Hose & Cuff Assy	1
3	48734	(000000– )	Coupler, Female X Hose Shank	1

**Fig. 23 – Posi i e Solu ion Con rol Drain S s em Ki ES**

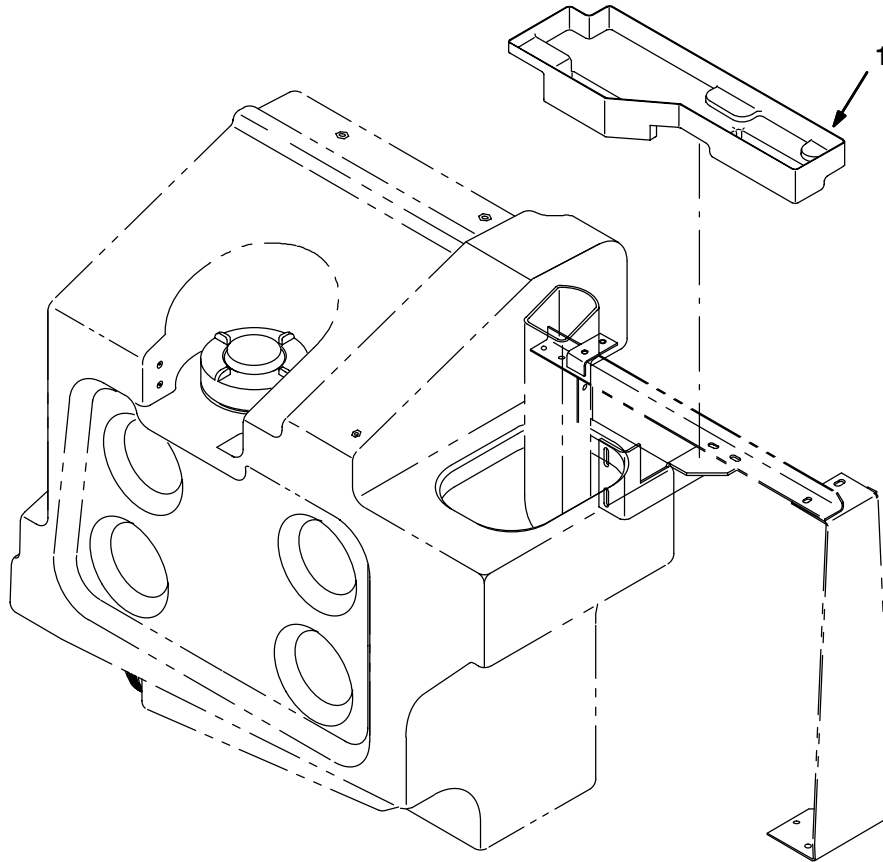


10219/10220

Ref.	TENNANT Part No.	Machine Serial Number	Description	Qty.
∇	48743	(000000– )	Pos Sol Ctrl Drain Sys Kit Es	1
1	48739	(000000– )	Cap Assy, Pos Drain	2
2	75635	(000000– )	Hose & Cuff Assy	1
3	48734	(000000– )	Coupler, Female X Hose Shank	1



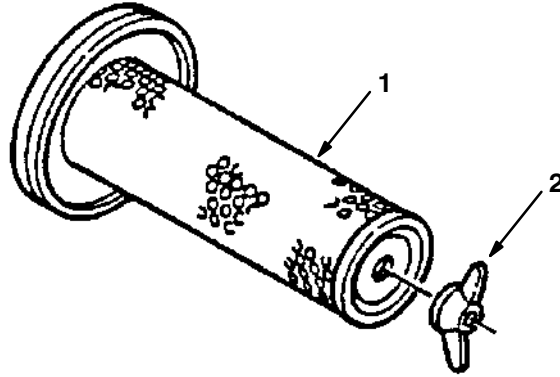
Fig. 24 – Dri Tra Grou



10221/10222

Ref.	TENNANT Part No.	Machine Serial Number	Description	Qty.
1	79220	(000000– )	Tray, Drip	1

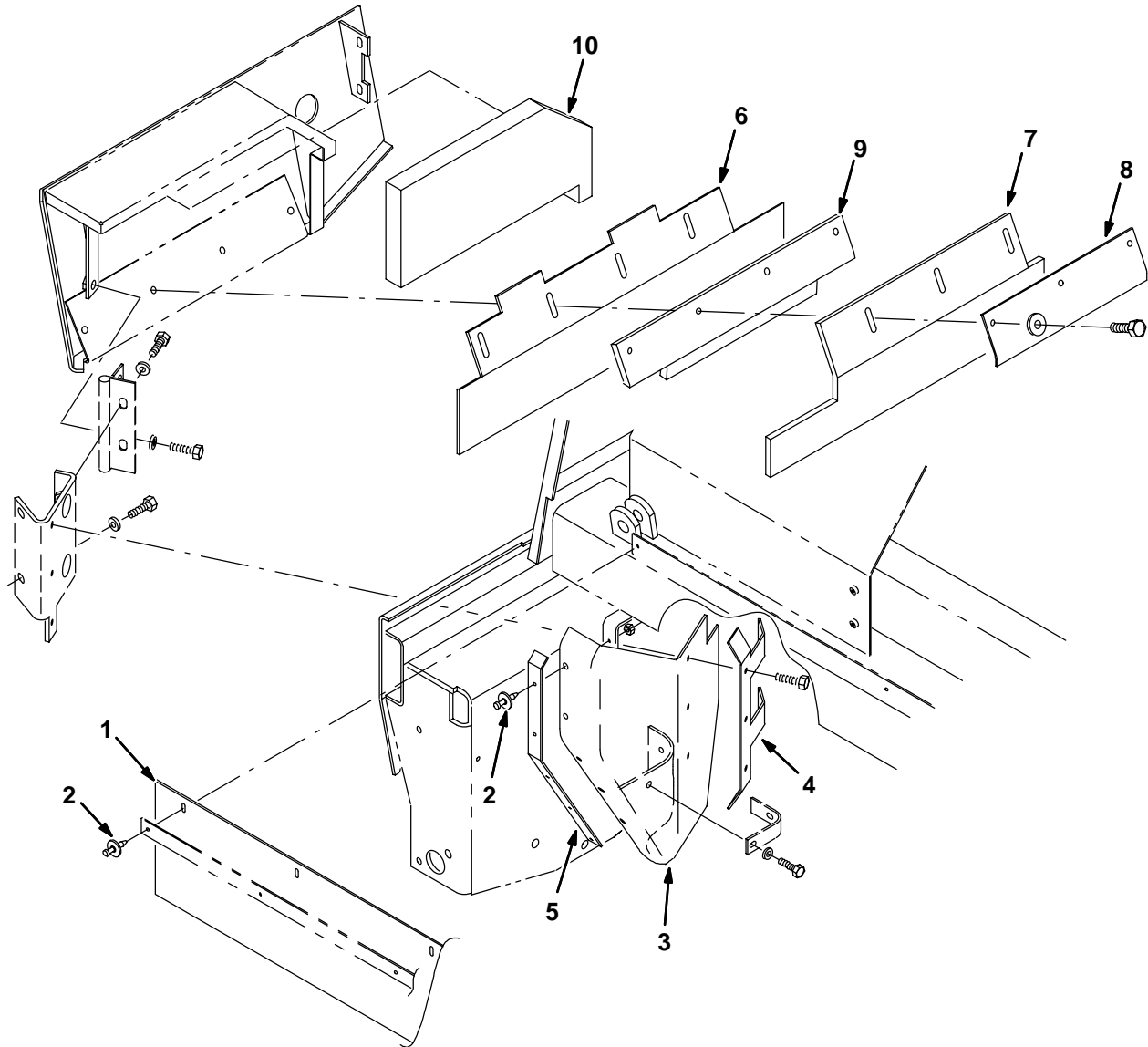
**Fig. 25 – Air Filter Safety Element Kit**



04712

Ref.	TENNANT Part No.	Machine Serial number	Description	Qty.
∇	07565	(000000– )	Element Kit, Air, Safety	1
1	58121	(000000– )	Element, Safety	1
2	07562	(000000– )	Wingnut	1

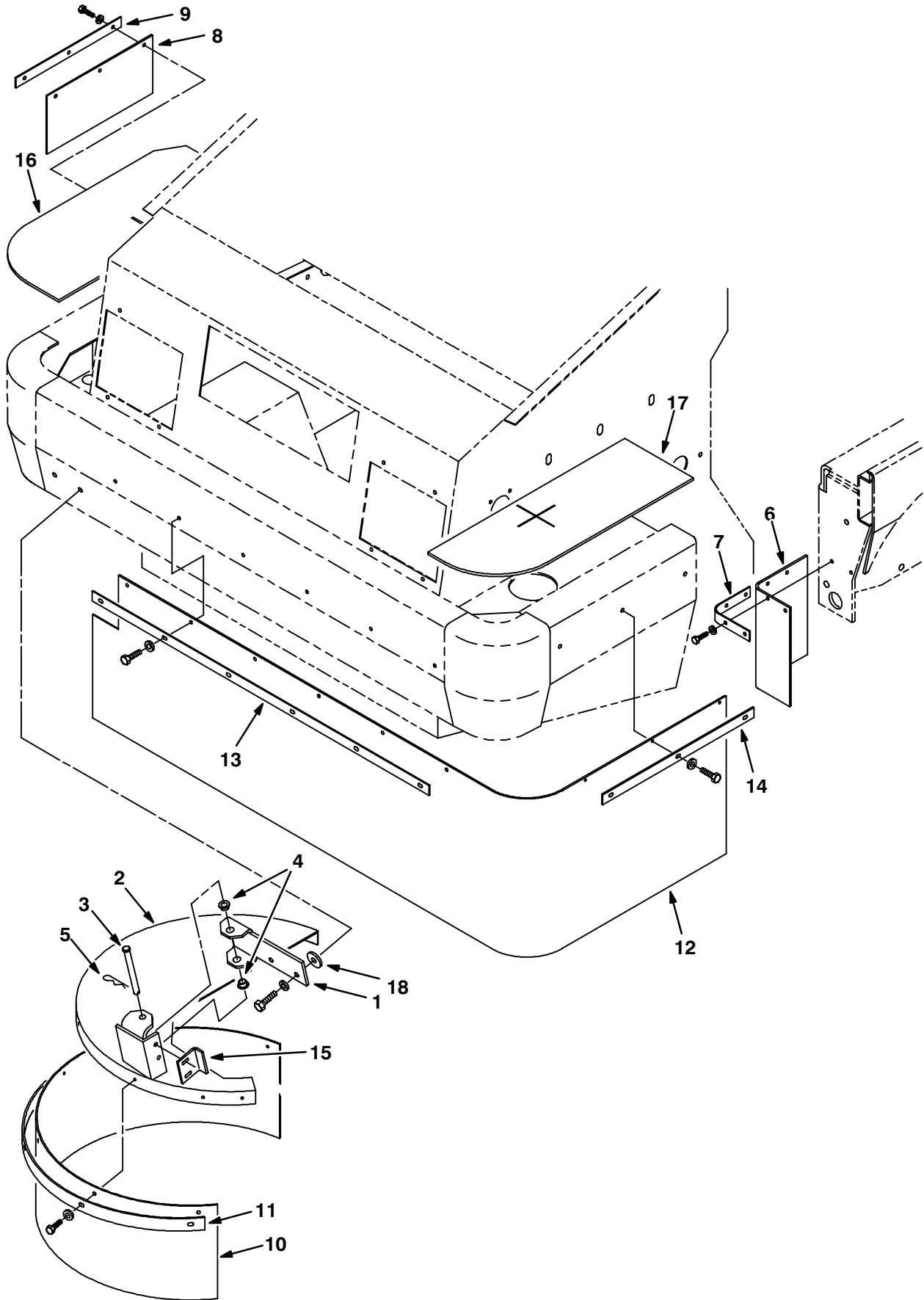
Fig. 26 – Vacuumized Skirt Kit, Main Brush



10192/10193

Ref.	TENNANT Part No.	Machine Serial number	Description	Qty.
▽	70229	(000000– )	Vacuumized Skirt Kit, Main Bru	1
1	56872	(000000– )	Skirt, Hopper, Top	1
2	72968	(000000– )	Rivet, Plastic .250x.898	15
3	70230	(000000– )	Skirt, Deflection, Vac Kit	2
4	70227	(000000– )	Strap, Deflector, Rh	1
	70228	(000000– )	Strap, Deflector, Lh (Not Shown)	1
5	56914	(000000– )	Strap	2
6	70222	(000000– )	Skirt, Brush Door, Outer	2
7	70223	(000000– )	Skirt, Brush Door, Inner	2
8	70224	(000000– )	Strip, Retainer	2
9	70225	(000000– )	Angle, Filler	2
10	70226	(000000– )	Seal, Foam, Door	2

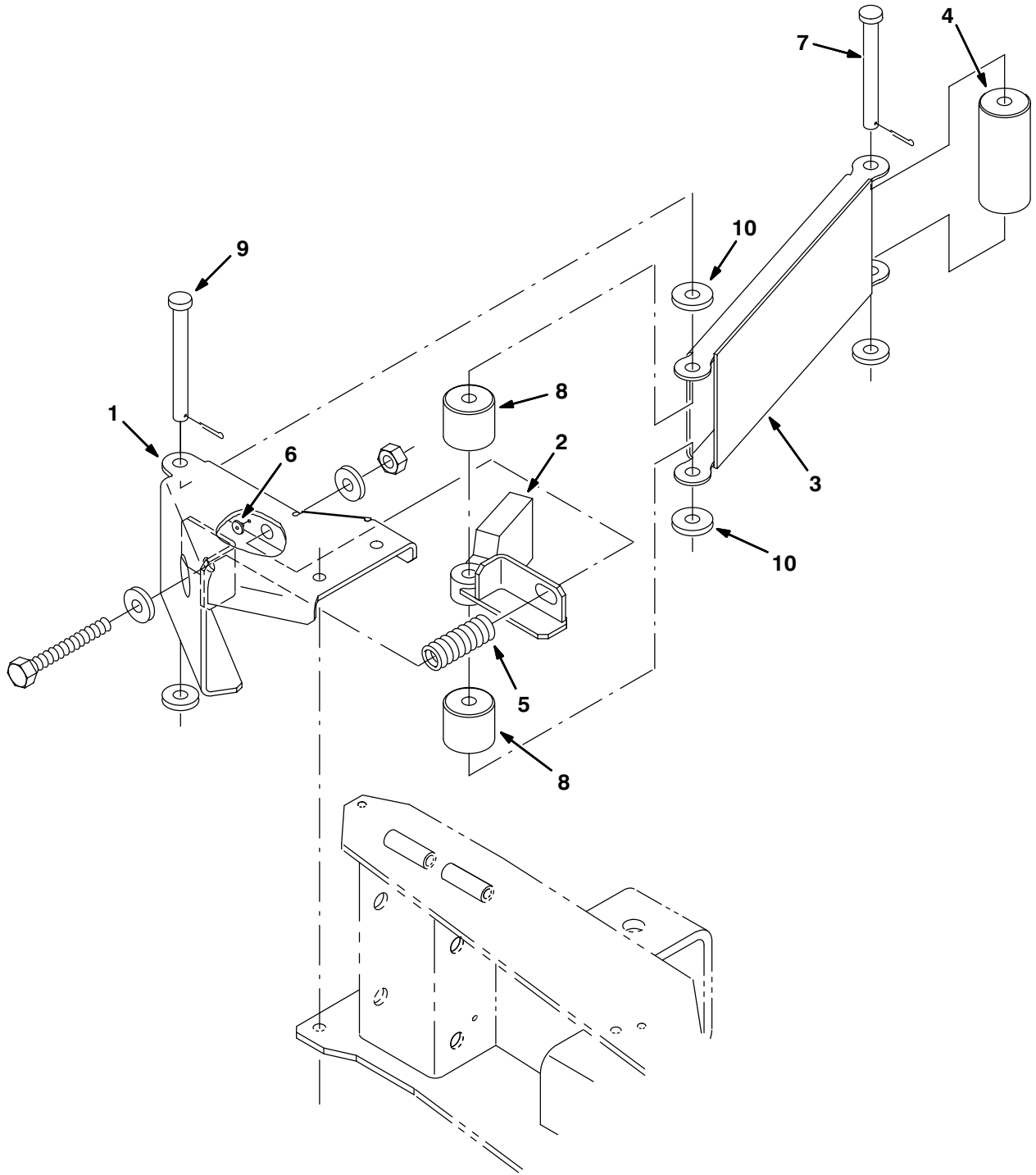
Fig. 27 – Side Brush Dust Control Kit



**Fig. 27 – Side Brush Dust Control Kit**

<b>Ref.</b>	<b>TENNANT Part No.</b>	<b>Machine Serial number</b>	<b>Description</b>	<b>Qty.</b>
∇	78904	(000000– )	Dust Cont Kit S Br 8400	1
1	74383	(000000– )	Bracket, Sbdc	1
2	74375	(000000– )	Cover, Sbdc	1
3	51538	(000000– )	Pin,Clevis,0.50 Dia.X 5.00 Lg	1
4	23274	(000000– )	Bshg,Flange,0.50Bx0.62Odx0.40L	2
5	44906	(000000– )	Pin,Hair Cotter #Lhcot–2,Leitk	1
6	66176	(000000– )	Skirt, Wheel Pocket, Sbdc	2
7	66177	(000000– )	Plate, Retainer, Wheel Pocket	2
8	53576	(000000– )	Skirt, Sbdc, Rh	1
9	53610	(000000– )	Plate, Retainer, Sbdc, Rh	1
10	66178	(000000– )	Skirt, Cover, Sbdc	1
11	66179	(000000– )	Plate, Retainer, Cover, Sbdc	1
12	74379	(000000– )	Skirt, Front, Sbdc	1
13	74380	(000000– )	Plate, Reainer, Front, Sbdc	1
14	74381	(000000– )	Plate, Retainer, Front,Lh Sbdc	1
15	74382	(000000– )	Angle, Stop	1
16	72086	(000000– )	Foam, Sbdc, Rh	1
17	72087	(000000– )	Foam, Sbdc, Lh	1
18	35843	(000000– )	Washer, .530B 1.50D .19Hr	2

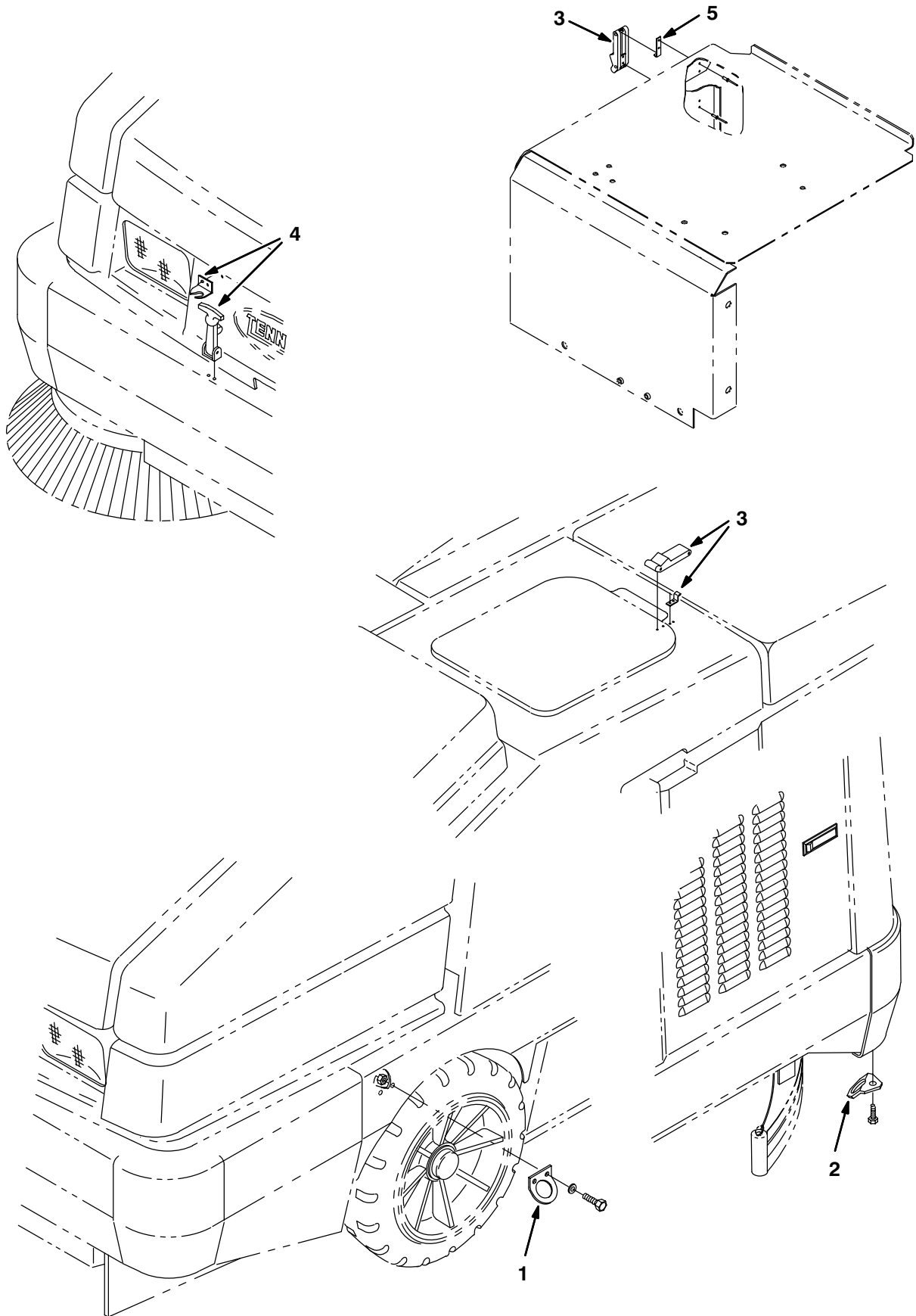
Fig. 28 – Si e S uee ee Ki SE



**Fig. 28 – Side Squeegee Kit SE**

Ref.	TENNANT Part No.	Machine Serial number	Description	Qty.
∇	10562	(000000– )	Side Squeegee Se Kit	1
1	10550	(000000– )	Channel Wldt	1
2	10557	(000000– )	Arm Wldt	1
3	10560	(000000– )	Tube Wldt	1
4	10561	(000000– )	Roller	1
5	45261	(000000– )	Sprng,Comp,0.74Idx.11Wire 2.5L	1
6	56855	(000000– )	Bumper,Rbr,W.Knurled Stud	1
7	51538	(000000– )	Pin,Clevis,0.50 Dia.X 5.00 Lg	1
8	72946	(000000– )	Roller 1.75	2
9	51225	(000000– )	Pin,Clevis,0.50 Dia.X 5.50 Lg	1
10	86860	(000000– )	Bearing, Thrust .500	2

Fig. 29 – Demo Grou

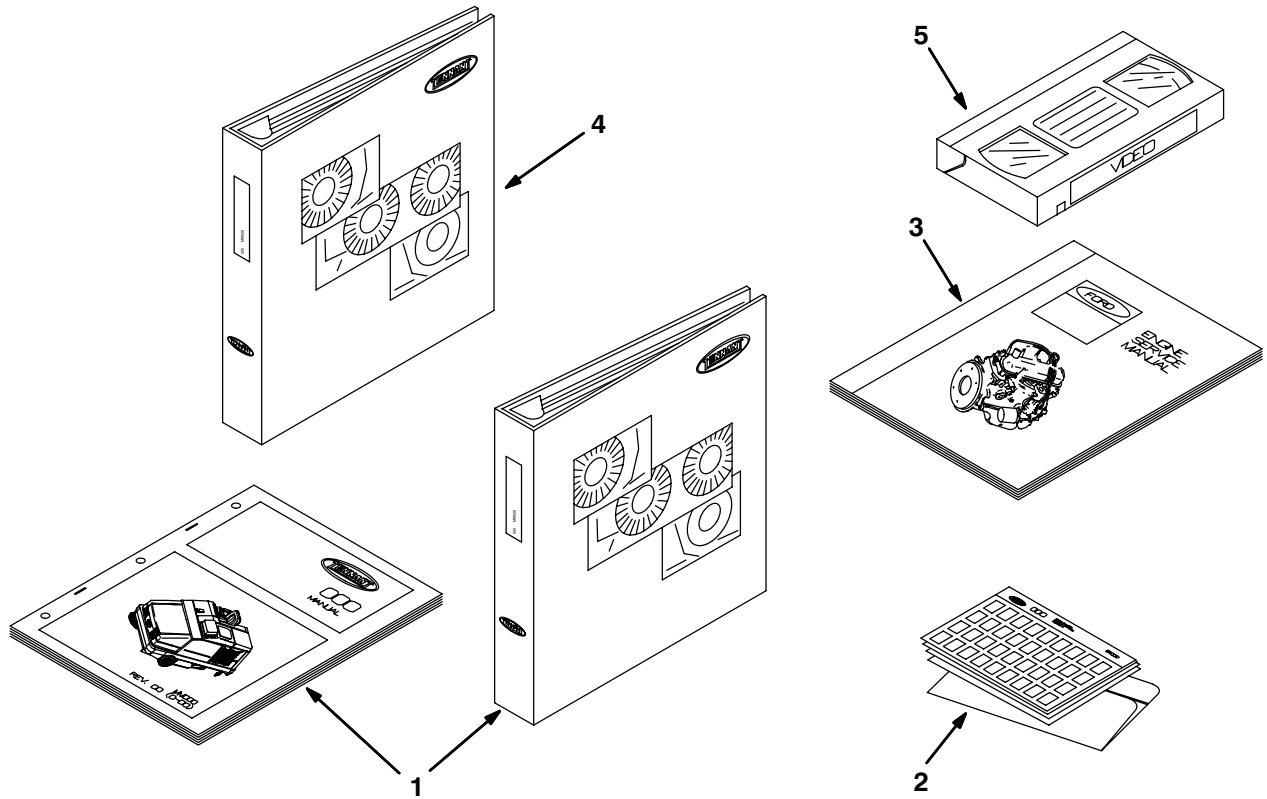




**Fig. 29 – Demo Grou**

<b>Ref.</b>	<b>TENNANT Part No.</b>	<b>Machine Serial number</b>	<b>Description</b>	<b>Qty.</b>
1	82196	(000000– )	Bracket,Rear Tiedown	2
2	14983	(000000– )	Bracket Tie Down	2
3	49800	(000000– )	Latch, Elastic	2
4	11636	(000000– )	Latch, Draw, Flexible	1
5	78882	(000000– )	Bracket, Tiedown, Seat	1

**Fig. 30 – Documentation Group**



09775/09774

Ref.	TENNANT Part No.	Machine Serial Number	Description	Qty.
1	MM311	(000000– )	Manual Pkg 8400	1
2	85311	(000000– )	Manual–Fiche Pkg 8400	1
3	61875	(000000– )	Service Manual Lsg–423 Fd	1
4	MM338	(000000– )	Service Manual Pkg 8400	1
5	84598	(000000– )	Tape, Video, Operator, 8400	1

**SECTION 4****CONTENTS**

	PAGE
Fig. 1 – Hydraulic Motor Breakdown, 74162 .....	4-2
Fig. 2 – Hydraulic Motor Breakdown, 53435 .....	4-4
Fig. 3 – Hydraulic Motor Breakdown, 73098 .....	4-5
Fig. 4 – Hydraulic Motor Breakdown, 73090 .....	4-6
Fig. 5 – Hydraulic Motor Breakdown, 73112 .....	4-7
Fig. 6 – Hydraulic Motor Breakdown, 53485 .....	4-8
Fig. 7 – Hydraulic Motor Breakdown, 74468 .....	4-9
Fig. 8 – Hydraulic Steering Valve Breakdown, 73093 .....	4-10
Fig. 9 – Hydraulic Pump Breakdown, 73101 .....	4-12
Fig. 10 – Hydraulic Pump Breakdown, 73102 .....	4-14
Fig. 11 – Hydraulic Pump Breakdown, 79770 .....	4-16
Fig. 12 – Hydraulic Solenoid Valve Breakdown, 73086 .....	4-18
Fig. 13 – Hydraulic Solenoid Valve Breakdown, 73103 .....	4-20
Fig. 14 – Hydraulic Solenoid Valve Breakdown, 73099 .....	4-22
Fig. 15 – Extended Scrub Pump Breakdown, 72955 .....	4-24
Fig. 16 – Hydraulic Flow Sensor Switch Breakdown, 73430 .....	4-26
Fig. 17 – Metering Solution Pump Breakdown, 73260 .....	4-27

Fig. 1 – Hydraulic Motor Breakdown, 74162

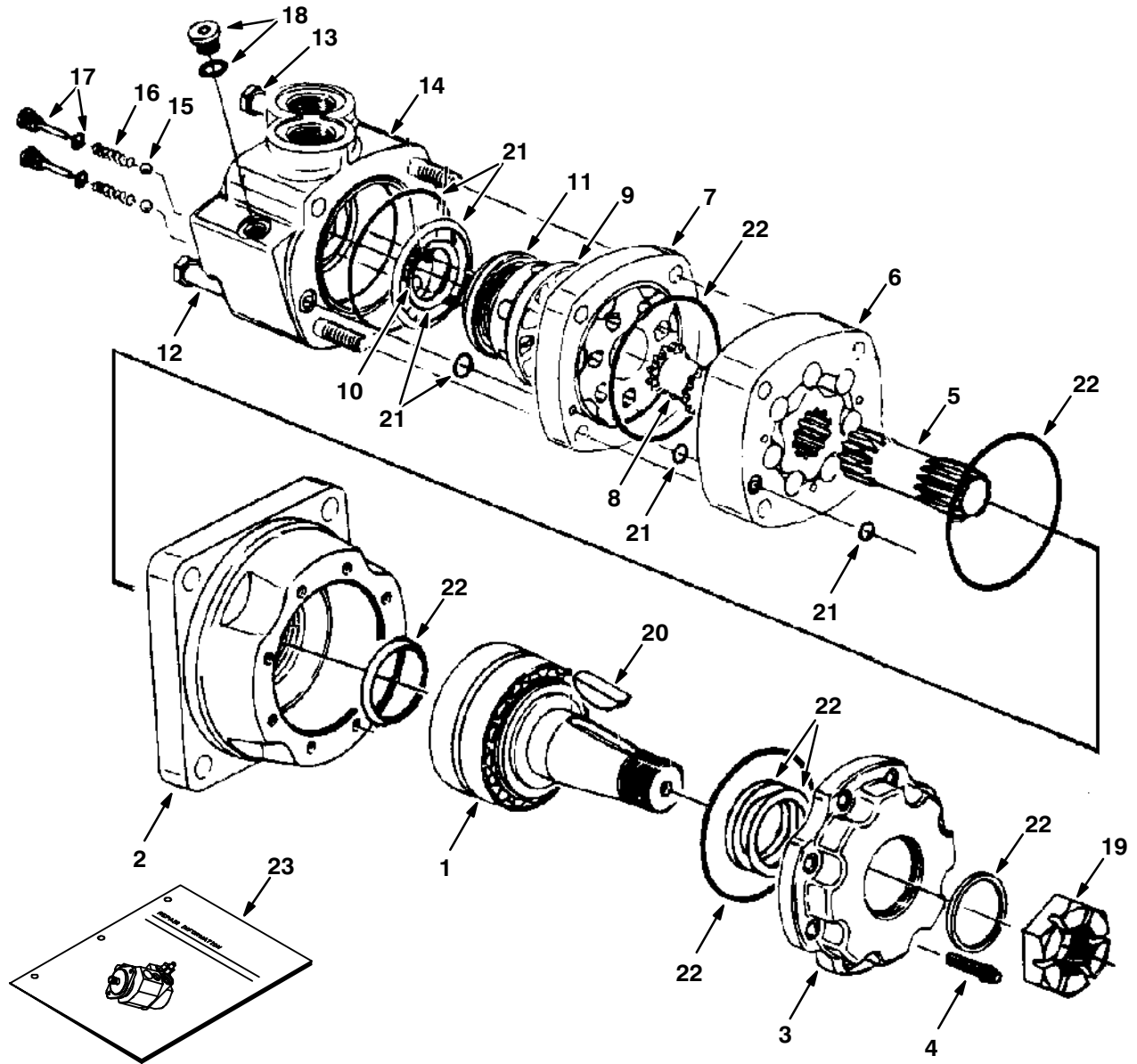
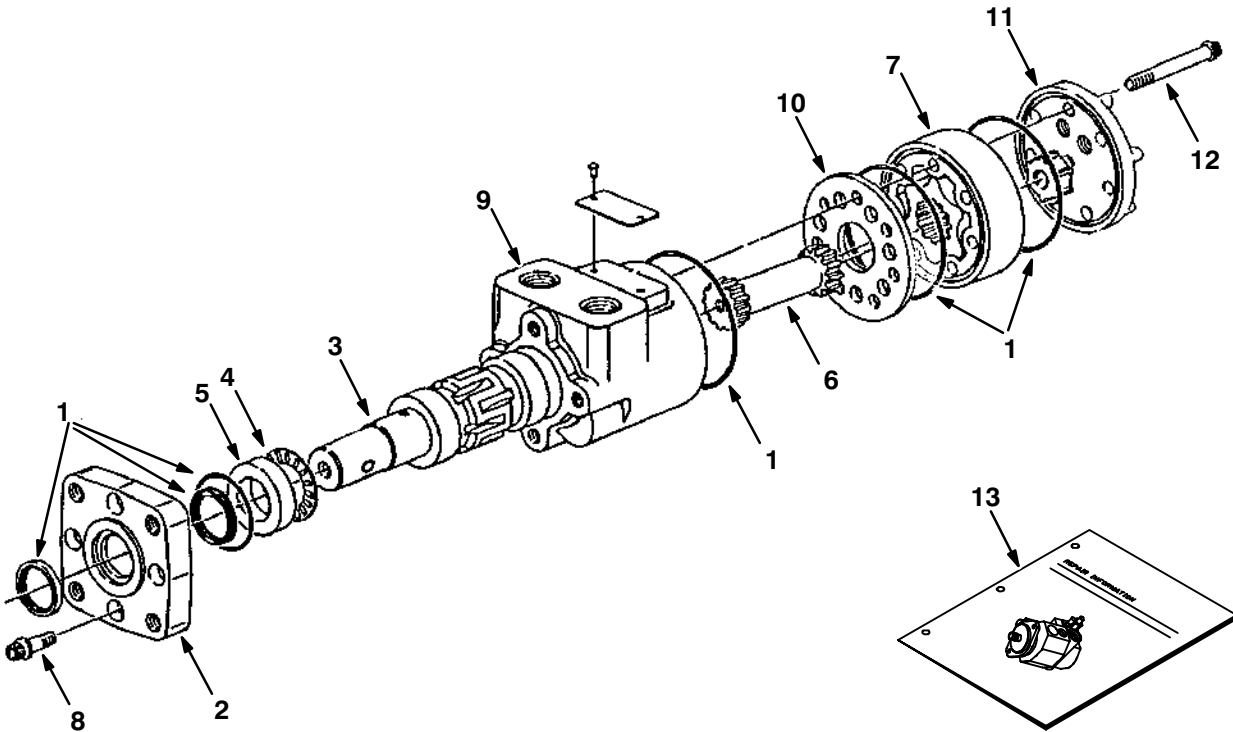


Fig. 1 – Hydraulic Motor Breakdown, 74162

Ref.	TENNANT Part No.	Manufacturer Serial Number	Description	Qty.
∇	74162	(000000– )	Motor, Hyd Gear In 19.0	1
1	74165	(000000– )	Shaft, Assy CI	1
2	74166	(000000– )	Housing, Brg CI	1
3	74167	(000000– )	Retainer, Frt CI	1
4	74168	(000000– )	Screw, Cap CI	8
5	37616	(000000– )	Drive	1
6	37756	(000000– )	Geroler	1
7	74122	(000000– )	Plate, Valve	1
8	52405	(000000– )	Valve	1
9	74123	(000000– )	Valve CI	1
10	34178	(000000– )	Spring	2
11	38968	(000000– )	Ring	1
12	74125	(000000– )	Bolt CI	3
13	38255	(000000– )	Bolt	1
14	74171	(000000– )	Housing, Assy CI	1
15	37766	(000000– )	Ball	2
16	34179	(000000– )	Spring	2
17	74137	(000000– )	Plug Assembly CI	2
18	74098	(000000– )	Plug Assembly Ph	1
19	45622	(000000– )	Nut	1
20	45623	(000000– )	Key	1
21	33580	(000000– )	Seal Kit, Rear	1
22	74170	(000000– )	Seal Kit, Shaft CI	1
23	74249	(000000– )	Repair Info. CI	1

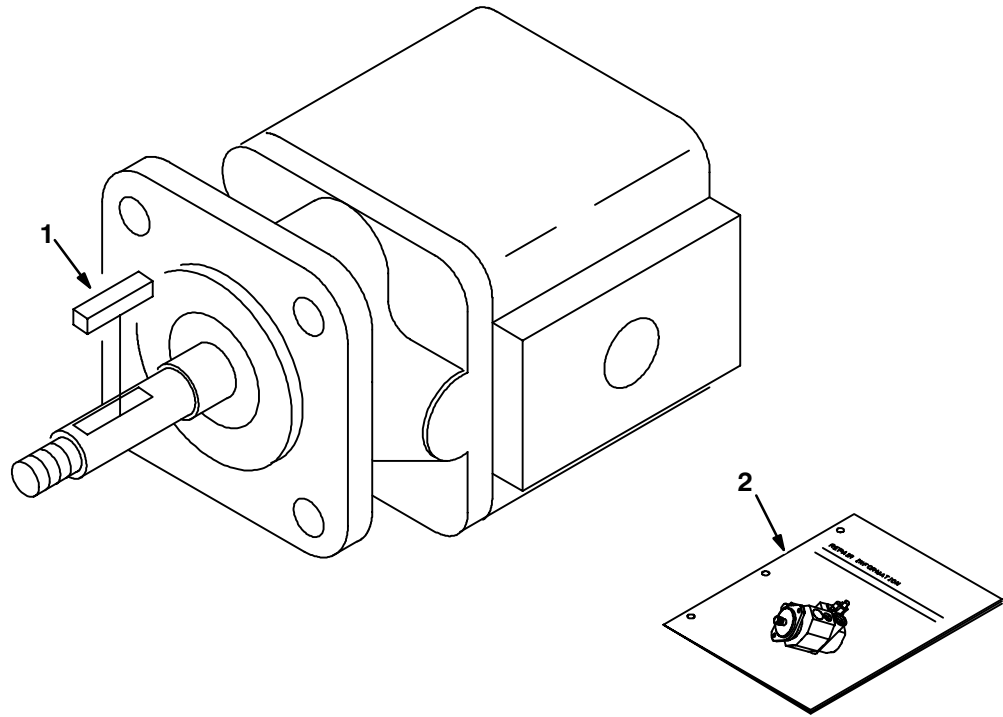
**Fig. 2 – Hydraulic Motor Breakdown, 53435**



07908/08926/09670

Ref.	TENNANT Part No.	Manufacturer Serial Number	Description	Qty.
∇	53435	(000000– )	Motor, Hydraulic	1
1	61490	(000000– )	Seal Kit	1
2	31354	(000000– )	Flange, Mounting	1
3	31373	(000000– )	Output Shaft	1
4	45628	(000000– )	Bearing Thrust	1
5	16695	(000000– )	Race, Thrust	1
6	31377	(000000– )	Drive	1
7	31384	(000000– )	Gerotor Set	1
8	37555	(000000– )	Screw	4
9	74100	(000000– )	Housing	1
10	74094	(000000– )	Spacer Plate	1
11	74101	(000000– )	End Cap	1
12	74102	(000000– )	Screw, Cap	5
13	74250	(000000– )	Repair Info.	1

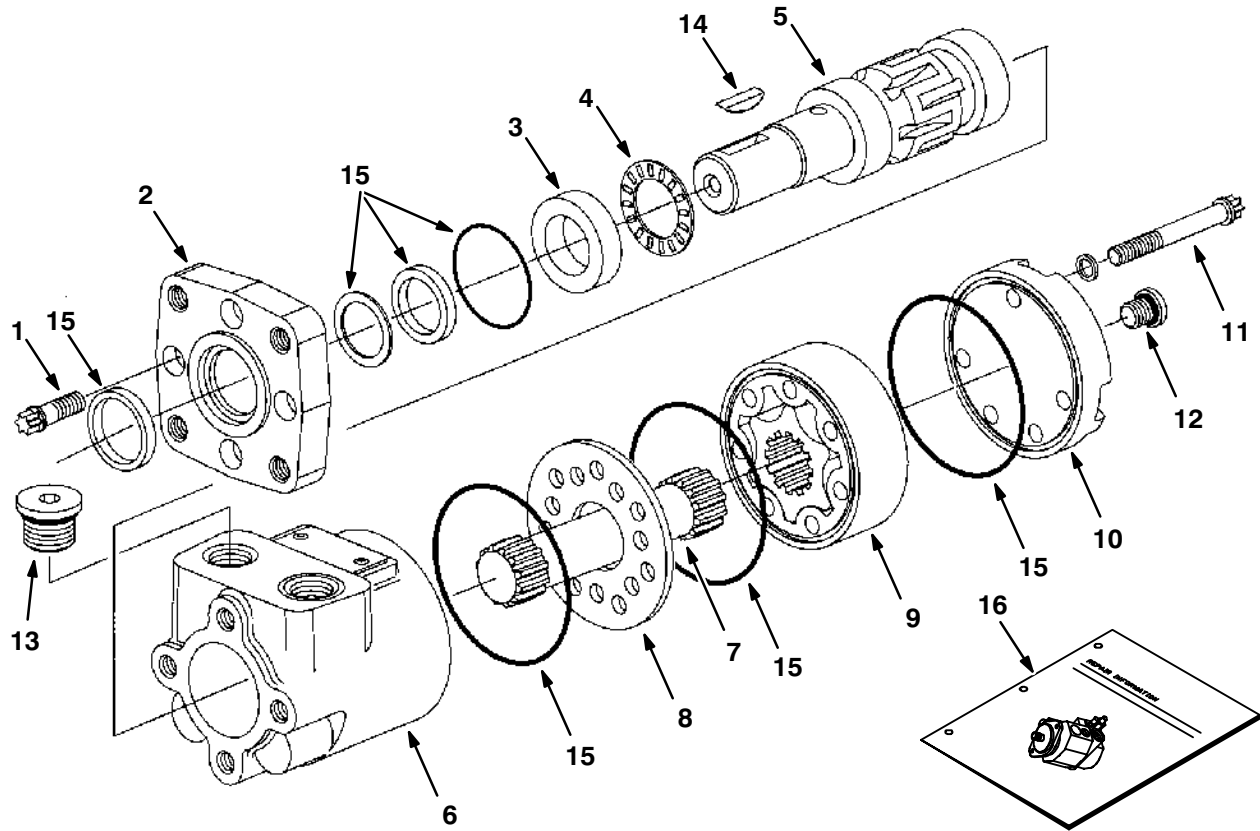
**Fig. 3 – Hydraulic Motor Breakdown, 73098**



09659/09664/09670

Ref.	TENNANT Part No.	Manufacturer Serial Number	Description	Qty.
√	73098	(000000– )	Motor, Hyd Gear Ex 0.26 R 3000	1
1	00960	(000000– )	Key Square 0.12 0.12 00.50 Lg	1
	74233	(000000– )	Seal Kit, Hyd Mtr Gear Bn	1
2	IB3614	(000000– )	Repair Info.	1

**Fig. 4 – Hydraulic Motor Breakdown, 73090**

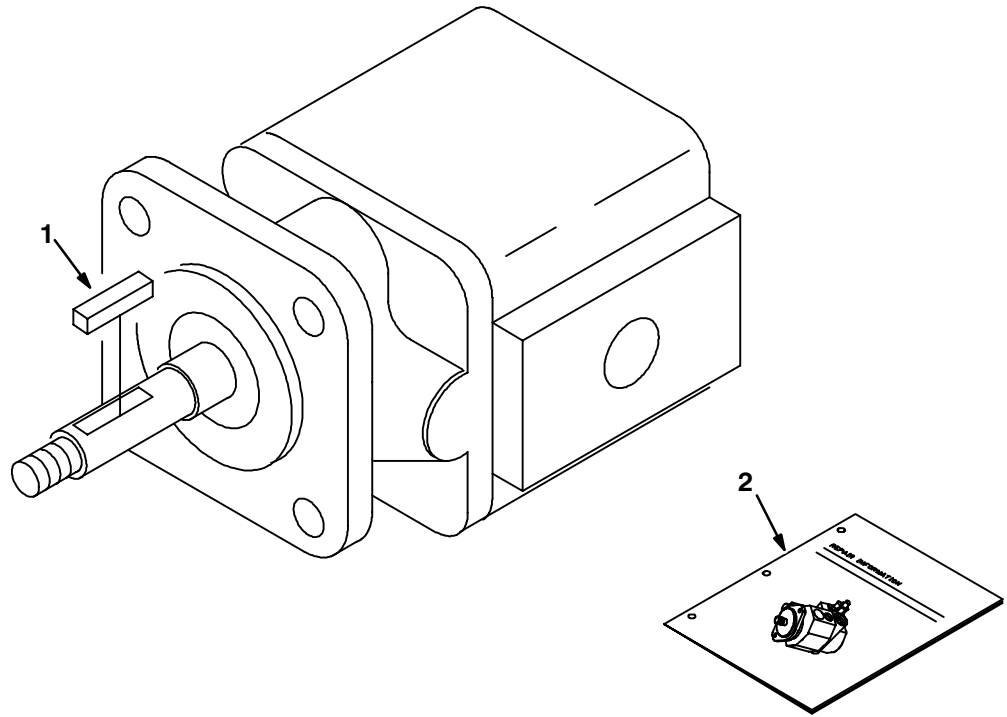


09609/09610/09670

Ref.	TENNANT Part No.	Manufacturer Serial Number	Description	Qty.
▽	73090	(000000- )	Motor, Hyd Gear in 07.3 B 1500	1
1	37555	(000000- )	Cap, Screw	4
2	31354	(000000- )	Flange Mounting	1
3	16695	(000000- )	Race Thrust	1
4	45628	(000000- )	Thrust Bearing	1
5	28854	(000000- )	Shaft, Output	1
6	74100	(000000- )	Housing Cl	1
7	74175	(000000- )	Drive Cl	1
8	74094	(000000- )	Spacer Plate Cl	1
9	74177	(000000- )	Gerotor Assy Cl	1
10	74095	(000000- )	End Cap Cl	1
11	74178	(000000- )	Screw Cap Cl	5
12	74098	(000000- )	Plug Assembly Ph	1
13	74099	(000000- )	Plug Assembly Ph	2
14	00500-15	(000000- )	Key-Wdruff 0.25 1.00 Asa#0808	1
15	61490	(000000- )	Seal Replmt Kit	1
16	74250	(000000- )	Repair Info. Cl	1



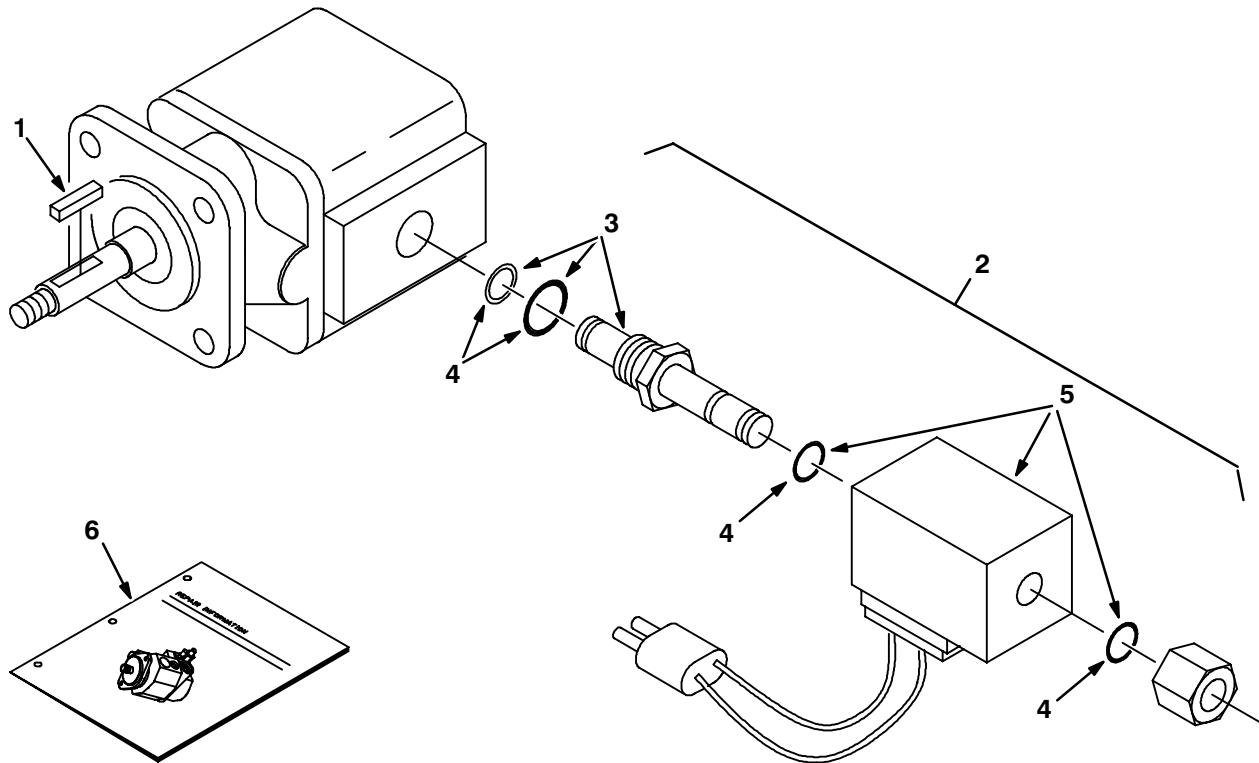
**Fig. 5 – Hydraulic Motor Breakdown, 73112**



09663/09664/09670

Ref.	TENNANT Part No.	Manufacturer Serial Number	Description	Qty.
√	73112	(000000– )	Motor, Hyd Gear Ex 0.13 L 3000	1
1	00954	(000000– )	Key Square 0.12 0.12 01.00 Lg	1
	74233	(000000– )	Seal Kit, Hyd Mtr Gear Bn	1
2	IB3614	(000000– )	Repair Info.	1

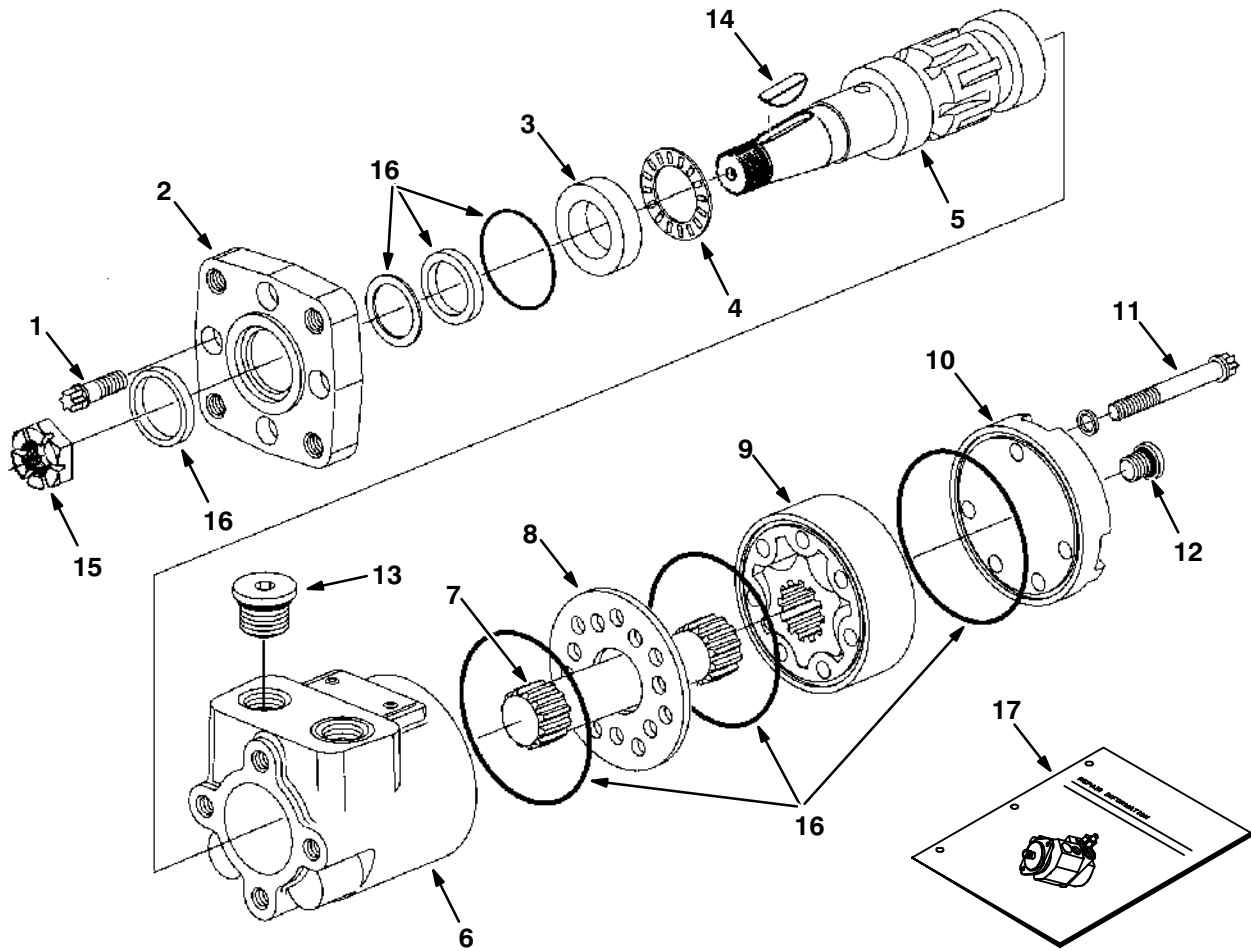
**Fig. 6 – Hydraulic Motor Breakdown, 53485**



07909/07490/09670

Ref.	TENNANT Part No.	Manufacturer Serial Number	Description	Qty.
▽	53485	(000000– )	Motor, Hydraulic	1
	74233	(000000– )	Seal Kit, Motor	1
1	00966	(000000– )	Key	1
▽ 2	54095	(000000– )	Valve Assembly, Solenoid	1
3	59378	(000000– )	Cartridge, Solenoid Valve	1
4	48813	(000000– )	Seal Kit, One Cartridge	1
5	35493	(000000– )	Coil	1
6	IB3614	(000000– )	Repair Info.	1

**Fig. 7 – Hydraulic Motor Breakdown, 74468**



09669/09606/09670

Ref.	TENNANT Part No.	Manufacturer Serial Number	Description	Qty.
▽	74468	(000000- )	Motor, Hyd Gear In 02.8 B 1500	1
1	37555	(000000- )	Cap, Screw	4
2	31354	(000000- )	Flange Mounting	1
3	16695	(000000- )	Race Thrust	1
4	45628	(000000- )	Thrust Bearing	1
5	31375	(000000- )	Shaft, Output	1
6	74100	(000000- )	Housing Cl	1
7	34176	(000000- )	Drive	1
8	74094	(000000- )	Spacer Plate Cl	1
9	31381	(000000- )	Gerotor Set	1
10	74095	(000000- )	End, Cap	1
11	74174	(000000- )	Cap, Screw Cl	5
12	74098	(000000- )	Plug Assembly Ph	1
13	74099	(000000- )	Plug Assembly Ph	2
14	00500-15	(000000- )	Key-Wdruff 0.25 1.00 Asa#0808	1
15	39527	(000000- )	Nut-Hxslot .75-16 Pltd	1
16	61490	(000000- )	Seal Replmt Kit	1
17	74250	(000000- )	Repair Info. Cl	1

**Fig. 8 – Hydraulic Steering Valve Breakdown, 73093**

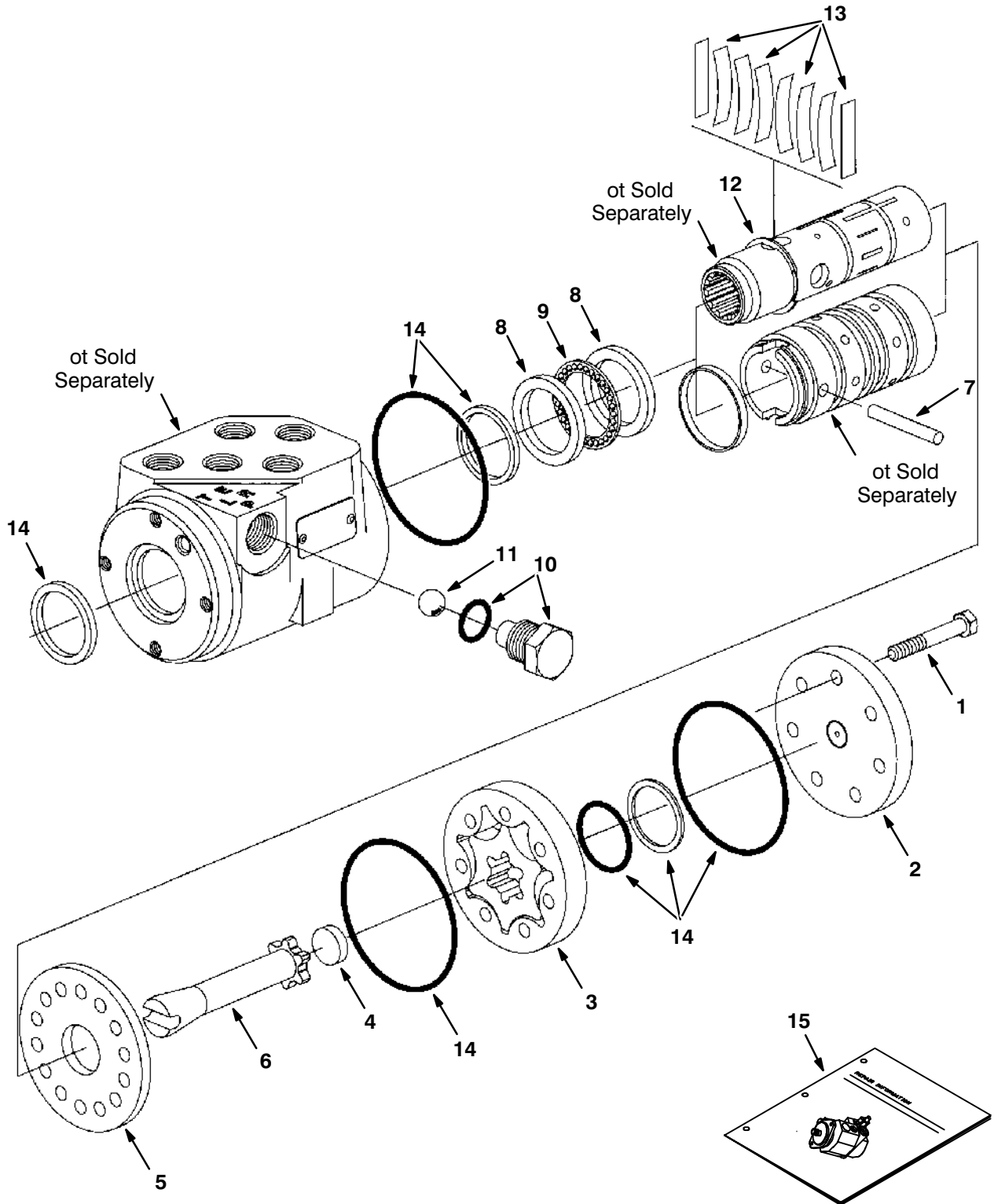


Fig. 8 – Hydraulic Steering Valve Breakdown, 73093

Ref.	TENNANT Part No.	Manufacturer Serial Number	Description	Qty.
▽	73093	(000000– )	Steer Control, NYD#2 06.1 1000	1
1	74183	(000000– )	Screw, Cap CI	7
2	74185	(000000– )	Cap, End CI	1
3	74192	(000000– )	Gerotor S/A CI	1
4	74193	(000000– )	Spacer CI	1
5	74222	(000000– )	Plate, Wear CI	1
6	74231	(000000– )	Drive CI	1
7	74232	(000000– )	Pin CI	1
8	74234	(000000– )	Race, Bearing CI	2
9	74236	(000000– )	Bearing CI	1
10	74241	(000000– )	Plug Assy CI	1
11	74242	(000000– )	Ball CI	1
12	74243	(000000– )	Ring, Retaining CI	1
13	74196	(000000– )	Spring Kit, Scu CI	1
14	74244	(000000– )	Seal Kit, Stg CI	1
15	74245	(000000– )	Repair Info CI	1

**Fig. 9 – Hydraulic Pump Breakdown, 73101**

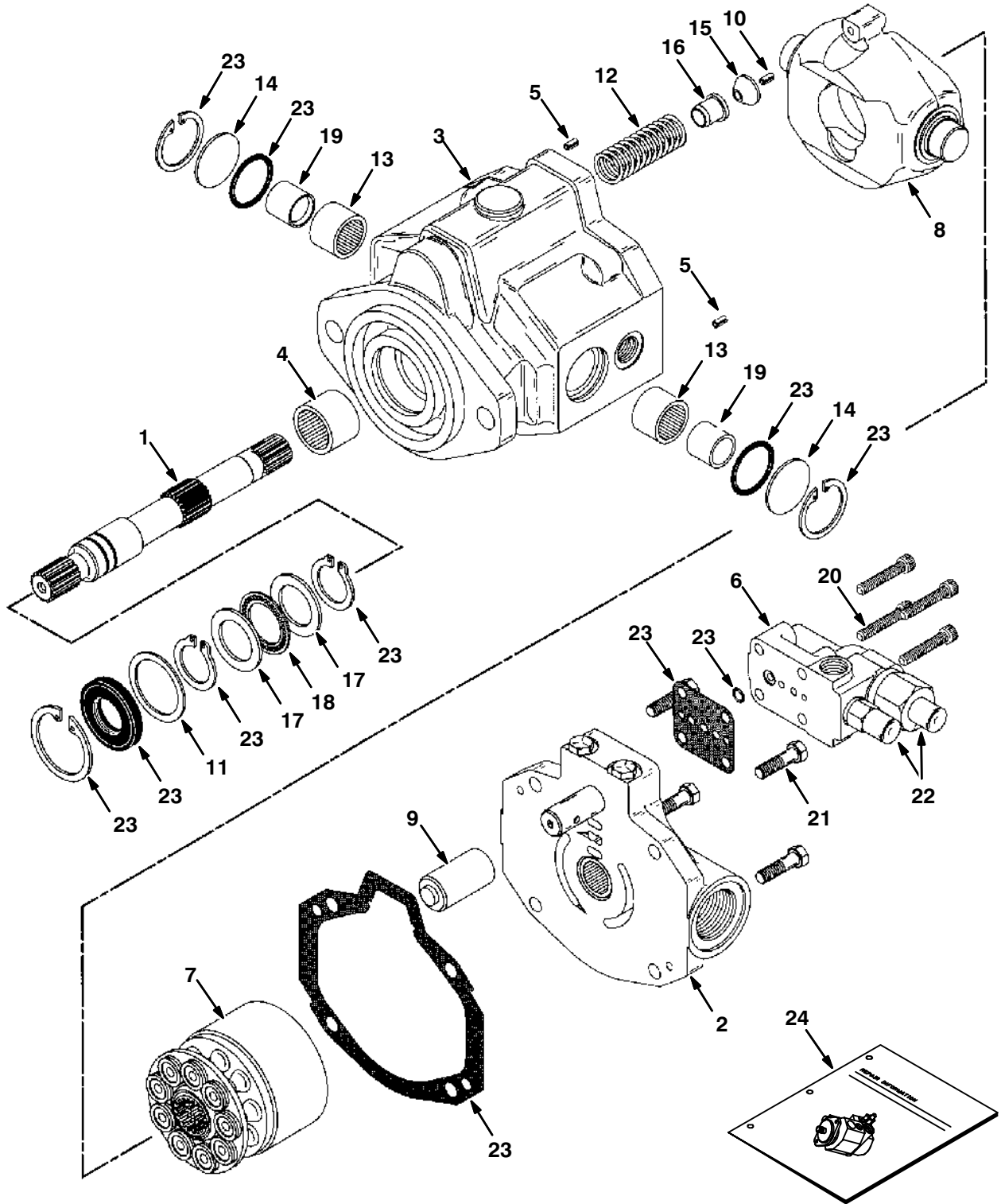


Fig. 9 – Hydraulic Pump Breakdown, 73101

Ref.	TENNANT Part No.	Manufacturer Serial Number	Description	Qty.
▽	73101	(000000– )	Pump, Hyd Piston L 2.77 R 2500	1
1	74199	(000000– )	Shaft, Drive Ce	1
2	74200	(000000– )	Backplate S/A Ce	1
▽ 3	74201	(000000– )	Housing Assy Ce	1
4	37462	(000000– )	Bearing	1
5	37704	(000000– )	Rollpin	2
6	74202	(000000– )	Compensator Ce	1
7	74203	(000000– )	Rotating Kit Ce	1
8	74204	(000000– )	Camplate Ce	1
9	74205	(000000– )	Piston, Control Ce	1
10	74206	(000000– )	Pin, Roll Ce	1
11	37460	(000000– )	Washer	1
12	74207	(000000– )	Spring Ce	1
13	37448	(000000– )	Bearing	2
14	37471	(000000– )	Cover	2
15	74208	(000000– )	Button, Pivot Ce	1
16	74209	(000000– )	Collar, Spring Ce	1
17	74240	(000000– )	Race, Bearing Ce	2
18	74210	(000000– )	Bearing Ce	1
19	37454	(000000– )	Bearing Race	2
20	74211	(000000– )	Screw, Cap Ce	4
21	74212	(000000– )	Screw, Cap Ce	4
22	74213	(000000– )	Cover Ce	2
23	74198	(000000– )	Seal Kit, Pump Ce	1
24	74247	(000000– )	Repair Info. Ce	1

Fig. 10 – Hydraulic Pump Breakdown, 73102

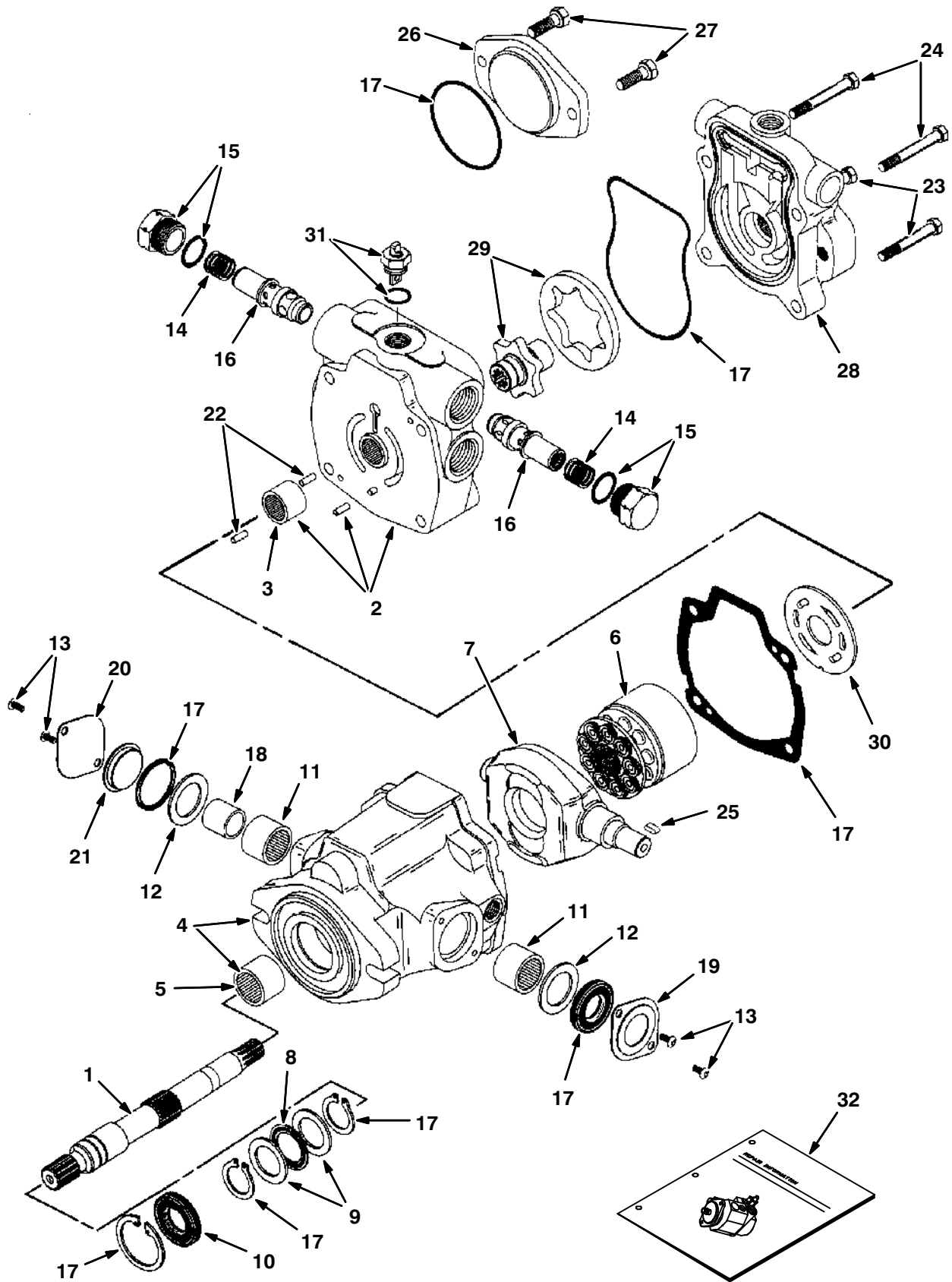




Fig. 10 – Hydraulic Pump Breakdown, 73102

Ref.	TENNANT Part No.	Manufacturer Serial Number	Description	Qty.
∇	73102	(000000– )	Pump, Hyd Piston V 1.24	1
1	74221	(000000– )	Shaft, Drive	1
2	70094	(000000– )	Backplate Assy	1
3	55937	(000000– )	Roller Bearing	1
4	70095	(000000– )	Housing Assy, Pump	1
5	55939	(000000– )	Roller Bearing	1
6	02706	(000000– )	Rotating Kit	1
7	57897	(000000– )	Camplate	1
8	74225	(000000– )	Bearing, Thrust	1
9	74226	(000000– )	Race, Bearing	2
10	74227	(000000– )	Spacer	1
11	02709	(000000– )	Bearing Cam	2
12	70097	(000000– )	Washer	2
13	61891	(000000– )	Screws	4
14	74229	(000000– )	Spring	2
15	74230	(000000– )	Plug S/A	2
16	55941	(000000– )	Relief Valve	2
17	70103	(000000– )	Seal Kit, Pump	1
18	02705	(000000– )	Race, Inner Bearing	1
19	52386	(000000– )	Cover	1
20	70098	(000000– )	Cover, Trunion	1
21	70099	(000000– )	Cover, O–Ring	1
22	70100	(000000– )	Pin, Dowel	2
23	74235	(000000– )	Screw, Cap	2
24	70101	(000000– )	Screw, .31–18X3.75	2
25	74237	(000000– )	Key	1
26	74238	(000000– )	Plate, Cover	1
27	74239	(000000– )	Screw, Cap	2
28	55930	(000000– )	Pump Adaptor Assy	1
29	55932	(000000– )	Geroter & Coupler	1
30	70102	(000000– )	Plate, Valve	1
31	74469	(000000– )	Valve, Dump	1
32	74248	(000000– )	Repair Info, Pmp CE	1

Fig. 11 – Hydraulic Pump Breakdown, 79770

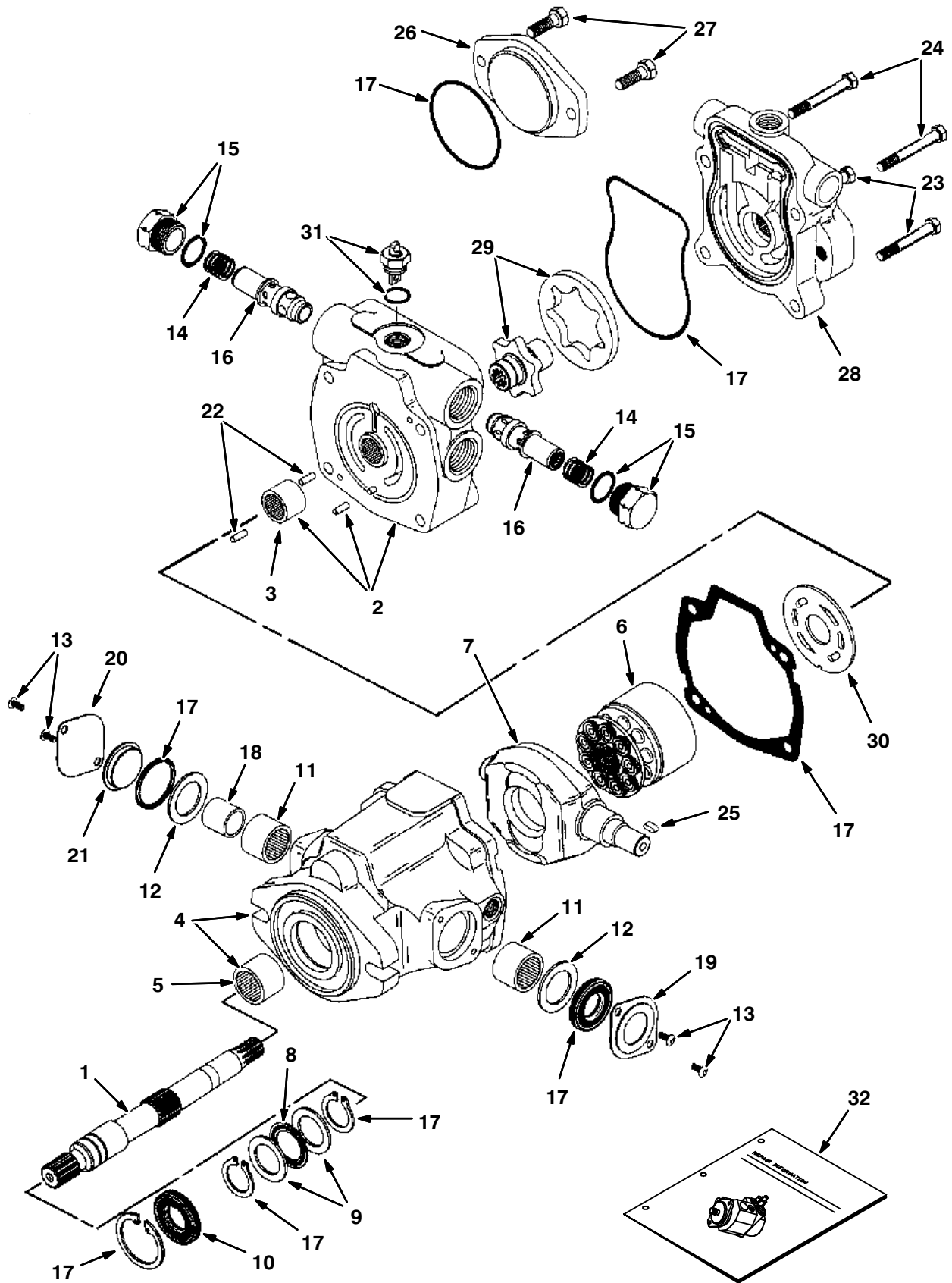


Fig. 11 – Hydraulic Pump Breakdown, 79770

Ref.	TENNANT Part No.	Manufacturer Serial Number	Description	Qty.
∇	79770	(000000– )	Pump, Hyd Piston V 1.24 R 4000	1
1	74221	(000000– )	Shaft, Drive	1
2	70094	(000000– )	Backplate Assy	1
3	55937	(000000– )	Roller Bearing	1
4	70095	(000000– )	Housing Assy, Pump	1
5	55939	(000000– )	Roller Bearing	1
6	02706	(000000– )	Rotating Kit	1
7	57897	(000000– )	Camplate	1
8	74225	(000000– )	Bearing, Thrust	1
9	74226	(000000– )	Race, Bearing	2
10	74227	(000000– )	Spacer	1
11	02709	(000000– )	Bearing Cam	2
12	70097	(000000– )	Washer	2
13	61891	(000000– )	Screws	4
14	74229	(000000– )	Spring	2
15	74230	(000000– )	Plug S/A	2
16	55941	(000000– )	Relief Valve	2
17	70103	(000000– )	Seal Kit, Pump	1
18	02705	(000000– )	Race, Inner Bearing	1
19	52386	(000000– )	Cover	1
20	70098	(000000– )	Cover, Trunion	1
21	70099	(000000– )	Cover, O–Ring	1
22	70100	(000000– )	Pin, Dowel	2
23	74235	(000000– )	Screw, Cap	2
24	70101	(000000– )	Screw, .31–18X3.75	2
25	74237	(000000– )	Key	1
26	74238	(000000– )	Plate, Cover	1
27	74239	(000000– )	Screw, Cap	2
28	55930	(000000– )	Pump Adaptor Assy	1
29	55932	(000000– )	Geroter & Coupler	1
30	74180	(000000– )	Plate, Valve	1
31	74469	(000000– )	Valve, Dump	1
32	74248	(000000– )	Repair Info, Pmp CE	1

**Fig. 12 – Hydraulic Solenoid Valve Breakdown, 73086**

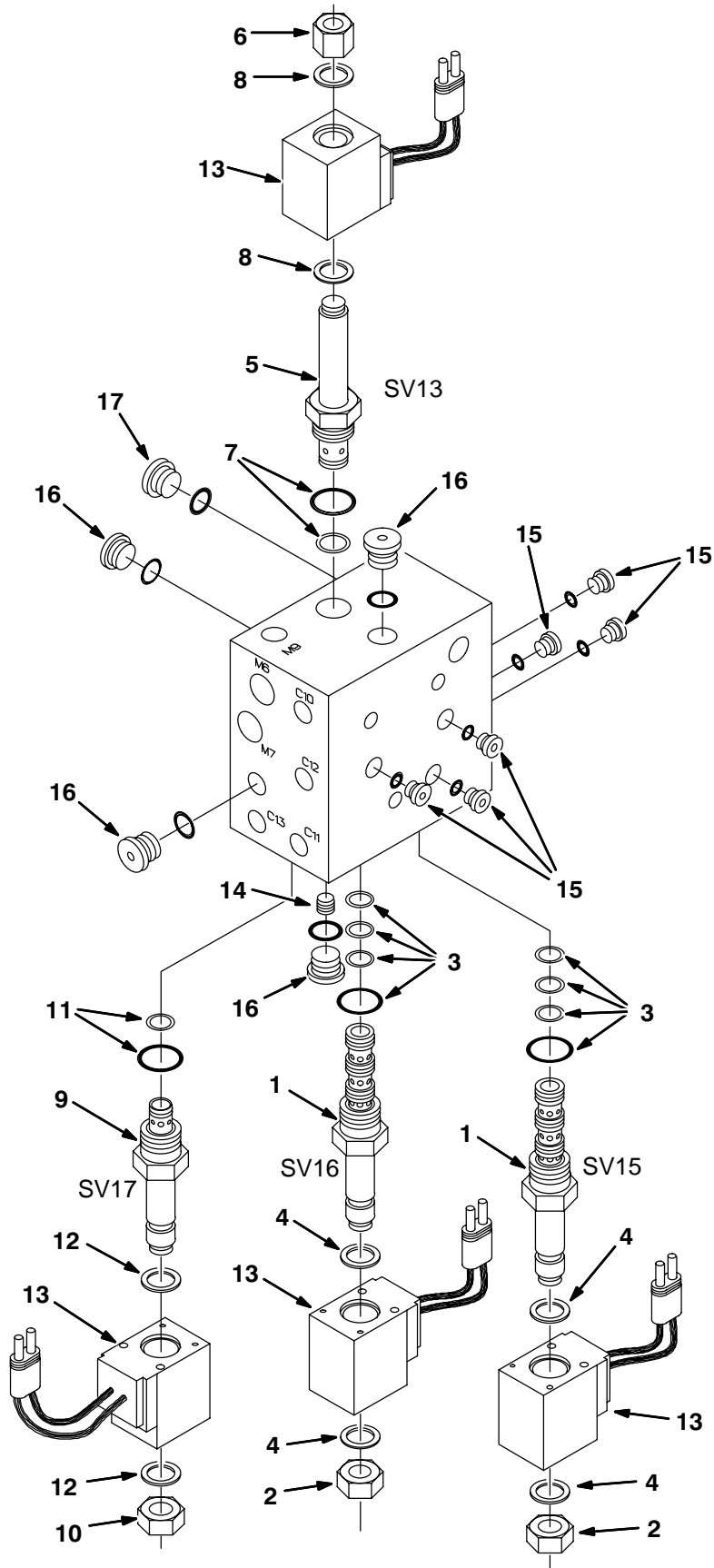


Fig. 12 – Hydraulic Solenoid Valve Breakdown, 73086

Ref.	TENNANT Part No.	Manufacturer Serial Number	Description	Qty.
▽	73086	(000000– )	Valve, Hyd Cntrl Sol	1
▽ 1	79719	(000000– )	Valve Stem 4W2P	2
2	79728	(000000– )	Nut, Cart., Sht Cp	1
3	79711	(000000– )	Seal Kit, Cart Cp	1
4	79740	(000000– )	Seal Kit, Coil Cp	1
▽ 5	79732	(000000– )	Valve Stem N.O. Cp	1
6	79731	(000000– )	Nut, Cart., Lng Cp	1
7	79711	(000000– )	Seal Kit, Cart Cp	1
8	79740	(000000– )	Seal Kit, Coil Cp	1
▽ 9	79716	(000000– )	Valve Stem	1
10	79728	(000000– )	Nut, Cart., Sht Cp	1
11	79711	(000000– )	Seal Kit, Cart Cp	1
12	79740	(000000– )	Seal Kit, Coil Cp	1
13	79720	(000000– )	Coil, 12V	4
14	79733	(000000– )	Plug, Orifice Cp	1
15	13902	(000000– )	Plug #2	6
16	74098	(000000– )	Plug #4	4
17	13904	(000000– )	Plug #6	1

**Fig. 13 – Hydraulic Solenoid Valve Breakdown, 73103**

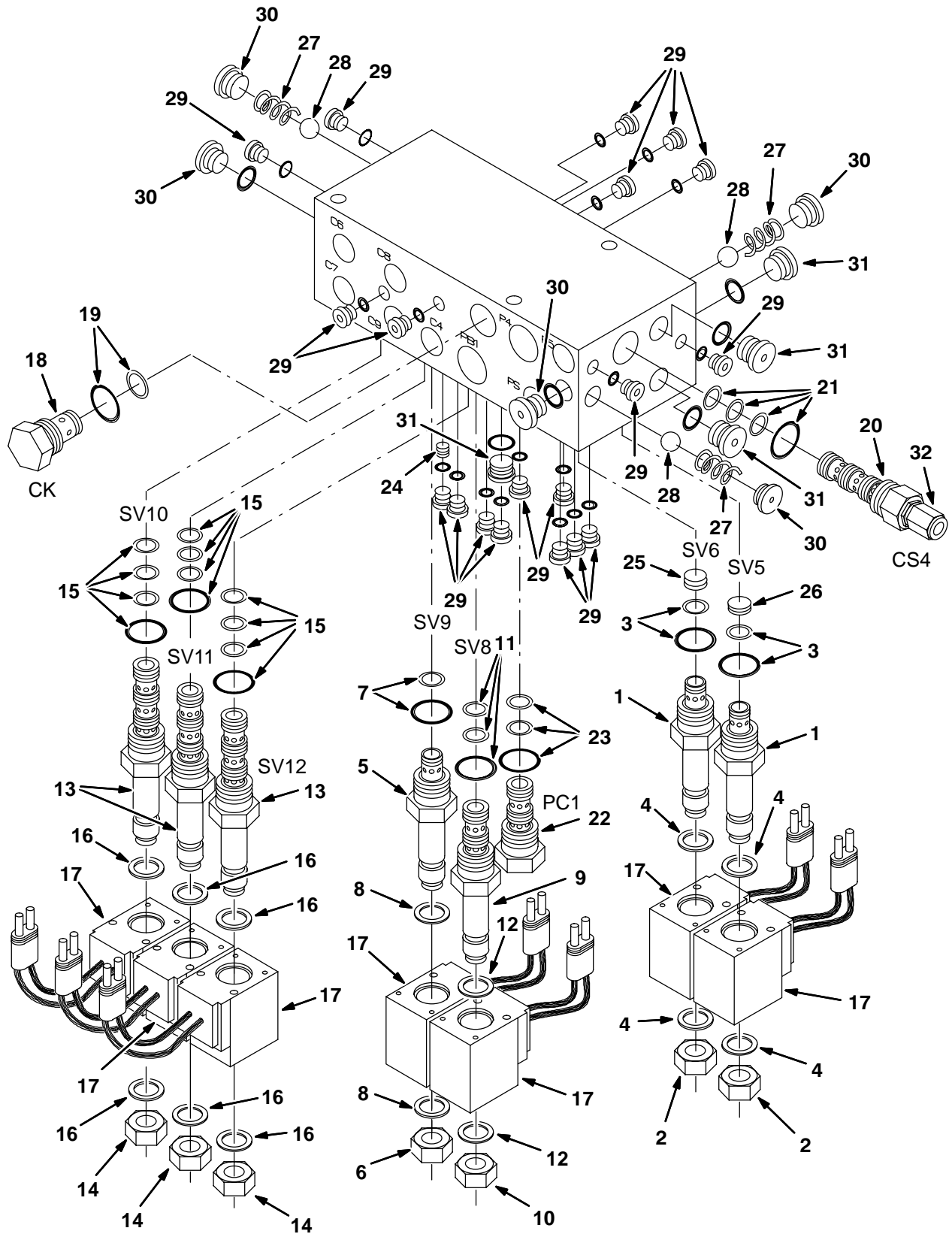


Fig. 13 – Hydraulic Solenoid Valve Breakdown, 73103

Ref.	TENNANT Part No.	Manufacturer Serial Number	Description	Qty.
▽	73103	(000000– )	Valve, Hyd Control Sol	1
▽ 1	79716	(000000– )	Valve Stem	2
2	79728	(000000– )	Nut, Cart., Sht Cp	1
3	79711	(000000– )	Seal Kit, Cart Cp	1
4	79740	(000000– )	Seal Kit, Coil Cp	1
▽ 5	22758	(000000– )	Valve Stem N.C. Cp	1
6	79728	(000000– )	Nut, Cart., Sht Cp	1
7	79711	(000000– )	Seal Kit, Cart Cp	1
8	79740	(000000– )	Seal Kit, Coil Cp	1
▽ 9	79718	(000000– )	Valve Stem 3W2P	1
10	79728	(000000– )	Nut, Cart., Sht Cp	1
11	79711	(000000– )	Seal Kit, Cart Cp	1
12	79740	(000000– )	Seal Kit, Coil Cp	1
▽ 13	79719	(000000– )	Valve Stem 4W2P	3
14	79728	(000000– )	Nut, Cart., Sht Cp	1
15	79711	(000000– )	Seal Kit, Cart Cp	1
16	79740	(000000– )	Seal Kit, Coil Cp	1
17	79720	(000000– )	Coil, 12V	7
▽ 18	79721	(000000– )	Cart, Check Vlv Cp	1
19	79711	(000000– )	Seal Kit, Cart Cp	1
▽ 20	79722	(000000– )	Cart, Logic Cntl Cp	1
21	79711	(000000– )	Seal Kit, Cart Cp	1
▽ 22	74145	(000000– )	Cart, Pilot Cntr Cp	1
23	79711	(000000– )	Seal Kit, Cart Cp	1
24	79723	(000000– )	Plug, Orifice Cp	1
25	79724	(000000– )	Plug, Orifice Cp	1
26	79725	(000000– )	Plug, Orifice Cp	1
27	79726	(000000– )	Spring, Conical Cp	3
28	79727	(000000– )	Ball, .313 Dia. Cp	3
29	13902	(000000– )	Plug #2	17
30	74098	(000000– )	Plug #4	4
31	13904	(000000– )	Plug #6	4
32	21930	(000000– )	Screw Cap CP	1

**Fig. 14 – Hydraulic Solenoid Valve Breakdown, 73099**

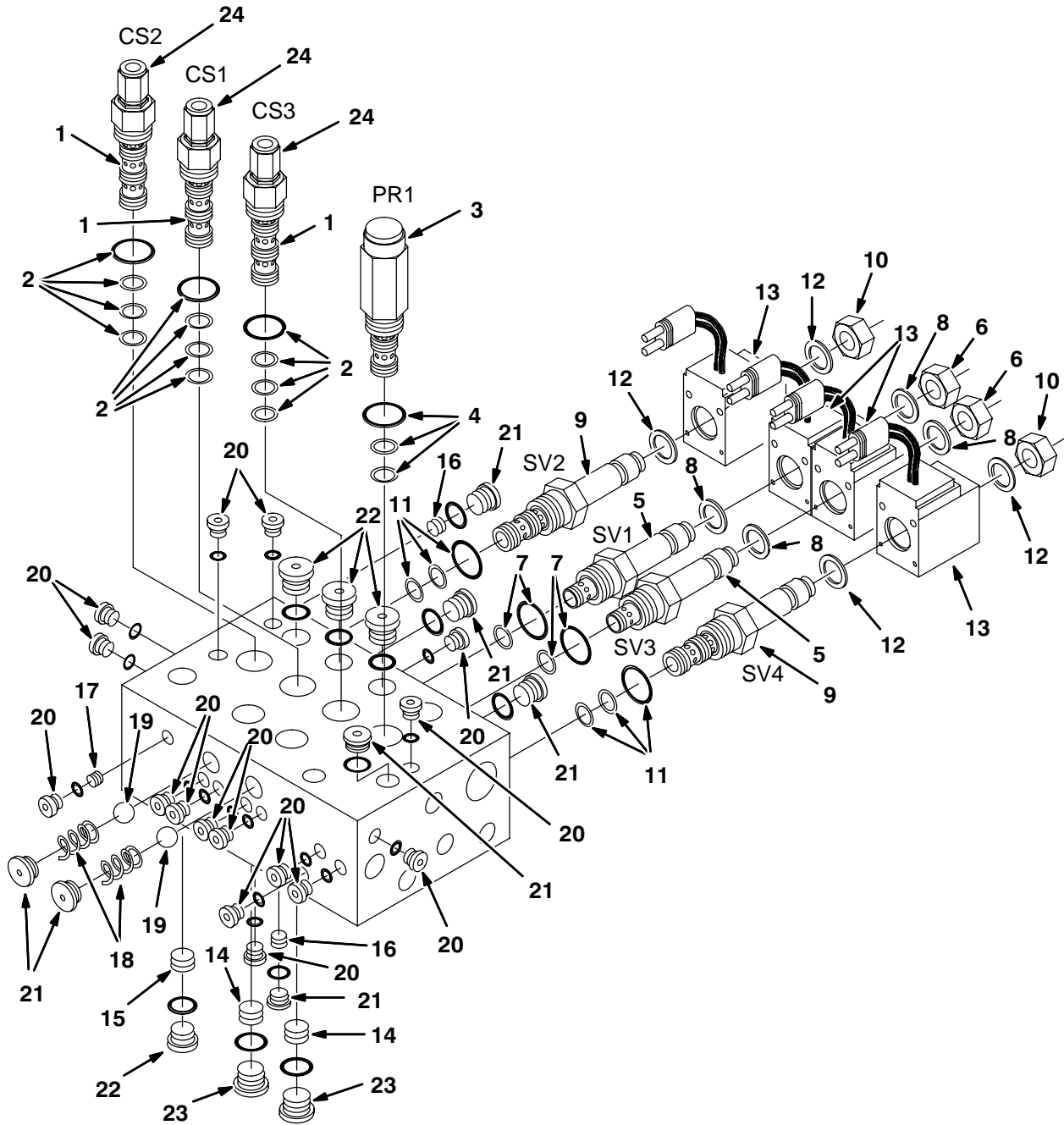




Fig. 14 – Hydraulic Solenoid Valve Breakdown, 73099

Ref.	TENNANT Part No.	Manufacturer Serial Number	Description	Qty.
▽	73099	(000000– )	Valve, Hyd Control Sol	1
▽ 1	79722	(000000– )	Cart, Logic Cntl Cp	3
2	79711	(000000– )	Seal Kit, Cart Cp	1
▽ 3	79734	(000000– )	Cart. Psi Ct Cp	1
4	79711	(000000– )	Seal Kit, Cart Cp	1
▽ 5	79716	(000000– )	Valve Stem	2
6	79728	(000000– )	Nut, Cart., Sht Cp	1
7	79711	(000000– )	Seal Kit, Cart Cp	1
8	79740	(000000– )	Seal Kit, Coil Cp	1
▽ 9	79718	(000000– )	Valve Stem 3W2P	2
10	79728	(000000– )	Nut, Cart., Sht Cp	1
11	79711	(000000– )	Seal Kit, Cart Cp	1
12	79740	(000000– )	Seal Kit, Coil Cp	1
13	79720	(000000– )	Coil, 12V	4
14	79735	(000000– )	Plug, Orifice Cp	2
15	79736	(000000– )	Plug, Orifice Cp	1
16	79723	(000000– )	Plug, Orifice Cp	2
17	79737	(000000– )	Plug, Orifice Cp	1
18	79726	(000000– )	Spring, Conical Cp	2
19	79727	(000000– )	Ball, .313 Dia. Cp	2
20	13902	(000000– )	Plug #2	17
21	74098	(000000– )	Plug #4	7
22	13904	(000000– )	Plug #6	4
23	13907	(000000– )	Plug #8	2
24	79738	(000000– )	Screw Cap Cp	3

**Fig. 15 E en e Scrub Pum Bre a own 72955**

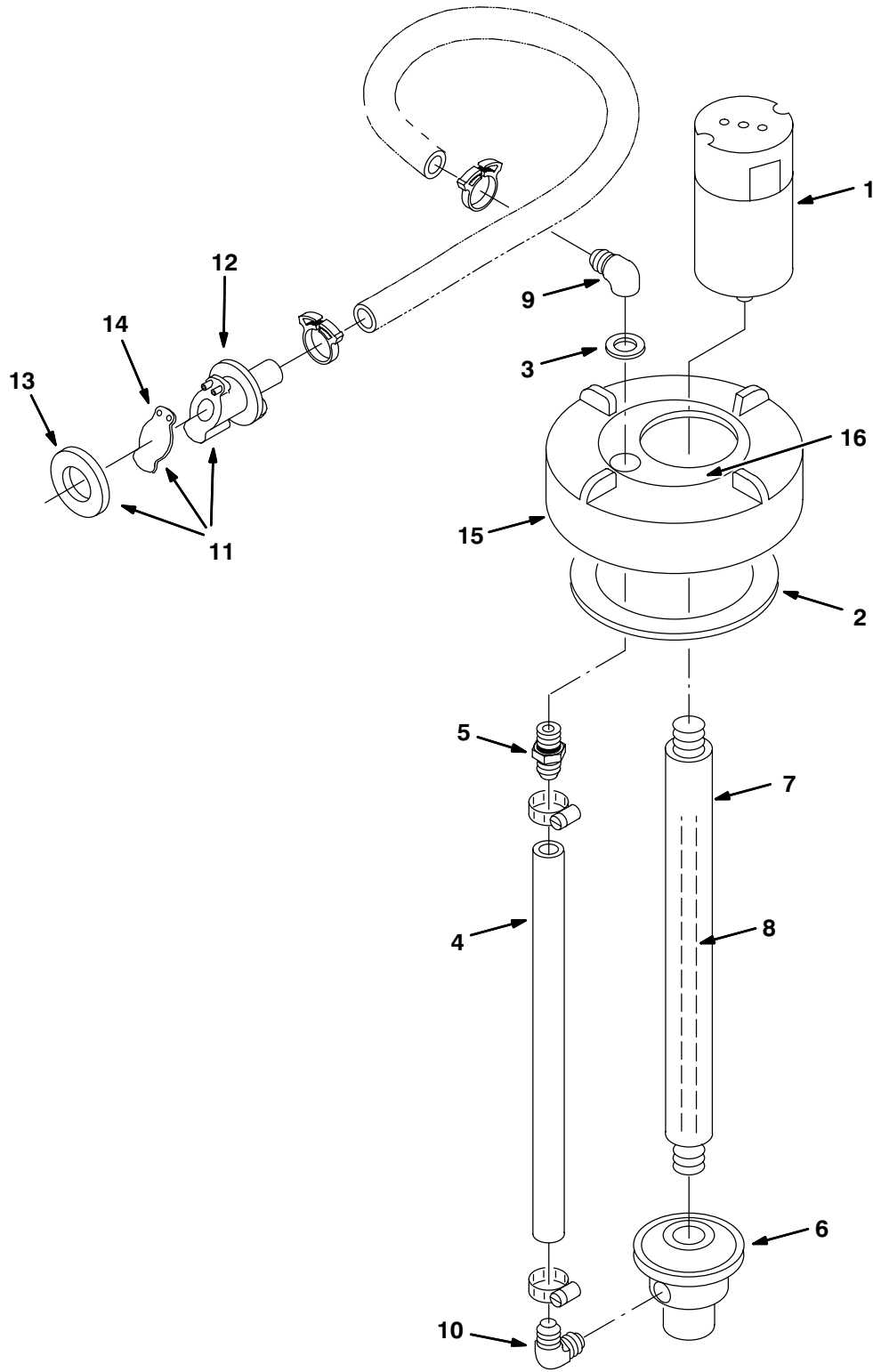
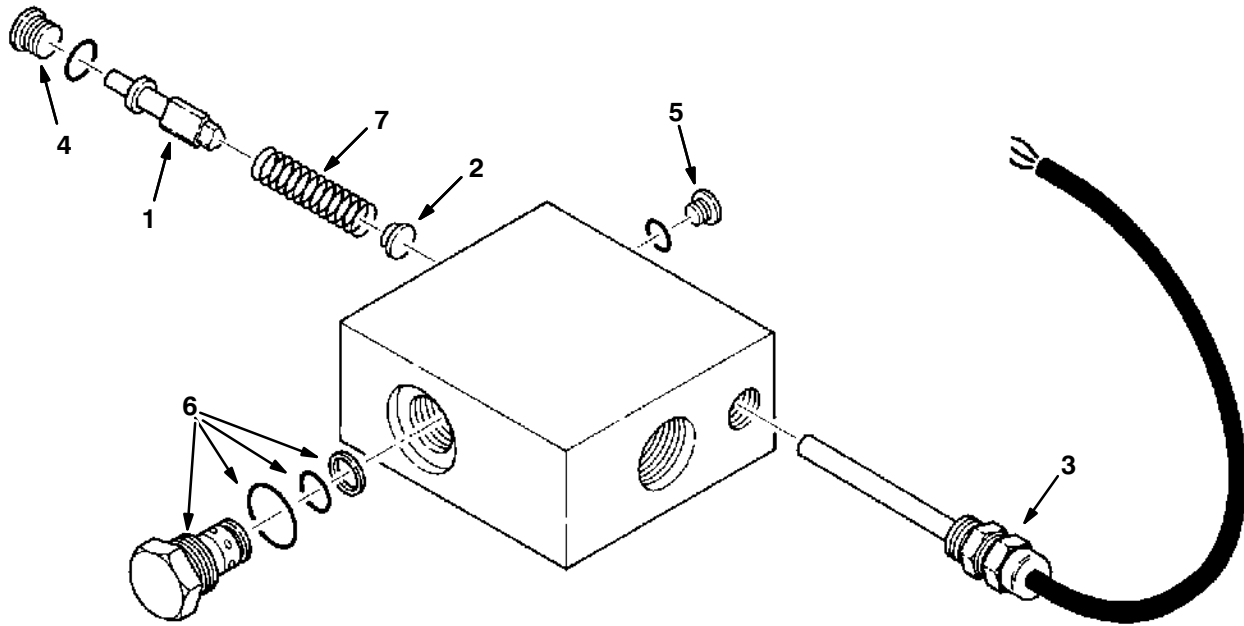


Fig. 15 E en e Scrub Pum Brea own 72955

Ref.	TENNANT Part No.	Machine Serial Number	Description	Qty.
∇	72955	(000000-	) Pump, Column, Es	1
∇ 1	78828	(000000-	) Motor 12V Dc	1
	78829	(000000-	) Brush Kit	1
2	78963	(000000-	) Gasket, Lid	1
3	78830	(000000-	) Washer, Rubber Gr	1
4	78833	(000000-	) Tubing, Vinyl	1
5	79261	(000000-	) Fitting ,Str Gr	1
6	78843	(000000-	) Pump Body Kit	1
7	78836	(000000-	) Column, Pump	1
8	78837	(000000-	) Shaft, Pump	1
9	78838	(000000-	) Fitting, Elbow Gr	1
10	78839	(000000-	) Fitting , Elbow Gr	1
∇ 11	78842	(000000-	) Check Valve Kit	1
12	78840	(000000-	) Valve, Check	1
13	73342	(000000-	) Gasket, Check Valve	1
14	78841	(000000-	) Flapper, Valve	1
15	86575	(000000-	) Cap, Drain	1
16	22790	(000000-	) Retainer, Gasket	1

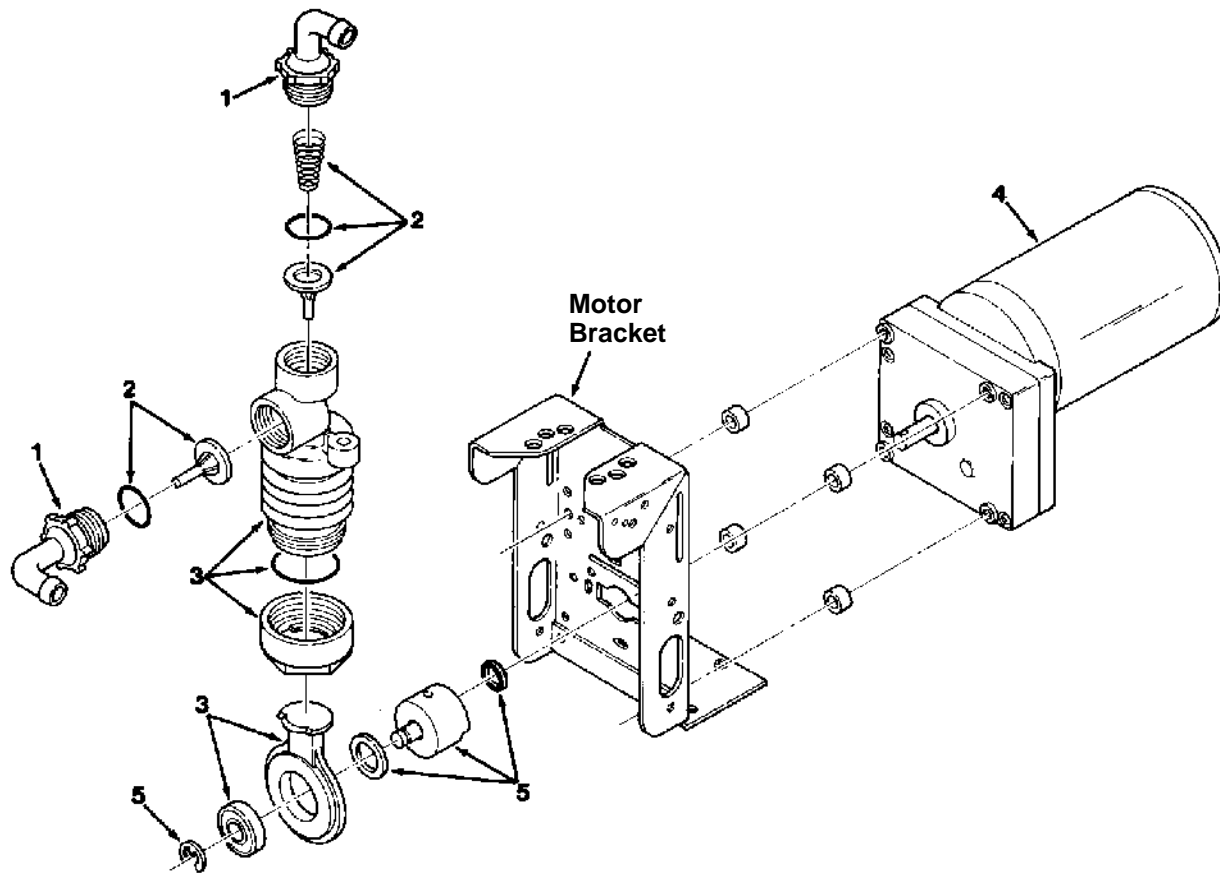
**Fig. 16 – Hydraulic Flow Sensor Switch Breakdown, 73430**



10834/10854

Ref.	TENNANT Part No.	Machine Serial Number	Description	Qty.
▽	73430	(000000– )	Switch, Hyd Flow Sensor	1
1	79712	(000000– )	Actuator, Mag	1
2	79713	(000000– )	Cushion, Piston	1
3	79714	(000000– )	Switch Assy	1
4	13904	(000000– )	Plug Gage #6	1
5	13902	(000000– )	Plug #2	1
6	79710	(000000– )	Cart, Check Vlv	1
7	79715	(000000– )	Spring	1

**Fig. 17 – Metering Solution Pump Breakdown, 73260**



10940/00112

Ref.	TENNANT Part No.	Machine Serial Number	Description	Qty.
▽	73260	(000000– )	Pump, Detergent Metering	1
1	63923	(000000– )	Tubing Connctr.Kit, Pmp	1
2	21659	(000000– )	Valve Kit, Poppet	1
3	21657	(000000– )	Bellows Kit Gr	1
4	78875	(000000– )	Gear Motor Assy	1
5	02430	(000000– )	Crank Replmt.Kit,Pump F/79323	1

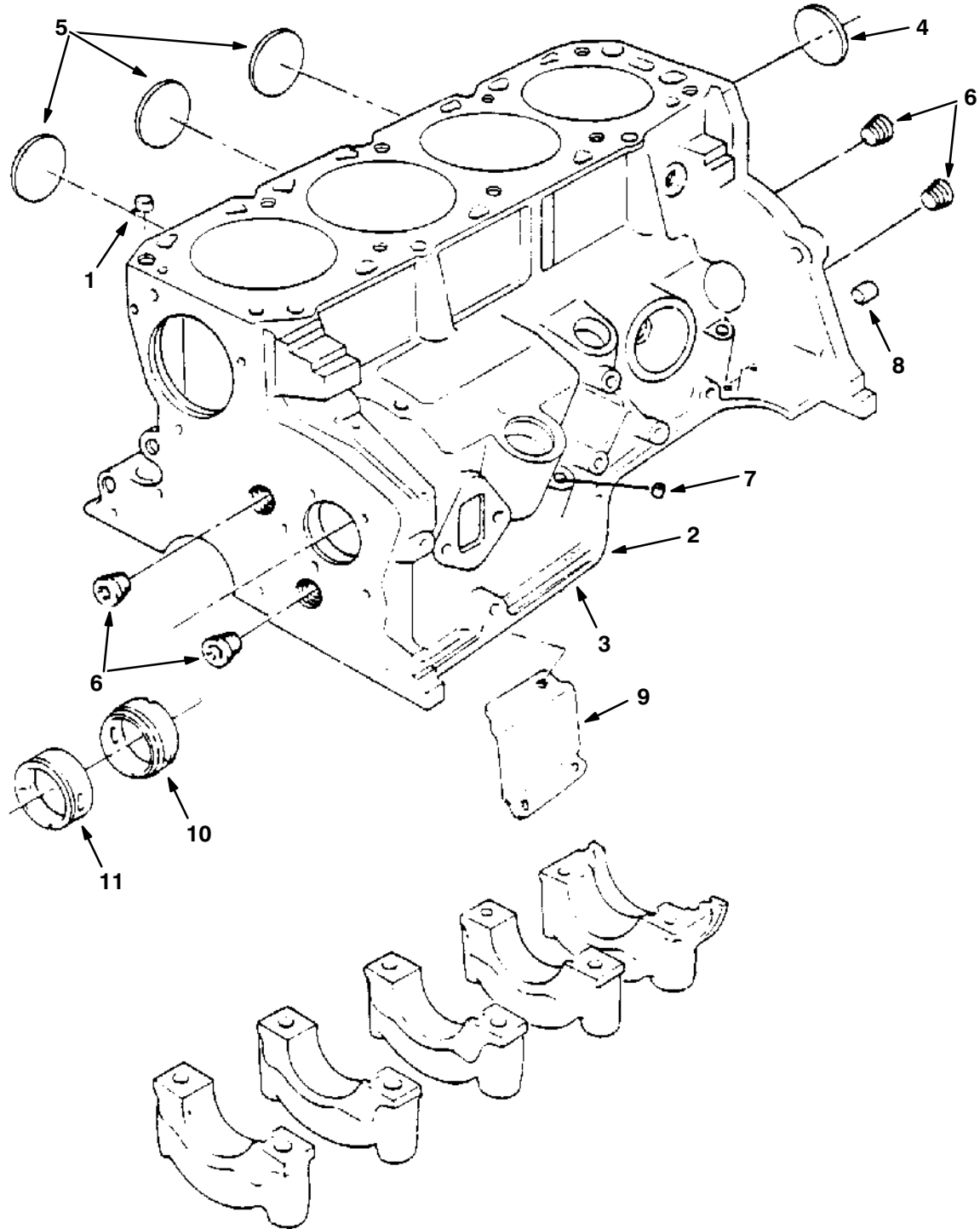


## SECTION 5

## CONTENTS

	PAGE
Fig. 1 – Engine Block Group .....	5-2
Fig. 2 – Gaskets Group .....	5-4
Fig. 3 – Cylinder Head Group .....	5-6
Fig. 4 – Cylinder Front Cover Group .....	5-7
Fig. 5 – Auxiliary Driveshaft Group .....	5-8
Fig. 6 – Oil Pan Group .....	5-10
Fig. 7 – Crankshaft Group .....	5-12
Fig. 8 – Manifolds Group .....	5-14
Fig. 9 – Camshaft, Sprocket Group .....	5-15
Fig. 10 – Valves, Rocker Arm Cover Group .....	5-16
Fig. 11 – Piston, Connecting Rod Group .....	5-18
Fig. 12 – Water Pump, Thermostat Group .....	5-20
Fig. 13 – Ignitions Group .....	5-21
Fig. 14 – Starter Breakdown, 60938 .....	5-22

**Fig. 1 – Engine Block Group**





**Fig. 1 – Engine Block Group**

Ref.	TENNANT Part No.	Ford Part Number	Engine Serial Number	Description	Qty.
1	73958	D4FZ-6A008-A	(000000-	) Dowel – Cylinder Head to Block	2
2	74541	E9ZZ-6009-B	(000000-	) Cylinder Assy – W/1 Piece Pan Gasket	1
3	60802	E7SZ-6010-A	(000000-	) Block Assy – W/1 Piece Pan Gasket	1
4	73920	C5AZ-6026-H	(000000-	) Plug	1
4	73921	C5AZ-6026-J	(000000-	) Plug, Standard – 2.078 OD	1
5	73922	C8AZ-6026-D	(000000-	) Plug – 0.060 O/S	As Req.
5	73974	D7AZ-6026-A	(000000-	) Plug – 1.50 Cup	3
6	36268	87837-S	(000000-	) Plug – 1/4 NPT	As Req.
6	73917	87838-S101	(000000-	) Plug – 3/8 NPT	As Req.
7	73913	352532-S	(000000-	) Plug – 3/8 Cup	As Req.
8	73975	D7BZ-6397-A	(000000-	) Dowel – Flywheel Housing to Block	2
9	74519	E5ZZ-6A630-A	(000000-	) Baffle – Cylinder Block Ventilation	1
10	73961	D4FZ-6A738-A	(000000-	) Bearing – Rear – Standard	1
10	73962	D4FZ-6A738-B	(000000-	) Bearing – Rear 0.015 U/S	As Req.
11	73963	D4FZ-6A753-A	(000000-	) Bearing – Front – Standard	1
11	73964	D4FZ-6A753-B	(000000-	) Bearing – Front 0.015 U/S	As Req.

Fig. 2 – Gaskets Group

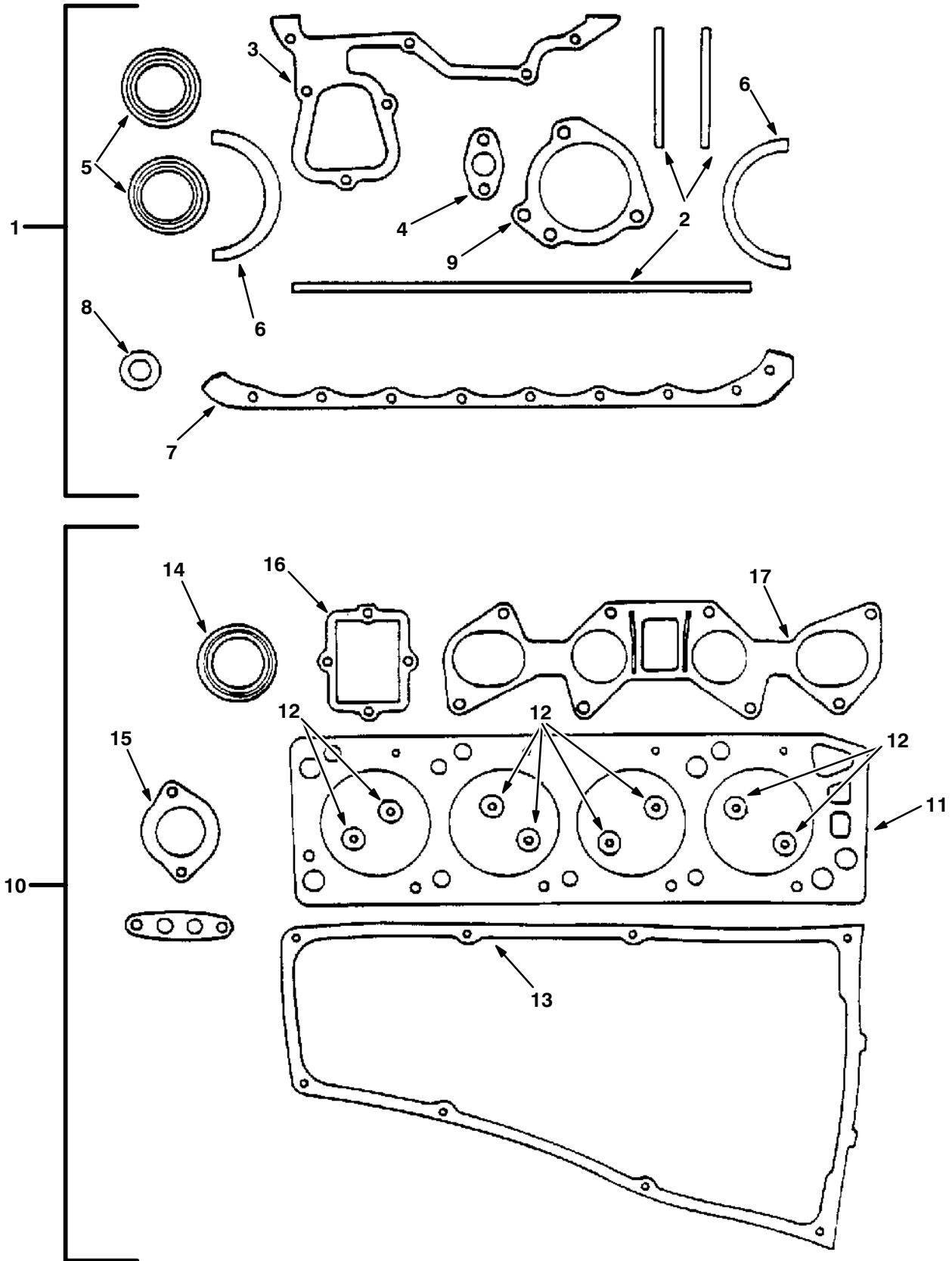
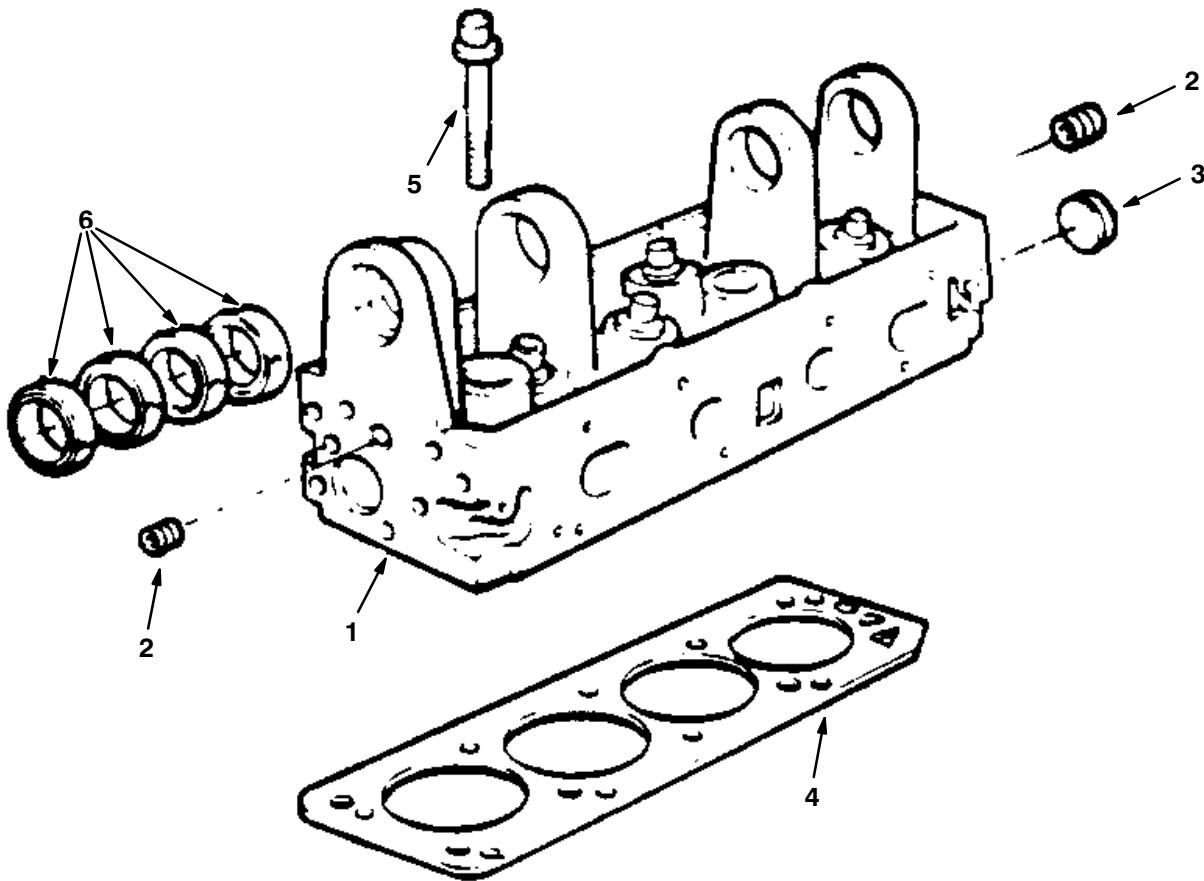


Fig. 2 – Gaskets Group

Ref.	TENNANT Part No.	Ford Part Number	Engine Serial Number	Description	Qty.
∇ 1	60807	E6ZZ-6E078-B	(000000-	) Gasket Kit, Lower	1
2	73924	D42E-6E009-BB	(000000-	) Seal – Front Cover	2
2	60804	D4FZ-6020-A	(000000-	) Gasket – Outer	1
3	60803	D4FZ-6020-B	(000000-	) Gasket – Front Cover	1
4	74537	E8ZZ-8507-A	(000000-	) Gasket	1
5	60833	E8ZZ-6700-A	(000000-	) Seal – Front	2
6	60834	E5ZZ-6701-A	(000000-	) Seal – Rear – 1 Piece	1
7	74559	F1ZZ-6710-A	(000000-	) Gasket – Oil Pan – One Piece	1
8	74543	F3DZ-6754-A	(000000-	) Gasket – Drain Plug	1
9	74539	E8ZZ-8507-A	(000000-	) Gasket – Water Pump	1
∇ 10	60808	E5ZZ-6079-E	(000000-	) Gasket Kit, Valve Grind	1
11	74513	E8ZZ-6051-A	(000000-	) Gasket	1
12	73953	D4FZ-6571-A	(000000-	) Seal – Valve Stem – Standard	8
13	73995	F1ZZ-6700-A	(000000-	) Gasket	1
14	73957	D4FZ-6700-A	(000000-	) Seal	1
15	74510	RG-565	(000000-	) Gasket	1
16	73992	D8FZ-9E436-B	(000000-	) Gasket – Intake Manifold Cover	1
17	73971	D4FZ-9441-A	(000000-	) Gasket – Intake Manifold	1
17	74511	E59Z-9439-A	(000000-	) Gasket – Intake Manifold	1

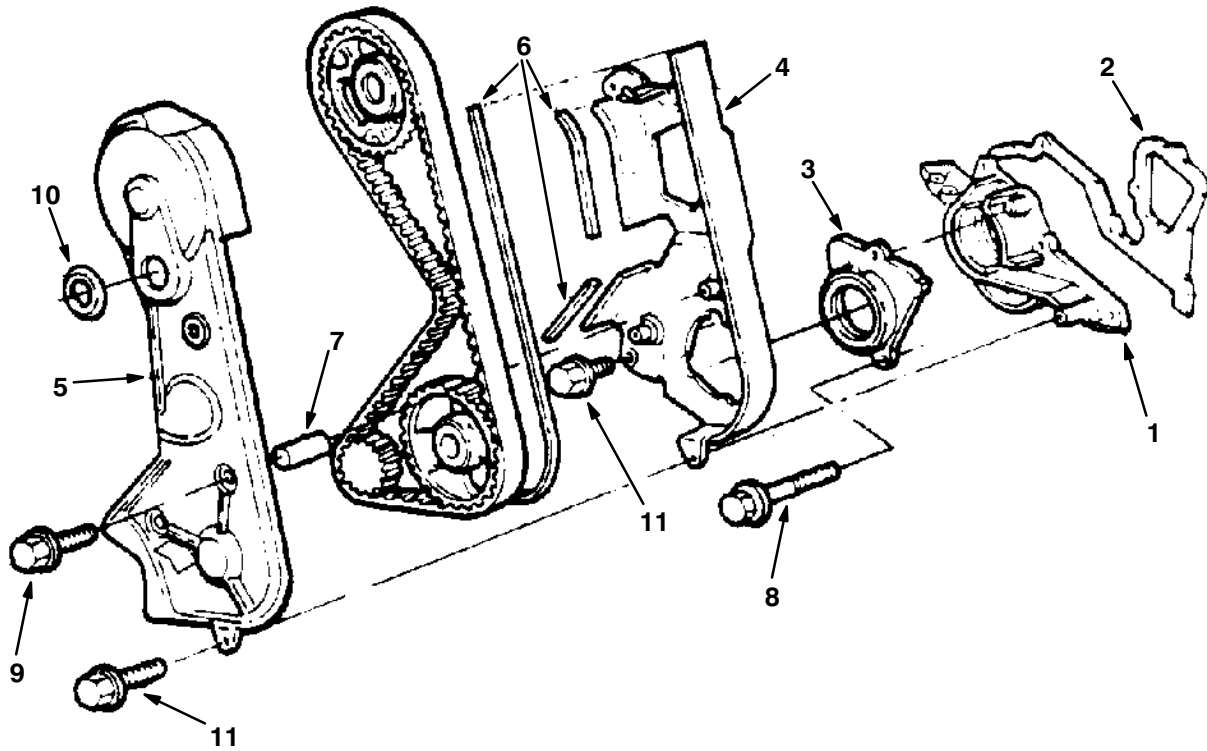
**Fig. 3 – Cylinder Head Group**



06832/06773

Ref.	TENNANT Part No.	Ford Part Number	Engine Serial Number	Description	Qty.
1	60805	E7JE-6049-DA	(000000-	) Head	1
2	36268	87837-S	(000000-	) Plug – 1/4 NPT	2
3	73974	D7AZ-6026-A	(000000-	) Plug – 1.50 Cup	1
4	60806	E8ZZ-6051-A	(000000-	) Gasket – Cylinder Head	1
5	73927	F3ZZ-6065-A	(000000-	) Bolt – M12 – 1.75 x 100	10
6	73936	D4FZ-6261-B	(000000-	) Bearing Camshaft – .016 U/S	As Req.
6	60817	D4FZ-6261-C	(000000-	) Bearing Camshaft – Standard	4

**Fig. 4 – Cylinder Front Cover Group**



06833/06772

Ref.	TENNANT Part No.	Ford Part Number	Engine Serial Number	Description	Qty.
1	74524	E6ZZ-6019-A	(000000- )	Cover – Lower – Metal	1
2	60803	D4FZ-6020-B	(000000- )	Gasket – Front Cover	1
3	73926	D4FZ-6019-B	(000000- )	Cover – Upper – Metal	1
4	74506	E3ZZ-6019-B	(000000- )	Cover – Inner – Plastic	1
5	73999	E3ZZ-6019-A	(000000- )	Cover – Outer – Plastic	1
6	60804	D4FZ-6020-A	(000000- )	Gasket – Outer	1
7	73968	D4FZ-6K291-A	(000000- )	Spacer – Cover	2
8	74546	N602529-S2	(000000- )	Bolt – M6X20	4
9	74534	E7ZZ-6E008-A	(000000- )	Stud – M8X49	1
9	74555	N801688-S2	(000000- )	Bolt – M6X17	1
10	74536	E8ZZ-6026-A	(000000- )	Plug – Hole in Front Cover	1
11	74555	N801688-S2	(000000- )	Bolt – M6X17	3

**Fig. 5 – Auxiliary Driveshaft Group**

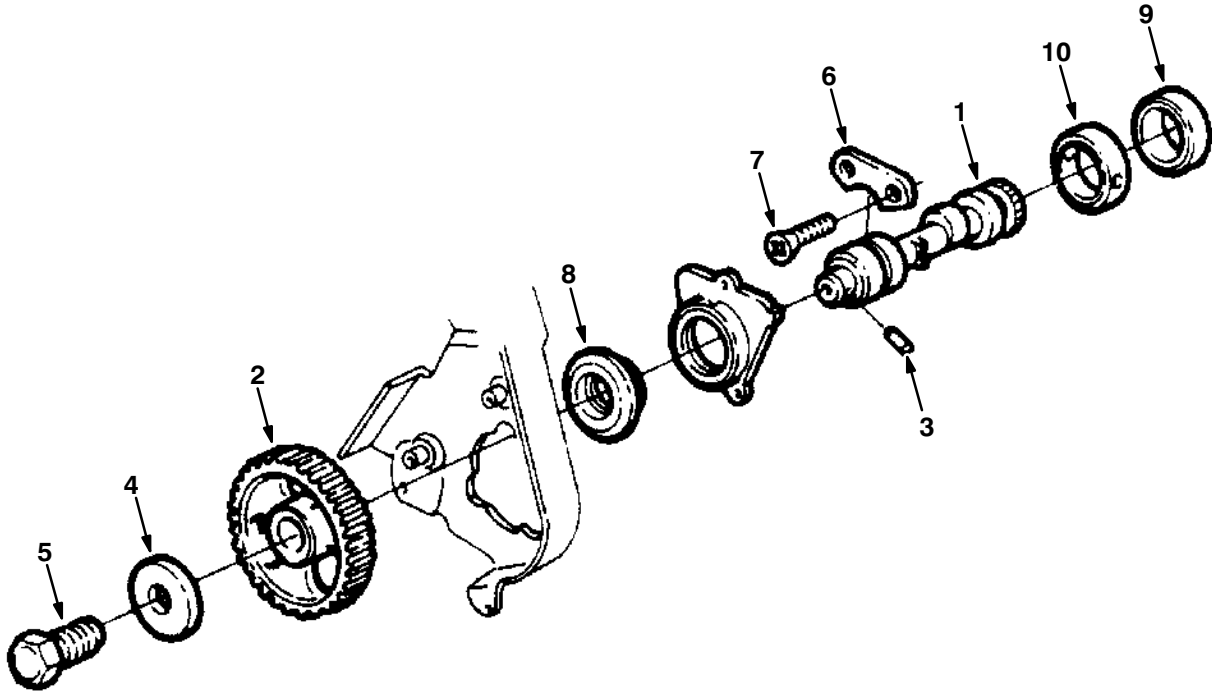
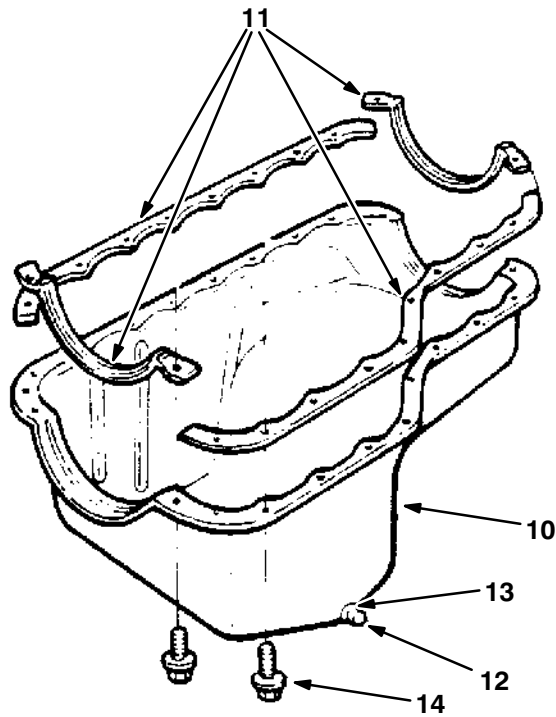
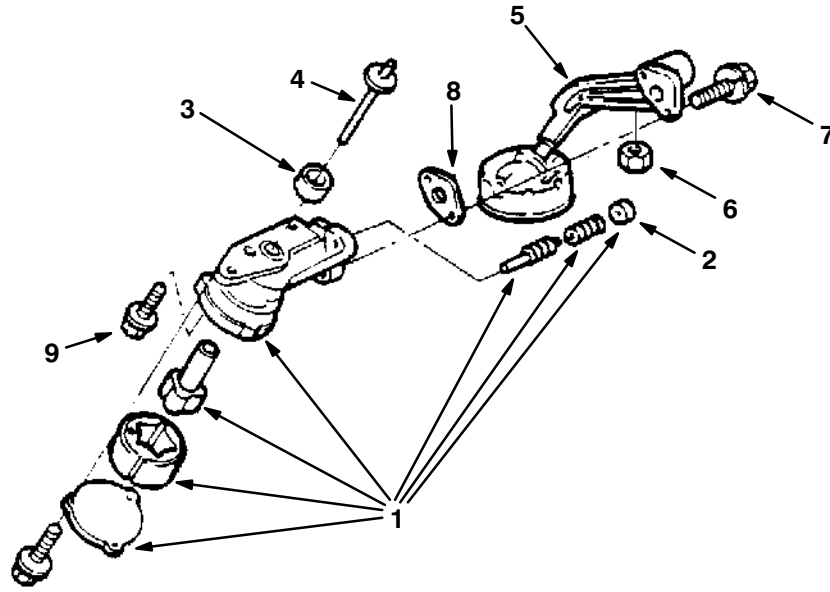


Fig. 5 – Auxiliary Driveshaft Group

Ref.	TENNANT Part No.	Ford Part Number	Engine Serial Number	Description	Qty.
1	74560	E4FZ-6A739-A	(000000-	) Shaft	1
2	60816	D4FZ-6256-A	(000000-	) Sprocket	1
3	73915	373118-S	(000000-	) Pin	1
4	74561	D4FZ-6278-B	(000000-	) Washer	1
5	74562	N601313-S100	(000000-	) Bolt – M6X12	1
6	73954	D4FZ-6613-A	(000000-	) Plate	1
7	74548	N604465-S	(000000-	) Screw and Washer	2
8	60833	E8ZZ-6700-A	(000000-	) Seal – Front	1
9	73961	D4FZ-6A738-A	(000000-	) Bearing – Rear – Standard	1
	73962	D4FZ-6A738-B	(000000-	) Bearing – Rear .015 U/S	As Req.
10	73963	D4FZ-6A753-A	(000000-	) Bearing – Front – Standard	1
	73964	D4FZ-6A753-B	(000000-	) Bearing – Front – .015 U/S	As Req.

Fig. 6 – Oil Pan Group





**Fig. 6 – Oil Pan Group**

Ref.	TENNANT Part No.	Ford Part Number	Engine Serial Number	Description	Qty.
∇ 1	60832	D5FZ-6600-A	(000000-	) Pump	1
2	73919	C2OZ-6A616-A	(000000-	) Plug – Oil Pump Relief Valve	1
3	74551	N800059-S	(000000-	) Dowel – 18.3x10.0 – Oil Pump To Block	1
4	73960	D4FZ-6A618-A	(000000-	) Shaft Assembly – Oil Pump Intermediate	1
5	74507	E3ZZ-6622-A	(000000-	) Screen, Tube, and Cover Assy – Oil Pump	1
6	74522	E620454-S72	(000000-	) Nut – M10	1
7	74547	N602551-S2	(000000-	) Screw and Washer – M8X30	2
8	74537	E8ZZ-6626-A	(000000-	) Gasket – Oil Pump To Pick Up	1
9	73956	D4FZ-6638-A	(000000-	) Screw and Washer – M8X25	2
∇ 10	74525	E7RY-6675-B	(000000-	) Pan Assembly – Oil – 1 Piece Pan Gasket	1
	74520	E5ZZ-6A674-A	(000000-	) Reinforcement – Oil Pan Flange	1
	74521	E5ZZ-6A674-B	(000000-	) Reinforcement – Oil Pan Flange	1
11	74559	F1ZZ-6710-A	(000000-	) Gasket – Oil Pan – One Piece	1
∇ 12	74512	F3DZ-6730-A	(000000-	) Plug – Engine Oil Drain	1
13	74543	F3DZ-6734-A	(000000-	) Gasket – Drain Plug	1
14	74556	N804660-S2	(000000-	) Bolt – M6x27.5	As Req.

Fig. 7 – Crankshaft Group

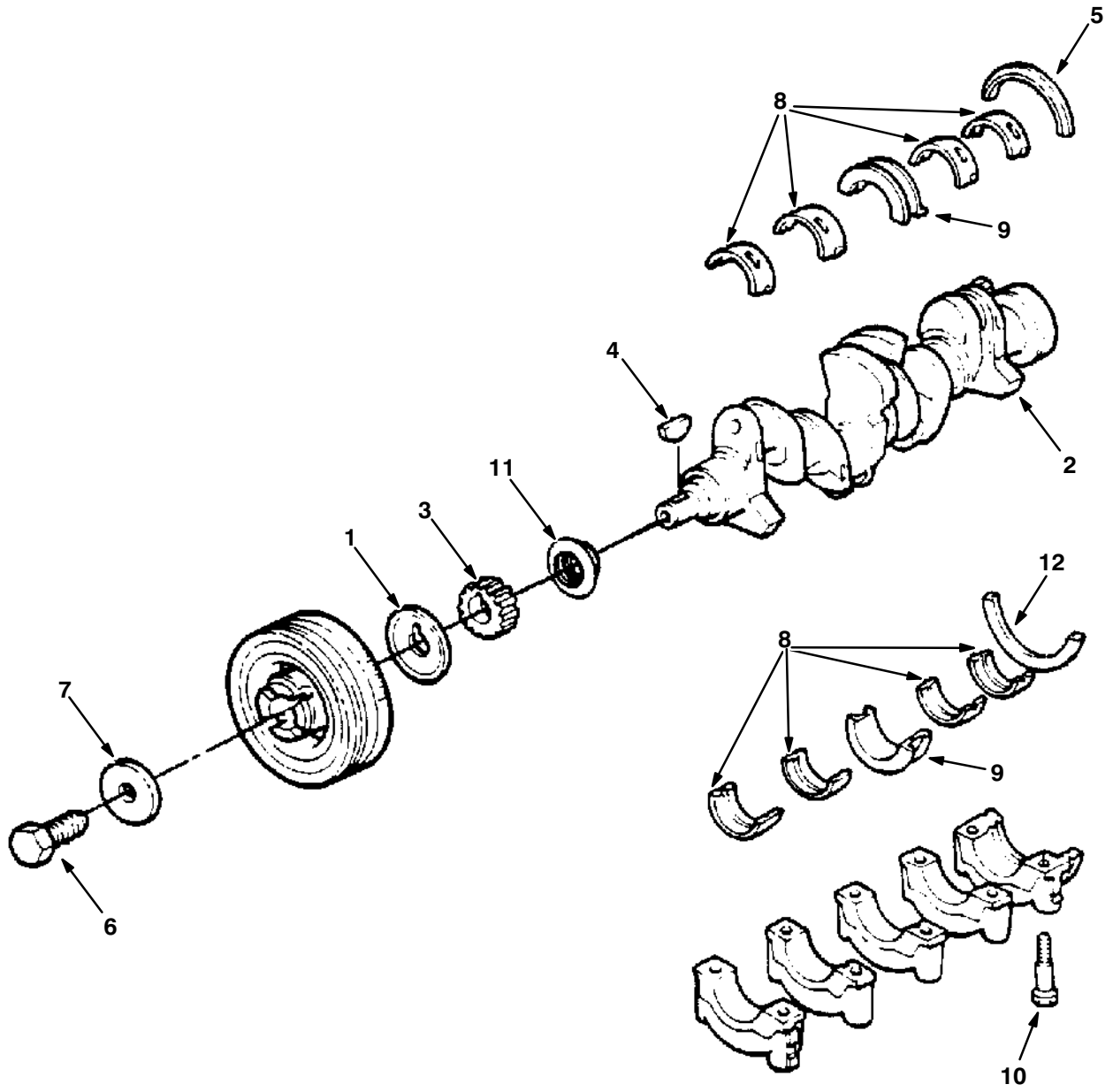
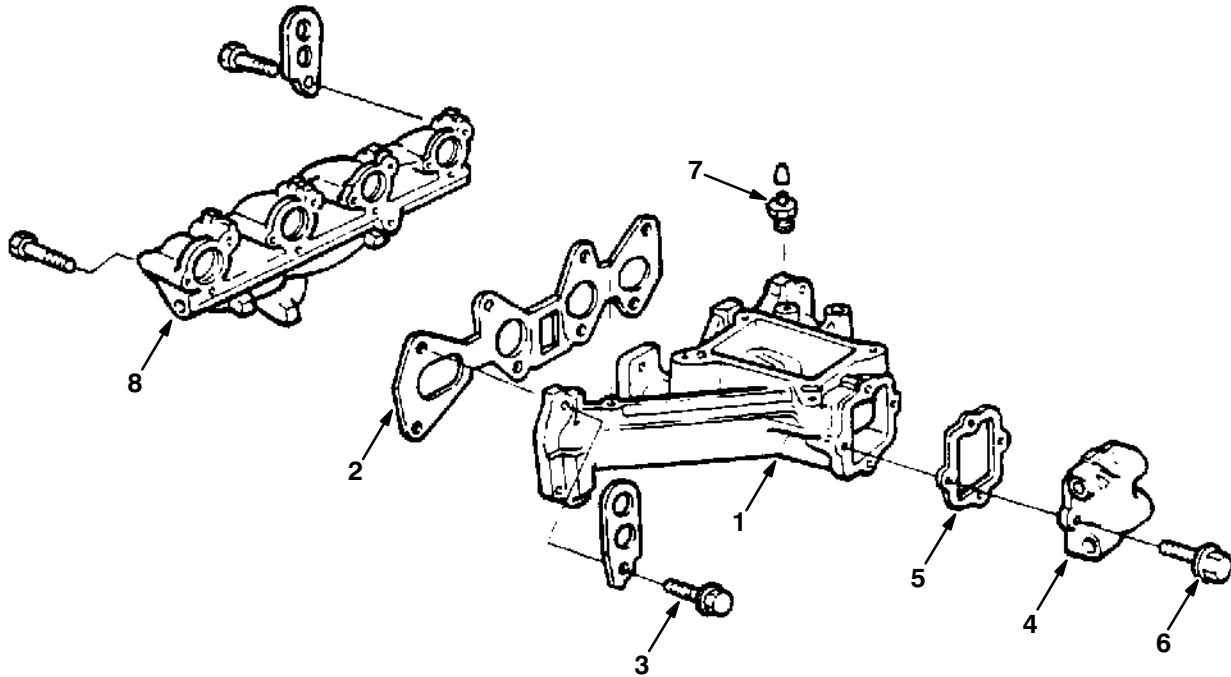


Fig. 7 – Crankshaft Group

Ref.	TENNANT Part No.	Ford Part Number	Engine Serial Number	Description	Qty.
1	73969	D4FZ-6K297-B	(000000-	) Guide – Timing Belt	1
2	60819	E2ZZ-6303-A	(000000-	) Use with 1 Piece Rear Seal	1
3	74540	E9TZ-6306-A	(000000-	) Sprocket	1
4	73966	D4FZ-6B316-A	(000000-	) Key – Sprocket To Crankshaft	1
5	60834	E5ZZ-6701-A	(000000-	) Seal – Rear – 1 Piece	1
6	73959	D4FZ-6A340-A	(000000-	) Bolt – M14x1.5x40 – Pulley To Crankshaft	1
7	73951	D4FZ-6378-A	(000000-	) Washer – M15 – Pulley To Crankshaft	1
8	60821	D4FZ-6333-A	(000000-	) Main Bearing – Standard Red	8
8	60822	D4FZ-6333-B	(000000-	) Main Bearing – Standard Blue	As Req.
8	73938	D4FZ-6333-C	(000000-	) Main Bearing – 0.002 U/S	As Req.
8	73939	D4FZ-6333-D	(000000-	) Main Bearing – 0.010 U/S	As Req.
8	73940	D4FZ-6333-E	(000000-	) Main Bearing – 0.020 U/S	As Req.
8	73941	D4FZ-6333-F	(000000-	) Main Bearing – 0.030 U/S	As Req.
9	60823	D4FZ-6337-A	(000000-	) Thrust Bearing – Upper Standard Red	1
9	60824	D4FZ-6337-B	(000000-	) Thrust Bearing – Upper Standard Blue	As Req.
9	73942	D4FZ-6337-C	(000000-	) Thrust Bearing – Upper 0.002 U/S	As Req.
9	73943	D4FZ-6337-D	(000000-	) Thrust Bearing – Upper 0.010 U/S	As Req.
9	73944	D4FZ-6337-E	(000000-	) Thrust Bearing – Upper 0.020 U/S	As Req.
9	73945	D4FZ-6337-F	(000000-	) Thrust Bearing – Upper 0.030 U/S	As Req.
9	60825	D4FZ-6337-G	(000000-	) Thrust Bearing – Lower Standard Red	1
9	60826	D4FZ-6337-H	(000000-	) Thrust Bearing – Lower Standard Blue	As Req.
9	73946	D4FZ-6337-J	(000000-	) Thrust Bearing – Lower 0.002 U/S	As Req.
9	73947	D4FZ-6337-K	(000000-	) Thrust Bearing – Lower 0.010 U/S	As Req.
9	73948	D4FZ-6337-L	(000000-	) Thrust Bearing – Lower 0.020 U/S	As Req.
9	73949	D4FZ-6337-M	(000000-	) Thrust Bearing – Lower 0.030 U/S	As Req.
10	73914	356214-S8	(000000-	) Washer	1
10	73950	D4FZ-6345-A	(000000-	) Bolt – M12X1.75X80	9
10	74516	E5ZZ-6345-A	(000000-	) Stud – M12-M10X109	1
11	60833	E8ZZ-6700-A	(000000-	) Seal – Front	1

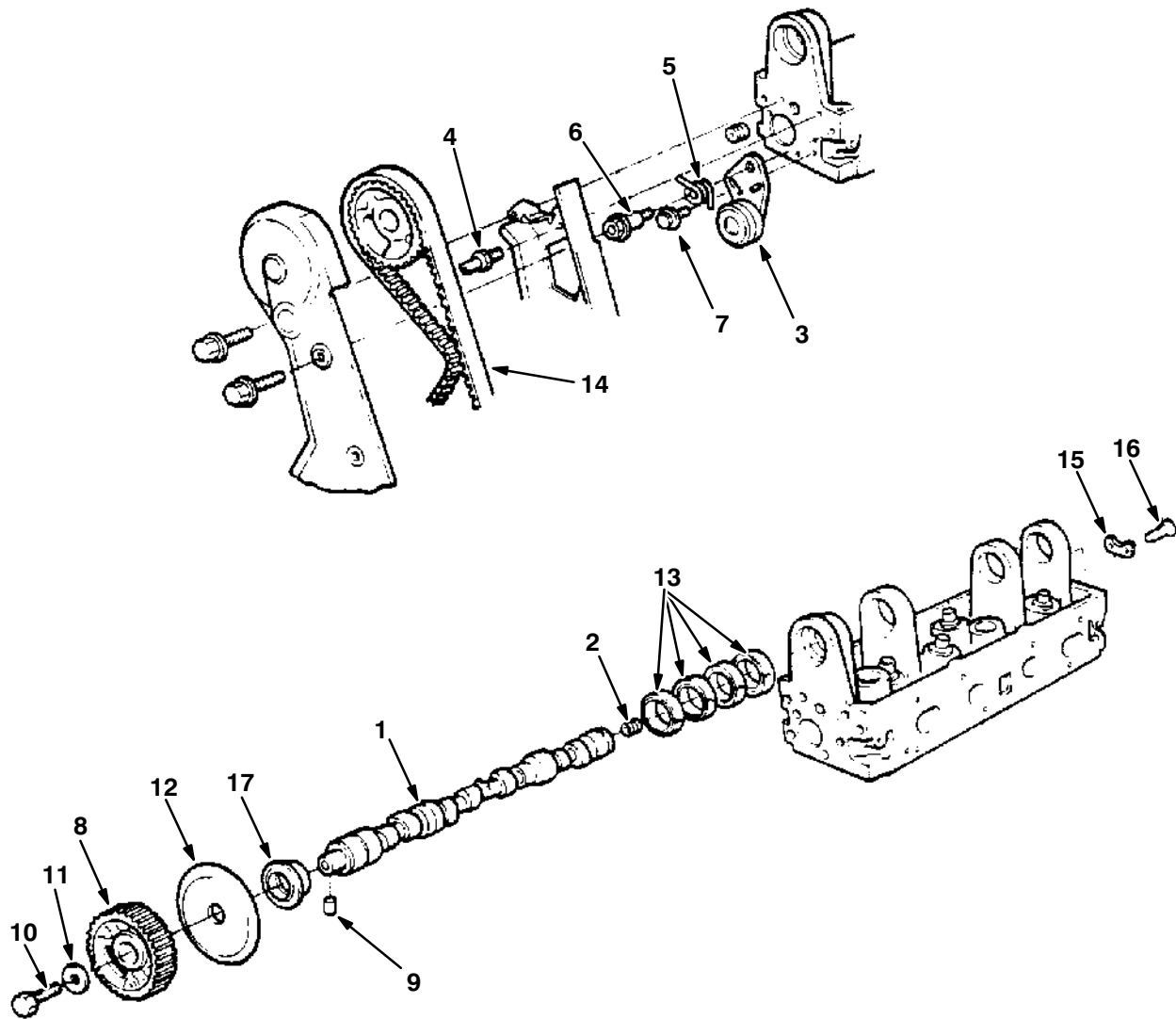
Fig. 8 – Manifolds Group



06836/06781

Ref.	TENNANT Part No.	Ford Part Number	Engine Serial Number	Description	Qty.
1	73994	E3TZ-9424-A	(000000- )	Manifold, Intake	1
2	73998	E3TZ-9439-A	(000000- )	Gasket – Intake Manifold	1
2	74511	E59Z-9439-A	(000000- )	Gasket – Intake Manifold	1
3	74553	N801424-S36	(000000- )	Stud – M8-M6X47.1	1
3	74554	N801427-S2	(000000- )	Bolt – M8X29	7
4	73925	D4FZ-9E434-A	(000000- )	Cover – Intake Manifold	1
5	73992	D8FZ-9E436-B	(000000- )	Gasket – Intake Manifold Cover	1
6	74546	N602529-S2	(000000- )	Bolt – M6X20	4
7	74527	E7TZ-9A474-C	(000000- )	Fitting – Vacuum	1
8	74509	E5ZZ-9430-A	(000000- )	Manifold, Exhaust	1

**Fig. 9 – Camshaft, Sprocket Group**



06837/06774

Ref.	TENNANT Part No.	Ford Part Number	Engine Serial Number	Description	Qty.
1	60815	E5ZZ-6250-C	(000000- )	Camshaft	1
2	36268	87837-S	(000000- )	Plug – 1/4 NPT	1
3	73967	D4FZ-6K254-A	(000000- )	Tensioner Assembly	1
4	74534	E7ZZ-6E008-A	(000000- )	Stud – M8X49	1
5	73970	D4FZ-6L273-A	(000000- )	Spring – Tensioner	1
6	73983	E9TZ-6K282-A	(000000- )	Bolt – Tensioner Spring	1
7	74552	N800112-S2	(000000- )	Bolt – Tensioner To Head	1
8	60816	D4FZ-6256-A	(000000- )	Sprocket	1
9	73915	373118-S	(000000- )	Pin	1
10	74545	N600414-S100	(000000- )	Bolt – M12X45 – Sprocket to Camshaft	1
11	73937	D4FZ-6278-A	(000000- )	Washer – Sprocket to Camshaft	1
12	73965	D4FZ-6B260-A	(000000- )	Guide – Timing Belt	1
13	73936	D4FZ-6261-B	(000000- )	Bearing Camshaft – 0.016 U/S	As Req.
13	60817	D4FZ-6261-C	(000000- )	Bearing Camshaft – Standard	4
14	60818	E5ZZ-6268-A	(000000- )	129 Teeth Belt, Timing	1
15	73954	D4FZ-6613-A	(000000- )	Plate	1
16	74548	N604465-S	(000000- )	Screw and Washer – M6X12	2
17	60833	E8ZZ-6700-A	(000000- )	Seal – Front	1

Fig. 10 – Valves, Rocker Arm Cover Group

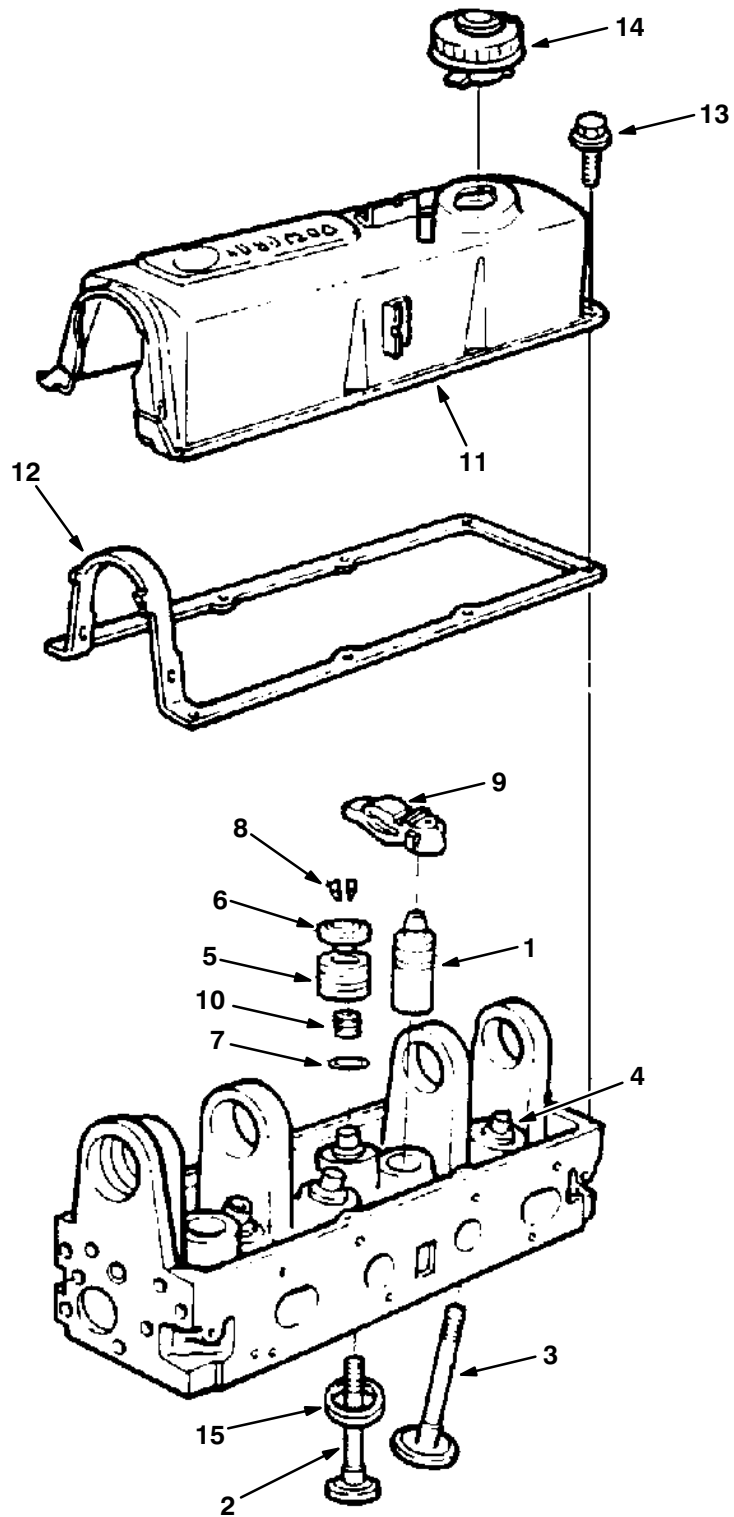
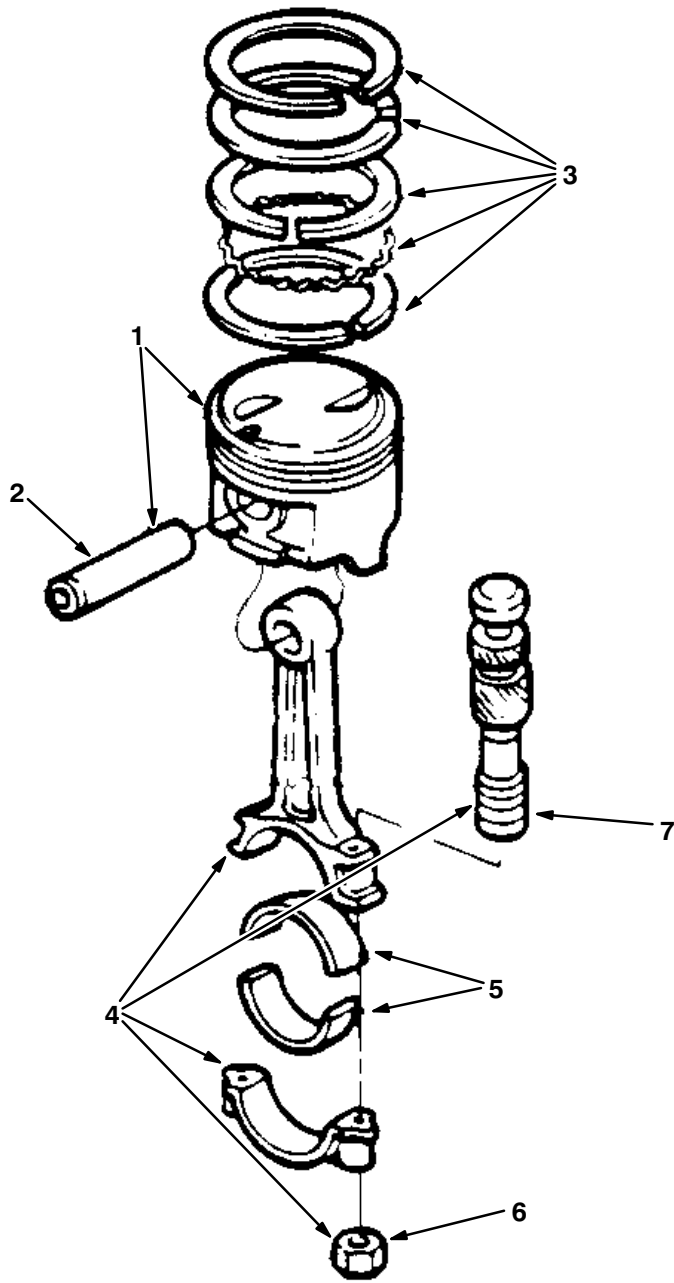


Fig. 10 – Valves, Rocker Arm Cover Group

Ref.	TENNANT Part No.	Ford Part Number	Engine Serial Number	Description	Qty.
1	60827	D6FZ-6500-A	(000000-	) Tappet Valve Standard	8
1	73973	D6FZ-6500-B	(000000-	) Tappet Valve 0.020 O/S	As Req.
2	60828	E5TZ-6505-F	(000000-	) Valve, Exhaust Standard	As Req.
2	74514	E5TZ-6505-G	(000000-	) Valve, Exhaust 0.015 O/S	As Req.
2	74515	E5TZ-6505-H	(000000-	) Valve, Exhaust 0.030 O/S	As Req.
3	60829	E5ZZ-6507-D	(000000-	) Valve, Intake Standard	4
3	74517	E5ZZ-6507-E	(000000-	) Valve, Intake 0.015 O/S	As Req.
3	74518	E5ZZ-6507-F	(000000-	) Valve, Intake 0.030 O/S	As Req.
4	73952	D4FZ-6510-A	(000000-	) Bushing	As Req.
5	60830	E4ZZ-6513-A	(000000-	) Spring	8
6	60831	E43Z-6514-A	(000000-	) Retainer	8
7	73918	B3Q-6515-A	(000000-	) Shim – 0.030 Thick – 1.0 ID	As Req.
8	60847	DOAZ-6518-A	(000000-	) Key	16
9	73990	D8FZ-6564-A	(000000-	) Arm	8
10	74528	E7ZZ-6571-A	(000000-	) Seal, Intake – Standard	As Req.
10	74529	E7ZZ-6571-B	(000000-	) Seal, Exhaust – Standard	As Req.
10	74530	E7ZZ-6571-C	(000000-	) Seal, Intake – 0.015 O/S	As Req.
10	74531	E7ZZ-6571-D	(000000-	) Seal, Intake – 0.030 O/S	As Req.
10	74532	E7ZZ-6571-E	(000000-	) Seal, Exhaust – 0.015 O/S	As Req.
10	74533	E7ZZ-6571-F	(000000-	) Seal, Exhaust – 0.030 O/S	As Req.
11	74535	E8TZ-6582-D	(000000-	) Cover	As Req.
73995	12 <del>74542</del>	F1ZZ-6584-A	(000000-	) Gasket – Rocker Arm Cover	1
13	74550	N800030-S53B	(000000-	) Screw and Washer – M6X16	8
14	74558	E53Z-6B897-A	(000000-	) Cap	1
15	74523	E6JL-6057-AA	(000000-	) Seat	As Req.

**Fig. 11 – Piston, Connecting Rod Group**

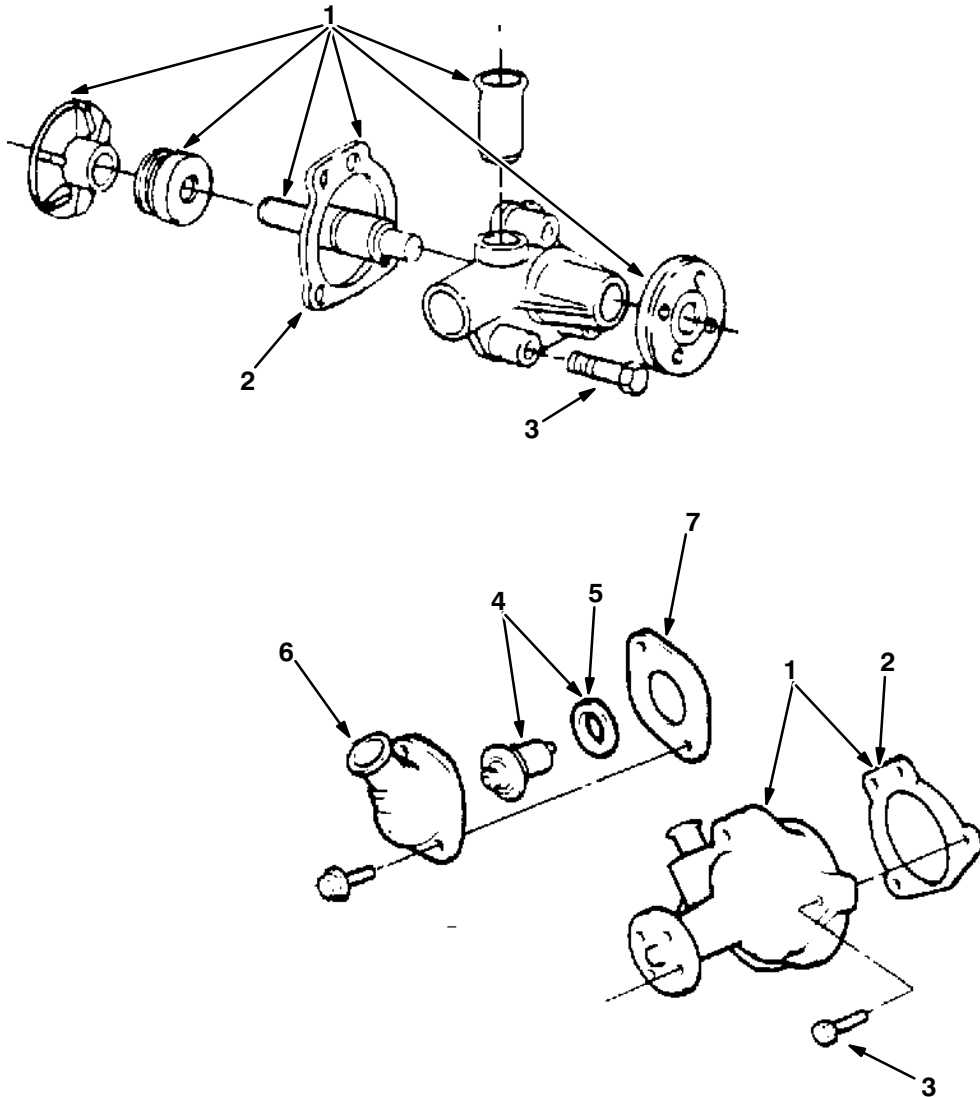




**Fig. 11 – Piston, Connecting Rod Group**

Ref.	TENNANT Part No.	Ford Part Number	Engine Serial Number	Description	Qty.
∇ 1	60809	D4FZ-6108-A	(000000-	) Piston Assembly Standard – Red	4
∇ 1	73928	D4FZ-6108-B	(000000-	) Piston Assembly Standard – Blue	As Req.
∇ 1	73929	D4FZ-6108-CB	(000000-	) Piston Assembly 0.003 O/S	As Req.
∇ 1	73930	D4FZ-6108-DB	(000000-	) Piston Assembly 0.020 O/S	As Req.
∇ 1	73931	D4FZ-6108-EB	(000000-	) Piston Assembly 0.030 O/S	As Req.
∇ 1	73932	D4FZ-6108-FB	(000000-	) Piston Assembly 0.040 O/S	As Req.
△ 2	73997	E3TZ-6135-A	(000000-	) Pin	4
3	60810	D4FZ-6148-A	(000000-	) Ring Set Standard and .003 O/S	2
3	73933	D4FZ-6148-B	(000000-	) Ring Set 0.020 O/S	As Req.
3	73934	D4FZ-6148-C	(000000-	) Ring Set 0.030 O/S	As Req.
3	73935	D4FZ-6148-D	(000000-	) Ring Set 0.040 O/S	As Req.
∇ 4	73976	E2ZZ-6200-A	(000000-	) Connecting Rod Assembly	4
△ 5	60812	D7FZ-6211-A	(000000-	) Bearing, Connecting Rod Standard, Red	8
5	73977	D7FZ-6211-B	(000000-	) Bearing, Connecting Rod Standard, Blue	As Req.
5	73978	D7FZ-6211-C	(000000-	) Bearing, Connecting Rod 0.002 U/S	As Req.
5	73979	D7FZ-6211-D	(000000-	) Bearing, Connecting Rod 0.010 U/S	As Req.
5	73980	D7FZ-6211-E	(000000-	) Bearing, Connecting Rod 0.020 U/S	As Req.
5	73981	D7FZ-6211-F	(000000-	) Bearing, Connecting Rod 0.030 U/S	As Req.
△ 5	73982	D7FZ-6211-G	(000000-	) Bearing, Connecting Rod 0.040 U/S	As Req.
6	60813	D4FZ-6212-A	(000000-	) Nut – M9	8
7	60814	D4FZ-6214-A	(000000-	) Bolt – M9x55	8

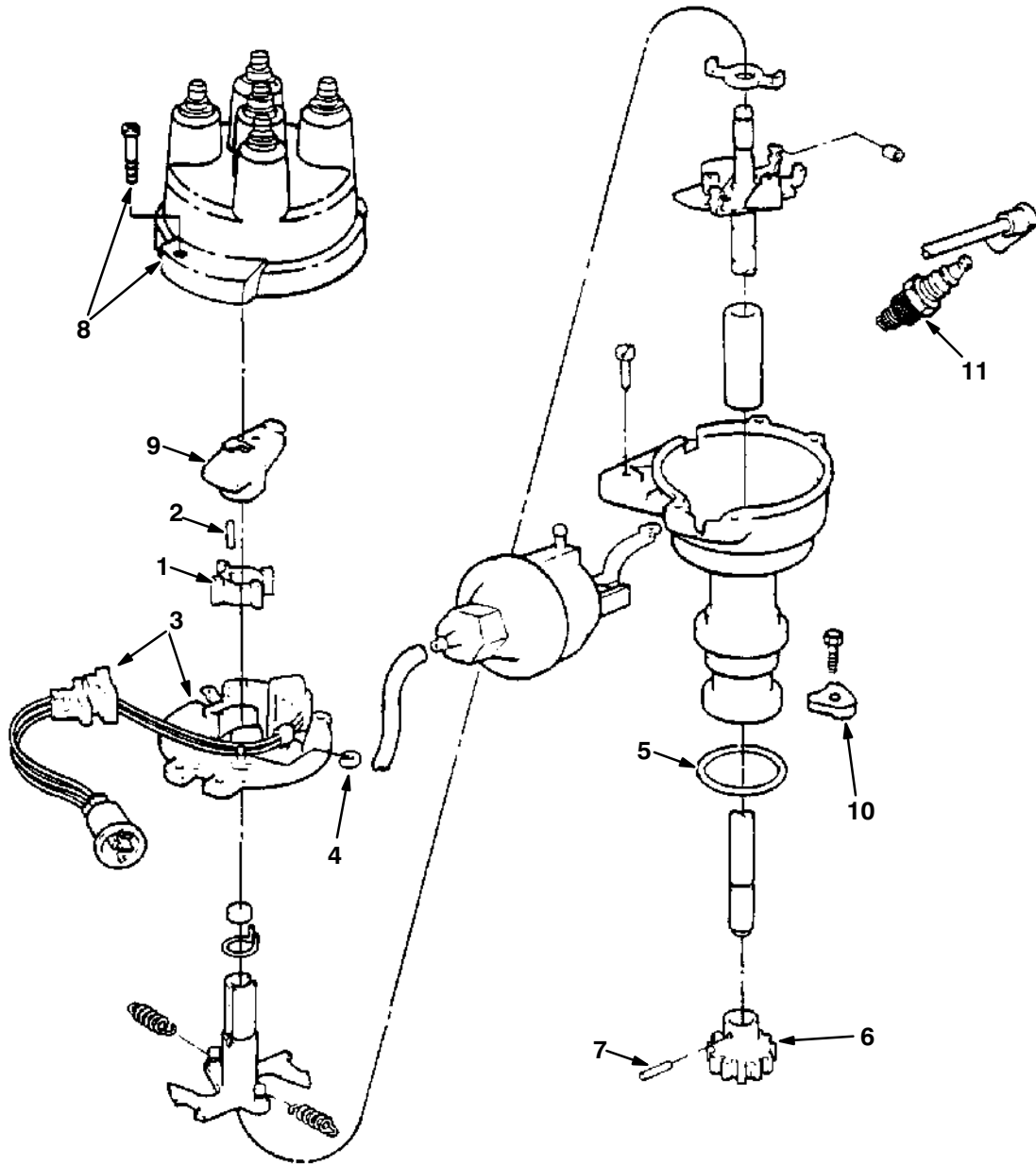
Fig. 12 – Water Pump, Thermostat Group



06840/06780

Ref.	TENNANT Part No.	Ford Part Number	Engine Serial Number	Description	Qty.
∇ 1	60838	E6ZZ-8501-A	(000000-	) Pump – Includes Gasket – 5/8 Pilot	1
△ 2	74539	E8ZZ-8507-A	(000000-	) Gasket – Water Pump	1
3	74549	N605663-S100	(000000-	) Bolt – M8 x 50	3
4	60839	E2JL-8A570-AA	(000000-	) Thermostat And Seal Assembly – 170°F	1
5	74557	E5FZ-8590-A	(000000-	) Seal – Thermostat	1
6	73996	RH14	(000000-	) Water Outlet	1
7	74538	E8ZZ-8255-A	(000000-	) Gasket – Water Outlet	1

**Fig. 13 – Ignitions Group**



06841/06782

Ref.	TENNANT Part No.	Ford Part Number	Engine Serial Number	Description	Qty.
∇	60845	D9JE-12127-BA	(000000-)	) Distributor – Less Cap And Rotor	1
1	35705	D7FZ-12A099-A	(000000-)	) Armature	1
2	35716	305015-S	(000000-)	) Pin – Armature	1
3	35719	D5TZ-12A112-B	(000000-)	) Stator Assembly	1
4	73912	351826-S	(000000-)	) Washer – “C” Type	1
5	73923	DZ-4	(000000-)	) O-Ring Seal – Distributor To Block	1
6	73972	DZ-472	(000000-)	) Gear – Driven	1
7	73916	67555-S	(000000-)	) Pin – 1/8 x 3/4	1
8	60844	E5BZ-12106-A	(000000-)	) Cap – Distributor	1
9	60875	E6TZ-12200-E	(000000-)	) Rotor – Distributor	1
10	73993	DZ-468-A	(000000-)	) Clamp – Distributor To Block	1
11	60846	AWSF-52-C	(000000-)	) Spark Plug	4

Fig. 14 – Starter Breakdown

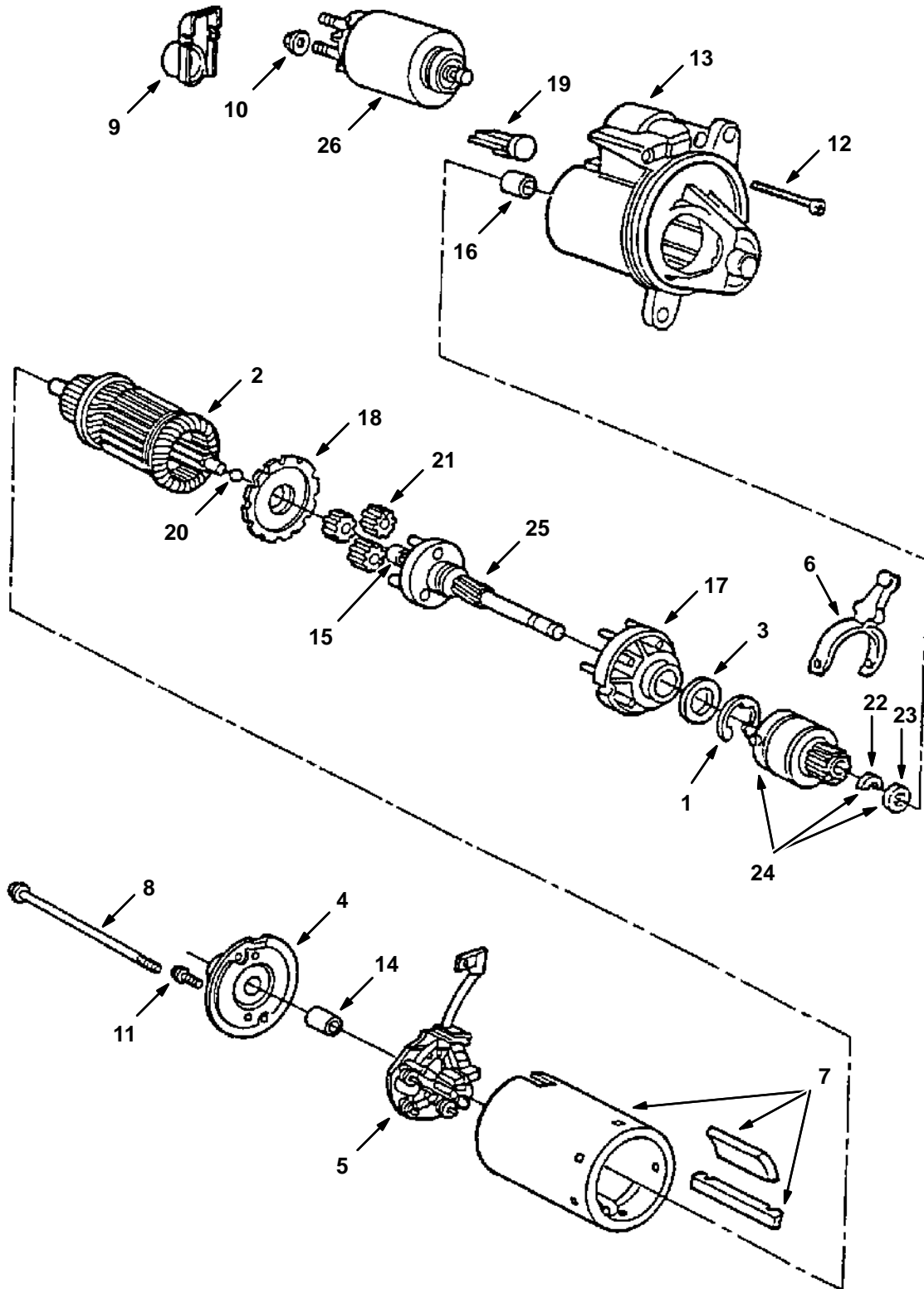


Fig. 14 – Starter Breakdown

Ref.	TENNANT Part No.	Ford Part Number	Engine Serial Number	Description	Qty.
∇	60938	F1TZ-11002-A	(000000-	) Motor, Starting, Perm Mag, 12V	1
1	79640	97476-S2	(000000-	) Retaining Ring	1
2	84999	E9OZ-11005-A	(000000-	) Armature	1
3	79956	E9OZ-11036-A	(000000-	) Washer	1
4	79628	E9OZ-11049-A	(000000-	) Plate & Brg	1
5	79629	E9OZ-11061-C	(000000-	) Brush Holder	1
6	79630	E9OZ-11067-A	(000000-	) Lever	1
7	79631	E9OZ-11075-A	(000000-	) Frame&Mag.As	1
8	79632	E9SZ-11091-A	(000000-	) Bolt-Thru	2
9	79970	E9OZ-11N087-A	(000000-	) Term.Cover	1
∇	79633	E9OZ-11A091-A	(000000-	) Kit-Attaching	1
10	79957	N805403-S100	(000000-	) Nut&Washer,M8	1
11	79958	N805406-S36B	(000000-	) Screw,M5X10.4M	2
12	79959	N805405-S36B	(000000-	) Screw,M6X35.3M	2
13	79634	F1TZ-11130-A	(000000-	) Hsg W/Brg	1
14	79635	MC-209-A	(000000-	) Bearing	1
15	79960	E9OZ-11135-A	(000000-	) Planet Bearing	3
16	79961	F2TZ-11135-A	(000000-	) Bearing	1
17	79962	E9OZ-11A165-A	(000000-	) Statnry Gear	1
18	79963	E9OZ-11A167-A	(000000-	) Retnr.Gear	1
19	79964	E9OZ-11A171-A	(000000-	) Seal	1
20	79965	E9OZ-11A172-A	(000000-	) Arm.Thr.Ball	1
21	79966	E9OZ-11K190-A	(000000-	) Gear Assy	3
22	79636	C2DZ-11222-A	(000000-	) Ring-Drv.Stop	1
23	79967	D6AZ-11223-A	(000000-	) Retainer	1
24	79638	E9OZ-11350-A	(000000-	) Drive Assy	1
25	79969	FOTZ-11355-A	(000000-	) Shft Asy,Output	1
26	79639	F3VY-11390-B	(000000-	) Solenoid	1



# SECTION 6

## CONTENTS

	PAGE
PART NUMBER TO PAGE NUMBER CROSS REFERENCE LIST .....	6-2
PART DESCRIPTION TO PAGE NUMBER CROSS REFERENCE LIST .....	6-18

# CROSS REFERENCE

## PART NUMBER TO PAGE NUMBER CROSS REFERENCE LIST

Part Number	Page Number	Part Number	Page Number
AWSF-52-C	5-21	D4FZ-6A753-A	5-3, 5-9
B3Q-6515-A	5-17	D4FZ-6A753-B	5-3, 5-9
C2DZ-11222-A	5-23	D4FZ-6B260-A	5-15
C2OZ-6A616-A	5-11	D4FZ-6B316-A	5-13
C5AZ-6026-H	5-3	D4FZ-6K254-A	5-15
C5AZ-6026-J	5-3	D4FZ-6K291-A	5-7
C8AZ-6026-D	5-3	D4FZ-6K297-B	5-13
D42E-6E009-BB	5-5	D4FZ-6L273-A	5-15
D4FZ-6019-B	5-7	D4FZ-9441-A	5-5
D4FZ-6020-A	5-5, 5-7	D4FZ-9E434-A	5-14
D4FZ-6020-B	5-5, 5-7	D5FZ-6600-A	5-11
D4FZ-6108-A	5-19	D5TZ-12A112-B	5-21
D4FZ-6108-B	5-19	D6AZ-11223-A	5-23
D4FZ-6108-CB	5-19	D6FZ-6500-A	5-17
D4FZ-6108-DB	5-19	D6FZ-6500-B	5-17
D4FZ-6108-EB	5-19	D7AZ-6026-A	5-3, 5-6
D4FZ-6108-FB	5-19	D7BZ-6397-A	5-3
D4FZ-6148-A	5-19	D7FZ-12A099-A	5-21
D4FZ-6148-B	5-19	D7FZ-6211-A	5-19
D4FZ-6148-C	5-19	D7FZ-6211-B	5-19
D4FZ-6148-D	5-19	D7FZ-6211-C	5-19
D4FZ-6212-A	5-19	D7FZ-6211-D	5-19
D4FZ-6214-A	5-19	D7FZ-6211-E	5-19
D4FZ-6256-A	5-9, 5-15	D7FZ-6211-F	5-19
D4FZ-6261-B	5-6, 5-15	D7FZ-6211-G	5-19
D4FZ-6261-C	5-6, 5-15	D8FZ-6564-A	5-17
D4FZ-6278-A	5-15	D8FZ-9E436-B	5-5, 5-14
D4FZ-6278-B	5-9	D9JE-12127-BA	5-21
D4FZ-6333-A	5-13	DOAZ-6518-A	5-17
D4FZ-6333-B	5-13	DZ-4	5-21
D4FZ-6333-C	5-13	DZ-468-A	5-21
D4FZ-6333-D	5-13	DZ-472	5-21
D4FZ-6333-E	5-13	E2JL-8A570-AA	5-20
D4FZ-6333-F	5-13	E2ZZ-6200-A	5-19
D4FZ-6337-A	5-13	E2ZZ-6303-A	5-13
D4FZ-6337-B	5-13	E3TZ-6135-A	5-19
D4FZ-6337-C	5-13	E3TZ-9424-A	5-14
D4FZ-6337-D	5-13	E3TZ-9439-A	5-14
D4FZ-6337-E	5-13	E3ZZ-6019-A	5-7
D4FZ-6337-F	5-13	E3ZZ-6019-B	5-7
D4FZ-6337-G	5-13	E3ZZ-6622-A	5-11
D4FZ-6337-H	5-13	E43Z-6514-A	5-17
D4FZ-6337-J	5-13	E4FZ-6A739-A	5-9
D4FZ-6337-K	5-13	E4ZZ-6513-A	5-17
D4FZ-6337-L	5-13	E53Z-6B897-A	5-17
D4FZ-6337-M	5-13	E59Z-9439-A	5-5, 5-14
D4FZ-6345-A	5-13	E5BZ-12106-A	5-21
D4FZ-6378-A	5-13	E5FZ-8590-A	5-20
D4FZ-6510-A	5-17	E5TZ-6505-F	5-17
D4FZ-6571-A	5-5	E5TZ-6505-G	5-17
D4FZ-6613-A	5-9, 5-15	E5TZ-6505-H	5-17
D4FZ-6638-A	5-11	E5ZZ-6079-E	5-5
D4FZ-6700-A	5-5	E5ZZ-6250-C	5-15
D4FZ-6A008-A	5-3	E5ZZ-6268-A	5-15
D4FZ-6A340-A	5-13	E5ZZ-6345-A	5-13
D4FZ-6A618-A	5-11	E5ZZ-6507-D	5-17
D4FZ-6A738-A	5-3, 5-9	E5ZZ-6507-E	5-17
D4FZ-6A738-B	5-3, 5-9	E5ZZ-6507-F	5-17



## CROSS REFERENCE

Part Number	Page Number	Part Number	Page Number
E5ZZ-6701-A	5-5, 5-13	IB3614	4-5, 4-7, 4-8
E5ZZ-6A630-A	5-3	MC-209-A	5-23
E5ZZ-6A674-A	5-11	MM311	3-38
E5ZZ-6A674-B	5-11	MM338	3-38
E5ZZ-9430-A	5-14	N600414-S100	5-15
E620454-S72	5-11	N601313-S100	5-9
E6JL-6057-AA	5-17	N602529-S2	5-7, 5-14
E6TZ-12200-E	5-21	N602551-S2	5-11
E6ZZ-6019-A	5-7	N604465-S	5-9, 5-15
E6ZZ-6E078-B	5-5	N605663-S100	5-20
E6ZZ-8501-A	5-20	N800030-S53B	5-17
E7JE-6049-DA	5-6	N800059-S	5-11
E7RY-6675-B	5-11	N800112-S2	5-15
E7SZ-6010-A	5-3	N801424-S36	5-14
E7TZ-9A474-C	5-14	N801427-S2	5-14
E7ZZ-6571-A	5-17	N801688-S2	5-7
E7ZZ-6571-B	5-17	N804660-S2	5-11
E7ZZ-6571-C	5-17	N805403-S100	5-23
E7ZZ-6571-D	5-17	N805405-S36B	5-23
E7ZZ-6571-E	5-17	N805406-S36B	5-23
E7ZZ-6571-F	5-17	RG-565	5-5
E7ZZ-6E008-A	5-7, 5-15	RH14	5-20
E8TZ-6582-D	5-17	00500-15	4-6, 4-9
E8ZZ-6026-A	5-7	00954	4-7
E8ZZ-6051-A	5-5, 5-6	00960	4-5
E8ZZ-6626-A	5-11	00966	4-8
E8ZZ-6700-A	5-5, 5-9, 5-13, 5-15	01047	2-15
E8ZZ-8255-A	5-20	01516	2-113
E8ZZ-8507-A	5-5, 5-20	01988	2-83, 2-85
E9OZ-11005-A	5-23	02247	2-39
E9OZ-11036-A	5-23	02361	2-83
E9OZ-11049-A	5-23	02430	4-27
E9OZ-11061-C	5-23	02506-6	3-25
E9OZ-11067-A	5-23	02676	2-83
E9OZ-11075-A	5-23	02705	4-15, 4-17
E9OZ-11135-A	5-23	02706	4-15, 4-17
E9OZ-11350-A	5-23	02709	4-15, 4-17
E9OZ-11A091-A	5-23	02712	2-29
E9OZ-11A165-A	5-23	02740	2-51
E9OZ-11A167-A	5-23	02741	2-51
E9OZ-11A171-A	5-23	02931	2-113
E9OZ-11A172-A	5-23	03026	2-51
E9OZ-11K190-A	5-23	03922	2-123
E9OZ-11N087-A	5-23	04414	2-41
E9SZ-11091-A	5-23	04706	2-125
E9TZ-6306-A	5-13	04733-7	2-75
E9TZ-6K282-A	5-15	04846	2-113
E9ZZ-6009-B	5-3	05036	2-5
F1TZ-11002-A	5-23	05686	2-101, 2-105
F1TZ-11130-A	5-23	05724	2-5
F1ZZ-6584-A	5-17	05725	2-5
F1ZZ-6700-A	5-5	05726	2-5
F1ZZ-6710-A	5-5, 5-11	06279	2-105
F2TZ-11135-A	5-23	07026	2-39
F3DZ-6730-A	5-11	07259	2-23
F3DZ-6734-A	5-11	07450	2-113
F3DZ-6754-A	5-5	07464	2-49
F3VY-11390-B	5-23	07539	2-45, 2-47
F3ZZ-6065-A	5-6	07562	2-51, 3-30
FOTZ-11355-A	5-23		

## CROSS REFERENCE

Part Number	Page Number	Part Number	Page Number
07565	3-30	11218	2-5
08013N	2-5	11442-1	2-49
08085	2-109, 2-111	11442-3	3-3
08143	2-35	11636	3-37
08175	2-95	11893	2-25
09088	2-71	11984	2-51, 2-55
09342	2-7	12060	2-117
09900-1	2-97	12267	2-91
10137	2-67	12542	2-115
10165	2-113	13015	2-67
10539	2-77	13115	2-83
10542	2-115	13156	2-97
10543	2-99	13248	2-33
10550	3-35	13902	4-19, 4-21, 4-23, 4-26
10557	3-35	13904	4-19, 4-21, 4-23, 4-26
10560	3-35	13907	4-23
10561	3-35	14131	2-55
10562	3-35	14138A	2-27
10565	2-19	14242	2-71
10568	2-61	14432	2-51
10573	3-5	14506-1	2-75
10575	3-5	14601	2-15, 2-45, 2-47, 2-77
10576	2-13	14838	2-5
10577	3-5	14864	2-119, 2-121
10579	2-13	14877	2-119
10581	3-19	14880	2-119, 2-121
10594	2-29	14983	3-37
10595	3-19	15128-1	2-111
10603	2-75	15539	2-5
10604	2-75	15724	2-49
10611	2-19	15791-1	2-45, 2-49
10612	2-131	15965	3-3
10618	2-89	16081	2-63
10632-1	2-27	16082	2-93
10632-14	2-61	16213	2-77
10632-18	3-10, 3-11, 3-12, 3-13, 3-15	16376	2-87
10632-2	3-10, 3-11	16455	2-23
10632-4	2-37	16462	2-83
10632-5	2-127	16465	2-85
10632-9	3-12, 3-13	16695	4-4, 4-6, 4-9
10652	2-59	16738	2-45
10653	2-59	17200	2-27
10654	2-59	17284	2-109, 2-111
10661	2-59	17404	2-109, 2-111
10663	2-121	17414	2-39, 2-49
10664	2-65	17980	2-107
10672	3-3	19191	2-101, 2-103, 2-105
10678	3-3	19312	2-39
10679	2-121	19458	2-87
10683	2-115	19583	2-69
10687	2-115	19644	2-83
10688	2-27	19774	2-39
10693	2-35	19783	2-5
10695	2-35	20634	2-29
10721	2-19	20944	3-7
10740	2-63, 2-73,	20950	3-7
10749	2-63, 2-73	20951	3-7
10962	2-131	20952	3-7
11211	2-31	21035	2-93
		21206	2-35

## CROSS REFERENCE

Part Number	Page Number	Part Number	Page Number
21207	2-35	30241	2-5
21211	2-25	30251	2-97
21657	4-27	30252	2-97
21659	4-27	30253	2-97
21930	4-21	30255	2-97
22140	2-61	30268	3-3
222260	2-115	30407	2-39
22290	2-125	30480	2-45, 2-47
22308-3	2-59	30481	2-45, 2-47
22308	2-57	305015-S	5-21
22727	2-73	30533	3-20
22729	2-13	31354	4-4, 4-6, 4-9
22731	2-73	31373	4-4
22737	2-13	31375	4-9
22758	4-21	31377	4-4
22786	3-7	31381	4-9
22787	3-7	31384	4-4
22789	3-7	31568	2-83, 2-85
22790	4-25	31599	2-63, 2-123
22911	3-17	31602	2-83, 2-85
22912	3-17	31613	2-87
22933	3-17	31755	2-61
22966	2-15	31922	3-9
23001	2-115	32270	2-13
23002	2-115	32376	2-39, 2-49
23004	2-115	32490	2-39, 2-93
23005	2-115	32492	2-77
23006	2-115	32493	2-75
23007	2-115	32494	2-113
23185	2-49	32495	2-99
23191	2-75	32508	2-119, 2-121
23231	3-15	32613	2-119, 2-121
23274	3-32	32614	2-119, 2-121
23498	2-15	32669	2-119, 2-121
23524-1	2-115	33123	2-109
23524	2-31, 2-99	33294	3-3
23574	2-41	33295	3-3
23786	2-99	33404	2-95, 2-101, 2-103, 2-105
23788	2-73, 2-113	33580	4-3
24012	2-53	33671	2-67
24047	2-57, 2-59	33817	2-73
24299	2-5	34096	2-31
24339	2-69	34176	4-9
24358	2-119, 2-121, 3-7	34178	4-3
24576-1	3-9, 3-15	34179	4-3
24576	3-15	34252	3-18
24899	2-97	34355	2-83
24924	2-45	34357	2-65
24928-1	2-57, 2-59	34359	2-31, 2-33, 2-63, 2-89, 2-91, 2-95, 2-103
24976	2-49	34368	2-85
25312	3-22	34390	2-17, 2-23, 2-33, 2-107
25611	2-101, 2-103, 2-105	34725	2-31
26103	2-31	34823	2-67
26496	2-57, 2-59	34848	3-9
27048	2-57, 2-59	34868	2-37
28854	4-6	34878	2-45, 2-47
28950-2	2-63	35002	2-65
29499	2-91, 2-109	351826-S	5-21
29558	2-91, 2-109	352532-S	5-3
30216	2-5		

## CROSS REFERENCE

<b>Part Number</b>	<b>Page Number</b>	<b>Part Number</b>	<b>Page Number</b>
35493	4-8	39527	4-9
356214-S8	5-13	39703-2	2-3, 2-39
35705	5-21	39780-1	2-37
35716	5-21	40362	2-17
35719	5-21	40585	2-55
35753	2-43	40607	2-37, 2-49
35843	3-32	40678	3-14
35980	2-41	40678	3-9
35983	2-39	41140	2-39
35992	2-39	41186	2-13, 2-17, 2-61, 2-123
35993	2-39	41305	2-109, 2-111, 2-115
36006	2-39	41358	2-41
36008	2-39	41407	3-3
36011	2-39	41421	2-119, 2-121
36012	2-39	41451	2-119, 2-121
36014	2-43	41454	2-119, 2-121
36015	2-43	42120-1	2-31
36016	2-41	42213	2-79
36021	2-45, 2-47	42215	2-17
36023	2-41	42223	2-69, 2-79
36024	2-41	42226	2-33, 2-79, 2-89
36026	2-45, 2-47	43290	2-95
36032	2-39	43609	2-41
36035	2-45, 2-49	43844	2-45, 2-47, 2-55, 3-7
36037	2-39	44078	2-125
36045	2-39	44681	3-11
36046	2-39	44681-1	3-11, 3-13
36048	2-53	44681-2	3-11, 3-13
36050	2-3, 2-55	44681	3-13
36065	2-41	44847	2-121
36085	2-43	44868	2-35, 2-63, 2-87, 2-101, 2-103, 2-105
36159	2-45, 2-47, 2-49	44869	2-33, 2-73, 2-97, 2-107
36165	2-39	44906	2-13, 2-93, 3-32
36268	5-3, 5-6, 5-15	45261	3-35
36376	2-73	45272	3-12, 3-13
36438	3-15	45482	2-17
36439	3-15	45622	4-3
36466	2-111	45623	4-3
36658	2-29	45628	4-4, 4-6, 4-9
36661	2-29	45779	3-10, 3-11, 3-12, 3-13
36663	2-29	45780	2-19, 2-61
36665	2-29	46231	2-117
36666	2-29	46236	2-37, 3-12, 3-13
36758	2-117	46481	2-107
373118-S	5-9, 5-15	46563	2-73
37448	4-13	46611	2-49
37454	4-13	46785-1	2-113
37460	4-13	47313A	2-45
37462	4-13	47395	2-57, 2-59
37471	4-13	47501	2-93
37555	4-4, 4-6, 4-9	47522	2-69
37616	4-3	47585	2-125
37704	4-13	47720	2-57, 2-59
37756	4-3	47745	2-93
37766	4-3	47752	2-17, 2-87
38255	4-3	47801	2-31, 2-69
38968	4-3	48079	2-101, 2-103, 2-105, 2-109
39210	2-63, 2-95	48126	2-55
39272	2-67	48267	2-55
39309	2-45, 2-47		

## CROSS REFERENCE

Part Number	Page Number	Part Number	Page Number
48570	3-9	53915	2-31
48617	2-85	53965	2-93
48697	3-3	53984	2-93
48734	3-27, 3-28	53985	2-97
48739	3-27, 3-28	54013	2-3, 2-25
48742	3-27	54014	2-3, 2-25
48743	3-28	54050	2-93
48813	4-8	54051	2-69
48988	3-3	54052	2-69
49266	3-10, 3-11	54086	2-69
49266	2-61, 2-77, 3-9, 3-15	54087	2-69
49800	3-37	54089	2-3, 2-25
49924	2-101, 2-103, 2-105	54095	4-8
50238	2-121, 3-3	54096	2-31, 2-95, 2-99
50256	2-121, 3-3	54121	2-29
50304	2-73, 3-26	54182	2-7
50332-1	2-45, 2-47	54184	2-7
50332-2	2-45, 2-47	54190	2-7
50896	2-117	54192	2-7
50960	2-17, 2-79	54194	2-79
50967	2-63	54197	2-7
51109	2-73	54204	2-97
51225	2-93, 3-35	54274	2-19, 2-33, 2-35, 2-53, 2-61, 2-63, 2-73, 2-89, 2-107, 2-123
51305	2-61	54275A	2-35, 2-123
51317	2-31, 2-97	54333	2-45, 2-49, 2-117
51338	2-69, 2-71	54390	2-71
51339	2-69, 2-71	54400	2-71, 2-91, 2-95
51448	2-97	54437	2-71
51449	2-97	54467	2-71
51534	2-31	54567	2-71
51538	2-93, 2-109, 2-111, 3-32, 3-35	54577	2-71
51560-3	2-51	54607	2-73
51564	2-97	54615	2-13, 2-21
51570	3-14	54618	2-113
51787	2-17, 2-21, 3-26	54659	2-97
51839	2-49	54660	2-93
52142	2-65	54680	2-97
52296	2-91, 2-95	54848	2-91, 2-95
52386	4-15, 4-17	54878	2-97
52402	2-17, 2-63, 2-87	54911-16	2-41
52405	4-3	54911-30	2-39
52929	2-63	54911-32	2-45, 2-49
53029	2-47	54922	2-5
53076	2-79	54923	2-5
53077	2-61	54925	2-5
53091	2-15	54927	2-5
53400-1	2-57, 2-59	55130	2-29
53400-4	2-57, 2-59	55248	3-10, 3-11
53435	2-93, 4-4	55248	3-15
53466	2-93	55274	2-19, 2-61
53468	2-25, 2-35	55433	2-9, 2-11
53485	2-35, 4-8	55586	2-23, 2-33, 2-69, 2-89, 2-97, 2-101, 2-105
53576	3-32	55685	2-73, 2-125
53601	2-69	55686	2-63
53610	3-32	55700	2-83
53612	2-69	55779	2-97
53786	2-29	55864	2-3, 2-25
53845	3-18		
53910	2-31		

## CROSS REFERENCE

<b>Part Number</b>	<b>Page Number</b>	<b>Part Number</b>	<b>Page Number</b>
55879	2-25	58121	3-30
55884	2-25	58248	2-121
55886	2-25	58366	2-131
55889	2-25	58482	2-29
55890	2-3, 2-25	58483	2-29
55892	2-25	58494	2-15, 2-27, 2-99
55893	2-31	58500	2-27
55914	2-31	58518	3-10, 3-12
55930	4-15, 4-17	58519	3-10, 3-12
55932	4-15, 4-17	58520	3-10, 3-12
55937	4-15, 4-17	58524	2-27
55939	4-15, 4-17	58538	2-51
55941	4-15, 4-17	58589	2-57, 2-59
56166	2-115	58590	2-57, 2-59
56185	2-125	58770	2-9, 2-11
56186	2-33, 2-131	58842	2-69
56346	2-127	59004	2-27
56398	2-125	59009	2-73
56610	2-29	59105	2-25
56624	2-71, 2-91, 2-95, 2-101, 2-103, 2-105	59192	2-9, 2-11, 2-15
56662	2-95	59377	2-17
56690	2-87, 2-107, 2-125	59378	4-8
56692	2-17, 2-93, 2-123	59431	2-5
56820	2-63, 2-69, 2-107	59432	2-5
56835	2-79	59440	2-5
56855	3-35	59442	2-27
56872	2-7, 3-33	59447	3-10, 3-11
56890	2-7	59448	2-27
56914	2-9, 2-11, 3-33	59514	2-11, 2-15
56976A	2-49, 2-57, 2-59	59537	2-11
57160	2-85	59538	2-9
57164	2-131	59542	2-23
57167	2-131	59545	2-29
57173	2-85	59579	2-85
57193	2-85	59656	2-35
57219	2-85	59668	2-75
57220	3-10, 3-11	59672	2-75
57297	2-57, 2-59	59680	2-3, 2-25
57411	2-103	59681	2-3, 2-25
57479	2-61, 2-87	59685	2-3, 2-25
57569	2-61	59686	2-3, 2-25
57702	2-13	59687	2-3, 2-25
57751	2-131, 3-7, 3-10, 3-11, 3-12, 3-13, 3-15	59688	2-3, 2-25
57803	2-131, 3-7, 3-10, 3-11, 3-12, 3-13, 3-15	59692	2-9, 2-11
57897	4-15, 4-17	59735	2-35
57934	2-45	59737	2-27
57944	2-83	59738	2-27
57963	2-85	59739	2-27
57966	2-85	59808	2-49
57972	2-85	59849	2-23
57974	2-83	59892	2-49, 2-57, 2-59
57979	2-17	59899	2-91
57988	2-23, 2-73	59945	2-55
58078	2-31	59949	2-19, 2-61
58103	2-25	59962	3-7, 3-9
58114	2-123	59965	2-23, 3-15
58120	2-3, 2-51	59966	2-31
		59967	2-35
		59971	2-127
		59976	2-127

## CROSS REFERENCE

Part Number	Page Number	Part Number	Page Number
59977	2-127	61945	2-45
59978	2-127	62100	2-83
60284	3-9	62389	2-79
60288	3-10, 3-11	62595-14	2-19
60295	2-67	62595-16	2-21
60559	2-43	62595-4	2-57
60716	2-45, 2-49	63280	2-63
60717	2-45	63292	2-77
60718	2-45, 2-49	63430	3-26
60726	2-49	63448	3-26
60751	3-9	63451	3-26
60802	5-3	63516	2-97
60803	5-5, 5-7	63695	2-41
60804	5-5, 5-7	63810	2-45, 2-49
60805	5-6	63818	2-61
60806	5-6	63923	4-27
60807	5-5	63987-1	2-117
60808	5-5	64173	2-109, 2-111
60809	5-19	64425	2-113
60810	5-19	64434	2-117
60812	5-19	64533	2-17, 2-21
60813	5-19	64535	2-27
60814	5-19	64595	2-15, 2-27, 2-99
60815	5-15	64651	2-125
60816	5-9, 5-15	64655	2-125
60817	5-6, 5-15	64757	2-107
60818	5-15	64886	2-69
60819	5-13	64887	2-69
60821	5-13	65145-1	2-79
60822	5-13	65221	2-3, 2-65
60823	5-13	65441	2-77
60824	5-13	65527	2-49
60825	5-13	65869-5	2-3
60826	5-13	66018	2-5
60827	5-17	66019	2-5
60828	5-17	66176	3-32
60829	5-17	66177	3-32
60830	5-17	66178	3-32
60831	5-17	66179	3-32
60832	5-11	66211	2-71
60833	5-5, 5-9, 5-13, 5-15	66213	2-71
60834	5-5, 5-13	67004	3-26
60838	5-20	67310	2-73, 2-79
60839	5-20	67555-S	5-21
60844	5-21	67683	2-87
60845	5-21	67767	2-57, 2-59, 2-117
60846	2-3, 5-21	68866	2-77
60847	5-17	68872	2-67
60875	5-21	68873	2-67
60938	2-41, 5-23	69097	2-49
61363	2-43	69173	2-35, 2-107
61490	4-4, 4-6, 4-9	69234	2-57, 2-59, 2-67
61529	2-43	69582	2-109, 2-111
61531	2-43	69784	3-5
61854	2-39	69904	2-7
61871	2-39	69931	2-9, 2-11
61875	3-38	69963	2-5
61891	4-15, 4-17	69998	2-113
61920	3-15	70006	2-87
61931	2-43	70094	4-15, 4-17

## CROSS REFERENCE

<b>Part Number</b>	<b>Page Number</b>	<b>Part Number</b>	<b>Page Number</b>
70095	4-15, 4-17	72159	2-25
70097	4-15, 4-17	72178	3-9
70098	4-15, 4-17	72182	2-73
70099	4-15, 4-17	72458	2-97
70100	4-15, 4-17	72599	2-99
70101	4-15, 4-17	72622	2-99
70102	4-15	72623	2-99
70103	4-15, 4-17	72625	2-101, 2-103, 2-105
70158	2-71	72634	2-123
70160	2-43	72635	2-123
70161	2-71	72636	2-123
70173	2-55	72641	2-19
70178	2-27	72642	2-19
70181	2-79	72646	2-19
70182	2-27	72663	2-101, 2-103, 2-105
70185	2-27	72664	2-109, 2-111
70218	2-125	72680	2-19
70219	2-125	72688	2-61
70222	3-33	72699	2-41
70223	3-33	72715	2-113
70224	3-33	72716	2-71
70225	3-33	72728	2-77
70226	3-33	72729	2-77
70227	3-33	72732	2-75
70228	3-33	72734	2-71
70229	3-33	72735	2-71
70230	3-33	72740	2-91
70275	2-9	72741	2-91
70276	2-11	72743	2-91
70622	2-125	72751	2-117
70623	2-125	72752	2-117
70629	2-55	72753	2-117
70633	2-65	72754	2-117
70636	2-65	72763	2-99, 2-113
70703	2-63	72766	2-73
70709	2-125	72768	2-99
70717	2-125	72773	2-101, 2-103, 2-105
70723	2-45, 2-47	72775	2-101, 2-103, 2-105
70767	2-55	72776	2-99
70827	2-117	72777	2-101, 2-103, 2-105
70832	2-53	72785	2-19
70847	2-117	72790	2-41
71079	2-121	72792	2-131
71167	3-5	72805	2-23
71168	3-5	72807	2-19
71540	2-93	72808	2-19
71543	3-12	72809	2-19
71543	3-13	72814	2-13
71544	3-15	72818	2-19
72065	2-27	72821	2-19
72067	2-3	72830	2-73
72068	2-3	72832	2-101, 2-103, 2-105
72069	2-9, 2-11	72833	2-99
72071	2-25	72836	2-99
72086	3-32	72837	2-111
72087	3-32	72838	2-111
72114	3-10, 3-11	72839	2-101, 2-103, 2-105
72118	2-11	72842	2-101, 2-105
72119	2-9	72847	2-95
72120	2-9, 2-11	72848	2-95



## CROSS REFERENCE

Part Number	Page Number	Part Number	Page Number
72849	2-95	73054	2-7
72858	2-95	73058	2-131
72859	2-105	73061	2-125
72860	2-101	73068	2-23
72864	2-111	73072	2-41
72869	2-111	73076	2-23
72870	2-109	73077	2-23
72871	2-109, 2-111	73086	2-33, 4-19
72875	2-111	73089	2-91, 2-101, 2-103, 2-105, 2-115
72876	2-109	73090	2-101, 2-103, 2-105, 4-6
72882	2-75	73093	2-125, 4-11
72884	2-9	73094	2-17
72887	2-11	73097	2-63
72888	2-9	73098	2-63, 4-5
72895	2-23	73099	2-107, 4-23
72897	2-23	73101	2-79, 4-13
72898	2-23	73102	4-15
72899	2-23	73103	2-89, 4-21
72910	2-115	73106	2-61
72912	2-15	73107	2-79
72917	2-115	73108	2-63, 2-73
72919	2-113	73109	2-79
72926	2-69	73111	2-79
72933	2-111	73112	2-123, 4-7
72934	2-109	73113	2-65
72945	2-105	73116	2-57, 2-59
72946	2-105, 3-35	73123	2-13
72947	2-75	73130	2-63
72948	2-75	73140	2-61
72949	2-75	73142	2-119
72950	2-117	73145	2-121, 3-3
72951	2-117	73147	2-121, 3-3
72952	2-117	73149	2-119, 2-121
72953	2-117	73164	2-35
72955	3-5, 4-25	73169	2-15
72960	2-89	73173	2-15
72967	2-39	73177	2-15
72968	2-7, 2-9, 2-11, 2-25, 3-33	73178	2-131
72969	2-27	73180	2-57
72970	2-131	73183	2-127
72971	2-19, 2-27, 2-131	73185	2-13
72977	2-67	73186	2-19
72979	2-49	73187	2-55
72980	2-25	73202	2-139
72981	2-25	73203	2-139
72982	2-25	73205	2-129
72983	2-25	73229	2-127
72984	2-25	73230	2-129
72985	2-25	73231	2-127
72989	3-7	73232	2-127
72990	3-7	73233	2-129
72991	3-7	73234	2-129
72992	2-55	73235	2-129
73017	2-47	73236	2-129
73018	2-49	73239	2-129
73019	2-41	73242	2-15
73020	2-49	73244	2-21
73027	2-125	73249	2-21
73028	2-53	73250	2-17
73030	2-53		

## CROSS REFERENCE

Part Number	Page Number	Part Number	Page Number
73255	2-21	73446	2-41
73258	2-97	73451	3-15
73260	3-7, 4-27	73453	3-16
73261	2-95	73455	3-9
73265	2-65	73457	3-10
73266	2-65	73459	3-11
73270	2-123	73461	3-12
73271	2-55	73463	3-13
73273	2-21	73467	3-7
73277	2-15	73468	3-3
73281	2-69	73470	3-14
73289	2-41	73471	3-7
73299	2-49	73472	3-3
73302	2-23	73474	2-117
73311	2-25	73475	3-7
73317	2-25	73476	3-7
73318	2-25	73477	2-117
73320	2-29	73478	3-3
73321	2-29	73735	2-55
73322	2-29	73912	5-21
73323	2-29	73913	5-3
73327	2-21	73914	5-13
73328	2-55	73915	5-9, 5-15
73330	2-21	73916	5-21
73334	2-55	73917	5-3
73342	2-119, 4-25	73918	5-17
73344	2-115	73919	5-11
73357	2-115	73920	5-3
73360	2-115	73921	5-3
73365	2-113	73922	5-3
73368	2-113	73923	5-21
73370	2-113	73924	5-5
73372	2-113	73925	5-14
73375	2-113	73926	5-7
73378	2-27	73927	5-6
73396	2-35	73928	5-19
73397	2-35	73929	5-19
73400	3-16, 3-17	73930	5-19
73403	3-14	73931	5-19
73404	3-16	73932	5-19
73405	3-12, 3-13	73933	5-19
73408	3-16	73934	5-19
73409	3-16, 3-17	73935	5-19
73411	2-77	73936	5-6, 5-15
73412	3-16, 3-17	73937	5-15
73414	3-16, 3-17	73938	5-13
73421	3-15	73939	5-13
73422	2-61	73940	5-13
73423	2-77	73941	5-13
73425	3-9	73942	5-13
73426	2-19	73943	5-13
73429	3-3	73944	5-13
73430	2-79, 4-26	73945	5-13
73433	3-3	73946	5-13
73434	2-19	73947	5-13
73436	2-19	73948	5-13
73437	2-77	73949	5-13
73439	3-15	73950	5-13
73440	3-9	73951	5-13
73445	2-131		

## CROSS REFERENCE

Part Number	Page Number	Part Number	Page Number
73952	5-17	74170	4-3
73953	5-5	74171	4-3
73954	5-9, 5-15	74174	4-9
73956	5-11	74175	4-6
73957	5-5	74177	4-6
73958	5-3	74178	4-6
73959	5-13	74180	4-17
73960	5-11	74183	4-11
73961	5-3, 5-9	74185	4-11
73962	5-3, 5-9	74192	4-11
73963	5-3, 5-9	74193	4-11
73964	5-3, 5-9	74196	4-11
73965	5-15	74198	4-13
73966	5-13	74199	4-13
73967	5-15	74200	4-13
73968	5-7	74201	4-13
73969	5-13	74202	4-13
73970	5-15	74203	4-13
73971	5-5	74204	4-13
73972	5-21	74205	4-13
73973	5-17	74206	4-13
73974	5-3, 5-6	74207	4-13
73975	5-3	74208	4-13
73976	5-19	74209	4-13
73977	5-19	74210	4-13
73978	5-19	74211	4-13
73979	5-19	74212	4-13
73980	5-19	74213	4-13
73981	5-19	74221	4-15, 4-17
73982	5-19	74222	4-11
73983	5-15	74225	4-15, 4-17
73990	5-17	74226	4-15, 4-17
73992	5-5, 5-14	74227	4-15, 4-17
73993	5-21	74229	4-15, 4-17
73994	5-14	74230	4-15, 4-17
73995	2-3, 5-5	74231	4-11
73996	5-20	74232	4-11
73997	5-19	74233	4-5, 4-7, 4-8
73998	5-14	74234	4-11
73999	5-7	74235	4-15, 4-17
74051	2-43	74236	4-11
74058	2-65	74237	4-15, 4-17
74094	4-4, 4-6, 4-9	74238	4-15, 4-17
74095	4-6, 4-9	74239	4-15, 4-17
74098	4-3, 4-6, 4-9, 4-19, 4-21, 4-23	74240	4-13
74099	4-6, 4-9	74241	4-11
74100	4-4, 4-6, 4-9	74242	4-11
74101	4-4	74243	4-11
74102	4-4	74244	4-11
74122	4-3	74245	4-11
74123	4-3	74247	4-13
74125	4-3	74248	4-15, 4-17
74137	4-3	74249	4-3
74145	4-21	74250	4-4, 4-6, 4-9
74162	2-69, 4-3	74375	3-32
74165	4-3	74379	3-32
74166	4-3	74380	3-32
74167	4-3	74381	3-32
74168	4-3	74382	3-32
		74383	3-32

## CROSS REFERENCE

Part Number	Page Number	Part Number	Page Number
74391	2-71, 2-91, 2-95	75050	2-113
74402	2-47	75128	2-21
74409	2-27	75305	2-75
74443	2-45, 2-47	75375	2-123
74468	2-97, 4-9	75456-3	2-123
74469	4-15, 4-17	75520	2-95, 2-99
74506	5-7	75611	2-119, 2-121
74507	5-11	75635	3-27, 3-28
74509	5-14	75968	2-125
74510	5-5	76075	3-7
74511	5-5, 5-14	76315	2-79
74512	5-11	76736	2-55, 2-75
74513	5-5	76762	2-83
74514	5-17	76943	2-113
74515	5-17	77097	2-23, 2-31, 2-33, 2-35, 2-63, 2-89, 2-93, 2-95, 2-99, 2-101, 2-105, 2-107, 2-115
74516	5-13	77098	2-89
74517	5-17	77202	2-41
74518	5-17	77207	2-13
74519	5-3	77211	2-13
74520	5-11	77212	2-15
74521	5-11	77216	2-63
74522	5-11	77221	2-141
74523	5-17	77222	2-123
74524	5-7	77224	2-113
74525	5-11	77227	2-113
74527	5-14	77228	2-113
74528	5-17	77234	2-121
74529	5-17	77235	2-13
74530	5-17	77237	3-5
74531	5-17	77239	2-79
74532	5-17	77240	2-15
74533	5-17	77241	2-15
74534	5-7, 5-15	77244	2-17
74535	5-17	77260	2-107
74536	5-7	77264	2-15
74537	5-5, 5-11	77272	2-113
74538	5-20	77273	2-113
74539	5-5, 5-20	77275	2-113
74540	5-13	77284	2-73
74541	5-3	77287	2-53
74542	5-17	77289	2-65
74543	5-5, 5-11	77297	2-7
74545	5-15	77298	2-7
74546	5-7, 5-14	77299	2-19
74547	5-11	77301	2-85
74548	5-9, 5-15	77302	2-85
74549	5-20	77303	2-83
74550	5-17	77304	2-83
74551	5-11	77305	2-83
74552	5-15	77306	2-83
74553	5-14	77307	2-83
74554	5-14	77308	2-83
74555	5-7	77309	2-83
74556	5-11	77311	2-85
74557	5-20	77312	2-83
74558	5-17	77314	2-83
74559	5-5, 5-11	77315	2-83
74560	5-9		
74561	5-9		
74562	5-9		

## CROSS REFERENCE

Part Number	Page Number	Part Number	Page Number
77316	2-83	78816	3-23
77320	2-123	78818	3-23
77321	3-26	78820	2-85
77322	3-26	78821	2-85
77323	2-121	78823	2-51
77326	2-15	78824	2-51
77331	2-109	78826	2-15
77333	2-109, 2-111	78827	2-15
77334	2-117	78828	4-25
77335	2-91	78829	4-25
77336	2-91	78830	4-25
77337	2-85	78833	4-25
77338	2-83	78836	4-25
77340	2-17, 2-21	78837	4-25
77342	2-21	78838	4-25
77343	2-119, 2-121	78839	4-25
77350	2-141	78840	2-119, 4-25
77352	2-141	78841	4-25
77359	2-85	78842	4-25
77361	2-87	78843	4-25
77362	2-65	78845	2-51
77363	2-15	78848	2-13
77372	2-21	78851	2-15
77375	2-27	78855	2-13
77603	2-39	78860	3-24
78122	2-57, 2-59	78868	2-119
78143	2-65, 2-79	78869	2-121
78398	2-117	78871	2-19
78722	2-21	78875	4-27
78726	2-21	78877	3-23
78727	2-21	78880	2-49
78730	2-87	78881	2-47
78732	3-10	78882	3-37
78732	3-11	78886	2-119
78733	2-39	78887	2-119
78738	2-15	78889	2-61
78740	2-119	78897	2-45
78743	2-87	78898	2-17
78744	2-87	78904	3-32
78749	2-61	78906	2-23
78750	2-65	78907	2-23
78755	2-61	78923	2-21
78762	2-43	78928	2-61
78766	2-43	78935	3-9
78770	2-63	78936	2-23
78771	2-15	78937	2-55
78772	2-43	78941	2-57
78775	2-85	78942	3-21
78776	2-83	78944	2-95
78777	2-83	78963	4-25
78779	2-85	78979	2-113
78780	2-85	78981	3-18
78781	2-85	78983	3-21
78782	2-15	78985	3-20
78783	2-15	78987	3-22
78787	2-31	79195	2-15
78808	3-26	79197	2-13
78810	2-85	79217	2-113
78811	2-83	79219	2-115
78812	2-45	79220	3-29

## CROSS REFERENCE

Part Number	Page Number	Part Number	Page Number
79261	4-25	79958	5-23
79273-2	2-117	79959	5-23
79274	2-3	79960	5-23
79279	2-3	79961	5-23
79320	2-119, 2-121	79962	5-23
79336	2-117	79963	5-23
79350	2-117	79964	5-23
79376	2-99	79965	5-23
79380	2-123	79966	5-23
79381	2-65	79967	5-23
79397	3-14	79969	5-23
79399	2-39	79970	5-23
79403	2-39	82063	3-10, 3-12
79425	2-29	82196	3-37
79447	2-115	82200	3-11, 3-13
79448	2-45, 2-47	82229	2-33
79449	2-83	82475	2-29
79497	3-3	82483	2-25
79628	5-23	82661	2-39
79629	5-23	82731	2-43
79630	5-23	82739	2-37
79631	5-23	82802	2-103
79632	5-23	82814	2-85
79633	5-23	82815	2-83
79634	5-23	82817	2-83
79635	5-23	82825	2-101, 2-105, 2-107
79636	5-23	82832	2-69, 2-97
79638	5-23	82839	2-7, 2-75
79639	5-23	82844	2-83
79640	5-23	83733	2-115
79710	4-26	83749	2-115
79711	4-19, 4-21, 4-23	83756	2-115
79712	4-26	83780	2-115
79713	4-26	83781	2-115
79714	4-26	83881	2-77
79715	4-26	83887	2-77
79716	4-19, 4-21, 4-23	84593	2-113
79718	4-21, 4-23	84596	2-69
79719	4-19, 4-21	84597	2-69
79720	4-19, 4-21, 4-23	84598	3-38
79721	4-21	84629	2-49
79722	4-21, 4-23	84630	2-49
79723	4-21, 4-23	84639	2-15
79724	4-21	84999	5-23
79725	4-21	85311	3-38
79726	4-21, 4-23	86041	2-43
79727	4-21, 4-23	86240	2-71, 2-115
79728	4-19, 4-21, 4-23	86327	2-115
79731	4-19	86330	3-10, 3-11
79732	4-19	86332	3-9
79733	4-19	86575	4-25
79734	4-23	86579	2-119, 2-121, 3-7
79735	4-23	86591	2-119, 2-121
79736	4-23	86636	2-121, 3-7
79737	4-23	86751	2-71, 2-73
79738	4-23	86755	2-119
79740	4-19, 4-21, 4-23	86759	2-109, 2-111
79770	2-79, 4-17	86812	2-115
79956	5-23	86824	2-117, 3-3, 3-7
79957	5-23	86860	2-109, 2-111, 3-35

<b>Part Number</b>	<b>Page Number</b>
86877 .....	2-57
86952 .....	2-101, 2-103, 2-105
87396 .....	2-55
87536 .....	2-127
87631 .....	2-97
87651 .....	2-85
87652 .....	2-85
87681 .....	2-83, 2-85
87816 .....	2-109, 2-111
87837-S .....	5-3, 5-6, 5-15
87838-S101 .....	5-3
87866 .....	2-127
87948 .....	3-9
89710 .....	2-117
97031 .....	2-73
97163 .....	2-75
97476-S2 .....	5-23

**PART DESCRIPTION TO PAGE NUMBER CROSS REFERENCE LIST**

<b>A</b>	<b>B</b>
Actuator, Governor, 2-45, 2-47	Backplate Assy, 4-15, 4-17
Actuator, Mag, 4-26	Backplate S/A Ce, 4-13
Adaptor, Brush, 2-5	Baffle - Cylinder Block Ventilation, 5-3
Adaptor, Carb, 2-45, 2-47	Ball Cl, 4-11
Adaptor, Carburetor, 2-45	Ball Joint .250-28 Ball Stud, 2-45, 2-47
Air Cleaner, 2-51	Ball Joint .250-28 Body Clip, 2-45, 2-47
Alarm Kit, Backup, 3-15	Ball Joint, 10-32, 2-75
Alternator, 50A/12V Mando, 2-43	Ball Joint, 250-28, 2-15, 2-45, 2-47, 2-77
Altrntr Pully MD, 2-43	Ball, .313 Dia. Cp, 4-21, 4-23
Angle Wldt, Lh, 2-17	Ball, 4-3
Angle, Battery, 2-67	Balljoint 10-32 Ball Stud, 2-75
Angle, Cable Keeper, 2-71, 2-91, 2-95	Balljoint 10-32 Body Clip, 2-75
Angle, Filler, 3-33	Balljoint, Rod End 5/8-18, 2-113
Angle, Hopper, 2-25	Balljoint, Rod End, 2-69
Angle, Retainer, Spring, 2-91, 2-101, 2-103, 2-105	Bar, Adjustment, Pivot, 2-99
Angle, Stiffener, Tray, Filter, 2-29	Bar, Link, 2-31
Angle, Stop, Squeegee, 2-109, 2-111	Bar,Shaker Spring, 2-29
Angle, Stop, 3-32	Bar,Shaker, 2-29
Arm Assy, Lift, Lh W/Label, 2-23	Bar-Flt .06T 1.00W 4.00L,Rbr, 2-29
Arm Assy, Lift, Rh W/Label, 2-23	Bar-Flt .06T 4.00W 5.00L,Rbr, 2-29
Arm Assy, Safety W/Label, 2-23	Battery, 12V, Cc Amps:475 Wet, 2-67
Arm Wldt, Bottom, 2-113	Bearing - Front - .015 U/S, 5-9
Arm Wldt, Brush, Drive, 2-97	Bearing - Front - Standard, 5-3, 5-9
Arm Wldt, Idlerr, W/Brush, 2-97	Bearing - Front 0.015 U/S, 5-3
Arm Wldt, Support, Sqge,Lh, 2-101	Bearing - Rear .015 U/S, 5-9
Arm Wldt, Support, Squeegee,Rh, 2-105	Bearing - Rear - Standard, 5-3, 5-9
Arm Wldt, Top, Lh, 2-113	Bearing - Rear 0.015 U/S, 5-3
Arm Wldt, Top, Rh, 2-113	Bearing , 5-23
Arm Wldt, 3-35	Bearing Cam, 4-15, 4-17
Arm.Thr.Ball , 5-23	Bearing Camshaft - .016 U/S, 5-6
Arm, Lift, 2-93	Bearing Camshaft - 0.016 U/S, 5-15
Arm, Squeegee, Lh, 2-111	Bearing Camshaft - Standard, 5-6, 5-15
Arm, Squeegee, Rh, 2-109	Bearing Ce, 4-13
Arm, 2-77, 2-113, 5-17	Bearing Cl, 4-11
Armature , 5-23	Bearing Race, 4-13
Armature, 5-21	Bearing Thrust, 4-4
Armrest Assy,Lh& Rh, 3-18	Bearing, 1.00 DIA x .75 L, 2-115
	Bearing, 1.00 DIA x .38 L, 2-115
	Bearing, Brake, 2-71, 2-73
	Bearing, Connecting Rod 0.002 U/S, 5-19



- Bearing, Connecting Rod 0.010 U/S, 5-19
- Bearing, Connecting Rod 0.020 U/S, 5-19
- Bearing, Connecting Rod 0.030 U/S, 5-19
- Bearing, Connecting Rod 0.040 U/S, 5-19
- Bearing, Connecting Rod Standard, , 5-19
- Bearing, Connecting Rod Standard, Red , 5-19
- Bearing, Flange .500B, 2-125
- Bearing, Flange, .750 Bore, 2-99, 2-113
- Bearing, Flange, 1.00 Bore, 2-113
- Bearing, Self Align, Sealed, 2-23
- Bearing, Thrust .500, 2-109, 2-111, 3-35
- Bearing, Thrust .66B 1.25D .06W, 2-113
- Bearing, Thrust, 4-15, 4-17
- Bearing,.50X.38, 2-109, 2-111
- Bearing&Clr , 1.25B 2.44D 1.41W, 2-97
- Bearing-Ball,.669B 1.575D .472W, 2-43
- Bearing-Ball,1.38B 2.83D 0.67W, 2-97
- Bearing-Cone, 1.38Bore 0.71Wth, 2-69, 2-71
- Bearing-Cup , 2.56Dia 0.55Wth, 2-69
- Bearing-Cup, 2.56Dia 0.55Wth, 2-71
- Bearing-Flange,2 Hole .625Bore, 2-31
- Bearing-Flange,2 Hole 0.50Bore, 2-125
- Bearing-Self Align 1.250 Bore, 2-31
- Bearing, 4-13
- Bellcrank Assy, Lower, 2-115
- Bellcrank Assy, Upper, 2-115
- Bellows, .75 Id 10.3L, 2-121, 3-3
- Bellows Kit Gr, 4-27
- Belt, 129 Teeth, Timing, 5-15
- Belt-V, Hc 38 X 45.12, 2-43
- Blade Assy, Sqge, Front, .25, 3-23
- Blade Assy, Sqge, Rear, .25, 3-23
- Blade Assy, Squeegee, Front, 2-115
- Blade Assy, Squeegee, Rear, 2-115
- Blade Assy, Squeegee, Side, Lh, 2-111
- Blade Assy, Squeegee, Side, Rh, 2-109
- Blade, Deflector, 2-7
- Block Assy - W/1 Piece Pan Gasket, 5-3
- Bolt - M12 - 1.75 x 100, 5-6
- Bolt - M12X1.75X80, 5-13
- Bolt - M12X45 - Sprocket to Camshaft, 5-15
- Bolt - M14x1.5x40 - Pulley To Crankshaft, 5-13
- Bolt - M6X12, 5-9
- Bolt - M6X17, 5-7
- Bolt - M6X20, 5-7, 5-14
- Bolt - M6x27.5, 5-11
- Bolt - M8 x 50, 5-20
- Bolt - M8X29 , 5-14
- Bolt - M9x55, 5-19
- Bolt - Tensioner Spring, 5-15
- Bolt - Tensioner To Head, 5-15
- Bolt Cl, 4-3
- Bolt, Axle w/Zerk, 2-113
- Bolt, Hold Down, Battery, 7.5 Lg, 2-67
- Bolt-Eye, .25-20Th .25B 1.4L, 2-101, 2-103, 2-105, 2-109
- Bolt-Eye, .25-20Zinc.56D 2.00L, 2-25
- Bolt-Eye, .31-18Th .18B 2.75L, 2-95
- Bolt-Eye, M 8X1.25 .328 1.18L, 2-113
- Bolt-Hex M10X1.0X30.0 Locking, 2-41
- Bolt-Thru , 5-23
- Bolt, 4-3
- Boot, Alternator, 2-43
- Boot, Circuit Breaker, 3-10, 3-11, 3-12, 3-13
- Boot, Batt. Term. 1-2Ga. Red, 2-67
- Boot, Batt. Term. 1-2Ga. Black, 2-67
- Boot, Circuit Breaker, 3-7
- Boot-Circuit Breaker, 2-131, 3-15
- Bracket Assy, Lpg Tank W/Label, 2-57, 2-59, 3-21
- Bracket Repl Kit, Hpr Cvr Sprng, 2-27
- Bracket Spring Retainer, 2-5
- Bracket Tie Down, 3-37
- Bracket Wldt, Alternator, 2-43
- Bracket Wldt, Eng, Rear, 2-41
- Bracket Wldt, Light, Rotating, 3-12, 3-13
- Bracket Wldt, Mtg, Alternator, 2-43
- Bracket Wldt, Mtg, Valve, 2-89
- Bracket Wldt, Steering, Tilt, 2-125
- Bracket Wldt, Mounting, Engine, 2-41
- Bracket Wldt, 2-65
- Bracket, Adjustment, Sidebrush, 2-91
- Bracket, Alarm Backup, 3-15
- Bracket, Cable Clip, 2-115
- Bracket, Cover, 2-21
- Bracket, Deflector, 2-39

## CROSS REFERENCE

---

Bracket, Detergent Tank, 3-7  
Bracket, Engine, Rh Front, Upp, 2-41  
Bracket, Engine,Lh,Rear,Lower, 2-41  
Bracket, Fan, 2-123  
Bracket, Filter, 2-29  
Bracket, Flap, Recirculation, 2-7  
Bracket, Flasher, 3-9, 3-15  
Bracket, Governor, 2-19  
Bracket, Gusset, Corner, Lh, 2-27  
Bracket, Gusset, Corner, Rh, 2-27  
Bracket, Gusset, Rear, 2-115  
Bracket, Hinge, 2-21  
Bracket, Holder, 2-117  
Bracket, Hood, Lh, 2-15  
Bracket, Hood, Rh, 2-15  
Bracket, Hose, Clamp Down, 2-7  
Bracket, Hose, 2-97  
Bracket, L, 2-129  
Bracket, Latch, 2-15  
Bracket, Light, Sbdc, 3-9  
Bracket, Metering Pump, 3-7  
Bracket, Motor, 2-93, 2-101, 2-103, 2-105  
Bracket, Mounting Motor, 2-35, 2-123  
Bracket, Mounting Relief Valve, 2-57, 2-59  
Bracket, Mounting, Flow Switch, 2-79  
Bracket, Mounting, Fuel Pump, 2-55  
Bracket, Mounting, Hinge, Lh, 2-9  
Bracket, Mounting, Hinge,Rh, 2-11  
Bracket, Mounting, Seat Kit, 3-19  
Bracket, Mounting, Seat, 3-19  
Bracket, Mounting, Spring, 2-15  
Bracket, Mounting, 2-39, 3-14  
Bracket, Mtg, Fan, 2-123  
Bracket, Mtg, Light, Ohg, 3-10, 3-11  
Bracket, Mtg, Spring, 2-27  
Bracket, Mtg, Tank, 2-121  
Bracket, Pivot, 2-109, 2-111  
Bracket, Propel, 2-77  
Bracket, Retainer, 2-115  
Bracket, Safety Clip, 2-77  
Bracket, Sbdc, 3-32  
Bracket, Shock, 2-77  
Bracket, Side Brush, 2-91  
Bracket, Sppt, 2-63  
Bracket, Spring, 2-115  
Bracket, Support, Cable, 2-111  
Bracket, Support, Cylinder, 2-91  
Bracket, Support, Pulley, 2-91  
Bracket, Support, 2-71, 2-73  
Bracket, Switch, 3-9  
Bracket, Tiedown, Seat, 3-37  
Bracket, Valve, 2-117, 3-3  
Bracket,Dipstick Tube, 2-39  
Bracket,Rear Tiedown, 3-37  
Bracket, 2-29, 2-59, 2-65, 2-73, 2-95, 2-119, 2-121, 2-131, 3-9  
Brake Assy, 2-71  
Brake Repair Kit KN, 2-71  
Brake Shoes, 2-71  
Brake Wldt, Emergency, 2-73  
Breaker-Circuit 10 Resetable, 2-131  
Breaker-Circuit, 15A Resetable, 2-131, 3-7, 3-15  
Breaker-Circuit, 15A, Resetbl, 3-10, 3-11, 3-12, 3-13  
Breather, Hyd Cap 40 Mic 8.5 DS, 2-87  
Brush Holder, 5-23  
Brush Kit, 2-43, 4-25  
Brush Side Swp.-24 D- Nyl, 2-5  
Brush-Disk Scr 16 D Assy Poly, 2-5  
Brush-Disk Scr 16 D-Assy-Nyl, 2-5  
Brush-Disk Scr 16 D-Assy-S Ab, 2-5  
Brush-Disk Scr-16 D-Assy-Bass, 2-5  
Brush-Disk Scr-16 D-Assy-Stfp, 2-5  
Brush-Pad Drive-16 D-Assy-Poly, 2-5  
Brush-Side Swp 23 D, 2-5  
Brush-Side Swp 23D Poly, 2-5  
Brush-Sweep Dmo 45Lg 8Dr P&W, 2-5  
Brush-Sweep Spl 45Lg 24Sr F&W, 2-5  
Brush-Sweep Spl 45Lg 24Sr Nylo, 2-5  
Brush-Sweep Spl 45Lg 8Dr Nylon, 2-5  
Brush-Sweep Spl 45Lg 8Dr P&W, 2-5  
Brush-Sweep Spl 45Lg 8Dr Poly, 2-5  
Brush-Sweep Spl 45Lg 8Dr-Wire, 2-5  
Brush-Sweep Spl-45Lg-5Dr-Nyl, 2-5  
Bshg,Flange,0.50Bx0.62Odx0.40L, 3-32

Bulb 12V. 5A 4cp #1157, 2-61  
 Bulb GE, 3-14  
 Bulb, 12V .1A 01Cp #53, 3-9  
 Bulb, 12V .27A 2Cp #194, 3-9  
 Bulb, 12V .9A 15, 3-15  
 Bulb, 12V .5A 4CP#1157, 2-19  
 Bulb, 12V.5A 4CP #1157, 2-19, 2-61  
 Bulb, General Electric, 3-10, 3-11, 3-12, 3-13  
 Bumper Kit, Squeegee, 2-115  
 Bumper Wldt, Front, 2-27  
 Bumper, rubber, .50 Dia, 2-107  
 Bumper, Rubber, 2-17, 2-21, 3-26  
 Bumper, Squeegee, 2-115  
 Bumper,Rbr,W.Knurled Stud, 3-35  
 Bushing, Flanged, .625 Id, 2-101, 2-103, 2-105  
 Bushing, Spanner - Special 550, 2-113  
 Bushing, 2-73, 5-17  
 Button, Pivot Ce, 4-13

**C**

Cable Assy,Choke 67.00Lg, 2-45  
 Cable, 9in Bundle Dia, LPG, 2-123  
 Cable, Adj, Main Brush, 2-95  
 Cable, Batt. Pos. 33.0Lg, 2-67  
 Cable, Brake, Service, 2-71  
 Cable, Brushlift, 2-95  
 Cable, Door, Access, 2-13  
 Cable, Lift, Side Brush, 2-91  
 Cable, Push/Pull, 2-75, 2-111  
 Cable, 2-99, 2-115  
 Cabetie Mount, Adhesive, 3-10, 3-11, 3-15  
 Cam, Speed Limiter, 2-75  
 Camplate Ce, 4-13  
 Camplate, 4-15, 4-17  
 Camshaft, 5-15  
 Cap - Distributor, 5-21  
 Cap Assembly, Tank, 2-121  
 Cap Assy, Pos Drain, 3-27, 3-28  
 Cap Drain, 2-119, 2-121  
 Cap Radiator, 2-61  
 Cap Tank, 3-7  
 Cap, Assembly, Tank, 2-119

Cap, Door, 2-19  
 Cap, Drain Hose, 2-119, 2-121  
 Cap, Drain, 4-25  
 Cap, End Cl, 4-11  
 Cap, Fuel, 2-55  
 Cap, Hub, 2-71  
 Cap, Ohg, 3-17  
 Cap, Plate, 2-119  
 Cap, Rework, Ohg, 3-16  
 Cap, Screw Cl, 4-9  
 Cap, Screw, 4-6, 4-9  
 Cap, 5-17  
 Carb.Repair Kit-Lp Im, 2-47  
 Carburetor For Lsg-423 Vent, 2-45  
 Carburetor Repair Kit, 2-45  
 Carburetor, Lpg, 2-47  
 Cart.Psi Ct Cp, 4-23  
 Cart, Check Vlv Cp, 4-21  
 Cart, Check Vlv, 4-26  
 Cart,Logic Cntl Cp, 4-21, 4-23  
 Cart,Pilot Cntr Cp, 4-21  
 Cartridge, Solenoid Valve, 4-8  
 Case, Replmt Kit, 2-127  
 Chain, Link#2/0, 5 Links Plain, 2-7  
 Channel Wldt, Fan Motor, 2-63  
 Channel Wldt, 3-35  
 Channel, Brace, 2-61  
 Channel, Mounting, Radiator, 2-61  
 Channel, Mounting, Steering La, 2-125  
 Channel, Retainer, Seal, Rear, 2-7  
 Check Valve Kit, 4-25  
 Clamp - Distributor To Block, 5-21  
 Clamp Assy, 2-51  
 Clamp, Cable .44D .62Wide, 3-14  
 Clamp, Cable, 2.50D 1.00W STL, 2-55  
 Clamp, Cable, 2-131  
 Clamp, Hose 3.6Min.-4.5Max, 2-15  
 Clamp, Hose, Plastic, 3-5  
 Clamp, Hose, 2-25, 2-35, 2-93, 2-119, 2-121  
 Clamp, Mtg, Tank, 2-119  
 Clamp,Cable .44D .62Wide, 3-9  
 Clamp,Mounting,Cyclopac Aircl., 2-51

## CROSS REFERENCE

- Clamp–Cable, 0.25Dia 0.56Wth, 2-37  
Clamp–Cable, 0.38Dia 0.62Wth, 2-55, 2-75  
Clamp–Cable, 1.00Dia. .62Wth, 2-59  
Clamp–Cable, 1.00Dia. .62Wth, 2-57, 2-67  
Clamp–Cable,.69Dia. 62Wth, 2-57, 2-59, 2-117  
Clamp–Conduit, 1 Hole 0.50Dia, 2-111  
Clamp–Conduit, 2 Hole .38Dia, 2-75  
Clamp–Muffler,For 1.62 Od Tube, 2-53  
Clamp–Wormdrive 0.50–1.06D, 2-117, 3-3, 3-7  
Clamp–Wormdrive, 0.25– 0.62D, 2-45, 2-47, 2-55, 3-7  
Clamp–Wormdrive, 0.31– 0.88D, 2-45, 2-49, 2-117  
Clamp–Wormdrive, 0.56– 1.06D, 2-45, 2-49  
Clamp–Wormdrive, 1.06– 2.00D, 2-65  
Clamp–Wormdrive, 1.81– 2.75D, 2-51  
Clamp–Wormdrive, 2.63– 4.50D, 2-123  
Clamp, 3-12, 3-13  
Clevis, Adjustable, 2-71  
Clip Safety, 2-15, 2-27, 2-99  
Clip, Keeper, Open, 2-39  
Clip–Finger Grip, 3-26  
Coil Ignition, 2-39  
Coil, 12V, 4-19, 4-21, 4-23  
Coil, 4-8  
Collar, Locking, Plated, 2-31  
Collar, Spring Ce, 4-13  
Column, Pump, 4-25  
Column, Steering #2 10Lg Wire, 2-125  
Compensator Ce, 4-13  
Connecting Rod Assembly, 5-19  
Control Box, Gov, 2-19  
Cooler, Hyd 25Gpm 400Btu 0500, 2-61  
Cord, Sponge, 2-3, 2-25  
Coupler, Female X Hose Shank, 3-27, 3-28  
Coupler, 2-79  
Coupling Flywheel, 2-41  
Coupling, Quick Disc. Shwd, 2-57, 2-59  
Cover – Inner – Plastic, 5-7  
Cover – Intake Manifold, 5-14  
Cover – Lower – Metal, 5-7  
Cover – Outer – Plastic, 5-7  
Cover – Upper – Metal, 5-7  
Cover Access, 2-41  
Cover Assy, Hopper, 2-27  
Cover Ce, 4-13  
Cover Lid, 2-121, 3-7  
Cover Wldt, Fan, 2-63  
Cover Wldt, Sppt, Seat, 2-13  
Cover, Cleanout, 2-15, 2-121  
Cover, Demister, 2-15  
Cover, Duct, Exhaust, Top, 2-25  
Cover, Engine, 2-15  
Cover, Insert, 2-119, 2-121  
Cover, Lintel, 2-21  
Cover, Motor, 3-5  
Cover, O–Ring, 4-15, 4-17  
Cover, Recovery Tank, 2-21  
Cover, Sbdc, 3-32  
Cover, Trunion, 4-15, 4-17  
Cover, Wldt., Battery, 2-13  
Cover, 4-13, 4-15, 4-17, 5-17  
Crank Replmt.Kit,Pump F/79323, 4-27  
Crome Pltd. Camshaft KN, 2-71  
Cup Assy, 2-51  
Cushion, Piston, 4-26  
Cylinder Assy – W/1 Piece Pan Gasket, 5-3  
Cylinder, Hyd 1.5B 02.8S.2500, 2-91, 2-101, 2-103, 2-105, 2-115  
Cylinder, Hyd 2.0B 08.0S 2500, 2-69  
Cylinder, Hyd 2.0B 12.0S 2500, 2-23  
Cylinder–Hyd2.0X4.0Da2500Psi, 2-31, 2-95, 2-99

## D

- Diode Assy, 2-131  
Diode, Bridge 12 Amp, 2-131  
Dipstick, 2-39  
Distributor – Less Cap And Rotor, 5-21  
Door Wldt, Brush, Lh, 2-9  
Door Wldt, Brush, Rh, 2-11  
Door Wldt, Rear RH, 2-19  
Door Wldt, Side, Engine, 2-17  
Door, Dump, 2-25  
Door, Dust, 2-31  
Door, Rear, Rh (LPG), 2-19

Door, Rear, Rh, 2-19  
 Dowel - 18.3x10.0 - Oil Pump To Block, 5-11  
 Dowel - Cylinder Head to Block, 5-3  
 Dowel - Flywheel Housing to Block, 5-3  
 Dowel,Cyl.Block To Flywhl.Hsg., 2-41  
 Drain Cap Gasket, 2-119  
 Drain Cock,.25Npt Wh#120 Angl, 2-61  
 Draincock,End.Block, 2-45, 2-49  
 Drive Assy , 5-23  
 Drive Cl, 4-6, 4-11  
 Drive, 4-3, 4-4, 4-9  
 Duct Assy, Vac Fan W/Seal, 2-35  
 Duct, Side, 2-35  
 Duct, Vinyl .40X .75X24.0 .25D, 2-27  
 Duct, Vinyl .40X.75X26.0 .25D, 3-9  
 Duct, Vinyl 10.0 In., 3-11  
 Duct, Vinyl 10.0 In, 3-10  
 Duct, Vinyl 19.0 In., 3-10, 3-11  
 Duct, Vinyl 6.0 In., 3-10, 3-11  
 Dust Cont Kit S Br 8400, 3-32

**E**

Element Kit, Air, Safety, 3-30  
 Element, Filter, 2-3  
 Element, Safety, 3-30  
 End Cap Cl, 4-6  
 End Cap, 4-4  
 End, Cap, 4-9  
 Engine Assy,Lsg423 (See Breakdown), 2-39  
 Extinguisher Kit Fire 8400, 3-22  
 Extinguisher, Fire, 3-22

**F**

Fan Reassembly Repair Kit, 2-123  
 Fan, Radiator, 2-63  
 Filter Assy, Spin-On, 2-65  
 Filter Element, Air, 2-3, 2-51  
 filter Element, Oil Cont Gas SE, 2-39  
 Filter Element,Oil,Gas-Se, 2-3  
 Filter Element, 2-65  
 Filter Replmt Kit, ESt, 3-5  
 Filter, Fuel, 2-3, 2-55

Filter, Fuellockoff, Lpg, 2-49  
 Filter, PKG, Panel, 94 Pleats, 2-29  
 Fitting , Elbow Gr, 4-25  
 Fitting - Vacuum, 5-14  
 Fitting, Bulkhead Fem., 3-3  
 Fitting, El 90Npt/Npt 04Pf-, 2-57, 2-59  
 Fitting, Elbow Gr, 4-25  
 Fitting, Plastic, Str,Ba.31Id-, 2-117  
 Fitting, Special, Carb, 2-47  
 Fitting-Barb, Strt 3/8 Id Hose, 3-7  
 Fitting-Barb,90Deg,3/8 Id Hose, 3-7  
 Fitting-Brs, 3-3  
 Fitting-Hyd Str, 2-73, 2-79  
 Fitting-Hyd Tee, 2-65  
 Fitting-Hyd, 2-79  
 Fitting-Plastic E45 12Pf-12Pf, 3-5  
 Fitting-Pls E90, 3-3  
 Fitting-Pls Str, 3-7  
 Fitting-Str, 2-49, 2-57, 2-59  
 Fitting ,Str Gr, 4-25  
 Flange Mounting, 4-6, 4-9  
 Flange, Mounting, 4-4  
 Flange,Brg,3 Hole, 2-97  
 Flap, Containment, LPG, 2-123  
 Flapper, Valve, 4-25  
 Flasher Heavy Duty, 3-9  
 Flasher,12V.Ideal, 3-15  
 Flat Washer, 2-39  
 Float Bottle, 2-121, 3-3  
 Flywheel, 2-41  
 Foam, Sbdc, Lh, 3-32  
 Foam, Sbdc, Rh, 3-32  
 Frame Wldt, Mtg, Brush, 2-99  
 Frame Wldt, Mtg, Radiator, 2-61  
 Frame Wldt, Squeegee , Rh, 2-109  
 Frame Wldt, Squeegee, Lh, 2-111  
 Frame Wldt, Squeegee, 2-115  
 Frame Wldt, 2-7  
 Frame&Mag.As , 5-23  
 Ftg Brs E90, 3-3  
 Ftg Plastic E90 .75Barb .75Npt, 2-119  
 Ftg Qkdisc, Male, 3-3

## CROSS REFERENCE

Ftg, Brass,St Bm03/Pm02, 2-37  
Ftg, Breather, 2-37  
Ftg, El90 Npt/02Pf-02Pm, 2-51, 2-55  
Ftg, Grease.25-28Th Strt .47L, 2-23  
Ftg, Grease.25-28Th Strt .63L, 2-31, 2-69  
Ftg, Plastic1/2 Nptm Ghtf, 3-3  
Ftg,Brass E45, 2-49  
Ftg,Brass,St Bm03/Pm02, 2-49  
Ftg,Bulkhead .25Npt Wh W21204, 2-59  
Ftg,Bulkhead .25Npt Wh W21204, 2-57  
Ftg,Pipe,Nip.Close 0.50Pt.Blk, 3-3  
Ftg,Plstc,Cplg,Barb.75Pt-.75Hs, 2-117  
Ftg,Plstc,Elb,Barb.50Hs-.50Hse, 2-117  
Ftg,Plstc,Nip. 0.75Ptx 1.68Lg, 3-5  
Ftg,Plstc,Str,Barb.50Pt-.75Hse, 2-117  
Ftg,Plstc,Str,Bk 12Pf/12Pf, 2-119, 2-121  
Ftg,Plstc,Tee.50-.50-.50Pipe, 3-3  
Ftg,Plstc,Tee,Barb.75-.75-.75, 3-7  
Ftg- Plastic Tee Bm06/Bm10/Bm, 2-45, 2-49  
Ftg-Brs E90 Bm05/Pm02, 2-47  
Ftg-Brs E90 Bm10/Pm06, 2-49  
Ftg-Brs Str Bm06/Pm06, 2-45, 2-49  
Ftg-Brs Str If05/Pm02, 2-55  
Ftg-Brs Str, 2-47  
Ftg-El90 Npt/Npt S04Pf-04Pm, 2-49  
Ftg-Hyd Crs Jm04/Om04, 2-103  
Ftg-Hyd E45 8 Pm04/Pf04, 2-59  
Ftg-Hyd E45 8 Pm04/Pf04, 2-57  
Ftg-Hyd E45 Jm04/Om04, 2-31, 2-33, 2-63, 2-89, 2-91, 2-95, 2-103  
Ftg-Hyd E45 Jm06/Om06, 2-69  
Ftg-Hyd E45 Jm08/Om08, 2-33, 2-79, 2-89  
Ftg-Hyd E45 Jm12/Om12, 2-63  
Ftg-Hyd E45 Pm02/Pf02, 2-39, 2-49  
Ftg-Hyd E45, 2-61, 2-87  
Ftg-Hyd E90 Jm04/Jf04, 2-63, 2-95  
Ftg-Hyd E90 Jm04/Om04, 2-23, 2-31, 2-33, 2-35, 2-63, 2-89, 2-93, 2-95, 2-99, 2-101, 2-105, 2-107, 2-115  
Ftg-Hyd E90 Jm06/Om04, 2-89  
Ftg-Hyd E90 Jm06/Om06, 2-63, 2-69, 2-107  
Ftg-Hyd E90 Jm08/Jf08, 2-107  
Ftg-Hyd E90 Jm08/Om06, 2-79  
Ftg-Hyd E90 Jm08/Om08, 2-35, 2-63, 2-87, 2-101, 2-103, 2-105, 2-107  
Ftg-Hyd E90 Jm10/Jf10, 2-79  
Ftg-Hyd E90 Jm10/Om12, 2-79  
Ftg-Hyd E90 Jm12/Om12, 2-107  
Ftg-Hyd E90 Jm16/Om12, 2-65  
Ftg-Hyd E90 Jm16/Om16, 2-61  
Ftg-Hyd E90 Pm08/Jm10, 2-49  
Ftg-Hyd Plg Jm08, 2-87  
Ftg-Hyd Plg Om10, 2-17  
Ftg-Hyd Plg Om12, 2-73  
Ftg-Hyd Rst Jm04/.036, 2-115  
Ftg-Hyd Rst Jm04/.047, 2-23  
Ftg-Hyd Str Jm04/Jf06, 2-17, 2-87  
Ftg-Hyd Str Jm04/Jf08, 2-17  
Ftg-Hyd Str Jm04/Om04, 2-23, 2-33, 2-69, 2-89, 2-97, 2-101, 2-105  
Ftg-Hyd Str Jm04/Om06, 2-73, 2-125  
Ftg-Hyd Str Jm04/Om08, 2-63  
Ftg-Hyd Str Jm06/Om04, 2-17, 2-79  
Ftg-Hyd Str Jm06/Om06, 2-87, 2-107, 2-125  
Ftg-Hyd Str Jm06/Om08, 2-17, 2-63, 2-87  
Ftg-Hyd Str Jm08/Jf12, 2-65, 2-79  
Ftg-Hyd Str Jm08/Om06, 2-79  
Ftg-Hyd Str Jm08/Om08, 2-33, 2-73, 2-97, 2-107  
Ftg-Hyd Str Jm08/Om10, 2-17, 2-93, 2-123  
Ftg-Hyd Str Jm10/Om12, 2-69, 2-79  
Ftg-Hyd Str Jm16/Om12, 2-65  
Ftg-Hyd Str Jm16/Om16, 2-63  
Ftg-Hyd Str Pm04/Jm06, 2-49  
Ftg-Hyd Str Pm04/Pf02, 2-39, 2-49  
Ftg-Hyd Str Pm06/Jm10, 2-49  
Ftg-Hyd Str Pm06/Pf04, 2-45, 2-49  
Ftg-Hyd Str See60054 Jm12/Jf16, 2-65  
Ftg-Hyd Str, 2-87  
Ftg-Hyd Tee Jm04Jfjm, 2-103  
Ftg-Hyd Tee Jm04Jmjf, 2-23, 2-73  
Ftg-Hyd Tee Jm04Jmom, 2-17, 2-23, 2-33, 2-107  
Ftg-Hyd Tee Jm04Omjm, 2-63, 2-123  
Ftg-Hyd Tee Jm06Jmjf, 2-17  
Ftg-Hyd Tee Jm06Omjm, 2-87  
Ftg-Hyd Tee Jm08Jfjm, 2-79  
Ftg-Hyd Tee Jm08Jmjf, 2-17

Ftg-Hyd Tee Jm12Jfjm, 2-79  
 Ftg-Plug Npt 02Pm Hx Hd Plasti, 2-117  
 Ftg-Plug Npt 02Pm Sq Hd, 2-55  
 Ftg-Plug Npt 04Pm Hx Soc, 2-39  
 Ftg-Plug Npt 12Pm Rd Hd Plstc., 2-119, 2-121  
 Ftg-Tee Npt 04Pm- 04Pf- 04Pf, 2-59  
 Ftg-Tee Npt 04Pm- 04Pf- 04Pf, 2-49, 2-57  
 Fuelline, .375 Od, 2-49  
 Fuelock Replacement Kit, 2-49

**G**

Gas Cap, Protectoseal, 3-25  
 Gasket - Cylinder Head, 5-6  
 Gasket - Drain Plug, 5-5, 5-11  
 Gasket - Front Cover, 5-5, 5-7  
 Gasket - Intake Manifold Cover, 5-5, 5-14  
 Gasket - Intake Manifold, 5-5, 5-14  
 Gasket - Oil Pan - One Piece, 5-5, 5-11  
 Gasket - Oil Pump To Pick Up, 5-11  
 Gasket - Outer, 5-5, 5-7  
 Gasket - Rocker Arm Cover, 5-17  
 Gasket - Water Outlet, 5-20  
 Gasket - Water Pump, 5-5, 5-20  
 Gasket Cap, 2-119, 2-121  
 Gasket Exhaust Flange, 2-53  
 Gasket Kit, Lower, 5-5  
 Gasket Kit, Valve Grind, 5-5  
 Gasket Lid, 2-119, 2-121  
 Gasket, 2.7D 1.5B.12T 5/ 2.1Bc, 2-55  
 Gasket, Carb To Engine, 2-45  
 Gasket, Carburetor Air Horn, 2-45  
 Gasket, Carburetor, 2-45, 2-47  
 Gasket, Check Valve, 4-25  
 Gasket, Drain Cap, 2-121  
 Gasket, Lid, 2-119, 2-121, 3-7, 4-25  
 Gasket, Squeegee, 2-115  
 Gasket, Valve Gr, 2-119  
 Gasket, 2-3, 2-47, 2-119, 2-121, 5-5  
 Gear - Driven, 5-21  
 Gear Assy , 5-23  
 Gear Motor Assy, 4-27  
 Geroler, 4-3

Geroter & Coupler, 4-15, 4-17  
 Gerotor Assy Cl, 4-6  
 Gerotor S/A Cl, 4-11  
 Gerotor Set, 4-4, 4-9  
 Grommet Rbr 0.25ld For .09Matl, 2-127  
 Grommet, Detergent Tank, 3-7  
 Grommet, Rbr, 0.69 ID, 3-10, 3-11, 3-12, 3-13  
 Grommet, Rbr,0.62ld,For .06Matl, 2-37  
 Grommet, Rbr,1.06ld,For .19Matl, 2-27  
 Grommet,Rbr,0.56ld,For .13Matl, 3-12, 3-13  
 Grommet,Rbr,0.63ld,For .13Matl, 3-10, 3-11  
 Grommet,Rbr,0.69ld,For.25Matl, 3-15  
 Grommet,Rbr,1.00ld,For .12Matl, 2-61  
 Guard Kit, Ohg, 3-16  
 Guard Kit, Overhead, 87 Height, 3-17  
 Guard Wldt, Lights, Revl&Flsh, 3-12, 3-13  
 Guard Wldt, Oh, Top, 3-16, 3-17  
 Guard, Brush, 2-93  
 Guard, Scrub, Edge, 2-105  
 Guard, String, Brush Motor, 2-93  
 Guide - Timing Belt, 5-13, 5-15  
 Guide, Side Squeegee, 2-109, 2-111

**H**

Handle Lift Brush, 2-125  
 Handle, Arm, Safety, 2-23  
 Handle, Latch, 2-15  
 Handle, Valve, 2-117  
 Harness, Alarm, Backup, 3-15  
 Harness, Hopper, 2-139  
 Harness, Main, 2-139  
 Harness, Revolv Light, Cab,Ohg, 3-10, 3-11  
 Harness, Turn Signal, 3-9  
 Harness, Wire, Hazard, 3-12, 3-13  
 Head , 5-6  
 Headlight Assy,210G, 3-15  
 Headlight, 12V.Rect., 2-27  
 Hinge Wldt, 2-21  
 Hinge, Coverhopper, 2-27  
 Hinge, Door, Brush, 2-9, 2-11  
 Hinge, Door, Engine, 2-17  
 Hinge, Rework, 2-15

## CROSS REFERENCE

Hopper Wldt, 2-25  
Horn, 12V, 2-27  
Horn, Back-Up Alarm, 3-15  
Hose & Cuff Assy, 3-27, 3-28  
Hose Assy, Drain, 2-119, 2-121  
Hose Hyd Med04, 2-83, 2-85  
Hose Lpg, 4Lpg X 27.0 Lg, 2-57  
Hose Pcv, 2-39  
Hose Rubber .38ld X 35.0Lg, 2-45, 2-49  
Hose Rubber .62 ldx11.5 Lg, 2-45  
Hose Rubber .62 ldx2.0 Lg, 2-45, 2-49  
Hose, .62 ld X 20.0 Lng Heater, 2-49  
Hose, Air Intake, Molded, Gas, 2-51  
Hose, Air Intake, Molded, LPG, 2-51  
Hose, Air Intake, Molded, 2-51  
Hose, Elbow, Molded 45 1.50ld, 2-65  
Hose, Fuelline .31ld X 6.0Lg, 2-55  
Hose, Fuelline, 10.0L, 2-55  
Hose, Hyd Low08, 2-83  
Hose, Hyd Med08, 2-85  
Hose, Lpg, 4Lpg X 35.0 Lg, 2-59  
Hose, Lpg, 4Lpg X 43.0Lg, 2-57, 2-59  
Hose, Pcv, 2-39  
Hose, Pump, 3-5  
Hose, Pvc .50ldx.73Od 12.5Lg, 2-117  
Hose, Pvc .50ldx.73Od 18.0Lg, 2-117  
Hose, Pvc .50ldx.73Od 23.0Lg, 2-117  
Hose, Radiator 1.50ld X 6.0Lg, 2-65  
Hose, Radiator, Lower, 2-65  
Hose, Radiator, Upper, 2-65  
Hose, Rbr .62 ld X 15.0 Lg, 2-49  
Hose, Rubber, 2-45, 2-47  
Hose, Vacuum,.16ld X 15.0 Lg, 2-39  
Hose, Vacuum,.16ld X 19.0Lg, 2-49  
Hose, Vacuum,.16ld X 28.0Lg, 2-37  
Hose, Vacuum, 2-15, 2-123, 3-26  
Hose, Vinyl Clr, .62ldx 18.0Lg, 3-3  
Hose, Vinyl Clr, .75ldx 30.0Lg, 3-7  
Hose, Vinyl Clr, .75ldx 65.0Lg, 3-3  
Hose, Vinyl, Cl Nyre .38ldx21L, 3-7  
Hose, Vinyl, Cl Nyre .38ldx28L, 3-7  
Hose, Vinyl, Clear, 3-7  
Hose, Vinyl, Clr, .75ldx 50.Lg, 2-117  
Hose, Vinyl,Clear, 2-117  
Hose, Vinyl,Clr, .75ldx 19.Lg, 3-7  
Hose-Hyd Ar 10, 2-83  
Hose-Hyd Hi 12 Jf/J9, 2-85  
Hose-Hyd Low04 Jf/J9, 2-83, 2-85  
Hose-Hyd Low04 Jf/Jf, 2-85  
Hose-Hyd Low06 Jf/Jf, 2-83  
Hose-Hyd Low06, 2-83, 2-85  
Hose-Hyd Low08 Jf/J9, 2-83  
Hose-Hyd Low08 Jf/Jf, 2-83  
Hose-Hyd Med 04 Jf/J9, 2-83, 2-85  
Hose-Hyd Med 06 , 2-85  
Hose-Hyd Med04 Jf/J4, 2-83, 2-85  
Hose-Hyd Med04 Jf/J9, 2-83, 2-85  
Hose-Hyd Med04 Jf/Jf, 2-83, 2-85  
Hose-Hyd Med04, 2-83, 2-85  
Hose-Hyd Med06 Jf/J9, 2-83, 2-85  
Hose-Hyd Med06 Jf/Jf, 2-83  
Hose-Hyd Med06, 2-83  
Hose-Hyd Med08 Jf/J4, 2-83, 2-85  
Hose-Hyd Med08 Jf/J9, 2-83, 2-85  
Hose-Hyd Med08 Jf/Jf, 2-85  
Hose-Hyd Med08, 2-85  
Hose-Hyd Med12 Jf/J9, 2-83  
Hose-Hyd Med16 Jf/J9, 2-85  
Hose-Hyd Med16 Jf/Jf, 2-83  
Hose-Hyd Med16, 2-83  
Hose-Hyd Suc20, 2-83  
Hose-Hyd, 2-83  
Hourmeter Replmt Kit, 2-127  
Housing Assy Ce, 4-13  
Housing Assy, Pump, 4-15, 4-17  
Housing Cl, 4-6, 4-9  
Housing Support, Wheel, 2-69  
Housing Wldt, Rear, 2-123  
Housing, Assy Cl, 4-3  
Housing, Brg Cl, 4-3  
Housing, Flywheel, 2-41  
Housing, Headlight, 2-27  
Housing, Vac Fan W/Label, 2-123  
Housing, Vac Fan, 2-35



Housing, 4-4  
 Hsg W/Brg , 5-23  
 Hub & Stud, 2-69  
 Hub Assy, Brush Arm, 2-97  
 Hub, Brush Adaptor, 1.00B, 2-93  
 Hub, Brush Drive, 2-101, 2-103, 2-105  
 Hub, Pivot, 2-31  
 Hub, 2-77  
 Hyd Cap Gasket, 2-87

**I**

Impeller 9.5 Dia. 18 Blade Mac, 2-123  
 Impeller, 9.00 Dia X 0.376B, 2-35  
 Indicator Service Air Filter, 2-51  
 Insulation Acoustic, 2-19  
 Insulation, Acoustic, Duct, Co, 2-25  
 Insulation, Acoustic, Duct, Lh, 2-25  
 Insulation, Acoustic, Duct,Bot, 2-25  
 Insulation, Acoustic, Hopper,, 2-25  
 Insulation, Acoustic, 2-13, 2-15, 2-19  
 Insulation, S/Foam, Bumper, 2-35  
 Insulation, S/Foam, Vac Duct, 2-35  
 Insulation,Acoustic, Duct, Rh, 2-25  
 Insulation,Acoustic,Hopper,Upp, 2-25  
 Internal/External lock Washer, 2-39  
 Isolator, Mounting, 2-41  
 Isolator, Rubber .25X1.50X6.00, 2-7  
 Isolator, Valve, 2-63  
 Isolator-Vibration,125Lb.Ratng, 2-19, 2-33, 2-35, 2-53, 2-61, 2-63, 2-73, 2-89, 2-107, 2-123  
 Isolator, 2-17, 2-39

**K**

Key - Sprocket To Crankshaft, 5-13  
 Key Set,Switch, 2-127  
 Key Square 0.12 0.12 00.50 Lg, 4-5  
 Key Square 0.12 0.12 01.00 Lg, 4-7  
 Key-Wdruff 0.25 1.00 Asa#0808, 4-6, 4-9  
 Key, 4-3, 4-8, 4-15, 4-17, 5-17  
 Kit-Attaching , 5-23  
 Knob, Adjuster, 2-113  
 Knob, Adjusting, 2-91, 2-95

Knob, Jam, 2-113  
 Knob, Plastic, 2-63  
 Knob, 2-117

**L**

Label Set, Info & HZD 8400, 2-141  
 Label Set, Operational 8400, 2-141  
 Label, Numerals 8400, 2-141  
 Label, Tennant Logo- 10.0 Blue, 2-27  
 Label, Tennant Logo-10.5 White, 2-57  
 Lamp, Replmt Kit (8), 2-127  
 Latch Assy, Lpg Tank Mtg,W/Nut, 2-57, 2-59  
 Latch, Bolt, 2-9, 2-11, 2-15  
 Latch, Draw, Flexible, 3-37  
 Latch, Elastic, 3-37  
 Latch, Hook, Lh, 2-9  
 Latch, Single Stage, 2-15  
 Latch, Trigger, 2-17, 2-21  
 Latch, 2-11, 2-15, 2-97  
 Lens,Flashing Lite Fr207 Amber, 3-10, 3-12  
 Lens,Flashing Lite Fr207 Blue, 3-10, 3-12  
 Lens,Flashing Lite Fr207 Red, 3-10, 3-12  
 Lens,Rev.Light,Amber, 3-11, 3-13  
 Lens,Rev.Light,Blue, 3-11, 3-13  
 Lens,Rev.Light,Red, 3-11, 3-13  
 Level Sensing Assy, 2-121, 3-3  
 Lever , 5-23  
 Lever Carburator, 2-45, 2-47  
 Lever Governor Actuator, 2-45, 2-47  
 Lever, Edge Scrubbing, 2-99  
 Lever, Valve, 2-117  
 Light Assy Mark/Yel 12V- . A, 3-9  
 Light Assy Work/Clr 12V- . A, 3-14  
 Light Kit Flsh Lrc, 3-12  
 Light Kit Flsh Ohg, 3-10  
 Light Kit Revl Lrc, 3-13  
 Light Kit Revl Ohg, 3-11  
 Light Kit Signal, 3-9  
 Light Kit, Side Brush, 3-14  
 Light, Flashing, Amber, 12V-Re, 3-10, 3-12  
 Light,Rev.Amber 12V-Reworked, 3-11, 3-13  
 Link Wldt, Edge Scrubbing, 2-99

## CROSS REFERENCE

Link Wldt, Upper, 2-101, 2-103, 2-105

Link, Lower, 2-101, 2-103, 2-105

LP Hose 14" Long, 2-49

### M

Main Bearing - 0.002 U/S, 5-13

Main Bearing - 0.010 U/S, 5-13

Main Bearing - 0.020 U/S, 5-13

Main Bearing - 0.030 U/S, 5-13

Main Bearing - Standard Blue, 5-13

Main Bearing - Standard Red, 5-13

Maint. Kit, Seals 355 Line, 2-3

Maint. Kit, Skirts, 355 Line, 2-3

Manifold, Exhaust, 5-14

Manifold, Hyd Collector, 2-63, 2-73

Manifold, Intake, 5-14

Manifold, Plastic, 2-117

Manual Pkg 8400, 3-38

Manual-Fiche Pkg 8400, 3-38

Module, Ignition, 2-39

Molding, Trim 11-14 Ga 10.00, 2-57

Molding, Trim 11-14Ga 6.75, 2-61

Molding, Trim 11-14Ga 8.50, 2-21

Molding, Trim 11-1GA 44.0, 2-19

Motor 12V Dc, 4-25

Motor, Hyd Gear Ex 0.13 L 3000, 4-7

Motor, Hyd Gear Ex 0.13L 3000 (See Breakdowns), 2-123

Motor, Hyd Gear Ex 0.26 R 3000 (See Breakdowns), 2-63

Motor, Hyd Gear Ex 0.26 R 3000, 4-5

Motor, Hyd Gear In 02.8 B 1500 (See Breakdowns), 2-97

Motor, Hyd Gear In 02.8 B 1500, 4-9

Motor, Hyd Gear In 07.3 B 1500 (See Breakdowns), 2-101, 2-103, 2-105

Motor, Hyd Gear in 07.3 B 1500, 4-6

Motor, Hyd Gear In 19.0 (See Breakdowns), 2-69

Motor, Hyd Gear In 19.0, 4-3

Motor, Hydraulic, 4-4, 4-8

Motor, Starting, Perm Mag, 12V (See Engine Bkdn), 2-41

Motor, Starting, Perm Mag, 12V, 5-23

Motor, Elec Shaker 12V, 2-29

Motor-Hyd Gear Ex .194 R3000 (See Breakdowns), 2-35

Motor-Hyd Gear In 11.3 B1500 (See Breakdowns), 2-93

Muffler, Exhaust, 2-53

Muffler, Spark Arresting, 3-24

### N

Nozzle, Plastic Wand 14.OLG, 3-26

Nut - M10, 5-11

Nut - M9, 5-19

Nut Wheel .50-20 60 Angle, 2-69

Nut, Adjustable, Lpg Tank Mtg, 2-57, 2-59

Nut, Cart., Lng Cp, 4-19

Nut, Cart., Sht Cp, 4-19, 4-21, 4-23

Nut, Hex, 2-39

Nut, Retainer R/.312 Dia, 2-23

Nut,Wing .44-20 Special, 2-51

Nut&Washer,M8 , 5-23

Nut-Hex Slot 1.12-18, 2-69

Nut-Hx Jam 1.00-14 Pltd, 3-3

Nut-Hxlocnyln .50-13 RegSS18-8, 2-113

Nut-Hxslot .75-16 Pltd, 4-9

Nut-Hxslot 1.00-20 Pltd, 2-71

Nut-Wing .31-18 Pltd, 2-67

Nut, 2-125, 4-3

### O

O-Ring Gland, 2-79

O Ring Seal - Distributor To Block, 5-21

Oil, Hydr. 15/40, 2-3

Output Shaft, 4-4

### P

Pad Holder, Malish, 2-5

Pad, Hyd Tank, Lower, 2-87

Pad, Hyd Tank, Upper, 2-87

Pad, Tread, 2-7, 2-75

Pad, 2-73, 2-95

Pan Assembly - Oil - 1 Piece Pan Gasket, 5-11

Panel Assy. Instr. W/Label, 2-19

Panel Wldt. Grill, 2-61

Panel Wldt, Grill, 2-61	Pin, Scrub Head, .75D X 6.812L, 2-99
Panel Wldt, Instrument, 2-19	Pin, Support, Wheel, Rear, 2-69
Panel Wldt, Lh, 2-21	Pin,Clevis, .19 Dia.X .50 Lg, 2-73
Panel Wldt, Rh, 2-21	Pin,Clevis, .50 Dia X 1.25 Lg, 2-31
Panel Wldt, Sppt, Seat, 2-13	Pin,Clevis,0.25 Dia.X 0.75 Lg, 2-99
Panel Wldt, 2-59	Pin,Clevis,0.31 Dia X 1.00 Lg, 2-109, 2-111
Panel, Instr, Lower, 2-19	Pin,Clevis,0.37 Dia.X 1.00 Lg, 2-71
Panel, Instr, 2-127	Pin,Clevis,0.37 Dia.X 1.50 Lg, 2-91, 2-109
Panel, MTG, Hose, 3-26	Pin,Clevis,0.37 Dia.X 2.25 Lg, 2-115
Panel, Perma-Filter, 2-25	Pin,Clevis,0.37 Dia.X 3.00 Lg, 2-75
Pedal Brake Lock, 2-73	Pin,Clevis,0.37 Dia.X 6.12 Lg, 2-101, 2-103, 2-105
Pedal Wldt, Lower, 2-75	Pin,Clevis,0.50 Dia.X 1.50 Lg, 2-99
Pedal, Upper, 2-75	Pin,Clevis,0.50 Dia.X 1.75 Lg, 2-95
Performance Pkg 400Hr Gas 8400, 2-3	Pin,Clevis,0.50 Dia.X 2.00 Lg, 2-31
Performance Pkg 400Hr Lp 8400, 2-3	Pin,Clevis,0.50 Dia.X 2.50 Lg, 2-105
Pin - 1/8 x 3/4, 5-21	Pin,Clevis,0.50 Dia.X 5.00 Lg, 2-93, 2-109, 2-111, 3-32, 3-35
Pin - Armature, 5-21	Pin,Clevis,0.50 Dia.X 5.50 Lg, 2-93, 3-35
Pin Assy, Keeper .312x3.0 W/Lanyard, 2-93	Pin,Hair Cotter #Lhcot-2,Leitk, 3-32
Pin Cl, 4-11	Pin,Roll,.18Odx1.25L,.187/.192, 2-31
Pin Clevis .375 Dia X 1.13 Lg, 2-71	Pin,Roll,.25Odx0.75L,.250/.256, 2-109, 2-111
Pin Clevis 0.37 Dia X 0.75 Lg, 2-109, 2-111	Pin,Roll,.31Odx1.37L,.312/.318, 2-41
Pin Clevis 0.50 Dia X 1.50 Lg, 2-75	Pin,Roll,.38Odx2.00L,.375/.382, 2-31, 2-97
Pin Clevis 0.50 Dia.X 1.50 Lg, 2-95	Pin, 5-9, 5-15, 5-19
Pin Wldt, 2-115	Pipe Wldt., Exhaust, Ford 2.3, 2-53
Pin, Clevis .31 Dia X 4.50 Lg, 2-75	Pipe, Exhaust, Gas/Lpg, 2-53
Pin, Clevis .375 Dia X 1.13 Lg, 2-115	Piston Assembly 0.003 O/S, 5-19
Pin, Clevis .50 Dia X 2.25 Lg, 2-31	Piston Assembly 0.020 O/S, 5-19
Pin, Clevis .50 Dia X 4.50 Lg, 2-75	Piston Assembly 0.030 O/S, 5-19
Pin, Clevis .75 Dia X 5.5 Lg, 2-93	Piston Assembly 0.040 O/S, 5-19
Pin, Clevis, Grooved, 2-23	Piston Assembly Standard - Blue, 5-19
Pin, Clevis, Upper, 2-23	Piston Assembly Standard - Red, 5-19
Pin, Clevis, 2-115	Piston, Control Ce, 4-13
Pin, Cotter, 2-95	Pivot Assy, S Br, 2-93
Pin, Dowel, 4-15, 4-17	Pivot Wldt, Lh, 2-113
Pin, Hair Cotter #Lhcot-2,Leitk, 2-13	Pivot Wldt, Rh, 2-113
Pin, Hair Cotter 13D 3 Wire, 2-75	Pivot Wldt, Squeegee Caster, 2-113
Pin, Hair Cotter, 2-109, 2-111	Pivot Wldt, 2-113
Pin, Haircotter, 2-93	Planet Bearing , 5-23
Pin, Hitch, 2-115	Plate & Brg , 5-23
Pin, Lift Arm, 2-23	Plate - Hose Support, 2-69
Pin, Roll Ce, 4-13	Plate Bent, 3-3
Pin, Scrub Brush, .625D 5.00L, 2-101, 2-103, 2-105	

## CROSS REFERENCE

---

Plate Seal, 2-97  
Plate Wldt., Floor, 2-13  
Plate Wldt, Floor, 2-13  
Plate Wldt, Hinge, 2-13  
Plate Wldt, 2-73  
Plate, Backing, 2-27  
Plate, Backup, 3-3  
Plate, Circuit Breaker, 2-131  
Plate, Cover, 4-15, 4-17  
Plate, Drip Shield, 2-45  
Plate, Engine Rear, 2-41  
Plate, Light Mtg., 3-10, 3-11  
Plate, Mounting, Latch, 2-97  
Plate, Mounting, Shaker Filter, 2-29  
Plate, Mounting, Valve, 2-107  
Plate, Mounting, Vaporizer, 2-49  
Plate, Mtg, Lift Arm, 2-25  
Plate, Mtg, Main Brush Shaft, 2-97  
Plate, Mtg, Steering Boot, 2-125  
Plate, Pin, Clevis, Upper, 2-23  
Plate, Reainer, Front, Sbdc, 3-32  
Plate, Relay, 2-131  
Plate, Retainer, Cover, Sbdc, 3-32  
Plate, Retainer, Front,Lh Sbdc, 3-32  
Plate, Retainer, Front, 2-3, 2-25  
Plate, Retainer, Sbdc, Rh, 3-32  
Plate, Retainer, Wheel Pocket, 3-32  
Plate, Retainer, 2-3, 2-25  
Plate, Spacer, Engine Cover, 2-15  
Plate, Stiffener, Tray, Filter, 2-29  
Plate, Valve, 4-3, 4-15, 4-17  
Plate, Wear Cl, 4-11  
Plate, 2-19, 2-29, 5-9, 5-15  
Plug #2, 4-19, 4-21, 4-23, 4-26  
Plug #4, 4-19, 4-21, 4-23  
Plug #6, 4-19, 4-21, 4-23  
Plug #8, 4-23  
Plug - 0.060 O/S, 5-3  
Plug - 1.50 Cup, 5-3, 5-6  
Plug - 1/4 NPT, 5-3, 5-6, 5-15  
Plug - 3/8 Cup, 5-3  
Plug - 3/8 NPT, 5-3  
Plug - Engine Oil Drain , 5-11  
Plug - Hole in Front Cover, 5-7  
Plug - Oil Pump Relief Valve, 5-11  
Plug , 5-3  
Plug Assembly Cl, 4-3  
Plug Assembly Ph, 4-3, 4-6, 4-9  
Plug Assy Cl, 4-11  
Plug Gage #6, 4-26  
Plug S/A, 4-15, 4-17  
Plug Thread 1/2-13, 2-97  
Plug Tube, 2-97  
Plug Weld, Brush Drive, Sweep, 2-97  
Plug Wldt, Idler, 2-97  
Plug, Buttom, 2-63  
Plug, Cap, Check Valve, 2-119  
Plug, Float, 2-121, 3-3  
Plug, Orifice Cp, 4-21  
Plug, Orifice Cp, 4-19, 4-23  
Plug, Standard - 2.078 OD, 5-3  
Plug, 2-121  
Plugbtn .62H .03-.12 Blacknyl, 2-131  
Pos Sol Control Drain Sys Kits, 3-27  
Pos Sol Ctrl Drain Sys Kit Es, 3-28  
Pulley Assy, Cable, 1.5 Dia, 2-71, 2-91, 2-95  
Pump - Includes Gasket - 5/8 Pilot, 5-20  
Pump Adaptor Assy, 4-15, 4-17  
Pump Body Kit, 4-25  
Pump, Column, Es, 3-5, 4-25  
Pump, Detergent Metering, 3-7, 4-27  
Pump, Fuel, Ele, 2-55  
Pump, Hyd Piston L 2.77 R 2500 (See Breakdowns), 2-79  
Pump, Hyd Piston L 2.77 R 2500, 4-13  
Pump, Hyd Piston V 1.24 R 4000 (See Breakdowns), 2-79  
Pump, Hyd Piston V 1.24 R 4000, 4-17  
Pump, Hyd Piston V 1.24, 4-15  
Pump, 5-11

## R

- Race Thrust, 4-6, 4-9  
 Race, Bearing Ce, 4-13  
 Race, Bearing Cl, 4-11  
 Race, Bearing, 4-15, 4-17  
 Race, Inner Bearing, 4-15, 4-17  
 Race, Thrust, 4-4  
 Radiator, 4 Row, 6 Fin, 2-61  
 Rectifier, 2-43  
 Regulator, 2-43  
 Reinforcement - Oil Pan Flange , 5-11  
 Reinforcement - Oil Pan Flange, 5-11  
 Relay, Shrouded, 12 Vdc, 2-33, 2-131  
 Relief Valve, 4-15, 4-17  
 Repair Info Cl, 4-11  
 Repair Info. , 4-4, 4-5, 4-7, 4-8  
 Repair Info. Ce, 4-13  
 Repair Info. Cl, 4-3, 4-6, 4-9  
 Repair Info, Pmp CE, 4-15, 4-17  
 Repl. Kit, Cam, 2-75  
 Replacement Kit Instrument Panel, 2-19  
 Replacement Kit, Gas Spring, 2-99  
 Replacement Kit, LP Hose, 2-49  
 Replacement Kit, Propel Cabel, 2-77  
 Replacement Kit, Propel Rod End, 2-77  
 Replacement Kit, Pump for 73102 (See Breakdowns), 2-79  
 Replacement Kit, Spacer & Plt., 2-63  
 Replacement Kit, Spcr & PH, 2-73  
 Replm Kit, Backup Switch, 3-15  
 Replm Kit, Case, 2-129  
 Replm Kit, Cir Board , 2-129  
 Replm Kit, Cir Board, 2-127  
 Replm Kit, Instr Panel, 2-127, 2-129  
 Replm Kit, Lamp (5), 2-129  
 Replm Kit, Seal, 2-129  
 Replm Kit, Touch Panel , 2-129  
 Replm Kit, Touch Panel, 2-127  
 Reservoir, Hyd 08.0 Gal, 2-87  
 Retainer , 5-23  
 Retainer, Frt Cl, 4-3  
 Retainer, Gasket, 4-25  
 Retainer, Squeegee, 2-109, 2-111  
 Retainer, 2-15, 2-115, 5-17  
 Retaining Ring , 5-23  
 Retnr.Gear , 5-23  
 Return Spring-Brakes KN, 2-71  
 Ring Retain E, 2-119  
 Ring Retain Ex, 0.75D, 2-121  
 Ring Set 0.020 O/S, 5-19  
 Ring Set 0.030 O/S, 5-19  
 Ring Set 0.040 O/S, 5-19  
 Ring Set Standard and .003 O/S, 5-19  
 Ring, Retain, Ex .98, E-Ring, 2-73  
 Ring, Retain, Ex, 0.59OD, Basic, 2-113  
 Ring, Retain, Ex0.50Od,Heavydt, 2-125  
 Ring, Retaining Cl, 4-11  
 Ring, Retaining, Ext, .88 Dia, 2-23  
 Ring, Retaining, Intl 2.00Dia, 2-23  
 Ring,Retain,Ex,0.37Od,Selflock, 2-115  
 Ring,Retain,Ex,0.50Od,Selflock, 2-31, 2-99  
 Ring,Retain,Ex,0.98Od,E-Ring, 2-113  
 Ring-Drv.Stop , 5-23  
 Ring, 4-3  
 Rivet, Plastic .181Dx.720, 2-27  
 Rivet, Plastic .250Dx.898, 2-131  
 Rivet, Plastic .250X.898, 2-7, 2-9, 2-11, 2-25  
 Rivet, Plastic .250x.898, 3-33  
 Rivet, Plastic .325Dx.787, 2-19, 2-27, 2-131  
 Rivet, Snap-.320D Plastic, 2-73  
 Rod End .250-28, 2-77  
 Rod End .312-24 W/Stud, 2-111  
 Rod End M10 X1.5 W/Stud, 2-101, 2-105  
 Rod Wldt, Pivot, 2-25  
 Rod, Actuator, Control, 2-45, 2-47  
 Rod, Brake, 2-71  
 Rod, Hinge, 2-13  
 Rod, Latch, Engine Cover, 2-15  
 Rod, Latch, Steering, Tilt, 2-125  
 Rod, Plastic, 2-15  
 Rod, Seat, 2-13, 2-21  
 Rod, Threaded, Brush Lift, 2-95  
 Rod, Tie, Squeegee, 2-111  
 Rod, Valve, 2-117

## CROSS REFERENCE

Rod-Thrd 2End M08X1.3X7.87, 2-45, 2-47  
Rod, 2-31  
Roller Thimble, 2-115  
Roller 1.75, 2-105, 3-35  
Roller Bearing, 4-15, 4-17  
Roller, Side Squeegee, 2-109  
Roller, 2-115, 3-35  
Rollpin, 4-13  
Rotating Kit Ce, 4-13  
Rotating Kit, 4-15, 4-17  
Rotor - Distributor, 5-21

### S

Scr Soc .50-13X1.50, 2-69  
Scr Soc M10X1.5 25, 2-45, 2-47  
Scr-Butn M8X1.25 16 Ss18-8, 2-109, 2-111  
Scr-Set 10-24X0.25 Nylon Loc, 2-29  
Scr-Shld .312Dx1.00L .25-20, 2-77  
Scr-Shld .500Dx0.50L .38-16, 2-117  
Scr-Shld .500Dx0.75L .38-16, 2-109  
Scr-Soc M16X2.0 50 12.9Pltd, 2-69  
Screen, Detergent Tank Kit, 3-7  
Screen, Muffler, 2-53  
Screen, Pump, Detergent, 3-7  
Screen, Sol, Dbl Cylindrical, 3-5  
Screen, Tube, and Cover Assy - Oil Pump, 5-11  
Screen, Vac Fan Inlet, 2-121  
Screw and Washer - M6X12, 5-15  
Screw and Washer - M6X16, 5-17  
Screw and Washer - M8X25, 5-11  
Screw and Washer - M8X30, 5-11  
Screw and Washer, 5-9  
Screw Cap Cp, 4-23  
Screw Cap Cl, 4-6  
Screw Cap CP, 4-21  
Screw Set M 6X1.020, 2-117  
Screw, .31-18X3.75, 4-15, 4-17  
Screw, Cap Ce, 4-13  
Screw, Cap Cl, 4-3, 4-11  
Screw, Cap, 4-4, 4-15, 4-17  
Screw, Socket M10X1.5, 2-41  
Screw, M5X10.4M , 5-23  
Screw, M6X35.3M , 5-23  
Screw, 4-4  
Screws, 4-15, 4-17  
Seal Kit, 4-4  
Seal - Front Cover, 5-5  
Seal - Front, 5-5, 5-9, 5-13, 5-15  
Seal - Rear - 1 Piece, 5-5, 5-13  
Seal - Thermostat, 5-20  
Seal - Valve Stem - Standard, 5-5  
Seal , 5-23  
Seal Kit, Cart Cp, 4-21, 4-23  
Seal Kit, Cart Cp, 4-23  
Seal Kit, Cart Cp, 4-19, 4-21  
Seal Kit, Coil Cp, 4-21, 4-23  
Seal Kit, Coil Cp, 4-19, 4-21  
Seal Kit, Hyd Mtr Gear Bn, 4-5, 4-7  
Seal Kit, Motor, 4-8  
Seal Kit, One Cartridge, 4-8  
Seal Kit, Pump Ce, 4-13  
Seal Kit, Pump, 4-15, 4-17  
Seal Kit, Rear, 4-3  
Seal Kit, Shaft Cl, 4-3  
Seal Kit, Stg Cl, 4-11  
Seal Replmt Kit, 4-6, 4-9  
Seal, Bearing, 2-125  
Seal, Boot, Steering Column, 2-125  
Seal, Bulb 140.0 Lg, 2-29  
Seal, Bulb, Sd-0355 50.00Lg, 2-27  
Seal, Bulb, Sd-0504 26.00 Lg, 2-21  
Seal, Bulb, Sd-0504 28.00 Lg, 2-17, 2-21  
Seal, Bulb, Sd-0504 40.50 Lg, 2-13  
Seal, Door, Brush, 2-9, 2-11  
Seal, Door, Dump, Side, 2-3, 2-25  
Seal, Door, Dump, 2-3, 2-25  
Seal, Door, Hopper, 2-25  
Seal, Duct, 2-61  
Seal, Exhaust - 0.015 O/S, 5-17  
Seal, Exhaust - 0.030 O/S, 5-17  
Seal, Exhaust - Standard, 5-17  
Seal, Fan, Vac, Inlet, 2-35  
Seal, Fan, Vac, Motor, 2-35  
Seal, Fan, Vac, Outlet, 2-35

Seal, Foam Rubber, 2-9, 2-11, 2-25  
Seal, Foam, Door, 3-33  
Seal, Foam, 2-15  
Seal, Hose, 2-119, 2-121  
Seal, Intake - 0.015 O/S, 5-17  
Seal, Intake - 0.030 O/S, 5-17  
Seal, Intake - Standard, 5-17  
Seal, Lip, 2-21  
Seal, Replmt Kit, 2-127  
Seal, Seat, Front, 2-13  
Seal, Seat, Inner, 2-13  
Seal, Seat, Side, 2-13  
Seal, Tube, Silicone, 2-15  
Seal, Foam Rbr, .31 .38W 19.5L, 2-63  
Seal, 5-5  
Seat Belt , 3-20  
Seat Belt Kit 8400, 3-20  
Seat Kit, Grammer 8400, 3-18  
Seat, Grammer, 3-18  
Seat, Michigan, 2-13  
Seat, 5-17  
Send Unit, Temperature, 2-39  
Sending Unit Tc, 2-55  
Service Manual Lsg-423 Fd, 3-38  
Service Manual Pkg 8400, 3-38  
Shaft Assembly - Oil Pump Intermediate, 5-11  
Shaft Idler, 2-97  
Shaft Wldt, Brake, 2-73  
Shaft Wldt, Main Brush, 2-97  
Shaft, Assy Cl, 4-3  
Shaft, Drive Ce, 4-13  
Shaft, Drive, 4-15, 4-17  
Shaft, Output, 4-6, 4-9  
Shaft, Pump, 4-25  
Shaft, 5-9  
Sheave Crankshaft, 2-43  
Sheave Water Pump, 2-43  
Shft Asy, Output, 5-23  
Shield, Distributor, 2-39  
Shim .020Th 0.88Odx0.506ld, 2-123  
Shim - 0.030 Thick - 1.0 ID, 5-17  
Shim, Spacer, 2-121  
Shock Absorber, 2-77  
Shoe, Plastic-Squeegee 14IN, 3-26  
Side Squeegee Se Kit, 3-35  
Signal Turn, 3-9  
Skirt, Brush Door, Inner, 3-33  
Skirt, Brush Door, Outer, 3-33  
Skirt, Brushdoor, 2-9, 2-11  
Skirt, Bumperstop, 2-27  
Skirt, Center, 2-13  
Skirt, Cover, Sbdc, 3-32  
Skirt, Deflection, Vac Kit, 3-33  
Skirt, Deflection, 2-9, 2-11  
Skirt, Front, Sbdc, 3-32  
Skirt, Hopper, Top, 3-33  
Skirt, Lip, 2-3, 2-25  
Skirt, Lower, 2-61  
Skirt, Sbdc, Rh, 3-32  
Skirt, Seal Main Brush, 2-7  
Skirt, Side, Sbdc,, 2-3, 2-25  
Skirt, Wheel Pocket, Sbdc, 3-32  
Skirt, Hoppertop, 2-7  
Sleeve, .250B .49D .14 Stl Znc, 2-15  
Sleeve, .370B .50D .50 Butwcd, 2-61  
Sleeve, .408B .62D .53Stl, 2-43  
Sleeve, .414B .74D .92 Stl, 2-113  
Sleeve, .500B .69D1.281Cr.Cad, 2-41  
Sleeve, .515B .62D .28 Cr., 2-117  
Sleeve, .562B .88D .50 Zinc, 2-33  
Sleeve, Nyl, 2-69  
Sleeve, Roller, 2-115  
Sleeve, 1.12B 1.38D1.00 Rubber, 2-29  
Sleeve, 1.12B 1.62D1.50 Rubber, 2-29  
Sleeve-Nyln #38 25.0L, 2-97  
Sleeve, 2-39, 2-97, 3-16, 3-17  
Solenoid , 5-23  
Spacer - Cover, 5-7  
Spacer , 4-17  
Spacer Alternator Arm, 2-43  
Spacer Cl, 4-11  
Spacer Hub, 2-101, 2-103, 2-105  
Spacer Pad Holder, 2-5  
Spacer Plate Cl, 4-6, 4-9

## CROSS REFERENCE

---

Spacer Plate, 4-4  
Spacer, .250ID .375OD .250 Lg, 2-77  
Spacer, Bracket, Fan, 2-39  
Spacer, Machined, 2-41  
Spacer, Pulley, 2-71, 2-91, 2-95, 2-101, 2-103, 2-105  
Spacer, 4-15  
Spark Plug, 2-3, 5-21  
Spindle, Adjustment, 2-21  
Spring - Tensioner, 5-15  
Spring Assy, Recirculation, 2-7  
Spring Ce, 4-13  
Spring Kit, Scu Cl, 4-11  
Spring, Brush Retaining, 2-5  
Spring, Conical Cp, 4-21, 4-23  
Spring, Ext., 2-73  
Spring, EXT, 3-26  
Spring, Extension, 2-109, 2-111, 2-115  
Spring, Gas, 74 Lbs, 2-15  
Spring, Parking Brake, 2-73  
Spring, Propel, Centering, 2-77  
Spring, Tens.750Dx.10Wire4.5, 2-91, 2-109  
Spring, Tension, 2-25, 2-95, 2-101, 2-103, 2-105  
Spring, Torsion, 2-73  
Spring, Shaker, 2-29  
Spring-Gas 120Lb 7.1 Stroke, 2-27  
Spring-Gas 34Lb 6.3 Stroke, 2-99  
Spring, 2-73, 4-3, 4-15, 4-17, 4-26, 5-17  
Sprng, Tens,0.50Odx.05Wire 1.0L, 2-15  
Sprng,Comp,0.62Idx.06Wire 2.3L, 2-125  
Sprng,Comp,0.74Idx.11Wire 2.5L, 3-35  
Sprng,Tens,0.87Odx.13Wire 9.0L, 2-113  
Sprng,Tens,1.12Odx.14Wire 4.8L, 2-93  
Sprocket, 5-9, 5-13, 5-15  
Squeegee Caster Replacement Kit, 2-113  
Squeegee Kit 8400, 3-23  
Squeegee Wand Kit 8400, 3-26  
Statnry Gear , 5-23  
Stator Assembly, 5-21  
Steer Control, Hyd#2 06.1 1000 (See Breakdowns), 2-125  
Steer Control, NYD#2 06.1 1000, 4-11  
Steering Wheel Cap, 2-125  
Steering Wheel Insert, 2-125  
Strainer-Hyd Suction 25-100-03, 2-87  
Strap Cap Retainer, 2-119, 2-121  
Strap Weldmt, Gas Tank, 2-55  
Strap, Backing Hopper, 2-7  
Strap, Coil, 2-39  
Strap, Deflector, Lh (Not Shown), 3-33  
Strap, Deflector, Rh, 3-33  
Strap, Deflector, 2-9, 2-11  
Strap, Door, Dump, Side, 2-3, 2-25  
Strap, Door, Dump, 2-3, 2-25  
Strap, Hinge - Lp Tank Mtg, 2-57, 2-59  
Strap, Main Lip, 2-3, 2-25  
Strap, Motor, Shaker, 2-29  
Strap, Mtg.- Lp Tank, 2-57, 2-59  
Strap, Rubber Tie-Down, 2-67  
Strap, Tank Retainer - Lp, 2-57, 2-59  
Strap, 2-9, 2-11, 2-25, 3-33  
Strip Retainer Bearing, 2-97  
Strip, Mtg, Gusset, 2-27  
Strip, Mtg, Hinge, 2-27  
Strip, Retainer, Seal, 2-7  
Strip, Retainer, Skirt, 2-9, 2-11  
Strip, Retainer, 2-9, 2-11, 3-33  
Strip, Retaining, 2-115  
Stud - M12-M10X109, 5-13  
Stud - M8-M6X47.1, 5-14  
Stud - M8X49, 5-7, 5-15  
Stud, Ball, Gas Spring, 2-15, 2-27, 2-99  
Stud, Wheel .50-20X1.50 pLTD, 2-69  
Switch Assy, Roller-No, 3-15  
Switch Assy, 4-26  
Switch Ignition, 2-127  
Switch Micro 15 Amp Dpdt, 3-3  
Switch, 15Amp 125/250Vac, 2-121  
Switch, Hyd Flow Sensor (See Breakdowns), 2-79  
Switch, Hyd Flow Sensor, 4-26  
Switch, Pressure, Lpg 70 PSI, 2-49  
Switch, Pressure, Oil, 2-39  
Switch, Pressure, 2-37  
Switch, Pushmom, Spst100A 12V, 2-125  
Switch, Roller, 2-23, 3-7, 3-9



**T**

Tab, Fuelline, 2-55  
 Tail light Assy., 2-61  
 Taillight Assy., 2-19  
 Taillight Assy, 2-19, 2-61  
 Tank Kit, Lpg, 43# 8400, 3-21  
 Tank, Detergent Rep.By 22795, 3-7  
 Tank, Fuel 9.3Gal, 2-55  
 Tank, Recovery W/Labels, 2-121  
 Tank, Solution W/Label, 2-119  
 Tank-Lp,33@,Liq,Both,Fill Ga L, 2-57, 2-59  
 Tape, Video, Operator, 8400, 3-38  
 Tappet Valve 0.020 O/S, 5-17  
 Tappet Valve Standard, 5-17  
 Tensioner Assembly, 5-15  
 Term.Cover , 5-23  
 Thermostat And Seal Assembly - 170\_F, 5-20  
 Thermostat Assembly,140 Deg, 2-29  
 Threaded Rod, 2-119  
 Thrust Bearing - Lower , 5-13  
 Thrust Bearing - Lower 0.002 U/S, 5-13  
 Thrust Bearing - Lower 0.010 U/S, 5-13  
 Thrust Bearing - Lower 0.020 U/S, 5-13  
 Thrust Bearing - Lower 0.030 U/S, 5-13  
 Thrust Bearing - Lower Standard Red, 5-13  
 Thrust Bearing - Upper , 5-13  
 Thrust Bearing - Upper 0.002 U/S, 5-13  
 Thrust Bearing - Upper 0.010 U/S, 5-13  
 Thrust Bearing - Upper 0.020 U/S, 5-13  
 Thrust Bearing - Upper 0.030 U/S, 5-13  
 Thrust Bearing - Upper Standard Red, 5-13  
 Thrust Bearing, 4-6, 4-9  
 Tie, Cable 1.75D Max 7.50Lg, 3-10, 3-11  
 Tie, Cable 1.75D 7.5Lg, 2-77  
 Tie, Cable 1.75D Max 7.50Lg, 2-61, 3-9, 3-15  
 Tire & Wheel Assy, 2-69  
 Tire, 18X5X12.12 Solid, 2-71  
 Tire, Solid, 18X6X12.125, 2-69  
 Tower Wldt, Corner, Lh, 2-61  
 Tower Wldt, Corner, Rh, 2-19  
 Tray, Detergent, 2-59  
 Tray, Drip, 3-29

Tray, Filter Carrier, 2-29  
 Tray, Gas, 2-55  
 Tread, Floor-Nonskid, 2-13  
 Tube Wldt, Leg, Ohg, Lh, 3-17  
 Tube Wldt, Leg, Ohg, Rh, 3-17  
 Tube Wldt, 3-35  
 Tube, Dipstick, 2-39  
 Tube, Fuelline, Diesel, 2-55  
 Tube, Fuelline, Gas, 2-55  
 Tube, Leg, Ohg, Lh, 3-16  
 Tube, Leg, Ohg, Rh, 3-16  
 Tube, Leg, Ohg, 3-16, 3-17  
 Tube, Radiator, Lower, Gas/Lpg, 2-65  
 Tube, Radiator, Upper, Gas/Lpg, 2-65  
 Tube, Retainer, Spring, 2-95  
 Tube,Spacer,.41Dx.32Bx1.Ol, 2-25  
 Tube-Hyd 10, 2-79  
 Tube, 2-101, 2-105  
 Tubing Connctr.Kit, Pmp, 4-27  
 Tubing, Vinyl, 4-25  
 Turnbuckle, 2-113

**U**

Use with 1 Piece Rear Seal, 5-13

**V**

Vacuumized Skirt Kit, Main Bru, 3-33  
 Valve Assembly, Solenoid, 4-8  
 Valve Cl, 4-3  
 Valve Kit, Poppet, 4-27  
 Valve Pcv, 2-39  
 Valve Stem 3W2P, 4-21, 4-23  
 Valve Stem 4W2P, 4-19, 4-21  
 Valve Stem N.C. Cp, 4-21  
 Valve Stem N.O. Cp, 4-19  
 Valve Stem, 4-19, 4-21, 4-23  
 Valve Water 3/4 Nptf, 2-117  
 Valve, Check Gr, 2-119  
 Valve, Check, 4-25  
 Valve, Dump, 4-15, 4-17  
 Valve, Exhaust 0.015 O/S, 5-17  
 Valve, Exhaust 0.030 O/S, 5-17

## CROSS REFERENCE

---

Valve, Exhaust Standard, 5-17  
Valve, Hyd Cntrl Sol (See Breakdowns), 2-33  
Valve, Hyd Cntrl Sol, 4-19  
Valve, Hyd Control Sol (See Breakdowns), 2-89, 2-107  
Valve, Hyd Control Sol, 4-21, 4-23  
Valve, Hyd Priority Ds16G1000, 2-17  
Valve, Hyd Psi Reducer 400/600, 2-63  
Valve, Intake Standard, 5-17  
Valve, Intake 0.015 O/S, 5-17  
Valve, Intake 0.030 O/S , 5-17  
Valve, Press Relief, Lpg Rego, 2-57, 2-59  
Valve, Solenoid, 12V Dc, 3-3  
Valve, 4-3  
Vaporizer Repairkit Im, 2-49  
Vaporizer, Lpg, 2-49

### W

Wand, Metal - 2PC, 3-26  
Washer .400B 1.12D .12Cr Znc, 2-33  
Washer .60 OB 1.13D .10 SS8-8, 2-113  
Washer - "C" Type, 5-21  
Washer - M15 - Pulley To Crankshaft, 5-13  
Washer - Sprocket to Camshaft, 5-15  
Washer , 5-23  
Washer Flt .38 Hard, 2-77  
Washer Flt .62 Hard, 2-113  
Washer Flt .75 Hard, 2-99  
Washer, .281B .62D .06Nylon, 2-45  
Washer, .530B 1.50D .19Hr, 3-32  
Washer, .531B 1.75D .12Cr.Znc, 2-97  
Washer, .531B 1.88D .12Hard Zn, 2-41  
Washer, .656B 1.25D .06W, 2-113  
Washer, Flat, 2-75  
Washer, Flt, 2-93  
Washer, Nylon .5X1.0X.03, 2-117  
Washer, Rubber, 2-21  
Washer, Thrust, 2-69, 2-113  
Washer, Wave Spring 1.20B X 1.54D, 2-113  
Washer,Nyl,0.405Bx0.812X.060Th, 2-91, 2-95  
Washer-Belleville .31 Pltd, 2-13, 2-17, 2-61, 2-123  
Washer-Flat .44 Std Nylon, 2-101, 2-103, 2-105

Washer-Flat 15.0X37.0X5.5 M15, 2-43  
Washer, 4-13, 4-15, 4-17, 5-9, 5-13  
Washer, Rubber Gr, 4-25  
Water Outlet, 5-20  
Weight, Eccentric, 2-29  
Wheel Assy, 2-71  
Wheel Steering 14DiaX36T, 2-125  
Wheel, Caster 3.00D, 2-113  
Wingnut, 3-30  
Wire Assy, 2-41  
Wire Assy, Spark Plug (Set of 4), 2-39  
Wire Ing Coil Suppressor, 2-39  
Wire, 60.0 Lg, 2Ga, Neg, 2-67  
Wire-Ground, Alternator, 2-43  
Wiring Assy, 2-39

### Y

Yoke, End-Adjustable, 2-91  
Yoke, Pivot, Machining, 2-31



# We Need Your Help...

As part of Tennant's Zero Defects Program, we want to know about errors you have found or suggestions you may have regarding our machine manuals. If you find an error or have a suggestion, please complete this postage-paid form and mail it to us. Thank you for helping us make zero defects a way of life at Tennant.

Manual No. \_\_\_\_\_ Rev. No. \_\_\_\_\_ Publish Date \_\_\_\_\_ Page \_\_\_\_\_  
 Machine \_\_\_\_\_  Report Error  Suggestion

---

---

---

---

---

---

---

---

---

---

---

---

---

---

---

---

---

---

---

---

---

---

---

---

Name \_\_\_\_\_ Date \_\_\_\_\_  
 Customer Number \_\_\_\_\_  
 Company \_\_\_\_\_  
 Address \_\_\_\_\_  
 City/State/Zip Code \_\_\_\_\_

Fold along dotted lines

Tape here



NO POSTAGE  
NECESSARY  
IF MAILED  
IN THE  
UNITED STATES

**BUSINESS REPLY MAIL**

FIRST CLASS MAIL      PERMIT NO. 94      MINNEAPOLIS, MN

POSTAGE WILL BE PAID BY ADDRESSEE

**TENNANT COMPANY**

Technical Publications #15  
701 North Lilac Drive  
P.O. Box 1452  
Minneapolis, MN 55440-9947





# We Need Your Help...

As part of Tennant's Zero Defects Program, we want to know about errors you have found or suggestions you may have regarding our machine manuals. If you find an error or have a suggestion, please complete this postage-paid form and mail it to us. Thank you for helping us make zero defects a way of life at Tennant.

Manual No. \_\_\_\_\_ Rev. No. \_\_\_\_\_ Publish Date \_\_\_\_\_ Page \_\_\_\_\_  
 Machine \_\_\_\_\_  Report Error  Suggestion

---

---

---

---

---

---

---

---

---

---

---

---

---

---

---

---

---

---

Name \_\_\_\_\_ Date \_\_\_\_\_  
 Customer Number \_\_\_\_\_  
 Company \_\_\_\_\_  
 Address \_\_\_\_\_  
 City/State/Zip Code \_\_\_\_\_

Fold along dotted lines

Tape here



NO POSTAGE  
NECESSARY  
IF MAILED  
IN THE  
UNITED STATES

**BUSINESS REPLY MAIL**

FIRST CLASS MAIL      PERMIT NO. 94      MINNEAPOLIS, MN

POSTAGE WILL BE PAID BY ADDRESSEE

**TENNANT COMPANY**

Technical Publications #15  
701 North Lilac Drive  
P.O. Box 1452  
Minneapolis, MN 55440-9947

