



# 5500/5520

Automatic Scrubber  
Fregadora Automática

**Model No.:**

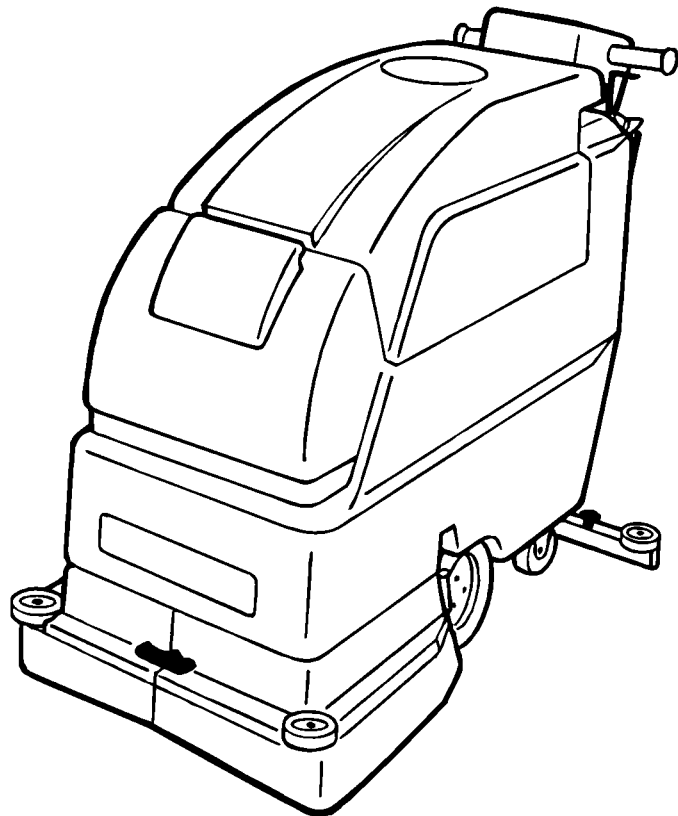
**607549 – 5500**

**607550 – 5500 Pac**

**607562 – 5520**

**607563 – 5520 Pac**

**Operator and Parts Manual  
Manual del Operador y Piezas**



**TENNANT COMPANY**  
**Commercial Products**  
12875 RANSOM STREET  
HOLLAND MI 49424 U.S.A.

FAX: 1-800-678-4240  
CUSTOMER SERVICE: 1-800-982-7658

**607551**  
**Rev. 01 (08-01)**

# OPERATION

---

This manual is furnished with each new model. It provides necessary operation and maintenance instructions and an illustrated parts list.

**Read this manual completely and understand the machine before operating or servicing it.**

When ordering replacement parts, use the parts list section in this manual. Before ordering parts or supplies, be sure to have your machine model number and serial number available. Parts and supplies may be ordered by phone or mail from any authorized Service Center or Distributor.

This machine will provide excellent service. However, the best results will be obtained at minimum costs if:

- The machine is operated with reasonable care.
- The machine is maintained regularly - per the machine maintenance instructions provided.
- The machine is maintained with manufacturer supplied or equivalent parts.

---

## MACHINE DATA

---

Please fill out at time of installation for future reference.  
Model No.- \_\_\_\_\_  
Install. Date - \_\_\_\_\_  
Serial No.- \_\_\_\_\_

©2001 Tennant Company Printed in U.S.A

---

## TABLE OF CONTENTS (ESPAÑOL ÍNDICE....18)

---

<b>SAFETY PRECAUTIONS</b> .....	<b>3</b>	<b>TRANSPORTING MACHINE</b> .....	<b>14</b>
<b>MACHINE COMPONENTS</b> .....	<b>4</b>	<b>STORING MACHINE</b> .....	<b>15</b>
<b>CONTROL PANEL SYMBOLS</b> .....	<b>5</b>	<b>RECOMMENDED STOCK ITEMS</b> .....	<b>15</b>
<b>MACHINE INSTALLATION</b> .....	<b>6</b>	<b>TROUBLE SHOOTING</b> .....	<b>16</b>
UNCRATING MACHINE .....	6	<b>SPECIFICATIONS</b> .....	<b>17</b>
INSTALLING BATTERIES .....	6	<b>ELECTRICAL DIAGRAMS</b> .....	<b>36</b>
<b>MACHINE SETUP</b> .....	<b>6</b>	<b>PARTS LIST</b> .....	<b>38</b>
ATTACHING SQUEEGEE ASSEMBLY ....	6	REPLACEMENT BRUSHES AND PAD	
INSTALLING BRUSH OR PAD DRIVERS ..	7	DRIVER GROUP .....	38
FILLING SOLUTION TANK .....	8	SOLUTION TANK GROUP .....	40
<b>MACHINE OPERATION</b> .....	<b>8</b>	RECOVERY TANK GROUP .....	42
PRE-OPERATION CHECKS .....	8	CONSOLE GROUP .....	44
WHILE OPERATING MACHINE .....	10	ELECTRICAL / BATTERY GROUP .....	46
STOPPING MACHINE .....	10	DRIVE GROUP .....	48
EMERGENCY STOPPING (OPTION) ....	10	BRUSH GROUP .....	50
CIRCUIT BREAKERS .....	11	BRUSH SKIRT GROUP .....	52
<b>DRAINING TANKS</b> .....	<b>11</b>	SOLUTION CONTROL GROUP .....	54
DRAINING RECOVERY TANK .....	11	SQUEEGEE CONTROL GROUP .....	56
DRAINING SOLUTION TANK .....	11	CURVED SQUEEGEE GROUP .....	58
<b>BATTERY CHARGING</b> .....	<b>12</b>	<b>OPTIONS</b> .....	<b>60</b>
<b>MACHINE MAINTENANCE</b> .....	<b>13</b>	ES™ KIT .....	60
DAILY MAINTENANCE .....	13	SQUEEGEE WAND ASSEMBLY .....	62
WEEKLY MAINTENANCE .....	13	HOUR METER, EMERGENCY STOP,	
MONTHLY MAINTENANCE .....	14	KEYSWITCH AND LOW	
QUARTERLY MAINTENANCE .....	14	VOLTAGE KITS .....	63
BATTERY MAINTENANCE .....	14	CONVERSION KIT .....	64


---

## SAFETY PRECAUTIONS

---

This machine is intended for commercial use. It is designed to scrub hard floors in an indoor environment and is not constructed for any other use. Use only recommended pads, brushes and cleaning solutions.

The following safety alert symbols are used throughout this manual as indicated in their description.

 **WARNING: To warn of hazards or unsafe practices which could result in severe personal injury or death.**

**FOR SAFETY: To identify actions which must be followed for safe operation of equipment.**


The following information signals potentially dangerous conditions to the operator or equipment:


### FOR SAFETY:

1. **Do not operate machine:**
  - Unless trained and authorized.
  - Unless operation manual is read and understood.
  - In flammable or explosive areas unless designed for use in those areas.
2. **Before starting machine:**
  - Make sure all safety devices are in place and operate properly.
3. **When using machine:**
  - Go slow on inclines and slippery surfaces.
  - Use care when reversing machine.
  - Always follow safety and traffic rules.
  - Report machine damage or faulty operation immediately.
  - Follow mixing and handling instructions on chemical containers.
4. **Before leaving or servicing machine:**
  - Stop on level surface.
  - Turn off machine.

### 5. When servicing machine:

- Avoid moving parts. Do not wear loose jackets, shirts, or sleeves.
- Block machine tires before jacking machine up.
- Use hoist or jack of adequate capacity to lift machine.
- Disconnect battery connections before working on machine.
- Wear protective gloves when handling batteries or battery cables.
- Avoid contact with battery acid.
- Use manufacturer supplied or approved replacement parts.

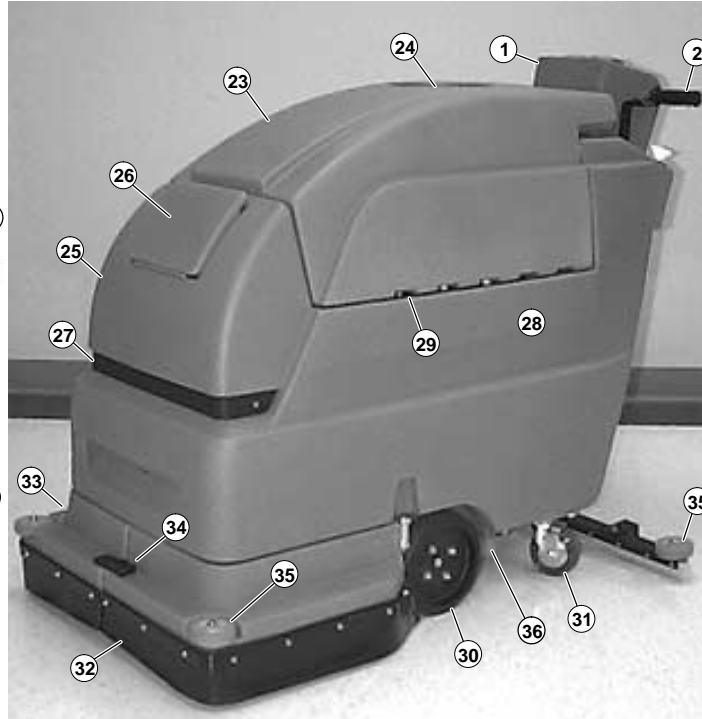
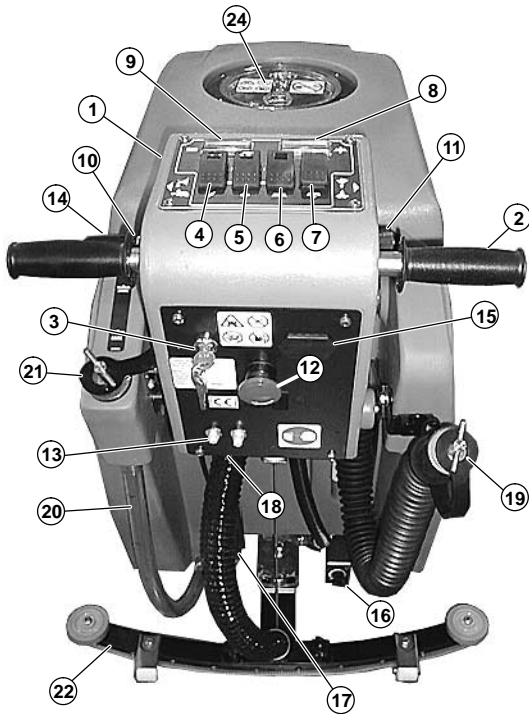
 **WARNING: Batteries emit hydrogen gas. Explosion or fire can result. Keep sparks and open flame away. Keep battery compartment open when charging.**

 **WARNING: Flammable materials can cause an explosion or fire. Do not use flammable materials in tank(s).**

 **WARNING: Flammable materials or reactive metals can cause explosion or fire. Do not pick up.**

# OPERATION












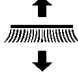
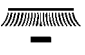




## MACHINE COMPONENTS



- 1. Control Console
- 2. Control Twist Grips
- 3. Key Switch (Optional)
- 4. Main ON/OFF Switch
- 5. Vacuum ON/OFF Switch
- 6. Brush/Solution ON/OFF Switch
- 7. Brush Pressure (Raise/Lower) Switch
- 8. Battery Meter
- 9. Brush Pressure Meter
- 10. Reverse Switch
- 11. Speed Control Knob
- 12. Power Kill Button (Optional)
- 13. Main, Vac/Drive Circuit Breakers
- 14. Squeegee Lift Lever
- 15. Hour Meter (Optional)
- 16. Solution Flow Adjustment Knob
- 17. Scrub Head Actuator
- 18. Adjustable Control Console Levers

- 19. Recovery Tank Drain Hose
- 20. Solution Tank Drain Hose
- 21. Rear Fill Port
- 22. Squeegee Assembly
- 23. Recovery Tank
- 24. Recovery Tank Lid
- 25. Solution Tank
- 26. Solution Tank Fill Door
- 27. Safety Lights
- 28. Battery Compartment
- 29. Charger Plug
- 30. Drive Wheels
- 31. Rear Casters
- 32. Brush Skirt
- 33. Skirt Housing
- 34. Skirt Housing Latch
- 35. Wall Rollers
- 36. Parking Brake (Optional)

CONTROL PANEL SYMBOLS

	Main Power		Fast Speed		Right Hand Brush Motor Circuit Breaker		Read Manual Before Operat- ing
	Vacuum		Slow Speed		Left Hand Brush Motor Circuit Breaker		Battery Charge Meter
	Brush		Reverse		Vacuum Motor Cir- cuit Breaker		Brush Pressure Meter
	Less Brush Pressure		Squeegee Up		Main Power Circuit Breaker		
	More Brush Pressure		Squeegee Down				

# OPERATION

---

## MACHINE INSTALLATION

---

### UNCRATING MACHINE

Carefully check carton for signs of damage. Report any damage at once to carrier. Check carton contents to ensure all accessories are included. Squeegee is packaged with machine. Batteries, battery charger and pad driver(s) are packaged separately.

**ATTENTION: Battery installation must be accomplished after removing machine from shipping crate.**

To uncrate your machine, remove shipping straps and carefully lift or make a ramp using crate boards to remove machine from pallet.

**ATTENTION: Do not roll machine off pallet, damage may occur.**

---

### INSTALLING BATTERIES

**⚠ WARNING: Batteries emit hydrogen gas. Explosion or fire can result. Keep sparks and open flame away. Keep battery compartment open when charging.**

**FOR SAFETY: When servicing machine, wear protective gloves when handling batteries and battery cables. Avoid contact with battery acid.**

#### Battery Specifications:

Two 12 volt, deep cycle, 215 A hour batteries. Consult with an Authorized Distributor for specific batteries. Maximum battery dimensions are 178mm (7 in) W x 381mm (15 in) L x 356mm (14 in) H.

1. Turn all switches to the OFF position.
2. Carefully hinge open recovery tank to access battery compartment. Make sure recovery tank is empty before opening. Remove loose battery cables from compartment (*Figure 1*).



FIG. 1

3. Carefully install batteries into battery tray at bottom of compartment and arrange battery posts as shown (*Figure 2*).

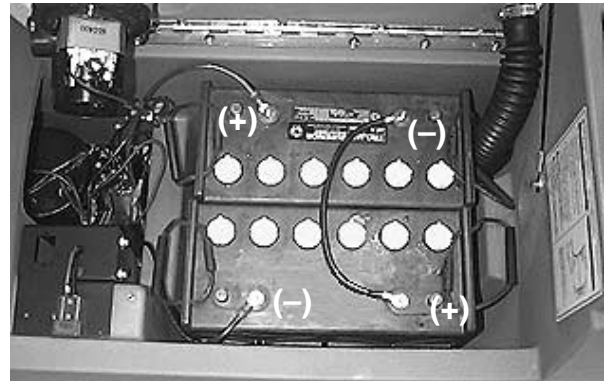


FIG. 2

**ATTENTION: Do not drop batteries into compartment, battery and machine housing damage may result. This damage is not covered by warranty.**

4. Connect battery cables to battery posts as shown (RED TO POSITIVE & BLACK TO NEGATIVE) (*Figure 2*).
5. Turn on the main switch and check battery meter charge level to ensure batteries are fully charged. Charge if necessary (*See BATTERY CHARGING*).

---

## MACHINE SETUP

---

### ATTACHING SQUEEGEE ASSEMBLY

1. Turn main switch to the off position.

**FOR SAFETY: Before leaving or servicing machine, stop on level surface and turn off machine.**

2. Raise squeegee mount bracket. Pull back on squeegee lift lever to raise squeegee mount bracket (*Figure 3*).

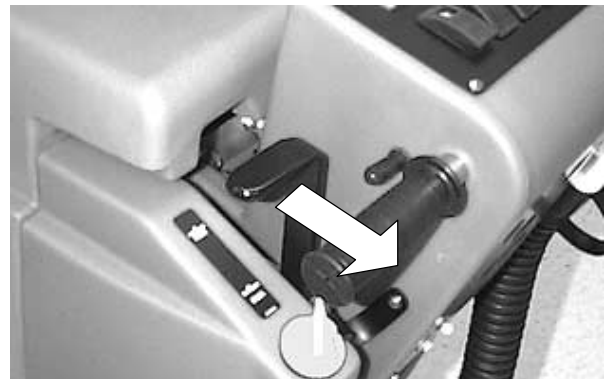


FIG. 3

- Loosen two thumb knobs on squeegee assembly and slide squeegee into slots on squeegee mount bracket. Squeegee roller wheels should face outward (*Figure 4*).

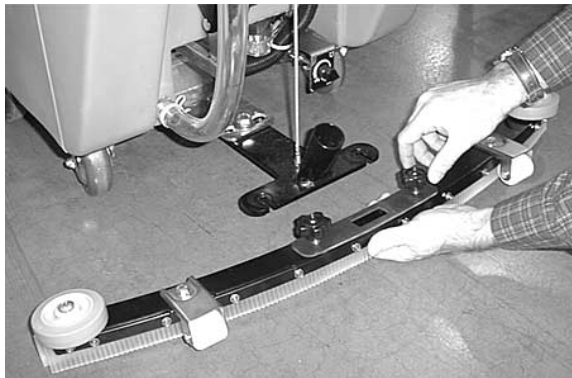


FIG. 4

- Tighten thumb knobs securely.
- Connect vacuum hose from machine to squeegee assembly (*Figure 5*).

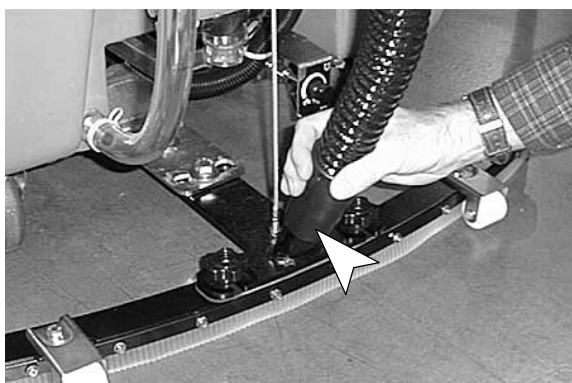


FIG. 5

## INSTALLING BRUSH OR PAD DRIVERS

- Turn main switch to the on position.
- Raise scrub head. Press top half (-) of brush pressure switch to raise. Hold switch down until scrub head actuator turns off (*Figure 6*).



FIG. 6

- Turn main switch to the off position.

**FOR SAFETY: Before leaving or servicing machine, stop on level surface and turn off machine.**

- Unfasten black latch at front of machine and hinge open skirt housing to access motor hub (*Figure 7*).



FIG. 7

- Select recommended pads or brushes that best meets your cleaning needs.

**NOTE:** Consult an authorized distributor for pad/brush recommendations.

- (For Pad Installation)** Attach pads to pad drivers before connecting drivers to motor hub. Secure pads with plastic centerlock ring (*Figure 8*).

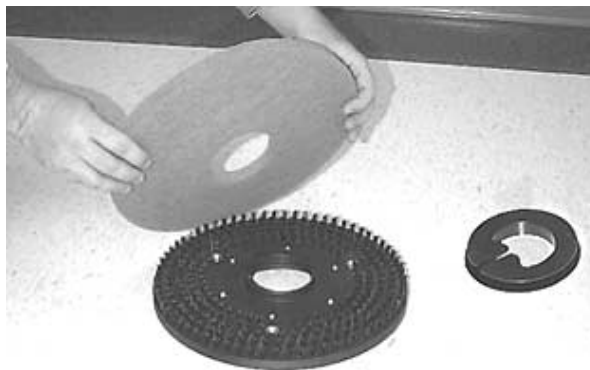


FIG. 8

- Align pad driver mounting studs with slots in motor hub. Give the driver a quick turn toward the motor hub spring clip. Be certain that spring clip locks into one of the studs before operating machine (*Figure 9*).

# OPERATION

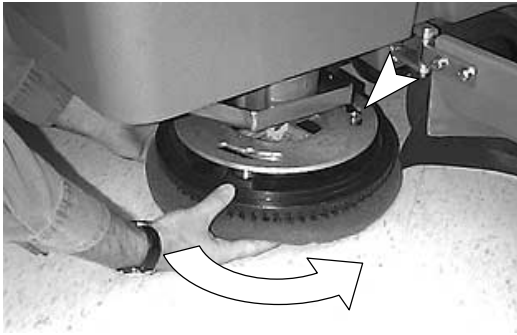


FIG. 9

**NOTE:** Always make sure pad drivers and motor hub surfaces are always clean before installing drivers. Clean surfaces will ease pad driver removal later.

8. Close skirt housing and refasten latch.

## FILLING SOLUTION TANK

1. Transport machine to filling station. Raise squeegee and brush when transporting.
2. Turn main switch to the off position.
3. Open solution fill door at front of machine and fill solution tank with 64L (17 gal) of clean water, 60°C (140°F) maximum temperature. Or use the rear fill port to fill solution tank. Twist off plug and insert hose to fill. The clear tube below the fill port has 19L (5 gal) increment markers to indicate amount of water in tank (Figure 10).



FIG. 10

**NOTE:** If filling with a bucket be certain that bucket is clean. This will prevent possible solution line clogs.

4. Add cleaning chemical. See proper dilution ratio instructions on bottle.

**FOR SAFETY:** When using machine, follow mixing and handling instructions on chemical containers.

**ATTENTION:** Use only recommended cleaning chemicals, DO NOT use substitutes. Consult an authorized distributor for recommendations.

**⚠ WARNING:** Flammable materials can cause an explosion or fire. Do not use flammable materials in tank(s).

## MACHINE OPERATION

**FOR SAFETY:** Do not operate machine unless operator manual is read and understood.

### PRE-OPERATION CHECKS

- Sweep and dust mop floor to remove particles and other debris.
- Check battery meter charge level to ensure batteries are fully charged (See **BATTERY CHARGING**).
- Check condition of pads or brushes.
- Check condition of squeegee blades.

1. Release parking brake lever if set.
2. Adjust control grips to a comfortable operating height, squeeze together the two levers below the console (Figure 11).

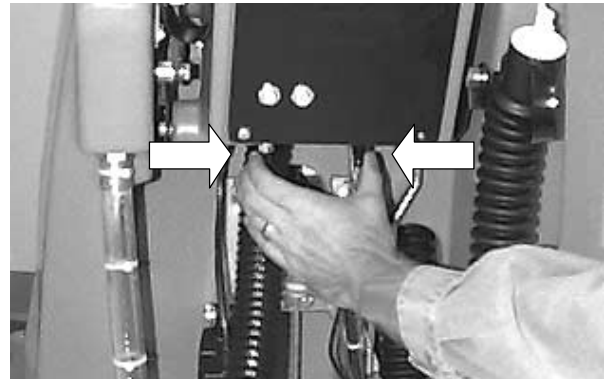


FIG. 11

3. Disengage squeegee lift lever from the up position and lower squeegee (Figure 12).

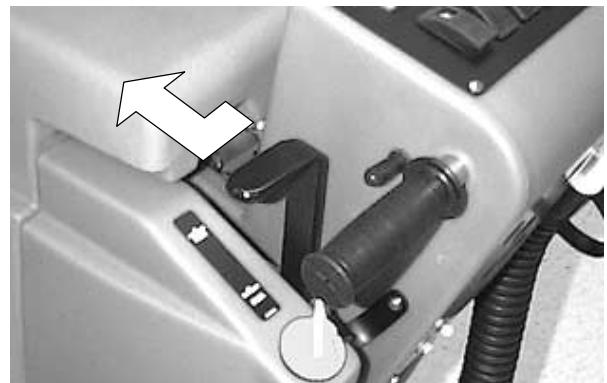


FIG. 12

4. Turn main switch to the on position.



- Lower scrub head to floor by pressing bottom half (+) of brush pressure switch (Figure 13).



FIG. 13

- Turn vacuum and brush switches to the on position.

**NOTE:** The brushes and solution flow will not start until control grips are rotated.

- Before starting, turn speed control knob to slowest setting (Figure 14).
- Begin scrubbing by rotating control grips forward. Gradually increase your speed by turning speed control knob forward (Figure 14).



FIG. 14

- Once machine begins to move, check the needle position of the brush pressure meter. Depress brush pressure switch to adjust brush pressure. Never operate machine in the red zone (Figure 15).

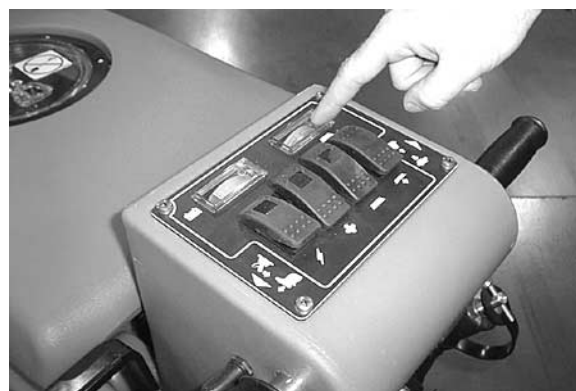


FIG. 15

**ATTENTION:** To prevent floor damage and brush motor overload, do not operate brush pressure meter in red zone.

- To operate machine in reverse, simply pull reverse switch backwards (one speed) (Figure 16).



FIG. 16

- To stop machine, release control grips.

# OPERATION

---

## WHILE OPERATING MACHINE

**FOR SAFETY:** When using machine, go slow on inclines and slippery surfaces.

**⚠ WARNING:** Flammable materials or reactive metals can cause explosion or fire. Do not pick up.

1. Observe amount of solution flow on floor. To increase or decrease water flow, adjust solution control knob located at rear of machine (Figure 17).

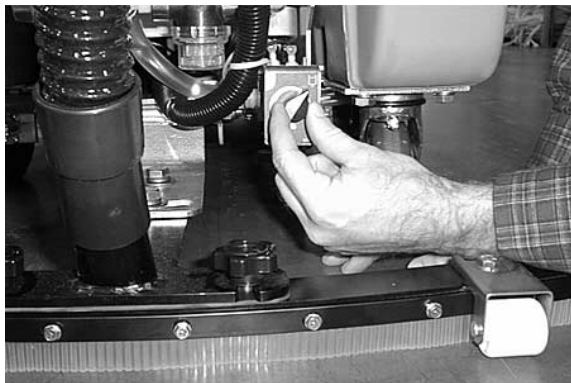


FIG. 17

2. Periodically observe recovery tank for excessive foam. If excessive foam appears, pour a recommended foam control solution into recovery tank.

**ATTENTION:** Do not allow foam or water to enter float shut-off screen, vacuum motor damage will result. Foam will not activate float shut-off screen.

3. Always operate at a slower speed when scrubbing around walls or obstacles.
4. Always reduce speed to maintain control when turning machine.
5. If squeegee leaves streaks, raise and wipe blades with a cloth. Pre-sweep area to prevent streaking.
6. Overlap each pass by 51mm (2 in).
7. Change or turn over pads when worn.
8. Stay clear of floor obstructions, such as electrical plates or grates, they will destroy pads.
9. During brief stops, you do not have to turn off any switches, the brushes and solution flow will automatically stop when control grips are released.
10. Periodically check battery meter discharge level. When needle drops to the red zone, recharge batteries.

**ATTENTION:** Do not continue to run machine when battery meter needle is in the red zone, battery damage will result.

11. While cleaning, view clear tube at rear of machine for remaining cleaning solution. Each mark on hose indicates 19L (5 gal).
12. When solution tank runs dry, turn off brush switch, raise brushes and continue to vacuum until all dirty water is consumed. Then drain recovery tank. (See *DRAINING TANKS*).

---

## STOPPING MACHINE

1. Turn off brush switch, raise brushes and continue to vacuum until all dirty water is consumed.
2. Release control grips.
3. Raise squeegee and scrub head.
4. Turn off switches and remove key.
5. Set parking brake if equipped (Figure 18).



FIG. 18

**FOR SAFETY:** Before leaving or servicing machine, stop on level surface, turn off machine, and set parking brake if equipped.

---

## EMERGENCY STOPPING (OPTION)

To stop machine in case of an emergency, hit the red power kill button located at rear of control console. The power kill button immediately stops all power to machine (Figure 19).

To reset power kill button, shut off all switches and turn kill button to the right. Resume to normal operation.



FIG. 19

## CIRCUIT BREAKERS

The Machine is equipped with (4) circuit breakers to protect machine from damage.

If circuit breakers should trip, the breakers will not reset immediately upon tripping. Determine reason why breaker tripped, allow motor to cool and reset.

Brush motor circuit breakers will trip due to excessive overload on pad. Reduce pad pressure or replace pad if breaker should trip. Brush motor circuit breakers (15amp) are located near charger plug.

The main (10amp) and drive/vacuum (35amp) circuit breakers are located at rear of machine (Figure 20).



FIG. 20

## DRAINING TANKS

**FOR SAFETY:** Before leaving or servicing machine, stop on level surface and turn off machine.

### DRAINING RECOVERY TANK

When finished scrubbing or when refilling solution tank, recovery tank should be drained and cleaned.

**ATTENTION:** If recovery tank is not drained before refilling, foam or water will enter float shut-off screen and vacuum motor damage will result.

1. Remove drain hose from holder, position hose over floor drain and twist off drain hose plug. To completely drain recovery tank, hinge open tank and flip up tank support stand to rest tank on (Figure 21).

**NOTE:** If using a bucket to drain machine, do not use same bucket for filling solution tank. This will prevent possible solution line clogs.



FIG. 21

2. Clean recovery tank after each use. Use a hose to rinse out tank. Be careful not to spray water into float shut-off screen.
3. Replace drain hose plug tightly after draining.

### DRAINING SOLUTION TANK

To drain leftover cleaning solution from solution tank, perform the following steps:

1. Pull clear hose off hose barb at rear of machine and drain solution into floor drain or bucket (Figure 22).

## OPERATION



FIG. 22

2. Rinse out solution tank and solution flow system with clean water after each use. This will prevent clogging due to chemical buildup.
3. Reconnect solution tank drain hose securely after draining.

## BATTERY CHARGING

**NOTE:** Recharge batteries **ONLY** after a total of 30 minutes of use or more. This will prolong battery life.

The following charging instructions are intended for chargers supplied with machine. Only use a charger with the following specifications to prevent battery damage.

### CHARGER SPECIFICATIONS:

- OUTPUT VOLTAGE - 24 VOLTS
- OUTPUT CURRENT - 25 AMPS MAXIMUM
- AUTOMATIC SHUTOFF CIRCUIT
- FOR DEEP CYCLE BATTERY CHARGING

**NOTE:** For optimum machine operation, keep batteries charged at all times. Never let batteries set in a discharge condition.

**⚠ WARNING:** Batteries emit hydrogen gas. Explosion or fire can result. Keep sparks and open flame away. Keep battery compartment open when charging.

**FOR SAFETY:** When servicing machine, wear protective gloves when handling batteries and battery cables. Avoid contact with battery acid.

1. Transport machine to a well-ventilated area for charging.
2. Turn main switch to the off position.

3. Hinge open recovery tank to access batteries. Make sure recovery tank is empty before opening (Figure 23).



FIG. 23

4. Check fluid level (A) in each battery cell. Do not charge batteries unless fluid is slightly covering battery plates (B). If needed, add just enough distilled water to slightly cover plates. **DO NOT** overfill. Batteries can overflow during charging due to expansion. Replace cell caps before charging (Figure 24).

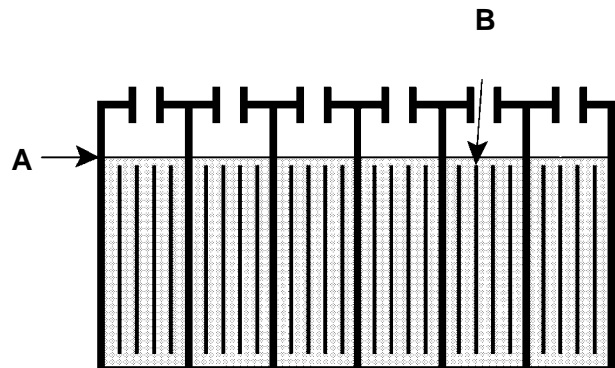


FIG. 24

5. Plug charger DC output connector to battery connector located near battery compartment. Flip up tank support stand and rest tank on stand (Figure 25).

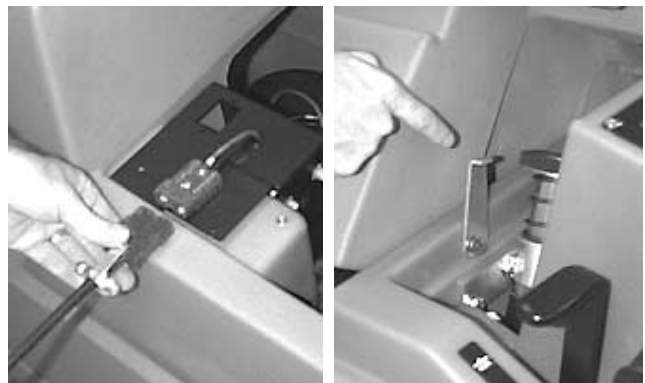


FIG. 25

**NOTE:** Once charger is connected to machine, machine becomes inoperable.

- With the charger DC outlet connector disconnected from batteries, plug charger power supply cord into a grounded wall outlet (Figure 26).

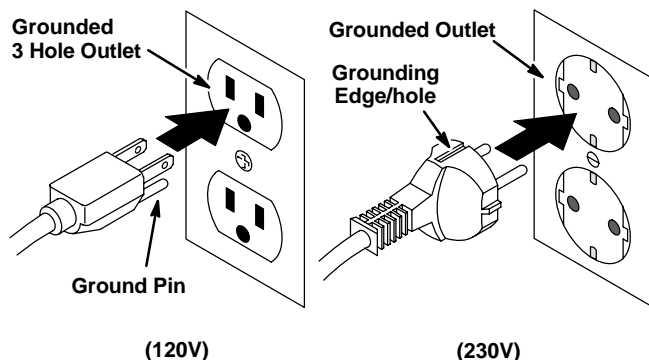


FIG. 26

- Charger will automatically begin charging and automatically shut off when fully charged.
- After charger has turned off, unplug charger from machine then disconnect charger from wall outlet.
- Recheck battery fluid level after charging. If needed, add distilled water to bring level to bottom of sight tubes. Be certain to replace cell caps securely and to wipe off the top of batteries with a clean cloth.

## MACHINE MAINTENANCE

To keep machine in good working condition, simply follow the daily, weekly and monthly maintenance procedures.

**FOR SAFETY: Before leaving or servicing machine, stop on level surface and turn off machine.**

**FOR SAFETY: When servicing machine, disconnect battery connections before working on machine.**

**ATTENTION: Contact an Authorized Service Center for machine repairs. Machine repairs performed by other than an authorized person will void your warranty.**

### DAILY MAINTENANCE (Every 4 Hours of Operation)

- Remove and clean pads/brushes. Never use soiled pads when cleaning. Replace pads when they become loaded with residue.
- Remove and clean lint from float shut-off screen located in recovery tank (Figure 27).



FIG. 27

- Drain and rinse tanks thoroughly. After draining tanks, hinge recovery tank until you can see vacuum intake hole at rear of tank. Remove any debris in hole if necessary.
  - Raise squeegee and wipe it off with a dry cloth. Store squeegee in the up position to prevent squeegee damage.
  - Clean machine housing with a nonabrasive, nonsolvent cleaner.
- ATTENTION: Do not power spray or hose off machine. Electrical component damage may result.**
- Recharge batteries if needed.

### WEEKLY MAINTENANCE (Every 20 Hours of Operation)

- Flush out tanks and solution lines. Pour 750ml (24 oz) of an acetic acid solution with 11.3L (3 gal) of hot water, 60°C (140°F) max., into solution tank. Over a floor drain, activate solution flow briefly to fill solution line. Shut off power and let machine set over night. Rinse with clean water afterwards.

**FOR SAFETY: When using machine, follow mixing and handling instructions on chemical containers.**

- Remove inline strainer filter and rinse out. Before removing filter, be certain solution tank is empty. Filter is located under machine at rear (Figure 28).

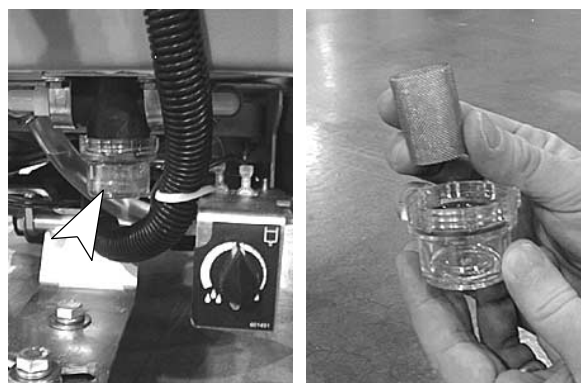


FIG. 28

## OPERATION

---

3. Check fluid level in battery cells. (See *BATTERY MAINTENANCE*).
4. Clean battery tops with to prevent corrosion. (See *BATTERY MAINTENANCE*).
5. Check for loose or corroded battery cables.

---

### MONTHLY MAINTENANCE (Every 80 Hours of Operation)

1. Lubricate caster grease fittings with a water resistant grease.
2. Lubricate all linkage pivot points with silicone spray then coat with a water resistant grease to maintain a smooth operation.
3. Check machine for water leaks and loose nuts and bolts.

---

### QUARTERLY MAINTENANCE (Every 250 Hours of Operation)

Check drive, vacuum and brush motors for carbon brush wear, replace brushes if worn to a length of 10mm (0.38 in) or less.

---

### BATTERY MAINTENANCE

**⚠ WARNING: Batteries emit hydrogen gas. Explosion or fire can result. Keep sparks and open flame away. Keep battery compartment open when charging.**

**FOR SAFETY: When servicing machine, wear protective gloves when handling batteries and battery cables. Avoid contact with battery acid.**

1. Always follow proper charging instructions (See *BATTERY CHARGING*).
2. After charging, check fluid level (A) in each battery cell of all batteries. The level should reach bottom of sight tubes (B). If needed, add just enough distilled water to reach bottom of sight tubes. DO NOT overfill (*Figure 29*).

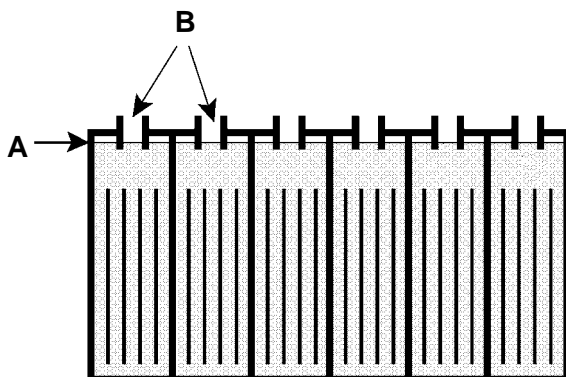


FIG. 29

3. Keep battery tops and terminals clean and dry. To clean batteries:
  - a. Mix a strong solution of baking soda and water.
  - b. Brush solution sparingly over battery tops, terminal and cable connectors.

**NOTE:** Do not allow baking soda solution to enter battery cells.

- c. Use wire brush to clean terminal post and cable connections.
  - d. After cleaning, apply a coating of clear battery post protectant to terminals and cable connections.
4. Check for loose or worn cables. Replace if worn.

---

### TRANSPORTING MACHINE

---

When transporting machine by use of trailer or truck, be certain to follow tie-down procedures below:

**FOR SAFETY: When using machine, go slow on inclines and slippery surfaces.**

1. Remove squeegee from machine and raise scrub head. Leave pad or brush installed.
2. Load machine using a recommended loading ramp.
3. Position front of machine up against front of trailer of truck. Once machine is positioned, lower brush head.
4. Place a block behind the drive wheel and the rear casters.
5. Place tie-down straps over top of machine and secure straps to floor. It may be necessary to install tie-down brackets to the floor of your trailer or truck.

**STORING MACHINE**

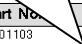
1. Before storing machine, be certain to flush tanks and drain machine of all water.
2. Store machine in a dry area with squeegee removed and pad driver in the raised position.
3. Remove recovery lid to promote air circulation.
4. When storing machine, raise pad scrub head and squeegee off floor to prevent damage.

**ATTENTION: If storing machine in freezing temperatures, be certain to drain machine of all water. Damage due to freezing temperatures is not covered by warranty.**

**ATTENTION: Do not expose machine to rain; store indoors.**

**RECOMMENDED STOCK ITEMS**

Refer to Parts List section for recommended stock items. Stock Items are clearly identified with a bullet preceding the parts description. See example below:



Ref.	Part No.	Description	Qty.
1	701103	ASM., STANDPIPE	1
2	180613	●FLOAT, SHUTOFF	1
3	230187	NIPPLE	1
4	101714	●GASKET	1
5	210240	NUT, FLANGED	1

# OPERATION

## TROUBLE SHOOTING

PROBLEM	CAUSE	SOLUTION
No power.	Faulty main switch.	Contact Service Center.
	Batteries need charging.	See CHARGING BATTERIES.
	Faulty battery(s).	Replace battery(s).
	Loose battery cable.	Tighten loose cable.
	MAIN circuit breaker has tripped.	Determine cause and reset circuit breaker button.
Brush motors do not operate.	Brush switch is not on.	Turn on brush switch.
	Control grips are not rotated.	Rotate control grips.
	Brush circuit breaker(s) has tripped.	Clean or replace pad or brush and reset brush circuit breaker button.
	Faulty brush motor or wiring.	Contact Service Center.
	Carbon brushes worn.	Contact Service Center.
	Faulty brush switch or solenoid.	Contact Service Center.
Vacuum motor does not operate.	Faulty vacuum switch.	Contact Service Center.
	Vacuum circuit breaker has tripped.	Remove obstruction and reset breaker.
	Faulty vacuum motor or wiring.	Contact Service Center.
	Carbon brushes worn.	Contact Service Center.
Drive motor does not operate.	Drive motor circuit breaker has tripped.	Determine cause and reset breaker.
	Faulty speed control circuit board or connection.	Contact Service Center.
	Faulty solenoid.	Contact Service Center.
	Faulty drive motor.	Contact Service Center.
	Faulty wiring.	Contact Service Center.
	Worn carbon brushes.	Contact Service Center.
Drive motor operates improperly.	Faulty potentiometer or speed control board.	Contact Service Center.
	Loose wire connection	Contact Service Center.
Little or no solution flow.	Solution line or solution tank filter is clogged.	Remove hose and blow compressed air through it. Flush solution tank after each use.
	Solution valve or solenoid is clogged.	Remove valve or solenoid and clean. Do not scratch inside of valve.
	Faulty solution switch or solenoid.	Contact Service Center.
	Solution flow adjustment knob needs adjusting.	Turn solution flow knob clockwise to increase flow.
Short run time.	Batteries not fully charged.	Charge batteries.
	Bad cell in one or more batteries.	Replace battery.
	Batteries need maintenance.	See BATTERY MAINTENANCE.
	Faulty charger.	Replace battery charger.



**TROUBLE SHOOTING –continued**

<b>PROBLEM</b>	<b>CAUSE</b>	<b>SOLUTION</b>
Poor water pick up.	Recovery tank is full.	Empty recovery tank.
	Ball float shut-off screen inside recovery tank is clogged.	Remove screen and clean.
	Squeegee is clogged with debris.	Clean squeegee.
	Squeegee blades are worn.	Replace squeegee blades.
	Squeegee thumbscrews are loose.	Tighten thumbscrews.
	Vacuum hose connections are loose or hose has a hole.	Push hose cuffs firmly on connections. Replace hose if damaged.
	Vacuum hose is clogged with debris.	Remove clogged debris.
	Recovery tank inlet hole is obstructed.	Empty recovery tank and tilt tank sideways to access inlet hole, remove obstruction.
	Tank gasket is defective.	Replace gasket.
	Drain hose plug is loose.	Tighten drain plug.
	Recovery tank lid is loose.	Tighten lid.
	Vacuum motor is loose.	Contact Service Center.
Battery charge level is low.	Charge batteries. Do not run machine when battery meter is in the red zone.	
Safety lights do not work.	Flasher is burned out.	Contact Service Center.

**SPECIFICATIONS**

<b>MODEL</b>	<b>5500</b>	<b>5520</b>
LENGTH	1270 mm (50 in)	1270 mm (50 in)
WIDTH	660 mm (26 in)	711mm (28 in)
HEIGHT	990 mm (39 in)	990 mm (39 in)
WEIGHT	170 kg (375lb)/272 Kg (600lb) with batteries	170 kg (375lb)/272 Kg (600lb) with batteries
SOL./REC TANK CAPACITY	64 L (17 Gal)	64 L (17 Gal)
SPEED CONTROL	Variable Fwd. / Fixed Rev.	Variable Fwd. / Fixed Rev.
CLEANING SPEED (MAX)	2229.6m <sup>2</sup> (24,000 sq ft) per hour	2415.4m <sup>2</sup> (26,000 sq ft) per hour
CLEANING PATH WIDTH	587 mm (23.123 in)	638 mm (25.13 in)
PAD DIAMETER	2 – 305mm (12 in)	2 – 330mm (13 in)
PAD PRESSURE	Variable 36–68Kg (80–150lb)	Variable 36–68Kg (80–150lb)
SQUEEGEE WIDTH	787 mm (31 in)	863 mm (34 in)
DRIVE SYSTEM	Transaxle, .2 h.p., 24V	Transaxle, .2 h.p., 24V
BRUSH MOTOR	2 – .75 h.p., 220 rpm, 24V, 20A, 550W	2 – .75 h.p., 220 rpm, 24V, 20A, 550W
VACUUM MOTOR	.75 h.p., 3–stage 5.7, 24V, 21A, 550W	.75 h.p., 3–stage 5.7, 24V, 21A, 550W
WATER LIFT	1727 mm (68 in)	1727 mm (68 in)
BATTERIES	2–12V, 215AH	2–12V, 215AH
RUN TIME PER CHARGE	Up to 4 3/4 hours	Up to 4 3/4 hours
DECIBEL RATING AT OPERATOR'S EAR, INDOORS ON TILE.	75 dB(A)	75 dB(A)

# OPERACIÓN

Este manual acompaña a todos los modelos estándar nuevos. En él se indican las instrucciones necesarias para la utilización y el mantenimiento de la máquina.

**Lea el manual entero para comprender el funcionamiento de la máquina antes de utilizarla o revisarla.**

Esta máquina le proporcionará un servicio excelente. Sin embargo, obtendrá los mejores resultados al coste mínimo si:

- Utiliza la máquina con un cuidado razonable.
- Revisa la máquina periódicamente - según las instrucciones de mantenimiento adjuntas.

- Realiza el mantenimiento de la máquina con piezas repuesto del fabricante suministradas por o equivalentes.

## DATOS DE LA MÁQUINA

Sírvase llenar los datos en el momento de la preparación para referencia en el futuro.

Modelo No.: \_\_\_\_\_

Fecha de preparación: \_\_\_\_\_

Nº de serie: \_\_\_\_\_

## ÍNDICE

<b>MEDIDAS DE SEGURIDAD</b> .....	<b>19</b>	<b>MANTENIMIENTO DE LA BATERÍA</b> .....	<b>31</b>
<b>COMPONENTES ESTÁNDAR DE LA MÁQUINA</b> .....	<b>20</b>	<b>TRANSPORTE DE LA MÁQUINA</b> .....	<b>32</b>
<b>SÍMBOLOS DEL PANEL DE CONTROL</b> ....	<b>21</b>	<b>ALMACENAMIENTO DE LA MÁQUINA</b> .....	<b>32</b>
<b>INSTALACIÓN DE LA MÁQUINA</b> .....	<b>22</b>	<b>RECOMENDACIONES PARA EL ALMACENAMIENTO</b> .....	<b>32</b>
DESEMBALADO DE LA MÁQUINA .....	22	<b>LOCALIZACIÓN DE AVERÍAS</b> .....	<b>33</b>
INSTALACIÓN DE LAS BATERÍAS .....	22	<b>ESPECIFICACIONES</b> .....	<b>35</b>
<b>PREPARACIÓN DE LA MÁQUINA</b> .....	<b>23</b>	<b>DIAGRAMAS ELECTRICAS</b> .....	<b>36</b>
FIJACIÓN DEL CONJUNTO DE LA ESCOBILLA DE GOMA .....	23	<b>LISTA DE PIEZAS</b> .....	<b>38</b>
INSTALACIÓN DE LOS IMPULSORES DEL CEPILLO O LA ALMOHADILLA .....	23	CEPILLO DEL REEMPLAZO Y GRUPO DEL MANDO DE LA ALMOHADILLA .....	38
LLENADO DEL DEPÓSITO DE LA DISOLUCIÓN .....	24	GRUPE DEL DEPÓSITO DE DISOLUCIÓN .....	40
<b>FUNCIONAMIENTO DE LA MÁQUINA</b> .....	<b>25</b>	CONJUNTO DEPOSITO RECUPERAR .....	42
COMPROBACIONES PREVIAS A LA PUESTA EN FUNCIONAMIENTO .....	25	CONJUNTO CONSOLA DE CONTROLES .....	44
AL UTILIZAR LA MÁQUINA .....	26	GRUPO DEL ELÉCTRICO/BATERÍA .....	46
PARADA DE LA MÁQUINA .....	27	GRUPO DE TRANSMISIÓN .....	48
PARADA DE EMERGENCIA (OPCIÓN) ..	27	CONJUNTO IMPULSO DE CEPILLO .....	50
CORTACIRCUITOS .....	28	CONJUNTO JUEGO DE CEPILLO .....	52
<b>VACIADO DE LOS DEPÓSITOS.</b> .....	<b>28</b>	CONJUNTO DE PALANCAS SOLUCIÓN .	54
VACIADO DEL DEPÓSITO DE RECUPERACIÓN .....	28	CONJUNTO DE PALETA PLANCAS .....	56
VACIADO DEL DEPÓSITO DE LA DISOLUCIÓN .....	28	CONJUNTO PALETA ENCORUADO .....	58
<b>CARGA DE LA BATERÍA</b> .....	<b>29</b>	<b>OPCIONES</b> .....	<b>60</b>
<b>MANTENIMIENTO DE MAQUINA</b> .....	<b>30</b>	ES™ JUEGO .....	60
MANTENIMIENTO DIARIO .....	30	GROUPE D'ASPIRATION ET RACLETTE À MAIN .....	62
MANTENIMIENTO SEMANAL .....	31	HOUR METER, EMERGENCY STOP, KEYSWITCH AND LOW .....	63
MANTENIMIENTO MENSUAL .....	31	VOLTAGE KITS .....	63
MANTENIMIENTO TRIMESTRAL .....	31	JUEGO DE CONVERSIÓN .....	64

## MEDIDAS DE SEGURIDAD

Esta máquina está destinada al uso comercial. Está diseñada para fregar suelos en recintos cerrados y no debe utilizarse para ningún otro uso. Utilice únicamente los cepillos, almohadillas y disoluciones limpiadoras recomendados.

En este manual se utilizan los siguientes símbolos de peligro, cuyo significado se indica a continuación:

**⚠ ADVERTENCIA:** Para advertir sobre riesgos o hábitos peligrosos que podrían causar lesiones corporales graves o fatales.

**PARA SU SEGURIDAD:** Para indicar las operaciones que deben realizarse para una utilización segura del equipo.

La siguiente información indica las condiciones potencialmente peligrosas para el operario o equipo:

**PARA SU SEGURIDAD:**

1. **No utilice la máquina:**
  - Salvo que esté adecuadamente cualificado y autorizado.
  - Salvo que haya leído y comprendido el manual del operario.
  - En áreas donde exista material inflamable o explosivo salvo que esté especialmente diseñada para utilizarla en estas zonas.
2. **Antes de arrancar la máquina:**
  - Asegúrese de que todos los dispositivos de control se encuentran en su sitio y funcionan correctamente.
3. **Al utilizar la máquina:**
  - Conduzca despacio en pendientes y superficies resbaladizas.
  - Conduzca con cuidado al desplazarse marcha atrás.
  - Cumpla siempre las normas de tráfico y seguridad.
  - Informe inmediatamente si la máquina presenta averías o funciona incorrectamente.
  - Siga las instrucciones de manipulación y mezcla indicadas en los envases de los productos químicos.

4. **Antes de estacionar o revisar la máquina:**
  - Deténgase en una superficie plana.
  - Apague la máquina.
  - Ponga el freno de estacionamiento.
5. **Al revisar la máquina:**
  - Evite las partes en movimiento. No lleve chaquetas, camisas o mangas sueltas.
  - Calce las ruedas de la máquina antes de levantarla con un gato.
  - Utilice un gato o elevador con capacidad suficiente para elevar la máquina.
  - Desconecte las conexiones de la batería antes de empezar a trabajar en la máquina.
  - Protéjase las manos con guantes al trabajar con las baterías o sus cables.
  - Evite el contacto con el ácido de la batería.
  - Utilice piezas de recambio suministradas o aprobadas por el fabricante.

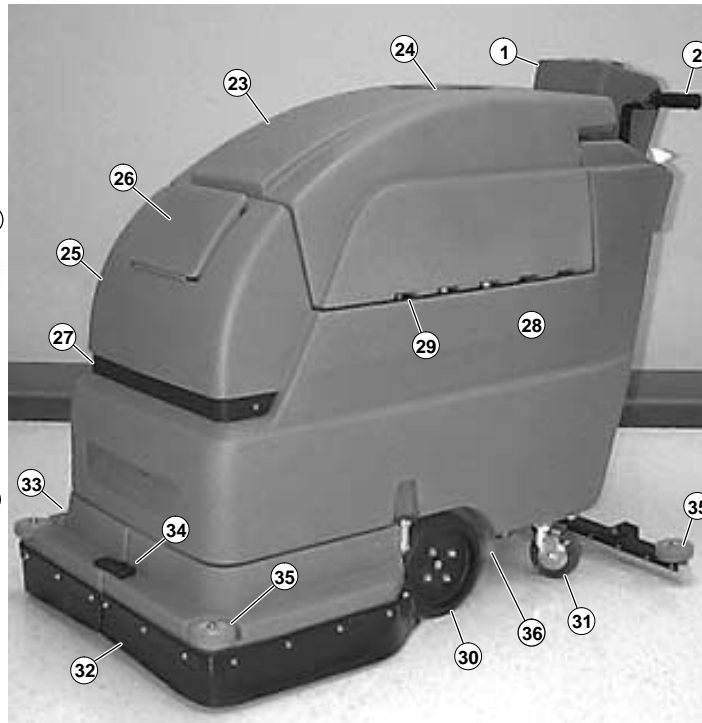
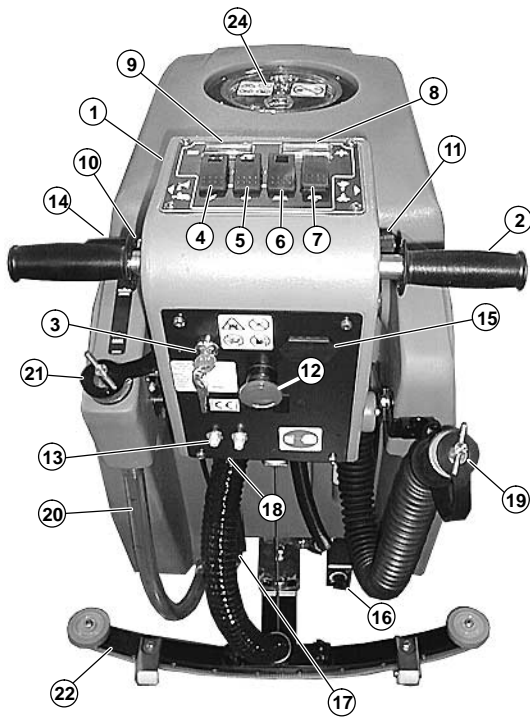
**⚠ ADVERTENCIA:** Las baterías emiten hidrógeno gaseoso. Existe peligro de incendio o explosión. Mantenga chispas y llamas alejadas de la máquina. Mantenga el compartimento de la batería abierto mientras realiza la operación de carga.

**⚠ ADVERTENCIA:** Los materiales inflamables pueden provocar explosiones o incendios. No utilice materiales inflamables en los depósitos.

**⚠ ADVERTENCIA:** Los materiales inflamables o metales reactivos pueden provocar explosiones o incendios. No los recoja.



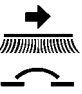








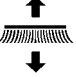





# OPERACIÓN

## COMPONENTES ESTÁNDAR DE LA MÁQUINA



1. Consola de control
2. Mandos giratorios de control
3. Contacto para la llave (Opción)
4. Interruptor principal de encendido/apagado
5. Interruptor de encendido/apagado de la aspiración
6. Interruptor de encendido/apagado del cepillo/de la disolución
7. Interruptor de (subir/bajar) de la presión del cepillo
8. Indicador del nivel de carga de la baterías
9. Indicador de la presión del cepillo
10. Interruptor de marcha atrás
11. Mando de control de la velocidad
12. Botón de parada (Opción)
13. Cortacircuitos principal, de impulsión / de aspiración
14. Palanca de elevación de la escobilla de goma
15. Contador de horas (Opción)
16. Mando de ajuste del flujo de la disolución
17. Actuador del cabezal de fregado
18. Palancas de la consola de control ajustable
19. Manguera de vaciado del depósito de recuperación
20. Manguera de vaciado del depósito de la disolución
21. Orificio trasero de llenado
22. Conjunto de la escobilla de goma
23. Depósito de recuperación
24. Tapa del depósito de recuperación
25. Depósito de la disolución
26. Puerta de llenado del depósito de la disolución
27. Luces de seguridad
28. Compartimento de la batería
29. Enchufe del cargador
30. Ruedas impulsoras
31. Ruedecillas traseras
32. Aleta del cepillo
33. Bastidor de la aleta
34. Pestillo del bastidor de la aleta
35. Rodillos de pared
36. Freno de estacionamiento (Opción)

## SÍMBOLOS DEL PANEL DE CONTROL

	Circuito principal		Velocidad rápida		Cortacircuitos del motor del cepillo lateral derecho		Lea el Manual antes de utilizar la máquina
	Aspiración		Velocidad lenta		Cortacircuitos del motor del cepillo lateral izquierdo		Indicador del nivel de carga de la batería
	Cepillo		Marcha atrás		Cortacircuitos del motor de aspiración		Indicador de la presión del cepillo
	Menos presión del cepillo		Escobilla de goma elevada		Cortacircuitos del circuito principal		
	Más presión del cepillo		Escobilla de goma bajada				

# OPERACIÓN

## INSTALACIÓN DE LA MÁQUINA

### DESEMBALADO DE LA MÁQUINA

Compruebe cuidadosamente si la caja de cartón muestra daños. En caso de que así sea informe inmediatamente al transportista. Controle el contenido de la caja para asegurarse de que incluye todos los accesorios. La escobilla de goma está embalada con la máquina. Las baterías y su cargador y el(los) impulsor(es) de la almohadilla están embalados aparte.

**ATENCIÓN: La instalación de la batería debe realizarse después de desembalar totalmente la máquina.**

Para desembalar la máquina, retire las cintas de sujeción y levántela cuidadosamente o utilice una rampa formada con las planchas de embalaje para retirar la máquina del pallet.

**ATENCIÓN: No retire la máquina del pallet haciéndola rodar porque podría averiarse.**

### INSTALACIÓN DE LAS BATERÍAS

**⚠ ADVERTENCIA:** Las baterías emiten hidrógeno gaseoso. Existe peligro de incendio o explosión. Mantenga chispas y llamas alejadas de la máquina. Mantenga el compartimento de la batería abierto mientras realiza la operación de carga.

**PARA SU SEGURIDAD:** Al revisar la máquina, protéjase las manos con guantes al manejar las baterías y sus cables. Evite el contacto con el ácido de la batería.

#### Especificaciones de la Batería:

Dos baterías de 12 voltios de ciclo profundo. Consulte a un distribuidor autorizado sobre baterías específicas. Las dimensiones máximas de la batería son 178mm (7 in) ancho x 381mm (15 in) largo x 356mm (14 in) alto.

1. Sitúe todos los interruptores en la posición de APAGADO.
2. Abra cuidadosamente el depósito de recuperación para acceder al compartimento de la batería. Extraiga del compartimento los cables sueltos de la batería (Figura 1).



FIG. 1

3. Instale con cuidado las baterías en la bandeja de la batería que se encuentra en el fondo del compartimento e instale los bornes de la batería como se muestra (Figura 2).

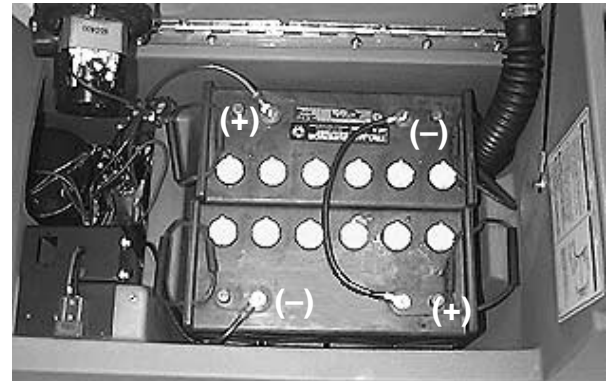


FIG. 2

**ATENCIÓN:** Deposite las baterías en el compartimento, no las deje caer, tanto la batería como su soporte podrían averiarse. La garantía no cubre este tipo de desperfectos.

4. Conecte los cables de la batería a los bornes de la batería como se muestra (ROJO EN EL POSITIVO Y NEGRO EN EL NEGATIVO) (Figura 2).
5. Gire la llave y encienda el interruptor principal y controle el nivel de carga de la batería. Cargue la batería en caso necesario. (Consulte el apartado de CARGA DE LA BATERÍA).

## PREPARACIÓN DE LA MÁQUINA

### FIJACIÓN DEL CONJUNTO DE LA ESCOBILLA DE GOMA

**PARA SU SEGURIDAD:** Antes de abandonar o revisar la máquina, deténgase en una superficie plana, apague la máquina y ponga el freno de estacionamiento.

1. Eleve el soporte de montaje de la escobilla de goma tirando hacia atrás de la palanca de elevación de la escobilla de goma (Figura 3).

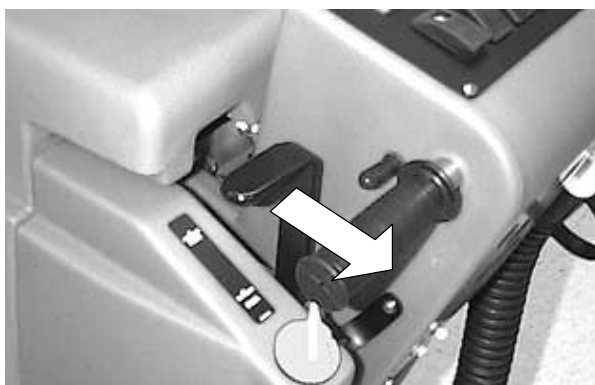


FIG. 3

2. Afloje los dos tornillos de orejas del conjunto de la escobilla de goma e introduzca dicha escobilla deslizándola en las ranuras del soporte de montaje de la escobilla de goma. Las ruedas del rodillo de la escobilla de goma deben mirar hacia afuera (Figura 4).

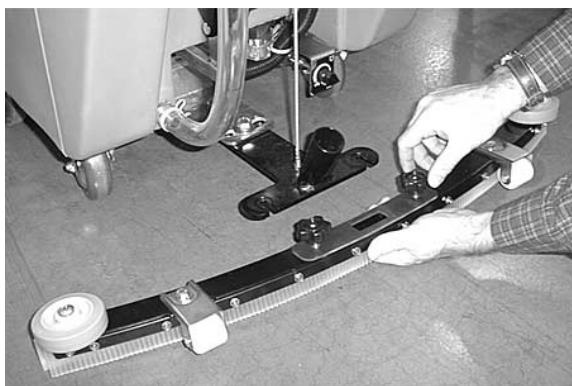


FIG. 4

3. Fije bien los tornillos de orejas.

4. Conecte la manguera de aspiración de la máquina al conjunto de la escobilla de goma (Figura 5).

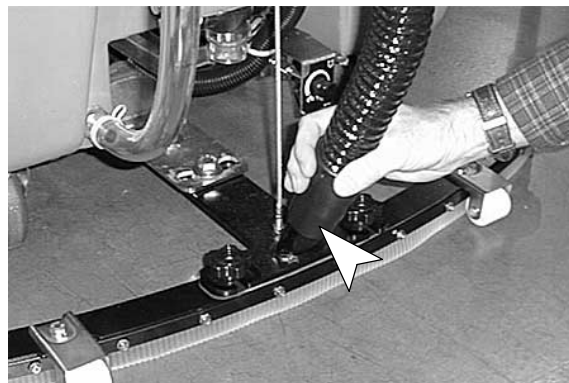


FIG. 5

### INSTALACIÓN DE LOS IMPULSORES DEL CEPILLO O LA ALMOHADILLA

1. Gire la llave y encienda el interruptor principal.
2. Eleve totalmente el cabezal de fregado pulsando la mitad superior (-) del interruptor de la presión del cepillo (Figura 6).



FIG. 6

3. Sitúe el interruptor principal y la llave de contacto en la posición de apagado.

**PARA SU SEGURIDAD:** Antes de abandonar o revisar la máquina, deténgase en una superficie plana, apague la máquina y ponga el freno de estacionamiento.

# OPERACIÓN

4. Suelte el pestillo negro de la parte delantera de la máquina y abra el soporte de la aleta para poder acceder al cubo del motor (Figura 7).



FIG. 7

5. Seleccione los cepillos o almohadillas recomendados que mejor se ajusten a sus necesidades de limpieza.

**NOTA:** Consulte a un distribuidor autorizado el tipo de cepillo/almohadilla recomendado para sus necesidades.

6. **(Instalación de la almohadilla)** Fije las almohadillas a los impulsores antes de conectar dichos impulsores a los cubos del motor. Secure pads with plastic centerlock ring. Fije las almohadillas con el cierre central de plástico en forma de anillo (Figura 8).

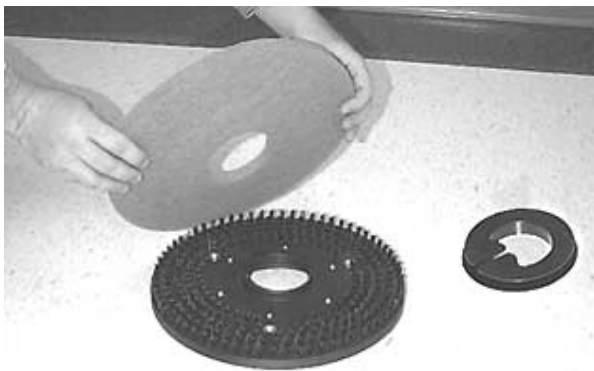


FIG. 8

7. Alinee los pernos de montaje del impulsor de la almohadilla y las ranuras del cubo del motor. Gire rápidamente el impulsor hacia el sujetador de resorte del cubo del motor. Asegúrese antes de poner la máquina en funcionamiento de que el sujetador de resorte se introduce e inmoviliza en uno de los pernos del impulsor (Figura 9).

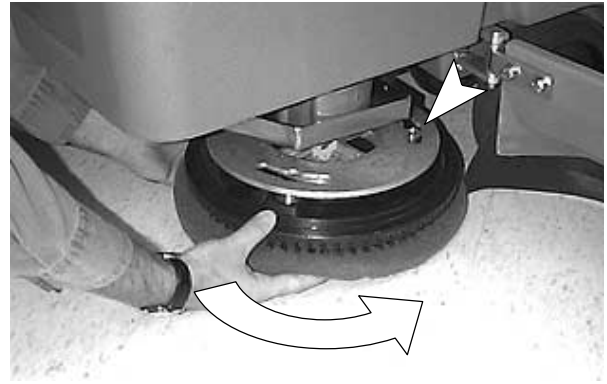


FIG. 9

**NOTA:** Asegúrese siempre de que las superficies de los impulsores de la almohadilla y del cubo del motor estén siempre limpias antes de instalar los impulsores. Las superficies limpias facilitarán la posterior extracción del impulsor de la almohadilla.

8. Cierre el soporte de la aleta y vuelva a cerrar el pestillo.

## LLENADO DEL DEPÓSITO DE LA DISOLUCIÓN

1. Dirija la máquina a la zona de llenado. Levante la escobilla de goma y el cepillo durante el transporte.
2. Apague la máquina.
3. Abra la puerta de llenado de la disolución que se encuentra en la parte delantera de la máquina y llene el depósito de la disolución con 17 galones (64 litros) de agua limpia (temperatura máxima de 140°F/60°C). O utilice el orificio de llenado trasero para llenar el depósito de la disolución. Desenrosque el tapón e introduzca una manguera para llenarlo. El tubo transparente que se encuentra debajo del orificio de llenado tiene unas marcas cada 5 galones (19 litros) que indican el volumen de agua del depósito (Figura 10).

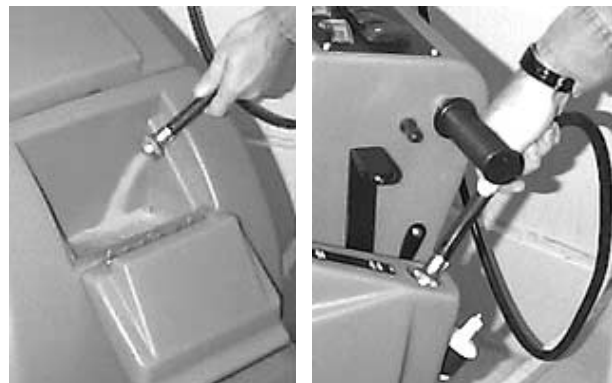


FIG. 10

**NOTA:** Si utiliza un cubo para llenar el depósito, asegúrese de que dicho cubo esté limpio. Esto evitará posibles obstrucciones de las tuberías de la disolución.



- Añada el producto de limpieza. Consulte en las instrucciones del envase la proporción correcta de la disolución.

**PARA SU SEGURIDAD:** Siga las instrucciones de mezcla y manipulación indicadas en los envases de los productos químicos cuando utilice la máquina.

**ATENCIÓN:** Utilice únicamente productos de limpieza recomendados, NO utilice sustitutos. Consulte a un distribuidor autorizado acerca de los productos de limpieza recomendados.

**⚠ ADVERTENCIA:** Utilice únicamente productos químicos de limpieza no inflamables.

## FUNCIONAMIENTO DE LA MÁQUINA

**PARA SU SEGURIDAD:** No utilice la máquina salvo que el operario haya leído y comprendido el manual de instrucciones.

### COMPROBACIONES PREVIAS A LA PUESTA EN FUNCIONAMIENTO

- Barre el suelo para eliminar partículas y otros restos.
- Controle el nivel de carga de la batería para asegurarse que de las baterías están completamente cargadas. (Consulte el apartado CARGA DE LAS BATERÍAS)
- Controle el estado de los cepillos o almohadillas.
- Controle el estado de las láminas de la escobilla de goma.

- Quite el freno de estacionamiento si está puesto.
- Ajuste los mandos de control a una altura de funcionamiento cómoda, junte las dos palancas que se encuentran bajo la consola (Figura 11).

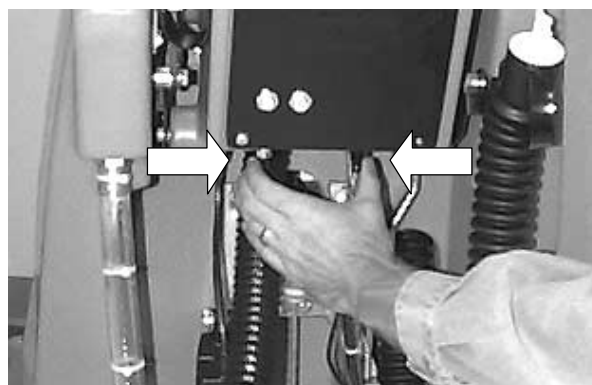


FIG. 11

- Suelte la palanca de elevación de la escobilla de goma de la posición superior y baje la escobilla de goma (Figura 12).



FIG. 12

- Gire la llave y encienda el interruptor principal.
- Baje el cabezal de fregado hasta el suelo pulsando la mitad inferior (+) del interruptor de la presión del cepillo (Figura 13).



FIG. 13

- Encienda los interruptores de aspiración y del cepillo.

# OPERACIÓN

**NOTA:** Los cepillos y el flujo de disolución no empezarán a funcionar hasta girar los mandos de control.

7. Antes de arrancar, gire el mando de control de la velocidad a la velocidad más lenta (*Figura 14*).
8. Comience la operación de fregado girando hacia delante los mandos de control. Aumente gradualmente la velocidad girando hacia delante los mandos de control de la velocidad (*Figura 14*).



FIG. 14

9. Controle la posición de la aguja del indicador de la presión del cepillo cuando la máquina empiece a moverse. Pulse el interruptor de la presión del cepillo para ajustar correctamente la presión del cepillo. No utilice nunca la máquina con la aguja en la zona roja (*Figura 15*).



FIG. 15

**ATENCIÓN:** Para evitar el posible deterioro del acabado del suelo y la activación del cortacircuitos del cepillo **NO** utilice la máquina cuando la aguja de la presión del cepillo se encuentra en la zona roja.

10. Para utilizar la máquina marcha atrás, simplemente tire hacia atrás del interruptor de marcha atrás (una velocidad) (*Figura 16*).



FIG. 16

11. Para detener la máquina suelte los mandos de control.

## AL UTILIZAR LA MÁQUINA

**PARA SU SEGURIDAD: Conduzca despacio cuando utilice la máquina en pendientes o superficies resbaladizas.**

**⚠ ADVERTENCIA: Los materiales inflamables o metales reactivos pueden provocar explosiones o incendios. No los recoja.**

1. Controle la cantidad de flujo de disolución al suelo. Para aumentar o reducir el flujo de disolución máximo, gire el botón de ajuste del flujo de la disolución en el sentido de las agujas del reloj para aumentar el flujo y en sentido contrario al de las agujas del reloj para reducirlo. El botón de ajuste se encuentra en la parte trasera de la máquina (*Figura 17*).

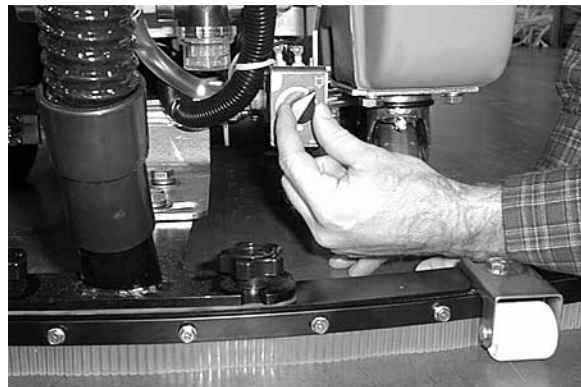


FIG. 17

2. Controle periódicamente que no exista acumulación de espuma en el depósito de recuperación (mire a través de la tapa transparente). Si la acumulación de espuma empieza a ser excesiva, añada un producto de control de la formación de espuma al depósito de recuperación.

**ATENCIÓN: No permita que el agua o la espuma se introduzcan en el filtro del flotador de cierre, el motor de aspiración resultaría dañado. La espuma no activará el filtro del flotador de cierre.**

3. Reduzca la velocidad siempre que friegue cerca de paredes u obstáculos.
4. Para mantener el control sobre la máquina, reduzca la velocidad siempre que tome curvas.
5. Si la escobilla de goma deja marcas, eleve la escobilla de goma y limpie las láminas con un paño. Realice un barrido previo de la zona para evitar la formación de marcas.
6. Haga que los diferentes pases se superpongan 2" (5cm).
7. Cambie o gire las almohadillas cuando estén sucias.
8. Manténgase alejado de obstáculos del suelo como placas eléctricas o rejillas, romperían las almohadillas.
9. No es necesario apagar ningún interruptor durante las paradas cortas, los cepillos y el flujo de la disolución se detendrán automáticamente al soltar los mandos de control.
10. Controle periódicamente el nivel de carga de la batería. Recargue las baterías cuando la aguja del indicador se encuentre en la zona roja.

**ATENCIÓN: No utilice la máquina cuando la aguja del indicador del nivel de carga de la batería se encuentre en la zona roja o podría dañar la batería.**

11. Controle la cantidad de disolución que queda durante la operación de limpieza a través del tubo indicador transparente. Cada marca de la manguera indica cinco galones / 19 litros.
12. Cuando se vacíe el depósito de la disolución, vacíe el depósito de recuperación. (Consulte el apartado de VACIADO DE LOS DEPÓSITOS).

## PARADA DE LA MÁQUINA

1. Apague el interruptor del cepillo, eleve los cepillos y continúe aspirando hasta que se haya recogido todo el agua sucia.
2. Suelte los mandos de control.
3. Eleve la escobilla de goma y el cabezal de fregado.
4. Apague los interruptores y retire la llave del contacto.

5. Ponga el freno de estacionamiento tirando hacia atrás de la palanca (Figura 19).

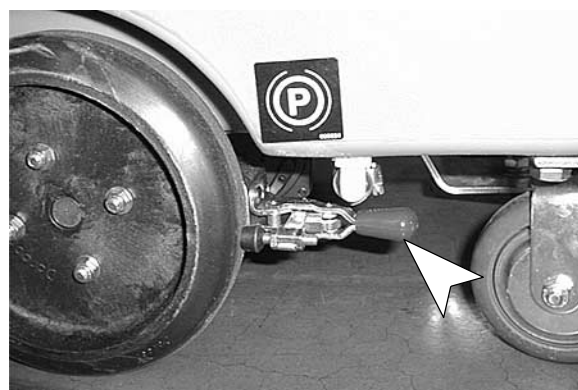


FIG. 18

**PARA SU SEGURIDAD: Antes de abandonar o revisar la máquina, deténgase en una superficie plana, apague la máquina y ponga el freno de estacionamiento.**

## PARADA DE EMERGENCIA (OPCIÓN)

Para detener la máquina en caso de emergencia, pulse el botón rojo de parada situado en la parte trasera de la consola de control. El botón de parada interrumpe inmediatamente la alimentación eléctrica a la máquina (Figura 20).

Para reajustar el botón de parada, apague todos los interruptores y gire el botón de parada hacia la derecha. Reanude el funcionamiento normal.



FIG. 19

# OPERACIÓN

## CORTACIRCUITOS

La máquina está equipada con (4) cortacircuitos de protección.

Si se activan los cortacircuitos, no los reajuste inmediatamente. Determine la causa de la activación del cortacircuitos, deje que el motor se enfríe y reajuste dicho cortacircuitos.

Los cortacircuitos del motor del cepillo se activarán debido a una carga excesiva de la almohadilla. Reduzca la presión de la almohadilla o sustitúyala si se activa el cortacircuitos. Los cortacircuitos del motor del cepillo (15amp) se encuentran cerca del enchufe del cargador.

Los cortacircuitos principal (10amp) y de impulsión/aspiración (35amp) se encuentran en la parte trasera de la máquina (Figura 20).

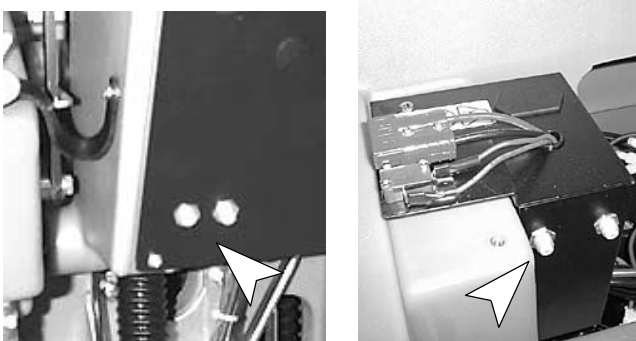


FIG. 20

## VACIADO DE LOS DEPÓSITOS

**PARA SU SEGURIDAD:** Antes de abandonar o revisar la máquina, deténgase en una superficie plana, apague la máquina y ponga el freno de estacionamiento.

### VACIADO DEL DEPÓSITO DE RECUPERACIÓN

Vacíe y limpie del depósito de recuperación al terminar la operación de fregado o rellenar el depósito de disolución.

**ATENCIÓN:** Si no vacía el depósito de recuperación antes de rellenarlo, podría introducirse agua o espuma en el filtro del flotador de cierre y dañar el motor de aspiración.

1. Extraiga la manguera de vaciado de su soporte, coloque la manguera en el desagüe y abra el tapón de la manguera de vaciado. Para vaciar completamente el depósito de recuperación abra la tapa del depósito lateralmente y coloque la barra de apoyo para colocar el depósito sobre ella (Figura 21).

**NOTA:** Si utiliza un cubo para vaciar la máquina, no utilice el mismo cubo para llenar el depósito de la disolución. Esto evitará que las tuberías de la disolución se bloqueen.



FIG. 21

2. Aclare el depósito de recuperación después de cada uso. Utilice una manguera para aclarar el depósito. Tenga cuidado de no introducir agua en el filtro del flotador.
3. Vuelva a colocar bien el tapón de la manguera de vaciado después de la operación de vaciado.

### VACIADO DEL DEPÓSITO DE LA DISOLUCIÓN

Para vaciar la disolución que no se ha utilizado del depósito de la disolución siga los siguientes pasos:

1. Saque la manguera transparente que se encuentra en la parte trasera de la máquina de su soporte y vacíe la disolución en un desagüe o cubo (Figura 22).



FIG. 22

2. Aclare el depósito de la disolución y el sistema de flujo de la disolución con agua limpia después de cada uso. Esto evitará el bloqueo debido a la acumulación de productos químicos.
3. Vuelva a colocar la manguera transparente en su soporte. Asegúrese de introducirla bien.

## CARGA DE LA BATERÍA

**NOTA:** Recargue las baterías **SÓLO** después de haberlas utilizado durante un tiempo mínimo total de 30 minutos. Esto prolongará la vida de la batería.

**Las siguientes instrucciones de carga son válidas exclusivamente para los cargadores de 24V suministrados con la máquina. En cualquier caso, utilice un cargador con las siguientes características para evitar el deterioro de las baterías.**

### ESPECIFICACIONES DEL CARGADOR:

- VOLTAJE DE SALIDA 24 VOLTIOS
- CORRIENTE DE SALIDA – 25 AMP MÁXIMO
- CIRCUITO DE APAGADO AUTOMÁTICO
- PARA CARGA PROFUNDA DE LA BATERÍA

**NOTA:** Para un funcionamiento óptimo de la máquina mantenga siempre cargadas las baterías. Nunca deje baterías descargadas puestas.

**⚠ ADVERTENCIA:** Las baterías emiten hidrógeno gaseoso. Existe peligro de incendio o explosión. Mantenga chispas y llamas alejadas de la máquina. Mantenga el compartimento de la batería abierto mientras realiza la operación de carga.

**PARA SU SEGURIDAD:** Al revisar la máquina, protéjase las manos con guantes al manejar las baterías y sus cables. Evite el contacto con el ácido de la batería.

1. Dirija la máquina a una zona bien ventilada para cargar las baterías.
2. Apague todos los interruptores y coloque la llave en posición apagada.

**PARA SU SEGURIDAD:** Antes de abandonar o revisar la máquina, deténgase en una superficie plana, apague la máquina y ponga el freno de estacionamiento.

3. Abra la tapa del depósito de recuperación para tener acceso a las baterías (Figura 23).



FIG. 23

4. Controle el nivel de electrolito (A) de cada elemento de la batería. No cargue las baterías salvo que el electrolito cubra ligeramente las placas de la batería (B). En caso necesario necesito añada el agua destilada necesaria para que las placas se cubran ligeramente. **NO** llene la batería excesivamente. El agua de las baterías puede derramarse durante la carga de las mismas debido a la expansión. Coloque los tapones antes de cargar (Figura 24).

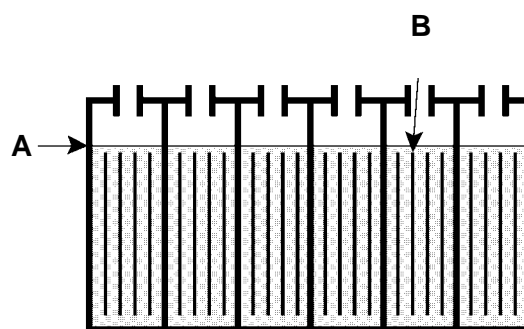


FIG. 24

**ATENCIÓN:** Para evitar el riesgo de descargas eléctricas, el cargador **DEBE** estar conectado a una toma de tierra mientras se utiliza para proteger al usuario de descargas eléctricas y lesiones graves.

# OPERACIÓN

5. Enchufe el conector de salida DC del cargador al conector de la batería situado cerca del compartimento de la batería. Levante los apoyos del depósito y coloque el depósito sobre estos (Figura 25).

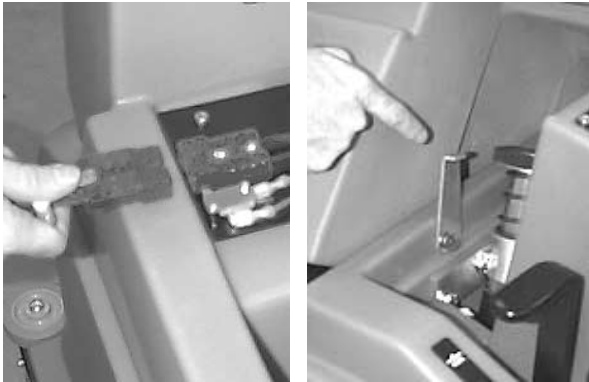


FIG. 25

6. Enchufe el cable eléctrico del cargador a un enchufe con toma de tierra de la pared mientras mantiene el conector de salida del cargador DC desconectado de las baterías (Figura 26).

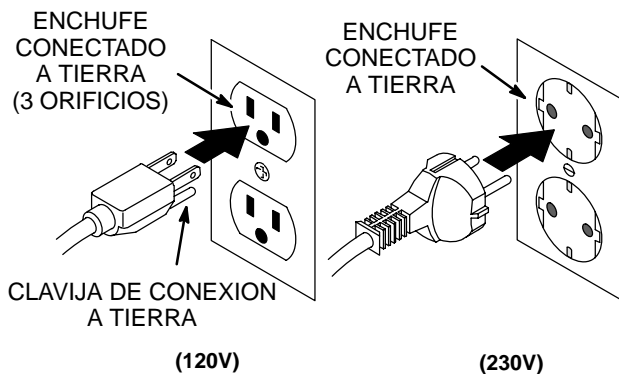


FIG. 26

**NOTA:** Una vez conectado el cargador a la máquina, la máquina no funcionará.

7. El cargador empezará a cargar automáticamente y se apagará también automáticamente cuando esté totalmente cargado.
8. Desconecte el cargador de la máquina cuando éste se haya apagado y a continuación desconecte el cargador del enchufe de la pared.
9. Controle de nuevo el nivel de electrolito de la batería después de la operación de carga. En caso necesario, añada el agua destilada necesaria para que el nivel llegue a la parte inferior de los tubos. Asegúrese de cerrar bien los tapones de los elementos y limpiar la parte superior de las baterías con un paño limpio.

## MANTENIMIENTO DE MAQUINA

Las reparaciones deberán ser realizadas por personal autorizado. Para mantener la máquina en buenas condiciones de funcionamiento bastará realizar las siguientes operaciones de mantenimiento diario, semanal o mensualmente.

**PARA SU SEGURIDAD:** Antes de abandonar o revisar la máquina, deténgase en una superficie plana, apague la máquina y ponga el freno de estacionamiento.

**PARA SU SEGURIDAD:** Al revisar la máquina, desconecte las conexiones de la batería antes de trabajar en la máquina.

**ATENCIÓN:** Póngase en contacto con un Centro de Servicio autorizado para reparar las máquinas. Las reparaciones de máquinas realizadas por personas no autorizadas invalidarán la garantía.

## MANTENIMIENTO DIARIO (Cada 4 Horas de utilización)

1. Extraiga y limpie los cepillos o almohadillas. No utilice nunca almohadilla sucias durante las operaciones de limpieza. Sustituya las almohadilla cuando estén gastadas o sucias.
2. Extraiga y limpie la pelusa del filtro del flotador de cierre del depósito de recuperación (Figura 27).



FIG. 27

3. Vacíe y limpie a fondo los depósitos. Después de vaciar los depósitos, abra el depósito de recuperación hasta que pueda ver el orificio de entrada de la aspiración en la parte trasera del depósito. En caso necesario retire los residuos bloqueados en dicho orificio.
4. Eleve la escobilla de goma y límpiela con un paño seco. Guarde la escobilla de goma en la posición elevada para evitar que se deteriore.

5. Limpie el bastidor de la máquina con un limpiador no abrasivo que no contenga disolventes.

**ATENCIÓN: No moje la máquina rociándola o con la manguera. Podría averiar los componentes eléctricos.**

6. Recargue las baterías en caso necesario.

## MANTENIMIENTO SEMANAL (Cada 20 Horas de utilización)

1. Aclare los depósitos y las tuberías de la disolución. Vierta 24 oz. (750 ml.) de una disolución de ácido acético en 3 galones (11.3 ltr.) de agua caliente en el depósito de la disolución. Encienda brevemente el flujo de la disolución sobre un desagüe del suelo para llenar la tubería de disolución. Apague la máquina y deje actuar la disolución durante la noche. Después aclare con agua limpia.

**PARA SU SEGURIDAD: Siga las instrucciones de mezcla y manipulación indicadas en los envases de los productos químicos cuando utilice la máquina.**

2. Extraiga el filtro en línea. Antes de extraer el filtro, asegúrese de que el depósito de la disolución está vacío. El filtro se encuentra debajo de la máquina en la parte trasera (Figura 29).

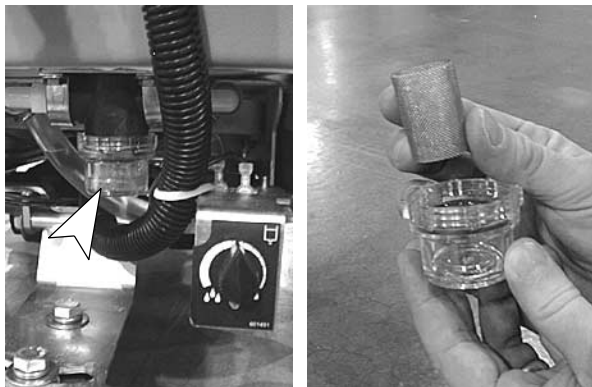


FIG. 28

3. Controle el nivel del electrolito en los elementos de la batería. (Consulte el apartado de MANTENIMIENTO DE LA BATERÍA).
4. Limpie la parte superior de la batería para evitar la formación de corrosión. (Consulte el apartado de MANTENIMIENTO DE LA BATERÍA).
5. Controle si los cables de la batería están sueltos u oxidados.

## MANTENIMIENTO MENSUAL (Cada 80 Horas de utilización)

1. Lubrique los puntos de lubricación de la ruedecilla con grasa impermeable.
2. Lubrique todos los puntos pivotantes de conexión con un spray de silicona y luego con una capa de grasa impermeable para permitir un funcionamiento suave.
3. Controle que la máquina no presenta escapes de agua ni tornillos ni tuercas flojos.

## MANTENIMIENTO TRIMESTRAL (Cada 250 Horas de utilización)

Controle el desgaste del cepillo de carbón de los motores de impulsión, aspiración y del cepillo. Sustituya los cepillos si su longitud es igual o inferior a 3/8" (1 cm).

## MANTENIMIENTO DE LA BATERÍA

**⚠ ADVERTENCIA: Las baterías emiten hidrógeno gaseoso. Existe peligro de incendio o explosión. Mantenga chispas y llamas alejadas de la máquina. Mantenga el compartimento de la batería abierto mientras realiza la operación de carga.**

**PARA SU SEGURIDAD: Al revisar la máquina, protéjase las manos con guantes al manejar las baterías y sus cables. Evite el contacto con el ácido de la batería.**

1. Siga siempre las instrucciones de carga apropiadas. (Consulte el apartado de CARGA DE LA BATERÍA)
2. Controle el nivel del electrolito en todos los elementos de todas las baterías **después** de la carga semanal de la batería. El nivel debe alcanzar la parte inferior de los tubos (B). En caso necesario añada agua destilada hasta que el nivel alcance la parte inferior de los tubos. **NO** los llene demasiado (Figura 29).

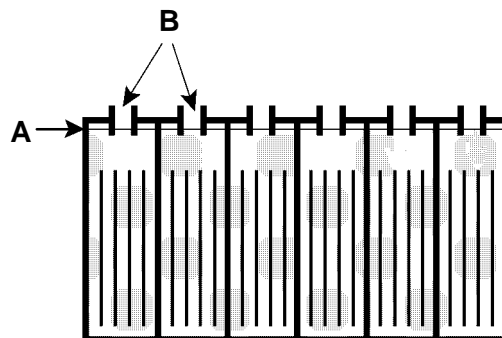


FIG. 29

# OPERACIÓN

- Mantenga la parte superior de las baterías y sus bornes limpios y secos.  
Para limpiar las baterías:
    - Haga una disolución concentrada de bicarbonato y agua.
    - Rocíe ligeramente la parte superior de la batería, borne y conectores del cable con esta disolución y límpielos con un cepillo.
- NOTA:** La disolución de agua con bicarbonato no debe introducirse en los elementos de las baterías.
- Utilice un cepillo con cerdas de alambre para limpiar los bornes del terminal y las conexiones del cable.
  - Una vez limpia la batería, aplique una capa protectora de bornes transparente a los bornes y conexiones del cable.
- Controle si los cables están flojos o gastados. Sustitúyalos si están gastados.

## TRANSPORTE DE LA MÁQUINA

Cuando transporte la máquina en un camión o remolque, asegúrese de seguir los pasos siguientes para sujetar la máquina:

**PARA SU SEGURIDAD: Conduzca despacio cuando utilice la máquina en pendientes o superficies resbaladizas.**

- Retire la escobilla de goma de la máquina y levante el cabezal de fregado. Deje instalado el cepillo o la almohadilla.
- Cargue la máquina utilizando la rampa de carga recomendada.
- Coloque la parte delantera de la máquina contra la parte delantera del remolque o camión. Una vez colocada la máquina, baje el cabezal de barrido.
- Ponga el freno de estacionamiento y coloque un calzo detrás de la rueda tractora y de las ruedecillas traseras.
- Pase las cintas de sujeción por la parte superior de la máquina y sujételas al suelo. Puede ser necesario instalar varios soportes de sujeción en el suelo de su camión o remolque.

## ALMACENAMIENTO DE LA MÁQUINA

- Cargue las baterías antes de guardar la máquina. No guarde nunca máquina con las baterías descargadas.
- Antes de guardar la máquina, asegúrese de aclarar y vaciar todo el agua de los depósitos de la máquina.
- Guarde la máquina en un sitio seco desmontando la escobilla de goma y con el cabezal de fregado en la posición elevada.
- Quite la tapa de recuperación para facilitar la circulación de aire.

**ATENCIÓN:** Si guarda la máquina a temperaturas inferiores a 0°C, asegúrese de vaciar todo el agua de la máquina. La garantía no cubre averías causadas por heladas.

**ATENCIÓN:** No permita que la lluvia moje la máquina, guárdela en lugares cerrados.

## RECOMENDACIONES PARA EL ALMACENAMIENTO

Consulte la sección de Lista de Repuestos para ver que productos son los recomendados. Los elementos de almacén están claramente identificados con una marca colocada delante de la descripción de la pieza. Consulte el siguiente ejemplo:

Ref.	Part No.	Description	Qty.
1	701103	ASM., STANDPIPE	1
2	180613	●FLOAT, SHUTOFF	1
3	230187	NIPPLE	1
4	101714	●GASKET	1
5	210240	NUT, FLANGED	1



**LOCALIZACIÓN DE AVERÍAS**

<b>PROBLEMA</b>	<b>CAUSA</b>	<b>SOLUCIÓN</b>
No hay alimentación, no funciona nada.	Interruptor principal defectuosos.	Contactar con el Servicio Técnico.
	Las baterías necesitan ser cargadas.	Consultar el apartado de CARGA DE LAS BATERÍAS.
	Batería(s) defectuosa(s).	Sustituir la(s) batería(s).
	Cable de la batería suelto.	Fijar el cable suelto.
	Cortacircuitos principal activado.	Determinar la causa y reajustar el botón del cortacircuitos.
Los motores del cepillo no funcionan.	El interruptor del cepillo no está encendido.	Encender el interruptor del cepillo.
	Los mandos de control no están girados.	Girar los mandos de control.
	Cortacircuitos del cepillo activado(s).	Limpiar o sustituir la almohadilla y reajustar el botón del cortacircuitos.
	Cableado o motor del cepillo defectuosos.	Contactar con el Servicio Técnico.
	Cepillos de carbón gastados.	Contactar con el Servicio Técnico.
	El motor de impulsión no funciona.	Contactar con el Servicio Técnico.
Motor de aspiración no funciona.	Interruptor de aspiración defectuoso.	Contactar con el Servicio Técnico.
	Corta circoito de aspiración ha saltado.	Retirar obstrucción y pouga cortacircuito de nuevo.
	Cableado o motor del aspiración defectuosos.	Contactar con el Servicio Técnico.
	Carboucillos desgastados.	Contactar con el Servicio Técnico.
Motor de avance no funciona.	Cortacircuitos del motor de impulsión activado.	Determinar la causa y reajustar el cortacircuitos.
	Circuito de control de la velocidad o conexión defectuoso.	Contactar con el Servicio Técnico.
	Solenoides defectuosos.	Contactar con el Servicio Técnico.
	Motor de impulsión defectuoso.	Contactar con el Servicio Técnico.
	Cableado defectuoso.	Contactar con el Servicio Técnico.
	Cepillos de carbón gastados.	Contactar con el Servicio Técnico.
Los motor de impulsión funcionan pero no correctamente.	Potenciómetro o circuito de control de la velocidad defectuoso.	Contactar con el Servicio Técnico.
	Conexión del cable suelta	Contactar con el Servicio Técnico.
Flujo de la disolución escaso o nulo.	Tubería de la disolución o filtro del depósito de la disolución bloqueados.	Retirar la manguera e introducir aire comprimido a través de su orificio. Aclarar el depósito de la disolución después de cada uso.
	Válvula o solenoide de la disolución bloqueados.	Retirar la válvula o el solenoide y limpiar. No raye el interior de la válvula.

# OPERACIÓN

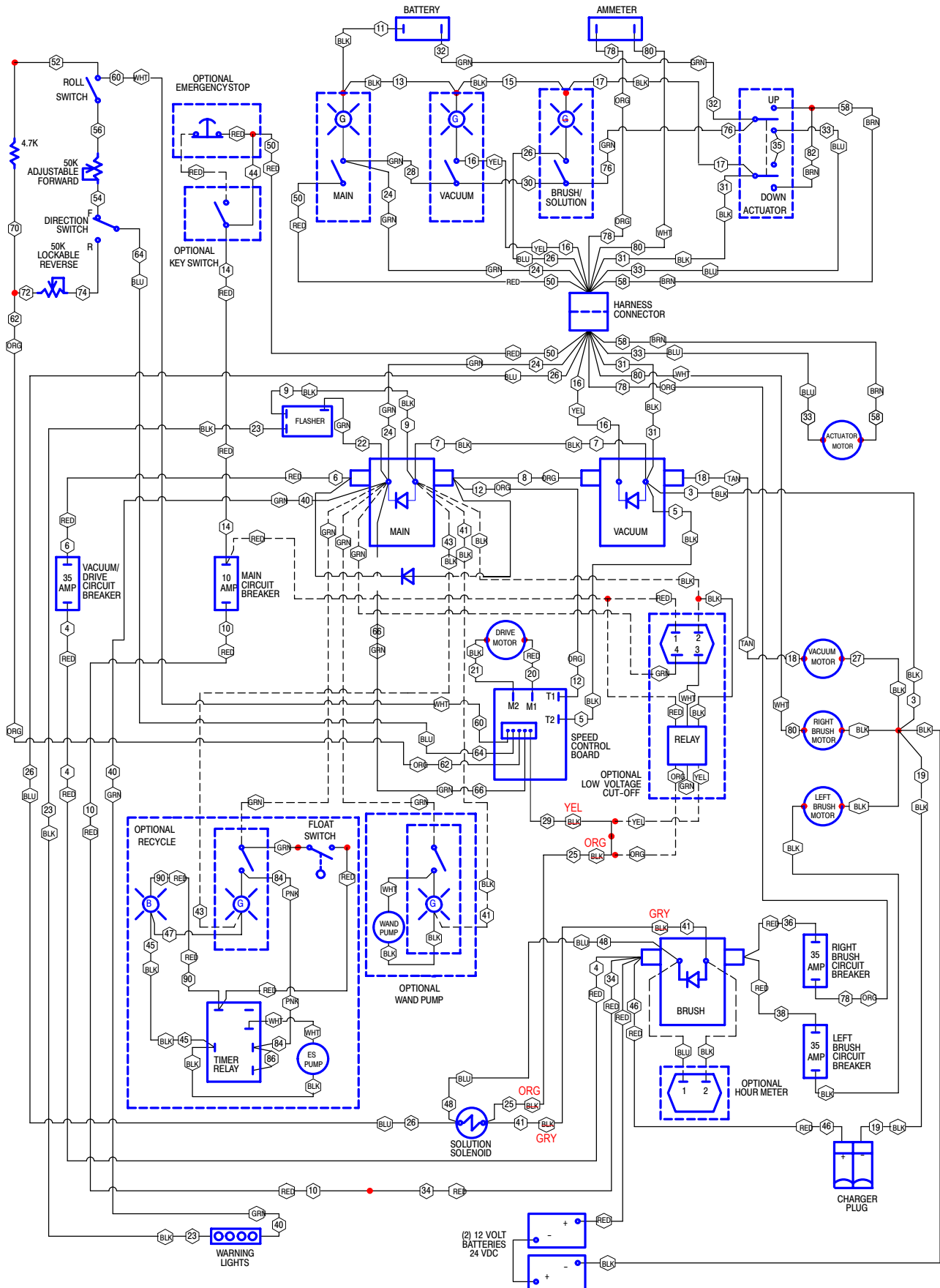
## LOCALIZACIÓN DE AVERÍAS – continuación

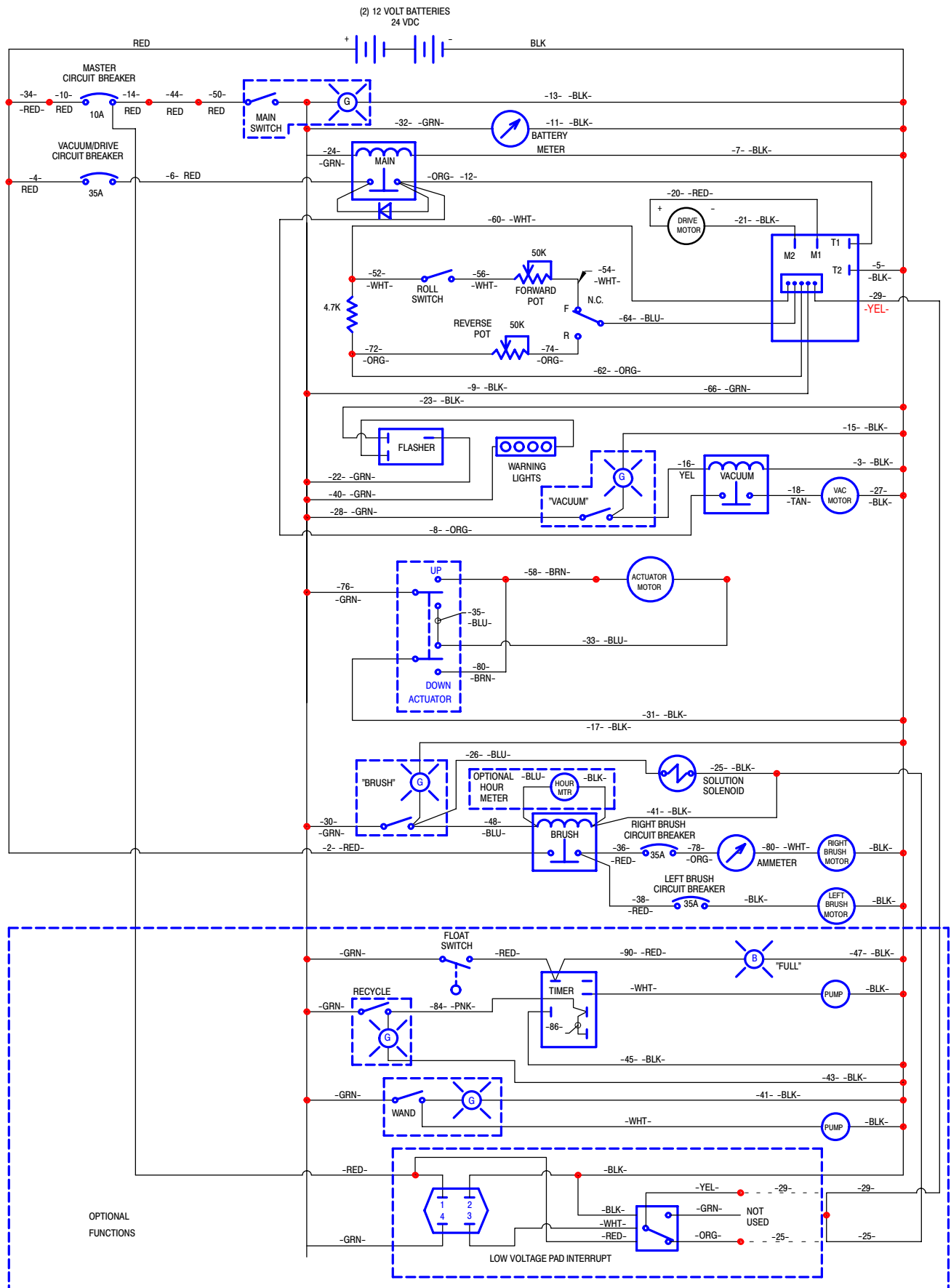
PROBLEMA	CAUSA	SOLUCIÓN
Flujo de la disolución escaso o nulo.	Interruptor o solenoide de la disolución defectuoso.	Contactar con el Servicio Técnico.
	Es necesario ajustar el botón de ajuste del flujo de la disolución.	Gire el botón de ajuste del flujo de disolución en el sentido de las agujas del reloj para aumentar el flujo.
Tiempo de funcionamiento demasiado corto.	Las baterías no están totalmente cargadas.	Cargar las baterías.
	Elemento defectuoso en una o más baterías.	Sustituir la batería.
	Las baterías necesitan una revisión.	Consultar el apartado de MANTENIMIENTO DE LA BATERÍA.
	Cargador defectuoso.	Sustituir el cargador de la batería.
Recogida de agua insuficiente.	Depósito de recuperación lleno.	Vaciar el depósito de recuperación.
	Filtro del flotador de cierre del interior del depósito de recuperación bloqueado.	Extraer el filtro y limpiar.
	Escobilla de goma bloqueada.	Limpiar la escobilla de goma.
	Láminas de la escobilla de goma gastadas.	Sustituir las láminas de la escobilla de goma.
	Tornillos de orejas de la escobilla de goma sueltos.	Apretar los tornillos de orejas.
	Conexiones de la manguera de aspiración sueltas o la manguera está perforada.	Introducir bien la manguera de aspiración en sus conexiones. Sustituir la manguera si está dañada.
	Manguera de aspiración bloqueada.	Retirar los residuos bloqueados.
	Orificio de entrada del depósito de recuperación bloqueado.	Vaciar el depósito de recuperación y levantarlo lateralmente para poder acceder al orificio de entrada, retirar la obstrucción.
	Junta del depósito defectuosa.	Sustituir la junta.
	Tapón de la manguera de vaciado mal cerrado.	Cerrar bien el tapón de vaciado.
	Tapa del depósito de recuperación mal cerrada.	Cerrar la tapa.
	Motor de aspiración flojo.	Contactar con el Servicio Técnico.
	Nivel de carga de la batería bajo.	Cargar las baterías. No utilizar la máquina cuando la aguja indicadora del nivel de carga de la batería se encuentra en la zona roja.

**ESPECIFICACIONES**

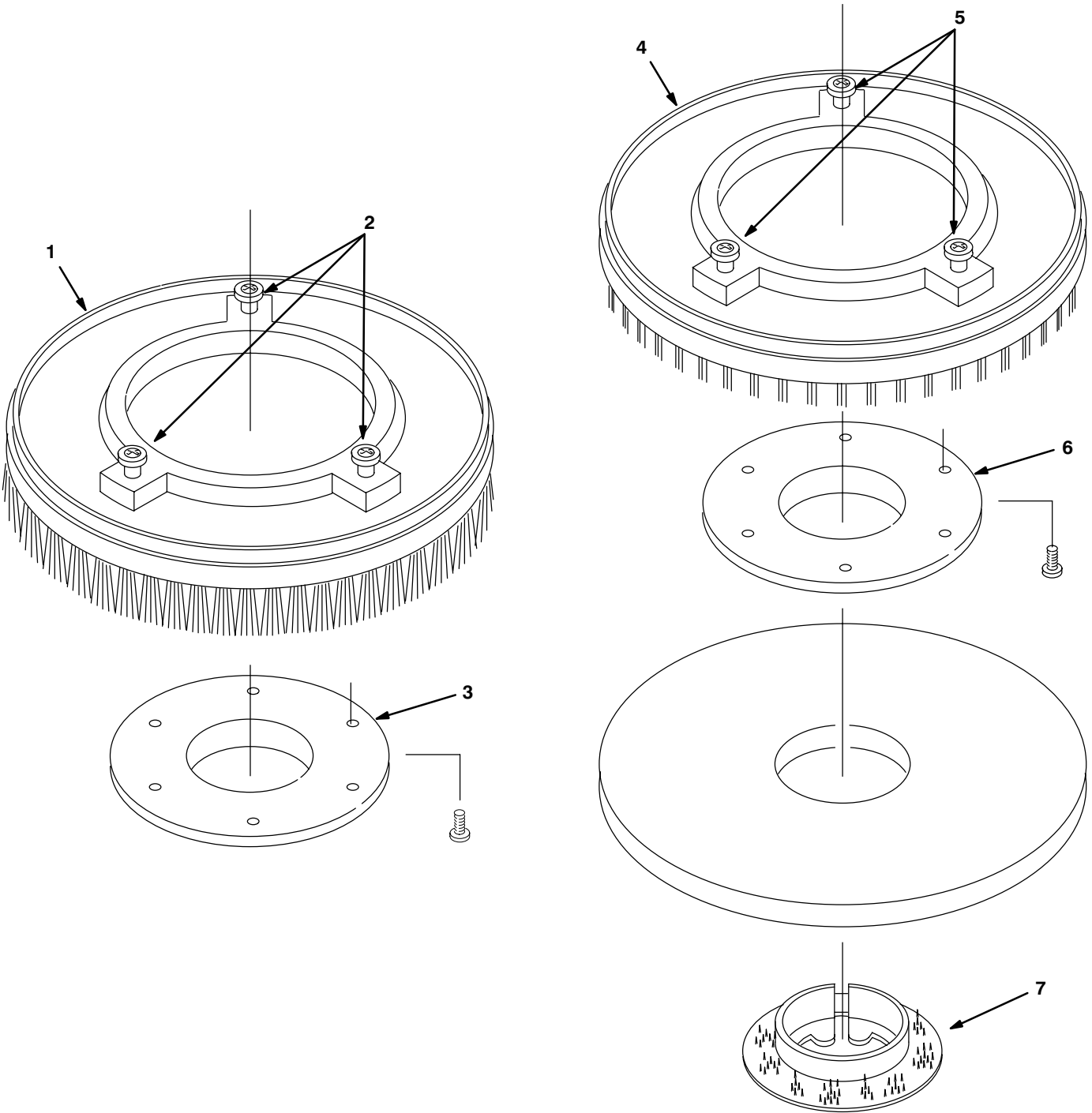
<b>MODELO</b>	<b>5500</b>	<b>5520</b>
LONGITUD	1270 mm (50 in)	1270 mm (50 in)
ANCHURA	660 mm (26 in)	711mm (28 in)
ALTURA	990 mm (39 in)	990 mm (39 in)
PESO	170 kg (375lb) 272 Kg (600lb)—c/ baterías	170 kg (375lb) 272 Kg (600lb)—c/ baterías
CAPACIDAD DEL DEPÓSITO DE DIS./REC.	64 L (17 Gal)	64 L (17 Gal)
CONTROL DE LA VELOCIDAD	Hacia delante variable. / Fixed Rev./ Marcha atrás fija.	Hacia delante variable. / Fixed Rev./ Marcha atrás fija.
VELOCIDAD DE LIMPIEZA (MAX)	2229.6m <sup>2</sup> (24,000 sq ft) por hora	2415.4m <sup>2</sup> (26,000 sq ft) por hora
ANCHURA DEL CARRIL DE LIMPIEZA	587 mm (23.123 in)	638 mm (25.13 in)
DIÁMETRO DE LA ALMOHADILLA	2 – 305mm (12 in)	2 – 330mm (13 in)
PRESIÓN DE LA ALMOHADILLA	Variable 36–68Kg (80–150lb)	Variable 36–68Kg (80–150lb)
ANCHURA DE LA ESCOBILLA DE GOMA	787 mm (31 in)	863 mm (34 in)
SISTEMA DE IMPULSIÓN	Eje de transmisión, .2 c.v., 24V	Eje de transmisión, .2 c.v., 24V
MOTOR DEL CEPILLO	2 – .75 h.p., 220 rpm, 24V, 20A, 550W	2 – .75 h.p., 220 rpm, 24V, 20A, 550W
MOTOR DE ASPIRACIÓN	.75 c.v., 3–tiempos 5.7, 24V, 21A, 550W	.75 c.v., 3–tiempos 5.7, 24V, 21A, 550W
ELEVACIÓN DE AGUA	1727 mm (68 in)	1727 mm (68 in)
BATERÍAS	2–12V, 215AH	2–12V, 215AH
AUTONOMÍA POR CARGA	Hasta 4 3/4 horas	Hasta 4 3/4 horas
NIVEL DE RUIDO EN DECIBELIOS A LA ALTURA DEL OPERARIO EN RECINTO CERRADO CON SUELO DE BALDOSAS.	75 dB(A)	75 dB(A)

# ELECTRICAL DIAGRAMS DIAGRAMAS ELECTRICAS





REPLACEMENT BRUSHES AND PAD DRIVER GROUP  
CEPILLO DEL REEMPLAZO Y GRUPO DEL MANDO DE LA ALMOHADILLA



**REPLACEMENT BRUSHES AND PAD DRIVER GROUP  
CEPILLO DEL REEMPLAZO Y GRUPO DEL MANDO DE LA ALMOHADILLA**

REF	PART #	DESCRIPTION	QTY.
▽ 1	240260	●BRUSH, POLY-SCRUB 2/PK 305MM (12")	2
	603159	●BRUSH, POLY-SCRUB 2/PK 330MM (13")	2
	240261	●BRUSH, DYNA-SCRUB 2/PK 305MM (12")	2
	603160	●BRUSH, DYNA-SCRUB 2/PK 330MM (13")	2
	240259	●BRUSH, STRATA SCRUB/STRIP 2/PK 305MM (12")	2
	603161	●BRUSH, STRATA SCRUB/STRIP 2/PK 330MM (13")	2
▲ 2	240238	●LUGS, W/ SCREWS (SET OF 3)	6
▲ 3	100106	●PLATE, PAD DRIVER BASE	2

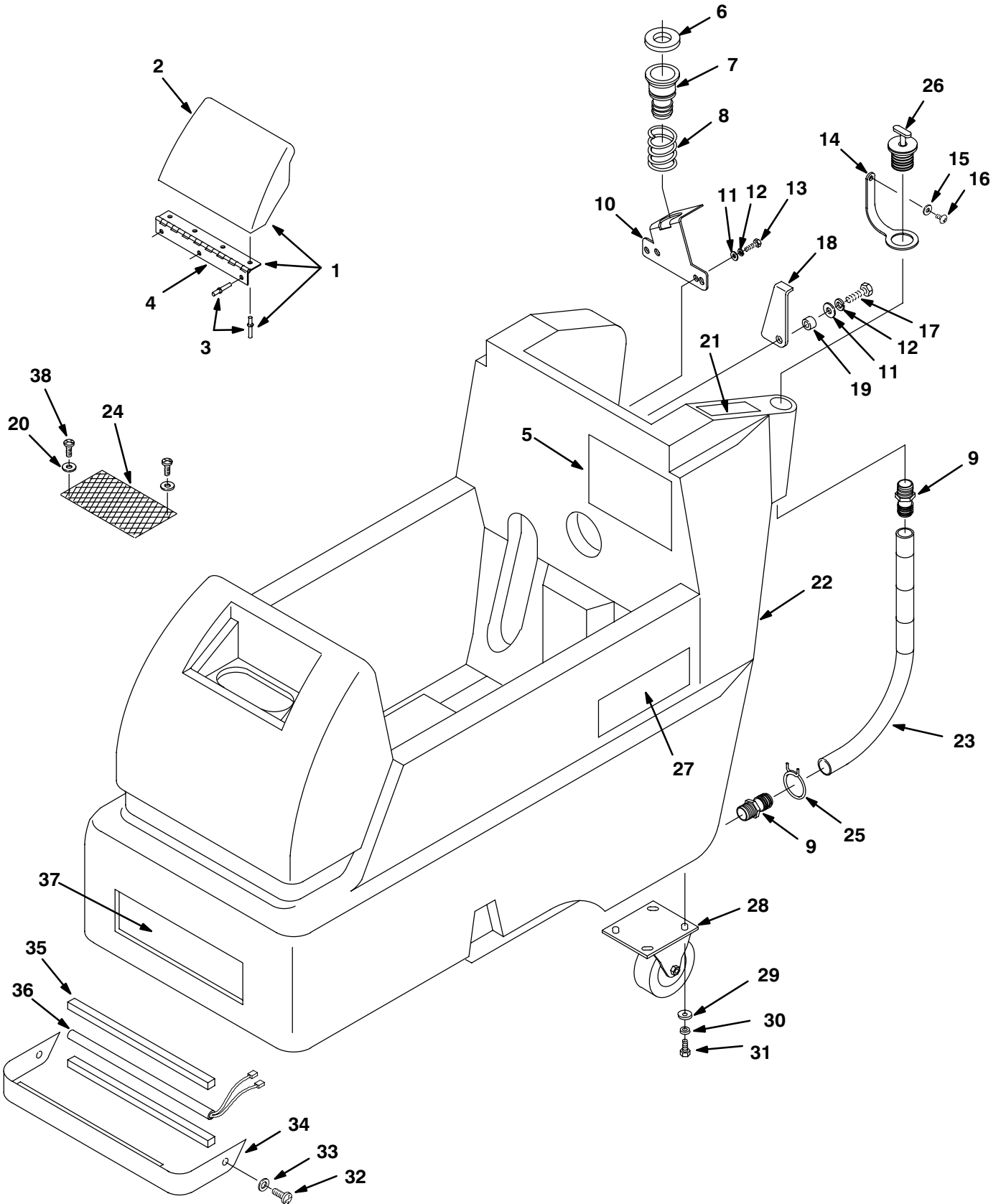
REF	PART #	DESCRIPTION	QTY.
▽ 4	240262	●ASM., PAD DRIVER 2/PK 305MM (12")	2
	602928	●ASM., PAD DRIVER 2/PK 330MM (13")	2
▲ 5	240238	●LUGS, W/SCREWS (SET OF 3)	6
▲ 6	100106	●PLATE, PAD DRIVER BASE	2
▲ 7	100107	●RING, PAD RETAINER SNAP-IN	2

▽ ASSEMBLY / CONJUNTO

▲ INCLUDED IN ASSEMBLY / INCLUIDO EN EL CONJUNTO

● RECOMMENDED STOCK ITEMS / ARTICULOS RECOMENDADOS

SOLUTION TANK GROUP  
GRUPE DEL DEPÓSITO DE DISOLUCIÓN





**SOLUTION TANK GROUP**  
**GRUPE DEL DEPÓSITO DE DISOLUCIÓN**

REF	PART #	DESCRIPTION	QTY.
▽ 1	607982	ASM., SOL. TANK COVER TEAL	1
▲ 2	607515	COVER, TANK TEAL	1
▲ 3	140706	RIVET, POP	7
▲ 4	611068	HINGE, COVER	1
5	603233	DECAL, BATTERY RECHARGE	1
6	630010	●GASKET, TUBE ADAPTER	1
7	630011	TUBE, VAC	1
8	630267	SPRING, TUBE ADAPTER	1
9	150529	HOSE BARB	2
10	608706	BRACKET, VAC TUBE	1
11	140027	WASHER, FLAT	3
12	140015	WASHER, LOCK	3
13	200031488	SCREW, M8X1.25X20MM	2
14	600476	●STRAP, PLUG REAR FILL	1
15	140011	WASHER, FLAT	1
16	140350	SCREW, #10X1/2	1
17	200031488	SCREW, M8X1.25X20MM	1
18	230925	SUPPORT, RECOVERY TANK	1
19	611418	BUSHING	1
20	140032	WASHER, FLAT	2

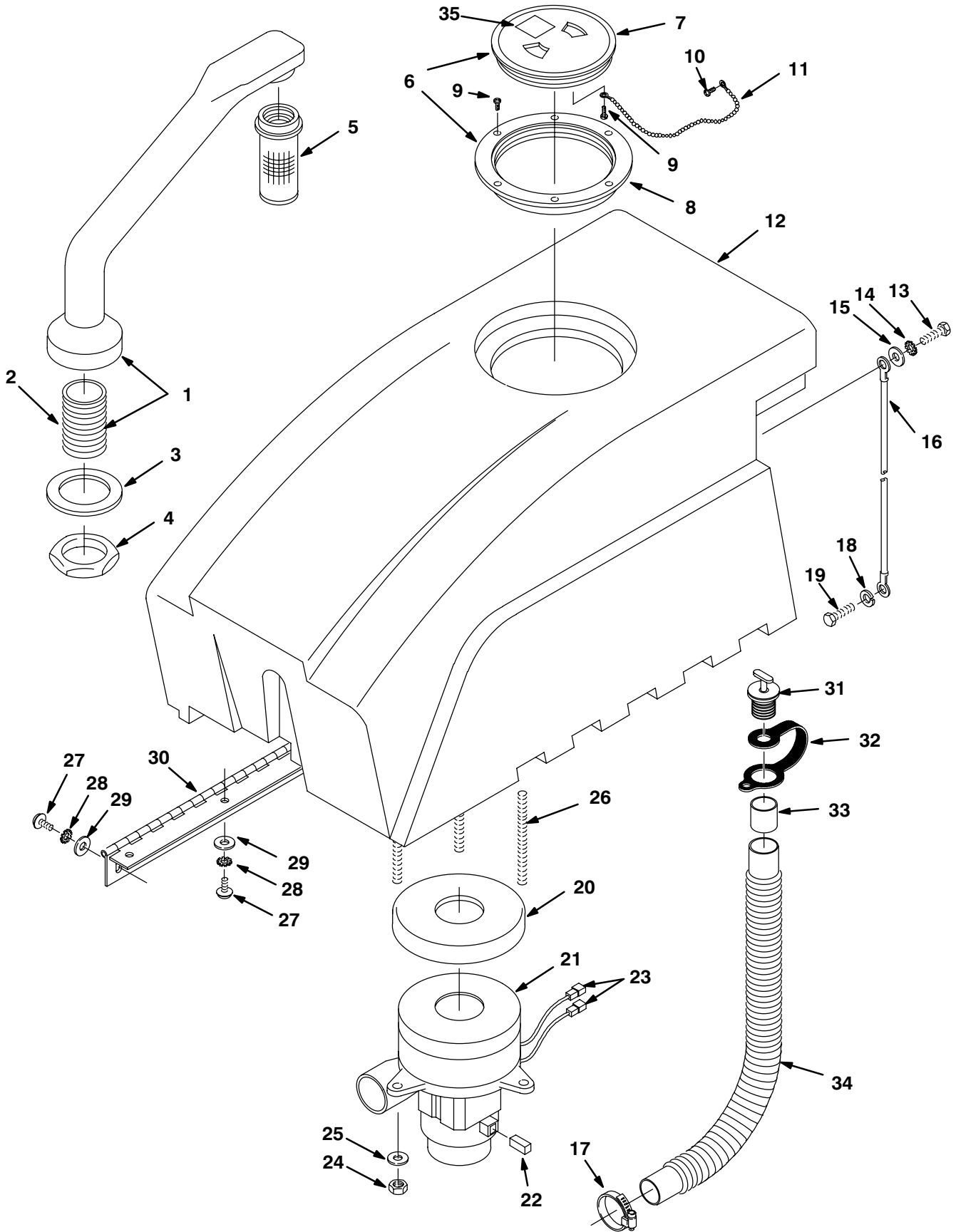
REF	PART #	DESCRIPTION	QTY.
21	600650	DECAL, SQUEEGEE LEVER CE	1
22	607552	TANK, SOLUTION TEAL	1
23	607983	ASM., DRAIN HOSE W/LEVEL IND.	1
24	602529	●SCREEN, FILL	1
25	608915	CLAMP, HOSE 2-WIRE	1
26	621324	●PLUG, EXPANSION	1
27	608118	DECAL, "5500"	2
	608119	DECAL, "5520"	2
28	630002	●CASTER, 4"	2
29	140036	WASHER, 3/8 FLAT	8
30	140333	WASHER, M10 SPLITLOCK	8
31	140277	SCREW, M10X1.5X20MM	8
32	578141000	SCREW, M5X10MM	2
33	140018	WASHER, #10 INT	2
34	600298	SHIELD, LIGHT	1
35	606242	GASKET, 30"	1
36	130023	LIGHT, SAFETY	1
37	120192	DECAL, TENNANT LOGO	1
38	3701.6	SCREW, #6X3/4	2

▽ ASSEMBLY / CONJUNTO

▲ INCLUDED IN ASSEMBLY / INCLUIDO EN EL CONJUNTO

● RECOMMENDED STOCK ITEMS / ARTICULOS RECOMENDADOS PARA  
MANTENER EN EXISTENCIA

RECOVERY TANK GROUP  
CONJUNTO DEPOSITO RECUPERAR



**RECOVERY TANK GROUP**  
**CONJUNTO DEPOSITO RECUPERAR**

REF	PART #	DESCRIPTION	QTY.
∇ 1	701103	ASM., STANDPIPE	1
▲ 2	606088	FITTING, NIPPLE	1
3	101714	●GASKET	1
4	210240	NUT, FLANGED	1
5	180613	●FLOAT, SHUT-OFF	1
∇ 6	100102	●ASM., LID CLEAR W/STD HOLE	1
▲ 7	100105	●LID, CENTER CLEAR ONLY	1
▲ 8	100109	●LID, OUTER RING ONLY	1
9	140826	SCREW, #6X3/4	6
10	3701.6	SCREW, #6X3/8	2
11	230513	CHAIN	1
12	607554	TANK, RECOVERY TEAL	1
13	578187000	SCREW, M06X1.0X12MM	1
14	140052	WASHER, 1/4 EXT	1
15	140000	WASHER, FLAT	1
16	140960	●CABLE	1
17	140308	CLAMP	1

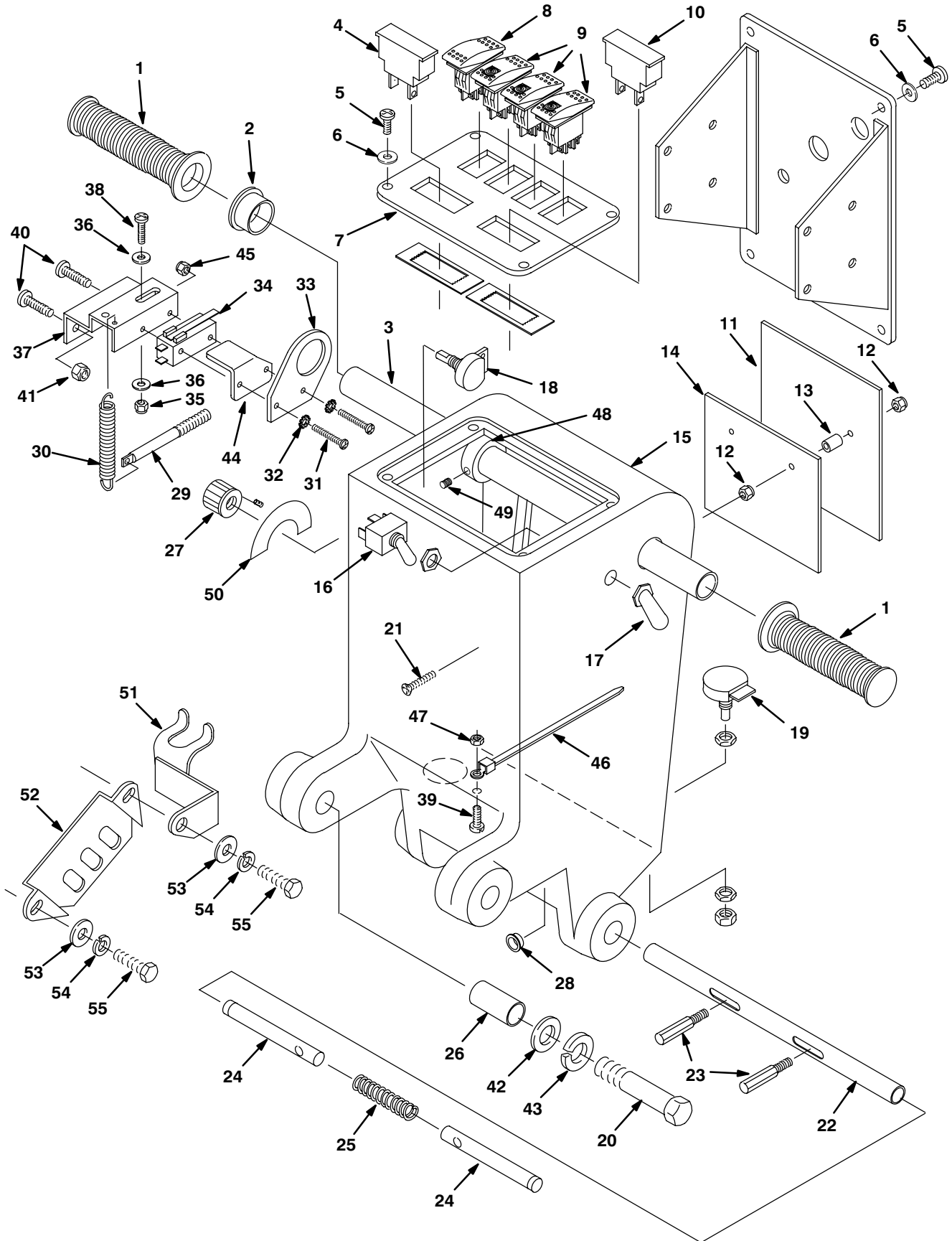
REF	PART #	DESCRIPTION	QTY.
18	140015	WASHER, LOCK	1
19	200031488	SCREW, M8X1.25X20MM	1
20	0174..10	●SEAT, NEOPRENE MOTOR	1
∇ 21	130477	●MOTOR, VAC 5.7/3 STG 24 VDC	1
▲ 22	190163	●CARBON BRSH W/HOLDER 2/PK	2
23	130096	TERMINAL, MALE DISCONNECT	2
24	140284	NUT	3
25	140000	WASHER, FLAT	3
26	140353	STUD	3
27	578187000	SCREW, M06X1.0X12MM	11
28	140052	WASHER, 1/4 EXT	11
29	140000	WASHER, 1/4 FLAT	11
30	600311	●HINGE, RECOVERY TANK	1
31	621324	●PLUG, EXPANSION	2
32	578441	●STRAP, DRAINHOSE	1
33	630394	●SLEEVE, DRAINHOSE	1
34	630068	●HOSE, DRAIN	1
35	606105	DO NOT SPRAY	1

∇ ASSEMBLY / CONJUNTO

▲ INCLUDED IN ASSEMBLY / INCLUIDO EN EL CONJUNTO

● RECOMMENDED STOCK ITEMS / ARTICULOS RECOMENDADOS PARA  
MANTENER EN EXISTENCIA

CONSOLE GROUP  
CONJUNTO CONSOLA DE CONTROLES



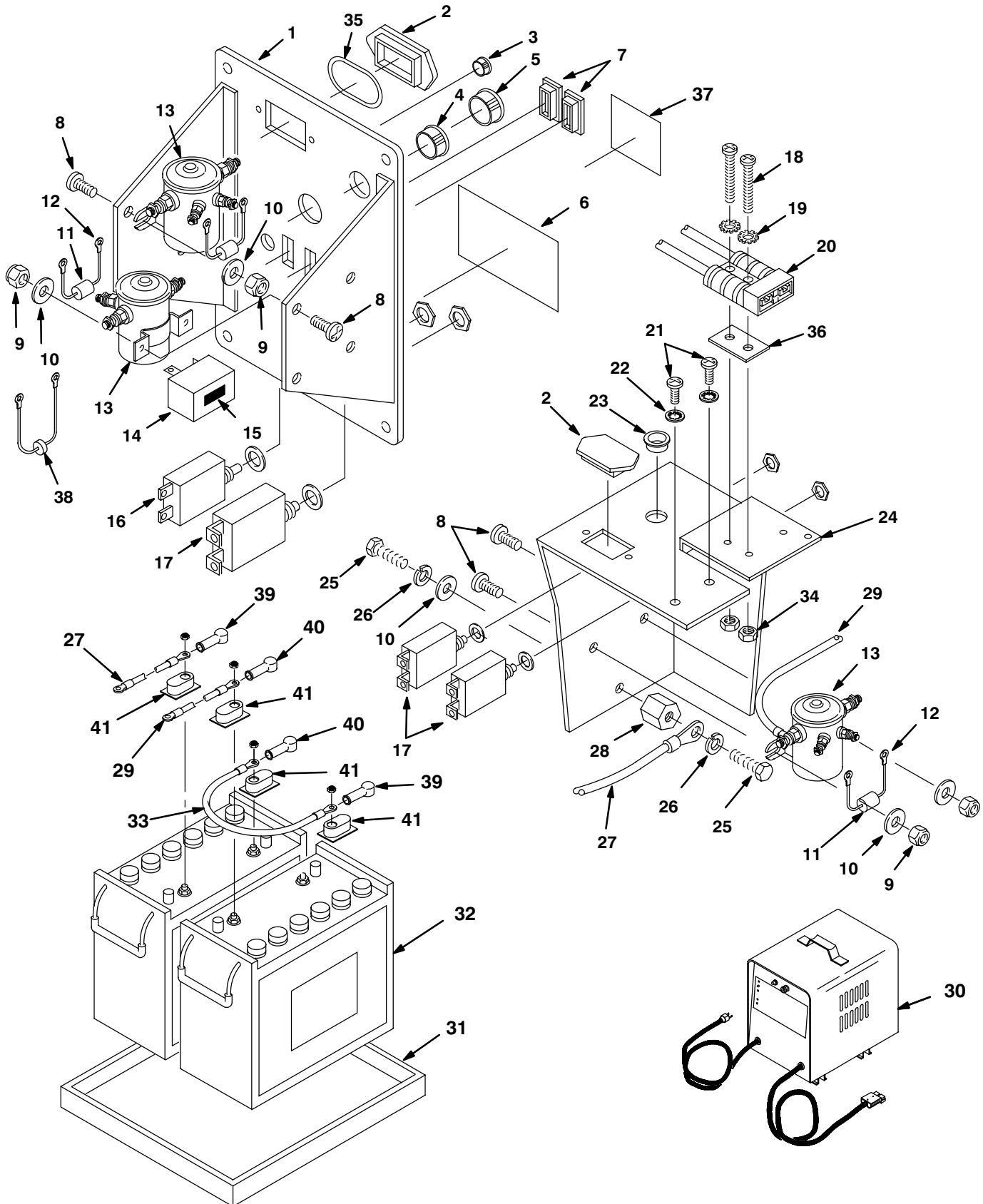
**CONSOLE GROUP**  
**CONJUNTO CONSOLA DE CONTROLES**

REF	PART #	DESCRIPTION	QTY.
1	200823	●GRIP, HANDLE TUBE	2
2	605351	BUSHING	1
3	604402	HANDLE, TUBE	1
4	606857	●GAUGE, BRUSH PRESSURE	1
5	578141000	SCREW, M5X10MM	8
6	140018	WASHER, LOCK	8
7	602560	PANEL, SWITCH	1
8	603399	●SWITCH, MOM. ON/OFF/MOM. ON	1
9	601107	●SWITCH, LIGHTED ROCKER	3
10	606020	●METER, BATTERY VOLTAGE 24V	1
11	630104	●SPEED CONTROL, PMB 55 AMP	1
12	200160014	NUT	4
13	630261	SPACER	2
14	630128	HEATSINK, ALLUM.	1
15	607556	HOUSING, CONTROL TEAL	1
16	601108	●SWITCH, TOGGLE	1
17	130753	●BOOT, SWITCH	1
18	130776	●POTENTIOMETER, 50K	1
19	130775	●POTENTIOMETER, 50K LOCKABLE	1
20	140351	SCREW, M12X1.75X70MM	2
21	630304	SCREW, M4X35MM	2
22	230715	TUBE, HANDLE ADJUSTMENT	1
23	230649	PIN, HANDLE ADJUSTMENT	2
24	230710	PIN, HANDLE LOCK	2
25	140415	SPRING, LOCK PIN	1
26	140155	BUSHING	2
27	606550	●KNOB, SPEED CONTROL	1
28	603007	BUSHING, SNAP	1
29	602886	PIN, SPRING RETURN	1

REF	PART #	DESCRIPTION	QTY.
30	605812	SPRING, EXTENSION	1
31	140829	SCREW, 6-32X1	2
32	140019	WASHER, LOCK	2
33	27098	BRACKET, SWITCH	1
34	130729	●SWITCH, ROLL	1
35	140552	NUT	1
36	140000	WASHER, FLAT	2
37	25671	MOUNT, SWITCH	1
38	140890	SCREW, 10-24X1/2	1
39	140900	SCREW, 10-24X3/4 TRSPHL	2
40	608322	SCREW, M6X1.0X16	2
41	140284	NUT, M6X1.0 NYLOCK	2
42	140045	WASHER, FLAT	2
43	140024	WASHER, LOCK	2
44	603830	PLATE, GUARD SWITCH	1
45	140540	NUT, 6-32 HEX	2
46	630343	CLAMP, CABLE	1
47	140552	NUT, 10-24 NYLOCK	1
48	605094	COLLAR, HANDLE	2
49	140859	SCREW, 1/4 SK CUP	2
50	606549	DECAL, SPEED CONTROL	1
51	602641	BRACKET, DRAIN HOSE	1
52	230661	PLATE, LOCK CONTROL HSG.	1
53	140027	WASHER, FLAT	2
54	140015	WASHER, LOCK	2
55	200031488	SCREW, M8X1.25X20	2
N/S	602873	HARNESS CONSOLE W/POT.	1
	606093	HARNESS, MAIN/SWITCH/ CONSOLE	1

● RECOMMENDED STOCK ITEMS / ARTICULOS RECOMENDADOS PARA  
MANTENER EN EXISTENCIA

ELECTRICAL / BATTERY GROUP  
GRUPO DEL ELÉCTRICO/BATERÍA



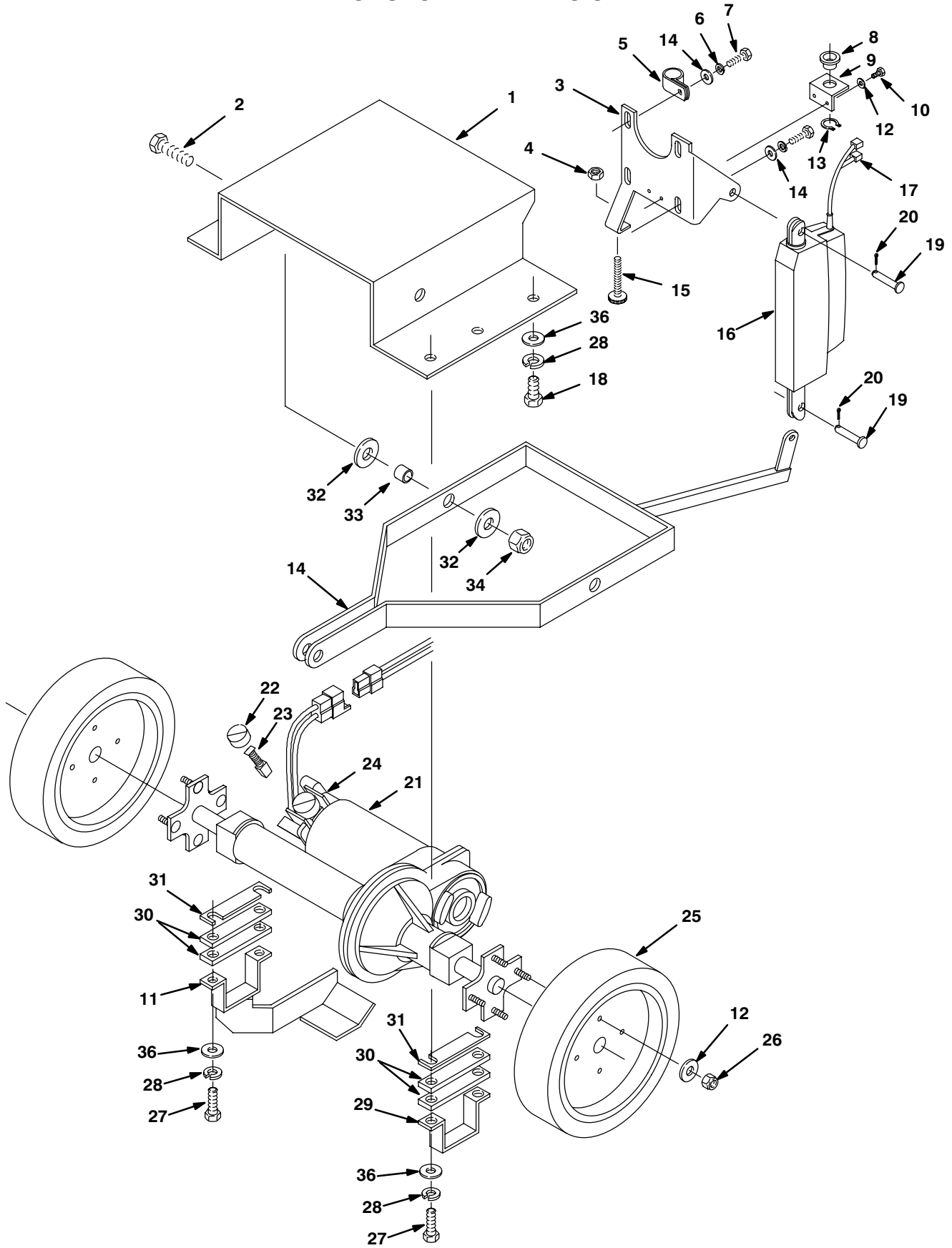
**ELECTRICAL / BATTERY GROUP  
GRUPO DEL ELÉCTRICO/BATERÍA**

REF	PART #	DESCRIPTION	QTY.
1	602559	PANEL, CONTROL HOUSING	1
2	609969	●PLUG, HOUR METER	2
3	069764626	●PLUG, HOLE 012.7	1
4	130161	●PLUG, DOME .850	1
5	130175	●PLUG, DOME .750	1
6	120649	DECAL, WARNING BATTERY	1
7	582150	●PLUG, ACCESSORY SWITCH	2
8	608322	SCREW, M6X1.0X16	6
9	140284	NUT, M6X1.0 NYLOCK	6
10	140000	WASHER, FLAT	7
11	606404	●ASM., DIODE W/RING TERM.	3
12	281001009	RING, TERMINAL #10	6
13	605905	●SOLENOID, 24V	3
14	130021	●FLASHER, 24VDC	1
15	606243	TAPE, ACRYLIC 1"X.25'	1
16	130737	●BREAKER, CIRCUIT BRSH 10AMP	1
17	602951	●BREAKER, CIRCUIT 35 AMP	3
18	140829	SCREW, 6-32X1	2
19	140019	WASHER, #6 EXT	2
20	605387	●CONNECTOR, 50A W/O CNTCTS	1
21	578141000	SCREW, M5X10	2

REF	PART #	DESCRIPTION	QTY.
22	140018	WASHER, #10 INT	2
23	130698	BUSHING, SNAP	1
24	602887	BRACKET	1
25	140553	SCREW, 1/4-20X1/2	2
26	140016	WASHER, LOCK	1
27	602871	CABLE, BATTERY #6 BLACKX20"	1
28	578427	●STANDOFF	1
29	602872	CABLE, BATTERY #6 REDX28"	1
30	603235	CHARGER, 24DC 20 AMP	1
31	601991	TRAY, BATTERY	1
32	600394	BATTERY, 12V 215A	2
33	130364	●CABLE, BATTERY #6 BLACKX15"	1
34	140539	NUT, 6-32 KEP	2
35	605823	●O-RING .929 ID X .996 OD	1
36	603331	SPACER, CHARGER PLUG	1
37	578729	DECAL, READ MANUAL	1
38	604486	ASM., DIODE SPLICED	1
39	611221	BOOT, BATTERY CABLE BLK	2
40	611222	BOOT, BATTERY CABLE RED	2
41	45962	COVER, BATTERY TERMINAL	4

● RECOMMENDED STOCK ITEMS / ARTICULOS RECOMENDADOS PARA MANTENER EN EXISTENCIA

DRIVE GROUP  
GRUPO DE TRANSMISIÓN





**DRIVE GROUP**  
**GRUPO DE TRANMISIÓN**

REF	PART #	DESCRIPTION	QTY.
1	600288	PLATE, BASE TRANSAXLE	1
2	140236	SCREW, 1/2-13X1 1/4	2
3	600292	BRACKET, ACTUATOR	1
4	140548	NUT	2
5	140314	CLAMP, INSULATED 3/4 ID	1
6	140015	WASHER, LOCK	4
7	200031494	SCREW, M8X1.25X30	4
8	621235	BUSHING, CABLE	1
9	630157	BRACKET, CABLE GUIDE	1
10	200031432	SCREW, M6X1/0X10	2
11	610130	MOUNT, TRANSAXLE GUARD	1
12	140000	WASHER, FLAT	10
13	621236000	RING, RETAINING	1
14	140027	WASHER, FLAT	4
15	240191	●KNOB, 5/16-18X2	1
16	600952	●ACUTATOR	1
17	281004001	TERMINAL, QC	2
18	140277	SCREW, M10X1.5X20MM	2
19	604076	PIN, CLEVIS	2
20	578421	PIN, COTTER	2

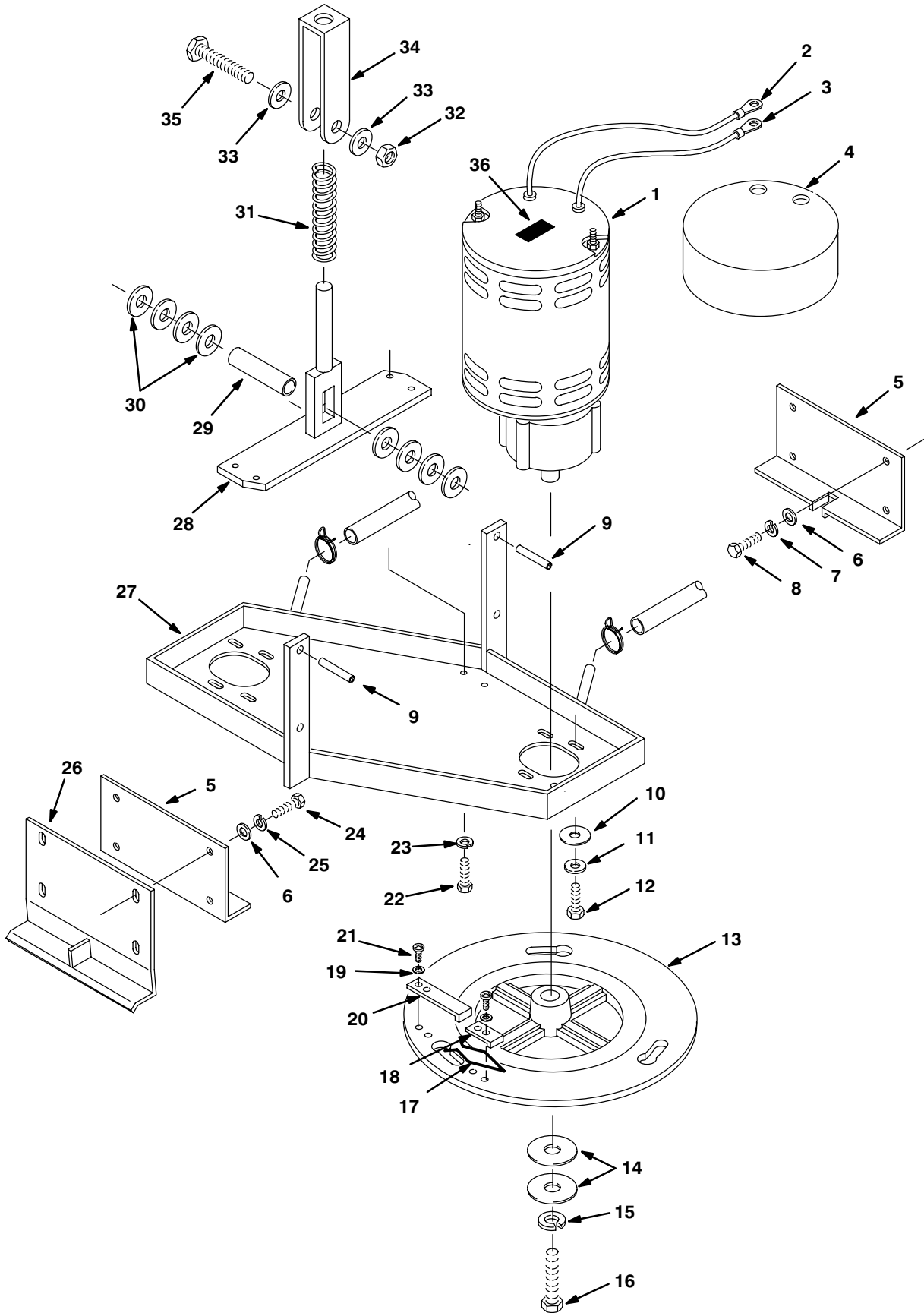
REF	PART #	DESCRIPTION	QTY.
▽ 21	630126	●TRANSAXLE, W/MOTOR 24VDC	1
▲ 22	630503	●CAP	2
▲ 23	630504	●CARBON BRUSH	2
▲ 24	600606	●END BELL, TRANSAXLE MOTOR	1
25	640013	●WHEEL, NEOPRENE, SOLID	2
	630215	●WHEEL, PNEUMATIC, AIR	2
	600352	●WHEEL, FOAM FILLED	2
	604357	●KIT, PNEUMATIC WHEEL, AIR	1
	604259	●KIT, WHEEL FOAM FILLED	1
26	630268	NUT	8
27	612255000	SCREW, M10X35MM	4
28	140333	WASHER, LOCK	6
29	602881	BRACKET, TRANSAXLE MOUNT	1
30	600304	SPACER, AXLE	4
31	602883	SPACER	2
32	140045	WASHER, FLAT	4
33	602882	BUSHING	2
34	140516	NUT	2
35	600290	BRACKET, LIFT DUAL MOTOR	1
36	140028	WASHER, FLAT	6

▽ ASSEMBLY / CONJUNTO

▲ INCLUDED IN ASSEMBLY / INCLUIDO EN EL CONJUNTO

● RECOMMENDED STOCK ITEMS / ARTICULOS RECOMENDADOS PARA  
MANTENER EN EXISTENCIA

**BRUSH GROUP**  
**CONJUNTO IMPULSO DE CEPILLO**



### BRUSH GROUP CONJUNTO IMPULSO DE CEPILLO

222615

REF	PART #	DESCRIPTION	QTY.
∇ 1	130491	●MOTOR & GEAR BOX, BRUSH	2
▲	630609	●ASM., GEAR BOX	1
▲	190741	●ASM., BRUSH CARD	1
▲	<del>190970</del>	●BRUSH, CARBON	4
▲	140632	●KEY, 1/4X1	1
X 2	281001014	TERMINAL RING (NEG) LT MOTOR	1
	281001014	TERMINAL RING (NEG) RT MOTOR	1
X 3	130109	TERMINAL RING (POS) LT MOTOR	1
	130109	TERMINAL RING (POS) RT MOTOR	1
4	100764	COVER, BRUSH MOTOR	2
5	600300	PLATE, GUIDE	2
6	140003	WASHER, FENDER	8
7	140016	WASHER, LOCK	4
8	140272	SCREW, M6X1.0X16MM	4
9	140618	PIN, ROLL	4
10	140028	WASHER, FLAT	8
11	140017	WASHER, LOCK	8
12	140202	SCREW, 3/8-16X1	8
13	606335	PLATE, DRIVER NYLON	2
14	25732	WASHER, FLAT	4
15	140016	WASHER, LOCK	4

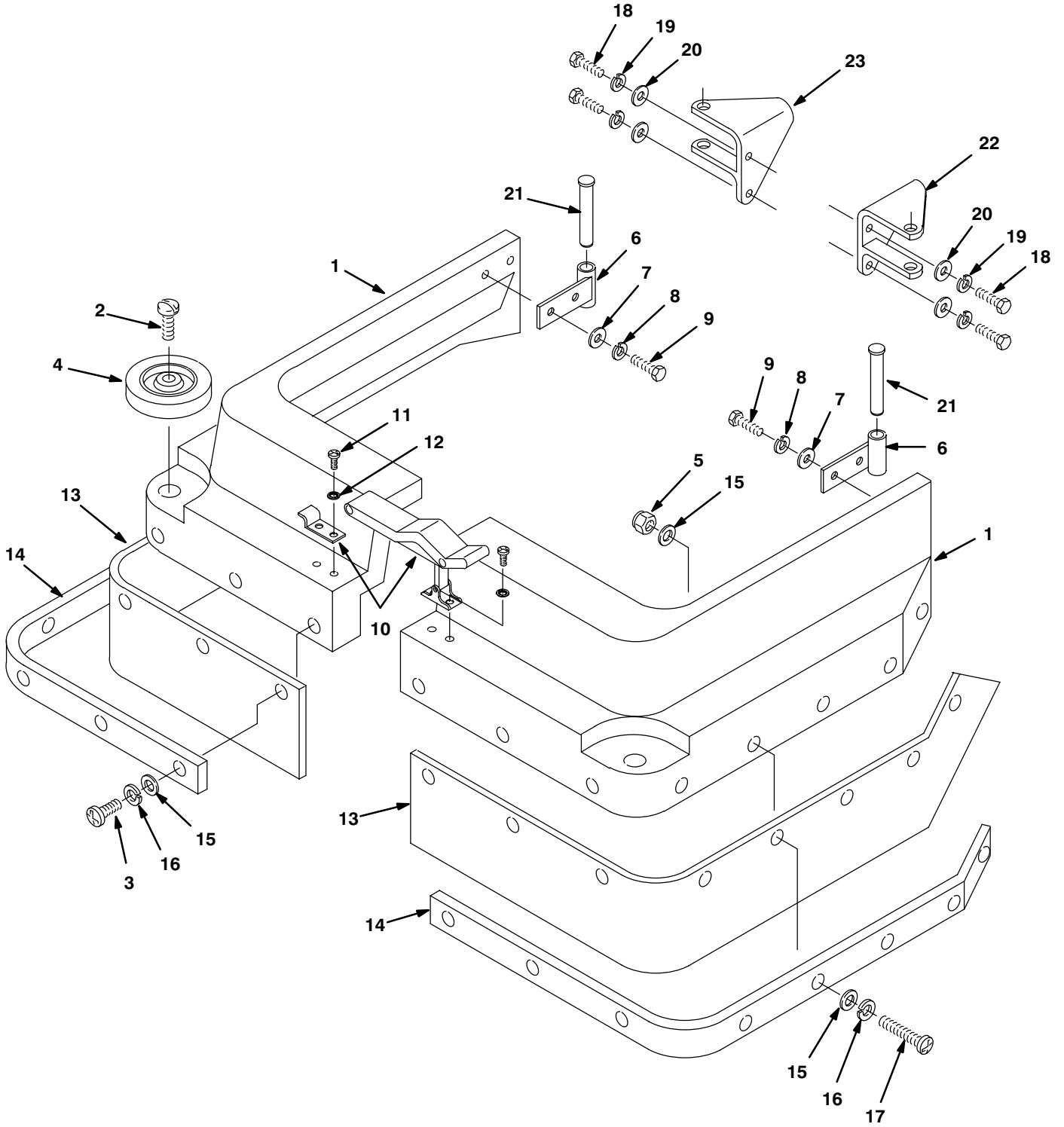
REF	PART #	DESCRIPTION	QTY.
16	140219	SCREW, 5/16-18X1	2
17	140417	●CLIP, SPRING	2
18	230651	●CLAMP, BRUSH PLATE	2
19	140018	WASHER, LOCK	8
20	230697	●STOP, DRIVER RELEASE	2
21	606915	SCREW, HIGH LOW 10-16X3/8	8
22	200031488	SCREW, M08X1.25X20MM	4
23	140015	WASHER, LOCK	4
24	140272	SCREW, 1/2-13X3	1
25	140016	WASHER, LOCK	1
26	600299	SKIRT, FRONT LIP	1
27	600289	BRACKET, MOTOR MOUNT	1
28	602558	BRACKET, SPRING MOUNT	1
29	602930	BUSHING	1
30	578298000	WASHER, FLAT	8
31	602555	SPRING	1
32	600200	NUT	1
33	140028	WASHER, FLAT	2
34	602556	BRACKET, SPRING	1
35	140225	SCREW, 3/8-16X2	1
36	100058	TAPE, ACRYLIC 1"X.50'	1

∇ ASSEMBLY / CONJUNTO

▲ INCLUDED IN ASSEMBLY / INCLUIDO EN EL CONJUNTO

● RECOMMENDED STOCK ITEMS / ARTICULOS RECOMENDADOS PARA  
MANTENER EN EXISTENCIA

BRUSH SKIRT GROUP  
CONJUNTO JUEGO DE CEPILLO



**BRUSH SKIRT GROUP**  
**CONJUNTO JUEGO DE CEPILLO**

REF	PART #	DESCRIPTION	QTY.
▽	609798	ASM., SKIRT OPERATOR LH TEAL (5500)	1
	609796	ASM., SKIRT OPERATOR LH TEAL (5520)	1
	609797	ASM., SKIRT OPERATOR RH TEAL (5500)	1
	609795	ASM., SKIRT OPERATOR RH TEAL (5520)	1
▲ 1	607558	SKIRT, OPERATOR LH TEAL (5500)	1
	607564	SKIRT, OPERATOR LH TEAL (5520)	1
	607560	SKIRT, OPERATOR RH TEAL (5500)	1
	607566	SKIRT, OPERATOR RH TEAL (5520)	1
▲ 2	603154	●SCREW, M08X1.25X40MM	2
▲ 3	578144000	SCREW, M5X16MM	10
▲ 4	630450	●WHEEL, RUBBER	2
▲ 5	140283	NUT	6
▲ 6	600301	BRACKET, SKIRT MOUNT	2
▲ 7	140027	WASHER, 5/16 FLAT	4

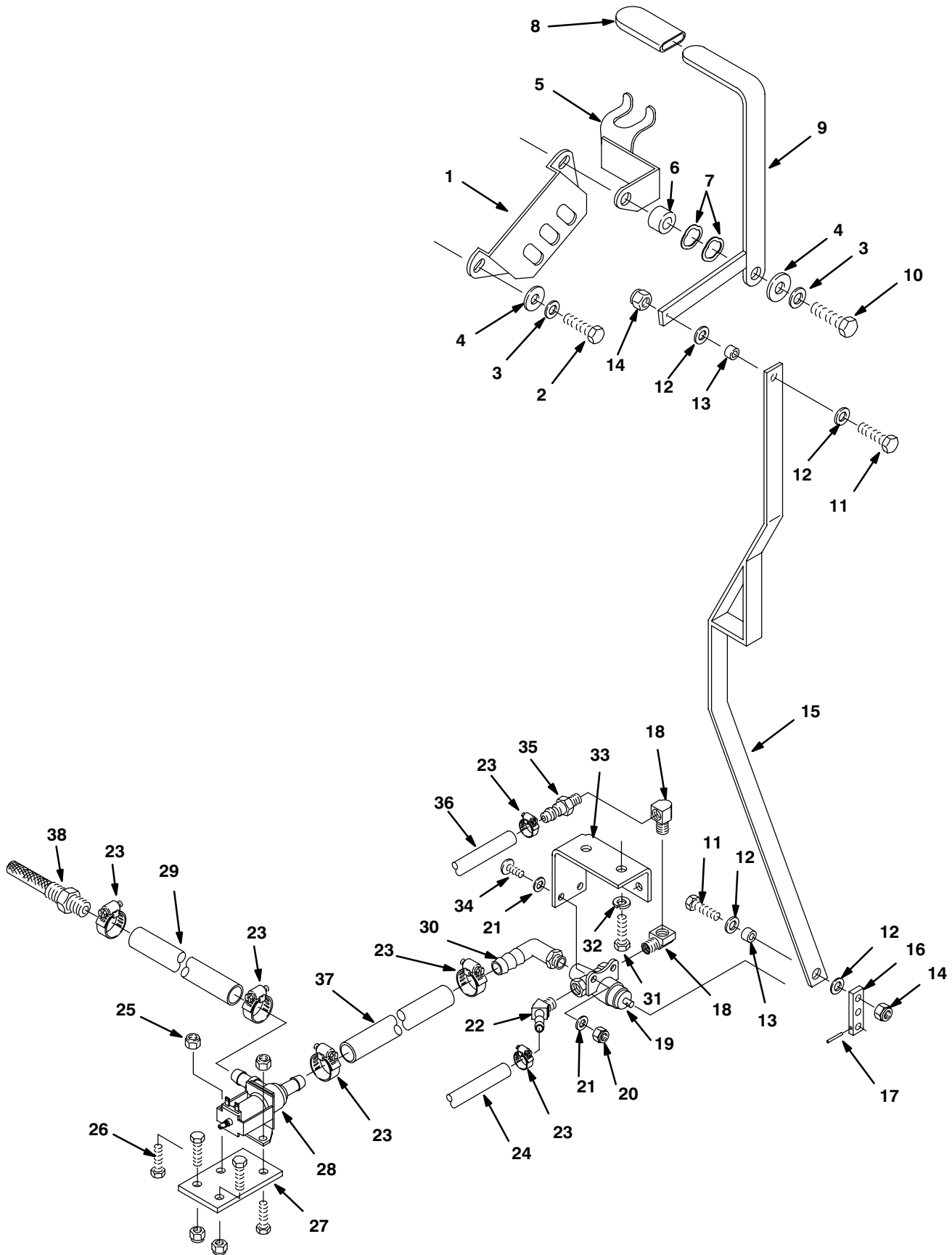
REF	PART #	DESCRIPTION	QTY.
▲ 8	140015	WASHER, 5/16 SPLITLOCK	4
▲ 9	578237000	SCREW, M8X18	4
▲ 10	140932	●LATCH, HOOD	1
▲ 11	200070340	SCREW, M4X.7X8MM	4
▲ 12	140023	WASHER, #8 INT	4
	600295	●GUARD, SPLASH (5500)	2
	600294	●GUARD, SPLASH (5520)	2
	600297	STRAP, SPLASH GUARD (5500)	2
	600296	STRAP, SPLASH GUARD (5520)	2
▲ 15	140011	WASHER, FLAT	22
▲ 16	140018	WASHER, LOCK	16
▲ 17	140293	SCREW, M5X0.8X30MM	6
18	575029000	SCREW, M8X1.25X20	4
19	140015	WASHER, 5/16 SPLITLOCK	4
20	140000	WASHER, 1/4 FLAT	4
21	230943	●PIN, SKIRT	2
22	607951	BRACKET, SKIRT MOUNT LH	1
23	607952	BRACKET, SKIRT MOUNT RH	1

▽ ASSEMBLY / CONJUNTO

▲ INCLUDED IN ASSEMBLY / INCLUIDO EN EL CONJUNTO

● RECOMMENDED STOCK ITEMS / ARTICULOS RECOMENDADOS PARA  
MANTENER EN EXISTENCIA

SOLUTION CONTROL GROUP  
CONJUNTO DE PALANCAS SOLUCIÓN



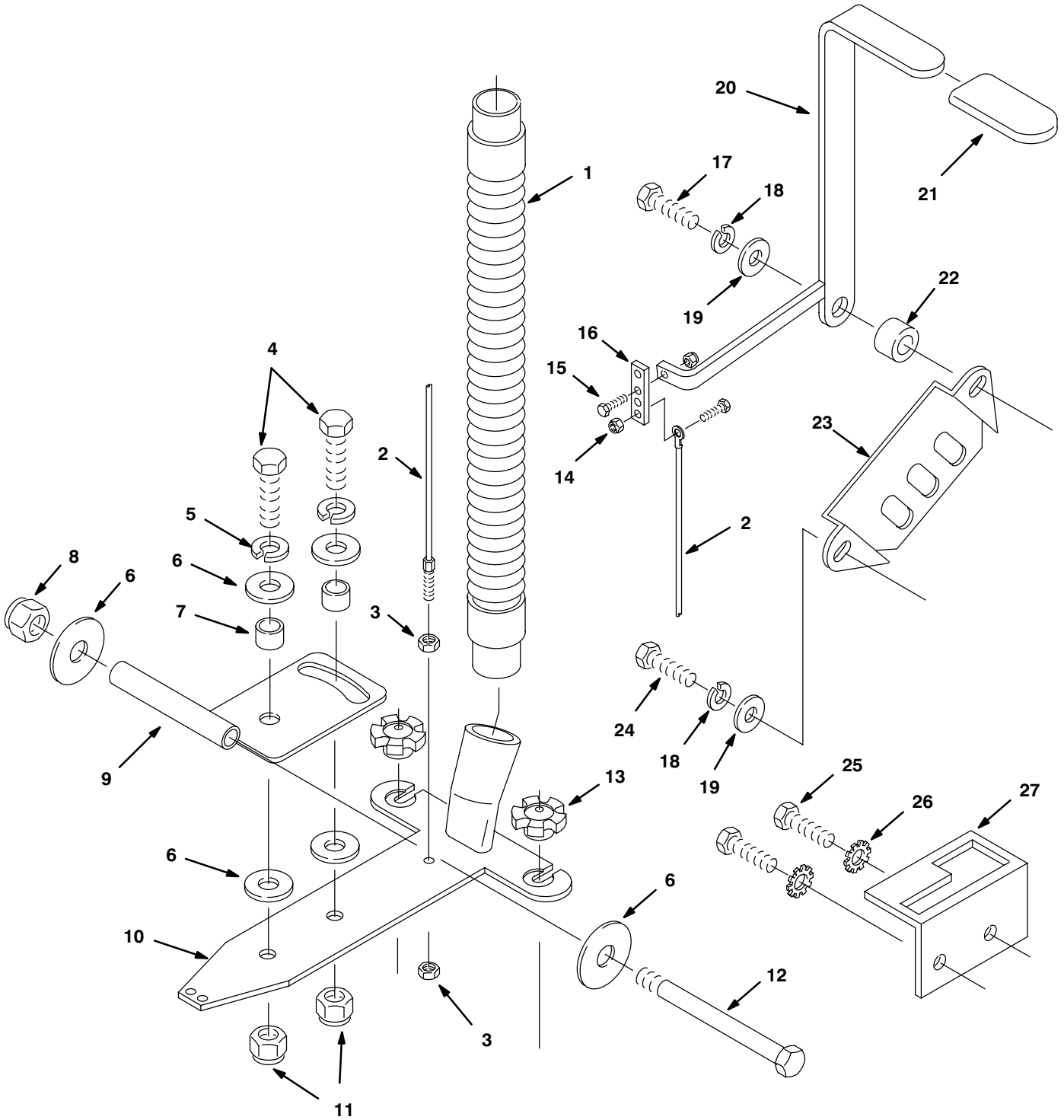
**SOLUTION CONTROL GROUP**  
**CONJUNTO DE PALANCAS SOLUCIÓN**

REF	PART #	DESCRIPTION	QTY.
1	230661	PLATE, LOCK CONTROL HSG	1
2	200031488	SCREW, M8X1.25X20MM	1
3	140015	WASHER, LOCK	2
4	140027	WASHER, FLAT	2
5	602641	BRACKET, DRAIN HOSE HANGER	1
6	230735	BUSHING	2
7	140060	WASHER, WAVE	2
8	200816	●GRIP, HANDLE	1
9	602884	HANDLE, SOLUTION VALVE	1
10	200031496	SCREW, M8X1.25X35	1
11	140208	SCREW, 1/4-20X1	2
12	140000	WASHER, FLAT	4
13	140134	BUSHING	2
14	140501	NUT	2
15	230718	LEVER, SOLUTION VALVE	1
16	230657	ARM, VALVE	1
17	140616	PIN, ROLL	1
18	150406	ELBOW, STREET 1/4 90°	2
19	210259	●VALVE, 3-WAY 5/16 PORTS	1
20	140283	NUT	2

REF	PART #	DESCRIPTION	QTY.
21	140011	WASHER, FLAT	4
22	605394	HOSE BARB	1
23	140310	CLAMP	4
24	606239	TUBING, 3/8IDX25"	1
25	140284	NUT, M6X1.0 NYLOCK	2
26	140272	SCREW, M6X1.0X16MM	4
27	602879	PLATE, SOLENOID MOUNT	1
28	603310	●VALVE, SOLENOID 24 VDC	1
29	605100	TUBING, 5/8X2"	1
30	150409	ELBOW, 1/4X5/8 90°	1
31	140272	SCREW, M06X1.0X16MM	2
32	140016	WASHER, LOCK	2
33	600303	BRACKET, VALVE	1
34	578144000	SCREW, M5X16MM	2
35	150516	HOSE BARB	1
36	606239	TUBING, 3/8IDX25"	1
37	605099	TUBING, 5/8IDX3"	1
38	602929	●FILTER, SOLUTION TANK	1
39	607775	CLAMP, HOSE 2 WIRE BLK	2

● RECOMMENDED STOCK ITEMS / ARTICULOS RECOMENDADOS PARA  
MANTENER EN EXISTENCIA

SQUEEGEE CONTROL GROUP  
CONJUNTO DE PALETA PLANCAS





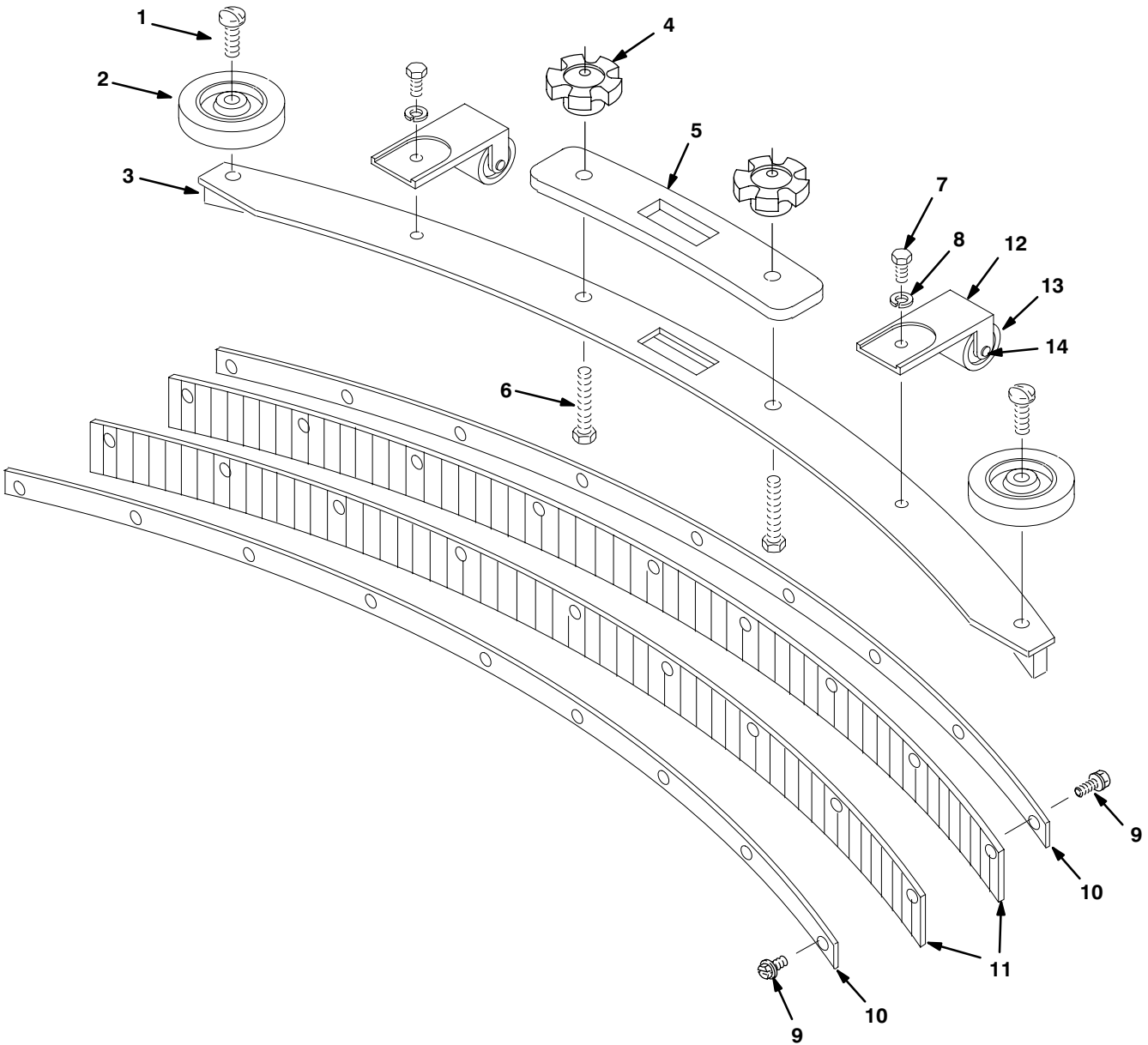
**SQUEEGEE CONTROL GROUP  
CONJUNTO DE PALETA PLANCAS**

REF	PART #	DESCRIPTION	QTY.
1	160613	●HOSE, VAC 1.5X30" W/CUFFS	1
2	630156	●CABLE, SQUEEGEE LIFT	1
3	140501	NUT	2
4	140236	SCREW, 1/2-13X1-1/4"	2
5	140024	WASHER, LOCK	2
6	140045	WASHER, FLAT	6
7	140139	BUSHING	2
8	140516	NUT, 1/2-13 NYLOCK	1
9	600293	PIVOT, SQUEEGEE MOUNT	1
10	230730.BK	BRACKET, SQUEEGEE MOUNT	1
11	140509	NUT, 1/2-13 JAM	2
12	602981	SCREW, 1/2-13X5-1/2"	1
13	605361	●KNOB, 5/16-18	2
14	140284	NUT	2

REF	PART #	DESCRIPTION	QTY.
15	140272	SCREW, M6X1.0X16MM	2
16	602880	PLATE, SQUEEGEE CABLE LINK	1
17	200 031 496	SCREW, M08X35	1
18	140015	WASHER, LOCK	2
19	140027	WASHER, FLAT	2
20	602885	HANDLE, SQUEEGEE LIFT	1
21	200816	●GRIP, HANDLE	1
22	604358	BUSHING SPACER	1
23	230661	PLATE, LOCK CONTROL HSG.	1
24	200031488	SCREW, M8X1.25X20MM	1
25	140268	SCREW, M5X.8X12MM	2
26	140031	WASHER, LOCK	2
27	230712	PLATE, SQUEEGEE LOCK	1

- RECOMMENDED STOCK ITEMS / ARTICULOS RECOMENDADOS PARA MANTENER EN EXISTENCIA

CURVED SQUEEGEE GROUP  
CONJUNTO PALETA



**CURVED SQUEEGEE GROUP**  
**CONJUNTO PALETA**

REF	PART #	DESCRIPTION	QTY.
∇	603262	ASM., SQUEEGEE CURVED (5500)	1
	603263	ASM., SQUEEGEE CURVED (5520)	1
▲ 1	140799	SCREW, 5/16-18X1-1/2	2
▲ 2	630450	WHEEL, RUBBER	2
▲ 3	602958	WELDMENT, SQUEEGEE (5500)	1
	602960	WELDMENT, SQUEEGEE (5520)	1
▲ 4	605361	●KNOB, BLACK	2
▲ 5	603260	GASKET, SQUEEGEE CURVED	1
▲ 6	140221	SCREW, 5/16-18X1-1/4	2
▲ 7	140226	SCREW, 5/16-18X5/8	2

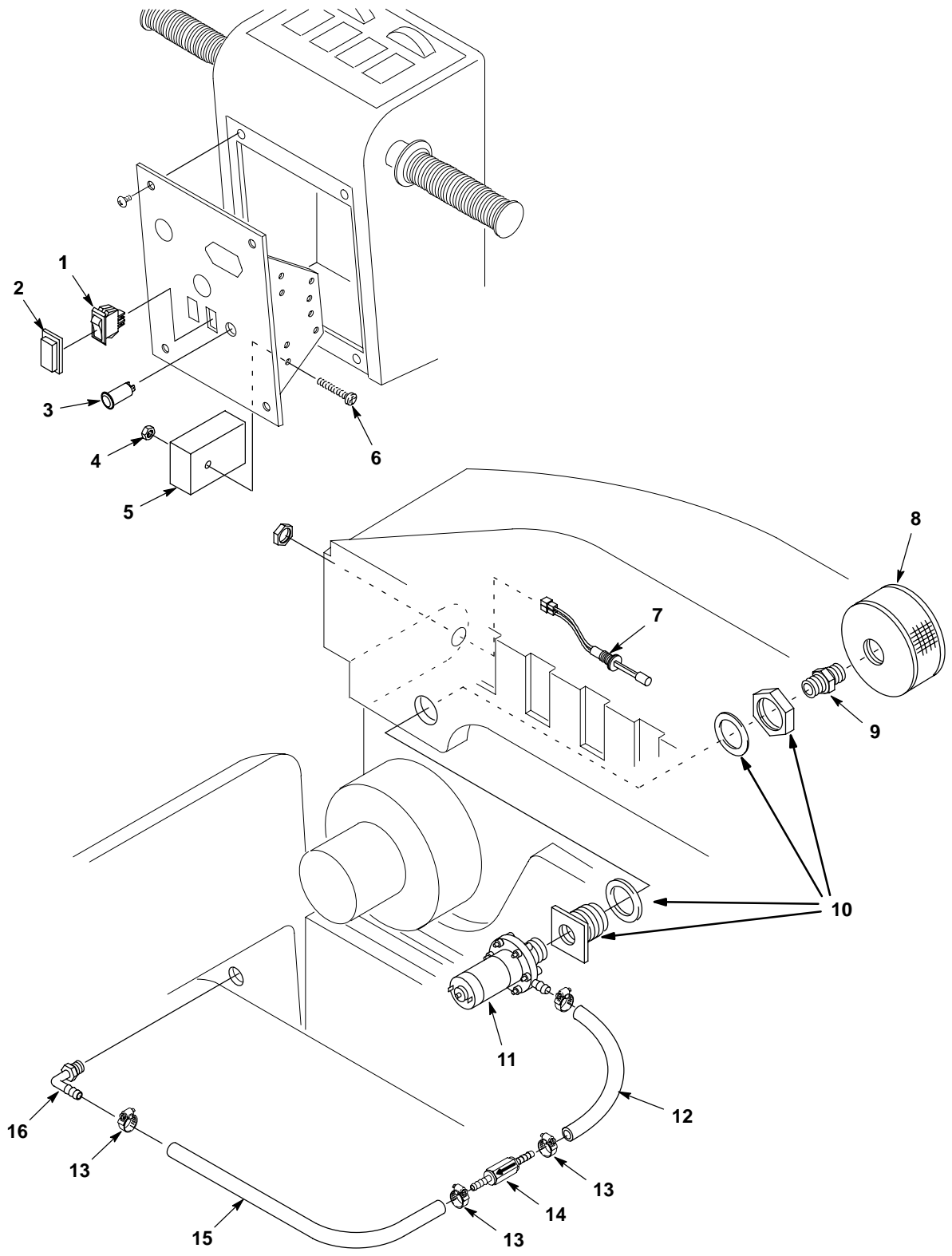
REF	PART #	DESCRIPTION	QTY.
▲ 8	140015	WASHER, 5/16 SPLITLOCK	2
▲ 9	605975	SCREW, 10-24X1/2"	24-28
▲ 10	602962	PLATE, SQG RETAINING (5500)	2
	602963	PLATE, SQG RETAINING (5520)	2
▲ 11	603660	●BLADE, SQUEEGEE 31" (5500)	2
	603661	●BLADE, SQUEEGEE 34" (5520)	2
∇▲	700844	●ASM., SQUEEGEE ROLLER	2
▲ 12	230474	BRACKET, SQUEEGEE ROLLER	2
▲ 13	605317	ROLLER	2
▲ 14	140710	RIVET, AXLE 3/8X1.6	2

ASSEMBLY

▲ INCLUDED IN ASSEMBLY

● RECOMMENDED STOCK ITEMS

ES™ KIT  
ES™ JUEGO



**ES™ KIT  
ES™ JUEGO**

REF	PART #	DESCRIPTION	QTY.
▽	604780	●KIT, ES™	1
▲ 1	630419	●SWITCH, ROCKER	1
▲ 2	578720	●SPLASHGUARD, RCKR SWITCH	1
▲ 3	130738	●LIGHT, INDICATOR GREEN	1
▲ 4	140283	NUT	1
▲ 5	630145	●TIMER, 24VDC, RANGE:30SEC	1
▲ 6	578008000	SCREW	1
▲ 7	603166	●SWITCH, LIQUID LEVEL W/NUT	1
▲ 8	630138	●FILTER, SCREEN	1
▲ 9	630385	FITTING, 3/4M NIPPLE	1

REF	PART #	DESCRIPTION	QTY.
▲ 10	601490	FITTING, 3/4NPT BULKHEAD	1
▲ 11	630136	●PUMP, SOLUTION 24VDC	1
▲ 12	605282	TUBING, 5/8X.5'	1
▲ 13	140310	CLAMP, HOSE	4
▲ 14	210044	●VALVE, CHECK	1
▲ 15	605282	TUBING, 5/8X1.25'	1
▲ 16	150415	FITTING, ELBOW 90°	1
▲N/S	604787	HARNESS, WIRE ES™	1
▲N/S	630440	DECAL, REMOVE FILTER	1

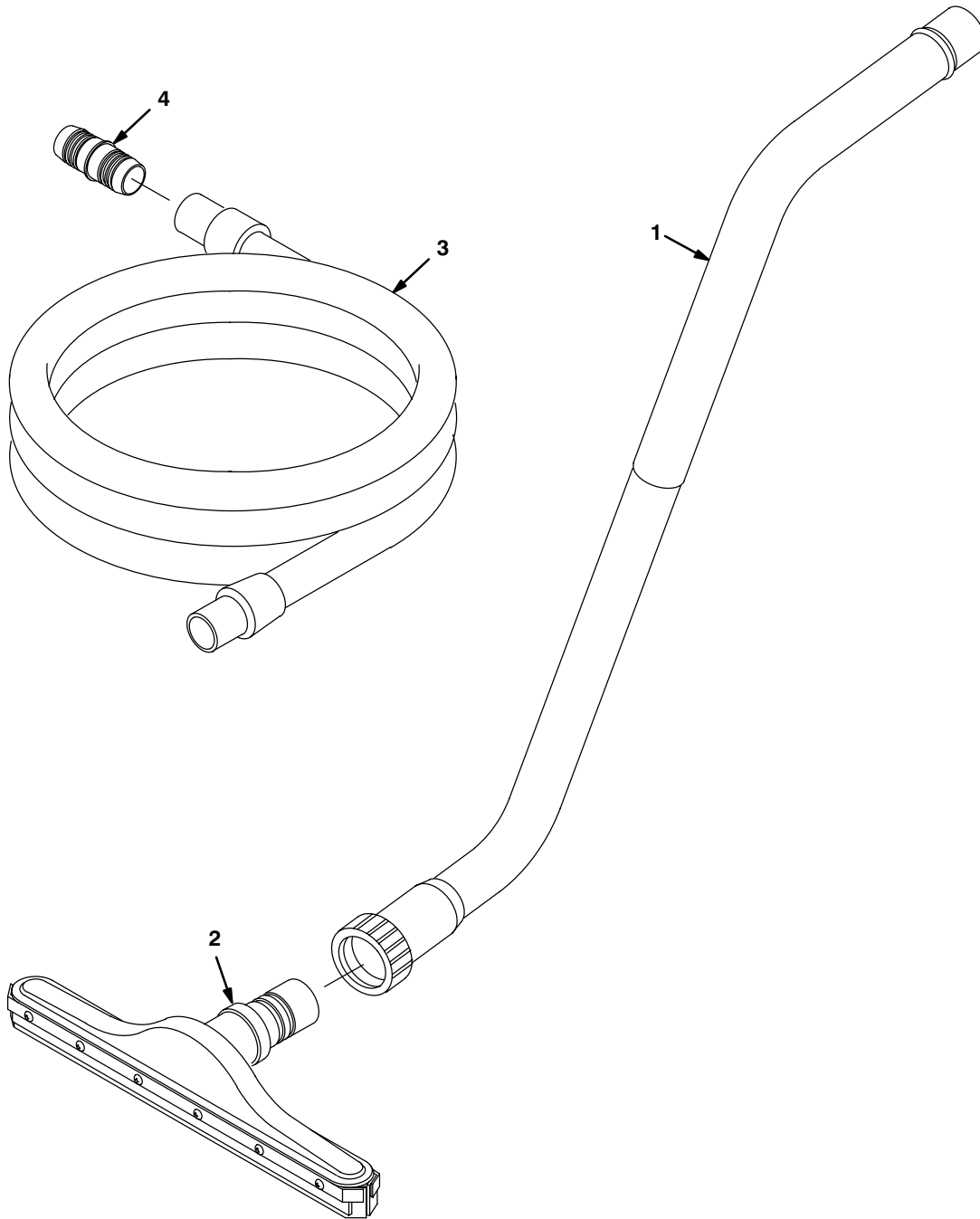
▽ ASSEMBLY / CONJUNTO

▲ INCLUDED IN ASSEMBLY / INCLUIDO EN EL CONJUNTO

● RECOMMENDED STOCK ITEMS / ARTICULOS RECOMENDADOS

N/S = NOT SHOWN

**SQUEEGEE WAND ASSEMBLY  
GROUPE D'ASPIRATION ET RACLETTE À MAIN**



REF	PART #	DESCRIPTION	QTY.
▽	190928	●ASM, WAND DOUBLE BEND	1
▲ 1	6108.1	WAND, DOUBLE BEND	1
▲ 2	13840	SQUEEGEE ASM PUSH/PULL	1

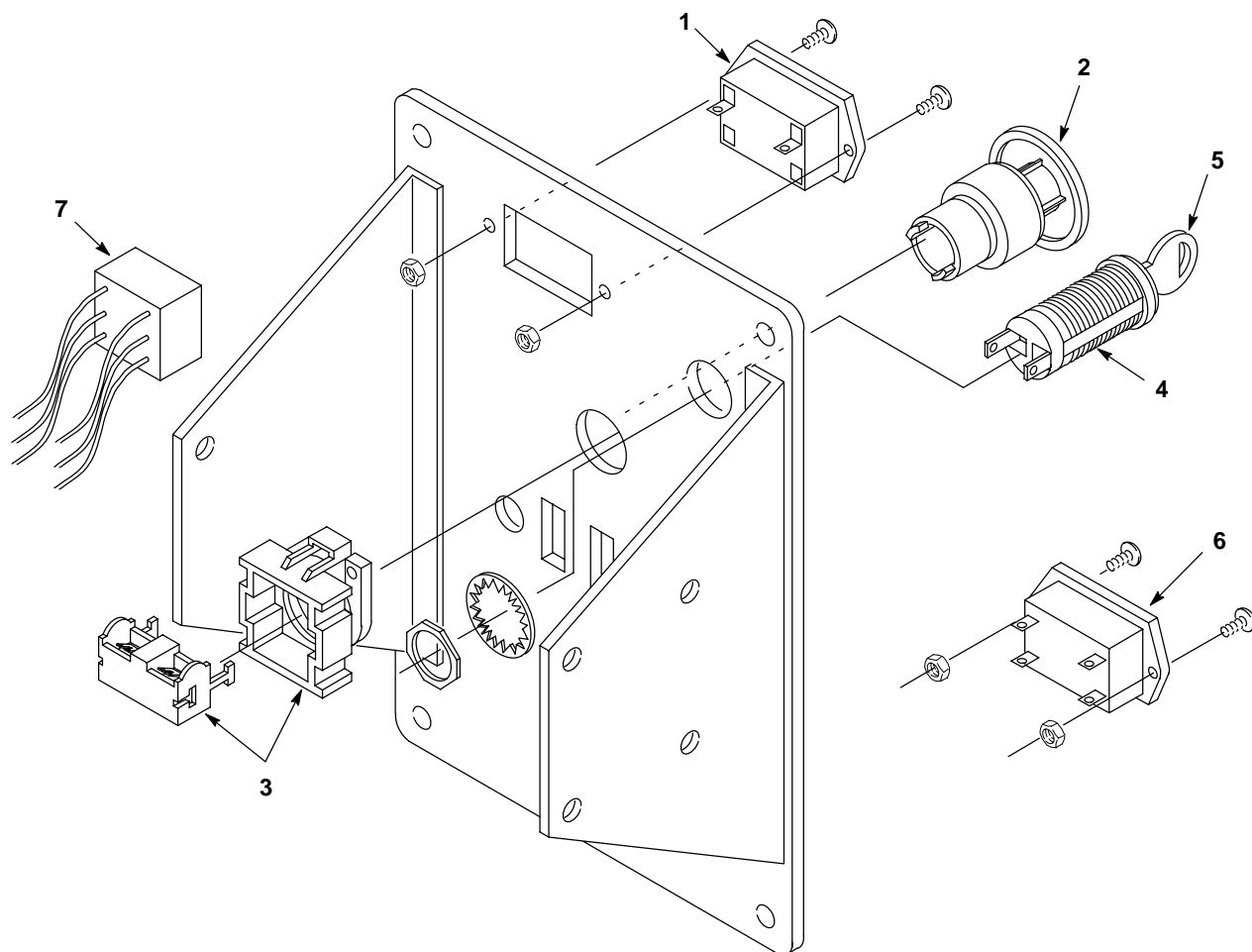
REF	PART #	DESCRIPTION	QTY.
▲ 3	160481	●HOSE, VAC 1-1/2X10'	1
▲ 4	160451	CONNECTOR, VAC HOSE	1

▽ ASSEMBLY / CONJUNTO

▲ INCLUDED IN ASSEMBLY / INCLUIDO EN EL CONJUNTO

● RECOMMENDED STOCK ITEMS / ARTICULOS RECOMENDADOS

**HOUR METER, EMERGENCY STOP, KEYSWITCH AND LOW VOLTAGE KITS**



REF	PART #	DESCRIPTION	QTY.
▽	602999	●KIT, HOUR METER	1
▲ 1	630143	●METER, HOUR	1
▲ N/S	603000	ASM., WIRE #18X5" BLU	1
▲ N/S	603004	ASM WIRE #18X5" BLK	1
▽	602995	●KIT, EMERGENCY STOP	1
▲ 2	630100	●SWITCH, EMERGENCY STOP BUTTON	1
▲ 3	630097	●SWITCH, CONTACT BLOCK	1
▲ N/S	602996	ASM, WIRE #16X5" RED 1/4FX1/4F	1
▲ N/S	602997	ASM, WIRE #16X5" RED 1/4MX1/4F	1

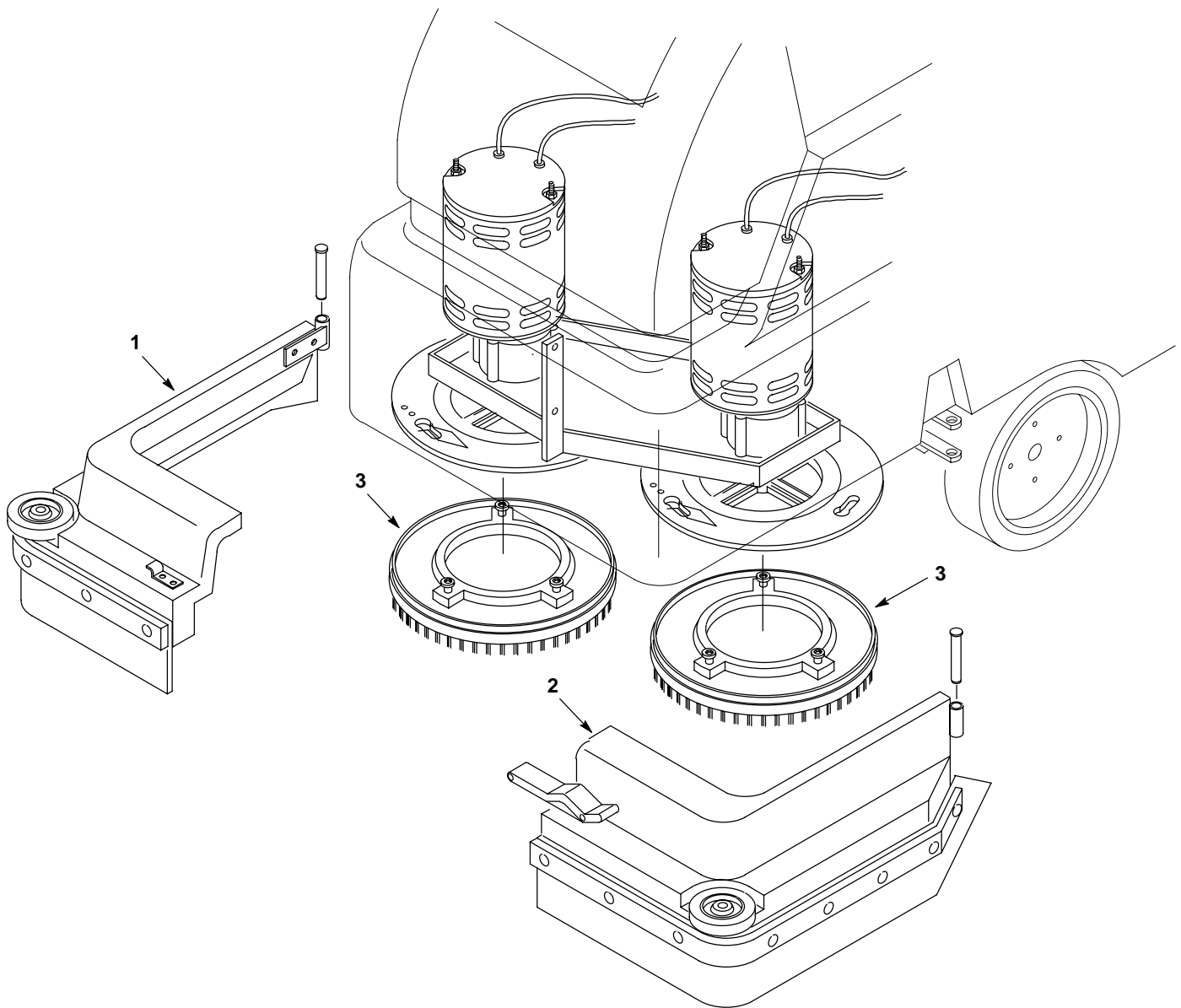
REF	PART #	DESCRIPTION	QTY.
▽	602993	●KIT, KEYSWITCH	1
▲▽ 4	612462	●SWITCH, KEY	1
▲ 5	607821	●KEY, REPLACEMENT	1
▽	603074	●KIT, LOW VOLTAGE CUTOFF	1
▲ 6	603076	●GAUGE, BATTERY 24V	1
▲ 7	603314	ASM., RELAY LOW VLTGE CUTOFF	1
▲N/S	603078	ASM., WIRE #18X9" GRN	1
▲N/S	603080	ASM., WIRE #18X8" BLK	1
▲N/S	603081	ASM., WIRE #18X12" RED	1
▲N/S	130040	WIRE TIE	1

▽ ASSEMBLY / CONJUNTO

▲ INCLUDED IN ASSEMBLY / INCLUIDO EN EL CONJUNTO

● RECOMMENDED STOCK ITEMS / ARTICULOS RECOMENDADOS PARA MANTENER EN EXISTENCIA

CONVERSION KIT  
JUEGO DE CONVERSIÓN





**CONVERSION KIT  
JUEGO DE CONVERSIÓN**

REF	PART #	DESCRIPTION	QTY.
▽	609794	●KIT, CONVERSION TO 5500 TEAL	1
	609793	●KIT, CONVERSION TO 5520 TEAL	1
▲ 1	609797	ASM., SKIRT OPERATOR RH TEAL (5500)	1
	609795	ASM., SKIRT OPERATOR RH TEAL (5520)	1
▲ 2	609798	ASM., SKIRT OPERATOR LH TEAL (5500)	1
	609796	ASM., SKIRT OPERATOR LH TEAL (5520)	1

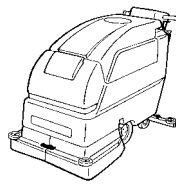
REF	PART #	DESCRIPTION	QTY.
▲ 3	240262	●ASM., PAD DRIVER 2/PK 305MM / 12" (5500)	2
	602928	●ASM., PAD DRIVER 2/PK 330MM / 13" (5520)	2
▲N/S	603262	ASM., SQUEEGEE CURVED (5500)	1
	603263	ASM., SQUEEGEE CURVED (5520)	1
▲N/S	608118	DECAL, "5500"	2
	608119	DECAL, "5520"	2

▽ ASSEMBLY / CONJUNTO

▲ INCLUDED IN ASSEMBLY / INCLUIDO EN EL CONJUNTO

● RECOMMENDED STOCK ITEMS / ARTICULOS RECOMENDADOS PARA MANTENER EN EXISTENCIA

# 5500/5520



## MAINTENANCE CHECK LIST WALL CHART

To maintain excellent service of this machine, perform this simple check list as described below. Refer to your Operator's Manual for further assistance.

DAILY	DESCRIPTION	PROCEDURE
EVERY 4 HOURS OPERATION	✓ BATTERIES	Recharge if needed.
	✓ PADS/BRUSHES	Remove and clean. Replace if worn.
	✓ SQUEEGEE	Wipe off with a dry cloth. Store in "up" position. Inspect for damage.
	✓ REC/SOL TANKS	Drain and rinse thoroughly. Clean vacuum intake hole.
	✓ FLOAT SHUTOFF SCREEN	Remove and rinse thoroughly. Inspect for damage.
	✓ MACHINE	Clean with nonabrasive cleaner.
WEEKLY EVERY 20 HOURS OPERATION	✓ TANKS/SOLUTION LINE	Flush with .7L (24 oz.) acetic acid solution to 11.4L (3 gal) of water. Rinse afterwards.
	✓ BATTERIES	Check water level, clean battery tops and inspect for loose or corroded battery cables.
MONTHLY EVERY 80 HOURS OPERATION	✓ MACHINE	Inspect for loose nuts, bolts and water leaks.
	✓ PIVOT POINTS	Lubricate with an water resistant oil.
	✓ FRONT CASTERS	Lubricate each caster grease fitting with a water resistant grease.
EVERY 250 HOURS OPERATION	✓ VACUUM, DRIVE AND BRUSH MOTORS	Inspect carbon brushes, replace if worn to 10 mm (0.38 in) or less.

## TROUBLE SHOOTING GUIDE

PROBLEM	CAUSE	SOLUTION
<b>No power, nothing runs.</b>	Faulty main switch	Contact Service Center.
	Batteries need charging.	See CHARGING BATTERIES.
	Faulty battery(s).	Replace battery(s).
	Loose battery cable.	Tighten loose cable.
	MAIN circuit breaker has tripped.	Determine cause and reset breaker button.
<b>Brush motors do not run.</b>	Brush/Solution switch is not on.	Turn on brush/solution switch.
	Control grips are not rotated.	Rotate control grips.
	Brush circuit breaker(s) has tripped.	Clean or replace pad or brush and reset brush circuit breaker button.
	Faulty brush motor or wiring.	Contact Service Center.
	Carbon brushes worn.	Contact Service Center.
	Faulty brush switch or solenoid.	Contact Service Center.

**TROUBLE SHOOTING GUIDE** continued on back side.

## TROUBLE SHOOTING GUIDE - Continued

PROBLEM	CAUSE	SOLUTION
<b>Vacuum motor does not run.</b>	Faulty vacuum switch.	Contact Service Center.
	Vacuum circuit breaker has tripped.	Remove obstruction and reset breaker.
	Faulty vacuum motor or wiring.	Contact Service Center.
	Carbon brushes worn.	Contact Service Center.
<b>Drive motor does not run.</b>	Drive motor circuit breaker has tripped.	Determine cause and reset breaker.
	Faulty speed control circuit board or connection.	Contact Service Center.
	Faulty solenoid.	Contact Service Center.
	Faulty drive motor.	Contact Service Center.
	Faulty wiring.	Contact Service Center.
	Worn carbon brushes.	Contact Service Center.
<b>Drive motor runs, but not correctly.</b>	Faulty potentiometer or speed control board.	Contact Service Center
	Loose wire connection.	Contact Service Center.
<b>Little or no solution flow.</b>	Solution line or solution tank filter is clogged.	Remove hose and blow compressed air through it. Flush solution tank after each use.
	Solution valve or solenoid is clogged.	Remove valve or solenoid and clean. Do not scratch inside of valve.
	Faulty solution switch or solenoid.	Contact Service Center.
	Solution flow adjustment knob needs adjusting.	Turn solution flow knob clockwise to increase flow.
<b>Short run time.</b>	Batteries not fully charged.	Charge batteries.
	Bad cell in one or more batteries.	Replace batteries.
	Batteries need maintenance.	See BATTERY MAINTENANCE.
	Faulty charger.	Replace battery charger.
<b>Poor water pick up.</b>	Recovery tank is full.	Empty recovery tank.
	Float shutoff screen inside recovery tank is clogged.	Remove screen and clean.
	Squeegee is clogged with debris.	Clean squeegee.
	Squeegee blades are worn.	Replace squeegee blades.
	Squeegee thumbscrews are loose.	Tighten thumbscrews.
	Vacuum hose connections are loose or hose has a hole.	Push hose cuffs firmly on connections. Replace hose if damaged..
	Recovery tank inlet hole is obstructed.	Empty recovery tank and tilt tank sideways to access inlet hole, remove obstruction.
	Tank gasket is defective.	Replace gasket.
	Drain hose plug is loose.	Tighten drain plug.
	Recovery tank lid is loose.	Tighten lid.
	Vacuum motor is loose.	Contact Service Center.
	Battery charge level is low.	Charge batteries. Do not run machine when battery meter is in the red zone.
<b>Safety lights do not work.</b>	Flasher is burned out.	Contact Service Center.

**FOR SAFETY: Before attempting any maintenance procedures on machine, stop on level surface, turn off and disconnect battery charger. Repairs must be performed by authorized personnel.**