



5500/5520

Automatic Scrubber
Fregadora Automática

Model No.:

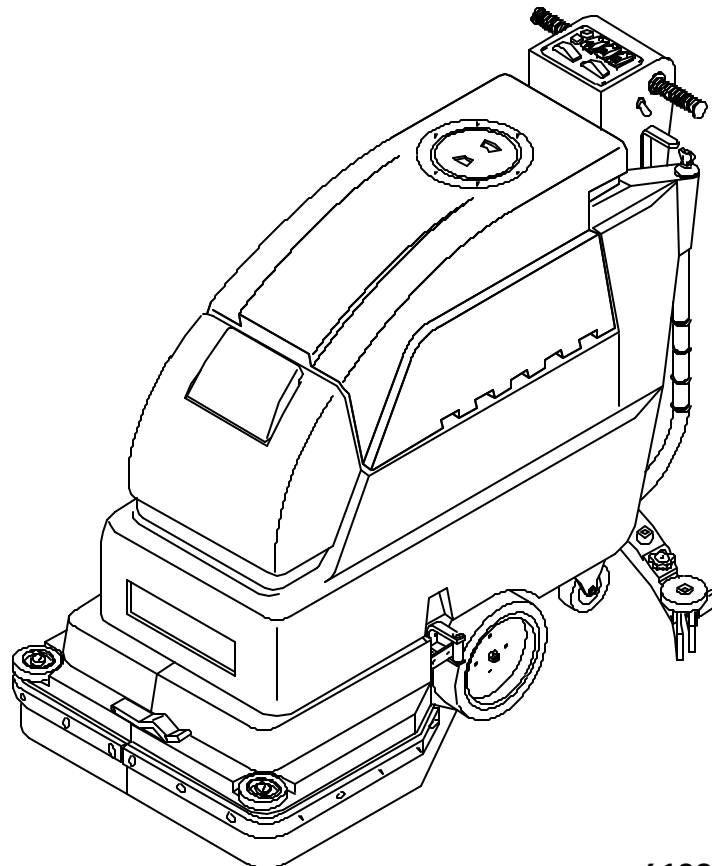
613041 - 5500

613162 - 5500 Quick Ship Pac

613042 - 5520

613163 - 5520 Quick Ship Pac

**Operator and Parts Manual
Manual del Operador y Piezas**



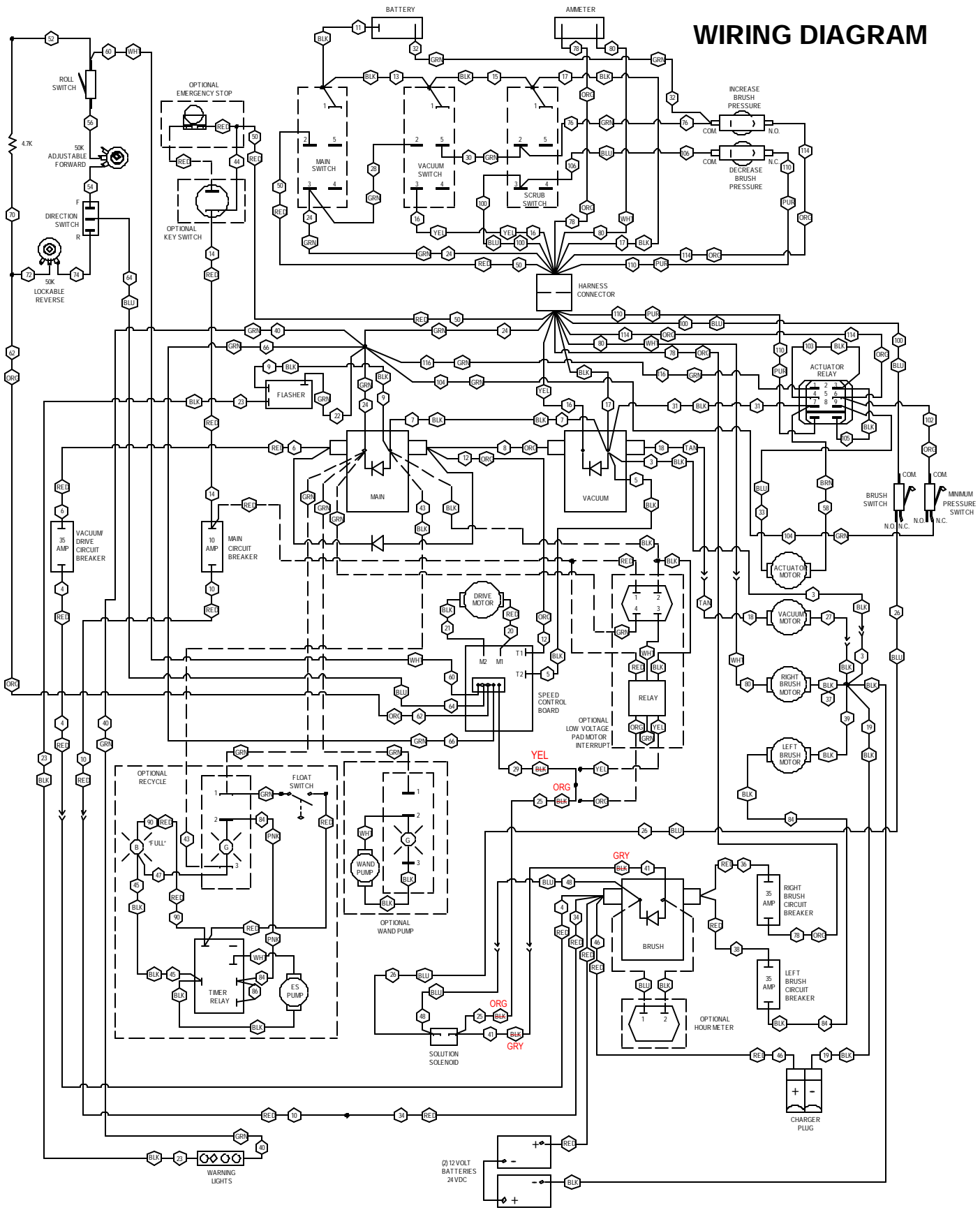
TENNANT COMPANY
Commercial Products
12875 RANSOM STREET
HOLLAND MI 49424 U.S.A.

CUSTOMER SERVICE:
1-800-982-7658
1-616-786-2330

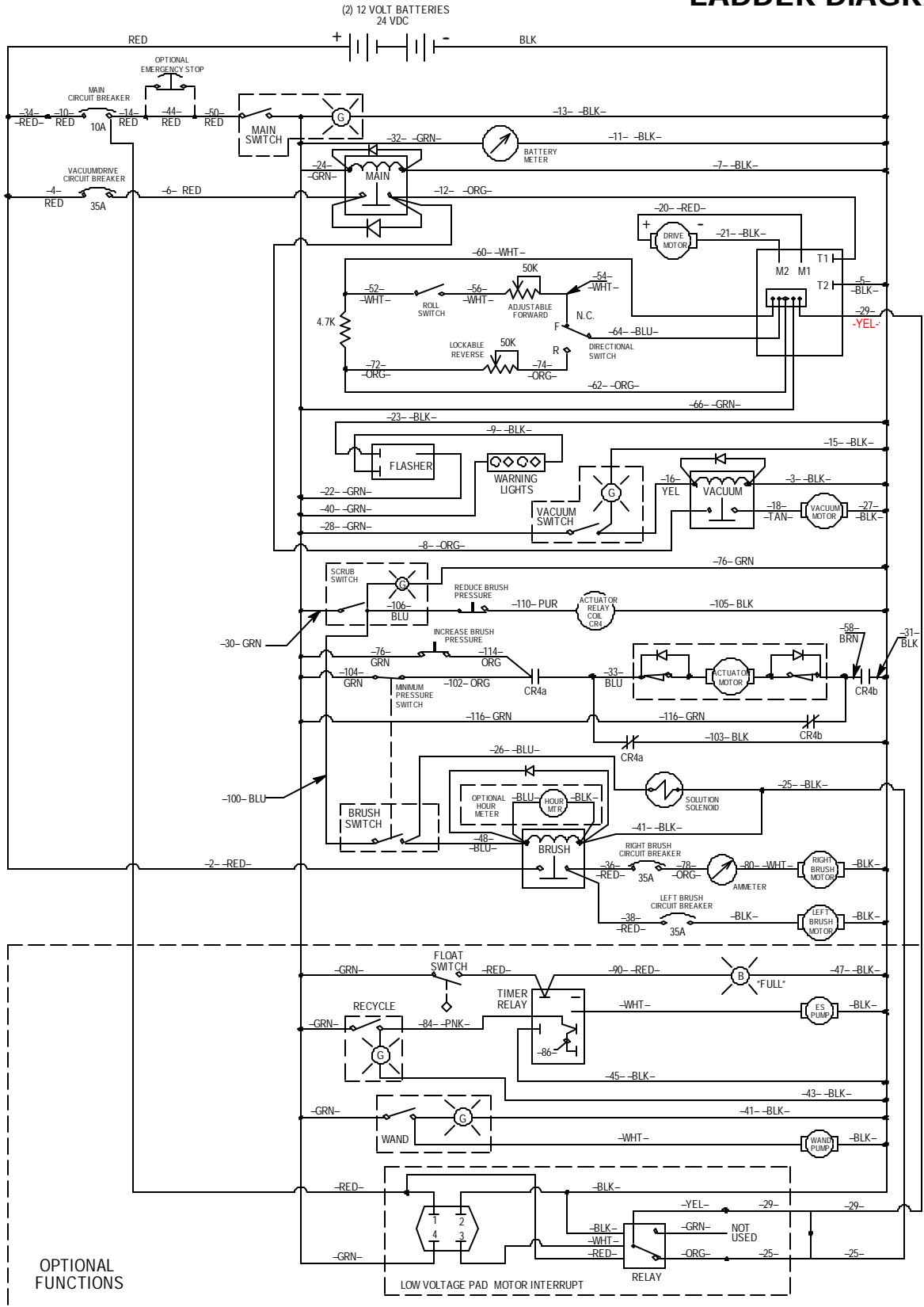
FAX: 1-800-678-4240
1-616-786-2345

612814
Rev. 01 (01-02)

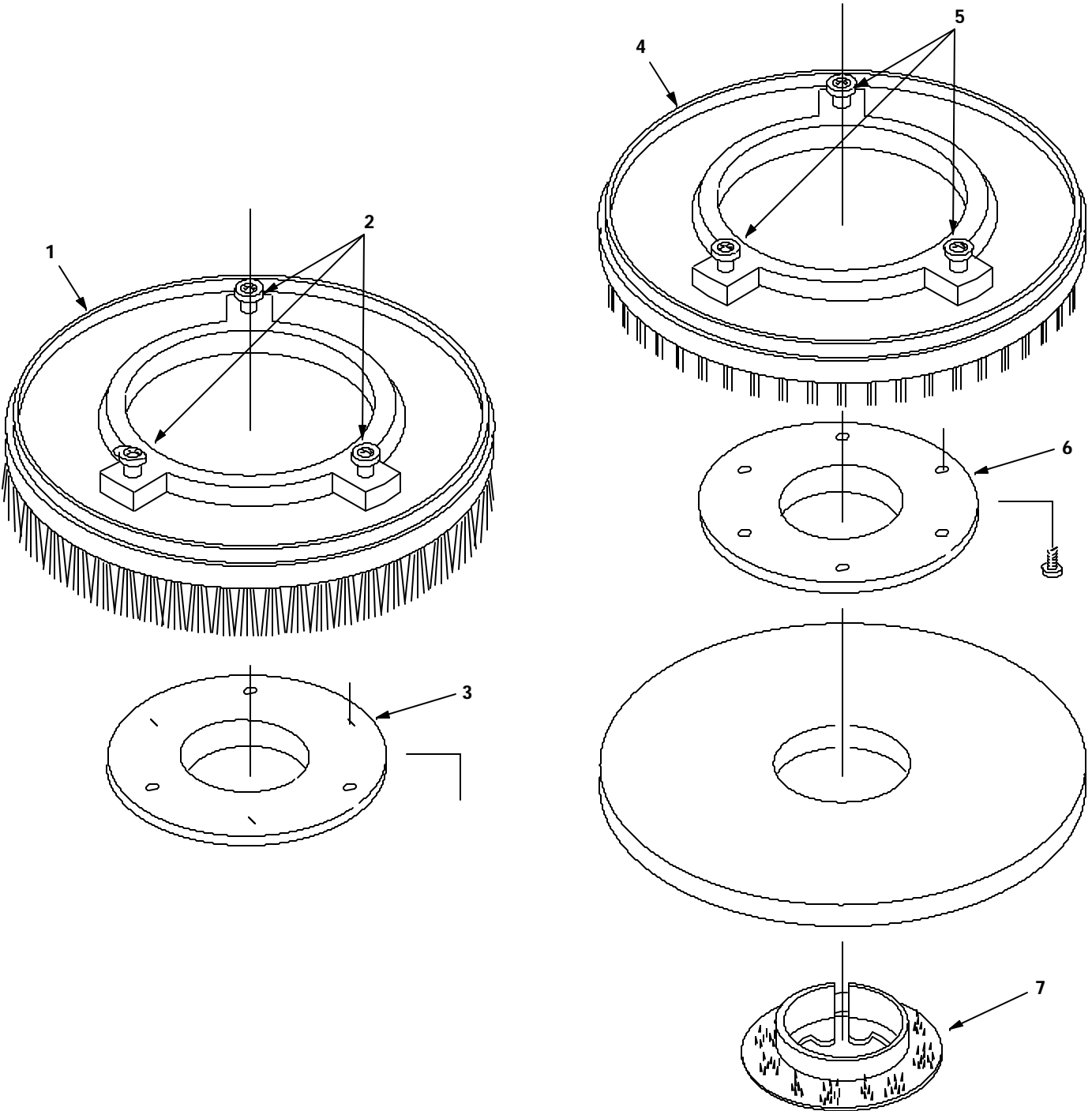
WIRING DIAGRAM



LADDER DIAGRAM



REPLACEMENT BRUSHES AND PAD DRIVER GROUP
CEPILLO DEL REEMPLAZO Y GRUPO DEL MANDO DE LA ALMOHADILLA



**REPLACEMENT BRUSHES AND PAD DRIVER GROUP
CEPILLO DEL REEMPLAZO Y GRUPO DEL MANDO DE LA ALMOHADILLA**

REF	PART #	DESCRIPTION	QTY.
▽ 1	240260	DBRUSH, POLY-SCRUB 2/PK 305MM (12")	2
	603159	DBRUSH, POLY-SCRUB 2/PK 330MM (13")	2
	240261	DBRUSH, DYNA-SCRUB 2/PK 305MM (12")	2
	603160	DBRUSH, DYNA-SCRUB 2/PK 330MM (13")	2
	240259	DBRUSH, STRATA SCRUB/STRIP 2/PK 305MM (12")	2
	603161	DBRUSH, STRATA SCRUB/STRIP 2/PK 330MM (13")	2
Y 2	240238	DLUGS, W/ SCREWS (SET OF 3)	6
Y 3	100106	DPLATE, PAD DRIVER BASE	2

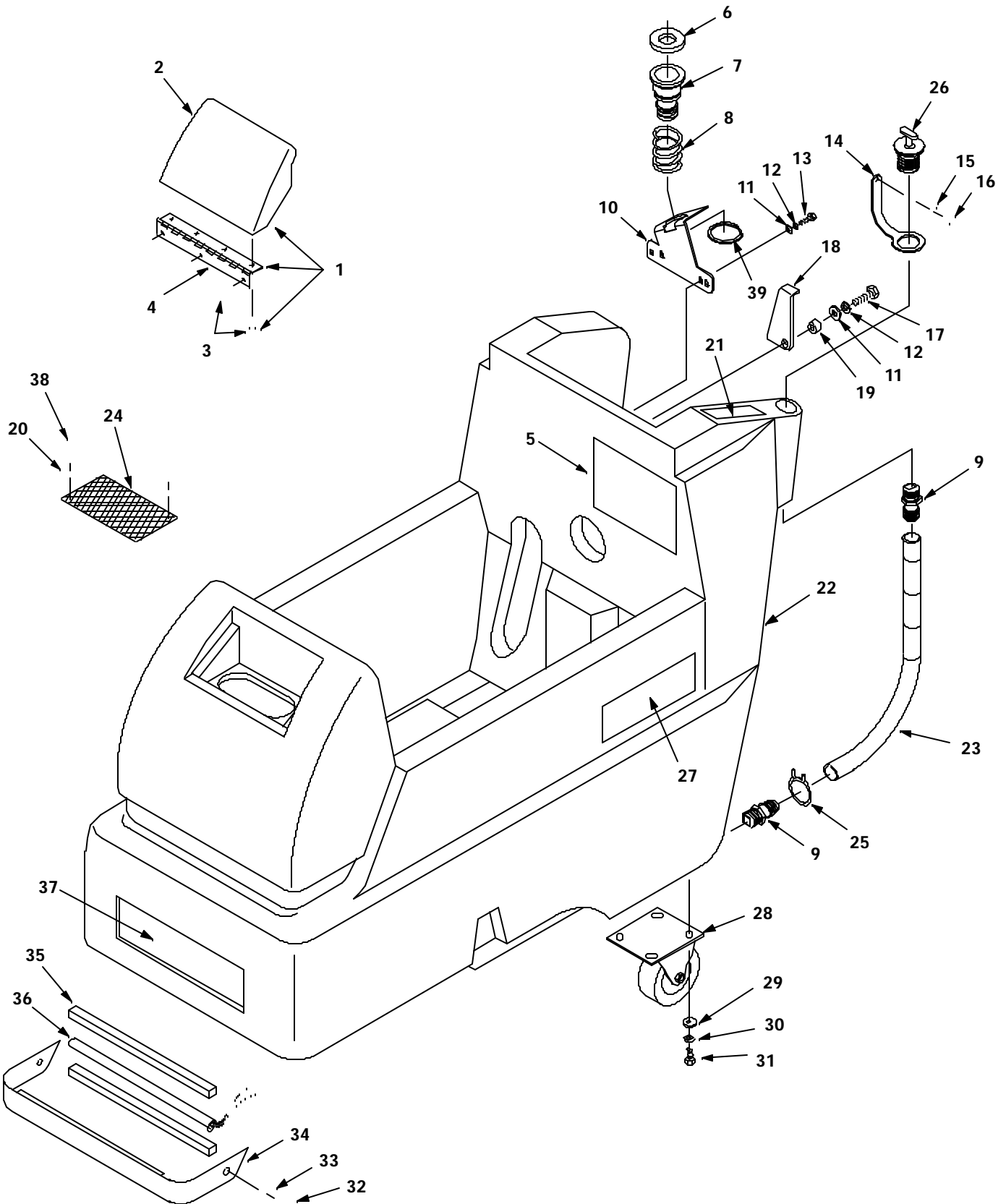
REF	PART #	DESCRIPTION	QTY.
▽ 4	240262	DASM., PAD DRIVER 2/PK 305MM (12")	2
	602928	DASM., PAD DRIVER 2/PK 330MM (13")	2
Y 5	240238	DLUGS, W/SCREWS (SET OF 3)	6
Y 6	100106	DPLATE, PAD DRIVER BASE	2
Y 7	100107	DRING, PAD RETAINER SNAP-IN	2

▽ ASSEMBLY / CONJUNTO

Y INCLUDED IN ASSEMBLY / INCLUIDO EN EL CONJUNTO

D RECOMMENDED STOCK ITEMS / ARTICULOS RECOMENDADOS PARA
MANTENER EN EXISTENCIA

SOLUTION TANK GROUP
GRUPE DEL DEPÓSITO DE DISOLUCIÓN



SOLUTION TANK GROUP
GRUPE DEL DEPÓSITO DE DISOLUCIÓN

REF	PART #	DESCRIPTION	QTY.
∇ 1	607982	ASM., SOL. TANK COVER TEAL	1
∇ 2	612519	COVER, TANK TEAL	1
∇ 3	140706	RIVET, POP	7
∇ 4	611068	HINGE, COVER	1
5	603233	DECAL, BATTERY RECHARGE	1
6	630010	DGASKET, TUBE ADAPTER	1
7	630011	TUBE, VAC	1
8	630267	SPRING, TUBE ADAPTER	1
9	150529	HOSE BARB	2
10	608706	BRACKET, VAC TUBE	1
11	140027	WASHER, 5/16 FLAT	3
12	140015	WASHER, 5/16 SPLIT LOCK	3
13	200031488	SCREW, M8X1.25X20 HXHDCP	2
14	600476	DSTRAP, PLUG REAR FILL	1
15	140011	WASHER, 3/16 FLAT	1
16	140350	SCREW, #10X1/2 PANPHL	1
17	200031488	SCREW, M8X1.25X20 HXHDCP	1
18	230925	SUPPORT, RECOVERY TANK	1
19	611418	BUSHING	1
20	140032	WASHER, #6 FLAT	2

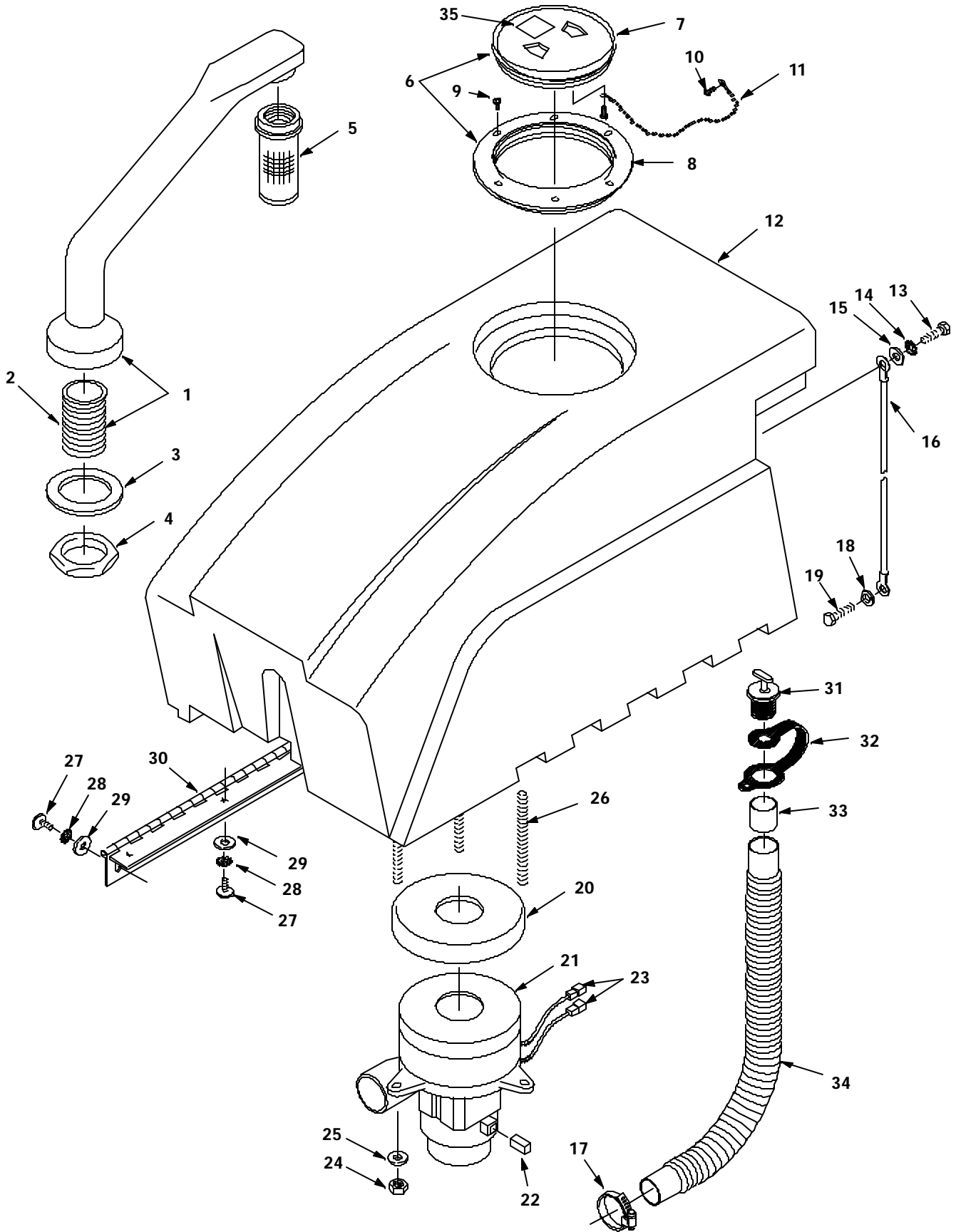
REF	PART #	DESCRIPTION	QTY.
21	600650	DECAL, SQUEEGEE LEVER CE	1
22	607552	TANK, SOLUTION TEAL	1
23	607983	ASM., DRAIN HOSE W/LEVEL IND.	1
24	602529	DSCREEN, FILL	1
25	608915	CLAMP, HOSE 2-WIRE	1
26	621324	DPLUG, EXPANSION	1
27	608118	DECAL, "5500"	2
	608119	DECAL, "5520"	2
630002 28	612056	DCASTER, 4"	2
29	140036	WASHER, 3/8 FLAT	8
30	140333	WASHER, M10 SPLIT LOCK	8
31	140277	SCREW, M10X1.5X20 HXHDCP	8
32	578141000	SCREW, M5X10 PANPHL	2
33	140018	WASHER, #10 INT. LOCK	2
34	612765	SHIELD, LIGHT	1
35	605324	GASKET, 1/2"X1.34'	2
36	130023	LIGHT, SAFETY	1
37	120192	DECAL, TENNANT LOGO	1
38	3701.6	SCREW, #6X3/8 PANPHL	2
39	630016	RING, RETAINING	1

∇ ASSEMBLY / CONJUNTO

∇ INCLUDED IN ASSEMBLY / INCLUIDO EN EL CONJUNTO

D RECOMMENDED STOCK ITEMS / ARTICULOS RECOMENDADOS PARA
MANTENER EN EXISTENCIA

RECOVERY TANK GROUP
CONJUNTO DEPOSITO RECUPERAR



RECOVERY TANK GROUP
CONJUNTO DEPOSITO RECUPERAR

REF	PART #	DESCRIPTION	QTY.
∇ 1	701103	ASM., STANDPIPE	1
∇ 2	606088	FITTING, NIPPLE	1
3	101714	DGASKET	1
4	210240	NUT, FLANGED	1
5	180613	DFLOAT, SHUT-OFF	1
∇ 6	100102	DASM., LID CLEAR W/STD HOLE	1
∇ 7	100105	DLID, CENTER CLEAR ONLY	1
∇ 8	100109	DLID, OUTER RING ONLY	1
9	140826	SCREW, #6X3/4 PANPHL	6
10	3701.6	SCREW, #6X3/8 PANPHL	2
11	230513	CHAIN	1
12	607554	TANK, RECOVERY TEAL	1
13	578187000	SCREW, M06X1.0X12 PANPHL	1
14	140052	WASHER, 1/4 EXT. LOCK	1
15	140000	WASHER, 1/4 FLAT	1
16	140960	DCABLE	1
17	140308	CLAMP	1

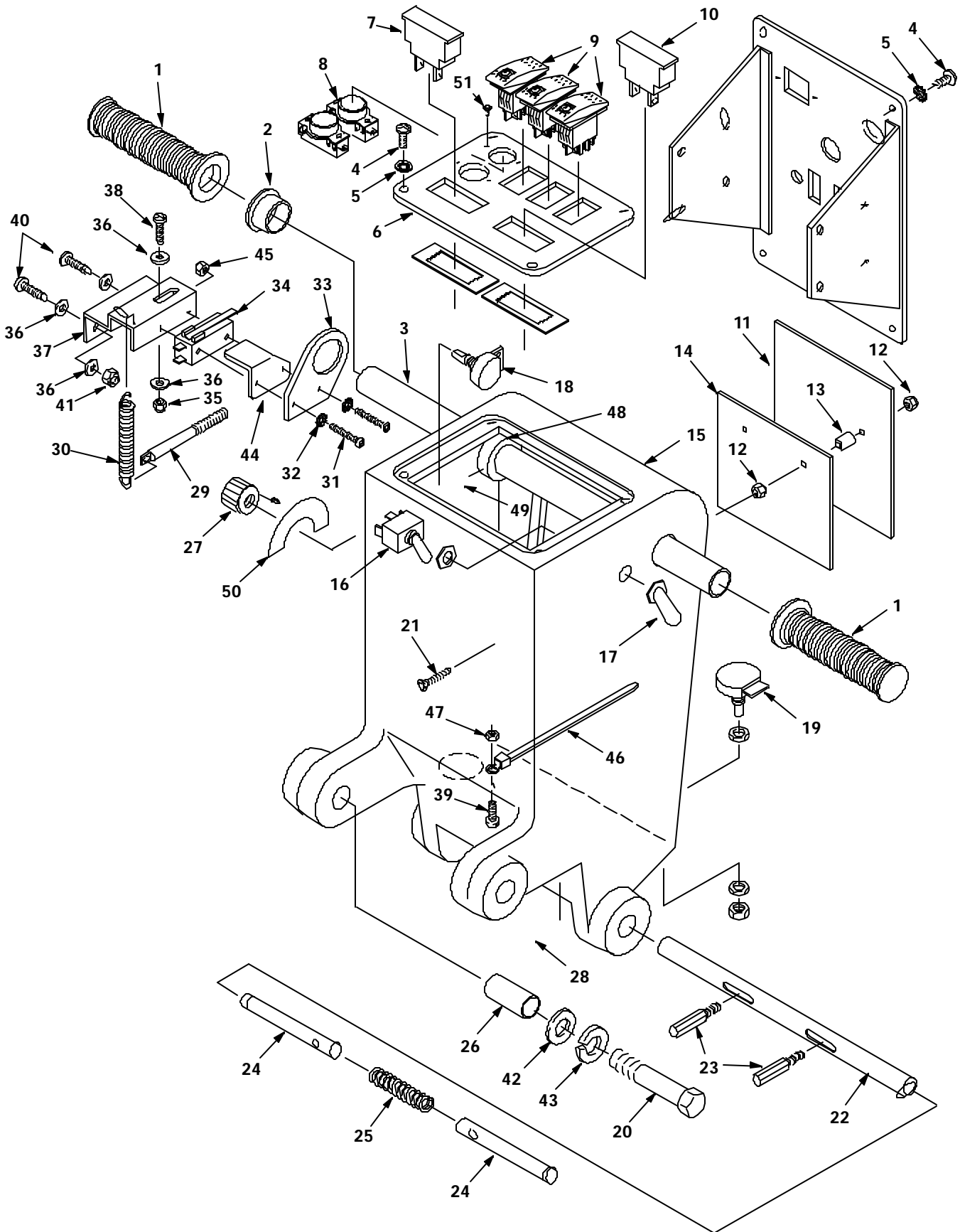
REF	PART #	DESCRIPTION	QTY.
18	140015	WASHER, 5/16 SPLIT LOCK	1
19	200031488	SCREW, M8X1.25X20 HXHDCP	1
20	0174..10	DSEAT, NEOPRENE MOTOR	1
∇ 21	130477	DMOTOR, VAC 5.7/3 STG 24 VDC	1
∇ 22	190163	DCARBON BRSH W/HOLDER 2/PK	2
23	130096	TERMINAL, MALE DISCONNECT	2
24	140284	NUT, M6 NYLOCK	3
25	140000	WASHER, 1/4 FLAT	3
26	140353	STUD, M6X1.0X108	3
27	578187000	SCREW, M06X1.0X12 PANPHL	11
28	140052	WASHER, 1/4 EXT. LOCK	11
29	140000	WASHER, 1/4 FLAT	11
30	600311	DHINGE, RECOVERY TANK	1
31	621324	DPLUG, EXPANSION	1
32	578441	DSTRAP, DRAINHOSE	1
33	630394	DSLEEVE, DRAINHOSE	1
34	630068	DHOSE, DRAIN	1
35	606105	DO NOT SPRAY	1

∇ ASSEMBLY / CONJUNTO

∇ INCLUDED IN ASSEMBLY / INCLUIDO EN EL CONJUNTO

D RECOMMENDED STOCK ITEMS / ARTICULOS RECOMENDADOS PARA
MANTENER EN EXISTENCIA

CONSOLE GROUP
CONJUNTO CONSOLA DE CONTROLES



CONSOLE GROUP
CONJUNTO CONSOLA DE CONTROLES

REF	PART #	DESCRIPTION	QTY.
1	200823	DGRIP, HANDLE TUBE	2
2	605351	BUSHING	1
3	604402	HANDLE, TUBE	1
4	578141000	SCREW, M5X10 PANPHL	8
5	140018	WASHER, #10 INT. LOCK	8
∇	613027	ASM., SWITCH PANEL	1
∇ 6	613028	PANEL, SWITCH	1
∇ 7	606857	DGAUGE, BRUSH PRESSURE	1
∇ 8	626128	DSWITCH, PUSH BUTTON	2
∇ 9	601107	DSWITCH, LIGHTED ROCKER	3
∇ 10	606020	DMETER, BATTERY VOLTAGE 24V	1
11	630104	DSPEED CONTROL, PMB 55 AMP	1
12	200160014	NUT, M4 HXLCK	4
13	630261	SPACER	2
14	630128	HEATSINK, ALLUM.	1
15	607556	HOUSING, CONTROL TEAL	1
16	601108	DSWITCH, TOGGLE	1
17	130753	DBOOT, SWITCH	1
18	130776	DPOTENTIOMETER, 50K	1
19	130775	DPOTENTIOMETER, 50K LOCKABLE	1
20	140351	SCREW, M12X1.75X70 HXHDCP	2
21	630304	SCREW, M4X.7X35 FLTPHL	2
22	230715	TUBE, HANDLE ADJUSTMENT	1
23	230649	PIN, HANDLE ADJUSTMENT	2
24	230710	PIN, HANDLE LOCK	2
25	140415	SPRING, LOCK PIN	1
26	140155	BUSHING	2

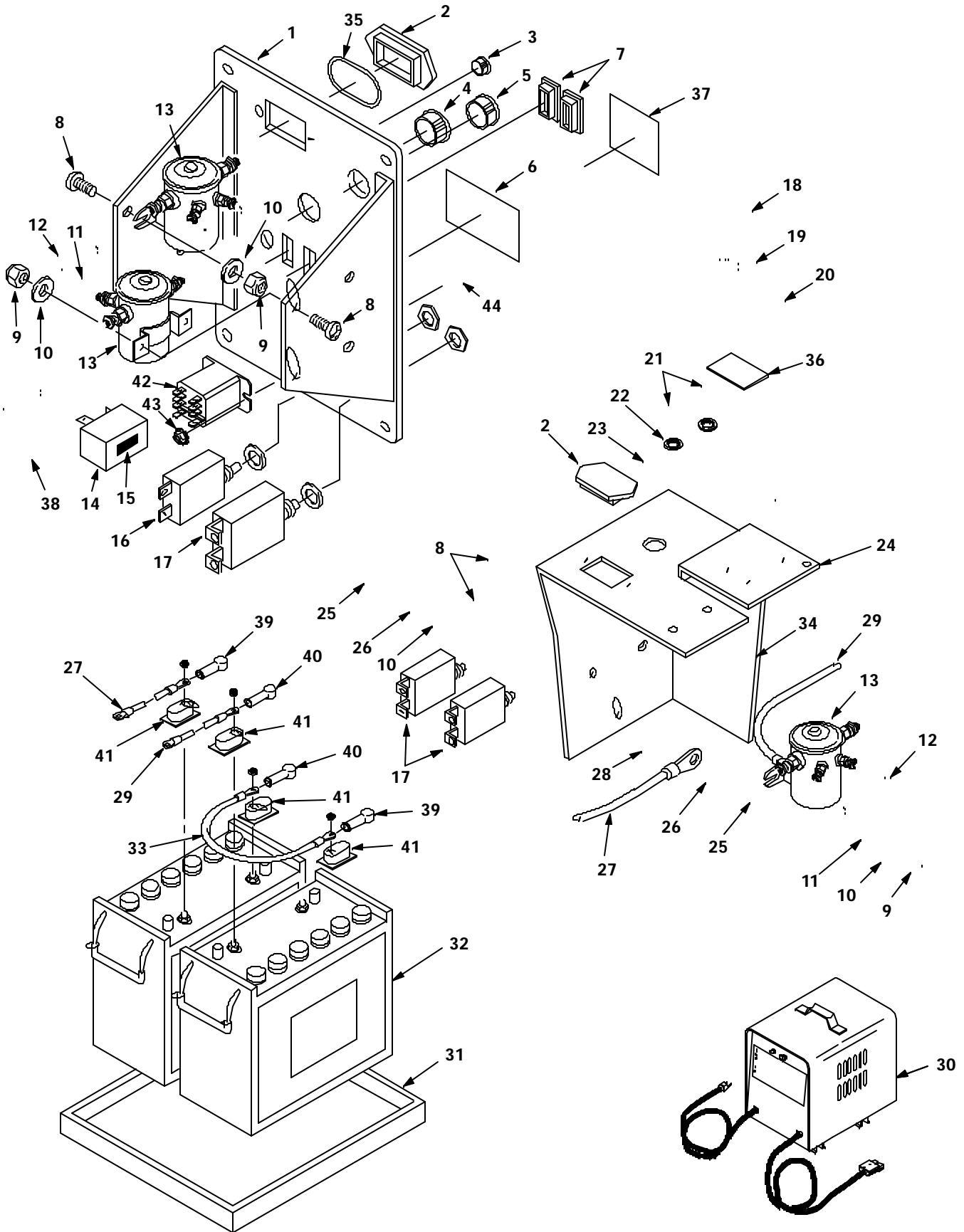
REF	PART #	DESCRIPTION	QTY.
27	606550	DKNOB, SPEED CONTROL	1
28	603007	BUSHING, SNAP	1
29	602886	PIN, SPRING RETURN	1
30	605812	SPRING, EXTENSION	1
31	140829	SCREW, #6- 32X1 PANPHL	2
32	140019	WASHER, #6 EXT. LOCK	2
33	27098	BRACKET, SWITCH	1
34	130729	DSWITCH, ROLL	1
35	140552	NUT, #10- 24 NYLOCK	1
36	140000	WASHER, 1/4 FLAT	6
37	25671	MOUNT, SWITCH	1
38	140890	SCREW, #10- 24X1/2 TRSPHL	1
39	140900	SCREW, #10- 24X3/4 TRSPHL	1
40	608322	SCREW, M6X1.0X16 TRSPHL	2
41	140284	NUT, M6 NYLOCK	2
42	140045	WASHER, 1/2 FLAT	2
43	140024	WASHER, 1/2 LOCK	2
44	603830	PLATE, GUARD SWITCH	1
45	140540	NUT, #6- 32 HEX	2
46	630343	CLAMP, CABLE	1
47	140552	NUT, #10- 24 NYLOCK	1
48	605094	COLLAR, HANDLE	2
49	140859	SCREW, 1/4- 20X1/4 SK CUP	2
50	606549	DECAL, SPEED CONTROL	1
∇ 51	611226000	SCREW, #6- 32X1/4 TRS	4
N/S	602873	HARNESS CONSOLE W/POT.	1
	612977	HARNESS, MAIN/SWITCH/ CONSOLE	1

∇ ASSEMBLY / CONJUNTO

∇ INCLUDED IN ASSEMBLY / INCLUIDO EN EL CONJUNTO

D RECOMMENDED STOCK ITEMS / ARTICULOS RECOMENDADOS PARA MANTENER EN EXISTENCIA

ELECTRICAL / BATTERY GROUP
GRUPO DEL ELÉCTRICO/BATERÍA



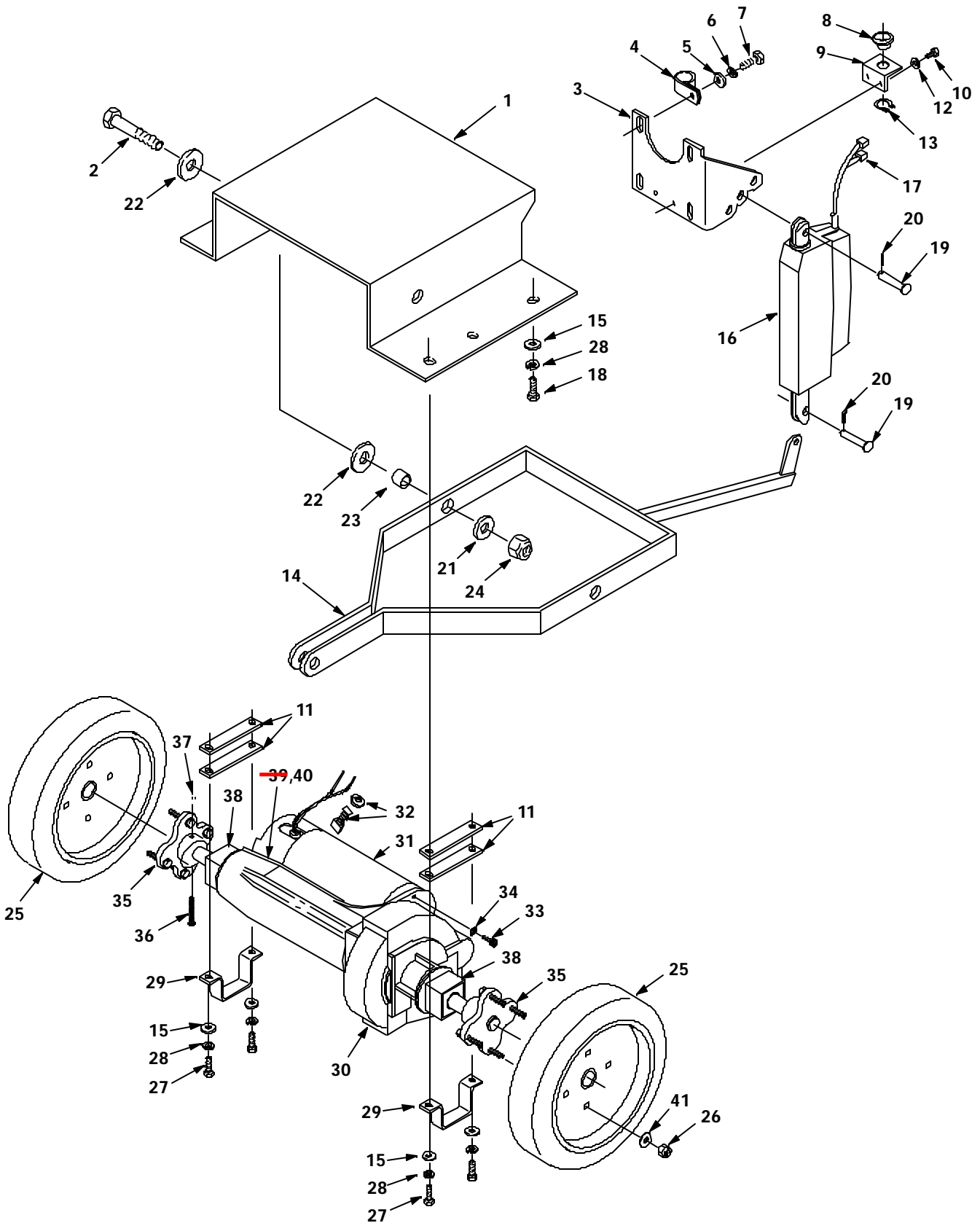
ELECTRICAL / BATTERY GROUP
GRUPO DEL ELÉCTRICO/BATERÍA

REF	PART #	DESCRIPTION	QTY.
1	613030	PANEL, CONTROL HOUSING	1
2	609969	DPLUG, HOUR METER	2
3	069764626	DPLUG, HOLE 012.7	1
4	130161	DPLUG, DOME .850	1
5	130175	DPLUG, DOME .750	1
6	120649	DECAL, WARNING BATTERY	1
7	582150	DPLUG, ACCESSORY SWITCH	2
8	608322	SCREW, M6X1.0X16 TRSPHL	6
9	140284	NUT, M6 NYLOCK	6
10	140000	WASHER, 1/4 FLAT	7
11	606404	DASM., DIODE W/RING TERM.	3
12	281001009	RING, TERMINAL #10	6
13	605905	DSOLENOID, 24V	3
14	130021	DFLASHER, 24VDC	1
15	606243	TAPE, ACRYLIC 1"X.083'	1
16	130737	DBREAKER, CIRCUIT BRSH10AMP	1
17	602951	DBREAKER, CIRCUIT 35 AMP	3
18	140829	SCREW, #6- 32X1 PANPHL	2
19	140019	WASHER, #6 EXT. LOCK	2
20	605387	DCONNECTOR, 50A W/O CNTCTS	1
21	578141000	SCREW, M5X10 PANPHL	2

D RECOMMENDED STOCK ITEMS / ARTICULOS RECOMENDADOS PARA
MANTENER EN EXISTENCIA

REF	PART #	DESCRIPTION	QTY.
22	140018	WASHER, #10 INT. LOCK	2
23	130698	BUSHING, SNAP	1
24	602887	BRACKET	1
25	140553	SCREW, 1/4- 20X1/2 HXHDCP	2
26	140016	WASHER, 1/4 LOCK	2
27	602871	CABLE, BATTERY #6 BLACKX20"	1
76062	578427	DSTANDOFF	1
29	602872	CABLE, BATTERY #6 REDX28"	1
30	603235	CHARGER, 24DC 20 AMP	1
31	601991	TRAY, BATTERY	1
32	600394	BATTERY, 12V 215A	2
33	130364	DCABLE, BATTERY #6 BLACKX15"	1
34	140539	NUT, #6- 32 KEP	2
35	605823	DO- RING .929 ID X .996 OD	1
36	603331	SPACER, CHARGER PLUG	1
37	578729	DECAL, READ MANUAL	1
38	604486	ASM., DIODE SPLICED	1
39	611221	BOOT, BATTERY CABLE BLK	2
40	611222	BOOT, BATTERY CABLE RED	2
41	45962	COVER, BATTERY TERMINAL	4
42	1001219	RELAY, 24VDC, DPDT	1
43	140519	NUT, #10- 24 KEP	2
44	140890	SCREW, #10- 24X1/2 TRSPHL	2

DRIVE GROUP
GRUPO DE TRANSMISIÓN



DRIVE GROUP
GRUPO DE TRANSMISIÓN

REF	PART #	DESCRIPTION	QTY.
1	600288	PLATE, BASE TRANSAXLE	1
2	36758	BOLT, .38-16 SHOULDER	2
3	600292	BRACKET, ACTUATOR	1
4	140314	CLAMP, INSULATED 3/4 ID	1
5	140027	WASHER, 5/16 FLAT	4
6	140015	WASHER, 5/16 SPLIT LOCK	4
7	200031488	SCREW, M8X1.25X20 HXHDCP	4
8	621235	BUSHING, CABLE	1
9	630157	BRACKET, CABLE GUIDE	1
10	200031432	SCREW, M6X1.0X10 HXHDCP	2
11	612783	SPACER, AXLE	4
12	140016	WASHER, 1/4 LOCK	2
13	621236000	RING, RETAINING	1
14	600290	BRACKET, LIFT DUAL MOTOR	1
15	140028	WASHER, 3/8 FLAT	6
16	600952	DACUTATOR	1
17	281004001	TERMINAL, QC	2
18	140277	SCREW, M10X1.5X20 HXHDCP	2
19	604076	PIN, CLEVIS	2
20	578421	PIN, COTTER	2
21	140046	WASHER, .392 I.D.	2
22	140045	WASHER, 1/2 FLAT	4
23	602882	BUSHING	2
24	140515	NUT, 3/8-16 NYLCK	2

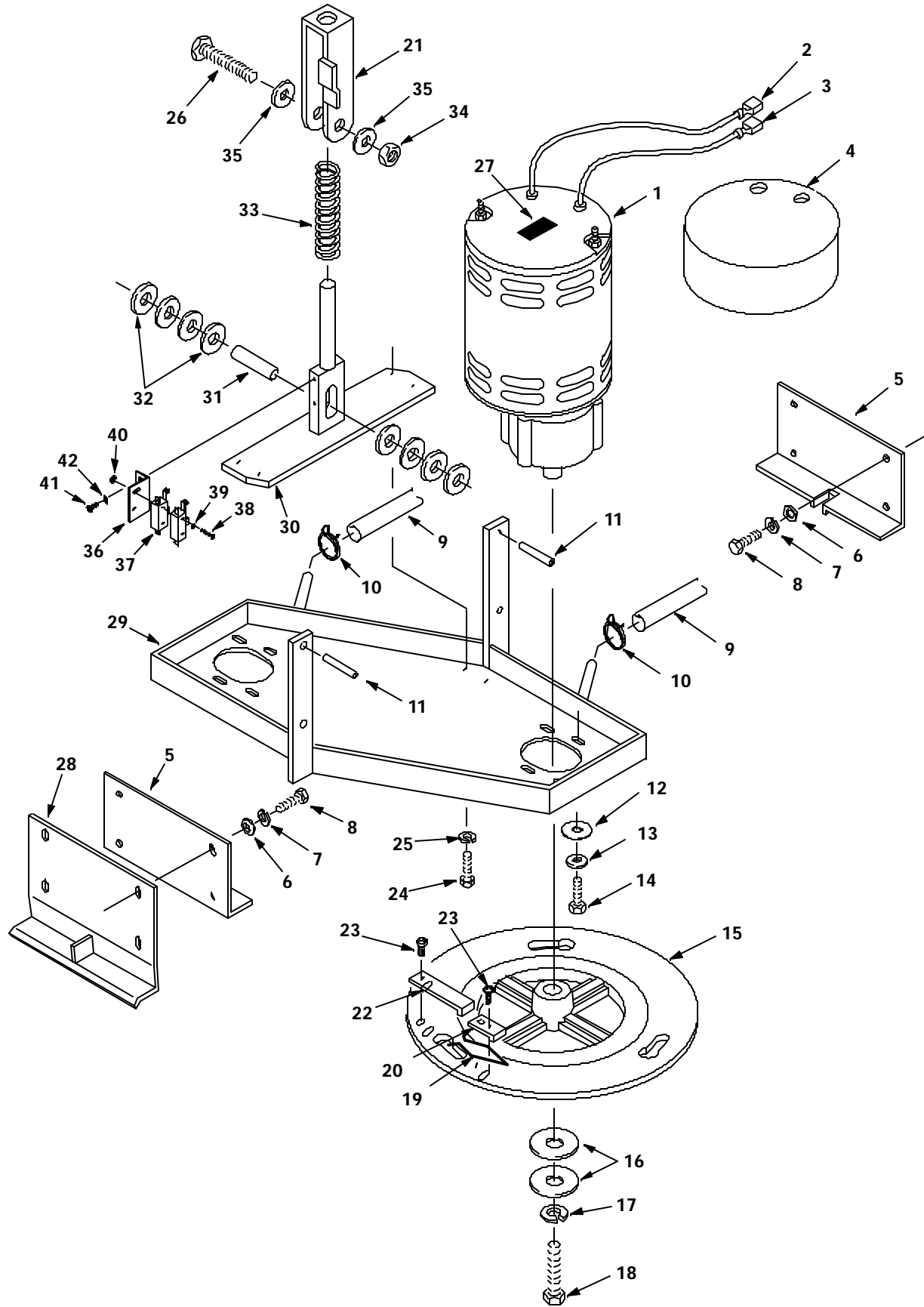
REF	PART #	DESCRIPTION	QTY.
25	613026	DWHEEL, NEOPRENE, SOLID	2
	630215	DWHEEL, PNEUMATIC, AIR	2
	600352	DWHEEL, FOAM FILLED	2
	604357	DKIT, PNEUMATIC WHEEL, AIR	1
	604259	DKIT, WHEEL FOAM FILLED	1
26	140501	NUT, 1/4-20 HXLCK SS	8
27	612255000	SCREW, M10X1.5X35 HXHDCP	4
28	140333	WASHER, M10 SPLIT LOCK	6
29	612784	BRACKET, TRANSAXLE MOUNT	2
30	612844	TRANSAXLE, 24V MOTOR	1
Y	612873	BODY, TRANSAXLE ONLY	1
Y	612874	COUPLING, NYLON, TRANSAXLE	1
Y	612875	KEY, TRANSAXLE	1
YV31	612877	DMOTOR, TRANSAXLE	1
YV32	612883	D BRUSH, CARBON KIT BRUSHES W/CAPS (2/PK) 4/PK	1
Y 33	140068	SCREW, 1/4-20X5/8 SHCS	2
Y 34	32982	WASHER, 1/4 INT. LOCK	2
Y 35	612879	HUB, WHEEL TRANSAXLE	2
Y 36	31249	BOLT, #10-24 SHOULDER	2
Y 37	140552	NUT, #10-24 NYLOCK	2
Y 38	612880	SLEEVE, TRANSAXLE REPL.	2
Y 39	613082	COVER, TRANSAXLE	1
Y 40	577031000	SCREW, #8X1/2 PANPHL	2
41	140000	WASHER, 1/4 FLAT	8

▽ ASSEMBLY / CONJUNTO

Y INCLUDED IN ASSEMBLY / INCLUIDO EN EL CONJUNTO

D RECOMMENDED STOCK ITEMS / ARTICULOS RECOMENDADOS PARA
MANTENER EN EXISTENCIA

BRUSH DRIVE GROUP
CONJUNTO IMPULSO DE CEPILLO



BRUSH DRIVE GROUP
CONJUNTO IMPULSO DE CEPILLO

222615

REF	PART #	DESCRIPTION	QTY.
∇ 1	130491	DMOTOR & GEAR BOX, BRUSH	2
∇	630609	DASM., GEAR BOX	1
∇	190741	DASM., BRUSH CARD	1
∇	190970	DBRUSH, CARBON	4
∇	140632	DKEY, 1/4X1	1
X 2	130192	TERMINAL, MALE	1
X 3	130192	TERMINAL, MALE	1
4	100764	COVER, BRUSH MOTOR	2
5	600300	PLATE, GUIDE	2
6	140003	WASHER, 1/4X1 FENDER	8
7	140016	WASHER, 1/4 LOCK	8
8	140272	SCREW, M6X1.0X16 HXHDCP	8
9	609470	HOSE, 3/8IDX5/8ODX9"	2
10	607775	CLAMP, HOSE 2 WIRE BLK	2
11	140618	PIN, ROLL	4
12	140028	WASHER, 3/8 FLAT	8
13	140017	WASHER, 3/8 SPLIT LOCK	8
14	140202	SCREW, 3/8- 16X1 HXHDCP	8
15	606335	PLATE, DRIVER NYLON	2
16	25732	WASHER, .36 FLAT	4
17	140015	WASHER, 5/16 SPLIT LOCK	2
18	140219	SCREW, 5/16- 18X1 HXHD	2

1020061

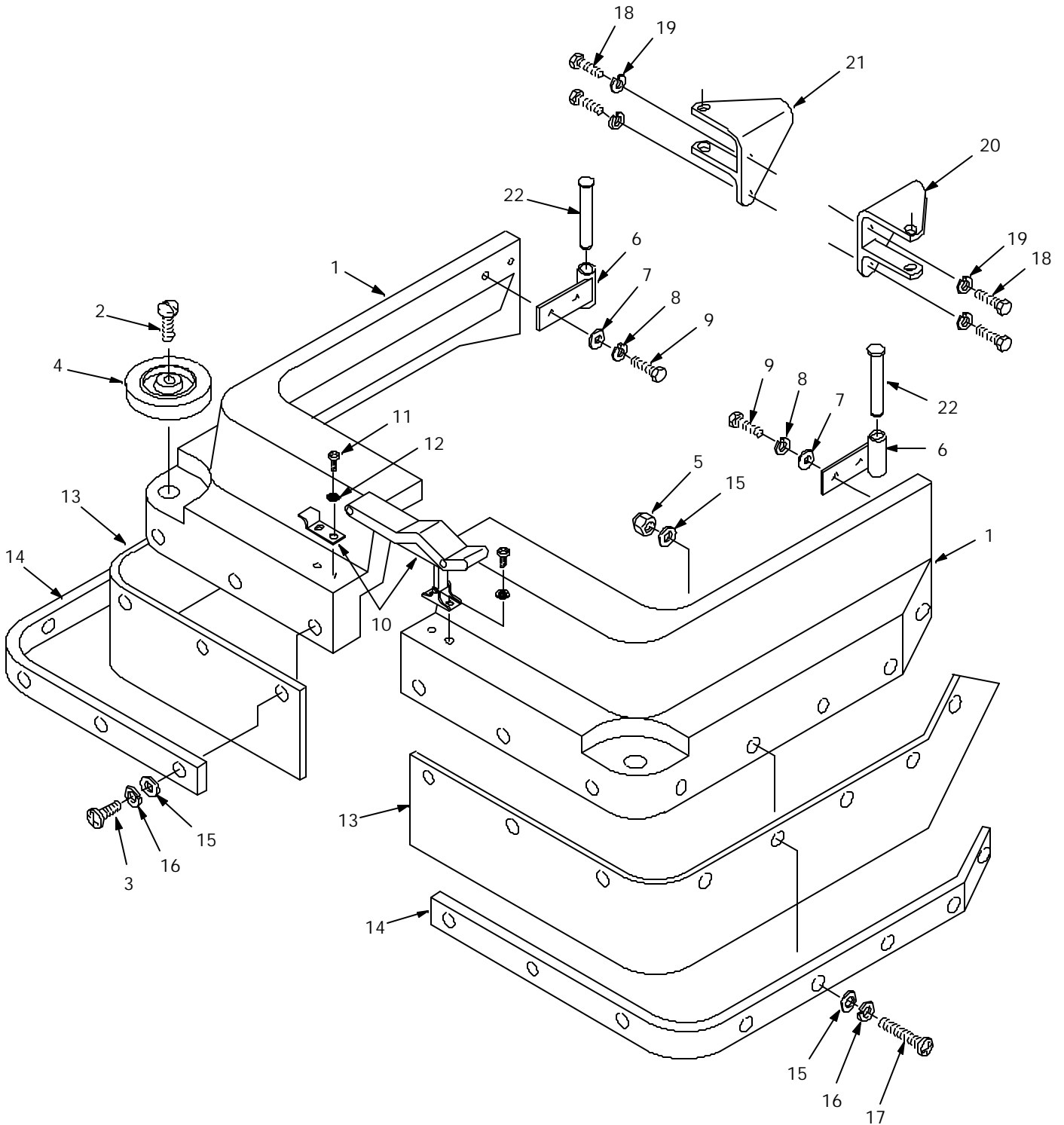
REF	PART #	DESCRIPTION	QTY.
19	140417	DCLIP, SPRING	2
20	230651	DCLAMP, BRUSH PLATE	2
21	1001148	BRACKET, SPRING	1
22	230697	DSTOP, DRIVER RELEASE	2
23	606915	SCREW, HIGH LOW 10- 16X3/8	8
24	200031488	SCREW, M8X1.25X20 HXHDCP	4
25	140015	WASHER, 5/16 SPLIT LOCK	4
26	140225	SCREW, 3/8- 16X2 HXHDCP	1
27	606243	TAPE, ACRYLIC 1"X.25'	2
28	600299	LIP, FRONT SKIRT	1
29	600289	BRACKET, MOTOR MOUNT	1
30	613029	BRACKET, SPRING MOUNT	1
31	602930	BUSHING	1
32	578298000	WASHER, .64 FLAT	8
33	602555	SPRING	1
34	600200	NUT, 3/8- 16 JAM	1
35	140028	WASHER, 3/8 FLAT	2
36	1000975	BRACKET, SWITCH, BRUSH	1
37	069764008	SWITCH, SNAP, ROLLER, 25A	2
38	140757	SCREW, #6- 32X2- 1/4 PANPHL	2
39	140032	WASHER, #6 FLAT	2
40	140539	NUT, #6- 32 KEP	2
41	578141000	SCREW, M5X10 PANPHL	2
42	140018	WASHER, #10 INT. LOCK	2

∇ ASSEMBLY / CONJUNTO

∇ INCLUDED IN ASSEMBLY / INCLUIDO EN EL CONJUNTO

D RECOMMENDED STOCK ITEMS / ARTICULOS RECOMENDADOS PARA
MANTENER EN EXISTENCIA

BRUSH SKIRT GROUP
CONJUNTO JUEGO DE CEPILLO



BRUSH SKIRT GROUP CONJUNTO JUEGO DE CEPILLO

REF	PART #	DESCRIPTION	QTY.
▽	609798	ASM., SKIRT OPERATOR LH TEAL (5500)	1
	609796	ASM., SKIRT OPERATOR LH TEAL (5520)	1
	609797	ASM., SKIRT OPERATOR RH TEAL (5500)	1
	609795	ASM., SKIRT OPERATOR RH TEAL (5520)	1
Y 1	607558	SKIRT, OPERATOR LH TEAL (5500)	1
	607564	SKIRT, OPERATOR LH TEAL (5520)	1
	607560	SKIRT, OPERATOR RH TEAL (5500)	1
	607566	SKIRT, OPERATOR RH TEAL (5520)	1
Y 2	603154	DSCREW, M08X1.25X40MM	2
Y 3	578144000	SCREW, M5X16MM	10
Y 4	630450	DWHEEL, RUBBER	2
Y 5	140283	NUT	6
Y 6	600301	BRACKET, SKIRT MOUNT	2

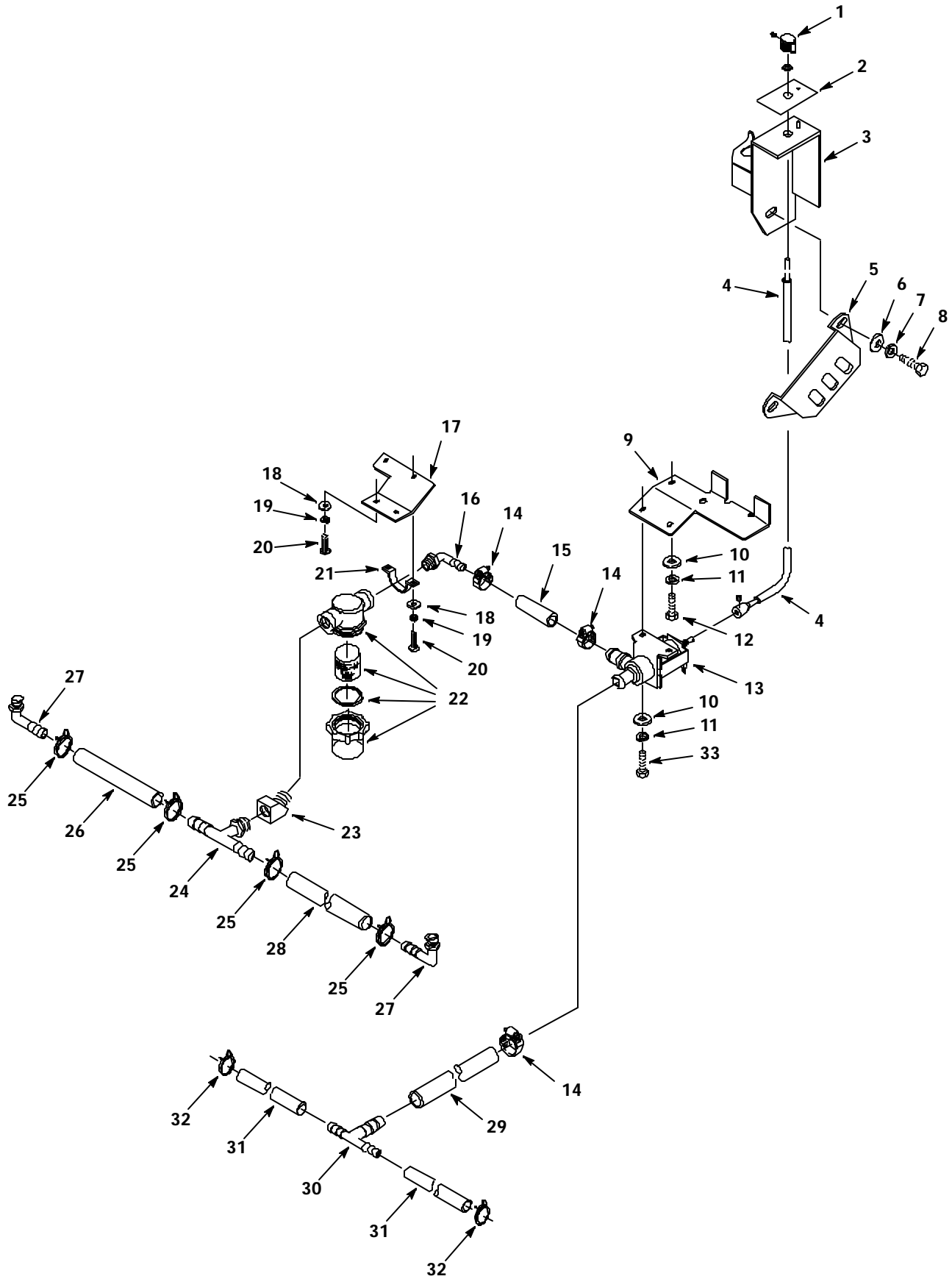
REF	PART #	DESCRIPTION	QTY.
Y 7	140027	WASHER, 5/16 FLAT	4
Y 8	140015	WASHER, 5/16 SPLIT LOCK	4
Y 9	578237000	SCREW, M8X1.25X18 HXHDCP	4
Y 10	140932	DLATCH, HOOD	1
Y 11	200070340	SCREW, M4X.7X8 PANPHL	4
Y 12	140023	WASHER, #8 INT	4
	600295	DGUARD, SPLASH (5500)	2
Y 13	600294	DGUARD, SPLASH (5520)	2
	600297	STRAP, SPLASH GUARD (5500)	2
Y 14	600296	STRAP, SPLASH GUARD (5520)	2
	140011	WASHER, 3/16 FLAT	22
Y 15	140018	WASHER, #10 INT. LOCK	16
Y 16	140293	SCREW, M5X.8X30 PANPHL	6
Y 17	575029000	SCREW, M8X1.25X20 PANPHL	4
18	140015	WASHER, 5/16 SPLIT LOCK	4
19	607951	BRACKET, SKIRT MOUNT LH	1
20	607952	BRACKET, SKIRT MOUNT RH	1
21	230943	DPIN, SKIRT	2
22			

▽ ASSEMBLY / CONJUNTO

Y INCLUDED IN ASSEMBLY / INCLUIDO EN EL CONJUNTO

D RECOMMENDED STOCK ITEMS / ARTICULOS RECOMENDADOS PARA
MANTENER EN EXISTENCIA

SOLUTION CONTROL GROUP
CONJUNTO DE PALANCAS SOLUCIÓN



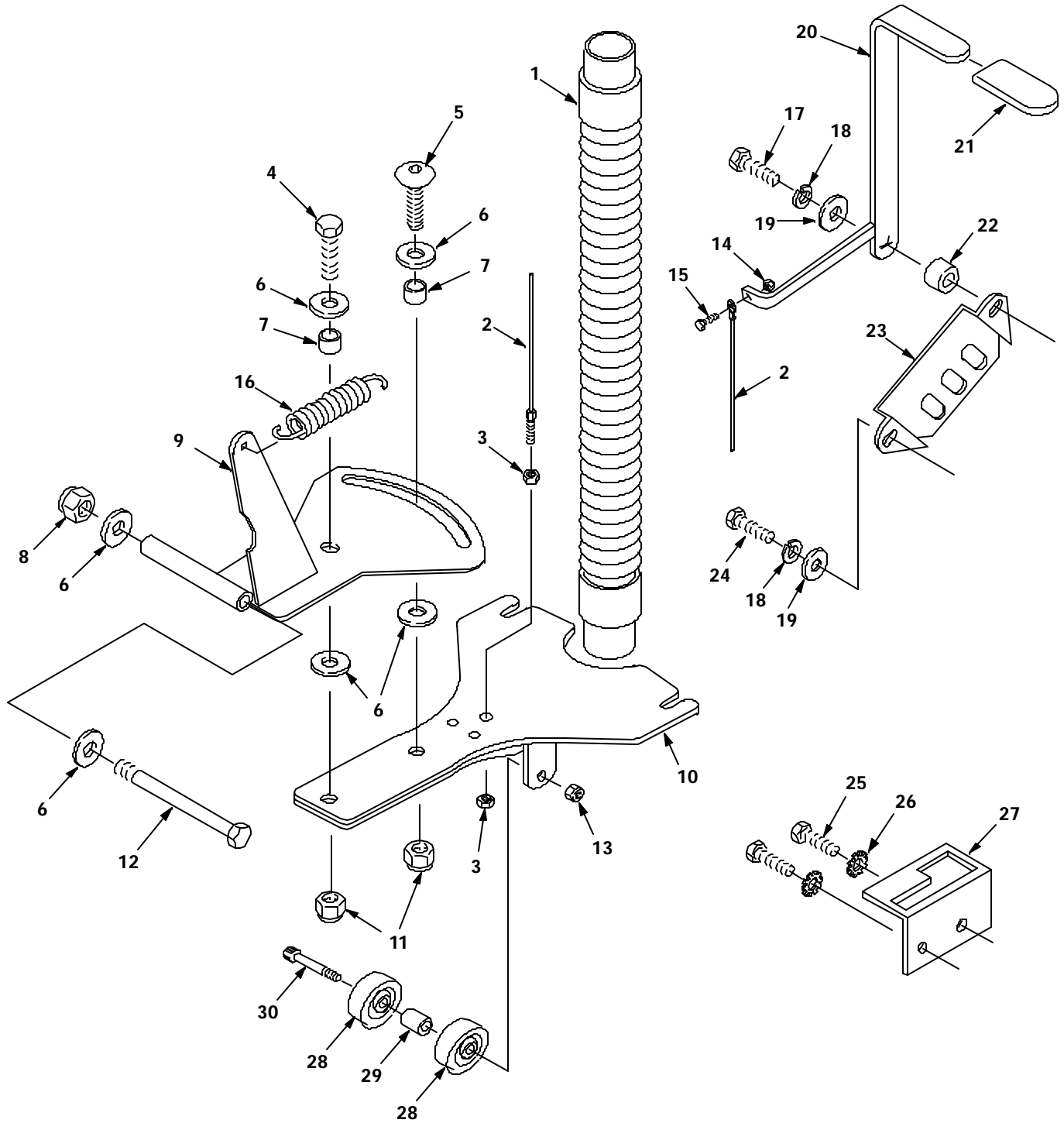
SOLUTION CONTROL GROUP
CONJUNTO DE PALANCAS SOLUCIÓN

REF	PART #	DESCRIPTION	QTY.
1	626121	KNOB, WATER VALVE	1
2	612039	DECAL, SOLUTION CONTROL	1
3	611821	BRACKET, SOLUTION CONTROL	1
4	612497	CABLE, SOL. FLOW CONTROL	1
5	230661	PLATE, LOCK CONTROL HSG.	1
6	140027	WASHER, 5/16 FLAT	2
7	140015	WASHER, 5/16 SPLIT LOCK	2
8	200031488	SCREW, M8X1.25X20 HXHDCP	2
9	611822	BRACKET, SOLELNOID MOUNT	1
10	140000	WASHER, 1/4 FLAT	4
11	140016	WASHER, 1/4 LOCK	4
12	140272	SCREW, M6X1.0X16 HXHDCP	2
13	612498	DVALVE, LIQUID DISPENSING	1
14	140310	CLAMP, HOSE	3
15	069760725	HOSE, 1/2IDX3.25"	1
16	578039000	FITTING, 3/8MX1/2H ELBOW 90	1

D RECOMMENDED STOCK ITEMS / ARTICULOS RECOMENDADOS PARA
MANTENER EN EXISTENCIA

REF	PART #	DESCRIPTION	QTY.
17	611820	BRACKET, FILTER BOWL	1
18	575541000	WASHER, M5X1 FLAT	4
19	200655016	WASHER, M5 LOCK	4
20	609062	SCREW, M5X.8X12 TRSPHL	4
21	605056	BRACKET, FILTER MOUNT	1
22	601475	DASM., FILTER BOWL & SCREEN	1
23	01997	FITTING, BRASS ELBOW 45	1
24	605046	FITTING, 3/8MX1/2HX1/2H TEE	1
25	607776	CLAMP, HOSE 2 WIRE BLK	4
26	606241	HOSE, 1/2IDX6"	1
27	578039000	FITTING, 3/8MX1/2H ELBOW 90	2
28	626204	HOSE, 320MM	1
29	578822000	HOSE, 425MM	1
30	612149000	FITTING, 3/8HX3/8HX1/2H TEE	1
31	609470	HOSE, 3/8IDX5/8ODX9"	2
32	607775	CLAMP, HOSE 2 WIRE BLK	2
33	200031432	SCREW, M6X1.0X10 HXHDCP	2

SQUEEGEE CONTROL GROUP
CONJUNTO DE PALETA PLANCAS



**SQUEEGEE CONTROL GROUP
CONJUNTO DE PALETA PLANCAS**

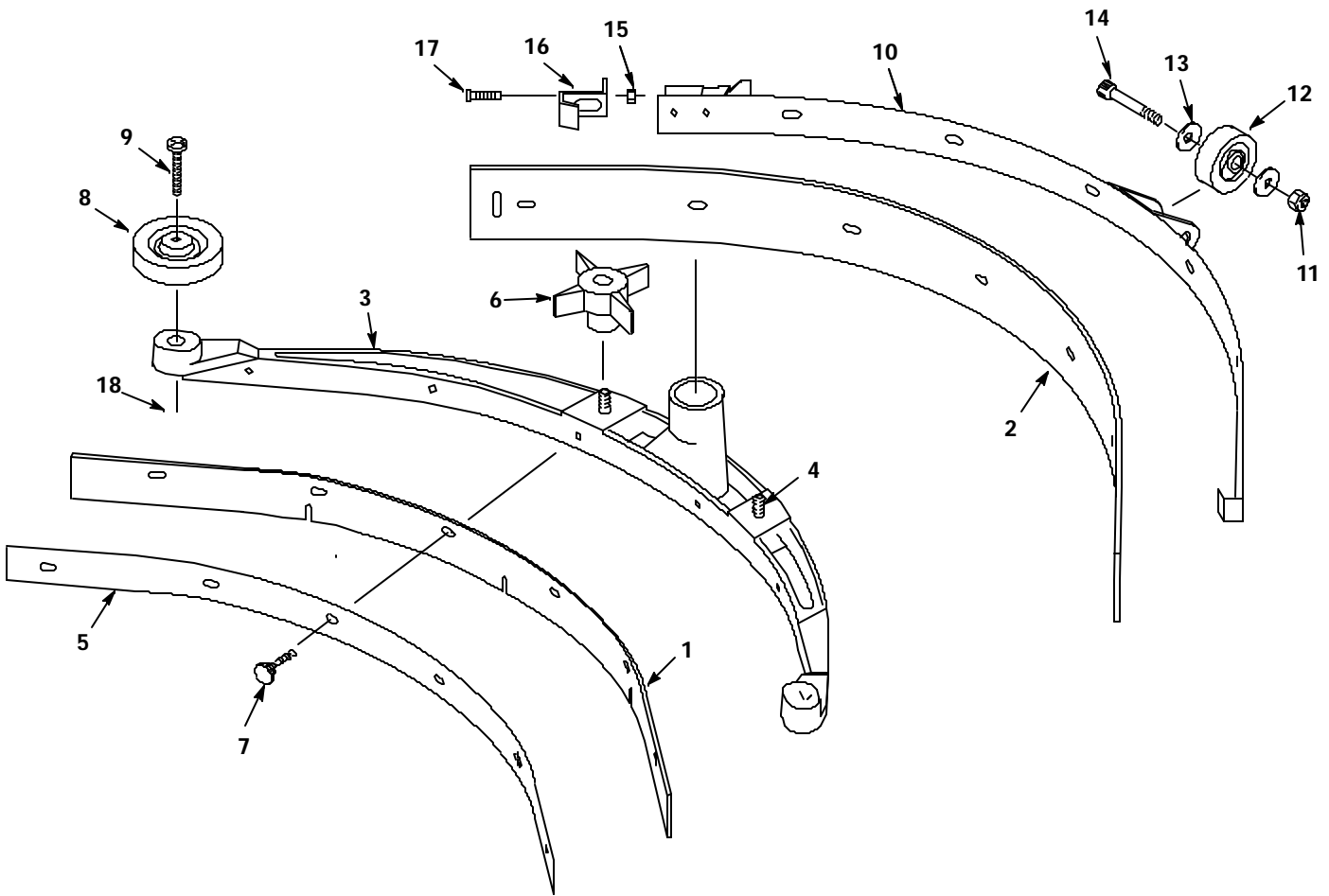
1015636

REF	PART #	DESCRIPTION	QTY.
1	160613	DHOSE, VAC 1.5X30" W/CUFFS	1
2	630156	DCABLE, SQUEEGEE LIFT	1
3	140501	NUT, 1/4- 20 NL	2
4	140236	SCREW, 1/2- 13X1.25 HXHDCP	1
5	611480	SCREW, 1/2- 13X1.25 TRSPHL	1
6	140045	WASHER, 1/2 FLAT	6
7	140139	BUSHING	2
8	140516	NUT, 1/2- 13 NYLOCK	1
9	611494	PIVOT MOUNT, SQUEEGEE	1
10	611479	BRACKET, SQUEEGEE MOUNT	1
11	140509	NUT, 1/2- 13 JAM	2
12	602981	SCREW, 1/2- 13X5- 1/2 HXHDCP	1
13	600200	NUT, 3/8- 16 HXLK	1
14	140284	NUT, M6 NYLOCK	1
15	140272	SCREW, M6X1.0X16 HXHDCP	1

REF	PART #	DESCRIPTION	QTY.
16	611477	SPRING	1
17	200031496	SCREW, M08X1.25X35	1
18	140015	WASHER, 5/16 SPLIT LOCK	2
19	140027	WASHER, 5/16 FLAT	2
20	602885	HANDLE, SQUEEGEE LIFT	1
21	200816	DGRIP, HANDLE	1
22	604358	BUSHING SPACER	1
23	230661	PLATE, LOCK CONTROL HSG.	1
24	200031488	SCREW, M8X1.25X20 HXHDCP	1
25	140268	SCREW, M5X.8X12 HXHDCP	2
26	140031	WASHER, #10 EXT. LOCK	2
27	230712	PLATE, SQUEEGEE LOCK	1
28	630477	WHEEL, 2" GRAY	2
29	603368	SPACER, NYLON	1
30	603144	SCREW, 3/8X3 SHOULDER	1

D RECOMMENDED STOCK ITEMS / ARTICULOS RECOMENDADOS PARA
MANTENER EN EXISTENCIA

SQUEEGEE ASSEMBLY GROUP - 838mm (33 in)
CONJUNTO PALETA



SQUEEGEE ASSEMBLY GROUP - 838mm (33 in)
CONJUNTO PALETA

REF	PART #	DESCRIPTION	QTY.
∇	612025	ASSEMBLY, SQUEEGEE, LINATEX	1
∇∇	606758	DKIT, SQUEEGEE BLADES, LINATEX	1
Y 1	605030	DBLADE, FRONT SQUEEGEE, LINATEX (RED)	1
Y 2	605029	DBLADE, REAR SQUEEGEE, LINATEX (RED)	1
1	605032	DBLADE, FRONT SQUEEGEE, URETHANE (WHITE)	1
2	611634	DBLADE, REAR SQUEEGEE, URETHANE (WHITE)	1
∇	606741	ASSEMBLY, SQUEEGEE, GUM RUBBER	1
∇∇	606757	DKIT, SQUEEGEE BLADES, GUM RUBBER	1
Y 1	605028	DBLADE, FRONT SQUEEGEE, GUM RUBBER (TAN)	1
Y 2	605027	DBLADE, REAR SQUEEGEE, GUM RUBBER (TAN)	1
Y 3	611462	CASTING, SQUEEGEE	1

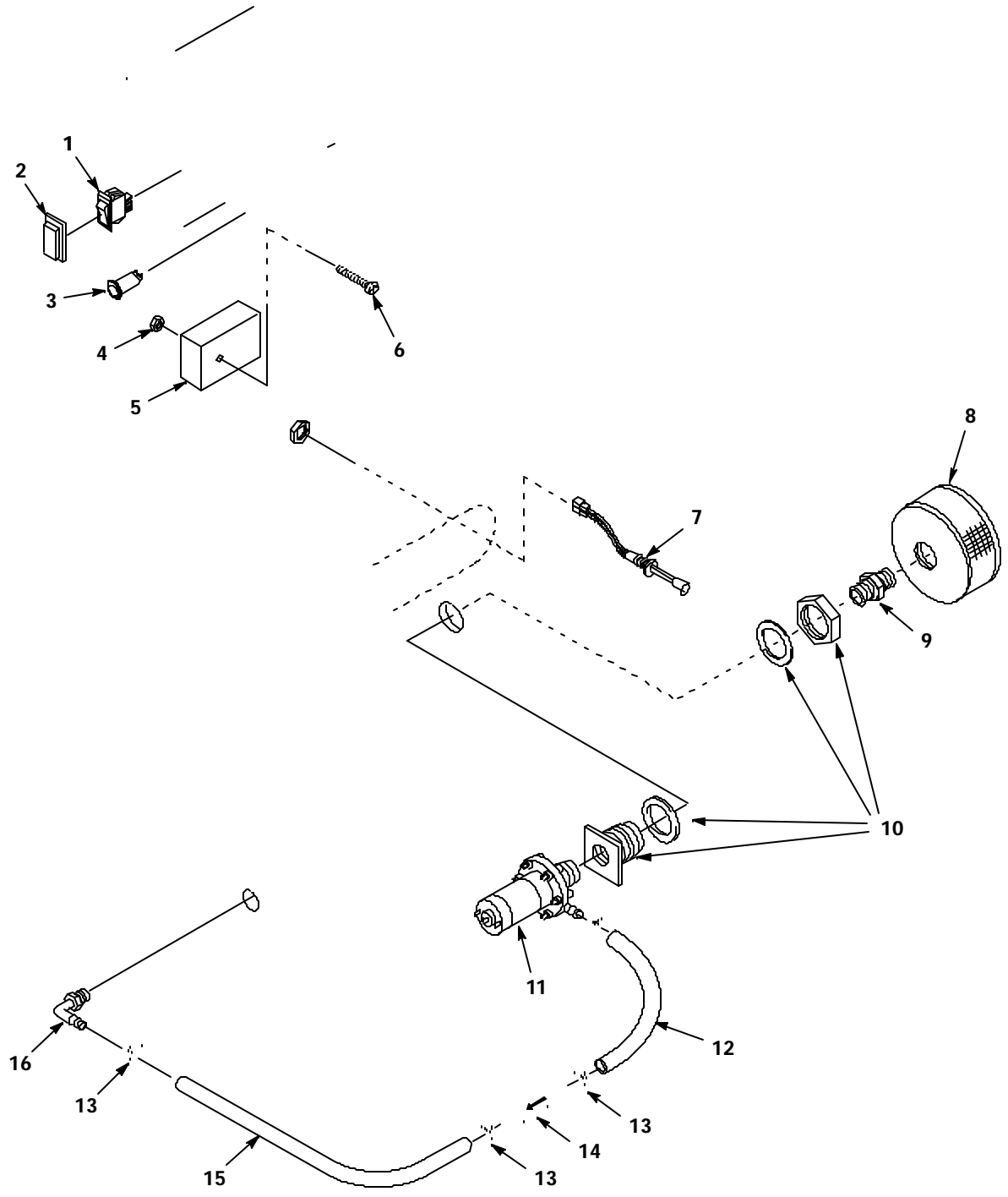
REF	PART #	DESCRIPTION	QTY.
Y 4	140799	SCREW, 5/16-18X1-1/2 TRSPHL	2
Y 5	605034	RETAINER, FRONT STRIP	1
Y 6	370100	DKNOB, 5/16 STAR	2
Y 7	603012	DKNOB, FRONT SQUEEGEE	6
Y 8	630450	WHEEL, 76 DIA X 22	2
Y 9	611489	SCREW, 5/16-18X1-3/4	2
Y 10	605033	SQUEEGEE, BAND ASM REAR	1
Y 11	601108000	NUT, 5/16-18 HXLCK	1
Y 12	630477	DWHEEL	1
Y 13	140028	WASHER, 3/8 FLAT	2
Y 14	600187	SCREW, SHOULDER, 3/8 X 1 1/4	1
Y 15	140283	NUT, M5X.8 NYLOCK	1
Y 16	605069	CLIP, SQUEEGEE BAND	1
Y 17	630389	SCREW, 7/8X45 PANPHL M5	1
Y 18	140506	NUT, 5/16-18	2

∇ ASSEMBLY / CONJUNTO

∇∇ INCLUDED IN ASSEMBLY / INCLUIDO EN EL CONJUNTO

D RECOMMENDED STOCK ITEMS / ARTICULOS RECOMENDADOS PARA MANTENER EN EXISTENCIA

EST KIT
EST JUEGO



Est KIT
Est JUEGO

REF	PART #	DESCRIPTION	QTY.
∇	604780	DKIT, Est	1
∇ 1	630419	DSWITCH, ROCKER	1
∇ 2	578720	DSPLASHGUARD, RCKR SWITCH	1
∇ 3	130738	DLIGHT, INDICATOR GREEN	1
∇ 4	140283	NUT	1
∇ 5	630145	DTIMER, 24VDC, RANGE:30SEC	1
∇ 6	578008000	SCREW	1
∇ 7	603166	DSWITCH, LIQUID LEVEL W/NUT	1
∇ 8	630138	DFILTER, SCREEN	1
∇ 9	630385	FITTING, 3/4M NIPPLE	1

REF	PART #	DESCRIPTION	QTY.
∇ 10	601490	FITTING, 3/4NPT BULKHEAD	1
∇ 11	630136	DPUMP, SOLUTION 24VDC	1
∇ 12	605282	TUBING, 5/8X.5'	1
∇ 13	140310	CLAMP, HOSE	4
∇ 14	210044	DVALVE, CHECK	1
∇ 15	605282	TUBING, 5/8X1.25'	1
∇ 16	150415	FITTING, ELBOW 90°	1
∇N/S	604787	HARNESS, WIRE Est	1
∇N/S	630440	DECAL, REMOVE FILTER	1

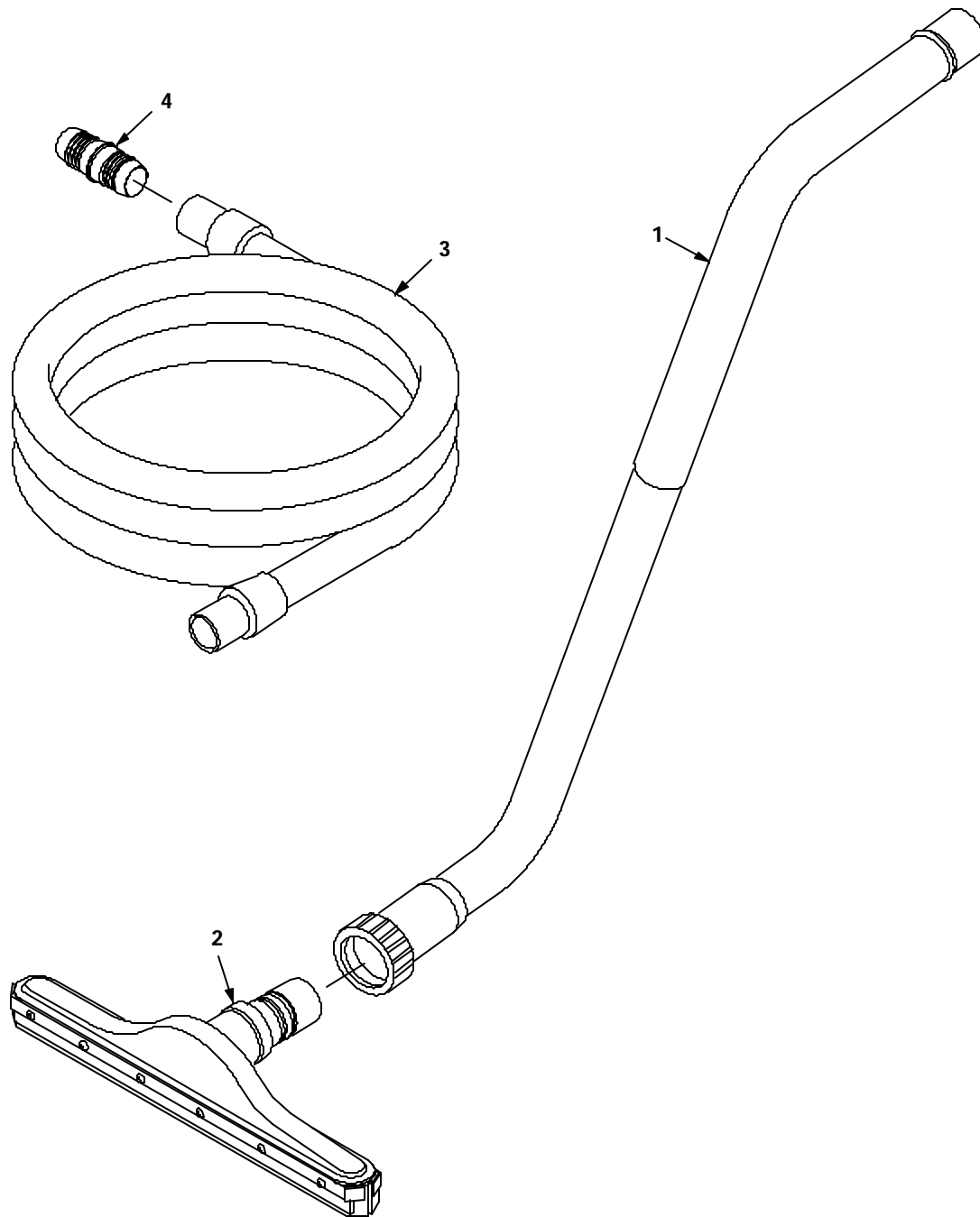
∇ ASSEMBLY / CONJUNTO

∇ INCLUDED IN ASSEMBLY / INCLUIDO EN EL CONJUNTO

D RECOMMENDED STOCK ITEMS / ARTICULOS RECOMENDADOS

N/S = NOT SHOWN

**SQUEEGEE WAND ASSEMBLY
GROUPE D'ASPIRATION ET RACLETTE À MAIN**



REF	PART #	DESCRIPTION	QTY.
∇	190928	DASM, WAND DOUBLE BEND	1
Y 1	6108.1	WAND, DOUBLE BEND	1
Y 2	13840	SQUEEGEE ASM PUSH/PULL	1

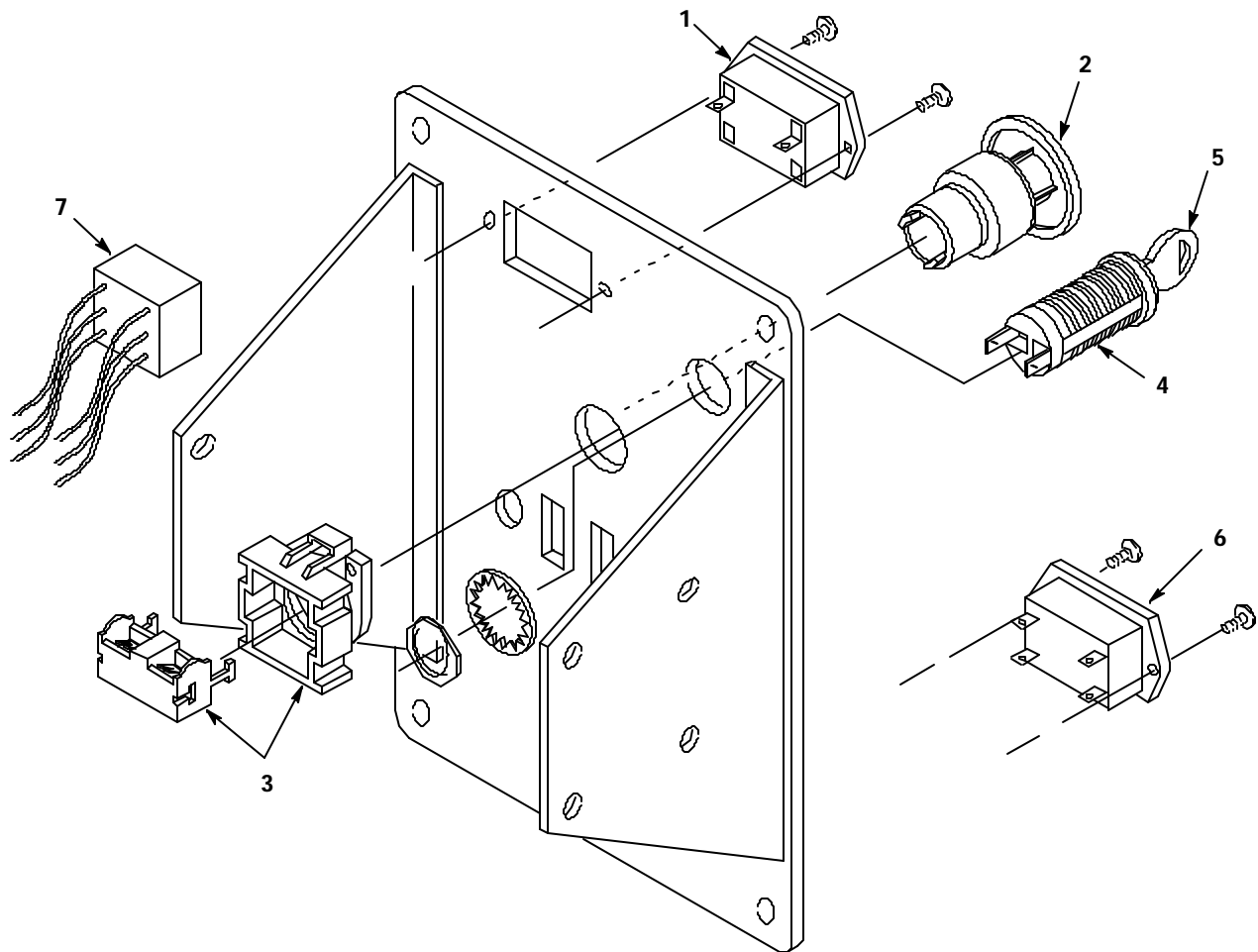
REF	PART #	DESCRIPTION	QTY.
Y 3	160481	DHOSE, VAC 1-1/2X10'	1
Y 4	160451	CONNECTOR, VAC HOSE	1

∇ ASSEMBLY / CONJUNTO

Y INCLUDED IN ASSEMBLY / INCLUIDO EN EL CONJUNTO

D RECOMMENDED STOCK ITEMS / ARTICULOS RECOMENDADOS

**HR METER, EMERGENCY STOP, KEYSWITCH AND LOW VOLTAGE KITS
MEDIDOR DE HORA, BOTÓN DE EMERGENCIA, INTERRUPTOR DE LLAVE,
HERRAMIENTAS DE BAJO VOLTAGE**



REF	PART #	DESCRIPTION	QTY.
▽	602999	DKIT, HOUR METER	1
∇ 1	630143	DMETER, HOUR	1
∇ N/S	603000	ASM., WIRE #18X5" BLU	1
∇ N/S	603004	ASM WIRE #18X5" BLK	1
▽	602995	DKIT, EMERGENCY STOP	1
∇ 2	630100	DSWITCH, EMERGENCY STOP BUTTON	1
∇ 3	630097	DSWITCH, CONTACT BLOCK	1
∇ N/S	602996	ASM, WIRE #16X5" RED 1/4FX1/4F	1
∇ N/S	602997	ASM, WIRE #16X5" RED 1/4MX1/4F	1

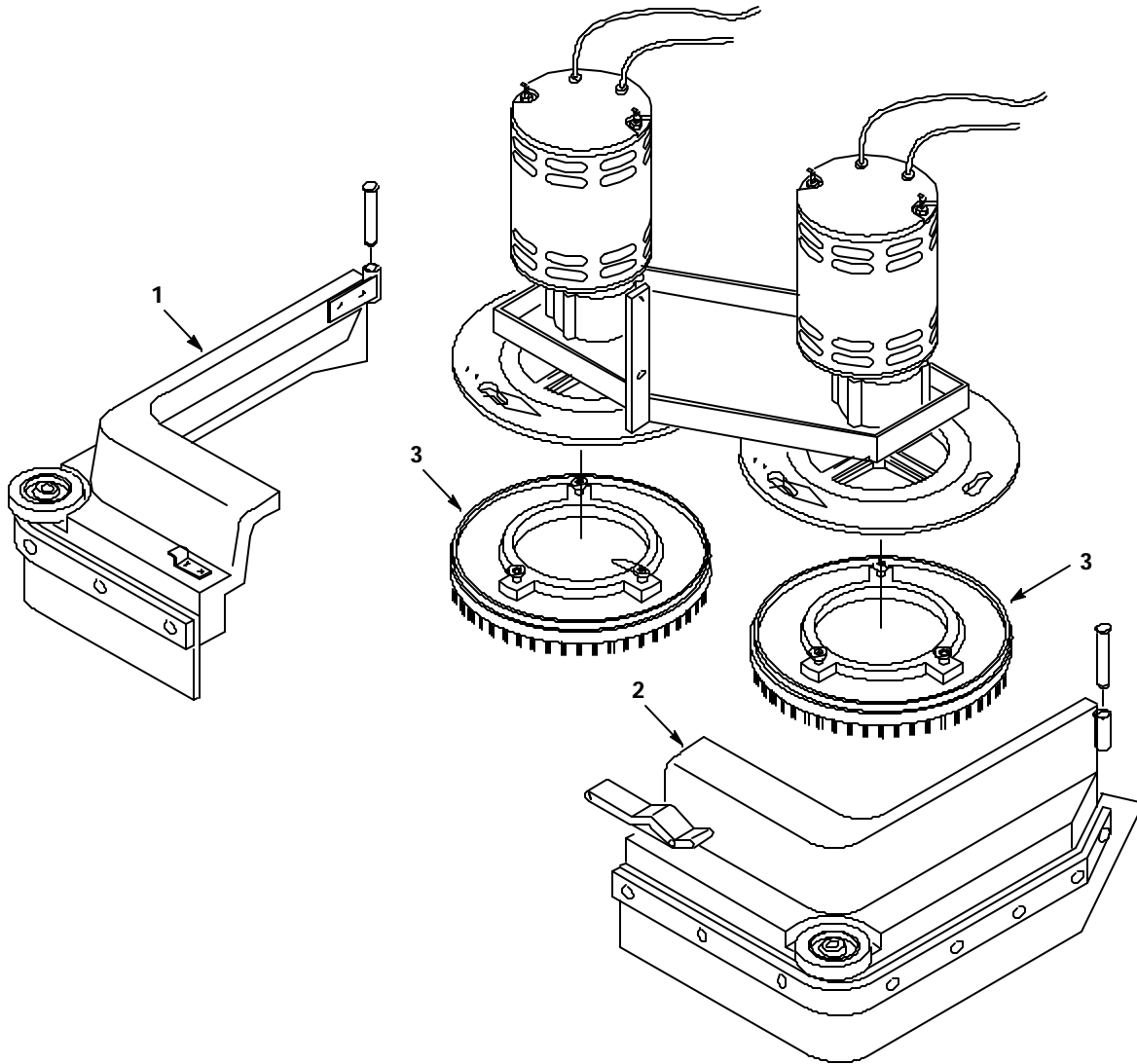
REF	PART #	DESCRIPTION	QTY.
▽	602993	DKIT, KEYSWITCH	1
∇▽ 4	612462	DSWITCH, KEY	1
∇ 5	607821	DKEY, REPLACEMENT	1
▽	603074	DKIT, LOW VOLTAGE CUTOFF	1
∇ 6	603076	DGAUGE, BATTERY 24V	1
∇ 7	603314	ASM., RELAYLOW VLTGECUTOFF	1
∇N/S	603078	ASM., WIRE #18X9" GRN	1
∇N/S	603080	ASM., WIRE #18X8" BLK	1
∇N/S	603081	ASM., WIRE #18X12" RED	1
∇N/S	130040	WIRE TIE	1

▽ ASSEMBLY / CONJUNTO

∇ INCLUDED IN ASSEMBLY / INCLUIDO EN EL CONJUNTO

D RECOMMENDED STOCK ITEMS / ARTICULOS RECOMENDADOS PARA
MANTENER EN EXISTENCIA

CONVERSION KIT
JUEGO DE CONVERSIÓN



**CONVERSION KIT
JUEGO DE CONVERSIÓN**

REF	PART #	DESCRIPTION	QTY.
∇	609794	DKIT, CONVERSION TO 5500 TEAL	1
	609793	DKIT, CONVERSION TO 5520 TEAL	1
∇ 1	609797	ASM., SKIRT OPERATOR RH TEAL (5500)	1
	609795	ASM., SKIRT OPERATOR RH TEAL (5520)	1
∇ 2	609798	ASM., SKIRT OPERATOR LH TEAL (5500)	1
	609796	ASM., SKIRT OPERATOR LH TEAL (5520)	1

REF	PART #	DESCRIPTION	QTY.
∇ 3	240262	DASM., PAD DRIVER 2/PK 305MM / 12" (5500)	2
	602928	DASM., PAD DRIVER 2/PK 330MM / 13" (5520)	2
∇N/S	603262	ASM., SQUEEGEE CURVED (5500)	1
	603263	ASM., SQUEEGEE CURVED (5520)	1
∇N/S	608118	DECAL, "5500"	2
	608119	DECAL, "5520"	2

∇ ASSEMBLY / CONJUNTO

∇ INCLUDED IN ASSEMBLY / INCLUIDO EN EL CONJUNTO

D RECOMMENDED STOCK ITEMS / ARTICULOS RECOMENDADOS PARA MANTENER EN EXISTENCIA