

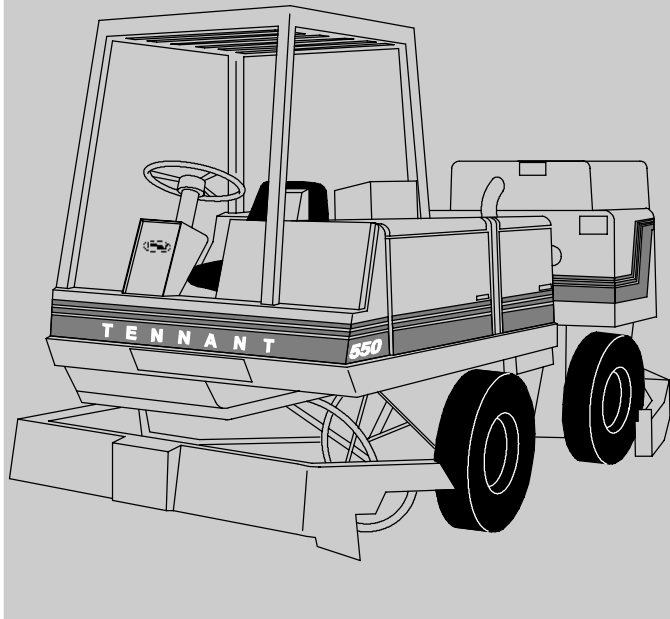
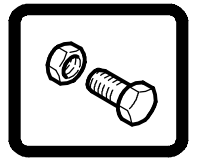


550

(Gas/LPG)

(S/N 006115-)

Rider Scrubber Parts Manual



North America / International

www.tennantco.com

330650
Rev. 10 (3-2011)



When ordering replacement parts, use the illustrated parts list section in this manual. Before ordering parts or supplies, be sure to have your machine model number and serial number available. Only use TENNANT Company supplied or equivalent parts. Parts and supplies may be ordered online, by phone, or mail from any authorized parts and service center, distributor or from any of the manufacturer's subsidiaries.

This machine will provide excellent service. However, the best results will be obtained at minimum costs if:

- The machine is operated with reasonable care.
- The machine is maintained regularly - per the machine maintenance instructions provided.
- The machine is maintained with manufacturer supplied or equivalent parts.

MACHINE DATA

Please fill out at time of installation for future reference.

Model No. - _____

Serial No. - _____

Machine Options - _____

Sales Rep. - _____

Sales Rep. phone no. - _____

Customer Number - _____

Installation Date - _____

Tennant Company

PO Box 1452

Minneapolis, MN 55440

Phone: (800) 553-8033 or (763) 513-2850

www.tennantco.com

SRS is a US registered trademark of Tennant Company.

Specifications and parts are subject to change without notice.

Copyright © 1999-2002, 2004, 2006-2008, 2010, 2011 TENNANT Company, Printed in U.S.A.

HOW TO USE THIS MANUAL

This section on *HOW TO USE THIS MANUAL* will tell you how to:

- Find important machine information for ordering correct repair parts.
- Find TENNANT part numbers.
- Order TENNANT parts and supplies.

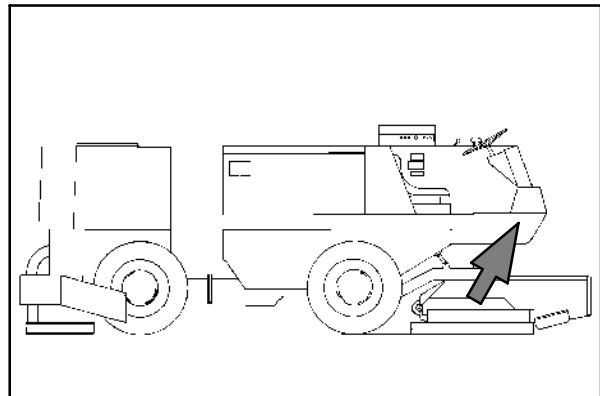
IMPORTANT INFORMATION

When placing an order for parts, the machine model and machine serial number are important. Refer to the *MACHINE DATA* box which is filled out during the installation of your machine. The *MACHINE DATA* box is located on the inside of the front cover of this manual.

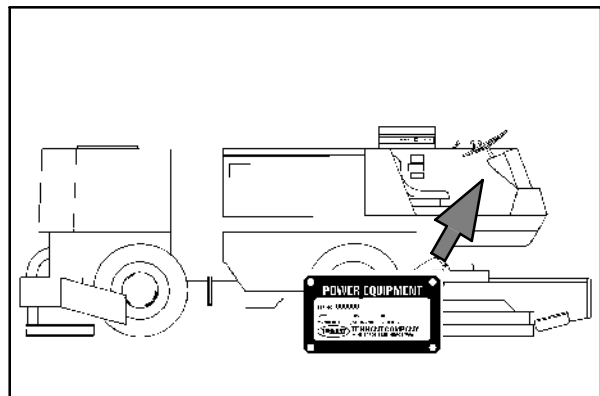
MACHINE DATA	
<i>Please fill out at time of installation.</i>	
Machine Serial Number -	_____
Engine Serial Number -	_____
Sales Representative -	_____
Customer Number -	_____
Date of Installation -	_____
Manual Number -	MM148
Revision:	18
Published:	2-95

03352

The model number of your machine is on the side of the machine.



The serial number of your machine is printed on the machine data plate located as shown.



HOW TO USE THIS MANUAL

FINDING A TENNANT PART NUMBER

This manual contains the following sections:

- HOW TO USE THIS MANUAL
- STANDARD PARTS
- OPTIONS
- BREAKDOWNS
- CONTINENTAL ENGINE BREAKDOWN
- GM ENGINE BREAKDOWN
- CROSS REFERENCE

The STANDARD PARTS section lists repair parts for standard machines. They are grouped in this general order:

- General wear parts.
- Machine frame and related parts.
- Machine propelling system.
- Scrubbing components.
- Electrical parts.

The OPTION section lists repair parts of options.

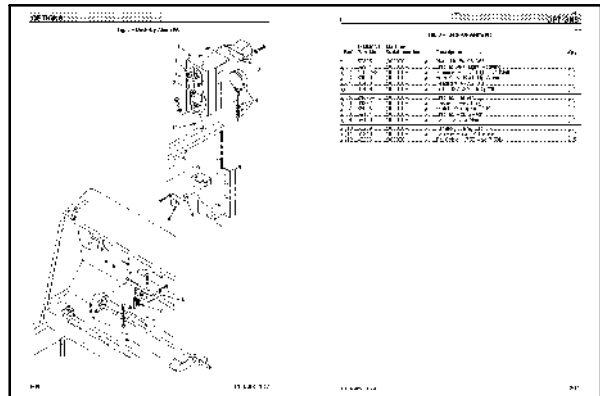
The BREAKDOWN section lists available repair parts of major components.

All sections in this manual consist of parts illustrations and corresponding parts lists.

The parts illustrations are numbered with **Ref** numbers which refer to corresponding parts lists.

The parts lists include a number of columns of information:

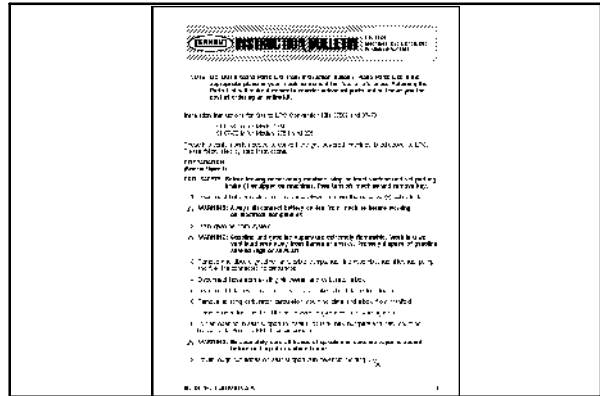
- **Ref** - column refers to the reference number on the parts illustration.
- ▽ - indicates the part is an assembly.
- ▲ - indicates the part is included in the assembly listed just before it.
- **Part No.** - column lists the TENNANT part number for the part.
- **Serial Number** - column indicates the set of machines the part number is applicable to. Serial numbers change when the machine design has been modified. The most current design of the machine is shown in the main illustration, older designs are boxed in a corner of the illustration.
- **Description** - column is a brief description of the part.
- **Qty.** - column lists the quantity of that part used in that area of the machine.



Ref.	TENNANT Part No.	Machine Serial number	Description	Qty.
▽	59335	QC0000-	Alarm Kit, Bu Alv 35L	1
▲ 1	59944	QC0000-	Bracket, Wkt.,ight, Rotating	1
▲ 1	10632-9	QC0000-	Grommet,Rct,0.45H,For .13Matl	1
▲ 1	61920	QC0000-	Horn Assy, Back-Up Alarm	1
▲ 4	36438	QC0000-	Headlight Assy,21CG	1
▲ 4	36439	QC0000-	Fulk, 12V, 9A, 1AC#1004	1
▲ 2	24676-	QJUUUU-	Bracket, Flasher	1
▲ 1	31922	QJUUUU-	Flasher, Heavy Duty	1
▲ 7	36976	QJUUUU-	Switch, Waterproof, 10A	1
▲ 1	59154	QC0000-	Bracket, Mfg. Switch	1
▲ 1	59153	QC0000-	Carr., Backup Alarm	1
▲ 10	60259	QC0000-	Harness, Alarm, Backup	1
▲ 11	56246	QC0000-	Cabletie Mount, Adhesive	2
▲ 12	49256	QC0000-	Tie, Cable .750 Max 7.60Lg	5

NOTE: If a service kit is installed on your machine, be sure to keep the **INSTRUCTION BULLETIN** which came with the kit. It contains repair parts numbers needed for ordering future parts.

NOTE: Fasteners used in this machine may be metric or non-metric. Take care when replacing hardware to replace with same thread size.



PLACING AN ORDER

Orders may be placed by phone, fax, or by mail. Phone orders may need written confirmation. Follow the steps below to insure prompt delivery:

1. Identify the model number of your machine.
2. Identify the serial number of your machine.
3. Find the part number of the part you need. Do not order by page number or reference number. If you are not able to find the part number, call your TENNANT representative for help or send the old part as a sample.
4. Determine the quantity of the part you need.
5. Provide the following company information:
 - Company name
 - Customer ID Number
 - Shipping address
 - Billing address
 - First and last name of person ordering parts
 - Telephone number
 - Purchase order number
6. Provide definitive shipping instructions.

HOW TO USE THIS MANUAL

Any claim for loss or damage to a shipment in transit should be filed promptly with the transportation company making the delivery. Shipments will be complete unless the packing list or order acknowledgement indicates items back ordered.

If parts received are suspected to be incorrect or defective, please contact the TENNANT representative from whom you ordered the part. They will give authorization for return and/or handle replacement shipments when required.

SECTION 2

Contents	Page	Contents	Page
Fig. 1 - Recommended General Maintenance Items	2-4	Fig. 33 - Engine EFI and Vaporizer Group, LPG (007196-007333)	2-58
Fig. 2 - Replacement Brushes	2-6	Fig. 34 - Engine EFI Group, LPG (007334-)	2-60
Fig. 3 - Seat Group	2-7	Fig. 35 - Engine Vaporizer Group, LPG (007334-)	2-62
Fig. 4 - Main Frame Group (006115-007005) ..	2-8	Fig. 36 - Engine EFI Group, Gas (006409-007005)	2-64
Fig. 5 - Main Frame Group (007006-) ..	2-10	Fig. 37 - Engine EFI Group, Gas (007006-007195)	2-66
Fig. 6 - Main Frame Cover and Door Group (007006-)	2-12	Fig. 38 - Engine EFI Group, Gas (007196-)	2-68
Fig. 7 - Main Frame Noise Insulation Group (006115-007005)	2-14	Fig. 39 - Engine Oil Filter and Drain Group (006409-)	2-70
Fig. 8 - Main Frame Engine Cover Group, LPG (006115-006408)	2-15	Fig. 40 - Engine Muffler Group (006115-006408)	2-72
Fig. 9 - Scrub Head Hopper Group	2-16	Fig. 41 - Engine Muffler Group (006409-007005)	2-74
Fig. 10 - Scrub Head Lift Group	2-18	Fig. 42 - Engine Muffler Group (007006-007195)	2-76
Fig. 11 - Scrub Head Solution Supply and Control Group	2-20	Fig. 43 - Engine Muffler Group (007196-)	2-78
Fig. 12 - Scrub Head Right Side Squeegee Assembly	2-22	Fig. 44 - Engine Air Cleaner Group, Gas (006115-006267)	2-80
Fig. 13 - Scrub Head Left Side Squeegee Assembly	2-24	Fig. 45 - Engine Air Cleaner Group, Gas (006268-006408)	2-81
Fig. 14 - Scrub Head Front Brush Drive Components Group	2-26	Fig. 46 - Engine Air Cleaner Group, LPG (006115-006267)	2-82
Fig. 15 - Scrub Head Front Brush Idler Assembly	2-28	Fig. 47 - Engine Air Cleaner Group, LPG (006268-006408)	2-83
Fig. 16 - Scrub Head Rear Brush Idler Assembly	2-29	Fig. 48 - Engine Air Cleaner Group, G/LPG (006409-007005)	2-84
Fig. 17 - Scrub Head Rear Brush Drive Components Group	2-30	Fig. 49 - Engine Air Cleaner Group, LPG (007006-)	2-86
Fig. 18 - Steering Column Group (006115-007005)	2-32	Fig. 50 - Engine Air Cleaner Group, Gas (007006-)	2-88
Fig. 19 - Steering Column Group (007006-)	2-33	Fig. 51 - Engine Radiator and Hydraulic Cooler Group (006115-006408)	2-90
Fig. 20 - Front Wheel Assembly	2-34	Fig. 52 - Engine Radiator and Hydraulic Cooler Group (006409-007005)	2-92
Fig. 21 - Front Wheel Drive Group	2-35	Fig. 53 - Engine Radiator and Hydraulic Cooler Group (007006-)	2-94
Fig. 22 - Front Wheel Parking Brake Group ..	2-36	Fig. 54 - Engine Fan and Pulley Group (006409-007005)	2-96
Fig. 23 - Front Wheel Brakes Group	2-37	Fig. 55 - Engine Fuel Tank Group, Gas (006115-006408)	2-98
Fig. 24 - Engine Group (006115-006408)	2-38	Fig. 56 - Engine Fuel Tank Group, Gas (006409-007005)	2-100
Fig. 25 - Engine Group, Gas/LPG (006409-007005)	2-40	Fig. 57 - Engine Fuel Tank Group, Gas (007006-007195)	2-102
Fig. 26 - Engine Group, Gas/LPG (007006-)	2-42	Fig. 58 - Engine Fuel Tank Group, Gas (007196-)	2-104
Fig. 27 - Engine Alternator Group (006409-007005)	2-44	Fig. 59 - Engine and Fuel Tank Group, LPG (006115-006408)	2-106
Fig. 28 - Engine Alternator Group (007006-007195)	2-46		
Fig. 29 - Engine Alternator Group (007196-)	2-48		
Fig. 30 - Engine EFI and Vaporizer Group, LPG (006409-007005 version 1)	2-50		
Fig. 31 - Engine EFI and Vaporizer Group, LPG (006409-007005 version 2)	2-52		
Fig. 32 - Engine EFI and Vaporizer Group, LPG (007006-007195)	2-54		
Fig. 33 - Engine EFI and Vaporizer Group, LPG (007196-)	2-56		

STANDARD PARTS

Contents	Page	Contents	Page
Fig. 60 - Engine Fuel Tank Group, LPG (006409-007005)	2-108	Fig. 91 - Instrument Panel Group, LPG (007006-)	2-182
Fig. 61 - Engine Fuel Tank Group, LPG (007006-)	2-110	Fig. 92 - Trunnion Group	2-184
Fig. 62 - Engine Battery Group	2-112	Fig. 93 - Solution and Recovery Tanks Group, Front Side	2-186
Fig. 63 - Hydraulic Schematic (006115-007005)	2-114	Fig. 94 - Solution and Recovery Tanks Group, Rear Side	2-188
Fig. 64 - Hydraulic Schematic (007006-)	2-116	Fig. 95 - Rear Bumper Group	2-190
Fig. 65 - Hydraulic Hoses Group (006115-007005)	2-118	Fig. 96 - Rear Wheel Group	2-191
Fig. 66 - Hydraulic Hoses Group (007006-)	2-120	Fig. 97 - Rear Squeegee Assembly	2-192
Fig. 67 - Hydraulic Propelling Motors Group .	2-122	Fig. 98 - Label Group	2-194
Fig. 68 - Hydraulic Reservoir Group (006115-007005)	2-123		
Fig. 69 - Hydraulic Reservoir Group (007006-)	2-124		
Fig. 70 - Hydraulic Control Valves Group (006115-007005)	2-125		
Fig. 71 - Hydraulic Control Valves Group (007006-)	2-126		
Fig. 72 - Hydraulic Pumps Group (006115-007005)	2-128		
Fig. 73 - Hydraulic Pumps Group (007006-)	2-129		
Fig. 74 - Hydraulic Filter Group (006115-007005)	2-130		
Fig. 75 - Hydraulic Filter Group (007006-)	2-131		
Fig. 76 - Hydraulic Solenoid Valve and Manifold Group (007006-) ..	2-132		
Fig. 77 - Hydraulic Directional Pedal Group ..	2-134		
Fig. 78 - Electrical Wire Harnesses Group (006115-007005)	2-136		
Fig. 79 - Electrical Wire Harnesses Group (007006-)	2-139		
Fig. 80 - Electrical Schematic (006115-006408)	2-150		
Fig. 81 - Electrical Schematic, Options (006115-006408)	2-151		
Fig. 82 - Electrical Schematic, Specials (006115-006408)	2-152		
Fig. 83 - Electrical Schematic (006409-007005)	2-153		
Fig. 84 - Electrical Schematic (007006-007195)	2-157		
Fig. 85 - Electrical Schematic (007196-)	2-162		
Fig. 86 - Electrical Wiring Diagram, Instrument Panel (007006-) .	2-171		
Fig. 87 - Vacuum Fan Assembly (006115-007005)	2-174		
Fig. 88 - Vacuum Fan Group (007006-)	2-176		
Fig. 89 - Instrument Panel Group (006115-007005)	2-178		
Fig. 90 - Instrument Panel Group, Gas (007006-)	2-180		

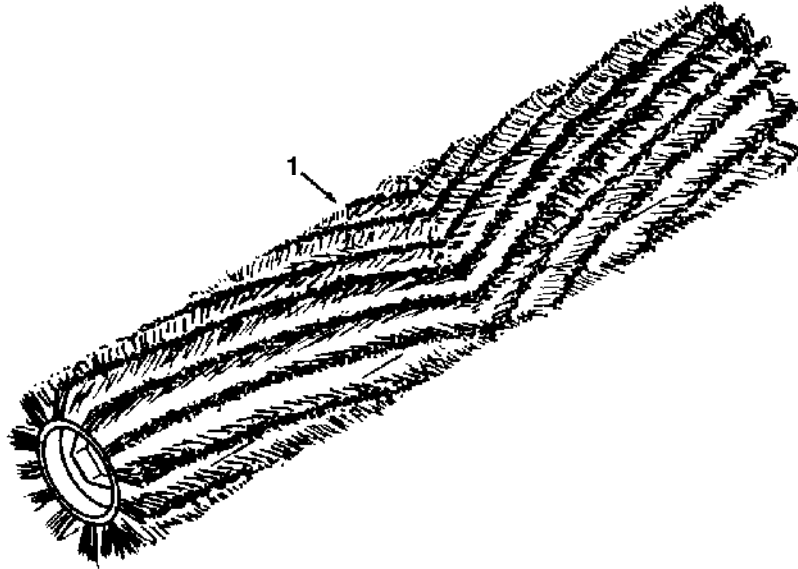
Fig. 1 - Recommended General Maintenance Items

Ref.	Part No.	Serial Number	Description	Qty.
▽	79111	(006115-006408)	Performance Package, TM27, 400 Hour, Gas & LPG, Servo	1
▲	16853	(006115-006408)	Filter, Oil	8
▲	01433-1	(006115-006408)	Grease, Special	1
▲	34726	(006115-006408)	Spark Plug	8
▲	09837	(006115-006408)	Rotor	2
▲	58120	(006115-006408)	Element, Air Cleaner	1
▲	65221	(006115-006408)	Element, Hydraulic Filter	2
▲	1057711	(006115-006408)	Oil, Hyd [El, Iso 100, 05gal]	3
	1057708	(006115-006408)	Oil, Hyd [El, Iso 32, 05gal]	3
▽	02460	(006115-	Squeegee Blades Kit, Side	1
▲	60015	(006115-	Blade, Squeegee	4
▲	59617	(006115-	Flap, Containment	2
▲	75711	(006115-	Brush	2
▲	75799	(006115-	Skirt	2
▽	02457	(006115-	Squeegee Blades Kit, Rear	1
▲	60016	(006115-	Blade, Rear	1
▲	76937	(006115-	Strip, Rear Backup	2
▲	60018	(006115-	Blade, Front	1
▽	02458	(006115-	Seal Kit, Tank Door	1
▲	25663	(006115-	Fastener, Nut	10
▲	26015	(006115-	Fastener, Washer	10
▲	06332	(006115-	Seal, Door	2
▲	76532	(006115-	Gasket, Front Suction Tube	1
▲	06227	(006115-	Gasket	1
▲	75076	(006115-	Gasket, Rear Suction Tube	1
▲	50518	(006115-	Flap, Rubber	1
▽	02456	(006115-	Hose Kit, Vacuum, SRS	1
▲	40870-7	(006115-	Hose Assembly	1
▲	23498	(006115-	Clamp, Worm Drive	4
▲	76828	(006115-	Hose Assembly	1
▲	75635	(006115-	Hose Assy, W/1cuff, 1.5d 120l 1.5/	1
▲	11531	(006115-	Clamp, Worm Drive	1
▲	50845	(006115-	Hose, Hopper	1
▲	22297	(006115-	Clamp, Worm Drive	2
▲	40870-1	(006115-	Hose Assembly	1
▲	25649	(006115-	Hose, Squeegee	1
▲	43555	(006115-	Clamp, Worm Drive	2
▽	02455	(006115-	Seal Kit, Tank Door, SRS	1
▲	78802	(006115-	Gasket	3
▲	06229	(006115-	Gasket, Door	1
▲	79500	(006115-	Sheet, Top Sandblast	2
▲	76395	(006115-	Gasket, Sandblast Cover	1
▲	79557	(006115-	Gasket, Air Outlet	1
▲	76532	(006115-	Gasket, Front Suction Tube	1
▲	25656	(006115-	Fastener, Thumbscrew	10
▲	25663	(006115-	Fastener, Nut	10
▲	26015	(006115-	Fastener, Washer	10
▲	79391	(006115-	Gasket, Solution Door	1
▲	06223	(006115-	Gasket	2
▲	79545	(006115-	Gasket	1
▲	23498	(006115-	Clamp, Worm Drive	1

Fig. 1 - Recommended General Maintenance Items

Ref.	Part No.	Serial Number	Description	Qty.
▽	398344	(006115-) Kit, Maint, 800hr [550 G/Lp/D]	1
▲	60015	(006115-) Blade, Sqge, Linatex, Side	4
▲	59617	(006115-) Flap, Containment	2
▲	75711	(006115-) Brush Assy, Strip, 4.0l, Pyp	2
▲	75799	(006115-) Strip, Backup	2
▲	60016	(006115-) Blade, Sqge, Rear, Linatex	1
▲	76937	(006115-) Strip, Backup	2
▲	60018	(006115-) Blade, Sqge, Front, Linatex	1
▲	40870-7	(006115-) Hose, Flex, Vacuum, 4.0d 54.0l	1
▲	23498	(006115-) Clamp, Hose, Wormdrive, 3.56-4.50d	5
▲	76828	(006115-) Hose Assy, Pvc, W/ Cuff, 2.0d, 48.0l	1
▲	75635	(006115-) Hose Assy, W/1cuff, 1.5d 120l 1.5/	1
▲	11531	(006115-) Clamp, Hose, Wormdrive, 1.06-2.00d	1
▲	50845	(006115-) Hose, Rbr, 2.00id 2.40od 07.5l	1
▲	22297	(006115-) Clamp, Hose, Wormdrive, 1.56-2.50d	2
▲	40870-1	(006115-) Hose, Flex, Vacuum, 4.0d 41.1l	1
▲	25649	(006115-) Hose, Flex, Vacuum, 3.0d 20.0l	1
▲	43555	(006115-) Clamp, Hose, Wormdrive, 1.62-3.50d	2
▲	06332	(006115-) Gasket, Door, Clean-Out	2
▲	76532	(006115-) Gasket, Tube, Suc, Front	2
▲	78802	(006115-) Gasket	4
▲	75076	(006115-) Gasket, Tube, Suc, Rear	1
▲	50518	(006115-) Bar, Flt, Rbr, 0.38 X 6.00 X 18.00l	1
▲	06229	(006115-) Gasket, Door	1
▲	76395	(006115-) Gasket, Cover, Sandblast	1
▲	79557	(006115-) Gasket, Air Outlet	1
▲	06223	(006115-) Gasket	1
▲	79545	(006115-) Gasket	1
	01433-1	(006409-) Grease, Special	1
	393934	(006409-007195)) Spark Plug	4
	9006586	(007196-) Spark Plug	4
	369746	(006268-) Element, Air Filter	1
	65221	(006115-007005)) Element, Hydraulic Filter	1
	1015933	(007006-) Element, Fltr, Oil, Spin-on [Dn]	1
	36050	(006409-006486)) Filter, Fuel, In-line, 02pm/08if	1
	21298	(006487-007005)) Filter, Fuel, In-Line (Gas)	1
	372440	(007006-) Filter, Fuel [Gm 1.6l/3.0l]	1
	371671	(006409- xxxxxx)) Filter, Fuel, In-Line (Lpg)	1
	377337	(xxxxxx-007005)) Filter, Fuel, In-Line (Lpg)	1
	372615	(007006-) Filter Kit, Fuelock, Lpg	1
	1057711	(006409-) Oil, Hyd [El, Iso 100, 05gal]	3
	1057708	(006409-) Oil, Hyd [El, Iso 32, 05gal]	3
	393982	(006409-) Filter, Oil	1
	16411	(006115-) Paint, Airdry, Off-White, 12oz	1
	16412	(006115-) Paint, Airdry, Teal, 12oz, Solid	1
	377540	(006115-) Paint, Airdry, Blk, 12oz	1
	377538	(006115-) Paint, Airdry, Gray, 12oz [Enamel]	1
	377537	(006115-) Paint, Airdry, Iron Gray, 12oz[Pwdr Coat]	1

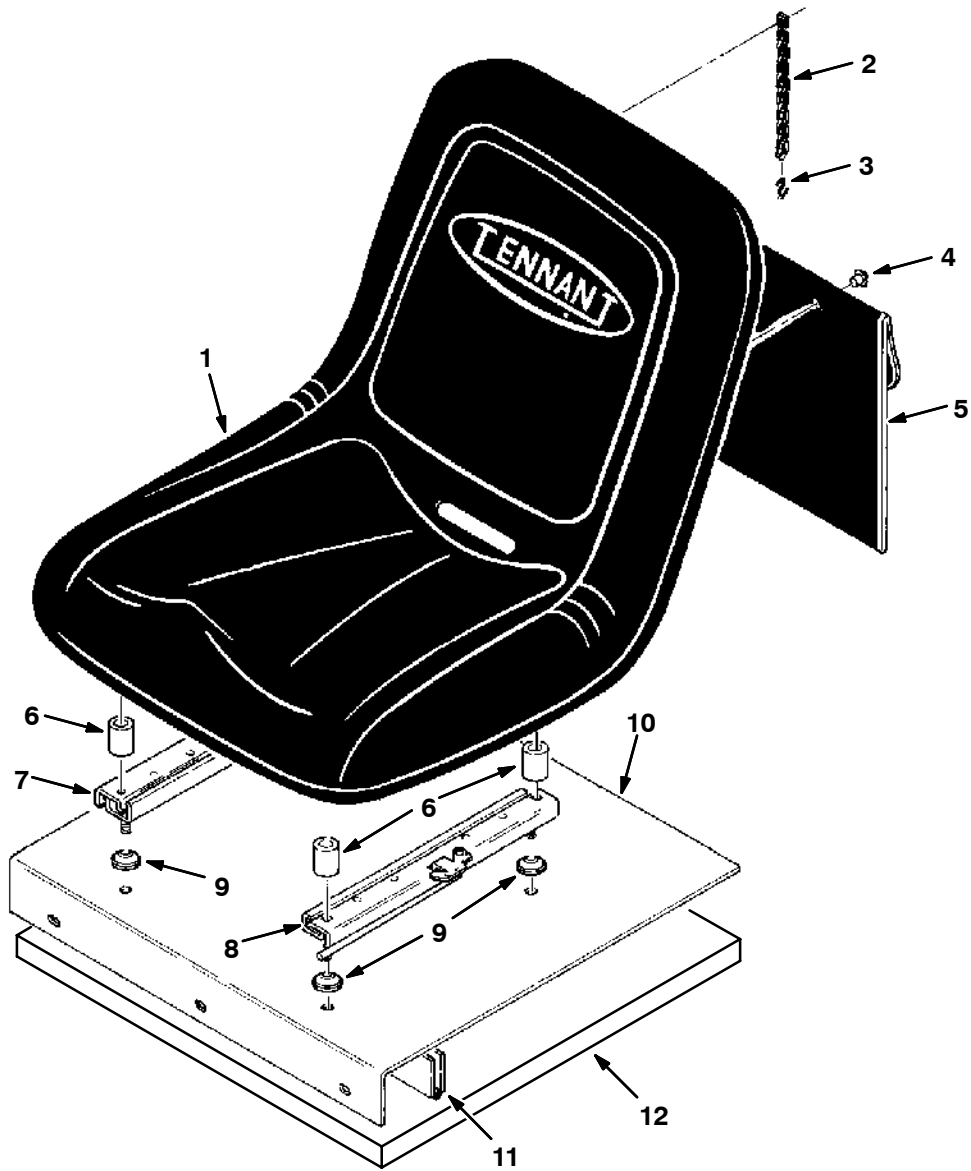
Fig. 2 - Replacement Brushes



02575 - ALL

Ref.	Part No.	Serial Number	Description	Qty.
1	75718	(006115-) Brush, Polypropylene	2
1	75722	(006115-) Brush, Abrasive Bristle	2
	12876	(006115-) Brush Kit, Repair	2

Fig. 3 - Seat Group



02365 - 550, NA

Ref.	Part No.	Serial Number	Description	Qty.
1	79605	(006115-) Seat	1
2	43203	(006115-) Chain	1
3	43363	(006115-) Hook, S	1
4	68567	(006115-) Rivet, Pop	2
5	48790	(004675-) Pouch, Operator's Manual, 7.5 in (190mm)	1
6	02997	(006115-) Sleeve	4
7	51459	(006115-) Adjuster, Seat	1
8	51458	(006115-) Adjuster Assembly, Seat	1
9	52615	(006115-) Spacer, Seat Adjuster	4
10	16669	(006115-) Plate, Seat Mount	1
11	75272	(006115-) Hinge, Seat	1
12	76870	(006115-) Insulation, Acstc, 0.8, 20.3 X 19.3	1

Fig. 4 - Main Frame Group (006115-007005)

Ref.	Part No.	Serial Number	Description	Qty.	
13	75267	(006115-007005)	Door, Access, Side, L.H.	1	
14	76650	(006115-007005)	Cover, Governor	1	
15	76813	(006115-006267)	Door, Rear Side Access	2	
16	51787	(006115-007005)	Bumper, Rubber	12	
17	75480A	(006115-007005)	Back Frame	1	
▽	18	78104-4	(006115-006267)	Shroud, Engine Compartment, L.H.	1
▲		57630	(006115-006267)	Label, Danger, Keep Out Pinch	1
	19	32575	(006115-007005)	Brace, Engine Compartment	1
	20	76583	(006115-007005)	Support, Brace	1
	21	01736	(006115-007005)	Arm, Engine Cover Support	1
		43454	(006115-007005)	Washer, Nylon	3
	22	32580	(006115-007005)	Link, Engine Cover Support	1
▽	23	78140-1	(006115-007005)	Shroud, Engine Compartment, R.H.	1
▲		57630	(006115-007005)	Label, Danger, Keep Out Pinch	1
	24	44031	(006115-007005)	Clamp	2
	25	76562	(006115-007005)	Angle, Grille	1
	26	76869	(006115-007005)	Bracket, Hose	1
	27	75430	(006115-007005)	Pad, Non-skid	1
	28	48183	(006115-007005)	Chain, Static Drag	1
		50646	(006115-007005)	Trim, Plastic, Steering Column Housing	4
	29	24593	(006115-007005)	Screw, Hex	6
		62595-18	(006115-007005)	Molding, Rigid, 3.0" (76 mm)	2
	30	69571	(006115-007005)	Mat, Floor	1
	31	76354	(006115-007005)	Label, Brushes	1
	32	76113	(006115-007005)	Label, Throttle and Solution	1
	33	76156	(006115-007005)	Label, Maintenance Chart	1
	34	76067	(006115-007005)	Label, Tire Pressure	1
	35	48242	(006115-007005)	Label, Important	1
	36	51368	(006115-007005)	Label, Maintenance Note	1
	37	27474	(006115-007005)	Label, TENNANT®	1
	38	76158	(006115-007005)	Label, Jack At This Point	2
	39	75812	(006115-007005)	Label, Stripe, Front	1
	40	75813	(006115-007005)	Label, Wing, R.H.	1
	41	75814	(006115-007005)	Label, Wing, L.H.	1
	42	75810	(006115-007005)	Label, Stripe, Side	2
	43	75811	(006115-007005)	Label, Stripe	2
	44	369704	(006115-007005)	Horn, 12 Volt	1
	45	1008894	(006115-007005)	Label, Patent, Scrubber	1
	46	62595-4	(006115-006267)	Molding, Rigid	1
		10632-12	(006115-007005)	Grommet, 0.38" (10 mm) I.D.	1
		62595-9	(006115-007005)	Molding, Rigid, 17.75" (450 mm) L	1
	47	369749	(006268-007005)	Door, Rear Side Access, L.H.	1
	48	76813	(006268-007005)	Door, Rear Side Access, R.H.	1
▽	49	369750	(006268-007005)	Shroud, Engine Compartment, L.H.	1
▲		57630	(006268-007005)	Label, Danger, Keep Out Pinch	1

Fig. 5 - Main Frame Group (007006-)

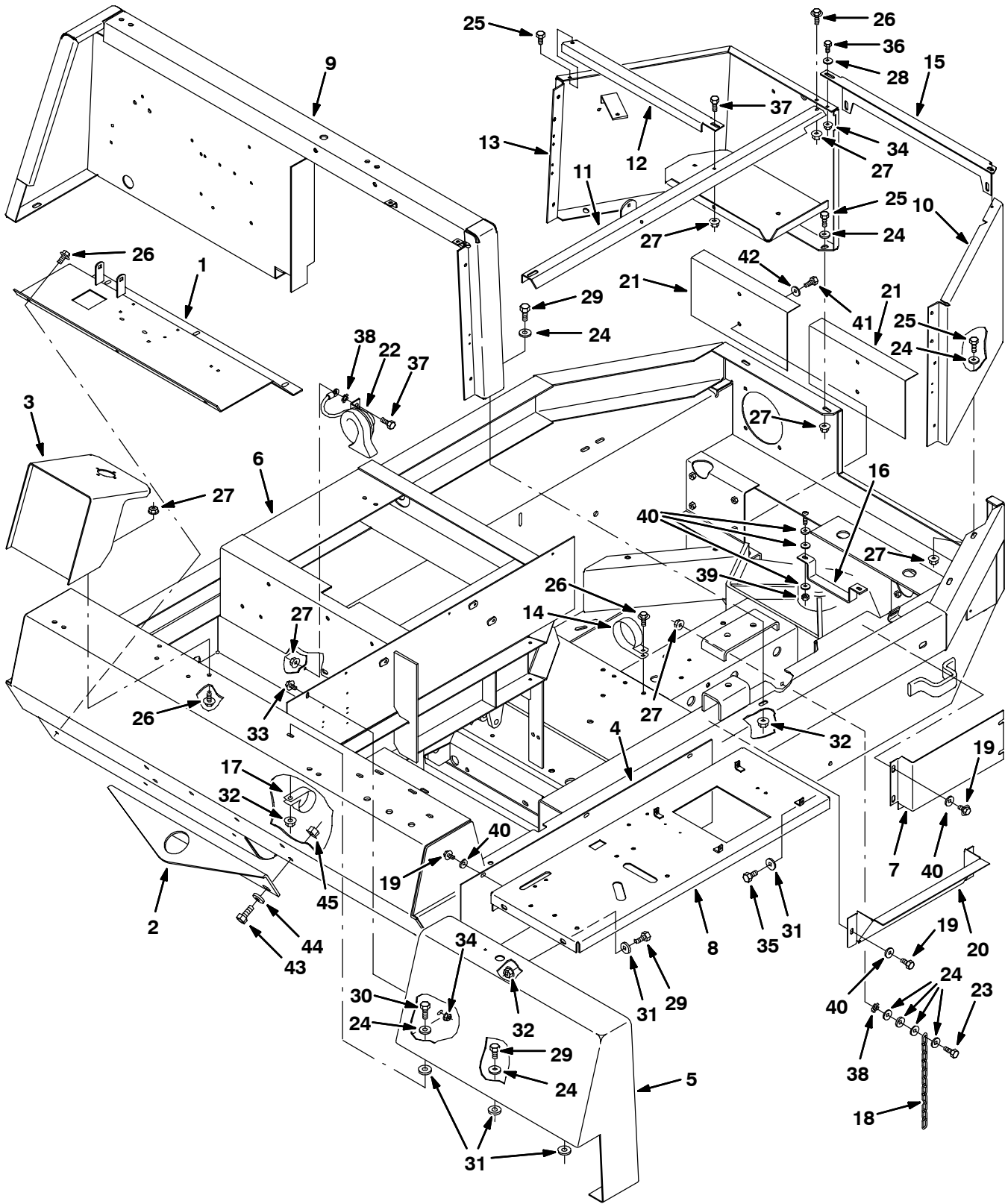


Fig. 5 - Main Frame Group (007006-)

Ref.	Part No.	Serial Number	Description	Qty.
1	76640	(007006-) Pan Wldt, Floor	1
2	32117	(007006-) Bracket, Tie-Down, Rear, [550]	1
3	1017442	(007006-) Bracket Wldt, Steering Column	1
4	75244-1	(007006-) Panel, Access, Side	1
5	31668	(007006-) Shroud	1
6	1017594	(007006-) Frame Wldt, Tractor [550/1550]	1
7	76650	(007006-) Cover, Access, Governor	1
8	392532	(007006-) Panel Wldt, Cntrl	1
9	75480A	(007006-) Frame Wldt	1
10	9001041	(007006-) Panel, Eng, W / Label	1
11	1015430	(007006-) Brace Wldt, Cover, Eng	1
12	76583	(007006-) Support	1
13	9001039	(007006-) Panel Wldt, Eng, W / Label	1
14	41016	(007006-) Clamp, Cable, Stl, 2.25d X 1.00w, 1h	1
15	1016044	(007006-) Bracket, Shroud, Rear	1
16	76869	(007006-) Bracket, Hose	1
17	41016	(007006-) Clamp, Cable, Stl, 2.25d X 1.00w, 1h	1
18	48183	(007006-) Chain, Coil, Str, 2/0 14.11 11 Link	1
19	24593	(007006-) Screw, Hex, .25-20 X 0.50, Fmg	14
20	1013129	(007006-) Cover, Starter	1
21	1017231	(007006-) Plate, Eng	2
22	369704	(007006-) Horn, 12vdc, Dbc [Wolo]	1
23	76956	(007006-) Screw, Hex, .31-18 X 1.25, 5	1
24	32491	(007006-) Washer, Flat, 0.31 Std	25
25	76955	(007006-) Screw, Hex, .31-18 X 1.00, 5	7
26	16953	(007006-) Screw, Hex, .31-18 X 0.75, Sems	13
27	27979	(007006-) Nut, Hex, Flng, .31-18	18
28	32483	(007006-) Washer, Flat, 0.25 Sae	2
29	21197	(007006-) Screw, Hex, .38-16 X 1.00, 5	10
30	21198	(007006-) Screw, Hex, .38-16 X 1.25, 5	1
31	32492	(007006-) Washer, Flat, 0.38 Std	7
32	27980	(007006-) Nut, Hex, Flng, .38-16	8
33	16949	(007006-) Screw, Hex, .25-20 X 0.75, Sems	1
34	27978	(007006-) Nut, Hex, Flng, .25-20	9
35	21194	(007006-) Screw, Hex, .38-16 X 0.62, 5	2
36	19317	(007006-) Screw, Hex, .25-20 X 0.75, 5	2
37	76955	(007006-) Screw, Hex, .31-18 X 1.00, 5	2
38	41141	(007006-) Washer, Lock, Int-Ext, .31	2
39	41169	(007006-) Nut, Hex, Lock, .25-20, NI, Ss	2
40	32490	(007006-) Washer, Flat, 0.25 Std	20
41	54396	(007006-) Screw, Hex, .31-18 X 0.75, 5	4
42	39349	(007006-) Washer, Flat, 0.31 Sae	4
43	39809	(007006-) Screw, Hex, .50-13 X 1.00, 5	2
44	32486	(007006-) Washer, Flat, 0.50 Sae	2
45	27981	(007006-) Nut, Hex, Flng, .50-13	2

Fig. 6 - Main Frame Cover and Door Group (007006-)

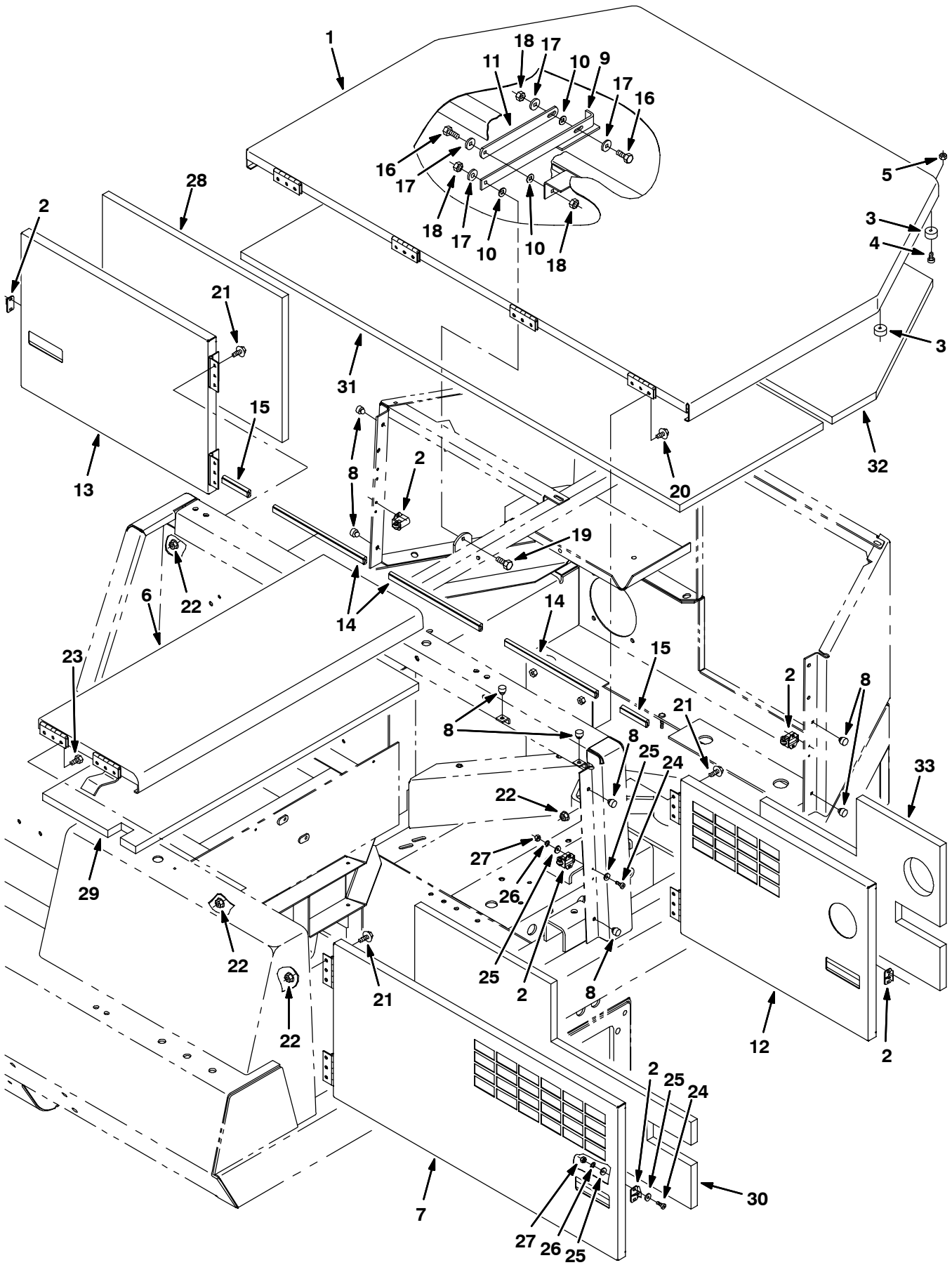
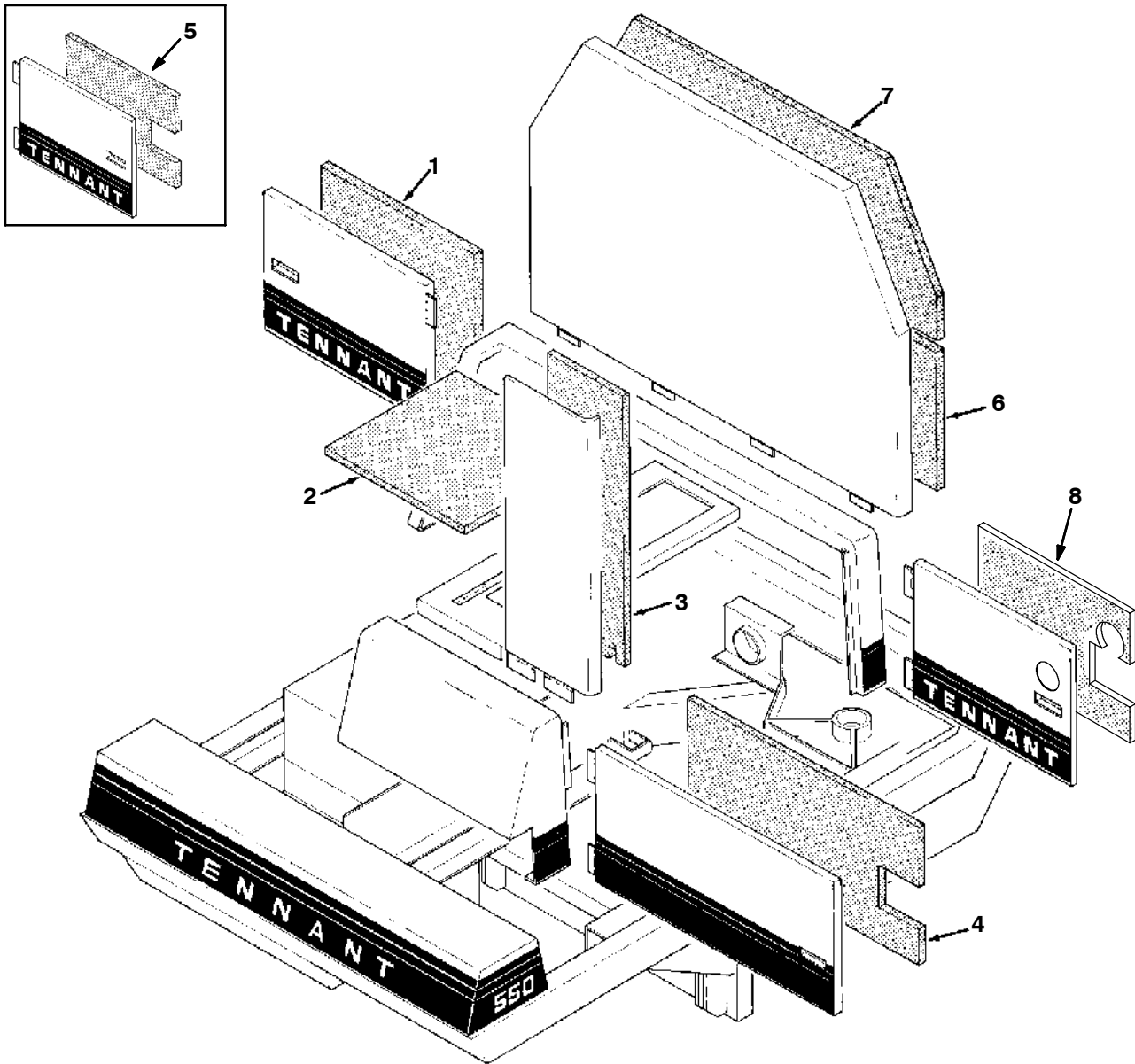


Fig. 6 - Main Frame Cover and Door Group (007006-)

Ref.	Part No.	Serial Number	Description	Qty.
1	76811	(007006-) Door Wldt, Eng, Top, [1550]	1
2	64903	(007006-) Catch, Door, Roller	3
3	82921	(007006-) Bumper, Rbr, 1.0d 0.50t 0.22h	4
4	39650	(007006-) Screw, Pan, #10-24 X 0.62, 1	4
5	45181	(007006-) Nut, Hex, Lock, #10-24, NI	4
6	75268	(007006-) Door Wldt, Access, Top (Gas)	1
6	392535	(007006-) Door Wldt, Access, Top (LPG)	1
7	1017573	(007006-) Door Wldt, Access, Front, Lh	1
8	51787	(007006-) Bumper, Rbr, 0.6d 0.34t .3d Tip	8
9	01736	(007006-) Arm Wldt, Safety, Door, Eng	1
10	43454	(007006-) Washer, Flat, 0.34b 0.69d .06, Nyl	3
11	32580	(007006-) Link, .19 1.0w 09.2l 1/0.3h 1/0.3s	1
12	1017358	(007006-) Door Wldt, Access, Side, Lh	1
13	1017600	(007006-) Door Wldt, Access, Side, Rh	1
14	1018451	(007006-) Seal, Bulb, Str, 0.38th 0.75w 10.75l Adh	3
15	1018449	(007006-) Seal, Bulb, Str, 0.38th 0.75w 03.0l Adh	2
16	76956	(007006-) Screw, Hex, .31-18 X 1.25, 5	2
17	32491	(007006-) Washer, Flat, 0.31 Std	4
18	32983	(007006-) Nut, Hex, Lock, .31-18, NI	3
19	76955	(007006-) Screw, Hex, .31-18 X 1.00, 5	1
20	24594	(007006-) Screw, Hex, .25-20 X 0.75, Fmg	8
21	16949	(007006-) Screw, Hex, .25-20 X 0.75, Sems	12
22	27978	(007006-) Nut, Hex, Fling, .25-20	12
23	19317	(007006-) Screw, Hex, .25-20 X 0.75, 5	4
24	19321	(007006-) Screw, Pan, #06-32 X 0.50, 1	12
25	19064	(007006-) Washer, Flat, #06	24
26	32975	(007006-) Washer, Lock, Int, #06	12
27	19309	(007006-) Nut, Hex, Std, #06-32	12
28	1017731	(007006-) Insulation, Acstc, 0.8 14.8w 21.3l	1
29	76867	(007006-) Insulation, Acstc, 0.8 11.0w 33.6l Notch	1
30	1017736	(007006-) Insulation, Acstc, 0.8 14.8w 32.8l	1
31	76866	(007006-) Insulation, Acstc, 0.8 17.0w 52.1l Notch	1
32	78012	(007006-) Insulation, Acstc, Cover, Eng	1
33	1017734	(007006-) Insulation, Acstc, 0.8 14.8w 21.3l	1

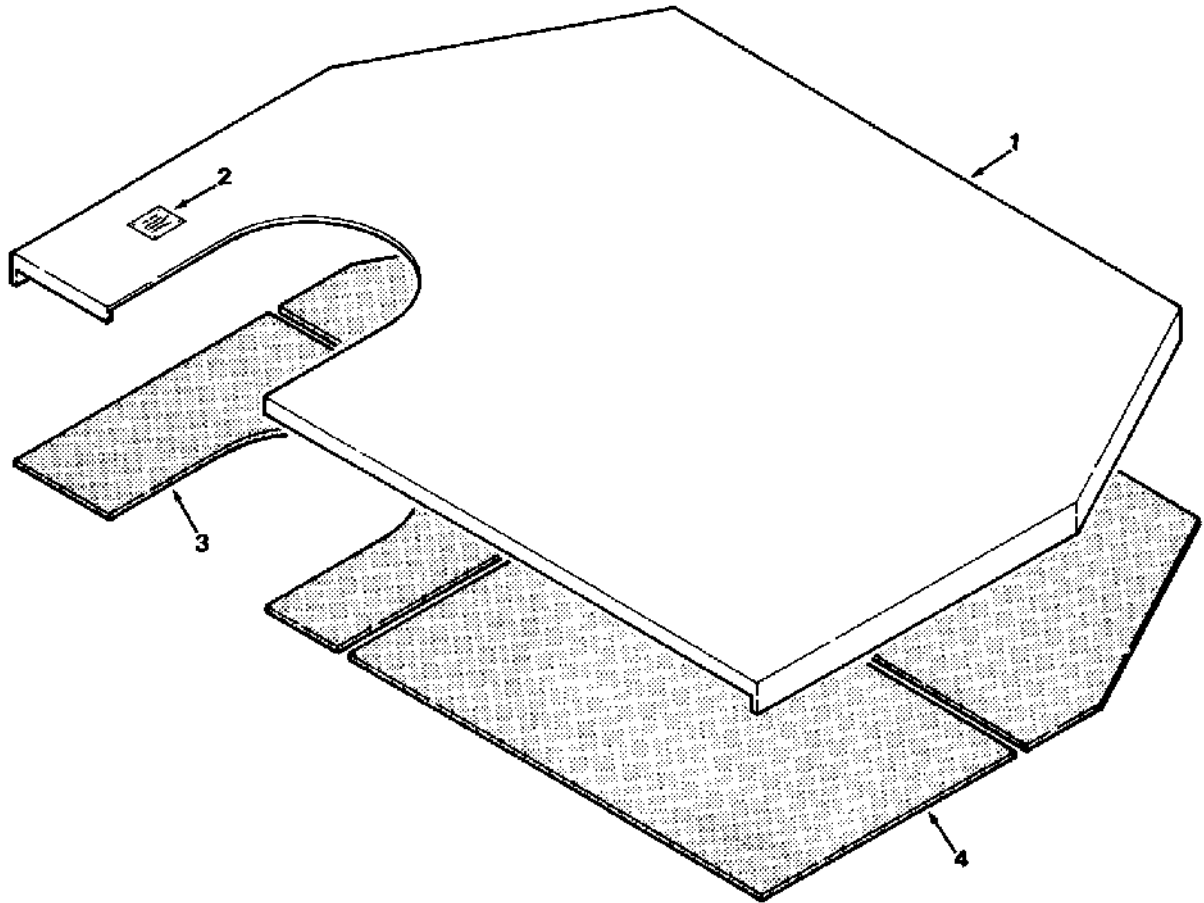
Fig. 7 - Main Frame Noise Insulation Group (006115-007005)



00314 - 550, 1550, NA

Ref.	Part No.	Serial Number	Description	Qty.
1	76864	(006115-007005)	Insulation, Side Door, R.H.	1
2	76870	(006115-007005)	Insulation, Seat	1
3	76867	(006115-007005)	Insulation, Top, Hydraulic Tank Door	1
4	76868	(006115-007005)	Insulation, Front, Side Door, L.H.	1
5	76864	(006115-006267)	Insulation, Rear, Side Door, L.H.	1
6	76866	(006115-007005)	Insulation, Engine Access Door	1
7	78012	(006115-007005)	Insulation, Engine Access Door	1
8	369748	(006268-007005)	Insulation, Rear, Side Door, L.H.	1

Fig. 8 - Main Frame Engine Cover Group, LPG (006115-006408)



01733 - 550, 1550, LP

	Ref.	Part No.	Serial Number	Description	Qty.
▽	1	78017	(006115-006408)	Door, Engine Cover	1
▲	2	58067	(006115-006408)	Data Plate, LPG	1
	3	78013	(006115-006408)	Insulation, Tank Opening	1
	4	78014	(006115-006408)	Insulation, Engine Cover	1

Fig. 9 - Scrub Head Hopper Group

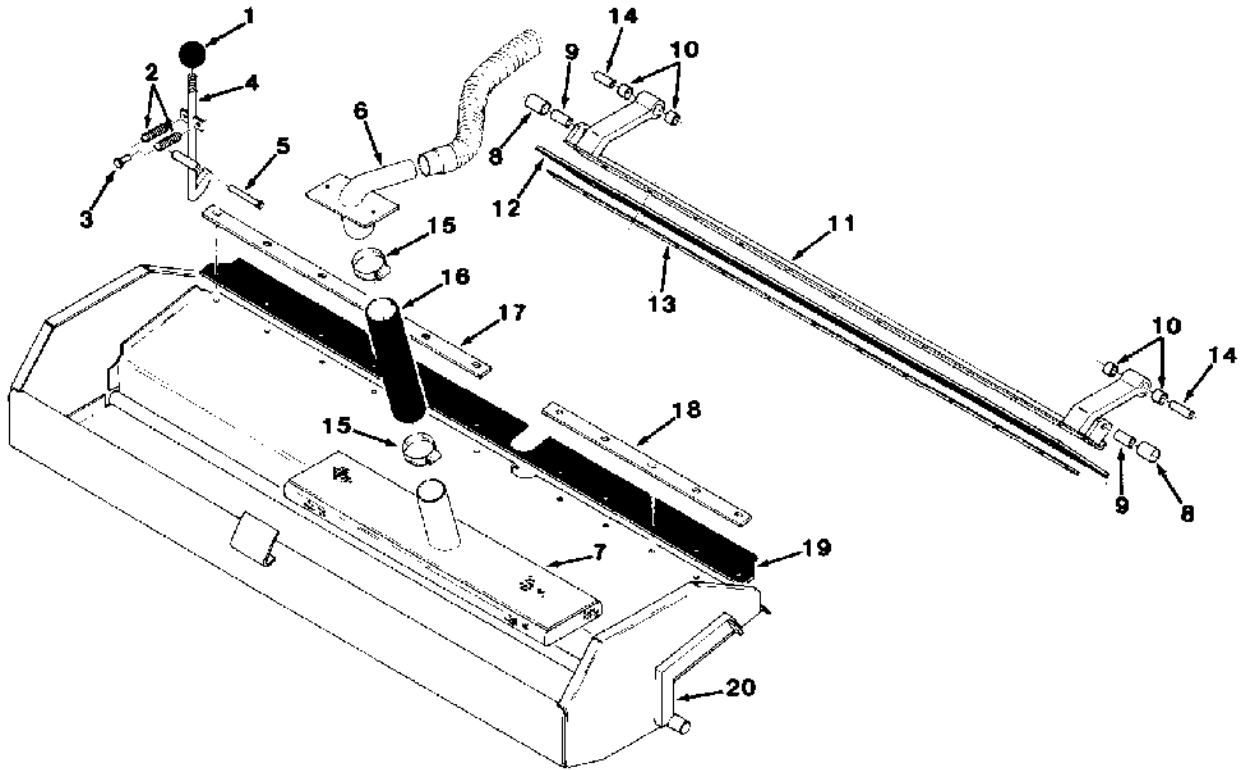


Fig. 9 - Scrub Head Hopper Group

Ref.	Part No.	Serial Number	Description	Qty.	
1	26156	(006115-) Knob	1	
2	75575	(006115-) Spring	2	
3	46800	(006115-) Pin, Clevis	1	
4	75530	(006115-) Latch, Hopper	1	
5	23191	(006115-) Pin, Clevis	1	
6	75607	(006115-) Nozzle, Hopper	1	
7	79301	(006115-) Nozzle Wldt, Suc	1	
▽	75634	(006115-) Deflector Assembly, Scrub Brush	1	
▲	8	75642	(006115-) Bearing, Sleeve	2
▲	9	75636	(006115-) Sleeve	2
▲	10	75681	(006115-) Bearing	4
▲	11	75638	(006115-) Deflector, Scrub Brush	1
▲	12	75649	(006115-) Skirt, Deflector	1
▲	13	75648	(006115-) Retainer, Deflector Skirt	1
14	75643	(006115-) Sleeve	2	
15	22297	(006115-) Clamp, Worm Drive	2	
16	50845	(006115-) Hose, Hopper	1	
▽	75569	(006115-) Hopper Assembly	1	
▲	17	75571	(006115-) Retainer, Hopper Lip	1
▲	18	75572	(006115-) Retainer, Hopper Lip	1
▲	19	75570	(006115-) Lip, Hopper	1
▲	20	75550	(006115-) Hopper, Debris	1

Fig. 10 - Scrub Head Lift Group

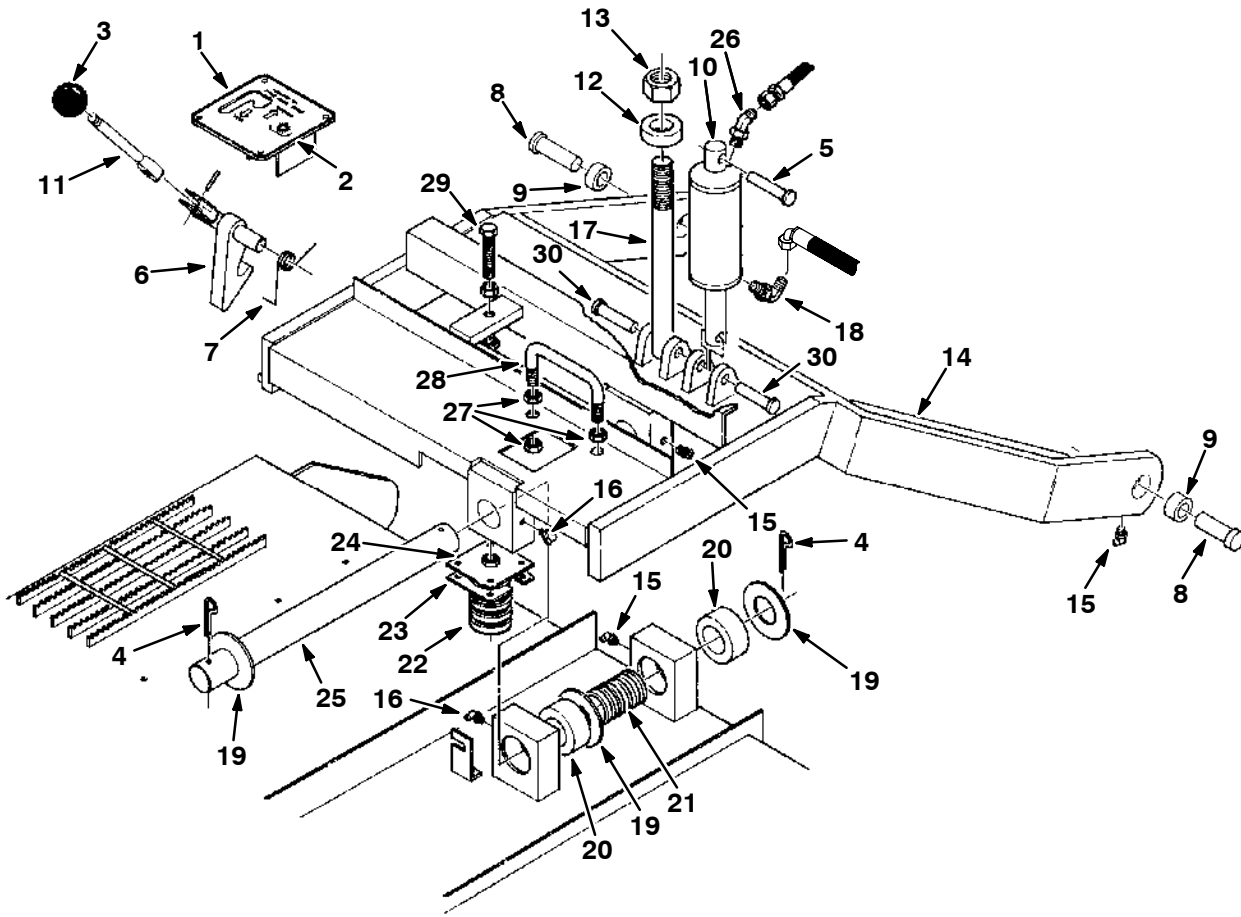


Fig. 10 - Scrub Head Lift Group

Ref.	Part No.	Serial Number	Description	Qty.
1	76063	(006115-) Label, Headlock	1
2	76628	(006115-) Cover, Headlock	1
3	26565	(006115-) Knob	1
4	08174	(006115-) Pin, Cotter	2
5	06279	(006115-) Pin, Clevis	1
6	25219	(006115-) Pivot, Headlock	1
7	78078	(006115-) Spring	1
8	04733-12	(006115-) Pin, Clevis	2
9	42120	(006115-) Bearing	2
10	1028058	(006115-) Cylinder, Hyd, 2.0b 08.0l 04.00strk 2500	1
11	25220	(006115-) Lever, Headlock	1
12	15398	(006115-) Sleeve	1
13	02589	(006115-) Nut, Nylon	1
14	75627	(006115-) Lift, Scrubber Head	1
15	11716	(006115-) Fitting, Grease, 45°	4
16	11048	(006115-) Fitting, Grease	2
17	75622	(006115-) Stud	1
18	77097	(006115-) Fitting, Elbow	1
19	39348	(006115-) Washer	3
20	42120-9	(006115-) Bearing	2
21	75617	(006115-) Spring	1
22	40846	(006115-) Spring	1
23	75766	(006115-) Plate, Mounting	1
24	75764	(006115-) Plate	1
25	75616	(006115-) Shaft, Pivot	1
26	34359	(006115-) Fitting, Elbow, 45°	1
27	32524	(006115-) Nut	4
28	48901	(006115-) U-Bolt	1
29	53963A	(006115-) Screw, Hex	1
30	51103	(006115-) Pin, Clevis, 0.50d X 2.62l	2

Fig. 11 - Scrub Head Solution Supply and Control Group

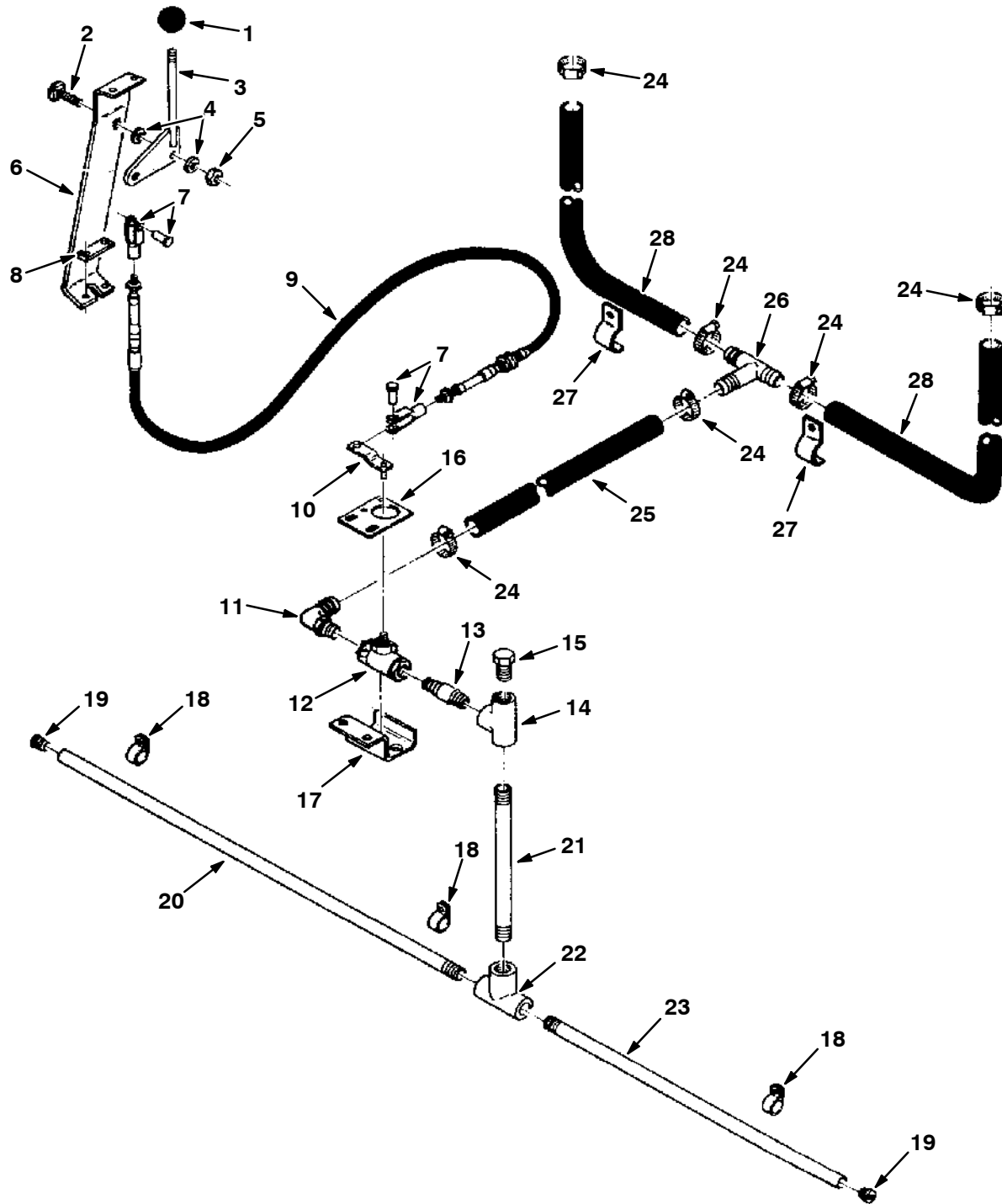


Fig. 11 - Scrub Head Solution Supply and Control Group

Ref.	Part No.	Serial Number	Description	Qty.
	1	26565	(006115-) Knob	1
▽	75318	(006115-)	Lever Assembly, Solution Control	1
▲	2	56903	(006115-) Bolt	1
▲	3	08791	(006115-) Bellcrank	1
▲	4	52296	(006115-) Washer, Nylon	2
▲	5	50902	(006115-) Nut	1
▲	6	75319	(006115-) Bar, Mounting	1
▲	7	41063	(006115-) Clevis and Pin	2
▲	8	23515	(006115-) Strip, Cable Mounting	1
▲	9	75314	(006115-) Cable, Solution Control	1
	10	12072	(006115-) Arm, Control	1
	11	14877	(006115-) Elbow	1
	12	79350	(006115-) Valve, Water	1
	13	75601A	(006115-) Tube, Connector	1
	14	42133A	(006115-) Tee, Plastic	1
	15	75611	(006115-) Plug, Flushing	1
	16	12074	(006115-) Plate, Valve Mounting	1
	17	75802-1	(006115-) Bracket, Water Valve Mounting	1
	18	50544	(006115-) Clamp, Cable	3
	19	42153A	(006115-) Plug, Tube	2
	20	75596A	(006115-) Tube, Spreader	1
	21	31313	(006115-) Tube, Spreader	1
	22	42133A	(006115-) Tee, Plastic	1
	23	75597A	(006115-) Tube, Spreader	1
	24	11399	(006115-) Clamp, Worm Drive	6
	25	47846	(006115-) Hose, Solution	1
	26	75119	(006115-) Tee, Plastic	1
	27	44031	(006115-) Clamp, Hose	2
	28	47845	(006115-) Hose, Solution	2

Fig. 12 - Scrub Head Right Side Squeegee Assembly

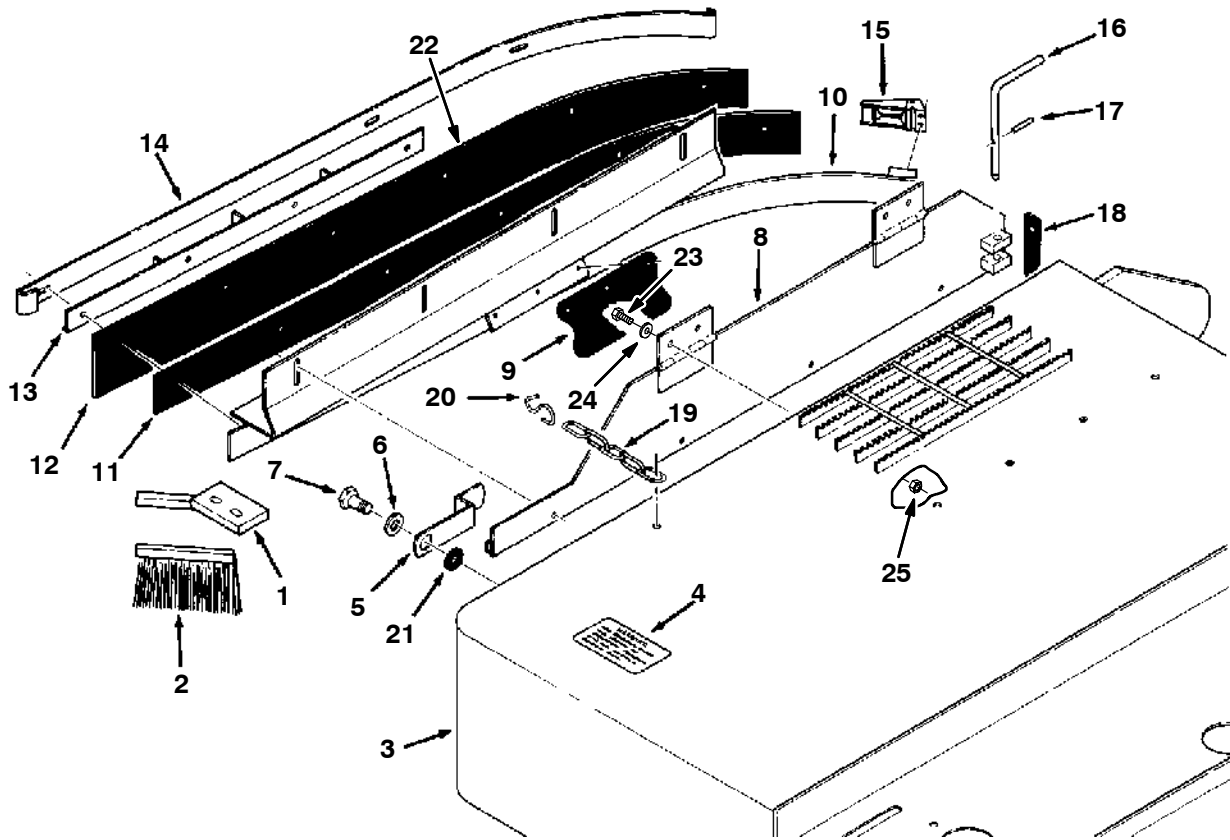


Fig. 12 - Scrub Head Right Side Squeegee Assembly

	Ref.	Part No.	Serial Number	Description	Qty.
▽		75712	(006115-) Deflector Assembly, Brush	1
▲	1	75702	(006115-) Retainer, Brush	1
▲	2	75711	(006115-) Brush	1
▽	3	75501-1	(006115-) Frame, Scrubber Head	1
▲	4	40575	(006115-) Label, Warning, Use Scrubber	2
	5	75757	(006115-) Latch, Door	1
	6	32486	(006115-) Washer	1
	7	39810	(006115-) Screw, Hex	1
▽		75790	(006115-) Squeegee Assembly, Right Side	1
▲	8	75791	(006115-) Door, Squeegee	1
▲	9	59617	(006115-) Flap, Containment	1
▲	10	75788	(006115-) Frame, Side Squeegee, R.H.	1
▲	11	75799	(006115-) Strip, Backup	1
▲	12	60015	(006115-) Blade, Squeegee	1
▲	13	75588	(006115-) Bracket, Bridge	1
▲	14	75592	(006115-) Band, Squeegee, Retaining	1
▲	15	87579	(006115-) Latch, Cam Lock Band	1
▲	16	75528	(006115-) Pin, Door Locking	1
▲	17	11476	(006115-) Pin, Roll	1
	18	75740	(006115-) Guard, Splash	1
▽		40759	(006115-) Chain and Hook Assembly	1
▲	19	40758	(006115-) Chain	1
▲	20	40646	(006115-) Hook, Chain	1
	21	59633	(006115-) Bearing, Thrust	2
	22	78562	(006115-) Blade, Squeegee, Urethane	1
	23	69225	(006115-) Screw, Hex, .38-16 X 1.00, Ss	4
	24	01686	(006115-) Washer, Flat, 0.44b 1.00d .08, Ss	4
	25	01692	(006115-) Nut, Hex, Std, .38-16, Ss	4

Fig. 13 - Scrub Head Left Side Squeegee Assembly

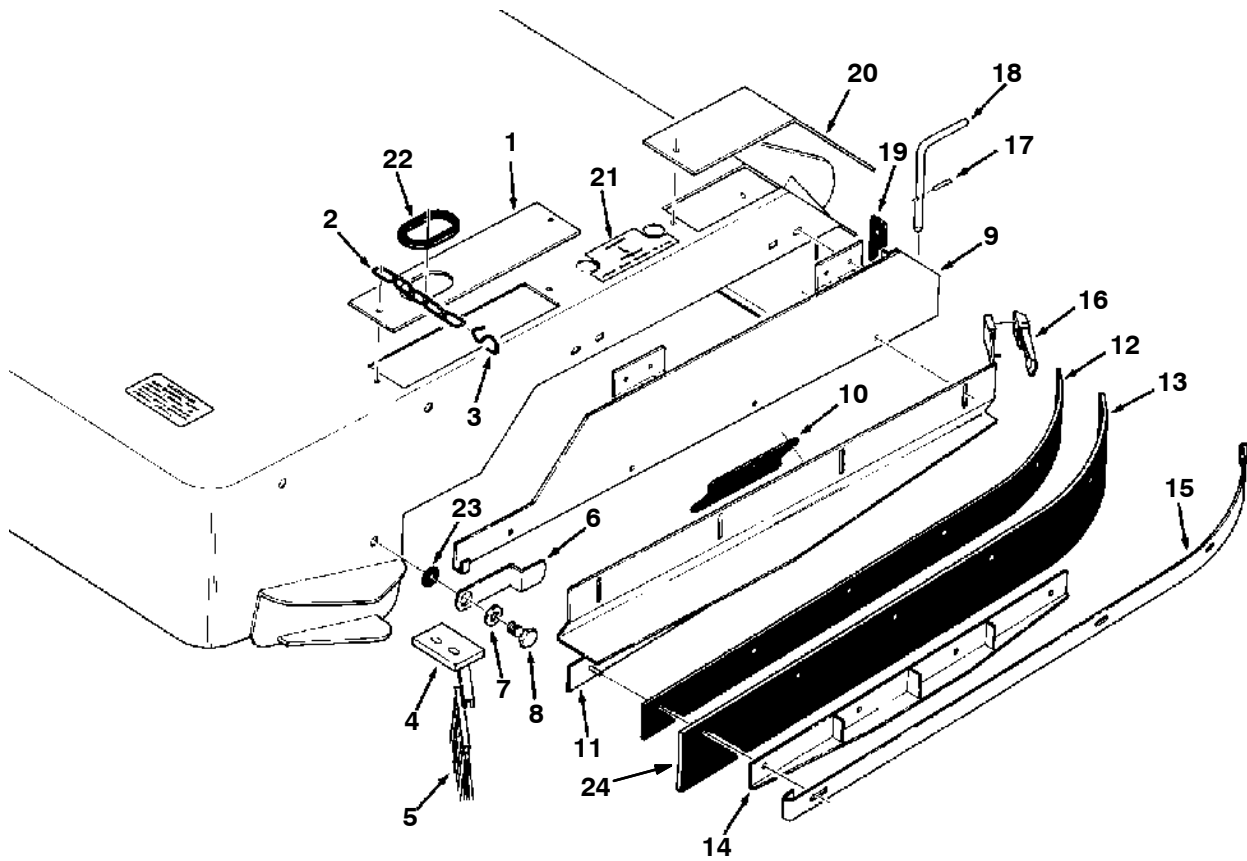


Fig. 13 - Scrub Head Left Side Squeegee Assembly

Ref.	Part No.	Serial Number	Description	Qty.
	1	31634	(006115-) Strip, Cover	1
▽	40759	(006115-)	Chain, Assembly, Door	2
▲	2	40758	(006115-) Chain	1
▲	3	40646	(006115-) Hook	1
▽	75713	(006115-)	Deflector Assembly, Brush, L.H.	1
▲	4	75703	(006115-) Retainer, Brush	1
▲	5	75711	(006115-) Brush	1
	6	75757	(006115-) Latch, Door	1
	7	32486	(006115-) Washer	1
	8	39810	(006115-) Screw, Hex	1
▽	75795	(006115-)	Squeegee Assembly, Left Side	1
▲	9	75796	(006115-) Door, Squeegee, L.H.	1
▲	10	59617	(006115-) Flap, Containment	1
▲	11	75789	(006115-) Frame, Side Squeegee, L.H.	1
▲	12	75799	(006115-) Strip, Backup	1
▲	13	60015	(006115-) Blade, Squeegee	1
▲	14	75588	(006115-) Bracket, Bridge	1
▲	15	75592	(006115-) Band, Squeegee, Retaining	1
▲	16	87579	(006115-) Latch, Cam Lock Band	1
▲	17	11476	(006115-) Pin, Roll	1
▲	18	75528	(006115-) Pin, Door Locking	1
	19	75740	(006115-) Guard, Splash	1
	20	76677	(006115-) Strip, Cover	1
	21	76066	(006115-) Label, Brush Pressure	1
	22	10632-19	(006115-) Grommet	1
	23	59633	(006115-) Bearing, Thrust	2
	24	78562	(006115-) Blade, Squeegee, Urethane	1

Fig. 14 - Scrub Head Front Brush Drive Components Group

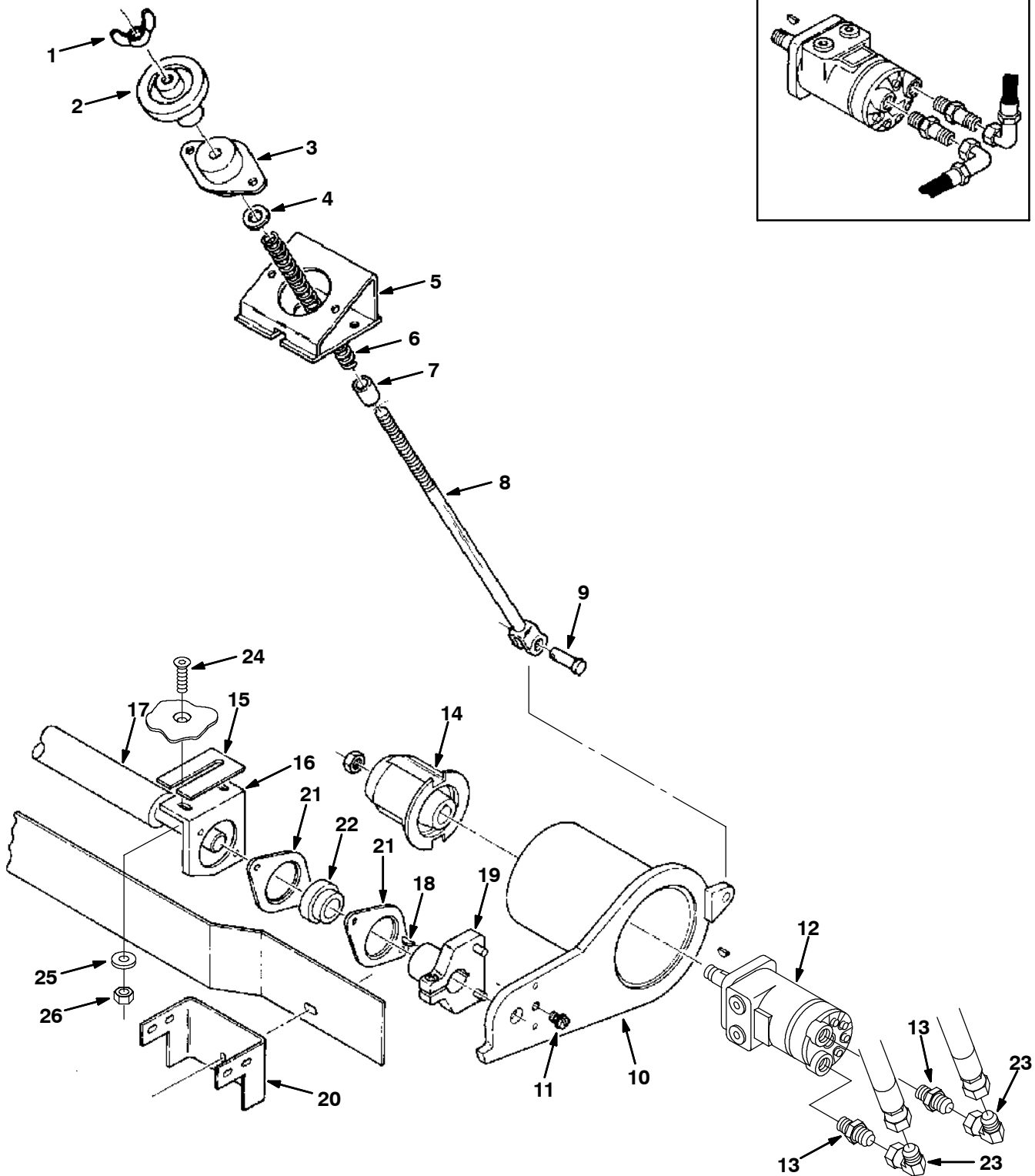
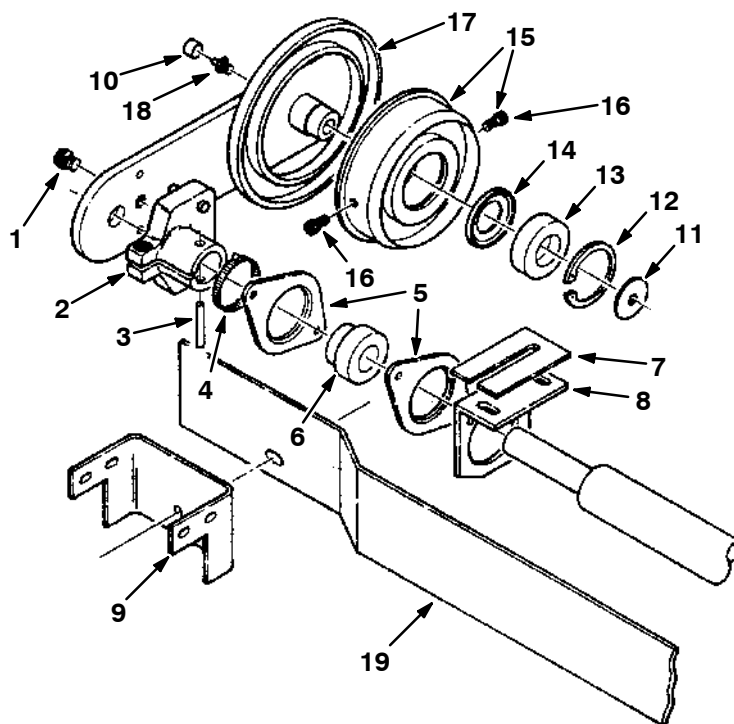


Fig. 14 - Scrub Head Front Brush Drive Components Group

Ref.	Part No.	Serial Number	Description	Qty.	
1	39274	(006115-) Lock, Knob, Adjusting	1	
2	51452	(006115-) Knob, Adjusting	1	
3	75768	(006115-) Isolator, Vibration	1	
4	32493	(006115-) Washer	1	
5	75769	(006115-) Bracket, Mounting	1	
6	75773	(006115-) Spring	1	
7	75772	(006115-) Sleeve	1	
8	06573	(006115-) Link, Brush Lift	1	
9	75520	(006115-) Pin, Clevis	1	
10	76667	(006115-) Arm, Brush Drive	1	
11	51938	(006115-) Plug, Plastic	1	
12	61489	(006115-) Motor, Hydraulic (See Breakdowns)	1	
13	47518	(006115-) Fitting, Straight	2	
14	76568	(006115-) Plug, Brush Drive	1	
15	75600	(006115-) Shim, Bracket, 0.12" (3 mm)	3	
	76218	(006115-) Shim, Bracket, 0.06" (1.5 mm)	1	
16	42499	(006115-) Bracket, Bearing, L.H.	1	
▽	75761	(006115-) Shaft Assembly, Brush	1	
▲	17	75786	(006115-) Shaft, Brush	1
▲	18	00500-20	(006115-) Key, Woodruff	1
▲	19	75780	(006115-) Hub, Brush	1
	20	75760	(006115-) Channel, Bearing Cover	1
	21	42126	(006115-) Flange, Bearing	2
	22	51448	(006115-) Bearing	1
	23	54194	(006274-) Fitting, Elbow	2
	24	54861	(006115-) Screw, Flt, Soc, .38-16 X 1.50, Al	4
	25	01686	(006115-) Washer, Flat, 0.44b 1.00d .08, Ss	4
	26	59156	(006115-) Nut, Hex, Lock, .38-16, NI, Ss	4

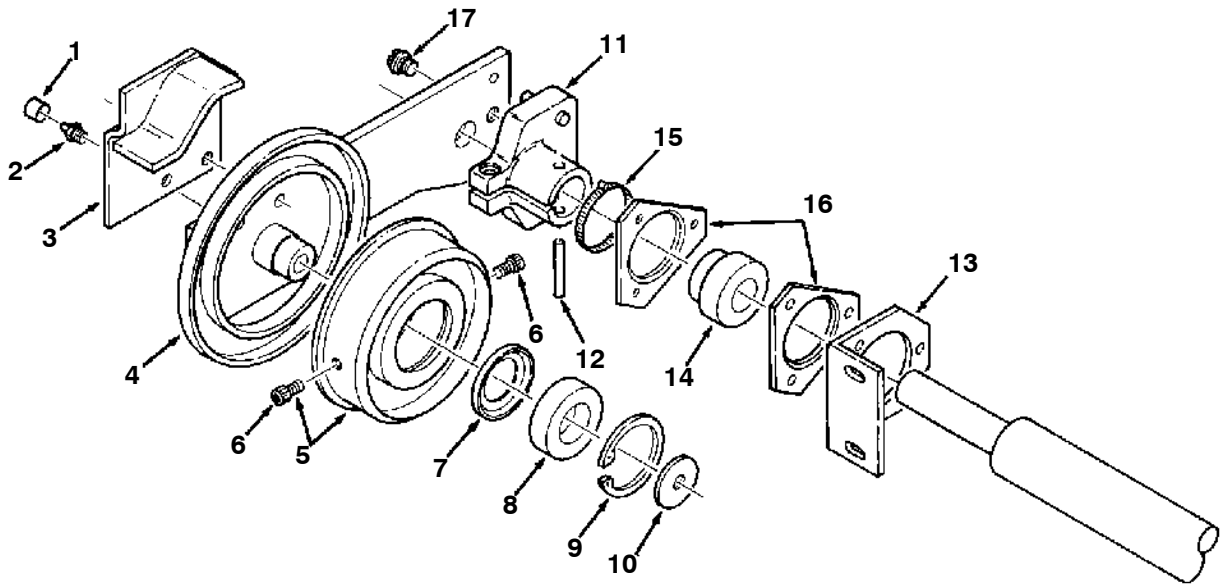
Fig. 15 - Scrub Head Front Brush Idler Assembly



00320 - ALL

Ref.	Part No.	Serial Number	Description	Qty.	
1	51938	(006115-) Plug, Plastic	1	
▽	75761	(006115-) Shaft Assembly, Brush	1	
▲	2	75781	(006115-) Hub, Brush	1
▲	3	51317	(006115-) Pin, Roll	1
4	22297	(006115-) Clamp, Worm Drive	1	
5	42126	(006115-) Flange, Bearing	2	
6	51448	(006115-) Bearing	1	
7	75600	(006115-) Shim, Bearing Bracket, 0.12" (3 mm)	3	
	76218	(006115-) Shim, Bearing Bracket, 0.06" (1.5 mm)	1	
8	42498	(006115-) Bracket, Bearing, R.H.	1	
9	75760	(006115-) Channel, Bearing Cover	1	
▽	75656	(006115-) Idler Assembly, Front Scrub Brush	1	
▲	10	40390	(006115-) Cover, Grease Fitting	1
▲	11	51564	(006115-) Washer	1
▲	12	51046	(006115-) Ring, Retaining	1
▲	13	41032	(006115-) Bearing	1
▲	14	40076	(006115-) Shield, Bearing	1
▲▽	15	40999A	(006115-) Plug, Brush Idler	1
▲▲	16	02984	(006115-) Screw, Socket	2
▲	17	75657	(006115-) Arm, Front Brush Idler	1
▲	18	06418	(006115-) Fitting, Grease	1
▲	36328	(006115-) Washer, Belleville	1	
	19	25195	(006115-) Deflector	1

Fig. 16 - Scrub Head Rear Brush Idler Assembly



00320 - ALL

Ref.	Part No.	Serial Number	Description	Qty.
▽	75654	(006115-) Idler Assembly, Rear Brush	1
▲	1 40390	(006115-) Cover, Grease Fitting	1
▲	2 06418	(006115-) Fitting, Grease	1
▲	3 75631	(006115-) Slide, R.H.	1
▲	4 75655	(006115-) Arm, Rear Brush Idler	1
▲▽	5 40999A	(006115-) Plug, Brush Idler	1
▲▲	6 02984	(006115-) Screw, Socket	2
▲	7 40076	(006115-) Shield, Bearing	1
▲	8 41032	(006115-) Bearing	1
▲	9 51046	(006115-) Ring, Retaining	1
▲	10 51564	(006115-) Washer	1
▲	36328	(006115-) Washer, Belleville	1
▽	75761	(006115-) Shaft Assembly, Brush	1
▲	11 75781	(006115-) Hub, Brush	1
▲	12 51317	(006115-) Pin, Roll	1
	13 42639	(006115-) Bracket, Bearing	1
	14 51448	(006115-) Bearing	1
	15 22297	(006115-) Clamp, Worm Drive	1
	16 51449	(006115-) Flange, Bearing	2
	17 51938	(006115-) Plug, Plastic	1

Fig. 17 - Scrub Head Rear Brush Drive Components Group

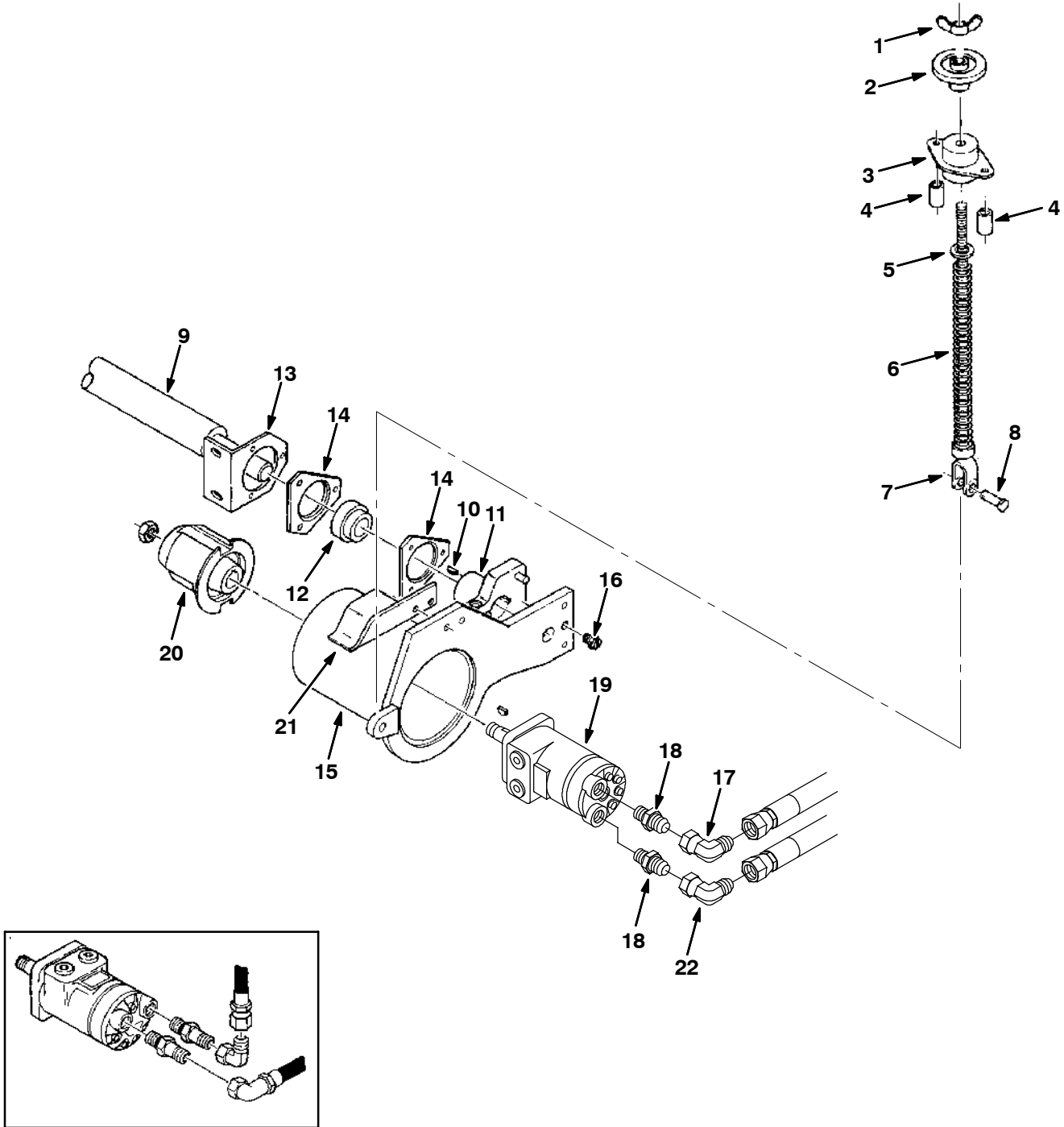
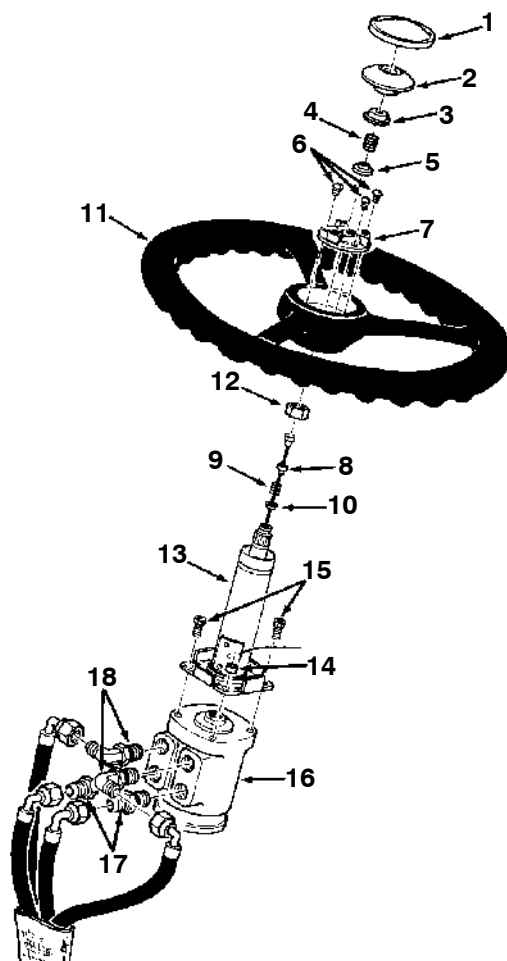


Fig. 17 - Scrub Head Rear Brush Drive Components Group

Ref.	Part No.	Serial Number	Description	Qty.	
1	39274	(006115-) Lock, Knob Adjusting	1	
2	51452	(006115-) Knob, Brush Adjusting	1	
3	75768	(006115-) Isolator, Vibration	1	
4	75772	(006115-) Spacer, Isolator	2	
5	32493	(006115-) Washer	1	
6	75774	(006115-) Spring	1	
7	06573	(006115-) Link, Brush Lift	1	
8	75520	(006115-) Pin, Clevis	1	
▽	75761	(006115-) Shaft Assembly, Brush	1	
▲	9	75786	(006115-) Shaft, Brush	1
▲	10	00500-20	(006115-) Key, Woodruff	1
▲	11	75780	(006115-) Hub, Brush Drive	1
	12	51448	(006115-) Bearing	1
	13	42639	(006115-) Bracket, Bearing Mount	1
	14	51449	(006115-) Flange, Bearing	2
	15	76665	(006115-) Arm, Brush Drive	1
	16	51938	(006115-) Plug, Plastic	1
	17	54194	(006115-) Fitting, Elbow	1
	18	47518	(006115-) Fitting, Straight	2
	19	61489	(006115-) Motor, Hydraulic (See Breakdowns)	1
	20	76568	(006115-) Plug, Brush Drive	1
	21	75706	(006115-) Slide, L.H.	1
	22	54194	(006274-) Fitting, Elbow	1

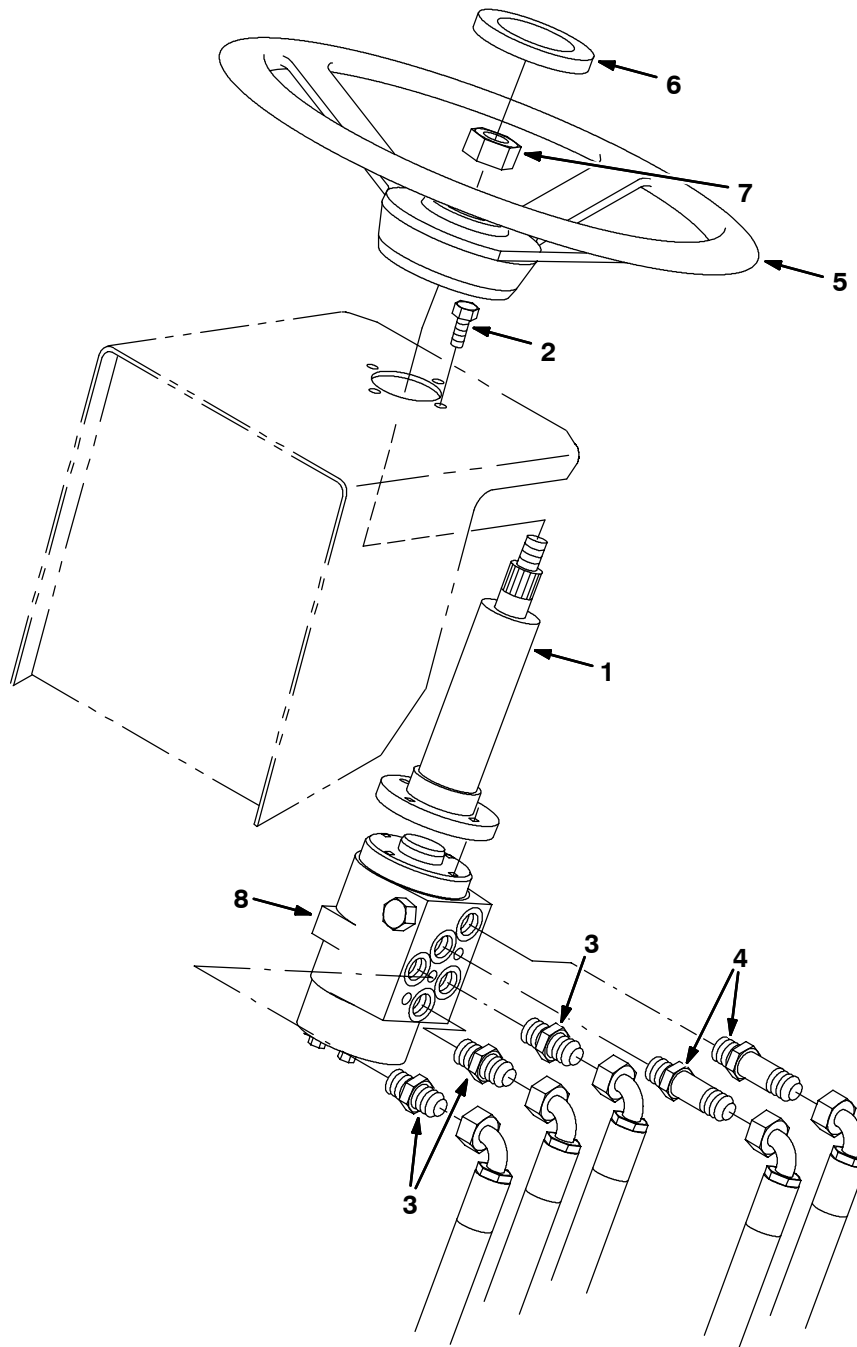
Fig. 18 - Steering Column Group (006115-007005)



01067 - 550

Ref.	Part No.	Serial Number	Description	Qty.
▽	14700	(006115-007005)	Horn Button Assembly	1
▲	1 47010-7	(006115-007005)	Cover, Horn Button	1
▲	2 47010-6	(006115-007005)	Button, Horn	1
▲	3 47010-2	(006115-007005)	Cup, Contact	1
▲	4 47010-3	(006115-007005)	Spring	1
▲	5 47010-1	(006115-007005)	Cap, Contact	1
▲	6 47010-4	(006115-007005)	Screw, Horn Button, Wood	3
▲	7 14700-4	(006115-007005)	Plate	1
▲	8 14700-1	(006115-007005)	Ferrule, Insulation	1
▲	9 14700-2	(006115-007005)	Spring	1
▲	10 14700-3	(006115-007005)	Washer	1
	11 17269	(006115-007005)	Wheel, Steering	1
	12 57676	(006115-007005)	Nut	1
▽	13 52388	(006115-007005)	Column, Steering	1
▲	388153	(006115-007005)	Kit, Contact And Brush, [64433-000] En	1
▲	74142	(006115-007005)	Cap, Tube	1
	14 44310	(006115-007005)	Sleeve	2
	15 10829	(006115-007005)	Screw, Socket	2
	16 74176	(006115-007005)	Control, Steering (See Breakdowns)	1
	17 56690	(006115-007005)	Fitting, Straight	2
	18 56820	(006115-007005)	Fitting, Elbow	2

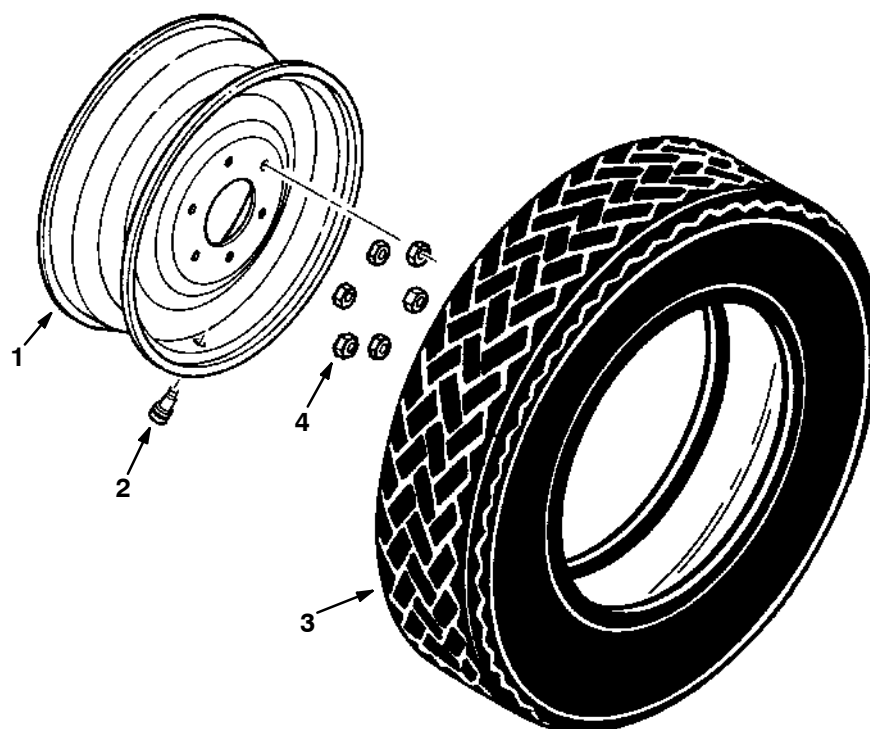
Fig. 19 - Steering Column Group (007006-)



354293 - 550, 1550, G, LP, Impco

Ref.	Part No.	Serial Number	Description	Qty.
1	367108	(007006-)	Column, Steering, #2 8.0l .81d 36t00th	1
2	06943	(007006-)	Screw, Hex, M6 X 1.0 X 20, 8.8	4
3	56690	(007006-)	Fitting, Hyd, Str, Jm06/Om06	3
4	59577	(007006-)	Fitting, Hyd, Str, Jm06/Om06, L	2
5	768481	(007006-)	Wheel, Steering, 14.3d 0.81b 36tooth	1
6	768482	(007006-)	Cover, Steering Wheel	1
7	56185	(007006-)	Nut, Hex, Jam, M20 X 1.5	1
8	1019271	(007006-)	Steer-control, Hyd2, 06.1	1

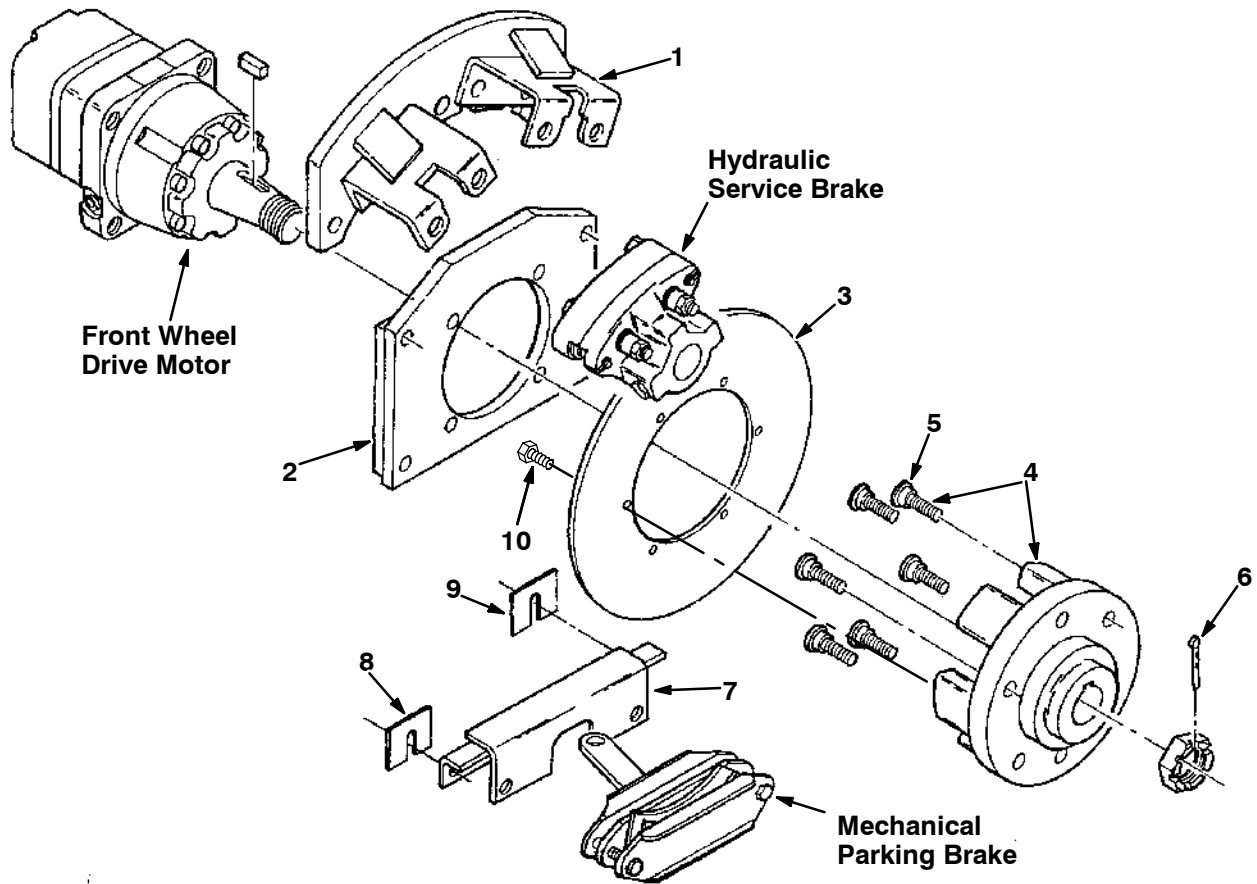
Fig. 20 - Front Wheel Assembly



00311 - 550, 1550

Ref.	Part No.	Serial Number	Description	Qty.
▽	48891	(006115-) Tire Assy, Pneu, 8.75-16.5 5.5bc/6bolt	2
▲	1 79101	(006115-) Rim, 16.5 X 6.75 5.5bc/6bolt	1
▲	2 75365	(006115-) Valve, Tire, Air	1
▲	3 48888	(006115-) Tire, [8.75X16.5 Lt]	1
	4 24339	(006115-) Nut, Wheel	12

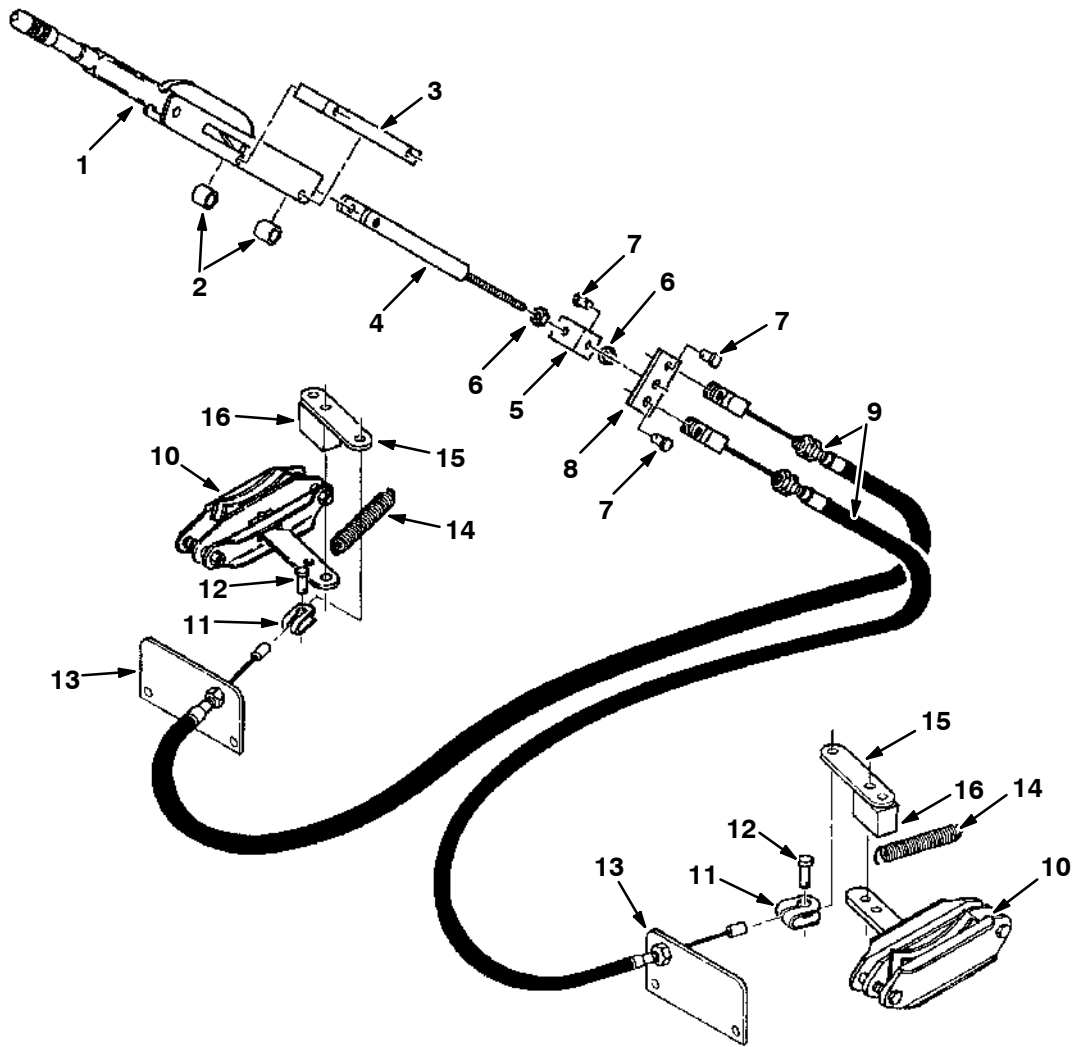
Fig. 21 - Front Wheel Drive Group



09798 - 550

Ref.	Part No.	Serial Number	Description	Qty.
1	61649	(006115-) Bracket, Brake	2
2	78191	(006115-) Plate, Motor Mounting	2
3	78190	(006115-) Disk, Brake	2
▽ 4	76649	(006115-) Hub Assembly	2
▲ 5	32126	(006115-) Stud	6
6	08329	(006115-) Pin, Cotter	2
7	76539	(006115-) Bracket, Brake	2
8	04210	(006115-) Shim, 20 Ga.	4
9	04048	(006115-) Shim, 16 Ga.	4
10	54397	(006115-) Screw, Hex, .31-18 X 0.88, G5	6

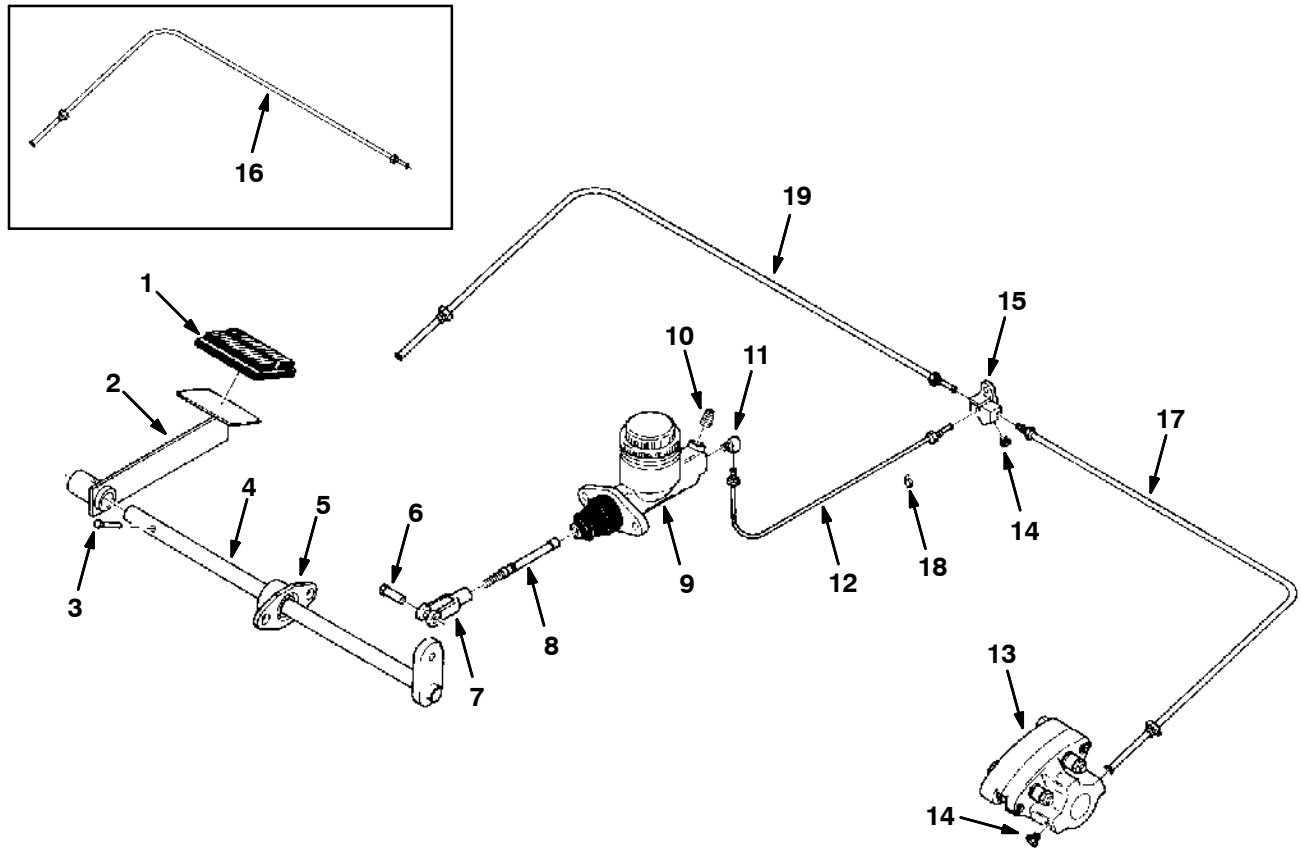
Fig. 22 - Front Wheel Parking Brake Group



06953 - 550

Ref.	Part No.	Serial Number	Description	Qty.	
1	51545	(006115-) Lever, Parking	1	
2	51562	(006115-) Sleeve, Brake Lever	2	
3	76816	(006115-) Spacer, Brake	1	
4	76903	(006115-) Rod, Adjustment	1	
5	76904	(006115-) Angle, Brake Adjustment	1	
6	25014	(006115-) Nut, Adjustment	2	
7	10120	(006115-) Pin, Clevis	3	
8	40354	(006115-) Strip	1	
9	32477	(006115-) Cable Assembly, Brake, Separate Spring	2	
▽	10	75368	(006115-) Brake, Mechanical	2
▲	SK2223	(006115-) Repair Kit, Brake Pad	1	
11	75369	(006115-) Clevis, Brake Cable	2	
12	09088	(006115-) Pin, Clevis	2	
13	61258	(006115-) Bracket, Brake Cable	2	
14	50304	(006115-) Spring, Brake Cable	2	
15	75535	(006115-) Arm, Brake	2	
16	61639	(006115-) Spacer, Brake Arm	2	

Fig. 23 - Front Wheel Brakes Group

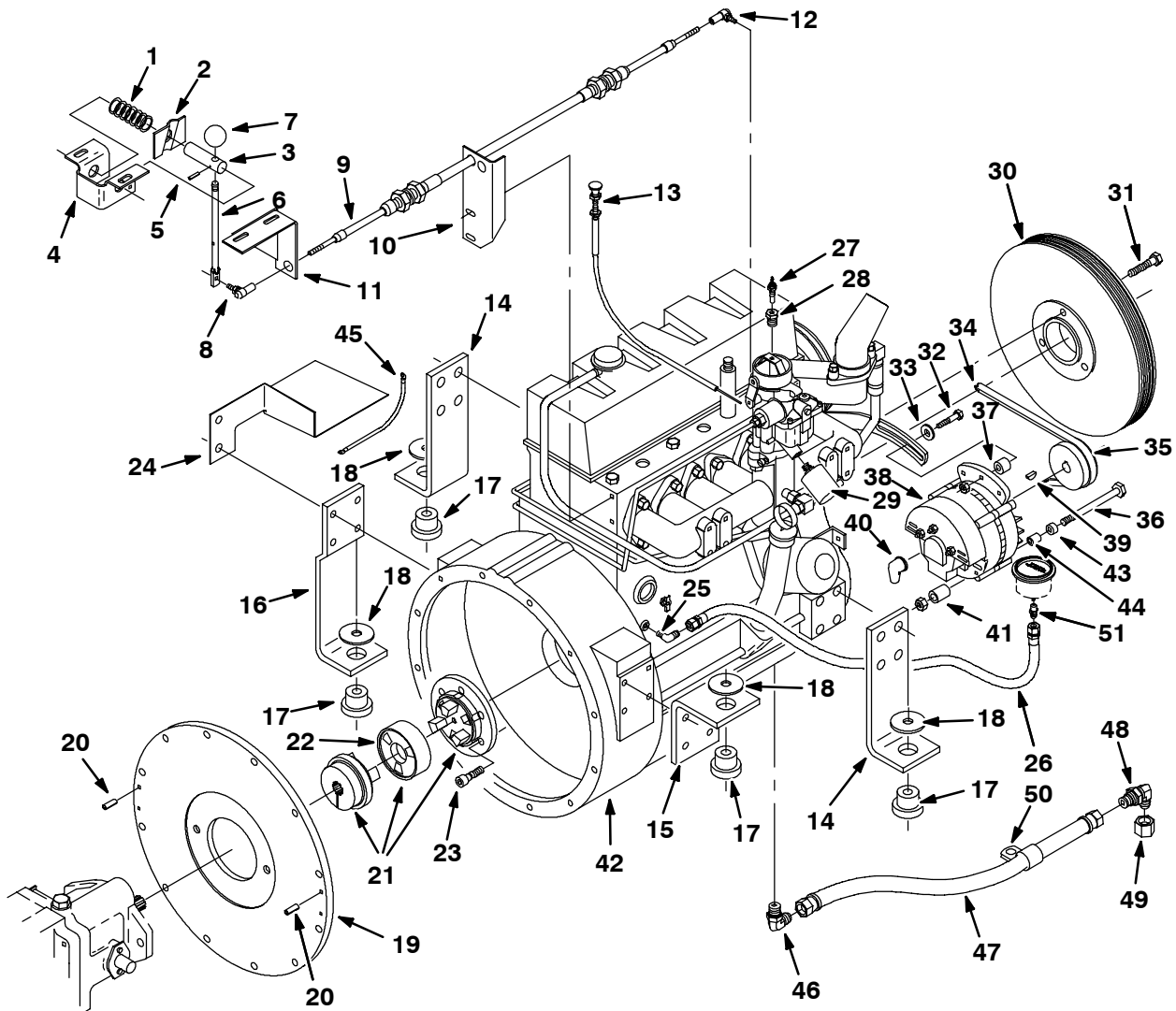


00105 - 550

Ref.	Part No.	Serial Number	Description	Qty.	
1	51109	(006115-) Pad, Brake	1	
2	75249	(006115-) Pedal, Brake	1	
3	26315	(006115-) Pin, Roll	1	
4	78080	(006115-) Rod, Brake	1	
5	26663	(006115-) Bearing, Flange	1	
6	14331	(006115-) Pin, Clevis	1	
7	14330	(006115-) Clevis, Adjustable	1	
8	52163	(006115-) Rod, Push, Brake	1	
▽	9	64950	(006115-) Cylinder, Master Brake	1
▲	374240	(006115-) Cap, Cyl Assy, Master Brake	1	
10	48126	(006115-) Plug	1	
11	53078	(006115-) Elbow	1	
12	76058	(006115-) Tube, Brake Line	1	
▽	13	75285	(006115-) Brake Assembly, Hydraulic	2
▲	SK2222	(006115-) Repair Kit, Brake	1	
14	76087	(006115-) Plug	3	
15	53079	(006115-) Tee	1	
16	42239	(006115-007005) Tube Assembly, R.H.	1	
17	76059	(006115-) Tube, Brakeline, .19d 32.0l 03if/03if	1	
18	46236	(006115-) Clamp, Cable	3	
19	76059	(007006-) Tube, Brakeline, .19d 32.0l 03if/03if	1	

STANDARD PARTS

Fig. 24 - Engine Group (006115-006408)



06190 - 550, G, Cont

Ref.	Part No.	Serial Number	Description	Qty.
▽	52049	(006115-006408)	Control Assembly, Throttle	1
▲	1 51693	(006115-006408)	Spring, Compression	1
▲	2 51691	(006115-006408)	Plate, Throttle	1
▲	3 51692	(006115-006408)	Pin, Pivot	1
▲	4 51689	(006115-006408)	Bracket, Throttle	1
▲	5 20021	(006115-006408)	Pin, Roll	1
▲	6 51690	(006115-006408)	Lever, Throttle	1
▲	7 26565	(006115-006408)	Knob	1
	8 14601	(006115-006408)	Ball Joint	1
	9 69494	(006115-006408)	Cable Assembly, Push-Pull	1
	10 25218	(006115-006408)	Angle, Cable	1
	11 25217	(006115-006408)	Bracket, Throttle	1
	12 14601	(006115-006408)	Ball Joint	1
	13 76560	(006115-006408)	Cable, Choke	1
	14 16490	(006115-006408)	Bracket, Engine Mounting	2
	15 76602	(006115-006408)	Bracket, Mounting Engine	1

Fig. 24 - Engine Group (006115-006408)

Ref.	Part No.	Serial Number	Description	Qty.	
16	76544	(006115-006408)	Bracket, Mounting Engine	1	
17	51176	(006115-006408)	Dampner, Engine	4	
18	51564	(006115-006408)	Washer	4	
19	76290	(006115-006408)	Plate, Pump Mounting	1	
20	23999-8	(006115-006408)	Pin, Roll	2	
21	78068	(006115-006408)	Coupling Assembly, Drive	1	
22	76291	(006115-006408)	Insert, Drive	1	
23	41358	(006115-006408)	Screw, Socket, M10	6	
24	25180	(006115-006408)	Shield, Starter	1	
25	06507	(006115-006408)	Fitting, Elbow	1	
26	32552	(006115-006408)	Hose	1	
27	78005-2	(006115-006408)	Sending Unit, Temperature	1	
28	78170	(006115-006408)	Fitting, Straight	1	
29	34805	(006115-006408)	Solenoid, Anti-Runon	1	
30	391800	(006115-006408)	Sheave	1	
31	39284	(006115-006408)	Screw, Hex, M10	3	
32	41342	(006115-006408)	Screw, Hex, M8	1	
33	41186	(006115-006408)	Washer, Belleville	1	
34	34194	(006115-006408)	V-Belt	1	
35	34833	(006115-006408)	Pulley, Alternator	1	
36	34877	(006115-006408)	Screw, Hex, M10	1	
37	08892	(006115-006408)	Sleeve	1	
▽	38	03233	(006115-006408)	Alternator	1
▲		61516	(006115-006408)	Brush Assembly	2
▲		86041	(006115-006408)	Bearing, Ball, 0.67b 1.57d 0.47w	1
▲		61517	(006115-006408)	Regulator, Voltage	1
▲	39	00500-5	(006115-006408)	Key, Woodruff	1
	40	34065	(006115-006408)	Boot, Electric	1
	41	08891	(006115-006408)	Sleeve	1
	42	65947	(006115-006408)	Engine, Gasoline, TM27 (See Continental Engine Breakdown)	1
	43	36417	(006115-006408)	Sleeve	1
	44	57311	(006115-006408)	Bushing	1
	45	29832-7	(006115-006408)	Cable, Grounding	1
	46	49934	(006115-006408)	Fitting, Elbow	1
	47	76762	(006115-006408)	Hose	1
	48	57075	(006115-006408)	Fitting, Elbow	1
	49	40625	(006115-006408)	Fitting, Cap	1
	50	82829	(006115-006408)	Clamp, Hose Support	1
	51	11979	(006115-006408)	Fitting, Straight, Brass	1

Fig. 25 - Engine Group, Gas/LPG (006409-007005)

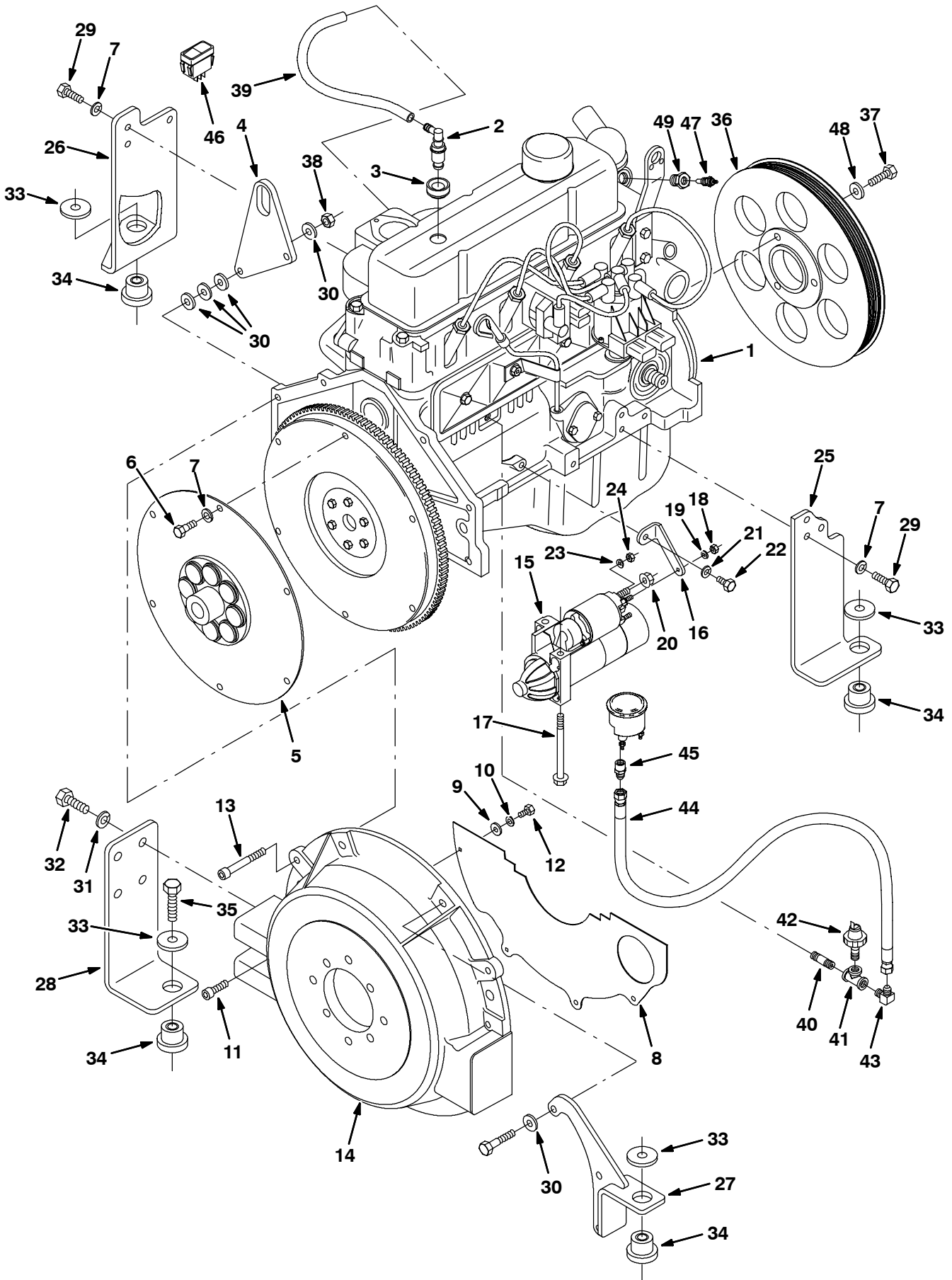


Fig. 25 - Engine Group, Gas/LPG (006409-007005)

Ref.	Part No.	Serial Number	Description	Qty.
1	393968	(006409-007005)	Engine, 3.0 Liter (See GM Engine Breakdown)	1
2	393975	(006409-007005)	Valve, [Pcv]	1
3	393984	(006409-007005)	Grommet	1
4	393985	(006409-007005)	Eye, Lift	1
5	371507	(006409-007005)	Plate, Drive	1
6	371508	(006409-007005)	Bolt, Clutch	6
7	371509	(006409-007005)	Washer, Lock, .38	11
8	371511	(006409-007005)	Plate, Hsng	1
9	32483	(006409-007005)	Washer, Flt, .25 Sae	4
10	371512	(006409-007005)	Washer, Lock, .25	4
11	10831	(006409-007005)	Screw, Soc, .38-16 X 1.25, Al	1
12	19315	(006409-007005)	Screw, Hex, .25-20 X 0.50, 5	4
13	371513	(006409-007005)	Screw, Soc, .38-16 X 3.0	2
14	371514	(006409-007005)	Housing, Flywheel	1
15	371516	(006409-007005)	Starter	1
16	371517	(006409-007005)	Bracket, Starter	1
17	371518	(006409-007005)	Bolt, Starter	1
18	50335	(006409-007005)	Nut, Hex, Std, M05 X 0.8	2
19	371519	(006409-007005)	Washer, Loc, M5	1
20	07791	(006409-007005)	Nut, Hex, Fing, M08 X 1.25	1
21	393994	(006409-007005)	Washer, Lock, .31	1
22	54396	(006409-007005)	Screw, Hex, .31-18 X 0.75, 5	1
23	371520	(006409-007005)	Washer, Lock, #10	1
24	19311	(006409-007005)	Nut, Hex, Std, #10-24	1
25	371549	(006409-007005)	Mount, Engine, Rear, Left	1
26	371550	(006409-007005)	Mount, Engine, Rear, Right	1
27	371551	(006409-007005)	Mount, Engine, Front, Left	1
28	371552	(006409-007005)	Mount, Engine, Front, Right	1
29	371553	(006409-007005)	Screw, Hex, .38-16 X 1.0	4
30	32485	(006409-007005)	Washer, Flt, .38 Sae	3
31	393978	(006409-007005)	Washer, Lock, .50	4
32	371556	(006409-007005)	Screw, Hex, .50-13 X 1.50	4
33	51564	(006409-007005)	Washer, 0.53b 1.75d .12, Stl, Pl	4
34	51176	(006409-007005)	Dampener, Eng	4
35	48665	(006409-007005)	Screw, Hex, .50-13 X 2.00, NI	4
36	391800	(006409-007005)	Sheave, [Poly-V], 12.6d, 8grv, 2.50b	1
37	39284	(006409-007005)	Screw, Hex, M10 X 1.5 X 35, 8.8	3
38	25014	(006409-007005)	Nut, Hex, Std, .38-16	1
39	393973	(006409-007005)	Hose, [Pcv]	1
40	48144	(006409-007005)	Fitting, Pipe, Str, Pm04/Pm04 01.5l,Blk	1
41	22309	(006409-007005)	Fitting, Pipe, Tee, Pf02/Pf02/Pf02,Blk	1
42	371572	(006409-007005)	Solenoid, Tubular, 1"Pull 36vdc	1
43	06507	(006409-007005)	Fitting, Brs, E90, Pm02/Sm04	1
44	32552	(006409-007005)	Hose, Lpg, Med04, Jf04str/Jf04str, 48.0l	1
45	11979	(006409-007005)	Fitting, Brs, Str, Pm02/Sm04	1
46	371580	(006409-007005)	Switch, Speed, Eng	1
47	78005-2	(006409-007005)	Send-unit, Water, Temperature, .12npt	1
48	32492	(006409-007005)	Washer, Flt, .38 Std	3
49	78170	(006409-007005)	Fitting, Hyd, Str, Pm08/Pf02	1

Fig. 26 - Engine Group, Gas/LPG (007006-)

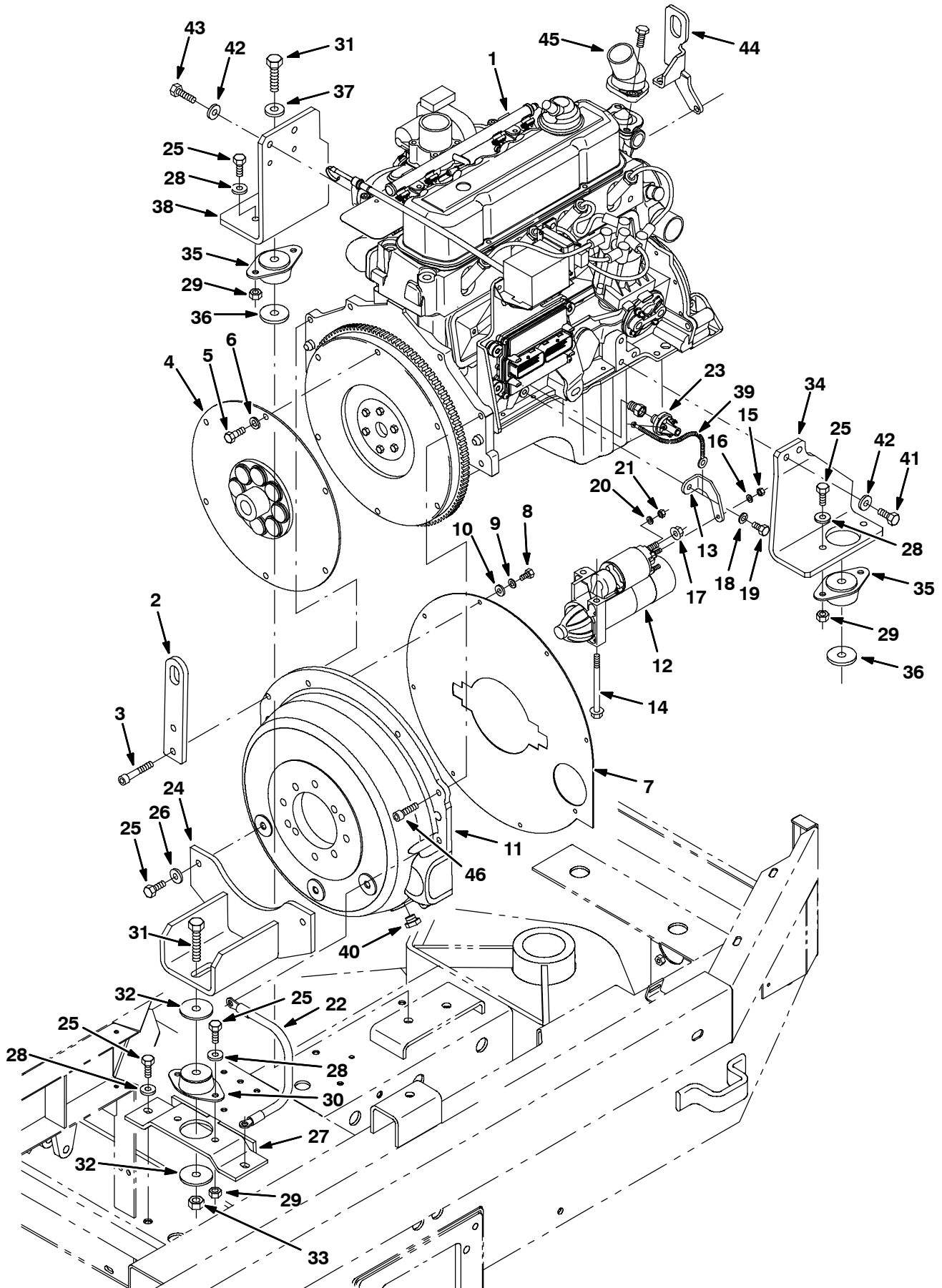


Fig. 26 - Engine Group, Gas/LPG (007006-)

Ref.	Part No.	Serial Number	Description	Qty.
1	1012719	(007006-007195)	Engine Assy, Gas, Clsd Loop [Gm, 3.0l] (See GM Engine Breakdown)	1
1	1012720	(007006-007195)	Engine Assy, Lpg, Clsd Loop [Gm, 3.0l] (See GM Engine Breakdown)	1
1	385019	(007196-	Engine, Block, Long [GM3.0L](See GM Engine Breakdown)	1
2	372457	(007006-007195)	Bolt, Eye, Lift	1
2	1034105	(007196-	Hook, Lift [Gm3.0l 2007]	1
3	372479	(007006-	Screw, Soc, .38-16 X 2.25, G5	1
4	372456	(007006-	Plate, Drive	1
5	371508	(007006-	Bolt, Clutch	6
6	371509	(007006-	Washer, Lock, .38	6
7	371761	(007006-	Shield, Dust	1
8	19315	(007006-	Screw, Hex, .25-20 X 0.50, 5	8
9	371512	(007006-	Washer, Lock, .25	8
10	32483	(007006-	Washer, Flat, 0.25 Sae	8
11	372458	(007006-	Housing, Flywheel [3.0l]	1
12	371516	(007006-	Starter, 12vdc [Gm]	1
13	372473	(007006-	Bracket, Starter	1
14	371518	(007006-	Bolt, Starter	1
15	50335	(007006-	Nut, Hex, Std, M5 X 0.8, 8	1
16	371519	(007006-	Washer, Loc, M5	1
17	07791	(007006-	Nut, Hex, Flng, M8 X 1.25	1
18	393994	(007006-	Washer, Lock, .31	1
19	54396	(007006-	Screw, Hex, .31-18 X 0.75, 5	1
20	371520	(007006-	Washer, Lock, #10	1
21	19311	(007006-	Nut, Hex, Std, #10-24	1
22	57773	(007006-	Wire Assy, 06ga 13.0l Blk .41h/ .41h	1
23	372445	(007006-	Switch, Pressure, 7psi, Spdt	1
24	1014411	(007006-	Channel Wldt, Mtg, Eng, Rear	1
25	21197	(007006-	Screw, Hex, .38-16 X 1.00, 5	10
26	41187	(007006-	Washer, Belleville, .38	2
27	1014685	(007006-	Bracket Wldt, Mtg, Eng, Rear	1
28	32492	(007006-	Washer, Flat, 0.38 Std	8
29	50902	(007006-	Nut, Hex, Lock, .38-16, NI	8
30	63263	(007006-	Isolator, Vib, Flng, 1.3h .5b 2/.39h	1
31	48665	(007006-	Screw, Hex, .50-13 X 2.00, NI	3
32	57048	(007006-	Washer, Flat, 0.53b 2.13d .11, Stl, PI	2
33	32985	(007006-	Nut, Hex, Lock, .50-13, NI	1
34	1014972	(007006-	Mount, Eng, Rear, Lh	1
35	75768	(007006-	Isolator, Vib, Flng, 2.0h .5b 2/.41h	2
36	04414	(007006-	Washer, Flat, 0.53b 1.88d .12, Stl, PI	2
37	32493	(007006-	Washer, Flat, 0.50 Std	2
38	1014988	(007006-	Mount, Eng, Rear, Rh	1
39	372474	(007006-	Harness, Switch, Oil Press, Ground Wire	1
40	1018573	(007006-	Screw, Hex, .62-18 X 0.31	1
41	21198	(007006-	Screw, Hex, .38-16 X 1.25, G5	2
42	32491	(007006-	Washer, Flat, 0.31, Std	4
43	27991	(007006-	Screw, Hex, .38-16 X 2.25, G5	2
44	1029334	(007196-	Hook, Lift [Gm3.0l 2007]	1
45	1030272	(007196-	Housing, Thermostat [Gm3.0l 2007]	1
46	10831	(007006-	Screw, Soc, .38-16 X 1.25, AI	5

Fig. 27 - Engine Alternator Group (006409-007005)

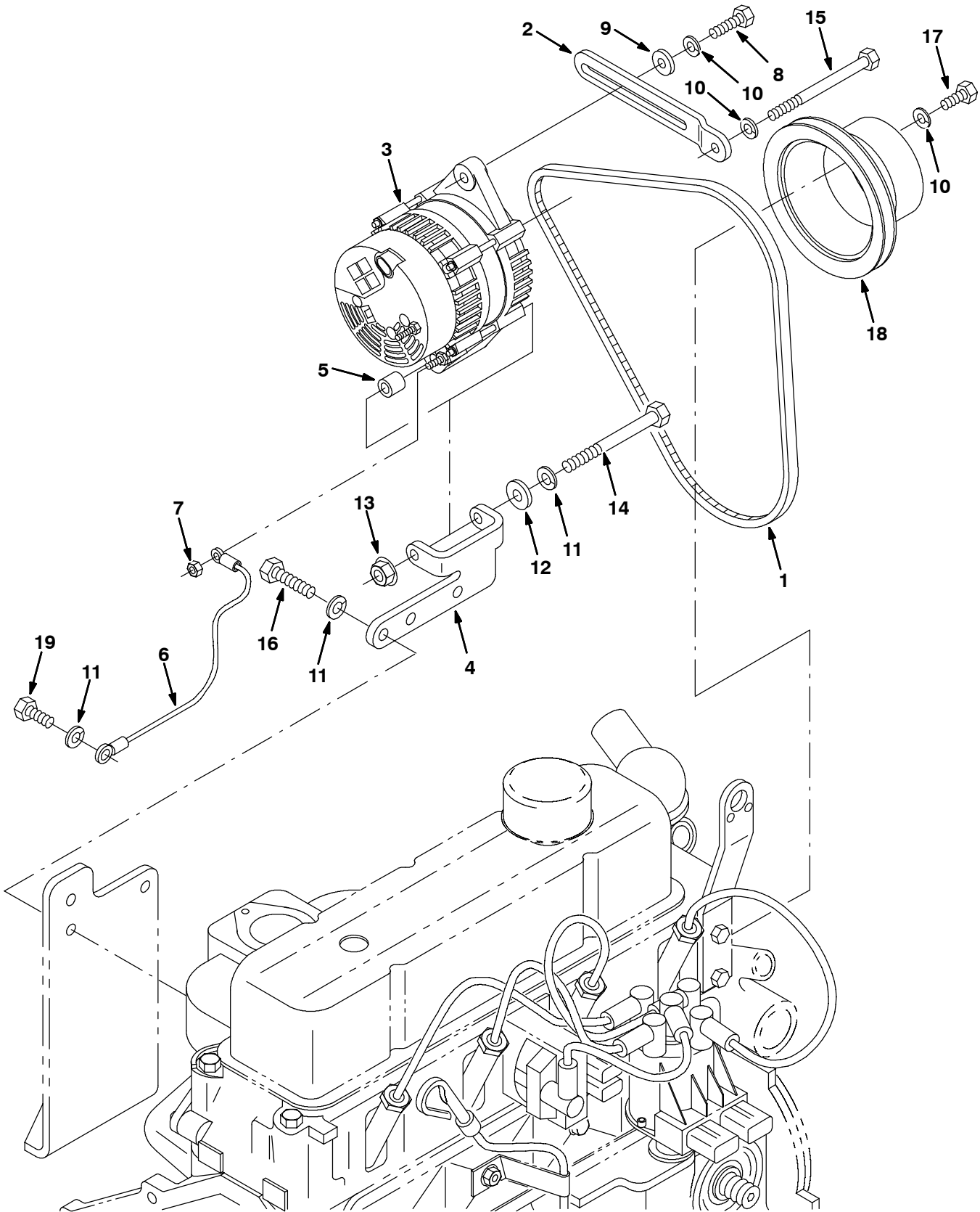


Fig. 27 - Engine Alternator Group (006409-007005)

Ref.	Part No.	Serial Number	Description	Qty.
1	371522	(006409-007005)	Belt, Alternator	1
2	371523	(006409-007005)	Strap, Alternator	1
3	371524	(006409-007005)	Alternator	1
4	371525	(006409-007005)	Bracket, Alternator	1
5	371526	(006409-007005)	Sleeve, Alternator	1
6	371527	(006409-007005)	Wire, Ground	1
7	41359	(006409-007005)	Nut, Hex, Std, M06 X 1.0	1
8	76570	(006409-007005)	Screw, Hex, M08 X 1.25 X 30, 8.8	1
9	32491	(006409-007005)	Washer, Flt, .31 Std	1
10	393994	(006409-007005)	Washer, Lock, .31	6
11	371509	(006409-007005)	Washer, Lock, .38	4
12	32485	(006409-007005)	Washer, Flt, .38 Sae	1
13	371528	(006409-007005)	Nut, Flanged, .38-24	1
14	371529	(006409-007005)	Screw, .38-24 X 4.0	1
15	371530	(006409-007005)	Screw, M8-1.25 X 110	1
16	27988	(006409-007005)	Screw, Hex, .38-16 X 1.50, 5	2
17	07592	(006409-007005)	Screw, Hex, .31-24 X 0.75, 5	4
18	393998	(006409-007005)	Pulley, Fan	1
19	21195	(006409-007005)	Screw, Hex, .38-16 X 0.75, 5	1

Fig. 28 - Engine Alternator Group (007006-007195)

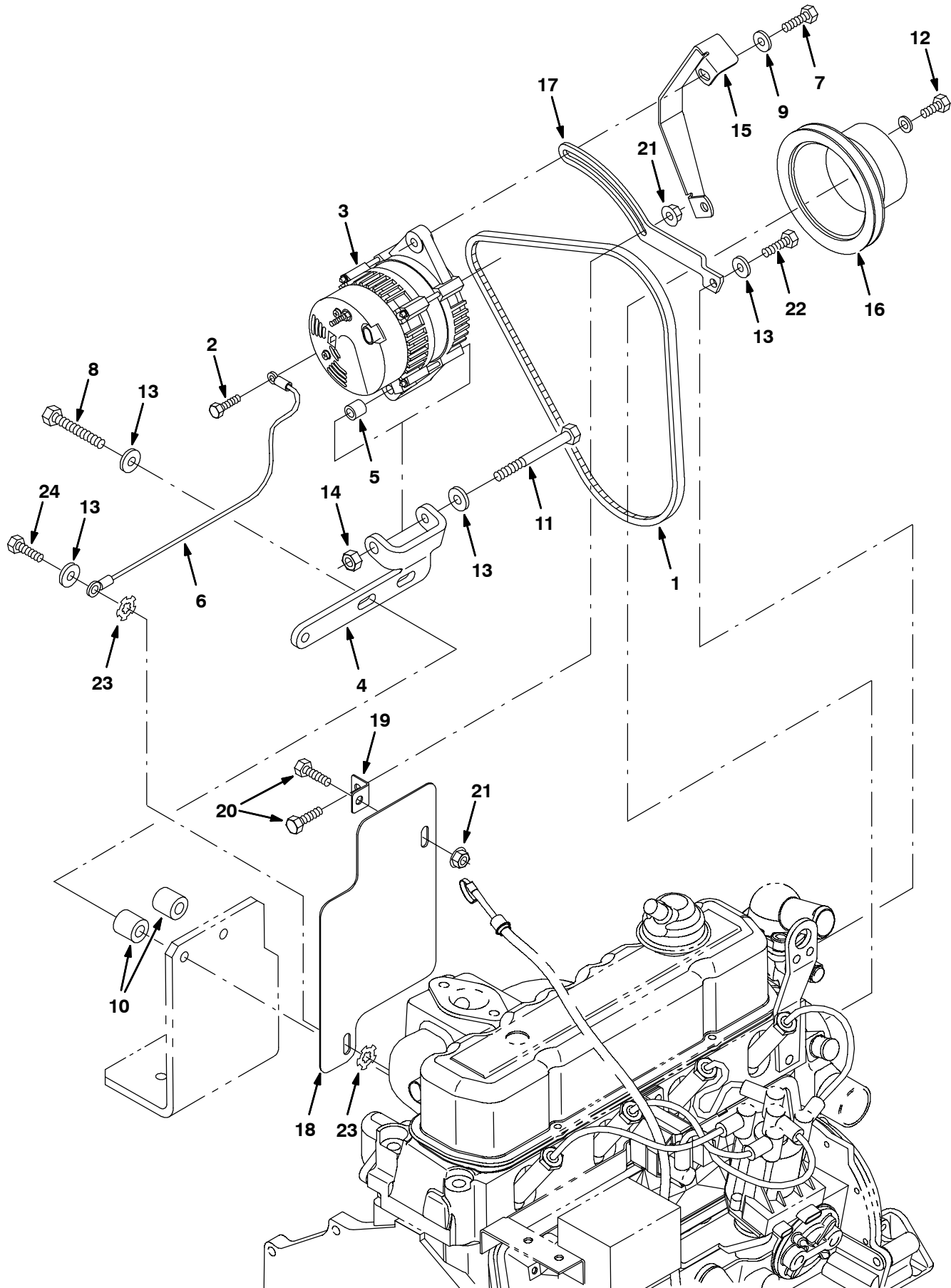


Fig. 28 - Engine Alternator Group (007006-007195)

Ref.	Part No.	Serial Number	Description	Qty.
1	393227	(007006-007195)	Belt, V, 39.6l [3v, Hc41]	1
2	42011	(007006-007195)	Screw, Hex, #10-24 X 0.50, Ss	1
3	392611	(007006-007195)	Alternator, 12vdc, 075a [Valeo]	1
4	1008094	(007006-007195)	Bracket, Alternator	1
5	371526	(007006-007195)	Sleeve, Alternator	1
6	371527	(007006-007195)	Wire, Ground	1
7	76955	(007006-007195)	Screw, Hex, .31-18 X 1.00, 5	1
8	27991	(007006-007195)	Screw, Hex, .38-16 X 2.25, 5	2
9	41186	(007006-007195)	Washer, Belleville, .31	2
10	35756	(007006-007195)	Tube, 01.00d 00.50b 01.0l Stl Pnt	2
11	20177	(007006-007195)	Screw, Hex, .38-16 X 4.00, 5	1
12	07592	(007006-007195)	Screw, Hex, .31-24 X 0.75, 5	4
13	32485	(007006-007195)	Washer, Flat, .38 Sae	5
14	50902	(007006-007195)	Nut, Hex, Lock, .38-16, NI	1
15	83581	(007006-007195)	Guard, Belt, Alternator	1
16	393998	(007006-007195)	Pulley, Fan	1
17	1007162	(007006-007195)	Arm, Alternator	1
18	1008511	(007006-007195)	Plate, Shield, Heat	1
19	1008513	(007006-007195)	Angle, Heat, Shield	1
20	16735	(007006-007195)	Screw, Hex, M8 X 1.25 X 16, 8.8	2
21	07791	(007006-007195)	Nut, Hex, Flng, M8 X 1.25	2
22	21195	(007006-007195)	Screw, Hex, .38-16 X 0.75, 5	1
23	41142	(007006-007195)	Washer, Lock, Int-ext, .38	2
24	21197	(007006-007195)	Screw, Hex, .38-16 X 1.00, 5	1

Fig. 29 - Engine Alternator Group (007196-)

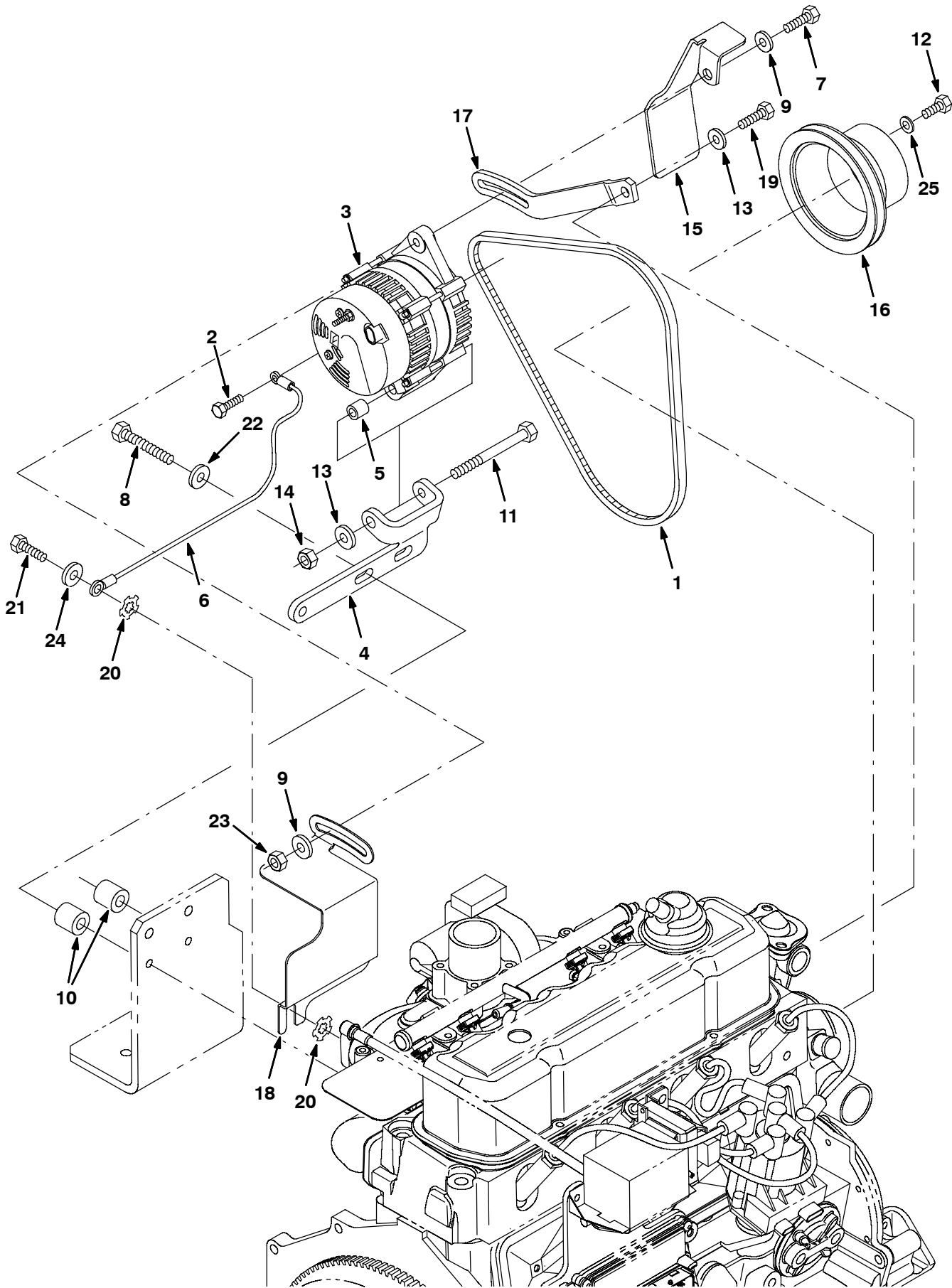


Fig. 29 - Engine Alternator Group (007196-)

Ref.	Part No.	Serial Number	Description	Qty.
1	393227	(007196-) Belt, V, 39.6l [3v, Hc41]	1
2	42011	(007196-) Screw, Hex, #10-24 X 0.50, Ss	1
3	392611	(007196-) Alternator, 12vdc, 075a [Valeo]	1
4	1008094	(007196-) Bracket, Alternator	1
5	371526	(007196-) Sleeve, Alternator	1
6	371527	(007196-) Wire, Ground	1
7	41686	(007196-) Screw, Hex, .31-18 X 1.50, FI	1
8	27990	(007196-) Screw, Hex, .38-16 X 2.00, G5	2
9	41186	(007196-) Washer, Belleville, .31	2
10	35756	(007196-) Tube, 01.00d 00.50b 01.0l Stl Pnt	2
11	20177	(007196-) Screw, Hex, .38-16 X 4.00, 5	1
12	07592	(007196-) Screw, Hex, .31-24 X 0.75, 5	4
13	32485	(007196-) Washer, Flat, .38 Sae	5
14	50902	(007196-) Nut, Hex, Lock, .38-16, NI	1
15	1008538	(007196-) Bracket, Guard, Alternator, Hd [Gm3.0l]	1
16	393998	(007196-) Pulley, Fan	1
17	1029649	(007196-) Arm, Adjmt, Alternator	1
18	1030635	(007196-) Shield, Heat, Alternator [2007]	1
19	21195	(007196-) Screw, Hex, .38-16 X 0.75, 5	1
20	41142	(007196-) Washer, Lock, Int-ext, .38	2
21	27989	(007196-) Screw, Hex, .38-16 X 1.00, 5	1
22	32491	(007196-) Washer, Flat, 0.31, Hardened	2
23	32983	(007196-) Nut, Hex, Lock, .31-18, NI	1
24	32485	(007196-) Washer, Flat, 0.38, Sae	1
25	371865	(007196-) Washer, Flat, 0.31, Hardened	4

STANDARD PARTS

Fig. 30 - Engine EFI and Vaporizer Group, LPG (006409-007005 version 1)

NOTE: Repair parts in this serial number range are identified in Fig. 30 or Fig. 31.

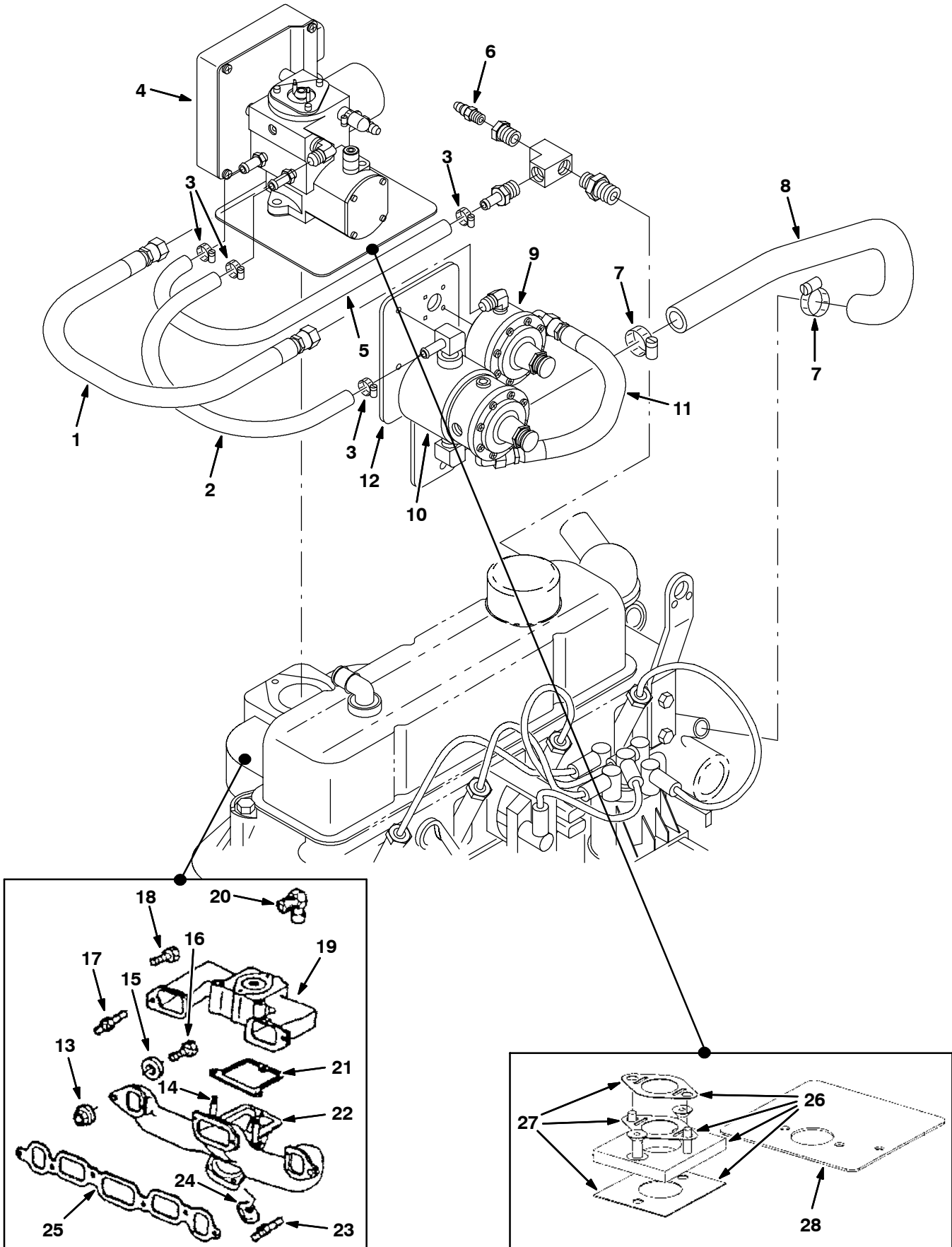


Fig. 30 - Engine EFI and Vaporizer Group, LPG (006409-007005 version 1)

NOTE: Repair parts in this serial number range are identified in Fig. 30 or Fig. 31.

Ref.	Part No.	Serial Number	Description	Qty.	
1	393981	(006409-007005)	Hose, Hi Press, Lp	1	
2	375132	(006409-007005)	Hose, Heater, .38id 18L	1	
3	371538	(006409-007005)	Clamp, Hose, Wormdrive	4	
4	371663	(006409-007005)	Housing Assy, Throttle, Lpg, [With Ecu] (See Breakdowns)	1	
5	371532	(006409-007005)	Hose, Heater, .38id 21	1	
6	371764	(006409-007005)	Sensor, Temp, Water	1	
7	11399	(006409-007005)	Clamp, Hose, Wormdrive	2	
8	393972	(006409-007005)	Hose, Water	1	
9	371673	(006409-007005)	Regulator Assy, Secondary, W/ Ftg, Lpg	1	
10	371674	(006409-007005)	Regulator Assy, Primary, W/ Ftg, Lpg	1	
11	371675	(006409-007005)	Hose Assy, Primary To Secondary, Lpg	1	
12	371677	(006409-007005)	Bracket, Mtg	1	
13	393905	(006409-007005)	Nut	8	
14	393906	(006409-007005)	Stud	2	
15	393907	(006409-007005)	Washer	-	
16	393898	(006409-007005)	Bolt	3	
17	393908	(006409-007005)	Stud	1	
18	393909	(006409-007005)	Bolt	-	
19	393910	(006409-007005)	Manifold, Intake	1	
20	393911	(006409-007005)	Fitting	1	
21	393912	(006409-007005)	Gasket	1	
22	393913	(006409-007005)	Manifold, Exhaust	1	
23	393914	(006409-007005)	Stud	2	
24	393915	(006409-007005)	Clamp	4	
25	393916	(006409-007005)	Gasket	1	
▽	26	371646	(006409-007005)	Adapter Kit, Manifold	1
▲	27	371647	(006409-007005)	Gasket Kit, Manifold	1
	28	371658	(006409-007005)	Shield, Heat	1

STANDARD PARTS

Fig. 31 - Engine EFI and Vaporizer Group, LPG (006409-007005 version 2)

NOTE: Repair parts in this serial number range are identified in Fig. 30 or Fig. 31.

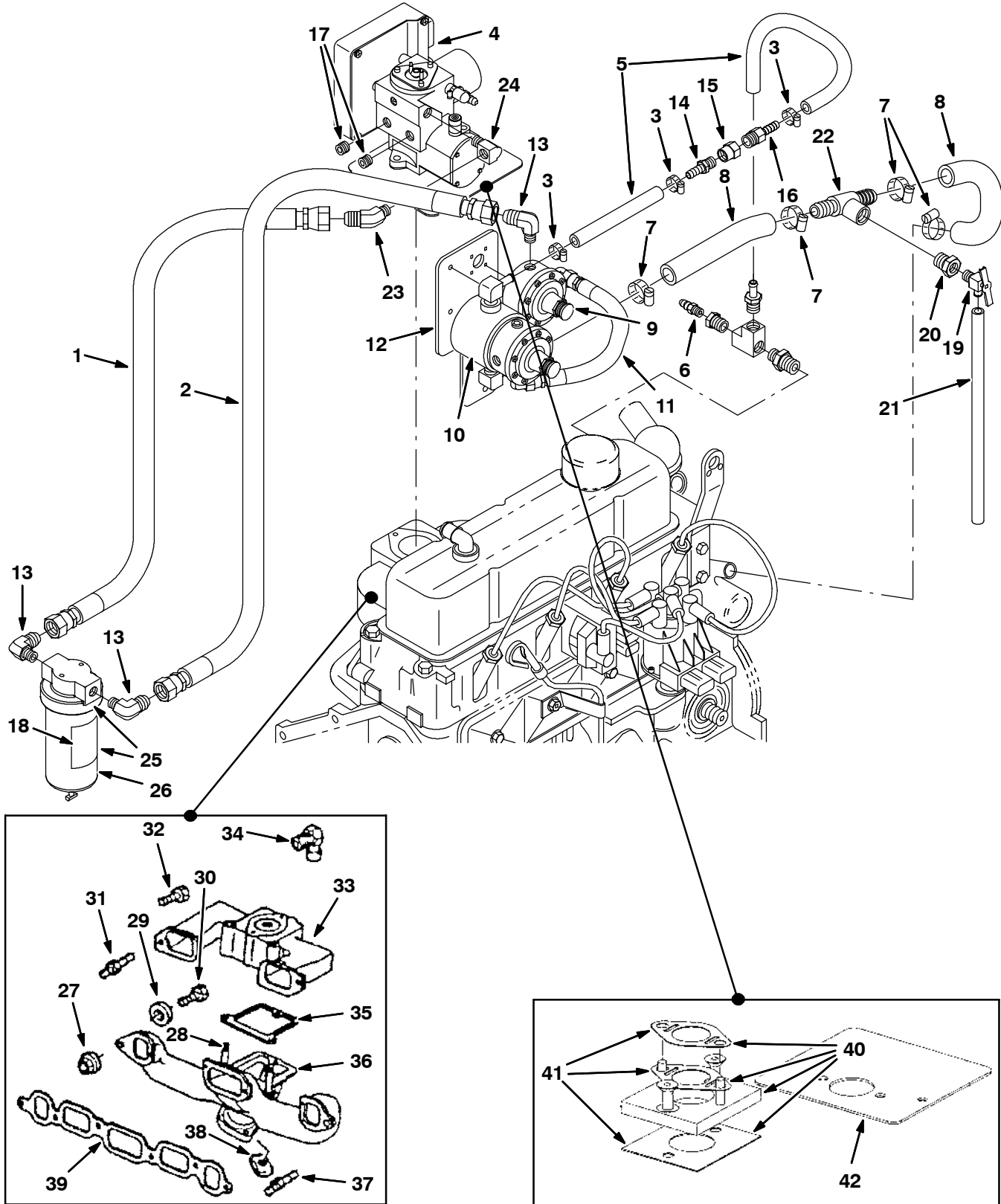


Fig. 31 - Engine EFI and Vaporizer Group, LPG (006409-007005 version 2)

NOTE: Repair parts in this serial number range are identified in Fig. 30 or Fig. 31.

Ref.	Part No.	Serial Number	Description	Qty.	
1	1017476	(006409-007005)	Hose, Lpg, Med08, Jf08str/Jf08str , 35.0	1	
2	1017819	(006409-007005)	Hose, Lpg, Med08, Jf08str/Jf08str , 41.0	1	
3	371538	(006409-007005)	Clamp, Hose, Wormdrive	3	
4	371663	(006409-007005)	Housing Assy, Throttle, Lpg, (See Breakdowns)	1	
5	371532	(006409-007005)	Hose, Heater, .38id 21L	1	
6	371764	(006409-007005)	Sensor, Temp, Water	1	
7	11399	(006409-007005)	Clamp, Hose, Wormdrive	4	
8	393972	(006409-007005)	Hose, Water	1	
9	371673	(006409-007005)	Regulator Assy, Secondary, W/ Ftg, Lpg	1	
10	371674	(006409-007005)	Regulator Assy, Primary, W/ Ftg, Lpg	1	
11	371675	(006409-007005)	Hose Assy, Primary To Secondary, Lpg	1	
12	371677	(006409-007005)	Bracket, Mtg	1	
13	1017272	(006409-007005)	Fitting, Hyd, E90, Jm08/Pm04	3	
14	150516	(006409-007005)	Fitting, Brs, Str, Pm04/Bm06, T	1	
15	1017239	(006409-007005)	Fitting, Brs, Rst, Pf04/.69-16f, .063	1	
16	1017598	(006409-007005)	Fitting, Plstc, Str, Bm06/M.69-16	1	
17	02247	(006409-007005)	Fitting, Pipe, Plug, Pm04 Hex Soc	2	
18	1017662	(006409-007005)	Label, Instr, Filter Drain	1	
19	51305	(006409-007005)	Fitting, Draincock, .25npt 90	1	
20	311828	(006409-007005)	Fitting, Brs, Str, Pm08/Pf04	1	
21	392258	(006409-007005)	Hose, Pvc, Clr, 0.38id 0.56od 13.00l	1	
22	64740	(006409-007005)	Fitting, Plstc, Tee, Bm12/Pf08/Bm12	1	
23	1017432	(006409-007005)	Fitting, Hyd, E45, Jm04/Pm08	1	
24	27048	(006409-007005)	Fitting, Brs, E90, Pm04/Pf04	1	
▽	25	1017500	(006409-007005)	Filter, Fuel, Lpg [Coalescent]	1
▲	26	372937	(006409-007005)	Element, Fitr, Fuel Lpg [Coalescent]	1
	27	393905	(006409-007005)	Nut	8
	28	393906	(006409-007005)	Stud	2
	29	393907	(006409-007005)	Washer	-
	30	393898	(006409-007005)	Bolt	3
	31	393908	(006409-007005)	Stud	1
	32	393909	(006409-007005)	Bolt	-
	33	393910	(006409-007005)	Manifold, Intake	1
	34	393911	(006409-007005)	Fitting	1
	35	393912	(006409-007005)	Gasket	1
	36	393913	(006409-007005)	Manifold, Exhaust	1
	37	393914	(006409-007005)	Stud	2
	38	393915	(006409-007005)	Clamp	4
	39	393916	(006409-007005)	Gasket	1
▽	40	371646	(006409-007005)	Adapter Kit, Manifold	1
▲	41	371647	(006409-007005)	Gasket Kit, Manifold	1
	42	371658	(006409-007005)	Shield, Heat	1

STANDARD PARTS

Fig. 32 - Engine EFI and Vaporizer Group, LPG (007006-007195)

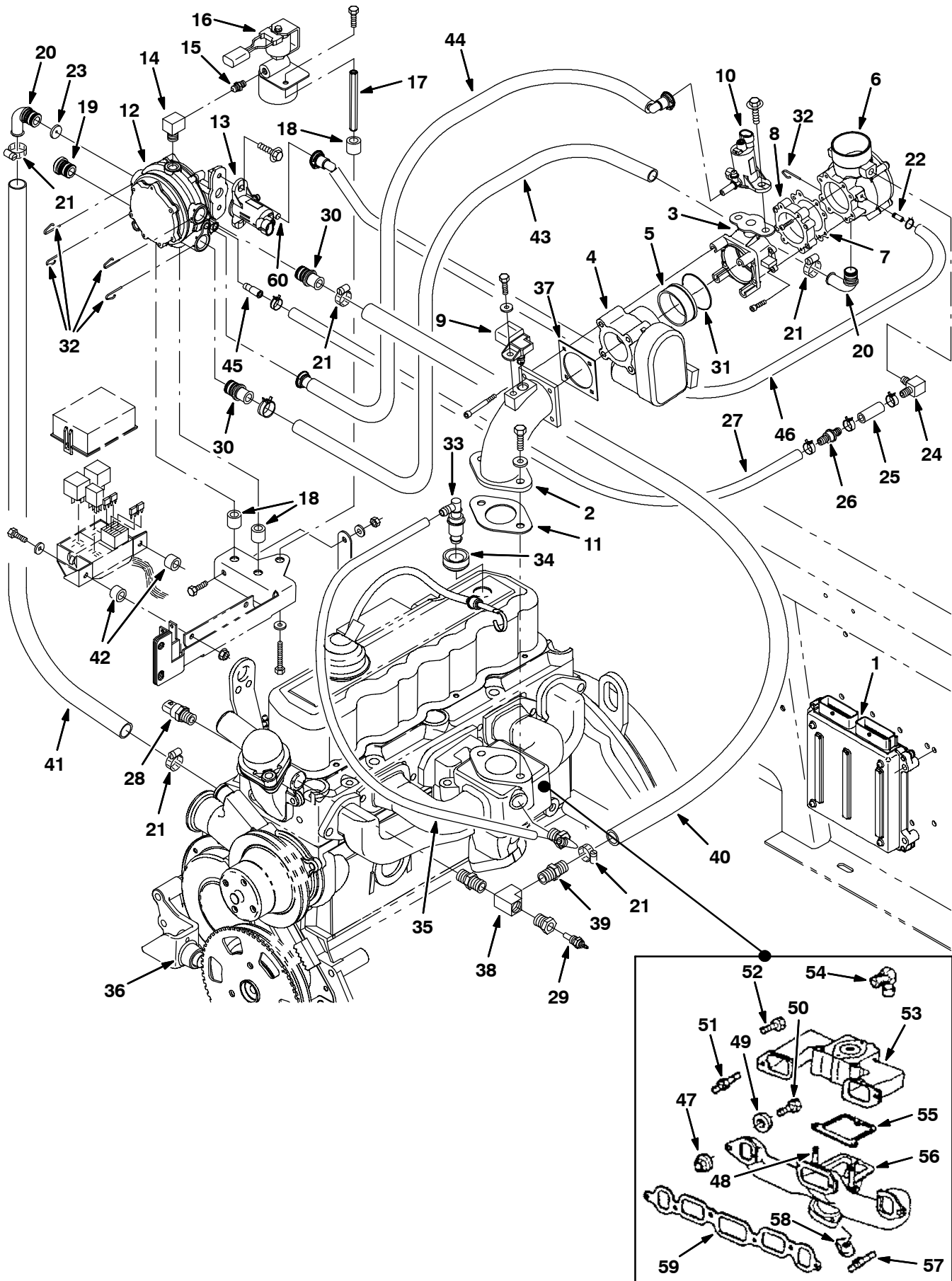


Fig. 32 - Engine EFI and Vaporizer Group, LPG (007006-007195)

Ref.	Part No.	Serial Number	Description	Qty.	
1	372859	(007006-007195)	Module, Ecu, Lpg [GM 3.0]	1	
2	372495	(007006-007195)	Adaptor, Intake, Lpg [3.0]	1	
3	372496	(007006-007195)	Adaptor, Valve, Fuel Trim	1	
4	384974	(007006-007195)	Housing, Throttle, 40mm [Bosch]	1	
5	372498	(007006-007195)	Sleeve, Throttle [Bosch], Plstc	1	
6	372899	(007006-007195)	Housing Assy, Throttle, Lpg [GM 3.0]	1	
7	372608	(007006-007195)	Gasket	1	
8	372612	(007006-007195)	Adapter, Throttle Body	1	
9	372493	(007006-007195)	Sensor, [Tmap]	1	
10	372497	(007006-007195)	Valve, Trim, Fuel, Lpg	1	
11	372490	(007006-007195)	Gasket, Carb	1	
12	372500	(007006-007195)	Converter, Lpg	1	
13	372501	(007006-007195)	Valve, Trim, Press, Lpg	1	
14	372611	(007006-007195)	Fitting, Str, E90, .25npt	1	
15	372610	(007006-007195)	Fitting, Nipple, .25npt, Brs	1	
▽	16	372503	(007006-007195)	Valve, Fuelock, Lpg, W/Wire Connector	1
▲	17	372615	(007006-007195)	Filter Kit, Lpg Lockoff	1
	17	372577	(007006-007195)	Spacer, Sppt, Filter Lock Off	1
	18	372518	(007006-007195)	Isolator Kit, Mtg, Vaporizer, Rbr	3
	19	372515	(007006-007195)	Fitting, Cap	1
	20	372512	(007006-007195)	Fitting, E70	2
	21	86824	(007006-007195)	Clamp, Hose, Wormdrive, 0.50-1.06d, .50w	5
	22	372511	(007006-007195)	Fitting, Hose, Vacuum, .25	1
	23	372517	(007006-007195)	Restrictor, Jet, Coolant	1
	24	372510	(007006-007195)	Fitting, E90	1
	25	372507	(007006-007195)	Hose, Balancing, Press, 45mm	1
	26	372569	(007006-007195)	Valve, Check	1
	27	372506	(007006-007195)	Hose, Balancing, Press, 680mm	1
	28	372891	(007006-007195)	Sensor, Temp, Coolant	1
	29	372472	(007006-007195)	Sensor, Temp	1
	30	372514	(007006-007195)	Fitting, Str	2
	31	372484	(007006-007195)	Seal, Org	1
	32	372523	(007006-007195)	Pin, Retainer	5
	33	372483	(007006-007195)	Valve, [Pcv]	1
	34	393984	(007006-007195)	Grommet	1
	35	372489	(007006-007195)	Hose, 9.5mm X 450mm [Pcv]	1
	36	372492	(007006-007195)	Sensor, Speed, Timing Wheel [3.0]	1
	37	372545	(007006-007195)	Gasket, Body, Throttle [1.6]	1
	38	372527	(007006-007195)	Fitting, Pipe, Tee, Pm06/Pf06/Pf06	1
	39	372526	(007006-007195)	Fitting, Hose, 10hose/Pm06	1
	40	372531	(007006-007195)	Hose, Mold, .62 X 37.0	1
	41	372528	(007006-007195)	Hose, Mold, .62 To .75	1
	42	372470	(007006-007195)	Isolator, Box, Relay	1
	43	372508	(007006-007195)	Hose, Fuel, 165mm	1
	44	372504	(007006-007195)	Hose, Valve, Fuel Trim, 325mm	1
	45	372516	(007006-007195)	Fitting, Brs, Adaptor	1
	46	372505	(007006-007195)	Hose, Valve, Press Trim, 405mm	1

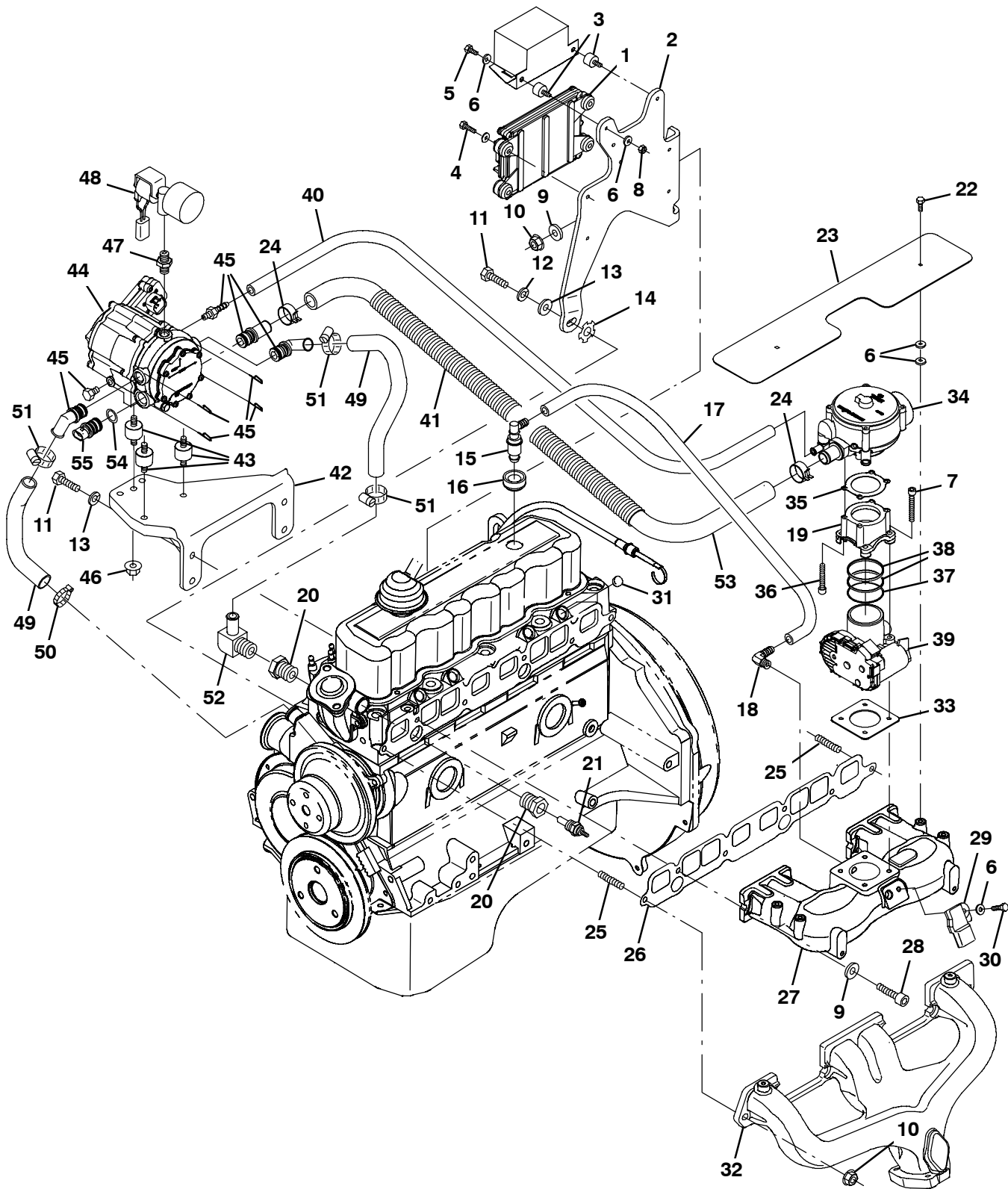
STANDARD PARTS

Fig. 32 - Engine EFI and Vaporizer Group, LPG (007006-007195)

Ref.	Part No.	Serial Number	Description	Qty.
47	393905	(007006-007195)	Nut	8
48	393906	(007006-007195)	Stud	2
49	393907	(007006-007195)	Washer	-
50	393898	(007006-007195)	Bolt	3
51	393908	(007006-007195)	Stud	1
52	393909	(007006-007195)	Bolt	-
53	393910	(007006-007195)	Manifold, Intake	1
54	393911	(007006-007195)	Fitting	1
55	393912	(007006-007195)	Gasket	1
56	393913	(007006-007195)	Manifold, Exhaust	1
57	393914	(007006-007195)	Stud	2
58	393915	(007006-007195)	Clamp	4
59	393916	(007006-007195)	Gasket	1
60	9004539	(007006-007195)	Clamp, Valve, Trim [Impco]	1

STANDARD PARTS

Fig. 33 - Engine EFI and Vaporizer Group, LPG (007196-007333)



354175 - 550, 1550, 800, LP, Impco

Ref.	Part No.	Serial Number	Description	Qty.
1	1032805	(007196-007333)	Module, Ecu, Lpg [Gm3.0l 2007]	1
2	385008	(007196-007333)	Bracket, Box, Relay	1
3	372470	(007196-007333)	Isolator, Box, Relay	2
4	25047	(007196-007333)	Screw, Hex, .25-20 X 1.25, G5	4

Fig. 33 - Engine EFI and Vaporizer Group, LPG (007196-007333)

Ref.	Part No.	Serial Number	Description	Qty.
5	19315	(007196-007333)	Screw, Hex, .25-20 X 0.50, G5	2
6	32490	(007196-007333)	Washer, Flat, 0.25, Std	13
7	385016	(007196-007333)	Screw, Soc, M6 X 1.00 X 70	4
8	19312	(007196-007333)	Nut, Hex, Std, .25-20	2
9	371877	(007196-007333)	Washer, Flat, 0.38, Hardened	5
10	27980	(007196-007333)	Nut, Hex, Flng, .38-16	3
11	371553	(007196-007333)	Screw, .38-16 X 1.00	5
12	371877	(007196-007333)	Washer, Flat, 0.38, Hardened	1
13	371509	(007196-007333)	Washer, Lock, 0.38	5
14	371875	(007196-007333)	Washer, Lock, Int / Ext, 0.38	1
15	9006589	(007196-007333)	Valve [Pcv]	1
16	393984	(007196-007333)	Grommet	1
17	385001	(007196-007333)	Hose, Fuel, .38d, Rbr	1
18	385002	(007196-007333)	Fitting, E90	1
19	384996	(007196-007333)	Adapter, Valve, 400mm [Bosch]	1
20	385000	(007196-007333)	Fitting, Bshg	2
21	372472	(007196-007333)	Sensor, Temp	1
22	385007	(007196-007333)	Screw, M6 X 10mm	2
23	385006	(007196-007333)	Shield, Heat, Manifold	1
24	384979	(007196-007333)	Clamp, Hose, Spring, 0.62d	2
25	372466	(007196-007333)	Stud, .38-16 X 1.2l	2
26	385003	(007196-007333)	Gasket, Manifold, Intake	1
27	385004	(007196-007333)	Manifold, Intake [2007]	1
28	10830	(007196-007333)	Screw, Soc, .38-16 X 1.00, Al	4
29	384985	(007196-007333)	Sensor [T Map]	1
30	19317	(007196-007333)	Screw, Hex, .25-20 X 0.75, G5	1
31	372579	(007196-007333)	Plug, Hole, Injector	4
32	1060653	(007196-007333)	Manifold, Exhaust [2007]	1
33	372545	(007196-007333)	Gasket, Body, Throttle [1.6]	1
34	385012	(007196-007333)	Valve, Lpg [Mixer]	1
35	1037313	(007196-007333)	Gasket, Lpg, Adapter [Gm 2007]	1
36	385017	(007196-007333)	Screw, Soc, #12-24 X 1.50	4
37	1037311	(007196-007333)	Seal,Org, Lpg, Mixer [Gm 2007]	1
38	1037312	(007196-007333)	Gasket, Lpg, Mixer [Gm 2007]	2
39	384974	(007196-007333)	Housing, Throttle, 40mm [Bosch]	1
40	384973	(007196-007333)	Hose, Supply, Gas, .25id	1
41	384971	(007196-007333)	Cover, Hose	1
42	385014	(007196-007333)	Bracket [Epr]	2
43	384986	(007196-007333)	Isolator [Epr]	3
44	384977	(007196-007333)	Regulator [Ep]	1
45	384978	(007196-007333)	Fitting Kit [Epr]	1
46	385015	(007196-007333)	Nut, Flng, M8	3
47	372529	(007196-007333)	Fitting, Nipple, .25mal	1
48	384975	(007196-007333)	Valve, Lock Off	1
49	372528	(007196-007333)	Hose, Mold, .62 To .75	2
50	86824	(007196-007333)	Clamp, Hose, Wormdrive, 0.50-1.06d, .50w	1
51	372539	(007196-007333)	Clamp, Hose, 1.0	3
52	385011	(007196-007333)	Fitting, E90	1
53	385013	(007196-007333)	Hose, Mold [Epr To Mixer]	1
54	1041151	(007196-007333)	Seal, Org, Sensor, Temp [Epr]	1
55	1041152	(007196-007333)	Sensor, Temp [Epr]	1

Fig. 34 - Engine EFI Group, LPG (007334-)

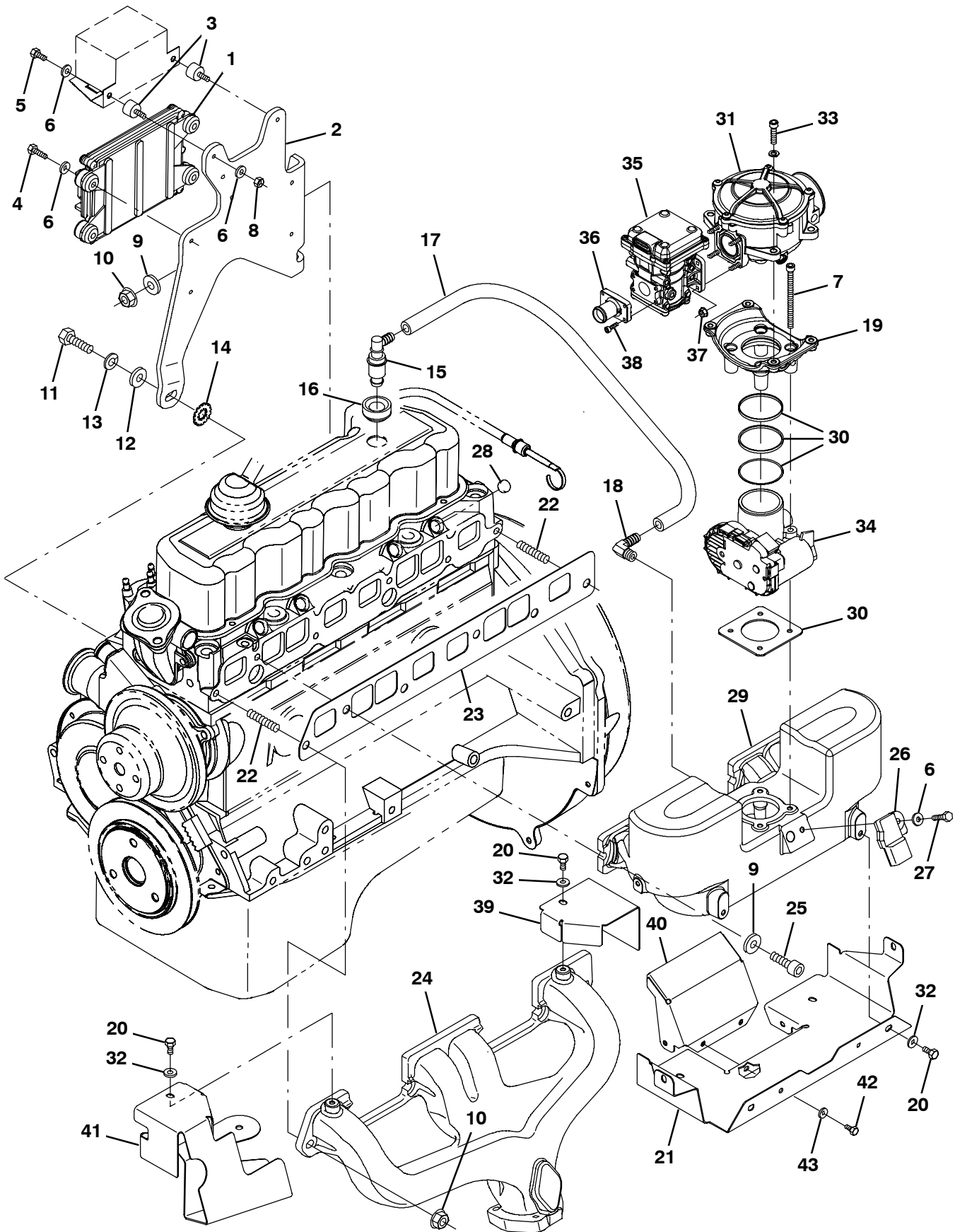


Fig. 34 - Engine EFI Group, LPG (007334-)

Ref.	Part No.	Serial Number	Description	Qty.
1	1062356	(007334-) Module, Ecu, Lpg [Gm3.0l 2010]	1
2	385008	(007334-) Bracket, Box, Relay	1
3	372470	(007334-) Isolator, Box, Relay	2
4	25047	(007334-) Screw, Hex, .25-20 X 1.25, G5	4
5	19315	(007334-) Screw, Hex, .25-20 X 0.50, G5	2
6	32490	(007334-) Washer, Flat, 0.25, Std	9
7	385016	(007334-) Screw, Soc, M6 X 1.00 X 70	4
8	19312	(007334-) Nut, Hex, Std, .25-20	2
9	371877	(007334-) Washer, Flat, 0.38, Hardened	5
10	27980	(007334-) Nut, Hex, Flng, .38-16	3
11	371553	(007334-) Screw, .38-16 X 1.00	5
12	371877	(007334-) Washer, Flat, 0.38, Hardened	1
13	371509	(007334-) Washer, Lock, 0.38	5
14	371875	(007334-) Washer, Lock, Int / Ext, 0.38	1
15	9006589	(007334-) Valve [Pcv]	1
16	393984	(007334-) Grommet	1
17	385001	(007334-) Hose, Fuel, .38d, Rbr	1
18	385002	(007334-) Fitting, E90	1
19	9008803	(007334-) Adapter, Valve, 400mm [Bosch]	1
20	87308	(007334-) Screw, Hex, M6 X 1.00 X 12, 8.8	8
21	9008799	(007334-) Shield, Heat [Gm3.0l 2010]	1
22	372466	(007334-) Stud, .38-16 X 1.2l	2
23	385003	(007334-) Gasket, Manifold, Intake	1
24	9008194	(007334-) Manifold, Intake [Gm3.0l 2010]	1
25	10830	(007334-) Screw, Soc, .38-16 X 1.00, Al	4
26	384985	(007334-) Sensor [T Map]	1
27	19317	(007334-) Screw, Hex, .25-20 X 0.75, G5	1
28	372579	(007334-) Plug, Hole, Injector	4
29	1060653	(007334-) Manifold, Exhaust [Gm3.0l]	1
30	9003391	(007334-) Gasket Kit, Repair, Lpg [Gm1.6l 2007]	1
31	9006618	(007334-) Mixer [E100lp Gm1.6l 2010]	1
32	32483	(007334-) Washer, Flat, 0.25, Sae	8
33	385017	(007334-) Screw, Soc, #12-24 X 1.50	4
34	384974	(007334-) Housing, Throttle, 40mm [Bosch]	1
35	9008806	(007334-) Regulator, Press, Electronic [Epr]	1
36	9008807	(007334-) Fitting, Barb, 3/4" [Epr]	1
37	9007423	(007334-) Nut, Flng, M05-0.8 [Gm1.6l Lp 2010]	4
38	9008808	(007334-) Screw, Soc, M4 X 0.70 X 16	4
39	9008800	(007334-) Shield, Heat [Gm3.0l 2010]	1
40	9008801	(007334-) Shield, Heat [Gm3.0l 2010]	1
41	9008802	(007334-) Shield, Heat, Alternator [Gm3.0l 10]	1
42	763025	(007334-) Screw, Hex, M5 X 0.80 X 10, FI	4
43	19065	(007334-) Washer, Flat, 0.19b 0.44d .05, Pl, 08	4

Fig. 35 - Engine Vaporizer Group, LPG (007334-)

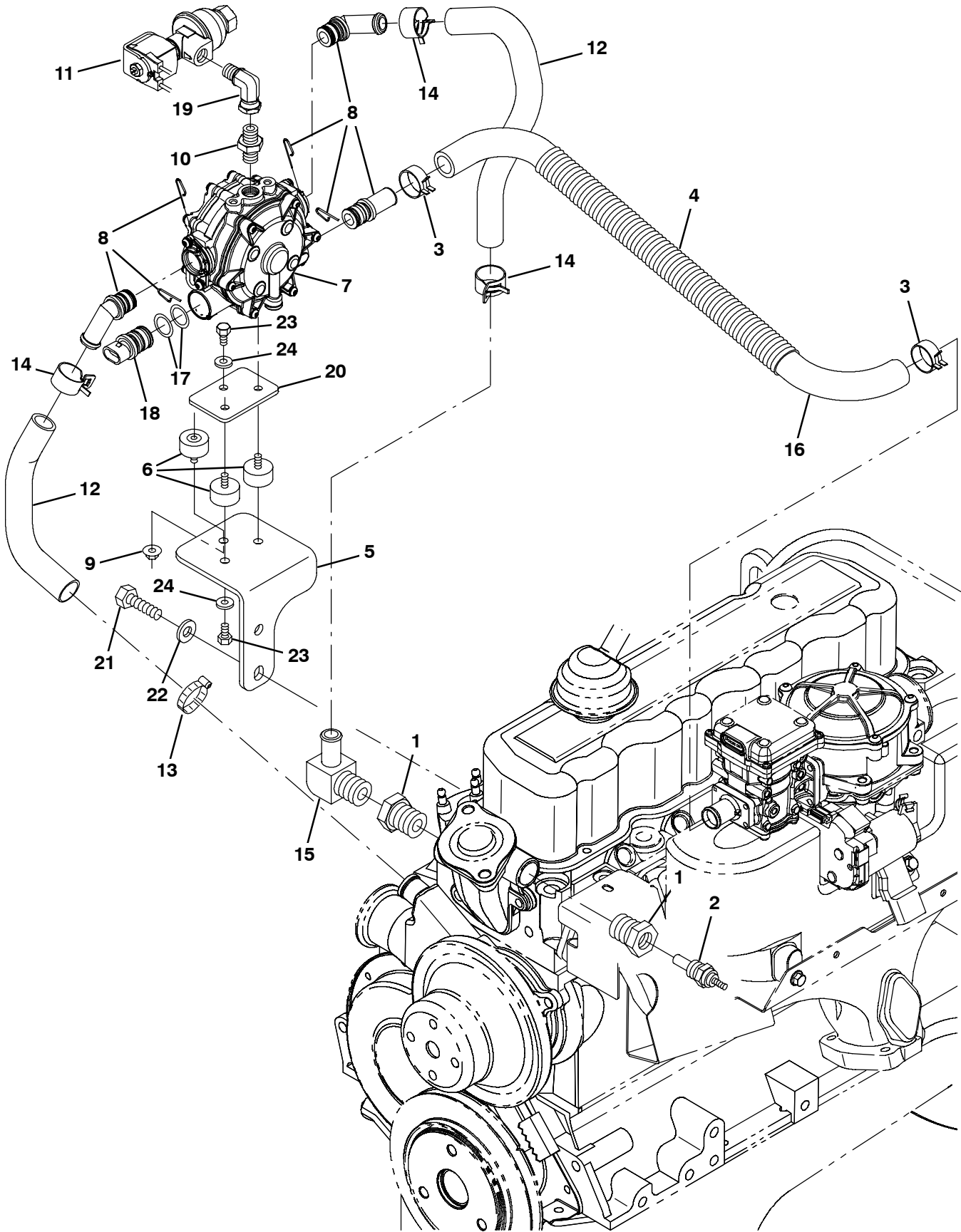


Fig. 35 - Engine Vaporizer Group, LPG (007334-)

Ref.	Part No.	Serial Number	Description	Qty.	
1	385000	(007334-) Fitting, Bshg	2	
2	372472	(007334-) Sensor, Temp	1	
3	384979	(007334-) Clamp, Hose, Spring, 0.62d	2	
4	384971	(007334-) Cover, Hose	1	
5	9008809	(007334-) Bracket, Mtg, Isolator [Gm3.0l 2010]	1	
6	9008805	(007334-) Isolator	3	
7	9008193	(007334-) Regulator [Gm3.0l 2010]	1	
8	384978	(007334-) Fitting Kit [Epr]	1	
9	385015	(007334-) Nut, Fing, M8	1	
10	372529	(007334-) Fitting, Nipple, .25mal	1	
▽	11	9006620	(007334-) Valve, Lock Off	1
▲		9007380	(007334-) Filter, Fuelock,Lpg[Gm1.6l 2010]	1
	12	372528	(007334-) Hose, Mold, .62 To .75	2
	13	63810	(007334-) Clamp, Hose, Wormdrive, 0.56-1.06d, .56w	1
	14	372539	(007334-) Clamp, Hose, 1.0	3
	15	385011	(007334-) Fitting, E90	1
	16	385013	(007334-) Hose, Mold [Epr To Mixer]	1
	17	1041151	(007334-) Seal, Org, Sensor, Temp [Epr]	2
	18	1041152	(007334-) Sensor, Temp [Epr]	1
	19	11442-1	(007334-) Fitting, Hyd, E90, Spcl	1
	20	9008804	(007334-) Plate, Mtg [Epr]	1
	21	21195	(007334-) Screw, Hex, .38-16 X 0.75, G5	2
	22	32485	(007334-) Washer, Flat, 0.38, Sae	2
	23	87308	(007334-) Screw, Hex, M6 X 1.00 X 12, 8.8	3
	24	32483	(007334-) Washer, Flat, 0.25, Sae	3

Fig. 36 - Engine EFI Group, Gas (006409-007005)

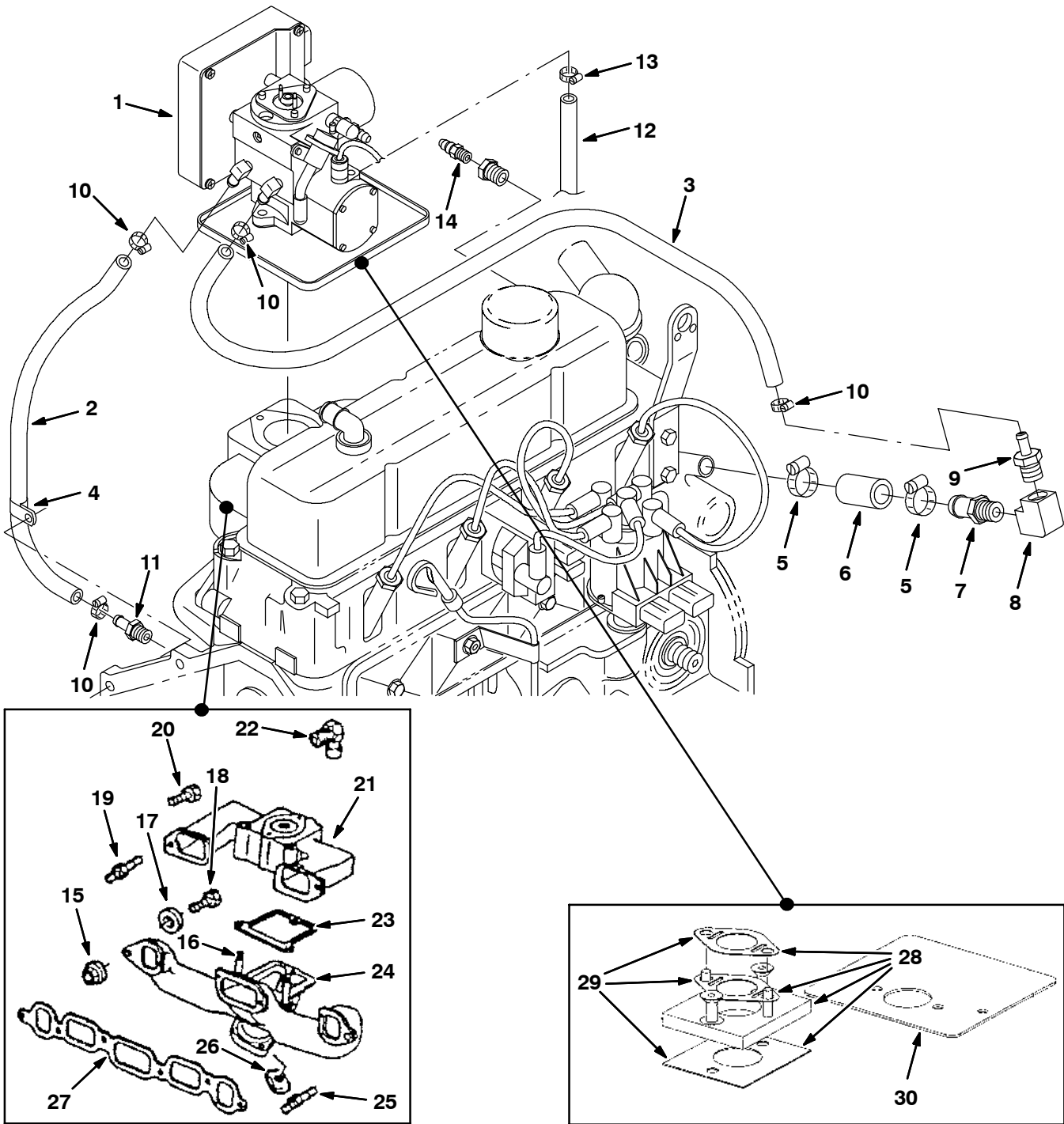


Fig. 36 - Engine EFI Group, Gas (006409-007005)

Ref.	Part No.	Serial Number	Description	Qty.	
1	371645	(006409-007005)	Housing Assy, Throttle, Gas, [With Ecu] (See Breakdowns)	1	
2	371532	(006409-007005)	Hose, Heater, .38id	1	
3	371532	(006409-007005)	Hose, Heater, .38id	1	
4	371533	(006409-007005)	Clamp, Tube	1	
5	11399	(006409-007005)	Clamp, Hose, Wormdrive, 1.56-2.50d	2	
6	371534	(006409-007005)	Hose, Water Heater	1	
7	371535	(006409-007005)	Fitting, Hose	1	
8	371536	(006409-007005)	Fitting, Elb	1	
9	371537	(006409-007005)	Fitting, Hose	1	
10	371538	(006409-007005)	Clamp, Hose, Wormdrive	4	
11	371520	(006409-007005)	Washer, Lock, #10	1	
12	16387	(006409-007005)	Hose, Fuel, 0.50ld 52L	1	
13	86824	(006409-007005)	Clamp, Hose, Wormdrive, 0.50-1.06d, .50w	1	
14	371764	(006409-007005)	Sensor, Water Temp	1	
15	393905	(006409-007005)	Nut	8	
16	393906	(006409-007005)	Stud	2	
17	393907	(006409-007005)	Washer	-	
18	393898	(006409-007005)	Bolt	3	
19	393908	(006409-007005)	Stud	1	
20	393909	(006409-007005)	Bolt	-	
21	393910	(006409-007005)	Manifold, Intake	1	
22	393911	(006409-007005)	Fitting	1	
23	393912	(006409-007005)	Gasket	1	
24	393913	(006409-007005)	Manifold, Exhaust	1	
25	393914	(006409-007005)	Stud	2	
26	393915	(006409-007005)	Clamp	4	
27	393916	(006409-007005)	Gasket	1	
▽	28	371646	(006409-007005)	Adapter Kit, Manifold	1
▲	29	371647	(006409-007005)	Gasket Kit, Manifold	1
	30	371658	(006409-007005)	Shield, Heat	1

Fig. 37 - Engine EFI Group, Gas (007006-007195)

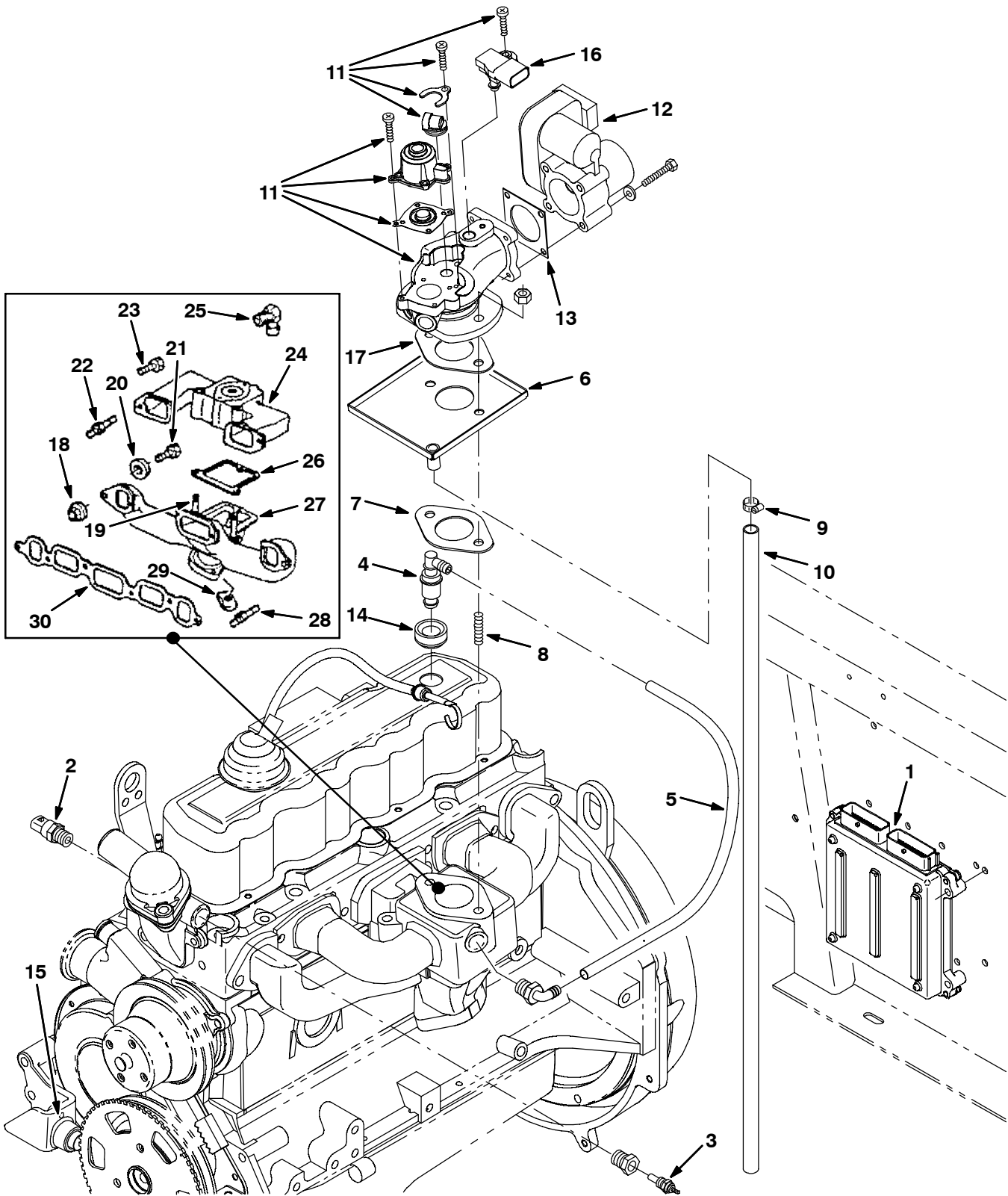


Fig. 37 - Engine EFI Group, Gas (007006-007195)

Ref.	Part No.	Serial Number	Description	Qty.
1	372860	(007006-007195)	Module, Ecu, Gas [GM 3.0]	1
2	372891	(007006-007195)	Sensor, Temp, Coolant	1
3	372472	(007006-007195)	Sensor, Temp	1
4	372483	(007006-007195)	Valve, [Pcv]	1
5	372489	(007006-007195)	Hose, 9.5mm X 450mm [Pcv]	1
6	1013350	(007006-007195)	Tray Wldt, Drip, Gas [3.0]	1
7	372490	(007006-007195)	Gasket, Carb	1
8	372466	(007006-007195)	Stud, .38-16 X 1.2l	2
9	86824	(007006-007195)	Clamp, Hose, Wormdrive, 0.50-1.06d, .50w	1
10	16387	(007006-007195)	Hose, Fuel, 0.50id 52.0l	1
11	372488	(007006-007195)	Housing Assy, Throttle, Gas	1
12	384974	(007006-007195)	Housing, Throttle, 40mm [Bosch]	1
13	372545	(007006-007195)	Gasket, Body, Throttle [1.6]	1
14	393984	(007006-007195)	Grommet	1
15	372492	(007006-007195)	Sensor, Speed, Timing Wheel [3.0]	1
16	372493	(007006-007195)	Sensor, [Tmap]	1
17	372490	(007006-007195)	Gasket, Carb	1
18	393905	(007006-007195)	Nut	8
19	393906	(007006-007195)	Stud	2
20	393907	(007006-007195)	Washer	-
21	393898	(007006-007195)	Bolt	3
22	393908	(007006-007195)	Stud	1
23	393909	(007006-007195)	Bolt	-
24	393910	(007006-007195)	Manifold, Intake	1
25	393911	(007006-007195)	Fitting	1
26	393912	(007006-007195)	Gasket	1
27	393913	(007006-007195)	Manifold, Exhaust	1
28	393914	(007006-007195)	Stud	2
29	393915	(007006-007195)	Clamp	4
30	393916	(007006-007195)	Gasket	1

Fig. 38 - Engine EFI Group, Gas (007196-)

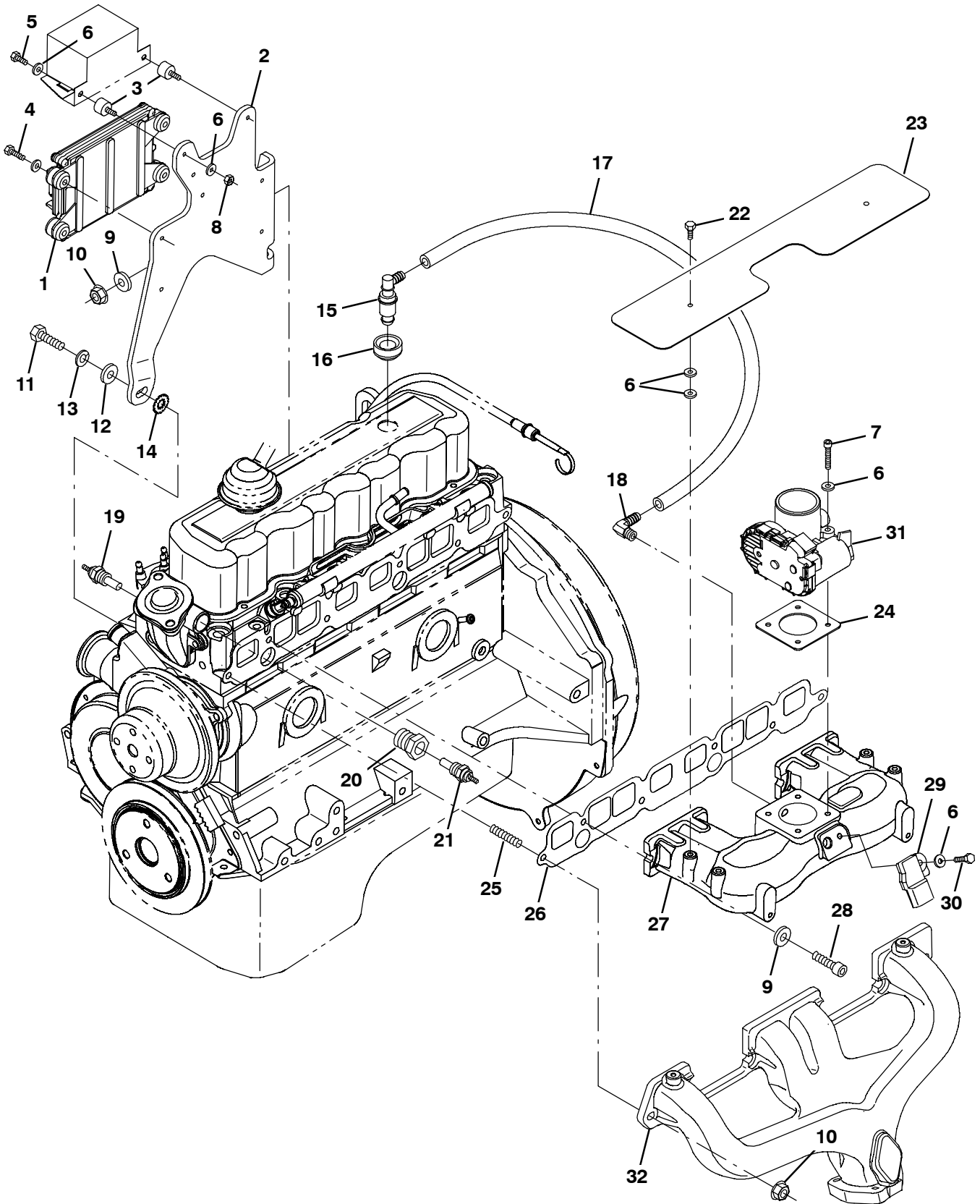


Fig. 38 - Engine EFI Group, Gas (007196-)

Ref.	Part No.	Serial Number	Description	Qty.
1	1032804	(007196-) Module, Ecu, Gas [Gm3.0l 2007]	1
2	385008	(007196-) Bracket, Box, Relay	1
3	372470	(007196-) Isolator, Box, Relay	2
4	25047	(007196-) Screw, Hex, .25-20 X 1.25, G5	4
5	19315	(007196-) Screw, Hex, .25-20 X 0.50, G5	2
6	32490	(007196-) Washer, Flat, 0.25, Std	13
7	06948	(007196-) Screw, Hex, M6 X 1.0 X 45, 8.8	4
8	19312	(007196-) Nut, Hex, Std, .25-20	2
9	371877	(007196-) Washer, Flat, 0.38, Hardened	5
10	27980	(007196-) Nut, Hex, Flng, .38-16	3
11	371553	(007196-) Screw, .38-16 X 1.00	1
12	371877	(007196-) Washer, Flat, 0.38, Hardened	1
13	371509	(007196-) Washer, Lock, 0.38	1
14	371875	(007196-) Washer, Lock, Int / Ext, 0.38	1
15	9006589	(007196-) Valve [Pcv]	1
16	393984	(007196-) Grommet	1
17	385001	(007196-) Hose, Fuel, .38d, Rbr	1
18	385002	(007196-) Fitting, E90	1
19	9006591	(007196-) Sensor, Temp, Coolant	1
20	385000	(007196-) Fitting, Bshg	1
21	372472	(007196-) Sensor, Temp	1
22	385007	(007196-) Screw, M6 X 10mm	2
23	385006	(007196-) Shield, Heat, Manifold	1
24	372545	(007196-) Gasket, Body, Throttle [1.6l]	1
25	372466	(007196-) Stud, .38-16 X 1.2l	2
26	385003	(007196-) Gasket, Manifold, Intake	1
27	385004	(007196-) Manifold, Intake [2007]	1
28	10830	(007196-) Screw, Soc, .38-16 X 1.00, Al	4
29	384985	(007196-) Sensor [T Map]	1
30	19317	(007196-) Screw, Hex, .25-20 X 0.75, G5	1
31	384974	(007196-) Housing, Throttle, 40mm [Bosch]	1
32	1060653	(007196-) Manifold, Exhaust [2007]	1

Fig. 39 - Engine Oil Filter and Drain Group (006409-)

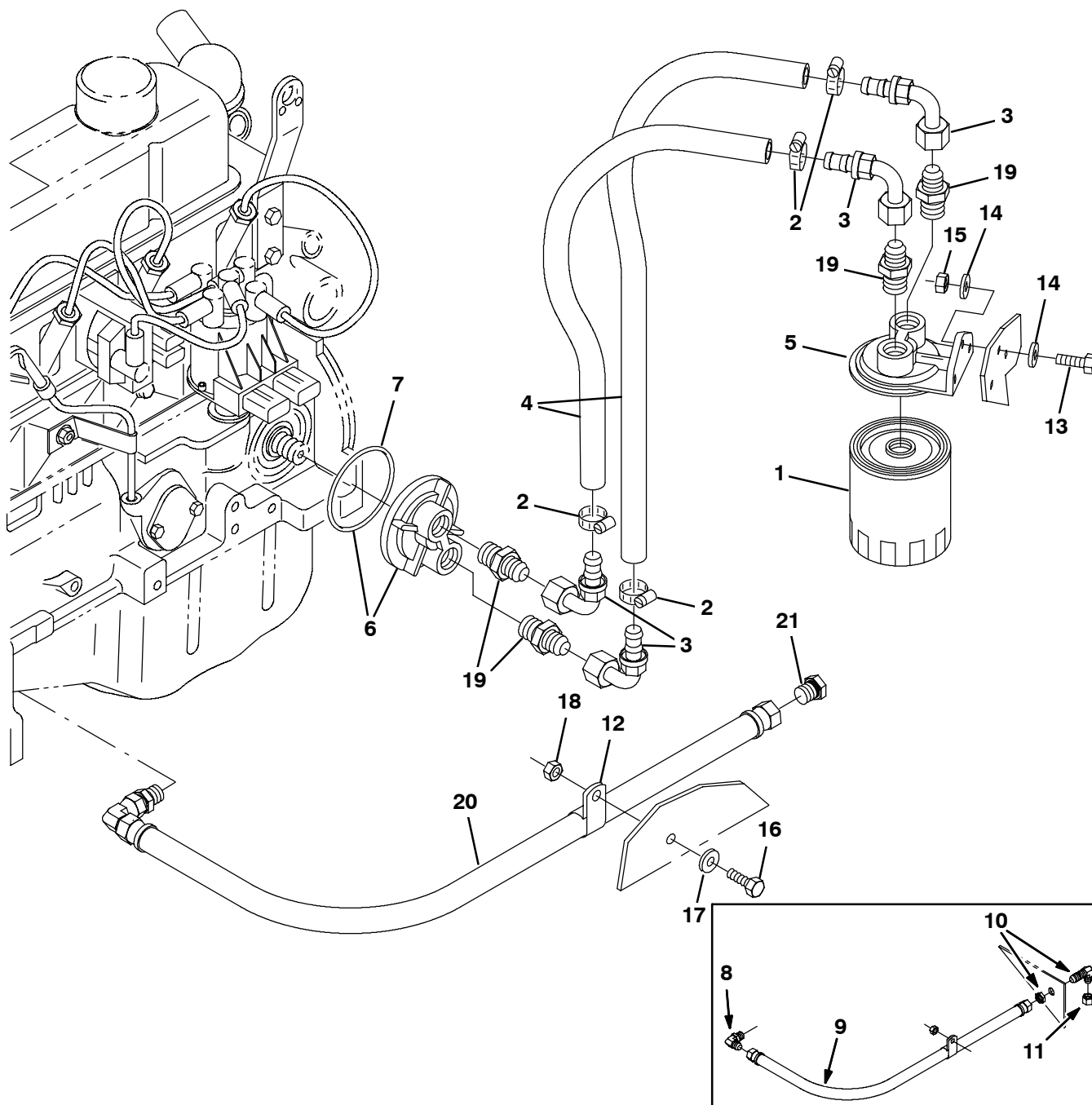


Fig. 39 - Engine Oil Filter and Drain Group (006409-)

Ref.	Part No.	Serial Number	Description	Qty.	
1	393982	(006409-) Filter, Oil	1	
2	11399	(006409-) Clamp, Hose, Wormdrive, 0.81-1.50d	4	
3	371500	(006409-) Fitting, 90 Deg	4	
4	371502	(006409-) Hose, .50	2	
5	371503	(006409-) Mount, Filter, Remote	1	
▽	6	371504	(006409-) Adaptor, Filter, Remote	1
▲	7	1032382	(006409-) Seal, Org, .139 X 03.109 Id	1
8	392545	(006409-007005) Fitting, Hyd, E90, Pm06/Jm06	1	
9	76762	(006409-007005) Hose, Hyd,Low06, Jf06str /Jf06str , 26.0	1	
10	57075	(006409-007005) Fitting, Hyd, E90, Jm06/Jm06	1	
11	40625	(006409-007005) Fitting, Hyd, Cap Jf06	1	
12	82829	(006409-) Clamp, Cable, Stl, 0.63d X 0.75w, 1h	1	
13	76956	(006409-) Screw, Hex, .31-18 X 1.25, 5	3	
14	32491	(006409-) Washer, Flt, .31 Std	6	
15	32983	(006409-) Nut, Hex, Lock, .31-18, NI	3	
16	42370	(006409-) Screw, Hex, .31-18 X 1.25, Ss	1	
17	01685	(006409-) Washer, Flt, .31 Ss	1	
18	41437	(006409-) Nut, Hex, Lock, .31-18, NI, Ss	1	
19	371505	(006409-) Fitting	4	
20	9006633	(007006-) Hose, Drain, Eng Oil	1	
21	9006635	(007006-) Fitting, Plug	1	

Fig. 40 - Engine Muffler Group (006115-006408)

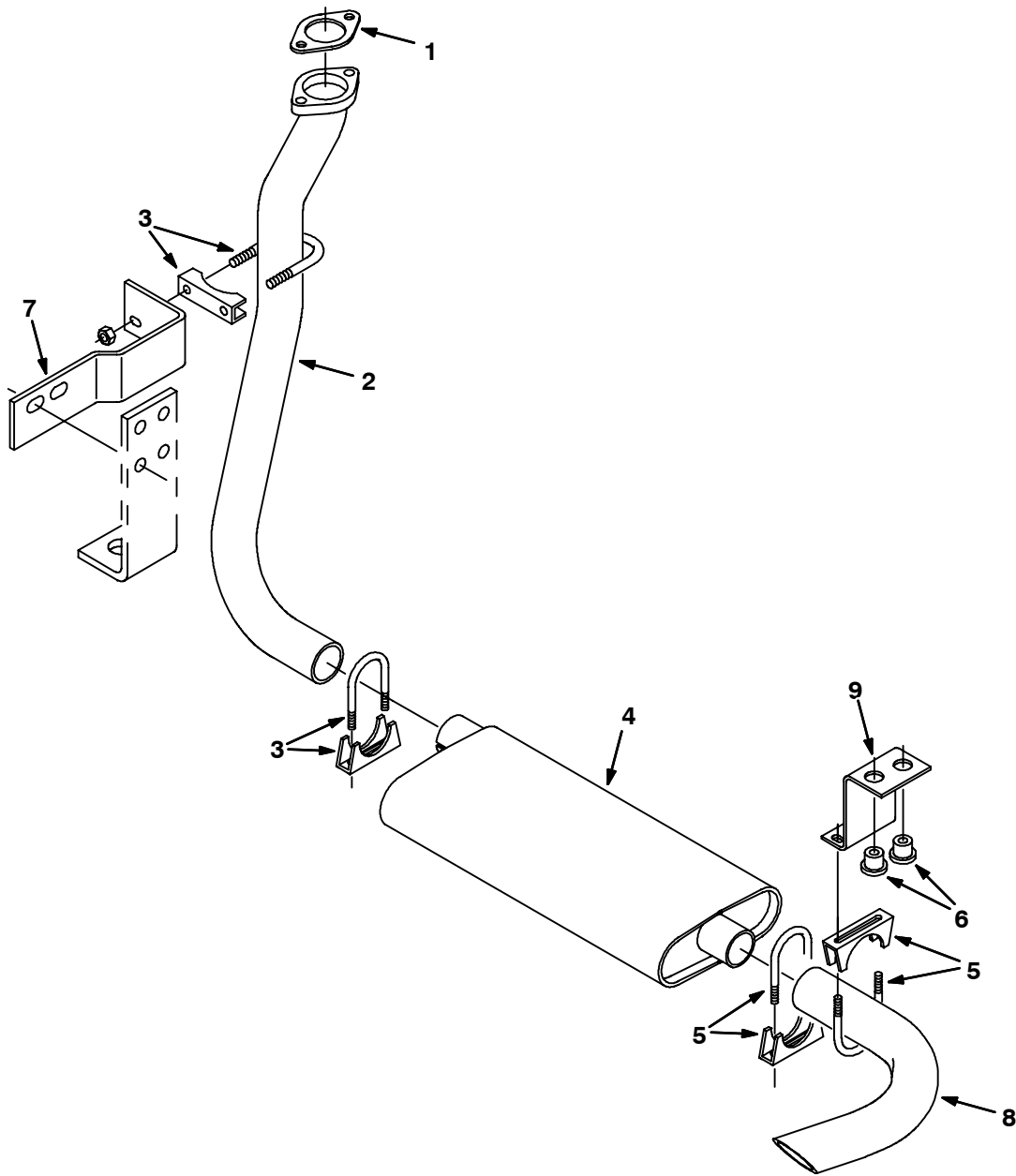


Fig. 40 - Engine Muffler Group (006115-006408)

Ref.	Part No.	Serial Number	Description	Qty.
1	34908	(006115-006408)	Gasket, Tail Pipe	1
2	16496	(006115-006408)	Tube, Exhaust	1
3	05880	(006115-006408)	Clamp, Muffler	2
4	21726	(006115-006408)	Muffler	1
5	24012-1	(006115-006408)	Clamp, Muffler	2
6	54274	(006115-006408)	Isolator, Vibration	2
7	49024	(006115-006408)	Bracket, Exhaust Support	1
8	76831	(006115-006408)	Pipe, Tail	1
9	12959	(006115-006408)	Bracket, Exhaust Mounting	1

Fig. 41 - Engine Muffler Group (006409-007005)

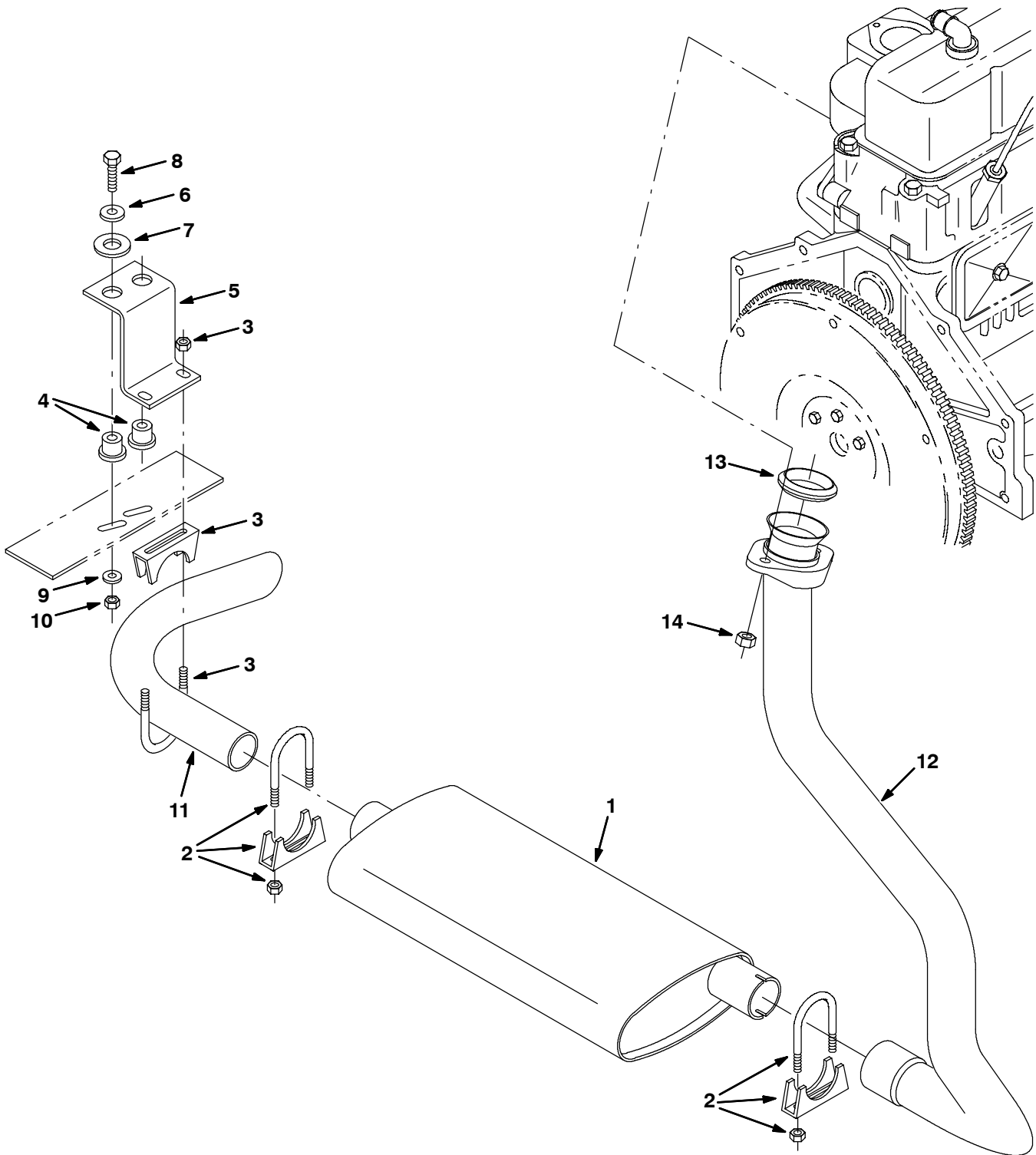


Fig. 41 - Engine Muffler Group (006409-007005)

Ref.	Part No.	Serial Number	Description	Qty.
1	21726	(006409-007005)	Muffler, Exhaust	1
2	05880	(006409-007005)	Clamp, Muffler, 1.88d	1
3	24012-1	(006409-007005)	Clamp, Muffler, 1.75d	2
4	54274	(006409-007005)	Isolator, Vib, Bshg, 1.1d 0.6l .4b 0.78h	2
5	12959	(006409-007005)	Bracket, Pipe, Exhaust	1
6	32492	(006409-007005)	Washer, Flt, .38 Std	2
7	39350	(006409-007005)	Washer, Flt, .75 Sae	2
8	76957	(006409-007005)	Screw, Hex, .31-18 X 1.50, 5	2
9	32491	(006409-007005)	Washer, Flt, .31 Std	2
10	32983	(006409-007005)	Nut, Hex, Lock, .31-18, NI	2
11	392543	(006409-007005)	Tube, Exhaust, 1.8d 1.8od Cut-45 E105	1
12	392540	(006409-007005)	Pipe, W/ Flange	1
13	371573	(006409-007005)	Gasket	1
14	25014	(006409-007005)	Nut, Hex, Std, .38-16	2

Fig. 42 - Engine Muffler Group (007006-007195)

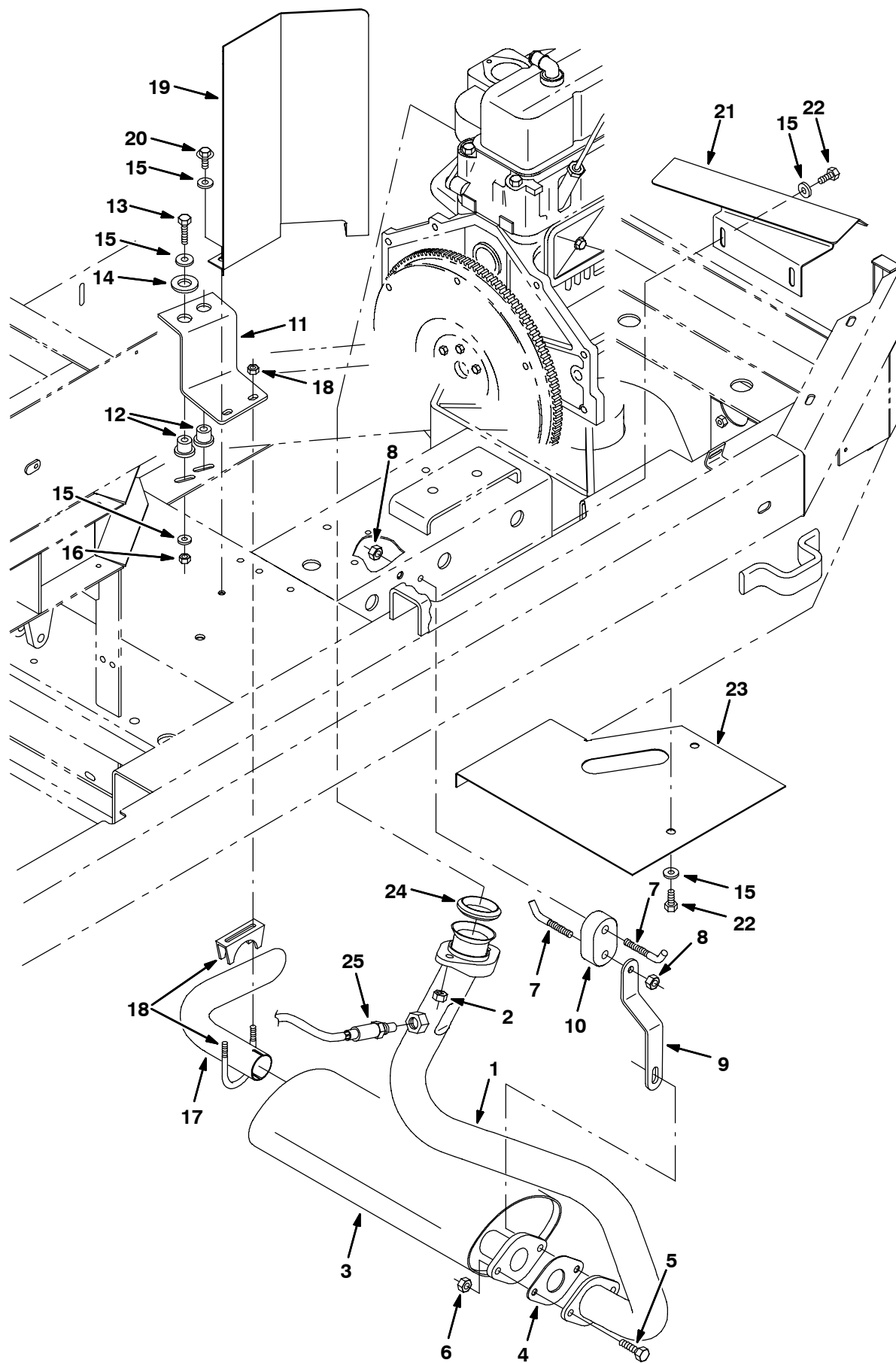


Fig. 42 - Engine Muffler Group (007006-007195)

Ref.	Part No.	Serial Number	Description	Qty.
1	1014769	(007006-007195)	Tube, Exhaust, 2.0d Flared W/ Fling	1
2	27979	(007006-007195)	Nut, Hex, Fling, .31-18	2
3	1011259	(007006-007195)	Muffler, Catalytic [Gm 1.6/3.0]	1
4	1011216	(007006-007195)	Gasket, Exhaust, 2 Hole, 3.4bc	1
5	27988	(007006-007195)	Screw, Hex, .38-16 X 1.50, 5	2
6	03556	(007006-007195)	Nut, Hex, Flexlock, .38-16	2
7	1015638	(007006-007195)	Rod, Hanger	2
8	25014	(007006-007195)	Nut, Hex, Std, .38-16	2
9	1014828	(007006-007195)	Plate, Exhaust Hanger	1
10	1013031	(007006-007195)	Isolator, Rubber	1
11	1015633	(007006-007195)	Bracket, Exhaust	1
12	1013590	(007006-007195)	Isolator, Vib, Bshg, 1.1d 0.6l .4b 0.78h	2
13	76957	(007006-007195)	Screw, Hex, .31-18 X 1.50, 5	2
14	39350	(007006-007195)	Washer, Flat, 0.75 Sae	2
15	32491	(007006-007195)	Washer, Flat, 0.31 Std	11
16	32983	(007006-007195)	Nut, Hex, Lock, .31-18, NI	2
17	1014774	(007006-007195)	Tube, Exhaust, 1.6d 1.6d 45deg Cut E90	1
18	24012	(007006-007195)	Clamp, Muffler, 1.62d	1
19	1015821	(007006-007195)	Bracket, Shield, Heat	1
20	41195	(007006-007195)	Screw, Hex, .31-18 X 0.75, Fmg	3
21	1017203	(007006-007195)	Shield, Heat	1
22	54396	(007006-007195)	Screw, Hex, .31-18 X 0.75, 5	4
23	1017241	(007006-007195)	Plate, Eng	1
24	371573	(007006-007195)	Gasket	1
25	372491	(007006-007195)	Sensor, Oxygen	1

Fig. 43 - Engine Muffler Group (007196-)

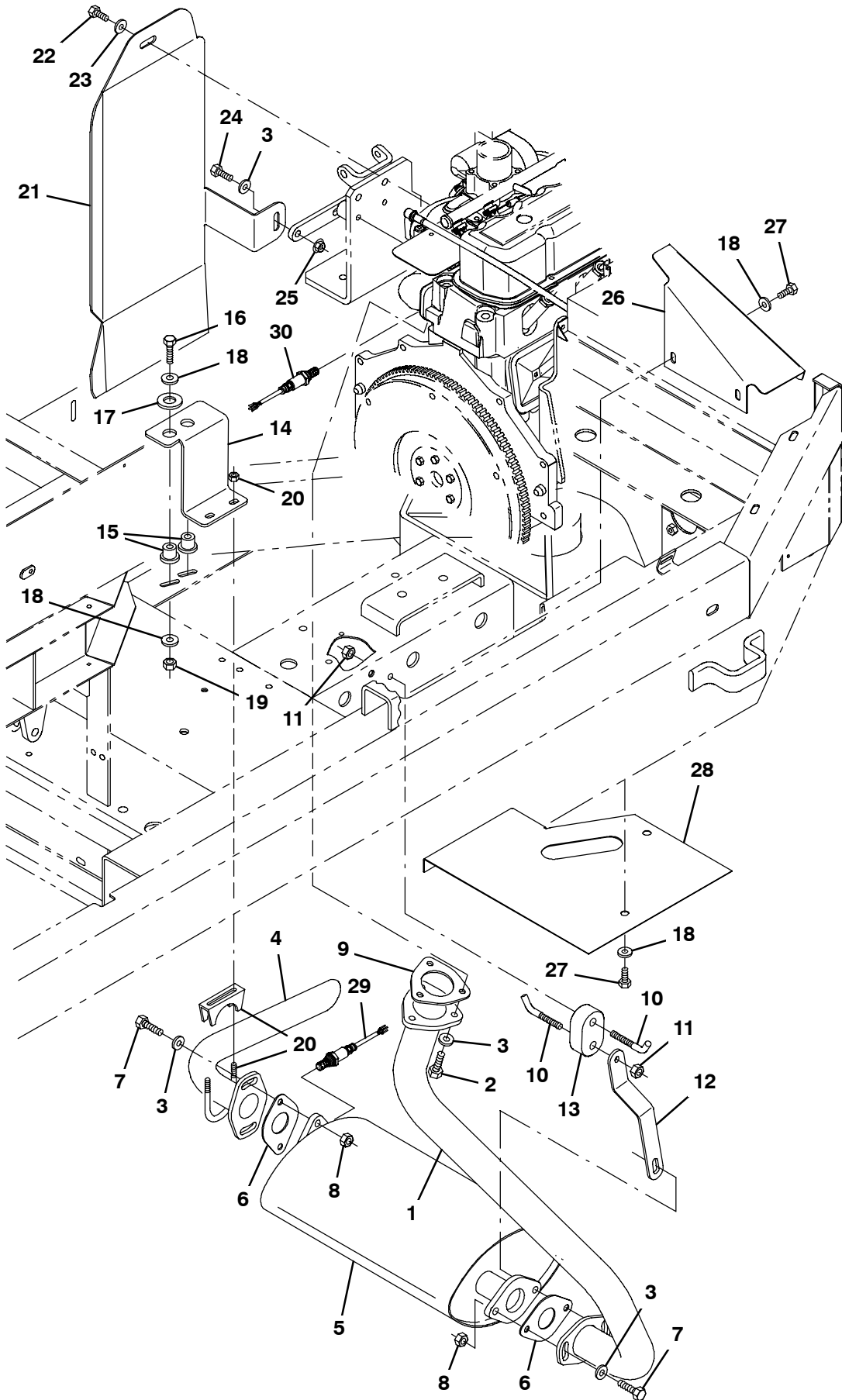
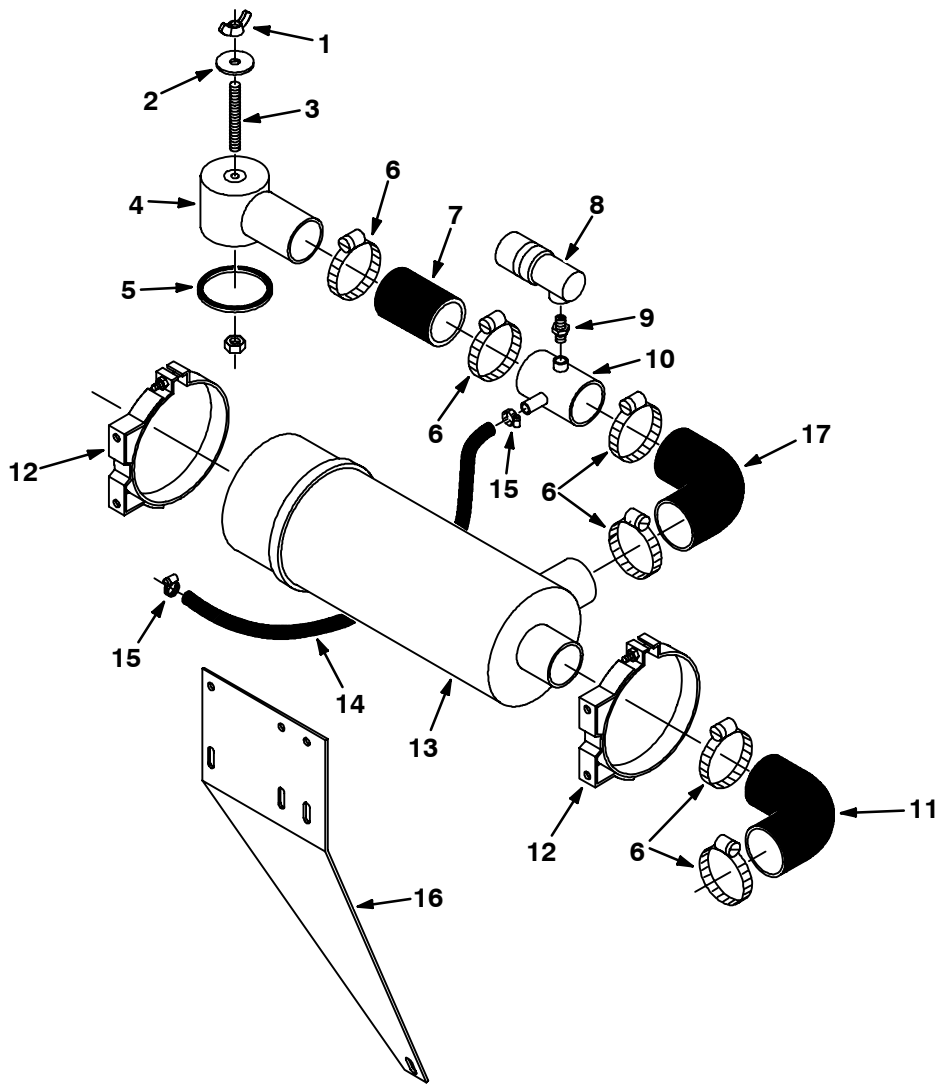


Fig. 43 - Engine Muffler Group (007196-)

Ref.	Part No.	Serial Number	Description	Qty.
1	1032391	(007196-) Tube, Exhaust, 2.0d [550/1550 07]	1
2	76570	(007196-) Screw, Hex, M8 X 1.25 X 30, 8.8	3
3	32492	(007196-) Washer, Flat, 0.38, Std	8
4	1032477	(007196-) Tube, Exhaust, 1.6d, 2 Sl Flng [550 07]	1
5	1030533	(007196-007333) Muffler, Catalytic [Gm 3.0l 2007]	1
5	1062668	(007334-) Muffler, Catalytic [Gm 3.0l 2010]	1
6	1011216	(007196-) Gasket, Exhaust, .07, 1.63id, 2/3.4bc	2
7	27988	(007196-) Screw, Hex, .38-16 X 1.50, G5	4
8	03556	(007196-) Nut, Hex, Flexlock, .38-16	4
9	1060286	(007196-) Gasket Flng, Exhaust	1
10	1015638	(007196-) Rod, Hanger	2
11	25014	(007196-) Nut, Hex, Std, .38-16	2
12	1032569	(007196-) Plate, Hanger, Exhaust [550/1550 07]	1
13	1013031	(007196-) Isolator, Rbr	1
14	1032823	(007196-) Bracket, Pipe, Exhaust [550/1550 07]	1
15	1013590	(007196-) Isolator, Vib, Bshg, 1.1d 0.6l .4b 0.78h	2
16	76957	(007196-) Screw, Hex, .31-18 X 1.50, G5	2
17	39350	(007196-) Washer, Flat, 0.75, Sae	2
18	32491	(007196-) Washer, Flat, 0.31, Std	8
19	32983	(007196-) Nut, Hex, Lock, .31-18, NI	2
20	24012	(007196-) Clamp, Muffler, 1.62d	1
21	1032774	(007196-) Bracket, Shield, Heat [550/1550 07]	1
22	87308	(007196-) Screw, Hex, M6 X 1.00 X 12, 8.8	1
23	32483	(007196-) Washer, Flat, 0.25, Sae	1
24	39277	(007196-) Screw, Hex, M8 X 1.25 X 25, 8.8	1
25	07791	(007196-) Nut, Hex, Flng, M8 X 1.25	1
26	1032778	(007196-) Shield, Heat [550/1550 07]	1
27	54396	(007196-) Screw, Hex, .31-18 X 0.75, G5	4
28	1017241	(007196-) Plate, Eng	1
29	1028558	(007196-) Sensor, Exhaust, Tailpipe	1
30	1028559	(007196-007333) Sensor, Oxygen [Gm 1.6l/3.0l 2007]	1
30	1028558	(007334-) Sensor, Exhaust, Tailpipe	1

STANDARD PARTS

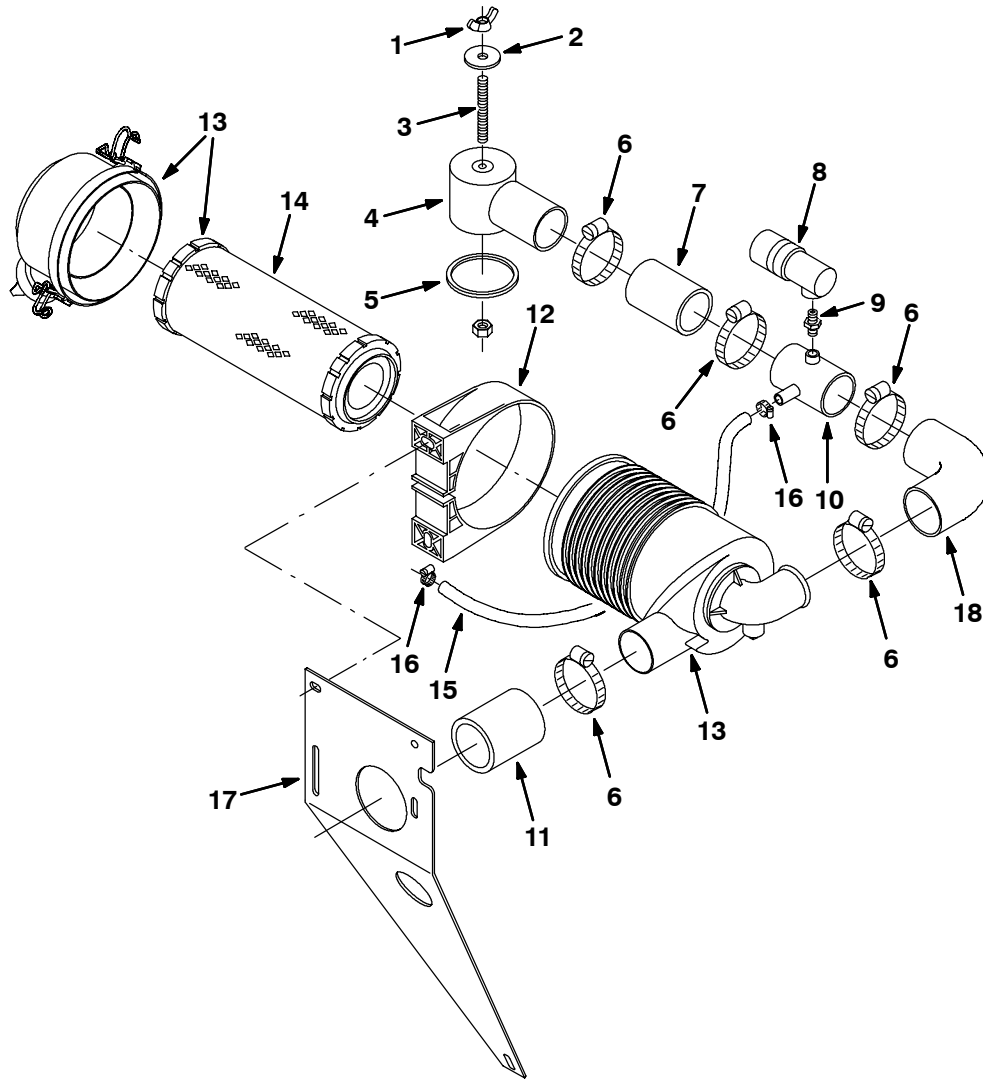
Fig. 44 - Engine Air Cleaner Group, Gas (006115-006267)



00107 - 550, 1550, G

Ref.	Part No.	Serial Number	Description	Qty.
1	26509	(006115-006267)	Nut, Wing	1
2	24924	(006115-006267)	Washer, Nylon	1
3	34996	(006115-006267)	Stud	1
4	34997	(006115-006267)	Elbow, Carburetor	1
5	16738	(006115-006267)	Gasket, Carburetor Air Horn	1
6	22297	(006115-006267)	Clamp, Worm Drive	6
7	15543	(006115-006267)	Coupling, Air Cleaner Tube	1
8	51658-5	(006115-006267)	Indicator, Filter Service	1
9	51560-5	(006115-006267)	Adapter, Filter, 1/8NPT	1
10	09725	(006115-006267)	Tube, Air Cleaner	1
11	76825	(006115-006267)	Elbow, Carburetor	1
12	51560-3	(006115-006267)	Clamp, Mounting	2
▽	13	398296	Kit, Replacement, Air Cleaner F/76827	1
▲		58120	Element, Air Filter	1
14	47826	(006115-006267)	Hose, Rubber	1
15	54333	(006115-006267)	Clamp, Worm Drive	2
16	76332	(006115-006267)	Brace, Rear Shroud	1
17	10509	(006115-006267)	Elbow, Air Cleaner	1

Fig. 45 - Engine Air Cleaner Group, Gas (006268-006408)

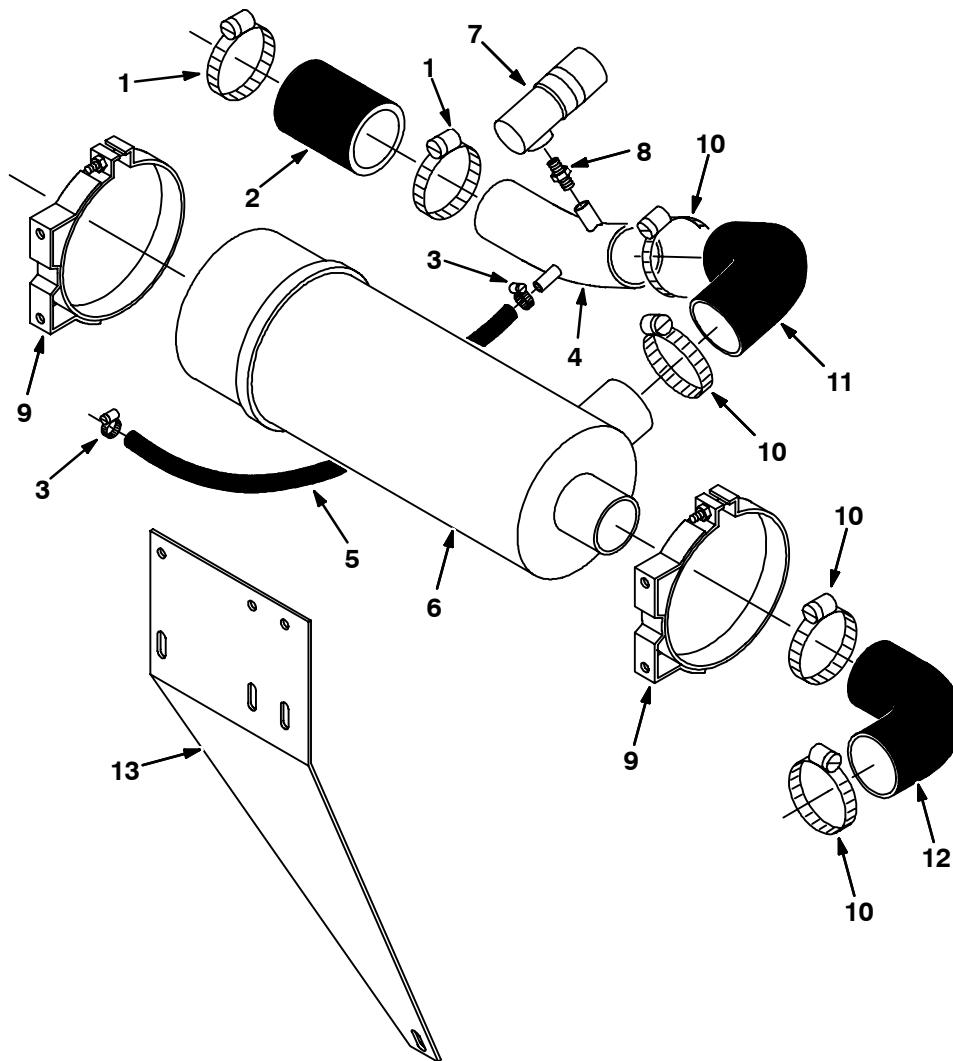


00107 - 550, 1550, G

Ref.	Part No.	Serial Number	Description	Qty.	
1	26509	(006268-006408)	Nut, Wing	1	
2	24924	(006268-006408)	Washer, Nylon	1	
3	34996	(006268-006408)	Stud	1	
4	34997	(006268-006408)	Elbow, Carburetor	1	
5	16738	(006268-006408)	Gasket, Carburetor Air Horn	1	
6	22297	(006268-006408)	Clamp, Worm Drive	5	
7	15543-2	(006268-006408)	Coupling, Air Cleaner Tube	1	
8	51658-5	(006268-006408)	Indicator, Filter Service	1	
9	51560-5	(006268-006408)	Adapter, Filter, 1/8NPT	1	
10	09725	(006268-006408)	Tube, Air Cleaner	1	
11	15543	(006268-006408)	Elbow, Carburetor	1	
12	369747	(006268-006408)	Clamp, Mounting	1	
▽	13	369745	(006268-006408)	Air Cleaner	1
▲	14	369746	(006268-006408)	Element, Air Filter	1
15	47826	(006268-006408)	Hose, Rubber	1	
16	54333	(006268-006408)	Clamp, Worm Drive	2	
17	369751	(006268-006408)	Brace, Rear Shroud	1	
18	10509	(006268-006408)	Elbow, Air Cleaner	1	

STANDARD PARTS

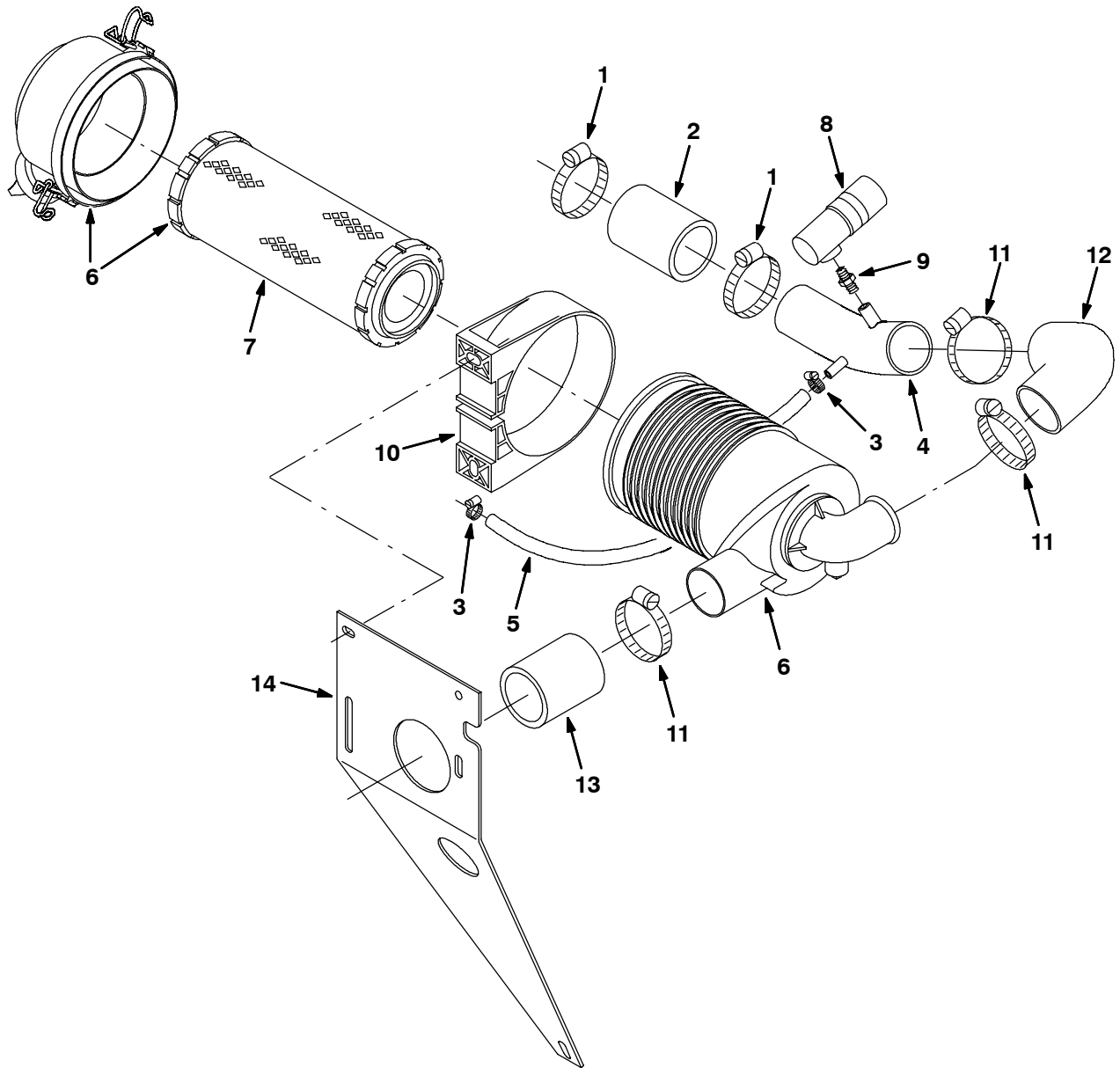
Fig. 46 - Engine Air Cleaner Group, LPG (006115-006267)



00108 - 550, LP

Ref.	Part No.	Serial Number	Description	Qty.
1	43555	(006115-006267)	Clamp, Worm Drive	2
2	15543-2	(006115-006267)	Coupling, Air Cleaner Tube	1
3	54333	(006115-006267)	Clamp, Worm Drive	2
4	10488	(006115-006267)	Tube, Air Cleaner	1
5	76589-2	(006115-006267)	Hose, Rubber	1
▽	6	398296	Kit, Replacement, Air Cleaner F/76827	1
▲	58120	(006115-006267)	Element, Air Filter	1
7	51658-5	(006115-006267)	Indicator, Filter Service	1
8	51560-5	(006115-006267)	Adapter, Filter, 1/8NPT	1
9	51560-3	(006115-006267)	Clamp, Mounting	2
10	22297	(006115-006267)	Clamp, Worm Drive	4
11	10509	(006115-006267)	Elbow, Air Cleaner	1
12	76825	(006115-006267)	Elbow, Carburetor	1
13	76332	(006115-006267)	Brace, Rear Shroud	1

Fig. 47 - Engine Air Cleaner Group, LPG (006268-006408)



00108 - 550, LP

Ref.	Part No.	Serial Number	Description	Qty.	
1	43555	(006268-006408)	Clamp, Worm Drive	2	
2	15543-2	(006268-006408)	Coupling, Air Cleaner Tube	1	
3	54333	(006268-006408)	Clamp, Worm Drive	2	
4	10488	(006268-006408)	Tube, Air Cleaner	1	
5	76589-2	(006268-006408)	Hose, Rubber	1	
▽	6	369745	(006268-006408)	Air Cleaner	1
▲	7	369746	(006268-006408)	Element, Air Filter	1
8	51658-5	(006268-006408)	Indicator, Filter Service	1	
9	51560-5	(006268-006408)	Adapter, Filter, 1/8NPT	1	
10	369747	(006268-006408)	Clamp, Mounting	1	
11	22297	(006268-006408)	Clamp, Worm Drive	3	
12	10509	(006268-006408)	Elbow, Air Cleaner	1	
13	15543	(006268-006408)	Elbow, Carburetor	1	
14	369751	(006268-006408)	Brace, Rear Shroud	1	

Fig. 48 - Engine Air Cleaner Group, G/LPG (006409-007005)

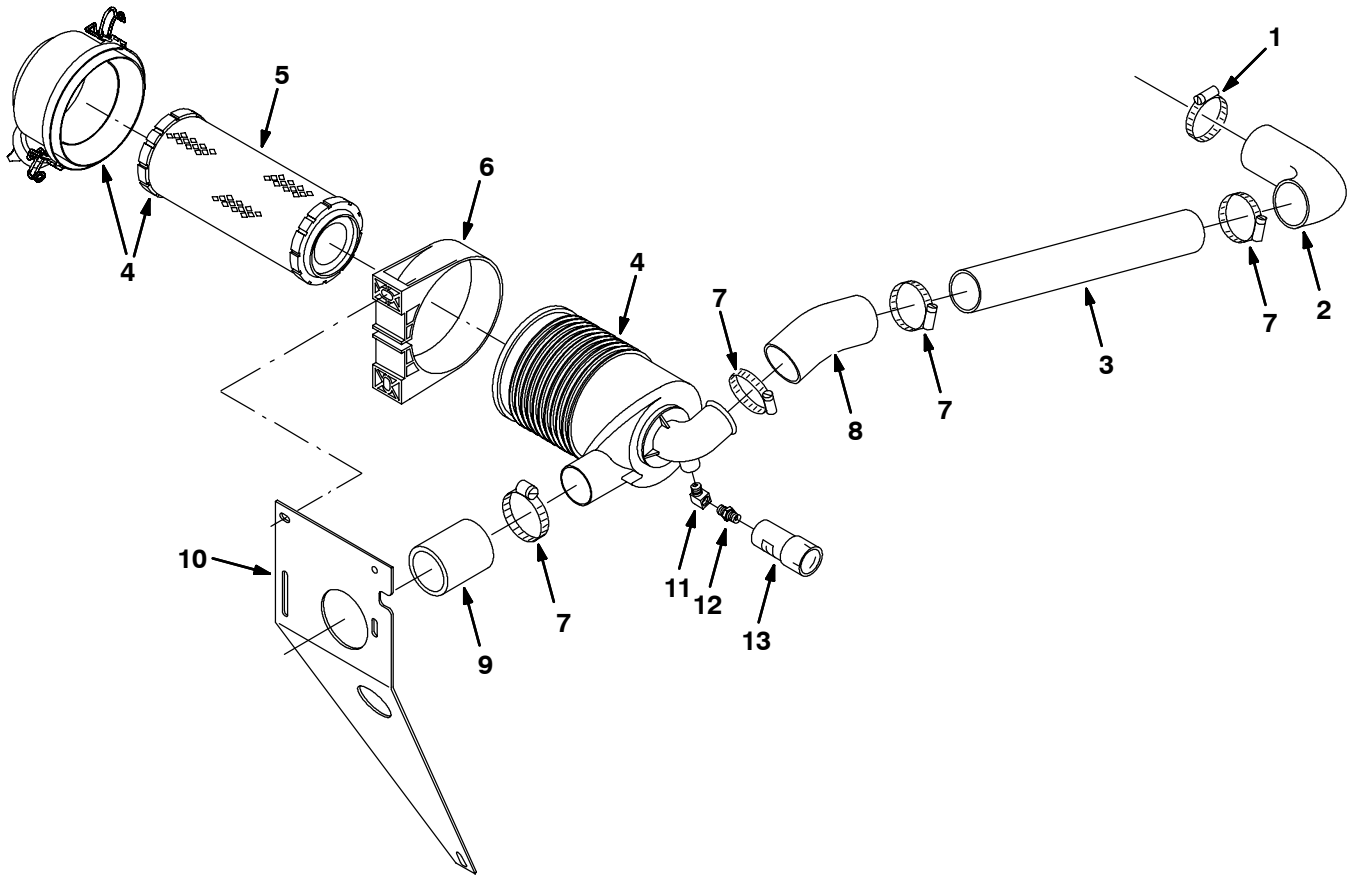


Fig. 48 - Engine Air Cleaner Group, G/LPG (006409-007005)

Ref.	Part No.	Serial Number	Description	Qty.	
1	43555	(006409-007005)	Clamp, Hose, Wormdrive, 1.62-3.50d	1	
2	371565	(006409-007005)	Hose, Rbr, E90	1	
3	371581	(006409-007005)	Pipe, Air Cleaner	1	
▽	4	369745	(006409-007005)	Filter, Air Cleaner Assembly	1
▲	5	369746	(006409-007005)	Element, Air Filter	1
6	369747	(006409-007005)	Clamp, Mounting, Air Cleaner	1	
7	22297	(006409-007005)	Clamp, Hose, Wormdrive, 1.56-2.50d	4	
8	10509	(006409-007005)	Hose, Rbr, E90 2.00id 2.00id 03.5 2.3	1	
9	15543	(006409-007005)	Hose, Rbr, 2.00id 2.50od 03.0l	1	
10	369751	(006409-007005)	Brace, Rear Shroud	1	
11	11984	(006409-007005)	Fitting, Pipe, E90, Pm02/Pf02	1	
12	51560-5	(006409-007005)	Fitting, Brs, Str, 02mp, Service	1	
13	03026	(006409-007005)	Indicator, Air Filter	1	

STANDARD PARTS

Fig. 49 - Engine Air Cleaner Group, LPG (007006-)

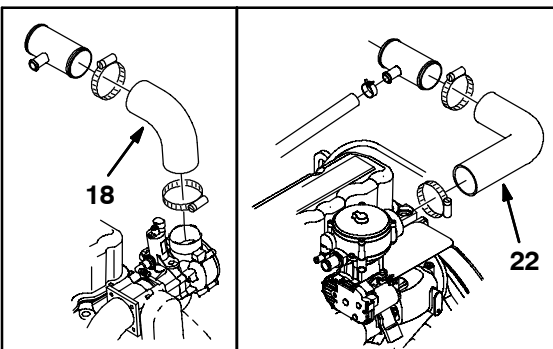
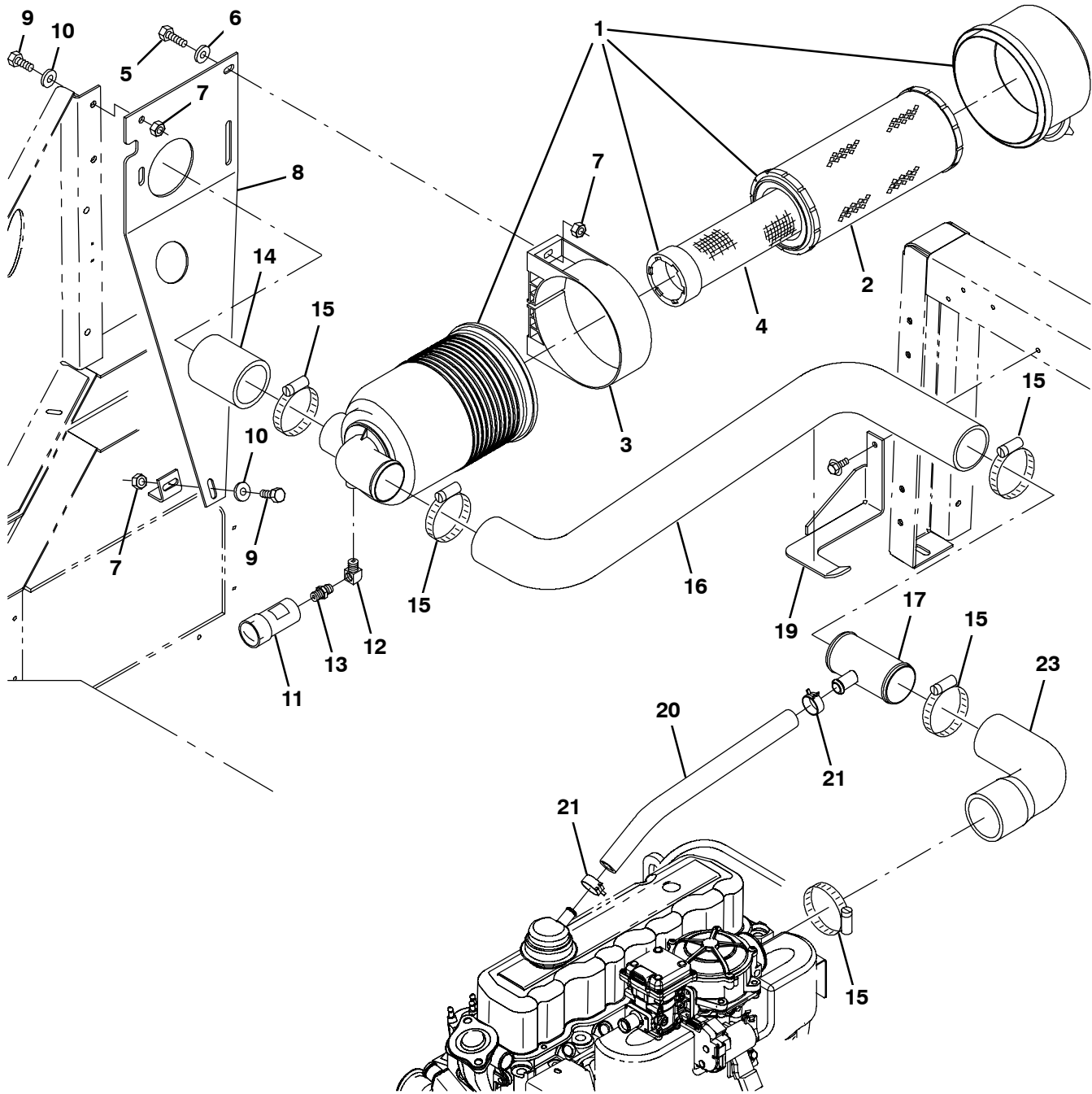


Fig. 49 - Engine Air Cleaner Group, LPG (007006-)

Ref.	Part No.	Serial Number	Description	Qty.
▽	1	369745	(007006-) Filter, Assy, Air	1
▲	2	369746	(007006-) Element, Fltr, Air, [Dn#P831424]	1
	3	369747	(007006-) Clamp, Mtg, Filter, Air	1
	4	398279	(007006-) Element, Fltr, Air, [Dnp822858] Safety	1
	5	76955	(007006-) Screw, Hex, .31-18 X 1.00, 5	2
	6	39349	(007006-) Washer, Flat, 0.31 Sae	2
	7	32983	(007006-) Nut, Hex, Lock, .31-18, NI	5
	8	369751	(007006-) Brace, Rear Shroud	1
	9	54396	(007006-) Screw, Hex, .31-18 X 0.75, 5	3
	10	32491	(007006-) Washer, Flat, 0.31 Std	3
	11	03026	(007006-) Indicator, Service, Air Filter 20h20 Dn	1
	12	11984	(007006-) Fitting, Pipe, E90, Pm02/Pf02	1
	13	51560-5	(007006-) Fitting, Brs, Str, Pm02, Service	1
	14	15543	(007006-) Hose, Rbr, 2.00id 2.50od 03.0l	1
	15	22297	(007006-) Clamp, Hose, Wormdrive, 1.56-2.50d, .50w	5
	16	1014712	(007006-) Hose, Intake, Mold, E90 E90 2.0id 2.0id	1
	17	1011780	(007006-) Tube Wldt, Tee	1
	18	76825	(007006-007195) Hose, Rbr, E90 2.00id 2.00id 03.5 03.5	1
	19	1016171	(007006-) Bracket, Sppt, Hose	1
	20	13124	(007006-) Hose, Heater, 0.62id 18.0l	1
	21	1011899	(007006-) Clamp, Hose, Spring Stl, 0.86d X 0.38w	2
	22	1032757	(007196-007333) Hose, Intake, Mold, E90, 2.0id[550/1550]	1
	23	1063017	(007334-) Hose, Intake, Mold, E90 2.00id 2.26id	1

STANDARD PARTS

Fig. 50 - Engine Air Cleaner Group, Gas (007006-)

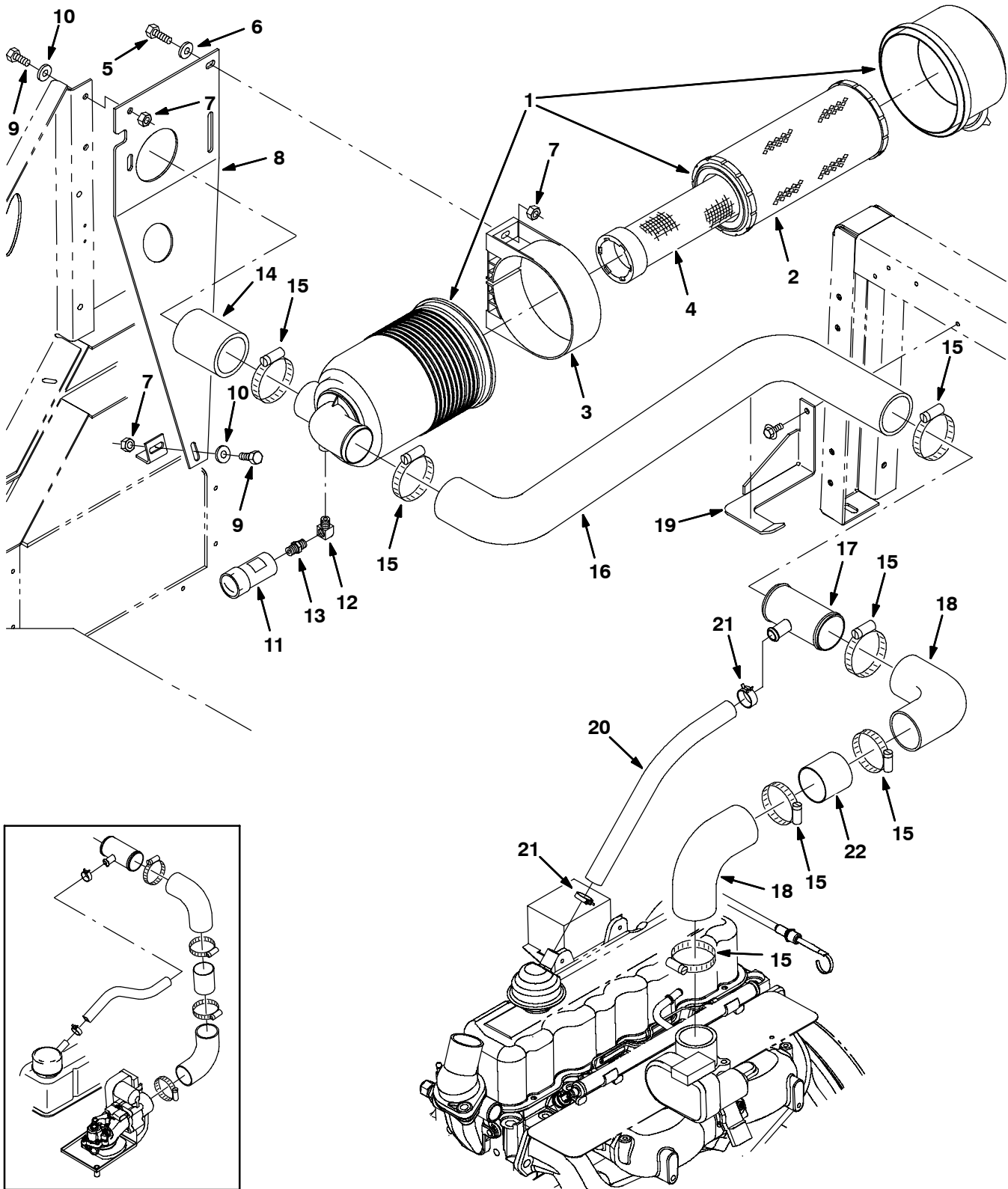


Fig. 50 - Engine Air Cleaner Group, Gas (007006-)

Ref.	Part No.	Serial Number	Description	Qty.
▽	1	369745	(007006-) Filter, Assy, Air	1
▲	2	369746	(007006-) Element, Fltr, Air, [Dn#P831424]	1
	3	369747	(007006-) Clamp, Mtg, Filter, Air	1
	4	398279	(007006-) Element, Fltr, Air, [Dnp822858] Safety	1
	5	76955	(007006-) Screw, Hex, .31-18 X 1.00, 5	2
	6	39349	(007006-) Washer, Flat, 0.31 Sae	2
	7	32983	(007006-) Nut, Hex, Lock, .31-18, NI	5
	8	369751	(007006-) Brace, Rear Shroud	1
	9	54396	(007006-) Screw, Hex, .31-18 X 0.75, 5	3
	10	32491	(007006-) Washer, Flat, 0.31 Std	3
	11	03026	(007006-) Indicator, Service, Air Filter 20h20 Dn	1
	12	11984	(007006-) Fitting, Pipe, E90, Pm02/Pf02	1
	13	51560-5	(007006-) Fitting, Brs, Str, Pm02, Service	1
	14	15543	(007006-) Hose, Rbr, 2.00id 2.50od 03.0l	1
	15	22297	(007006-) Clamp, Hose, Wormdrive, 1.56-2.50d, .50w	7
	16	1014712	(007006-) Hose, Intake, Mold, E90 E90 2.0id 2.0id	1
	17	1011780	(007006-) Tube Wldt, Tee	1
	18	76825	(007006-) Hose, Rbr, E90 2.00id 2.00id 03.5 03.5	2
	19	1016171	(007006-) Bracket, Sppt, Hose	1
	20	13124	(007006-) Hose, Heater, 0.62id 18.0l	1
	21	1011899	(007006-) Clamp, Hose, Spring Stl, 0.86d X 0.38w	2
	22	79536	(007006-) Tube, 02.00d 01.88b 02.5l Ss	1

Fig. 51 - Engine Radiator and Hydraulic Cooler Group (006115-006408)

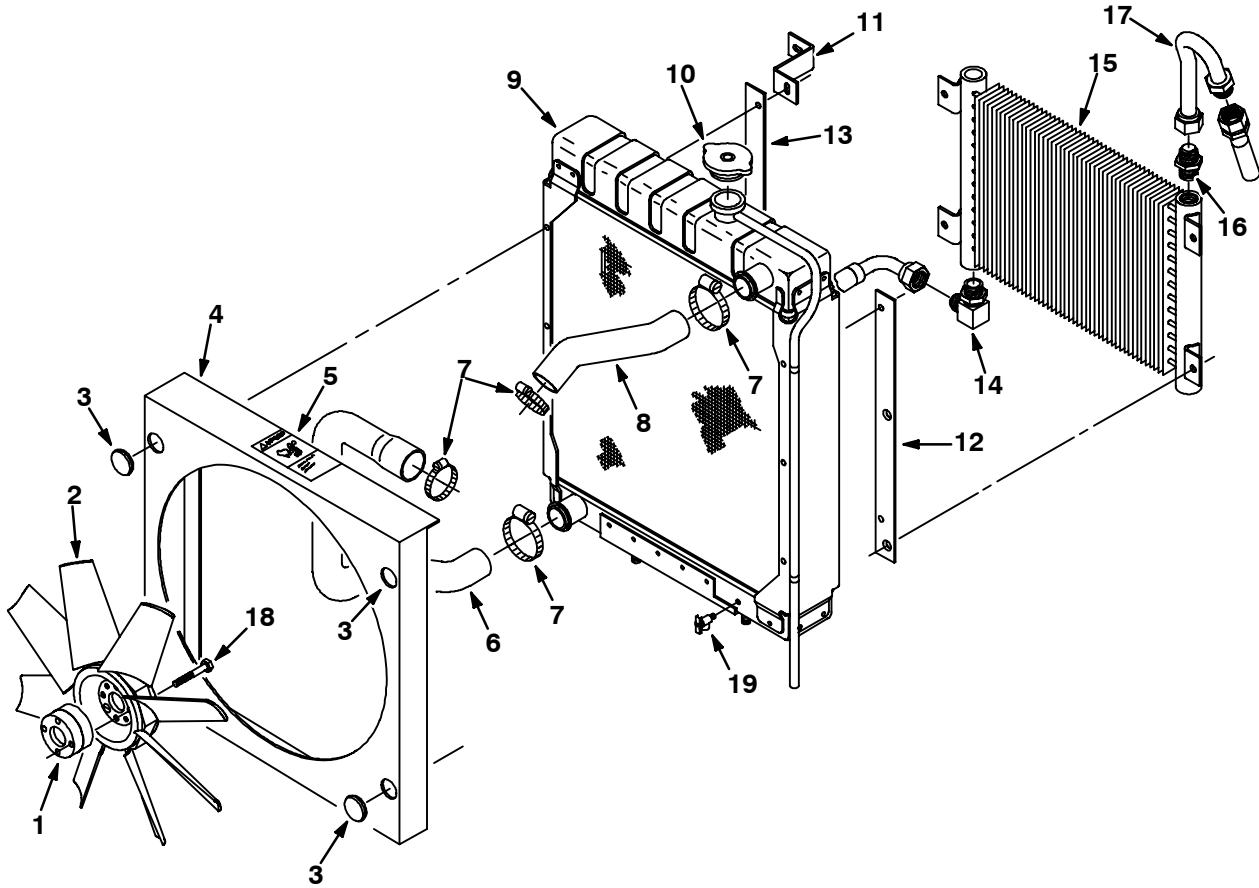


Fig. 51 - Engine Radiator and Hydraulic Cooler Group (006115-006408)

Ref.	Part No.	Serial Number	Description	Qty.	
1	391858	(006115-006408)	Spacer, Fan	1	
2	375585	(006115-006408)	Fan	1	
3	50967	(006115-006408)	Plugbutton	4	
4	50817	(006115-006408)	Shroud, Fan	1	
5	68962	(006115-006408)	Label, Engine Fan	1	
6	25179	(006115-006408)	Hose, Radiator	1	
7	11531	(006115-006408)	Clamp, Worm Drive	4	
8	16820	(006115-006408)	Hose, Radiator	1	
▽	9	61611	(006115-006408)	Radiator	1
▲	10	51321-3	(006115-006408)	Cap, Radiator	1
11	75486A	(006115-006408)	Bracket, Radiator	1	
12	76596A-1	(006115-006408)	Strip, Mounting	1	
13	76596A	(006115-006408)	Strip, Mounting	1	
14	46481	(006115-006408)	Fitting, Elbow	1	
15	31592	(006115-006408)	Cooler, Hydraulic	1	
16	42260	(006115-006408)	Fitting, Straight	1	
17	78144B	(006115-006408)	Tube Assembly, Hydraulic	1	
18	39279	(006115-006408)	Screw, Hex, M8	4	
19	51305	(006115-006408)	Cock, Drain	1	

Fig. 52 - Engine Radiator and Hydraulic Cooler Group (006409-007005)

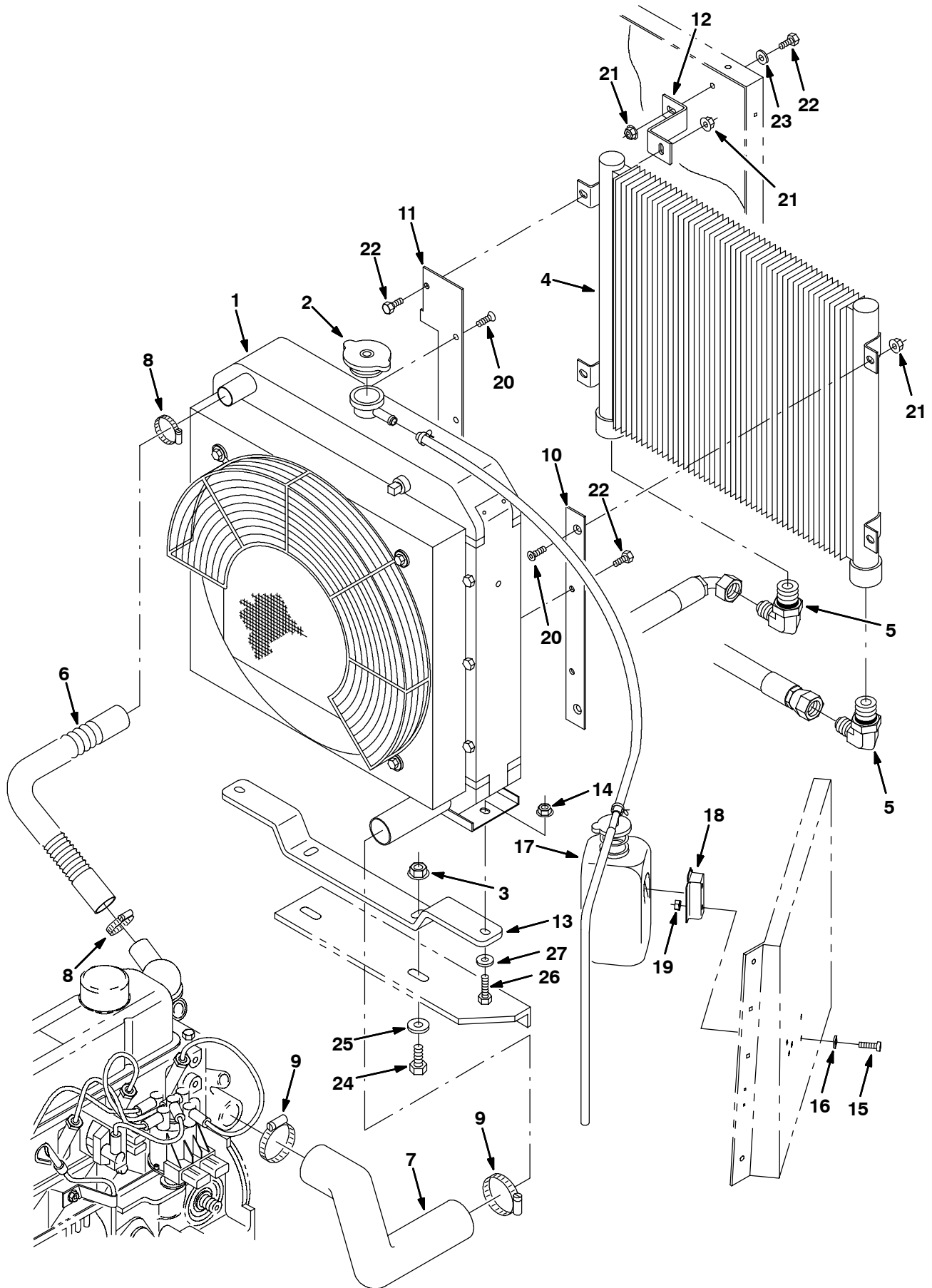


Fig. 52 - Engine Radiator and Hydraulic Cooler Group (006409-007005)

Ref.	Part No.	Serial Number	Description	Qty.
1	371575	(006409-007005)	Radiator Assy	1
2	368132	(006409-007005)	Cap, Radiator, 15psi	1
3	27981	(006409-007005)	Nut, Hex, Flng, .50-13	2
4	73106	(006409-007005)	Cooler, Hyd 25gpm 400btu Of16 19x18x2	1
5	52911	(006409-007005)	Fitting, Hyd, E90, Jm12/Om16	2
6	393970	(006409-007005)	Hose, Radiator, Upper	1
7	393971	(006409-007005)	Hose, Radiator, Lower	1
8	11399	(006409-007005)	Clamp, Hose, Wormdrive, 0.81-1.50d	2
9	20983	(006409-007005)	Clamp, Hose, Wormdrive, 3.25-4.12d	2
10	392534	(006409-007005)	Strip, Cooler, Mtg	1
11	392530	(006409-007005)	Strip, Cooler, Mtg	1
12	75486A	(006409-007005)	Bracket, Radiator	1
13	371579	(006409-007005)	Bracket, Radiator	1
14	27980	(006409-007005)	Nut, Hex, Flng, .38-16	2
15	09164	(006409-007005)	Screw, Pan, M06 X 1.0 X 20, 4.8	2
16	32490	(006409-007005)	Washer, Flt, .25 Std	2
17	87972	(006409-007005)	Tank, Recovery	1
18	382507	(006409-007005)	Bracket, Mtg, Overflow	1
19	08708	(006409-007005)	Nut, Hex, Lock, M06 X 1.0, NI	2
20	45299	(006409-007005)	Screw, Flt, .31-18 X 0.75, Al	4
21	27979	(006409-007005)	Nut, Hex, Flng, .31-18	5
22	54395	(006409-007005)	Screw, Hex, .31-18 X 0.62, 5	5
23	32491	(006409-007005)	Washer, Flt, .31 Std	1
24	39810	(006409-007005)	Screw, Hex, .50-13 X 1.25, 5	2
25	32493	(006409-007005)	Washer, Flt, .50 Std	2
26	21198	(006409-007005)	Screw, Hex, .38-16 X 1.25, 5	2
27	32492	(006409-007005)	Washer, Flt, .38 Std	2

STANDARD PARTS

Fig. 53 - Engine Radiator and Hydraulic Cooler Group (007006-)

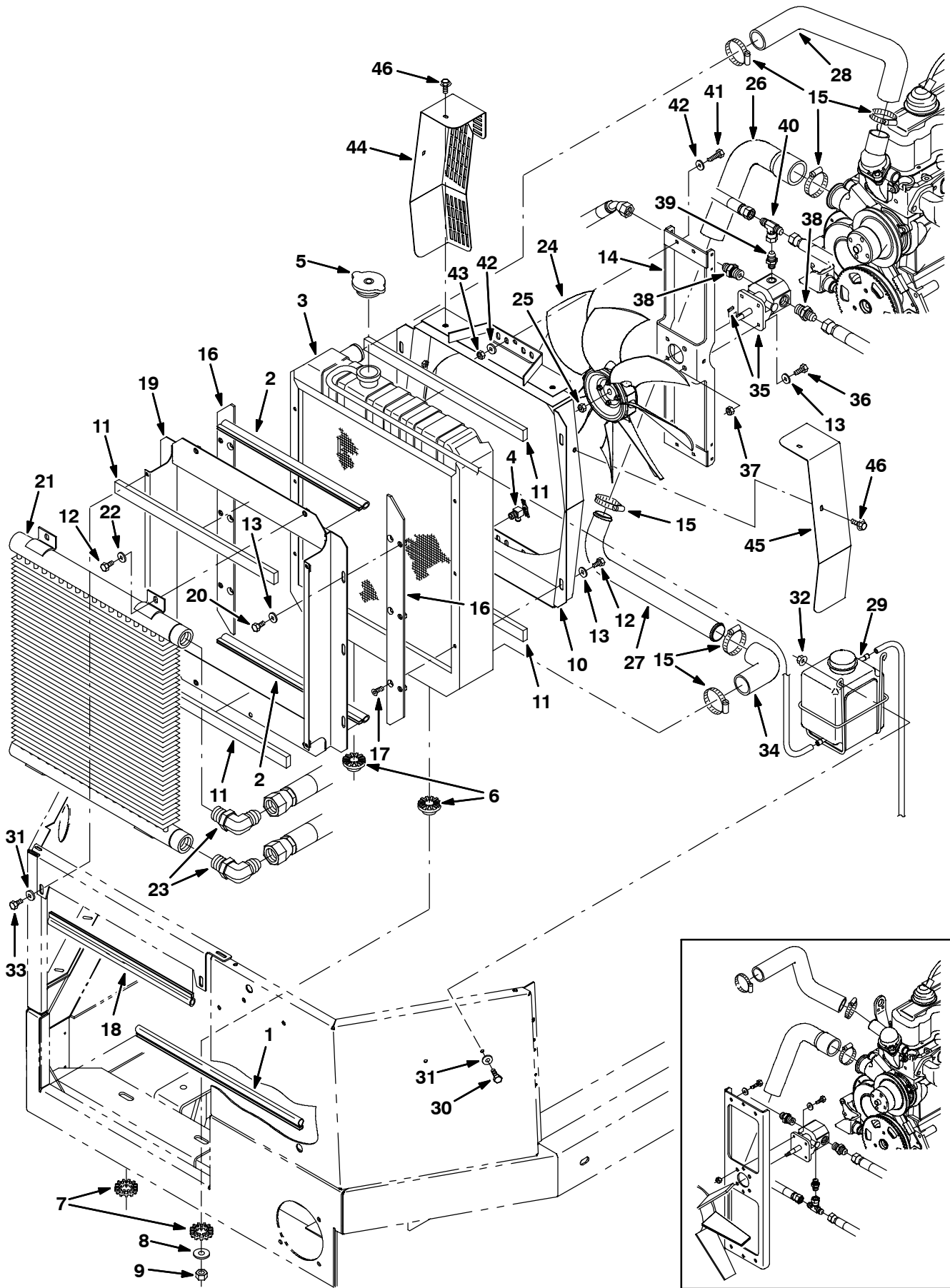


Fig. 53 - Engine Radiator and Hydraulic Cooler Group (007006-)

Ref.	Part No.	Serial Number	Description	Qty.
1	77342	(007006-) Seal, Bulb, 90, 1.33 .06-.09grip 026.0l	1
2	364608	(007006-) Seal, Bulb, Str, 0.58d .06-.09grip 17.6l	2
3	61608	(007006-) Radiator	1
4	51305	(007006-) Fitting, Draincock, .25npt 90	1
5	1045764	(007006-) Cap, Radiator, 14psi, [Stant]	1
6	64621	(007006-) Isolator, Vib, Bshg, 1.9d 0.9l .6b 1.16h	2
7	64618	(007006-) Isolator, Vib, Ring, 1.9d 0.5l 1.3b	2
8	57048	(007006-) Washer, Flat, 0.53b 2.13d .11, Stl, PI	2
9	32985	(007006-) Nut, Hex, Lock, .50-13, NI	2
10	9001222	(007006-) Shroud Wldt, Fan, Radiator, W/ Label	1
11	63818	(007006-) Seal, Ure, 0.75 1.12w 19.0l Adh	4
12	54395	(007006-) Screw, Hex, .31-18 X 0.62, 5	8
13	32491	(007006-) Washer, Flat, 0.31 Std	14
14	1015264	(007006-007195) Channel, Mtg, Fan Motor	1
14	1044757	(007196-) Bracket Wldt, Mtg, Motor [550/1550 2007]	1
15	79381	(007006-) Clamp, Hose, Wormdrive, 1.25-2.00d, .50w	6
16	1014573	(007006-) Strip, Mtg, Cooler	2
17	39537	(007006-) Screw, Flt, .31-18 X 0.50, Al	6
18	364609	(007006-) Seal, Bulb, Str, 0.58d .06-.09grip 24.2l	1
19	1014394	(007006-) Shroud Wldt, Radiator / Hyd Cooler	1
20	54394	(007006-) Screw, Hex, .31-18 X 0.50, 5	6
21	73106	(007006-) Cooler, Hyd, 30gpm 800btu	1
22	39349	(007006-) Washer, Flat, 0.31 Sae	4
23	53077	(007006-) Fitting, Hyd, E90, Jm16/Om16	2
24	1020891	(007006-007195) Fan, Cooling, 18.0d, 8 Blade, 0.5b,Taper	1
24	1033497	(007196-) Fan, Cooling, 18.0d, 8 Blade, 0.5b Taper	1
25	08709	(007006-) Nut, Hex, Lock, M8 X 1.25, NI	1
26	392647	(007006-) Hose, Coolant, 1.50id To 1.75id, Mold	1
27	1014490	(007006-) Tube, Coolant, 1.5d Lower	1
28	1016121	(007006-007195) Hose, Coolant, Mold, 1.50id To 1.50id	1
28	1032815	(007196-) Hose, Mold, 1.88od To 1.50id [550 07]	1
29	768897	(007006-) Tank, Coolant, 06.0 04.5 06.9deep 2.5 Qt	1
30	25046	(007006-) Screw, Hex, .25-20 X 1.00, 5	2
31	32490	(007006-) Washer, Flat, 0.25 Std	4
32	27978	(007006-) Nut, Hex, Flng, .25-20	2
33	19316	(007006-) Screw, Hex, .25-20 X 0.62, 5	2
34	54884	(007006-) Hose, Rbr, E90 1.50id 1.50id 04.0 02.8	1
35	1019272	(007006-) Motor, Hyd, Gear, [Ex] 0.32 R 3000 (See Breakdowns)	1
36	39277	(007006-) Screw, Hex, M8 X 1.25 X 25, 8.8	4
37	08709	(007006-) Nut, Hex, Lock, M8 X 1.25, NI	4
38	56692	(007006-) Fitting, Hyd, Str, Jm08/Om10	2
39	50960	(007006-) Fitting, Hyd, Str, Jm06/Om04	1
40	35586	(007006-) Fitting, Hyd, Tee, Jf06/Jm06/Jm06, Br	1
41	06943	(007006-) Screw, Hex, M6 X 1.0 X 20, 8.8	4
42	32483	(007006-) Washer, Flat, 0.25 Sae	8
43	08708	(007006-) Nut, Hex, Lock, M6 X 1.0, NI	4
44	1035814	(007196-) Guard, Rh, Fan, [550 2007 Engines]	1
45	1035837	(007196-) Guard, Lh, Fan, [550 2007 Engines]	1
46	41195	(007196-) Screw, Hex, .31-18 X 0.75, Fmg, PI	4

Fig. 54 - Engine Fan and Pulley Group (006409-007005)

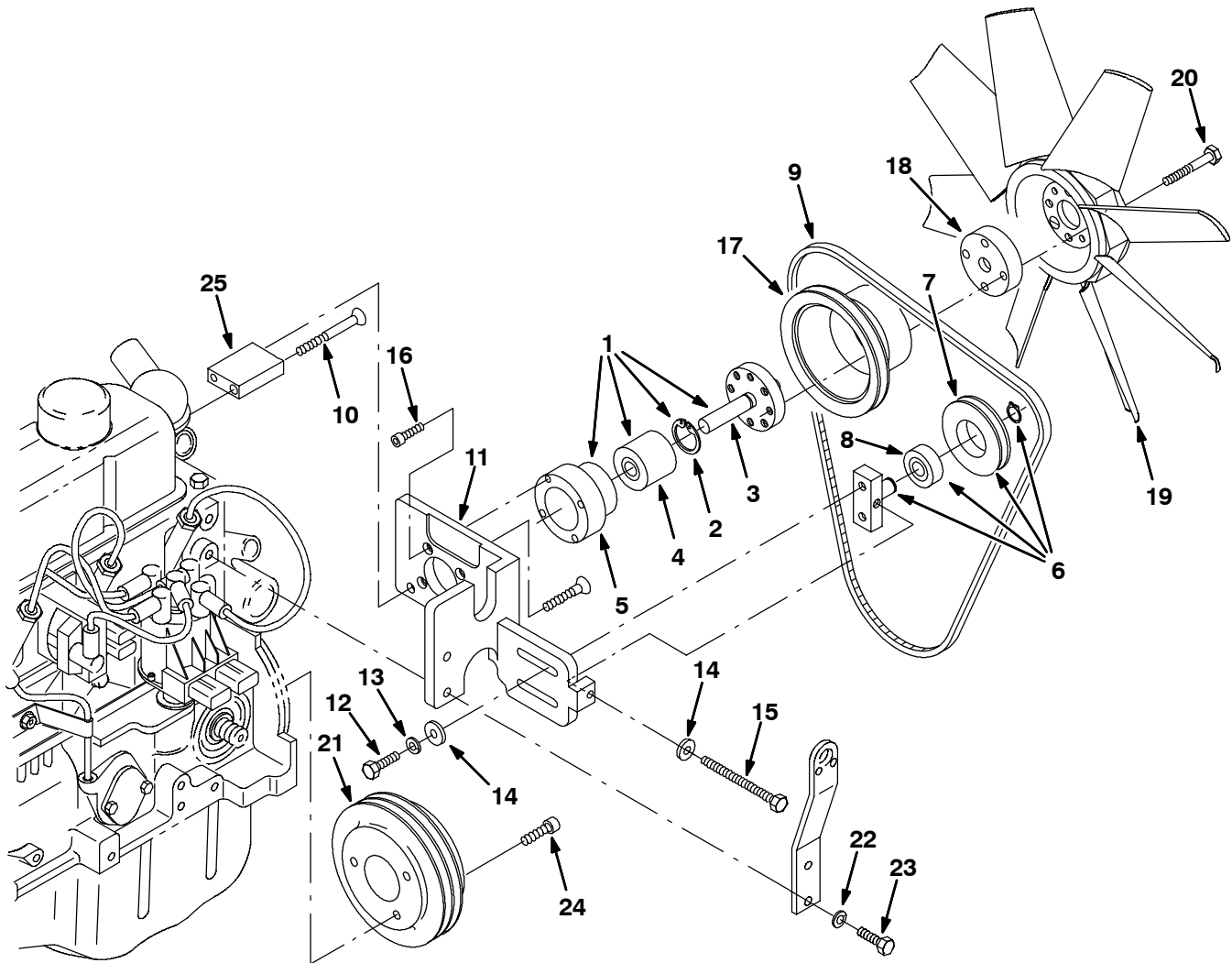


Fig. 54 - Engine Fan and Pulley Group (006409-007005)

Ref.	Part No.	Serial Number	Description	Qty.
▽	1	371561	(006409-007005) Housing Assy, Hub	1
▲	2	371557	(006409-007005) Ring, Retaining	1
▲	3	371558	(006409-007005) Base, Brg Hsng	1
▲	4	371559	(006409-007005) Hub	1
▲	5	371560	(006409-007005) Bearing	1
▽	6	371563	(006409-007005) Pulley Assy, Idler	1
▲	7	371568	(006409-007005) Pulley, Idler	1
▲	8	371570	(006409-007005) Bearing, Idler Pulley	1
	9	393986	(006409-007005) Belt, Fan	1
	10	393996	(006409-007005) Screw, Flt, .38-16 X 3.25	1
	11	371564	(006409-007005) Plate	1
	12	21198	(006409-007005) Screw, Hex, .38-16 X 1.25, 5	2
	13	371565	(006409-007005) Washer, Lock, .38	2
	14	32485	(006409-007005) Washer, Flt, .38 Sae	3
	15	371566	(006409-007005) Screw, .38-16 X 4.0	1
	16	371567	(006409-007005) Screw, Soc, .31-18 X 1.0	4
	17	393998	(006409-007005) Pulley, Fan	1
	18	392539	(006409-007005) Spacer, Fan	1
	19	375585	(006409-007005) Fan, Cooling, 18.0d, 8 Blade, 2.2d Bc	1
	20	371582	(006409-007005) Screw, Hex, .31-24 X 1 .50	4
	21	371545	(006409-007005) Pulley, Crank	1
	22	371509	(006409-007005) Washer, Lock, .38	2
	23	27988	(006409-007005) Screw, Hex, .38-16 X 1.50, 5	2
	24	371639	(006409-007005) Screw, Soc, .38-24 X 1.00	3
	25	1025278	(006409-007005) Block, Spacer, Fan Mount	3

Fig. 55 - Engine Fuel Tank Group, Gas (006115-006408)

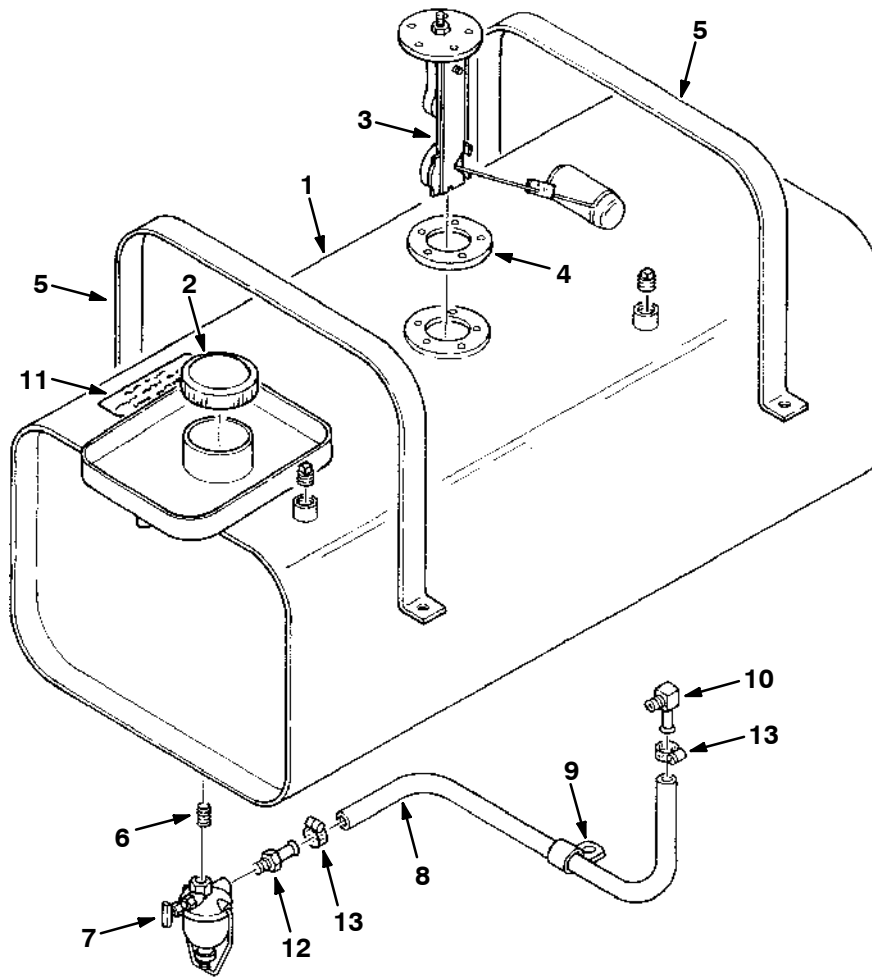


Fig. 55 - Engine Fuel Tank Group, Gas (006115-006408)

	Ref.	Part No.	Serial Number	Description	Qty.
▽	1	03977	(006115-006408)	Tank, Fuel	1
▲	2	48267	(006115-006408)	Cap, Fuel Tank	1
	3	07875	(006115-006408)	Sending Unit, Fuel Tank	1
	4	14131	(006115-006408)	Gasket	1
	5	04020	(006115-006408)	Clamp, Fuel Tank	2
	6	47566	(006115-006408)	Connector	1
	7	04601	(006115-006408)	Strainer, Fuel	1
	8	61683	(006115-006408)	Hose, Fuel Line	1
	9	82829	(006115-006408)	Clamp, Cable	1
	10	61687	(006115-006408)	Fitting, Elbow	1
	11	19048	(006115-006408)	Label, Gasoline Only	1
	12	61686	(006115-006408)	Fitting, Straight	1
	13	54333	(006115-006408)	Clamp, Worm Drive	2

STANDARD PARTS

Fig. 56 - Engine Fuel Tank Group, Gas (006409-007005)

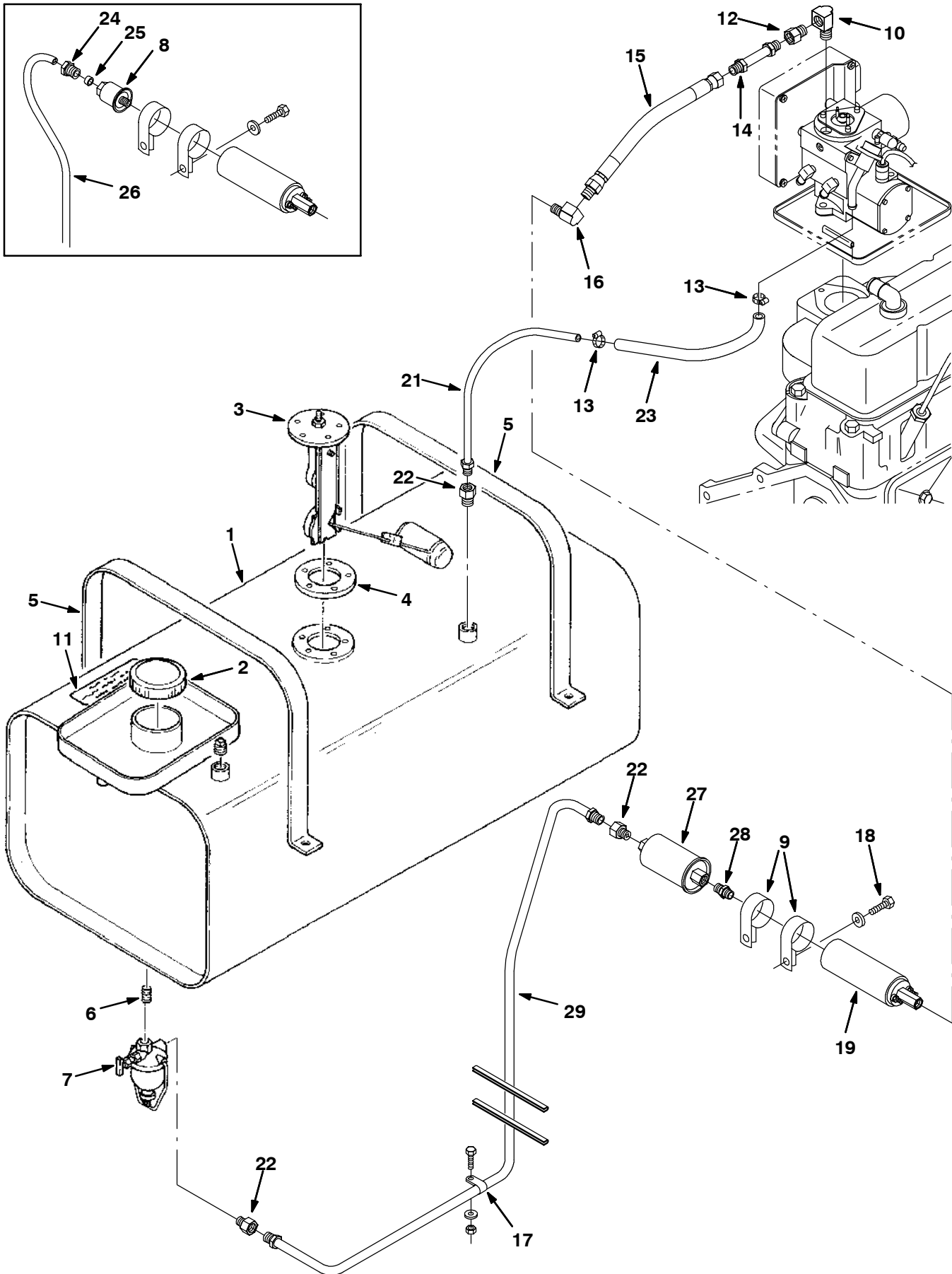


Fig. 56 - Engine Fuel Tank Group, Gas (006409-007005)

Ref.	Part No.	Serial Number	Description	Qty.
▽	1	03977	(006409-007005) Tank, Fuel	1
▲	2	48267	(006409-007005) Cap, Fuel Tank	1
	3	07875	(006409-007005) Sending Unit, Fuel Tank	1
	4	14131	(006409-007005) Gasket	1
	5	04020	(006409-007005) Clamp, Fuel Tank	2
	6	47566	(006409-007005) Connector	1
	7	04601	(006409-007005) Strainer, Fuel	1
	8	36050AM	(006409-006486) Filter, Fuel, In-line, 02pm/08if	1
	9	86328	(006409-007005) Clamp, Cable, Stl, 1.50d X 0.75w, 1h	1
	10	27048	(006409-007005) Fitting, Brs, E90, Pm04/Pf04	1
	11	19048	(006409-007005) Label, Gasoline Only	1
	12	78043	(006409-007005) Fitting, Brs, Str, Pm04/lf05	1
	13	43844	(006409-007005) Clamp, Hose, Wormdrive, 0.25-0.62d	6
	14	382266	(006409-007005) Fuelline, .31d 03.11 05if/05if Stl	1
	15	70173	(006409-007005) Hose, 0050, 04, 1m05str /lf05str , 10.0	1
	16	15555-1	(006409-007005) Fitting, Brs, E90, Pm02/lf05	2
	17	40678	(006409-007005) Clamp, Cable, Stl, 0.44d X 0.62w, 1h	1
	18	02182	(006409-007005) Screw, Hex, .25-20 X 1.00, NI	2
	19	371661	(006409-007005) Pump, Fuel, Gas	1
	20	391823	(006409-007005) Fitting, Brs, Str, Pm04/lf04	1
	21	16563	(006409-007005) Fuelline, Cpr .25d 04if/04if	1
	22	40585	(006409-007005) Fitting, Brs, Str, Pm02/lf05	2
	23	32808	(006409-007005) Hose, Fuel, 0.25id 4.0l	1
	24	32587	(006409-006486) Nut, Water Trap	1
	25	32590	(006409-006486) Olive, Rubber	1
	26	16562	(006409-006486) Tube Assembly	1
	27	21298	(006487-007005) Filter, Fuel, In-Line	1
	28	47566	(006487-007005) Fitting, Hyd, Str, Pm02/Pm02	1
	29	392559	(006487-007005) Fuelline, .31ld 05if/05if Stl	1

Fig. 57 - Engine Fuel Tank Group, Gas (007006-007195)

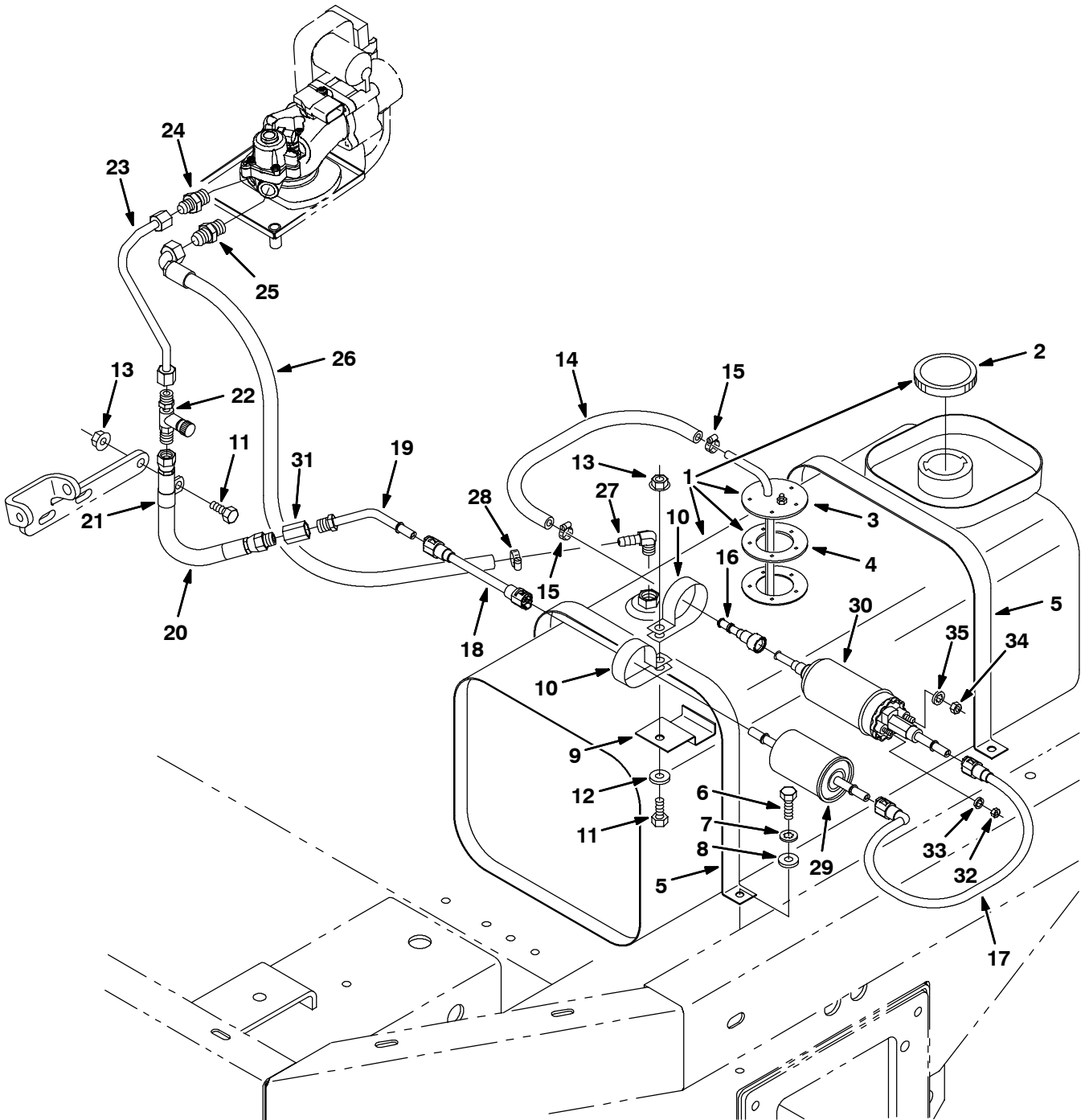


Fig. 57 - Engine Fuel Tank Group, Gas (007006-007195)

Ref.	Part No.	Serial Number	Description	Qty.
▽	1	1012112	(007006-007195) Tank, Fuel, 12 Gas 11.5 10.0 27.0	1
▲	2	48267	(007006-007195) Cap, Tank, Fuel, 2.3neck 2.6d	1
▲	3	372941	(007006-007195) Send-unit, Fuel	1
▲	4	1033897	(007006-007195) Gasket, Sender, Fuel	1
	5	04020	(007006-007195) Strap	2
	6	76955	(007006-007195) Screw, Hex, .31-18 X 1.00, 5	4
	7	32984	(007006-007195) Washer, Lock, Int, .31	4
	8	32491	(007006-007195) Washer, Flat, 0.31 Std	4
	9	1008988	(007006-007195) Bracket, Fltr, Fuel	1
	10	1011895	(007006-007195) Clamp, Cable, Stl, 2.00d X 0.75w, 1h	2
	11	54396	(007006-007195) Screw, Hex, .31-18 X 0.75, 5	2
	12	39349	(007006-007195) Washer, Flat, 0.31 Sae	1
	13	27979	(007006-007195) Nut, Hex, Flng, .31-18	2
	14	83591	(007006-007195) Hose, Fuel, 0.31id 16.0l	1
	15	43844	(007006-007195) Clamp, Hose, Wormdrive, 0.25-0.62d, .31w	2
	16	1013086	(007006-007195) Connector, Fuel, Qf	1
	17	1012314	(007006-007195) Fuelline, .31d E90/Str, Plstc	1
	18	1012248	(007006-007195) Fuelline, .31d Str/Str, Plstc	1
	19	1011980	(007006-007195) Fuelline, .31d 05if/Qm Stl	1
	20	70173	(007006-007195) Hose, 0050, 04, lm05str /lf05str , 10.0	1
	21	82829	(007006-007195) Clamp, Cable, Stl, 0.63d X 0.75w, 1h	1
	22	1014595	(007006-007195) Adapter, Fuelline	1
	23	1012469	(007006-007195) Fuelline, .31d 05if/05jf Stl	1
	24	1012677	(007006-007195) Fitting, Hyd, Str, Jm05/Om06	1
	25	56690	(007006-007195) Fitting, Hyd, Str, Jm06/Om06	1
	26	1013030	(007006-007195) Hose, Fuel, Jf06e90, 20.3l	1
	27	1015815	(007006-007195) Fitting, Brs, E90, Bm06/Pm04	1
	28	54333	(007006-007195) Clamp, Hose, Wormdrive, 0.31-0.88d, .31w	1
	29	372440	(007006-007195) Filter, Fuel [Gm 1.6l/3.0l]	1
	30	1011107	(007006-007195) Pump, Fuel, Hi-Press [Gm 1.6l/3.0l]	1
	31	25610	(007006-007195) Fitting, Brs, Str, lf05/lf05	1
	32	42368	(007006-007195) Nut, Hex, Std, M4 X 0.7, 8	1
	33	32978	(007006-007195) Washer, Lock, Int, #08	1
	34	50335	(007006-007195) Nut, Hex, Std, M5 X 0.8, 8	1
	35	32980	(007006-007195) Washer, Lock, Int, #10	1

Fig. 58 - Engine Fuel Tank Group, Gas (007196-)

Ref.	Part No.	Serial Number	Description	Qty.
▽	1	1032912	(007196-) Tank, Fuel, 12.2gal, 11.50w 10.0hi 27.0l	1
▲	2	1033897	(007196-) Gasket, Sender, Fuel	1
▲	3	1033899	(007196-) Send-Unit, Fuel	1
▲	4	1032812	(007196-) Cap, Fuel, Tank	1
	5	04020	(007196-) Strap	2
	6	76955	(007196-) Screw, Hex, .31-18 X 1.00, 5	4
	7	32984	(007196-) Washer, Lock, Int, .31	4
	8	32491	(007196-) Washer, Flat, 0.31 Std	4
	9	1032944	(007196-) Bracket, Manifold, Mtg [550/1550 07]	1
	10	1011895	(007196-) Clamp, Cable, Stl, 2.00d X 0.75w, 1h	2
	11	54396	(007196-) Screw, Hex, .31-18 X 0.75, 5	2
	12	39349	(007196-) Washer, Flat, 0.31 Sae	1
	13	27979	(007196-) Nut, Hex, Flng, .31-18	2
	14	1033746	(007196-) Hose, Fuel, 0.31id [Evap Emission 07]	2
	15	43844	(007196-) Clamp, Hose, Wormdrive, 0.25-0.62d, .31w	4
	16	1013086	(007196-) Connector, Fuel, Qf	2
	17	1013509	(007196-) Fuelline, .31d Str/Str, Plstc [8200]	2
	18	1030485	(007196-) Fuelline, .31d E90, 05/06, Plstc	1
	19	1032936	(007196-) Bracket, Mtg, Fuel Tank [550/1550 07]	1
	20	9000355	(007196-) Fitting, Brs, E90, Em05/Pm04	2
	21	46236	(007196-) Clamp, Cable, Stl, 0.25d X 0.56w, 1hole	1
	22	06949	(007196-) Screw, Hex, M6 X 1.00 X 50, 8.8	2
	23	32490	(007196-) Washer, Flat, 0.25, Std	2
	24	08708	(007196-) Nut, Hex, Lock, M6 X 1.00, NI	2
	25	1028924	(007196-) Manifold, Gas, Relief, Valve	1
	26	1029293	(007196-) Fitting, Fuel, Str, 0.56-18 [07 Eng]	2
	27	1029295	(007196-) Fitting, Fuel, Str, 0.38-24 [07 Eng]	1
	28	385009	(007196-) Harness, Manifold, Gas	1
	29	372440	(007196-) Filter, Fuel [Gm 1.6l/3.0l]	1
	30	9006592	(007196-) Pump, Fuel	1
	31	42368	(007196-) Nut, Hex, Std, M4 X 0.7, 8	1
	32	32978	(007196-) Washer, Lock, Int, #08	1
	33	50335	(007196-) Nut, Hex, Std, M5 X 0.8, 8	1
	34	32980	(007196-) Washer, Lock, Int, #10	1

Fig. 59 - Engine and Fuel Tank Group, LPG (006115-006408)

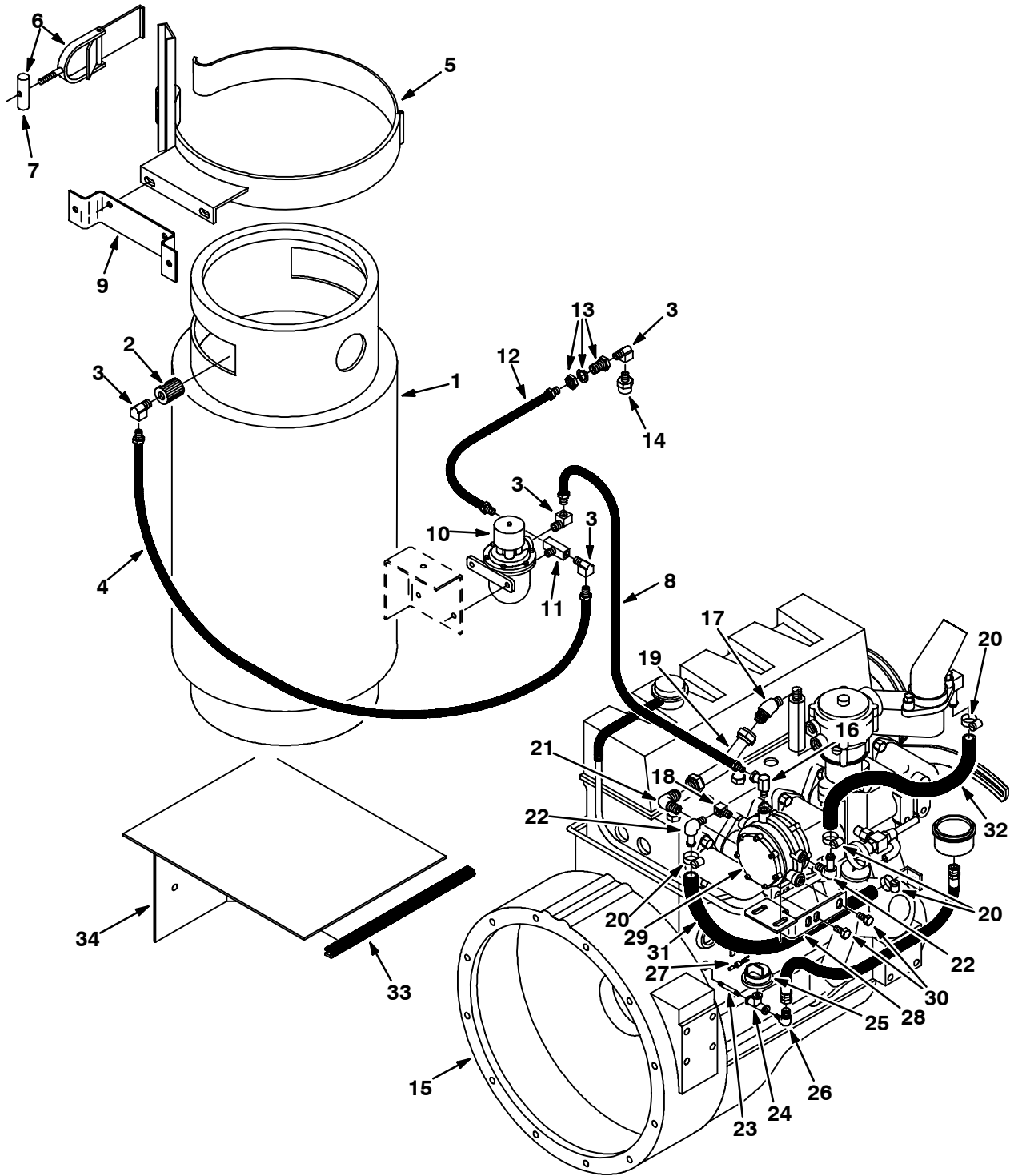


Fig. 59 - Engine and Fuel Tank Group, LPG (006115-006408)

Ref.	Part No.	Serial Number	Description	Qty.	
1	24928-1	(006115-006408)	Tank, LPG, with Filler Gauge	1	
2	26496	(006115-006408)	Coupling, LPG Tank	1	
3	27048	(006115-006408)	Fitting, Elbow	4	
4	10754	(006115-006408)	Hose, LPG	1	
5	78092	(006115-006408)	Bracket, LPG Tank	1	
▽	6	53400-1	(006115-006408)	Latch Assembly, LPG Tank	1
▲	7	53400-4	(006115-006408)	Nut, Adjustable	1
	8	10756	(006115-006408)	Hose, LPG	1
	9	78085	(006115-006408)	Mount, Strap	1
▽	10	53395-2	(006115-006408)	Fuel Filter Lock	1
▲		SK1444	(006115-006408)	Repair Kit, Fuel Filter Lock	1
	11	53268	(006115-006408)	Fitting, Tee	1
	12	22308-1	(006115-006408)	Hose, LPG	1
	13	78122	(006115-006408)	Fitting, Bulkhead	1
	14	24047	(006115-006408)	Valve, Pressure Relief	1
	15	61695	(006115-006408)	Engine, LPG, TM27 (See Continental Engine Breakdown)	1
	16	11442-1	(006115-006408)	Fitting, Elbow	1
	17	46485	(006115-006408)	Fitting, Elbow, 45°	1
	18	24584	(006115-006408)	Fitting, Elbow	1
	19	34880	(006115-006408)	Tube, Hydraulic	1
	20	54333	(006115-006408)	Clamp, Worm Drive	4
	21	46611	(006115-006408)	Fitting, Elbow	1
	22	47388	(006115-006408)	Fitting, Elbow	2
	23	48144	(006115-006408)	Fitting, Nipple	1
	24	22309	(006115-006408)	Fitting, Tee	1
	25	51805	(006115-006408)	Switch, Oil Pressure	1
	26	06507	(006115-006408)	Fitting, Elbow	1
	27	50565	(006115-006408)	Diode Assembly, LPG	1
	28	34881	(006115-006408)	Bracket, Mount	1
▽	29	374648	(006115-006408)	Vaporizer, LPG	1
▲		374649	(006115-006408)	Repair Kit, Vaporizer	1
▲		374532	(006115-006408)	Hi Alt Vaporizer Spring	1
	30	16735	(006115-006408)	Screw, Hex, M8	2
	31	47826	(006115-006408)	Hose, Rubber	1
	32	54027	(006115-006408)	Hose, Rubber	1
	33	62595-4	(006115-006408)	Molding, Rigid	1
	34	78088	(006115-006408)	Support, LPG Tank	1

STANDARD PARTS

Fig. 60 - Engine Fuel Tank Group, LPG (006409-007005)

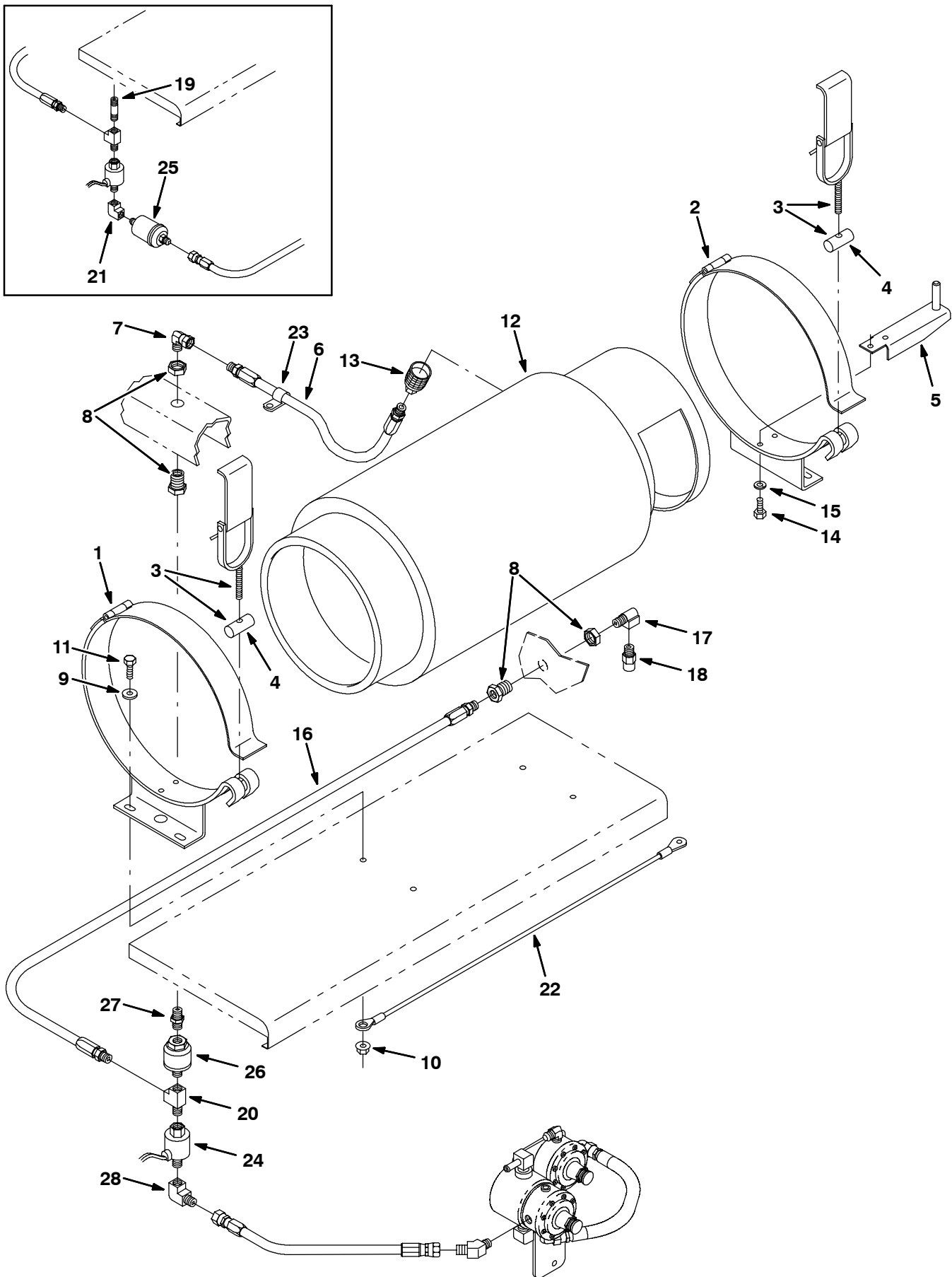


Fig. 60 - Engine Fuel Tank Group, LPG (006409-007005)

Ref.	Part No.	Serial Number	Description	Qty.
	1	53400-3	(006409-007005) Bracket, Tank	1
	2	53400-2	(006409-007005) Bracket, Tank	1
▽	3	53400-1	(006409-007005) Latch	2
▲	4	53400-4	(006409-007005) Nut	1
	5	53400-5	(006409-007005) Pin	1
	6	10756	(006409-007005) Hose, Lpg, Med06, Pm04str/Pm04str, 18.0l	1
	7	11442-1	(006409-007005) Fitting, Hyd, E90, Swivel Pf04/Pm04	1
	8	78122	(006409-007005) Fitting, Brs, Str, Pf04/Pf04 Bkhd	2
	9	32491	(006409-007005) Washer, Flt, .31 Std	4
	10	07791	(006409-007005) Nut, Hex, Flng, .M08 X 1.25	4
	11	39277	(006409-007005) Screw, Hex, .M08 X 1.25X 25, 5	4
	12	24928-1	(006409-007005) Tank, Lpg, 33lb, W/ Fill Gauge, [Liq]	1
	13	26496	(006409-007005) Fitting, Brs, Qdc, Pf04 Lpg Fem	1
	14	54394	(006409-007005) Screw, Hex, .31-18 X 0.50, 5	2
	15	32984	(006409-007005) Washer, Lock, Int, .31	2
	16	371583	(006409-007005) Hose, Hi Press, Lpg 34L	1
	17	27048	(006409-007005) Fitting, Elbow	1
	18	24047	(006409-007005) Valve, Pressure Relief	1
	19	392546	(006409- xxxxxx) Fitting, Pipe, Str, Pm04/Pm04 02.0l,Blk	1
	20	24929	(006409-007005) Fitting, Brs, Tee, Pf0j/Pf04/Pm04	1
	21	54179	(006409- xxxxxx) Fitting, Brs, E90, Pf04/Pf02	1
	22	222227	(006409-007005) Cable, .13d, 26.7l, .50eye /.25eye	1
	23	07471	(006409-007005) Clamp, Cable, Stl, 0.75d X 0.75w, 1h	1
	24	371676	(006409-007005) Solenoid, Lock Off, Lpg	1
	25	371671	(006409- xxxxxx) Filter, Fuel, In-line, (Lpg) (Replaced by 377337)	1
	26	377337	(xxxxxx-007005) Filter, Fuel, In-line, (Lpg)	1
	27	398468	(xxxxxx-007005) Fitting, Brs, Str, Pm04/Pm04	1
	28	398473	(xxxxxx-007005) Fitting, Brs, E90, Pf04/Sm06	1

STANDARD PARTS

Fig. 61 - Engine Fuel Tank Group, LPG (007006-)

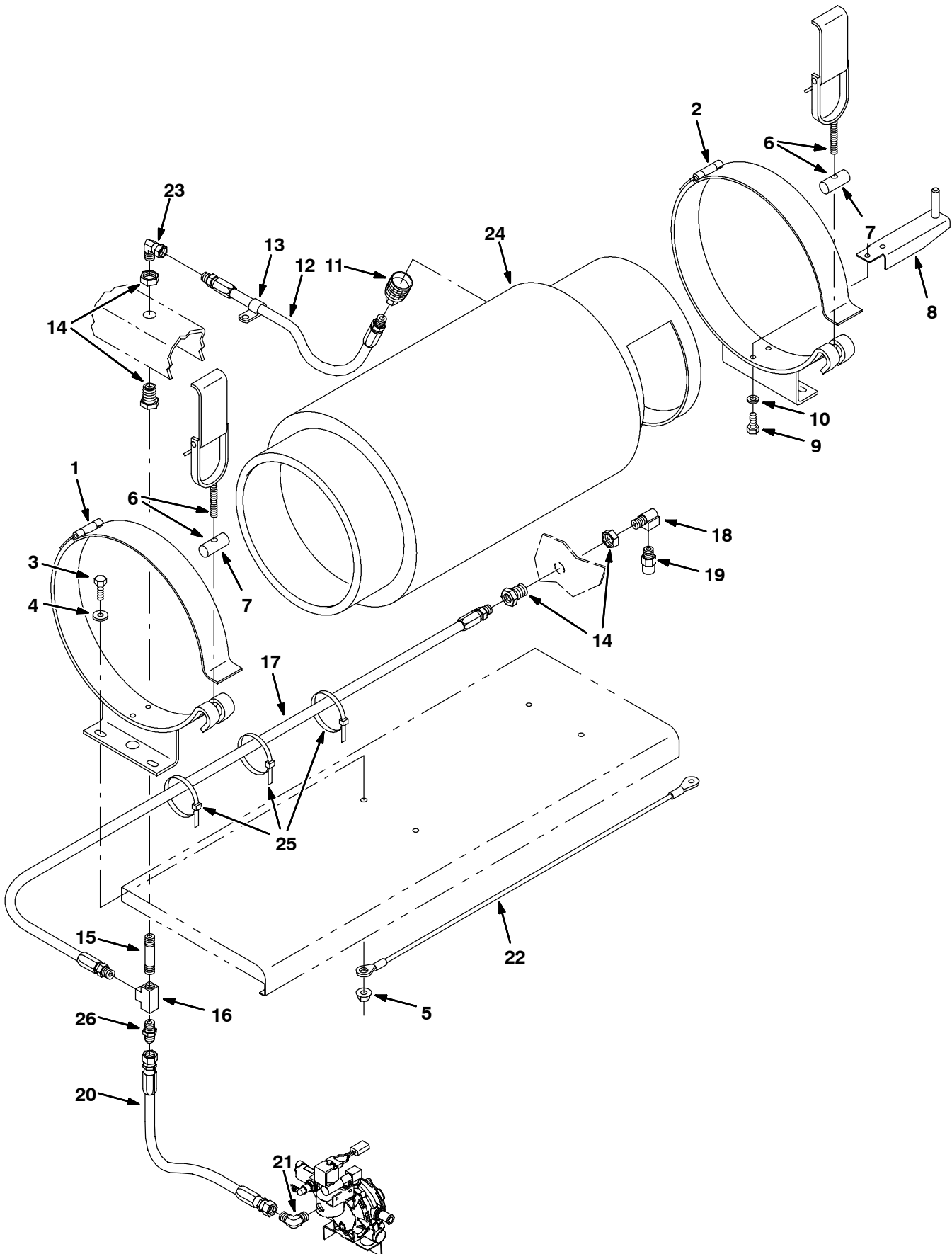


Fig. 61 - Engine Fuel Tank Group, LPG (007006-)

Ref.	Part No.	Serial Number	Description	Qty.	
1	53400-3	(007006-) Bracket Wldt, Mtg, Tank, Lpg	1	
2	53400-2	(007006-) Bracket, Tank	1	
3	76955	(007006-) Screw, Hex, .31-18 X 1.00, 5	4	
4	32491	(007006-) Washer, Flat, 0.31 Std	4	
5	27979	(007006-) Nut, Hex, Flng, .31-18	4	
▽	6	53400-1	(007006-) Latch Assy, Mtg, Tank, Lpg, W/Nut	2
▲	7	53400-4	(007006-) Nut, Adj, Mtg, Tank, Lpg	1
	8	53400-5	(007006-) Pin	1
	9	54394	(007006-) Screw, Hex, .31-18 X 0.50, 5	2
	10	32984	(007006-) Washer, Lock, Int, .31	2
	11	26496	(007006-) Fitting, Brs, Qdc, Pf04 Lpg Fem	1
	12	10756	(007006-) Hose, Lpg, Med06, Pm04str/Pm04str, 18.0l	1
	13	07471	(007006-) Clamp, Cable, Stl, 0.75d X 0.75w, 1h	1
	14	78122	(007006-) Fitting, Brs, Str, Pf04/Pf04, Bkhd	2
	15	392546	(007006-) Fitting, Pipe, Str, Pm04/Pm04 02.5l,Blk	1
	16	398474	(007006-) Fitting, Brs, Tee, Pf04/Pf04/Pf04	1
	17	360936	(007006-) Hose, Lpg, Med05, Pm04str/Sm04str, 54.0l	1
	18	27048	(007006-) Fitting, Brs, E90, Pm04/Pf04	1
	19	24047	(007006-) Valve, Lpg, Press Relief, [Rego]	1
	20	56875	(007006-) Hose, Lpg, Med06, Jf06str/Jf06str, 20.0l	1
	21	52424	(007006-) Fitting, Hyd, E90, Jm06/Pm04	1
	22	222227	(007006-) Cable, .13d, 26.7l, .50eye /.25eye	1
	23	11442-1	(007006-) Fitting, Hyd, E90, Spcl	1
	24	24928-1	(007006-) Tank, Lpg, 33lb, W/ Gauge [Empty] [Liq]	1
	25	44961	(007006-) Tie, Cable, Nyl, 14.5l .30w 4.0 Max D	3
	26	15724	(007006-) Fitting, Hyd, Str, Jm06/Pm04	1

Fig. 62 - Engine Battery Group

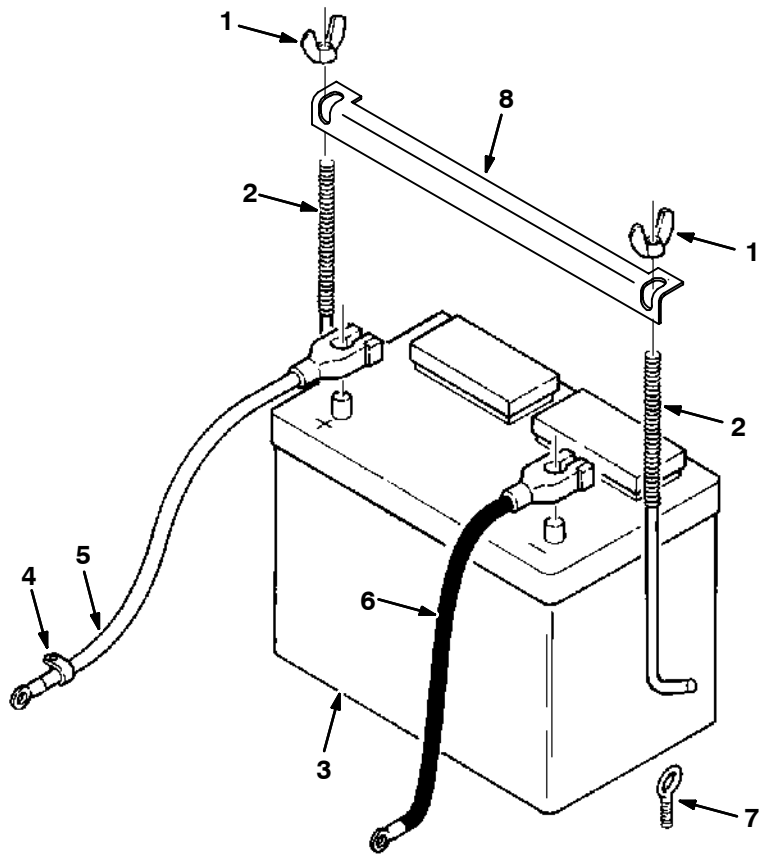
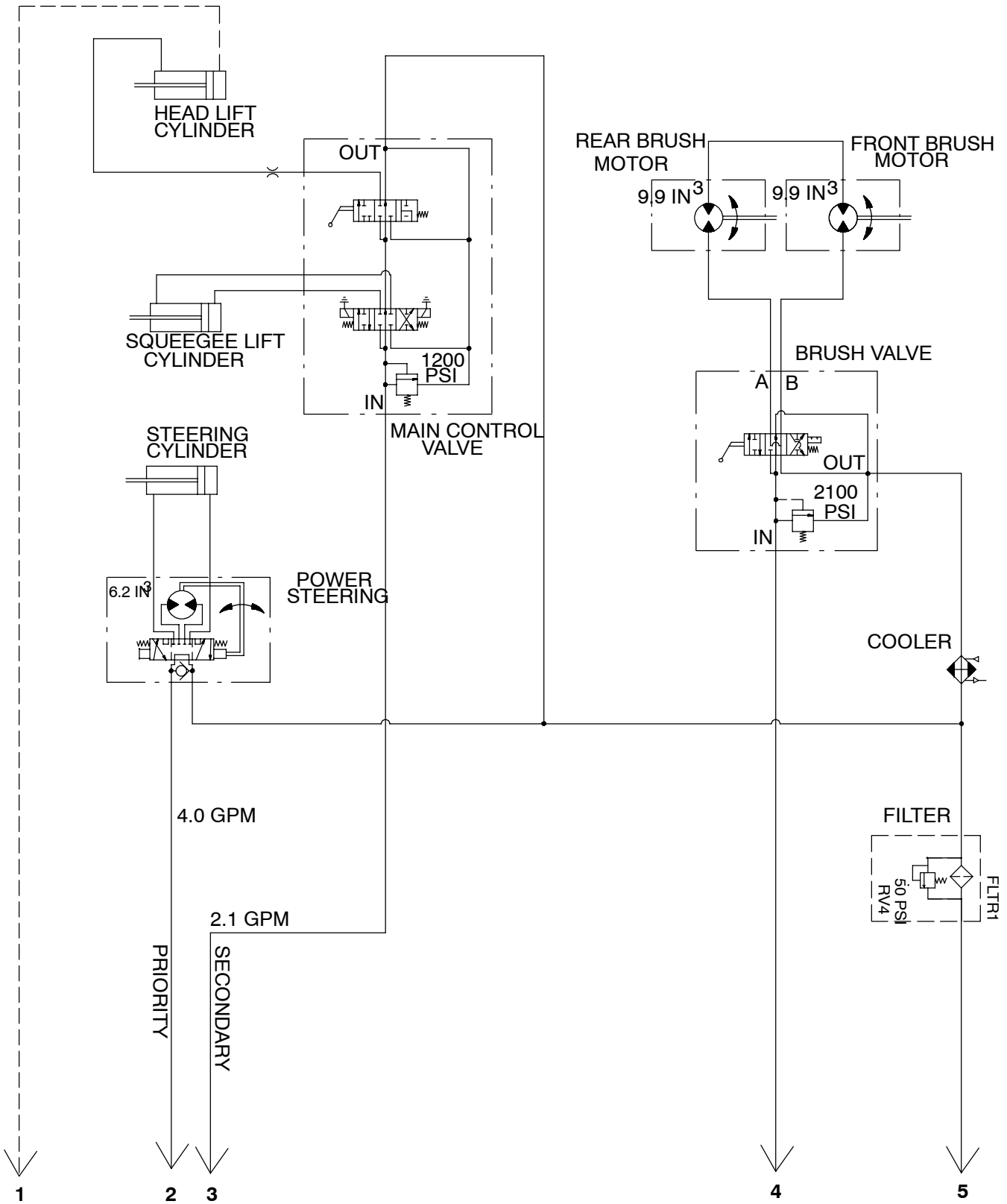


Fig. 62 - Engine Battery Group

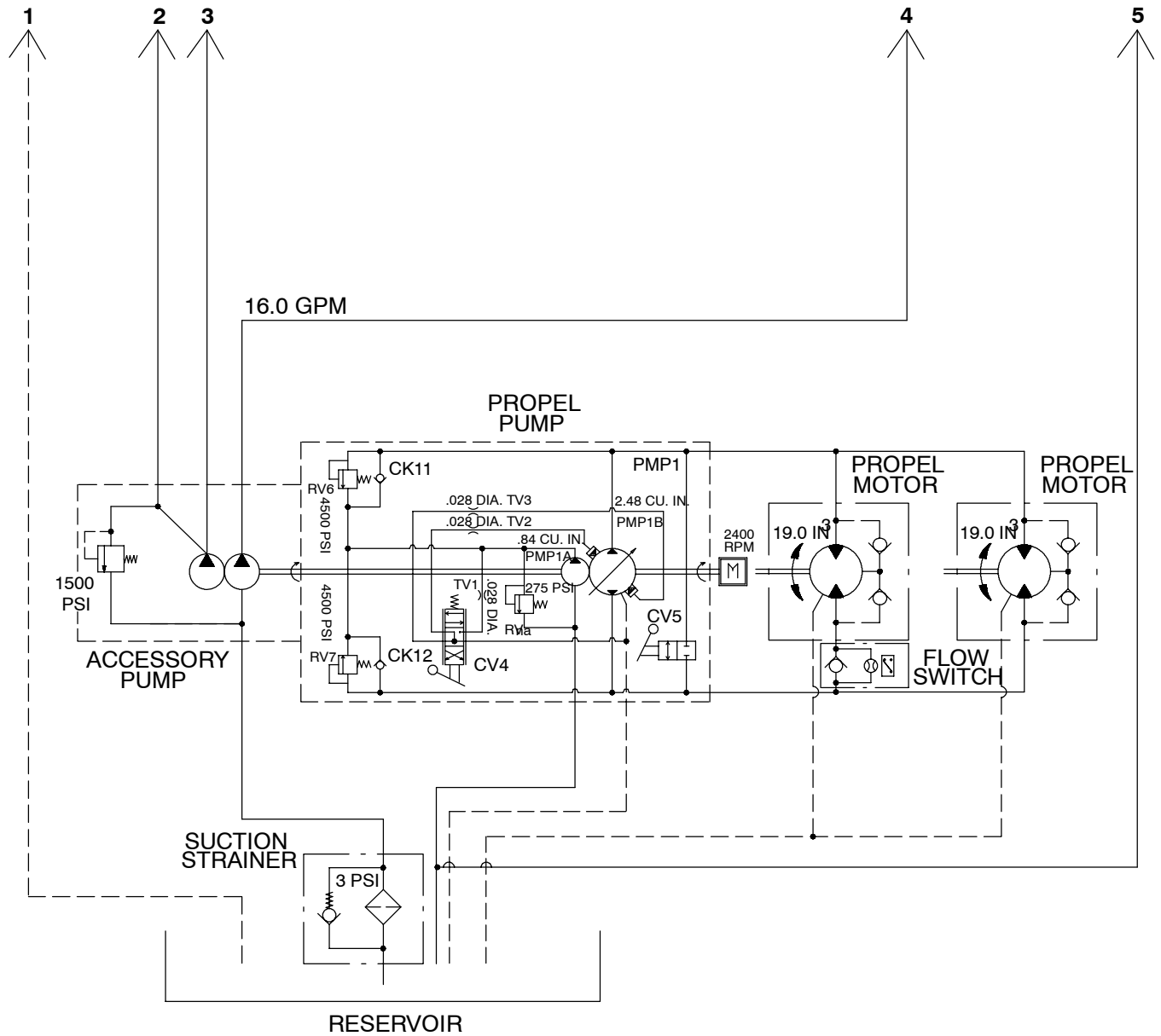
Ref.	Part No.	Serial Number	Description	Qty.
1	39272	(006115-) Nut, Wing	2
2	13015	(006115-) Bolt, Hold Down	2
3	10143	(006115-) Battery, 540 CCA	1
4	76736	(006115-) Clamp, Cable	3
5	48899	(006115-006408) Cable, Battery, Pos 4ga 54.0l .41h	1
5	60294	(006409-) Cable, Battery, Pos 2ga 78.0l .41h	1
6	29831-6	(006115-007005) Cable, Negative Battery	1
6	60295	(007006-) Cable, Negative Battery	1
7	11893	(006115-) Eyebolt	2
8	72977	(006115-) Bracket, Angle, Hold-down, Battery	1

Fig. 63 - Hydraulic Schematic (006115-007005)



11122 - 550, 1550

Fig. 63 - Hydraulic Schematic (006115-007005)



11122 - 550, 1550

Fig. 64 - Hydraulic Schematic (007006-)

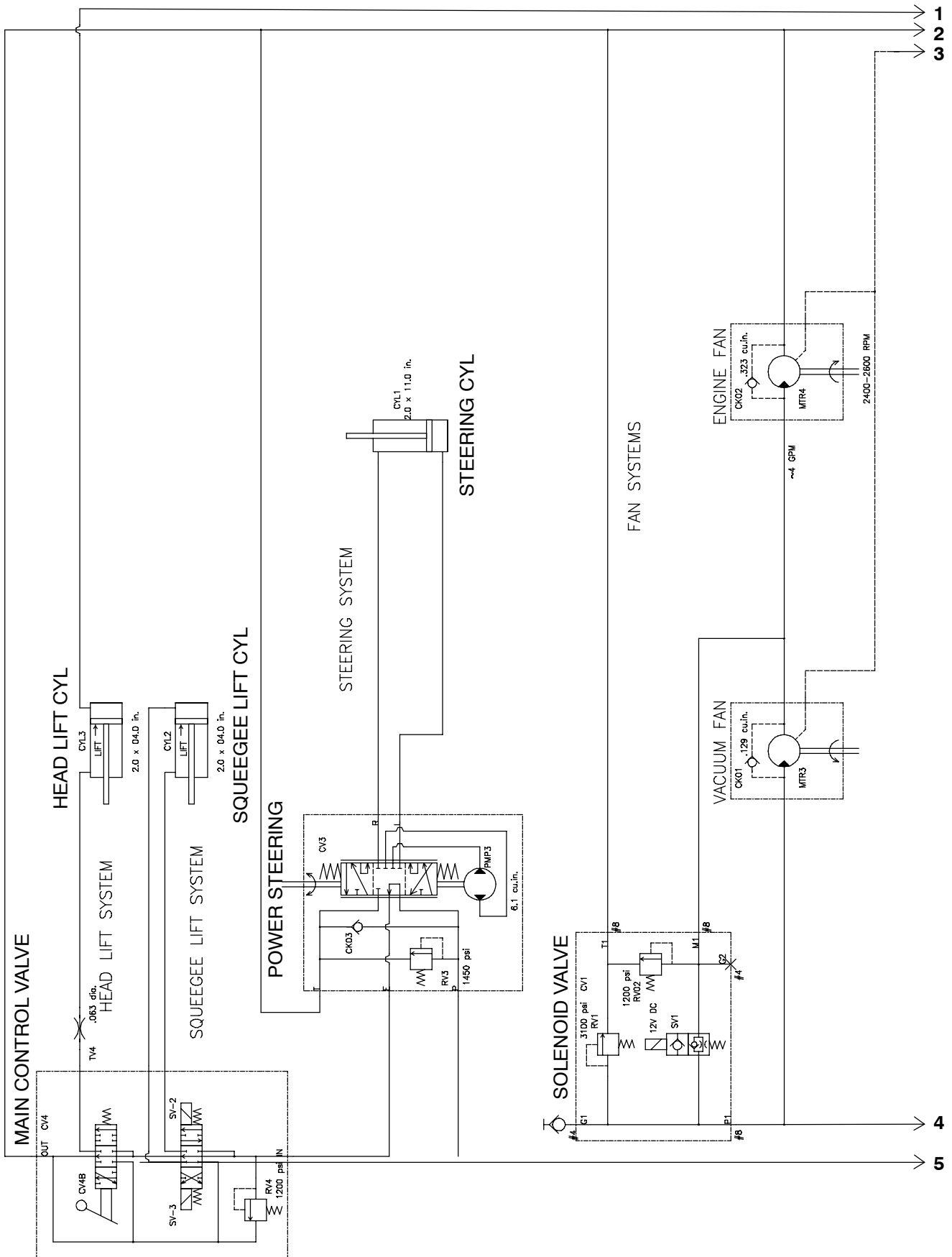
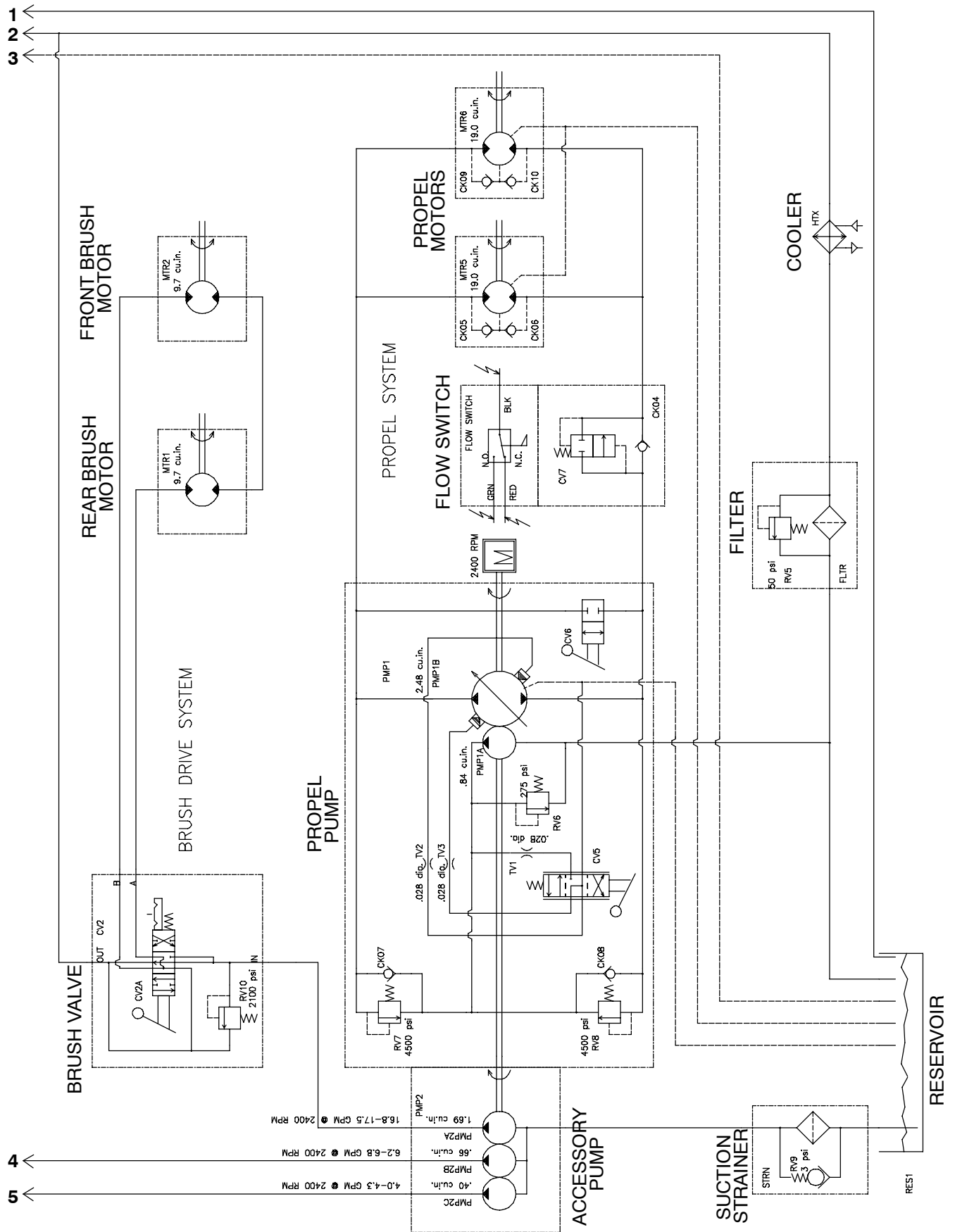


Fig. 64 - Hydraulic Schematic (007006-)



1023221 - 550, 1550

Fig. 65 - Hydraulic Hoses Group (006115-007005)

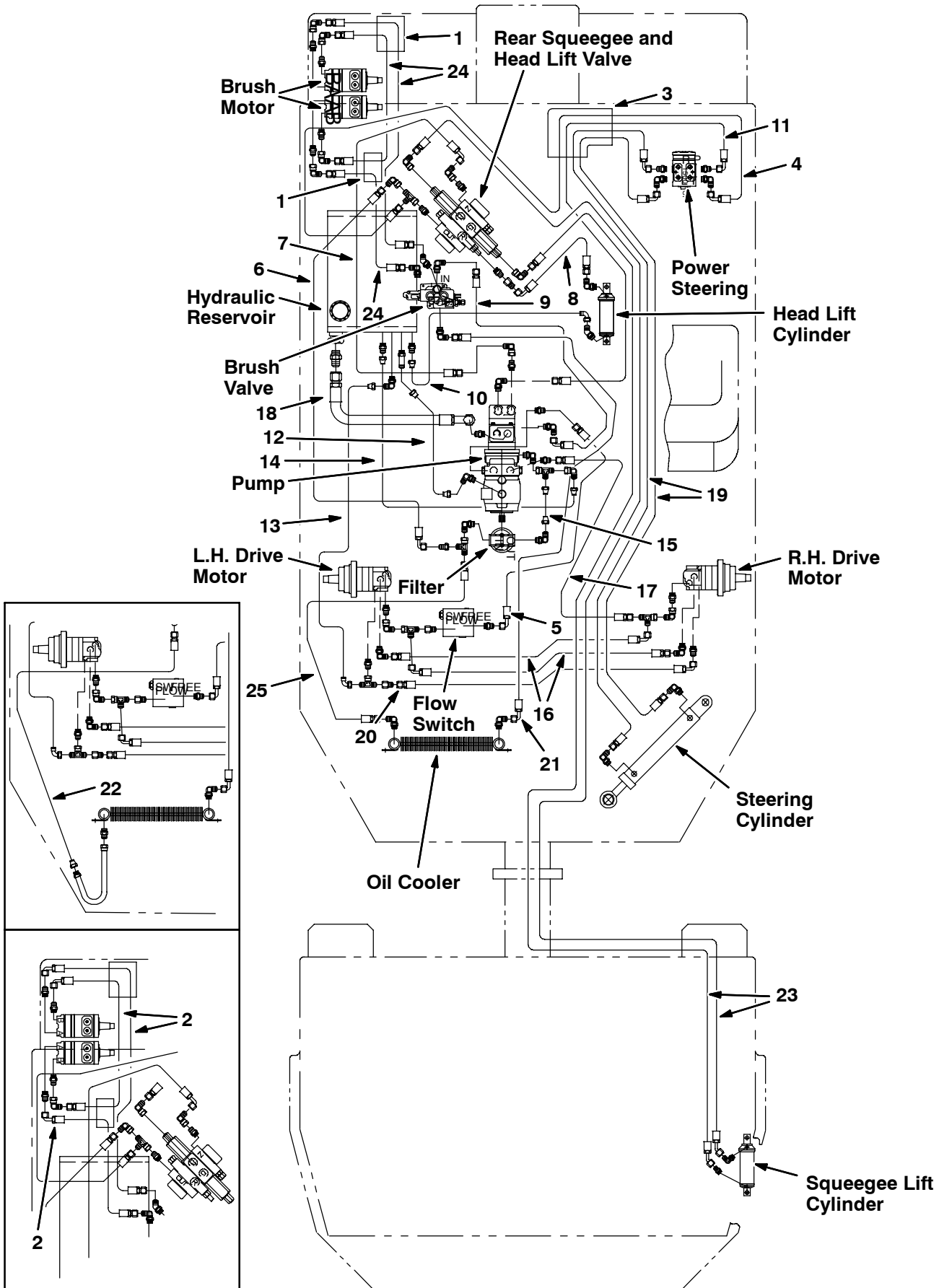


Fig. 65 - Hydraulic Hoses Group (006115-007005)

Ref.	Part No.	Serial Number	Description	Qty.
1	82832	(006115-007005)	Sleeve, Hose	2
2	79079	(006115-006273)	Hose, Hydraulic	3
3	31672	(006115-007005)	Sleeve, Hose	1
4	02683	(006115-007005)	Hose, Hydraulic	1
5	79106	(006115-007005)	Hose, Hydraulic	1
6	59560	(006115-007005)	Hose, Hydraulic	1
7	31598	(006115-007005)	Hose, Hydraulic	1
8	57964	(006115-007005)	Hose, Hydraulic	1
9	79104	(006115-007005)	Hose, Hydraulic	1
10	31600	(006115-007005)	Hose, Hydraulic	1
11	31597	(006115-007005)	Hose, Hydraulic	1
12	13113	(006115-007005)	Hose, Hydraulic	1
13	31603	(006115-007005)	Hose, Hydraulic	1
14	55775	(006115-007005)	Hose, Hydraulic	1
15	82835	(006115-007005)	Hose, Hydraulic	1
16	79105	(006115-007005)	Hose, Hydraulic	2
17	79107	(006115-007005)	Hose, Hydraulic	1
18	34351	(006115-007005)	Hose, Hydraulic	1
19	31565	(006115-007005)	Hose, Hydraulic	2
20	31602	(006115-007005)	Hose, Hydraulic	1
21	31610	(006115-007005)	Hose, Hydraulic	1
22	31611	(006115-006408)	Hose, Hydraulic	1
23	31570	(006115-007005)	Hose, Hydraulic	2
24	375761	(006274-007005)	Hose, Hydraulic	3
25	42208	(006409-007005)	Hose, Hydraulic	1

Fig. 66 - Hydraulic Hoses Group (007006-)

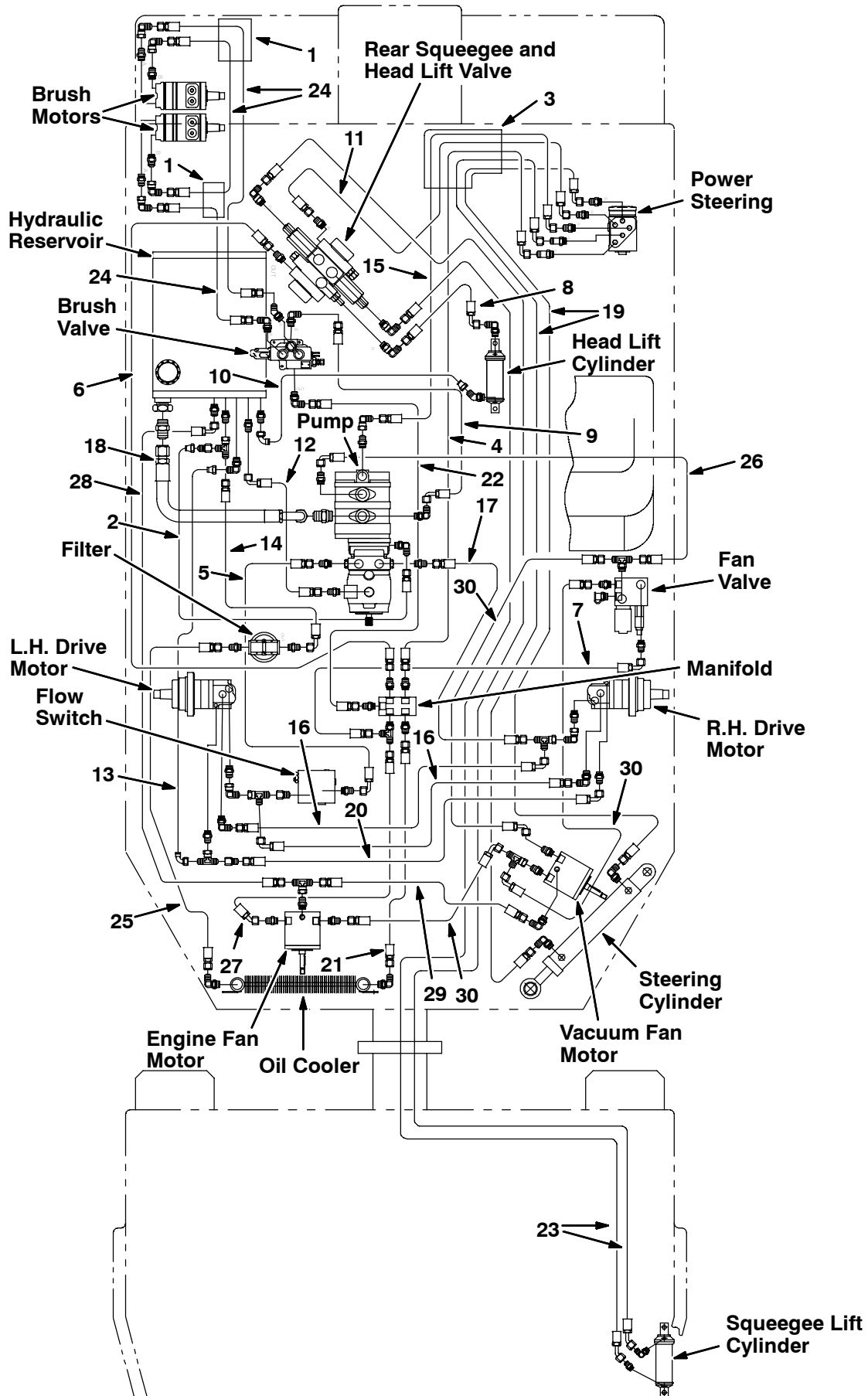
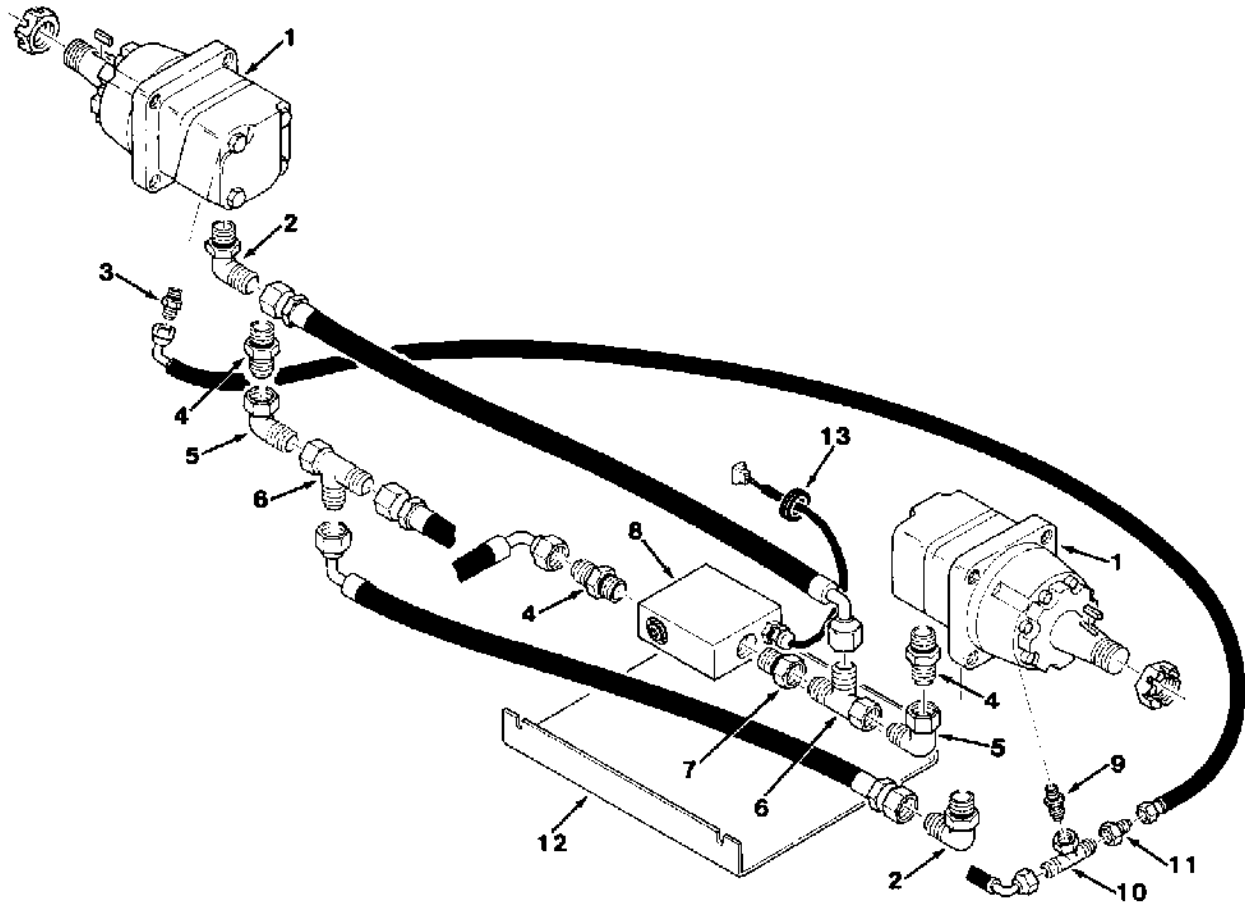


Fig. 66 - Hydraulic Hoses Group (007006-)

Ref.	Part No.	Serial Number	Description	Qty.
1	82832	(007006-) Sleeve, Nyl, 37 25.0l	2
2	65205	(007006-) Hose, Hyd,Low12, Jf12str /Jf12str , 27.0	3
3	31672	(007006-) Sleeve, Nyl, #58 35.0l	1
4	1016468	(007006-) Hose, Hyd, Med06, Jf06str /Jf06e90, 84.0	1
5	79106	(007006-) Hose, Hyd,Hi 12, Jf12str/Jf12e90, 30.0	1
6	1016471	(007006-) Hose, Hyd, Med06, Jf06str /Jf06str, 66.0	1
7	1016466	(007006-) Hose, Hyd, Med08, Jf08str /Jf08e90, 24.0	1
8	57964	(007006-) Hose, Hyd,Med04, Jf04str /Jf04e90 , 42.0	1
9	79104	(007006-) Hose, Hyd,Hi 12, Jf12str /Jf12e90 , 32.0	1
10	31600	(007006-) Hose, Hyd,Low04, Jf04str /Jf04e90 , 25.0	1
11	1016469	(007006-) Hose, Hyd, Tc 06, Jf06str /Jf06e90, 70.0	1
12	1016462	(007006-) Hose, Hyd, Med10, Jf10str /Jf10e90, 24.0	1
13	31603	(007006-) Hose, Hyd,Low06, Jf06str /Jf06e90 , 52.0	1
14	1016460	(007006-) Hose, Hyd, Med16, Jf16str /Jf16e90, 29.0	1
15	31597	(007006-) Hose, Hyd,Med06, Jf06str /Jf06e90 , 68.0	1
16	79105	(007006-) Hose, Hyd,Hi 12, Jf12str/Jf12e90, 26.0	2
17	79107	(007006-) Hose, Hyd,Hi 12, Jf12str /Jf12str , 40.0	1
18	1016484	(007006-) Hose, Hyd, Suc24, Jf24str /Jf24e90, 33.0	1
19	31565	(007006-) Hose, Hyd,Med06, Jf06str /Jf06e90l,115.0	2
20	31602	(007006-) Hose, Hyd,Low04, Jf04str /Jf04e90 , 30.0	1
21	1016459	(007006-) Hose, Hyd, Med16, Jf16str /Jf16str, 36.0	1
22	1016472	(007006-) Hose, Hyd, Med12, Jf12str /Jf12str, 48.0	1
23	31570	(007006-) Hose, Hyd,Med04, Jf04str /Jf04e45 ,165.0	2
24	375761	(007006-) Hose, Hyd, Str/Str, 68l	3
25	1016456	(007006-) Hose, Hyd, Med16, Jf16str/Jf16str, 54.0	1
26	71741	(007006-) Hose, Hyd,Tc 08, Jf08str /Jf08e90 , 46.0	1
27	1016464	(007006-) Hose, Hyd, Med08, Jf08str /Jf08e45, 64.0	1
28	1016465	(007006-) Hose, Hyd, Med06, Jf06str / Jf06e90,66.0	1
29	1016467	(007006-) Hose, Hyd, Med06, Jf06str / Jf06str,26.0	1
30	381856	(007006-) Hose, Hyd,Tc 08, Jf08str /Jf08e90 , 36.0	3

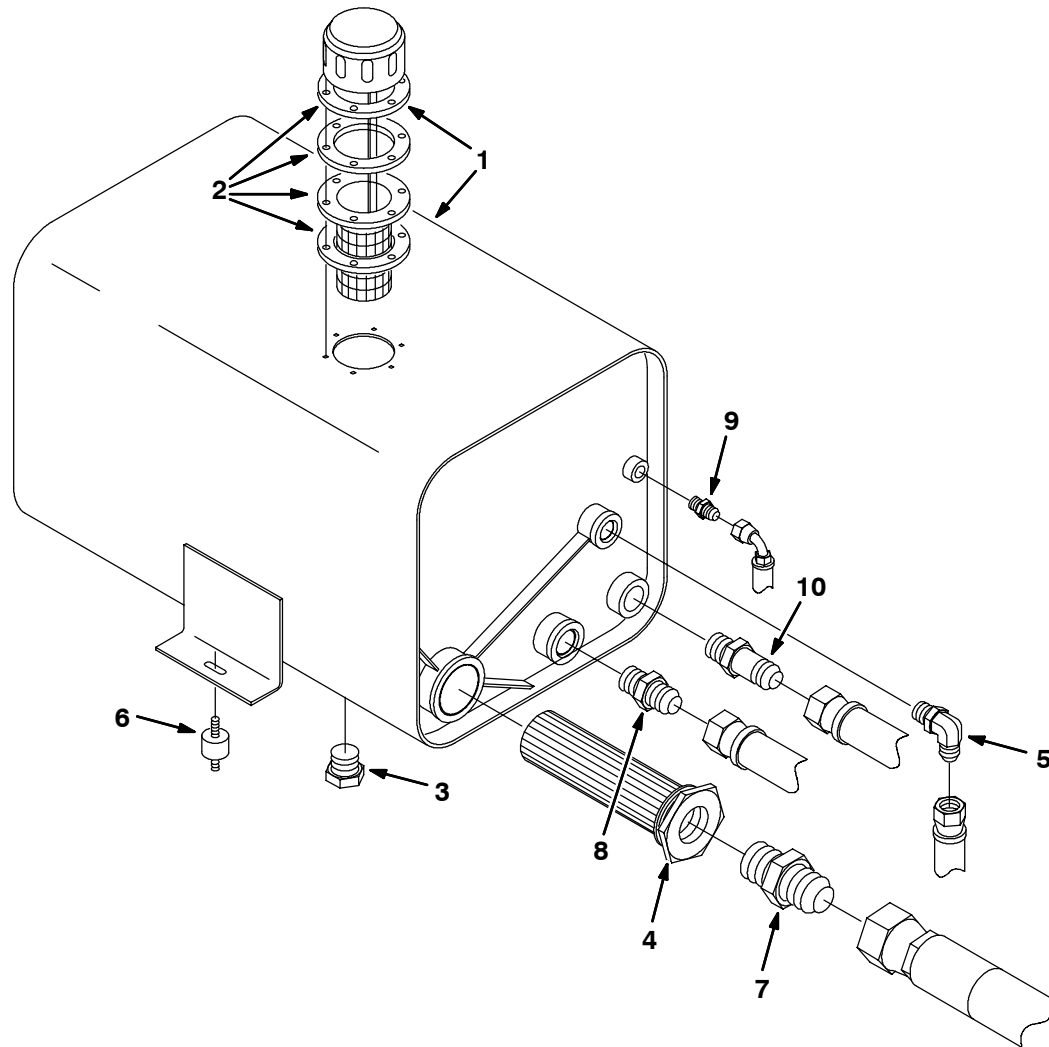
Fig. 67 - Hydraulic Propelling Motors Group



09875 - 550

Ref.	Part No.	Serial Number	Description	Qty.
1	22604	(006115-) Motor, Hydraulic (See Breakdowns)	2
2	46481	(006115-) Fitting, Elbow	2
3	55586	(006115-) Fitting, Straight	1
4	42260	(006115-) Fitting, Straight	3
5	35033	(006115-) Fitting, Elbow	2
6	40514	(006115-) Fitting, Tee	2
7	67832	(006115-) Fitting, Straight	1
8	31556	(006115-) Switch, Flow (See Breakdowns)	1
9	50960	(006115-) Fitting, Straight	1
10	35586	(006115-) Fitting, Tee	1
11	47752	(006115-) Fitting, Straight	1
12	02543	(006115-) Guard, Flow Switch	1
13	10632-1	(006115-) Grommet	1

Fig. 68 - Hydraulic Reservoir Group (006115-007005)

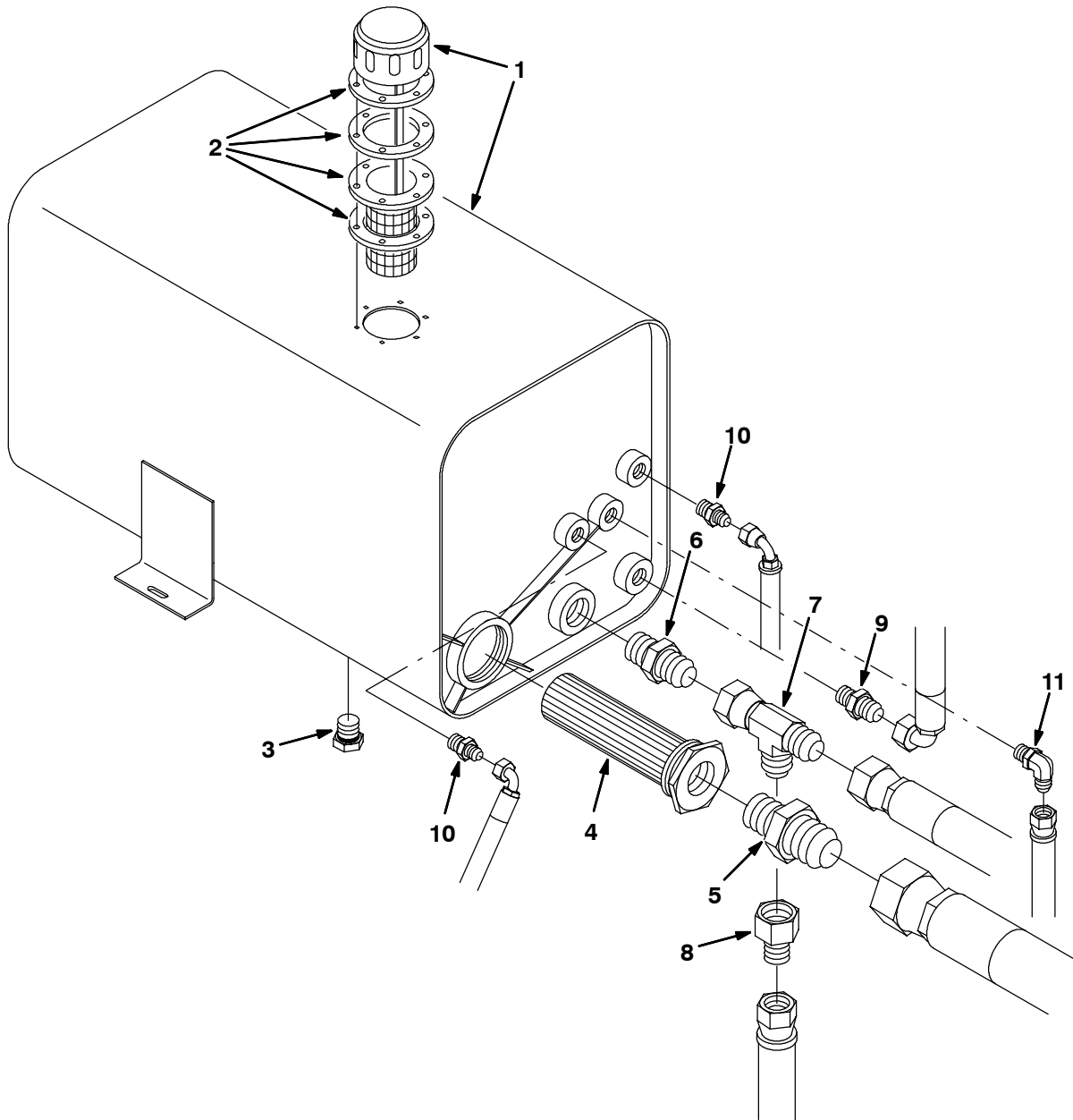


09876 - 550

Ref.	Part No.	Serial Number	Description	Qty.
▽ 1	31557	(006115-007005)	Reservoir Assembly, Hydraulic	1
▲ 2	9006132	(006115-007005)	Cap, Breather, Hyd	1
▲ 3	40362	(006115-007005)	Fitting, Plug	1
4	31613	(006115-007005)	Strainer, Suction	1
5	56820	(006115-007005)	Fitting, Elbow	1
6	82661	(006115-007005)	Isolator, Vibration	4
7	58858	(006115-007005)	Fitting, Straight	1
8	42260	(006115-007005)	Fitting, Straight	1
9	55586	(006115-007005)	Fitting, Straight	1
10	62390	(006115-007005)	Fitting, Straight	1

STANDARD PARTS

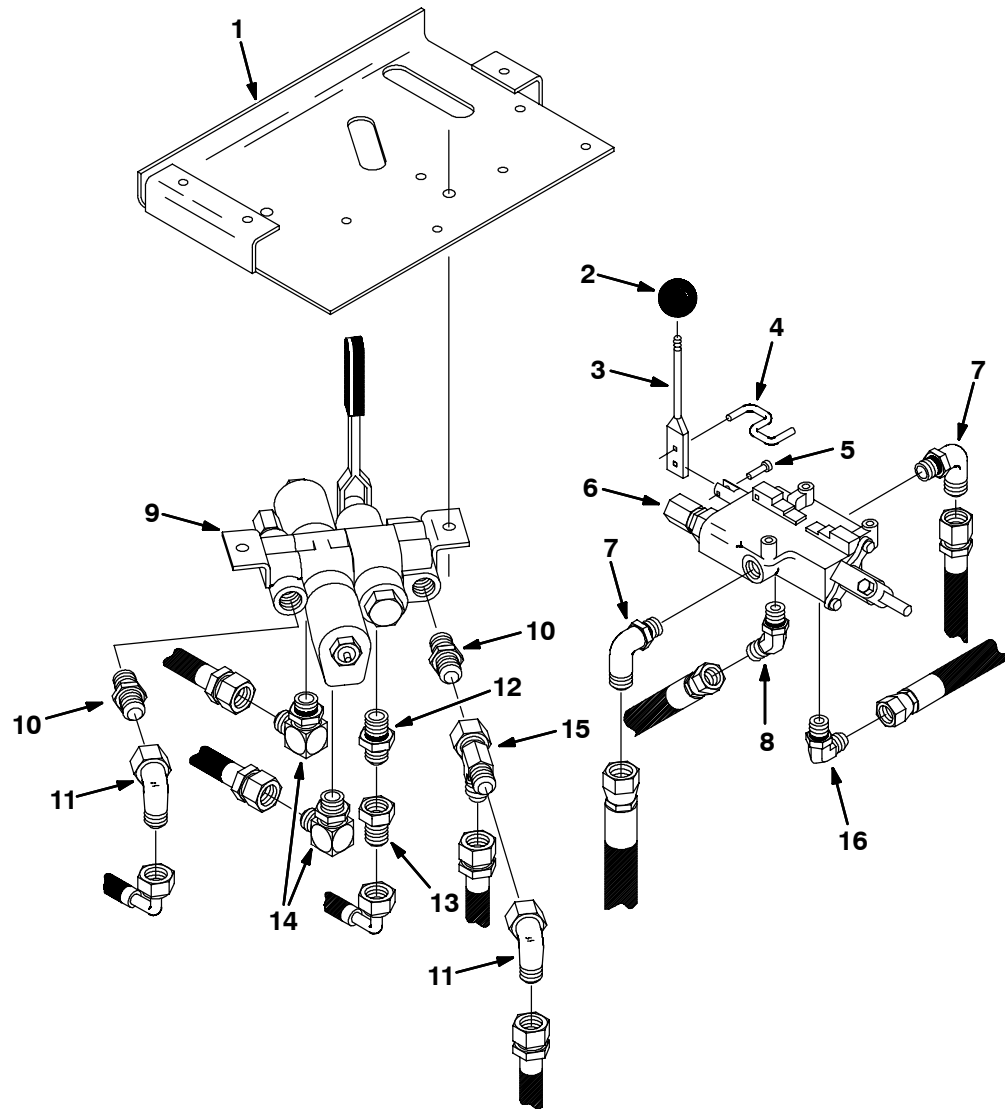
Fig. 69 - Hydraulic Reservoir Group (007006-)



354303 - 550, 1550, G, LP, Impco

Ref.	Part No.	Serial Number	Description	Qty.
▽ 1	1015313	(007006-)	Reservoir Assy, 18.3 Gal	1
▲ 2	9006132	(007006-)	Cap, Breather, Hyd	1
▲ 3	40362	(007006-)	Fitting, Hyd, Plug, Om10	1
4	31613	(007006-)	Strainer, Hyd, 25gpm 100mesh Psi	1
5	1016771	(007006-)	Fitting, Hyd, Str, Jm24/Om20	1
6	52929	(007006-)	Fitting, Hyd, Str, Jm16/Om16	1
7	73113	(007006-)	Fitting, Hyd, Tee, Jf16/Jm16/Jm16, Run	1
8	35002	(007006-)	Fitting, Hyd, Str, Jf16/Jm12	1
9	47518	(007006-)	Fitting, Hyd, Str, Jm10/Om08	1
10	55685	(007006-)	Fitting, Hyd, Str, Jm04/Om06	2
11	56820	(007006-)	Fitting, Hyd, E90, Jm06/Om06	1

Fig. 70 - Hydraulic Control Valves Group (006115-007005)



02371 - 550

Ref.	Part No.	Serial Number	Description	Qty.
1	31632	(006115-007005)	Bracket, Control Valves	1
2	26565	(006115-007005)	Knob	1
3	62234	(006115-007005)	Rod and Link	1
4	32759	(006115-007005)	Link, Hook	1
5	14605	(006115-007005)	Pin, Clevis	1
6	32761	(006115-007005)	Valve, Hydraulic (See Breakdowns)	1
7	47498	(006115-007005)	Fitting, Elbow	2
8	77099	(006115-007005)	Fitting, Elbow, 45°	1
9	31575	(006115-007005)	Valve, Hydraulic (See Breakdowns)	1
10	56690	(006115-007005)	Fitting, Straight	2
11	47504	(006115-007005)	Fitting, Elbow	2
12	55685	(006115-007005)	Fitting, Straight	1
13	16456	(006115-007005)	Fitting, Restrictor	1
14	47638	(006115-007005)	Fitting, Elbow	2
15	42215	(006115-007005)	Fitting, Tee	1
16	56827	(006115-007005)	Fitting, Elbow	1

Fig. 71 - Hydraulic Control Valves Group (007006-)

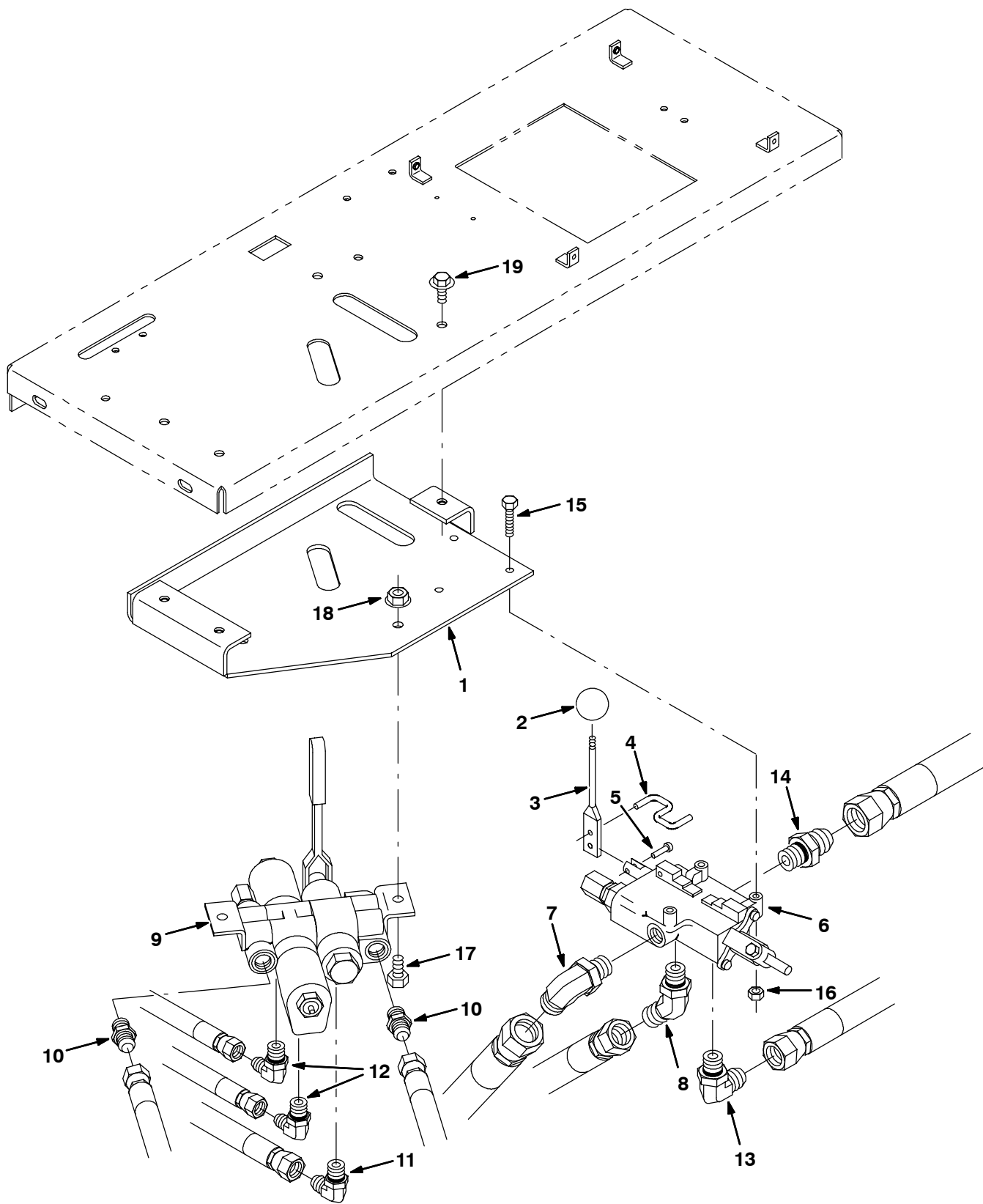
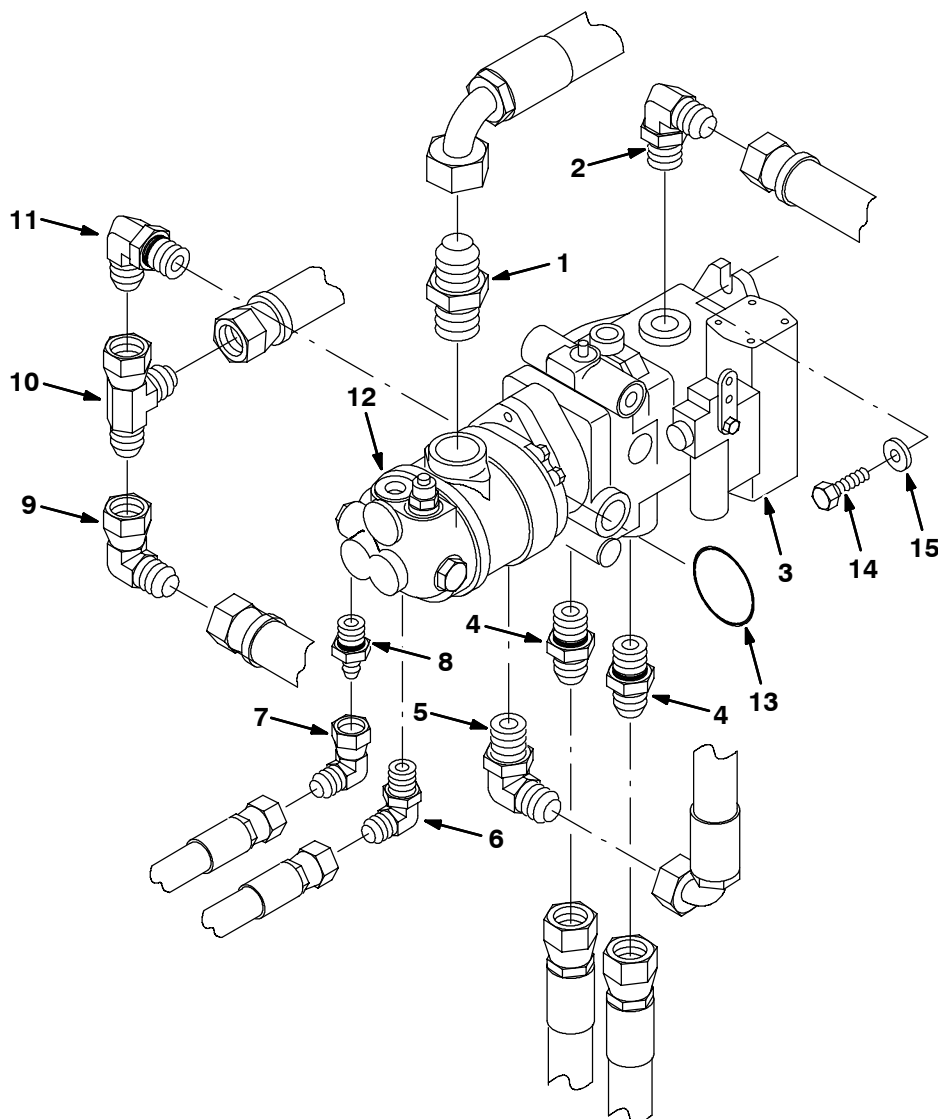


Fig. 71 - Hydraulic Control Valves Group (007006-)

Ref.	Part No.	Serial Number	Description	Qty.
1	1016010	(007006-) Bracket Wldt, Mtg, Valve	1
2	26565	(007006-) Knob, Ball, 1.25d 0.38-16 Plstc	1
3	62234	(007006-) Handle, Valve, Cntrl	1
4	32759	(007006-) Link, Hook	1
5	14605	(007006-) Pin, Clevis, 0.25 D X 0.75l	1
6	32761	(007006-) Valve, Hyd, Man, 1sp 20gpm 2400psi (See Breakdowns)	1
7	47498	(007006-) Fitting, Hyd, E90, Jm12/Om10	1
8	77099	(007006-) Fitting, Hyd, E45, Jm10/Om08	1
9	31575	(007006-) Valve, Hyd, Man/Sol, 12vdc 05gpm 1200psi (See Breakdowns)	1
10	56690	(007006-) Fitting, Hyd, Str, Jm06/Om06	2
11	56820	(007006-) Fitting, Hyd, E90, Jm06/Om06	1
12	47638	(007006-) Fitting, Hyd, E90, Jm04/Om06	2
13	56827	(007006-) Fitting, Hyd, E90, Jm10/Om08	1
14	06750	(007006-) Fitting, Hyd, Str, Jm12/Om10	1
15	25048	(007006-) Screw, Hex, .25-20 X 1.50, 5	3
16	32981	(007006-) Nut, Hex, Lock, .25-20, NI	3
17	21195	(007006-) Screw, Hex, .38-16 X 0.75, 5	2
18	27980	(007006-) Nut, Hex, Flng, .38-16	2
19	16953	(007006-) Screw, Hex, .31-18 X 0.75, Sems	3

STANDARD PARTS

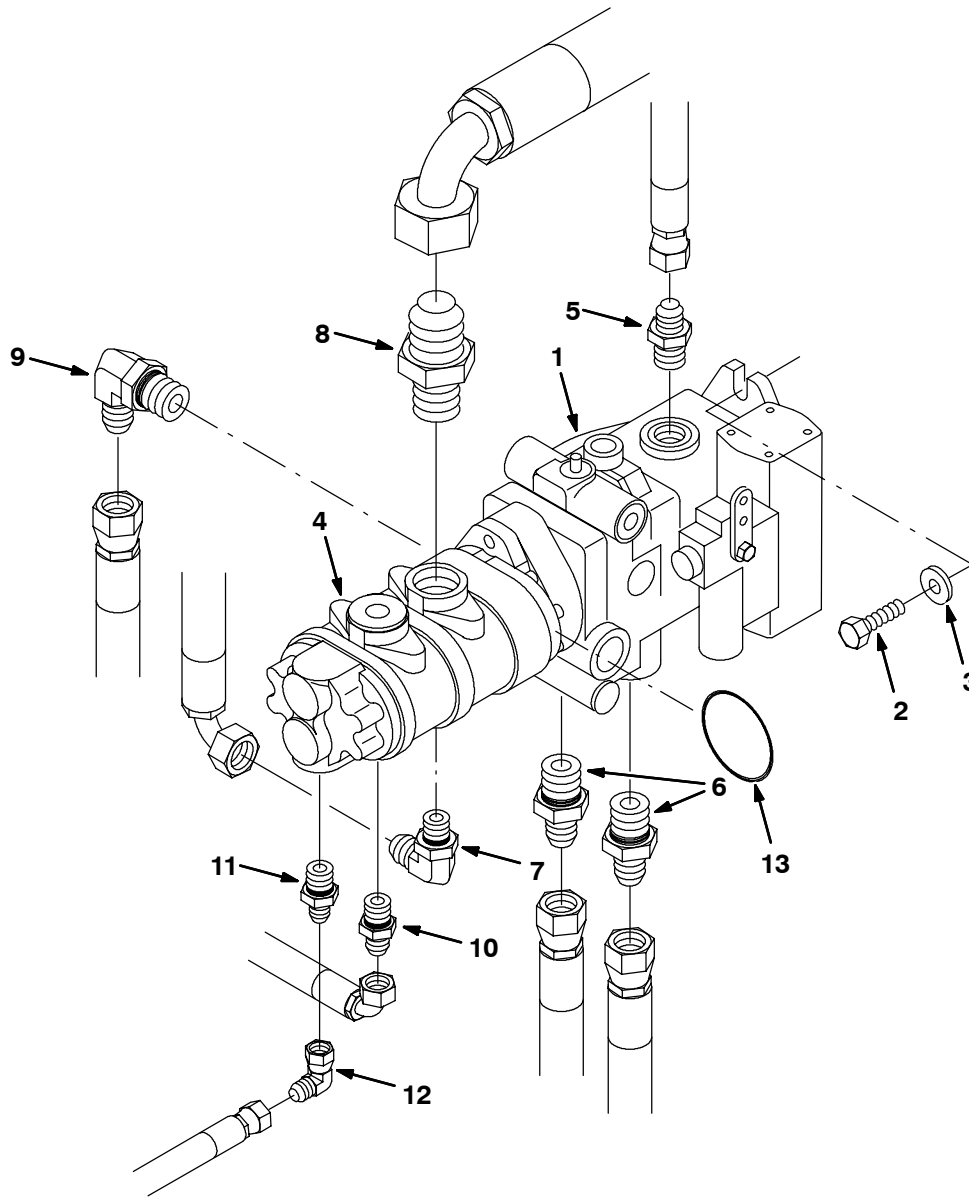
Fig. 72 - Hydraulic Pumps Group (006115-007005)



10144 - 550, 1550

Ref.	Part No.	Serial Number	Description	Qty.
1	58858	(006115-007005)	Fitting, Straight	1
2	46481	(006115-007005)	Fitting, Elbow	1
3	74163	(006115-006222)	Pump, Hydrualic (See Breakdowns)	1
3	373404	(006223-007005)	Pump, Hydrualic (See Breakdowns)	1
4	67310	(006115-007005)	Fitting, Straight	2
5	47498	(006115-007005)	Fitting, Elbow	1
6	47512	(006115-007005)	Fitting, Elbow	1
7	47504	(006115-007005)	Fitting, Elbow	1
8	47508	(006115-007005)	Fitting, Elbow	1
9	35033	(006115-007005)	Fitting, Elbow	1
10	40514	(006115-007005)	Fitting, Tee	1
11	52911	(006115-007005)	Fitting, Elbow	1
12	79078	(006115-006408)	Pump, Hydrualic (See Breakdowns) (Replaced by 373245)	1
12	373245	(006409-007005)	Pump, Hydrualic (See Breakdowns)	1
13	65145-1	(006115-007005)	Seal, O-Ring	1
14	68768	(006115-007005)	Screw, Hex, .50-20 X 1.25, NI	2
15	32486	(006115-007005)	Washer, Flt, .50 Sae	2

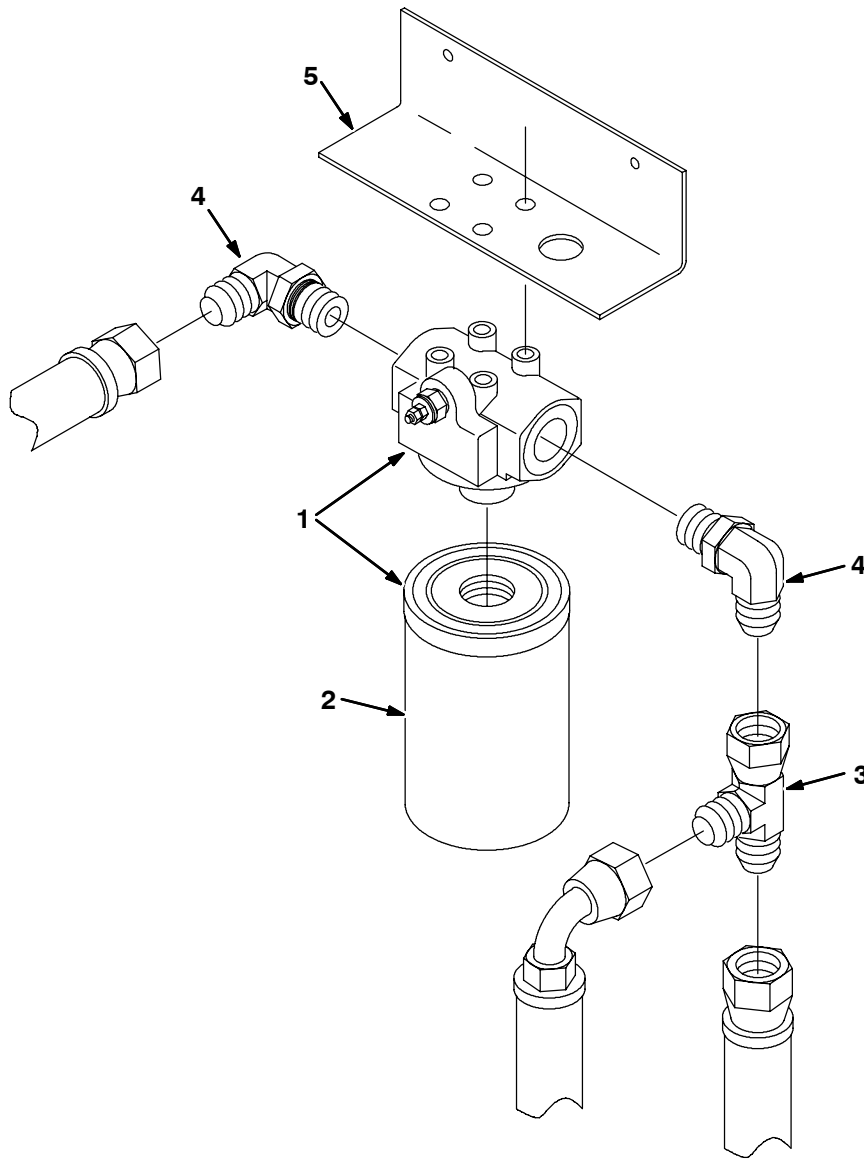
Fig. 73 - Hydraulic Pumps Group (007006-)



10144 - 550, 1550, G, LP, Impco

Ref.	Part No.	Serial Number	Description	Qty.
1	373404	(007006-)	Pump, Hyd, Piston [V] 2.48 [R] 4500 (See Breakdowns)	1
2	68768	(007006-)	Screw, Hex, .50-20 X 1.25, NI	2
3	32486	(007006-)	Washer, Flat, 0.50 Sae	2
4	1014956	(007006-)	Pump, Hyd, Gear, [Ex3] 1.69 [R] 3000 (See Breakdowns)	1
5	42223	(007006-)	Fitting, Hyd, Str, Jm10/Om12	1
6	67310	(007006-)	Fitting, Hyd, Str, Jm12/Om16	2
7	47498	(007006-)	Fitting, Hyd, E90, Jm12/Om10	1
8	1016771	(007006-)	Fitting, Hyd, Str, Jm24/Om20	1
9	52911	(007006-)	Fitting, Hyd, E90, Jm12/Om16	1
10	56692	(007006-)	Fitting, Hyd, Str, Jm08/Om10	1
11	47508	(007006-)	Fitting, Hyd, Str, Jm06/Om10	1
12	47504	(007006-)	Fitting, Hyd, E90, Jf06/Jm06	1
13	65145-1	(007006-)	Seal, O-Ring, .069 X 03.06id	1

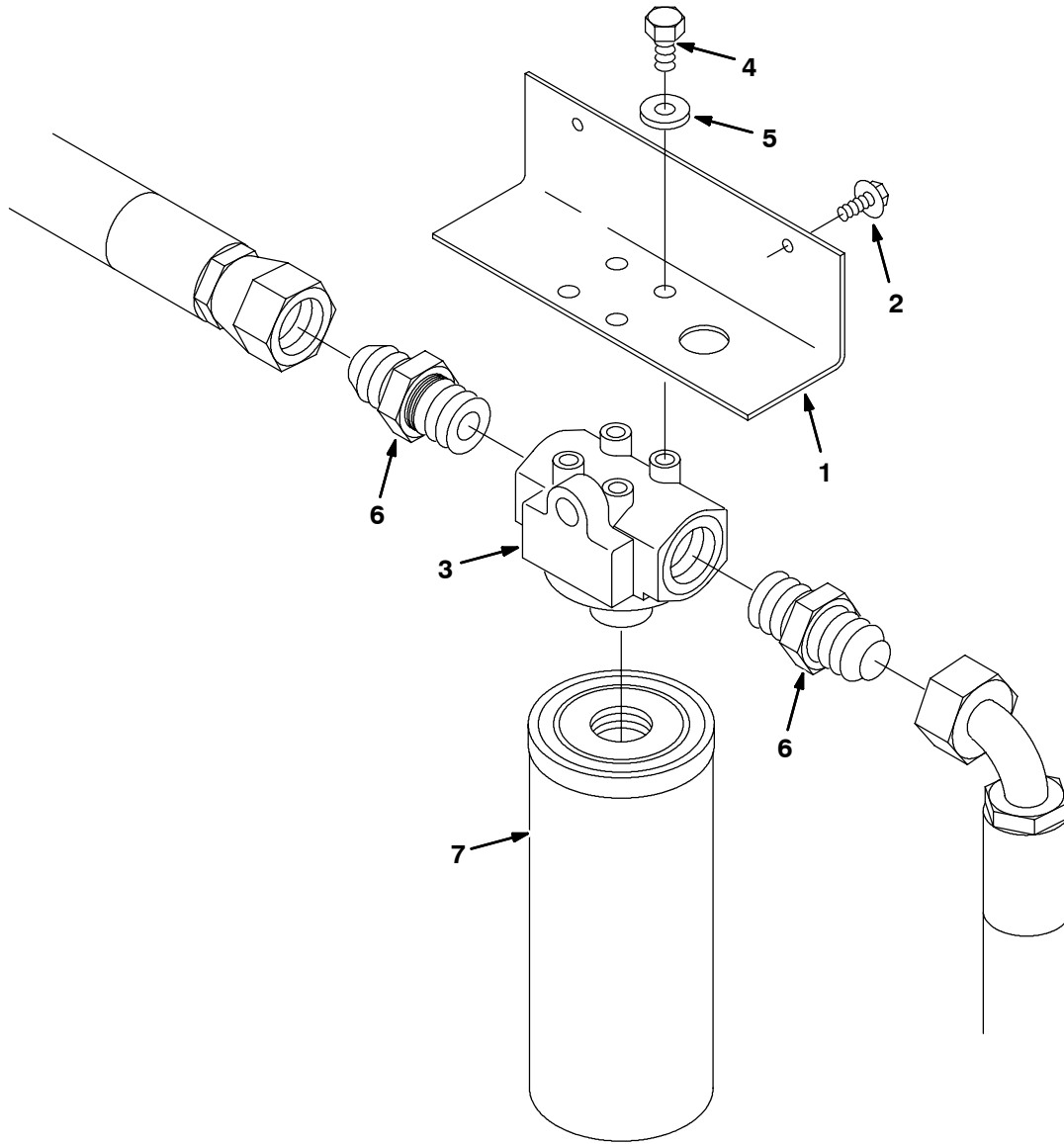
Fig. 74 - Hydraulic Filter Group (006115-007005)



10149 - 550, 1550

Ref.	Part No.	Serial Number	Description	Qty.
▽	1	10664	(006115-007005) Filter Assembly, Hydraulic	1
▲	2	65221	(006115-007005) Element, Filter	1
	3	40514	(006115-007005) Fitting, Tee	1
	4	46481	(006115-007005) Fitting, Elbow	2
	5	79075	(006115-007005) Bracket, Filters Mounting	1

Fig. 75 - Hydraulic Filter Group (007006-)



10149 - 550, 1550, G, LP, Impco

Ref.	Part No.	Serial Number	Description	Qty.
1	79075	(007006-)	Bracket, Mtg, Fltr, Oil, Hyd	1
2	87783	(007006-)	Screw, Hex, .25-20 X 0.62, Fmg	2
3	1015018	(007006-)	Head Assy, Fltr, Hyd	1
4	21195	(007006-)	Screw, Hex, .38-16 X 0.75, 5	4
5	41187	(007006-)	Washer, Belleville, .38	4
6	52929	(007006-)	Fitting, Hyd, Str, Jm16/Om16	2
7	1015933	(007006-)	Element, Fltr, Oil, Spin-on [Dn]	1

Fig. 76 - Hydraulic Solenoid Valve and Manifold Group (007006-)

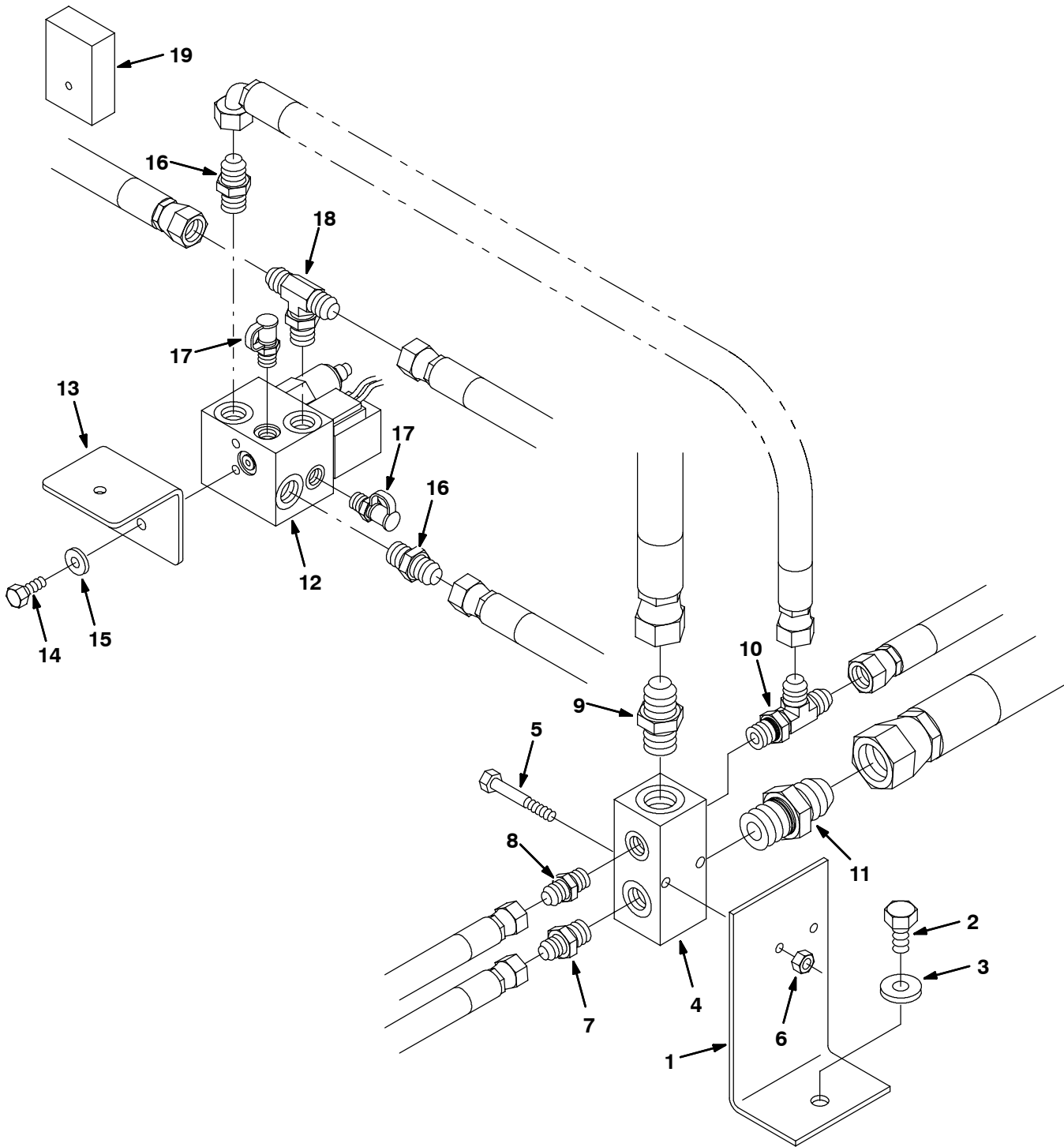


Fig. 76 - Hydraulic Solenoid Valve and Manifold Group (007006-)

Ref.	Part No.	Serial Number	Description	Qty.
1	1015307	(007006-) Bracket, Mtg, Manifold	1
2	39807	(007006-) Screw, Hex, .50-13 X 0.75, 5	1
3	36328	(007006-) Washer, Belleville, .50	1
4	73108	(007006-) Manifold, Hyd, Collector	1
5	19572	(007006-) Screw, Hex, .31-18 X 2.50, 5	2
6	32983	(007006-) Nut, Hex, Lock, .31-18, NI	2
7	52402	(007006-) Fitting, Hyd, Str, Jm06/Om08	1
8	56690	(007006-) Fitting, Hyd, Str, Jm06/Om06	1
9	42260	(007006-) Fitting, Hyd, Str, Jm12/Om12	1
10	40755	(007006-) Fitting, Hyd, Tee, Jm08/Jm08/Om08, Run	1
11	52929	(007006-) Fitting, Hyd, Str, Jm16/Om16	1
12	1020194	(007006-007195) Valve, Hyd, Solenoid [01S15G3100] (See Breakdowns)	1
12	1042535	(007196-) Valve, Cntrl, Hyd, Solenoid, 12vdc 15gpm (See Breakdowns)	1
13	1015991	(007006-) Bracket, Mtg, Valve	1
14	54396	(007006-) Screw, Hex, .31-18 X 0.75, 5	2
15	39349	(007006-) Washer, Flat, 0.31 Sae	2
16	44869	(007006-) Fitting, Hyd, Str, Jm08/Om08	2
17	395973	(007006-) Fitting, Hyd, Str, Om04/Qm04	2
18	49933	(007006-) Fitting, Hyd, Tee, Jm08/Jm08/Om08, Br	1
19	1016408	(007006-) Timer, 12vdc, 15s	1

Fig. 77 - Hydraulic Directional Pedal Group

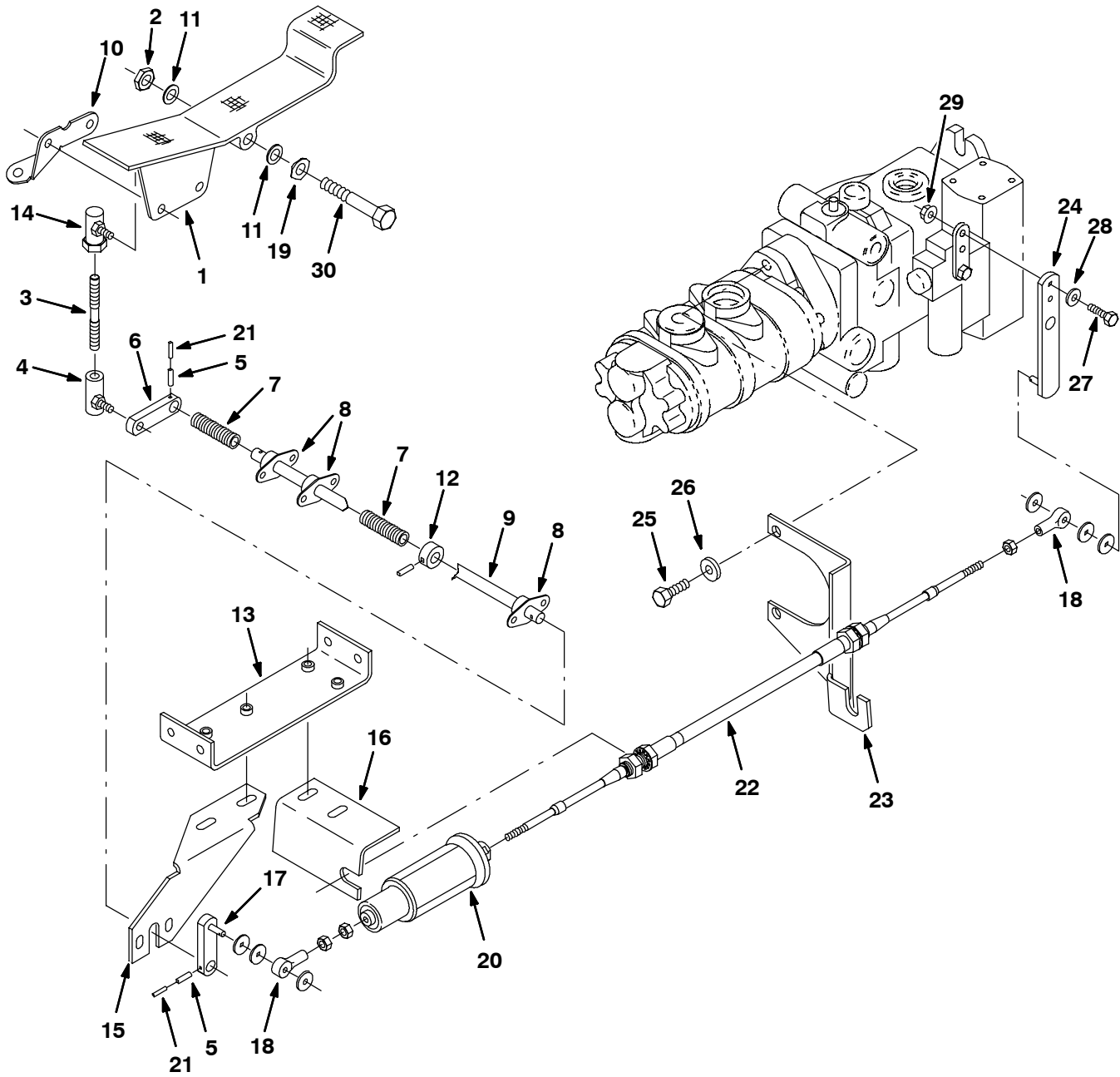


Fig. 77 - Hydraulic Directional Pedal Group

Ref.	Part No.	Serial Number	Description	Qty.
1	42240	(006115-) Pedal, Foot Speed	1
2	86029	(006115-) Nut, Nex, Thin	1
3	79074	(006115-) Stud	1
4	50493	(006115-) Ball Joint,	1
5	22134	(006115-) Pin, Roll	2
6	52789	(006115-) Link, Directional Control	1
7	22290	(006115-) Spring	2
8	47585	(006115-) Bearing, Flange	3
9	79067	(006115-) Shaft, Control	1
10	79066	(006115-) Bracket, Stop	1
11	59633	(006115-) Bearing, Thrust	1
12	75371	(006115-) Collor, Locking	1
13	79068	(006115-) Bracket, Main	1
14	63282	(006115-) Ball Joint, Upper	1
15	79069	(006115-) Bracket, Mtg, Bearing	1
16	79070	(006115-) Bracket, Cable	1
17	79077	(006115-) Link, Direct Control	1
18	68866	(006115-) Rod End	2
19	52508	(006115-) Washer, Wavy	1
20	63292	(006115-) Spring, Propel, Centering	1
21	46029	(006115-) Pin, Roll	2
22	79080	(006115-) Cable, Push-Pull	1
23	1015338	(006115-) Bracket, Cable & Alarm	1
24	79114	(006115-) Lever, Pump	1
25	46559	(006115-) Screw, Hex, .38-16 X 1.25. NI	2
26	32485	(006115-) Washer, Flt, .38 Sae	2
27	25046	(006115-) Screw, Hex, .25-20 X 1.00	2
28	32483	(006115-) Washer, Flt, .25 Sae	2
29	27978	(006115-) Nut, Hex, Flng, .25-20	2
30	32895	(006115-) Screw, Hex, .50-13 X 3.50, 5	1

Fig. 78 - Electrical Wire Harness Group (006115-007005)

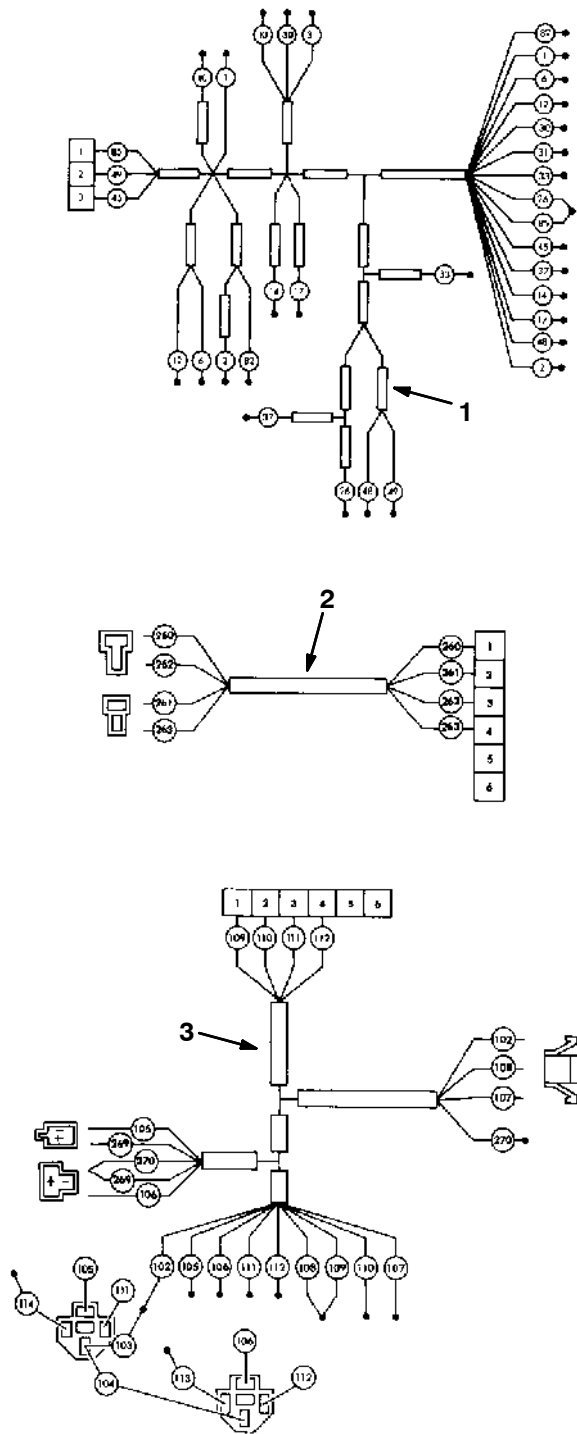
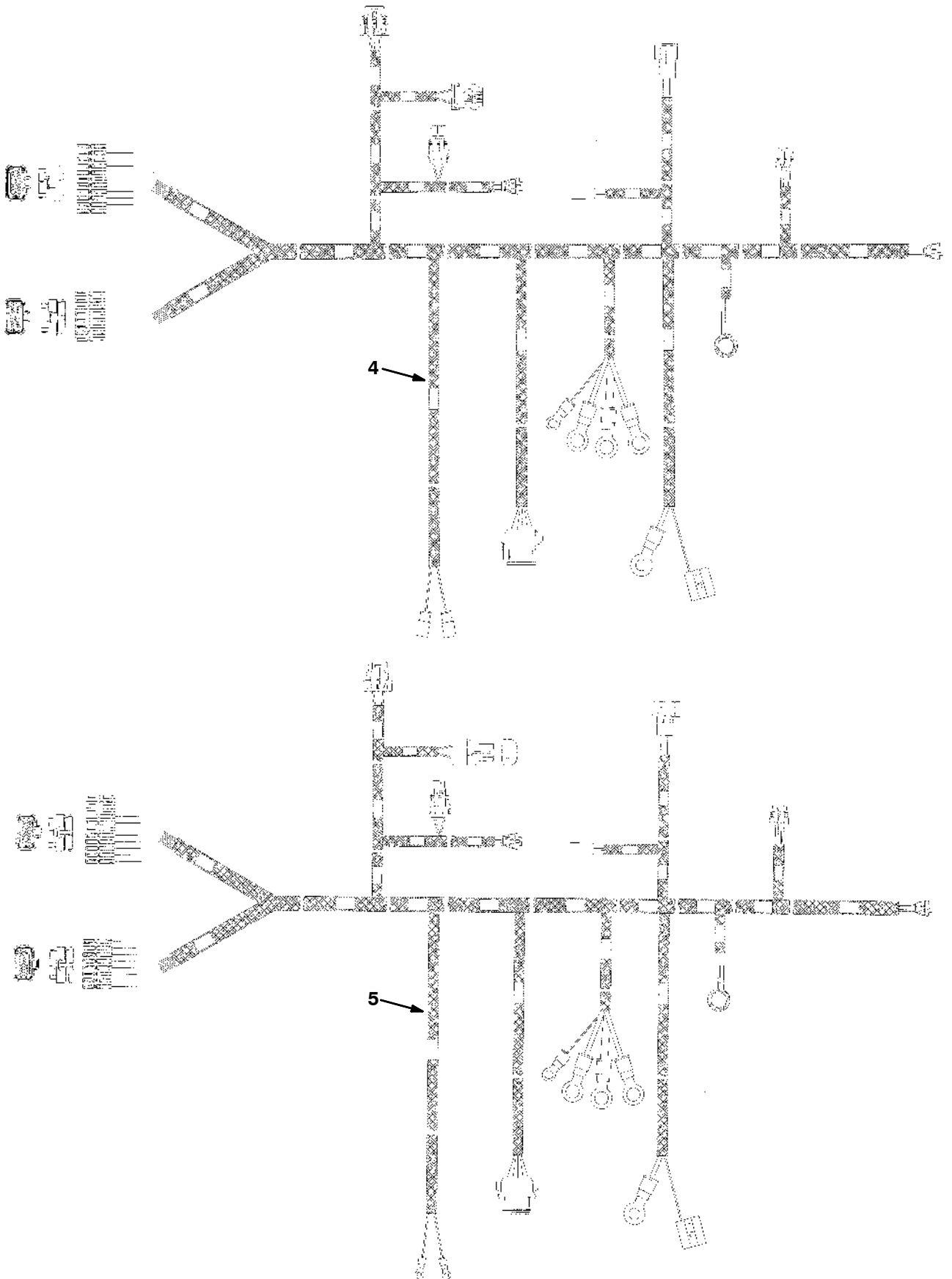
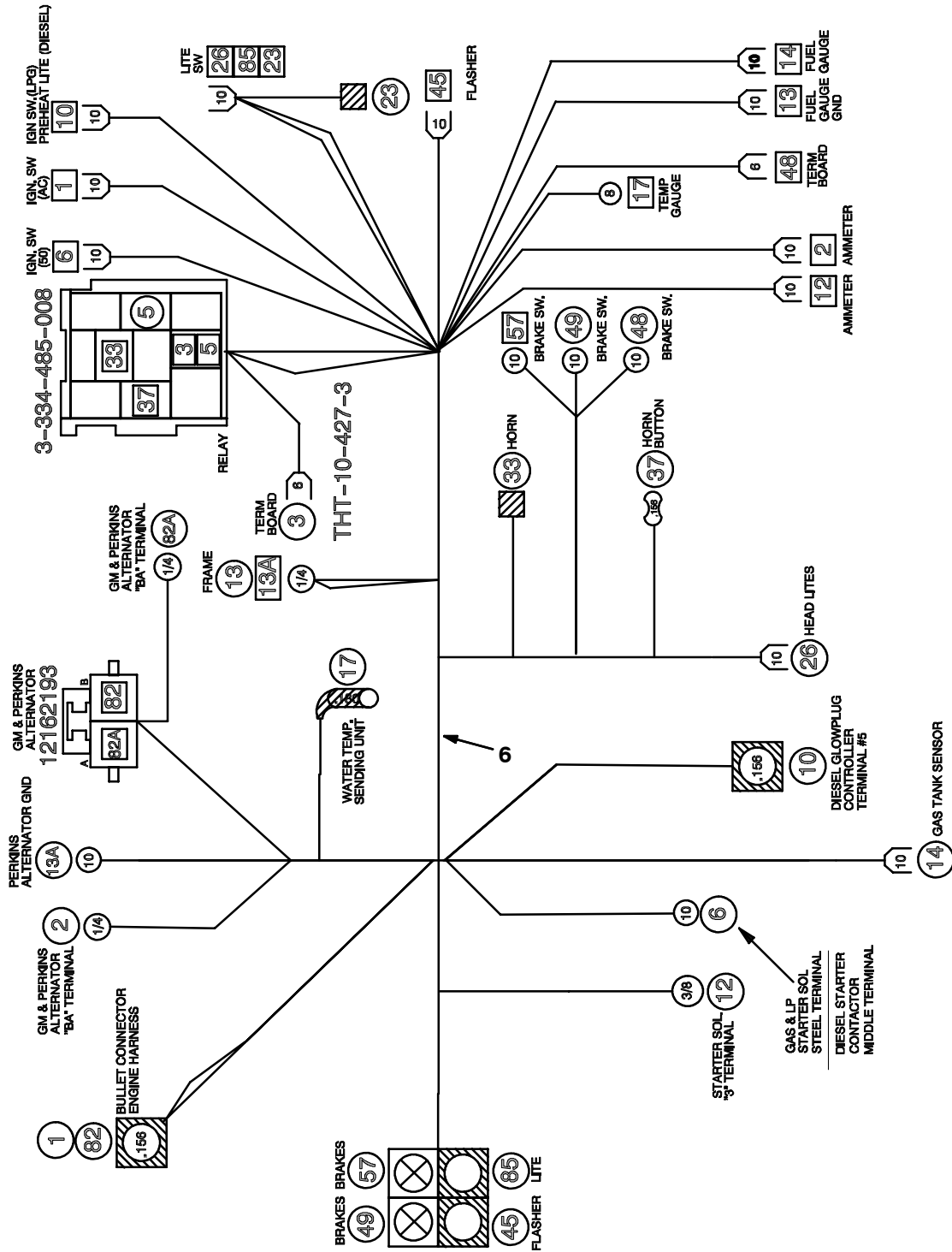


Fig. 78 - Electrical Wire Harness Group (006115-007005)



STANDARD PARTS

Fig. 78 - Electrical Wire Harnesses Group (006115-007005)



00357-00806 - 550, G, LP

Ref.	Part No.	Serial Number	Description	Qty.
1	25181	(006115-006408)	Wire Harness, Main, Gasoline and LPG	1
2	25184	(006115-007005)	Wire Harness, Auto Squeegee	1
3	25182	(006115-007005)	Wire Harness, Tractor, Auto Squeegee	1
4	393976	(006409-007005)	Wire Harness, Engine, LPG	1
5	371548	(006409-007005)	Wire Harness, Engine, Gas	1
6	392528	(006409-007005)	Wire Harness, Main	1

Fig. 79 - Electrical Wire Harnesses Group (007006-)

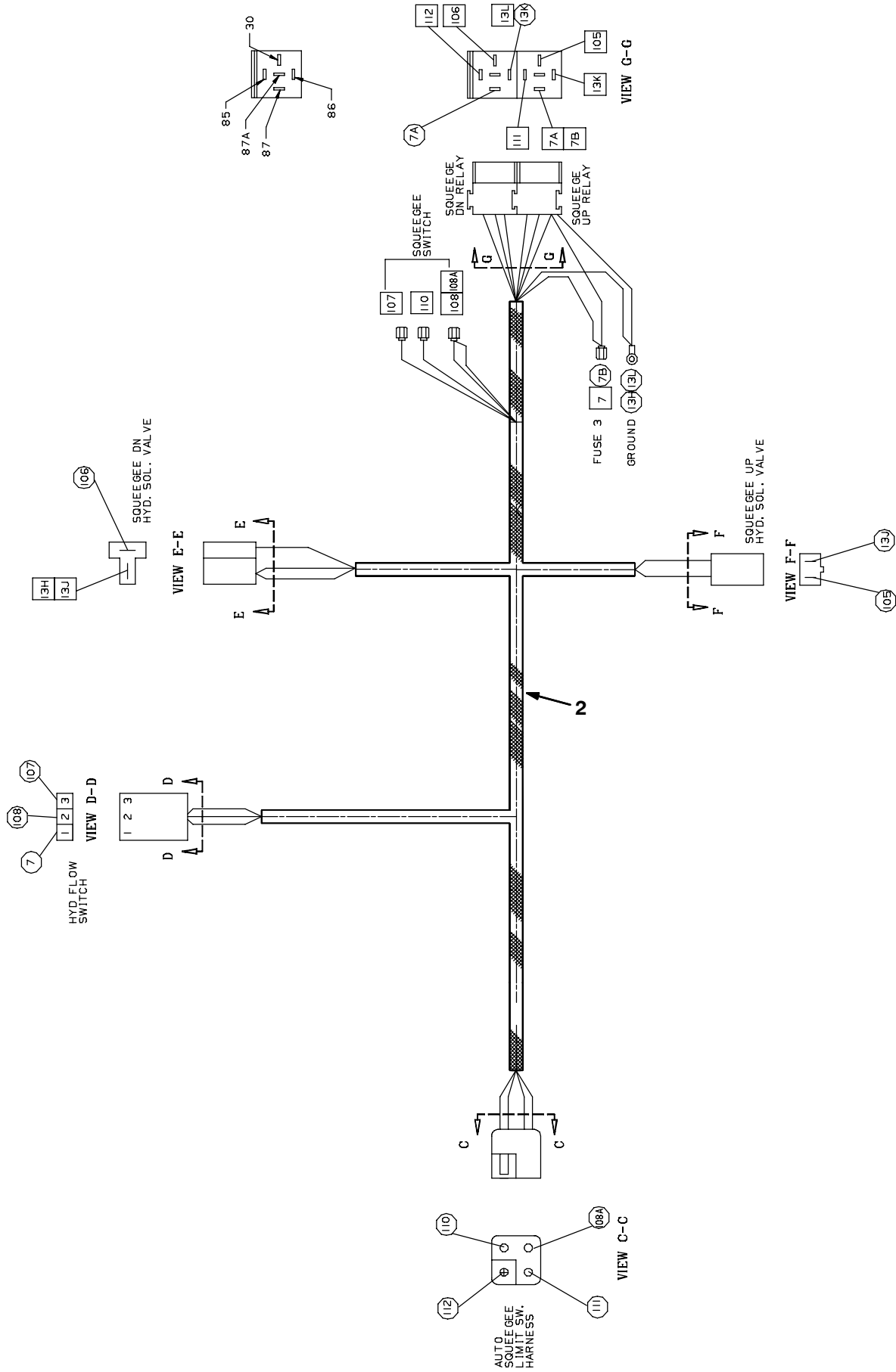


Fig. 79 - Electrical Wire Harnesses Group (007006-)

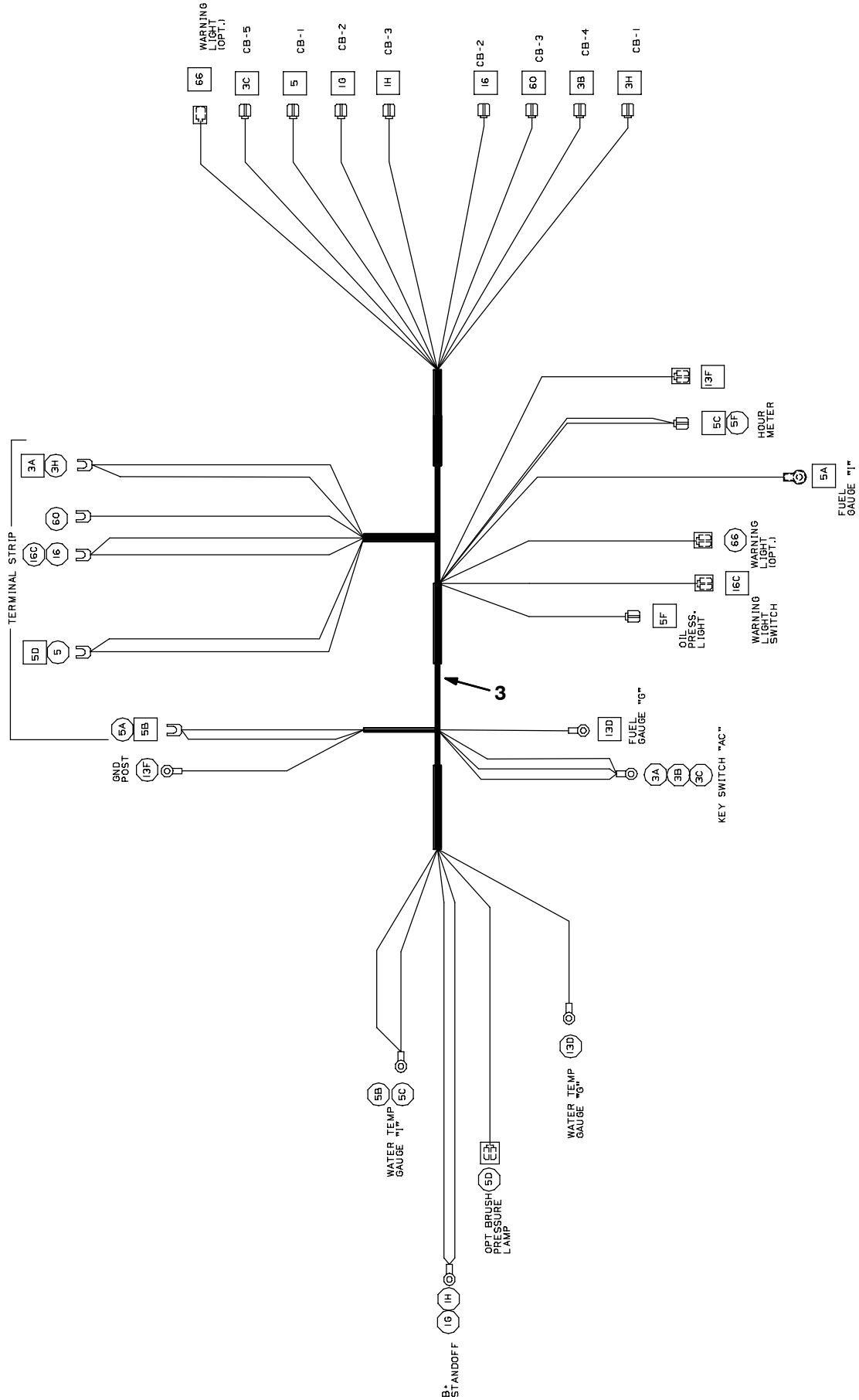


Fig. 79 - Electrical Wire Harnesses Group (007006-)

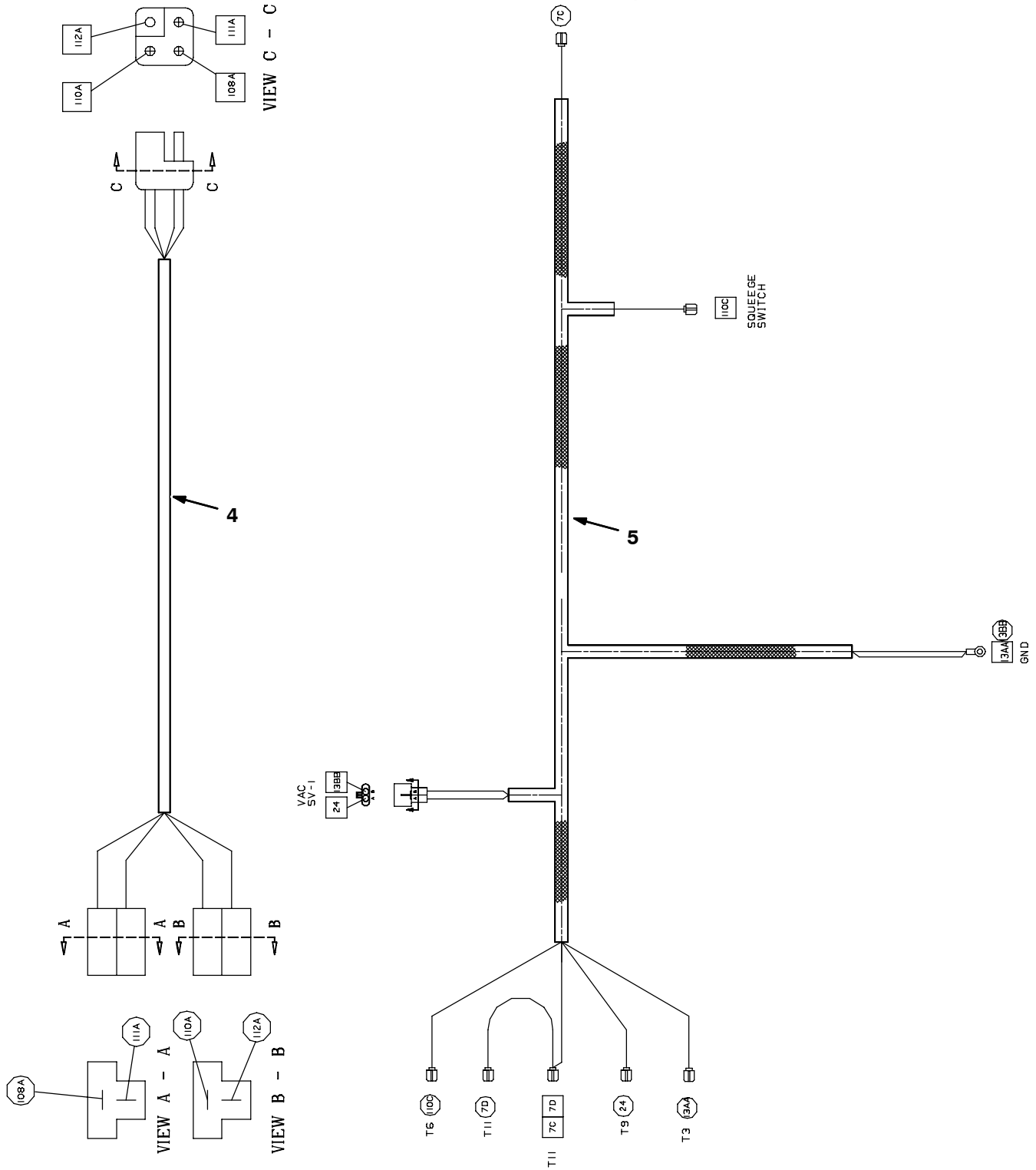


Fig. 79 - Electrical Wire Harnesses Group (007006-)

Engine Wire Harness

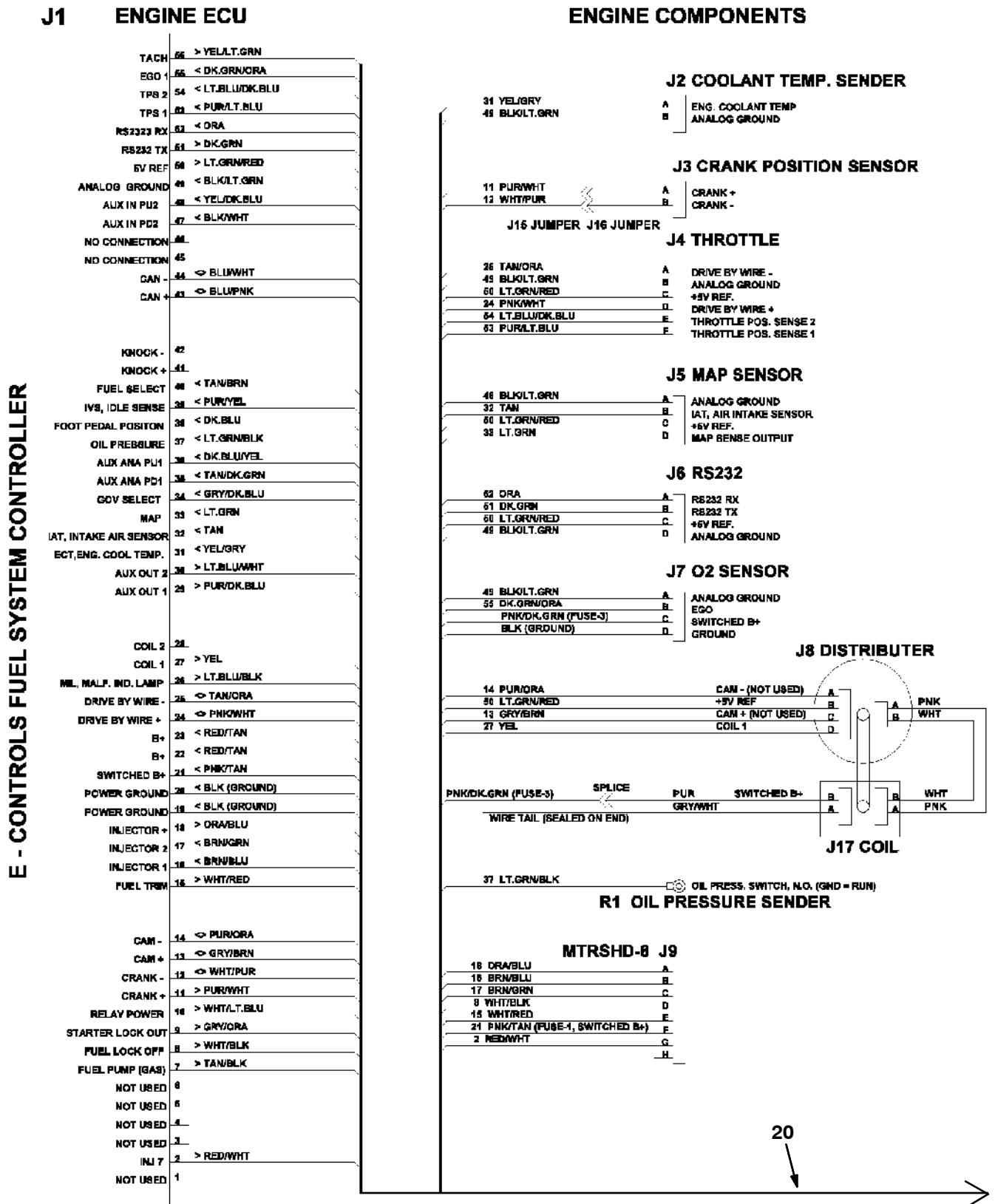


Fig. 79 - Electrical Wire Harnesses Group (007006-)

Engine Wire Harness
CONNECTIONS TO MACHINE

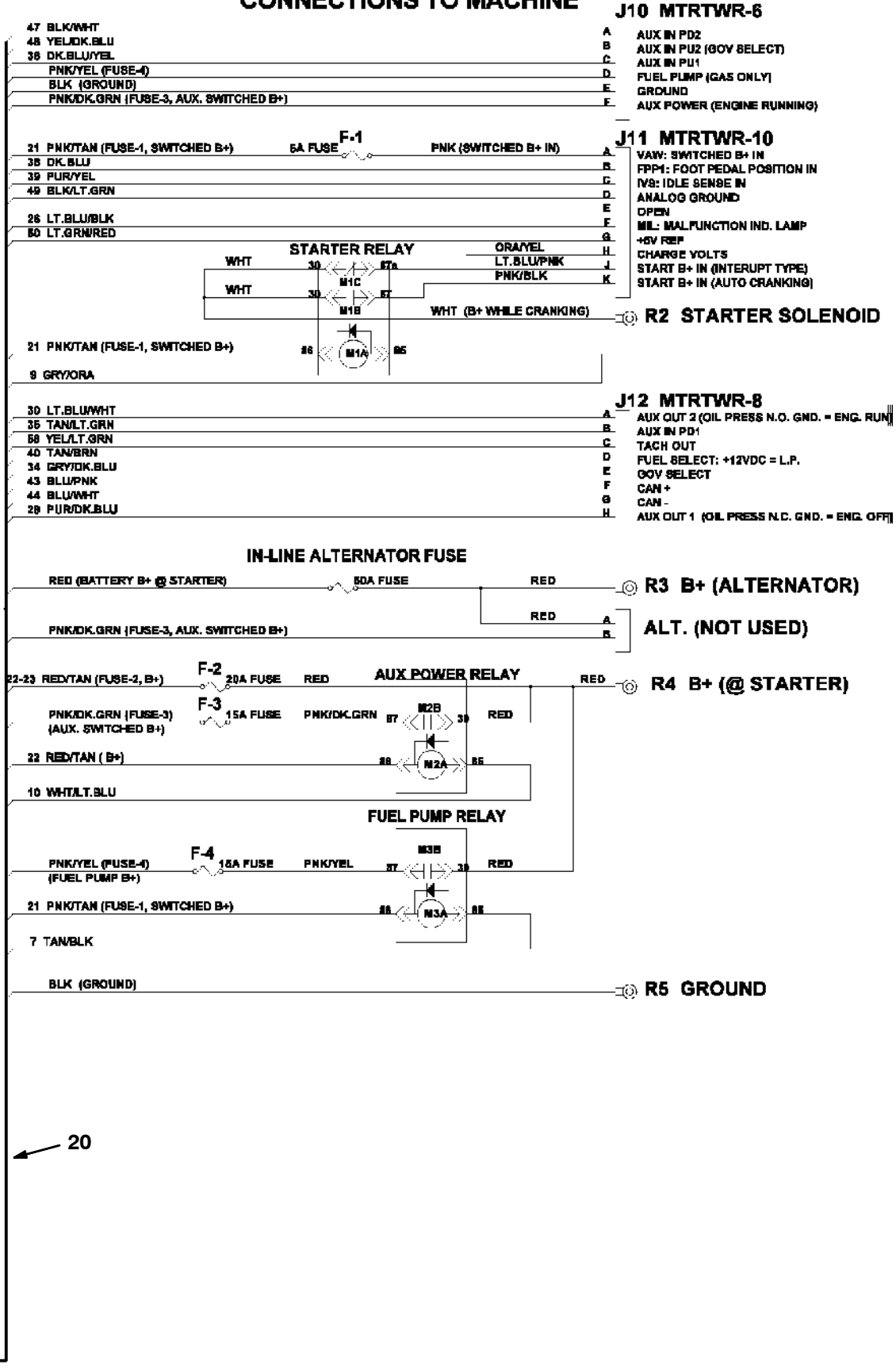


Fig. 79 - Electrical Wire Harnesses Group (007006-)

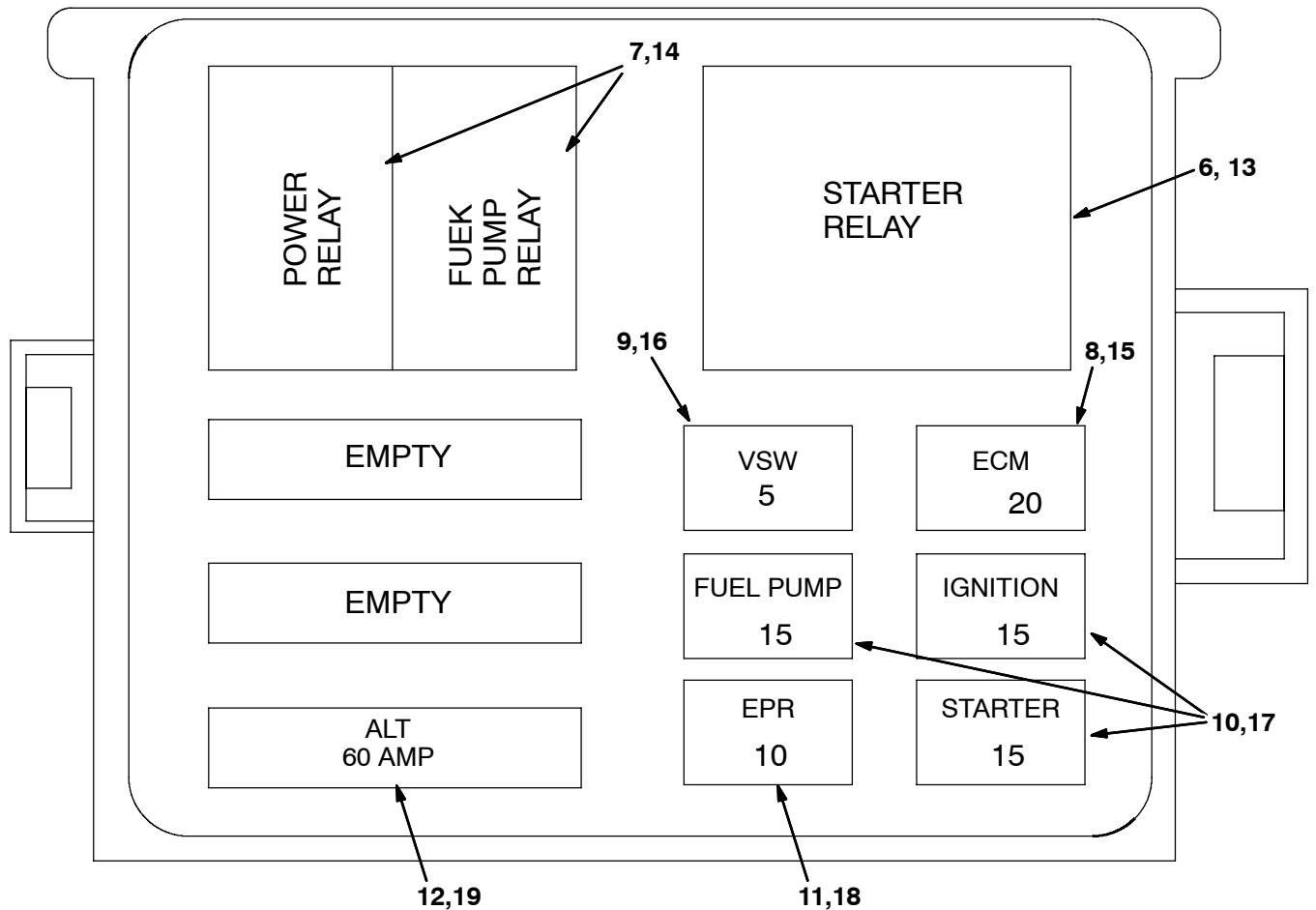
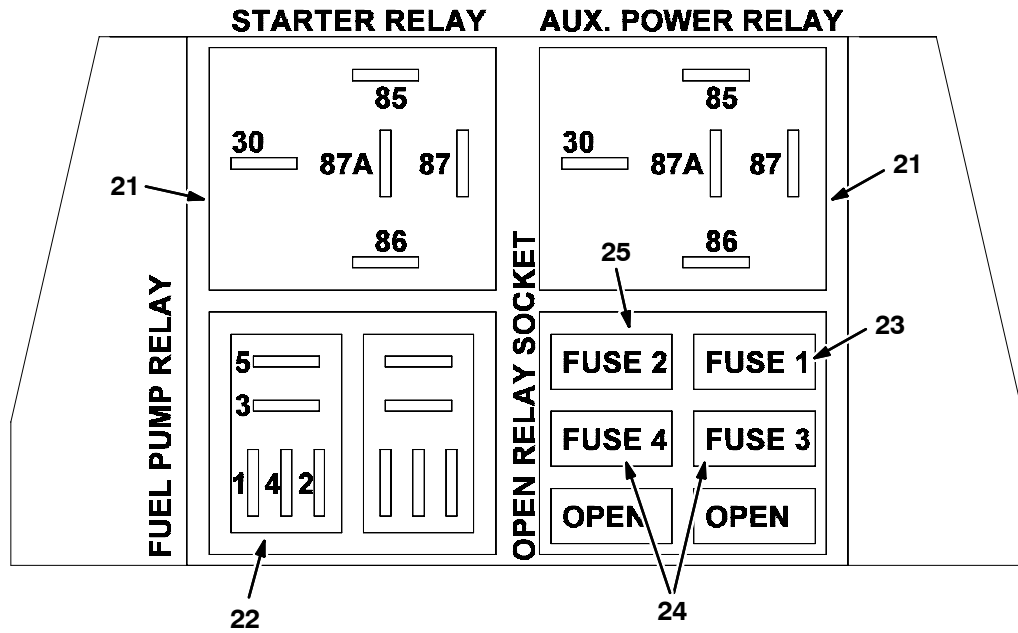
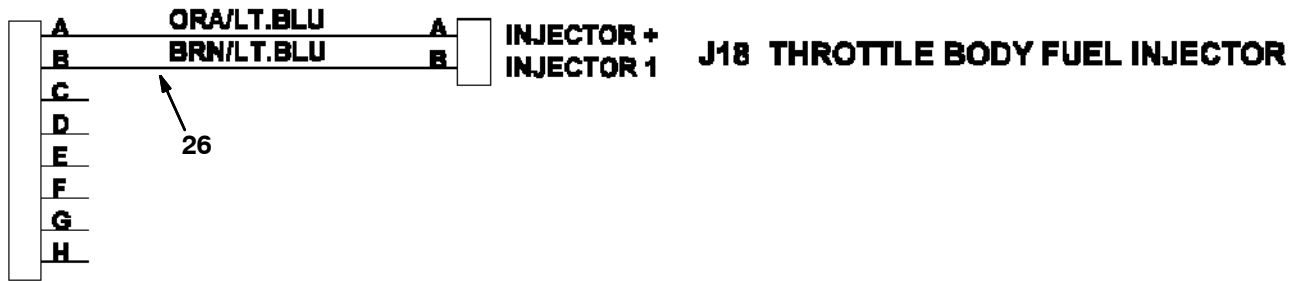


Fig. 79 - Electrical Wire Harnesses Group (007006-)

GAS INJECTOR AUX. HARNESS

J14 NTRSHD-8



L.P. DUAL SOL. AUX. HARNESS

J14 NTRSHD-8

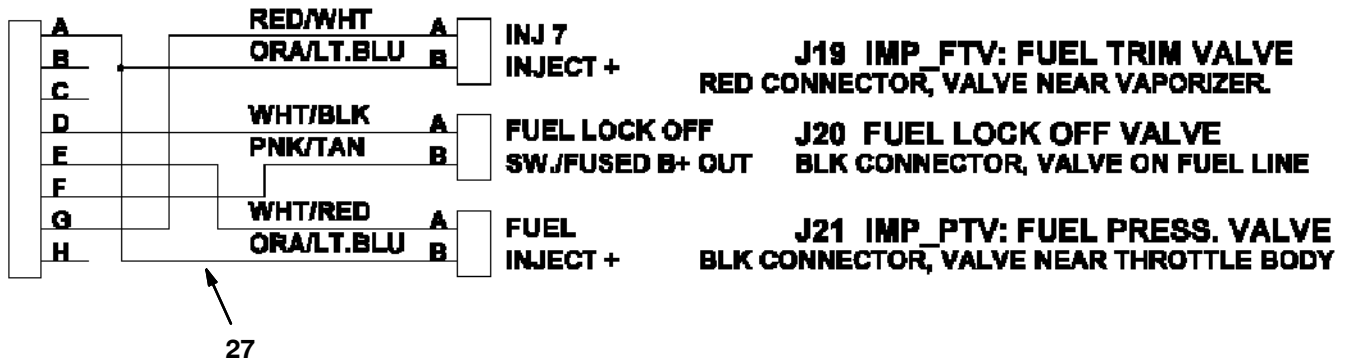
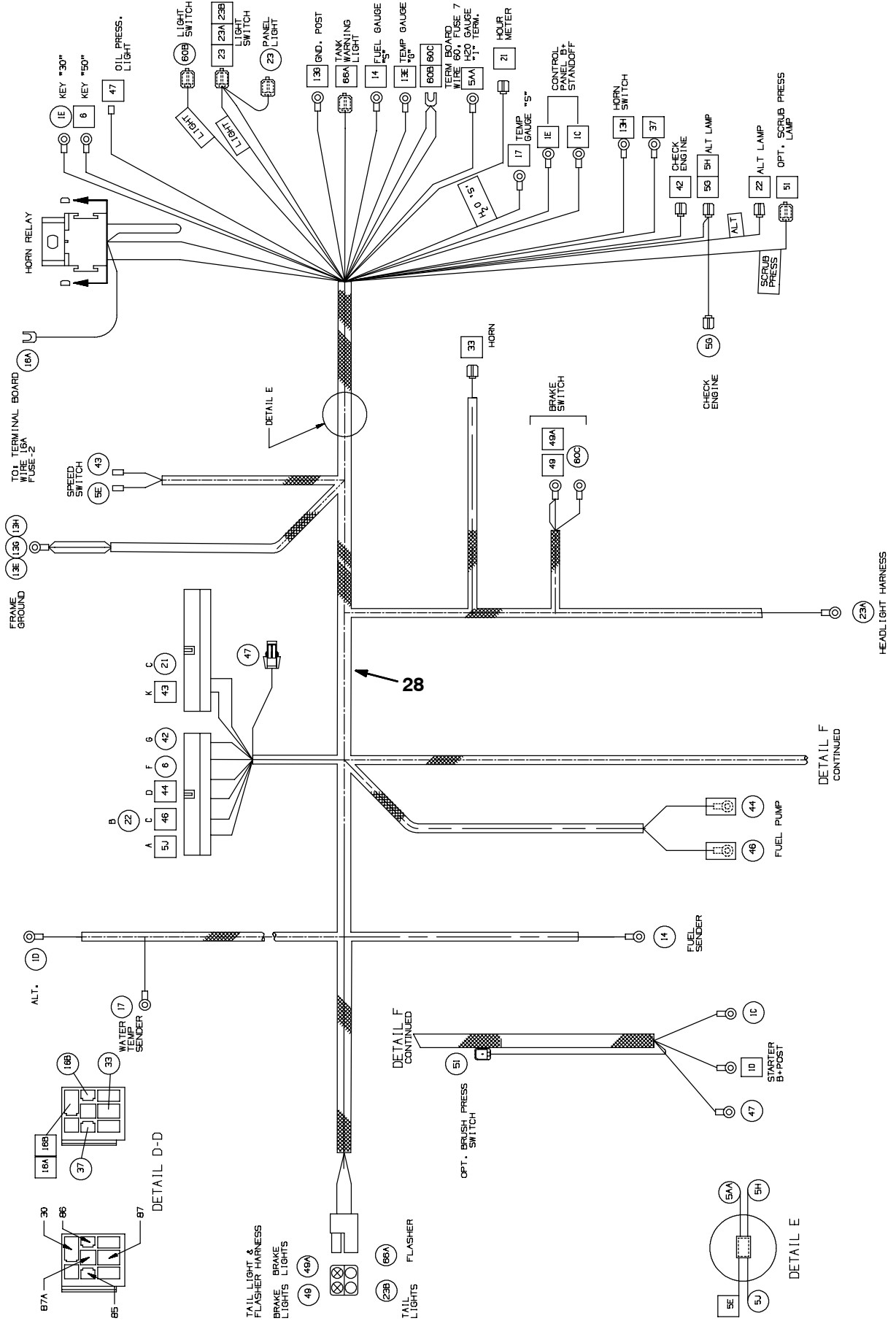


Fig. 79 - Electrical Wire Harnesses Group (007006-)



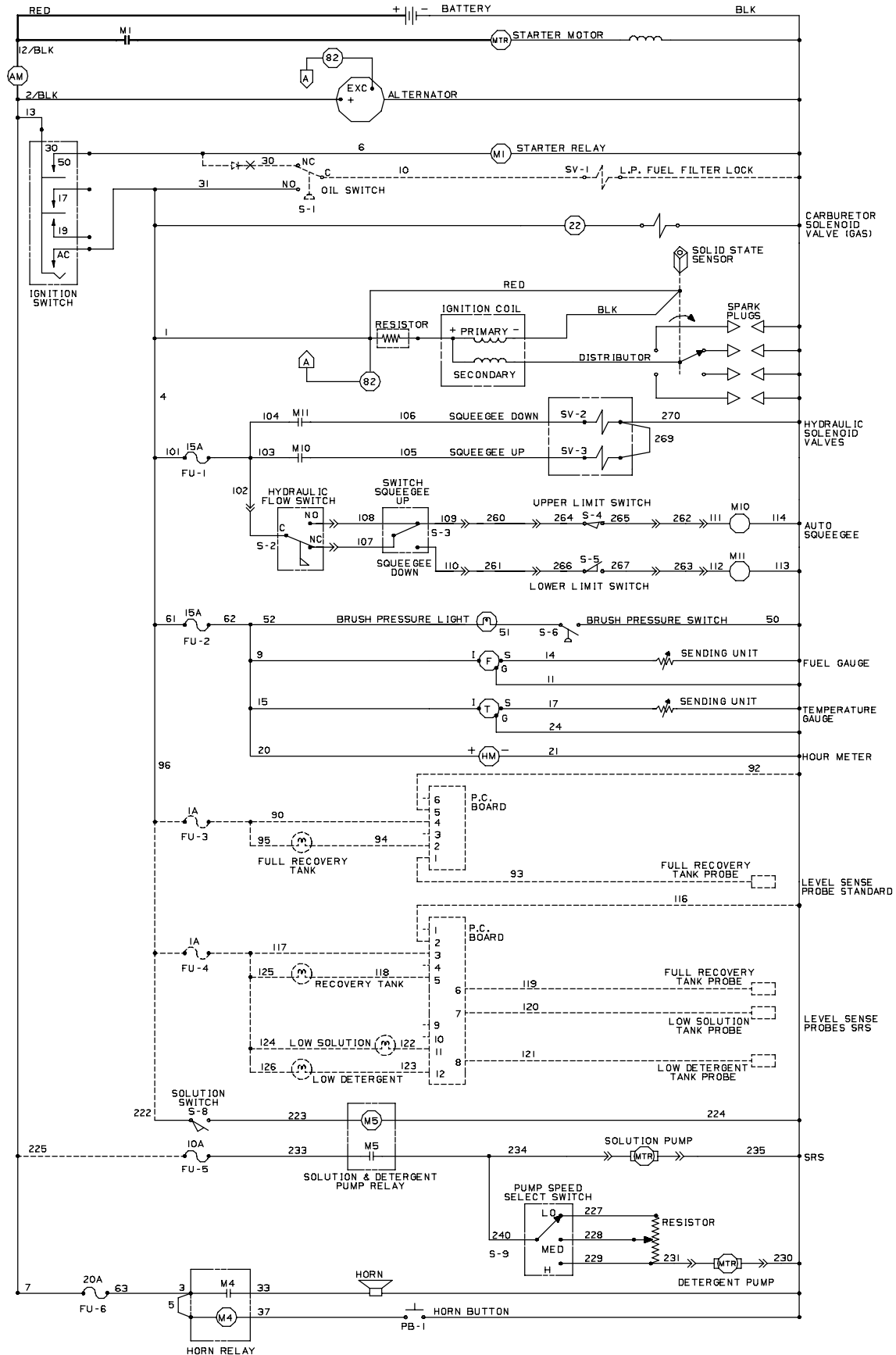
STANDARD PARTS

356243, 354310, 354309, 354287, 354288, 354290 - 550, G, LP, Impco

Fig. 79 - Electrical Wire Harnesses Group (007006-)

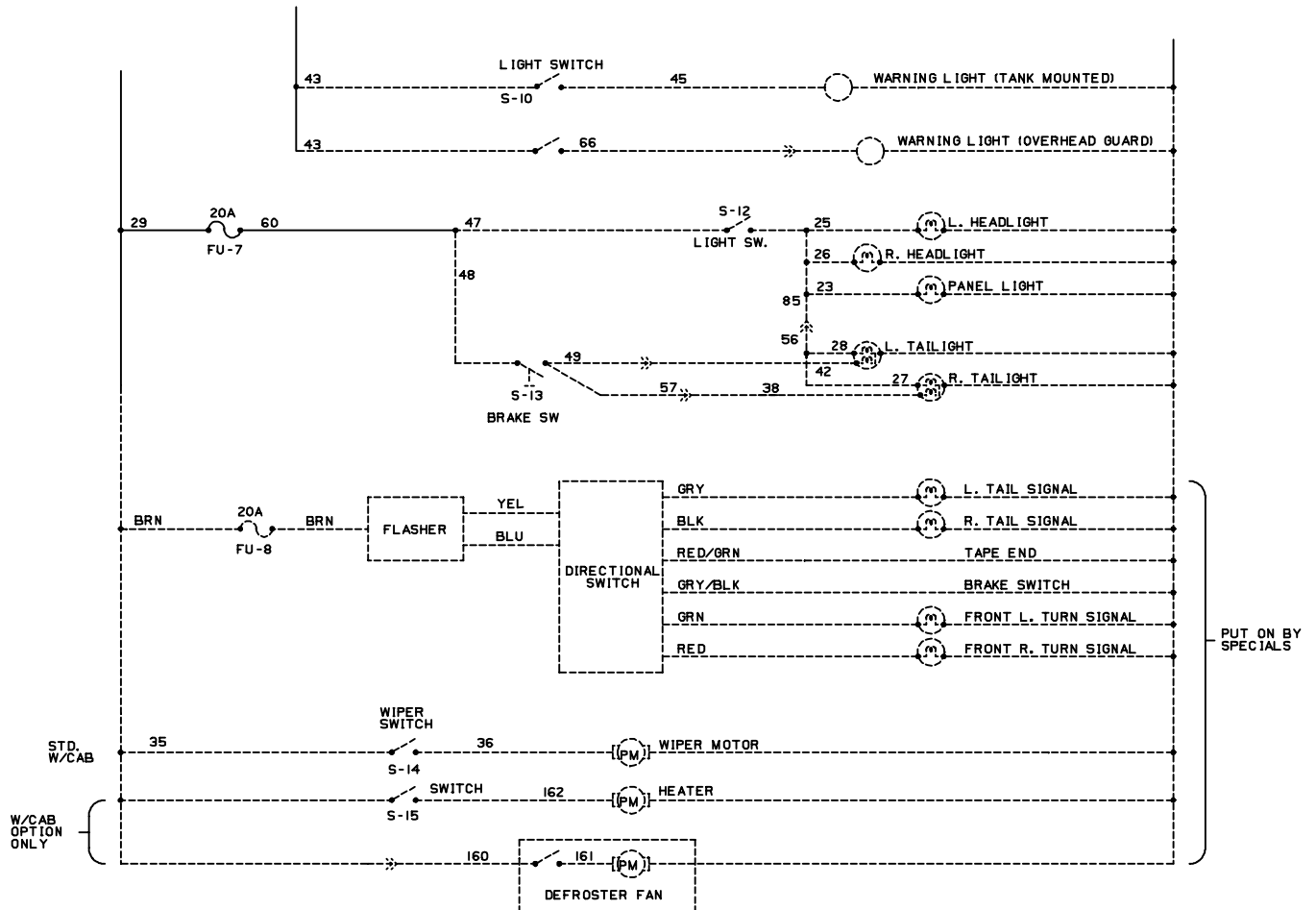
Ref.	Part No.	Serial Number	Description	Qty.	
1	391901	(007006-007195)	Harness, Main, Gas/Lpg [550/1550]	1	
2	391907	(007006-)	Harness, Tractor [550/1550]	1	
3	391902	(007006-)	Harness, Panl, Cntrl [550]	1	
4	391904	(007006-)	Harness, Tank, Sqge [550]	1	
5	363992	(007006-)	Harness, Sqge, Vacuum	1	
▽	385010	(007196-)	Harness, Eng, Gas [3.0l 2007]	1	
▲	6	394916	(007196-)	Relay, 12vdc, 20a, Spdt	1
▲	7	57804	(007196-)	Relay, 12vdc, 40a, Spdt	2
▲	8	372237	(007196-)	Fuse, 20 Amp, [Min-20]	1
▲	9	372235	(007196-)	Fuse, 5 Amp, [Min-5]	1
▲	10	372236	(007196-)	Fuse, 15 Amp, [Min-15]	2
▲	11	384999	(007196-)	Fuse, 10 Amp	1
▲	12	384998	(007196-)	Fuse, 60 Amp	1
▽	385018	(007196-007333)	Harness, Eng, Lpg [3.0l 2007]	1	
▲	13	394916	(007196-007333)	Relay, 12vdc, 20a, Spdt	1
▲	14	57804	(007196-007333)	Relay, 12vdc, 40a, Spdt	2
▲	15	372237	(007196-007333)	Fuse, 20 Amp, [Min-20]	1
▲	16	372235	(007196-007333)	Fuse, 5 Amp, [Min-5]	1
▲	17	372236	(007196-007333)	Fuse, 15 Amp, [Min-15]	2
▲	18	384999	(007196-007333)	Fuse, 10 Amp	1
▲	19	384998	(007196-007333)	Fuse, 60 Amp	1
▽	1063653	(007334-)	Harness, Wire, Eng, Lpg [Gm 3.0l 10]	1	
▲	13	394916	(007334-)	Relay, 12vdc, 20a, Spdt	1
▲	14	57804	(007334-)	Relay, 12vdc, 40a, Spdt	2
▲	15	372237	(007334-)	Fuse, 20 Amp, [Min-20]	1
▲	16	372235	(007334-)	Fuse, 5 Amp, [Min-5]	1
▲	17	372236	(007334-)	Fuse, 15 Amp, [Min-15]	2
▲	18	384999	(007334-)	Fuse, 10 Amp	1
▲	19	384998	(007334-)	Fuse, 60 Amp	1
▽	20	1011011	(007006-007195)	Harness, Eng [3.0l, Gm, E-cntrl]	1
▲	21	57804	(007006-007195)	Relay, 12vdc, 40a, Spdt	2
▲	22	394916	(007006-007195)	Relay, 12vdc, 20a, Spdt	1
▲	23	372235	(007006-007195)	Fuse, 5 Amp, [Min-5]	1
▲	24	372236	(007006-007195)	Fuse, 15 Amp, [Min-15]	2
▲	25	372237	(007006-007195)	Fuse, 20 Amp, [Min-20]	1
	26	1011017	(007006-007195)	Harness, Injector, Gas[3.0l Gm,E-Cntrl]	1
	27	1011015	(007006-007195)	Harness, Lpg Injector [3.0l, Gm,E-Cont]	1
	28	1036560	(007196-)	Harness, Main [550/1550 Gas/Lpg]	1

Fig. 80 - Electrical Schematic (006115-006408)



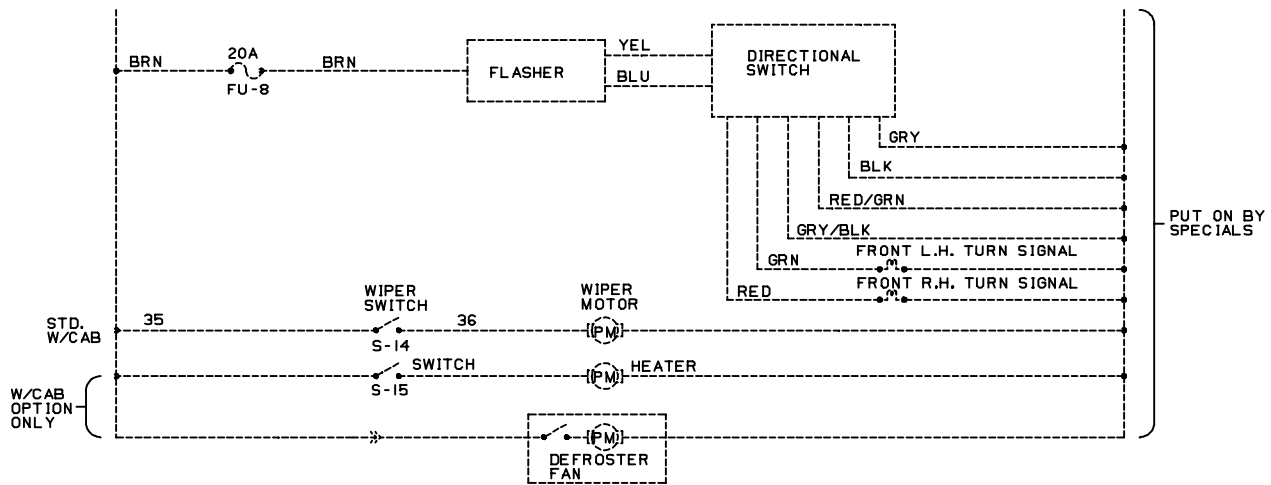
06182 - 550, 1550, G, LP

Fig. 81 - Electrical Schematic, Options (006115-006408)



LEGEND			
M	POWER RELAY	HM	HOURLMETER
MTR	MOTOR	SV	SOLENOID VALVE
CB	CIRCUIT BREAKER	S	SWITCH
PM	PERMANENT MAGNET	ACC	ACCESSORY
J	JACK-FEM. SOCKET	GND	GROUND CHASSIS
P	PLUG-MALE PIN	C	COMMON
PB	PUSHBUTTON	N.O.	NORMALLY OPEN
VM	VOLTMETER	N.C.	NORMALLY CLOSED
FU	FUSE		

Fig. 82 - Electrical Schematic, Specials (006115-006408)



PAGE 2 OF 2

LEGEND			
M	POWER RELAY	HM	HOURMETER
MTR	MOTOR	SV	SOLENOID VALVE
CB	CIRCUIT BREAKER	S	SWITCH
PM	PERMANENT MAGNET	ACC	ACCESSORY
J	JACK-FEM. SOCKET	GND	GROUND CHASSIS
P	PLUG-MALE PIN	C	COMMON
PB	PUSHBUTTON	N.O.	NORMALLY OPEN
VM	VOLTMETER	N.C.	NORMALLY CLOSED
FU	FUSE		

06182 - 550, 1550

Fig. 83 - Electrical Schematic (006409-007005)

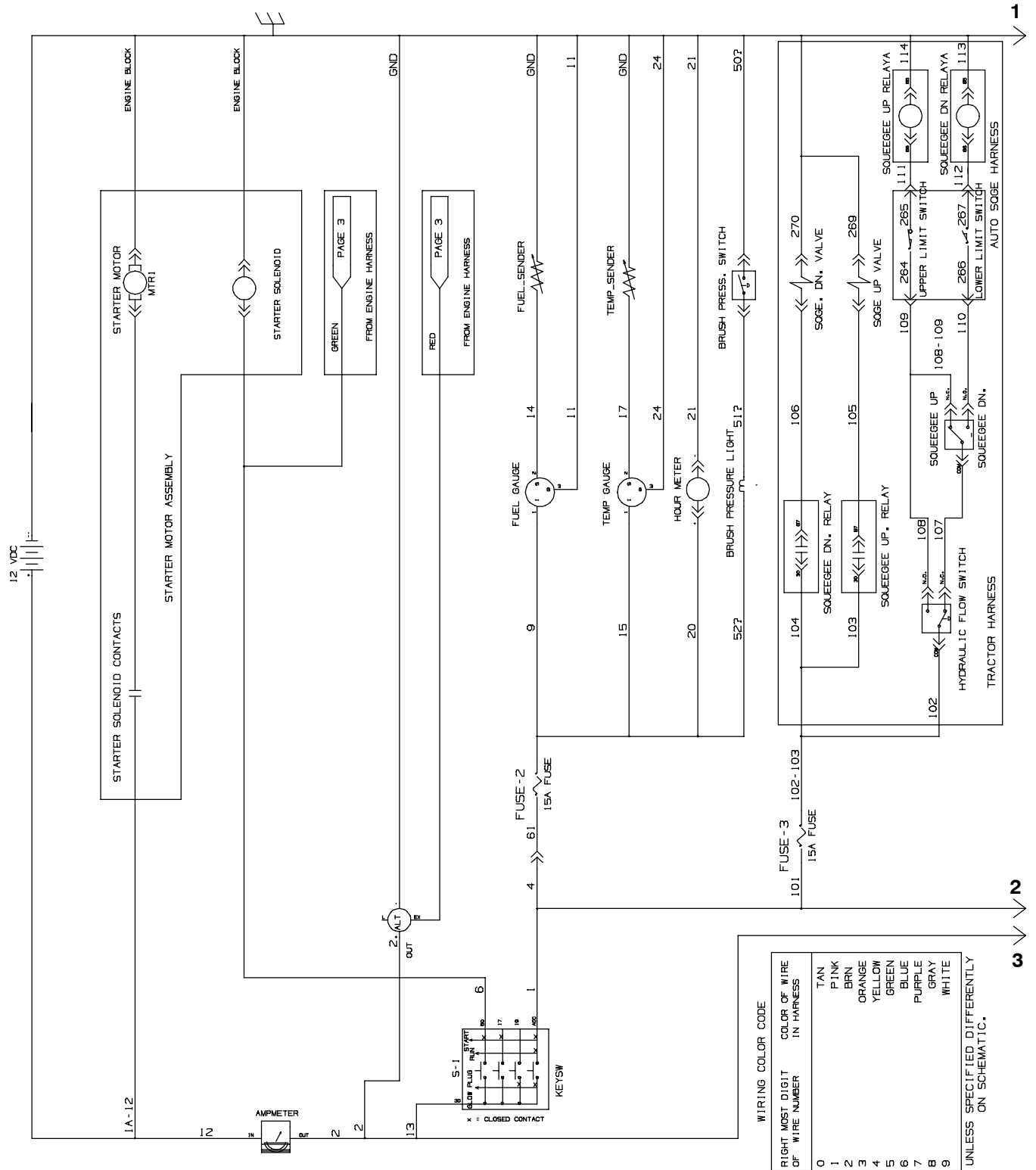


Fig. 83 - Electrical Schematic (006409-007005)

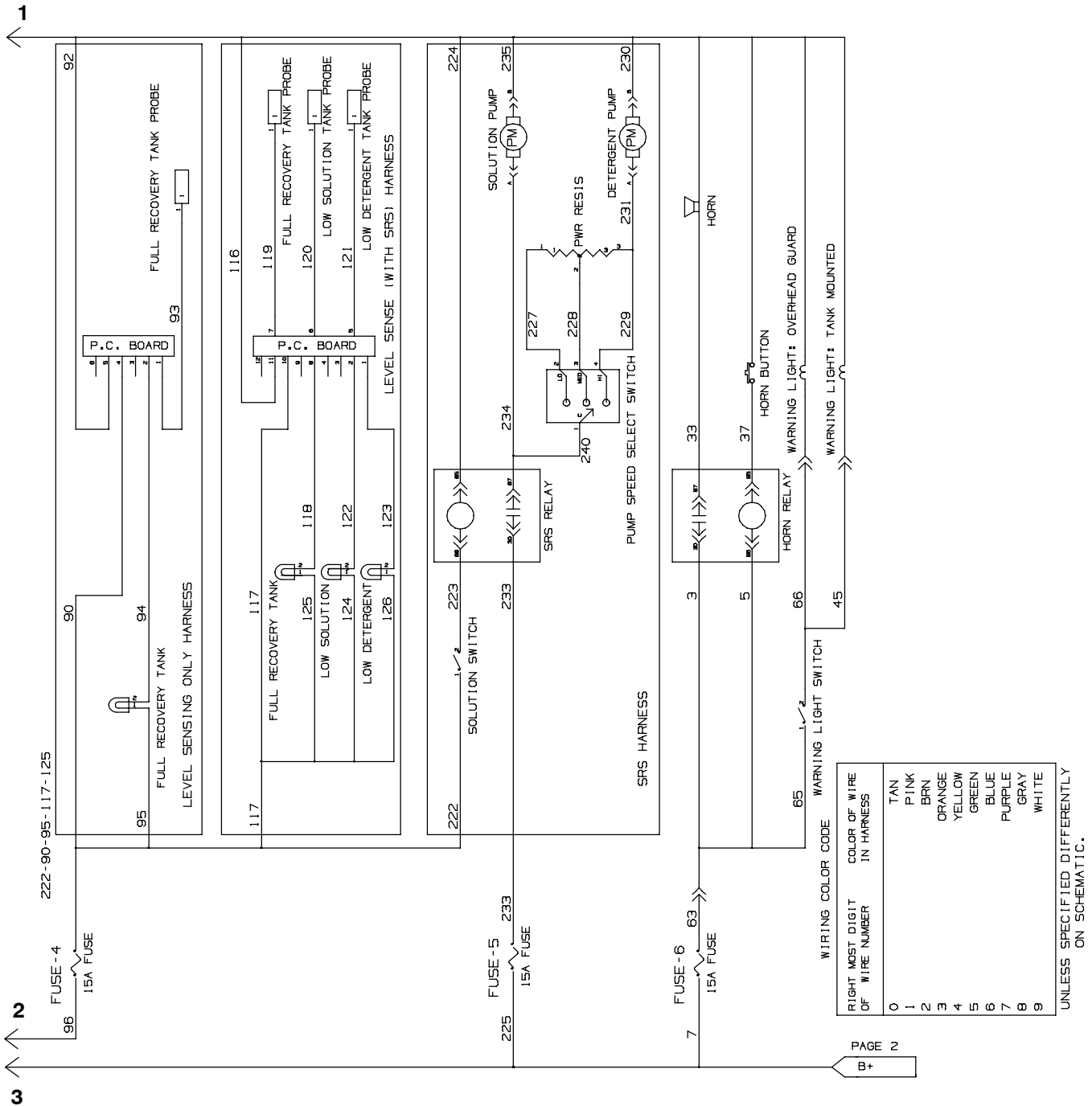


Fig. 83 - Electrical Schematic (006409-007005)

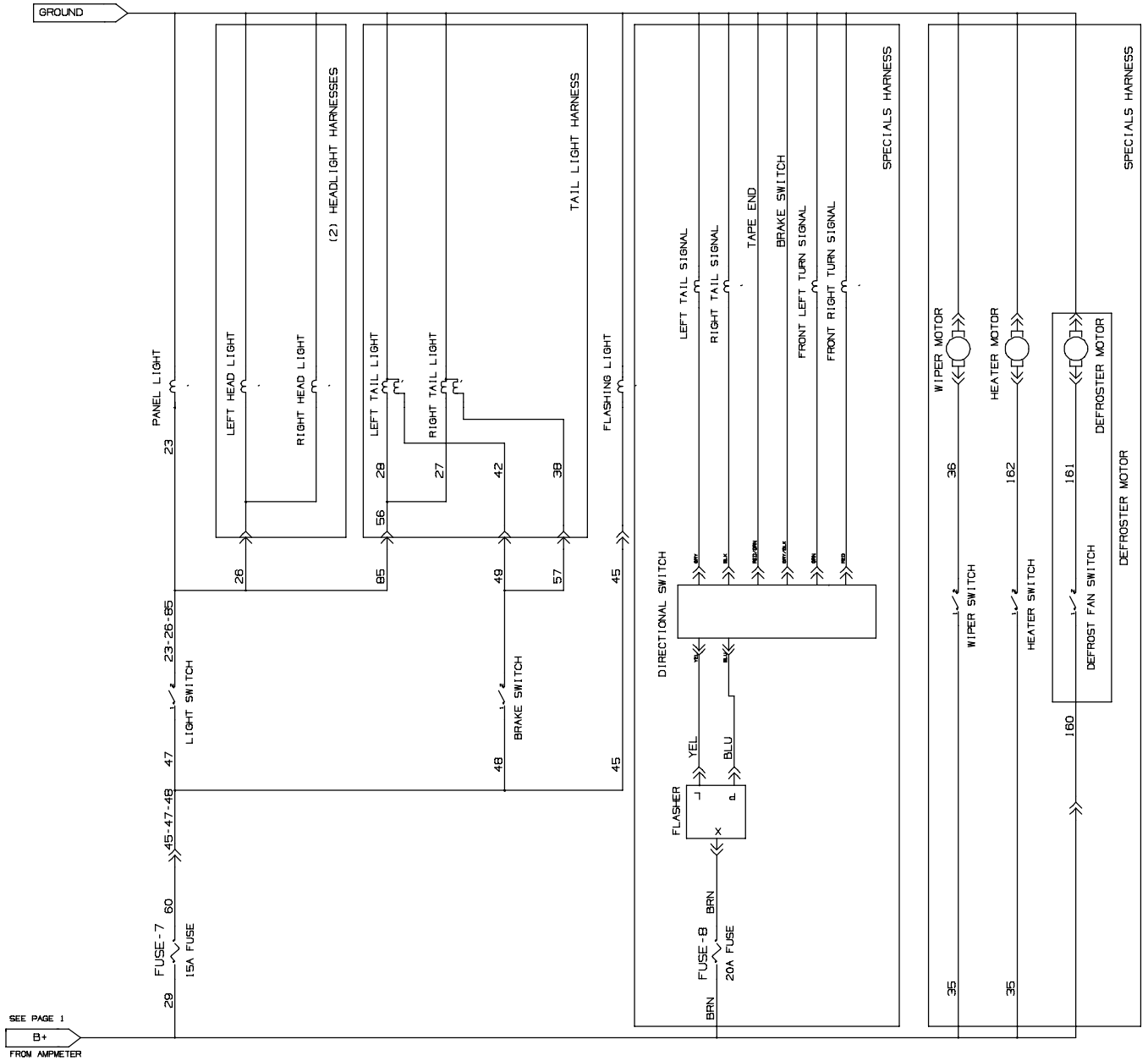


Fig. 83 - Electrical Schematic (006409-007005)

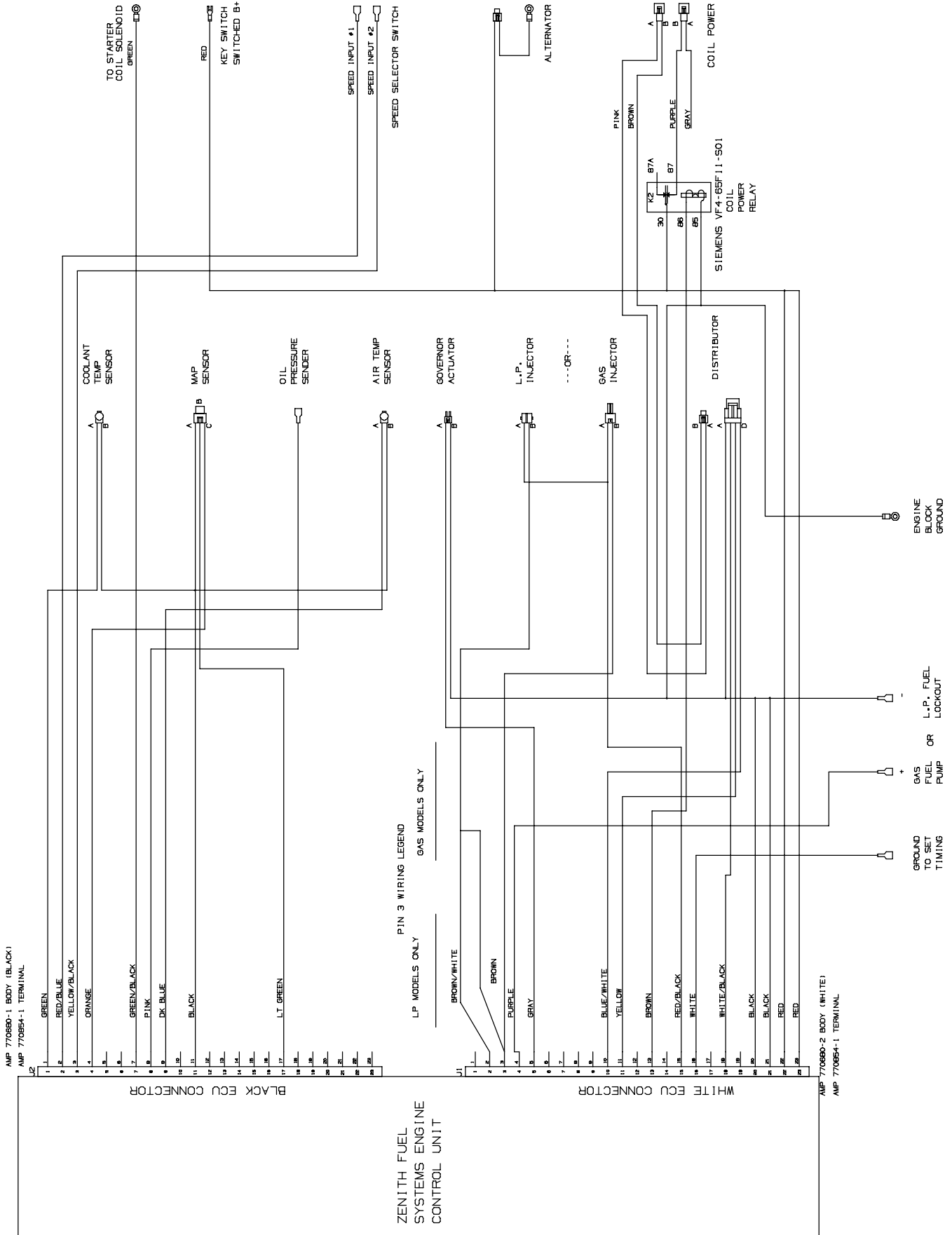
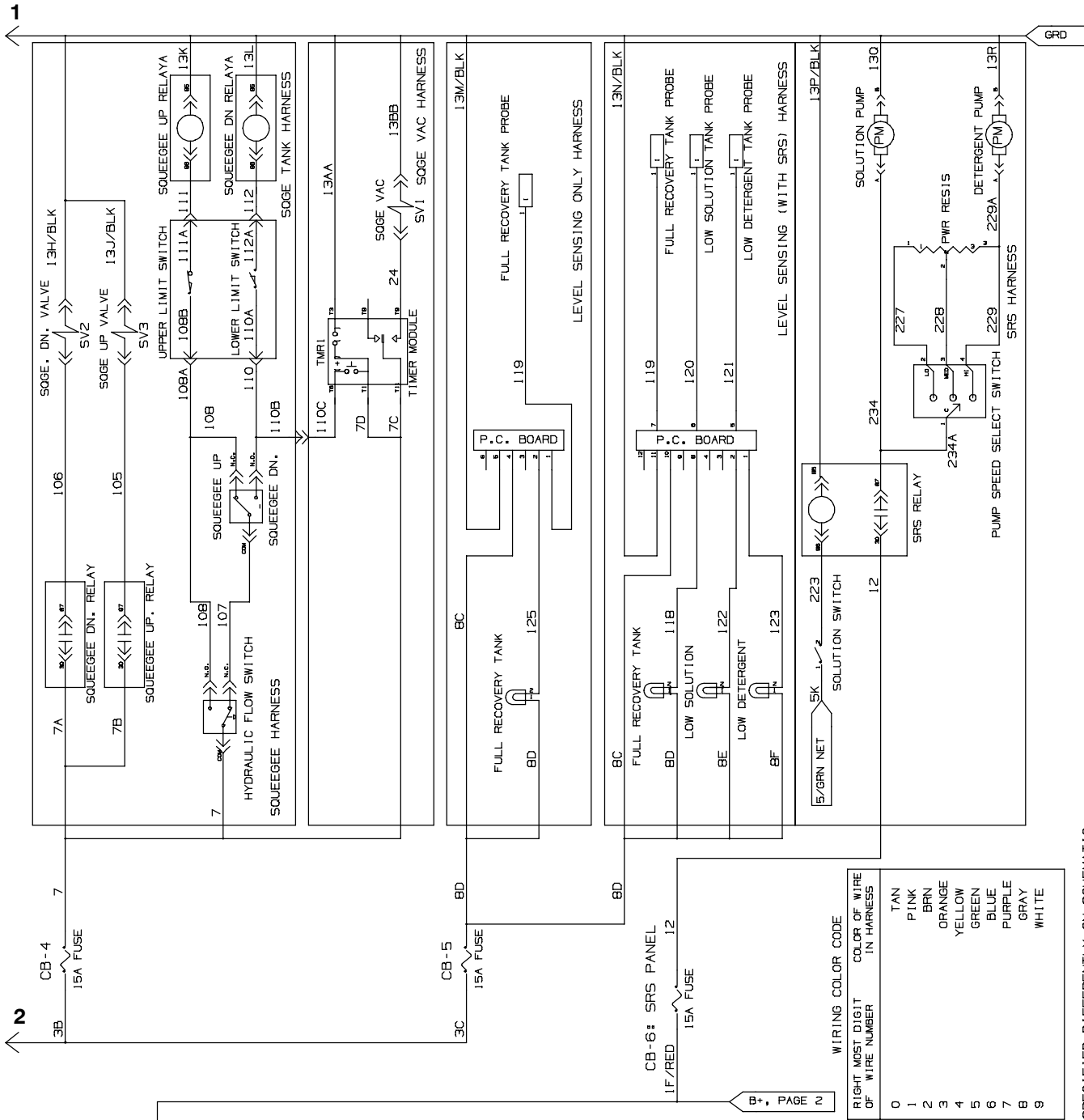


Fig. 84 - Electrical Schematic (007006-007195)



UNLESS SPECIFIED DIFFERENTLY ON SCHEMATIC.

Fig. 84 - Electrical Schematic (007006-007195)

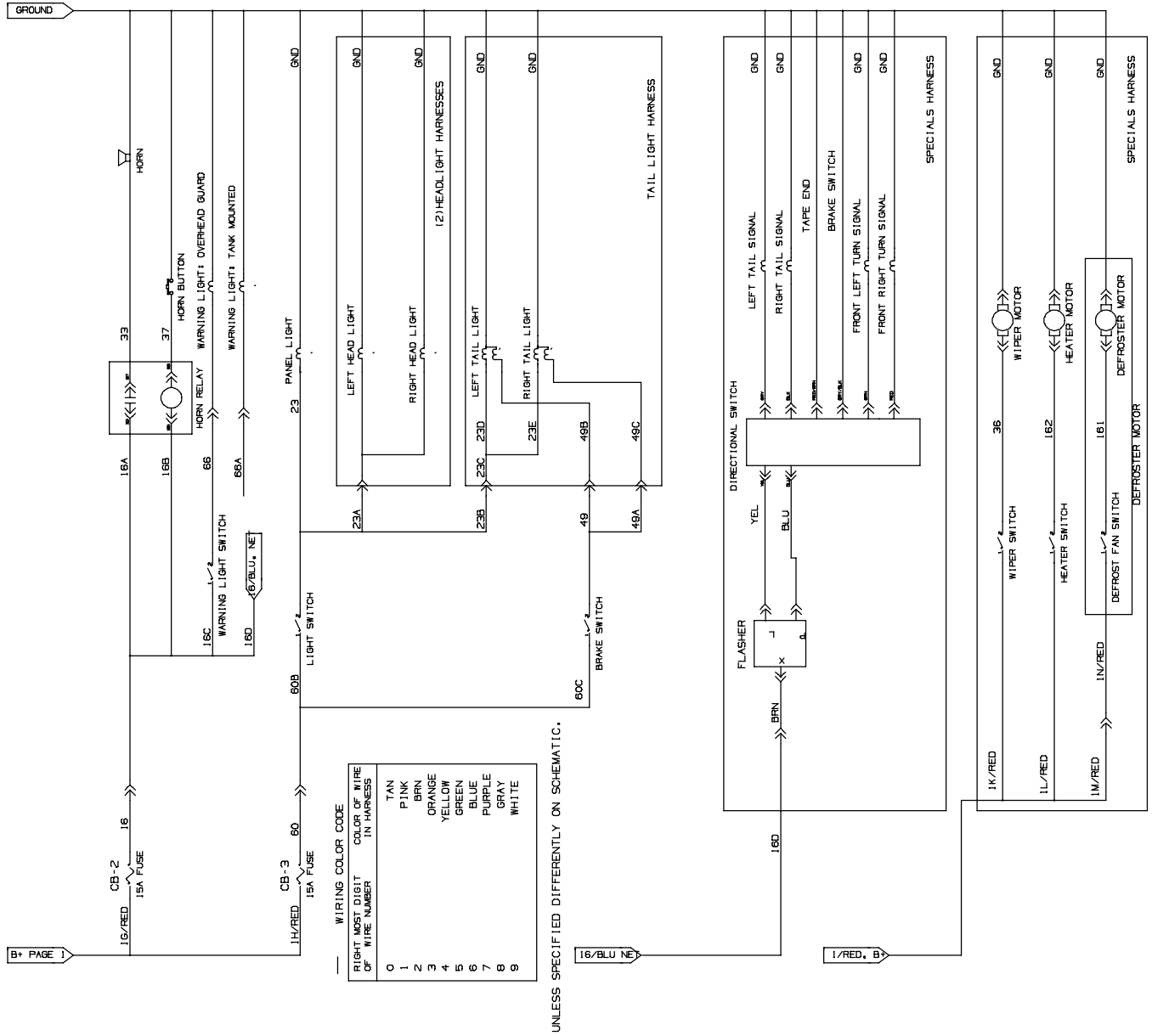


Fig. 84 - Electrical Schematic (007006-007195)

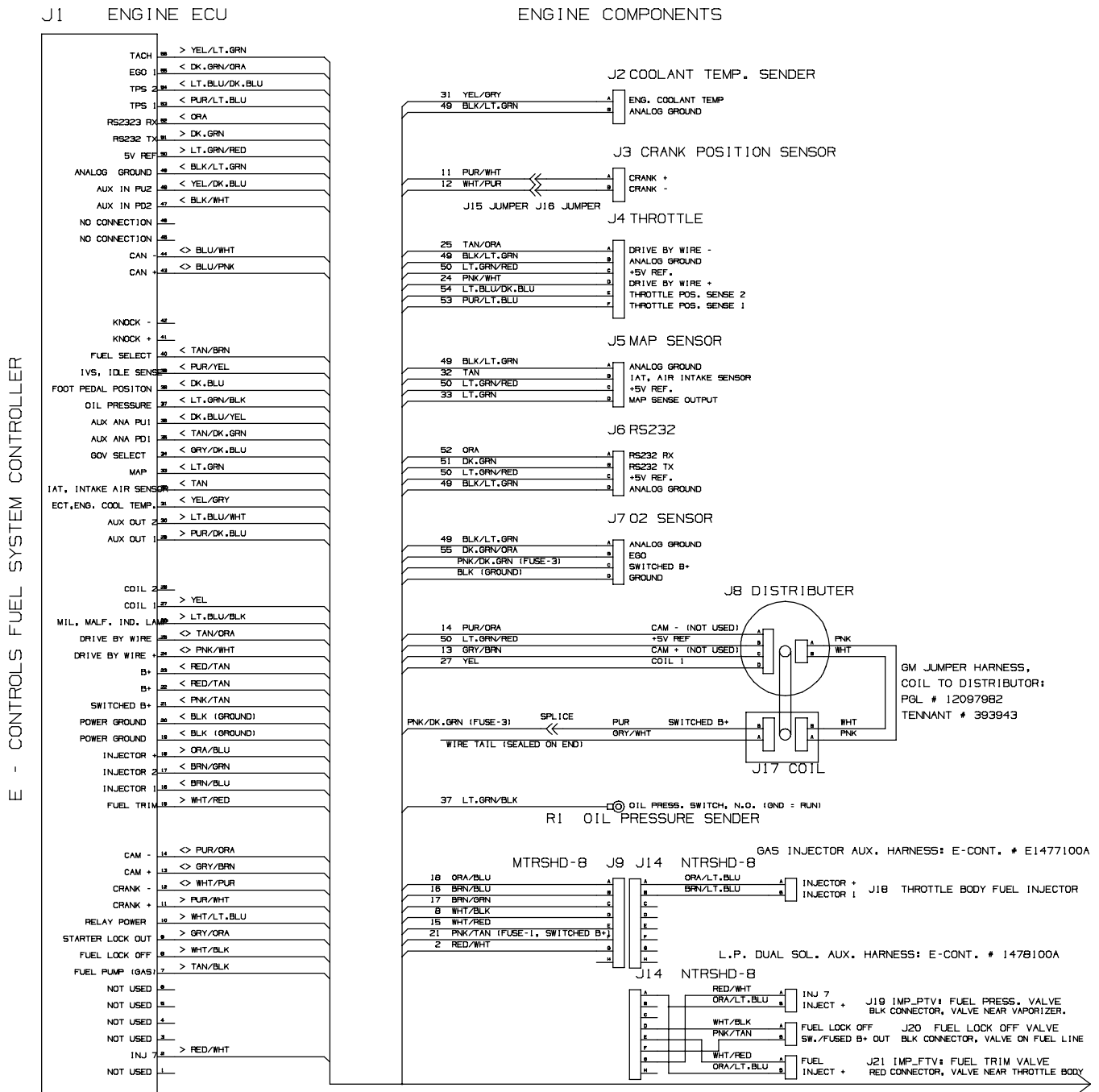
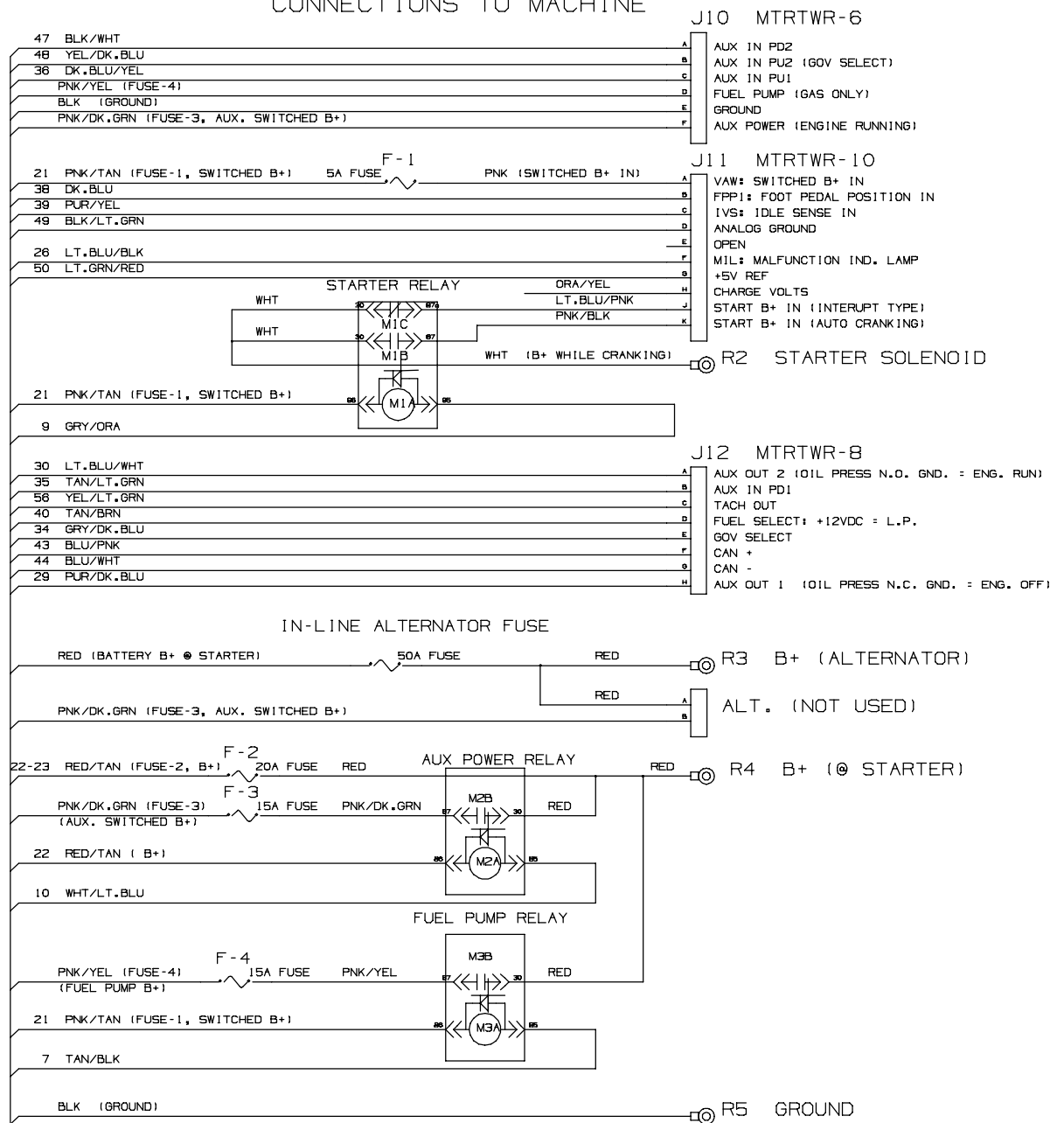


Fig. 84 - Electrical Schematic (007006-007195)

CONNECTIONS TO MACHINE



NOTES:

- 1) VENDOR: E-CONTROLS #E1350010E
- 2) ALL WIRE TO BE: SAE J1128 TXL
- 3) 3.0L GAS ENGINES INC. AUX. INJECTOR HARNESS:
E-CONTROLS #E1477100A
- 4) L.P. ENGINES INCLUDE AUX. INJECTOR HARNESS:
E-CONTROLS #E1478100

1

Fig. 85 - Electrical Schematic (007196-)

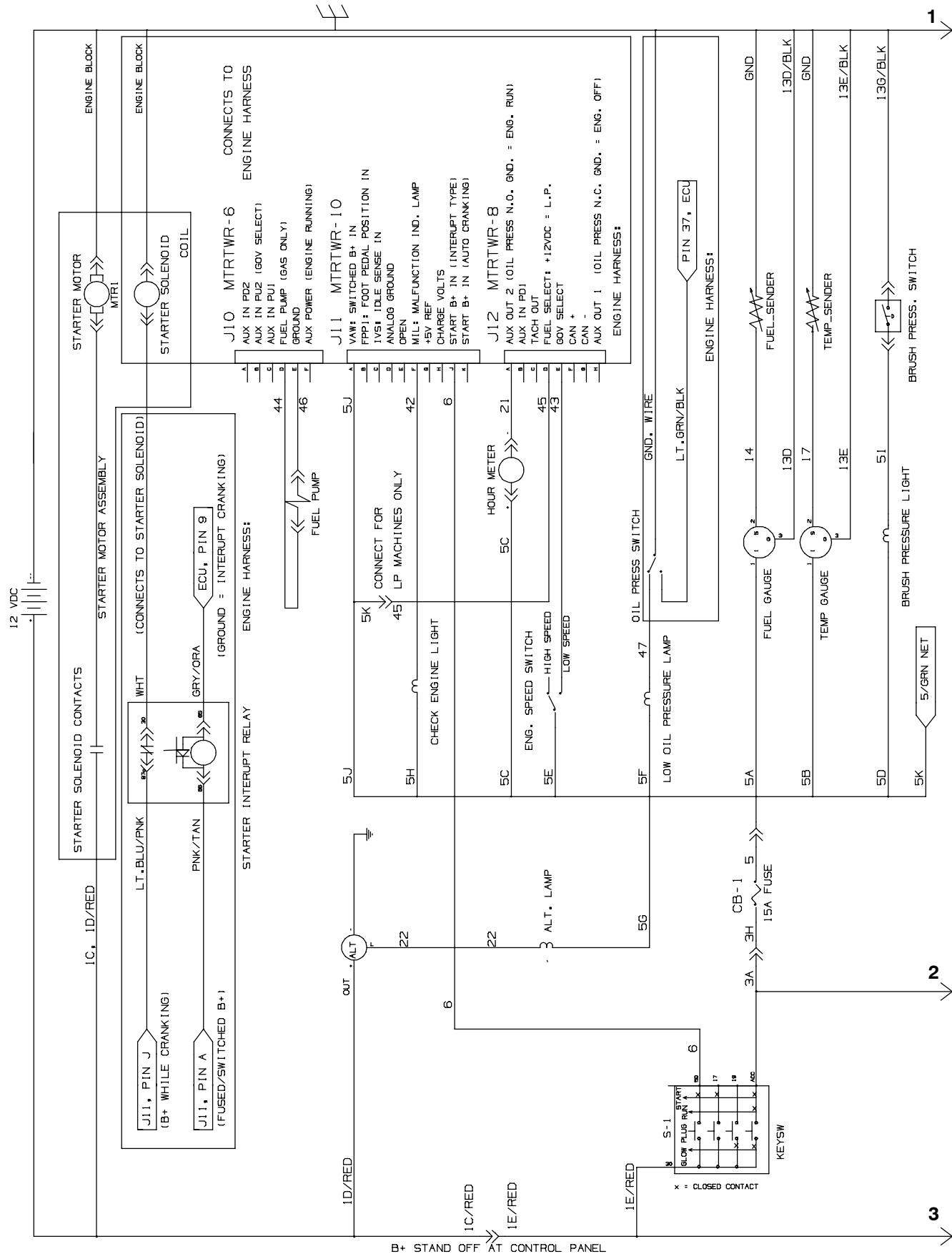
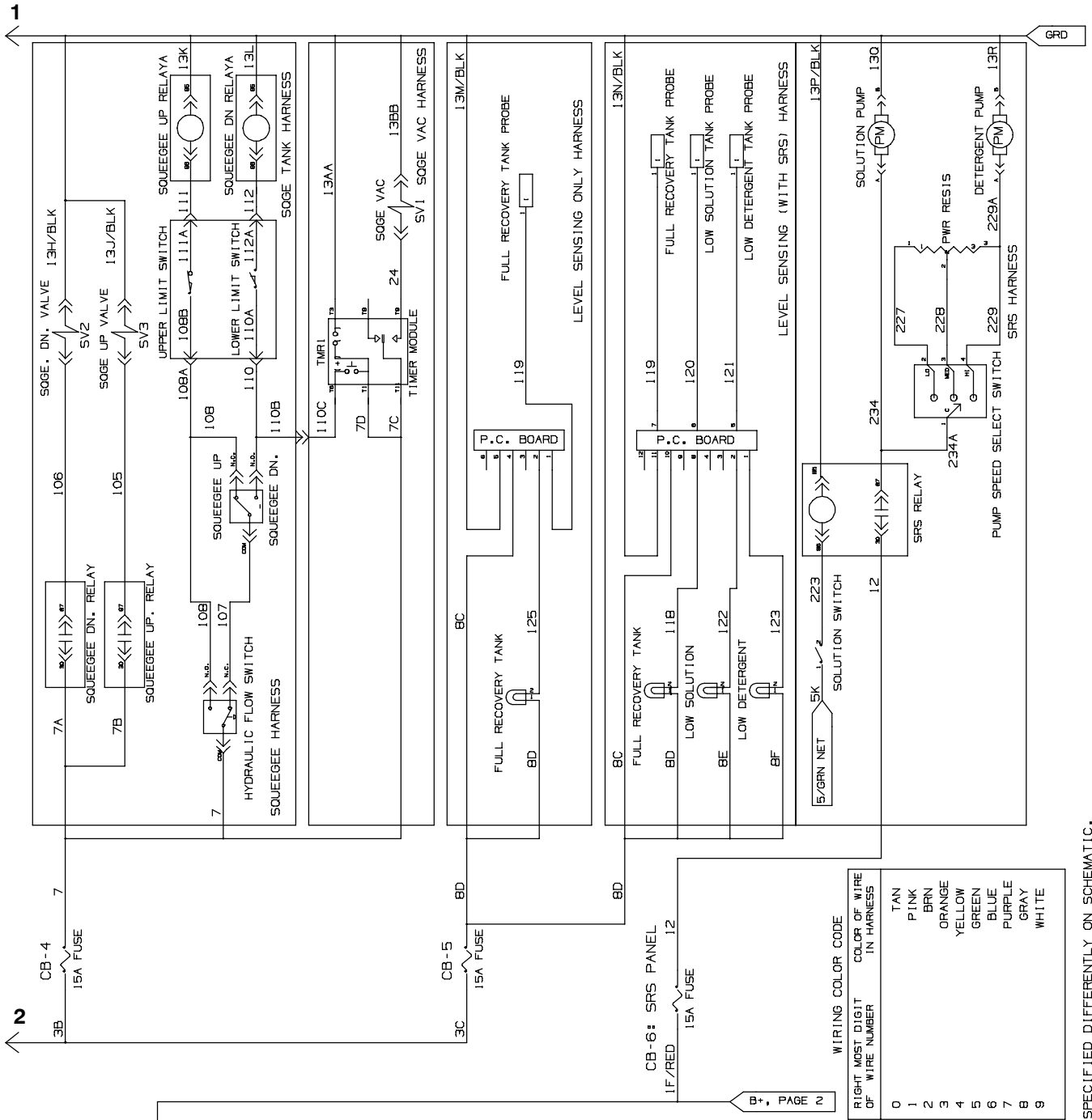


Fig. 85 - Electrical Schematic (007196-)



WIRING COLOR CODE

RIGHT MOST DIGIT OF WIRE NUMBER	COLOR OF WIRE IN HARNESS
0	TAN
1	PINK
2	BRN
3	ORANGE
4	YELLOW
5	GREEN
6	BLUE
7	PURPLE
8	GRAY
9	WHITE

UNLESS SPECIFIED DIFFERENTLY ON SCHEMATIC.

Fig. 85 - Electrical Schematic (007196-)

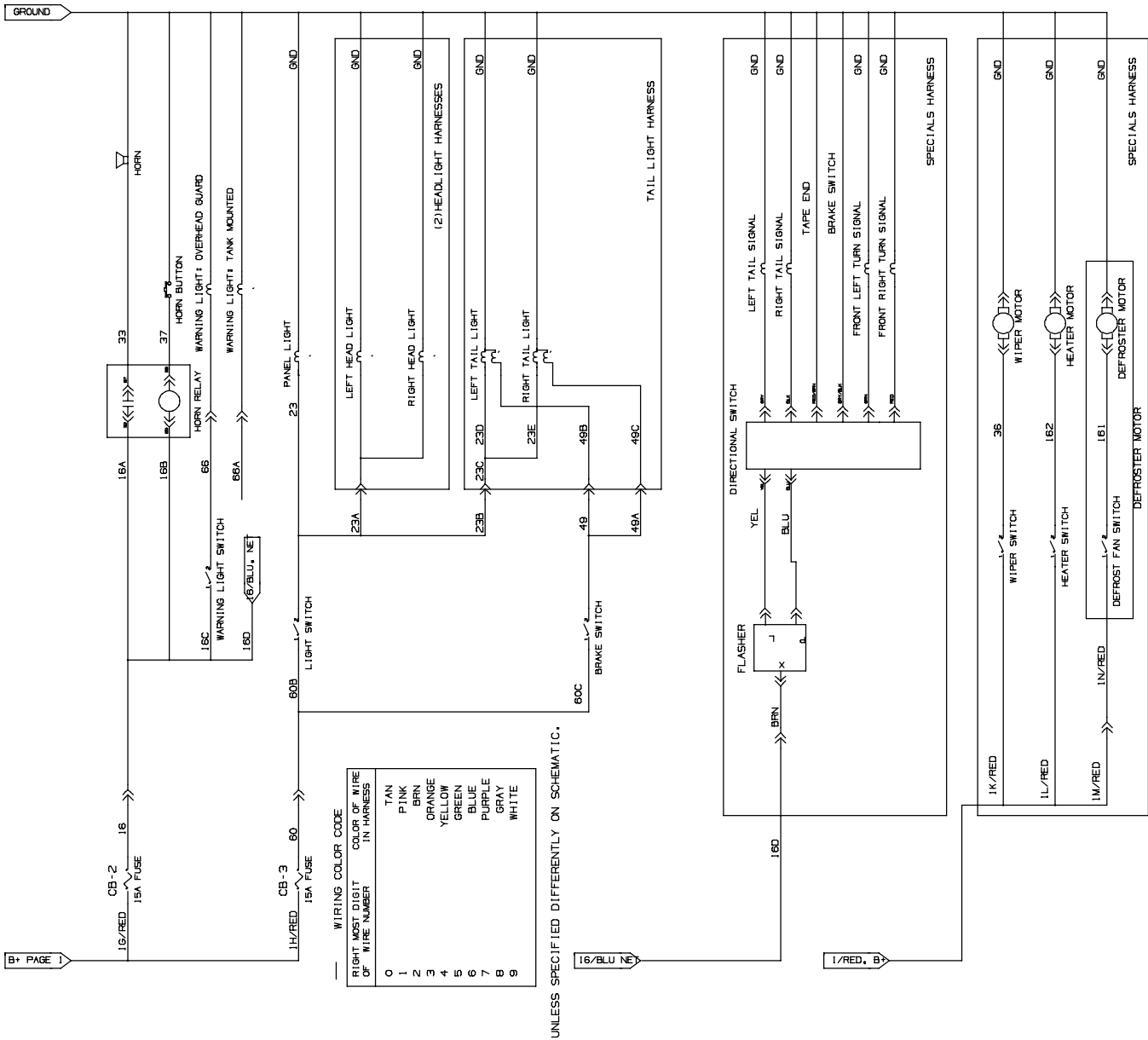


Fig. 85 - Electrical Schematic (007196-)

Gas Engine Harness Schematic

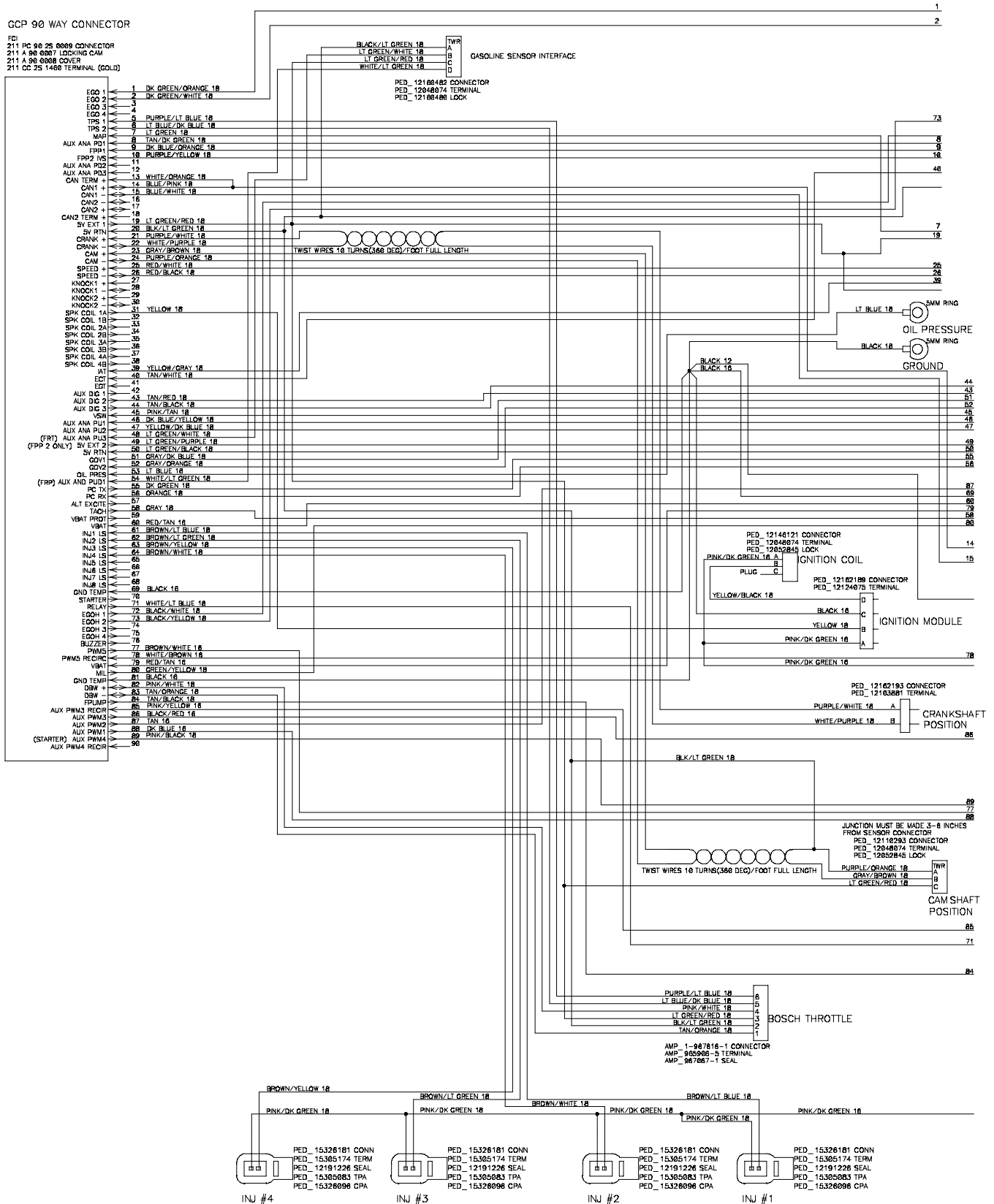


Fig. 85 - Electrical Schematic (007196-)

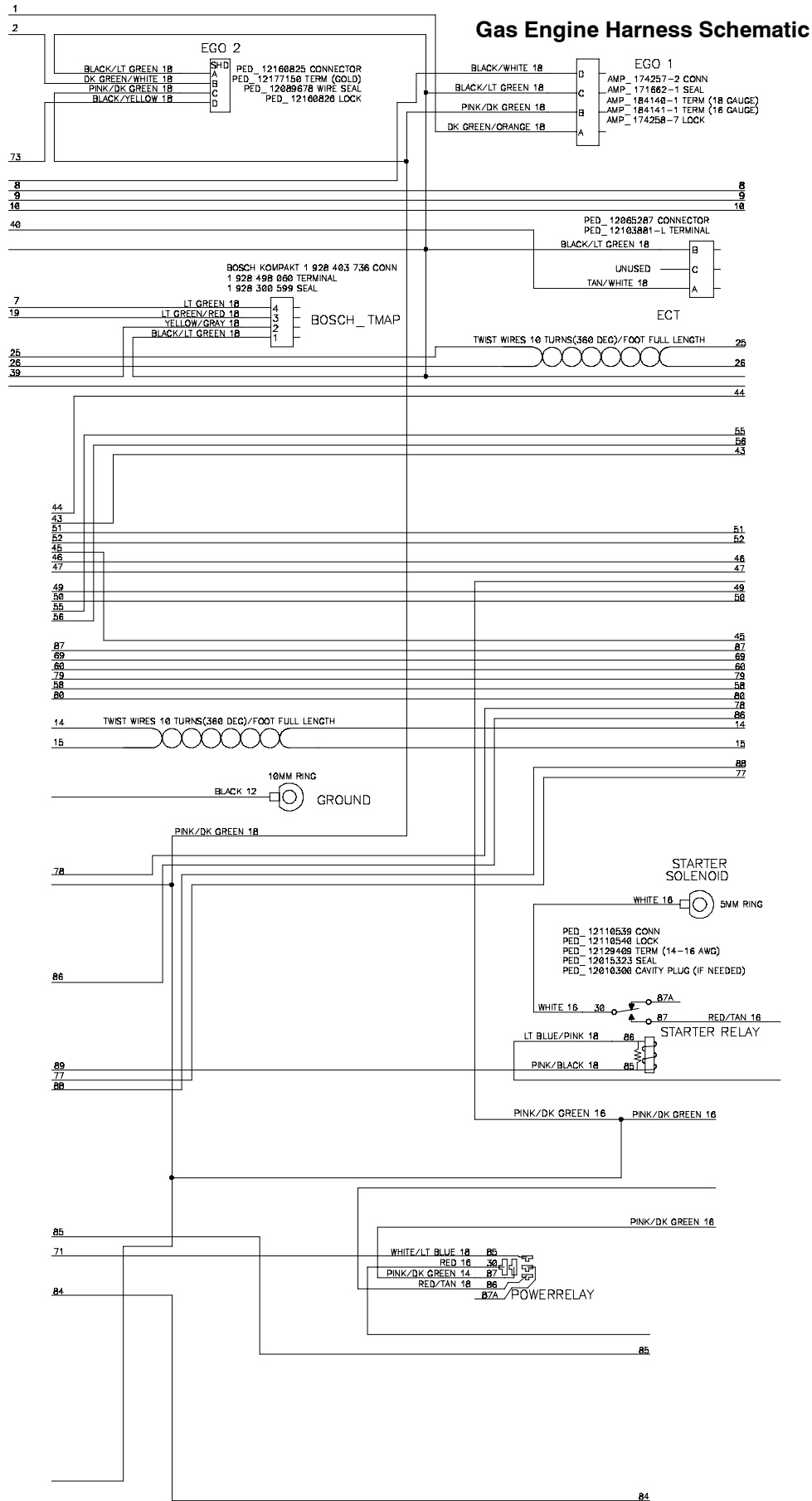


Fig. 85 - Electrical Schematic (007196-)

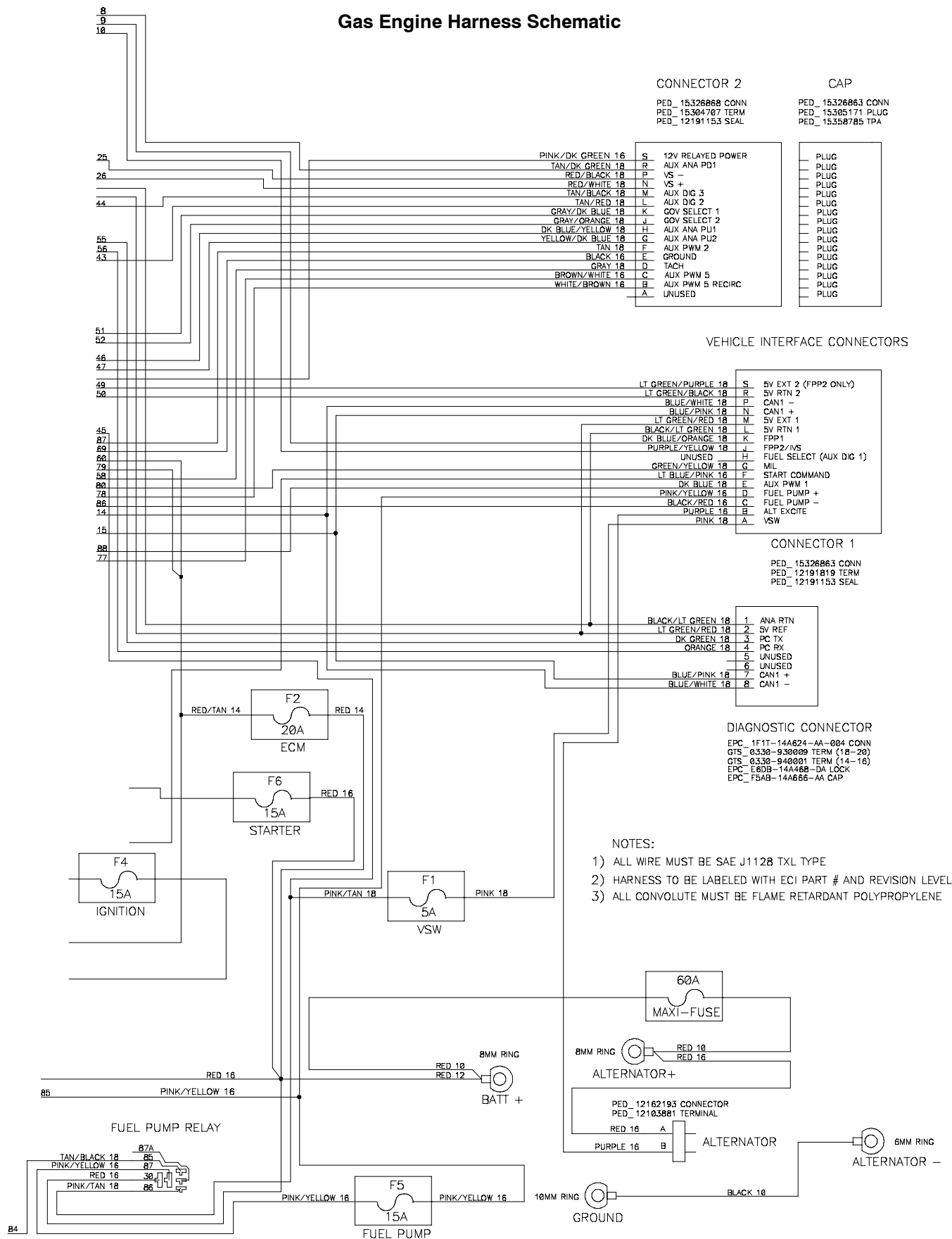


Fig. 85 - Electrical Schematic (007196-)

LPG Engine Harness Schematic

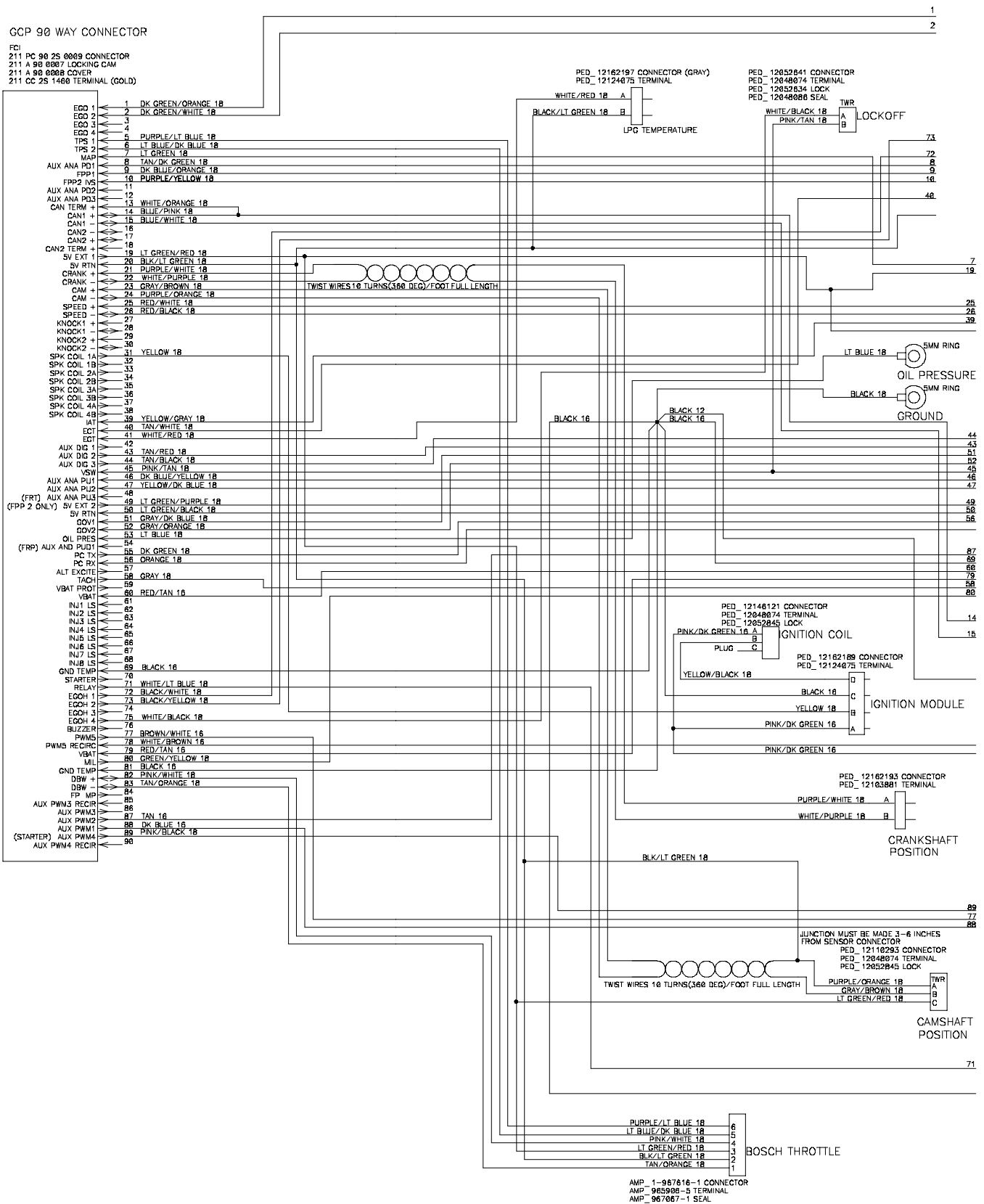


Fig. 85 - Electrical Schematic (007196-)

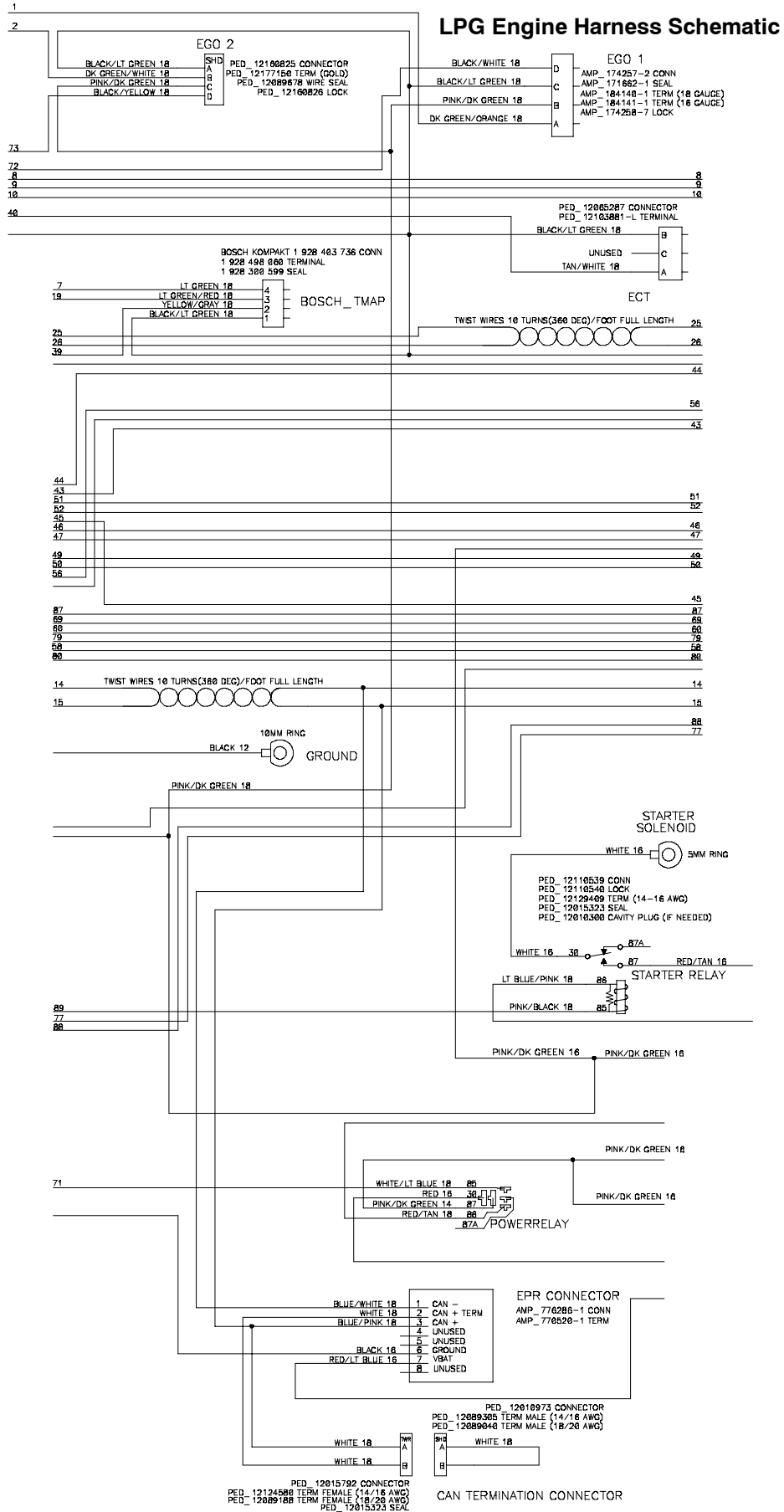


Fig. 85 - Electrical Schematic (007196-)

LPG Engine Harness Schematic

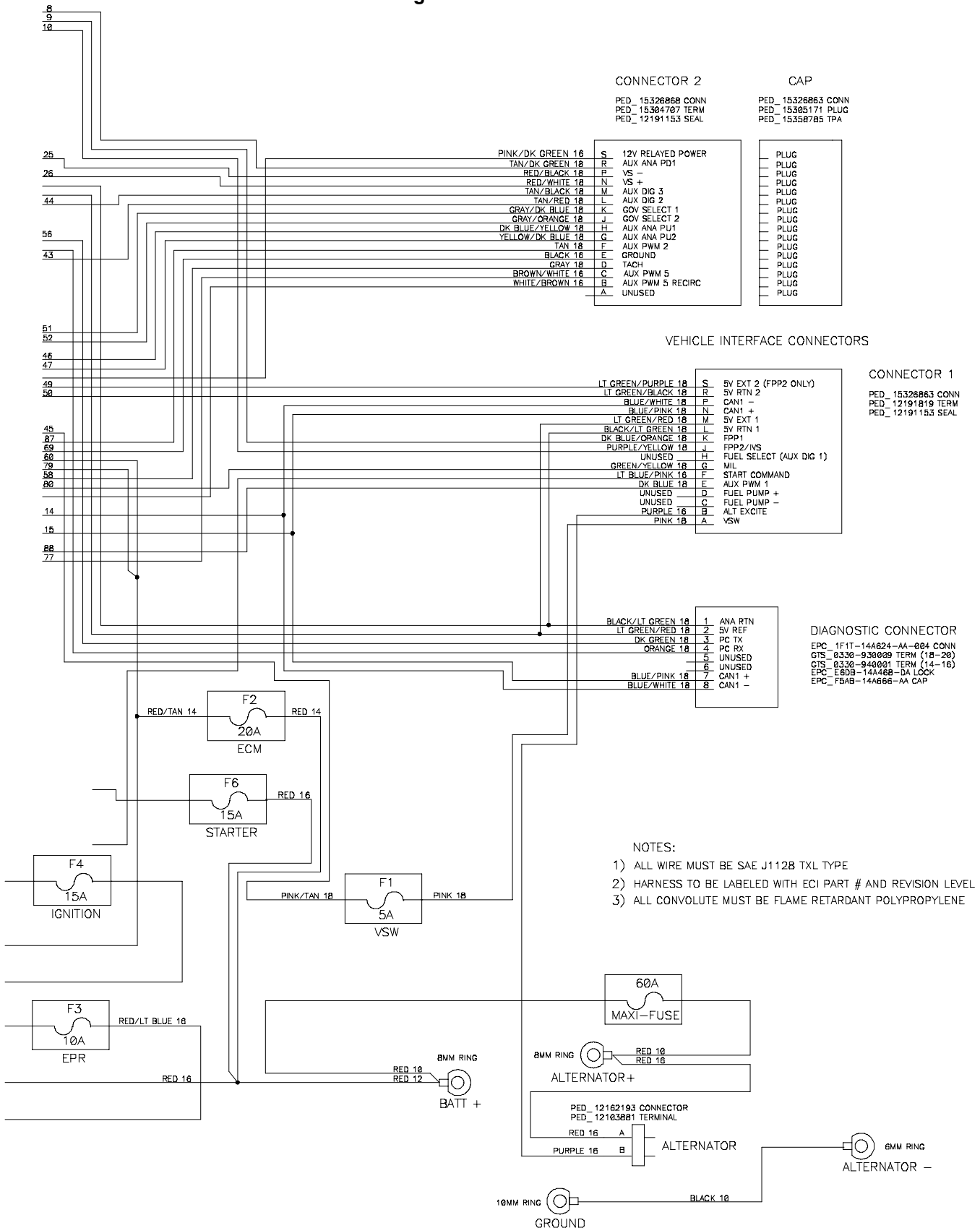
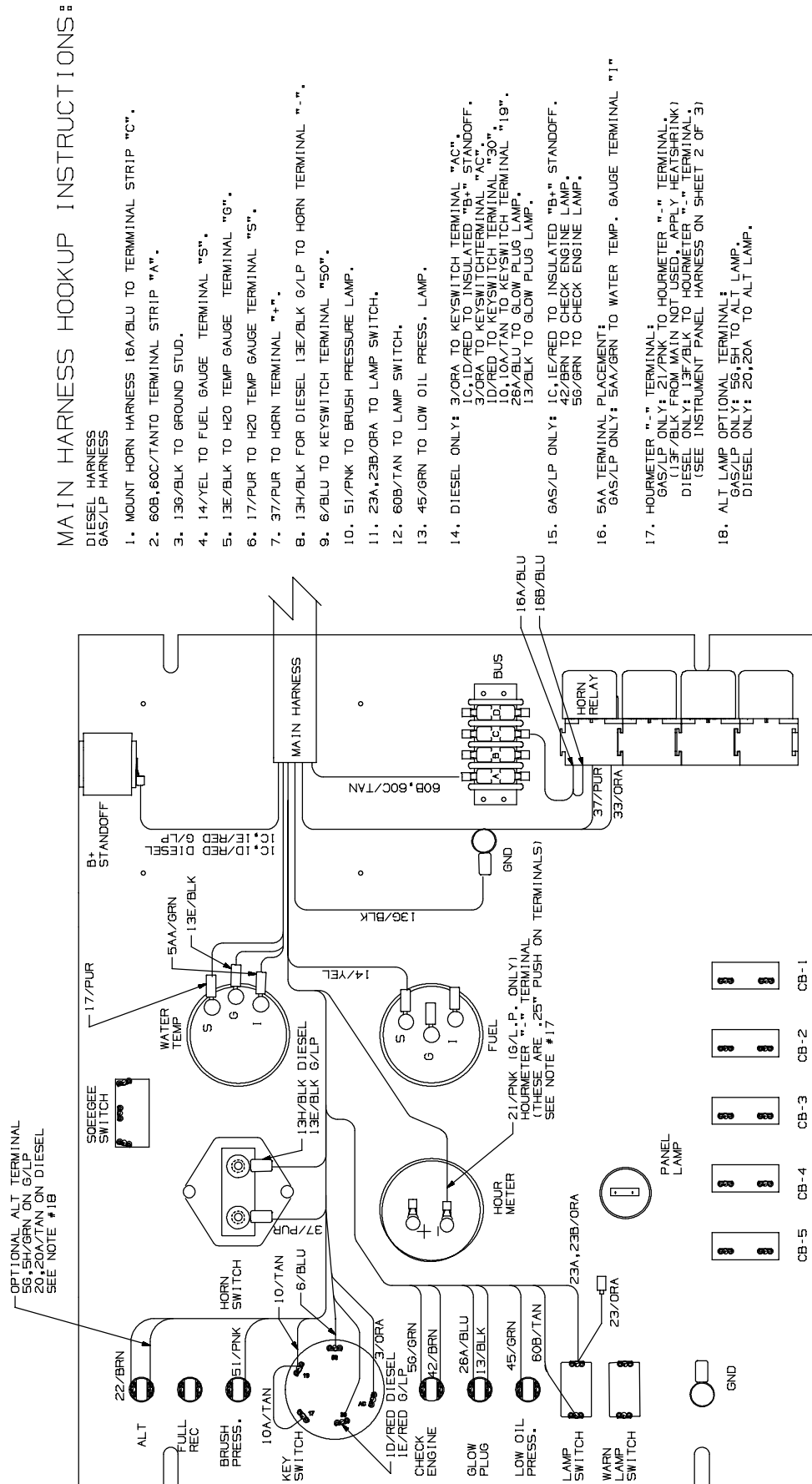


Fig. 86 - Electrical Wiring Diagram, Instrument Panel (007006-)



DETAIL 1
 WIRING DIAGRAM FOR
 MAIN HARNESS WIRES
 SEE SHIT 2 FOR CONTROL
 PANEL HARNESS

Fig. 86 - Electrical Wiring Diagram, Instrument Panel (007006-)

PANEL HARNESS HOOKUP INSTRUCTIONS:

- PANEL HARNESS
1. 5/GRN TO CB-1
 2. 3H/ORR TO CB-1
 3. 1G/RED TO CB-2
 4. 16/BLU TO CB-2
 5. 60/TAN TO CB-3
 6. 1H/RED TO CB-3
 7. 3B/ORR TO CB-4
 8. 3C/ORR TO CB-5
 9. 13F/BLK TO HOURMETER "-" TERMINAL
 10. 5F,5C/GRN TO HOURMETER "+" TERMINAL
 11. 5F/GRN TO LOW OIL PRESSURE LAMP
 12. 13A,13/D,13/F BLK TO GROUND STUD
 13. 13D/BLK TO FUEL GAUGE "G" TERMINAL
 14. 60/TAN TO BUS TERMINAL "A"
 15. 3A,3H/ORR TO BUS TERMINAL "B"
 16. 16,16C/BLU TO BUS TERMINAL "C"
 17. 5,5D/GRN TO BUS TERMINAL "D"
 18. 5A,5B/GRN TO BUS TERMINAL "AC"
 19. 3A,3B,3C/ORR TO KEYSWITCH "AC"
 20. 5D/GRN TO BRUSH PRESS. LAMP
 21. 5C,5B/GRN TO WATER TEMP GAUGE "I" TERMINAL
 22. 13A/BLK TO WATER TEMP GAUGE "G" TERMINAL
 23. 1G,1H/RED TO INSULATED "B+" STANDOFF
 24. WARNING LAMP OPTION: 66/BLU TO WARNING LAMP SWITCH
16C/BLU TO WARNING LAMP SWITCH
66/BLU TO REVERSE LAMP
 25. PANEL LAMP OPTION: PANEL LAMP WHITE WIRE TO LAMP SWITCH
PANEL LAMP BLACK WIRE TO GROUND STUD

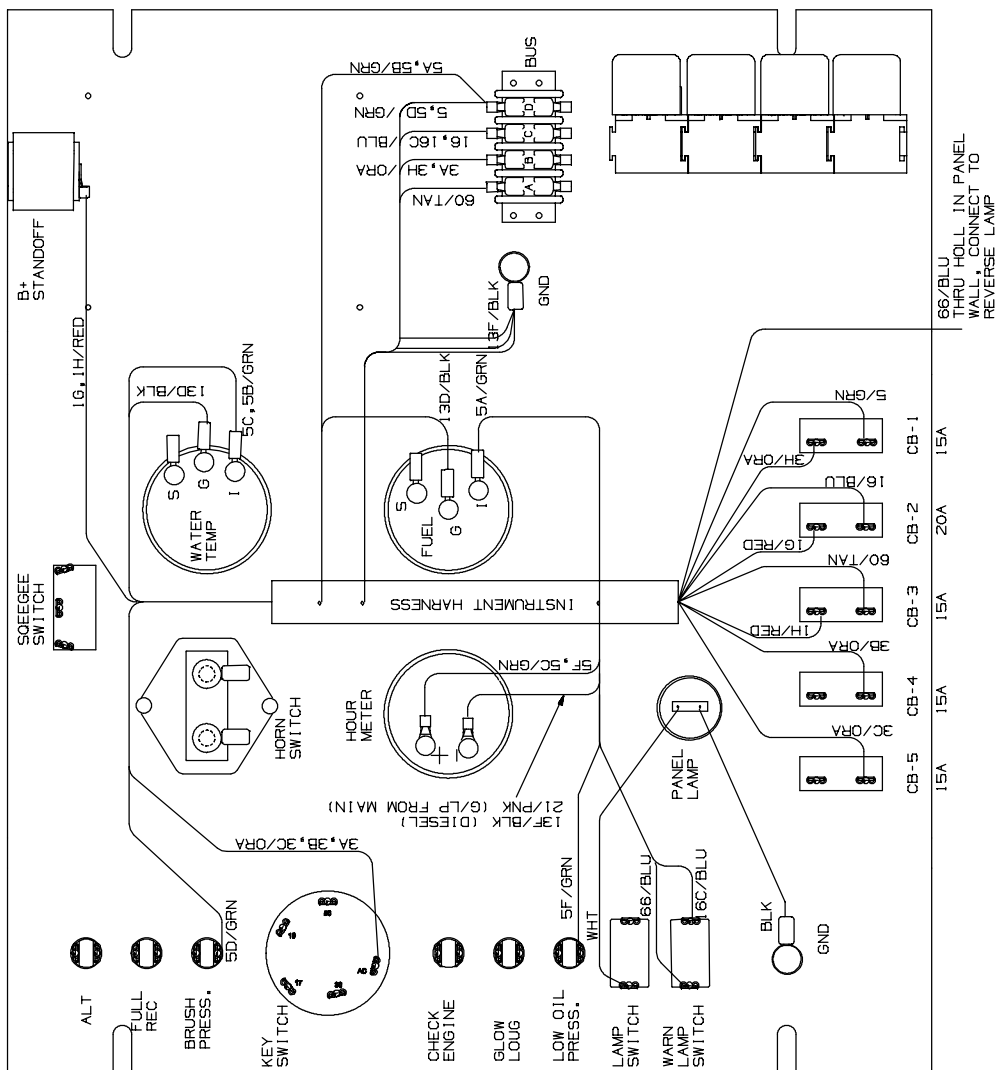


Fig. 87 - Vacuum Fan Assembly (006115-007005)

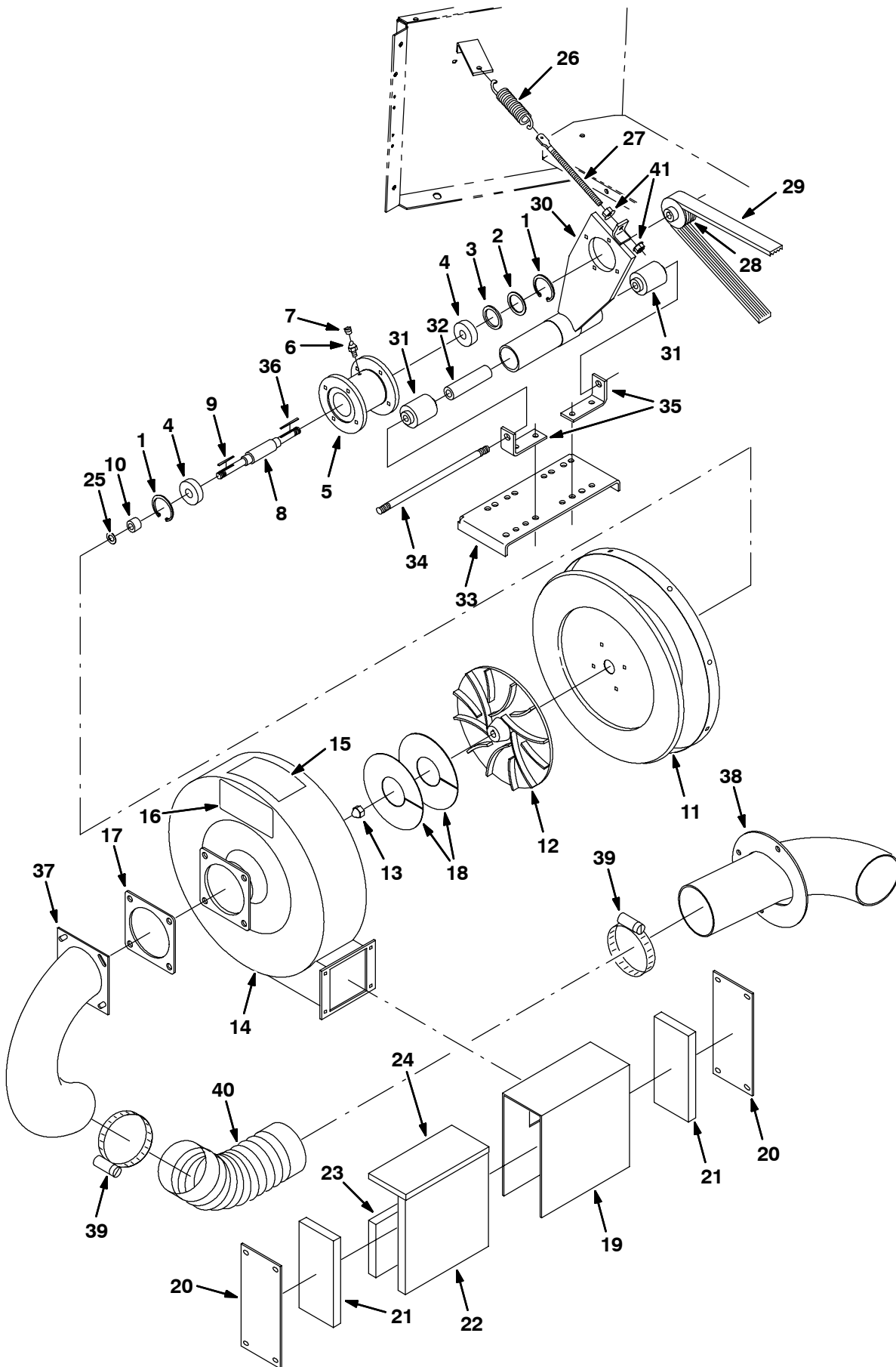


Fig. 87 - Vacuum Fan Assembly (006115-007005)

Ref.	Part No.	Serial Number	Description	Qty.
▽	61701	(006115-007005)	Fan Assembly, Vacuum	1
▲	1 10464	(006115-007005)	Ring, Retaining	2
▲	2 75454	(006115-007005)	Shim	1
▲	3 42809	(006115-007005)	Washer, Wavy	1
▲	4 40496	(006115-007005)	Bearing, Ball	2
▲	5 16400	(006115-007005)	Housing, Bearing	1
▲	6 47801	(006115-007005)	Fitting, Grease	1
▲	7 40390	(006115-007005)	Cover, Grease	1
▲	8 375613	(006115-007005)	Shaft, Fan	1
▲	9 00966	(006115-007005)	Key, Square	1
▲	10 75461	(006115-007005)	Sleeve	1
▲	11 58107	(006115-007005)	Housing, Rear	1
▲	12 03922	(006115-007005)	Impeller	1
▲	13 41130	(006115-007005)	Nut, Low Crown	1
▲▽	25383	(006115-007005)	Housing Assembly, Front	1
▲▲	14 25189	(006115-007005)	Housing, Front	1
▲▲	15 41007	(006115-007005)	Label, Lubricating Instructions	1
▲▲	16 40052	(006115-007005)	Label, Danger, Fan Suction	1
▲▲	17 25216	(006115-007005)	Gasket, Fan	1
▲	18 58114	(006115-007005)	Repair Kit, Fan Assembly	1
▲▽	09314	(006115-007005)	Muffler Assembly	1
▲▲	19 25207	(006115-007005)	Frame, Muffler	1
▲▲	20 391854	(006115-007005)	Plate, Side	2
▲▲	21 25373	(006115-007005)	Foam, Acoustic	2
▲▲	22 25359	(006115-007005)	Foam, Acoustic	1
▲▲	23 25364	(006115-007005)	Foam, Acoustic	1
▲▲	24 25365	(006115-007005)	Foam, Acoustic	1
▲	25 75456	(006115-007005)	Shim, 0.003" (0.07 mm)	1
▲	75456-1	(006115-007005)	Shim, 0.005" (0.12 mm)	1
▲	75456-2	(006115-007005)	Shim, 0.010" (0.25 mm)	2
▲	75456-3	(006115-007005)	Shim, 0.020" (0.50 mm)	2
▲	75456-4	(006115-007005)	Shim, 0.060" (1.52 mm)	2
	26 50864	(006115-007005)	Spring, Tension	1
	27 42331-1	(006115-007005)	Bolt, Eye	1
	28 375614	(006115-007005)	Sheave, Fan	1
	29 391844	(006115-007005)	V-Belt	1
▽	25640	(006115-007005)	Bracket Mounting Assembly, Fan	1
▲	30 25632	(006115-007005)	Bracket, Mounting	1
▲	31 25384	(006115-007005)	Bearing	2
▲	32 25636	(006115-007005)	Spacer	1
	33 378967	(006115-007005)	Mount, Fan	1
	34 25637	(006115-007005)	Rod, Threaded	1
	35 25639	(006115-007005)	Bracket, Angle	2
	36 00911	(006115-007005)	Key, Square	1
	37 25212	(006115-007005)	Tube, Intake	1
	38 09311	(006115-007005)	Tube, Inlet	1
	39 23498	(006115-007005)	Clamp, Wormdrive	2
	40 40870-2	(006115-007005)	Hose Assembly	1
	41 27980	(006115-007005)	Nut, Hex, Fling, .38-16	2

Fig. 88 - Vacuum Fan Group (007006-)

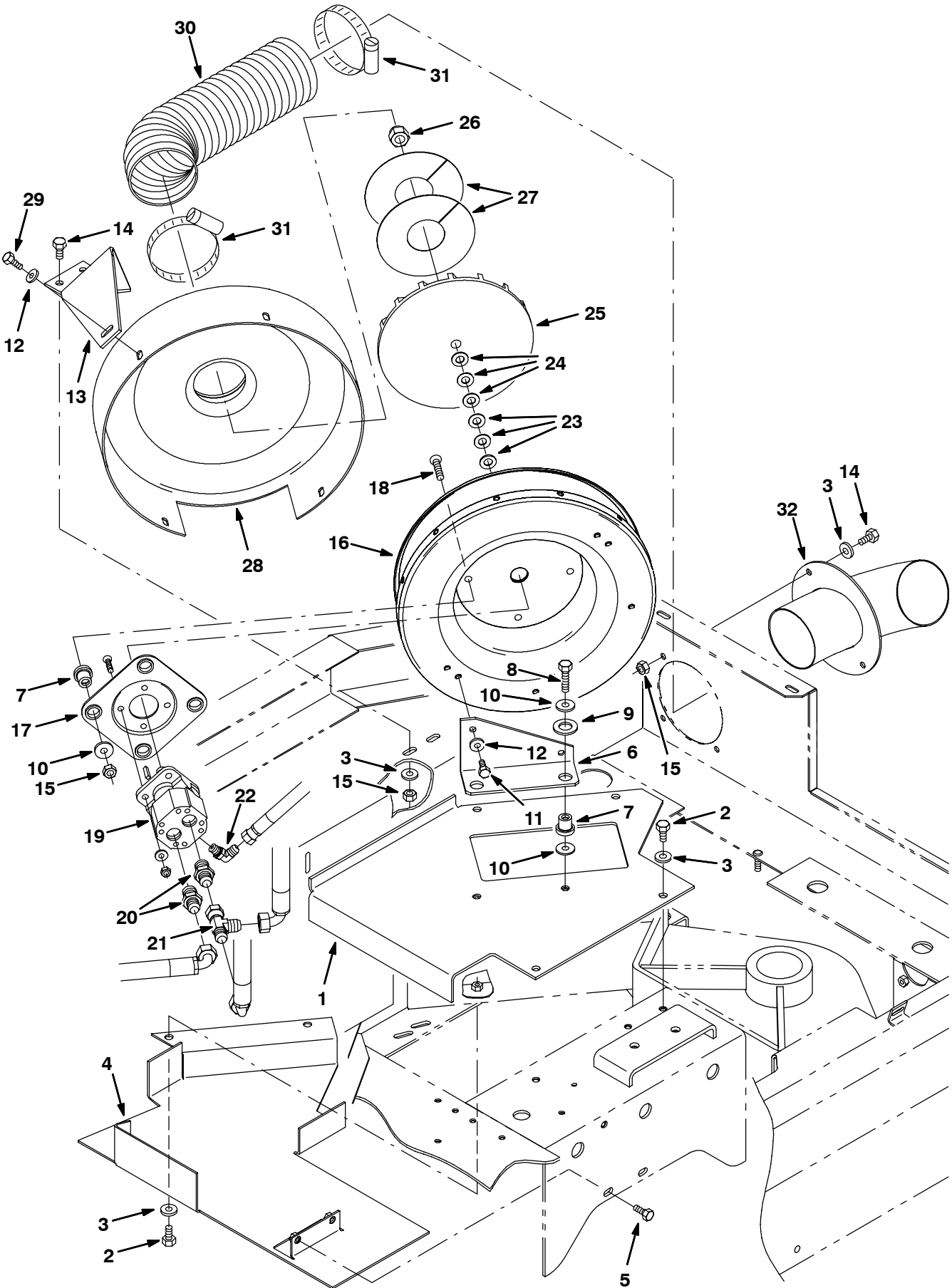


Fig. 88 - Vacuum Fan Group (007006-)

Ref.	Part No.	Serial Number	Description	Qty.
1	1015034	(007006-) Plate, Exhaust, Vac Fan	1
2	02994	(007006-) Screw, Hex, .38-16 X 0.75, Ss	6
3	32492	(007006-) Washer, Flat, 0.38 Std	11
4	1015035	(007006-) Plate, Shield, Heat	1
5	54396	(007006-) Screw, Hex, .31-18 X 0.75, 5	2
6	1015467	(007006-) Bracket, Mtg, Vac Fan	1
7	54274	(007006-) Isolator, Vib, Bshg, 1.1d 0.6l .4b 0.78h	6
8	36845	(007006-) Screw, Hex, .38-16 X 1.50, Ss	2
9	39350	(007006-) Washer, Flat, 0.75 Sae	2
10	13248	(007006-) Washer, Flat, 0.40b 1.12d .12, Stl, Pl	8
11	15675	(007006-) Screw, Hex, M8 X 1.25 X 16, Ss	2
12	41186	(007006-) Washer, Belleville, .31	8
13	1015473	(007006-) Bracket, Mtg, Vac Fan	1
14	21195	(007006-) Screw, Hex, .38-16 X 0.75, 5	5
15	50902	(007006-) Nut, Hex, Lock, .38-16, NI	9
16	73270	(007006-) Housing Wldt, Vacfan, Rear, 9.0impeller	1
17	54275A	(007006-) Bracket, Mtg, Motor	1
18	54861	(007006-) Screw, Flt, .38-16 X 1.50, Al	4
19	1023322	(007006-) Motor, Hyd, Gear, Ex 0.13 L 3000 (See Breakdowns)	1
20	56692	(007006-) Fitting, Hyd, Str, Jm08/Om10	2
21	45482	(007006-) Fitting, Hyd, Tee, Jf08/Jm08/Jm08, Run	1
22	77097	(007006-) Fitting, Hyd, E90, Jm04/Om04	1
23	75456-3	(007006-) Shim, Washer, 0.88d 0.51b .020	3
24	75456-4	(007006-) Shim, Washer, 0.88d 0.51b .060	3
25	03922	(007006-) Impeller, 9.5d, 18 Blade Mach	1
26	41130	(007006-) Nut, Low Crown, .50-20	1
27	58114	(007006-) Kit, Repair, Reassembly, Fan	1
28	25821	(007006-) Housing, Vacfan, Front, W/ Label	1
29	16931	(007006-) Screw, Hex, M8 X 1.25 X 20, 8.8	6
30	1015850	(007006-) Hose, Flex, Vacuum, 4.0d 15.0l	1
31	23498	(007006-) Clamp, Hose, Wormdrive, 3.56-4.50d, .50w	2
32	1015996	(007006-) Tube Wldt, Fan, Vacuum	1

Fig. 89 - Instrument Panel Group (006115-007005)

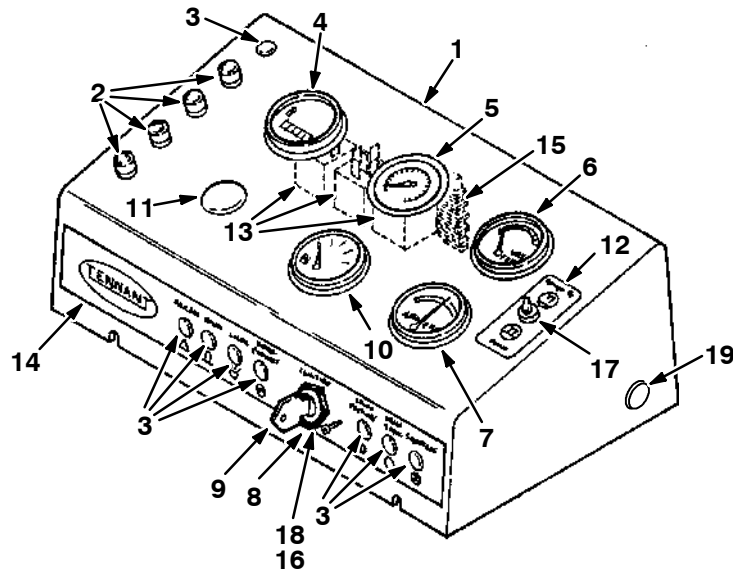


Fig. 89 - Instrument Panel Group (006115-007005)

Ref.	Part No.	Serial Number	Description	Qty.	
1	378997	(006115-007005)	Console, Instrument	1	
2	07422	(006115-007005)	Holder, Fuse	4	
	383723	(006115-007005)	Circuitbreaker, 20.0a, Resetable	2	
	07423	(006115-007005)	Fuse, 15 A	2	
3	56992	(006115-007005)	Plug Button, 0.50" (13 mm)	8	
4	34810	(006115-007005)	Meter, Hour	1	
5	21690	(006115-007005)	Gauge, Oil Pressure	1	
6	50330	(006115-007005)	Gauge, Water Temperature	1	
7	54180	(006115-007005)	Ammeter	1	
▽	8	87536	(006115-007005)	Switch, Ign [Ku]	1
▲	9	87866	(006115-007005)	Key, Ignition Switch (Set of 2)	1
	10	34813	(006115-007005)	Gauge, Fuel Level	1
	11	47178-13	(006115-007005)	Plug Button, 1.25" (32 mm)	1
	12	76234	(006115-007005)	Label, Switch, Squeegee Lift	1
	13	57804	(006115-007005)	Relay	3
	14	16667	(006115-007005)	Label, Instrument Console	1
	15	26523	(006115-007005)	Board, Terminal	1
	16	73736	(006115-007005)	Washer, 1.15b 1.75d .08, Stl	1
	17	76306	(006115-007005)	Switch, On-Off, Squeegee Lift	1
		76536	(006115-007005)	Wire Kit, Instrument Panel	1
		47178-12	(006115-007005)	Plugbutton, 2.0" (50 mm)	1
	18	382516	(006115-007005)	Boot, Switch	1
	19	02431	(006115-007005)	Plug Button	2

STANDARD PARTS

Fig. 90 - Instrument Panel Group, Gas (007006-)

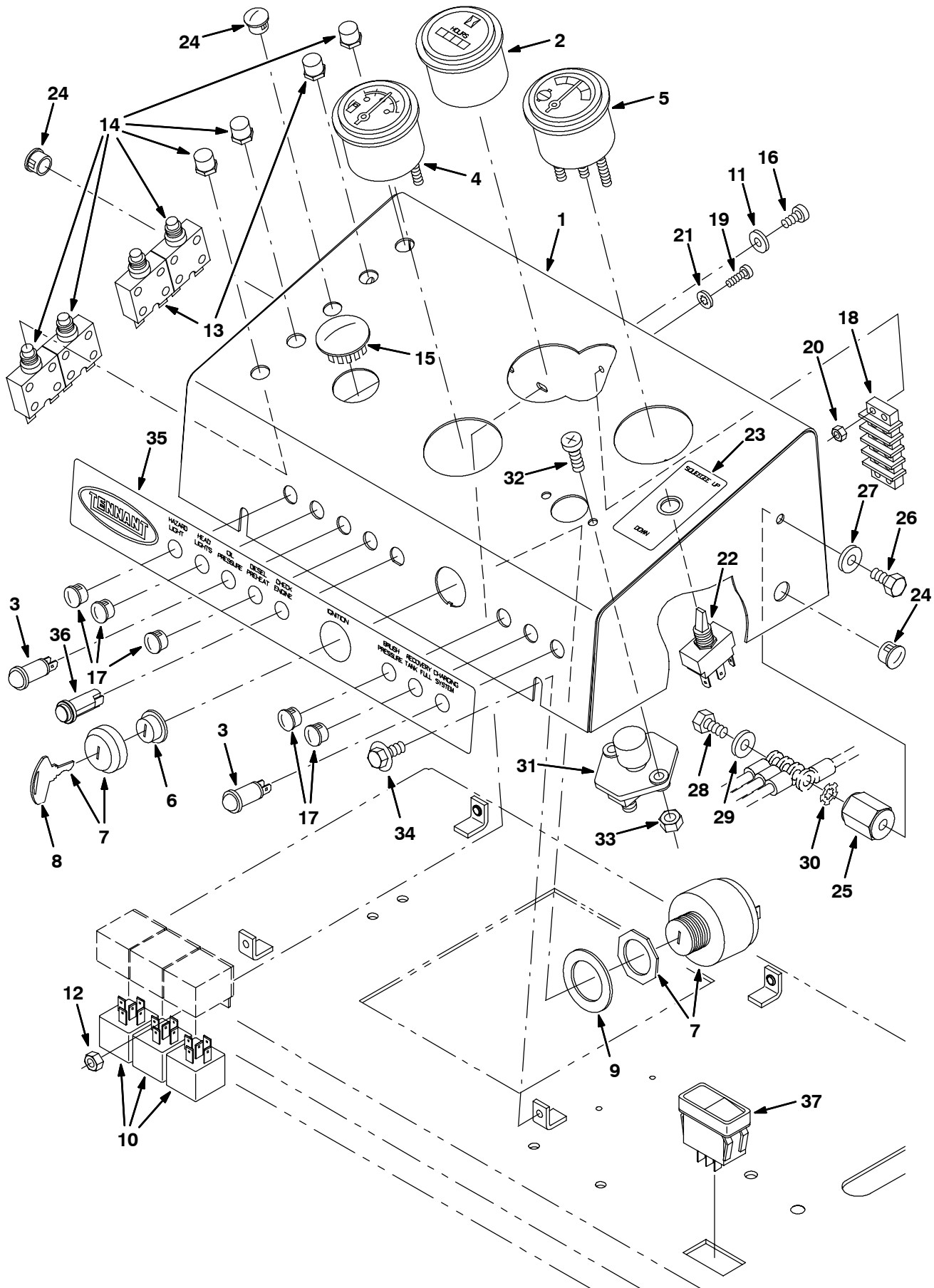


Fig. 90 - Instrument Panel Group, Gas (007006-)

Ref.	Part No.	Serial Number	Description	Qty.	
1	1015379	(007006-) Panel Wldt, Console, Instmt [550]	1	
2	34810	(007006-) Hourmeter, 12-24vdc, Analog, Rnd	1	
3	34820	(007006-) Light, Panl, 14vdc, Red, 0.6d	2	
4	34813	(007006-) Gauge, Fuel, 0-90ohm 8-18vdc	1	
5	50330	(007006-) Gauge, Temp, 100-260 2.3d 12vdc	1	
6	382516	(007006-) Boot, Switch	1	
▽	7	87536	(007006-) Switch, Ign [Ku]	1
▲	8	87866	(007006-) Key, Ignition, [Set Of 2]	1
9	73736	(007006-) Washer, 1.15b 1.75d .08, Stl	1	
10	57804	(007006-) Relay, 12vdc, 40a, Spdt, [Potter]	3	
11	19065	(007006-) Washer, Flat, #08	3	
12	45181	(007006-) Nut, Hex, Lock, #10-24, NI	3	
13	383723	(007006-) Circuitbreaker, 20.0a, Resetable	1	
14	383722	(007006-) Circuitbreaker, 15.0a	3	
15	47178-13	(007006-) Button, Plug, 1.25h .06-.09 [Chrome Stl]	1	
16	39648	(007006-) Screw, Pan, #10-24 X 0.38, 1	3	
17	56992	(007006-) Button, Plug, 0.50h .03-.12 [Black Nyl]	5	
18	26523	(007006-) Block, Terminal, 4 Connector	1	
19	32517	(007006-) Screw, Pan, #08-32 X 0.62, 1	1	
20	19310	(007006-) Nut, Hex, Std, #08-32	1	
21	32978	(007006-) Washer, Lock, Int, #08	1	
22	76306	(007006-) Switch, Toggle, 250vac 10a On/On	1	
23	76234	(007006-) Label, Control, Sqge	1	
24	02431	(007006-) Button, Plug, 0.56h .03-.12 [Black Nyl]	3	
25	76062	(007006-) Insulator, Panel & Switchboard	1	
26	19316	(007006-) Screw, Hex, .25-20 X 0.62, 5	1	
27	41185	(007006-) Washer, Belleville, .25	1	
28	19315	(007006-) Screw, Hex, .25-20 X 0.50, 5	1	
29	32490	(007006-) Washer, Flat, 0.25 Std	1	
30	41141	(007006-) Washer, Lock, Int-Ext, .31	1	
31	44078	(007006-) Switch, Push, 12vdc 80a Spst No	1	
32	39712	(007006-) Screw, Pan, .25-20 X 0.75, 2	2	
33	75934	(007006-) Nut, Hex, Lock, .25-20, NI	2	
34	16949	(007006-) Screw, Hex, .25-20 X 0.75, Sems	4	
35	1015389	(007006-) Label, Console, Instmt	1	
36	1012185	(007006-) Light, Warning, Check Engine, Amb, 14 Vdc	1	
37	371580	(007006-) Switch, Speed, Eng	1	

STANDARD PARTS

Fig. 91 - Instrument Panel Group, LPG (007006-)

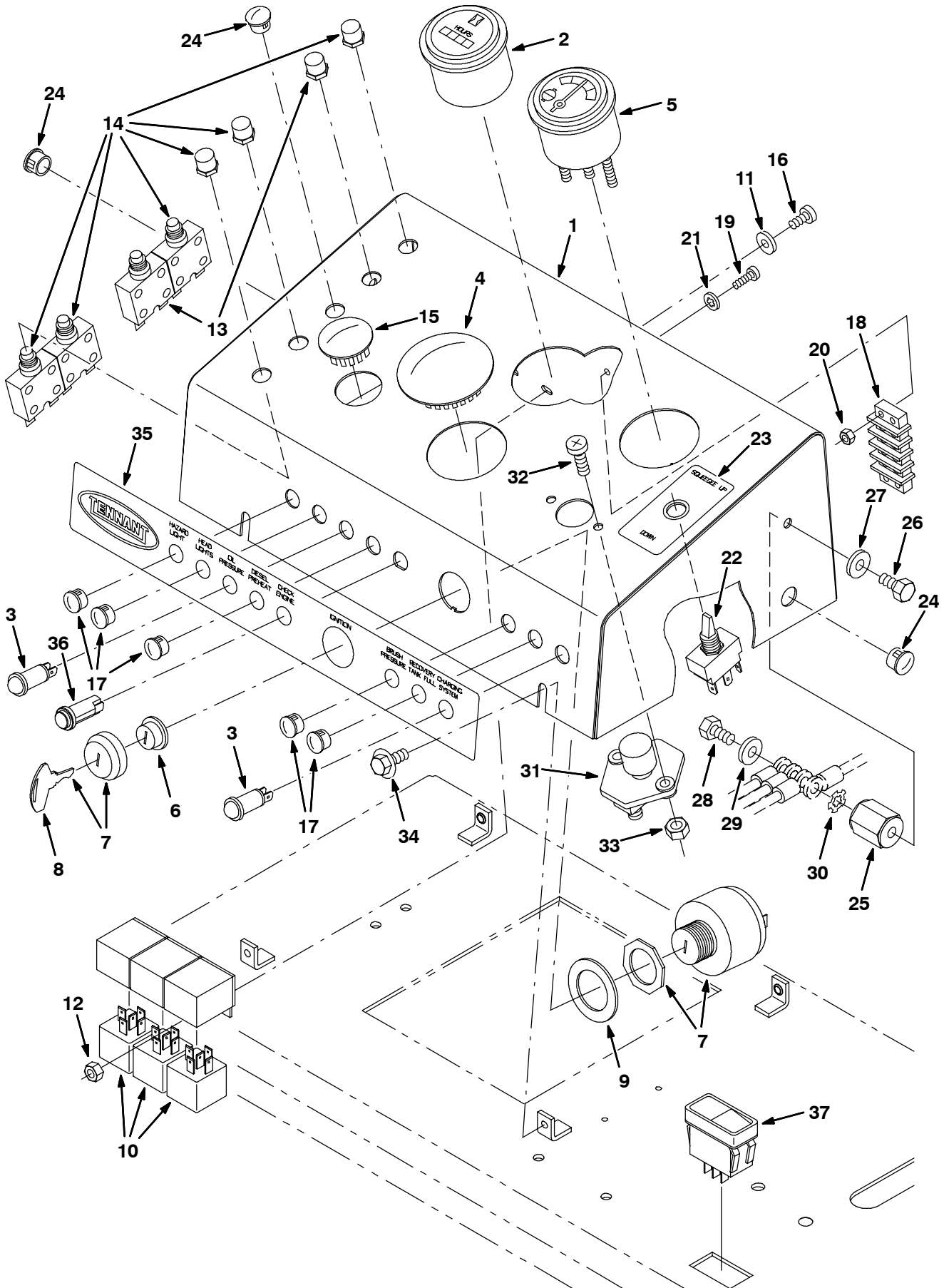


Fig. 91 - Instrument Panel Group, LPG (007006-)

Ref.	Part No.	Serial Number	Description	Qty.	
1	1015379	(007006-) Panel Wldt, Console, Instmt [550]	1	
2	34810	(007006-) Hourmeter, 12-24vdc, Analog, Rnd	1	
3	34820	(007006-) Light, Panl, 14vdc, Red, 0.6d	2	
4	47178-12	(007006-) Button, Plug, 2.09h .05-.06 [Chm Stl]	1	
5	50330	(007006-) Gauge, Temp, 100-260 2.3d 12vdc	1	
6	382516	(007006-) Boot, Switch	1	
▽	7	87536	(007006-) Switch, Ign [Ku]	1
▲	8	87866	(007006-) Key, Ignition, [Set Of 2]	1
9	73736	(007006-) Washer, 1.15b 1.75d .08, Stl	1	
10	57804	(007006-) Relay, 12vdc, 40a, Spdt, [Potter]	3	
11	19065	(007006-) Washer, Flat, #08	3	
12	45181	(007006-) Nut, Hex, Lock, #10-24, NI	3	
13	383723	(007006-) Circuitbreaker, 20.0a, Resetable	1	
14	383722	(007006-) Circuitbreaker, 15.0a	3	
15	47178-13	(007006-) Button, Plug, 1.25h .06-.09 [Chrome Stl]	1	
16	39648	(007006-) Screw, Pan, #10-24 X 0.38, 1	3	
17	56992	(007006-) Button, Plug, 0.50h .03-.12 [Black Nyl]	5	
18	26523	(007006-) Block, Terminal, 4 Connector	1	
19	32517	(007006-) Screw, Pan, #08-32 X 0.62, 1	1	
20	19310	(007006-) Nut, Hex, Std, #08-32	1	
21	32978	(007006-) Washer, Lock, Int, #08	1	
22	76306	(007006-) Switch, Toggle, 250vac 10a On/On	1	
23	76234	(007006-) Label, Control, Sqge	1	
24	02431	(007006-) Button, Plug, 0.56h .03-.12 [Black Nyl]	3	
25	76062	(007006-) Insulator, Panel & Switchboard	1	
26	19316	(007006-) Screw, Hex, .25-20 X 0.62, 5	1	
27	41185	(007006-) Washer, Belleville, .25	1	
28	19315	(007006-) Screw, Hex, .25-20 X 0.50, 5	1	
29	32490	(007006-) Washer, Flat, 0.25 Std	1	
30	41141	(007006-) Washer, Lock, Int-Ext, .31	1	
31	44078	(007006-) Switch, Push, 12vdc 80a Spst No	1	
32	39712	(007006-) Screw, Pan, .25-20 X 0.75, 2	2	
33	75934	(007006-) Nut, Hex, Lock, .25-20, NI	2	
34	16949	(007006-) Screw, Hex, .25-20 X 0.75, Sems	4	
35	1015389	(007006-) Label, Console, Instmt	1	
36	1012185	(007006-) Light, Warning, Check Engine, Amb, 14 Vdc	1	
37	371580	(007006-) Switch, Speed, Eng	1	

Fig. 92 - Trunnion Group

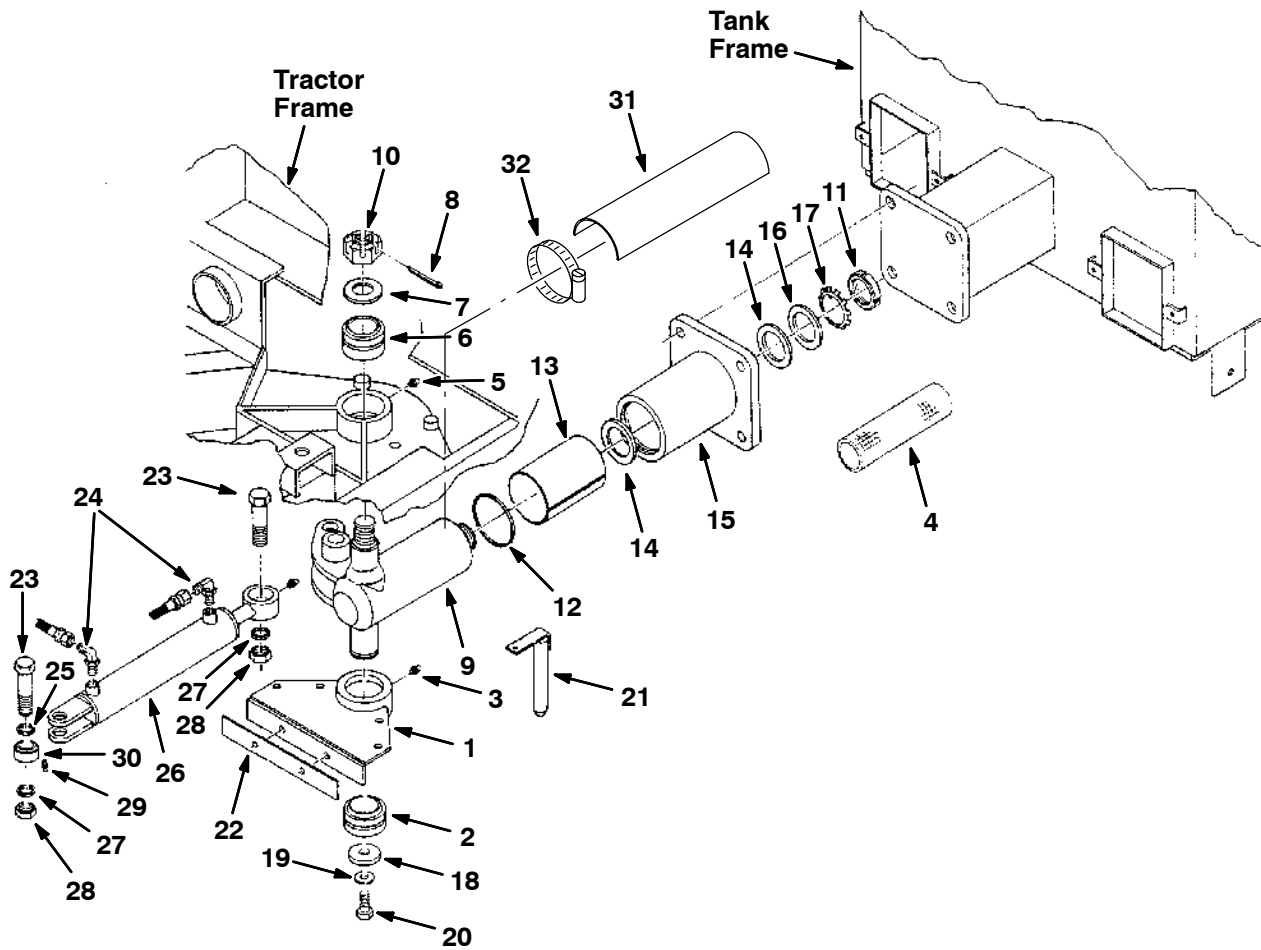


Fig. 92 - Trunnion Group

Ref.	Part No.	Serial Number	Description	Qty.
▽	42399	(006115-) Support Assembly, Lower Bearing	1
▲	1 42311	(006115-) Support, Lower Bearing	1
▲	2 42120-2	(006115-) Bearing	1
▲	3 07259	(006115-) Fitting, Grease	1
	4 82833	(006115-) Sleeve, Nylon	1
	5 07259	(006115-) Fitting, Grease	1
	6 42120-2	(006115-) Bearing	1
	7 41066	(006115-) Washer	3
	8 08298	(006115-) Pin, Cotter	1
▽	08100	(006115-) Housing Assembly, Bearing	1
▲▽	9 06846	(006115-) Pivot, Shaft	1
▲▲	10 13611	(006115-) Nut, Slotted Hex	1
▲▲	11 41073	(006115-) Nut, Lock	1
▲	12 41082	(006115-) O-Ring	1
▲	13 41083	(006115-) Bearing, Liner	1
▲	14 41084	(006115-) Bearing, Thrust	2
▲	15 32724	(006115-) Housing, Pivot	1
▲	16 41081	(006115-) Washer	1
▲	17 369701	(006115-) Washer, Lock	1
▲	18 06845	(006115-) Washer, Spacer	1
▲	19 15331	(006115-) Washer	1
▲	20 08099	(006115-) Screw, Hex	1
	21 75296	(006115-) Pin, Articulating Locking	1
	22 76540	(006115-) Shim	1
	44961	(006115-) Tie, Cable	2
	23 39912	(006115-) Screw, Hex	2
	24 56820	(006115-) Fitting, Elbow	2
	25 76915	(006115-) Washer	1
	26 04431	(006115-) Cylinder, Hydraulic (See Breakdowns)	1
	27 39347	(006115-) Washer, Flat	2
	28 02464	(006115-) Nut, Nylon	2
	29 06418	(006115-) Fitting, Grease	1
	30 42120-4	(006115-) Bearing, Self-Aligning	1
	31 1010537	(007006-) Flap, Wand, Vacuum	1
	19659	(006115-) Sleeve, Nylon	1
	32 14432	(007006-) Clamp, Hose, Wormdrive, 1.81-2.75d, .56w	1

Fig. 93 - Solution and Recovery Tanks Group, Front Side

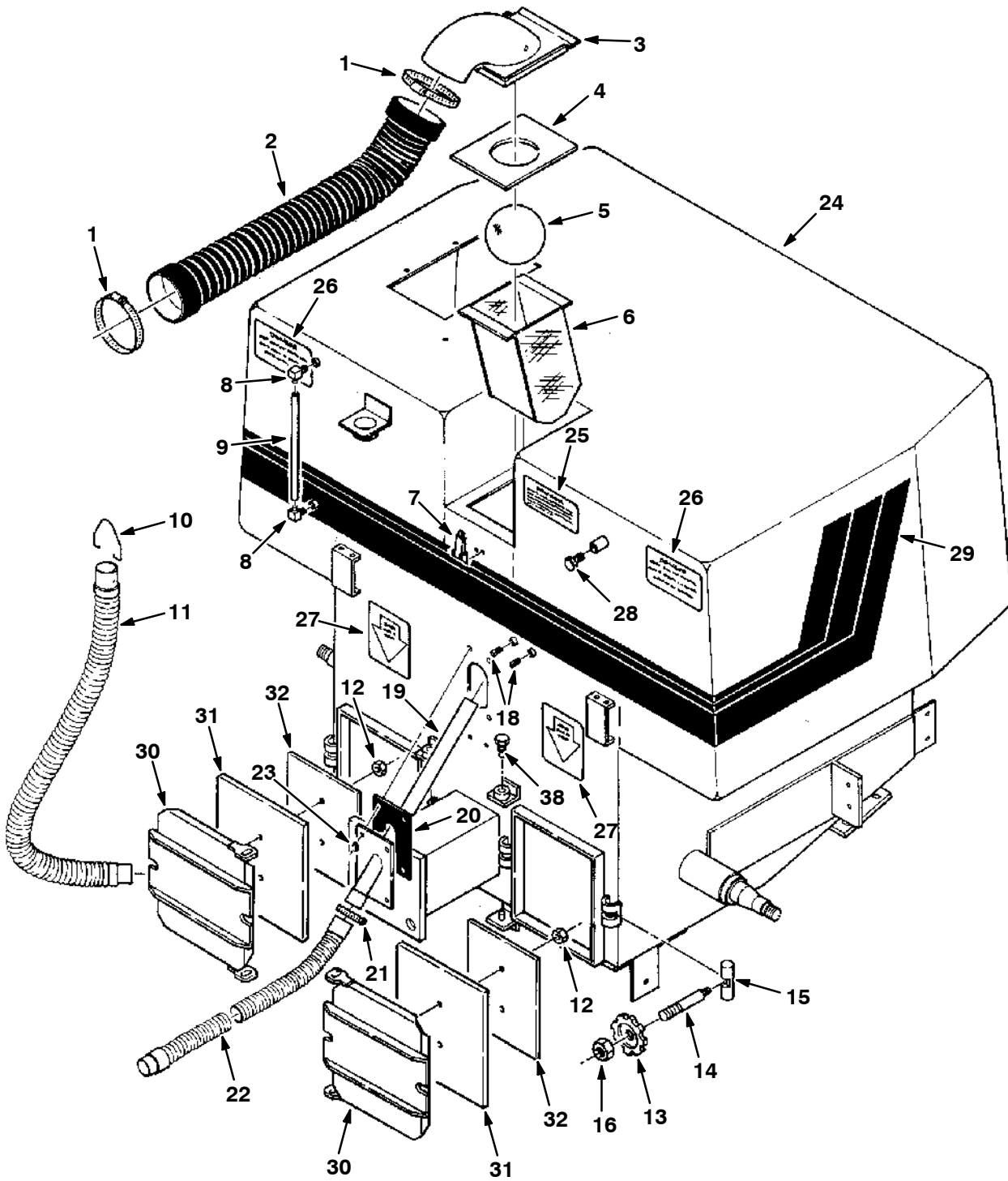


Fig. 93 - Solution and Recovery Tanks Group, Front Side

Ref.	Part No.	Serial Number	Description	Qty.	
1	23498	(006115-) Clamp, Worm Drive	2	
2	25360	(006115-) Hose, Vacuum Fan	1	
3	75182	(006115-) Flange, Top Float	1	
4	75188	(006115-) Seal, Float Flange	1	
5	75106	(006115-) Ball, Float	1	
6	75103	(006115-) Retainer, Ball	1	
7	87579	(006115-) Latch, Cam Lock	1	
8	08228	(006115-) Elbow, Solution Level	2	
9	42779	(006115-) Hose, Solution Level	1	
10	40550	(006115-) Clip, Drain Hose Retainer	1	
11	76828	(006115-) Hose, Recovery Tank Drain	1	
12	41169	(006115-) Nut, Stainless Steel	4	
13	82958	(006115-) Knob, Door Latch	4	
14	61171	(006115-) Stud, Door Latch	4	
15	61170	(006115-) Rod, Door Latch	4	
16	36644	(006115-) Nut, Locking	4	
17	61181	(006115-) Pivot, Door Hinge	2	
18	63511	(006115-) Plug	2	
19	75045	(006115-) Tube, Front Suction	1	
20	76532	(006115-) Seal, Suction Tube	1	
21	22297	(006115-) Clamp, Worm Drive	1	
22	75635AM	(006115-) Hose Assy, W/1cuff, 1.5d 120l 1.5/	1	
23	76426	(006115-) Washer, Sealing	4	
▽	24	75143-2	(006115-) Tank, Solution and Recovery	1
▲	25	40052	(006115-) Label, Danger, Fan Suction	1
▲	26	57630	(006115-) Label, Danger, Keep Out	2
▲	27	76157	(006115-) Label, Jack Only On Pad	2
▲	28	75611	(006115-) Fitting, Plug	1
▲		09905	(006115-) Label, TENNANT Logo	1
	29	75816	(006115-) Label, Stripe, L.H.	1
	30	61176	(006115-) Door	2
	31	61174	(006115-) Gasket, Door	2
	32	61175	(006115-) Plate, Door	2

Fig. 94 - Solution and Recovery Tanks Group, Rear Side

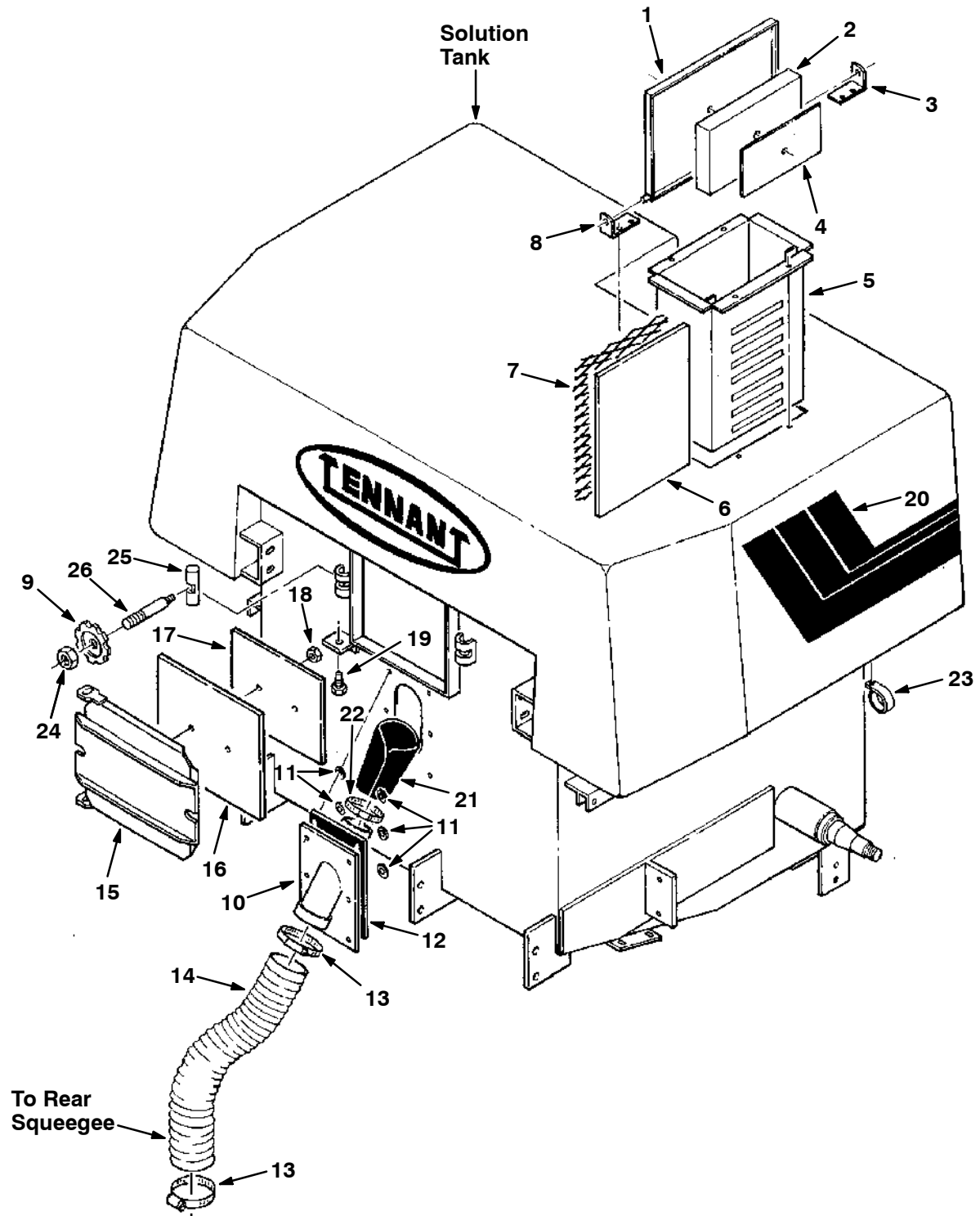
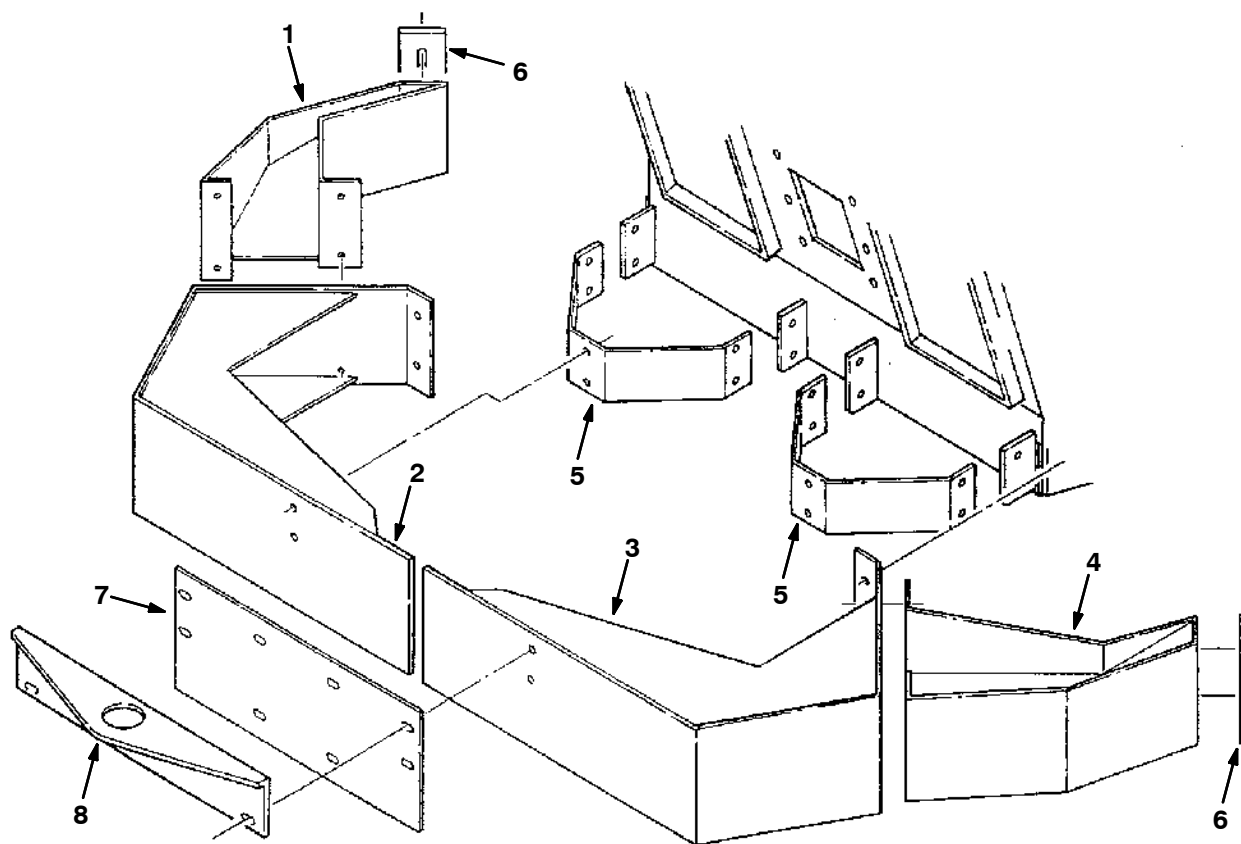


Fig. 94 - Solution and Recovery Tanks Group, Rear Side

Ref.	Part No.	Serial Number	Description	Qty.
1	75170	(006115-) Door, Solution	1
2	75171	(006115-) Gasket, Solution Door	1
3	75175	(006115-) Bracket, Door Hinge	1
4	79392	(006115-) Plate	1
5	75156	(006115-) Basket, Soap	1
6	75096	(006115-) Filter, Foam, Soap Basket	1
7	75098	(006115-) Screen	1
8	75174	(006115-) Bracket, Door Hinge	1
9	82958	(006115-) Knob, Door Latch	2
10	75081A	(006115-) Tube, Rear Squeegee Suction	1
11	76426	(006115-) Washer, Rubber, (Located Inside Tank)	6
12	75076	(006115-) Gasket, Rear Suction Tube	1
13	43555	(006115-) Clamp, Worm Drive	2
14	25649	(006115-) Hose, Rear Squeegee Suction	1
15	61245	(006115-) Door	1
16	61174	(006115-) Gasket, Door	1
17	61175	(006115-) Plate, Door	1
18	41169	(006115-) Nut, Stainless Steel	2
19	61181	(006115-) Pivot, Door Hinge	2
20	75815	(006115-) Label, Stripe, R.H.	1
21	50518	(006115-) Flap, Rubber	1
22	23498	(006115-) Clamp, Worm Drive	1
23	40678-1	(006115-) Clamp, Cable	1
24	36644	(006115-) Nut, Locking	2
25	61170	(006115-) Rod, Door Latch	2
26	61171	(006115-) Stud, Door Latch	2

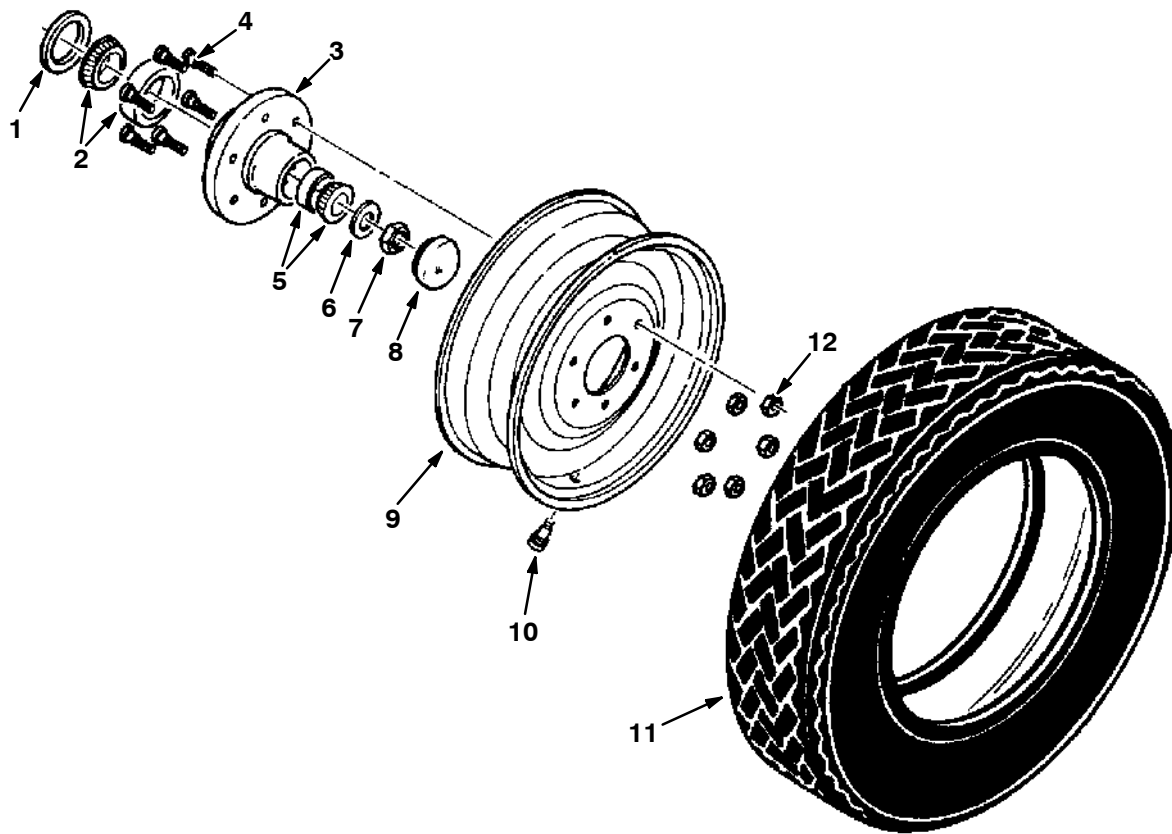
Fig. 95 - Rear Bumper Group



06844 - 550

Ref.	Part No.	Serial Number	Description	Qty.
1	78673	(006115-) Guard, L.H.	1
2	65899	(006115-) Bumper Rear, L.H.	1
3	65898	(006115-) Bumper Rear, R.H.	1
4	78670	(006115-) Guard, R.H.	1
5	61261	(006115-) Bracket, Mounting	2
6	75190	(006115-) Guard, Squeegee	2
7	65897	(006115-) Plate, Bumper	1
8	32117	(006115-) Bracket, Tow Bypass	1

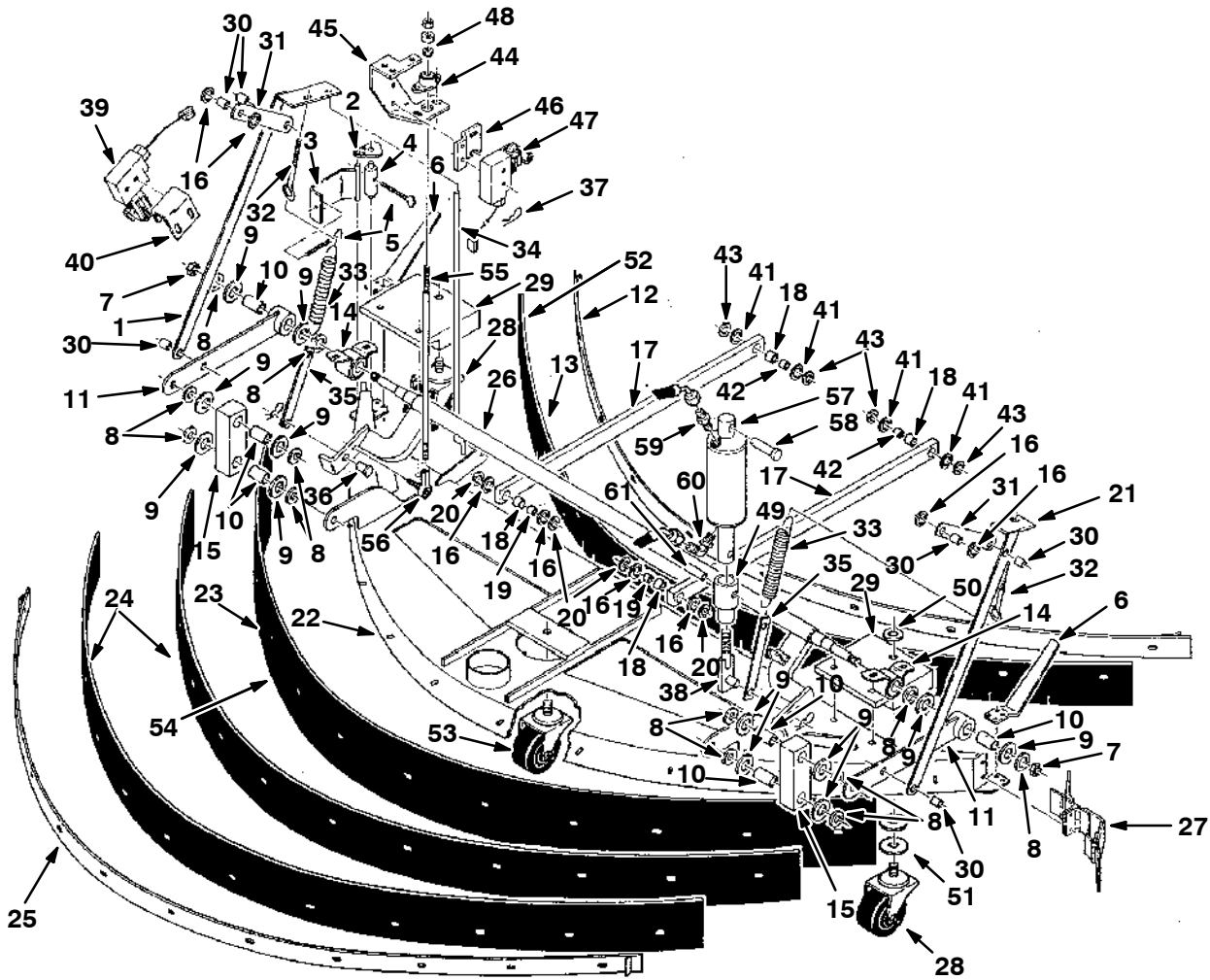
Fig. 96 - Rear Wheel Group



00311 - 550

Ref.	Part No.	Serial Number	Description	Qty.	
1	75072-5	(006115-) Seal, Inner Wheel Bearing	2	
2	75073	(006115-) Bearing Assembly, Cup and Cone	2	
▽	3	75072-1	(006115-) Hub Assembly	2
▲	4	32126	(006115-) Stud, Wheel	6
5	75075	(006115-) Bearing Assembly, Cup and Cone	2	
6	31705	(006115-) Washer, Flat	2	
7	41112	(006115-) Nut, Slotted	2	
8	57567	(006115-) Cap, Hub Dust	2	
▽	48891	(006115-) Tire Assy, Pneu, 8.75 - 16.5 5.5bc/6bolt	2	
▲	9	79101	(006115-) Rim, 16.5 X 6.75 5.5bc/6bolt	1
▲	10	75365	(006115-) Valve, Tire, Air	1
▲	11	48888	(006115-) Tire, [8.75x16.5 Lt], [Gdy]	1
12	24339	(006115-) Nut, Wheel	12	

Fig. 97 - Rear Squeegee Assembly



09874 - 550

Ref.	Part No.	Serial Number	Description	Qty.
▽	32415	(006115-) Rear Squeegee Assembly	1
▲	1 78096	(006115-) Arm, L.H.	1
▲	2 76922-1	(006115-) Plate, Pivot	1
▲	3 76921	(006115-) Adjuster, Rear	1
▲	4 76927	(006115-) Pivot, Adjuster	1
▲	5 78641	(006115-) Screw, Thumb	2
▲	6 59639A	(006115-) Guide, Spring	2
▲	7 32985	(006115-) Nut	2
▲	8 32493	(006115-) Washer, Flat	12
▲	9 76979	(006115-) Washer, Thrust	12
▲	10 76392	(006115-) Sleeve, Bearing	6
▲▽	11 76984-1	(006115-) Arm Assembly	2
▲▲	76978	(006115-) Bearing, Fiberglide	1
▲	12 76896	(006115-) Band, Front, Squeegee	1
▲	13 60018	(006115-) Blade, Front, Squeegee	1
▲	14 16928	(006115-) Bearing, Pillow Block	2

Fig. 97 - Rear Squeegee Assembly

Ref.	Part No.	Serial Number	Description	Qty.
▲▲	15	76974-1	(006115-) Arm Assembly, Vertical Block	2
▲▲		76978	(006115-) Bearing, Fiberglide	1
▲	16	59633	(006115-) Bearing, Thrust, 0.53b 1.00d 0.03w	8
▲▽	17	33510	(006115-) Link, Rear Drag	2
▲▲	18	59634	(006115-) Sleeve, Bearing	2
▲	19	59632	(006115-) Sleeve	2
▲	20	01686	(006115-) Washer	4
▲	21	76988	(006115-) Arm, R.H.	1
▲	22	10150	(006115-) Frame, Rear	1
▲	23	60016	(006115-) Blade, Rear, Squeegee	1
▲	24	76937	(006115-) Strip, Rear, Backup	2
▲	25	76946	(006115-) Band, Rear, Squeegee	1
▲	26	33749	(006115-) Shaft, Squeegee Lift	1
▲	27	78642	(006115-) Clamp, Squeegee Band	1
▲	28	370133	(006115-) Caster	2
▲	29	10149	(006115-) Mount, Caster	2
▲	30	76390	(006115-) Sleeve	6
▲	31	76391	(006115-) Link	2
	32	76353	(006115-) Bolt, Eye	2
	33	47745	(006115-) Spring	2
	34	78093	(006115-) Rod	1
		20021	(006115-) Pin, Roll	1
	35	78695	(006115-) Strip, Spring	2
	36	51530	(006115-) Pin, Clevis	1
	37	08175	(006115-) Pin, Cotter	4
	38	48884	(006115-) Adaptor, Cylinder	1
	39	76340	(006115-) Switch, Roller	1
	40	76269	(006115-) Bracket, Switch Mounting	1
	41	59633	(006115-) Washer, Fiberglide	4
	42	59632	(006115-) Sleeve	2
	43	32492	(006115-) Washer	4
	44	33743	(006115-) Bearing, Flange	1
	45	33744	(006115-) Bracket, Mounting	1
	46	33745	(006115-) Bracket, Switch	1
	47	33748	(006115-) Switch	1
	48	33747	(006115-) Barrel, Trip	1
	49	09626	(006115-) Adapter, Cylinder Rod	1
	50	36328	(006115-) Washer, Belleville	3
	51	51564	(006115-) Washer	5
	52	78560	(006115-) Blade, Front, Squeegee, Urethane	1
	53	370133	(006115-) Caster	1
	54	78561	(006115-) Blade, Rear, Squeegee, Urethane	1
	55	33746	(006115-) Rod, Trip	1
	56	36466	(006115-) Ball Joint	1
	57	1028058	(006115-) Cylinder, Hyd, 2.0b 08.0l 04.00strk 2500	1
	58	51534	(006115-) Pin, Clevis	1
	59	55586	(006115-) Fitting, Straight	1
	60	77097	(006115-) Fitting, Elbow	1
	61	54041	(006115-) Pin, Roll	1

Fig. 98 - Label Group

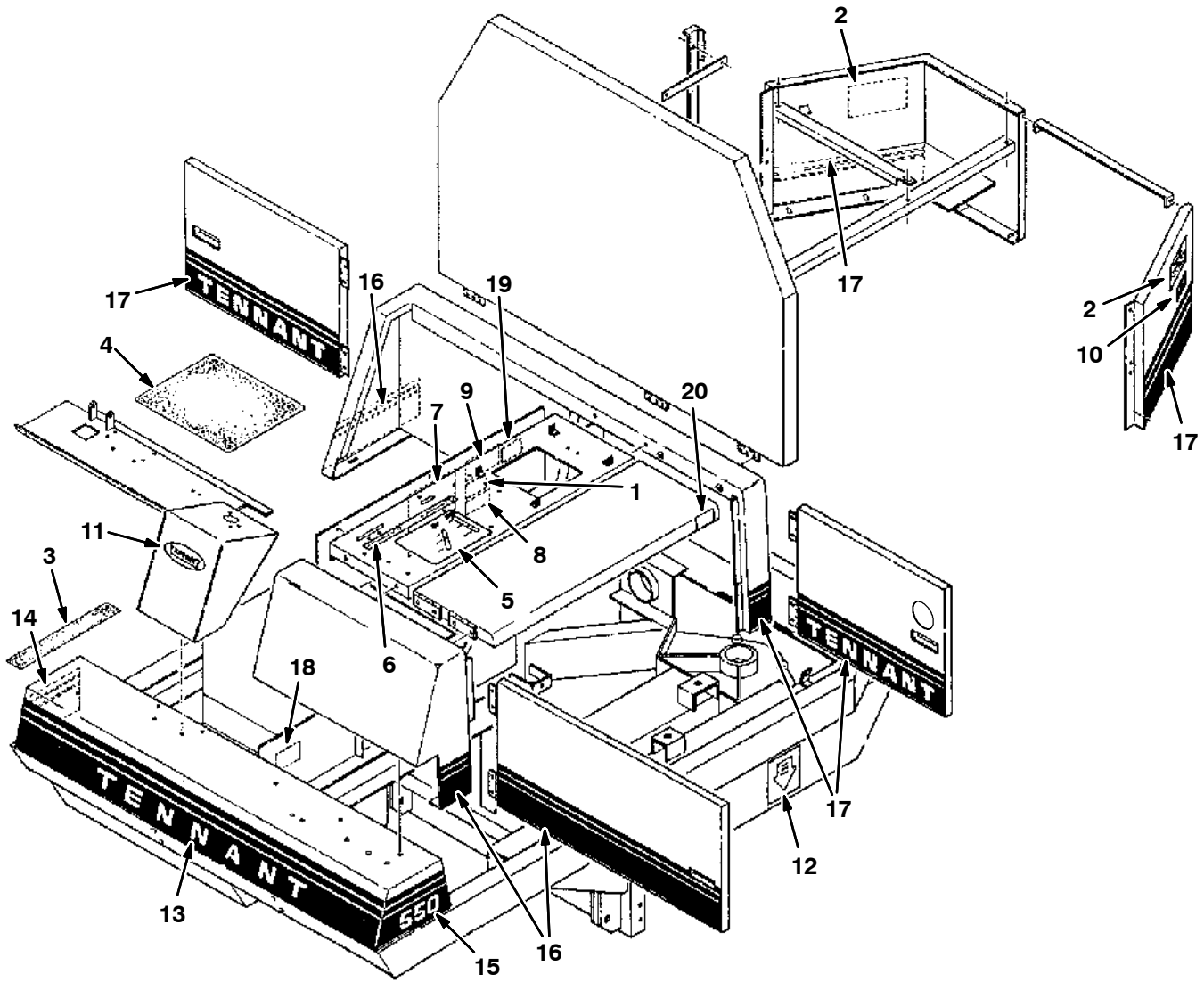


Fig. 98 - Label Group

Ref.	Part No.	Serial Number	Description	Qty.
1	37089	(007006-) Label, [Caution], [Travel Slowly]	1
2	57630	(007006-) Label, Warning, Danger, Pinch Point	2
3	75430	(007006-) Tread, Non-Skid, 02.2w 15.5l	1
4	69571	(007006-) Tread, Non-Skid, 12.0w 14.5l	1
5	76354	(007006-) Label, Opertnl, Instmt Panel, [550]	1
6	76113	(007006-) Label, Control, Throttle	1
7	76156	(007006-) Label, Maint, [550]	1
8	76067	(007006-) Label, Info, [Tire Pressure]	1
9	48242	(007006-) Label, Info, Alternator Equipped	1
10	51368	(007006-) Label, Maint, [Radiator Fins]	1
11	27474	(007006-) Label, Logo, Tennant, Oval, 114l, Blk	1
12	76158	(007006-) Label, Info, Jack Point, Tractor	2
13	75812	(007006-) Label, Stripe, [Tennant],[550]	1
14	75813	(007006-) Label, Stripe, Wing, Rh,[1550]	1
15	75814	(007006-) Label, Stripe, Wing, Lh,[1550]	1
16	75810	(007006-) Label, Stripe, 36.00, [550]	2
17	75811	(007006-) Label, Stripe, [Tennant],[550]	2
18	1008894	(007006-) Label, Patent, Power Scrubber	1
19	1020434	(007006-) Label, Caution, [Apply Parking Brake]	1
20	392551	(007006-) Label, [Warning], Heavy Lpg Tank (LP ONLY)	1

SECTION 3

Contents	Page
Fig. 1 - SRS Solution Pumps Group	3-2
Fig. 2 - SRS Solution Control Group	3-4
Fig. 3 - SRS Wire Harnesses Group	3-6
Fig. 4 - SRS Control Panel Assembly	3-9
Fig. 5 - SRS Front Side of Solution Tank Group	3-10
Fig. 6 - SRS Rear Side of Solution Tank Group	3-12
Fig. 7 - Light Kit	3-14
Fig. 8 - Overhead Guard Kit	3-15
Fig. 9 - Heavy Duty Bumper Kit	3-16
Fig. 10 - Brush Pressure Warning Kit	3-17
Fig. 11 - Flashing Light Kit	3-18
Fig. 12 - Revolving Light Group	3-19
Fig. 13 - Revolving Light Kit, Overhead Guard	3-20
Fig. 14 - SRS Reserve LPG Tank Group with Filler Valve	3-21
Fig. 15 - Reserve LPG Tank Kit with Filler Valve	3-22
Fig. 16 - Reserve LPG Tank Mounting Kit	3-23
Fig. 17 - Squeegee Wand Kit	3-24
Fig. 18 - High Pressure Sprayer Kit	3-26
Fig. 19 - SRS Sludge Removal Tool Assembly	3-29
Fig. 20 - SRS Squeegee Wand Kit	3-30
Fig. 21 - SRS Level Warning Light Kit	3-32
Fig. 22 - SRS Heavy Duty Bumper Kit	3-34
Fig. 23 - SRS Light Kit	3-35
Fig. 24 - SRS Flashing Light Kit	3-36
Fig. 25 - SRS Revolving Light Group	3-37
Fig. 26 - Protectoseal Gasoline Cap	3-38
Fig. 27 - Fire Extinguisher Kit (006115-006408)	3-38
Fig. 28 - Fire Extinguisher Group (006409-)	3-39
Fig. 29 - Wheel Assembly, Foam Filled	3-40
Fig. 30 - Solution Tank Drain Kit	3-40
Fig. 31 - Rear View Mirror Kit	3-41
Fig. 32 - Spark Arresting Muffler Kit	3-41
Fig. 33 - Recovery Level Warning Light Kit ...	3-42
Fig. 34 - Side Squeegees Extension Kit	3-43
Fig. 35 - Heavy Duty Filter Group (006268-007005)	3-44
Fig. 36 - Documentation Group	3-44

Fig. 1 - SRS Solution Pumps Group

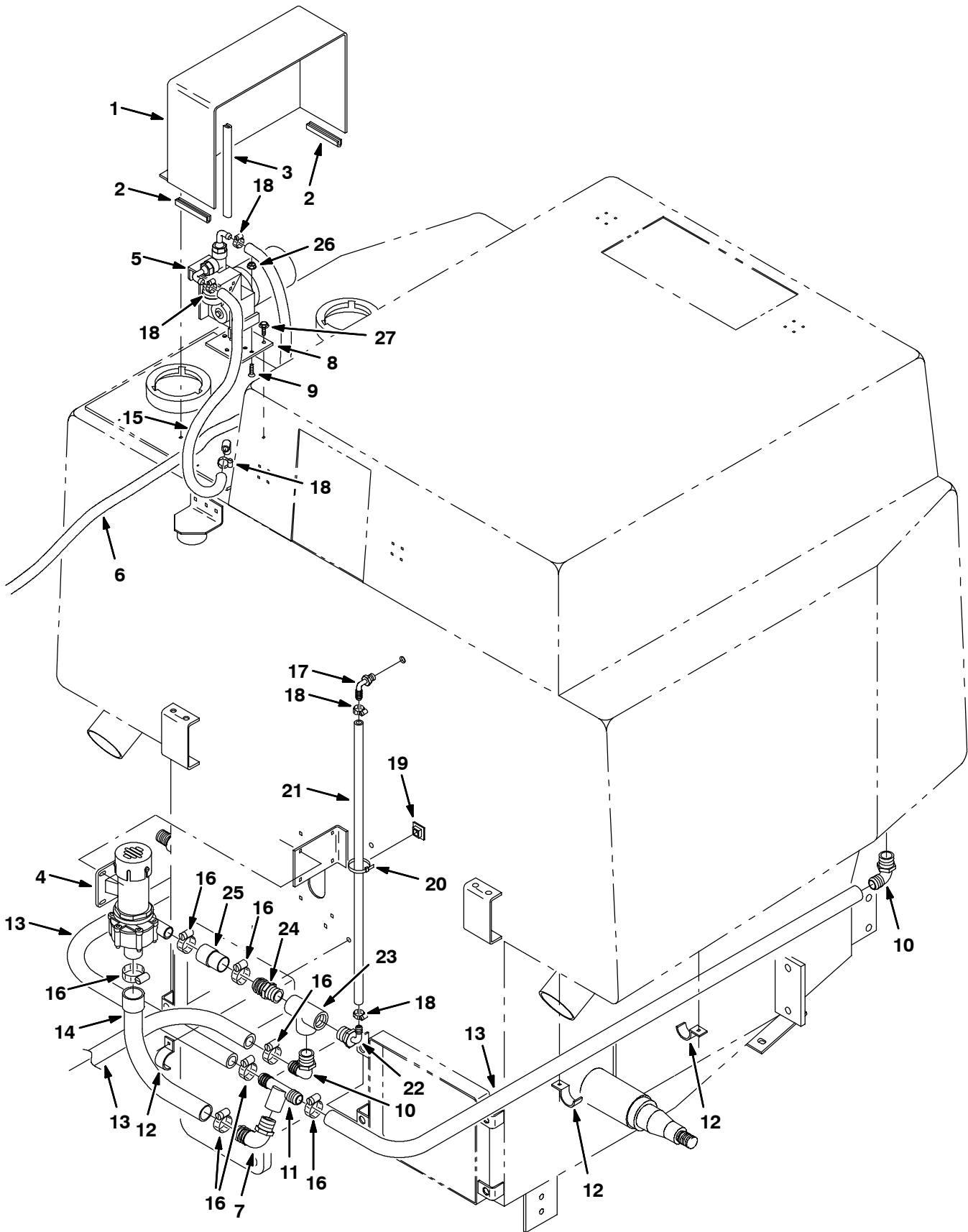


Fig. 1 - SRS Solution Pumps Group

Ref.	Part No.	Serial Number	Description	Qty.
1	03393	(006115-) Cover, Pump	1
2	62595-18	(006115-) Molding, Rigid	2
3	62595-6	(006115-) Molding, Rigid	1
4	33327	(006115-) Pump, Solution (See Breakdowns)	1
5	16485	(006115-007299) Pump, Metering (See Breakdowns) (Replaced by 9006873)	1
5	1057970	(007300-) Pump Assy, Water, W/ Connector	1
6	63182-1	(006115-) Hose, Vinyl	1
7	18595	(006115-) Fitting, Elbow	1
8	02597	(006115-007299) Plate, Pump Mounting	1
8	1058454	(007300-) Plate	1
9	03391	(006115-007299) Screw, Flt, Soc, 10-32 X 0.50, Al	3
9	27994	(007300-) Screw, Flt, Soc, 10-24 X 0.62, Al	2
10	14877	(006115-) Fitting, Elbow	3
11	76075	(006115-) Fitting, Plstc, Tee, Bm12/Pf12/Bm12	1
12	44031	(006115-) Clamp	5
13	47846	(006115-) Hose, Rubber	2
14	57378	(006115-) Hose, Pump Inlet	1
15	79580	(006115-) Hose, Vinyl	1
16	11399	(006115-) Clamp, Worm Drive	9
17	03401	(006115-) Fitting, Elbow	1
18	54333	(006115-) Clamp, Worm Drive	5
19	55248	(006115-) Mount, Cable Tie	2
20	49263	(006115-) Tie, Cable	4
21	68301	(006115-) Hose, Vinyl	1
22	79484	(006115-) Fitting, Elbow	1
23	42133A	(006115-) Fitting, Tee	1
24	57379	(006115-) Fitting, Straight	1
25	57377	(006115-) Hose, Pump Outlet	1
26	27977	(006115-) Nut, Hex, Flng, #10-24	2
27	24592	(006115-) Screw, Hex, 10-24 X 0.75, Fmg, Pl	2

Fig. 2 - SRS Solution Control Group

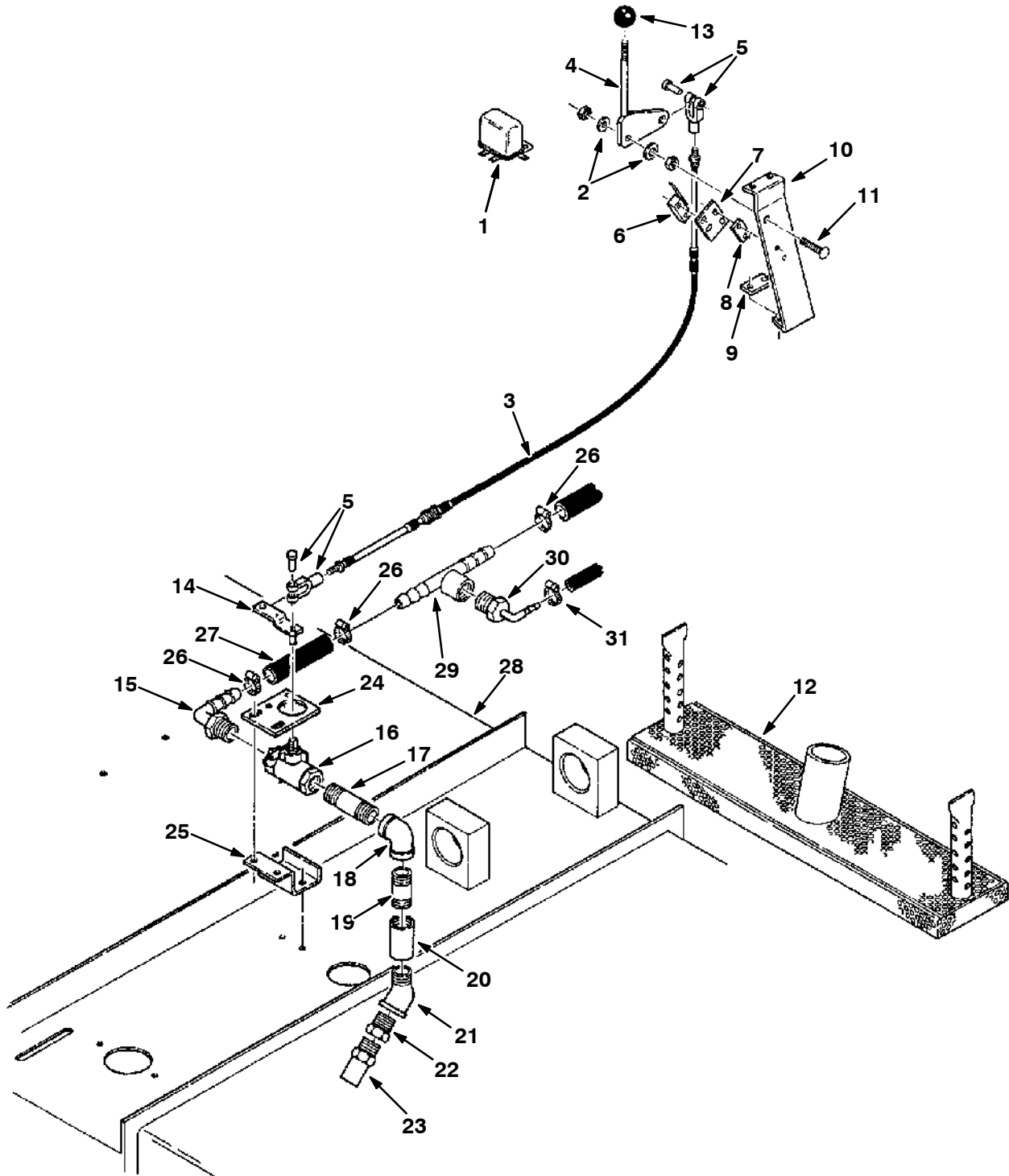


Fig. 2 - SRS Solution Control Group

	Ref.	Part No.	Serial Number	Description	Qty.
	1	57804	(006115-) Relay	1
▽		02819	(006115-) Lever Assembly, Solution Control	1
▲	2	52296	(006115-) Washer, Nylon	2
▲	3	75314	(006115-) Cable, Control	1
▲	4	08791	(006115-) Bellcrank	1
▲	5	41063	(006115-) Clevis and Pin	2
▲	6	398525	(006115-) Switch, Micro, Spdt	1
▲	7	02817	(006115-) Bracket, Switch	1
▲	8	02818	(006115-) Spacer, Switch	1
▲	9	23515	(006115-) Strip	1
▲	10	75319	(006115-) Bar, Mounting	1
▲	11	56903	(006115-) Bolt, Carriage	1
	12	79301	(006115-) Nozzle, Suction	1
	13	26565	(006115-) Knob	1
	14	12072	(006115-) Arm, Control	1
	15	14877	(006115-) Fitting, Elbow	1
	16	79350	(006115-) Valve, Ball, 12pf Brs [Rwk 374249]	1
	17	29035	(006115-) Fitting, Nipple, 2.5" (65 mm) L	1
	18	23563	(006115-) Fitting, Elbow	1
	19	11442-7	(006115-) Fitting, Nipple	1
	20	07484	(006115-) Fitting, Coupling	1
	21	11870	(006115-) Fitting, Elbow, 45°	1
	22	11442-8	(006115-) Fitting, Straight	1
	23	79606	(006115-) Nozzle	1
	24	12074	(006115-) Plate, Valve Mounting	1
	25	75802-1	(006115-) Bracket	1
	26	11399	(006115-) Clamp, Worm Drive	3
	27	75197	(006115-) Hose, Rubber	1
▽	28	03402	(006115-) Frame, Scrubber Head	1
▲		40575	(006115-) Decal, Warning, Lock Scrubber Head	2
	29	02446	(006115-) Fitting, Tee	1
	30	79484	(006115-) Fitting, Elbow	1
	31	54333	(006115-) Clamp, Worm Drive	1
		02586	(006115-) Label, Instruction, Pump Lever Model	1
		31260	(006115-) Label, Instruction, Pump Prime	1

Fig. 3 - SRS Wire Harnesses Group

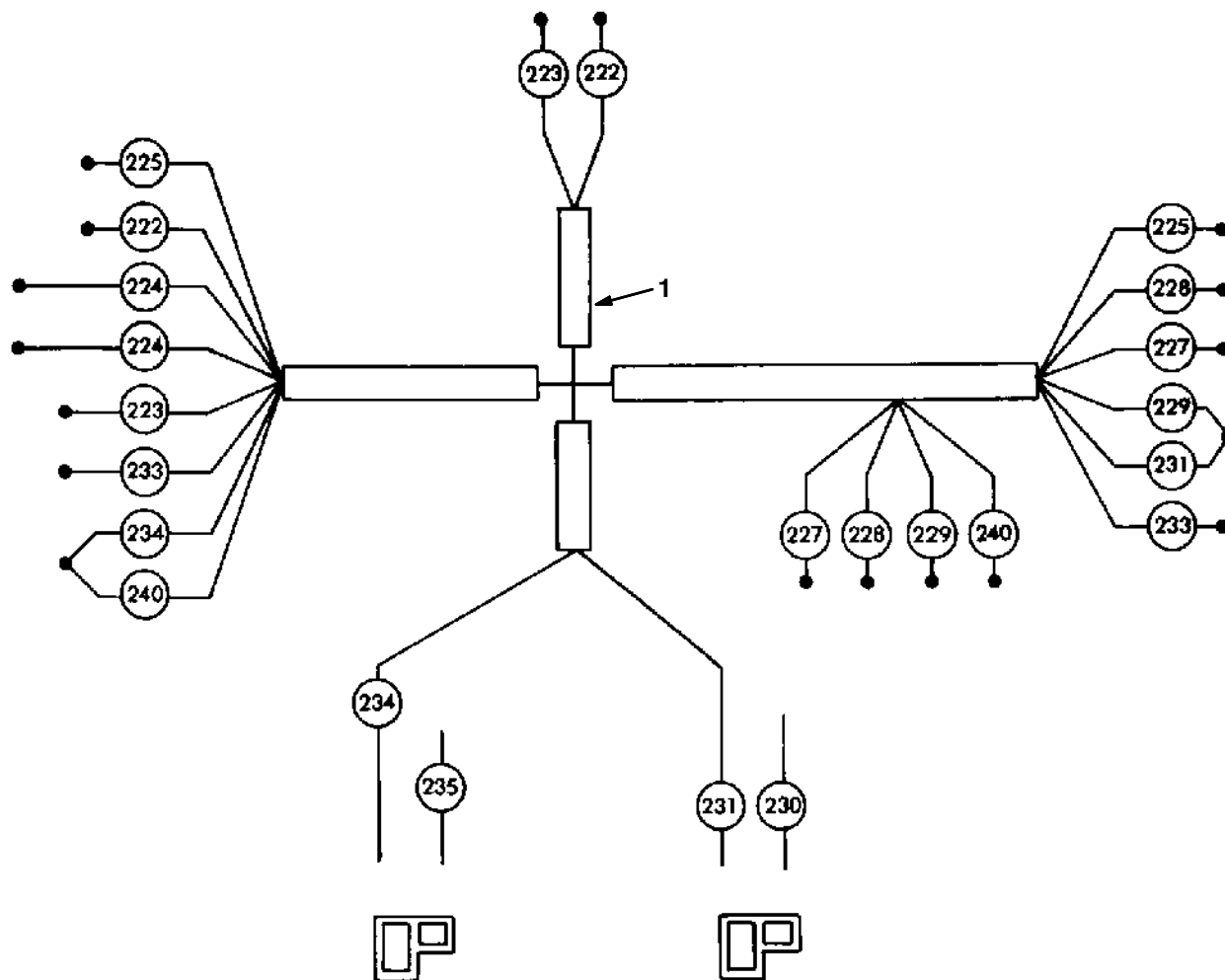


Fig. 3 - SRS Wire Harness Group

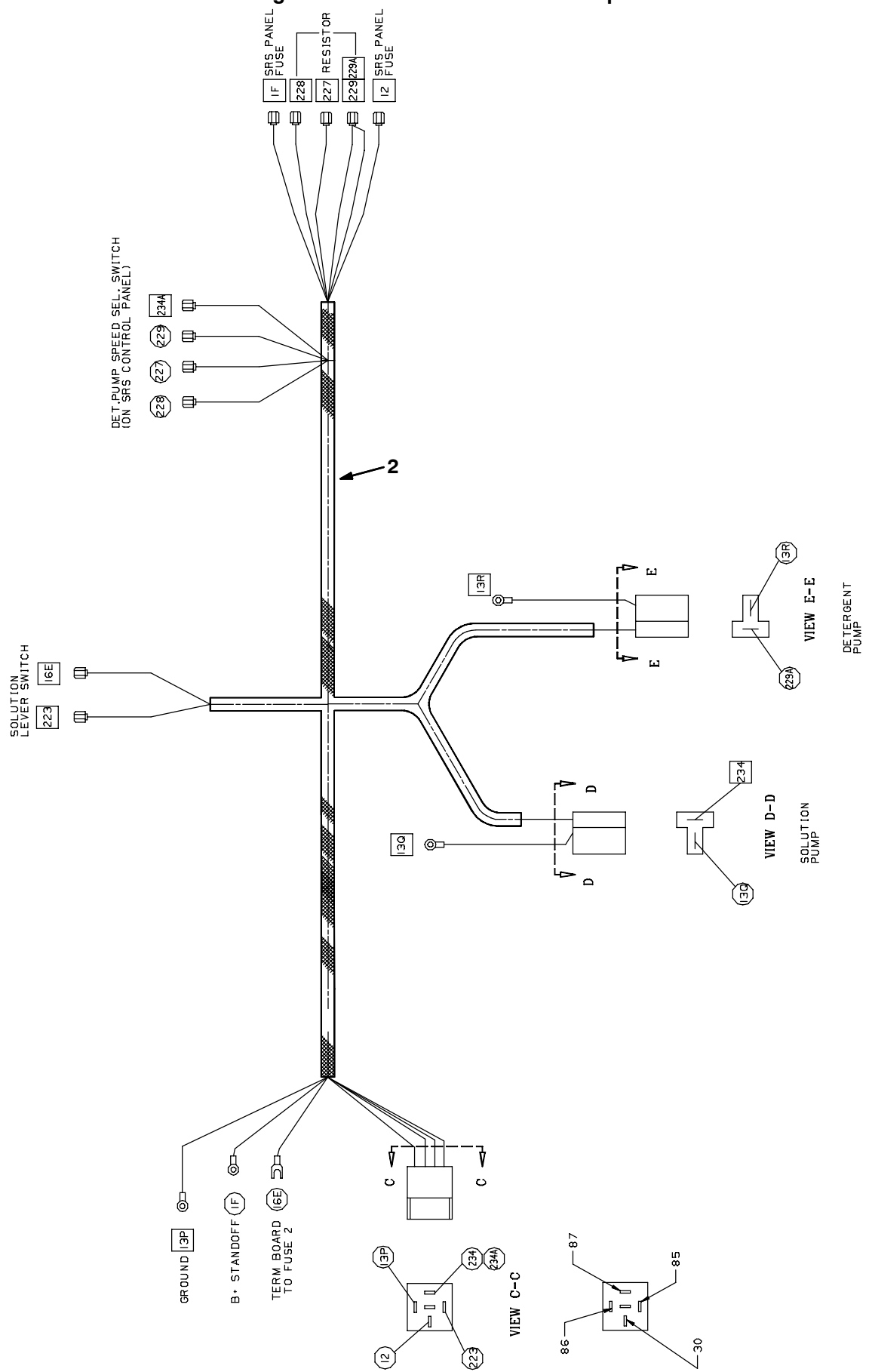
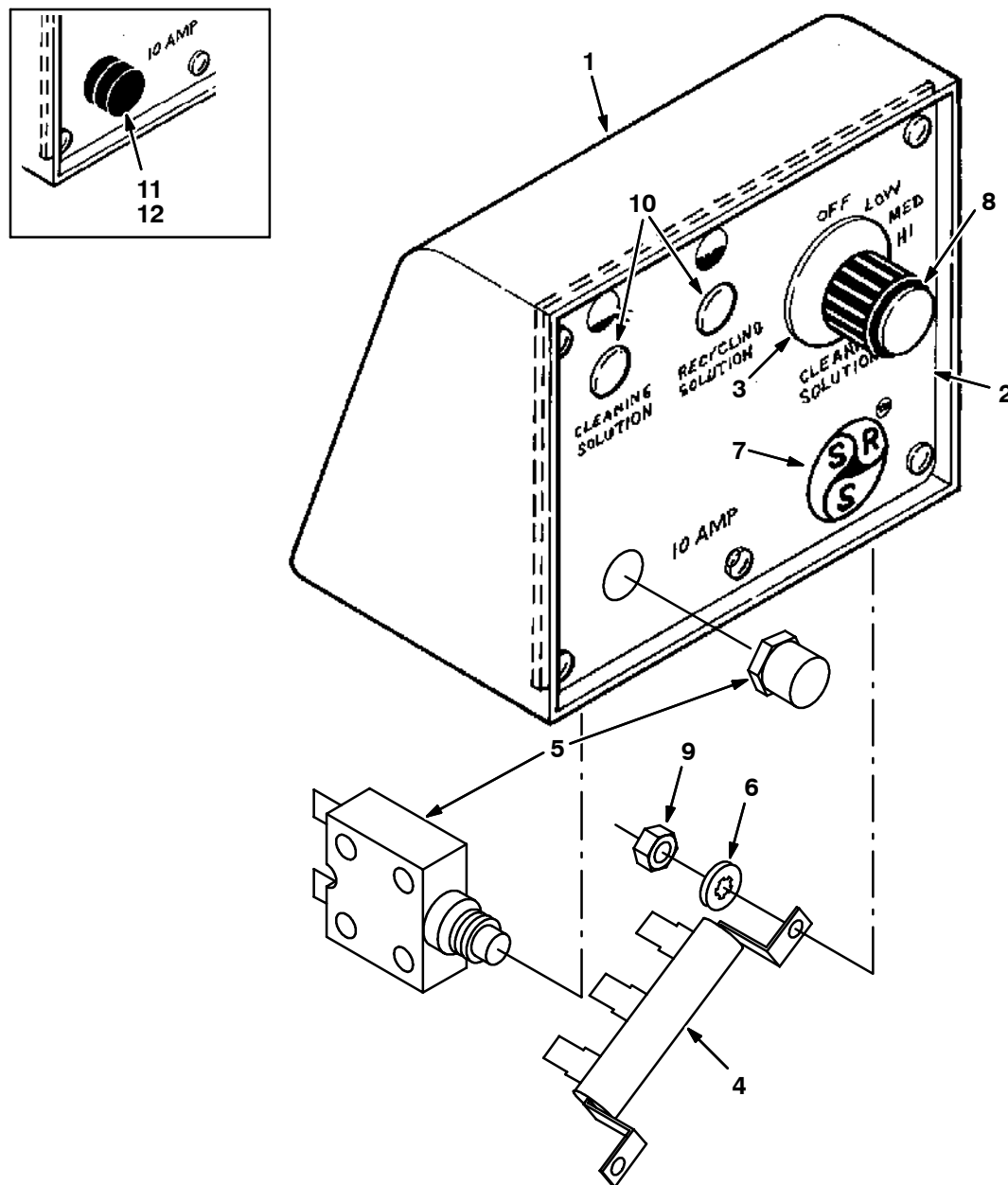


Fig. 3 - SRS Wire Harnesses Group

Ref.	Part No.	Serial Number	Description	Qty.
1	25185	(006115-007005)	Wire Harness, Control Box	1
2	391921	(007006-)	Harness, Srs [550]	1

Fig. 4 - SRS Control Panel Assembly



00351, 354285 - 550, 1550

Ref.	Part No.	Serial Number	Description	Qty.
▽	79318	(006115-) Control Panel Assembly	1
▲	1 79314	(006115-) Console, Instrument	1
▲	2 32798	(006115-) Panel, Front	1
▲	3 63837	(006115-) Switch, Cleaning Solution Metering	1
▲	4 16440	(006115-) Resistor	1
▲	5 383722	(007006-) Circuitbreaker, 15.0a	1
▲	6 02938	(006115-) Washer, Lock, Int, 08, Ss	2
▲	7 79410	(006115-) Decal, Control Panel	1
▲	8 63814	(006115-) Knob	1
▲	9 19310	(006115-) Nut, Hex, Std, #08-32	2
	10 56992	(006115-) Plugbutton	2
	11 07422	(006115-007005) Holder, Fuse	1
	12 45595	(006115-007005) Fuse, 10 A	1

Fig. 5 - SRS Front Side of Solution Tank Group

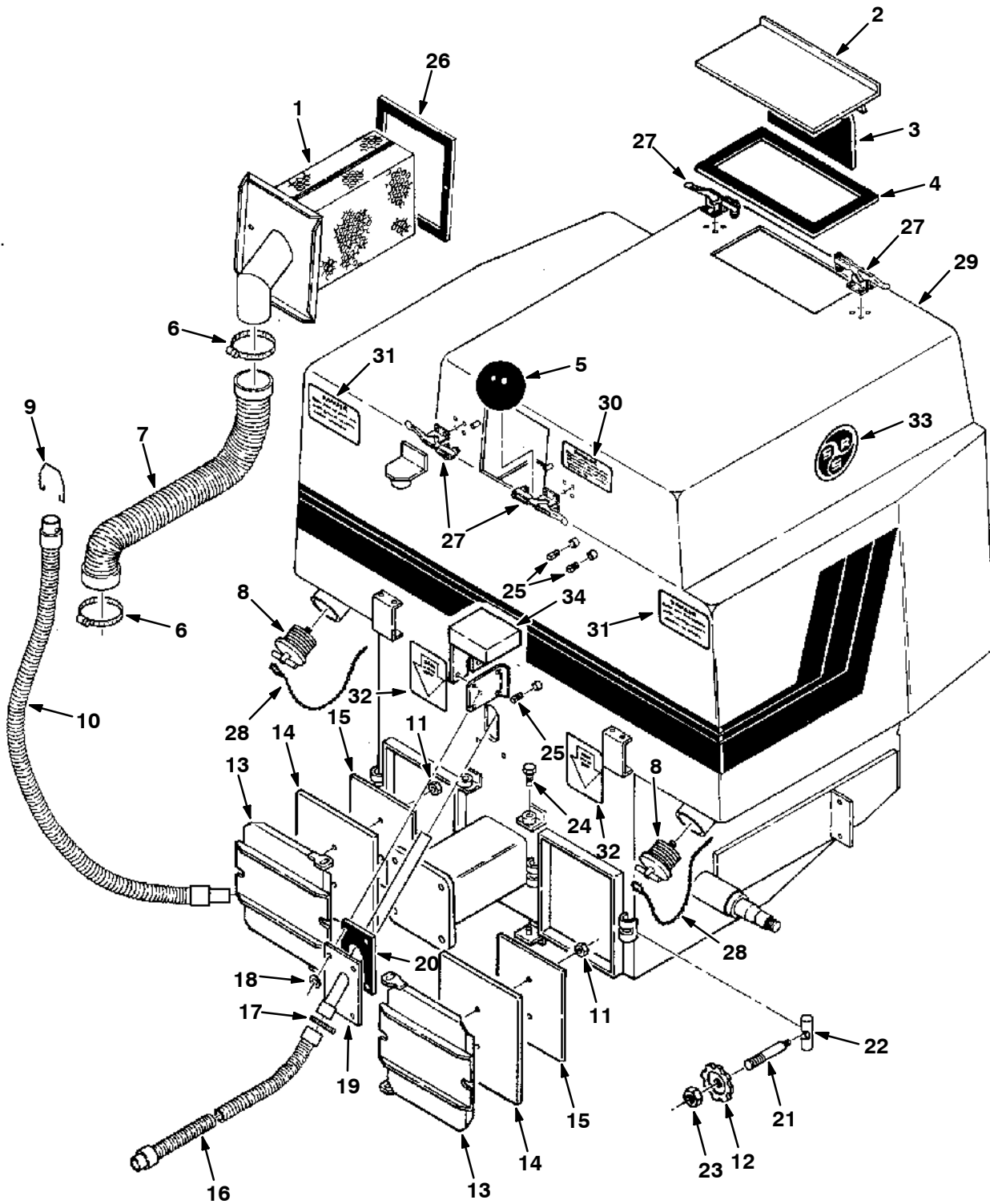


Fig. 5 - SRS Front Side of Solution Tank Group

Ref.	Part No.	Serial Number	Description	Qty.	
1	79558	(006115-) Screen, Debris	1	
2	76403	(006115-) Cover, Sandblast	1	
3	79500	(006115-) Sheet, Top Sandblast	1	
4	76395	(006115-) Gasket, Cover	1	
5	03706	(006115-) Ball, Float	1	
6	23498	(006115-) Clamp, Worm Drive	2	
7	25360	(006115-) Hose, Vacuum	1	
8	398205	(006115-) Plug, Expandable, 1.5D	2	
9	40550	(006115-) Clip, Drain Hose Retainer	1	
10	76828	(006115-) Hose, Recovery Tank Drain	1	
11	41169	(006115-) Nut, Stainless Steel	4	
12	82958	(006115-) Knob, Door Latch	4	
13	61176	(006115-) Door	2	
14	61174	(006115-) Gasket, Door	2	
15	61175	(006115-) Plate, Door	2	
16	75635AM	(006115-) Hose Assy, W/1cuff, 1.5d 120l 1.5/	1	
17	11531	(006115-) Clamp, Worm Drive	1	
18	76426	(006115-) Washer, Rubber Seal	4	
19	61157	(006115-) Tube, Front Suction	1	
20	76532	(006115-) Gasket, Suction Tube, Front	1	
21	61171	(006115-) Stud, Door Latch	4	
22	61170	(006115-) Rod, Door Latch	4	
23	36644	(006115-) Nut, Locking	4	
24	61181	(006115-) Pivot, Door Hinge	2	
25	63511	(006115-) Plug	3	
26	79557	(006115-) Gasket, Debris Screen	1	
27	03823	(006115-) Clamp, Toggle	4	
▽	28	56506	(006115-) Chain, Drain Plug	2
▲		43363	(006115-) Hook	2
▽	29	79250-1	(006115-) Tank, Solution and Recovery, SRS	1
▲	30	40052	(006115-) Label, Fan Suction	1
▲	31	57630	(006115-) Label, Danger Keep Out	2
▲	32	76157	(006115-) Label, Jack Only On Pad	2
	33	79475	(006115-) Label, SRS	2
	34	61628	(006115-) Bracket, Pump	1

Fig. 6 - SRS Rear Side of Solution Tank Group

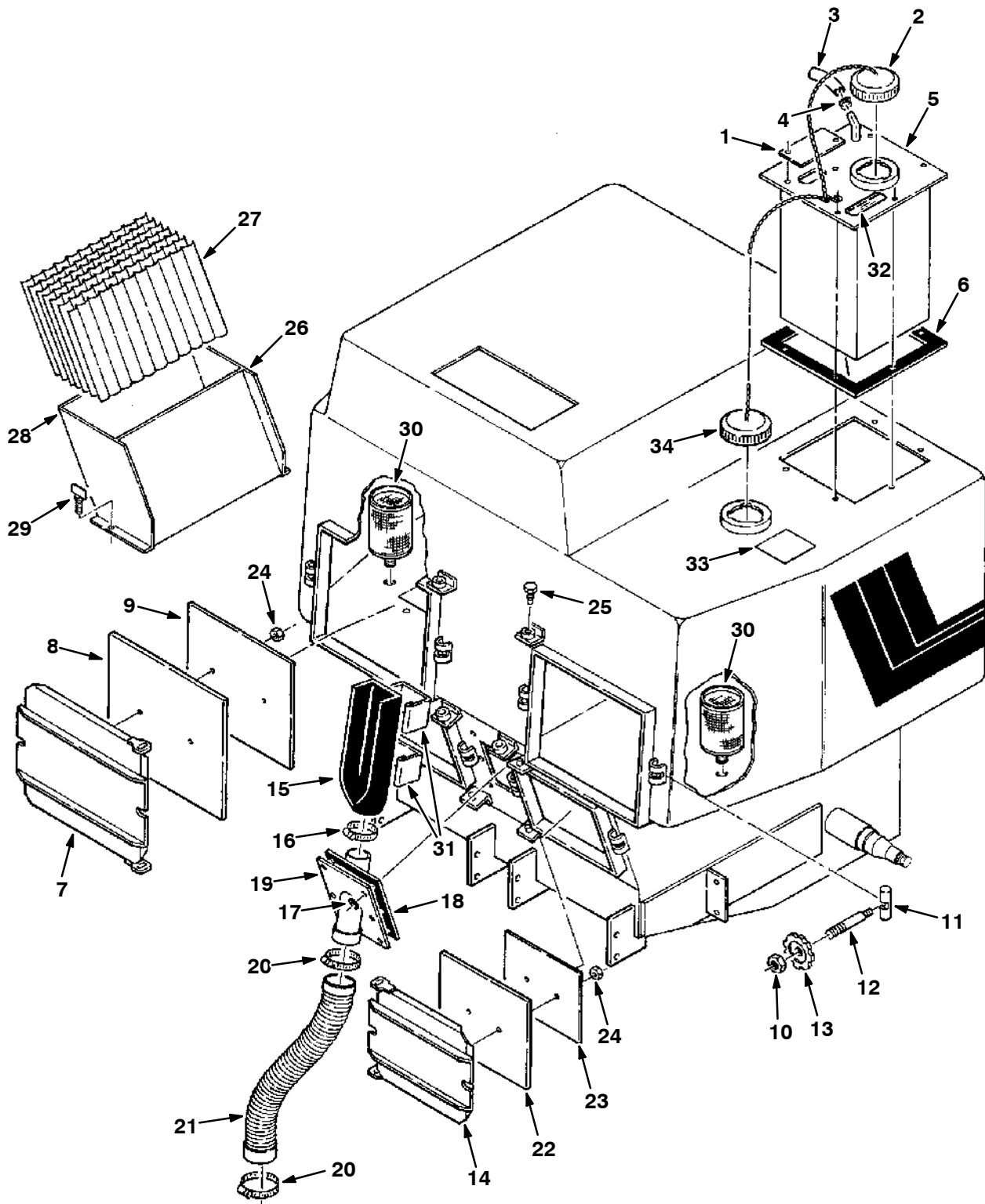
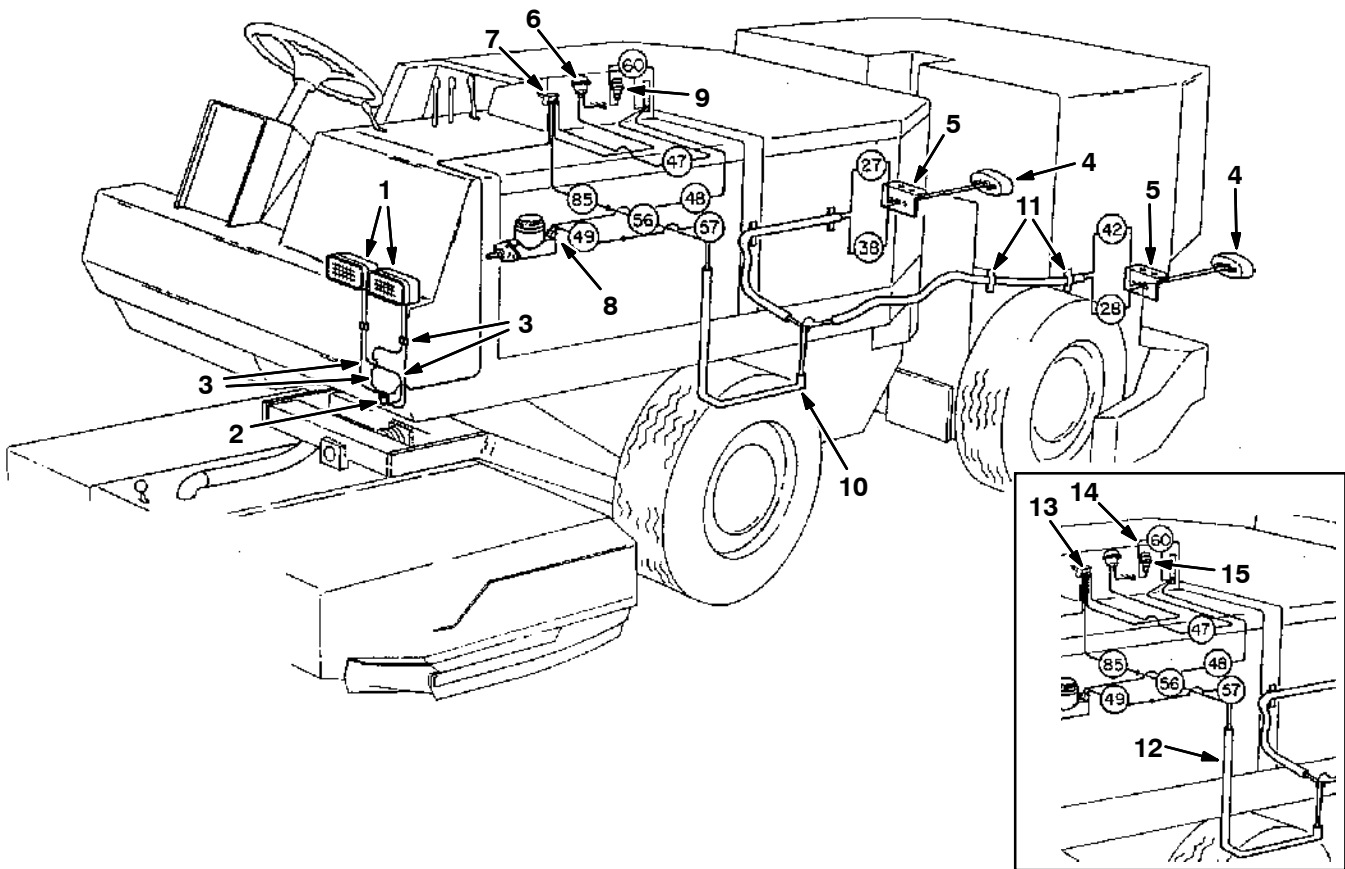


Fig. 6 - SRS Rear Side of Solution Tank Group

Ref.	Part No.	Serial Number	Description	Qty.
1	79453	(006115-) Plate	1
2	375724	(006115-) Cap, Filler	1
3	79580	(006115-) Hose, Cleaning Solution	1
4	54333	(006115-) Clamp, Worm Drive	1
5	03404	(006115-) Tank, Detergent	1
6	79367	(006115-) Gasket, Cleaning Solution Tank	1
7	61189	(006115-) Door, Upper	2
8	61187	(006115-) Gasket, Upper Door	2
9	61188	(006115-) Plate, Upper Door	2
10	36644	(006115-) Nut, Locking	8
11	61170	(006115-) Rod, Door Latch	8
12	61171	(006115-) Stud, Door Latch	8
13	82958	(006115-) Knob, Door Latch	8
14	61245	(006115-) Door, Lower	2
15	79500	(006115-) Deflector, Spray, Rubber	1
16	23498	(006115-) Clamp, Worm Drive	1
17	76426	(006115-) Washer, Rubber Seal	6
18	79545	(006115-) Seal, Suction Tube	1
19	79471	(006115-) Tube, Rear Squeegee Suction	1
20	43555	(006115-) Clamp, Worm Drive	2
21	25649	(006115-) Hose, Rear Squeegee Suction	1
22	61174	(006115-) Gasket, Lower Door	2
23	61175	(006115-) Plate, Lower Door	2
24	41169	(006115-) Nut, Stainless Steel	8
25	61181	(006115-) Pivot, Door Hinge	4
▽	79477	(006115-) Filter Assembly, Laminar Flow, L.H.	1
▲	26 79473-1	(006115-) Housing, Filter Mounting	1
▲	27 64685	(006115-) Filter, Laminar Flow	1
▲	28 79474	(006115-) Panel, Flow Tube Mounting Cover	1
▽	79476	(006115-) Filter Assembly, Laminar Flow, R.H.	1
▲	79472-1	(006115-) Housing, Filter Mounting	1
▲	64685	(006115-) Filter, Laminar Flow	1
▲	79474	(006115-) Panel, Flow Tube Mounting Cover	1
29	79464	(006115-) Thumbscrew, Filter Hold Down	2
30	79424	(006115-) Filter, Solution Outlet	2
31	79570	(006115-) Frame, Spray Deflector	2
32	79488	(006115-) Label, SRS Cleaning Solution	1
33	79478	(006115-) Label, Fill Tank	1
34	375724	(006115-) Cap, Filler	1

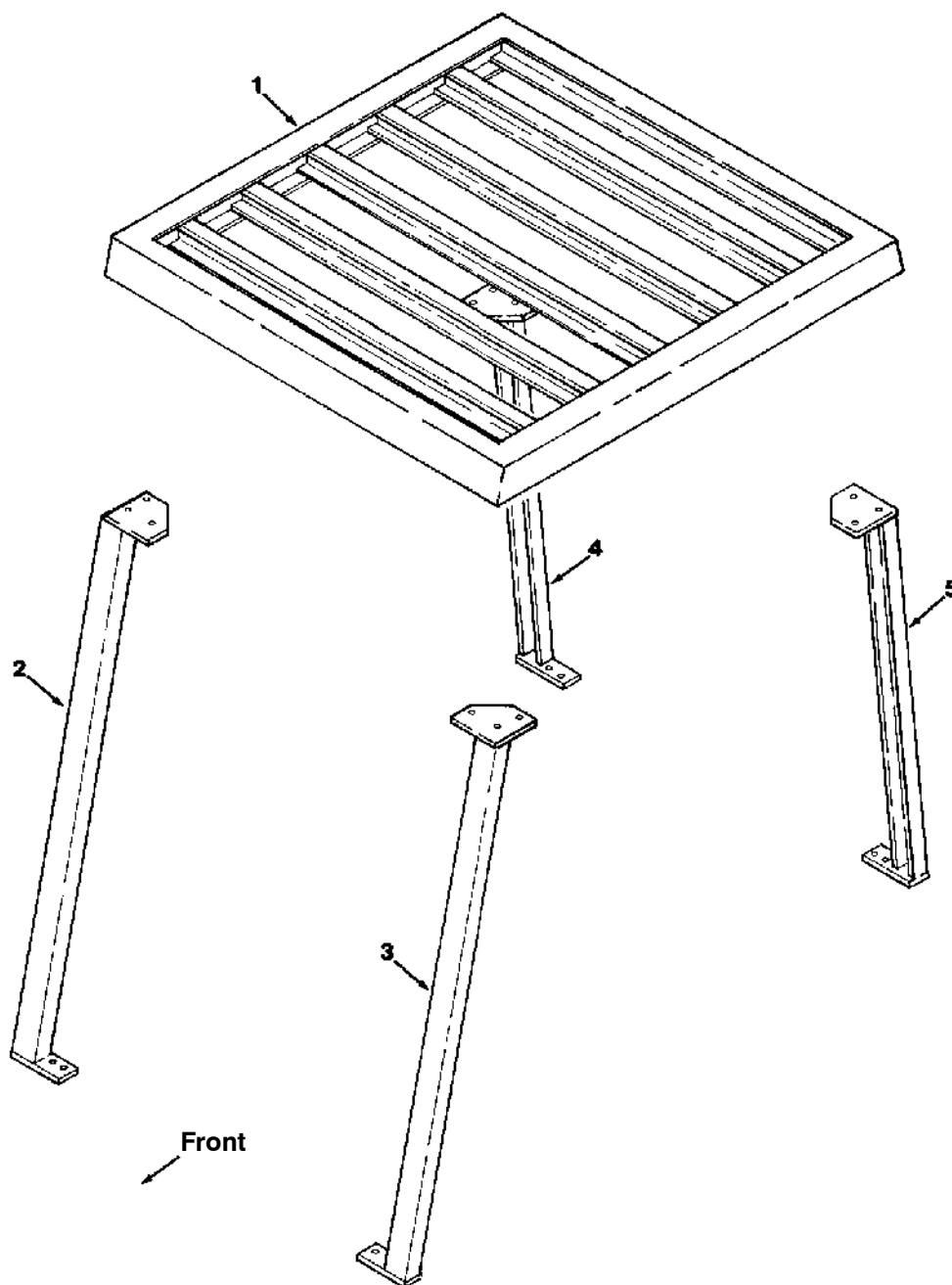
Fig. 7 - Light Kit



09871 - 550

Ref.	Part No.	Serial Number	Description	Qty.
▽	78160	(006115-) Light Kit	1
▲	1 24298	(006115-) Headlight Assembly	2
▲	2 76062	(006115-) Insulator	1
▲	3 79102	(006115-) Wire Assembly, Headlight	2
▲▽	4 51572	(006115-) Taillight	2
▲▲	45780	(006115-) Bulb	1
▲	5 49022	(006115-) Bracket, Taillight	2
▲	76426	(006115-) Washer, Sealing	4
▲▽	6 47768	(006115-) Light, Panel	1
▲▲	24427	(006115-) Bulb	1
▲	7 66101	(007006-) Switch, Toggle, 250vac 06a Spst On/Of	1
▲	8 13959	(006115-) Switch, Brake Light Sending	1
▲	9 383723	(007006-) Circuitbreaker, 20.0a, Resetable	1
▲	10 391903	(007006-) Harness, Taillight [550/1550]	1
▲	49266	(006115-) Tie, Cable	6
▲	10632-19	(006115-) Grommet, Rubber	1
▲	11 49262	(006115-) Clamp, Conduit	2
▲	78153	(006115-) Wire Kit, Operating Lights	1
▲	09385	(006115-) Clamp, Cable	1
	12 25183	(006115-007005)) Wire Harness	1
	13 10701	(006115-007005)) Switch, Toggle	1
	14 07422	(006115-007005)) Holder, Fuse	1
	15 383723	(006115-007005)) Circuitbreaker, 20.0a, Resetable	1

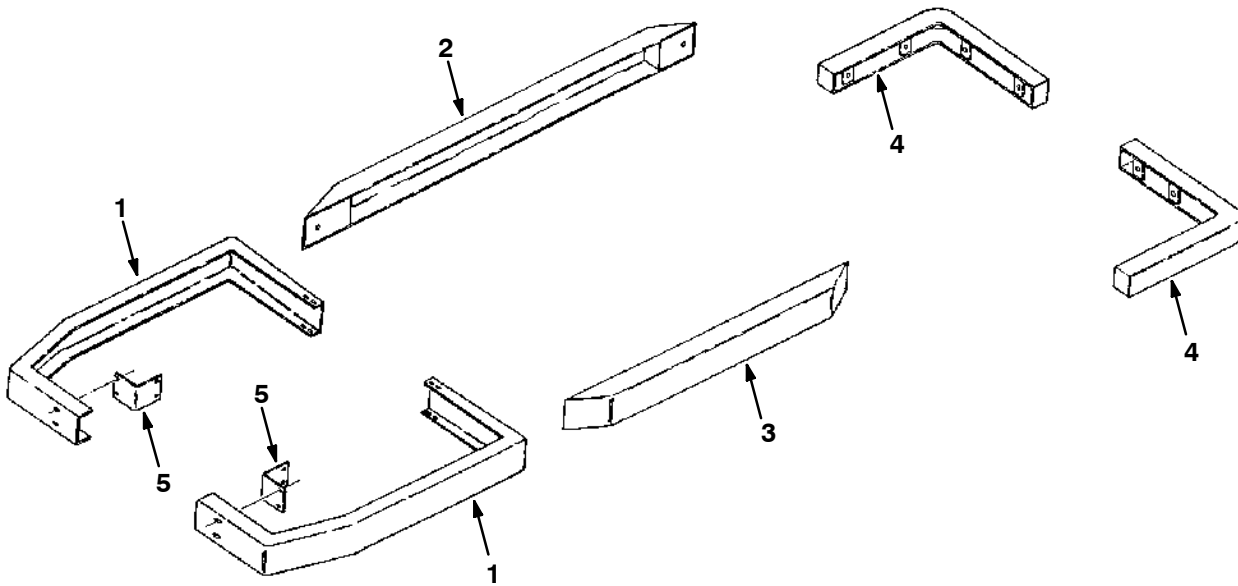
Fig. 8 - Overhead Guard Kit



00317 - ALL

Ref.	Part No.	Serial Number	Description	Qty.
▽	75903	(006115-) Guard Kit, Overhead	1
▲	1 76862	(006115-) Guard, Top	1
▲	2 76858	(006115-) Leg, Front, R.H.	1
▲	3 76859	(006115-) Leg, Front, L.H.	1
▲	4 76860	(006115-) Leg, Rear, R.H.	1
▲	5 76861	(006115-) Leg, Rear, L.H.	1

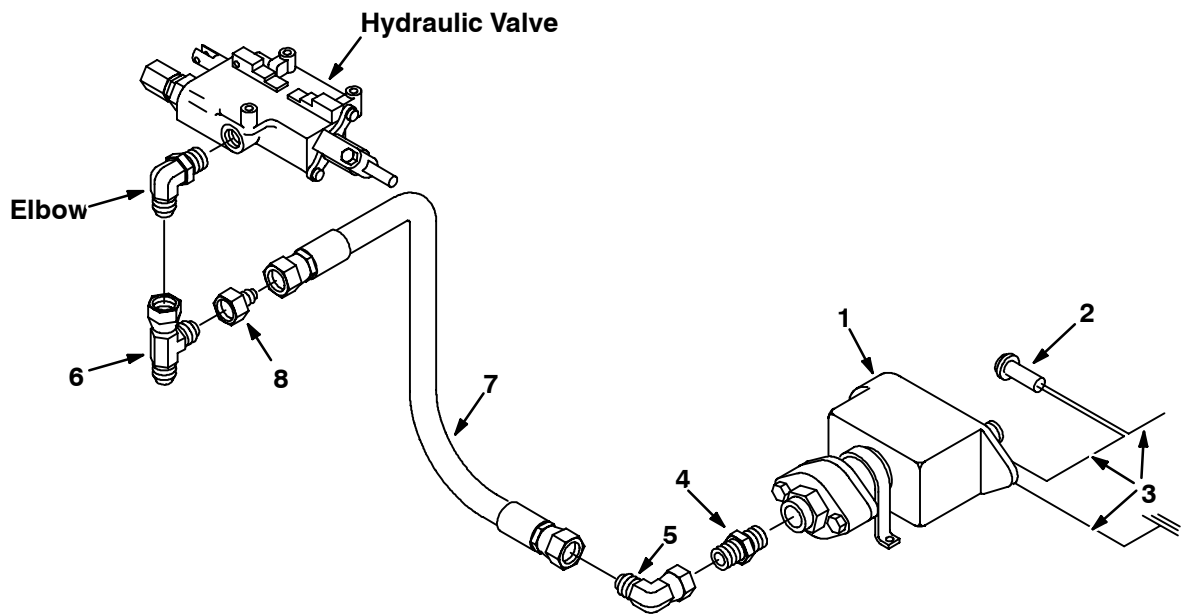
Fig. 9 - Heavy Duty Bumper Kit



00825 - 550, 550E

Ref.	Part No.	Serial Number	Description	Qty.
▽	75906	(006115-) Bumper Kit, Heavy Duty	1
▲	1 75108	(006115-) Bumper, Recovery and Solution Tank	2
▲	2 78101	(006115-) Bumper, Left Side, Tractor	1
▲	3 78099	(006115-) Bumper, Right Side, Tractor	1
▲	4 75673	(006115-) Bumper, Scrubber Head	2
▲	5 75144	(006115-) Bracket, L	2

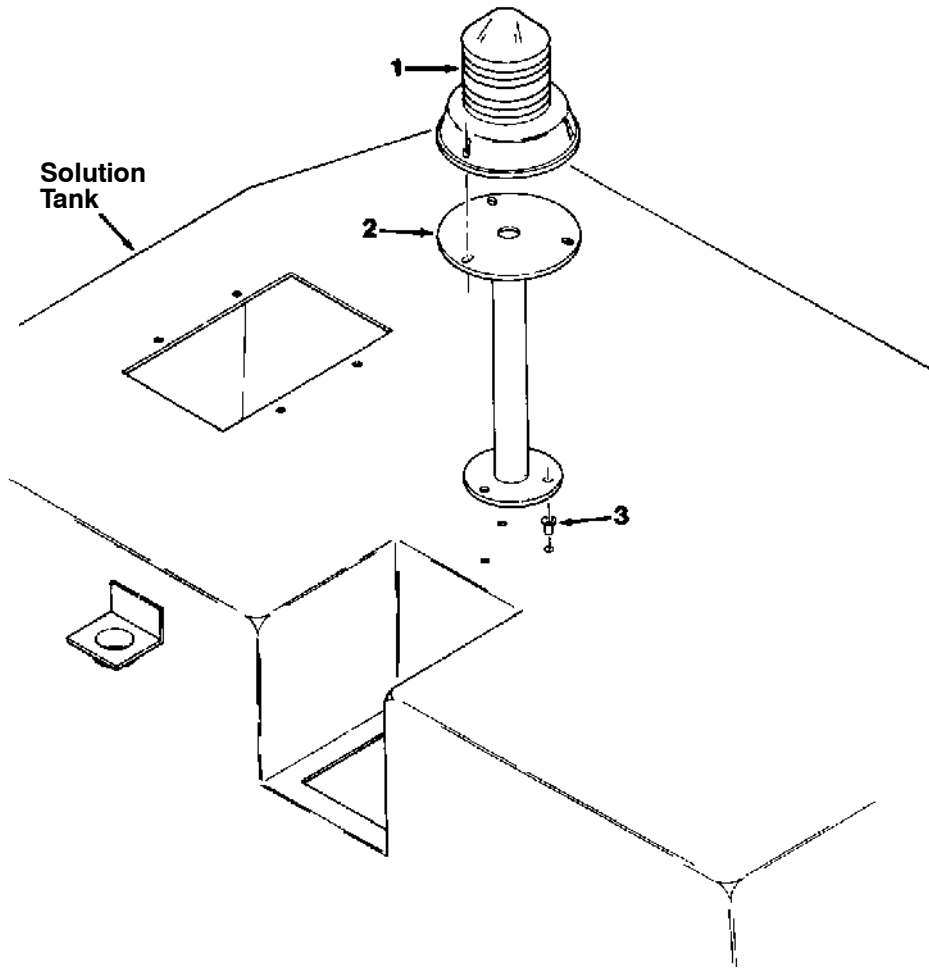
Fig. 10 - Brush Pressure Warning Kit



02858 - 550

Ref.	Part No.	Serial Number	Description	Qty.
▽	03992	(006115-) Warning Kit, Brush Pressure	1
▲	1 62417-2	(006115-) Switch, Pressure	1
▲	2 374119	(006115-) Lamp Assy, Indicator, Red, 14Vdc	1
▲	3 78157	(006115-) Wire Kit	1
▲	4 15724	(006115-) Fitting, Straight	1
▲	5 47504	(006115-) Fitting, Elbow	1
▲	6 40514	(006115-) Fitting, Tee	1
▲	7 49943	(006115-) Hose, Hydraulic	1
▲	8 34375	(006115-) Fitting, Straight	1

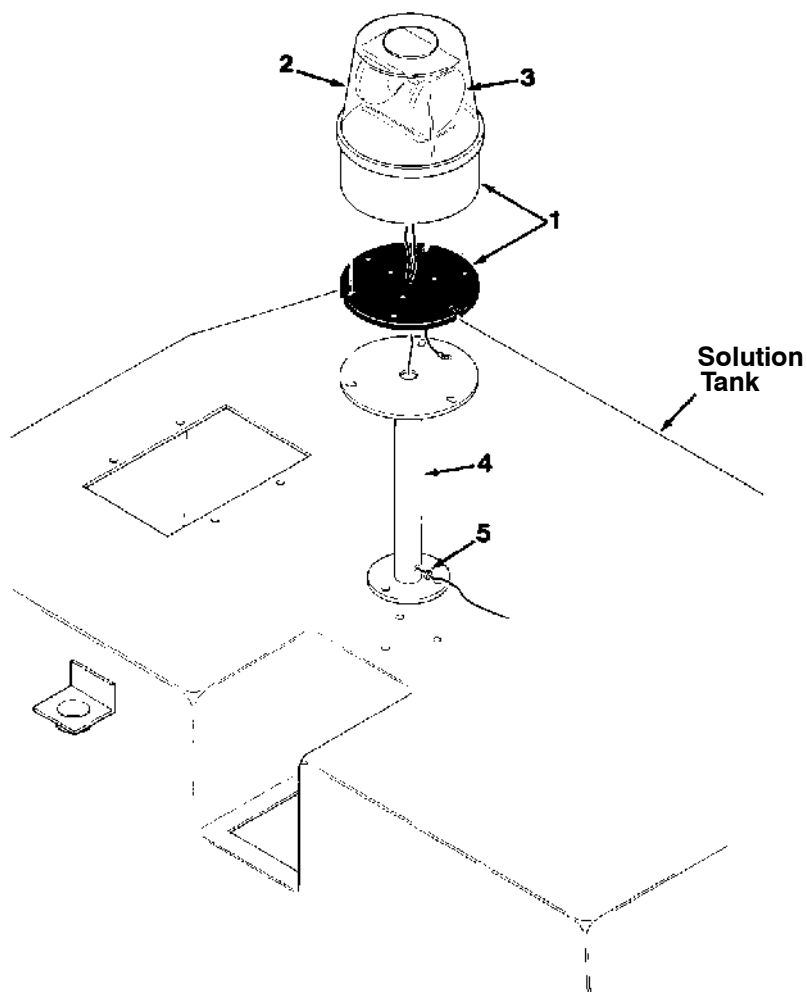
Fig. 11 - Flashing Light Kit



00817 - 550

Ref.	Part No.	Serial Number	Description	Qty.
▽	78164	(006115-) Light Kit, Flashing	1
▲▽	1 47535	(006115-) Lamp Assembly, Flashing	1
▲▲	47535-2	(006115-) Lamp, Flashing	1
▲▲	24576-1	(006115-) Bracket, Flasher	1
▲▲	24576	(006115-) Flasher	1
▲▲	47535-1	(006115-) Lens, Lamp, Red	1
▲▲	22640	(006115-) Bulb	1
▲	2 16513	(006115-) Support	1
▲	3 42082	(006115-) Rivnut	3
▲	78155	(006115-) Wire Kit	1
▲	66101	(007006-) Switch, Toggle, 250vac 06a Spst On/Of	1
▽	47536	(006115-) Lamp Assembly, Flashing, Amber	1
▲	47536-1	(006115-) Lens, Lamp, Amber	1
▽	47537	(006115-) Lamp Assembly, Flashing, Blue	1
▲	47537-1	(006115-) Lens, Lamp, Blue	1
	10701	(006115-007005)	Switch	1

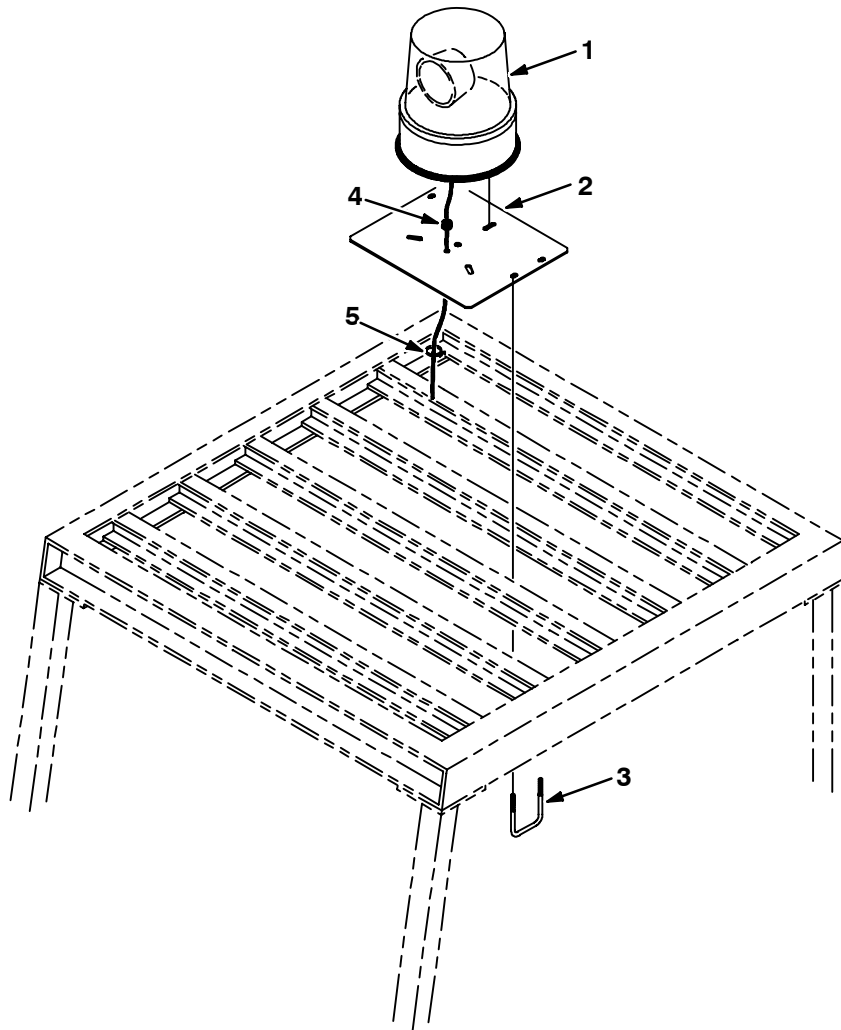
Fig. 12 - Revolving Light Group



02386 - 550

	Ref.	Part No.	Serial Number	Description	Qty.
▽	1	16418	(006115-) Light Assembly, Revolving Red	1
▲	2	16421	(006115-) Lens, Red	1
▲	3	16511	(006115-) Bulb	2
	4	53174-1	(006115-) Support	1
	5	46314	(006115-) Grommet	1
		49262	(006115-) Clamp, Conduit	5
		66101	(007006-) Switch, Toggle, 250vac 06a Spst On/Of	1
▽		16419	(006115-) Light Assembly, Revolving Blue	1
▲		16422	(006115-) Lens, Blue	1
▲		16511	(006115-) Bulb	2
▽		16420	(006115-) Light Assembly, Revolving Amber	1
▲		16423	(006115-) Lens, Amber	1
▲		16511	(006115-) Bulb	2
		10701	(006115-007005) Switch, Toggle	1

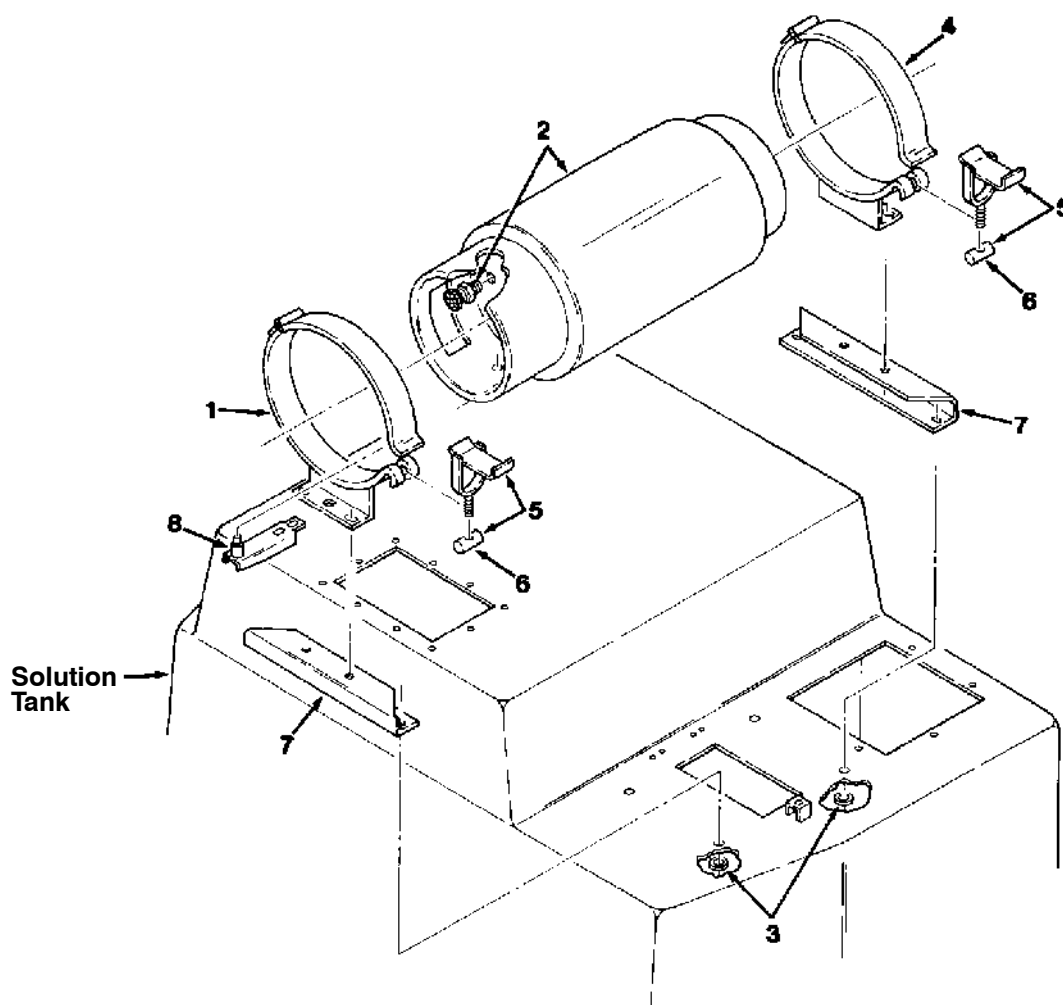
Fig. 13 - Revolving Light Kit, Overhead Guard



01108 - 550, 1550

	Ref.	Part No.	Serial Number	Description	Qty.
▽		78161	(006115-) Light Kit, Revolving	1
▲▽	1	16418	(006115-) Lamp Assembly, Revolving	1
▲▲		46928-1	(006115-) Lens, Lamp, Red	1
▲▲		45670	(006115-) Bulb	1
▲	2	33782	(006115-) Plate, Mounting	1
▲	3	33783	(006115-) V-Bolts	2
▲▽		78154	(006115-) Wire Kit	1
▲▲	4	10632-5	(006115-) Grommet, Rbr, 0.25id, F/ 0.8h, .09 Matl	1
▲		66101	(007006-) Switch, Toggle, 250vac 06a Spst On/Of	1
▲	5	09384	(006115-) Clamp, Cable	5
▽		16420	(006115-) Lamp Assembly, Revolving, Amber	1
▲		16423	(006115-) Lens, Lamp, Amber	1
▽		16419	(006115-) Lamp Assembly, Revolving, Blue	1
▲		16422	(006115-) Lens, Lamp, Blue	1
		10701	(006115-007005)) Switch, Toggle	1

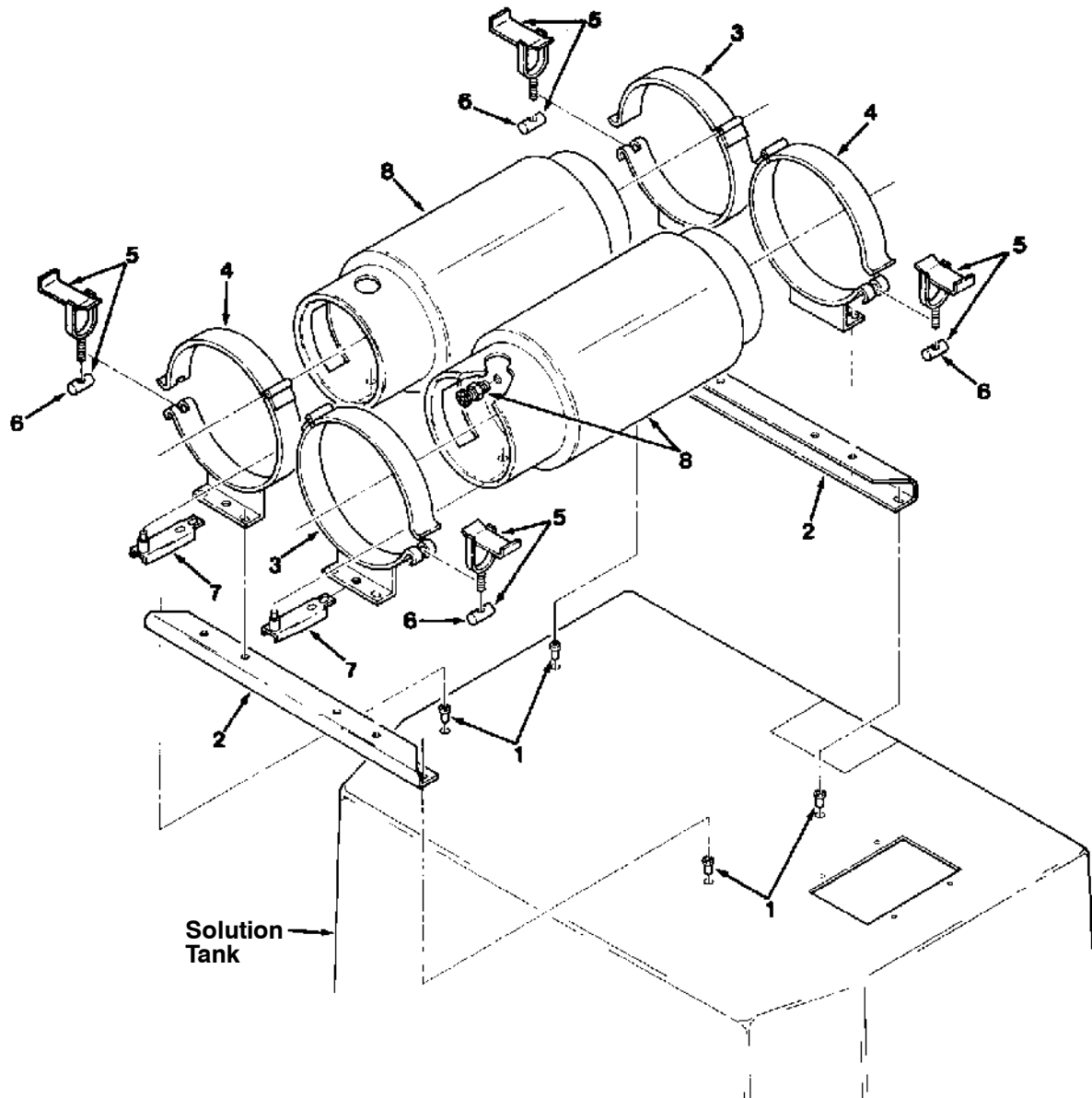
Fig. 14 - SRS Reserve LPG Tank Group with Filler Valve



00795 - 550, 1550, LP

Ref.	Part No.	Serial Number	Description	Qty.
1	53400-3	(006115-) Mount, LPG Tank	1
2	24928-1	(006115-) Tank Assembly, LPG	1
3	76426	(006115-) Washer, Rubber	4
4	53400-2	(006115-) Mount, LPG Tank	1
▽	5	53400-1	(006115-) Latch	2
▲	6	53400-4	(006115-) Lug	1
	7	79368	(006115-) Bracket, LPG Tank Mounting, Replaced by none	2
	8	53400-5	(006115-) Locator	1

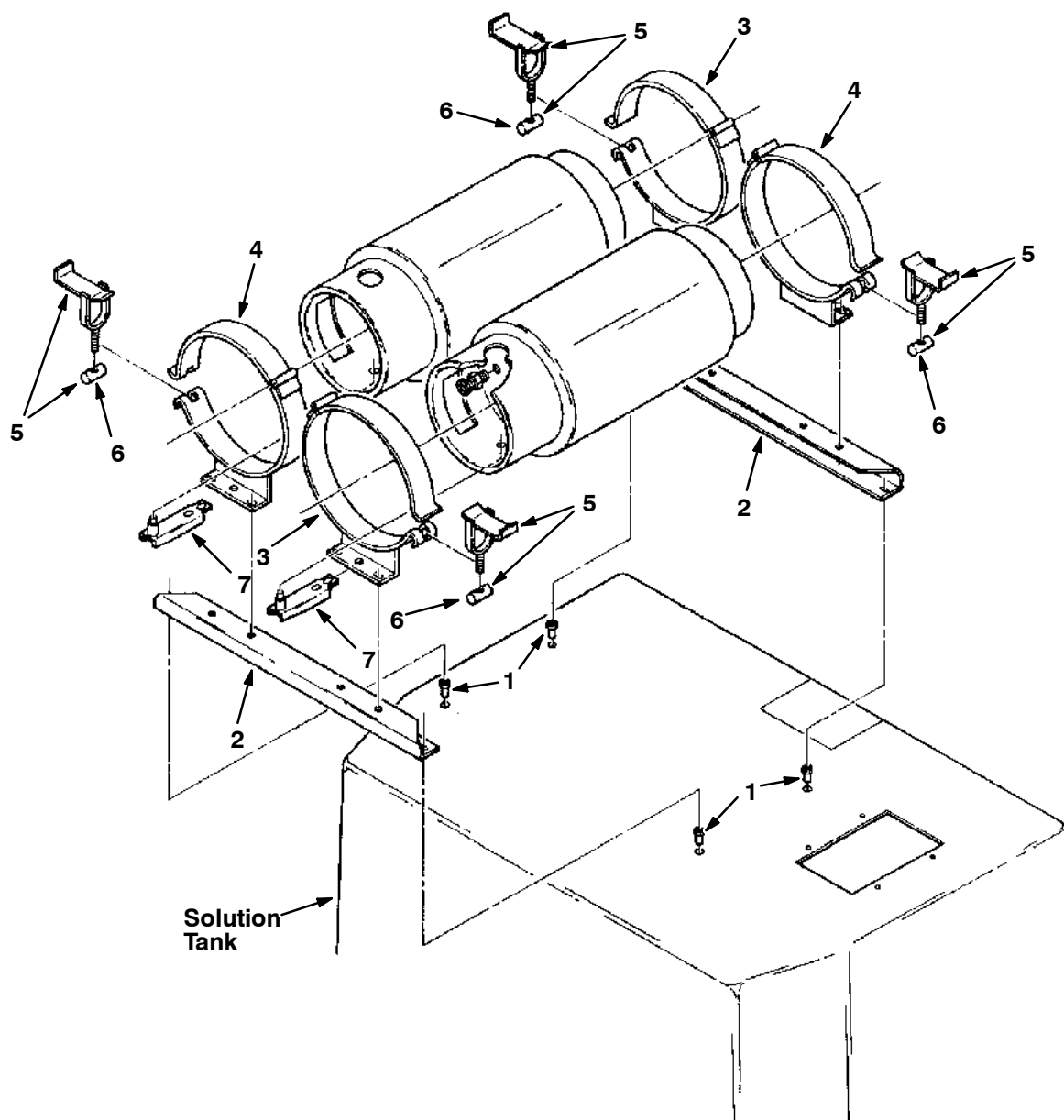
Fig. 15 - Reserve LPG Tank Kit with Filler Valve



00437 - 550, LP

Ref.	Part No.	Serial Number	Description	Qty.
▽	78109	(006115-) Tank Kit, Reserve LPG	1
▲	1 42082	(006115-) Rivnut	4
▲	2 78120	(006115-) Bracket, LPG Tank Mounting	2
▲	3 53400-3	(006115-) Mount, LPG Tank	2
▲	4 53400-2	(006115-) Mount, LPG Tank	2
▲▽	5 53400-1	(006115-) Latch, Tank	4
▲▲	6 53400-4	(006115-) Lug	1
▲	7 53400-5	(006115-) Locator, Tank	2
▲	8 24928-1	(006115-) Tank Assembly, LPG	2

Fig. 16 - Reserve LPG Tank Mounting Kit



00437 - 550, LP

Ref.	Part No.	Serial Number	Description	Qty.	
▽	78090	(006115-) Tank Mounting Kit, Reserve LPG	1	
▲	1	42082	(006115-) Rivnut	4
▲	2	78120	(006115-) Bracket, LPG Tank Mounting	2
▲	3	53400-3	(006115-) Mount, LPG Tank	2
▲	4	53400-2	(006115-) Mount, LPG Tank	2
▲▽	5	53400-1	(006115-) Latch, Tank	4
▲▲	6	53400-4	(006115-) Lug	1
▲	7	53400-5	(006115-) Locator, Tank	2

Fig. 17 - Squeegee Wand Kit

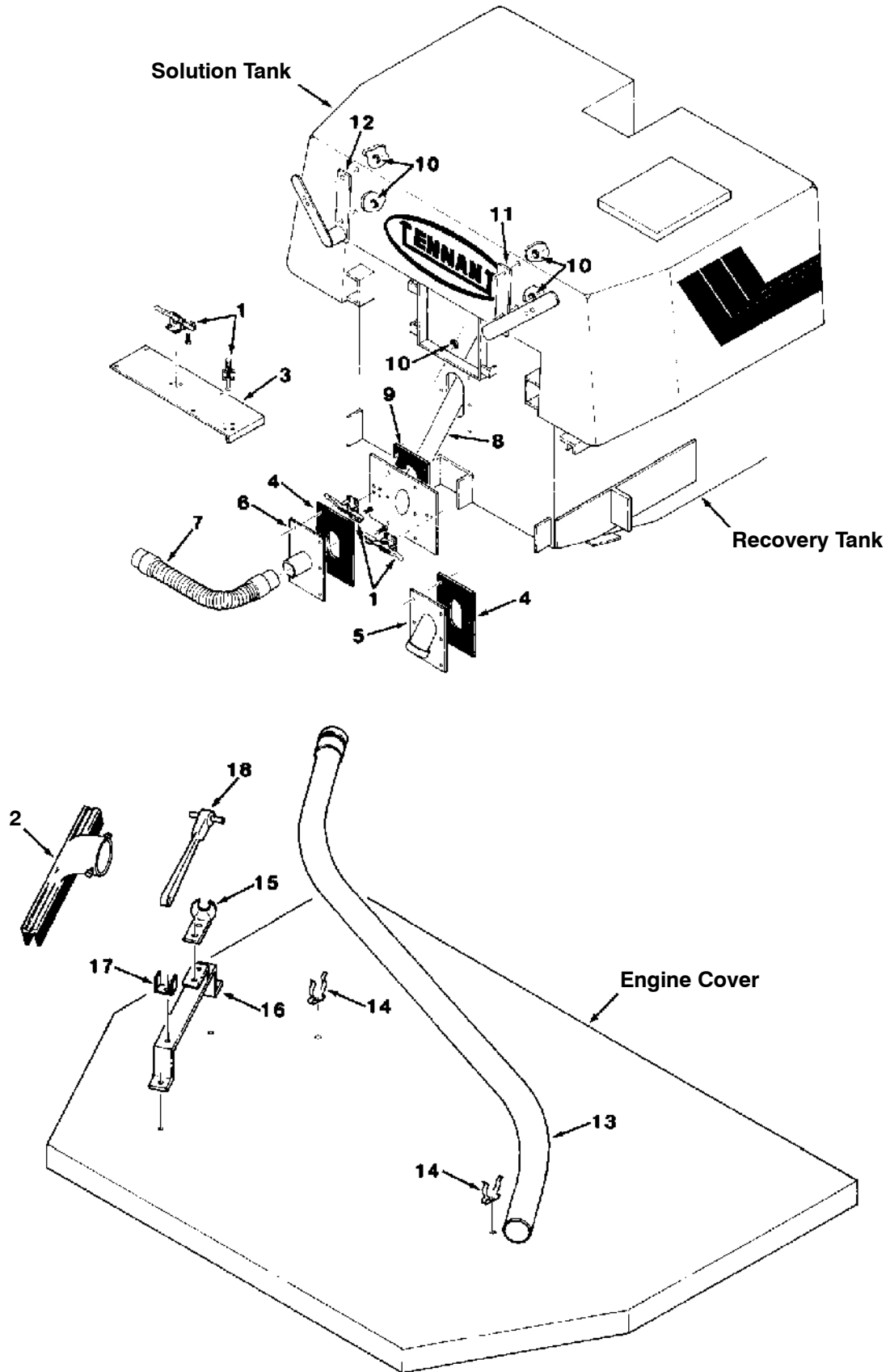


Fig. 17 - Squeegee Wand Kit

	Ref.	Part No.	Serial Number	Description	Qty.
▽		78167	(006115-) Squeegee Wand Kit	1
▲	1	03823	(006115-) Clamp, Toggle	4
▲▽	2	40173	(006115-) Nozzle Assembly, Squeegee	1
▲▲		40173-1	(006115-) Blade Set, Replacement	1
▲	3	50790	(006115-) Plate, Wand Hose Adaptor Storage	1
▲	4	75095	(006115-) Seal, Adhesive Backed	2
▲	5	76152	(006115-) Adaptor, Rear Squeegee	1
▲	6	76153	(006115-) Adaptor, Squeegee Wand	1
▲	7	75127	(006115-) Hose, Squeegee Wand	1
▲	8	76154A	(006115-) Tube, Rear Suction	1
▲	9	75076	(006115-) Seal, Rear Suction Tube	1
▲	10	76426	(006115-) Washer, Rubber Backed	10
▲		42082	(006115-) Rivnut	4
▲	11	50788	(006115-) Bracket, Hose Mounting, R.H.	1
▲	12	50789	(006115-) Bracket, Hose Mounting, L.H.	1
▲	13	40171	(006115-) Handle, Squeegee Wand	1
▲	14	391839	(006115-) Clip, Handle, Retaining	2
▲	15	40670	(006115-) Catch	1
▲	16	75054	(006115-) Mount, Squeegee Nozzle	1
▲	17	40671	(006115-) Bracket, U	1
▲	18	75118	(006115-) Hook, Rubber	1

Fig. 18 - High Pressure Sprayer Kit

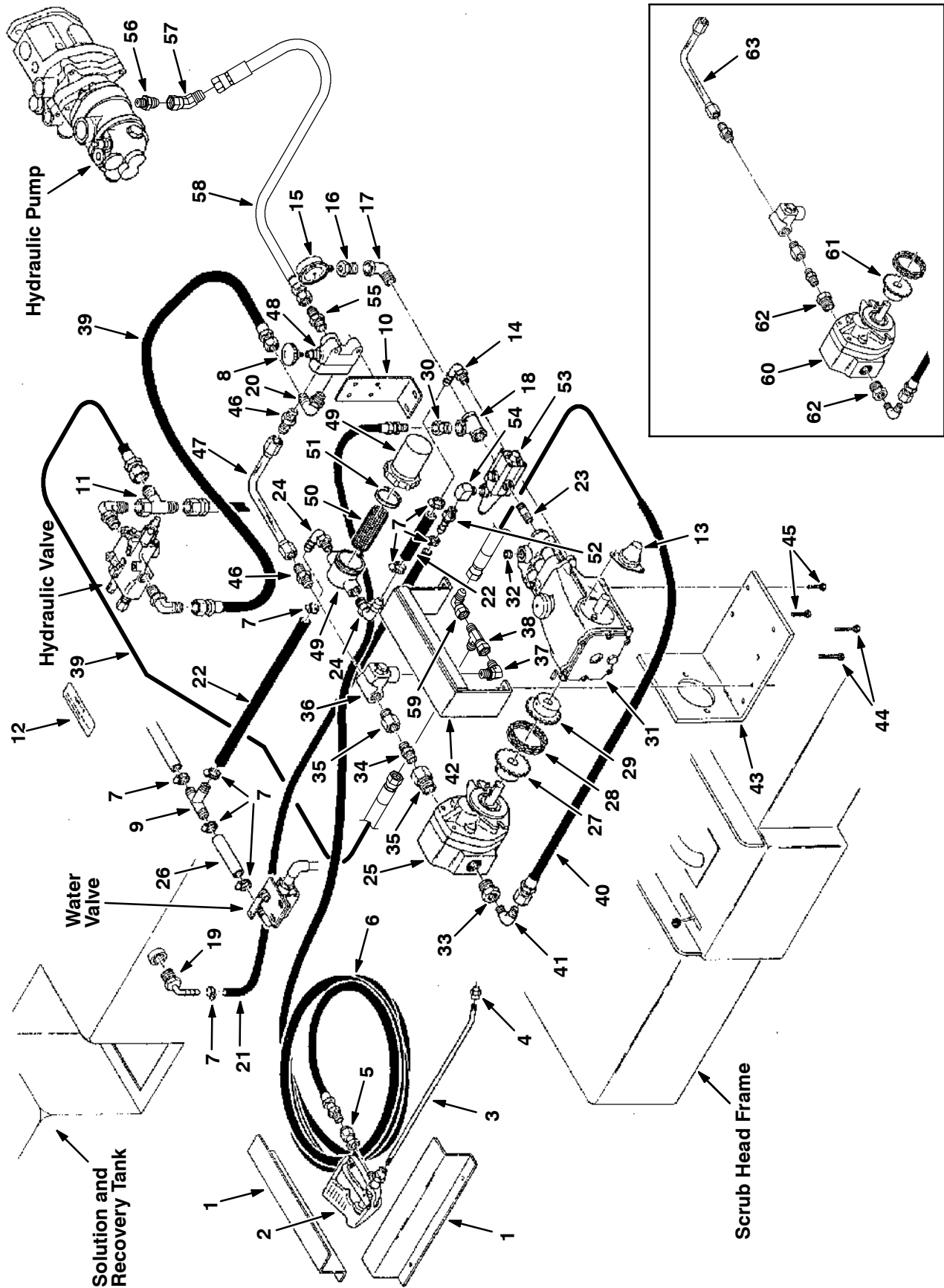


Fig. 18 - High Pressure Sprayer Kit

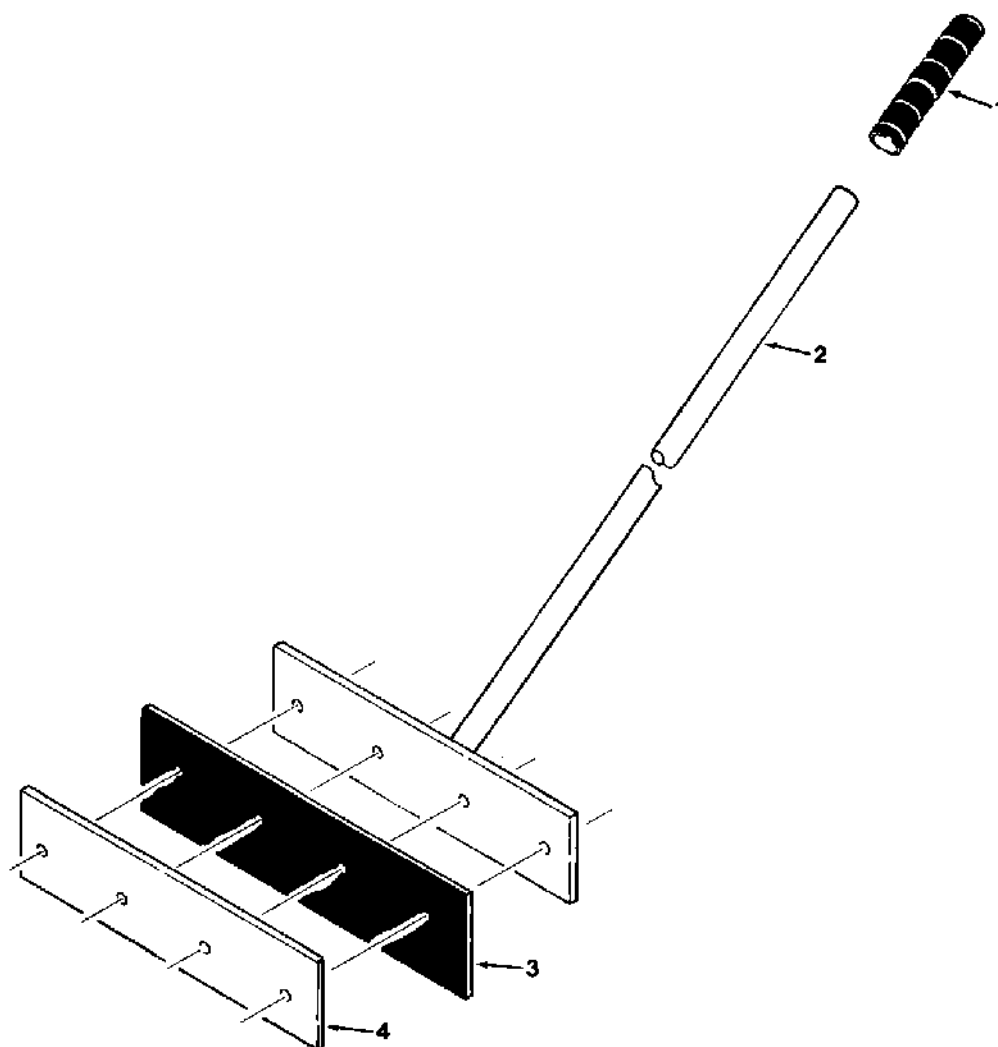
	Ref.	Part No.	Serial Number	Description	Qty.
▽		78171	(006115-) Sprayer Kit, High Pressure	1
▲	1	75180	(006115-) Retainer, Hose, Water	2
▲	2	40151	(006115-) Handle, Spray	1
▲	3	40152	(006115-) Wand, Spray	1
▲	4	75186	(006115-) Nozzle, Spray	1
▲	5	40155	(006115-) Connector, Handle, Spray	1
▲	6	40154	(006115-) Hose, Water, High Pressure	1
▲	7	11399	(006115-) Clamp, Worm Drive	10
▲	8	48108A-1	(006115-) Knob, Valve	1
▲	9	75119	(006115-) Tee, Barbed	1
▲	10	75184	(006115-) Mount, Valve, Hydraulic	1
▲	11	40514	(006115-) Fitting, Tee	1
▲	12	75194	(006115-) Decal, Throttle High Pressure Spray	1
▲	13	38321	(006115-) Cover	1
▲	14	40145	(006115-) Fitting, Barbed Elbow	1
▲	15	762265	(006115-) Gauge, Press, Water, 0-2000psi	1
▲	16	47721	(006115-) Fitting, Straight	1
▲	17	11869	(006115-) Fitting, Elbow	1
▲	18	11442-10	(006115-) Fitting, Tee	1
▲	19	63244-3	(006115-) Fitting, Elbow	1
▲	20	51782	(006115-) Fitting, Elbow	1
▲	21	02452	(006115-) Hose, Rubber	1
▲	22	47848	(006115-) Hose, Rubber (Cut in 2)	1
▲	23	02281	(006115-) Fitting, Nipple	1
▲	24	40145	(006115-) Fitting, Elbow	2
▲	25	377372	(xxxxxx-) Motor, Hyd, Gear, [Ex] 1.58 R 2465	1
▲	26	75197	(006115-) Hose, Rubber	1
▲	27	369814	(xxxxxx-) Sprocket, #40, 16tooth, 0.75 B 1.12w	1
▲		39322	(006115-) Screw, Set	4
▲▽	28	33778	(006115-) Chain Assembly	1
▲▲		33692	(006115-) Link, Chain	1
▲	29	40143	(006115-) Coupling, Keyed, L.H.	1
▲	30	42214	(006115-) Fitting, Straight	1
▲	31	40144-1	(006115-) Pump, Water (See Breakdowns)	1
▲		40144-4	(006115-) Oil, Cat Water Pump	1
▲	32	05178	(006115-) Plug, Pipe	1
▲	33	377368	(xxxxxx-) Fitting, Hyd, Str, Om12/Pf08	1
▲	34	40573	(006115-) Fitting, Straight	1
▲	35	47636	(006115-) Fitting, Straight	2
▲	36	67515	(006115-) Valve, Relief, Hydraulic	1
▲	37	51782	(006115-) Fitting, Elbow	1
▲	38	51779	(006115-) Fitting, Tee	1
▲	39	47662	(006115-) Hose, Hydraulic	2
▲	40	53083-14	(006115-) Hose, Hydraulic	1
▲	41	46611	(006115-) Fitting, Elbow	1
▲	42	75179	(006115-) Guard, Coupling	1
▲	43	75181	(006115-) Mount, Pump, Water	1
▲	44	39278	(006115-) Screw, Hex, (50 mm)	2
▲	45	76570	(006115-) Screw, Hex, (30 mm)	2
▲	46	46480	(006115-) Fitting, Straight	2

OPTIONS

Fig. 18 - High Pressure Sprayer Kit

Ref.	Part No.	Serial Number	Description	Qty.
▲	47	1013340	(xxxxxx-) Tube, Hyd, 10 Jf10/Jf10, Hi-press Spray	1
▲	48	48108A	(006115-) Valve, Shut-off	1
▲▽	49	02450	(006115-) Strainer, Water	1
▲▲	50	02534	(006115-) Screen	1
▲▲	51	02535	(006115-) Gasket	1
▲	52	43246	(006115-) Fitting, Straight	1
▲	53	02449	(006115-) Valve, Water Pressure	1
▲	54	24584	(006115-) Fitting, Elbow	1
▲	55	06750	(006115-) Fitting, Straight	1
▲	56	06750	(xxxxxx-) Fitting, Straight	1
▲	57	07934	(xxxxxx-) Fitting, Hyd, E45, Jf12/Jm12	1
▲	58	42211	(xxxxxx-) Hose, Hyd,Hi 12, Jf12str /Jf12str , 28.0	1
▲	59	54194	(xxxxxx-) Fitting, Hyd, E90, Jf10/Jm10	1
	60	75185	(006115- xxxxxx) Motor, Hydraulic (Replaced by 377397)	1
	60	377397	(006115- xxxxxx) Motor Kit, Hyd, F/ 75185, Replmt	1
	61	75187	(006115- xxxxxx) Coupling, Keyed, R.H.	1
	62	05492	(006115- xxxxxx) Fitting, Straight	2
	63	75199	(006115- xxxxxx) Tube, Hydraulic	1

Fig. 19 - SRS Sludge Removal Tool Assembly



00338 - ALL

Ref.	Part No.	Serial Number	Description	Qty.
▽	79518	(006115-) Tool Assembly, Sludge Removal	1
▲	1 03292B	(006115-) Grip, Handle	1
▲	2 79517	(006115-) Handle, Sludge Removal	1
▲	3 79515	(006115-) Squeegee	1
▲	4 79508-1	(006115-) Retainer, Squeegee	1

Fig. 20 - SRS Squeegee Wand Kit

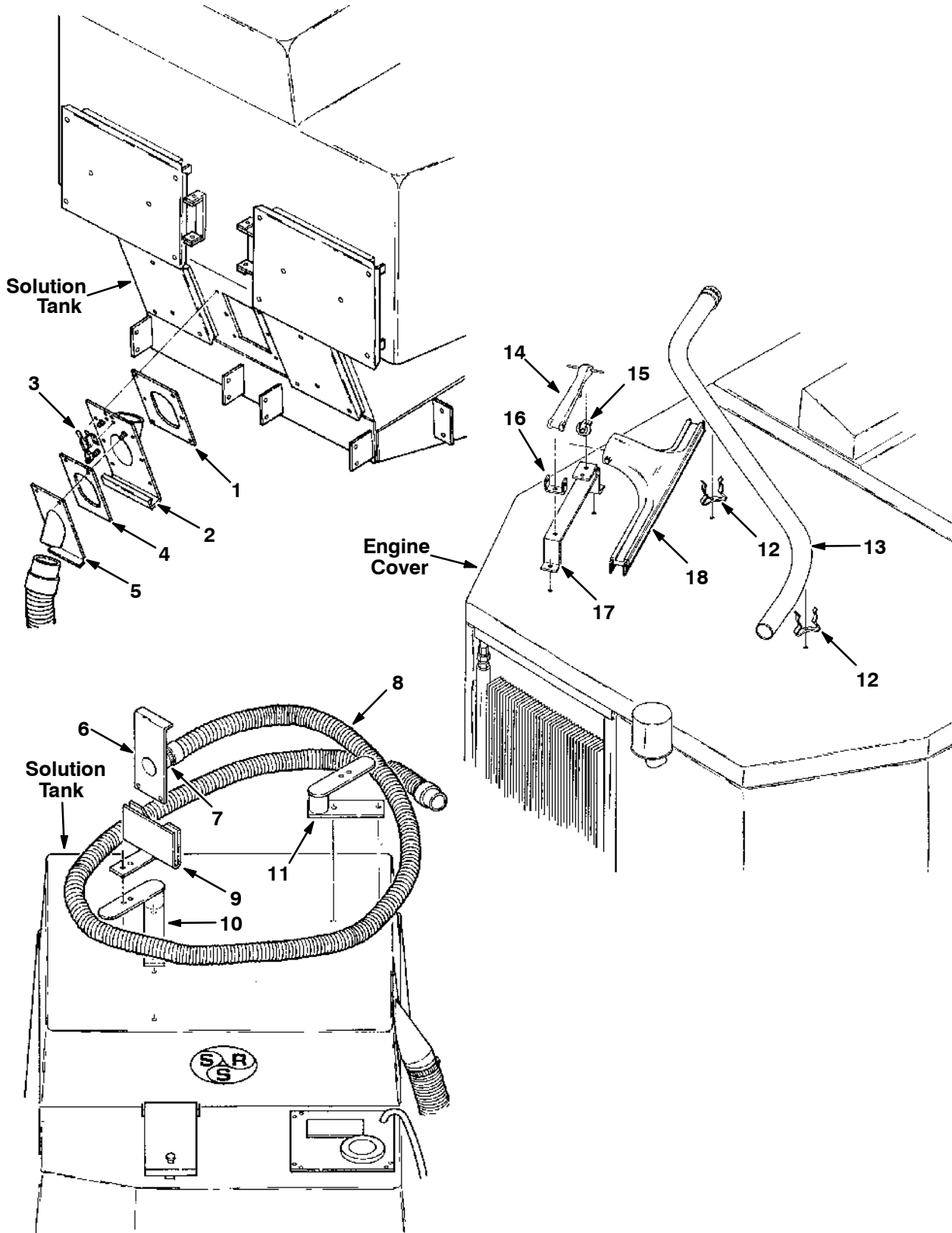


Fig. 20 - SRS Squeegee Wand Kit

	Ref.	Part No.	Serial Number	Description	Qty.
▽		79429	(006115-) Wand Kit, Squeegee	1
▲	1	79545	(006115-) Gasket, Tank Adaptor	1
▲	2	79538	(006115-) Adaptor, Tank	1
▲	3	03823	(006115-) Clamp, Toggle	1
▲	4	79546	(006115-) Gasket, Wand Adaptor	1
▲	5	79532	(006115-) Adaptor, Squeegee Wand	1
▲	6	79535	(006115-) Adaptor, Vacuum Wand	1
▲	7	14432	(006115-) Clamp, Worm Drive	1
▲	8	75127	(006115-) Hose	1
▲	9	79547	(006115-) Bracket, Adaptor, Storage	1
▲	10	50788	(006115-) Mount, Wand Hose, R.H.	1
▲	11	50789	(006115-) Mount, Wand Hose, L.H.	1
▲	12	391839	(006115-) Clip, Finger Grip	2
▲	13	40171	(006115-) Handle, Nozzle	1
▲	14	75118	(006115-) Hook, Rubber	1
▲	15	40670	(006115-) Catch, Rubber Hook	1
▲	16	40671	(006115-) Bracket, U	1
▲	17	75054	(006115-) Mount, Squeegee	1
▲▽	18	40173	(006115-) Nozzle	1
▲▲		40173-1	(006115-) Blade Kit, Sqge, Replmt [550]	1

Fig. 21 - SRS Level Warning Light Kit

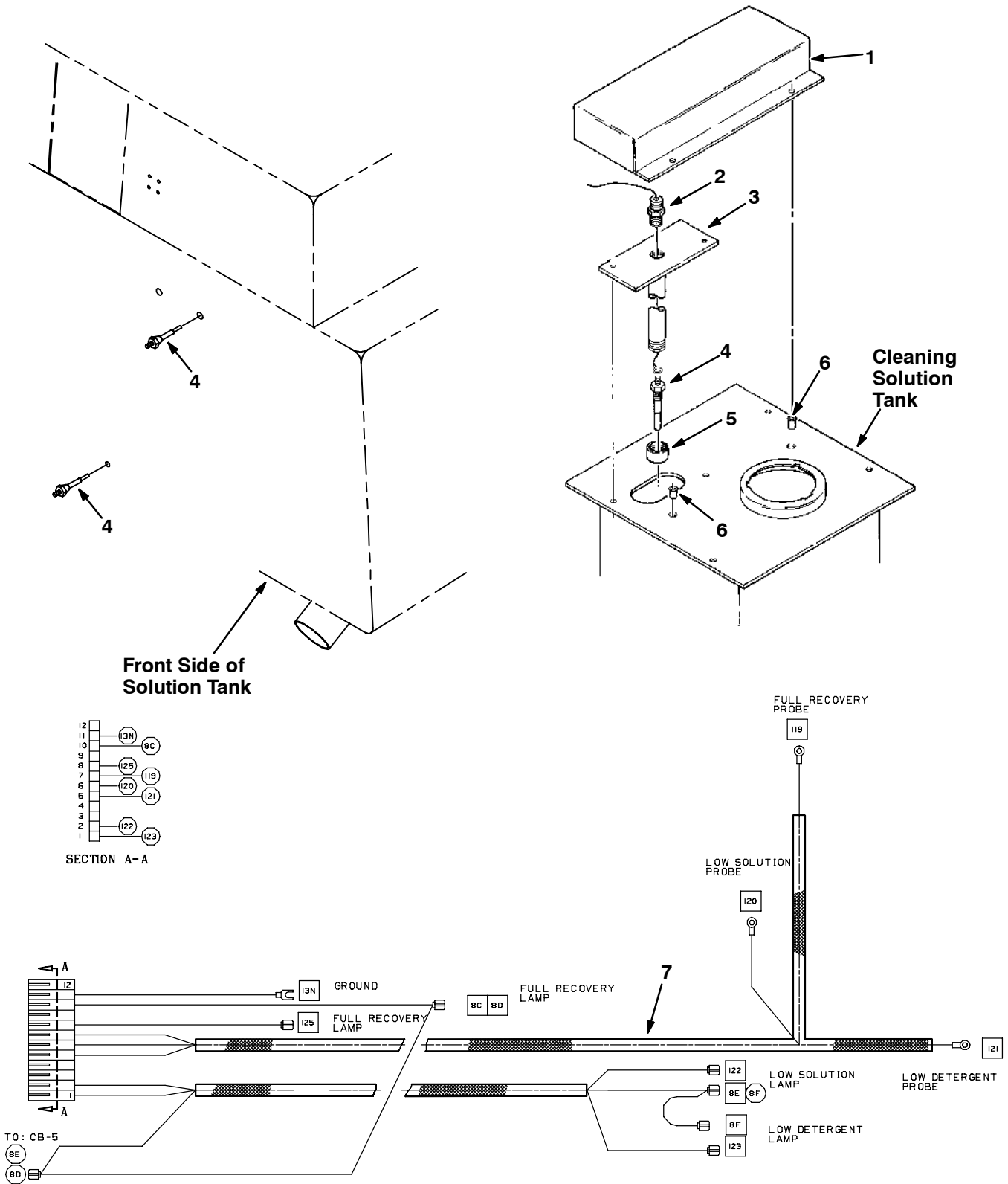
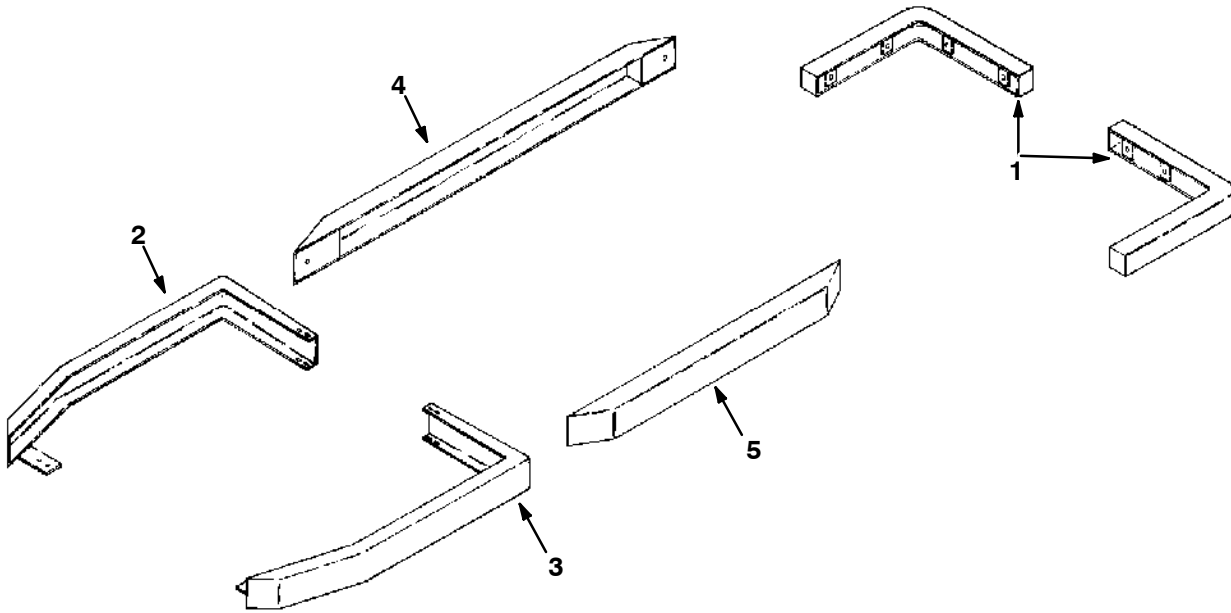


Fig. 21 - SRS Level Warning Light Kit

	Ref.	Part No.	Serial Number	Description	Qty.
▽		79434	(006115-) Light Kit, Level Warning	1
▲	1	03393	(006115-) Cover, Liquid Level Probe	1
▲	2	79553	(006115-) Connector	1
▲	3	79452	(006115-) Housing, Probe	1
▲	4	76089-2	(006115-) Probe, Liquid Level	3
▲	5	79451	(006115-) Fitting, Cap	1
▲	6	42082	(006115-) Rivnut	2
▲		64795C-1	(006115-) Board, P.C.	1
▲		64921	(006115-) Spacer	4
▲		24592	(006115-) Screw, Hex, 10 - 24 x 0.75"	4
▲▽		79542	(006115-) Wire Kit	1
▲▲	7	391906	(007006-) Harness, Sensing, Level, Srs [550]	1
▲▲		374119	(006115-) Lamp Assy, Indicator, Red, 14Vdc	3
▲		62595-6	(006115-) Molding, Trim, 7.5" (190 mm)	1
▲		62595-18	(006115-) Molding, Trim, 3 " (75 mm)	1
▲		383723	(007006-) Circuitbreaker, 20.0a, Resetable	1
		79530	(006115-007005) Wire Harness	1
		59984	(006115-007005) Fuse, 1 A	1
		07422	(006115-007005) Holder, Fuse	1

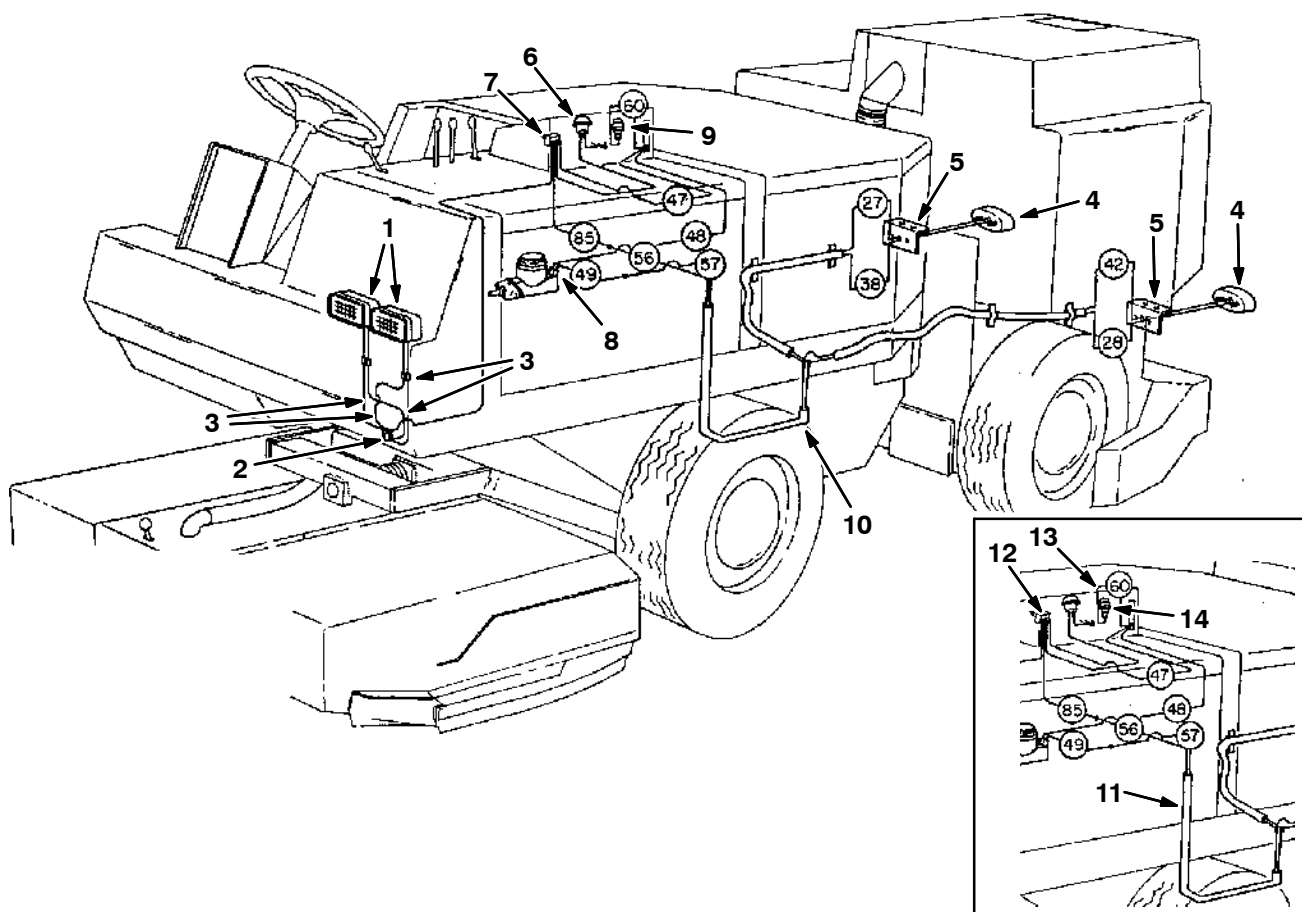
Fig. 22 - SRS Heavy Duty Bumper Kit



00826 - 550, 550E

Ref.	Part No.	Serial Number	Description	Qty.
▽	79426	(006115-) Bumper Kit, Heavy Duty	1
▲	1 75673	(006115-) Bumper, Scrubber Head	2
▲	2 76880	(006115-) Bumper, Recovery and Solution Tank, L.H.	1
▲	3 76881	(006115-) Bumper, Recovery and Solution Tank, R.H.	1
▲	4 78101	(006115-) Bumper, Tractor, Left Side	1
▲	5 78099	(006115-) Bumper, Tractor, Right Side	1

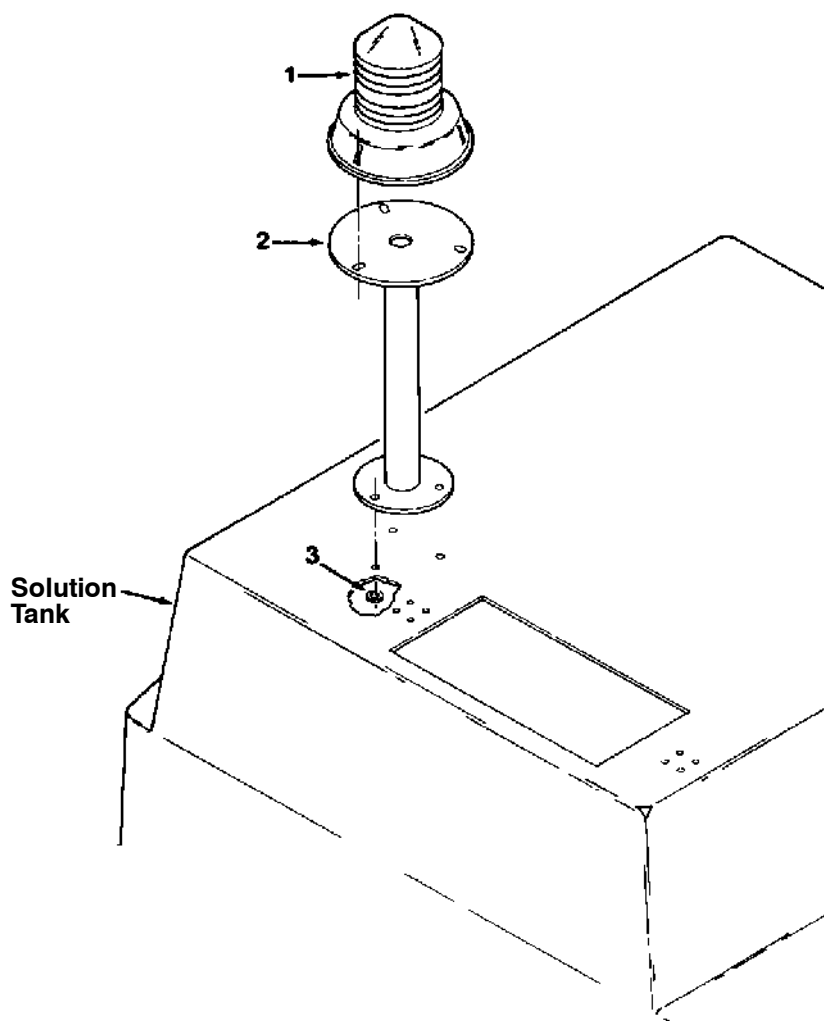
Fig. 23 - SRS Light Kit



00828 - 550

Ref.	Part No.	Serial Number	Description	Qty.
▽	79427	(006115-) Light Kit, SRS	1
▲	1 24298	(006115-) Headlight Assembly	2
▲	2 76062	(006115-) Insulator	1
▲	3 79102	(006115-) Wire Assembly, Headlight	2
▲▽	4 51572	(006115-) Taillight	2
▲▲	45780	(006115-) Bulb	1
▲	5 49022	(006115-) Bracket, Taillight	2
▲▽	6 47768	(006115-) Light, Panel	1
▲▲	24427	(006115-) Bulb	1
▲	7 66101	(007006-) Switch, Toggle, 250vac 06a Spst On/Of	1
▲	8 13959	(006115-) Switch, Brake Light Sending	1
▲	9 383723	(007006-) Circuitbreaker, 20.0a, Resetable	1
▲	10 391903	(007006-) Harness, Taillight [550/1550]	1
▲	78153	(006115-) Wire Kit, Operating Lights	1
▲	49266	(006115-) Tie, Cable	6
▲	45339	(006115-) Terminal, Ring	2
▲	10632-19	(006115-) Grommet, Rubber	1
	11 25183	(006115-007005) Wire Harness	1
	12 10701	(006115-007005) Switch, Toggle	1
	13 07422	(006115-007005) Holder, Fuse	1
	14 383723	(006115-007005) Circuitbreaker, 20.0a, Resetable	1

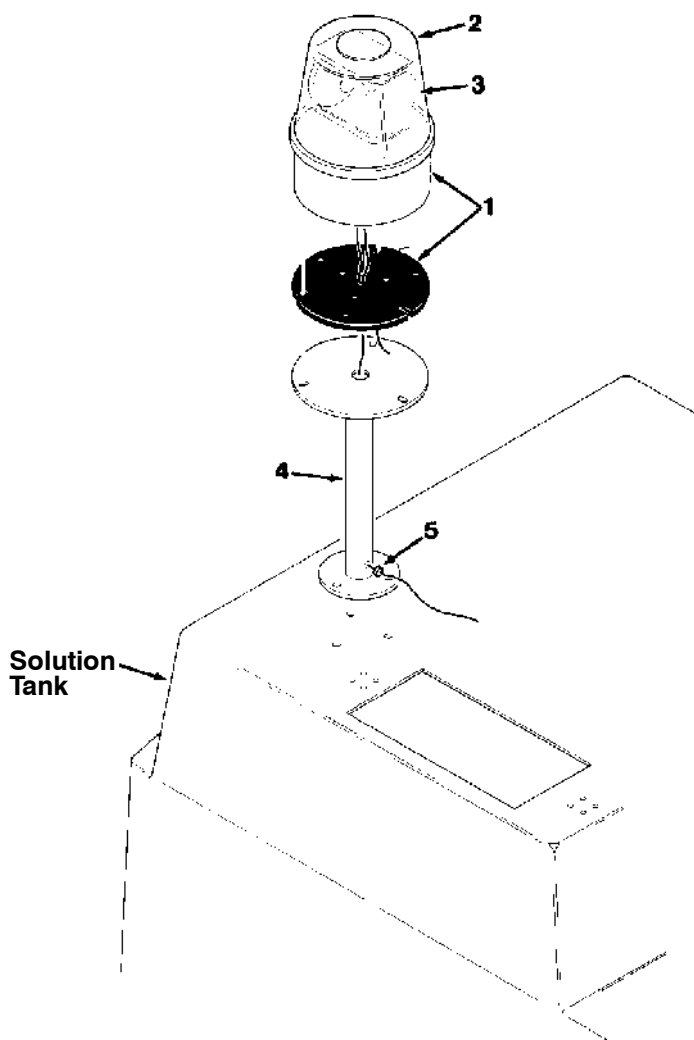
Fig. 24 - SRS Flashing Light Kit



00347 - 550, 1550

	Ref.	Part No.	Serial Number	Description	Qty.
▽		79428	(006115-) Light Kit, Flashing	1
▲▽	1	47535	(006115-) Lamp Assembly, Flashing	1
▲▲		47535-2	(006115-) Lamp, Flashing	1
▲▲		47535-1	(006115-) Lens, Lamp, Red	1
▲▲		22640	(006115-) Bulb	1
▲▲		24576-1	(006115-) Bracket, Flasher	1
▲▲		24576	(006115-) Flasher	1
▲	2	16513	(006115-) Support, Light	1
▲		79436	(006115-) Wire Kit	1
▲		66101	(007006-) Switch, Toggle, 250vac 06a Spst On/Of	1
▲	3	76426	(006115-) Washer, Sealing	3
▽		47536	(006115-) Lamp Assembly, Flashing, Amber	1
▲		47536-1	(006115-) Lens, Lamp, Amber	1
▽		47537	(006115-) Lamp Assembly, Flashing, Blue	1
▲		47537-1	(006115-) Lens, Lamp, Blue	1
		10701	(006115-007005)	Switch	1

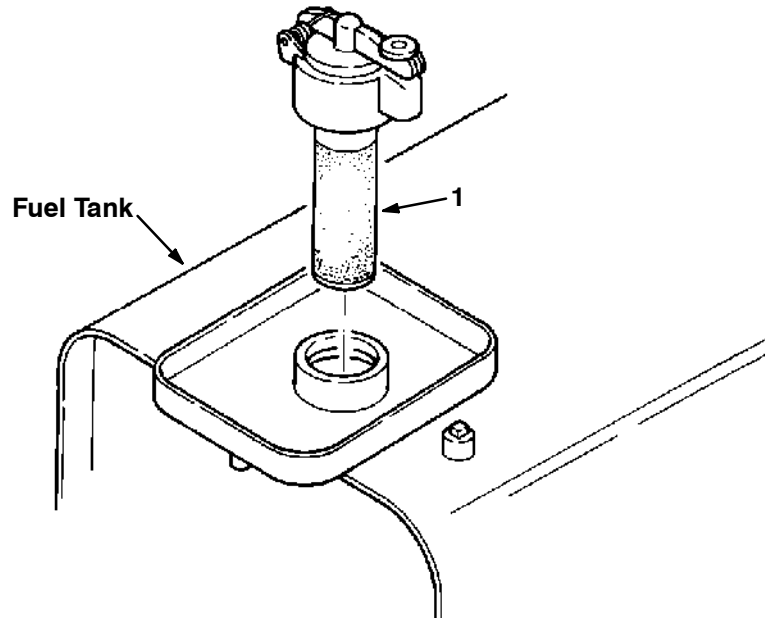
Fig. 25 - SRS Revolving Light Group



02387 - 550, 1550

Ref.	Part No.	Serial Number	Description	Qty.
▽	1	16418	(006115-) Light Assembly, Revolving Red	1
▲	2	16421	(006115-) Lens, Red	1
▲	3	16511	(006115-) Bulb	2
	4	31960	(006115-) Support, 13 in (330mm)	1
	4	60969	(006115-) Support, 10 in (254mm)	1
	5	46314	(006115-) Grommet	1
		49262	(006115-) Clamp, Conduit	5
		66101	(007006-) Switch, Toggle, 250vac 06a Spst On/Of	1
▽	16419	(006115-) Light Assembly, Revolving Blue	1	
▲	16422	(006115-) Lens, Blue	1	
▲	16511	(006115-) Bulb	2	
▽	16420	(006115-) Light Assembly, Revolving Amber	1	
▲	16423	(006115-) Lens, Amber	1	
▲	16511	(006115-) Bulb	2	
	10701	(006115-007005) Switch, Toggle	1	

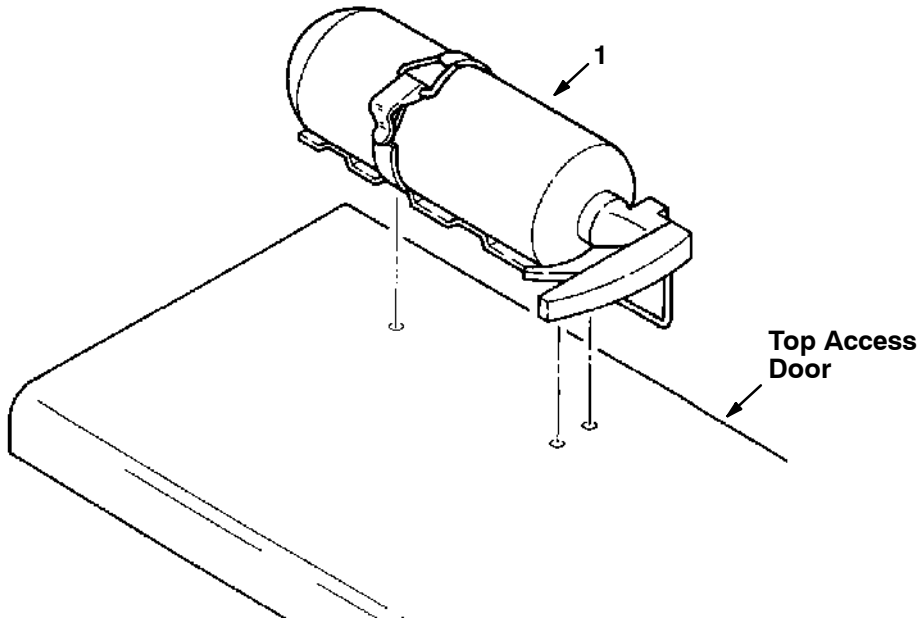
Fig. 26 - Protectoseal Gasoline Cap



00829 - 550, 1550

Ref.	Part No.	Serial Number	Description	Qty.
1	02506-6	(006115-) Cap, Gasoline, Protectoseal	1

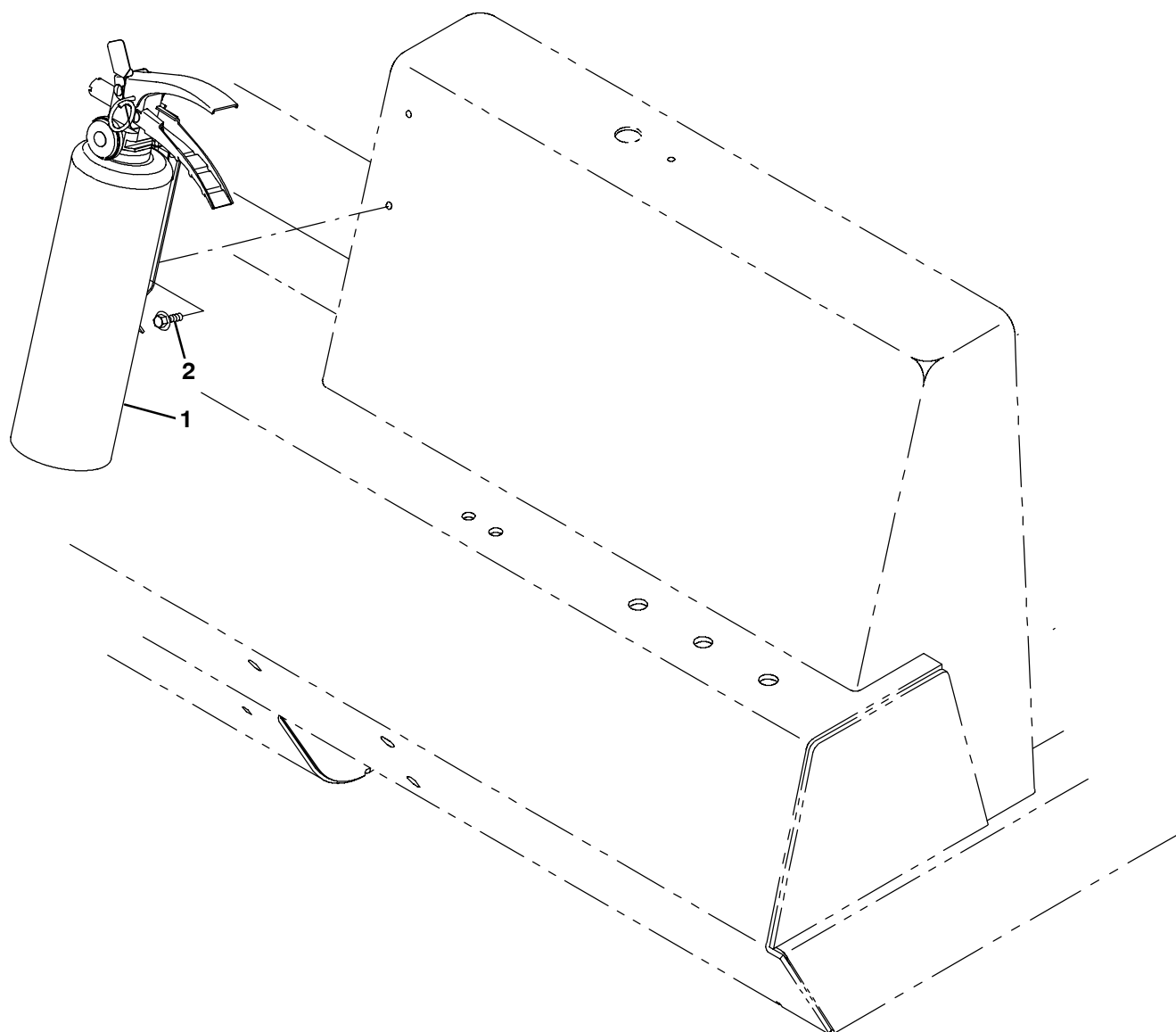
Fig. 27 - Fire Extinguisher Kit (006115-006408)



00830 - ALL

Ref.	Part No.	Serial Number	Description	Qty.
▽	78127	(006115-006408)	Extinguisher Kit, Fire	1
▲	1 25312	(006115-006408)	Extinguisher, Fire, 2.5 Lb Dry	1

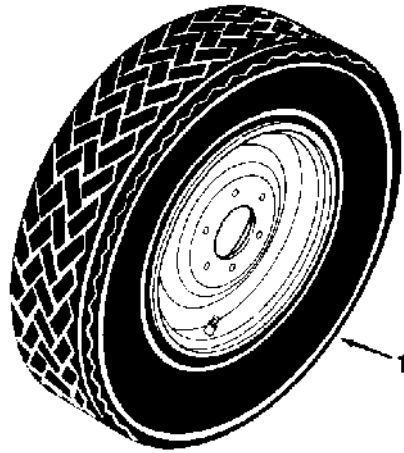
Fig. 28 - Fire Extinguisher Group (006409-)



356242 - ALL

Ref.	Part No.	Serial Number	Description	Qty.
1	25312	(006409-)	Extinguisher, Fire, 2.5 Lb Dry	1
2	24591	(006409-)	Screw, Hex, 10-24 X 0.38, Fmg, PI	2

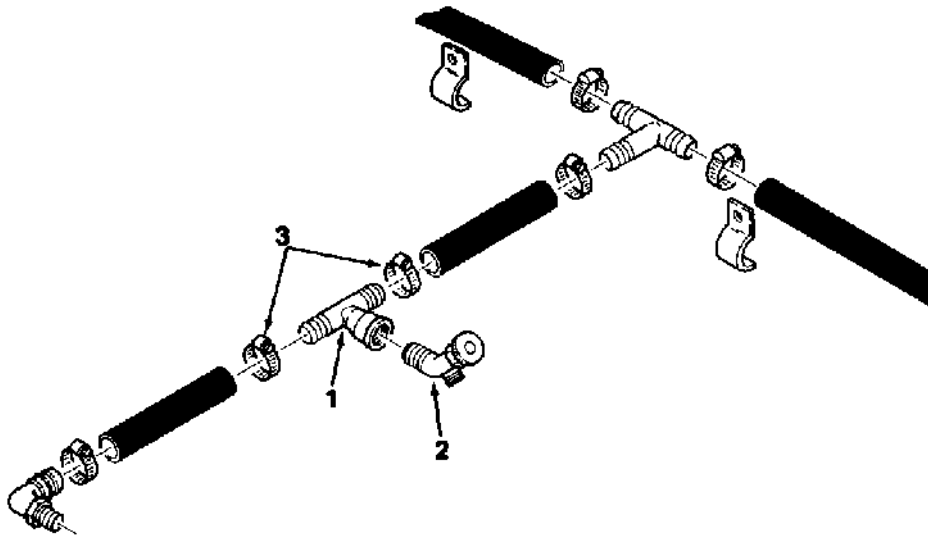
Fig. 29 - Wheel Assembly, Foam Filled



00839 - 550

Ref.	Part No.	Serial Number	Description	Qty.
1	48892	(006115-) Tire Assy, Foam, 8.75-16.5 [45psi]	4

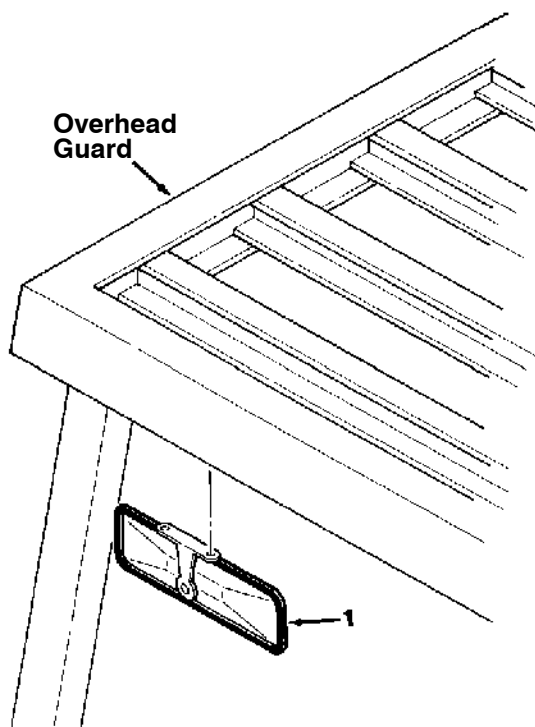
Fig. 30 - Solution Tank Drain Kit



00837 - ALL

Ref.	Part No.	Serial Number	Description	Qty.
▽	75923	(006115-) Drain Kit, Solution Tank	1
▲ 1	76075	(006115-) Tee	1
▲ 2	76076	(006115-) Valve, Water, Drain	1
▲ 3	11399	(006115-) Clamp, Worm Drive	2

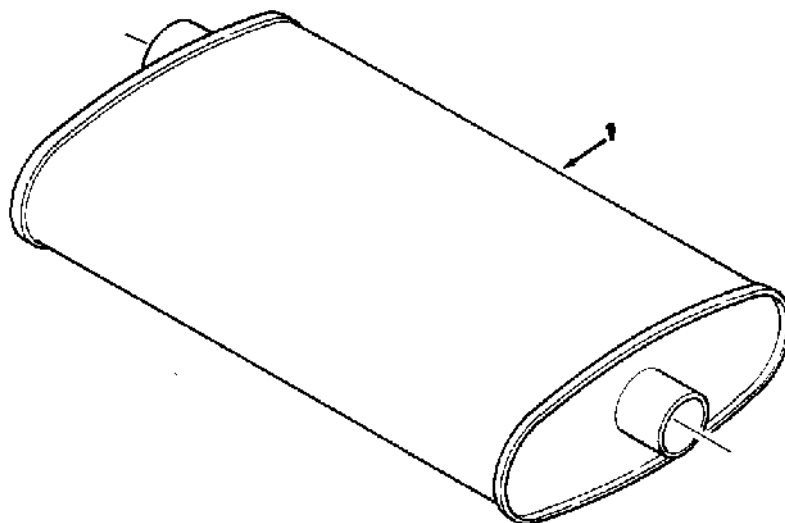
Fig. 31 - Rear View Mirror Kit



00836 - ALL

Ref.	Part No.	Serial Number	Description	Qty.
▽	78156	(006115-) Mirror Kit, Rear View	1
▲	1 76863	(006115-) Mirror, Rear View	1

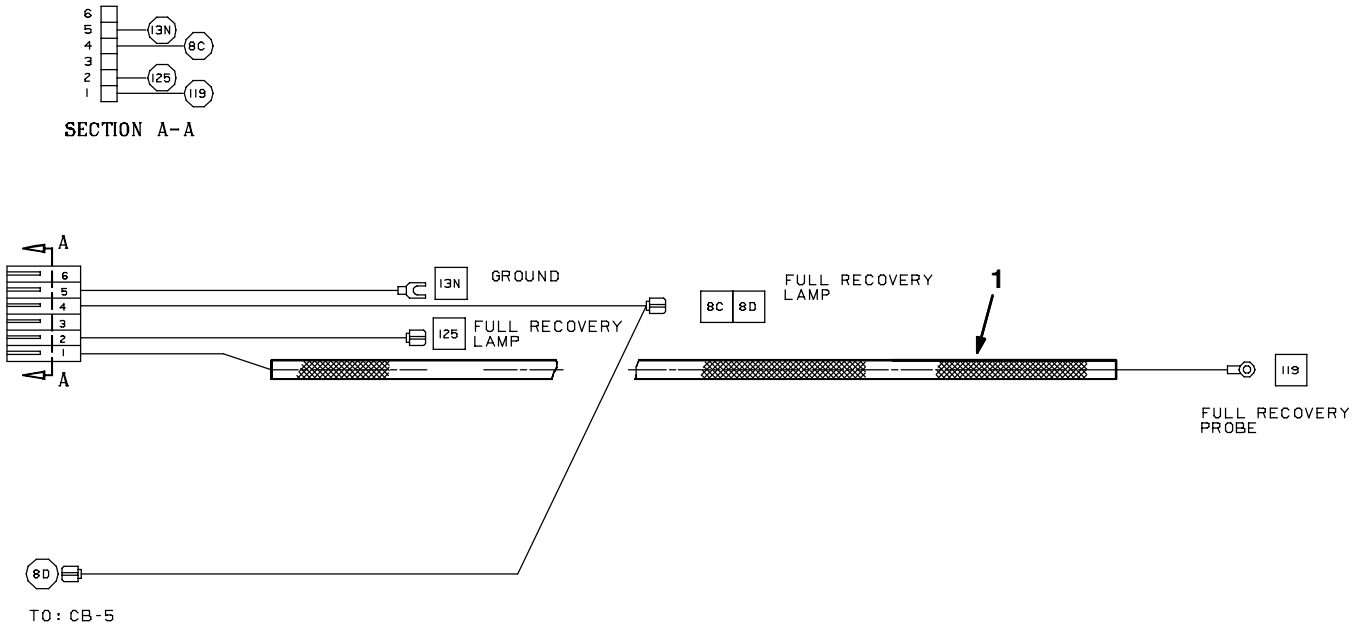
Fig. 32 - Spark Arresting Muffler Kit



00303 - 550, 1550

Ref.	Part No.	Serial Number	Description	Qty.
1	78116	(006115-) Muffler, Spark Arresting	1

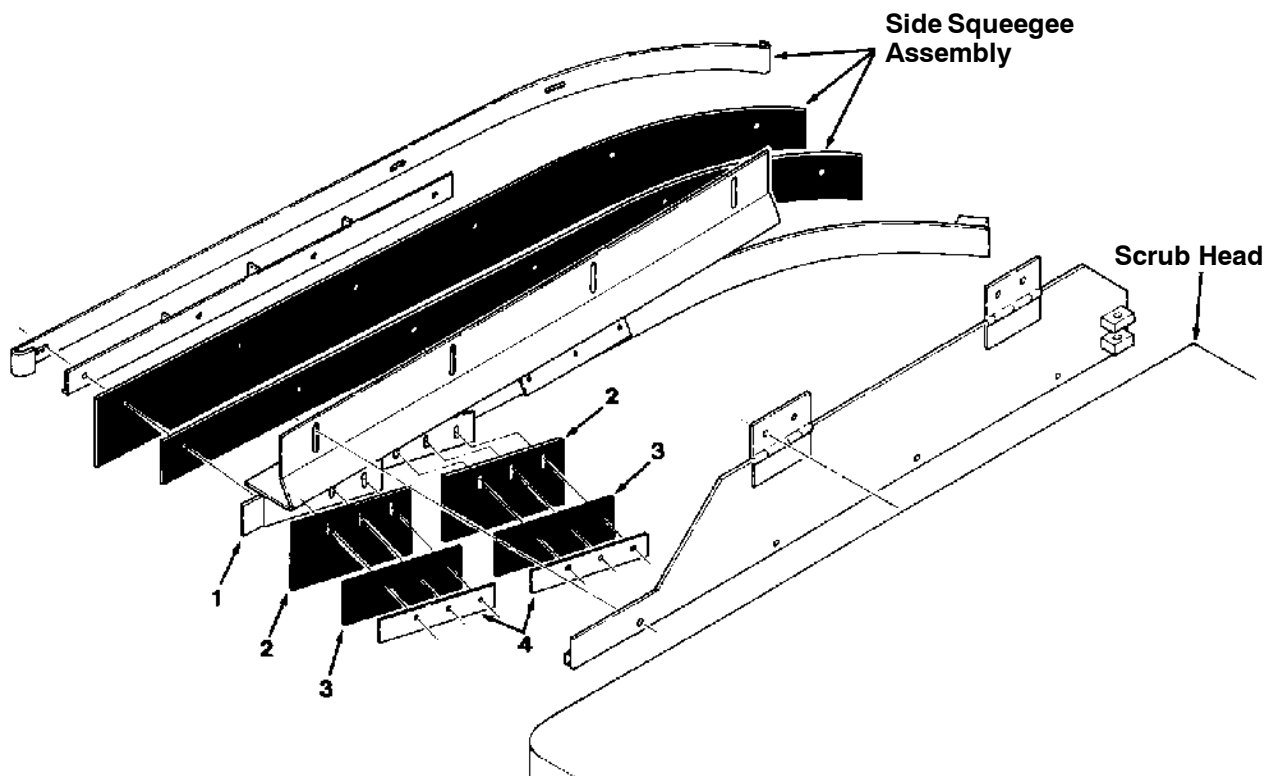
Fig. 33 - Recovery Level Warning Light Kit



354292, 00833 - 550

Ref.	Part No.	Serial Number	Description	Qty.
▽	78159	(006115-) Light Kit, Recovery Level Warning	1
▲	64795A	(006115-) P.C. Board, Level Sensing	1
▲	64921	(006115-) Spacer, P.C. Board	4
▲	24592	(006115-) Screw, Hex	4
▲	374119	(006115-) Lamp Assy, Indicator, Red, 14Vdc	1
▲▽	76090	(006115-) Wire Kit	1
▲▲	1 391923	(007006-) Harness, Sensing, Level [550/1550]	1
▲	76089-2	(006115-) Probe, Liquid Level	1
▲	383723	(007006-) Circuitbreaker, 20.0a, Resetable	1
	59984	(006115-007005) Fuse, 1 A	1
	07422	(006115-007005) Holder, Fuse, (Panel Mount)	1
	76155	(006115-007005) Wire Harness	1

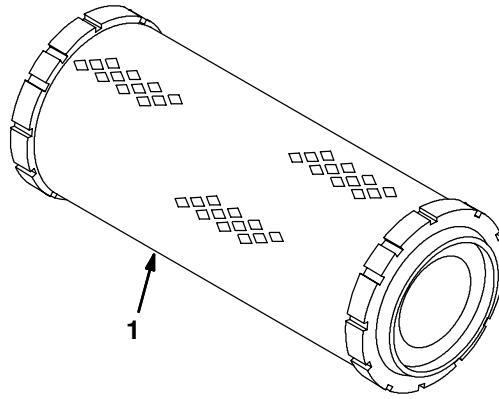
Fig. 34 - Side Squeegees Extension Kit



03874 - ALL

Ref.	Part No.	Serial Number	Description	Qty.
▽	04595	(006115-) Extension Kit, Side Squeegees	1
▲	1 04598	(006115-) Frame, Side Squeegee, R.H.	1
▲	2 03395	(006115-) Blade, Squeegee	4
▲	3 03409	(006115-) Strip, Backup	4
▲	4 03408	(006115-) Retainer, Blade	4
▲	04597	(006115-) Frame, Side Squeegee, L.H.	1

Fig. 35 - Heavy Duty Filter Group (006268-007005)



353822 - 550, 1550, G, LP, D

Ref.	Part No.	Serial Number	Description	Qty.
1	398279	(006268-007005)	Element, Fltr, Air, Safety	1

Fig. 36 - Documentation Group

07501 - 550, G, LP, NA

Ref.	Part No.	Serial Number	Description	Qty.
	330650	(006115-) Manual Pkg, 550	1
	393223	(006409-) Manual, Service, Eng, [Gm 3.0]	1
	10392	(006115-) Video, Operator, 550	1
	9003927	(007006-) Manual, Eng, Cd-Rom [Tier li,Gm3.0]	1
	9003928	(007006-) Cable Kit, Ele, Eng [Usb,Tier li Gm]	1
	9003929	(007006-) Cable Kit, Ele, Eng [Usb,Tier li Gm]	1

SECTION 4

Contents	Page
Fig. 1 - High Pressure Spray Pump Breakdown, 40144-1	4-2
Fig. 2 - Solution Pump Breakdown, 79614	4-4
Fig. 3 - Solution Pump Breakdown, 03838	4-5
Fig. 4 - Solution Pump Breakdown, 33327	4-6
Fig. 5 - Metering Solution Pump Breakdown, 16485	4-7
Fig. 6 - Hydraulic Piston Pump Breakdown, 74163	4-8
Fig. 7 - Hydraulic Piston Pump Breakdown, 74163	4-10
Fig. 8 - Hydraulic Piston Pump Breakdown, 373404	4-12
Fig. 9 - Hydraulic Piston Pump Breakdown, 373404	4-14
Fig. 10 - Hydraulic Gear Pump Breakdown, 373245	4-16
Fig. 11 - Hydraulic Gear Pump Breakdown, 79078	4-18
Fig. 12 - Hydraulic Gear Pump Breakdown, 1014956	4-20
Fig. 13 - Manual Control Breakdown, 74273 ...	4-22
Fig. 14 - Hydraulic Motor Breakdown, 22604 ...	4-24
Fig. 15 - Hydraulic Motor Breakdown, 27792 ...	4-26
Fig. 16 - Hydraulic Motor Breakdown, 61489 ...	4-27
Fig. 17 - Hydraulic Steering Valve Breakdown, 74176	4-28
Fig. 18 - Hydraulic Solenoid Valve Breakdown, 31575	4-29
Fig. 19 - Hydraulic Valve Breakdown, 32761 ...	4-30
Fig. 20 - Hydraulic Flow Switch Breakdown, 31556	4-31
Fig. 21 - Hydraulic Cylinder Breakdown, 04431 .	4-32
Fig. 22 - Hydraulic Motor Breakdown, 75185 ...	4-33
Fig. 23 - Hydraulic Motor Breakdown, 1023322	4-34
Fig. 24 - Hydraulic Motor Breakdown, 1019272	4-35
Fig. 25 - Hydraulic Control Valve Breakdown, 48108A	4-36
Fig. 26 - Hydraulic Solenoid Valve Breakdown, 1020194	4-37
Fig. 27 - Hydraulic Solenoid Valve Breakdown, 1042535	4-38
Fig. 28 - LPG EFI Breakdown, 371663	4-39
Fig. 29 - Gasoline EFI Breakdown, 371645 ...	4-40

Fig. 1 - High Pressure Spray Pump Breakdown, 40144-1

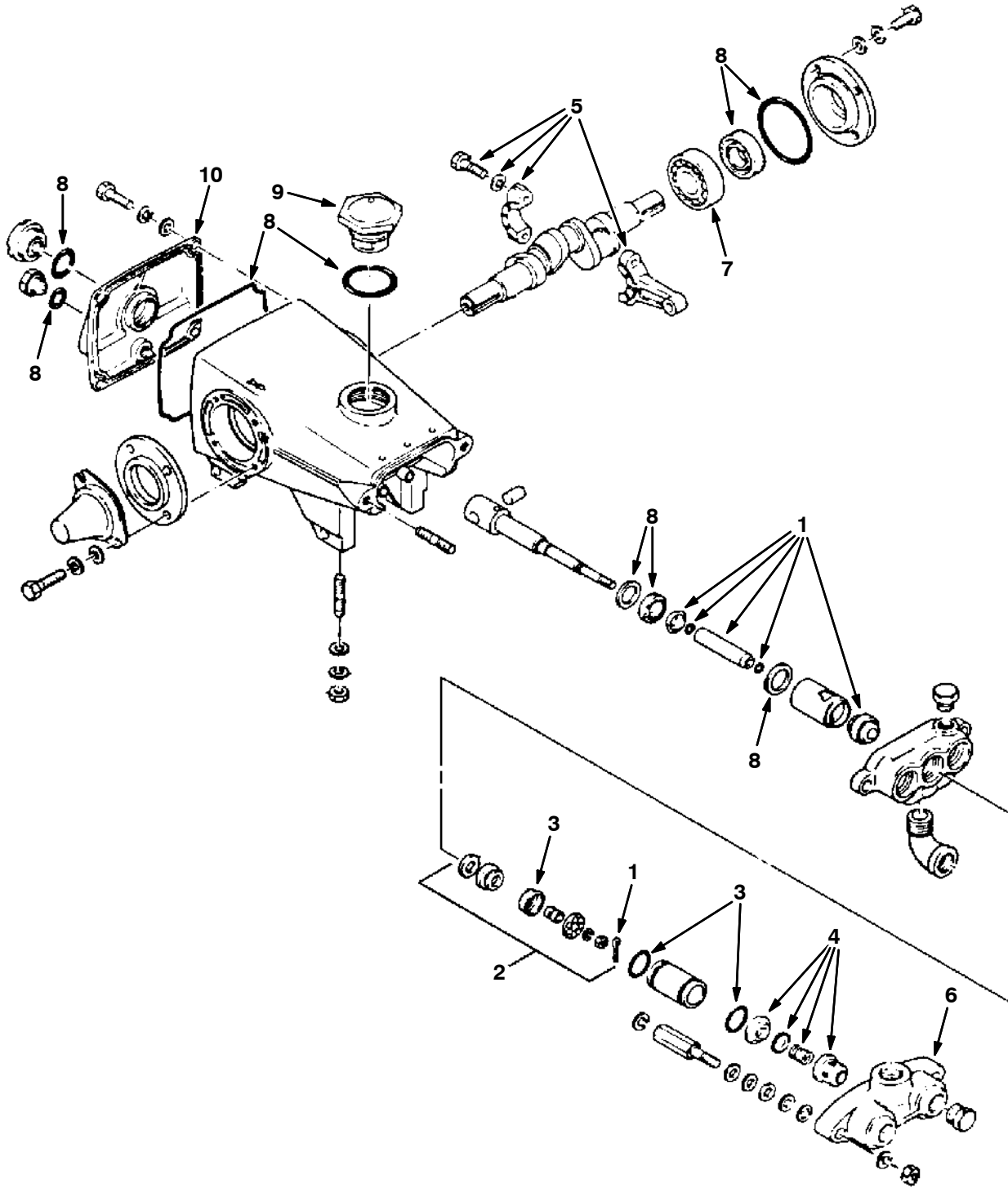
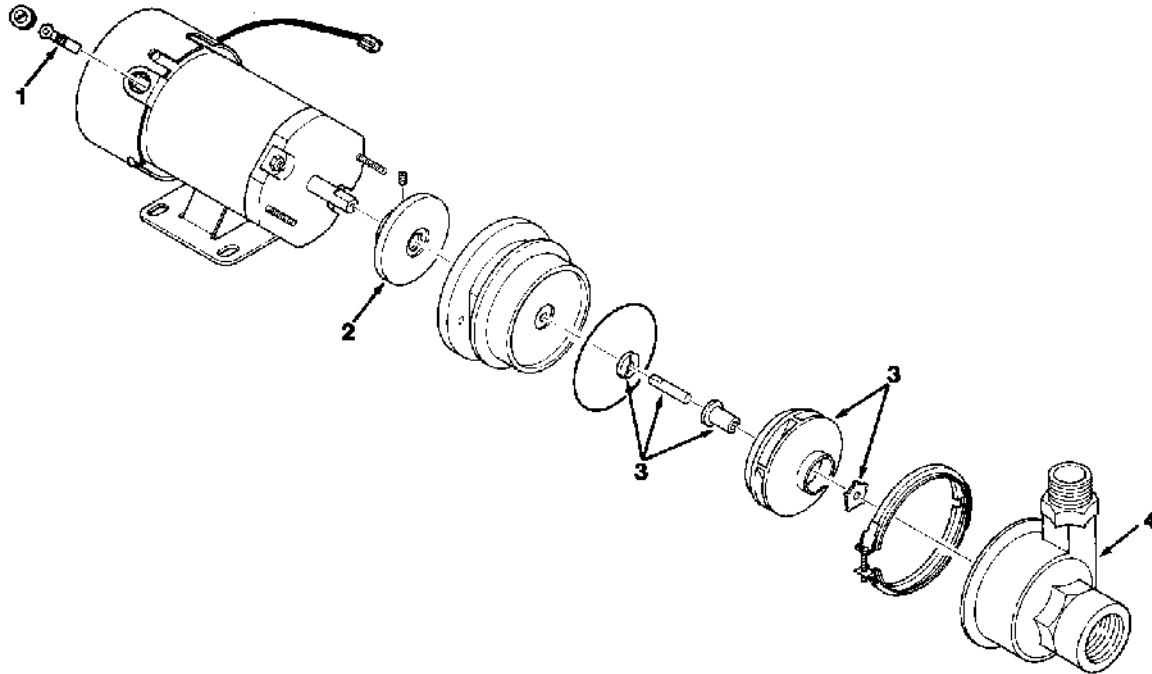


Fig. 1 - High Pressure Spray Pump Breakdown, 40144-1

	Ref.	Part No.	Serial Number	Description	Qty.
▽		40144-1	(000000-) Sprayer, High Pressure	1
▲		40144-4	(000000-) Oil, Cat Pump	1
▲	1	38595	(000000-) Sleeve and Seal Kit	1
▲	2	40144-20	(000000-) Piston Kit	1
▲	3	40144-21	(000000-) Cup Kit, Short	1
▲	4	40144-22	(000000-) Valve Kit, Discharge	1
▲	5	37572	(000000-) Rod, Connecting	3
▲	6	37778	(000000-) Manifold, Discharge	1
▲	7	02582	(000000-) Bearing, Ball (Replaced by None)	2
▲	8	02583	(000000-) Seal Kit	1
▲	9	37573	(000000-) Cap, Oil Filler	1
▲	10	38321	(000000-) Pump Cover	1
▲		40144-6	(000000-) Key	1
▲		372604	(000000-) Gauge, Sight, Water Pump	1

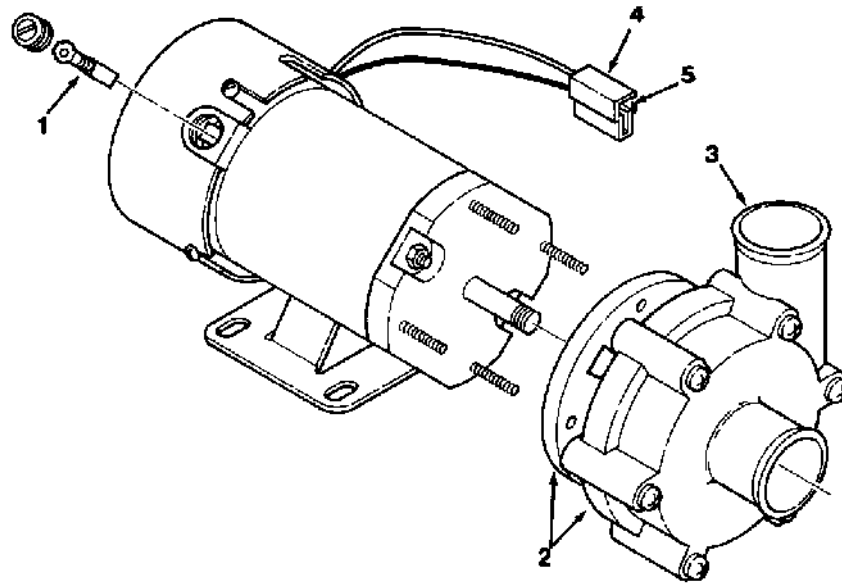
Fig. 2 - Solution Pump Breakdown, 79614



02123 - 550

Ref.	Part No.	Serial Number	Description	Qty.
▽	79614	(000000-) Pump, Solution	1
▲	1 SK2498	(000000-) Replacement Kit, Brush	1
▲	2 SK2500	(000000-) Hub and Magnet Kit	1
▲	3 SK2499	(000000-) Impeller Shaft and Bearing Kit	1
▲	4 38715	(000000-) Housing	1

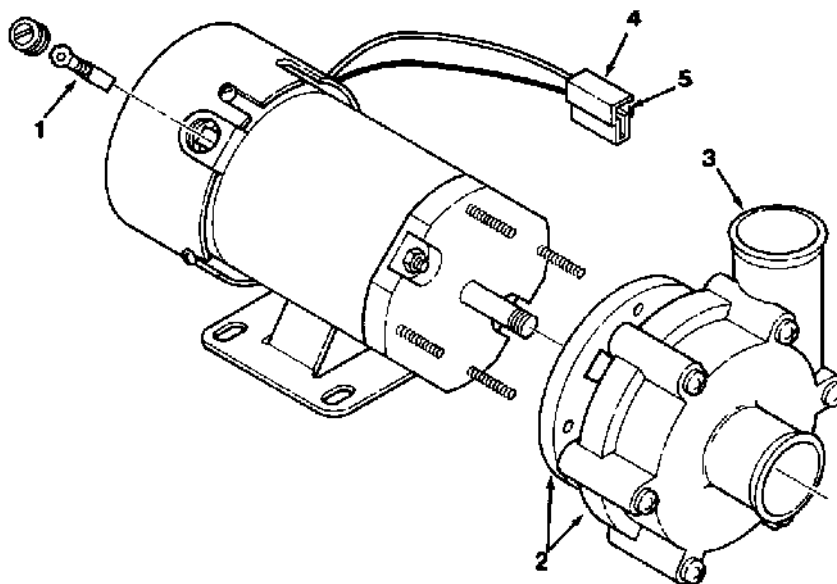
Fig. 3 - Solution Pump Breakdown, 03838



06963 - 550

	Ref.	Part No.	Serial Number	Description	Qty.
▽		03838	(000000-) Pump Assembly, Solution	1
▲	1	SK2498	(000000-) Replacement Kit, Brush	1
▲▽	2	03711	(000000-) Replacement Kit, Pump Head	1
▲▲	3	33308	(000000-) Replacement Kit, Pump Body	1
▲	4	51406	(000000-) Connector	1
▲	5	51416	(000000-) Terminal, Male	2

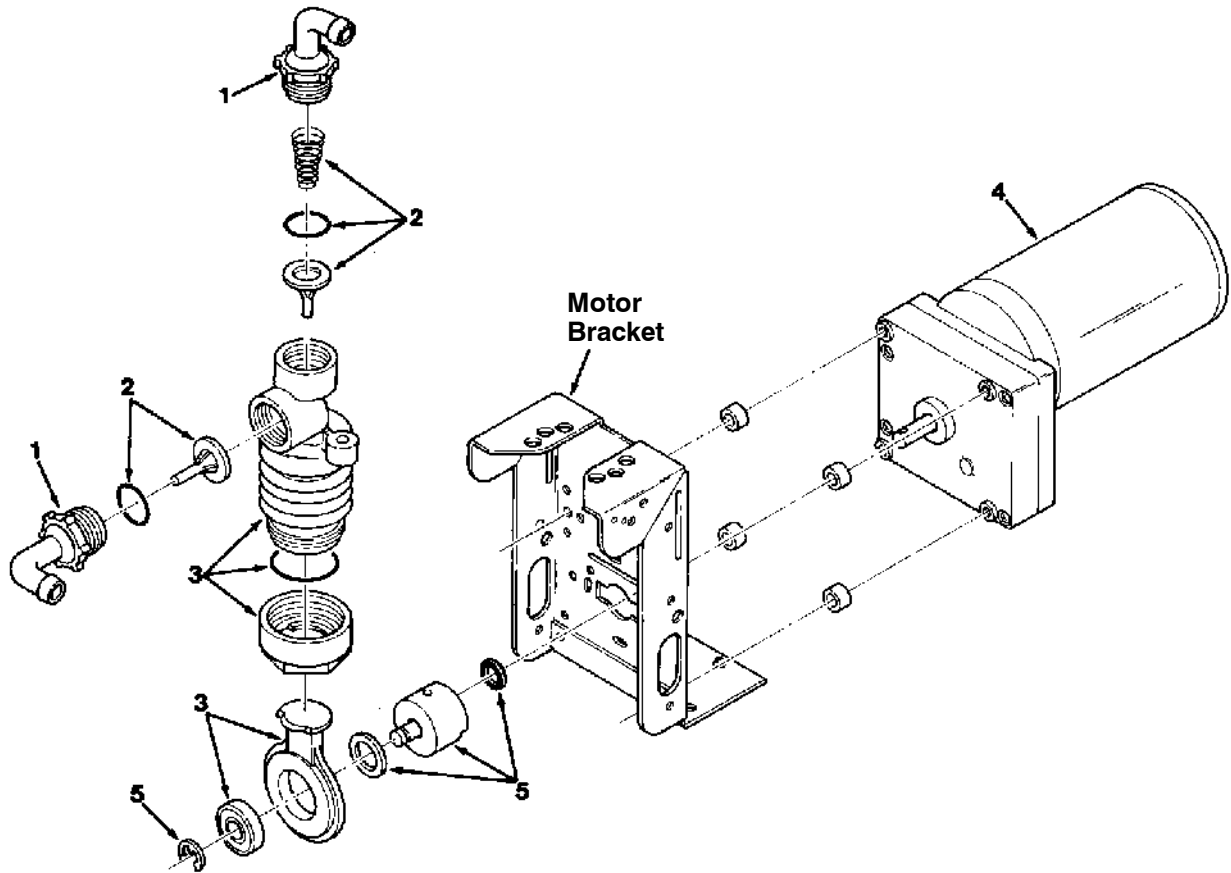
Fig. 4 - Solution Pump Breakdown, 33327



06963 - 550, 1550

Ref.	Part No.	Serial Number	Description	Qty.
▽	33327	(000000-) Pump Assembly, Solution	1
▲	1 48791	(000000-) Replacement Kit, Brush	1
▲	2 03711	(000000-) Replacement Kit, Pump Head	1
▲	3 48789	(000000-) Replacement Kit, Pump Body	1
▲	4 51406	(000000-) Connector	1
▲	5 51416	(000000-) Terminal, Male	2

Fig. 5 - Metering Solution Pump Breakdown, 16485



00112 - ALL

Ref.	Part No.	Serial Number	Description	Qty.
▽	16485	(000000-) Pump, Metering Solution	1
▲	1 63923	(000000-) Connector Kit, Tubing	1
▲	2 21660	(000000-) Valve Kit, Pump	1
▲	3 21661	(000000-) Replacement Kit, Bellows	1
▲	4 63924	(000000-) Motor, Gear	1
▲	5 02430	(000000-) Crank Replacement Kit	1

Fig. 6 - Hydraulic Piston Pump Breakdown, 74163

NOTE: Piston Pump, TENNANT Part Number 74163, includes Fig. 6, and Fig. 7.

	Ref.	Part No.	Serial Number	Description	Qty.
▽		74163	(000000-) Pump, Hyd Piston V 2.48	1
▲	1	74184	(000000-) Nut, Jam	1
▲	2	74223	(000000-) Screw, Cap	8
▲	3	61882	(000000-) Rotating Kit	1
▲	4	74253	(000000-) Piston, Servo	1
▲	5	74254	(000000-) Follower, Piston	1
▲	6	74256	(000000-) Plate, Cover	1
▲	7	74257	(000000-) Plate, Cover	1
▲	8	74258	(000000-) Camplate S/A	1
▲	9	74240	(000000-) Race, Bearing	2
▲	10	74210	(000000-) Bearing	1
▲	11	74283	(000000-) Seal Kit, Pump	1
▲	12	74262	(000000-) Screw, Cap	6
▲▽		74263	(000000-) Housing S/A	1
▲▲	13	79771	(000000-) Housing	1
▲▲	14	37462	(000000-) Bearing	1
▲▲	15	79742	(000000-) Plug S/A	1
▲▽	16	79743	(000000-) Cradle Sub Assy	1
▲▲	17	79744	(000000-) Dowel Bushing	2
▲▲	18	79745	(000000-) Bushing	1
▲▲	19	79746	(000000-) Cap Screw	1
▲▲	20	79747	(000000-) Cap Screw	2
▲	21	74265	(000000-) Shaft, Drive Sp	1
▲	22	74266	(000000-) Nut	1
▲	23	74267	(000000-) Lockwasher	1
▲	24	37460	(000000-) Washer	1
▲	25	13907	(000000-) Plug #8	2
▲	26	79779	(000000-) Plug,#12 O-Ring Ph	1
▲	27	74272	(000000-) Arm, Control	1
▲	28	74273	(000000-) Control, Manual (See Breakdown)	1
▲	29	74276	(000000-) Orifice, Valve	1
▲	30	74280	(000000-) Washer	1
▲	31	74281	(000000-) Washer	8

Fig. 7 - Hydraulic Piston Pump Breakdown, 74163

NOTE: Piston Pump, TENNANT Part Number 74163, includes Fig. 6, and Fig. 7.

	Ref.	Part No.	Serial Number	Description	Qty.
▽		74163	(000000-) Pump, Hyd Piston V 2.48	1
▲	1	74259	(000000-) Relief Valve Sa	2
▲	2	74283	(000000-) Seal Kit, Pump	1
▲	3	74260	(000000-) Screw, Cap	2
▲	4	74261	(000000-) Screw, Cap	2
▲	5	61886	(000000-) Valve Plate	1
▲	6	79708	(000000-) Repair Info,Pmp	1
▲▽	7	74264	(000000-) Backplate S/A	1
▲▲	8	34159	(000000-) Bearing	1
▲▲	9	79748	(000000-) Roll Pin	1
▲	10	74270	(000000-) Key	1
▲▽	11	74271	(000000-) Charge Pmp Adap	1
▲▲	12	79749	(000000-) Bushing	1
▲▲	13	79750	(000000-) Plug	1
▲▲	14	79751	(000000-) Shims	1
▲▲	15	79752	(000000-) Spring	1
▲▲	16	79753	(000000-) Poppet	1
▲	17	74274	(000000-) Geroter,Ring In	1
▲	18	74275	(000000-) Geroter,Ring Ot	1
▲	19	74277	(000000-) Coupler	1
▲	20	74278	(000000-) Ring, Retaining	2
▲	21	74279	(000000-) Actuator, Valve	1
▲	22	74282	(000000-) Washer	4

Fig. 8 - Hydraulic Piston Pump Breakdown, 373404

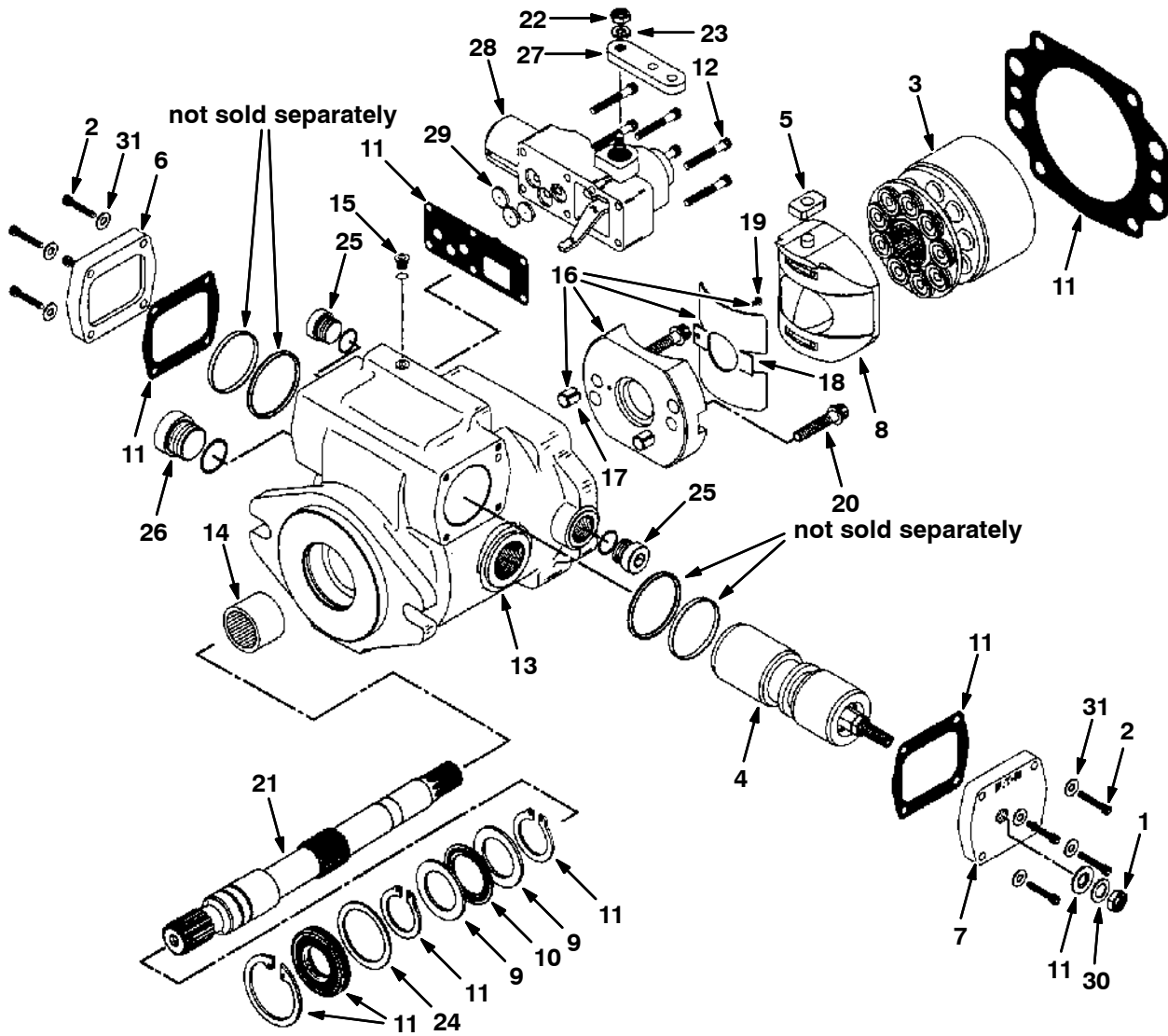


Fig. 8 - Hydraulic Piston Pump Breakdown, 373404

NOTE: Piston Pump, TENNANT Part Number 373404, includes Fig. 8, and Fig. 9.

	Ref.	Part No.	Serial Number	Description	Qty.
▽		373404	(000000-) Pump, Hyd Piston V 2.48	1
▲	1	74184	(000000-) Nut, Jam	1
▲	2	74223	(000000-) Screw, Cap	8
▲	3	61882	(000000-) Rotating Kit	1
▲	4	373407	(000000-) Piston, Servo	1
▲	5	74254	(000000-) Follower, Piston	1
▲	6	74256	(000000-) Plate, Cover	1
▲	7	74257	(000000-) Plate, Cover	1
▲	8	74258	(000000-) Camplate S/A	1
▲	9	74240	(000000-) Race, Bearing	2
▲	10	74210	(000000-) Bearing	1
▲	11	74283	(000000-) Seal Kit, Pump	1
▲	12	74262	(000000-) Screw, Cap	6
▲▽		373408	(000000-) Housing S/A	1
▲▲	13	373409	(000000-) Housing	1
▲▲	14	37462	(000000-) Bearing	1
▲▲	15	79742	(000000-) Plug S/A	1
▲▽	16	373410	(000000-) Cradle Sub Assy	1
▲▲	17	373218	(000000-) Dowel Bushing	2
▲▲	18	373414	(000000-) Bushing	1
▲▲	19	373415	(000000-) Cap Screw	1
▲▲	20	79747	(000000-) Cap Screw	2
▲	21	74265	(000000-) Shaft, Drive Sp	1
▲	22	74266	(000000-) Nut	1
▲	23	74267	(000000-) Lockwasher	1
▲	24	37460	(000000-) Washer	1
▲	25	13907	(000000-) Plug #8	2
▲	26	79779	(000000-) Plug,#12 O-Ring Ph	1
▲	27	74272	(000000-) Arm, Control	1
▲	28	74273	(000000-) Control, Manual (See Breakdown)	1
▲	29	74276	(000000-) Orifice, Valve	1
▲	30	74280	(000000-) Washer	1
▲	31	74281	(000000-) Washer	8

Fig. 9 - Hydraulic Piston Pump Breakdown, 373404

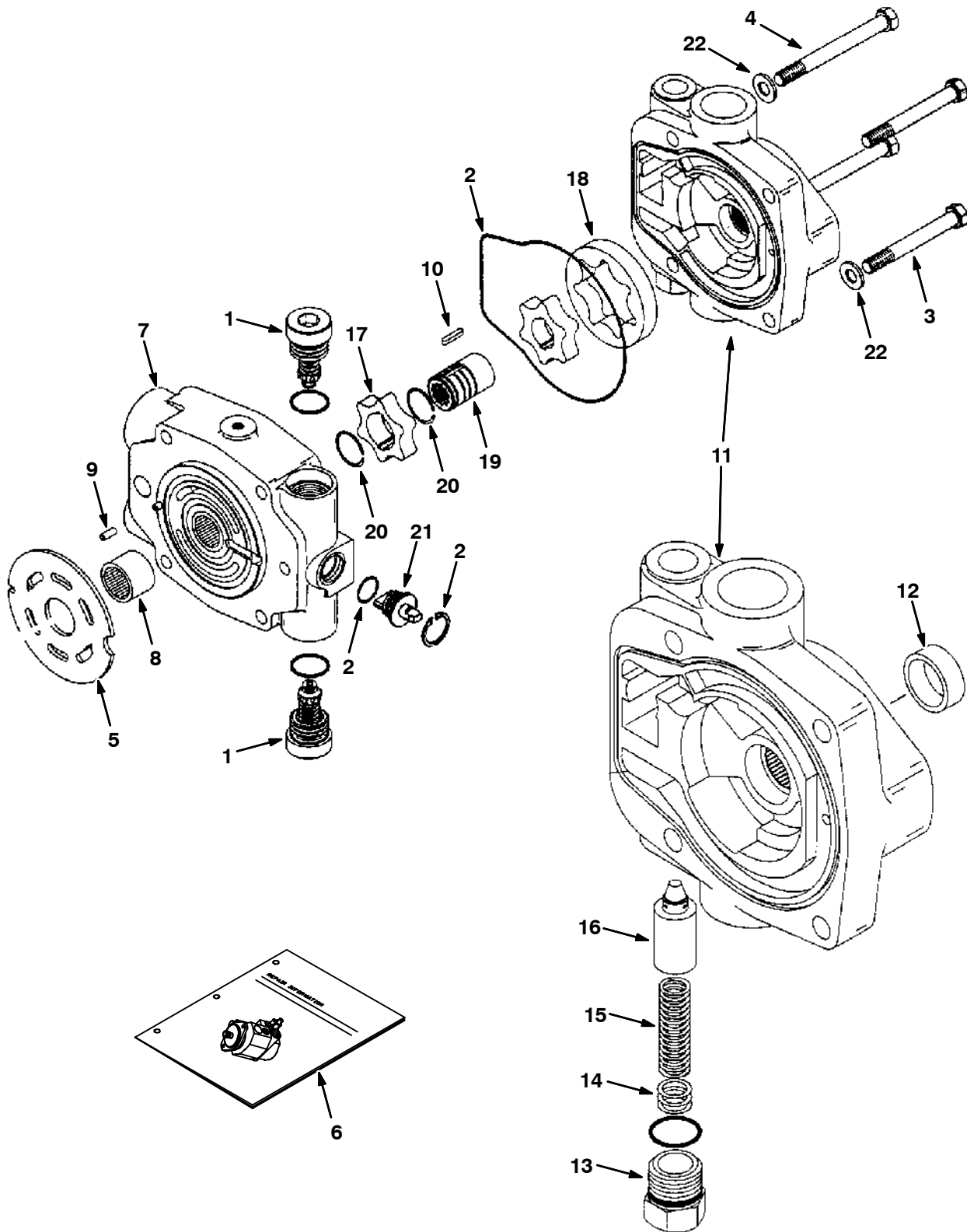


Fig. 9 - Hydraulic Piston Pump Breakdown, 373404

NOTE: Piston Pump, TENNANT Part Number 373404, includes Fig. 8, and Fig. 9.

	Ref.	Part No.	Serial Number	Description	Qty.
▽		373404	(000000-) Pump, Hyd Piston V 2.48	1
▲	1	74259	(000000-) Relief Valve Sa	2
▲	2	74283	(000000-) Seal Kit, Pump	1
▲	3	373374	(000000-) Screw, Cap	2
▲	4	373375	(000000-) Screw, Cap	2
▲	5	61886	(000000-) Valve Plate	1
▲	6	79708	(000000-) Repair Info,Pmp	1
▲▽	7	373412	(000000-) Backplate S/A	1
▲▲	8	34159	(000000-) Bearing	1
▲▲	9	79748	(000000-) Roll Pin	1
▲	10	74270	(000000-) Key	1
▲▽	11	74271	(000000-) Charge Pmp Adap	1
▲▲	12	79749	(000000-) Bushing	1
▲▲	13	79750	(000000-) Plug	1
▲▲	14	79751	(000000-) Shims	1
▲▲	15	79752	(000000-) Spring	1
▲▲	16	79753	(000000-) Poppet	1
▲	17	74274	(000000-) Geroter,Ring In	1
▲	18	74275	(000000-) Geroter,Ring Ot	1
▲	19	74277	(000000-) Coupler	1
▲	20	74278	(000000-) Ring, Retaining	2
▲	21	373413	(000000-) Actuator, Valve	1
▲	22	74282	(000000-) Washer	4

Fig. 10 - Hydraulic Gear Pump Breakdown, 373245

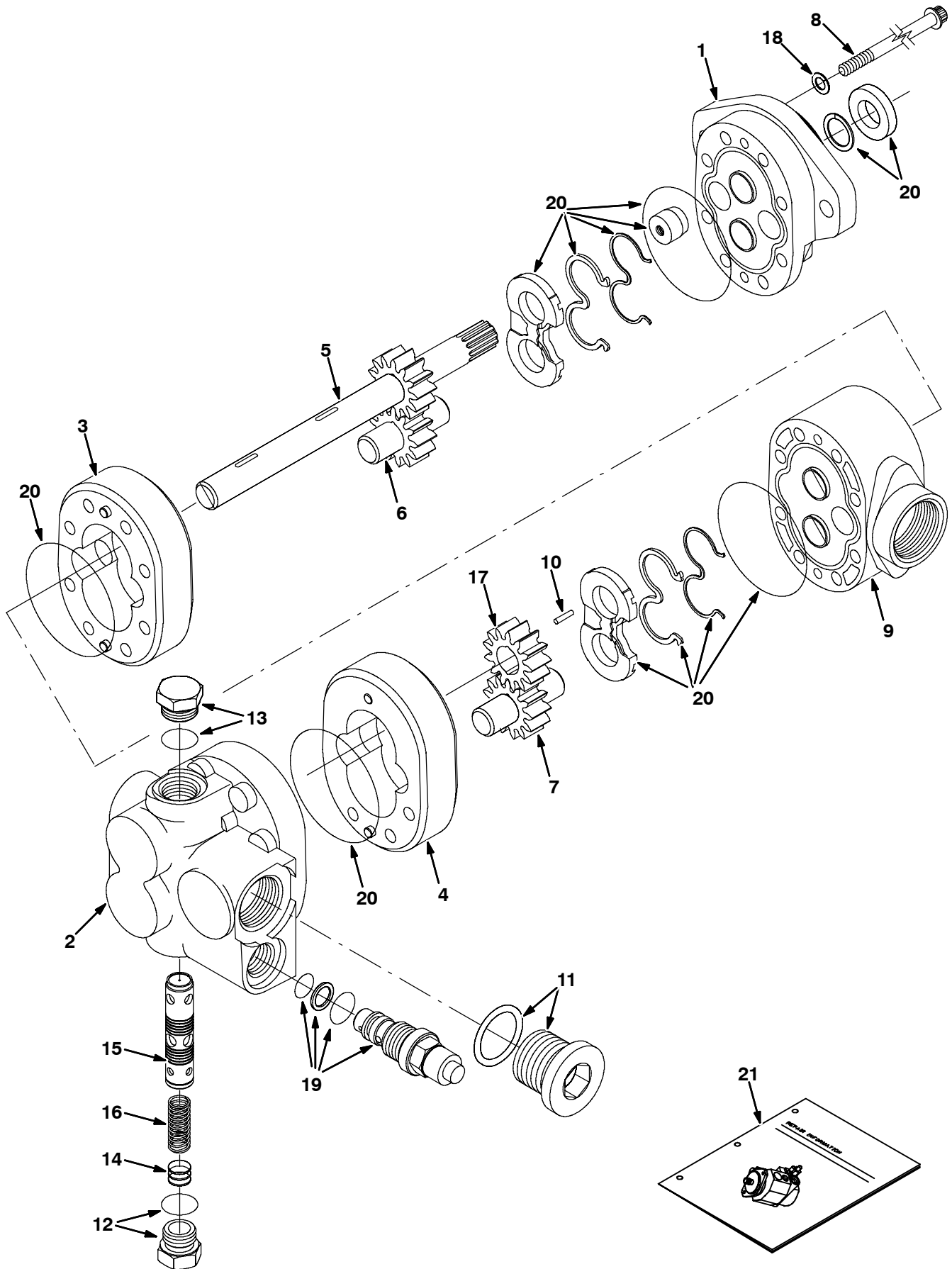


Fig. 10 - Hydraulic Gear Pump Breakdown, 373245

	Ref.	Part No.	Serial Number	Description	Qty.
▽		373245	(000000-) Pump, Hyd, Gear [Ex2] 1.69 [R] 2800	1
▲	1	373201	(000000-) Plate, Front	1
▲	2	373228	(000000-) Plate, Back	1
▲	3	373231	(000000-) Housing, Pump	1
▲	4	373232	(000000-) Housing	1
▲	5	373230	(000000-) Gear, Drive	1
▲	6	373233	(000000-) Gear, Idler	1
▲	7	373211	(000000-) Gear Assy, Idler	1
▲	8	21912	(000000-) Screw, Cap	8
▲	9	373235	(000000-) Plate, Adapter	1
▲	10	74160	(000000-) Key, Round	1
▲	11	71725	(000000-) Plug, O-ring	1
▲	12	373237	(000000-) Plug	1
▲	13	763477	(000000-) Plug	1
▲	14	373239	(000000-) Shim	1
▲	15	373241	(000000-) Spool	1
▲	16	373240	(000000-) Spring	1
▲	17	373242	(000000-) Gear	1
▲	18	373243	(000000-) Washer	4
▲	19	21914	(000000-) Valve, Relief	1
▲	20	373229	(000000-) Kit, Seal, Pump	1
▲	21	373403	(000000-) Instr, Pump Repair	1

Fig. 11 - Hydraulic Gear Pump Breakdown, 79078

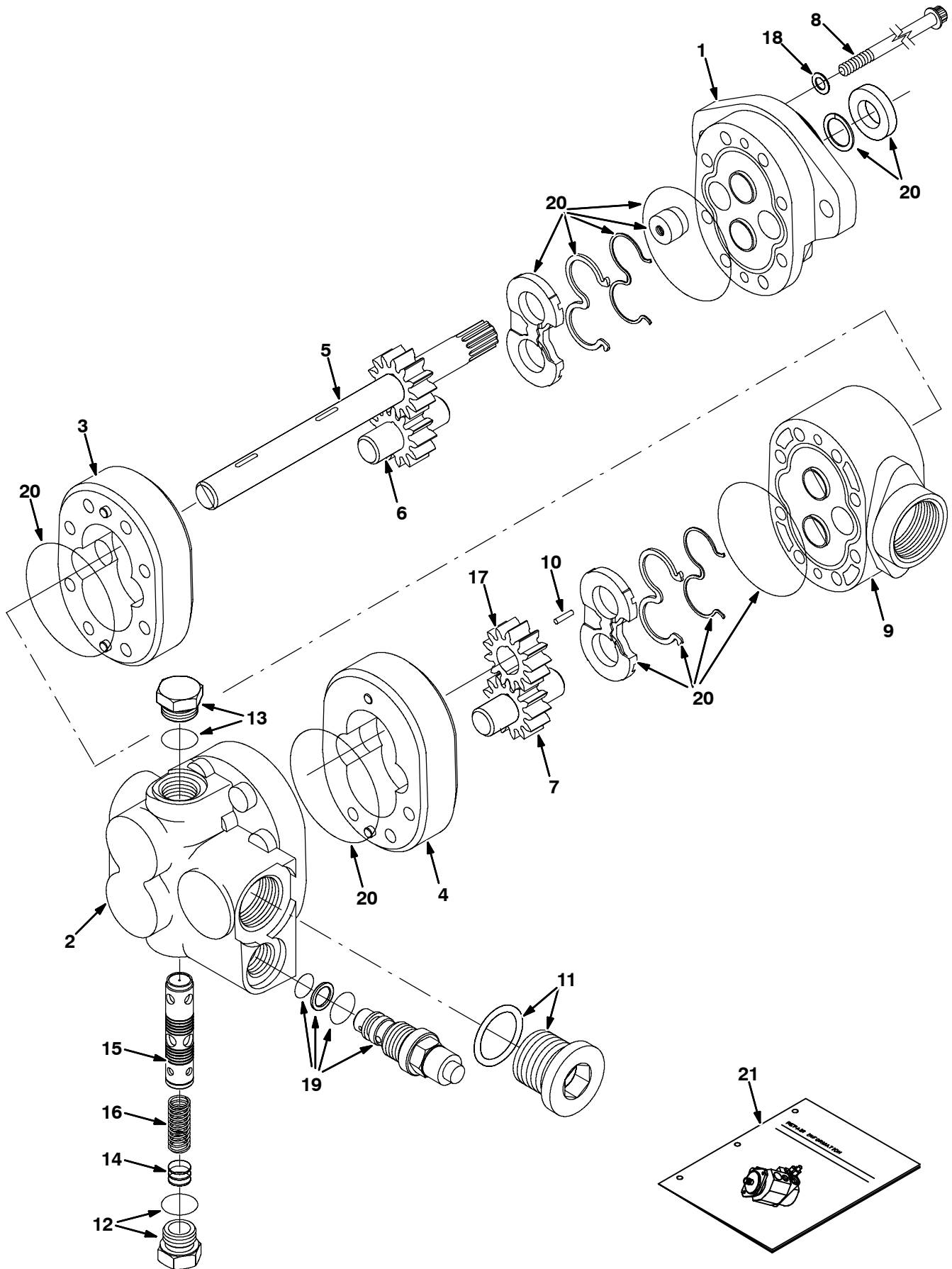


Fig. 11 - Hydraulic Gear Pump Breakdown, 79078

Ref.	Part No.	Serial Number	Description	Qty.
▽	79078	(000000-) Pump, Hyd, Gear [Ex2] 1.69 [R] 2500 (Replaced by 373245)	1
▲	1 74149	(000000-) Plate, Front	1
▲	2 373552	(000000-) Plate, Back	1
▲	3 21909	(000000-) Housing, Pump	1
▲	4 74150	(000000-) Housing	1
▲	5 21910	(000000-) Gear, Drive	1
▲	6 21911	(000000-) Gear, Idler	1
▲	7 74151	(000000-) Gear Assy, Idler	1
▲	8 21912	(000000-) Screw, Cap	8
▲	9 74152	(000000-) Plate, Adapter	1
▲	10 74160	(000000-) Key, Round	1
▲	11 71725	(000000-) Plug, O-ring	1
▲	12 373237	(000000-) Plug	1
▲	13 763477	(000000-) Plug	1
▲	14 373239	(000000-) Shim	1
▲	15 21913	(000000-) Spool	1
▲	16 373240	(000000-) Spring	1
▲	17 74148	(000000-) Gear	1
▲	18 74159	(000000-) Washer	4
▲	19 21914	(000000-) Valve, Relief	1
▲	20 57064	(000000-) Kit, Seal, Pump	1
▲	21 763483	(000000-) Instr, Pump Repair	1

Fig. 12 - Hydraulic Gear Pump Breakdown, 1014956

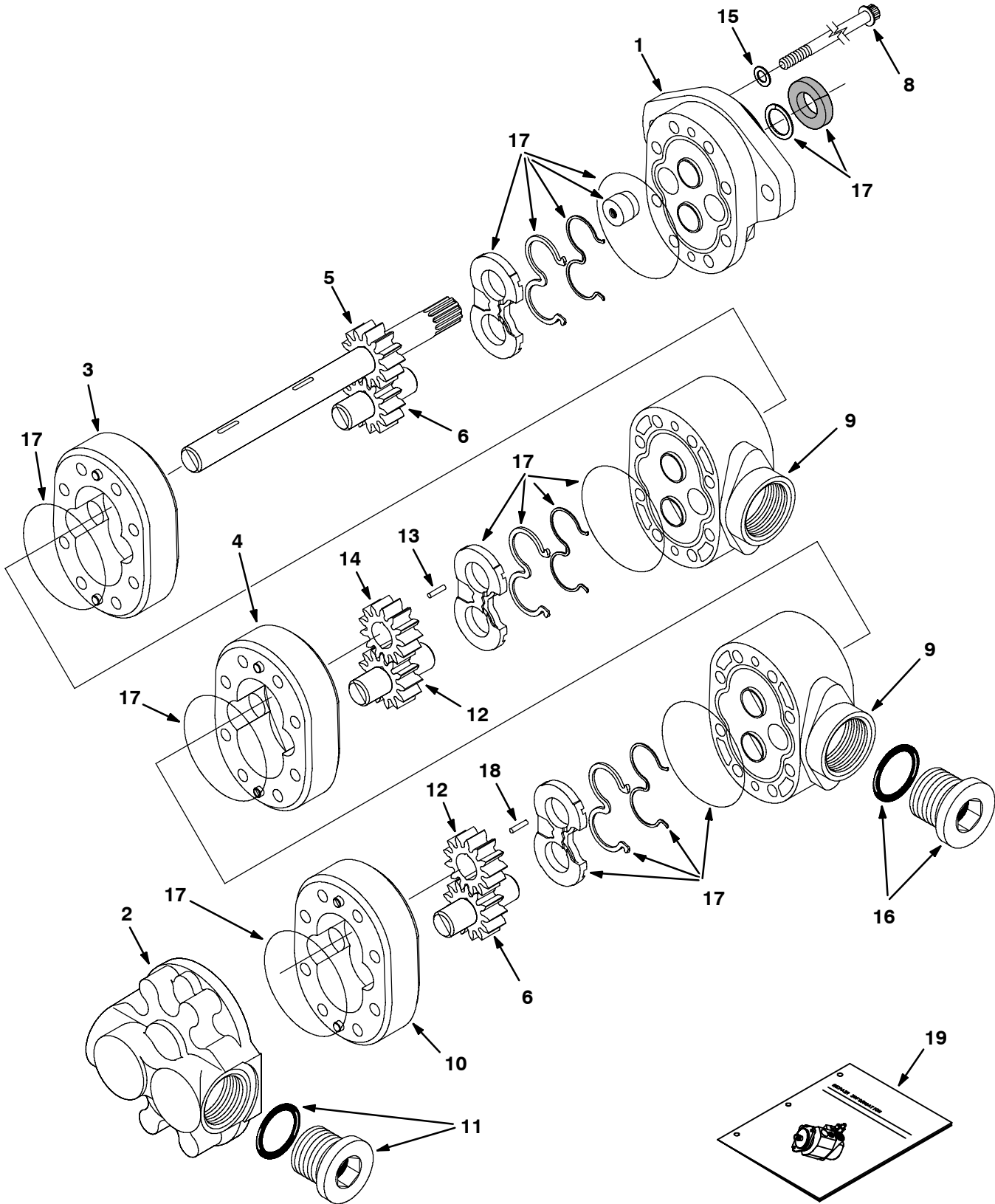


Fig. 12 - Hydraulic Gear Pump Breakdown, 1014956

Ref.	Part No.	Serial Number	Description	Qty.
▽	1014956	(000000-) Pump, Hyd, Gear, [Ex3] 1.69 [R] 3000	1
▲	1	373201	(000000-) Plate, Front, Pump, Gear [En]	1
▲	2	373267	(000000-) Plate, Back	1
▲	3	373231	(000000-) Housing, Pump	1
▲	4	373232	(000000-) Manifold, Pump, Gear [En]	1
▲	5	373616	(000000-) Gear, Drive, Pump, Hyd [En]	1
▲	6	373286	(000000-) Gear Assy, Idler, Pump, Hyd	2
▲	7	373233	(000000-) Gear, Idler	2
▲	8	74154	(000000-) Screw, Cap, Motor, Hyd [En]	8
▲	9	373235	(000000-) Plate, Adaptor, Pump, Hyd [En]	2
▲	10	373285	(000000-) Manifold, Pump, Gear [En]	1
▲	11	373288	(000000-) Gear, Drive, Pump, Hyd [En]	1
▲	12	373211	(000000-) Gear Assy, Idler, Pump, Hyd [En]	1
▲	13	373284	(000000-) Key, Round [En]	1
▲	14	373242	(000000-) Gear, Drive, Pump, Hyd [En]	1
▲	15	373235	(000000-) Plate, Adaptor, Pump, Hyd [En]	4
▲	16	74161	(000000-) Fitting, Hyd, Plug, Om20	1
▲	17	373255	(000000-) Kit, Seal, Pump, Hyd [En]	1
▲	18	373287	(000000-) Key, Round [En]	1
▲	19	373403	(000000-) Instr, Pump Repair	1

Fig. 13 - Manual Control Breakdown, 74273

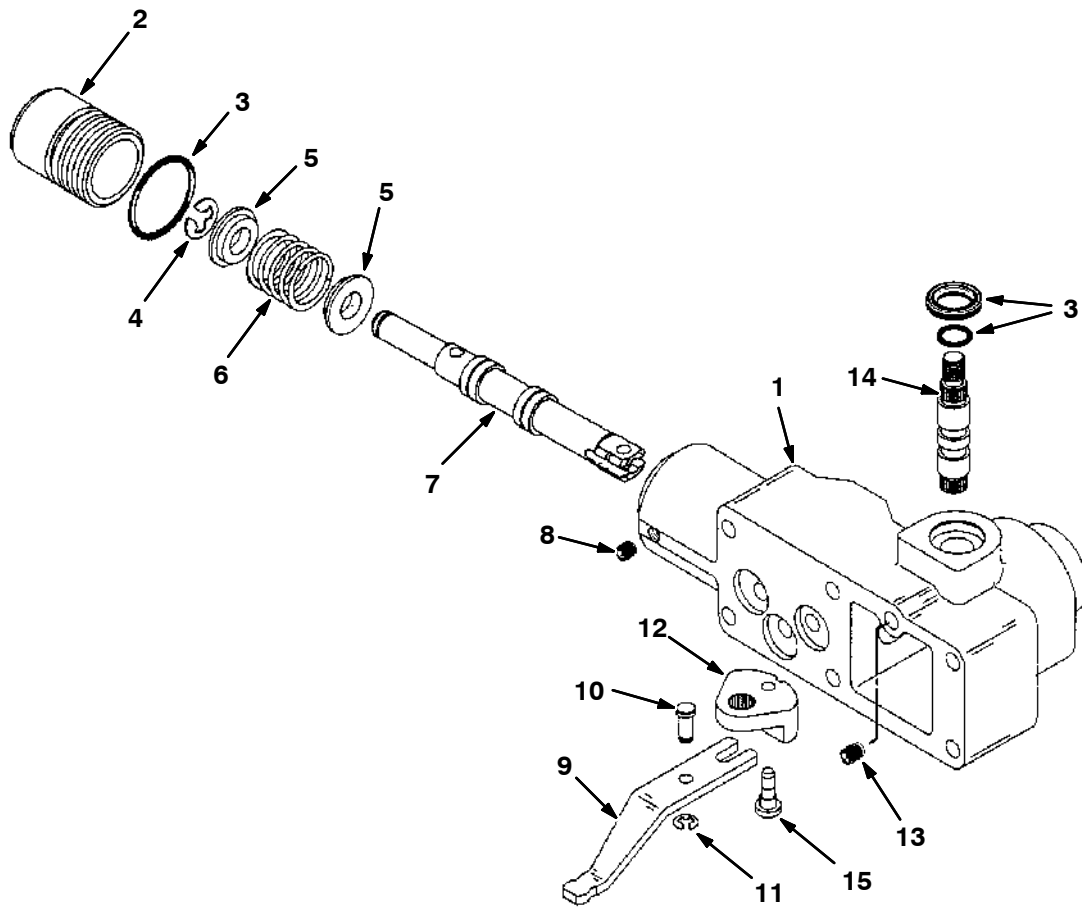


Fig. 13 - Manual Control Breakdown, 74273

	Ref.	Part No.	Serial Number	Description	Qty.
▽		74273	(000000-) Control, Manual	1
▲	1	79754	(000000-) Housing, Control	1
▲	2	79755	(000000-) Plug	1
▲	3	79776	(000000-) Seal Kit, Cntrl	1
▲	4	79756	(000000-) Ring, Retaining	1
▲	5	79757	(000000-) Spring, Retainer	2
▲	6	79758	(000000-) Spring, Cntr	1
▲	7	79759	(000000-) Valve Spool	1
▲	8	79760	(000000-) Screw, Set	1
▲	9	79761	(000000-) Link, Feedback	1
▲	10	79762	(000000-) Dowel Pin	1
▲	11	79763	(000000-) Ring, Retaining	1
▲	12	79764	(000000-) Bell Crank	1
▲	13	79765	(000000-) Screw, Set	1
▲	14	79766	(000000-) Shaft, Input	1
▲	15	79767	(000000-) Pin, Headed	1

Fig. 14 - Hydraulic Motor Breakdown, 22604

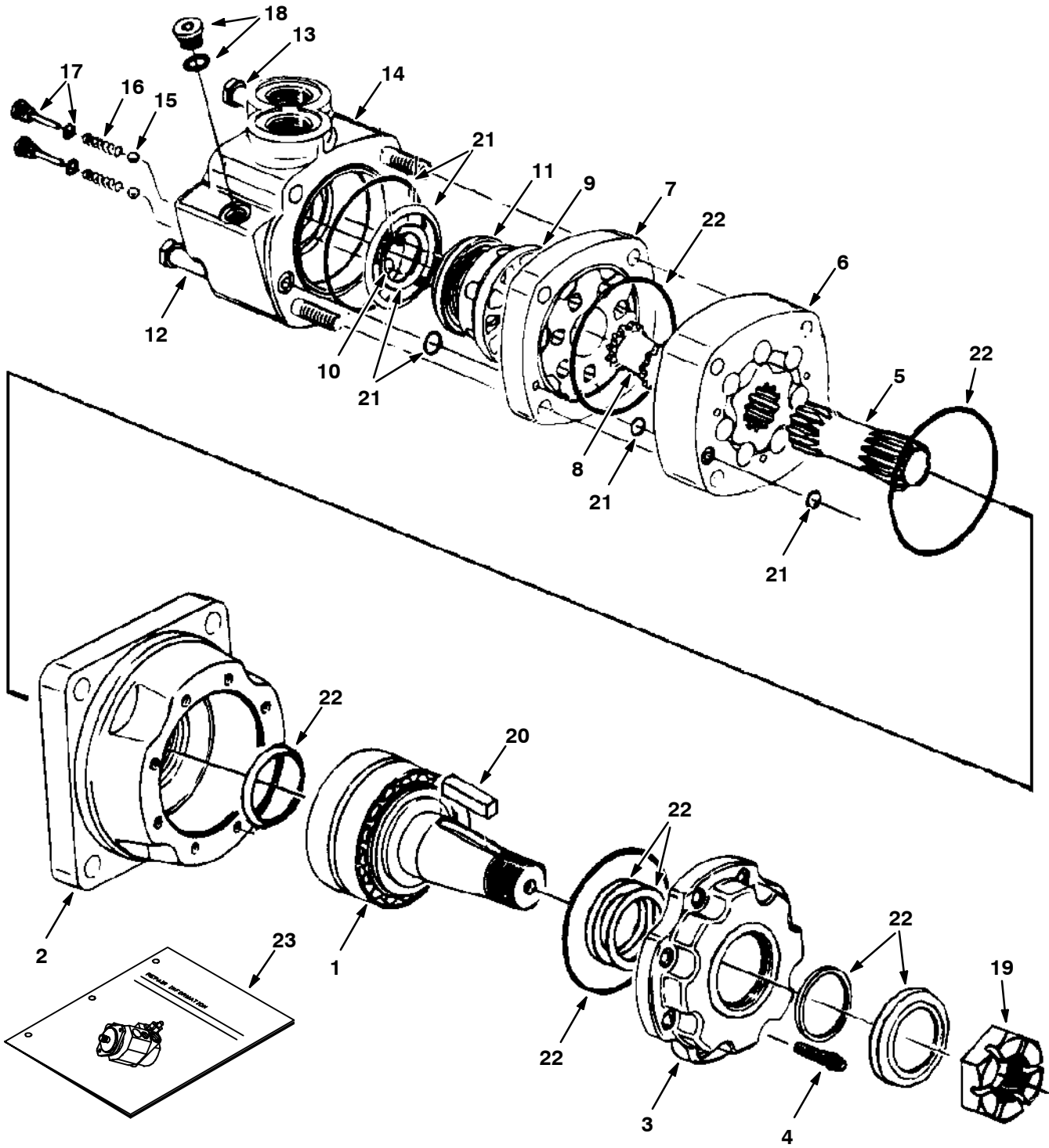
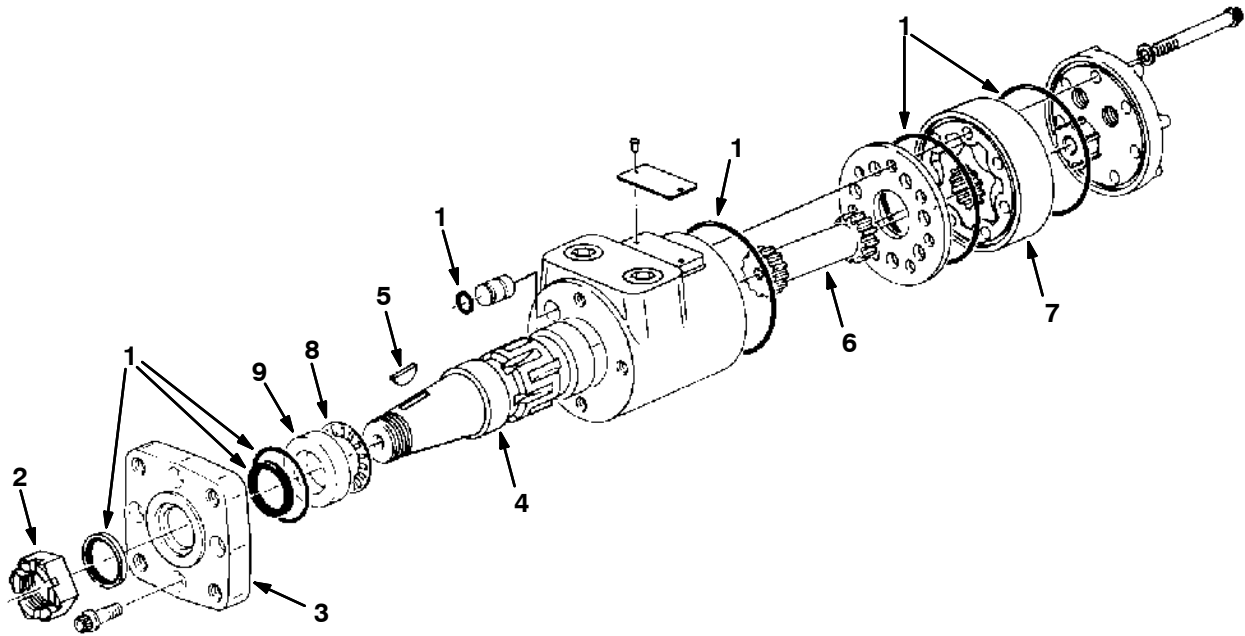


Fig. 14 - Hydraulic Motor Breakdown, 22604

	Ref.	Part No.	Serial Number	Description	Qty.
▽		22604	(000000-) Motor, Hyd Gear	1
▲	1	74165	(000000-) Shaft S/A	1
▲	2	74166	(000000-) Housing, Brg	1
▲	3	74167	(000000-) Retainer, Frt	1
▲	4	74168	(000000-) Screw, Cap	8
▲	5	37616	(000000-) Drive	1
▲	6	37756	(000000-) Geroler	1
▲	7	74122	(000000-) Plate, Valve	1
▲	8	52405	(000000-) Valve	1
▲	9	74123	(000000-) Valve	1
▲	10	34178	(000000-) Spring	2
▲	11	38968	(000000-) Ring	1
▲	12	74125	(000000-) Bolt	3
▲	13	38255	(000000-) Bolt	1
▲	14	74171	(000000-) Housing Assy,	1
▲	15	37766	(000000-) Ball	2
▲	16	34179	(000000-) Spring	2
▲	17	74137	(000000-) Plug Assembly	2
▲	18	74098	(000000-) Plug #4	1
▲	19	45622	(000000-) Nut	1
▲	20	45623	(000000-) Key	1
▲	21	33580	(000000-) Seal Kit, Rear	1
▲	22	79828	(000000-) Seal Kit, Shaft	1
▲	23	74249	(000000-) Instr. Repair Info, Motor	1

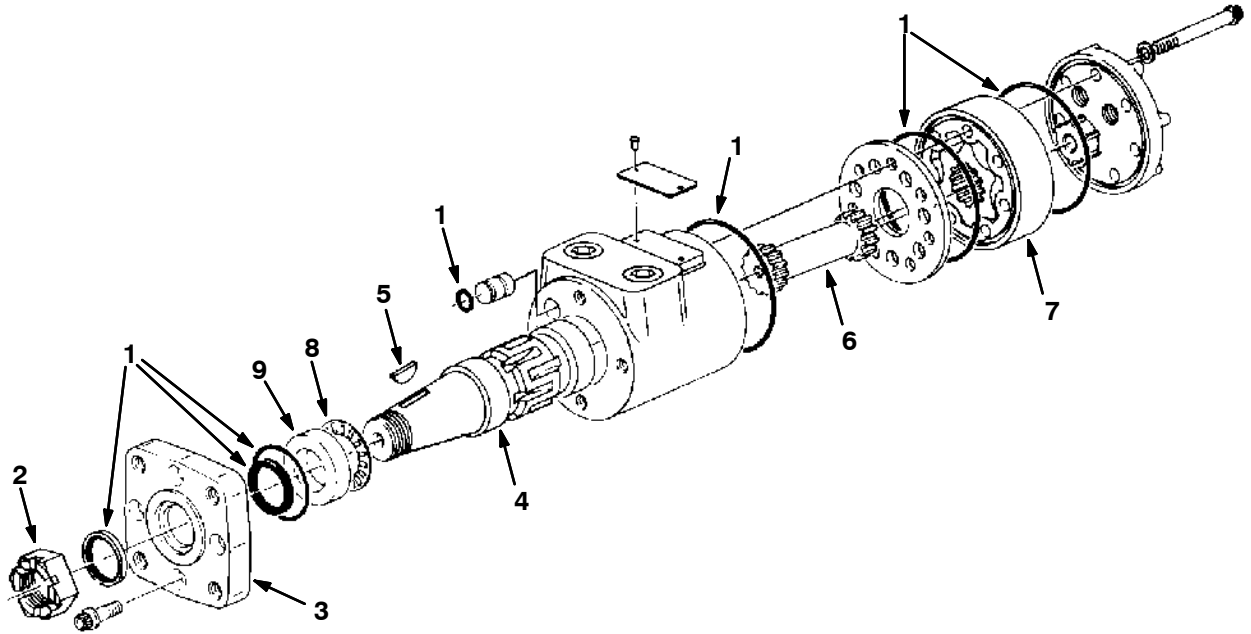
Fig. 15 - Hydraulic Motor Breakdown, 27792



09795 - 550, 1550

Ref.	Part No.	Serial Number	Description	Qty.	
▽	27792	(000000-) Motor, Hydraulic	1	
▲	1	28835	(000000-) Seal Kit	1
▲	2	39527	(000000-) Nut, Slotted	1
▲	3	31354	(000000-) Flange, Mounting	1
▲	4	37617	(000000-) Shaft, Output	1
▲	5	00500-15	(000000-) Key, Woodruff	1
▲	6	31377	(000000-) Drive	1
▲	7	31382	(000000-) Gerotor	1
▲	8	45628	(000000-) Bearing	1
▲	9	16695	(000000-) Race, Thrust	1

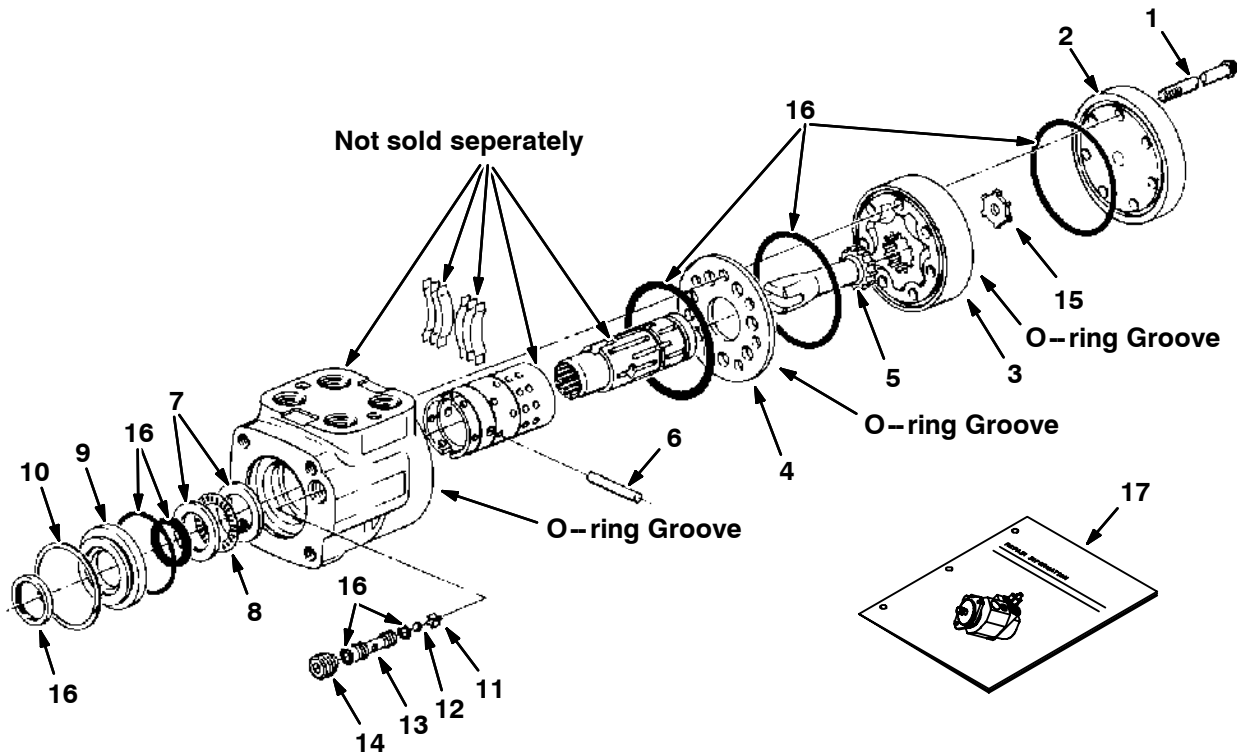
Fig. 16 - Hydraulic Motor Breakdown, 61489



09795 - 550, 1550

Ref.	Part No.	Serial Number	Description	Qty.	
▽	61489	(000000-) Motor, Hydraulic	1	
▲	1	61490	(000000-) Seal Kit	1
▲	2	39527	(000000-) Nut, Slotted	1
▲	3	31354	(000000-) Flange, Mounting	1
▲	4	37617	(000000-) Shaft, Output	1
▲	5	00500-15	(000000-) Key, Woodruff	1
▲	6	31377	(000000-) Drive	1
▲	7	31382	(000000-) Gerotor	1
▲	8	45628	(000000-) Bearing	1
▲	9	16695	(000000-) Race, Thrust	1

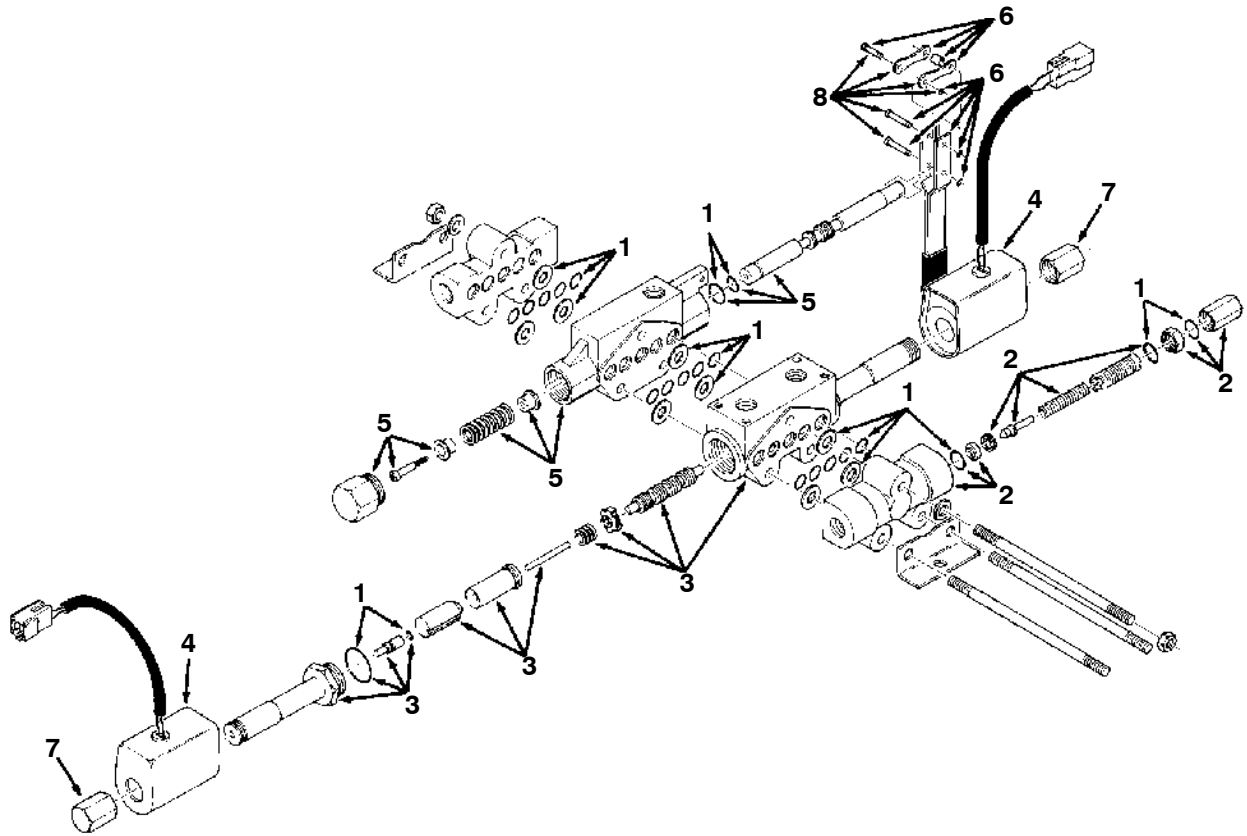
Fig. 17 - Hydraulic Steering Valve Breakdown, 74176



09936-09670 - ALL

Ref.	Part No.	Serial Number	Description	Qty.
▽	74176	(000000-	Steer Control, Hyd #4 05.9 150	1
▲	1 65241	(000000-	Cap Screw	7
▲	2 74181	(000000-	Cap, End	1
▲	3 57156	(000000-	Geroter	1
▲	4 74182	(000000-	Plate, Wear	1
▲	5 58596	(000000-	Drive	1
▲	6 74218	(000000-	Pin	1
▲	7 74109	(000000-	Race, Bearing	2
▲	8 74110	(000000-	Bearing, Needle	1
▲	9 74112	(000000-	Bushing, Seal	1
▲	10 74111	(000000-	Ring, Retainer	1
▲	11 74186	(000000-	Retainer, Chk	1
▲	12 74187	(000000-	Ball	1
▲	13 74188	(000000-	Seat, Chk Ball	1
▲	14 74189	(000000-	Screw Set	1
▲	15 74105	(000000-	Spacer	1
▲	16 74190	(000000-	Seal Kit, Scu	1
▲	74195	(000000-	Spring Kit, Scu	1
▲	17 74251	(000000-	Repair Info,Scu	1

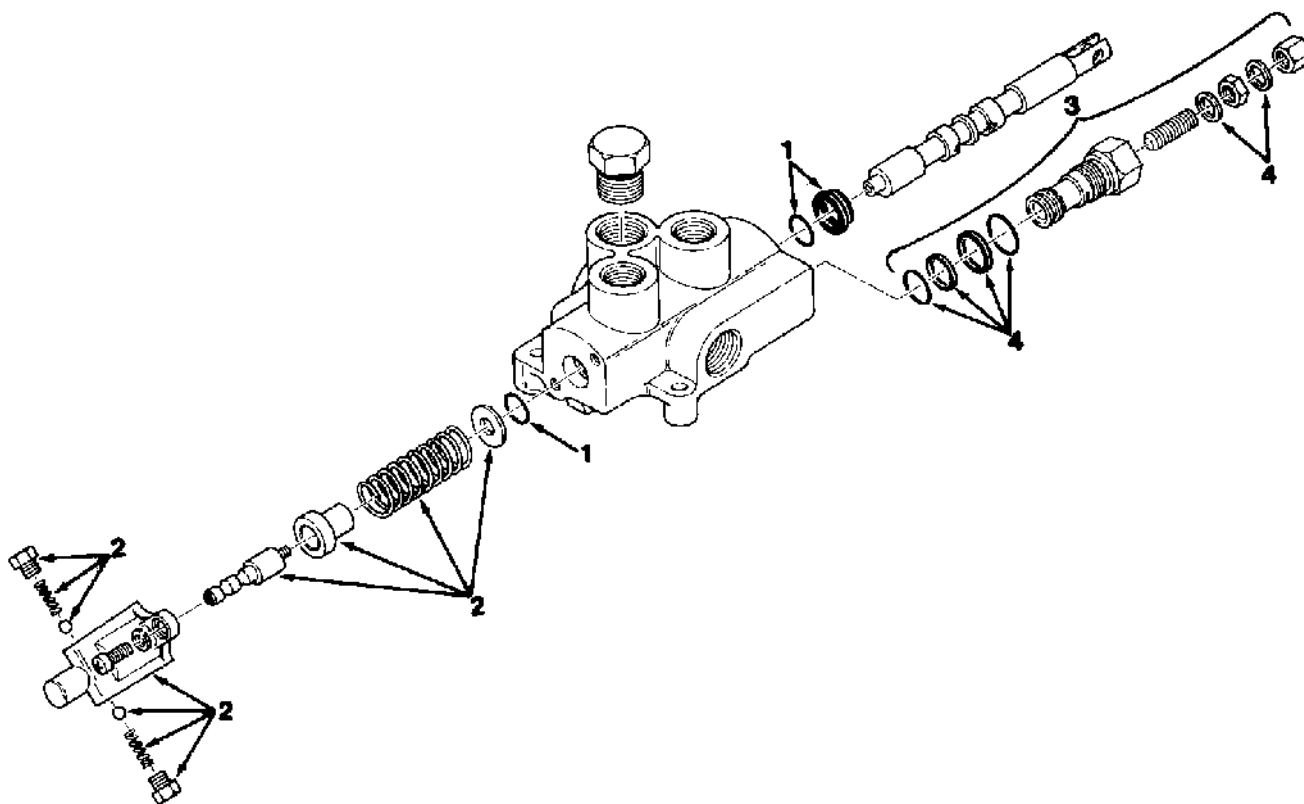
Fig. 18 - Hydraulic Solenoid Valve Breakdown, 31575



02392 - 550, 1550

Ref.	Part No.	Serial Number	Description	Qty.	
▽	31575	(000000-) Valve, Hydraulic, Solenoid	1	
▲	1	04198	(000000-) Seal Kit	1
▲	2	31642	(000000-) Inlet Section	1
▲	3	31643	(000000-) Valve Section	1
▲	4	02536	(000000-) Coil	2
▲	5	02520	(000000-) Valve Section, Manual	1
▲	6	02519	(000000-) Handle Assembly, Complete	1
▲	7	04525	(000000-) Nut, Solenoid	2
▲	8	04185	(000000-) Linkage Kit, Handle	1

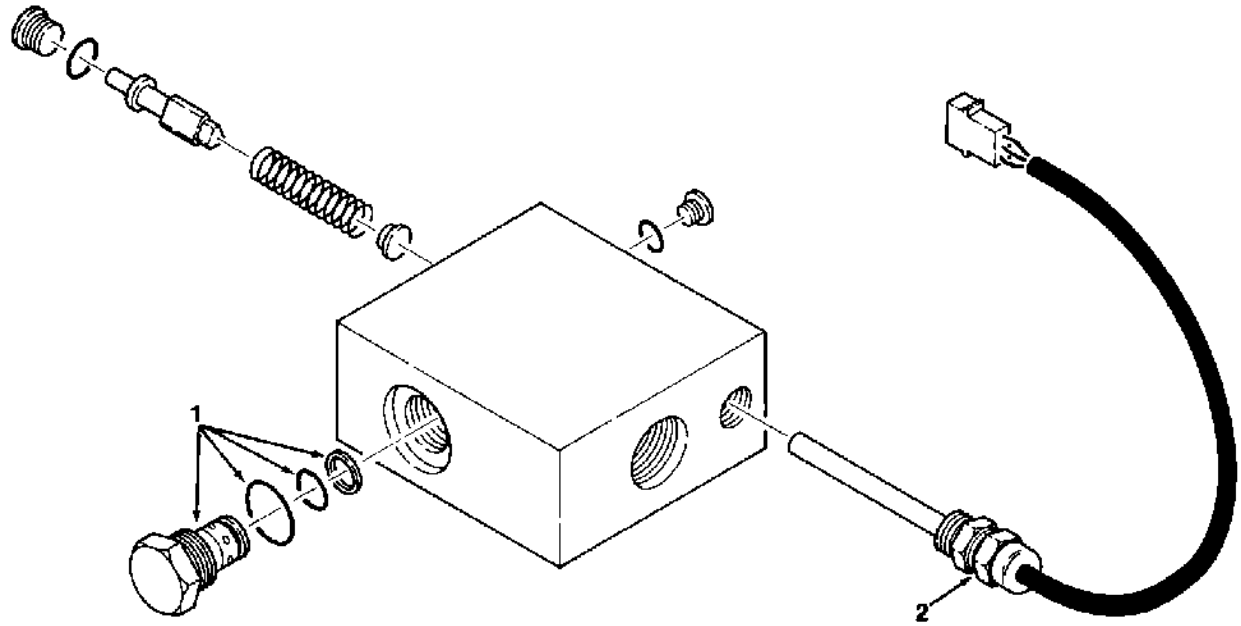
Fig. 19 - Hydraulic Valve Breakdown, 32761



02362 - 550, 1550

Ref.	Part No.	Serial Number	Description	Qty.
▽	32761	(000000-) Valve, Hydraulic	1
▲	1 01666	(000000-) Seal Kit	1
▲	2 01668	(000000-) Detent Kit	1
▲▽	3 01818	(000000-) Relief Valve	1
▲▲	4 69261	(000000-) Seal Kit, Relief Valve	1

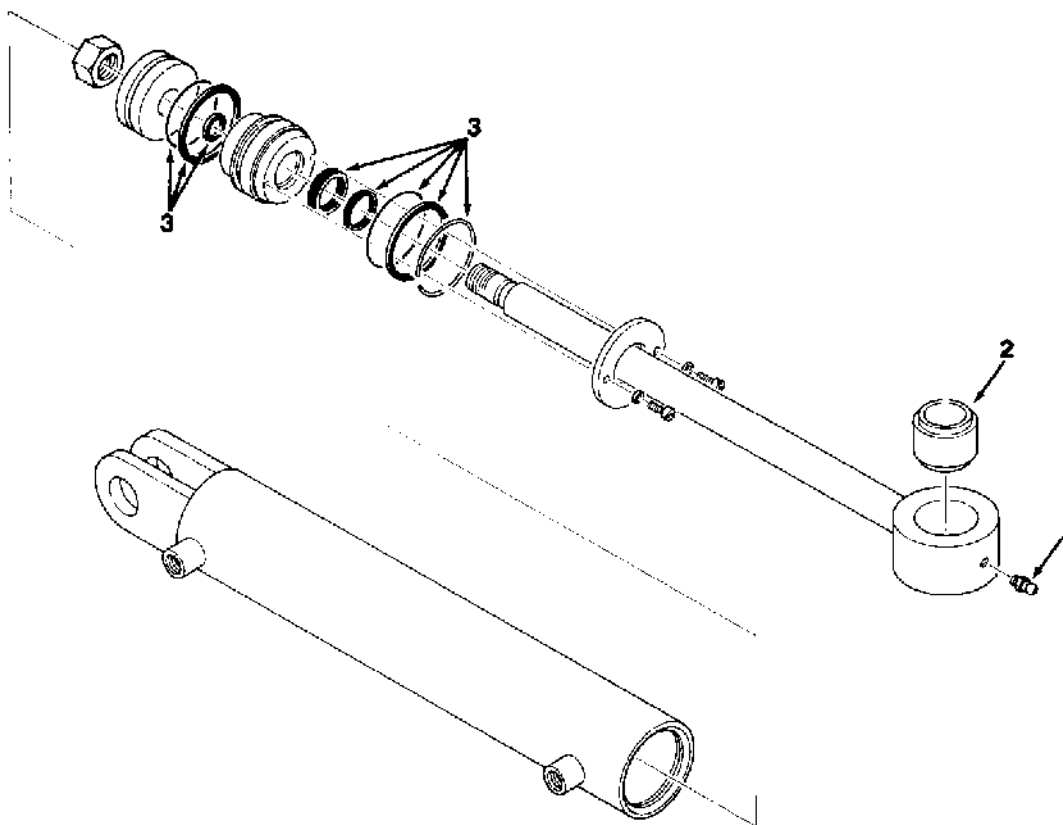
Fig. 20 - Hydraulic Flow Switch Breakdown, 31556



02399 - 550, 1550

Ref.	Part No.	Serial Number	Description	Qty.
▽	31556	(000000-) Switch, Flow	1
▲ 1	31638	(000000-) Check Valve	1
▲ 2	31639	(000000-) Switch Assembly	1

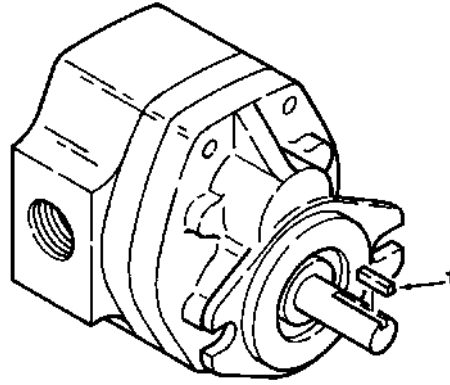
Fig. 21 - Hydraulic Cylinder Breakdown, 04431



03175 - ALL

	Ref.	Part No.	Serial Number	Description	Qty.
▽		04431	(000000-) Cylinder, Hydraulic	1
▲	1	47801	(000000-) Fitting, Grease	1
▲	2	04499	(000000-) Bearing, Self-Aligning	1
▲	3	04477	(000000-) Seal Kit	1

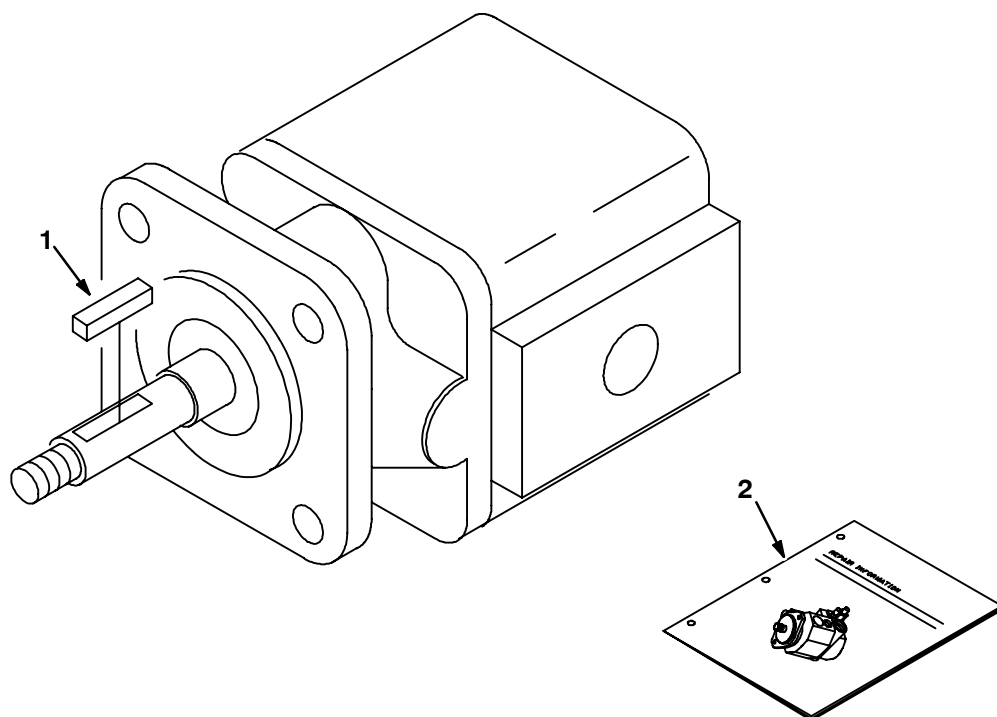
Fig. 22 - Hydraulic Motor Breakdown, 75185



02401 - ALL

	Ref.	Part No.	Serial Number	Description	Qty.
▽		75185	(000000-) Motor, Hydraulic	1
▲		02412	(000000-) Seal Kit	1
▲	1	00912	(000000-) Key, Square	1

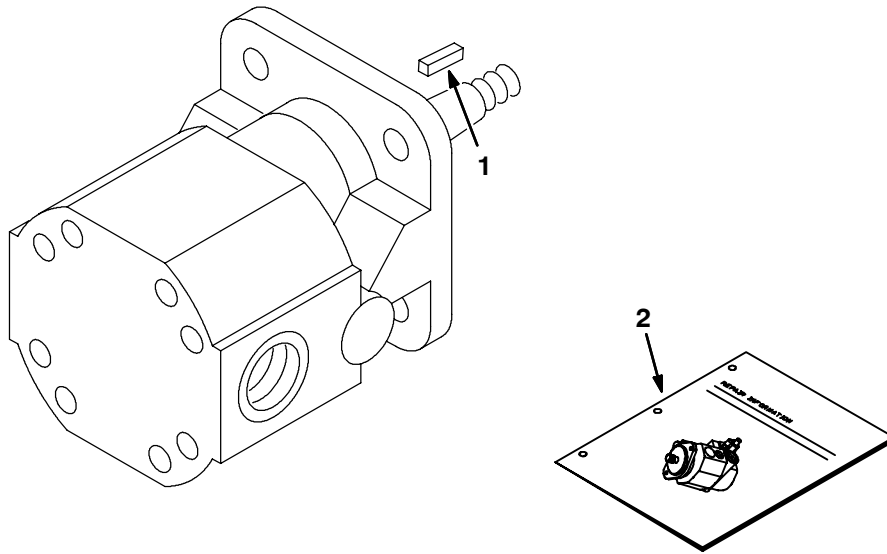
Fig. 23 - Hydraulic Motor Breakdown, 1023322



09664-09670 - 550, 1550, G, LP

Ref.	Part No.	Serial Number	Description	Qty.
▽	1023322	(000000-) Motor, Hyd Gear Ex 0.13 L 3000	1
▲	1 00954	(000000-) Key Square 0.12 0.12 01.00 Lg	1
▲	74233	(000000-) Kit, Seal, Motor, Hyd, Gear [Barns]	1
▲	2 IB3614	(000000-) Instr, Seal Kit, Motor	1

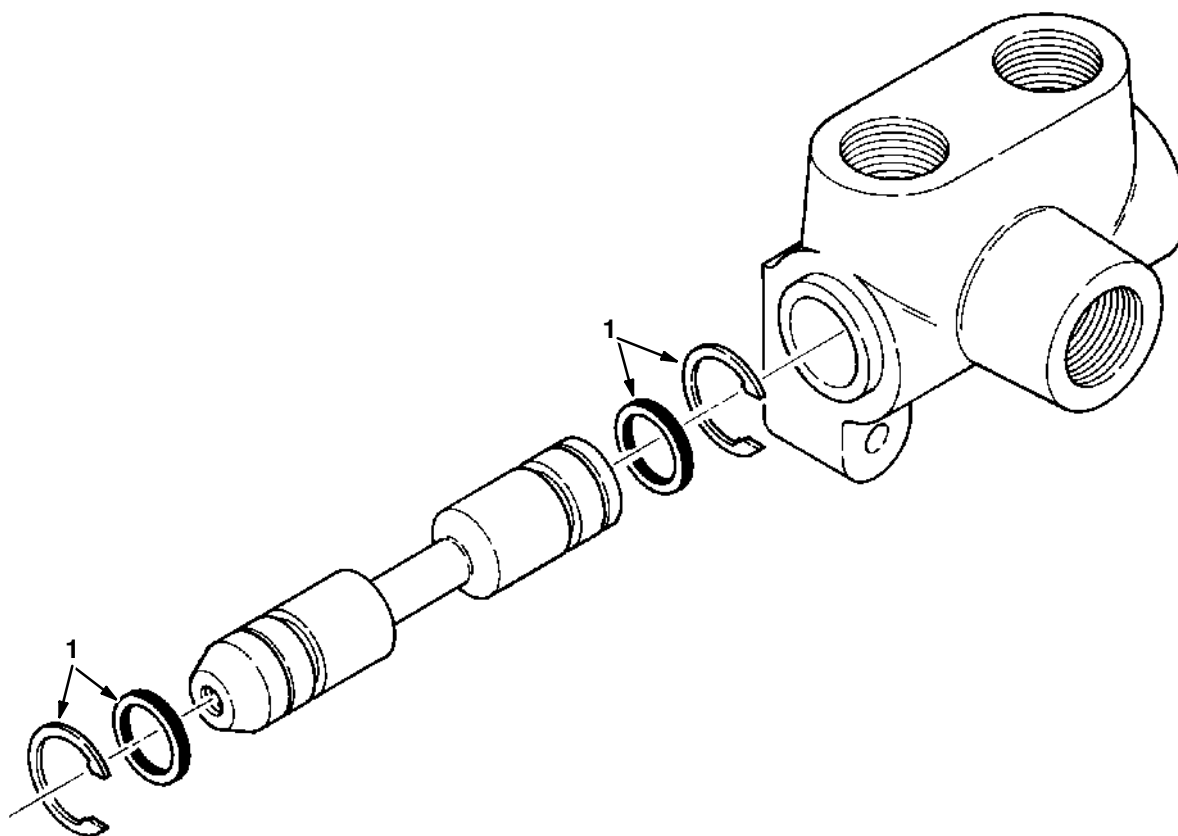
Fig. 24 - Hydraulic Motor Breakdown, 1019272



354311-09670 - 550, 1550, G, LP

	Ref.	Part No.	Serial Number	Description	Qty.
▽		1019272	(000000-) Motor, Hyd, Gear, [Ex] 0.32 R 3000	1
▲	1	00960	(000000-) Key, Sq, 0.12 X 0.12, 0.50l	1
▲		74233	(000000-) Kit, Seal, Motor, Hyd, Gear [Barns]	1
▲	2	IB3614	(000000-) Instr, Seal Kit, Motor	1

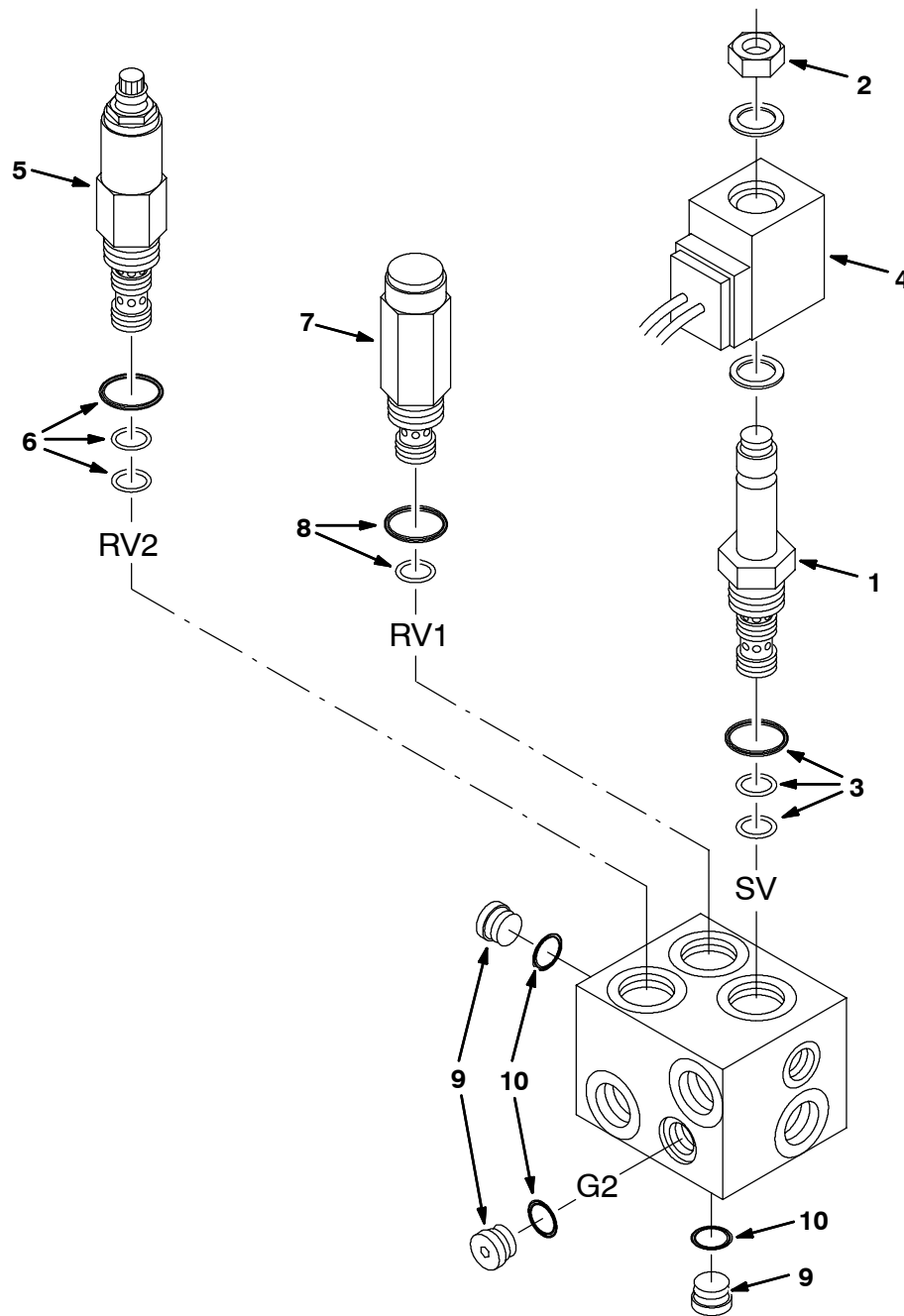
Fig. 25 - Hydraulic Control Valve Breakdown, 48108A



04230 - ALL

	Ref.	Part No.	Serial Number	Description	Qty.
▽		48108A	(000000-) Valve, Hydraulic	1
▲	1	SK1288	(000000-) Seal Kit	1

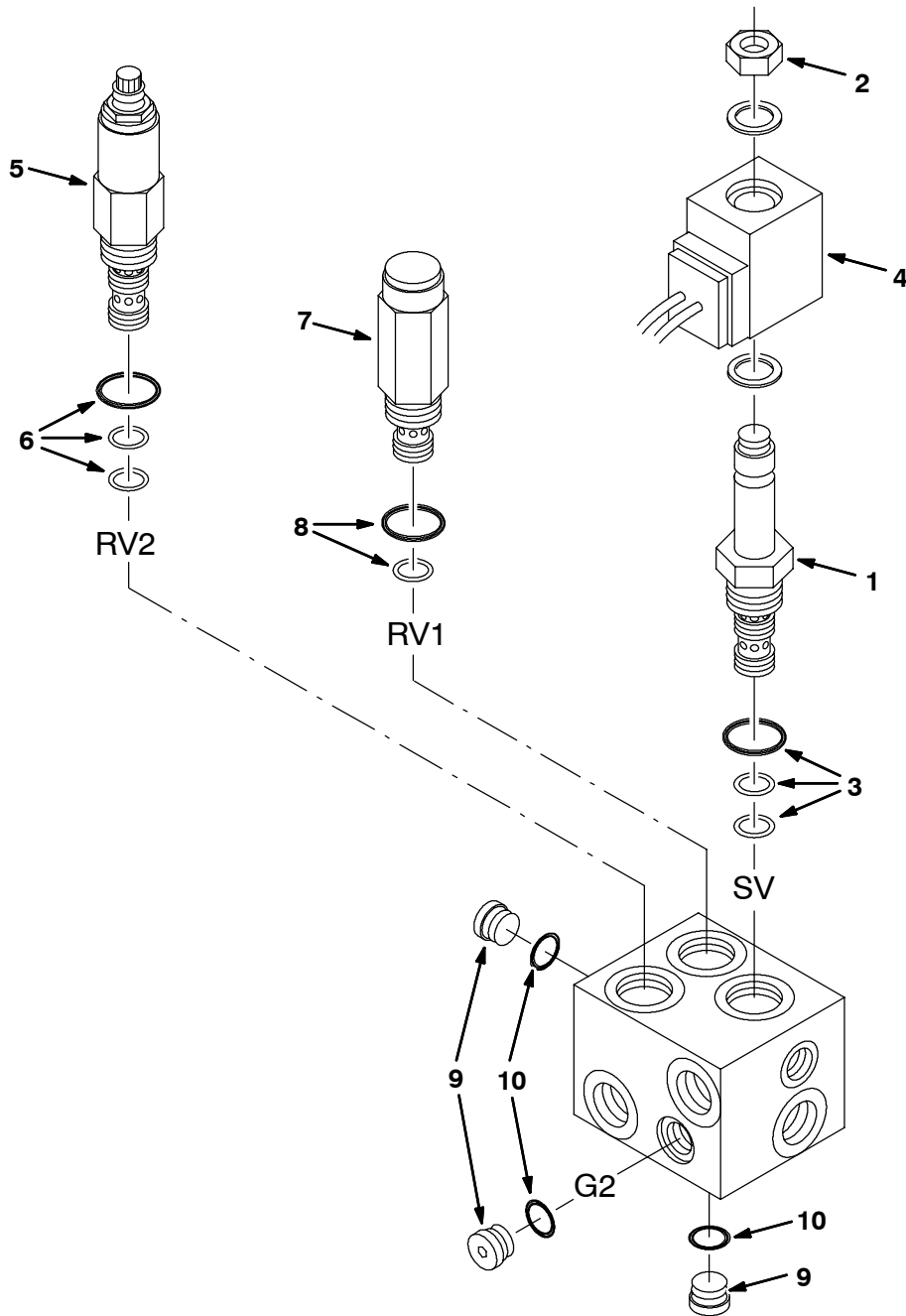
Fig. 26 - Hydraulic Solenoid Valve Breakdown, 1020194



354386 - G, LP, GM, 550, 1550

Ref.	Part No.	Serial Number	Description	Qty.	
▽	1020194	(000000-) Valve, Hyd, Solenoid [01s15g3100]	1	
▲▽	1	373624	(000000-) Valve, Stem, No	1
▲▲	2	373611	(000000-) Nut, Solenoid	1
▲▲	3	373590	(000000-) Seal Kit, Cartridge	1
▲	4	373625	(000000-) Solenoid, Valve, Hyd, 12vdc	1
▲▽	5	373626	(000000-) Valve, Cartridge, Cntrl	1
▲▲	6	373590	(000000-) Seal Kit, Cartridge	1
▲▽	7	22673	(000000-) Valve, Cartridge, Hyd, Press Cntrl	1
▲▲	8	79711	(000000-) Seal Kit, Cartridge	1
▲▽	9	74098	(000000-) Fitting, Hyd, Plug, Om04	3
▲▲	10	77003	(000000-) Seal, Org, .072 X 00.35id #04	1

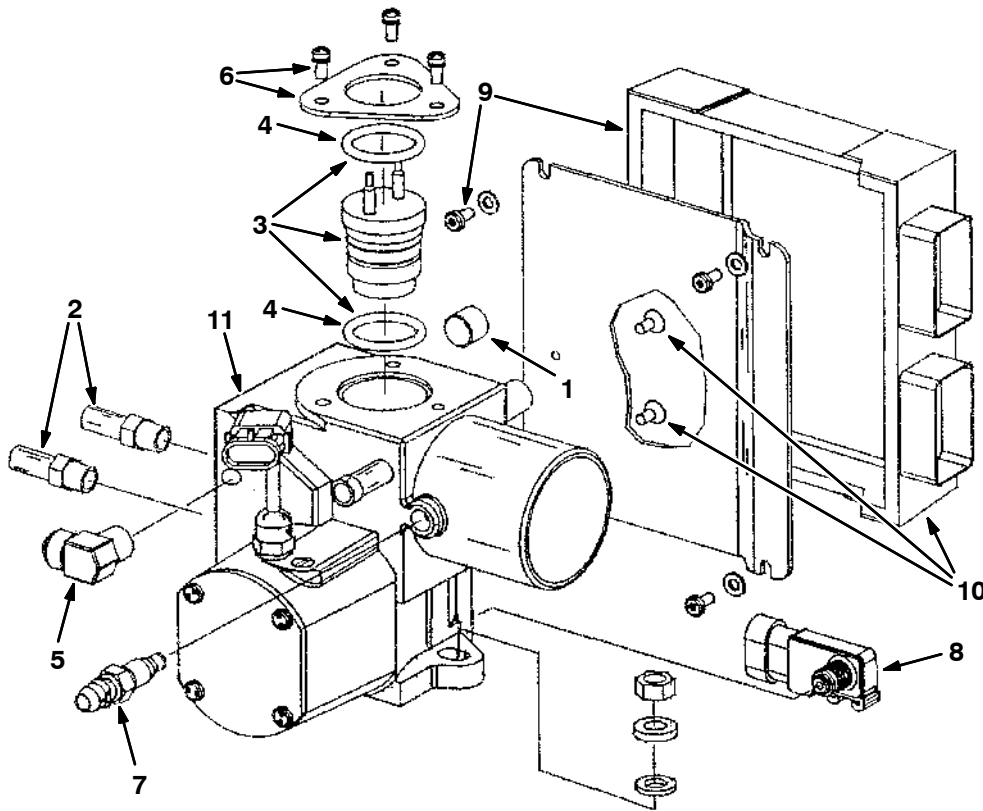
Fig. 27 - Hydraulic Solenoid Valve Breakdown, 1042535



354386 - G, LP, GM, 550, 1550

Ref.	Part No.	Serial Number	Description	Qty.	
▽	1042535	(000000-) Valve, Cntrl, Hyd, Solenoid, 12vdc 15gpm	1	
▲▽	1	373624	(000000-) Valve, Stem, No	1
▲▲	2	373611	(000000-) Nut, Solenoid	1
▲▲	3	373590	(000000-) Seal Kit, Cartridge	1
▲	4	373625	(000000-) Solenoid, Valve, Hyd, 12vdc	1
▲▽	5	373689	(000000-) Valve, Cartridge, Hyd, Press Cntrl	1
▲▲	6	373590	(000000-) Seal Kit, Cartridge	1
▲▽	7	22673	(000000-) Valve, Cartridge, Hyd, Press Cntrl	1
▲▲	8	79711	(000000-) Seal Kit, Cartridge	1
▲▽	9	74098	(000000-) Fitting, Hyd, Plug, Om04	3
▲▲	10	77003	(000000-) Seal, Org, .072 X 00.35id #04	1

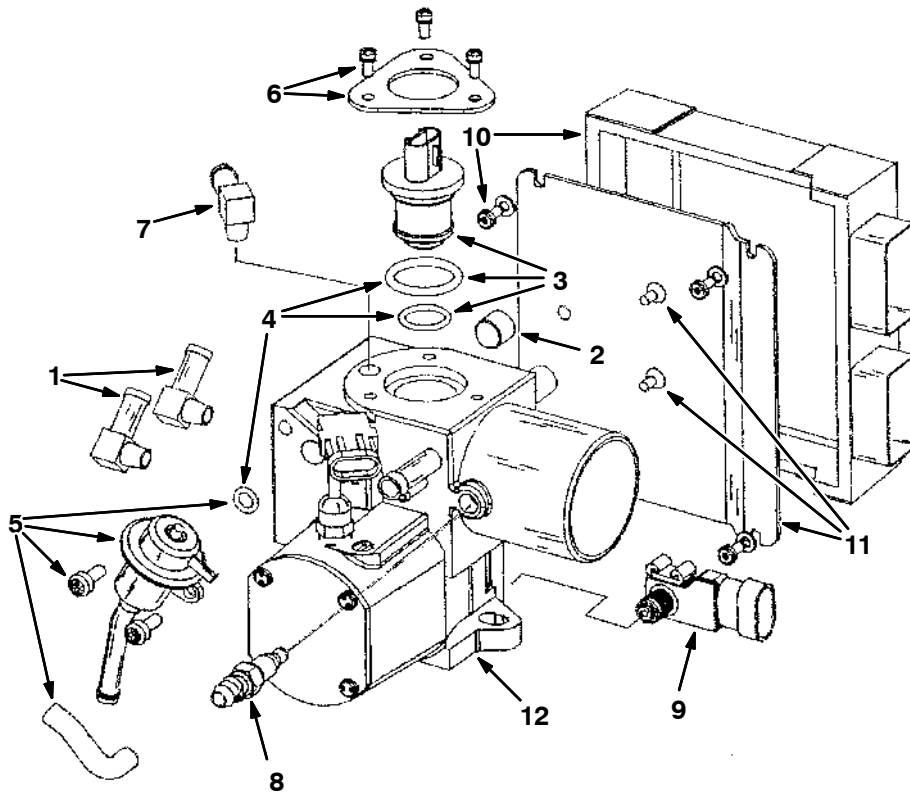
Fig. 28 - LPG EFI Breakdown, 371663



550, 1550, LP

Ref.	Part No.	Serial Number	Description	Qty.
▽	371663	(000000-) Housing Assy, Throttle, Lpg, [With Ecu]	1
▲	1 371660	(000000-) Fitting, Coolant Plug	1
▲	2 371670	(000000-) Kit, Ftg, Coolant, Lpg	1
▲▽	3 1017469	(000000-) Injector, Fuel, Lpg [Gm Zeems 550/6600]	1
▲▲	4 371665	(000000-) Kit, Org, Injector, Top And Bottom, Lpg	1
▲	5 371666	(000000-) Fitting, Fuel Inlet, Lpg	1
▲	6 371651	(000000-) Plate, Injector Mtg, W/ Screw	1
▲	7 371653	(000000-) Sensor, Temp	1
▲	371714	(000000-) Kit, Connector, Coolant Sensor	1
▲	371715	(000000-) Kit, Connector, Sensor, [lat]	1
▲	8 371654	(000000-) Sensor, Manifold Press	1
▲	371713	(000000-) Kit, Connector, Sensor, [Map]	1
▲	9 9000887	(000000-) Controller Kit, Replmt	1
▲	10 371668	(000000-) Plate, Mtg, W/ Screw, [Ecu], Lpg	1
▲	11 371669	(000000-) Housing, Throttle, Lpg	1
▲	371718	(000000-) Kit, Connector, Govnr	1

Fig. 29 - Gasoline EFI Breakdown, 371645



550, 1550, G

Ref.	Part No.	Serial Number	Description	Qty.
▽	371645	(000000-) Housing Assy, Throttle, Gas, [With Ecu]	1
▲	1 371659	(000000-) Kit, Ftg, Coolant, Gas	1
▲	2 371660	(000000-) Fitting, Coolant Plug	1
▲▽	3 371648	(000000-) Injector, Gas, W/ Top And Bottom Org	1
▲▲	4 371649	(000000-) Kit, Org, Injector And Reg, Gas	1
▲	371716	(000000-) Kit, Connector, Gas Injector	1
▲	5 371650	(000000-) Kit, Reg, Gas Press	1
▲	6 371651	(000000-) Plate, Injector Mtg, W/ Screw	1
▲	7 371652	(000000-) Fitting, Fuel Inlet, Gas	1
▲	371714	(000000-) Kit, Connector, Coolant Sensor	1
▲	371715	(000000-) Kit, Connector, Sensor, [lat]	1
▲	8 371653	(000000-) Sensor, Temp	1
▲	9 371654	(000000-) Sensor, Manifold Press	1
▲	10 371655	(000000-) Control, Electronic, Gas	1
▲	11 371656	(000000-) Plate, Mtg, W/ Screw, [Ecu], Gas	1
▲	12 371657	(000000-) Housing, Throttle, Gas	1
▲	371718	(000000-) Kit, Connector, Govnr	1

SECTION 5

Contents	Page
Fig. 1 - Engine Block Group	5-2
Fig. 2 - Cylinder Head Group	5-4
Fig. 3 - Camshaft Group	5-6
Fig. 4 - Crankshaft Group	5-8
Fig. 5 - Piston Group	5-9
Fig. 6 - Oil Pump Group	5-10
Fig. 7 - Gear Cover Group	5-11
Fig. 8 - Flywheel and Starter Group	5-12
Fig. 9 - Intake and Exhaust Manifold Group ...	5-13
Fig. 10 - Water Pump Group	5-14
Fig. 11 - Water Header and Thermostat Group .	5-15
Fig. 12 - Carburetor and Controls Group	5-16
Fig. 13 - Oil Filter Group	5-17
Fig. 14 - Distributor and Fuel Pump Group	5-18

Fig. 1 - Engine Block Group

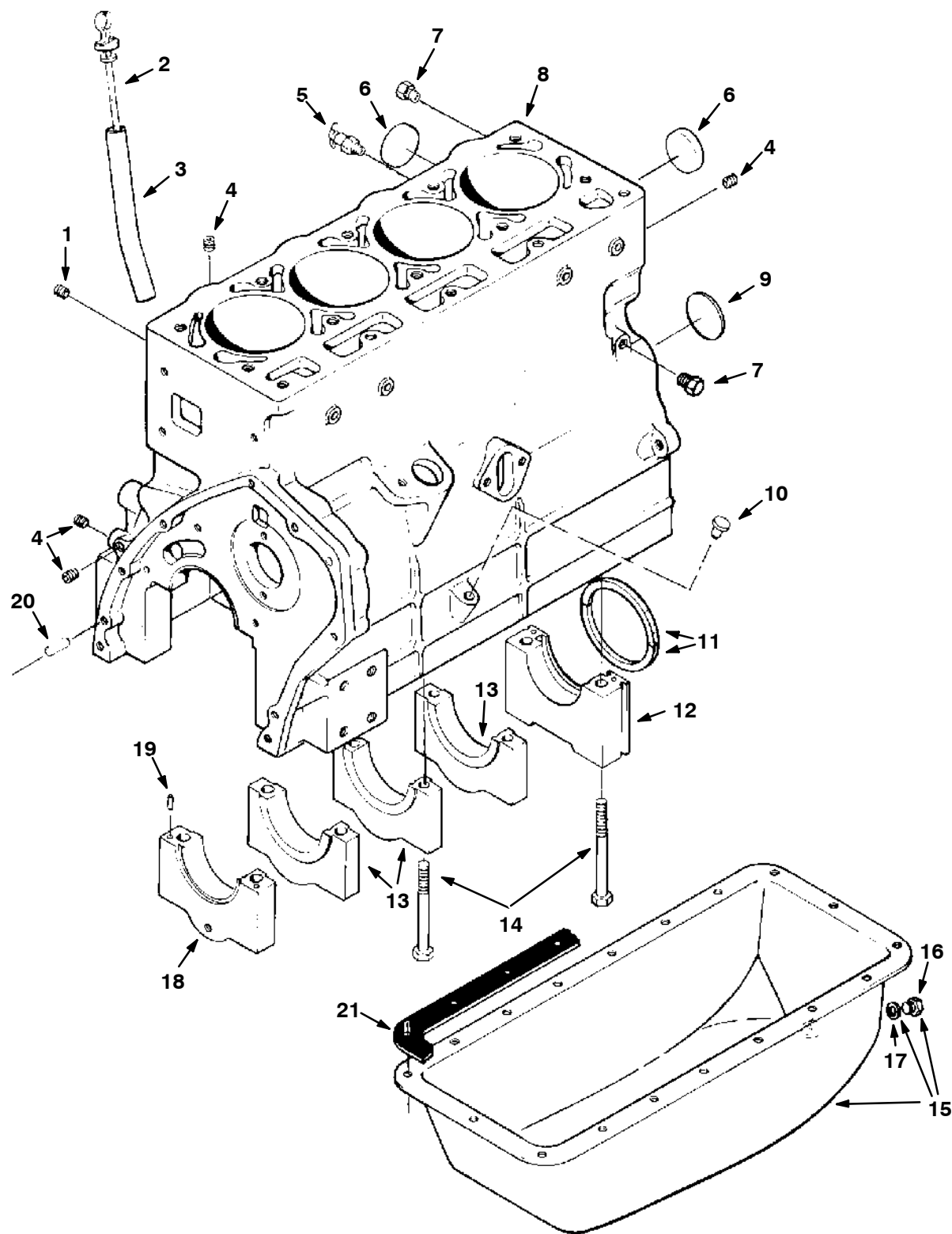


Fig. 1 - Engine Block Group

Ref.	Part No.	Description	Qty.
1	393725	Plug, Crankcase	1
2	38404	Rod, Oil Gauge	1
3	52736	Tube, Oil Gauge	1
4	393726	Plug, Crankcase	5
5	51305	Cock, Drain	1
6	78517	Plug, Cup	5
7	393679	Plug	2
8	31945	Short Block Assembly, R, Includes: Block, Tappets, Camshaft, Crankshaft, Main Bearings, Bearing Caps, Pistons, Piston Pins, Piston Rings, Connecting Rods, Rod Bearings, Thrustplate, Cam Gear, Gear, Oil Pump, Oil Gauge Support, and Gasket Set	1
8	31944	Long Block Assembly, S, Includes: R Short Block Assembly Plus - Head, Guides, Valves and Associated Parts, Rocker Arm Shaft Assembly, Pushrods, Head Cover, Gear Cover, Oil Pan, Oil Filler Cap, and Gasket Set	1
9	38413	Plug, Expansion	1
10	393680	Plug, Crankcase	1
11	38408	Seal, Oil	2
12	393728	Cap and Filler Block, Rear Bearing	1
	38758	Gasket, Rear Bearing Cap	1
13	393683	Cap, Crankshaft Bearing	3
14	393684	Screw	10
15	393730	Oil Pan Assembly	1
▽	15 61711	Oil Pan Assembly	1
▲	16 38082	Plug, Drain	1
▲	17 388260	Washer, Drain Plug	1
18	393685	Cap, Crankshaft	1
19	393732	Dowel, Bearing Cap	4
20	393687	Pin, Dowel	2
21	38758	Gasket, Oil Pan, Form-in-Place	1

Fig. 2 - Cylinder Head Group

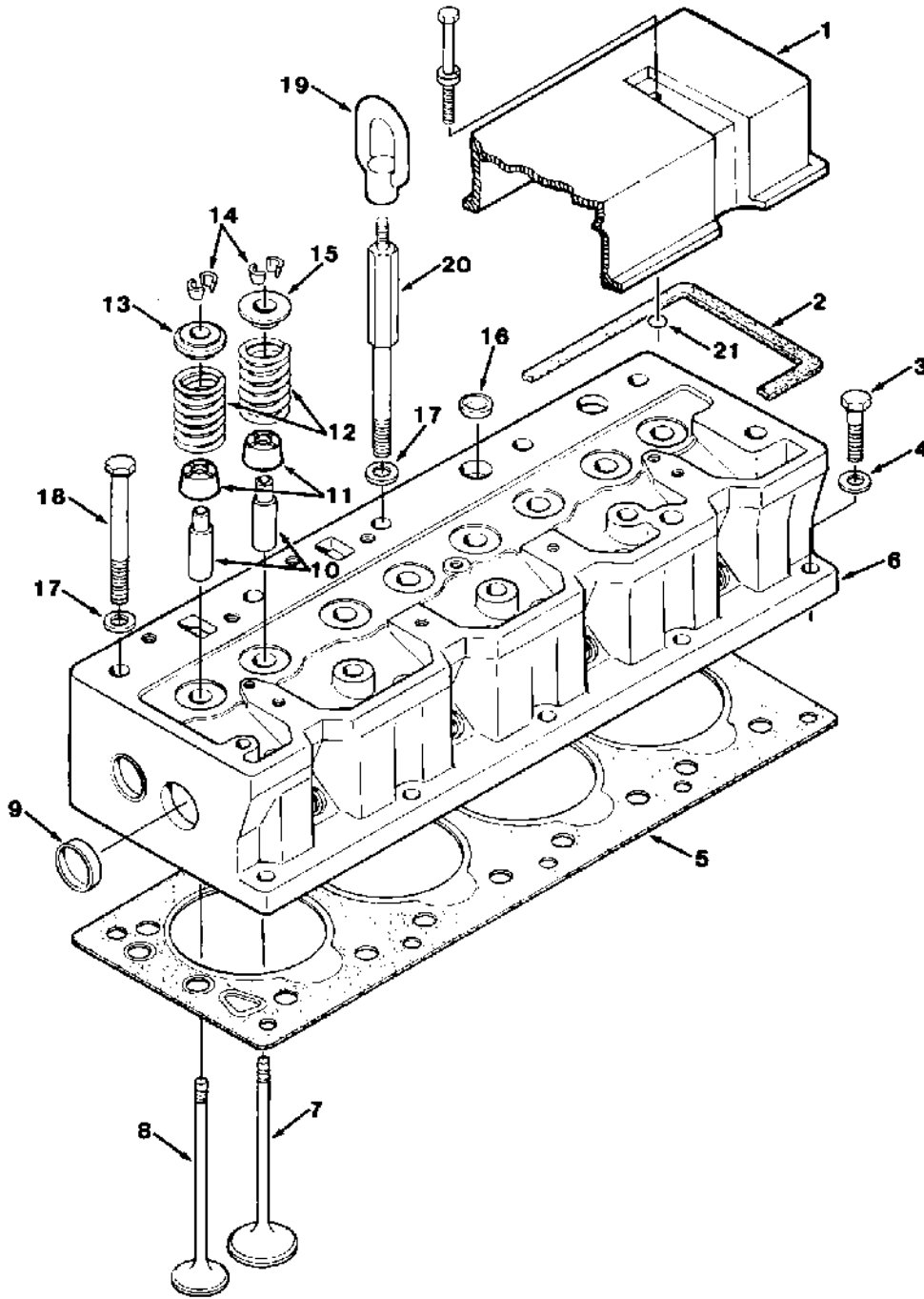


Fig. 2 - Cylinder Head Group

Ref.	Part No.	Description	Qty.	
1	38397	Cover, Cylinder Head	1	
2	34876	Gasket, Head Cover	1	
3	52886	Screw	5	
4	37942	Washer, Plain	5	
5	38665	Gasket, Cylinder Head	1	
▽	6	38757	Head Assembly, Cylinder	1
▲	7	52726	Valve, Intake	4
▲	8	52727	Valve, Exhaust	4
▲		393733	Seat, Exhaust Valve	4
▲	9	61741	Plug, Cup	4
▲	10	16153	Guide, Valve Stem	8
▲	11	61794	Guard, Valve Stem Oil	8
▲	12	42116	Spring, Valve	8
▲	13	370842	Roto-Coil, Exhaust	4
▲	14	393695	Lock, Valve Spring Retainer	16
▲	15	370725	Retainer, Valve Spring	4
▲	16	77880	Plug, Cup	2
	17	52898	Washer, Plain	10
	18	38923	Screw	9
	19	393696	Eye, Lifting	1
	20	38923	Screw	1
	21	61725	O-Ring	3
		38774	Gasket Set	1

Fig. 3 - Camshaft Group

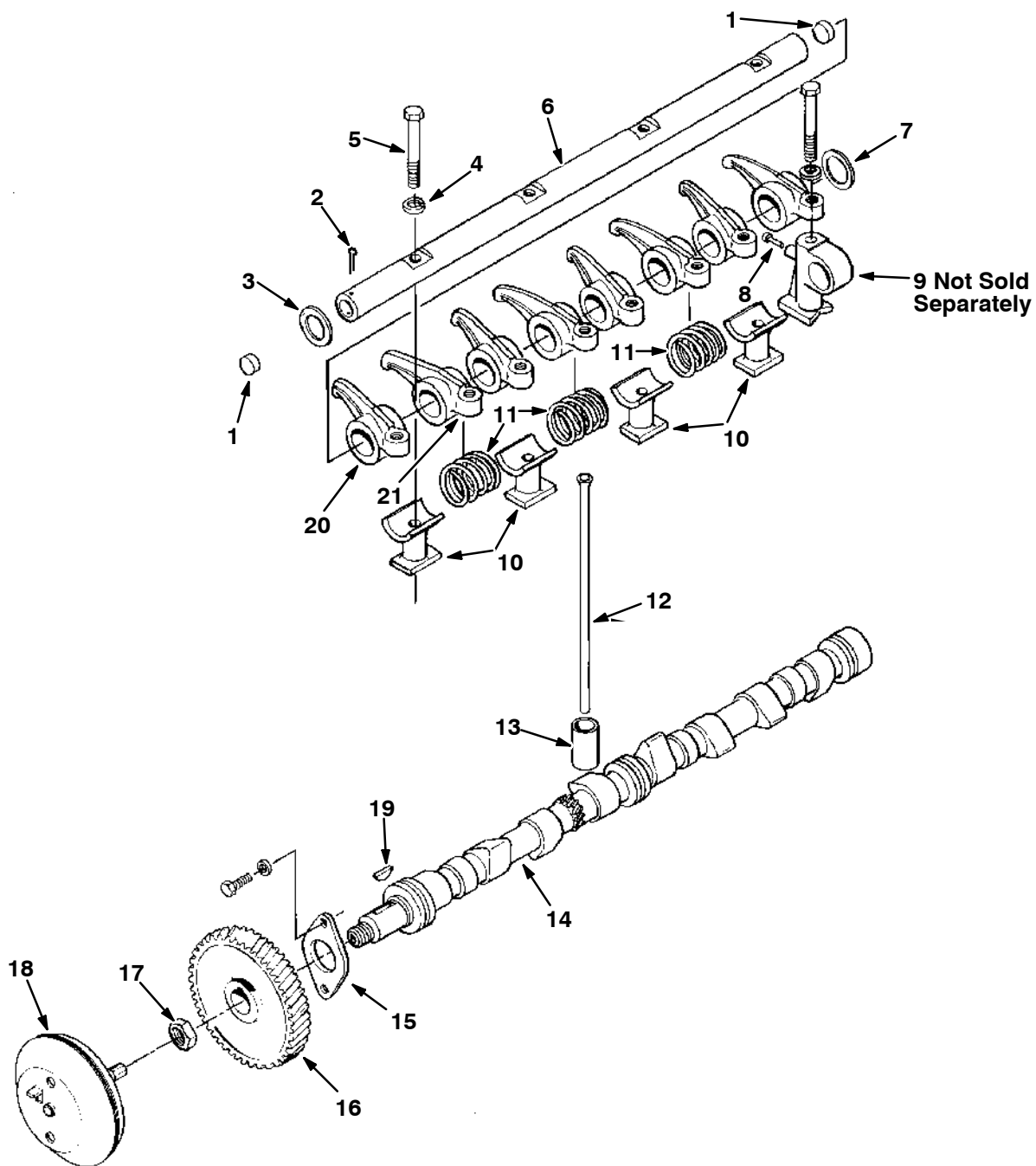
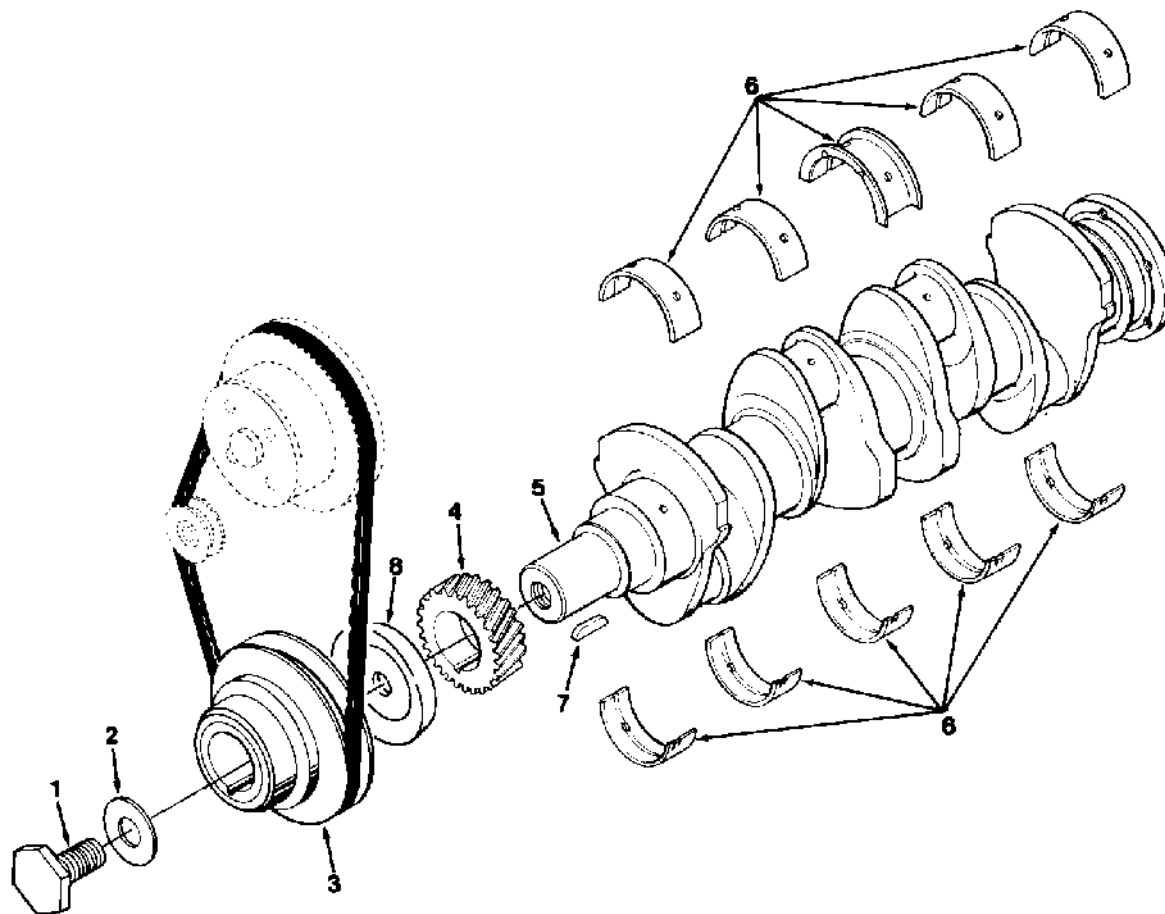


Fig. 3 - Camshaft Group

Ref.	Part No.	Description	Qty.
1	388078	Plug, Shaft Ends	2
2	393699	Pin, Cotter	2
3	393700	Washer, Flat	2
4	393701	Washer, Flat	5
5	388080	Screw	4
6	393734	Shaft, Rocker Arm	1
7	393735	Washer, Wavy	2
8	393736	Pin, Rear Support Top	1
9		Support, Rocker Arm Shaft, Rear (NOT AVAILABLE)	4
10	373702	Support, Rocker Arm Shaft	4
11	393703	Spring, Rocker Arm Shaft	3
12	370726	Rod, Push	8
13	52725	Tappet, Valve	8
14	52728	Camshaft	1
15	38753	Plate, Camshaft Thrust	1
16	393737	Gear, Camshaft	1
17	370843	Nut	1
18	53327	Governor Assembly	1
19	42337	Key	1
20	52730	Arm Assembly, Rocker, Exhaust	4
21	52734	Arm Assembly, Rocker, Intake	4

CONTINENTAL ENGINE BREAKDOWN

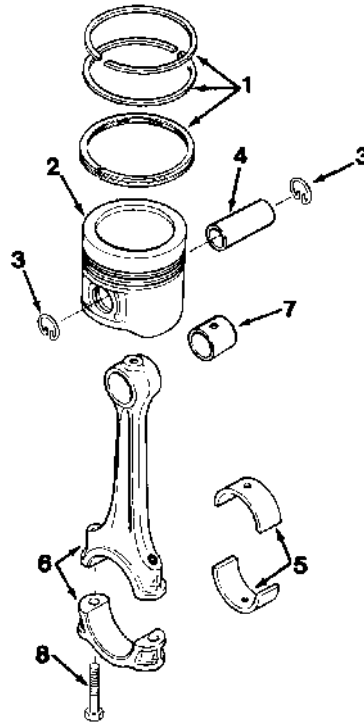
Fig. 4 - Crankshaft Group



/09767 - 550, 1550, G, LP

Ref.	Part No.	Description	Qty.
1	388224	Screw, Crankshaft	1
2	393705	Washer, Plain	1
3	61736	Pulley, Crankshaft	1
4	370840	Gear, Crankshaft	1
5	42148	Crankshaft	1
6	12784	Bearing Kit, Crankshaft, Standard	1
6	52753	Bearing Kit, Crankshaft, 0.25 mm undersize	1
6	21782	Bearing Kit, Crankshaft, 0.50 mm undersize	1
6	61724	Bearing Kit, Crankshaft, 0.75 mm undersize	1
6	393707	Bearing Kit, Crankshaft, 1.00 mm undersize	1
7	61762	Key (Replaced by None)	1
8	61775	Slinger, Oil (Replaced by None)	1

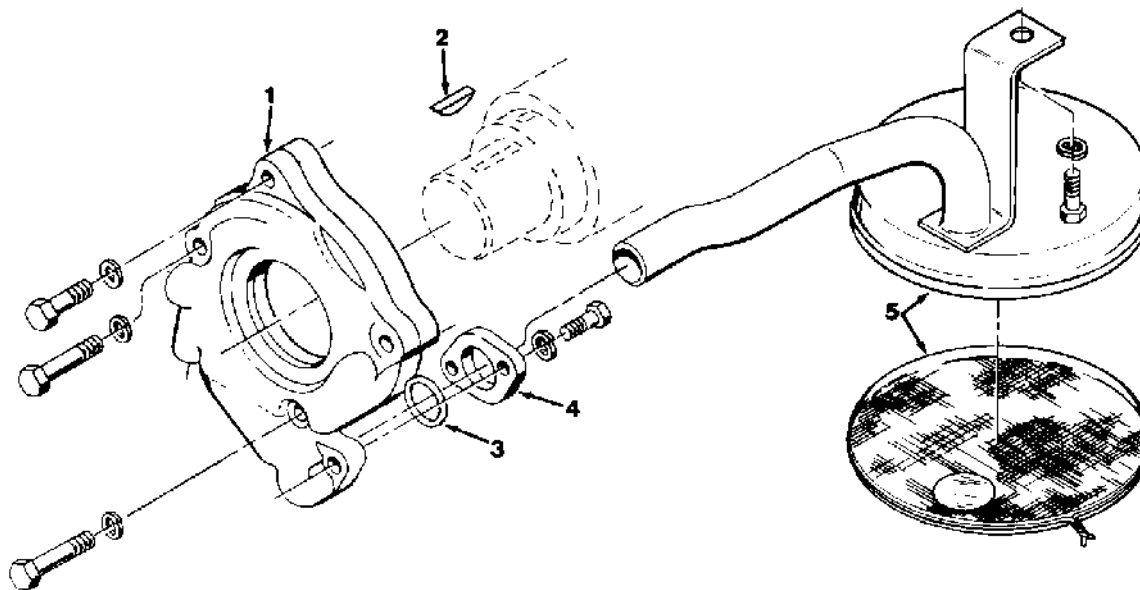
Fig. 5 - Piston Group



01610 - 550, 1550, G, LP

Ref.	Part No.	Description	Qty.	
1	30065	Ring Kit, Re-Ring, Standard	4	
1	10117	Ring Kit, Re-Ring, 0.50 mm Oversize	4	
1	38784	Ring Kit, Re-Ring, 0.75 mm Oversize	4	
1	393742	Ring Kit, Re-Ring, 1.00 mm Oversize	4	
2	77891	Piston Assembly, Standard	4	
2	38840	Piston Assembly, 0.50 mm Oversize	4	
2	38850	Piston Assembly, 0.75 mm Oversize	4	
▽	2	38848	Piston Assembly, 1.00 mm Oversize	4
▲	3	38572	Ring, Retaining	2
▲	4	52720	Pin, Piston	1
5	38916	Bearing, Connecting Rod, Standard	4	
5	38787	Bearing, Connecting Rod, 0.25 mm undersize	4	
5	393744	Bearing, Connecting Rod, 0.50 mm undersize	4	
5	393713	Bearing, Connecting Rod, 0.75 mm undersize	4	
5	38847	Bearing, Connecting Rod, 1.00 mmundersize	4	
▽	6	38917	Rod Assembly, Connecting	4
▲	7	52724	Bushing, Piston Pin	4
▲	8	393714	Bolt, Connecting Rod	8

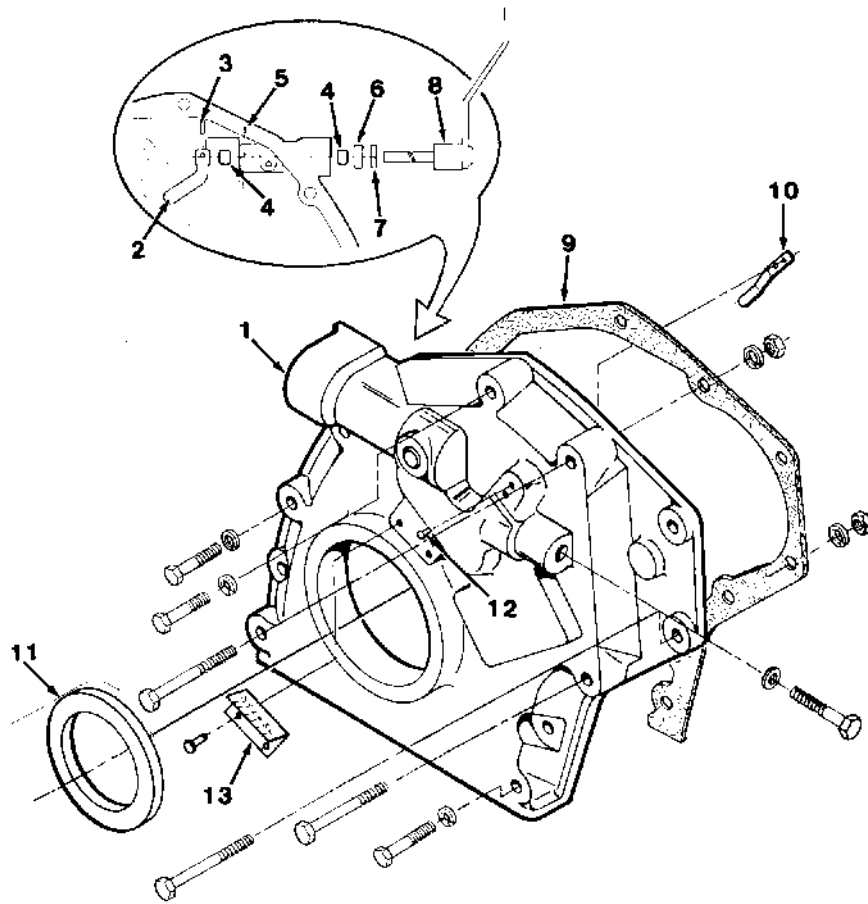
Fig. 6 - Oil Pump Group



01611 - 550, 1550, G, LP

Ref.	Part No.	Description	Qty.
1	38920	Pump, Oil	1
2	61749	Key, Woodruff	1
3	52764	O-Ring	1
4	393747	Adapter, Inlet Tube	1
5	393748	Tube Assembly, Oil Pump Inlet	1

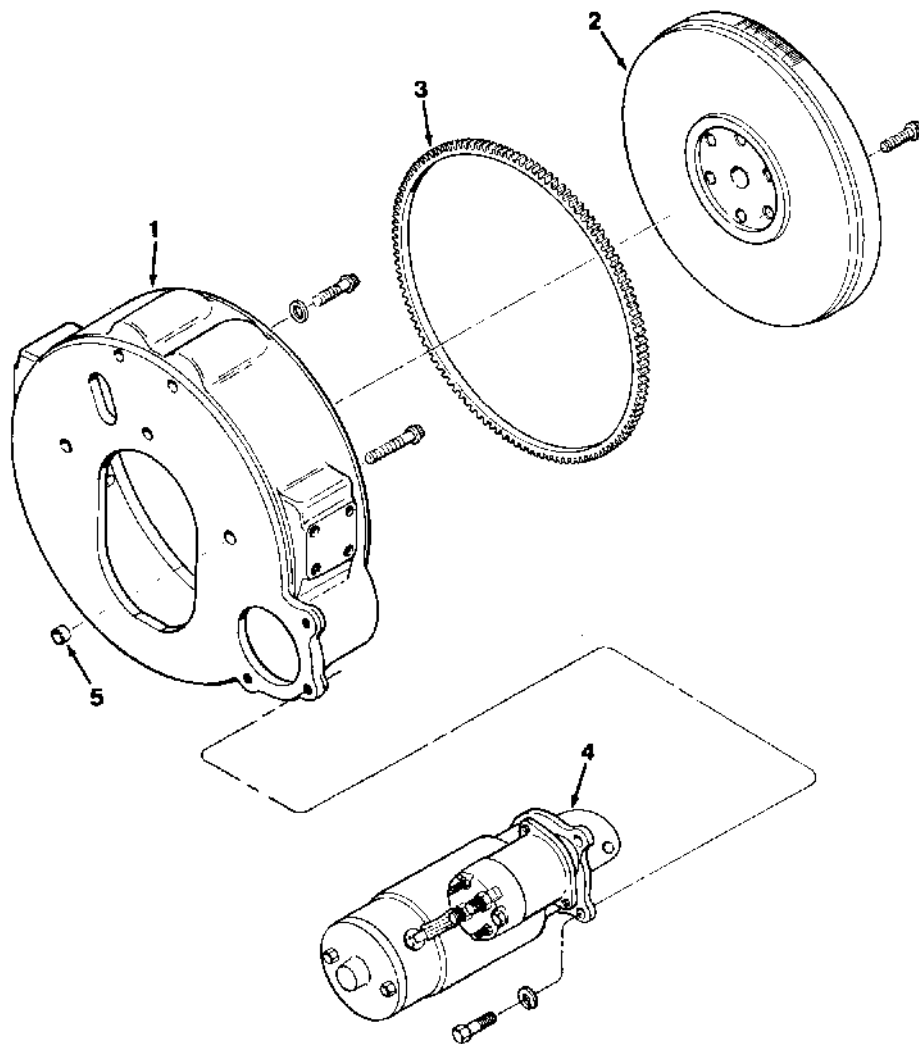
Fig. 7 - Gear Cover Group



01612 - 550, 1550, G, LP

Ref.	Part No.	Description	Qty.
▽	1 52721	Cover Assembly, Gear	1
▲	2 53304	Arm, Rocker	1
▲	3 61812	Pin, Groove	1
▲	4 53303	Bearing, Rocker Shaft	2
▲	5 52851	Pin, Groove	1
▲	6 52481	Seal, Shaft Oil	1
▲	7 53321	Seal, Shaft	1
▲	8 393749	Lever and Shaft Assembly, Governor, Gasoline	1
▲	8 393750	Lever and Shaft Assembly, Governor, LPG	1
▲	9 38381	Gasket, Gear Cover	1
▲	10 52741	Spring, Governor Bumper	1
▲	11 38416	Seal, Oil	1
▲	12 393751	Rivet	2
	13 393717	Pointer, Engine Timing	1
	38855	Gasket Set, Front	1

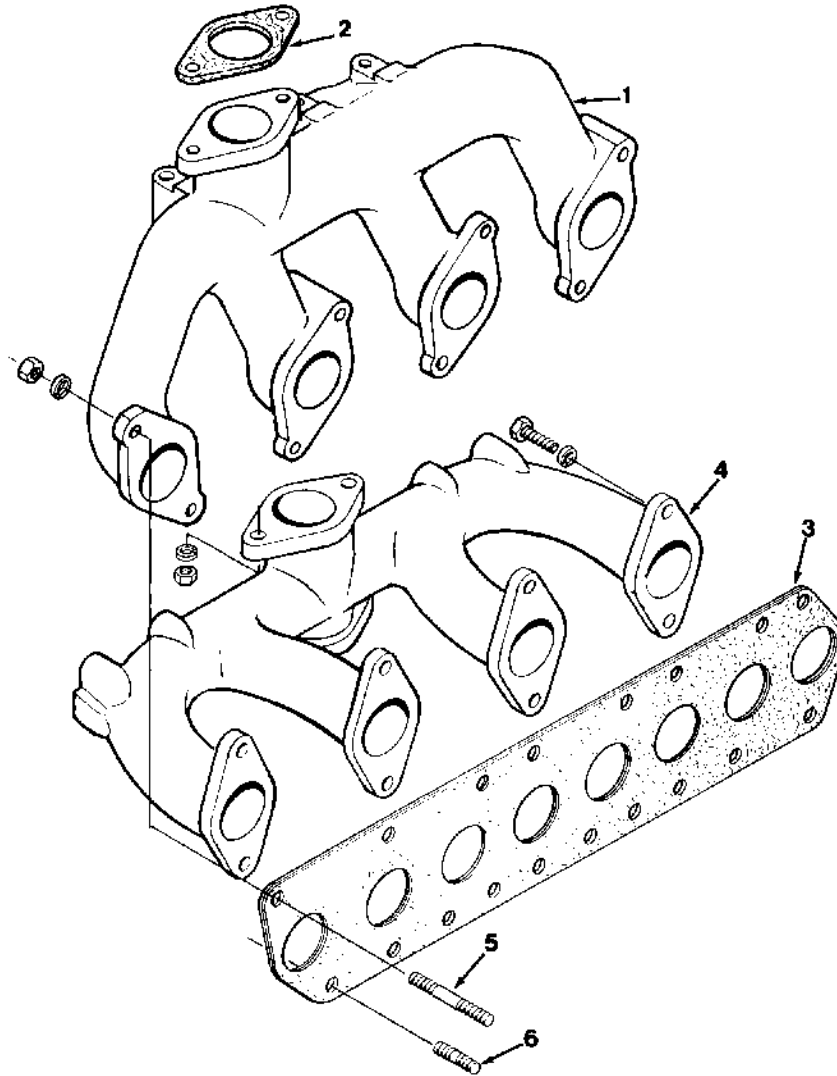
Fig. 8 - Flywheel and Starter Group



01613 - 550, 1550, G, LP

	Ref.	Part No.	Description	Qty.
	1	16143	Housing, Flywheel	1
▽	2	16851	Flywheel	1
▲	3	16852	Ring Gear	1
	4	16865	Starter	1
	5	393720	Dowel, Ring	2

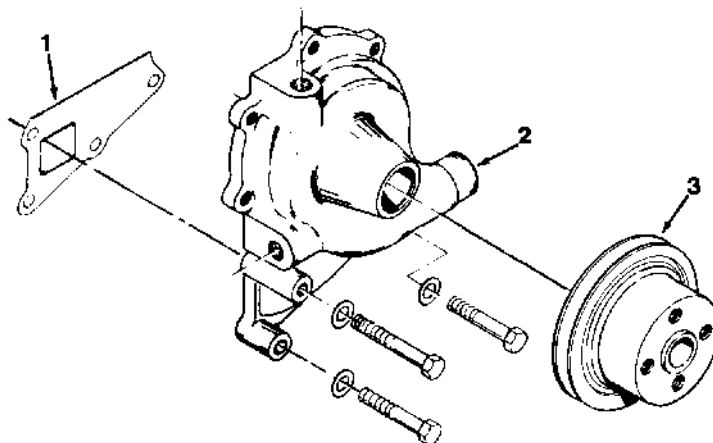
Fig. 9 - Intake and Exhaust Manifold Group



09761 - 550, 1550, G, LP

Ref.	Part No.	Description	Qty.
1	38420	Manifold, Exhaust	1
▽	34640	Gasket Set, Manifold	1
▲	2 34796	Gasket, Manifold	1
▲	3 38843	Gasket, Manifold	1
4	38421	Manifold, Intake	1
5	52888	Stud	2
6	38924	Stud	6

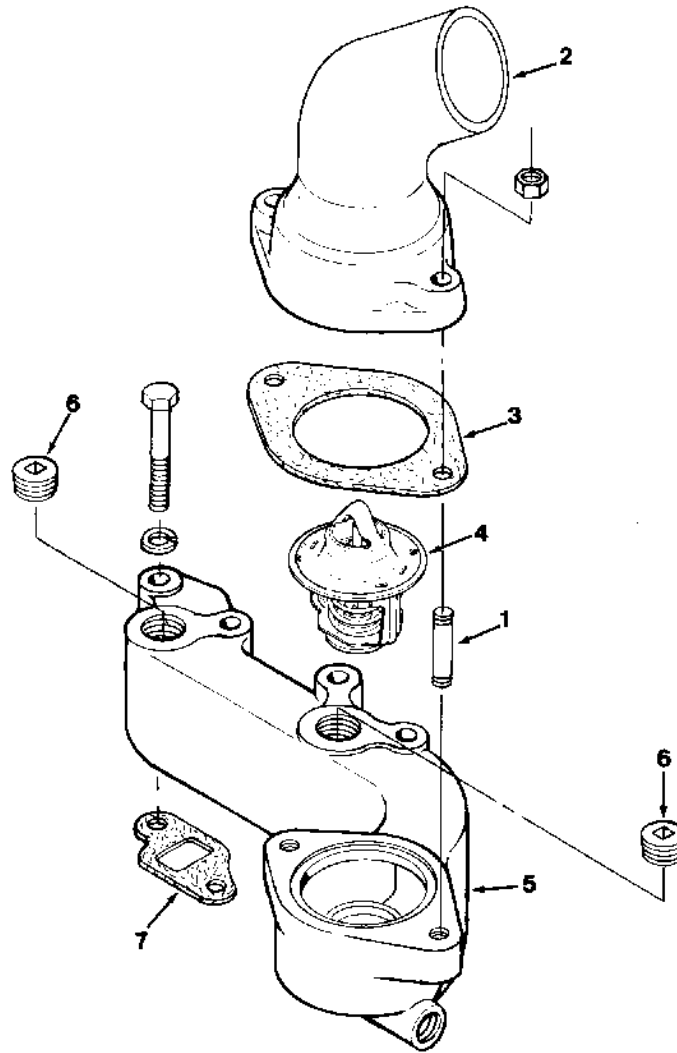
Fig. 10 - Water Pump Group



01615 - 550, 1550, G, LP

	Ref.	Part No.	Description	Qty.
	1	34873	Gasket, Water Pump to Crankcase	1
▽	2	34429	Pump, Water	1
▲		38788	Repair Kit, Water Pump	1
▲	3	38918	Pulley, Water Pump	1

Fig. 11 - Water Header and Thermostat Group

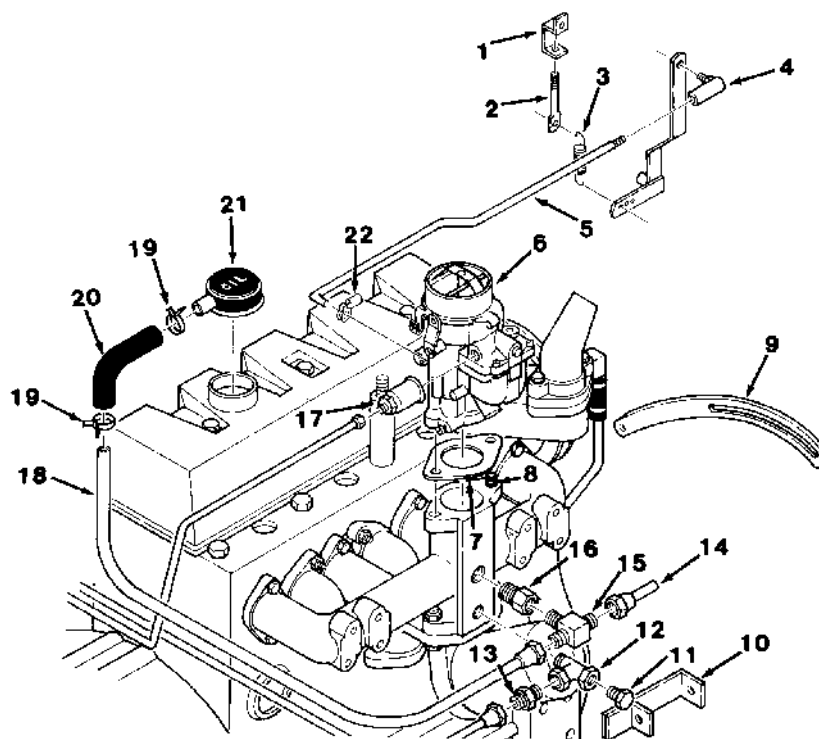


01616 - 550, 1550, G, LP

Ref.	Part No.	Description	Qty.	
1	393721	Stud	2	
2	38401	Elbow, Water Outlet	1	
▽	34752	Thermostat and Gasket	1	
▲	3	53988-12	Gasket, Elbow	1
▲	4	53988-13	Thermostat	1
5	393722	Header, Water Outlet	1	
6		Plug (obsolete)	2	
7	30035	Gasket, Header	2	

CONTINENTAL ENGINE BREAKDOWN

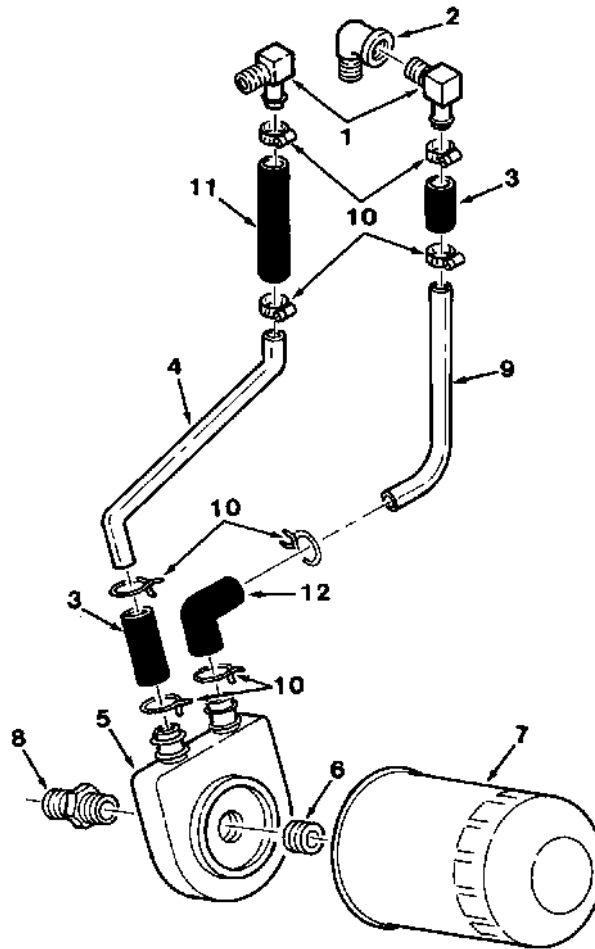
Fig. 12 - Carburetor and Controls Group



01618 - 550, 1550, G, LP

Ref.	Part No.	Description	Qty.	
1	52748	Anchor, Governor Spring	1	
2	370706	Screw, Governor Spring	1	
3	37934	Spring, Governor	1	
4	393753	Balljoint	1	
5	52751	Rod, Control	1	
▽	34798	Carburetor and Gasket, LPG	1	
▲	6	34797	Carburetor, LPG	1
▲	7	38010	Gasket, Carburetor	1
▲	02742	Carburator Repair Kit	1	
▽	65948	Carburetor and Gasket, Gasoline	1	
▲	65949	Carburetor, Gasoline	1	
▲	65950	Gasket, Carburetor	1	
8	52887	Stud	2	
9	30036	Strap, Adjusting, Alternator	1	
10	393754	Bracket, Alternator	1	
11	393679	Plug	1	
12	393755	Tee	1	
13	393756	Connector	1	
14	52722	Adapter	1	
15	38859	Tee	1	
16	52872	Adapter	1	
17	34749	Filter, Fuel, Gasoline	1	
18	52723	Tube, PCV	1	
19	52765	Clamp	2	
20	52613	Hose	1	
21	38403	Cap, Oil Filler	1	
22	393757	Clip, Rod End	1	

Fig. 13 - Oil Filter Group

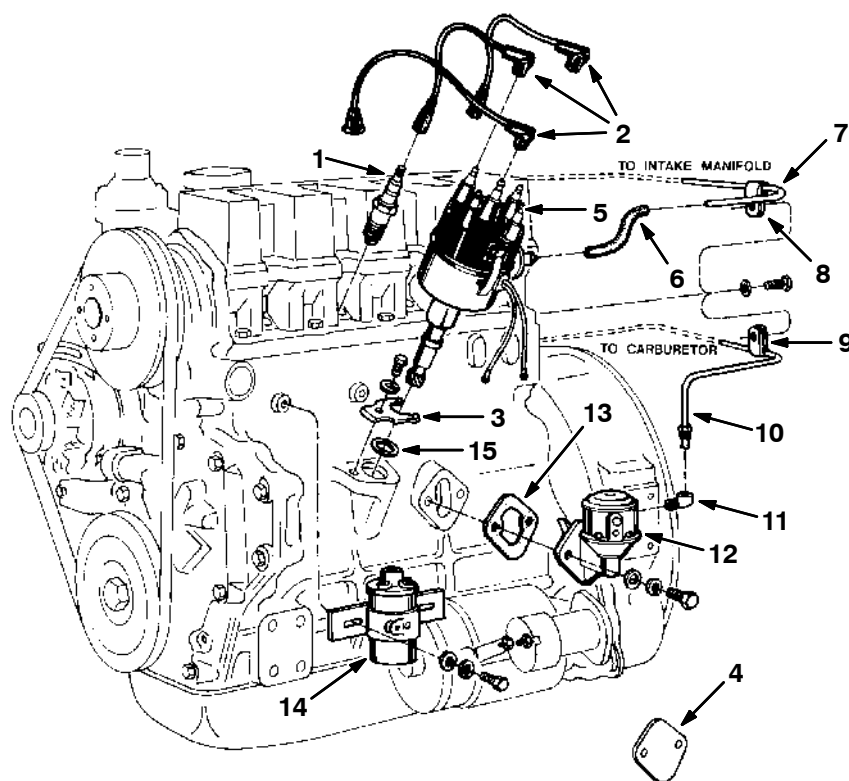


09772 - 550, 1550, G, LP

Ref.	Part No.	Description	Qty.
1	47388	Elbow, Water Header	2
2	393724	Elbow, Water Pump	1
3	38856	Hose, Oil Cooler	2
4	38409	Tube, Oil Cooler	1
5	38405	Cooler, Oil	1
6	38402	Adapter, Oil Filter	1
7	16853	Element, Oil Filter	1
8	77895	Connector, Oil Cooler	1
9	38406	Tube, Oil Cooler	1
10	52766	Clamp, Hose	8
11	38857	Hose, Oil Cooler	1
12	38919	Hose, Oil Cooler	1

CONTINENTAL ENGINE BREAKDOWN

Fig. 14 - Distributor and Fuel Pump Group



01617 - 550, G, LP

Ref.	Part No.	Description	Qty.
1	34726	Spark Plug, Gasoline	4
1	34297	Spark Plug, LPG	4
2	34727	Kit, Wire, Ignition	1
3	393765	Clamp, Distributor	1
4	47675	Cover, Fuel Pump Hole, LPG	1
▽	5	Distributor Assembly	1
▲	09819	Cap and Gasket	1
▲	09837	Rotor	1
▲	09852	Cover, Dust	1
▲	09910	Cap, Gasket	1
▲	09861	Magnet	1
▲	09867	Module	1
▲	393758	Weights Set, Advance	1
▲	09890	Spring Set, Advance	1
▲	09891	Vacuum Advance	1
▲	09857	Gear Kit	1
6	370707	Hose, Vacuum	1
7	370705	Tube, Vacuum	1
8	38789	Clip	1
9	393760	Clip	1
10	393761	Tube, Fuel	1
11	393762	Elbow	1

Fig. 14 - Distributor and Fuel Pump Group

Ref.	Part No.	Description	Qty.
▽	33848	Pump and Gasket, Fuel	1
▲	12 33849	Pump, Fuel	1
▲	13 47680	Gasket, Fuel Pump	1
	14 79091	Coil	1
	393763	Bracket, Coil (Replaced by 79092)	1
	393764	Bracket, Resistor (Replaced by 79092)	1
15	52618	Gasket, Distributor	1
	33850	Plate, Adapter, Pump	1

SECTION 6

Contents	Page
Fig. 1 - Cylinder Head, Valves Group	6-2
Fig. 2 - Distributor and Ignition Group	6-4
Fig. 3 - Engine Block and Piston Group	6-6
Fig. 4 - Oil Pump and Oil Pan Group	6-8
Fig. 5 - Crankshaft Group	6-10
Fig. 6 - Camshaft and Water Pump Group	6-12

Fig. 1 - Cylinder Head, Valves Group

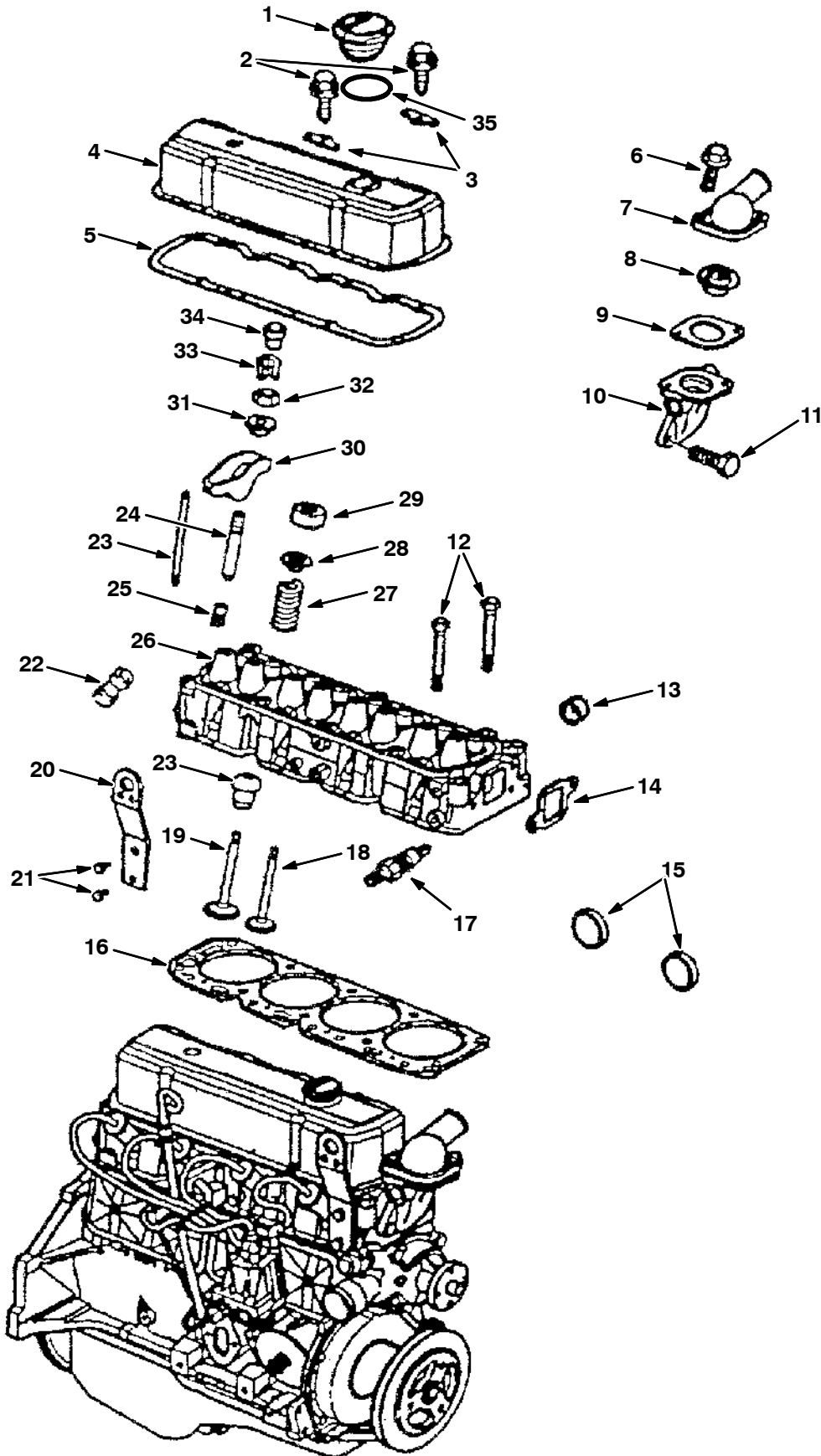


Fig. 1 - Cylinder Head, Valves Group

Ref.	Part No.	Description	Qty.
1	393894	Cap, Oil Filler	1
2	393824	Bolt	-
3	393895	Reinforcement	-
4	393896	Cover	1
5	393897	Gasket	-
6	393898	Bolt	3
7	393899	Outlet	1
8	393900	Thermostat	1
9	393901	Gasket	1
10	393902	Housing	1
11	393898	Bolt	3
12	393903	Bolt	-
13	393904	Plug	2
14	393917	Gasket	1
15	393918	Plug	-
16	393933	Gasket	1
17	393934	① Spark Plug	4
17	9006586	② Spark Plug	4
18	393935	Valve, Exhaust	4
19	393936	Valve, Intake	4
20	393937	Bracket	1
21	393938	Bolt	8
22	393951	Lifter	8
23	393952	Rod	8
24	393953	Stud, .003" O.S.	8
24	393954	Stud, .013" O.S.	8
25	393955	Sealer	8
26	393956	Head	1
27	393957	Spring	8
28	393958	Cap, Valve Spring	8
29	393959	Shield	12
30	393960	Arm Kit	8
31	393961	Ball	8
32	393962	Nut	8
33	393963	Key	16
34	393964	Rotator	4
35	393993	Grommet, Breather, Oil	1

① Machine Serial number (006409-007195)

② Machine Serial number (007196-)

Fig. 2 - Distributor and Ignition Group

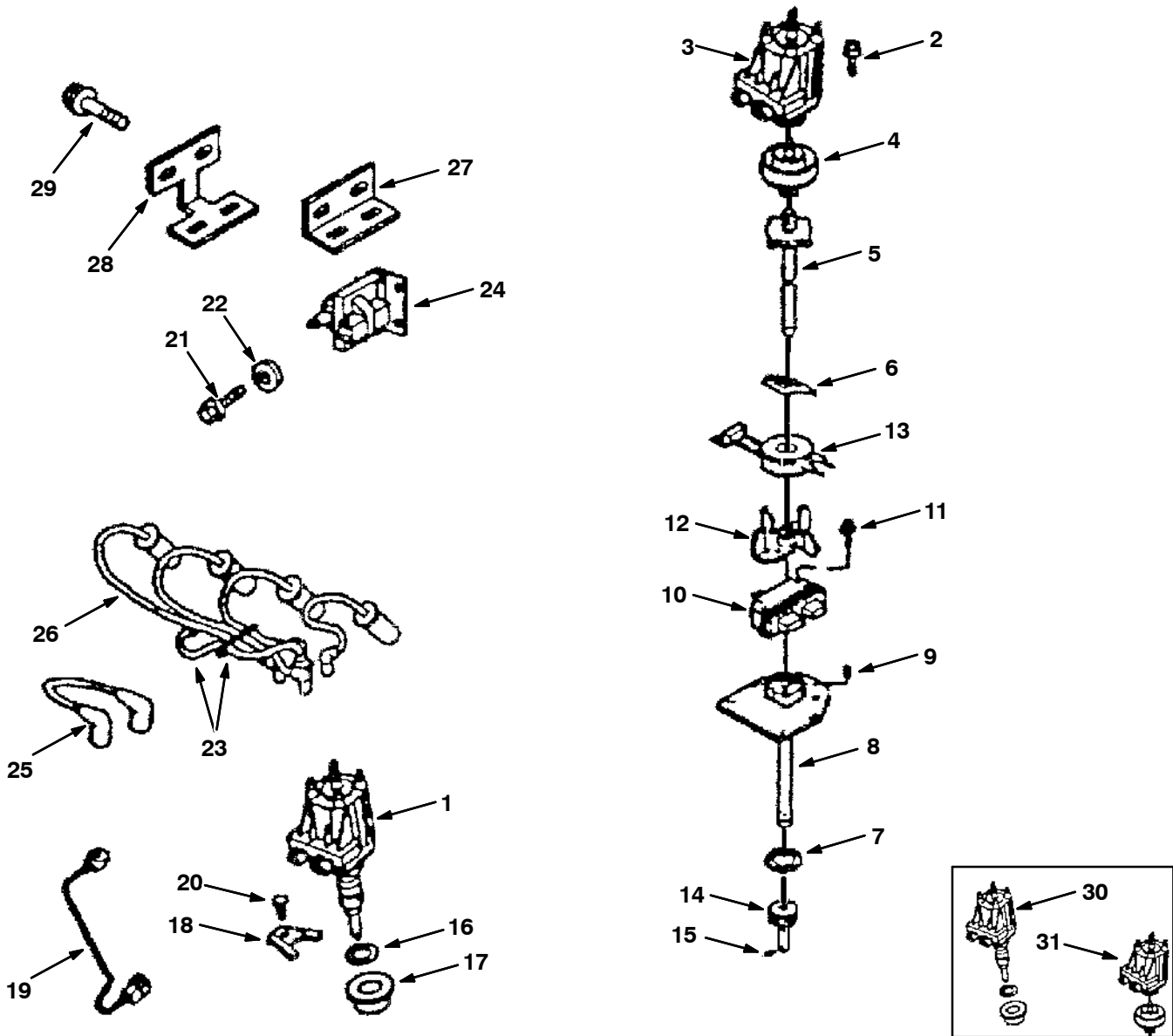


Fig. 2 - Distributor and Ignition Group

	Ref.	Part No.		Description	Qty.
▽	1	9006584	②	Distributor	1
▲	2	393919		Bolt	2
▲	3	9006585	②	Cap, Distributor	1
▲	4	393921		Rotor	1
▲	5	393922		Shaft	1
▲	6	393923		Retainer	1
▲	7	393924		Sealer	1
▲	8	393925		Housing	1
▲	9	393926		Pin	1
▲	10	393927		Module	1
▲	11	393928		Bolt	2
▲	12	393929		Pole Piece	1
▲	13	393930		Coil	1
▲	14	393931		Gear	1
▲	15	393932		Pin	1
	16	393940		Gasket	1
	17	393941		Washer	1
	18	393942		Clamp	1
	19	393943		Wire	1
	20	393898		Bolt	3
	21	393945		Bolt, (HFH3/8-16x062 280 POR)	2
	22	393946		Washer	2
	23	393947		Retainer	-
	24	393948	①	Coil	1
	24	9006587	②	Coil	1
	25	393949	①	Wire	1
	25	9006588	②	Wire, Coil	1
	26	393950	①	Spark Plug Wires (straight boots)	1
	26	9006583	②	Wire Set, Sparkplug (90 degree boots)	1
	27	393965		Bracket, Top	1
	28	393966		Bracket, Bottom	1
	29	393967		Bolt	-
	30	393939	①	Distributor	1
	31	393920	①	Cap, Distributor	1

① Machine Serial number (006409-007195)

② Machine Serial number (007196-)

Fig. 3 - Engine Block and Piston Group

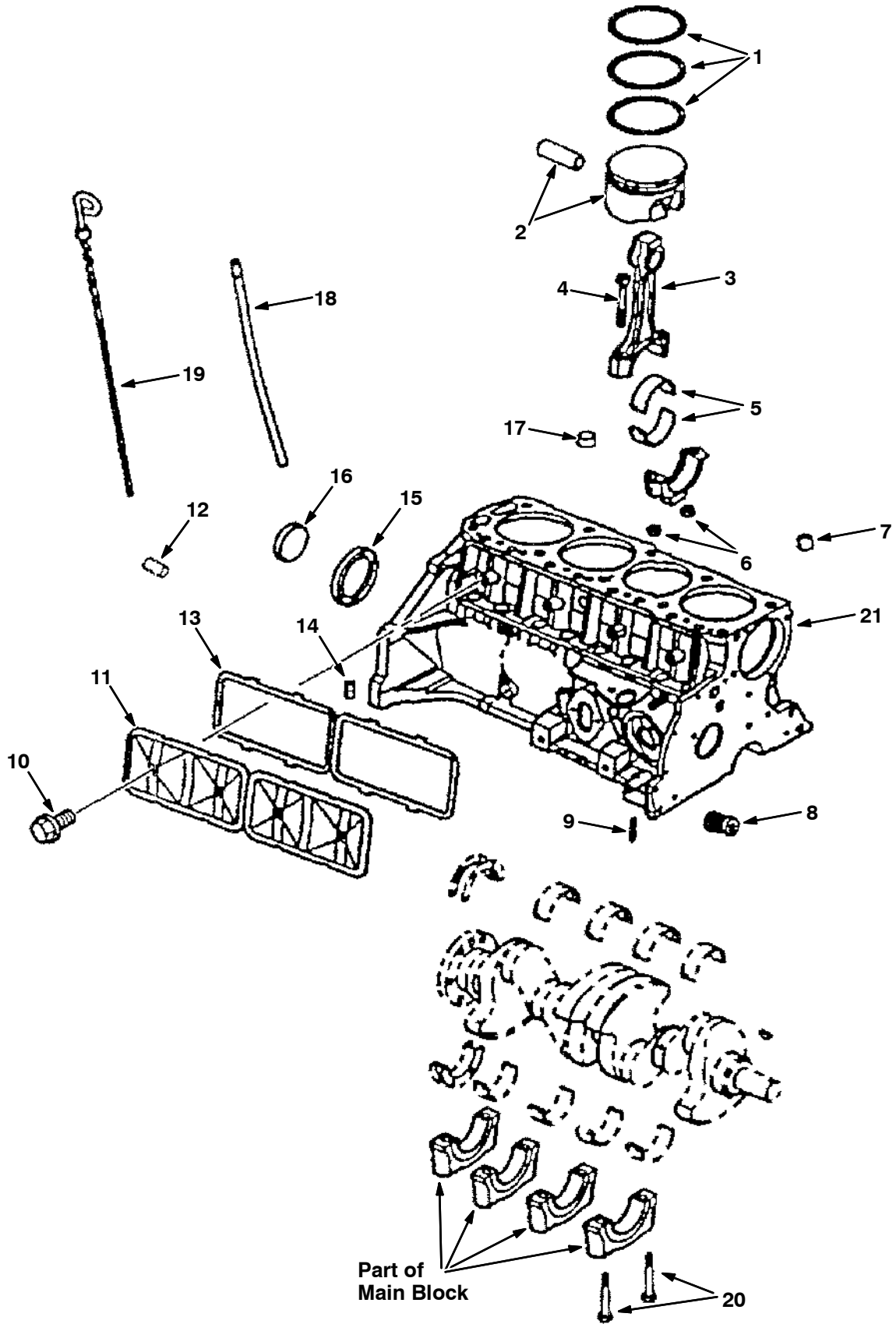


Fig. 3 - Engine Block and Piston Group

Ref.	Part No.	Description	Qty.
1	393806	Ring Kit, Std	4
1	393807	Ring Kit, .030" O.S.	4
2	393808	Piston, STD	4
2	393809	Piston, Hi-limit	4
2	393810	Piston, .020" O.S.	4
3	393811	Conn Rod	4
4	393812	Bolt	8
5	393813	Bearing Kit, Std	4
5	393814	Bearing Kit, .001 U.S.	4
6	393815	Nut, Conn Rod	8
7	393816	Bearing Kit	1
8	393832	Valve	1
9	393833	Pin	8
10	393882	Bolt	4
11	393883	Cover	1
12	393884	Pin	2
13	393662	Sealer (RTV 3.35 OZ Tube)	-
13	393663	Sealer (RTV 5.0 OZ Tube)	-
14	393886	Plug, Oil, .38-18 X .42	1
15	393888	Plug, Main, Rear	1
16	393889	Plug, Core, Coolant	-
17	393890	Plug, Block, Eng	1
18	393891	Tube	1
19	372251	Dipstick	1
20	393872	Bolt	10
21	393887	Engine, Partial (Includes block, pistons, rods, crankshaft, bearings, rear seal gasket)	1

Fig. 4 - Oil Pump and Oil Pan Group

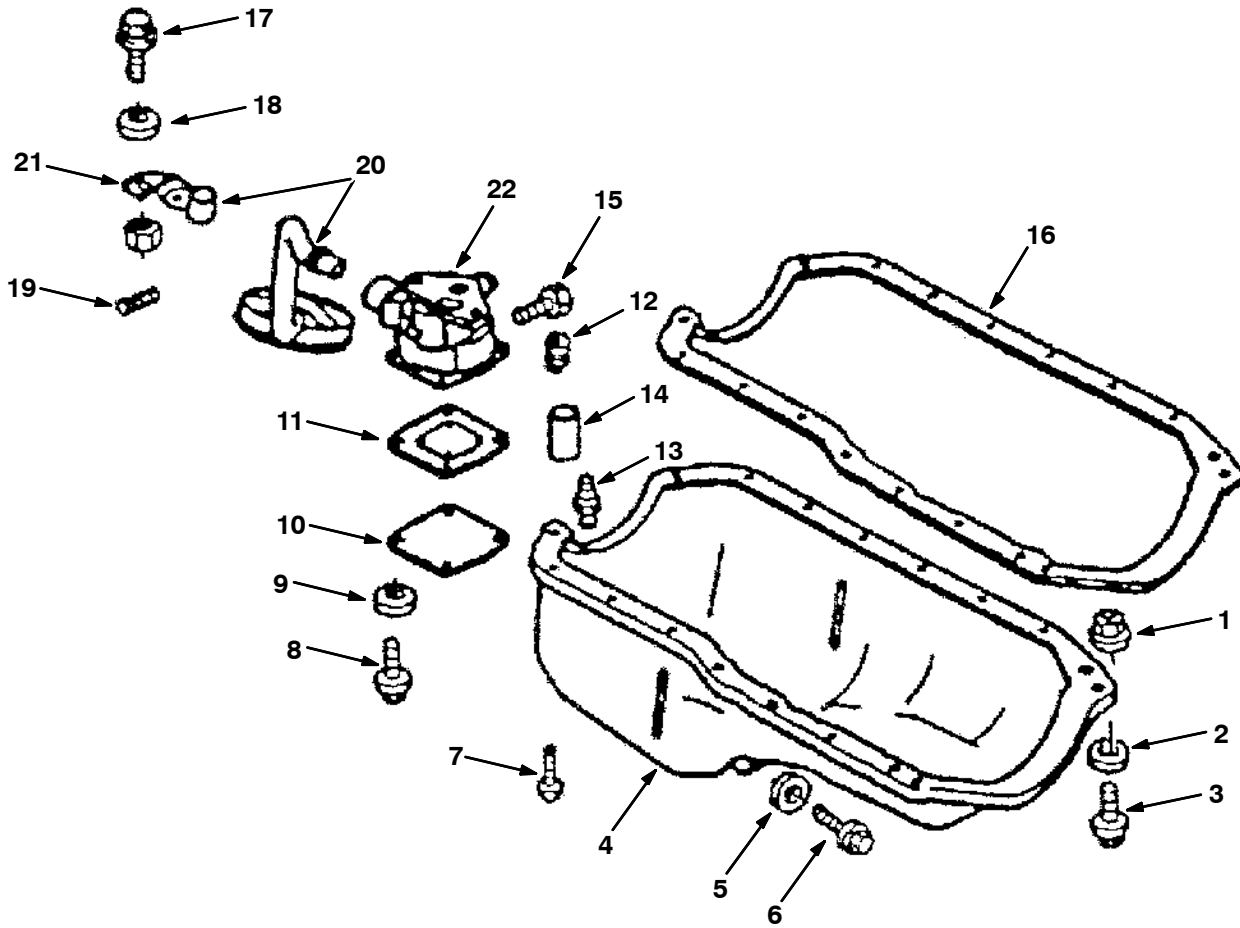


Fig. 4 - Oil Pump and Oil Pan Group

	Ref.	Part No.	Description	Qty.
	1	393848	Nut	-
	2	393849	Washer	-
	3	393850	Bolt	-
▽	4	393853	Oil Pan	1
▲	5	393852	Gasket	1
▲	6	393851	Plug	1
	7	393824	Bolt (1/4-20x1/2)	2
	7	393850	Bolt (1/4-20x.62)	2
	7	393854	Bolt (5/16-18x5/8)	12
	8	393855	Screw	4
	9	393849	Washer	4
	10	393856	Cover	1
	11	393857	Gasket	1
	12	393858	Spring	1
	13	393859	Plug	1
	14	393860	Valve	1
	15	393861	Bolt	3
	16	393862	Gasket	1
	17	393867	Bolt	-
	18	393868	Washer	-
	19	393869	Pin	1
	20	393871	Screen, w/Tube	1
▽	20	393870	Screen, w/Suction Pipe	1
▲	21	393865	Bracket	1
	22	393863	Pump	1

Fig. 5 - Crankshaft Group

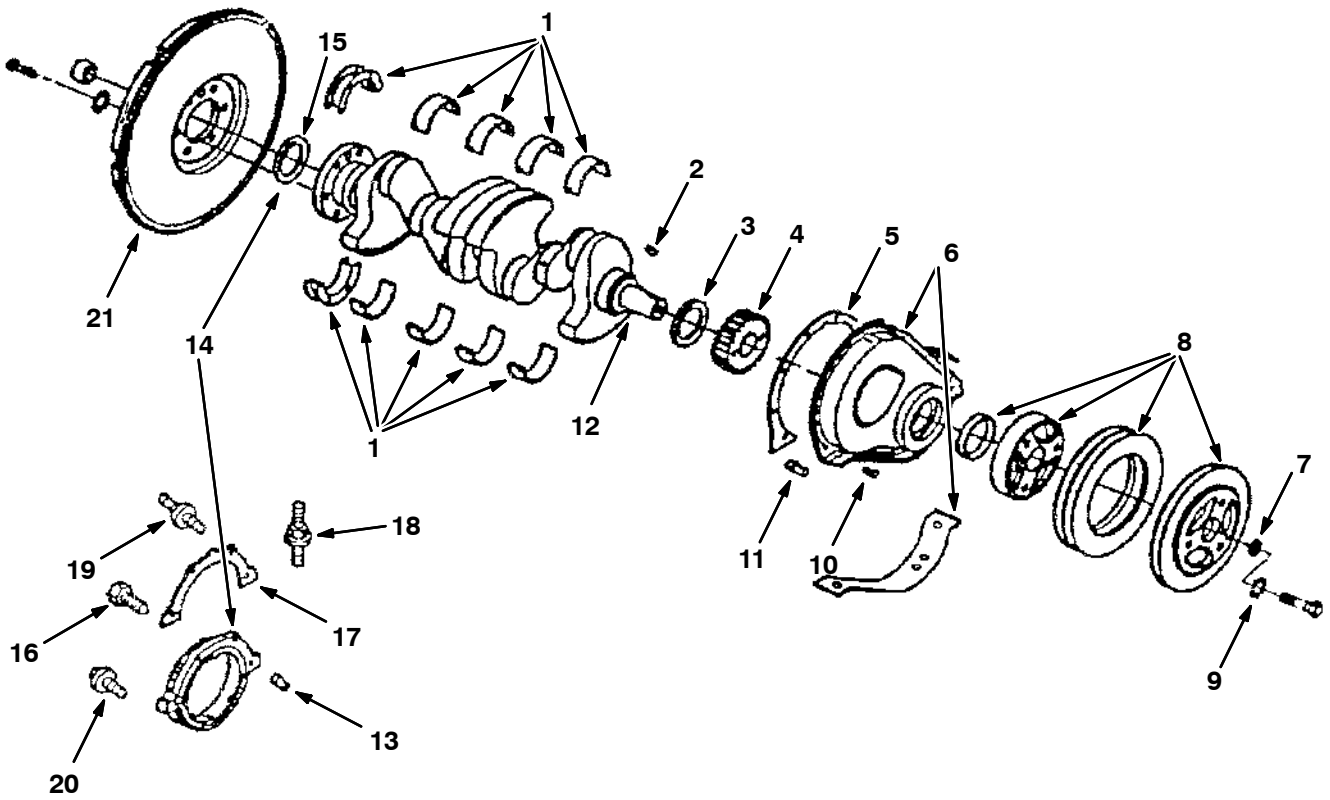
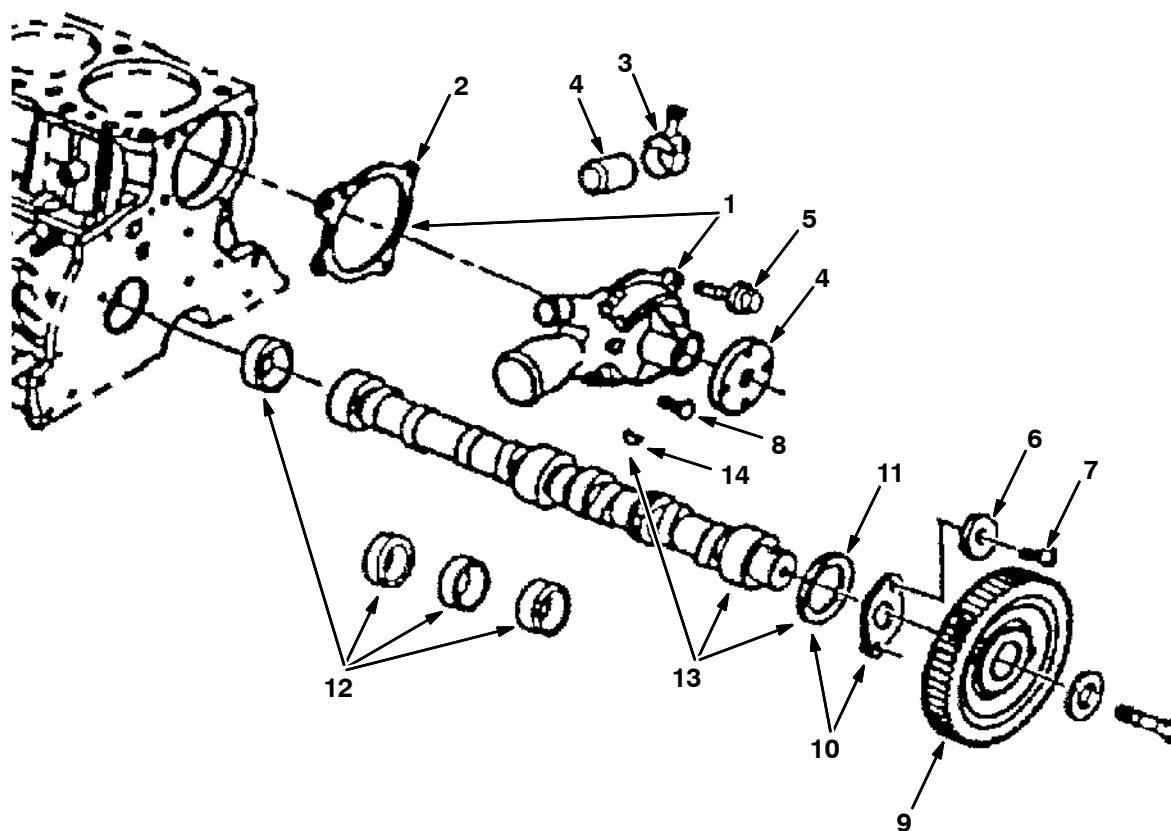


Fig. 5 - Crankshaft Group

Ref.	Part No.	Description	Qty.
	1 393837	Bearing Kit, Std #1, 2, 3, 4	4
	1 393838	Bearing Kit, .001" #1, 2, 3, 4	4
	1 393839	Bearing Kit, .010" #1, 2, 3, 4	1
	1 393840	Bearing Kit, .020" #1, 2, 3, 4	1
	1 393841	Bearing Kit, .030" #1, 2, 3, 4	1
	1 393836	Bearing Kit, Std #5	4
	1 393834	Bearing Kit, .001" #5	4
	1 393835	Bearing Kit, .025" #5	4
	2 393826	Key	1
	3 393842	Seal	1
	4 393843	Gear	1
	5 393844	Gasket	1
▽	6 393845	Cover	1
▲	7 393842	Seal	1
	8 393846	Balancer	1
	9 393847	Washer	6
	10 393824	Bolt	8
	11 393864	Nozzle	1
	12 393866	Crankshaft	1
	13 393873	Pin	1
▽	14 393874	Housing	1
▲	15 393880	Seal	1
	16 393876	Bolt	-
	17 393877	Gasket	1
	18 393878	Stud	1
	19 393879	Stud	2
	20 393875	Bolt	-
	21 393881	Gear	1

Fig. 6 - Camshaft and Water Pump Group



G, LP

	Ref.	Part No.	Description	Qty.
▽	1	393820	Water Pump	1
▲	2	393817	Gasket	1
	4	393818	Cap	1
	3	393819	Clamp	1
	5	393821	Bolt	1
	6	393822	Washer	1
	7	393823	Bolt (1/4-20x1/12 Hex)	1
	7	393824	Bolt (1/4-20x1/12)	3
	8	393825	Bolt (5/16-18x1.5 Hex)	2
	9	393827	Gear	1
▽	10	393828	Plate Kit	1
▲	11	393829	Ring	3
	12	393830	Bearing Kit	1
▽	13	393831	Camshaft	2
▲	14	393826	Key	1

SECTION 7

CONTENTS

PAGE

PART NUMBER TO PAGE NUMBER CROSS REFERENCE LIST 7-2
PART DESCRIPTION TO PAGE NUMBER CROSS REFERENCE LIST 7-16

CROSS REFERENCE

PART NUMBER TO PAGE NUMBER CROSS REFERENCE LIST

Part Number	Page Number	Part Number	Page Number	Part Number	Page Number
IB3614	4-34, 4-35	02984	2-28, 2-29	07423	2-179
SK1288	4-36	02994	2-177	07471	2-109, 2-111
SK1444	2-107	02997	2-7	07484	3-5
SK2222	2-37	03026	2-85, 2-87, 2-89	07592	2-45, 2-47, 2-49
SK2223	2-36	03233	2-39	07791	2-41, 2-43, 2-47, 2-79, 2-109
SK2498	4-4, 4-5	03292B	3-29	07875	2-99, 2-101
SK2499	4-4	03391	3-3	07934	3-28
SK2500	4-4	03393	3-3, 3-33	08099	2-185
00500-15	4-26, 4-27	03395	3-43	08100	2-185
00500-20	2-27, 2-31	03401	3-3	08174	2-19
00500-5	2-39	03402	3-5	08175	2-193
00911	2-175	03404	3-13	08228	2-187
00912	4-33	03408	3-43	08298	2-185
00954	4-34	03409	3-43	08329	2-35
00960	4-35	03556	2-77, 2-79	08708	2-93, 2-95, 2-105
00966	2-175	03706	3-11	08709	2-95
01433-1	2-4, 2-5	03711	4-5, 4-6	08791	2-21, 3-5
01666	4-30	03823	3-11, 3-25, 3-31	08891	2-39
01668	4-30	03838	4-5	08892	2-39
01685	2-71	03922	2-175, 2-177	09088	2-36
01686	2-23, 2-27, 2-193	03977	2-99, 2-101	09164	2-93
01692	2-23	03992	3-17	09311	2-175
01736	2-9, 2-13	04020	2-99, 2-101, 2-103, 2-105	09314	2-175
01818	4-30	04048	2-35	09384	3-20
02182	2-101	04185	4-29	09385	3-14
02247	2-53	04198	4-29	09626	2-193
02281	3-27	04210	2-35	09725	2-80, 2-81
02412	4-33	04414	2-43	09819	5-18
02430	4-7	04431	2-185, 4-32	09837	2-4, 5-18
02431	2-179, 2-181, 2-183	04477	4-32	09852	5-18
02446	3-5	04499	4-32	09857	5-18
02449	3-28	04525	4-29	09861	5-18
02450	3-28	04595	3-43	09867	5-18
02452	3-27	04597	3-43	09890	5-18
02455	2-4	04598	3-43	09891	5-18
02456	2-4	04601	2-99, 2-101	09905	2-187
02457	2-4	04733-12	2-19	09910	5-18
02458	2-4	05178	3-27	1007162	2-47
02460	2-4	05492	3-28	1008094	2-47, 2-49
02464	2-185	05880	2-73, 2-75	1008511	2-47
02506-6	3-38	06223	2-4, 2-5	1008513	2-47
02519	4-29	06227	2-4	1008538	2-49
02520	4-29	06229	2-4, 2-5	1008894	2-9, 2-195
02534	3-28	06279	2-19	1008988	2-103
02535	3-28	06332	2-4, 2-5	1010537	2-185
02536	4-29	06418	2-28, 2-29, 2-185	1011011	2-148
02543	2-122	06507	2-39, 2-41, 2-107	1011015	2-148
02582	4-3	06573	2-27, 2-31	1011017	2-148
02583	4-3	06750	2-127, 3-28	1011107	2-103
02586	3-5	06845	2-185	1011216	2-77, 2-79
02589	2-19	06846	2-185	1011259	2-77
02597	3-3	06943	2-33, 2-95	10117	5-9
02683	2-119	06948	2-69	1011780	2-87, 2-89
02742	5-16	06949	2-105	1011895	2-103, 2-105
02817	3-5	07259	2-185	1011899	2-87, 2-89
02818	3-5	07422	2-179, 3-9, 3-14, 3-33, 3-35, 3-42	1011980	2-103
02819	3-5			10120	2-36
02938	3-9				

CROSS REFERENCE

Part Number	Page Number	Part Number	Page Number	Part Number	Page Number
1012112	2-103	1016462	2-121	1032804	2-69
1012185	2-181, 2-183	1016464	2-121	1032805	2-58
1012248	2-103	1016465	2-121	1032812	2-105
1012314	2-103	1016466	2-121	1032815	2-95
1012469	2-103	1016467	2-121	1032823	2-79
1012677	2-103	1016468	2-121	1032912	2-105
1012719	2-43	1016469	2-121	1032936	2-105
1012720	2-43	1016471	2-121	1032944	2-105
1013030	2-103	1016472	2-121	1033497	2-95
1013031	2-77, 2-79	1016484	2-121	1033746	2-105
1013086	2-103, 2-105	1016771	2-124, 2-129	1033897	2-103, 2-105
1013129	2-11	1017203	2-77	1033899	2-105
1013340	3-28	1017231	2-11	1034105	2-43
1013350	2-67	1017239	2-53	1035814	2-95
1013509	2-105	1017241	2-77, 2-79	1035837	2-95
1013590	2-77, 2-79	1017272	2-53	1036560	2-148
10143	2-113	1017358	2-13	1037311	2-59
1014394	2-95	1017432	2-53	1037312	2-59
1014411	2-43	1017442	2-11	1037313	2-59
1014490	2-95	1017469	4-39	10392	3-44
1014573	2-95	1017476	2-53	1041151	2-59, 2-63
1014595	2-103	1017500	2-53	1041152	2-59, 2-63
1014685	2-43	1017573	2-13	1042535	2-133, 4-38
1014712	2-87, 2-89	1017594	2-11	1044757	2-95
1014769	2-77	1017598	2-53	1045764	2-95
1014774	2-77	1017600	2-13	10464	2-175
1014828	2-77	1017662	2-53	10488	2-82, 2-83
10149	2-193	1017731	2-13	10509	2-80, 2-81, 2-82, 2-83, 2-85
1014956	2-129, 4-21	1017734	2-13	1057708	2-4, 2-5
1014972	2-43	1017736	2-13	1057711	2-4, 2-5
1014988	2-43	1017819	2-53	1057970	3-3
10150	2-193	1018449	2-13	1058454	3-3
1015018	2-131	1018451	2-13	1060286	2-79
1015034	2-177	1018573	2-43	1060653	2-59, 2-61, 2-69
1015035	2-177	1019271	2-33	1062356	2-61
1015264	2-95	1019272	2-95, 4-35	1062668	2-79
1015307	2-133	1020194	2-133, 4-37	1063017	2-87
1015313	2-124	1020434	2-195	10632-1	2-122
1015338	2-135	1020891	2-95	10632-12	2-9
1015379	2-181, 2-183	1023322	2-177, 4-34	10632-19	2-25, 3-14, 3-35
1015389	2-181, 2-183	1025278	2-97	10632-5	3-20
1015430	2-11	1028058	2-19, 2-193	1063653	2-148
1015467	2-177	1028558	2-79	10664	2-130
1015473	2-177	1028559	2-79	10701	3-14, 3-18, 3-19, 3-20, 3-35, 3-36, 3-37
1015633	2-77	1028924	2-105	10754	2-107
1015638	2-77, 2-79	1029293	2-105	10756	2-107, 2-109, 2-111
1015815	2-103	1029295	2-105	10829	2-32
1015821	2-77	1029334	2-43	10830	2-59, 2-61, 2-69
1015850	2-177	1029649	2-49	10831	2-41, 2-43
1015933	2-5, 2-131	1030272	2-43	11048	2-19
1015991	2-133	1030485	2-105	11399	2-21, 2-51, 2-53, 2-65, 2-71, 2-93, 3-3, 3-5, 3-27, 3-40
1015996	2-177	1030533	2-79	11442-1	2-63, 2-107, 2-109, 2-111
1016010	2-127	1030635	2-49	11442-10	3-27
1016044	2-11	1032382	2-71	11442-7	3-5
1016121	2-95	1032391	2-79		
1016171	2-87, 2-89	1032477	2-79		
1016408	2-133	1032569	2-79		
1016456	2-121	1032757	2-87		
1016459	2-121	1032774	2-79		
1016460	2-121	1032778	2-79		

CROSS REFERENCE

Part Number	Page Number	Part Number	Page Number	Part Number	Page Number
11442-8	3-5	16513	3-18, 3-36	22290	2-135
11476	2-23, 2-25	16562	2-101	22297	2-4, 2-5, 2-17, 2-28,
11531	2-4, 2-5, 2-91, 3-11	16563	2-101		2-29, 2-80, 2-81,
11716	2-19	16667	2-179		2-82, 2-83, 2-85,
11869	3-27	16669	2-7		2-87, 2-89, 2-187
11870	3-5	16695	4-26, 4-27	22308-1	2-107
11893	2-113	16735	2-47, 2-107	22309	2-41, 2-107
11979	2-39, 2-41	16738	2-80, 2-81	22604	2-122, 4-25
11984	2-85, 2-87, 2-89	16820	2-91	22640	3-18, 3-36
12072	2-21, 3-5	16851	5-12	22673	4-37, 4-38
12074	2-21, 3-5	16852	5-12	23191	2-17
12784	5-8	16853	2-4, 5-17	23498	2-4, 2-5, 2-175,
12876	2-6	16865	5-12		2-177, 2-187, 2-189,
12959	2-73, 2-75	16928	2-192		3-11, 3-13
13015	2-113	16931	2-177	23515	2-21, 3-5
13113	2-119	16949	2-11, 2-13, 2-181,	23563	3-5
13124	2-87, 2-89		2-183	23999-8	2-39
13248	2-177	16953	2-11, 2-127	24012-1	2-73, 2-75
13611	2-185	17269	2-32	24012	2-77, 2-79
13907	4-9, 4-13	18595	3-3	24047	2-107, 2-109, 2-111
13959	3-14, 3-35	19048	2-99, 2-101	24298	3-14, 3-35
14131	2-99, 2-101	19064	2-13	24339	2-34, 2-191
14330	2-37	19065	2-61, 2-181, 2-183	24427	3-14, 3-35
14331	2-37	19309	2-13	24576-1	3-18, 3-36
14432	2-185, 3-31	19310	2-181, 2-183, 3-9	24576	3-18, 3-36
14601	2-38	19311	2-41, 2-43	24584	2-107, 3-28
14605	2-125, 2-127	19312	2-59, 2-61, 2-69	24591	3-39
14700-1	2-32	19315	2-41, 2-43, 2-59,	24592	3-3, 3-33, 3-42
14700-2	2-32		2-61, 2-69, 2-181,	24593	2-9, 2-11
14700-3	2-32		2-183	24594	2-13
14700-4	2-32	19316	2-95, 2-181, 2-183	24924	2-80, 2-81
14700	2-32	19317	2-11, 2-13, 2-59,	24928-1	2-107, 2-109, 2-111,
14877	2-21, 3-3, 3-5		2-61, 2-69		3-21, 3-22
150516	2-53	19321	2-13	24929	2-109
15331	2-185	19572	2-133	25014	2-36, 2-41, 2-75,
15398	2-19	19659	2-185		2-77, 2-79
15543-2	2-81, 2-82, 2-83	20021	2-38, 2-193	25046	2-95, 2-135
15543	2-80, 2-81, 2-83,	20177	2-47, 2-49	25047	2-58, 2-61, 2-69
	2-85, 2-87, 2-89	20983	2-93	25048	2-127
15555-1	2-101	21194	2-11	25179	2-91
15675	2-177	21195	2-45, 2-47, 2-49,	25180	2-39
15724	2-111, 3-17		2-63, 2-127, 2-131,	25181	2-138
16143	5-12		2-177	25182	2-138
16153	5-5	21197	2-11, 2-43, 2-47	25183	3-14, 3-35
16387	2-65, 2-67	21198	2-11, 2-43, 2-93,	25184	2-138
16400	2-175		2-97	25185	3-8
16411	2-5	21298	2-5, 2-101	25186	2-8
16412	2-5	21660	4-7	25189	2-175
16418	3-19, 3-20, 3-37	21661	4-7	25195	2-28
16419	3-19, 3-20, 3-37	21690	2-179	25207	2-175
16420	3-19, 3-20, 3-37	21726	2-73, 2-75	25212	2-175
16421	3-19, 3-37	21782	5-8	25216	2-175
16422	3-19, 3-20, 3-37	21909	4-19	25217	2-38
16423	3-19, 3-20, 3-37	21910	4-19	25218	2-38
16440	3-9	21911	4-19	25219	2-19
16456	2-125	21912	4-17, 4-19	25220	2-19
16485	3-3, 4-7	21913	4-19	25312	3-38, 3-39
16490	2-38	21914	4-17, 4-19	25359	2-175
16496	2-73	22134	2-135	25360	2-187, 3-11
16511	3-19, 3-37	22227	2-109, 2-111	25364	2-175

CROSS REFERENCE

Part Number	Page Number	Part Number	Page Number	Part Number	Page Number
25365	2-175	31592	2-91	32975	2-13
25373	2-175	31597	2-119, 2-121	32978	2-103, 2-105, 2-181, 2-183
25383	2-175	31598	2-119	32980	2-103, 2-105
25384	2-175	31600	2-119, 2-121	32981	2-127
25610	2-103	31602	2-119, 2-121	32983	2-13, 2-49, 2-71, 2-75, 2-77, 2-79, 2-87, 2-89, 2-133
25632	2-175	31603	2-119, 2-121	32984	2-103, 2-105, 2-109, 2-111
25636	2-175	31610	2-119	32985	2-43, 2-95, 2-192
25637	2-175	31611	2-119	330650	3-44
25639	2-175	31613	2-123, 2-124	33308	4-5
25640	2-175	31632	2-125	33327	3-3, 4-6
25649	2-4, 2-5, 2-189, 3-13	31634	2-25	33510	2-193
25656	2-4	31638	4-31	33580	4-25
25663	2-4	31639	4-31	33692	3-27
25821	2-177	31642	4-29	33743	2-193
26015	2-4	31643	4-29	33744	2-193
26156	2-17	31668	2-8, 2-11	33745	2-193
26315	2-37	31672	2-119, 2-121	33746	2-193
26496	2-107, 2-109, 2-111	31705	2-191	33747	2-193
26509	2-80, 2-81	31944	5-3	33748	2-193
26523	2-179, 2-181, 2-183	31945	5-3	33749	2-193
26565	2-19, 2-21, 2-38, 2-125, 2-127, 3-5	31960	3-37	33778	3-27
26663	2-37	32117	2-8, 2-11, 2-190	33782	3-20
27048	2-53, 2-101, 2-107, 2-109, 2-111	32126	2-35, 2-191	33783	3-20
27474	2-9, 2-195	32415	2-192	33848	5-19
27792	4-26	32477	2-36	33849	5-19
27977	3-3	32483	2-11, 2-41, 2-43, 2-61, 2-63, 2-79, 2-95, 2-135	33850	5-19
27978	2-11, 2-13, 2-95, 2-135	32485	2-41, 2-45, 2-47, 2-49, 2-63, 2-97, 2-135	34065	2-39
27979	2-11, 2-77, 2-93, 2-103, 2-105, 2-111	32486	2-11, 2-23, 2-25, 2-128, 2-129	34159	4-11, 4-15
27980	2-11, 2-59, 2-61, 2-69, 2-93, 2-127, 2-175	32490	2-11, 2-59, 2-61, 2-69, 2-93, 2-95, 2-105, 2-181, 2-183	34178	4-25
27981	2-11, 2-93	32491	2-11, 2-13, 2-43, 2-45, 2-49, 2-71, 2-75, 2-77, 2-79, 2-87, 2-89, 2-93, 2-95, 2-103, 2-105, 2-109, 2-111	34179	4-25
27988	2-45, 2-77, 2-79, 2-97	32492	2-11, 2-41, 2-43, 2-75, 2-79, 2-93, 2-177, 2-193	34194	2-39
27989	2-49	32493	2-27, 2-31, 2-43, 2-93, 2-192	34297	5-18
27990	2-49	32517	2-181, 2-183	34351	2-119
27991	2-43, 2-47	32524	2-19	34359	2-19
27994	3-3	32552	2-39, 2-41	34375	3-17
28835	4-26	32575	2-9	34429	5-14
29035	3-5	32580	2-9, 2-13	34640	5-13
29831-6	2-113	32587	2-101	34726	2-4, 5-18
29832-7	2-39	32590	2-101	34727	5-18
30035	5-15	32724	2-185	34749	5-16
30036	5-16	32759	2-125, 2-127	34752	5-15
30065	5-9	32761	2-125, 2-127, 4-30	34796	5-13
311828	2-53	32798	3-9	34797	5-16
31260	3-5	32808	2-101	34798	5-16
31313	2-21	32895	2-135	34805	2-39
31354	4-26, 4-27			34810	2-179, 2-181, 2-183
31377	4-26, 4-27			34813	2-179, 2-181
31382	4-26, 4-27			34820	2-181, 2-183
31556	2-122, 4-31			34833	2-39
31557	2-123			34873	5-14
31565	2-119, 2-121			34876	5-5
31570	2-119, 2-121			34877	2-39
31575	2-125, 2-127, 4-29			34880	2-107
				34881	2-107
				34908	2-73
				34996	2-80, 2-81

CROSS REFERENCE

Part Number	Page Number	Part Number	Page Number	Part Number	Page Number
34997	2-80, 2-81	371518	2-41, 2-43	371656	4-40
35002	2-124	371519	2-41, 2-43	371657	4-40
35033	2-122, 2-128	371520	2-41, 2-43, 2-65	371658	2-51, 2-53, 2-65
35586	2-95, 2-122	371522	2-45	371659	4-40
35756	2-47, 2-49	371523	2-45	371660	4-39, 4-40
36050	2-5	371524	2-45	371661	2-101
36050AM	2-101	371525	2-45	371663	2-51, 2-53, 4-39
360936	2-111	371526	2-45, 2-47, 2-49	371665	4-39
36328	2-28, 2-29, 2-133, 2-193	371527	2-45, 2-47, 2-49	371666	4-39
363992	2-148	371528	2-45	371668	4-39
36417	2-39	371529	2-45	371669	4-39
364608	2-95	371530	2-45	371670	4-39
364609	2-95	371532	2-51, 2-53, 2-65	371671	2-5, 2-109
36466	2-193	371533	2-65	371673	2-51, 2-53
36644	2-187, 2-189, 3-11, 3-13	371534	2-65	371674	2-51, 2-53
367108	2-33	371535	2-65	371675	2-51, 2-53
368132	2-93	371536	2-65	371676	2-109
36845	2-177	371537	2-65	371677	2-51, 2-53
369701	2-185	371538	2-51, 2-53, 2-65	371713	4-39
369704	2-9, 2-11	371545	2-97	371714	4-39, 4-40
369745	2-81, 2-83, 2-85, 2-87, 2-89	371548	2-138	371715	4-39, 4-40
369746	2-5, 2-81, 2-83, 2-85, 2-87, 2-89	371549	2-41	371716	4-40
369747	2-81, 2-83, 2-85, 2-87, 2-89	371550	2-41	371718	4-39, 4-40
369748	2-14	371551	2-41	371761	2-43
369749	2-9	371552	2-41	371764	2-51, 2-53, 2-65
369750	2-9	371553	2-41, 2-59, 2-61, 2-69	371865	2-49
369751	2-81, 2-83, 2-85, 2-87, 2-89	371556	2-41	371875	2-59, 2-61, 2-69
369814	3-27	371557	2-97	371877	2-59, 2-61, 2-69
370133	2-193	371558	2-97	372235	2-148
370705	5-18	371559	2-97	372236	2-148
370706	5-16	371560	2-97	372237	2-148
370707	5-18	371561	2-97	372251	6-7
370725	5-5	371563	2-97	372440	2-5, 2-103, 2-105
370726	5-7	371564	2-97	372445	2-43
370840	5-8	371565	2-85, 2-97	372456	2-43
370842	5-5	371566	2-97	372457	2-43
370843	5-7	371567	2-97	372458	2-43
37089	2-8, 2-195	371568	2-97	372466	2-59, 2-61, 2-67, 2-69
371500	2-71	371570	2-97	372470	2-55, 2-58, 2-61, 2-69
371502	2-71	371572	2-41	372472	2-55, 2-59, 2-63, 2-67, 2-69
371503	2-71	371573	2-75, 2-77	372473	2-43
371504	2-71	371575	2-93	372474	2-43
371505	2-71	371579	2-93	372479	2-43
371507	2-41	371580	2-41, 2-181, 2-183	372483	2-55, 2-67
371508	2-41, 2-43	371581	2-85	372484	2-55
371509	2-41, 2-43, 2-45, 2-59, 2-61, 2-69, 2-97	371582	2-97	372488	2-67
371511	2-41	371583	2-109	372489	2-55, 2-67
371512	2-41, 2-43	371639	2-97	372490	2-55, 2-67
371513	2-41	371645	2-65, 4-40	372491	2-77
371514	2-41	371646	2-51, 2-53, 2-65	372492	2-55, 2-67
371516	2-41, 2-43	371647	2-51, 2-53, 2-65	372493	2-55, 2-67
371517	2-41	371648	4-40	372495	2-55
		371649	4-40	372496	2-55
		371650	4-40	372497	2-55
		371651	4-39, 4-40	372498	2-55
		371652	4-40	372500	2-55
		371653	4-39, 4-40	372501	2-55
		371654	4-39, 4-40		
		371655	4-40		

CROSS REFERENCE

Part Number	Page Number	Part Number	Page Number	Part Number	Page Number
372503	2-55	373287	4-21	382516	2-179, 2-181, 2-183
372504	2-55	373288	4-21	38255	4-25
372505	2-55	373374	4-15	38321	3-27, 4-3
372506	2-55	373375	4-15	383722	2-181, 2-183, 3-9
372507	2-55	373403	4-17, 4-21	383723	2-179, 2-181, 2-183,
372508	2-55	373404	2-128, 2-129, 4-13,		
372510	2-55		4-15		3-14, 3-33, 3-35,
372511	2-55	373407	4-13	38381	3-42
372512	2-55	373408	4-13	38397	5-11
372514	2-55	373409	4-13	38401	5-5
372515	2-55	373410	4-13	38401	5-15
372516	2-55	373412	4-15	38402	5-17
372517	2-55	373413	4-15	38403	5-16
372518	2-55	373414	4-15	38404	5-3
372523	2-55	373415	4-13	38405	5-3
372526	2-55	373552	4-19	38406	5-17
372527	2-55	373590	4-37, 4-38	38408	5-3
372528	2-55, 2-59, 2-63	373611	4-37, 4-38	38409	5-17
372529	2-59, 2-63	373616	4-21	38413	5-3
372531	2-55	373624	4-37, 4-38	38416	5-11
372539	2-59, 2-63	373625	4-37, 4-38	38420	5-13
372545	2-55, 2-59, 2-67,				
	2-69	373626	4-37	38421	5-13
372569	2-55	373689	4-38	384971	2-59, 2-63
372577	2-55	373702	5-7	384973	2-59
372579	2-59, 2-61	374119	3-17, 3-33, 3-42	384974	2-55, 2-59, 2-61,
372604	4-3	374240	2-37		2-67, 2-69
372608	2-55	374532	2-107	384975	2-59
372610	2-55	37460	4-9, 4-13	384977	2-59
372611	2-55	37462	4-9, 4-13	384978	2-59, 2-63
372612	2-55	374648	2-107	384979	2-59, 2-63
372615	2-5, 2-55	374649	2-107	384985	2-59, 2-61, 2-69
372859	2-55	375132	2-51	384986	2-59
372860	2-67	375585	2-91, 2-97	384996	2-59
372891	2-55, 2-67	375613	2-175	384998	2-148
372899	2-55	375614	2-175	384999	2-148
372937	2-53	37572	4-3	385000	2-59, 2-63, 2-69
372941	2-103	375724	3-13	385001	2-59, 2-61, 2-69
373201	4-17, 4-21	37573	4-3	385002	2-59, 2-61, 2-69
373211	4-17, 4-21	375761	2-119, 2-121	385003	2-59, 2-61, 2-69
373218	4-13	37616	4-25	385004	2-59, 2-69
373228	4-17	37617	4-26, 4-27	385006	2-59, 2-69
373229	4-17	377337	2-5, 2-109	385007	2-59, 2-69
373230	4-17	377368	3-27	385008	2-58, 2-61, 2-69
373231	4-17, 4-21	377372	3-27	385009	2-105
373232	4-17, 4-21	377397	3-28	385010	2-148
373233	4-17, 4-21	377537	2-5	385011	2-59, 2-63
373235	4-17, 4-21	377538	2-5	385012	2-59
373237	4-17, 4-19	377540	2-5	385013	2-59, 2-63
373239	4-17, 4-19	37756	4-25	385014	2-59
373240	4-17, 4-19	37756	4-25	385015	2-59, 2-63
373241	4-17	37766	4-25	385016	2-59, 2-61
373242	4-17, 4-21	37778	4-3	385017	2-59, 2-61
373243	4-17	378967	2-175	385018	2-148
373245	2-128, 4-17	378997	2-179	385019	2-43
373255	4-21	37934	5-16	38572	5-9
373267	4-21	37942	5-5	38595	4-3
373284	4-21	38010	5-16	38665	5-5
373285	4-21	38082	5-3	38715	4-4
373286	4-21	381856	2-121	38753	5-7
		382266	2-101	38757	5-5
		382507	2-93	38758	5-3

CROSS REFERENCE

Part Number	Page Number	Part Number	Page Number	Part Number	Page Number
38774	5-5	39278	3-27	393761	5-18
38784	5-9	39279	2-91	393762	5-18
38787	5-9	39284	2-39, 2-41	393763	5-19
38788	5-14	39322	3-27	393764	5-19
38789	5-18	393223	3-44	393765	5-18
388078	5-7	393227	2-47, 2-49	393806	6-7
388080	5-7	39347	2-185	393807	6-7
388153	2-32	39348	2-19	393808	6-7
388224	5-8	39349	2-11, 2-87, 2-89, 2-95, 2-103, 2-105, 2-133	393809	6-7
388260	5-3	39350	2-75, 2-77, 2-79, 2-177	393810	6-7
38840	5-9	393662	6-7	393811	6-7
38843	5-13	393663	6-7	393812	6-7
38847	5-9	393679	5-3, 5-16	393813	6-7
38848	5-9	393680	5-3	393814	6-7
38850	5-9	393683	5-3	393815	6-7
38855	5-11	393684	5-3	393816	6-7
38856	5-17	393685	5-3	393817	6-12
38857	5-17	393687	5-3	393818	6-12
38859	5-16	393695	5-5	393819	6-12
38916	5-9	393696	5-5	393820	6-12
38917	5-9	393699	5-7	393821	6-12
38918	5-14	393700	5-7	393822	6-12
38919	5-17	393701	5-7	393823	6-12
38920	5-10	393703	5-7	393824	6-3, 6-9, 6-11, 6-12
38923	5-5	393705	5-8	393825	6-12
38924	5-13	393707	5-8	393826	6-11, 6-12
38968	4-25	393713	5-9	393827	6-12
38991	5-18	393714	5-9	393828	6-12
391800	2-39, 2-41	393717	5-11	393829	6-12
391823	2-101	393720	5-12	393830	6-12
391839	3-25, 3-31	393721	5-15	393831	6-12
391844	2-175	393722	5-15	393832	6-7
391854	2-175	393724	5-17	393833	6-7
391858	2-91	393725	5-3	393834	6-11
391901	2-148	393726	5-3	393835	6-11
391902	2-148	393728	5-3	393836	6-11
391903	3-14, 3-35	393730	5-3	393837	6-11
391904	2-148	393732	5-3	393838	6-11
391906	3-33	393733	5-5	393839	6-11
391907	2-148	393734	5-7	393840	6-11
391921	3-8	393735	5-7	393841	6-11
391923	3-42	393736	5-7	393842	6-11
392258	2-53	393737	5-7	393843	6-11
392528	2-138	393742	5-9	393844	6-11
392530	2-93	393744	5-9	393845	6-11
392532	2-8, 2-11	393747	5-10	393846	6-11
392534	2-93	393748	5-10	393847	6-11
392535	2-8, 2-13	393749	5-11	393848	6-9
392539	2-97	393750	5-11	393849	6-9
392540	2-75	393751	5-11	393850	6-9
392543	2-75	393753	5-16	393851	6-9
392545	2-71	393754	5-16	393852	6-9
392546	2-109, 2-111	393755	5-16	393853	6-9
392551	2-195	393756	5-16	393854	6-9
392559	2-101	393757	5-16	393855	6-9
392611	2-47, 2-49	393758	5-18	393856	6-9
392647	2-95	393760	5-18	393857	6-9
39272	2-113			393858	6-9
39274	2-27, 2-31			393859	6-9
39277	2-79, 2-95, 2-109			393860	6-9

CROSS REFERENCE

Part Number	Page Number	Part Number	Page Number	Part Number	Page Number
393861	6-9	393914	2-51, 2-53, 2-56, 2-65, 2-67	393973	2-41
393862	6-9			393975	2-41
393863	6-9	393915	2-51, 2-53, 2-56, 2-65, 2-67	393976	2-138
393864	6-11			393978	2-41
393865	6-9	393916	2-51, 2-53, 2-56, 2-65, 2-67	393981	2-51
393866	6-11			393982	2-5, 2-71
393867	6-9	393917	6-3	393984	2-41, 2-55, 2-59, 2-61, 2-67, 2-69
393868	6-9	393918	6-3		
393869	6-9	393919	6-5	393985	2-41
393870	6-9	393920	6-5	393986	2-97
393871	6-9	393921	6-5	393993	6-3
393872	6-7	393922	6-5	393994	2-41, 2-43, 2-45
393873	6-11	393923	6-5	393996	2-97
393874	6-11	393924	6-5	393998	2-45, 2-47, 2-49, 2-97
393875	6-11	393925	6-5		
393876	6-11	393926	6-5	394916	2-148
393877	6-11	393927	6-5	39527	4-26, 4-27
393878	6-11	393928	6-5	39537	2-95
393879	6-11	393929	6-5	395973	2-133
393880	6-11	393930	6-5	39648	2-181, 2-183
393881	6-11	393931	6-5	39650	2-13
393882	6-7	393932	6-5	39712	2-181, 2-183
393883	6-7	393933	6-3	39807	2-133
393884	6-7	393934	2-5, 6-3	39809	2-11
393886	6-7	393935	6-3	39810	2-23, 2-25, 2-93
393887	6-7	393936	6-3	398205	3-11
393888	6-7	393937	6-3	398279	2-87, 2-89, 3-44
393889	6-7	393938	6-3	398296	2-80, 2-82
393890	6-7	393939	6-5	398344	2-5
393891	6-7	393940	6-5	398468	2-109
393894	6-3	393941	6-5	398473	2-109
393895	6-3	393942	6-5	398474	2-111
393896	6-3	393943	6-5	398525	3-5
393897	6-3	393945	6-5	39912	2-185
393898	2-51, 2-53, 2-56, 2-65, 2-67, 6-3, 6-5	393946	6-5	40052	2-175, 2-187, 3-11
		393947	6-5	40076	2-28, 2-29
393899	6-3	393948	6-5	40143	3-27
393900	6-3	393949	6-5	40144-1	3-27, 4-3
393901	6-3	393950	6-5	40144-20	4-3
393902	6-3	393951	6-3	40144-21	4-3
393903	6-3	393952	6-3	40144-22	4-3
393904	6-3	393953	6-3	40144-4	3-27, 4-3
393905	2-51, 2-53, 2-56, 2-65, 2-67	393954	6-3	40144-6	4-3
393906	2-51, 2-53, 2-56, 2-65, 2-67	393955	6-3	40145	3-27
		393956	6-3	40151	3-27
393907	2-51, 2-53, 2-56, 2-65, 2-67	393957	6-3	40152	3-27
		393958	6-3	40154	3-27
393908	2-51, 2-53, 2-56, 2-65, 2-67	393959	6-3	40155	3-27
		393960	6-3	40171	3-25, 3-31
393909	2-51, 2-53, 2-56, 2-65, 2-67	393961	6-3	40173-1	3-25, 3-31
		393962	6-3	40173	3-25, 3-31
393910	2-51, 2-53, 2-56, 2-65, 2-67	393963	6-3	40354	2-36
		393964	6-3	40362	2-123, 2-124
393911	2-51, 2-53, 2-56, 2-65, 2-67	393965	6-5	40390	2-28, 2-29, 2-175
		393966	6-5	40496	2-175
393912	2-51, 2-53, 2-56, 2-65, 2-67	393967	6-5	40514	2-122, 2-128, 2-130, 3-17, 3-27
		393968	2-41		
393913	2-51, 2-53, 2-56, 2-65, 2-67	393970	2-93	40550	2-187, 3-11
		393971	2-93	40573	3-27
		393972	2-51, 2-53	40575	2-23, 3-5

CROSS REFERENCE

Part Number	Page Number	Part Number	Page Number	Part Number	Page Number
40585	2-101	42260	2-91, 2-122, 2-123,	47512	2-128
40625	2-39, 2-71		2-133	47518	2-27, 2-31, 2-124
40646	2-23, 2-25	42311	2-185	47535-1	3-18, 3-36
40670	3-25, 3-31	42331-1	2-175	47535-2	3-18, 3-36
40671	3-25, 3-31	42337	5-7	47535	3-18, 3-36
40678-1	2-189	42368	2-103, 2-105	47536-1	3-18, 3-36
40678	2-101	42370	2-71	47536	3-18, 3-36
40755	2-133	42399	2-185	47537-1	3-18, 3-36
40758	2-23, 2-25	42498	2-28	47537	3-18, 3-36
40759	2-23, 2-25	42499	2-27	47566	2-99, 2-101
40846	2-19	42639	2-29, 2-31	47585	2-135
40870-1	2-4, 2-5	42779	2-187	47636	3-27
40870-2	2-175	42809	2-175	47638	2-125, 2-127
40870-7	2-4, 2-5	43203	2-7	47662	3-27
40999A	2-28, 2-29	43246	3-28	47675	5-18
41007	2-175	43363	2-7, 3-11	47680	5-19
41016	2-11	43454	2-9, 2-13	47721	3-27
41032	2-28, 2-29	43555	2-4, 2-5, 2-82, 2-83,	47745	2-193
41063	2-21, 3-5		2-85, 2-189, 3-13	47752	2-122
41066	2-185	43844	2-101, 2-103, 2-105	47768	3-14, 3-35
41073	2-185	44031	2-9, 2-21, 3-3	47801	2-175, 4-32
41081	2-185	44078	2-181, 2-183	47826	2-80, 2-81, 2-107
41082	2-185	44310	2-32	47845	2-21
41083	2-185	44869	2-133	47846	2-21, 3-3
41084	2-185	44961	2-111, 2-185	47848	3-27
41112	2-191	45181	2-13, 2-181, 2-183	48108A-1	3-27
41130	2-175, 2-177	45299	2-93	48108A	3-28, 4-36
41141	2-11, 2-181, 2-183	45339	3-35	48126	2-37
41142	2-47, 2-49	45482	2-177	48144	2-41, 2-107
41169	2-11, 2-187, 2-189,	45595	3-9	48183	2-9, 2-11
	3-11, 3-13	45622	4-25	48242	2-9, 2-195
41185	2-181, 2-183	45623	4-25	48267	2-99, 2-101, 2-103
41186	2-39, 2-47, 2-49,	45628	4-26, 4-27	48665	2-41, 2-43
	2-177	45670	3-20	48789	4-6
41187	2-43, 2-131	45780	3-14, 3-35	48790	2-7
41195	2-77, 2-95	46029	2-135	48791	4-6
41342	2-39	46236	2-37, 2-105	48884	2-193
41358	2-39	46314	3-19, 3-37	48888	2-34, 2-191
41359	2-45	46480	3-27	48891	2-34, 2-191
41437	2-71	46481	2-91, 2-122, 2-128,	48892	3-40
41686	2-49		2-130	48899	2-113
42011	2-47, 2-49	46485	2-107	48901	2-19
42082	3-18, 3-22, 3-23,	46559	2-135	49022	3-14, 3-35
	3-25, 3-33	46611	2-107, 3-27	49024	2-73
42116	5-5	46800	2-17	49262	3-14, 3-19, 3-37
42120-2	2-185	46928-1	3-20	49263	3-3
42120-4	2-185	47010-1	2-32	49266	3-14, 3-35
42120-9	2-19	47010-2	2-32	49933	2-133
42120	2-19	47010-3	2-32	49934	2-39
42126	2-27, 2-28	47010-4	2-32	49943	3-17
42133A	2-21, 3-3	47010-6	2-32	50304	2-36
42148	5-8	47010-7	2-32	50330	2-179, 2-181, 2-183
42153A	2-21	47178-12	2-179, 2-183	50335	2-41, 2-43, 2-103,
42208	2-119	47178-13	2-179, 2-181, 2-183		2-105
42211	3-28	47388	2-107, 5-17	50493	2-135
42214	3-27	47498	2-125, 2-127, 2-128,	50518	2-4, 2-5, 2-189
42215	2-125		2-129	50544	2-21
42223	2-129	47504	2-125, 2-128, 2-129,	50565	2-107
42239	2-37		3-17	50646	2-9
42240	2-135	47508	2-128, 2-129	50788	3-25, 3-31

CROSS REFERENCE

Part Number	Page Number	Part Number	Page Number	Part Number	Page Number
50789	3-25, 3-31	52618	5-19	54333	2-80, 2-81, 2-82,
50790	3-25	52720	5-9		2-83, 2-99, 2-103,
50817	2-91	52721	5-11		2-107, 3-3, 3-5, 3-13
50845	2-4, 2-5, 2-17	52722	5-16	54394	2-95, 2-109, 2-111
50864	2-175	52723	5-16	54395	2-93, 2-95
50902	2-21, 2-43, 2-47,	52724	5-9	54396	2-11, 2-41, 2-43,
	2-49, 2-177	52725	5-7		2-77, 2-79, 2-87,
50960	2-95, 2-122	52726	5-5		2-89, 2-103, 2-105,
50967	2-91	52727	5-5		2-133, 2-177
51046	2-28, 2-29	52728	5-7	54397	2-35
51103	2-19	52730	5-7	54861	2-27, 2-177
51109	2-37	52734	5-7	54884	2-95
51176	2-39, 2-41	52736	5-3	55248	3-3
51305	2-53, 2-91, 2-95, 5-3	52741	5-11	55586	2-122, 2-123, 2-193
51317	2-28, 2-29	52748	5-16	55685	2-124, 2-125
51321-3	2-91	52751	5-16	55775	2-119
51368	2-9, 2-195	52753	5-8	56185	2-33
51406	4-5, 4-6	52764	5-10	56506	3-11
51416	4-5, 4-6	52765	5-16	56690	2-32, 2-33, 2-103,
51448	2-27, 2-28, 2-29,	52766	5-17		2-125, 2-127, 2-133
	2-31	52789	2-135	56692	2-95, 2-129, 2-177
51449	2-29, 2-31	52851	5-11	56820	2-32, 2-123, 2-124,
51452	2-27, 2-31	52872	5-16		2-127, 2-185
51458	2-7	52886	5-5	56827	2-125, 2-127
51459	2-7	52887	5-16	56875	2-111
51530	2-193	52888	5-13	56903	2-21, 3-5
51534	2-193	52898	5-5	56992	2-179, 2-181, 2-183,
51545	2-36	52911	2-93, 2-128, 2-129		3-9
51560-3	2-80, 2-82	52929	2-124, 2-131, 2-133	57048	2-43, 2-95
51560-5	2-80, 2-81, 2-82,	53077	2-95	57064	4-19
	2-83, 2-85, 2-87,	53078	2-37	57075	2-39, 2-71
	2-89	53079	2-37	57156	4-28
51562	2-36	53083-14	3-27	57311	2-39
51564	2-28, 2-29, 2-39,	53174-1	3-19	57377	3-3
	2-41, 2-193	53268	2-107	57378	3-3
51572	3-14, 3-35	53303	5-11	57379	3-3
51658-5	2-80, 2-81, 2-82,	53304	5-11	57567	2-191
	2-83	53321	5-11	57630	2-9, 2-187, 2-195,
51689	2-38	53327	5-7		3-11
51690	2-38	53395-2	2-107	57676	2-32
51691	2-38	53400-1	2-107, 2-109, 2-111,	57773	2-43
51692	2-38		3-21, 3-22, 3-23	57804	2-148, 2-179, 2-181,
51693	2-38	53400-2	2-109, 2-111, 3-21,		2-183, 3-5
51779	3-27		3-22, 3-23	57964	2-119, 2-121
51782	3-27	53400-3	2-109, 2-111, 3-21,	58067	2-15
			3-22, 3-23	58107	2-175
51787	2-9, 2-13	53400-4	2-107, 2-109, 2-111,	58114	2-175, 2-177
51805	2-107		3-21, 3-22, 3-23	58120	2-4, 2-80, 2-82
51938	2-27, 2-28, 2-29,	53400-5	2-109, 2-111, 3-21,	58596	4-28
	2-31		3-22, 3-23	58858	2-123, 2-128
52049	2-38	53963A	2-19	59156	2-27
52163	2-37	53988-12	5-15	59560	2-119
52296	2-21, 3-5	53988-13	5-15	59577	2-33
52388	2-32	54027	2-107	59617	2-4, 2-5, 2-23, 2-25
52402	2-133	54041	2-193	59632	2-193
52405	4-25	54179	2-109	59633	2-23, 2-25, 2-135,
52424	2-111	54180	2-179		2-193
52481	5-11	54194	2-27, 2-31, 3-28	59634	2-193
52508	2-135	54274	2-73, 2-75, 2-177	59639A	2-192
52613	5-16	54275A	2-177	59984	3-33, 3-42
52615	2-7				

CROSS REFERENCE

Part Number	Page Number	Part Number	Page Number	Part Number	Page Number
60015	2-4, 2-5, 2-23, 2-25	63263	2-43	74112	4-28
60016	2-4, 2-5, 2-193	63282	2-135	74122	4-25
60018	2-4, 2-5, 2-192	63292	2-135	74123	4-25
60294	2-113	63511	2-187, 3-11	74125	4-25
60295	2-113	63810	2-63	74137	4-25
60969	3-37	63814	3-9	74142	2-32
60970	2-8	63818	2-95	74148	4-19
61157	3-11	63837	3-9	74149	4-19
61170	2-187, 2-189, 3-11, 3-13	63923	4-7	74150	4-19
61171	2-187, 2-189, 3-11, 3-13	63924	4-7	74151	4-19
61174	2-187, 2-189, 3-11, 3-13	64618	2-95	74152	4-19
61175	2-187, 2-189, 3-11, 3-13	64621	2-95	74154	4-21
61176	2-187, 3-11	64685	3-13	74159	4-19
61181	2-187, 2-189, 3-11, 3-13	64740	2-53	74160	4-17, 4-19
61187	3-13	64795A	3-42	74161	4-21
61188	3-13	64795C-1	3-33	74163	2-128, 4-9, 4-11
61189	3-13	64903	2-8, 2-13	74165	4-25
61245	2-189, 3-13	64921	3-33, 3-42	74166	4-25
61258	2-36	64950	2-37	74167	4-25
61261	2-190	65145-1	2-128, 2-129	74168	4-25
61489	2-27, 2-31, 4-27	65205	2-121	74171	4-25
61490	4-27	65221	2-4, 2-5, 2-130	74176	2-32, 4-28
61516	2-39	65241	4-28	74181	4-28
61517	2-39	65897	2-190	74182	4-28
61608	2-95	65898	2-190	74184	4-9, 4-13
61611	2-91	65899	2-190	74186	4-28
61628	3-11	65947	2-39	74187	4-28
61639	2-36	65948	5-16	74188	4-28
61649	2-35	65949	5-16	74189	4-28
61683	2-99	65950	5-16	74190	4-28
61686	2-99	66101	3-14, 3-18, 3-19, 3-20, 3-35, 3-36, 3-37	74195	4-28
61687	2-99	67310	2-128, 2-129	74210	4-9, 4-13
61695	2-107	67515	3-27	74218	4-28
61701	2-175	67832	2-122	74223	4-9, 4-13
61711	5-3	68301	3-3	74233	4-34, 4-35
61724	5-8	68567	2-7	74240	4-9, 4-13
61725	5-5	68768	2-128, 2-129	74249	4-25
61736	5-8	68866	2-135	74251	4-28
61741	5-5	68962	2-91	74253	4-9
61749	5-10	69225	2-23	74254	4-9, 4-13
61762	5-8	69261	4-30	74256	4-9, 4-13
61775	5-8	69494	2-38	74257	4-9, 4-13
61794	5-5	69571	2-9, 2-195	74258	4-9, 4-13
61812	5-11	70173	2-101, 2-103	74259	4-11, 4-15
61882	4-9, 4-13	70284	2-8	74260	4-11
61886	4-11, 4-15	71725	4-17, 4-19	74261	4-11
62234	2-125, 2-127	71741	2-121	74262	4-9, 4-13
62390	2-123	72977	2-113	74263	4-9
62417-2	3-17	73106	2-93, 2-95	74264	4-11
62595-18	2-9, 3-3, 3-33	73108	2-133	74265	4-9, 4-13
62595-4	2-9, 2-107	73113	2-124	74266	4-9, 4-13
62595-6	3-3, 3-33	73270	2-177	74267	4-9, 4-13
62595-9	2-9	73736	2-179, 2-181, 2-183	74270	4-11, 4-15
63182-1	3-3	74098	4-25, 4-37, 4-38	74271	4-11, 4-15
63244-3	3-27	74105	4-28	74272	4-9, 4-13
		74109	4-28	74273	4-9, 4-13, 4-23
		74110	4-28	74274	4-11, 4-15
		74111	4-28	74275	4-11, 4-15
				74276	4-9, 4-13
				74277	4-11, 4-15

CROSS REFERENCE

Part Number	Page Number	Part Number	Page Number	Part Number	Page Number
74278	4-11, 4-15	75456-2	2-175	75764	2-19
74279	4-11	75456-3	2-175, 2-177	75766	2-19
74280	4-9, 4-13	75456-4	2-175, 2-177	75768	2-27, 2-31, 2-43
74281	4-9, 4-13	75456	2-175	75769	2-27
74282	4-11, 4-15	75461	2-175	75772	2-27, 2-31
74283	4-9, 4-11, 4-13, 4-15	75480A	2-9, 2-11	75773	2-27
75045	2-187	75486A	2-91, 2-93	75774	2-31
75054	3-25, 3-31	75501-1	2-23	75780	2-27, 2-31
75072-1	2-191	75520	2-27, 2-31	75781	2-28, 2-29
75072-5	2-191	75528	2-23, 2-25	75786	2-27, 2-31
75073	2-191	75530	2-17	75788	2-23
75075	2-191	75535	2-36	75789	2-25
75076	2-4, 2-5, 2-189, 3-25	75547	2-8	75790	2-23
75081A	2-189	75550	2-17	75791	2-23
75095	3-25	75569	2-17	75795	2-25
75096	2-189	75570	2-17	75796	2-25
75098	2-189	75571	2-17	75799	2-4, 2-5, 2-23, 2-25
75103	2-187	75572	2-17	75802-1	2-21, 3-5
75106	2-187	75575	2-17	75810	2-9, 2-195
75108	3-16	75588	2-23, 2-25	75811	2-9, 2-195
75118	3-25, 3-31	75592	2-23, 2-25	75812	2-9, 2-195
75119	2-21, 3-27	75596A	2-21	75813	2-9, 2-195
75127	3-25, 3-31	75597A	2-21	75814	2-9, 2-195
75143-2	2-187	75600	2-27, 2-28	75815	2-189
75144	3-16	75601A	2-21	75816	2-187
75156	2-189	75607	2-17	75903	3-15
75170	2-189	75611	2-21, 2-187	75906	3-16
75171	2-189	75616	2-19	75923	3-40
75174	2-189	75617	2-19	75934	2-181, 2-183
75175	2-189	75622	2-19	76058	2-37
75179	3-27	75627	2-19	76059	2-37
75180	3-27	75631	2-29	76062	2-181, 2-183, 3-14, 3-35
75181	3-27	75634	2-17	76063	2-19
75182	2-187	75635	2-4, 2-5	76066	2-25
75184	3-27	75635AM	2-187, 3-11	76067	2-9, 2-195
75185	3-28, 4-33	75636	2-17	76075	3-3, 3-40
75186	3-27	75638	2-17	76076	3-40
75187	3-28	75642	2-17	76087	2-37
75188	2-187	75643	2-17	76089-2	3-33, 3-42
75190	2-190	75648	2-17	76090	3-42
75194	3-27	75649	2-17	76113	2-9, 2-195
75197	3-5, 3-27	75654	2-29	76152	3-25
75199	3-28	75655	2-29	76153	3-25
75244-1	2-8, 2-11	75656	2-28	76154A	3-25
75249	2-37	75657	2-28	76155	3-42
75267	2-9	75673	3-16, 3-34	76156	2-9, 2-195
75268	2-8, 2-13	75681	2-17	76157	2-187, 3-11
75272	2-7	75702	2-23	76158	2-9, 2-195
75285	2-37	75703	2-25	76218	2-27, 2-28
75296	2-185	75706	2-31	762265	3-27
75314	2-21, 3-5	75711	2-4, 2-5, 2-23, 2-25	76234	2-179, 2-181, 2-183
75318	2-21	75712	2-23	76269	2-193
75319	2-21, 3-5	75713	2-25	76290	2-39
75365	2-34, 2-191	75718	2-6	76291	2-39
75368	2-36	75722	2-6	763025	2-61
75369	2-36	75740	2-23, 2-25	76306	2-179, 2-181, 2-183
75371	2-135	75757	2-23, 2-25	76332	2-80, 2-82
75430	2-9, 2-195	75760	2-27, 2-28	76340	2-193
75454	2-175	75761	2-27, 2-28, 2-29, 2-31	763477	4-17, 4-19

CROSS REFERENCE

Part Number	Page Number	Part Number	Page Number	Part Number	Page Number
763483	4-19	76904	2-36	78171	3-27
76353	2-193	76915	2-185	78190	2-35
76354	2-9, 2-195	76921	2-192	78191	2-35
76390	2-193	76922-1	2-192	78517	5-3
76391	2-193	76927	2-192	78560	2-193
76392	2-192	76937	2-4, 2-5, 2-193	78561	2-193
76395	2-4, 2-5, 3-11	76946	2-193	78562	2-23, 2-25
76403	3-11	76955	2-11, 2-13, 2-47, 2-87, 2-89, 2-103, 2-105, 2-111	78641	2-192
76426	2-187, 2-189, 3-11, 3-13, 3-14, 3-21, 3-25, 3-36	76956	2-11, 2-13, 2-71	78642	2-193
76532	2-4, 2-5, 2-187, 3-11	76957	2-75, 2-77, 2-79	78670	2-190
76536	2-179	76974-1	2-193	78673	2-190
76539	2-35	76978	2-192, 2-193	78695	2-193
76540	2-185	76979	2-192	78802	2-4, 2-5
76544	2-39	76984-1	2-192	79066	2-135
76560	2-38	76988	2-193	79067	2-135
76562	2-9	77003	4-37, 4-38	79068	2-135
76568	2-27, 2-31	77097	2-19, 2-177, 2-193	79069	2-135
76570	2-45, 2-79, 3-27	77099	2-125, 2-127	79070	2-135
76583	2-9, 2-11	77342	2-95	79074	2-135
76589-2	2-82, 2-83	77880	5-5	79075	2-130, 2-131
76596A-1	2-91	77891	5-9	79077	2-135
76596A	2-91	77895	5-17	79078	2-128, 4-19
76602	2-38	78005-2	2-39, 2-41	79079	2-119
76628	2-19	78012	2-13, 2-14	79080	2-135
76640	2-8, 2-11	78013	2-15	79091	5-19
76649	2-35	78014	2-15	79101	2-34, 2-191
76650	2-9, 2-11	78017	2-15	79102	3-14, 3-35
76665	2-31	78043	2-101	79104	2-119, 2-121
76667	2-27	78068	2-39	79105	2-119, 2-121
76677	2-25	78078	2-19	79106	2-119, 2-121
76736	2-113	78080	2-37	79107	2-119, 2-121
76762	2-39, 2-71	78085	2-107	79111	2-4
76811	2-8, 2-13	78088	2-107	79114	2-135
76813	2-9	78090	3-23	79250-1	3-11
76816	2-36	78092	2-107	79301	2-17, 3-5
76825	2-80, 2-82, 2-87, 2-89	78093	2-193	79314	3-9
76828	2-4, 2-5, 2-187, 3-11	78096	2-192	79318	3-9
76831	2-73	78099	3-16, 3-34	79350	2-21, 3-5
768481	2-33	78101	3-16, 3-34	79367	3-13
768482	2-33	78104-4	2-9	79368	3-21
76858	3-15	78109	3-22	79381	2-95
76859	3-15	78116	3-41	79391	2-4
76860	3-15	78120	3-22, 3-23	79392	2-189
76861	3-15	78122	2-107, 2-109, 2-111	79410	3-9
76862	3-15	78127	3-38	79424	3-13
76863	3-41	78140-1	2-9	79426	3-34
76864	2-14	78144B	2-91	79427	3-35
76866	2-13, 2-14	78153	3-14, 3-35	79428	3-36
76867	2-13, 2-14	78154	3-20	79429	3-31
76868	2-14	78155	3-18	79434	3-33
76869	2-9, 2-11	78156	3-41	79436	3-36
76870	2-7, 2-14	78157	3-17	79451	3-33
76880	3-34	78159	3-42	79452	3-33
76881	3-34	78160	3-14	79453	3-13
768897	2-95	78161	3-20	79464	3-13
76896	2-192	78164	3-18	79471	3-13
76903	2-36	78167	3-25	79472-1	3-13
		78170	2-39, 2-41	79473-1	3-13
				79474	3-13
				79475	3-11

Part Number	Page Number	Part Number	Page Number
79476	3-13	82829	2-39, 2-71, 2-99, 2-103
79477	3-13	82832	2-119, 2-121
79478	3-13	82833	2-185
79484	3-3, 3-5	82835	2-119
79488	3-13	82921	2-13
79500	2-4, 3-11, 3-13	82958	2-187, 2-189, 3-11, 3-13
79508-1	3-29	83581	2-47
79515	3-29	83591	2-103
79517	3-29	86029	2-135
79518	3-29	86041	2-39
79530	3-33	86328	2-101
79532	3-31	86824	2-55, 2-59, 2-65, 2-67
79535	3-31	87308	2-61, 2-63, 2-79
79536	2-89	87536	2-179, 2-181, 2-183
79538	3-31	87579	2-23, 2-25, 2-187
79542	3-33	87783	2-131
79545	2-4, 2-5, 3-13, 3-31	87866	2-179, 2-181, 2-183
79546	3-31	87972	2-93
79547	3-31	9000355	2-105
79553	3-33	9000887	4-39
79557	2-4, 2-5, 3-11	9001039	2-11
79558	3-11	9001041	2-11
79570	3-13	9001222	2-95
79580	3-3, 3-13	9003391	2-61
79605	2-7	9003927	3-44
79606	3-5	9003928	3-44
79614	4-4	9003929	3-44
79708	4-11, 4-15	9004539	2-56
79711	4-37, 4-38	9006132	2-123, 2-124
79742	4-9, 4-13	9006583	6-5
79743	4-9	9006584	6-5
79744	4-9	9006585	6-5
79745	4-9	9006586	2-5, 6-3
79746	4-9	9006587	6-5
79747	4-9, 4-13	9006588	6-5
79748	4-11, 4-15	9006589	2-59, 2-61, 2-69
79749	4-11, 4-15	9006591	2-69
79750	4-11, 4-15	9006592	2-105
79751	4-11, 4-15	9006618	2-61
79752	4-11, 4-15	9006620	2-63
79753	4-11, 4-15	9006633	2-71
79754	4-23	9006635	2-71
79755	4-23	9007380	2-63
79756	4-23	9007423	2-61
79757	4-23	9008193	2-63
79758	4-23	9008194	2-61
79759	4-23	9008799	2-61
79760	4-23	9008800	2-61
79761	4-23	9008801	2-61
79762	4-23	9008802	2-61
79763	4-23	9008803	2-61
79764	4-23	9008804	2-63
79765	4-23	9008805	2-63
79766	4-23	9008806	2-61
79767	4-23	9008807	2-61
79771	4-9	9008808	2-61
79776	4-23	9008809	2-63
79779	4-9, 4-13		
79828	4-25		
82661	2-123		

PART DESCRIPTION TO PAGE NUMBER CROSS REFERENCE LIST

A

Actuator, Valve, 4-11, 4-15
 Adapter Kit, Manifold, 2-51, 2-53, 2-65
 Adapter, Cylinder Rod, 2-193
 Adapter, Filter, 1/8NPT, 2-80, 2-81, 2-82, 2-83
 Adapter, Fuelline, 2-103
 Adapter, Inlet Tube, 5-10
 Adapter, Oil Filter, 5-17
 Adapter, Throttle Body, 2-55
 Adapter, Valve, 400mm [Bosch], 2-59, 2-61
 Adapter, 5-16
 Adaptor, Cylinder, 2-193
 Adaptor, Filter, Remote, 2-71
 Adaptor, Intake, Lpg [3.0l], 2-55
 Adaptor, Rear Squeegee, 3-25
 Adaptor, Squeegee Wand, 3-25, 3-31
 Adaptor, Tank, 3-31
 Adaptor, Vacuum Wand, 3-31
 Adaptor, Valve, Fuel Trim, 2-55
 Adjuster Assembly, Seat, 2-7
 Adjuster, Rear, 2-192
 Adjuster, Seat, 2-7
 Air Cleaner, 2-81, 2-83
 Alternator, 12vdc, 075a [Valeo], 2-47, 2-49
 Alternator, 2-39, 2-45
 Ammeter, 2-179
 Anchor, Governor Spring, 5-16
 Angle, Brake Adjustment, 2-36
 Angle, Cable, 2-38
 Angle, Grille, 2-9
 Angle, Heat, Shield, 2-47
 Arm Assembly, Rocker, Exhaust, 5-7
 Arm Assembly, Rocker, Intake, 5-7
 Arm Assembly, Vertical Block, 2-193
 Arm Assembly, 2-192
 Arm Kit, 6-3
 Arm Wldt, Safety, Door, Eng, 2-13
 Arm, Adjmt, Alternator, 2-49
 Arm, Alternator, 2-47
 Arm, Brake, 2-36
 Arm, Brush Drive, 2-27, 2-31
 Arm, Control, 2-21, 3-5, 4-9, 4-13
 Arm, Engine Cover Support, 2-9
 Arm, Front Brush Idler, 2-28
 Arm, L.H., 2-192
 Arm, R.H., 2-193
 Arm, Rear Brush Idler, 2-29
 Arm, Rocker, 5-11

B

Back Frame, 2-9
 Backplate S/A, 4-11, 4-15
 Balancer, 6-11
 Ball Joint, Upper, 2-135
 Ball Joint,, 2-135
 Ball Joint, 2-38, 2-193

Ball, Float, 2-187, 3-11
 Ball, 4-25, 4-28, 6-3
 Balljoint, 5-16
 Band, Front, Squeegee, 2-192
 Band, Rear, Squeegee, 2-193
 Band, Squeegee, Retaining, 2-23, 2-25
 Bar, Flt, Rbr, 0.38 X 6.00 X 18.00l, 2-5
 Bar, Mounting, 2-21, 3-5
 Barrel, Trip, 2-193
 Base, Brg Hsng, 2-97
 Basket, Soap, 2-189
 Battery, 540 CCA, 2-113
 Bearing Assembly, Cup and Cone, 2-191
 Bearing Kit, .001 U.S., 6-7
 Bearing Kit, .001" #1, 2, 3, 4, 6-11
 Bearing Kit, .001" #5, 6-11
 Bearing Kit, .010" #1, 2, 3, 4, 6-11
 Bearing Kit, .020" #1, 2, 3, 4, 6-11
 Bearing Kit, .025" #5, 6-11
 Bearing Kit, .030" #1, 2, 3, 4, 6-11
 Bearing Kit, Crankshaft, 0.25 mm undersize, 5-8
 Bearing Kit, Crankshaft, 0.50 mm undersize, 5-8
 Bearing Kit, Crankshaft, 0.75 mm undersize, 5-8
 Bearing Kit, Crankshaft, 1.00 mm undersize, 5-8
 Bearing Kit, Crankshaft, Standard, 5-8
 Bearing Kit, Std #1, 2, 3, 4, 6-11
 Bearing Kit, Std #5, 6-11
 Bearing Kit, Std, 6-7
 Bearing Kit, 6-7, 6-12
 Bearing, Ball (Replaced by None), 4-3
 Bearing, Ball, 0.67b 1.57d 0.47w, 2-39
 Bearing, Ball, 2-175
 Bearing, Connecting Rod, 0.25 mm undersize, 5-9
 Bearing, Connecting Rod, 0.50 mm undersize, 5-9
 Bearing, Connecting Rod, 0.75 mm undersize, 5-9
 Bearing, Connecting Rod, 1.00 mmundersize, 5-9
 Bearing, Connecting Rod, Standard, 5-9
 Bearing, Fiberglide, 2-192, 2-193
 Bearing, Flange, 2-37, 2-135, 2-193
 Bearing, Idler Pulley, 2-97
 Bearing, Liner, 2-185
 Bearing, Needle, 4-28
 Bearing, Pillow Block, 2-192
 Bearing, Rocker Shaft, 5-11
 Bearing, Self-Aligning, 2-185, 4-32
 Bearing, Sleeve, 2-17
 Bearing, Thrust, 0.53b 1.00d 0.03w, 2-193
 Bearing, Thrust, 2-23, 2-25, 2-135, 2-185
 Bearing, 2-17, 2-19, 2-27, 2-28, 2-29, 2-31, 2-97, 2-175, 2-185, 4-9, 4-11, 4-13, 4-15, 4-26, 4-27
 Bell Crank, 4-23
 Bellcrank, 2-21, 3-5

Belt, Alternator, 2-45
 Belt, Fan, 2-97
 Belt, V, 39.6l [3v, Hc41], 2-47, 2-49
 Blade Kit, Sqge, Replmt [550], 3-31
 Blade Set, Replacement, 3-25
 Blade, Front, Squeegee, Urethane, 2-193
 Blade, Front, Squeegee, 2-192
 Blade, Front, 2-4
 Blade, Rear, Squeegee, Urethane, 2-193
 Blade, Rear, Squeegee, 2-193
 Blade, Rear, 2-4
 Blade, Sqge, Front, Linatex, 2-5
 Blade, Sqge, Linatex, Side, 2-5
 Blade, Sqge, Rear, Linatex, 2-5
 Blade, Squeegee, Urethane, 2-23, 2-25
 Blade, Squeegee, 2-4, 2-23, 2-25, 3-43
 Block, Spacer, Fan Mount, 2-97
 Block, Terminal, 4 Connector, 2-181, 2-183
 Board, P.C., 3-33
 Board, Terminal, 2-179
 Bolt (1/4-20x.62), 6-9
 Bolt (5/16-18x5/8), 6-9
 Bolt (1/4-20x1/12 Hex), 6-12
 Bolt (1/4-20x1/12), 6-12
 Bolt (1/4-20x1/2), 6-9
 Bolt (5/16-18x1.5 Hex), 6-12
 Bolt, (HFH3/8-16x062 280 POR), 6-5
 Bolt, Carriage, 3-5
 Bolt, Clutch, 2-41, 2-43
 Bolt, Connecting Rod, 5-9
 Bolt, Eye, Lift, 2-43
 Bolt, Eye, 2-175, 2-193
 Bolt, Hold Down, 2-113
 Bolt, Starter, 2-41, 2-43
 Bolt, 2-21, 2-51, 2-53, 2-56, 2-65, 2-67, 4-25, 6-3, 6-5, 6-7, 6-9, 6-11, 6-12
 Boot, Electric, 2-39
 Boot, Switch, 2-179, 2-181, 2-183
 Brace Wldt, Cover, Eng, 2-11
 Brace, Engine Compartment, 2-9
 Brace, Rear Shroud, 2-80, 2-81, 2-82, 2-83, 2-85, 2-87, 2-89
 Bracket [Epr], 2-59
 Bracket Mounting Assembly, Fan, 2-175
 Bracket Wldt, Mtg, Eng, Rear, 2-43
 Bracket Wldt, Mtg, Motor [550/1550 2007], 2-95
 Bracket Wldt, Mtg, Tank, Lpg, 2-111
 Bracket Wldt, Mtg, Valve, 2-127
 Bracket Wldt, Steering Column, 2-11
 Bracket, Bottom, 6-5
 Bracket, Adaptor, Storage, 3-31
 Bracket, Alternator, 2-45, 2-47, 2-49, 5-16
 Bracket, Angle, Hold-down, Battery, 2-113
 Bracket, Angle, 2-175
 Bracket, Bearing Mount, 2-31
 Bracket, Bearing, L.H., 2-27
 Bracket, Bearing, R.H., 2-28
 Bracket, Bearing, 2-29

Bracket, Box, Relay, 2-58, 2-61, 2-69
 Bracket, Brake Cable, 2-36
 Bracket, Brake, 2-35
 Bracket, Bridge, 2-23, 2-25
 Bracket, Cable & Alarm, 2-135
 Bracket, Cable, 2-135
 Bracket, Coil (Replaced by 79092), 5-19
 Bracket, Control Valves, 2-125
 Bracket, Door Hinge, 2-189
 Bracket, Engine Mounting, 2-38
 Bracket, Exhaust Mounting, 2-73
 Bracket, Exhaust Support, 2-73
 Bracket, Exhaust, 2-77
 Bracket, Filters Mounting, 2-130
 Bracket, Flasher, 3-18, 3-36
 Bracket, Fltr, Fuel, 2-103
 Bracket, Guard, Alternator, Hd [Gm3.0],
 2-49
 Bracket, Hose Mounting, L.H., 3-25
 Bracket, Hose Mounting, R.H., 3-25
 Bracket, Hose, 2-9, 2-11
 Bracket, L, 3-16
 Bracket, LPG Tank Mounting, Replaced by
 none, 3-21
 Bracket, LPG Tank Mounting, 3-22, 3-23
 Bracket, LPG Tank, 2-107
 Bracket, Main, 2-135
 Bracket, Manifold, Mtg [550/1550 07],
 2-105
 Bracket, Mount, 2-107
 Bracket, Mounting Engine, 2-38, 2-39
 Bracket, Mounting, 2-27, 2-175, 2-190,
 2-193
 Bracket, Mtg, Bearing, 2-135
 Bracket, Mtg, Fltr, Oil, Hyd, 2-131
 Bracket, Mtg, Fuel Tank [550/1550 07],
 2-105
 Bracket, Mtg, Isolator [Gm3.0l 2010], 2-63
 Bracket, Mtg, Manifold, 2-133
 Bracket, Mtg, Motor, 2-177
 Bracket, Mtg, Overflow, 2-93
 Bracket, Mtg, Vac Fan, 2-177
 Bracket, Mtg, Valve, 2-133
 Bracket, Mtg, 2-51, 2-53
 Bracket, Pipe, Exhaust [550/1550 07],
 2-79
 Bracket, Pipe, Exhaust, 2-75
 Bracket, Pump, 3-11
 Bracket, Radiator, 2-91, 2-93
 Bracket, Resistor (Replaced by 79092),
 5-19
 Bracket, Shield, Heat [550/1550 07], 2-79
 Bracket, Shield, Heat, 2-77
 Bracket, Shroud, Rear, 2-11
 Bracket, Sppt, Hose, 2-87, 2-89
 Bracket, Starter, 2-41, 2-43
 Bracket, Stop, 2-135
 Bracket, Switch Mounting, 2-193
 Bracket, Switch, 2-193, 3-5
 Bracket, Taillight, 3-14, 3-35
 Bracket, Tank, 2-109, 2-111
 Bracket, Throttle, 2-38
 Bracket, Tie-Down, Rear, [550], 2-11

Bracket, Top, 6-5
 Bracket, Tow Bypass, 2-8, 2-190
 Bracket, U, 3-25, 3-31
 Bracket, Water Valve Mounting, 2-21
 Bracket, 3-5, 6-3, 6-9
 Brake Assembly, Hydraulic, 2-37
 Brake, Mechanical, 2-36
 Brush Assembly, 2-39
 Brush Assy, Strip, 4.0l, Pyp, 2-5
 Brush Kit, Repair, 2-6
 Brush, Abrasive Bristle, 2-6
 Brush, Polypropylene, 2-6
 Brush, 2-4, 2-23, 2-25
 Bulb, 3-14, 3-18, 3-19, 3-20, 3-35, 3-36,
 3-37
 Bumper Kit, Heavy Duty, 3-16, 3-34
 Bumper Rear, L.H., 2-190
 Bumper Rear, R.H., 2-190
 Bumper, Left Side, Tractor, 3-16
 Bumper, Rbr, 0.6d 0.34t .3d Tip, 2-13
 Bumper, Rbr, 1.0d 0.50t 0.22h, 2-13
 Bumper, Recovery and Solution Tank, L.H.,
 3-34
 Bumper, Recovery and Solution Tank,
 R.H., 3-34
 Bumper, Recovery and Solution Tank,
 3-16
 Bumper, Right Side, Tractor, 3-16
 Bumper, Rubber, 2-9
 Bumper, Scrubber Head, 3-16, 3-34
 Bumper, Tractor, Left Side, 3-34
 Bumper, Tractor, Right Side, 3-34
 Bushing, Piston Pin, 5-9
 Bushing, Seal, 4-28
 Bushing, 2-39, 4-9, 4-11, 4-13, 4-15
 Button, Horn, 2-32
 Button, Plug, 0.50h .03-.12 [Black Nyl],
 2-181, 2-183
 Button, Plug, 0.56h .03-.12 [Black Nyl],
 2-181, 2-183
 Button, Plug, 1.25h .06-.09 [Chrome Stl],
 2-181, 2-183
 Button, Plug, 2.09h .05-.06 [Chm Stl],
 2-183

C

Cable Assembly, Brake, Separate Spring,
 2-36
 Cable Assembly, Push-Pull, 2-38
 Cable Kit, Ele, Eng [Usb,Tier li Gm], 3-44
 Cable, .13d, 26.7l, .50eye /25eye,
 2-109, 2-111
 Cable, Battery, Pos 2ga 78.0l .41h, 2-113
 Cable, Battery, Pos 4ga 54.0l .41h, 2-113
 Cable, Choke, 2-38
 Cable, Control, 3-5
 Cable, Grounding, 2-39
 Cable, Negative Battery, 2-113
 Cable, Push-Pull, 2-135
 Cable, Solution Control, 2-21
 Camplate S/A, 4-9, 4-13
 Camshaft, 5-7, 6-12

Cap and Filler Block, Rear Bearing, 5-3
 Cap and Gasket, 5-18
 Cap Screw, 4-9, 4-13, 4-28
 Cap, Breather, Hyd, 2-123, 2-124
 Cap, Contact, 2-32
 Cap, Crankshaft Bearing, 5-3
 Cap, Crankshaft, 5-3
 Cap, Cyl Assy, Master Brake, 2-37
 Cap, Distributor, 6-5
 Cap, End, 4-28
 Cap, Filler, 3-13
 Cap, Fuel Tank, 2-99, 2-101
 Cap, Fuel, Tank, 2-105
 Cap, Gasket, 5-18
 Cap, Gasoline, Protectoseal, 3-38
 Cap, Hub Dust, 2-191
 Cap, Oil Filler, 4-3, 5-16, 6-3
 Cap, Radiator, 14psi, [Stant], 2-95
 Cap, Radiator, 15psi, 2-93
 Cap, Radiator, 2-91
 Cap, Tank, Fuel, 2.3neck 2.6d, 2-103
 Cap, Tube, 2-32
 Cap, Valve Spring, 6-3
 Cap, 6-12
 Carburetor Repair Kit, 5-16
 Carburetor and Gasket, Gasoline, 5-16
 Carburetor and Gasket, LPG, 5-16
 Carburetor, Gasoline, 5-16
 Carburetor, LPG, 5-16
 Caster, 2-193
 Catch, Door, Roller, 2-13
 Catch, Rubber Hook, 3-31
 Catch, 3-25
 Chain and Hook Assembly, 2-23
 Chain Assembly, 3-27
 Chain, Assembly, Door, 2-25
 Chain, Coil, Str, 2/0 14.1l 11 Link, 2-11
 Chain, Drain Plug, 3-11
 Chain, Static Drag, 2-9
 Chain, 2-7, 2-23, 2-25
 Channel Wldt, Mtg, Eng, Rear, 2-43
 Channel, Bearing Cover, 2-27, 2-28
 Channel, Mtg, Fan Motor, 2-95
 Charge Pmp Adap, 4-11, 4-15
 Check Valve, 4-31
 Circuitbreaker, 15.0a, 2-181, 2-183, 3-9
 Circuitbreaker, 20.0a, Resetable, 2-181,
 2-183, 3-14, 3-33, 3-35, 3-42
 Circuitbreaker, 20.0a, Resetable, 2-179,
 3-14, 3-35
 Clamp, Cable, Stl, 0.25d X 0.56w, 1hole,
 2-105
 Clamp, Cable, Stl, 0.44d X 0.62w, 1h,
 2-101
 Clamp, Cable, Stl, 0.63d X 0.75w, 1h,
 2-71, 2-103
 Clamp, Cable, Stl, 0.75d X 0.75w, 1h,
 2-109, 2-111
 Clamp, Cable, Stl, 1.50d X 0.75w, 1h,
 2-101
 Clamp, Cable, Stl, 2.00d X 0.75w, 1h,
 2-103, 2-105

CROSS REFERENCE

- Clamp, Cable, Stl, 2.25d X 1.00w, 1h, 2-11
Clamp, Cable, 2-21, 2-37, 2-99, 2-113, 2-189, 3-14, 3-20
Clamp, Conduit, 3-14, 3-19, 3-37
Clamp, Distributor, 5-18
Clamp, Fuel Tank, 2-99, 2-101
Clamp, Hose Support, 2-39
Clamp, Hose, 1.0, 2-59, 2-63
Clamp, Hose, Spring Stl, 0.86d X 0.38w, 2-87, 2-89
Clamp, Hose, Spring, 0.62d, 2-59, 2-63
Clamp, Hose, Wormdrive, 0.25-0.62d, .31w, 2-103, 2-105
Clamp, Hose, Wormdrive, 0.25-0.62d, 2-101
Clamp, Hose, Wormdrive, 0.31-0.88d, .31w, 2-103
Clamp, Hose, Wormdrive, 0.50-1.06d, .50w, 2-55, 2-59, 2-65, 2-67
Clamp, Hose, Wormdrive, 0.56-1.06d, .56w, 2-63
Clamp, Hose, Wormdrive, 0.81-1.50d, 2-71, 2-93
Clamp, Hose, Wormdrive, 1.06-2.00d, 2-5
Clamp, Hose, Wormdrive, 1.25-2.00d, .50w, 2-95
Clamp, Hose, Wormdrive, 1.56-2.50d, .50w, 2-87, 2-89
Clamp, Hose, Wormdrive, 1.56-2.50d, 2-5, 2-65, 2-85
Clamp, Hose, Wormdrive, 1.62-3.50d, 2-5, 2-85
Clamp, Hose, Wormdrive, 1.81-2.75d, .56w, 2-185
Clamp, Hose, Wormdrive, 3.25-4.12d, 2-93
Clamp, Hose, Wormdrive, 3.56-4.50d, .50w, 2-177
Clamp, Hose, Wormdrive, 3.56-4.50d, 2-5
Clamp, Hose, Wormdrive, 2-51, 2-53, 2-65
Clamp, Hose, 2-21, 5-17
Clamp, Mounting, Air Cleaner, 2-85
Clamp, Mounting, 2-80, 2-81, 2-82, 2-83
Clamp, Mtg, Filter, Air, 2-87, 2-89
Clamp, Muffler, 1.62d, 2-77, 2-79
Clamp, Muffler, 1.75d, 2-75
Clamp, Muffler, 1.88d, 2-75
Clamp, Muffler, 2-73
Clamp, Squeegee Band, 2-193
Clamp, Toggle, 3-11, 3-25, 3-31
Clamp, Tube, 2-65
Clamp, Valve, Trim [Impco], 2-56
Clamp, Worm Drive, 2-4, 2-17, 2-21, 2-28, 2-29, 2-80, 2-81, 2-82, 2-83, 2-91, 2-99, 2-107, 2-187, 2-189, 3-3, 3-5, 3-11, 3-13, 3-27, 3-31, 3-40
Clamp, Wormdrive, 2-175
Clamp, 2-9, 2-51, 2-53, 2-56, 2-65, 2-67, 3-3, 5-16, 6-5, 6-12
Clevis and Pin, 2-21, 3-5
Clevis, Adjustable, 2-37
Clevis, Brake Cable, 2-36
Clip, Drain Hose Retainer, 2-187, 3-11
Clip, Finger Grip, 3-31
Clip, Handle, Retaining, 3-25
Clip, Rod End, 5-16
Clip, 5-18
Cock, Drain, 2-91, 5-3
Coil, 4-29, 5-19, 6-5
Collor, Locking, 2-135
Column, Steering, #2 8.0l .81d 36t00th, 2-33
Column, Steering, 2-32
Conn Rod, 6-7
Connector Kit, Tubing, 4-7
Connector, Fuel, Qf, 2-103, 2-105
Connector, Handle, Spray, 3-27
Connector, Oil Cooler, 5-17
Connector, 2-99, 2-101, 3-33, 4-5, 4-6, 5-16
Console, Instrument, 2-179, 3-9
Control Assembly, Throttle, 2-38
Control Panel Assembly, 3-9
Control, Electronic, Gas, 4-40
Control, Manual (See Breakdown), 4-9, 4-13
Control, Manual, 4-23
Control, Steering (See Breakdowns), 2-32
Controller Kit, Replmt, 4-39
Converter, Lpg, 2-55
Cooler, Hyd 25gpm 400btu Of16 19x18x2, 2-93
Cooler, Hyd, 30gpm 800btu, 2-95
Cooler, Hydraulic, 2-91
Cooler, Oil, 5-17
Coupler, 4-11, 4-15
Coupling Assembly, Drive, 2-39
Coupling, Air Cleaner Tube, 2-80, 2-81, 2-82, 2-83
Coupling, Keyed, L.H., 3-27
Coupling, Keyed, R.H., 3-28
Coupling, LPG Tank, 2-107
Cover Assembly, Gear, 5-11
Cover, Access, Governor, 2-11
Cover, Cylinder Head, 5-5
Cover, Dust, 5-18
Cover, Fuel Pump Hole, LPG, 5-18
Cover, Governor, 2-9
Cover, Grease Fitting, 2-28, 2-29
Cover, Grease, 2-175
Cover, Headlock, 2-19
Cover, Horn Button, 2-32
Cover, Hose, 2-59, 2-63
Cover, Liquid Level Probe, 3-33
Cover, Pump, 3-3
Cover, Sandblast, 3-11
Cover, Starter, 2-11
Cover, Steering Wheel, 2-33
Cover, 3-27, 6-3, 6-7, 6-9, 6-11
Cradle Sub Assy, 4-9, 4-13
Crank Replacement Kit, 4-7
Crankshaft, 5-8, 6-11
Cup Kit, Short, 4-3
Cup, Contact, 2-32
Cylinder, Hyd, 2.0b 08.0l 04.00strk 2500, 2-19, 2-193
Cylinder, Hydraulic (See Breakdowns), 2-185
Cylinder, Hydraulic, 4-32
Cylinder, Master Brake, 2-37
- ### D
- Dampener, Eng, 2-41
Dampner, Engine, 2-39
Data Plate, LPG, 2-15
Decal, Control Panel, 3-9
Decal, Throttle High Pressure Spray, 3-27
Decal, Warning, Lock Scrubber Head, 3-5
Deflector Assembly, Brush, L.H., 2-25
Deflector Assembly, Brush, 2-23
Deflector Assembly, Scrub Brush, 2-17
Deflector, Scrub Brush, 2-17
Deflector, Spray, Rubber, 3-13
Deflector, 2-28
Detent Kit, 4-30
Diode Assembly, LPG, 2-107
Dipstick, 6-7
Disk, Brake, 2-35
Distributor Assembly, 5-18
Distributor, 6-5
Door Wldt, Access Top (Gas), 2-8
Door Wldt, Access Top (LPG), 2-8
Door Wldt, Access, Front, Lh, 2-13
Door Wldt, Access, Side, Lh, 2-13
Door Wldt, Access, Side, Rh, 2-13
Door Wldt, Access, Top (Gas), 2-13
Door Wldt, Access, Top (LPG), 2-13
Door Wldt, Eng, Top, [1550], 2-13
Door, Access, Side, L.H., 2-9
Door, Engine Cover, 2-8, 2-15
Door, Lower, 3-13
Door, Rear Side Access, L.H., 2-9
Door, Rear Side Access, R.H., 2-9
Door, Rear Side Access, 2-9
Door, Solution, 2-189
Door, Squeegee, L.H., 2-25
Door, Squeegee, 2-23
Door, Upper, 3-13
Door, 2-187, 2-189, 3-11
Dowel Bushing, 4-9, 4-13
Dowel Pin, 4-23
Dowel, Bearing Cap, 5-3
Dowel, Ring, 5-12
Drain Kit, Solution Tank, 3-40
Drive, 4-25, 4-26, 4-27, 4-28
- ### E
- Elbow, Air Cleaner, 2-80, 2-81, 2-82, 2-83
Elbow, Carburetor, 2-80, 2-81, 2-82, 2-83
Elbow, Solution Level, 2-187
Elbow, Water Header, 5-17
Elbow, Water Outlet, 5-15

Elbow, Water Pump, 5-17
 Elbow, 2-21, 2-37, 5-18
 Element, Air Cleaner, 2-4
 Element, Air Filter, 2-5, 2-80, 2-81, 2-82, 2-83, 2-85
 Element, Filter, 2-130
 Element, Ftr, Air, [Dn#P831424], 2-87, 2-89
 Element, Ftr, Air, [Dnp822858] Safety, 2-87, 2-89
 Element, Ftr, Air, Safety, 3-44
 Element, Ftr, Fuel Lpg [Coalescent, 2-53
 Element, Ftr, Oil, Spin-on [Dn], 2-5, 2-131
 Element, Hydraulic Filter, 2-4, 2-5
 Element, Oil Filter, 5-17
 Engine Assy, Gas, Clsd Loop [Gm, 3.0] (See GM Engine Breakdown), 2-43
 Engine Assy, Lpg, Clsd Loop [Gm, 3.0] (See GM Engine Breakdown), 2-43
 Engine, 3.0 Liter (See GM Engine Breakdown), 2-41
 Engine, Block, Long [GM3.0L](See GM Engine Breakdown), 2-43
 Engine, Gasoline, TM27 (See Continental Engine Breakdown), 2-39
 Engine, LPG, TM27 (See Continental Engine Breakdown), 2-107
 Engine, Partial (Includes block, pistons, rods, crankshaft, bearings, rear seal gasket), 6-7
 Extension Kit, Side Squeegees, 3-43
 Extinguisher Kit, Fire, 3-38
 Extinguisher, Fire, 2.5 Lb Dry, 3-38, 3-39
 Eye, Lift, 2-41
 Eye, Lifting, 5-5
 Eyebolt, 2-113

F

Fan Assembly, Vacuum, 2-175
 Fan, Cooling, 18.0d, 8 Blade, 0.5b Taper, 2-95
 Fan, Cooling, 18.0d, 8 Blade, 0.5b, Taper, 2-95
 Fan, Cooling, 18.0d, 8 Blade, 2.2d Bc, 2-97
 Fan, 2-91
 Fastener, Nut, 2-4
 Fastener, Thumbscrew, 2-4
 Fastener, Washer, 2-4
 Ferrule, Insulation, 2-32
 Filter Assembly, Hydraulic, 2-130
 Filter Assembly, Laminar Flow, L.H., 3-13
 Filter Assembly, Laminar Flow, R.H., 3-13
 Filter Kit, Fuelock, Lpg, 2-5
 Filter Kit, Lpg Lockoff, 2-55
 Filter, Air Cleaner Assembly, 2-85
 Filter, Assy, Air, 2-87, 2-89
 Filter, Foam, Soap Basket, 2-189
 Filter, Fuel [Gm 1.6/3.0], 2-5, 2-103, 2-105
 Filter, Fuel, Gasoline, 5-16

Filter, Fuel, In-Line (Gas), 2-5
 Filter, Fuel, In-Line (Lpg), 2-5
 Filter, Fuel, In-line, (Lpg) (Replaced by 377337), 2-109
 Filter, Fuel, In-line, (Lpg), 2-109
 Filter, Fuel, In-line, 02pm/08if, 2-5, 2-101
 Filter, Fuel, In-Line, 2-101
 Filter, Fuel, Lpg [Coalescent], 2-53
 Filter, Fuelock, Lpg[Gm1.6l 2010], 2-63
 Filter, Laminar Flow, 3-13
 Filter, Oil, 2-4, 2-5, 2-71
 Filter, Solution Outlet, 3-13
 Fitting, Tee, 3-27
 Fitting Kit [Epr], 2-59, 2-63
 Fitting, Cap, 2-55
 Fitting, 90 Deg, 2-71
 Fitting, Barb, 3/4" [Epr], 2-61
 Fitting, Barbed Elbow, 3-27
 Fitting, Brs, Adaptor, 2-55
 Fitting, Brs, E90, Pf04/Pf02, 2-109
 Fitting, Brs, E90, Pf04/Sm06, 2-109
 Fitting, Brs, E90, Pm02/lf05, 2-101
 Fitting, Brs, E90, Pm02/Sm04, 2-41
 Fitting, Brs, E90, Pm04/Pf04, 2-101
 Fitting, Brs, E90, Bm06/Pm04, 2-103
 Fitting, Brs, E90, Em05/Pm04, 2-105
 Fitting, Brs, E90, Pm04/Pf04, 2-53, 2-111
 Fitting, Brs, Qdc, Pf04 Lpg Fem, 2-109
 Fitting, Brs, Qdc, Pf04 Lpg Fem, 2-111
 Fitting, Brs, Rst, Pf04/.69-16f, .063, 2-53
 Fitting, Brs, Str, 02mp, Service, 2-85
 Fitting, Brs, Str, Pf04/Pf04 Bkhd, 2-109
 Fitting, Brs, Str, Pm02/Sm04, 2-41
 Fitting, Brs, Str, Pm04/lf04, 2-101
 Fitting, Brs, Str, Pm04/lf05, 2-101
 Fitting, Brs, Str, Pm04/Pm04, 2-109
 Fitting, Brs, Str, lf05/lf05, 2-103
 Fitting, Brs, Str, Pf04/Pf04, Bkhd, 2-111
 Fitting, Brs, Str, Pm02, Service, 2-87, 2-89
 Fitting, Brs, Str, Pm02/lf05, 2-101
 Fitting, Brs, Str, Pm04/Bm06, T, 2-53
 Fitting, Brs, Str, Pm08/Pf04, 2-53
 Fitting, Brs, Tee, Pf04/Pf04/Pf04, 2-111
 Fitting, Brs, Tee, Pf0j/Pf04/Pm04, 2-109
 Fitting, Bshg, 2-59, 2-63, 2-69
 Fitting, Bulkhead, 2-107
 Fitting, Cap, 2-39, 3-33
 Fitting, Coolant Plug, 4-39, 4-40
 Fitting, Coupling, 3-5
 Fitting, Draincock, .25npt 90, 2-53, 2-95
 Fitting, E70, 2-55
 Fitting, E90, 2-55, 2-59, 2-61, 2-63, 2-69
 Fitting, Elb, 2-65
 Fitting, Elbow, 45°, 2-19, 2-107, 2-125, 3-5
 Fitting, Elbow, 2-19, 2-27, 2-31, 2-32, 2-39, 2-91, 2-99, 2-107, 2-109, 2-122, 2-123, 2-125, 2-128, 2-130, 2-185, 2-193, 3-3, 3-5, 3-17, 3-27, 3-28
 Fitting, Fuel Inlet, Gas, 4-40
 Fitting, Fuel Inlet, Lpg, 4-39

Fitting, Fuel, Str, 0.38-24 [07 Eng], 2-105
 Fitting, Fuel, Str, 0.56-18 [07 Eng], 2-105
 Fitting, Grease, 45°, 2-19
 Fitting, Grease, 2-19, 2-28, 2-29, 2-175, 2-185, 4-32
 Fitting, Hose, 10hose/Pm06, 2-55
 Fitting, Hose, Vacuum, .25, 2-55
 Fitting, Hose, 2-65
 Fitting, Hyd, Cap Jf06, 2-71
 Fitting, Hyd, E45, Jf12/Jm12, 3-28
 Fitting, Hyd, E45, Jm04/Pm08, 2-53
 Fitting, Hyd, E45, Jm10/Om08, 2-127
 Fitting, Hyd, E90, Jf06/Jm06, 2-129
 Fitting, Hyd, E90, Jf10/Jm10, 3-28
 Fitting, Hyd, E90, Jm04/Om04, 2-177
 Fitting, Hyd, E90, Jm04/Om06, 2-127
 Fitting, Hyd, E90, Jm06/Jm06, 2-71
 Fitting, Hyd, E90, Jm06/Om06, 2-124, 2-127
 Fitting, Hyd, E90, Jm06/Pm04, 2-111
 Fitting, Hyd, E90, Jm08/Pm04, 2-53
 Fitting, Hyd, E90, Jm10/Om08, 2-127
 Fitting, Hyd, E90, Jm12/Om10, 2-127, 2-129
 Fitting, Hyd, E90, Jm12/Om16, 2-93, 2-129
 Fitting, Hyd, E90, Jm16/Om16, 2-95
 Fitting, Hyd, E90, Pm06/Jm06, 2-71
 Fitting, Hyd, E90, Spcl, 2-63, 2-111
 Fitting, Hyd, E90, Swivel Pf04/Pm04, 2-109
 Fitting, Hyd, Plug, Om04, 4-37, 4-38
 Fitting, Hyd, Plug, Om10, 2-124
 Fitting, Hyd, Plug, Om20, 4-21
 Fitting, Hyd, Str, Jf16/Jm12, 2-124
 Fitting, Hyd, Str, Jm04/Om06, 2-124
 Fitting, Hyd, Str, Jm05/Om06, 2-103
 Fitting, Hyd, Str, Jm06/Om04, 2-95
 Fitting, Hyd, Str, Jm06/Om06, L, 2-33
 Fitting, Hyd, Str, Jm06/Om06, 2-33, 2-103, 2-127, 2-133
 Fitting, Hyd, Str, Jm06/Om08, 2-133
 Fitting, Hyd, Str, Jm06/Om10, 2-129
 Fitting, Hyd, Str, Jm06/Pm04, 2-111
 Fitting, Hyd, Str, Jm08/Om08, 2-133
 Fitting, Hyd, Str, Jm08/Om10, 2-95, 2-129, 2-177
 Fitting, Hyd, Str, Jm10/Om08, 2-124
 Fitting, Hyd, Str, Jm10/Om12, 2-129
 Fitting, Hyd, Str, Jm12/Om10, 2-127
 Fitting, Hyd, Str, Jm12/Om12, 2-133
 Fitting, Hyd, Str, Jm12/Om16, 2-129
 Fitting, Hyd, Str, Jm16/Om16, 2-124, 2-131, 2-133
 Fitting, Hyd, Str, Jm24/Om20, 2-124, 2-129
 Fitting, Hyd, Str, Om04/Qm04, 2-133
 Fitting, Hyd, Str, Om12/Pf08, 3-27
 Fitting, Hyd, Str, Pm02/Pm02, 2-101
 Fitting, Hyd, Str, Pm08/Pf02, 2-41
 Fitting, Hyd, Tee, Jf06/Jm06/Jm06, Br, 2-95

CROSS REFERENCE

Fitting, Hyd, Tee, Jf08/Jm08/Jm08, Run, 2-177
Fitting, Hyd, Tee, Jf16/Jm16/Jm16, Run, 2-124
Fitting, Hyd, Tee, Jm08/Jm08/Om08, Br, 2-133
Fitting, Hyd, Tee, Jm08/Jm08/Om08, Run, 2-133
Fitting, Nipple, .25mal, 2-59, 2-63
Fitting, Nipple, .25npt, Brs, 2-55
Fitting, Nipple, 2.5" (65 mm) L, 3-5
Fitting, Nipple, 2-107, 3-5, 3-27
Fitting, Pipe, E90, Pm02/Pf02, 2-85, 2-87, 2-89
Fitting, Pipe, Plug, Pm04 Hex Soc, 2-53
Fitting, Pipe, Str, Pm04/Pm04 01.5l,Blk, 2-41
Fitting, Pipe, Str, Pm04/Pm04 02.0l,Blk, 2-109
Fitting, Pipe, Str, Pm04/Pm04 02.5l,Blk, 2-111
Fitting, Pipe, Tee, Pf02/Pf02/Pf02,Blk, 2-41
Fitting, Pipe, Tee, Pm06/Pf06/Pf06, 2-55
Fitting, Plstc, Tee, Bm12/Pf08/Bm12, 2-53
Fitting, Plstc, Tee, Bm12/Pf12/Bm12, 3-3
Fitting, Plug, 2-71, 2-123, 2-187
Fitting, Restrictor, 2-125
Fitting, Str, E90, .25npt, 2-55
Fitting, Str, 2-55
Fitting, Straight, Brass, 2-39
Fitting, Straight, 2-27, 2-31, 2-32, 2-39, 2-91, 2-99, 2-122, 2-123, 2-125, 2-128, 2-193, 3-3, 3-5, 3-17, 3-27, 3-28
Fitting, Tee, 2-107, 2-122, 2-125, 2-128, 2-130, 3-3, 3-5, 3-17, 3-27
Fitting, 2-51, 2-53, 2-56, 2-65, 2-67, 2-71
Fitting, Plstc, Str, Bm06/M.69-16, 2-53
Flange, Bearing, 2-27, 2-28, 2-29, 2-31
Flange, Mounting, 4-26, 4-27
Flange, Top Float, 2-187
Flap, Containment, 2-4, 2-5, 2-23, 2-25
Flap, Rubber, 2-4, 2-189
Flap, Wand, Vacuum, 2-185
Flasher, 3-18, 3-36
Flywheel, 5-12
Foam, Acoustic, 2-175
Follower, Piston, 4-9, 4-13
Frame Wldt, Tractor [550/1550], 2-11
Frame Wldt, 2-11
Frame, Main Tractor, 2-8
Frame, Muffler, 2-175
Frame, Rear, 2-193
Frame, Scrubber Head, 2-23, 3-5
Frame, Side Squeegee, L.H., 2-25, 3-43
Frame, Side Squeegee, R.H., 2-23, 3-43
Frame, Spray Deflector, 3-13
Fuel Filter Lock, 2-107
Fuelline, .31d Str/Str, Plstc, 2-103
Fuelline, .31d 03.1l 05if/05if Stl, 2-101
Fuelline, .31d 05if/05if Stl, 2-103

Fuelline, .31d E90/Str, Plstc, 2-103
Fuelline, .31d 05if/Qm Stl, 2-103
Fuelline, .31d E90, 05/06, Plstc, 2-105
Fuelline, .31d Str/Str, Plstc [8200], 2-105
Fuelline, .31ld 05if/05if Stl, 2-101
Fuelline, Cpr .25d 04if/04if, 2-101
Fuse, 1 A, 3-33, 3-42
Fuse, 10 A, 3-9
Fuse, 10 Amp, 2-148
Fuse, 15 A, 2-179
Fuse, 15 Amp, [Min-15], 2-148
Fuse, 20 Amp, [Min-20], 2-148
Fuse, 5 Amp, [Min-5], 2-148
Fuse, 60 Amp, 2-148

G

Gasket Flng, Exhaust, 2-79
Gasket Kit, Manifold, 2-51, 2-53, 2-65
Gasket Kit, Repair, Lpg [Gm1.6l 2007], 2-61
Gasket Set, Front, 5-11
Gasket Set, Manifold, 5-13
Gasket Set, 5-5
Gasket, Air Outlet, 2-4, 2-5
Gasket, Body, Throttle [1.6l], 2-55, 2-59, 2-67, 2-69
Gasket, Carb, 2-55, 2-67
Gasket, Carburetor Air Horn, 2-80, 2-81
Gasket, Carburetor, 5-16
Gasket, Cleaning Solution Tank, 3-13
Gasket, Cover, Sandblast, 2-5
Gasket, Cover, 3-11
Gasket, Cylinder Head, 5-5
Gasket, Debris Screen, 3-11
Gasket, Distributor, 5-19
Gasket, Door, Clean-Out, 2-5
Gasket, Door, 2-4, 2-5, 2-187, 2-189, 3-11
Gasket, Elbow, 5-15
Gasket, Exhaust, .07, 1.63id, 2/3.4bc, 2-79
Gasket, Exhaust, 2 Hole, 3.4bc, 2-77
Gasket, Fan, 2-175
Gasket, Front Suction Tube, 2-4
Gasket, Fuel Pump, 5-19
Gasket, Gear Cover, 5-11
Gasket, Head Cover, 5-5
Gasket, Header, 5-15
Gasket, Lower Door, 3-13
Gasket, Lpg, Adapter [Gm 2007], 2-59
Gasket, Lpg, Mixer [Gm 2007], 2-59
Gasket, Manifold, Intake, 2-59, 2-61, 2-69
Gasket, Manifold, 5-13
Gasket, Oil Pan, Form-in-Place, 5-3
Gasket, Rear Bearing Cap, 5-3
Gasket, Rear Suction Tube, 2-4, 2-189
Gasket, Sandblast Cover, 2-4
Gasket, Sender, Fuel, 2-103, 2-105
Gasket, Solution Door, 2-4, 2-189
Gasket, Suction Tube, Front, 3-11
Gasket, Tail Pipe, 2-73

Gasket, Tank Adaptor, 3-31
Gasket, Tube, Suc, Front, 2-5
Gasket, Tube, Suc, Rear, 2-5
Gasket, Upper Door, 3-13
Gasket, Wand Adaptor, 3-31
Gasket, Water Pump to Crankcase, 5-14
Gasket, 2-4, 2-5, 2-51, 2-53, 2-55, 2-56, 2-65, 2-67, 2-75, 2-77, 2-99, 2-101, 3-28, 6-3, 6-5, 6-9, 6-11, 6-12
Gauge, Fuel Level, 2-179
Gauge, Fuel, 0-90ohm 8-18vdc, 2-181
Gauge, Oil Pressure, 2-179
Gauge, Press, Water, 0-2000psi, 3-27
Gauge, Sight, Water Pump, 4-3
Gauge, Temp, 100-260 2.3d 12vdc, 2-181, 2-183
Gauge, Water Temperature, 2-179
Gear Assy, Idler, Pump, Hyd [En], 4-21
Gear Assy, Idler, Pump, Hyd, 4-21
Gear Assy, Idler, 4-17, 4-19
Gear Kit, 5-18
Gear, Camshaft, 5-7
Gear, Crankshaft, 5-8
Gear, Drive, Pump, Hyd [En], 4-21
Gear, Drive, Pump, Hyd [En], 4-21
Gear, Drive, 4-17, 4-19
Gear, Idler, 4-17, 4-19, 4-21
Gear, 4-17, 4-19, 6-5, 6-11, 6-12
Geroler, 4-25
Geroter, Ring In, 4-11, 4-15
Geroter, Ring Ot, 4-11, 4-15
Geroter, 4-28
Gerotor, 4-26, 4-27
Governor Assembly, 5-7
Grease, Special, 2-4, 2-5
Grip, Handle, 3-29
Grommet, 0.38" (10 mm) I.D., 2-9
Grommet, Breather, Oil, 6-3
Grommet, Rbr, 0.25id, F/ 0.8h, .09 Matl, 3-20
Grommet, Rubber, 3-14, 3-35
Grommet, 2-25, 2-41, 2-55, 2-59, 2-61, 2-67, 2-69, 2-122, 3-19, 3-37
Guard Kit, Overhead, 3-15
Guard, Belt, Alternator, 2-47
Guard, Coupling, 3-27
Guard, Flow Switch, 2-122
Guard, L.H., 2-190
Guard, Lh, Fan, [550 2007 Engines], 2-95
Guard, R.H., 2-190
Guard, Rh, Fan, [550 2007 Engines], 2-95
Guard, Splash, 2-23, 2-25
Guard, Squeegee, 2-190
Guard, Top, 3-15
Guard, Valve Stem Oil, 5-5
Guide, Spring, 2-192
Guide, Valve Stem, 5-5

H

Handle Assembly, Complete, 4-29
Handle, Nozzle, 3-31
Handle, Sludge Removal, 3-29

- Handle, Spray, 3-27
 Handle, Squeegee Wand, 3-25
 Handle, Valve, Cntrl, 2-127
 Harness, Eng [3.0l, Gm, E-cntrl], 2-148
 Harness, Eng, Gas [3.0l 2007], 2-148
 Harness, Eng, Lpg [3.0l 2007], 2-148
 Harness, Injector, Gas[3.0l Gm,E-Cntrl], 2-148
 Harness, Lpg Injector [3.0l, Gm,E-Cont], 2-148
 Harness, Main [550/1550 Gas/Lpg], 2-148
 Harness, Main, Gas/Lpg [550/1550], 2-148
 Harness, Manifold, Gas, 2-105
 Harness, Panl, Cntrl [550], 2-148
 Harness, Sensing, Level [550/1550], 3-42
 Harness, Sensing, Level, Srs [550], 3-33
 Harness, Sqge, Vacuum, 2-148
 Harness, Srs [550], 3-8
 Harness, Switch, Oil Press, Ground Wire, 2-43
 Harness, Taillight [550/1550], 3-14, 3-35
 Harness, Tank, Sqge [550], 2-148
 Harness, Tractor [550/1550], 2-148
 Harness, Wire, Eng, Lpg [Gm 3.0l 10], 2-148
 Head Assembly, Cylinder, 5-5
 Head Assy, Fltr, Hyd, 2-131
 Head, 6-3
 Header, Water Outlet, 5-15
 Headlight Assembly, 3-14, 3-35
 Hi Alt Vaporizer Spring, 2-107
 Hinge, Seat, 2-7
 Holder, Fuse, (Panel Mount), 3-42
 Holder, Fuse, 2-179, 3-9, 3-14, 3-33, 3-35
 Hook, Chain, 2-23
 Hook, Lift [Gm3.0l 2007], 2-43
 Hook, Rubber, 3-25, 3-31
 Hook, S, 2-7
 Hook, 2-25, 3-11
 Hopper Assembly, 2-17
 Hopper, Debris, 2-17
 Horn Button Assembly, 2-32
 Horn, 12 Volt, 2-9
 Horn, 12vdc, DbA [Wolo], 2-11
 Hose Assembly, 2-4, 2-175
 Hose Assy, Primary To Secondary, Lpg, 2-51, 2-53
 Hose Assy, Pvc, W/ Cuff, 2.0d, 48.0l, 2-5
 Hose Assy, W/1cuff, 1.5d 120l 1.5/, 2-4, 2-5, 2-187, 3-11
 Hose Kit, Vacuum, SRS, 2-4
 Hose, Rear Squeegee Suction, 3-13
 Hose, .50, 2-71
 Hose, [Pcv], 2-41
 Hose, 0050, 04, lm05str /lf05str, 10.0, 2-101, 2-103
 Hose, 9.5mm X 450mm [Pcv], 2-55, 2-67
 Hose, Balancing, Press, 45mm, 2-55
 Hose, Balancing, Press, 680mm, 2-55
 Hose, Cleaning Solution, 3-13
 Hose, Coolant, 1.50id To 1.75id, Mold, 2-95
 Hose, Coolant, Mold, 1.50id To 1.50id, 2-95
 Hose, Drain, Eng Oil, 2-71
 Hose, Flex, Vacuum, 3.0d 20.0l, 2-5
 Hose, Flex, Vacuum, 4.0d 41.1l, 2-5
 Hose, Flex, Vacuum, 4.0d 54.0l, 2-5
 Hose, Flex, Vacuum, 4.0d 15.0l, 2-177
 Hose, Fuel Line, 2-99
 Hose, Fuel, 0.31id [Evap Emission 07], 2-105
 Hose, Fuel, .38d, Rbr, 2-59, 2-61, 2-69
 Hose, Fuel, 0.25id 4.0l, 2-101
 Hose, Fuel, 0.31id 16.0l, 2-103
 Hose, Fuel, 0.50id 52.0l, 2-67
 Hose, Fuel, 0.50ld 52L, 2-65
 Hose, Fuel, 165mm, 2-55
 Hose, Fuel, Jf06e90, 20.3l, 2-103
 Hose, Heater, .38id 18L, 2-51
 Hose, Heater, .38id 21, 2-51
 Hose, Heater, .38id 21L, 2-53
 Hose, Heater, .38id, 2-65
 Hose, Heater, 0.62id 18.0l, 2-87, 2-89
 Hose, Hi Press, Lp, 2-51
 Hose, Hi Press, Lpg 34L, 2-109
 Hose, Hopper, 2-4, 2-17
 Hose, Hyd, Med06, Jf06str / Jf06e90,66.0, 2-121
 Hose, Hyd, Med06, Jf06str / Jf06str,26.0, 2-121
 Hose, Hyd, Med06, Jf06str /Jf06e90, 84.0, 2-121
 Hose, Hyd, Med06, Jf06str /Jf06str, 66.0, 2-121
 Hose, Hyd, Med08, Jf08str /Jf08e45, 64.0, 2-121
 Hose, Hyd, Med08, Jf08str /Jf08e90, 24.0, 2-121
 Hose, Hyd, Med10, Jf10str /Jf10e90, 24.0, 2-121
 Hose, Hyd, Med12, Jf12str /Jf12str, 48.0, 2-121
 Hose, Hyd, Med16, Jf16str /Jf16e90, 29.0, 2-121
 Hose, Hyd, Med16, Jf16str /Jf16str, 36.0, 2-121
 Hose, Hyd, Med16, Jf16str/Jf16str, 54.0, 2-121
 Hose, Hyd, Str/Str, 68l, 2-121
 Hose, Hyd, Suc24, Jf24str /Jf24e90, 33.0, 2-121
 Hose, Hyd, Tc 06, Jf06str /Jf06e90, 70.0, 2-121
 Hose, Hyd,Hi 12, Jf12str /Jf12e90, 32.0, 2-121
 Hose, Hyd,Hi 12, Jf12str /Jf12str, 28.0, 3-28
 Hose, Hyd,Hi 12, Jf12str /Jf12str, 40.0, 2-121
 Hose, Hyd,Hi 12, Jf12str/Jf12e90, 26.0, 2-121
 Hose, Hyd,Hi 12, Jf12str/Jf12e90, 30.0, 2-121
 Hose, Hyd,Low04, Jf04str /Jf04e90, 25.0, 2-121
 Hose, Hyd,Low04, Jf04str /Jf04e90, 30.0, 2-121
 Hose, Hyd,Low06, Jf06str /Jf06e90, 52.0, 2-121
 Hose, Hyd,Low06, Jf06str /Jf06str, 26.0, 2-71
 Hose, Hyd,Low12, Jf12str /Jf12str, 27.0, 2-121
 Hose, Hyd,Med04, Jf04str /Jf04e45, 165.0, 2-121
 Hose, Hyd,Med04, Jf04str /Jf04e90, 42.0, 2-121
 Hose, Hyd,Med06, Jf06str /Jf06e90, 68.0, 2-121
 Hose, Hyd,Med06, Jf06str /Jf06e90l,115.0, 2-121
 Hose, Hyd,Tc 08, Jf08str /Jf08e90, 36.0, 2-121
 Hose, Hyd,Tc 08, Jf08str /Jf08e90, 46.0, 2-121
 Hose, Hydraulic, 2-119, 3-17, 3-27
 Hose, Intake, Mold, E90 2.00id 2.26id, 2-87
 Hose, Intake, Mold, E90 E90 2.0id 2.0id, 2-87, 2-89
 Hose, Intake, Mold, E90, 2.0id[550/1550], 2-87
 Hose, Lpg, Med04, Jf04str/Jf04str, 48.0l, 2-41
 Hose, Lpg, Med05, Pm04str/Sm04str, 54.0l, 2-111
 Hose, Lpg, Med06, Jf06str/Jf06str, 20.0l, 2-111
 Hose, Lpg, Med06, Pm04str/Pm04str, 18.0l, 2-109, 2-111
 Hose, Lpg, Med08, Jf08str/Jf08str, 35.0, 2-53
 Hose, Lpg, Med08, Jf08str/Jf08str, 41.0, 2-53
 Hose, LPG, 2-107
 Hose, Mold [Epr To Mixer], 2-59, 2-63
 Hose, Mold, .62 To .75, 2-55, 2-59, 2-63
 Hose, Mold, .62 X 37.0, 2-55
 Hose, Mold, 1.88od To 1.50id [550 07], 2-95
 Hose, Oil Cooler, 5-17
 Hose, Pump Inlet, 3-3
 Hose, Pump Outlet, 3-3
 Hose, Pvc, Clr, 0.38id 0.56od 13.00l, 2-53
 Hose, Radiator, Lower, 2-93
 Hose, Radiator, Upper, 2-93
 Hose, Radiator, 2-91
 Hose, Rbr, 2.00id 2.40od 07.5l, 2-5
 Hose, Rbr, 2.00id 2.50od 03.0l, 2-85, 2-87, 2-89
 Hose, Rbr, E90 1.50id 1.50id 04.0 02.8, 2-95
 Hose, Rbr, E90 2.00id 2.00id 03.5 2.3, 2-85

CROSS REFERENCE

Hose, Rbr, E90 2.00id 2.00id 03.5 03.5, 2-87, 2-89
Hose, Rbr, E90, 2-85
Hose, Rear Squeegee Suction, 2-189
Hose, Recovery Tank Drain, 2-187, 3-11
Hose, Rubber (Cut in 2), 3-27
Hose, Rubber, 2-80, 2-81, 2-82, 2-83, 2-107, 3-3, 3-5, 3-27
Hose, Solution Level, 2-187
Hose, Solution, 2-21
Hose, Squeegee Wand, 3-25
Hose, Squeegee, 2-4
Hose, Supply, Gas, .25id, 2-59
Hose, Vacuum Fan, 2-187
Hose, Vacuum, 3-11, 5-18
Hose, Valve, Fuel Trim, 325mm, 2-55
Hose, Valve, Press Trim, 405mm, 2-55
Hose, Vinyl, 3-3
Hose, Water Heater, 2-65
Hose, Water, High Pressure, 3-27
Hose, Water, 2-51, 2-53
Hose, 2-39, 3-31, 5-16
Hourmeter, 12-24vdc, Analog, Rnd, 2-181, 2-183
Housing Assembly, Bearing, 2-185
Housing Assembly, Front, 2-175
Housing Assy, Hub, 2-97
Housing Assy, Throttle, Gas, [With Ecu] (See Breakdowns), 2-65
Housing Assy, Throttle, Gas, [With Ecu], 4-40
Housing Assy, Throttle, Gas, 2-67
Housing Assy, Throttle, Lpg [GM 3.0], 2-55
Housing Assy, Throttle, Lpg, (See Breakdowns), 2-53
Housing Assy, Throttle, Lpg, [With Ecu] (See Breakdowns), 2-51
Housing Assy, Throttle, Lpg, [With Ecu], 4-39
Housing Assy,, 4-25
Housing S/A, 4-9, 4-13
Housing Wldt, Vacfan, Rear, 9.0impeller, 2-177
Housing, Bearing, 2-175
Housing, Brg, 4-25
Housing, Filter Mounting, 3-13
Housing, Flywheel [3.0], 2-43
Housing, Flywheel, 2-41, 5-12
Housing, Front, 2-175
Housing, Pivot, 2-185
Housing, Probe, 3-33
Housing, Pump, 4-17, 4-19, 4-21
Housing, Rear, 2-175
Housing, Steering Column, 2-8
Housing, Thermostat [Gm3.0l 2007], 2-43
Housing, Throttle, 40mm [Bosch], 2-55, 2-59, 2-61, 2-67, 2-69
Housing, Throttle, Gas, 4-40
Housing, Throttle, Lpg, 4-39
Housing, Vacfan, Front, W/ Label, 2-177
Housing, Control, 4-23

Housing, 4-4, 4-9, 4-13, 4-17, 4-19, 6-3, 6-5, 6-11
Hub and Magnet Kit, 4-4
Hub Assembly, 2-35, 2-191
Hub, Brush Drive, 2-31
Hub, Brush, 2-27, 2-28, 2-29
Hub, 2-97

I

Idler Assembly, Front Scrub Brush, 2-28
Idler Assembly, Rear Brush, 2-29
Impeller Shaft and Bearing Kit, 4-4
Impeller, 9.5d, 18 Blade Mach, 2-177
Impeller, 2-175
Indicator, Air Filter, 2-85
Indicator, Filter Service, 2-80, 2-81, 2-82, 2-83
Indicator, Service, Air Filter 20h20 Dn, 2-87, 2-89
Injector, Fuel, Lpg [Gm Zeems 550/6600], 4-39
Injector, Gas, W/ Top And Bottom Org, 4-40
Inlet Section, 4-29
Insert, Drive, 2-39
Instr. Repair Info, Motor, 4-25
Instr, Pump Repair, 4-17, 4-19, 4-21
Instr, Seal Kit, Motor, 4-34, 4-35
Insulation, Acstc, 0.8 11.0w 33.6l Notch, 2-13
Insulation, Acstc, 0.8 14.8w 21.3l, 2-13
Insulation, Acstc, 0.8 14.8w 32.8l, 2-13
Insulation, Acstc, 0.8 17.0w 52.1l Notch, 2-13
Insulation, Acstc, 0.8, 20.3 X 19.3, 2-7
Insulation, Acstc, Cover, Eng, 2-13
Insulation, Engine Access Door, 2-14
Insulation, Engine Cover, 2-15
Insulation, Front, Side Door, L.H., 2-14
Insulation, Rear, Side Door, L.H., 2-14
Insulation, Seat, 2-14
Insulation, Side Door, R.H., 2-14
Insulation, Tank Opening, 2-15
Insulation, Top, Hydraulic Tank Door, 2-14
Insulator, Panel & Switchboard, 2-181, 2-183
Insulator, 3-14, 3-35
Isolator [Epr], 2-59
Isolator Kit, Mtg, Vaporizer, Rbr, 2-55
Isolator, Box, Relay, 2-55, 2-58, 2-61, 2-69
Isolator, Rbr, 2-79
Isolator, Rubber, 2-77
Isolator, Vib, Bshg, 1.1d 0.6l .4b 0.78h, 2-75, 2-77, 2-79, 2-177
Isolator, Vib, Bshg, 1.9d 0.9l .6b 1.16h, 2-95
Isolator, Vib, Flng, 1.3h .5b 2/.39h, 2-43
Isolator, Vib, Flng, 2.0h .5b 2/.41h, 2-43
Isolator, Vib, Ring, 1.9d 0.5l 1.3b, 2-95
Isolator, Vibration, 2-27, 2-31, 2-73, 2-123

Isolator, 2-63

K

Key (Replaced by None), 5-8
Key Square 0.12 0.12 01.00 Lg, 4-34
Key, Ignition Switch (Set of 2), 2-179
Key, Ignition, [Set Of 2], 2-181, 2-183
Key, Round [En], 4-21
Key, Round, 4-17, 4-19
Key, Sq, 0.12 X 0.12, 0.50l, 4-35
Key, Square, 2-175, 4-33
Key, Woodruff, 2-27, 2-31, 2-39, 4-26, 4-27, 5-10
Key, 4-3, 4-11, 4-15, 4-25, 5-7, 6-3, 6-11, 6-12
Kit, Connector, Coolant Sensor, 4-39, 4-40
Kit, Connector, Gas Injector, 4-40
Kit, Connector, Govnr, 4-39, 4-40
Kit, Connector, Sensor, [lat], 4-39, 4-40
Kit, Connector, Sensor, [Map], 4-39
Kit, Contact And Brush, [64433-000] En, 2-32
Kit, Ftg, Coolant, Gas, 4-40
Kit, Ftg, Coolant, Lpg, 4-39
Kit, Maint, 800hr [550 G/Lp/D], 2-5
Kit, Org, Injector And Reg, Gas, 4-40
Kit, Org, Injector, Top And Bottom, Lpg, 4-39
Kit, Reg, Gas Press, 4-40
Kit, Repair, Reassembly, Fan, 2-177
Kit, Replacement, Air Cleaner F/76827, 2-80, 2-82
Kit, Seal, Motor, Hyd, Gear [Barns], 4-34, 4-35
Kit, Seal, Pump, Hyd [En], 4-21
Kit, Seal, Pump, 4-17, 4-19
Kit, Wire, Ignition, 5-18
Knob, Adjusting, 2-27
Knob, Ball, 1.25d 0.38-16 Plstc, 2-127
Knob, Brush Adjusting, 2-31
Knob, Door Latch, 2-187, 2-189, 3-11, 3-13
Knob, Valve, 3-27
Knob, 2-17, 2-19, 2-21, 2-38, 2-125, 3-5, 3-9

L

Label, [Caution], [Travel Slowly], 2-195
Label, [Warning], Heavy Lpg Tank (LP ONLY), 2-195
Label, Brush Pressure, 2-25
Label, Brushes, 2-9
Label, Caution, [Apply Parking Brake], 2-195
Label, Caution, Reduce Travel, 2-8
Label, Console, Instmt, 2-181, 2-183
Label, Control, Sqge, 2-181, 2-183
Label, Control, Throttle, 2-195
Label, Danger Keep Out, 3-11

Label, Danger, Fan Suction, 2-175, 2-187
 Label, Danger, Keep Out Pinch, 2-9
 Label, Danger, Keep Out, 2-187
 Label, Engine Fan, 2-91
 Label, Fan Suction, 3-11
 Label, Fill Tank, 3-13
 Label, Gasoline Only, 2-99, 2-101
 Label, Headlock, 2-19
 Label, Important, 2-9
 Label, Info, [Tire Pressure], 2-195
 Label, Info, Alternator Equipped, 2-195
 Label, Info, Jack Point, Tractor, 2-195
 Label, Instr, Filter Drain, 2-53
 Label, Instruction, Pump Lever Model, 3-5
 Label, Instruction, Pump Prime, 3-5
 Label, Instrument Console, 2-179
 Label, Jack At This Point, 2-9
 Label, Jack Only On Pad, 2-187, 3-11
 Label, Logo, Tennant, Oval, 114l, Blk, 2-195
 Label, Lubricating Instructions, 2-175
 Label, Maint, [550], 2-195
 Label, Maint, [Radiator Fins], 2-195
 Label, Maintenance Chart, 2-9
 Label, Maintenance Note, 2-9
 Label, Opertnl, Instmt Panel, [550], 2-195
 Label, Patent, Power Scrubber, 2-195
 Label, Patent, Scrubber, 2-9
 Label, SRS Cleaning Solution, 3-13
 Label, SRS, 3-11
 Label, Stripe, [Tennant],[550], 2-195
 Label, Stripe, 36.00, [550], 2-195
 Label, Stripe, Front, 2-9
 Label, Stripe, L.H., 2-187
 Label, Stripe, R.H., 2-189
 Label, Stripe, Side, 2-9
 Label, Stripe, Wing, Lh,[1550], 2-195
 Label, Stripe, Wing, Rh,[1550], 2-195
 Label, Stripe, 2-9
 Label, Switch, Squeegee Lift, 2-179
 Label, TENNANT Logo, 2-187
 Label, TENNANTr, 2-9
 Label, Throttle and Solution, 2-9
 Label, Tire Pressure, 2-9
 Label, Warning, Danger, Pinch Point, 2-195
 Label, Warning, Use Scrubber, 2-23
 Label, Wing, L.H., 2-9
 Label, Wing, R.H., 2-9
 Lamp Assembly, Flashing, Amber, 3-18, 3-36
 Lamp Assembly, Flashing, Blue, 3-18, 3-36
 Lamp Assembly, Flashing, 3-18, 3-36
 Lamp Assembly, Revolving, Amber, 3-20
 Lamp Assembly, Revolving, Blue, 3-20
 Lamp Assembly, Revolving, 3-20
 Lamp Assy, Indicator, Red, 14Vdc, 3-17, 3-33, 3-42
 Lamp, Flashing, 3-18, 3-36
 Latch Assembly, LPG Tank, 2-107
 Latch Assy, Mtg, Tank, Lpg, W/Nut, 2-111
 Latch, Cam Lock Band, 2-23, 2-25

Latch, Cam Lock, 2-187
 Latch, Door, 2-8, 2-23, 2-25
 Latch, Hopper, 2-17
 Latch, Tank, 3-22, 3-23
 Latch, 2-109, 3-21
 Leg, Front, L.H., 3-15
 Leg, Front, R.H., 3-15
 Leg, Rear, L.H., 3-15
 Leg, Rear, R.H., 3-15
 Lens, Amber, 3-19, 3-37
 Lens, Blue, 3-19, 3-37
 Lens, Lamp, Amber, 3-18, 3-20, 3-36
 Lens, Lamp, Blue, 3-18, 3-20, 3-36
 Lens, Lamp, Red, 3-18, 3-20, 3-36
 Lens, Red, 3-19, 3-37
 Lever and Shaft Assembly, Governor, Gasoline, 5-11
 Lever and Shaft Assembly, Governor, LPG, 5-11
 Lever Assembly, Solution Control, 2-21, 3-5
 Lever, Headlock, 2-19
 Lever, Parking, 2-36
 Lever, Pump, 2-135
 Lever, Throttle, 2-38
 Lift, Scrubber Head, 2-19
 Lifter, 6-3
 Light Assembly, Revolving Amber, 3-19, 3-37
 Light Assembly, Revolving Blue, 3-19, 3-37
 Light Assembly, Revolving Red, 3-19, 3-37
 Light Kit, Flashing, 3-18, 3-36
 Light Kit, Level Warning, 3-33
 Light Kit, Recovery Level Warning, 3-42
 Light Kit, Revolving, 3-20
 Light Kit, SRS, 3-35
 Light Kit, 3-14
 Light, Panel, 3-14, 3-35
 Light, Panl, 14vdc, Red, 0.6d, 2-181, 2-183
 Light, Warning, Check Engine, Amb, 14 Vdc, 2-181, 2-183
 Link, .19 1.0w 09.2l 1/0.3h 1/0.3s, 2-13
 Link, Brush Lift, 2-27, 2-31
 Link, Chain, 3-27
 Link, Direct Control, 2-135
 Link, Directional Control, 2-135
 Link, Engine Cover Support, 2-9
 Link, Feedback, 4-23
 Link, Hook, 2-125, 2-127
 Link, Rear Drag, 2-193
 Link, 2-193
 Linkage Kit, Handle, 4-29
 Lip, Hopper, 2-17
 Locator, Tank, 3-22, 3-23
 Locator, 3-21
 Lock, Knob Adjusting, 2-31
 Lock, Knob, Adjusting, 2-27
 Lock, Valve Spring Retainer, 5-5
 Lockwasher, 4-9, 4-13

Long Block Assembly, S, Includes: R Short Block Assembly Plus - Head, Guides, Valves and Associated Parts, Rocker Arm Shaft Assembly, Pushrods, Head Cover, Gear Cover, Oil Pan, Oil Filler Cap, and Gasket Set, 5-3
 Lug, 3-21, 3-22, 3-23

M

Magnet, 5-18
 Manifold, Discharge, 4-3
 Manifold, Exhaust [2007], 2-59, 2-69
 Manifold, Exhaust [Gm3.0l], 2-61
 Manifold, Exhaust, 2-51, 2-53, 2-56, 2-65, 2-67, 5-13
 Manifold, Gas, Relief, Valve, 2-105
 Manifold, Hyd, Collector, 2-133
 Manifold, Intake [2007], 2-59, 2-69
 Manifold, Intake [Gm3.0l 2010], 2-61
 Manifold, Intake, 2-51, 2-53, 2-56, 2-65, 2-67, 5-13
 Manifold, Pump, Gear [En], 4-21
 Manual Pkg, 550, 3-44
 Manual, Eng, Cd-Rom [Tier li,Gm3.0l], 3-44
 Manual, Service, Eng, [Gm 3.0l], 3-44
 Mat, Floor, 2-9
 Meter, Hour, 2-179
 Mirror Kit, Rear View, 3-41
 Mirror, Rear View, 3-41
 Mixer [E100lp Gm1.6l 2010], 2-61
 Module, Ecu, Gas [GM 3.0l], 2-67
 Module, Ecu, Gas [Gm3.0l 2007], 2-69
 Module, Ecu, Lpg [GM 3.0l], 2-55
 Module, Ecu, Lpg [Gm3.0l 2007], 2-58
 Module, Ecu, Lpg [Gm3.0l 2010], 2-61
 Module, 5-18, 6-5
 Molding, Rigid, 17.75" (450 mm) L, 2-9
 Molding, Rigid, 3.0" (76 mm), 2-9
 Molding, Rigid, 2-9, 2-107, 3-3
 Molding, Trim, 3" (75 mm), 3-33
 Molding, Trim, 7.5" (190 mm), 3-33
 Motor Kit, Hyd, F/ 75185, Replmt, 3-28
 Motor, Gear, 4-7
 Motor, Hyd Gear Ex 0.13 L 3000, 4-34
 Motor, Hyd Gear, 4-25
 Motor, Hyd, Gear, Ex 0.13 L 3000 (See Breakdowns), 2-177
 Motor, Hyd, Gear, [Ex] 0.32 R 3000 (See Breakdowns), 2-95
 Motor, Hyd, Gear, [Ex] 0.32 R 3000, 4-35
 Motor, Hyd, Gear, [Ex] 1.58 R 2465, 3-27
 Motor, Hydraulic (Replaced by 377397), 3-28
 Motor, Hydraulic (See Breakdowns), 2-27, 2-31, 2-122
 Motor, Hydraulic, 4-26, 4-27, 4-33
 Mount, Cable Tie, 3-3
 Mount, Caster, 2-193
 Mount, Eng, Rear, Lh, 2-43
 Mount, Eng, Rear, Rh, 2-43
 Mount, Engine, Front, Left, 2-41

CROSS REFERENCE

Mount, Engine, Front, Right, 2-41
Mount, Engine, Rear, Left, 2-41
Mount, Engine, Rear, Right, 2-41
Mount, Fan, 2-175
Mount, Filter, Remote, 2-71
Mount, LPG Tank, 3-21, 3-22, 3-23
Mount, Pump, Water, 3-27
Mount, Squeegee Nozzle, 3-25
Mount, Squeegee, 3-31
Mount, Strap, 2-107
Mount, Valve, Hydraulic, 3-27
Mount, Wand Hose, L.H., 3-31
Mount, Wand Hose, R.H., 3-31
Muffler Assembly, 2-175
Muffler, Catalytic [Gm 1.6/3.0], 2-77
Muffler, Catalytic [Gm 3.0l 2007], 2-79
Muffler, Catalytic [Gm 3.0l 2010], 2-79
Muffler, Exhaust, 2-75
Muffler, Spark Arresting, 3-41
Muffler, 2-73

N

Nozzle Assembly, Squeegee, 3-25
Nozzle Wldt, Suc, 2-17
Nozzle, Hopper, 2-17
Nozzle, Spray, 3-27
Nozzle, Suction, 3-5
Nozzle, 3-5, 3-31, 6-11
Nut, Adj, Mtg, Tank, Lpg, 2-111
Nut, Adjustable, 2-107
Nut, Adjustment, 2-36
Nut, Conn Rod, 6-7
Nut, Flanged, .38-24, 2-45
Nut, Flng, M05-0.8 [Gm1.6l Lp 2010], 2-61
Nut, Flng, M8, 2-59, 2-63
Nut, Hex, Flexlock, .38-16, 2-77, 2-79
Nut, Hex, Flng, .25-20, 2-11, 2-13, 2-95, 2-135
Nut, Hex, Flng, .31-18, 2-11, 2-77, 2-93, 2-103, 2-105, 2-111
Nut, Hex, Flng, .38-16, 2-11, 2-59, 2-61, 2-69, 2-93, 2-127, 2-175
Nut, Hex, Flng, .50-13, 2-11, 2-93
Nut, Hex, Flng, .M08 X 1.25, 2-109
Nut, Hex, Flng, #10-24, 3-3
Nut, Hex, Flng, M08 X 1.25, 2-41
Nut, Hex, Flng, M8 X 1.25, 2-43, 2-47, 2-79
Nut, Hex, Jam, M20 X 1.5, 2-33
Nut, Hex, Lock, .25-20, NI, Ss, 2-11
Nut, Hex, Lock, .25-20, NI, 2-127, 2-181, 2-183
Nut, Hex, Lock, .31-18, NI, Ss, 2-71
Nut, Hex, Lock, .31-18, NI, 2-13, 2-49, 2-71, 2-75, 2-77, 2-79, 2-87, 2-89, 2-133
Nut, Hex, Lock, .38-16, NI, Ss, 2-27
Nut, Hex, Lock, .38-16, NI, 2-43, 2-47, 2-49, 2-177
Nut, Hex, Lock, .50-13, NI, 2-43, 2-95

Nut, Hex, Lock, #10-24, NI, 2-13, 2-181, 2-183
Nut, Hex, Lock, M06 X 1.0, NI, 2-93
Nut, Hex, Lock, M6 X 1.0, NI, 2-95
Nut, Hex, Lock, M6 X 1.00, NI, 2-105
Nut, Hex, Lock, M8 X 1.25, NI, 2-95
Nut, Hex, Std, .25-20, 2-59, 2-61, 2-69
Nut, Hex, Std, .38-16, Ss, 2-23
Nut, Hex, Std, .38-16, 2-41, 2-75, 2-77, 2-79
Nut, Hex, Std, #06-32, 2-13
Nut, Hex, Std, #08-32, 2-181, 2-183, 3-9
Nut, Hex, Std, #10-24, 2-41, 2-43
Nut, Hex, Std, M05 X 0.8, 2-41
Nut, Hex, Std, M06 X 1.0, 2-45
Nut, Hex, Std, M4 X 0.7, 8, 2-103, 2-105
Nut, Hex, Std, M5 X 0.8, 8, 2-43, 2-103, 2-105
Nut, Jam, 4-9, 4-13
Nut, Lock, 2-185
Nut, Locking, 2-187, 2-189, 3-11, 3-13
Nut, Low Crown, .50-20, 2-177
Nut, Low Crown, 2-175
Nut, Nex, Thin, 2-135
Nut, Nylon, 2-19, 2-185
Nut, Slotted Hex, 2-185
Nut, Slotted, 2-191, 4-26, 4-27
Nut, Solenoid, 4-29, 4-37, 4-38
Nut, Stainless Steel, 3-11
Nut, Stainless Steel, 2-187, 2-189, 3-13
Nut, Water Trap, 2-101
Nut, Wheel, 2-34, 2-191
Nut, Wing, 2-80, 2-81, 2-113
Nut, 2-19, 2-21, 2-32, 2-51, 2-53, 2-56, 2-65, 2-67, 2-109, 2-192, 4-9, 4-13, 4-25, 5-7, 6-3, 6-9

O

O-Ring, 2-185, 5-5, 5-10
Oil Pan Assembly, 5-3
Oil Pan, 6-9
Oil, Cat Pump, 4-3
Oil, Cat Water Pump, 3-27
Oil, Hyd [EI, Iso 100, 05gal], 2-4, 2-5
Oil, Hyd [EI, Iso 32, 05gal], 2-4, 2-5
Olive, Rubber, 2-101
Orifice, Valve, 4-9, 4-13
Outlet, 6-3

P

P.C. Board, Level Sensing, 3-42
Pad, Brake, 2-37
Pad, Non-skid, 2-9
Paint, Airdry, Blk, 12oz, 2-5
Paint, Airdry, Gray, 12oz [Enamel], 2-5
Paint, Airdry, Iron Gray, 12oz [Pwdr Coat], 2-5
Paint, Airdry, Off-White, 12oz, 2-5
Paint, Airdry, Teal, 12oz, Solid, 2-5
Pan Wldt, Floor, 2-11

Pan, Floor, 2-8
Panel Wldt, Cntrl, 2-11
Panel Wldt, Console, Instmt [550], 2-181, 2-183
Panel Wldt, Dash Board, 2-8
Panel Wldt, Eng, W / Label, 2-11
Panel, Access, Side, 2-11
Panel, Dash, 2-8
Panel, Eng, W / Label, 2-11
Panel, Flow Tube Mounting Cover, 3-13
Panel, Front, 3-9
Panel, Side Kick, 2-8
Pedal, Brake, 2-37
Pedal, Foot Speed, 2-135
Performance Package, TM27, 400 Hour, Gas & LPG, Servo, 2-4
Pin, Articulating Locking, 2-185
Pin, Clevis, 0.25 D X 0.75l, 2-127
Pin, Clevis, 0.50d X 2.62l, 2-19
Pin, Clevis, 2-17, 2-19, 2-27, 2-31, 2-36, 2-37, 2-125, 2-193
Pin, Cotter, 2-19, 2-35, 2-185, 2-193, 5-7
Pin, Door Locking, 2-23, 2-25
Pin, Dowel, 5-3
Pin, Groove, 5-11
Pin, Headed, 4-23
Pin, Piston, 5-9
Pin, Pivot, 2-38
Pin, Rear Support Top, 5-7
Pin, Retainer, 2-55
Pin, Roll, 2-23, 2-25, 2-28, 2-29, 2-37, 2-38, 2-39, 2-135, 2-193
Pin, 2-109, 2-111, 4-28, 6-5, 6-7, 6-9, 6-11
Pipe, Air Cleaner, 2-85
Pipe, Tail, 2-73
Pipe, W/ Flange, 2-75
Piston Assembly, 0.50 mm Oversize, 5-9
Piston Assembly, 0.75 mm Oversize, 5-9
Piston Assembly, 1.00 mm Oversize, 5-9
Piston Assembly, Standard, 5-9
Piston Kit, 4-3
Piston, .020" O.S., 6-7
Piston, Hi-limit, 6-7
Piston, Servo, 4-9, 4-13
Piston, STD, 6-7
Pivot, Adjuster, 2-192
Pivot, Door Hinge, 2-187, 2-189, 3-11, 3-13
Pivot, Headlock, 2-19
Pivot, Shaft, 2-185
Plate Kit, 6-12
Plate, Adapter, Pump, 5-19
Plate, Adapter, 4-17, 4-19
Plate, Adaptor, Pump, Hyd [En], 4-21
Plate, Back, 4-17, 4-19, 4-21
Plate, Bumper, 2-190
Plate, Camshaft Thrust, 5-7
Plate, Cover, 4-9, 4-13
Plate, Door, 2-187, 2-189, 3-11
Plate, Drive, 2-41, 2-43
Plate, Eng, 2-11, 2-77, 2-79

Plate, Exhaust Hanger, 2-77
 Plate, Exhaust, Vac Fan, 2-177
 Plate, Front, Pump, Gear [En], 4-21
 Plate, Front, 4-17, 4-19
 Plate, Hanger, Exhaust [550/1550 07], 2-79
 Plate, Hsng, 2-41
 Plate, Injector Mtg, W/ Screw, 4-39, 4-40
 Plate, Lower Door, 3-13
 Plate, Motor Mounting, 2-35
 Plate, Mounting, 2-19, 3-20
 Plate, Mtg [Epr], 2-63
 Plate, Mtg, W/ Screw, [Ecu], Gas, 4-40
 Plate, Mtg, W/ Screw, [Ecu], Lpg, 4-39
 Plate, Pivot, 2-192
 Plate, Pump Mounting, 2-39, 3-3
 Plate, Seat Mount, 2-7
 Plate, Shield, Heat, 2-47, 2-177
 Plate, Side, 2-175
 Plate, Throttle, 2-38
 Plate, Upper Door, 3-13
 Plate, Valve Mounting, 2-21, 3-5
 Plate, Valve, 4-25
 Plate, Wand Hose Adaptor Storage, 3-25
 Plate, Wear, 4-28
 Plate, 2-19, 2-32, 2-97, 2-189, 3-3, 3-13
 Plug (obsolete), 5-15
 Plug #4, 4-25
 Plug #8, 4-9, 4-13
 Plug Assembly, 4-25
 Plug Button, 0.50" (13 mm), 2-179
 Plug Button, 1.25" (32 mm), 2-179
 Plug Button, 2-179
 Plug S/A, 4-9, 4-13
 Plug, Block, Eng, 6-7
 Plug, Brush Drive, 2-27, 2-31
 Plug, Brush Idler, 2-28, 2-29
 Plug, Core, Coolant, 6-7
 Plug, Crankcase, 5-3
 Plug, Cup, 5-3, 5-5
 Plug, Drain, 5-3
 Plug, Expandable, 1.5D, 3-11
 Plug, Expansion, 5-3
 Plug, Flushing, 2-21
 Plug, Hole, Injector, 2-59, 2-61
 Plug, Main, Rear, 6-7
 Plug, O-ring, 4-17, 4-19
 Plug, Oil, .38-18 X .42, 6-7
 Plug, Pipe, 3-27
 Plug, Plastic, 2-27, 2-28, 2-29, 2-31
 Plug, Shaft Ends, 5-7
 Plug, Tube, 2-21
 Plug,#12 O-Ring Ph, 4-9, 4-13
 Plug, 2-37, 2-187, 3-11, 4-11, 4-15, 4-17, 4-19, 4-23, 5-3, 5-16, 6-3, 6-9
 Plugbutton, 2.0" (50 mm), 2-179
 Plugbutton, 2-91, 3-9
 Pointer, Engine Timing, 5-11
 Pole Piece, 6-5
 Poppet, 4-11, 4-15
 Pouch, Operator's Manual, 7.5 in (190mm), 2-7

Probe, Liquid Level, 3-33, 3-42
 Pulley Assy, Idler, 2-97
 Pulley, Alternator, 2-39
 Pulley, Crank, 2-97
 Pulley, Crankshaft, 5-8
 Pulley, Fan, 2-45, 2-47, 2-49, 2-97
 Pulley, Idler, 2-97
 Pulley, Water Pump, 5-14
 Pump and Gasket, Fuel, 5-19
 Pump Assembly, Solution, 4-5, 4-6
 Pump Assy, Water, W/ Connector, 3-3
 Pump Cover, 4-3
 Pump, Fuel, Gas, 2-101
 Pump, Fuel, Hi-Press [Gm 1.6l/3.0l], 2-103
 Pump, Fuel, 2-105, 5-19
 Pump, Hyd Piston V 2.48, 4-9, 4-11, 4-13, 4-15
 Pump, Hyd, Gear [Ex2] 1.69 [R] 2500 (Replaced by 373245), 4-19
 Pump, Hyd, Gear [Ex2] 1.69 [R] 2800, 4-17
 Pump, Hyd, Gear, [Ex3] 1.69 [R] 3000 (See Breakdowns), 2-129
 Pump, Hyd, Gear, [Ex3] 1.69 [R] 3000, 4-21
 Pump, Hyd, Piston [V] 2.48 [R] 4500 (See Breakdowns), 2-129
 Pump, Hydraulic (See Breakdowns) (Replaced by 373245), 2-128
 Pump, Hydraulic (See Breakdowns), 2-128
 Pump, Metering (See Breakdowns) (Replaced by 9006873), 3-3
 Pump, Metering Solution, 4-7
 Pump, Oil, 5-10
 Pump, Solution (See Breakdowns), 3-3
 Pump, Solution, 4-4
 Pump, Water (See Breakdowns), 3-27
 Pump, Water, 5-14
 Pump, 6-9

R

Race, Bearing, 4-9, 4-13, 4-28
 Race, Thrust, 4-26, 4-27
 Radiator Assy, 2-93
 Radiator, 2-91, 2-95
 Rear Squeegee Assembly, 2-192
 Regulator [Gm3.0l 2010], 2-63
 Regulator [Ep], 2-59
 Regulator Assy, Primary, W/ Ftg, Lpg, 2-51, 2-53
 Regulator Assy, Secondary, W/ Ftg, Lpg, 2-51, 2-53
 Regulator, Press, Electronic [Epr], 2-61
 Regulator, Voltage, 2-39
 Reinforcement, 6-3
 Relay, 12vdc, 20a, Spdt, 2-148
 Relay, 12vdc, 40a, Spdt, [Potter], 2-181, 2-183
 Relay, 12vdc, 40a, Spdt, 2-148
 Relay, 2-179, 3-5
 Relief Valve Sa, 4-11, 4-15

Relief Valve, 4-30
 Repair Info,Pmp, 4-11, 4-15
 Repair Info,Scu, 4-28
 Repair Kit, Brake Pad, 2-36
 Repair Kit, Brake, 2-37
 Repair Kit, Fan Assembly, 2-175
 Repair Kit, Fuel Filter Lock, 2-107
 Repair Kit, Vaporizer, 2-107
 Repair Kit, Water Pump, 5-14
 Replacement Kit, Bellows, 4-7
 Replacement Kit, Brush, 4-4, 4-5, 4-6
 Replacement Kit, Pump Body, 4-5, 4-6
 Replacement Kit, Pump Head, 4-5, 4-6
 Reservoir Assembly, Hydraulic, 2-123
 Reservoir Assy, 18.3 Gal, 2-124
 Resistor, 3-9
 Restrictor, Jet, Coolant, 2-55
 Retainer, Ball, 2-187
 Retainer, Blade, 3-43
 Retainer, Brush, 2-23, 2-25
 Retainer, Chk, 4-28
 Retainer, Deflector Skirt, 2-17
 Retainer, Frt, 4-25
 Retainer, Hopper Lip, 2-17
 Retainer, Hose, Water, 3-27
 Retainer, Squeegee, 3-29
 Retainer, Valve Spring, 5-5
 Retainer, 6-5
 Rim, 16.5 X 6.75 5.5bc/6bolt, 2-191
 Rim, 16.5 X 6.75 5.5bc/6bolt, 2-34
 Ring Gear, 5-12
 Ring Kit, .030" O.S., 6-7
 Ring Kit, Re-Ring, 0.50 mm Oversize, 5-9
 Ring Kit, Re-Ring, 0.75 mm Oversize, 5-9
 Ring Kit, Re-Ring, 1.00 mm Oversize, 5-9
 Ring Kit, Re-Ring, Standard, 5-9
 Ring Kit, Std, 6-7
 Ring, Retainer, 4-28
 Ring, Retaining, 2-28, 2-29, 2-97, 2-175, 4-11, 4-15, 4-23, 5-9
 Ring, 4-25, 6-12
 Rivet, Pop, 2-7
 Rivet, 5-11
 Rivnut, 3-18, 3-22, 3-23, 3-25, 3-33
 Rod and Link, 2-125
 Rod Assembly, Connecting, 5-9
 Rod End, 2-135
 Rod, Adjustment, 2-36
 Rod, Brake, 2-37
 Rod, Connecting, 4-3
 Rod, Control, 5-16
 Rod, Door Latch, 2-187, 2-189, 3-11, 3-13
 Rod, Hanger, 2-77, 2-79
 Rod, Oil Gauge, 5-3
 Rod, Push, Brake, 2-37
 Rod, Push, 5-7
 Rod, Threaded, 2-175
 Rod, Trip, 2-193
 Rod, 2-193, 6-3
 Roll Pin, 4-11, 4-15
 Rotating Kit, 4-9, 4-13
 Rotator, 6-3

CROSS REFERENCE

Roto-Coil, Exhaust, 5-5
Rotor, 2-4, 5-18, 6-5

S

Screen, Debris, 3-11
Screen, w/Suction Pipe, 6-9
Screen, w/Tube, 6-9
Screen, 2-189, 3-28
Screw Set, 4-28
Screw, .38-16 X 1.00, 2-59, 2-61, 2-69
Screw, .38-16 X 4.0, 2-97
Screw, .38-24 X 4.0, 2-45
Screw, Cap, Motor, Hyd [En], 4-21
Screw, Cap, 4-9, 4-11, 4-13, 4-15, 4-17, 4-19, 4-25
Screw, Crankshaft, 5-8
Screw, Flt, .31-18 X 0.50, Al, 2-95
Screw, Flt, .31-18 X 0.75, Al, 2-93
Screw, Flt, .38-16 X 1.50, Al, 2-177
Screw, Flt, .38-16 X 3.25, 2-97
Screw, Flt, Soc, .38-16 X 1.50, Al, 2-27
Screw, Flt, Soc, 10-24 X 0.62, Al, 3-3
Screw, Flt, Soc, 10-32 X 0.50, Al, 3-3
Screw, Governor Spring, 5-16
Screw, Hex, .25-20 X 0.50, 5, 2-41, 2-43, 2-181, 2-183
Screw, Hex, .25-20 X 0.50, Fmg, 2-11
Screw, Hex, .25-20 X 0.50, G5, 2-59, 2-61, 2-69
Screw, Hex, .25-20 X 0.62, 5, 2-95, 2-181, 2-183
Screw, Hex, .25-20 X 0.62, Fmg, 2-131
Screw, Hex, .25-20 X 0.75, 5, 2-11, 2-13
Screw, Hex, .25-20 X 0.75, Fmg, 2-13
Screw, Hex, .25-20 X 0.75, G5, 2-59, 2-61, 2-69
Screw, Hex, .25-20 X 0.75, Sems, 2-11, 2-13, 2-181, 2-183
Screw, Hex, .25-20 X 1.00, 5, 2-95
Screw, Hex, .25-20 X 1.00, Ni, 2-101
Screw, Hex, .25-20 X 1.00, 2-135
Screw, Hex, .25-20 X 1.25, G5, 2-58, 2-61, 2-69
Screw, Hex, .25-20 X 1.50, 5, 2-127
Screw, Hex, .31-18 X 0.50, 5, 2-95, 2-109, 2-111
Screw, Hex, .31-18 X 0.62, 5, 2-93, 2-95
Screw, Hex, .31-18 X 0.75, 5, 2-11, 2-41, 2-43, 2-77, 2-87, 2-89, 2-103, 2-105, 2-133, 2-177
Screw, Hex, .31-18 X 0.75, Fmg, Pl, 2-95
Screw, Hex, .31-18 X 0.75, Fmg, 2-77
Screw, Hex, .31-18 X 0.75, G5, 2-79
Screw, Hex, .31-18 X 0.75, Sems, 2-11, 2-127
Screw, Hex, .31-18 X 0.88, G5, 2-35
Screw, Hex, .31-18 X 1.00, 5, 2-11, 2-13, 2-47, 2-87, 2-89, 2-103, 2-105, 2-111
Screw, Hex, .31-18 X 1.25, 5, 2-11, 2-13, 2-71
Screw, Hex, .31-18 X 1.25, Ss, 2-71

Screw, Hex, .31-18 X 1.50, 5, 2-75, 2-77
Screw, Hex, .31-18 X 1.50, Fl, 2-49
Screw, Hex, .31-18 X 1.50, G5, 2-79
Screw, Hex, .31-18 X 2.50, 5, 2-133
Screw, Hex, .31-24 X 0.75, 5, 2-45, 2-47, 2-49
Screw, Hex, .31-24 X 1 .50, 2-97
Screw, Hex, .38-16 X 0.62, 5, 2-11
Screw, Hex, .38-16 X 0.75, 5, 2-45, 2-47, 2-49, 2-127, 2-131, 2-177
Screw, Hex, .38-16 X 0.75, G5, 2-63
Screw, Hex, .38-16 X 0.75, Ss, 2-177
Screw, Hex, .38-16 X 1.0, 2-41
Screw, Hex, .38-16 X 1.00, 5, 2-11, 2-43, 2-47, 2-49
Screw, Hex, .38-16 X 1.00, Ss, 2-23
Screw, Hex, .38-16 X 1.25, Ni, 2-135
Screw, Hex, .38-16 X 1.25, 5, 2-11, 2-93, 2-97
Screw, Hex, .38-16 X 1.25, G5, 2-43
Screw, Hex, .38-16 X 1.50, 5, 2-45, 2-77, 2-97
Screw, Hex, .38-16 X 1.50, G5, 2-79
Screw, Hex, .38-16 X 1.50, Ss, 2-177
Screw, Hex, .38-16 X 2.00, G5, 2-49
Screw, Hex, .38-16 X 2.25, 5, 2-47
Screw, Hex, .38-16 X 2.25, G5, 2-43
Screw, Hex, .38-16 X 4.00, 5, 2-47, 2-49
Screw, Hex, .50-13 X 0.75, 5, 2-133
Screw, Hex, .50-13 X 1.00, 5, 2-11
Screw, Hex, .50-13 X 1.25, 5, 2-93
Screw, Hex, .50-13 X 1.50, 2-41
Screw, Hex, .50-13 X 2.00, Ni, 2-41, 2-43
Screw, Hex, .50-13 X 3.50, 5, 2-135
Screw, Hex, .50-20 X 1.25, Ni, 2-128, 2-129
Screw, Hex, .62-18 X 0.31, 2-43
Screw, Hex, .M08 X 1.25X 25, 5, 2-109
Screw, Hex, (30 mm), 3-27
Screw, Hex, (50 mm), 3-27
Screw, Hex, #10-24 X 0.50, Ss, 2-47, 2-49
Screw, Hex, 10 - 24 x 0.75", 3-33
Screw, Hex, 10-24 X 0.38, Fmg, Pl, 3-39
Screw, Hex, 10-24 X 0.75, Fmg, Pl, 3-3
Screw, Hex, M08 X 1.25 X 30, 8.8, 2-45
Screw, Hex, M10 X 1.5 X 35, 8.8, 2-41
Screw, Hex, M10, 2-39
Screw, Hex, M5 X 0.80 X 10, Fl, 2-61
Screw, Hex, M6 X 1.0 X 20, 8.8, 2-33, 2-95
Screw, Hex, M6 X 1.0 X 45, 8.8, 2-69
Screw, Hex, M6 X 1.00 X 12, 8.8, 2-61, 2-63, 2-79
Screw, Hex, M6 X 1.00 X 50, 8.8, 2-105
Screw, Hex, M8 X 1.25 X 16, 8.8, 2-47
Screw, Hex, M8 X 1.25 X 16, Ss, 2-177
Screw, Hex, M8 X 1.25 X 20, 8.8, 2-177
Screw, Hex, M8 X 1.25 X 25, 8.8, 2-79, 2-95
Screw, Hex, M8 X 1.25 X 30, 8.8, 2-79
Screw, Hex, M8, 2-39, 2-91, 2-107

Screw, Hex, 2-9, 2-19, 2-23, 2-25, 2-185, 3-42
Screw, Horn Button, Wood, 2-32
Screw, M6 X 10mm, 2-59, 2-69
Screw, M8-1.25 X 110, 2-45
Screw, Pan, .25-20 X 0.75, 2, 2-181, 2-183
Screw, Pan, #06-32 X 0.50, 1, 2-13
Screw, Pan, #08-32 X 0.62, 1, 2-181, 2-183
Screw, Pan, #10-24 X 0.38, 1, 2-181, 2-183
Screw, Pan, #10-24 X 0.62, 1, 2-13
Screw, Pan, M06 X 1.0 X 20, 4.8, 2-93
Screw, Set, 3-27, 4-23
Screw, Soc, .31-18 X 1.0, 2-97
Screw, Soc, .38-16 X 1.00, Al, 2-59, 2-61, 2-69
Screw, Soc, .38-16 X 1.25, Al, 2-41, 2-43
Screw, Soc, .38-16 X 2.25, G5, 2-43
Screw, Soc, .38-16 X 3.0, 2-41
Screw, Soc, .38-24 X 1.00, 2-97
Screw, Soc, #12-24 X 1.50, 2-59, 2-61
Screw, Soc, M4 X 0.70 X 16, 2-61
Screw, Soc, M6 X 1.00 X 70, 2-59, 2-61
Screw, Socket, M10, 2-39
Screw, Socket, 2-28, 2-29, 2-32
Screw, Thumb, 2-192
Screw, 5-3, 5-5, 5-7, 6-9
Seal Kit, Cartridge, 4-37, 4-38
Seal Kit, Pump, 4-9, 4-11, 4-13, 4-15
Seal Kit, Rear, 4-25
Seal Kit, Relief Valve, 4-30
Seal Kit, Scu, 4-28
Seal Kit, Shaft, 4-25
Seal Kit, Tank Door, SRS, 2-4
Seal Kit, Tank Door, 2-4
Seal Kit, Cntrl, 4-23
Seal Kit, 4-3, 4-26, 4-27, 4-29, 4-30, 4-32, 4-33, 4-36
Seal, Adhesive Backed, 3-25
Seal, Bulb, 90, 1.33 .06-.09grip 026.0l, 2-95
Seal, Bulb, Str, 0.38th 0.75w 03.0l Adh, 2-13
Seal, Bulb, Str, 0.38th 0.75w 10.75l Adh, 2-13
Seal, Bulb, Str, 0.58d .06-.09grip 17.6l, 2-95
Seal, Bulb, Str, 0.58d .06-.09grip 24.2l, 2-95
Seal, Door, 2-4
Seal, Float Flange, 2-187
Seal, Inner Wheel Bearing, 2-191
Seal, O-Ring, .069 X 03.06id, 2-129
Seal, O-Ring, 2-128
Seal, Oil, 5-3, 5-11
Seal, Org, .072 X 00.35id #04, 4-37, 4-38
Seal, Org, .139 X 03.109 Id, 2-71
Seal, Org, Sensor, Temp [Epr], 2-59, 2-63
Seal, Org, 2-55
Seal, Rear Suction Tube, 3-25
Seal, Shaft Oil, 5-11

- Seal, Shaft, 5-11
- Seal, Suction Tube, 2-187, 3-13
- Seal, Ure, 0.75 1.12w 19.0l Adh, 2-95
- Seal,Org, Lpg, Mixer [Gm 2007], 2-59
- Seal, 6-11
- Sealer (RTV 3.35 OZ Tube), 6-7
- Sealer (RTV 5.0 OZ Tube), 6-7
- Sealer, 6-3, 6-5
- Seat, Chk Ball, 4-28
- Seat, Exhaust Valve, 5-5
- Seat, 2-7
- Send-Unit, Fuel, 2-105
- Send-unit, Fuel, 2-103
- Send-unit, Water, Temperature, .12npt, 2-41
- Sending Unit, Fuel Tank, 2-99, 2-101
- Sending Unit, Temperature, 2-39
- Sensor [T Map], 2-59, 2-61, 2-69
- Sensor, [Tmap], 2-55, 2-67
- Sensor, Exhaust, Tailpipe, 2-79
- Sensor, Manifold Press, 4-39, 4-40
- Sensor, Oxygen [Gm 1.6l/3.0l 2007], 2-79
- Sensor, Oxygen, 2-77
- Sensor, Speed, Timing Wheel [3.0l], 2-55, 2-67
- Sensor, Temp [Epr], 2-59, 2-63
- Sensor, Temp, Coolant, 2-55, 2-67, 2-69
- Sensor, Temp, Water, 2-51, 2-53
- Sensor, Temp, 2-55, 2-59, 2-63, 2-67, 2-69, 4-39, 4-40
- Sensor, Water Temp, 2-65
- Shaft Assembly, Brush, 2-27, 2-28, 2-29, 2-31
- Shaft S/A, 4-25
- Shaft, Brush, 2-27, 2-31
- Shaft, Control, 2-135
- Shaft, Drive Sp, 4-9, 4-13
- Shaft, Fan, 2-175
- Shaft, Input, 4-23
- Shaft, Output, 4-26, 4-27
- Shaft, Pivot, 2-19
- Shaft, Rocker Arm, 5-7
- Shaft, Squeegee Lift, 2-193
- Shaft, 6-5
- Sheave, [Poly-V], 12.6d, 8grv, 2.50b, 2-41
- Sheave, Fan, 2-175
- Sheave, 2-39
- Sheet, Top Sandblast, 2-4, 3-11
- Shield, Bearing, 2-28, 2-29
- Shield, Dust, 2-43
- Shield, Heat [550/1550 07], 2-79
- Shield, Heat [Gm3.0l 2010], 2-61
- Shield, Heat, Alternator [2007], 2-49
- Shield, Heat, Alternator [Gm3.0l 10], 2-61
- Shield, Heat, Manifold, 2-59, 2-69
- Shield, Heat, 2-51, 2-53, 2-65, 2-77
- Shield, Starter, 2-39
- Shield, 6-3
- Shim, 0.003" (0.07 mm), 2-175
- Shim, 0.005" (0.12 mm), 2-175
- Shim, 0.010" (0.25 mm), 2-175
- Shim, 0.020" (0.50 mm), 2-175
- Shim, 0.060" (1.52 mm), 2-175
- Shim, 16 Ga., 2-35
- Shim, 20 Ga., 2-35
- Shim, Bearing Bracket, 0.06" (1.5 mm), 2-28
- Shim, Bearing Bracket, 0.12" (3 mm), 2-28
- Shim, Bracket, 0.06" (1.5 mm), 2-27
- Shim, Bracket, 0.12" (3 mm), 2-27
- Shim, Washer, 0.88d 0.51b .020, 2-177
- Shim, Washer, 0.88d 0.51b .060, 2-177
- Shim, 2-175, 2-185, 4-17, 4-19
- Shims, 4-11, 4-15
- Short Block Assembly, R, Includes: Block, Tappets, Camshaft, Crankshaft, Main Bearings, Bearing Caps, Pistons, Piston Pins, Piston Rings, Connecting Rods, Rod Bearings, Thrustplate, Cam Gear,Gear, Oil Pump, Oil Gauge Support, and Gasket Set, 5-3
- Shroud Wildt, Fan, Radiator, W/ Label, 2-95
- Shroud Wildt, Radiator / Hyd Cooler, 2-95
- Shroud, Engine Compartment, L.H., 2-9
- Shroud, Engine Compartment, R.H., 2-9
- Shroud, Fan, 2-91
- Shroud, Front, 2-8
- Shroud, 2-11
- Skirt, Deflector, 2-17
- Skirt, 2-4
- Sleeve and Seal Kit, 4-3
- Sleeve, Alternator, 2-45, 2-47, 2-49
- Sleeve, Bearing, 2-192, 2-193
- Sleeve, Brake Lever, 2-36
- Sleeve, Hose, 2-119
- Sleeve, Nyl, #58 35.0l, 2-121
- Sleeve, Nyl, 37 25.0l, 2-121
- Sleeve, Nylon, 2-185
- Sleeve, Throttle [Bosch], Plstc, 2-55
- Sleeve, 2-7, 2-17, 2-19, 2-27, 2-32, 2-39, 2-175, 2-193
- Slide, L.H., 2-31
- Slide, R.H., 2-29
- Slinger, Oil (Replaced by None), 5-8
- Solenoid, Anti-Runon, 2-39
- Solenoid, Lock Off, Lpg, 2-109
- Solenoid, Tubular, 1"Pull 36vdc, 2-41
- Solenoid, Valve, Hyd, 12vdc, 4-37, 4-38
- Spacer, Brake Arm, 2-36
- Spacer, Brake, 2-36
- Spacer, Fan, 2-91, 2-97
- Spacer, Isolator, 2-31
- Spacer, P.C. Board, 3-42
- Spacer, Seat Adjuster, 2-7
- Spacer, Sppt, Filter Lock Off, 2-55
- Spacer, Switch, 3-5
- Spacer, 2-175, 3-33, 4-28
- Spark Plug Wires (straight boots), 6-5
- Spark Plug, Gasoline, 5-18
- Spark Plug, LPG, 5-18
- Spark Plug, 2-4, 2-5, 6-3
- Spool, 4-17, 4-19
- Sprayer Kit, High Pressure, 3-27
- Sprayer, High Pressure, 4-3
- Spring Kit, Scu, 4-28
- Spring Set, Advance, 5-18
- Spring, Brake Cable, 2-36
- Spring, Cntr, 4-23
- Spring, Compression, 2-38
- Spring, Governor Bumper, 5-11
- Spring, Governor, 5-16
- Spring, Propel, Centering, 2-135
- Spring, Rocker Arm Shaft, 5-7
- Spring, Tension, 2-175
- Spring, Valve, 5-5
- Spring,Retainer, 4-23
- Spring, 2-17, 2-19, 2-27, 2-31, 2-32, 2-135, 2-193, 4-11, 4-15, 4-17, 4-19, 4-25, 6-3, 6-9
- Sprocket, #40, 16tooth, 0.75 B 1.12w, 3-27
- Squeegee Assembly, Left Side, 2-25
- Squeegee Assembly, Right Side, 2-23
- Squeegee Blades Kit, Rear, 2-4
- Squeegee Blades Kit, Side, 2-4
- Squeegee Wand Kit, 3-25
- Squeegee, 3-29
- Starter, 12vdc [Gm], 2-43
- Starter, 2-41, 5-12
- Steer Control, Hyd #4 05.9 150, 4-28
- Steer-control, Hyd2, 06.1, 2-33
- Strainer, Fuel, 2-99, 2-101
- Strainer, Hyd, 25gpm 100mesh Psi, 2-124
- Strainer, Suction, 2-123
- Strainer, Water, 3-28
- Strap, Adjusting, Alternator, 5-16
- Strap, Alternator, 2-45
- Strap, 2-103, 2-105
- Strip, Backup, 2-5, 2-23, 2-25, 3-43
- Strip, Cable Mounting, 2-21
- Strip, Cooler, Mtg, 2-93
- Strip, Cover, 2-25
- Strip, Mounting, 2-91
- Strip, Mtg, Cooler, 2-95
- Strip, Rear Backup, 2-4
- Strip, Rear, Backup, 2-193
- Strip, Spring, 2-193
- Strip, 2-36, 3-5
- Stud, .003" O.S., 6-3
- Stud, .013" O.S., 6-3
- Stud, .38-16 X 1.2l, 2-59, 2-61, 2-67, 2-69
- Stud, Door Latch, 2-187, 2-189, 3-11, 3-13
- Stud, Wheel, 2-191
- Stud, 2-19, 2-35, 2-51, 2-53, 2-56, 2-65, 2-67, 2-80, 2-81, 2-135, 5-13, 5-15, 5-16, 6-11
- Support Assembly, Lower Bearing, 2-185
- Support, 10 in (254mm), 3-37
- Support, 13 in (330mm), 3-37
- Support, Brace, 2-9
- Support, Light, 3-36
- Support, Lower Bearing, 2-185
- Support, LPG Tank, 2-107

CROSS REFERENCE

Support, Rocker Arm Shaft, Rear (NOT AVAILABLE), 5-7
Support, Rocker Arm Shaft, 5-7
Support, 2-11, 3-18, 3-19
Switch Assembly, 4-31
Switch, Brake Light Sending, 3-14, 3-35
Switch, Cleaning Solution Metering, 3-9
Switch, Flow (See Breakdowns), 2-122
Switch, Flow, 4-31
Switch, Ign [Ku], 2-179, 2-181, 2-183
Switch, Micro, Spdt, 3-5
Switch, Oil Pressure, 2-107
Switch, On-Off, Squeegee Lift, 2-179
Switch, Pressure, 7psi, Spdt, 2-43
Switch, Pressure, 3-17
Switch, Push, 12vdc 80a Spst No, 2-181, 2-183
Switch, Roller, 2-193
Switch, Speed, Eng, 2-41, 2-181, 2-183
Switch, Toggle, 250vac 06a Spst On/Of, 3-14, 3-18, 3-19, 3-20, 3-35, 3-36, 3-37
Switch, Toggle, 250vac 10a On/On, 2-181, 2-183
Switch, Toggle, 3-14, 3-19, 3-20, 3-35, 3-37
Switch, 2-193, 3-18, 3-36

T

Taillight, 3-14, 3-35
Tank Assembly, LPG, 3-21, 3-22
Tank Kit, Reserve LPG, 3-22
Tank Mounting Kit, Reserve LPG, 3-23
Tank, Coolant, 06.0 04.5 06.9deep 2.5 Qt, 2-95
Tank, Detergent, 3-13
Tank, Fuel, 12 Gas 11.5 10.0 27.0, 2-103
Tank, Fuel, 12.2gal, 11.50w 10.0hi 27.0l, 2-105
Tank, Fuel, 2-99, 2-101
Tank, Lpg, 33lb, W/ Fill Gauge, [Liq], 2-109
Tank, Lpg, 33lb, W/ Gauge [Empty] [Liq], 2-111
Tank, LPG, with Filler Gauge, 2-107
Tank, Recovery, 2-93
Tank, Solution and Recovery, SRS, 3-11
Tank, Solution and Recovery, 2-187
Tappet, Valve, 5-7
Tee, Barbed, 3-27
Tee, Plastic, 2-21
Tee, 2-37, 3-40, 5-16
Terminal, Male, 4-5, 4-6
Terminal, Ring, 3-35
Thermostat and Gasket, 5-15
Thermostat, 5-15, 6-3
Thumbscrew, Filter Hold Down, 3-13
Tie, Cable, Nyl, 14.5l .30w 4.0 Max D, 2-111
Tie, Cable, 2-185, 3-3, 3-14, 3-35
Timer, 12vdc, 15s, 2-133
Tire Assy, Foam, 8.75-16.5 [45psi], 3-40

Tire Assy, Pneu, 8.75 -16.5 5.5bc/6bolt, 2-191
Tire Assy, Pneu, 8.75-16.5 5.5bc/6bolt, 2-34
Tire, [8.75x16.5 Lt], [Gdy], 2-191
Tire, [8.75X16.5 Lt], 2-34
Tool Assembly, Sludge Removal, 3-29
Tray Wldt, Drip, Gas [3.0l], 2-67
Tread, Non-Skid, 02.2w 15.5l, 2-195
Tread, Non-Skid, 12.0w 14.5l, 2-195
Trim, Plastic, Steering Column Housing, 2-9
Tube Assembly, Hydraulic, 2-91
Tube Assembly, Oil Pump Inlet, 5-10
Tube Assembly, R.H., 2-37
Tube Assembly, 2-101
Tube Wldt, Fan, Vacuum, 2-177
Tube Wldt, Tee, 2-87, 2-89
Tube, Front Suction, 3-11
Tube, 01.00d 00.50b 01.0l Stil Pnt, 2-47, 2-49
Tube, 02.00d 01.88b 02.5l Ss, 2-89
Tube, Air Cleaner, 2-80, 2-81, 2-82, 2-83
Tube, Brake Line, 2-37
Tube, Brakeline, .19d 32.0l 03if/03if, 2-37
Tube, Connector, 2-21
Tube, Coolant, 1.5d Lower, 2-95
Tube, Exhaust, 1.6d 1.6d 45deg Cut E90, 2-77
Tube, Exhaust, 1.6d, 2 Sl Fing [550 07], 2-79
Tube, Exhaust, 1.8d 1.8od Cut-45 E105, 2-75
Tube, Exhaust, 2.0d [550/1550 07], 2-79
Tube, Exhaust, 2.0d Flared W/ Fing, 2-77
Tube, Exhaust, 2-73
Tube, Front Suction, 2-187
Tube, Fuel, 5-18
Tube, Hyd, 10 Jf10/Jf10, Hi-press Spray, 3-28
Tube, Hydraulic, 2-107, 3-28
Tube, Inlet, 2-175
Tube, Intake, 2-175
Tube, Oil Cooler, 5-17
Tube, Oil Gauge, 5-3
Tube, PCV, 5-16
Tube, Rear Squeegee Suction, 2-189, 3-13
Tube, Rear Suction, 3-25
Tube, Spreader, 2-21
Tube, Vacuum, 5-18
Tube, 6-7

U

U-Bolt, 2-19

V

V-Belt, 2-39, 2-175
V-Bolts, 3-20
Vacuum Advance, 5-18

Valve [Pcv], 2-59, 2-61, 2-69
Valve Kit, Discharge, 4-3
Valve Kit, Pump, 4-7
Valve Plate, 4-11, 4-15
Valve Section, Manual, 4-29
Valve Section, 4-29
Valve Spool, 4-23
Valve, [Pcv], 2-41, 2-55, 2-67
Valve, Ball, 12pf Brs [Rwk 374249], 3-5
Valve, Cartridge, Cntrl, 4-37
Valve, Cartridge, Hyd, Press Cntrl, 4-37, 4-38
Valve, Check, 2-55
Valve, Cntrl, Hyd, Solenoid, 12vdc 15gpm (See Breakdowns), 2-133
Valve, Cntrl, Hyd, Solenoid, 12vdc 15gpm, 4-38
Valve, Exhaust, 5-5, 6-3
Valve, Fuelock, Lpg, W/Wire Connector, 2-55
Valve, Hyd, Man, 1sp 20gpm 2400psi (See Breakdowns), 2-127
Valve, Hyd, Man/Sol, 12vdc 05gpm 1200psi (See Breakdowns), 2-127
Valve, Hyd, Solenoid [01S15G3100] (See Breakdowns), 2-133
Valve, Hyd, Solenoid [01s15g3100], 4-37
Valve, Hydraulic (See Breakdowns), 2-125
Valve, Hydraulic, Solenoid, 4-29
Valve, Hydraulic, 4-30, 4-36
Valve, Intake, 5-5, 6-3
Valve, Lock Off, 2-59, 2-63
Valve, Lpg [Mixer], 2-59
Valve, Lpg, Press Relief, [Rego], 2-111
Valve, Pressure Relief, 2-107, 2-109
Valve, Relief, Hydraulic, 3-27
Valve, Relief, 4-17, 4-19
Valve, Shut-off, 3-28
Valve, Stem, No, 4-37, 4-38
Valve, Tire, Air, 2-34, 2-191
Valve, Trim, Fuel, Lpg, 2-55
Valve, Trim, Press, Lpg, 2-55
Valve, Water Pressure, 3-28
Valve, Water, Drain, 3-40
Valve, Water, 2-21
Valve, 4-25, 6-7, 6-9
Vaporizer, LPG, 2-107
Video, Operator, 550, 3-44

W

Wand Kit, Squeegee, 3-31
Wand, Spray, 3-27
Warning Kit, Brush Pressure, 3-17
Washer, 6-9
Washer, Wavy, 2-135
Washer, 0.53b 1.75d .12, Stil, Pl, 2-41
Washer, 1.15b 1.75d .08, Stil, 2-179, 2-181, 2-183
Washer, Belleville, .25, 2-181, 2-183
Washer, Belleville, .31, 2-47, 2-49, 2-177
Washer, Belleville, .38, 2-43, 2-131
Washer, Belleville, .50, 2-133

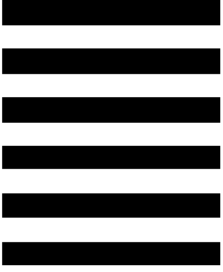
Washer, Belleville, 2-28, 2-29, 2-39,
 2-193
 Washer, Drain Plug, 5-3
 Washer, Fiberglass, 2-193
 Washer, Flat, .38 Sae, 2-47, 2-49
 Washer, Flat, #06, 2-13
 Washer, Flat, #08, 2-181, 2-183
 Washer, Flat, 0.19b 0.44d .05, Pl, 08, 2-61
 Washer, Flat, 0.25 Sae, 2-11, 2-43, 2-95
 Washer, Flat, 0.25 Std, 2-11, 2-95, 2-181,
 2-183
 Washer, Flat, 0.25, Sae, 2-61, 2-63, 2-79
 Washer, Flat, 0.25, Std, 2-59, 2-61, 2-69,
 2-105
 Washer, Flat, 0.31 Sae, 2-11, 2-87, 2-89,
 2-95, 2-103, 2-105, 2-133
 Washer, Flat, 0.31 Std, 2-11, 2-13, 2-77,
 2-87, 2-89, 2-95, 2-103, 2-105,
 2-111
 Washer, Flat, 0.31, Hardened, 2-49
 Washer, Flat, 0.31, Std, 2-43, 2-79
 Washer, Flat, 0.34b 0.69d .06, Nyl, 2-13
 Washer, Flat, 0.38 Std, 2-11, 2-43, 2-177
 Washer, Flat, 0.38, Hardened, 2-59, 2-61,
 2-69
 Washer, Flat, 0.38, Sae, 2-49, 2-63
 Washer, Flat, 0.38, Std, 2-79
 Washer, Flat, 0.40b 1.12d .12, Stl, Pl,
 2-177
 Washer, Flat, 0.44b 1.00d .08, Ss, 2-23,
 2-27
 Washer, Flat, 0.50 Sae, 2-11, 2-129
 Washer, Flat, 0.50 Std, 2-43
 Washer, Flat, 0.53b 1.88d .12, Stl, Pl,
 2-43
 Washer, Flat, 0.53b 2.13d .11, Stl, Pl,
 2-43
 Washer, Flat, 0.53b 2.13d .11, Stl, Pl, 2-95
 Washer, Flat, 0.75 Sae, 2-77, 2-177
 Washer, Flat, 0.75, Sae, 2-79
 Washer, Flat, 2-185, 2-191, 2-192, 5-7
 Washer, Flt, .25 Sae, 2-41, 2-135
 Washer, Flt, .25 Std, 2-93
 Washer, Flt, .31 Ss, 2-71
 Washer, Flt, .31 Std, 2-45, 2-71, 2-75,
 2-93, 2-109
 Washer, Flt, .38 Sae, 2-41, 2-45, 2-97,
 2-135
 Washer, Flt, .38 Std, 2-41, 2-75, 2-93
 Washer, Flt, .50 Sae, 2-128
 Washer, Flt, .50 Std, 2-93
 Washer, Flt, .75 Sae, 2-75
 Washer, Loc, M5, 2-41, 2-43
 Washer, Lock, .25, 2-41, 2-43
 Washer, Lock, .31, 2-41, 2-43, 2-45
 Washer, Lock, .38, 2-41, 2-43, 2-45, 2-97
 Washer, Lock, .50, 2-41
 Washer, Lock, #10, 2-41, 2-43, 2-65
 Washer, Lock, 0.38, 2-59, 2-61, 2-69
 Washer, Lock, Int / Ext, 0.38, 2-59, 2-61,
 2-69
 Washer, Lock, Int, .31, 2-103, 2-105,
 2-109, 2-111
 Washer, Lock, Int, #06, 2-13
 Washer, Lock, Int, #08, 2-103, 2-105,
 2-181, 2-183
 Washer, Lock, Int, #10, 2-103, 2-105
 Washer, Lock, Int, 08, Ss, 3-9
 Washer, Lock, Int-Ext, .31, 2-11, 2-181,
 2-183
 Washer, Lock, Int-ext, .38, 2-47, 2-49
 Washer, Lock, 2-185
 Washer, Nylon, 2-9, 2-21, 2-80, 2-81,
 3-5
 Washer, Plain, 5-5, 5-8
 Washer, Rubber Seal, 3-11, 3-13
 Washer, Rubber Backed, 3-25
 Washer, Rubber, (Located Inside Tank),
 2-189
 Washer, Rubber, 3-21
 Washer, Sealing, 2-187, 3-14, 3-36
 Washer, Spacer, 2-185
 Washer, Thrust, 2-192
 Washer, Wavy, 2-175, 5-7
 Washer, 2-19, 2-23, 2-25, 2-27, 2-28,
 2-29, 2-31, 2-32, 2-39, 2-51, 2-53,
 2-56, 2-65, 2-67, 2-185, 2-193, 4-9,
 4-11, 4-13, 4-15, 4-17, 4-19, 6-5,
 6-9, 6-11, 6-12
 Water Pump, 6-12
 Weights Set, Advance, 5-18
 Wheel, Steering, 14.3d 0.81b 36tooth,
 2-33
 Wheel, Steering, 2-32
 Wire Assembly, Headlight, 3-14, 3-35
 Wire Assy, 06ga 13.0l Blk .41h/ .41h,
 2-43
 Wire Harness, Auto Squeegee, 2-138
 Wire Harness, Control Box, 3-8
 Wire Harness, Engine, Gas, 2-138
 Wire Harness, Engine, LPG, 2-138
 Wire Harness, Main, Gasoline and LPG,
 2-138
 Wire Harness, Main, 2-138
 Wire Harness, Tractor, Auto Squeegee,
 2-138
 Wire Harness, 3-14, 3-33, 3-35, 3-42
 Wire Kit, Instrument Panel, 2-179
 Wire Kit, Operating Lights, 3-14, 3-35
 Wire Kit, 3-17, 3-18, 3-20, 3-33, 3-36,
 3-42
 Wire Set, Sparkplug (90 degree boots),
 6-5
 Wire, Coil, 6-5
 Wire, Ground, 2-45, 2-47, 2-49
 Wire, Lead, 2-8
 Wire, 6-5



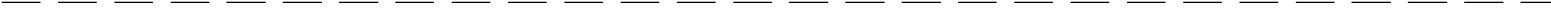
TENNANT COMPANY
 Technical Publications #15
 701 North Lilac Drive
 P.O. Box 1452
 Minneapolis, MN 55440-9947

POSTAGE WILL BE PAID BY ADDRESSEE

BUSINESS REPLY MAIL
 FIRST CLASS MAIL PERMIT NO. 94 MINNEAPOLIS, MN

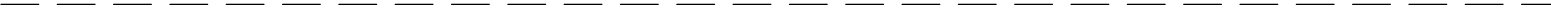


NO POSTAGE
 NECESSARY
 IF MAILED
 IN THE
 UNITED STATES



Fold along dotted lines

Tape here

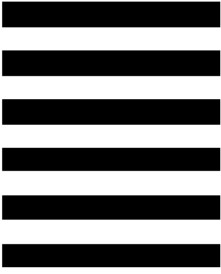




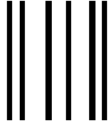
TENNANT COMPANY
 Technical Publications #15
 701 North Lilac Drive
 P.O. Box 1452
 Minneapolis, MN 55440-9947

POSTAGE WILL BE PAID BY ADDRESSEE

BUSINESS REPLY MAIL
 FIRST CLASS MAIL PERMIT NO. 94 MINNEAPOLIS, MN



NO POSTAGE
 NECESSARY
 IF MAILED
 IN THE
 UNITED STATES



Fold along dotted lines

Tape here

