

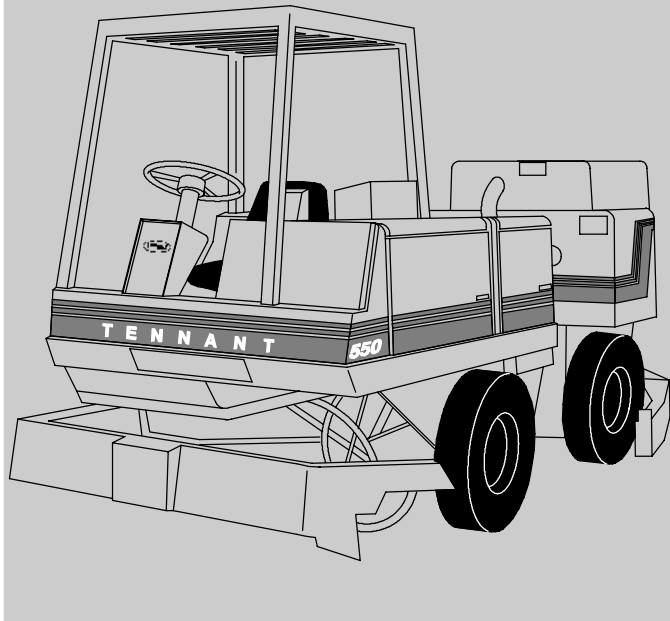
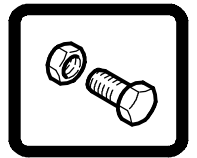


550

(Diesel)

(S/N 006115-)

Rider Scrubber Parts Manual



North America / International

www.tennantco.com

330670
Rev. 09 (3-2011)



When ordering replacement parts, use the illustrated parts list section in this manual. Before ordering parts or supplies, be sure to have your machine model number and serial number available. Only use TENNANT Company supplied or equivalent parts. Parts and supplies may be ordered online, by phone, or mail from any authorized parts and service center, distributor or from any of the manufacturer's subsidiaries.

This machine will provide excellent service. However, the best results will be obtained at minimum costs if:

- The machine is operated with reasonable care.
- The machine is maintained regularly - per the machine maintenance instructions provided.
- The machine is maintained with manufacturer supplied or equivalent parts.

MACHINE DATA

Please fill out at time of installation for future reference.

Model No. - _____

Serial No. - _____

Machine Options - _____

Sales Rep. - _____

Sales Rep. phone no. - _____

Customer Number - _____

Installation Date - _____

Tennant Company

PO Box 1452

Minneapolis, MN 55440

Phone: (800) 553-8033 or (763) 513-2850

www.tennantco.com

SRS is a US registered trademark of Tennant Company.

Specifications and parts are subject to change without notice.

Copyright © 1999-2002, 2004, 2006-2008, 2010, 2011 TENNANT Company, Printed in U.S.A.

HOW TO USE THIS MANUAL

This section on *HOW TO USE THIS MANUAL* will tell you how to:

- Find important machine information for ordering correct repair parts.
- Find TENNANT part numbers.
- Order TENNANT parts and supplies.

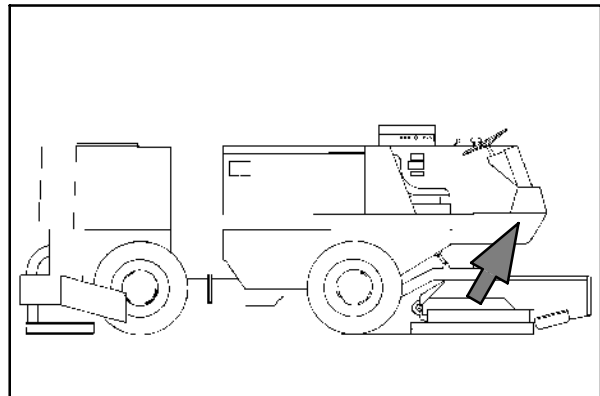
IMPORTANT INFORMATION

When placing an order for parts, the machine model and machine serial number are important. Refer to the *MACHINE DATA* box which is filled out during the installation of your machine. The *MACHINE DATA* box is located on the inside of the front cover of this manual.

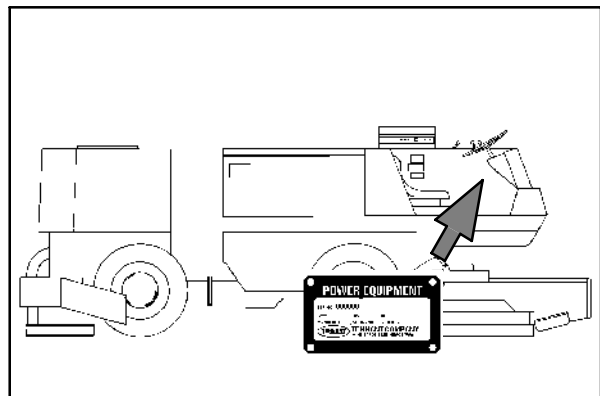
MACHINE DATA	
<i>Please fill out at time of installation.</i>	
Machine Serial Number -	_____
Engine Serial Number -	_____
Sales Representative -	_____
Customer Number -	_____
Date of Installation -	_____
Manual Number -	MM148
Revision:	18
Published:	2-95

03352

The model number of your machine is on the side of the machine.



The serial number of your machine is printed on the machine data plate located as shown.



HOW TO USE THIS MANUAL

FINDING A TENNANT PART NUMBER

This manual contains the following sections:

- HOW TO USE THIS MANUAL
- STANDARD PARTS
- OPTIONS
- BREAKDOWNS
- CONTINENTAL ENGINE BREAKDOWN
- PERKINS ENGINE BREAKDOWN
- CAT ENGINE BREAKDOWN
- CROSS REFERENCE

The STANDARD PARTS section lists repair parts for standard machines. They are grouped in this general order:

- General wear parts.
- Machine frame and related parts.
- Machine propelling system.
- Scrubbing components.
- Electrical parts.

The OPTION section lists repair parts of options.

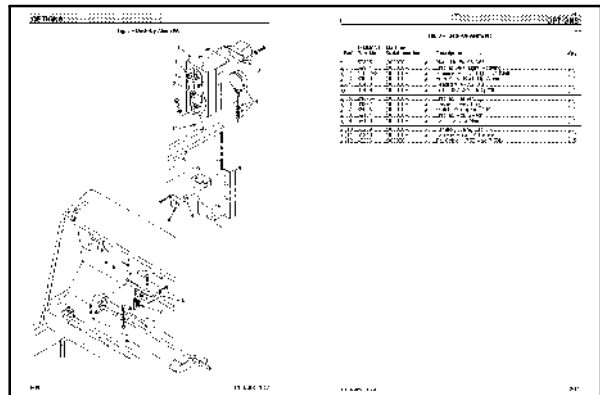
The BREAKDOWN section lists available repair parts of major components.

All sections in this manual consist of parts illustrations and corresponding parts lists.

The parts illustrations are numbered with **Ref** numbers which refer to corresponding parts lists.

The parts lists include a number of columns of information:

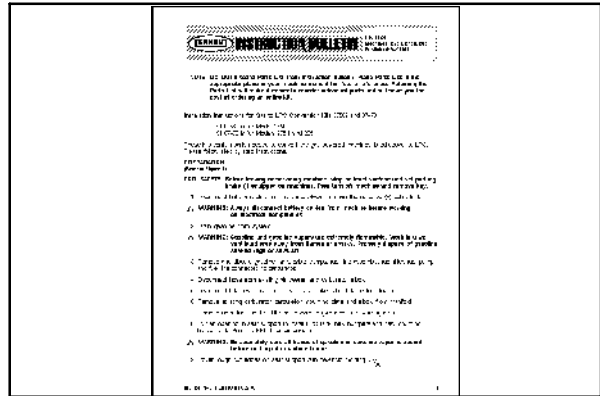
- **Ref** - column refers to the reference number on the parts illustration.
- ∇ - indicates the part is an assembly.
- ▲ - indicates the part is included in the assembly listed just before it.
- **TENNANT Part No.** - column lists the TENNANT part number for the part.
- **Serial Number** - column indicates the set of machines the part number is applicable to. Serial numbers change when the machine design has been modified. The most current design of the machine is shown in the main illustration, older designs are boxed in a corner of the illustration.
- **Description** - column is a brief description of the part.
- **Qty.** - column lists the quantity of that part used in that area of the machine.



Ref.	TENNANT Part No.	Machine Serial number	Description	Qty.
∇	59335	QC0000-	Alarm Kit, Bu A/v 35L	1
▲ 1	59944	QC0000-	Bracket, W/d, Light, Rotating	1
▲ 1	10632-9	QC0000-	Grommet, R/c, 0.650d, For .13Matl	1
▲ 1	61920	QC0000-	Horn Ass'y, Back-Up Alarm	1
▲ 4	36438	QC0000-	Headlight Ass'y, 21CG	1
▲ 4	36439	QC0000-	Fuse, 12V, 9A, 15Ca#1004	1
▲ 2	24676-	QC0000-	Bracket, Flasher	1
▲ 1	31922	QC0000-	Flasher, Heavy Duty	1
▲ 7	36905	QC0000-	Switch, Waterproof, TUF	1
▲ 1	59154	QC0000-	Bracket, Mfg. Switch	1
▲ 1	59153	QC0000-	Carr., Back-Up Alarm	1
▲ 10	60239	QC0000-	Harness, Alarm, Back-Up	1
▲ 11	58248	QC0000-	Cabletie Mount, Adhesive	2
▲ 12	49256	QC0000-	Tie, Cable .750 Max Lg, 60Lg	5

NOTE: If a service kit is installed on your machine, be sure to keep the **INSTRUCTION BULLETIN** which came with the kit. It contains repair parts numbers needed for ordering future parts.

NOTE: Fasteners used in this machine may be metric or non-metric. Take care when replacing hardware to replace with same thread size.



PLACING AN ORDER

Orders may be placed by phone, fax, or by mail. Phone orders may need written confirmation. Follow the steps below to insure prompt delivery:

1. Identify the model number of your machine.
2. Identify the serial number of your machine.
3. Find the part number of the part you need. Do not order by page number or reference number. If you are not able to find the part number, call your TENNANT representative for help or send the old part as a sample.
4. Determine the quantity of the part you need.
5. Provide the following company information:
 - Company name
 - Customer ID Number
 - Shipping address
 - Billing address
 - First and last name of person ordering parts
 - Telephone number
 - Purchase order number
6. Provide definitive shipping instructions.

HOW TO USE THIS MANUAL

Any claim for loss or damage to a shipment in transit should be filed promptly with the transportation company making the delivery. Shipments will be complete unless the packing list or order acknowledgement indicates items back ordered.

If parts received are suspected to be incorrect or defective, please contact the TENNANT representative from whom you ordered the part. They will give authorization for return and/or handle replacement shipments when required.

SECTION 2

Contents	Page	Contents	Page
Fig. 1 - General Recommended Maintenance Items	2-2	Fig. 36 - Engine Fuel Tank Group (007003-)	2-60
Fig. 2 - Brushes, Replacement	2-4	Fig. 37 - Engine Battery Group (006115-007002)	2-62
Fig. 3 - Seat Group	2-5	Fig. 38 - Engine Battery Group (007003-)	2-63
Fig. 4 - Main Frame Group (006115-007002) ..	2-6	Fig. 39 - Engine Radiator and Hydraulic Cooler Group (006115-006408)	2-64
Fig. 5 - Main Frame Group (007003-) ...	2-8	Fig. 40 - Engine Radiator and Hydraulic Cooler Group (006409-007002)	2-66
Fig. 6 - Main Frame Cover and Door Group (007003-)	2-10	Fig. 41 - Engine Radiator and Hydraulic Cooler Group (007003-)	2-68
Fig. 7 - Main Frame Noise Insulation Group (006115-007002)	2-12	Fig. 42 - Hydraulic Schematic	2-70
Fig. 8 - Scrub Head Hopper Group	2-13	Fig. 43 - Hydraulic Hoses Group	2-72
Fig. 9 - Scrub Head Lift Group	2-14	Fig. 44 - Hydraulic Propelling Motors Group ...	2-74
Fig. 10 - Scrub Head Solution Supply and Control Group	2-16	Fig. 45 - Hydraulic Reservoir Group	2-75
Fig. 11 - Scrub Head Right Side Squeegee Assembly	2-18	Fig. 46 - Hydraulic Control Valves Group	2-76
Fig. 12 - Scrub Head Left Side Squeegee Assembly	2-20	Fig. 47 - Hydraulic Pumps Group	2-78
Fig. 13 - Scrub Head Front Brush Drive Components Group	2-22	Fig. 48 - Hydraulic Filter Group	2-79
Fig. 14 - Scrub Head Front Brush Idler Assembly	2-24	Fig. 49 - Hydraulic Directional Pedal Group ...	2-80
Fig. 15 - Scrub Head Rear Brush Idler Assembly	2-25	Fig. 50 - Electrical Wire Harnesses Group (006115-007002)	2-82
Fig. 16 - Scrub Head Rear Brush Drive Components Group	2-26	Fig. 51 - Electrical Wire Harnesses Group (007003-)	2-84
Fig. 17 - Steering Column Group	2-28	Fig. 52 - Electrical Schematic (006115-006408) 2-89	
Fig. 18 - Front Wheel Assembly	2-30	Fig. 53 - Electrical Schematic, Options (006115-006008)	2-90
Fig. 19 - Front Wheel Drive Group	2-31	Fig. 54 - Electrical Schematic, Specials	2-91
Fig. 20 - Front Wheel Parking Brake Group ...	2-32	Fig. 55 - Electrical Schematic (006409-007002) 2-92	
Fig. 21 - Front Wheel Brakes Group	2-33	Fig. 56 - Electrical Schematic (007003-) .	2-96
Fig. 22 - Engine Group (006115-006408)	2-34	Fig. 57 - Electrical Wiring Diagram, Instrument Panel (007003-) ...	2-99
Fig. 23 - Engine Group (006409-007002)	2-38	Fig. 58 - Instrument Panel Group (006115-007002)	2-102
Fig. 24 - Engine Group (007003-)	2-40	Fig. 59 - Instrument Panel Group (007003-)	2-104
Fig. 25 - Engine Throttle Group (007003-)	2-42	Fig. 60 - Engine Glow Plug Control Group (006115-006408)	2-106
Fig. 26 - Engine Oil Filter and Drain Group (006409-007002)	2-44	Fig. 61 - Engine Glow Plug Control Group (006409-007002)	2-107
Fig. 27 - Engine Alternator Group (006409-007002)	2-46	Fig. 62 - Vacuum Fan Assembly	2-108
Fig. 28 - Engine Muffler Group (006115-006408)	2-47	Fig. 63 - Rear Wheel Group	2-110
Fig. 29 - Engine Muffler Group (006409-007002)	2-48	Fig. 64 - Trunnion Group	2-112
Fig. 30 - Engine Muffler Group (007003-) 2-50		Fig. 65 - Solution and Recovery Tanks Group, Front Side	2-114
Fig. 31 - Engine Air Cleaner Group (006115-006408)	2-52	Fig. 66 - Solution and Recovery Tanks Group, Rear Side	2-116
Fig. 32 - Engine Air Cleaner Group (006409-007002)	2-53	Fig. 67 - Rear Bumper Group	2-118
Fig. 33 - Engine Air Cleaner Group (007003-)	2-54	Fig. 68 - Rear Squeegee Assembly	2-120
Fig. 34 - Engine Fuel Tank Group (006115-006408)	2-56	Fig. 69 - Label Group	2-122
Fig. 35 - Engine Fuel Tank Group (006409-007002)	2-58		

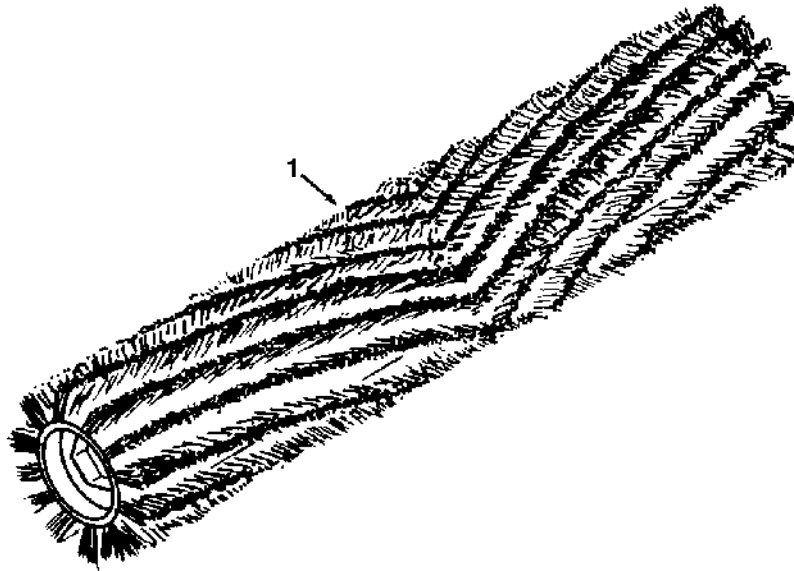
Fig. 1 - General Recommended Maintenance Items

Ref.	Part No.	Serial Number	Description	Qty.
▽	79112	(006115-006408)	Performance Package, 400 Hour, Diesel, Servo	1
▲	39703-2	(006115-006408)	Element, Oil Filter	8
▲	01433-1	(006115-006408)	Grease, Special	1
▲	76335	(006115-006408)	Element Assembly, Air Cleaner	1
▲	52770-9	(006115-006408)	Element, Fuel Filter	1
▲	65221	(006115-006408)	Element, Hydraulic Filter	2
▲	1057711	(006115-006408)	Oil, Hyd [El, Iso 100, 05gal]	3
	1057708	(006115-006408)	Oil, Hyd [El, Iso 32, 05gal]	3
▽	02460	(006115-)	Squeegee Blades Kit, Side	1
▲	60015	(006115-)	Blade, Squeegee	4
▲	59617	(006115-)	Flap, Containment	2
▲	75711	(006115-)	Brush	2
▲	75799	(006115-)	Skirt	2
▽	02457	(006115-)	Squeegee Blades Kit, Rear	1
▲	60016	(006115-)	Blade, Rear	1
▲	76937	(006115-)	Strip, Rear Backup	2
▲	60018	(006115-)	Blade, Front	1
▽	02458	(006115-)	Seal Kit, Tank Door	1
▲	25663	(006115-)	Fastener, Nut	10
▲	26015	(006115-)	Fastener, Washer	10
▲	06332	(006115-)	Seal, Door	2
▲	76532	(006115-)	Gasket, Front Suction Tube	1
▲	06227	(006115-)	Gasket	1
▲	75076	(006115-)	Gasket, Rear Suction Tube	1
▲	50518	(006115-)	Flap, Rubber	1
▽	02456	(006115-)	Hose Kit, Vacuum, SRS	1
▲	40870-7	(006115-)	Hose Assembly	1
▲	23498	(006115-)	Clamp, Worm Drive	4
▲	76828	(006115-)	Hose Assembly	1
▲	75635AM	(006115-)	Hose Assy, W/1cuff, 1.5d 120l 1.5/	1
▲	11531	(006115-)	Clamp, Worm Drive	1
▲	50845	(006115-)	Hose, Hopper	1
▲	22297	(006115-)	Clamp, Worm Drive	2
▲	40870-1	(006115-)	Hose Assembly	1
▲	25649	(006115-)	Hose, Squeegee	1
▲	43555	(006115-)	Clamp, Worm Drive	2
▽	02455	(006115-)	Seal Kit, Tank Door, SRS	1
▲	78802	(006115-)	Gasket	3
▲	06229	(006115-)	Gasket, Door	1
▲	79500	(006115-)	Sheet, Top Sandblast	2
▲	76395	(006115-)	Gasket, Sandblast Cover	1
▲	79557	(006115-)	Gasket, Air Outlet	1
▲	76532	(006115-)	Gasket, Front Suction Tube	1
▲	25656	(006115-)	Fastener, Thumbscrew	10
▲	25663	(006115-)	Fastener, Nut	10
▲	26015	(006115-)	Fastener, Washer	10
▲	79391	(006115-)	Gasket, Solution Door	1
▲	06223	(006115-)	Gasket	2
▲	79545	(006115-)	Gasket	1
▲	23498	(006115-)	Clamp, Worm Drive	1

Fig. 1 - General Recommended Maintenance Items

Ref.	Part No.	Serial Number	Description	Qty.
▽	398344	(006115-) Kit, Maint, 800hr [550 G/Lp/D]	1
▲	60015	(006115-) Blade, Sqge, Linatex, Side	4
▲	59617	(006115-) Flap, Containment	2
▲	75711	(006115-) Brush Assy, Strip, 4.0l, Pyp	2
▲	75799	(006115-) Strip, Backup	2
▲	60016	(006115-) Blade, Sqge, Rear, Linatex	1
▲	76937	(006115-) Strip, Backup	2
▲	60018	(006115-) Blade, Sqge, Front, Linatex	1
▲	40870-7	(006115-) Hose, Flex, Vacuum, 4.0d 54.0l	1
▲	23498	(006115-) Clamp, Hose, Wormdrive, 3.56-4.50d	5
▲	76828	(006115-) Hose Assy, Pvc, W/ Cuff, 2.0d, 48.0l	1
▲	75635AM	(006115-) Hose Assy, W/1cuff, 1.5d 120l 1.5/	1
▲	11531	(006115-) Clamp, Hose, Wormdrive, 1.06-2.00d	1
▲	50845	(006115-) Hose, Rbr, 2.00id 2.40od 07.5l	1
▲	22297	(006115-) Clamp, Hose, Wormdrive, 1.56-2.50d	2
▲	40870-1	(006115-) Hose, Flex, Vacuum, 4.0d 41.1l	1
▲	25649	(006115-) Hose, Flex, Vacuum, 3.0d 20.0l	1
▲	43555	(006115-) Clamp, Hose, Wormdrive, 1.62-3.50d	2
▲	06332	(006115-) Gasket, Door, Clean-Out	2
▲	76532	(006115-) Gasket, Tube, Suc, Front	2
▲	78802	(006115-) Gasket	4
▲	75076	(006115-) Gasket, Tube, Suc, Rear	1
▲	50518	(006115-) Bar, Flt, Rbr, 0.38 X 6.00 X 18.00l	1
▲	06229	(006115-) Gasket, Door	1
▲	76395	(006115-) Gasket, Cover, Sandblast	1
▲	79557	(006115-) Gasket, Air Outlet	1
▲	06223	(006115-) Gasket	1
▲	79545	(006115-) Gasket	1
▽	02462	(006409-007002) Kit, Maint, 400hr [550] [Perkins]	1
▲	371637	(006409-007002) Filter, Oil, (Diesel)	1
▲	371601	(006409-007002) Belt, V, Alternator [Pk]	1
▲	31559	(006409-007002) Cap, Breather, Hyd, W/ Basket, 5.3 Ds	1
▲	31613	(006409-007002) Strainer, Hyd, 25gpm 100mesh Psi	1
▲	369746	(006409-007002) Element, Fltr, Air, [Dn#P831424]	1
▲	36050	(006409-007002) Filter, Fuel, In-line, 02pm/08if	1
▲	65221	(006409-007002) Element, Fltr, Oil	1
	01433-1	(006409-) Grease, Special	1
	65221	(006409-) Element, Hydraulic Filter	1
	36050	(006409-) Filter, Fuel, In-line, 02pm/08i	1
	371637	(006409-007002) Filter, Oil, (Diesel)	1
	1057711	(006409-) Oil, Hyd [El, Iso 100, 05gal]	3
	1057708	(006409-) Oil, Hyd [El, Iso 32, 05gal]	3
	369746	(006409-007002) Element, Fltr, Air	1
	372448	(007003-) Element, Fltr, Air-Clnr	1
	372654	(007003-) Filter, Oil, Eng	1
	1017126	(007003-) Element, Fltr, Fuel	1
	16411	(001000-) Paint, Airdry, Off-White, 12oz	1
	16412	(001000-) Paint, Airdry, Teal, 12oz, Solid	1
	377540	(001000-) Paint, Airdry, Blk, 12oz	1
	377538	(001000-) Paint, Airdry, Gray, 12oz [Enamel]	1
	377537	(001000-) Paint, Airdry, Iron Gray, 12oz[Pwdr Coat]	1

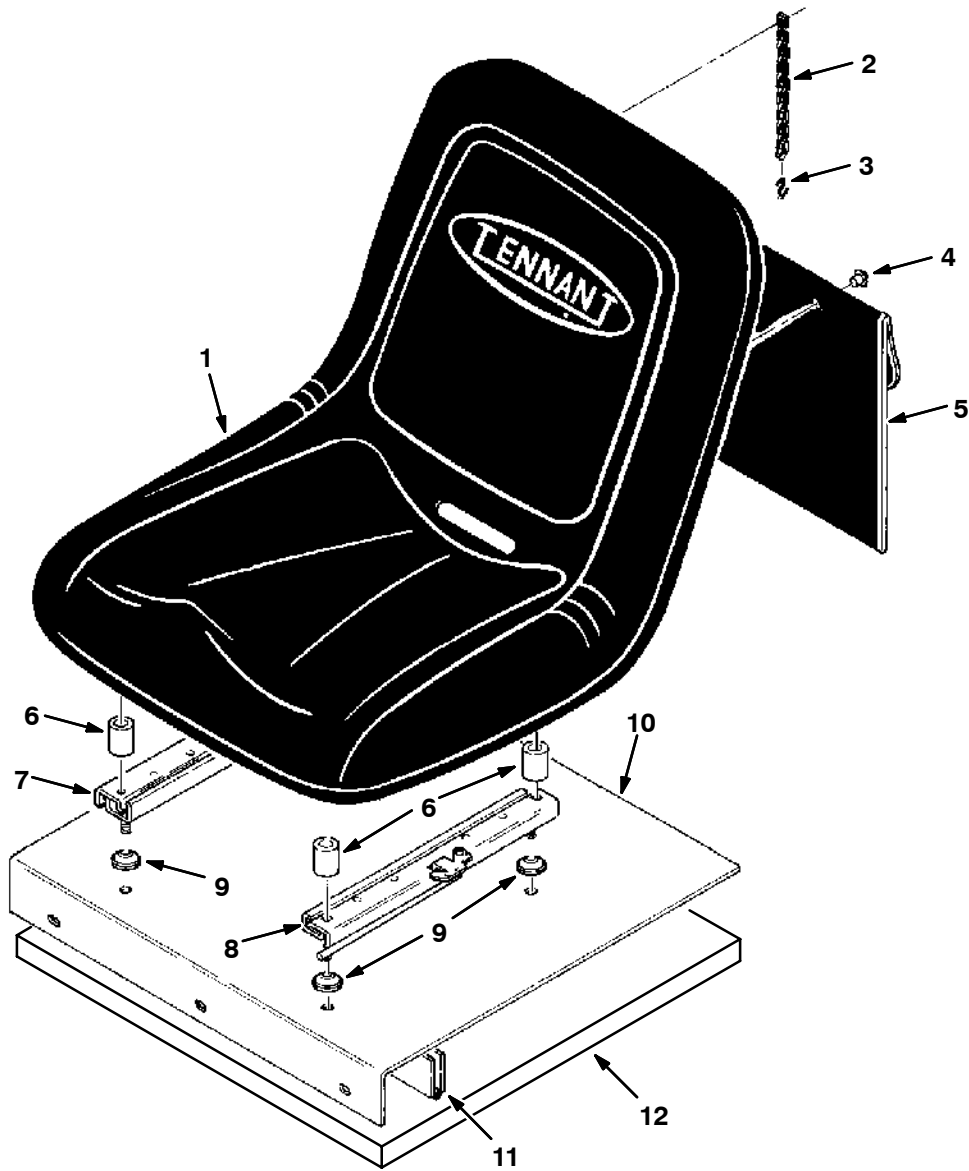
Fig. 2 - Brushes, Replacement



02575 - ALL

Ref.	Part No.	Serial Number	Description	Qty.
1	75718	(006115-) Brush, Polypropylene	2
1	75722	(006115-) Brush, Abrasive Bristle	2
	12876	(006115-) Brush Kit, Repair	2

Fig. 3 - Seat Group



02365 - 550, 1550, NA

Ref.	Part No.	Serial Number	Description	Qty.
1	79605	(006115-) Seat	1
2	43203	(006115-) Chain	1
3	43363	(006115-) Hook, S	1
4	68567	(006115-) Rivet, Pop	2
5	48790	(006115-) Pouch, Operator's Manual, 7.5 in (190mm)	1
6	02997	(006115-) Sleeve	4
7	51459	(006115-) Adjuster, Seat	1
8	51458	(006115-) Adjuster Assembly, Seat	1
9	52615	(006115-) Spacer, Seat Adjuster	4
10	16669	(006115-) Plate, Seat Mount	1
11	75272	(006115-) Hinge, Seat	1
12	76870	(006115-) Insulation, Acstc, 0.8, 20.3 X 19.3	1

Fig. 4 - Main Frame Group (006115-007002)

Ref.	Part No.	Serial Number	Description	Qty.
14	76650	(006115-007002)	Cover, Governor	1
15	76813	(006115-006267)	Door, Rear Side Access	2
16	51787	(006115-007002)	Bumper, Rubber	12
17	75480A	(006115-007002)	Back Frame	1
▽	18	78104-4	(006115-006267) Shroud, Engine Compartment, L.H.	1
▲		57630	(006115-006267) Label, Danger, Keep Out Pinch	1
	19	32575	(006115-007002) Brace, Engine Compartment	1
	20	76583	(006115-007002) Support, Brace	1
	21	01736	(006115-007002) Arm, Engine Cover Support	1
		43454	(006115-007002) Washer, Nylon	3
	22	32580	(006115-007002) Link, Engine Cover Support	1
▽	23	78140-1	(006115-007002) Shroud, Engine Compartment, R.H.	1
▲		57630	(006115-007002) Label, Danger, Keep Out Pinch	1
	24	44031	(006115-007002) Clamp	2
	25	76562	(006115-007002) Angle, Grille	1
	26	76869	(006115-007002) Bracket, Hose	1
	27	75430	(006115-007002) Pad, Non-skid	1
	28	48183	(006115-007002) Chain, Static Drag	1
		50646	(006115-007002) Trim, Plastic, Steering Column Housing	4
	29	24593	(006115-007002) Screw, Hex	6
		62595-18	(006115-007002) Molding, Rigid, 3.0" (76 mm)	2
	30	69571	(006115-007002) Mat, Floor	1
	31	76354	(006115-007002) Label, Brushes	1
	32	76113	(006115-007002) Label, Throttle and Solution	1
	33	76156	(006115-007002) Label, Maintenance Chart	1
	34	76067	(006115-007002) Label, Tire Pressure	1
	35	48242	(006115-007002) Label, Important	1
	36	51368	(006115-007002) Label, Maintenance Note	1
	37	27474	(006115-007002) Label, TENNANT®	1
	38	76158	(006115-007002) Label, Jack At This Point	2
	39	75812	(006115-007002) Label, Stripe, Front	1
	40	75813	(006115-007002) Label, Wing, R.H.	1
	41	75814	(006115-007002) Label, Wing, L.H.	1
	42	75810	(006115-007002) Label, Stripe, Side	2
	43	75811	(006115-007002) Label, Stripe	2
	44	369704	(006115-007002) Horn, 12 Volt	1
	45	1008894	(006115-007002) Label, Patent, Scrubber	1
	46	62595-4	(006115-006267) Molding, Rigid	1
		10632-12	(006115-007002) Grommet, 0.38" (10 mm) I.D.	1
		62595-9	(006115-007002) Molding, Rigid, 17.75" (450 mm) L	1
	47	369749	(006268-007002) Door, Rear Side Access, L.H.	1
	48	76813	(006268-007002) Door, Rear Side Access, R.H.	1
▽	49	369750	(006268-007002) Shroud, Engine Compartment, L.H.	1
▲		57630	(006268-007002) Label, Danger, Keep Out Pinch	1

Fig. 5 - Main Frame Group (007003-)

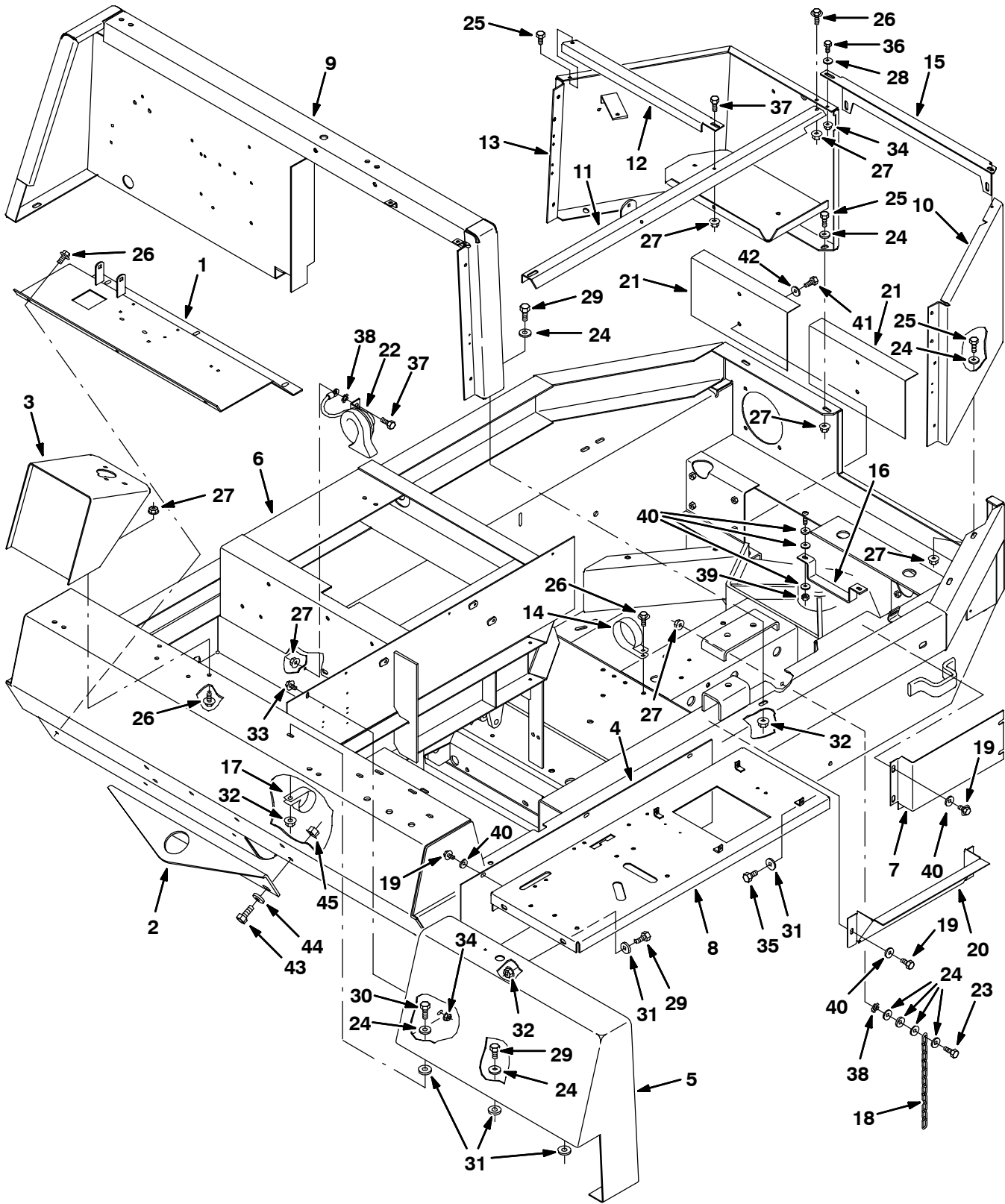


Fig. 5 - Main Frame Group (007003-)

Ref.	Part No.	Serial Number	Description	Qty.
1	76640	(007003-) Pan Wldt, Floor	1
2	32117	(007003-) Bracket, Tie-Down, Rear, [550]	1
3	25186	(007003-) Bracket Wldt, Mtg, Column, Strg	1
4	75244-1	(007003-) Panel, Access, Side	1
5	31668	(007003-) Shroud	1
6	1017594	(007003-) Frame Wldt, Tractor [550/1550]	1
7	76650	(007003-) Cover, Access, Governor	1
8	1015517	(007003-) Panel Wldt, Cntrl, Dsl [550]	1
9	75480A	(007003-) Frame Wldt	1
10	9001041	(007003-) Panel, Eng, W / Label	1
11	1015430	(007003-) Brace Wldt, Cover, Eng	1
12	76583	(007003-) Support	1
13	9001039	(007003-) Panel Wldt, Eng, W / Label	1
14	41016	(007003-) Clamp, Cable, Stl, 2.25d X 1.00w, 1h	1
15	1016044	(007003-) Bracket, Shroud, Rear	1
16	76869	(007003-) Bracket, Hose	1
17	41016	(007003-) Clamp, Cable, Stl, 2.25d X 1.00w, 1h	1
18	48183	(007003-) Chain, Coil, Str, 2/0 14.11 11 Link	1
19	24593	(007003-) Screw, Hex, .25-20 X 0.50, Fmg	14
20	1013129	(007003-) Cover, Starter	1
21	1017231	(007003-) Plate, Eng	2
22	369704	(007003-) Horn, 12vdc, Dbal [Wolo]	1
23	76956	(007003-) Screw, Hex, .31-18 X 1.25, 5	1
24	32491	(007003-) Washer, Flat, 0.31 Std	25
25	76955	(007003-) Screw, Hex, .31-18 X 1.00, 5	7
26	16953	(007003-) Screw, Hex, .31-18 X 0.75, Sems	13
27	27979	(007003-) Nut, Hex, Flng, .31-18	18
28	32483	(007003-) Washer, Flat, 0.25 Sae	2
29	21197	(007003-) Screw, Hex, .38-16 X 1.00, 5	10
30	21198	(007003-) Screw, Hex, .38-16 X 1.25, 5	1
31	32492	(007003-) Washer, Flat, 0.38 Std	7
32	27980	(007003-) Nut, Hex, Flng, .38-16	8
33	16949	(007003-) Screw, Hex, .25-20 X 0.75, Sems	1
34	27978	(007003-) Nut, Hex, Flng, .25-20	9
35	21194	(007003-) Screw, Hex, .38-16 X 0.62, 5	2
36	19317	(007003-) Screw, Hex, .25-20 X 0.75, 5	2
37	76955	(007003-) Screw, Hex, .31-18 X 1.00, 5	2
38	41141	(007003-) Washer, Lock, Int-Ext, .31	2
39	41169	(007003-) Nut, Hex, Lock, .25-20, NI, Ss	2
40	32490	(007003-) Washer, Flat, 0.25 Std	20
41	54396	(007003-) Screw, Hex, .31-18 X 0.75, 5	4
42	39349	(007003-) Washer, Flat, 0.31 Sae	4
43	39809	(007003-) Screw, Hex, .50-13 X 1.00, 5	2
44	32486	(007003-) Washer, Flat, 0.50 Sae	2
45	27981	(007003-) Nut, Hex, Flng, .50-13	2

Fig. 6 - Main Frame Cover and Door Group (007003-)

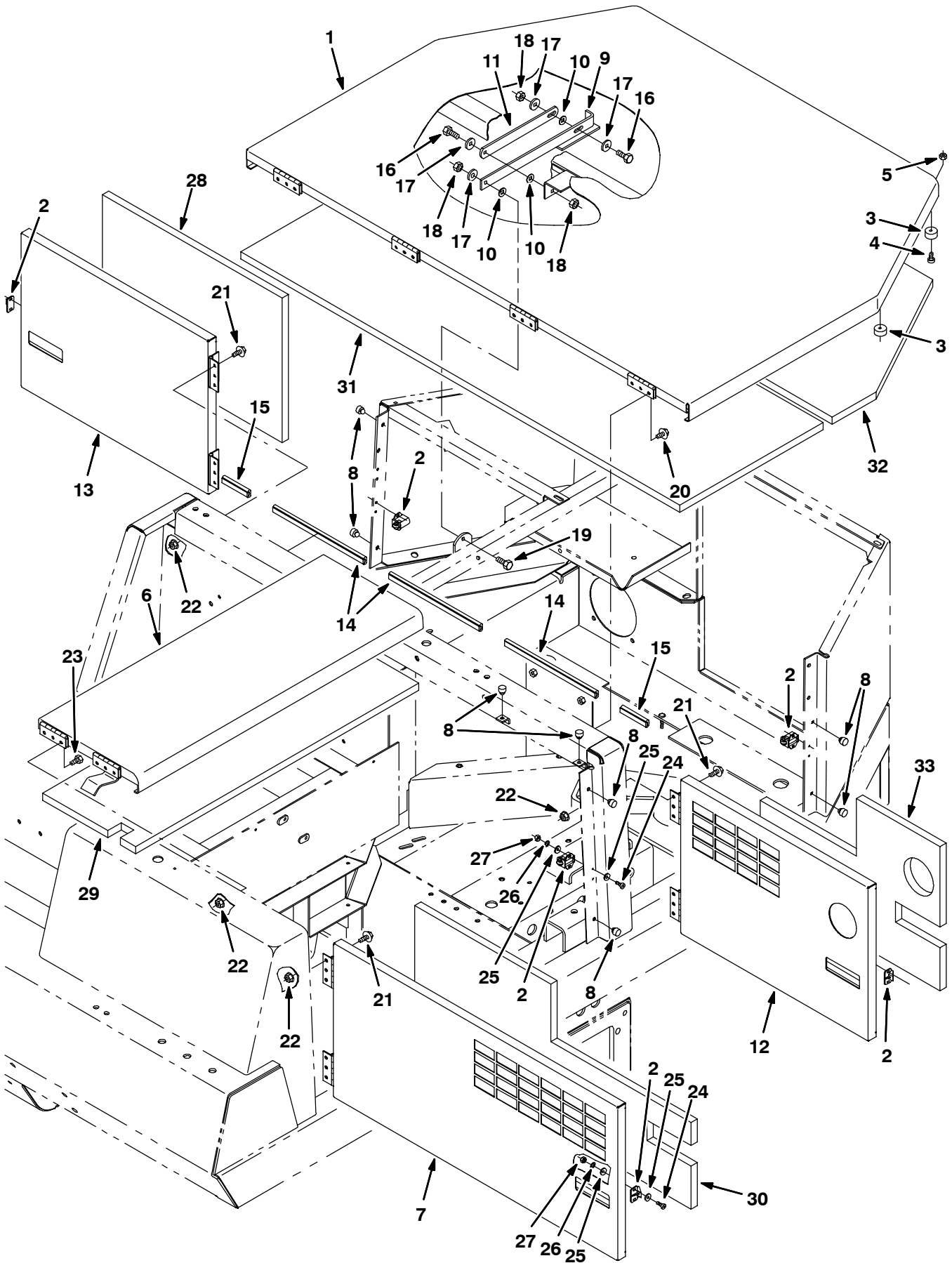
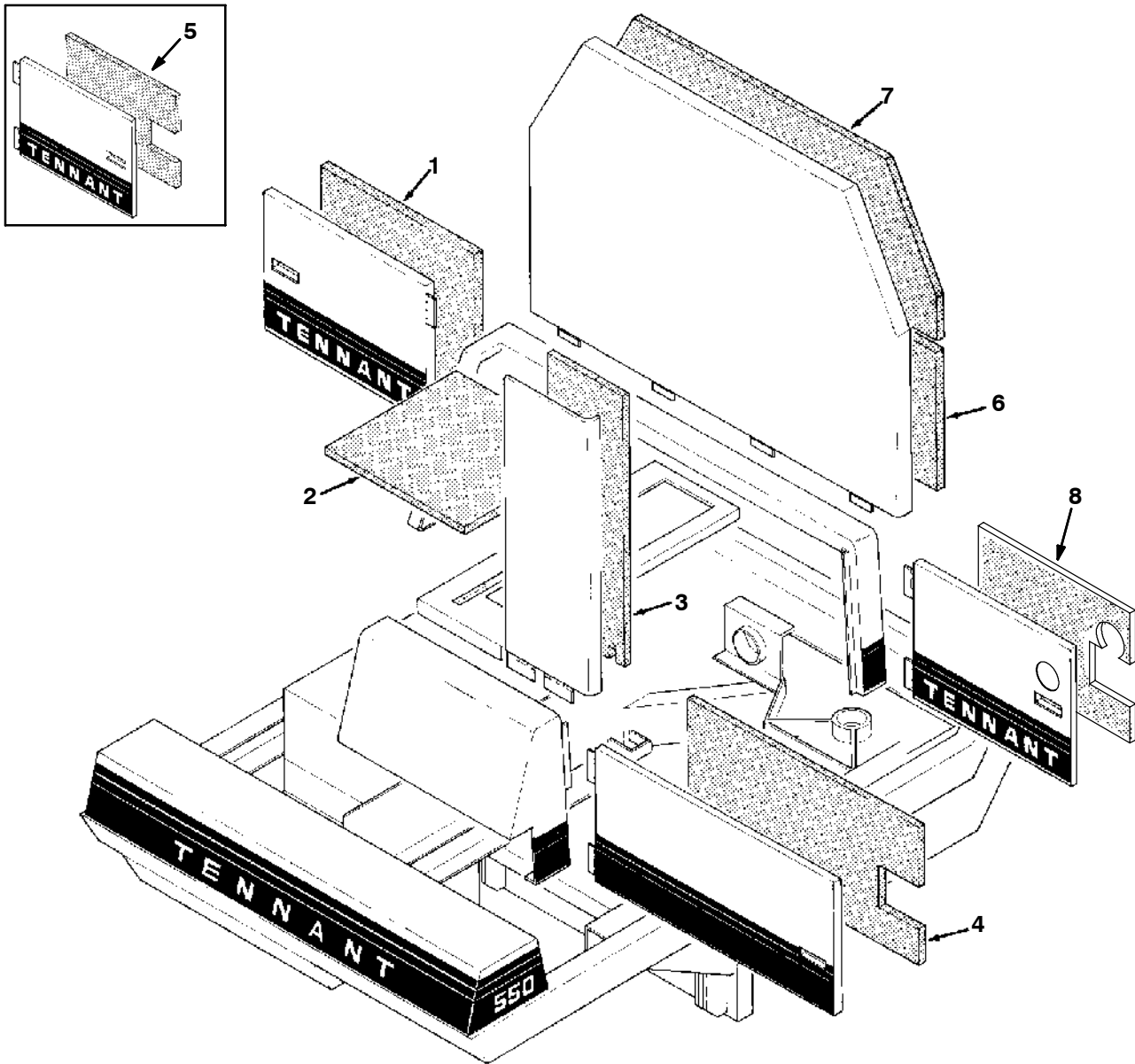


Fig. 6 - Main Frame Cover and Door Group (007003-)

Ref.	Part No.	Serial Number	Description	Qty.
1	76811	(007003-) Door Wldt, Eng, Top, [1550]	1
2	64903	(007003-) Catch, Door, Roller	3
3	82921	(007003-) Bumper, Rbr, 1.0d 0.50t 0.22h	4
4	39650	(007003-) Screw, Pan, #10-24 X 0.62, 1	4
5	45181	(007003-) Nut, Hex, Lock, #10-24, NI	4
6	75268	(007003-) Door Wldt, Access, Top, Lh	1
7	1017573	(007003-) Door Wldt, Access, Front, Lh	1
8	51787	(007003-) Bumper, Rbr, 0.6d 0.34t .3d Tip	8
9	01736	(007003-) Arm Wldt, Safety, Door, Eng	1
10	43454	(007003-) Washer, Flat, 0.34b 0.69d .06, Nyl	3
11	32580	(007003-) Link, .19 1.0w 09.2l 1/0.3h 1/0.3s	1
12	1017358	(007003-) Door Wldt, Access, Side, Lh	1
13	1017600	(007003-) Door Wldt, Access, Side, Rh	1
14	1018451	(007003-) Seal, Bulb, Str, 0.38th 0.75w 10.75l Adh	3
15	1018449	(007003-) Seal, Bulb, Str, 0.38th 0.75w 03.0l Adh	2
16	76956	(007003-) Screw, Hex, .31-18 X 1.25, 5	2
17	32491	(007003-) Washer, Flat, 0.31 Std	4
18	32983	(007003-) Nut, Hex, Lock, .31-18, NI	3
19	76955	(007003-) Screw, Hex, .31-18 X 1.00, 5	1
20	24594	(007003-) Screw, Hex, .25-20 X 0.75, Fmg	8
21	16949	(007003-) Screw, Hex, .25-20 X 0.75, Sems	12
22	27978	(007003-) Nut, Hex, Flng, .25-20	12
23	19317	(007003-) Screw, Hex, .25-20 X 0.75, 5	4
24	19321	(007003-) Screw, Pan, #06-32 X 0.50, 1	12
25	19064	(007003-) Washer, Flat, #06	24
26	32975	(007003-) Washer, Lock, Int, #06	12
27	19309	(007003-) Nut, Hex, Std, #06-32	12
28	1017731	(007003-) Insulation, Acstc, 0.8 14.8w 21.3l	1
29	76867	(007003-) Insulation, Acstc, 0.8 11.0w 33.6l Notch	1
30	1017736	(007003-) Insulation, Acstc, 0.8 14.8w 32.8l	1
31	76866	(007003-) Insulation, Acstc, 0.8 17.0w 52.1l Notch	1
32	78012	(007003-) Insulation, Acstc, Cover, Eng	1
33	1017734	(007003-) Insulation, Acstc, 0.8 14.8w 21.3l	1

STANDARD PARTS

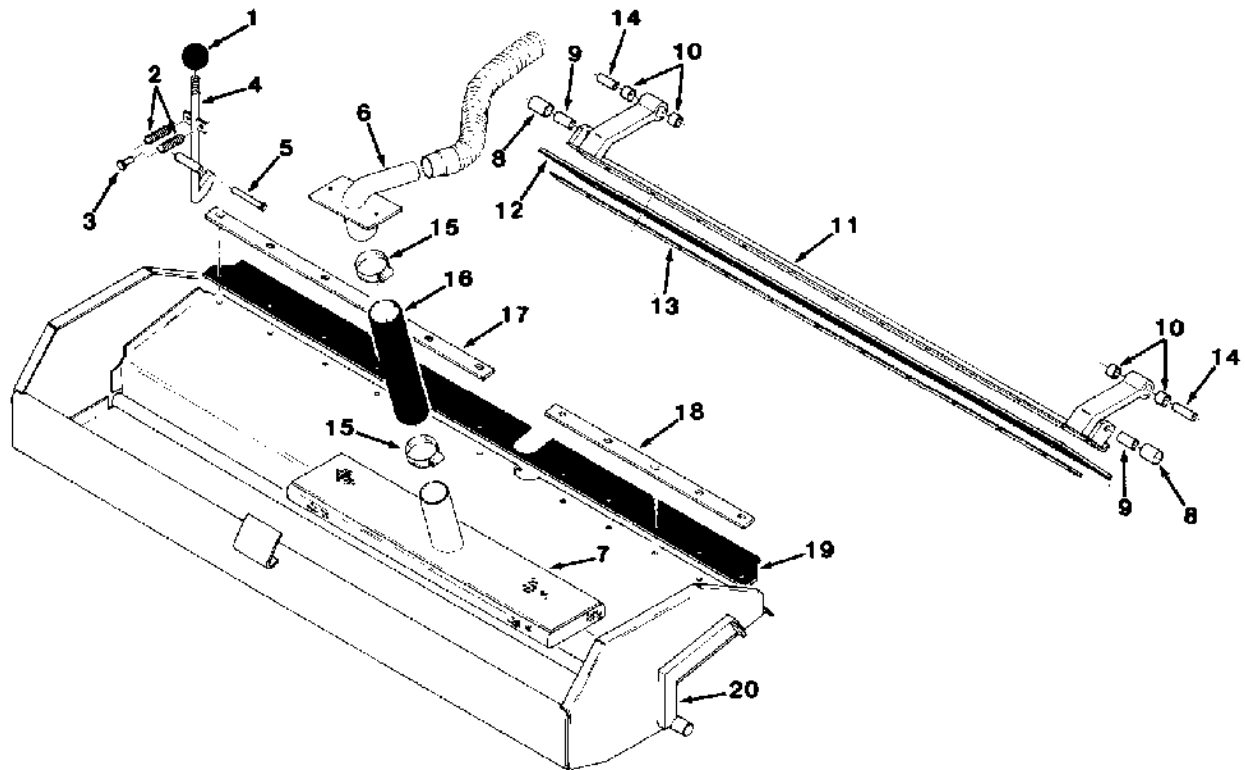
Fig. 7 - Main Frame Noise Insulation Group (006115-007002)



00314 - 550, 1550, NA

Ref.	Part No.	Serial Number	Description	Qty.
1	76864	(006115-007002)	Insulation, Side Door, R.H.	1
2	76870	(006115-007002)	Insulation, Seat	1
3	76867	(006115-007002)	Insulation, Top, Hydraulic Tank Door	1
4	76868	(006115-007002)	Insulation, Front, Side Door, L.H.	1
5	76864	(006115-006267)	Insulation, Rear, Side Door, L.H.	1
6	76866	(006115-007002)	Insulation, Engine Access Door	1
7	78012	(006115-007002)	Insulation, Engine Access Door	1
8	369748	(006268-007002)	Insulation, Rear, Side Door, L.H.	1

Fig. 8 - Scrub Head Hopper Group



00299 - 550, 550E

Ref.	Part No.	Serial Number	Description	Qty.	
1	26156	(006115-) Knob	1	
2	75575	(006115-) Spring	2	
3	46800	(006115-) Pin, Clevis	1	
4	75530	(006115-) Latch, Hopper	1	
5	23191	(006115-) Pin, Clevis	1	
7	79301	(006115-) Nozzle Wldt, Suc	1	
6	75607	(006115-) Nozzle, Hopper	1	
▽	75634	(006115-) Deflector Assembly, Scrub Brush	1	
▲	8	75642	(006115-) Bearing, Sleeve	2
▲	9	75636	(006115-) Sleeve	2
▲	10	75681	(006115-) Bearing	4
▲	11	75638	(006115-) Deflector, Scrub Brush	1
▲	12	75649	(006115-) Skirt, Deflector	1
▲	13	75648	(006115-) Retainer, Deflector Skirt	1
14	75643	(006115-) Sleeve	2	
15	22297	(006115-) Clamp, Worm Drive	2	
16	50845	(006115-) Hose, Hopper	1	
▽	75569	(006115-) Hopper Assembly	1	
▲	17	75571	(006115-) Retainer, Hopper Lip	1
▲	18	75572	(006115-) Retainer, Hopper Lip	1
▲	19	75570	(006115-) Lip, Hopper	1
▲	20	75550	(006115-) Hopper, Debris	1

Fig. 9 - Scrub Head Lift Group

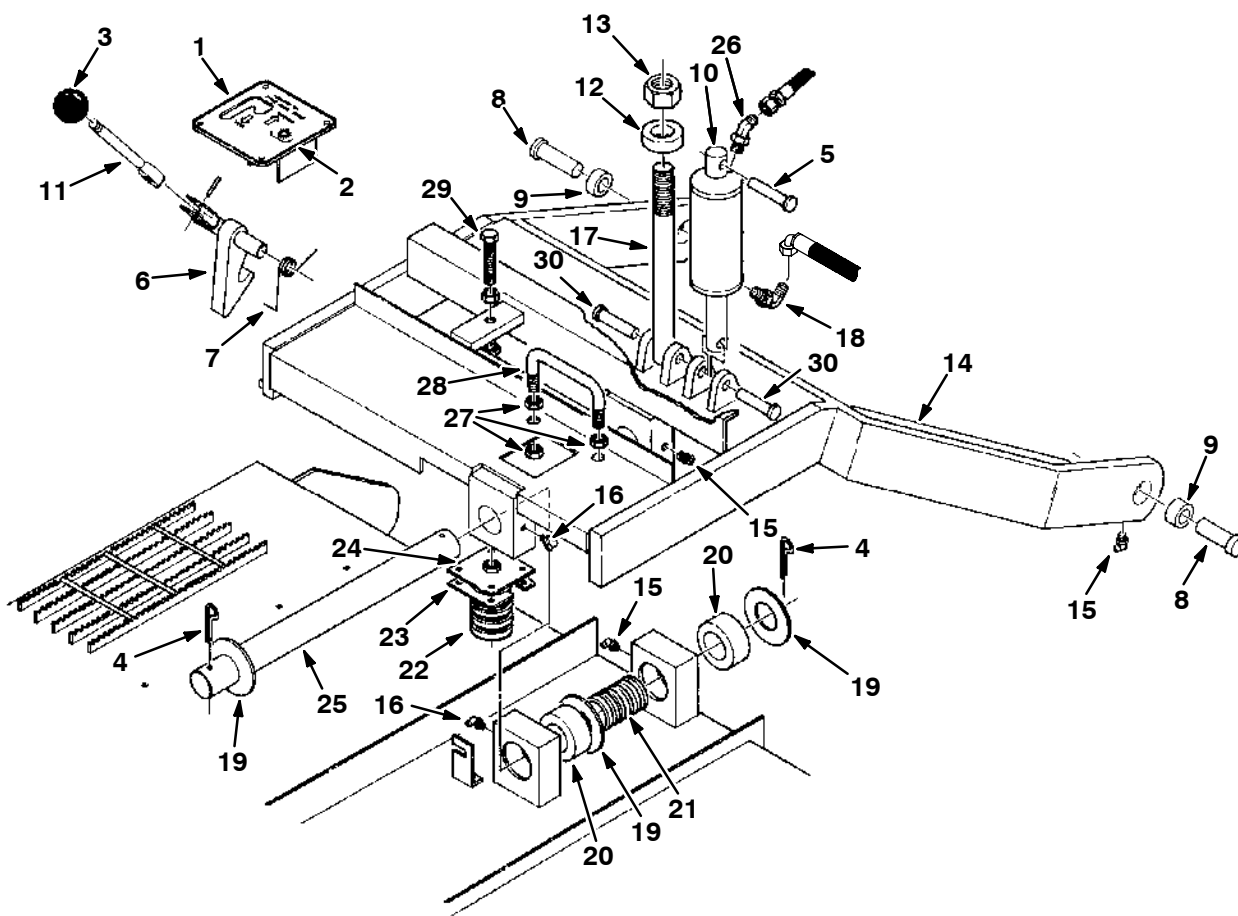


Fig. 9 - Scrub Head Lift Group

Ref.	Part No.	Serial Number	Description	Qty.
1	76063	(006115-) Label, Headlock	1
2	76628	(006115-) Cover, Headlock	1
3	26565	(006115-) Knob	1
4	08174	(006115-) Pin, Cotter	2
5	06279	(006115-) Pin, Clevis	1
6	25219	(006115-) Pivot, Headlock	1
7	78078	(006115-) Spring	1
8	04733-12	(006115-) Pin, Clevis	2
9	42120	(006115-) Bearing	2
10	1028058	(006115-) Cylinder, Hyd, 2.0b 08.0l 04.00strk 2500	1
11	25220	(006115-) Lever, Headlock	1
12	15398	(006115-) Sleeve	1
13	02589	(006115-) Nut, Nylon	1
14	75627	(006115-) Lift, Scrubber Head	1
15	11716	(006115-) Fitting, Grease, 45°	4
16	11048	(006115-) Fitting, Grease	2
17	75622	(006115-) Stud	1
18	77097	(006115-) Fitting, Elbow	1
19	39348	(006115-) Washer	3
20	42120-9	(006115-) Bearing	2
21	75617	(006115-) Spring	1
22	40846	(006115-) Spring	1
23	75766	(006115-) Plate, Mounting	1
24	75764	(006115-) Plate	1
25	75616	(006115-) Shaft, Pivot	1
26	34359	(006115-) Fitting, Elbow, 45°	1
27	32524	(006115-) Nut	4
28	48901	(006115-) U-Bolt	1
29	53963A	(006115-) Screw, Hex	1
30	51103	(006115-) Pin, Clevis, 0.50d X 2.62l	2

Fig. 10 - Scrub Head Solution Supply and Control Group

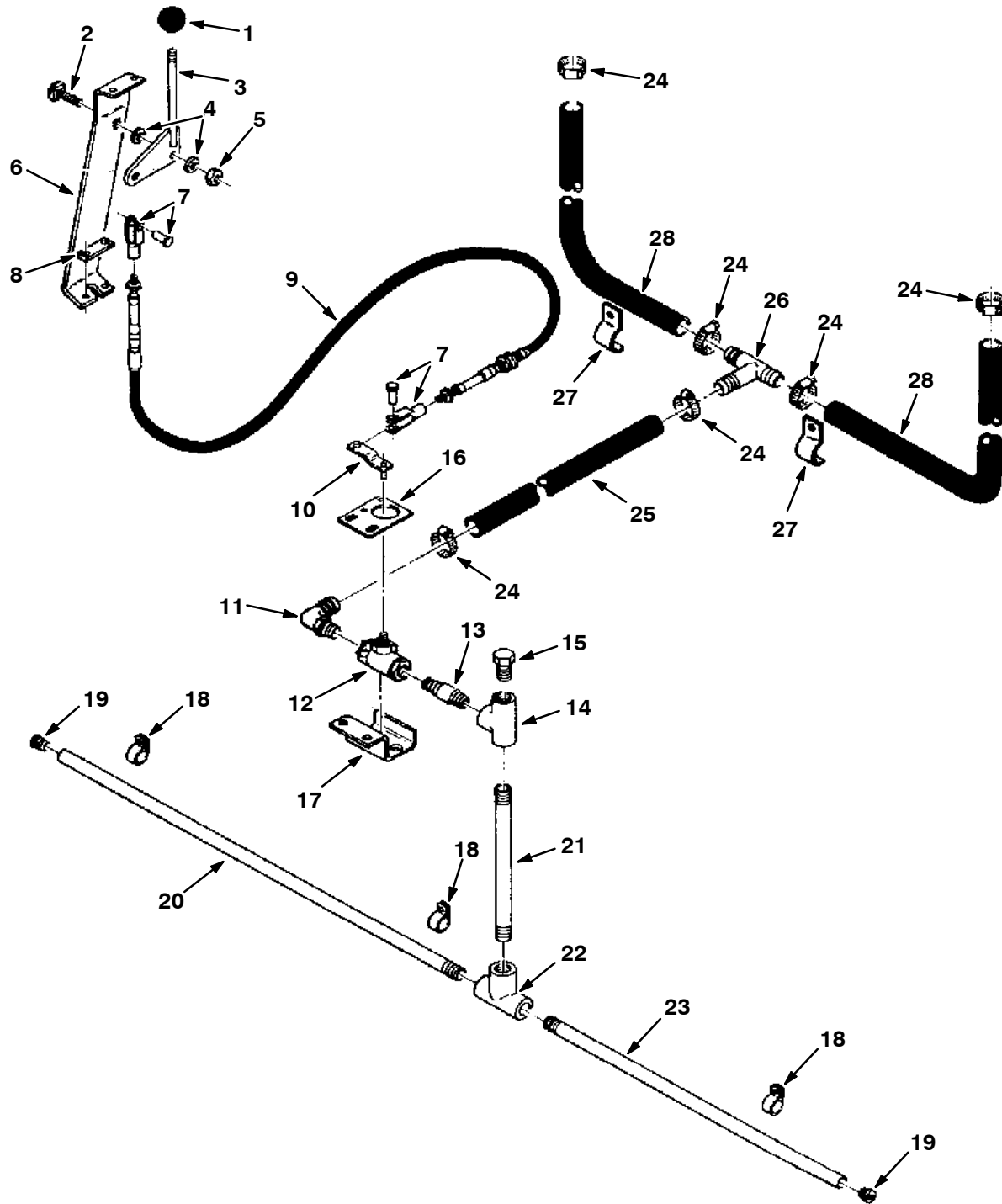


Fig. 10 - Scrub Head Solution Supply and Control Group

Ref.	Part No.	Serial Number	Description	Qty.
	1	26565	(006115-) Knob	1
▽	75318	(006115-)	Lever Assembly, Solution Control	1
▲	2	56903	(006115-) Bolt	1
▲	3	08791	(006115-) Bellcrank	1
▲	4	52296	(006115-) Washer, Nylon	2
▲	5	50902	(006115-) Nut	1
▲	6	75319	(006115-) Bar, Mounting	1
▲	7	41063	(006115-) Clevis and Pin	2
▲	8	23515	(006115-) Strip, Cable Mounting	1
▲	9	75314	(006115-) Cable, Solution Control	1
	10	12072	(006115-) Arm, Control	1
	11	14817	(006115-) Elbow	1
	12	79350	(006115-) Valve, Water	1
	13	75601A	(006115-) Tube, Connector	1
	14	42133A	(006115-) Tee, Plastic	1
	15	75611	(006115-) Plug, Flushing	1
	16	12074	(006115-) Plate, Valve Mounting	1
	17	75802-1	(006115-) Bracket, Water Valve Mounting	1
	18	50544	(006115-) Clamp, Cable	3
	19	42153A	(006115-) Plug, Tube	2
	20	75596A	(006115-) Tube, Spreader	1
	21	31313	(006115-) Tube, Spreader	1
	22	42133A	(006115-) Tee, Plastic	1
	23	75597A	(006115-) Tube, Spreader	1
	24	11399	(006115-) Clamp, Worm Drive	6
	25	47846	(006115-) Hose, Solution	1
	26	75119	(006115-) Tee, Plastic	1
	27	44031	(006115-) Clamp, Hose	2
	28	47845	(006115-) Hose, Solution	2

Fig. 11 - Scrub Head Right Side Squeegee Assembly

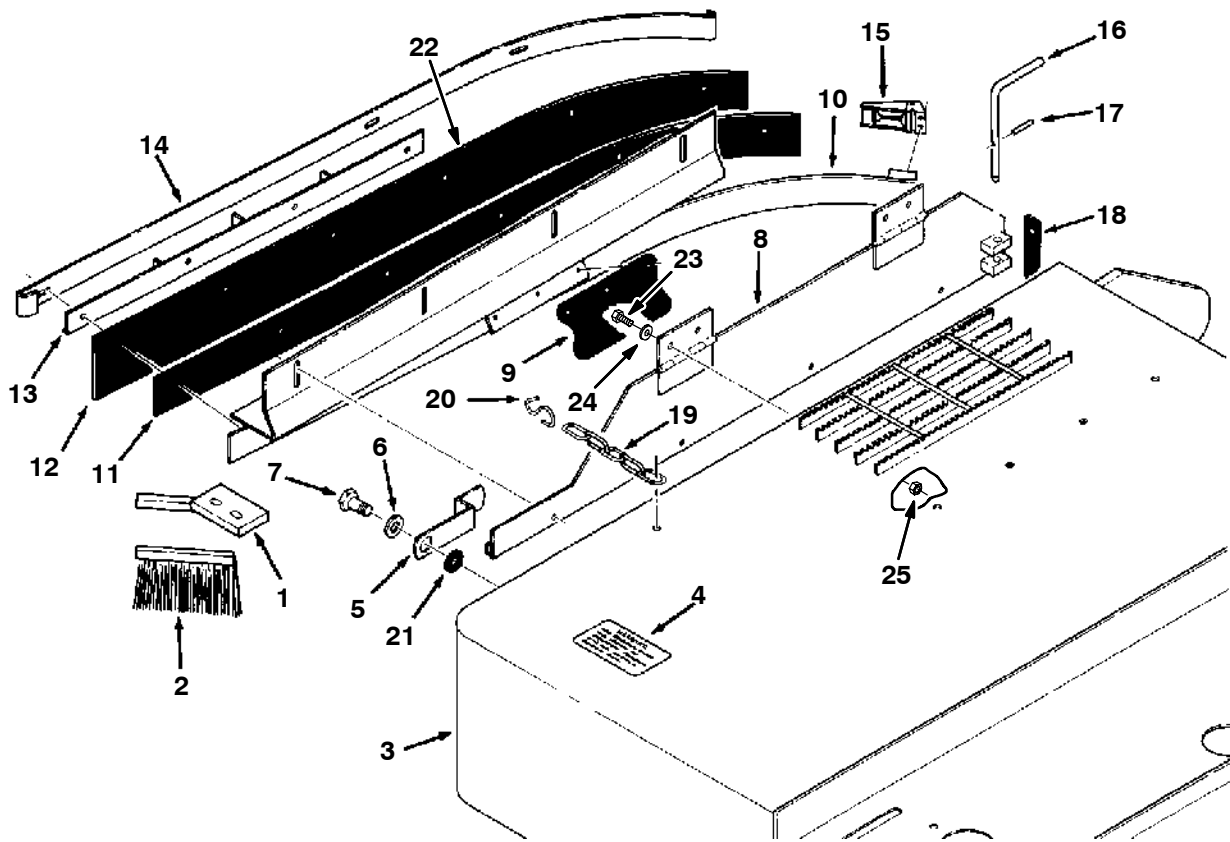


Fig. 11 - Scrub Head Right Side Squeegee Assembly

Ref.	Part No.	Serial Number	Description	Qty.
▽	75712	(006115-) Deflector Assembly, Brush	1
▲	1 75702	(006115-) Retainer, Brush	1
▲	2 75711	(006115-) Brush	1
▽	3 75501-1	(006115-) Frame, Scrubber Head	1
▲	4 40575	(006115-) Label, Warning, Use Scrubber	2
	5 75757	(006115-) Latch, Door	1
	6 32486	(006115-) Washer	1
	7 39810	(006115-) Screw, Hex	1
▽	75790	(006115-) Squeegee Assembly, Right Side	1
▲	8 75791	(006115-) Door, Squeegee	1
▲	9 59617	(006115-) Flap, Containment	1
▲	10 75788	(006115-) Frame, Side Squeegee, R.H.	1
▲	11 75799	(006115-) Strip, Backup	1
▲	12 60015	(006115-) Blade, Squeegee	1
▲	13 75588	(006115-) Bracket, Bridge	1
▲	14 75592	(006115-) Band, Squeegee, Retaining	1
▲	15 87579	(006115-) Latch, Cam Lock Band	1
▲	16 75528	(006115-) Pin, Door Locking	1
▲	17 11476	(006115-) Pin, Roll	1
	18 75740	(006115-) Guard, Splash	1
▽	40759	(006115-) Chain and Hook Assembly	1
▲	19 40758	(006115-) Chain	1
▲	20 40646	(006115-) Hook, Chain	1
	21 59633	(006115-) Bearing, Thrust	2
	22 78562	(006115-) Blade, Squeegee, Urethane	1
	23 69225	(006115-) Screw, Hex, .38-16 X 1.00, Ss	4
	24 01686	(006115-) Washer, Flat, 0.44b 1.00d .08, Ss	4
	25 01692	(006115-) Nut, Hex, Std, .38-16, Ss	4

Fig. 12 - Scrub Head Left Side Squeegee Assembly

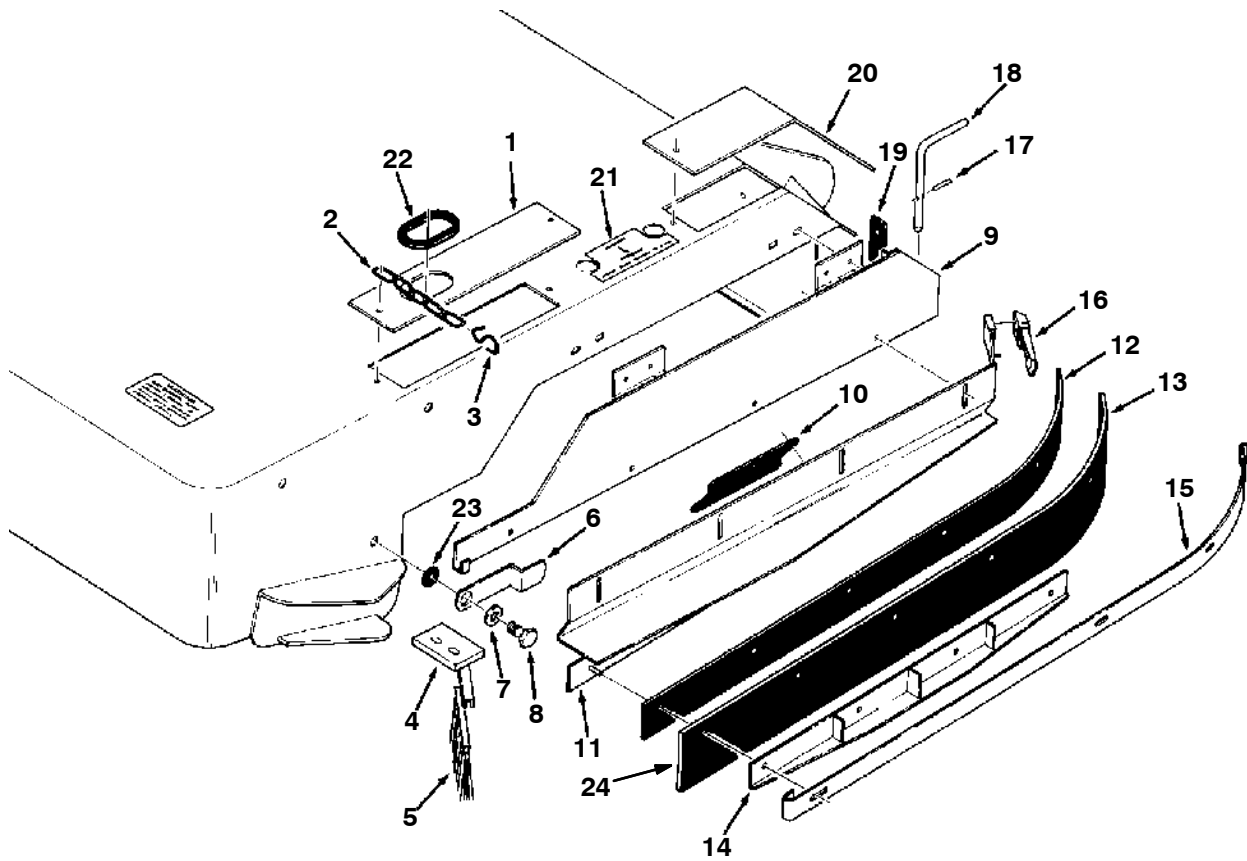


Fig. 12 - Scrub Head Left Side Squeegee Assembly

Ref.	Part No.	Serial Number	Description	Qty.
	1	31634	(006115-) Strip, Cover	1
▽		40759	(006115-) Chain, Assembly, Door	2
▲	2	40758	(006115-) Chain	1
▲	3	40646	(006115-) Hook	1
▽		75713	(006115-) Deflector Assembly, Brush, L.H.	1
▲	4	75703	(006115-) Retainer, Brush	1
▲	5	75711	(006115-) Brush	1
	6	75757	(006115-) Latch, Door	1
	7	32486	(006115-) Washer	1
	8	39810	(006115-) Screw, Hex	1
▽		75795	(006115-) Squeegee Assembly, Left Side	1
▲	9	75796	(006115-) Door, Squeegee, L.H.	1
▲	10	59617	(006115-) Flap, Containment	1
▲	11	75789	(006115-) Frame, Side Squeegee, L.H.	1
▲	12	75799	(006115-) Strip, Backup	1
▲	13	60015	(006115-) Blade, Squeegee	1
▲	14	75588	(006115-) Bracket, Bridge	1
▲	15	75592	(006115-) Band, Squeegee, Retaining	1
▲	16	87579	(006115-) Latch, Cam Lock Band	1
▲	17	11476	(006115-) Pin, Roll	1
▲	18	75528	(006115-) Pin, Door Locking	1
	19	75740	(006115-) Guard, Splash	1
	20	76677	(006115-) Strip, Cover	1
	21	76066	(006115-) Label, Brush Pressure	1
	22	10632-19	(006115-) Grommet	1
	23	59633	(006115-) Bearing, Thrust	2
	24	78562	(006115-) Blade, Squeegee, Urethane	1

Fig. 13 - Scrub Head Front Brush Drive Components Group

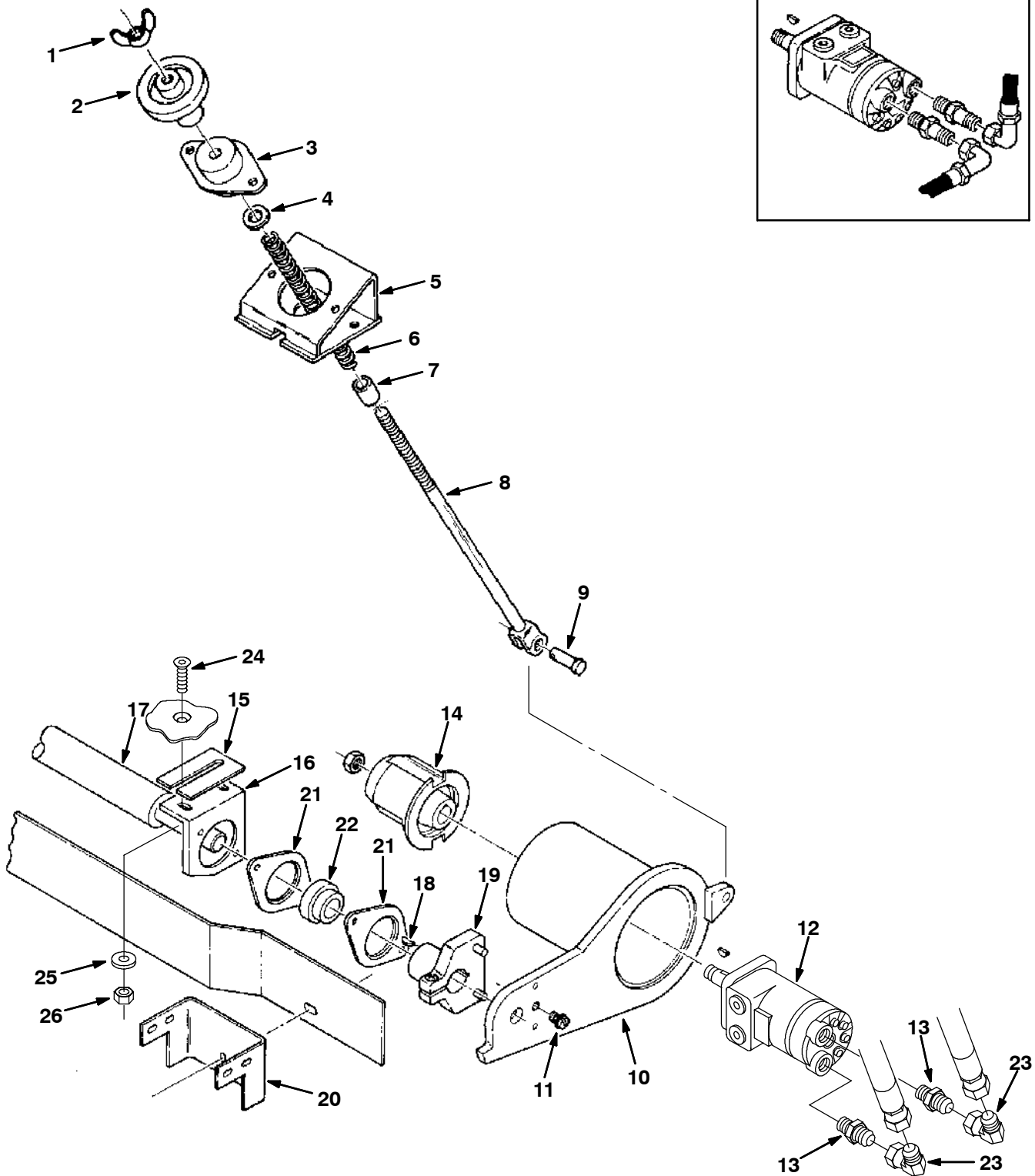
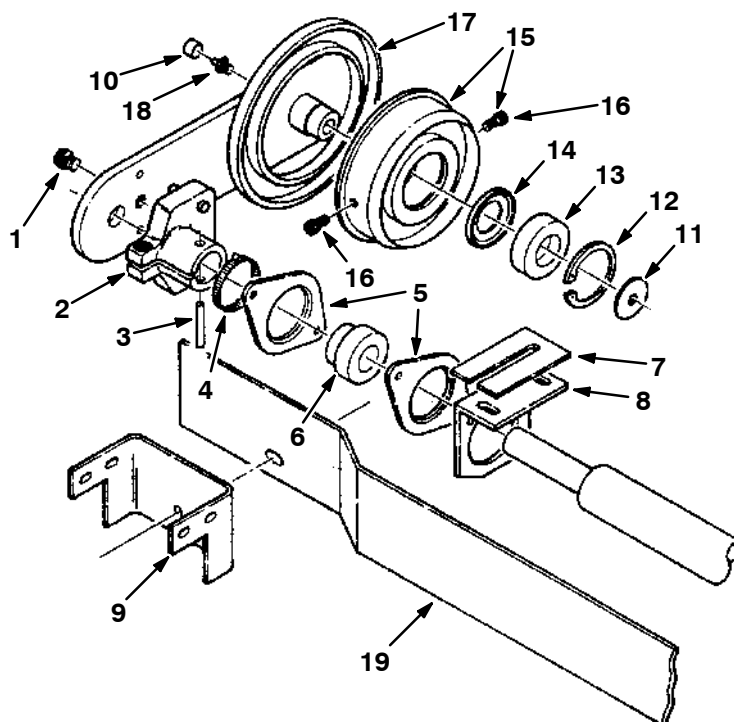


Fig. 13 - Scrub Head Front Brush Drive Components Group

Ref.	Part No.	Serial Number	Description	Qty.	
1	39274	(006115-) Lock, Knob, Adjusting	1	
2	51452	(006115-) Knob, Adjusting	1	
3	75768	(006115-) Isolator, Vibration	1	
4	32493	(006115-) Washer	1	
5	75769	(006115-) Bracket, Mounting	1	
6	75773	(006115-) Spring	1	
7	75772	(006115-) Sleeve	1	
8	06573	(006115-) Link, Brush Lift	1	
9	75520	(006115-) Pin, Clevis	1	
10	76667	(006115-) Arm, Brush Drive	1	
11	51938	(006115-) Plug, Plastic	1	
12	61489	(006115-) Motor, Hydraulic (See Breakdowns)	1	
13	47518	(006115-) Fitting, Straight	2	
14	76568	(006115-) Plug, Brush Drive	1	
15	75600	(006115-) Shim, Bracket, 0.12" (3 mm)	3	
	76218	(006115-) Shim, Bracket, 0.06" (1.5 mm)	1	
16	42499	(006115-) Bracket, Bearing, L.H.	1	
▽	75761	(006115-) Shaft Assembly, Brush	1	
▲	17	75786	(006115-) Shaft, Brush	1
▲	18	00500-20	(006115-) Key, Woodruff	1
▲	19	75780	(006115-) Hub, Brush	1
	20	75760	(006115-) Channel, Bearing Cover	1
	21	42126	(006115-) Flange, Bearing	2
	22	51448	(006115-) Bearing	1
	23	54194	(006274-) Fitting, Elbow	2
	24	54861	(006115-) Screw, Flt, Soc, .38-16 X 1.50, Al	4
	25	01686	(006115-) Washer, Flat, 0.44b 1.00d .08, Ss	4
	26	59156	(006115-) Nut, Hex, Lock, .38-16, Ni, Ss	4

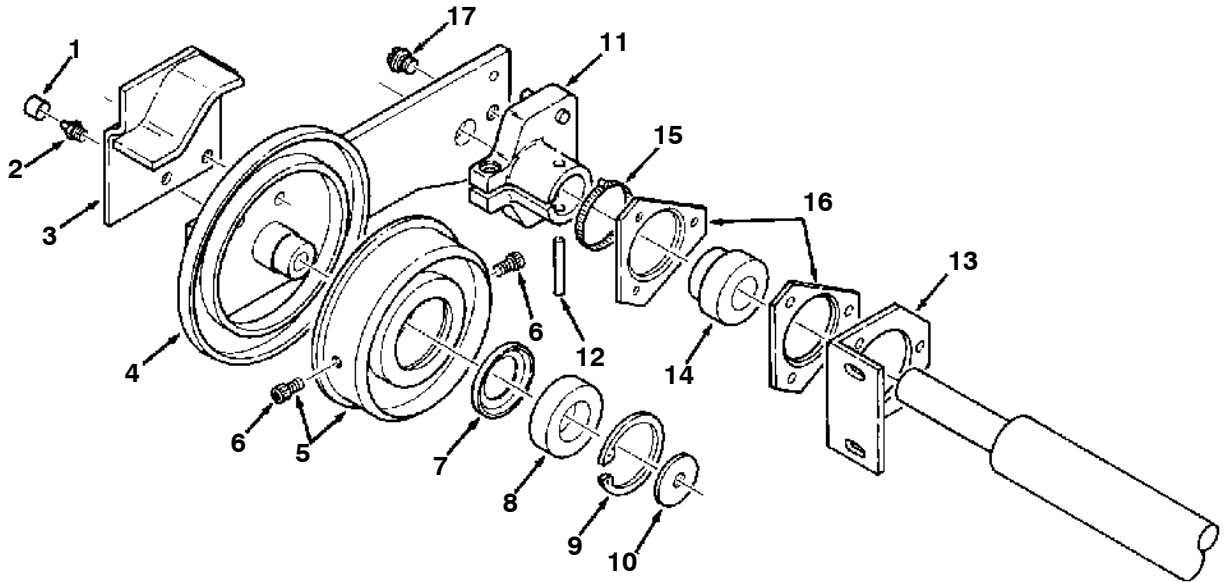
Fig. 14 - Scrub Head Front Brush Idler Assembly



00320 - ALL

Ref.	Part No.	Serial Number	Description	Qty.	
1	51938	(006115-) Plug, Plastic	1	
▽	75761	(006115-) Shaft Assembly, Brush	1	
▲	2	75781	(006115-) Hub, Brush	1
▲	3	51317	(006115-) Pin, Roll	1
4	22297	(006115-) Clamp, Worm Drive	1	
5	42126	(006115-) Flange, Bearing	2	
6	51448	(006115-) Bearing	1	
7	75600	(006115-) Shim, Bearing Bracket, 0.12" (3 mm)	3	
	76218	(006115-) Shim, Bearing Bracket, 0.06" (1.5 mm)	1	
8	42498	(006115-) Bracket, Bearing, R.H.	1	
9	75760	(006115-) Channel, Bearing Cover	1	
▽	75656	(006115-) Idler Assembly, Front Scrub Brush	1	
▲	10	40390	(006115-) Cover, Grease Fitting	1
▲	11	51564	(006115-) Washer	1
▲	12	51046	(006115-) Ring, Retaining	1
▲	13	41032	(006115-) Bearing	1
▲	14	40076	(006115-) Shield, Bearing	1
▲▽	15	40999A	(006115-) Plug, Brush Idler	1
▲▲	16	02984	(006115-) Screw, Socket	2
▲	17	75657	(006115-) Arm, Front Brush Idler	1
▲	18	06418	(006115-) Fitting, Grease	1
▲	36328	(006115-) Washer, Belleville	1	
	19	25195	(006115-) Deflector	1

Fig. 15 - Scrub Head Rear Brush Idler Assembly



00320 - ALL

Ref.	Part No.	Serial Number	Description	Qty.
▽	75654	(006115-) Idler Assembly, Rear Brush	1
▲	1 40390	(006115-) Cover, Grease Fitting	1
▲	2 06418	(006115-) Fitting, Grease	1
▲	3 75631	(006115-) Slide, R.H.	1
▲	4 75655	(006115-) Arm, Rear Brush Idler	1
▲▽	5 40999A	(006115-) Plug, Brush Idler	1
▲▲	6 02984	(006115-) Screw, Socket	2
▲	7 40076	(006115-) Shield, Bearing	1
▲	8 41032	(006115-) Bearing	1
▲	9 51046	(006115-) Ring, Retaining	1
▲	10 51564	(006115-) Washer	1
▲	36328	(006115-) Washer, Belleville	1
▽	75761	(006115-) Shaft Assembly, Brush	1
▲	11 75781	(006115-) Hub, Brush	1
▲	12 51317	(006115-) Pin, Roll	1
	13 42639	(006115-) Bracket, Bearing	1
	14 51448	(006115-) Bearing	1
	15 22297	(006115-) Clamp, Worm Drive	1
	16 51449	(006115-) Flange, Bearing	2
	17 51938	(006115-) Plug, Plastic	1

Fig. 16 - Scrub Head Rear Brush Drive Components Group

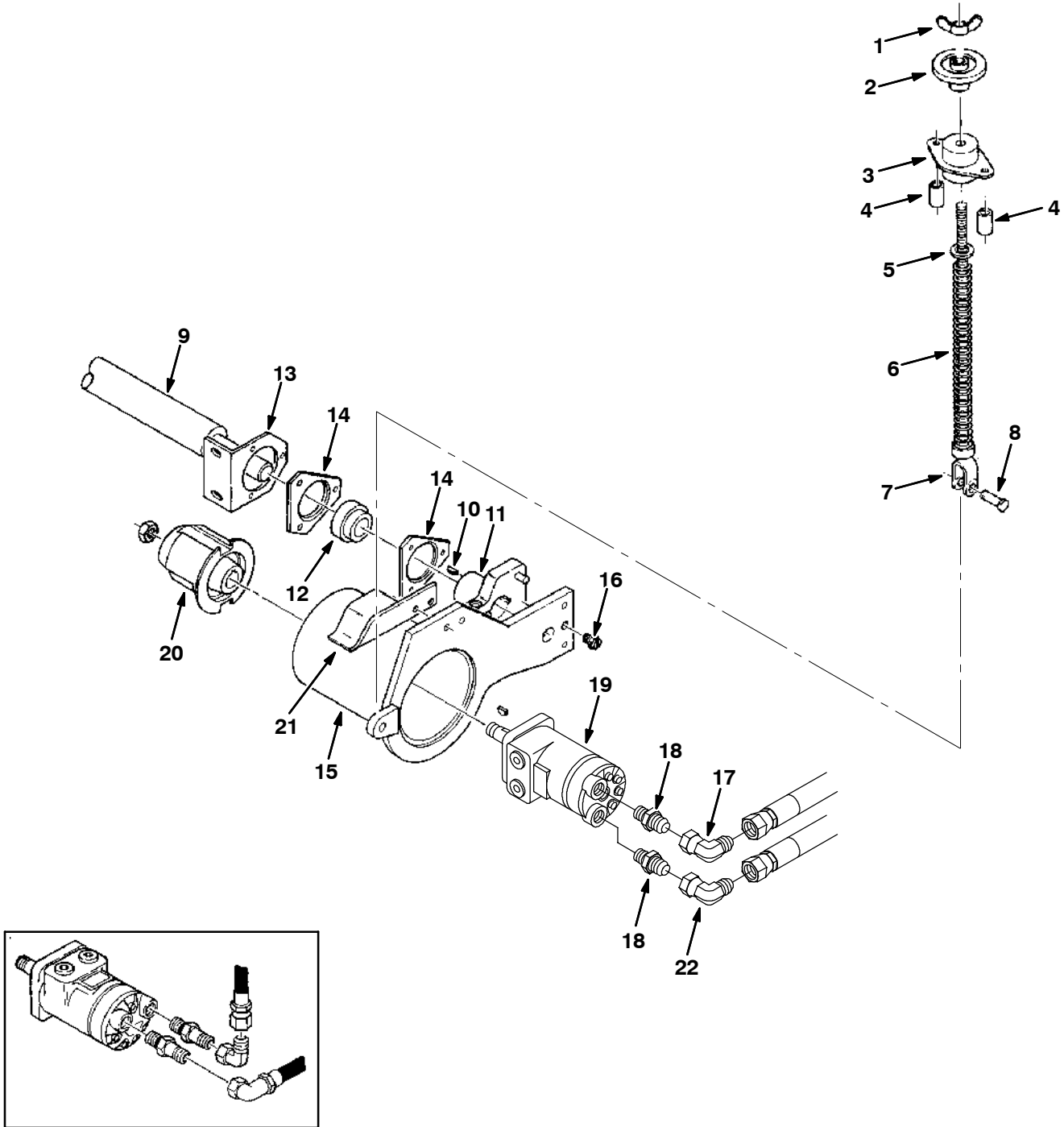


Fig. 16 - Scrub Head Rear Brush Drive Components Group

Ref.	Part No.	Serial Number	Description	Qty.	
1	39274	(006115-) Lock, Knob Adjusting	1	
2	51452	(006115-) Knob, Brush Adjusting	1	
3	75768	(006115-) Isolator, Vibration	1	
4	75772	(006115-) Spacer, Isolator	2	
5	32493	(006115-) Washer	1	
6	75774	(006115-) Spring	1	
7	06573	(006115-) Link, Brush Lift	1	
8	75520	(006115-) Pin, Clevis	1	
▽	75761	(006115-) Shaft Assembly, Brush	1	
▲	9	75786	(006115-) Shaft, Brush	1
▲	10	00500-20	(006115-) Key, Woodruff	1
▲	11	75780	(006115-) Hub, Brush Drive	1
	12	51448	(006115-) Bearing	1
	13	42639	(006115-) Bracket, Bearing Mount	1
	14	51449	(006115-) Flange, Bearing	2
	15	76665	(006115-) Arm, Brush Drive	1
	16	51938	(006115-) Plug, Plastic	1
	17	54194	(006115-) Fitting, Elbow	1
	18	47518	(006115-) Fitting, Straight	2
	19	61489	(006115-) Motor, Hydraulic (See Breakdowns)	1
	20	76568	(006115-) Plug, Brush Drive	1
	21	75706	(006115-) Slide, L.H.	1
	22	54194	(006274-) Fitting, Elbow	1

Fig. 17 - Steering Column Group

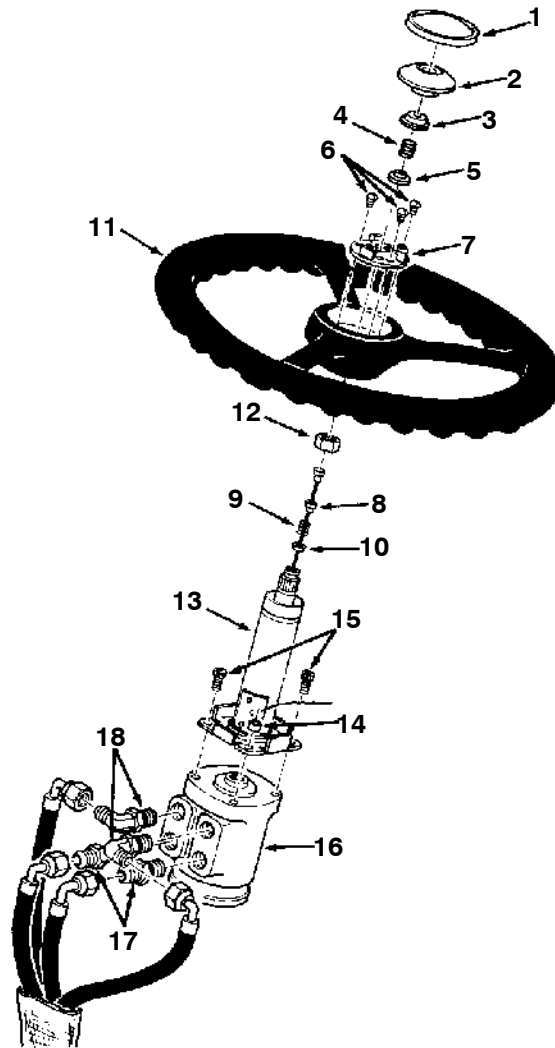
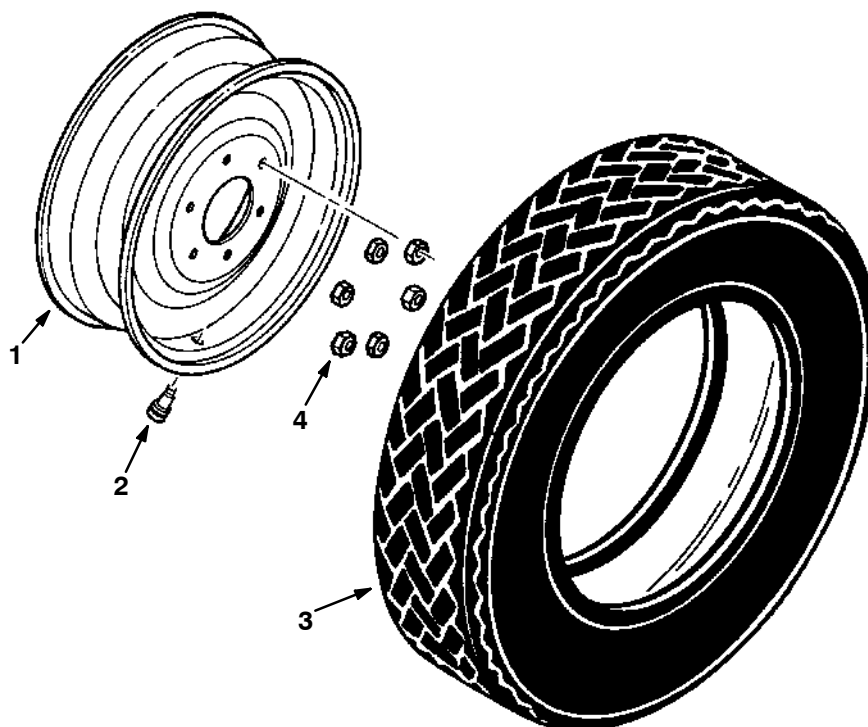


Fig. 17 - Steering Column Group

	Ref.	Part No.	Serial Number	Description	Qty.
▽		14700	(006115-) Horn Button Assembly	1
▲	1	47010-7	(006115-) Cover, Horn Button	1
▲	2	47010-6	(006115-) Button, Horn	1
▲	3	47010-2	(006115-) Cup, Contact	1
▲	4	47010-3	(006115-) Spring	1
▲	5	47010-1	(006115-) Cap, Contact	1
▲	6	47010-4	(006115-) Screw, Horn Button, Wood	3
▲	7	14700-4	(006115-) Plate	1
▲	8	14700-1	(006115-) Ferrule, Insulation	1
▲	9	14700-2	(006115-) Spring	1
▲	10	14700-3	(006115-) Washer	1
	11	17269	(006115-) Wheel, Steering	1
	12	57676	(006115-) Nut	1
▽	13	52388	(006115-) Column, Steering	1
▲		388153	(006115-) Cap, Tube	1
▲		74142	(006115-) Kit, Contact And Brush, [64433-000] En	1
	14	44310	(006115-) Sleeve	2
	15	10829	(006115-) Screw, Socket	2
	16	74176	(006115-) Control, Steering (See Breakdowns)	1
	17	56690	(006115-) Fitting, Straight	2
	18	56820	(006115-) Fitting, Elbow	2

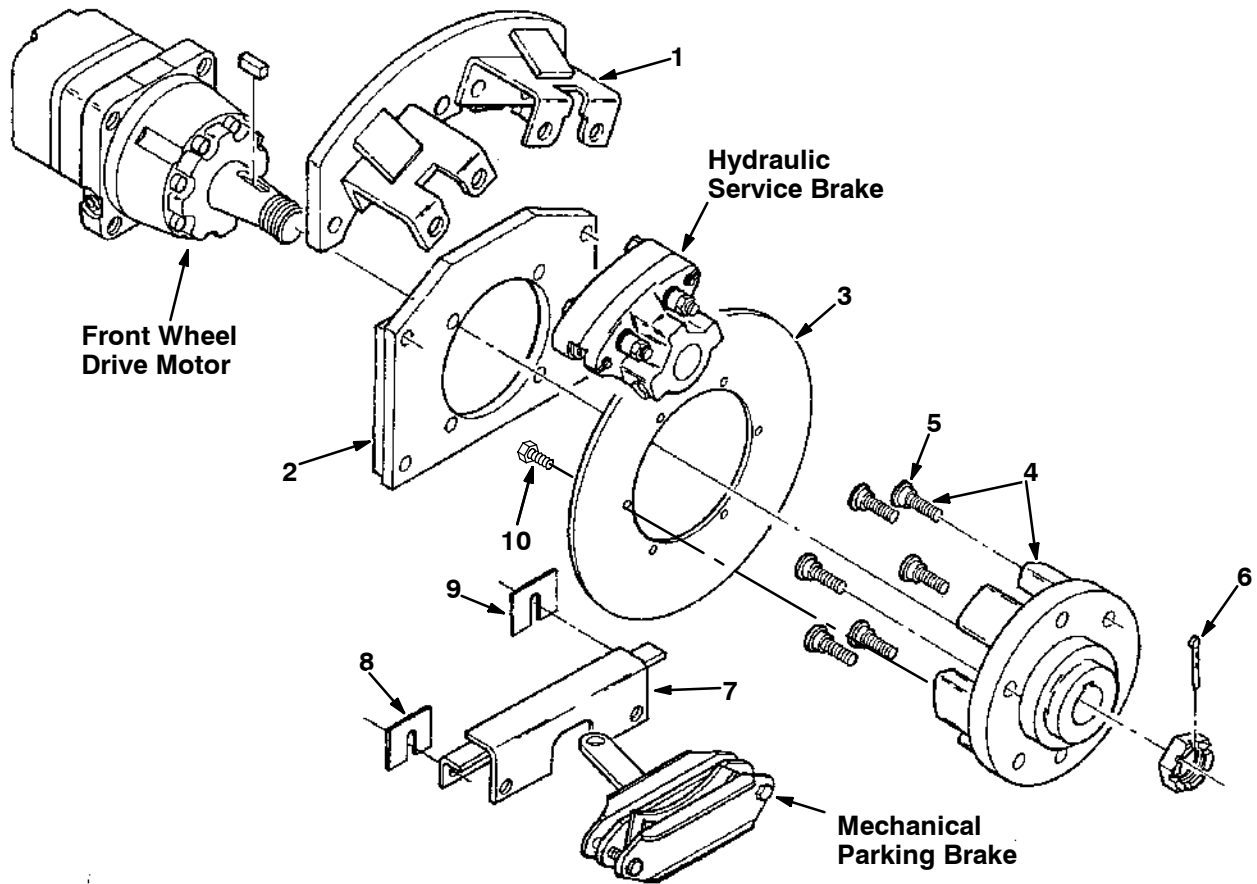
Fig. 18 - Front Wheel Assembly



00311 - 550

Ref.	Part No.	Serial Number	Description	Qty.
▽	48891	(006115-) Tire Assy, Pneu, 8.75-16.5 5.5bc/6bolt	2
▲	1 79101	(006115-) Rim, 16.5 X 6.75 5.5bc/6bolt	1
▲	2 75365	(006115-) Valve, Tire, Air	1
▲	3 48888	(006115-) Tire, [8.75X16.5 Lt]	1
	4 24339	(006115-) Nut, Wheel	12

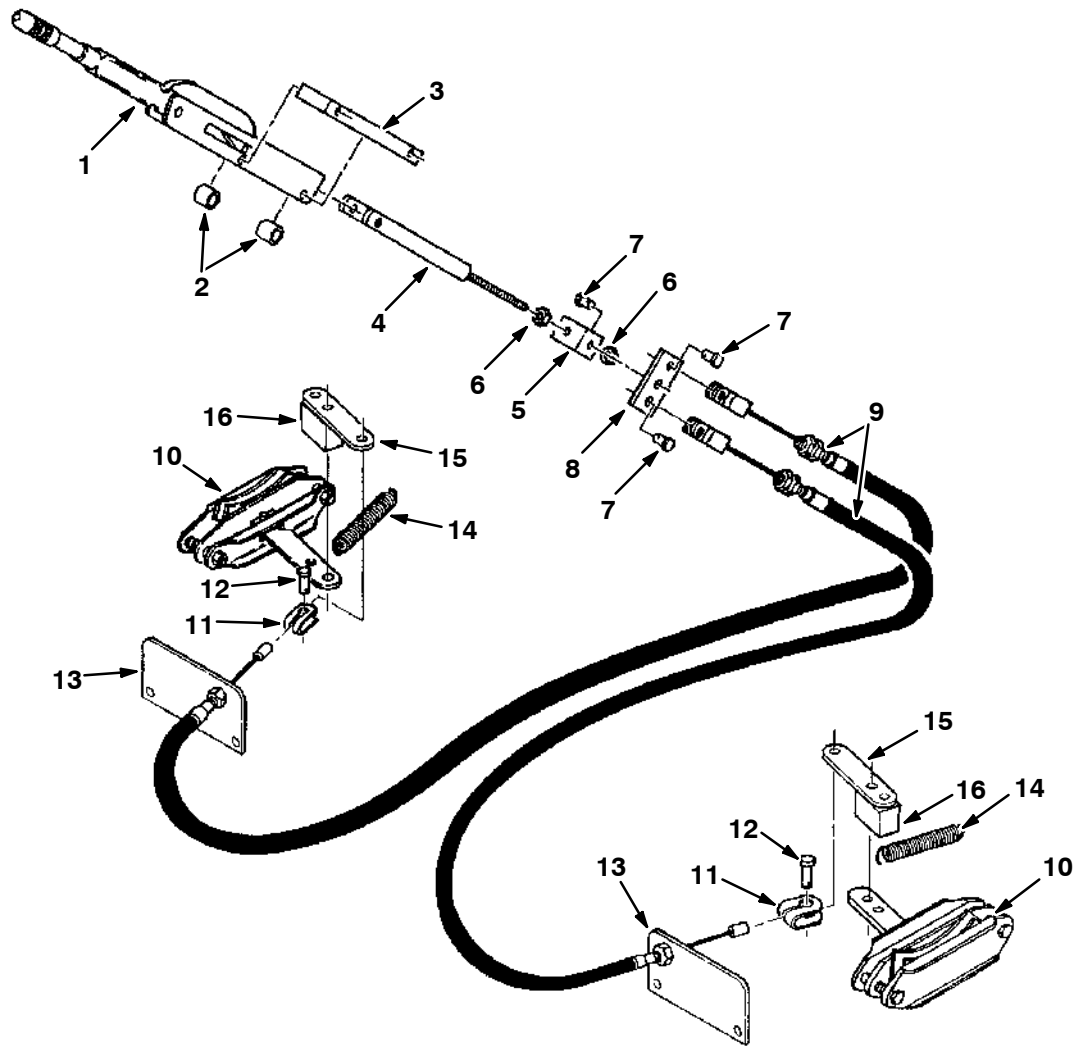
Fig. 19 - Front Wheel Drive Group



09798 - 550

Ref.	Part No.	Serial Number	Description	Qty.
1	61649	(006115-) Bracket, Brake	2
2	78191	(006115-) Plate, Motor Mounting	2
3	78190	(006115-) Disk, Brake	2
▽ 4	76649	(006115-) Hub Assembly	2
▲ 5	32126	(006115-) Stud	6
6	08329	(006115-) Pin, Cotter	2
7	76539	(006115-) Bracket, Brake	2
8	04210	(006115-) Shim, 20 Ga.	4
9	04048	(006115-) Shim, 16 Ga.	4
10	54397	(006115-) Screw, Hex, .31-18 X 0.88, G5	6

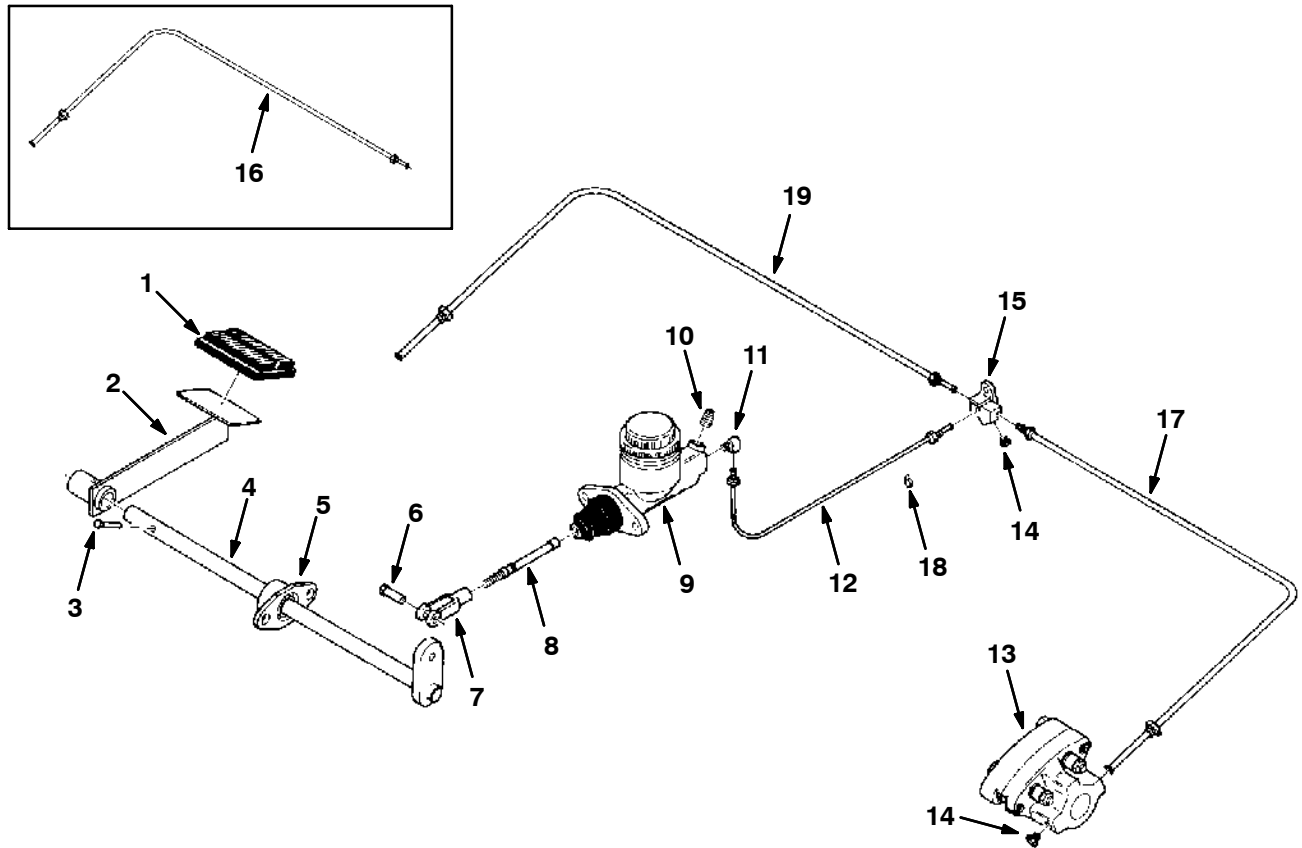
Fig. 20 - Front Wheel Parking Brake Group



06953 - 550

Ref.	Part No.	Serial Number	Description	Qty.	
1	51545	(006115-) Lever, Parking	1	
2	51562	(006115-) Sleeve, Brake Lever	2	
3	76816	(006115-) Spacer, Brake	1	
4	76903	(006115-) Rod, Adjustment	1	
5	76904	(006115-) Angle, Brake Adjustment	1	
6	25014	(006115-) Nut, Adjustment	2	
7	10120	(006115-) Pin, Clevis	3	
8	40354	(006115-) Strip	1	
9	32477	(006115-) Cable Assembly, Brake, Separate Spring	2	
▽	10	75368	(006115-) Brake, Mechanical	2
▲	SK2223	(006115-) Repair Kit, Brake Pad	1	
11	75369	(006115-) Clevis, Brake Cable	2	
12	09088	(006115-) Pin, Clevis	2	
13	61258	(006115-) Bracket, Brake Cable	2	
14	50304	(006115-) Spring, Brake Cable	2	
15	75535	(006115-) Arm, Brake	2	
16	61639	(006115-) Spacer, Brake Arm	2	

Fig. 21 - Front Wheel Brakes Group

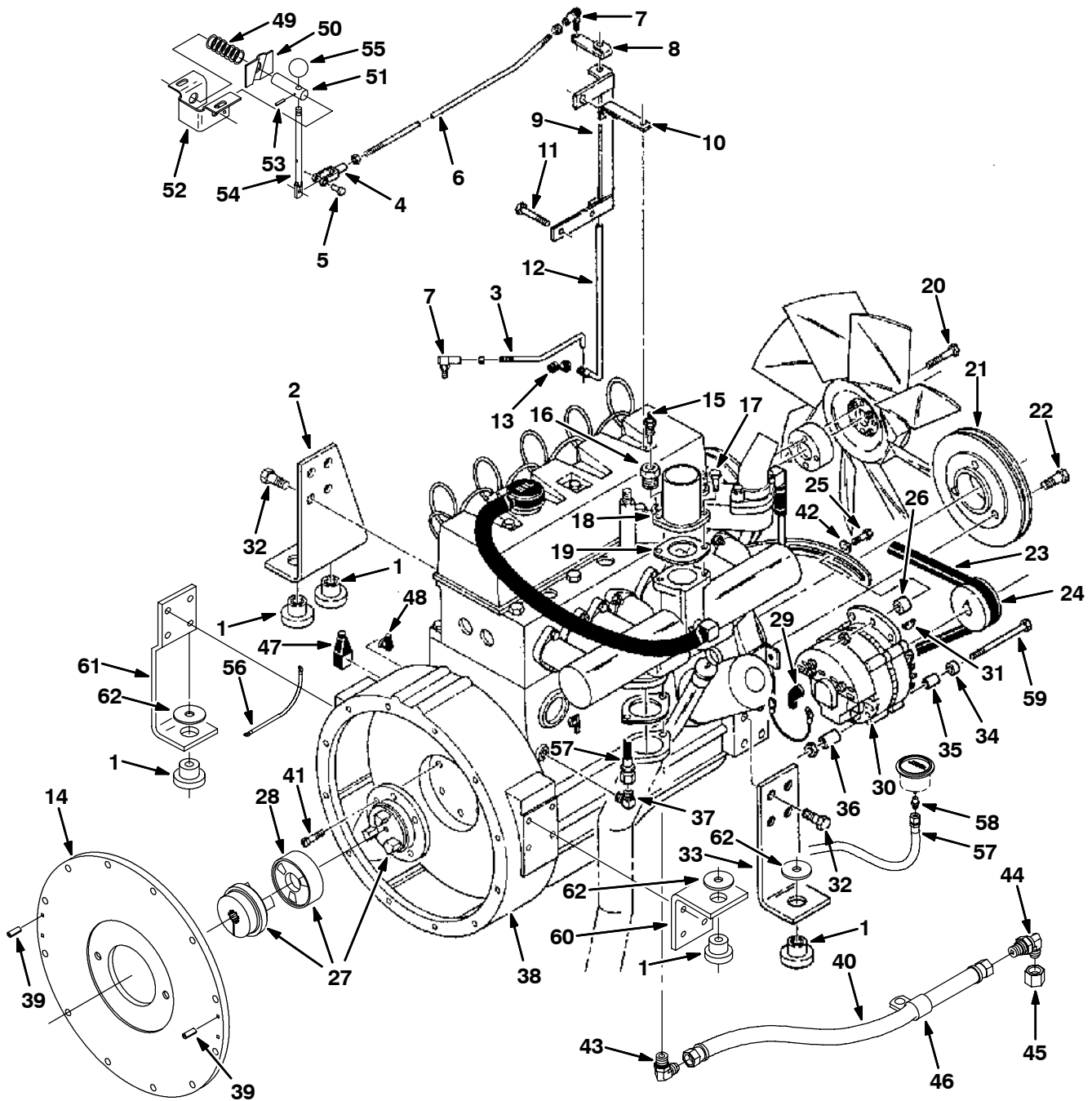


00105 - 550

Ref.	Part No.	Serial Number	Description	Qty.	
1	51109	(006115-) Pad, Brake	1	
2	75249	(006115-) Pedal, Brake	1	
3	26315	(006115-) Pin, Roll	1	
4	78080	(006115-) Rod, Brake	1	
5	26663	(006115-) Bearing, Flange	1	
6	14331	(006115-) Pin, Clevis	1	
7	14330	(006115-) Clevis, Adjustable	1	
8	52163	(006115-) Rod, Push, Brake	1	
▽	9	64950	(006115-) Cylinder, Master Brake	1
▲	374240	(006115-) Cap, Cyl Assy, Master Brake	1	
10	48126	(006115-) Plug	1	
11	53078	(006115-) Elbow	1	
12	76058	(006115-) Tube, Brake Line	1	
▽	13	75285	(006115-) Brake Assembly, Hydraulic	2
▲	SK2222	(006115-) Repair Kit, Brake	1	
14	76087	(006115-) Plug	3	
15	53079	(006115-) Tee	1	
16	42239	(006115-007002) Tube Assembly, R.H.	1	
17	76059	(006115-) Tube, Brakeline, .19d 32.0l 03if/03if	1	
18	46236	(006115-) Clamp, Cable	3	
19	76059	(007003-) Tube, Brakeline, .19d 32.0l 03if/03if	1	

STANDARD PARTS

Fig. 22 - Engine Group (006115-006408)



353207 - 550, D, Cont

Ref.	Part No.	Serial Number	Description	Qty.
1	51176	(006115-006408)	Dampner, Engine	5
2	65894	(006115-006408)	Mount, Engine, R.H.	1
3	65967	(006115-006408)	Rod, Throttle	1
4	14595-1	(006115-006408)	Clevis, Adjustable	1
5	14605	(006115-006408)	Pin, Clevis	1
6	16551	(006115-006408)	Rod, Throttle	1
7	14601	(006115-006408)	Ball Joint	2
8	15785	(006115-006408)	Arm	1
9	16556	(006115-006408)	Bracket, Throttle	1
10	16557	(006115-006408)	Angle, Mounting Bracket	1

Fig. 22 - Engine Group (006115-006408)

Ref.	Part No.	Serial Number	Description	Qty.	
11	16931	(006115-006408)	Screw, Hex, M8	2	
12	16552	(006115-006408)	Rod, Vertical Throttle	1	
13	15806	(006115-006408)	Clip, Rod End	1	
14	76290	(006115-006408)	Plate, Pump Mounting	1	
15	78005-2	(006115-006408)	Send-unit, Water, Temp, 04npt	1	
16	78170	(006115-006408)	Fitting, Straight	1	
17	39277	(006115-006408)	Screw, Hex, M8	2	
18	16499	(006115-006408)	Tube, Air Intake	1	
19	34954	(006115-006408)	Gasket, Intake	1	
20	39279	(006115-006408)	Screw, Hex, M8	4	
21	391800	(006115-006408)	Sheave	1	
22	39284	(006115-006408)	Screw, Hex, M10	3	
23	34194	(006115-006408)	V-Belt	1	
24	34833	(006115-006408)	Pulley, Alternator	1	
25	41342	(006115-006408)	Screw, Hex, M8	1	
26	08892	(006115-006408)	Sleeve	1	
▽	27	78068	(006115-006408)	Coupling Assembly, Drive	1
▲	28	76291	(006115-006408)	Insert, Drive	1
29	34065	(006115-006408)	Boot	1	
▽	30	03233	(006115-006408)	Alternator	1
▲	61515	(006115-006408)	Diode and Rectifier Assembly	1	
▲	61516	(006115-006408)	Brush Assembly	2	
▲	01844	(006115-006408)	Bearing, Ball	1	
▲	61517	(006115-006408)	Regulator, Voltage	1	
▲	31	00500-5	(006115-006408)	Key, Woodruff	1
32	41348	(006115-006408)	Screw, Hex, M14	8	
33	16490	(006115-006408)	Bracket, Engine Mounting	1	
34	36417	(006115-006408)	Sleeve	1	
35	57311	(006115-006408)	Bushing	1	
36	08891	(006115-006408)	Sleeve	1	
37	06507	(006115-006408)	Fitting, Elbow	1	
38	65951	(006115-006408)	Engine, Diesel, TM27 (See Continental Engine Breakdown)	1	
39	23999-8	(006115-006408)	Pin, Roll	2	
40	76762	(006115-006408)	Hose	1	
41	41358	(006115-006408)	Screw, Socket, Metric	6	
42	41187	(006115-006408)	Washer, Belleville	1	
43	49934	(006115-006408)	Fitting, Elbow	1	
44	57075	(006115-006408)	Fitting, Elbow	1	
45	40625	(006115-006408)	Fitting, Cap	1	
46	82829	(006115-006408)	Clamp, Hose Support	1	
47	68872	(006115-006408)	Boot, Battery	1	
48	02076	(006115-006408)	Cover, Terminal	1	
▽	52049	(006115-006408)	Control Assembly, Throttle	1	
▲	49	51693	(006115-006408)	Spring, Compression	1
▲	50	51691	(006115-006408)	Plate, Throttle	1
▲	51	51692	(006115-006408)	Pin, Pivot	1
▲	52	51689	(006115-006408)	Bracket, Throttle	1
▲	53	20021	(006115-006408)	Pin, Roll	1
▲	54	51690	(006115-006408)	Lever, Throttle	1
▲	55	26565	(006115-006408)	Knob	1
56	29832-7	(006115-006408)	Cable, Grounding	1	

STANDARD PARTS

Fig. 22 - Engine Group (006115-006408)

Ref.	Part No.	Serial Number	Description	Qty.
57	32552	(006115-006408)	Hose	1
58	11979	(006115-006408)	Fitting, Straight, Brass	1
59	34877	(006115-006408)	Screw, Hex, M10	1
60	76602	(006115-006408)	Bracket, Mounting Engine	1
61	76544	(006115-006408)	Bracket, Mounting Engine	1
62	51564	(006115-006408)	Washer	5
	32814	(006115-006408)	Label, Throttle and Solution Control	1
	16933	(006115-006408)	Wire Assembly, No. 46	1
	50456	(006115-006408)	Terminal, Quick-Disconnect	1

Fig. 23 - Engine Group (006409-007002)

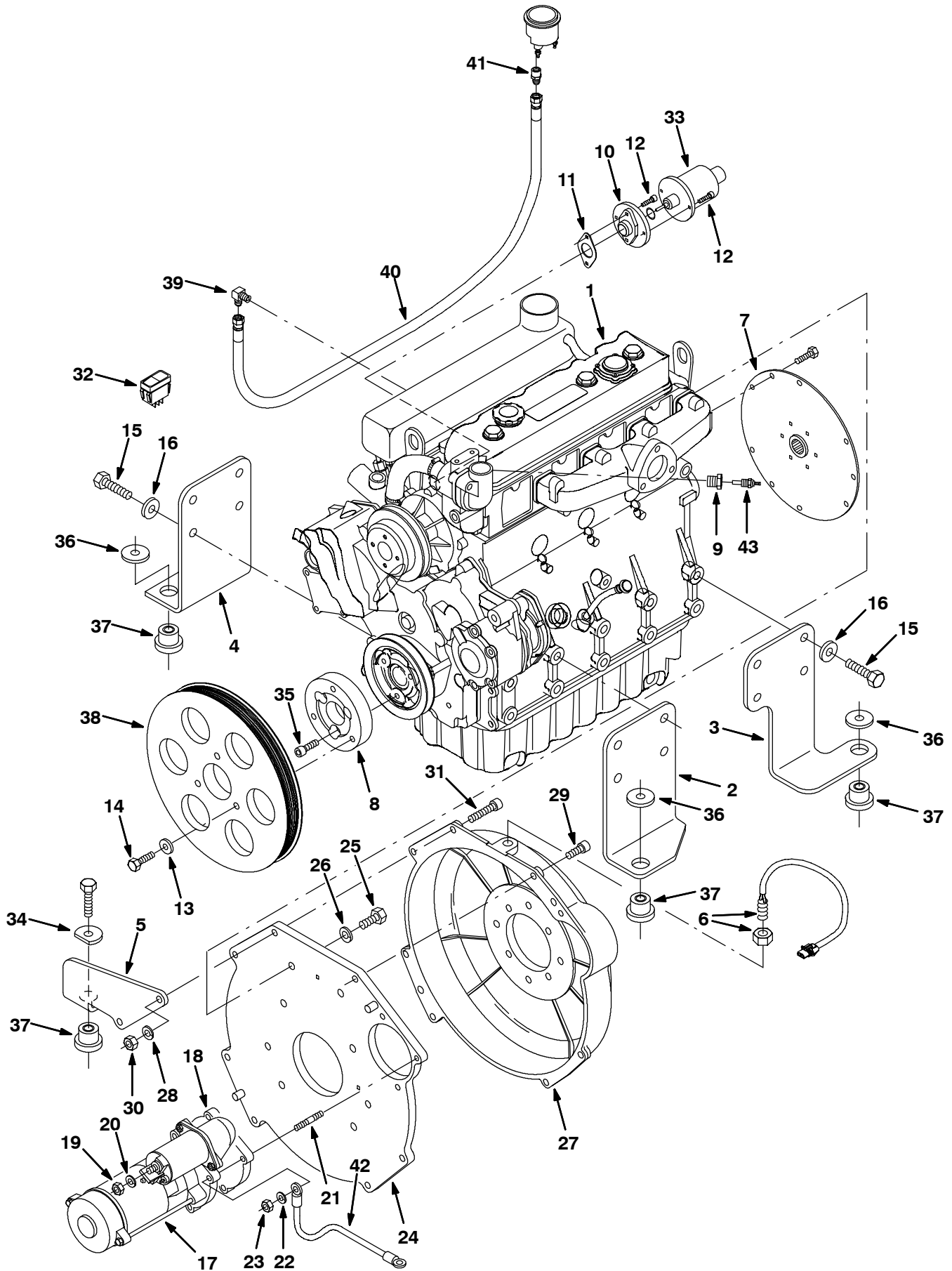


Fig. 23 - Engine Group (006409-007002)

Ref.	Part No.	Serial Number	Description	Qty.
1	1049364	(006409-007002)	Vr, Block, Long [Reman](See Perkins Engine Breakdown)	1
2	371587	(006409-007002)	Mount, Left Front	1
3	371588	(006409-007002)	Mount, Left Rear	1
4	371589	(006409-007002)	Mount, Right Front	1
5	371590	(006409-007002)	Mount, Right Rear	1
6	371600	(006409-007002)	Sensor, Magnet	1
7	371606	(006409-007002)	Coupling	1
8	371609	(006409-007002)	Adaptor, Cshaft Pulley	1
9	24698	(006409-007002)	Fitting, Brs, Str, Pf02/Pm06	1
10	71384	(006409-007002)	Adaptor, Actuator, Governor/Eng, Dsl	1
11	70165	(006409-007002)	Gasket, Throttle	1
12	71388	(006409-007002)	Screw, Soc, M06 X 1.0 X 16, 12.9	4
13	32491	(006409-007002)	Washer, Flt, .31 Std	3
14	39670	(006409-007002)	Screw, Hex, .38-24 X 1.50, 5	3
15	371618	(006409-007002)	Screw, Hex, M14-20 X 30, 10.9	12
16	371617	(006409-007002)	Washer, M14, Hardened	12
17	371622	(006409-007002)	Starter	1
18	371624	(006409-007002)	Spacer, Starter	1
19	371613	(006409-007002)	Nut, M10-1.50	1
20	371614	(006409-007002)	Washer, Lock, M10	1
21	371625	(006409-007002)	Stud, .38-16 X 2.25, 5	3
22	371626	(006409-007002)	Washer, Lock, .38	3
23	371627	(006409-007002)	Nut, .38-24	3
24	371628	(006409-007002)	Plate, Rear Mounting	1
25	371634	(006409-007002)	Screw, M12-1.75 X 30	8
26	371629	(006409-007002)	Washer, Lock, M12	8
27	371630	(006409-007002)	Housing, [Ktr]	1
28	371631	(006409-007002)	Washer, Lock, .44	2
29	371638	(006409-007002)	Screw, Soc, .44-20 X 1.00, 5	5
30	371632	(006409-007002)	Nut, .44-20	2
31	371640	(006409-007002)	Screw, Soc, .44-20 X 2.00	2
32	371636	(006409-007002)	Switch, Hi Low	1
33	71385	(006409-007002)	Actuator, Governor, Die	1
34	392550	(006409-007002)	Washer, Flat, Perkins, [550/1550]	1
35	39309	(006409-007002)	Screw, Soc, M10 X 1.5 X 25, 12.9	3
36	51564	(006409-007002)	Washer, 0.53b 1.75d .12, Stl, PI	3
37	51176	(006409-007002)	Dampener, Eng	4
38	391800	(006409-007002)	Sheave, [Poly-V], 12.6d, 8grv, 2.50b	1
39	06507	(006409-007002)	Fitting, Brs, E90, Pm02/Sm04	1
40	32552	(006409-007002)	Hose, Lpg, Med04, Jf04str/Jf04str, 48.0l	1
41	11979	(006409-007002)	Fitting, Brs, Str, Pm02/Sm04	1
42	29832-7	(006409-007002)	Cable, Grounding	1
43	78005-2	(006409-007002)	Send-unit, Water, Temp, 04npt	1

Fig. 24 - Engine Group (007003-)

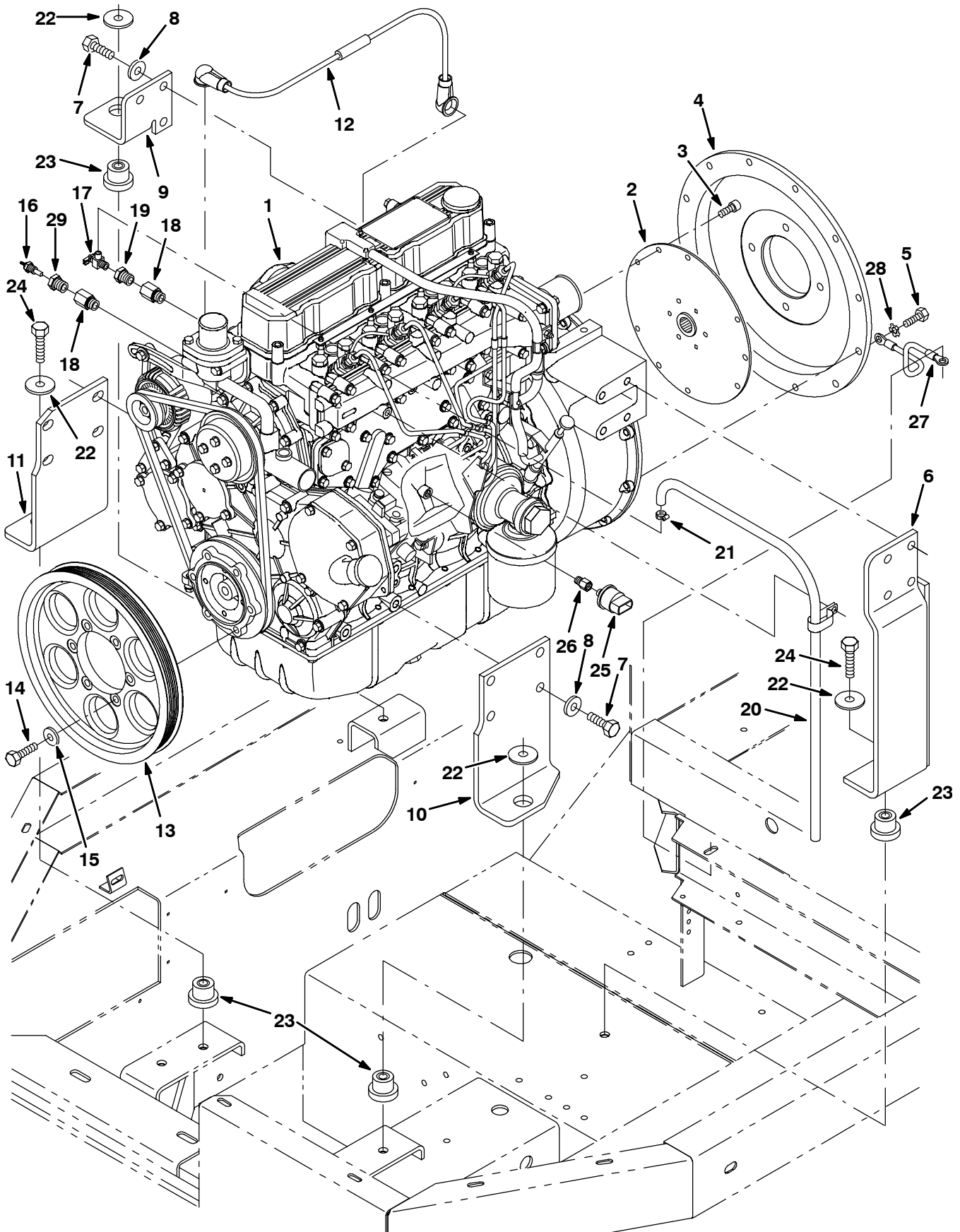


Fig. 24 - Engine Group (007003-)

Ref.	Part No.	Serial Number	Description	Qty.
1	1011676	(007003-007254)	Engine Assy, Dsl [550/1550] (See 1011676 Cat Engine Breakdown)	1
1	1040607	(007255-	Engine, Dsl, 63hp [Cat 3.4 2008] (See 1040607 Cat Engine Breakdown)	1
2	35980	(007003-	Coupling, Drive, Flex, 10.3d/15tooth	1
3	39309	(007003-	Screw, Soc, M10 X 1.5 X 25, 12.9	6
4	380520	(007003-	Housing, Flywheel, Mach, [704] Perk	1
5	03192	(007003-	Screw, Hex, M10 X 1.5 X 30, 8.8	12
6	1010843	(007003-	Bracket Wldt, Mtg, Rear, Rh	1
7	06968	(007003-	Screw, Hex, M12 X 1.75 X 35, 8.8	15
8	32493	(007003-	Washer, Flat, 0.50 Std	15
9	1010739	(007003-	Bracket, Mtg, Rear, Lh	1
10	1010738	(007003-	Bracket, Mtg, Front, Rh	1
11	1010735	(007003-	Bracket, Mtg, Front, Lh	1
12	1011701	(007003-	Wire Assy, 4ga, 150 Amp Fuse	1
13	1012192	(007003-	Sheave, 8grv, 12.6d, 4.10b	1
14	39284	(007003-	Screw, Hex, M10 X 1.5 X 35, 8.8	6
15	32492	(007003-	Washer, Flat, 0.38 Std	6
16	78005-2	(007003-	Send-unit, Water, Temp, 04npt	1
17	51305	(007003-	Fitting, Draincock, .25npt 90	1
18	1015762	(007003-	Fitting, Hyd, Str, Metric, Om16/Pf06	2
19	1016383	(007003-	Fitting, Brs, Str, Pm06/Pf04	1
20	63182-2	(007003-	Hose, Pvc, Clr, 0.38id 0.56od 36.00l	1
21	43844	(007003-	Clamp, Hose, Wormdrive, 0.25-0.62d, .31w	1
22	51564	(007003-	Washer, Flat, 0.53b 1.75d .12, Stl, Pl	4
23	51176	(007003-	Isolator, Vib, Dia .50 [Ko]	4
24	48665	(007003-	Screw, Hex, .50-13 X 2.00, NI	4
25	1055106	(007003-	Switch, Press, 0006psi Dpdt	1
26	1011973	(007003-	Fitting, Hyd, Str, 02bsppm/Pf02	1
27	57773	(007003-	Wire Assy, 06ga 13.0l Blk .41h/ .41h	1
28	41142	(007003-	Washer, Lock, Int-Ext, .38	1
29	24698	(007003-	Fitting, Brs, Str, Pf02/Pm06	1

Fig. 25 - Engine Throttle Group (007003-)

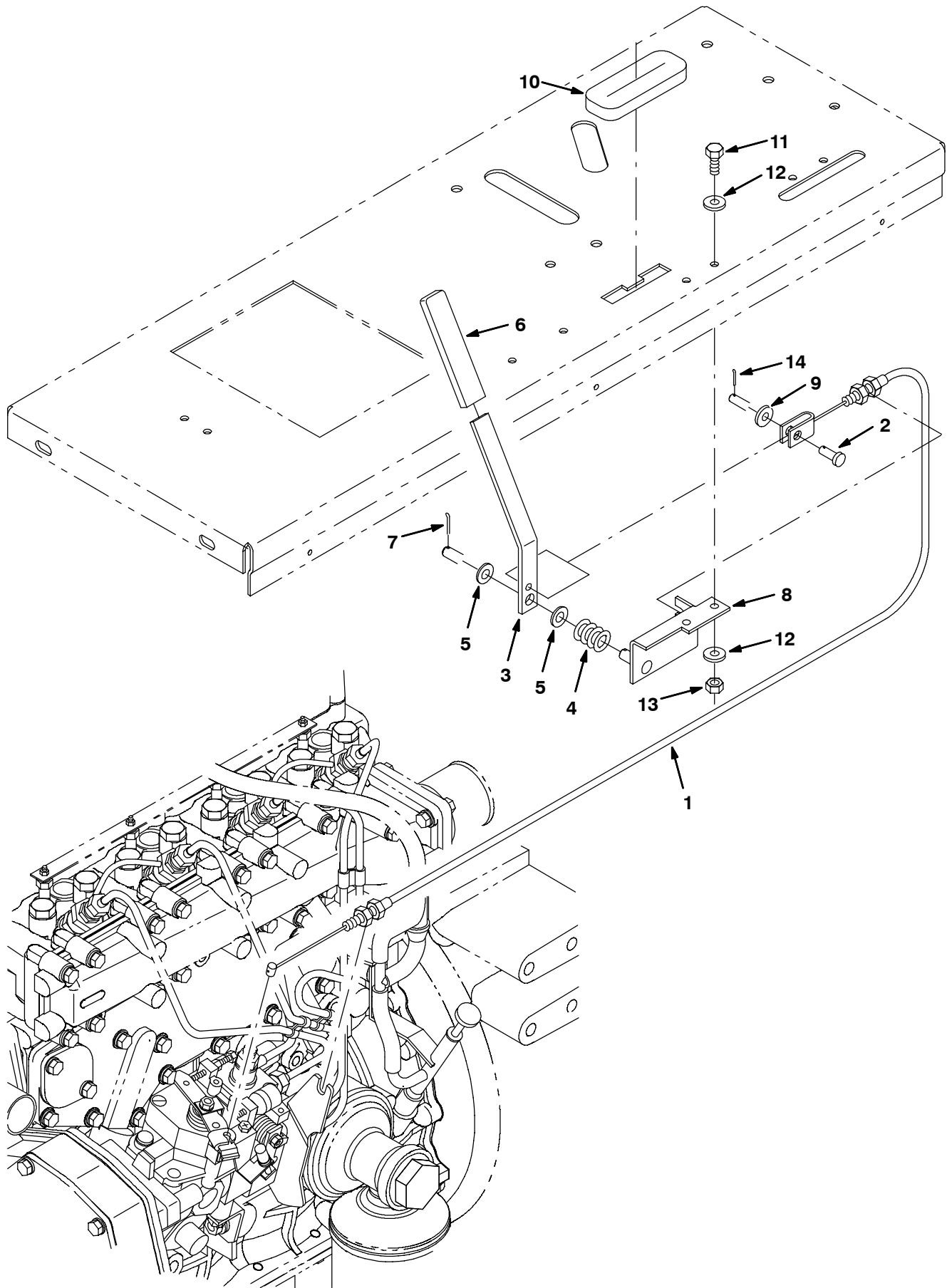


Fig. 25 - Engine Throttle Group (007003-)

Ref.	Part No.	Serial Number	Description	Qty.
1	73799	(007003-) Cable, Pull, 70.5l, .3clevis/.23ball	1
2	28296	(007003-) Pin, Clevis, 0.25 D X 0.50l	1
3	70752	(007003-) Handle, Throttle, Dsl	1
4	69495	(007003-) Spring, Cmpr, 18.3d, 2.0w, 16.5l Mw Zn	1
5	43611	(007003-) Washer, Flat, 0.39b 0.75d .06, Nyl	2
6	87246	(007003-) Grip, Vyl, .18 X .75 X 4.00	1
7	39005	(007003-) Pin, Cotter, .094 X 0.75	1
8	77693	(007003-) Plate Wldt, Angle	1
9	32490	(007003-) Washer, Flat, 0.25 Std	1
10	77789	(007003-) Seal, Ure, 0.50th, 1.50w X 05.0l, Slit	1
11	06942	(007003-) Screw, Hex, M6 X 1.0 X 16, 8.8	2
12	19066	(007003-) Washer, Flat, #10	4
13	08708	(007003-) Nut, Hex, Lock, M6 X 1.0, NI	2
14	08178	(007003-) Pin, Cotter, .062 X 0.75	1

STANDARD PARTS

Fig. 26 - Engine Oil Filter and Drain Group (006409-007002)

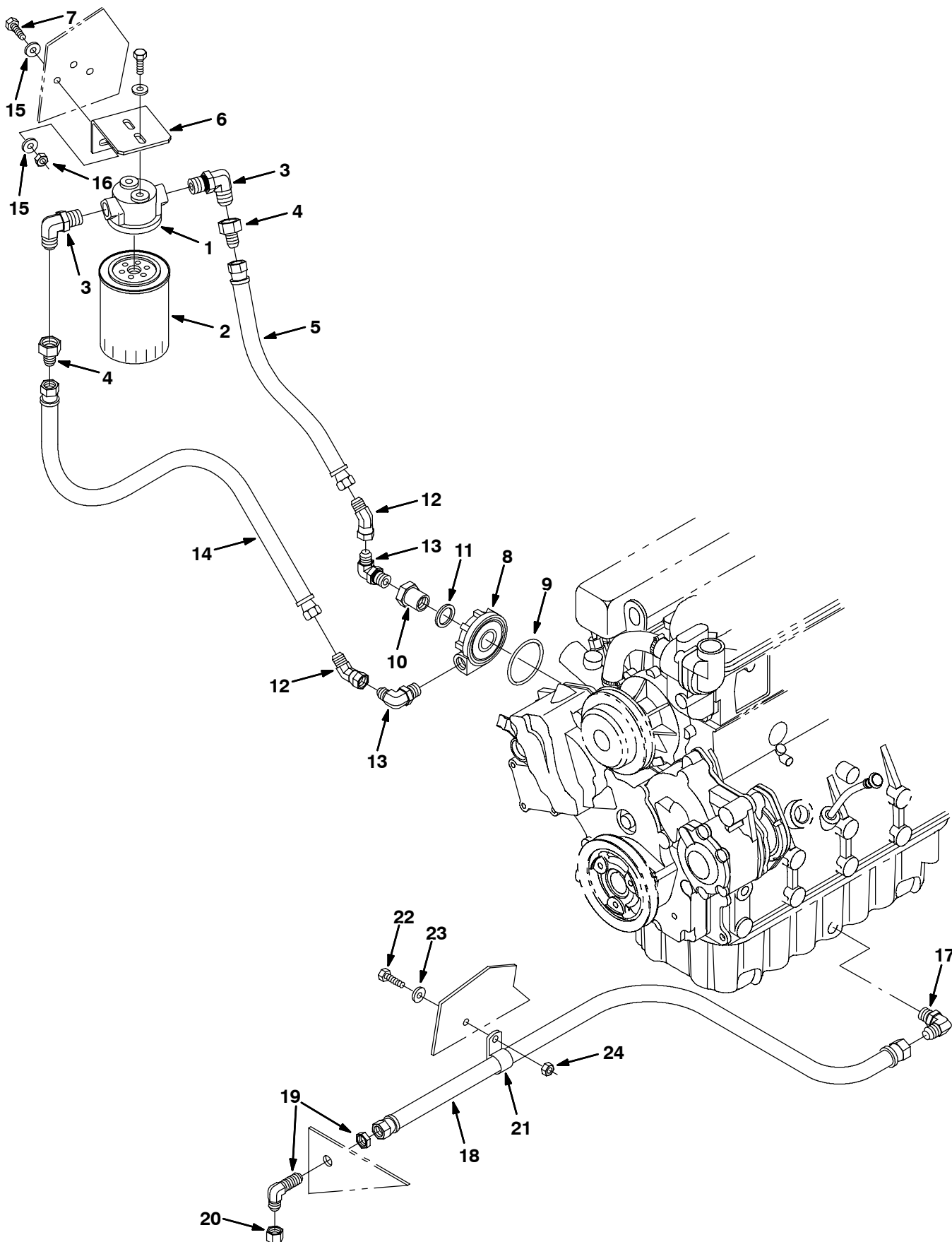
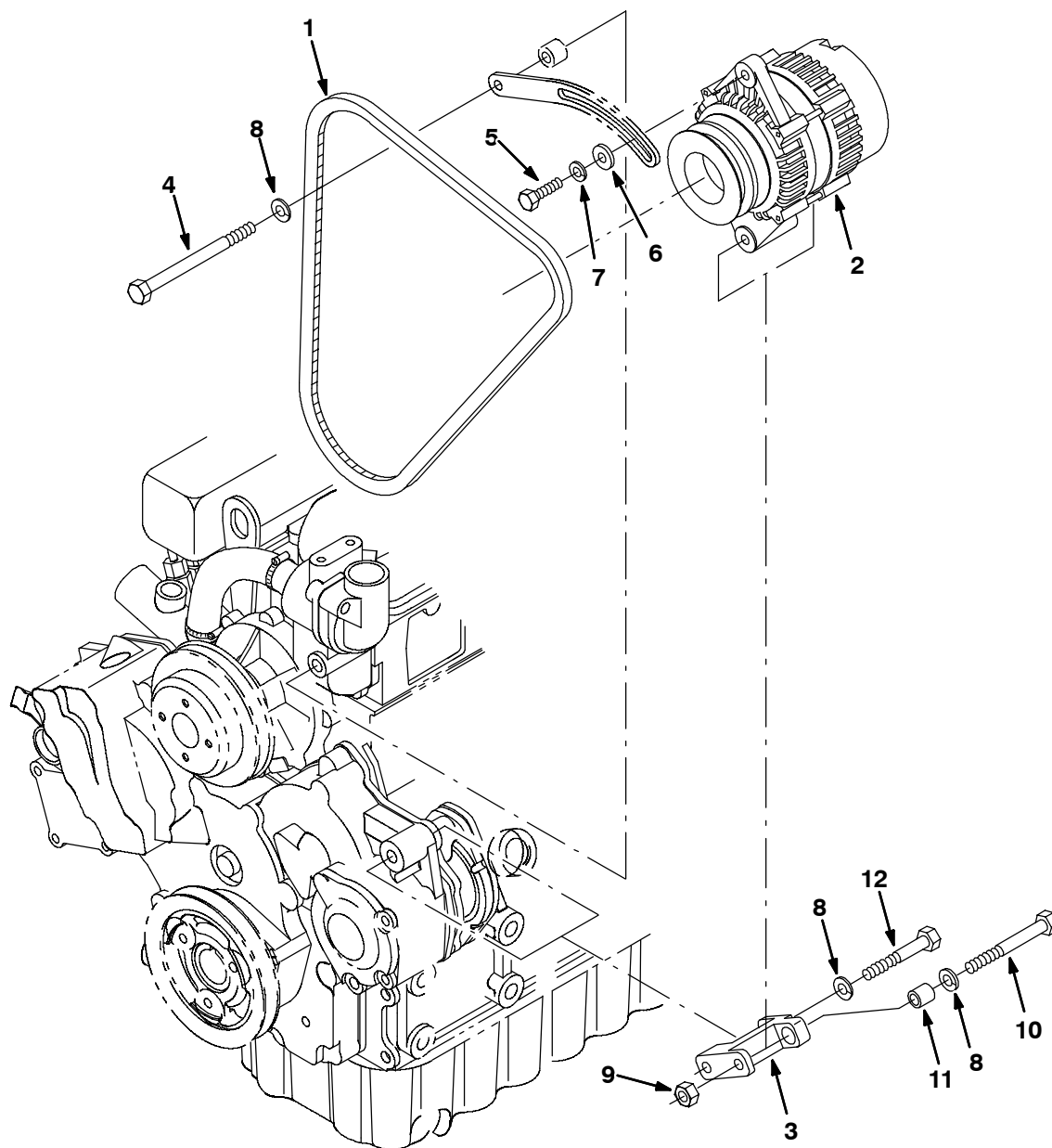


Fig. 26 - Engine Oil Filter and Drain Group (006409-007002)

Ref.	Part No.	Serial Number	Description	Qty.
1	380564	(006409-007002)	Filter Head, Oil, Rework	1
2	371637	(006409-007002)	Filter, Oil, (Diesel)	1
3	51782	(006409-007002)	Fitting, Hyd, E90, Jm10/Om10	2
4	47754	(006409-007002)	Fitting, Hyd, Str, Jm06/Jf10	2
5	392552	(006409-007002)	Hose, Hyd,Low06, Jf06str/Jf06str, 13.0	1
6	392547	(006409-007002)	Bracket, Fltr, Oil	1
7	76956	(006409-007002)	Screw, Hex, .31-18 X 1.25, 5	3
8	380547	(006409-007002)	Adaptor, Fltr, Oil, Rework	1
9	73292	(006409-007002)	Seal, O-Ring	1
10	380548	(006409-007002)	Fitting, Adaptor, Fltr, Oil, Rework	1
11	73293	(006409-007002)	Gasket	1
12	16472	(006409-007002)	Fitting, Hyd, E45, Jm06/Jf06	2
13	47512	(006409-007002)	Fitting, Hyd, E90, Jm06/Om08	2
14	62878	(006409-007002)	Hose, Hyd,Low06, Jf06str /Jf06str , 22.0	2
15	32491	(006409-007002)	Washer, Flt, .31 Std	6
16	32983	(006409-007002)	Nut, Hex, Lock, .31-18, NI	3
17	371602	(006409-007002)	Fitting, Pipe, E90, .75-16	1
18	371603	(006409-007002)	Hose, Oil Drain	1
19	34365	(006409-007002)	Fitting, Hyd, E90, Jm08/Jm08 Bh	1
20	60090	(006409-007002)	Fitting, Hyd, Cap Jf08	1
21	82829	(006409-007002)	Clamp, Cable, Stl, 0.63d X 0.75w, 1h	1
22	42370	(006409-007002)	Screw, Hex, .31-18 X 1.25, Ss	1
23	01685	(006409-007002)	Washer, Flt, .31 Ss	1
24	41437	(006409-007002)	Nut, Hex, Lock, .31-18, NI, Ss	1

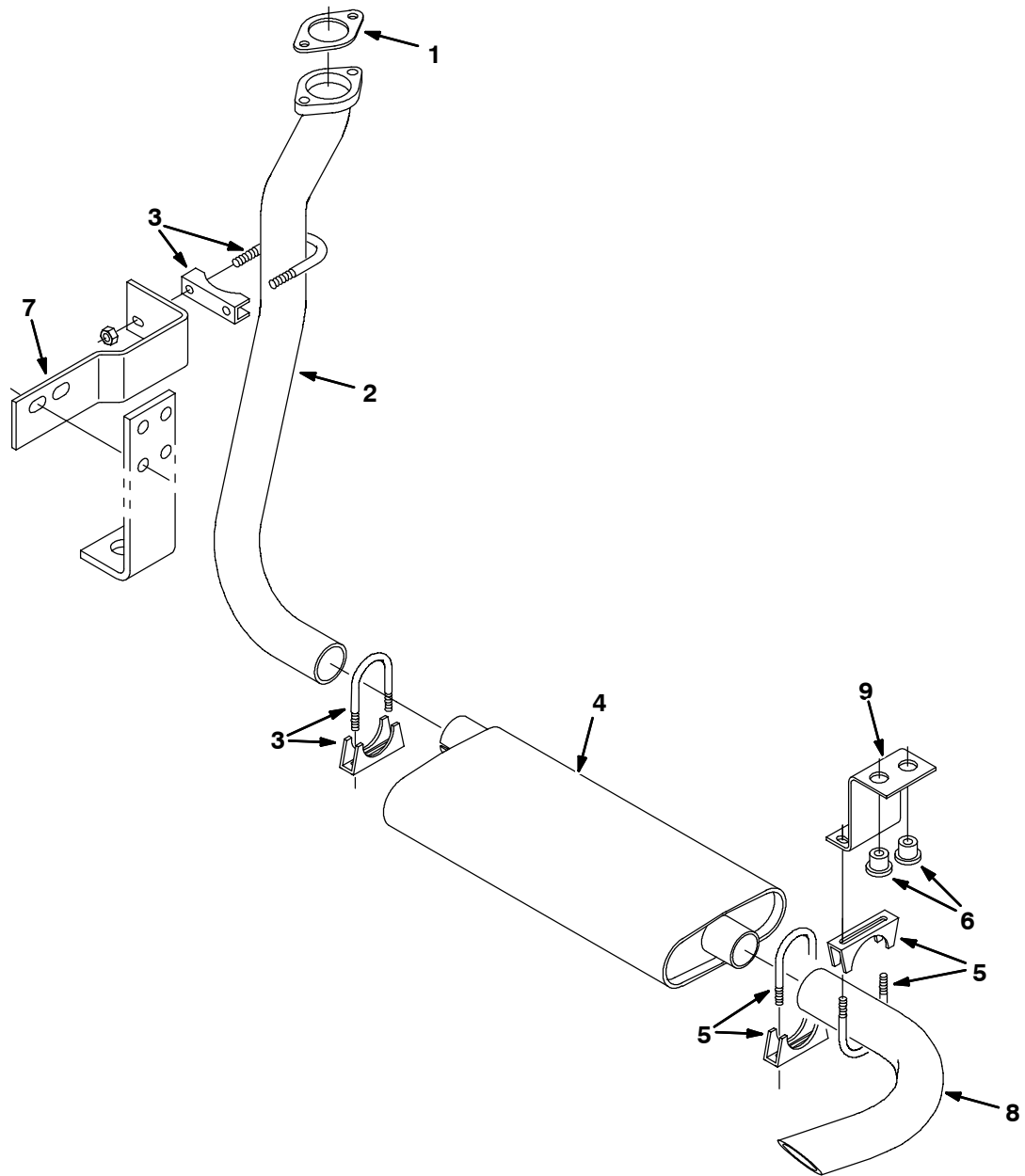
Fig. 27 - Engine Alternator Group (006409-007002)



353666 - 550. 1550, D, Perk

Ref.	Part No.	Serial Number	Description	Qty.
1	371601	(006409-007002)	Belt, Alternator	1
2	371598	(006409-007002)	Alternator	1
3	371599	(006409-007002)	Mount, Hsng, Alternator	1
4	371620	(006409-007002)	Screw, Hex, M10-1.50 X 130, 5	1
5	76570	(006409-007002)	Screw, Hex, M08 X 1.25 X 30, 8.8	1
6	32491	(006409-007002)	Washer, Flt, .31 Std	1
7	393994	(006409-007002)	Washer, Lock, .31	1
8	371614	(006409-007002)	Washer, Lock, M10	3
9	371613	(006409-007002)	Nut, M10-1.50	1
10	371615	(006409-007002)	Screw, Hex, M10-1.50 X 90, 8.8	1
11	371597	(006409-007002)	Sleeve, Alternator	1
12	16930	(006409-007002)	Screw, Hex, M10 X 1.5 X 50, 8.8	1

Fig. 28 - Engine Muffler Group (006115-006408)



09881 - 550, 1550, NA, Cont

Ref.	Part No.	Serial Number	Description	Qty.
1	34908	(006115-006408)	Gasket, Tail Pipe	1
2	16496	(006115-006408)	Tube, Exhaust	1
3	05880	(006115-006408)	Clamp, Muffler	2
4	21726	(006115-006408)	Muffler	1
5	24012-1	(006115-006408)	Clamp, Muffler	2
6	54274	(006115-006408)	Isolator, Vibration	2
7	49024	(006115-006408)	Bracket, Exhaust Support	1
8	76831	(006115-006408)	Pipe, Tail	1
9	12959	(006115-006408)	Bracket, Exhaust Mounting	1

Fig. 29 - Engine Muffler Group (006409-007002)

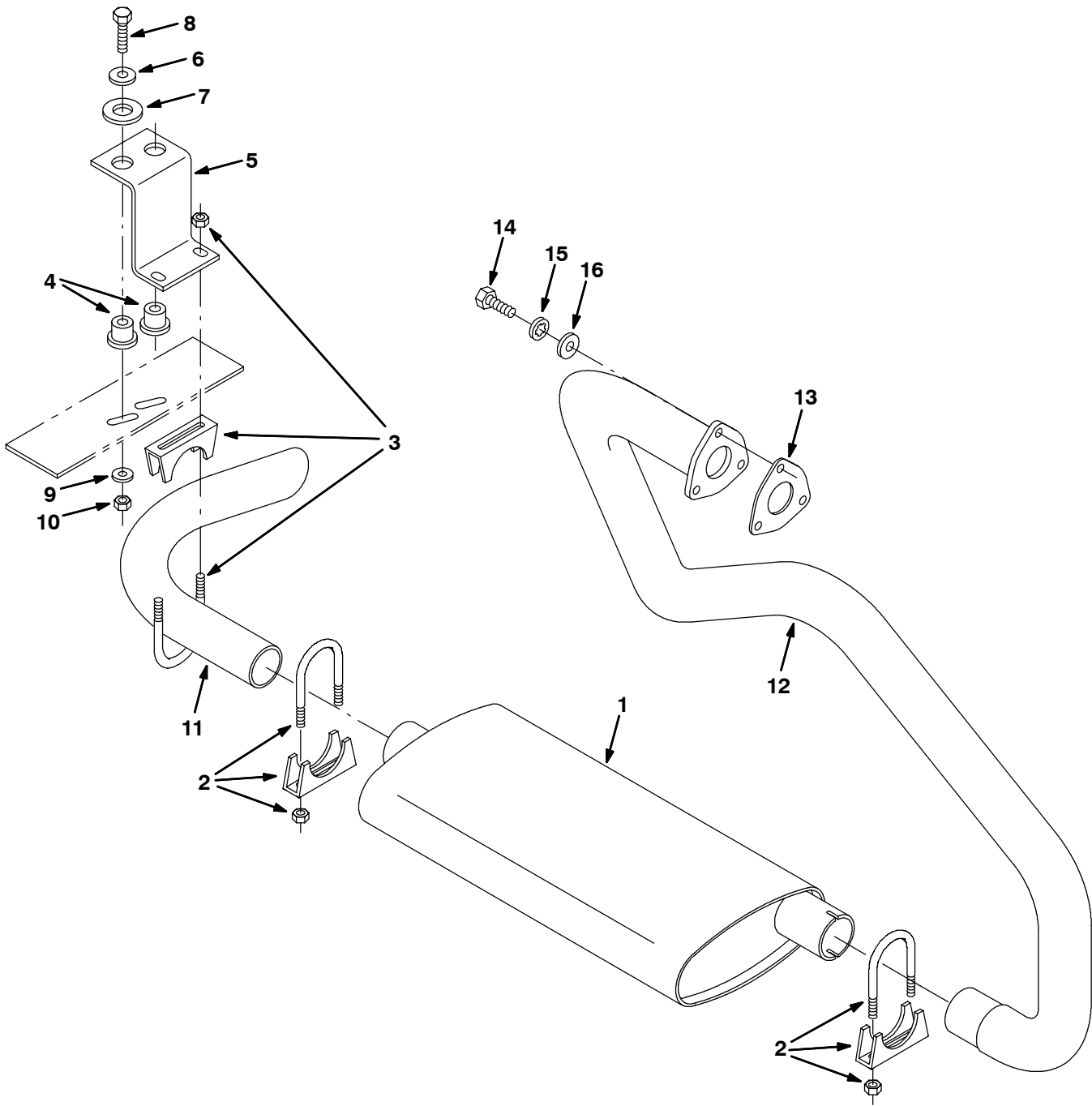


Fig. 29 - Engine Muffler Group (006409-007002)

Ref.	Part No.	Serial Number	Description	Qty.
1	21726	(006409-007002)	Muffler, Exhaust	1
2	05880	(006409-007002)	Clamp, Muffler, 1.88d	1
3	24012-1	(006409-007002)	Clamp, Muffler, 1.75d	2
4	54274	(006409-007002)	Isolator, Vib, Bshg, 1.1d 0.6l .4b 0.78h	2
5	12959	(006409-007002)	Bracket, Pipe, Exhaust	1
6	32492	(006409-007002)	Washer, Flt, .38 Std	2
7	39350	(006409-007002)	Washer, Flt, .75 Sae	2
8	76957	(006409-007002)	Screw, Hex, .31-18 X 1.50, 5	2
9	32491	(006409-007002)	Washer, Flt, .31 Std	2
10	32983	(006409-007002)	Nut, Hex, Lock, .31-18, NI	2
11	392543	(006409-007002)	Tube, Exhaust, 1.8d 1.8od Cut-45 E105	1
12	392549	(006409-007002)	Tube, Exhaust, 2.0d Flared W/FIng	1
13	370827	(006409-007002)	Gasket	1
14	21198	(006409-007002)	Screw, Hex, .38-16 X 1.25, 5	3
15	32988	(006409-007002)	Washer, Lock, Int, .38	3
16	32485	(006409-007002)	Washer, Flat, .38 Sae	3

Fig. 30 - Engine Muffler Group (007003-)

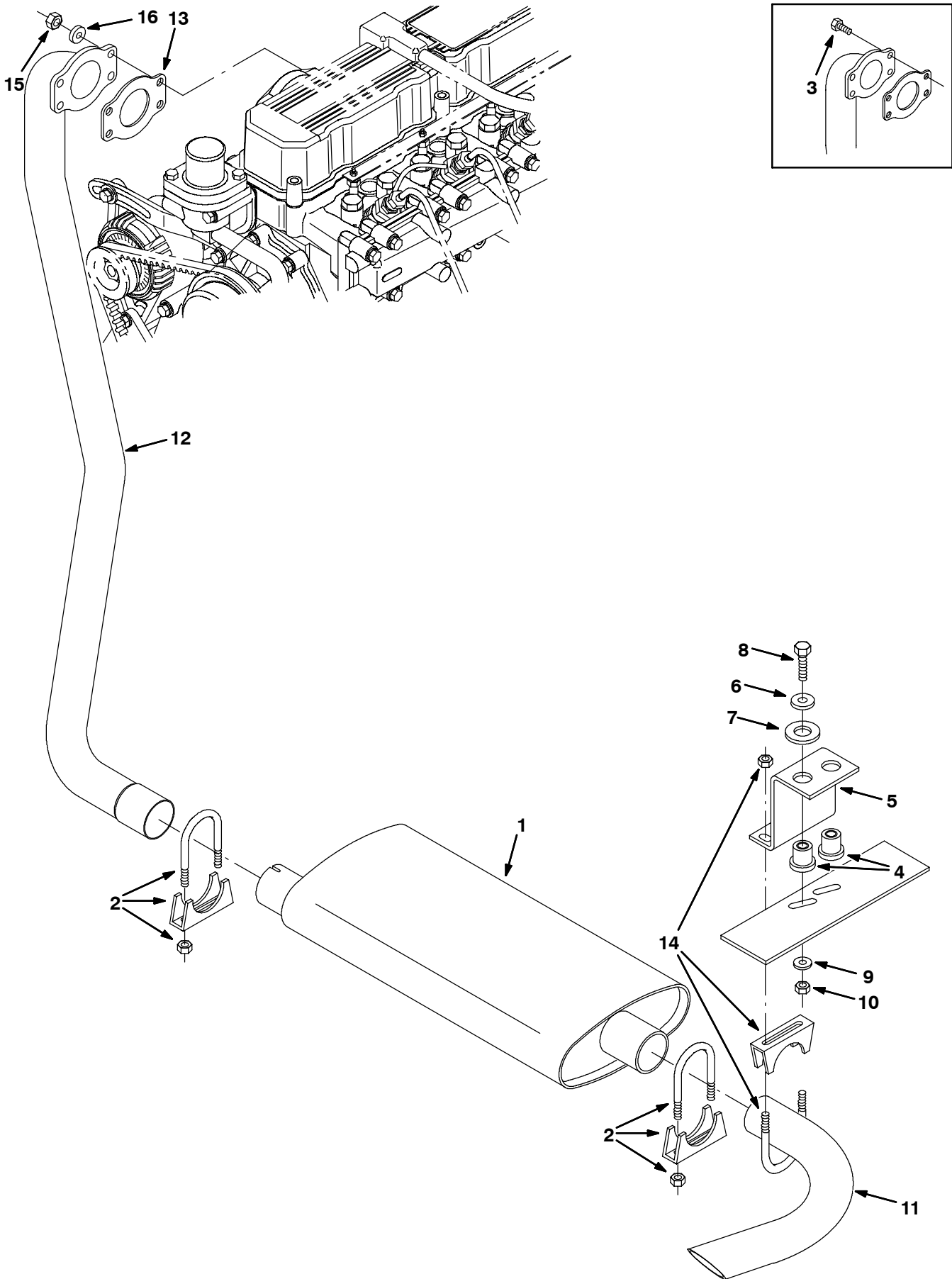
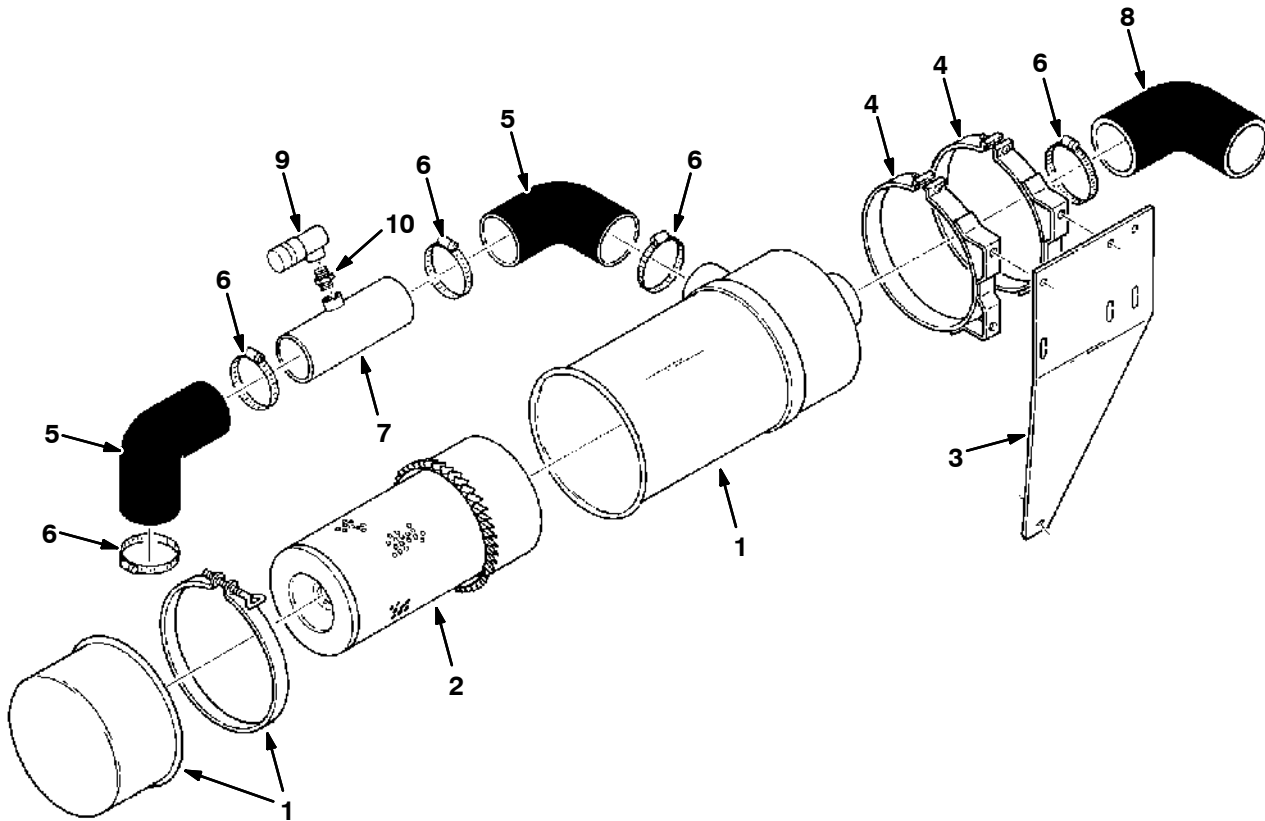


Fig. 30 - Engine Muffler Group (007003-)

Ref.	Part No.	Serial Number	Description	Qty.
1	21726	(007003-) Muffler, Exhaust	1
2	05880	(007003-) Clamp, Muffler, 1.88d	2
3	16735	(007003-007254) Screw, Hex, M8 X 1.25 X 16, 8.8	4
4	1013590	(007003-) Isolator, Vib, Bshg, 1.1d 0.6l .4b 0.78h	2
5	12959	(007003-) Bracket, Pipe, Exhaust	1
6	32492	(007003-) Washer, Flat, 0.38 Std	2
7	39350	(007003-) Washer, Flat, 0.75 Sae	2
8	76957	(007003-) Screw, Hex, .31-18 X 1.50, 5	2
9	32491	(007003-) Washer, Flat, 0.31 Std	2
10	32983	(007003-) Nut, Hex, Lock, .31-18, NI	1
11	392543	(007003-) Tube, Exhaust, 1.8d 1.8od Cut-45 E105	1
12	1012146	(007003-) Tube, Exhaust [550d]	1
13	372678	(007003-) Gasket, Exhaust	1
14	24012-1	(007003-) Clamp, Muffler, 1.75d	1
15	08165	(007255-) Nut, Hex, Stover, M8 X 1.25	4
16	1027531	(007255-) Spacer, 0.33b 0.50d 0.15l, PI	4

STANDARD PARTS

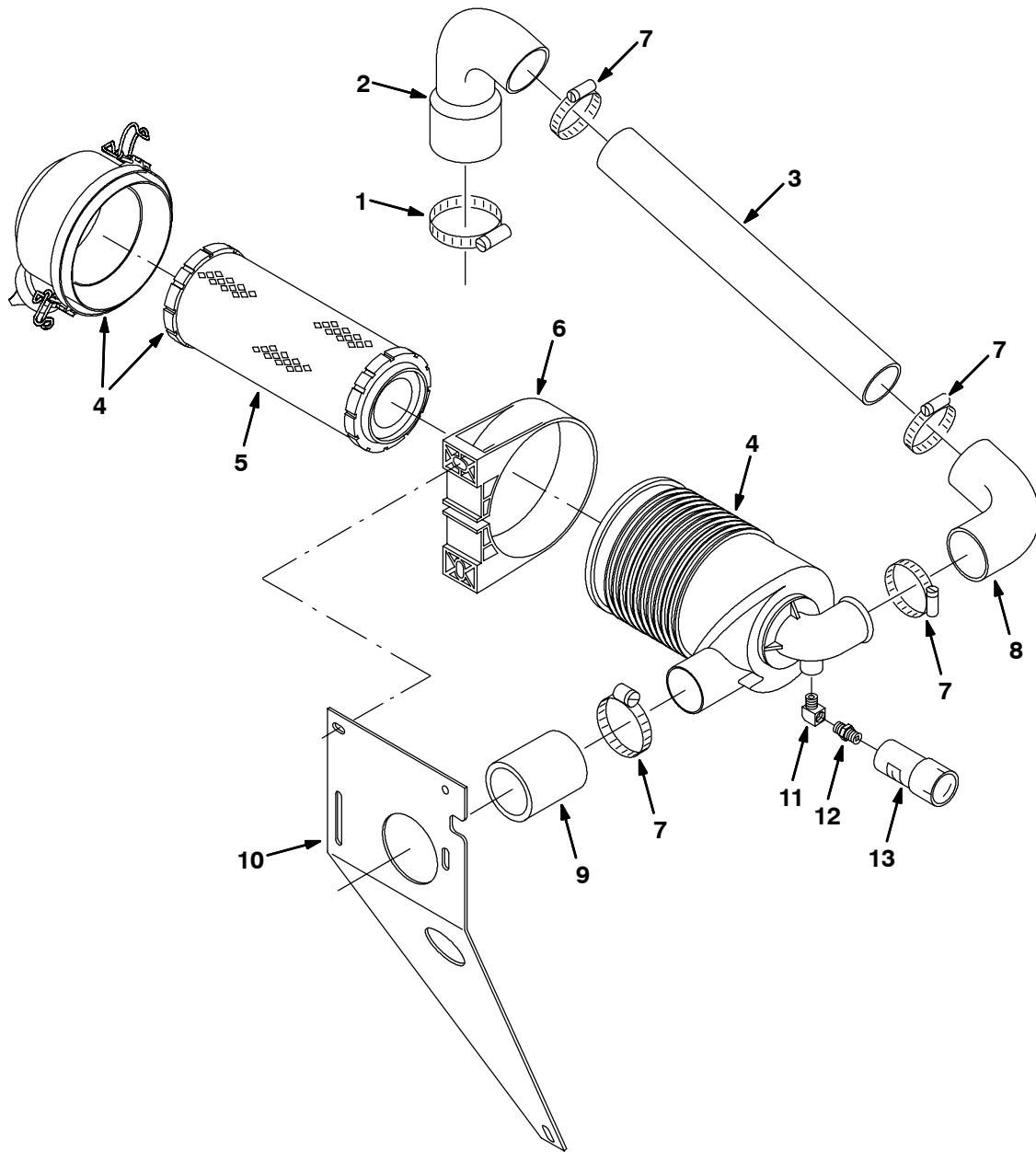
Fig. 31 - Engine Air Cleaner Group (006115-006408)



09880 - 550, 1550, D

Ref.	Part No.	Serial Number	Description	Qty.
▽	1	76319	(006115-006408) Air Cleaner	1
▲	2	76335	(006115-006408) Element, Air Cleaner	1
	3	76332	(006115-006408) Brace, Rear Panel	1
	4	76321	(006115-006408) Band, Air Cleaner	2
	5	52580-2	(006115-006408) Elbow, 90°	2
	6	14432	(006115-006408) Clamp, Worm Drive	5
	7	391846	(006115-006408) Tube, Air Cleaner	1
	8	16497	(006115-006408) Elbow	1
	9	51658-5	(006115-006408) Indicator, Filter Service	1
	10	51560-5	(006115-006408) Adapter, Filter, 1/8NPT	1

Fig. 32 - Engine Air Cleaner Group (006409-007002)



353670 - 550, 1550, D

Ref.	Part No.	Serial Number	Description	Qty.
1	43555	(006409-007002)	Clamp, Hose, Wormdrive, 1.62-3.50d	1
2	371607	(006409-007002)	Hose, Rbr, E90	1
3	371581	(006409-007002)	Pipe, Air Cleaner	1
▽ 4	369745	(006409-007002)	Filter, Air Cleaner Assembly	1
▲ 5	369746	(006409-007002)	Element, Filtr, Air	1
6	369747	(006409-007002)	Clamp, Mounting, Air Cleaner	1
7	22297	(006409-007002)	Clamp, Hose, Wormdrive, 1.56-2.50d	4
8	10509	(006409-007002)	Hose, Rbr, E90 2.00id 2.00id 03.5 2.3	1
9	15543	(006409-007002)	Hose, Rbr, 2.00id 2.50od 03.0l	1
10	369751	(006409-007002)	Brace, Rear Shroud	1
11	11984	(006409-007002)	Fitting, Pipe, E90, Pm02/Pf02	1
12	51560-5	(006409-007002)	Fitting, Brs, Str, 02mp, Service	1
13	03026	(006409-007002)	Indicator, Air Filter	1

Fig. 33 - Engine Air Cleaner Group (007003-)

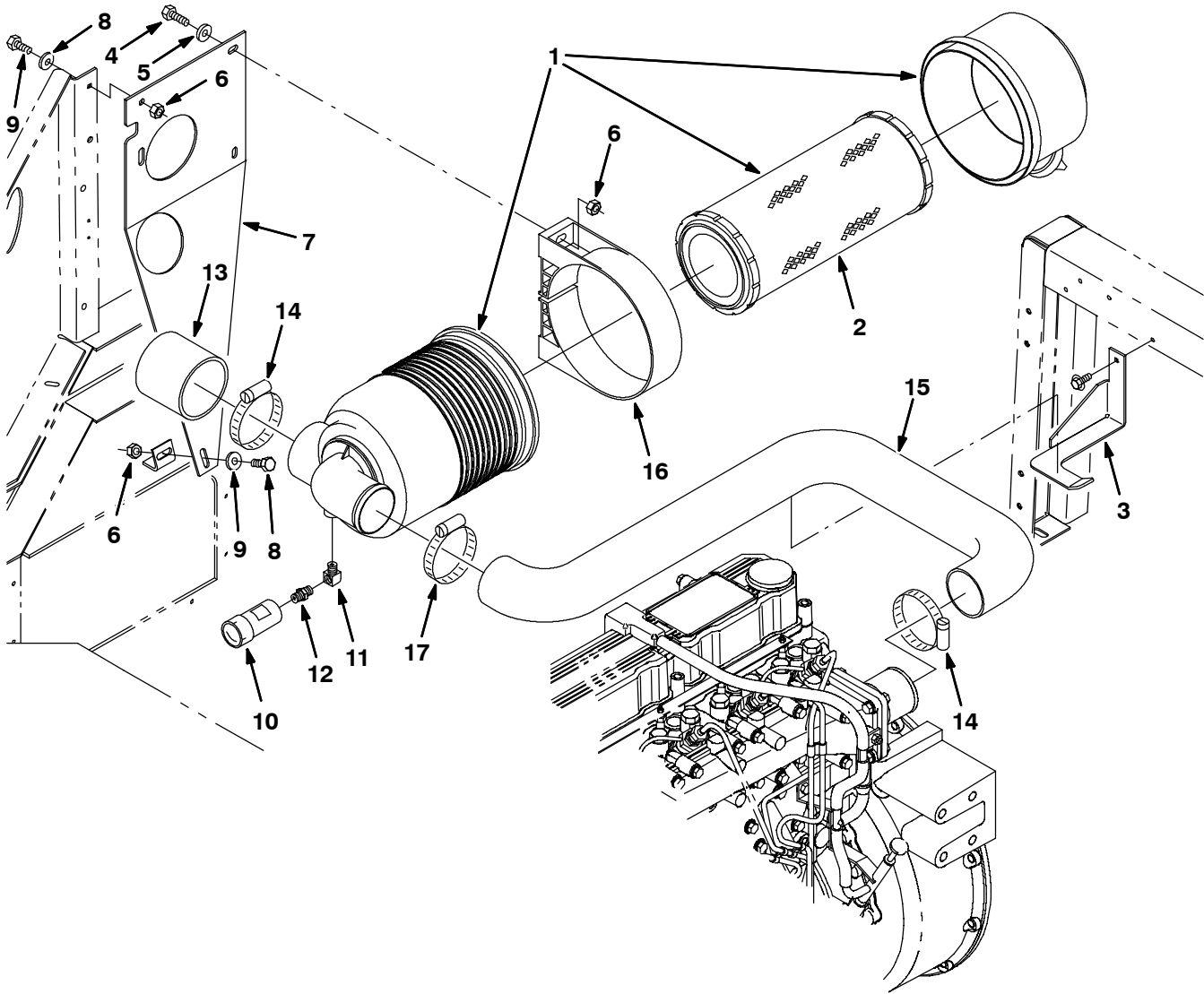


Fig. 33 - Engine Air Cleaner Group (007003-)

Ref.	Part No.	Serial Number	Description	Qty.
▽ 1	1013334	(007003-) Filter, Air-Clnr	1
▲ 2	372448	(007003-) Element, Fltr, Air [Dn]	1
3	1016171	(007003-) Bracket, Sppt, Hose, Intake	1
4	76955	(007003-) Screw, Hex, .31-18 X 1.00, 5	2
5	39349	(007003-) Washer, Flat, 0.31 Sae	2
6	32983	(007003-) Nut, Hex, Lock, .31-18, NI	5
7	1012721	(007003-) Brace, Shrd, Rear, Lh	1
8	54396	(007003-) Screw, Hex, .31-18 X 0.75, 5	3
9	32491	(007003-) Washer, Flat, 0.31 Std	3
10	03026	(007003-) Indicator, Service, Air Filter 20h20 Dn	1
11	11984	(007003-) Fitting, Pipe, E90, Pm02/Pf02	1
12	51560-5	(007003-) Fitting, Brs, Str, Pm02, Service	1
13	1015770	(007003-) Hose, Intake, Mold, 2.50id 2.50id,[Epdm]	1
14	22297	(007003-) Clamp, Hose, Wormdrive, 1.56-2.50d, .50w	2
15	1012149	(007003-) Hose, Air, Intake [550d]	1
16	1013367	(007003-) Mount, Band, Fltr, 6.79id	1
17	43555	(007003-) Clamp, Hose, Wormdrive, 1.62-3.50d, .56w	1

Fig. 34 - Engine Fuel Tank Group (006115-006408)

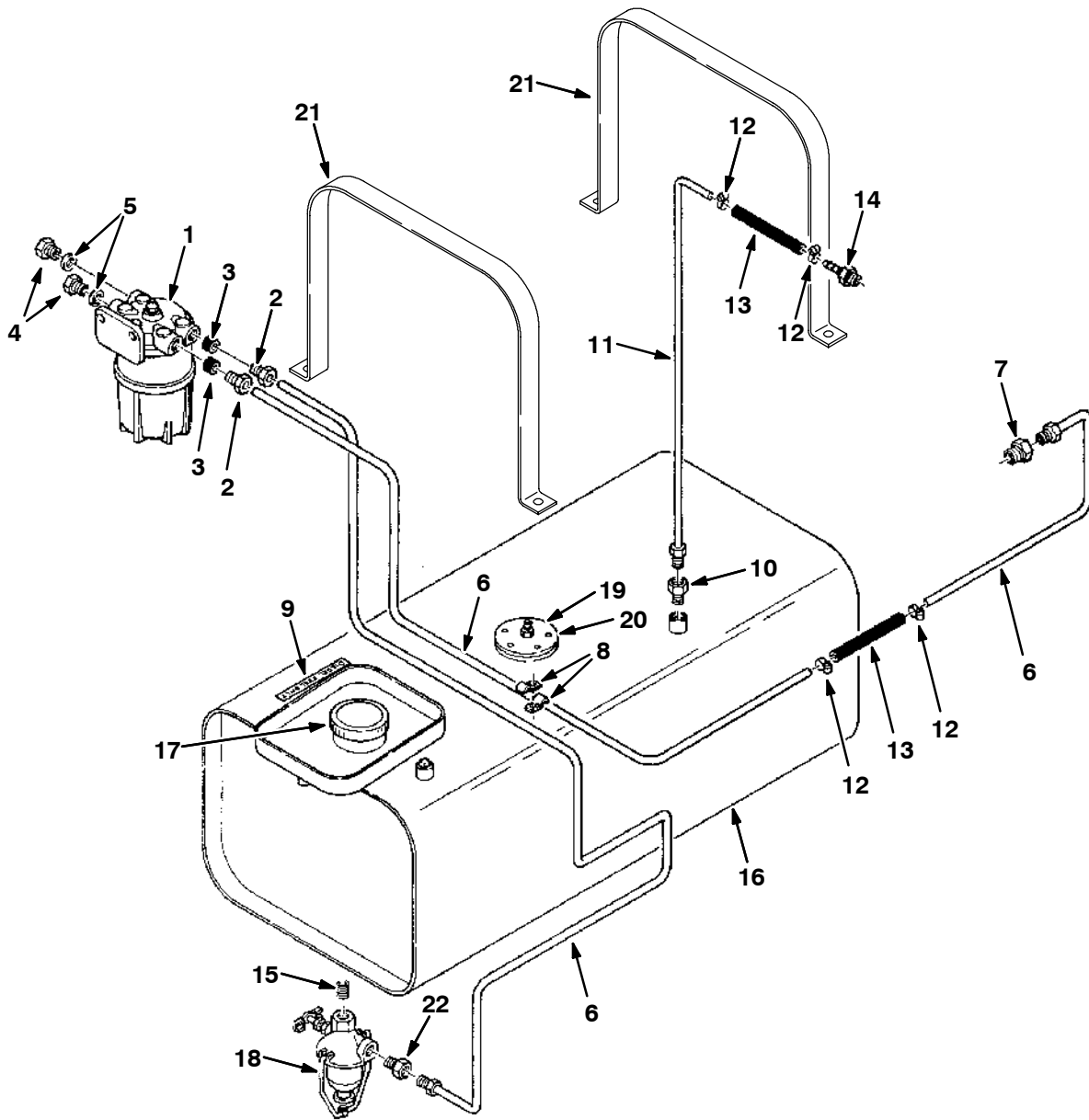


Fig. 34 - Engine Fuel Tank Group (006115-006408)

Ref.	Part No.	Serial Number	Description	Qty.	
1	52770-8	(006115-006408)	Watertrap, Fuel	1	
2	32587	(006115-006408)	Nut, Water Trap	2	
3	32590	(006115-006408)	Olive, Rubber	2	
4	32436	(006115-006408)	Plug, Sealing	2	
5	32435	(006115-006408)	Washer, Sealing	2	
6	16562	(006115-006408)	Tube Assembly	2	
7	16713	(006115-006408)	Fitting, Straight	1	
8	46236	(006115-006408)	Clamp, Cable	2	
9	45850	(006115-006408)	Decal, Diesel Fuel Only	1	
10	391823	(006115-006408)	Fitting, Connector	1	
11	16563	(006115-006408)	Tube Assembly	1	
12	43844	(006115-006408)	Clamp, Worm Drive	4	
13	32808	(006115-006408)	Hose, Fuel Line	2	
14	61686	(006115-006408)	Fitting, Straight	1	
15	47566	(006115-006408)	Connector	1	
▽	16	03977	(006115-006408)	Tank, Fuel	1
▲	17	48267	(006115-006408)	Cap, Fuel Tank	1
	18	04601	(006115-006408)	Strainer, Fuel	1
	19	07875	(006115-006408)	Sending Unit, Fuel Tank	1
	20	14131	(006115-006408)	Gasket	1
	21	04020	(006115-006408)	Clamp, Fuel Tank	2
	22	40585	(006115-006408)	Connector	1

Fig. 35 - Engine Fuel Tank Group (006409-007002)

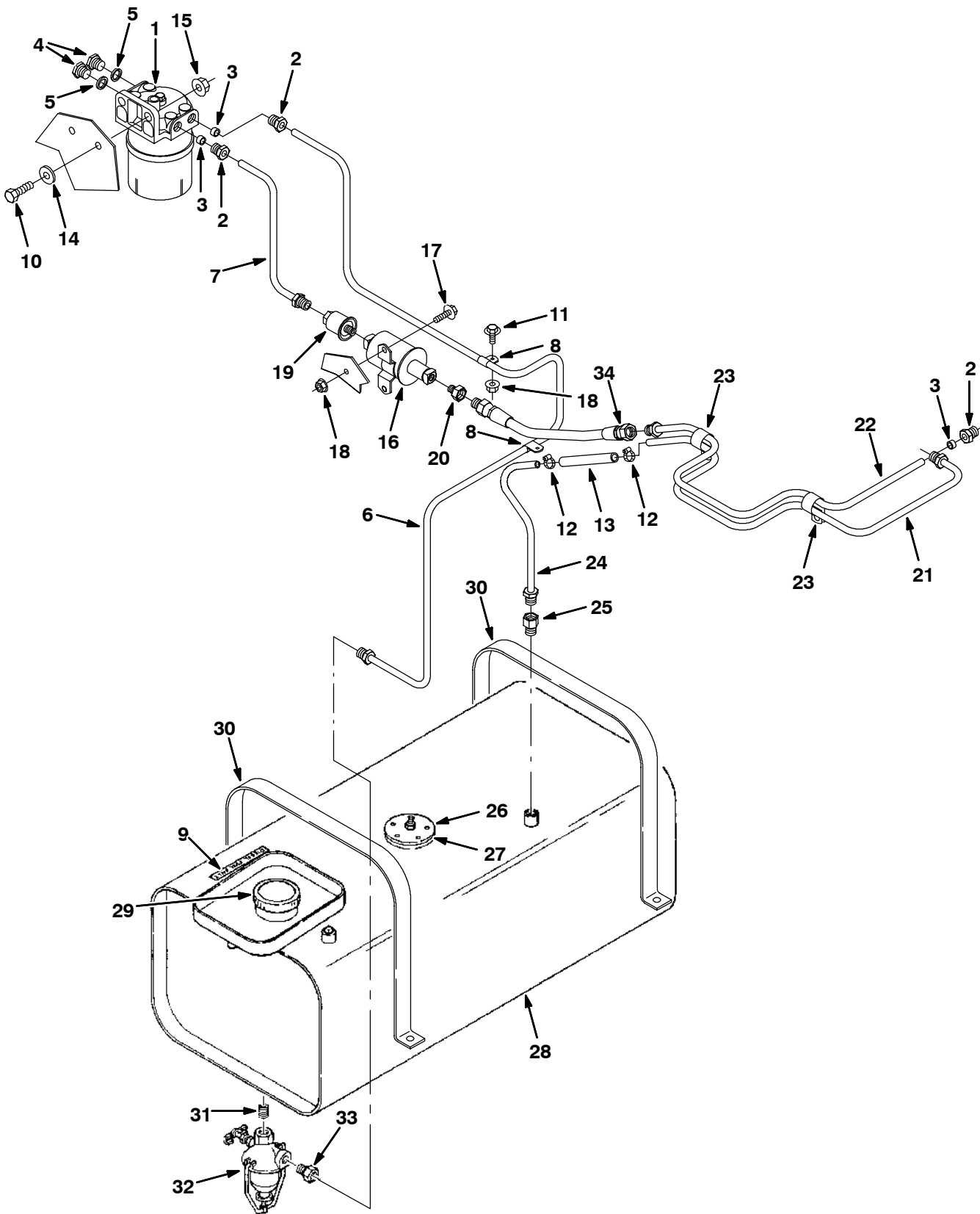


Fig. 35 - Engine Fuel Tank Group (006409-007002)

Ref.	Part No.	Serial Number	Description	Qty.
▽	1	52770-8	(006409-007002) Watertrap	1
▲		52770-9	(006409-007002) Element, Fltr, Fuel	1
	2	32587	(006409-007002) Nut	3
	3	32590	(006409-007002) Olive, Rubber	3
	4	32436	(006409-007002) Fitting, Plug, .50-20 Hex	2
	5	32435	(006409-007002) Washer, Sealing, Eng, Dsl	2
	6	392555	(006409-007002) Fuelline, .31d 05if/None Stl	1
	7	392548	(006409-007002) Fuelline, .31d 05if/None Stl	1
	8	46236	(006409-007002) Clamp, Cable, Stl, 0.25d X 0.56w, 1h	2
	9	45850	(006409-007002) Label, Caution, [Diesel Fuel Only]	1
	10	21198	(006409-007002) Screw, Hex, .38-16 X 1.25, 5	2
	11	16949	(006409-007002) Screw, Hex, .25-20 X 0.75, Sems	2
	12	43844	(006409-007002) Clamp, Hose, Wormdrive, 0.25-0.62d	2
	13	32808	(006409-007002) Hose, Fuel, 0.25id 04.0l	1
	14	32491	(006409-007002) Washer, Flt, .31 Std	2
	15	27980	(006409-007002) Nut, Hex, Flng, .38-16	2
	16	59015	(006409-007002) Pump, Fuel	2
	17	16950	(006409-007002) Screw, Hex, .25-20 X 1.00, Sems	1
	18	27979	(006409-007002) Nut, Hex, Flng, .31-18	3
	19	36050	(006409-007002) Filter, Fuel, In-Line	1
	20	40585	(006409-007002) Fitting, Brs, Str, Pm02/lf05	1
	21	392553	(006409-007002) Fuelline, .25d None/None Stl	1
	22	392554	(006409-007002) Fuelline, .31d 05if/None Stl	1
	23	49287	(006409-007002) Clamp, Cable, Stl, 0.75d X 0.88w, 1h	2
	24	16563	(006409-007002) Tube Assembly	1
	25	391823	(006409-007002) Fitting, Connector	1
	26	07875	(006409-007002) Sending Unit, Fuel Tank	1
	27	14131	(006409-007002) Gasket	1
▽	28	03977	(006409-007002) Tank, Fuel	1
▲	29	48267	(006409-007002) Cap, Fuel Tank	1
	30	04020	(006409-007002) Clamp, Fuel Tank	2
	31	47566	(006409-007002) Connector	1
	32	04601	(006409-007002) Strainer, Fuel	1
	33	40585	(006409-007002) Connector	1
	34	70173	(006409-007002) Hose, Fuel	1

Fig. 36 - Engine Fuel Tank Group (007003-)

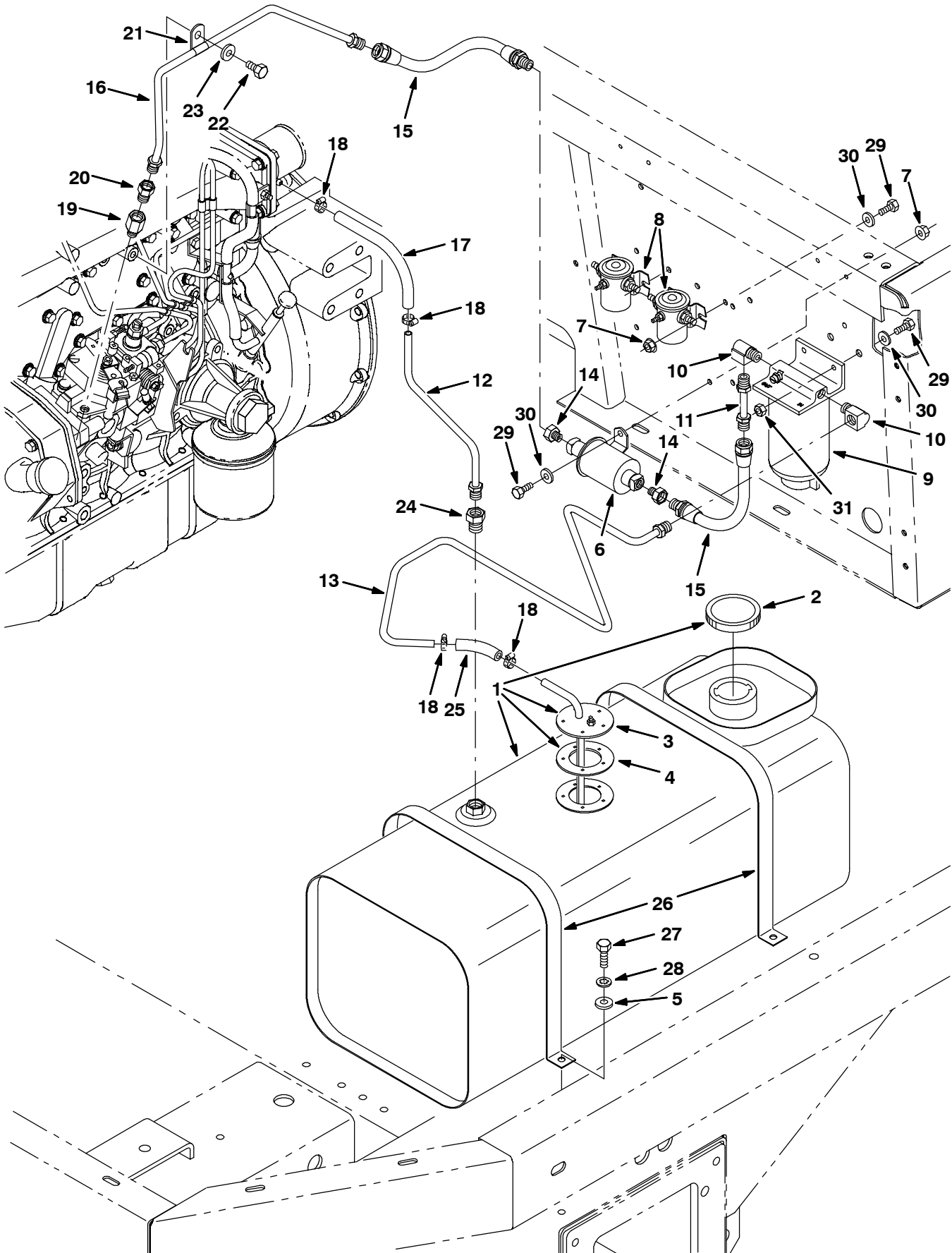
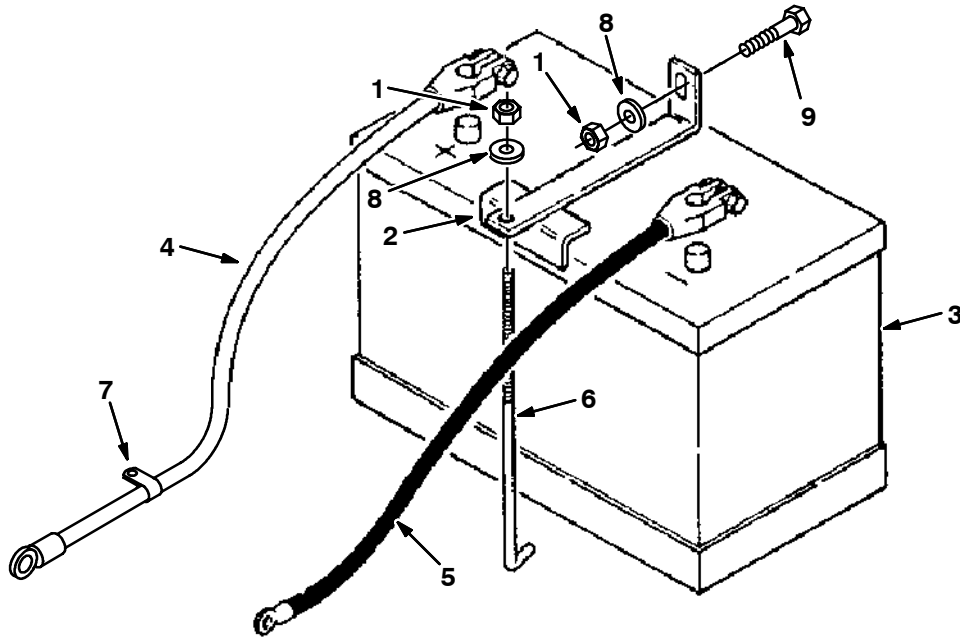


Fig. 36 - Engine Fuel Tank Group (007003-)

Ref.	Part No.	Serial Number	Description	Qty.
▽	1	1012112	(007003-) Tank, Fuel, 12 Gas 11.5 10.0 27.0	1
▲	2	48267	(007003-) Cap, Tank, Fuel, 2.3neck 2.6d	1
▲	3	372941	(007003-) Send-unit, Fuel	1
▲	4	1033897	(007003-) Gasket, Sender, Fuel	1
	5	32491	(007003-) Washer, Flat, 0.31 Std	4
	6	59015	(007003-) Pump, Fuel	1
	7	27978	(007003-) Nut, Hex, Flng, .25-20	5
	8	375117	(007003-) Relay, 12vdc, 100a, Spdt N/O [Camdec]	2
▽	9	1016827	(007003-) Filter Assy, Fuel, Dsl	1
▲		1017126	(007003-) Vr, Element, Fltr, Fuel	1
	10	15555-2	(007003-) Fitting, Brs, E90, lf05/Pm04	2
	11	382266	(007003-) Fuelline, .31d 03.1l 05if/05if Stl	1
	12	392548	(007003-) Fuelline, .31d 05if/None Stl	1
	13	1011917	(007003-) Fuelline, Dsl [550]	1
	14	40585	(007003-) Fitting, Brs, Str, lf05/Pm02	2
	15	70173	(007003-) Hose, 0050, 04, lm05str /lf05str , 10.0	2
	16	1011916	(007003-) Fuelline, Dsl [550]	1
	17	82686	(007003-) Hose, Fuel, 0.25id 08.0l	1
	18	43844	(007003-) Clamp, Hose, Wormdrive, 0.25-0.62d, .31w	4
	19	1012738	(007003-) Fitting, Hyd, Str, Metric, Om12/Pf04	1
	20	78043	(007003-) Fitting, Brs, Str, lf05/Pm04	1
	21	380770	(007003-) Clamp, Cable, Stl, 0.31d X 0.88w	1
	22	16931	(007003-) Screw, Hex, M8 X 1.25 X 20, 8.8	1
	23	39349	(007003-) Washer, Flat, 0.31 Sae	1
	24	78043	(007003-) Fitting, Brs, Str, lf05/Pm04	1
	25	82526	(007003-) Hose, Fuel, 0.31id 03.0l	1
	26	04020	(007003-) Strap	2
	27	76955	(007003-) Screw, Hex, .31-18 X 1.00, 5	4
	28	32984	(007003-) Washer, Lock, Int, .31	4
	29	19316	(007003-) Screw, Hex, .25-20 X 0.62, 5	7
	30	32483	(007003-) Washer, Flat, 0.25 Sae	7
	31	32981	(007003-) Nut, Hex, Lock, .25-20, NI	2

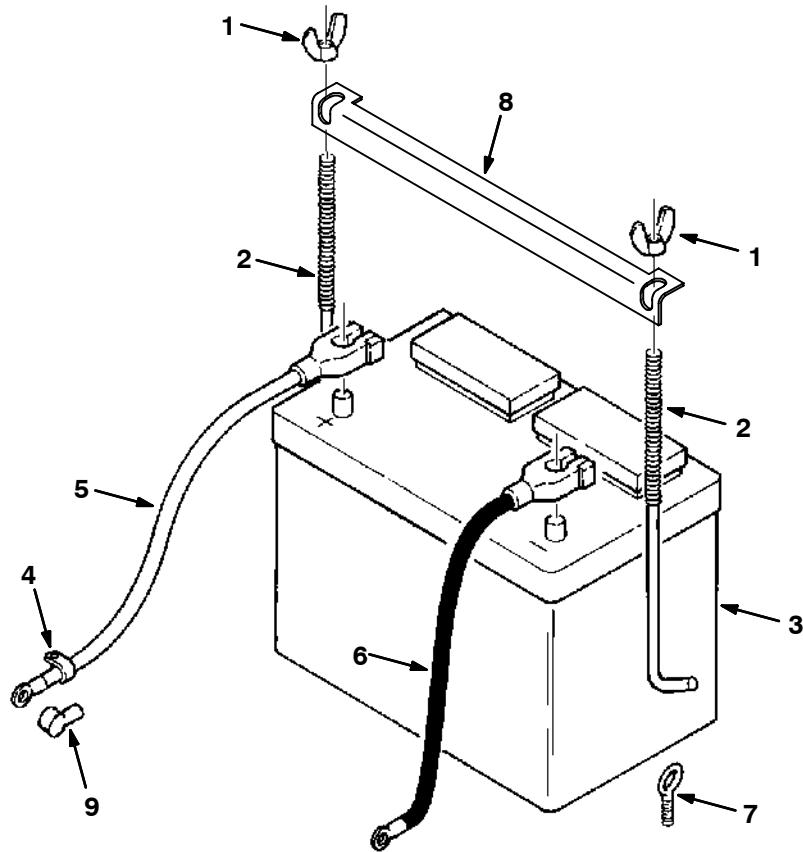
Fig. 37 - Engine Battery Group (006115-007002)



353208 - 550, 1550, D, Perk

Ref.	Part No.	Serial Number	Description	Qty.
1	19313	(006115-007002)	Nut, Hex, .31-18	2
2	16936	(006115-007002)	Bracket, Battery	1
3	310580	(006115-007002)	Battery, 12vdc, 1000cca, Ah, Wet, UI	1
4	68869	(006115-006408)	Cable, Positive Battery	1
4	60294	(006409-007002)	Cable, Positive Battery	1
5	68870	(006115-007002)	Cable, Negative Battery	1
6	13015-1	(006115-007002)	Bolt, Hold Down	2
7	76736	(006409-007002)	Clamp, Cable	3
8	32491	(006409-007002)	Washer, Flat	2
9	76958	(006409-007002)	Screw, Hex, .31-18 X 1.75	1

Fig. 38 - Engine Battery Group (007003-)



02376 - 550, 1550, D, CAT

Ref.	Part No.	Serial Number	Description	Qty.
1	39272	(007003-)	Nut, Wing	2
2	13015	(007003-)	Bolt, Hold Down	2
3	77602	(007003-)	Battery, 12v, 0700cca, Ah, Wet	1
4	76736	(007003-)	Clamp, Cable	3
5	60294	(007003-)	Cable, Battery, Pos 2ga 78.0l .41h	1
6	60295	(007003-)	Cable, Battery, Neg 2ga 60.0l .41 Hole	1
7	11893	(007003-)	Eyebolt	2
8	72977	(007003-)	Bracket, Angle, Hold-down, Battery	1
9	61364	(007003-)	Boot, 90deg .62d .44d Red	1

Fig. 39 - Engine Radiator and Hydraulic Cooler Group (006115-006408)

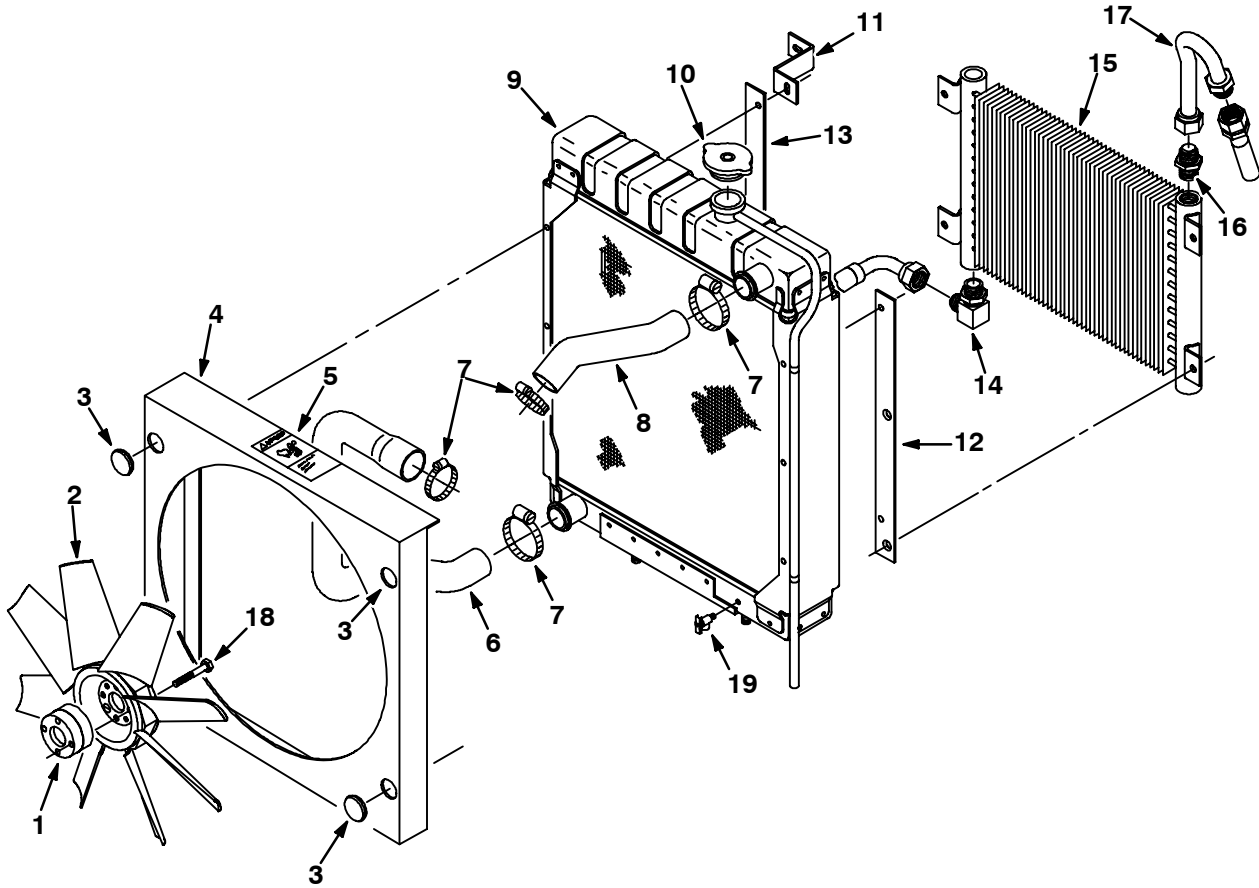


Fig. 39 - Engine Radiator and Hydraulic Cooler Group (006115-006408)

Ref.	Part No.	Serial Number	Description	Qty.	
1	391858	(006115-006408)	Spacer, Fan	1	
2	375585	(006115-006408)	Fan	1	
3	50967	(006115-006408)	Plugbutton	4	
4	50817	(006115-006408)	Shroud, Fan	1	
5	68962	(006115-006408)	Label, Engine Fan	1	
6	25179	(006115-006408)	Hose, Radiator	1	
7	11531	(006115-006408)	Clamp, Worm Drive	4	
8	16820	(006115-006408)	Hose, Radiator	1	
▽	9	61611	(006115-006408)	Radiator	1
▲	10	51321-3	(006115-006408)	Cap, Radiator	1
11	75486A	(006115-006408)	Bracket, Radiator	1	
12	76596A-1	(006115-006408)	Strip, Mounting	1	
13	76596A	(006115-006408)	Strip, Mounting	1	
14	46481	(006115-006408)	Fitting, Elbow	1	
15	31592	(006115-006408)	Cooler, Hydraulic	1	
16	42260	(006115-006408)	Fitting, Straight	1	
17	78144B	(006115-006408)	Tube Assembly, Hydraulic	1	
18	39279	(006115-006408)	Screw, Hex, M8	4	
19	51305	(006115-006408)	Cock, Drain	1	

Fig. 40 - Engine Radiator and Hydraulic Cooler Group (006409-007002)

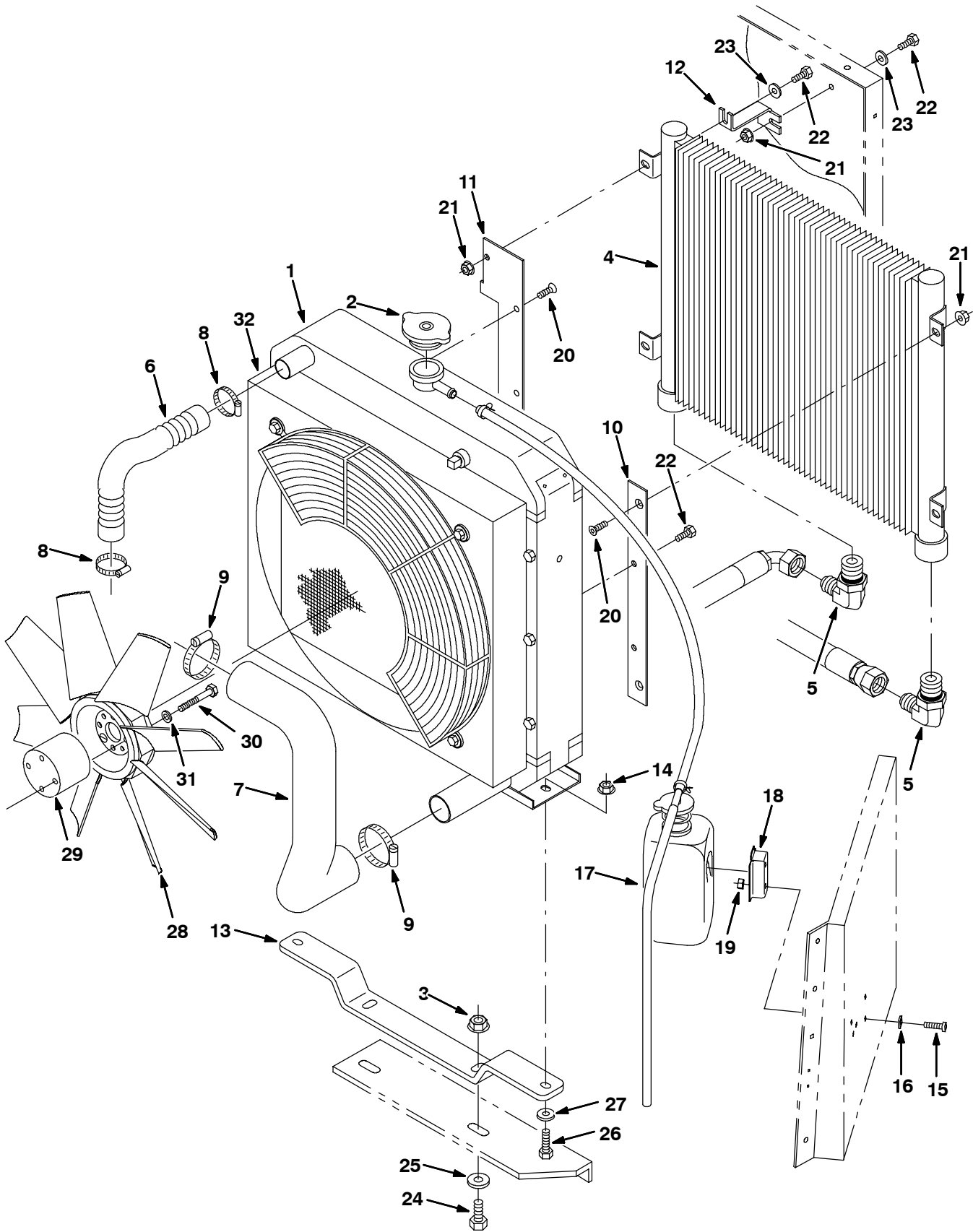


Fig. 40 - Engine Radiator and Hydraulic Cooler Group (006409-007002)

Ref.	Part No.	Serial Number	Description	Qty.
1	371635	(006409-007002)	Radiator	1
2	368132	(006409-007002)	Cap, Radiator, 15psi	1
3	27981	(006409-007002)	Nut, Hex, Flng, .50-13	2
4	73106	(006409-007002)	Cooler, Hyd 25gpm 400btu Of16 19x18x2	1
5	52911	(006409-007002)	Fitting, Hyd, E90, Jm12/Om16	2
6	371594	(006409-007002)	Hose, Radiator, Upper	1
7	371595	(006409-007002)	Hose, Radiator, Lower	1
8	11399	(006409-007002)	Clamp, Hose, Wormdrive, 0.81-1.50d	2
9	20983	(006409-007002)	Clamp, Hose, Wormdrive, 3.25-4.12d	2
10	392534	(006409-007002)	Strip, Cooler, Mtg	1
11	392530	(006409-007002)	Strip, Cooler, Mtg	1
12	392544	(006409-007002)	Bracket, Radiator	1
13	371747	(006409-007002)	Bracket, Radiator	1
14	27980	(006409-007002)	Nut, Hex, Flng, .38-16	2
15	09164	(006409-007002)	Screw, Pan, M06 X 1.0 X 20, 4.8	2
16	32490	(006409-007002)	Washer, Flt, .25 Std	2
17	87972	(006409-007002)	Tank, Recovery	1
18	382507	(006409-007002)	Bracket, Mtg, Overflow	1
19	08708	(006409-007002)	Nut, Hex, Lock, M06 X 1.0, NI	2
20	45299	(006409-007002)	Screw, Flt, .31-18 X 0.75, Al	4
21	27979	(006409-007002)	Nut, Hex, Flng, .31-18	5
22	54395	(006409-007002)	Screw, Hex, .31-18 X 0.62, 5	5
23	32491	(006409-007002)	Washer, Flt, .31 Std	2
24	39810	(006409-007002)	Screw, Hex, .50-13 X 1.25, 5	2
25	32493	(006409-007002)	Washer, Flt, .50 Std	2
26	21198	(006409-007002)	Screw, Hex, .38-16 X 1.25, 5	2
27	32492	(006409-007002)	Washer, Flt, .38 Std	2
28	375585	(006409-007002)	Fan, Cooling, 18.0d, 8 Blade, 2.2d Bc	1
29	371596	(006409-007002)	Spacer, Fan, 2.50	1
30	371623	(006409-007002)	Screw, M6-1.0 X 85	4
31	371621	(006409-007002)	Washer, Lock, M6	4
32	371644	(006409-007002)	Box, Radiator	1

STANDARD PARTS

Fig. 41 - Engine Radiator and Hydraulic Cooler Group (007003-)

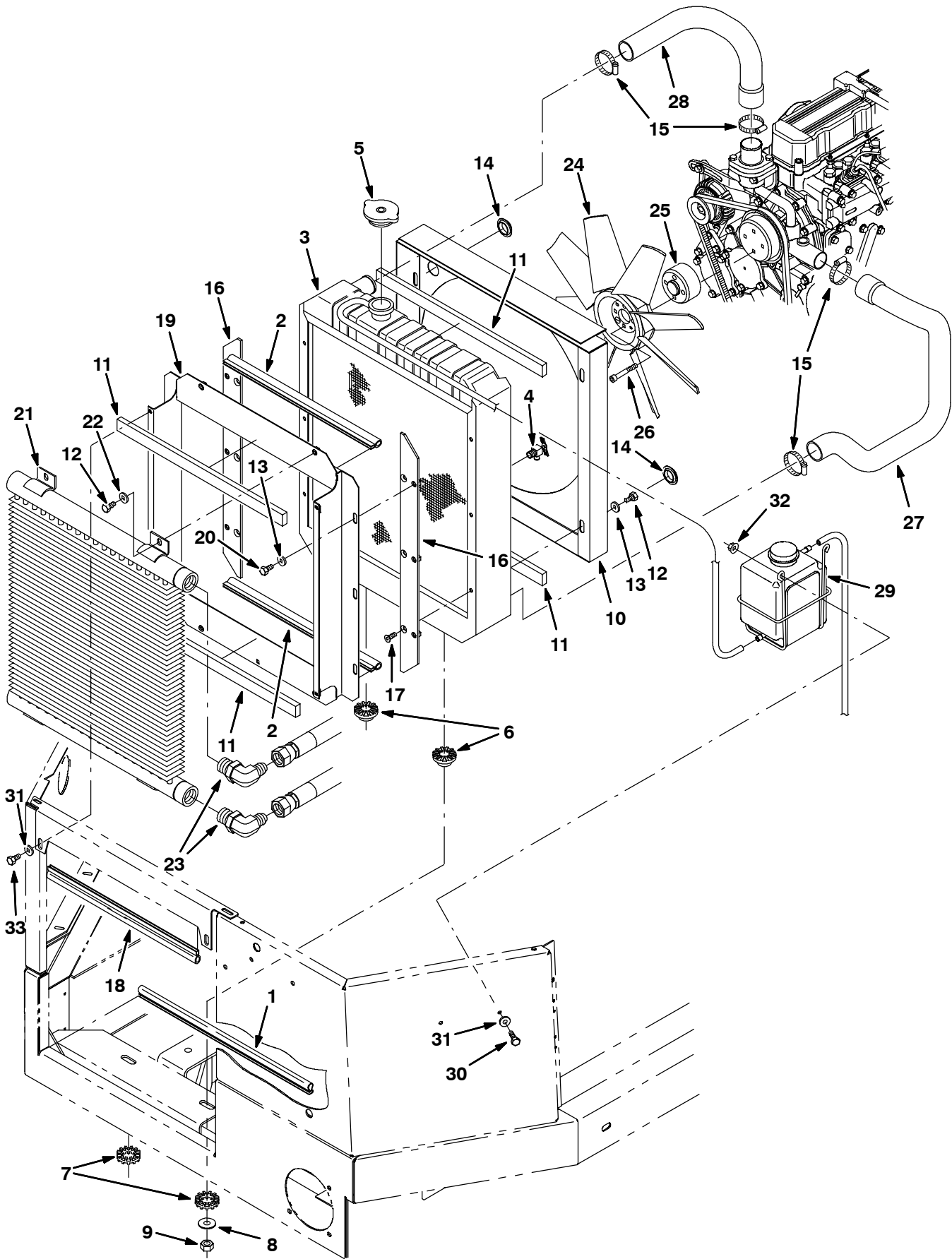
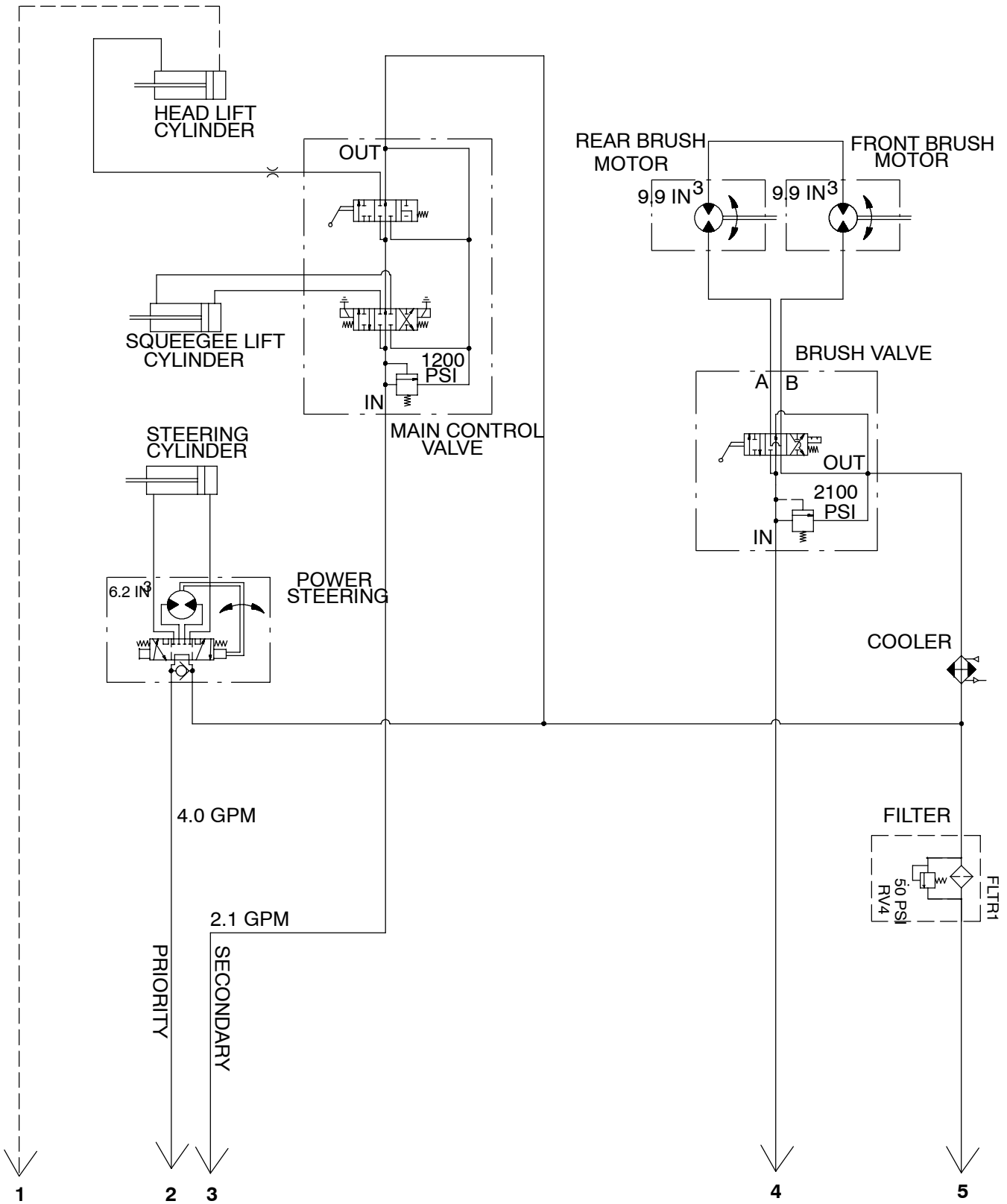


Fig. 41 - Engine Radiator and Hydraulic Cooler Group (007003-)

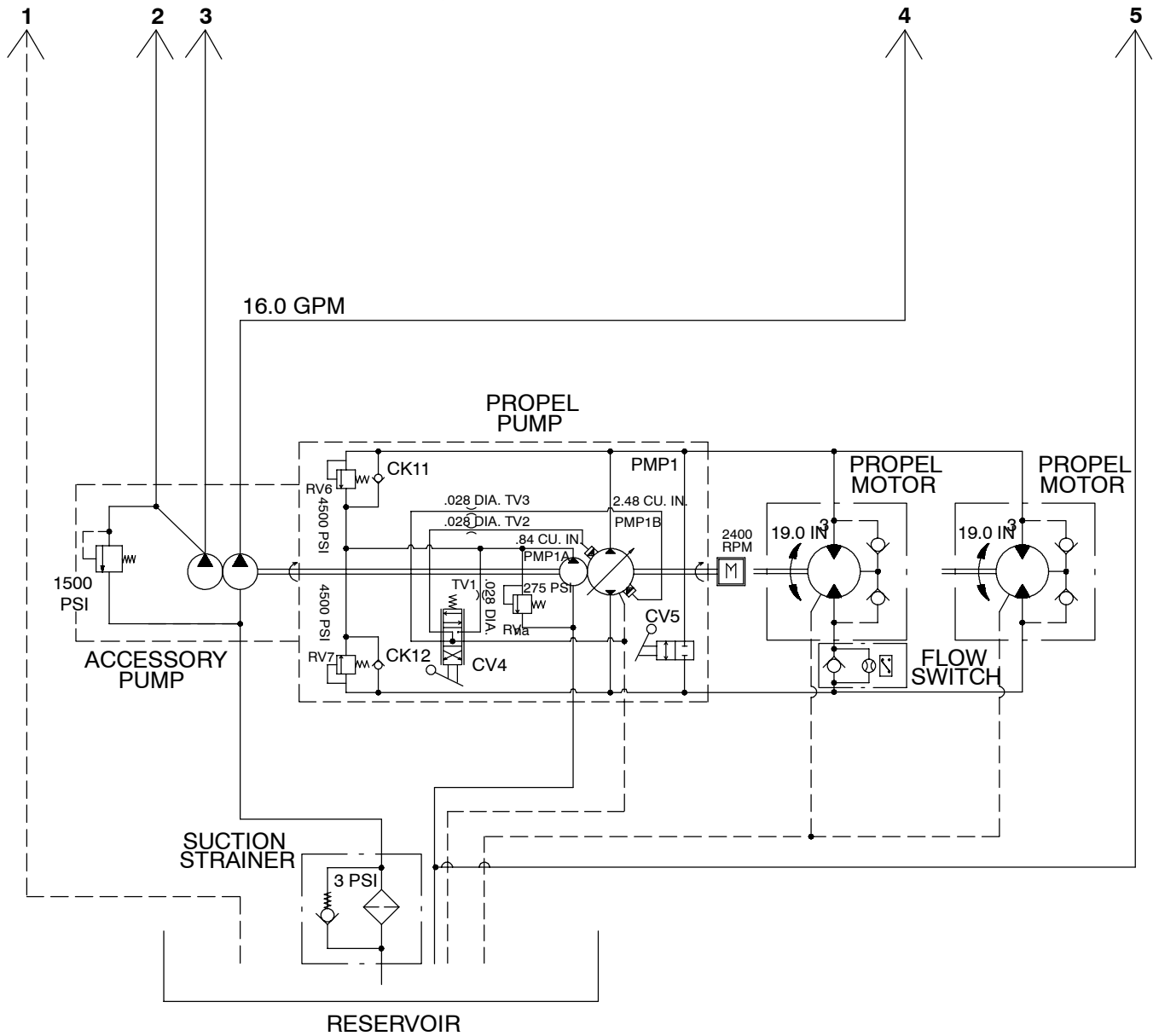
Ref.	Part No.	Serial Number	Description	Qty.
1	77342	(007003-) Seal, Bulb, 90, 1.33 .06-.09grip 026.0l	1
2	364608	(007003-) Seal, Bulb, Str, 0.58d .06-.09grip 17.6l	2
3	61608	(007003-) Radiator	1
4	51305	(007003-) Fitting, Draincock, .25npt 90	1
5	1045764	(007003-) Cap, Radiator, 14psi, [Stant]	1
6	64621	(007003-) Isolator, Vib, Bshg, 1.9d 0.9l .6b 1.16h	2
7	64618	(007003-) Isolator, Vib, Ring, 1.9d 0.5l 1.3b	2
8	57048	(007003-) Washer, Flat, 0.53b 2.13d .11, Stl, Pl	2
9	32985	(007003-) Nut, Hex, Lock, .50-13, NI	2
10	9001223	(007003-) Shroud Wldt, Fan, Dsl [550], W/Label	1
11	63818	(007003-) Seal, Ure, 0.75 1.12w 19.0l Adh	4
12	54395	(007003-) Screw, Hex, .31-18 X 0.62, 5	8
13	32491	(007003-) Washer, Flat, 0.31 Std	10
14	50967	(007003-) Button, Plug, 1.25h .03-.08 [Black Poly]	4
15	11531	(007003-) Clamp, Hose, Wormdrive, 1.06-2.00d, .56w	4
16	1014573	(007003-) Strip, Mtg, Cooler	2
17	39537	(007003-) Screw, Flt, .31-18 X 0.50, Al	6
18	364609	(007003-) Seal, Bulb, Str, 0.58d .06-.09grip 24.2l	1
19	1014394	(007003-) Shroud Wldt, Radiator / Hyd Cooler	1
20	54394	(007003-) Screw, Hex, .31-18 X 0.50, 5	6
21	73106	(007003-) Cooler, Hyd, 30gpm 800btu	1
22	39349	(007003-) Washer, Flat, 0.31 Sae	4
23	52911	(007003-) Fitting, Hyd, E90, Jm12/Om16	2
24	375585	(007003-) Fan, Cooling, 18.0d, 8 Blade, 2.2d Bc	1
25	1011002	(007003-) Spacer, Fan	1
26	09294	(007003-) Screw, Soc, M8 X 1.25 X 60, 12.9	4
27	1012148	(007003-) Hose, Radiator, Lower [550d]	1
28	1012147	(007003-) Hose, Radiator, Upper [550d]	1
29	768897	(007003-) Tank, Coolant, 06.0 04.5 06.9deep 2.5 Qt	1
30	25046	(007003-) Screw, Hex, .25-20 X 1.00, 5	2
31	32490	(007003-) Washer, Flat, 0.25 Std	4
32	27978	(007003-) Nut, Hex, Flng, .25-20	2
33	19316	(007003-) Screw, Hex, .25-20 X 0.62, 5	2

Fig. 42 - Hydraulic Schematic



11122 - 550, 1550

Fig. 42 - Hydraulic Schematic



11122 - 550, 1550

Fig. 43 - Hydraulic Hoses Group

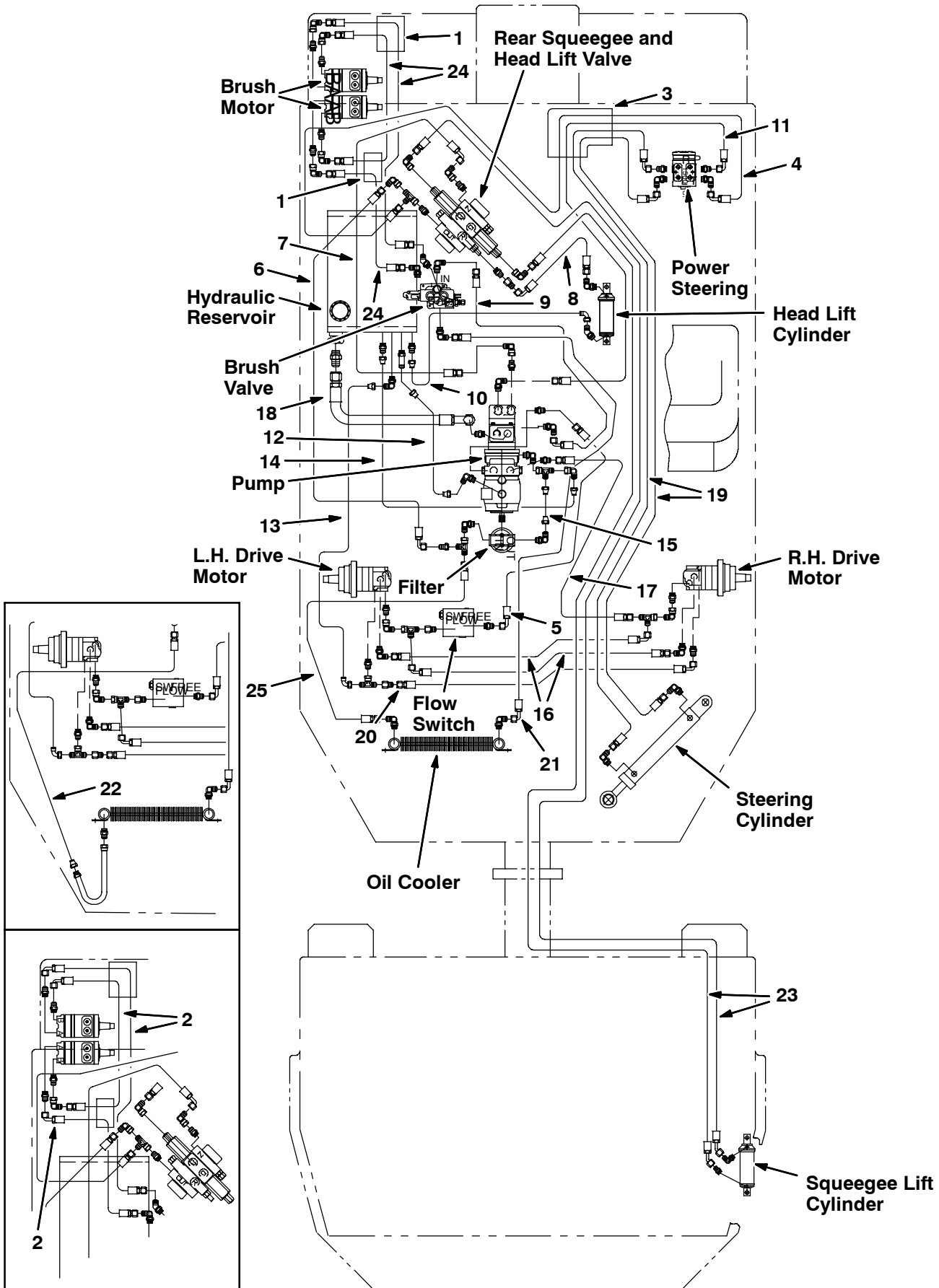
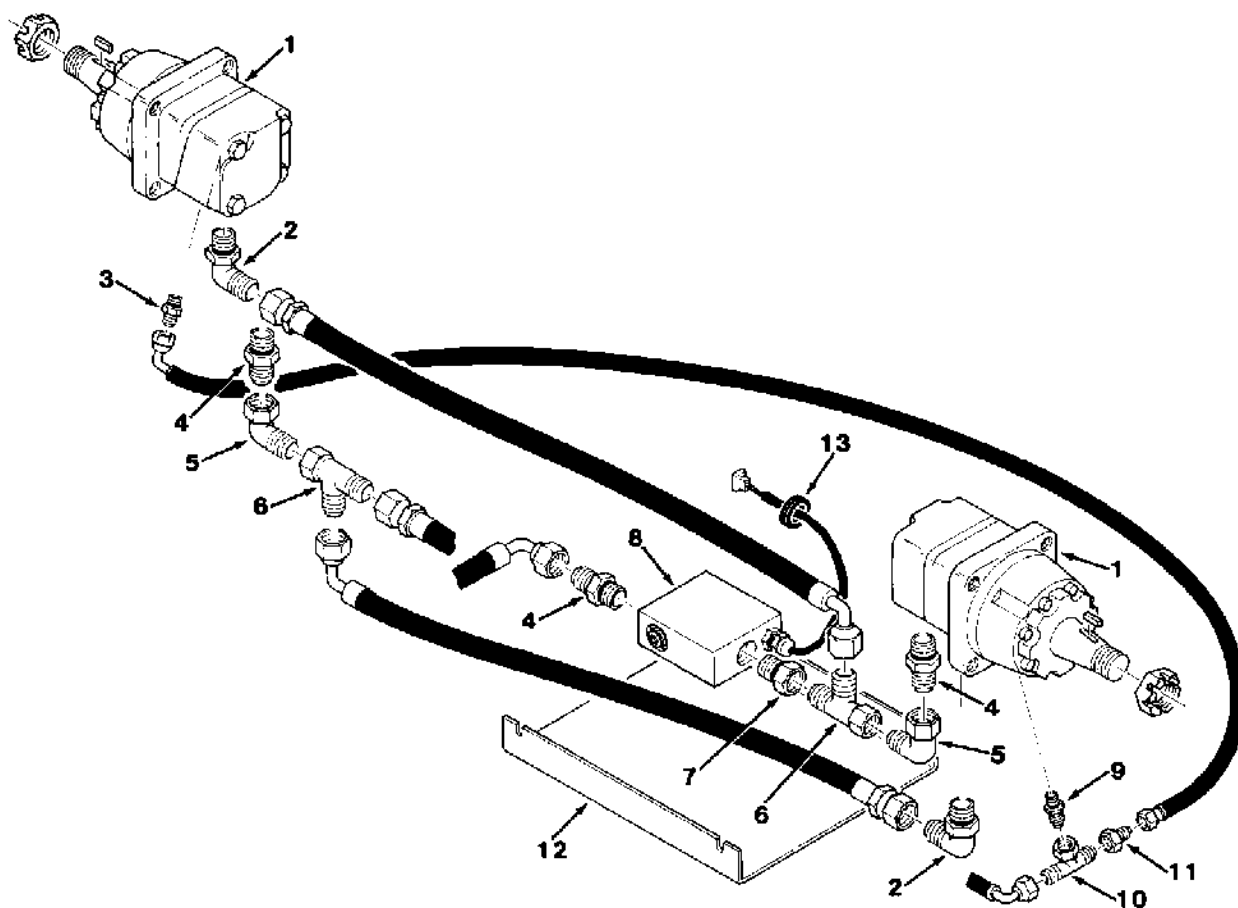


Fig. 43 - Hydraulic Hoses Group

Ref.	Part No.	Serial Number	Description	Qty.
1	82832	(006115-) Sleeve, Hose	2
2	79079	(006115-006273) Hose, Hydraulic	3
3	31672	(006115-) Sleeve, Hose	1
4	02683	(006115-) Hose, Hydraulic	1
5	79106	(006115-) Hose, Hydraulic	1
6	59560	(006115-) Hose, Hydraulic	1
7	31598	(006115-) Hose, Hydraulic	1
8	57964	(006115-) Hose, Hydraulic	1
9	79104	(006115-) Hose, Hydraulic	1
10	31600	(006115-) Hose, Hydraulic	1
11	31597	(006115-) Hose, Hydraulic	1
12	65202	(006115-) Hose, Hydraulic	1
13	31603	(006115-) Hose, Hydraulic	1
14	55775	(006115-) Hose, Hydraulic	1
15	82835	(006115-) Hose, Hydraulic	1
16	79105	(006115-) Hose, Hydraulic	2
17	79107	(006115-) Hose, Hydraulic	1
18	34351	(006115-) Hose, Hydraulic	1
19	31565	(006115-) Hose, Hydraulic	2
20	31602	(006115-) Hose, Hydraulic	1
21	31610	(006115-) Hose, Hydraulic	1
22	31611	(006115-006408) Hose, Hydraulic	1
23	31570	(006115-) Hose, Hydraulic	2
24	375761	(006274-) Hose, Hydraulic	3
25	42208	(006409-) Hose, Hydraulic	1

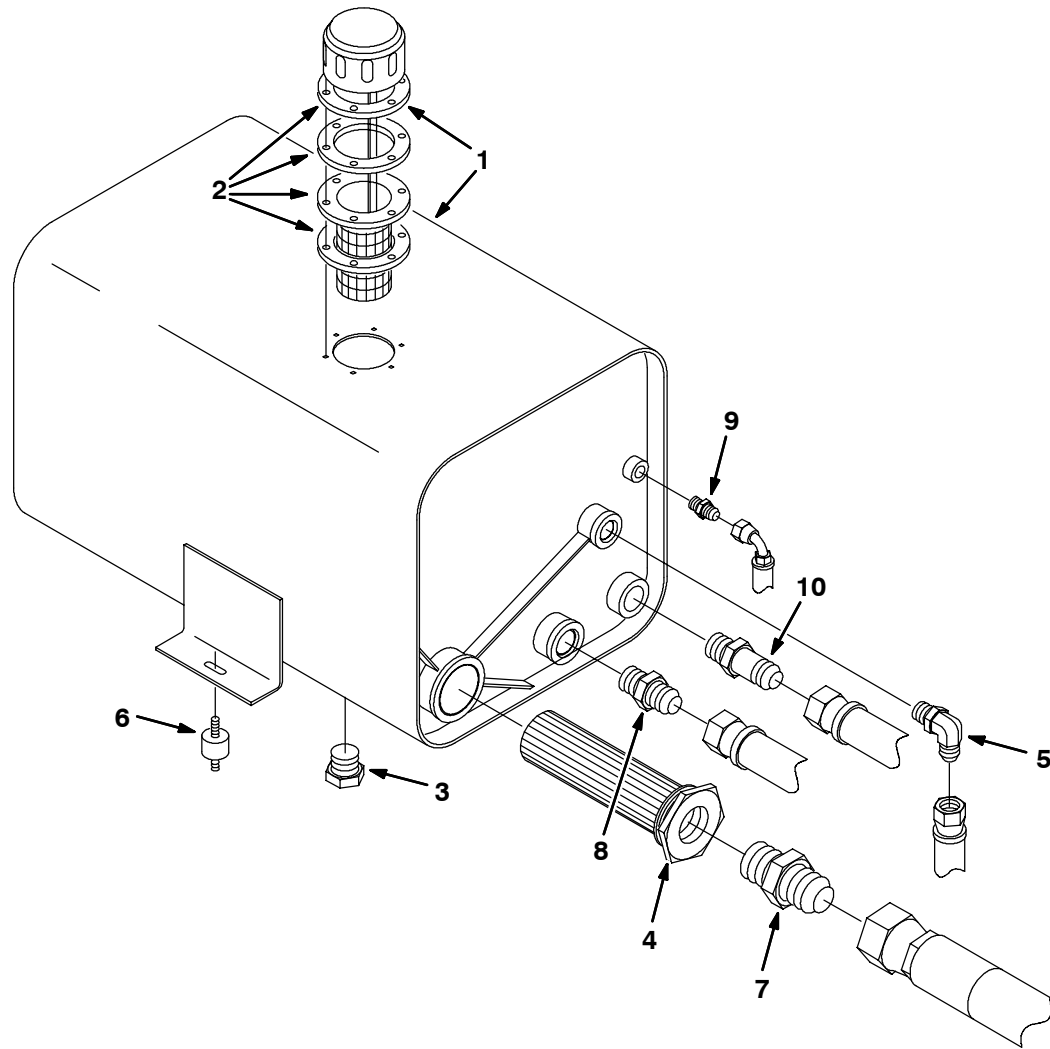
Fig. 44 - Hydraulic Propelling Motors Group



09875 - 550

Ref.	Part No.	Serial Number	Description	Qty.
1	22604	(006115-) Motor, Hydraulic (See Breakdowns)	2
2	46481	(006115-) Fitting, Elbow	2
3	55586	(006115-) Fitting, Straight	1
4	42260	(006115-) Fitting, Straight	3
5	35033	(006115-) Fitting, Elbow	2
6	40514	(006115-) Fitting, Tee	2
7	67832	(006115-) Fitting, Straight	1
8	31556	(006115-) Switch, Flow (See Breakdowns)	1
9	50960	(006115-) Fitting, Straight	1
10	35586	(006115-) Fitting, Tee	1
11	47752	(006115-) Fitting, Straight	1
12	02543	(006115-) Guard, Flow Switch	1
13	10632-1	(006115-) Grommet	1

Fig. 45 - Hydraulic Reservoir Group



09876 - 550

Ref.	Part No.	Serial Number	Description	Qty.
▽ 1	31557	(006115-) Reservoir Assembly, Hydraulic	1
▲ 2	9006132	(006115-) Cap, Breather, Hyd	1
▲ 3	40362	(006115-) Fitting, Plug	1
4	31613	(006115-) Strainer, Suction	1
5	56820	(006115-) Fitting, Elbow	1
6	82661	(006115-) Isolator, Vibration	4
7	58858	(006115-) Fitting, Straight	1
8	42260	(006115-) Fitting, Straight	1
9	55586	(006115-) Fitting, Straight	1
10	62390	(006115-) Fitting, Straight	1

Fig. 46 - Hydraulic Control Valves Group

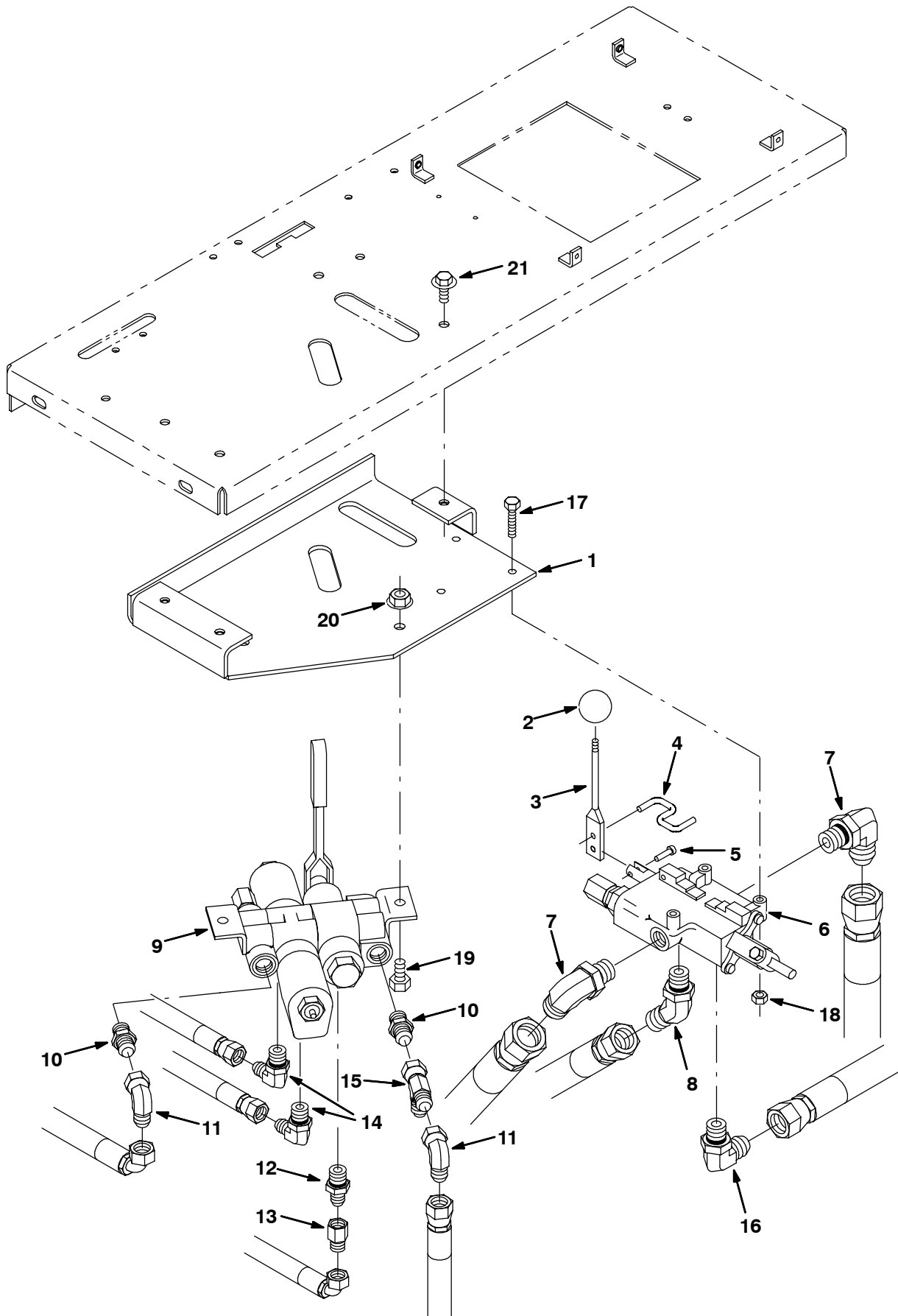
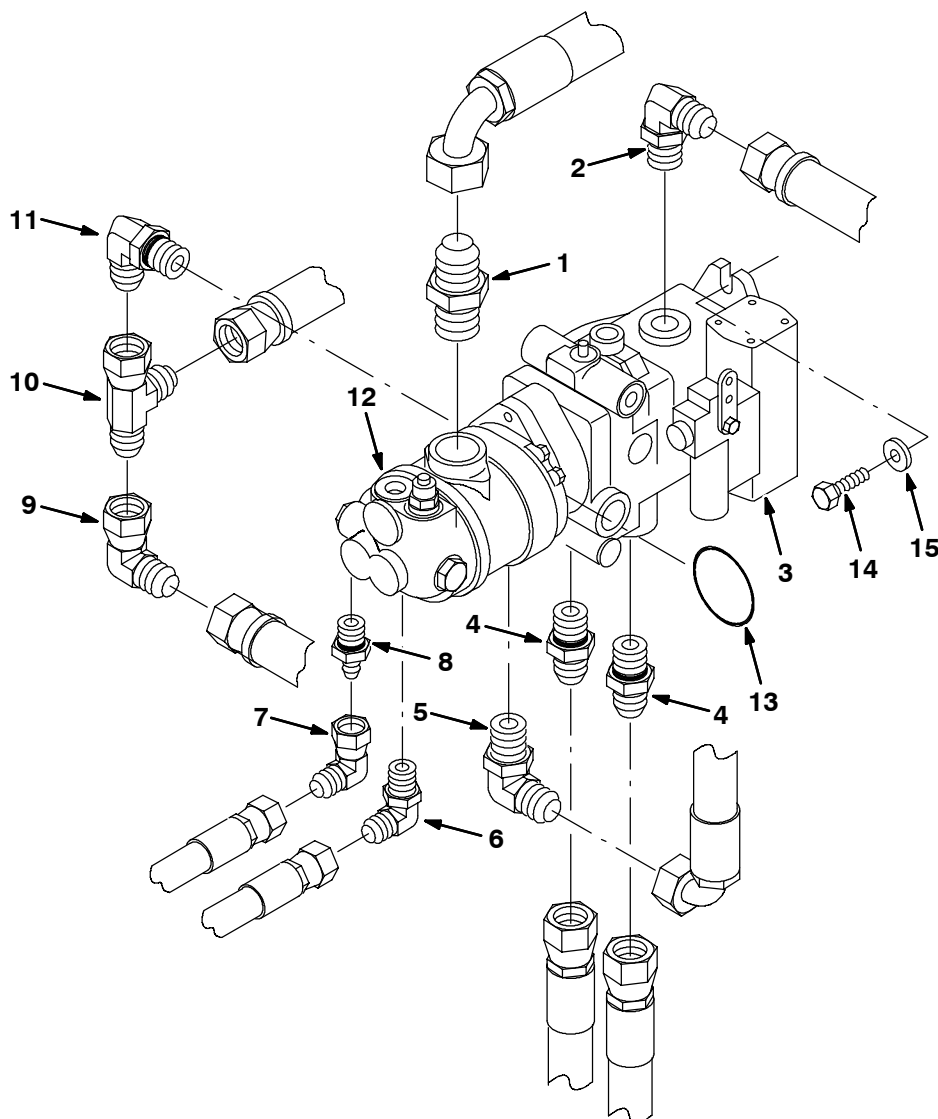


Fig. 46 - Hydraulic Control Valves Group

Ref.	Part No.	Serial Number	Description	Qty.
1	1016010	(006115-) Bracket Wldt, Mtg, Valve	1
2	26565	(006115-) Knob	1
3	62234	(006115-) Rod and Link	1
4	32759	(006115-) Link, Hook	1
5	14605	(006115-) Pin, Clevis	1
6	32761	(006115-) Valve, Hydraulic (See Breakdowns)	1
7	47498	(006115-) Fitting, Elbow	2
8	77099	(006115-) Fitting, Elbow, 45°	1
9	31575	(006115-) Valve, Hydraulic (See Breakdowns)	1
10	56690	(006115-) Fitting, Straight	2
11	47504	(006115-) Fitting, Elbow	2
12	55685	(006115-) Fitting, Straight	1
13	16456	(006115-) Fitting, Restrictor	1
14	47638	(006115-) Fitting, Elbow	2
15	42215	(006115-) Fitting, Tee	1
16	56827	(006115-) Fitting, Elbow	1
17	25048	(006115-) Screw, Hex, .25-20 X 1.50, 5	3
18	32981	(006115-) Nut, Hex, Lock, .25-20, NI	3
19	21195	(006115-) Screw, Hex, .38-16 X 0.75, 5	2
20	27980	(006115-) Nut, Hex, Flng, .38-16	2
21	16953	(006115-) Screw, Hex, .31-18 X 0.75, Sems	3

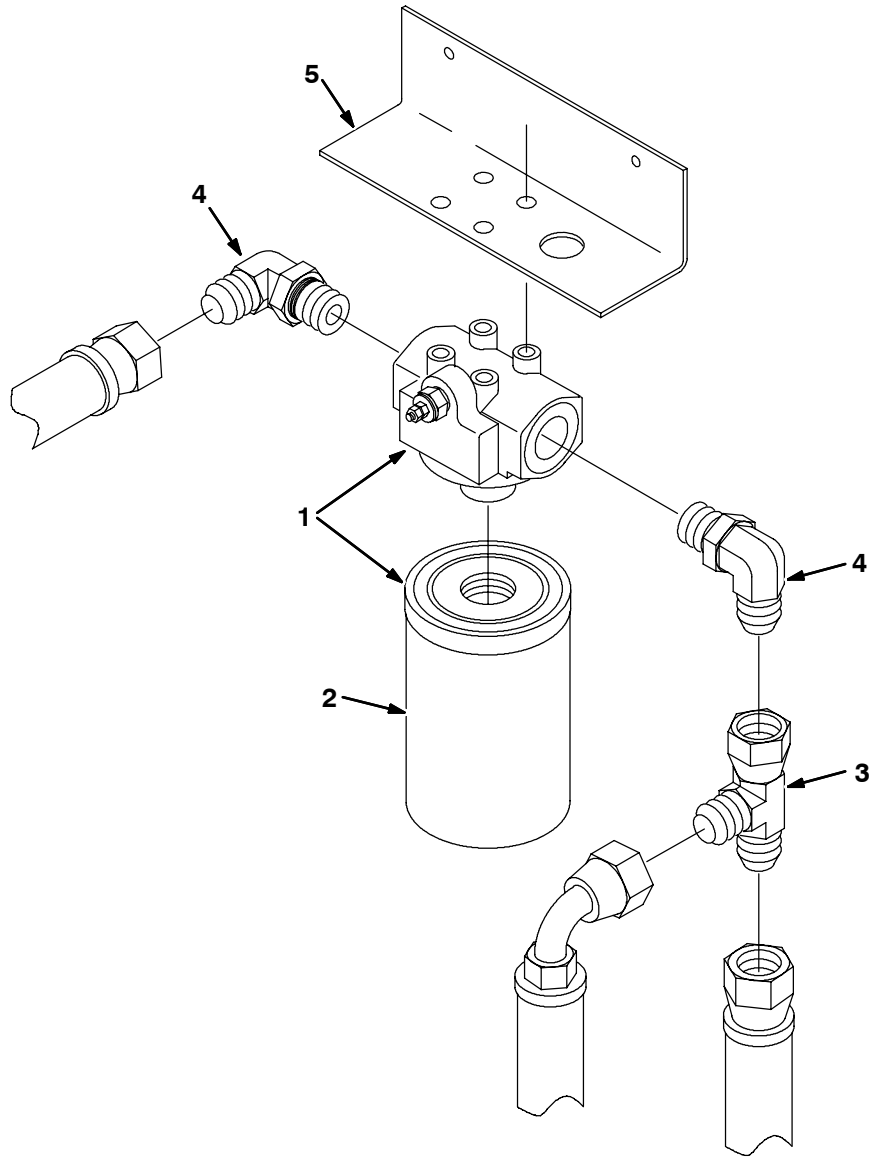
Fig. 47 - Hydraulic Pumps Group



10144 - 550, 1550

Ref.	Part No.	Serial Number	Description	Qty.
1	58858	(006115-) Fitting, Straight	1
2	46481	(006115-) Fitting, Elbow	1
3	74163	(006115-006222) Pump, Hydrualic (See Breakdowns)	1
3	373404	(006223-) Pump, Hydrualic (See Breakdowns)	1
4	67310	(006115-) Fitting, Straight	2
5	47498	(006115-) Fitting, Elbow	1
6	47512	(006115-) Fitting, Elbow	1
7	47504	(006115-) Fitting, Elbow	1
8	47508	(006115-) Fitting, Elbow	1
9	35033	(006115-) Fitting, Elbow	1
10	40514	(006115-) Fitting, Tee	1
11	52911	(006115-) Fitting, Elbow	1
12	79078	(006115-006408) Pump, Hydrualic (See Breakdowns) (Replaced by 373245)	1
12	373245	(006409-) Pump, Hydrualic (See Breakdowns)	1
13	65145-1	(006115-) Seal, O-Ring	1
14	68768	(006115-) Screw, Hex, .50-20 X 1.25, NI	2
15	32486	(006115-) Washer, Flt, .50 Sae	2

Fig. 48 - Hydraulic Filter Group



10149 - 550, 1550

	Ref.	Part No.	Serial Number	Description	Qty.
▽	1	10664	(006115-) Filter Assembly, Hydraulic	1
▲	2	65221	(006115-) Element, Filter	1
	3	40514	(006115-) Fitting, Tee	1
	4	46481	(006115-) Fitting, Elbow	2
	5	79075	(006115-) Bracket, Filters Mounting	1

Fig. 49 - Hydraulic Directional Pedal Group

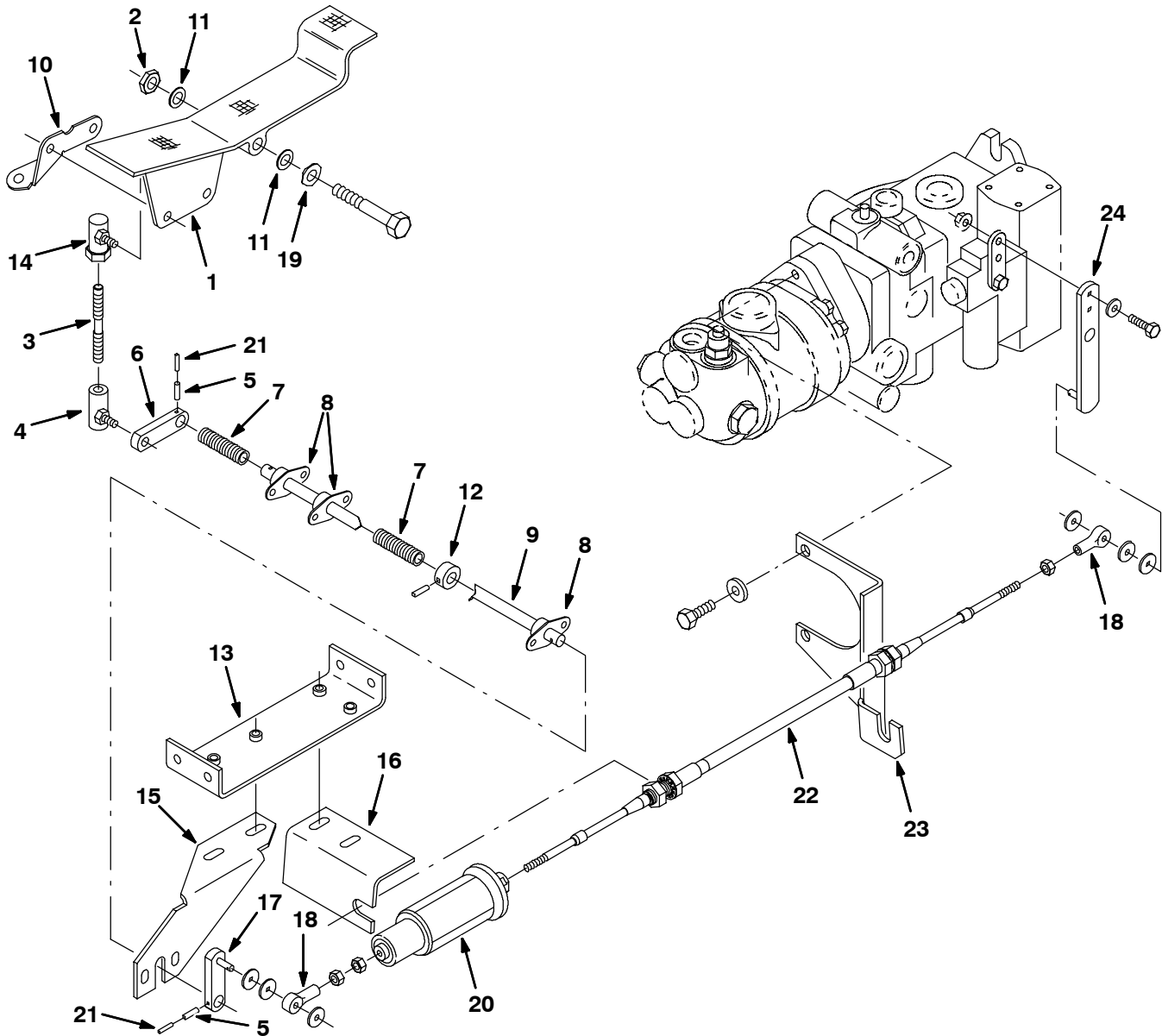


Fig. 49 - Hydraulic Directional Pedal Group

Ref.	Part No.	Serial Number	Description	Qty.
1	42240	(006115-) Pedal, Foot Speed	1
2	86029	(006115-) Nut, Nex, Thin	1
3	79074	(006115-) Stud	1
4	50493	(006115-) Ball Joint,	1
5	22134	(006115-) Pin, Roll	2
6	52789	(006115-) Link, Directional Control	1
7	22290	(006115-) Spring	2
8	47585	(006115-) Bearing, Flange	3
9	79067	(006115-) Shaft, Control	1
10	79066	(006115-) Bracket, Stop	1
11	59633	(006115-) Bearing, Thrust	1
12	75371	(006115-) Collor, Locking	1
13	79068	(006115-) Bracket, Main	1
14	63282	(006115-) Ball Joint, Upper	1
15	79069	(006115-) Bracket, Mtg, Bearing	1
16	79070	(006115-) Bracket, Cable	1
17	79077	(006115-) Link, Direct Control	1
18	68866	(006115-) Rod End	2
19	52508	(006115-) Washer, Wavy	1
20	63292	(006115-) Spring, Propel, Centering	1
21	46029	(006115-) Pin, Roll	2
22	79080	(006115-007002) Cable, Push/Pull, 31.5l, 3.0 .25-28	1
22	65439	(007003-) Cable, Push/Pull, 33.5l	1
23	1015338	(006115-) Bracket, Cable & Alarm	1
24	79114	(006115-) Lever, Pump	1

Fig. 50 - Electrical Wire Harnesses Group (006115-007002)

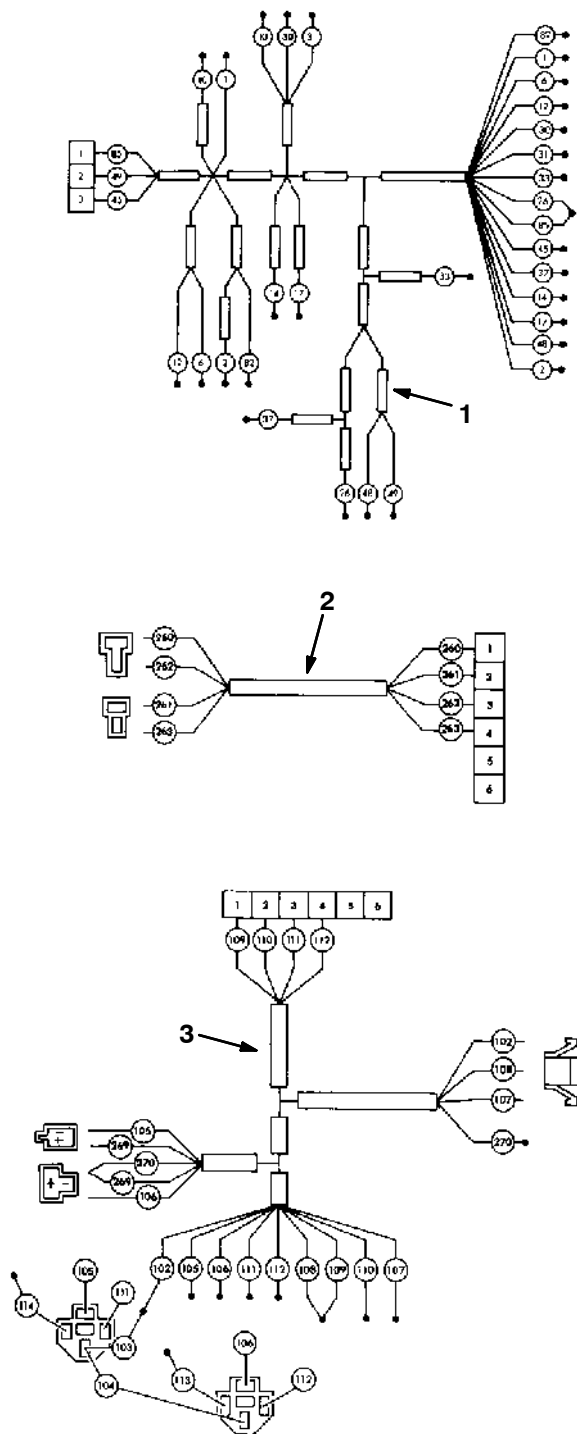


Fig. 51 - Electrical Wire Harnesses Group (007003-)

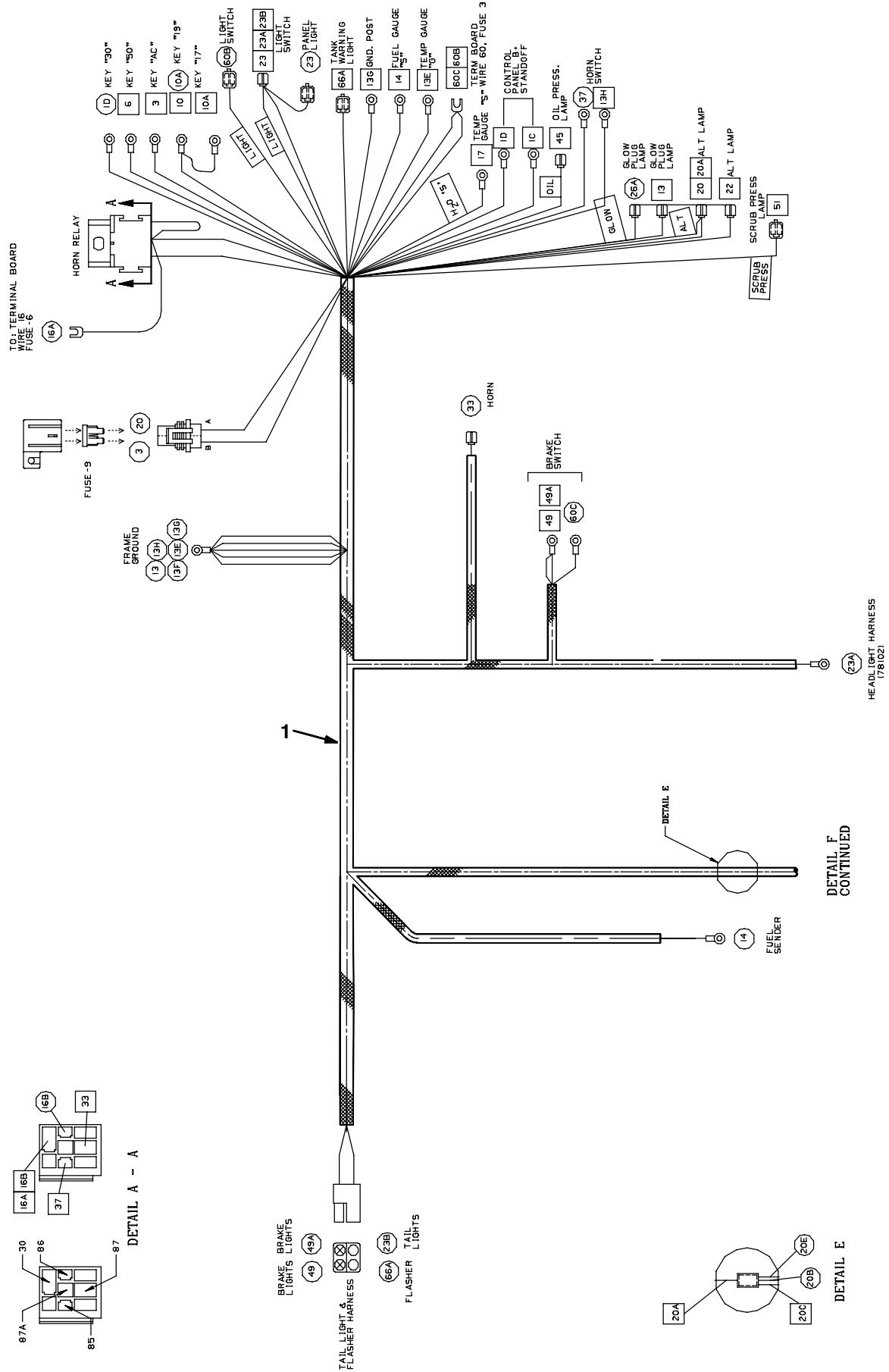


Fig. 51 - Electrical Wire Harness Group (007003-)

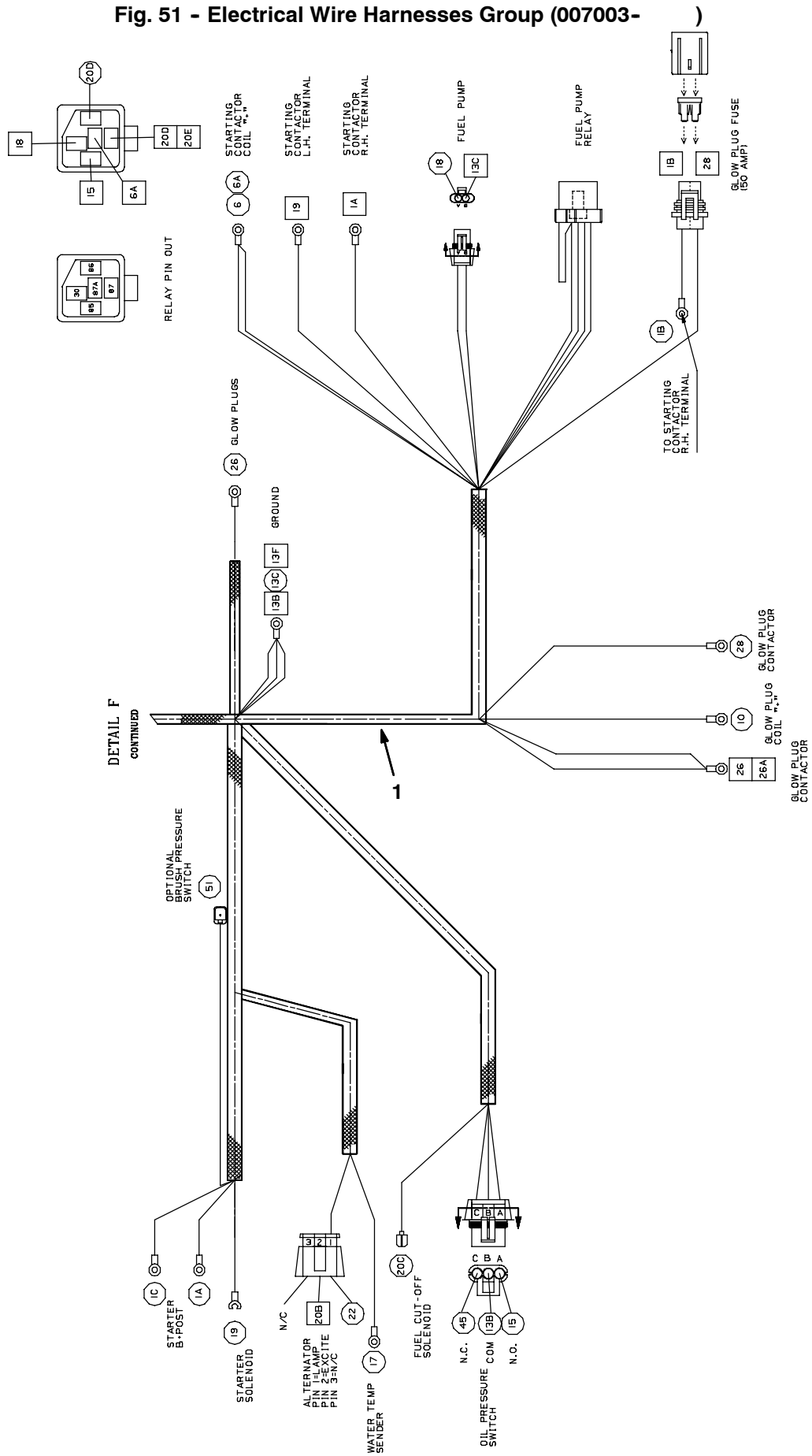


Fig. 51 - Electrical Wire Harnesses Group (007003-)

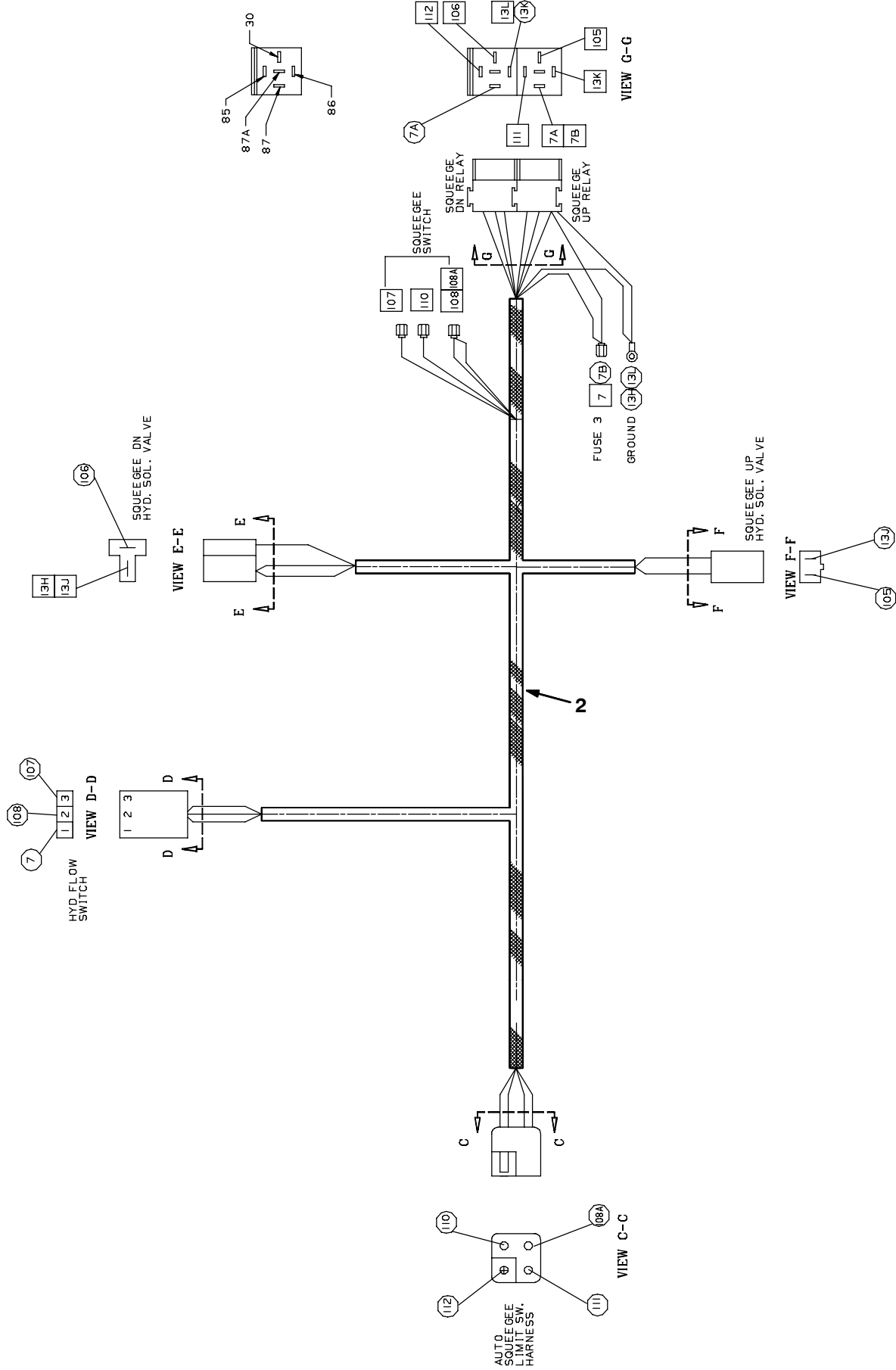


Fig. 51 - Electrical Wire Harness Group (007003-)

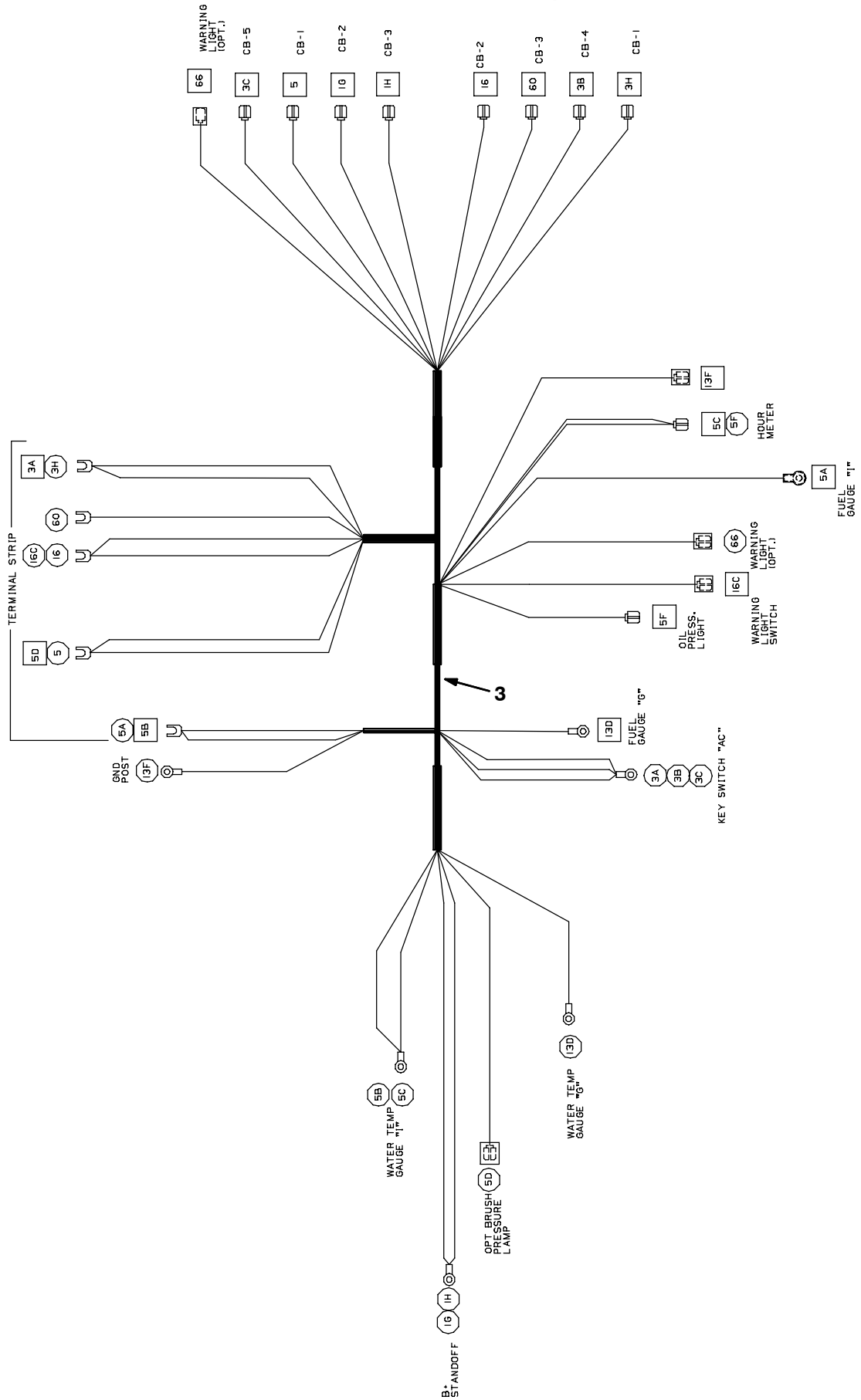
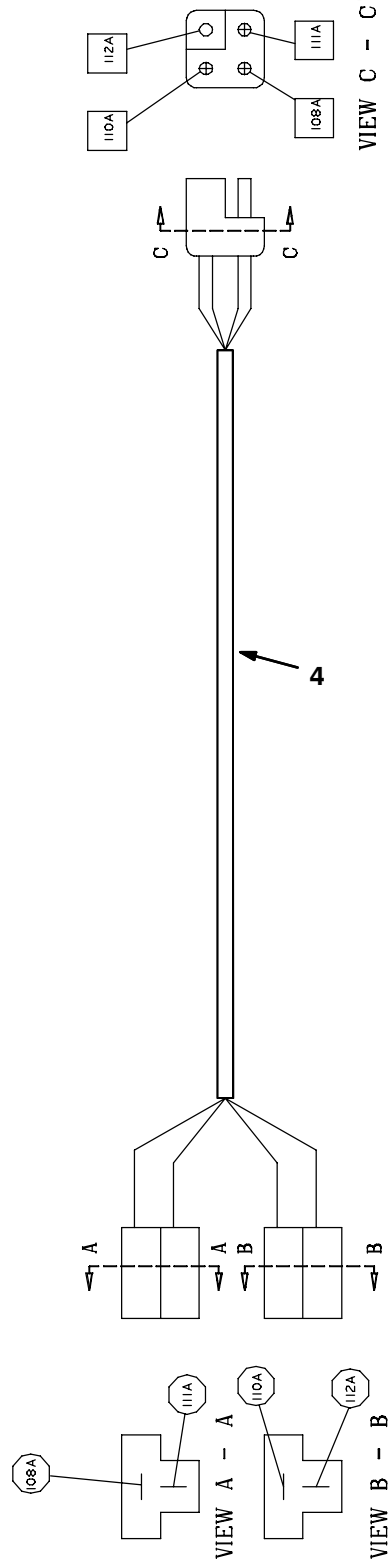


Fig. 51 - Electrical Wire Harnesses Group (007003-)



354286, 354287, 354288, 354290 - 550, D, CAT

Ref.	Part No.	Serial Number	Description	Qty.
1	391900	(007003-)	Harness, Main, Dsl, [550/1550 Cat]	1
2	391907	(007003-)	Harness, Tractor [550/1550]	1
3	391902	(007003-)	Harness, Panel, Control [550]	1
4	391904	(007003-)	Harness, Tank, Sqge [550]	1

Fig. 52 - Electrical Schematic (006115-006408)

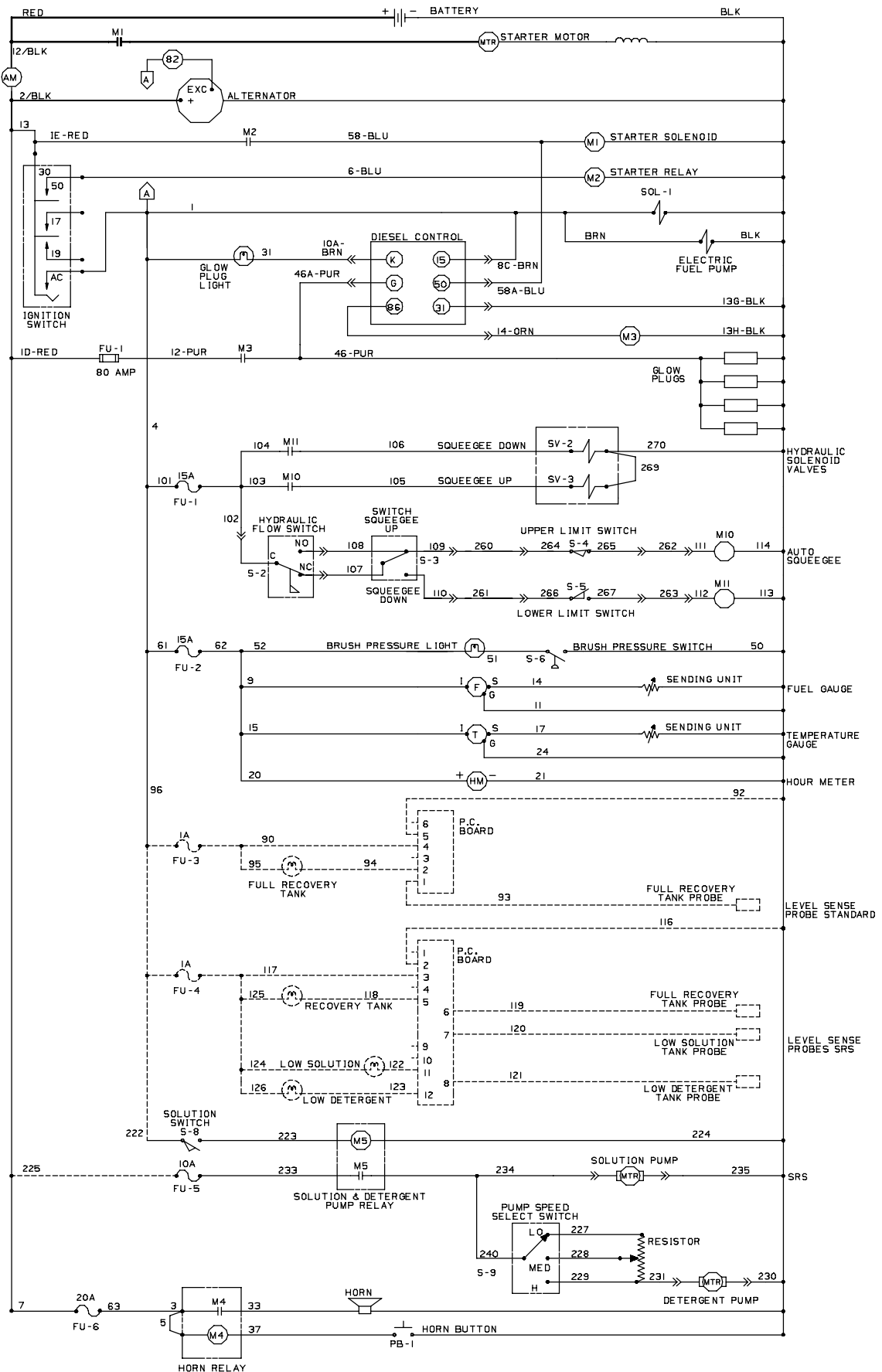
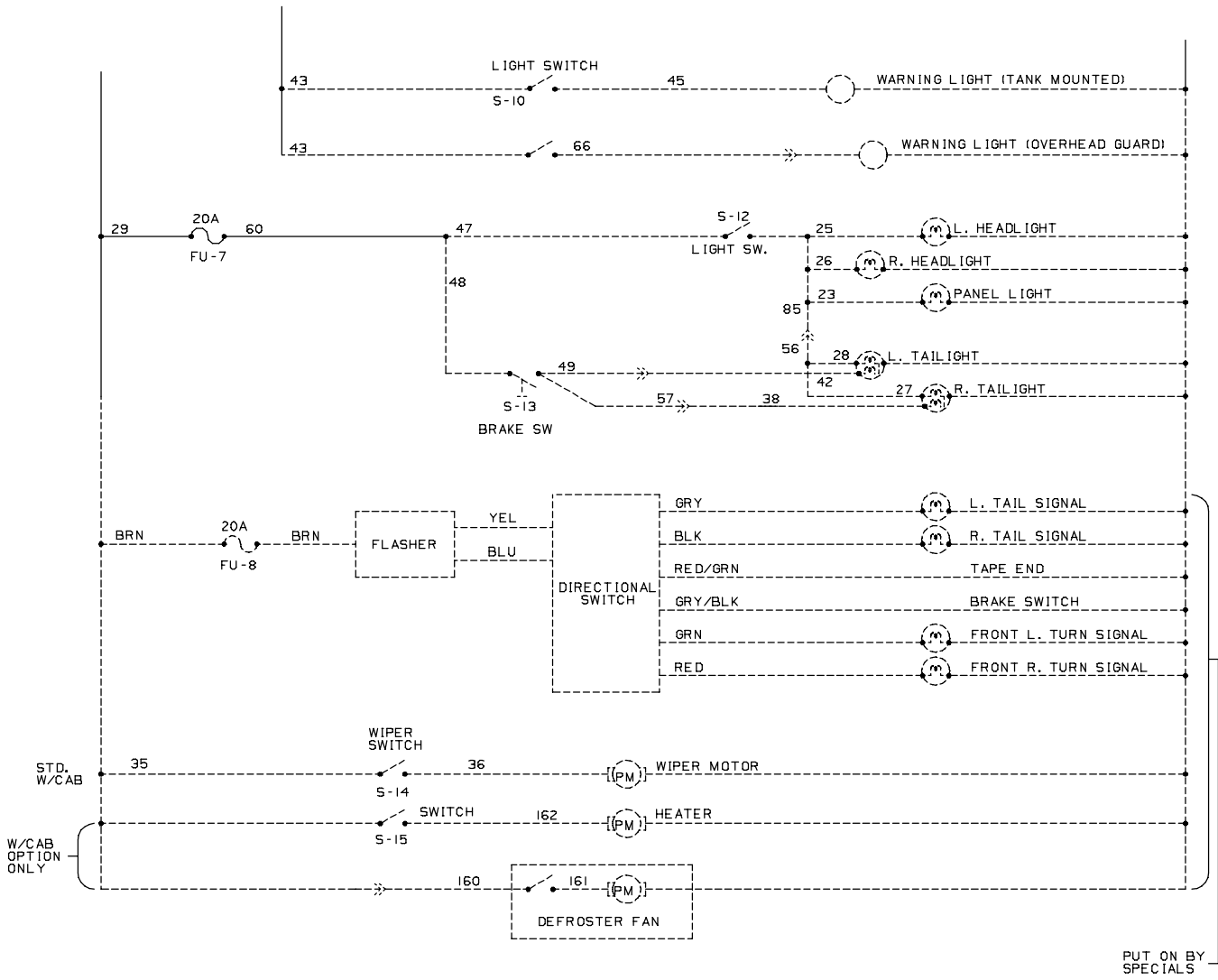


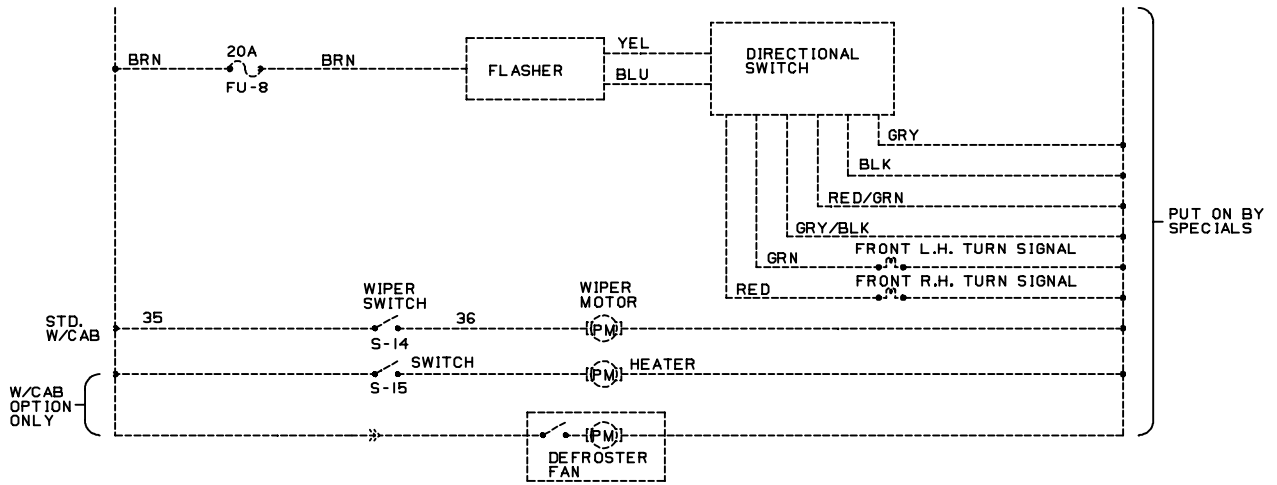
Fig. 53 - Electrical Schematic, Options (006115-006008)



LEGEND			
M	POWER RELAY	HM	HOURLMETER
MTR	MOTOR	SV	SOLENOID VALVE
CB	CIRCUIT BREAKER	S	SWITCH
PM	PERMANENT MAGNET	ACC	ACCESSORY
J	JACK-FEM. SOCKET	GND	GROUND CHASSIS
P	PLUG-MALE PIN	C	COMMON
PB	PUSHBUTTON	N.O.	NORMALLY OPEN
VM	VOLTMETER	N.C.	NORMALLY CLOSED
FU	FUSE		

06182 - 550, 1550

Fig. 54 - Electrical Schematic, Specials



PAGE 2 OF 2

LEGEND			
M	POWER RELAY	HM	HOURMETER
MTR	MOTOR	SV	SOLENOID VALVE
CB	CIRCUIT BREAKER	S	SWITCH
PM	PERMANENT MAGNET	ACC	ACCESSORY
J	JACK-FEM. SOCKET	GND	GROUND CHASSIS
P	PLUG-MALE PIN	C	COMMON
PB	PUSHBUTTON	N.O.	NORMALLY OPEN
VM	VOLTMETER	N.C.	NORMALLY CLOSED
FU	FUSE		

06182 - 550, 1550

Fig. 55 - Electrical Schematic (006409-007002)

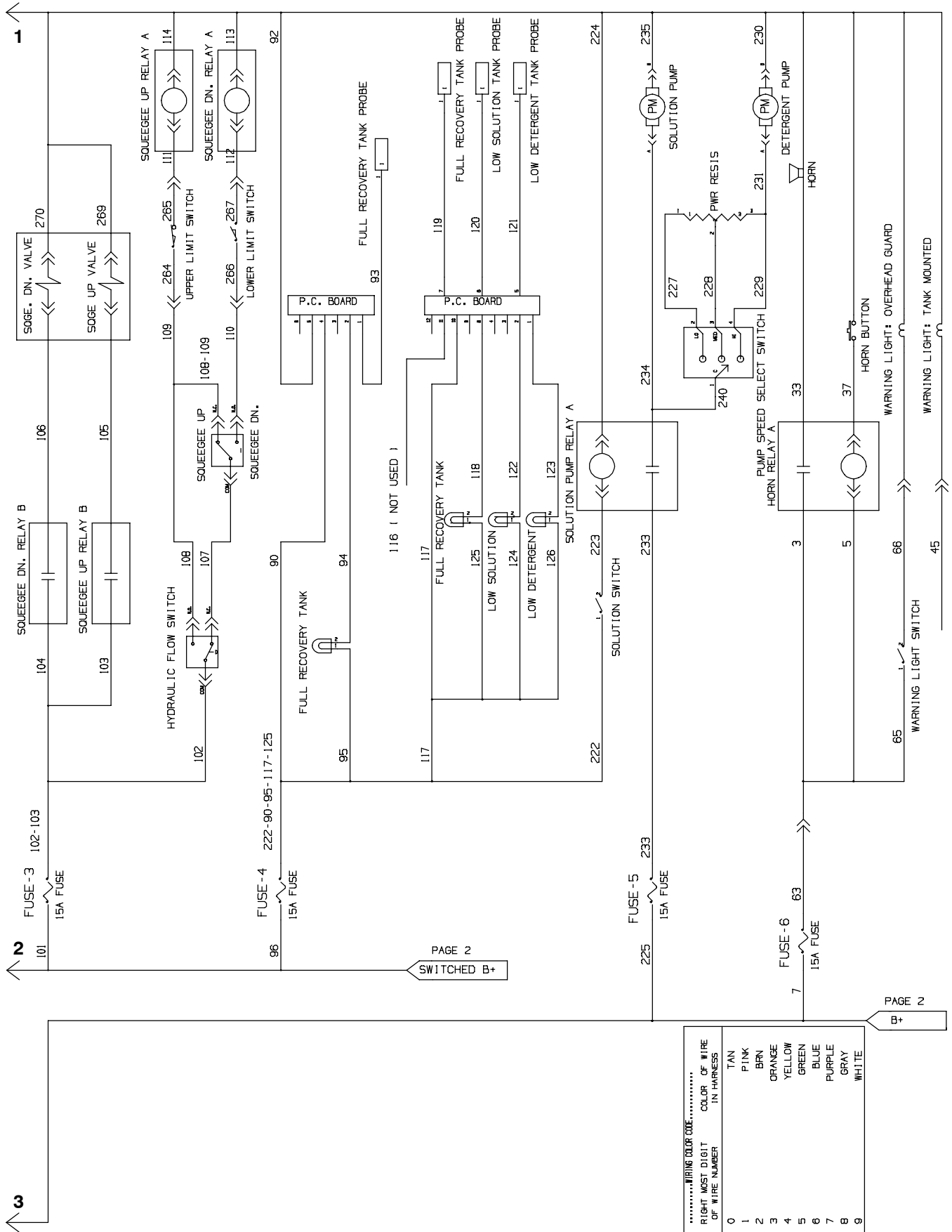


Fig. 55 - Electrical Schematic (006409-007002)

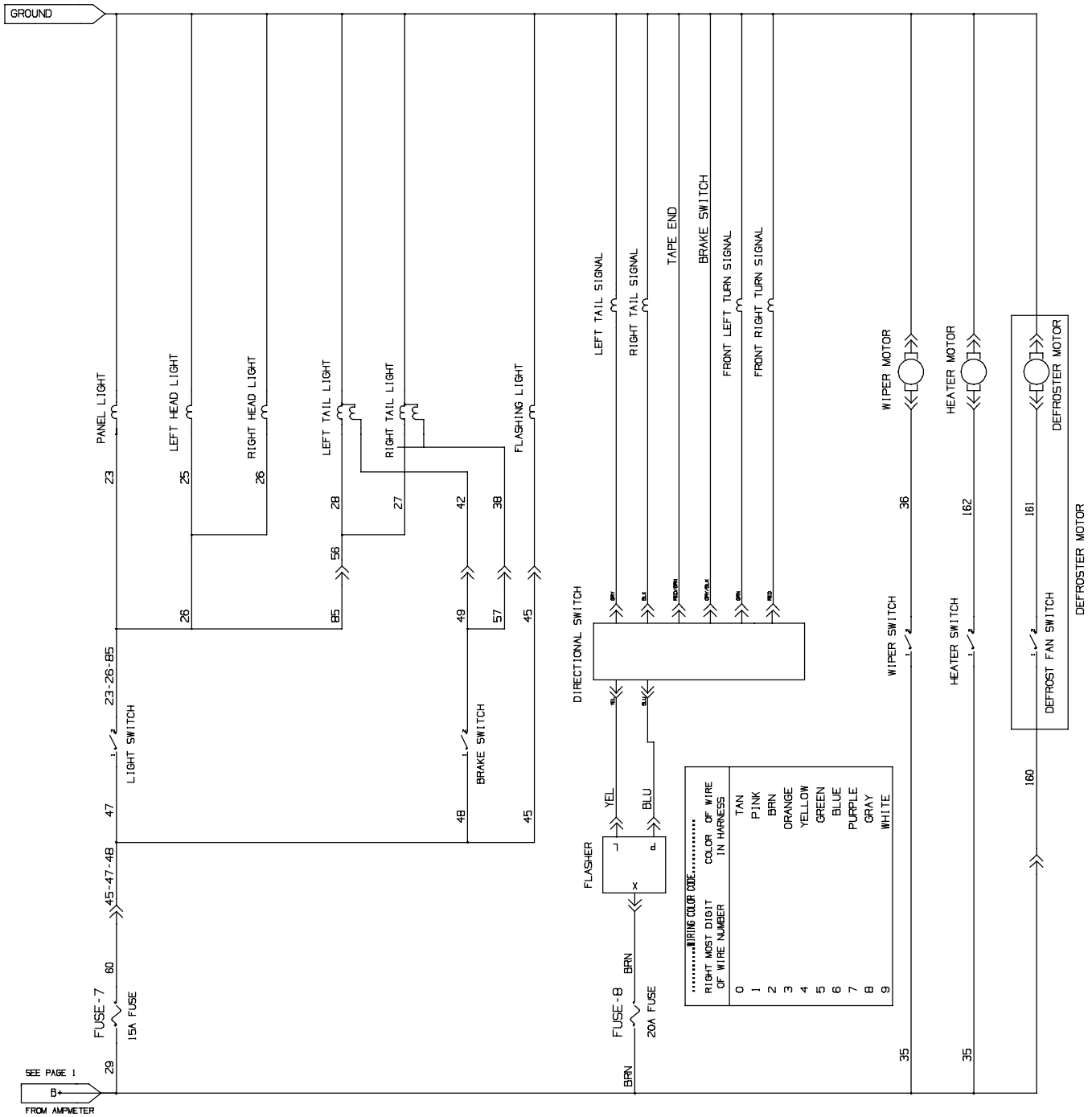
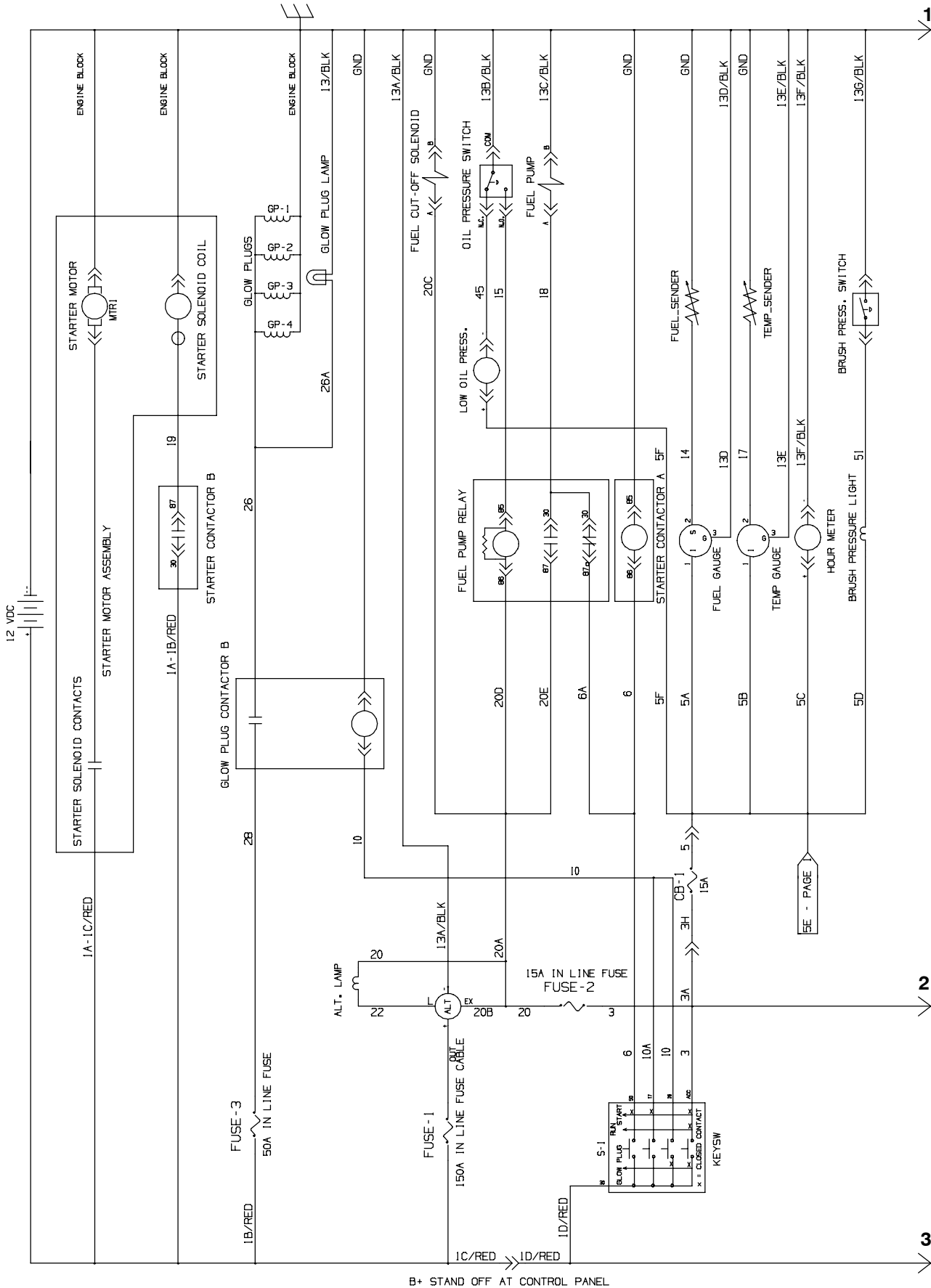
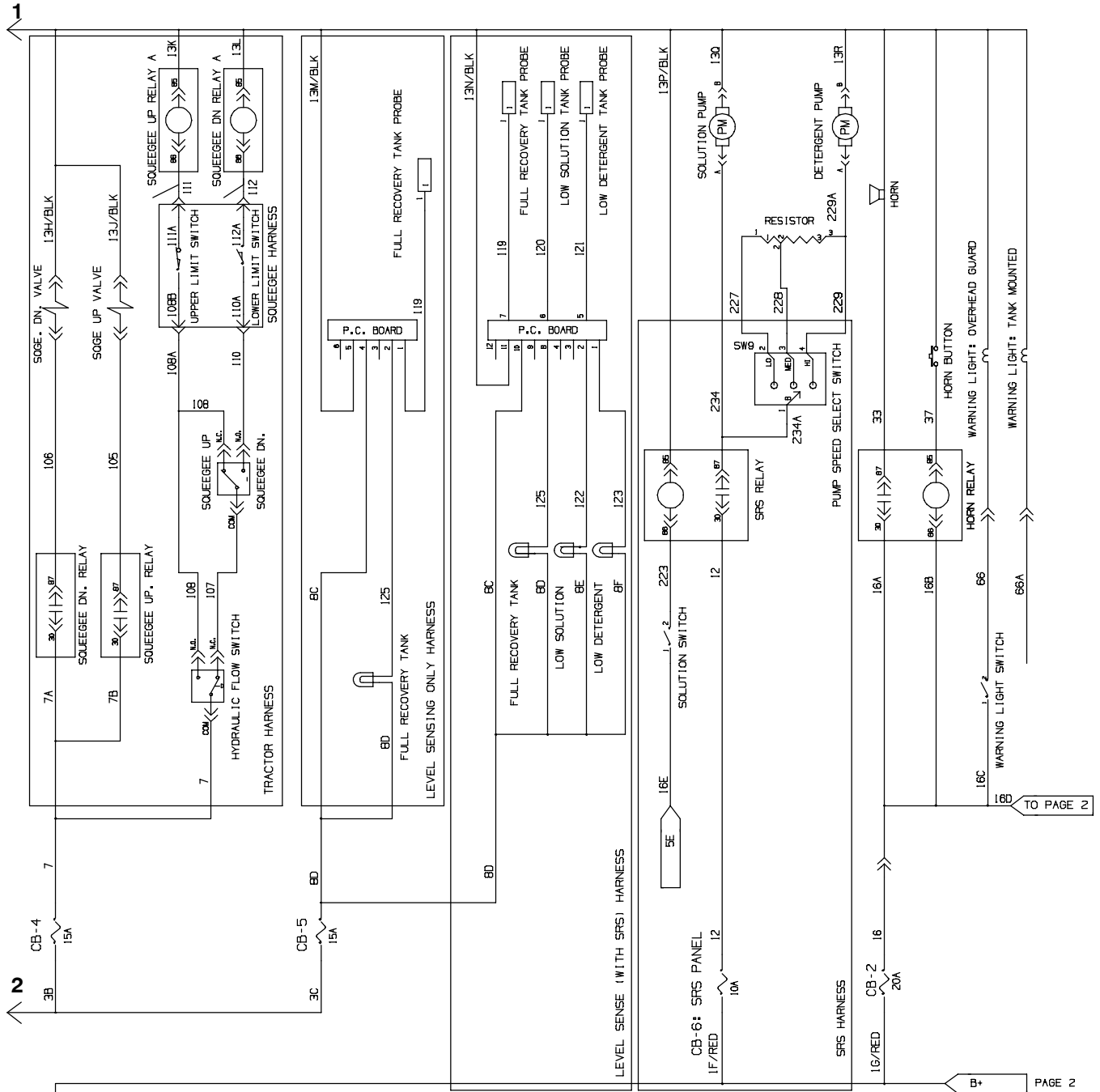


Fig. 56 - Electrical Schematic (007003-)



B+ STAND OFF AT CONTROL PANEL

Fig. 56 - Electrical Schematic (007003-)



.....WIRING COLOR CODE.....

RIGHT MOST DIGIT OF WIRE NUMBER	COLOR OF WIRE IN HARNESS
0	TAN
1	PINK
2	BRN
3	ORANGE
4	YELLOW
5	GREEN
6	BLUE
7	PURPLE
8	GRAY
9	WHITE

UNLESS SPECIFIED DIFFERENTLY ON SCHEMATIC.

Fig. 56 - Electrical Schematic (007003-)

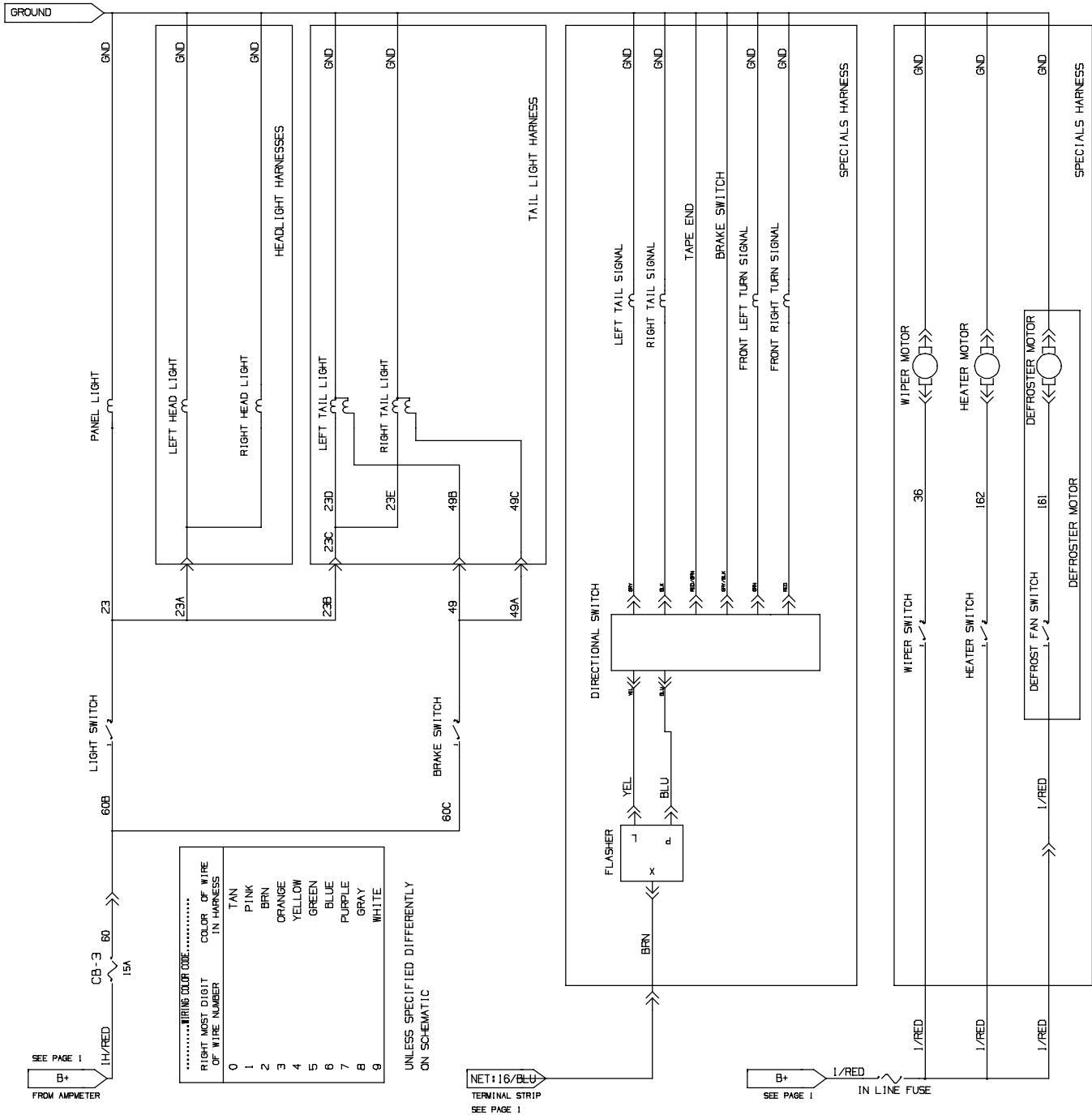
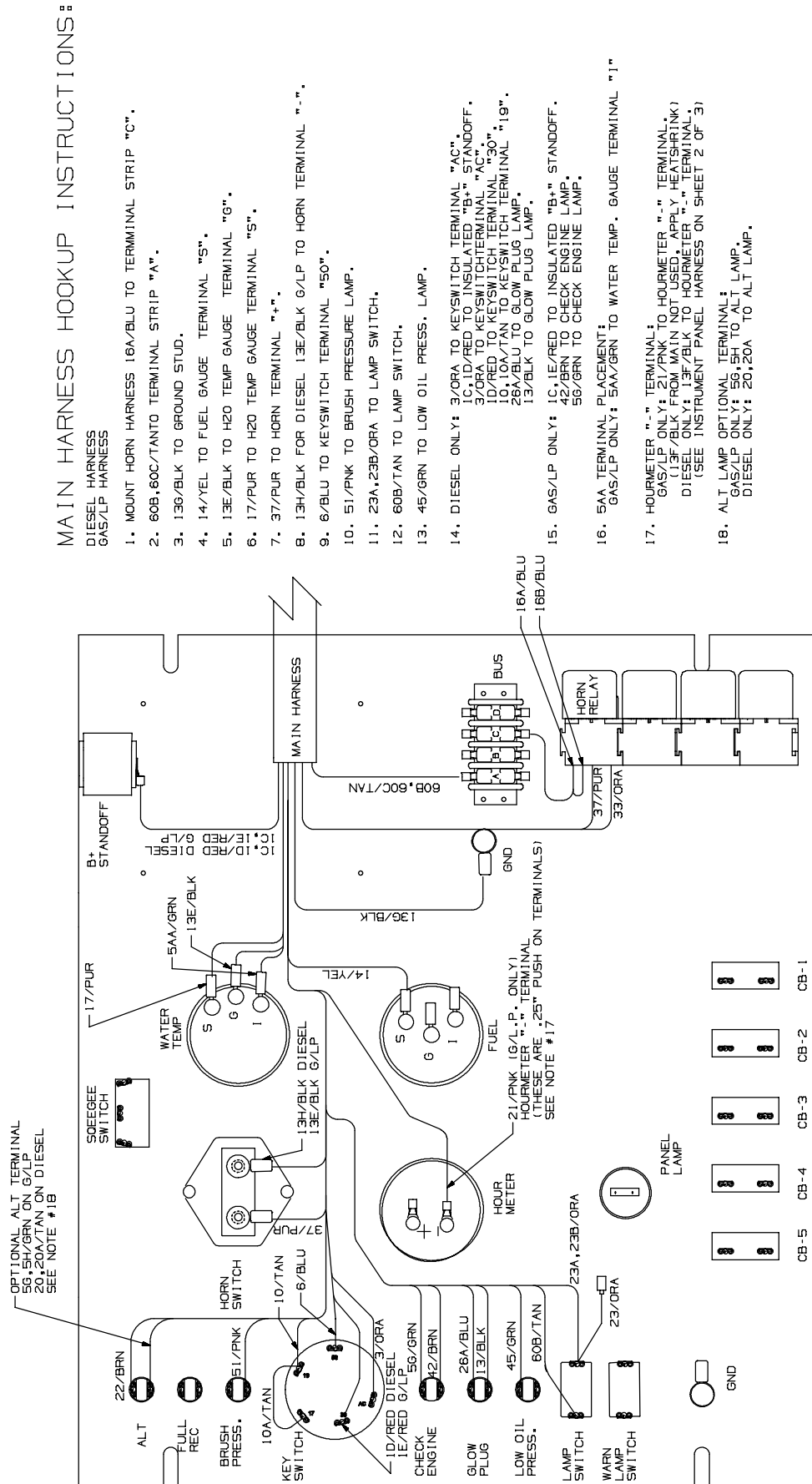


Fig. 57 - Electrical Wiring Diagram, Instrument Panel (007003-)

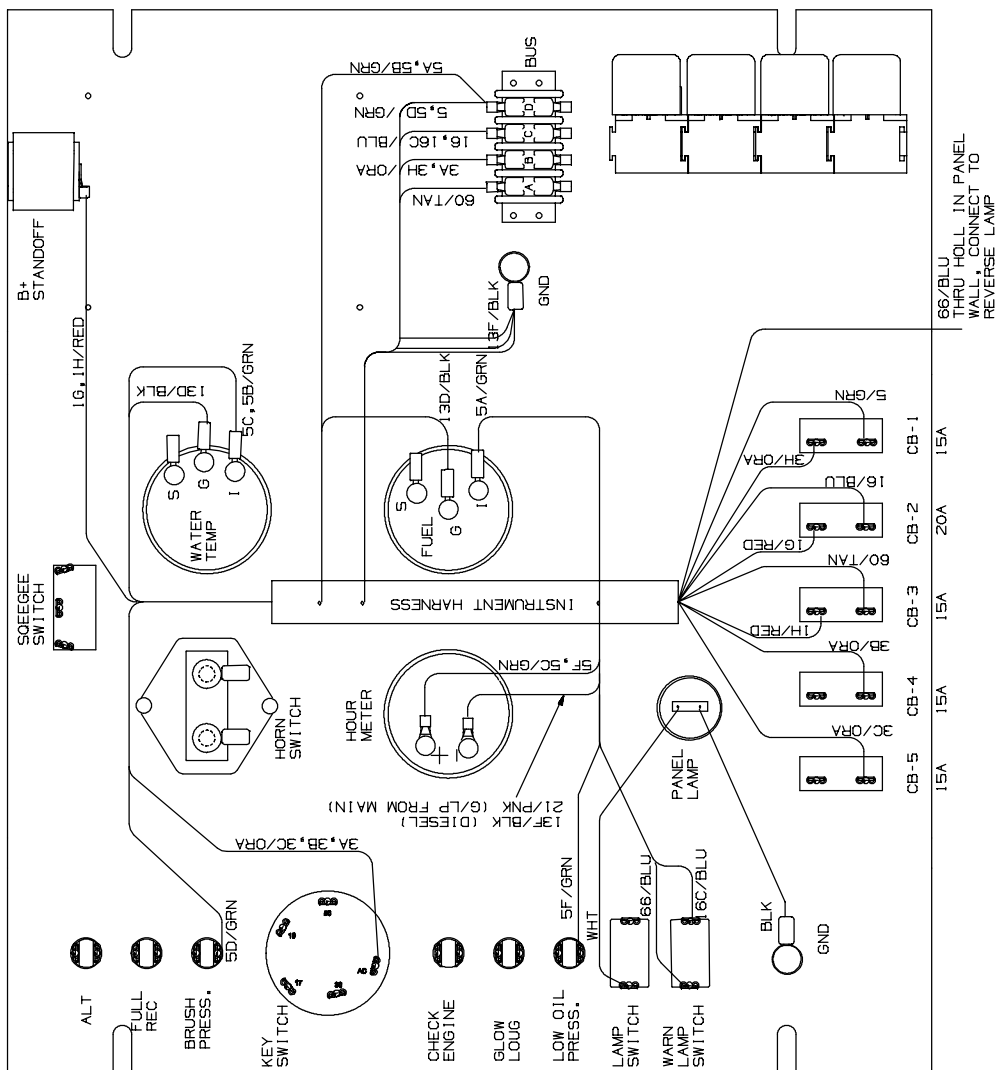


DETAIL 1
 WIRING DIAGRAM FOR
 MAIN HARNESS WIRES
 SEE SHIT 2 FOR CONTROL
 PANEL HARNESS

Fig. 57 - Electrical Wiring Diagram, Instrument Panel (007003-)

PANEL HARNESS HOOKUP INSTRUCTIONS:

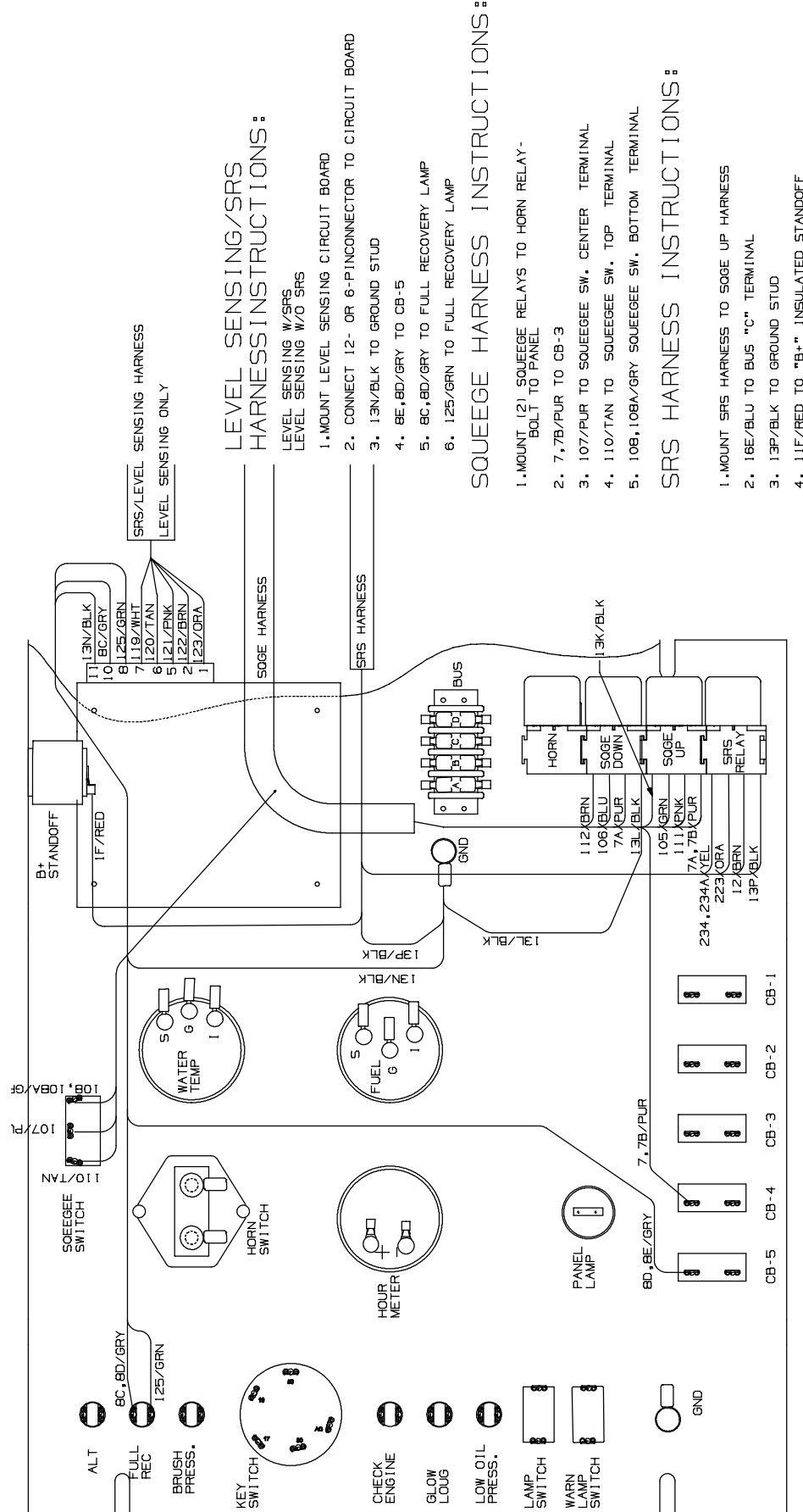
- PANEL HARNESS
1. 5/GRN TO CB-1
 2. 3H/ORR TO CB-1
 3. 1G/RED TO CB-2
 4. 16/BLU TO CB-2
 5. 60/TAN TO CB-3
 6. 1H/RED TO CB-3
 7. 3B/ORR TO CB-4
 8. 3C/ORR TO CB-5
 9. 13F/BLK TO HOURMETER "-" TERMINAL
 10. 5F,5C/GRN TO HOURMETER "+" TERMINAL
 11. 5F/GRN TO LOW OIL PRESSURE LAMP
 12. 13A,13/D,13/F BLK TO GROUND STUD
 13. 13D/BLK TO FUEL GAUGE "G" TERMINAL
 14. 60/TAN TO BUS TERMINAL "A"
 15. 3A,3H/ORR TO BUS TERMINAL "B"
 16. 16,16C/BLU TO BUS TERMINAL "C"
 17. 5,5D/GRN TO BUS TERMINAL "D"
 18. 5A,5B/GRN TO BUS TERMINAL "AC"
 19. 3A,3B,3C/ORR TO KEYSWITCH "AC"
 20. 5D/GRN TO BRUSH PRESS. LAMP
 21. 5C,5B/GRN TO WATER TEMP GAUGE "J" TERMINAL
 22. 13A/BLK TO WATER TEMP GAUGE "G" TERMINAL
 23. 1G,1H/RED TO INSULATED "B-" STANDOFF
 24. WARNING LAMP OPTION: 66/BLU TO WARNING LAMP SWITCH
16C/BLU TO WARNING LAMP SWITCH
66/BLU TO REVERSE LAMP
 25. PANEL LAMP OPTION: PANEL LAMP WHITE WIRE TO LAMP SWITCH
PANEL LAMP BLACK WIRE TO GROUND STUD



DETAIL 2

WIRING DIAGRAM CONTROL
PANEL HARNESS WIRES
SEE SHIT 1 FOR MAIN
HARNESS WIRING

Fig. 57 - Electrical Wiring Diagram, Instrument Panel (007003-)



LEVEL SENSING/SRS HARNESS INSTRUCTIONS:

1. MOUNT LEVEL SENSING CIRCUIT BOARD
2. CONNECT 12- OR 6-PIN CONNECTOR TO CIRCUIT BOARD
3. 13N/BLK TO GROUND STUD
4. 8E, 8D/GRY TO CB-5
5. 8C, 8D/GRY TO FULL RECOVERY LAMP
6. 125/GRN TO FULL RECOVERY LAMP

SOUEEGEE HARNESS INSTRUCTIONS:

1. MOUNT (2) SOUEEGEE RELAYS TO HORN RELAY-BOLT TO PANEL
2. 7, 7B/PUR TO CB-3
3. 107/PUR TO SOUEEGEE SW. CENTER TERMINAL
4. 110/TAN TO SOUEEGEE SW. TOP TERMINAL
5. 108, 108A/GRY SOUEEGEE SW. BOTTOM TERMINAL

SRS HARNESS INSTRUCTIONS:

1. MOUNT SRS HARNESS TO SOGE UP HARNESS
2. 18E/BLU TO BUS "C" TERMINAL
3. 13P/BLK TO GROUND STUD
4. 11F/RED TO "B+" INSULATED STANDOFF

Fig. 58 - Instrument Panel Group (006115-007002)

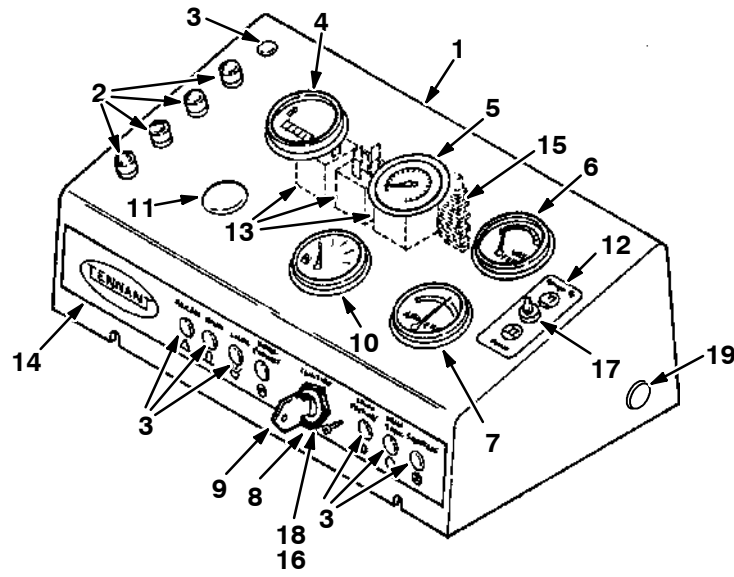


Fig. 58 - Instrument Panel Group (006115-007002)

Ref.	Part No.	Serial Number	Description	Qty.
1	378997	(006115-007002)	Console, Instrument	1
2	07422	(006115-007002)	Holder, Fuse	4
	383723	(006115-007002)	Circuitbreaker, 20.0a, Resetable	2
	07423	(006115-007002)	Fuse, 15 A	2
3	56992	(006115-007002)	Plug Button, 0.50" (13 mm)	7
4	34810	(006115-007002)	Meter, Hour	1
5	21690	(006115-007002)	Gauge, Oil Pressure	1
6	50330	(006115-007002)	Gauge, Water Temperature	1
7	54180	(006115-007002)	Ammeter	1
▽	8	87536AM	(006115-007002) Switch, Ign [Ku]	1
▲	9	87866	(006115-007002) Key, Ignition Switch (Set of 2)	1
10	34813	(006115-007002)	Gauge, Fuel Level	1
11	47178-13	(006115-007002)	Plug Button, 1.25" (32 mm)	1
12	76234	(006115-007002)	Label, Switch, Squeegee Lift	1
13	57804	(006115-007002)	Relay	3
14	16667	(006115-007002)	Label, Instrument Console	1
15	26523	(006115-007002)	Board, Terminal	1
16	73736	(006115-007002)	Washer, 1.15B 1.75D .08 Stl	1
17	76306	(006115-007002)	Switch, On-Off, Squeegee Lift	1
	76536	(006115-007002)	Wire Kit, Instrument Panel	1
	47178-12	(006115-007002)	Plugbutton, 2.0" (50 mm)	1
18	382516	(006115-007002)	Boot, Switch	1
19	02431	(006115-007002)	Plug Button	2

Fig. 59 - Instrument Panel Group (007003-)

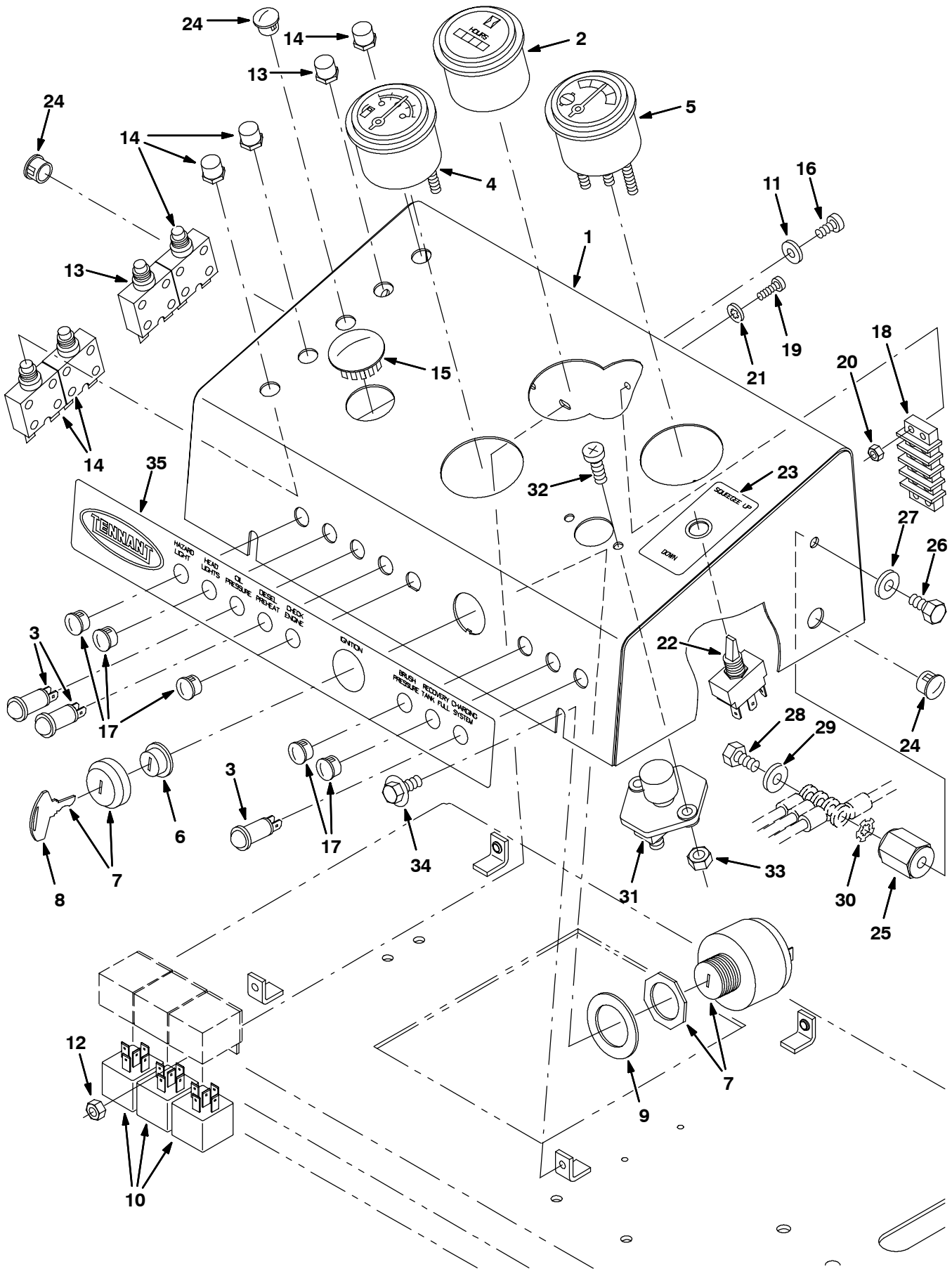
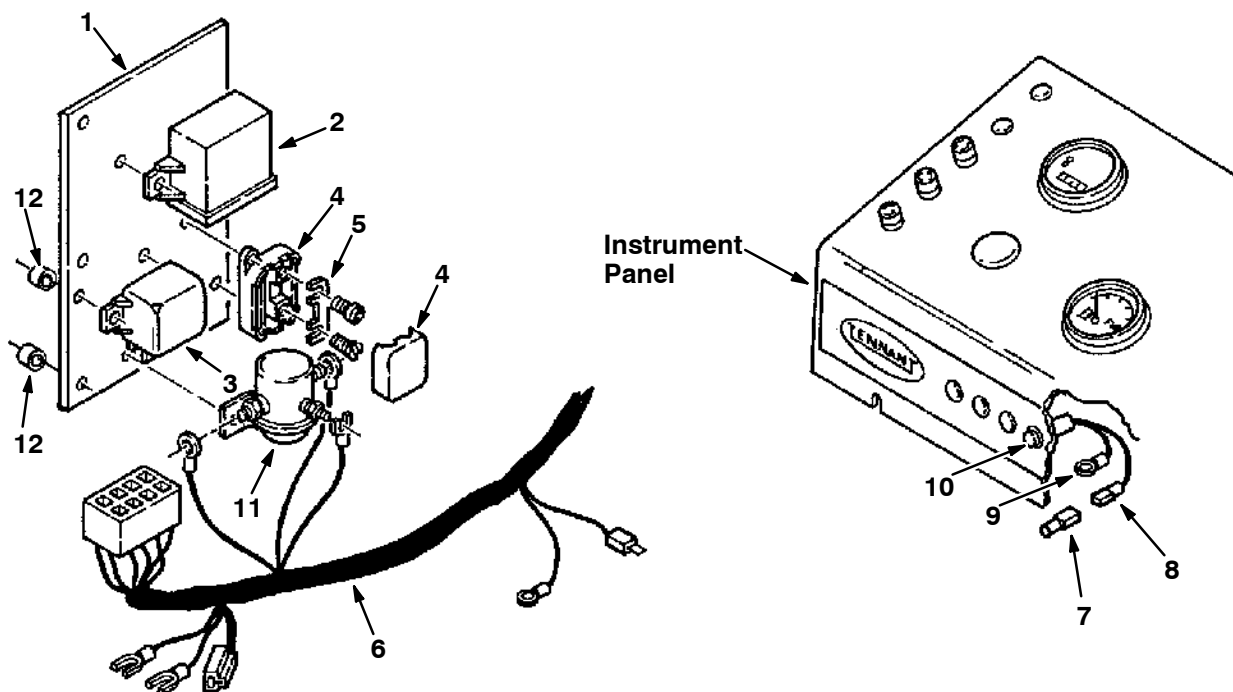


Fig. 59 - Instrument Panel Group (007003-)

Ref.	Part No.	Serial Number	Description	Qty.	
1	1015379	(007003-) Panel Wldt, Console, Instmt [550]	1	
2	34810	(007003-) Hourmeter, 12-24vdc, Analog, Rnd	1	
3	34820	(007003-) Light, Panl, 14vdc, Red, 0.6d	3	
4	34813	(007003-) Gauge, Fuel, 0-90ohm 8-18vdc	1	
5	50330	(007003-) Gauge, Temp, 100-260 2.3d 12vdc	1	
6	382516	(007003-) Boot, Switch	1	
▽	7	87536	(007003-) Switch, Ign [Ku]	1
▲	8	87866	(007003-) Key, Ignition, [Set Of 2]	1
9	73736	(007003-) Washer, 1.15b 1.75d .08, Stl	1	
10	57804	(007003-) Relay, 12vdc, 40a, Spdt, [Potter]	3	
11	19065	(007003-) Washer, Flat, #08	3	
12	45181	(007003-) Nut, Hex, Lock, #10-24, NI	3	
13	383723	(007003-) Circuitbreaker, 20.0a, Resetable	1	
14	383722	(007003-) Circuitbreaker, 15.0a	3	
15	47178-13	(007003-) Button, Plug, 1.25h .06-.09 [Chrome Stl]	1	
16	39648	(007003-) Screw, Pan, #10-24 X 0.38, 1	3	
17	56992	(007003-) Button, Plug, 0.50h .03-.12 [Black Nyl]	5	
18	26523	(007003-) Block, Terminal, 4 Connector	1	
19	32517	(007003-) Screw, Pan, #08-32 X 0.62, 1	1	
20	19310	(007003-) Nut, Hex, Std, #08-32	1	
21	32978	(007003-) Washer, Lock, Int, #08	1	
22	76306	(007003-) Switch, Toggle, 250vac 10a On/On	1	
23	76234	(007003-) Label, Control, Sqge	1	
24	02431	(007003-) Button, Plug, 0.56h .03-.12 [Black Nyl]	3	
25	76062	(007003-) Insulator, Panel & Switchboard	1	
26	19316	(007003-) Screw, Hex, .25-20 X 0.62, 5	1	
27	41185	(007003-) Washer, Belleville, .25	1	
28	19315	(007003-) Screw, Hex, .25-20 X 0.50, 5	1	
29	32490	(007003-) Washer, Flat, 0.25 Std	1	
30	41141	(007003-) Washer, Lock, Int-Ext, .31	1	
31	44078	(007003-) Switch, Push, 12vdc 80a Spst No	1	
32	39712	(007003-) Screw, Pan, .25-20 X 0.75, 2	2	
33	75934	(007003-) Nut, Hex, Lock, .25-20, NI	2	
34	16949	(007003-) Screw, Hex, .25-20 X 0.75, Sems	4	
35	1015389	(007003-) Label, Console, Instmt	1	

STANDARD PARTS

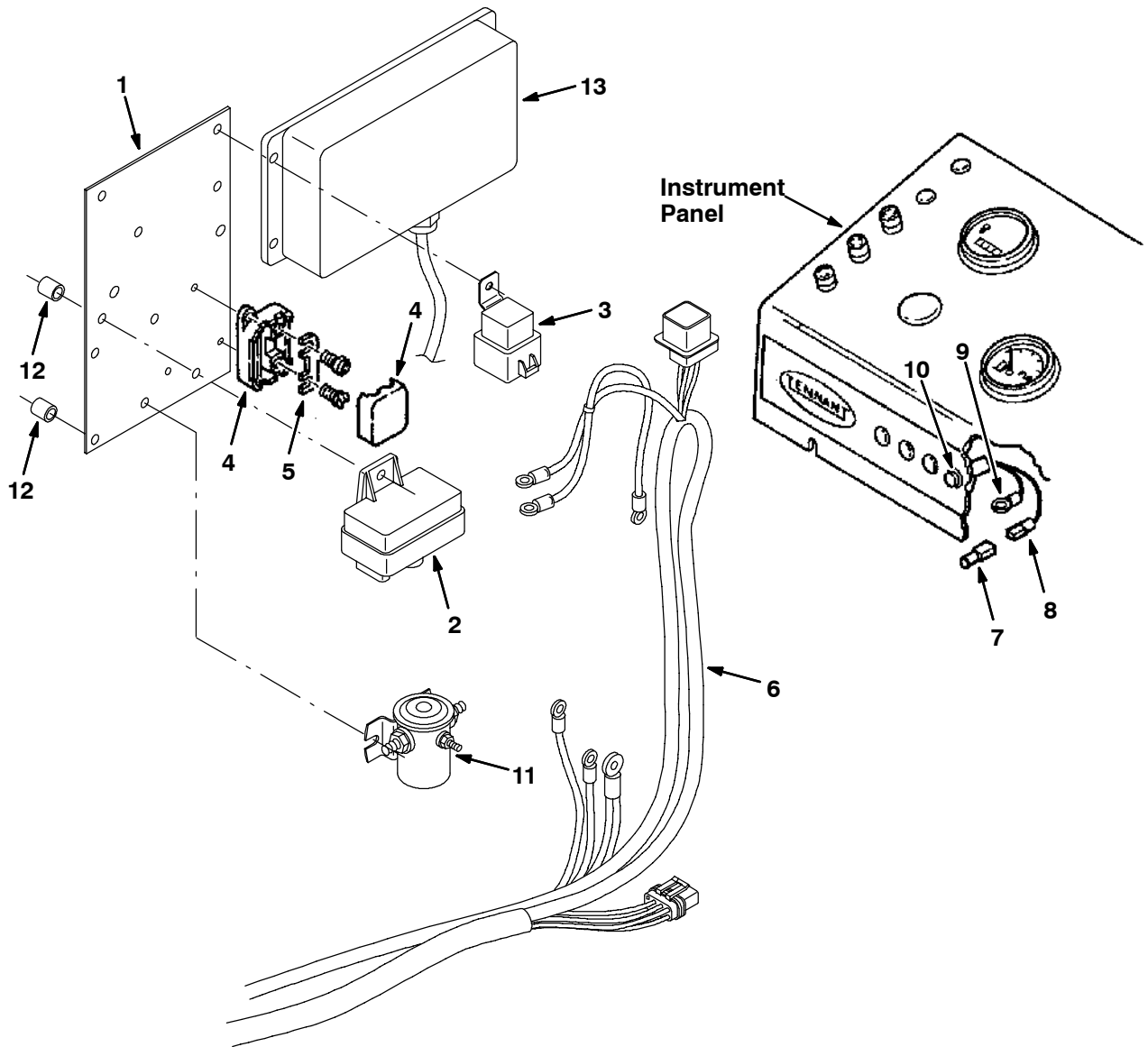
Fig. 60 - Engine Glow Plug Control Group (006115-006408)



02381 - 550, 1550, D, Cont

Ref.	Part No.	Serial Number	Description	Qty.
1	34841	(006115-006408)	Plate	1
▽	34866	(006115-006408)	Control Unit Kit	1
▲	2	34801	(006115-006408) Control Unit, Glow Plug	1
▲	3	34804	(006115-006408) Relay, Power	1
▲	4	34802	(006115-006408) Holder, Fuse	1
▲	5	34803	(006115-006408) Fuse, 80 A	1
6	16848	(006115-006408)	Control Harness	1
7	45224	(006115-006408)	Terminal, Quick-Disconnect	1
8	45223	(006115-006408)	Terminal	1
9	68101	(006115-006408)	Terminal, Ring	1
10	374119	(006115-006408)	Light, Pilot	1
11	375117	(006115-006408)	Contact, 12Vdc	1
12	53051A	(006115-006408)	Spacer	2

Fig. 61 - Engine Glow Plug Control Group (006409-007002)



353672 - 02381 - 1550, 550, D, Perk

Ref.	Part No.	Serial Number	Description	Qty.
1	34841	(006409-007002)	Plate	1
▽	34866	(006409-007002)	Control Unit Kit	1
▲	2	375676	Controller	1
▲	3	56186	Relay, 12vdc, 40a, Spdt, [Potter]	1
▲	4	34802	Holder, Fuse	1
▲	5	34803	Fuse, 80 A	1
	6	392529	Harness, Engine, Perkins, [550/1550]	1
	7	45224	Terminal, Quick-Disconnect	1
	8	45223	Terminal	1
	9	68101	Terminal, Ring	1
	10	374119	Lamp Assy, Indicator, Red, 14Vdc	1
	11	375117	Contactora, 12Vdc	1
	12	53051A	Spacer	2
	13	374127	Kit, Replmt, Control, Govnr, [All Purpose]	1

Fig. 62 - Vacuum Fan Assembly

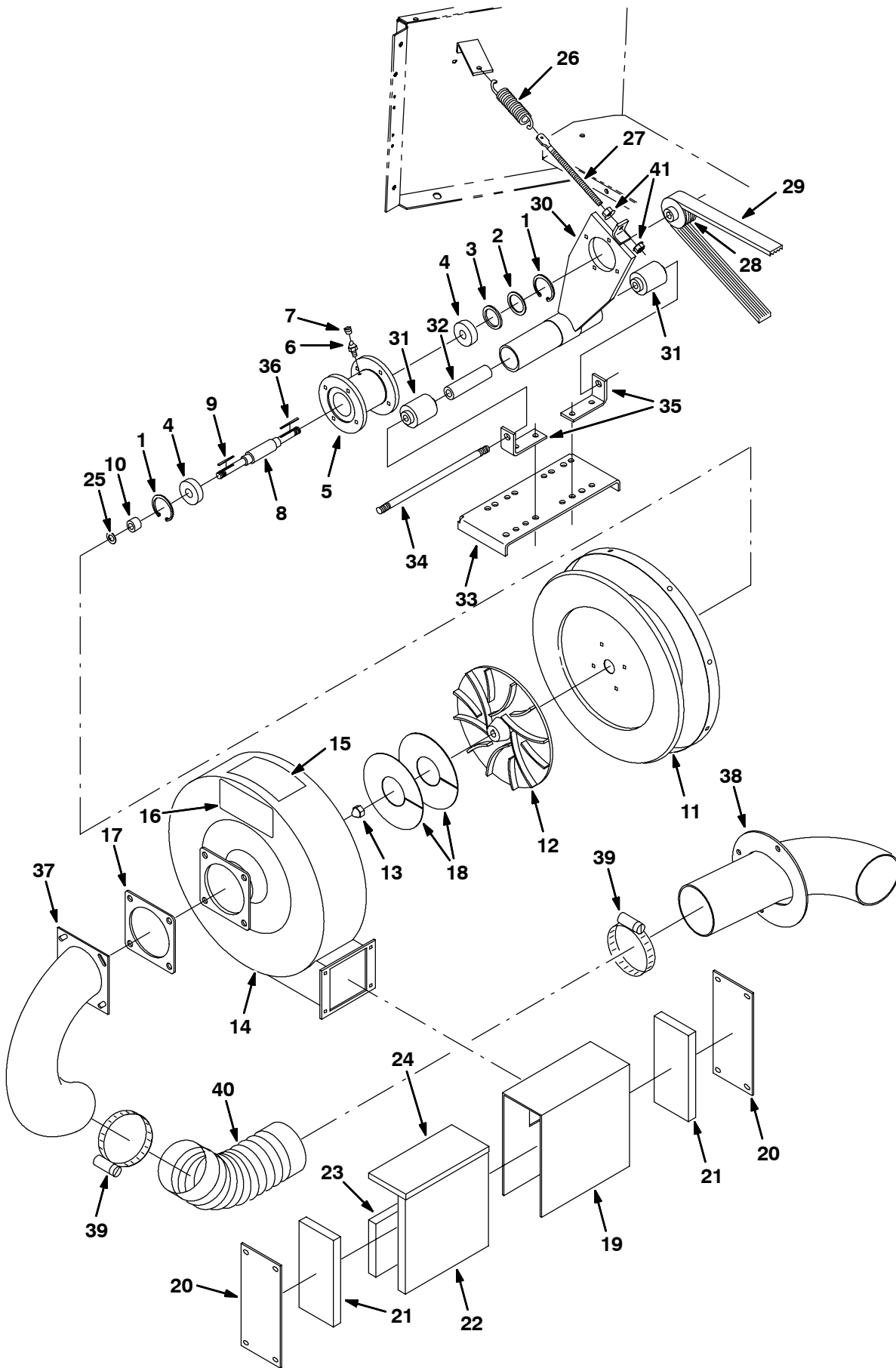


Fig. 62 - Vacuum Fan Assembly

Ref.	Part No.	Serial Number	Description	Qty.
▽	61701	(006115-) Fan Assembly, Vacuum	1
▲	1 10464	(006115-) Ring, Retaining	2
▲	2 75454	(006115-) Shim	1
▲	3 42809	(006115-) Washer, Wavy	1
▲	4 40496	(006115-) Bearing, Ball	2
▲	5 16400	(006115-) Housing, Bearing	1
▲	6 47801	(006115-) Fitting, Grease	1
▲	7 40390	(006115-) Cover, Grease	1
▲	8 375613	(006115-) Shaft, Fan	1
▲	9 00966	(006115-) Key, Square	1
▲	10 75461	(006115-) Sleeve	1
▲	11 58107	(006115-) Housing, Rear	1
▲	12 03922	(006115-) Impeller	1
▲	13 41130	(006115-) Nut, Low Crown	1
▲▽	25383	(006115-) Housing Assembly, Front	1
▲▲	14 25189	(006115-) Housing, Front	1
▲▲	15 41007	(006115-) Label, Lubricating Instructions	1
▲▲	16 40052	(006115-) Label, Danger, Fan Suction	1
▲▲	17 25216	(006115-) Gasket, Fan	1
▲	18 58114	(006115-) Repair Kit, Fan Assembly	1
▲▽	09314	(006115-) Muffler Assembly	1
▲▲	19 25207	(006115-) Frame, Muffler	1
▲▲	20 391854	(006115-) Plate, Side	2
▲▲	21 25373	(006115-) Foam, Acoustic	2
▲▲	22 25359	(006115-) Foam, Acoustic	1
▲▲	23 25364	(006115-) Foam, Acoustic	1
▲▲	24 25365	(006115-) Foam, Acoustic	1
▲	25 75456	(006115-) Shim, 0.003" (0.07 mm)	1
▲	75456-1	(006115-) Shim, 0.005" (0.12 mm)	1
▲	75456-2	(006115-) Shim, 0.010" (0.25 mm)	2
▲	75456-3	(006115-) Shim, 0.020" (0.50 mm)	2
▲	75456-4	(006115-) Shim, 0.060" (1.52 mm)	2
	26 50864	(006115-) Spring, Tension	1
	27 42331-1	(006115-) Bolt, Eye	1
	28 375614	(006115-) Sheave, Fan	1
	29 391844	(006115-007002)	V-Belt	1
	29 1011727	(007003-) Belt, Ribbed, [K 8], 70.0l	1
▽	25640	(006115-) Bracket Mounting Assembly, Fan	1
▲	30 25632	(006115-) Bracket, Mounting	1
▲	31 25384	(006115-) Bearing	2
▲	32 25636	(006115-) Spacer	1
	33 378967	(006115-) Bracket Wldt, Mtg	1
	34 25637	(006115-) Rod, Threaded	1
	35 25639	(006115-) Bracket, Angle	2
	36 00911	(006115-) Key, Square	1
	37 25212	(006115-) Tube, Intake	1
	38 09311	(006115-) Tube, Inlet	1
	39 23498	(006115-) Clamp, Wormdrive	2
	40 40870-2	(006115-) Hose Assembly	1
	41 27980	(006115-) Nut, Hex, Fling, .38-16	2

Fig. 63 - Rear Wheel Group

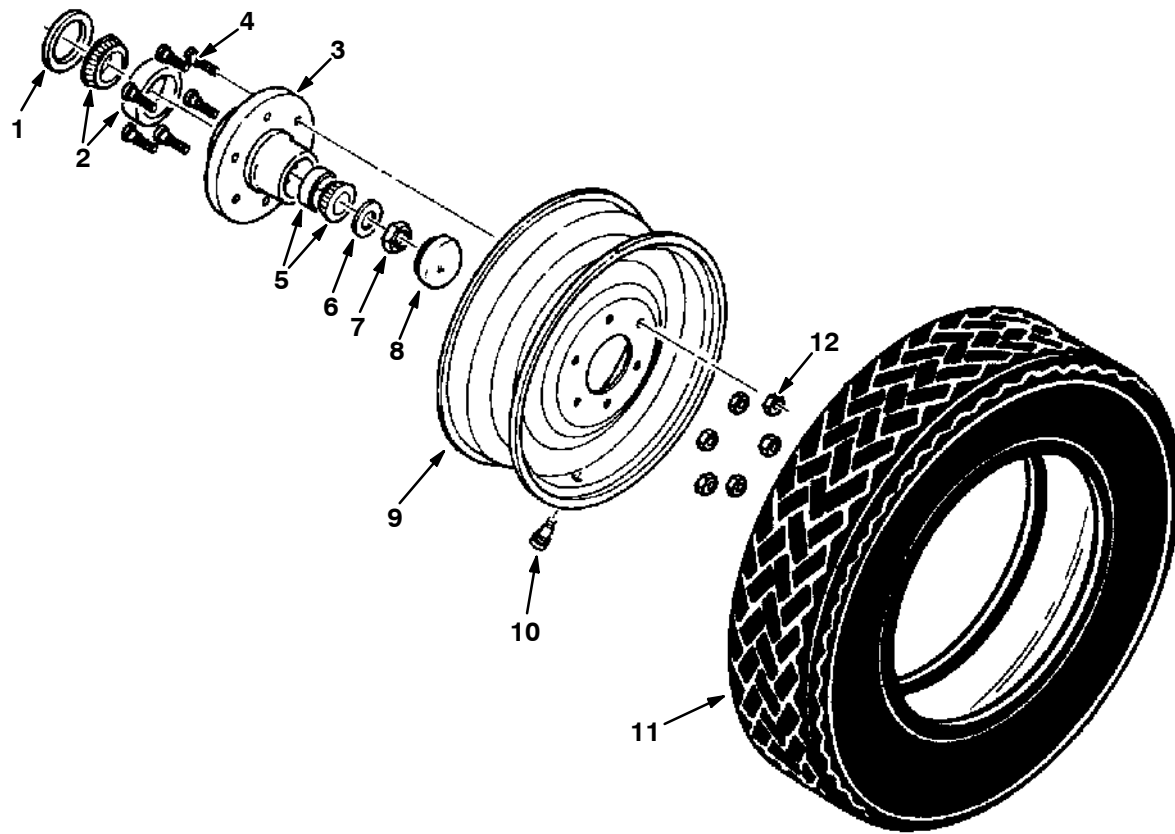


Fig. 63 - Rear Wheel Group

Ref.	Part No.	Serial Number	Description	Qty.
	1	75072-5	(006115-) Seal, Inner Wheel Bearing	2
	2	75073	(006115-) Bearing Assembly, Cup and Cone	2
▽	3	75072-1	(006115-) Hub Assembly	2
▲	4	32126	(006115-) Stud, Wheel	6
	5	75075	(006115-) Bearing Assembly, Cup and Cone	2
	6	31705	(006115-) Washer, Flat	2
	7	41112	(006115-) Nut, Slotted	2
	8	57567	(006115-) Cap, Hub Dust	2
▽		48891	(006115-) Tire Assy, Pneu, 8.75-16.5 5.5bc/6bolt	2
▲	9	79101	(006115-) Rim, 16.5 X 6.75 5.5bc/6bolt	1
▲	10	75365	(006115-) Valve, Tire, Air	1
▲	11	48888	(006115-) Tire, [8.75X16.5 Lt]	1
	12	24339	(006115-) Nut, Wheel	12

Fig. 64 - Trunnion Group

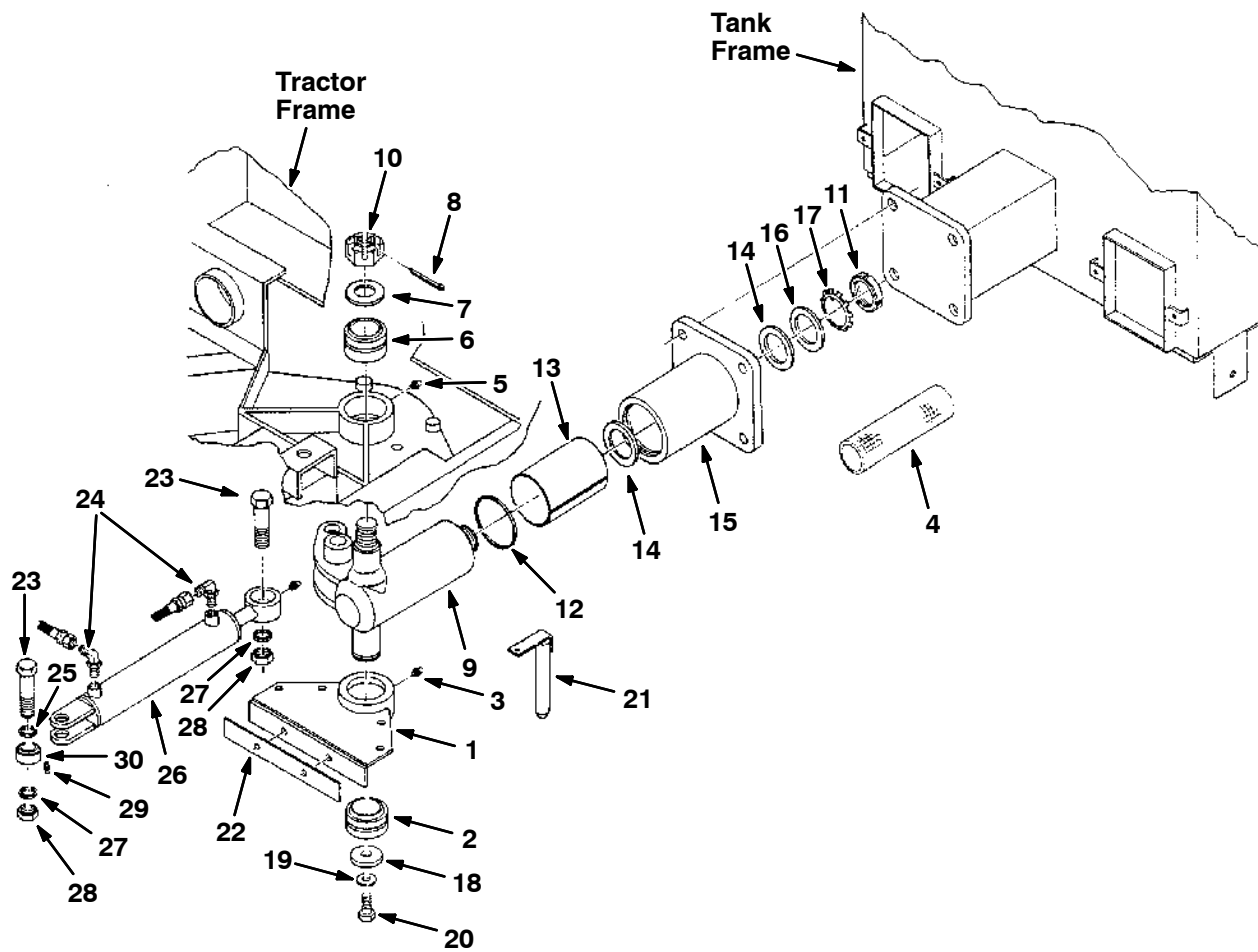


Fig. 64 - Trunnion Group

Ref.	Part No.	Serial Number	Description	Qty.
▽	42399	(006115-) Support Assembly, Lower Bearing	1
▲	1 42311	(006115-) Support, Lower Bearing	1
▲	2 42120-2	(006115-) Bearing	1
▲	3 07259	(006115-) Fitting, Grease	1
	4 82833	(006115-) Sleeve, Nylon	1
	5 07259	(006115-) Fitting, Grease	1
	6 42120-2	(006115-) Bearing	1
	7 41066	(006115-) Washer	3
	8 08298	(006115-) Pin, Cotter	1
▽	08100	(006115-) Housing Assembly, Bearing	1
▲▽	9 06846	(006115-) Pivot, Shaft	1
▲▲	10 13611	(006115-) Nut, Slotted Hex	1
▲▲	11 41073	(006115-) Nut, Lock	1
▲	12 41082	(006115-) O-Ring	1
▲	13 41083	(006115-) Bearing, Liner	1
▲	14 41084	(006115-) Bearing, Thrust	2
▲	15 32724	(006115-) Housing, Pivot	1
▲	16 41081	(006115-) Washer	1
▲	17 369701	(006115-) Washer, Lock	1
▲	18 06845	(006115-) Washer, Spacer	1
▲	19 15331	(006115-) Washer	1
▲	20 08099	(006115-) Screw, Hex	1
	21 75296	(006115-) Pin, Articulating Locking	1
	22 76540	(006115-) Shim	1
	44961	(006115-) Tie, Cable	2
	23 39912	(006115-) Screw, Hex	2
	24 56820	(006115-) Fitting, Elbow	2
	25 76915	(006115-) Washer	1
	26 04431	(006115-) Cylinder, Hydraulic (See Breakdowns)	1
	27 39347	(006115-) Washer, Flat	2
	28 02464	(006115-) Nut, Nylon	2
	29 06418	(006115-) Fitting, Grease	1
	30 42120-4	(006115-) Bearing, Self-Aligning	1
	19659	(006115-) Sleeve, Nylon	1

Fig. 65 - Solution and Recovery Tanks Group, Front Side

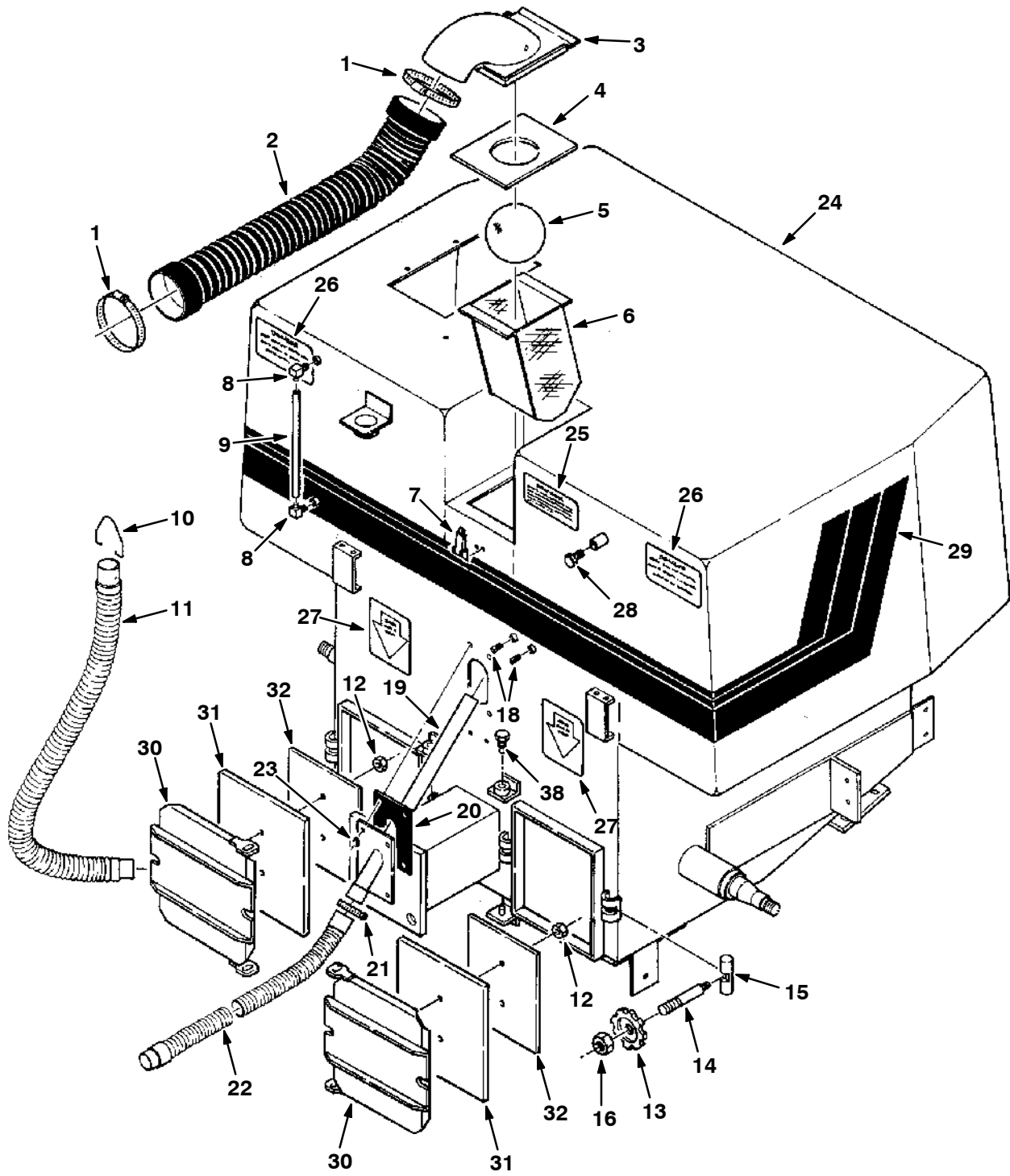


Fig. 65 - Solution and Recovery Tanks Group, Front Side

Ref.	Part No.	Serial Number	Description	Qty.
1	23498	(006115-) Clamp, Worm Drive	2
2	25360	(006115-) Hose, Vacuum Fan	1
3	75182	(006115-) Flange, Top Float	1
4	75188	(006115-) Seal, Float Flange	1
5	75106	(006115-) Ball, Float	1
6	75103	(006115-) Retainer, Ball	1
7	87579	(006115-) Latch, Cam Lock	1
8	08228	(006115-) Elbow, Solution Level	2
9	42779	(006115-) Hose, Solution Level	1
10	40550	(006115-) Clip, Drain Hose Retainer	1
11	76828	(006115-) Hose, Recovery Tank Drain	1
12	41169	(006115-) Nut, Stainless Steel	4
13	82958	(006115-) Knob, Door Latch	4
14	61171	(006115-) Stud, Door Latch	4
15	61170	(006115-) Rod, Door Latch	4
16	36644	(006115-) Nut, Locking	4
17	61181	(006115-) Pivot, Door Hinge	2
18	63511	(006115-) Plug	2
19	75045	(006115-) Tube, Front Suction	1
20	76532	(006115-) Seal, Suction Tube	1
21	22297	(006115-) Clamp, Worm Drive	1
22	75635AM	(006115-) Hose Assy, W/1cuff, 1.5d 120l 1.5/	1
23	76426	(006115-) Washer, Sealing	4
▽	24	75143-2) Tank, Solution and Recovery	1
▲	25	40052) Label, Danger, Fan Suction	1
▲	26	57630) Label, Danger, Keep Out	2
▲	27	76157) Label, Jack Only On Pad	2
▲	28	75611) Fitting, Plug	1
▲		09905) Label, TENNANT Logo	1
	29	75816) Label, Stripe, L.H.	1
30	61176	(006115-) Door	2
31	61174	(006115-) Gasket, Door	2
32	61175	(006115-) Plate, Door	2

Fig. 66 - Solution and Recovery Tanks Group, Rear Side

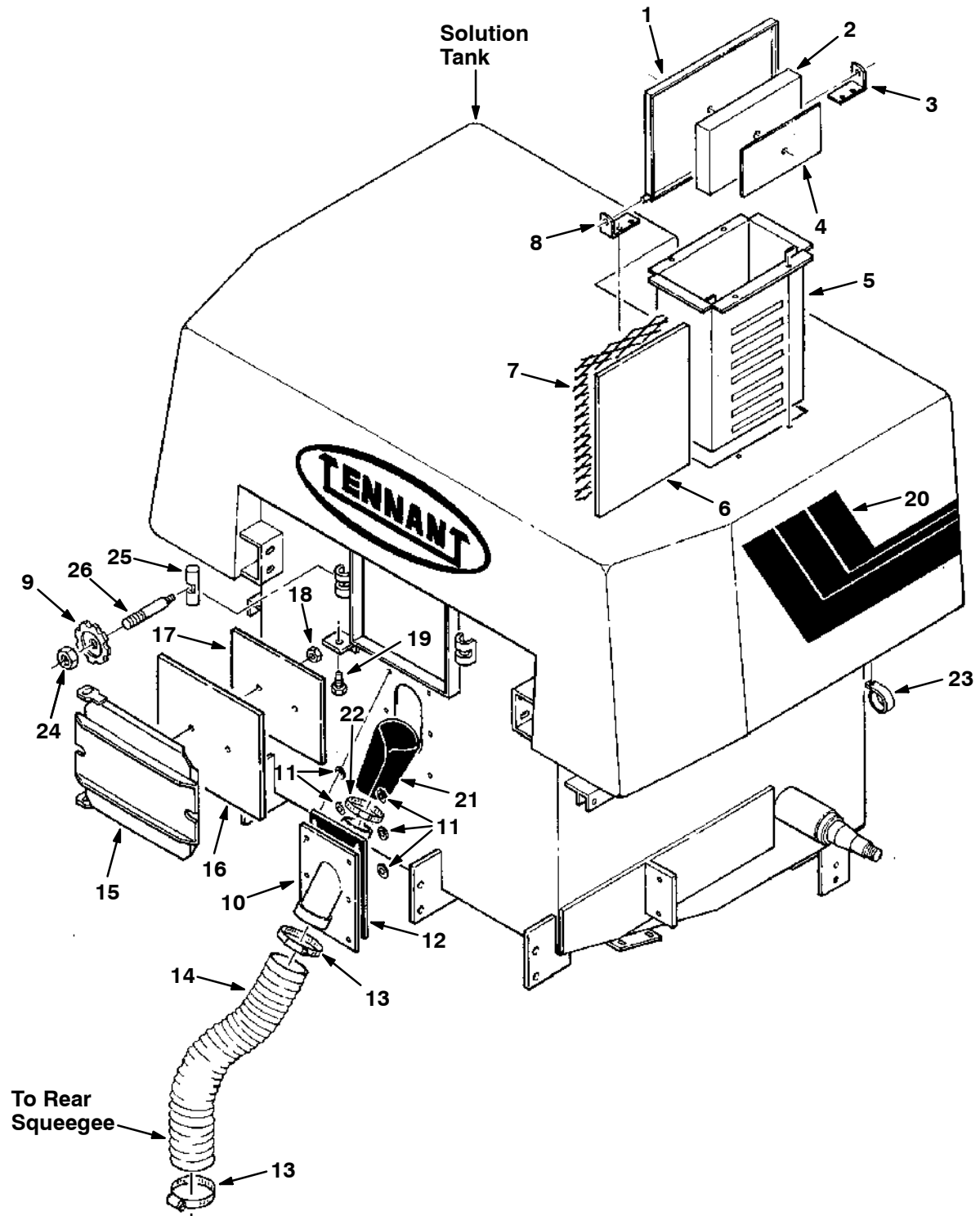


Fig. 66 - Solution and Recovery Tanks Group, Rear Side

Ref.	Part No.	Serial Number	Description	Qty.
1	75170	(006115-) Door, Solution	1
2	75171	(006115-) Gasket, Solution Door	1
3	75175	(006115-) Bracket, Door Hinge	1
4	79392	(006115-) Plate	1
5	75156	(006115-) Basket, Soap	1
6	75096	(006115-) Filter, Foam, Soap Basket	1
7	75098	(006115-) Screen	1
8	75174	(006115-) Bracket, Door Hinge	1
9	82958	(006115-) Knob, Door Latch	2
10	75081A	(006115-) Tube, Rear Squeegee Suction	1
11	76426	(006115-) Washer, Rubber, (Located Inside Tank)	6
12	75076	(006115-) Gasket, Rear Suction Tube	1
13	43555	(006115-) Clamp, Worm Drive	2
14	25649	(006115-) Hose, Rear Squeegee Suction	1
15	61245	(006115-) Door	1
16	61174	(006115-) Gasket, Door	1
17	61175	(006115-) Plate, Door	1
18	41169	(006115-) Nut, Stainless Steel	2
19	61181	(006115-) Pivot, Door Hinge	2
20	75815	(006115-) Label, Stripe, R.H.	1
21	50518	(006115-) Flap, Rubber	1
22	23498	(006115-) Clamp, Worm Drive	1
23	40678-1	(006115-) Clamp, Cable	1
24	36644	(006115-) Nut, Locking	2
25	61170	(006115-) Rod, Door Latch	2
26	61171	(006115-) Stud, Door Latch	2

Fig. 67 - Rear Bumper Group

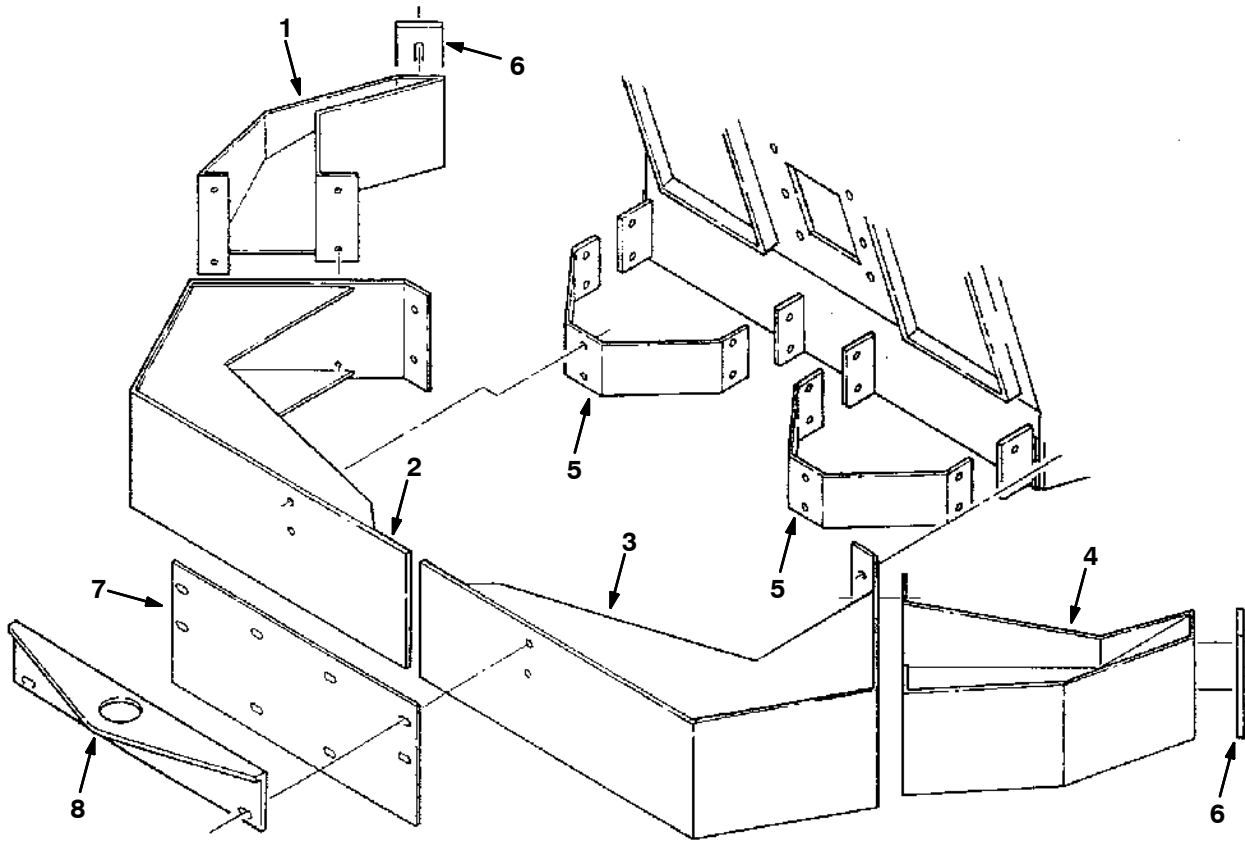
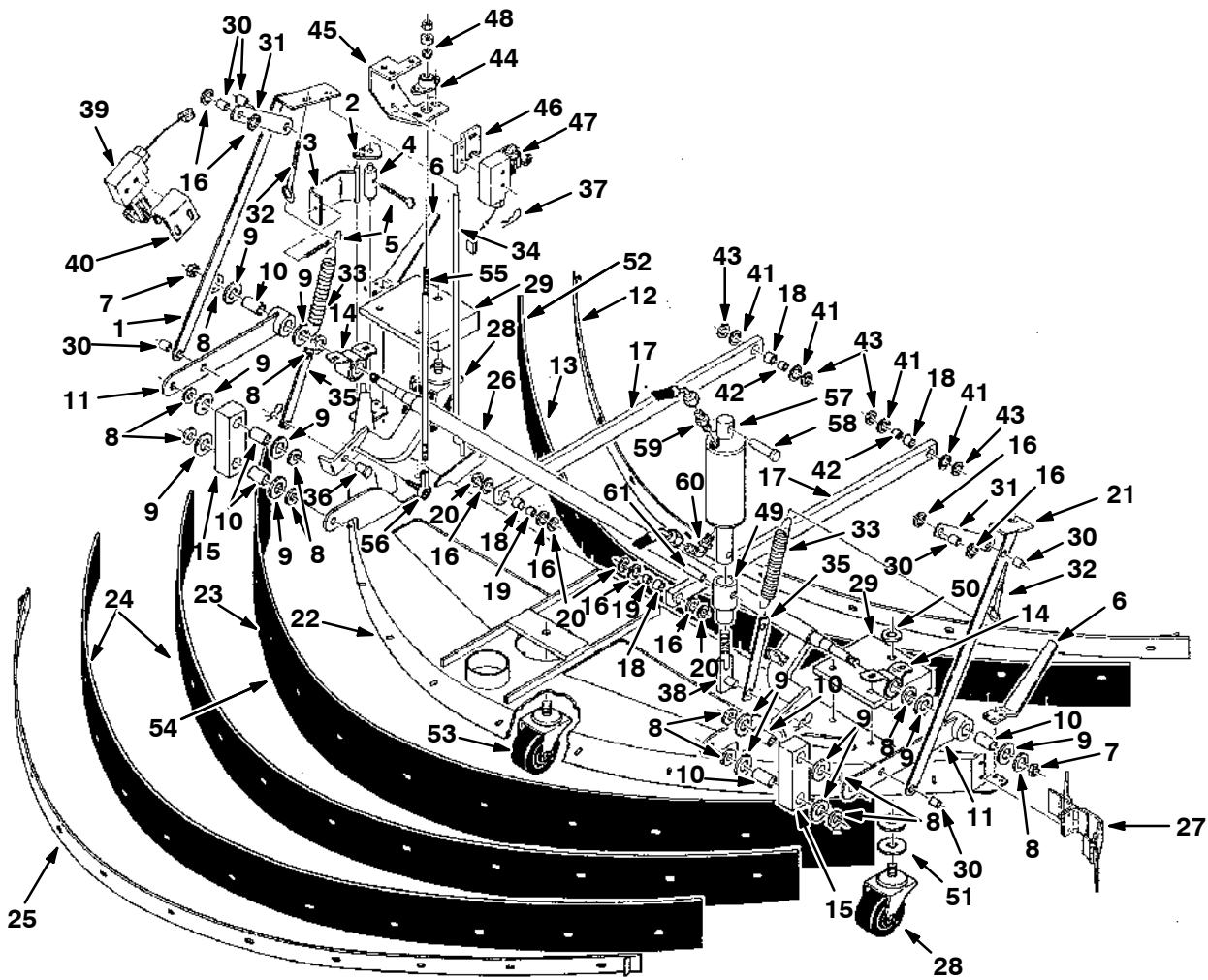


Fig. 67 - Rear Bumper Group

Ref.	Part No.	Serial Number	Description	Qty.
1	78673	(006115-) Guard, L.H.	1
2	65899	(006115-) Bumper Rear, L.H.	1
3	65898	(006115-) Bumper Rear, R.H.	1
4	78670	(006115-) Guard, R.H.	1
5	61261	(006115-) Bracket, Mounting	2
6	75190	(006115-) Guard, Squeegee	2
7	65897	(006115-) Plate, Bumper	1
8	32117	(005101-) Bracket, Tow Bypass	1

Fig. 68 - Rear Squeegee Assembly



09874 - 550

Ref.	Part No.	Serial Number	Description	Qty.
▽	32415	(006115-) Rear Squeegee Assembly	1
▲	1 78096	(006115-) Arm, L.H.	1
▲	2 76922-1	(006115-) Plate, Pivot	1
▲	3 76921	(006115-) Adjuster, Rear	1
▲	4 76927	(006115-) Pivot, Adjuster	1
▲	5 78641	(006115-) Screw, Thumb	2
▲	6 59639A	(006115-) Guide, Spring	2
▲	7 32985	(006115-) Nut	2
▲	8 32493	(006115-) Washer, Flat	12
▲	9 76979	(006115-) Washer, Thrust	12
▲	10 76392	(006115-) Sleeve, Bearing	6
▲▽	11 76984-1	(006115-) Arm Assembly	2
▲▲	76978	(006115-) Bearing, Fiberglide	1
▲	12 76896	(006115-) Band, Front, Squeegee	1
▲	13 60018	(006115-) Blade, Front, Squeegee	1
▲	14 16928	(006115-) Bearing, Pillow Block	2

Fig. 68 - Rear Squeegee Assembly

Ref.	Part No.	Serial Number	Description	Qty.
▲▲	15	76974-1	(006115-) Arm Assembly, Vertical Block	2
▲▲		76978	(006115-) Bearing, Fiberglide	1
▲	16	59633	(006115-) Bearing, Thrust, 0.53b 1.00d 0.03w	8
▲▽	17	33510	(006115-) Link, Rear Drag	2
▲▲	18	59634	(006115-) Sleeve, Bearing	2
▲	19	59632	(006115-) Sleeve	2
▲	20	01686	(006115-) Washer	4
▲	21	76988	(006115-) Arm, R.H.	1
▲	22	10150	(006115-) Frame, Rear	1
▲	23	60016	(006115-) Blade, Rear, Squeegee	1
▲	24	76937	(006115-) Strip, Rear, Backup	2
▲	25	76946	(006115-) Band, Rear, Squeegee	1
▲	26	33749	(006115-) Shaft, Squeegee Lift	1
▲	27	78642	(006115-) Clamp, Squeegee Band	1
▲	28	370133	(006115-) Caster	2
▲	29	10149	(006115-) Mount, Caster	2
▲	30	76390	(006115-) Sleeve	6
▲	31	76391	(006115-) Link	2
	32	76353	(006115-) Bolt, Eye	2
	33	47745	(006115-) Spring	2
	34	78093	(006115-) Rod	1
		20021	(006115-) Pin, Roll	1
	35	78695	(006115-) Strip, Spring	2
	36	51530	(006115-) Pin, Clevis	1
	37	08175	(006115-) Pin, Cotter	4
	38	48884	(006115-) Adaptor, Cylinder	1
	39	76340	(006115-) Switch, Roller	1
	40	76269	(006115-) Bracket, Switch Mounting	1
	41	59633	(006115-) Washer, Fiberglide	4
	42	59632	(006115-) Sleeve	2
	43	32492	(006115-) Washer	4
	44	33743	(006115-) Bearing, Flange	1
	45	33744	(006115-) Bracket, Mounting	1
	46	33745	(006115-) Bracket, Switch	1
	47	33748	(006115-) Switch	1
	48	33747	(006115-) Barrel, Trip	1
	49	09626	(006115-) Adapter, Cylinder Rod	1
	50	36328	(006115-) Washer, Belleville	3
	51	51564	(006115-) Washer	5
	52	78560	(006115-) Blade, Front, Squeegee, Urethane	1
	53	370133	(006115-) Caster	1
	54	78561	(006115-) Blade, Rear, Squeegee, Urethane	1
	55	33746	(006115-) Rod, Trip	1
	56	36466	(006115-) Ball Joint	1
	57	1028058	(006115-) Cylinder, Hyd, 2.0b 08.0l 04.00strk 2500	1
	58	51534	(006115-) Pin, Clevis	1
	59	55586	(006115-) Fitting, Straight	1
	60	77097	(006115-) Fitting, Elbow	1
	61	54041	(006115-) Pin, Roll	1

Fig. 69 - Label Group

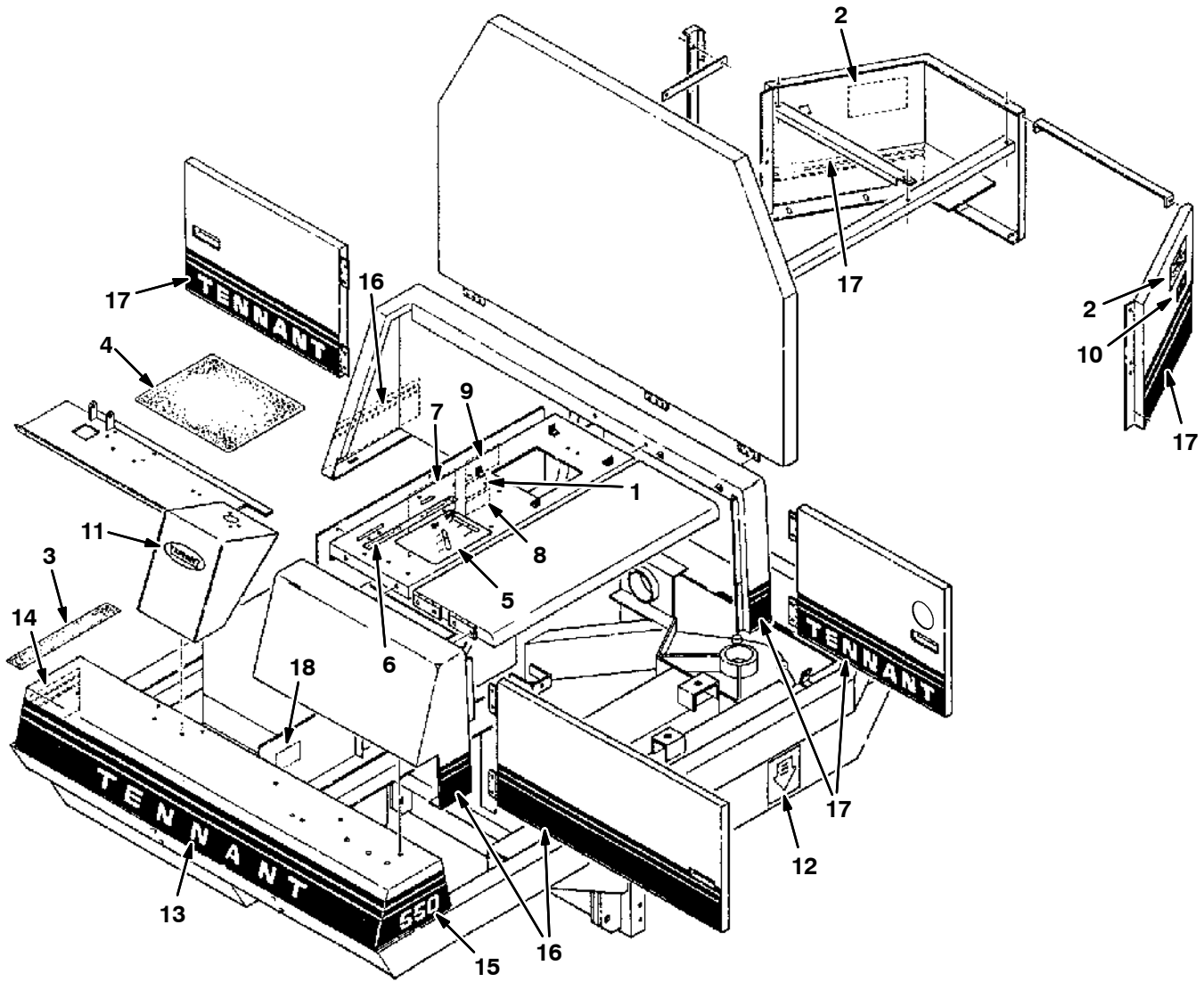


Fig. 69 - Label Group

Ref.	Part No.	Serial Number	Description	Qty.
1	37089	(007003-) Label, [Caution], [Travel Slowly]	1
2	57630	(007003-) Label, Warning, Danger, Pinch Point	2
3	75430	(007003-) Tread, Non-Skid, 02.2w 15.5l	1
4	69571	(007003-) Tread, Non-Skid, 12.0w 14.5l	1
5	76354	(007003-) Label, Opertnl, Instmt Panel, [550]	1
6	76113	(007003-) Label, Control, Throttle	1
7	76156	(007003-) Label, Maint, [550]	1
8	76067	(007003-) Label, Info, [Tire Pressure]	1
9	48242	(007003-) Label, Info, Alternator Equipped	1
10	51368	(007003-) Label, Maint, [Radiator Fins]	1
11	27474	(007003-) Label, Logo, Tennant, Oval, 114l, Blk	1
12	76158	(007003-) Label, Info, Jack Point, Tractor	2
13	75812	(007003-) Label, Stripe, [Tennant],[550]	1
14	75813	(007003-) Label, Stripe, Wing, Rh,[1550]	1
15	75814	(007003-) Label, Stripe, Wing, Lh,[1550]	1
16	75810	(007003-) Label, Stripe, 36.00, [550]	2
17	75811	(007003-) Label, Stripe, [Tennant],[550]	2
18	1008894	(007003-) Label, Patent, Power Scrubber	1

SECTION 3

Contents	Page
Fig. 1 - SRS Solution Pumps Group	3-2
Fig. 2 - SRS Solution Control Group	3-4
Fig. 3 - SRS Wire Harnesses Group	3-6
Fig. 4 - SRS Control Panel Assembly	3-9
Fig. 5 - SRS Front Side of Solution Tank Group	3-10
Fig. 6 - SRS Rear Side of Solution Tank Group	3-12
Fig. 7 - SRS Sludge Removal Tool Assembly ..	3-14
Fig. 8 - Light Kit	3-15
Fig. 9 - Overhead Guard Kit	3-16
Fig. 10 - Heavy Duty Bumper Kit	3-17
Fig. 11 - Brush Pressure Warning Kit	3-18
Fig. 12 - Flashing Light Kit	3-19
Fig. 13 - Revolving Light Group	3-20
Fig. 14 - Revolving Light Kit, Overhead Guard	3-21
Fig. 15 - Squeegee Wand Kit	3-22
Fig. 16 - High Pressure Sprayer Kit	3-24
Fig. 17 - SRS Heavy Duty Bumper Kit	3-27
Fig. 18 - SRS Squeegee Wand Kit	3-28
Fig. 19 - SRS Level Warning Light Kit	3-30
Fig. 20 - SRS Light Kit	3-32
Fig. 21 - SRS Flashing Light Kit	3-33
Fig. 22 - SRS Revolving Light Group	3-34
Fig. 23 - Protectoseal Gasoline Cap	3-35
Fig. 24 - Fire Extinguisher Kit (006115-006408)	3-35
Fig. 25 - Fire Extinguisher Group (006409-)	3-36
Fig. 26 - Wheel Assembly, Foam Filled	3-37
Fig. 27 - Solution Tank Drain Kit	3-37
Fig. 28 - Rear View Mirror Kit	3-38
Fig. 29 - Spark Arresting Muffler Kit	3-38
Fig. 30 - Recovery Level Warning Light Kit	3-39
Fig. 31 - Side Squeegees Extension Kit	3-40
Fig. 32 - Heavy Duty Air Filter Group (006409-007002)	3-41
Fig. 33 - Documentation Group	3-42

Fig. 1 - SRS Solution Pumps Group

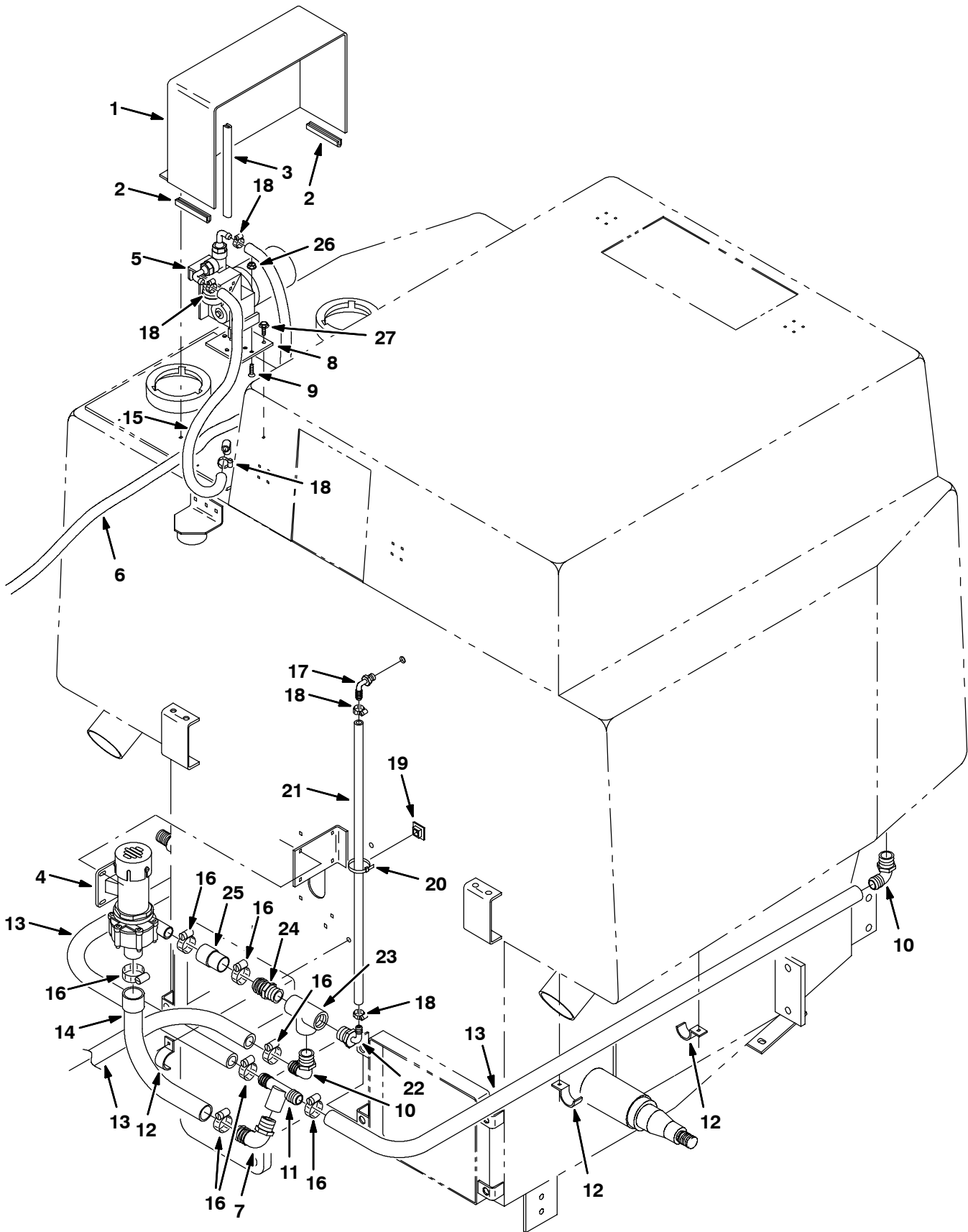


Fig. 1 - SRS Solution Pumps Group

Ref.	Part No.	Serial Number	Description	Qty.
1	03393	(006115-) Cover, Pump	1
2	62595-18	(006115-) Molding, Rigid	2
3	62595-6	(006115-) Molding, Rigid	1
4	33327	(006115-) Pump, Solution (See Breakdowns)	1
5	16485	(006115-007299) Pump, Metering (See Breakdowns) (Replaced by 9006873)	1
5	1057970	(007300-) Pump Assy, Water, W/ Connector	1
6	63182-1	(006115-) Hose, Vinyl	1
7	18595	(006115-) Fitting, Elbow	1
8	02597	(006115-007299) Plate, Pump Mounting	1
8	1058454	(007300-) Plate	1
9	03391	(006115-007299) Screw, Flt, Soc, 10-32 X 0.50, Al	3
9	27994	(007300-) Screw, Flt, Soc, 10-24 X 0.62, Al	2
10	14877	(006115-) Fitting, Elbow	3
11	76075	(006115-) Fitting, Plstc, Tee, Bm12/Pf12/Bm12	1
12	44031	(006115-) Clamp	5
13	47846	(006115-) Hose, Rubber	2
14	57378	(006115-) Hose, Pump Inlet	1
15	79580	(006115-) Hose, Vinyl	1
16	11399	(006115-) Clamp, Worm Drive	9
17	03401	(006115-) Fitting, Elbow	1
18	54333	(006115-) Clamp, Worm Drive	5
19	55248	(006115-) Mount, Cable Tie	2
20	49263	(006115-) Tie, Cable	4
21	68301	(006115-) Hose, Vinyl	1
22	79484	(006115-) Fitting, Elbow	1
23	42133A	(006115-) Fitting, Tee	1
24	57379	(006115-) Fitting, Straight	1
25	57377	(006115-) Hose, Pump Outlet	1
26	27977	(006115-) Nut, Hex, Flng, #10-24	2
27	24592	(006115-) Screw, Hex, 10-24 X 0.75, Fmg, Pl	2

Fig. 2 - SRS Solution Control Group

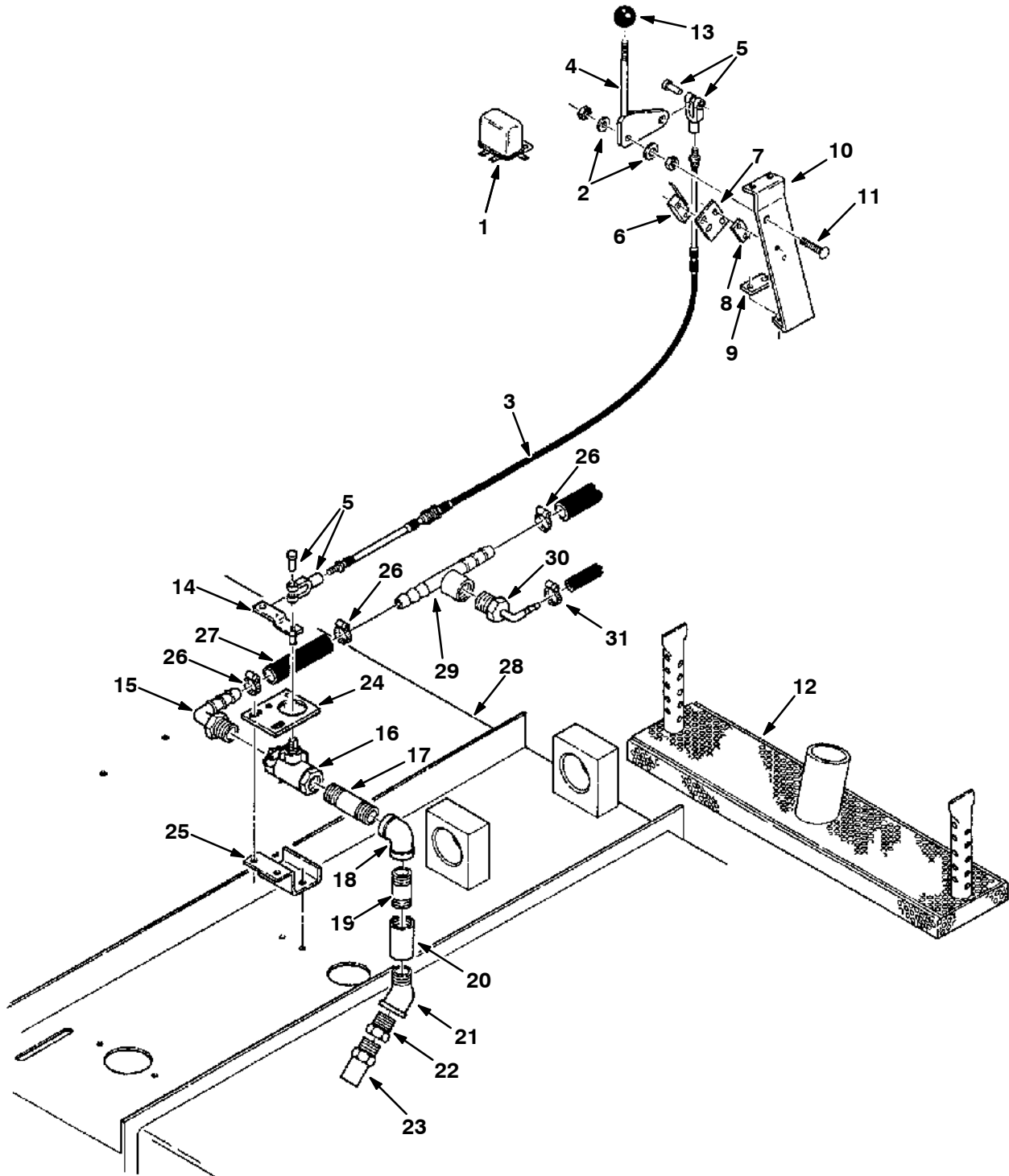


Fig. 2 - SRS Solution Control Group

Ref.	Part No.	Serial Number	Description	Qty.
	1	57804	(006115-) Relay	1
▽		02819	(006115-) Lever Assembly, Solution Control	1
▲	2	52296	(006115-) Washer, Nylon	2
▲	3	75314	(006115-) Cable, Control	1
▲	4	08791	(006115-) Bellcrank	1
▲	5	41063	(006115-) Clevis and Pin	2
▲	6	1008142	(006115-) Switch, Snap Actn, 250vdc 25a Spdt	1
▲	7	02817	(006115-) Bracket, Switch	1
▲	8	02818	(006115-) Spacer, Switch	1
▲	9	23515	(006115-) Strip	1
▲	10	75319	(006115-) Bar, Mounting	1
▲	11	56903	(006115-) Bolt, Carriage	1
	12	79301	(006115-) Nozzle, Suction	1
	13	26565	(006115-) Knob	1
	14	12072	(004015-) Arm, Control	1
	15	14877	(006115-) Fitting, Elbow	1
	16	79350	(006115-) Valve, Ball, 12pf Brs [Rwk 374249]	1
	17	29035	(006115-) Fitting, Nipple, 2.5" (65 mm) L	1
	18	23563	(006115-) Fitting, Elbow	1
	19	11442-7	(006115-) Fitting, Nipple	1
	20	07484	(006115-) Fitting, Coupling	1
	21	11870	(006115-) Fitting, Elbow, 45°	1
	22	11442-8	(006115-) Fitting, Straight	1
	23	79606	(006115-) Nozzle	1
	24	12074	(006115-) Plate, Valve Mounting	1
	25	75802-1	(006115-) Bracket	1
	26	11399	(006115-) Clamp, Worm Drive	3
	27	75197	(006115-) Hose, Rubber	1
▽	28	03402	(006115-) Frame, Scrubber Head	1
▲		40575	(006115-) Decal, Warning, Lock Scrubber Head	2
	29	02446	(006115-) Fitting, Tee	1
	30	79484	(006115-) Fitting, Elbow	1
	31	54333	(006115-) Clamp, Worm Drive	1
		02586	(006115-) Label, Instruction, Pump Lever Model	1
		31260	(006115-) Label, Instruction, Pump Prime	1

Fig. 3 - SRS Wire Harnesses Group

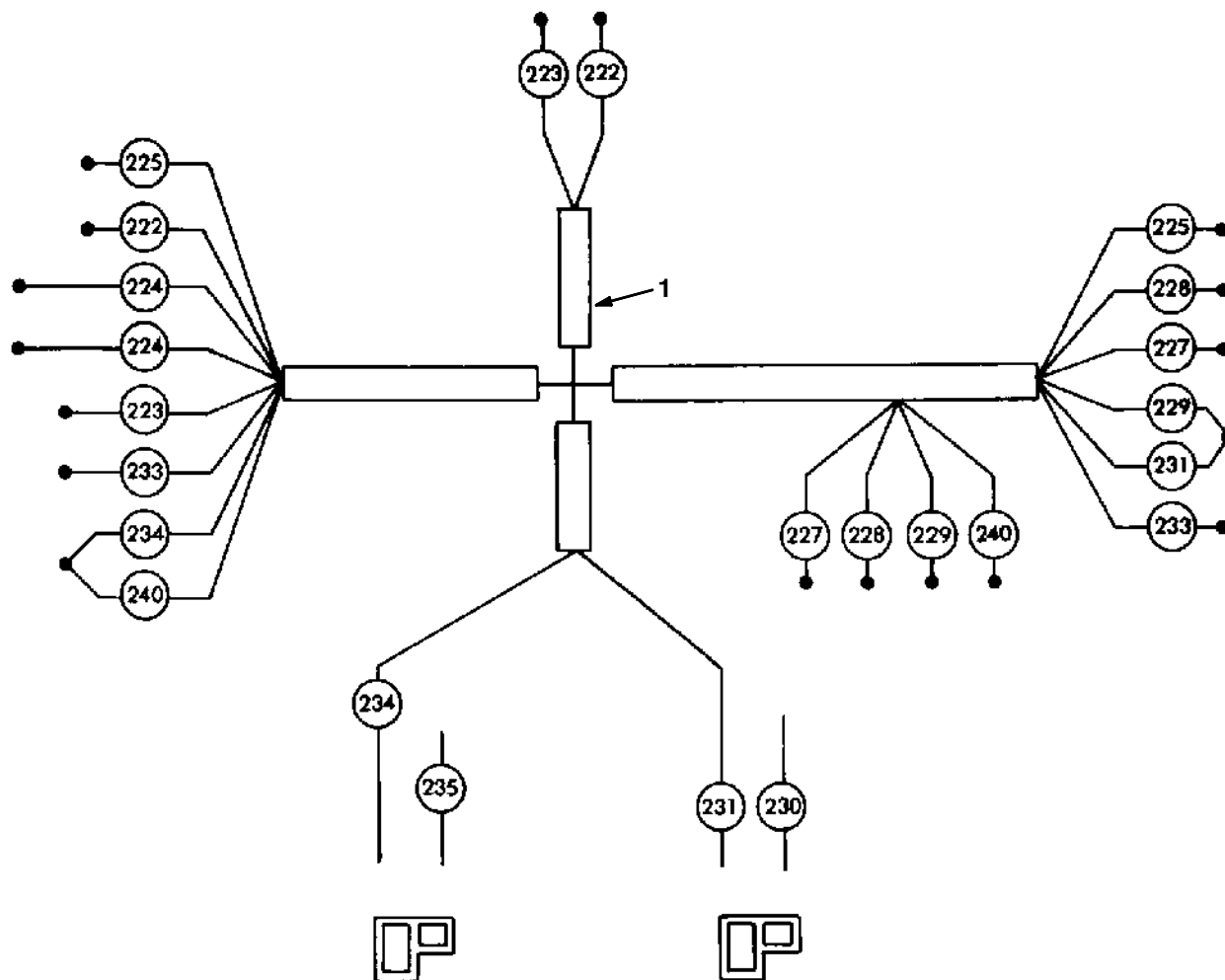


Fig. 3 - SRS Wire Harness Group

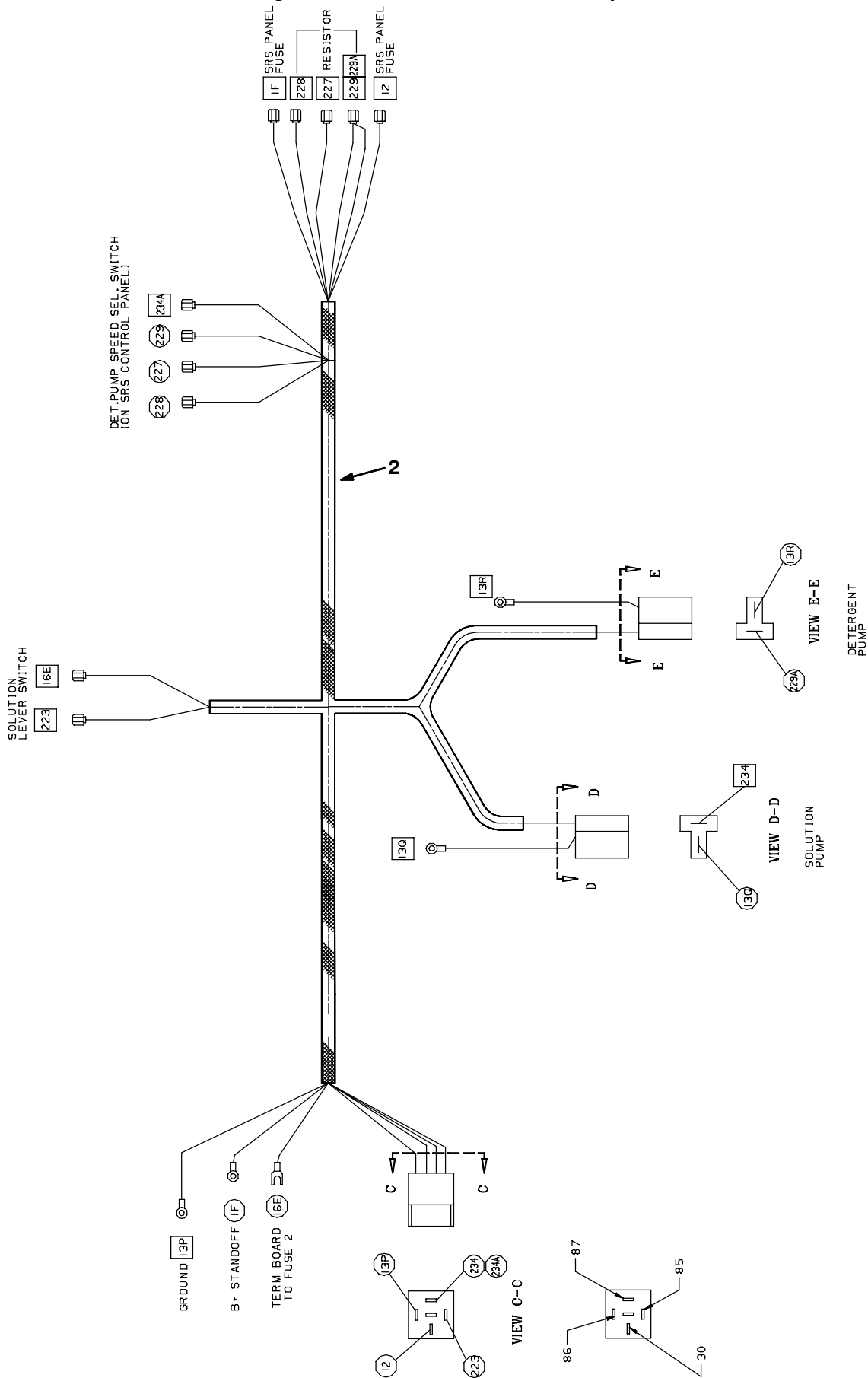
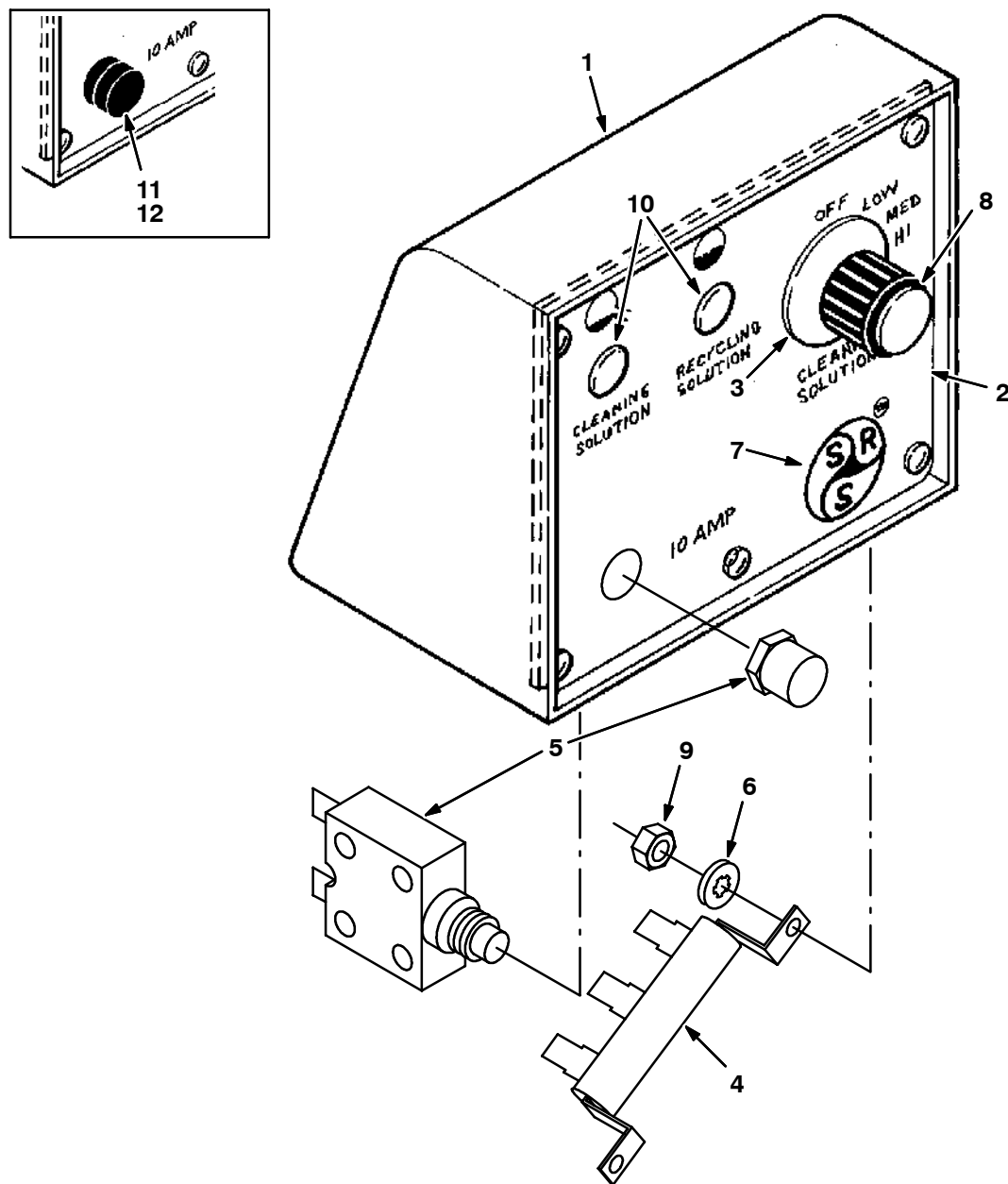


Fig. 3 - SRS Wire Harnesses Group

Ref.	Part No.	Serial Number	Description	Qty.
1	25185	(006115-007002)	Wire Harness, Control Box	1
2	391921	(007003-)	Harness, Srs [550]	1

Fig. 4 - SRS Control Panel Assembly



00351, 354285 - ALL

Ref.	Part No.	Serial Number	Description	Qty.
▽	79318	(006115-) Control Panel Assembly	1
▲	1 79314	(006115-) Console, Instrument	1
▲	2 32798	(006115-) Panel, Front	1
▲	3 63837	(006115-) Switch, Cleaning Solution Metering	1
▲	4 16440	(006115-) Resistor	1
▲	5 383722	(007003-) Circuitbreaker, 15.0a	1
▲	6 02938	(006115-) Washer, Lock, Int, 08, Ss	2
▲	7 79410	(006115-) Decal, Control Panel	1
▲	8 63814	(006115-) Knob	1
▲	9 19310	(006115-) Nut, Hex, Std, #08-32	2
	10 56992	(006115-) Plugbutton	2
	11 07422	(006115-007002) Holder, Fuse	1
	12 45595	(006115-007002) Fuse, 10 A	1

Fig. 5 - SRS Front Side of Solution Tank Group

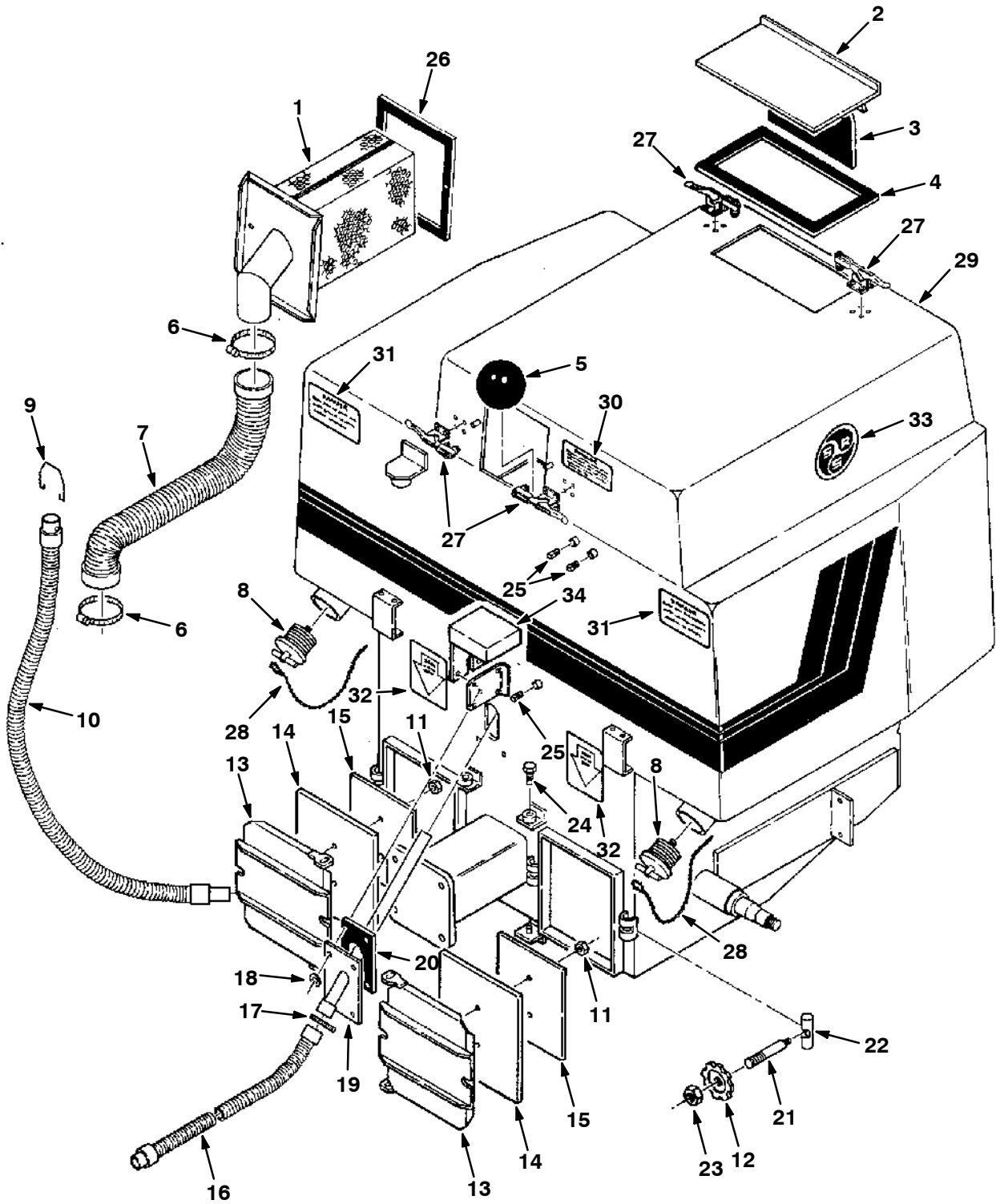


Fig. 5 - SRS Front Side of Solution Tank Group

Ref.	Part No.	Serial Number	Description	Qty.	
1	79558	(006115-) Screen, Debris	1	
2	76403	(006115-) Cover, Sandblast	1	
3	79500	(006115-) Sheet, Top Sandblast	1	
4	76395	(006115-) Gasket, Cover	1	
5	03706	(006115-) Ball, Float	1	
6	23498	(006115-) Clamp, Worm Drive	2	
7	25360	(006115-) Hose, Vacuum	1	
8	398205	(006115-) Plug, Expandable, 1.5D	2	
9	40550	(006115-) Clip, Drain Hose Retainer	1	
10	76828	(006115-) Hose, Recovery Tank Drain	1	
11	41169	(006115-) Nut, Stainless Steel	4	
12	82958	(006115-) Knob, Door Latch	4	
13	61176	(006115-) Door	2	
14	61174	(006115-) Gasket, Door	2	
15	61175	(006115-) Plate, Door	2	
16	75635AM	(006115-) Hose Assy, W/1cuff, 1.5d 120l 1.5/	1	
17	11531	(006115-) Clamp, Worm Drive	1	
18	76426	(006115-) Washer, Rubber Seal	4	
19	61157	(006115-) Tube, Front Suction	1	
20	76532	(006115-) Gasket, Suction Tube, Front	1	
21	61171	(006115-) Stud, Door Latch	4	
22	61170	(006115-) Rod, Door Latch	4	
23	36644	(006115-) Nut, Locking	4	
24	61181	(006115-) Pivot, Door Hinge	2	
25	63511	(006115-) Plug	3	
26	79557	(006115-) Gasket, Debris Screen	1	
27	03823	(006115-) Clamp, Toggle	4	
▽	28	56506	(006115-) Chain, Drain Plug	2
▲		43363	(006115-) Hook	2
▽	29	79250-1	(006115-) Tank, Solution and Recovery, SRS®	1
▲	30	40052	(006115-) Label, Fan Suction	1
▲	31	57630	(006115-) Label, Danger Keep Out	2
▲	32	76157	(006115-) Label, Jack Only On Pad	2
	33	79475	(006115-) Label, SRS®	2
	34	61628	(006115-) Bracket, Pump	1

Fig. 6 - SRS Rear Side of Solution Tank Group

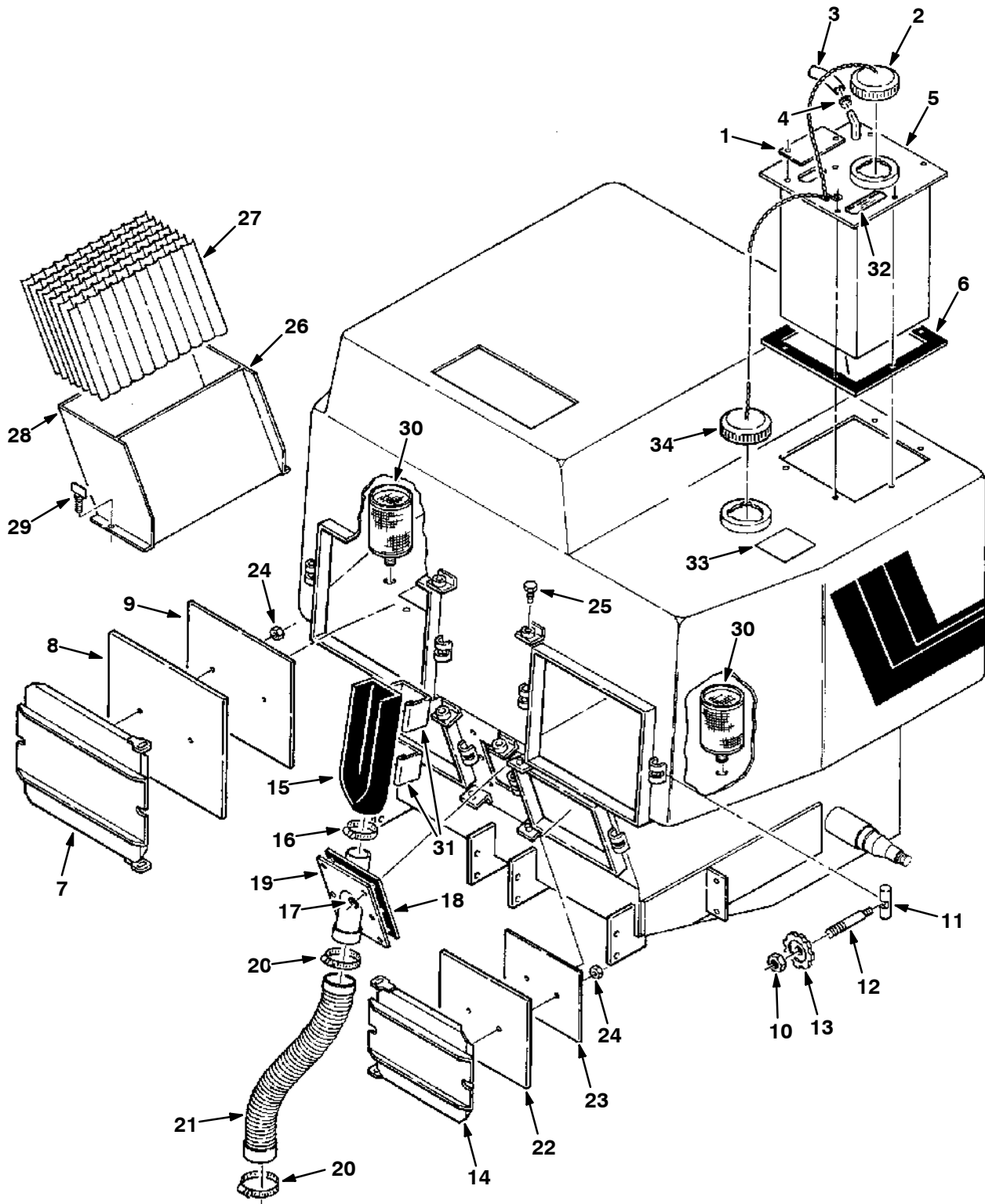
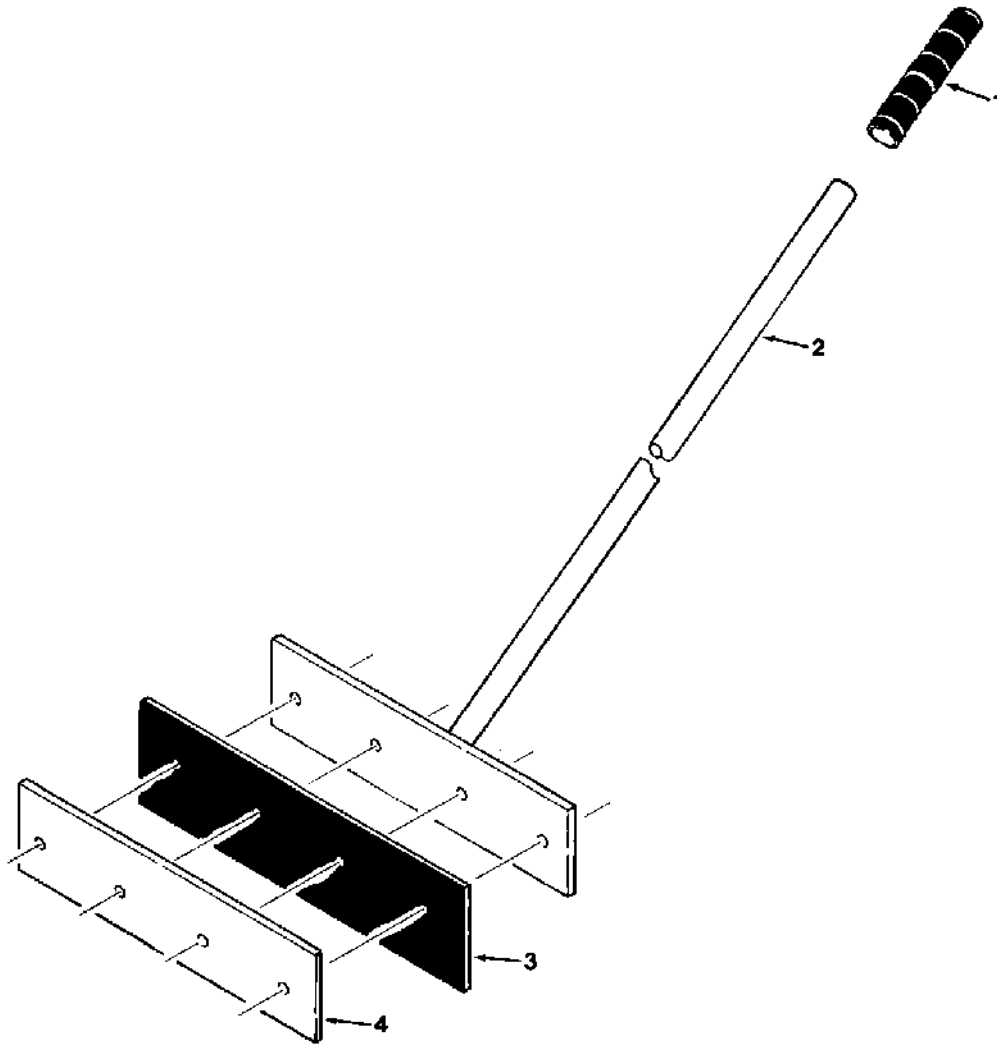


Fig. 6 - SRS Rear Side of Solution Tank Group

Ref.	Part No.	Serial Number	Description	Qty.
1	79453	(006115-) Plate	1
2	375724	(006115-) Cap, Filler	1
3	79580	(006115-) Hose, Cleaning Solution	1
4	54333	(006115-) Clamp, Worm Drive	1
5	03404	(006115-) Tank, Detergent	1
6	79367	(006115-) Gasket, Cleaning Solution Tank	1
7	61189	(006115-) Door, Upper	2
8	61187	(006115-) Gasket, Upper Door	2
9	61188	(006115-) Plate, Upper Door	2
10	36644	(006115-) Nut, Locking	8
11	61170	(006115-) Rod, Door Latch	8
12	61171	(006115-) Stud, Door Latch	8
13	82958	(006115-) Knob, Door Latch	8
14	61245	(006115-) Door, Lower	2
15	79500	(006115-) Deflector, Spray, Rubber	1
16	23498	(006115-) Clamp, Worm Drive	1
17	76426	(006115-) Washer, Rubber Seal	6
18	79545	(006115-) Seal, Suction Tube	1
19	79471	(006115-) Tube, Rear Squeegee Suction	1
20	43555	(006115-) Clamp, Worm Drive	2
21	25649	(006115-) Hose, Rear Squeegee Suction	1
22	61174	(006115-) Gasket, Lower Door	2
23	61175	(006115-) Plate, Lower Door	2
24	41169	(006115-) Nut, Stainless Steel	8
25	61181	(006115-) Pivot, Door Hinge	4
▽	79477	(006115-) Filter Assembly, Laminar Flow, L.H.	1
▲	26 79473-1	(006115-) Housing, Filter Mounting	1
▲	27 64685	(006115-) Filter, Laminar Flow	1
▲	28 79474	(006115-) Panel, Flow Tube Mounting Cover	1
▽	79476	(006115-) Filter Assembly, Laminar Flow, R.H.	1
▲	79472-1	(006115-) Housing, Filter Mounting	1
▲	64685	(006115-) Filter, Laminar Flow	1
▲	79474	(006115-) Panel, Flow Tube Mounting Cover	1
29	79464	(006115-) Thumbscrew, Filter Hold Down	2
30	79424	(006115-) Filter, Solution Outlet	2
31	79570	(006115-) Frame, Spray Deflector	2
32	79488	(006115-) Label, SRS® Cleaning Solution	1
33	79478	(006115-) Label, Fill Tank	1
34	375724	(006115-) Cap, Filler	1

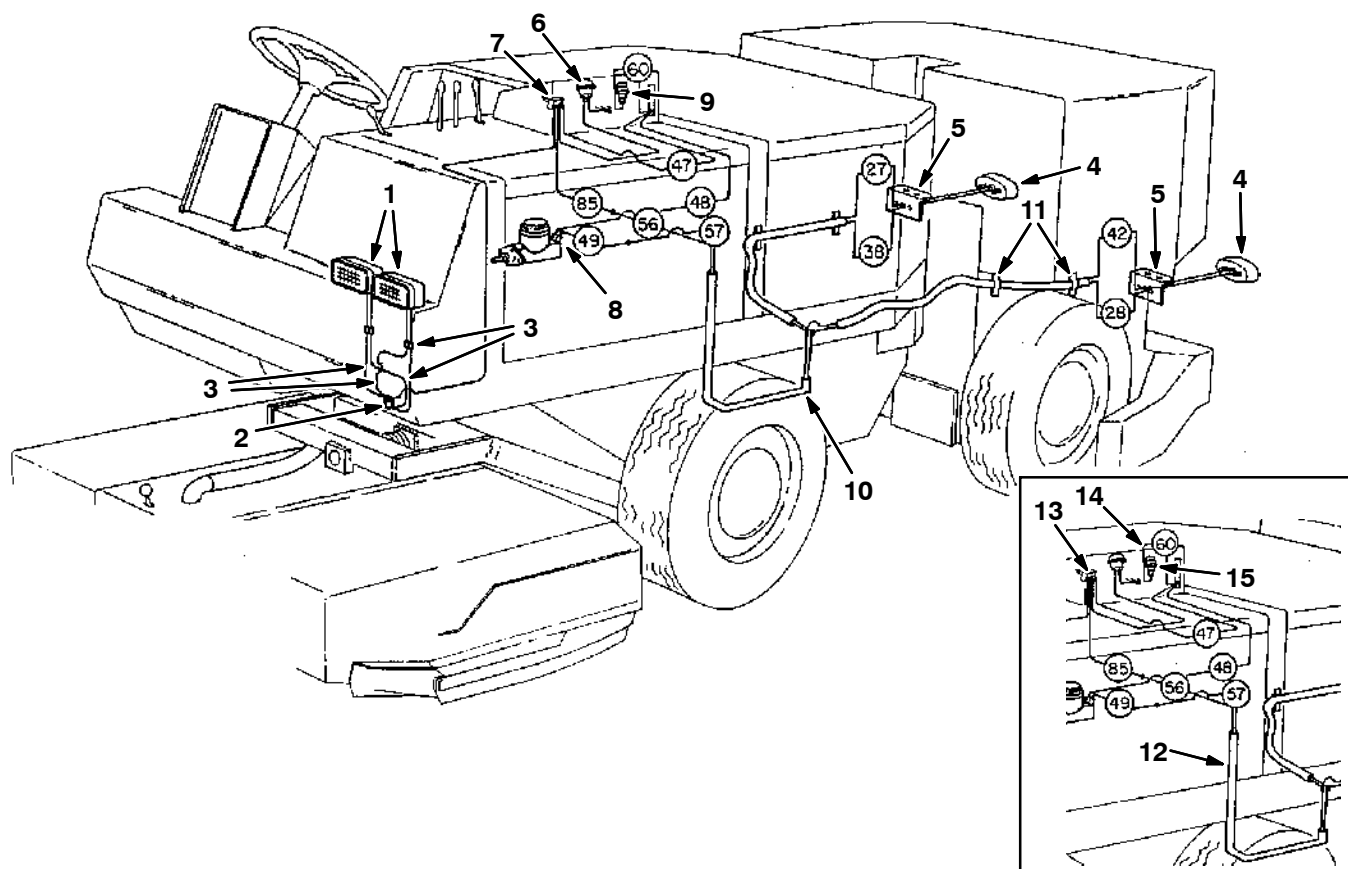
Fig. 7 - SRS Sludge Removal Tool Assembly



00338 - ALL

Ref.	Part No.	Serial Number	Description	Qty.
▽	79518	(006115-) Tool Assembly, Sludge Removal	1
▲ 1	03292B	(006115-) Grip, Handle	1
▲ 2	79517	(006115-) Handle, Sludge Removal	1
▲ 3	79515	(006115-) Squeegee	1
▲ 4	79508-1	(006115-) Retainer, Squeegee	1

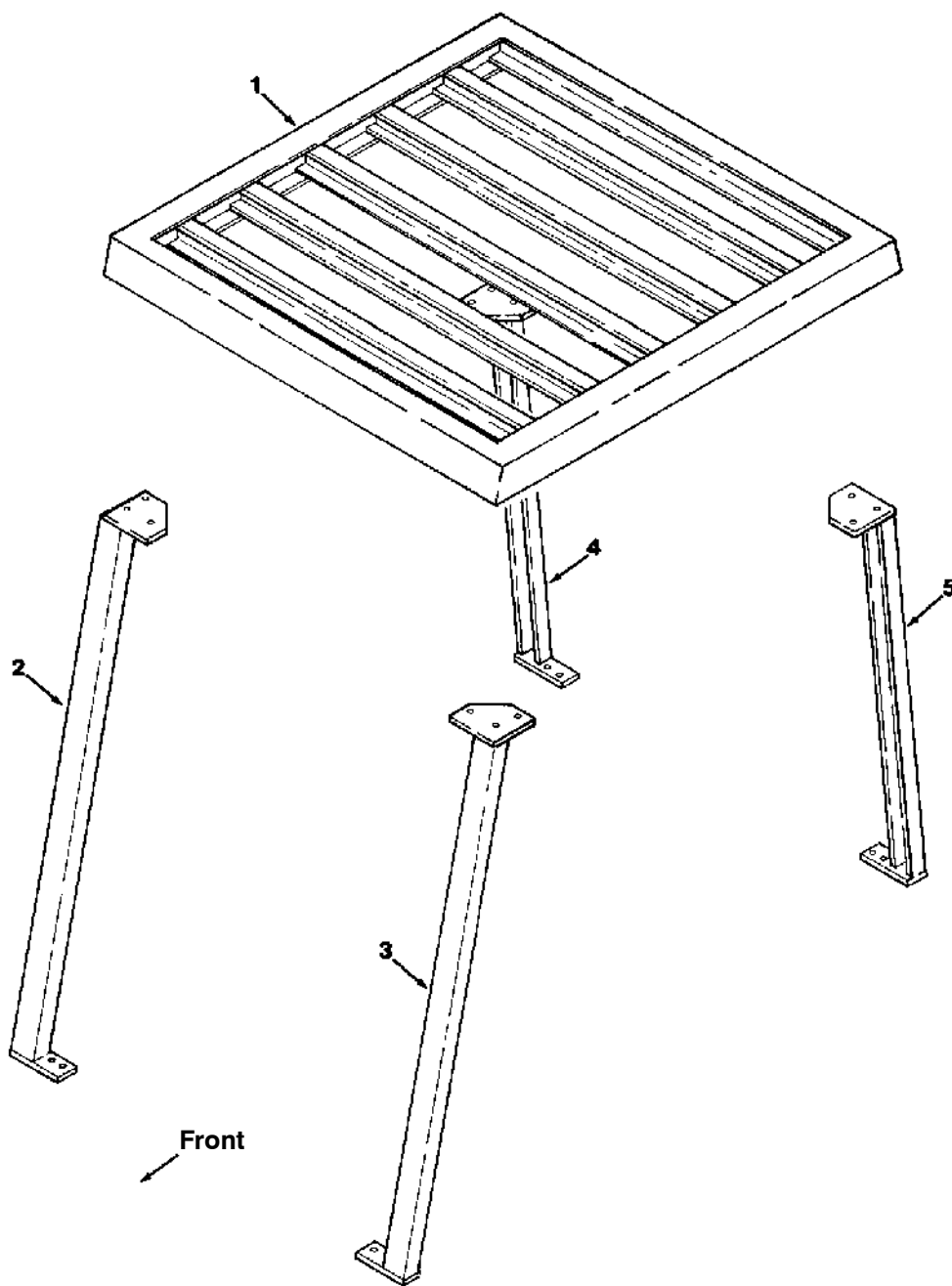
Fig. 8 - Light Kit



09871 - 550

Ref.	Part No.	Serial Number	Description	Qty.
▽	78160	(006115-) Light Kit	1
▲	1 24298	(006115-) Headlight Assembly	2
▲	2 76062	(006115-) Insulator	1
▲	3 79102	(006115-) Wire Assembly, Headlight	2
▲▽	4 51572	(006115-) Taillight	2
▲▲	45780	(006115-) Bulb	1
▲	5 49022	(006115-) Bracket, Taillight	2
▲	76426	(006115-) Washer, Sealing	4
▲▽	6 47768	(006115-) Light, Panel	1
▲▲	24427	(006115-) Bulb	1
▲	7 66101	(007003-) Switch, Toggle, 250vac 06a Spst On/Of	1
▲	8 13959	(006115-) Switch, Brake Light Sending	1
▲	9 383723	(007003-) Circuitbreaker, 20.0a, Resetable	1
▲	10 391903	(007003-) Harness, Taillight [550/1550]	1
▲	49266	(006115-) Tie, Cable	6
▲	10632-19	(006115-) Grommet, Rubber	1
▲	11 49262	(006115-) Clamp, Conduit	2
▲	78153	(006115-) Wire Kit, Operating Lights	1
▲	09385	(006115-) Clamp, Cable	1
	12 25183	(006115-007002)) Wire Harness	1
	13 10701	(006115-007002)) Switch, Toggle	1
	14 07422	(006115-007002)) Holder, Fuse	1
	15 14215	(006115-007002)) Fuse	1
	15 383723	(006115-007002)) Circuitbreaker, 20.0a, Resetable	1

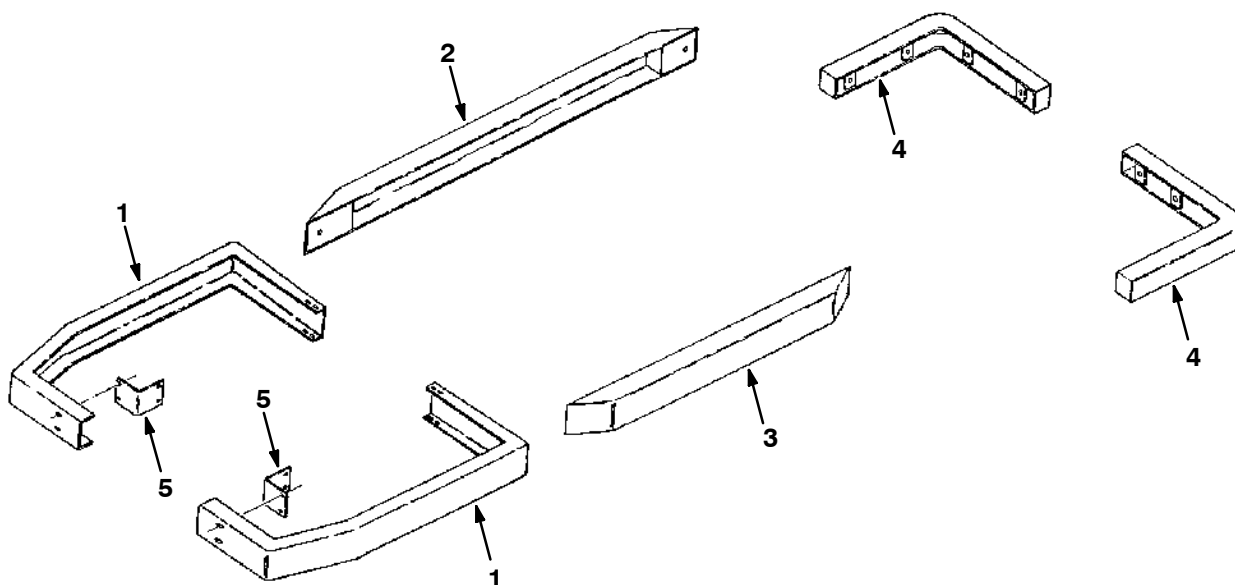
Fig. 9 - Overhead Guard Kit



00317 - ALL

Ref.	Part No.	Serial Number	Description	Qty.
▽	75903	(006115-) Guard Kit, Overhead	1
▲	1 76862	(006115-) Guard, Top	1
▲	2 76858	(006115-) Leg, Front, R.H.	1
▲	3 76859	(006115-) Leg, Front, L.H.	1
▲	4 76860	(006115-) Leg, Rear, R.H.	1
▲	5 76861	(006115-) Leg, Rear, L.H.	1

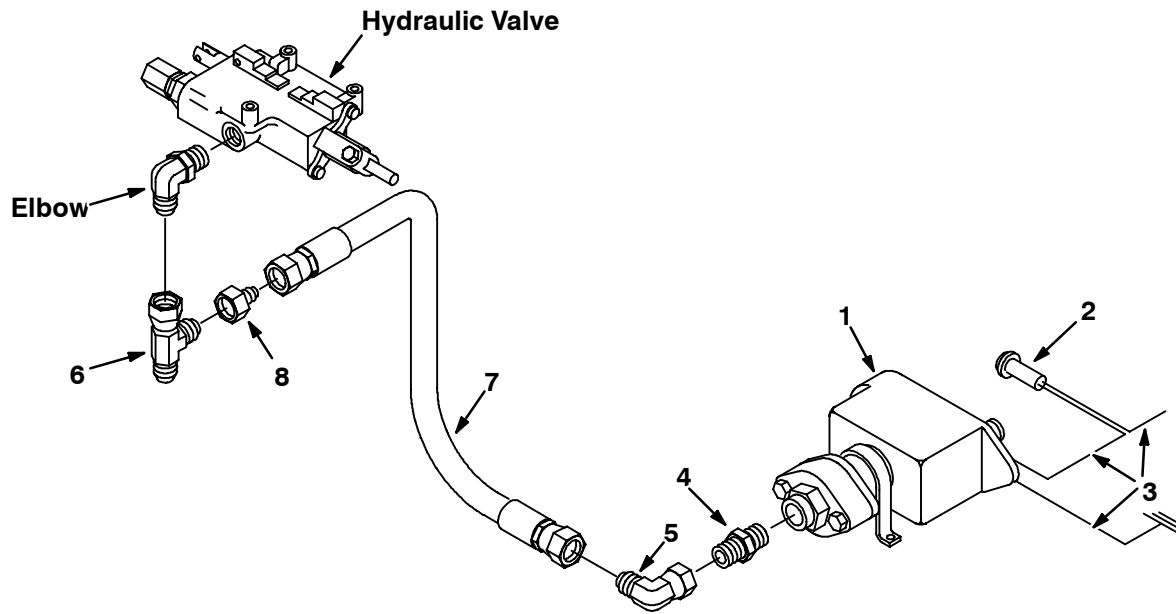
Fig. 10 - Heavy Duty Bumper Kit



00825 - 550, 550E

Ref.	Part No.	Serial Number	Description	Qty.
▽	75906	(006115-) Bumper Kit, Heavy Duty	1
▲	1 75108	(006115-) Bumper, Recovery and Solution Tank	2
▲	2 78101	(006115-) Bumper, Left Side, Tractor	1
▲	3 78099	(006115-) Bumper, Right Side, Tractor	1
▲	4 75673	(006115-) Bumper, Scrubber Head	2
▲	5 75144	(006115-) Bracket, L	2

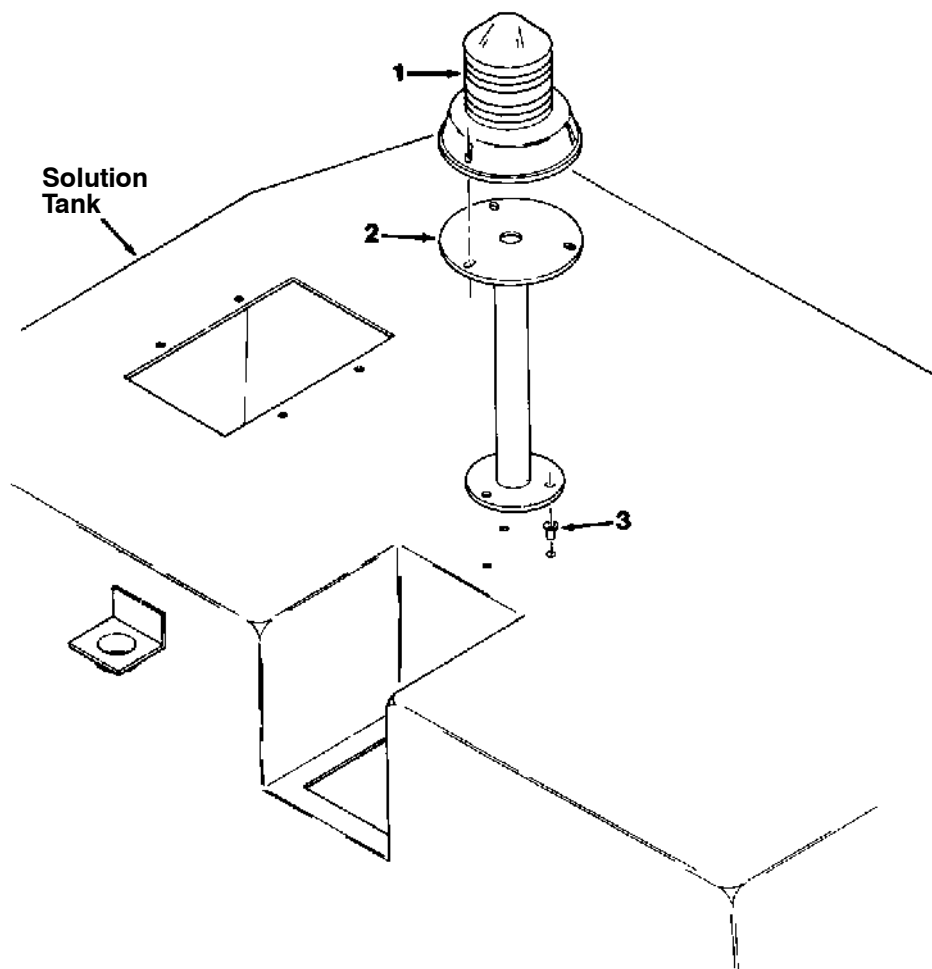
Fig. 11 - Brush Pressure Warning Kit



02858 - 550

Ref.	Part No.	Serial Number	Description	Qty.
▽	03992	(006115-) Warning Kit, Brush Pressure	1
▲ 1	62417-2	(006115-) Switch, Pressure	1
▲ 2	374119	(006115-) Lamp Assy, Indicator, Red, 14Vdc	1
▲ 3	78157	(006115-) Wire Kit	1
▲ 4	15724	(006115-) Fitting, Straight	1
▲ 5	47504	(006115-) Fitting, Elbow	1
▲ 6	40514	(006115-) Fitting, Tee	1
▲ 7	49943	(006115-) Hose, Hydraulic	1
▲ 8	34375	(006115-) Fitting, Straight	1

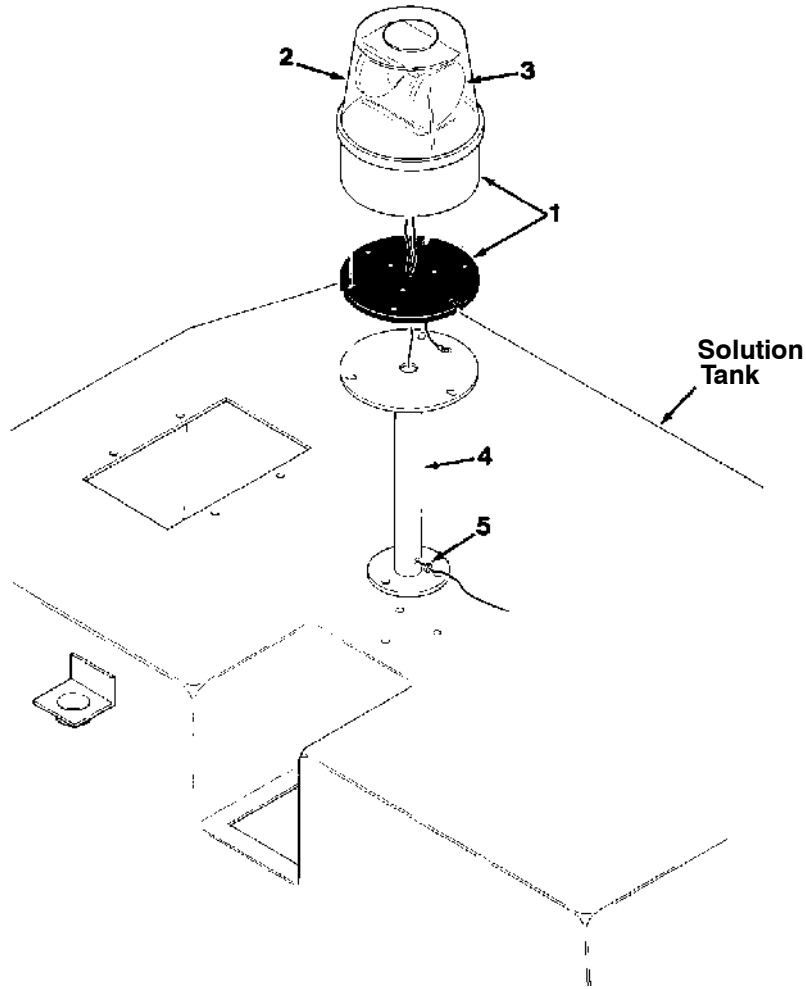
Fig. 12 - Flashing Light Kit



00817 - 550

Ref.	Part No.	Serial Number	Description	Qty.
▽	78164	(006115-) Light Kit, Flashing	1
▲▽	1 47535	(006115-) Lamp Assembly, Flashing	1
▲▲	47535-2	(006115-) Lamp, Flashing	1
▲▲	24576-1	(006115-) Bracket, Flasher	1
▲▲	24576	(006115-) Flasher	1
▲▲	47535-1	(006115-) Lens, Lamp, Red	1
▲▲	22640	(006115-) Bulb	1
▲	2 16513	(006115-) Support	1
▲	3 42082	(006115-) Rivnut	3
▲	78155	(006115-) Wire Kit	1
▲	66101	(007003-) Switch, Toggle, 250vac 06a Spst On/Of	1
▽	47536	(006115-) Lamp Assembly, Flashing, Amber	1
▲	47536-1	(006115-) Lens, Lamp, Amber	1
▽	47537	(006115-) Lamp Assembly, Flashing, Blue	1
▲	47537-1	(006115-) Lens, Lamp, Blue	1
	10701	(006115-007002) Switch	1

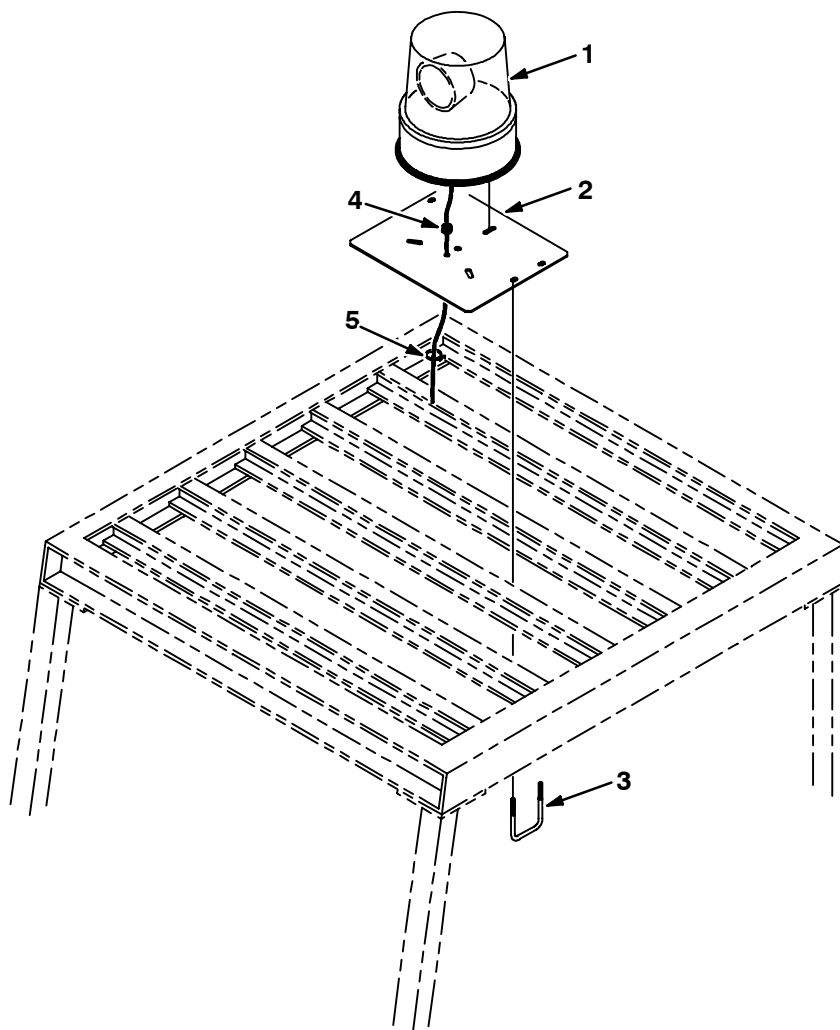
Fig. 13 - Revolving Light Group



02386 - 550

	Ref.	Part No.	Serial Number	Description	Qty.
▽	1	16418	(006115-) Light Assembly, Revolving Red	1
▲	2	16421	(006115-) Lens, Red	1
▲	3	16511	(006115-) Bulb	2
	4	53174-1	(006115-) Support	1
	5	46314	(006115-) Grommet	1
		49262	(006115-) Clamp, Conduit	5
		66101	(007003-) Switch, Toggle, 250vac 06a Spst On/Of	1
▽		16419	(006115-) Light Assembly, Revolving Blue	1
▲		16422	(006115-) Lens, Blue	1
▲		16511	(006115-) Bulb	2
▽		16420	(006115-) Light Assembly, Revolving Amber	1
▲		16423	(006115-) Lens, Amber	1
▲		16511	(006115-) Bulb	2
		10701	(006115-007002)	Switch, Toggle	1

Fig. 14 - Revolving Light Kit, Overhead Guard



01108 - 550, 1550

	Ref.	Part No.	Serial Number	Description	Qty.
▽		78161	(006115-) Light Kit, Revolving	1
▲▽	1	16418	(006115-) Lamp Assembly, Revolving	1
▲▲		46928-1	(006115-) Lens, Lamp, Red	1
▲▲		45670	(006115-) Bulb	1
▲	2	33782	(006115-) Plate, Mounting	1
▲	3	33783	(006115-) V-Bolts	2
▲▽		78154	(006115-) Wire Kit	1
▲▲	4	10632-5	(006115-) Grommet, Rbr, 0.25id, F/ 0.8h, .09 Matl	1
▲		66101	(007003-) Switch, Toggle, 250vac 06a Spst On/Of	1
▲	5	09384	(006115-) Clamp, Cable	5
▽		16420	(006115-) Lamp Assembly, Revolving, Amber	1
▲		16423	(006115-) Lens, Lamp, Amber	1
▽		16419	(006115-) Lamp Assembly, Revolving, Blue	1
▲		16422	(006115-) Lens, Lamp, Blue	1
		10701	(006115-007002)) Switch, Toggle	1

Fig. 15 - Squeegee Wand Kit

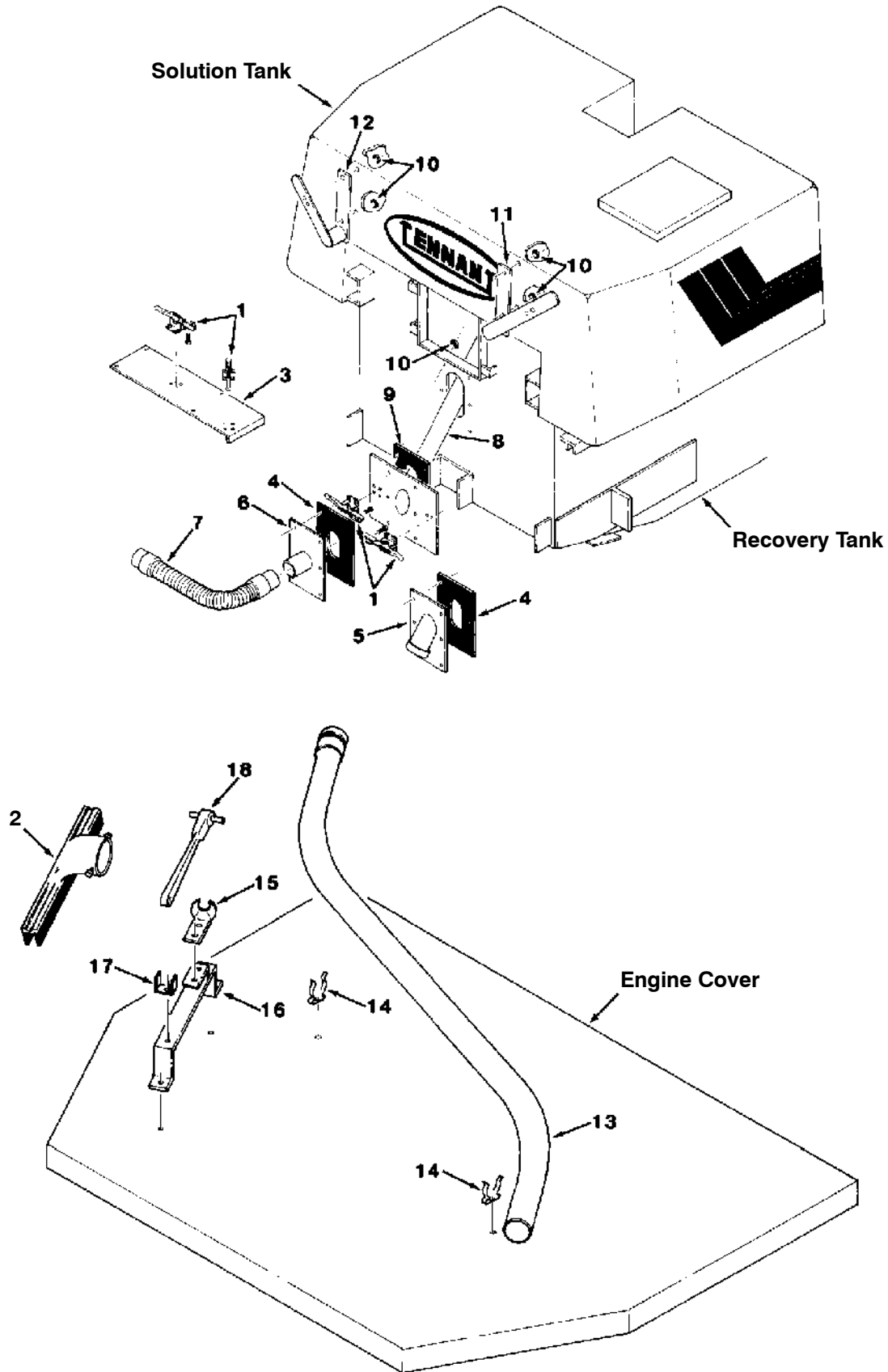


Fig. 15 - Squeegee Wand Kit

	Ref.	Part No.	Serial Number	Description	Qty.
▽		78167	(006115-) Squeegee Wand Kit	1
▲	1	03823	(006115-) Clamp, Toggle	4
▲▽	2	40173	(006115-) Nozzle Assembly, Squeegee	1
▲▲		40173-1	(006115-) Blade Set, Replacement	1
▲	3	50790	(006115-) Plate, Wand Hose Adaptor Storage	1
▲	4	75095	(006115-) Seal, Adhesive Backed	2
▲	5	76152	(006115-) Adaptor, Rear Squeegee	1
▲	6	76153	(006115-) Adaptor, Squeegee Wand	1
▲	7	75127	(006115-) Hose, Squeegee Wand	1
▲	8	76154A	(006115-) Tube, Rear Suction	1
▲	9	75076	(006115-) Seal, Rear Suction Tube	1
▲	10	76426	(006115-) Washer, Rubber Backed	10
▲		42082	(006115-) Rivnut	4
▲	11	50788	(006115-) Bracket, Hose Mounting, R.H.	1
▲	12	50789	(006115-) Bracket, Hose Mounting, L.H.	1
▲	13	40171	(006115-) Handle, Squeegee Wand	1
▲	14	391839	(006115-) Clip, Handle, Retaining	2
▲	15	40670	(006115-) Catch	1
▲	16	75054	(006115-) Mount, Squeegee Nozzle	1
▲	17	40671	(006115-) Bracket, U	1
▲	18	75118	(006115-) Hook, Rubber	1

Fig. 16 - High Pressure Sprayer Kit

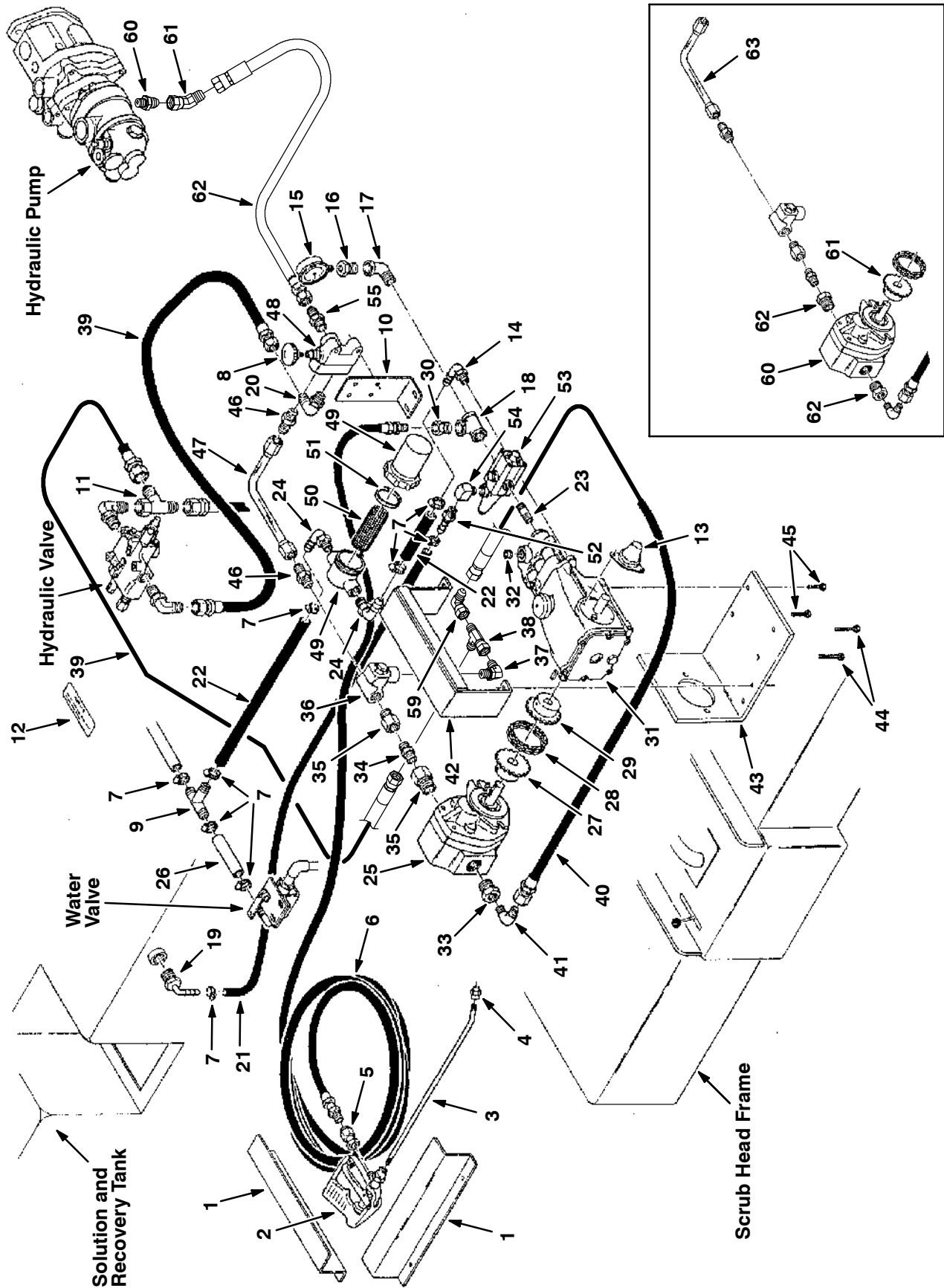


Fig. 16 - High Pressure Sprayer Kit

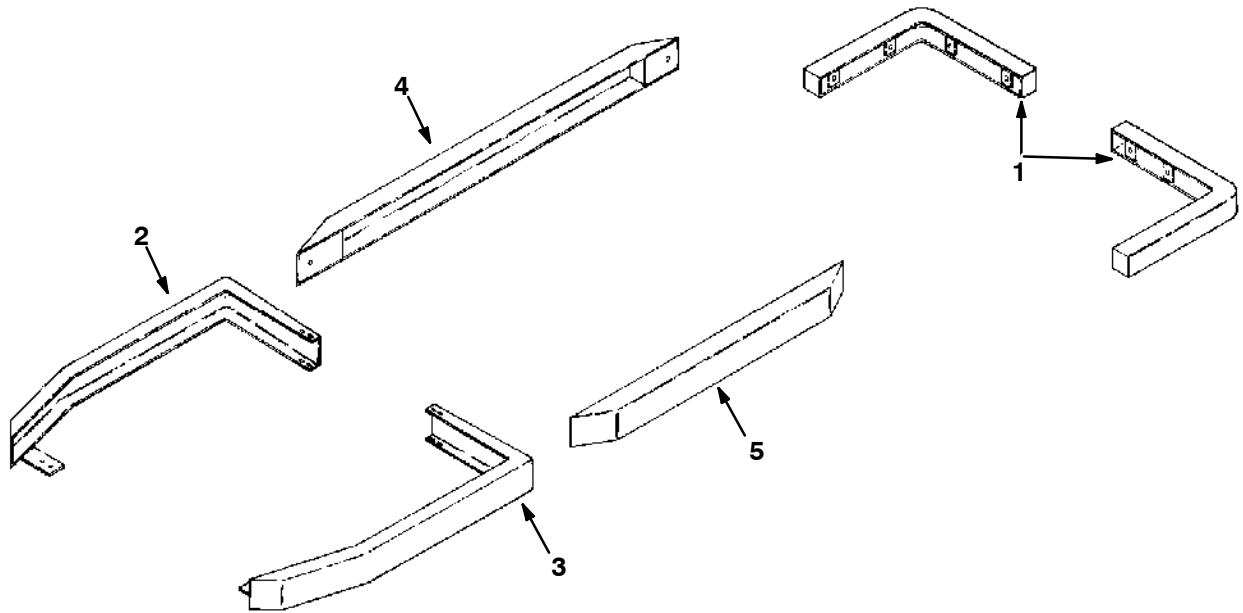
	Ref.	Part No.	Serial Number	Description	Qty.
▽		78171	(006115-) Sprayer Kit, High Pressure	1
▲	1	75180	(006115-) Retainer, Hose, Water	2
▲	2	40151	(006115-) Handle, Spray	1
▲	3	40152	(006115-) Wand, Spray	1
▲	4	75186	(006115-) Nozzle, Spray	1
▲	5	40155	(006115-) Connector, Handle, Spray	1
▲	6	40154	(006115-) Hose, Water, High Pressure	1
▲	7	11399	(006115-) Clamp, Worm Drive	10
▲	8	48108A-1	(006115-) Knob, Valve	1
▲	9	75119	(006115-) Tee, Barbed	1
▲	10	75184	(006115-) Mount, Valve, Hydraulic	1
▲	11	40514	(006115-) Fitting, Tee	1
▲	12	75194	(006115-) Decal, Throttle High Pressure Spray	1
▲	13	38321	(006115-) Cover	1
▲	14	40145	(006115-) Fitting, Barbed Elbow	1
▲	15	762265	(006115-) Gauge, Press, Water, 0-2000psi	1
▲	16	47721	(006115-) Fitting, Straight	1
▲	17	11869	(006115-) Fitting, Elbow	1
▲	18	11442-10	(006115-) Fitting, Tee	1
▲	19	63244-3	(006115-) Fitting, Elbow	1
▲	20	51782	(006115-) Fitting, Elbow	1
▲	21	02452	(006115-) Hose, Rubber	1
▲	22	47848	(006115-) Hose, Rubber (Cut in 2)	1
▲	23	02281	(006115-) Fitting, Nipple	1
▲	24	40145	(006115-) Fitting, Elbow	2
▲	25	377372	(xxxxxx-) Motor, Hyd, Gear, [Ex] 1.58 R 2465	1
▲	26	75197	(006115-) Hose, Rubber	1
▲	27	369814	(xxxxxx-) Sprocket, #40, 16tooth, 0.75 B 1.12w	1
▲		39322	(006115-) Screw, Set	4
▲▽	28	33778	(006115-) Chain Assembly	1
▲▲		33692	(006115-) Link, Chain	1
▲	29	40143	(006115-) Coupling, Keyed, L.H.	1
▲	30	42214	(006115-) Fitting, Straight	1
▲	31	40144-1	(006115-) Pump, Water (See Breakdowns)	1
▲		40144-4	(006115-) Oil, Cat Water Pump	1
▲	32	05178	(006115-) Plug, Pipe	1
▲	33	377368	(xxxxxx-) Fitting, Hyd, Str, Om12/Pf08	1
▲	34	40573	(006115-) Fitting, Straight	1
▲	35	47636	(006115-) Fitting, Straight	2
▲	36	67515	(006115-) Valve, Relief, Hydraulic	1
▲	37	51782	(006115-) Fitting, Elbow	1
▲	38	51779	(006115-) Fitting, Tee	1
▲	39	47662	(006115-) Hose, Hydraulic	2
▲	40	53083-14	(006115-) Hose, Hydraulic	1
▲	41	46611	(006115-) Fitting, Elbow	1
▲	42	75179	(006115-) Guard, Coupling	1
▲	43	75181	(006115-) Mount, Pump, Water	1
▲	44	39278	(006115-) Screw, Hex, (50 mm)	2
▲	45	76570	(006115-) Screw, Hex, (30 mm)	2
▲	46	46480	(006115-) Fitting, Straight	2

OPTIONS

Fig. 16 - High Pressure Sprayer Kit

Ref.	Part No.	Serial Number	Description	Qty.
▲	47	1013340	(xxxxxx-) Tube, Hyd, 10 Jf10/Jf10, Hi-press Spray	1
▲	48	48108A	(006115-) Valve, Shut-off	1
▲▽	49	02450	(006115-) Strainer, Water	1
▲▲	50	02534	(006115-) Screen	1
▲▲	51	02535	(006115-) Gasket	1
▲	52	43246	(006115-) Fitting, Straight	1
▲	53	02449	(006115-) Valve, Water Pressure	1
▲	54	24584	(006115-) Fitting, Elbow	1
▲	55	06750	(006115-) Fitting, Straight	1
▲	56	06750	(xxxxxx-) Fitting, Straight	1
▲	57	07934	(xxxxxx-) Fitting, Hyd, E45, Jf12/Jm12	1
▲	58	42211	(xxxxxx-) Hose, Hyd,Hi 12, Jf12str /Jf12str , 28.0	1
▲	59	54194	(xxxxxx-) Fitting, Hyd, E90, Jf10/Jm10	1
	60	75185	(006115- xxxxxx) Motor, Hydraulic (Replaced by 377397)	1
	60	377397	(006115- xxxxxx) Motor Kit, Hyd, F/ 75185, Replmt	1
	61	75187	(006115- xxxxxx) Coupling, Keyed, R.H.	1
	62	05492	(006115- xxxxxx) Fitting, Straight	2
	63	75199	(006115- xxxxxx) Tube, Hydraulic	1

Fig. 17 - SRS Heavy Duty Bumper Kit



00826 - 550, 550E

Ref.	Part No.	Serial Number	Description	Qty.
▽	79426	(006115-) Bumper Kit, Heavy Duty	1
▲ 1	75673	(006115-) Bumper, Scrubber Head	2
▲ 2	76880	(006115-) Bumper, Recovery and Solution Tank, L.H.	1
▲ 3	76881	(006115-) Bumper, Recovery and Solution Tank, R.H.	1
▲ 4	78101	(006115-) Bumper, Tractor, Left Side	1
▲ 5	78099	(006115-) Bumper, Tractor, Right Side	1

Fig. 18 - SRS Squeegee Wand Kit

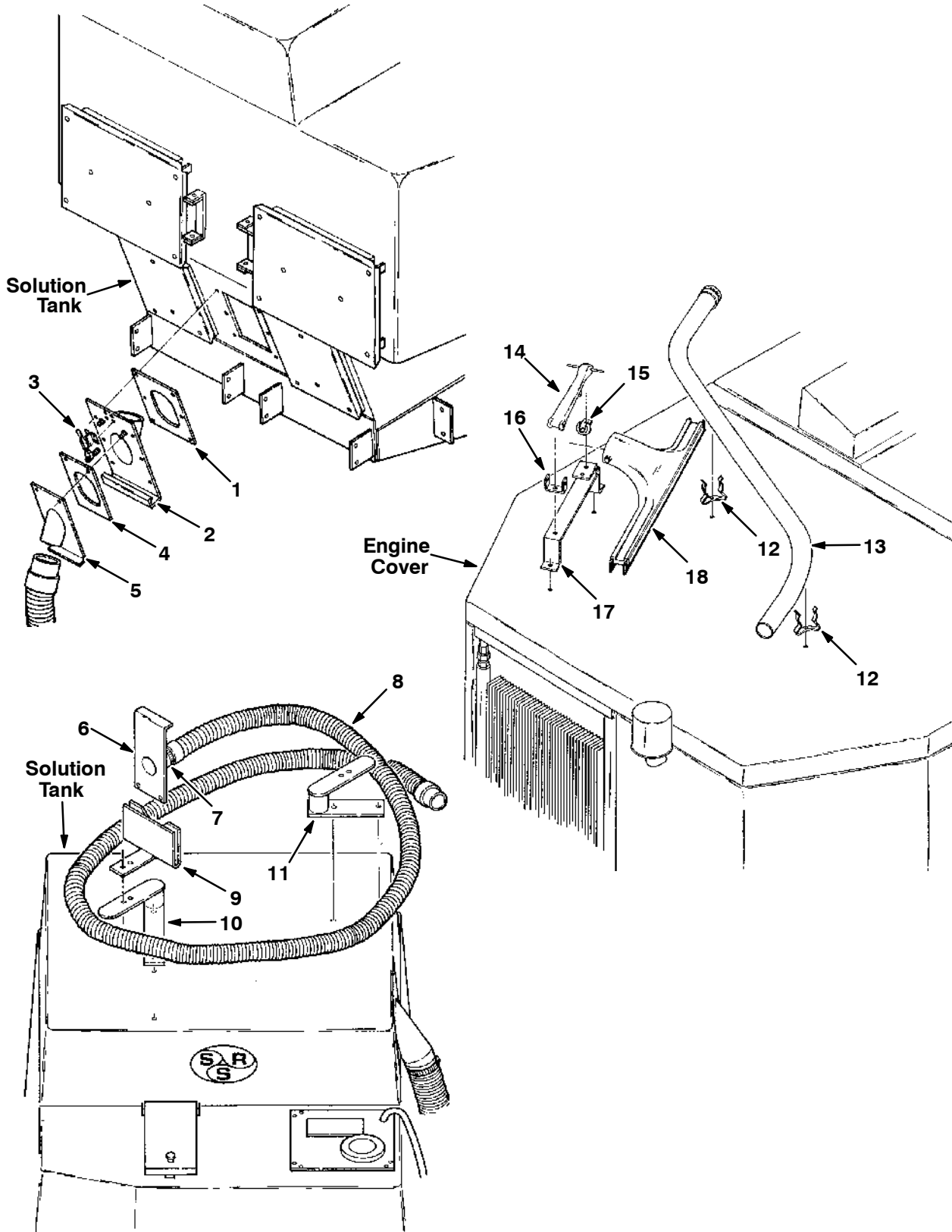


Fig. 18 - SRS Squeegee Wand Kit

	Ref.	Part No.	Serial Number	Description	Qty.
▽		79429	(006115-) Wand Kit, Squeegee	1
▲	1	79545	(006115-) Gasket, Tank Adaptor	1
▲	2	79538	(006115-) Adaptor, Tank	1
▲	3	03823	(006115-) Clamp, Toggle	1
▲	4	79546	(006115-) Gasket, Wand Adaptor	1
▲	5	79532	(006115-) Adaptor, Squeegee Wand	1
▲	6	79535	(006115-) Adaptor, Vacuum Wand	1
▲	7	14432	(006115-) Clamp, Worm Drive	1
▲	8	75127	(006115-) Hose	1
▲	9	79547	(006115-) Bracket, Adaptor, Storage	1
▲	10	50788	(006115-) Mount, Wand Hose, R.H.	1
▲	11	50789	(006115-) Mount, Wand Hose, L.H.	1
▲	12	391839	(006115-) Clip, Finger Grip	2
▲	13	40171	(006115-) Handle, Nozzle	1
▲	14	75118	(006115-) Hook, Rubber	1
▲	15	40670	(006115-) Catch, Rubber Hook	1
▲	16	40671	(006115-) Bracket, U	1
▲	17	75054	(006115-) Mount, Squeegee	1
▲▽	18	40173	(006115-) Nozzle	1
▲▲		40173-1	(006115-) Blade Kit, Sqge, Replmt [550]	1

Fig. 19 - SRS Level Warning Light Kit

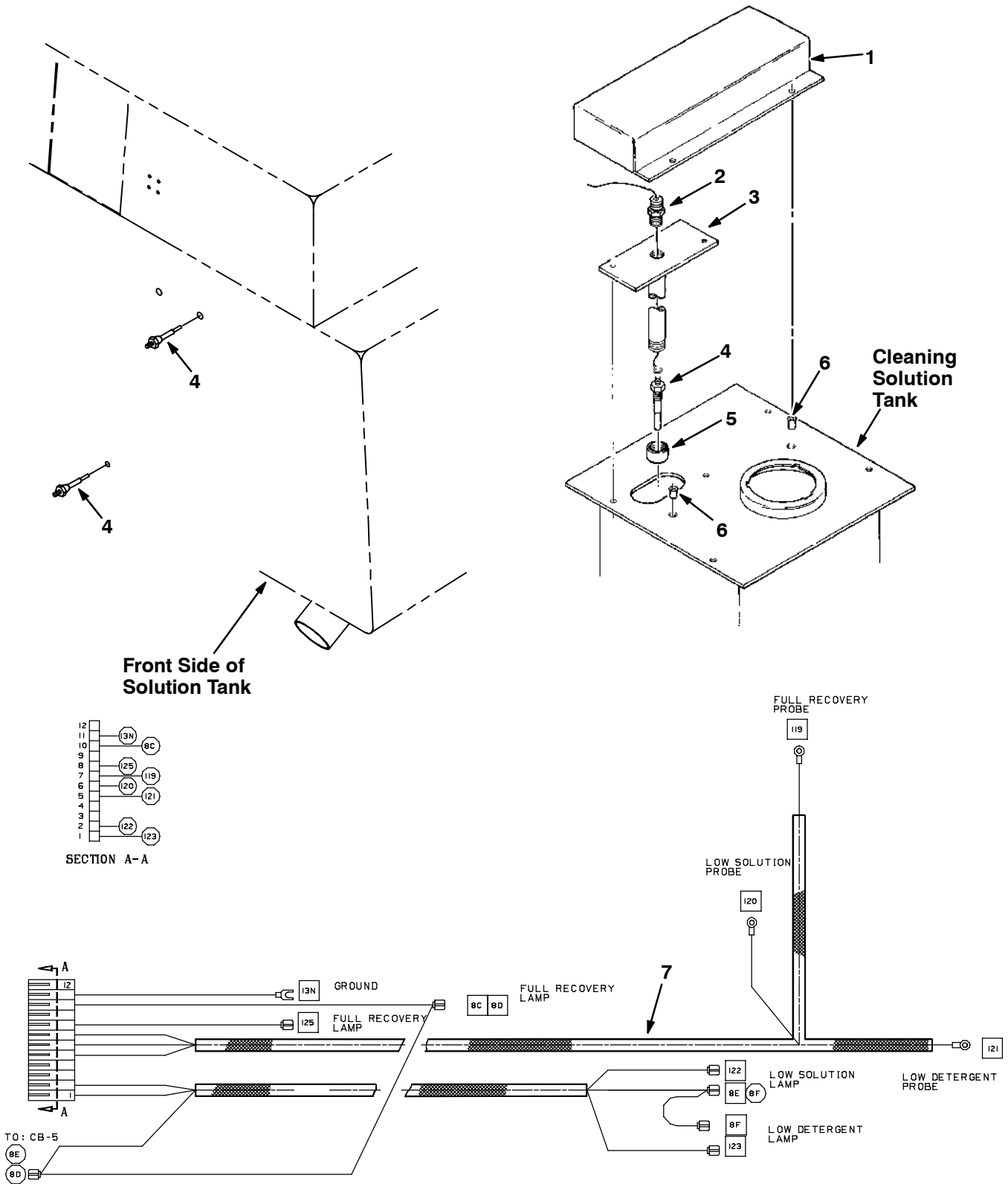
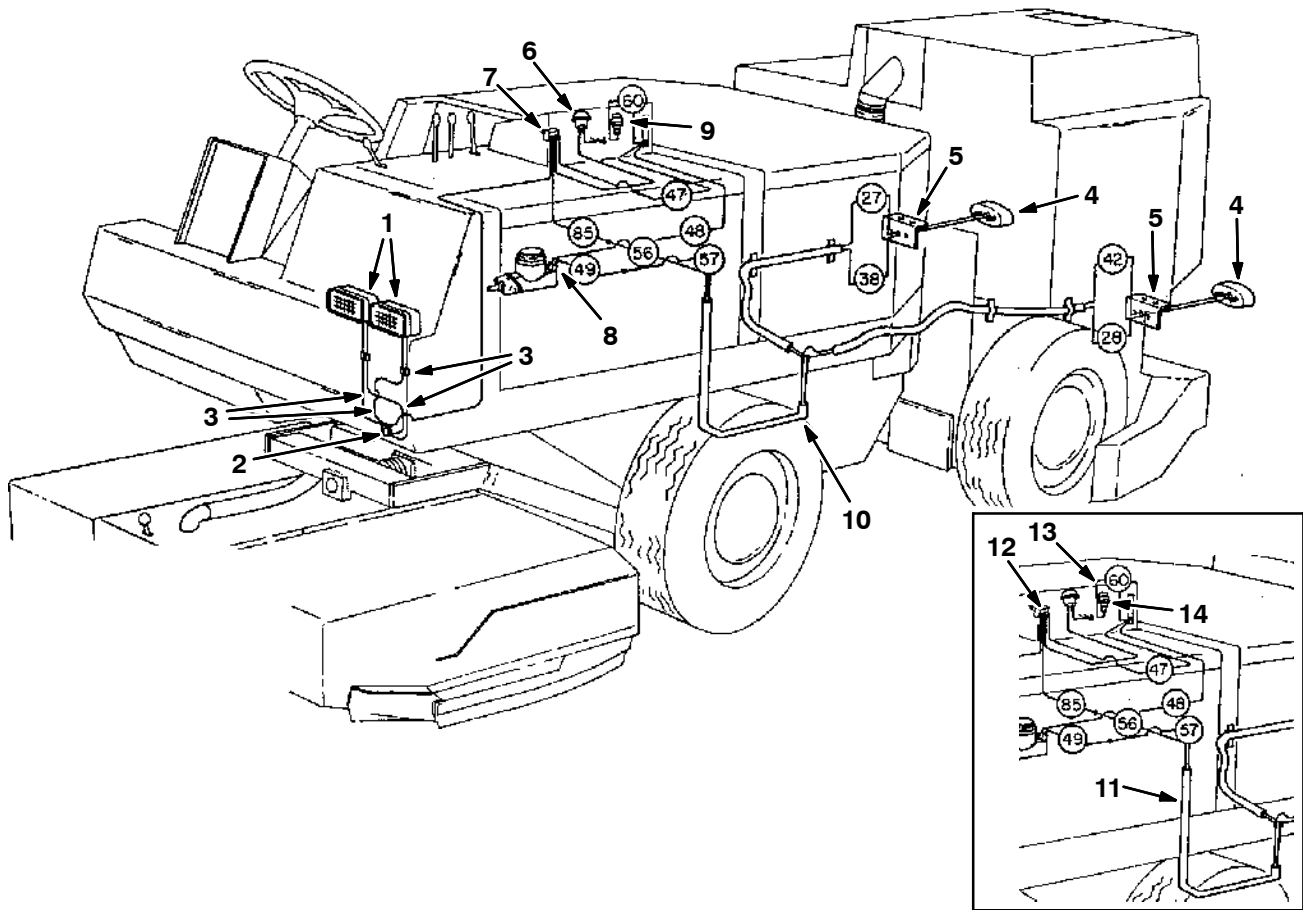


Fig. 19 - SRS Level Warning Light Kit

	Ref.	Part No.	Serial Number	Description	Qty.
▽		79434	(006115-) Light Kit, Level Warning	1
▲	1	03393	(006115-) Cover, Liquid Level Probe	1
▲	2	79553	(006115-) Connector	1
▲	3	79452	(006115-) Housing, Probe	1
▲	4	76089-2	(006115-) Probe, Liquid Level	3
▲	5	79451	(006115-) Fitting, Cap	1
▲	6	42082	(006115-) Rivnut	2
▲		64795C-1	(006115-) Board, P.C.	1
▲		64921	(006115-) Spacer	4
▲		24592	(006115-) Screw, Hex, 10 - 24 x 0.75"	4
▲▽		79542	(006115-) Wire Kit	1
▲▲	7	391906	(007003-) Harness, Sensing, Level, Srs [550]	1
▲▲		374119	(006115-) Lamp Assy, Indicator, Red, 14Vdc	3
▲		62595-6	(006115-) Molding, Trim, 7.5" (190 mm)	1
▲		62595-18	(006115-) Molding, Trim, 3 " (75 mm)	1
▲		383723	(007003-) Circuitbreaker, 20.0a, Resetable	1
		79530	(006115-007002)	Wire Harness	1
		59984	(006115-007002)	Fuse, 1 A	1
		07422	(006115-007002)	Holder, Fuse	1

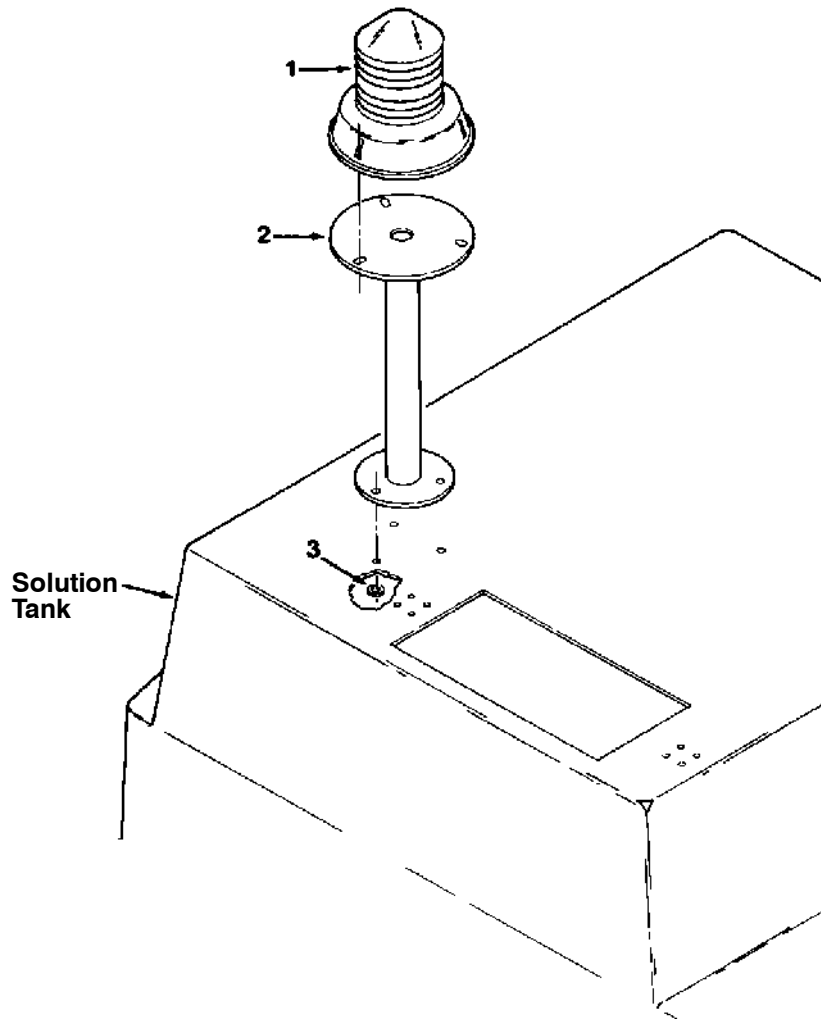
Fig. 20 - SRS Light Kit



00828 - 550

Ref.	Part No.	Serial Number	Description	Qty.
▽	79427	(006115-) Light Kit, SRS	1
▲	1 24298	(006115-) Headlight Assembly	2
▲	2 76062	(006115-) Insulator	1
▲	3 79102	(006115-) Wire Assembly, Headlight	2
▲▽	4 51572	(006115-) Taillight	2
▲▲	45780	(006115-) Bulb	1
▲	5 49022	(006115-) Bracket, Taillight	2
▲▽	6 47768	(006115-) Light, Panel	1
▲▲	24427	(006115-) Bulb	1
▲	7 66101	(007003-) Switch, Toggle, 250vac 06a Spst On/Of	1
▲	8 13959	(006115-) Switch, Brake Light Sending	1
▲	9 383723	(007003-) Circuitbreaker, 20.0a, Resetable	1
▲	10 391903	(007003-) Harness, Taillight [550/1550]	1
▲	78153	(006115-) Wire Kit, Operating Lights	1
▲	49266	(006115-) Tie, Cable	6
▲	45339	(006115-) Terminal, Ring	2
▲	10632-19	(006115-) Grommet, Rubber	1
	11 25183	(006115-007002) Wire Harness	1
	12 10701	(006115-007002) Switch, Toggle	1
	13 07422	(006115-007002) Holder, Fuse	1
	14 383723	(006115-007002) Circuitbreaker, 20.0a, Resetable	1

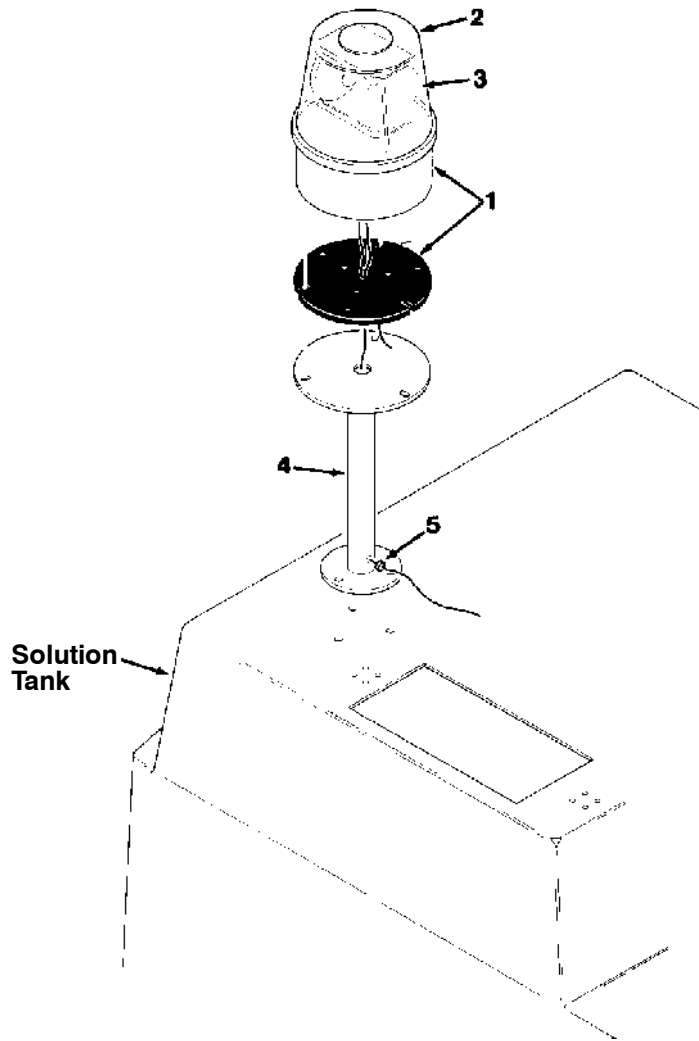
Fig. 21 - SRS Flashing Light Kit



00347 - 550, 1550

Ref.	Part No.	Serial Number	Description	Qty.
▽	79428	(006115-) Light Kit, Flashing	1
▲▽	1 47535	(006115-) Lamp Assembly, Flashing	1
▲▲	47535-2	(006115-) Lamp, Flashing	1
▲▲	47535-1	(006115-) Lens, Lamp, Red	1
▲▲	22640	(006115-) Bulb	1
▲▲	24576-1	(006115-) Bracket, Flasher	1
▲▲	24576	(006115-) Flasher	1
▲	2 16513	(006115-) Support, Light	1
▲	79436	(006115-) Wire Kit	1
▲	66101	(007003-) Switch, Toggle, 250vac 06a Spst On/Of	1
▲	3 76426	(006115-) Washer, Sealing	3
▽	47536	(006115-) Lamp Assembly, Flashing, Amber	1
▲	47536-1	(006115-) Lens, Lamp, Amber	1
▽	47537	(006115-) Lamp Assembly, Flashing, Blue	1
▲	47537-1	(006115-) Lens, Lamp, Blue	1
	10701	(006115-007002)	Switch	1

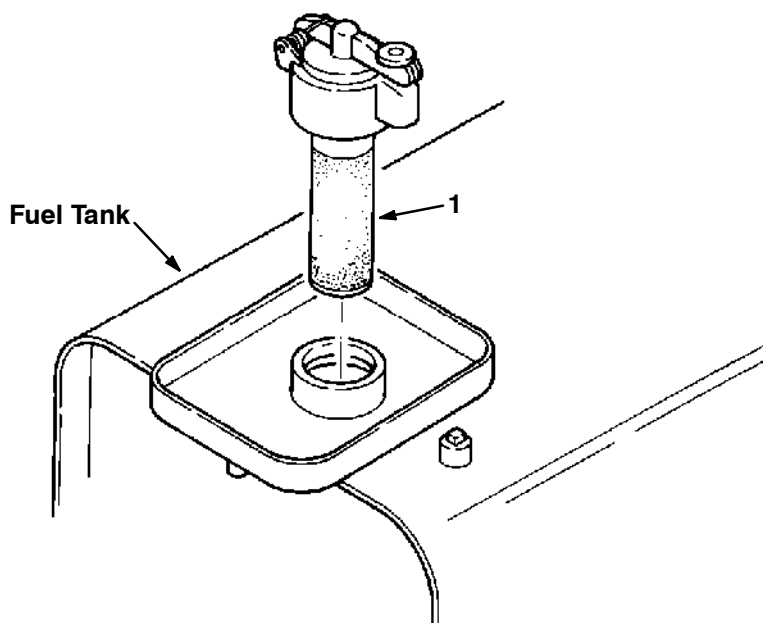
Fig. 22 - SRS Revolving Light Group



02387 - 550, 1550

Ref.	Part No.	Serial Number	Description	Qty.
▽	1	16418	(006115-) Light Assembly, Revolving Red	1
▲	2	16421	(006115-) Lens, Red	1
▲	3	16511	(006115-) Bulb	2
	4	31960	(006115-) Support, 13 in (330mm)	1
	4	60969	(006115-) Support, 10 in (254mm)	1
	5	46314	(006115-) Grommet	1
		49262	(006115-) Clamp, Conduit	5
		66101	(007003-) Switch, Toggle, 250vac 06a Spst On/Of	1
▽	16419	(006115-) Light Assembly, Revolving Blue	1	
▲	16422	(006115-) Lens, Blue	1	
▲	16511	(006115-) Bulb	2	
▽	16420	(006115-) Light Assembly, Revolving Amber	1	
▲	16423	(006115-) Lens, Amber	1	
▲	16511	(006115-) Bulb	2	
	10701	(006115-007002) Switch, Toggle	1	

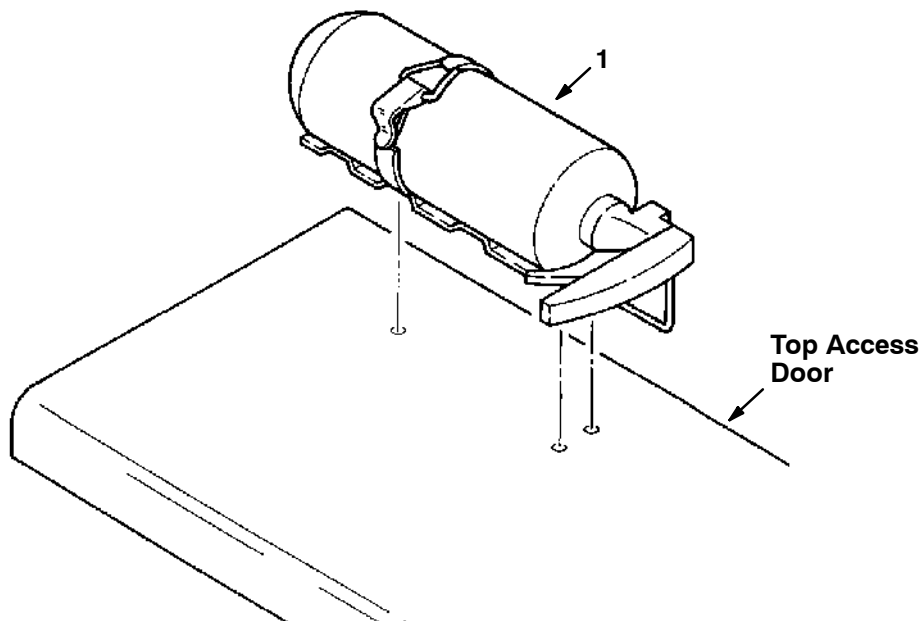
Fig. 23 - Protectoseal Gasoline Cap



00829 - 550, 1550

Ref.	Part No.	Serial Number	Description	Qty.
1	02506-6	(006115-) Cap, Gasoline, Protectoseal	1

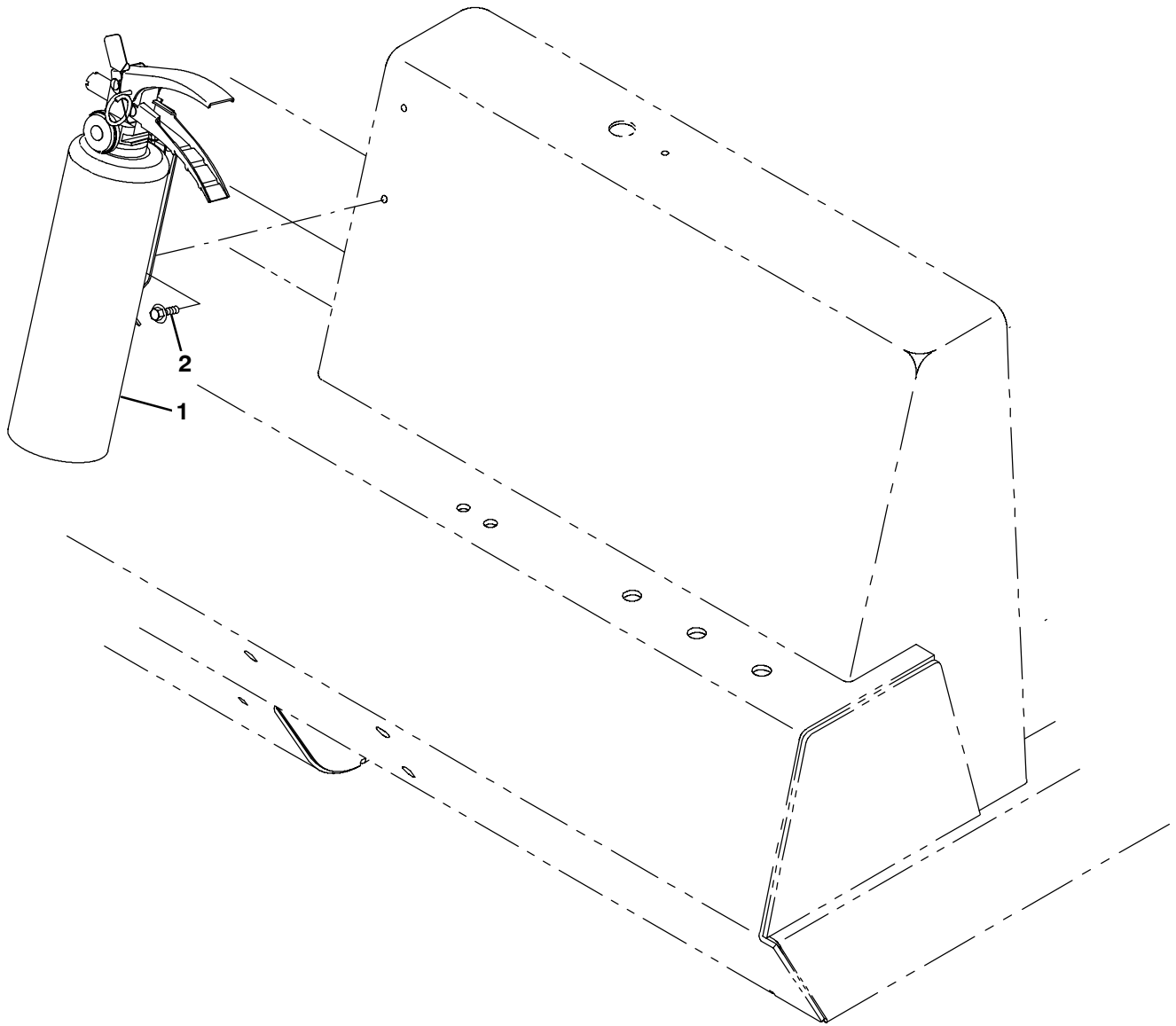
Fig. 24 - Fire Extinguisher Kit (006115-006408)



00830 - ALL

Ref.	Part No.	Serial Number	Description	Qty.
▽	78127	(006115-006408)	Extinguisher Kit, Fire	1
▲	1 25312	(006115-006408)	Extinguisher, Fire, 2.5 Lb Dry	1

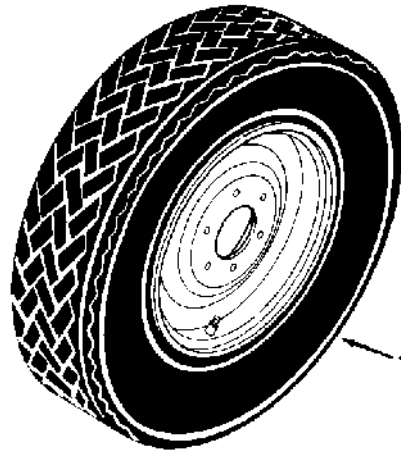
Fig. 25 - Fire Extinguisher Group (006409-)



356242 - ALL

Ref.	Part No.	Serial Number	Description	Qty.
1	25312	(006409-)	Extinguisher, Fire, 2.5 Lb Dry	1
2	24591	(006409-)	Screw, Hex, 10-24 X 0.38, Fmg, PI	2

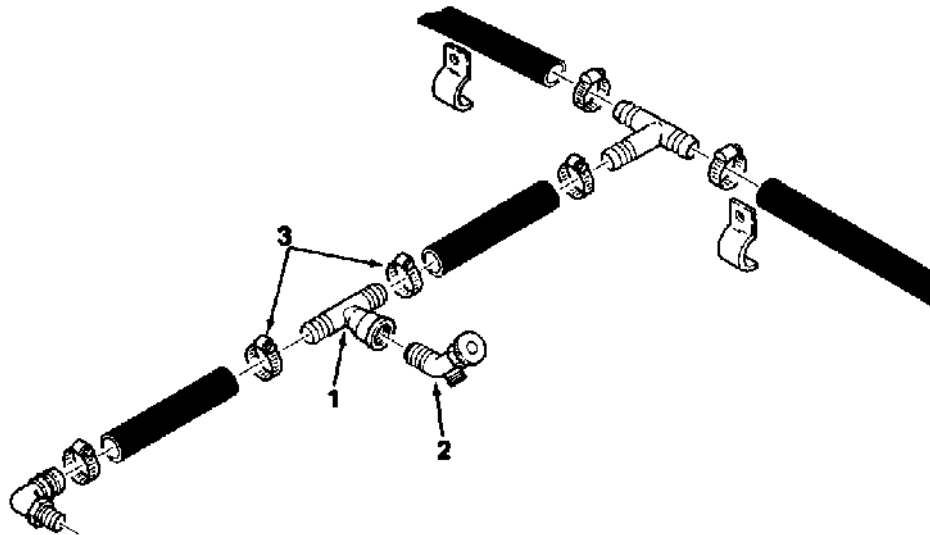
Fig. 26 - Wheel Assembly, Foam Filled



00839 - 550

Ref.	Part No.	Serial Number	Description	Qty.
1	48892	(006115-) Tire Assy, Foam, 8.75-16.5 [45psi]	4

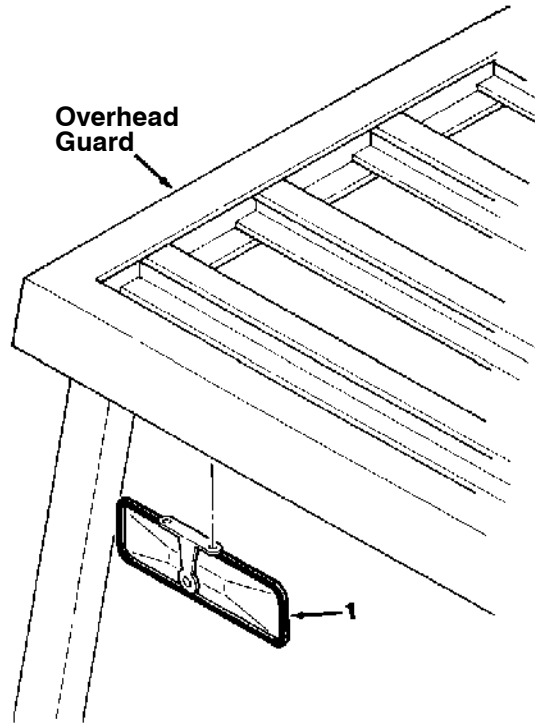
Fig. 27 - Solution Tank Drain Kit



00837 - ALL

Ref.	Part No.	Serial Number	Description	Qty.
▽	75923	(006115-) Drain Kit, Solution Tank	1
▲ 1	76075	(006115-) Tee	1
▲ 2	76076	(006115-) Valve, Water, Drain	1
▲ 3	11399	(006115-) Clamp, Worm Drive	2

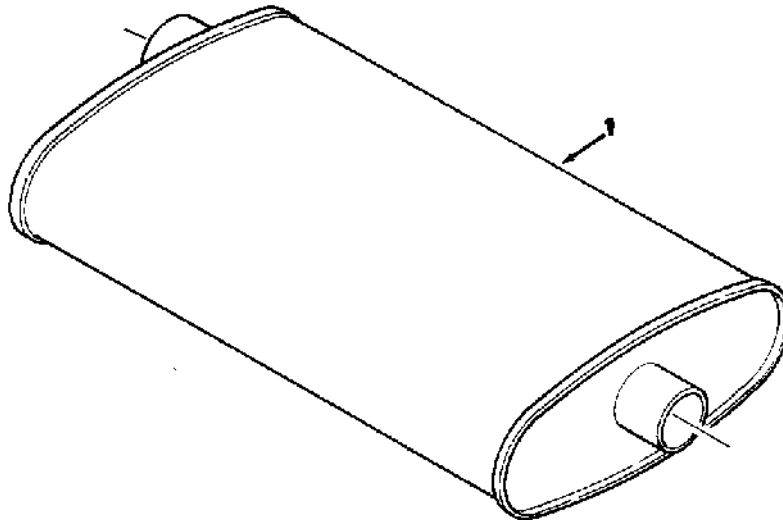
Fig. 28 - Rear View Mirror Kit



00836 - ALL

	Ref.	Part No.	Serial Number	Description	Qty.
▽		78156	(006115-) Mirror Kit, Rear View	1
▲	1	76863	(006115-) Mirror, Rear View	1

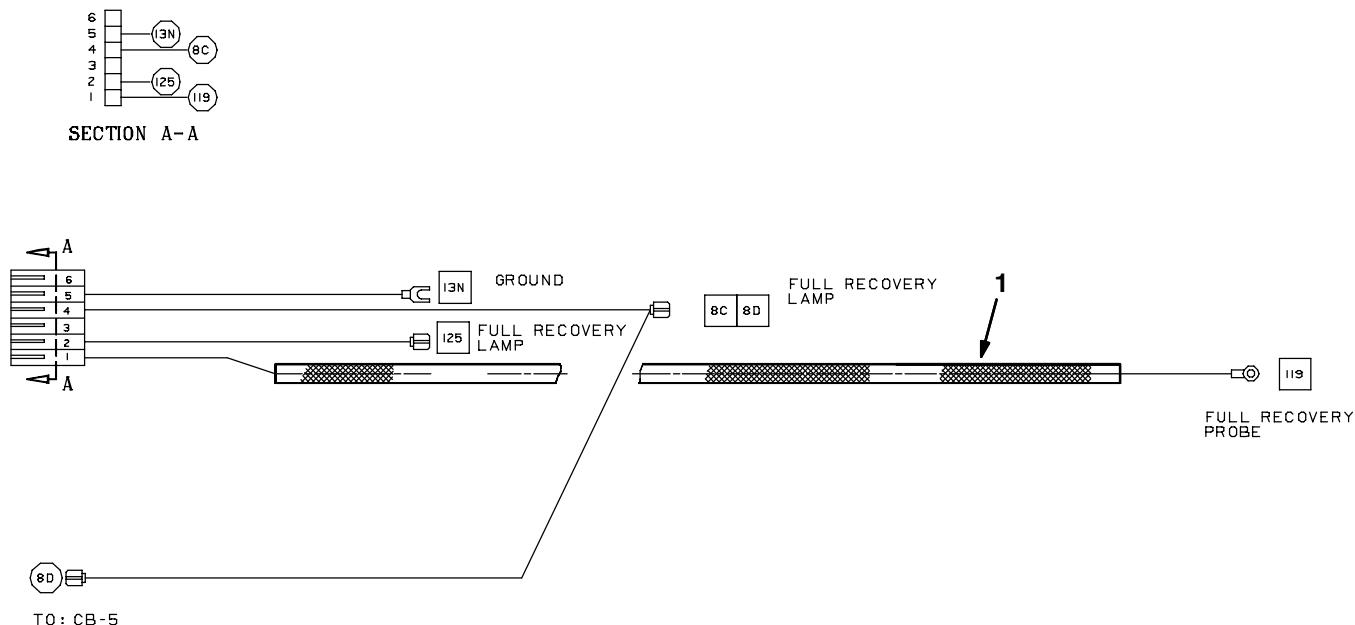
Fig. 29 - Spark Arresting Muffler Kit



00303 - 550, 1550

	Ref.	Part No.	Serial Number	Description	Qty.
	1	78116	(006115-) Muffler, Spark Arresting	1

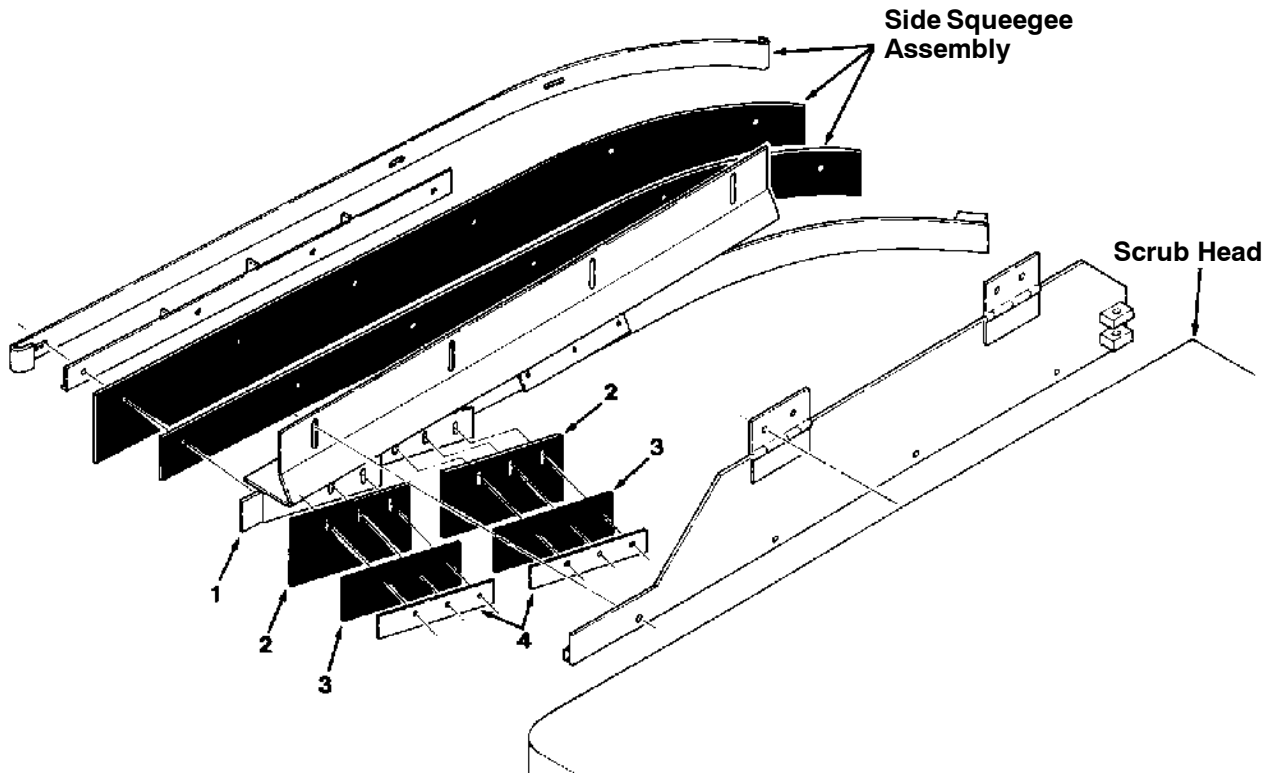
Fig. 30 - Recovery Level Warning Light Kit



354292, 00833 - 550

Ref.	Part No.	Serial Number	Description	Qty.
▽	78159	(006115-) Light Kit, Recovery Level Warning	1
▲	64795A	(006115-) P.C. Board, Level Sensing	1
▲	64921	(006115-) Spacer, P.C. Board	4
▲	24592	(006115-) Screw, Hex	4
▲	374119	(006115-) Lamp Assy, Indicator, Red, 14Vdc	1
▲▽	76090	(006115-) Wire Kit	1
▲▲	1 391923	(007003-) Harness, Sensing, Level [550/1550]	1
▲	76089-2	(006115-) Probe, Liquid Level	1
▲	383723	(007003-) Circuitbreaker, 20.0a, Resetable	1
	59984	(006115-007002) Fuse, 1 A	1
	07422	(006115-007002) Holder, Fuse, (Panel Mount)	1
	76155	(006115-007002) Wire Harness	1

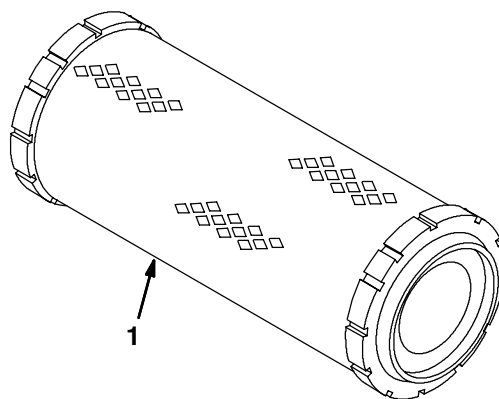
Fig. 31 - Side Squeegees Extension Kit



03874 - ALL

Ref.	Part No.	Serial Number	Description	Qty.
▽	04595	(006115-) Extension Kit, Side Squeegees	1
▲	1 04598	(006115-) Frame, Side Squeegee, R.H.	1
▲	2 03395	(006115-) Blade, Squeegee	4
▲	3 03409	(006115-) Strip, Backup	4
▲	4 03408	(006115-) Retainer, Blade	4
▲	04597	(006115-) Frame, Side Squeegee, L.H.	1

Fig. 32 - Heavy Duty Air Filter Group (006409-007002)



353822 - 550, 1550, G, LP, D

Ref.	Part No.	Serial Number	Description	Qty.
1	398279	(006409-007002)	Element, Fltr, Air, Safety	1

Fig. 33 - Documentation Group

07501 - 550, D, NA

Ref.	Part No.	Serial Number	Description	Qty.
	330670	(006115-) Manual Pkg, 550	1
	380503	(006409-007002) Manual, Service, Perkins 700 Series	1
	372897	(007003-007254) Manual, Service, [Caterpillar 3044c]	1
	9006204	(007255-) Manual, Service, Eng [Cat C3.4]	1
	34792	(006115-006408) Manual, Engine, Continental, TM27-D	1
	10392	(006115-) Video, Oprtr, Vhs [550]	1

SECTION 4

Contents	Page
Fig. 1 - High Pressure Spray Pump Breakdown, 40144-1	4-2
Fig. 2 - Solution Pump Breakdown, 79614	4-4
Fig. 3 - Solution Pump Breakdown, 03838	4-5
Fig. 4 - Solution Pump Breakdown, 33327	4-6
Fig. 5 - Metering Solution Pump Breakdown, 16485	4-7
Fig. 6 - Hydraulic Piston Pump Breakdown, 74163	4-8
Fig. 7 - Hydraulic Piston Pump Breakdown, 74163	4-10
Fig. 8 - Hydraulic Piston Pump Breakdown, 373404	4-12
Fig. 9 - Hydraulic Piston Pump Breakdown, 373404	4-14
Fig. 10 - Hydraulic Gear Pump Breakdown, 373245	4-16
Fig. 11 - Hydraulic Gear Pump Breakdown, 79078	4-18
Fig. 12 - Manual Control Breakdown, 74273 ...	4-20
Fig. 13 - Hydraulic Motor Breakdown, 22604 ...	4-22
Fig. 14 - Hydraulic Motor Breakdown, 27792 ...	4-24
Fig. 15 - Hydraulic Motor Breakdown, 61489 ...	4-25
Fig. 16 - Hydraulic Steering Valve Breakdown, 74176	4-26
Fig. 17 - Hydraulic Solenoid Valve Breakdown, 31575	4-27
Fig. 18 - Hydraulic Valve Breakdown, 32761 ...	4-28
Fig. 19 - Hydraulic Flow Switch Breakdown, 31556	4-29
Fig. 20 - Hydraulic Cylinder Breakdown, 04431 .	4-30
Fig. 21 - Hydraulic Motor Breakdown, 75185 ...	4-31
Fig. 22 - Hydraulic Control Valve Breakdown, 48108A	4-32

Fig. 1 - High Pressure Spray Pump Breakdown, 40144-1

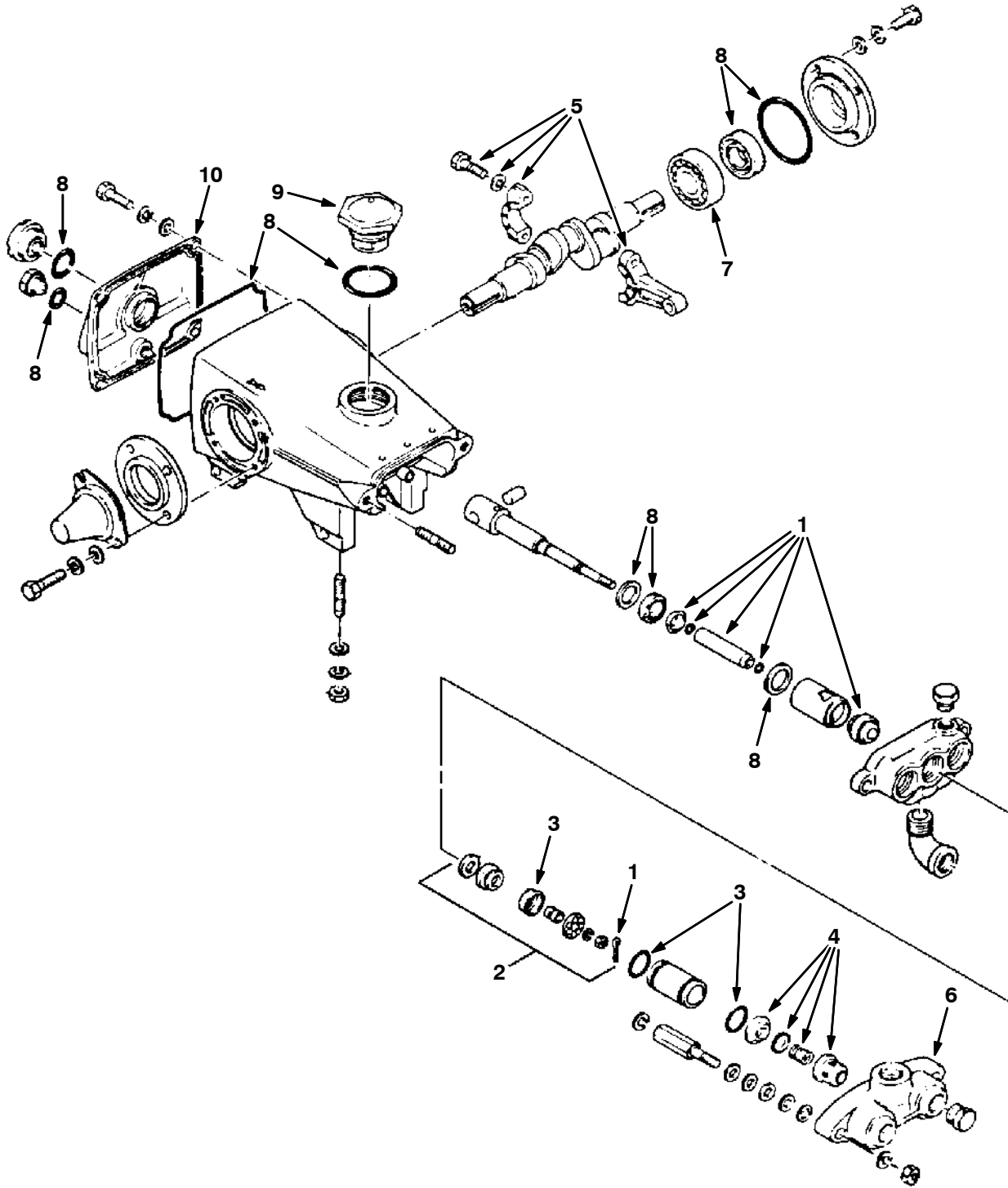
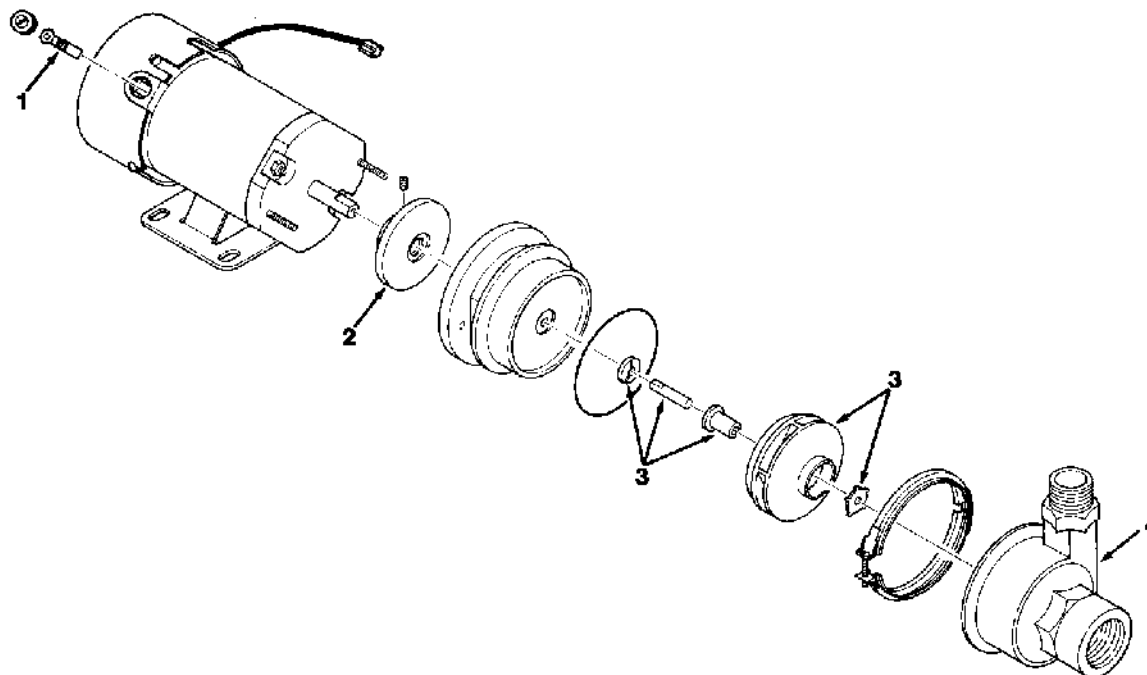


Fig. 1 - High Pressure Spray Pump Breakdown, 40144-1

	Ref.	Part No.	Serial Number	Description	Qty.
▽		40144-1	(000000-) Sprayer, High Pressure	1
▲		40144-4	(000000-) Oil, Cat Pump	1
▲	1	38595	(000000-) Sleeve and Seal Kit	1
▲	2	40144-20	(000000-) Piston Kit	1
▲	3	40144-21	(000000-) Cup Kit, Short	1
▲	4	40144-22	(000000-) Valve Kit, Discharge	1
▲	5	37572	(000000-) Rod, Connecting	3
▲	6	37778	(000000-) Manifold, Discharge	1
▲	7	02582	(000000-) Bearing, Ball (Replaced by None)	2
▲	8	02583	(000000-) Seal Kit	1
▲	9	37573	(000000-) Cap, Oil Filler	1
▲	10	38321	(000000-) Pump Cover	1
▲		40144-6	(000000-) Key	1
▲		372604	(000000-) Gauge, Sight, Water Pump	1

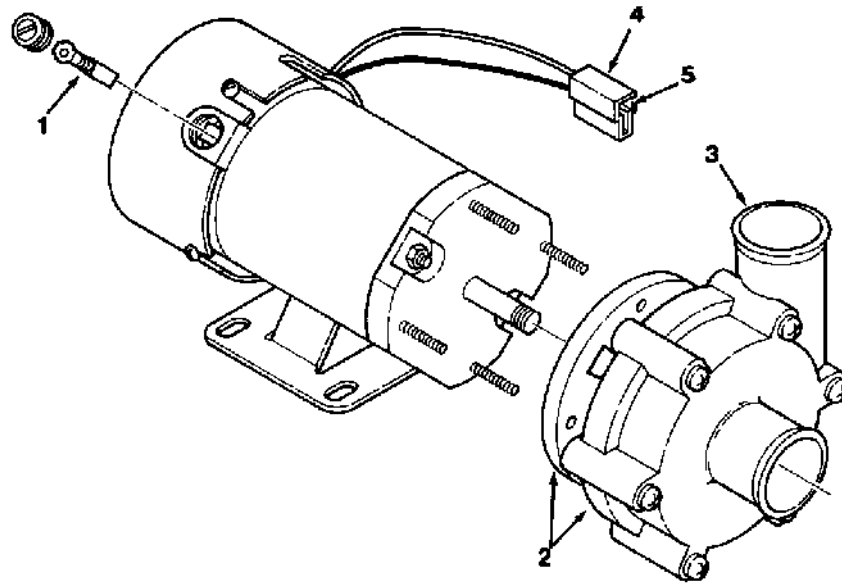
Fig. 2 - Solution Pump Breakdown, 79614



02123 - 550

Ref.	Part No.	Serial Number	Description	Qty.
▽	79614	(000000-) Pump, Solution	1
▲	1 SK2498	(000000-) Replacement Kit, Brush	1
▲	2 SK2500	(000000-) Hub and Magnet Kit	1
▲	3 SK2499	(000000-) Impeller Shaft and Bearing Kit	1
▲	4 38715	(000000-) Housing	1

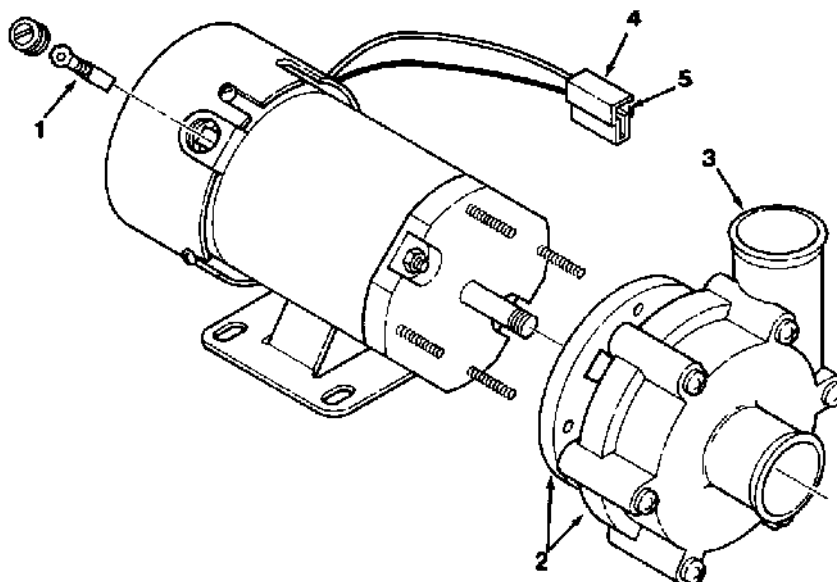
Fig. 3 - Solution Pump Breakdown, 03838



06963 - 550

	Ref.	Part No.	Serial Number	Description	Qty.
▽		03838	(000000-) Pump Assembly, Solution	1
▲	1	SK2498	(000000-) Replacement Kit, Brush	1
▲▽	2	03711	(000000-) Replacement Kit, Pump Head	1
▲▲	3	33308	(000000-) Replacement Kit, Pump Body	1
▲	4	51406	(000000-) Connector	1
▲	5	51416	(000000-) Terminal, Male	2

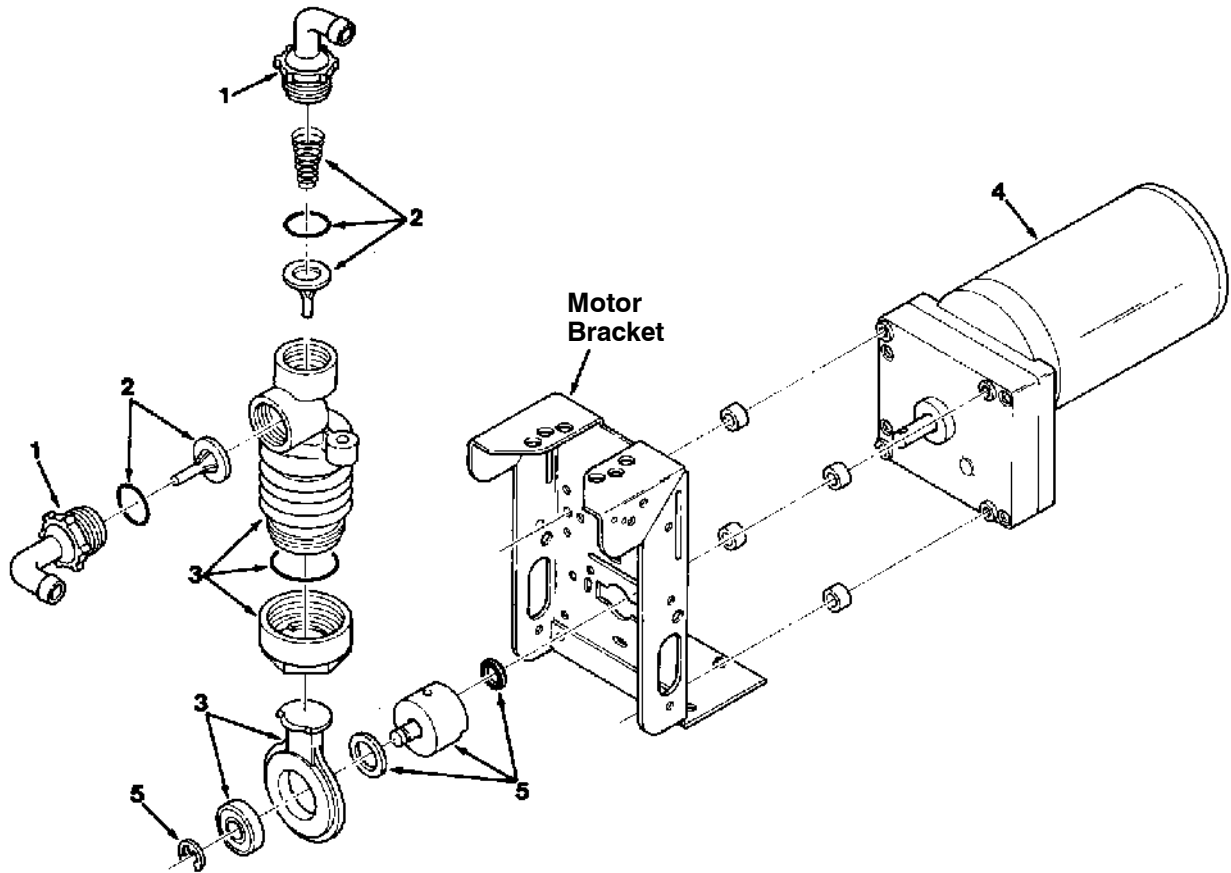
Fig. 4 - Solution Pump Breakdown, 33327



06963 - 550, 1550

Ref.	Part No.	Serial Number	Description	Qty.
▽	33327	(000000-) Pump Assembly, Solution	1
▲	1 48791	(000000-) Replacement Kit, Brush	1
▲	2 03711	(000000-) Replacement Kit, Pump Head	1
▲	3 48789	(000000-) Replacement Kit, Pump Body	1
▲	4 51406	(000000-) Connector	1
▲	5 51416	(000000-) Terminal, Male	2

Fig. 5 - Metering Solution Pump Breakdown, 16485



00112 - ALL

Ref.	Part No.	Serial Number	Description	Qty.
▽	16485	(000000-) Pump, Metering Solution	1
▲	1 63923	(000000-) Connector Kit, Tubing	1
▲	2 21660	(000000-) Valve Kit, Pump	1
▲	3 21661	(000000-) Replacement Kit, Bellows	1
▲	4 63924	(000000-) Motor, Gear	1
▲	5 02430	(000000-) Crank Replacement Kit	1

Fig. 6 - Hydraulic Piston Pump Breakdown, 74163

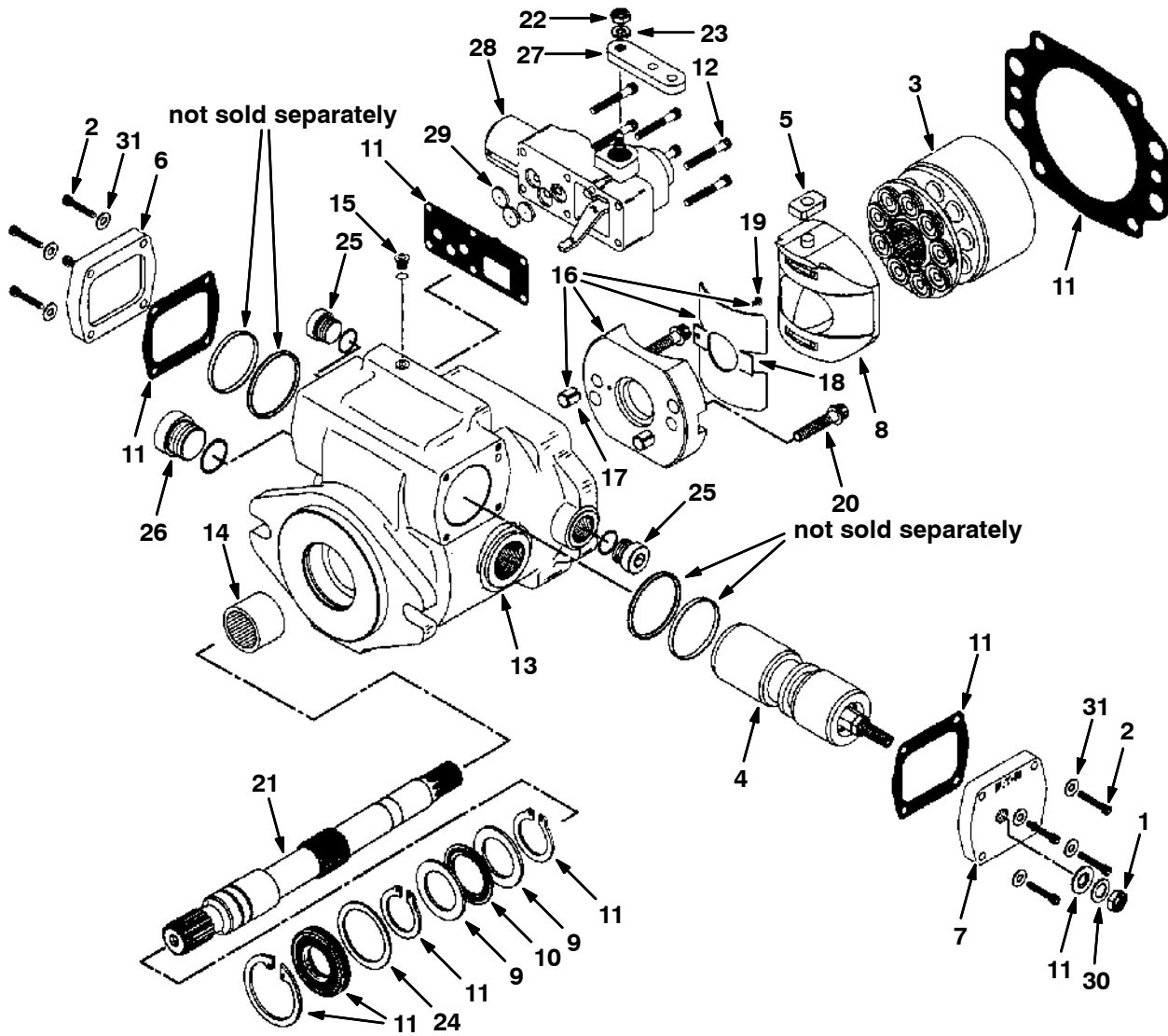


Fig. 6 - Hydraulic Piston Pump Breakdown, 74163

NOTE: Piston Pump, TENNANT Part Number 74163, includes Fig. 6, and Fig. 7.

	Ref.	Part No.	Serial Number	Description	Qty.
▽		74163	(000000-) Pump, Hyd Piston V 2.48	1
▲	1	74184	(000000-) Nut, Jam	1
▲	2	74223	(000000-) Screw, Cap	8
▲	3	61882	(000000-) Rotating Kit	1
▲	4	74253	(000000-) Piston, Servo	1
▲	5	74254	(000000-) Follower, Piston	1
▲	6	74256	(000000-) Plate, Cover	1
▲	7	74257	(000000-) Plate, Cover	1
▲	8	74258	(000000-) Camplate S/A	1
▲	9	74240	(000000-) Race, Bearing	2
▲	10	74210	(000000-) Bearing	1
▲	11	74283	(000000-) Seal Kit, Pump	1
▲	12	74262	(000000-) Screw, Cap	6
▲▽		74263	(000000-) Housing S/A	1
▲▲	13	79771	(000000-) Housing	1
▲▲	14	37462	(000000-) Bearing	1
▲▲	15	79742	(000000-) Plug S/A	1
▲▽	16	79743	(000000-) Cradle Sub Assy	1
▲▲	17	79744	(000000-) Dowel Bushing	2
▲▲	18	79745	(000000-) Bushing	1
▲▲	19	79746	(000000-) Cap Screw	1
▲▲	20	79747	(000000-) Cap Screw	2
▲	21	74265	(000000-) Shaft, Drive Sp	1
▲	22	74266	(000000-) Nut	1
▲	23	74267	(000000-) Lockwasher	1
▲	24	37460	(000000-) Washer	1
▲	25	13907	(000000-) Plug #8	2
▲	26	79779	(000000-) Plug,#12 O-Ring Ph	1
▲	27	74272	(000000-) Arm, Control	1
▲	28	74273	(000000-) Control, Manual (See Breakdown)	1
▲	29	74276	(000000-) Orifice, Valve	1
▲	30	74280	(000000-) Washer	1
▲	31	74281	(000000-) Washer	8

Fig. 7 - Hydraulic Piston Pump Breakdown, 74163

NOTE: Piston Pump, TENNANT Part Number 74163, includes Fig. 6, and Fig. 7.

	Ref.	Part No.	Serial Number	Description	Qty.
▽		74163	(000000-) Pump, Hyd Piston V 2.48	1
▲	1	74259	(000000-) Relief Valve Sa	2
▲	2	74283	(000000-) Seal Kit, Pump	1
▲	3	74260	(000000-) Screw, Cap	2
▲	4	74261	(000000-) Screw, Cap	2
▲	5	61886	(000000-) Valve Plate	1
▲	6	79708	(000000-) Repair Info,Pmp	1
▲▽	7	74264	(000000-) Backplate S/A	1
▲▲	8	34159	(000000-) Bearing	1
▲▲	9	79748	(000000-) Roll Pin	1
▲	10	74270	(000000-) Key	1
▲▽	11	74271	(000000-) Charge Pmp Adap	1
▲▲	12	79749	(000000-) Bushing	1
▲▲	13	79750	(000000-) Plug	1
▲▲	14	79751	(000000-) Shims	1
▲▲	15	79752	(000000-) Spring	1
▲▲	16	79753	(000000-) Poppet	1
▲	17	74274	(000000-) Geroter,Ring In	1
▲	18	74275	(000000-) Geroter,Ring Ot	1
▲	19	74277	(000000-) Coupler	1
▲	20	74278	(000000-) Ring, Retaining	2
▲	21	74279	(000000-) Actuator, Valve	1
▲	22	74282	(000000-) Washer	4

Fig. 8 - Hydraulic Piston Pump Breakdown, 373404

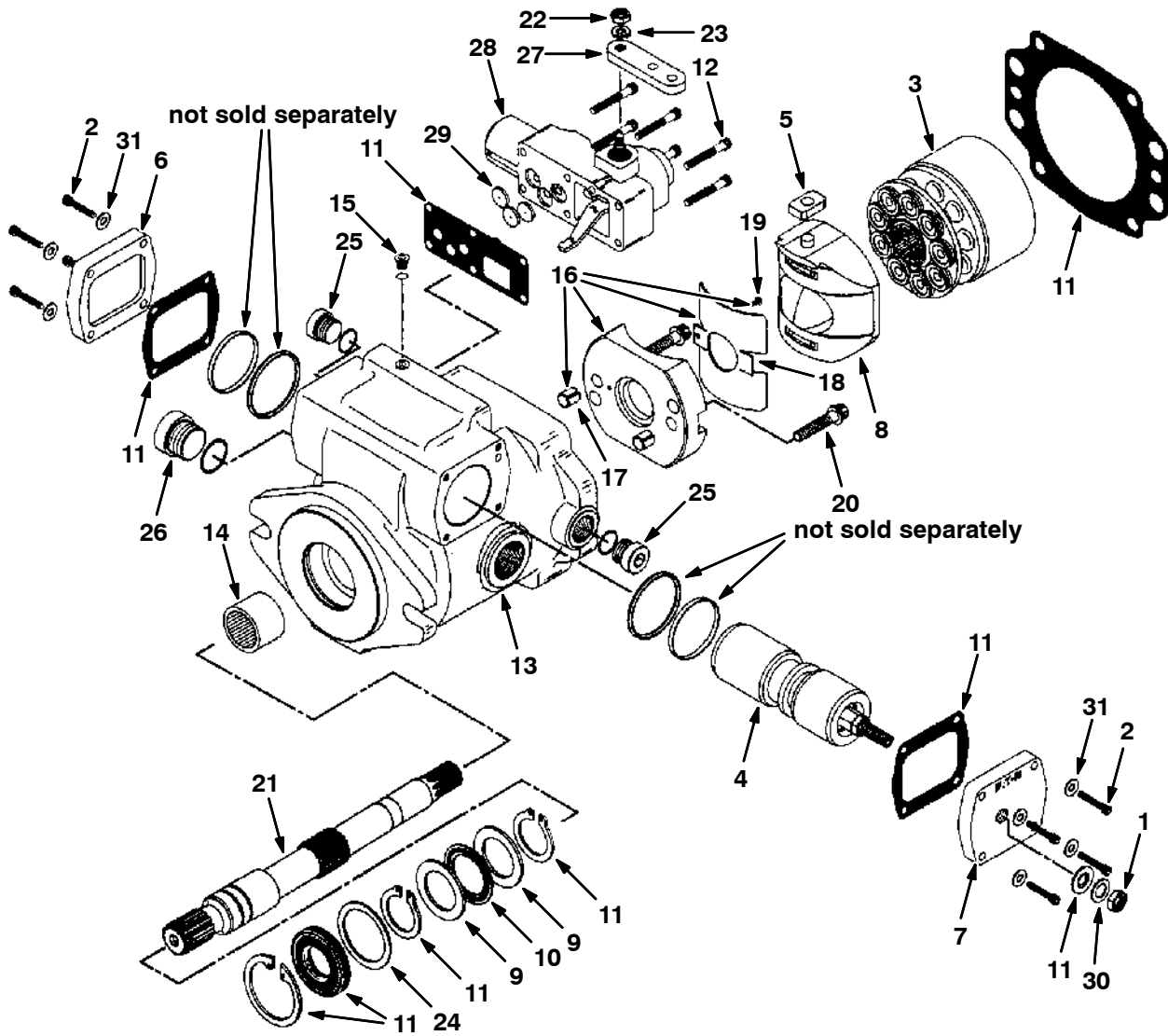


Fig. 8 - Hydraulic Piston Pump Breakdown, 373404

NOTE: Piston Pump, TENNANT Part Number 373404, includes Fig. 8, and Fig. 9.

	Ref.	Part No.	Serial Number	Description	Qty.
▽		373404	(000000-) Pump, Hyd Piston V 2.48	1
▲	1	74184	(000000-) Nut, Jam	1
▲	2	74223	(000000-) Screw, Cap	8
▲	3	61882	(000000-) Rotating Kit	1
▲	4	373407	(000000-) Piston, Servo	1
▲	5	74254	(000000-) Follower, Piston	1
▲	6	74256	(000000-) Plate, Cover	1
▲	7	74257	(000000-) Plate, Cover	1
▲	8	74258	(000000-) Camplate S/A	1
▲	9	74240	(000000-) Race, Bearing	2
▲	10	74210	(000000-) Bearing	1
▲	11	74283	(000000-) Seal Kit, Pump	1
▲	12	74262	(000000-) Screw, Cap	6
▲▽		373408	(000000-) Housing S/A	1
▲▲	13	373409	(000000-) Housing	1
▲▲	14	37462	(000000-) Bearing	1
▲▲	15	79742	(000000-) Plug S/A	1
▲▽	16	373410	(000000-) Cradle Sub Assy	1
▲▲	17	373218	(000000-) Dowel Bushing	2
▲▲	18	373414	(000000-) Bushing	1
▲▲	19	373415	(000000-) Cap Screw	1
▲▲	20	79747	(000000-) Cap Screw	2
▲	21	74265	(000000-) Shaft, Drive Sp	1
▲	22	74266	(000000-) Nut	1
▲	23	74267	(000000-) Lockwasher	1
▲	24	37460	(000000-) Washer	1
▲	25	13907	(000000-) Plug #8	2
▲	26	79779	(000000-) Plug,#12 O-Ring Ph	1
▲	27	74272	(000000-) Arm, Control	1
▲	28	74273	(000000-) Control, Manual (See Breakdown)	1
▲	29	74276	(000000-) Orifice, Valve	1
▲	30	74280	(000000-) Washer	1
▲	31	74281	(000000-) Washer	8

Fig. 9 - Hydraulic Piston Pump Breakdown, 373404

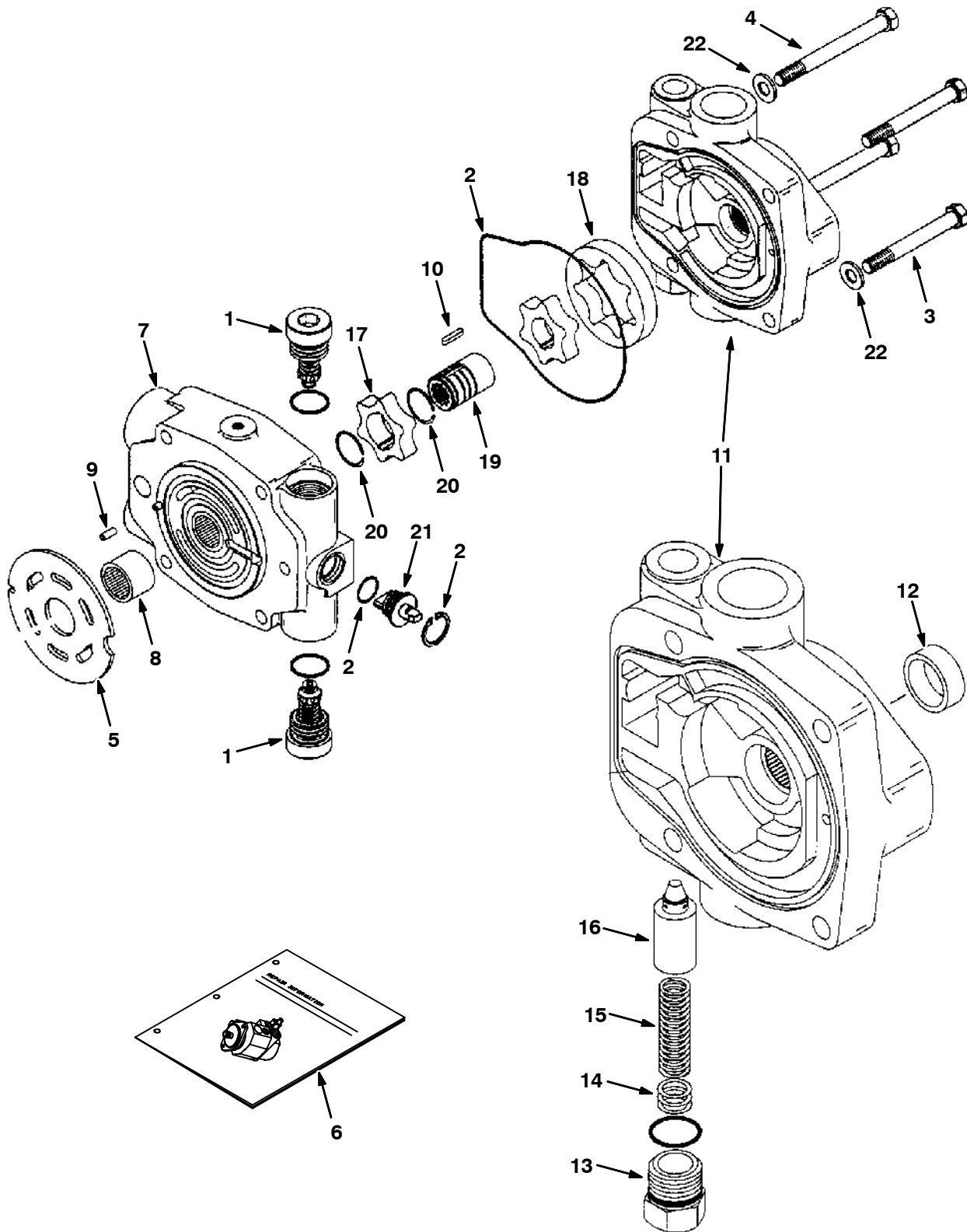


Fig. 9 - Hydraulic Piston Pump Breakdown, 373404

NOTE: Piston Pump, TENNANT Part Number 373404, includes Fig. 8, and Fig. 9.

	Ref.	Part No.	Serial Number	Description	Qty.
▽		373404	(000000-) Pump, Hyd Piston V 2.48	1
▲	1	74259	(000000-) Relief Valve Sa	2
▲	2	74283	(000000-) Seal Kit, Pump	1
▲	3	373374	(000000-) Screw, Cap	2
▲	4	373375	(000000-) Screw, Cap	2
▲	5	61886	(000000-) Valve Plate	1
▲	6	79708	(000000-) Repair Info,Pmp	1
▲▽	7	373412	(000000-) Backplate S/A	1
▲▲	8	34159	(000000-) Bearing	1
▲▲	9	79748	(000000-) Roll Pin	1
▲	10	74270	(000000-) Key	1
▲▽	11	74271	(000000-) Charge Pmp Adap	1
▲▲	12	79749	(000000-) Bushing	1
▲▲	13	79750	(000000-) Plug	1
▲▲	14	79751	(000000-) Shims	1
▲▲	15	79752	(000000-) Spring	1
▲▲	16	79753	(000000-) Poppet	1
▲	17	74274	(000000-) Geroter,Ring In	1
▲	18	74275	(000000-) Geroter,Ring Ot	1
▲	19	74277	(000000-) Coupler	1
▲	20	74278	(000000-) Ring, Retaining	2
▲	21	373413	(000000-) Actuator, Valve	1
▲	22	74282	(000000-) Washer	4

Fig. 10 - Hydraulic Gear Pump Breakdown, 373245

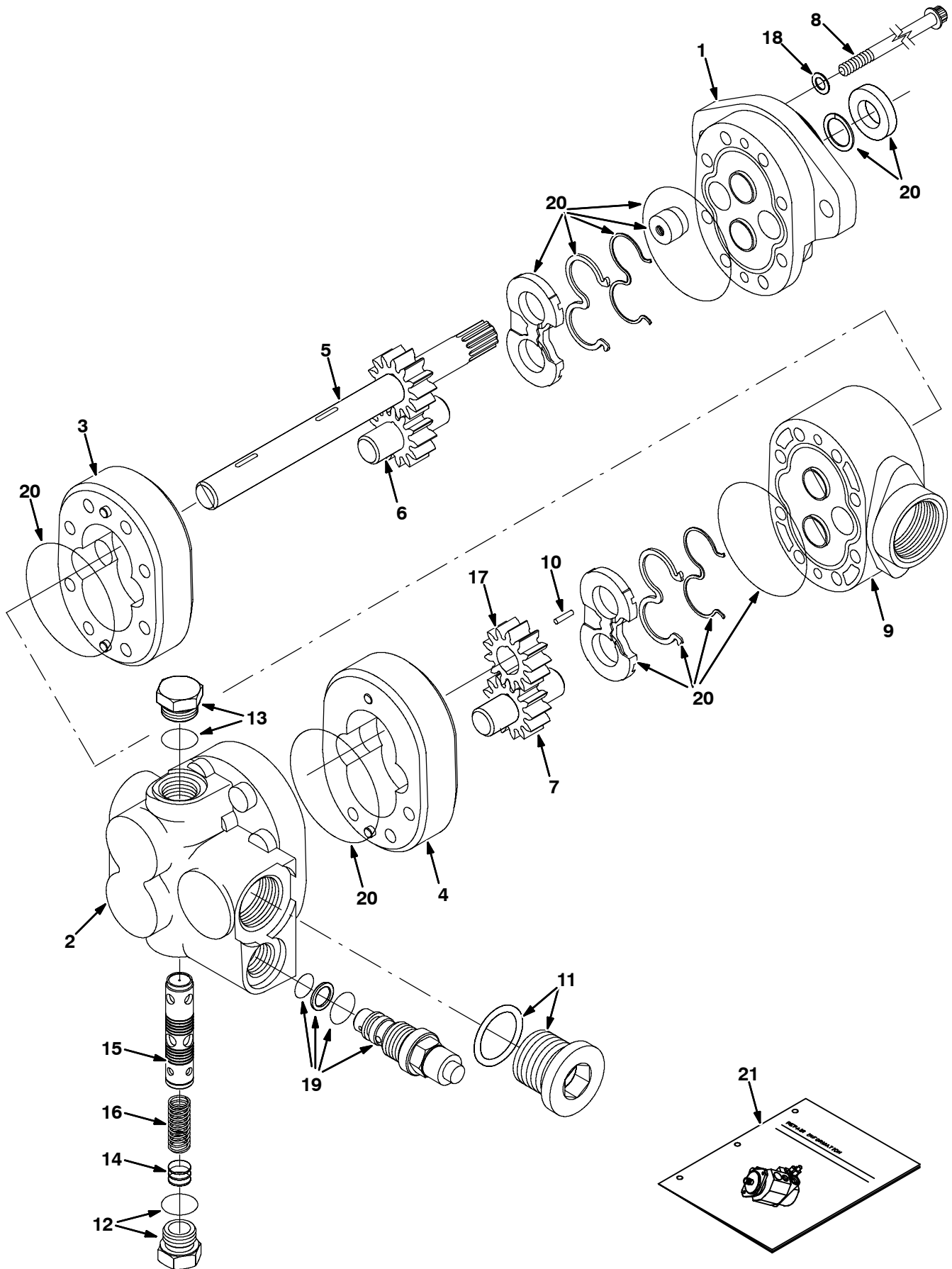


Fig. 10 - Hydraulic Gear Pump Breakdown, 373245

	Ref.	Part No.	Serial Number	Description	Qty.
▽		373245	(000000-) Pump, Hyd, Gear [Ex2] 1.69 [R] 2800	1
▲	1	373201	(000000-) Plate, Front	1
▲	2	373228	(000000-) Plate, Back	1
▲	3	373231	(000000-) Housing, Pump	1
▲	4	373232	(000000-) Housing	1
▲	5	373230	(000000-) Gear, Drive	1
▲	6	373233	(000000-) Gear, Idler	1
▲	7	373211	(000000-) Gear Assy, Idler	1
▲	8	21912	(000000-) Screw, Cap	8
▲	9	373235	(000000-) Plate, Adapter	1
▲	10	74160	(000000-) Key, Round	1
▲	11	71725	(000000-) Plug, O-ring	1
▲	12	373237	(000000-) Plug	1
▲	13	763477	(000000-) Plug	1
▲	14	373239	(000000-) Shim	1
▲	15	373241	(000000-) Spool	1
▲	16	373240	(000000-) Spring	1
▲	17	373242	(000000-) Gear	1
▲	18	373243	(000000-) Washer	4
▲	19	21914	(000000-) Valve, Relief	1
▲	20	373229	(000000-) Kit, Seal, Pump	1
▲	21	373403	(000000-) Instr, Pump Repair	1

Fig. 11 - Hydraulic Gear Pump Breakdown, 79078

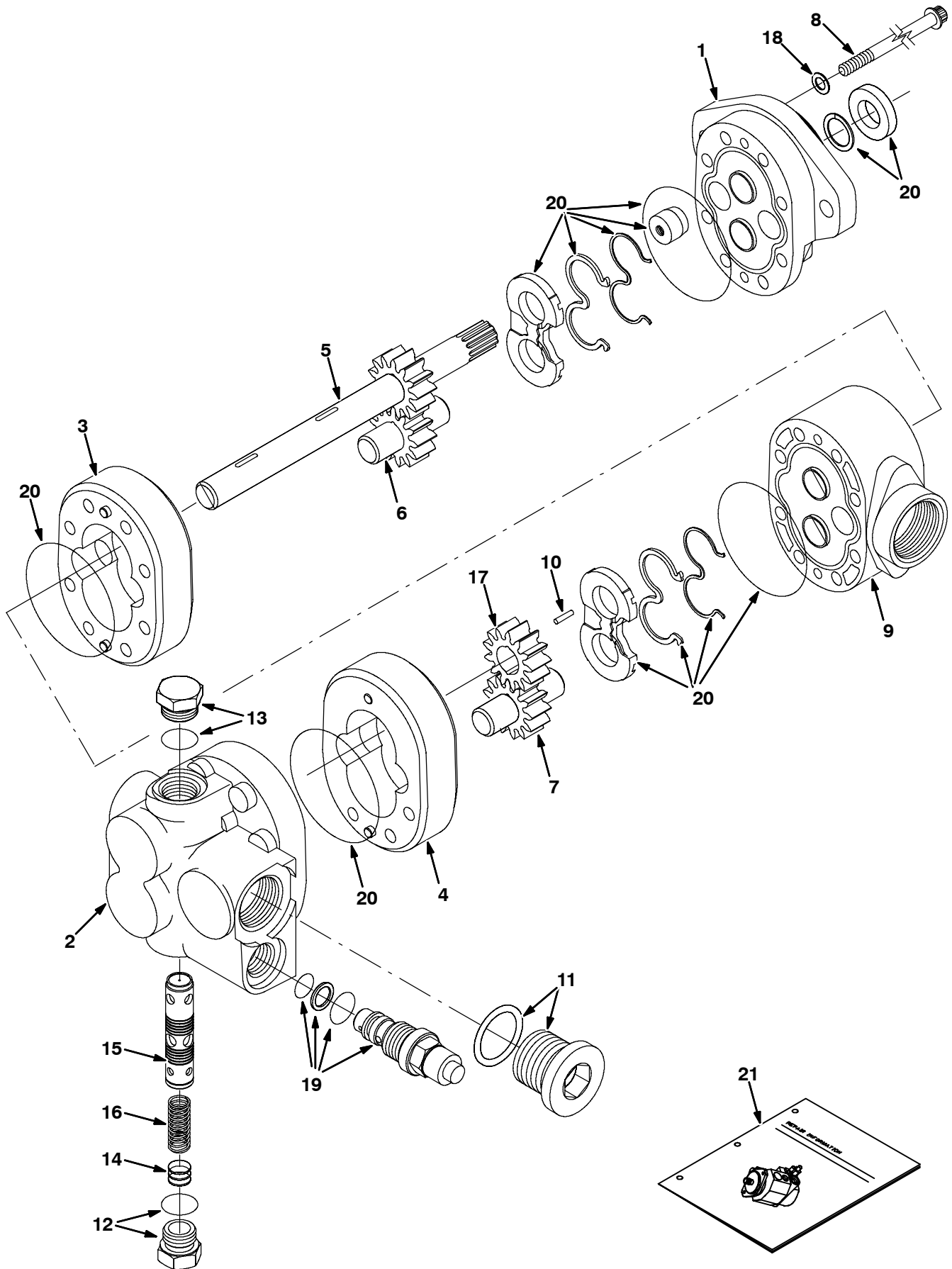


Fig. 11 - Hydraulic Gear Pump Breakdown, 79078

	Ref.	Part No.	Serial Number	Description	Qty.
▽		79078	(000000-) Pump, Hyd, Gear [Ex2] 1.69 [R] 2500 (Replaced by 373245)	1
▲	1	74149	(000000-) Plate, Front	1
▲	2	373552	(000000-) Plate, Back	1
▲	3	21909	(000000-) Housing, Pump	1
▲	4	74150	(000000-) Housing	1
▲	5	21910	(000000-) Gear, Drive	1
▲	6	21911	(000000-) Gear, Idler	1
▲	7	74151	(000000-) Gear Assy, Idler	1
▲	8	21912	(000000-) Screw, Cap	8
▲	9	74152	(000000-) Plate, Adapter	1
▲	10	74160	(000000-) Key, Round	1
▲	11	71725	(000000-) Plug, O-ring	1
▲	12	373237	(000000-) Plug	1
▲	13	763477	(000000-) Plug	1
▲	14	373239	(000000-) Shim	1
▲	15	21913	(000000-) Spool	1
▲	16	373240	(000000-) Spring	1
▲	17	74148	(000000-) Gear	1
▲	18	74159	(000000-) Washer	4
▲	19	21914	(000000-) Valve, Relief	1
▲	20	57064	(000000-) Kit, Seal, Pump	1
▲	21	763483	(000000-) Instr, Pump Repair	1

Fig. 12 - Manual Control Breakdown, 74273

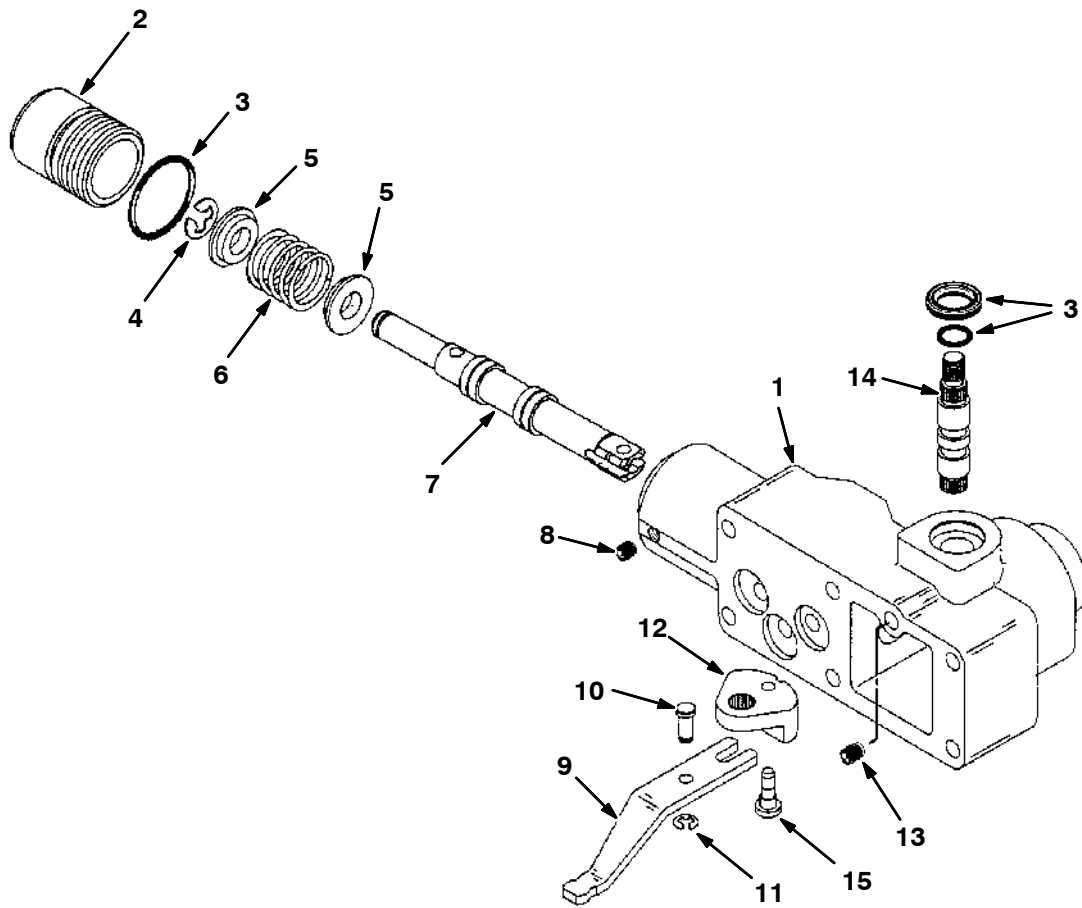


Fig. 12 - Manual Control Breakdown, 74273

	Ref.	Part No.	Serial Number	Description	Qty.
▽		74273	(000000-) Control, Manual	1
▲	1	79754	(000000-) Housing, Control	1
▲	2	79755	(000000-) Plug	1
▲	3	79776	(000000-) Seal Kit, Cntrl	1
▲	4	79756	(000000-) Ring, Retaining	1
▲	5	79757	(000000-) Spring, Retainer	2
▲	6	79758	(000000-) Spring, Cntr	1
▲	7	79759	(000000-) Valve Spool	1
▲	8	79760	(000000-) Screw, Set	1
▲	9	79761	(000000-) Link, Feedback	1
▲	10	79762	(000000-) Dowel Pin	1
▲	11	79763	(000000-) Ring, Retaining	1
▲	12	79764	(000000-) Bell Crank	1
▲	13	79765	(000000-) Screw, Set	1
▲	14	79766	(000000-) Shaft, Input	1
▲	15	79767	(000000-) Pin, Headed	1

Fig. 13 - Hydraulic Motor Breakdown, 22604

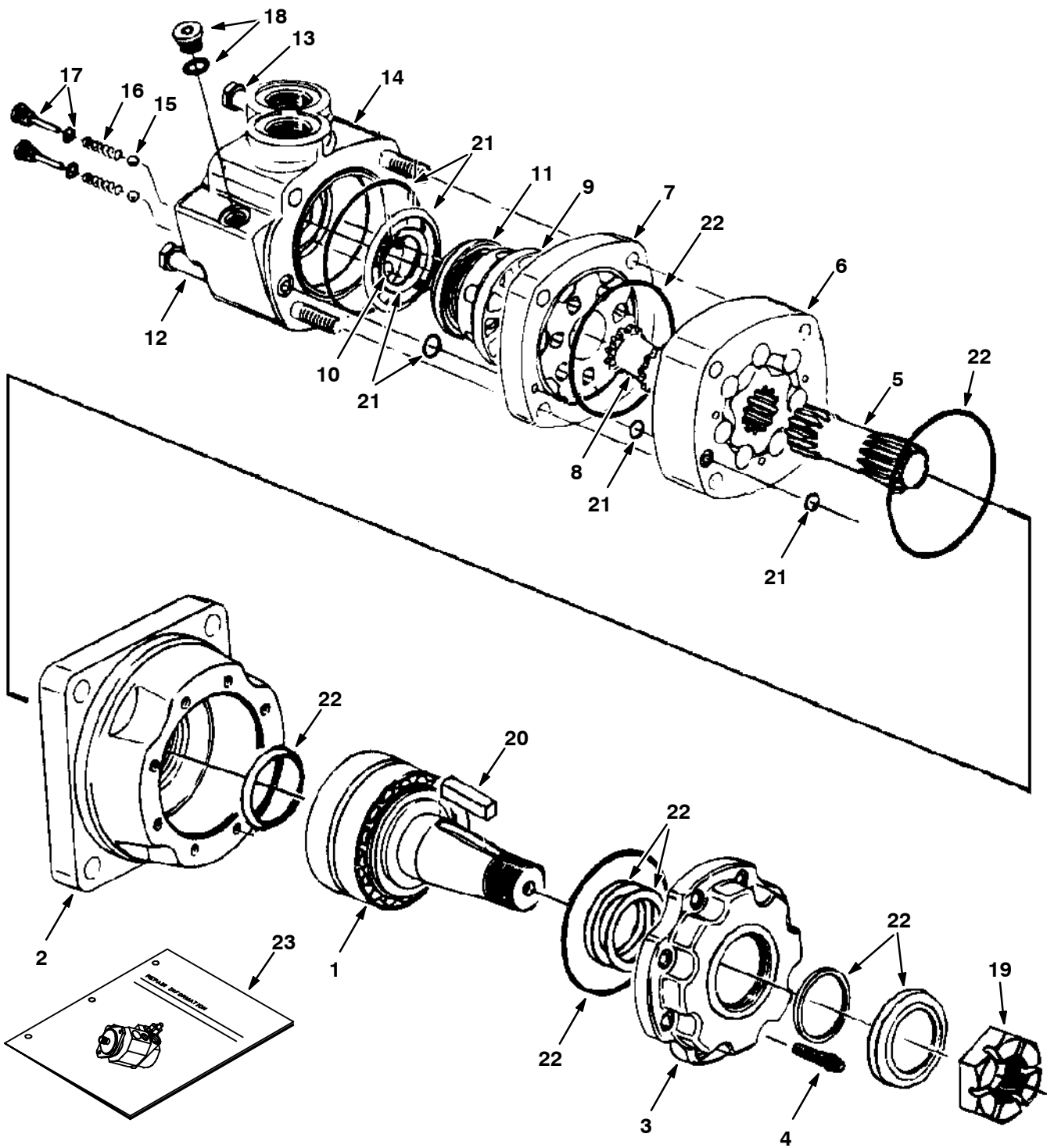
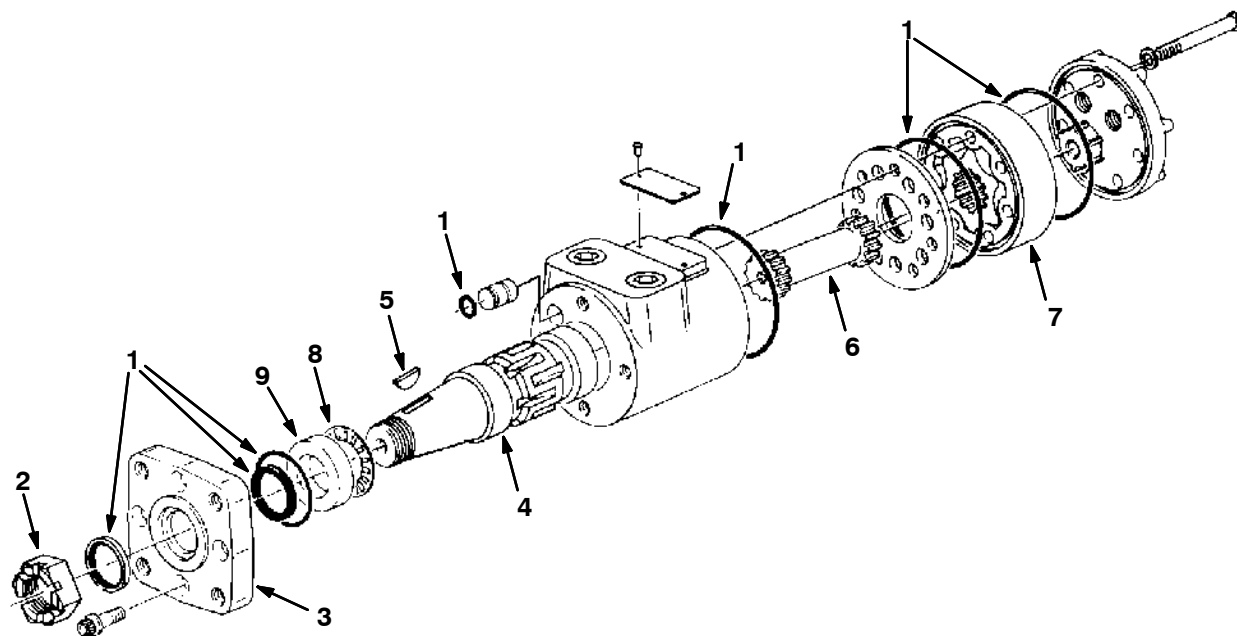


Fig. 13 - Hydraulic Motor Breakdown, 22604

	Ref.	Part No.	Serial Number	Description	Qty.
▽		22604	(000000-) Motor, Hyd Gear	1
▲	1	74165	(000000-) Shaft S/A	1
▲	2	74166	(000000-) Housing, Brg	1
▲	3	74167	(000000-) Retainer, Frt	1
▲	4	74168	(000000-) Screw, Cap	8
▲	5	37616	(000000-) Drive	1
▲	6	37756	(000000-) Geroler	1
▲	7	74122	(000000-) Plate, Valve	1
▲	8	52405	(000000-) Valve	1
▲	9	74123	(000000-) Valve	1
▲	10	34178	(000000-) Spring	2
▲	11	38968	(000000-) Ring	1
▲	12	74125	(000000-) Bolt	3
▲	13	38255	(000000-) Bolt	1
▲	14	74171	(000000-) Housing Assy,	1
▲	15	37766	(000000-) Ball	2
▲	16	34179	(000000-) Spring	2
▲	17	74137	(000000-) Plug Assembly	2
▲	18	74098	(000000-) Plug #4	1
▲	19	45622	(000000-) Nut	1
▲	20	45623	(000000-) Key	1
▲	21	33580	(000000-) Seal Kit, Rear	1
▲	22	79828	(000000-) Seal Kit, Shaft	1
▲	23	74249	(000000-) Instr. Repair Info, Motor	1

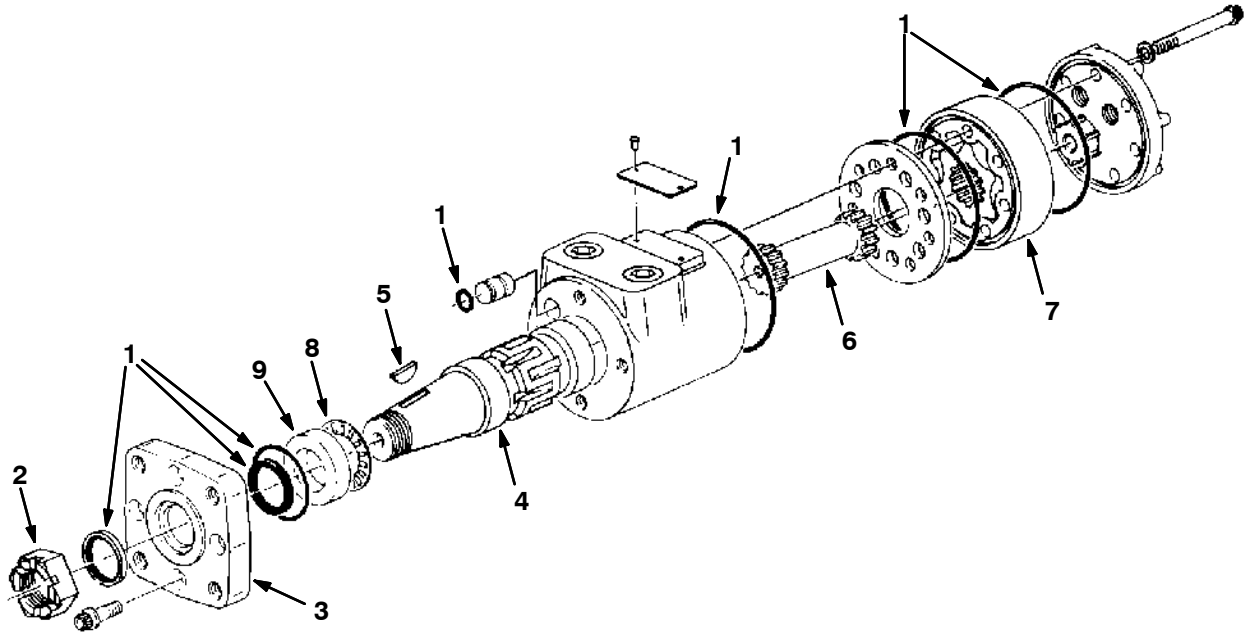
Fig. 14 - Hydraulic Motor Breakdown, 27792



09795 - 550, 1550

Ref.	Part No.	Serial Number	Description	Qty.
▽	27792	(000000-) Motor, Hydraulic	1
▲	1	28835	(000000-) Seal Kit	1
▲	2	39527	(000000-) Nut, Slotted	1
▲	3	31354	(000000-) Flange, Mounting	1
▲	4	37617	(000000-) Shaft, Output	1
▲	5	00500-15	(000000-) Key, Woodruff	1
▲	6	31377	(000000-) Drive	1
▲	7	31382	(000000-) Gerotor	1
▲	8	45628	(000000-) Bearing	1
▲	9	16695	(000000-) Race, Thrust	1

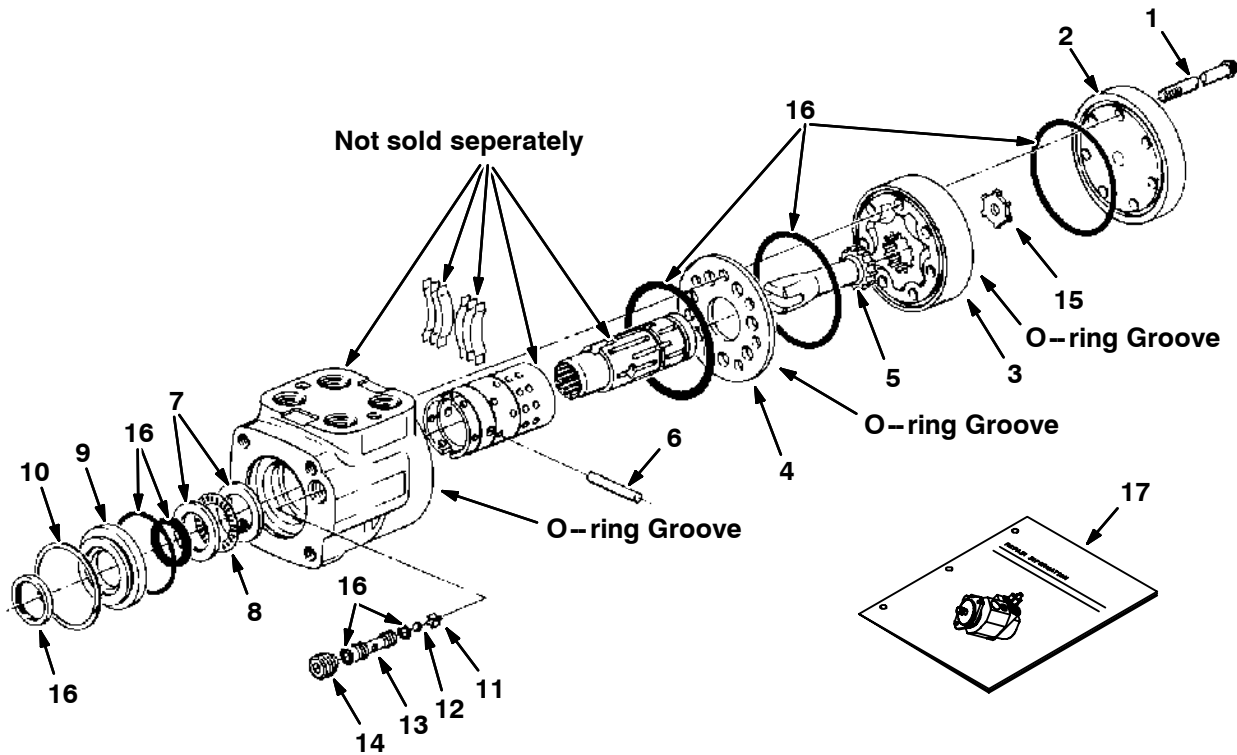
Fig. 15 - Hydraulic Motor Breakdown, 61489



09795 - 550, 1550

Ref.	Part No.	Serial Number	Description	Qty.	
▽	61489	(000000-) Motor, Hydraulic	1	
▲	1	61490	(000000-) Seal Kit	1
▲	2	39527	(000000-) Nut, Slotted	1
▲	3	31354	(000000-) Flange, Mounting	1
▲	4	37617	(000000-) Shaft, Output	1
▲	5	00500-15	(000000-) Key, Woodruff	1
▲	6	31377	(000000-) Drive	1
▲	7	31382	(000000-) Gerotor	1
▲	8	45628	(000000-) Bearing	1
▲	9	16695	(000000-) Race, Thrust	1

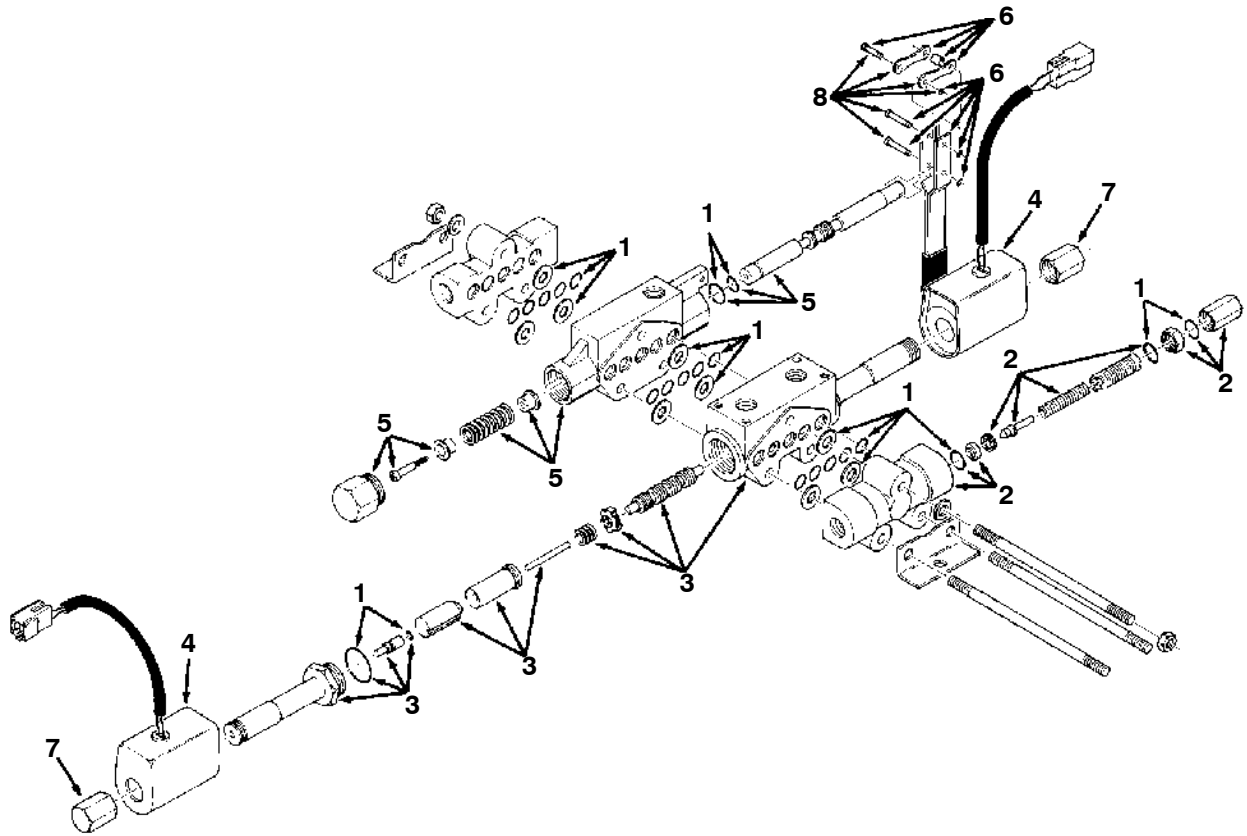
Fig. 16 - Hydraulic Steering Valve Breakdown, 74176



09936-09670 - ALL

Ref.	Part No.	Serial Number	Description	Qty.
▽	74176	(000000-	Steer Control, Hyd #4 05.9 150	1
▲	1 65241	(000000-	Cap Screw	7
▲	2 74181	(000000-	Cap, End	1
▲	3 57156	(000000-	Geroter	1
▲	4 74182	(000000-	Plate, Wear	1
▲	5 58596	(000000-	Drive	1
▲	6 74218	(000000-	Pin	1
▲	7 74109	(000000-	Race, Bearing	2
▲	8 74110	(000000-	Bearing, Needle	1
▲	9 74112	(000000-	Bushing, Seal	1
▲	10 74111	(000000-	Ring, Retainer	1
▲	11 74186	(000000-	Retainer, Chk	1
▲	12 74187	(000000-	Ball	1
▲	13 74188	(000000-	Seat, Chk Ball	1
▲	14 74189	(000000-	Screw Set	1
▲	15 74105	(000000-	Spacer	1
▲	16 74190	(000000-	Seal Kit, Scu	1
▲	74195	(000000-	Spring Kit, Scu	1
▲	17 74251	(000000-	Repair Info,Scu	1

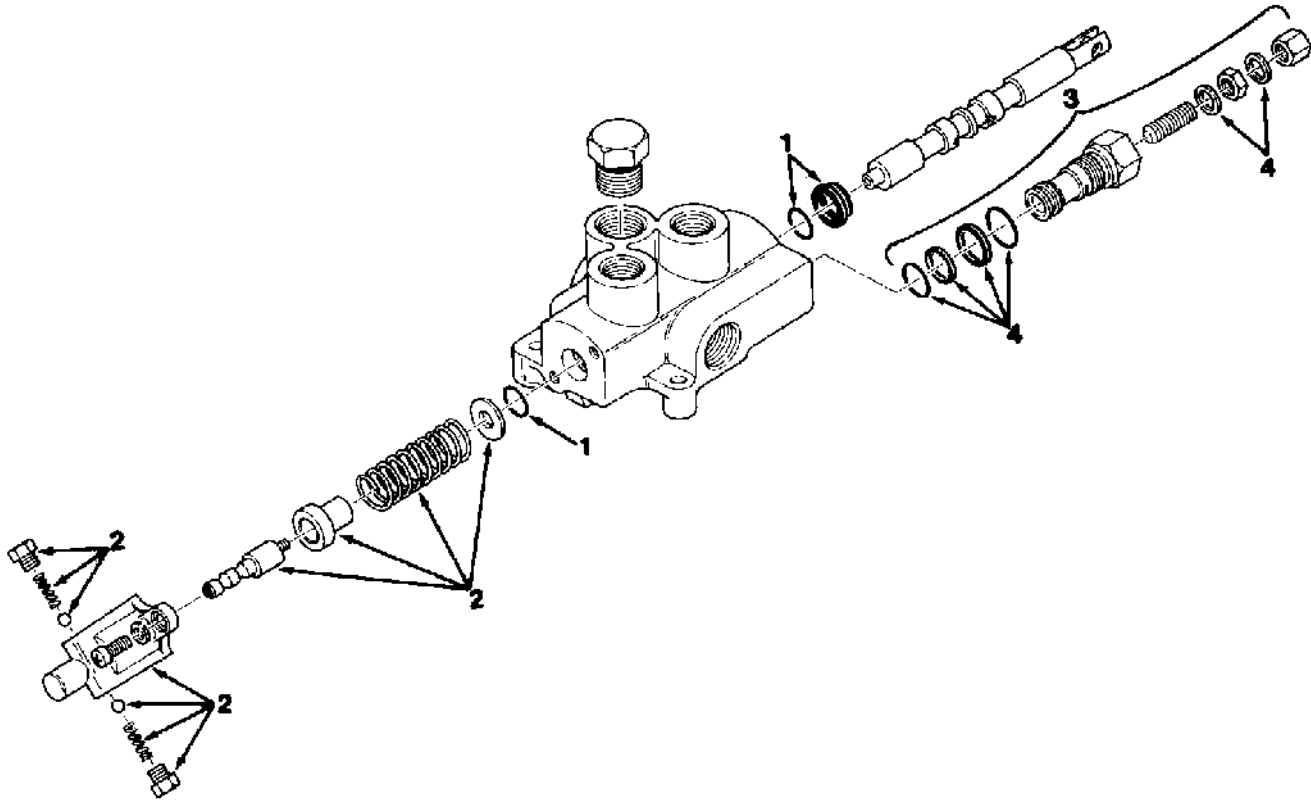
Fig. 17 - Hydraulic Solenoid Valve Breakdown, 31575



02392 - 550, 1550

Ref.	Part No.	Serial Number	Description	Qty.
▽	31575	(000000-) Valve, Hydraulic, Solenoid	1
▲	1 04198	(000000-) Seal Kit	1
▲	2 31642	(000000-) Inlet Section	1
▲	3 31643	(000000-) Valve Section	1
▲	4 02536	(000000-) Coil	2
▲	5 02520	(000000-) Valve Section, Manual	1
▲	6 02519	(000000-) Handle Assembly, Complete	1
▲	7 04525	(000000-) Nut, Solenoid	2
▲	8 04185	(000000-) Linkage Kit, Handle	1

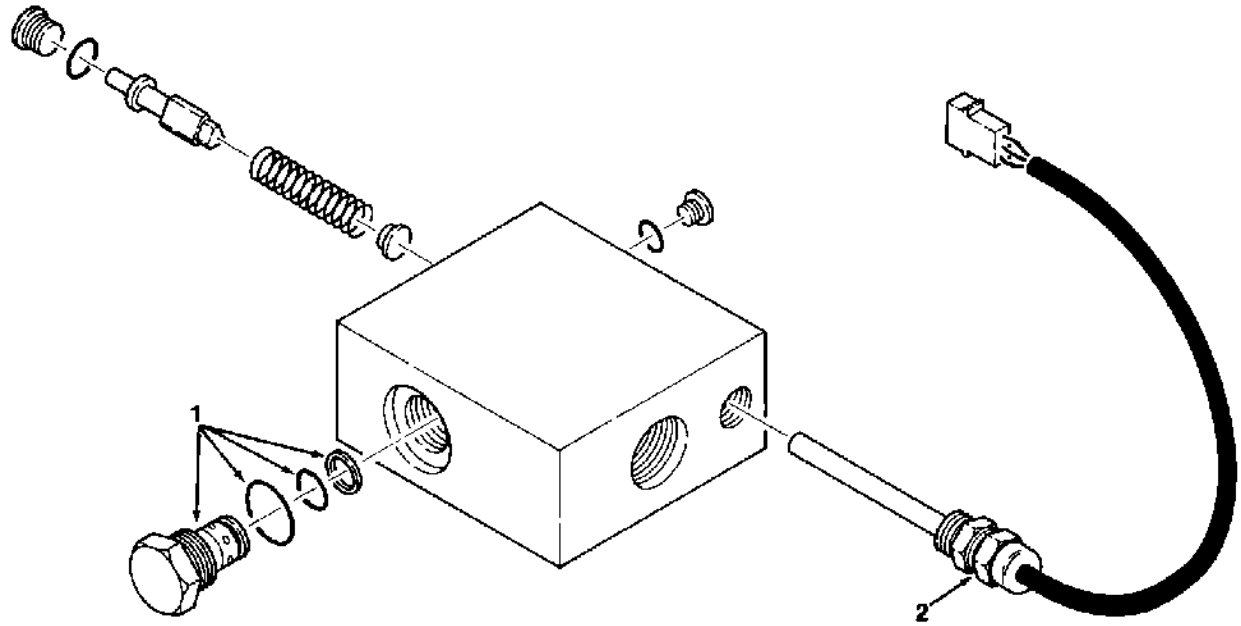
Fig. 18 - Hydraulic Valve Breakdown, 32761



02362 - 550, 1550

	Ref.	Part No.	Serial Number	Description	Qty.
▽		32761	(000000-) Valve, Hydraulic	1
▲	1	01666	(000000-) Seal Kit	1
▲	2	01668	(000000-) Detent Kit	1
▲▽	3	01818	(000000-) Relief Valve	1
▲▲	4	69261	(000000-) Seal Kit, Relief Valve	1

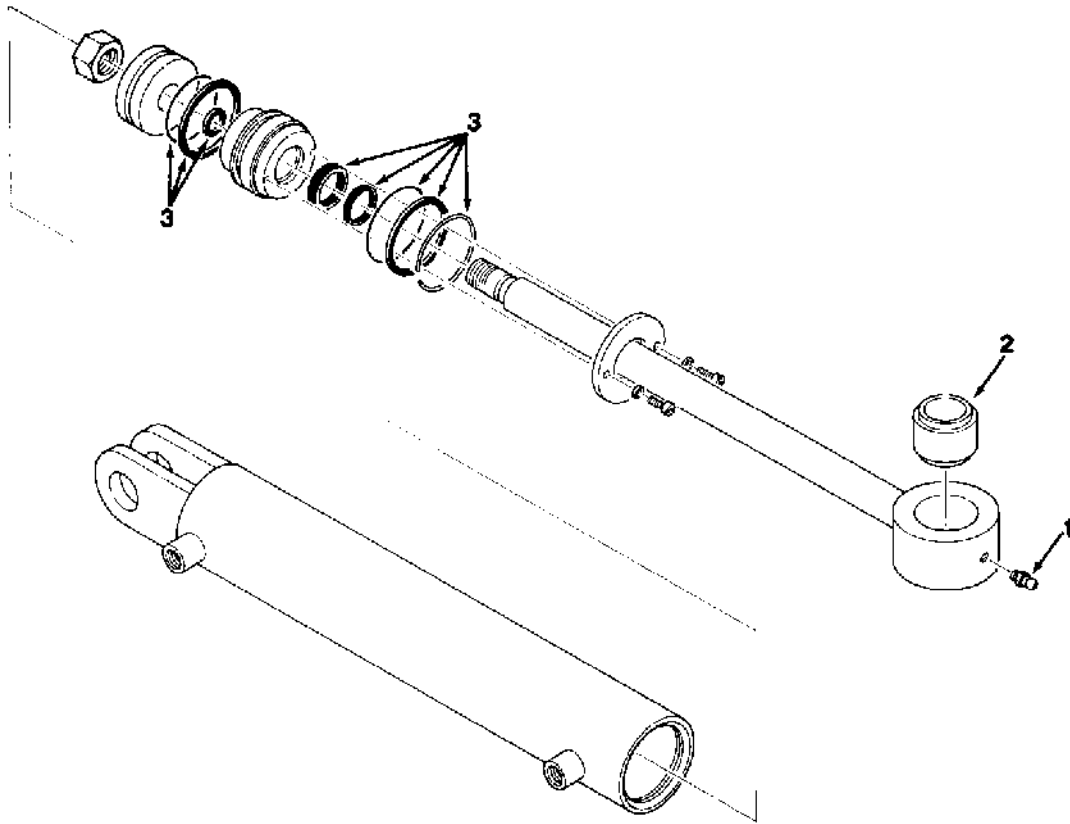
Fig. 19 - Hydraulic Flow Switch Breakdown, 31556



02399 - 550, 1550

Ref.	Part No.	Serial Number	Description	Qty.
▽	31556	(000000-) Switch, Flow	1
▲ 1	31638	(000000-) Check Valve	1
▲ 2	31639	(000000-) Switch Assembly	1

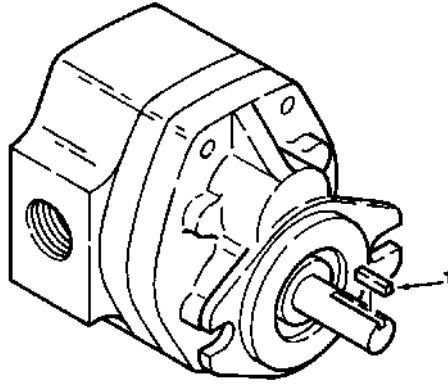
Fig. 20 - Hydraulic Cylinder Breakdown, 04431



03175 - ALL

	Ref.	Part No.	Serial Number	Description	Qty.
▽		04431	(000000-) Cylinder, Hydraulic	1
▲	1	47801	(000000-) Fitting, Grease	1
▲	2	04499	(000000-) Bearing, Self-Aligning	1
▲	3	04477	(000000-) Seal Kit	1

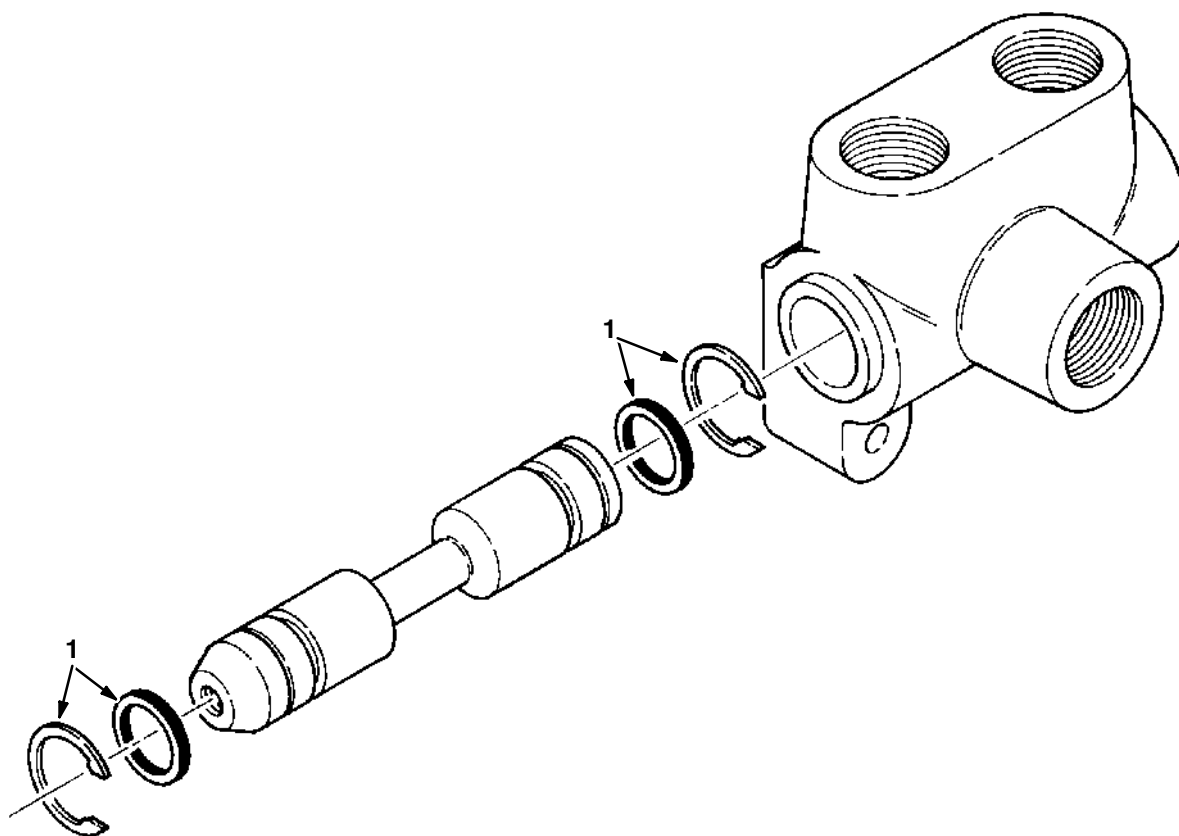
Fig. 21 - Hydraulic Motor Breakdown, 75185



02401 - ALL

	Ref.	Part No.	Serial Number	Description	Qty.
▽		75185	(000000-) Motor, Hydraulic	1
▲		02412	(000000-) Seal Kit	1
▲	1	00912	(000000-) Key, Square	1

Fig. 22 - Hydraulic Control Valve Breakdown, 48108A



04230 - ALL

	Ref.	Part No.	Serial Number	Description	Qty.
▽		48108A	(000000-) Valve, Hydraulic	1
▲	1	SK1288	(000000-) Seal Kit	1

SECTION 5

Contents	Page
Fig. 1 - Engine Block Group	5-2
Fig. 2 - Fuel System Group	5-4
Fig. 3 - Cylinder Head Group	5-6
Fig. 4 - Camshaft Group	5-8
Fig. 5 - Crankshaft Group	5-9
Fig. 6 - Piston Group	5-10
Fig. 7 - Oil Pump Group	5-11
Fig. 8 - Gear Cover Group	5-12
Fig. 9 - Flywheel and Starter Group	5-13
Fig. 10 - Intake and Exhaust Manifold Group ..	5-14
Fig. 11 - Water Pump Group	5-15
Fig. 12 - Water Header and Thermostat Group .	5-16
Fig. 13 - Alternator Brackets and PCV Group ..	5-17
Fig. 14 - Oil Filter Group	5-18

Fig. 1 - Engine Block Group

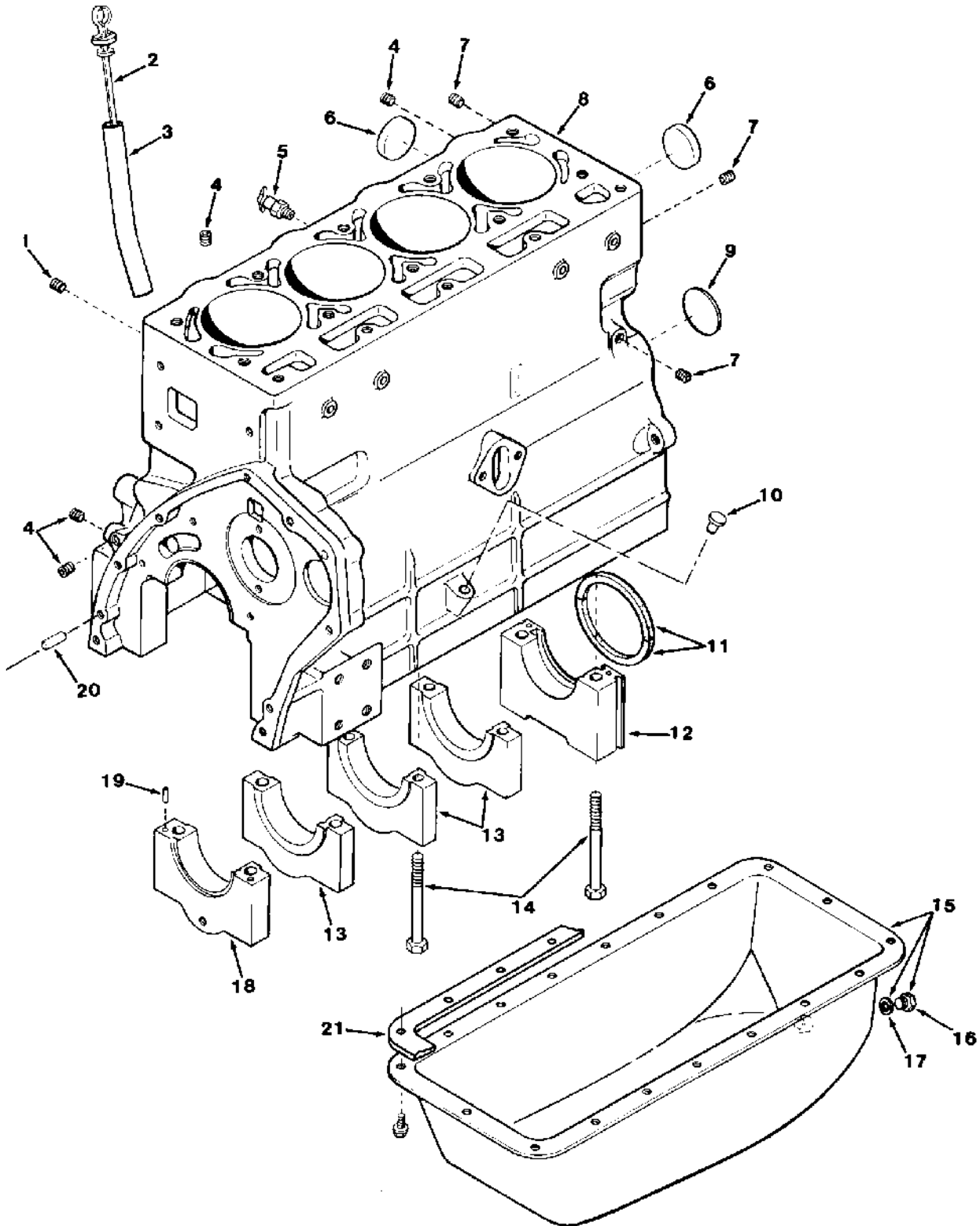


Fig. 1 - Engine Block Group

Ref.	Part No.	Description	Qty.	
1	393677	Plug	1	
2	38404	Rod, Oil Gauge	1	
3	52736	Tube, Oil Filler	1	
4	393678	Plug	5	
5	51305	Cock, Water Drain	1	
6	78517	Plug, Cup	5	
7	393679	Plug	2	
8	78518	Short Block Assembly, R, Includes: Block, Tappets, Camshaft, Crankshaft, Main Bearings, Bearing Caps, Pistons, Piston Pins, Piston Rings, Connecting Rods, Rod Bearings, Thrust Plate, Cam Gear, Gear, Oil Pump, Oil Gauge Support, and Gasket Set	1	
8	78519	Short Block Assembly, S, Includes: R ShortBlock Assembly Plus - Head, Guides, Valves and Associated Parts, Rocker Arm Shaft Assembly, Push-rods, Head Cover, Gear Cover, Oil Pan, Oil Filler Cap, and Gasket Set	1	
9	38413	Plug, Expansion	1	
10	393680	Plug	1	
11	38408	Seal, Oil	2	
12	393716	Cap And Filler Block, Rear Bearing	1	
	38758	Gasket, Rear Bearing Cup	1	
13	393683	Cap, Crankshaft Bearing	3	
14	393684	Screw	10	
▽	15	61711	Pan Assembly, Oil	1
▲	16	38082	Plug, Drain	1
▲	17	388260	Washer, Drain Plug	1
18	393685	Cap, Crankshaft Bearing, Front	1	
19	393686	Dowel, Bearing Cap, Front and Rear	4	
20	393687	Pin, Dowel, Gear Cover to Crankcase	2	
21	38758	Gasket, Oil Pan, Form-In-Place	1	

Fig. 2 - Fuel System Group

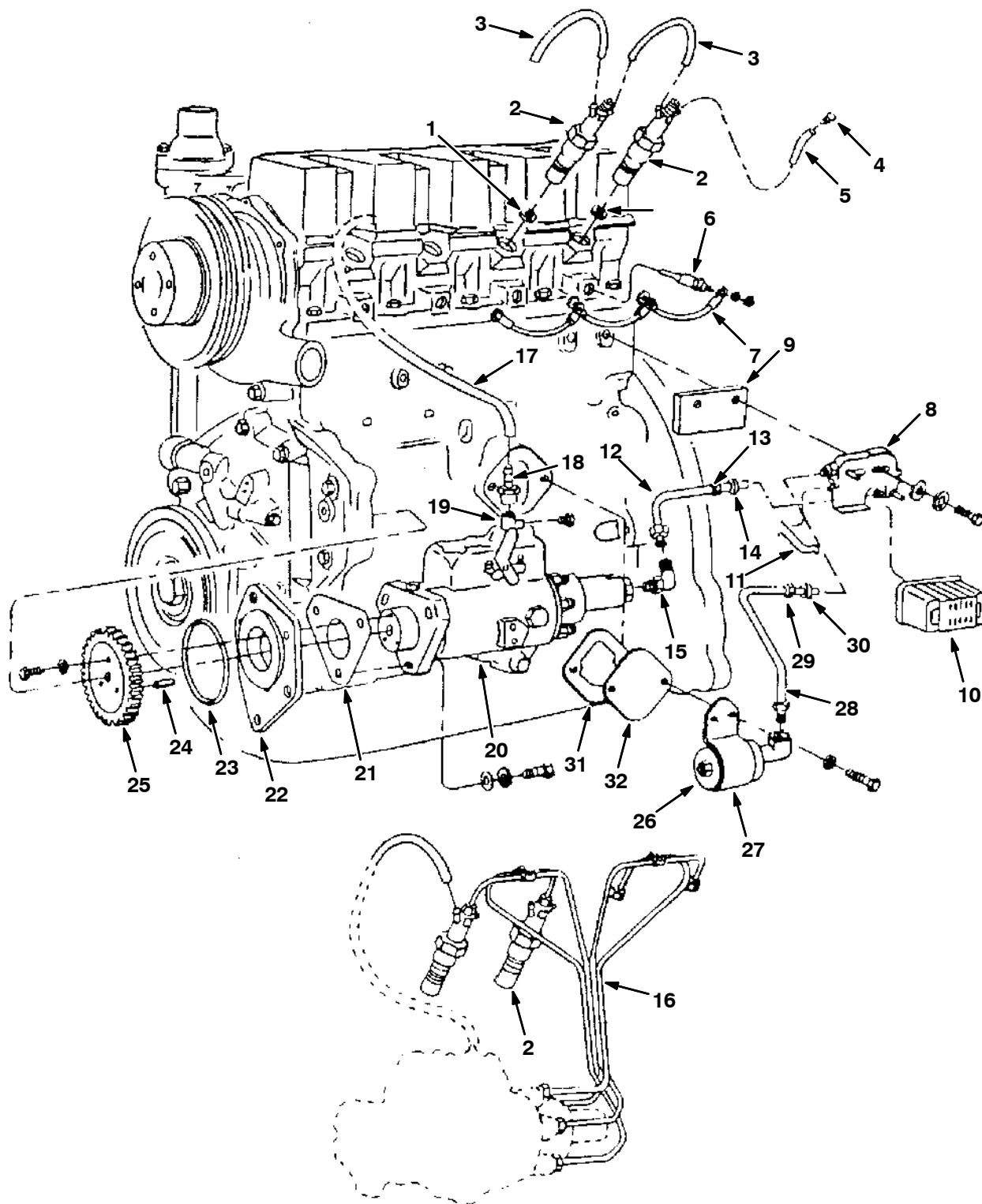


Fig. 2 - Fuel System Group

	Ref.	Part No.	Description	Qty.
	1	38393	Shield, Heat	4
▽	2	78520	Nozzle and Tip Assembly	4
▲		78521	Tip, Nozzle	4
	3	52899	Hose, Fuel	3
	4	61777	Plug, Hose	1
	5	42149	Hose, Fuel	4
	6	65966	Plug, Glow	4
	7	61733	Wire, Glow Plug	3
	8	78522	Base, Fuel Filter	1
	9	78523	Adapter, Fuel Filter	1
	10	78524	Element, Fuel Filter	1
	11	393688	Clamp, Fuel Filter	2
▽	12	78525	Tube Assembly	1
▲	13	393689	Nut, Tube Assembly	1
▲	14	393690	Sleeve, Tube Assembly	1
	15	393691	Elbow, Fuel Injection Pump	1
	16	78526	Tube Set, Fuel Injection	1
	17	78527	Hose, Fuel	1
	18	393692	Adapter	1
	19	38417	Tee	1
	20	65965	Pump, Fuel Injection	1
	21	38379	Gasket, Injection Pump	1
	22	61748	Adapter, Injection Pump	1
	23	38415	O-Ring, Injection Pump	1
	24	393693	Pin, Injection Pump	1
	25	393694	Gear, Injection Pump	1
	26	16706	Pump, Fuel	1
	27	78528	Clamp, Fuel Pump	1
▽	28	78529	Tube Assembly	1
▲	29	393689	Nut, Tube Assembly	1
▲	30	393690	Sleeve, Tube Assembly	1
	31	47680	Gasket, Fuel Pump	1
	32	47675	Cover, Fuel Pump	1

Fig. 3 - Cylinder Head Group

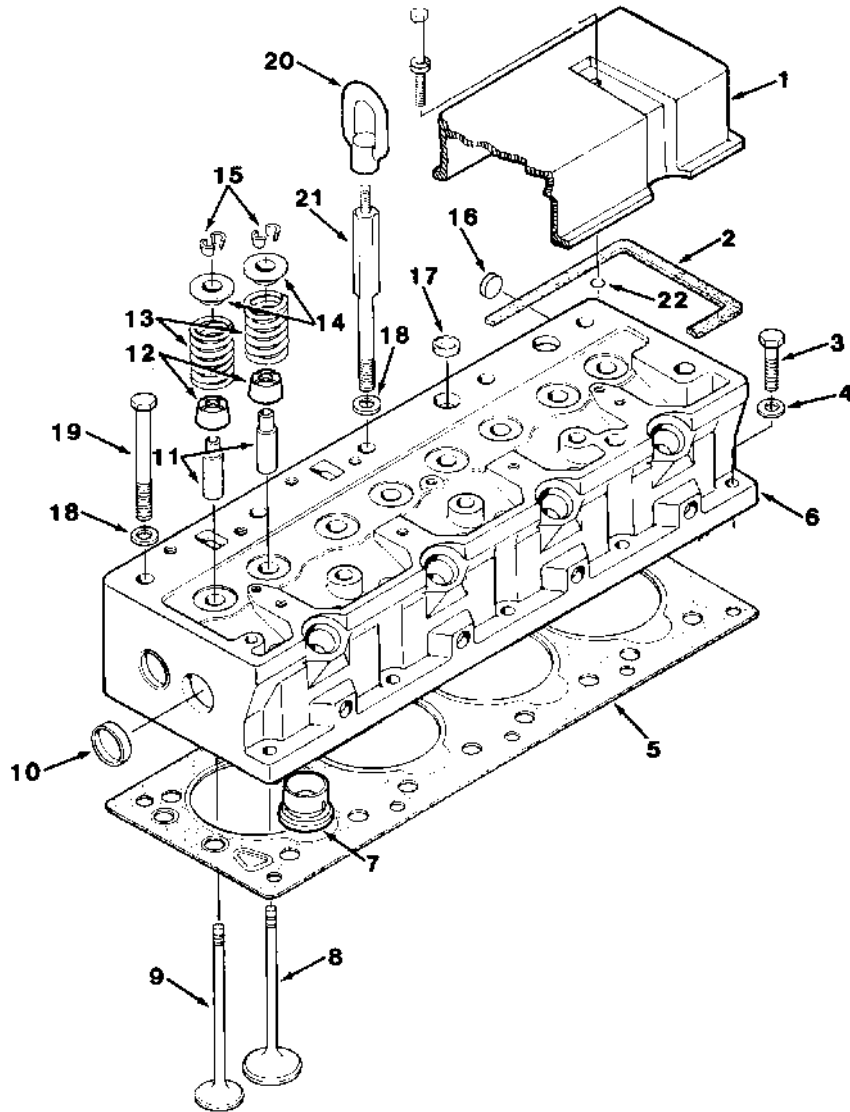
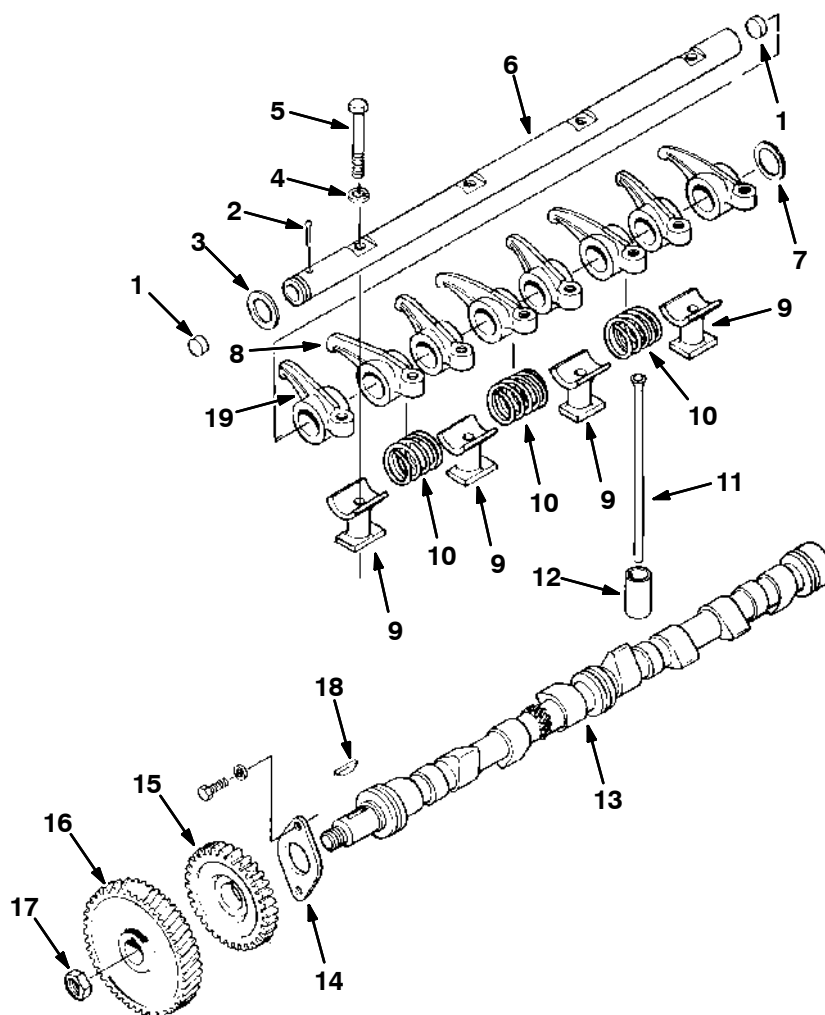


Fig. 3 - Cylinder Head Group

Ref.	Part No.	Description	Qty.	
1	38397	Cover, Cylinder Head	1	
2	34876	Gasket, Cover	1	
3	52886	Screw	5	
4	37942	Washer	5	
5	38665	Gasket, Cylinder Head	1	
▽	6	52757	Head, Cylinder	1
▲	7	52756	Insert, Combustion Chamber (Replaced by None)	4
▲	8	42006	Valve, Intake	4
▲	9	42009	Valve, Exhaust	4
▲	10	61741	Plug, Cup	4
▲	11	16153	Guide, Valve Stem	8
▲	12	52760	Guard, Valve Stem Oil	8
▲	13	42116	Spring, Valve	8
▲	14	370725	Retainer, Valve Spring	8
▲	15	393695	Lock, Valve Spring Retainer	16
▲	16	10100	Plug, Cup	4
▲	17	77880	Plug, Core	2
	18	52898	Washer, Flat	9
	19	31940	Screw	10
	20	393696	Eye, Lifting	1
	21	38923	Screw	1
	22	61725	O-Ring	3
		38774	Gasket Set, Top	1

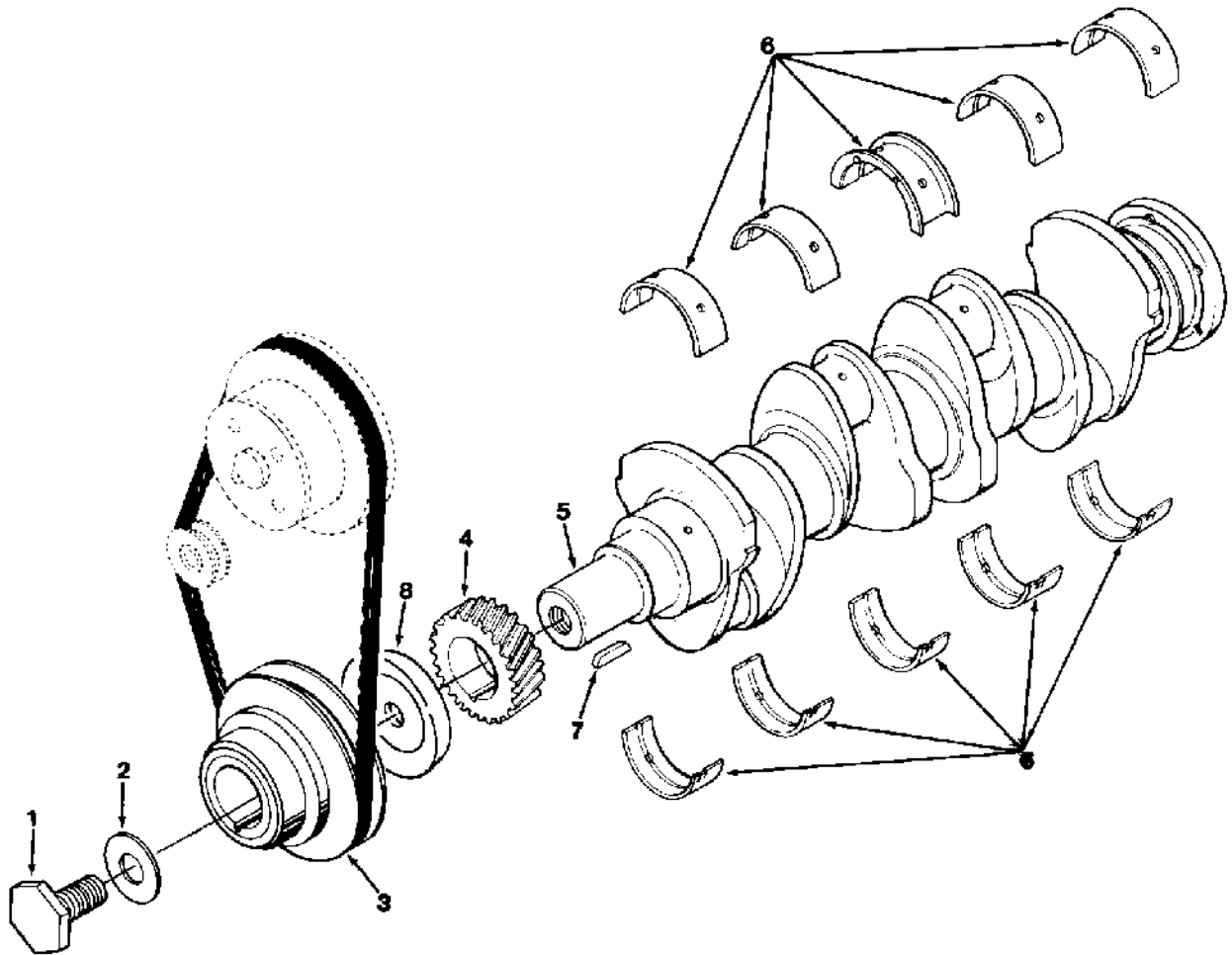
Fig. 4 - Camshaft Group



09408 - 550, 1550, D

Ref.	Part No.	Description	Qty.
1	393698	Plug, Shaft Ends	2
2	393699	Pin, Cotter	2
3	393700	Washer, Rocker Arm Shaft	2
4	393701	Washer, Flat	4
5	388080	Screw	4
6	393734	Shaft, Rocker Arm	1
7	393700	Washer, Plain	1
8	52734	Arm Assembly, Rocker, Intake	4
9	393702	Support, Rocker Arm Shaft	4
10	393703	Spring, Rocker Arm Shaft	3
11	370726	Rod, Push	8
12	52725	Tappet, Valve	8
13	42330	Camshaft	1
14	38753	Plate, Camshaft Thrust	1
15	42328	Gear, Injection Pump Driver	1
16	370700	Gear, Camshaft	1
17	52859	Nut	1
18	42337	Key	1
19	52730	Arm Assembly, Rocker, Exhaust	4

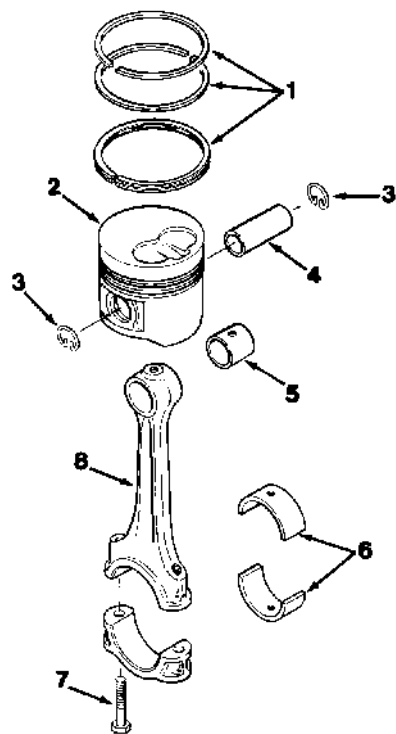
Fig. 5 - Crankshaft Group



09767 - 550, 1550, D

Ref.	Part No.	Description	Qty.
1	388224	Screw	1
2	393705	Washer, Plain	1
3	61736	Pulley, Crankshaft	1
4	393706	Gear, Crankshaft	1
5	42148	Crankshaft	1
6	12784	Bearing Kit, Main, Standard	1
6	52753	Bearing Kit, Main, 0.25 mm Undersize	1
6	21782	Bearing Kit, Main, 0.50 mm Undersize	1
6	61724	Bearing Kit, Main, 0.75 mm Undersize	1
6	393707	Bearing Kit, Main, 1.00 mm Undersize	1
7	61762	Key (Replaced by None)	1
8	61775	Slinger, Oil (Replaced by None)	1

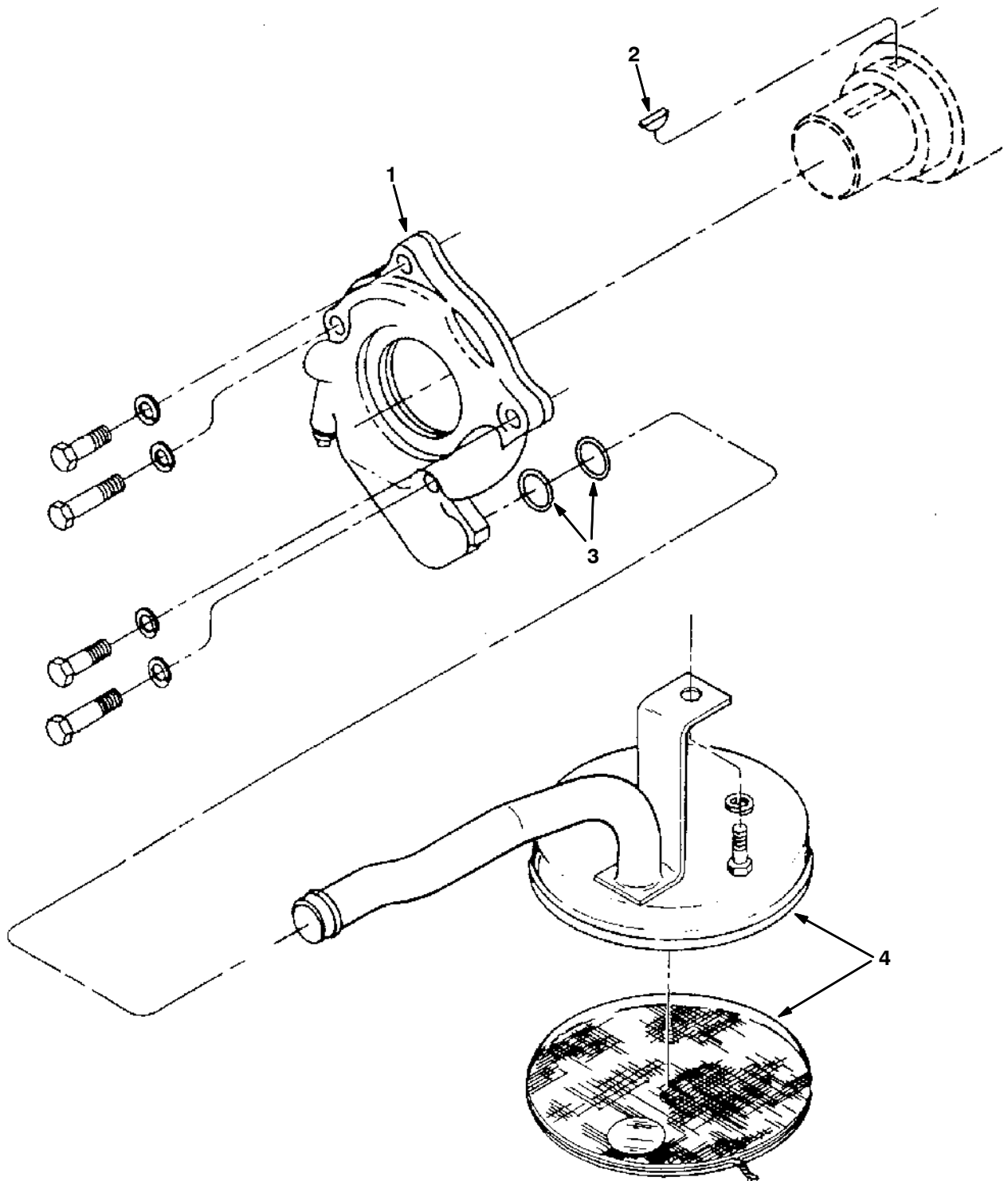
Fig. 6 - Piston Group



09768 - 550, 1550, D

Ref.	Part No.	Description	Qty.	
1	38836	Ring Kit, Re-Ring, Standard	4	
1	393708	Ring Kit, Re-Ring, 0.50 mm Oversize	4	
1	393709	Ring Kit, Re-Ring, 0.75 mm Oversize	4	
1	393710	Ring Kit, Re-Ring, 1.00 mm Oversize	4	
2	38839	Piston Assembly, Standard	4	
2	38842	Piston Assembly, 0.50 mm Oversize	4	
2	393711	Piston Assembly, 0.75 mm Oversize	4	
▽	2	393712	Piston Assembly, 1.00 mm Oversize	4
▲	3	38572	Ring, Retaining, Piston Pin	2
▲	4	388139	Pin, Piston	1
5	52724	Bushing, Piston Pin	4	
6	38916	Bearing, Connecting Rod, Standard	4	
6	38787	Bearing, Connecting Rod, 0.25 mm Undersize	4	
6	38845	Bearing, Connecting Rod, 0.50 mm Undersize	4	
6	393713	Bearing, Connecting Rod, 0.75 mm Undersize	4	
6	38847	Bearing, Connecting Rod, 1.00 mm Undersize	4	
7	393714	Bolt, Connecting Rod	8	
8	38917	Rod Assembly, Connecting	4	

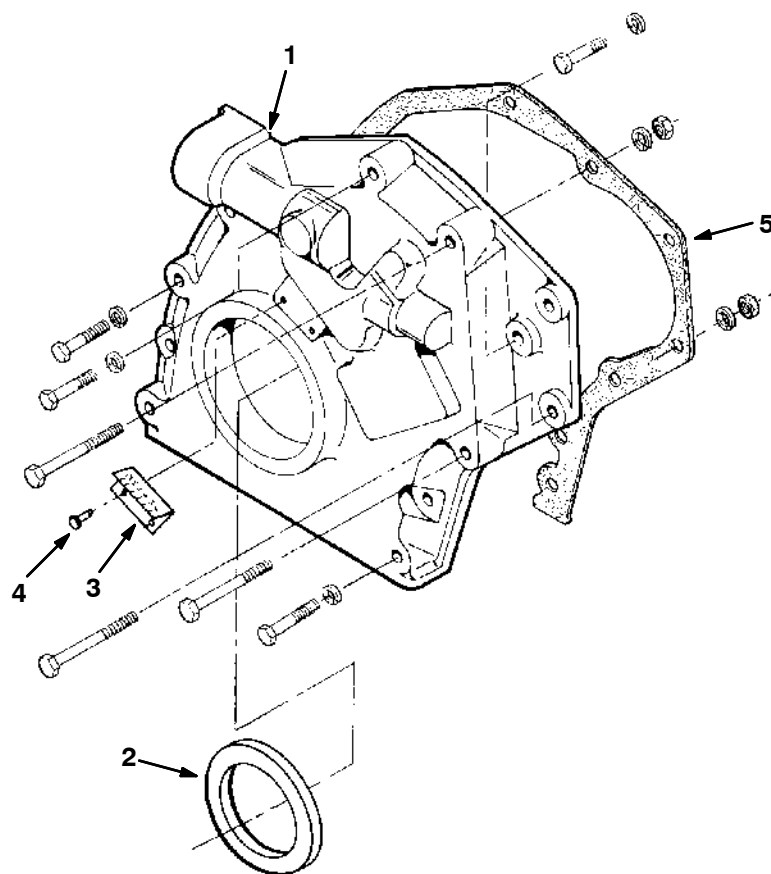
Fig. 7 - Oil Pump Group



09756 - 550, 1550, D

Ref.	Part No.	Description	Qty.
1	38920	Pump, Oil	1
2	61749	Key, Woodruff	1
3	52764	O-Ring	1
4	393715	Tube Assembly, Oil Pump Inlet	1

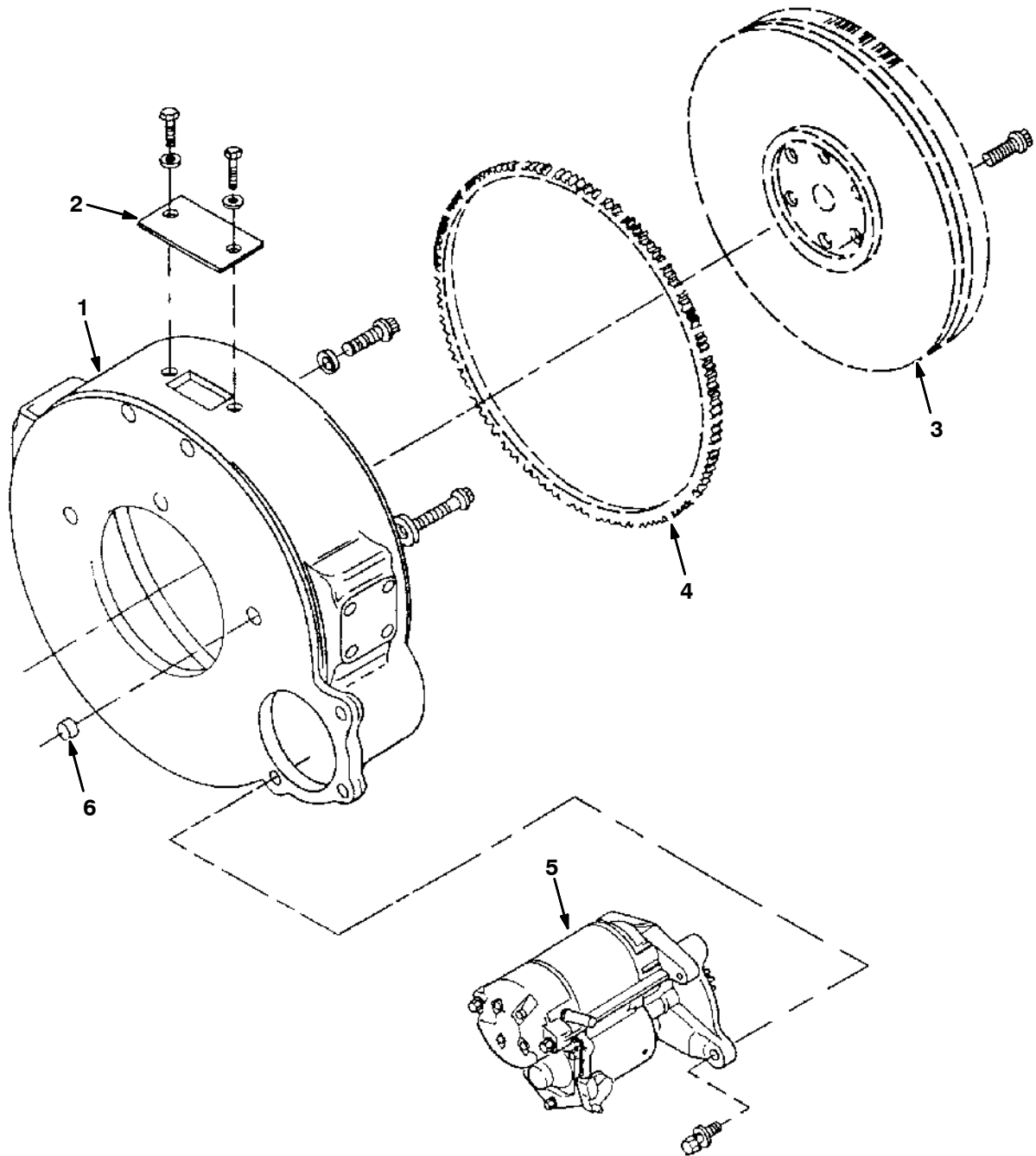
Fig. 8 - Gear Cover Group



09769 - 550, 1550, D

Ref.	Part No.	Description	Qty.	
▽	1	393716	Cover Assembly, Gear	1
▲	2	38416	Seal, Oil, Crankshaft	1
▲	3	393717	Pointer, Engine Timing	1
▲	4	393718	Rivet, Timing Pointer to Gear Cover	2
	5	38381	Gasket, Gear Cover	1
		38855	Gasket Set, Front	1

Fig. 9 - Flywheel and Starter Group

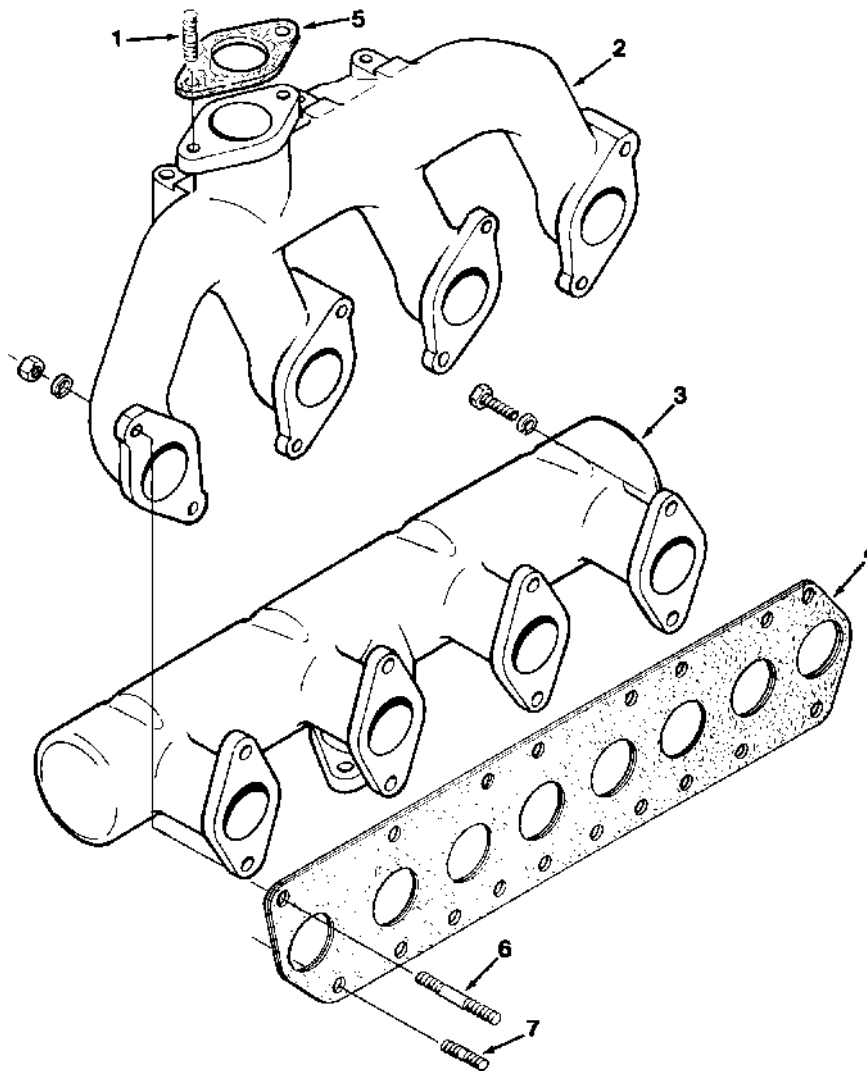


09758 - 550, 1550, D

Ref.	Part No.	Description	Qty.
▽	1 78531	Housing, Flywheel	1
▲	2 393719	Cover, Timing Hole	1
▽	3 16851	Flywheel	1
▲	4 16852	Ring Gear	1
	5 16855	Starter	1
	6 393720	Dowel, Ring	2

CONTINENTAL ENGINE BREAKDOWN

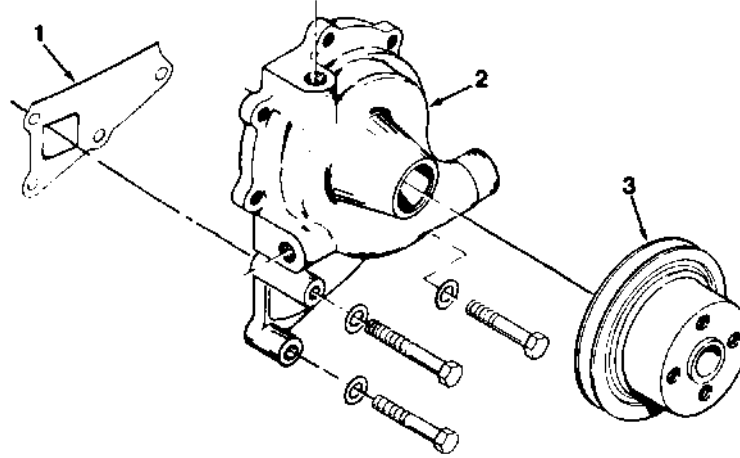
Fig. 10 - Intake and Exhaust Manifold Group



09770 - 550, 1550, D

Ref.	Part No.	Description	Qty.
	1	Stud	2
	2	Manifold, Exhaust	1
	3	Manifold, Intake	1
▽	34640	Gasket Set, Manifold	1
▲	4	Gasket, Manifold	1
▲	5	Gasket, Manifold, Exhaust	1
	6	Stud	2
	7	Stud	6

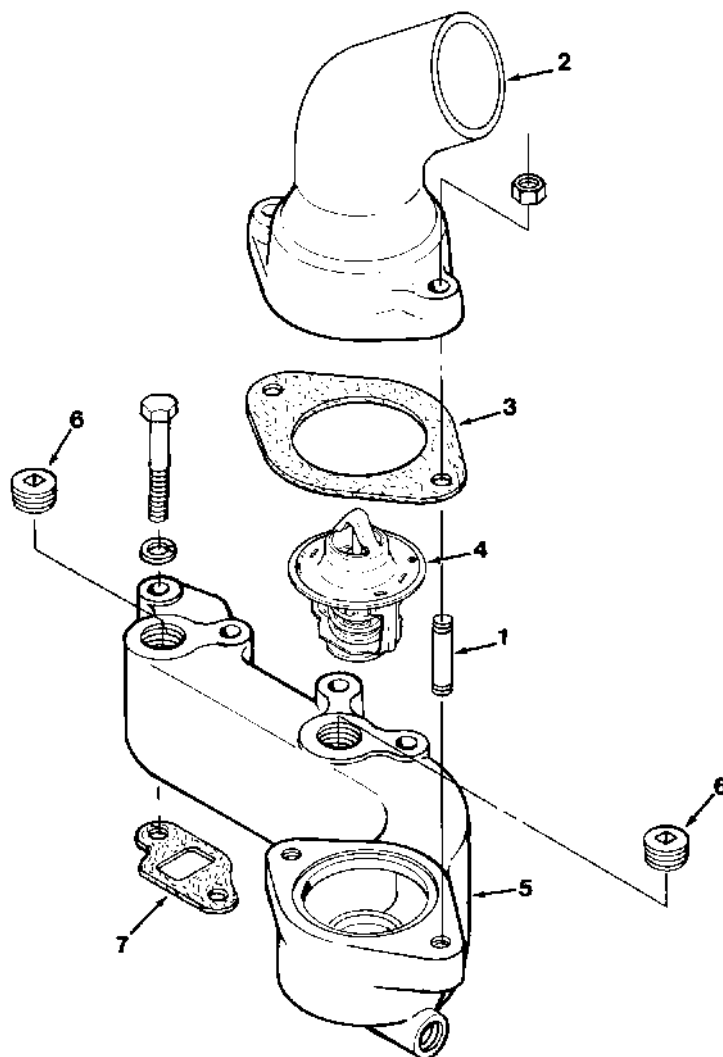
Fig. 11 - Water Pump Group



01615 - 550, 1550, D

Ref.	Part No.	Description	Qty.	
1	34873	Gasket, Water Pump to Crankcase	1	
▽	2	34429	Pump, Water	1
▲	38788	Repair Kit, Water Pump	1	
▲	3	38918	Pulley	1

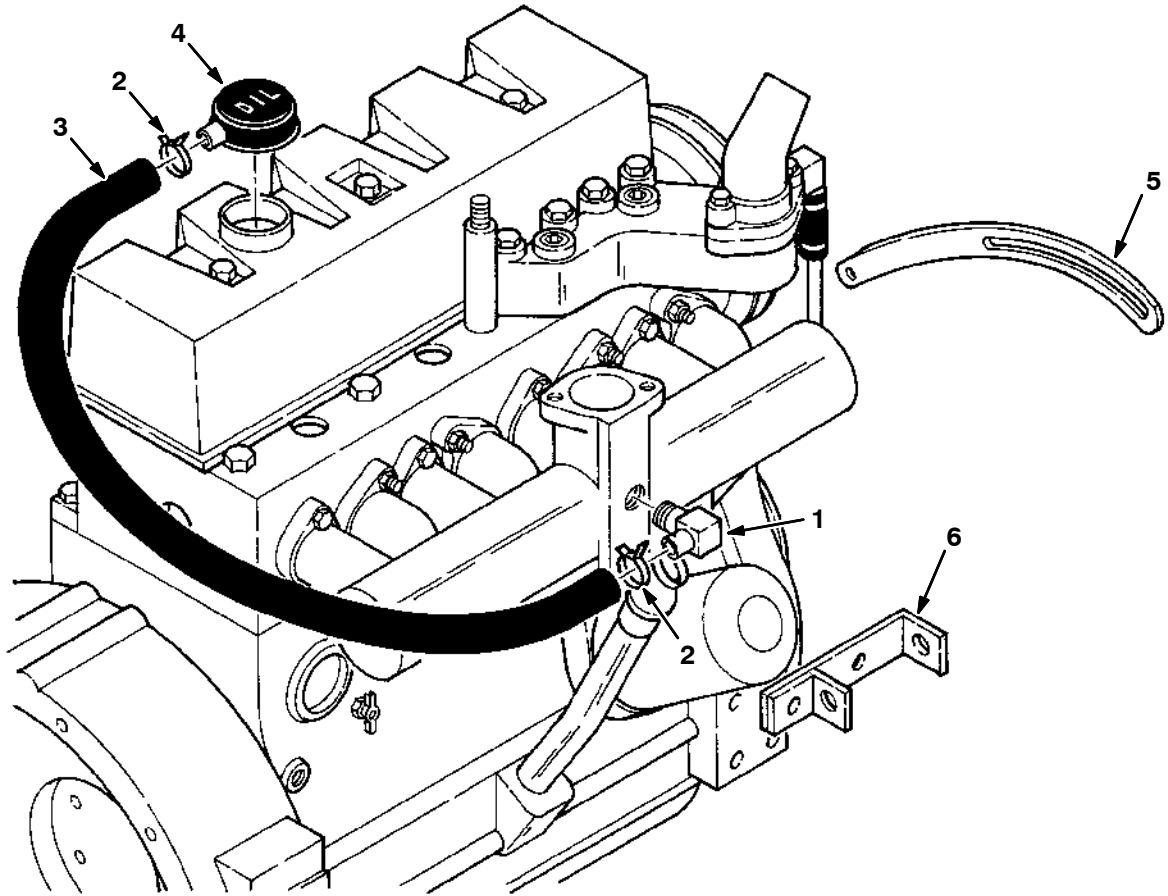
Fig. 12 - Water Header and Thermostat Group



09761 - 550, 1550, D

Ref.	Part No.	Description	Qty.	
1	393721	Stud	2	
2	38401	Elbow, Water Outlet	1	
▽	34752	Thermostat and Gasket	1	
▲	3	53988-12	Gasket, Elbow	1
▲	4	53988-13	Thermostat	1
5	393722	Header, Water Outlet	1	
6	393723	Plug	2	
7	30035	Gasket, Header	2	

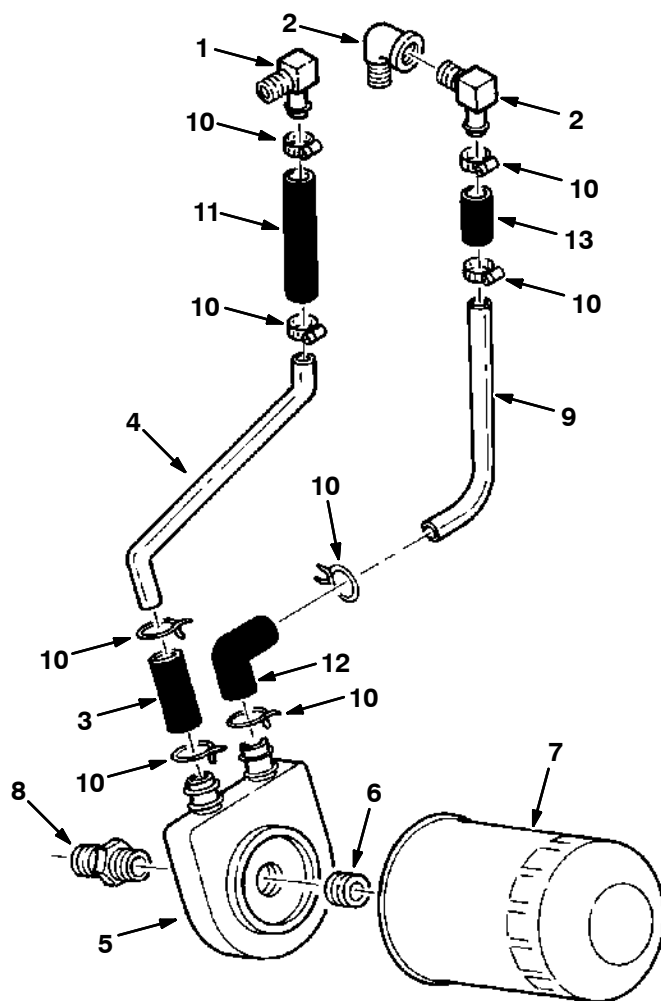
Fig. 13 - Alternator Brackets and PCV Group



09771 - 550, 1550, D

Ref.	Part No.	Description	Qty.
1	38418	Elbow, Intake Manifold (Replaced by None)	1
2	52766	Clamp, Hose	2
3	61776	Hose, Elbow to Filler Cap	1
4	38403	Cap, Oil Filler	1
5	30036	Strap, Alternator	1
6	393754	Bracket, Alternator	1

Fig. 14 - Oil Filter Group



09772 - 550, 1550, D

Ref.	Part No.	Description	Qty.
1	47388	Elbow, Water Header	2
2	393724	Elbow, Water Pump	1
3	38856	Hose, Oil Cooler	1
4	38409	Tube, Oil Cooler	1
5	38405	Cooler, Oil	1
6	38402	Adapter, Oil Filter	1
7	42325	Element, Oil Filter	1
8	77895	Connector, Oil Cooler	1
9	38406	Tube, Oil Cooler	1
10	52766	Clamp, Hose	8
11	38857	Hose, Oil Cooler	1
12	38919	Hose, Oil Cooler	1
13	52845	Hose, Oil Cooler	1

SECTION 6

Contents	Page
Fig. 1 - Cylinder Block Group	6-2
Fig. 2 - Crankshaft and Piston Group	6-4
Fig. 3 - Cylinder Head Group	6-6
Fig. 4 - Rocker Shaft Group	6-8
Fig. 5 - Timing Gear, Cover and Camshaft Group	6-10
Fig. 6 - Timing Gear Cover Mount Group	6-12
Fig. 7 - Oil Pump Group	6-13
Fig. 8 - Auxiliary Drive Group	6-14
Fig. 9 - Fuel Injection Pipe Group	6-16
Fig. 10 - Fuel Injection Pump Breakdown	6-18
Fig. 11 - Flywheel Housing Group	6-19
Fig. 12 - Lubricating Oil Sump Group	6-20
Fig. 13 - Cylinder Head Cover Group	6-22
Fig. 14 - Water Pump and Thermostat Group ..	6-24
Fig. 15 - Manifold Group	6-26
Fig. 16 - Glow Plug and Engine Lift Group	6-27
Fig. 17 - Top Joints and Gaskets Group	6-28
Fig. 18 - Bottom Joints and Gaskets Group	6-29

Fig. 1 - Cylinder Block Group

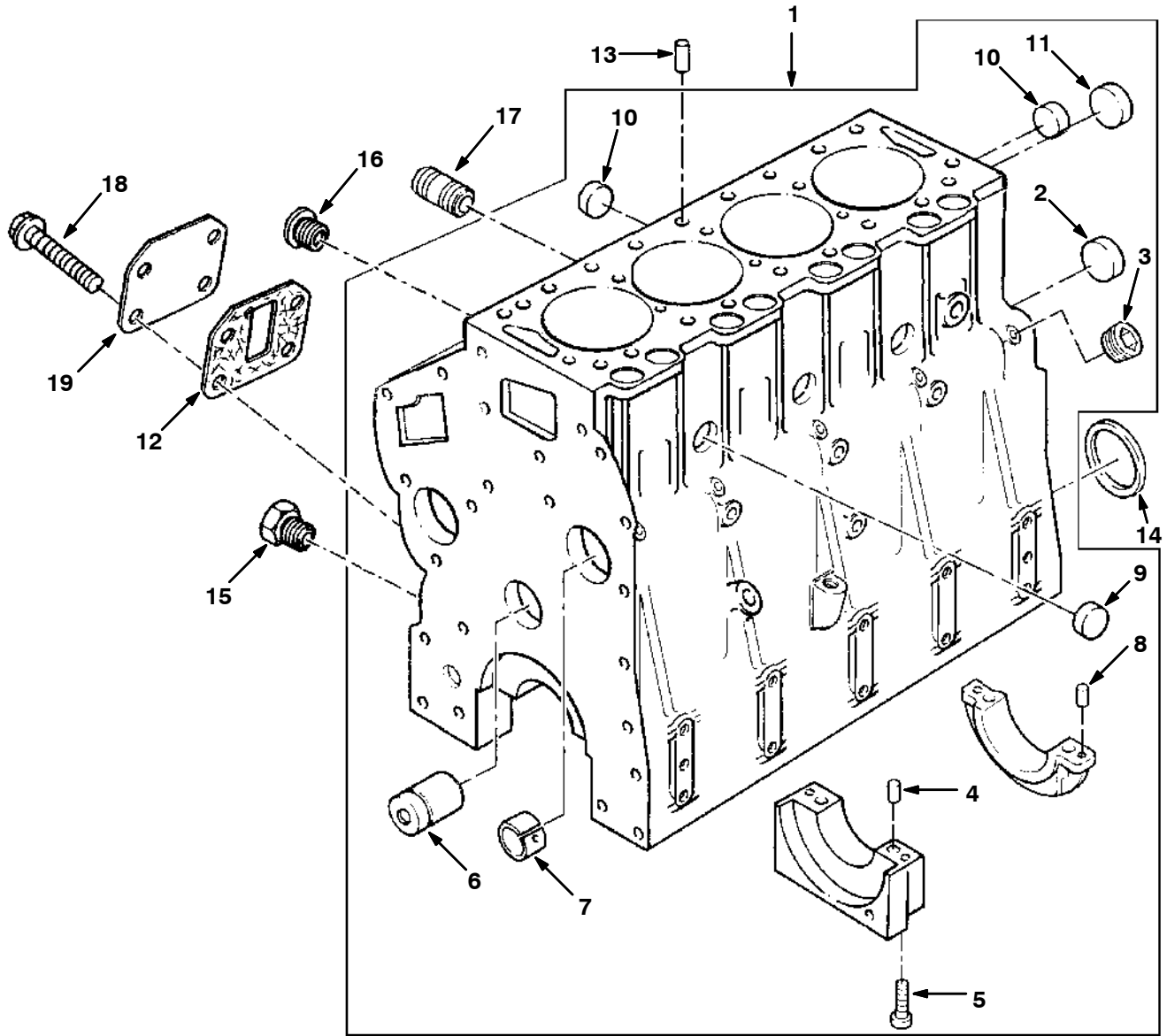


Fig. 1 - Cylinder Block Group

	Ref.	Part No.	Description	Qty.
		370885	Short Block	1
▽	1	369289	Cylinder Block Kit	1
▲	2	764468	Plug	2
▲	3	764785	Plug	10
▲	4	369237	Seal	2
▲	5	369171	Screw	10
▲	6	369182	Shaft	1
▲	7	369140	Bushing	1
▲	8	369238	Seal	4
▲	9	369036	Plug	3
▲	10	764469	Plug	4
▲	11	764465	Plug	1
	12	21796	Gasket	1
	13	369201	Dowel	2
	14	369032	Seal	1
	15	764836	Plug	1
	16	369209	Adaptor	1
	17	369296	Connection	2
	18	369019	Screw	4
	19	369295	Plate	1

Fig. 2 - Crankshaft and Piston Group

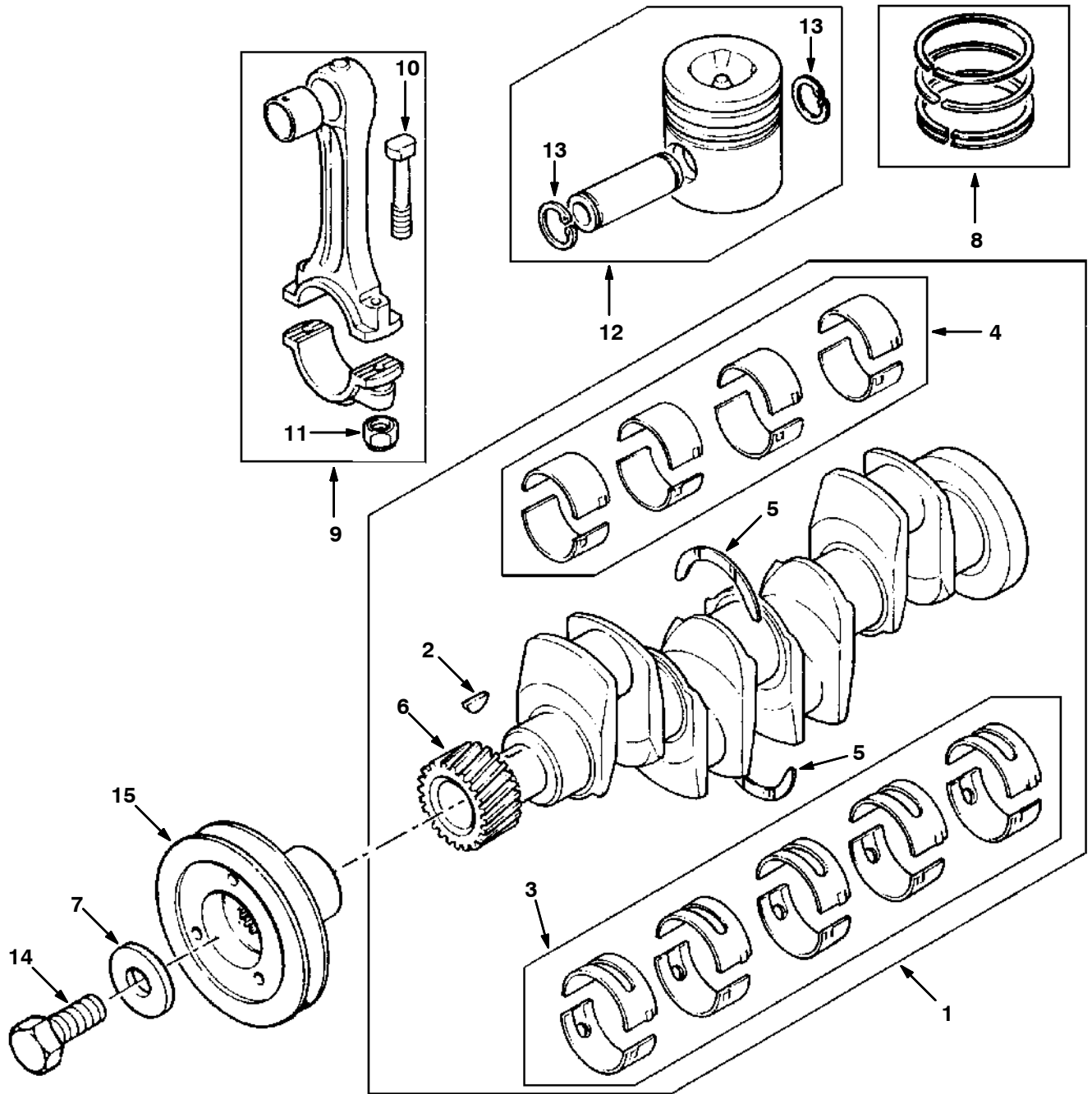


Fig. 2 - Crankshaft and Piston Group

	Ref.	Part No.	Description	Qty.
▽	1	369293	Rockershaft	1
▲	2	764402	Key	1
▲	3	369286	Bearing Kit	1
▲	4	369287	Bearing Kit	1
▲	5	369137	Bushing	2
▲	6	369145	Gear, Crankshaft	1
	7	369207	Washer	1
	8	369298	Kit, Piston Ring	4
▽	9	369297	Kit, Conrod	4
▲	10	369172	Screw (Replaced by None)	2
▲	11	369208	Nut	2
▽	12	369284	Piston Kit	4
▲	13	369132	Clip	2
	14	369169	Screw	1
	15	369143	Pulley, Crank	1

Fig. 3 - Cylinder Head Group

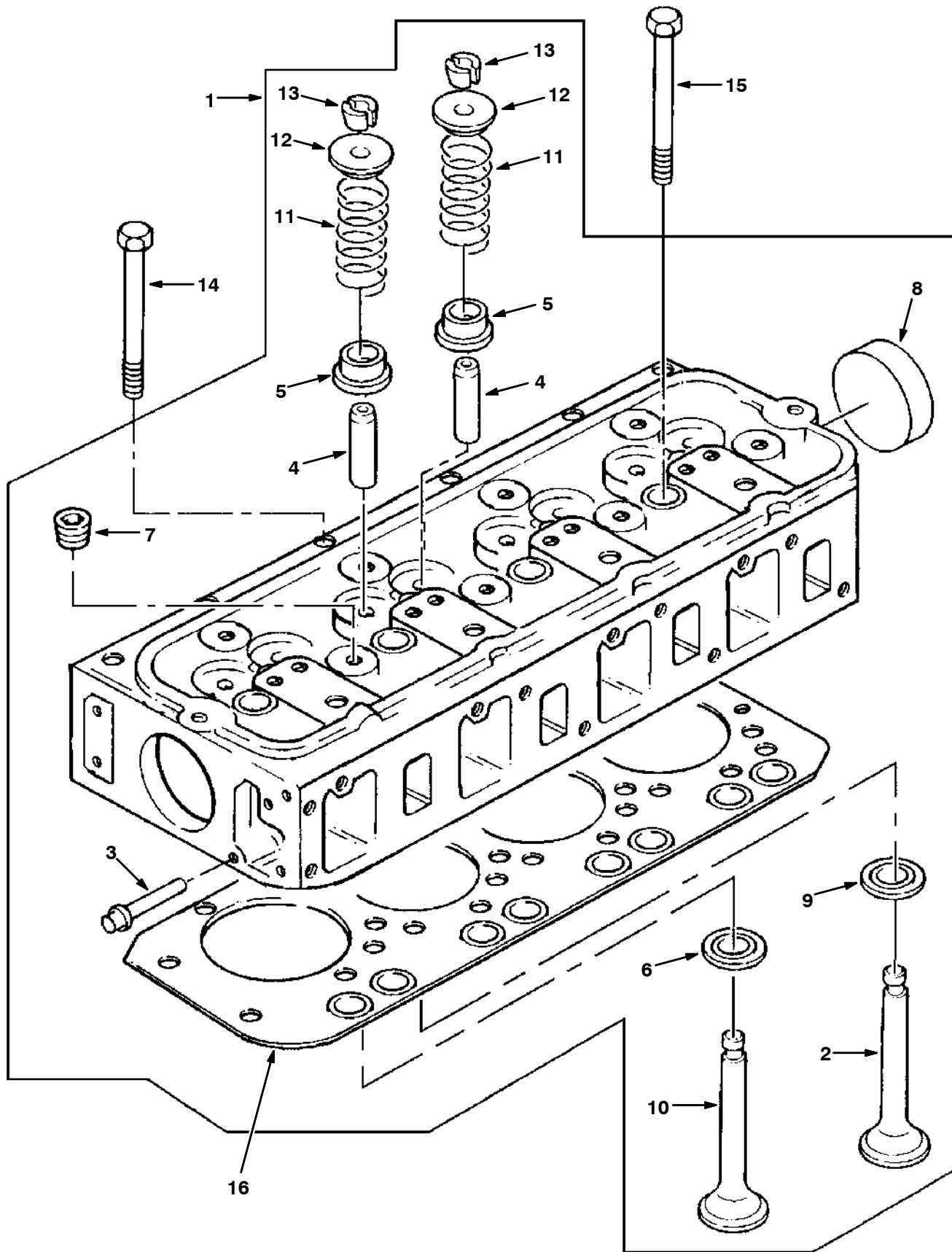


Fig. 3 - Cylinder Head Group

	Ref.	Part No.	Description	Qty.
▽	1	369290	Cylinder Head Kit	1
▲	2	369150	Inlet Valve	4
▲	3	764466	Plug	1
▲	4	369200	Guide	8
▲	5	369261	Seal	8
▲	6	369197	Insert	4
▲	7	764425	Plug	4
▲	8	764469	Plug	2
▲	9	369198	Insert	4
▲	10	369149	Exhaust Valve	4
▲	11	369159	Spring	8
▲	12	369206	Cap	8
▲	13	369153	Cotter	16
	14	369170	Screw	14
	15	369173	Screw	4
	16	369228	Head Gasket	1

Fig. 4 - Rocker Shaft Group

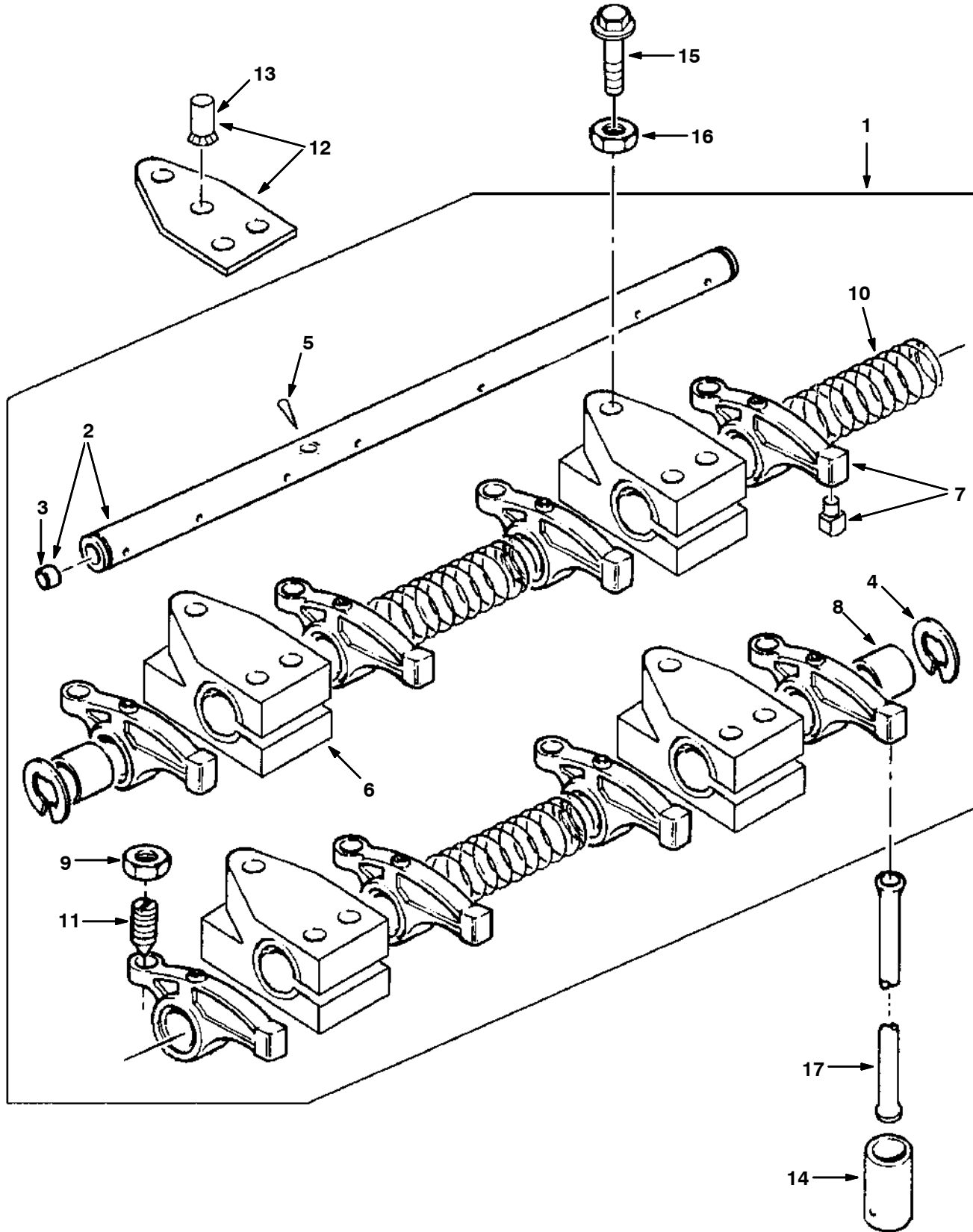


Fig. 4 - Rocker Shaft Group

	Ref.	Part No.	Description	Qty.
▽	1	369292	Rockershaft Assy	1
▲▽	2	369294	Rocker Shaft	1
▲▲	3	369002	Plug	2
▲	4	369134	Circlip	2
▲	5	369005	Pin	1
▲	6	369249	Bracket	4
▲	7	369254	Lever	8
▲	8	369195	Spacer	2
▲	9	369023	Nut	8
▲	10	369160	Spring	3
▲	11	369166	Screw	8
▽	12	369243	Plate	1
▲	13	369187	Stud	1
	14	369151	Tappet	8
	15	369016	Screw	8
	16	764421	Nut	4
	17	369152	Push Rod	8

Fig. 5 - Timing Gear, Cover and Camshaft Group

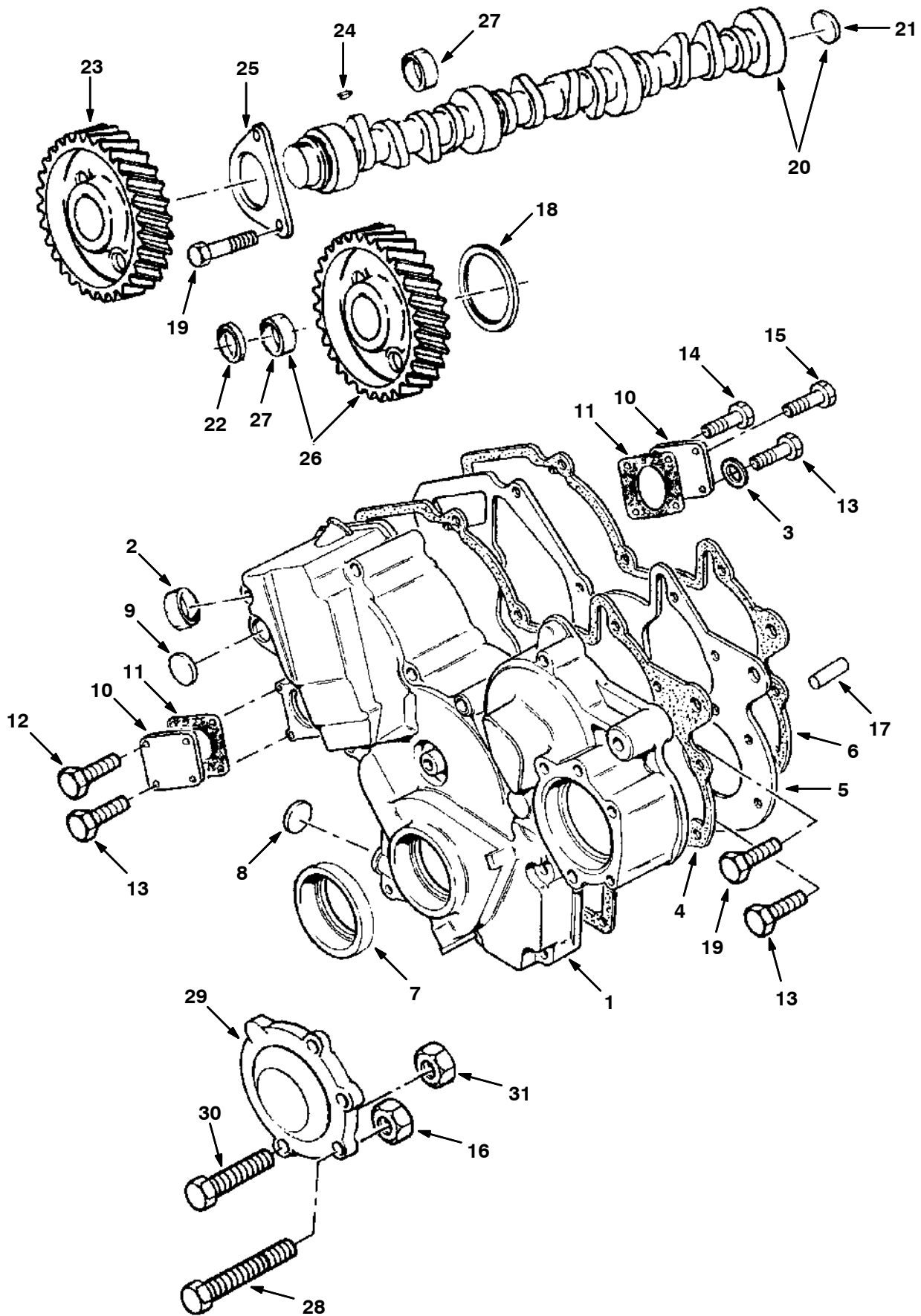
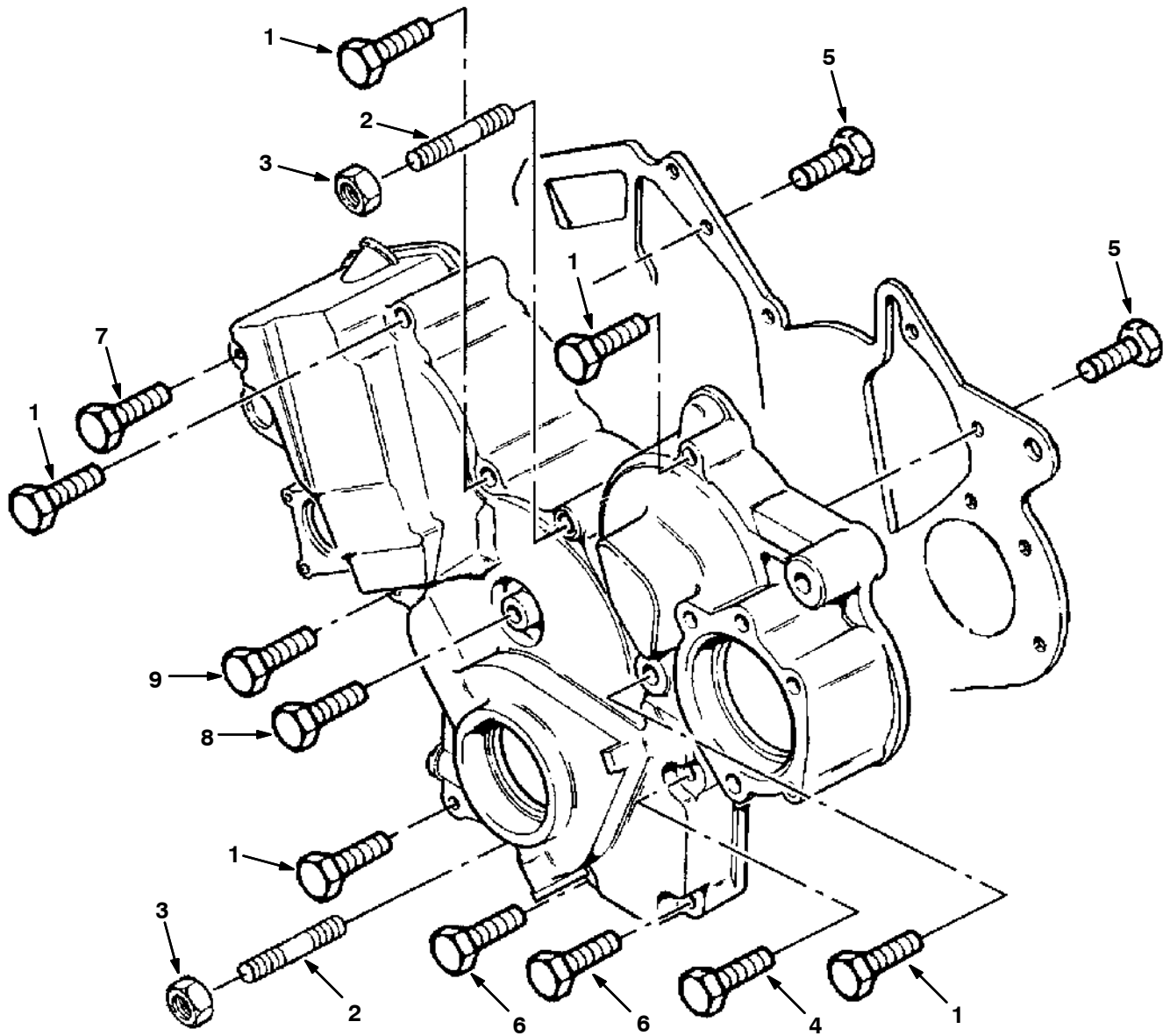


Fig. 5 - Timing Gear, Cover and Camshaft Group

Ref.	Part No.	Description	Qty.	
1	369257	Timing Gear Cover	1	
2	369205	Sleeve	1	
3	369004	Washer	2	
4	369235	Joint	1	
5	369224	Plate	1	
6	369236	Joint	1	
7	369031	Seat	1	
8	369035	Plug	3	
9	369174	Plug	1	
10	369217	Plate	1	
11	369232	Joint	1	
12	369020	Screw	1	
13	764408	Screw	8	
14	764409	Screw	1	
15	764575	Screw	2	
16	764422	Nut	2	
17	369196	Dowel	2	
18	369025	O-Ring	1	
19	764653	Screw	2	
▽	20	393665	Camshaft	1
▲	21	369037	Plug	1
▲		369140	Bushing (Not Shown)	1
	22	369007	Washer	2
	23	369146	Gear, Camshaft	1
	24	369260	Woodruff Key	1
	25	369141	Cover	1
▽	26	369251	Idler Gear	1
▲	27	369138	Bushing	2
	28	764418	Screw	2
	29	369299	Cover	1
	30	370806	Screw	2
	31	764421	Nut	2

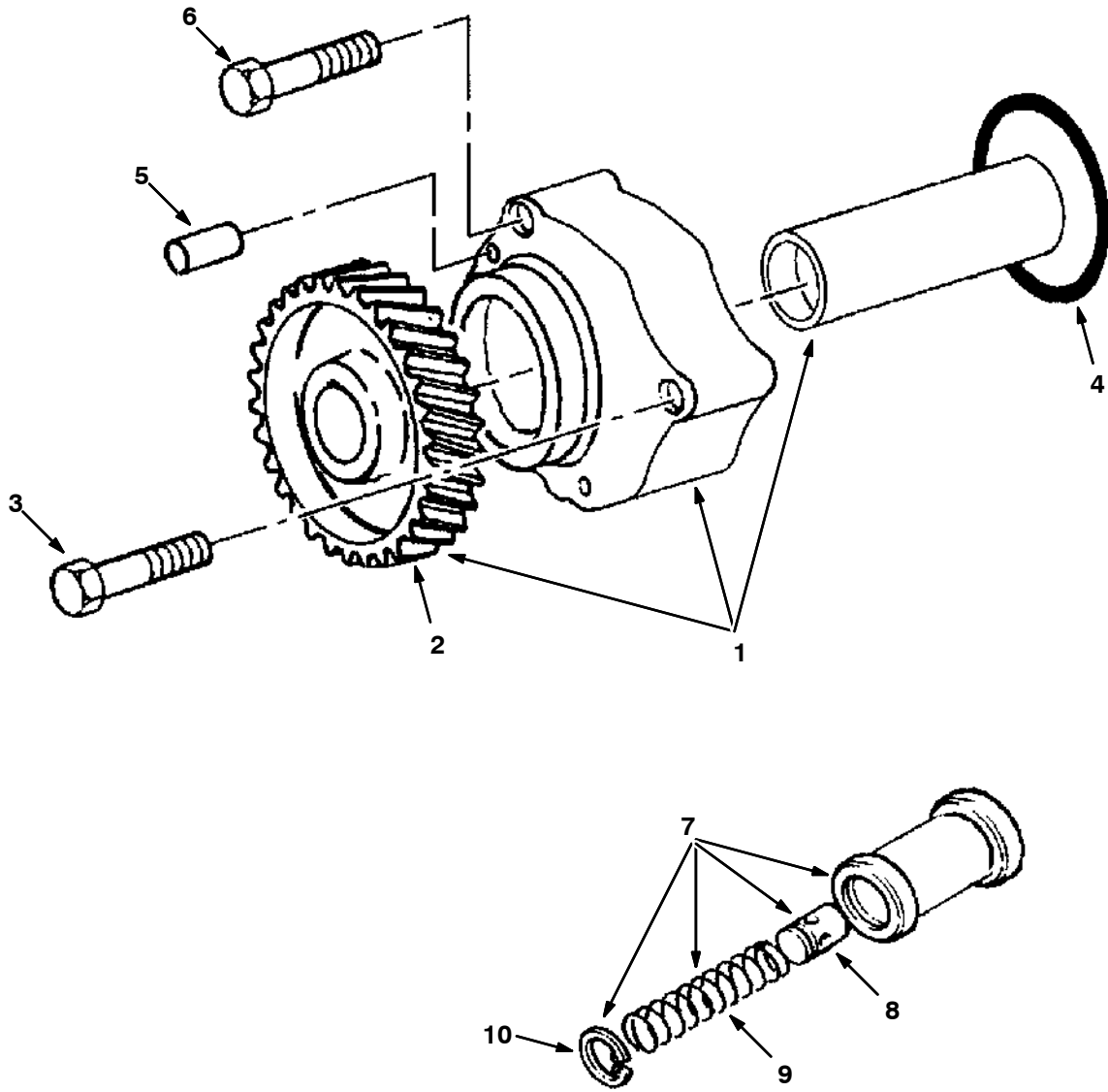
Fig. 6 - Timing Gear Cover Mount Group



351097 - D

Ref.	Part No.	Description	Qty.
1	764560	Screw	5
2	763887	Stud	2
3	764421	Nut	2
4	764620	Screw	1
5	764409	Screw	2
6	764412	Screw	2
7	369018	Screw	1
8	764575	Screw	1
9	764414	Screw	1

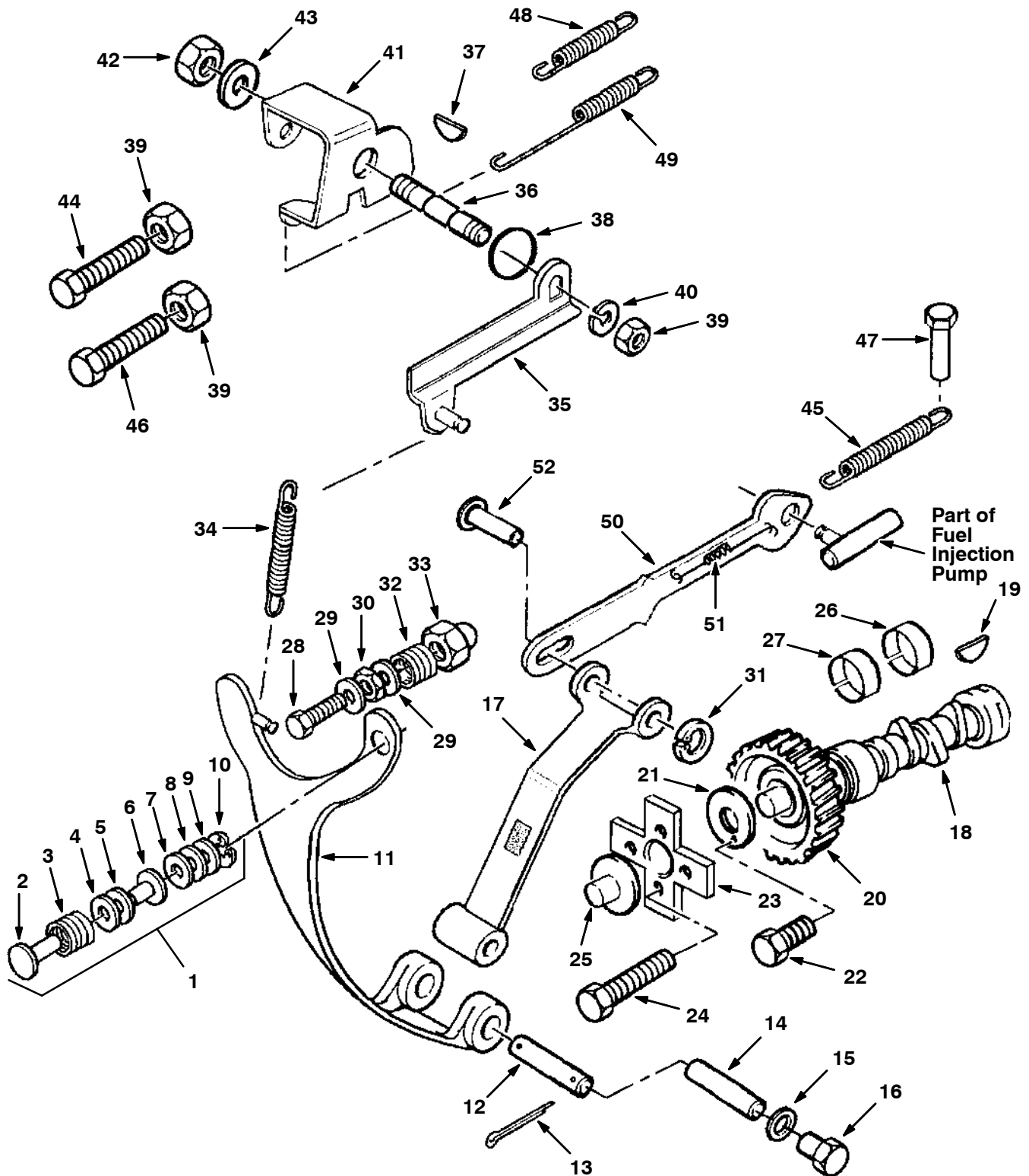
Fig. 7 - Oil Pump Group



351101 - D

	Ref.	Part No.	Description	Qty.
▽	1	369255	Oil Pump	1
▲	2	369144	Gear	1
	3	369012	Screw	1
	4	369027	O-Ring	1
	5	369179	Dowel	2
	6	764707	Screw	2
▽	7	369256	Valve	1
▲	8	369181	Plunger	1
▲	9	369157	Spring	1
▲	10	369133	Circlip	1

Fig. 8 - Auxiliary Drive Group



351099 - D

Ref.	Part No.	Description	Qty.	
▽	1	369282	Adjuster	1
▲	2	369183	Pin	1
▲	3	369155	Spring	1

Fig. 8 - Auxiliary Drive Group

	Ref.	Part No.	Description	Qty.
▲	4	369191	Shim	1
▲	5	369190	Shim	1
▲	6	369272	Adapter	1
▲	7	369188	Shim	1
▲	8	369189	Shim	1
▲	9	369192	Shim	1
▲	10	369135	Circlip	1
	11	369241	Arm	1
	12	369175	Pin	1
	13	369213	Pin	2
	14	369176	Pin	1
	15	369194	Washer	1
	16	369038	Screw	1
	17	369242	Arm	1
	18	369148	Camshaft	1
	19	369260	Woodruff Key	1
	20	369147	Gear, Pump	1
	21	369177	Plate	1
	22	764812	Screw	1
	23	369253	Weight	1
	24	369015	Screw	4
	25	369142	Slider	1
	26	369040	Bearing	1
	27	369039	Ball Bearing	1
	28	369165	Screw	1
	29	369193	Washer	3
	30	369203	Nut	1
	31	369135	Circlip	1
	32	369268	Spring	1
	33	369186	Nut	1
	34	369269	Spring	1
	35	369279	Arm	1
	36	369167	Shaft	1
	37	369001	Woodruff Key	1
	38	369026	O-Ring	2
	39	369202	Nut	3
	40	369008	Washer	1
	41	369250	Lever	1
	42	369204	Nut	1
	43	369006	Washer	1
	44	369168	Screw	1
	45	369162	Spring	1
	46	369022	Screw	1
	47	369184	Pin	1
	48	369163	Spring	1
	49	369158	Spring	1
	50	370807	Link	1
	51	369162	Spring	1
	52	369270	Pin	1

Fig. 9 - Fuel Injection Pipe Group

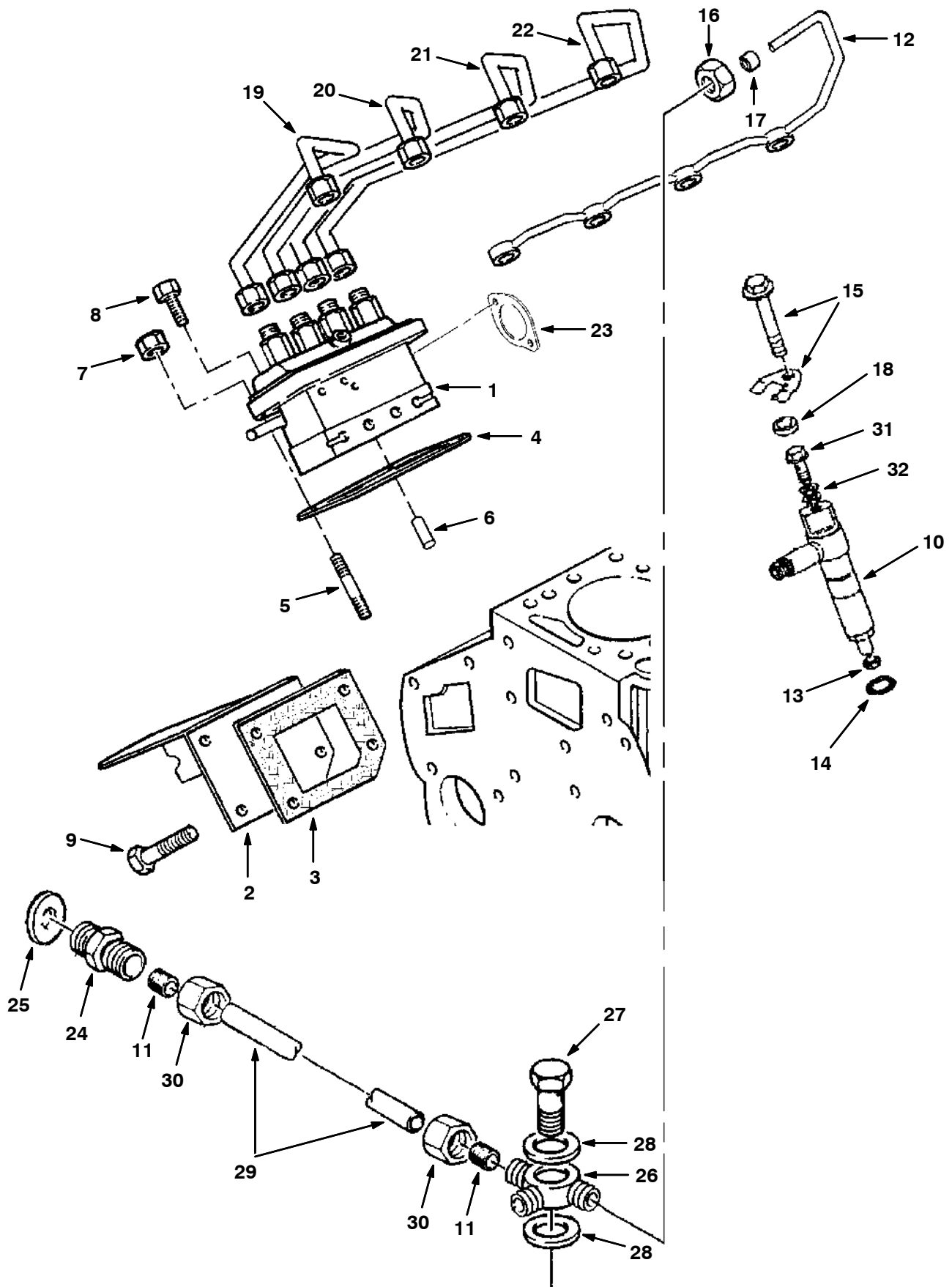
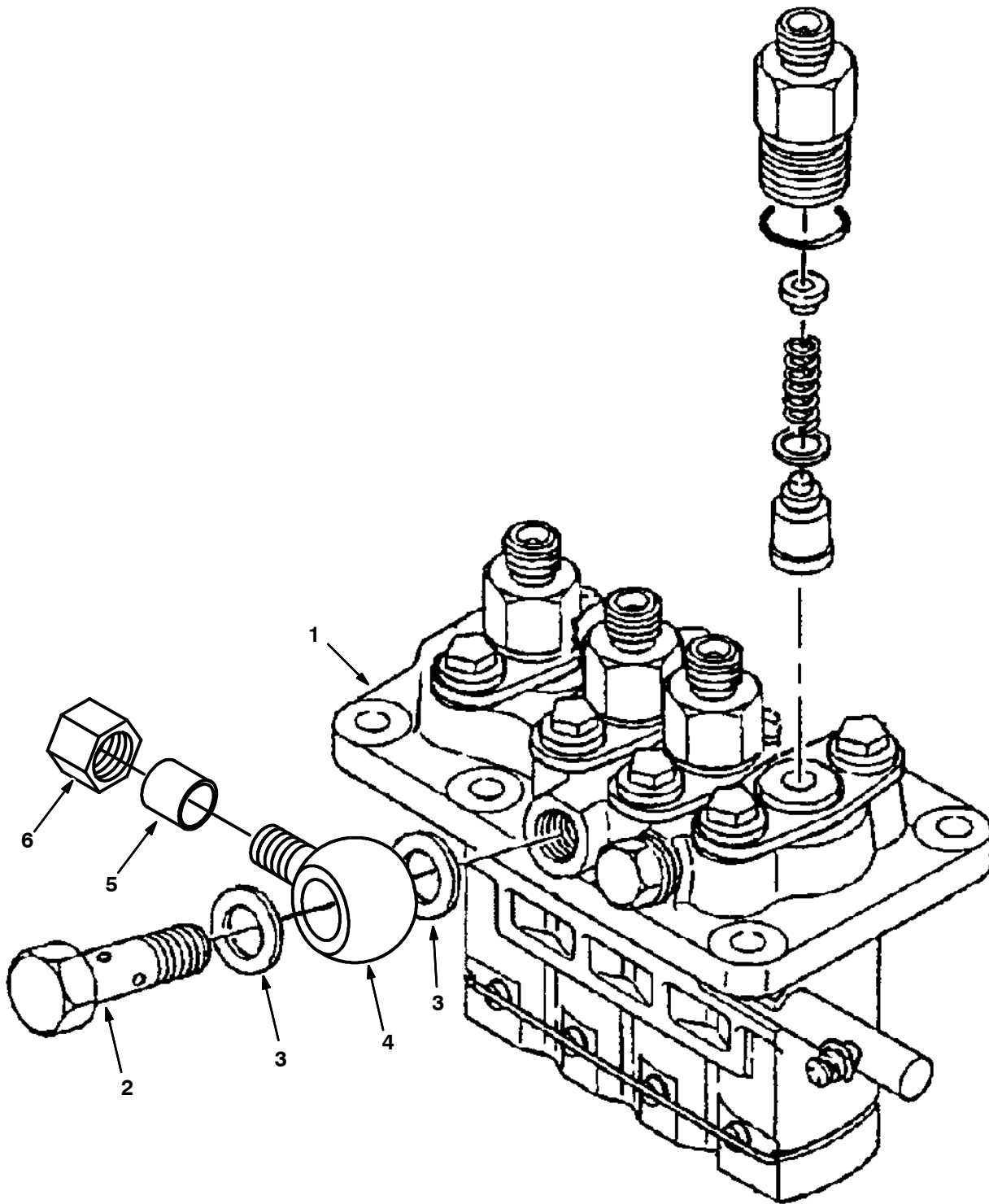


Fig. 9 - Fuel Injection Pipe Group

Ref.	Part No.	Description	Qty.
1	369262	Injection Pump (See Breakdown)	1
2	369226	Cover	1
3	369233	Joint	1
4	388548	Vr, Shim Kit, Pump, Injection [Pk]	1
5	764561	Stud	2
6	369178	Dowel	2
7	764421	Nut	2
8	764794	Screw	4
9	764812	Screw	4
10	369263	Atomiser	4
11	369210	Olive .36Od .25Id	2
12	369277	Leak-Off Pipe	1
13	369259	Washer	4
14	369030	O-Ring	4
15	369281	Clamp	4
16	764432	Nut	1
17	764433	Olive	1
18	369271	Spacer	4
19	369273	Inj Pipe #1 Cyl	1
20	369274	Inj Pipe #2 Cyl	1
21	369275	Inj Pipe #3 Cyl	1
22	369276	Inj Pipe #4 Cyl	1
23	369231	Joint	1
24	370811	Connection	1
25	370812	Washer	1
26	369154	Connection	1
27	37828	Bolt	1
28	764802	Washer	2
29	370809	Pipe, Fuel	1
30	370810	Nut, Union	2
31	393675	Bolt	1
32	393676	Gasket	2

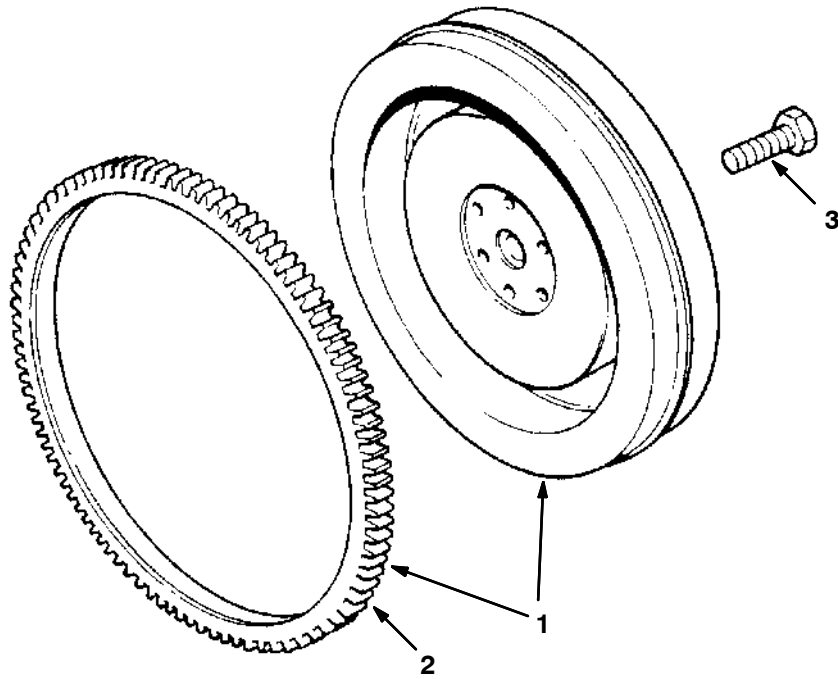
Fig. 10 - Fuel Injection Pump Breakdown



351085 - D

Ref.	Part No.	Description	Qty.
▽	1 369262	Injection Pump	1
▲	2 369089	Bolt	1
▲	3 369090	Gasket	2
	4 370814	Connection	1
	5 764804	Olive	1
	6 764803	Nut	1

Fig. 11 - Flywheel Housing Group



351107 - 1550, D

	Ref.	Part No.	Description	Qty.
▽	1	370815	Flywheel Assy	1
▲	2	37973	Gear, Ring	1
	3	370816	Screw	8

Fig. 12 - Lubricating Oil Sump Group

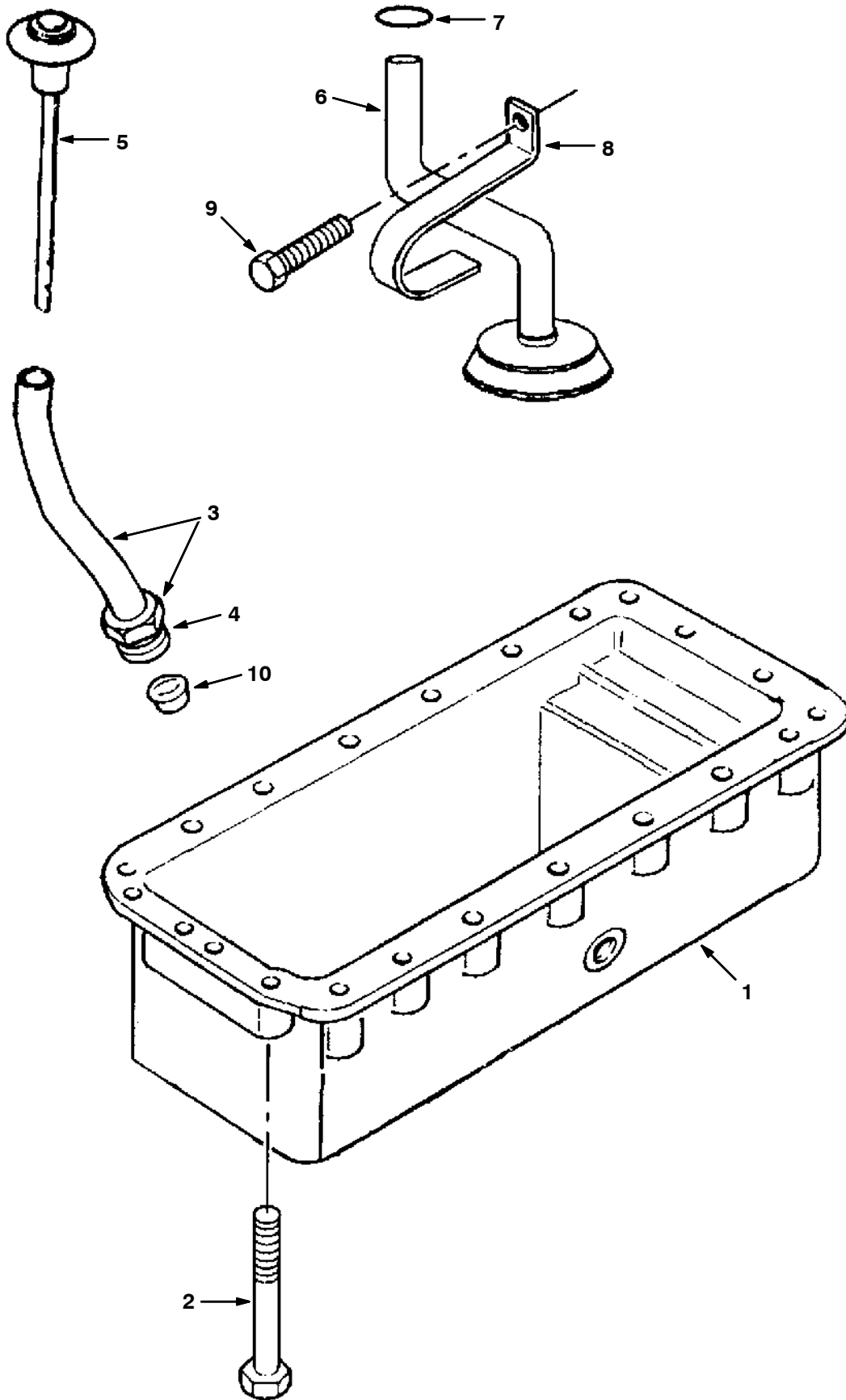


Fig. 12 - Lubricating Oil Sump Group

	Ref.	Part No.	Description	Qty.
▽		374229	Pan Kit, Oil, Replmt [550d/1550d]	1
▲	1	374147	Sump	1
▲	2	374148	Screw	24
▽	3	369216	Tube Assy	1
▲	4	764716	Nut	1
	5	369164	Dipstick	1
	6	370821	Pipe, Oil	1
	7	370819	O-Ring	1
	8	370820	Clip	1
	9	765049	Screw	1
	10	764717	Olive	1

Fig. 13 - Cylinder Head Cover Group

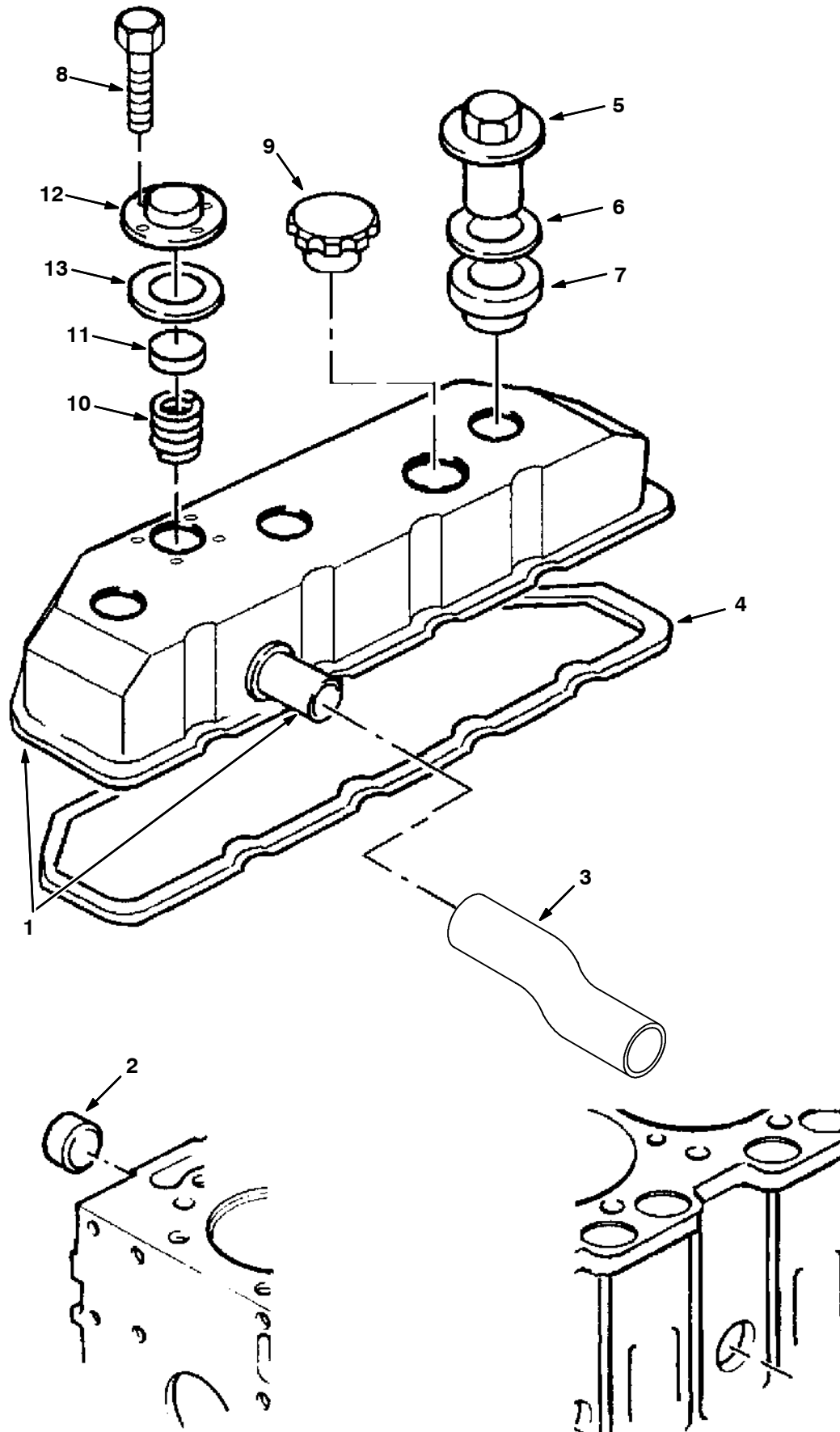


Fig. 13 - Cylinder Head Cover Group

Ref.	Part No.	Description	Qty.
1	369240	Cylinder Head Copy	1
2	764403	Plug	1
3	370823	Hose	1
4	369227	Joint	1
5	369185	Nut	3
6	369003	Washer	3
7	369211	Seal	3
8	369010	Screw	4
9	369212	Cap	1
10	369156	Spring	1
11	369199	Plate	1
12	369245	Cover	1
13	369239	Seal	1

Fig. 14 - Water Pump and Thermostat Group

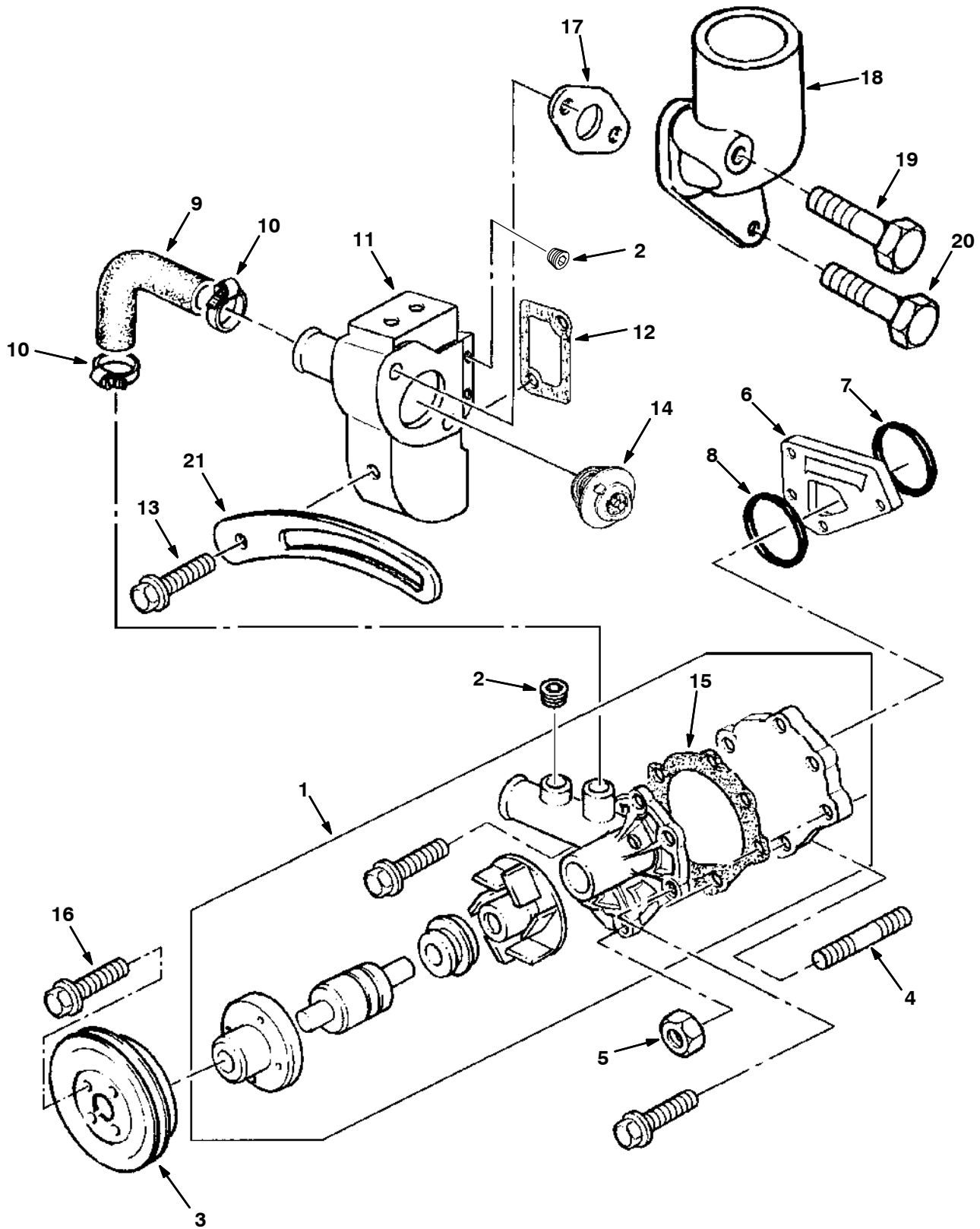
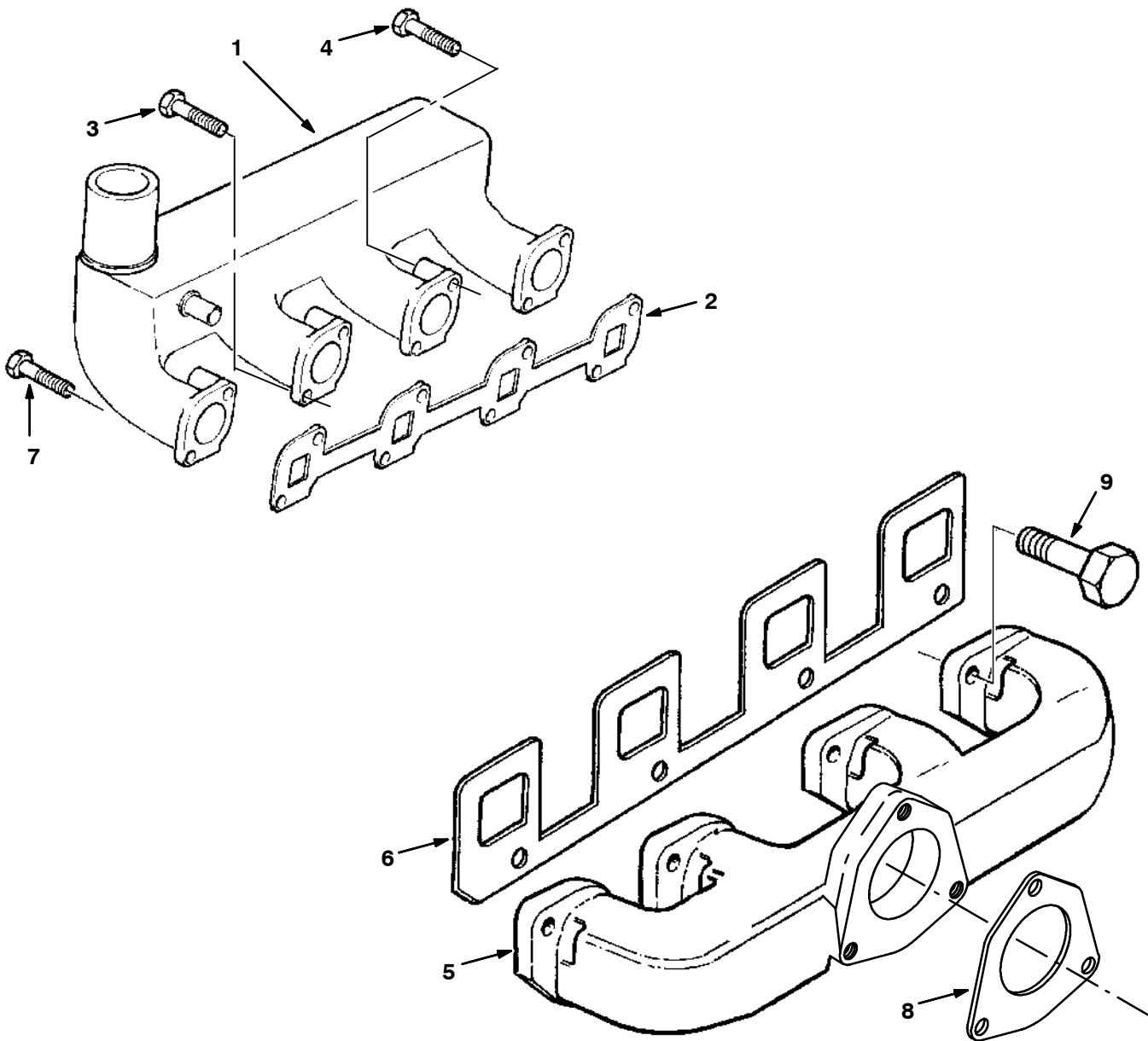


Fig. 14 - Water Pump and Thermostat Group

Ref.	Part No.	Description	Qty.
1	369280	Water Pump	1
2	764517	Plug	2
3	370825	Pulley	1
4	369014	Stud	4
5	764421	Nut	4
6	369244	Spacer	1
7	369029	O-Ring	1
8	369028	O-Ring	1
9	369214	Hose	1
10	369000	Clip	2
11	369247	Housing	1
12	369234	Gasket	1
13	764769	Screw	1
14	369034	Thermostat	1
15	370886	Gasket	1
16	764812	Screw	4
17	369230	Gasket	1
18	369246	Connection	1
19	764614	Screw	1
20	764556	Screw	1
21	762094	Lever	1

PERKINS ENGINE BREAKDOWN

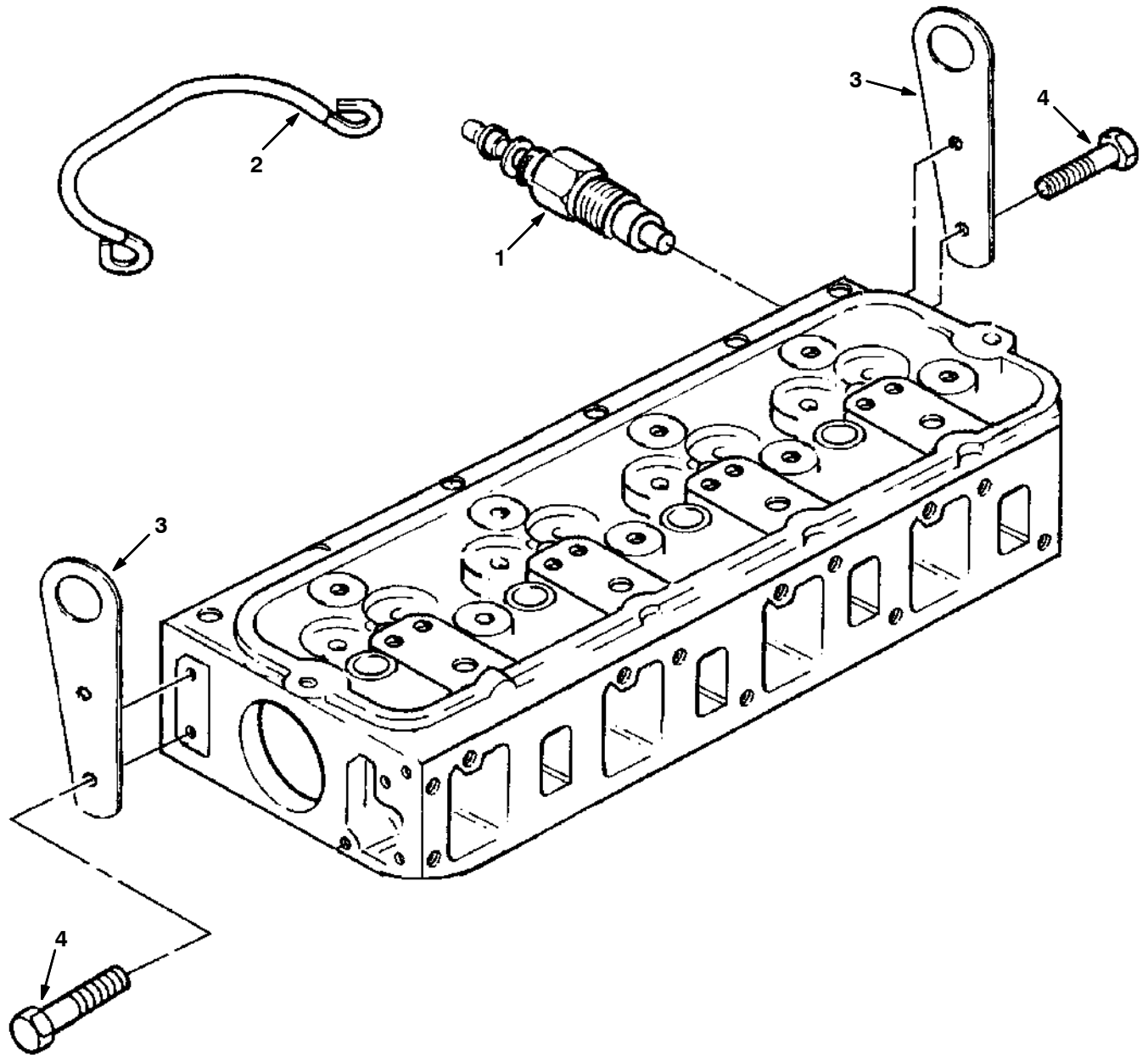
Fig. 15 - Manifold Group



351115 - D

Ref.	Part No.	Description	Qty.
1	370826	Manifold, Intake	1
2	369229	Joint	1
3	764410	Screw	4
4	374148	Screw	3
5	369248	Exhaust Manifold	1
6	369278	Joint	1
7	370887	Screw	1
8	370827	Gasket	1
9	764620	Screw	8

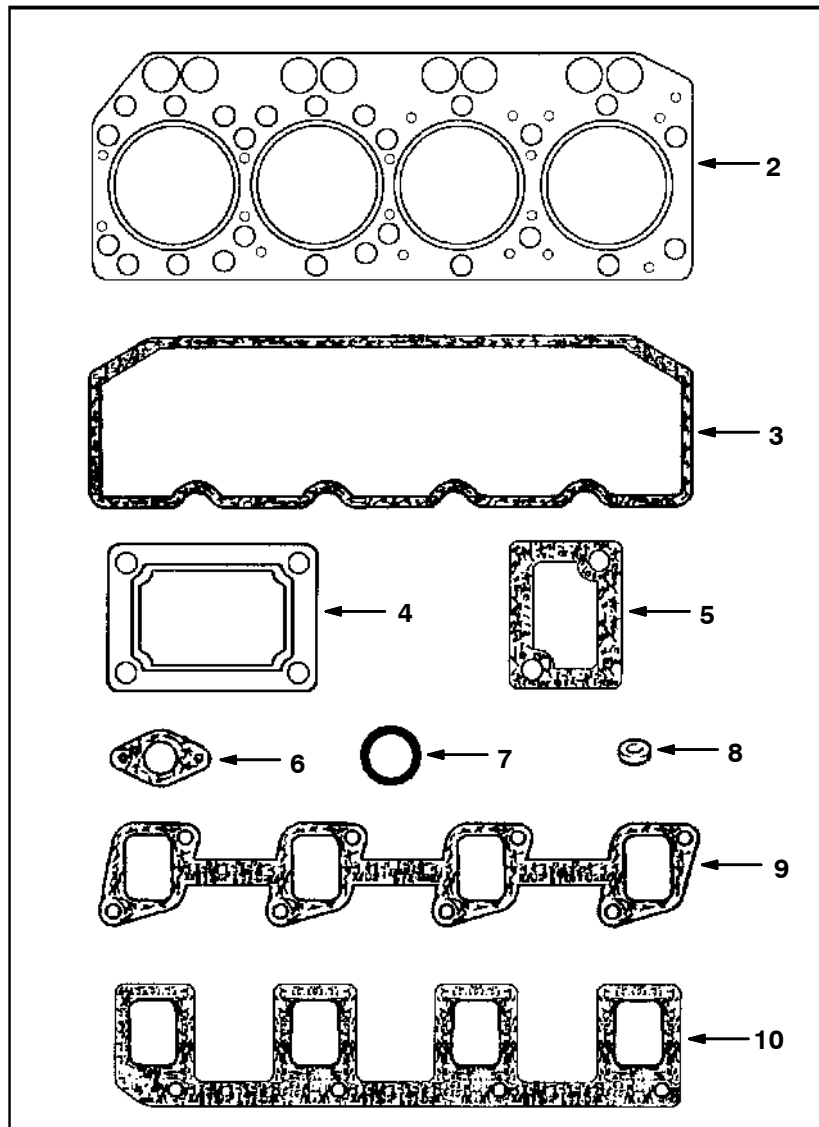
Fig. 16 - Glow Plug and Engine Lift Group



351117 - D

Ref.	Part No.	Description	Qty.
1	369131	Glow Plug	4
2	369258	Cable	3
3	369223	Plate	2
4	764408	Screw	4

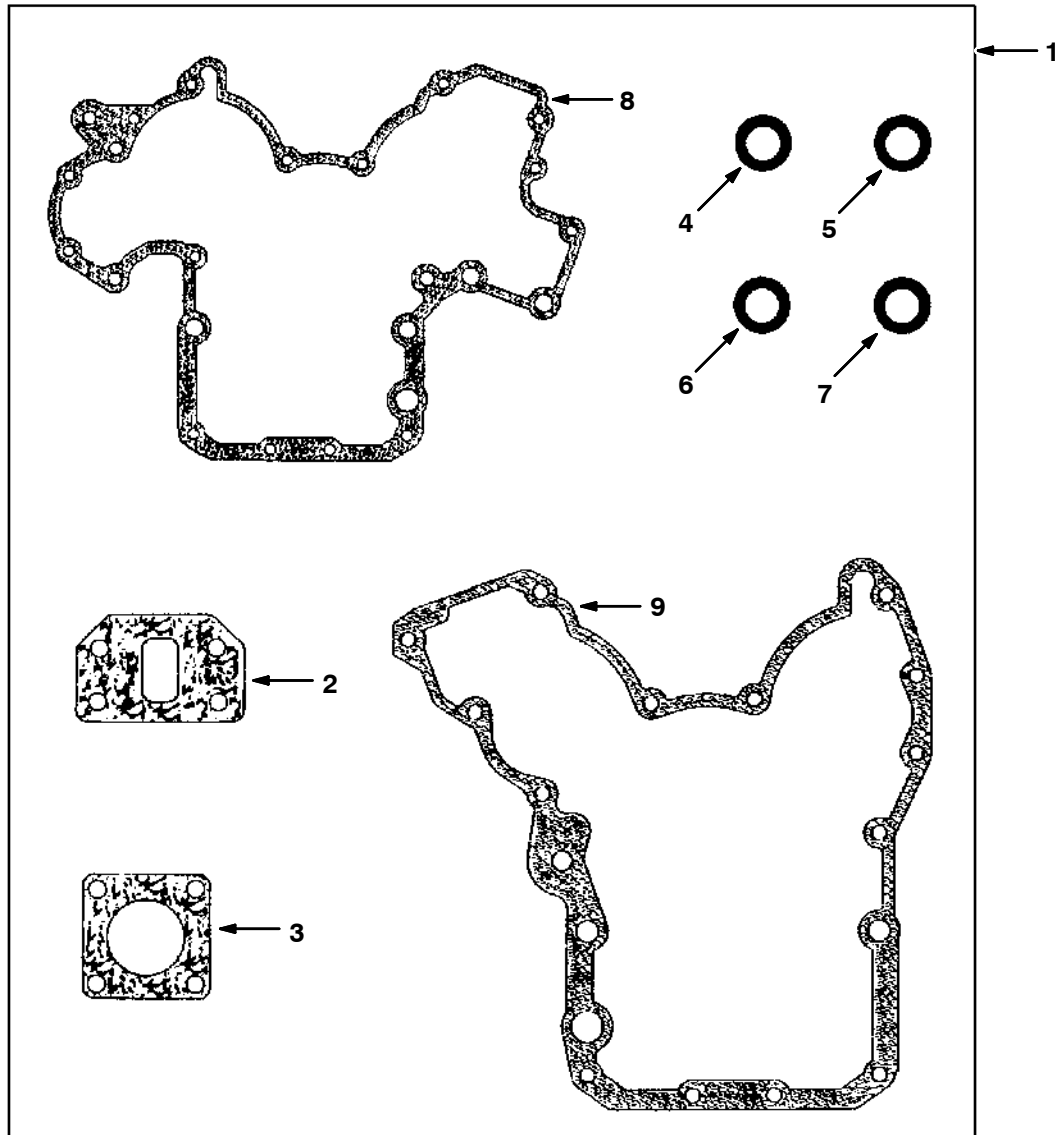
Fig. 17 - Top Joints and Gaskets Group



351119 - D

Ref.	Part No.	Description	Qty.	
▽	1	369285	Joint/Gasket	1
▲	2	369228	Head Gasket	1
▲	3	369227	Joint	1
▲	4	369233	Joint	1
▲	5	369234	Gasket	1
▲	6	369230	Joint	1
▲	7	369030	O-Ring	4
▲	8	369259	Washer	4
▲	9	369229	Joint	1
▲	10	369278	Joint	1

Fig. 18 - Bottom Joints and Gaskets Group



351121 - D

Ref.	Part No.	Description	Qty.	
▽	1	369283	Joint/Gasket Kit	1
▲	2	21796	Gasket	1
▲	3	369232	Joint	1
▲	4	369027	O-Ring	1
▲	5	369009	Washer	1
▲	6	369028	O-Ring	1
▲	7	369029	O-Ring	1
▲	8	369235	Joint	1
▲	9	369236	Joint	1

SECTION 7

Contents	Page
Fig. 1 - Cylinder Block Group	7-2
Fig. 2 - Crankshaft and Piston Group	7-4
Fig. 3 - Cylinder Head and Cover Group	7-6
Fig. 4 - Valve and Rocker Arm Group	7-8
Fig. 5 - Camshaft Group	7-9
Fig. 6 - Front Housing and Gear Group	7-10
Fig. 7 - Flywheel Housing and Starter Group ..	7-12
Fig. 8 - Auxiliary Drive Group	7-13
Fig. 9 - Oil Pan Group	7-14
Fig. 10 - Water Pump and Thermostat Group ..	7-16
Fig. 11 - Cooler Group	7-18
Fig. 12 - Manifold Group	7-20
Fig. 13 - Fuel Group	7-22
Fig. 14 - Fumes Disposal Group	7-24
Fig. 15 - Alternator Group	7-26
Fig. 16 - Glow Plug Group	7-27

Fig. 1 - Cylinder Block Group

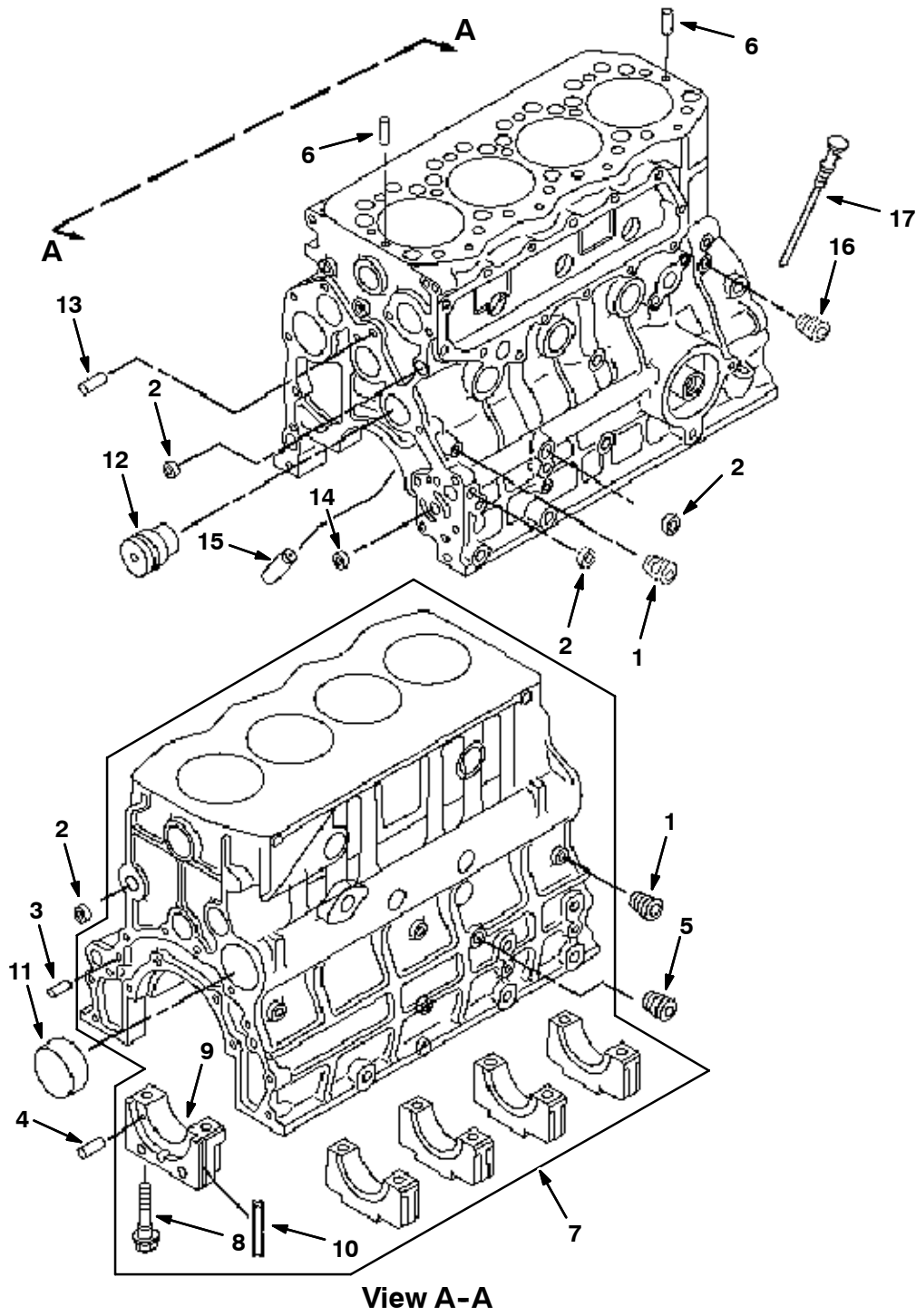


Fig. 1 - Cylinder Block Group

Ref.	Part No.	Description	Qty.	
1	372706	Plug	5	
2	372707	Cap	6	
3	372708	Pin	2	
4	372709	Pin, Spring	6	
5	372710	Plug	1	
6	372711	Pin	2	
▽	7	372712	Block Group, Cyl	1
▲	8	372713	Screw	10
▲	9	372714	Cap	10
▲	10	372715	Seal	2
11	372716	Plug	1	
12	372717	Shaft, Idler	1	
13	372718	Pin	2	
14	372719	Bushing	1	
15	372720	Tube, Cooling, Oil	4	
16	372721	Plug, Coolant, Eng	1	
17	372818	Dipstick, Oil, Eng	1	
	372934	Seal, Dipstick	1	
	372935	Tube, Dipstick	1	
	372936	Guide, Dipstick	1	

Fig. 2 - Crankshaft and Piston Group

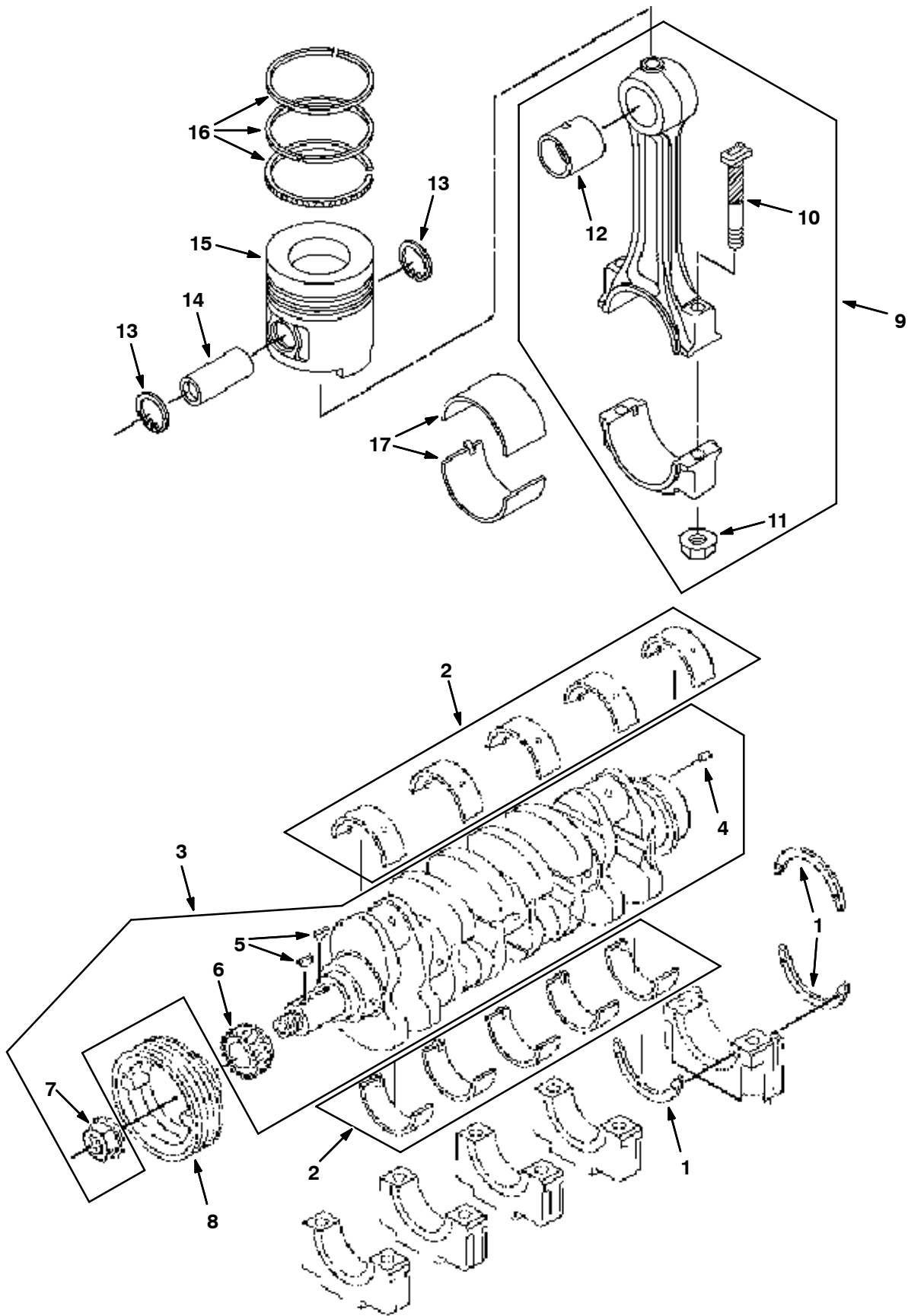


Fig. 2 - Crankshaft and Piston Group

Ref.	Part No.	Description	Qty.
1	372697	Plate, Thrust, Std	3
	372698	Plate, Thrust [+0.15mm]	3
	372702	Plate, Thrust [+0.30mm]	3
2	372699	Bearing, Rod, Connecting	1
	372700	Bearing [-0.50mm]	1
	372701	Bearing [-0.50mm]	1
▽	3	372703 Crankshaft Assy	1
▲	4	372704 Pin	2
▲	5	372691 Key	2
▲	6	372705 Gear, 23 Tooth	1
▲	7	372797 Nut	1
	8	372798 Pulley, Crankshaft	1
▽	9	372737 Rod Assy, Connecting	4
▲	10	372738 Bolt, Rod, Connecting	2
▲	11	372739 Nut	2
▲	12	372740 Bushing	1
	13	372741 Ring	8
	14	372742 Pin	4
	15	372743 Piston, Std	4
		372744 Piston [+0.25mm]	4
		372745 Piston [+0.50mm]	4
16	372746	Ring Set, Piston, Std	4
	372747	Ring Set, Piston [+0.25mm]	4
17	372748	Ring Set, Piston [+0.50mm]	4
	372749	Bearing, Std	1
	372750	Bearing [-0.25mm]	1
	372751	Bearing [-0.50mm]	1
	372752	Bearing [-0.75mm]	1

Fig. 3 - Cylinder Head and Cover Group

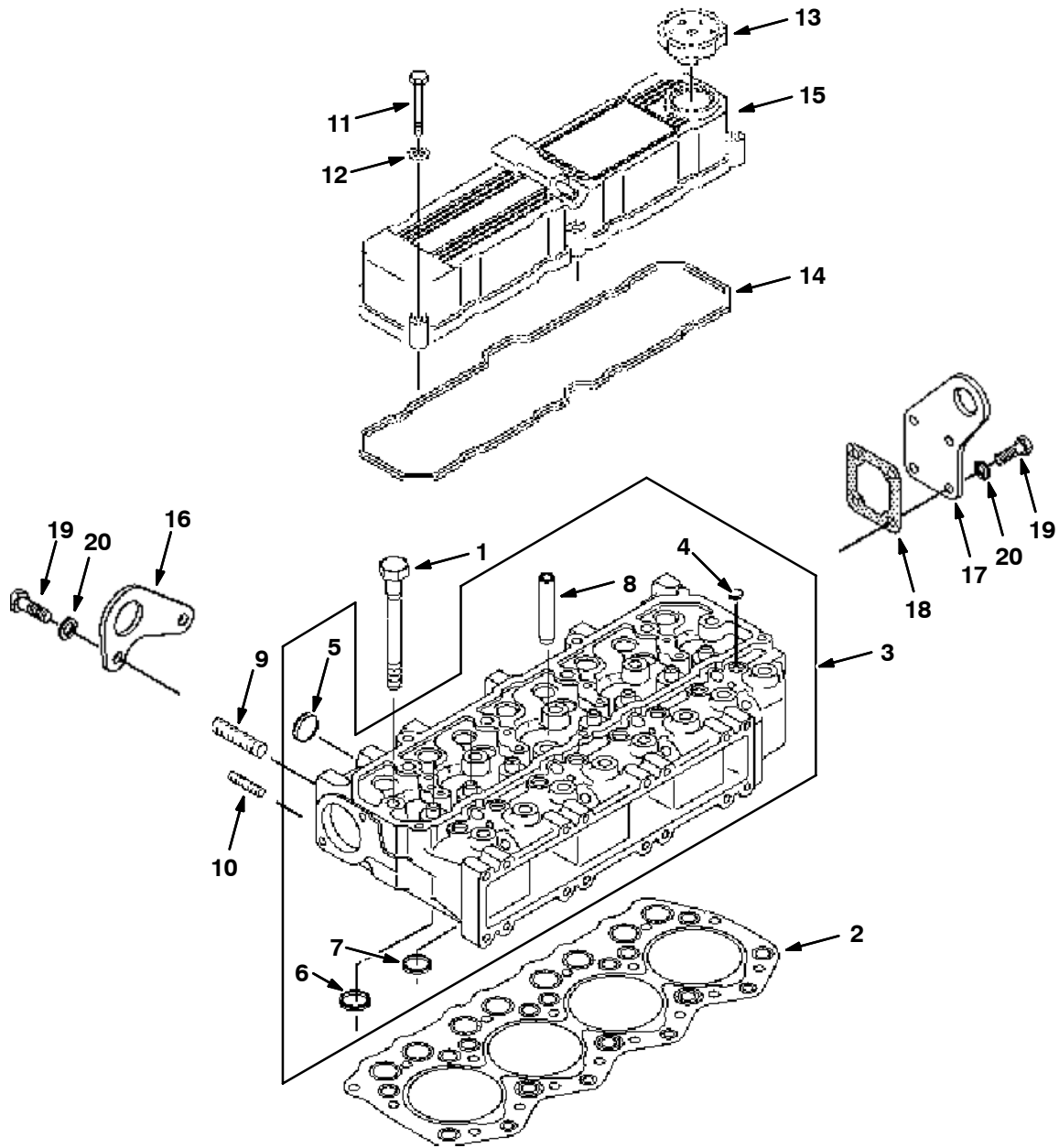
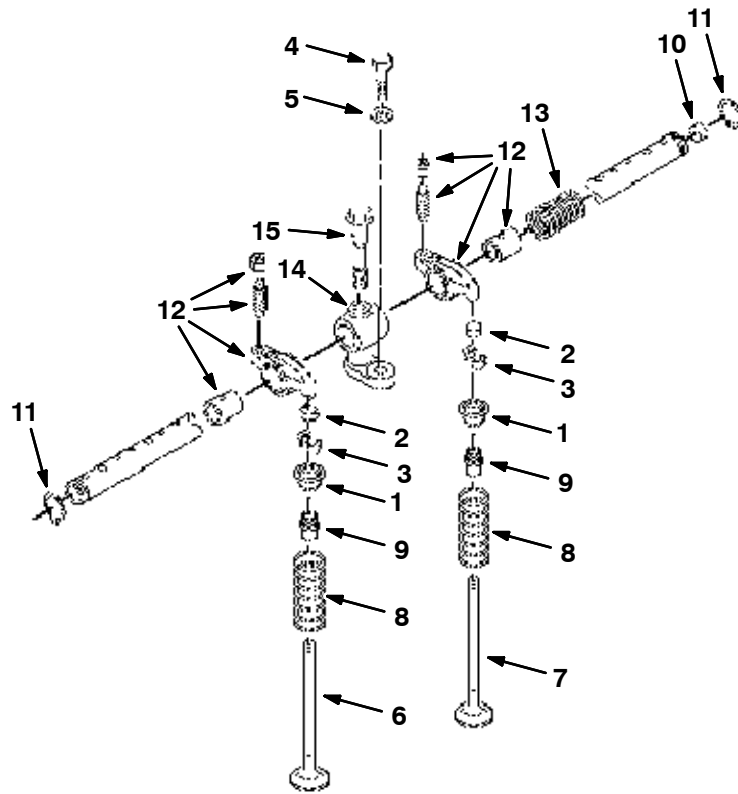


Fig. 3 - Cylinder Head and Cover Group

	Ref.	Part No.	Description	Qty.
	1	372722	Screw, Hex	17
	2	372665	Gasket, Head	1
▽	3	372723	Head Assy, Cylinder	1
▲	4	372724	Cap	8
▲	5	372725	Cap	4
▲	6	372726	Insert, Inlet	4
▲	7	372727	Insert, Exhaust	4
▲	8	372728	Guide	8
	9	372729	Stud	1
	10	372730	Stud	1
	11	41342	Screw, Hex, M8 X 1.25 X 40mm	5
	12	39349	Washer, 8.8mm X 16mm X 2mm	5
	13	372796	Cap, Filler, Oil	1
	14	372664	Gasket, Cover, Valve	1
	15	372696	Cover	1
	16	372938	Plate, Lift, Front	1
	17	372939	Plate, Lift, Rear	1
	18	372940	Gasket, Head, Rear	1
	19	16931	Screw, Hex, M8 X 1.25 X 20, 8.8	2
	20	32491	Washer, Flat, 0.31 Std	2

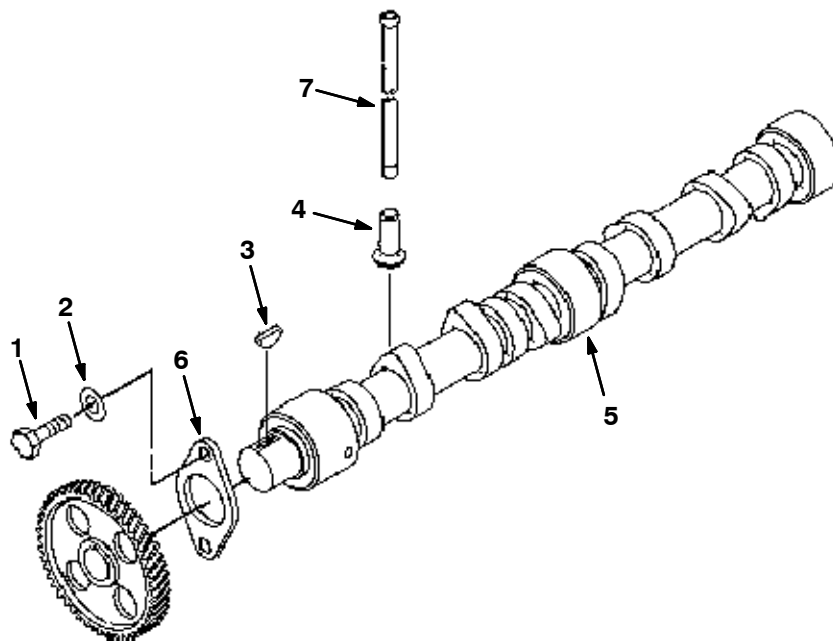
Fig. 4 - Valve and Rocker Arm Group



D

Ref.	Part No.	Description	Qty.	
1	372753	Retainer	8	
2	372754	Cap	8	
3	372767	Retainer	16	
4	39277	Screw, Hex, M8 X 1.25 X 25, 8.8	4	
5	39349	Washer, Flat, 0.31 Sae	4	
6	372755	Valve, Inlet	4	
7	372756	Valve, Exhaust	4	
8	372757	Spring, Valve	8	
9	372758	Seal	8	
▽	372760	Shaft Assy	1	
▲	10	372761	Cap	1
▲	11	372762	Ring, Snap	2
▲	12	372763	Arm, Rocker	8
▲	13	372764	Spring	3
▲	14	372765	Bracket	4
▲	15	372766	Bolt, Bracket	4

Fig. 5 - Camshaft Group



D

Ref.	Part No.	Description	Qty.
1	16735	Screw, Hex, M8 X 1.25 X 16mm	2
2	39349	Washer, Flat, 0.31 Sae	2
3	372691	Key	1
4	372692	Tappet	8
5	372693	Camshaft	1
6	372694	Plate, Thrust	1
7	372695	Rod, Push	8

Fig. 6 - Front Housing and Gear Group

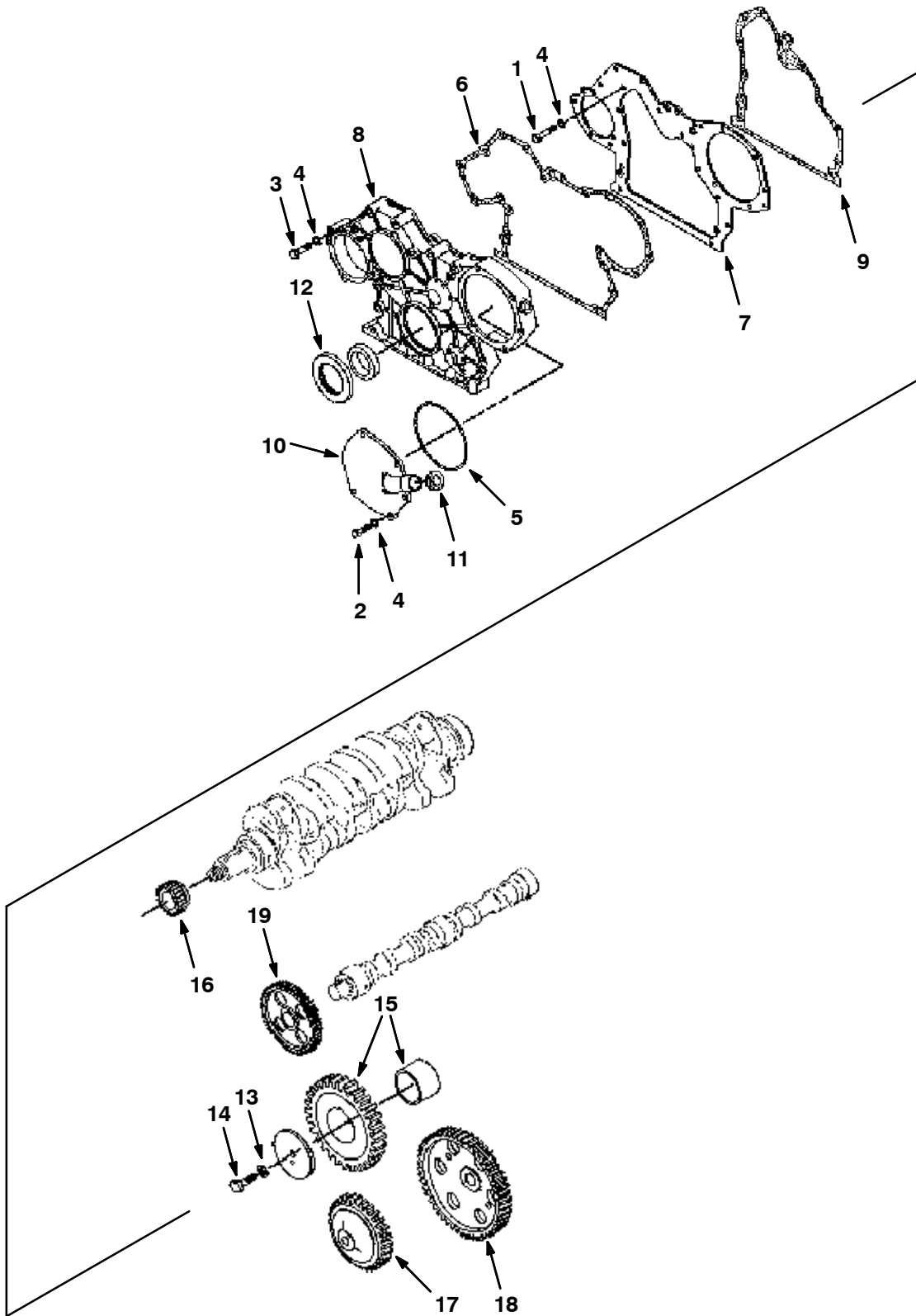
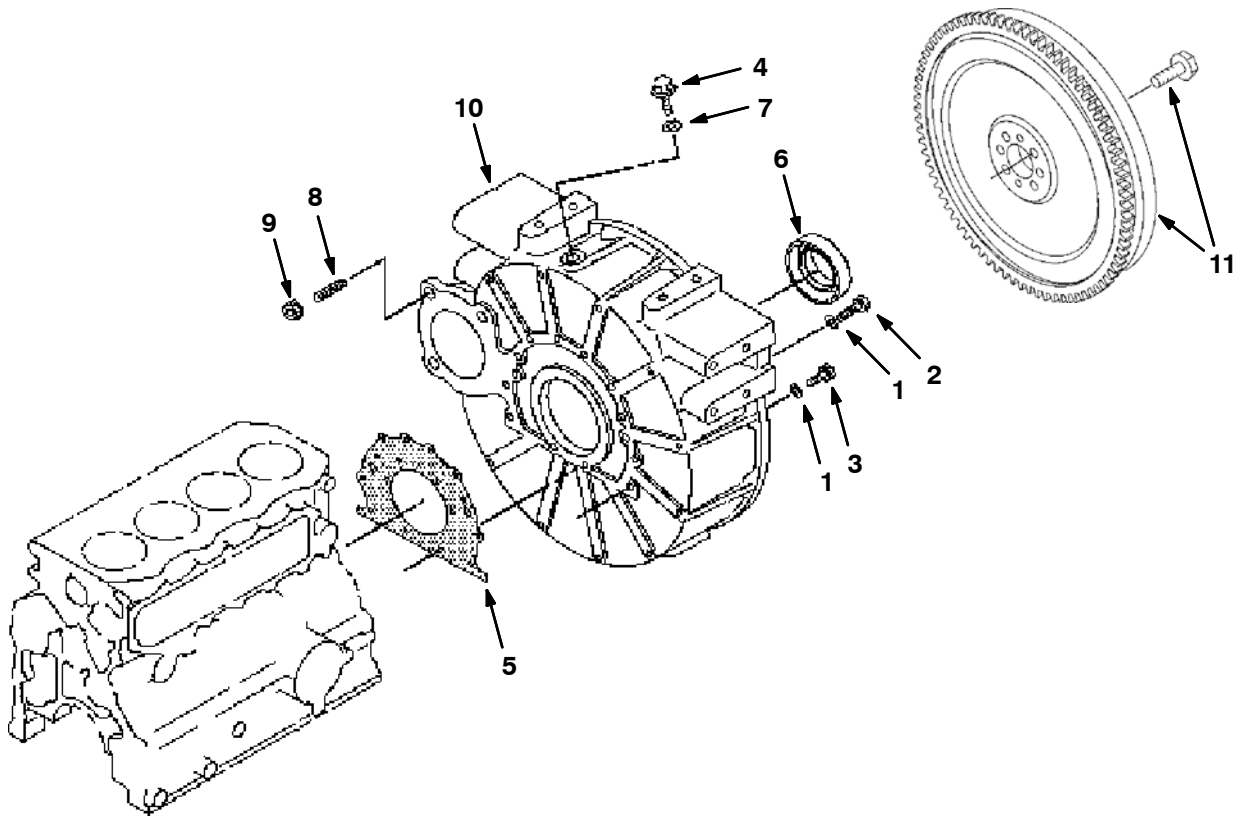


Fig. 6 - Front Housing and Gear Group

Ref.	Part No.	Description	Qty.
1	372788	Screw, Hex	5
2	16735	Screw, Hex, M8 X 1.25 X 16, 8.8	5
3	372789	Screw, Hex	13
4	39349	Washer, Flat, 0.31 Sae	23
5	372790	Seal, Org	1
6	372684	Gasket	1
7	372791	Plate	1
8	372792	Housing, Gear	1
9	372685	Gasket, Plate, Front	1
10	372793	Cover, Gear	1
11	372794	Cap, Filler	1
12	372795	Seal, Crank, Front	1
13	32492	Washer, Flat, 0.38 Std	1
14	06962	Screw, Hex, M10 X 1.5 X 45, 8.8	1
15	372775	Gear, Idler	1
16	372776	Gear	1
17	372777	Gear	1
18	372778	Gear	1
19	372779	Gear, Injection, Fuel	1

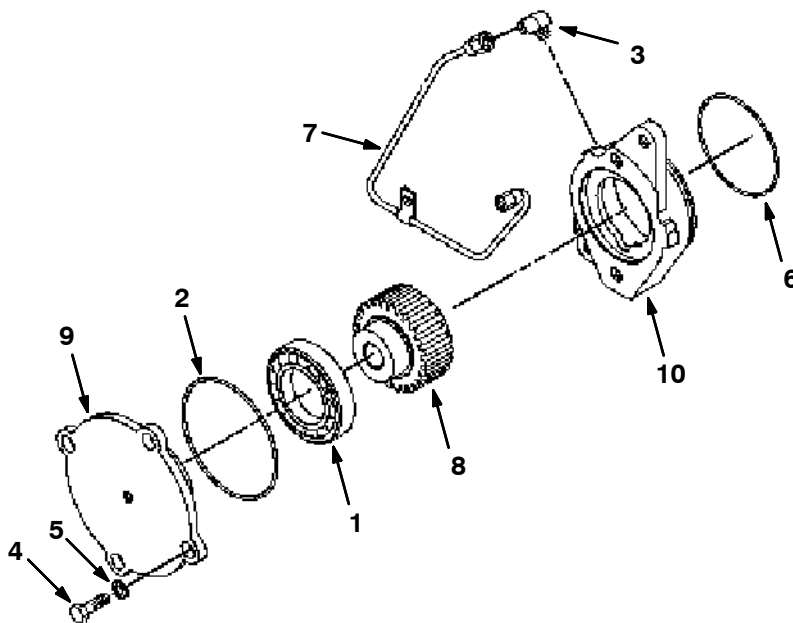
Fig. 7 - Flywheel Housing and Starter Group



D

Ref.	Part No.	Description	Qty.
1	32492	Washer, Flat, 0.38 Std	12
2	39283	Screw, Hex, M10 X 1.5 X 25, 8.8	10
3	03192	Screw, Hex, M10 X 1.5 X 30, 8.8	2
4	372732	Plug	1
5	372666	Gasket, Rear	1
6	372733	Seal	1
7	372667	Gasket	1
8	372734	Stud	3
9	372735	Nut	3
10	372736	Housing, Flywheel	1
11	372731	Flywheel	1
	372660	Starter	1

Fig. 8 - Auxiliary Drive Group



D

Ref.	Part No.	Description	Qty.
1	372780	Bearing, Ball	3
2	372781	Seal, Org	1
3	372782	Fitting, Elbow	2
4	16735	Screw, Hex, M8 X 1.25 X 16, 8.8	7
5	39349	Washer, Flat, 0.31 Sae	7
6	372783	Seal, Org	2
7	372784	Tube	1
8	372785	Gear [Power Take Off]	1
9	372786	Housing, Brg	2
10	372787	Housing, Brg	1

Fig. 9 - Oil Pan Group

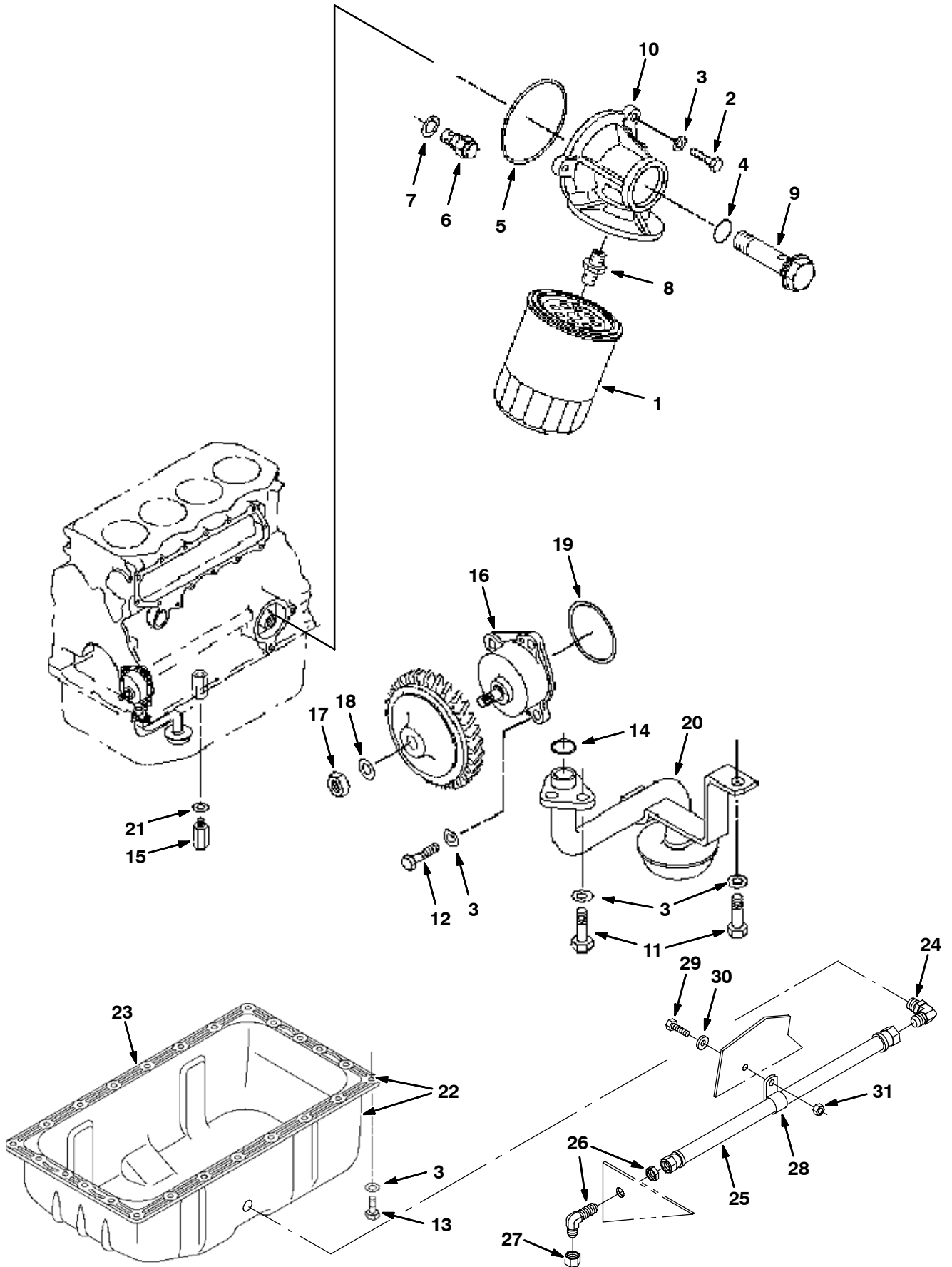


Fig. 9 - Oil Pan Group

Ref.	Part No.	Description	Qty.	
1	372654	Filter, Oil, Eng	1	
2	39277	Screw, Hex, M8 X 1.25 X 25, 8.8	1	
3	39349	Washer, Flat, 0.31 Sae	33	
4	372803	Seal, Org	1	
5	372804	Seal, Org	1	
6	372805	Valve, Relief	1	
7	372669	Gasket	1	
8	372806	Fitting, Str	1	
9	372807	Screw	1	
10	372808	Bracket	1	
11	16735	Screw, Hex, M8 X 1.25 X 16, 8.8	3	
12	16931	Screw, Hex, M8 X 1.25 X 20, 8.8	4	
13	16735	Screw, Hex, M8 X 1.25 X 16, 8.8	25	
14	372809	Seal, Org	1	
15	372810	Valve, Relief, Press, Eng Oil	1	
16	372768	Pump, Oil	1	
17	372769	Nut	1	
18	32492	Washer, Flat, 0.38 Std	1	
19	372770	Seal, Org	1	
20	372771	Strainer, Oil	1	
21	372670	Gasket	1	
▽	22	372800	Pan, Oil, W/ Gasket	1
▲		372801	Plug	1
▲	23	372668	Gasket	1
	24	371602	Fitting, Pipe, E90, .75-16	1
	25	371603	Hose, Oil Drain	1
	26	371604	Fitting	1
	27	60090	Fitting, Hyd, Cap Jf08	1
	28	82829	Clamp, Cable, Stl, 0.63d X 0.75w, 1h	1
	29	42370	Screw, Hex, .31-18 X 1.25, Ss	1
	30	01685	Washer, Flt, .31 Ss	1
	31	41437	Nut, Hex, Lock, .31-18, NI, Ss	1

Fig. 10 - Water Pump and Thermostat Group

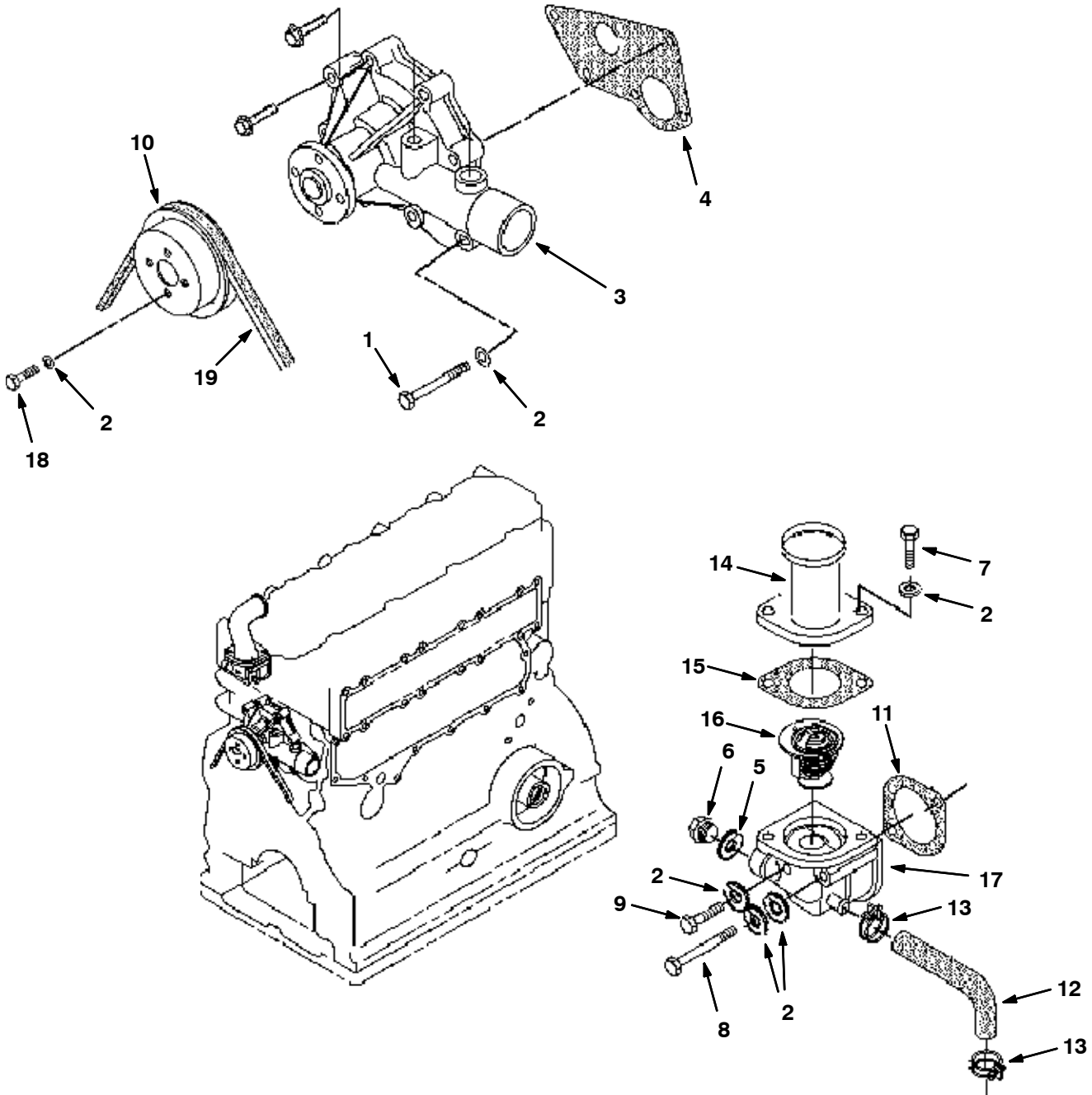


Fig. 10 - Water Pump and Thermostat Group

Ref.	Part No.	Description	Qty.
1	06956	Screw, Hex, M8 X 1.25 X 45mm	5
2	39349	Washer, Flat, 0.31 Sae	14
3	372832	① Pump, Water	1
3	9003796	② Pump, Water	1
4	372676	Gasket	1
5	372667	Gasket	2
6	372732	Plug	2
7	39277	Screw, Hex, M8 X 1.25 X 25, 8.8	2
8	06958	Screw, Hex, M8 X 1.25 X 80, 8.8	1
9	06956	Screw, Hex, M8 X 1.25 X 45, 8.8	1
10	372802	Pulley	1
11	372673	Gasket	1
12	372686	① Hose	1
12	9004033	② Hose	1
13	372812	① Clamp, Hose	2
13	9004034	② Clamp, Hose	2
14	372813	Cover, Thermostat	1
15	372674	Gasket, Coolant	1
16	372814	Thermostat, Coolant	1
17	372815	① Regulator, Temp, Coolant	1
17	9004035	② Regulator, Temp, Coolant	1
18	372853	Screw, Hex, M8 X 1.25 X 14mm	4
19	372653	Belt, Pump, Water	1

① Engine Serial number (00000000-34400832)

② Engine Serial number (34400833-)

Fig. 11 - Cooler Group

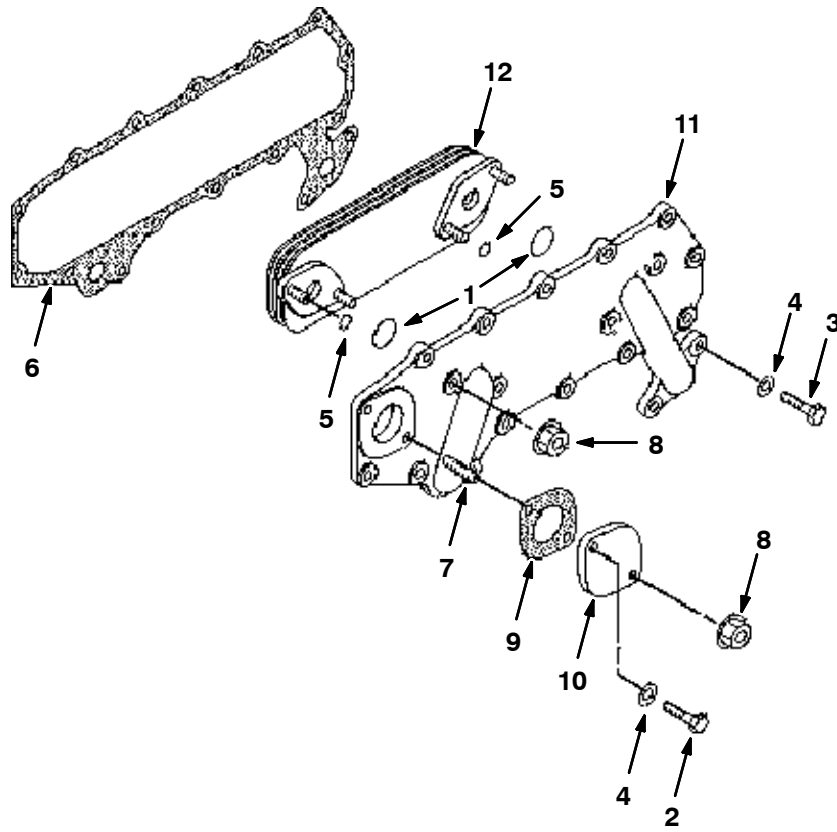


Fig. 11 - Cooler Group

Ref.	Part No.	Description	Qty.
1	372825	Seal, Org	2
2	76570	Screw, Hex, M8 X 1.25 X 30, 8.8	1
3	39277	Screw, Hex, M8 X 1.25 X 25, 8.8	11
4	39349	Washer, Flat, 0.31 Sae	12
5	372826	Seal, Org	4
6	372671	Gasket, Cover, Side	1
7	372827	Stud	1
8	372828	Nut	5
9	372672	Gasket, Heater, Water	1
10	372829	Cover	1
11	372830	Cover	1
12	372831	Cooler	1

Fig. 12 - Manifold Group

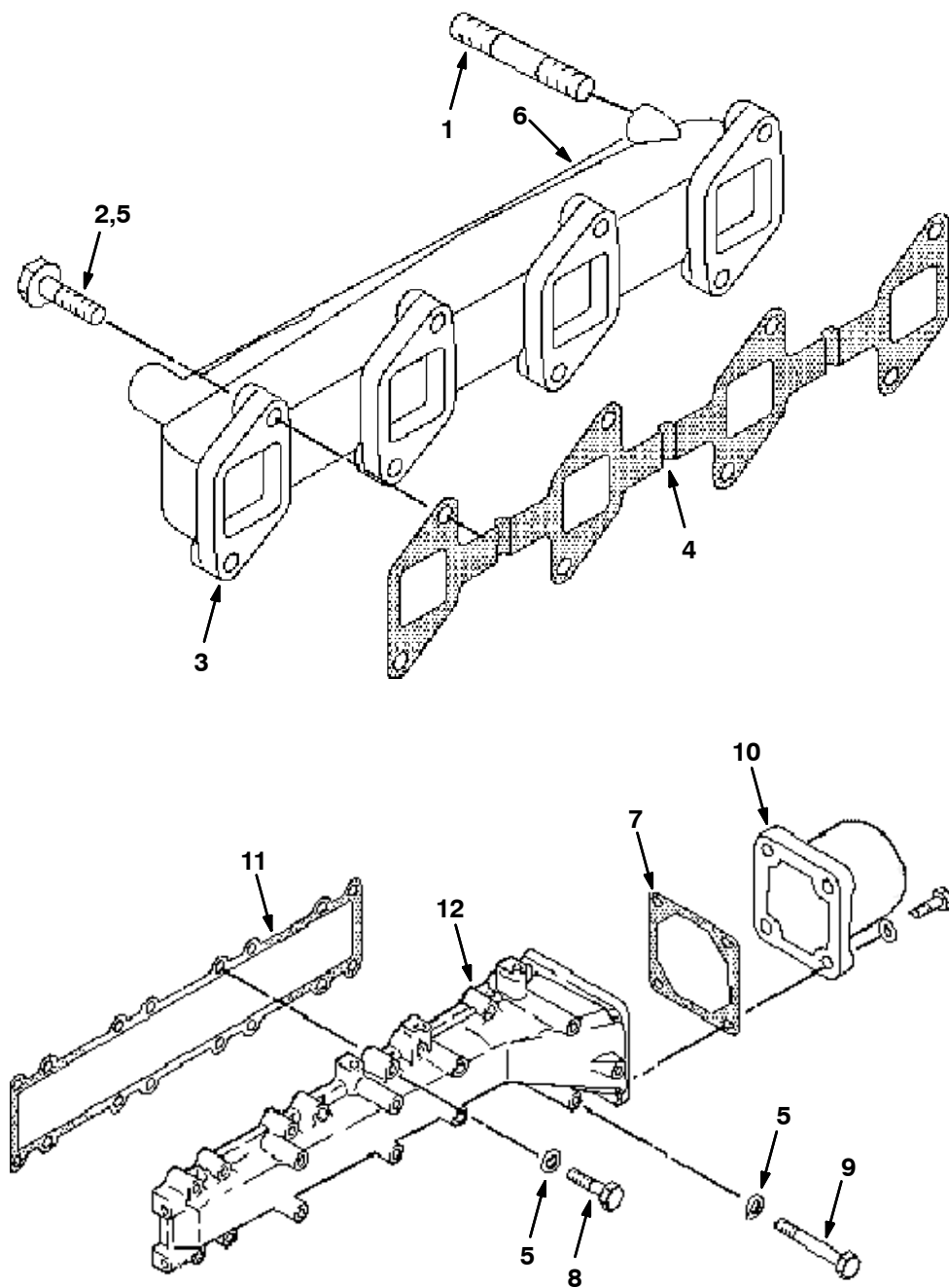


Fig. 12 - Manifold Group

Ref.	Part No.	Description	Qty.
1	372661	Stud	4
2	372662	Screw, Hex	8
3	372663	Manifold, Exhaust	1
4	372677	Gasket, Manifold	1
5	39349	Washer, Flat, 0.31 Sae	26
6	372678	Gasket, Exhaust	1
7	372679	Gasket	1
8	39281	Screw, Hex, M8 X 1.25 X 90, 8.8	2
9	41342	Screw, Hex, M8 X 1.25 X 40, 8.8	14
10	372817	Fitting, Elbow	1
11	372680	Gasket	1
12	372816	Manifold, Inlet	1

Fig. 13 - Fuel Group

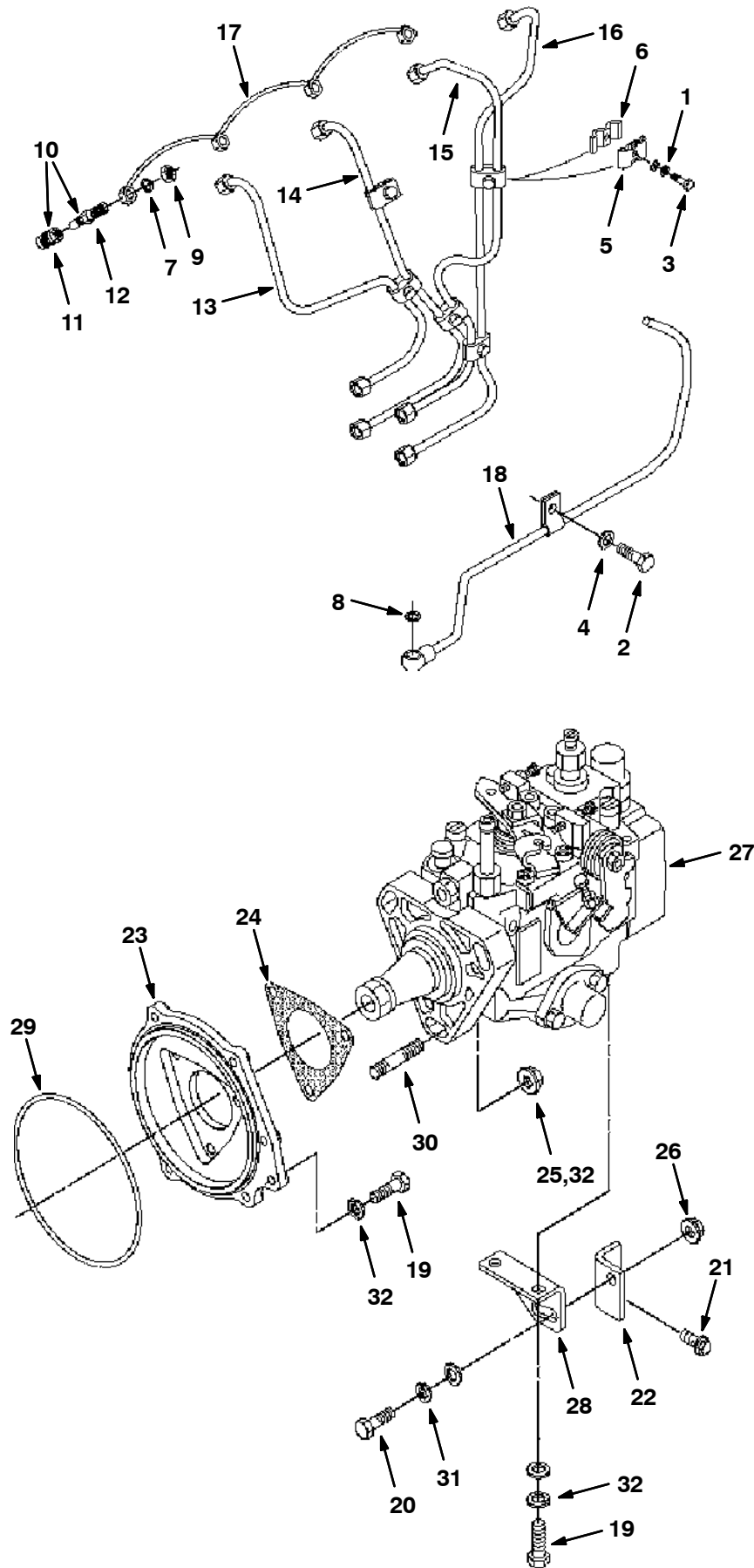


Fig. 13 - Fuel Group

Ref.	Part No.	Description	Qty.	
1	32483	Washer, 7.2mm X 14.5mm X 2mm	3	
2	16735	Screw, Hex, M8 X 1.25 X 16, 8.8	1	
3	06944	Screw, Hex, M6 X 1.0 X 25, 8.8	3	
4	39349	Washer, Flat, 0.31 Sae	1	
5	372841	Clamp	3	
6	372842	Clamp	3	
7	372681	Gasket	4	
8	372682	Gasket	4	
9	372843	Nut	4	
∇	10	372844	Nozzle Assy	1
▲	11	372845	Mount, Nozzle	4
▲	12	372852	Cap, Nozzle	4
13	372846	Fueline, Cyl #1	1	
14	372847	Fueline, Cyl #2	1	
15	372848	Fueline, Cyl #3	1	
16	372849	Fueline, Cyl #4	1	
17	372850	Fueline, Bleeder	1	
18	372851	Fueline, Return	1	
19	16931	Screw, Hex, M8 X 1.25 X 20, 8.8	1	
20	06961	Screw, Hex, M10 X 1.5 X 20, 8.8	2	
21	372834	Screw, Hex	1	
22	372835	Bracket	1	
23	372836	Flange	1	
24	372683	Gasket	1	
25	372854	Nut, Hex, M8 X 1.25	3	
26	372735	Nut	1	
27	372837	Pump, Injection, Fuel	1	
28	372838	Retainer	1	
29	372839	Seal, Org	1	
30	372840	Stud	3	
31	32492	Washer, Flat, 0.38 Std	2	
32	39349	Washer, Flat, 0.31 Sae	4	

Fig. 14 - Fumes Disposal Group

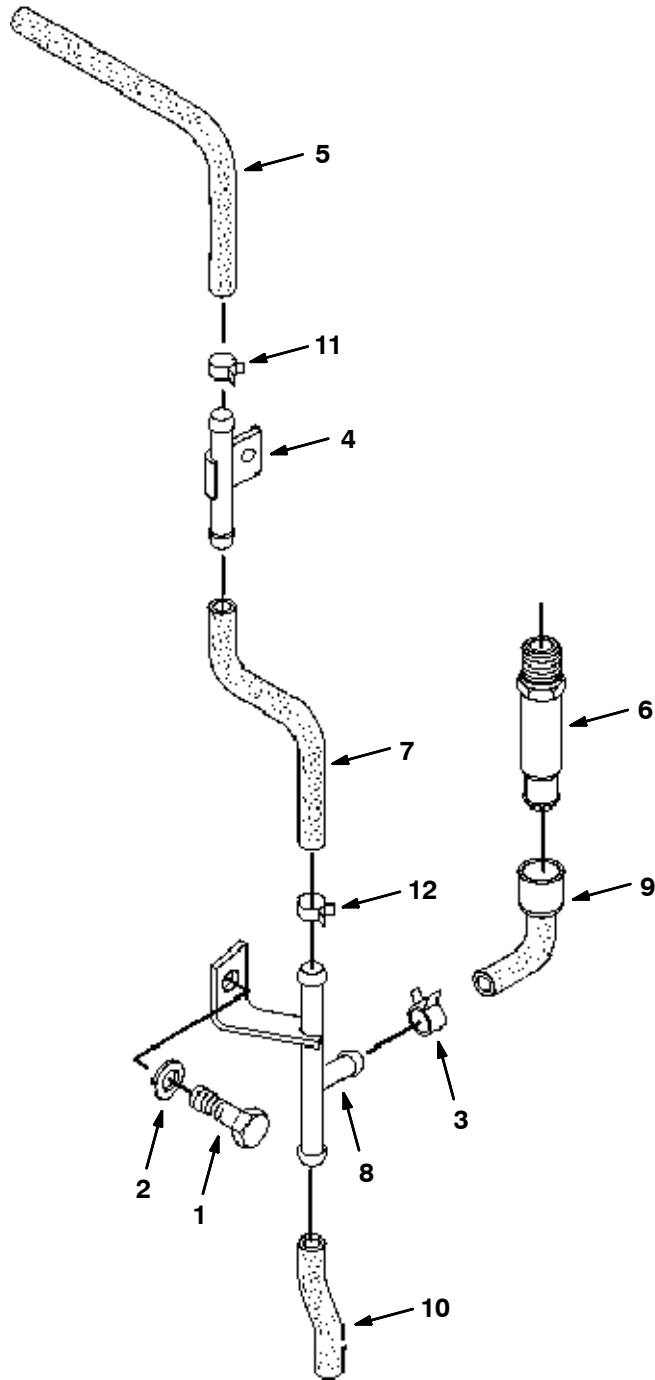
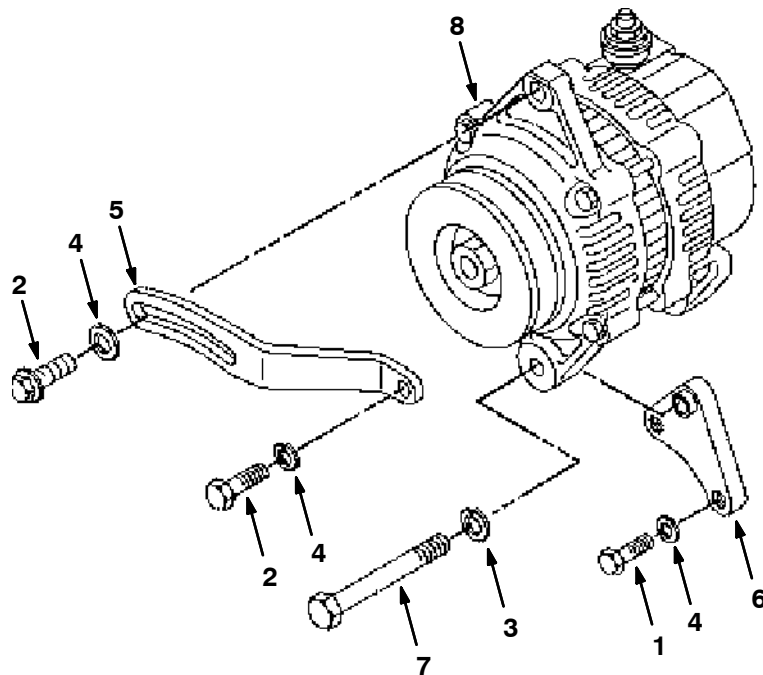


Fig. 14 - Fumes Disposal Group

Ref.	Part No.	Description	Qty.
1	39277	Screw, Hex, M8 X 1.25 X 25mm	1
2	39349	Washer, Flat, 0.31 Sae	1
3	372819	Clip	6
4	372820	Pipe	1
5	372687	Hose, Breather	1
6	372821	Valve, Shutoff	1
7	372688	Hose, Breather	1
8	372822	Pipe, Breather	1
9	372689	Hose, Breather	1
10	372690	Hose, Breather	1
11	372823	Clip	1
12	372824	Clip	1

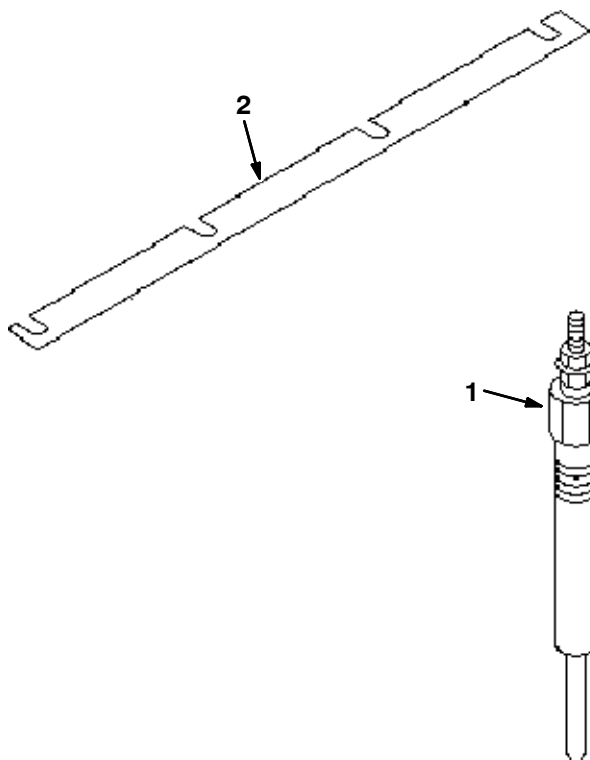
Fig. 15 - Alternator Group



D

Ref.	Part No.	Description	Qty.
1	39277	Screw, Hex, M8 X 1.25 X 25mm	1
2	16931	Screw, Hex, M8 X 1.25 X 20, 8.8	2
3	372655	Washer	1
4	39349	Washer, Flat, 0.31 Sae	3
5	372656	Plate, Adj	1
6	372657	Plate	1
7	372658	Screw, Hex	1
8	372659	Alternator	1

Fig. 16 - Glow Plug Group



Ref.	Part No.	Description	Qty.	D
1	372772	Glow Plug	4	
2	372773	Plate	1	

SECTION 8

Contents	Page
Fig. 1 - Cylinder Block Group	8-2
Fig. 2 - Crankshaft and Piston Group	8-4
Fig. 3 - Cylinder Head and Cover Group	8-6
Fig. 4 - Valve and Rocker Arm Group	8-8
Fig. 5 - Camshaft Group	8-9
Fig. 6 - Front Housing and Gear Group	8-10
Fig. 7 - Flywheel Housing and Starter Group ..	8-12
Fig. 8 - Auxiliary Drive Group	8-13
Fig. 9 - Oil Pan Group	8-14
Fig. 10 - Water Pump and Thermostat Group ..	8-16
Fig. 11 - Cooler Group	8-18
Fig. 12 - Manifold Group	8-19
Fig. 13 - Fuel Group	8-20
Fig. 14 - Fumes Disposal Group	8-22
Fig. 15 - Alternator Group	8-23
Fig. 16 - Glow Plug Group	8-24

Fig. 1 - Cylinder Block Group

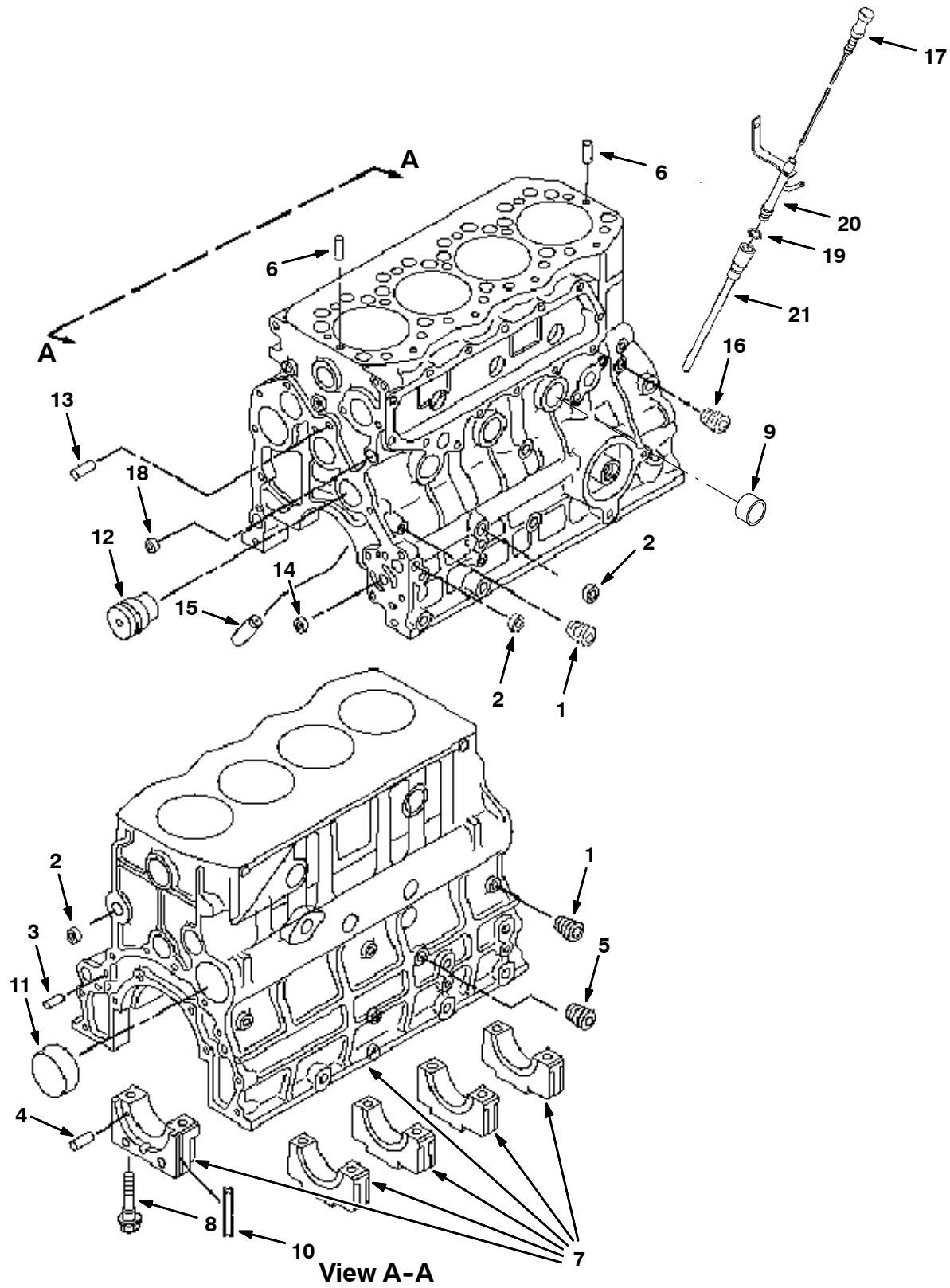


Fig. 1 - Cylinder Block Group

Ref.	Part No.	Description	Qty.	
1	372706	Plug	5	
2	9005198	Cap [Cat 08]	5	
3	372708	Pin	2	
4	372709	Pin, Spring	6	
5	372710	Plug	1	
6	9005197	Pin, Dowel [Cat 08]	2	
▽	7	9005200	Block, Cyl [Cat 08]	1
▲	8	372713	Screw	10
▲	9	9005201	Plug, Clip [Cat 08]	10
10	372715	Seal	2	
11	372716	Plug	1	
12	372717	Shaft, Idler	1	
13	372718	Pin	2	
14	372719	Bushing	1	
15	9005430	Fitting, Orifice, Jet [Cat 08]	1	
16	372721	Plug, Coolant, Eng	1	
17	9005260	Dipstick [Cat 08]	1	
18	9005199	Plug [Cat 08]	1	
19	9005257	Seal [Cat 08]	1	
20	9005259	Guide [Cat 08]	1	
21	9005258	Guide [Cat 08]	1	

Fig. 2 - Crankshaft and Piston Group

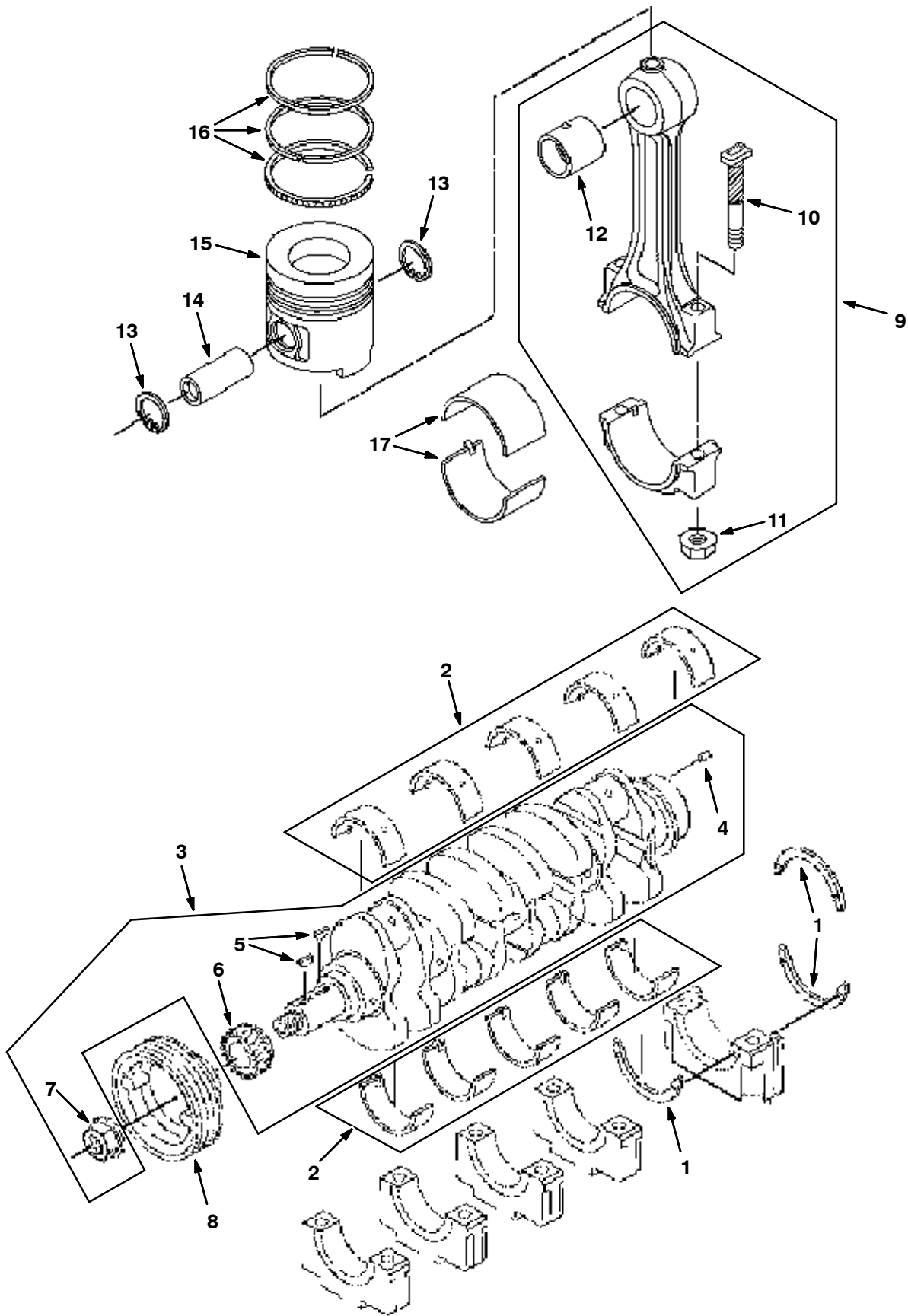


Fig. 2 - Crankshaft and Piston Group

Ref.	Part No.	Description	Qty.	
1	372697	Plate, Thrust, Std	3	
	372698	Plate, Thrust [+0.15mm]	3	
	372702	Plate, Thrust [+0.30mm]	3	
2	372699	Bearing, Rod, Connecting	1	
	9005186	Bearing, Kit [Cat 08]	1	
	9005188	Bearing, Kit [Cat 08]	1	
	9005189	Bearing, Kit [Cat 08]	1	
∇	3	9005196	Crankshaft [Cat 08]	1
▲	4	372704	Pin	2
▲	5	372691	Key	2
▲	6	372705	Gear, 23 Tooth	1
▲	7	372797	Nut	1
	8	9005262	Pulley, Cshaft [Cat 08]	1
∇	9	372737	Rod Assy, Connecting	4
▲	10	372738	Bolt, Rod, Connecting	2
▲	11	372739	Nut	2
▲	12	372740	Bushing	1
	13	9005261	Ring, Snap	8
	14	372742	Pin	4
	15	372743	Piston, Std	4
		372744	Piston [+0.25mm]	4
		372745	Piston [+0.50mm]	4
16	372746	Ring Set, Piston, Std	4	
		372747	Ring Set, Piston [+0.25mm]	4
17	372748	Ring Set, Piston [+0.50mm]	4	
		372749	Bearing, Std	1
		372750	Bearing [-0.25mm]	1
		372751	Bearing [-0.50mm]	1
		372752	Bearing [-0.75mm]	1

Fig. 3 - Cylinder Head and Cover Group

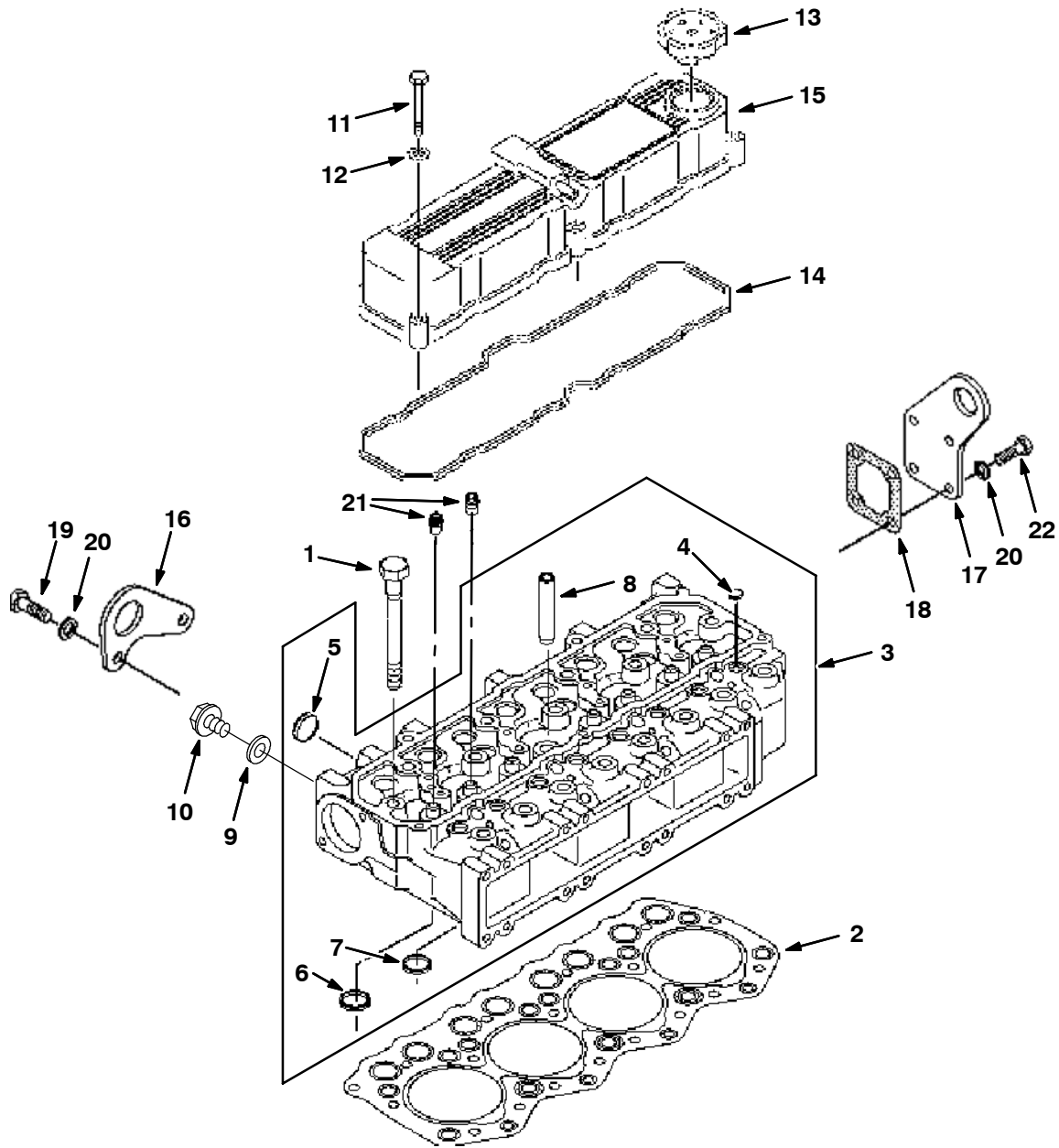
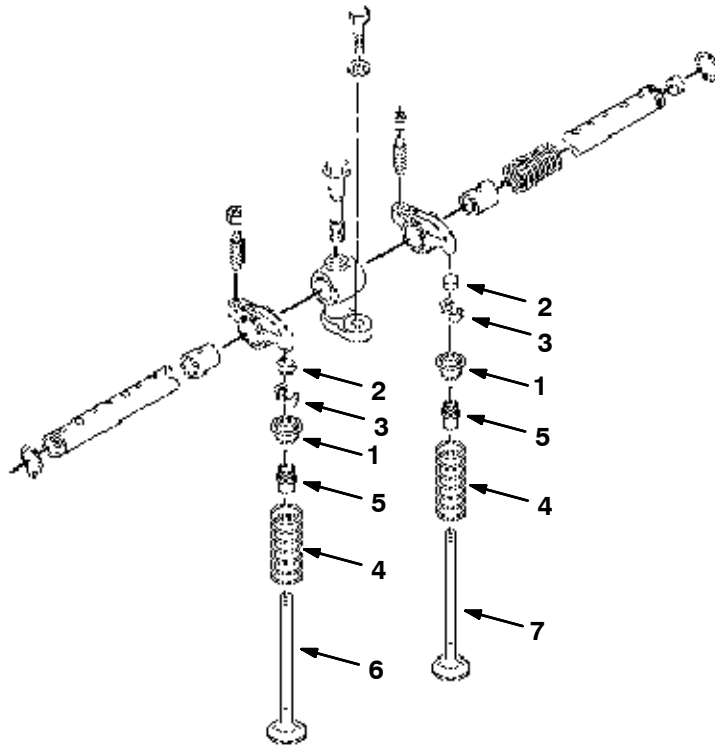


Fig. 3 - Cylinder Head and Cover Group

	Ref.	Part No.	Description	Qty.
	1	372722	Screw, Hex	17
	2	9005206	Gasket, Head [Cat 08]	1
▽	3	9005202	Head, Cyl [Cat 08]	1
▲	4	372724	Cap	8
▲	5	372725	Cap	4
▲	6	9005203	Valve, Seat [Cat 08]	4
▲	7	9005204	Valve, Seat [Cat 08]	4
▲	8	9005205	Valve, Guide [Cat 08]	8
	9	372667	Gasket	1
	10	372732	Plug	1
	11	9005195	Bolt [Cat 08]	5
	12	9005182	Washer, Hard [Cat 08]	5
	13	372796	Cap, Filler, Oil	1
	14	372664	Gasket, Cover, Valve	1
	15	372696	Cover	1
	16	372938	Plate, Lift, Front	1
	17	372939	Plate, Lift, Rear	1
	18	372940	Gasket, Head, Rear	1
	19	9005190	Bolt [Cat 08]	2
	20	9005182	Washer, Hard [Cat 08]	6
	21	9005207	Valve, Seal, Stem [Cat 08]	7
	22	9005183	Bolt [Cat 08]	4

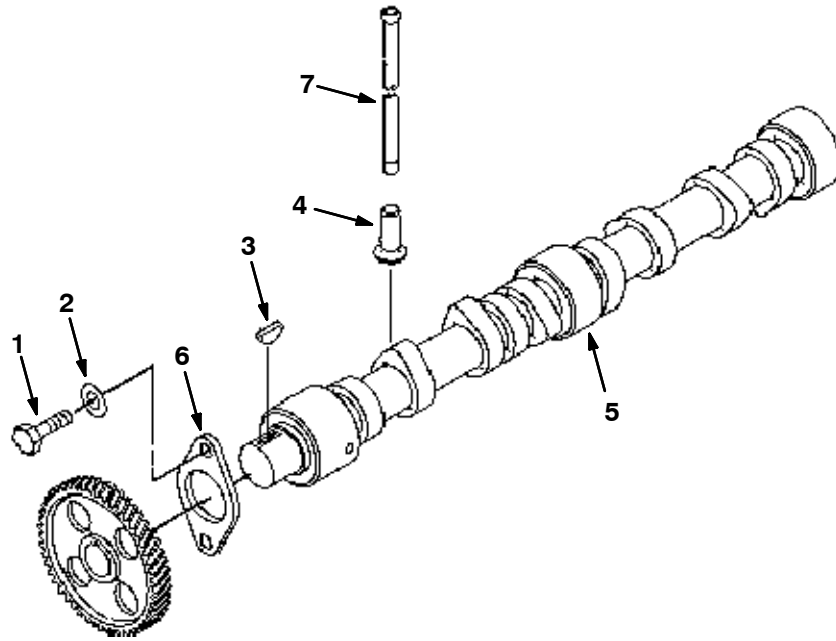
Fig. 4 - Valve and Rocker Arm Group



D

Ref.	Part No.	Description	Qty.
1	372753	Retainer	8
2	372754	Cap	8
3	372767	Retainer	16
4	9005277	Spring [Cat 08]	8
5	9005207	Valve, Seal, Stem [Cat 08]	8
6	372755	Valve, Inlet	4
7	372756	Valve, Exhaust	4

Fig. 5 - Camshaft Group



Ref.	Part No.	Description	Qty.	D
1	9005190	Bolt [Cat 08]	2	
2	9005182	Washer, Hard [Cat 08]	2	
3	372691	Key	1	
4	372692	Tappet	8	
5	372693	Camshaft	1	
6	372694	Plate, Thrust	1	
7	9005191	Rod, Push [Cat 08]	8	

Fig. 6 - Front Housing and Gear Group

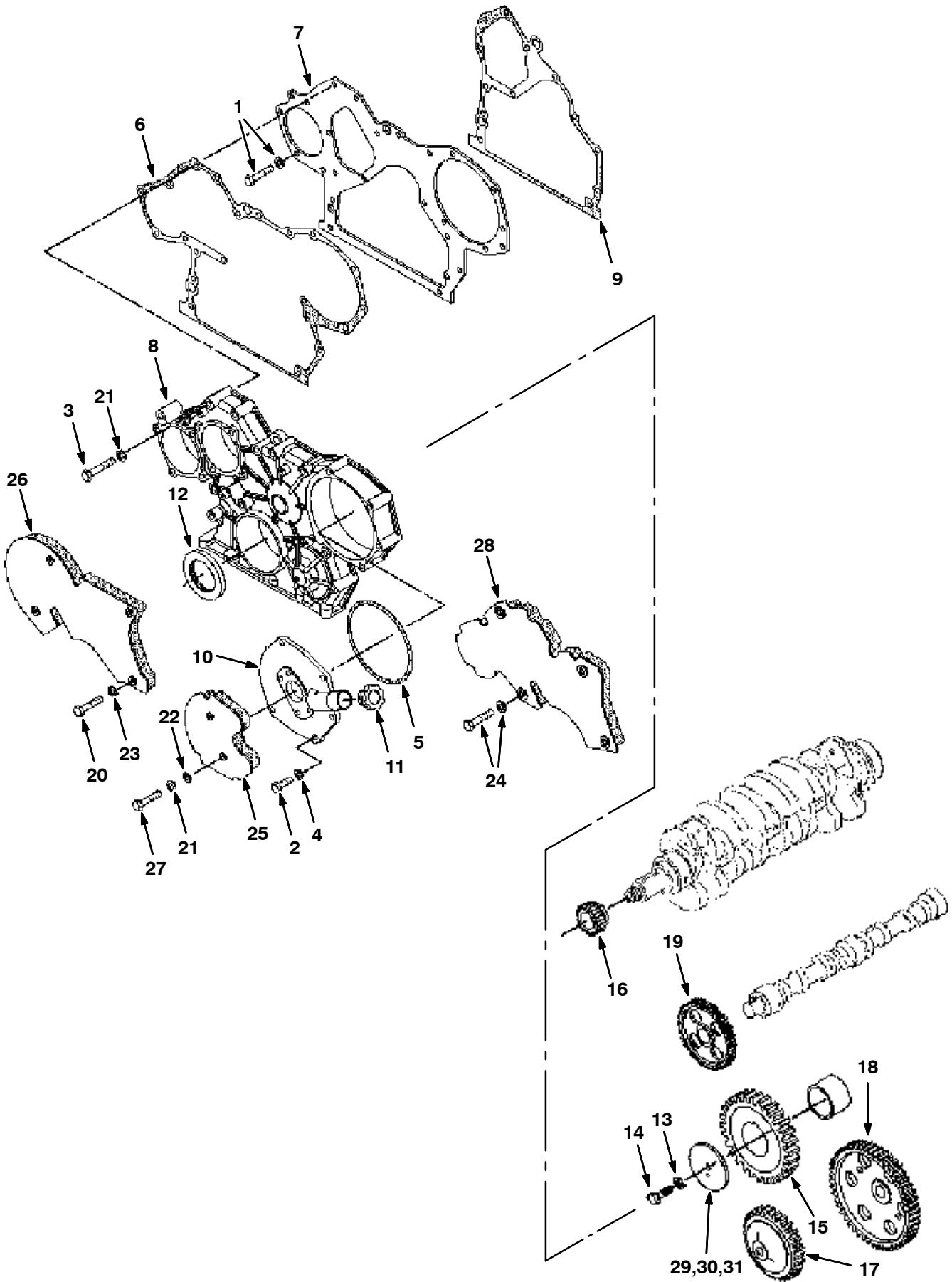
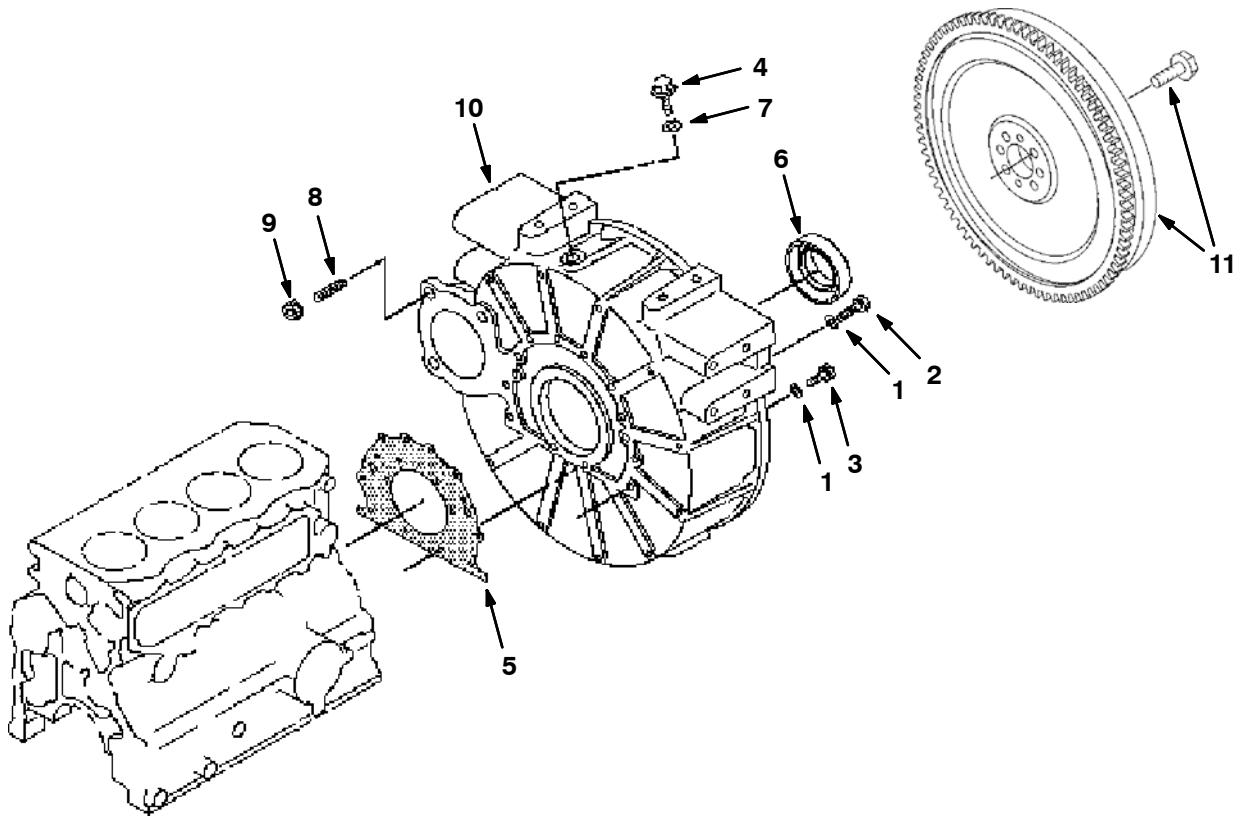


Fig. 6 - Front Housing and Gear Group

Ref.	Part No.	Description	Qty.
1	9005244	Fastener, Cover, Front [Cat 08]	5
2	9005208	Bolt [Cat 08]	5
3	372789	Screw, Hex	13
4	9005185	Washer, Lock [Cat 08]	5
5	372790	Seal, Org	1
6	9005241	Gasket, Cover, Timing [Cat 08]	1
7	9005242	Plate, Back [Cat 08]	1
8	9005240	Housing, Front	1
9	9005243	Gasket, Cover, Timing [Cat 08]	1
10	9005239	Gear, Cover [Cat 08]	1
11	372794	Cap, Filler	1
12	372795	Seal, Crank, Front	1
13	9005220	Washer, Hard [Cat 08]	1
14	9005216	Bolt [Cat 08]	1
15	372775	Gear, Idler	1
16	372776	Gear	1
17	372777	Gear	1
18	372778	Gear	1
19	372779	Gear, Injection, Fuel	1
20	9005231	Bolt [Cat 08]	2
21	9005228	Washer, Hard [Cat 08]	15
22	9005233	Washer [Cat 08]	6
23	9005234	Washer, Lock [Cat 08]	2
24	9005235	Bolt [Cat 08]	4
25	9005236	Insulation, Cover [Cat 08]	1
26	9005237	Insulation, Cover [Cat 08]	1
27	9005238	Bolt [Cat 08]	4
28	9005245	Cover [Cat 08]	1
29	9005217	Shaft [Cat 08]	1
30	9005218	Plate [Cat 08]	1
31	9005219	Bolt [Cat 08]	1

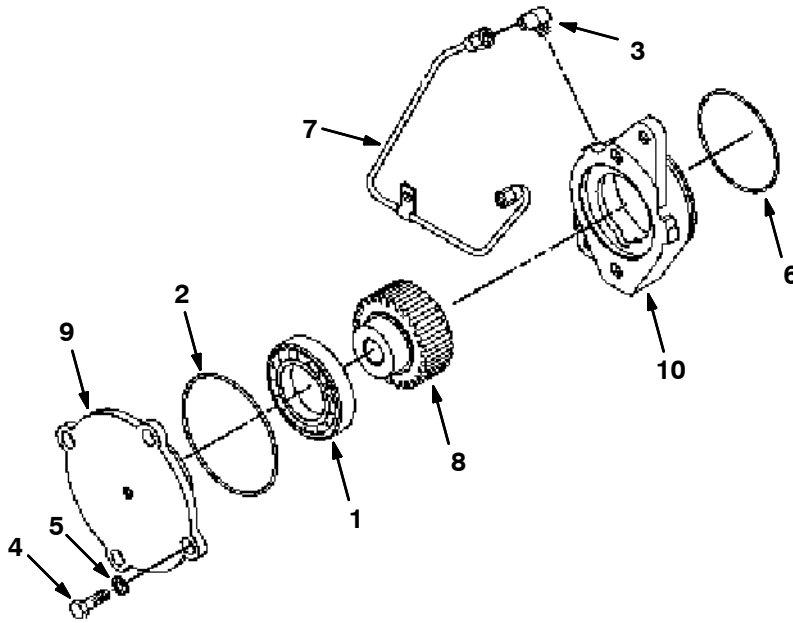
Fig. 7 - Flywheel Housing and Starter Group



D

Ref.	Part No.	Description	Qty.
1	9005228	Washer, Hard [Cat 08]	12
2	9005229	Bolt [Cat 08]	10
3	9005227	Bolt [Cat 08]	2
4	372732	Plug	1
5	372666	Gasket, Rear	1
6	372733	Seal	1
7	372667	Gasket	1
8	372734	Stud	3
9	372735	Nut	3
10	372736	Housing, Flywheel	1
11	372731	Flywheel	1
	372660	Starter	1

Fig. 8 - Auxiliary Drive Group



Ref.	Part No.	Description	Qty.	D
1	372780	Bearing, Ball	3	
2	372781	Seal, Org	1	
3	372782	Fitting, Elbow	2	
4	9005208	Bolt [Cat 08]	7	
5	9005185	Washer, Lock [Cat 08]	7	
6	372783	Seal, Org	2	
7	372784	Tube	1	
8	372785	Gear [Power Take Off]	1	
9	372786	Housing, Brg	2	
10	372787	Housing, Brg	1	

Fig. 9 - Oil Pan Group

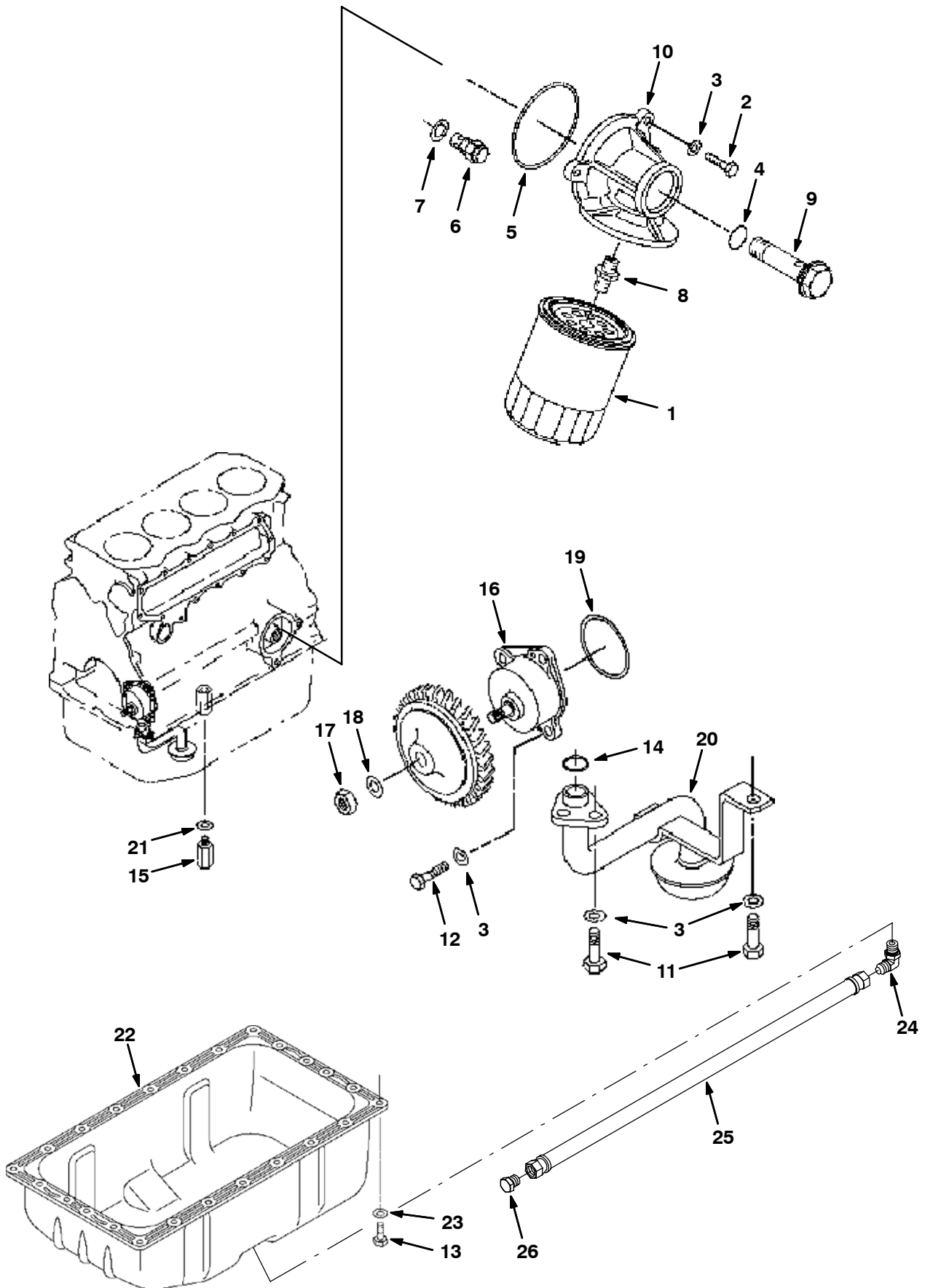


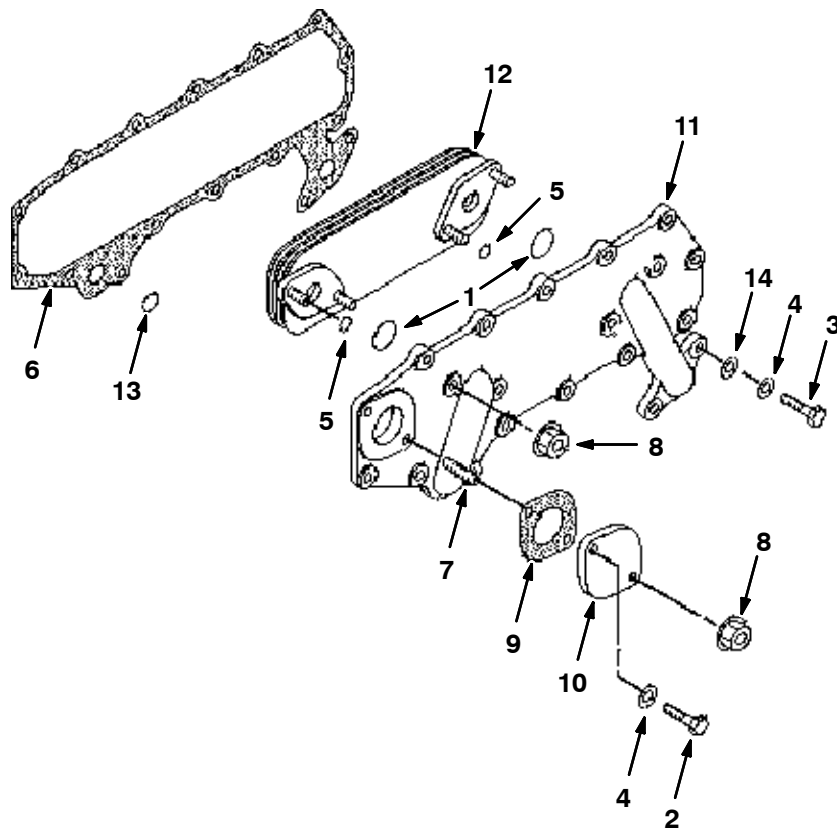
Fig. 9 - Oil Pan Group

Ref.	Part No.	Description	Qty.
1	372654	Filter, Oil, Eng	1
2	9005209	Bolt [Cat 08]	1
3	9005182	Washer, Hard [Cat 08]	8
4	372803	Seal, Org	1
5	372804	Seal, Org	1
6	372805	Valve, Relief	1
7	372669	Gasket	1
8	372806	Fitting, Str	1
9	372807	Screw	1
10	372808	Bracket	1
11	9005190	Bolt [Cat 08]	3
12	9005183	Bolt [Cat 08]	4
13	9005208	Bolt [Cat 08]	25
14	9005194	Seal, Org [Cat 08]	1
15	9005276	Valve, Press, Oil [Cat 08]	1
16	372768	Pump, Oil	1
17	372769	Nut	1
18	9005263	Washer [Cat 08]	1
19	372770	Seal, Org	1
20	372771	Strainer, Oil	1
21	372670	Gasket	1
22	372800	Pan, Oil, W/ Gasket	1
23	9005185	Washer, Lock [Cat 08]	25
24	1046796	Fitting, Hyd, E90, Metric, Spcl	1
25	76762	Hose, Hyd, Low06, Jf06str/Jf06str, 026.0	1
26	19747	Fitting, Hyd, Plug, Jm06	1

Fig. 10 - Water Pump and Thermostat Group

Ref.	Part No.	Description	Qty.
1	9005269	Bolt [Cat 08]	4
2	9005228	Washer, Hard [Cat 08]	5
3	9005221	Bolt [Cat 08]	2
4	372674	Gasket, Coolant	1
5	372814	Thermostat [Cat]	1
6	9005225	Cover, Thermostat [Cat 08]	1
7	9004035	Regulator, Temp, Coolant	1
8	9004033	Hose	1
9	9004034	Clamp, Hose	2
10	9005238	Bolt [Cat 08]	1
11	9003796	Pump, Water	1
12	9005224	Gasket, Thermostat [Cat 08]	1
13	372667	Gasket	2
14	372732	Plug	2
15	9005222	Bolt [Cat 08]	1
16	9005223	Bolt [Cat 08]	1
17	9005182	Washer, Hard [Cat 08]	9
18	372802	Pulley	1
19	372653	Belt, Pump, Water	1
20	9005181	Bolt [Cat]	4

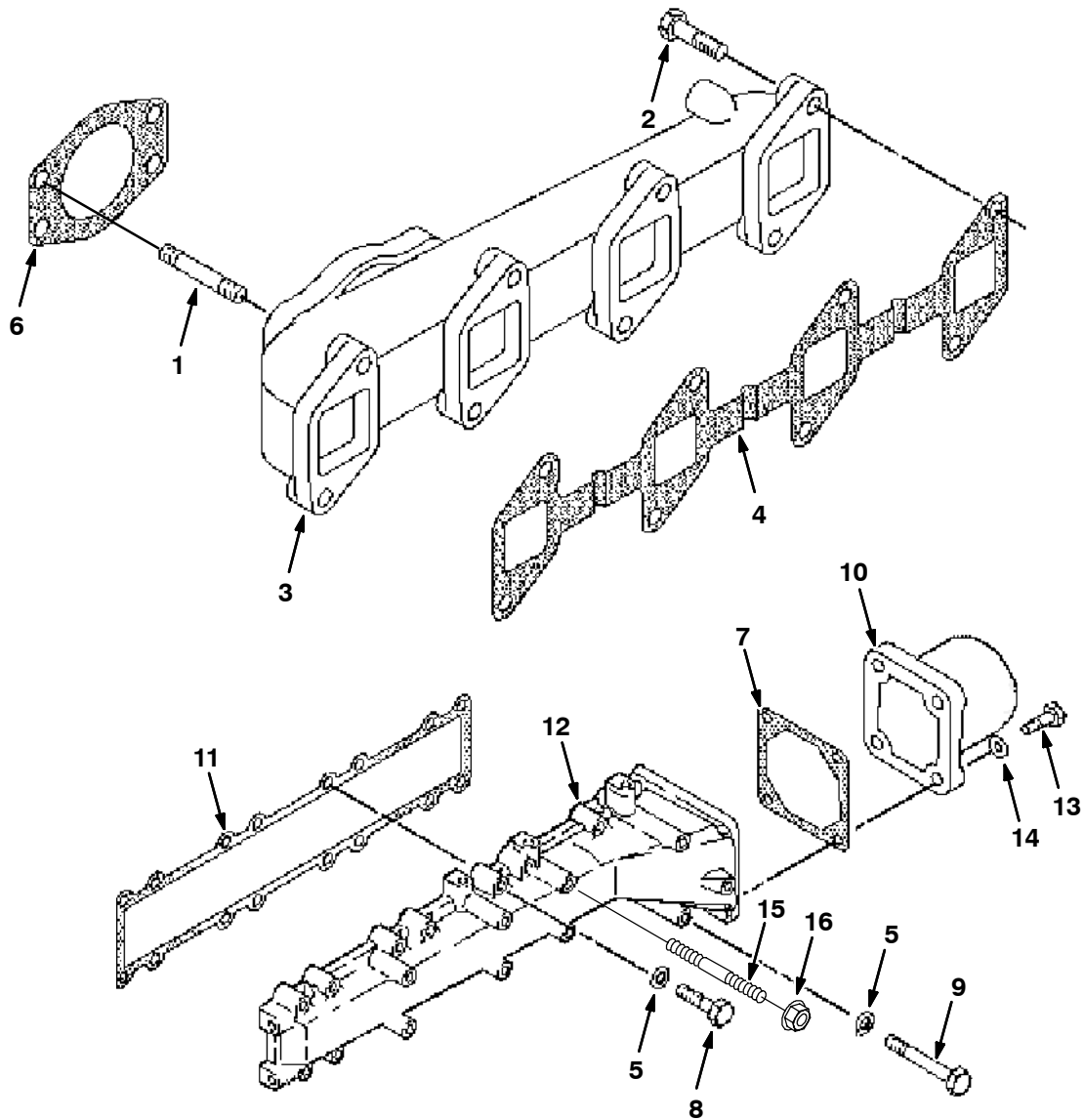
Fig. 11 - Cooler Group



D

Ref.	Part No.	Description	Qty.
1	372825	Seal, Org	2
2	9005192	Bolt [Cat 08]	1
3	9005193	Bolt [Cat 08]	15
4	9005182	Washer, Hard [Cat 08]	16
5	372826	Seal, Org	4
6	372671	Gasket, Cover, Side	1
7	372827	Stud	1
8	9005256	Nut, Flng [Cat 08]	5
9	372672	Gasket, Heater, Water	1
10	372829	Cover	1
11	372830	Cover	1
12	372831	Cooler	1
13	9005194	Seal, Org [Cat 08]	2
14	9005185	Washer, Lock [Cat 08]	15

Fig. 12 - Manifold Group



Ref.	Part No.	Description	Qty.
1	372661	Stud	4
2	9005184	Bolt [Cat 08]	8
3	9005251	Manifold, Exhaust [Cat 08]	1
4	372677	Gasket, Manifold	1
5	9005185	Washer, Lock [Cat 08]	16
6	372678	Gasket, Exhaust	1
7	372679	Gasket	1
8	9005253	Bolt [Cat 08]	14
9	9005252	Bolt [Cat 08]	2
10	9005210	Elbow, Air, Inlet [Cat 08]	1
11	372680	Gasket	1
12	9005254	Manifold, Inlet [Cat 08]	1
13	9005209	Bolt [Cat 08]	4
14	9005182	Washer, Hard [Cat 08]	4
15	9005255	Stud [Cat 08]	1
16	9005256	Nut, Flng [Cat 08]	1

Fig. 13 - Fuel Group

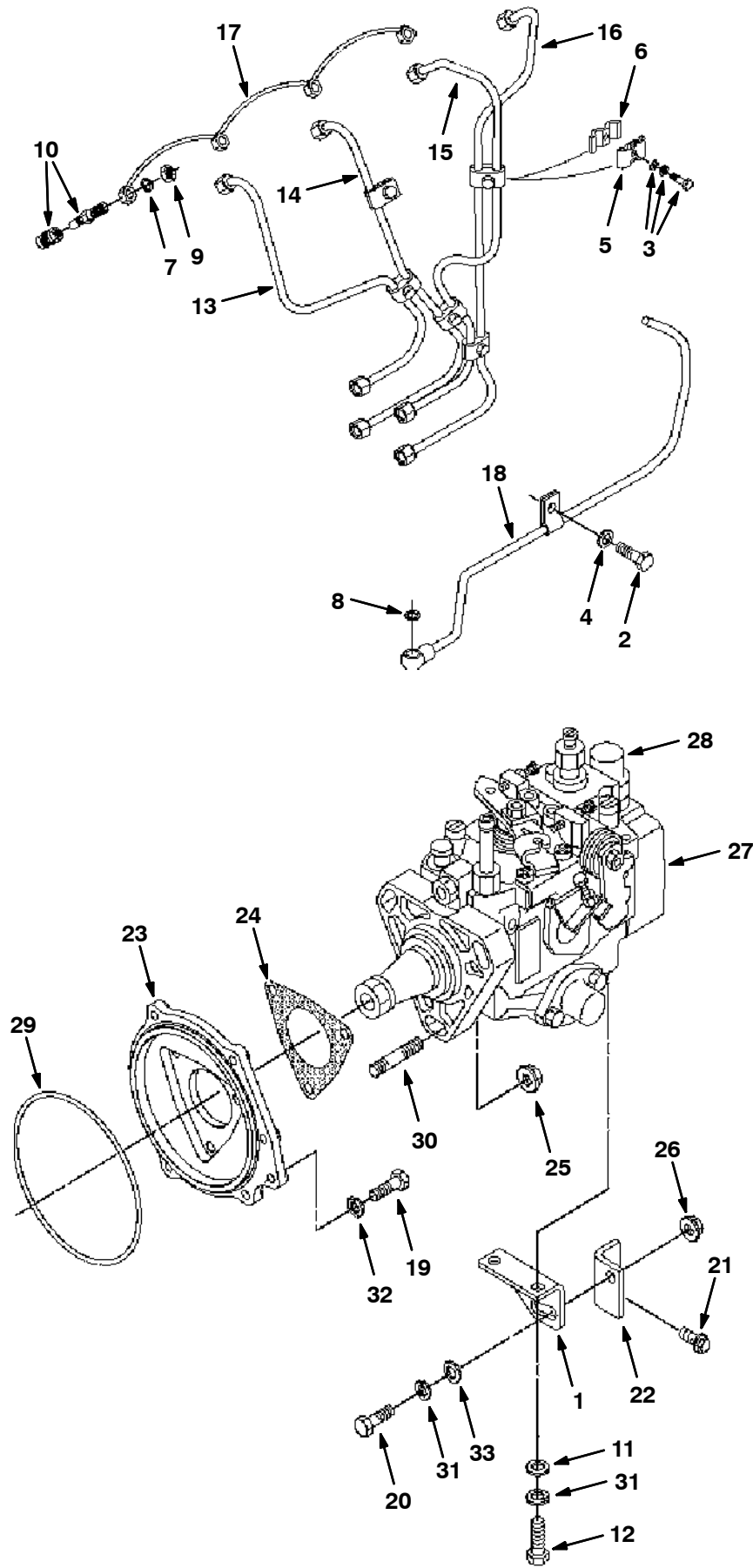
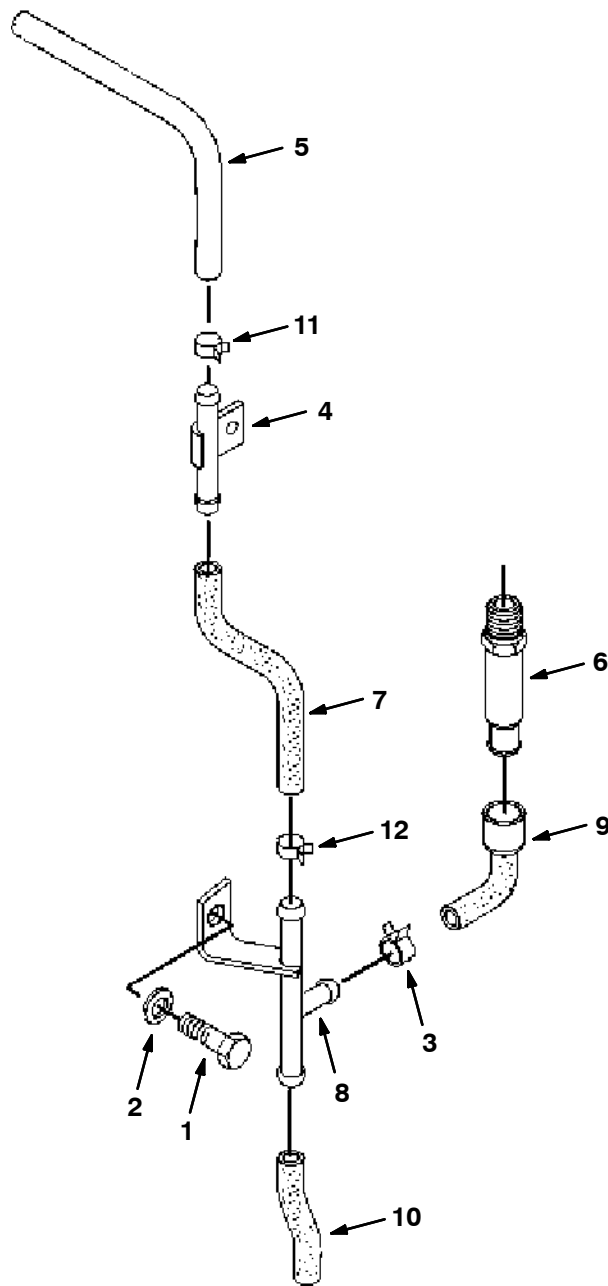


Fig. 13 - Fuel Group

Ref.	Part No.	Description	Qty.	
1	372838	Retainer	3	
2	9005208	Bolt [Cat 08]	1	
3	9005248	Bolt Assy [Cat 08]	3	
4	9005185	Washer, Lock [Cat 08]	1	
5	372841	Clamp	3	
6	372842	Clamp	3	
7	372681	Gasket	4	
8	372682	Gasket	4	
9	9005249	Nut [Cat 08]	4	
10	9005250	Nozzle, Injection [Cat 08]	4	
11	9005220	Washer, Hard [Cat 08]	2	
12	9005264	Bolt [Cat 08]	2	
13	372846	Fueline, Cyl #1	1	
14	372847	Fueline, Cyl #2	1	
15	372848	Fueline, Cyl #3	1	
16	372849	Fueline, Cyl #4	1	
17	372850	Fueline, Bleeder	1	
18	372851	Fueline, Return	1	
19	9005183	Bolt [Cat 08]	1	
20	9005229	Bolt [Cat 08]	1	
21	372834	Screw, Hex	1	
22	372835	Bracket	1	
23	372836	Flange	1	
24	372683	Gasket	1	
25	9005256	Nut, Flng [Cat 08]	3	
26	372735	Nut	1	
▽	27	9005504	Pump, Injection, Fuel [Cat 08]	1
▲	28	9005266	Solenoid [Cat 08]	1
	29	372839	Seal, Org	1
	30	372840	Stud	3
	31	372655	Washer	3
	32	9005182	Washer, Hard [Cat 08]	1
	33	9005265	Washer [Cat 08]	1

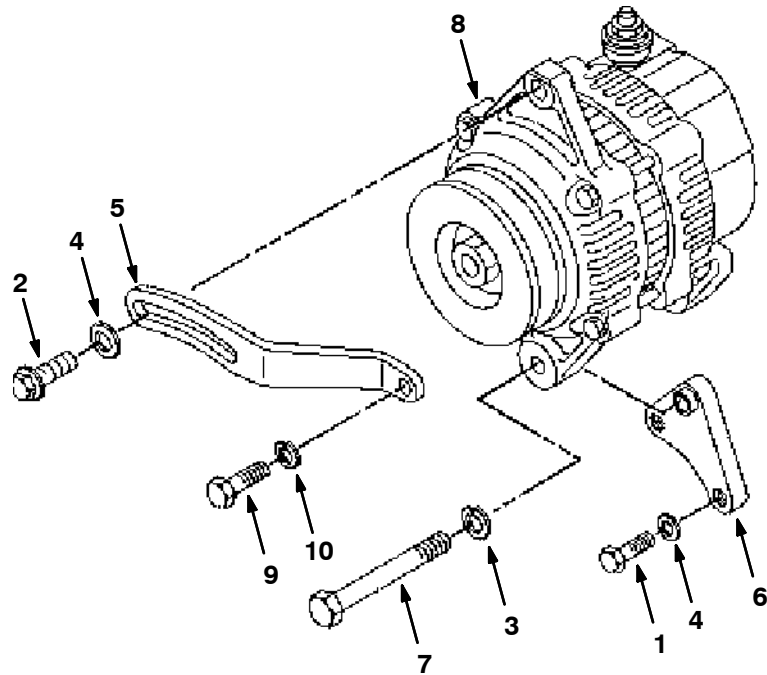
Fig. 14 - Fumes Disposal Group



D

Ref.	Part No.	Description	Qty.
1	9005181	Bolt [Cat]	1
2	9005185	Washer, Lock [Cat 08]	1
3	372819	Clip	6
4	372820	Pipe	1
5	9005215	Pipe, Breather [Cat 08]	1
6	372821	Valve, Shutoff	1
7	372688	Hose, Breather	1
8	372822	Pipe, Breather	1
9	372689	Hose, Breather	1
10	372690	Hose, Breather	1
11	372823	Clip	1
12	372824	Clip	1

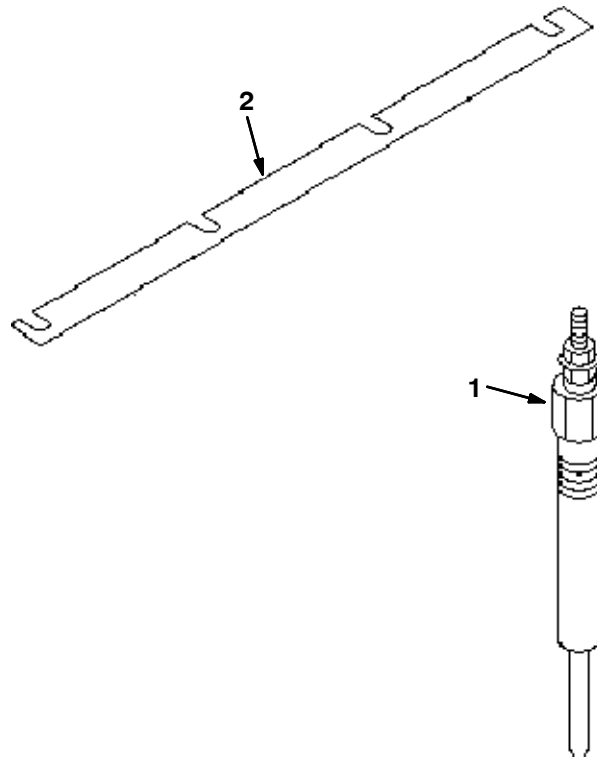
Fig. 15 - Alternator Group



Ref.	Part No.	Description	Qty.
1	9005181	Bolt [Cat]	1
2	9005183	Bolt [Cat 08]	1
3	372655	Washer	1
4	9005182	Washer, Hard [Cat 08]	2
5	372656	Plate, Adj	1
6	372657	Plate	1
7	372658	Screw, Hex	1
8	372659	Alternator	1
9	9005184	Bolt [Cat 08]	1
10	9005185	Washer, Lock [Cat 08]	1

D

Fig. 16 - Glow Plug Group



D

Ref.	Part No.	Description	Qty.
1	372772	Glow Plug	4
2	372773	Plate	1

SECTION 9

CONTENTS

PAGE

PART NUMBER TO PAGE NUMBER CROSS REFERENCE LIST 8-2
PART DESCRIPTION TO PAGE NUMBER CROSS REFERENCE LIST 8-16

CROSS REFERENCE

PART NUMBER TO PAGE NUMBER CROSS REFERENCE LIST

Part Number	Page Number	Part Number	Page Number	Part Number	Page Number
SK1288	4-32	03233	2-35	07934	3-26
SK2222	2-33	03292B	3-14	08099	2-113
SK2223	2-32	03391	3-3	08100	2-113
SK2498	4-4, 4-5	03393	3-3, 3-31	08165	2-51
SK2499	4-4	03395	3-40	08174	2-15
SK2500	4-4	03401	3-3	08175	2-121
00500-15	4-24, 4-25	03402	3-5	08178	2-43
00500-20	2-23, 2-27	03404	3-13	08228	2-115
00500-5	2-35	03408	3-40	08298	2-113
00911	2-109	03409	3-40	08329	2-31
00912	4-31	03706	3-11	08708	2-43, 2-67
00966	2-109	03711	4-5, 4-6	08791	2-17, 3-5
01433-1	2-2, 2-3	03823	3-11, 3-23, 3-29	08891	2-35
01666	4-28	03838	4-5	08892	2-35
01668	4-28	03922	2-109	09088	2-32
01685	2-45, 7-15	03977	2-57, 2-59	09164	2-67
01686	2-19, 2-23, 2-121	03992	3-18	09294	2-69
01692	2-19	04020	2-57, 2-59, 2-61	09311	2-109
01736	2-7, 2-11	04048	2-31	09314	2-109
01818	4-28	04185	4-27	09384	3-21
01844	2-35	04198	4-27	09385	3-15
02076	2-35	04210	2-31	09626	2-121
02281	3-25	04431	2-113, 4-30	09905	2-115
02412	4-31	04477	4-30	1008142	3-5
02430	4-7	04499	4-30	1008894	2-7, 2-123
02431	2-103, 2-105	04525	4-27	10100	5-7
02446	3-5	04595	3-40	1010735	2-41
02449	3-26	04597	3-40	1010738	2-41
02450	3-26	04598	3-40	1010739	2-41
02452	3-25	04601	2-57, 2-59	1010843	2-41
02455	2-2	04733-12	2-15	1011002	2-69
02456	2-2	05178	3-25	1011676	2-41
02457	2-2	05492	3-26	1011701	2-41
02458	2-2	05880	2-47, 2-49, 2-51	1011727	2-109
02460	2-2	06223	2-2, 2-3	1011916	2-61
02462	2-3	06227	2-2	1011917	2-61
02464	2-113	06229	2-2, 2-3	1011973	2-41
02506-6	3-35	06279	2-15	10120	2-32
02519	4-27	06332	2-2, 2-3	1012112	2-61
02520	4-27	06418	2-24, 2-25, 2-113	1012146	2-51
02534	3-26	06507	2-35, 2-39	1012147	2-69
02535	3-26	06573	2-23, 2-27	1012148	2-69
02536	4-27	06750	3-26	1012149	2-55
02543	2-74	06845	2-113	1012192	2-41
02582	4-3	06846	2-113	1012721	2-55
02583	4-3	06942	2-43	1012738	2-61
02586	3-5	06944	7-23	1013129	2-9
02589	2-15	06956	7-17	1013334	2-55
02597	3-3	06958	7-17	1013340	3-26
02683	2-73	06961	7-23	1013367	2-55
02817	3-5	06962	7-11	1013590	2-51
02818	3-5	06968	2-41	1014394	2-69
02819	3-5	07259	2-113	1014573	2-69
02938	3-9	07422	2-103, 3-9, 3-15, 3-31, 3-32, 3-39	10149	2-121
02984	2-24, 2-25			10150	2-121
02997	2-5	07423	2-103	1015338	2-81
03026	2-53, 2-55	07484	3-5	1015379	2-105
03192	2-41, 7-12	07875	2-57, 2-59	1015389	2-105

CROSS REFERENCE

Part Number	Page Number	Part Number	Page Number	Part Number	Page Number
1015430	2-9	12784	5-9	16713	2-57
1015517	2-9	12876	2-4	16735	2-51, 7-9, 7-11, 7-13, 7-15, 7-23
1015762	2-41	12959	2-47, 2-49, 2-51	16820	2-65
1015770	2-55	13015-1	2-62	16848	2-106
1016010	2-77	13015	2-63	16851	5-13
1016044	2-9	13611	2-113	16852	5-13
1016171	2-55	13907	4-9, 4-13	16855	5-13
1016383	2-41	13959	3-15, 3-32	16928	2-120
1016827	2-61	14131	2-57, 2-59	16930	2-46
1017126	2-3, 2-61	14215	3-15	16931	2-35, 2-61, 7-7, 7-15, 7-23, 7-26
1017231	2-9	14330	2-33	16933	2-36
1017358	2-11	14331	2-33	16936	2-62
1017573	2-11	14432	2-52, 3-29	16949	2-9, 2-11, 2-59, 2-105
1017594	2-9	14595-1	2-34	16950	2-59
1017600	2-11	14601	2-34	16953	2-9, 2-77
1017731	2-11	14605	2-34, 2-77	17269	2-29
1017734	2-11	14700-1	2-29	18595	3-3
1017736	2-11	14700-2	2-29	19064	2-11
1018449	2-11	14700-3	2-29	19065	2-105
1018451	2-11	14700-4	2-29	19066	2-43
1027531	2-51	14700	2-29	19309	2-11
1028058	2-15, 2-121	14817	2-17	19310	2-105, 3-9
1033897	2-61	14877	3-3, 3-5	19313	2-62
10392	3-42	15331	2-113	19315	2-105
1040607	2-41	15398	2-15	19316	2-61, 2-69, 2-105
1045764	2-69	15543	2-53	19317	2-9, 2-11
10464	2-109	15555-2	2-61	19321	2-11
1046796	8-15	15724	3-18	19659	2-113
1049364	2-39	15785	2-34	19747	8-15
10509	2-53	15806	2-35	20021	2-35, 2-121
1055106	2-41	16153	5-7	20983	2-67
1057708	2-2, 2-3	16400	2-109	21194	2-9
1057711	2-2, 2-3	16411	2-3	21195	2-77
1057970	3-3	16412	2-3	21197	2-9
1058454	3-3	16418	3-20, 3-21, 3-34	21198	2-9, 2-49, 2-59, 2-67
10632-1	2-74	16419	3-20, 3-21, 3-34	21660	4-7
10632-12	2-7	16420	3-20, 3-21, 3-34	21661	4-7
10632-19	2-21, 3-15, 3-32	16421	3-20, 3-34	21690	2-103
10632-5	3-21	16422	3-20, 3-21, 3-34	21726	2-47, 2-49, 2-51
10664	2-79	16423	3-20, 3-21, 3-34	21782	5-9
10701	3-15, 3-19, 3-20, 3-21, 3-32, 3-33, 3-34	16440	3-9	21796	6-3, 6-29
10829	2-29	16456	2-77	21909	4-19
11048	2-15	16472	2-45	21910	4-19
11399	2-17, 2-67, 3-3, 3-5, 3-25, 3-37	16485	3-3, 4-7	21911	4-19
11442-10	3-25	16490	2-35	21912	4-17, 4-19
11442-7	3-5	16496	2-47	21913	4-19
11442-8	3-5	16497	2-52	21914	4-17, 4-19
11476	2-19, 2-21	16499	2-35	22134	2-81
11531	2-2, 2-3, 2-65, 2-69, 3-11	16511	3-20, 3-34	22290	2-81
11716	2-15	16513	3-19, 3-33	22297	2-2, 2-3, 2-13, 2-24, 2-25, 2-53, 2-55, 2-115
11869	3-25	16551	2-34	22604	2-74, 4-23
11870	3-5	16552	2-35	22640	3-19, 3-33
11893	2-63	16556	2-34	23191	2-13
11979	2-36, 2-39	16557	2-34	23498	2-2, 2-3, 2-109, 2-115, 2-117, 3-11, 3-13
11984	2-53, 2-55	16562	2-57	23515	2-17, 3-5
12072	2-17, 3-5	16563	2-57, 2-59	23563	3-5
12074	2-17, 3-5	16667	2-103		
		16669	2-5		
		16695	4-24, 4-25		
		16706	5-5		

CROSS REFERENCE

Part Number	Page Number	Part Number	Page Number	Part Number	Page Number
23999-8	2-35	27981	2-9, 2-67	32524	2-15
24012-1	2-47, 2-49, 2-51	27994	3-3	32552	2-36, 2-39
24298	3-15, 3-32	28296	2-43	32575	2-7
24339	2-30, 2-111	28835	4-24	32580	2-7, 2-11
24427	3-15, 3-32	29035	3-5	32587	2-57, 2-59
24576-1	3-19, 3-33	29832-7	2-35, 2-39	32590	2-57, 2-59
24576	3-19, 3-33	30035	5-16	32724	2-113
24584	3-26	30036	5-17	32759	2-77
24591	3-36	310580	2-62	32761	2-77, 4-28
24592	3-3, 3-31, 3-39	31260	3-5	32798	3-9
24593	2-7, 2-9	31313	2-17	32808	2-57, 2-59
24594	2-11	31354	4-24, 4-25	32814	2-36
24698	2-39, 2-41	31377	4-24, 4-25	32975	2-11
25014	2-32	31382	4-24, 4-25	32978	2-105
25046	2-69	31556	2-74, 4-29	32981	2-61, 2-77
25048	2-77	31557	2-75	32983	2-11, 2-45, 2-49, 2-51, 2-55
25179	2-65	31559	2-3	32984	2-61
25181	2-83	31565	2-73	32985	2-69, 2-120
25182	2-83	31570	2-73	32988	2-49
25183	3-15, 3-32	31575	2-77, 4-27	330670	3-42
25184	2-83	31592	2-65	33308	4-5
25185	3-8	31597	2-73	33327	3-3, 4-6
25186	2-6, 2-9	31598	2-73	33510	2-121
25189	2-109	31600	2-73	33580	4-23
25195	2-24	31602	2-73	33692	3-25
25207	2-109	31603	2-73	33743	2-121
25212	2-109	31610	2-73	33744	2-121
25216	2-109	31611	2-73	33745	2-121
25219	2-15	31613	2-3, 2-75	33746	2-121
25220	2-15	31634	2-21	33747	2-121
25312	3-35, 3-36	31638	4-29	33748	2-121
25359	2-109	31639	4-29	33749	2-121
25360	2-115, 3-11	31642	4-27	33778	3-25
25364	2-109	31643	4-27	33782	3-21
25365	2-109	31668	2-6, 2-9	33783	3-21
25373	2-109	31672	2-73	34065	2-35
25383	2-109	31705	2-111	34159	4-11, 4-15
25384	2-109	31940	5-7	34178	4-23
25632	2-109	31960	3-34	34179	4-23
25636	2-109	32117	2-6, 2-9, 2-119	34194	2-35
25637	2-109	32126	2-31, 2-111	34351	2-73
25639	2-109	32415	2-120	34359	2-15
25640	2-109	32435	2-57, 2-59	34365	2-45
25649	2-2, 2-3, 2-117, 3-13	32436	2-57, 2-59	34375	3-18
25656	2-2	32477	2-32	34429	5-15
25663	2-2	32483	2-9, 2-61, 7-23	34640	5-14
26015	2-2	32485	2-49	34752	5-16
26156	2-13	32486	2-9, 2-19, 2-21, 2-78	34792	3-42
26315	2-33	32490	2-9, 2-43, 2-67, 2-69, 2-105	34796	5-14
26523	2-103, 2-105	32491	2-9, 2-11, 2-39, 2-45, 2-46, 2-49, 2-51, 2-55, 2-59, 2-61, 2-62, 2-67, 2-69, 7-7	34801	2-106
26565	2-15, 2-17, 2-35, 2-77, 3-5			34802	2-106, 2-107
26663	2-33			34803	2-106, 2-107
27474	2-7, 2-123			34804	2-106
27792	4-24	32492	2-9, 2-41, 2-49, 2-51, 2-67, 2-121, 7-11, 7-12, 7-15, 7-23	34810	2-103, 2-105
27977	3-3			34813	2-103, 2-105
27978	2-9, 2-11, 2-61, 2-69			34820	2-105
27979	2-9, 2-59, 2-67	32493	2-23, 2-27, 2-41, 2-67, 2-120	34833	2-35
27980	2-9, 2-59, 2-67, 2-77, 2-109	32517	2-105	34841	2-106, 2-107
				34866	2-106, 2-107

CROSS REFERENCE

Part Number	Page Number	Part Number	Page Number	Part Number	Page Number
34873	5-15	369138	6-11	369201	6-3
34876	5-7	369140	6-3, 6-11	369202	6-15
34877	2-36	369141	6-11	369203	6-15
34908	2-47	369142	6-15	369204	6-15
34954	2-35	369143	6-5	369205	6-11
35033	2-74, 2-78	369144	6-13	369206	6-7
35586	2-74	369145	6-5	369207	6-5
35980	2-41	369146	6-11	369208	6-5
36050	2-3, 2-59	369147	6-15	369209	6-3
36328	2-24, 2-25, 2-121	369148	6-15	369210	6-17
36417	2-35	369149	6-7	369211	6-23
364608	2-69	369150	6-7	369212	6-23
364609	2-69	369151	6-9	369213	6-15
36466	2-121	369152	6-9	369214	6-25
36644	2-115, 2-117, 3-11, 3-13	369153	6-7	369216	6-21
368132	2-67	369154	6-17	369217	6-11
369000	6-25	369155	6-14	369223	6-27
369001	6-15	369156	6-23	369224	6-11
369002	6-9	369157	6-13	369226	6-17
369003	6-23	369158	6-15	369227	6-23, 6-28
369004	6-11	369159	6-7	369228	6-7, 6-28
369005	6-9	369160	6-9	369229	6-26, 6-28
369006	6-15	369162	6-15	369230	6-25, 6-28
369007	6-11	369163	6-15	369231	6-17
369008	6-15	369164	6-21	369232	6-11, 6-29
369009	6-29	369165	6-15	369233	6-17, 6-28
369010	6-23	369166	6-9	369234	6-25, 6-28
369012	6-13	369167	6-15	369235	6-11, 6-29
369014	6-25	369168	6-15	369236	6-11, 6-29
369015	6-15	369169	6-5	369237	6-3
369016	6-9	369170	6-7	369238	6-3
369018	6-12	369171	6-3	369239	6-23
369019	6-3	369172	6-5	369240	6-23
369020	6-11	369173	6-7	369241	6-15
369022	6-15	369174	6-11	369242	6-15
369023	6-9	369175	6-15	369243	6-9
369025	6-11	369176	6-15	369244	6-25
369026	6-15	369177	6-15	369245	6-23
369027	6-13, 6-29	369178	6-17	369246	6-25
369028	6-25, 6-29	369179	6-13	369247	6-25
369029	6-25, 6-29	369181	6-13	369248	6-26
369030	6-17, 6-28	369182	6-3	369249	6-9
369031	6-11	369183	6-14	369250	6-15
369032	6-3	369184	6-15	369251	6-11
369034	6-25	369185	6-23	369253	6-15
369035	6-11	369186	6-15	369254	6-9
369036	6-3	369187	6-9	369255	6-13
369037	6-11	369188	6-15	369256	6-13
369038	6-15	369189	6-15	369257	6-11
369039	6-15	369190	6-15	369258	6-27
369040	6-15	369191	6-15	369259	6-17, 6-28
369089	6-18	369192	6-15	369260	6-11, 6-15
369090	6-18	369193	6-15	369261	6-7
369131	6-27	369194	6-15	369262	6-17, 6-18
369132	6-5	369195	6-9	369263	6-17
369133	6-13	369196	6-11	369268	6-15
369134	6-9	369197	6-7	369269	6-15
369135	6-15	369198	6-7	369270	6-15
369137	6-5	369199	6-23	369271	6-17
		369200	6-7	369272	6-15

CROSS REFERENCE

Part Number	Page Number	Part Number	Page Number	Part Number	Page Number
369273	6-17	371587	2-39	372667	7-12, 7-17, 8-7, 8-12, 8-17
369274	6-17	371588	2-39	372668	7-15
369275	6-17	371589	2-39	372669	7-15, 8-15
369276	6-17	371590	2-39	372670	7-15, 8-15
369277	6-17	371594	2-67	372671	7-19, 8-18
369278	6-26, 6-28	371595	2-67	372672	7-19, 8-18
369279	6-15	371596	2-67	372673	7-17
369280	6-25	371597	2-46	372674	7-17, 8-17
369281	6-17	371598	2-46	372676	7-17
369282	6-14	371599	2-46	372677	7-21, 8-19
369283	6-29	371600	2-39	372678	2-51, 7-21, 8-19
369284	6-5	371601	2-3, 2-46	372679	7-21, 8-19
369285	6-28	371602	2-45, 7-15	372680	7-21, 8-19
369286	6-5	371603	2-45, 7-15	372681	7-23, 8-21
369287	6-5	371604	7-15	372682	7-23, 8-21
369289	6-3	371606	2-39	372683	7-23, 8-21
369290	6-7	371607	2-53	372684	7-11
369292	6-9	371609	2-39	372685	7-11
369293	6-5	371613	2-39, 2-46	372686	7-17
369294	6-9	371614	2-39, 2-46	372687	7-25
369295	6-3	371615	2-46	372688	7-25, 8-22
369296	6-3	371617	2-39	372689	7-25, 8-22
369297	6-5	371618	2-39	372690	7-25, 8-22
369298	6-5	371620	2-46	372691	7-5, 7-9, 8-5, 8-9
369299	6-11	371621	2-67	372692	7-9, 8-9
369701	2-113	371622	2-39	372693	7-9, 8-9
369704	2-7, 2-9	371623	2-67	372694	7-9, 8-9
369745	2-53	371624	2-39	372695	7-9
369746	2-3, 2-53	371625	2-39	372696	7-7, 8-7
369747	2-53	371626	2-39	372697	7-5, 8-5
369748	2-12	371627	2-39	372698	7-5, 8-5
369749	2-7	371628	2-39	372699	7-5, 8-5
369750	2-7	371629	2-39	372700	7-5
369751	2-53	371630	2-39	372701	7-5
369814	3-25	371631	2-39	372702	7-5, 8-5
370133	2-121	371632	2-39	372703	7-5
370700	5-8	371634	2-39	372704	7-5, 8-5
370725	5-7	371635	2-67	372705	7-5, 8-5
370726	5-8	371636	2-39	372706	7-3, 8-3
370806	6-11	371637	2-3, 2-45	372707	7-3
370807	6-15	371638	2-39	372708	7-3, 8-3
370809	6-17	371640	2-39	372709	7-3, 8-3
370810	6-17	371644	2-67	372710	7-3, 8-3
370811	6-17	371747	2-67	372711	7-3
370812	6-17	372448	2-3, 2-55	372712	7-3
370814	6-18	372604	4-3	372713	7-3, 8-3
370815	6-19	372653	7-17, 8-17	372714	7-3
370816	6-19	372654	2-3, 7-15, 8-15	372715	7-3, 8-3
370819	6-21	372655	7-26, 8-21, 8-23	372716	7-3, 8-3
370820	6-21	372656	7-26, 8-23	372717	7-3, 8-3
370821	6-21	372657	7-26, 8-23	372718	7-3, 8-3
370823	6-23	372658	7-26, 8-23	372719	7-3, 8-3
370825	6-25	372659	7-26, 8-23	372720	7-3
370826	6-26	372660	7-12, 8-12	372721	7-3, 8-3
370827	2-49, 6-26	372661	7-21, 8-19	372722	7-7, 8-7
370885	6-3	372662	7-21	372723	7-7
370886	6-25	372663	7-21	372724	7-7, 8-7
370887	6-26	372664	7-7, 8-7	372725	7-7, 8-7
37089	2-6, 2-123	372665	7-7	372726	7-7
371581	2-53	372666	7-12, 8-12		

CROSS REFERENCE

Part Number	Page Number	Part Number	Page Number	Part Number	Page Number
372727	7-7	372788	7-11	372851	7-23, 8-21
372728	7-7	372789	7-11, 8-11	372852	7-23
372729	7-7	372790	7-11, 8-11	372853	7-17
372730	7-7	372791	7-11	372854	7-23
372731	7-12, 8-12	372792	7-11	372897	3-42
372732	7-12, 7-17, 8-7, 8-12, 8-17	372793	7-11	372934	7-3
372733	7-12, 8-12	372794	7-11, 8-11	372935	7-3
372734	7-12, 8-12	372795	7-11, 8-11	372936	7-3
372735	7-12, 7-23, 8-12, 8-21	372796	7-7, 8-7	372938	7-7, 8-7
372736	7-12, 8-12	372797	7-5, 8-5	372939	7-7, 8-7
372737	7-5, 8-5	372798	7-5	372940	7-7, 8-7
372738	7-5, 8-5	372800	7-15, 8-15	372941	2-61
372739	7-5, 8-5	372801	7-15	373201	4-17
372740	7-5, 8-5	372802	7-17, 8-17	373211	4-17
372741	7-5	372803	7-15, 8-15	373218	4-13
372742	7-5, 8-5	372804	7-15, 8-15	373228	4-17
372743	7-5, 8-5	372805	7-15, 8-15	373229	4-17
372744	7-5, 8-5	372806	7-15, 8-15	373230	4-17
372745	7-5, 8-5	372807	7-15, 8-15	373231	4-17
372746	7-5, 8-5	372808	7-15, 8-15	373232	4-17
372747	7-5, 8-5	372809	7-15	373233	4-17
372748	7-5, 8-5	372810	7-15	373235	4-17
372749	7-5, 8-5	372812	7-17	373237	4-17, 4-19
372750	7-5, 8-5	372813	7-17	373239	4-17, 4-19
372751	7-5, 8-5	372814	7-17, 8-17	373240	4-17, 4-19
372752	7-5, 8-5	372815	7-17	373241	4-17
372753	7-8, 8-8	372816	7-21	373242	4-17
372754	7-8, 8-8	372817	7-21	373243	4-17
372755	7-8, 8-8	372818	7-3	373245	2-78, 4-17
372756	7-8, 8-8	372819	7-25, 8-22	373374	4-15
372757	7-8	372820	7-25, 8-22	373375	4-15
372758	7-8	372821	7-25, 8-22	373403	4-17
372760	7-8	372822	7-25, 8-22	373404	2-78, 4-13, 4-15
372761	7-8	372823	7-25, 8-22	373407	4-13
372762	7-8	372824	7-25, 8-22	373408	4-13
372763	7-8	372825	7-19, 8-18	373409	4-13
372764	7-8	372826	7-19, 8-18	373410	4-13
372765	7-8	372827	7-19, 8-18	373412	4-15
372766	7-8	372828	7-19	373413	4-15
372767	7-8, 8-8	372829	7-19, 8-18	373414	4-13
372768	7-15, 8-15	372830	7-19, 8-18	373415	4-13
372769	7-15, 8-15	372831	7-19, 8-18	373552	4-19
372770	7-15, 8-15	372832	7-17	374119	2-106, 2-107, 3-18, 3-31, 3-39
372771	7-15, 8-15	372834	7-23, 8-21	374127	2-107
372772	7-27, 8-24	372835	7-23, 8-21	374147	6-21
372773	7-27, 8-24	372836	7-23, 8-21	374148	6-21, 6-26
372775	7-11, 8-11	372837	7-23	374229	6-21
372776	7-11, 8-11	372838	7-23, 8-21	374240	2-33
372777	7-11, 8-11	372839	7-23, 8-21	37460	4-9, 4-13
372778	7-11, 8-11	372840	7-23, 8-21	37462	4-9, 4-13
372779	7-11, 8-11	372841	7-23, 8-21	375117	2-61, 2-106, 2-107
372780	7-13, 8-13	372842	7-23, 8-21	375585	2-65, 2-67, 2-69
372781	7-13, 8-13	372843	7-23	375613	2-109
372782	7-13, 8-13	372844	7-23	375614	2-109
372783	7-13, 8-13	372845	7-23	375676	2-107
372784	7-13, 8-13	372846	7-23, 8-21	37572	4-3
372785	7-13, 8-13	372847	7-23, 8-21	375724	3-13
372786	7-13, 8-13	372848	7-23, 8-21	37573	4-3
372787	7-13, 8-13	372849	7-23, 8-21	375761	2-73
		372850	7-23, 8-21		

CROSS REFERENCE

Part Number	Page Number	Part Number	Page Number	Part Number	Page Number
37616	4-23	388139	5-10	39283	7-12
37617	4-24, 4-25	388153	2-29	39284	2-35, 2-41
377368	3-25	388224	5-9	39309	2-39, 2-41
377372	3-25	388260	5-3	39322	3-25
377397	3-26	38836	5-10	39347	2-113
377537	2-3	38839	5-10	39348	2-15
377538	2-3	38842	5-10	39349	2-9, 2-55, 2-61, 2-69, 7-7, 7-8, 7-9, 7-11, 7-13, 7-15, 7-17, 7-19, 7-21, 7-23, 7-25, 7-26
377540	2-3	38843	5-14	39350	2-49, 2-51
37756	4-23	38845	5-10	393665	6-11
37766	4-23	38847	5-10	393675	6-17
37778	4-3	388548	6-17	393676	6-17
37828	6-17	38855	5-12	393677	5-3
378967	2-109	38856	5-18	393678	5-3
378997	2-103	38857	5-18	393679	5-3
37942	5-7	38916	5-10	393680	5-3
37973	6-19	38917	5-10	393683	5-3
380503	3-42	38918	5-15	393684	5-3
380520	2-41	38919	5-18	393685	5-3
380547	2-45	38920	5-11	393686	5-3
380548	2-45	38923	5-7	393687	5-3
380564	2-45	38924	5-14	393688	5-5
380770	2-61	38968	4-23	393689	5-5
38082	5-3	39005	2-43	393690	5-5
382266	2-61	391800	2-35, 2-39	393691	5-5
382507	2-67	391823	2-57, 2-59	393692	5-5
382516	2-103, 2-105	391839	3-23, 3-29	393693	5-5
38255	4-23	391844	2-109	393694	5-5
38321	3-25, 4-3	391846	2-52	393695	5-7
383722	2-105, 3-9	391854	2-109	393696	5-7
383723	2-103, 2-105, 3-15, 3-31, 3-32, 3-39	391858	2-65	393698	5-8
38379	5-5	391900	2-88	393699	5-8
38381	5-12	391902	2-88	393700	5-8
38393	5-5	391903	3-15, 3-32	393701	5-8
38394	5-14	391904	2-88	393702	5-8
38397	5-7	391906	3-31	393703	5-8
38401	5-16	391907	2-88	393705	5-9
38402	5-18	391921	3-8	393706	5-9
38403	5-17	391923	3-39	393707	5-9
38404	5-3	392528	2-83	393708	5-10
38405	5-18	392529	2-107	393709	5-10
38406	5-18	392530	2-67	393710	5-10
38408	5-3	392532	2-6	393711	5-10
38409	5-18	392534	2-67	393712	5-10
38413	5-3	392543	2-49, 2-51	393713	5-10
38415	5-5	392544	2-67	393714	5-10
38416	5-12	392547	2-45	393715	5-11
38417	5-5	392548	2-59, 2-61	393716	5-3, 5-12
38418	5-17	392549	2-49	393717	5-12
38420	5-14	392550	2-39	393718	5-12
38572	5-10	392552	2-45	393719	5-13
38595	4-3	392553	2-59	393720	5-13
38665	5-7	392554	2-59	393721	5-16
38715	4-4	392555	2-59	393722	5-16
38753	5-8	39272	2-63	393723	5-16
38758	5-3	39274	2-23, 2-27	393724	5-18
38774	5-7	39277	2-35, 7-8, 7-15, 7-17, 7-19, 7-25, 7-26	393734	5-8
38787	5-10	39278	3-25	393754	5-17
38788	5-15	39279	2-35, 2-65		
388080	5-8	39281	7-21		

CROSS REFERENCE

Part Number	Page Number	Part Number	Page Number	Part Number	Page Number
393994	2-46	41082	2-113	45181	2-11, 2-105
39527	4-24, 4-25	41083	2-113	45223	2-106, 2-107
39537	2-69	41084	2-113	45224	2-106, 2-107
39648	2-105	41112	2-111	45299	2-67
39650	2-11	41130	2-109	45339	3-32
39670	2-39	41141	2-9, 2-105	45595	3-9
39703-2	2-2	41142	2-41	45622	4-23
39712	2-105	41169	2-9, 2-115, 2-117, 3-11, 3-13	45623	4-23
39809	2-9	41185	2-105	45628	4-24, 4-25
39810	2-19, 2-21, 2-67	41187	2-35	45670	3-21
398205	3-11	41342	2-35, 7-7, 7-21	45780	3-15, 3-32
398279	3-41	41348	2-35	45850	2-57, 2-59
398344	2-3	41358	2-35	46029	2-81
39912	2-113	41437	2-45, 7-15	46236	2-33, 2-57, 2-59
40052	2-109, 2-115, 3-11	42006	5-7	46314	3-20, 3-34
40076	2-24, 2-25	42009	5-7	46480	3-25
40143	3-25	42082	3-19, 3-23, 3-31	46481	2-65, 2-74, 2-78, 2-79
40144-1	3-25, 4-3	42116	5-7	46611	3-25
40144-20	4-3	42120-2	2-113	46800	2-13
40144-21	4-3	42120-4	2-113	46928-1	3-21
40144-22	4-3	42120-9	2-15	47010-1	2-29
40144-4	3-25, 4-3	42120	2-15	47010-2	2-29
40144-6	4-3	42126	2-23, 2-24	47010-3	2-29
40145	3-25	42133A	2-17, 3-3	47010-4	2-29
40151	3-25	42148	5-9	47010-6	2-29
40152	3-25	42149	5-5	47010-7	2-29
40154	3-25	42153A	2-17	47178-12	2-103
40155	3-25	42208	2-73	47178-13	2-103, 2-105
40171	3-23, 3-29	42211	3-26	47388	5-18
40173-1	3-23, 3-29	42214	3-25	47498	2-77, 2-78
40173	3-23, 3-29	42215	2-77	47504	2-77, 2-78, 3-18
40354	2-32	42239	2-33	47508	2-78
40362	2-75	42240	2-81	47512	2-45, 2-78
40390	2-24, 2-25, 2-109	42260	2-65, 2-74, 2-75	47518	2-23, 2-27
40496	2-109	42311	2-113	47535-1	3-19, 3-33
40514	2-74, 2-78, 2-79, 3-18, 3-25	42325	5-18	47535-2	3-19, 3-33
40550	2-115, 3-11	42328	5-8	47535	3-19, 3-33
40573	3-25	42330	5-8	47536-1	3-19, 3-33
40575	2-19, 3-5	42331-1	2-109	47536	3-19, 3-33
40585	2-57, 2-59, 2-61	42337	5-8	47537-1	3-19, 3-33
40625	2-35	42370	2-45, 7-15	47537	3-19, 3-33
40646	2-19, 2-21	42399	2-113	47566	2-57, 2-59
40670	3-23, 3-29	42498	2-24	47585	2-81
40671	3-23, 3-29	42499	2-23	47636	3-25
40678-1	2-117	42639	2-25, 2-27	47638	2-77
40758	2-19, 2-21	42779	2-115	47662	3-25
40759	2-19, 2-21	42809	2-109	47675	5-5
40846	2-15	43203	2-5	47680	5-5
40870-1	2-2, 2-3	43246	3-26	47721	3-25
40870-2	2-109	43363	2-5, 3-11	47745	2-121
40870-7	2-2, 2-3	43454	2-7, 2-11	47752	2-74
40999A	2-24, 2-25	43555	2-2, 2-3, 2-53, 2-55, 2-117, 3-13	47754	2-45
41007	2-109	43611	2-43	47768	3-15, 3-32
41016	2-9	43844	2-41, 2-57, 2-59, 2-61	47801	2-109, 4-30
41032	2-24, 2-25	44031	2-7, 2-17, 3-3	47845	2-17
41063	2-17, 3-5	44078	2-105	47846	2-17, 3-3
41066	2-113	44310	2-29	47848	3-25
41073	2-113	44961	2-113	48108A-1	3-25
41081	2-113			48108A	3-26, 4-32
				48126	2-33

CROSS REFERENCE

Part Number	Page Number	Part Number	Page Number	Part Number	Page Number
48183	2-7, 2-9	51689	2-35	55775	2-73
48242	2-7, 2-123	51690	2-35	56186	2-107
48267	2-57, 2-59, 2-61	51691	2-35	56506	3-11
48665	2-41	51692	2-35	56690	2-29, 2-77
48789	4-6	51693	2-35	56820	2-29, 2-75, 2-113
48790	2-5	51779	3-25	56827	2-77
48791	4-6	51782	2-45, 3-25	56903	2-17, 3-5
48884	2-121	51787	2-7, 2-11	56992	2-103, 2-105, 3-9
48888	2-30, 2-111	51938	2-23, 2-24, 2-25, 2-27	57048	2-69
48891	2-30, 2-111	52049	2-35	57064	4-19
48892	3-37	52163	2-33	57075	2-35
48901	2-15	52296	2-17, 3-5	57156	4-26
49022	3-15, 3-32	52388	2-29	57311	2-35
49024	2-47	52405	4-23	57377	3-3
49262	3-15, 3-20, 3-34	52508	2-81	57378	3-3
49263	3-3	52580-2	2-52	57379	3-3
49266	3-15, 3-32	52615	2-5	57567	2-111
49287	2-59	52724	5-10	57630	2-7, 2-115, 2-123, 3-11
49934	2-35	52725	5-8	57676	2-29
49943	3-18	52730	5-8	57773	2-41
50304	2-32	52734	5-8	57804	2-103, 2-105, 3-5
50330	2-103, 2-105	52736	5-3	57964	2-73
50456	2-36	52753	5-9	58107	2-109
50493	2-81	52756	5-7	58114	2-109
50518	2-2, 2-3, 2-117	52757	5-7	58596	4-26
50544	2-17	52760	5-7	58858	2-75, 2-78
50646	2-7	52764	5-11	59015	2-59, 2-61
50788	3-23, 3-29	52766	5-17, 5-18	59156	2-23
50789	3-23, 3-29	52770-8	2-57, 2-59	59560	2-73
50790	3-23	52770-9	2-2, 2-59	59617	2-2, 2-3, 2-19, 2-21
50817	2-65	52789	2-81	59632	2-121
50845	2-2, 2-3, 2-13	52845	5-18	59633	2-19, 2-21, 2-81, 2-121
50864	2-109	52859	5-8	59634	2-121
50902	2-17	52886	5-7	59639A	2-120
50960	2-74	52887	5-14	59984	3-31, 3-39
50967	2-65, 2-69	52888	5-14	60015	2-2, 2-3, 2-19, 2-21
51046	2-24, 2-25	52898	5-7	60016	2-2, 2-3, 2-121
51103	2-15	52899	5-5	60018	2-2, 2-3, 2-120
51109	2-33	52911	2-67, 2-69, 2-78	60090	2-45, 7-15
51176	2-34, 2-39, 2-41	53051A	2-106, 2-107	60294	2-62, 2-63
51305	2-41, 2-65, 2-69, 5-3	53078	2-33	60295	2-63
51317	2-24, 2-25	53079	2-33	60969	3-34
51321-3	2-65	53083-14	3-25	60970	2-6
51368	2-7, 2-123	53174-1	3-20	61157	3-11
51406	4-5, 4-6	53963A	2-15	61170	2-115, 2-117, 3-11, 3-13
51416	4-5, 4-6	53988-12	5-16	61171	2-115, 2-117, 3-11, 3-13
51448	2-23, 2-24, 2-25, 2-27	53988-13	5-16	61174	2-115, 2-117, 3-11, 3-13
51449	2-25, 2-27	54041	2-121	61175	2-115, 2-117, 3-11, 3-13
51452	2-23, 2-27	54180	2-103	61176	2-115, 3-11
51458	2-5	54194	2-23, 2-27, 3-26	61181	2-115, 2-117, 3-11, 3-13
51459	2-5	54274	2-47, 2-49	61187	3-13
51530	2-121	54333	3-3, 3-5, 3-13	61188	3-13
51534	2-121	54394	2-69	61189	3-13
51545	2-32	54395	2-67, 2-69	61245	2-117, 3-13
51560-5	2-52, 2-53, 2-55	54396	2-9, 2-55		
51562	2-32	54397	2-31		
51564	2-24, 2-25, 2-36, 2-39, 2-41, 2-121	54861	2-23		
51572	3-15, 3-32	55248	3-3		
51658-5	2-52	55586	2-74, 2-75, 2-121		
		55685	2-77		

CROSS REFERENCE

Part Number	Page Number	Part Number	Page Number	Part Number	Page Number
61258	2-32	65439	2-81	74165	4-23
61261	2-119	65894	2-34	74166	4-23
61364	2-63	65897	2-119	74167	4-23
61489	2-23, 2-27, 4-25	65898	2-119	74168	4-23
61490	4-25	65899	2-119	74171	4-23
61515	2-35	65951	2-35	74176	2-29, 4-26
61516	2-35	65965	5-5	74181	4-26
61517	2-35	65966	5-5	74182	4-26
61608	2-69	65967	2-34	74184	4-9, 4-13
61611	2-65	66101	3-15, 3-19, 3-20, 3-21, 3-32, 3-33, 3-34	74186	4-26
61628	3-11			74187	4-26
61639	2-32	67310	2-78	74188	4-26
61649	2-31	67515	3-25	74189	4-26
61686	2-57	67832	2-74	74190	4-26
61701	2-109	68101	2-106, 2-107	74195	4-26
61711	5-3	68301	3-3	74210	4-9, 4-13
61724	5-9	68567	2-5	74218	4-26
61725	5-7	68768	2-78	74223	4-9, 4-13
61733	5-5	68866	2-81	74240	4-9, 4-13
61736	5-9	68869	2-62	74249	4-23
61741	5-7	68870	2-62	74251	4-26
61748	5-5	68872	2-35	74253	4-9
61749	5-11	68962	2-65	74254	4-9, 4-13
61762	5-9	69225	2-19	74256	4-9, 4-13
61775	5-9	69261	4-28	74257	4-9, 4-13
61776	5-17	69495	2-43	74258	4-9, 4-13
61777	5-5	69571	2-7, 2-123	74259	4-11, 4-15
61882	4-9, 4-13	70165	2-39	74260	4-11
61886	4-11, 4-15	70173	2-59, 2-61	74261	4-11
62234	2-77	70284	2-6	74262	4-9, 4-13
62390	2-75	70752	2-43	74263	4-9
62417-2	3-18	71384	2-39	74264	4-11
62595-18	2-7, 3-3, 3-31	71385	2-39	74265	4-9, 4-13
62595-4	2-7	71388	2-39	74266	4-9, 4-13
62595-6	3-3, 3-31	71725	4-17, 4-19	74267	4-9, 4-13
62595-9	2-7	72977	2-63	74270	4-11, 4-15
62878	2-45	73106	2-67, 2-69	74271	4-11, 4-15
63182-1	3-3	73292	2-45	74272	4-9, 4-13
63182-2	2-41	73293	2-45	74273	4-9, 4-13, 4-21
63244-3	3-25	73736	2-103, 2-105	74274	4-11, 4-15
63282	2-81	73799	2-43	74275	4-11, 4-15
63292	2-81	74098	4-23	74276	4-9, 4-13
63511	2-115, 3-11	74105	4-26	74277	4-11, 4-15
63814	3-9	74109	4-26	74278	4-11, 4-15
63818	2-69	74110	4-26	74279	4-11
63837	3-9	74111	4-26	74280	4-9, 4-13
63923	4-7	74112	4-26	74281	4-9, 4-13
63924	4-7	74122	4-23	74282	4-11, 4-15
64618	2-69	74123	4-23	74283	4-9, 4-11, 4-13, 4-15
64621	2-69	74125	4-23	75045	2-115
64685	3-13	74137	4-23	75054	3-23, 3-29
64795A	3-39	74142	2-29	75072-1	2-111
64795C-1	3-31	74148	4-19	75072-5	2-111
64903	2-6, 2-11	74149	4-19	75073	2-111
64921	3-31, 3-39	74150	4-19	75075	2-111
64950	2-33	74151	4-19	75076	2-2, 2-3, 2-117, 3-23
65145-1	2-78	74152	4-19	75081A	2-117
65202	2-73	74159	4-19	75095	3-23
65221	2-2, 2-3, 2-79	74160	4-17, 4-19	75096	2-117
65241	4-26	74163	2-78, 4-9, 4-11	75098	2-117

CROSS REFERENCE

Part Number	Page Number	Part Number	Page Number	Part Number	Page Number
75103	2-115	75572	2-13	75811	2-7, 2-123
75106	2-115	75575	2-13	75812	2-7, 2-123
75108	3-17	75588	2-19, 2-21	75813	2-7, 2-123
75118	3-23, 3-29	75592	2-19, 2-21	75814	2-7, 2-123
75119	2-17, 3-25	75596A	2-17	75815	2-117
75127	3-23, 3-29	75597A	2-17	75816	2-115
75143-2	2-115	75600	2-23, 2-24	75903	3-16
75144	3-17	75601A	2-17	75906	3-17
75156	2-117	75607	2-13	75923	3-37
75170	2-117	75611	2-17, 2-115	75934	2-105
75171	2-117	75616	2-15	76058	2-33
75174	2-117	75617	2-15	76059	2-33
75175	2-117	75622	2-15	76062	2-105, 3-15, 3-32
75179	3-25	75627	2-15	76063	2-15
75180	3-25	75631	2-25	76066	2-21
75181	3-25	75634	2-13	76067	2-7, 2-123
75182	2-115	75635AM	2-2, 2-3, 2-115, 3-11	76075	3-3, 3-37
75184	3-25	75636	2-13	76076	3-37
75185	3-26, 4-31	75638	2-13	76087	2-33
75186	3-25	75642	2-13	76089-2	3-31, 3-39
75187	3-26	75643	2-13	76090	3-39
75188	2-115	75648	2-13	76113	2-7, 2-123
75190	2-119	75649	2-13	76152	3-23
75194	3-25	75654	2-25	76153	3-23
75197	3-5, 3-25	75655	2-25	76154A	3-23
75199	3-26	75656	2-24	76155	3-39
75244-1	2-6, 2-9	75657	2-24	76156	2-7, 2-123
75249	2-33	75673	3-17, 3-27	76157	2-115, 3-11
75267	2-6	75681	2-13	76158	2-7, 2-123
75268	2-6, 2-11	75702	2-19	762094	6-25
75272	2-5	75703	2-21	76218	2-23, 2-24
75285	2-33	75706	2-27	762265	3-25
75296	2-113	75711	2-2, 2-3, 2-19, 2-21	76234	2-103, 2-105
75314	2-17, 3-5	75712	2-19	76269	2-121
75318	2-17	75713	2-21	76290	2-35
75319	2-17, 3-5	75718	2-4	76291	2-35
75365	2-30, 2-111	75722	2-4	76306	2-103, 2-105
75368	2-32	75740	2-19, 2-21	76319	2-52
75369	2-32	75757	2-19, 2-21	76321	2-52
75371	2-81	75760	2-23, 2-24	76332	2-52
75430	2-7, 2-123	75761	2-23, 2-24, 2-25, 2-27	76335	2-2, 2-52
75454	2-109	75764	2-15	76340	2-121
75456-1	2-109	75766	2-15	763477	4-17, 4-19
75456-2	2-109	75768	2-23, 2-27	763483	4-19
75456-3	2-109	75769	2-23	76353	2-121
75456-4	2-109	75772	2-23, 2-27	76354	2-7, 2-123
75456	2-109	75773	2-23	763887	6-12
75461	2-109	75774	2-27	76390	2-121
75480A	2-7, 2-9	75780	2-23, 2-27	76391	2-121
75486A	2-65	75781	2-24, 2-25	76392	2-120
75501-1	2-19	75786	2-23, 2-27	76395	2-2, 2-3, 3-11
75520	2-23, 2-27	75788	2-19	76403	3-11
75528	2-19, 2-21	75789	2-21	76426	2-115, 2-117, 3-11, 3-13, 3-15, 3-23, 3-33
75530	2-13	75790	2-19	764402	6-5
75535	2-32	75791	2-19	764403	6-23
75547	2-6	75795	2-21	764408	6-11, 6-27
75550	2-13	75796	2-21	764409	6-11, 6-12
75569	2-13	75799	2-2, 2-3, 2-19, 2-21	764410	6-26
75570	2-13	75802-1	2-17, 3-5	764412	6-12
75571	2-13	75810	2-7, 2-123		

CROSS REFERENCE

Part Number	Page Number	Part Number	Page Number	Part Number	Page Number
764414	6-12	76860	3-16	78160	3-15
764418	6-11	76861	3-16	78161	3-21
764421	6-9, 6-11, 6-12, 6-17, 6-25	76862	3-16	78164	3-19
764422	6-11	76863	3-38	78167	3-23
764425	6-7	76864	2-12	78170	2-35
764432	6-17	76866	2-11, 2-12	78171	3-25
764433	6-17	76867	2-11, 2-12	78190	2-31
764465	6-3	76868	2-12	78191	2-31
764466	6-7	76869	2-7, 2-9	78517	5-3
764468	6-3	76870	2-5, 2-12	78518	5-3
764469	6-3, 6-7	76880	3-27	78519	5-3
764517	6-25	76881	3-27	78520	5-5
764556	6-25	768897	2-69	78521	5-5
764560	6-12	76896	2-120	78522	5-5
764561	6-17	76903	2-32	78523	5-5
764575	6-11, 6-12	76904	2-32	78524	5-5
764614	6-25	76915	2-113	78525	5-5
764620	6-12, 6-26	76921	2-120	78526	5-5
764653	6-11	76922-1	2-120	78527	5-5
764707	6-13	76927	2-120	78528	5-5
764716	6-21	76937	2-2, 2-3, 2-121	78529	5-5
764717	6-21	76946	2-121	78531	5-13
764769	6-25	76955	2-9, 2-11, 2-55, 2-61	78560	2-121
764785	6-3	76956	2-9, 2-11, 2-45	78561	2-121
764794	6-17	76957	2-49, 2-51	78562	2-19, 2-21
764802	6-17	76958	2-62	78641	2-120
764803	6-18	76974-1	2-121	78642	2-121
764804	6-18	76978	2-120, 2-121	78670	2-119
764812	6-15, 6-17, 6-25	76979	2-120	78673	2-119
764836	6-3	76984-1	2-120	78695	2-121
765049	6-21	76988	2-121	78802	2-2, 2-3
76532	2-2, 2-3, 2-115, 3-11	77097	2-15, 2-121	79066	2-81
76536	2-103	77099	2-77	79067	2-81
76539	2-31	77342	2-69	79068	2-81
76540	2-113	77602	2-63	79069	2-81
76544	2-36	77693	2-43	79070	2-81
76562	2-7	77789	2-43	79074	2-81
76568	2-23, 2-27	77880	5-7	79075	2-79
76570	2-46, 3-25, 7-19	77895	5-18	79077	2-81
76583	2-7, 2-9	78005-2	2-35, 2-39, 2-41	79078	2-78, 4-19
76596A-1	2-65	78012	2-11, 2-12	79079	2-73
76596A	2-65	78043	2-61	79080	2-81
76602	2-36	78068	2-35	79101	2-30, 2-111
76628	2-15	78078	2-15	79102	3-15, 3-32
76640	2-6, 2-9	78080	2-33	79104	2-73
76649	2-31	78093	2-121	79105	2-73
76650	2-7, 2-9	78096	2-120	79106	2-73
76665	2-27	78099	3-17, 3-27	79107	2-73
76667	2-23	78101	3-17, 3-27	79112	2-2
76677	2-21	78104-4	2-7	79114	2-81
76736	2-62, 2-63	78116	3-38	79250-1	3-11
76762	2-35, 8-15	78127	3-35	79301	2-13, 3-5
76811	2-6, 2-11	78140-1	2-7	79314	3-9
76813	2-7	78144B	2-65	79318	3-9
76816	2-32	78153	3-15, 3-32	79350	2-17, 3-5
76828	2-2, 2-3, 2-115, 3-11	78154	3-21	79367	3-13
76831	2-47	78155	3-19	79391	2-2
76858	3-16	78156	3-38	79392	2-117
76859	3-16	78157	3-18	79410	3-9
		78159	3-39	79424	3-13

CROSS REFERENCE

Part Number	Page Number	Part Number	Page Number	Part Number	Page Number
79426	3-27	79760	4-21	9005202	8-7
79427	3-32	79761	4-21	9005203	8-7
79428	3-33	79762	4-21	9005204	8-7
79429	3-29	79763	4-21	9005205	8-7
79434	3-31	79764	4-21	9005206	8-7
79436	3-33	79765	4-21	9005207	8-7, 8-8
79451	3-31	79766	4-21	9005208	8-11, 8-13, 8-15, 8-21
79452	3-31	79767	4-21	9005209	8-15, 8-19
79453	3-13	79771	4-9	9005210	8-19
79464	3-13	79776	4-21	9005215	8-22
79471	3-13	79779	4-9, 4-13	9005216	8-11
79472-1	3-13	79828	4-23	9005217	8-11
79473-1	3-13	82526	2-61	9005218	8-11
79474	3-13	82661	2-75	9005219	8-11
79475	3-11	82686	2-61	9005220	8-11, 8-21
79476	3-13	82829	2-35, 2-45, 7-15	9005221	8-17
79477	3-13	82832	2-73	9005222	8-17
79478	3-13	82833	2-113	9005223	8-17
79484	3-3, 3-5	82835	2-73	9005224	8-17
79488	3-13	82921	2-11	9005225	8-17
79500	2-2, 3-11, 3-13	82958	2-115, 2-117, 3-11, 3-13	9005227	8-12
79508-1	3-14	86029	2-81	9005228	8-11, 8-12, 8-17
79515	3-14	87246	2-43	9005229	8-12, 8-21
79517	3-14	87536	2-105	9005231	8-11
79518	3-14	87536AM	2-103	9005233	8-11
79530	3-31	87579	2-19, 2-21, 2-115	9005234	8-11
79532	3-29	87866	2-103, 2-105	9005235	8-11
79535	3-29	87972	2-67	9005236	8-11
79538	3-29	9001039	2-9	9005237	8-11
79542	3-31	9001041	2-9	9005238	8-11, 8-17
79545	2-2, 2-3, 3-13, 3-29	9001223	2-69	9005239	8-11
79546	3-29	9003796	7-17, 8-17	9005240	8-11
79547	3-29	9004033	7-17, 8-17	9005241	8-11
79553	3-31	9004034	7-17, 8-17	9005242	8-11
79557	2-2, 2-3, 3-11	9004035	7-17, 8-17	9005243	8-11
79558	3-11	9005181	8-17, 8-22, 8-23	9005244	8-11
79570	3-13	9005182	8-7, 8-9, 8-15, 8-17, 8-18, 8-19, 8-21, 8-23	9005245	8-11
79580	3-3, 3-13			9005248	8-21
79605	2-5	9005183	8-7, 8-15, 8-21, 8-23	9005249	8-21
79606	3-5	9005184	8-19, 8-23	9005250	8-21
79614	4-4	9005185	8-11, 8-13, 8-15, 8-18, 8-19, 8-21, 8-22, 8-23	9005251	8-19
79708	4-11, 4-15			9005252	8-19
79742	4-9, 4-13			9005253	8-19
79743	4-9			9005254	8-19
79744	4-9	9005186	8-5	9005255	8-19
79745	4-9	9005188	8-5	9005256	8-18, 8-19, 8-21
79746	4-9	9005189	8-5	9005257	8-3
79747	4-9, 4-13	9005190	8-7, 8-9, 8-15	9005258	8-3
79748	4-11, 4-15	9005191	8-9	9005259	8-3
79749	4-11, 4-15	9005192	8-18	9005260	8-3
79750	4-11, 4-15	9005193	8-18	9005261	8-5
79751	4-11, 4-15	9005194	8-15, 8-18	9005262	8-5
79752	4-11, 4-15	9005195	8-7	9005263	8-15
79753	4-11, 4-15	9005196	8-5	9005264	8-21
79754	4-21	9005197	8-3	9005265	8-21
79755	4-21	9005198	8-3	9005266	8-21
79756	4-21	9005199	8-3	9005269	8-17
79757	4-21	9005200	8-3	9005276	8-15
79758	4-21	9005201	8-3	9005277	8-8
79759	4-21				

Part Number	Page Number
9005430	8-3
9005504	8-21
9006132	2-75
9006204	3-42

PART DESCRIPTION TO PAGE NUMBER CROSS REFERENCE LIST

A

Actuator, Governor, Die, 2-39
 Actuator, Valve, 4-11, 4-15
 Adapter, Cylinder Rod, 2-121
 Adapter, Filter, 1/8NPT, 2-52
 Adapter, Fuel Filter, 5-5
 Adapter, Injection Pump, 5-5
 Adapter, Oil Filter, 5-18
 Adapter, 5-5, 6-15
 Adaptor, Actuator, Governor/Eng, Dsl, 2-39
 Adaptor, Cshaft Pulley, 2-39
 Adaptor, Cylinder, 2-121
 Adaptor, Fltr, Oil, Rework, 2-45
 Adaptor, Rear Squeegee, 3-23
 Adaptor, Squeegee Wand, 3-23, 3-29
 Adaptor, Tank, 3-29
 Adaptor, Vacuum Wand, 3-29
 Adaptor, 6-3
 Adjuster Assembly, Seat, 2-5
 Adjuster, Rear, 2-120
 Adjuster, Seat, 2-5
 Adjuster, 6-14
 Air Cleaner, 2-52
 Alternator, 2-35, 2-46, 7-26, 8-23
 Ammeter, 2-103
 Angle, Brake Adjustment, 2-32
 Angle, Grille, 2-7
 Angle, Mounting Bracket, 2-34
 Arm Assembly, Rocker, Exhaust, 5-8
 Arm Assembly, Rocker, Intake, 5-8
 Arm Assembly, Vertical Block, 2-121
 Arm Assembly, 2-120
 Arm Wldt, Safety, Door, Eng, 2-11
 Arm, Brake, 2-32
 Arm, Brush Drive, 2-23, 2-27
 Arm, Control, 2-17, 3-5, 4-9, 4-13
 Arm, Engine Cover Support, 2-7
 Arm, Front Brush Idler, 2-24
 Arm, L.H., 2-120
 Arm, R.H., 2-121
 Arm, Rear Brush Idler, 2-25
 Arm, Rocker, 7-8
 Arm, 2-34, 6-15
 Atomiser, 6-17

B

Back Frame, 2-7
 Backplate S/A, 4-11, 4-15
 Ball Bearing, 6-15
 Ball Joint, Upper, 2-81
 Ball Joint,, 2-81
 Ball Joint, 2-34, 2-121
 Ball, Float, 2-115, 3-11
 Ball, 4-23, 4-26
 Band, Air Cleaner, 2-52
 Band, Front, Squeegee, 2-120
 Band, Rear, Squeegee, 2-121
 Band, Squeegee, Retaining, 2-19, 2-21
 Bar, Flt, Rbr, 0.38 X 6.00 X 18.00l, 2-3

Bar, Mounting, 2-17, 3-5
 Barrel, Trip, 2-121
 Base, Fuel Filter, 5-5
 Basket, Soap, 2-117
 Battery, 12v, 0700cca, Ah, Wet, 2-63
 Battery, 12vdc, 1000cca, Ah, Wet, Ul, 2-62
 Bearing [-0.25mm], 7-5, 8-5
 Bearing [-0.50mm], 7-5, 8-5
 Bearing [-0.75mm], 7-5, 8-5
 Bearing Assembly, Cup and Cone, 2-111
 Bearing Kit, Main, 0.25 mm Undersize, 5-9
 Bearing Kit, Main, 0.50 mm Undersize, 5-9
 Bearing Kit, Main, 0.75 mm Undersize, 5-9
 Bearing Kit, Main, 1.00 mm Undersize, 5-9
 Bearing Kit, Main, Standard, 5-9
 Bearing Kit, 6-5
 Bearing, Ball (Replaced by None), 4-3
 Bearing, Ball, 2-35, 2-109, 7-13, 8-13
 Bearing, Connecting Rod, 0.25 mm Undersize, 5-10
 Bearing, Connecting Rod, 0.50 mm Undersize, 5-10
 Bearing, Connecting Rod, 0.75 mm Undersize, 5-10
 Bearing, Connecting Rod, 1.00 mm Undersize, 5-10
 Bearing, Connecting Rod, Standard, 5-10
 Bearing, Fiberglide, 2-120, 2-121
 Bearing, Flange, 2-33, 2-81, 2-121
 Bearing, Kit [Cat 08], 8-5
 Bearing, Liner, 2-113
 Bearing, Needle, 4-26
 Bearing, Pillow Block, 2-120
 Bearing, Rod, Connecting, 7-5, 8-5
 Bearing, Self-Aligning, 2-113, 4-30
 Bearing, Sleeve, 2-13
 Bearing, Std, 7-5, 8-5
 Bearing, Thrust, 0.53b 1.00d 0.03w, 2-121
 Bearing, Thrust, 2-19, 2-21, 2-81, 2-113
 Bearing, 2-13, 2-15, 2-23, 2-24, 2-25, 2-27, 2-109, 2-113, 4-9, 4-11, 4-13, 4-15, 4-24, 4-25, 6-15
 Bell Crank, 4-21
 Bellcrank, 2-17, 3-5
 Belt, Alternator, 2-46
 Belt, Pump, Water, 7-17, 8-17
 Belt, Ribbed, [K 8], 70.0l, 2-109
 Belt, V, Alternator [Pk], 2-3
 Blade Kit, Sqge, Replmt [550], 3-29
 Blade Set, Replacement, 3-23
 Blade, Front, Squeegee, Urethane, 2-121
 Blade, Front, Squeegee, 2-120
 Blade, Front, 2-2
 Blade, Rear, Squeegee, Urethane, 2-121
 Blade, Rear, Squeegee, 2-121
 Blade, Rear, 2-2
 Blade, Sqge, Front, Linatex, 2-3
 Blade, Sqge, Linatex, Side, 2-3
 Blade, Sqge, Rear, Linatex, 2-3
 Blade, Squeegee, Urethane, 2-19, 2-21
 Blade, Squeegee, 2-2, 2-19, 2-21, 3-40

Block Group, Cyl, 7-3
 Block, Cyl [Cat 08], 8-3
 Block, Terminal, 4 Connector, 2-105
 Board, P.C., 3-31
 Board, Terminal, 2-103
 Bolt [Cat 08], 8-7, 8-9, 8-11, 8-12, 8-13, 8-15, 8-17, 8-18, 8-19, 8-21, 8-23
 Bolt [Cat], 8-17, 8-22, 8-23
 Bolt Assy [Cat 08], 8-21
 Bolt, Bracket, 7-8
 Bolt, Carriage, 3-5
 Bolt, Connecting Rod, 5-10
 Bolt, Eye, 2-109, 2-121
 Bolt, Hold Down, 2-62, 2-63
 Bolt, Rod, Connecting, 7-5, 8-5
 Bolt, 2-17, 4-23, 6-17, 6-18
 Boot, 90deg .62d .44d Red, 2-63
 Boot, Battery, 2-35
 Boot, Switch, 2-103, 2-105
 Boot, 2-35
 Box, Radiator, 2-67
 Brace Wldt, Cover, Eng, 2-9
 Brace, Engine Compartment, 2-7
 Brace, Rear Panel, 2-52
 Brace, Rear Shroud, 2-53
 Brace, Shrd, Rear, Lh, 2-55
 Bracket Mounting Assembly, Fan, 2-109
 Bracket Wldt, Mtg, Column, Strg, 2-9
 Bracket Wldt, Mtg, Rear, Rh, 2-41
 Bracket Wldt, Mtg, Valve, 2-77
 Bracket Wldt, Mtg, 2-109
 Bracket, Adaptor, Storage, 3-29
 Bracket, Alternator, 5-17
 Bracket, Angle, Hold-down, Battery, 2-63
 Bracket, Angle, 2-109
 Bracket, Battery, 2-62
 Bracket, Bearing Mount, 2-27
 Bracket, Bearing, L.H., 2-23
 Bracket, Bearing, R.H., 2-24
 Bracket, Bearing, 2-25
 Bracket, Brake Cable, 2-32
 Bracket, Brake, 2-31
 Bracket, Bridge, 2-19, 2-21
 Bracket, Cable & Alarm, 2-81
 Bracket, Cable, 2-81
 Bracket, Door Hinge, 2-117
 Bracket, Engine Mounting, 2-35
 Bracket, Exhaust Mounting, 2-47
 Bracket, Exhaust Support, 2-47
 Bracket, Filters Mounting, 2-79
 Bracket, Flasher, 3-19, 3-33
 Bracket, Fltr, Oil, 2-45
 Bracket, Hose Mounting, L.H., 3-23
 Bracket, Hose Mounting, R.H., 3-23
 Bracket, Hose, 2-7, 2-9
 Bracket, L, 3-17
 Bracket, Main, 2-81
 Bracket, Mounting Engine, 2-36
 Bracket, Mounting, 2-23, 2-109, 2-119, 2-121
 Bracket, Mtg, Bearing, 2-81

Bracket, Mtg, Front, Lh, 2-41
 Bracket, Mtg, Front, Rh, 2-41
 Bracket, Mtg, Overflow, 2-67
 Bracket, Mtg, Rear, Lh, 2-41
 Bracket, Pipe, Exhaust, 2-49, 2-51
 Bracket, Pump, 3-11
 Bracket, Radiator, 2-65, 2-67
 Bracket, Shroud, Rear, 2-9
 Bracket, Sppt, Hose, Intake, 2-55
 Bracket, Stop, 2-81
 Bracket, Switch Mounting, 2-121
 Bracket, Switch, 2-121, 3-5
 Bracket, Taillight, 3-15, 3-32
 Bracket, Throttle, 2-34, 2-35
 Bracket, Tie-Down, Rear, [550], 2-9
 Bracket, Tow Bypass, 2-6, 2-119
 Bracket, U, 3-23, 3-29
 Bracket, Water Valve Mounting, 2-17
 Bracket, 3-5, 6-9, 7-8, 7-15, 7-23, 8-15, 8-21
 Brake Assembly, Hydraulic, 2-33
 Brake, Mechanical, 2-32
 Brush Assembly, 2-35
 Brush Assy, Strip, 4.0l, Pyp, 2-3
 Brush Kit, Repair, 2-4
 Brush, Abrasive Bristle, 2-4
 Brush, Polypropylene, 2-4
 Brush, 2-2, 2-19, 2-21
 Bulb, 3-15, 3-19, 3-20, 3-21, 3-32, 3-33, 3-34
 Bumper Kit, Heavy Duty, 3-17, 3-27
 Bumper Rear, L.H., 2-119
 Bumper Rear, R.H., 2-119
 Bumper, Left Side, Tractor, 3-17
 Bumper, Rbr, 0.6d 0.34t .3d Tip, 2-11
 Bumper, Rbr, 1.0d 0.50t 0.22h, 2-11
 Bumper, Recovery and Solution Tank, L.H., 3-27
 Bumper, Recovery and Solution Tank, R.H., 3-27
 Bumper, Recovery and Solution Tank, 3-17
 Bumper, Right Side, Tractor, 3-17
 Bumper, Rubber, 2-7
 Bumper, Scrubber Head, 3-17, 3-27
 Bumper, Tractor, Left Side, 3-27
 Bumper, Tractor, Right Side, 3-27
 Bushing (Not Shown), 6-11
 Bushing, Piston Pin, 5-10
 Bushing, Seal, 4-26
 Bushing, 2-35, 4-9, 4-11, 4-13, 4-15, 6-3, 6-5, 6-11, 7-3, 7-5, 8-3, 8-5
 Button, Horn, 2-29
 Button, Plug, 0.50h .03-.12 [Black Nyl], 2-105
 Button, Plug, 0.56h .03-.12 [Black Nyl], 2-105
 Button, Plug, 1.25h .03-.08 [Black Poly], 2-69
 Button, Plug, 1.25h .06-.09 [Chrome Stil], 2-105

C

Cable Assembly, Brake, Separate Spring, 2-32
 Cable, Battery, Neg 2ga 60.0l .41 Hole, 2-63
 Cable, Battery, Pos 2ga 78.0l .41h, 2-63
 Cable, Control, 3-5
 Cable, Grounding, 2-35, 2-39
 Cable, Negative Battery, 2-62
 Cable, Positive Battery, 2-62
 Cable, Pull, 70.5l, .3clevis/.23ball, 2-43
 Cable, Push/Pull, 31.5l, 3.0 .25-28, 2-81
 Cable, Push/Pull, 33.5l, 2-81
 Cable, Solution Control, 2-17
 Cable, 6-27
 Camplate S/A, 4-9, 4-13
 Camshaft, 5-8, 6-11, 6-15, 7-9, 8-9
 Cap [Cat 08], 8-3
 Cap And Filler Block, Rear Bearing, 5-3
 Cap Screw, 4-9, 4-13, 4-26
 Cap, Breather, Hyd, W/ Basket, 5.3 Ds, 2-3
 Cap, Breather, Hyd, 2-75
 Cap, Contact, 2-29
 Cap, Crankshaft Bearing, Front, 5-3
 Cap, Crankshaft Bearing, 5-3
 Cap, Cyl Assy, Master Brake, 2-33
 Cap, End, 4-26
 Cap, Filler, Oil, 7-7, 8-7
 Cap, Filler, 3-13, 7-11, 8-11
 Cap, Fuel Tank, 2-57, 2-59
 Cap, Gasoline, Protectoseal, 3-35
 Cap, Hub Dust, 2-111
 Cap, Nozzle, 7-23
 Cap, Oil Filler, 4-3, 5-17
 Cap, Radiator, 14psi, [Stant], 2-69
 Cap, Radiator, 15psi, 2-67
 Cap, Radiator, 2-65
 Cap, Tank, Fuel, 2.3neck 2.6d, 2-61
 Cap, Tube, 2-29
 Cap, 6-7, 6-23, 7-3, 7-7, 7-8, 8-7, 8-8
 Caster, 2-121
 Catch, Door, Roller, 2-11
 Catch, Rubber Hook, 3-29
 Catch, 3-23
 Chain and Hook Assembly, 2-19
 Chain Assembly, 3-25
 Chain, Assembly, Door, 2-21
 Chain, Coil, Str, 2/0 14.1l 11 Link, 2-9
 Chain, Drain Plug, 3-11
 Chain, Static Drag, 2-7
 Chain, 2-5, 2-19, 2-21
 Channel, Bearing Cover, 2-23, 2-24
 Charge Pmp Adap, 4-11, 4-15
 Check Valve, 4-29
 Circlip, 6-9, 6-13, 6-15
 Circuitbreaker, 15.0a, 2-105, 3-9
 Circuitbreaker, 20.0a, Resetable, 2-105, 3-15, 3-31, 3-32, 3-39
 Circuitbreaker, 20.0a, Resetable, 2-103, 3-32
 Clamp, Fuel Filter, 5-5
 Clamp, Cable, Stil, 0.25d X 0.56w, 1h, 2-59
 Clamp, Cable, Stil, 0.31d X 0.88w, 2-61

Clamp, Cable, Stil, 0.63d X 0.75w, 1h, 2-45, 7-15
 Clamp, Cable, Stil, 0.75d X 0.88w, 1h, 2-59
 Clamp, Cable, Stil, 2.25d X 1.00w, 1h, 2-9
 Clamp, Cable, 2-17, 2-33, 2-57, 2-62, 2-63, 2-117, 3-15, 3-21
 Clamp, Conduit, 3-15, 3-20, 3-34
 Clamp, Fuel Pump, 5-5
 Clamp, Fuel Tank, 2-57, 2-59
 Clamp, Hose Support, 2-35
 Clamp, Hose, Wormdrive, 0.25-0.62d, .31w, 2-41, 2-61
 Clamp, Hose, Wormdrive, 0.25-0.62d, 2-59
 Clamp, Hose, Wormdrive, 0.81-1.50d, 2-67
 Clamp, Hose, Wormdrive, 1.06-2.00d, .56w, 2-69
 Clamp, Hose, Wormdrive, 1.06-2.00d, 2-3
 Clamp, Hose, Wormdrive, 1.56-2.50d, .50w, 2-55
 Clamp, Hose, Wormdrive, 1.56-2.50d, 2-3, 2-53
 Clamp, Hose, Wormdrive, 1.62-3.50d, .56w, 2-55
 Clamp, Hose, Wormdrive, 1.62-3.50d, 2-3, 2-53
 Clamp, Hose, Wormdrive, 3.25-4.12d, 2-67
 Clamp, Hose, Wormdrive, 3.56-4.50d, 2-3
 Clamp, Hose, 2-17, 5-17, 5-18, 7-17, 8-17
 Clamp, Mounting, Air Cleaner, 2-53
 Clamp, Muffler, 1.75d, 2-49, 2-51
 Clamp, Muffler, 1.88d, 2-49, 2-51
 Clamp, Muffler, 2-47
 Clamp, Squeegee Band, 2-121
 Clamp, Toggle, 3-11, 3-23, 3-29
 Clamp, Worm Drive, 2-2, 2-13, 2-17, 2-24, 2-25, 2-52, 2-57, 2-65, 2-115, 2-117, 3-3, 3-5, 3-11, 3-13, 3-25, 3-29, 3-37
 Clamp, Wormdrive, 2-109
 Clamp, 2-7, 3-3, 6-17, 7-23, 8-21
 Clevis and Pin, 2-17, 3-5
 Clevis, Adjustable, 2-33, 2-34
 Clevis, Brake Cable, 2-32
 Clip, Drain Hose Retainer, 2-115, 3-11
 Clip, Finger Grip, 3-29
 Clip, Handle, Retaining, 3-23
 Clip, Rod End, 2-35
 Clip, 6-5, 6-21, 6-25, 7-25, 8-22
 Cock, Drain, 2-65
 Cock, Water Drain, 5-3
 Coil, 4-27
 Collor, Locking, 2-81
 Column, Steering, 2-29
 Connection, 6-3, 6-17, 6-18, 6-25
 Connector Kit, Tubing, 4-7
 Connector, Handle, Spray, 3-25
 Connector, Oil Cooler, 5-18
 Connector, 2-57, 2-59, 3-31, 4-5, 4-6
 Console, Instrument, 2-103, 3-9
 Contactor, 12Vdc, 2-106, 2-107
 Control Assembly, Throttle, 2-35

CROSS REFERENCE

Control Harness, 2-106
Control Panel Assembly, 3-9
Control Unit Kit, 2-106, 2-107
Control Unit, Glow Plug, 2-106
Control, Manual (See Breakdown), 4-9, 4-13
Control, Manual, 4-21
Control, Steering (See Breakdowns), 2-29
Controller, 2-107
Cooler, Hyd 25gpm 400btu Of16 19x18x2, 2-67
Cooler, Hyd, 30gpm 800btu, 2-69
Cooler, Hydraulic, 2-65
Cooler, Oil, 5-18
Cooler, 7-19, 8-18
Cotter, 6-7
Coupler, 4-11, 4-15
Coupling Assembly, Drive, 2-35
Coupling, Drive, Flex, 10.3d/15tooth, 2-41
Coupling, Keyed, L.H., 3-25
Coupling, Keyed, R.H., 3-26
Coupling, 2-39
Cover [Cat 08], 8-11
Cover Assembly, Gear, 5-12
Cover, Access, Governor, 2-9
Cover, Cylinder Head, 5-7
Cover, Fuel Pump, 5-5
Cover, Gear, 7-11
Cover, Governor, 2-7
Cover, Grease Fitting, 2-24, 2-25
Cover, Grease, 2-109
Cover, Headlock, 2-15
Cover, Horn Button, 2-29
Cover, Liquid Level Probe, 3-31
Cover, Pump, 3-3
Cover, Sandblast, 3-11
Cover, Starter, 2-9
Cover, Terminal, 2-35
Cover, Thermostat [Cat 08], 8-17
Cover, Thermostat, 7-17
Cover, Timing Hole, 5-13
Cover, 3-25, 6-11, 6-17, 6-23, 7-7, 7-19, 8-7, 8-18
Cradle Sub Assy, 4-9, 4-13
Crank Replacement Kit, 4-7
Crankshaft [Cat 08], 8-5
Crankshaft Assy, 7-5
Crankshaft, 5-9
Cup Kit, Short, 4-3
Cup, Contact, 2-29
Cylinder Block Kit, 6-3
Cylinder Head Copy, 6-23
Cylinder Head Kit, 6-7
Cylinder, Hyd, 2.0b 08.0l 04.00strk 2500, 2-15, 2-121
Cylinder, Hydraulic (See Breakdowns), 2-113
Cylinder, Hydraulic, 4-30
Cylinder, Master Brake, 2-33

D

Dampener, Eng, 2-39
Dampner, Engine, 2-34
Decal, Control Panel, 3-9
Decal, Diesel Fuel Only, 2-57
Decal, Throttle High Pressure Spray, 3-25
Decal, Warning, Lock Scrubber Head, 3-5
Deflector Assembly, Brush, L.H., 2-21
Deflector Assembly, Brush, 2-19
Deflector Assembly, Scrub Brush, 2-13
Deflector, Scrub Brush, 2-13
Deflector, Spray, Rubber, 3-13
Deflector, 2-24
Detent Kit, 4-28
Diode and Rectifier Assembly, 2-35
Dipstick [Cat 08], 8-3
Dipstick, Oil, Eng, 7-3
Dipstick, 6-21
Disk, Brake, 2-31
Door Wldt, Access, Front, Lh, 2-11
Door Wldt, Access, Side, Lh, 2-11
Door Wldt, Access, Side, Rh, 2-11
Door Wldt, Access, Top, Lh, 2-11
Door Wldt, Eng, Top, [1550], 2-11
Door, Access, Side, L.H., 2-6
Door, Engine Cover, 2-6
Door, Hydraulic Tank, Top Access, 2-6
Door, Lower, 3-13
Door, Rear Side Access, L.H., 2-7
Door, Rear Side Access, R.H., 2-7
Door, Rear Side Access, 2-7
Door, Solution, 2-117
Door, Squeegee, L.H., 2-21
Door, Squeegee, 2-19
Door, Upper, 3-13
Door, 2-115, 2-117, 3-11
Dowel Bushing, 4-9, 4-13
Dowel Pin, 4-21
Dowel, Bearing Cap, Front and Rear, 5-3
Dowel, Ring, 5-13
Dowel, 6-3, 6-11, 6-13, 6-17
Drain Kit, Solution Tank, 3-37
Drive, 4-23, 4-24, 4-25, 4-26

E

Elbow, 90_, 2-52
Elbow, Air, Inlet [Cat 08], 8-19
Elbow, Fuel Injection Pump, 5-5
Elbow, Intake Manifold (Replaced by None), 5-17
Elbow, Solution Level, 2-115
Elbow, Water Header, 5-18
Elbow, Water Outlet, 5-16
Elbow, Water Pump, 5-18
Elbow, 2-17, 2-33, 2-52
Element Assembly, Air Cleaner, 2-2
Element, Air Cleaner, 2-52
Element, Filter, 2-79
Element, Fltr, Air [Dn], 2-55
Element, Fltr, Air, [Dn#P831424], 2-3
Element, Fltr, Air, Safety, 3-41

Element, Fltr, Air-Clnr, 2-3
Element, Fltr, Air, 2-3, 2-53
Element, Fltr, Fuel, 2-3, 2-59
Element, Fltr, Oil, 2-3
Element, Fuel Filter, 2-2, 5-5
Element, Hydraulic Filter, 2-2, 2-3
Element, Oil Filter, 2-2, 5-18
Engine Assy, Dsl [550/1550] (See 1011676 Cat Engine Breakdown), 2-41
Engine, Diesel, TM27 (See Continental Engine Breakdown), 2-35
Engine, Dsl, 63hp [Cat 3.4 2008] (See 1040607 Cat Engine Breakdown), 2-41
Exhaust Manifold, 6-26
Exhaust Valve, 6-7
Extension Kit, Side Squeegees, 3-40
Extinguisher Kit, Fire, 3-35
Extinguisher, Fire, 2.5 Lb Dry, 3-35, 3-36
Eye, Lifting, 5-7
Eyebolt, 2-63

F

Fan Assembly, Vacuum, 2-109
Fan, Cooling, 18.0d, 8 Blade, 2.2d Bc, 2-67, 2-69
Fan, 2-65
Fastener, Cover, Front [Cat 08], 8-11
Fastener, Nut, 2-2
Fastener, Thumbscrew, 2-2
Fastener, Washer, 2-2
Ferrule, Insulation, 2-29
Filter Assembly, Hydraulic, 2-79
Filter Assembly, Laminar Flow, L.H., 3-13
Filter Assembly, Laminar Flow, R.H., 3-13
Filter Assy, Fuel, Dsl, 2-61
Filter Head, Oil, Rework, 2-45
Filter, Air Cleaner Assembly, 2-53
Filter, Air-Clnr, 2-55
Filter, Foam, Soap Basket, 2-117
Filter, Fuel, In-line, 02pm/08i, 2-3
Filter, Fuel, In-line, 02pm/08if, 2-3
Filter, Fuel, In-Line, 2-59
Filter, Laminar Flow, 3-13
Filter, Oil, (Diesel), 2-3, 2-45
Filter, Oil, Eng, 2-3, 7-15, 8-15
Filter, Solution Outlet, 3-13
Fitting, Tee, 3-25
Fitting, Adaptor, Fltr, Oil, Rework, 2-45
Fitting, Barbed Elbow, 3-25
Fitting, Brs, E90, Pm02/Sm04, 2-39
Fitting, Brs, E90, If05/Pm04, 2-61
Fitting, Brs, Str, 02mp, Service, 2-53
Fitting, Brs, Str, Pf02/Pm06, 2-39
Fitting, Brs, Str, Pm02/If05, 2-59
Fitting, Brs, Str, Pm02/Sm04, 2-39
Fitting, Brs, Str, If05/Pm02, 2-61
Fitting, Brs, Str, If05/Pm04, 2-61
Fitting, Brs, Str, Pf02/Pm06, 2-41
Fitting, Brs, Str, Pm02, Service, 2-55
Fitting, Brs, Str, Pm06/Pf04, 2-41
Fitting, Cap, 2-35, 3-31

Fitting, Connector, 2-57, 2-59
 Fitting, Coupling, 3-5
 Fitting, Draincock, .25npt 90, 2-41, 2-69
 Fitting, Elbow, 45, 2-15, 2-77, 3-5
 Fitting, Elbow, 2-15, 2-23, 2-27, 2-29, 2-35, 2-65, 2-74, 2-75, 2-77, 2-78, 2-79, 2-113, 2-121, 3-3, 3-5, 3-18, 3-25, 3-26, 7-13, 7-21, 8-13
 Fitting, Grease, 45, 2-15
 Fitting, Grease, 2-15, 2-24, 2-25, 2-109, 2-113, 4-30
 Fitting, Hyd, Cap Jf08, 2-45, 7-15
 Fitting, Hyd, E45, Jf12/Jm12, 3-26
 Fitting, Hyd, E45, Jm06/Jf06, 2-45
 Fitting, Hyd, E90, Jf10/Jm10, 3-26
 Fitting, Hyd, E90, Jm06/Om08, 2-45
 Fitting, Hyd, E90, Jm08/Jm08 Bh, 2-45
 Fitting, Hyd, E90, Jm10/Om10, 2-45
 Fitting, Hyd, E90, Jm12/Om16, 2-67, 2-69
 Fitting, Hyd, E90, Metric, Spcl, 8-15
 Fitting, Hyd, Plug, Jm06, 8-15
 Fitting, Hyd, Str, 02bsppm/Pf02, 2-41
 Fitting, Hyd, Str, Jm06/Jf10, 2-45
 Fitting, Hyd, Str, Metric, Om12/Pf04, 2-61
 Fitting, Hyd, Str, Metric, Om16/Pf06, 2-41
 Fitting, Hyd, Str, Om12/Pf08, 3-25
 Fitting, Nipple, 2.5" (65 mm) L, 3-5
 Fitting, Nipple, 3-5, 3-25
 Fitting, Orifice, Jet [Cat 08], 8-3
 Fitting, Pipe, E90, .75-16, 2-45, 7-15
 Fitting, Pipe, E90, Pm02/Pf02, 2-53, 2-55
 Fitting, Plstc, Tee, Bm12/Pf12/Bm12, 3-3
 Fitting, Plug, .50-20 Hex, 2-59
 Fitting, Plug, 2-75, 2-115
 Fitting, Restrictor, 2-77
 Fitting, Str, 7-15, 8-15
 Fitting, Straight, Brass, 2-36
 Fitting, Straight, 2-23, 2-27, 2-29, 2-35, 2-57, 2-65, 2-74, 2-75, 2-77, 2-78, 2-121, 3-3, 3-5, 3-18, 3-25, 3-26
 Fitting, Tee, 2-74, 2-77, 2-78, 2-79, 3-3, 3-5, 3-18, 3-25
 Fitting, 7-15
 Flange, Bearing, 2-23, 2-24, 2-25, 2-27
 Flange, Mounting, 4-24, 4-25
 Flange, Top Float, 2-115
 Flange, 7-23, 8-21
 Flap, Containment, 2-2, 2-3, 2-19, 2-21
 Flap, Rubber, 2-2, 2-117
 Flasher, 3-19, 3-33
 Flywheel Assy, 6-19
 Flywheel, 5-13, 7-12, 8-12
 Foam, Acoustic, 2-109
 Follower, Piston, 4-9, 4-13
 Frame Wldt, Tractor [550/1550], 2-9
 Frame Wldt, 2-9
 Frame, Main Tractor, 2-6
 Frame, Muffler, 2-109
 Frame, Rear, 2-121
 Frame, Scrubber Head, 2-19, 3-5
 Frame, Side Squeegee, L.H., 2-21, 3-40
 Frame, Side Squeegee, R.H., 2-19, 3-40
 Frame, Spray Deflector, 3-13

Fueline, Bleeder, 7-23, 8-21
 Fueline, Cyl #1, 7-23, 8-21
 Fueline, Cyl #2, 7-23, 8-21
 Fueline, Cyl #3, 7-23, 8-21
 Fueline, Cyl #4, 7-23, 8-21
 Fueline, Return, 7-23, 8-21
 Fuelline, .31d 05if/None Stl, 2-61
 Fuelline, .31d 03.1l 05if/05if Stl, 2-61
 Fuelline, .25d None/None Stl, 2-59
 Fuelline, .31d 05if/None Stl, 2-59
 Fuelline, Dsl [550], 2-61
 Fuse, 1 A, 3-31, 3-39
 Fuse, 10 A, 3-9
 Fuse, 15 A, 2-103
 Fuse, 80 A, 2-106, 2-107
 Fuse, 3-15

G

Gasket Set, Front, 5-12
 Gasket Set, Manifold, 5-14
 Gasket Set, Top, 5-7
 Gasket, Air Outlet, 2-2, 2-3
 Gasket, Cleaning Solution Tank, 3-13
 Gasket, Coolant, 7-17, 8-17
 Gasket, Cover, Sandblast, 2-3
 Gasket, Cover, Side, 7-19, 8-18
 Gasket, Cover, Timing [Cat 08], 8-11
 Gasket, Cover, Valve, 7-7, 8-7
 Gasket, Cover, 3-11, 5-7
 Gasket, Cylinder Head, 5-7
 Gasket, Debris Screen, 3-11
 Gasket, Door, Clean-Out, 2-3
 Gasket, Door, 2-2, 2-3, 2-115, 2-117, 3-11
 Gasket, Elbow, 5-16
 Gasket, Exhaust, 2-51, 7-21, 8-19
 Gasket, Fan, 2-109
 Gasket, Front Suction Tube, 2-2
 Gasket, Fuel Pump, 5-5
 Gasket, Gear Cover, 5-12
 Gasket, Head [Cat 08], 8-7
 Gasket, Head, Rear, 7-7, 8-7
 Gasket, Head, 7-7
 Gasket, Header, 5-16
 Gasket, Heater, Water, 7-19, 8-18
 Gasket, Injection Pump, 5-5
 Gasket, Intake, 2-35
 Gasket, Lower Door, 3-13
 Gasket, Manifold, Exhaust, 5-14
 Gasket, Manifold, 5-14, 7-21, 8-19
 Gasket, Oil Pan, Form-In-Place, 5-3
 Gasket, Plate, Front, 7-11
 Gasket, Rear Bearing Cup, 5-3
 Gasket, Rear Suction Tube, 2-2, 2-117
 Gasket, Rear, 7-12, 8-12
 Gasket, Sandblast Cover, 2-2
 Gasket, Sender, Fuel, 2-61
 Gasket, Solution Door, 2-2, 2-117
 Gasket, Suction Tube, Front, 3-11
 Gasket, Tail Pipe, 2-47
 Gasket, Tank Adaptor, 3-29
 Gasket, Thermostat [Cat 08], 8-17
 Gasket, Throttle, 2-39

Gasket, Tube, Suc, Front, 2-3
 Gasket, Tube, Suc, Rear, 2-3
 Gasket, Upper Door, 3-13
 Gasket, Wand Adaptor, 3-29
 Gasket, Water Pump to Crankcase, 5-15
 Gasket, 2-2, 2-3, 2-45, 2-49, 2-57, 2-59, 3-26, 6-3, 6-17, 6-18, 6-25, 6-26, 6-28, 6-29, 7-11, 7-12, 7-15, 7-17, 7-21, 7-23, 8-7, 8-12, 8-15, 8-17, 8-19, 8-21
 Gauge, Fuel Level, 2-103
 Gauge, Fuel, 0-90ohm 8-18vdc, 2-105
 Gauge, Oil Pressure, 2-103
 Gauge, Press, Water, 0-2000psi, 3-25
 Gauge, Sight, Water Pump, 4-3
 Gauge, Temp, 100-260 2.3d 12vdc, 2-105
 Gauge, Water Temperature, 2-103
 Gear [Power Take Off], 7-13, 8-13
 Gear Assy, Idler, 4-17, 4-19
 Gear, 23 Tooth, 7-5, 8-5
 Gear, Camshaft, 5-8, 6-11
 Gear, Cover [Cat 08], 8-11
 Gear, Crankshaft, 5-9, 6-5
 Gear, Drive, 4-17, 4-19
 Gear, Idler, 4-17, 4-19, 7-11, 8-11
 Gear, Injection Pump Driver, 5-8
 Gear, Injection Pump, 5-5
 Gear, Injection, Fuel, 7-11, 8-11
 Gear, Pump, 6-15
 Gear, Ring, 6-19
 Gear, 4-17, 4-19, 6-13, 7-11, 8-11
 Geroler, 4-23
 Geroter, Ring In, 4-11, 4-15
 Geroter, Ring Ot, 4-11, 4-15
 Geroter, 4-26
 Gerotor, 4-24, 4-25
 Glow Plug, 6-27, 7-27, 8-24
 Grease, Special, 2-2, 2-3
 Grip, Handle, 3-14
 Grip, Vyl, .18 X .75 X 4.00, 2-43
 Grommet, 0.38" (10 mm) I.D., 2-7
 Grommet, Rbr, 0.25id, F/ 0.8h, .09 Matl, 3-21
 Grommet, Rubber, 3-15, 3-32
 Grommet, 2-21, 2-74, 3-20, 3-34
 Guard Kit, Overhead, 3-16
 Guard, Coupling, 3-25
 Guard, Flow Switch, 2-74
 Guard, L.H., 2-119
 Guard, R.H., 2-119
 Guard, Splash, 2-19, 2-21
 Guard, Squeegee, 2-119
 Guard, Top, 3-16
 Guard, Valve Stem Oil, 5-7
 Guide [Cat 08], 8-3
 Guide, Dipstick, 7-3
 Guide, Spring, 2-120
 Guide, Valve Stem, 5-7
 Guide, 6-7, 7-7

CROSS REFERENCE

H

Handle Assembly, Complete, 4-27
Handle, Nozzle, 3-29
Handle, Sludge Removal, 3-14
Handle, Spray, 3-25
Handle, Squeegee Wand, 3-23
Handle, Throttle, Dsl, 2-43
Harness, Engine, Perkins, [550/1550], 2-107
Harness, Main, Dsl, [550/1550 Cat], 2-88
Harness, Main, Perkins/Gm, [550/1550], 2-83
Harness, Panel, Control [550], 2-88
Harness, Sensing, Level [550/1550], 3-39
Harness, Sensing, Level, Srs [550], 3-31
Harness, Srs [550], 3-8
Harness, Taillight [550/1550], 3-15, 3-32
Harness, Tank, Sqge [550], 2-88
Harness, Tractor [550/1550], 2-88
Head Assy, Cylinder, 7-7
Head Gasket, 6-7, 6-28
Head, Cyl [Cat 08], 8-7
Head, Cylinder, 5-7
Header, Water Outlet, 5-16
Headlight Assembly, 3-15, 3-32
Hinge, Seat, 2-5
Holder, Fuse, (Panel Mount), 3-39
Holder, Fuse, 2-103, 2-106, 2-107, 3-9, 3-15, 3-31, 3-32
Hook, Chain, 2-19
Hook, Rubber, 3-23, 3-29
Hook, S, 2-5
Hook, 2-21, 3-11
Hopper Assembly, 2-13
Hopper, Debris, 2-13
Horn Button Assembly, 2-29
Horn, 12 Volt, 2-7
Horn, 12vdc, Dba [Wolo], 2-9
Hose Assembly, 2-2, 2-109
Hose Assy, Pvc, W/ Cuff, 2.0d, 48.0l, 2-3
Hose Assy, W/1cuff, 1.5d 120l 1.5/, 2-2, 2-3, 2-115, 3-11
Hose Kit, Vacuum, SRS, 2-2
Hose, Rear Squeegee Suction, 3-13
Hose, 0050, 04, Im05str /lf05str , 10.0, 2-61
Hose, Air, Intake [550d], 2-55
Hose, Breather, 7-25, 8-22
Hose, Cleaning Solution, 3-13
Hose, Elbow to Filler Cap, 5-17
Hose, Flex, Vacuum, 3.0d 20.0l, 2-3
Hose, Flex, Vacuum, 4.0d 41.1l, 2-3
Hose, Flex, Vacuum, 4.0d 54.0l, 2-3
Hose, Fuel Line, 2-57
Hose, Fuel, 0.25id 04.0l, 2-59
Hose, Fuel, 0.25id 08.0l, 2-61
Hose, Fuel, 0.31id 03.0l, 2-61
Hose, Fuel, 2-59, 5-5
Hose, Hopper, 2-2, 2-13
Hose, Hyd, Low06, Jf06str/Jf06str, 026.0, 8-15
Hose, Hyd, Hi 12, Jf12str /Jf12str , 28.0, 3-26

Hose, Hyd, Low06, Jf06str /Jf06str , 22.0, 2-45
Hose, Hyd, Low06, Jf06str/Jf06str, 13.0, 2-45
Hose, Hydraulic, 2-73, 3-18, 3-25
Hose, Intake, Mold, 2.50id 2.50id,[Epdm], 2-55
Hose, Lpg, Med04, Jf04str/Jf04str, 48.0l, 2-39
Hose, Oil Cooler, 5-18
Hose, Oil Drain, 2-45, 7-15
Hose, Pump Inlet, 3-3
Hose, Pump Outlet, 3-3
Hose, Pvc, Clr, 0.38id 0.56od 36.00l, 2-41
Hose, Radiator, Lower [550d], 2-69
Hose, Radiator, Lower, 2-67
Hose, Radiator, Upper [550d], 2-69
Hose, Radiator, Upper, 2-67
Hose, Radiator, 2-65
Hose, Rbr, 2.00id 2.40od 07.5l, 2-3
Hose, Rbr, 2.00id 2.50od 03.0l, 2-53
Hose, Rbr, E90 2.00id 2.00id 03.5 2.3, 2-53
Hose, Rbr, E90, 2-53
Hose, Rear Squeegee Suction, 2-117
Hose, Recovery Tank Drain, 2-115, 3-11
Hose, Rubber (Cut in 2), 3-25
Hose, Rubber, 3-3, 3-5, 3-25
Hose, Solution Level, 2-115
Hose, Solution, 2-17
Hose, Squeegee Wand, 3-23
Hose, Squeegee, 2-2
Hose, Vacuum Fan, 2-115
Hose, Vacuum, 3-11
Hose, Vinyl, 3-3
Hose, Water, High Pressure, 3-25
Hose, 2-35, 2-36, 3-29, 6-23, 6-25, 7-17, 8-17
Hourmeter, 12-24vdc, Analog, Rnd, 2-105
Housing Assembly, Bearing, 2-113
Housing Assembly, Front, 2-109
Housing Assy,, 4-23
Housing S/A, 4-9, 4-13
Housing, [Ktr], 2-39
Housing, Bearing, 2-109
Housing, Brg, 4-23, 7-13, 8-13
Housing, Filter Mounting, 3-13
Housing, Flywheel, Mach, [704] Perk, 2-41
Housing, Flywheel, 5-13, 7-12, 8-12
Housing, Front, 2-109, 8-11
Housing, Gear, 7-11
Housing, Pivot, 2-113
Housing, Probe, 3-31
Housing, Pump, 4-17, 4-19
Housing, Rear, 2-109
Housing, Steering Column, 2-6
Housing, Control, 4-21
Housing, 4-4, 4-9, 4-13, 4-17, 4-19, 6-25
Hub and Magnet Kit, 4-4
Hub Assembly, 2-31, 2-111
Hub, Brush Drive, 2-27
Hub, Brush, 2-23, 2-24, 2-25

I

Idler Assembly, Front Scrub Brush, 2-24
Idler Assembly, Rear Brush, 2-25
Idler Gear, 6-11
Impeller Shaft and Bearing Kit, 4-4
Impeller, 2-109
Indicator, Air Filter, 2-53
Indicator, Filter Service, 2-52
Indicator, Service, Air Filter 20h20 Dn, 2-55
Inj Pipe #1 Cyl, 6-17
Inj Pipe #2 Cyl, 6-17
Inj Pipe #3 Cyl, 6-17
Inj Pipe #4 Cyl, 6-17
Injection Pump (See Breakdown), 6-17
Injection Pump, 6-18
Inlet Section, 4-27
Inlet Valve, 6-7
Insert, Combustion Chamber (Replaced by None), 5-7
Insert, Drive, 2-35
Insert, Exhaust, 7-7
Insert, Inlet, 7-7
Insert, 6-7
Instr. Repair Info, Motor, 4-23
Instr, Pump Repair, 4-17, 4-19
Insulation, Acstc, 0.8 11.0w 33.6l Notch, 2-11
Insulation, Acstc, 0.8 14.8w 21.3l, 2-11
Insulation, Acstc, 0.8 14.8w 32.8l, 2-11
Insulation, Acstc, 0.8 17.0w 52.1l Notch, 2-11
Insulation, Acstc, 0.8, 20.3 X 19.3, 2-5
Insulation, Acstc, Cover, Eng, 2-11
Insulation, Cover [Cat 08], 8-11
Insulation, Engine Access Door, 2-12
Insulation, Front, Side Door, L.H., 2-12
Insulation, Rear, Side Door, L.H., 2-12
Insulation, Seat, 2-12
Insulation, Side Door, R.H., 2-12
Insulation, Top, Hydraulic Tank Door, 2-12
Insulator, Panel & Switchboard, 2-105
Insulator, 3-15, 3-32
Isolator, Vib, Bshg, 1.1d 0.6l .4b 0.78h, 2-49, 2-51
Isolator, Vib, Bshg, 1.9d 0.9l .6b 1.16h, 2-69
Isolator, Vib, Dia .50 [Ko], 2-41
Isolator, Vib, Ring, 1.9d 0.5l 1.3b, 2-69
Isolator, Vibration, 2-23, 2-27, 2-47, 2-75

J

Joint/Gasket Kit, 6-29
Joint/Gasket, 6-28
Joint, 6-11, 6-17, 6-23, 6-26, 6-28, 6-29

K

Key (Replaced by None), 5-9
Key, Ignition Switch (Set of 2), 2-103
Key, Ignition, [Set Of 2], 2-105

Key, Round, 4-17, 4-19
 Key, Square, 2-109, 4-31
 Key, Woodruff, 2-23, 2-27, 2-35, 4-24, 4-25, 5-11
 Key, 4-3, 4-11, 4-15, 4-23, 5-8, 6-5, 7-5, 7-9, 8-5, 8-9
 Kit, Conrod, 6-5
 Kit, Contact And Brush, [64433-000] En, 2-29
 Kit, Maint, 400hr [550] [Perkins], 2-3
 Kit, Maint, 800hr [550 G/Lp/D], 2-3
 Kit, Piston Ring, 6-5
 Kit, Replmt, Control, Govnr, [All Purpose], 2-107
 Kit, Seal, Pump, 4-17, 4-19
 Knob, Adjusting, 2-23
 Knob, Brush Adjusting, 2-27
 Knob, Door Latch, 2-115, 2-117, 3-11, 3-13
 Knob, Valve, 3-25
 Knob, 2-13, 2-15, 2-17, 2-35, 2-77, 3-5, 3-9

L

Label, [Caution], [Travel Slowly], 2-123
 Label, Brush Pressure, 2-21
 Label, Brushes, 2-7
 Label, Caution, [Diesel Fuel Only], 2-59
 Label, Caution, Reduce Travel, 2-6
 Label, Console, Instmt, 2-105
 Label, Control, Sqge, 2-105
 Label, Control, Throttle, 2-123
 Label, Danger Keep Out, 3-11
 Label, Danger, Fan Suction, 2-109, 2-115
 Label, Danger, Keep Out Pinch, 2-7
 Label, Danger, Keep Out, 2-115
 Label, Engine Fan, 2-65
 Label, Fan Suction, 3-11
 Label, Fill Tank, 3-13
 Label, Headlock, 2-15
 Label, Important, 2-7
 Label, Info, [Tire Pressure], 2-123
 Label, Info, Alternator Equipped, 2-123
 Label, Info, Jack Point, Tractor, 2-123
 Label, Instruction, Pump Lever Model, 3-5
 Label, Instruction, Pump Prime, 3-5
 Label, Instrument Console, 2-103
 Label, Jack At This Point, 2-7
 Label, Jack Only On Pad, 2-115, 3-11
 Label, Logo, Tennant, Oval, 114l, Blk, 2-123
 Label, Lubricating Instructions, 2-109
 Label, Maint, [550], 2-123
 Label, Maint, [Radiator Fins], 2-123
 Label, Maintenance Chart, 2-7
 Label, Maintenance Note, 2-7
 Label, Opertnl, Instmt Panel, [550], 2-123
 Label, Patent, Power Scrubber, 2-123
 Label, Patent, Scrubber, 2-7
 Label, SRSr Cleaning Solution, 3-13
 Label, SRSr, 3-11
 Label, Stripe, [Tennant],[550], 2-123
 Label, Stripe, 36.00, [550], 2-123
 Label, Stripe, Front, 2-7

Label, Stripe, L.H., 2-115
 Label, Stripe, R.H., 2-117
 Label, Stripe, Side, 2-7
 Label, Stripe, Wing, Lh,[1550], 2-123
 Label, Stripe, Wing, Rh,[1550], 2-123
 Label, Stripe, 2-7
 Label, Switch, Squeegee Lift, 2-103
 Label, TENNANT Logo, 2-115
 Label, TENNANTr, 2-7
 Label, Throttle and Solution Control, 2-36
 Label, Throttle and Solution, 2-7
 Label, Tire Pressure, 2-7
 Label, Warning, Danger, Pinch Point, 2-123
 Label, Warning, Use Scrubber, 2-19
 Label, Wing, L.H., 2-7
 Label, Wing, R.H., 2-7
 Lamp Assembly, Flashing, Amber, 3-19, 3-33
 Lamp Assembly, Flashing, Blue, 3-19, 3-33
 Lamp Assembly, Flashing, 3-19, 3-33
 Lamp Assembly, Revolving, Amber, 3-21
 Lamp Assembly, Revolving, Blue, 3-21
 Lamp Assembly, Revolving, 3-21
 Lamp Assy, Indicator, Red, 14Vdc, 2-107, 3-18, 3-31, 3-39
 Lamp, Flashing, 3-19, 3-33
 Latch, Cam Lock Band, 2-19, 2-21
 Latch, Cam Lock, 2-115
 Latch, Door, 2-6, 2-19, 2-21
 Latch, Hopper, 2-13
 Leak-Off Pipe, 6-17
 Leg, Front, L.H., 3-16
 Leg, Front, R.H., 3-16
 Leg, Rear, L.H., 3-16
 Leg, Rear, R.H., 3-16
 Lens, Amber, 3-20, 3-34
 Lens, Blue, 3-20, 3-34
 Lens, Lamp, Amber, 3-19, 3-21, 3-33
 Lens, Lamp, Blue, 3-19, 3-21, 3-33
 Lens, Lamp, Red, 3-19, 3-21, 3-33
 Lens, Red, 3-20, 3-34
 Lever Assembly, Solution Control, 2-17, 3-5
 Lever, Headlock, 2-15
 Lever, Parking, 2-32
 Lever, Pump, 2-81
 Lever, Throttle, 2-35
 Lever, 6-9, 6-15, 6-25
 Lift, Scrubber Head, 2-15
 Light Assembly, Revolving Amber, 3-20, 3-34
 Light Assembly, Revolving Blue, 3-20, 3-34
 Light Assembly, Revolving Red, 3-20, 3-34
 Light Kit, Flashing, 3-19, 3-33
 Light Kit, Level Warning, 3-31
 Light Kit, Recovery Level Warning, 3-39
 Light Kit, Revolving, 3-21
 Light Kit, SRS, 3-32
 Light Kit, 3-15
 Light, Panel, 3-15, 3-32
 Light, Panl, 14vdc, Red, 0.6d, 2-105
 Light, Pilot, 2-106

Link, .19 1.0w 09.2l 1/0.3h 1/0.3s, 2-11
 Link, Brush Lift, 2-23, 2-27
 Link, Chain, 3-25
 Link, Direct Control, 2-81
 Link, Directional Control, 2-81
 Link, Engine Cover Support, 2-7
 Link, Feedback, 4-21
 Link, Hook, 2-77
 Link, Rear Drag, 2-121
 Link, 2-121, 6-15
 Linkage Kit, Handle, 4-27
 Lip, Hopper, 2-13
 Lock, Knob Adjusting, 2-27
 Lock, Knob, Adjusting, 2-23
 Lock, Valve Spring Retainer, 5-7
 Lockwasher, 4-9, 4-13

M

Manifold, Inlet [Cat 08], 8-19
 Manifold, Discharge, 4-3
 Manifold, Exhaust [Cat 08], 8-19
 Manifold, Exhaust, 5-14, 7-21
 Manifold, Inlet, 7-21
 Manifold, Intake, 5-14, 6-26
 Manual Pkg, 550, 3-42
 Manual, Engine, Continental, TM27-D, 3-42
 Manual, Service, [Caterpillar 3044c], 3-42
 Manual, Service, Eng [Cat C3.4], 3-42
 Manual, Service, Perkins 700 Series, 3-42
 Mat, Floor, 2-7
 Meter, Hour, 2-103
 Mirror Kit, Rear View, 3-38
 Mirror, Rear View, 3-38
 Molding, Rigid, 17.75" (450 mm) L, 2-7
 Molding, Rigid, 3.0" (76 mm), 2-7
 Molding, Rigid, 2-7, 3-3
 Molding, Trim, 3" (75 mm), 3-31
 Molding, Trim, 7.5" (190 mm), 3-31
 Motor Kit, Hyd, F/ 75185, Replmt, 3-26
 Motor, Gear, 4-7
 Motor, Hyd Gear, 4-23
 Motor, Hyd, Gear, [Ex] 1.58 R 2465, 3-25
 Motor, Hydraulic (Replaced by 377397), 3-26
 Motor, Hydraulic (See Breakdowns), 2-23, 2-27, 2-74
 Motor, Hydraulic, 4-24, 4-25, 4-31
 Mount, Band, Fltr, 6.79id, 2-55
 Mount, Cable Tie, 3-3
 Mount, Caster, 2-121
 Mount, Engine, R.H., 2-34
 Mount, Hsng, Alternator, 2-46
 Mount, Left Front, 2-39
 Mount, Left Rear, 2-39
 Mount, Nozzle, 7-23
 Mount, Pump, Water, 3-25
 Mount, Right Front, 2-39
 Mount, Right Rear, 2-39
 Mount, Squeegee Nozzle, 3-23
 Mount, Squeegee, 3-29
 Mount, Valve, Hydraulic, 3-25

CROSS REFERENCE

Mount, Wand Hose, L.H., 3-29
Mount, Wand Hose, R.H., 3-29
Muffler Assembly, 2-109
Muffler, Exhaust, 2-49, 2-51
Muffler, Spark Arresting, 3-38
Muffler, 2-47

N

Nozzle and Tip Assembly, 5-5
Nozzle Assembly, Squeegee, 3-23
Nozzle Assy, 7-23
Nozzle Wldt, Suc, 2-13
Nozzle, Hopper, 2-13
Nozzle, Injection [Cat 08], 8-21
Nozzle, Spray, 3-25
Nozzle, Suction, 3-5
Nozzle, 3-5, 3-29
Nut [Cat 08], 8-21
Nut, .38-24, 2-39
Nut, .44-20, 2-39
Nut, Adjustment, 2-32
Nut, Flng [Cat 08], 8-18, 8-19, 8-21
Nut, Hex, .31-18, 2-62
Nut, Hex, Flng, .25-20, 2-9, 2-11, 2-61, 2-69
Nut, Hex, Flng, .31-18, 2-9, 2-59, 2-67
Nut, Hex, Flng, .38-16, 2-9, 2-59, 2-67, 2-77, 2-109
Nut, Hex, Flng, .50-13, 2-9, 2-67
Nut, Hex, Flng, #10-24, 3-3
Nut, Hex, Lock, .25-20, NI, Ss, 2-9
Nut, Hex, Lock, .25-20, NI, 2-61, 2-77, 2-105
Nut, Hex, Lock, .31-18, NI, Ss, 2-45, 7-15
Nut, Hex, Lock, .31-18, NI, 2-11, 2-45, 2-49, 2-51, 2-55
Nut, Hex, Lock, .38-16, NI, Ss, 2-23
Nut, Hex, Lock, .50-13, NI, 2-69
Nut, Hex, Lock, #10-24, NI, 2-11, 2-105
Nut, Hex, Lock, M06 X 1.0, NI, 2-67
Nut, Hex, Lock, M6 X 1.0, NI, 2-43
Nut, Hex, M8 X 1.25, 7-23
Nut, Hex, Std, .38-16, Ss, 2-19
Nut, Hex, Std, #06-32, 2-11
Nut, Hex, Std, #08-32, 2-105, 3-9
Nut, Hex, Stover, M8 X 1.25, 2-51
Nut, Jam, 4-9, 4-13
Nut, Lock, 2-113
Nut, Locking, 2-115, 2-117, 3-11, 3-13
Nut, Low Crown, 2-109
Nut, M10-1.50, 2-39, 2-46
Nut, Nex, Thin, 2-81
Nut, Nylon, 2-15, 2-113
Nut, Slotted Hex, 2-113
Nut, Slotted, 2-111, 4-24, 4-25
Nut, Solenoid, 4-27
Nut, Stainless Steel, 3-11
Nut, Stainless Steel, 2-115, 2-117, 3-13
Nut, Tube Assembly, 5-5
Nut, Union, 6-17
Nut, Water Trap, 2-57
Nut, Wheel, 2-30, 2-111

Nut, Wing, 2-63
Nut, 2-15, 2-17, 2-29, 2-59, 2-120, 4-9, 4-13, 4-23, 5-8, 6-5, 6-9, 6-11, 6-12, 6-15, 6-17, 6-18, 6-21, 6-23, 6-25, 7-5, 7-12, 7-15, 7-19, 7-23, 8-5, 8-12, 8-15, 8-21

O

O-Ring, Injection Pump, 5-5
O-Ring, 2-113, 5-7, 5-11, 6-11, 6-13, 6-15, 6-17, 6-21, 6-25, 6-28, 6-29
Oil Pump, 6-13
Oil, Cat Pump, 4-3
Oil, Cat Water Pump, 3-25
Oil, Hyd [EI, Iso 100, 05gal], 2-2, 2-3
Oil, Hyd [EI, Iso 32, 05gal], 2-2, 2-3
Olive .36Od .25Id, 6-17
Olive, Rubber, 2-57, 2-59
Olive, 6-17, 6-18, 6-21
Orifice, Valve, 4-9, 4-13

P

P.C. Board, Level Sensing, 3-39
Pad, Brake, 2-33
Pad, Non-skid, 2-7
Paint, Airdry, Blk, 12oz, 2-3
Paint, Airdry, Gray, 12oz [Enamel], 2-3
Paint, Airdry, Iron Gray, 12oz [Pwdr Coat], 2-3
Paint, Airdry, Off-White, 12oz, 2-3
Paint, Airdry, Teal, 12oz, Solid, 2-3
Pan Assembly, Oil, 5-3
Pan Kit, Oil, Replmt [550d/1550d], 6-21
Pan Wldt, Floor, 2-9
Pan, Floor, 2-6
Pan, Oil, W/ Gasket, 7-15, 8-15
Panel Wldt, Cntrl, Dsl [550], 2-9
Panel Wldt, Console, Instmt [550], 2-105
Panel Wldt, Dash Board, 2-6
Panel Wldt, Eng, W / Label, 2-9
Panel, Access, Side, 2-9
Panel, Dash, 2-6
Panel, Eng, W / Label, 2-9
Panel, Flow Tube Mounting Cover, 3-13
Panel, Front, 3-9
Panel, Side Kick, 2-6
Pedal, Brake, 2-33
Pedal, Foot Speed, 2-81
Performance Package, 400 Hour, Diesel, Servo, 2-2
Pin, Articulating Locking, 2-113
Pin, Clevis, 0.25 D X 0.50I, 2-43
Pin, Clevis, 0.50d X 2.62I, 2-15
Pin, Clevis, 2-13, 2-15, 2-23, 2-27, 2-32, 2-33, 2-34, 2-77, 2-121
Pin, Cotter, .062 X 0.75, 2-43
Pin, Cotter, .094 X 0.75, 2-43
Pin, Cotter, 2-15, 2-31, 2-113, 2-121, 5-8
Pin, Door Locking, 2-19, 2-21
Pin, Dowel [Cat 08], 8-3
Pin, Dowel, Gear Cover to Crankcase, 5-3
Pin, Headed, 4-21
Pin, Injection Pump, 5-5
Pin, Piston, 5-10
Pin, Pivot, 2-35
Pin, Roll, 2-19, 2-21, 2-24, 2-25, 2-33, 2-35, 2-81, 2-121
Pin, Spring, 7-3, 8-3
Pin, 4-26, 6-9, 6-14, 6-15, 7-3, 7-5, 8-3, 8-5
Pipe, Air Cleaner, 2-53
Pipe, Breather [Cat 08], 8-22
Pipe, Breather, 7-25, 8-22
Pipe, Fuel, 6-17
Pipe, Oil, 6-21
Pipe, Tail, 2-47
Pipe, 7-25, 8-22
Piston [+0.25mm], 7-5, 8-5
Piston [+0.50mm], 7-5, 8-5
Piston Assembly, 0.50 mm Oversize, 5-10
Piston Assembly, 0.75 mm Oversize, 5-10
Piston Assembly, 1.00 mm Oversize, 5-10
Piston Assembly, Standard, 5-10
Piston Kit, 4-3, 6-5
Piston, Servo, 4-9, 4-13
Piston, Std, 7-5, 8-5
Pivot, Adjuster, 2-120
Pivot, Door Hinge, 2-115, 2-117, 3-11, 3-13
Pivot, Headlock, 2-15
Pivot, Shaft, 2-113
Plate [Cat 08], 8-11
Plate Wldt, Angle, 2-43
Plate, Adapter, 4-17, 4-19
Plate, Adj, 7-26, 8-23
Plate, Back [Cat 08], 8-11
Plate, Back, 4-17, 4-19
Plate, Bumper, 2-119
Plate, Camshaft Thrust, 5-8
Plate, Cover, 4-9, 4-13
Plate, Door, 2-115, 2-117, 3-11
Plate, Eng, 2-9
Plate, Front, 4-17, 4-19
Plate, Lift, Front, 7-7, 8-7
Plate, Lift, Rear, 7-7, 8-7
Plate, Lower Door, 3-13
Plate, Motor Mounting, 2-31
Plate, Mounting, 2-15, 3-21
Plate, Pivot, 2-120
Plate, Pump Mounting, 2-35, 3-3
Plate, Rear Mounting, 2-39
Plate, Seat Mount, 2-5
Plate, Side, 2-109
Plate, Throttle, 2-35
Plate, Thrust [+0.15mm], 7-5, 8-5
Plate, Thrust [+0.30mm], 7-5, 8-5
Plate, Thrust, Std, 7-5, 8-5
Plate, Thrust, 7-9, 8-9
Plate, Upper Door, 3-13
Plate, Valve Mounting, 2-17, 3-5
Plate, Valve, 4-23
Plate, Wand Hose Adaptor Storage, 3-23
Plate, Wear, 4-26

Plate, 2-15, 2-29, 2-106, 2-107, 2-117, 3-3, 3-13, 6-3, 6-9, 6-11, 6-15, 6-23, 6-27, 7-11, 7-26, 7-27, 8-23, 8-24
 Plug [Cat 08], 8-3
 Plug #4, 4-23
 Plug #8, 4-9, 4-13
 Plug Assembly, 4-23
 Plug Button, 0.50" (13 mm), 2-103
 Plug Button, 1.25" (32 mm), 2-103
 Plug Button, 2-103
 Plug S/A, 4-9, 4-13
 Plug, Brush Drive, 2-23, 2-27
 Plug, Brush Idler, 2-24, 2-25
 Plug, Clip [Cat 08], 8-3
 Plug, Coolant, Eng, 7-3, 8-3
 Plug, Core, 5-7
 Plug, Cup, 5-3, 5-7
 Plug, Drain, 5-3
 Plug, Expandable, 1.5D, 3-11
 Plug, Expansion, 5-3
 Plug, Flushing, 2-17
 Plug, Glow, 5-5
 Plug, Hose, 5-5
 Plug, O-ring, 4-17, 4-19
 Plug, Pipe, 3-25
 Plug, Plastic, 2-23, 2-24, 2-25, 2-27
 Plug, Sealing, 2-57
 Plug, Shaft Ends, 5-8
 Plug, Tube, 2-17
 Plug, #12 O-Ring Ph, 4-9, 4-13
 Plug, 2-33, 2-115, 3-11, 4-11, 4-15, 4-17, 4-19, 4-21, 5-3, 5-16, 6-3, 6-7, 6-9, 6-11, 6-23, 6-25, 7-3, 7-12, 7-15, 7-17, 8-3, 8-7, 8-12, 8-17
 Plugbutton, 2.0" (50 mm), 2-103
 Plugbutton, 2-65, 3-9
 Plunger, 6-13
 Pointer, Engine Timing, 5-12
 Poppet, 4-11, 4-15
 Pouch, Operator's Manual, 7.5 in (190mm), 2-5
 Probe, Liquid Level, 3-31, 3-39
 Pulley, Alternator, 2-35
 Pulley, Crank, 6-5
 Pulley, Crankshaft, 5-9, 7-5
 Pulley, Cshaft [Cat 08], 8-5
 Pulley, 5-15, 6-25, 7-17, 8-17
 Pump Assembly, Solution, 4-5, 4-6
 Pump Assy, Water, W/ Connector, 3-3
 Pump Cover, 4-3
 Pump, Fuel Injection, 5-5
 Pump, Fuel, 2-59, 2-61, 5-5
 Pump, Hyd Piston V 2.48, 4-9, 4-11, 4-13, 4-15
 Pump, Hyd, Gear [Ex2] 1.69 [R] 2500 (Replaced by 373245), 4-19
 Pump, Hyd, Gear [Ex2] 1.69 [R] 2800, 4-17
 Pump, Hydraulic (See Breakdowns) (Replaced by 373245), 2-78
 Pump, Hydraulic (See Breakdowns), 2-78
 Pump, Injection, Fuel [Cat 08], 8-21
 Pump, Injection, Fuel, 7-23

Pump, Metering (See Breakdowns) (Replaced by 9006873), 3-3
 Pump, Metering Solution, 4-7
 Pump, Oil, 5-11, 7-15, 8-15
 Pump, Solution (See Breakdowns), 3-3
 Pump, Solution, 4-4
 Pump, Water (See Breakdowns), 3-25
 Pump, Water, 5-15, 7-17, 8-17
 Push Rod, 6-9

R

Race, Bearing, 4-9, 4-13, 4-26
 Race, Thrust, 4-24, 4-25
 Radiator, 2-67
 Radiator, 2-65, 2-69
 Rear Squeegee Assembly, 2-120
 Regulator, Temp, Coolant, 7-17, 8-17
 Regulator, Voltage, 2-35
 Relay, 12vdc, 40a, Spdt, [Potter], 2-105, 2-107
 Relay, 12vdc, 100a, Spdt N/O [Camdec], 2-61
 Relay, Power, 2-106
 Relay, 2-103, 3-5
 Relief Valve Sa, 4-11, 4-15
 Relief Valve, 4-28
 Repair Info, Pmp, 4-11, 4-15
 Repair Info, Scv, 4-26
 Repair Kit, Brake Pad, 2-32
 Repair Kit, Brake, 2-33
 Repair Kit, Fan Assembly, 2-109
 Repair Kit, Water Pump, 5-15
 Replacement Kit, Bellows, 4-7
 Replacement Kit, Brush, 4-4, 4-5, 4-6
 Replacement Kit, Pump Body, 4-5, 4-6
 Replacement Kit, Pump Head, 4-5, 4-6
 Reservoir Assembly, Hydraulic, 2-75
 Resistor, 3-9
 Retainer, Ball, 2-115
 Retainer, Blade, 3-40
 Retainer, Brush, 2-19, 2-21
 Retainer, Chk, 4-26
 Retainer, Deflector Skirt, 2-13
 Retainer, Frt, 4-23
 Retainer, Hopper Lip, 2-13
 Retainer, Hose, Water, 3-25
 Retainer, Squeegee, 3-14
 Retainer, Valve Spring, 5-7
 Retainer, 7-8, 7-23, 8-8, 8-21
 Rim, 16.5 X 6.75 5.5bc/6bolt, 2-30, 2-111
 Ring Gear, 5-13
 Ring Kit, Re-Ring, 0.50 mm Oversize, 5-10
 Ring Kit, Re-Ring, 0.75 mm Oversize, 5-10
 Ring Kit, Re-Ring, 1.00 mm Oversize, 5-10
 Ring Kit, Re-Ring, Standard, 5-10
 Ring Set, Piston [+0.25mm], 7-5, 8-5
 Ring Set, Piston [+0.50mm], 7-5, 8-5
 Ring Set, Piston, Std, 7-5, 8-5
 Ring, Retainer, 4-26

Ring, Retaining, Piston Pin, 5-10
 Ring, Retaining, 2-24, 2-25, 2-109, 4-11, 4-15, 4-21
 Ring, Snap, 7-8, 8-5
 Ring, 4-23, 7-5
 Rivet, Pop, 2-5
 Rivet, Timing Pointer to Gear Cover, 5-12
 Rivnut, 3-19, 3-23, 3-31
 Rocker Shaft, 6-9
 Rockershaft Assy, 6-9
 Rockershaft, 6-5
 Rod and Link, 2-77
 Rod Assembly, Connecting, 5-10
 Rod Assy, Connecting, 7-5, 8-5
 Rod End, 2-81
 Rod, Adjustment, 2-32
 Rod, Brake, 2-33
 Rod, Connecting, 4-3
 Rod, Door Latch, 2-115, 2-117, 3-11, 3-13
 Rod, Oil Gauge, 5-3
 Rod, Push [Cat 08], 8-9
 Rod, Push, Brake, 2-33
 Rod, Push, 5-8, 7-9
 Rod, Threaded, 2-109
 Rod, Throttle, 2-34
 Rod, Trip, 2-121
 Rod, Vertical Throttle, 2-35
 Rod, 2-121
 Roll Pin, 4-11, 4-15
 Rotating Kit, 4-9, 4-13

S

Screen, Debris, 3-11
 Screen, 2-117, 3-26
 Screw (Replaced by None), 6-5
 Screw Set, 4-26
 Screw, Cap, 4-9, 4-11, 4-13, 4-15, 4-17, 4-19, 4-23
 Screw, Flt, .31-18 X 0.50, Al, 2-69
 Screw, Flt, .31-18 X 0.75, Al, 2-67
 Screw, Flt, Soc, .38-16 X 1.50, Al, 2-23
 Screw, Flt, Soc, 10-24 X 0.62, Al, 3-3
 Screw, Flt, Soc, 10-32 X 0.50, Al, 3-3
 Screw, Hex, .25-20 X 0.50, 5, 2-105
 Screw, Hex, .25-20 X 0.50, Fmg, 2-9
 Screw, Hex, .25-20 X 0.62, 5, 2-61, 2-69, 2-105
 Screw, Hex, .25-20 X 0.75, 5, 2-9, 2-11
 Screw, Hex, .25-20 X 0.75, Fmg, 2-11
 Screw, Hex, .25-20 X 0.75, Sems, 2-9, 2-11, 2-59, 2-105
 Screw, Hex, .25-20 X 1.00, 5, 2-69
 Screw, Hex, .25-20 X 1.00, Sems, 2-59
 Screw, Hex, .25-20 X 1.50, 5, 2-77
 Screw, Hex, .31-18 X 0.50, 5, 2-69
 Screw, Hex, .31-18 X 0.62, 5, 2-67, 2-69
 Screw, Hex, .31-18 X 0.75, 5, 2-9, 2-55
 Screw, Hex, .31-18 X 0.75, Sems, 2-9, 2-77
 Screw, Hex, .31-18 X 0.88, G5, 2-31
 Screw, Hex, .31-18 X 1.00, 5, 2-9, 2-11, 2-55, 2-61

CROSS REFERENCE

- Screw, Hex, .31-18 X 1.25, 5, 2-9, 2-11, 2-45
Screw, Hex, .31-18 X 1.25, Ss, 2-45, 7-15
Screw, Hex, .31-18 X 1.50, 5, 2-49, 2-51
Screw, Hex, .31-18 X 1.75, 2-62
Screw, Hex, .38-16 X 0.62, 5, 2-9
Screw, Hex, .38-16 X 0.75, 5, 2-77
Screw, Hex, .38-16 X 1.00, 5, 2-9
Screw, Hex, .38-16 X 1.00, Ss, 2-19
Screw, Hex, .38-16 X 1.25, 5, 2-9, 2-49, 2-59, 2-67
Screw, Hex, .38-24 X 1.50, 5, 2-39
Screw, Hex, .50-13 X 1.00, 5, 2-9
Screw, Hex, .50-13 X 1.25, 5, 2-67
Screw, Hex, .50-13 X 2.00, NI, 2-41
Screw, Hex, .50-20 X 1.25, NI, 2-78
Screw, Hex, (30 mm), 3-25
Screw, Hex, (50 mm), 3-25
Screw, Hex, 10 - 24 x 0.75", 3-31
Screw, Hex, 10-24 X 0.38, Fmg, Pl, 3-36
Screw, Hex, 10-24 X 0.75, Fmg, Pl, 3-3
Screw, Hex, M08 X 1.25 X 30, 8.8, 2-46
Screw, Hex, M10 X 1.5 X 50, 8.8, 2-46
Screw, Hex, M10 X 1.5 X 20, 8.8, 7-23
Screw, Hex, M10 X 1.5 X 25, 8.8, 7-12
Screw, Hex, M10 X 1.5 X 30, 8.8, 2-41, 7-12
Screw, Hex, M10 X 1.5 X 35, 8.8, 2-41
Screw, Hex, M10 X 1.5 X 45, 8.8, 7-11
Screw, Hex, M10-1.50 X 130, 5, 2-46
Screw, Hex, M10-1.50 X 90, 8.8, 2-46
Screw, Hex, M10, 2-35, 2-36
Screw, Hex, M12 X 1.75 X 35, 8.8, 2-41
Screw, Hex, M14-20 X 30, 10.9, 2-39
Screw, Hex, M14, 2-35
Screw, Hex, M6 X 1.0 X 16, 8.8, 2-43
Screw, Hex, M6 X 1.0 X 25, 8.8, 7-23
Screw, Hex, M8 X 1.25 X 14mm, 7-17
Screw, Hex, M8 X 1.25 X 16, 8.8, 2-51, 7-11, 7-13, 7-15, 7-23
Screw, Hex, M8 X 1.25 X 16mm, 7-9
Screw, Hex, M8 X 1.25 X 20, 8.8, 2-61, 7-7, 7-15, 7-23, 7-26
Screw, Hex, M8 X 1.25 X 25, 8.8, 7-8, 7-15, 7-17, 7-19
Screw, Hex, M8 X 1.25 X 25mm, 7-25, 7-26
Screw, Hex, M8 X 1.25 X 30, 8.8, 7-19
Screw, Hex, M8 X 1.25 X 40, 8.8, 7-21
Screw, Hex, M8 X 1.25 X 40mm, 7-7
Screw, Hex, M8 X 1.25 X 45, 8.8, 7-17
Screw, Hex, M8 X 1.25 X 45mm, 7-17
Screw, Hex, M8 X 1.25 X 80, 8.8, 7-17
Screw, Hex, M8 X 1.25 X 90, 8.8, 7-21
Screw, Hex, M8, 2-35, 2-65
Screw, Hex, 2-7, 2-15, 2-19, 2-21, 2-113, 3-39, 7-7, 7-11, 7-21, 7-23, 7-26, 8-7, 8-11, 8-21, 8-23
Screw, Horn Button, Wood, 2-29
Screw, M12-1.75 X 30, 2-39
Screw, M6-1.0 X 85, 2-67
Screw, Pan, .25-20 X 0.75, 2, 2-105
Screw, Pan, #06-32 X 0.50, 1, 2-11
Screw, Pan, #08-32 X 0.62, 1, 2-105
Screw, Pan, #10-24 X 0.38, 1, 2-105
Screw, Pan, #10-24 X 0.62, 1, 2-11
Screw, Pan, M06 X 1.0 X 20, 4.8, 2-67
Screw, Set, 3-25, 4-21
Screw, Soc, .44-20 X 1.00, 5, 2-39
Screw, Soc, .44-20 X 2.00, 2-39
Screw, Soc, M06 X 1.0 X 16, 12.9, 2-39
Screw, Soc, M10 X 1.5 X 25, 12.9, 2-39, 2-41
Screw, Soc, M8 X 1.25 X 60, 12.9, 2-69
Screw, Socket, Metric, 2-35
Screw, Socket, 2-24, 2-25, 2-29
Screw, Thumb, 2-120
Screw, 5-3, 5-7, 5-8, 5-9, 6-3, 6-5, 6-7, 6-9, 6-11, 6-12, 6-13, 6-15, 6-17, 6-19, 6-21, 6-23, 6-25, 6-26, 6-27, 7-3, 7-15, 8-3, 8-15
Seal [Cat 08], 8-3
Seal Kit, Pump, 4-9, 4-11, 4-13, 4-15
Seal Kit, Rear, 4-23
Seal Kit, Relief Valve, 4-28
Seal Kit, Scv, 4-26
Seal Kit, Shaft, 4-23
Seal Kit, Tank Door, SRS, 2-2
Seal Kit, Tank Door, 2-2
Seal Kit, Cntrl, 4-21
Seal Kit, 4-3, 4-24, 4-25, 4-27, 4-28, 4-30, 4-31, 4-32
Seal, Adhesive Backed, 3-23
Seal, Bulb, 90, 1.33 .06-.09grip 026.0l, 2-69
Seal, Bulb, Str, 0.38th 0.75w 03.0l Adh, 2-11
Seal, Bulb, Str, 0.38th 0.75w 10.75l Adh, 2-11
Seal, Bulb, Str, 0.58d .06-.09grip 17.6l, 2-69
Seal, Bulb, Str, 0.58d .06-.09grip 24.2l, 2-69
Seal, Crank, Front, 7-11, 8-11
Seal, Dipstick, 7-3
Seal, Door, 2-2
Seal, Float Flange, 2-115
Seal, Inner Wheel Bearing, 2-111
Seal, O-Ring, 2-45, 2-78
Seal, Oil, Crankshaft, 5-12
Seal, Oil, 5-3
Seal, Org [Cat 08], 8-15, 8-18
Seal, Org, 7-11, 7-13, 7-15, 7-19, 7-23, 8-11, 8-13, 8-15, 8-18, 8-21
Seal, Rear Suction Tube, 3-23
Seal, Suction Tube, 2-115, 3-13
Seal, Ure, 0.50th, 1.50w X 05.0l, Slit, 2-43
Seal, Ure, 0.75 1.12w 19.0l Adh, 2-69
Seal, 6-3, 6-7, 6-23, 7-3, 7-8, 7-12, 8-3, 8-12
Seat, Chk Ball, 4-26
Seat, 2-5, 6-11
Send-unit, Fuel, 2-61
Send-unit, Water, Temp, 04npt, 2-35, 2-39, 2-41
Sending Unit, Fuel Tank, 2-57, 2-59
Sensor, Magnet, 2-39
Shaft [Cat 08], 8-11
Shaft Assembly, Brush, 2-23, 2-24, 2-25, 2-27
Shaft Assy, 7-8
Shaft S/A, 4-23
Shaft, Brush, 2-23, 2-27
Shaft, Control, 2-81
Shaft, Drive Sp, 4-9, 4-13
Shaft, Fan, 2-109
Shaft, Idler, 7-3, 8-3
Shaft, Input, 4-21
Shaft, Output, 4-24, 4-25
Shaft, Pivot, 2-15
Shaft, Rocker Arm, 5-8
Shaft, Squeegee Lift, 2-121
Shaft, 6-3, 6-15
Sheave, [Poly-V], 12.6d, 8grv, 2.50b, 2-39
Sheave, 8grv, 12.6d, 4.10b, 2-41
Sheave, Fan, 2-109
Sheave, 2-35
Sheet, Top Sandblast, 2-2, 3-11
Shield, Bearing, 2-24, 2-25
Shield, Heat, 5-5
Shim, 0.003" (0.07 mm), 2-109
Shim, 0.005" (0.12 mm), 2-109
Shim, 0.010" (0.25 mm), 2-109
Shim, 0.020" (0.50 mm), 2-109
Shim, 0.060" (1.52 mm), 2-109
Shim, 16 Ga., 2-31
Shim, 20 Ga., 2-31
Shim, Bearing Bracket, 0.06" (1.5 mm), 2-24
Shim, Bearing Bracket, 0.12" (3 mm), 2-24
Shim, Bracket, 0.06" (1.5 mm), 2-23
Shim, Bracket, 0.12" (3 mm), 2-23
Shim, 2-109, 2-113, 4-17, 4-19, 6-15
Shims, 4-11, 4-15
Short Block Assembly, R, Includes: Block, Tappets, Camshaft, Crankshaft, Main Bearings, Bearing Caps, Pistons, Piston Pins, Piston Rings, Connecting Rods, Rod Bearings, Thrust Plate, Cam Gear, Gear, Oil Pump, Oil Gauge Support, and Gasket Set, 5-3
Short Block Assembly, S, Includes: R ShortBlock Assembly Plus - Head, Guides, Valves and Associated Parts, Rocker Arm Shaft Assembly, Pushrods, Head Cover, Gear Cover, Oil Pan, Oil Filler Cap, and Gasket Set, 5-3
Short Block, 6-3
Shroud Wldt, Fan, Dsl [550], W/Label, 2-69
Shroud Wldt, Radiator / Hyd Cooler, 2-69
Shroud, Engine Compartment, L.H., 2-7
Shroud, Engine Compartment, R.H., 2-7
Shroud, Fan, 2-65
Shroud, Front, 2-6
Shroud, 2-9
Skirt, Deflector, 2-13
Skirt, 2-2

Sleeve and Seal Kit, 4-3
 Sleeve, Alternator, 2-46
 Sleeve, Bearing, 2-120, 2-121
 Sleeve, Brake Lever, 2-32
 Sleeve, Hose, 2-73
 Sleeve, Nylon, 2-113
 Sleeve, Tube Assembly, 5-5
 Sleeve, 2-5, 2-13, 2-15, 2-23, 2-29, 2-35, 2-109, 2-121, 6-11
 Slide, L.H., 2-27
 Slide, R.H., 2-25
 Slider, 6-15
 Slinger, Oil (Replaced by None), 5-9
 Solenoid [Cat 08], 8-21
 Spacer, 0.33b 0.50d 0.15l, Pl, 2-51
 Spacer, Brake Arm, 2-32
 Spacer, Brake, 2-32
 Spacer, Fan, 2.50, 2-67
 Spacer, Fan, 2-65, 2-69
 Spacer, Isolator, 2-27
 Spacer, P.C. Board, 3-39
 Spacer, Seat Adjuster, 2-5
 Spacer, Starter, 2-39
 Spacer, Switch, 3-5
 Spacer, 2-106, 2-107, 2-109, 3-31, 4-26, 6-9, 6-17, 6-25
 Spool, 4-17, 4-19
 Sprayer Kit, High Pressure, 3-25
 Sprayer, High Pressure, 4-3
 Spring [Cat 08], 8-8
 Spring Kit, Scu, 4-26
 Spring, Brake Cable, 2-32
 Spring, Cmpr, 18.3d, 2.0w, 16.5l Mw Zn, 2-43
 Spring, Cntr, 4-21
 Spring, Compression, 2-35
 Spring, Propel, Centering, 2-81
 Spring, Rocker Arm Shaft, 5-8
 Spring, Tension, 2-109
 Spring, Valve, 5-7, 7-8
 Spring, Retainer, 4-21
 Spring, 2-13, 2-15, 2-23, 2-27, 2-29, 2-81, 2-121, 4-11, 4-15, 4-17, 4-19, 4-23, 6-7, 6-9, 6-13, 6-14, 6-15, 6-23, 7-8
 Sprocket, #40, 16tooth, 0.75 B 1.12w, 3-25
 Squeegee Assembly, Left Side, 2-21
 Squeegee Assembly, Right Side, 2-19
 Squeegee Blades Kit, Rear, 2-2
 Squeegee Blades Kit, Side, 2-2
 Squeegee Wand Kit, 3-23
 Squeegee, 3-14
 Starter, 2-39, 5-13, 7-12, 8-12
 Steer Control, Hyd #4 05.9 150, 4-26
 Strainer, Fuel, 2-57, 2-59
 Strainer, Hyd, 25gpm 100mesh Psi, 2-3
 Strainer, Oil, 7-15, 8-15
 Strainer, Suction, 2-75
 Strainer, Water, 3-26
 Strap, Alternator, 5-17
 Strap, 2-61
 Strip, Backup, 2-3, 2-19, 2-21, 3-40
 Strip, Cable Mounting, 2-17
 Strip, Cooler, Mtg, 2-67

Strip, Cover, 2-21
 Strip, Mounting, 2-65
 Strip, Mtg, Cooler, 2-69
 Strip, Rear Backup, 2-2
 Strip, Rear, Backup, 2-121
 Strip, Spring, 2-121
 Strip, 2-32, 3-5
 Stud [Cat 08], 8-19
 Stud, .38-16 X 2.25, 5, 2-39
 Stud, Door Latch, 2-115, 2-117, 3-11, 3-13
 Stud, Wheel, 2-111
 Stud, 2-15, 2-31, 2-81, 5-14, 5-16, 6-9, 6-12, 6-17, 6-25, 7-7, 7-12, 7-19, 7-21, 7-23, 8-12, 8-18, 8-19, 8-21
 Sump, 6-21
 Support Assembly, Lower Bearing, 2-113
 Support, 10 in (254mm), 3-34
 Support, 13 in (330mm), 3-34
 Support, Brace, 2-7
 Support, Light, 3-33
 Support, Lower Bearing, 2-113
 Support, Rocker Arm Shaft, 5-8
 Support, 2-9, 3-19, 3-20
 Switch Assembly, 4-29
 Switch, Brake Light Sending, 3-15, 3-32
 Switch, Cleaning Solution Metering, 3-9
 Switch, Flow (See Breakdowns), 2-74
 Switch, Flow, 4-29
 Switch, Hi Low, 2-39
 Switch, Ign [Ku], 2-103, 2-105
 Switch, On-Off, Squeegee Lift, 2-103
 Switch, Press, 0006psi Dpdt, 2-41
 Switch, Pressure, 3-18
 Switch, Push, 12vdc 80a Spst No, 2-105
 Switch, Roller, 2-121
 Switch, Snap Actn, 250vdc 25a Spdt, 3-5
 Switch, Toggle, 250vac 06a Spst On/Of, 3-15, 3-19, 3-20, 3-21, 3-32, 3-33, 3-34
 Switch, Toggle, 250vac 10a On/On, 2-105
 Switch, Toggle, 3-15, 3-20, 3-21, 3-32, 3-34
 Switch, 2-121, 3-19, 3-33

T

Taillight, 3-15, 3-32
 Tank, Coolant, 06.0 04.5 06.9deep 2.5 Qt, 2-69
 Tank, Detergent, 3-13
 Tank, Fuel, 12 Gas 11.5 10.0 27.0, 2-61
 Tank, Fuel, 2-57, 2-59
 Tank, Recovery, 2-67
 Tank, Solution and Recovery, SRSr, 3-11
 Tank, Solution and Recovery, 2-115
 Tappet, Valve, 5-8
 Tappet, 6-9, 7-9, 8-9
 Tee, Barbed, 3-25
 Tee, Plastic, 2-17
 Tee, 2-33, 3-37, 5-5
 Terminal, Male, 4-5, 4-6
 Terminal, Quick-Disconnect, 2-36, 2-106, 2-107

Terminal, Ring, 2-106, 2-107, 3-32
 Terminal, 2-106, 2-107
 Thermostat [Cat], 8-17
 Thermostat and Gasket, 5-16
 Thermostat, Coolant, 7-17
 Thermostat, 5-16, 6-25
 Thumbscrew, Filter Hold Down, 3-13
 Tie, Cable, 2-113, 3-3, 3-15, 3-32
 Timing Gear Cover, 6-11
 Tip, Nozzle, 5-5
 Tire Assy, Foam, 8.75-16.5 [45psi], 3-37
 Tire Assy, Pneu, 8.75-16.5 5.5bc/6bolt, 2-30, 2-111
 Tire, [8.75X16.5 Lt], 2-30, 2-111
 Tool Assembly, Sludge Removal, 3-14
 Tread, Non-Skid, 02.2w 15.5l, 2-123
 Tread, Non-Skid, 12.0w 14.5l, 2-123
 Trim, Plastic, Steering Column Housing, 2-7
 Tube Assembly, Hydraulic, 2-65
 Tube Assembly, Oil Pump Inlet, 5-11
 Tube Assembly, R.H., 2-33
 Tube Assembly, 2-57, 2-59, 5-5
 Tube Assy, 6-21
 Tube Set, Fuel Injection, 5-5
 Tube, Front Suction, 3-11
 Tube, Air Cleaner, 2-52
 Tube, Air Intake, 2-35
 Tube, Brake Line, 2-33
 Tube, Brakeline, .19d 32.0l 03if/03if, 2-33
 Tube, Connector, 2-17
 Tube, Cooling, Oil, 7-3
 Tube, Dipstick, 7-3
 Tube, Exhaust [550d], 2-51
 Tube, Exhaust, 1.8d 1.8od Cut-45 E105, 2-49, 2-51
 Tube, Exhaust, 2.0d Flared W/Fing, 2-49
 Tube, Exhaust, 2-47
 Tube, Front Suction, 2-115
 Tube, Hyd, 10 Jf10/Jf10, Hi-press Spray, 3-26
 Tube, Hydraulic, 3-26
 Tube, Inlet, 2-109
 Tube, Intake, 2-109
 Tube, Oil Cooler, 5-18
 Tube, Oil Filler, 5-3
 Tube, Rear Squeegee Suction, 2-117, 3-13
 Tube, Rear Suction, 3-23
 Tube, Spreader, 2-17
 Tube, 7-13, 8-13

U

U-Bolt, 2-15

V

V-Belt, 2-35, 2-109
 V-Bolts, 3-21
 Valve Kit, Discharge, 4-3
 Valve Kit, Pump, 4-7
 Valve Plate, 4-11, 4-15

CROSS REFERENCE

- Valve Section, Manual, 4-27
Valve Section, 4-27
Valve Spool, 4-21
Valve, Ball, 12pf Brs [Rwk 374249], 3-5
Valve, Exhaust, 5-7, 7-8, 8-8
Valve, Guide [Cat 08], 8-7
Valve, Hydraulic (See Breakdowns), 2-77
Valve, Hydraulic, Solenoid, 4-27
Valve, Hydraulic, 4-28, 4-32
Valve, Inlet, 7-8, 8-8
Valve, Intake, 5-7
Valve, Press, Oil [Cat 08], 8-15
Valve, Relief, Hydraulic, 3-25
Valve, Relief, Press, Eng Oil, 7-15
Valve, Relief, 4-17, 4-19, 7-15, 8-15
Valve, Seal, Stem [Cat 08], 8-7, 8-8
Valve, Seat [Cat 08], 8-7
Valve, Shut-off, 3-26
Valve, Shutoff, 7-25, 8-22
Valve, Tire, Air, 2-30, 2-111
Valve, Water Pressure, 3-26
Valve, Water, Drain, 3-37
Valve, Water, 2-17
Valve, 4-23, 6-13
Video, Oprtr, Vhs [550], 3-42
Vr, Block, Long [Reman](See Perkins Engine Breakdown), 2-39
Vr, Element, Fitr, Fuel, 2-61
Vr, Shim Kit, Pump, Injection [Pk], 6-17
- W**
- Wand Kit, Squeegee, 3-29
Wand, Spray, 3-25
Warning Kit, Brush Pressure, 3-18
Washer [Cat 08], 8-11, 8-15, 8-21
Washer, Wavy, 2-81
Washer, 0.53b 1.75d .12, Stl, Pl, 2-39
Washer, 1.15b 1.75d .08, Stl, 2-105
Washer, 1.15B 1.75D .08 Stl, 2-103
Washer, 7.2mm X 14.5mm X 2mm, 7-23
Washer, 8.8mm X 16mm X 2mm, 7-7
Washer, Belleville, .25, 2-105
Washer, Belleville, 2-24, 2-25, 2-35, 2-121
Washer, Drain Plug, 5-3
Washer, Fiberglide, 2-121
Washer, Flat, .38 Sae, 2-49
Washer, Flat, #06, 2-11
Washer, Flat, #08, 2-105
Washer, Flat, #10, 2-43
Washer, Flat, 0.25 Sae, 2-9, 2-61
Washer, Flat, 0.25 Std, 2-9, 2-43, 2-69, 2-105
Washer, Flat, 0.31 Sae, 2-9, 2-55, 2-61, 2-69, 7-8, 7-9, 7-11, 7-13, 7-15, 7-17, 7-19, 7-21, 7-23, 7-25, 7-26
Washer, Flat, 0.31 Std, 2-9, 2-11, 2-51, 2-55, 2-61, 2-69, 7-7
Washer, Flat, 0.34b 0.69d .06, Nyl, 2-11
Washer, Flat, 0.38 Std, 2-9, 2-41, 2-51, 7-11, 7-12, 7-15, 7-23
Washer, Flat, 0.39b 0.75d .06, Nyl, 2-43
Washer, Flat, 0.44b 1.00d .08, Ss, 2-19, 2-23
Washer, Flat, 0.50 Sae, 2-9
Washer, Flat, 0.50 Std, 2-41
Washer, Flat, 0.53b 1.75d .12, Stl, Pl, 2-41
Washer, Flat, 0.53b 2.13d .11, Stl, Pl, 2-69
Washer, Flat, 0.75 Sae, 2-51
Washer, Flat, Perkins, [550/1550], 2-39
Washer, Flat, 2-62, 2-111, 2-113, 2-120, 5-7, 5-8
Washer, Flt, .25 Std, 2-67
Washer, Flt, .31 Ss, 2-45, 7-15
Washer, Flt, .31 Std, 2-39, 2-45, 2-46, 2-49, 2-59, 2-67
Washer, Flt, .38 Std, 2-49, 2-67
Washer, Flt, .50 Sae, 2-78
Washer, Flt, .50 Std, 2-67
Washer, Flt, .75 Sae, 2-49
Washer, Hard [Cat 08], 8-7, 8-9, 8-11, 8-12, 8-15, 8-17, 8-18, 8-19, 8-21, 8-23
Washer, Lock [Cat 08], 8-11, 8-13, 8-15, 8-18, 8-19, 8-21, 8-22, 8-23
Washer, Lock, .31, 2-46
Washer, Lock, .38, 2-39
Washer, Lock, .44, 2-39
Washer, Lock, Int, .31, 2-61
Washer, Lock, Int, .38, 2-49
Washer, Lock, Int, #06, 2-11
Washer, Lock, Int, #08, 2-105
Washer, Lock, Int, 08, Ss, 3-9
Washer, Lock, Int-Ext, .31, 2-9, 2-105
Washer, Lock, Int-Ext, .38, 2-41
Washer, Lock, M10, 2-39, 2-46
Washer, Lock, M12, 2-39
Washer, Lock, M6, 2-67
Washer, Lock, 2-113
Washer, M14, Hardened, 2-39
Washer, Nylon, 2-7, 2-17, 3-5
Washer, Plain, 5-8, 5-9
Washer, Rocker Arm Shaft, 5-8
Washer, Rubber Seal, 3-11, 3-13
Washer, Rubber Backed, 3-23
Washer, Rubber, (Located Inside Tank), 2-117
Washer, Sealing, Eng, Dsl, 2-59
Washer, Sealing, 2-57, 2-115, 3-15, 3-33
Washer, Spacer, 2-113
Washer, Thrust, 2-120
Washer, Wavy, 2-109
Washer, 2-15, 2-19, 2-21, 2-23, 2-24, 2-25, 2-27, 2-29, 2-36, 2-113, 2-121, 4-9, 4-11, 4-13, 4-15, 4-17, 4-19, 5-7, 6-5, 6-11, 6-15, 6-17, 6-23, 6-28, 6-29, 7-26, 8-21, 8-23
Water Pump, 6-25
Watertrap, Fuel, 2-57
Watertrap, 2-59
Weight, 6-15
Wheel, Steering, 2-29
Wire Assembly, Headlight, 3-15, 3-32
Wire Assembly, No. 46, 2-36
Wire Assy, 06ga 13.0l Blk .41h/ .41h, 2-41
Wire Assy, 4ga, 150 Amp Fuse, 2-41
Wire Harness, Auto Squeegee, 2-83
Wire Harness, Control Box, 3-8
Wire Harness, Main, 2-83
Wire Harness, Tractor, Auto Squeegee, 2-83
Wire Harness, 3-15, 3-31, 3-32, 3-39
Wire Kit, Instrument Panel, 2-103
Wire Kit, Operating Lights, 3-15, 3-32
Wire Kit, 3-18, 3-19, 3-21, 3-31, 3-33, 3-39
Wire, Glow Plug, 5-5
Wire, Lead, 2-6
Woodruff Key, 6-11, 6-15



We Need Your Help...

As part of Tennant's Zero Defects Program, we want to know about errors you have found or suggestions you may have regarding our machine manuals. If you find an error or have a suggestion, please complete this postage-paid form and mail it to us. Thank you for helping us make zero defects a way of life at Tennant.

Manual No. _____ Rev. No. _____ Publish Date _____ Page _____
Machine _____ Report Error Suggestion

Name _____ Date _____

Customer Number _____

Company _____

Address _____

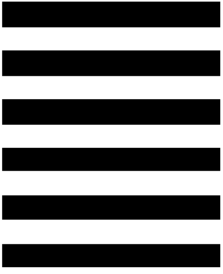
City/State/Zip Code _____



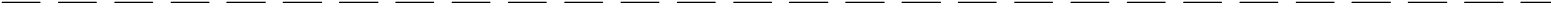
TENNANT COMPANY
 Technical Publications #15
 701 North Lilac Drive
 P.O. Box 1452
 Minneapolis, MN 55440-9947

POSTAGE WILL BE PAID BY ADDRESSEE

BUSINESS REPLY MAIL
 FIRST CLASS MAIL PERMIT NO. 94 MINNEAPOLIS, MN

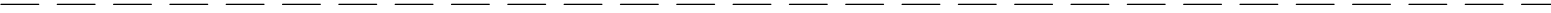


NO POSTAGE
 NECESSARY
 IF MAILED
 IN THE
 UNITED STATES



Fold along dotted lines

Tape here





We Need Your Help...

As part of Tennant's Zero Defects Program, we want to know about errors you have found or suggestions you may have regarding our machine manuals. If you find an error or have a suggestion, please complete this postage-paid form and mail it to us. Thank you for helping us make zero defects a way of life at Tennant.

Manual No. _____ Rev. No. _____ Publish Date _____ Page _____
Machine _____ Report Error Suggestion

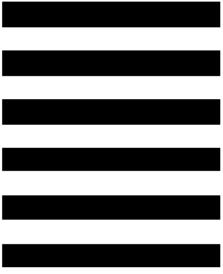
Name _____ Date _____
Customer Number _____
Company _____
Address _____
City/State/Zip Code _____



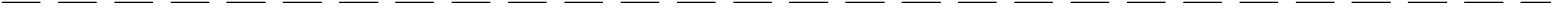
TENNANT COMPANY
 Technical Publications #15
 701 North Lilac Drive
 P.O. Box 1452
 Minneapolis, MN 55440-9947

POSTAGE WILL BE PAID BY ADDRESSEE

BUSINESS REPLY MAIL
 FIRST CLASS MAIL PERMIT NO. 94 MINNEAPOLIS, MN



NO POSTAGE
 NECESSARY
 IF MAILED
 IN THE
 UNITED STATES



Fold along dotted lines

Tape here

