

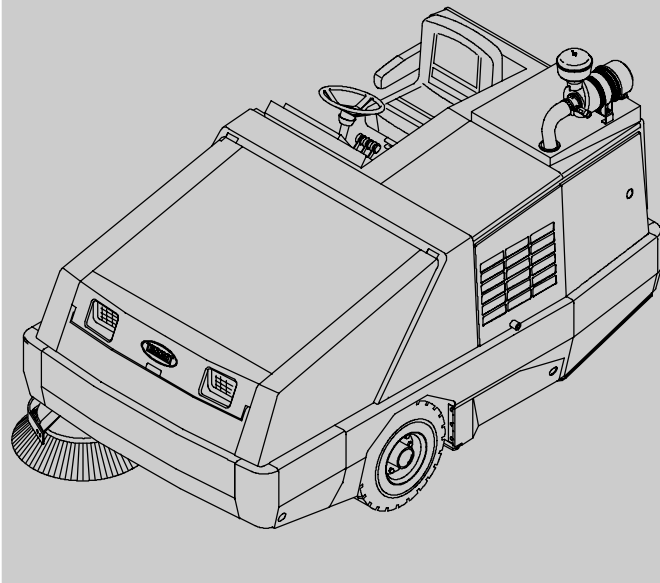
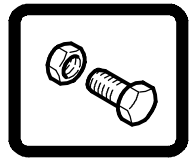


# 800

(Gas/LPG)

(SN/ 004000- )

## Sweeper Parts Manual



**North America / International**

[www.tennantco.com](http://www.tennantco.com)

330120  
Rev. 17 (02-2011)



When ordering replacement parts, use the illustrated parts list section in this manual. Before ordering parts or supplies, be sure to have your machine model number and serial number available. Only use TENNANT Company supplied or equivalent parts. Parts and supplies may be ordered online, by phone, or mail from any authorized parts and service center, distributor or from any of the manufacturer's subsidiaries.

This machine will provide excellent service. However, the best results will be obtained at minimum costs if:

- The machine is operated with reasonable care.
- The machine is maintained regularly - per the machine maintenance instructions provided.
- The machine is maintained with manufacturer supplied or equivalent parts.

#### **MACHINE DATA**

Please fill out at time of installation for future reference.

Model No. - \_\_\_\_\_

Serial No. - \_\_\_\_\_

Machine Options - \_\_\_\_\_

Sales Rep. - \_\_\_\_\_

Sales Rep. phone no. - \_\_\_\_\_

Customer Number - \_\_\_\_\_

Installation Date - \_\_\_\_\_

#### **Tennant Company**

PO Box 1452

Minneapolis, MN 55440

Phone: (800) 553-8033 or (763) 513-2850

[www.tennantco.com](http://www.tennantco.com)

II Speed and Thermo-Sentry, are US registered and unregistered trademarks of Tennant Company.

Specifications and parts are subject to change without notice.

Original instructions, Copyright © 1998-2000, 2002-2005, 2007-2011 TENNANT Company, Printed in U.S.A.

## HOW TO USE THIS MANUAL

This section on *HOW TO USE THIS MANUAL* will tell you how to:

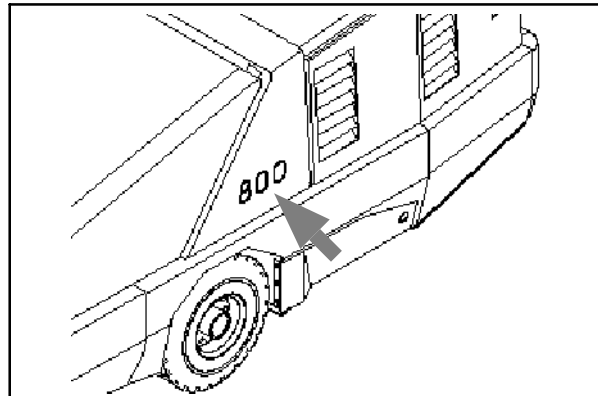
- Find important machine information for ordering correct repair parts.
- Find TENNANT part numbers.
- Order TENNANT parts and supplies.

### IMPORTANT INFORMATION

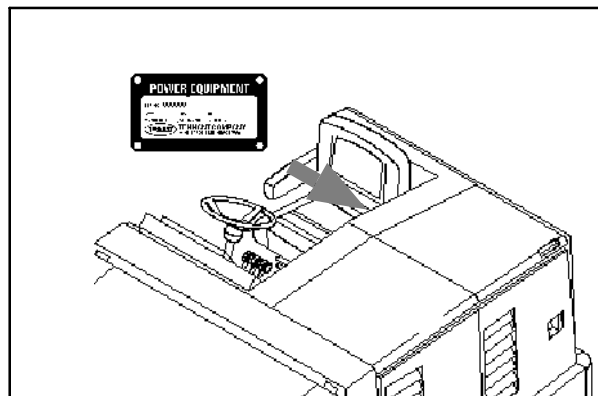
When placing an order for parts, the machine model and machine serial number are important. Refer to the *MACHINE DATA* box which is filled out during the installation of your machine. The *MACHINE DATA* box is located on the inside of the front cover of this manual.

MACHINE DATA	
<i>Please fill out at time of installation for future reference.</i>	
Machine Model Number -	800
Machine Serial Number -	_____
Machine Options -	_____
TENNANT Representative/phone no. -	_____
Customer ID Number -	_____
Date of Installation -	_____
Manual Number -	330120
Revision:	00
Published:	9-97

The model number of your machine is on the side of the machine.



The serial number of your machine is printed on the machine data plate located as shown.



# HOW TO USE THIS MANUAL

## FINDING A TENNANT PART NUMBER

This manual contains the following sections:

- HOW TO USE THIS MANUAL
- STANDARD PARTS
- OPTIONS
- BREAKDOWNS
- PERKINS ENGINE BREAKDOWN
- CAT ENGINE BREAKDOWN
- CROSS REFERENCE

The STANDARD PARTS section lists repair parts for standard machines. They are grouped in this general order:

- General wear parts.
- Machine frame and related parts.
- Machine propelling system.
- Sweeping components.
- Electrical parts.

The OPTION section lists repair parts of options.

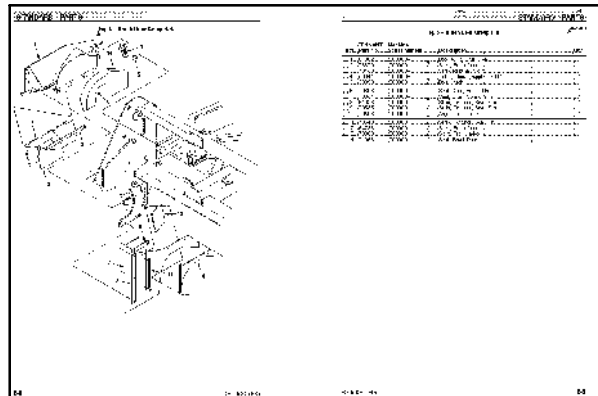
The BREAKDOWN section lists available repair parts of major components.

All sections in this manual consist of parts illustrations and corresponding parts lists.

The parts illustrations are numbered with **Ref** numbers which refer to corresponding parts lists.

The parts lists include a number of columns of information:

- **Ref** - column refers to the reference number on the parts illustration.  
 ▽ - indicates the part is an assembly.  
 ▲ - indicates the part is included in the assembly listed just before it.
- **TENNANT Part No.** - column lists the TENNANT part number for the part.
- **Serial Number** - column indicates the set of machines the part number is applicable to. Serial numbers change when the machine design has been modified. The most current design of the machine is shown in the main illustration, older designs are boxed in a corner of the illustration.
- **Description** - column is a brief description of the part.
- **Qty.** - column lists the quantity of that part used in that area of the machine.

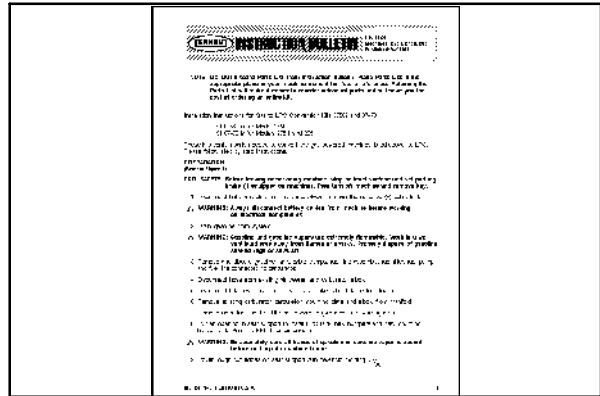


TENNANT Machine	Ref. Part No.	Serial number	Description	Qty.
	53970	000000	Repair Kit, Instl. Paved	ea 1
	1 53976	000000	Repair Kit, Case	ea 1
	2 53977	000000	Repair Kit, Seal	ea 1
	3 53974	000000	Repair Kit, Ch. Brand	ea 1
	4 53978	000000	Repair Kit, Horns	ea 1
	5 53979	000000	Repair Kit, Tauro Panel	ea 1
	6 53971	000000	Repair Kit, Lamp, Backlighting (B)	ea 2
	7 53946	000000	Repair Kit, Lamp (C)	ea 1
	8 13632-5	000000	Grommet, br, 0.25H, For O9Mat.	ea 4
	9 01509	000000	Switch, Rocker, Dpdt.	ea 1
	10 67807	000000	Cover, Rocker Switch Seal	ea 1
	11 07036	000000	Switch, Ignition	ea 1
	12 87666	000000	Key Set, Switch K1	ea 1
	13 72109	000000	Repair Kit, Sun Shield	ea 1
	14 85445	000000	Panel, Cover, Dash	ea 1
	15 73637	000000	Seal, Hard, Valve	ea 1



**NOTE:** If a service kit is installed on your machine, be sure to keep the **INSTRUCTION BULLETIN** which came with the kit. It contains repair parts numbers needed for ordering future parts.

**NOTE:** Fasteners used in this machine may be metric or non-metric. Take care when replacing hardware to replace with same thread size.



## PLACING AN ORDER

Orders may be placed by phone, fax, or by mail. Phone orders may need written confirmation. Follow the steps below to insure prompt delivery:

1. Identify the model number of your machine.
2. Identify the serial number of your machine.
3. Find the part number of the part you need. Do not order by page number or reference number. If you are not able to find the part number, call your TENNANT representative for help or send the old part as a sample.
4. Determine the quantity of the part you need.
5. Provide the following company information:
  - Company name
  - Customer ID Number
  - Shipping address
  - Billing address
  - First and last name of person ordering parts
  - Telephone number
  - Purchase order number
6. Provide definitive shipping instructions.

## HOW TO USE THIS MANUAL

---

Any claim for loss or damage to a shipment in transit should be filed promptly with the transportation company making the delivery. Shipments will be complete unless the packing list or order acknowledgement indicates items back ordered.

If parts received are suspected to be incorrect or defective, please contact the TENNANT representative from whom you ordered the part. They will give authorization for return and/or handle replacement shipments when required.

## SECTION 2

Contents	Page	Contents	Page
Fig. 1 - General Recommended Maintenance Items	2-4	Fig. 35 - Engine Electronic Fuel Ignition and Vaporizer Group, LPG (004937-005999)	2-72
Fig. 2 - Brushes, Replacement	2-5	Fig. 36 - Engine Electronic Fuel Ignition and Vaporizer Group, LPG (006000-006999)	2-76
Fig. 3 - Main Frame Skirt and Seals Group	2-6	Fig. 37 - Engine Electronic Fuel Ignition and Vaporizer Group, LPG (007000-007486)	2-80
Fig. 4 - Main Frame Left Brush Door Group	2-8	Fig. 38 - Engine EFI Group, LPG (007487- )	2-84
Fig. 5 - Main Frame Right Brush Door Group	2-10	Fig. 39 - Engine Vaporizer Group, LPG (007487- )	2-86
Fig. 6 - Main Frame Operator Station Group	2-12	Fig. 40 - Engine Air Cleaner Group (004000-004936)	2-88
Fig. 7 - Main Frame Engine Cover and Lintel Group	2-14	Fig. 41 - Engine Air Cleaner Group (004937-005999)	2-90
Fig. 8 - Main Frame Engine Side Door Group (004000-006999)	2-16	Fig. 42 - Engine Air Cleaner Group, Gas (006000-006999)	2-92
Fig. 9 - Main Frame Engine Side Door Group (007000- )	2-18	Fig. 43 - Engine Air Cleaner Group, Gas (007000- )	2-94
Fig. 10 - Hydraulic Cooler, Filter and Rear Door Group	2-20	Fig. 44 - Engine Air Cleaner Group, LPG (006000-006999)	2-96
Fig. 11 - Hopper Lift Arms Group	2-22	Fig. 45 - Engine Air Cleaner Group, LPG (007000- )	2-98
Fig. 12 - Hopper Lift Cylinders Group	2-24	Fig. 46 - Engine Muffler Group (004000-004936)	2-100
Fig. 13 - Hopper Group	2-26	Fig. 47 - Engine Muffler Group, Catalytic (004937-005999)	2-102
Fig. 14 - Hopper Door Group	2-28	Fig. 48 - Engine Muffler Group, Catalytic (006000-006999)	2-104
Fig. 15 - Hopper Cover Group	2-30	Fig. 49 - Engine Muffler Group, Catalytic (007000- )	2-106
Fig. 16 - Hopper Bumper Group	2-32	Fig. 50 - Engine Fuel Tank Group, Gas (004000-004936)	2-108
Fig. 17 - Hopper Filter Shaker Group	2-34	Fig. 51 - Engine Fuel Tank Group, Gas (004937-005999)	2-110
Fig. 18 - Hopper Pressure Switch Group	2-36	Fig. 52 - Engine Fuel Tank Group, Gas (006000-006999)	2-112
Fig. 19 - Engine and Alternator Group (004000-004936)	2-38	Fig. 53 - Engine Fuel Tank Group, Gas (007000- )	2-114
Fig. 20 - Engine Mount Group (004000-004936)	2-40	Fig. 54 - Engine Fuel Tank Group, LPG (004000-004936)	2-116
Fig. 21 - Engine Group (004937-005999)	2-42	Fig. 55 - Engine Fuel Tank Group, LPG (004937-005999)	2-118
Fig. 22 - Engine Group (006000-006999)	2-44	Fig. 56 - Engine Fuel Tank Group, LPG (006000-006999)	2-120
Fig. 23 - Engine Group (007000- )	2-46	Fig. 57 - Engine Fuel Tank Group, LPG (007000- )	2-122
Fig. 24 - Engine Alternator Group (004937-005999)	2-50	Fig. 58 - Engine Radiator Hose Group (004000-004936)	2-124
Fig. 25 - Engine Alternator Group (006000-006999)	2-52	Fig. 59 - Engine Radiator Hose Group (004937-005999)	2-126
Fig. 26 - Engine Alternator Group (007000- )	2-54		
Fig. 27 - Engine Oil Filter and Drain Group (004937- )	2-56		
Fig. 28 - Engine Carburetor and Governor Group, Gasoline (004000-004936)	2-58		
Fig. 29 - Engine Electronic Fuel Ignition Group, Gas (004937-005999)	2-60		
Fig. 30 - Engine Electronic Fuel Ignition Group, Gas (006000-006999)	2-62		
Fig. 31 - Engine Electronic Fuel Ignition Group, Gas (007000- )	2-64		
Fig. 32 - Engine Carburetor and Governor Group, LPG (004000-004936)	2-66		
Fig. 33 - Engine Vaporizer Group, LPG (004000-004818)	2-68		
Fig. 34 - Engine Vaporizer Group, LPG (004819-004936)	2-70		

# STANDARD PARTS

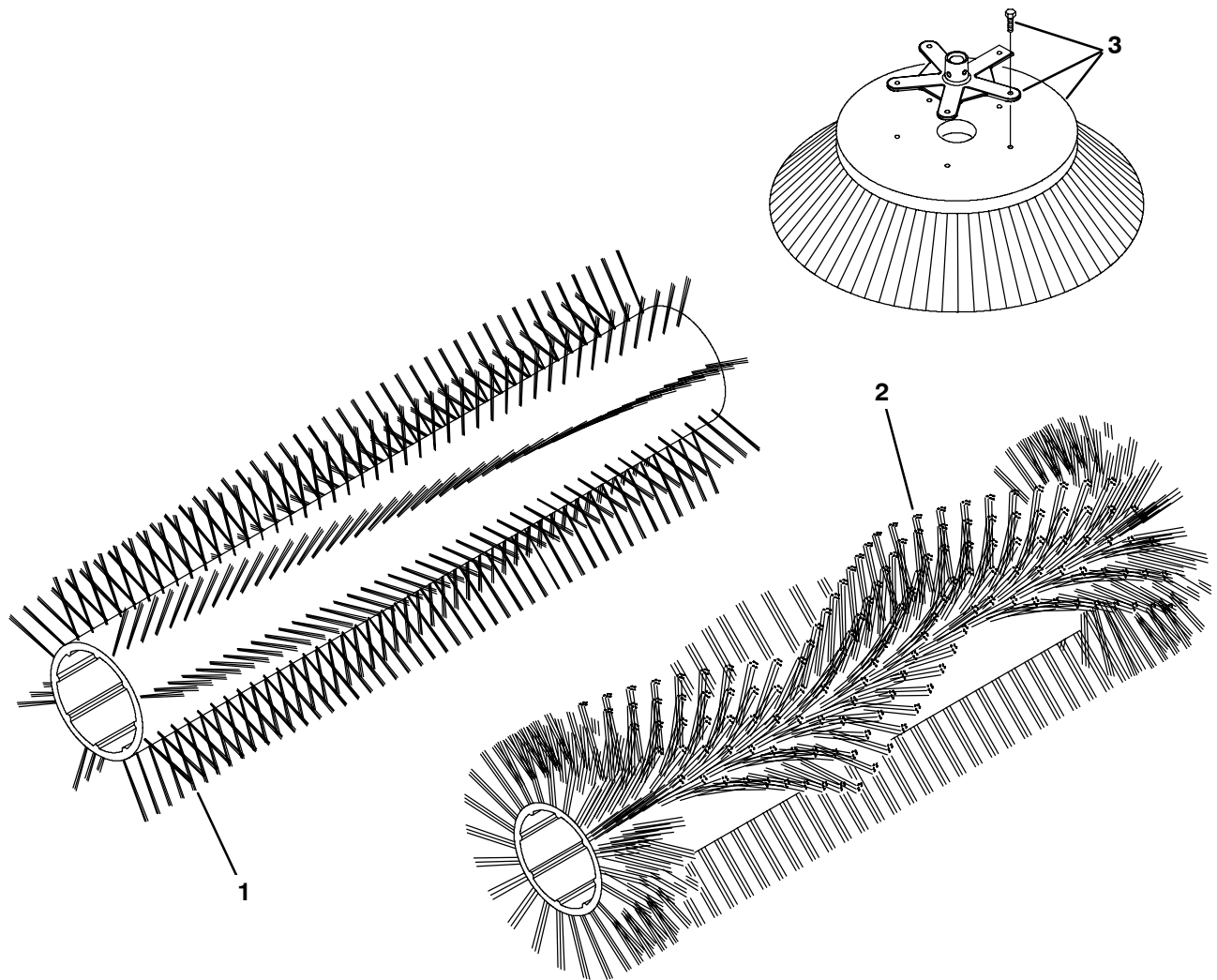
Contents	Page	Contents	Page
Fig. 60 - Engine Radiator Hose Group (006000-006999) . . . . .	2-128	Fig. 99 - Wire Harnesses Group, Gas/LPG Engine (007000-007486) . . . . .	2-223
Fig. 61 - Engine Radiator Hose Group (007000- ) . . . . .	2-130	Fig. 100 - Wire Harnesses Group, Gas/LPG Engine (007487- ) . . . . .	2-224
Fig. 62 - Engine Radiator and Cooling Fan Group (004000-006308) . . . . .	2-132	Fig. 101 - Wire Harnesses Schematic, Gas Engine (007000- ) . . . . .	2-225
Fig. 63 - Engine Radiator and Cooling Fan Group (006309-006999) . . . . .	2-134	Fig. 102 - Wire Harnesses Schematic, LPG Engine (007000- ) . . . . .	2-228
Fig. 64 - Engine Radiator and Cooling Fan Group (007000- ) . . . . .	2-136	Fig. 103 - Wire Harnesses Group, Gas/LPG, Adaptor (006000-006999) . . . . .	2-232
Fig. 65 - Engine Battery Group (006000-006999) . . . . .	2-138	Fig. 104 - Wire Harnesses Group, Gas/LPG, Adaptor (007000- ) . . . . .	2-234
Fig. 66 - Engine Battery Group (007000- ) . . . . .	2-140	Fig. 105 - Label Group . . . . .	2-236
Fig. 67 - Wheel Group, Rear Drive . . . . .	2-142		
Fig. 68 - Wheels and Brakes Group, Front . . .	2-144		
Fig. 69 - Wheel Assembly . . . . .	2-146		
Fig. 70 - Brake Pedals Group . . . . .	2-148		
Fig. 71 - Directional Pedal Group . . . . .	2-150		
Fig. 72 - Hydraulic Pumps Group . . . . .	2-152		
Fig. 73 - Hydraulic Schematic . . . . .	2-154		
Fig. 74 - Hydraulic Hose Group (004000-004936) . . . . .	2-156		
Fig. 75 - Hydraulic Hose Group (004937- ) . . . . .	2-158		
Fig. 76 - Hydraulic Reservoir Group . . . . .	2-160		
Fig. 77 - Hydraulic Solenoid Valve Group . . .	2-162		
Fig. 78 - Hydraulic Lift Valve Group . . . . .	2-164		
Fig. 79 - Brush Group, Side . . . . .	2-166		
Fig. 80 - Brush Lift Group, Side . . . . .	2-170		
Fig. 81 - Brush Drive Group, Main . . . . .	2-174		
Fig. 82 - Brush Lift Group, Main . . . . .	2-176		
Fig. 83 - Brush Adjustment Group, Main . . .	2-178		
Fig. 84 - Vacuum Fan Impeller Group . . . . .	2-180		
Fig. 85 - Vacuum Fan Motor Group . . . . .	2-182		
Fig. 86 - Steering Group . . . . .	2-184		
Fig. 87 - Electrical Instrument Panel Assembly	2-186		
Fig. 88 - Electrical Circuit Breaker and Relay Group . . . . .	2-188		
Fig. 89 - Electrical Schematic (004000-004936) . . . . .	2-189		
Fig. 90 - Electrical Schematic (004937-005999) . . . . .	2-193		
Fig. 91 - Electrical Schematic (006000- )	2-198		
Fig. 92 - Wire Harnesses Group, Gas/LPG, Main (004000- 004274) . . . . .	2-204		
Fig. 93 - Wire Harnesses Group, Gas/LPG, Hopper (004000- ) . . . . .	2-208		
Fig. 94 - Wire Harnesses Group, Gas/LPG, Tail Lights (004000- ) . . . . .	2-209		
Fig. 95 - Wire Harnesses Group, Gas/LPG, Main (004275-004936) . . . . .	2-210		
Fig. 96 - Wire Harnesses Group, Gas/LPG, Main (004937- ) . . . . .	2-214		
Fig. 97 - Wire Harnesses Group, Gas/LPG Engine (006000-006999) . . . . .	2-219		
Fig. 98 - Wire Harnesses Group, Gas/LPG, Injectors (006000-006999) . . . . .	2-222		



**Fig. 1 - General Recommended Maintenance Items**

Ref.	Part No.	Serial Number	Description	Qty.
▽	77632	(004000-	) Maintenance Kit, Skirts	1
▲	73870	(004000-	) Skirt, Brush Door	2
▲	64788	(004000-	) Skirt, Brush Door	2
▲	70453	(004000-	) Strip, Retainer, Skirt	2
▲	62955	(004000-	) Skirt, Seal, Main Brush	1
▲	62957	(004000-	) Channel, Retainer, Seal, Rear	1
▲	62954	(004000-	) Blade, Deflector	1
▲	62956	(004000-	) Strap, Retainer, Seal	1
▲	43500	(004000-	) Chain, Link#2/0, 7Links	1
▽	79032	(004000-	) Maintenance Kit, Skirts 800	1
▲	64919	(004000-	) Seal, Pan, Top	1
▲	64920	(004000-	) Channel, Retainer	1
▲	73654	(004000-	) Seal, Brush Comp, Side	2
▲	73888	(004000-	) Skirt, Front, Indoor	2
▽	380709	(004000-004936	) Maintenance Kit, 400HR 800/810 gas	1
▲	39703-2	(004000-004936	) Filter Element, Oil, Cont. Gas-SE	4
▲	60846	(004000-004936	) Spark Plug-10 FD	4
▲	84883	(004000-004936	) Valve, PCV	1
▲	36050	(004000-004936	) Filter, Fuel	2
▲	60933	(004000-006999	) Element, Filter, Air	1
▲	60934	(004000-006999	) Element, Filter, Air	1
▽	380710	(004000-004936	) Maintenance Kit, 400HR 800/810 lpg	1
▲	39703-2	(004000-004936	) Filter Element, Oil, Cont. Gas-SE	4
▲	60846	(004000-004936	) Spark Plug-10 FD	4
▲	84883	(004000-004936	) Valve, PCV	1
▲	60933	(004000-006999	) Element, Filter, Air	1
▲	60934	(004000-006999	) Element, Filter, Air	1
▽	77634	(004000-	) Maintenance Kit, 800HR 800/810	1
▲	34306	(004000-	) Breather, Hyd 40Mic NO DS	1
▲	31613	(004000-	) Strainer-Hyd Suction 25-100-03	1
▲	10664	(004000-	) Filter Assy, Spin-on	1
▲	1057711	(004000-	) Oil, Hyd [El, Iso 100, 05gal]	3
	1057708	(004000-	) Oil, Hyd [El, Iso 32, 05gal]	3
	393982	(004937-	) Element, Fltr, Oil, Eng, Spin-on[Gm]	1
	393934	(004937-006999	) Sparkplug [Gm 3.0]	4
	9006586	(007000-	) Sparkplug	4
	372652	(007000-	) Element, Fltr, Air [Dn]	1
	372651	(007000-	) Element, Fltr, Air	1

Fig. 2 - Brushes, Replacement



07628 - 800

Ref.	Part No.	Serial Number	Description	Qty.	
1	35326	(004000-	) Brush-Sweep -Polypropylene	1	
1	35324	(004000-	) Brush-Sweep -Polypropylene&Wire	1	
1	35327	(004000-	) Brush-Sweep -Wire	1	
1	35325	(004000-	) Brush-Outsd -Polypropylene	1	
1	35336	(004000-	) Brush-Patrl -Nylon	1	
1	35323	(004000-	) Brush-Sweep -Nylon (24SR)	1	
1	66020	(004000-	) Brush-Sweep -Nylon (8DR)	1	
2	370011	(004000-	) Brush, Swp, Wedge, Polypropylene	1	
▽	3	75011	(004000-	) Brush-Side Swp -Assy-Nylon	1
▲		51021N	(004000-	) Brush-Side Swp -Nylon	1
▲		1042969	(004000-	) Hub, Drive, Brush, Side, 1.00b 8.8bc	1
▲		39394	(004000-	) Screw, Hex, .31-09 X 1.25, Wood	5
▽	3	75010	(004000-	) Brush-Side Swp -Assy-Flat Wire	1
▲		51542	(004000-	) Brush-Side Swp -Flat Wire	1
▲		1042969	(004000-	) Hub, Drive, Brush, Side, 1.00b 8.8bc	1
▲		39394	(004000-	) Screw, Hex, .31-09 X 1.25, Wood	5
▽	3	70649	(004000-	) Brush-Side Swp -Assy-Polypropylene	1
▲		70538	(004000-	) Brush-Side Swp -Polypropylene	1
▲		1042969	(004000-	) Hub, Drive, Brush, Side, 1.00b 8.8bc	1
▲		39394	(004000-	) Screw, Hex, .31-09 X 1.25, Wood	5

Fig. 3 - Main Frame Skirt and Seals Group

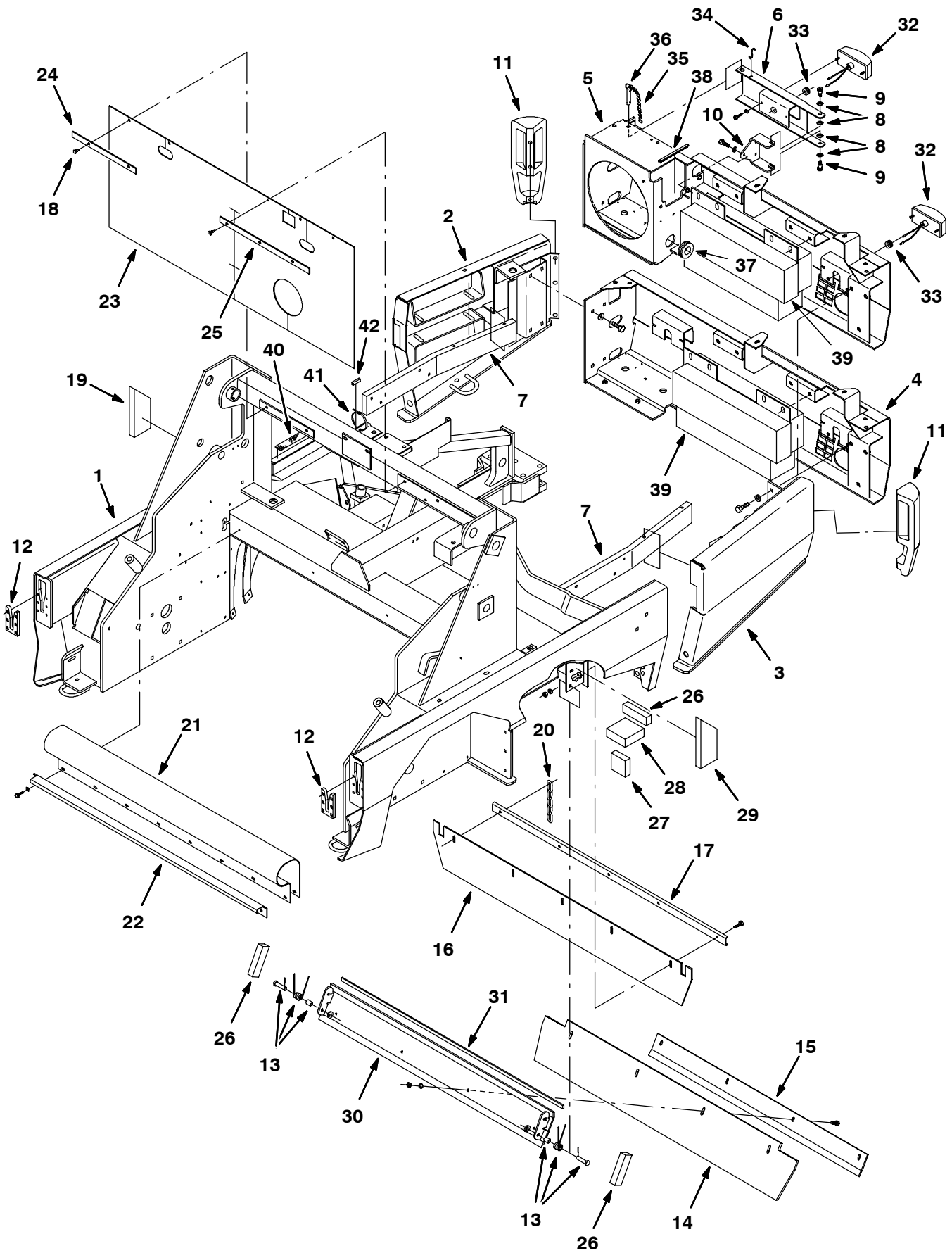




Fig. 3 - Main Frame Skirt and Seals Group

Ref.	Part No.	Serial Number	Description	Qty.	
1	77777	(004000-	) Frame	1	
2	77782	(004000-	) Panel Wldt, Rear, Rh	1	
3	77734	(004000-	) Panel Wldt, Rear, Lh	1	
4	79680	(004000-006999	) Bumper Wldt., Rear, Gas/Die	1	
4	1028300	(007000-	) Bumper Wldt, Rear, Gas/Dsl	1	
5	79681	(004000-006999	) Bumper Wldt., Rear, LPG	1	
5	1032075	(007000-	) Bumper Wldt, Rear, Lpg	1	
6	77680	(004000-	) Door, Bumper, Lpg	1	
7	77593	(004000-	) Bar, Frame	2	
8	86860	(004000-	) Bearing, Thrust .500	4	
9	36758	(004000-	) Scr-Shld .500Dx0.50L .38-16	2	
10	70517	(004000-	) Bracket	1	
11	63544	(004000-	) Bumper, Corner, Mach	2	
12	63663	(004000-	) Plate, Guide, Bumper	2	
13	69904	(004000-	) Spring, Recirculation	1	
14	62954	(004000-	) Blade, Deflector	1	
15	62956	(004000-	) Strap, Retainer, Seal	1	
16	62955	(004000-	) Skirt, Seal, Main Brush	1	
17	62957	(004000-	) Channel, Retainer, Seal,Rear	1	
18	21168	(004000-	) Clip, Pine-Tree .250h Plastic	5	
19	74066	(004000-	) Insulation, S/Foam	1	
20	43500	(004000-	) Chain,Link#2/0,7Links	1	
21	64919	(004000-	) Seal, Pan, Top	1	
22	64920	(004000-	) Channel, Retainer	1	
23	73724	(004000-	) Shield, Dust	1	
24	70843	(004000-	) Strip, Retainer, Shield, Rh	1	
25	70844	(004000-	) Strip, Retainer, Shield, Lh	1	
26	74064	(004000-	) Insulation, S/Foam	4	
27	73863	(004000-	) Insulation, S/Foam 1.0X3.0X3.0	2	
28	73862	(004000-	) Insulation, S/Foam 1.5X4.0X4.0	2	
29	74067	(004000-	) Insulation, S/Foam	1	
30	73645	(004000-	) Channel, Mounting	1	
31	79010	(004000-	) Seal	1	
▽	32	57941	(004000-	) Light Assy Stop/Red 12V- . A	2
▲	45780	(004000-	) Bulb, 12V .5A 4Cp #1157	1	
33	87515	(004000-	) Grommet,Rbr,0.50ld,For .25Matl	2	
34	43363	(004000-	) Hook, S-.120 X 1.31, Zinc Pl.	1	
35	06121	(004000-	) Chain, Sash, #35, 06.0l 11 Link	1	
36	79608	(004000-	) Pin, Hitch .50D X 1.50L	1	
37	74920	(004000-	) Grommet, Flexible .25	1	
38	79670	(004000-	) Strip, Edging	1	
39	79671	(004000-	) Weight, LPG/Gas	1	
40	86798	(004000-	) Pad, Tread	1	
41	49263	(004000-	) Tie, Cable, Nyl, 11.4l .19w 3.0 Max D	1	
42	361160	(004000-	) Molding, Trim, Pvc, .08-.11 01.0l	1	

Fig. 4 - Main Frame Left Brush Door Group

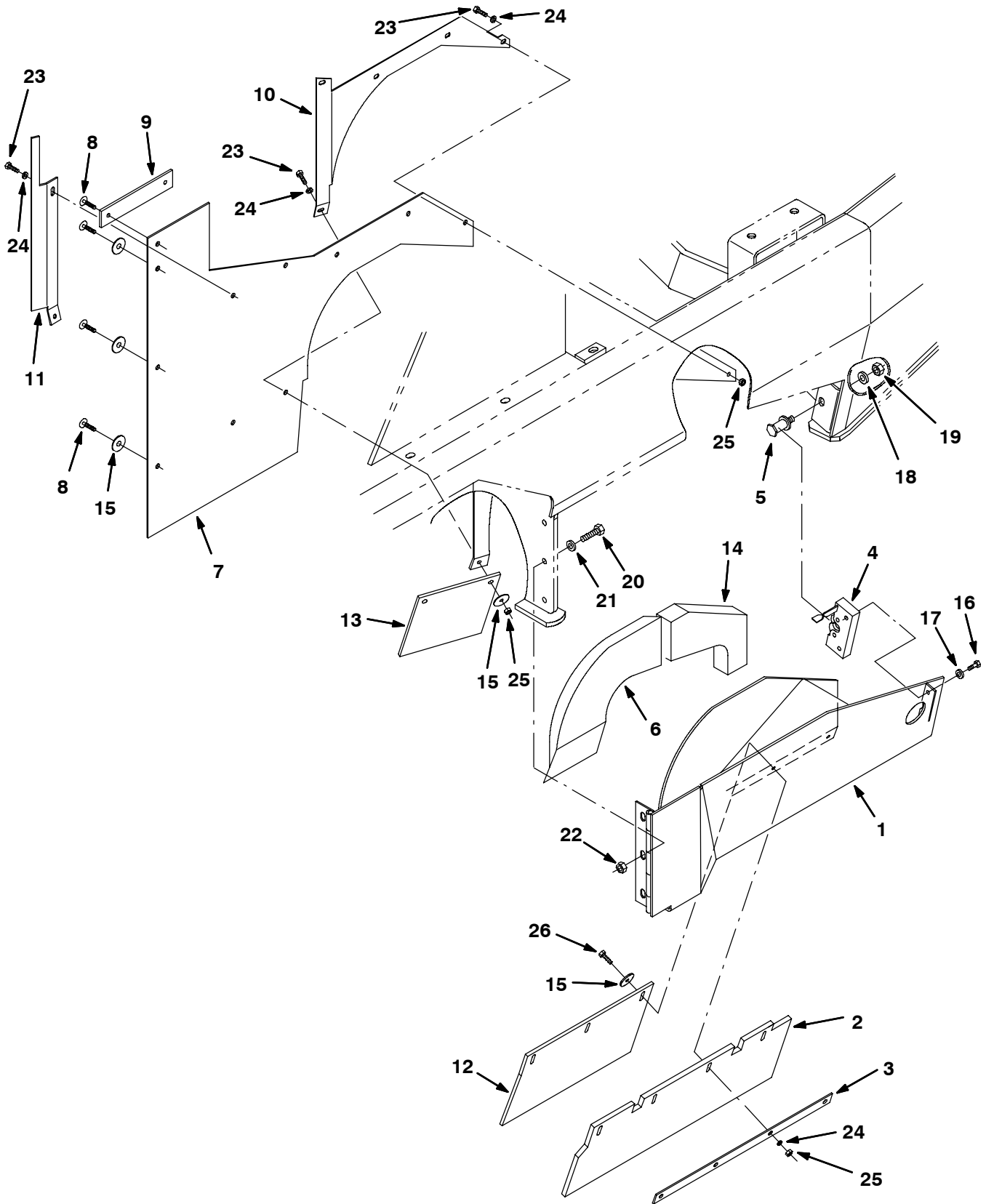


Fig. 4 - Main Frame Left Brush Door Group

Ref.	Part No.	Serial Number	Description	Qty.
1	64801	(004000-	) Door Wldt, Brush, Lh	1
2	73870	(004000-	) Skirt, Brush Door	1
3	70453	(004000-	) Strip, Retainer, Skirt	1
4	58489	(004000-	) Latch, Hook (Supplier's Rh)	1
5	58898	(004000-	) Bolt, Latch	1
6	70809	(004000-	) Seal, Door, Brush, Lh	1
7	73654	(004000-	) Seal, Brush Comp, Side	1
8	21168	(004000-	) Rivet, Plastic	5
9	21282	(004000-	) Strip, Retainer, Seal, Side	1
10	70597	(004000-	) Angle, Retainer, Seal	1
11	73648	(004000-	) Strip, Retainer, Seal, Lh	1
12	64788	(004000-	) Skirt, Brush Door	1
13	73888	(004000-	) Skirt, Front, Indoor	1
14	74062	(004000-	) Seal, Brush Door	1
15	41178	(004000-	) Fender Washer	9
16	34323	(004000-	) Screw, Hex, .25-20 X 0.75, NI	2
17	41185	(004000-	) Washer, Flat, Belleville, .25	2
18	39346	(004000-	) Washer, Flat, 0.44, Std	1
19	43955	(004000-	) Nut, Hex, Std, .44-14, 5	1
20	39283	(004000-	) Screw, Hex, M10 X 1.5 X 25, 8.8	3
21	32492	(004000-	) Washer, Flat, 0.38, Std	3
22	07792	(004000-	) Nut, Hex, Flng, M10 X 1.50	3
23	06944	(004000-	) Screw, Hex, M6 X 1.0 X 25, 8.8	5
24	32483	(004000-	) Washer, Flat, 0.25, Sae	14
25	08708	(004000-	) Nut, Hex, Lock, M6 X 1.00, NI	11
26	06946	(004000-	) Screw, Hex, M6 X 1.0 X 35, 8.8	4

Fig. 5 - Main Frame Right Brush Door Group

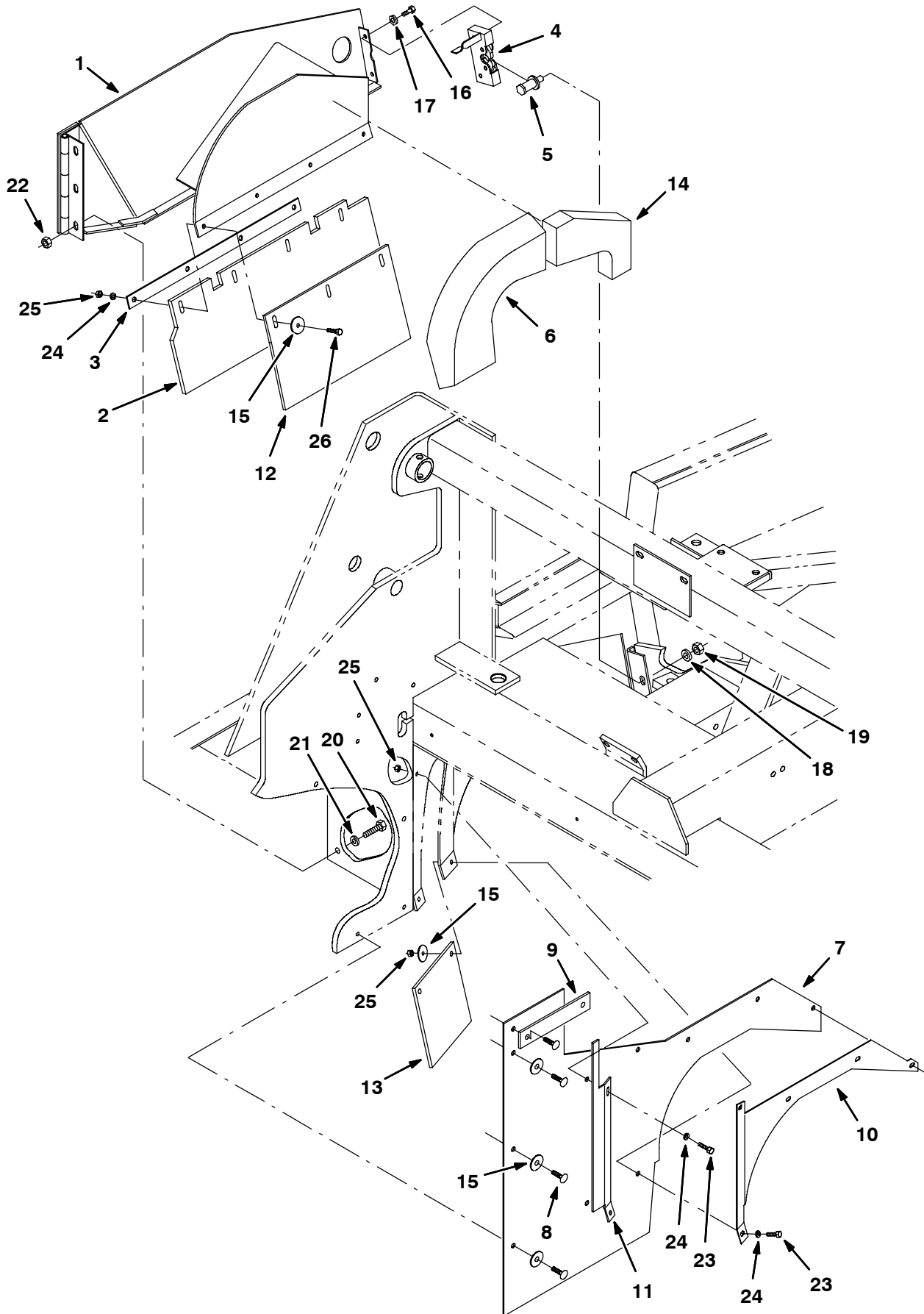


Fig. 5 - Main Frame Right Brush Door Group

Ref.	Part No.	Serial Number	Description	Qty.
1	64802	(004000-	) Door Wldt, Brush, Rh	1
2	73870	(004000-	) Skirt, Brush Door	1
3	70453	(004000-	) Strip, Retainer, Skirt	1
4	58844	(004000-	) Latch, Hook (Supplier's Lh)	1
5	58898	(004000-	) Bolt, Latch	1
6	70808	(004000-	) Seal, Door, Brush, Rh	1
7	73654	(004000-	) Seal, Brush Comp, Side	1
8	21168	(004000-	) Rivet, Plastic	5
9	21282	(004000-	) Strip, Retainer, Seal, Side	1
10	70598	(004000-	) Angle, Retainer, Seal	1
11	73649	(004000-	) Strip, Retainer, Seal, Rh	1
12	64788	(004000-	) Skirt, Brush Door	1
13	73888	(004000-	) Skirt, Front, Indoor	1
14	74063	(004000-	) Seal, Brush Door	1
15	41178	(004000-	) Fender Washer	9
16	34323	(004000-	) Screw, Hex, .25-20 X 0.75, NI	2
17	41185	(004000-	) Washer, Flat, Belleville, .25	2
18	39346	(004000-	) Washer, Flat, 0.44, Std	1
19	43955	(004000-	) Nut, Hex, Std, .44-14, 5	1
20	39283	(004000-	) Screw, Hex, M10 X 1.5 X 25, 8.8	3
21	32492	(004000-	) Washer, Flat, 0.38, Std	3
22	07792	(004000-	) Nut, Hex, Flng, M10 X 1.50	3
23	06944	(004000-	) Screw, Hex, M6 X 1.0 X 25, 8.8	5
24	32483	(004000-	) Washer, Flat, 0.25, Sae	14
25	08708	(004000-	) Nut, Hex, Lock, M6 X 1.00, NI	11
26	06946	(004000-	) Screw, Hex, M6 X 1.0 X 35, 8.8	4

**Fig. 6 - Main Frame Operator Station Group**

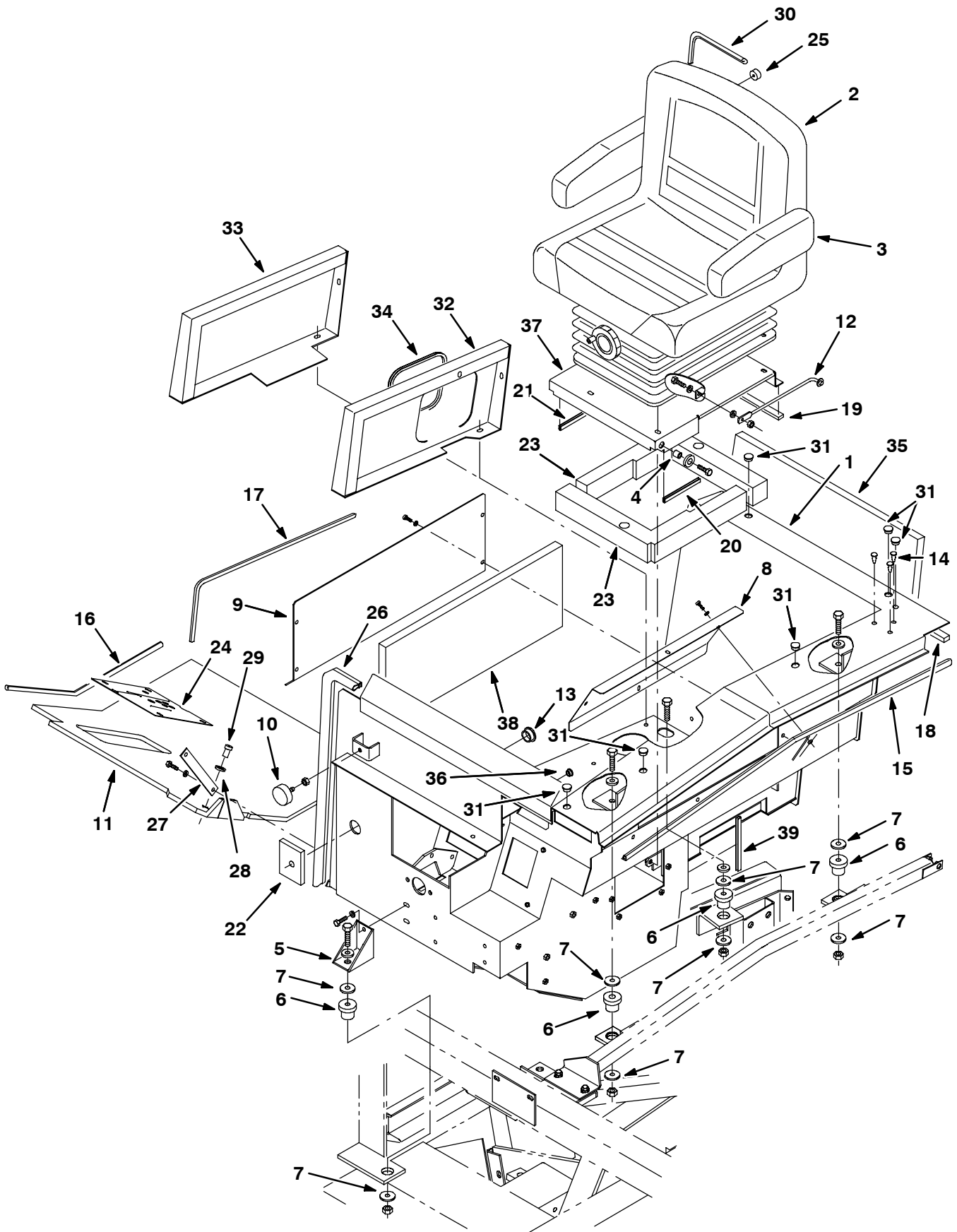


Fig. 6 - Main Frame Operator Station Group

Ref.	Part No.	Serial Number	Description	Qty.
	1	380680	(004000- ) Panel Wldt w/label	1
▽	2	63294	(004000- ) Seat, Suspension	1
▲	3	311336	(004000- ) Armrest, Black	1
	4	40716	(004000- ) Sleeve, .385B .62D .62 Cd.Cad	2
	5	63751	(004000- ) Bracket, Oper Comp	1
	6	51176	(004000- ) Dampner, Engine	4
	7	04414	(004000- ) Washer, .531B 1.88D .12Hard Zn	8
	8	64884	(004000- ) Panel, Cover, Access	1
	9	70450	(004000-004439 ) Panel, Air Conditioning	1
	9	375696	(004440- ) Panel, Air Conditioning	1
	10	70756	(004000- ) Bumper, Rubber	1
	11	76495	(004000- ) Tread, Floormat, Rubber	1
	12	54615	(004000- ) Rod, Seat	1
	13	76888	(004000- ) Plugbtn 1.25h .12 Max Blacknyl	1
	14	77399	(004000- ) Clip, Pine-tree .236h Plastic	3
	15	57820	(004000- ) Seal, 48.0 Lg.	1
	16	73903	(004000- ) Seal, Bulb, Sd-0504 24.50Lg	1
	17	73901	(004000- ) Seal, 7.00 Lg	1
	18	74081	(004000- ) Seal	1
	19	44777	(004000- ) Seal,Foam Rbr, .31 .75W 14.8L	1
	20	62595-3	(004000- ) Molding, Trim 11-14Ga 5.75	1
	21	62595-2	(004000- ) Molding, Trim 11-14Ga 15.75	1
	22	79028	(004000- ) Seal, Rod, Adjuster	1
▽		76494	(004000- ) Sealing Kit, Operator Comp	1
▲	23	76285	(004000- ) Insulation, S/Foam, Seat	2
▲	24	79116	(004000- ) Seal, Dust	1
	25	82921	(004000- ) Bumper, Rubber	1
	26	77340	(004000- ) Seal, Bulb, Sd-0504 28.00 Lg	1
	27	76492	(004000- ) Bar, Retainer	1
	28	41178	(004000- ) Washer-Flt .25 Fender Rltd.	1
	29	21246	(004000- ) Rivet, Plastic .325D X .787	1
	30	49282	(004000- ) Molding, Trim 16Ga&Thinnr 10.0	1
	31	75428	(004000- ) Plugbtn .75h .03-.12 Blacknyl	7
	32	380728	(004000- ) Panel, Fuel Inlet w/label	1
	33	70704	(004000- ) Panel, Fuel, Inlet, Lpg	1
	34	380692	(004000- ) Trim	1
	35	23946	(004000- ) Insulation	1
	36	33806	(004000- ) Plugbutton	1
	37	70478	(004000- ) Panel, Support, Seat	1
	38	375698	(004000- ) Insulation, Acstc, 1.o 09.9w 25.0l	1
	39	62595-16	(007000- ) Molding, Trim, Pvc, .08-.11 08.5l (Gas only)	1

Fig. 7 - Main Frame Engine Cover and Lintel Group

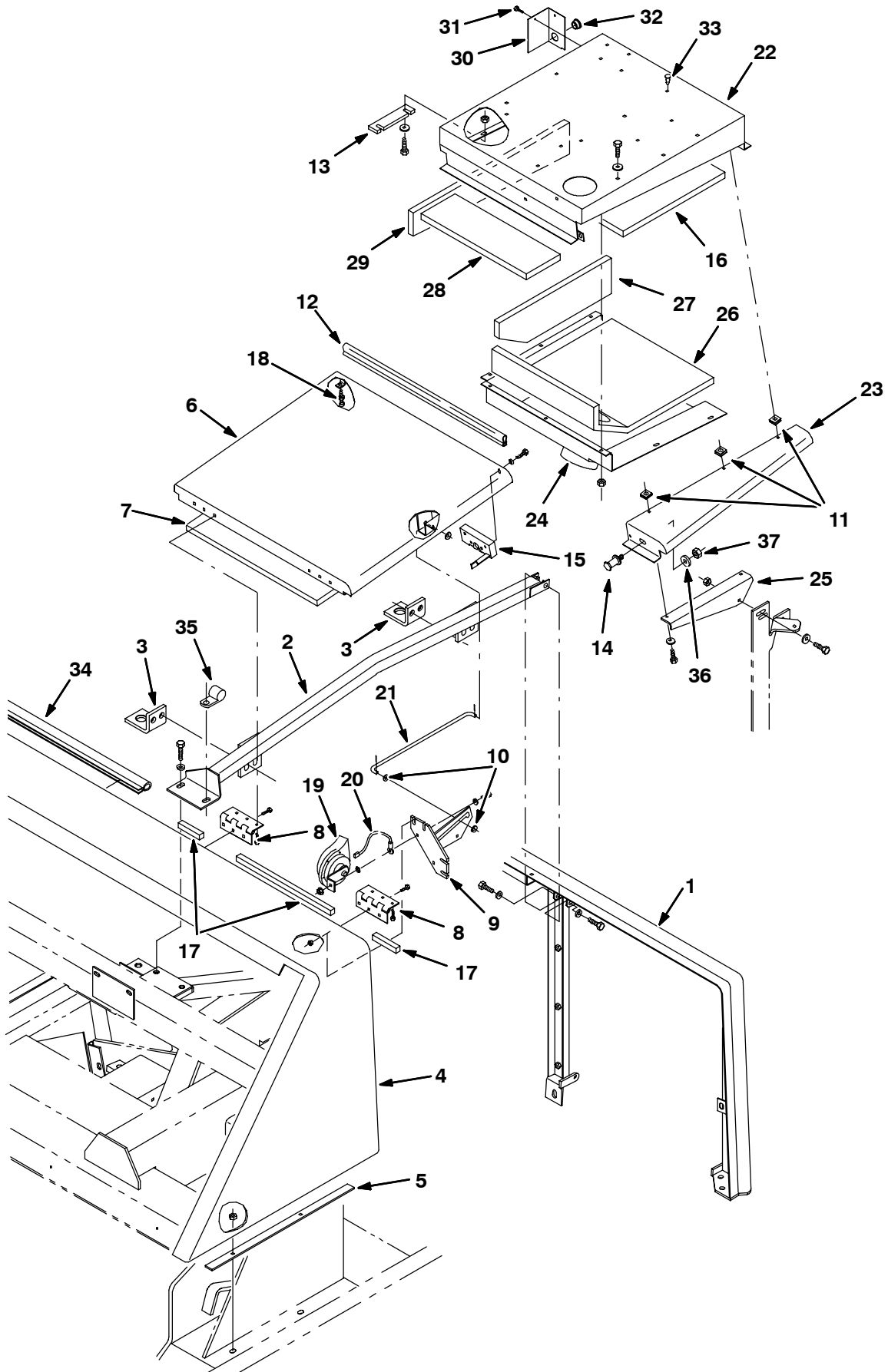




Fig. 7 - Main Frame Engine Cover and Lintel Group

Ref.	Part No.	Serial Number	Description	Qty.
1	64312	(004000-	) Lintel, Rear	1
2	380533	(004000-	) Tube Wldt, Brace, Center	1
3	380532	(004000-	) Bracket, Brace Center	2
4	64278	(004000-	) Lintel, Main	1
5	64279	(004000-	) Strip, Spacer	2
6	75303	(004000-	) Cover Wldt, Engine Se	1
7	76870	(004000-	) Insulation,S/Foam .8X19.3X20.3	1
8	74040	(004000-	) Hinge	2
9	21131	(004000-	) Bracket Wldt, Gas Spring	1
10	43454	(004000-	) Washer, .344B .69D .06Nylon	2
11	12271	(004000-	) U-Nut Clip, M6	3
12	77778	(004000-	) Seal, Bulb, Sd-0504 19.75Lg	1
13	21230	(004000-	) Plate, Support, Cover Se	1
14	59192	(004000-	) Latch, Bolt	1
15	58844	(004000-	) Latch, Hook, Rh	1
16	375537	(004000-	) Insulation, S/Foam .5T 17.0X 15	1
17	53461-2	(004000-	) Seal,Foam Rbr, .62 .62W 24.5L	1
18	75128	(004000-	) Spindle, Adjustment	1
19	369704	(004000-	) Horn, 12 Volt	1
20	21643	(004000-	) Wire, Lead	1
21	75883	(004000-	) Rod, Support Cover	1
22	375536	(004000-006008	) Panel Wldt, Cover Engine	1
22	1014456	(006009-	) Panel Wldt, Cover Engine	1
23	77711	(004000-	) Panel, Cover, Corner	1
24	47958	(004000-	) Panel, Vacuum Duct	1
25	375513	(004000-	) Bracket, L 12.0L Hood Support	1
26	380761	(004000-	) Insulation, S/Foam, .8T 17.0X15	1
27	380762	(004000-	) Insulation, S/Foam, .8T 18.0X4.5	1
28	380763	(004000-	) Insulation, S/Foam, .8T 16.5X5	1
29	380764	(004000-	) Insulation, S/Foam, .8T 23.0X4X3	1
30	380760	(004000-	) Panel, Corner, Eng Cover	1
31	55845	(004000-	) Scr-Hxfmgm 5X0.8 16 pltd	1
32	82727	(004000-	) Plugbutton .88H .03-.12 Blacknyl	1
33	77399	(004000-	) Clip, Tree	11
34	55756	(004000-	) Seal	1
35	58366	(004000-	) Clamp, Cable, Stl, 1.25d X 1.00w, 1h	1
36	41619	(004000-	) Washer, Flat, 0.56b 1.38d .11, Ss	1
37	07788	(004000-	) Nut, Hex, Std, M12 X 1.75, Ss	1

**Fig. 8 - Main Frame Engine Side Door Group (004000-006999)**

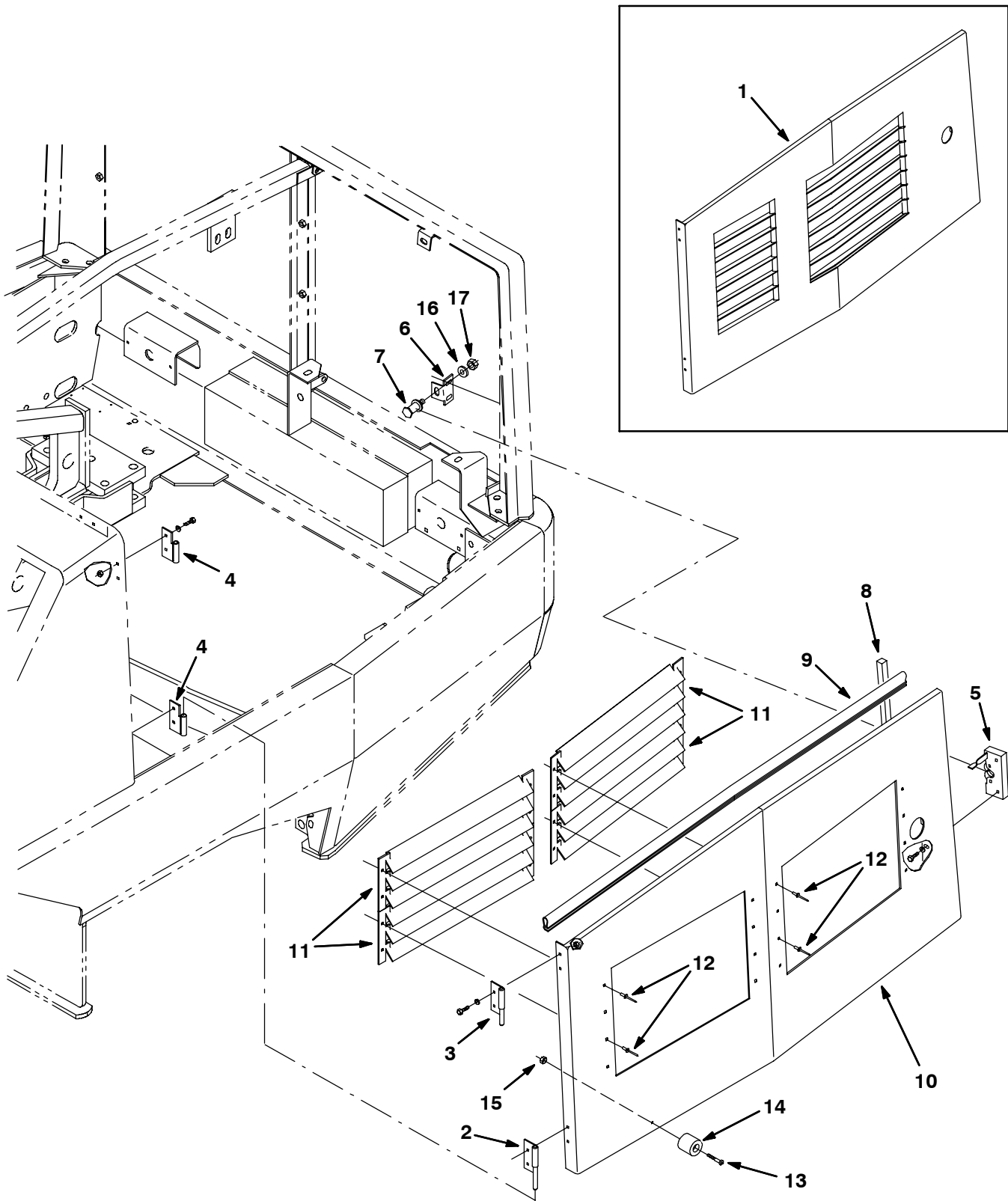


Fig. 8 - Main Frame Engine Side Door Group (004000-006999)

Ref.	Part No.	Serial Number	Description	Qty.
1	23950	(004000-004408 )	Door Wldt, Engine	1
2	64543	(004000-006999 )	Hinge, W/Pin	1
3	70628	(004000-006999 )	Hinge, W/Pin	1
4	64545	(004000-006999 )	Hinge	2
5	58489	(004000-006999 )	Latch, Hook Rh	1
6	70407	(004000-006999 )	Angle, Bolt, Latch	1
7	59192	(004000-006999 )	Latch, Bolt	1
8	53461-2	(004000-006999 )	Seal,Foam Rbr, .62 .62W 24.5L	1
9	57820	(004000-006999 )	Seal, 48.0 Lg.	1
10	375695	(004409-006999 )	Door Wldt, Engine	1
11	375693	(004409-006999 )	Panel, Louver	4
12	06524	(004409-006999 )	Rivet, Pop	16
13	09258	(004903-006999 )	Screw, Pan, M 6 X 1.0 X 40, 4.8	1
14	44851	(004903-006999 )	Bumper, Rbr, 1.5d 1.50 0.28h	1
15	08708	(004903-006999 )	Nut, Hex, Lock, M06 X 1.0, NI	1
16	32493	(004000-006999 )	Washer, Flat, 0.50, Std	1
17	39313	(004000-006999 )	Nut, Hex, Std, M12 X 1.75	1

**Fig. 9 - Main Frame Engine Side Door Group (007000- )**

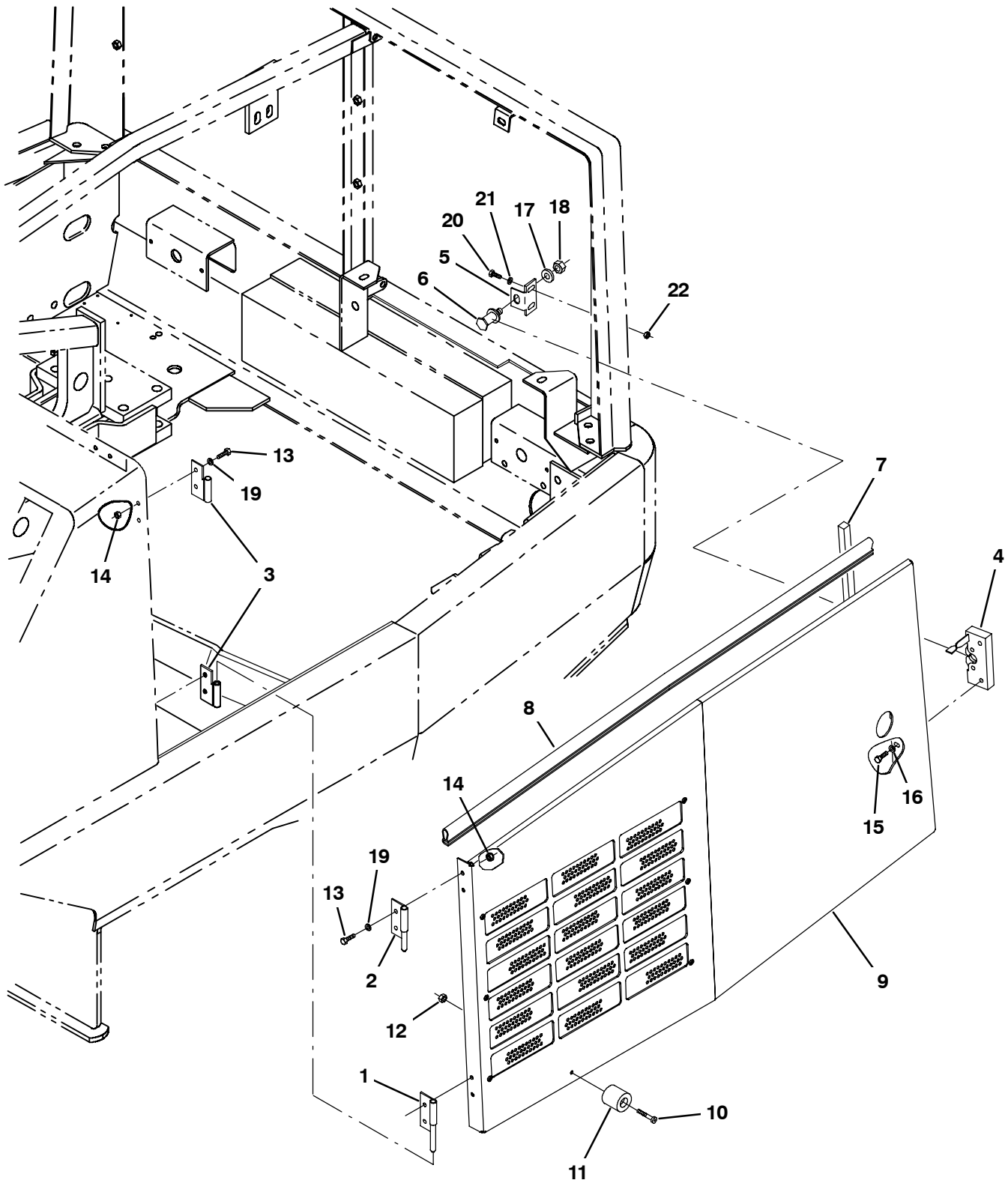


Fig. 9 - Main Frame Engine Side Door Group (007000- )

Ref.	Part No.	Serial Number	Description	Qty.	
1	64543	(007000-	) Hinge, W/Pin	1	
2	70628	(007000-	) Hinge, W/Pin	1	
3	64545	(007000-	) Hinge	2	
4	58489	(007000-	) Latch, Hook Rh	1	
5	70407	(007000-	) Angle, Bolt, Latch	1	
6	59192	(007000-	) Latch, Bolt	1	
7	53461-2	(007000-	) Seal,Foam Rbr, .62 .62W 24.5L	1	
8	57820	(007000-	) Seal, 48.0 Lg.	1	
▽	9	1046389	(007000-	) Door Assy [800/810 08]	1
▲		9004327	(007000-	) Screen Kit, Door, Side, Modif	1
10	09258	(007000-	) Screw, Pan, M 6 X 1.0 X 40, 4.8	1	
11	44851	(007000-	) Bumper, Rbr, 1.5d 1.50 0.28h	1	
12	08708	(007000-	) Nut, Hex, Lock, M06 X 1.0, NI	1	
13	06943	(007000-	) Screw, Hex, M6 X 1.0 X 20, 8.8	8	
14	07790	(007000-	) Nut, Hex, Flng, M6 X 1.00	8	
15	34323	(007000-	) Screw, Hex, .25-20 X 0.75, NI	2	
16	32490	(007000-	) Washer, Flat, 0.25, Std	2	
17	32493	(007000-	) Washer, Flat, 0.50, Std	1	
18	39313	(007000-	) Nut, Hex, Std, M12 X 1.75	1	
19	41185	(007000-	) Washer, Flat, Belleville, .25	8	
20	16931	(007000-	) Screw, Hex, M8 X 1.25 X 20, 8.8	2	
21	32491	(007000-	) Washer, Flat, 0.31, Std	2	
22	39311	(007000-	) Nut, Hex, Std, M8 X 1.25	2	

**Fig. 10 - Hydraulic Cooler, Filter and Rear Door Group**

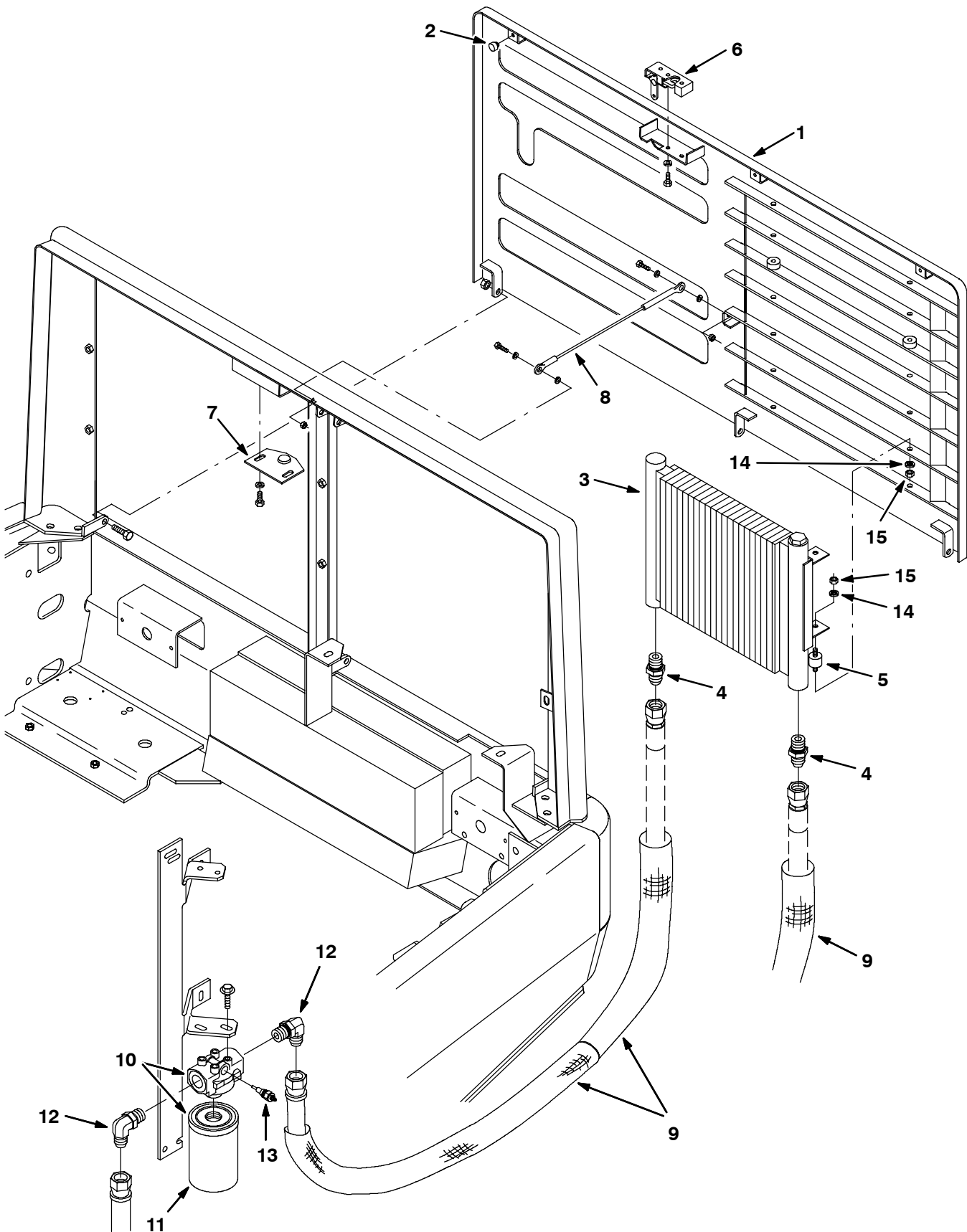


Fig. 10 - Hydraulic Cooler, Filter and Rear Door Group

Ref.	Part No.	Serial Number	Description	Qty.
1	48006	(004000-	) Door Wldt, Rear	1
2	51787	(004000-	) Bumper, Rubber	3
3	64419	(004000-	) Cooler-Hyd	1
4	42260	(004000-	) Ftg-Hyd Str Jm12/Om12	2
5	51322	(004000-	) Isolator-Vibration .31-18	4
6	59661	(004000-	) Latch	1
7	65252	(004000-	) Plate, Striker	1
8	36192	(004000-	) Lanyard Assy.	1
9	82830	(004000-	) Sleeve, Nyl 16.0 L	3
▽	10	10664	(004000-) Filter Assy, Spin-on	1
▲	11	65221	(004000-) Filter Element	1
	12	46481	(004000-) Ftg-Hyd E90 Jm12/om12	2
	13	65222	(004000-) Sender, Filter, Hydraulic	1
	14	32984	(004000-) Washer, Lock, Int, 0.31	4
	15	19313	(004000-) Nut, Hex, Std, .31-18	4

**Fig. 11 - Hopper Lift Arms Group**

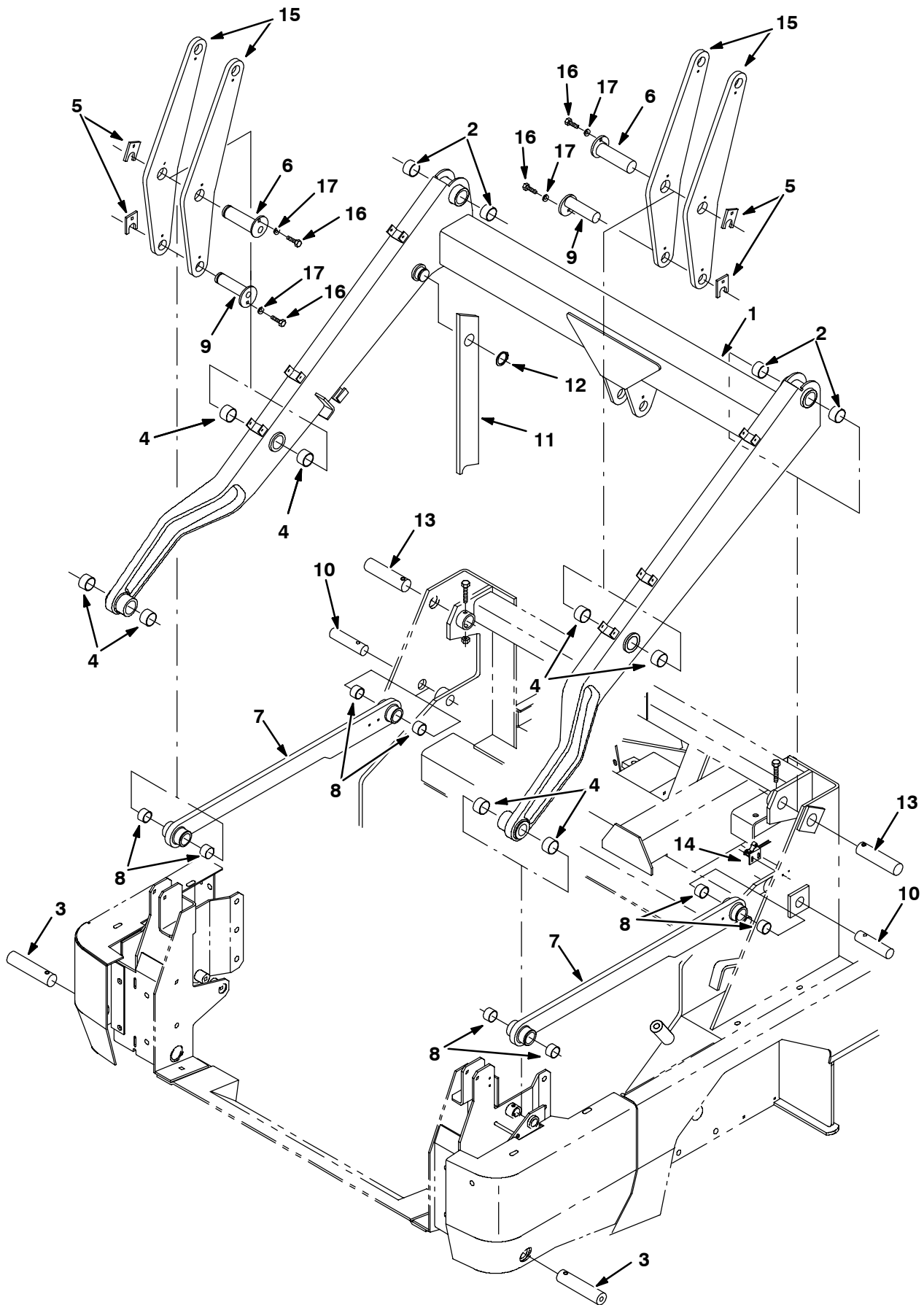




Fig. 11 - Hopper Lift Arms Group

Ref.	Part No.	Serial Number	Description	Qty.
1	75861	(004000-	) Arm Wldt, Hopper Lift w label	1
2	58293	(004000-	) Bearng-Journal	4
3	77463	(004000-	) Pin, 1.500 0Dx7.81, Drilled	2
4	58293	(004000-	) Bearng-Journal	8
5	83554	(004000-	) Plate, Pin Retainer	4
6	83551	(004000-	) Pin Weldt.	2
7	1053518	(004000-	) Arm, Lift, Hppr, Lower	2
8	57936	(004000-	) Bearing-Journal	2
9	83553	(004000-	) Pin Weldt.	2
10	76470	(004000-	) Pin	2
11	380681	(004000-	) Arm, Safety W/Label	1
12	63926	(004000-	) Ring, Retaining, Ex 1.5 Dia Hd	1
13	76471	(004000-	) Pin	2
14	59965	(004000-	) Switch, Roller	1
15	83549	(004000-	) Plate, Link	4
16	10959	(004000-	) Screw, Hex, M10 X 1.5 X 20, Ss, NI	4
17	32492	(004000-	) Washer, Flat, 0.38 Std	4

Fig. 12 - Hopper Lift Cylinders Group

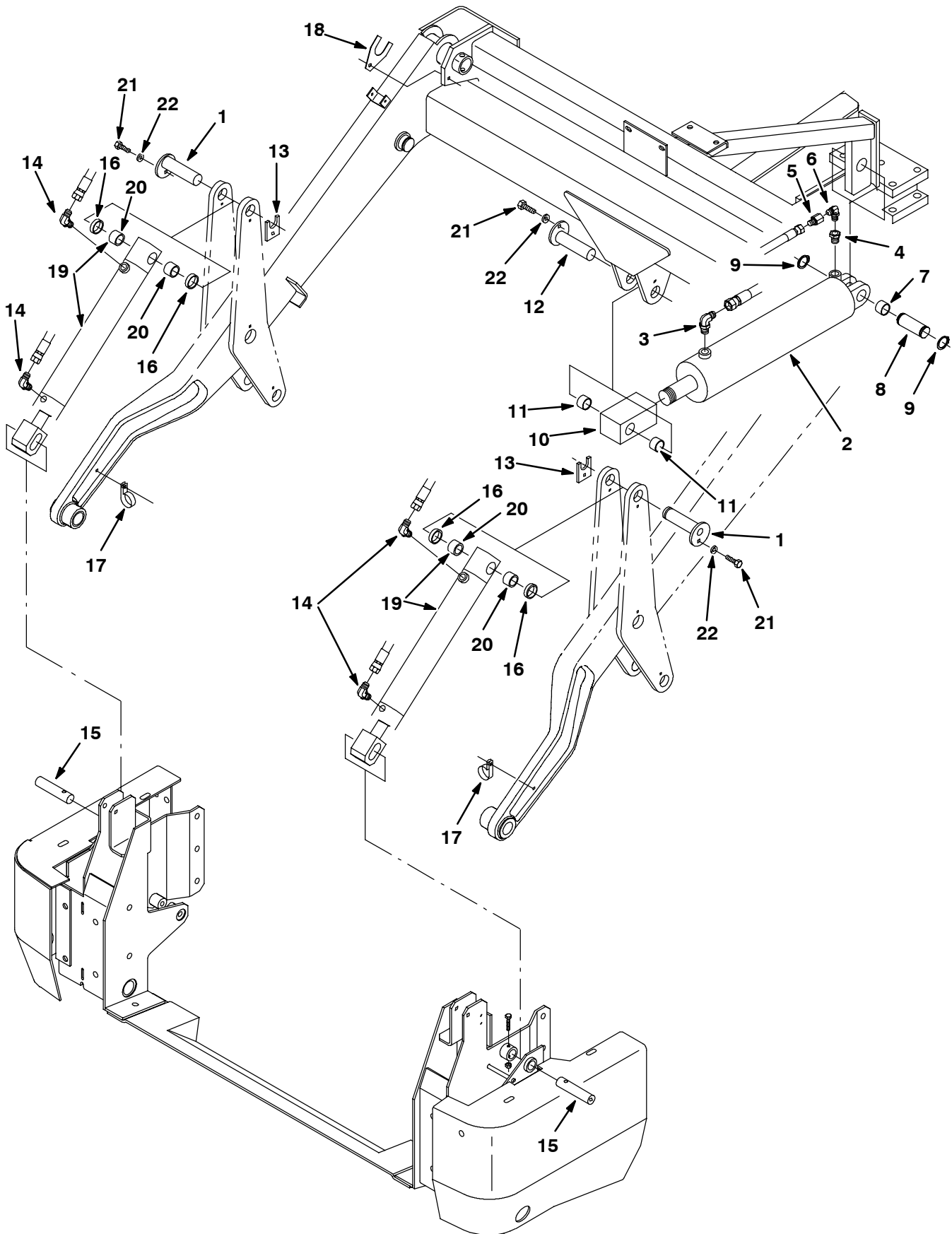


Fig. 12 - Hopper Lift Cylinders Group

Ref.	Part No.	Serial Number	Description	Qty.
1	83553	(004000-	) Pin Wldt.	2
2	1026719	(004000-	) Cylinder, Hyd, 4.0b 29.1l 14.50strk 2500 (See Breakdowns)	1
3	47512	(004000-	) Ftg-Hyd E90 Jm06/Om08	1
4	55686	(004000-	) Ftg-Hyd Str Jm04/Om08	1
5	16456	(004000-	) Ftg-Hyd Rst Jm04/.063	1
6	39210	(004000-	) Ftg-Hyd E90 Jm04/Jf04	1
7	59866	(004000-	) Bearing, Journal	1
8	63583	(004000-	) Pin, 1.25 Odx 3.50, Grooved	1
9	58359	(004000-	) Retaining Ring-External, 1.25D	2
10	64156	(004000-	) Bar, Cylinder End	1
11	57936	(004000-	) Bearing-Journal	2
12	83553	(004000-	) Pin, 1.250 Od X 4.50	1
13	83554	(004000-	) Plate, Pin Retainer	2
14	47638	(004000-	) Ftg-Hyd E90 Jm04/Om06	4
15	63584	(004000-	) Pin, 1.00 Odx 4.50, Drilled	2
16	83555	(004000-	) Spacer	4
17	67767	(004000-	) Clamp-Cable,.69Dia. 62Wth	2
18	75891	(004000-	) Plate, Spacer	2
▽	19	1042110	(004000-) Cylinder, Hyd, 2.0b 23.8l 14.90strk 2500	2
▲	20	57936	(004000-) Bearing-Journal	2
21	10959	(004000-	) Screw, Hex, M10 X 1.5 X 20, Ss, NI	3
22	32492	(004000-	) Washer, Flat, 0.38 Std	3

Fig. 13 - Hopper Group

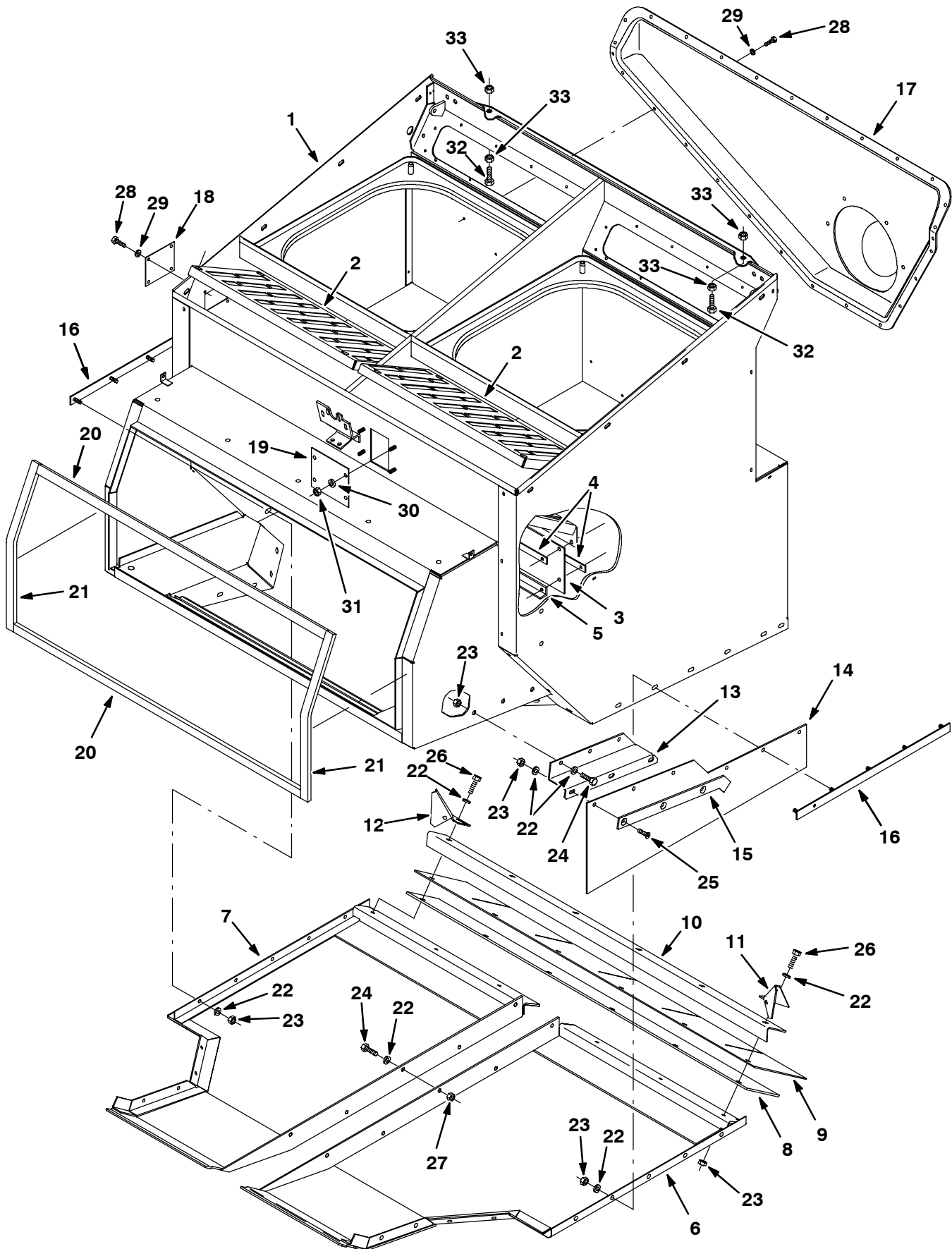


Fig. 13 - Hopper Group

Ref.	Part No.	Serial Number	Description	Qty.
1	76487	(004000-	) Hopper Wldt	1
2	63665	(004000-	) Panel, Permafilter, Upper	2
3	63667	(004000-	) Seal, Dust	1
4	63668	(004000-	) Bar, Retainer, Dust Seal	2
5	63669	(004000-	) Angle, Dust Seal	1
6	76474	(004000-	) Panel, Hopper, Bottom, Lh	1
7	76384	(004000-	) Panel, Bottom, Hopper, Rh	1
8	73678	(004000-	) Skirt, Lip	1
9	73679	(004000-	) Skirt, Lip	1
10	63647	(004000-	) Angle, Retainer, Lip	1
11	74046	(004000-	) Panel, Deflector, Dirt, Rh	1
12	74045	(004000-	) Panel, Deflector, Dirt, Lh	1
13	73772	(004000-	) Bracket, Mtg, Skirt	1
14	73771	(004000-	) Skirt, Deflector	1
15	73749	(004000-	) Strip, Retainer, Skirt, Front	1
16	79139	(004000-	) Strip, Hopper	2
17	70388	(004000-	) Duct, Inlet, Vac Fan	1
18	74069	(004000-	) Plate, Cover	1
19	73887	(004000-	) Plate, Cover	1
20	79597	(004000-	) Seal, Foam, Urethane Covered	2
21	79600	(004000-	) Seal, Foam, Urethane Covered	2
22	01685	(004000-	) Washer, Flat, 0.38b 0.88d .08, Ss	27
23	08713	(004000-	) Nut, Hex, Lock, M8 X 1.25, NI, Ss	22
24	09740	(004000-	) Screw, Hex, M8 X 1.25 X 20, Ss	18
25	79506	(004000-	) Screw, Flt, M8 X 1.25 X 30, Ss	3
26	09011	(004000-	) Screw, Hex, M8 X 1.25 X 30, Ss	6
27	07791	(004000-	) Nut, Hex, Flng, M8 X 1.25	15
28	74455	(004000-	) Screw, Hex, M6 X 1.0 X 12, Fmg	33
29	19066	(004000-	) Washer, Flat, #10	33
30	39349	(004000-	) Washer, Flat, 0.31, Sae	4
31	08709	(004000-	) Nut, Hex, Lock, M8 X 1.25, NI	4
32	06972	(004000-	) Screw, Hex, M12 X 1.75 X 60, 8.8	2
33	39313	(004000-	) Nut, Hex, Std, M12 X 1.75	4

Fig. 14 - Hopper Door Group

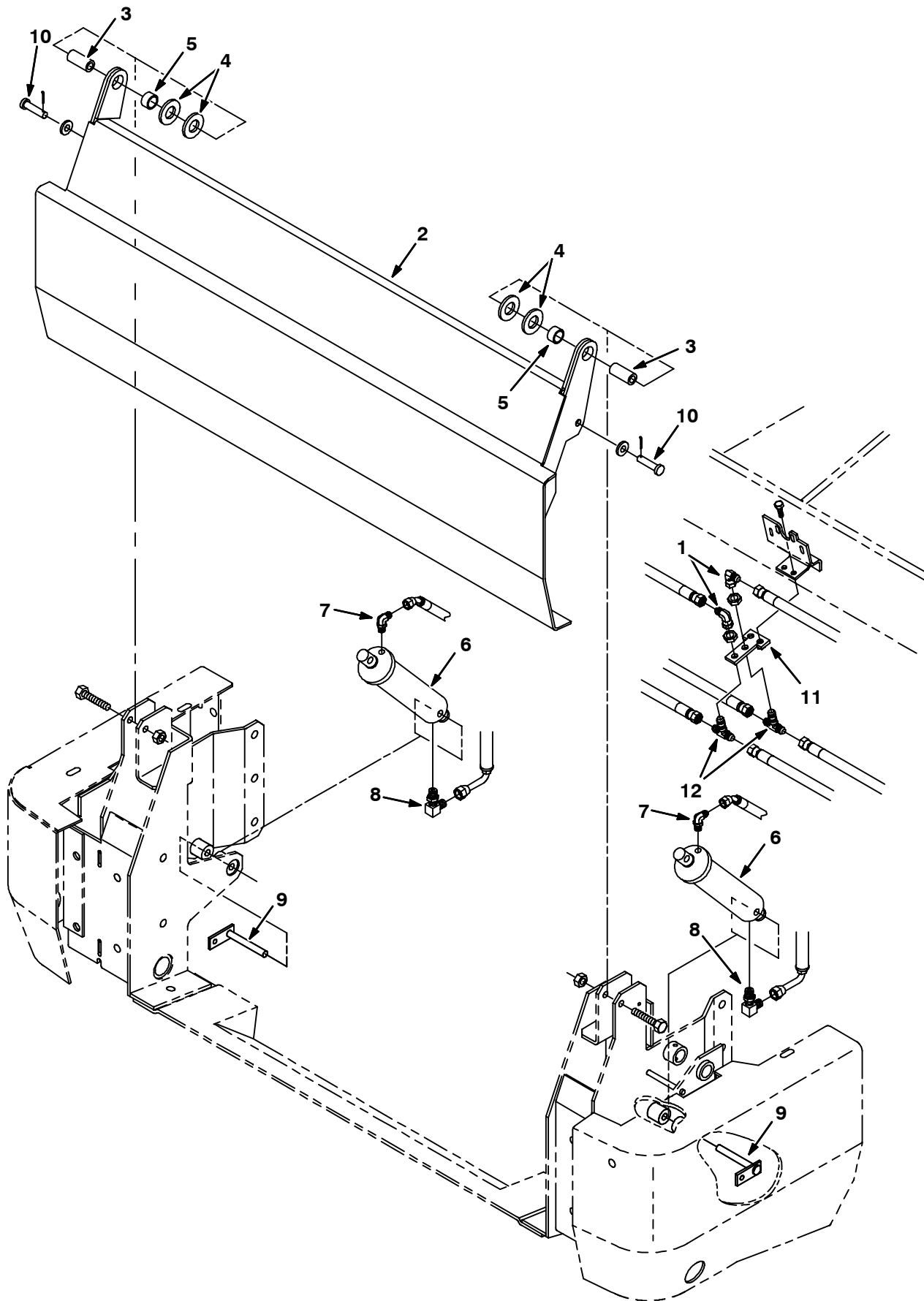


Fig. 14 - Hopper Door Group

Ref.	Part No.	Serial Number	Description	Qty.
1	39210	(004000-	) Ftg-Hyd E90 Jm04/Jf04	2
2	83618	(004000-	) Door Wldt, Hopper	1
3	79138	(004000-	) Sleeve, Pivot, Door	2
4	79596	(004000-	) Washer, 1.015B 1.75D .11Hrs	4
5	35688	(004000-	) Bearing, Journal	2
6	1041090	(004000-	) Cylinder, Hyd, 2.0b 12.0l 08.00strk 2500	2
7	82825	(004000-	) Ftg-Hyd E90 Jm04/Om04	2
8	77097	(004000-	) Ftg-Hyd E90 Jm04/Om04	2
9	64893	(004000-	) Pin	2
10	21722	(004000-	) Pin, Clevis .50 Dia X 2.25 Lg	2
11	75012	(004000-	) Bracket, Mtg, Ftg	1
12	34392	(004000-	) Ftg-Hyd Tee Jm04Jmjm	2

**Fig. 15 - Hopper Cover Group**

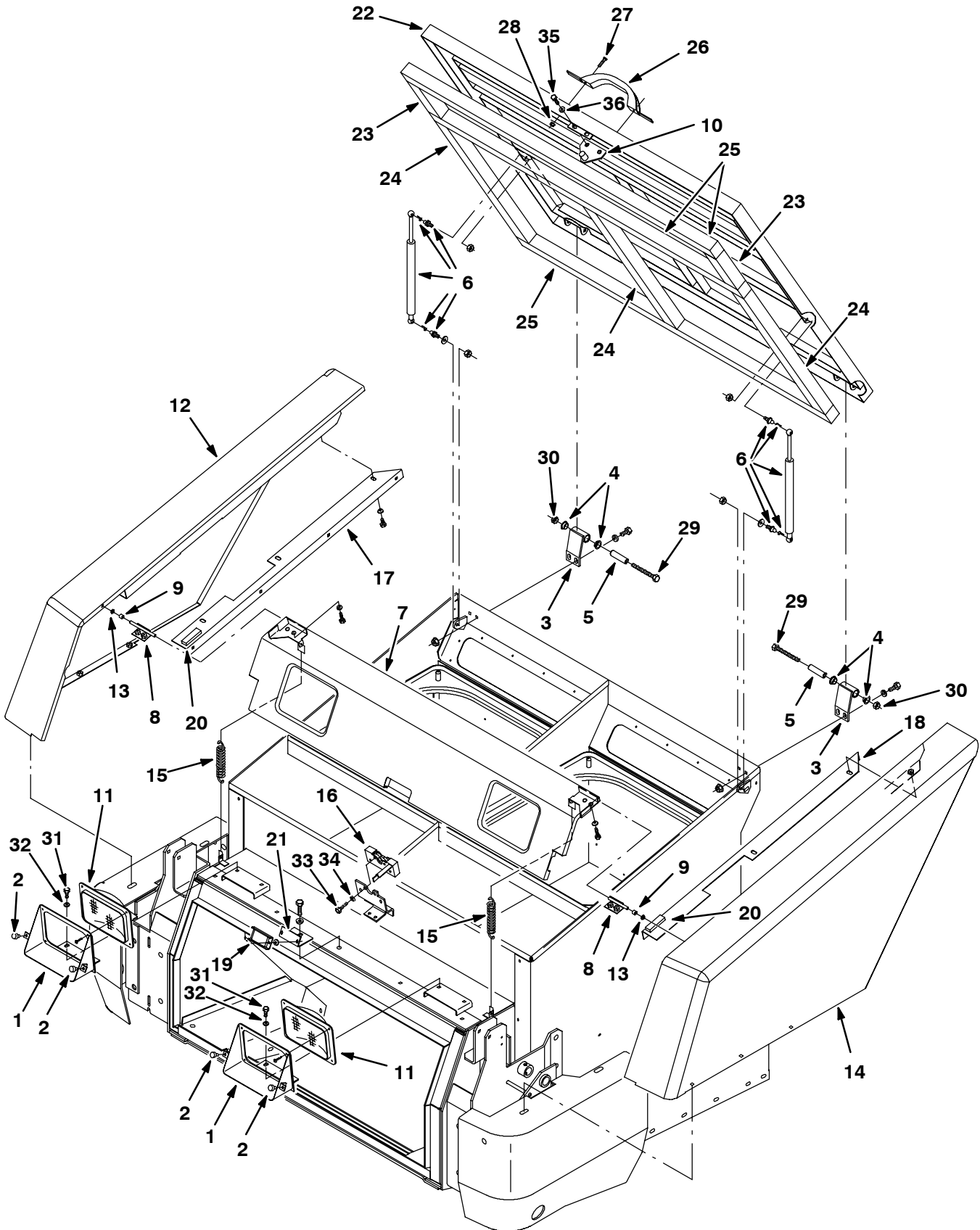




Fig. 15 - Hopper Cover Group

Ref.	Part No.	Serial Number	Description	Qty.	
1	77388	(004000-	) Bracket, Mounting, Headlamp	2	
2	51787	(004000-	) Bumper, Rubber	4	
3	70762	(004000-	) Hinge	2	
4	04843	(004000-	) Bearing, Flange .625 Bore	4	
5	70761	(004000-	) Tube, 0.62D .44B 2.44, Stl	2	
6	69906	(004000-	) Spring-Gas, Engine Cover	2	
7	77394	(004000-	) Panel, Headlight	1	
8	70730	(004000-	) Hinge	2	
9	74015	(004000-	) Sleeve, .320B .32D .49 Lc Stl	2	
10	70742	(004000-	) Pin Wldt, Latch	1	
11	58524	(004000-	) Headlight, 12V.Rect.	2	
12	65278	(004000-	) Panel Wldt, Fender, Rh	1	
13	11747	(004000-	) Bearing, Nylon	2	
14	65281	(004000-	) Panel Wldt, Fender, Lh	1	
15	01274	(004000-	) Sprng,Tens,0.965Odx.09Wire4.4L	2	
16	79019	(004000-	) Latch, Hook, Rh, Single Catch	1	
17	75047	(004000-	) Bracket, Rh	1	
18	75046	(004000-	) Bracket, Lh	1	
19	63378	(004000-	) Magnet, Drive Brush	1	
20	79591	(004000-	) Bumper, Cover, Hopper	2	
21	77400	(004000-	) Angle, Mount	1	
▽	22	21221	(004000-	) Cover Assy, Hopper	1
▲	23	375564	(004000-	) Seal, Urethane Covered Foam	2
▲	24	375565	(004000-	) Seal, Urethane Covered Foam	3
▲	25	375566	(004000-	) Seal, Urethane Covered Foam	3
▲	26	381962	(004625-	) Handle, Container	1
▲	27	382726	(004625-	) Screw, Pan, m06	2
▲	28	08708	(004625-	) Nut, Hex Lock m06	2
	29	03193	(004000-	) Screw, Hex, M10 X 1.5 X 90, 8.8	2
	30	41430	(004000-	) Nut, Hex, Lock, M10 X 1.5, NI	2
	31	16931	(004000-	) Screw, Hex, M8 X 1.25 X 20, 8.8	4
	32	32491	(004000-	) Washer, Flat, 0.31 Std	4
	33	12274	(004000-	) Screw, Hex, M6 X 1.0 X 20, 8.8, NI	4
	34	19066	(004000-	) Washer, Flat, #10	4
	35	16735	(004000-	) Screw, Hex, M8 X 1.25 X 16, 8.8	2
	36	41186	(004000-	) Washer, Belleville, .31	2

Fig. 16 - Hopper Bumper Group

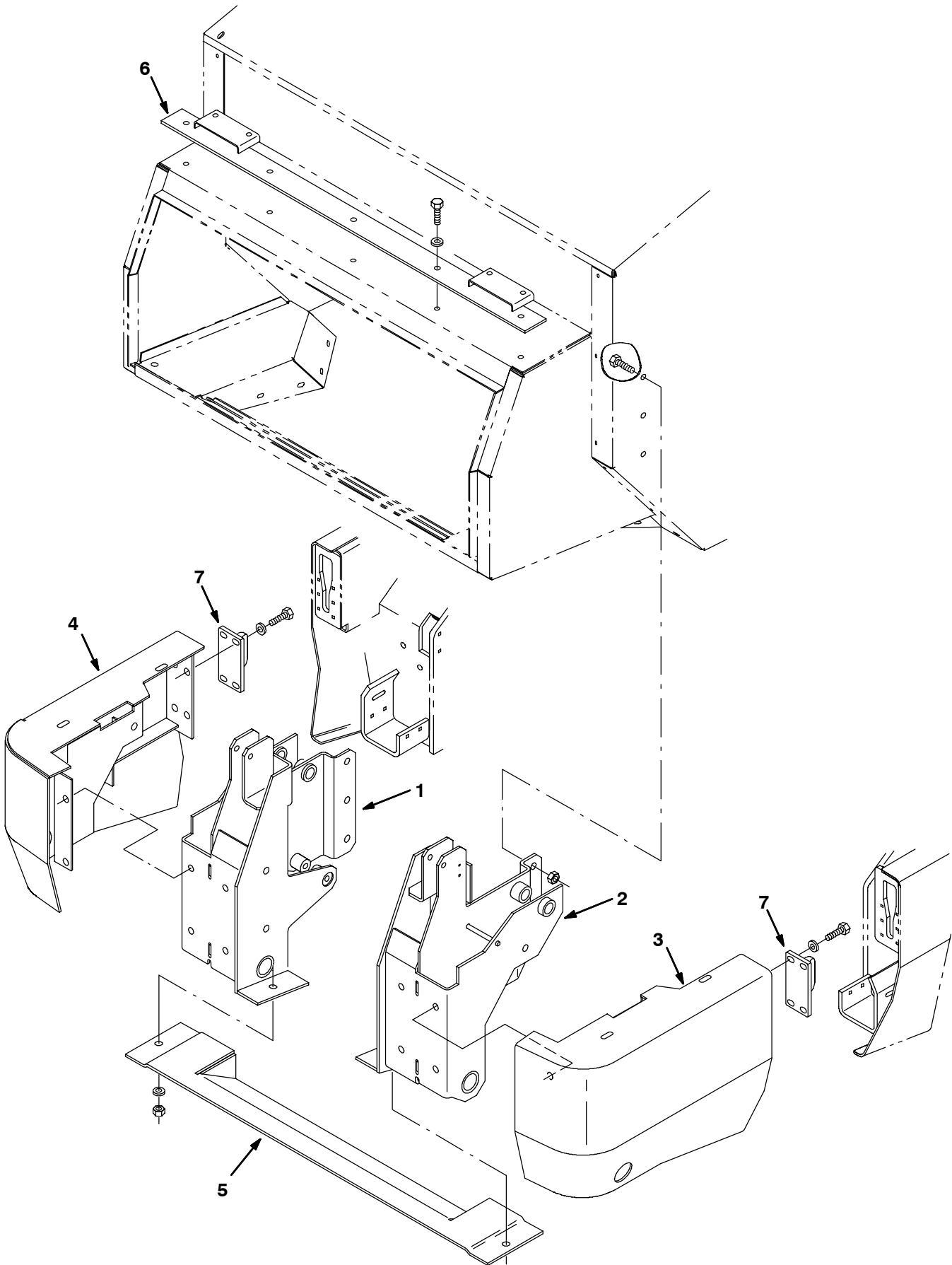


Fig. 16 - Hopper Bumper Group

Ref.	Part No.	Serial Number	Description	Qty.
1	83547	(004000-	) Bumper Wldt, Sppt, Hopper, Rh	1
2	83548	(004000-	) Support Wldt, Sppt, Hopper Lh	1
3	83620	(004000-	) Bumper Wldt, Lh	1
4	83622	(004000-	) Bumper Wldt, Rh	1
5	77523	(004000-	) Guard Wldt, Hopper	1
6	77516	(004000-	) Bracket Wldt, Mtg, Headlight	1
7	63671	(004000-	) Latch, Bumper	2

Fig. 17 - Hopper Filter Shaker Group

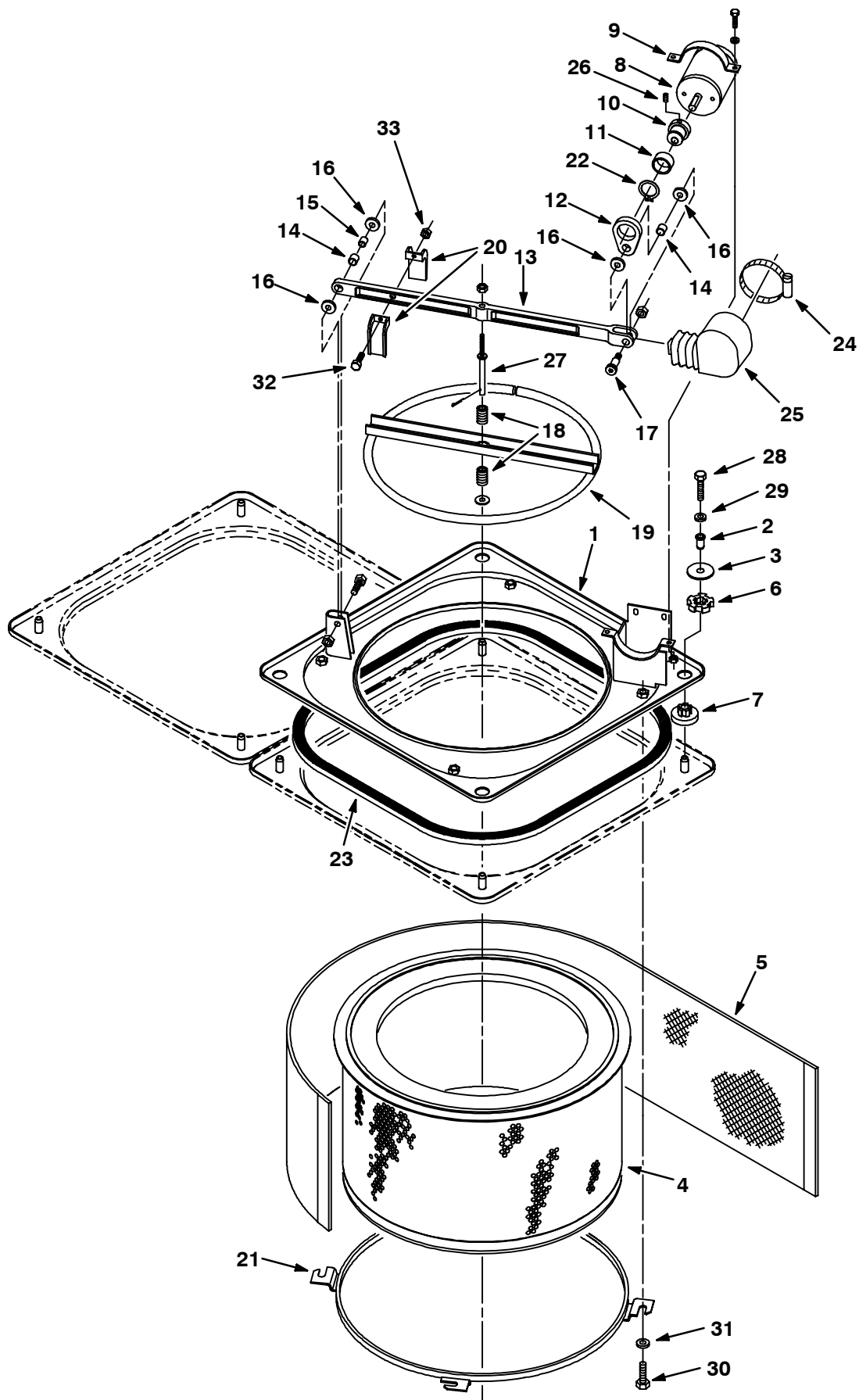


Fig. 17 - Hopper Filter Shaker Group

Ref.	Part No.	Serial Number	Description	Qty.	
1	64580	(004000-	) Panel Wldt, Shaker	2	
2	64874	(004000-	) Ferrule	8	
3	64873	(004000-	) Disc	8	
4	48069	(004000-	) Filter Assy, Fine, Hopper (option)	2	
▽	4	63297	(004000-	) Filter Assy, (standard)	2
▲	5	63311	(004000-	) Screen, Filter	1
6	64618	(004000-	) Ring, Isolator, Outer, Rbr	8	
7	64621	(004000-	) Bushing, Isolator	8	
8	31999	(004000-	) Motor, Electric, 13.6 Vdc	2	
9	64559	(004000-	) Clamp, Mtg, Motor, Upper	2	
10	64567	(004000-	) Shaft, Eccentric	2	
11	32006	(004000-	) Bearing	2	
12	64394	(004000-	) Link, Eccentric	2	
▽	13	77471	(004000-	) Shaker Bar Replacement Kit	2
▲	14	63233	(004000-	) Bearing, Fiberglide .50 X .50	2
▲	15	63234	(004000-	) Sleeve, Bearing	1
▲	16	59633	(004000-	) Bearing, Thrust - Fiberglide	4
▲	17	58357	(004000-	) Shoulder Screw	2
18	64392	(004000-	) Spring	4	
19	64501	(004000-	) Ring Wldt, Shaker	2	
20	64410	(004000-	) Guide	4	
21	64500	(004000-	) Ring Wldt, Mtg, Filter	2	
22	70651	(004000-	) Ring, Retaining, Ext 1.12	2	
23	21303	(004000-	) Seal Kit, Shaker Panel	2	
24	43555	(004000-	) Clamp-Wormdrive, 1.62- 3.50D	2	
25	73734	(004000-	) Seal, Dust	2	
26	70650	(004000-	) Set Screw	2	
27	32009	(004000-	) Bar, Shaker Stem	2	
28	39284	(004000-	) Screw, Hex, M10 X 1.5 X 35, 8.8	8	
29	32492	(004000-	) Washer, Flat, 0.38 Std	8	
30	09028	(004000-	) Screw, Hex, M10 X 1.5 X 25, Ss	8	
31	01686	(004000-	) Washer, Flat, 0.44b 1.00 .08, Ss	8	
32	09164	(004000-	) Screw, Pan, M6 X 1.0 X 20, 4.8	2	
33	08708	(004000-	) Nut, Hex, Lock, M6 X 1.0, NI	2	

Fig. 18 - Hopper Pressure Switch Group

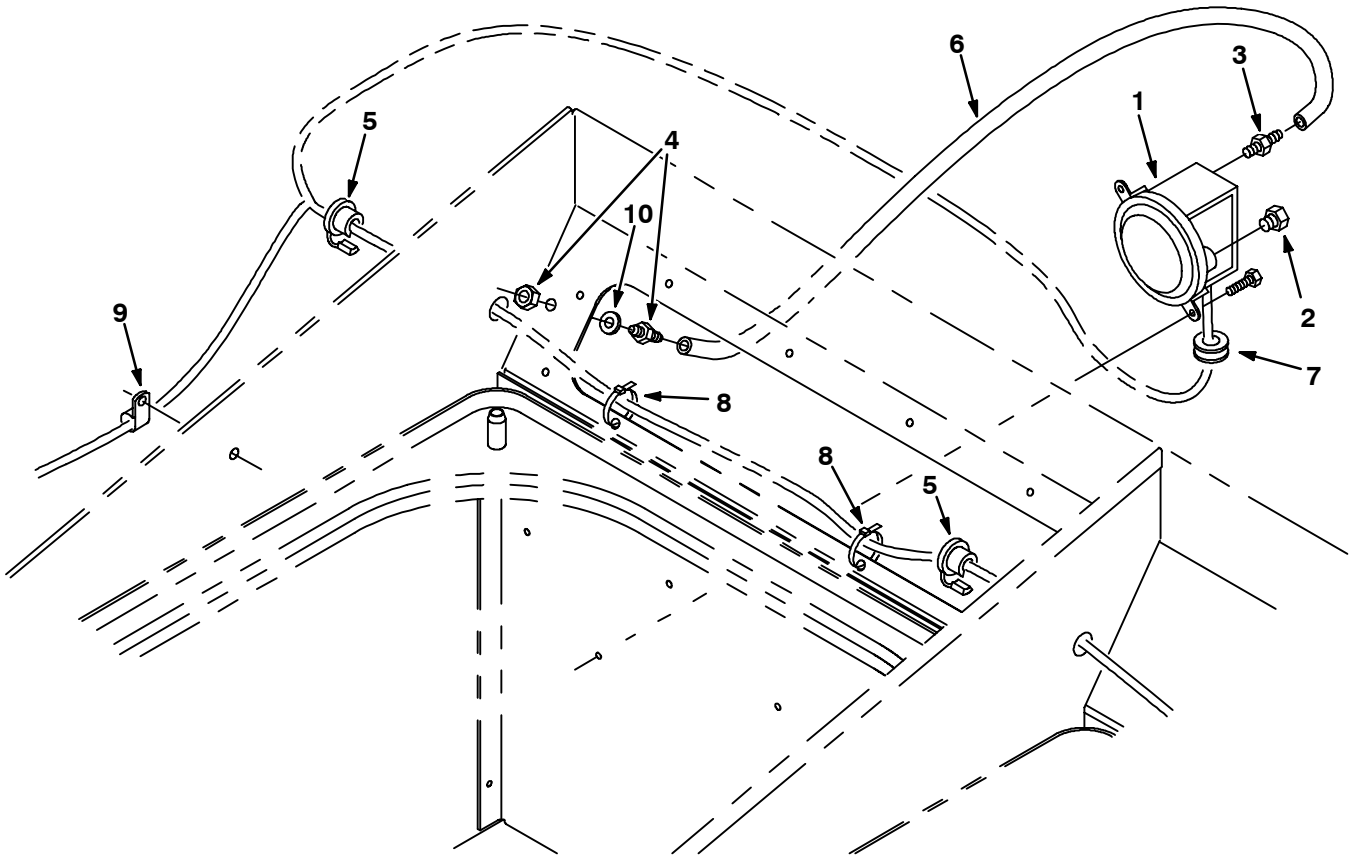


Fig. 18 - Hopper Pressure Switch Group

Ref.	Part No.	Serial Number	Description	Qty.
1	75465	(004000-	) Switch, Pressure	1
2	82739	(004000-	) Ftg, Breather	1
3	40607	(004000-	) Ftg-Brs Str Bm03/Pm02	1
4	39923	(004000-	) Ftg,Bulkhead-Barb Wh 1074X4	1
5	34864	(004000-	) Strain,Relief	2
6	73727	(004000-	) Hose, Vac, Rubber	1
7	10632-4	(004000-	) Grommet,Rbr,0.62ld,For .06Matl	1
8	49266	(004000-	) Tie, Cable 1.75D Max 7.50Lg	8
9	40678	(004000-	) Clamp, Cable, Stl, 0.44d X 0.62w, 1h	2
10	43454	(004000-	) Washer	1

**Fig. 19 - Engine and Alternator Group (004000-004936)**

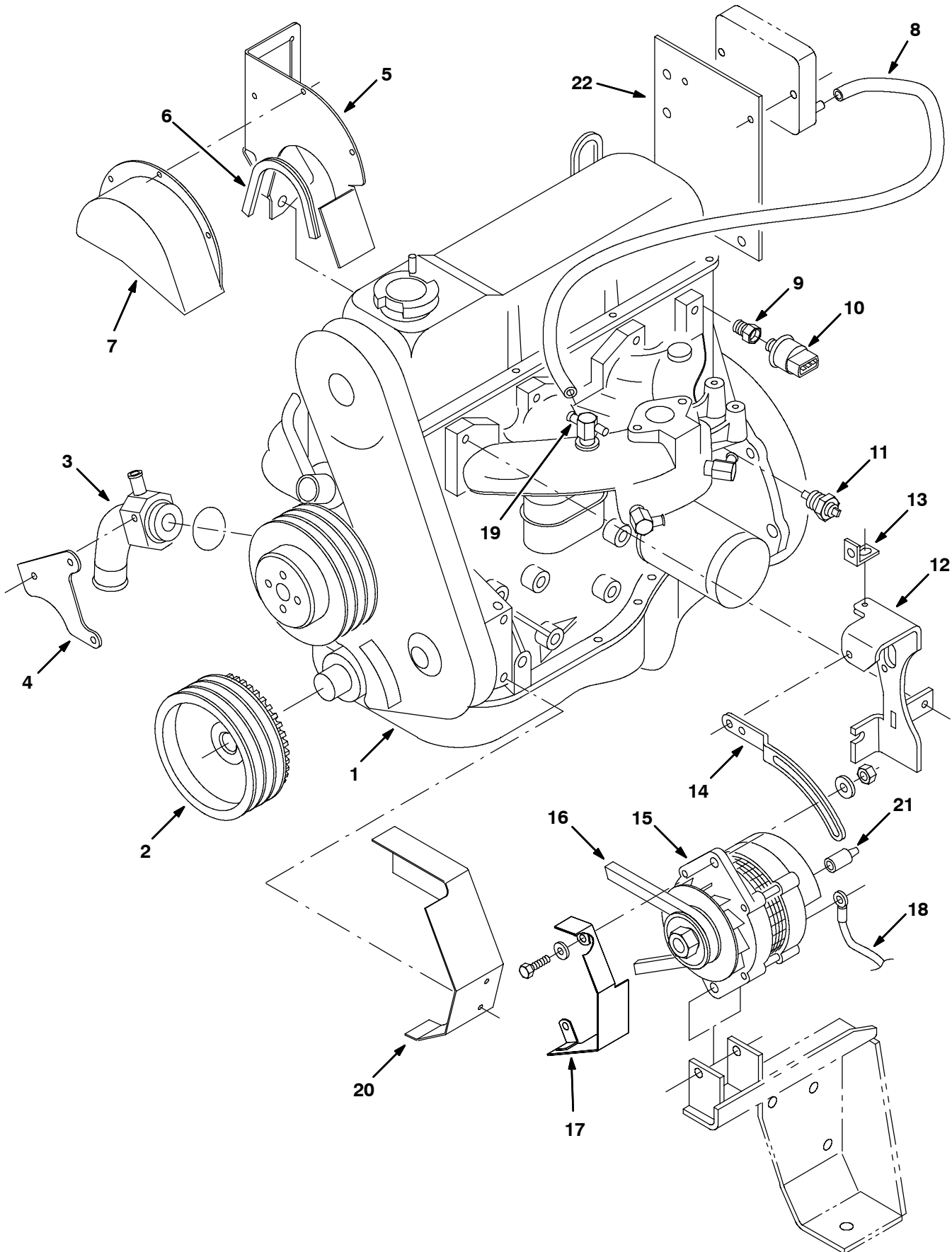




Fig. 19 - Engine and Alternator Group (004000-004936)

Ref.	Part No.	Serial Number	Description	Qty.	
1	83652	(004000-004215 )	Engine Purch Kit, Lrg423 (See 2.3L Engine Brkdn)	1	
1	1044235	(004216-004936 )	Engine [Ford, 2.5l Reman] (See 2.5L Engine Brkdn)	1	
2	83664	(004000-004936 )	Sheave, Eng Crank,Fd W/Tg 2Gr	1	
3	83729	(004000-004936 )	Adaptor, Water Pump Machined	1	
4	83731	(004000-004936 )	Plate, Mounting, Water Pump	1	
5	385417	(004000-004936 )	Bracket, Mtg, Coil	1	
6	59375	(004000-004936 )	Extrusion,.062 Matl10.10Lg	1	
7	21294	(004000-004936 )	Cover	1	
8	19774	(004000-004936 )	Hose, Vacuum,.16ld X 15.0 Lg	1	
9	17414	(004000-004936 )	Ftg-Hyd Str Pm04/Pf02	1	
10	1055106	(004000-004936 )	Switch, Press, 0006psi Dpdt	1	
11	36165	(004000-004936 )	Send Unit, Temperature	1	
12	83750	(004000-004936 )	Bracket Wldt, Alternator Mtg	1	
13	31038	(004000-004936 )	Brkt-L,1.2 1.0 .12 .8L2/H&S	1	
14	31526	(004000-004936 )	Arm Alternator	1	
▽	15	60559	(004000-004936 )	Alternator, 50A/12V Mando	1
▲		61931	(004000-004936 )	Regulator	1
▲		86041	(004000-004936 )	Bearing,Ball.669B 1.575D .472W	1
▲		61529	(004000-004936 )	Brush Kit	1
▲		61531	(004000-004936 )	Rectifier	1
▲		70160	(004000-004936 )	Pulley, Alternator	1
	16	83692	(004000-004936 )	Belt, V, Hc 38-46.375	1
	17	74076	(004000-004936 )	Guard Wldt, Alternator, F/60559	1
	18	82731	(004000-004936 )	Wire-Ground, Alternator	1
	19	630094	(004000-004936 )	Cap	1
	20	83853	(004000-004936 )	Cover Weldt.	1
	21	61363	(004000-004936 )	Boot, Str .42ID .12H .25L	2
	22	83747	(004000-004936 )	Bracket, Ignition	1

Fig. 20 - Engine Mount Group (004000-004936)

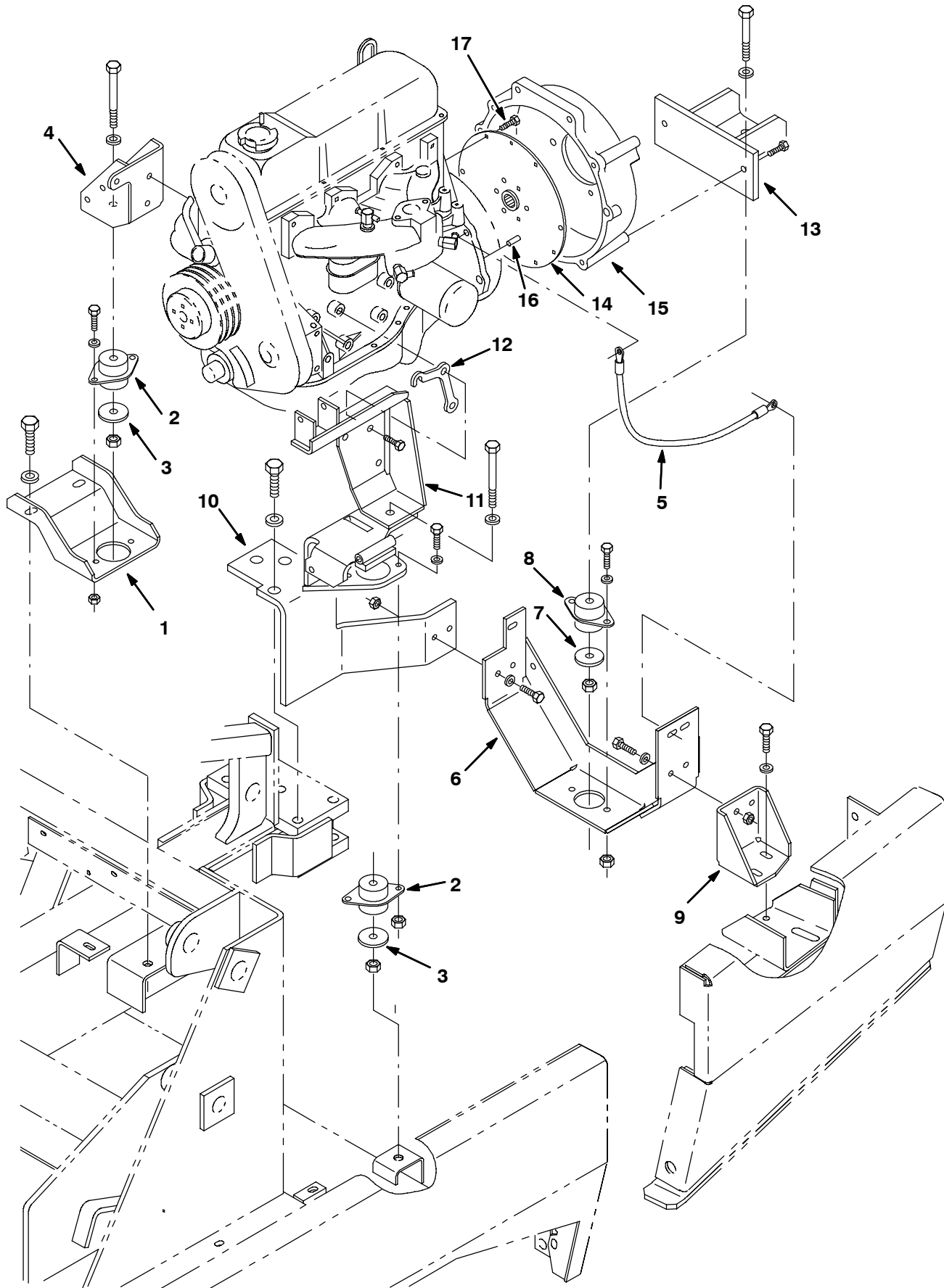


Fig. 20 - Engine Mount Group (004000-004936)

Ref.	Part No.	Serial Number	Description	Qty.
1	83674	(004000-004936 )	Bracket, Mtg, Eng, Rh	1
2	63695	(004000-004936 )	Isolator, Mounting	2
3	04414	(004000-004936 )	Washer, .531B 1.88D .12Hard Zn	2
4	385426	(004000-004936 )	Bracket, Eng Mtg Rh	1
5	57773	(004000-004936 )	Wire Ass'Y-Elect.,Ground	1
6	77430	(004000-004936 )	Bracket, Mounting, Eng, Rear	1
7	57048	(004000-004936 )	Washer, .532B 2.13D .11Hr.Znc	1
8	63263	(004000-004936 )	Isolator, Mtg	1
9	77434	(004000-004936 )	Bracket, Mounting, Eng,Rear Lh	1
10	77435	(004000-004936 )	Bracket, Mtg, Eng, Rear	1
11	380598	(004000-004936 )	Bracket Wldt, Eng/Alt Mount	1
12	83673	(004000-004936 )	Plate, Spacer, Mtg, Eng 2.3Fd	1
13	63535	(004000-004215 )	Channel Wldt, Mtg, Engine,Rear	1
13	385412	(004216-004936 )	Channel Wldt, Mtg, Engine,Rear	1
14	35980	(004000-004936 )	Coupling Flywheel	1
15	83689	(004000-004215 )	Housing, Flywheel, Machined 2.3 Lrg	1
15	385433	(004216-004936 )	Housing, Flywheel, 2.5 Lrg	1
16	14296	(004216-004936 )	Pin, Roll	3
17	375193	(004000-004936 )	Screw, Hex, M08 X 1.00 X 16, 10.9	6

**Fig. 21 - Engine Group (004937-005999)**

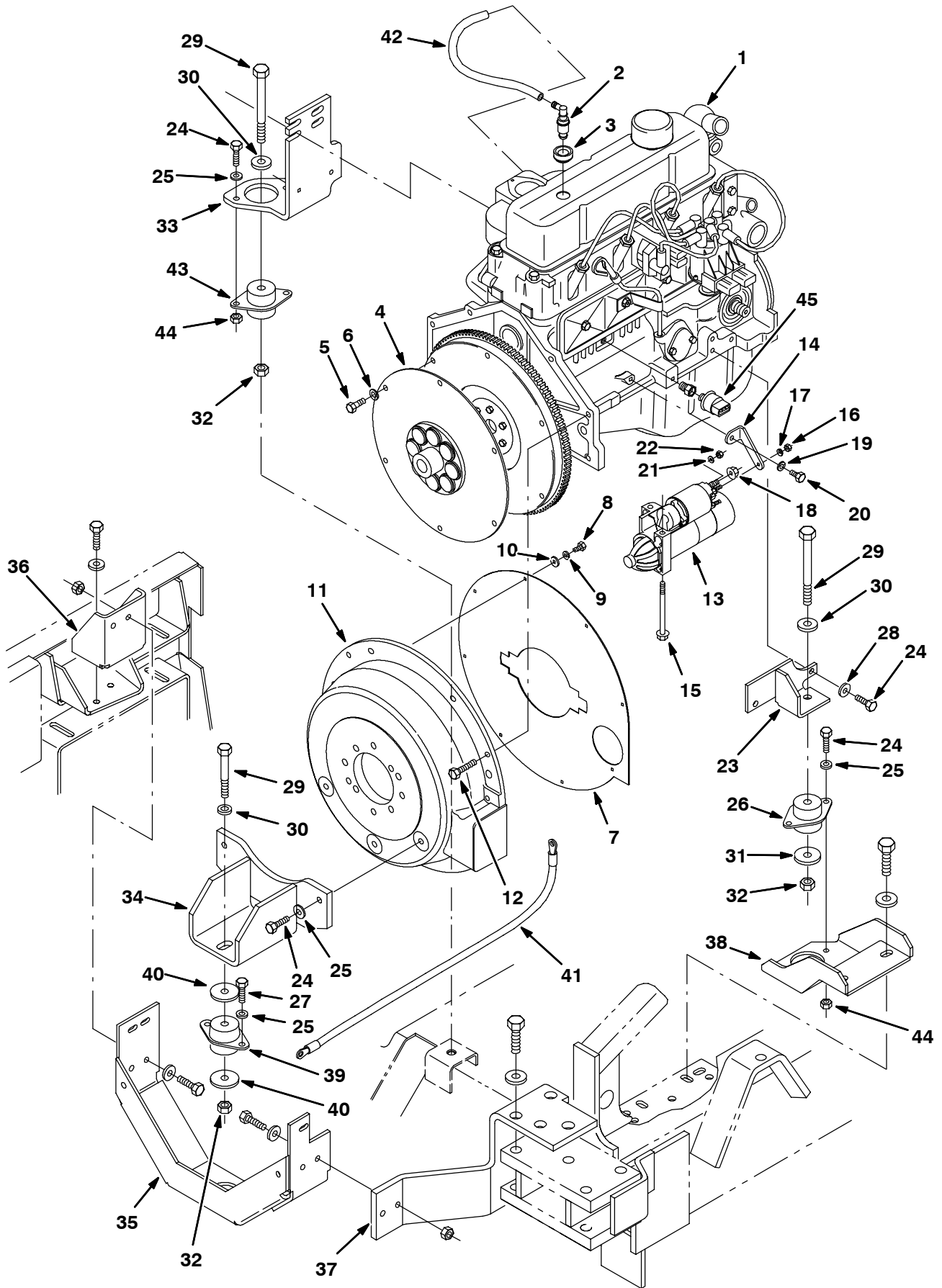


Fig. 21 - Engine Group (004937-005999)

Ref.	Part No.	Serial Number	Description	Qty.
1	392561	(004937-005999 )	Engine, Gm, 3.0 Liter, Gas (See GM Engine Breakdown)	1
1	392563	(004937-005999 )	Engine, Gm, 3.0 Liter, Lpg (See GM Engine Breakdown)	1
2	393975	(004937-005999 )	Valve, [Pcv]	1
3	393984	(004937-005999 )	Grommet	1
4	371507	(004937-005999 )	Plate, Drive	1
5	371508	(004937-005999 )	Bolt, Clutch	6
6	371509	(004937-005999 )	Washer, Lock, .38	11
7	371761	(004937-005999 )	Shield, Dust	1
8	19315	(004937-005999 )	Screw, Hex, .25-20 X 0.50, 5	8
9	371512	(004937-005999 )	Washer, Lock, .25	8
10	32483	(004937-005999 )	Washer, Flat, .25 Sae	8
11	371762	(004937-005999 )	Housing	1
12	55347	(004937-005999 )	Screw, Hex, .38-16 X 2.00, FI	5
13	371516	(004937-005999 )	Starter	1
14	371517	(004937-005999 )	Bracket, Starter	1
15	371518	(004937-005999 )	Bolt, Starter	1
16	50335	(004937-005999 )	Nut, Hex, Std, M05 X 0.8	2
17	371519	(004937-005999 )	Washer, Loc, M5	1
18	07791	(004937-005999 )	Nut, Hex, Flng, M08 X 1.25	1
19	393994	(004937-005999 )	Washer, Lock, .31	1
20	54396	(004937-005999 )	Screw, Hex, .31-18 X 0.75, 5	1
21	371520	(004937-005999 )	Washer, Lock, #10	1
22	19311	(004937-005999 )	Nut, Hex, Std, #10-24	1
23	392622	(004937-005999 )	Bracket, Mtg, Eng, Rh	1
24	21197	(004937-005999 )	Screw, Hex, .38-16 X 1.00, 5	8
25	32492	(004937-005999 )	Washer, Flat, .38 Std	8
26	63695	(004937-005999 )	Isolator, Vib, Flng, 1.3l .5b 2/.39h	1
27	21198	(004937-005999 )	Screw, Hex, M08 X 1.25 X 25, 8.8	4
28	32425	(004937-005999 )	Washer, Flat, .31 Std	2
29	06972	(004937-005999 )	Screw, Hex, M12 X 1.75 X 60, 8.8	4
30	32493	(004937-005999 )	Washer, Flat, .50 Std	4
31	04414	(004937-005999 )	Washer, 0.53b 1.88d .12, Stl, Pl	3
32	08711	(004937-005999 )	Nut, Hex, Lock, M12 X 1.75, NI	4
33	392642	(004937-005999 )	Bracket, Mtg, Eng, Lh	1
34	392619	(004937-005999 )	Channel Wldt, Mtg, Eng, Rear	1
35	77430	(004937-005999 )	Bracket, Mounting, Eng, Rear	1
36	77434	(004937-005999 )	Bracket, Mounting, Eng, Rear Lh	1
37	77435	(004937-005999 )	Bracket, Mtg, Eng, Rear	1
38	83674	(004937-005999 )	Bracket, Mtg, Eng, Rh	1
39	63263	(004937-005999 )	Isolator, Mtg	1
40	57048	(004937-005999 )	Washer, .532B 2.13D .11Hr.Znc	2
41	57773	(004937-005999 )	Wire Ass'Y-Elect., Ground	1
42	393973	(004937-005999 )	Hose, [Pcv]	1
43	75768	(004937-005999 )	Isolator, Vib, Flng, 2.0l .5b 2/.41h	1
44	50902	(004937-005999 )	Nut, Hex, Lock, .38-16, NI	4
45	371572	(004937-005999 )	Sending unit, Oil Press	1

**Fig. 22 - Engine Group (006000-006999)**

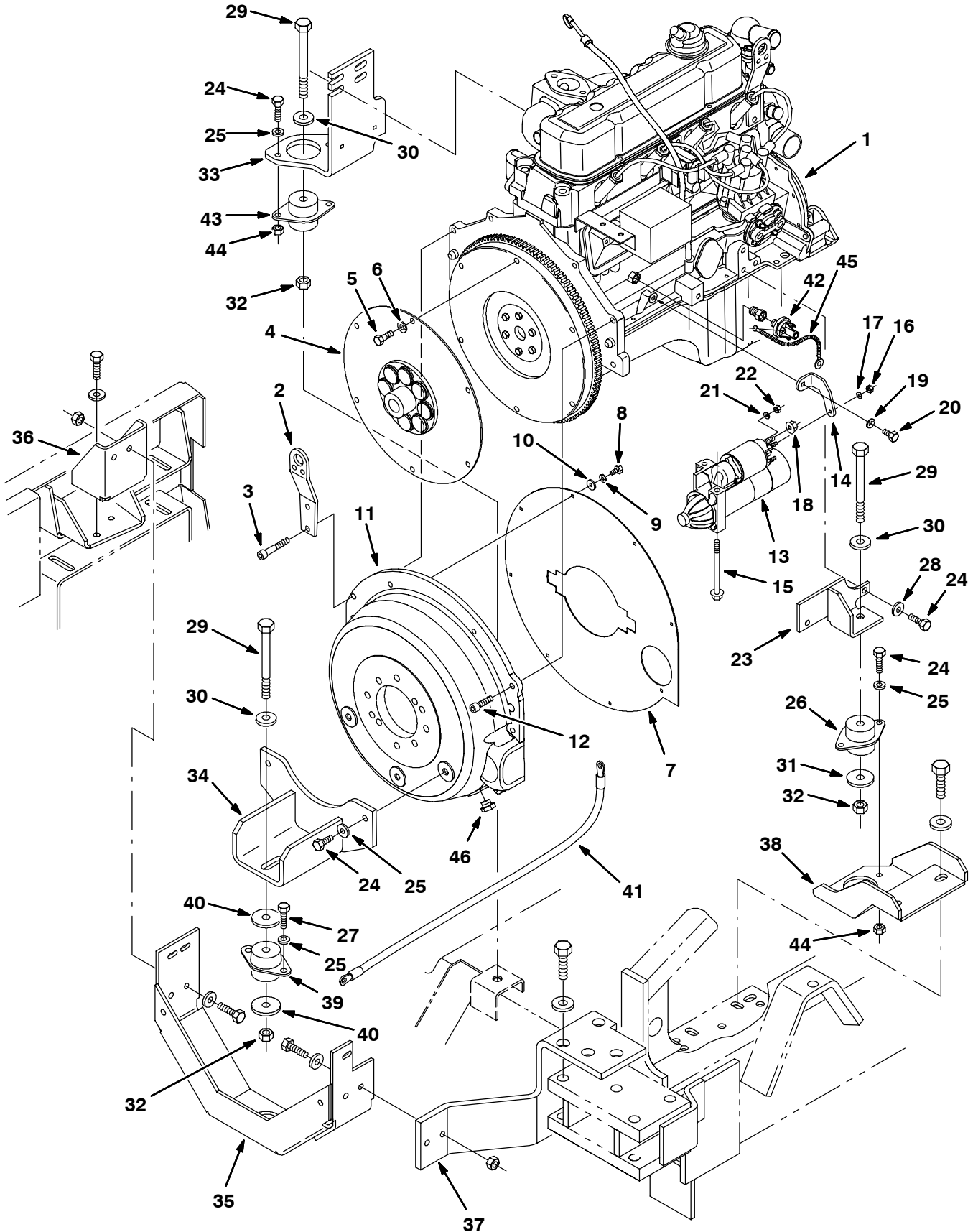


Fig. 22 - Engine Group (006000-006999)

Ref.	Part No.	Serial Number	Description	Qty.
1	1012719	(006000-006999 )	Engine Assy, Gas, Clsd Loop [Gm, 3.0] (See GM Engine Breakdown)	1
1	1012720	(006000-006999 )	Engine Assy, LPG, Clsd Loop [Gm, 3.0] (See GM Engine Breakdown)	1
2	372457	(006000-006999 )	Bolt, Eye, Lift	1
3	372479	(006000-006999 )	Screw, Soc, .38-16 X 2.25, G5	1
4	372456	(006000-006999 )	Plate, Drive	1
5	371508	(006000-006999 )	Bolt, Clutch	6
6	371509	(006000-006999 )	Washer, Lock, .38	11
7	371761	(006000-006999 )	Shield, Dust	1
8	19315	(006000-006999 )	Screw, Hex, .25-20 X 0.50, 5	8
9	371512	(006000-006999 )	Washer, Lock, .25	8
10	32483	(006000-006999 )	Washer, Flat, .25 Sae	8
11	372458	(006000-006999 )	Housing	1
12	10831	(006000-006999 )	Screw, Soc, .38-16 X 1.25, Al	5
13	371516	(006000-006999 )	Starter	1
14	372473	(006000-006999 )	Bracket, Starter	1
15	371518	(006000-006999 )	Bolt, Starter	1
16	50335	(006000-006999 )	Nut, Hex, Std, M05 X 0.8	2
17	371519	(006000-006999 )	Washer, Loc, M5	1
18	07791	(006000-006999 )	Nut, Hex, Flng, M08 X 1.25	1
19	393994	(006000-006999 )	Washer, Lock, .31	1
20	54396	(006000-006999 )	Screw, Hex, .31-18 X 0.75, 5	1
21	371520	(006000-006999 )	Washer, Lock, #10	1
22	19311	(006000-006999 )	Nut, Hex, Std, #10-24	1
23	392622	(006000-006999 )	Bracket, Mtg, Eng, Rh	1
24	21197	(006000-006999 )	Screw, Hex, .38-16 X 1.00, 5	8
25	32492	(006000-006999 )	Washer, Flat, .38 Std	8
26	63695	(006000-006999 )	Isolator, Vib, Flng, 1.3l .5b 2/.39h	1
27	21198	(006000-006999 )	Screw, Hex, M08 X 1.25 X 25, 8.8	4
28	32425	(006000-006999 )	Washer, Flat, .31 Std	2
29	06972	(006000-006999 )	Screw, Hex, M12 X 1.75 X 60, 8.8	4
30	32493	(006000-006999 )	Washer, Flat, .50 Std	4
31	04414	(006000-006999 )	Washer, 0.53b 1.88d .12, Stl, Pl	3
32	08711	(006000-006999 )	Nut, Hex, Lock, M12 X 1.75, NI	4
33	392642	(006000-006999 )	Bracket, Mtg, Eng, Lh	1
34	1014411	(006000-006999 )	Channel Wldt, Mtg, Eng, Rear	1
35	77430	(006000-006999 )	Bracket, Mounting, Eng, Rear	1
36	77434	(006000-006999 )	Bracket, Mounting, Eng, Rear Lh	1
37	77435	(006000-006999 )	Bracket, Mtg, Eng, Rear	1
38	83674	(006000-006999 )	Bracket, Mtg, Eng, Rh	1
39	63263	(006000-006999 )	Isolator, Mtg	1
40	57048	(006000-006999 )	Washer, .532B 2.13D .11Hr.Znc	2
41	57773	(006000-006999 )	Wire Ass'Y-Elect.,Ground	1
42	372445	(006000-006999 )	Sending unit, Oil Press	1
43	75768	(006000-006999 )	Isolator, Vib, Flng, 2.0l .5b 2/.41h	1
44	50902	(006000-006999 )	Nut, Hex, Lock, .38-16, NI	4
45	372474	(006000-006999 )	Harness, Switch, Oil Press, Ground Wire	1
46	1018573	(006000-006999 )	Screw, Hex, .62-18 X 0.31	1

**Fig. 23 - Engine Group (007000- )**

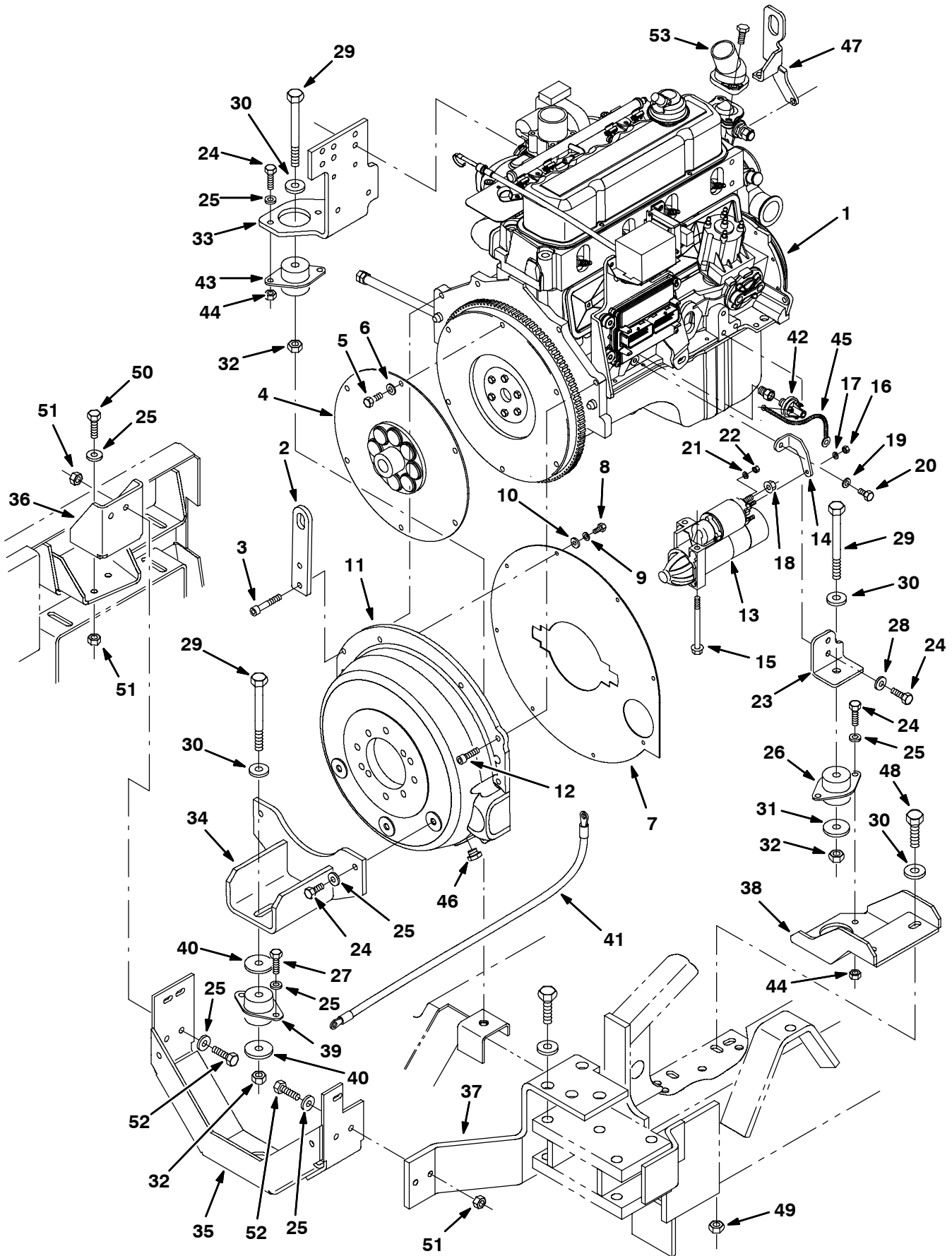




Fig. 23 - Engine Group (007000- )

Ref.	Part No.	Serial Number	Description	Qty.
1	385019	(007000-	) Engine, Block, Long [Gm3.0l] (See GM Engine Break-down)	1
2	1034105	(007000-	) Hook, Lift [Gm3.0l 2007]	1
3	372479	(007000-	) Screw, Soc, .38-16 X 2.25, G5	1
4	372456	(007000-	) Plate, Drive	1
5	371508	(007000-	) Bolt, Clutch	6
6	371509	(007000-	) Washer, Lock, .38	11
7	371761	(007000-	) Shield, Dust	1
8	19315	(007000-	) Screw, Hex, .25-20 X 0.50, 5	8
9	371512	(007000-	) Washer, Lock, .25	8
10	32483	(007000-	) Washer, Flat, .25 Sae	8
11	372458	(007000-	) Housing	1
12	10831	(007000-	) Screw, Soc, .38-16 X 1.25, Al	5
13	371516	(007000-	) Starter	1
14	372473	(007000-	) Bracket, Starter	1
15	371518	(007000-	) Bolt, Starter	1
16	50335	(007000-	) Nut, Hex, Std, M05 X 0.8	2
17	371519	(007000-	) Washer, Loc, M5	1
18	07791	(007000-	) Nut, Hex, Flng, M08 X 1.25	1
19	393994	(007000-	) Washer, Lock, .31	1
20	54396	(007000-	) Screw, Hex, .31-18 X 0.75, 5	1
21	371520	(007000-	) Washer, Lock, #10	1
22	19311	(007000-	) Nut, Hex, Std, #10-24	1
23	1029375	(007000-	) Bracket, Mtg, Eng, Rh	1
24	21197	(007000-	) Screw, Hex, .38-16 X 1.00, 5	8
25	32492	(007000-	) Washer, Flat, .38 Std	11
26	63695	(007000-	) Isolator, Vib, Flng, 1.3l .5b 2/.39h	1
27	21198	(007000-	) Screw, Hex, M08 X 1.25 X 25, 8.8	4
28	32425	(007000-	) Washer, Flat, .31 Std	2
29	06972	(007000-	) Screw, Hex, M12 X 1.75 X 60, 8.8	4
30	32493	(007000-	) Washer, Flat, .50 Std	6
31	04414	(007000-	) Washer, 0.53b 1.88d .12, Stl, Pl	3
32	08711	(007000-	) Nut, Hex, Lock, M12 X 1.75, NI	4
33	1031961	(007000-	) Bracket, Mtg, Eng, Lh	1
34	1014411	(007000-	) Channel Wldt, Mtg, Eng, Rear	1
35	77430	(007000-	) Bracket, Mounting, Eng, Rear	1
36	77434	(007000-	) Bracket, Mounting, Eng, Rear Lh	1
37	77435	(007000-	) Bracket, Mtg, Eng, Rear	1
38	83674	(007000-	) Bracket, Mtg, Eng, Rh	1
39	63263	(007000-	) Isolator, Mtg	1
40	57048	(007000-	) Washer, .532B 2.13D .11Hr.Znc	2
41	57773	(007000-	) Wire Ass'Y-Elect., Ground	1
42	372445	(007000-	) Sending unit, Oil Press	1
43	75768	(007000-	) Isolator, Vib, Flng, 2.0l .5b 2/.41h	1
44	50902	(007000-	) Nut, Hex, Lock, .38-16, NI	4

**Fig. 23 - Engine Group (007000- )**

<b>Ref.</b>	<b>Part No.</b>	<b>Serial Number</b>	<b>Description</b>	<b>Qty.</b>
45	372474	(007000-	) Harness, Switch, Oil Press, Ground Wire	1
46	1018573	(007000-	) Screw, Hex, .62-18 X 0.31	1
47	1029334	(007000-	) Hook, Lift [Gm3.0l 2007]	1
48	06968	(007000-	) Screw, Hex, M12 X 1.75 X 35, 8.8	2
49	08711	(007000-	) Nut, Hex, Lock, M12 X 1.75,NI	2
50	03192	(007000-	) Screw, Hex, M10 X 1.5 X 30, 8.8	2
51	41430	(007000-	) Nut, Hex, Lock, M10 X 1.5, NI	6
52	39284	(007000-	) Screw, Hex, M10 X 1.5 X 35, 8.8	4
53	1030272	(007000-	) Thermostat Housing [Gm3.0l 2007]	1



**Fig. 24 - Engine Alternator Group (004937-005999)**

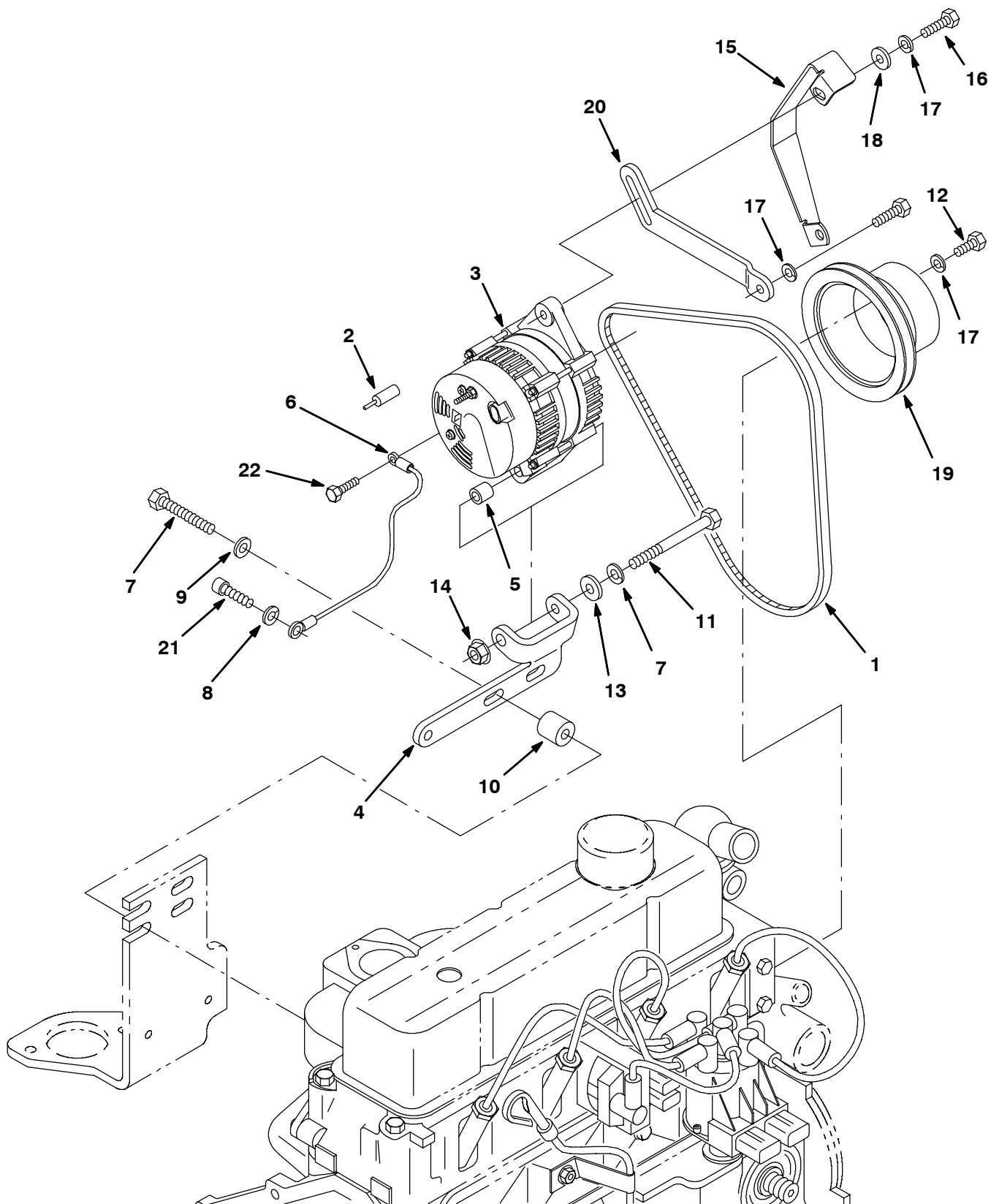


Fig. 24 - Engine Alternator Group (004937-005999)

Ref.	Part No.	Serial Number	Description	Qty.
1	64899	(004937-005999 )	Belt, V, [3v] 40.0l, 1only [Hc38]	1
2	61363	(004937-005999 )	Boot, Str 0.42id .12h 0.25l	1
3	392611	(004937-005999 )	Alternator, 12vdc, 075a [Valeo]	1
4	1008094	(004937-005999 )	Bracket, Alternator	1
5	371526	(004937-005999 )	Sleeve, Alternator	1
6	371527	(004937-005999 )	Wire, Ground	1
7	371509	(004937-005999 )	Washer, Lock, .38	2
8	27991	(004937-005999 )	Screw, Hex, .38-16 X 2.25, 5	2
9	32492	(004937-005999 )	Washer, Flat, .38 Std	2
10	35756	(004937-005999 )	Tube, 01.00d 00.50b 01.0l Stl Pnt	2
11	371529	(004937-005999 )	Screw, .38-24 X 4.0	1
12	07592	(004937-005999 )	Screw, Hex, .31-24 X 0.75, 5	4
13	32485	(004937-005999 )	Washer, Flat, .38 Sae	1
14	371528	(004937-005999 )	Nut, Flanged, .38-24	1
15	83581	(004937-005999 )	Guard, Belt, Alternator	1
16	76956	(004937-005999 )	Screw, Hex, .31-18 X 1.25, 5	1
17	393994	(004937-005999 )	Washer, Lock, .31	6
18	32491	(004937-005999 )	Washer, Flat, .31 Std	1
19	393998	(004937-005999 )	Pulley, Fan	1
20	1007162	(004937-005999 )	Arm, Alternator	1
21	371770	(004937-005999 )	Screw	1
22	42011	(004937-005999 )	Screw	1

Fig. 25 - Engine Alternator Group (006000-006999)

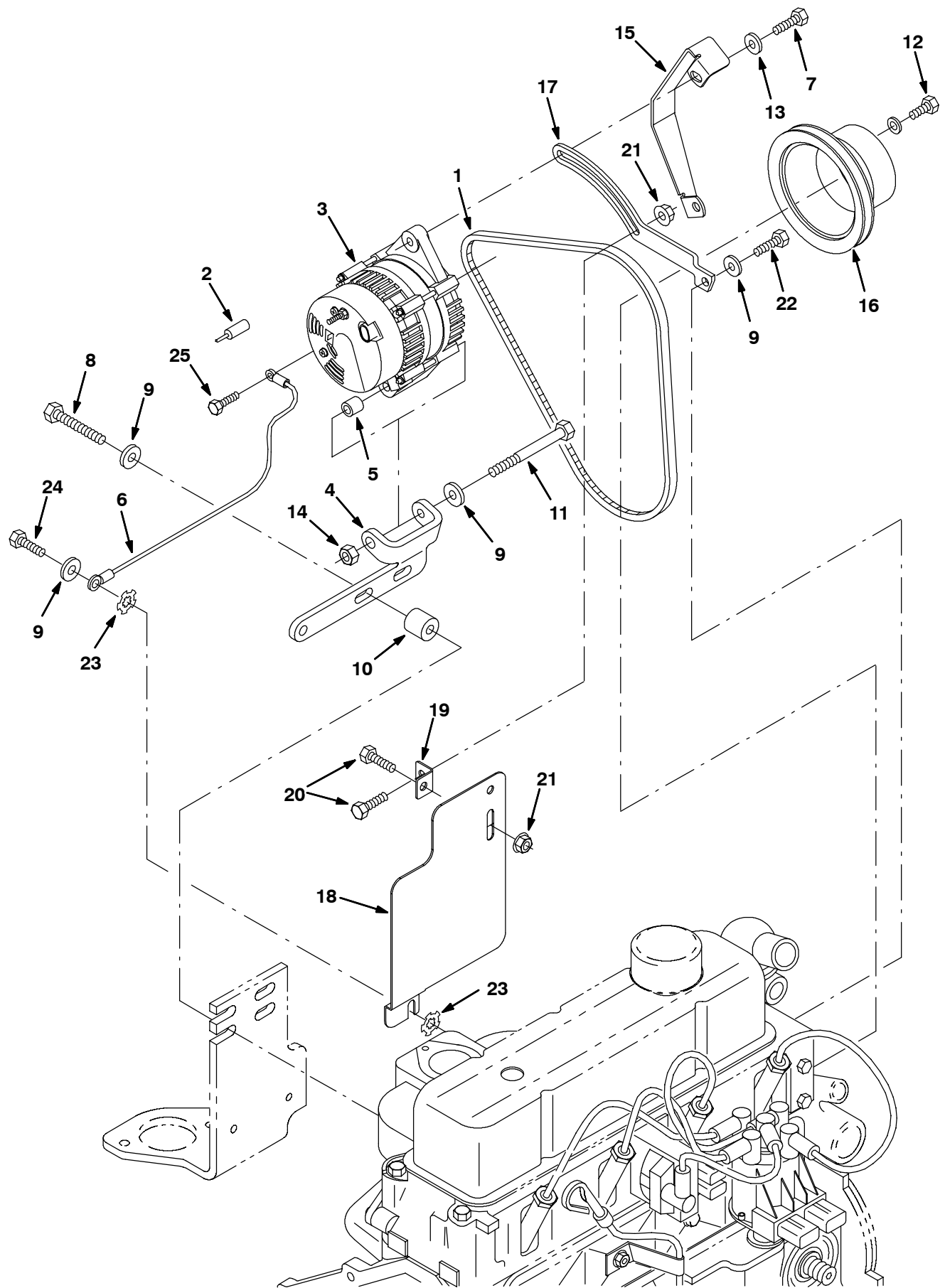


Fig. 25 - Engine Alternator Group (006000-006999)

Ref.	Part No.	Serial Number	Description	Qty.
1	393227	(006000-006999 )	Belt, V, [3v] 39.6l [Hc41]	1
2	61363	(006000-006999 )	Boot, Str 0.42id .12h 0.25l	1
3	392611	(006000-006999 )	Alternator, 12vdc, 075a [Valeo]	1
4	1008094	(006000-006999 )	Bracket, Alternator	1
5	371526	(006000-006999 )	Sleeve, Alternator	1
6	371527	(006000-006999 )	Wire, Ground	1
7	76955	(006000-006999 )	Screw, Hex, .31-18 X 1.00, 5	1
8	27991	(006000-006999 )	Screw, Hex, .38-16 X 2.25, 5	2
9	32485	(006000-006999 )	Washer, Flat, 0.38 Sae	5
10	35756	(006000-006999 )	Tube, 01.00d 00.50b 01.0l Stl Pnt	2
11	20177	(006000-006999 )	Screw, Hex, .38-16 X 4.00, 5	1
12	07592	(006000-006999 )	Screw, Hex, .31-24 X 0.75, 5	4
13	41186	(006000-006999 )	Washer, Belleville, .31	1
14	50902	(006000-006999 )	Nut, Hex, Lock, .38-16, NI	1
15	83581	(006000-006999 )	Guard, Belt, Alternator	1
16	393998	(006000-006999 )	Pulley, Fan	1
17	1007162	(006000-006999 )	Arm, Adj, Alternator	1
18	1019513	(006000-006999 )	Plate, Shield, Heat	1
19	1008513	(006000-006999 )	Angle, Heat, Shield	1
20	16735	(006000-006999 )	Screw, Hex, M8 X 1.25 X 16, 8.8	2
21	07791	(006000-006999 )	Nut, Hex, Flng, M8 X 1.25	2
22	21195	(006000-006999 )	Screw, Hex, .38-16 X 0.75, 5	1
23	41142	(006000-006999 )	Washer, Lock, Int-ext, .38	2
24	21197	(006000-006999 )	Screw, Hex, .38-16 X 1.00, 5	1
25	42011	(006000-006999 )	Screw, Hex, #10-24 X 0.50, Ss	1

**Fig. 26 - Engine Alternator Group (007000- )**

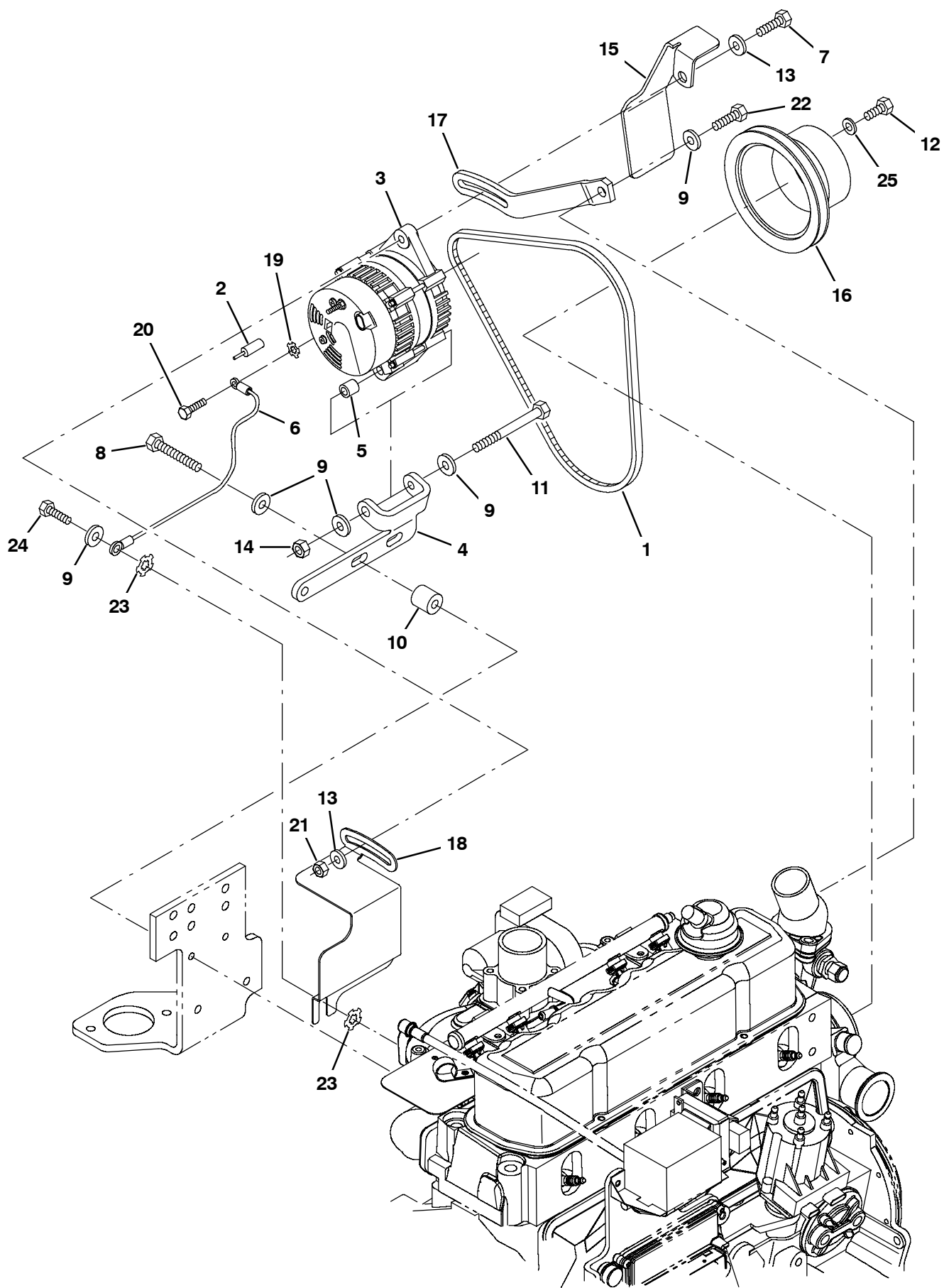




Fig. 26 - Engine Alternator Group (007000- )

Ref.	Part No.	Serial Number	Description	Qty.
1	393227	(007000-	) Belt, V, [3v] 39.6l [Hc41]	1
2	61363	(007000-	) Boot, Str 0.42id .12h 0.25l	1
3	392611	(007000-	) Alternator, 12vdc, 075a [Valeo]	1
4	1008094	(007000-	) Bracket, Alternator	1
5	371526	(007000-	) Sleeve, Alternator	1
6	371527	(007000-	) Wire, Ground	1
7	76955	(007000-	) Screw, Hex, .31-18 X 1.00, 5	1
8	27991	(007000-	) Screw, Hex, .38-16 X 2.25, 5	2
9	32485	(007000-	) Washer, Flat, 0.38 Sae	6
10	35756	(007000-	) Tube, 01.00d 00.50b 01.0l Stl Pnt	2
11	20177	(007000-	) Screw, Hex, .38-16 X 4.00, 5	1
12	07592	(007000-	) Screw, Hex, .31-24 X 0.75, 5	4
13	41186	(007000-	) Washer, Belleville, .31	2
14	50902	(007000-	) Nut, Hex, Lock, .38-16, NI	1
15	1008538	(007000-	) Bracket, Guard, Alternator, Hd [Gm3.0l]	1
16	393998	(007000-	) Pulley, Fan	1
17	1029649	(007000-	) Arm, Adjmt, Alternator	1
18	1030635	(007000-	) Shield, Heat, Alternator [2007]	1
19	32980	(007000-	) Washer, Lock, Int, #10	1
20	42011	(007000-	) Screw, Hex, #10-24 X 0.50, Ss	1
21	07791	(007000-	) Nut, Hex, Flng, M8 X 1.25	1
22	21195	(007000-	) Screw, Hex, .38-16 X 0.75, 5	1
23	41142	(007000-	) Washer, Lock, Int-ext, .38	2
24	21197	(007000-	) Screw, Hex, .38-16 X 1.00, 5	1
25	371865	(007000-	) Washer, Flat, 0.31, Hardened	4

Fig. 27 - Engine Oil Filter and Drain Group (004937- )

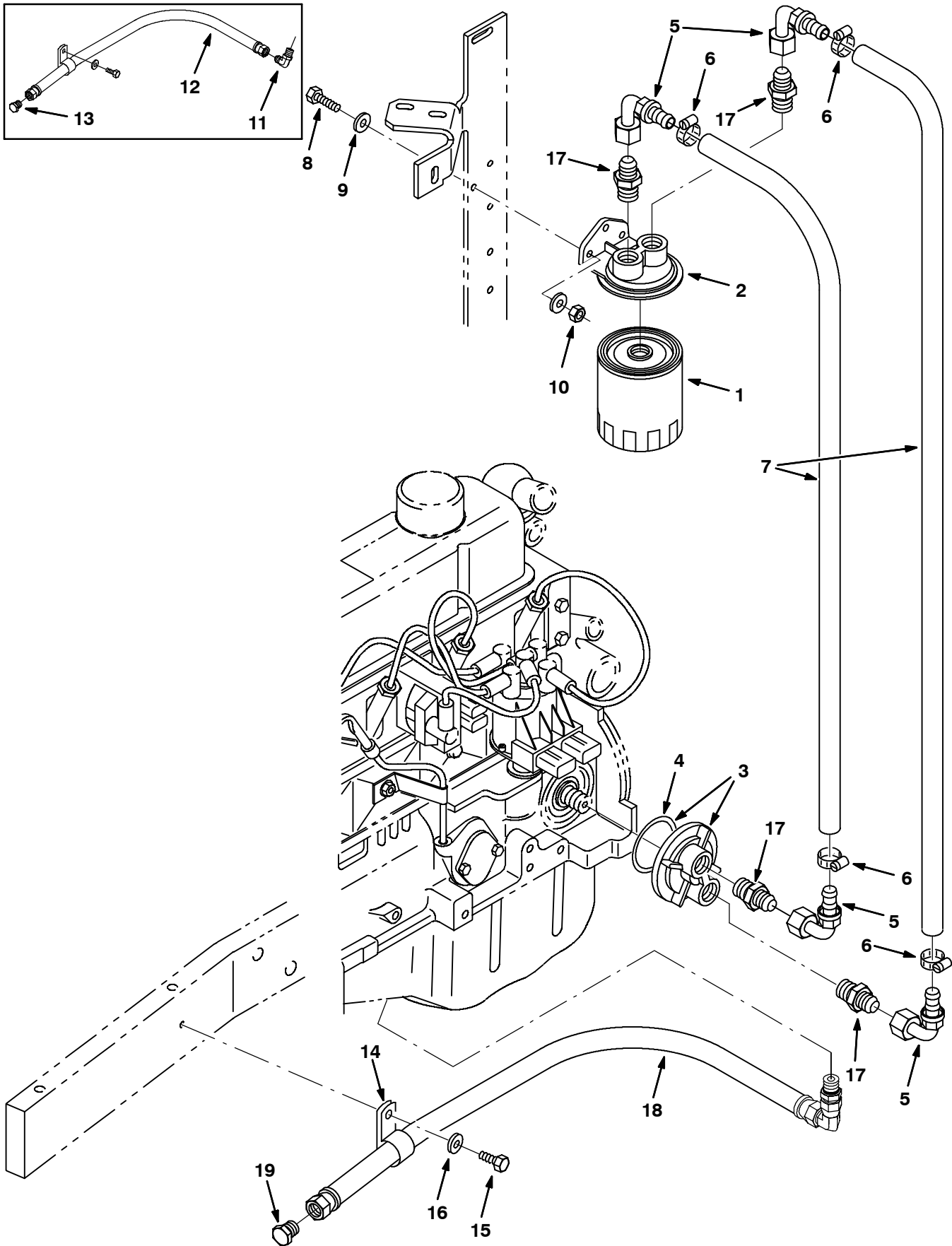


Fig. 27 - Engine Oil Filter and Drain Group (004937- )

Ref.	Part No.	Serial Number	Description	Qty.
	1	393982	(004937- ) Element, Fltr, Oil, Eng, Spin-on[Gm]	1
	2	371503	(004937- ) Mount, Filter, Remote	1
▽	3	371504	(004937- ) Adaptor, Filter, Remote	1
▲	4	1032382	(004937- ) Seal, Org, .139 X 03.109 Id	1
	5	371500	(004937- ) Fitting, 90 Deg	4
	6	11399	(004937- ) Clamp, Hose, Wormdrive, 0.81-1.50d	4
	7	371502	(004937- ) Hose, .50	2
	8	25046	(004937- ) Screw, Hex, .25-20 X 1.00, 5	2
	9	19066	(004937- ) Washer, Flat, #10	2
	10	32981	(004937- ) Nut, Hex, Lock, .25-20, NI	2
	11	49934	(004937-006999 ) Fitting, Hyd, E90, Pm06/Jm06	1
	12	76762	(004937-006999 ) Hose, Hyd,Low06, Jf06str /Jf06str , 26.0	1
	13	19747	(004937-006999 ) Fitting, Hyd, Plug, Jm06	1
	14	58366	(004937- ) Clamp, Cable, Stl, 1.25d X 1.00w, 1h	1
	15	12273	(004937- ) Screw, Hex, M8 X 1.25 X 20, Ss, NI	1
	16	01685	(004937- ) Washer, Flat, 0.38 Ss	1
	17	371505	(004937- ) Fitting	4
	18	9006633	(007000- ) Hose, Drain, Eng Oil	1
	19	9006635	(007000- ) Fitting, Plug	1

**Fig. 28 - Engine Carburetor and Governor Group, Gasoline (004000-004936)**

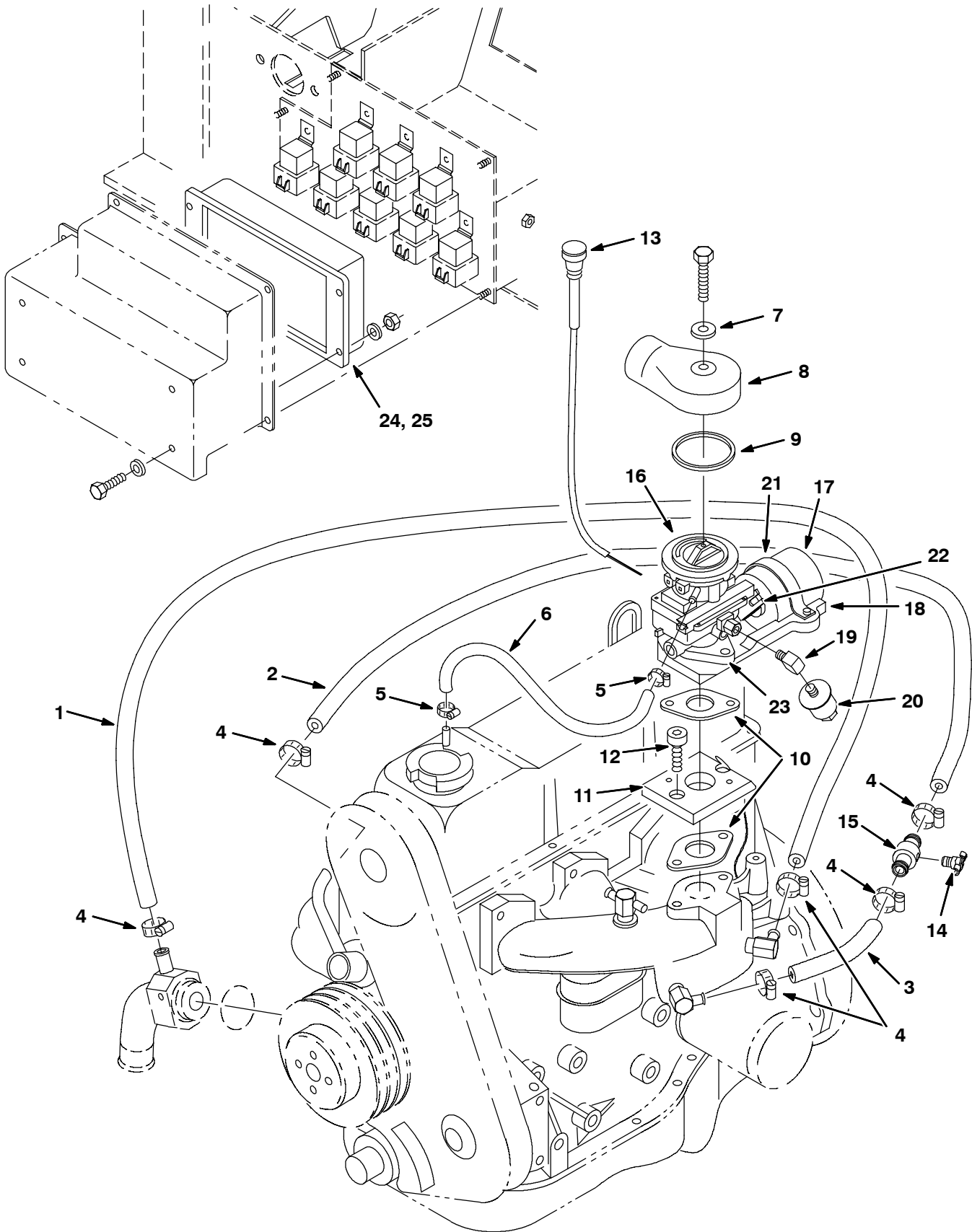


Fig. 28 - Engine Carburetor and Governor Group, Gasoline (004000-004936)

Ref.	Part No.	Serial Number	Description	Qty.
1	30389	(004000-004936 )	Hose, Heater .62ldx53.0Lg	1
2	13048	(004000-004936 )	Hose, Heater .62ld X 38.0Lg	1
3	60762	(004000-004936 )	Hose, Heater .62ld X 15.0Lg	1
4	63810	(004000-004936 )	Clamp-Wormdrive, 0.56- 1.06D	6
5	43844	(004000-004936 )	Clamp-Wormdrive, 0.25- 0.62D	2
6	70876	(004000-004309 )	Hose, Rubber.38ldx.62Od 21.0Lg	1
6	375718	(004310-004936 )	Hose, Rubber	1
7	24924	(004000-004936 )	Washer, .281B .62D .06Nylon	1
8	57934	(004000-004936 )	Adaptor, Elbow, Carb, Gas	1
9	16738	(004000-004936 )	Gasket, Carburetor Air Horn	1
10	74443	(004000-004936 )	Gasket, Carb To Engine	2
11	83686	(004000-004936 )	Adapter, Carburetor, Ford 2.3	1
12	33951	(004000-004936 )	Scr Soc M6x1.0 20	2
13	47313A	(004000-004936 )	Cable Assy, Choke 67.00Lg	1
14	83580	(004000-004936 )	Fitting, Brass Drain Cock	1
15	83578	(004000-004936 )	Tube, Air Bleed	1
▽	83678	(004000-004306 )	Governor and Control Unit Assy, Gas	1
▲▽	83639	(004000-004306 )	Governor Assy, Gas	1
▲▲	16 78897	(004000-004306 )	Carburetor, Gas	1
▲▲	17 83683	(004000-004306 )	Actuator-Lh, Governor	1
▲▲	18 83682	(004000-004306 )	Bracket-Mtg, Governor	1
▲▲	19 11984	(004000-004306 )	Ftg, El90 Npt/02Pf-02Pm	1
▲▲	20 36050	(004000-004306 )	Filter, Fuel	1
▲▲	21 83685	(004000-004306 )	Strap, Mounting	1
▲▲	22 83684	(004000-004306 )	Linkage Kit, Governor	1
▲▲	23 74443	(004000-004306 )	Gasket, Carb To Engine	1
▲▽	24 83758	(004000-004306 )	Control Unit, Gov.	1
▲▲	374625	(004000-004306 )	Plug, Control Box	2
▽	385415	(004307-004936 )	Governor and Control Unit Assy, Gas	1
▲▽	83639	(004307-004936 )	Governor Assy, Gas	1
▲▲	16 385414	(004307-004936 )	Carburetor, Gas	1
▲▲	17 83683	(004307-004936 )	Actuator-Lh, Governor	1
▲▲	18 83682	(004307-004936 )	Bracket-Mtg, Governor	1
▲▲	19 11984	(004307-004936 )	Ftg, El90 Npt/02Pf-02Pm	1
▲▲	20 36050	(004307-004936 )	Filter, Fuel	1
▲▲	21 83685	(004307-004936 )	Strap, Mounting	1
▲▲	22 83684	(004307-004936 )	Linkage Kit, Governor	1
▲▲	23 74443	(004307-004936 )	Gasket, Carb To Engine	1
▲▲	24 374127	( xxxxxx-004936 )	Kit, Replmt, Control, Govnr, [All Purps]	1
▽	25 1040835	(004307- xxxxxx )	Control, Govnr [All Purpose]	1
▲	374625	(004307- xxxxxx )	Plug, Control Box	2

# STANDARD PARTS

Fig. 29 - Engine Electronic Fuel Ignition Group, Gas (004937-005999)

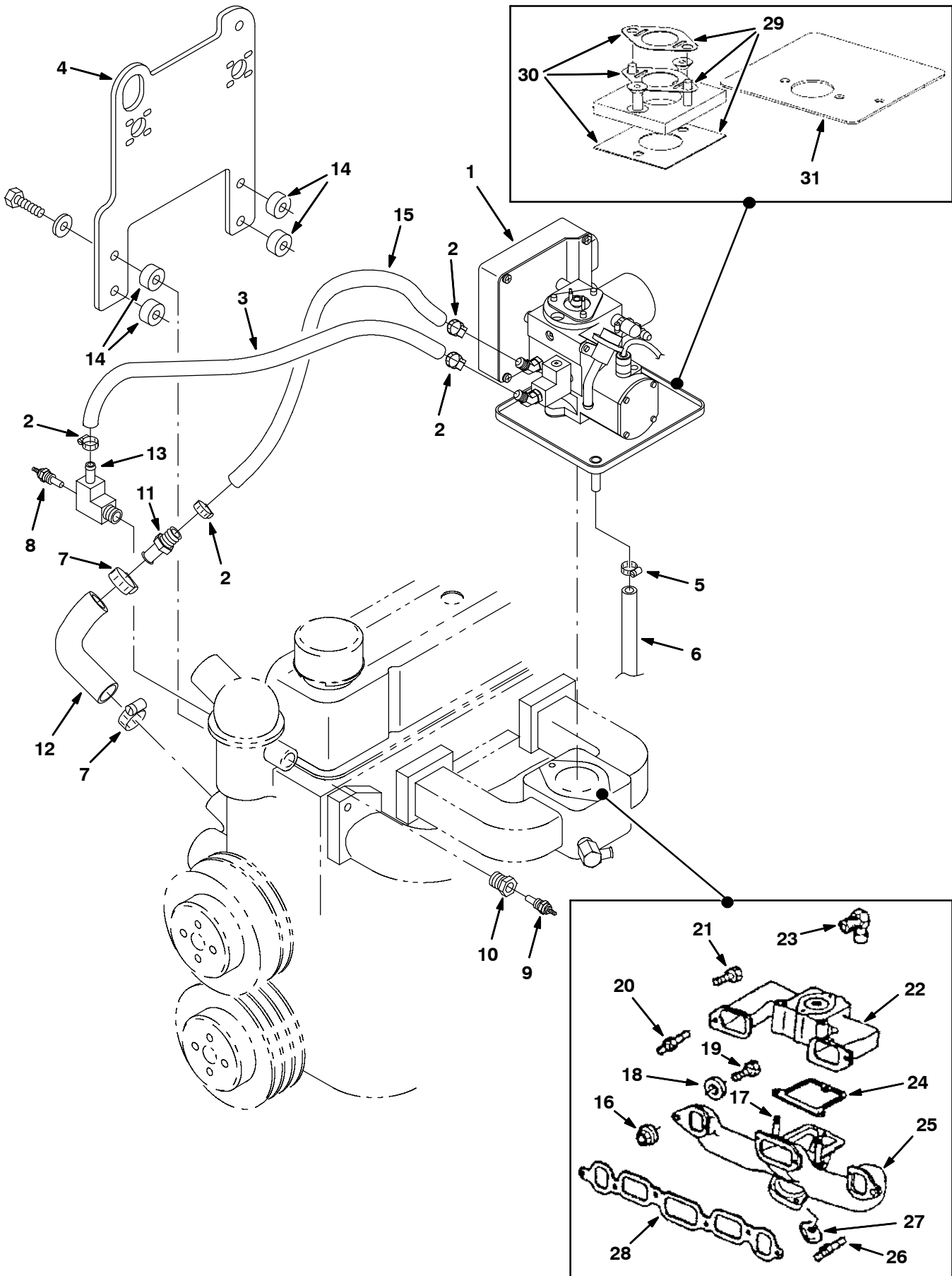


Fig. 29 - Engine Electronic Fuel Ignition Group, Gas (004937-005999)

Ref.	Part No.	Serial Number	Description	Qty.	
1	371896	(004937-005999 )	Housing Assy, Throttle, Gas, [With Ecu] (See Breakdowns)	1	
1	371897	(004937-005999 )	Housing Assy, Throttle, Gas, [Without Ecu] (See Breakdowns)	1	
2	371538	(004937-005999 )	Clamp	5	
3	371532	(004937-005999 )	Hose, Heater, 0.38id	1	
4	392570	(004937-005999 )	Plate	1	
5	86824	(004937-005999 )	Clamp, Hose, Wormdrive, 0.50-1.06d	1	
6	16387	(004937-005999 )	Hose, Fuel, 0.50id 52.0l	1	
7	11399	(004937-005999 )	Clamp, Hose, Wormdrive, 0.81-1.50d	2	
8	9006591	(004937-005999 )	Sensor, Temp, Coolant	1	
9	36165	(004937-005999 )	Send-unit, Water, Temperature, .38npt	1	
10	47167	(004937-005999 )	Fitting, Brs, Str, Pm08/Pf06	1	
11	371763	(004937-005999 )	Fitting, Hose	1	
12	371765	(004937-005999 )	Hose	1	
13	371766	(004937-005999 )	Fitting, Elbow	1	
14	371767	(004937-005999 )	Spacer	4	
15	769808	(004937-005999 )	Hose, Heater, 0.38id x 18.0 L	1	
16	393905	(004937-005999 )	Nut	8	
17	393906	(004937-005999 )	Stud	2	
18	393907	(004937-005999 )	Washer	-	
19	393898	(004937-005999 )	Bolt	3	
20	393908	(004937-005999 )	Stud	1	
21	393909	(004937-005999 )	Bolt	-	
22	393910	(004937-005999 )	Manifold, Intake	1	
23	393911	(004937-005999 )	Fitting	1	
24	393912	(004937-005999 )	Gasket	1	
25	393913	(004937-005999 )	Manifold, Exhaust	1	
26	393914	(004937-005999 )	Stud	2	
27	393915	(004937-005999 )	Clamp	4	
28	393916	(004937-005999 )	Gasket	1	
▽	29	371646	(004937-005999 )	Kit, Adaptor, Manifold	1
▲	30	371647	(004937-005999 )	Kit, Gasket, Manifold	1
	31	371658	(004937-005999 )	Shield, Heat	1

# STANDARD PARTS

Fig. 30 - Engine Electronic Fuel Ignition Group, Gas (006000-006999)

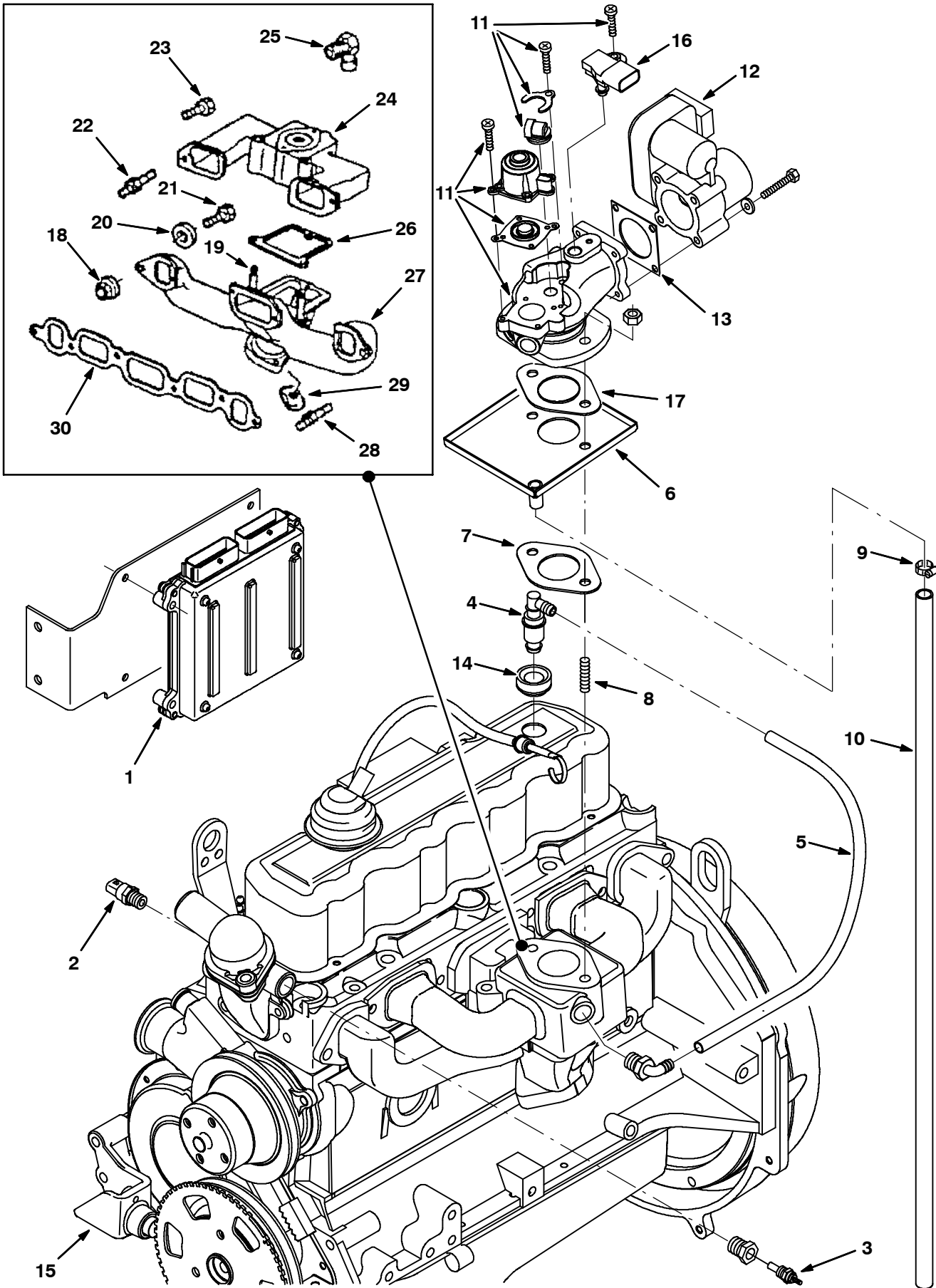




Fig. 30 - Engine Electronic Fuel Ignition Group, Gas (006000-006999)

Ref.	Part No.	Serial Number	Description	Qty.
1	372860	(006000-006999 )	Module, Ecu, Gas [Gm 3.0]	1
2	372891	(006000-006999 )	Sensor, Temp, Coolant	1
3	372472	(006000-006999 )	Sensor, Temp	1
4	372483	(006000-006999 )	Valve, [Pcv]	1
5	372489	(006000-006999 )	Hose, 9.5mm X 450mm [Pcv]	1
6	1013350	(006000-006999 )	Tray Wldt, Drip, Gas [3.0]	1
7	372490	(006000-006999 )	Gasket, Carb	1
8	372466	(006000-006999 )	Stud, .38-16 X 1.2	2
9	63810	(006000-006999 )	Clamp, Hose, Wormdrive, 0.56-1.06d, .56w	1
10	16387	(006000-006999 )	Hose, Fuel, 0.50id 52.0l	1
11	372488	(006000-006999 )	Housing Assy, Throttle, Gas	1
12	384974	(006000-006999 )	Housing, Throttle, 40mm [Bosch]	1
13	372545	(006000-006999 )	Gasket, Body, Throttle, Gas	1
14	393984	(006000-006999 )	Grommet	1
15	372492	(006000-006999 )	Sensor, Speed, Timing Wheel [3.0]	1
16	372493	(006000-006999 )	Sensor, [Tmap]	1
17	372490	(006000-006999 )	Gasket, Carb	1
18	393905	(006000-006999 )	Nut	8
19	393906	(006000-006999 )	Stud	2
20	393907	(006000-006999 )	Washer	-
21	393898	(006000-006999 )	Bolt	3
22	393908	(006000-006999 )	Stud	1
23	393909	(006000-006999 )	Bolt	-
24	393910	(006000-006999 )	Manifold, Intake	1
25	393911	(006000-006999 )	Fitting	1
26	393912	(006000-006999 )	Gasket	1
27	393913	(006000-006999 )	Manifold, Exhaust	1
28	393914	(006000-006999 )	Stud	2
29	393915	(006000-006999 )	Clamp	4
30	393916	(006000-006999 )	Gasket	1

# STANDARD PARTS

Fig. 31 - Engine Electronic Fuel Ignition Group, Gas (007000- )

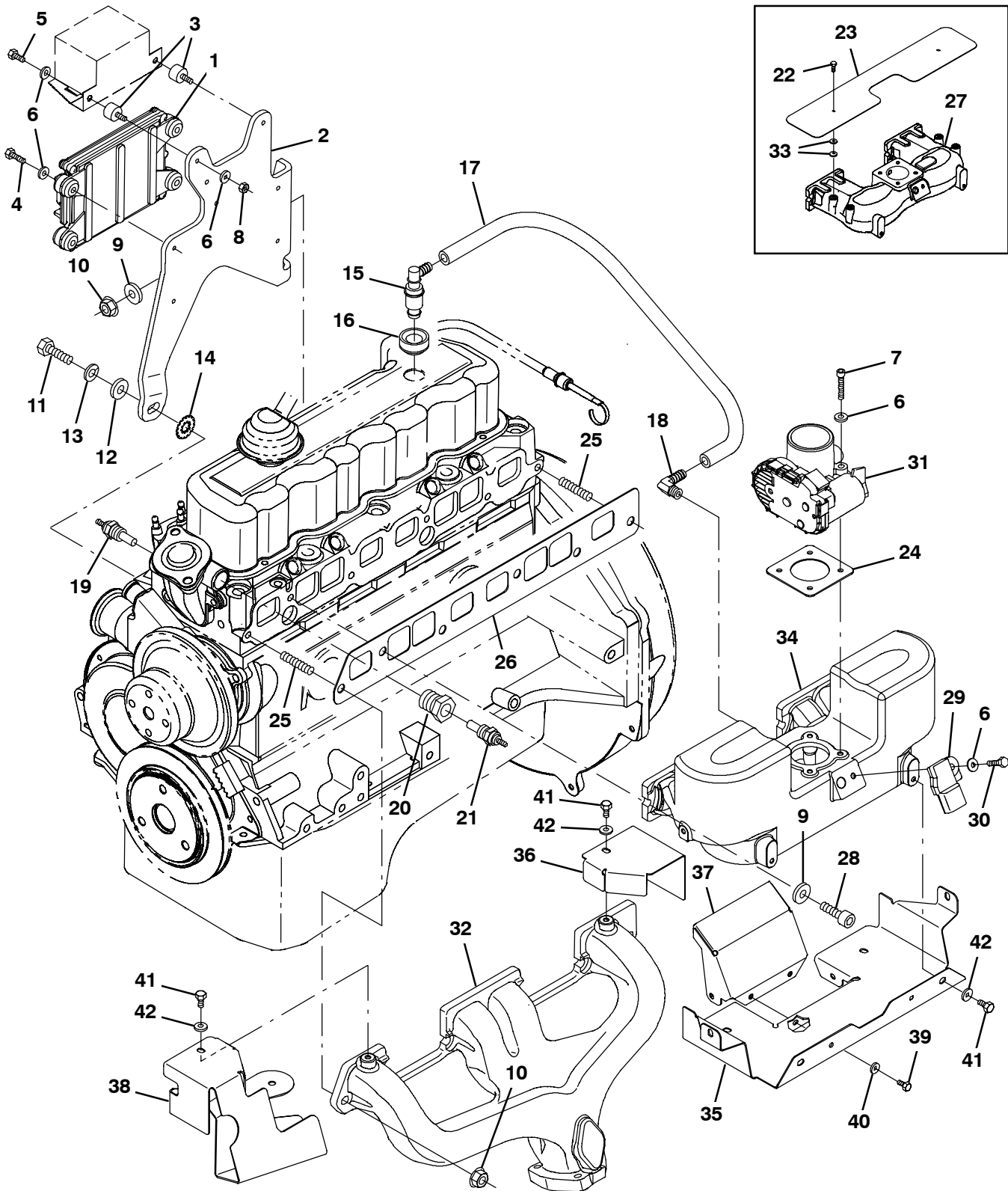


Fig. 31 - Engine Electronic Fuel Ignition Group, Gas (007000- )

Ref.	Part No.	Serial Number	Description	Qty.
1	1032804	(007000-007486 )	Module, Ecu, Gas [Gm3.0l 2007]	1
1	1062362	(007487- )	Module, Ecu, Gas [Gm3.0l 2010]	1
2	385008	(007000- )	Bracket, Box, Relay	1
3	372470	(007000- )	Isolator, Box, Relay	2
4	25047	(007000- )	Screw, Hex, .25-20 X 1.25, G5	4
5	19315	(007000- )	Screw, Hex, .25-20 X 0.50, G5	2
6	32490	(007000- )	Washer, Flat, 0.25, Std	9
7	06948	(007000- )	Screw, Hex, M6 X 1.0 X 45, 8.8	4
8	19312	(007000- )	Nut, Hex, Std, .25-20	2
9	371877	(007000- )	Washer, Flat, 0.38, Hardened	5
10	27980	(007000- )	Nut, Hex, Flng, .38-16	3
11	371553	(007000- )	Screw, .38-16 X 1.00	1
12	371877	(007000- )	Washer, Flat, 0.38, Hardened	1
13	371509	(007000- )	Washer, Lock, 0.38	1
14	371875	(007000- )	Washer, Lock, Int / Ext, 0.38	1
15	9006589	(007000- )	Valve [Pcv]	1
16	393984	(007000- )	Grommet	1
17	385001	(007000- )	Hose, Fuel, .38d, Rbr	1
18	385002	(007000- )	Fitting, E90	1
19	9006591	(007000- )	Sensor, Temp, Coolant	1
20	385000	(007000- )	Fitting, Bshg	1
21	372472	(007000- )	Sensor, Temp	1
22	385007	(007000-007486 )	Screw, M6 X 10mm	2
23	385006	(007000-007486 )	Shield, Heat, Manifold	1
24	372545	(007000- )	Gasket, Body, Throttle [1.6l]	1
25	372466	(007000- )	Stud, .38-16 X 1.2l	2
26	385003	(007000- )	Gasket, Manifold, Intake	1
27	385004	(007000-007486 )	Manifold, Intake [2007]	1
28	10830	(007000- )	Screw, Soc, .38-16 X 1.00, Al	4
29	384985	(007000- )	Sensor [T Map]	1
30	19317	(007000- )	Screw, Hex, .25-20 X 0.75, G5	1
31	384974	(007000- )	Housing, Throttle, 40mm [Bosch]	1
32	1060653	(007000- )	Manifold, Exhaust [Gm3.0l]	1
33	32490	(007000-007486 )	Washer, Flat, 0.25, Std	4
34	9008194	(007487- )	Manifold, Intake [Gm3.0l 2010]	1
35	9008799	(007487- )	Shield, Heat [Gm3.0l 2010]	1
36	9008800	(007487- )	Shield, Heat [Gm3.0l 2010]	1
37	9008801	(007487- )	Shield, Heat [Gm3.0l 2010]	1
38	9008802	(007487- )	Shield, Heat, Alternator [Gm3.0l 10]	1
39	763025	(007487- )	Screw, Hex, M5 X 0.80 X 10, Fl	4
40	19065	(007487- )	Washer, Flat, 0.19b 0.44d .05, Pl, 08	4
41	87308	(007487- )	Screw, Hex, M6 X 1.00 X 12, 8.8	8
42	32483	(007487- )	Washer, Flat, 0.25, Sae	8

**Fig. 32 - Engine Carburetor and Governor Group, LPG (004000-004936)**

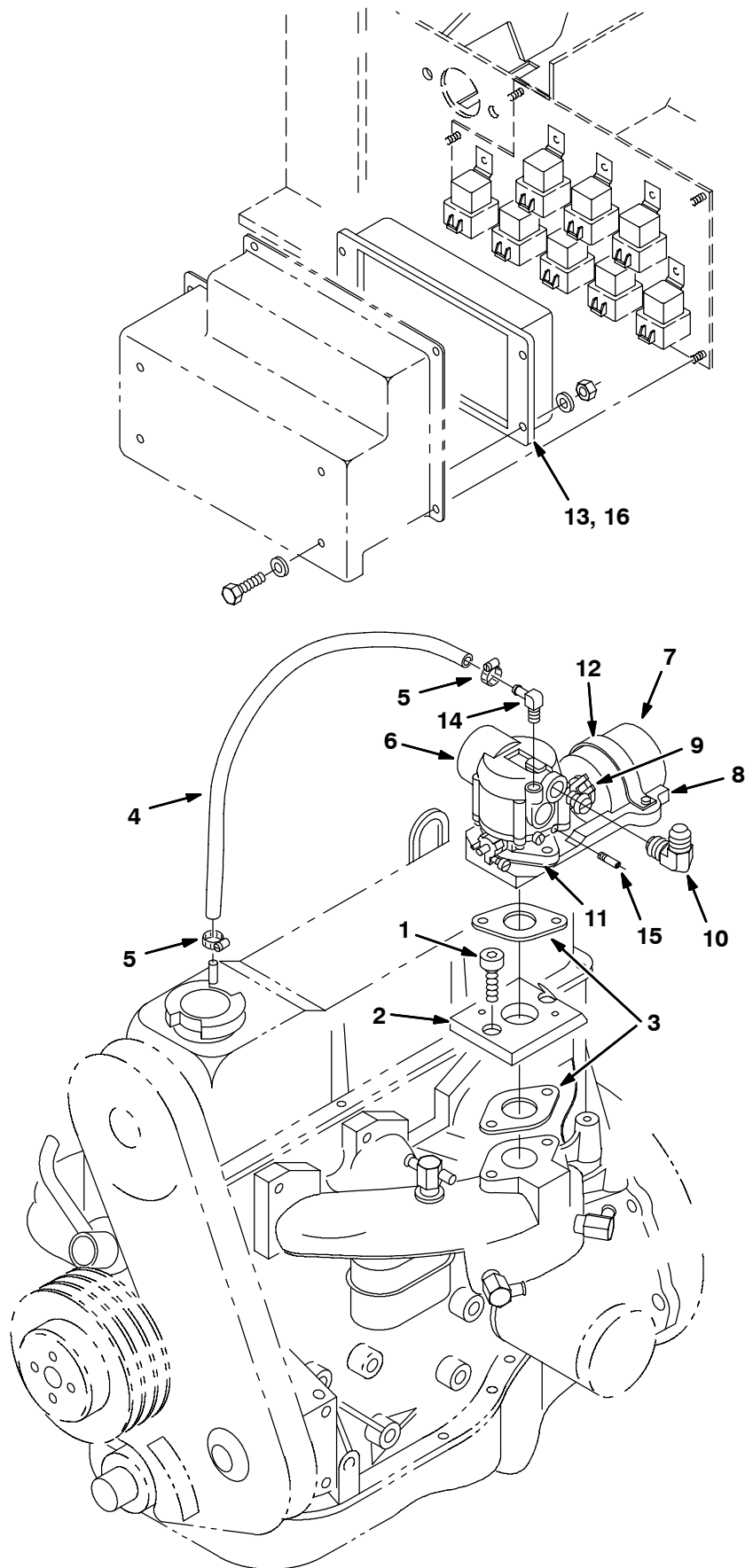


Fig. 32 - Engine Carburetor and Governor Group, LPG (004000-004936)

Ref.	Part No.	Serial Number	Description	Qty.
1	33951	(004000-004936 )	Scr Soc M6x1.0 20	2
2	83686	(004000-004936 )	Adapter, Carburetor, Ford 2.3	1
3	74443	(004000-004936 )	Gasket, Carb To Engine	2
4	70876	(004000-004309 )	Hose, Rubber.38Idx.62Od 21.0Lg	1
4	375718	(004310-004936 )	Hose, Rubber	1
5	43844	(004000-004936 )	Clamp-Wormdrive, 0.25- 0.62D	2
▽	83679	(004000-004936 )	Governor and Control Unit Assy, Lpg 2.3	1
▲▽	83640	(004000-004936 )	Governor Assy, Lpg	1
▲▲	6 73017	(004000-004936 )	Carburetor, Lpg W/Gasket	1
▲▲	7 83683	(004000-004936 )	Actuator-Lh, Governor	1
▲▲	8 83682	(004000-004936 )	Bracket-Mtg, Governor	1
▲▲	9 83684	(004000-004936 )	Linkage Kit, Governor	1
▲▲	10 69097	(004000-004936 )	Ftg-Hyd E90 Pm06/Jm10	1
▲▲	11 74443	(004000-004936 )	Gasket, Carb To Engine	1
▲▲	12 83685	(004000-004936 )	Strap, Mounting	1
▲▲	13 374127	( xxxxxx-004936 )	Kit, Replmt, Control, Govnr, [All Purps]	1
▲	14 53029	(004000-004936 )	Ftg-Brs E90 Bm05/Pm02	1
▲	15 74402	(004000-004936 )	Fitting, Special, Carb	1
▽	16 83758	(004000- xxxxxx )	Control Unit, Gov.	1
▲	374625	(004000- xxxxxx )	Plug, Control Box	2

**Fig. 33 - Engine Vaporizer Group, LPG (004000-004818)**

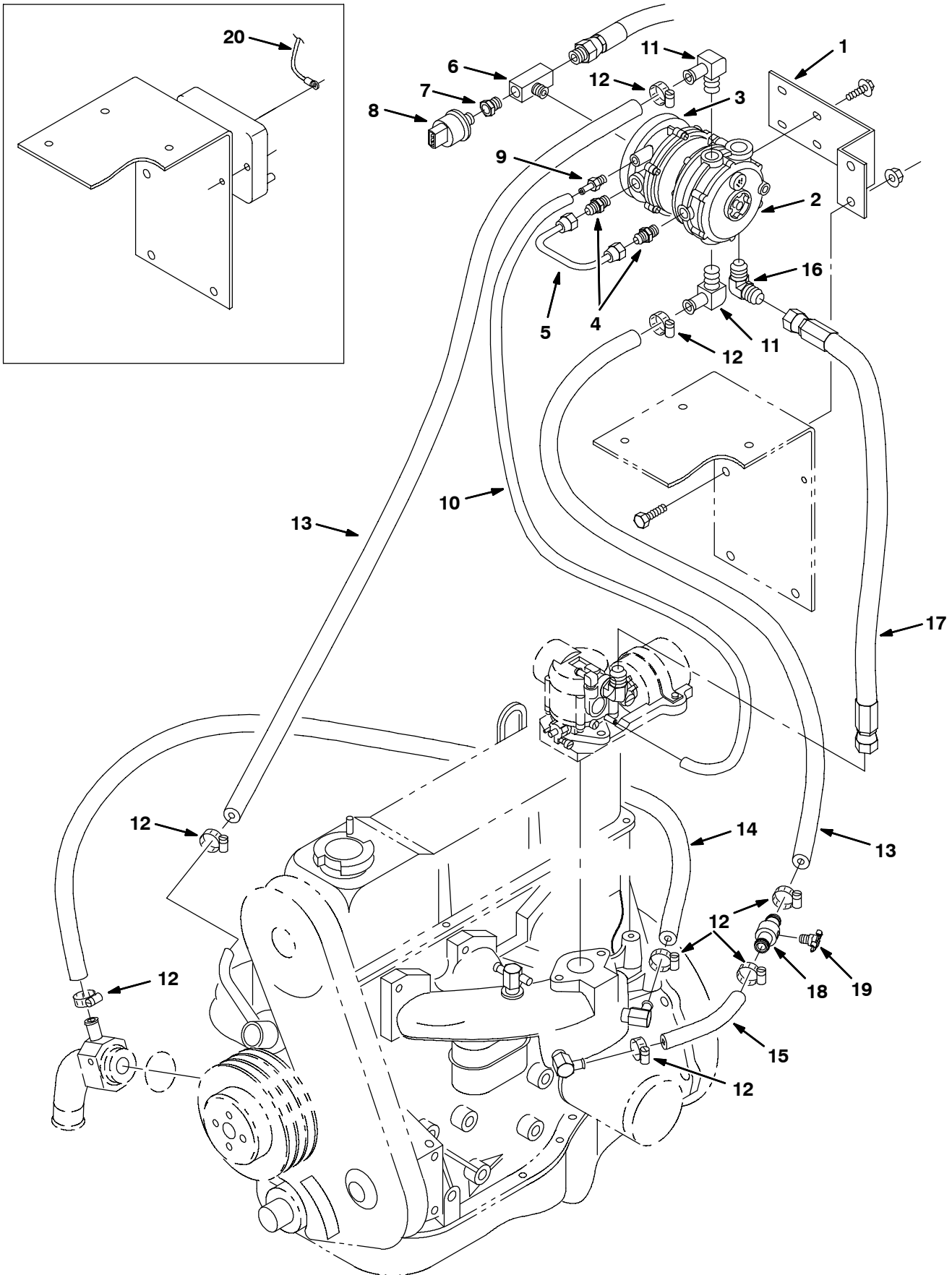


Fig. 33 - Engine Vaporizer Group, LPG (004000-004818)

Ref.	Part No.	Serial Number	Description	Qty.
	1	70849	(004000-004818 ) Bracket, Mounting, Vaporizer	1
▽	2	374648	(004000-004818 ) Vaporizer, Lpg	1
▲		374649	(004000-004818 ) Vaporizer Repair Kit	1
▽	3	73020	(004000-004818 ) Filter, Fuellockoff, Lpg	1
▲		65527	(004000-004818 ) Fuellock Replacement Kit	1
	4	15724	(004000-004818 ) Ftg-Hyd Str Pm04/Jm06	2
	5	59808	(004000-004818 ) Fuelline, .375 Od	1
	6	53268	(004000-004818 ) Ftg,Brass Tee 04Pf- 04Pm- 04Pf	1
	7	17414	(004000-004818 ) Ftg-Hyd Str Pm04/Pf02	1
	8	23156	(004000-004818 ) Switch, Pressure, Lpg	1
	9	40607	(004000-004818 ) Ftg,Brass,St Bm03/Pm02	1
	10	34072	(004000-004818 ) Hose, Vacuum,.16ld X 21.0Lg	1
	11	51839	(004000-004818 ) Ftg-Brs E90 Bm10/Pm06	2
	12	63810	(004000-004818 ) Clamp-Wormdrive, 0.56- 1.06D	8
	13	72979	(004000-004818 ) Hose, .62ld X 20.0 Lng Heater	2
	14	30389	(004000-004818 ) Hose,Heater .62ldx53.0Lg	1
	15	60726	(004000-004818 ) Hose,Heater .62ldx15.0Lg	1
	16	46611	(004000-004818 ) Ftg-Hyd E90 Pm08/Jm10	1
	17	60725	(004000-004818 ) Hose Lpg, 10Lpg 28In.Lg	1
	18	83578	(004000-004818 ) Tube, Air Bleed	1
	19	83580	(004000-004818 ) Fitting, Brass Drain Cock	1
	20	374615	(004000-004215 ) Wire Kit, LP	1

**Fig. 34 - Engine Vaporizer Group, LPG (004819-004936)**

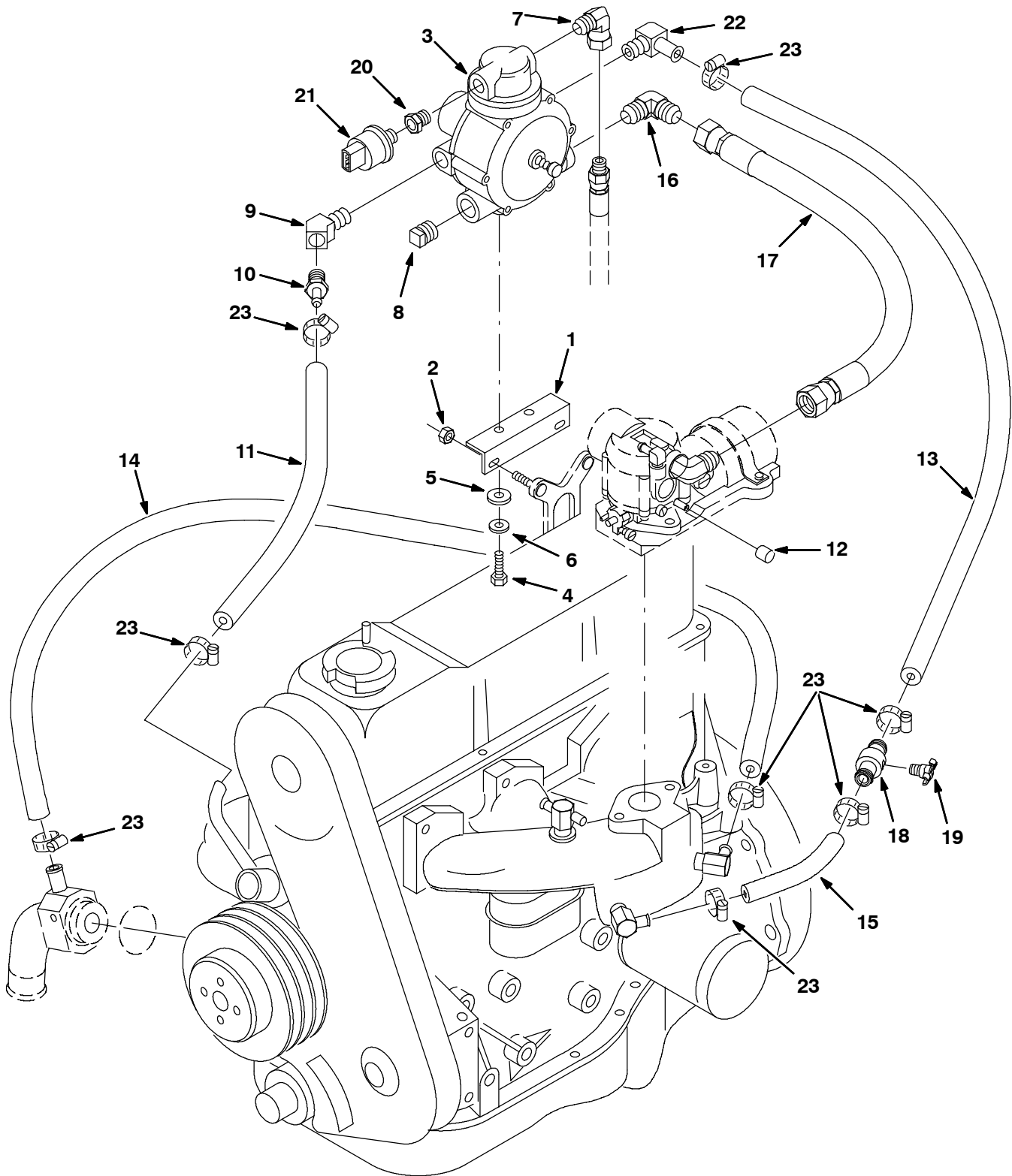




Fig. 34 - Engine Vaporizer Group, LPG (004819-004936)

Ref.	Part No.	Serial Number	Description	Qty.	
1	374154	(004819-004936 )	Angle, Mtg, .12x1x1x4.5L	1	
2	07789	(004819-004936 )	Nut, Hex, Flng, M05 X 0.8	2	
▽	3	383170	(004819-004936 )	Controller, Lpg, 12Vdc	1
▲	383014	(004819-004936 )	Kit, Repair, Vaporizer, F/383170	1	
4	06942	(004819-004936 )	Screw, Hex, M06 X 1.0 X 16, 8.8	2	
5	32483	(004819-004936 )	Washer, Flt, .25 Sae	2	
6	32982	(004819-004936 )	Washer, Lock, Int, .25	2	
7	27048	(004819-004936 )	Fitting, Brs, E90, Pm04/Pf04	1	
8	17521	(004819-004936 )	Fitting, Plug, Pm08 Sq Head	1	
9	1043095	(004819-004936 )	Fitting, Brs, E45, Pm06/Pf06	1	
10	27767	(004819-004936 )	Fitting, Brs, Str, Pm06/Em10	1	
11	60726	(004819-004936 )	Hose, Heater, Str, 0.62id 15.0	1	
12	63810	(004819-004936 )	Clamp-Wormdrive, 0.56- 1.06D	8	
13	72979	(004819-004936 )	Hose, .62ld X 20.0 Lng Heater	2	
14	30389	(004819-004936 )	Hose,Heater .62ldx53.0Lg	1	
15	60726	(004819-004936 )	Hose,Heater .62ldx15.0Lg	1	
16	46611	(004819-004936 )	Ftg-Hyd E90 Pm08/Jm10	1	
17	60725	(004819-004936 )	Hose Lpg, 10Lpg 28In.Lg	1	
18	83578	(004819-004936 )	Tube, Air Bleed	1	
19	83580	(004819-004936 )	Fitting, Brass Drain Cock	1	
20	17414	(004819-004936 )	Fitting, Hyd, Str, Pm04/Pf02	1	
21	23156	(004819-004936 )	Switch	1	
22	51839	(004819-004936 )	Fitting, Brs, E90, Pm06/Em10	1	
23	63810	(004819-004936 )	Clamp, Hose, Wormdrive, 0.56-1.06d	8	

# STANDARD PARTS

Fig. 35 - Engine Electronic Fuel Ignition and Vaporizer Group, LPG (004937-005999)

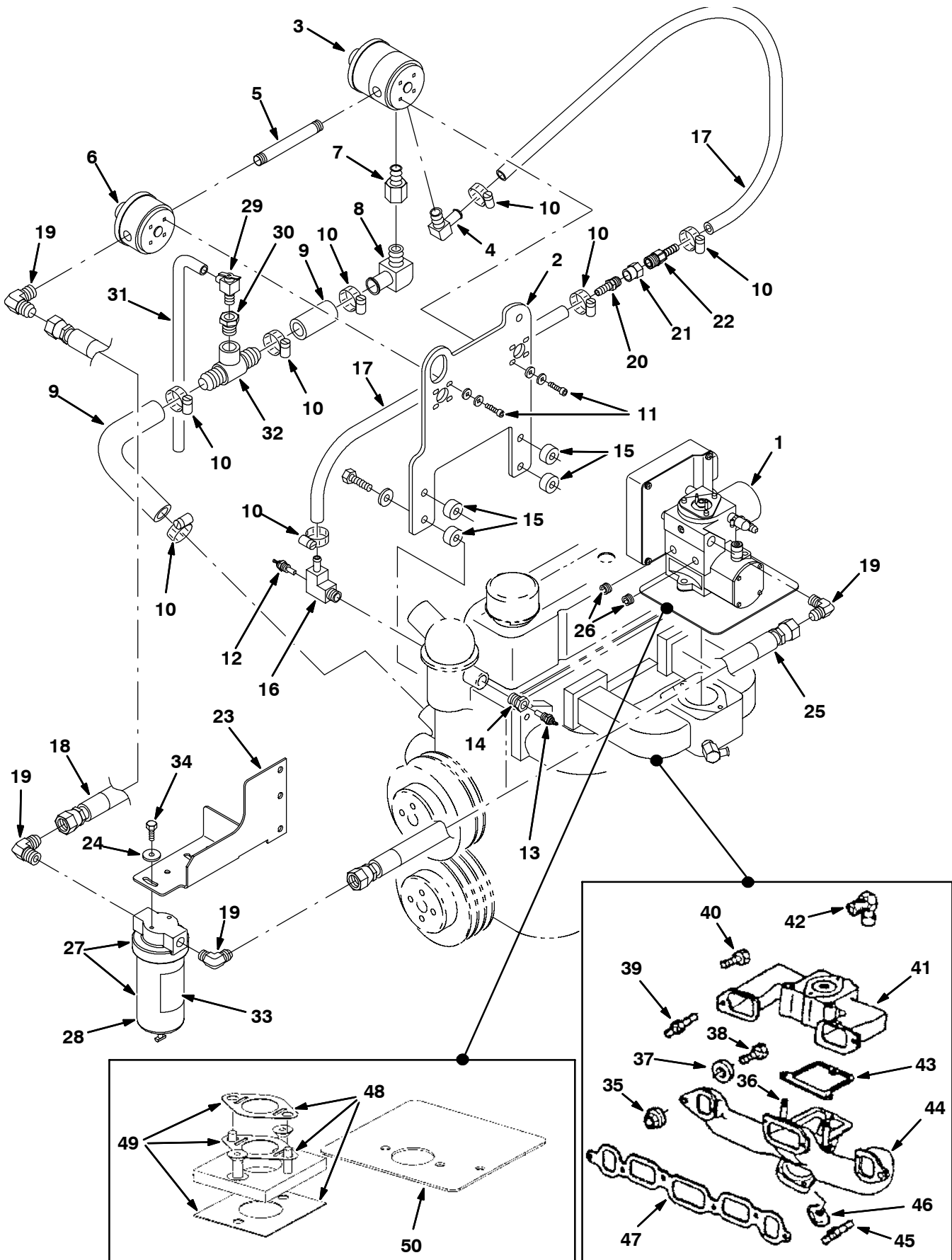


Fig. 35 - Engine Electronic Fuel Ignition and Vaporizer Group, LPG (004937-005999)

Ref.	Part No.	Serial Number	Description	Qty.	
1	371894	(004937-005999 )	Housing Assy, Throttle, Lpg, [With Ecu] (See Breakdowns)	1	
1	371895	(004937-005999 )	Housing Assy, Throttle, Lpg, [Without Ecu] (See Breakdowns)	1	
2	392570	(004937-005999 )	Plate	1	
3	371749	(004937-005999 )	Vaporizer	1	
4	371754	(004937-005999 )	Fitting	1	
5	371755	(004937-005999 )	Pipe	1	
6	371750	(004937-005999 )	Regulator	1	
7	371768	(004937-005999 )	Fitting	1	
8	371757	(004937-005999 )	Fitting	1	
9	393972	(004937-005999 )	Hose, Conv	1	
10	11399	(004937-005999 )	Clamp, Hose, Wormdrive, 0.81-1.50d	8	
11	371759	(004937-005999 )	Screw	8	
12	371764	(004937-005999 )	Sensor, Water Temp	1	
13	36165	(004937-005999 )	Send-unit, Water, Temperature, .38npt	1	
14	47167	(004937-005999 )	Fitting, Brs, Str, Pm08/Pf06	1	
15	371767	(004937-005999 )	Spacer	4	
16	371766	(004937-005999 )	Fitting, Elbow	1	
17	769806	(004937-005999 )	Hose, Heater, 0.38id x 21.0id	1	
18	1017477	(004937-005999 )	Hose, Lpg, Med08, Jf08str/Jf08str , 37.5	1	
19	1017272	(004937-005999 )	Fitting, Hyd, E90, Jm08/Pm04	4	
20	150516	(004937-005999 )	Fitting, Brs, Str, Pm04/Bm06, T	1	
21	1017239	(004937-005999 )	Fitting, Brs, Rst, Pf04/.69-16f, .063	1	
22	1017598	(004937-005999 )	Fitting, Plstc, Str, Bm06/M.69-16	1	
23	1017080	(004937-005999 )	Bracket, Fltr, Lpg [6600]	1	
24	29570	(004937-005999 )	Washer, Flat, 0.28b 1.00d .06, Stl	2	
25	1017476	(004937-005999 )	Hose, Lpg, Med08, Jf08str/Jf08str , 35.0	1	
26	02247	(004937-005999 )	Fitting, Pipe, Plug, Pm04 Hex Soc	2	
▽	27	1017500	(004937-005999 )	Filter, Fuel, Lpg [Coalescent]	1
▲	28	372937	(004937-005999 )	Element, Fltr, Fuel Lpg [Coalescent]	1
29	51305	(004937-005999 )	Fitting, Draincock, .25npt 90	1	
30	311828	(004937-005999 )	Fitting, Brs, Str, Pm08/Pf04	1	
31	392258	(004937-005999 )	Hose, Pvc, Clr, 0.38id 0.56od 13.00l	1	
32	64740	(004937-005999 )	Fitting, Plstc, Tee, Bm12/Pf08/Bm12	1	
33	1017662	(004937-005999 )	Label, Instr, Filter Drain	1	
34	19317	(004937-005999 )	Screw, Hex, .25-20 X 0.75, 5	2	
	130041	(004937-005999 )	Tie, Wire 11-1/2x.19 Ny (not shown)	6	
35	393905	(004937-005999 )	Nut	8	
36	393906	(004937-005999 )	Stud	2	
37	393907	(004937-005999 )	Washer	-	
38	393898	(004937-005999 )	Bolt	3	
39	393908	(004937-005999 )	Stud	1	
40	393909	(004937-005999 )	Bolt	-	
41	393910	(004937-005999 )	Manifold, Intake	1	
42	393911	(004937-005999 )	Fitting	1	
43	393912	(004937-005999 )	Gasket	1	
44	393913	(004937-005999 )	Manifold, Exhaust	1	
45	393914	(004937-005999 )	Stud	2	
46	393915	(004937-005999 )	Clamp	4	
47	393916	(004937-005999 )	Gasket	1	

# STANDARD PARTS

354329 - 800, LP

**Fig. 35 - Engine Electronic Fuel Ignition and Vaporizer Group, LPG (004937-005999)**

	<b>Ref.</b>	<b>Part No.</b>	<b>Serial Number</b>	<b>Description</b>	<b>Qty.</b>
▽	48	371646	(000000-	) Kit, Adaptor, Manifold	1
▲	49	371647	(000000-	) Kit, Gasket, Manifold	1
	50	371658	(000000-	) Shield, Heat	1



# STANDARD PARTS

Fig. 36 - Engine Electronic Fuel Ignition and Vaporizer Group, LPG (006000-006999)

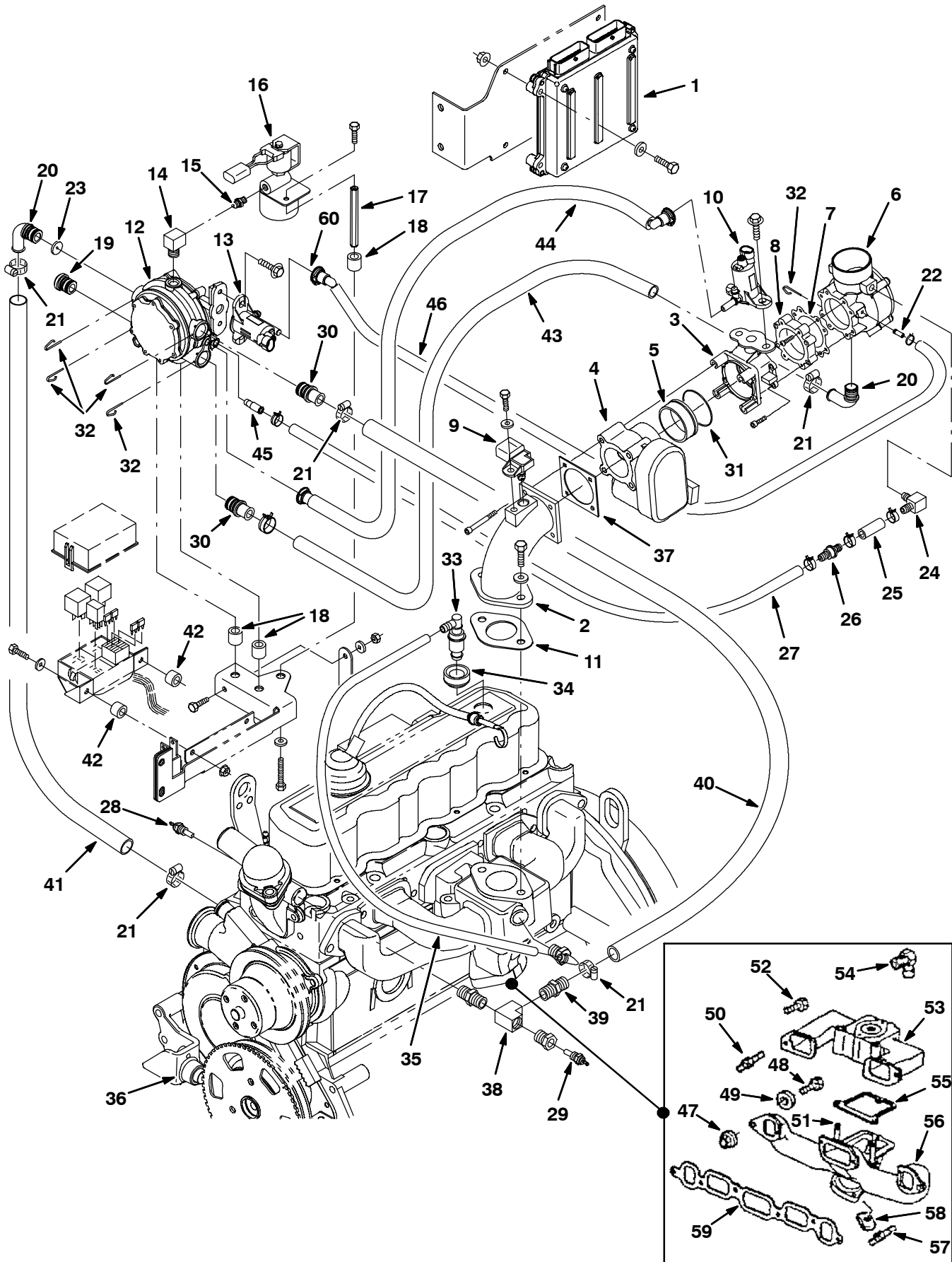


Fig. 36 - Engine Electronic Fuel Ignition and Vaporizer Group, LPG (006000-006999)

Ref.	Part No.	Serial Number	Description	Qty.	
1	372859	(006000-006999 )	Module, Ecu, Lpg [Gm 3.0]	1	
2	372495	(006000-006999 )	Adaptor, Intake, Lpg [3.0]	1	
3	372496	(006000-006999 )	Adaptor, Valve, Fuel Trim	1	
4	384974	(006000-006999 )	Housing, Throttle, 40mm [Bosch]	1	
5	372498	(006000-006999 )	Sleeve, Throttle [Bosch], Plstc	1	
6	372899	(006000-006999 )	Housing Assy, Throttle, Lpg [Gm 3.0]	1	
7	372608	(006000-006999 )	Gasket	1	
8	372612	(006000-006999 )	Adapter, Throttle Body	1	
9	372493	(006000-006999 )	Sensor, [Tmap]	1	
10	372497	(006000-006999 )	Valve, Trim, Fuel, Lpg	1	
11	372490	(006000-006999 )	Gasket, Carb	1	
12	372500	(006000-006999 )	Converter, Lpg	1	
13	372501	(006000-006999 )	Valve, Trim, Fuel, Normal Flow	1	
14	372611	(006000-006999 )	Fitting, Str, E90, .25npt	1	
15	372610	(006000-006999 )	Fitting, Nipple, .25npt, Brs	1	
▽	16	372503	(006000-006999 )	Valve, Fuelock, Lpg, W/ Wire Connector	1
▲	17	372615	(006000-006999 )	Filter Kit, Lpg Lockoff	1
	17	372577	(006000-006999 )	Spacer, Sppt, Filter Lock Off	1
	18	372518	(006000-006999 )	Isolator Kit, Mtg, Vaporizer, Rbr	3
	19	372515	(006000-006999 )	Fitting, Cap	1
	20	372512	(006000-006999 )	Fitting, E70	2
	21	63810	(006000-006999 )	Clamp, Hose, Wormdrive, 0.56-1.06d	5
	22	372511	(006000-006999 )	Fitting, Hose, Vacuum, .25	1
	23	372517	(006000-006999 )	Restrictor, Jet, Coolant	1
	24	372510	(006000-006999 )	Fitting, E90	1
	25	372507	(006000-006999 )	Hose, Balancing, Press, 45mm	1
	26	372569	(006000-006999 )	Valve, Check	1
	27	372506	(006000-006999 )	Hose, Balancing, Press, 680mm	1
	28	372891	(006000-006999 )	Sensor, Temp, Coolant	1
	29	372472	(006000-006999 )	Sensor, Temp	1
	30	372514	(006000-006999 )	Fitting, Str	2
	31	372484	(006000-006999 )	Seal, Org	1
	32	372523	(006000-006999 )	Pin, Retainer	5
	33	372483	(006000-006999 )	Valve, [Pcv]	1
	34	393984	(006000-006999 )	Grommet	1
	35	372489	(006000-006999 )	Hose, 9.5mm X 450mm [Pcv]	1
	36	372492	(006000-006999 )	Sensor, Speed, Timing Wheel [3.0]	1
	37	372545	(006000-006999 )	Gasket, Body, Throttle [1.6]	1
	38	372527	(006000-006999 )	Fitting, Pipe, Tee, Pm06/Pf06/Pf06	1
	39	372526	(006000-006999 )	Fitting, Hose, 10hose/Pm06	1
	40	372531	(006000-006999 )	Hose, Mold, .62 X 37.0	1
	41	372528	(006000-006999 )	Hose, Mold, .62 To .75	1
	42	372470	(006000-006999 )	Isolator, Box, Relay	2
	43	372508	(006000-006999 )	Hose, Fuel, 165mm	1
	44	372504	(006000-006999 )	Hose, Valve, Fuel Trim, 325mm	1
	45	372516	(006000-006999 )	Fitting, Brs, Adapter	1
	46	372505	(006000-006999 )	Hose, Valve, Press Trim, 405mm	1
	47	393905	(006000-006999 )	Nut	8
	48	393906	(006000-006999 )	Stud	2
	49	393907	(006000-006999 )	Washer	-
	50	393898	(006000-006999 )	Bolt	3

## STANDARD PARTS

354175 - 800, LP

**Fig. 36 - Engine Electronic Fuel Ignition and Vaporizer Group, LPG (006000-006999)**

<b>Ref.</b>	<b>Part No.</b>	<b>Serial Number</b>	<b>Description</b>	<b>Qty.</b>
51	393908	(006000-006999 )	Stud	1
52	393909	(006000-006999 )	Bolt	-
53	393910	(006000-006999 )	Manifold, Intake	1
54	393911	(006000-006999 )	Fitting	1
55	393912	(006000-006999 )	Gasket	1
56	393913	(006000-006999 )	Manifold, Exhaust	1
57	393914	(006000-006999 )	Stud	2
58	393915	(006000-006999 )	Clamp	4
59	393916	(006000-006999 )	Gasket	1
60	9004539	(006000-006999 )	Clamp, Valve, Trim [Impco]	1





# STANDARD PARTS

Fig. 37 - Engine Electronic Fuel Ignition and Vaporizer Group, LPG (007000-007486)

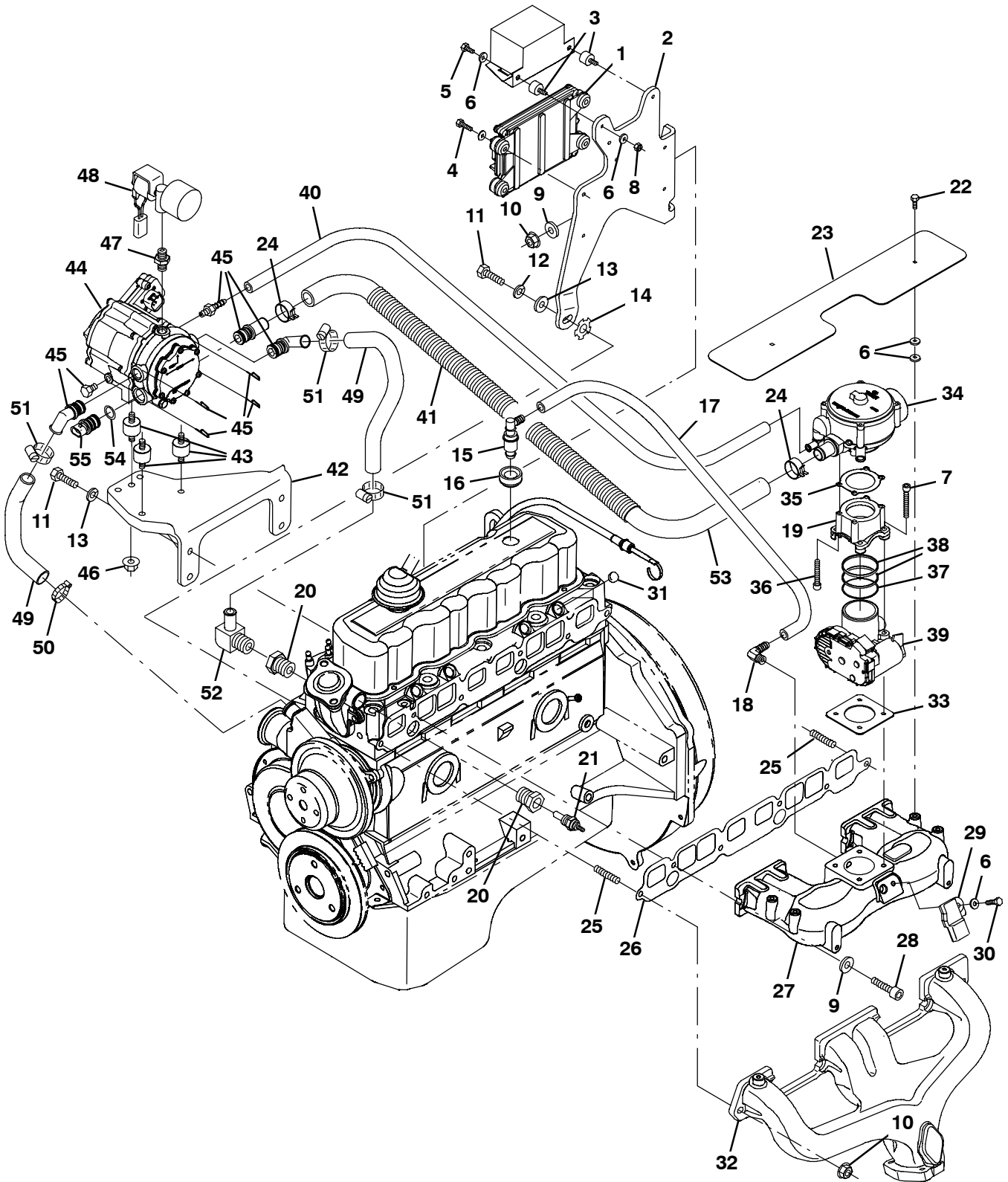


Fig. 37 - Engine Electronic Fuel Ignition and Vaporizer Group, LPG (007000-007486)

Ref.	Part No.	Serial Number	Description	Qty.
1	1032805	(007000-007486 )	Module, Ecu, Lpg [Gm3.0l 2007]	1
2	385008	(007000-007486 )	Bracket, Box, Relay	1
3	372470	(007000-007486 )	Isolator, Box, Relay	2
4	25047	(007000-007486 )	Screw, Hex, .25-20 X 1.25, G5	4
5	19315	(007000-007486 )	Screw, Hex, .25-20 X 0.50, G5	2
6	32490	(007000-007486 )	Washer, Flat, 0.25, Std	13
7	385016	(007000-007486 )	Screw, Soc, M6 X 1.00 X 70	4
8	19312	(007000-007486 )	Nut, Hex, Std, .25-20	2
9	371877	(007000-007486 )	Washer, Flat, 0.38, Hardened	5
10	27980	(007000-007486 )	Nut, Hex, Flng, .38-16	3
11	371553	(007000-007486 )	Screw, .38-16 X 1.00	5
12	371877	(007000-007486 )	Washer, Flat, 0.38, Hardened	1
13	371509	(007000-007486 )	Washer, Lock, 0.38	5
14	371875	(007000-007486 )	Washer, Lock, Int / Ext, 0.38	1
15	9006589	(007000-007486 )	Valve [Pcv]	1
16	393984	(007000-007486 )	Grommet	1
17	385001	(007000-007486 )	Hose, Fuel, .38d, Rbr	1
18	385002	(007000-007486 )	Fitting, E90	1
19	384996	(007000-007486 )	Adapter, Valve, 400mm [Bosch]	1
20	385000	(007000-007486 )	Fitting, Bshg	2
21	372472	(007000-007486 )	Sensor, Temp	1
22	385007	(007000-007486 )	Screw, M6 X 10mm	2
23	385006	(007000-007486 )	Shield, Heat, Manifold	1
24	384979	(007000-007486 )	Clamp, Hose, Spring, 0.62d	2
25	372466	(007000-007486 )	Stud, .38-16 X 1.2l	2
26	385003	(007000-007486 )	Gasket, Manifold, Intake	1
27	385004	(007000-007486 )	Manifold, Intake [2007]	1
28	10830	(007000-007486 )	Screw, Soc, .38-16 X 1.00, Al	4
29	384985	(007000-007486 )	Sensor [T Map]	1
30	19317	(007000-007486 )	Screw, Hex, .25-20 X 0.75, G5	1
31	372579	(007000-007486 )	Plug, Hole, Injector	4
32	1060653	(007000-007486 )	Manifold, Exhaust [Gm3.0l]	1
33	372545	(007000-007486 )	Gasket, Body, Throttle [1.6l]	1
34	385012	(007000-007486 )	Valve, Lpg [Mixer]	1
35	1037313	(007000-007486 )	Gasket, Lpg, Adapter [Gm 2007]	1
36	385017	(007000-007486 )	Screw, Soc, #12-24 X 1.50	4
37	1037311	(007000-007486 )	Seal,Org, Lpg, Mixer [Gm 2007]	1
38	1037312	(007000-007486 )	Gasket, Lpg, Mixer [Gm 2007]	2
39	384974	(007000-007486 )	Housing, Throttle, 40mm [Bosch]	1
40	384973	(007000-007486 )	Hose, Supply, Gas, .25id	1
41	384971	(007000-007486 )	Cover, Hose	1
42	385014	(007000-007486 )	Bracket [Epr]	2
43	384986	(007000-007486 )	Isolator [Epr]	3
44	384977	(007000-007486 )	Regulator [Ep]	1
45	384978	(007000-007486 )	Fitting Kit [Epr]	1
46	385015	(007000-007486 )	Nut, Flng, M8	3
47	372529	(007000-007486 )	Fitting, Nipple, .25mal	1
48	384975	(007000-007486 )	Valve, Lock Off	1
49	372528	(007000-007486 )	Hose, Mold, .62 To .75	2
50	63810	(007000-007486 )	Clamp, Hose, Wormdrive, 0.56-1.06d, .56w	1

## STANDARD PARTS

354175 - 800, LP

**Fig. 37 - Engine Electronic Fuel Ignition and Vaporizer Group, LPG (007000-007486)**

<b>Ref.</b>	<b>Part No.</b>	<b>Serial Number</b>	<b>Description</b>	<b>Qty.</b>
51	372539	(007000-007486 )	Clamp, Hose, 1.0	3
52	385011	(007000-007486 )	Fitting, E90	1
53	385013	(007000-007486 )	Hose, Mold [Epr To Mixer]	1
54	1041151	(007000-007486 )	Seal, Org, Sensor, Temp [Epr]	1
55	1041152	(007000-007486 )	Sensor, Temp [Epr]	1



# STANDARD PARTS

Fig. 38 - Engine EFI Group, LPG (007487- )

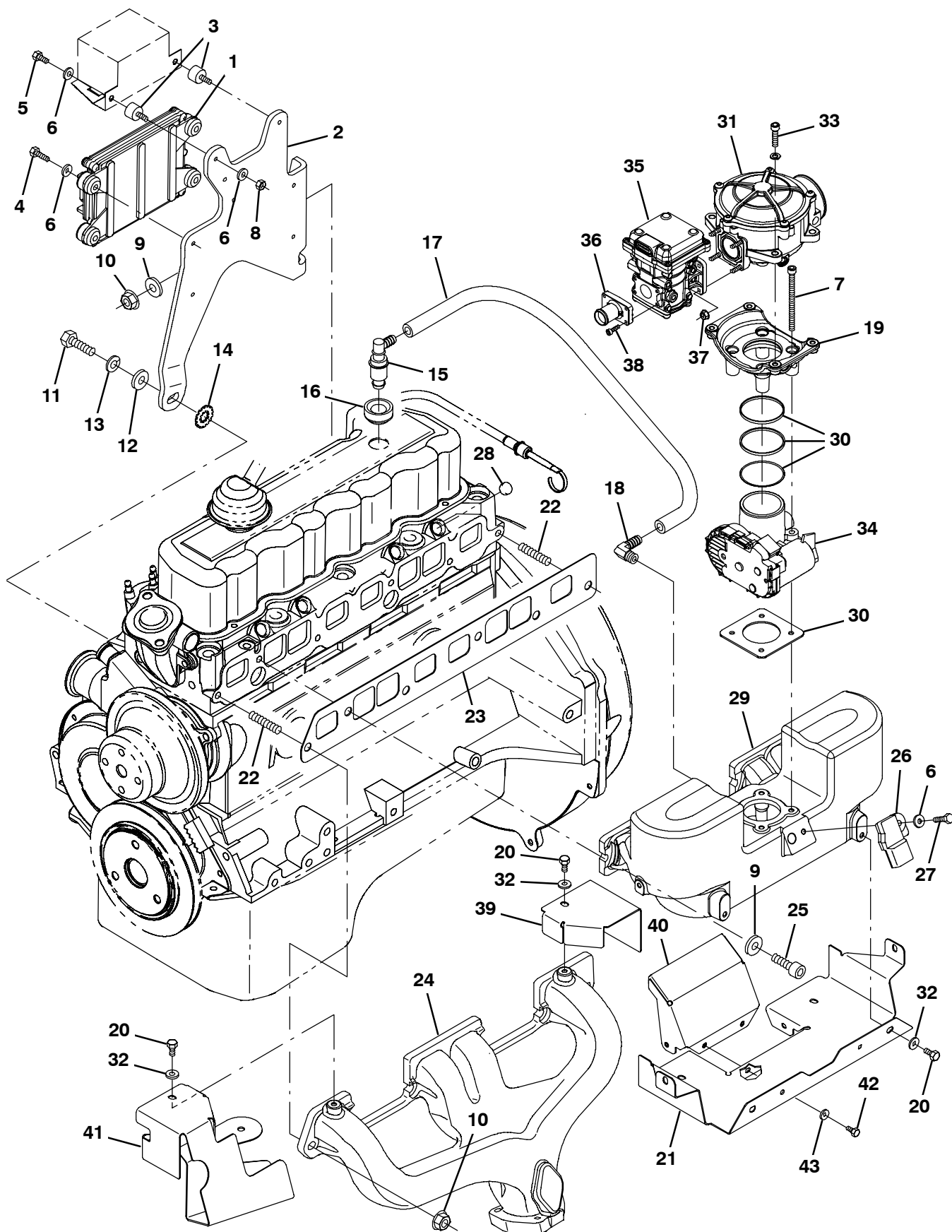


Fig. 38 - Engine EFI Group, LPG (007487- )

Ref.	Part No.	Serial Number	Description	Qty.
1	1062356	(007487-	) Module, Ecu, Lpg [Gm3.0l 2010]	1
2	385008	(007487-	) Bracket, Box, Relay	1
3	372470	(007487-	) Isolator, Box, Relay	2
4	25047	(007487-	) Screw, Hex, .25-20 X 1.25, G5	4
5	19315	(007487-	) Screw, Hex, .25-20 X 0.50, G5	2
6	32490	(007487-	) Washer, Flat, 0.25, Std	9
7	385016	(007487-	) Screw, Soc, M6 X 1.00 X 70	4
8	19312	(007487-	) Nut, Hex, Std, .25-20	2
9	371877	(007487-	) Washer, Flat, 0.38, Hardened	5
10	27980	(007487-	) Nut, Hex, Fling, .38-16	3
11	371553	(007487-	) Screw, .38-16 X 1.00	5
12	371877	(007487-	) Washer, Flat, 0.38, Hardened	1
13	371509	(007487-	) Washer, Lock, 0.38	5
14	371875	(007487-	) Washer, Lock, Int / Ext, 0.38	1
15	9006589	(007487-	) Valve [Pcv]	1
16	393984	(007487-	) Grommet	1
17	385001	(007487-	) Hose, Fuel, .38d, Rbr	1
18	385002	(007487-	) Fitting, E90	1
19	9008803	(007487-	) Adapter, Valve, 400mm [Bosch]	1
20	87308	(007487-	) Screw, Hex, M6 X 1.00 X 12, 8.8	8
21	9008799	(007487-	) Shield, Heat [Gm3.0l 2010]	1
22	372466	(007487-	) Stud, .38-16 X 1.2l	2
23	385003	(007487-	) Gasket, Manifold, Intake	1
24	9008194	(007487-	) Manifold, Intake [Gm3.0l 2010]	1
25	10830	(007487-	) Screw, Soc, .38-16 X 1.00, Al	4
26	384985	(007487-	) Sensor [T Map]	1
27	19317	(007487-	) Screw, Hex, .25-20 X 0.75, G5	1
28	372579	(007487-	) Plug, Hole, Injector	4
29	1060653	(007487-	) Manifold, Exhaust [Gm3.0l]	1
30	9003391	(007487-	) Gasket Kit, Repair, Lpg [Gm1.6l 2007]	1
31	9006618	(007487-	) Mixer [E100lp Gm1.6l 2010]	1
32	32483	(007487-	) Washer, Flat, 0.25, Sae	8
33	385017	(007487-	) Screw, Soc, #12-24 X 1.50	4
34	384974	(007487-	) Housing, Throttle, 40mm [Bosch]	1
35	9008806	(007487-	) Regulator, Press, Electronic [Epr]	1
36	9008807	(007487-	) Fitting, Barb, 3/4" [Epr]	1
37	9007423	(007487-	) Nut, Fling, M05-0.8 [Gm1.6l Lp 2010]	4
38	9008808	(007487-	) Screw, Soc, M4 X 0.70 X 16	4
39	9008800	(007487-	) Shield, Heat [Gm3.0l 2010]	1
40	9008801	(007487-	) Shield, Heat [Gm3.0l 2010]	1
41	9008802	(007487-	) Shield, Heat, Alternator [Gm3.0l 10]	1
42	763025	(007487-	) Screw, Hex, M5 X 0.80 X 10, FI	4
43	19065	(007487-	) Washer, Flat, 0.19b 0.44d .05, Pl, 08	4

Fig. 39 - Engine Vaporizer Group, LPG (007487- )

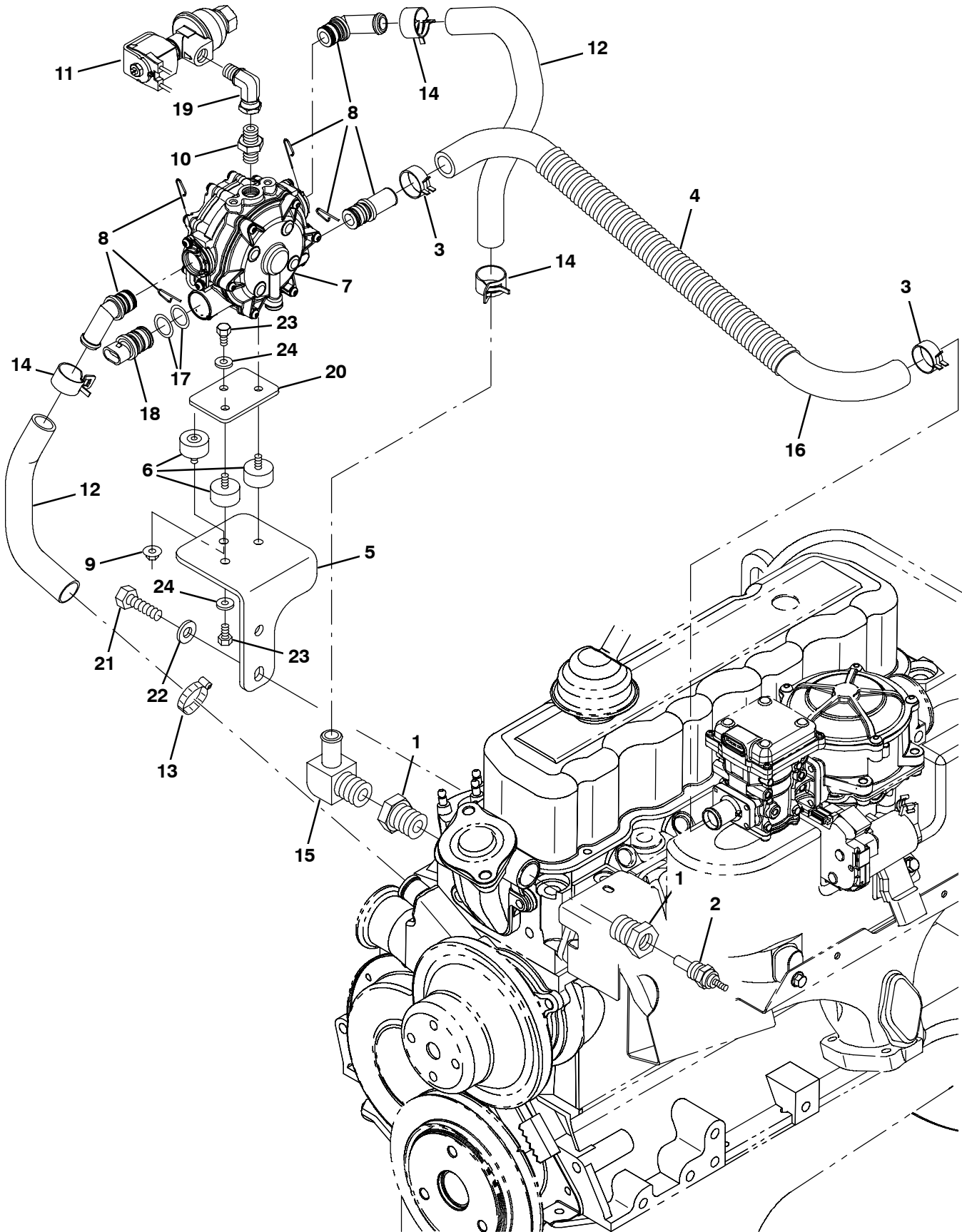




Fig. 39 - Engine Vaporizer Group, LPG (007487- )

Ref.	Part No.	Serial Number	Description	Qty.	
1	385000	(007487-	) Fitting, Bshg	2	
2	372472	(007487-	) Sensor, Temp	1	
3	384979	(007487-	) Clamp, Hose, Spring, 0.62d	2	
4	384971	(007487-	) Cover, Hose	1	
5	9008809	(007487-	) Bracket, Mtg, Isolator [Gm3.0l 2010]	1	
6	9008805	(007487-	) Isolator	3	
7	9008193	(007487-	) Regulator [ Gm3.0l 2010]	1	
8	384978	(007487-	) Fitting Kit [Epr]	1	
9	385015	(007487-	) Nut, Fing, M8	1	
10	372529	(007487-	) Fitting, Nipple, .25mal	1	
▽	11	9006620	(007487-	) Valve, Lock Off	1
▲		9007380	(007487-	) Filter, Fuelock,Lpg[Gm1.6l 2010]	1
	12	372528	(007487-	) Hose, Mold, .62 To .75	2
	13	63810	(007487-	) Clamp, Hose, Wormdrive, 0.56-1.06d, .56w	1
	14	372539	(007487-	) Clamp, Hose, 1.0	3
	15	385011	(007487-	) Fitting, E90	1
	16	385013	(007487-	) Hose, Mold [Epr To Mixer]	1
	17	1041151	(007487-	) Seal, Org, Sensor, Temp [Epr]	2
	18	1041152	(007487-	) Sensor, Temp [Epr]	1
	19	11442-1	(007487-	) Fitting, Hyd, E90, Spcl	1
	20	9008804	(007487-	) Plate, Mtg [Epr]	1
	21	21195	(007487-	) Screw, Hex, .38-16 X 0.75, G5	2
	22	32485	(007487-	) Washer, Flat, 0.38, Sae	2
	23	87308	(007487-	) Screw, Hex, M6 X 1.00 X 12, 8.8	3
	24	32483	(007487-	) Washer, Flat, 0.25, Sae	3

Fig. 40 - Engine Air Cleaner Group (004000-004936)

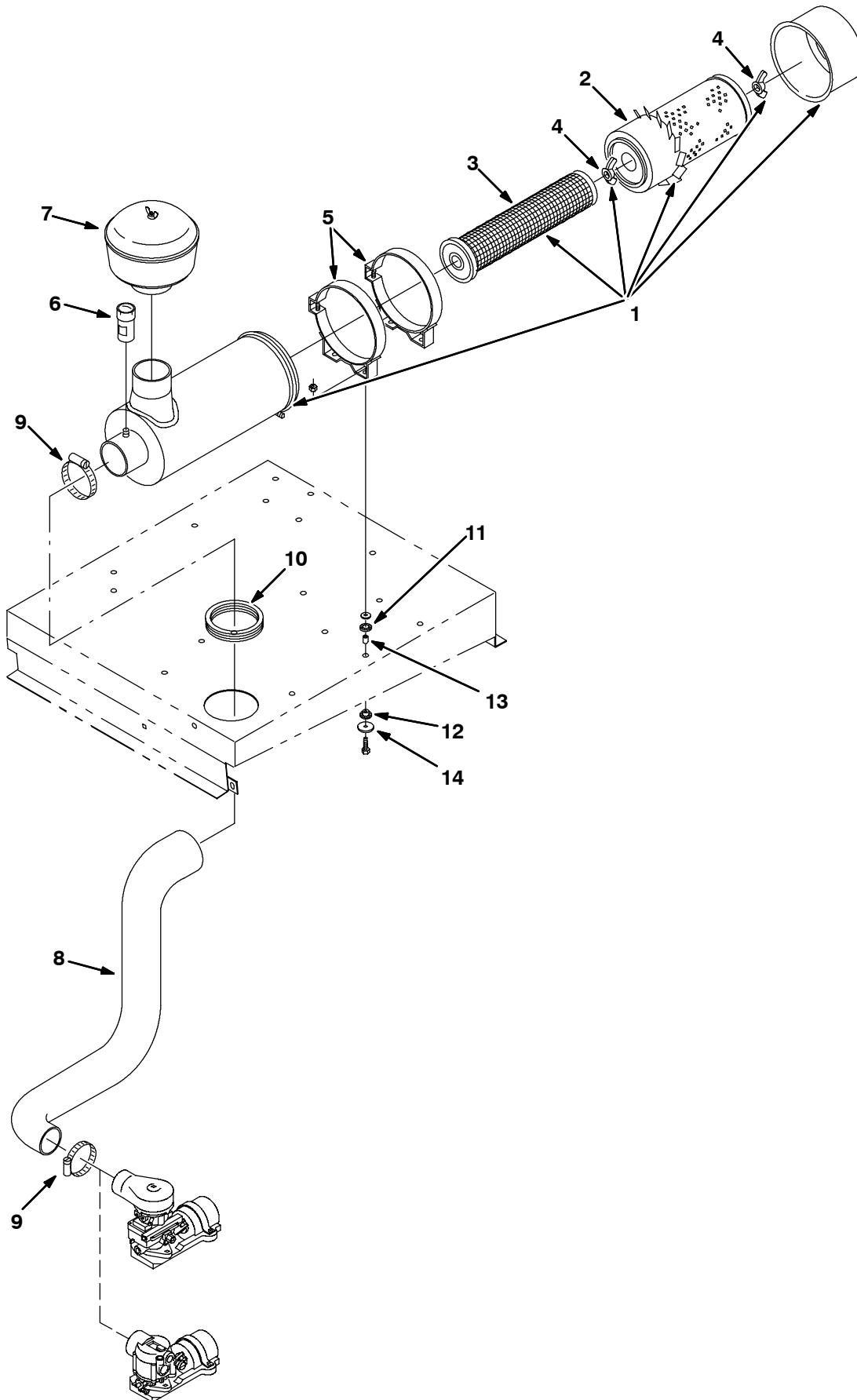


Fig. 40 - Engine Air Cleaner Group (004000-004936)

Ref.	Part No.	Serial Number	Description	Qty.
▽	1	48014	(004000-004936 ) Cleaner, Air Al Se	1
▲	2	60934	(004000-004936 ) Element, Air Cleaner	1
▲	3	60933	(004000-004936 ) Element, Filter Safety	1
▲	4	07562	(004000-004936 ) Nut,Wing .44-20 Special	2
	5	76321	(004000-004936 ) Band,Mtg.	2
	6	03026	(004000-004936 ) Indicator Service Air Filter	1
	7	75666	(004000-004936 ) Filter, Pre-Cleaner, A/C	1
	8	380592	(004000-004936 ) Hose, Molded	1
	9	43555	(004000-004936 ) Clamp-Wormdrive, 1.62- 3.50D	2
	10	380591	(004000-004936 ) Grommet, Rbr, 3.75ld F/ 4.0H .	1
	11	54527	(004000-004936 ) Ring, Rubber	4
	12	54528	(004000-004936 ) Bushing, Rubber	4
	13	45177	(004000-004936 ) Sleeve	4
	14	41178	(004000-004936 ) Washer, Fender	4

Fig. 41 - Engine Air Cleaner Group (004937-005999)

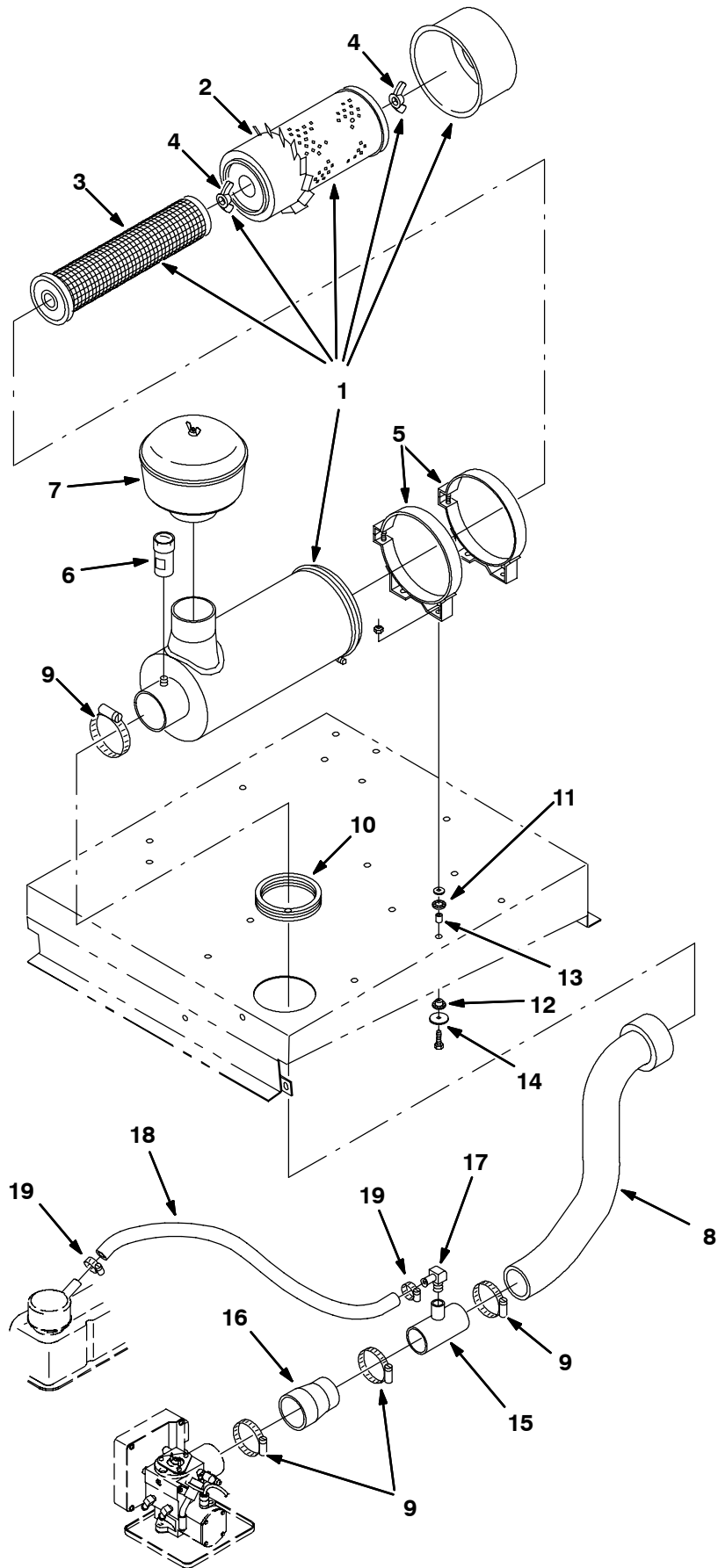


Fig. 41 - Engine Air Cleaner Group (004937-005999)

Ref.	Part No.	Serial Number	Description	Qty.
▽	1	48014	(004937-005999 ) Cleaner, Air Al Se	1
▲	2	60934	(004937-005999 ) Element, Air Cleaner	1
▲	3	60933	(004937-005999 ) Element, Filter Safety	1
▲	4	07562	(004937-005999 ) Nut,Wing .44-20 Special	2
	5	76321	(004937-005999 ) Band,Mtg.	2
	6	03026	(004937-005999 ) Indicator Service Air Filter	1
	7	75666	(004937-005999 ) Filter, Pre-Cleaner, A/C	1
	8	393208	(004937-005999 ) Hose, Molded	1
	9	43555	(004937-005999 ) Clamp-Wormdrive, 1.62- 3.50D	4
	10	380591	(004937-005999 ) Grommet, Rbr, 3.75ld F/ 4.0H .	1
	11	54527	(004937-005999 ) Ring, Rubber	4
	12	54528	(004937-005999 ) Bushing, Rubber	4
	13	45177	(004937-005999 ) Sleeve	4
	14	41178	(004937-005999 ) Washer, Fender	4
	15	393207	(004937-005999 ) Tube Wldt, Intake, 2.0d .38npt	1
	16	393205	(004937-005999 ) Tube, Intake, 2.0d 04.0l	1
	17	51839	(004937-005999 ) Fitting, Brs, E90, Em10/Pm06	1
	18	72978	(004937-005999 ) Hose, Heater, 0.62id 13.0l	1
	19	63810	(004937-005999 ) Clamp, Hose, Wormdrive, 0.56-1.06d	2

Fig. 42 - Engine Air Cleaner Group, Gas (006000-006999)

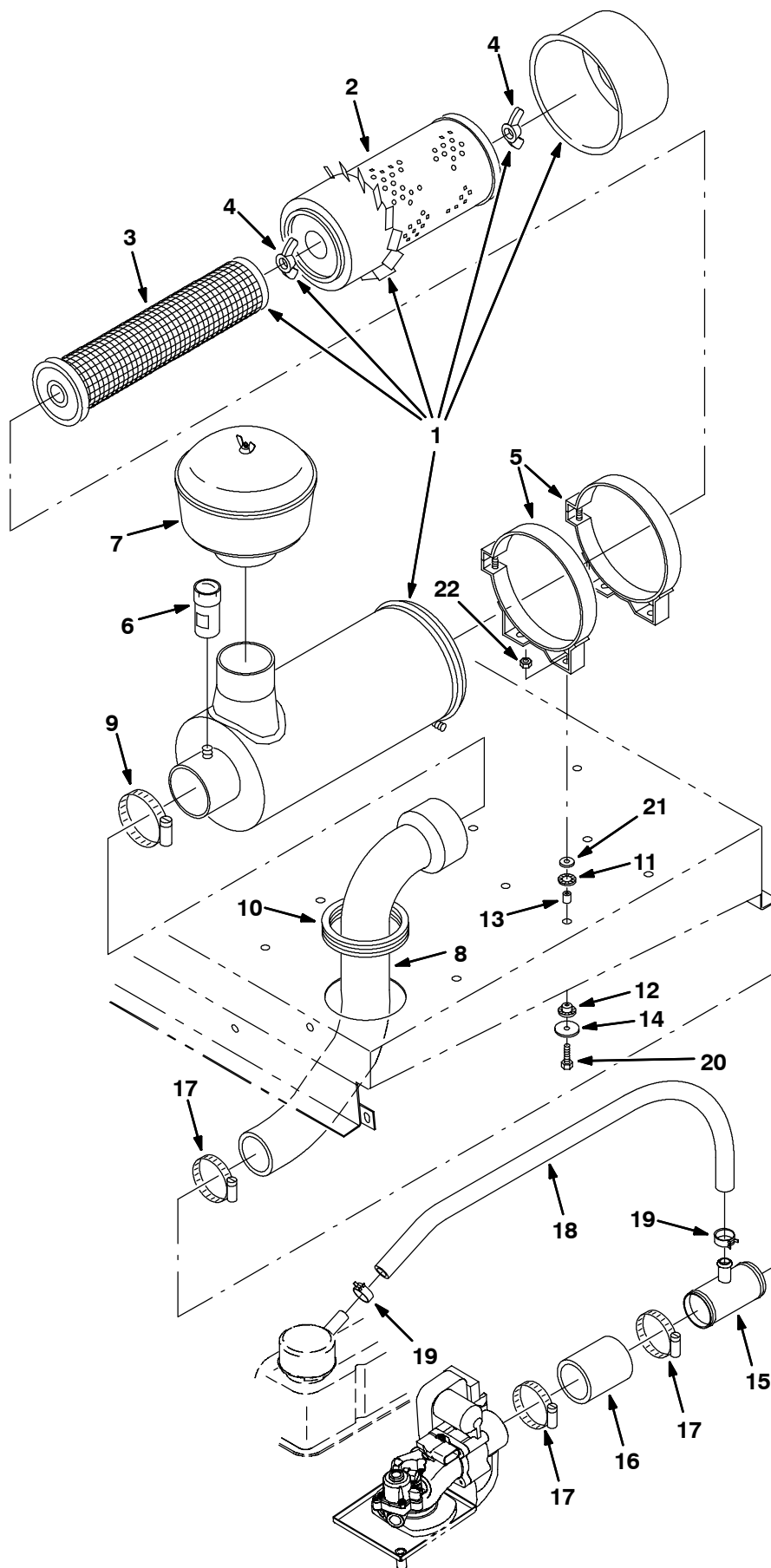


Fig. 42 - Engine Air Cleaner Group, Gas (006000-006999)

Ref.	Part No.	Serial Number	Description	Qty.
▽	1	48014	(006000-006999 ) Cleaner, Air Al Se	1
▲	2	60934	(006000-006999 ) Element, Air Cleaner	1
▲	3	60933	(006000-006999 ) Element, Filter Safety	1
▲	4	07562	(006000-006999 ) Nut,Wing .44-20 Special	2
	5	76321	(006000-006999 ) Band,Mtg.	2
	6	03026	(006000-006999 ) Indicator Service Air Filter	1
	7	75666	(006000-006999 ) Filter, Pre-Cleaner, A/C	1
	8	393208	(006000-006999 ) Hose, Molded	1
	9	43555	(006000-006999 ) Clamp-Wormdrive, 1.62- 3.50D	1
	10	380591	(006000-006999 ) Grommet, Rbr, 3.75ld F/ 4.0H .	1
	11	54527	(006000-006999 ) Ring, Rubber	4
	12	54528	(006000-006999 ) Bushing, Rubber	4
	13	45177	(006000-006999 ) Sleeve	4
	14	41178	(006000-006999 ) Washer, Fender	4
	15	1011780	(006000-006999 ) Tube Wldt, Tee	1
	16	15543	(006000-006999 ) Hose, Rbr, 2.00id 2.50od 03.0l	1
	17	83584	(006000-006999 ) Clamp, Hose, Wormdrive, 1.31-3.25d	1
	18	13124	(006000-006999 ) Hose, Heater, 0.62id 18.0l	1
	19	1011899	(006000-006999 ) Clamp, Hose, Spring Stl, 0.86d X 0.38w	2
	20	06944	(006000-006999 ) Screw, Hex, M6 X 1.0 X 25, 8.8	1
	21	32490	(006000-006999 ) Washer, Flat, 0.25 Std	1
	22	08708	(006000-006999 ) Nut, Hex, Lock, M6 X 1.0, NI	1

Fig. 43 - Engine Air Cleaner Group, Gas (007000- )

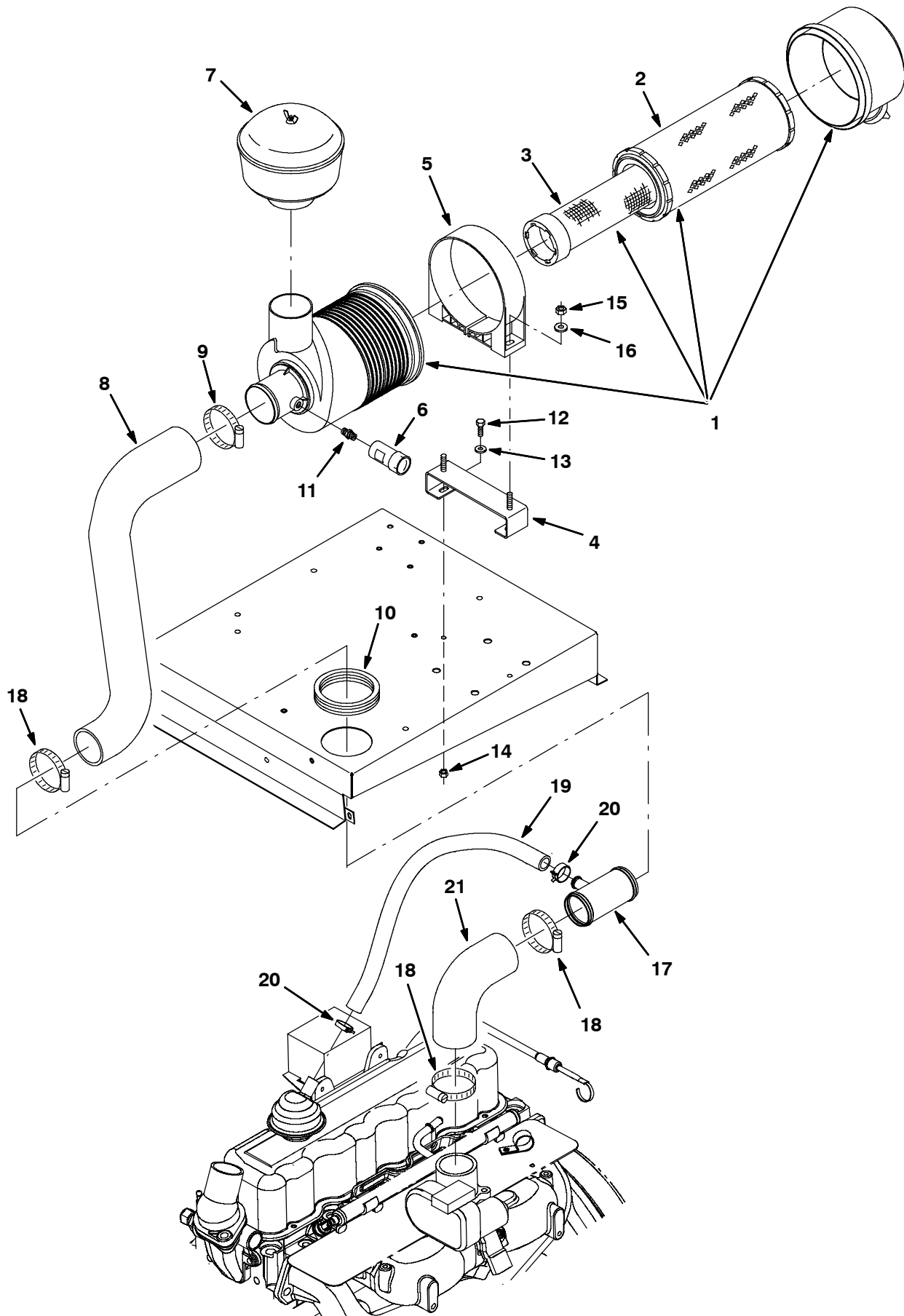




Fig. 43 - Engine Air Cleaner Group, Gas (007000- )

Ref.	Part No.	Serial Number	Description	Qty.
▽ 1	1013344	(007000-	) Filter Assy, Air, 3.0 Inlet	1
▲ 2	372652	(007000-	) Element, Fltr, Air [Dn]	1
▲ 3	372651	(007000-	) Element, Fltr, Air	1
4	1012754	(007000-	) Bracket, Stand-Off, Fltr, Air	2
5	1013366	(007000-	) Strap, Mtg, Fltr, Air, 7.17id	2
6	03026	(007000-	) Indicator, Service, Fltr, Air [20h20 Dn]	1
7	75666	(007000-	) Filter, Air, Pre-Cln, A/C	1
8	393208	(007000-	) Hose, Intake, Mold, Rwk 380592	1
9	43555	(007000-	) Clamp, Hose, Wormdrive, 2.50-3.50d, .50w	1
10	380591	(007000-	) Grommet, Rbr, 3.25id, F/3.5h, .06 Matl	1
11	51560-5	(007000-	) Fitting, Brs, Str, Pm02, Service	1
12	06949	(007000-	) Screw, Hex, M6 X 1.0 X 50, 8.8	2
13	19066	(007000-	) Washer, Flat, #10	2
14	07791	(007000-	) Nut, Hex, Flng, M8 X 1.25	2
15	08709	(007000-	) Nut, Hex, Lock, M8 X 1.25, NI	2
16	32491	(007000-	) Washer, Flat, 0.31, Std	2
17	1011780	(007000-	) Tube Wldt, Tee	1
18	83584	(007000-	) Clamp, Hose, Wormdrive, 2.25-3.25d, .50w	3
19	393373	(007000-	) Hose, Heater, 0.62id, 024.0l	1
20	1011899	(007000-	) Clamp, Hose, Spring Stl, 0.86d X 0.38w	2
21	76825	(007000-	) Hose, Rbr, E90, 2.00id 2.00id 03.5 03.5	1

Fig. 44 - Engine Air Cleaner Group, LPG (006000-006999)

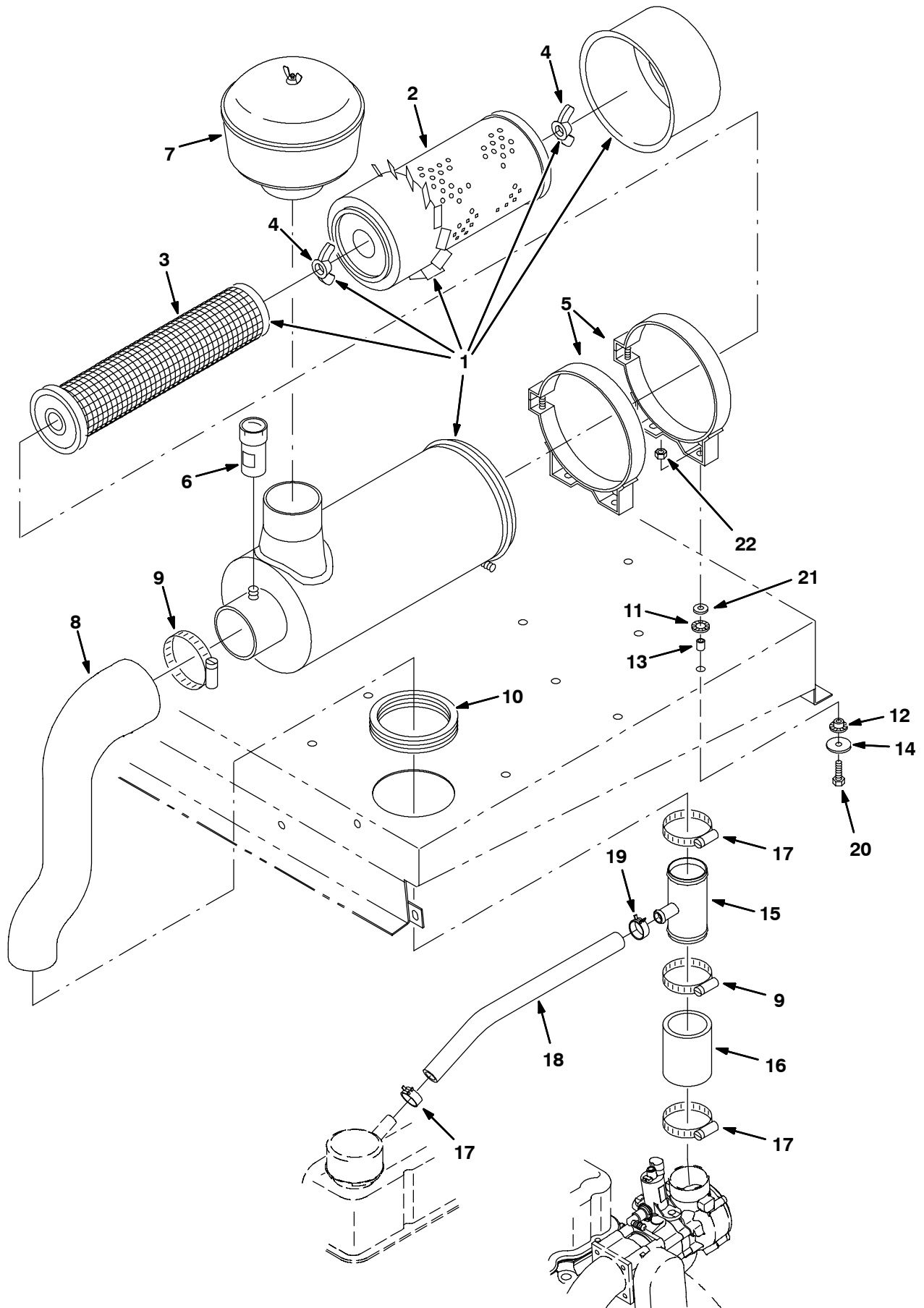


Fig. 44 - Engine Air Cleaner Group, LPG (006000-006999)

Ref.	Part No.	Serial Number	Description	Qty.
▽	1	48014	(006000-006999 ) Cleaner, Air Al Se	1
▲	2	60934	(006000-006999 ) Element, Air Cleaner	1
▲	3	60933	(006000-006999 ) Element, Filter Safety	1
▲	4	07562	(006000-006999 ) Nut,Wing .44-20 Special	2
	5	76321	(006000-006999 ) Band,Mtg.	2
	6	03026	(006000-006999 ) Indicator Service Air Filter	1
	7	75666	(006000-006999 ) Filter, Pre-Cleaner, A/C	1
	8	1011702	(006000-006999 ) Hose, Molded	1
	9	43555	(006000-006999 ) Clamp-Wormdrive, 1.62- 3.50D	1
	10	380591	(006000-006999 ) Grommet, Rbr, 3.75ld F/ 4.0H .	1
	11	54527	(006000-006999 ) Ring, Rubber	4
	12	54528	(006000-006999 ) Bushing, Rubber	4
	13	45177	(006000-006999 ) Sleeve	4
	14	41178	(006000-006999 ) Washer, Fender	4
	15	1011780	(006000-006999 ) Tube Wldt, Tee	1
	16	15543	(006000-006999 ) Hose, Rbr, 2.00id 2.50od 03.0l	1
	17	83584	(006000-006999 ) Clamp, Hose, Wormdrive, 1.31-3.25d, .50w	3
	18	393373	(006000-006999 ) Hose, Heater, 0.62id 24.0l	1
	19	1011899	(006000-006999 ) Clamp, Hose, Spring Stl, 0.86d X 0.38w	2
	20	06944	(006000-006999 ) Screw, Hex, M6 X 1.0 X 25, 8.8	1
	21	32490	(006000-006999 ) Washer, Flat, 0.25 Std	1
	22	08708	(006000-006999 ) Nut, Hex, Lock, M6 X 1.0, NI	1

Fig. 45 - Engine Air Cleaner Group, LPG (007000- )

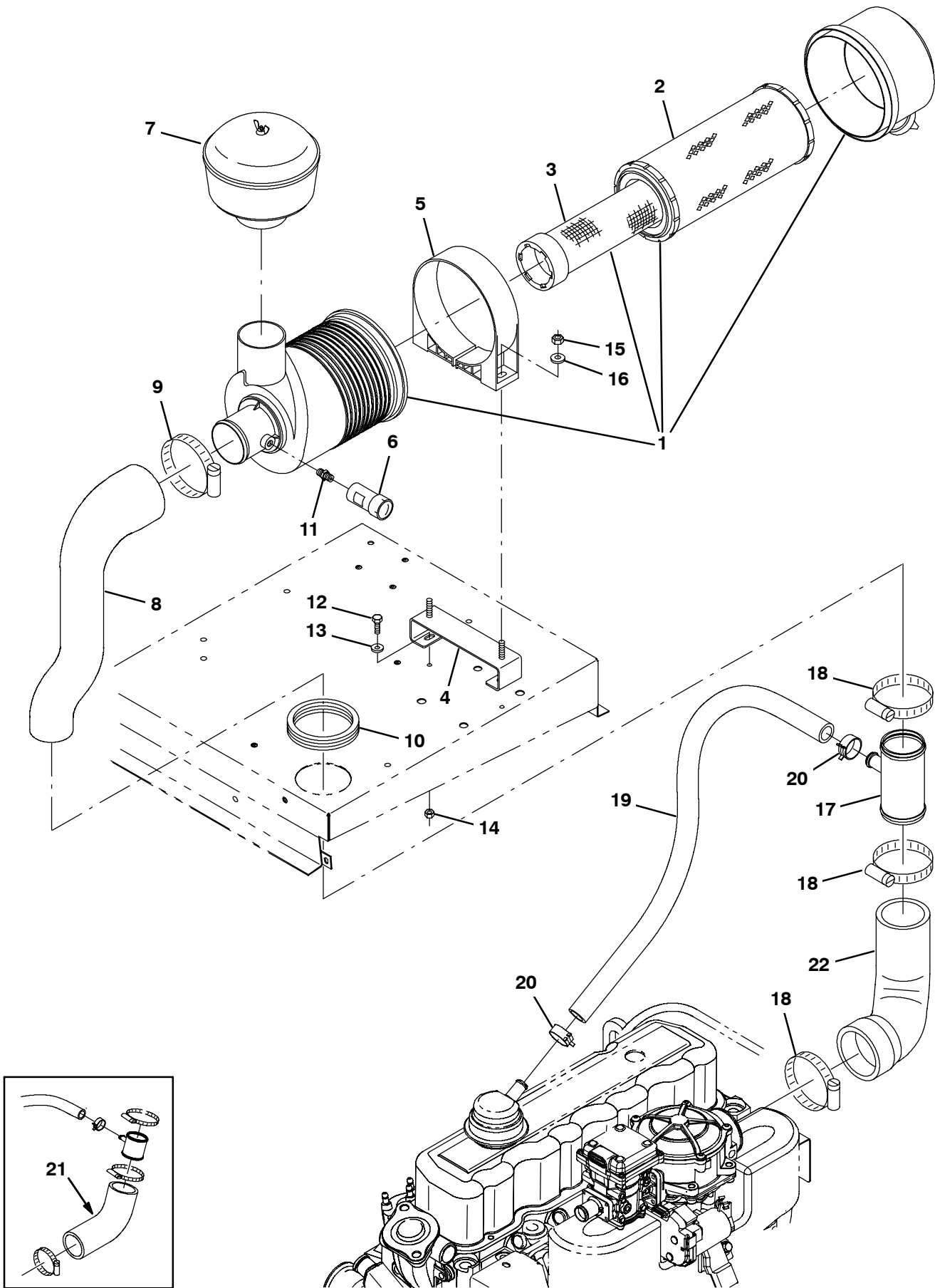


Fig. 45 - Engine Air Cleaner Group, LPG (007000- )

Ref.	Part No.	Serial Number	Description	Qty.
▽	1	1013344	(007000- ) Filter Assy, Air, 3.0 Inlet	1
▲	2	372652	(007000- ) Element, Fltr, Air [Dn]	1
▲	3	372651	(007000- ) Element, Fltr, Air	1
	4	1012754	(007000- ) Bracket, Stand-Off, Fltr, Air	2
	5	1013366	(007000- ) Strap, Mtg, Fltr, Air, 7.17id	2
	6	03026	(007000- ) Indicator, Service, Fltr, Air [20h20 Dn]	1
	7	75666	(007000- ) Filter, Air, Pre-Cln, A/C	1
	8	1011702	(007000- ) Hose, Intake, Mold, 3.00id 2.00id [Epdm]	1
	9	43555	(007000- ) Clamp, Hose, Wormdrive, 2.50-3.50d, .50w	1
	10	380591	(007000- ) Grommet, Rbr, 3.25id, F/3.5h, .06 Matl	1
	11	51560-5	(007000- ) Fitting, Brs, Str, Pm02, Service	1
	12	06949	(007000- ) Screw, Hex, M6 X 1.0 X 50, 8.8	2
	13	19066	(007000- ) Washer, Flat, #10	2
	14	07791	(007000- ) Nut, Hex, Flng, M8 X 1.25	2
	15	08709	(007000- ) Nut, Hex, Lock, M8 X 1.25, NI	2
	16	32491	(007000- ) Washer, Flat, 0.31, Std	2
	17	1011780	(007000- ) Tube Wldt, Tee	1
	18	83584	(007000- ) Clamp, Hose, Wormdrive, 2.25-3.25d, .50w	3
	19	393373	(007000- ) Hose, Heater, 0.62id, 024.0l	1
	20	1011899	(007000- ) Clamp, Hose, Spring Stl, 0.86d X 0.38w	2
	21	1032032	(007000-007486 ) Hose, Intake, Mold, 2.00id [Epdm]	1
	22	1062545	(007487- ) Hose, Intake, Mold, 2.0id X 2.26id[Epdm]	1

**Fig. 46 - Engine Muffler Group (004000-004936)**

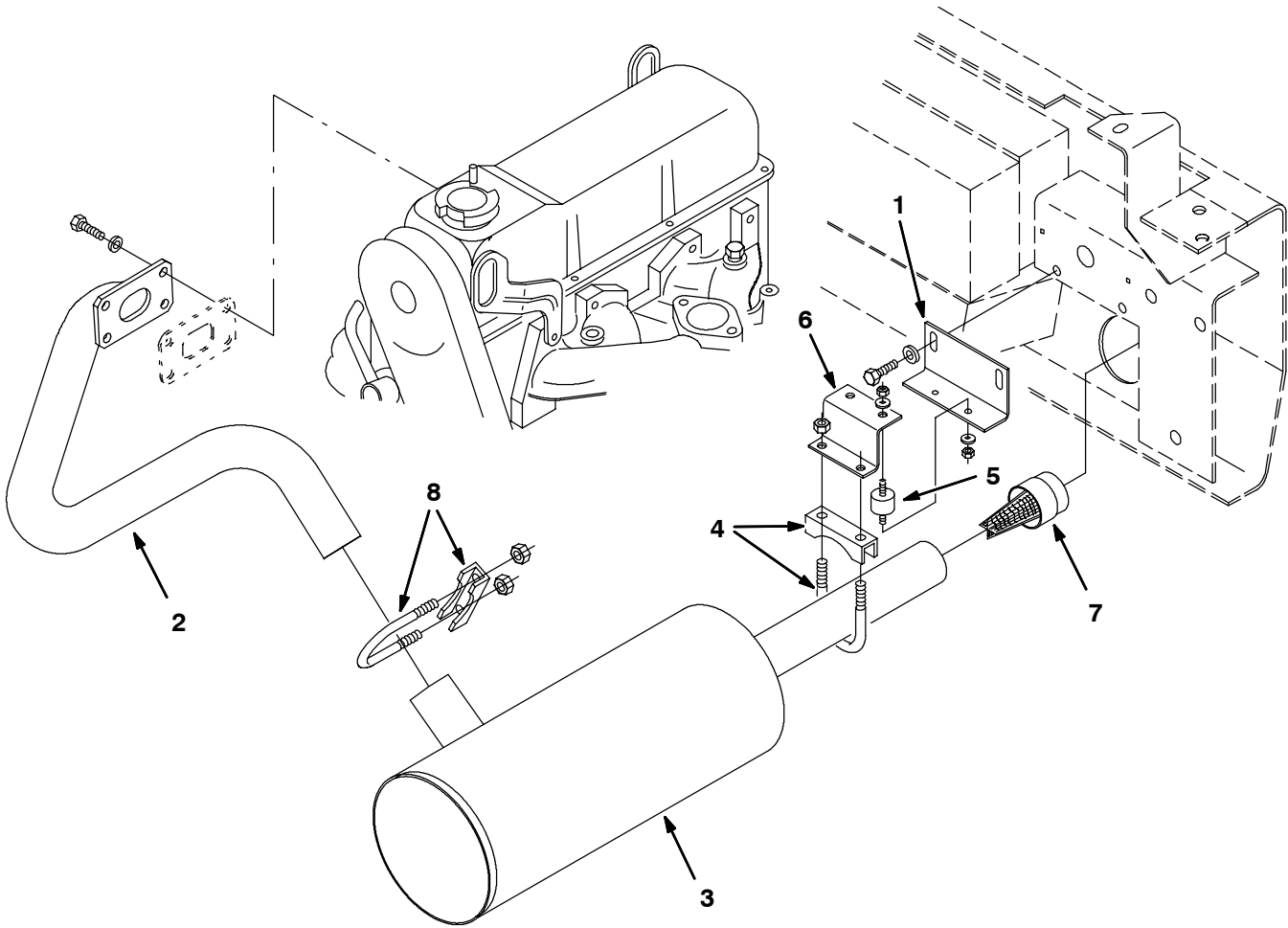


Fig. 46 - Engine Muffler Group (004000-004936)

Ref.	Part No.	Serial Number	Description	Qty.
1	21138	(004000-004936 )	Bracket, Tail Pipe	1
2	70631	(004000-004936 )	Pipe Wldt, Exhaust, Gas/Lpg	1
3	76383	(004000-004936 )	Muffler, Exhaust	1
4	05881	(004000-004936 )	Clamp-Muffler,For 2.00 Od Tube	1
5	82661	(004000-004936 )	Isolator-Vibration .25-20	2
6	21136	(004000-004936 )	Bracket, Tail Pipe	1
7	70832	(004000-004936 )	Screen, Muffler	1
8	05880	(004000-004936 )	Clamp-Muffler,For 1.87 Od Tube	1

**Fig. 47 - Engine Muffler Group, Catalytic (004937-005999)**

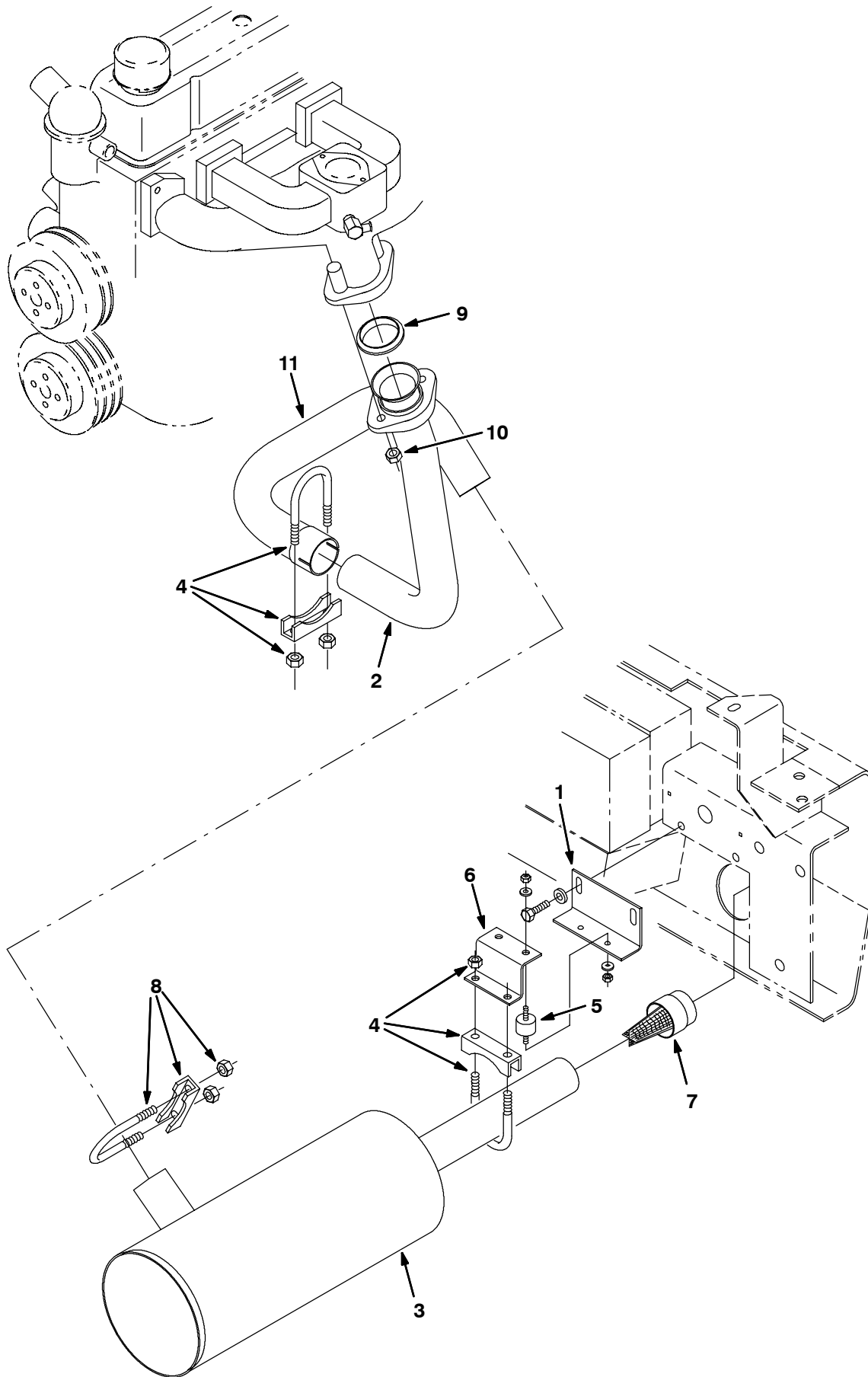




Fig. 47 - Engine Muffler Group, Catalytic (004937-005999)

Ref.	Part No.	Serial Number	Description	Qty.
1	21138	(004937-005999 )	Bracket, Tail Pipe	1
2	393253	(004937-005999 )	Tube, Exhaust, 2.0d [Gm3.0] [800/810]	1
3	76383	(004937-005999 )	Muffler, Exhaust	1
4	05881	(004937-005999 )	Clamp-Muffler,For 2.00 Od Tube	2
5	82661	(004937-005999 )	Isolator-Vibration .25-20	2
6	21136	(004937-005999 )	Bracket, Tail Pipe	1
7	70832	(004937-005999 )	Screen, Muffler	1
8	05880	(004937-005999 )	Clamp-Muffler,For 1.87 Od Tube	1
9	371573	(004937-005999 )	Gasket	1
10	25014	(004937-005999 )	Nut, Hex, Std, .38-16	2
11	393252	(004937-005999 )	Tube, Exhaust, 2.0d [Gm3.0] [800/810]	1

Fig. 48 - Engine Muffler Group, Catalytic (006000-006999)

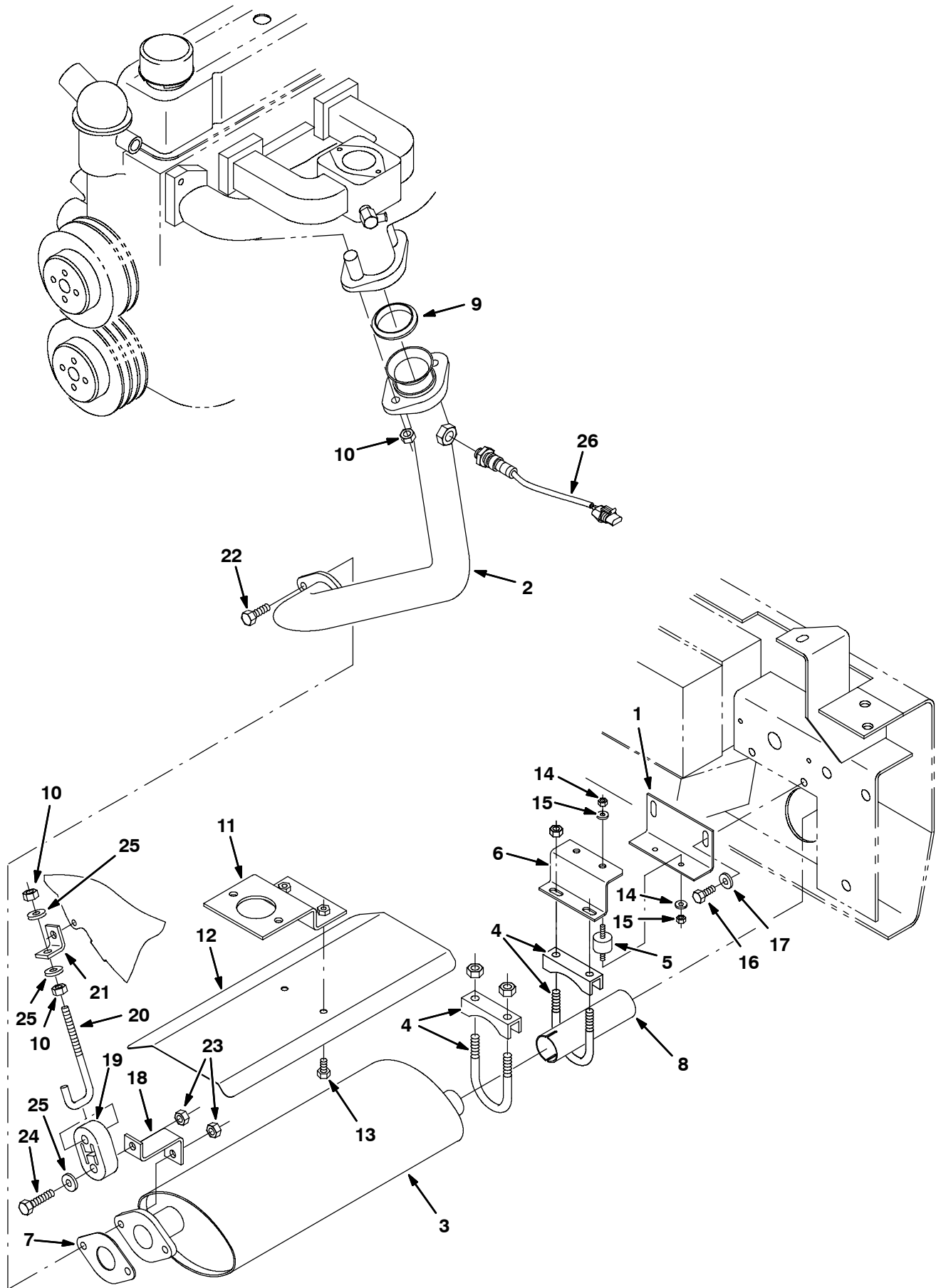


Fig. 48 - Engine Muffler Group, Catalytic (006000-006999)

Ref.	Part No.	Serial Number	Description	Qty.
1	21138	(006000-006999 )	Bracket, Tail Pipe	1
2	1011944	(006000-006999 )	Tube, Exhaust, 2.0d [Gm3.0] [800/810]	1
3	1011259	(006000-006999 )	Muffler, Catalytic [Gm 1.6/3.0]	1
4	24012	(006000-006999 )	Clamp, Muffler, 1.62d	2
5	1013588	(006000-006999 )	Isolator, Vib, Ring, 1.0d .25-20/.25-20	2
6	1012012	(006000-006999 )	Bracket, Tailpipe	1
7	1011216	(006000-006999 )	Gasket, Exhaust, 2 Hole, 3.4bc	1
8	1011959	(006000-006999 )	Tube, Exhaust, Rear	1
9	371573	(006000-006999 )	Gasket	1
10	25014	(006000-006999 )	Nut, Hex, Std, .38-16	4
11	1012990	(006000-006999 )	Bracket, Mtg, Heat Shield	1
12	1012999	(006000-006999 )	Shield, Heat	1
13	16735	(006000-006999 )	Screw, Hex, M8 X 1.25 X 16, 8.8	2
14	19312	(006000-006999 )	Nut, Hex, Std, .25-20	4
15	32982	(006000-006999 )	Washer, Lock, Int, 0.25	4
16	16931	(006000-006999 )	Screw, Hex, M8 X 1.25 X 20, 8.8	2
17	32491	(006000-006999 )	Washer, Flat, 0.31 Std	2
18	1013116	(006000-006999 )	Bracket, Isolator	1
19	1013031	(006000-006999 )	Isolator, Rubber	1
20	1013117	(006000-006999 )	Rod, Hanger, Isolator	1
21	1013113	(006000-006999 )	Bracket, Mtg, Isolator	1
22	03192	(006000-006999 )	Screw, Hex, M10 X 1.5 X 30, 8.8	2
23	08166	(006000-006999 )	Nut, Hex, Stover, M10 X 1.5	3
24	06962	(006000-006999 )	Screw, Hex, M10 X 1.5 X 45, 8.8	1
25	32492	(006000-006999 )	Washer, Flat, 0.38 Std	3
26	372491	(006000-006999 )	Sensor, Oxygen	1

**Fig. 49 - Engine Muffler Group, Catalytic (007000- )**

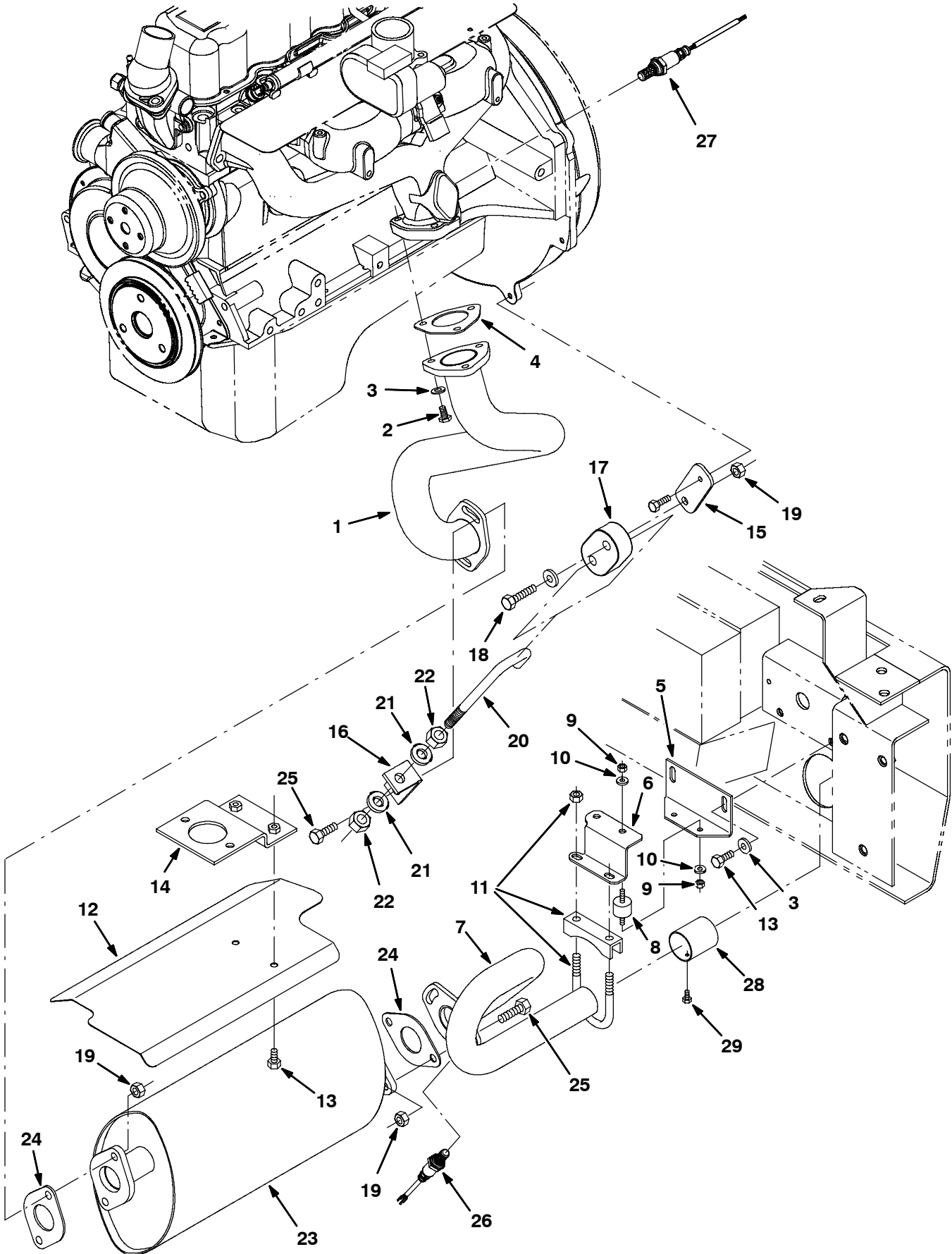


Fig. 49 - Engine Muffler Group, Catalytic (007000- )

Ref.	Part No.	Serial Number	Description	Qty.
1	1032083	(007000-	) Tube, Exhaust, Lower, [800/810, 2007]	1
2	76570	(007000-	) Screw, Hex, M8 X 1.25 X 30, 8.8	3
3	32491	(007000-	) Washer, Flat, 0.31, Std	5
4	1060286	(007000-	) Gasket, Flng, Exhaust [Gm3.0l]	1
5	1030502	(007000-	) Bracket, Tailpipe [800/810 2007]	1
6	1030501	(007000-	) Bracket, Tailpipe [800/810 2007]	1
7	1029996	(007000-	) Tube, Exhaust, Rear [Gm3.0l 800/810 07]	1
8	82661	(007000-	) Isolator, Vib, Ring, 1.0d .25-20/.25-20	2
9	19312	(007000-	) Nut, Hex, Std, .25-20	4
10	32982	(007000-	) Washer, Lock, Int, 0.25	4
11	24012	(007000-	) Clamp, Muffler, 1.62d	1
12	1028836	(007000-	) Shield, Heat	1
13	16931	(007000-	) Screw, Hex, M8 X 1.25 X 20, 8.8	4
14	1028835	(007000-	) Bracket, Mtg, Heat Shield	1
15	1030122	(007000-	) Link, 0.18, 1.5w 03.6l, 1/0.4h 1/0.3h	1
16	1030134	(007000-	) Bracket, Mtg, Isolator [800/810 07]	1
17	1013031	(007000-	) Isolator, Rbr	1
18	06962	(007000-	) Screw, Hex, M10 X 1.5 X 45, 8.8	1
19	08166	(007000-	) Nut, Hex, M10 X 1.50 [Stover]	5
20	1032142	(007000-	) Rod, Hanger, Isolator	1
21	32492	(007000-	) Washer, Flat, 0.38, Std	2
22	25014	(007000-	) Nut, Hex, Std, .38-16	2
23	1030533	(007000-007486	) Muffler, Catalytic [Gm 3.0l 2007]	1
23	1062668	(007487-	) Muffler, Catalytic [Gm 3.0l 2010]	1
24	1011216	(007000-	) Gasket, Exhaust, 2hole, 3.4bc	2
25	39284	(007000-	) Screw, Hex, M10 X 1.5 X 35, 8.8	4
26	1028558	(007000-	) Sensor, Exhaust, Tailpipe	1
27	1028559	(007000-007486	) Sensor, Oxygen [Gm 1.6l/3.0l 2007]	1
27	1028558	(007487-	) Sensor, Oxygen [Gm 1.6l/3.0l 2007]	1
28	1038293	(007000-	) Tube, Tailpipe	1
29	01706	(007000-	) Screw, Hex, #08-32 X 0.38, Tcut	1

**Fig. 50 - Engine Fuel Tank Group, Gas (004000-004936)**

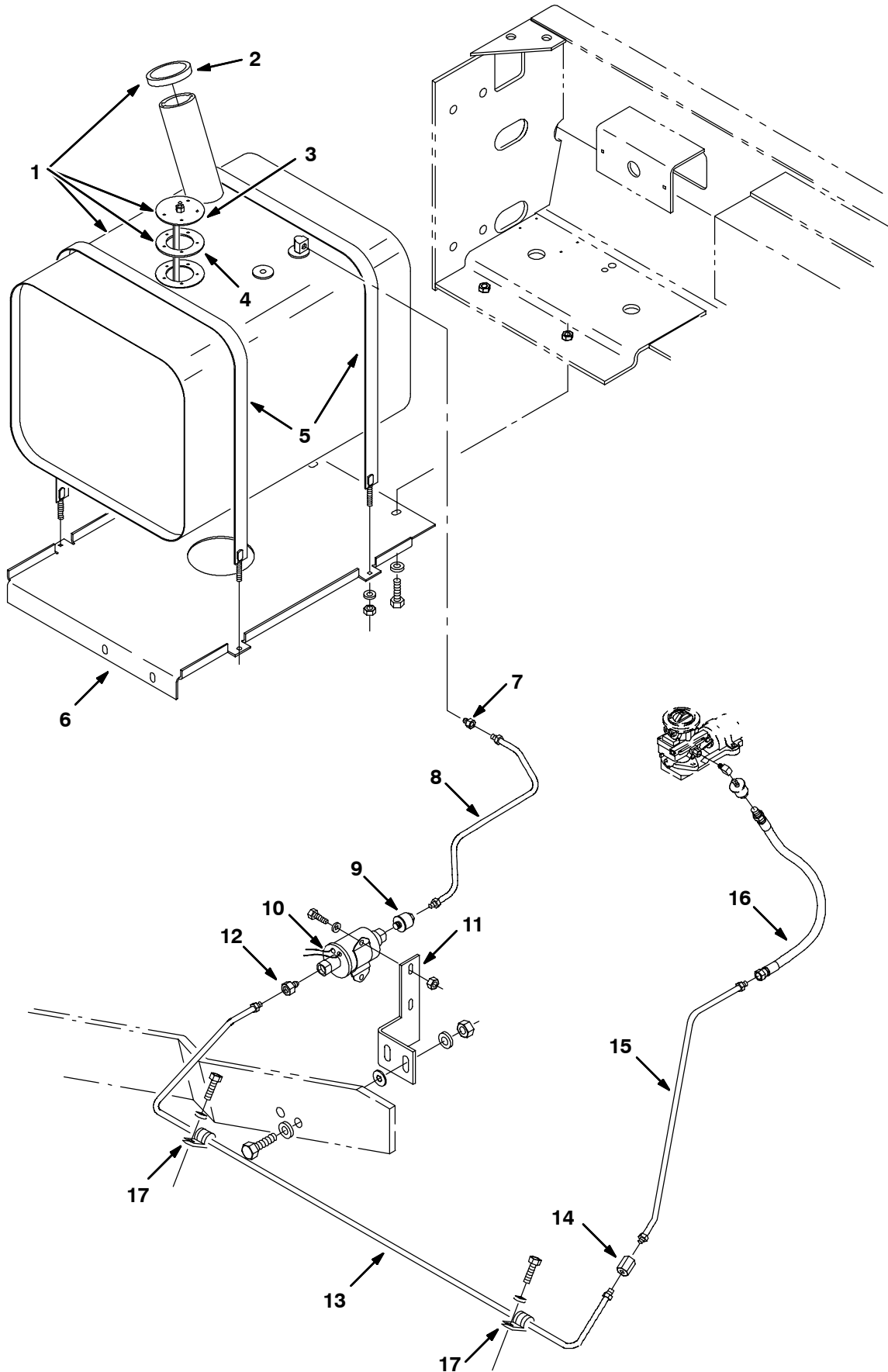


Fig. 50 - Engine Fuel Tank Group, Gas (004000-004936)

	Ref.	Part No.	Serial Number	Description	Qty.
▽	1	76907	(004000-004936 )	Tank, Fuel	1
▲	2	48267	(004000-004936 )	Cap, Fuel	1
▲	3	21731	(004000-004936 )	Send Unit	1
▲	4	21732	(004000-004936 )	Gasket, 2.7D 1.5B.12T 5/ 2.1Bc	1
	5	87396	(004000-004936 )	Strap Weldmt, Gas Tank	2
	6	70477	(004000-004936 )	Plate, Mounting, Tank, Gas	1
	7	78043	(004000-004936 )	Fitting-Brs Str	1
	8	77558	(004000-004936 )	Fuelline, .312 Od	1
	9	36050	(004000-004936 )	Filter, Fuel	1
	10	59015	(004000-004936 )	Pump, Fuel	1
	11	75854	(004000-004936 )	Bracket, Pump, Fuel	1
	12	40585	(004000-004936 )	Ftg-Brs Str If05/Pm02	1
	13	83644	(004000-004936 )	Fuelline, .312 Od	1
	14	25610	(004000-004936 )	Ftg-Brs If05/If05	1
	15	83643	(004000-004936 )	Tube Assy, Fuel .31Od	1
	16	70173	(004000-004936 )	Hose, Fuelline, 10.0L	1
	17	76736	(004000-004936 )	Clamp-Cable, 0.38Dia 0.62Wth	2

Fig. 51 - Engine Fuel Tank Group, Gas (004937-005999)

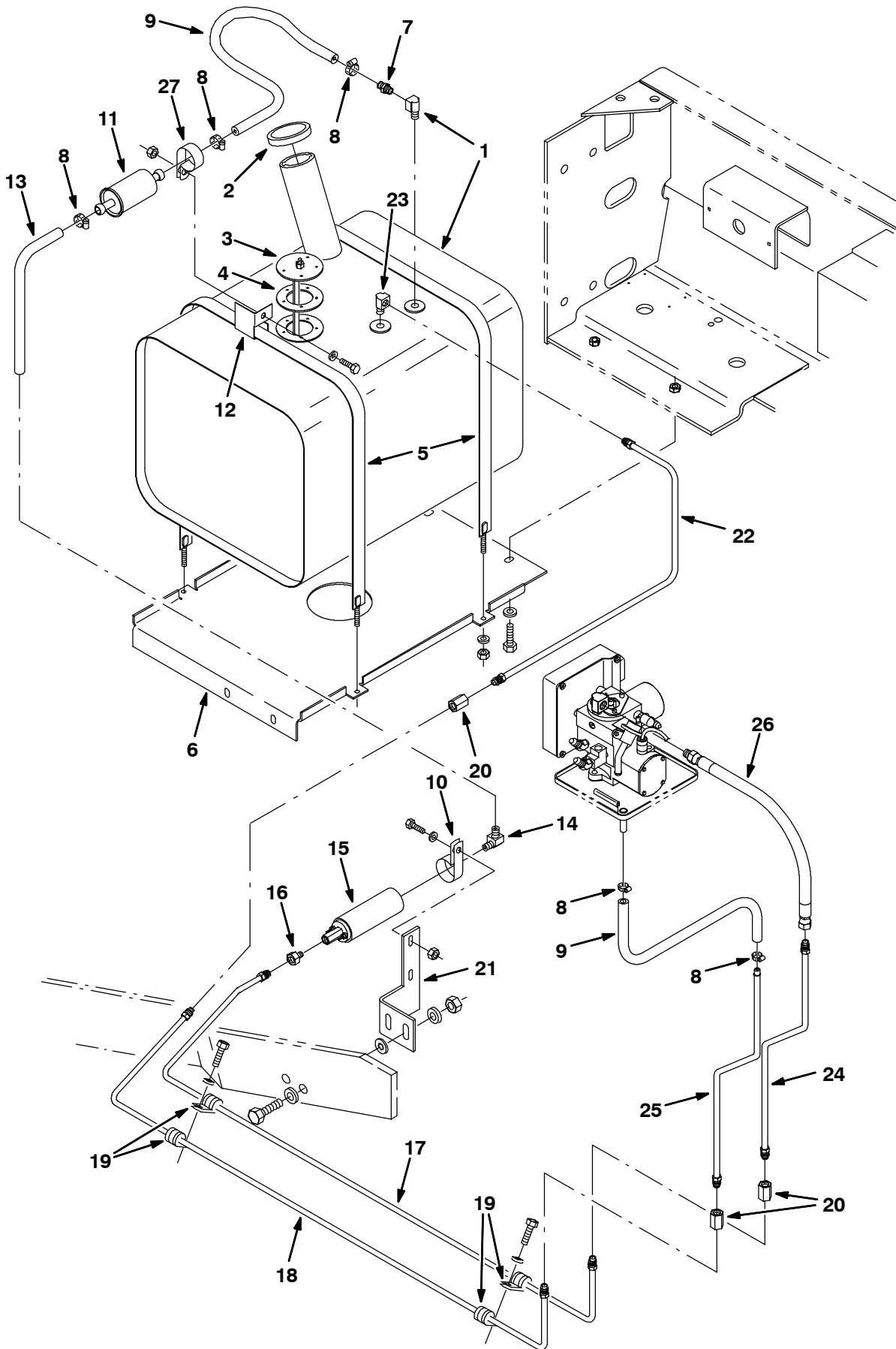




Fig. 51 - Engine Fuel Tank Group, Gas (004937-005999)

Ref.	Part No.	Serial Number	Description	Qty.
▽	1	76907	(004937-005999 ) Tank, Fuel, 14 Gas 14.7 13.0 19.0l	1
▲	2	48267	(004937-005999 ) Cap, Tank, Fuel, 2.3neck 2.6d	1
▲	3	21731	(004937-005999 ) Send-Unit	1
▲	4	21732	(004937-005999 ) Gasket, Send-Unit	1
	5	87396	(004937-005999 ) Strap Wldt, Tank, .06th X 1.0w, 37.7l	2
	6	70477	(004937-005999 ) Plate, Mtg, Tank, Gas	1
	7	392629	(004937-005999 ) Fitting, Brs, Str, Bm05/Pm04	1
	8	43844	(004937-005999 ) Clamp, Hose, Wormdrive, 0.25-0.62d	5
	9	82509	(004937-005999 ) Hose, Fuel, 0.31id 11.0l	2
	10	86328	(004937-005999 ) Clamp, Cable, Stl, 1.50d X 0.75w, 1h	1
	11	371662	(004937-005999 ) Filter, Fuel	1
	12	70767	(004937-005999 ) Bracket, Mtg, Fuelline	1
	13	82510	(004937-005999 ) Hose, Fuel, 0.31id 14.0l	1
	14	53029	(004937-005999 ) Fitting, Brs, E90, Em05/Pm02	1
	15	371661	(004937-005999 ) Pump, Fuel, Gas	1
	16	40585	(004937-005999 ) Fitting, Brs, Str, lf05/Pm02	1
	17	392594	(004937-005999 ) Fuelline, .31d 05if/05if	2
	18	392593	(004937-005999 ) Fuelline, .31d 05if/05f	1
	19	76736	(004937-005999 ) Clamp, Cable, Stl, 0.38d X 0.62w, 1h	4
	20	25610	(004937-005999 ) Fitting, Brs, Str, lf05/lf05	3
	21	75854	(004937-005999 ) Bracket, Pump, Fuel	1
	22	392597	(004937-005999 ) Fuelline, .31d 05if/05if	1
	23	15555-1	(004937-005999 ) Fitting, Brs, E90, lf05/Pm02	1
	24	393200	(004937-005999 ) Fuelline, .31d 05if/05if	1
	25	392649	(004937-005999 ) Fuelline, .31d 05if/Bea	1
	26	70173	(004937-005999 ) Hose, 0050, 04, lm05str /lf05str , 10.0	1
	27	41016	(004937-005999 ) Clamp, Cable, Stl, 2.25d X 1.0w, 1h	1

# STANDARD PARTS

Fig. 52 - Engine Fuel Tank Group, Gas (006000-006999)

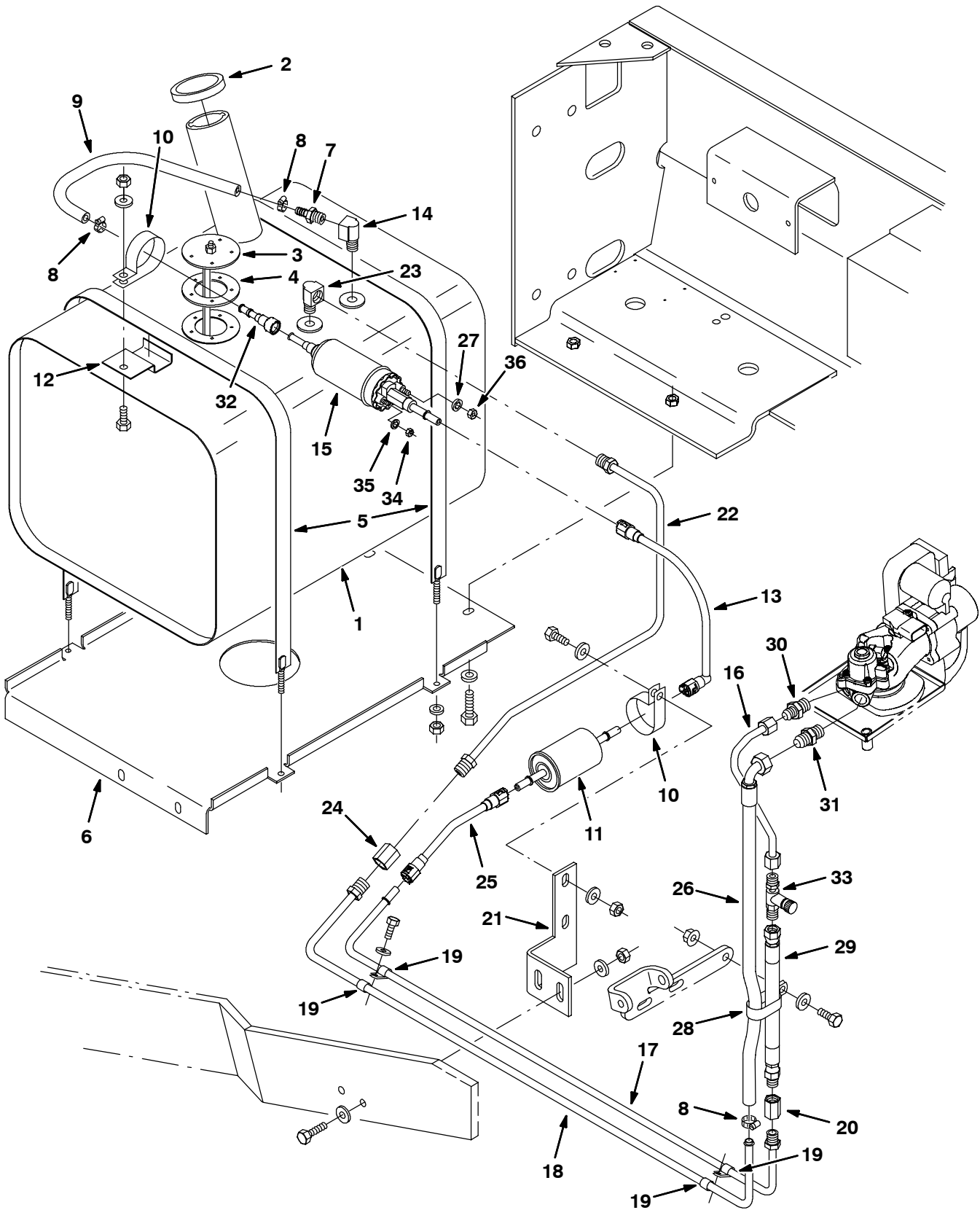


Fig. 52 - Engine Fuel Tank Group, Gas (006000-006999)

Ref.	Part No.	Serial Number	Description	Qty.
▽	1	1012110	(006000-006999 ) Tank, Fuel, 14 Gas 14.7 13.0 19.0	1
▲	2	48267	(006000-006999 ) Cap, Tank, Fuel, 2.3neck 2.6d	1
▲	3	21731	(006000-006999 ) Send-Unit, Fuel, Ohm	1
▲	4	21732	(006000-006999 ) Gasket, Sender, Fuel	1
	5	87396	(006000-006999 ) Strap Wldt, Tank, .06th X 1.0w, 37.7l	2
	6	70477	(006000-006999 ) Plate, Mtg, Tank, Gas	1
	7	392629	(006000-006999 ) Fitting, Brs, Str, Pm04/Bm05	1
	8	43844	(006000-006999 ) Clamp, Hose, Wormdrive, 0.25-0.62d	3
	9	83591	(006000-006999 ) Hose, Fuel, 0.31id 16.0l	1
	10	1011895	(006000-006999 ) Clamp, Cable, Stl, 2.00d X 0.75w, 1h	2
	11	372440	(006000-006999 ) Fuel, Fltr [Gm 1.6l/3.0l]	1
	12	1008988	(006000-006999 ) Bracket, Fltr, Fuel	1
	13	1012250	(006000-006999 ) Fuelline, .31d Str/E90, Plstc	1
	14	27048	(006000-006999 ) Fitting, Brs, E90, Pm04/Pf04	1
	15	9006592	(006000-006999 ) Pump, Fuel	1
	16	1012469	(006000-006999 ) Fuelline, .31d 05if/05jf Stl	1
	17	1011943	(006000-006999 ) Fuelline, .31d 05if/Qm Stl	2
	18	1011942	(006000-006999 ) Fuelline, .38d 06if/Bea Stl	1
	19	76736	(006000-006999 ) Clamp, Cable, Stl, 0.38d X 0.62w, 1h	4
	20	25610	(006000-006999 ) Fitting, Brs, Str, lf05/lf05	1
	21	1012018	(006000-006999 ) Bracket, Pump, Fuel	1
	22	1011941	(006000-006999 ) Fuelline, .38d 06if/06if Stl	1
	23	54140	(006000-006999 ) Fitting, Brs, E90, lf06/Pm04	1
	24	392598	(006000-006999 ) Fitting, Brs, Str, lf06/lf06	1
	25	1012248	(006000-006999 ) Fuelline, .31d Str/Str, Plstc	1
	26	1013030	(006000-006999 ) Hose, Fuel, Jf06e90, 20.3l	1
	27	32980	(006000-006999 ) Washer, Lock, Int, #10	1
	28	09570	(006000-006999 ) Clamp, Cable, Stl, 0.9x1.8x0.62w, 1h	1
	29	70173	(006000-006999 ) Hose, 0050, 04, lm05str /lf05str , 10.0	1
	30	1012677	(006000-006999 ) Fitting, Hyd, Str, Jm05/Om06	1
	31	56690	(006000-006999 ) Fitting, Hyd, Str, Jm06/Om06	1
	32	1013086	(006000-006999 ) Connector, Fuel, Qf	1
	33	1014595	(006000-006999 ) Adaptor, Fuelline	1
	34	42368	(006000-006999 ) Nut, Hex, Std, M4 X 0.7, 8	1
	35	32978	(006000-006999 ) Washer, Lock, Int, #08	1
	36	50335	(006000-006999 ) Nut, Hex, Std, M5 X 0.8, 8	1

# STANDARD PARTS

Fig. 53 - Engine Fuel Tank Group, Gas (007000- )

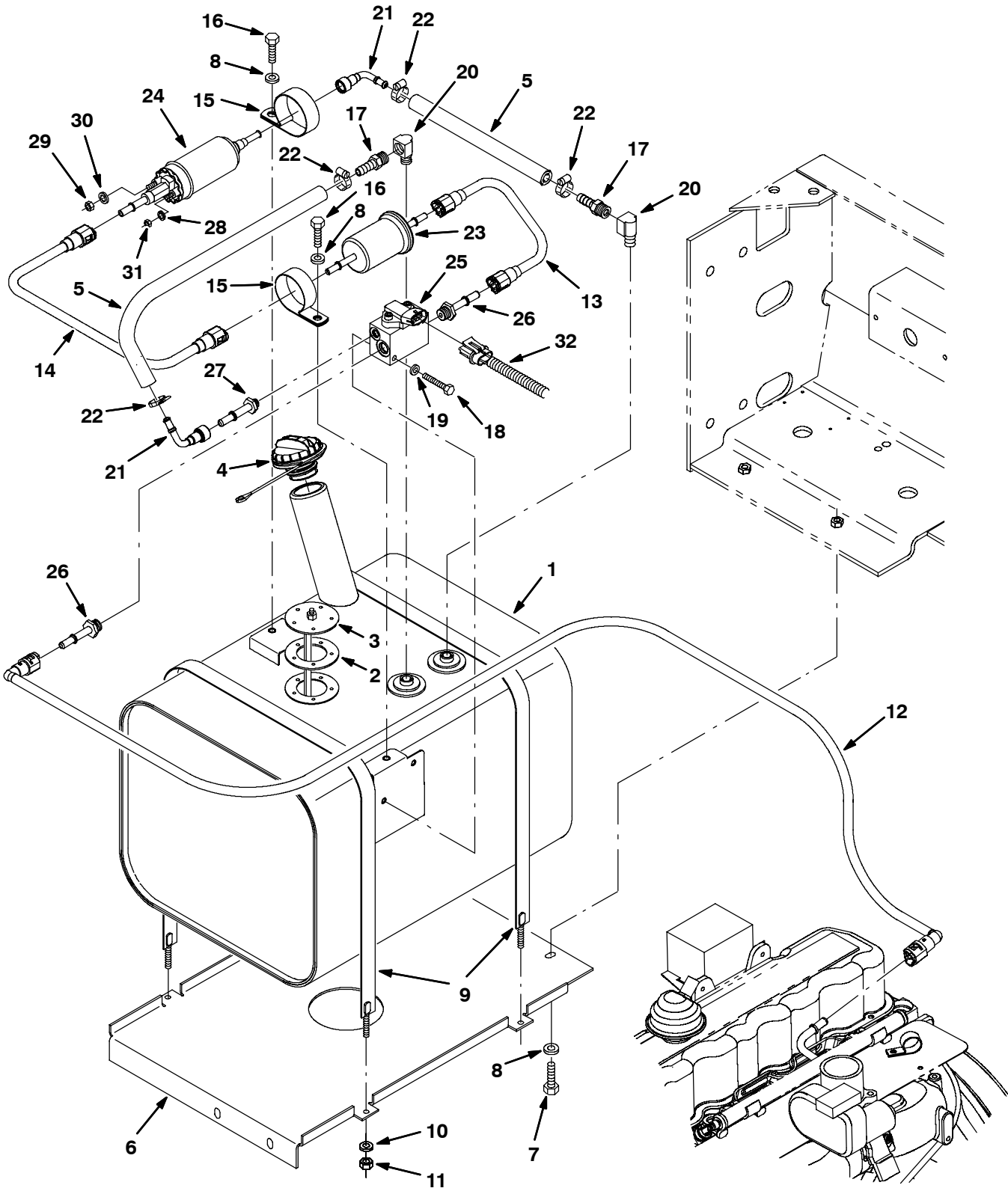


Fig. 53 - Engine Fuel Tank Group, Gas (007000- )

Ref.	Part No.	Serial Number	Description	Qty.
▽ 1	1029502	(007000-	) Tank, Fuel, 14.0gal, 14.66w 13.0hi 19.0l	1
▲ 2	1033897	(007000-	) Gasket, Sender, Fuel	1
▲ 3	1033899	(007000-	) Send-Unit, Fuel [800/810 2007]	1
▲ 4	1032812	(007000-	) Cap, Fuel, Tank	1
5	1033746	(007000-	) Hose, Fuel, 0.31id [Evap Emission 07]	2
6	70477	(007000-	) Plate, Mtg, Tank, Gas	1
7	16931	(007000-	) Screw, Hex, M8 X 1.25 X 20, 8.8	4
8	32491	(007000-	) Washer, Flat, 0.31, Std	6
9	87396	(007000-	) Strap Wldt, Tank, 0.06 1.0w 37.7l	2
10	32483	(007000-	) Washer, Flat, 0.25, Sae	4
11	32981	(007000-	) Nut, Hex, Lock, .25-20, NI	4
12	1030485	(007000-	) Fuelline, .31d E90, 05/06, Plstc	1
13	1013509	(007000-	) Fuelline, .31d Str/Str, Plstc [8200]	1
14	1034676	(007000-	) Fuelline, .31d Str/Str,Plstc[M20/T20 07]	1
15	1011895	(007000-	) Clamp, Cable, Stl, 2.00d X 0.75w, 1hole	1
16	16931	(007000-	) Screw, Hex, M8 X 1.25 X 20, 8.8	1
17	392629	(007000-	) Fitting, Brs, Str, Bm05/Pm04	2
18	06949	(007000-	) Screw, Hex, M6 X 1.0 X 50, 8.8	2
19	32490	(007000-	) Washer, Flat, 0.25, Std	2
20	9000355	(007000-	) Fitting, Brs, E90, Em05/Pm04	2
21	1019939	(007000-	) Connector, Fuel, E90, Qf	1
22	43844	(007000-	) Clamp, Hose, Wormdrive, 0.25-0.62d, .31w	4
23	372440	(007000-	) Filter, Fuel [Gm 1.6l/3.0l]	1
24	9006592	(007000-	) Pump, Fuel	1
25	1028924	(007000-	) Manifold, Gas, Relief, Valve	1
26	1029293	(007000-	) Fitting, Fuel, Str, 0.56-18 [07 Eng]	2
27	1029295	(007000-	) Fitting, Fuel, Str, 0.38-24 [07 Eng]	1
28	32980	(007000-	) Washer, Lock, Int, #10	1
29	42368	(007000-	) Nut, Hex, Std, M4 X 0.70, 8	1
30	32978	(007000-	) Washer, Lock, Int, #08	1
31	50335	(007000-	) Nut, Hex, Std, M5 X 0.80, 8	1
32	385009	(007000-	) Harness, Eng	1

# STANDARD PARTS

Fig. 54 - Engine Fuel Tank Group, LPG (004000-004936)

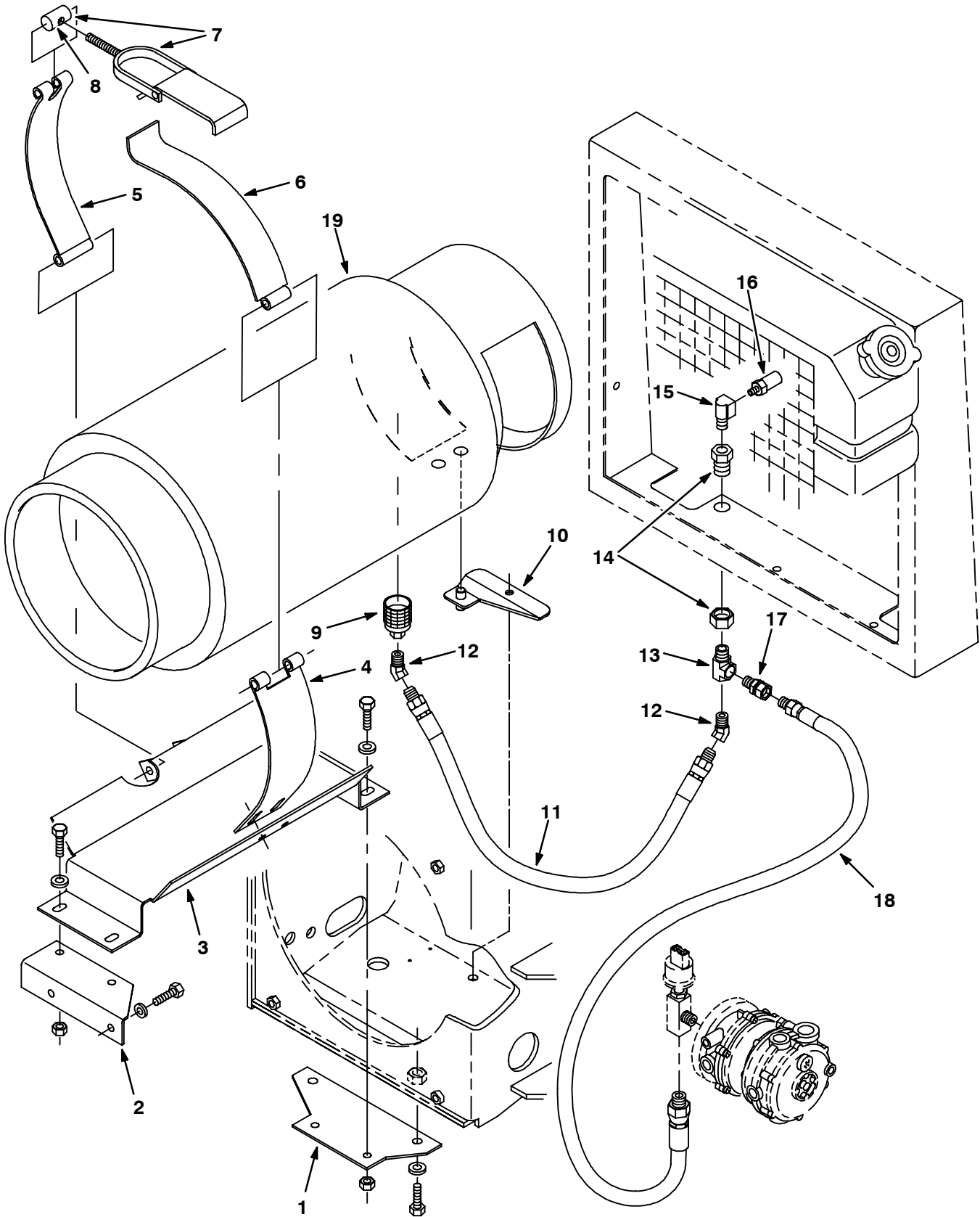


Fig. 54 - Engine Fuel Tank Group, LPG (004000-004936)

Ref.	Part No.	Serial Number	Description	Qty.	
1	70718	(004000-004936 )	Plate, Mtg	1	
2	70719	(004000-004936 )	Angle, Mtg	1	
3	70435	(004000-004936 )	Bracket Wldt, Tank, Lpg	1	
4	58589	(004000-004936 )	Strap, Mtg.- Lp Tank	1	
5	58590	(004000-004936 )	Strap, Tank Retainer - Lp	1	
6	57297	(004000-004936 )	Strap, Hinge - Lp Tank Mtg	1	
▽	7	53400-1	(004000-004936 )	Latch Assy, Lpg Tank Mtg,W/Nut	1
▲	8	53400-4	(004000-004936 )	Nut, Adjustable, Lpg Tank Mtg	1
9	26496	(004000-004936 )	Coupling,Quickdisc, Lpg, Shwd	1	
10	74089	(004000-004936 )	Plate Wldt.	1	
11	22308-3	(004000-004936 )	Hose, Lpg, 4Lpg X 35.0Lg	1	
12	47720	(004000-004936 )	Ftg-Hyd E45 Pm04/Pf04	2	
13	56976A	(004000-004936 )	Ftg-Tee Npt 04Pm- 04Pf- 04Pf	1	
14	78122	(004000-004936 )	Ftg,Bulkhead .25Npt Wh W21204	1	
15	27048	(004000-004936 )	Ftg-El90 Npt/Npt 04Pf/04Pm	1	
16	24047	(004000-004936 )	Valve, Press Relief, Lpg Rego	1	
17	11442-23	(004000-004936 )	Ftg-Str Npt/Npt S04Pf-04Pm	1	
18	374158	(004000-004936 )	Hose, Lpg, 4Lpg X 40.0Lg	1	
19	24928-1	(004000-004936 )	Tank-Lp, 33#,Liq,Both,Fill Ga	1	

# STANDARD PARTS

Fig. 55 - Engine Fuel Tank Group, LPG (004937-005999)

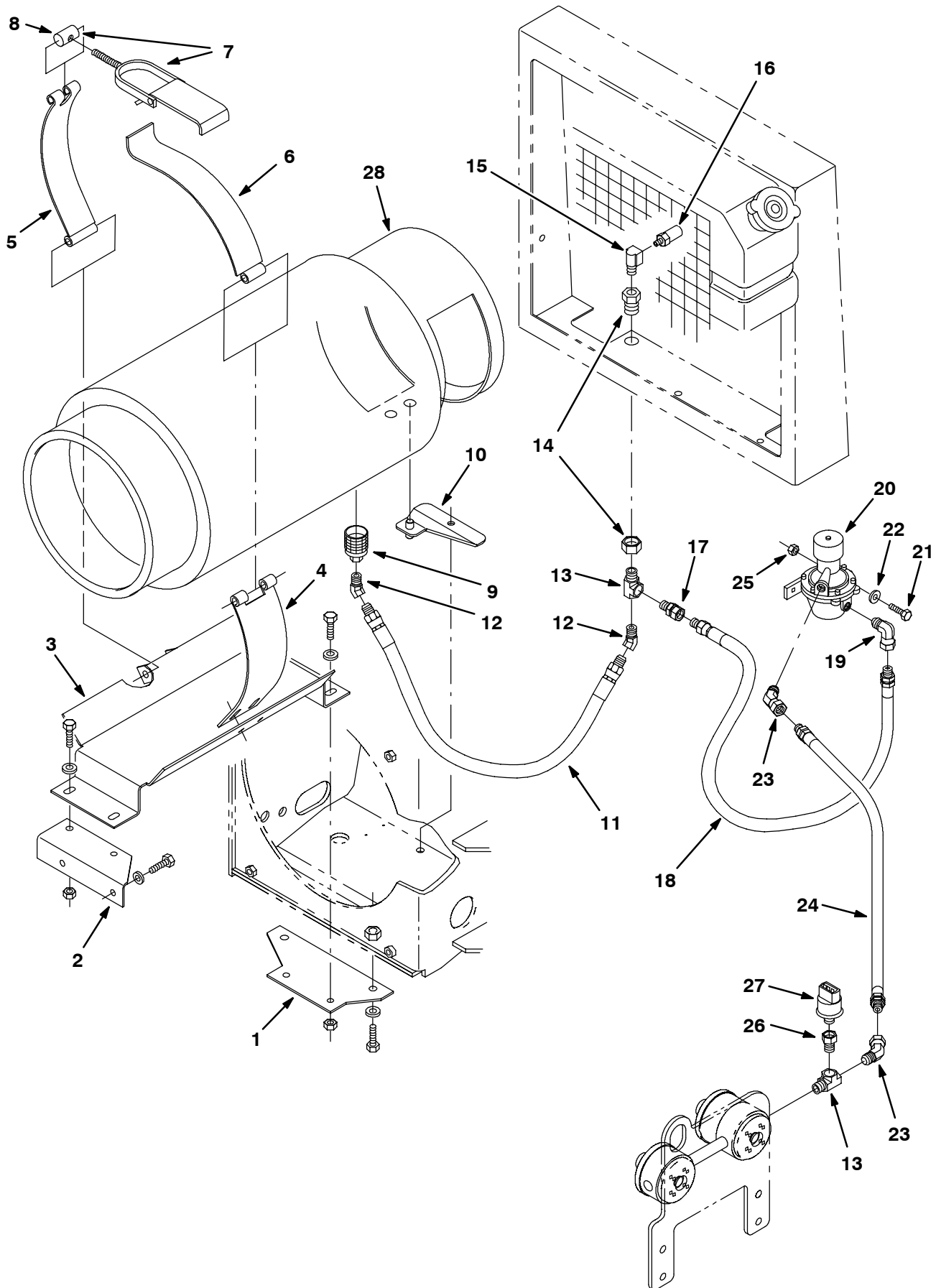




Fig. 55 - Engine Fuel Tank Group, LPG (004937-005999)

Ref.	Part No.	Serial Number	Description	Qty.	
1	70718	(004937-005999 )	Plate, Mtg	1	
2	70719	(004937-005999 )	Angle, Mtg	1	
3	70435	(004937-005999 )	Bracket Wldt, Tank, Lpg	1	
4	58589	(004937-005999 )	Strap, Mtg.- Lp Tank	1	
5	58590	(004937-005999 )	Strap, Tank Retainer - Lp	1	
6	57297	(004937-005999 )	Strap, Hinge - Lp Tank Mtg	1	
▽	7	53400-1	(004937-005999 )	Latch Assy, Lpg Tank Mtg,W/Nut	1
▲	8	53400-4	(004937-005999 )	Nut, Adjustable, Lpg Tank Mtg	1
9	26496	(004937-005999 )	Coupling,Quickdisc, Lpg, Shwd	1	
10	74089	(004937-005999 )	Plate Wldt.	1	
11	22308-3	(004937-005999 )	Hose, Lpg, 4Lpg X 35.0Lg	1	
12	47720	(004937-005999 )	Ftg-Hyd E45 Pm04/Pf04	2	
13	56976A	(004937-005999 )	Ftg-Tee Npt 04Pm- 04Pf- 04Pf	2	
14	78122	(004937-005999 )	Ftg,Bulkhead .25Npt Wh W21204	1	
15	27048	(004937-005999 )	Ftg-El90 Npt/Npt 04Pf/04Pm	1	
16	24047	(004937-005999 )	Valve, Press Relief, Lpg Rego	1	
17	11442-23	(004937-005999 )	Ftg-Str Npt/Npt S04Pf-04Pm	1	
18	22324	(004937-005999 )	Hose, Lpg, Med05, Pm04str/Sm04str, 31.0l	1	
19	11442-1	(004937-005999 )	Fitting, Hyd, E90, Swivel Pf04/Pm04	1	
▽	20	53395-2	(004937-005999 )	Filter, Fuelock, [Ballwin#4-2384b]	1
▲	48282	(004937-005999 )	Kit, Repair, Fuelock, Mv 310-6	1	
21	12316	(004937-005999 )	Screw, Hex, M05 X 0.8 X 25, Ss	2	
22	386063	(004937-005999 )	Washer, 0.25b 1.12d .12, Ss	2	
23	47720	(004937-005999 )	Fitting, Hyd, E45, Pm04/Pf04	2	
24	62865	(004937-005999 )	Hose, Lpg, Med05, Pm04str/Sm04str, 67.0l	1	
25	50335	(004937-005999 )	Nut, Hex, Std, M05 X 0.8	2	
26	17414	(004937-005999 )	Fitting, Pipe, Str, Pm04/Pf02	1	
27	23156	(004937-005999 )	Switch, Press, 12vdc 08a Spst Nc 0070psi	1	
28	24928-1	(004937-005999 )	Tank-Lp, 33#,Liq,Both,Fill Ga	1	

# STANDARD PARTS

Fig. 56 - Engine Fuel Tank Group, LPG (006000-006999)

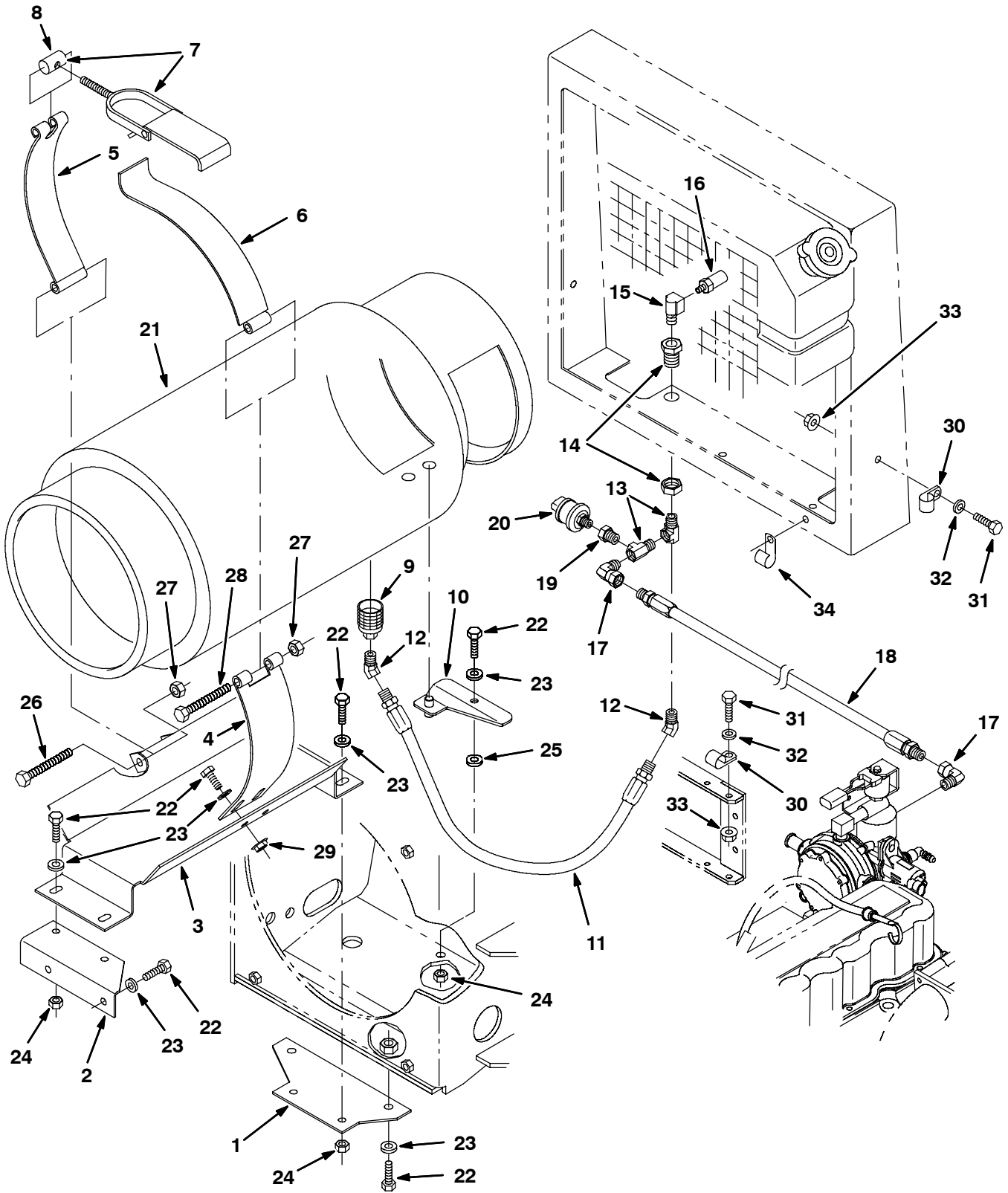


Fig. 56 - Engine Fuel Tank Group, LPG (006000-006999)

Ref.	Part No.	Serial Number	Description	Qty.	
1	70718	(006000-006999 )	Plate, Mtg	1	
2	70719	(006000-006999 )	Angle, Mtg	1	
3	70435	(006000-006999 )	Bracket Wldt, Tank, Lpg	1	
4	58589	(006000-006999 )	Strap, Mtg.- Lp Tank	1	
5	58590	(006000-006999 )	Strap, Tank Retainer - Lp	1	
6	57297	(006000-006999 )	Strap, Hinge - Lp Tank Mtg	1	
▽	7	53400-1	(006000-006999 )	Latch Assy, Lpg Tank Mtg,W/Nut	1
▲	8	53400-4	(006000-006999 )	Nut, Adjustable, Lpg Tank Mtg	1
9	26496	(006000-006999 )	Coupling,Quickdisc, Lpg, Shwd	1	
10	74089	(006000-006999 )	Plate Wldt.	1	
11	374158	(006000-006999 )	Hose, Lpg, Med05, Pm04str/Sm04str, 46.0l	1	
12	47720	(006000-006999 )	Ftg-Hyd E45 Pm04/Pf04	2	
13	56976A	(006000-006999 )	Ftg-Tee Npt 04Pm- 04Pf- 04Pf	2	
14	78122	(006000-006999 )	Ftg,Bulkhead .25Npt Wh W21204	1	
15	27048	(006000-006999 )	Ftg-El90 Npt/Npt 04Pf/04Pm	1	
16	24047	(006000-006999 )	Valve, Press Relief, Lpg Rego	1	
17	11442-1	(006000-006999 )	Fitting, Hyd, E90, Swivel Pf04/Pm04	2	
18	22308-3	(006000-006527 )	Hose, Lpg, 4Lpg X 35.0Lg	1	
18	19760	(006528-006999 )	Hose, Lpg, Med05, Pm04str/Sm04str, 055.0	1	
19	17414	(006000-006999 )	Fitting, Pipe, Str, Pm04/Pf02	1	
20	23156	(006000-006999 )	Switch, Press, 12vdc 08a Spst Nc 0070psi	1	
21	24928-1	(006000-006999 )	Tank-Lp, 33#,Liq,Both,Fill Ga	1	
22	16931	(006000-006999 )	Screw, Hex, M8 X 1.25 X 20, 8.8	11	
23	32491	(006000-006999 )	Washer, Flat, 0.31, Std	11	
24	08709	(006000-006999 )	Nut, Hex, Lock, M8 X 1.25, NI	7	
25	43611	(006000-006999 )	Washer, Flat, 0.39b 0.75d .06, Nyl	1	
26	35707	(006000-006999 )	Screw, Hex, .38-16 X 3.00, G5	1	
27	50902	(006000-006999 )	Nut, Hex, Lock, .38-16, NI	2	
28	20177	(006000-006999 )	Screw, Hex, .38-16 X 4.00, G5	1	
29	07791	(006000-006999 )	Nut, Hex, Flng, M8 X 1.25	2	
30	67767	(006528-006999 )	Clamp, Cable, Stl, 0.69d X 0.62w, 1hole	2	
31	06942	(006528-006999 )	Screw, Hex, M6 X 1.0 X 16, 8.8	2	
32	19066	(006528-006999 )	Washer, Flat, #10	2	
33	07790	(006528-006999 )	Nut, Hex, Flng, M6 X 1.00	2	
34	30407	(006528-006999 )	Clip, Keeper, Open	1	

# STANDARD PARTS

Fig. 57 - Engine Fuel Tank Group, LPG (007000- )

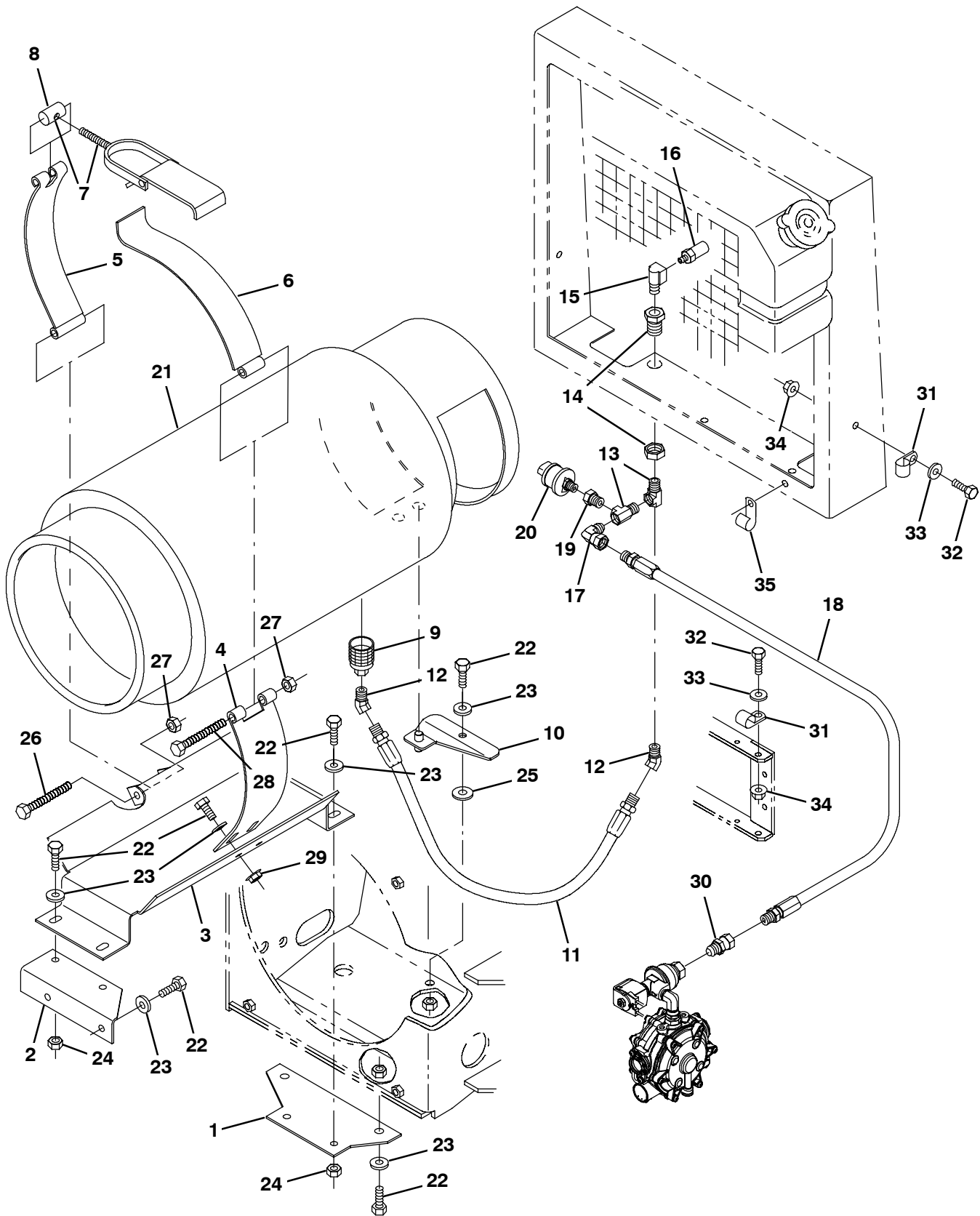


Fig. 57 - Engine Fuel Tank Group, LPG (007000- )

Ref.	Part No.	Serial Number	Description	Qty.
1	70718	(007000-	) Plate, Mtg	1
2	70719	(007000-	) Angle, Mtg	1
3	70435	(007000-	) Bracket Wldt, Tank, Lpg	1
4	58589	(007000-	) Strap, Mtg.- Lp Tank	1
5	58590	(007000-	) Strap, Tank Retainer - Lp	1
6	57297	(007000-	) Strap, Hinge - Lp Tank Mtg	1
▽	7	53400-1	(007000-) Latch Assy, Lpg Tank Mtg,W/Nut	1
▲	8	53400-4	(007000-) Nut, Adjustable, Lpg Tank Mtg	1
9	26496	(007000-	) Coupling,Quickdisc, Lpg, Shwd	1
10	74089	(007000-	) Plate Wldt.	1
11	374158	(007000-	) Hose, Lpg, Med05, Pm04str/Sm04str, 46.0l	1
12	47720	(007000-	) Ftg-Hyd E45 Pm04/Pf04	2
13	56976A	(007000-	) Ftg-Tee Npt 04Pm- 04Pf- 04Pf	2
14	78122	(007000-	) Ftg,Bulkhead .25Npt Wh W21204	1
15	27048	(007000-	) Ftg-El90 Npt/Npt 04Pf/04Pm	1
16	24047	(007000-	) Valve, Press Relief, Lpg Rego	1
17	11442-1	(007000-	) Fitting, Hyd, E90, Swivel Pf04/Pm04	2
18	62865	(007000-	) Hose, Lpg, Med05, Pm04str/Sm04str, 067.0	1
19	17414	(007000-	) Fitting, Pipe, Str, Pm04/Pf02	1
20	23156	(007000-	) Switch, Press, 12vdc 08a Spst Nc 0070psi	1
21	24928-1	(007000-	) Tank-Lp, 33#,Liq,Both,Fill Ga	1
22	16931	(007000-	) Screw, Hex, M8 X 1.25 X 20, 8.8	9
23	32491	(007000-	) Washer, Flat, 0.31, Std	9
24	08709	(007000-	) Nut, Hex, Lock, M8 X 1.25, NI	7
25	43611	(007000-	) Washer, Flat, 0.39b 0.75d .06, Nyl	1
26	35707	(007000-	) Screw, Hex, .38-16 X 3.00, G5	1
27	50902	(007000-	) Nut, Hex, Lock, .38-16, NI	2
28	20177	(007000-	) Screw, Hex, .38-16 X 4.00, G5	1
29	07791	(007000-	) Nut, Hex, Flng, M8 X 1.25	2
30	11442-23	(007000-	) Fitting, Pipe, Str, Pm04/Sf04	1
31	67767	(007000-	) Clamp, Cable, Stl, 0.69d X 0.62w, 1hole	2
32	06942	(007000-	) Screw, Hex, M6 X 1.0 X 16, 8.8	2
33	19066	(007000-	) Washer, Flat, #10	2
34	07790	(007000-	) Nut, Hex, Flng, M6 X 1.00	2
35	30407	(007000-	) Clip, Keeper, Open	1

**Fig. 58 - Engine Radiator Hose Group (004000-004936)**

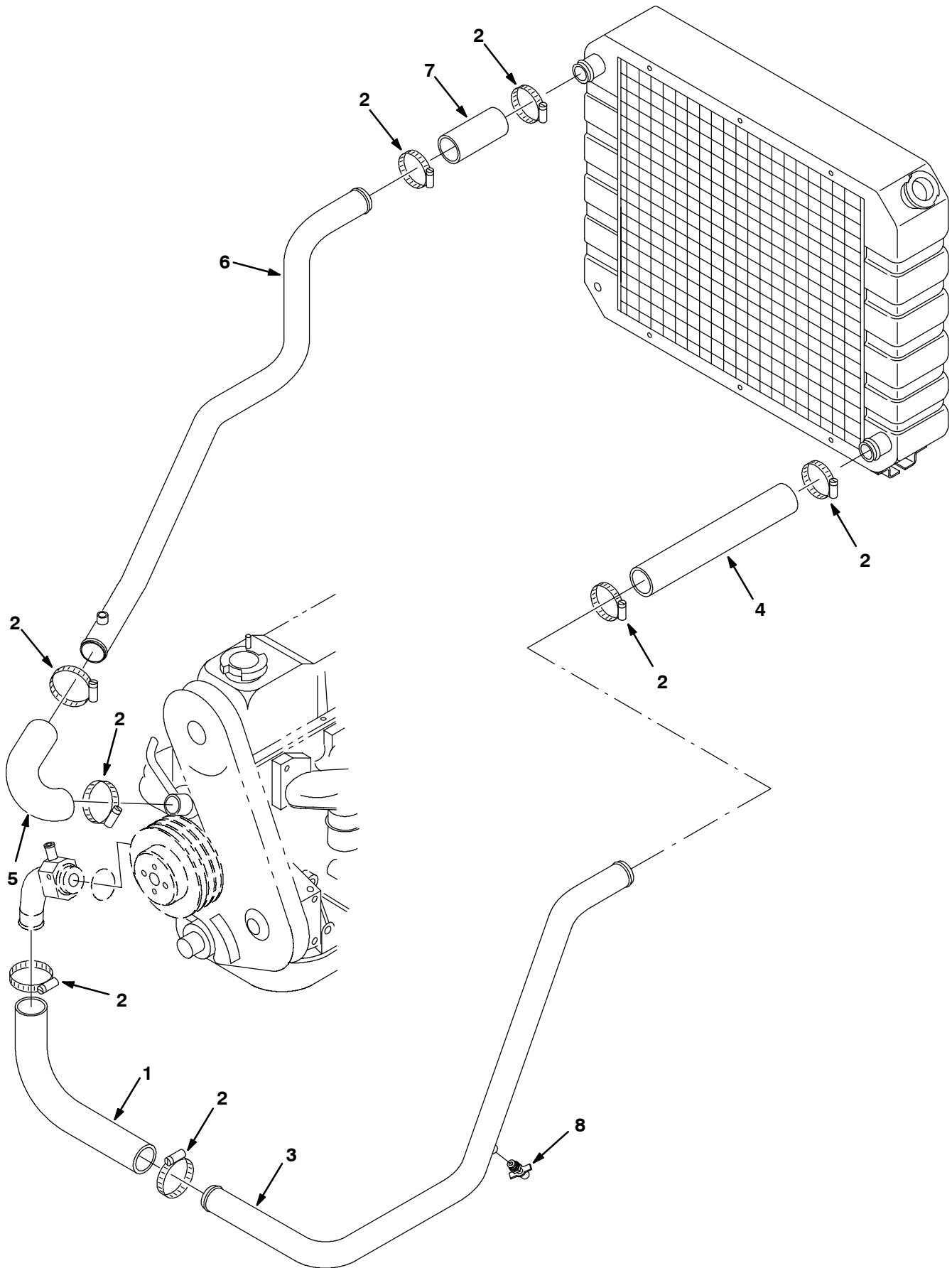


Fig. 58 - Engine Radiator Hose Group (004000-004936)

Ref.	Part No.	Serial Number	Description	Qty.
1	83690	(004000-004936 )	Hose, Radiator, Lower	1
2	11531	(004000-004936 )	Clamp-Wormdrive, 1.06- 2.00D	8
3	70754	(004000-004936 )	Tube, Coolant, 1.5od Lower	1
4	70635	(004000-004936 )	Hose, Rbr 1.50id 1.88od 12.0 L	1
5	70636	(004000-004936 )	Hose, Radiator, Upper	1
6	83691	(004000-004936 )	Tube, Radiator, Upper, Gas/Lpg	1
7	78750	(004000-004936 )	Hose, Rbr, 1.50id 1.88od 6.0 L	1
8	54911-32	(004000-004936 )	Drain Cock, .25npt	1

**Fig. 59 - Engine Radiator Hose Group (004937-005999)**

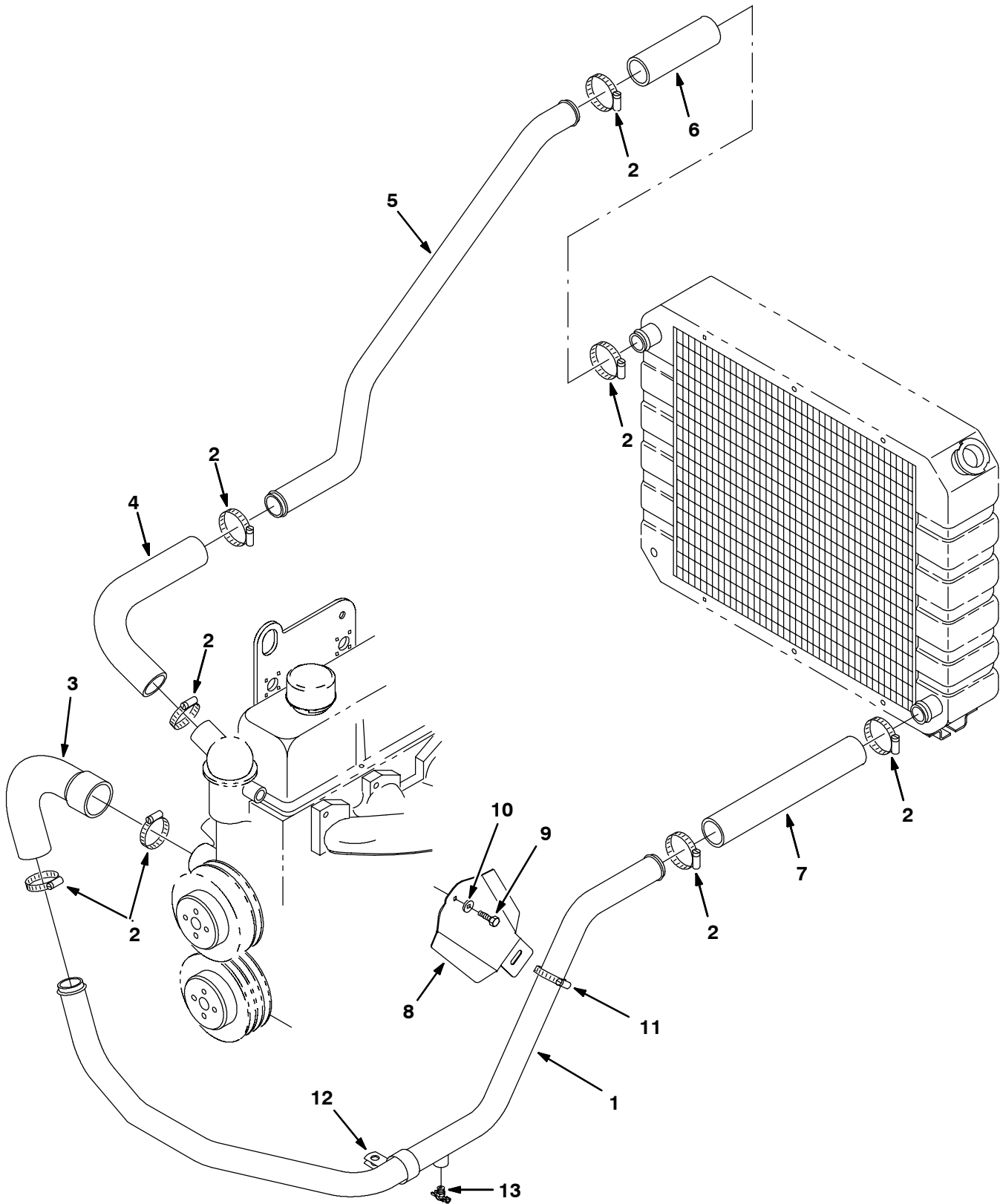




Fig. 59 - Engine Radiator Hose Group (004937-005999)

Ref.	Part No.	Serial Number	Description	Qty.
1	392590	(004937-005999 )	Tube, Coolant, 1.5d W/.25npt Low, G/Lpg	1
2	11531	(004937-005999 )	Clamp, Hose, Wormdrive, 1.06-2.00d	8
3	393229	(004937-005999 )	Hose, Rbr, E120 1.50id 1.20id 06.4 2.7	1
4	83690	(004937-005999 )	Hose, Rbr, E90 1.50id 1.50id 09.4 6.3	1
5	392591	(004937-005999 )	Tube, Coolant, 1.5d Upper, Gas/Lpg	1
6	78750	(004937-005999 )	Hose, Rbr, 1.50id 1.88od 12.0l	1
7	74944	(004937-005999 )	Hose, Rbr, 1.50id 1.88od 06.0l	1
8	393216	(004937-005999 )	Plate, Shield, Heat, W/Label	1
9	54396	(004937-005999 )	Screw, Hex, .31-18 X 0.75, 5	1
10	32491	(004937-005999 )	Washer, Flat, .31 Std	1
11	79381	(004937-005999 )	Clamp, Hose, Wormdrive, 1.25-2.00d	1
12	53468	(004937-005999 )	Clamp, Cable, Stl, 1.75d X 1.00w, 1h	1
13	54911-32	(004937-005999 )	Fitting, Draincock, .25npt	1

Fig. 60 - Engine Radiator Hose Group (006000-006999)

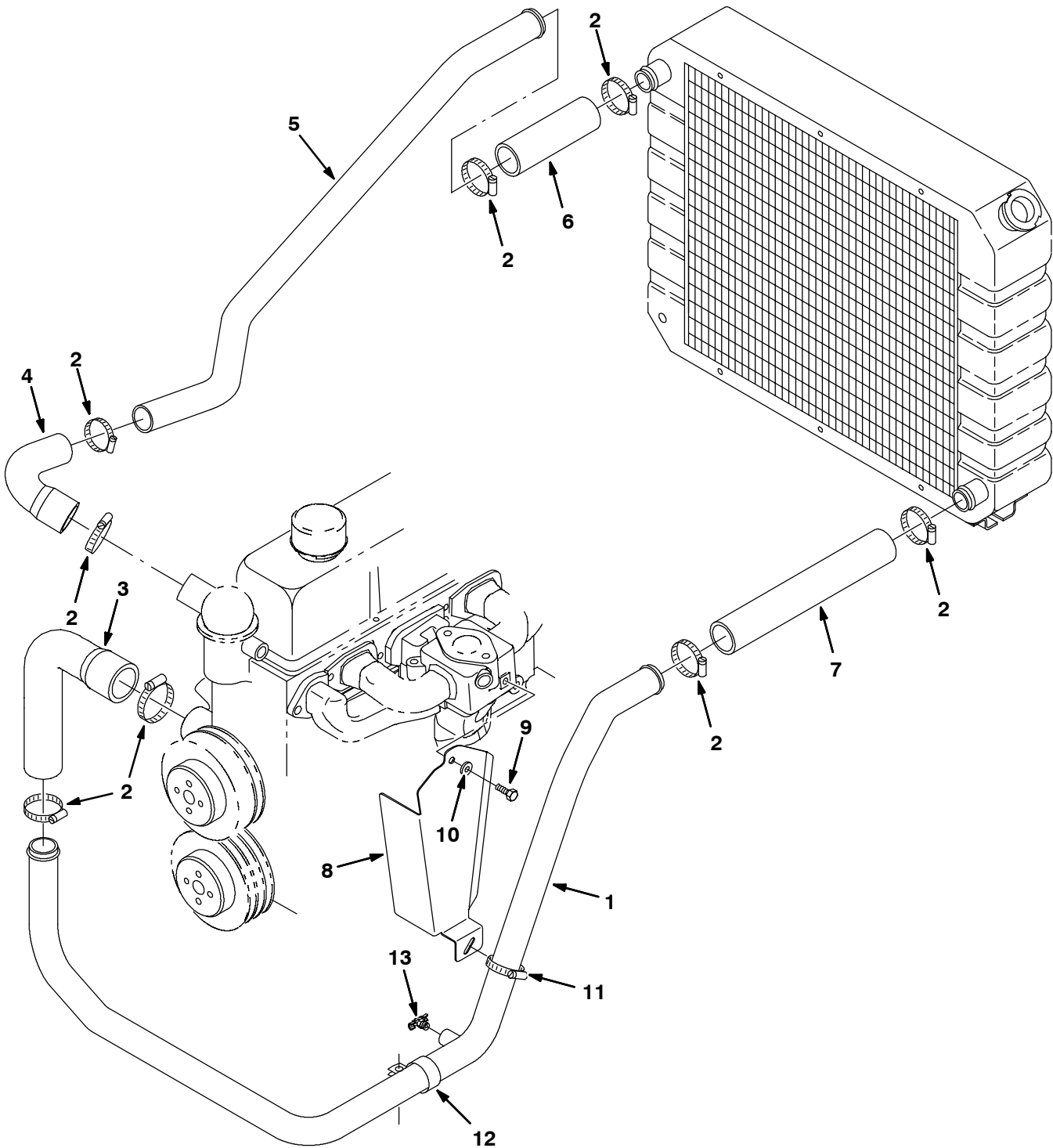


Fig. 60 - Engine Radiator Hose Group (006000-006999)

Ref.	Part No.	Serial Number	Description	Qty.
1	392590	(006000-006999 )	Tube, Coolant, 1.5d W/.25npt Low, G/Lpg	1
2	11531	(006000-006999 )	Clamp, Hose, Wormdrive, 1.06-2.00d	8
3	392647	(006000-006999 )	Hose, Coolant, 1.50id To 1.75id, Mold	1
4	393229	(006000-006171 )	Hose, Rbr, E120 1.50id 1.20id 05.0 05.2	1
4	1012737	(006172-006999 )	Hose, Rbr, E90 1.50id 1.62id 0.40 04.0	1
5	392591	(006000-006999 )	Tube, Coolant, 1.5d Upper, Gas/Lpg	1
6	78750	(006000-006999 )	Hose, Rbr, 1.50id 1.88od 06.0l	1
7	70635	(006000-006999 )	Hose, Rbr, 1.50id 1.88od 12.0l	1
8	9000360	(006000-006999 )	Plate, Shield, Heat, W/Label	1
9	54396	(006000-006999 )	Screw, Hex, .31-18 X 0.75, 5	1
10	32491	(006000-006999 )	Washer, Flat, .31 Std	1
11	79381	(006000-006999 )	Clamp, Hose, Wormdrive, 1.25-2.00d	1
12	53468	(006000-006999 )	Clamp, Cable, Stl, 1.75d X 1.00w, 1h	1
13	54911-32	(006000-006999 )	Fitting, Draincock, .25npt	1

Fig. 61 - Engine Radiator Hose Group (007000- )

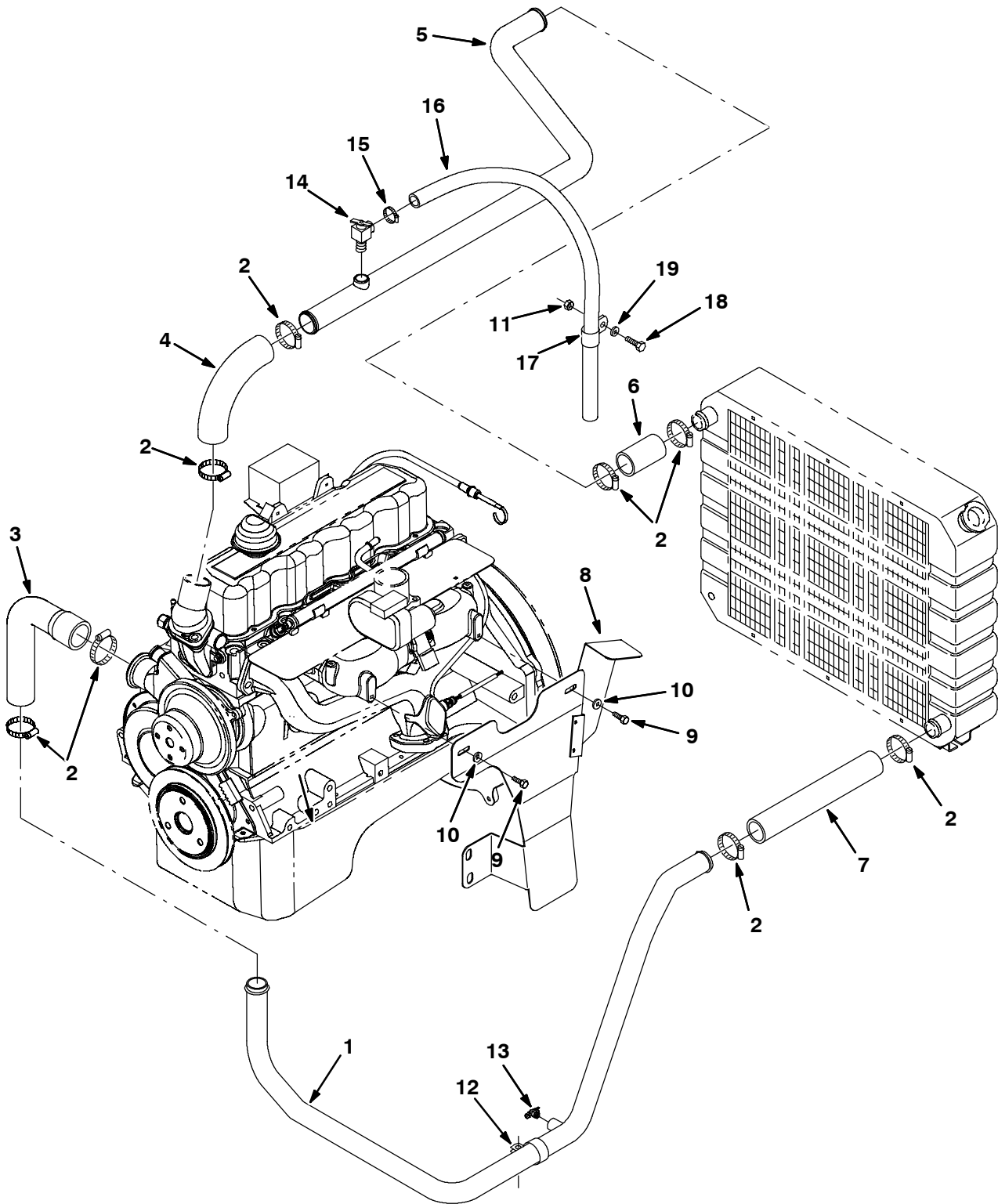


Fig. 61 - Engine Radiator Hose Group (007000- )

Ref.	Part No.	Serial Number	Description	Qty.
1	392590	(007000-	) Tube, Coolant, 1.5d W/.25npt Low, G/Lpg	1
2	11531	(007000-	) Clamp, Hose, Wormdrive, 1.06-2.00d	8
3	392647	(007000-	) Hose, Coolant, 1.50id To 1.75id, Mold	1
4	380748	(007000-	) Hose, Rbr, E90, 1.50id 1.50id 06.3 04.5	1
5	1030189	(007000-	) Tube, Radiator, Upper [800gas/Lpg]	1
6	74944	(007000-	) Hose, Rbr, 1.50id 1.88od 04.0l	1
7	70635	(007000-	) Hose, Rbr, 1.50id 1.88od 12.0l	1
8	1029737	(007000-	) Shield Wldt, Heat, Manifold	1
9	06941	(007000-	) Screw, Hex, M6 X 1.0 X 10, 8.8	2
10	32483	(007000-	) Washer, Flat, 0.25, Sae	2
11	08708	(007000-	) Nut, Hex, Lock, M6 X 1.00, NI	1
12	53468	(007000-	) Clamp, Cable, Stl, 1.75d X 1.00w, 1hole	1
13	54911-32	(007000-	) Fitting, Draincock, .25npt	1
14	51305	(007000-	) Fitting, Draincock, E90, .25npt	1
15	43844	(007000-	) Clamp, Hose, Wormdrive, 0.25-0.62d, .31w	1
16	41295	(007000-	) Hose, Pvc, Clr, 0.38id 0.56od 048.0l	1
17	62234	(007000-	) Handle, Valve, Cntrl	1
18	06944	(007000-	) Screw, Hex, M6 X 1.0 X 25, 8.8	1
19	32483	(007000-	) Washer, Flat, 0.25, Sae	1

# STANDARD PARTS

Fig. 62 - Engine Radiator and Cooling Fan Group (004000-006308)

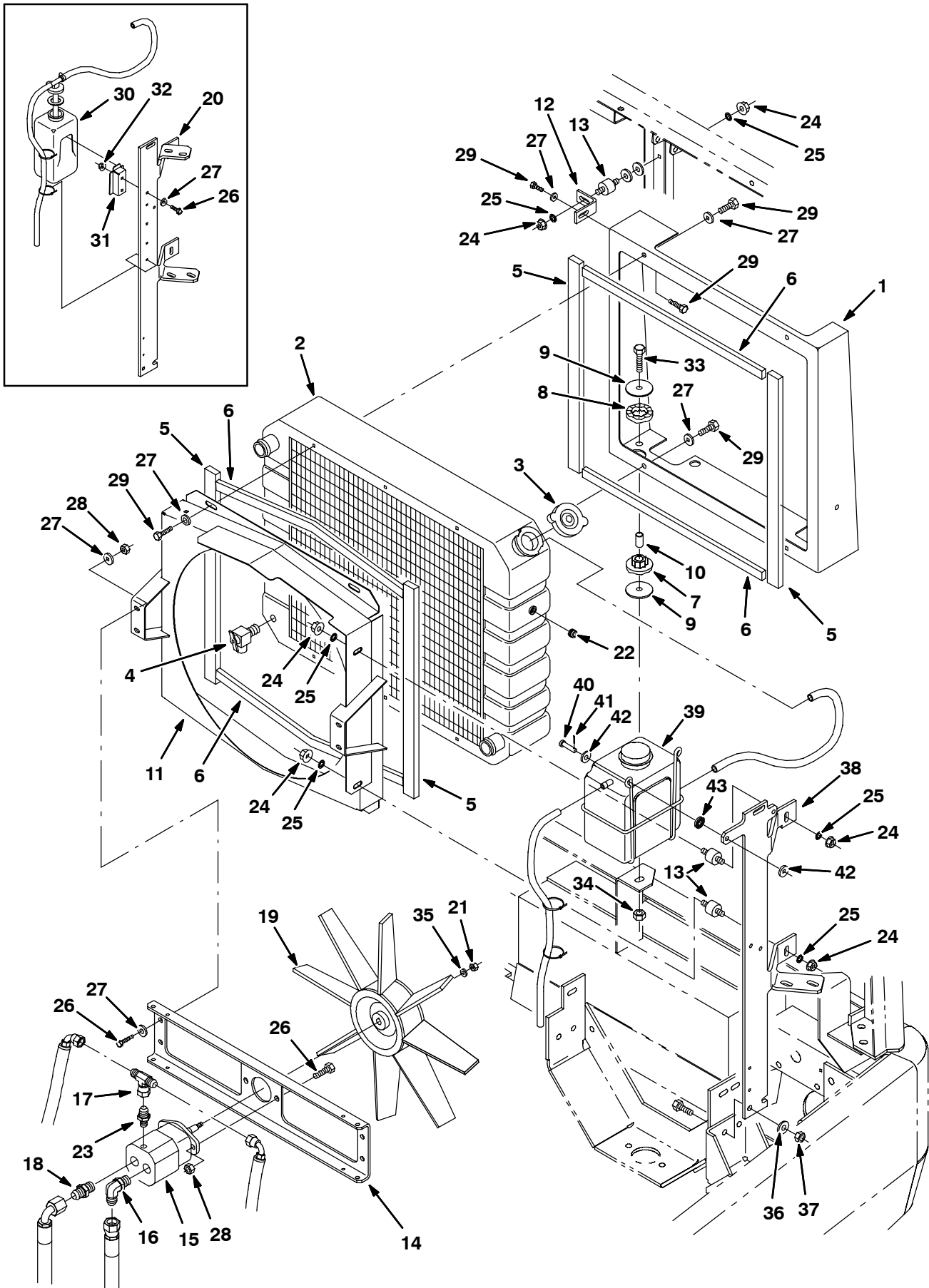


Fig. 62 - Engine Radiator and Cooling Fan Group (004000-006308)

Ref.	Part No.	Serial Number	Description	Qty.	
1	48056	(004000-006308 )	Duct, Rear	1	
2	1041739AM	(004000-006308 )	Radiator	1	
3	1045764	(004000-006308 )	Cap, Radiator, 14psi [Stant]	1	
4	51305	(004000-006308 )	Drain Cock, .25Npt Wh#120 Angl	1	
5	63818	(004000-006308 )	Seal, Duct	4	
6	374230	(004000-006308 )	Seal, Ure, 0.38 0.75w 19.5l Adh	4	
7	64621	(004000-006308 )	Bushing, Isolator	2	
8	64618	(004000-006308 )	Ring, Isolator, Outer Rbr	2	
9	58228	(004000-006308 )	Washer, Flat, 0.44b 2.00d .12, Stl, PI	4	
10	77452	(004000-006308 )	Spacer	2	
11	9001070	(004000-006308 )	Shroud, Fan, Radiator, W/ Label [800]	1	
12	375511	(004000-006308 )	Bracket, L, 2.20,2.00, .18T,1.	1	
13	51322	(004000-006308 )	Isolator-Vibration .31-18	3	
14	1019188	(004000-006308 )	Channel, Mtg, Fan Motor	1	
▽	15	63542	(004000-006308 )	Motor-Hyd, Gear In 10.0 (See Breakdowns)	1
▲	00960	(004000-006308 )	Key, Sq, 0.12 X 0.12, 0.50l	1	
16	47512	(004000-006308 )	Ftg-Hyd E90 Jm06/Om08	1	
17	31599	(004000-004936 )	Ftg-Hyd Tee Jm04Omjm	1	
18	52402	(004000-006308 )	Ftg-Hyd Str Jm06/Om08	1	
19	375586	(004000-006308 )	Fan, Radiator	1	
20	380754	(004000-006183 )	Bracket, Mtg, Fltr, Oil, W/ Label [800]	1	
21	74082	(004000-006308 )	Nut-Hxlocnyln .31-24 Reg Pltd	1	
22	02247	(004495-006308 )	Fitting, Plug	1	
23	50960	(004937-006308 )	Fitting, Hyd, Str, Jm06/Om04	1	
24	19313	(004000-006308 )	Nut, Hex, Std, .31-18	6	
25	32984	(004000-006308 )	Washer, Lock, Int, 0.31	6	
26	39277	(004000-006308 )	Screw, Hex, M8 X 1.25 X 25, 8.8	8	
27	32491	(004000-006308 )	Washer, Flat, 0.31 Std	14	
28	08709	(004000-006308 )	Nut, Hex, Lock, M8 X 1.25, NI	7	
29	16931	(004000-006308 )	Screw, Hex, M8 X 1.25 X 20, 8.8	9	
30	87972	(004000-006183 )	Tank, Coolant, 03.5 03.0 06.5deep 1.0 Qt	1	
31	382507	(004000-006183 )	Bracket, Mtg, Tank, Coolant F/87972	1	
32	07790	(004000-006308 )	Nut, Hex, Flng, M6 X 1.0	2	
33	27990	(004000-006308 )	Screw, Hex, .38-16 X 2.00, 5	2	
34	50902	(004000-006308 )	Nut, Hex, Lock, .38-16, NI	2	
35	41186	(004000-006308 )	Washer, Belleville, .31	1	
36	32492	(004000-006308 )	Washer, Flat, 0.38 Std	2	
37	41430	(004000-006308 )	Nut, Hex, Lock, M10 X 1.5, NI	2	
38	9001183	(004000-006308 )	Bracket, Mtg, Fltr, Oil, W/Label [800]	1	
39	768897	(004000-006308 )	Tank, Coolant, 06.0 04.5 06.9deep 2.5 Qt	1	
40	46800	(004000-006308 )	Pin, Clevis, 0.31 D X 0.75l	2	
41	44906	(004000-006308 )	Pin, Hair Cotter, 0.69 D .092 Wir	2	
42	32490	(004000-006308 )	Washer, Flat, 0.25 Std	4	
43	63416	(004000-006308 )	Washer, Rbr, .12 0.31b 0.88d	2	

# STANDARD PARTS

Fig. 63 - Engine Radiator and Cooling Fan Group (006309-006999)

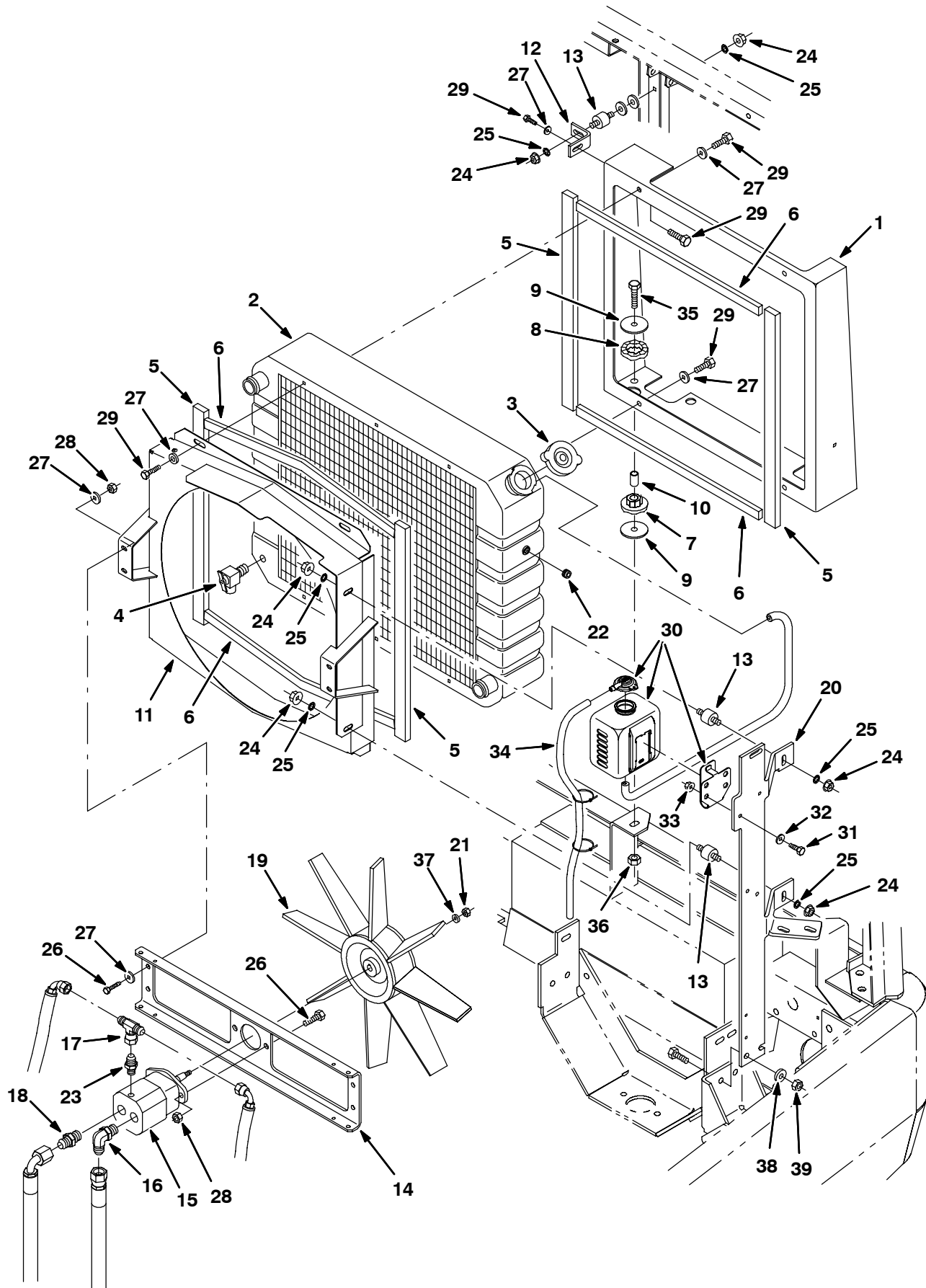




Fig. 63 - Engine Radiator and Cooling Fan Group (006309-006999)

Ref.	Part No.	Serial Number	Description	Qty.	
1	48056	(006309-006999 )	Duct, Rear	1	
2	1041739AM	(006309-006999 )	Radiator	1	
3	1045764	(006309-006999 )	Cap, Radiator, 14psi [Stant]	1	
4	51305	(006309-006999 )	Drain Cock, .25Npt Wh#120 Angl	1	
5	63818	(006309-006999 )	Seal, Duct	4	
6	374230	(006309-006999 )	Seal, Ure, 0.38 0.75w 19.5l Adh	4	
7	64621	(006309-006999 )	Bushing, Isolator	2	
8	64618	(006309-006999 )	Ring, Isolator, Outer Rbr	2	
9	58228	(006309-006999 )	Washer, Flat, 0.44b 2.00d .12, Stl, Pl	4	
10	77452	(006309-006999 )	Spacer	2	
11	9001070	(006309-006999 )	Shroud, Fan, Radiator, W/ Label [800]	1	
12	375511	(006309-006999 )	Bracket, L, 2.20,2.00, .18T,1.	1	
13	51322	(006309-006999 )	Isolator-Vibration .31-18	3	
14	1019188	(006309-006999 )	Channel, Mtg, Fan Motor	1	
▽	15	63542	(006309-006999 )	Motor-Hyd, Gear In 10.0 (See Breakdowns)	1
▲		00960	(006309-006999 )	Key, Sq, 0.12 X 0.12, 0.50l	1
16	47512	(006309-006999 )	Ftg-Hyd E90 Jm06/Om08	1	
17	31599	(006309-006999 )	Ftg-Hyd Tee Jm04Omjm	1	
18	52402	(006309-006999 )	Ftg-Hyd Str Jm06/Om08	1	
19	375586	(006309-006999 )	Fan, Radiator	1	
20	9001554	(006309-006999 )	Bracket, Mtg, Fltr, Oil, W/Label [800]	1	
21	74082	(006309-006999 )	Nut-Hxlocnyln .31-24 Reg Pltd	1	
22	02247	(006309-006999 )	Fitting, Plug	1	
23	50960	(006309-006999 )	Fitting, Hyd, Str, Jm06/Om04	1	
24	19313	(006309-006999 )	Nut, Hex, Std, .31-18	6	
25	32984	(006309-006999 )	Washer, Lock, Int, 0.31	6	
26	39277	(006309-006999 )	Screw, Hex, M8 X 1.25 X 25, 8.8	8	
27	32491	(006309-006999 )	Washer, Flat, 0.31 Std	14	
28	08709	(006309-006999 )	Nut, Hex, Lock, M8 X 1.25, NI	7	
29	16931	(006309-006999 )	Screw, Hex, M8 X 1.25 X 20, 8.8	9	
30	1023853	(006309-006999 )	Tank, Coolant, 04.7 03.3 4.7deep, 1liter	1	
31	06943	(006309-006999 )	Screw, Hex, M6 X 1.0 X 20, 8.8	2	
32	19066	(006309-006999 )	Washer, Flat, #10	2	
33	07790	(006309-006999 )	Nut, Hex, Flng, M6 X 1.0	2	
34	381391	(006309-006999 )	Hose, Drain, Overflow, Radiator	1	
35	27990	(006309-006999 )	Screw, Hex, .38-16 X 2.00, 5	2	
36	50902	(006309-006999 )	Nut, Hex, Lock, .38-16, NI	2	
37	41186	(006309-006999 )	Washer, Belleville, .31	1	
38	32492	(006309-006999 )	Washer, Flat, 0.38 Std	2	
39	41430	(006309-006999 )	Nut, Hex, Lock, M10 X 1.5, NI	2	

# STANDARD PARTS

Fig. 64 - Engine Radiator and Cooling Fan Group (007000- )

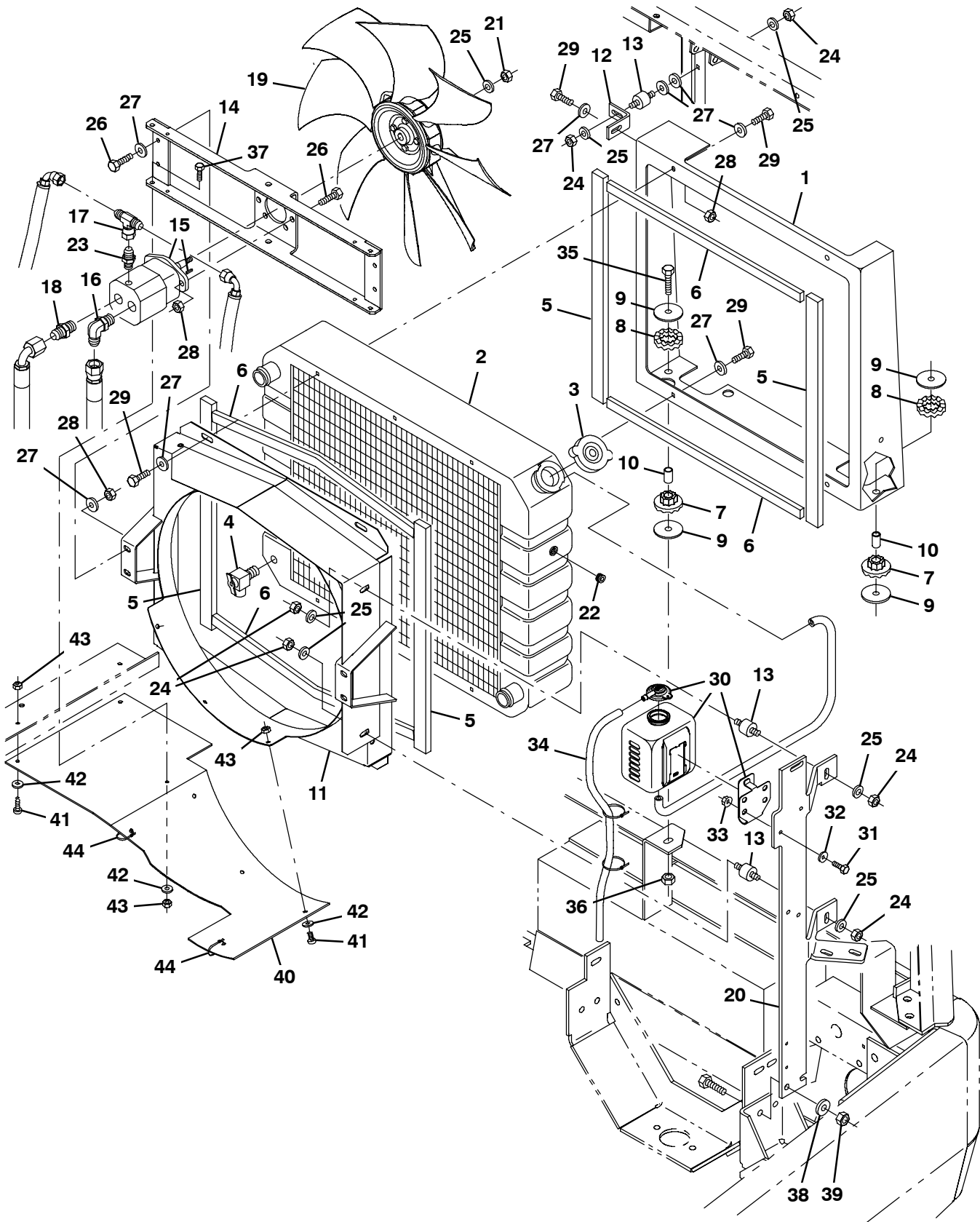


Fig. 64 - Engine Radiator and Cooling Fan Group (007000- )

Ref.	Part No.	Serial Number	Description	Qty.	
1	48056	(007000-	) Duct, Rear	1	
2	1041739AM	(007000-	) Radiator	1	
3	1045764	(007000-	) Cap, Radiator, 14psi [Stant]	1	
4	51305	(007000-	) Drain Cock, .25Npt Wh#120 Angl	1	
5	63818	(007000-	) Seal, Duct	4	
6	374230	(007000-	) Seal, Ure, 0.38 0.75w 19.5l Adh	4	
7	64621	(007000-	) Bushing, Isolator	2	
8	64618	(007000-	) Ring, Isolator, Outer Rbr	2	
9	58228	(007000-	) Washer, Flat, 0.44b 2.00d .12, Stl, Pl	4	
10	77452	(007000-	) Spacer	2	
11	9006741	(007000-007400	) Shroud Kit, Fan, Radiator [800/810]	1	
11	1056213	(007401-	) Shroud Wldt, Fan, Radiator [800/810]	1	
12	375511	(007000-	) Bracket, L, 2.20,2.00, .18T,1.	1	
13	51322	(007000-	) Isolator-Vibration .31-18	3	
14	1033344	(007000-007400	) Bracket Wldt, Mtg, Motor [2007]	1	
14	1051599	(007401-	) Bracket Wldt, Mtg, Motor	1	
▽	15	63542	(007000-	) Motor-Hyd, Gear In 10.0 (See Breakdowns)	1
▲		00960	(007000-	) Key, Sq, 0.12 X 0.12, 0.50l	1
16	47512	(007000-	) Ftg-Hyd E90 Jm06/Om08	1	
17	31599	(007000-	) Ftg-Hyd Tee Jm04Omjm	1	
18	52402	(007000-	) Ftg-Hyd Str Jm06/Om08	1	
19	1033497	(007000-	) Fan, Cooling, 18.0d, 8 Blade, 0.5b Taper	1	
20	9001554	(007000-	) Bracket, Mtg, Fltr, Oil, W/Label [800l]	1	
21	74082	(007000-	) Nut-Hxlocnyln .31-24 Reg Pltd	1	
22	02247	(007000-	) Fitting, Plug	1	
23	50960	(007000-	) Fitting, Hyd, Str, Jm06/Om04	1	
24	19313	(007000-	) Nut, Hex, Std, .31-18	6	
25	41186	(007000-	) Washer, Belleville, .31	7	
26	39277	(007000-	) Screw, Hex, M8 X 1.25 X 25, 8.8	8	
27	32491	(007000-	) Washer, Flat, 0.31 Std	14	
28	08709	(007000-	) Nut, Hex, Lock, M8 X 1.25, NI	7	
29	16931	(007000-	) Screw, Hex, M8 X 1.25 X 20, 8.8	9	
30	1023853	(007000-	) Tank, Coolant, 04.7 03.3 4.7deep, 1liter	1	
31	06943	(007000-	) Screw, Hex, M6 X 1.0 X 20, 8.8	2	
32	19066	(007000-	) Washer, Flat, #10	2	
33	07790	(007000-	) Nut, Hex, Flng, M6 X 1.0	2	
34	381391	(007000-	) Hose, Drain, Overflow, Radiator	1	
35	27990	(007000-	) Screw, Hex, .38-16 X 2.00, 5	2	
36	50902	(007000-	) Nut, Hex, Lock, .38-16, NI	2	
37	06943	(007401-	) Screw, Hex, M6 X 1.00 X 20, 8.8	1	
38	32492	(007000-	) Washer, Flat, 0.38 Std	2	
39	41430	(007000-	) Nut, Hex, Lock, M10 X 1.5, NI	2	
40	1055893	(007401-	) Skirt, Cooling Fan [800/810]	1	
41	09145	(007401-	) Screw, Pan, Phl, M6 X 1.00 X 16, 4.8	5	
42	32490	(007401-	) Washer, Flat, 0.25, Std	6	
43	08708	(007401-	) Nut, Hex, Lock, M6 X 1.00, NI	6	
44	763114	(007401-	) Tie, Cable, 11.3l, 2.75d Max	2	

Fig. 65 - Engine Battery Group (006000-006999)

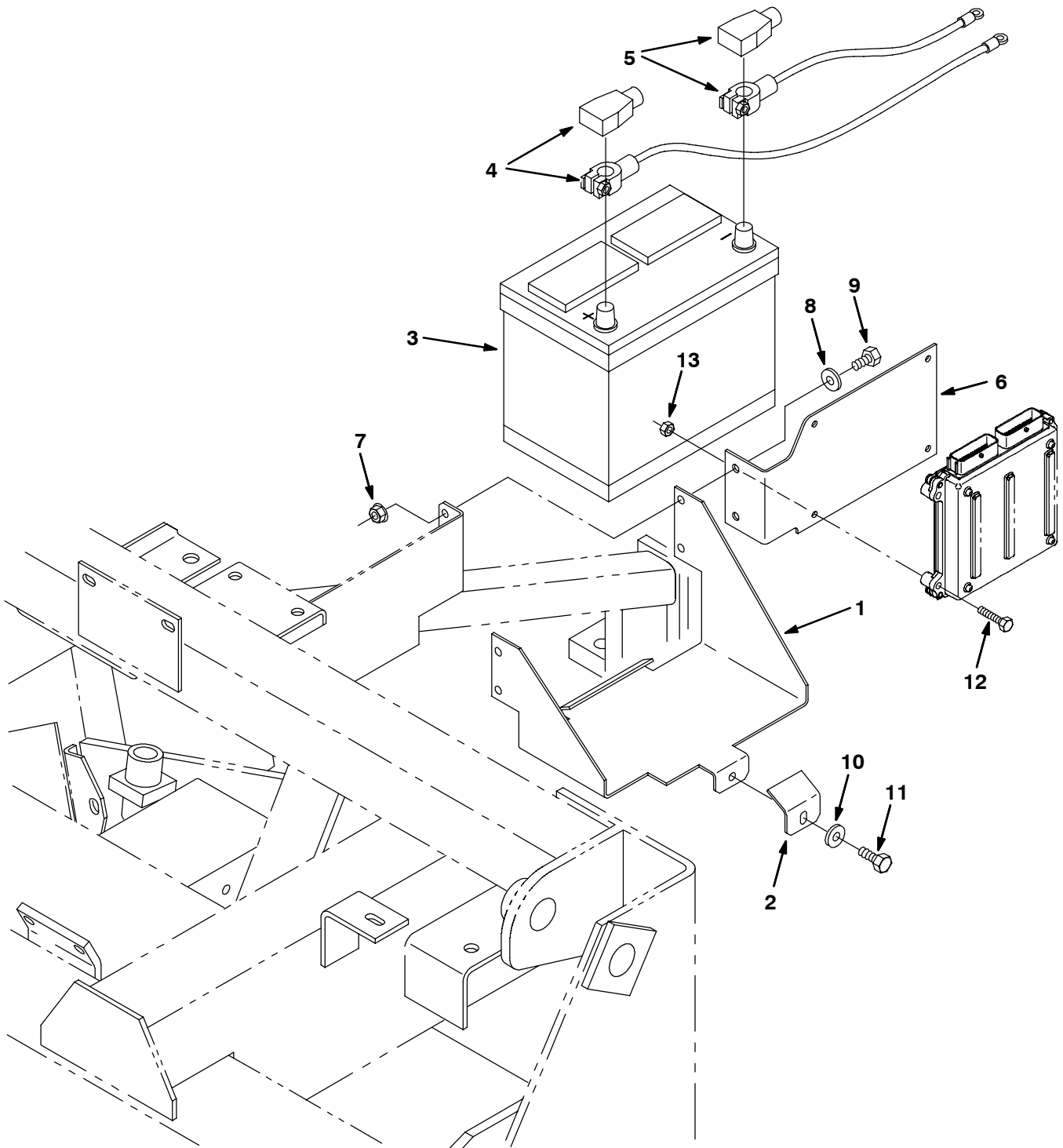


Fig. 65 - Engine Battery Group (004000-006999)

Ref.	Part No.	Serial Number	Description	Qty.
1	77490	(004000-006999 )	Bracket, Mtg, Battery	1
2	77579	(004000-006999 )	Bracket, Battery	1
3	77602	(004000-006999 )	Battery, 12V, Wet	1
4	68869	(004000-006999 )	Cable Assy-Batt,Pos, 48.0, 2Ga	1
5	60293	(004000-006999 )	Wire, 42.0 Lg, 2Ga, Neg	1
6	1011655	(006000-006999 )	Bracket, Eng	1
7	07791	(006000-006999 )	Nut, Hex, Flng, M8 X 1.25	2
8	32491	(006000-006999 )	Washer, Flat, 0.31 Std	2
9	16931	(006000-006999 )	Screw, Hex, M8 X 1.25 X 20, 8.8	2
10	41186	(006000-006999 )	Washer, Belleville, .31	1
11	39277	(006000-006999 )	Screw, Hex, M8 X 1.25 X 25, 8.8	1
12	06946	(006000-006999 )	Screw, Hex, M6 X 1.0 X 35, 8.8	4
13	08708	(006000-006999 )	Nut, Hex, Lock, M 6 X 1.0, NI	4

Fig. 66 - Engine Battery Group (007000- )

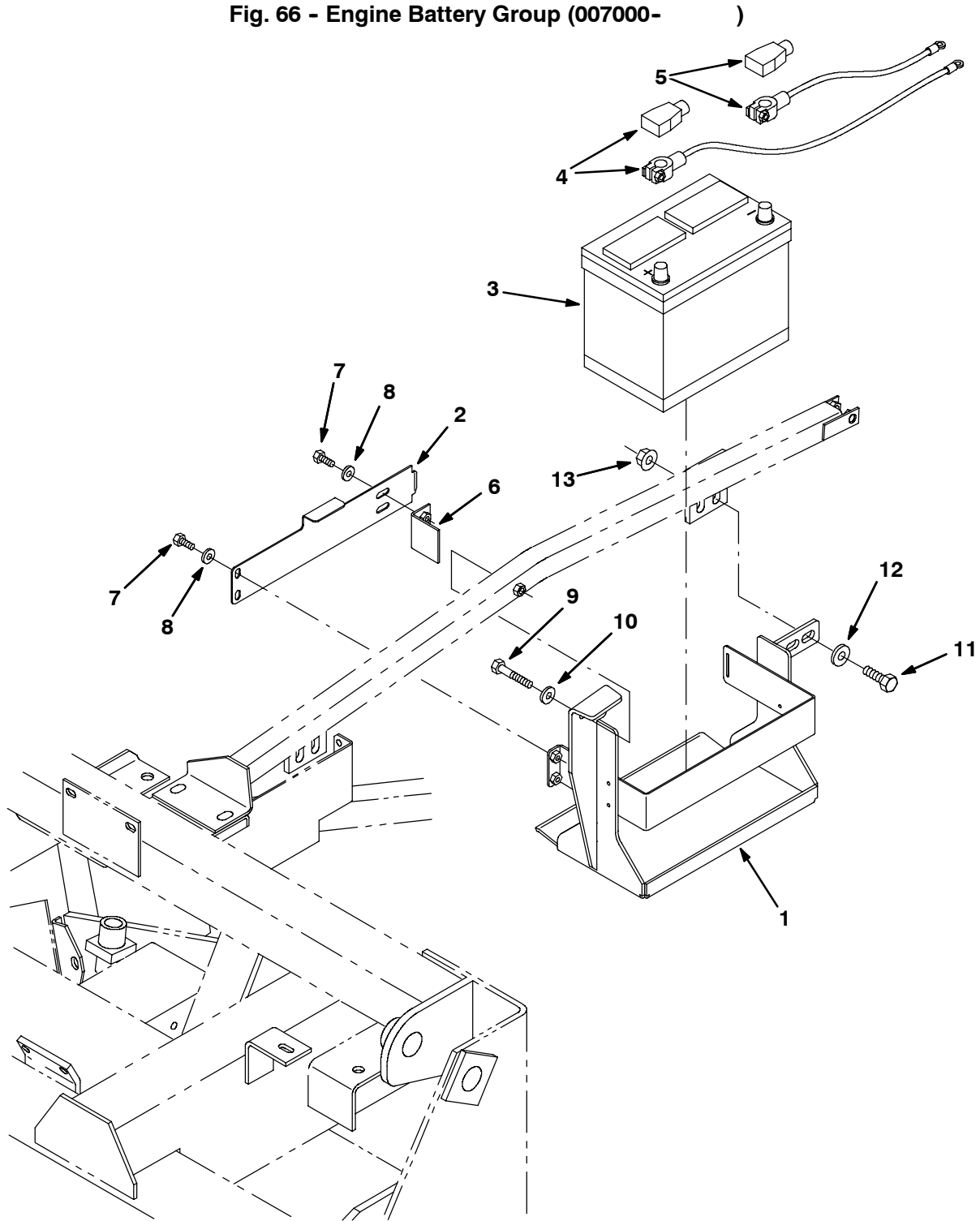


Fig. 66 - Engine Battery Group (007000- )

Ref.	Part No.	Serial Number	Description	Qty.
1	1012785	(007000-	) Bracket Wldt, Mtg, Battery	1
2	1011788	(007000-	) Bracket, Retainer, Battery	1
3	77602	(007000-	) Battery, Wet, 12vdc 0700cca	1
4	68869	(007000-	) Cable, Battery, 02ga 48.0l Red .41ring	1
5	34821	(007000-	) Cable, Battery, 02ga 36.0l Blk .38ring	1
6	1011795	(007000-	) Bracket, Retainer, Battery	1
7	16931	(007000-	) Screw, Hex, M8 X 1.25 X 20, 8.8	2
8	41186	(007000-	) Washer, Flat, Belleville, .31	2
9	06963	(007000-	) Screw, Hex, M10 X 1.5 X 60, 8.8	2
10	32492	(007000-	) Washer, Flat, 0.38, Std	2
11	06969	(007000-	) Screw, Hex, M12 X 1.75 X 40, 8.8	2
12	32486	(007000-	) Washer, Flat, 0.50, Sae	2
13	07793	(007000-	) Nut, Hex, Flng, M12 X 1.75	2

**Fig. 67 - Wheel Group, Rear Drive**

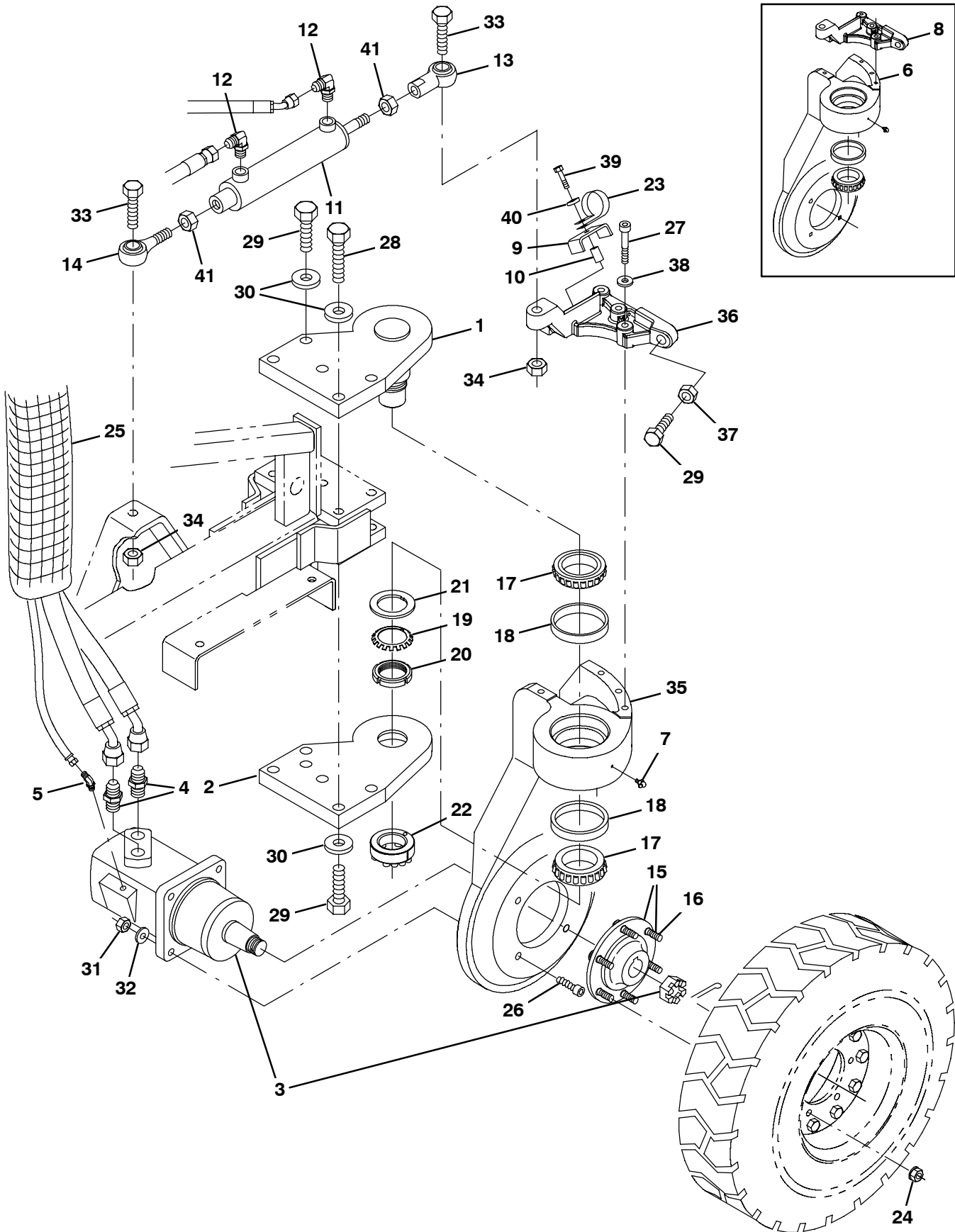




Fig. 67 - Wheel Group, Rear Drive

Ref.	Part No.	Serial Number	Description	Qty.	
1	63491	(004000-	) Pivot Wldt, Wheel	1	
2	63471	(004000-	) Plate, Pivot, Wheel	1	
3	63426	(004000-004206	) Motor-Hyd Gear In (See Breakdowns)	1	
3	22626	(004207-004936	) Motor-Hyd Gear (See Breakdowns)	1	
3	373464	(004937-	) Motor-Hyd Gear (See Breakdowns)	1	
4	67310	(004000-007467	) Ftg-Hyd Str Jm12/Om16	2	
4	79872	(007468-	) Fitting, Hyd, Str, Fm12/Om16	2	
5	34359	(004000-004936	) Ftg-Hyd E45 Jm04/Om04	1	
5	47522	(004937-	) Fitting, Hyd, E45, Jm06/Om06	1	
6	63540	(004000-004033	) Housing, Sppt, Wheel (Repl. by 375534)	1	
6	21740	(004034-007529	) House, Wheel	1	
7	09718	(004000-	) Ftg, Grease.25-28Th 90 .75L	1	
8	63543	(004000-004033	) Bracket, Steering, Machining (Replaced by 375534)	1	
8	375575	(004034-007529	) Bracket, Steering, Machining	1	
9	73733	(004000-	) Channel, Retainer	1	
10	73731	(004000-	) Sleeve, .375B .62D1.06 Stl	1	
11	53601	(004000-006460	) Cylinder, Hyd, 2.0b,15.0l, (Replaced by1028492) (See Breakdowns)	1	
11	1028492	(006461-	) Cylinder, Hyd, 2.0b 15.0l 08.00strk 1500	1	
12	56820	(004000-	) Ftg-Hyd E90 Jm06/Om06	2	
13	64887	(004000-	) Balljoint, Rod End	1	
14	64886	(004000-	) Balljoint, Rod End	1	
▽	15	79140	(004000-	) Hub and Stud Assy.	1
▲	16	79152	(004000-	) Stud, Wheel .56-18x2.13	6
	17	51341	(004000-	) Bearing-Cone, 2.63Bore 0.87Wth	2
	18	51340	(004000-	) Bearing-Cup , 4.33Dia 0.74Wth	2
	19	369701	(004000-	) Washer,Lock Special	1
	20	41073	(004000-	) Nut,Lock-Special 2.16-18Uns	1
	21	375762	(004000-	) Washer	1
	22	63496	(004000-	) Ring, Retainer, Lock	1
	23	67767	(004000-	) Clamp, Cable	1
	24	79153	(004000-	) Nut, Wheel Lug	6
	25	82832	(004000-	) Sleeve, Nyl, 37, 25.0l	1
	26	39305	(004000-	) Scr-soc .50-13x2.75 Alloypltd	4
	27	375576	(004000-	) Scr-soc M12x1.75 60	4
	28	06995	(004000-	) Screw, Hex, M20 X 2.5 X 70, 8.8	3
	29	06993	(004000-	) Screw, Hex, M20 X 2.5 X 60, 8.8	7
	30	39350	(004000-	) Washer, Flat, 0.75, Sae	10
	31	32985	(004000-	) Nut, Hex, Lock, .50-13, NI	4
	32	32486	(004000-	) Washer, Flat, 0.50, Sae	4
	33	54833	(004000-	) Screw, Hex, .75-10 X 2.50, G5	2
	34	32987	(004000-	) Nut, Hex, Lock, .75-10, NI	2
	35	1053474	(007530-	) Housing, Sppt, Wheel, Rear	1
	36	1053585	(007530-	) Bracket, Arm, Steering	1
	37	07783	(004000-	) Nut, Hex, Std, M20 X 2.50, 8	1
	38	39346	(004000-	) Washer, Flat, 0.44, Std	4
	39	39278	(004000-	) Screw, Hex, M8 X 1.25 X 50, 8.8	1
	40	32491	(004000-	) Washer, Flat, 0.31, Std	1
	41	43958	(004000-	) Nut, Hex, Std, .75-16	2

Fig. 68 - Wheels and Brakes Group, Front

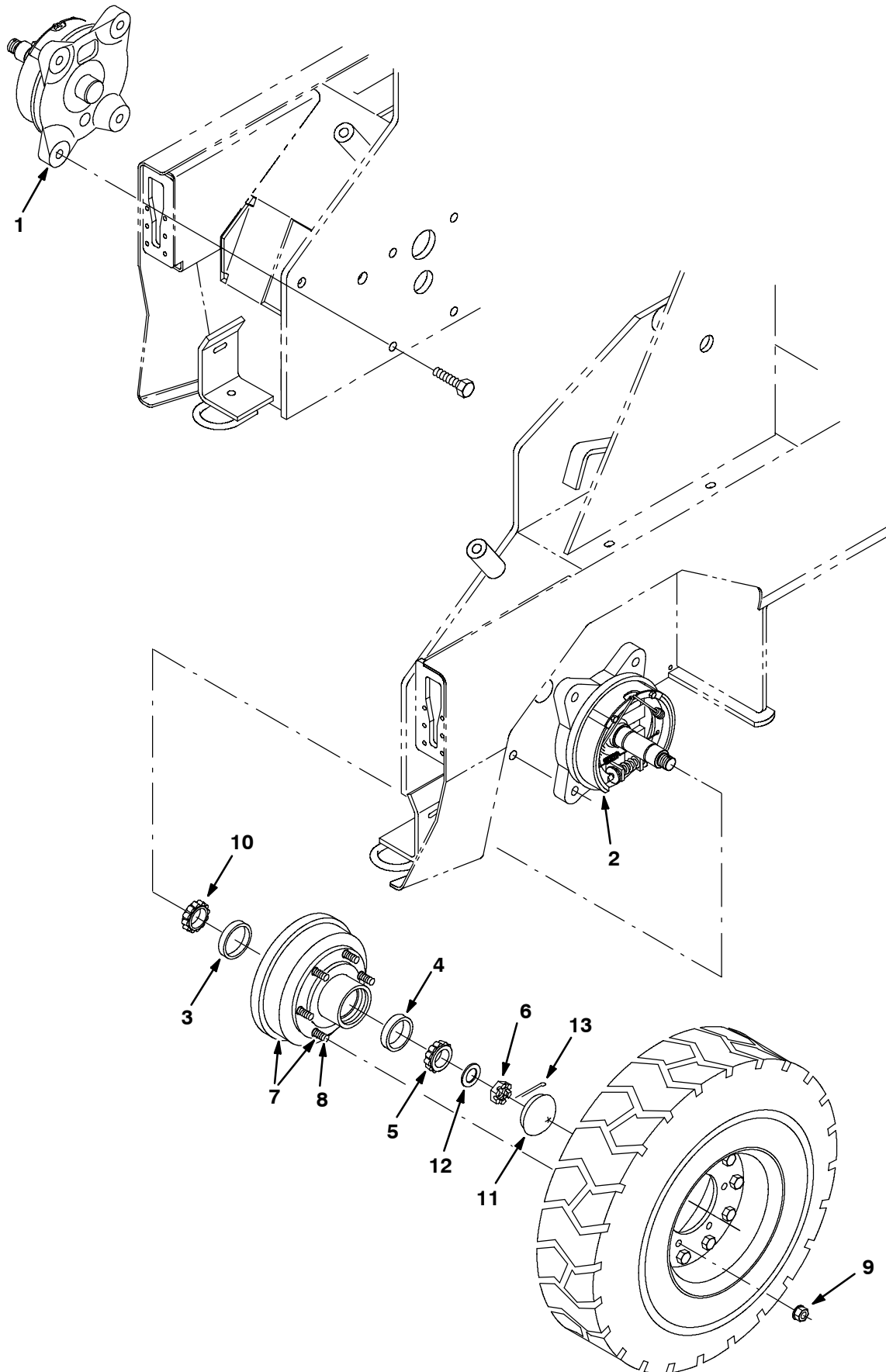


Fig. 68 - Wheels and Brakes Group, Front

Ref.	Part No.	Serial Number	Description	Qty.	
1	77790	(004000-	) Brake Assy, Rh (See Breakdowns)	1	
2	77770	(004000-	) Brake Assy, Lh (See Breakdowns)	1	
3	17808	(004000-	) Bearing-Cup, 2.72Dia 0.59Wth	2	
4	51338	(004000-	) Bearing-Cup, 2.56Dia 0.55Wth	2	
5	51193	(004000-	) Bearing-Cone, 1.38Bore 0.72Wth	2	
6	14242	(004000-	) Nut-Hxslot 1.00-20 Pltd	2	
▽	7	79151	(004000-	) Drum Assy, Brake 9/16	2
▲	8	79152	(004000-	) Stud, Wheel .56-18x2.13	6
9	79153	(004000-	) Nut, Wheel Lug, 9/16-18	12	
10	17809	(004000-	) Bearing-Cone, 1.50Bore 0.75Wth	2	
11	51373	(004000-	) Cap, Grease Black Paint	2	
12	32598	(004000-	) Washer, Flat, 1.02b 1.75d .12, Stl	2	
13	08180	(004000-	) Pin, Cotter, .125 X 2.00	2	

Fig. 69 - Wheel Assembly

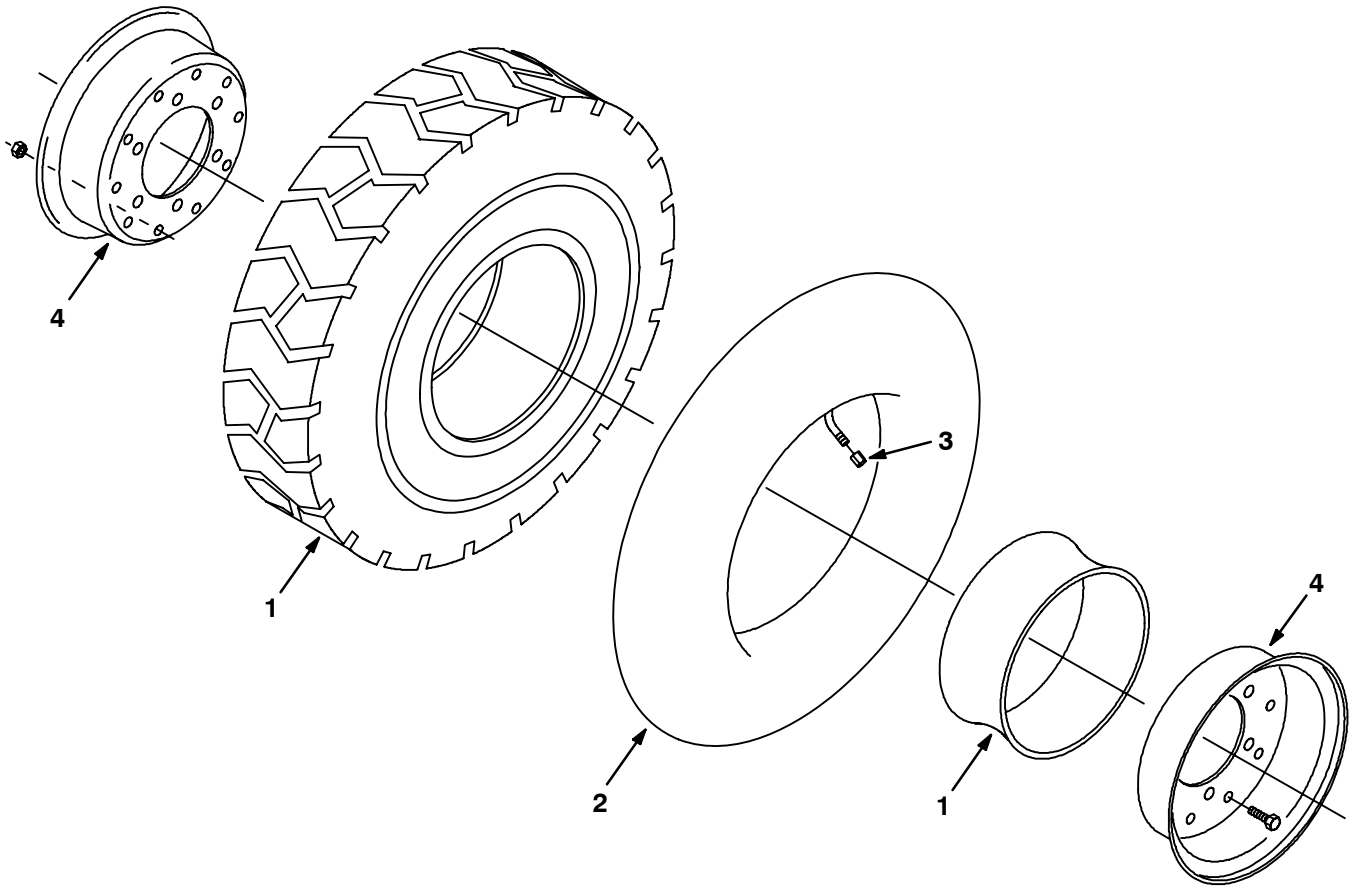


Fig. 69 - Wheel Assembly

	Ref.	Part No.	Serial Number	Description	Qty.
▽		1064126	(004000-	) Tire & Rim Assy, Pneu 6.50-10	3
▲	1	1064125	(004000-	) Tire & Flap Assy	1
▲	2	64058	(004000-	) Tube, Inner	1
▲	3	45786	(004000-	) Cap, Valve Stem	1
▲	4	21672	(004000-	) Hub Assy	1

Fig. 70 - Brake Pedals Group

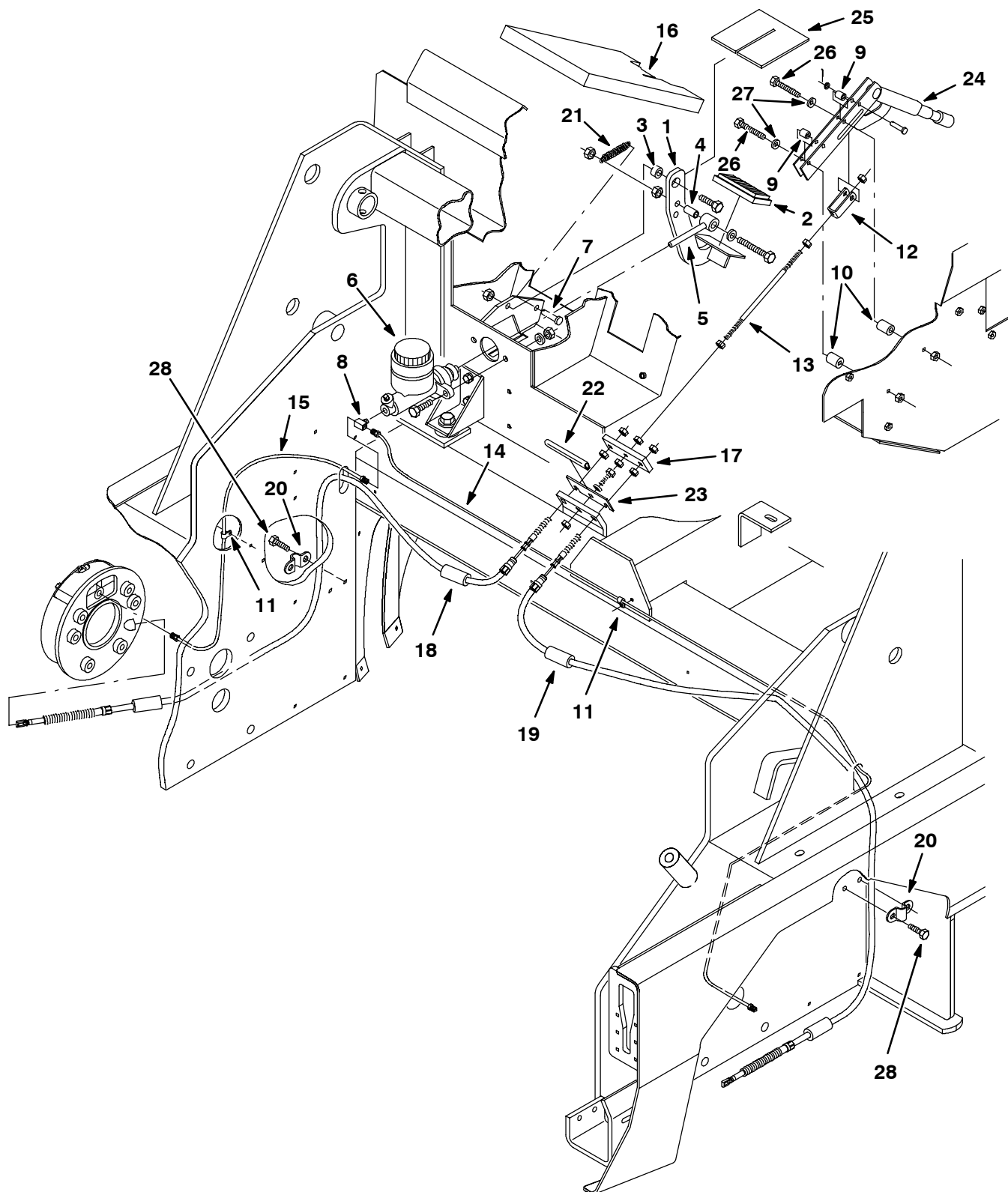


Fig. 70 - Brake Pedals Group

Ref.	Part No.	Serial Number	Description	Qty.	
1	63295	(004000-	) Pedal Wldt	1	
2	51109	(004000-	) Pad	1	
3	64635	(004000-	) Spacer	1	
4	57311	(004000-	) Spacer-.50 Od X .055W X 1.0	1	
5	70550	(004000-	) Rod Wldt, Push, Brake	1	
▽	6	64950	(004000-	) Cylinder, Master Brake	1
▲	374240	(004000-	) Cap, Cyl Assy, Master Brake	1	
7	76653	(004000-	) Pin, Clevis .375D X 1.000 Lg	1	
8	51483	(004000-	) Ftg,Brass,Tee 06lf- 02Pm- 06lf	1	
9	51562	(004000-	) Sleeve, .344B .50D .81 Cr.Anc	2	
10	86034	(004000-	) Spacer, Brake	2	
11	46236	(004000-	) Clamp-Cable, 0.25Dia 0.56Wth	4	
12	76491	(004000-	) Bracket, Adjuster, Brake	1	
13	76490	(004000-	) Rod-Thread, 2End M08X1.25X10Lg	1	
14	79593	(004000-	) Tube Assy, Brake	1	
15	79594	(004000-	) Tube Assy, Brake	1	
16	375526	(004000-	) Insulation, S/Foam 1.0 Seal Brake Pedal	1	
17	70506	(004000-	) Bar, Equalizer	1	
18	64556	(004000-	) Cable, Brake, Park	1	
19	64558	(004000-	) Cable, Brake, Park	1	
20	65129	(004000-	) Clamp, Cable- Brake	2	
21	75575	(004000-	) Spring, Tens,0.5Dx.06Wire 2.5L	1	
22	31775	(004000-	) Molding, Trim 11-14Ga 4.0	1	
23	74022	(004000-	) Strip, Retainer, Brake Cable	1	
24	51545	(004000-	) Lever, Brake	1	
25	380717	(004000-	) Insulation, Sound Foam	1	
26	39279	(004000-	) Screw, Hex, M8 X 1.25 X 70, 8.8	2	
27	32491	(004000-	) Washer, Flat, 0.31 Std	2	
28	16735	(004000-	) Screw, Hex, M8 X 1.25 X 16, 8.8	4	

**Fig. 71 - Directional Pedal Group**

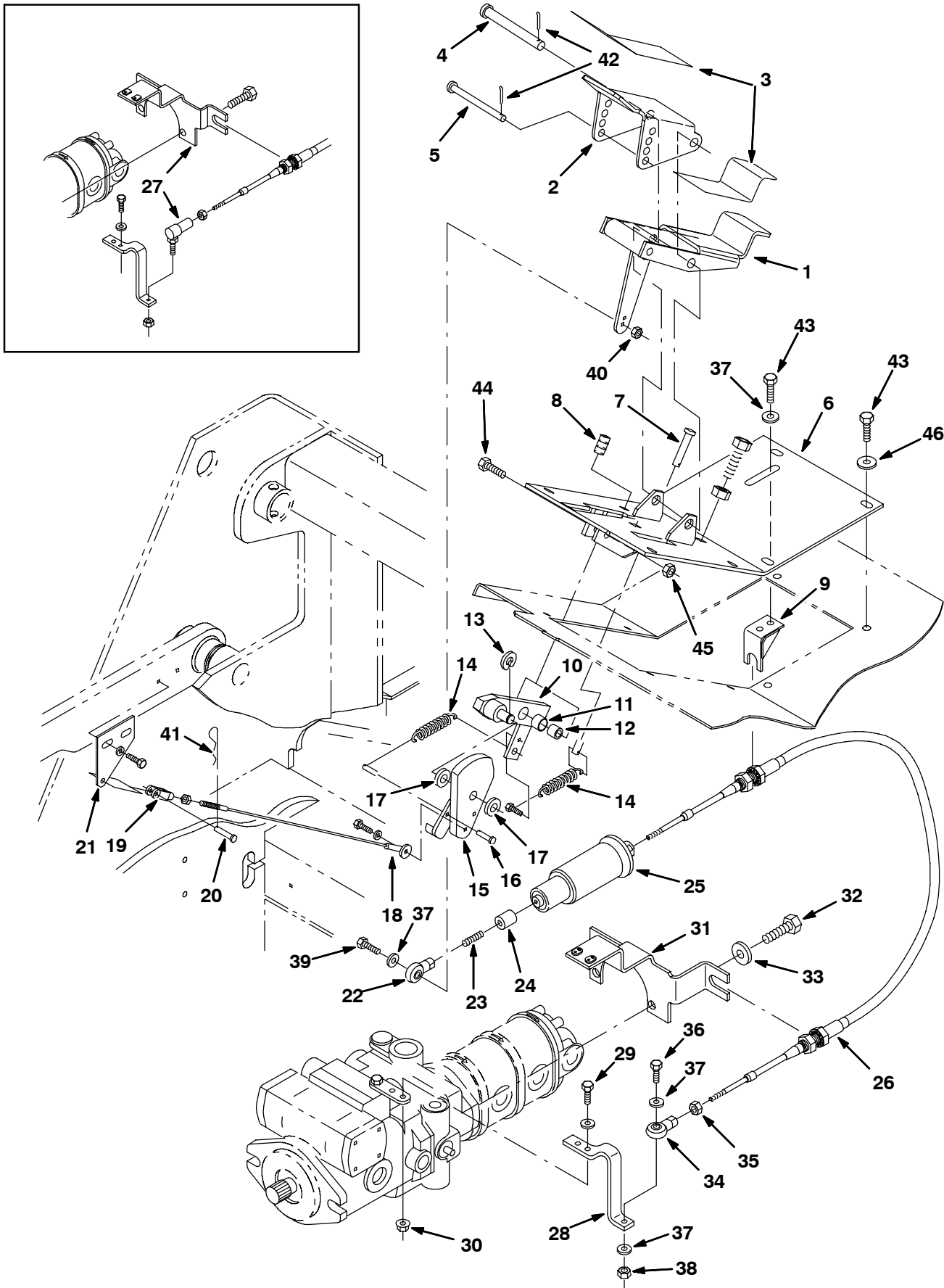




Fig. 71 - Directional Pedal Group

Ref.	Part No.	Serial Number	Description	Qty.
1	380683	(003000-	) Pedal Wldt, Propel Lower W/tread	1
2	84103	(003000-	) Pedal, Upper W/tread	1
3	82839	(003000-	) Pad, Tread	1
4	59668	(003000-	) Pin, Clevis .50 Dia X 4.50 Lg	1
5	59672	(003000-	) Pin, Clevis .31 Dia X 4.50 Lg	1
6	380566	(003000-	) Panel Wldt, Access Floor	1
7	76647	(003000-	) Pin, Clevis .375D X 1.312 Lg	1
8	76523	(003000-	) Screw-Set M10 X 1.50 2045H	1
9	380567	(003000-	) Bracket, Wldt,Cable Mtg	1
10	70747	(003000-	) Bar Wldt, Pivot	1
11	07449	(003000-	) Bearing, Fiberglide	1
12	74051	(003000-	) Sleeve, .408B .62D .53Stl	1
13	86953	(003000-	) Ring,Retain,Ex,0.50 Stl Steel	1
14	54222	(003000-	) Sprng,Tens,1.00Odx.09Wire 2.8L	2
15	70783	(003000-	) Cam	1
16	82168	(003000-	) Pin, Clevis .25 Dia, 1.000 Lg.	1
17	41722	(003000-	) Washer, .516B .90D .07Cr.	2
18	70749	(003000-	) Cable, Speed Control	1
19	14595-1	(003000-	) Clevis,Adjust.0.25-28Th.Cad.	1
20	14605	(003000-	) Pin, Clevis	1
21	70725	(003000-	) Plate	1
22	68866	(003000-	) Rod End .250-28 .25Dia	1
23	36971	(003000-	) Rod-Thrd, Full .25-28	1
24	380568	(003000-	) Spacer, .75D .9L .25-28 Th	1
25	63292	(003000-	) Spring, Propel, Centering	1
26	63276	(003000-	) Cable, Push,Pull	1
27	9001293	(003000-004034	) Bracket Kit, Mtg, Cable, Replmt[800/810]	1
28	380514	(003000-	) Lever, Pump, Propel	1
29	06943	(003000-	) Screw, Hex, M6 X 1.0 X 20, 8.8	2
30	07790	(003000-	) Nut, Hex, Flng, M6 X 1.0	2
31	1020982	(004035-	) Bracket, Mtg, Propel Cable	1
32	21198	(003000-	) Screw, Hex, .38-16 X 1.25, 5	2
33	32485	(003000-	) Washer, Flat, 0.38 Sae	2
34	68866	(004035-	) Rod-End, .25-28rh Fem 0.25b [Teflon]	1
35	32899	(003000-	) Nut, Hex, Jam, .25-28	1
36	25046	(004035-	) Screw, Hex, .25-20 X 1.00, 5	1
37	32490	(004035-	) Washer, Flat, 0.25 Std	5
38	41169	(004035-	) Nut, Hex, Lock, .25-20, NI, Ss	1
39	07805	(003000-	) Screw, Hex, M6 X 1.0 X 35, Ss	1
40	08712	(003000-	) Nut, Hex, Lock, M6 X 1.0, Ss, NI	1
41	08085	(003000-	) Pin, Haircotter .31D .058Wire	1
42	08346	(003000-	) Pin, Cotter, .125 X 0.75	2
43	12273	(003000-	) Screw, Hex, M8 X 1.25 X 20, Ss, NI	9
44	39285	(003000-	) Screw, Hex, M10 X 1.5 X 40, 8.8	1
45	41430	(003000-	) Nut, Hex, Lock, M10 X 1.5, NI	1
46	1017218	(003000-	) Washer, Flat, 0.321b 1.00d .12, Ss	7

Fig. 72 - Hydraulic Pumps Group

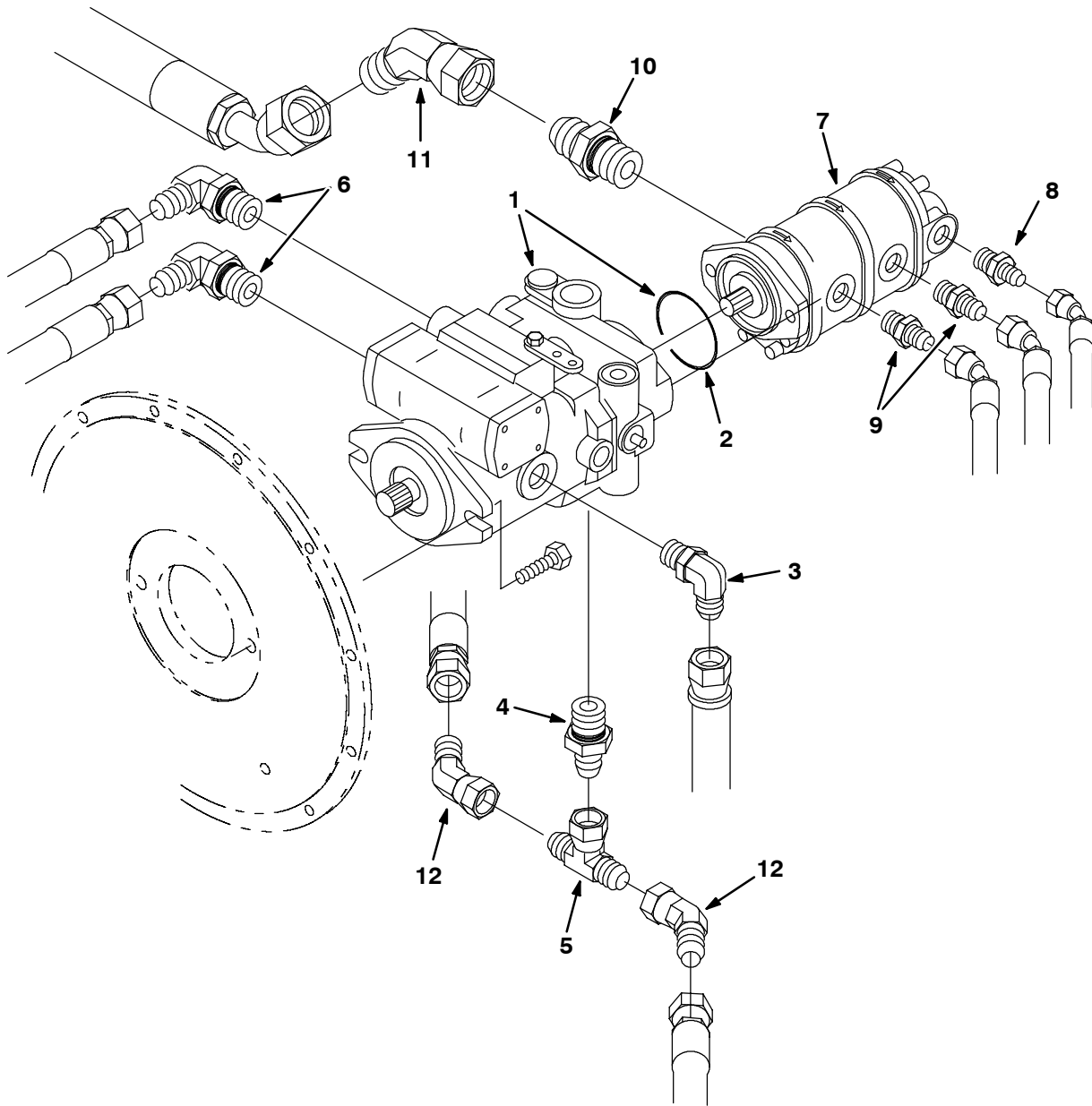
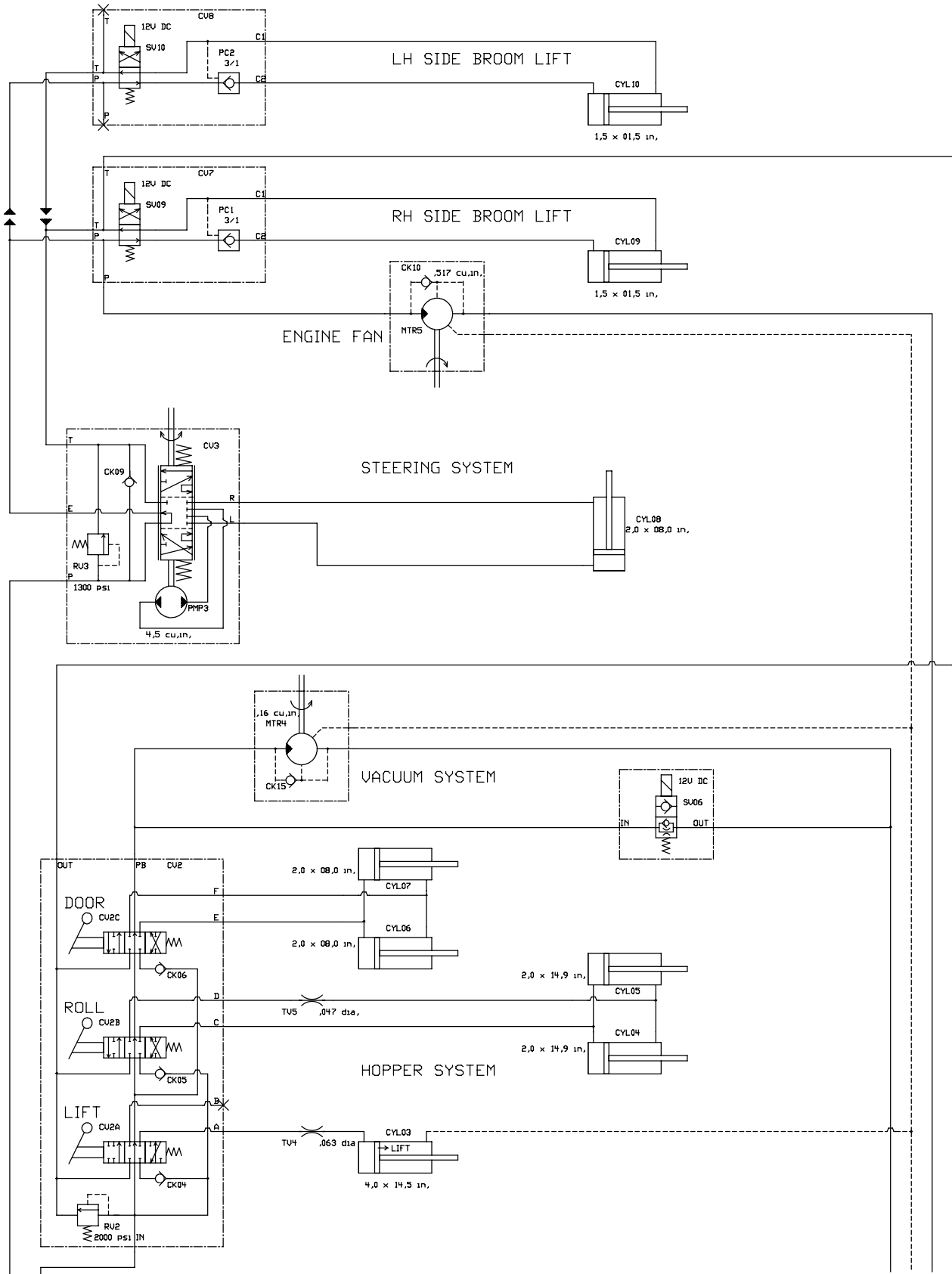


Fig. 72 - Hydraulic Pumps Group

Ref.	Part No.	Serial Number	Description	Qty.
	1	74163	(004000-004586 ) Pump-Hyd Piston V (See Breakdowns)	1
▽	1	373404	(004587- ) Pump-Hyd Piston V (See Breakdowns)	1
▲	2	65145-1	(004000- ) O-Ring Gland	1
	3	46481	(004000- ) Ftg-Hyd E90 Jm12/Om12	1
	4	67310	(004000- ) Ftg-Hyd Str Jm12/Om16	1
	5	62389	(004000- ) Ftg-Hyd Tee Jm12/Jfjm	1
	6	52911	(004000-007467 ) Ftg-Hyd E90 Jm12/Om16	2
	6	767407	(007468- ) Fitting, Hyd, E90, Fm12/Om16	2
	7	62561	(004000-004936 ) Pump-Hyd Gear Ex (See Breakdowns)	1
	7	373254	(004937- ) Pump-Hyd Gear Ex (See Breakdowns)	1
	8	47508	(004000- ) Ftg-Hyd Str Jm06/Om10	1
	9	56692	(004000- ) Ftg-Hyd Str Jm08/Om10	2
	10	58858	(004000- ) Ftg-Hyd Str Jm20/Om20	1
	11	19544	(004000- ) Ftg-Hyd E45 Jm20/Jf20	1
	12	07934	(004000- ) Ftg-Hyd E45 Jm12/Jf12	2

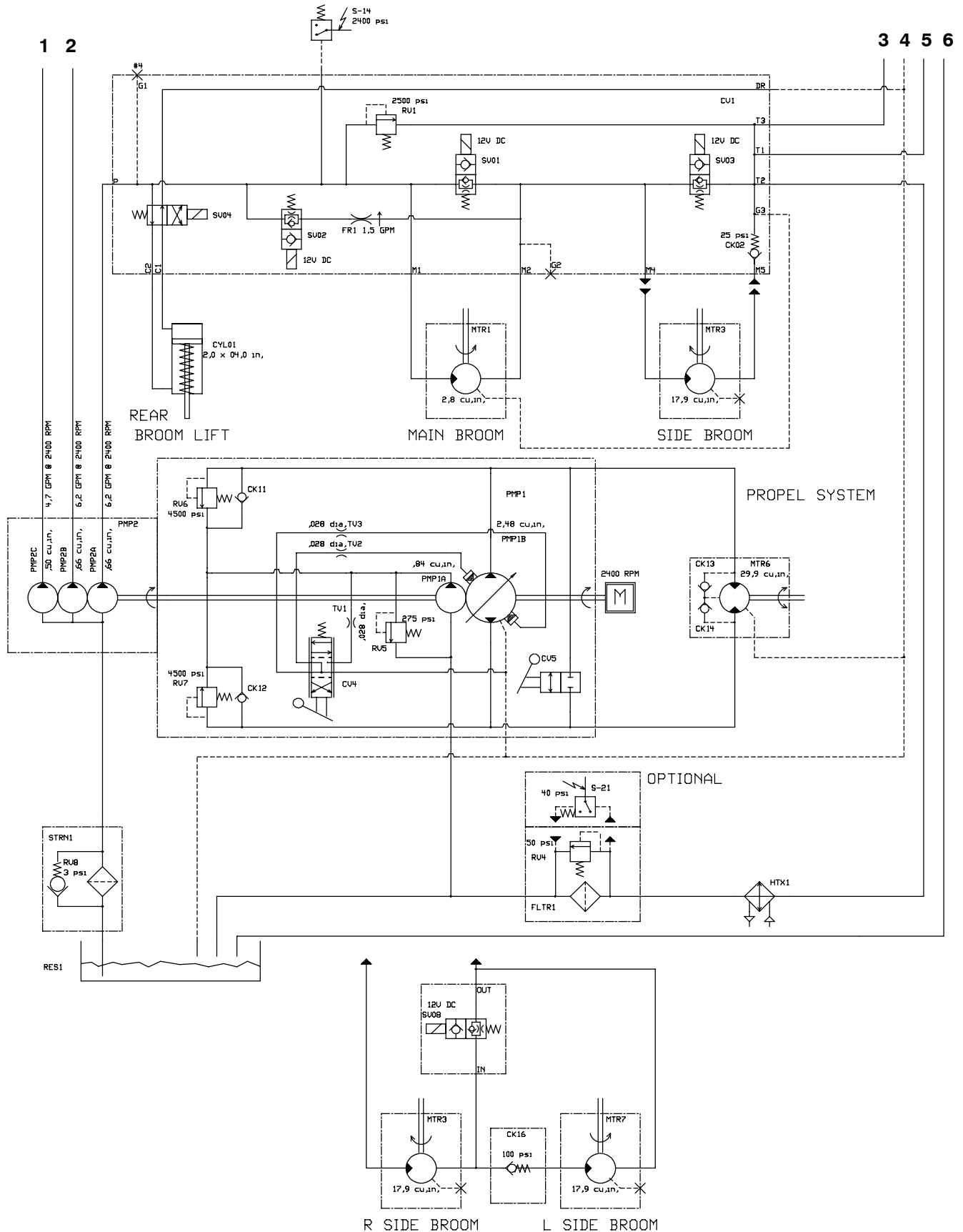
Fig. 73 - Hydraulic Schematic



1 2

3 4 5 6

Fig. 73 - Hydraulic Schematic



09912 - 800

Fig. 74 - Hydraulic Hose Group (004000-004936)

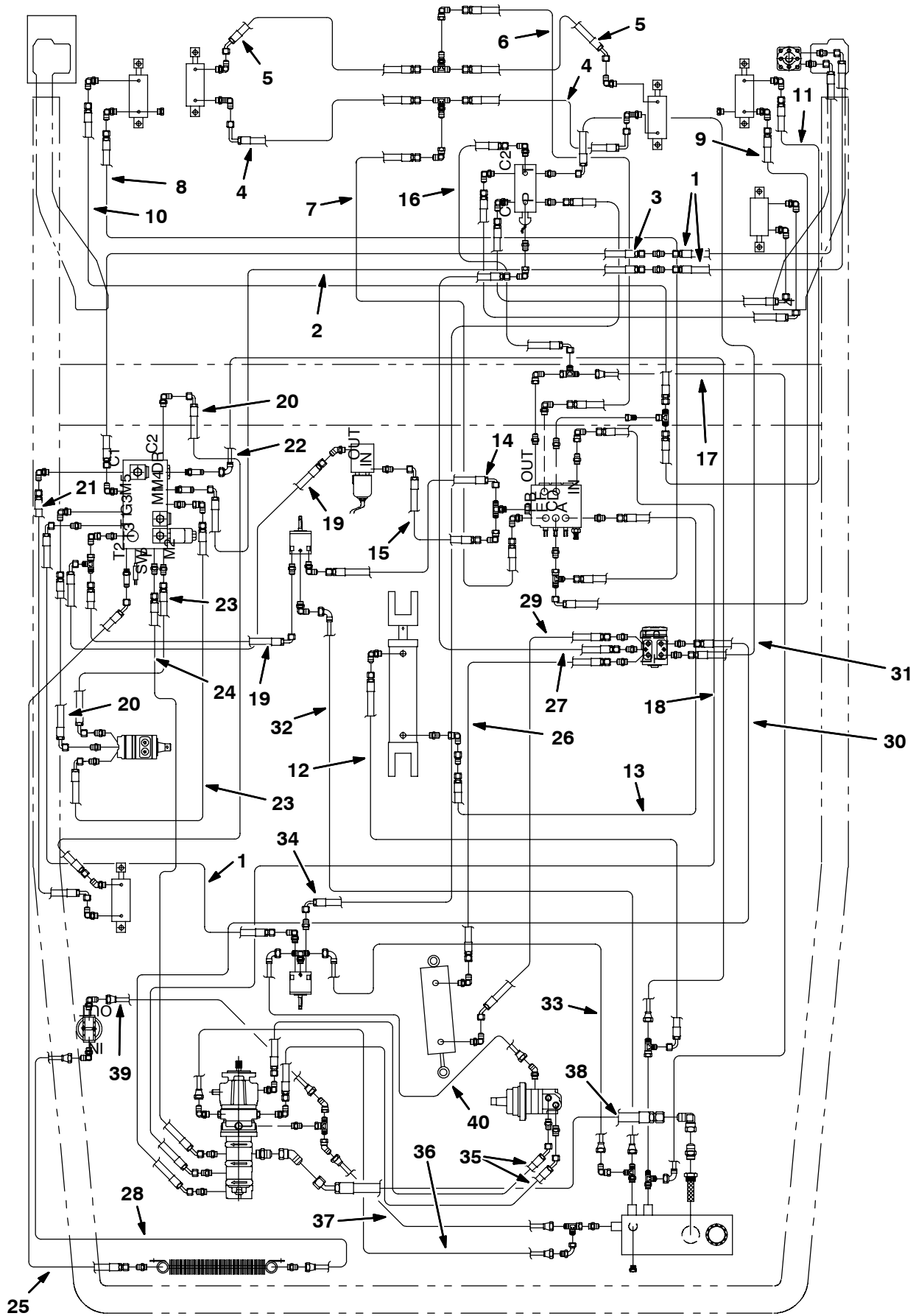


Fig. 74 - Hydraulic Hose Group (004000-004936)

Ref.	Part No.	Serial Number	Description	Qty.
1	65194	(004000-004936 )	Hose-Hyd Med06	3
2	65197	(004000-004936 )	Hose-Hyd Med08	1
3	65224	(004000-004936 )	Hose-Hyd Med08	1
4	65188	(004000-004936 )	Hose-Hyd	2
5	57173	(004000-004936 )	Hose-Hyd Med04 Jf/J4	2
6	76498	(004000-004936 )	Hose-Hyd Ar 04	1
7	79642	(004000-004936 )	Hose-Hyd Ar04	1
8	21117	(004000-004936 )	Hose-Hyd Ar 04	1
9	21119	(004000-004936 )	Hose-Hyd Ar 04	1
10	77641	(004000-004936 )	Hose-Hyd Ar 04	1
11	77640	(004000-004936 )	Hose-Hyd Ar 04	1
12	71552	(004000-004936 )	Hose-Hyd	1
13	55700	(004000-004936 )	Hose-Hyd Med04 Jf/Jf	1
14	82843	(004000-004936 )	Hose-Hyd Med08 Jf/J9	1
15	82820	(004000-004936 )	Hose-Hyd Med78 Jf/J9	1
16	65195	(004000-004936 )	Hose-Hyd Med06	1
17	65212	(004000-004936 )	Hose-Hyd Low06	1
18	65204	(004000-004936 )	Hose-Hyd Med08	1
19	34355	(004000-004936 )	Hose-Hyd Med08 Jf/J9	2
20	57963	(004000-004936 )	Hose-Hyd Med04	4
21	34379	(004000-004936 )	Hose-Hyd Med04	1
22	65213	(004000-004936 )	Hose-Hyd Low06	1
23	34360	(004000-004936 )	Hose-Hyd Med08 Jf/J9	2
24	33799	(004000-004936 )	Hose-Hyd Med08 Jf/J4	1
25	65199	(004000-004936 )	Hose-Hyd Med12	1
26	01987	(004000-004936 )	Hose-Hyd Med06 Jf/Jf	1
27	16431	(004000-004936 )	Hose-Hyd Med06 Jf/Jf	1
28	82835	(004000-004936 )	Hose-Hyd Low12 Jf/Jf	1
29	76497	(004000-004936 )	Hose-Hyd Med06	1
30	65191	(004000-004936 )	Hose-Hyd Med06	1
31	57944	(004000-004936 )	Hose-Hyd Med06 Jf/J9	1
32	21729	(004000-004936 )	Hose-Hyd Low04 Jf/J9	2
33	65196	(004000-004936 )	Hose-Hyd Low 04	1
34	31563	(004000-004936 )	Hose-Hyd Med06 Jf/J9	1
35	65201	(004000-004936 )	Hose-Hyd Med12	2
36	65205	(004000-004936 )	Hose-Hyd Low12	1
37	65202	(004000-004936 )	Hose-Hyd Low12	1
38	77473	(004000-004936 )	Hose-Hyd Suc20 Spcl 22.5	1
39	380675	(004000-004936 )	Hose-Hyd Low12 Jf/jf	1
40	02549	(004000-004936 )	Hose, Hyd,Low04, Jf04str /Jf04	1

Fig. 75 - Hydraulic Hose Group (004937- )

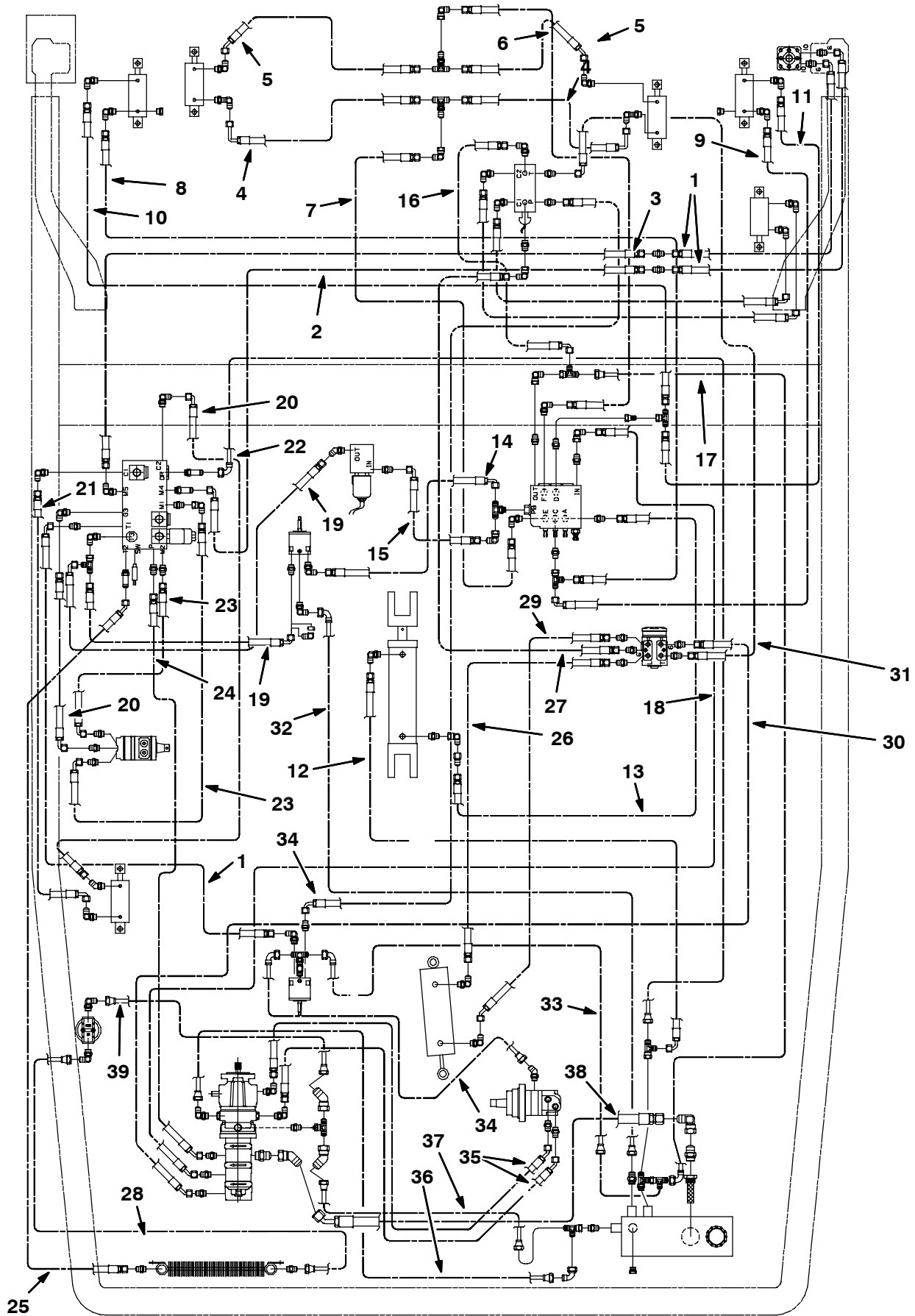




Fig. 75 - Hydraulic Hose Group (004937- )

Ref.	Part No.	Serial Number	Description	Qty.
1	65194	(004937-	) Hose-Hyd Med06	3
2	65197	(004937-	) Hose-Hyd Med08	1
3	65224	(004937-	) Hose-Hyd Med08	1
4	65188	(004937-	) Hose-Hyd	2
5	57173	(004937-	) Hose-Hyd Med04 Jf/J4	2
6	76498	(004937-	) Hose-Hyd Ar 04	1
7	79642	(004937-	) Hose-Hyd Ar04	1
8	21117	(004937-	) Hose-Hyd Ar 04	1
9	21119	(004937-	) Hose-Hyd Ar 04	1
10	77641	(004937-	) Hose-Hyd Ar 04	1
11	77640	(004937-	) Hose-Hyd Ar 04	1
12	71552	(004937-	) Hose-Hyd	1
13	55700	(004937-	) Hose-Hyd Med04 Jf/Jf	1
14	82843	(004937-	) Hose-Hyd Med08 Jf/J9	1
15	82820	(004937-	) Hose-Hyd Med78 Jf/J9	1
16	65195	(004937-	) Hose-Hyd Med06	1
17	65212	(004937-	) Hose-Hyd Low06	1
18	65204	(004937-	) Hose-Hyd Med08	1
19	34355	(004937-	) Hose-Hyd Med08 Jf/J9	2
20	57963	(004937-	) Hose-Hyd Med04	4
21	34379	(004937-	) Hose-Hyd Med04	1
22	65213	(004937-	) Hose-Hyd Low06	1
23	34360	(004937-	) Hose-Hyd Med08 Jf/J9	2
24	33799	(004937-	) Hose-Hyd Med08 Jf/J4	1
25	65199	(004937-	) Hose-Hyd Med12	1
26	01987	(004937-	) Hose-Hyd Med06 Jf/Jf	1
27	16431	(004937-	) Hose-Hyd Med06 Jf/Jf	1
28	82835	(004937-	) Hose-Hyd Low12 Jf/Jf	1
29	76497	(004937-	) Hose-Hyd Med06	1
30	65191	(004937-	) Hose-Hyd Med06	1
31	57944	(004937-	) Hose-Hyd Med06 Jf/J9	1
32	21729	(004937-	) Hose-Hyd Low04 Jf/J9	2
33	31603	(004937-	) Hose-Hyd Low 04	1
34	31563	(004937-	) Hose-Hyd Med06 Jf/J9	2
35	65201	(004937-007467	) Hose-Hyd Med12	2
35	1064170	(007468-	) Hose, Hyd, Tc12, Ff12e45/Ff12str, 045.0	2
36	65205	(004937-	) Hose-Hyd Low12	1
37	57568	(004937-	) Hose-Hyd Low12	1
38	77473	(004937-	) Hose-Hyd Suc20 Spcl 22.5	1
39	380675	(004937-	) Hose-Hyd Low12 Jf/jf	1

Fig. 76 - Hydraulic Reservoir Group

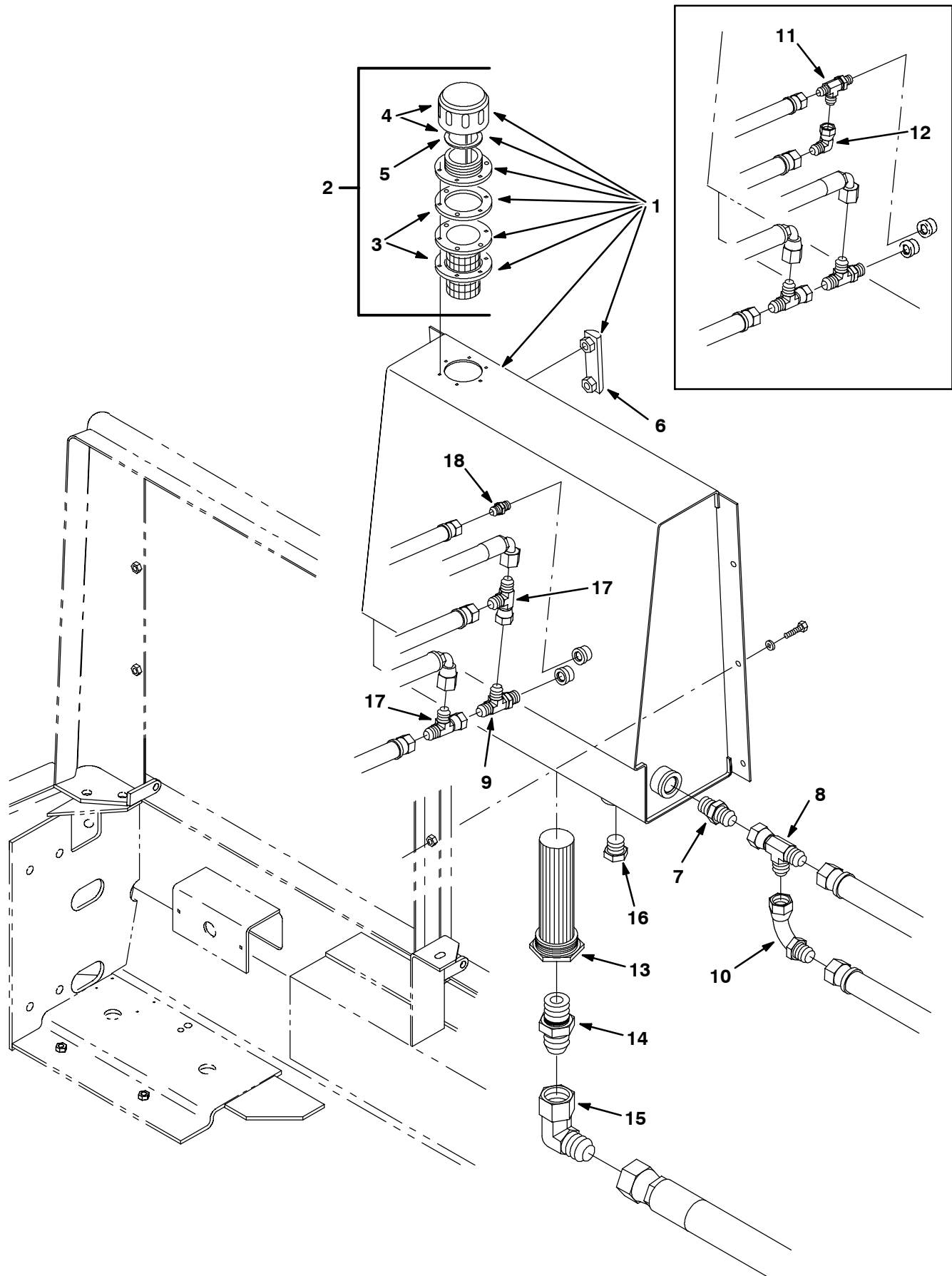


Fig. 76 - Hydraulic Reservoir Group

	Ref.	Part No.	Serial Number	Description	Qty.
▽	1	380736	(004000-	) Tank Wldt, Hydraulic w/label	1
▲▽	2	34306	(004000-	) Breather, Hyd	1
▲▲	3	61288	(004000-	) Gasket, Hyd Tank Breather	2
▲▲	4	70072	(004000-	) Breather Cap and Gasket	1
▲▲	5	70006	(004000-	) Gasket, Hyd Cap	1
▲	6	65215	(004000-	) Gauge, Sight Lh	1
	7	42260	(004000-	) Ftg-Hyd Str Jm12/Om12	1
	8	40514	(004000-	) Ftg-Hyd Tee Jm12Jmjf	1
	9	76316	(004000-	) Ftg-Hyd Tee Jm06Jmom	1
	10	57994	(004000-	) Ftg-Hyd E90 Special Jm12/Jf12	1
	11	34390	(004000-004936	) Ftg-Hyd Tee Jm04Jmom	1
	12	39210	(004000-004936	) Ftg-Hyd E90 Jm04/Jf04	1
	13	31613	(004000-	) Strainer-Hyd Suction 25-100-03	1
	14	58858	(004000-	) Ftg-Hyd Str Jm20/Om20	1
	15	19459	(004000-	) Ftg-Hyd E90	1
	16	33817	(004000-	) Ftg-Hyd Plg Om12	1
	17	42215	(004937-	) Ftg-Hyd Tee Jm06Jmjf	2
	18	55586	(004937-	) Fitting, Hyd, Str, Jm04/Om04	1

**Fig. 77 - Hydraulic Solenoid Valve Group**

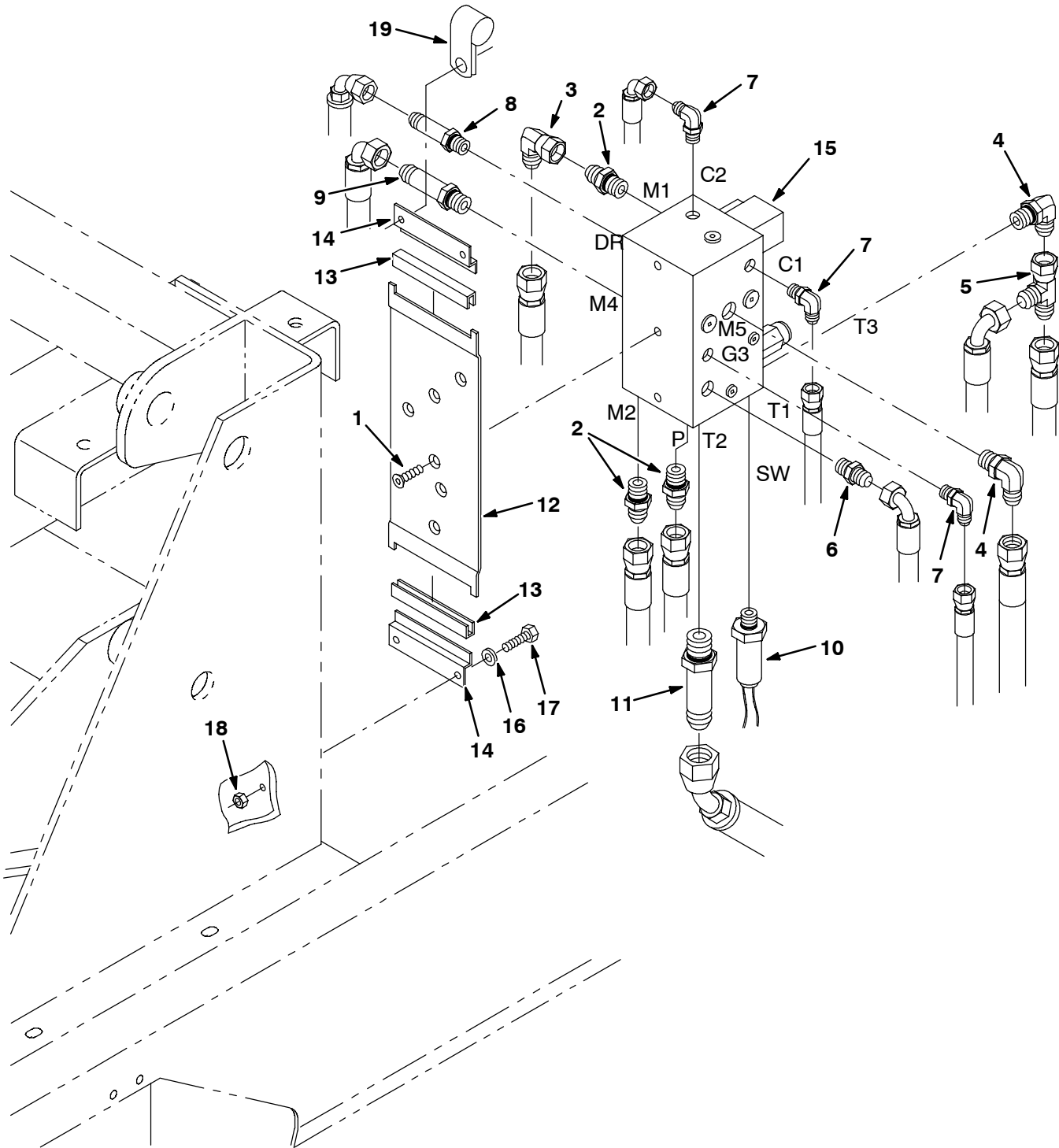


Fig. 77 - Hydraulic Solenoid Valve Group

Ref.	Part No.	Serial Number	Description	Qty.
1	32129	(004000-	) Scr Flt M8x1.25 20	3
2	44869	(004000-	) Ftg-Hyd Str Jm08/Om08	3
3	17980	(004000-	) Ftg-Hyd E90 Jm08/Jf08	1
4	44868	(004000-	) Ftg-Hyd E90 Jm08/Om08	2
5	45482	(004000-	) Ftg-Hyd Tee Jm08Jmjf	1
6	56690	(004000-	) Ftg-Hyd Str Jm06/Om06	1
7	77097	(004000-	) Ftg-Hyd E90 Jm04/Om04	3
8	59577	(004000-	) Ftg-Hyd Str Jm06Om06L	1
9	31605	(004000-	) Ftg-Hyd Str Jm08Om08L	1
10	77575	(004000-	) Switch Assy, Pressure, Hyd	1
11	57993	(004000-	) Ftg-Hyd Str Jm12Om12L	1
12	64228	(004000-	) Plate, Mtg, Valve, Solenoid	1
13	10911	(004000-	) Isolator, Vac Fan	2
14	06146	(004000-	) Bracket, Mounting	2
15	84014	(004000-007338	) Valve-Hyd, Solenoid (See Breakdowns)	1
15	1049209	(007339-	) Valve, Cntrl, Hyd, Solenoid, 12vdc 08gpm (See Breakdowns)	1
16	19066	(004000-	) Washer, Flat, #10	4
17	06943	(004000-	) Screw, Hex, M6 X 1.0 X 20, 8.8	4
18	07790	(004000-	) Nut, Hex, Flng, M6 X 1.0	4
19	69234	(004000-	) Clamp, Cable, Stl, 1.00d X 0.75w, 1h	1

**Fig. 78 - Hydraulic Lift Valve Group**

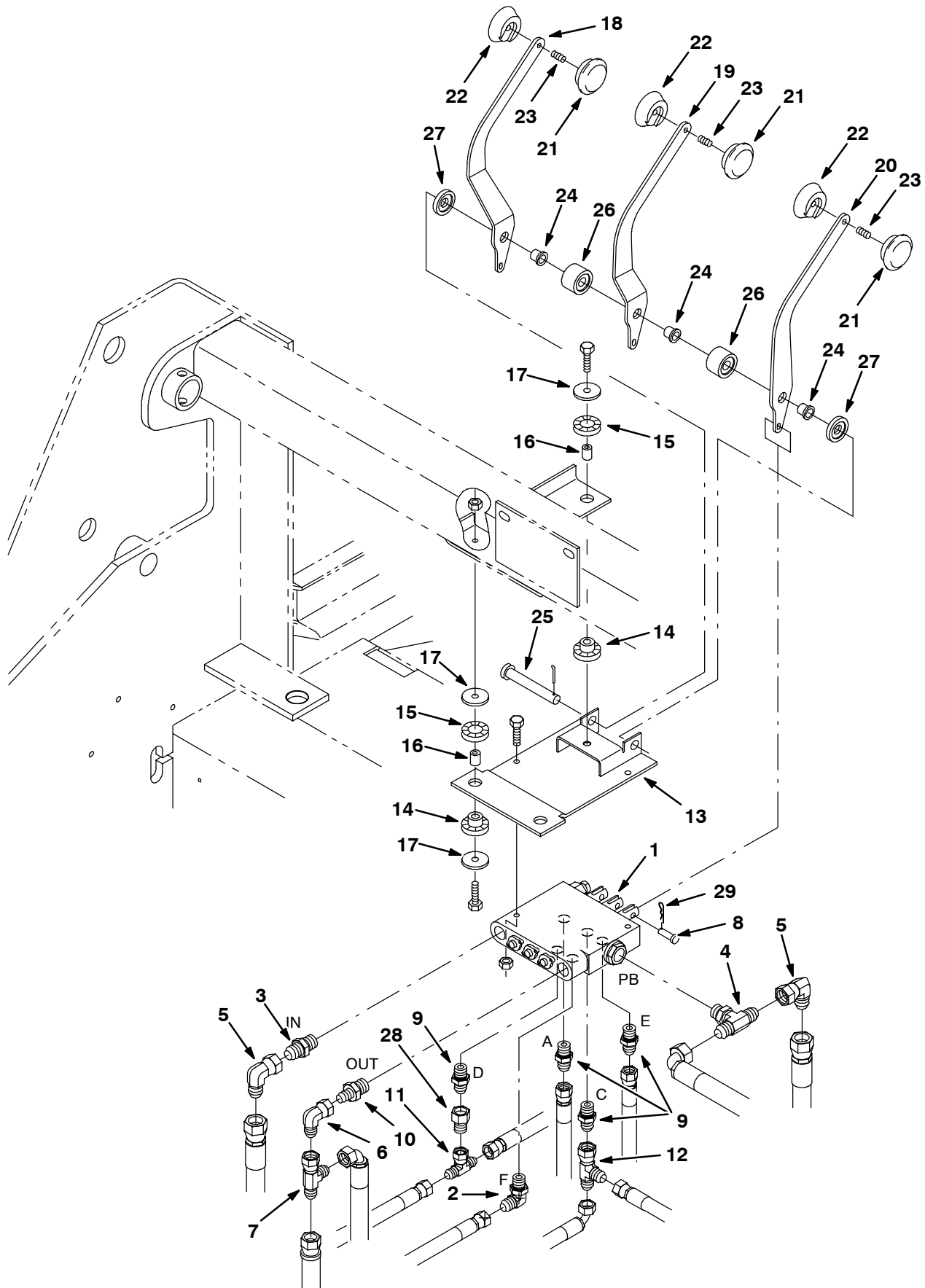


Fig. 78 - Hydraulic Lift Valve Group

Ref.	Part No.	Serial Number	Description	Qty.
1	375563	(004000-	) Valve, Hyd Control Man (See Breakdowns)	1
2	47638	(004000-	) Ftg-Hyd E90 Jm04/Om06	1
3	44869	(004000-	) Ftg-Hyd Str Jm08/Om08	1
4	49933	(004000-	) Ftg-Hyd Tee Jm08Omjm	1
5	17980	(004000-	) Ftg-Hyd E90 Jm08/Jf08	2
6	47504	(004000-	) Ftg-Hyd E90 Jm06/Jf06	1
7	42215	(004000-	) Ftg-Hyd Tee Jm06Jmjf	2
8	77488	(004000-	) Pin, Clevis .18 Dia.X .62 Lg	3
9	55685	(004000-	) Ftg-Hyd Str Jm04/Om06	3
10	52402	(004000-	) Ftg-Hyd Str Jm06/Om08	1
11	57411	(004000-	) Ftg-Hyd Tee Jm04Jfjm	1
12	57988	(004000-	) Ftg-Hyd Tee Jm04Jmjf	1
13	77485	(004000-	) Bracket Wldt, Mounting, Valve	1
14	62173	(004000-	) Bushing, Isolator-Inner,Rbr.	3
15	62172	(004000-	) Ring	3
16	64905	(004000-	) Sleeve, .259B .38D .62 Dom	3
17	1014491	(004000-	) Washer, Flat, 0.28b 1.38d .12, Hrs Pl	5
18	77491	(004000-	) Handle, Rh	1
19	77492	(004000-	) Handle, Center	1
20	77493	(004000-	) Handle, Lh	1
21	64434	(004000-	) Knob	3
22	70827	(004000-	) Knob	3
23	70847	(004000-	) Screw Set M 6X1.020	3
24	36556	(004000-	) Bearing, Nylon .50B	3
25	06474A	(004000-	) Pin,Clevis,0.50 Dia.X 3.50 Lg	1
26	77498	(004000-	) Spacer, .90L	2
27	77499	(004000-	) Spacer, .25 L	2
28	16455	(004000-	) Ftg-Hyd Rst JM04/.047	1
29	08085	(004000-	) Pin, Haircotter .31d .058wire	3

**Fig. 79 - Brush Group, Side**

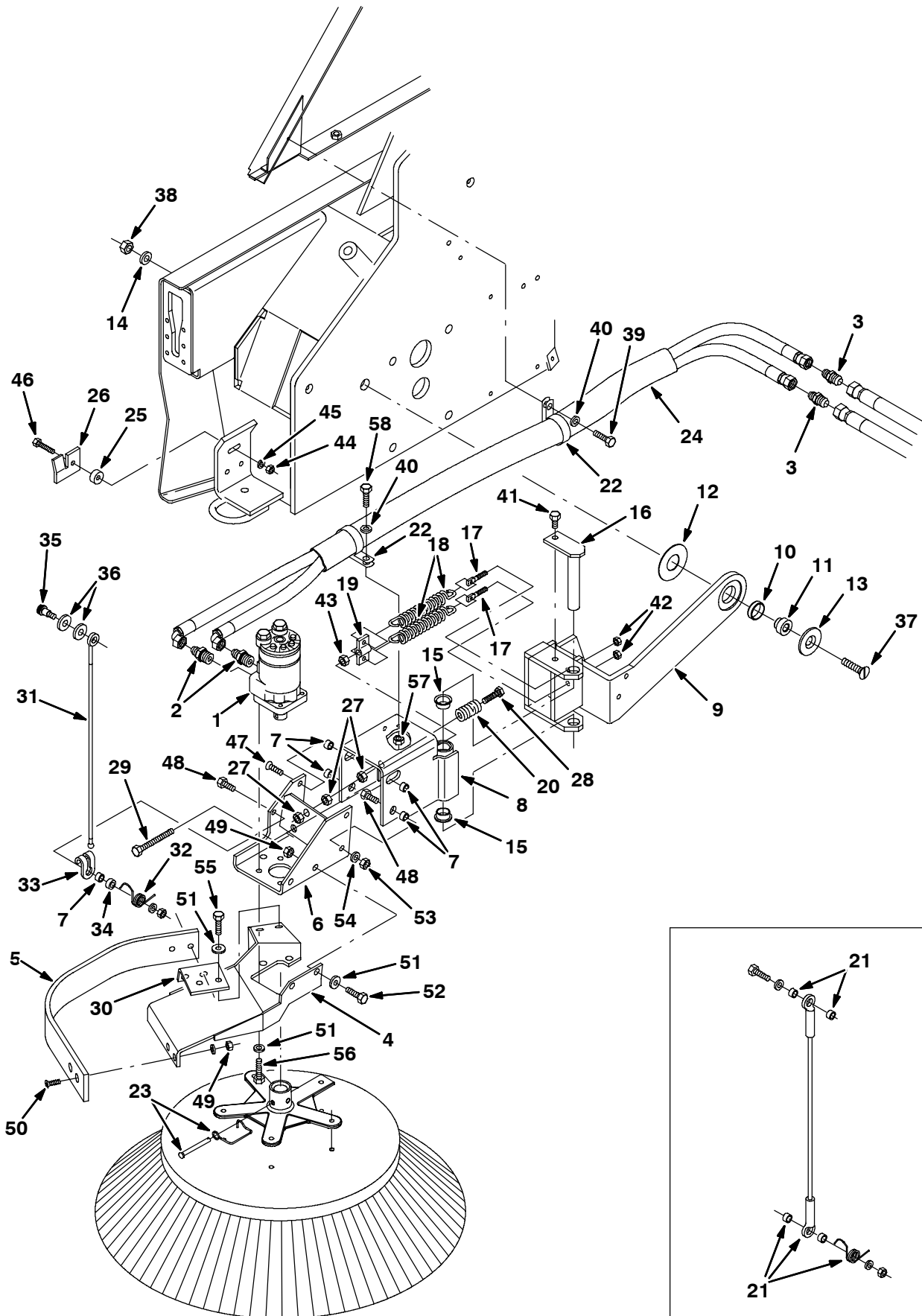




Fig. 79 - Brush Group, Side

Ref.	Part No.	Serial Number	Description	Qty.
1	79781	(004000-	) Motor, Hyd, (See Breakdowns)	1
2	47508	(004000-	) Ftg-Hyd Str Jm06/Om10	2
3	42207	(004000-	) Ftg-Hyd Str Jm08/Jm06	2
4	21224	(004000-	) Guard Wldt, Side Brush	1
5	21238	(004000-	) Guard, Side Brush	1
6	65168	(004000-	) Bracket, Mounting, Motor	1
7	65174	(004000-	) Spacer	5
8	65170	(004000-	) Bracket, Pivot	1
9	70521	(004000-	) Bracket, Lift	1
10	70627	(004000-	) Bearing	1
11	70526	(004000-	) Shaft, Pivot	1
12	70524	(004000-	) Washer, 1.300B 3.000	1
13	70525	(004000-	) Spacer	1
14	36328	(004000-	) Washer-Belleville .50 Pltd	1
15	04761	(004000-	) Bearing, Flange .875 Bore	2
16	70431	(004000-	) Pin	1
17	70626	(004000-	) Bolt-Eye M8-1.25	2
18	65160	(004000-	) Spring, Extension	2
19	65173	(004000-	) Bracket, Spring	1
20	65180	(004000-	) Spring, Comp	1
21	375400	(004000- xxxxxx	) Replacement Kit, Rh. Side Brush Cable	1
22	67366	(004000-	) Clamp, Cable, Stl, 1.0x2.0x0.62w, 1hole	1
23	84581	(004000-	) Pin Assy, Side Brush W/clip	1
24	75028	(004000-	) Sleeve, Nylon #27 65.0L	1
25	74059	(004000-	) Spacer	1
26	74060	(004000-	) Bracket, Angle	1
27	07787	(004000-	) Nut, Hex, Std, M10 X 1.5, Ss	3
28	06537	(004000-	) Screw-Hex M10X1.5	1
29	76438	(004000-	) Screw-Hex M10X1.5 90 Full Thd	1
30	21215	(004000-	) Plate, Angle	1
31	375401	( xxxxxx-	) Cable	1
32	375402	( xxxxxx-	) Spring, Torsion, Rh	1
33	1017898	( xxxxxx-	) Hook, Cable, .44d Ball	1
34	375404	( xxxxxx-	) Spacer	1
35	36758	( xxxxxx-	) Bolt, Shld, .50d X 0.50, .38-16	1
36	32486	( xxxxxx-	) Washer	2
37	20192	(004000-	) Screw, Flt, .50-13 X 2.00, Al	1
38	32985	(004000-	) Nut, Hex, Lock, .50-13, NI	1
39	12459	(004000-	) Screw, Hex, M6 X 1.0 X 20, Fmg	1
40	41185	(004000-	) Washer, Belleville, .25	1
41	09291	(004000-	) Screw, Hex, M10 X 1.5 X 20, Ss	1
42	39311	(004000-	) Nut, Hex, Std, M8 X 1.25	2
43	39312	(004000-	) Nut, Hex, Std, M10 X 1.5	1
44	08709	(004000-	) Nut, Hex, Lock, M8 X 1.25, NI	1
45	32496	(004000-	) Screw, Pan, #10-24 X 0.50, Fmg	1
46	41342	(004000-	) Screw, Hex, M8 X 1.25 X 40, 8.8	1
47	06535	(004000-	) Screw, Flt, M10 X 1.5 X 35, 10.9	1
48	39284	(004000-	) Screw, Hex, M10 X 1.5 X 35, 8.8	3
49	07792	(004000-	) Nut, Hex, Flng, M10 X 1.5	8
50	09081	(004000-	) Screw, Flt, M10 X 1.5 X 25, 10.9	4

Fig. 79 - Brush Group, Side

Ref.	Part No.	Serial Number	Description	Qty.
51	32485	(004000-	) Washer, Flat, 0.38 Sae	9
52	39283	(004000-	) Screw, Hex, M10 X 1.5 X 25, 8.8	2
53	41430	(004000-	) Nut, Hex, Lock, M10 X 1.5, NI	4
54	32492	(004000-	) Washer, Flat, 0.38 Std	7
55	09770	(004000-	) Screw, Hex, M10 X 1.5 X 25, Ss, NI	4
56	34195	(004000-	) Screw, Hex, .38-16 X 1.00, NI	4
57	07790	(004000-	) Nut, Hex, Flng, M6 X 1.00	1
58	06944	(004000-	) Screw, Hex, M6 X 1.0 X 25, 8.8	1



**Fig. 80 - Brush Lift Group, Side**

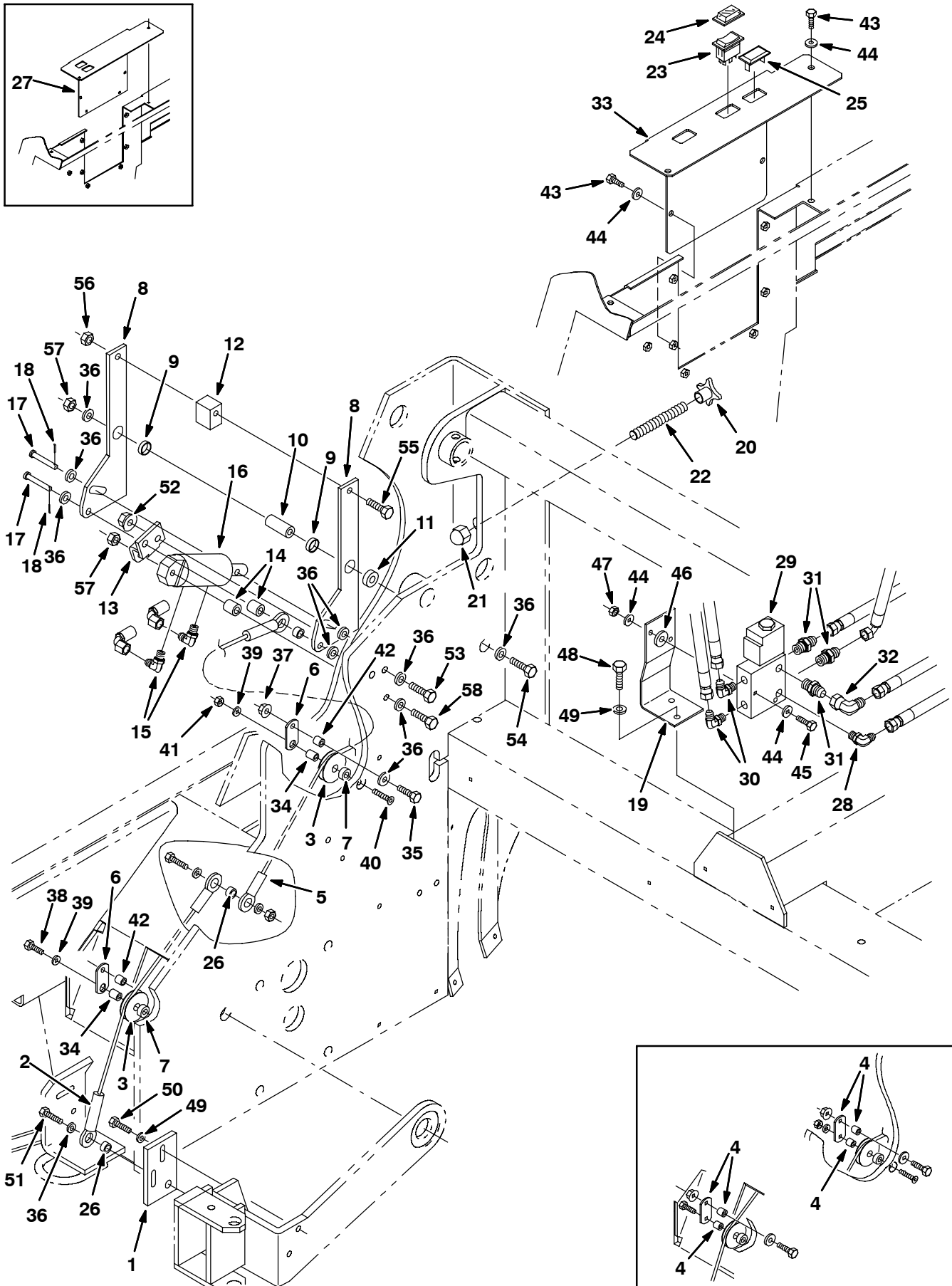


Fig. 80 - Brush Lift Group, Side

Ref.	Part No.	Serial Number	Description	Qty.
1	77669	(004000-	) Plate Wldt	1
2	70532	(004000-	) Cable, Glv .25d 021.2l .63eye /.63eye	1
3	74391	(004000-	) Pulley Assy, Cable, 1.5 Dia	2
4	375416	(004000- xxxxxx	) Replacement Kit, Roller, Side Brush Lift	1
5	23936	(004000-	) Cable, Glv .25d 016.8l .64eye /.64eye	1
6	375415	( xxxxxx-	) Plate, Side Brush Roller	2
7	73737	(004000-	) Sleeve, .375B .75D .32 Stl	2
8	77584	(004000-	) Plate	2
9	74090	(004000-	) Bearing	2
10	77597	(004000-	) Sleeve, 0.406B 0.75D1.80 Stl	1
11	77727	(004000-	) Sleeve, .438B 1.00D .35 Stl	1
12	77459	(004000-	) Spacer	1
13	77601	(004000-	) Plate, Angle	1
14	77600	(004000-	) Sleeve,0.406B .750D .800 Stl	1
15	77097	(004000-	) Ftg-Hyd E90 Jm04/Om04	2
16	1041034	(004000-	) Cylinder, Hyd, 1.5b 06.3l 01.50strk 2500	1
17	51813	(004000-	) Pin,Clevis,0.37 Dia.X 2.12 Lg	2
18	08179	(004000-	) Pin, Cotter .094X1.00	2
19	21231	(004000-	) Plate	1
20	77605	(004000-	) Knob, Plastic	1
21	41131	(004000-	) Nut Low Crown .62-18	1
22	77682	(004000-	) Rod, Thread	1
23	65561	(004000-	) Switch Rocker Spst	1
24	57807	(004000-	) Cover, Rocker Switch Seal	1
25	57772	(004000-	) Plate-Cover	1
26	65174	(004000-	) Spacer	3
27	21109	(004000-004274	) Plate, Cover	1
28	56820	(004000-	) Ftg-Hyd E90	1
29	84016	(004000-007338	) Valve, Hyd Solenoid (See Breakdowns)	1
29	1049211	(007339-	) Valve, Cntrl, Hyd, Solenoid, 12vdc 06gpm (See Break-downs)	1
30	77097	(004000-	) Ftg-Hyd E90 Jm04/Om04	2
31	56690	(004000-	) Ftg-Hyd str	3
32	47504	(004000-	) Ftg-Hyd E90	1
33	375666	(004275-	) Plate, Cover	1
34	80395	( xxxxxx-	) Sleeve, P/M, 0.496d 0.318b 0.65l 430ss	2
35	76570	( xxxxxx-	) Screw, Hex m08	2
36	32492	( xxxxxx-	) Washer, Flat	12
37	07791	( xxxxxx-	) Nut, Hex, Flange	2
38	41342	( xxxxxx-	) Screw, Hex m08	2
39	33924	( xxxxxx-	) Washer, Flat m10	2
40	09028	( xxxxxx-	) Screw, Hex m10	1
41	32715	( xxxxxx-	) Nut, Hex Lock m10	1
42	222460	( xxxxxx-	) Sleeve, P/M, 0.496d 0.318b 0.50l 430ss	2
43	06943	(004000-	) Screw, Hex, M6 X 1.0 X 20, 8.8	4
44	19066	(004000-	) Washer, Flat, #10	8
45	06548	(004000-	) Screw, Hex, M6 X 1.0 X 60, 8.8	2
46	63416	(004000-	) Washer, Rbr, .12 0.31b 0.88d	2
47	08708	(004000-	) Nut, Hex, Lock, M6 X 1.0, NI	2
48	16931	(004000-	) Screw, Hex, M8 X 1.25 X 20, 8.8	2

**Fig. 80 - Brush Lift Group, Side**

<b>Ref.</b>	<b>Part No.</b>	<b>Serial Number</b>	<b>Description</b>	<b>Qty.</b>
49	32491	(004000-	) Washer, Flat, 0.31 Std	3
50	09010	(004000-	) Screw, Hex, M8 X 1.25 X 25, Ss	2
51	39283	(004000-	) Screw, Hex, M10 X 1.5 X 25, 8.8	2
52	07792	(004000-	) Nut, Hex, Flng, M10 X 1.5	2
53	39284	(004000-	) Screw, Hex, M10 X 1.5 X 35, 8.8	1
54	03193	(004000-	) Screw, Hex, M10 X 1.5 X 90, 8.8	1
55	06957	(004000-	) Screw, Hex, M8 X 1.25 X 60, 8.8	1
56	08709	(004000-	) Nut, Hex, Lock, M8 X 1.25, NI	1
57	41430	(004000-	) Nut, Hex, Lock, M10 X 1.5, NI	1
58	06965	(004000-	) Screw, Hex, M10 X 1.5 X 80, 8.8	1



**Fig. 81 - Brush Drive Group, Main**

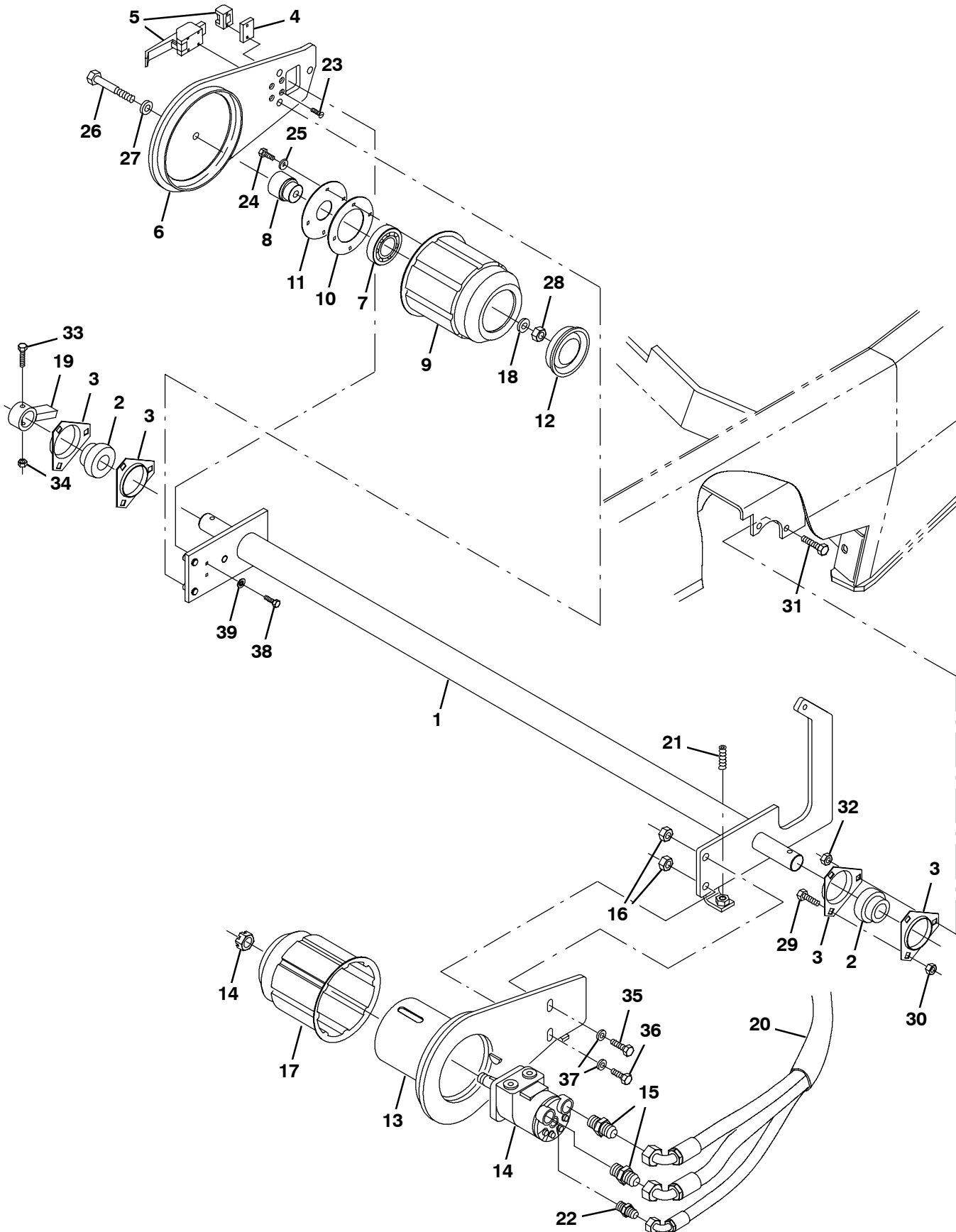




Fig. 81 - Brush Drive Group, Main

Ref.	Part No.	Serial Number	Description	Qty.
1	63436	(004000-	) Shaft Wldt, Main Brush	1
2	51448	(004000-	) Bearing&Clr , 1.25B 2.44D 1.41W	2
3	51449	(004000-	) Flange,Brg,3 Hole	4
4	63541	(004000-	) Plate, Mtg, Latch	1
5	54878	(004000-	) Latch	1
6	63449	(004000-	) Arm Wldt, M Br, Idler	1
7	24899	(004000-	) Bearing-Ball,1.38B 2.83D 0.67W	1
8	30251	(004000-	) Shaft, Idler	1
9	55779	(004000-	) Plug Wldt, Idler	1
10	30252	(004000-	) Strip, Retainer, Bearing	1
11	30253	(004000-	) Plate, Seal	1
12	30255	(004000-	) Plug, Tube	1
13	63450	(004000-	) Arm Wldt, M Br, Motor	1
14	53434	(004000-	) Motor-Hyd Gear In (See Breakdowns)	1
15	44869	(004000-	) Ftg-Hyd Str Jm08/Om08	2
16	07793	(004000-	) Nut, Hex, Flng, M12 X 1.75	2
17	87631	(004000-	) Plug Weld, Brush Drive, Sweep	1
18	51564	(004000-	) Washer, .531B 1.75D .12Cr.Znc	1
19	64811	(004000-	) Bar Wldt, Brush Pressure	1
20	34330	(004000-	) Sleeve, Hyd 30"	1
21	75612	(004000-	) Screw, Set	1
22	55586	(004000-	) Ftg-Hyd Str Jm04/Om04	1
23	09120	(004000-	) Screw, Flt, M5 X 0.8 X 16, 10.9	4
24	12274	(004000-	) Screw, Hex, M6 X 1.0 X 20, 8.8, NI	4
25	32483	(004000-	) Washer, Flat, 0.25 Sae	4
26	32895	(004000-	) Screw, Hex, .50-13 X 3.50, 5	1
27	36328	(004000-	) Washer, Belleville, .50	1
28	02931	(004000-	) Nut, Hex, Lock, .50-13, NI, Ss	1
29	10819	(004000-	) Bolt, Carriage, .38-16 X 1.00	2
30	50902	(004000-	) Nut, Hex, Lock, .38-16, NI	2
31	39283	(004000-	) Screw, Hex, M10 X 1.5 X 25, 8.8	4
32	07792	(004000-	) Nut, Hex, Flng, M10 X 1.5	4
33	06957	(004000-	) Screw, Hex, M8 X 1.25 X 60, 8.8	1
34	08709	(004000-	) Nut, Hex, Lock, M8 X 1.25, NI	1
35	06968	(004000-	) Screw, Hex, M12 X 1.75 X 35, 8.8	1
36	41346	(004000-	) Screw, Hex, M12 X 1.75 X 30, 8.8	1
37	32486	(004000-	) Washer, Flat, 0.50 Sae	2
38	12316	(004000-	) Screw, Hex, M5 X 0.80 X 25, Ss	2
39	07514	(004000-	) Washer, Lock, Int, 10, Ss	2

Fig. 82 - Brush Lift Group, Main

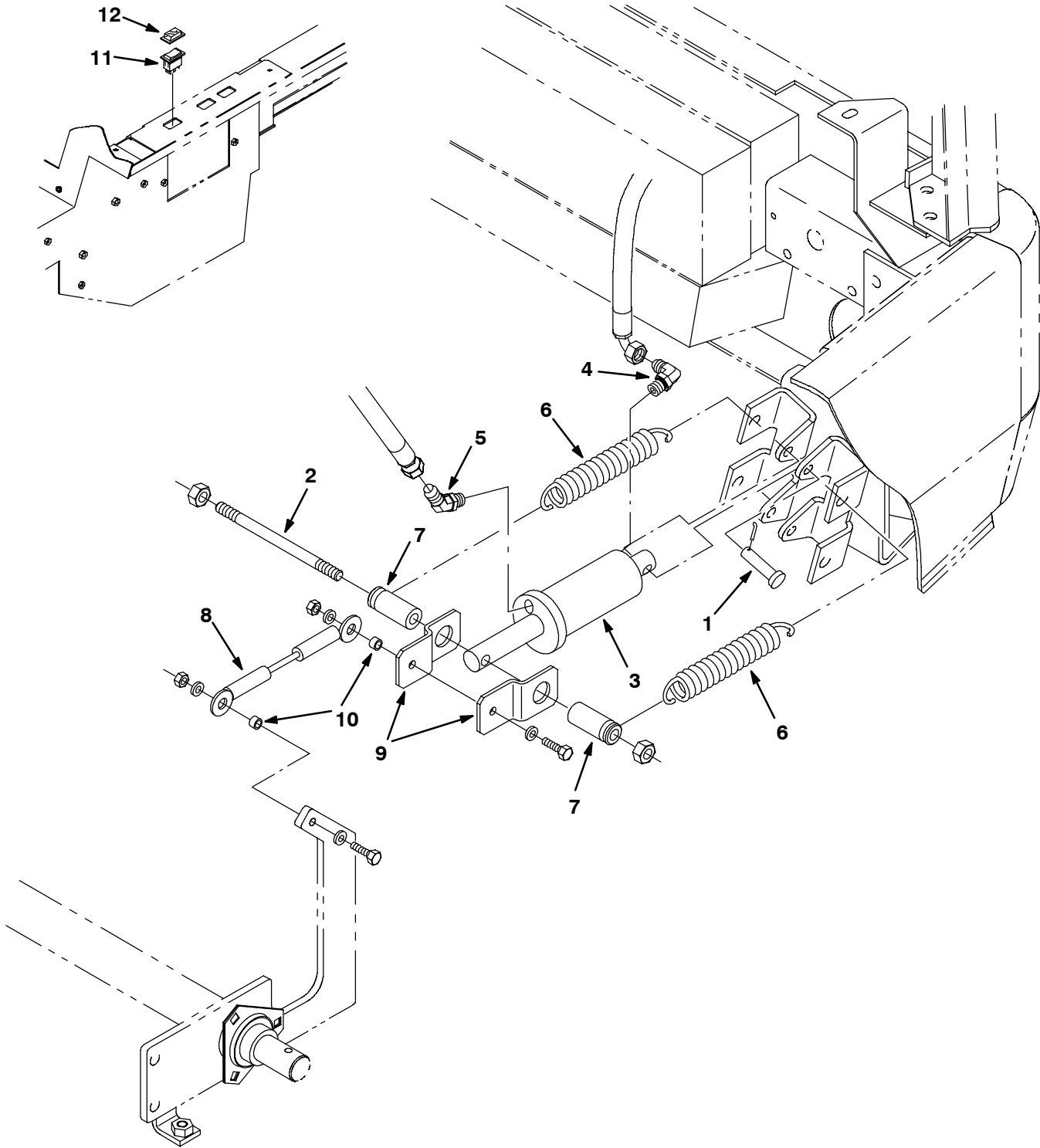


Fig. 82 - Brush Lift Group, Main

Ref.	Part No.	Serial Number	Description	Qty.
1	51534	(004000-	) Pin,Clevis,0.50 Dia.X 2.00 Lg	1
2	1012657	(004000-	) Rod, Thrd, 2 End .50-13 05.75	1
3	1038176	(004000-	) Cylinder, Hyd, 2.0b 08.0l 04.00strk 2500	1
4	77097	(004000-	) Ftg-Hyd E90 Jm04/Om04	1
5	34359	(004000-	) Ftg-Hyd E45 Jm04/Om04	1
6	33404	(004000-	) Spring, Tension	2
7	1012656	(004000-	) Tube, Mach, Retainer, Spring , 1.0d 1.7l	2
8	64233	(004000-	) Cable, Lift, Main Brush	1
9	65248	(004000-	) Bracket, Brush Lift, Main	2
10	65249	(004000-	) Tube, Spacer, Brush Lift	2
11	61969	(004275-	) Switch, Rocker, Dpdt	1
12	57807	(004275-	) Cover, Rocker Switch Seal	1

Fig. 83 - Brush Adjustment Group, Main

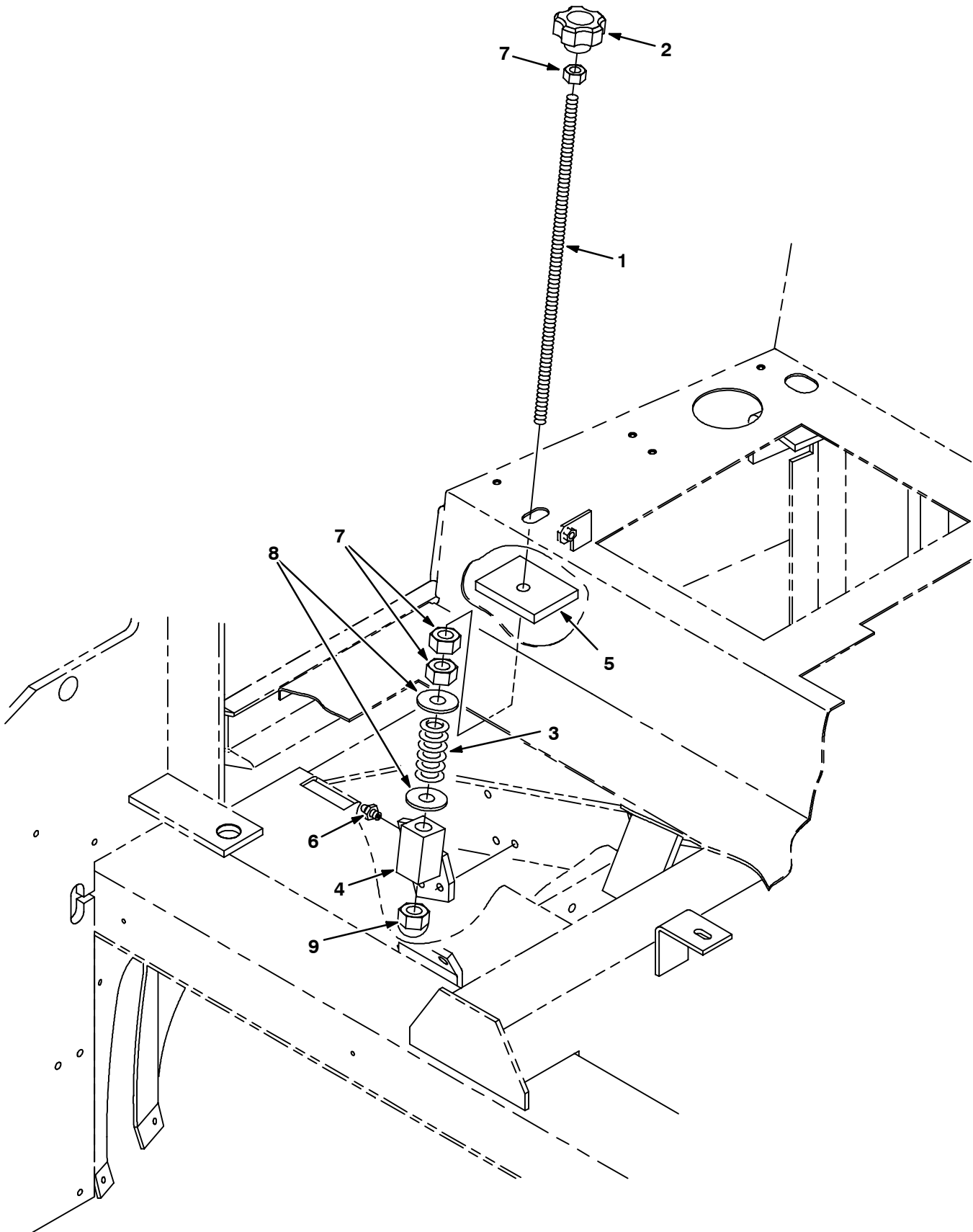


Fig. 83 - Brush Adjustment Group, Main

Ref.	Part No.	Serial Number	Description	Qty.
1	77578	(004000-	) Rod, Thread	1
2	77605	(004000-	) Knob, Plastic	1
3	51693	(004000-	) Sprng,Comp,0.87Idx.10Wire 2.5L	1
4	77580	(004000-	) Plate, Adj, Brush	1
5	79028	(004000-	) Seal, Rod, Adjuster	1
6	11716	(004000-	) Ftg, Grease.12 Npt 45 .88L	1
7	77583	(004000-	) Nut, Hex, Std, .62-18	3
8	15331	(004000-	) Washer, Flat, 0.62, Sae	2
9	41131	(004000-	) Nut, Low Crown, .62-18	1

Fig. 84 - Vacuum Fan Impeller Group

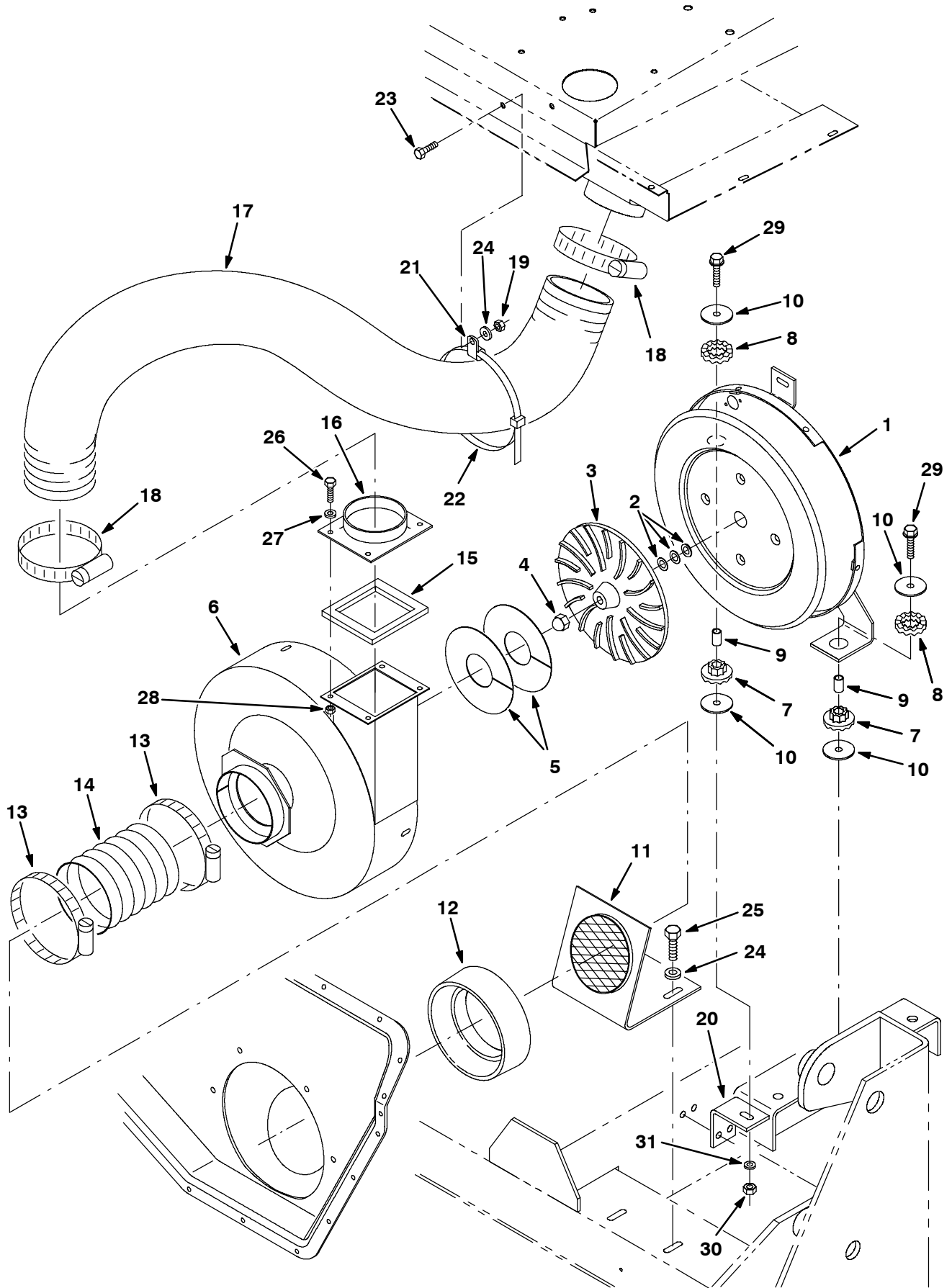


Fig. 84 - Vacuum Fan Impeller Group

Ref.	Part No.	Serial Number	Description	Qty.
1	77531	(004000-	) Housing Wldt, Vac Fan, Rear	1
2	75456	(004000-	) Shim .003Th 0.88Odx0.506ld	1
2	75456-1	(004000-	) Shim .005Th 0.88Odx0.506ld	1
2	75456-2	(004000-	) Shim .010Th 0.88Odx0.506ld	1
2	75456-3	(004000-	) Shim .020Th 0.88Odx0.506ld	3
2	75456-4	(004000-	) Shim .060Th 0.880Dxo.506ld	3
3	03922	(004000-	) Impeller 9.5 Dia. 18 Blade Mac	1
4	41130	(004000-	) Nut-Low Crown .50-20 Pltd	1
5	58114	(004000-	) Fan, Repair Kit, Reassembly	1
6	77532	(004000-	) Housing Wldt, Vac Fan, Front	1
7	64621	(004000-	) Bushing, Isolator	2
8	64618	(004000-	) Ring, Isolator, Outer Rbr	2
9	64299	(004000-	) Spacer	2
10	58228	(004000-	) Plate, Spring - Side Brush	4
11	70825	(004000-	) Bracket Wldt, Fan Inlet	1
12	21241	(004000-	) Gasket Kit, Vacfan, Replmt [800]	1
13	73685	(004000-	) Clamp-Wormdrive, 3.62- 5.50D	2
14	73646	(004000-	) Hose, Fan Inlet	1
15	73650	(004000-	) Insulation, Acoustic, Fan	1
16	77553	(004000-	) Plate, Vac Fan	1
17	40870-8	(004000-	) Hose&cuff Assy, Vinyl4.0ldx50	1
18	23498	(004000-	) Clamp-Wormdrive, 2.63- 4.50D	2
19	08709	(004000-	) Nut, Hex, Lock, M8 X 1.25, NI	1
20	375721	(004380-	) Bracket, Angle	1
21	69234	(004000-	) Clamp, Cable, Stl, 1.00d X 0.75w, 1h	1
22	763113	(004000-	) Tie, Cable, 20.0l, 6.00d Max	1
23	16931	(004000-	) Screw, Hex, M8 X 1.25 X 20, 8.8	1
24	32491	(004000-	) Washer, Flat, 0.31 Std	3
25	76570	(004000-	) Screw, Hex, M8 X 1.25 X 30, 8.8	2
26	06943	(004000-	) Screw, Hex, M6 X 1.0 X 20, 8.8	4
27	32483	(004000-	) Washer, Flat, 0.25, Sae	4
28	08708	(004000-	) Nut, Hex, Lock, M6 X 1.00, NI	4
29	16930	(004000-	) Screw, Hex, M10 X 1.5 X 50, 8.8	2
30	41430	(004000-	) Nut, Hex, Lock, M10 X 1.5, NI	2
31	32492	(004000-	) Washer, Flat, 0.38, Std	2

**Fig. 85 - Vacuum Fan Motor Group**

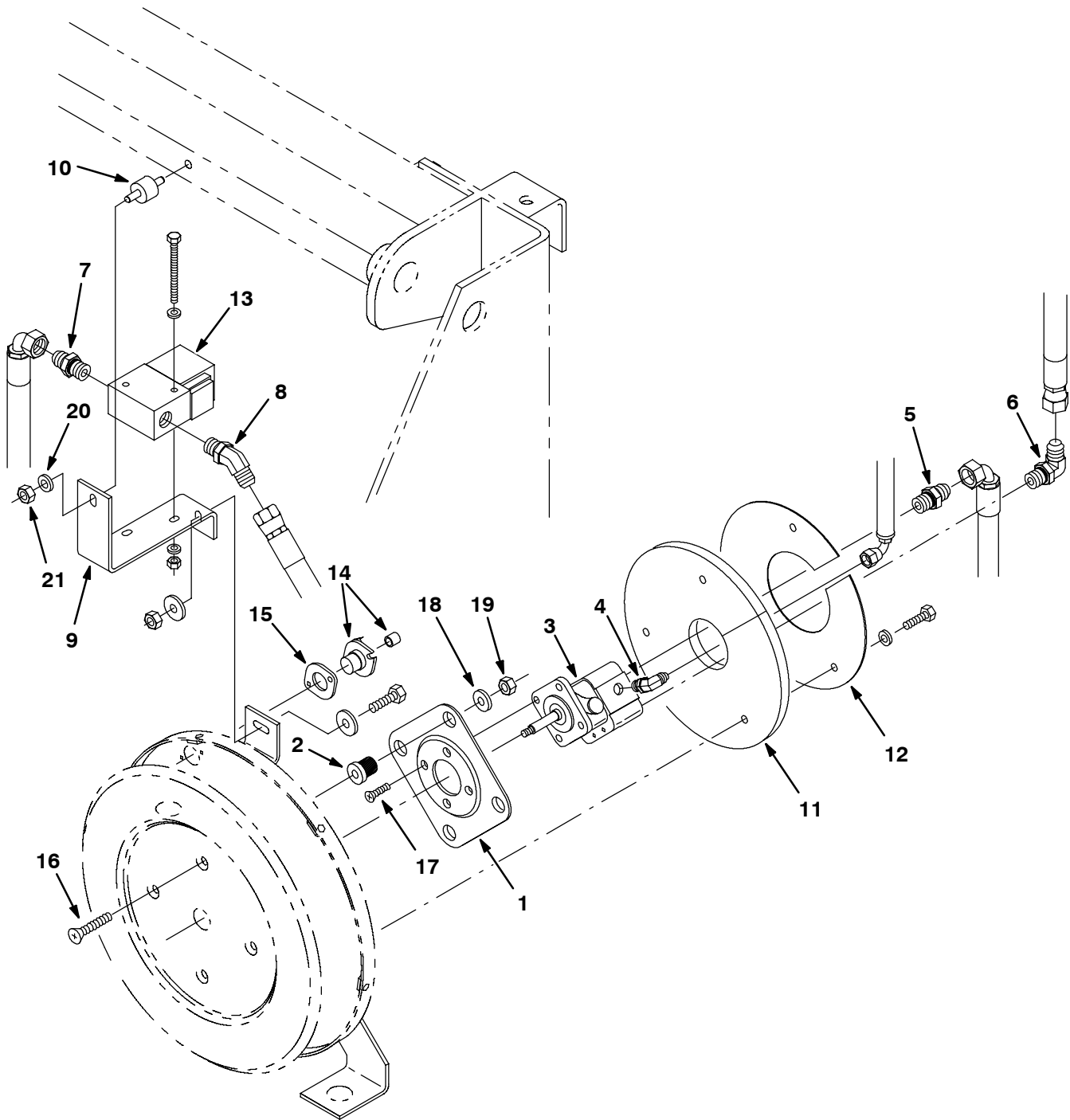




Fig. 85 - Vacuum Fan Motor Group

Ref.	Part No.	Serial Number	Description	Qty.
1	54275A	(004000-	) Bracket, Mounting Motor	1
2	54274	(004000-	) Isolator-Vibration,60 Lb.Ratng	4
3	19117	(004000-	) Motor-Hyd Gear Ex (See Breakdowns)	1
4	77097	(004000-	) Ftg-Hyd E90 Jm04/Om04	1
5	56692	(004000-	) Ftg-Hyd Str Jm08/Om10	1
6	56821	(004000-	) Ftg-Hyd E90 Jm08/Om10	1
7	44869	(004000-	) Ftg-Hyd Str Jm08/Jm08	1
8	42226	(004000-	) Ftg-Hyd E45 Jm08/Om08	1
9	70775	(004000-	) Bracket, Mtg, Valve	1
10	05611	(004000-	) Isolator, Vibration	1
11	70810	(004000-	) Insulation, Acoustic, Vac Fan	1
12	70790	(004000-	) Plate, Retainer, Foam	1
13	84015	(004000-007338	) Valve-Hyd, Solenoid (See Breakdowns)	1
13	1049210	(007339-	) Valve, Cntrl, Hyd, Solenoid, 12vdc 12gpm (See Break-downs)	1
14	02713	(004000-	) Thermostat Assembly, 155 Deg	1
15	82733	(004000-	) Gasket, Fire Switch	1
16	54862	(004000-	) Screw Flt	4
17	39534	(004000-	) Screw Flt	4
18	13248	(004000-	) Washer, Flat, 0.40b 1.12d .12, Stl, PI	4
19	50902	(004000-	) Nut, Hex, Lock, .38-16, NI	4
20	32984	(004000-	) Washer, Lock, Int, 0.31	2
21	19313	(004000-	) Nut, Hex, Std, .31-18	2

Fig. 86 - Steering Group

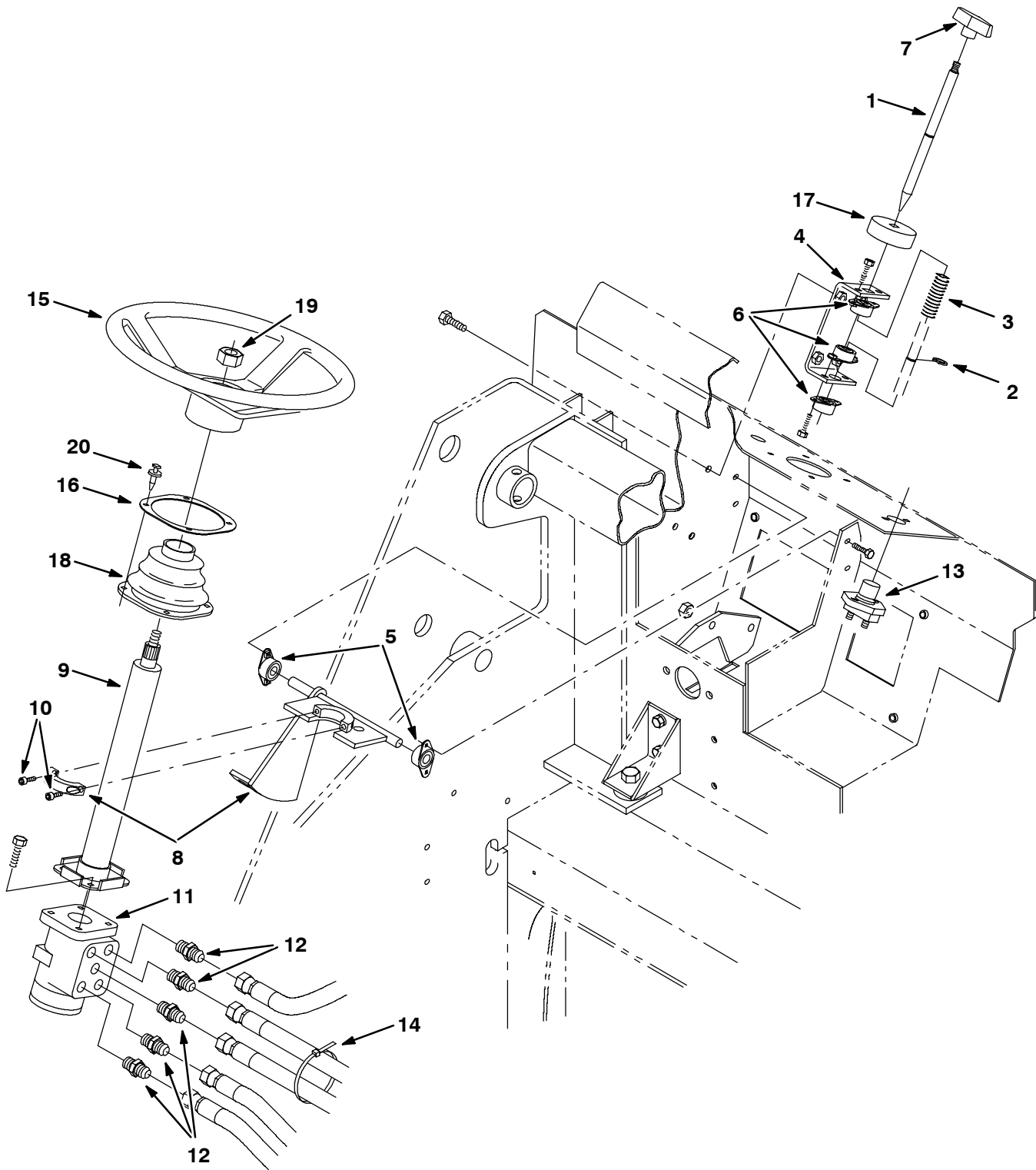


Fig. 86 - Steering Group

Ref.	Part No.	Serial Number	Description	Qty.	
1	64651	(004000-	) Rod, Latch, Steering, Tilt	1	
2	70717	(004000-	) Ring, Retain, Ex, 0.50Od, Heavy Dt	1	
3	22290	(004000-	) Sprng, Comp, 0.62ldx.06Wire 2.3L	1	
4	64655	(004000-	) Channel, Mtg, Steering Latch	1	
5	70709	(004000-	) Bearing, Flange .500B	2	
6	47585	(004000-	) Bearing-Flange, 2 Hole 0.50Bore	3	
7	04706	(004000-	) Handle, Lift, Brush	1	
8	64586	(004000-	) Bracket Wldt, Steering Tilt	1	
▽	9	64631	(004000-	) Column, Steering 12"	1
▲	74142	(004000-	) Boot	1	
10	21195	(004000-	) Scr Hex .38-16X0.75	2	
11	65242	(004000-	) Steer Control, Hyd	1	
12	56690	(004000-	) Ftg-Hyd Str Jm06/Om06	5	
13	44078	(004000-	) Switch, Pushmom, Spst100A 12V	1	
14	49263	(004000-	) Tie, Cable 3.00D Max 11.41Lg	3	
▽	15	56398	(004000-	) Wheel, Steering	1
▲	70218	(004000-	) Cap, Wheel, Steering	1	
▲	70219	(004000-	) Insert, Wheel, Steering	1	
16	70623	(004000-	) Plate, Mtg, Steering Boot	1	
17	75968	(004000-	) Seal, Bearing	1	
18	70622	(004000-	) Seal, Boot, Steering Column	1	
19	56185	(004000-	) Nut-hx Jam M20x1.5 4 Pltd	1	
20	72970	(004000-	) Rivet, Plastic .250Dx.898	4	

**Fig. 87 - Electrical Instrument Panel Assembly**

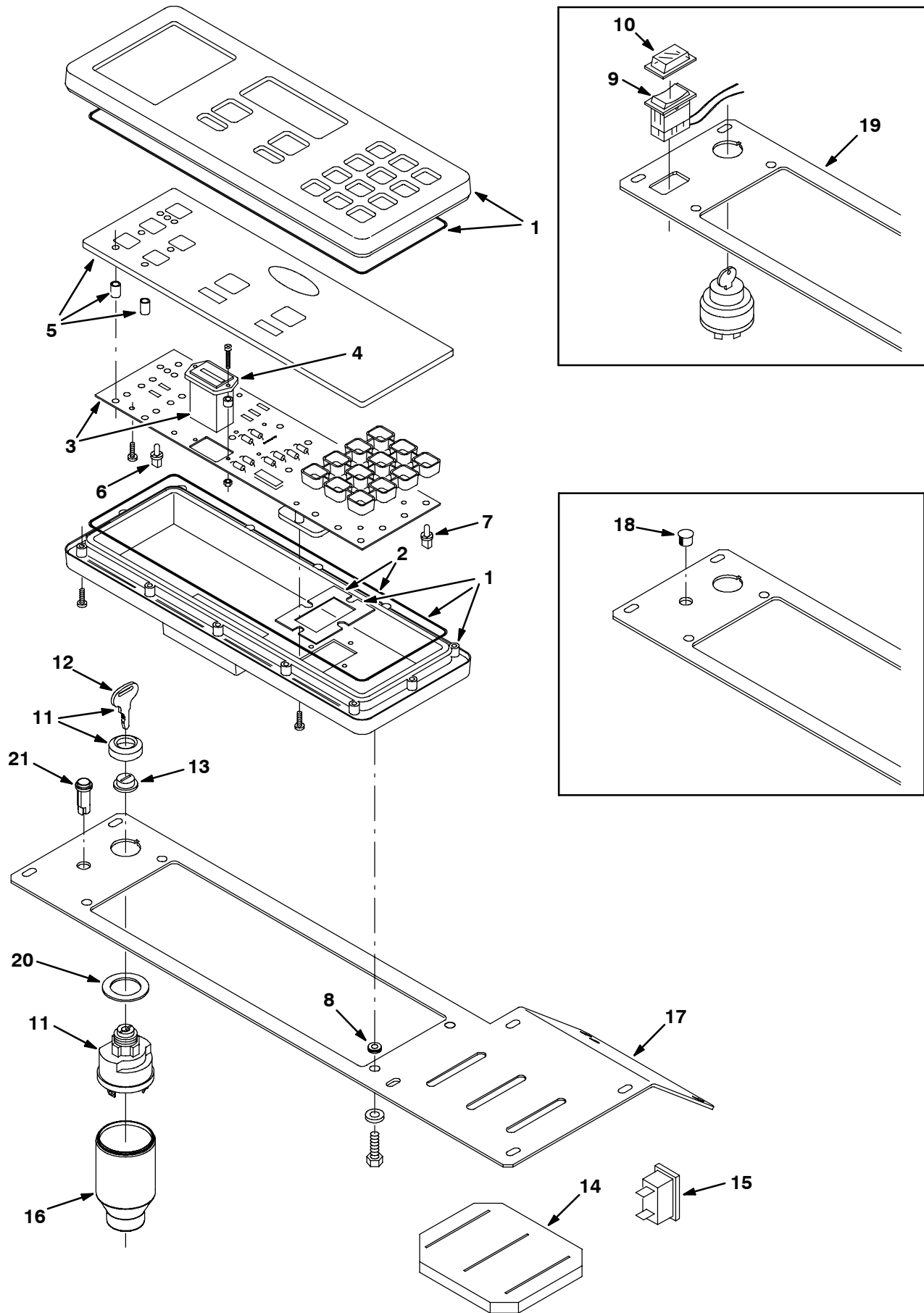
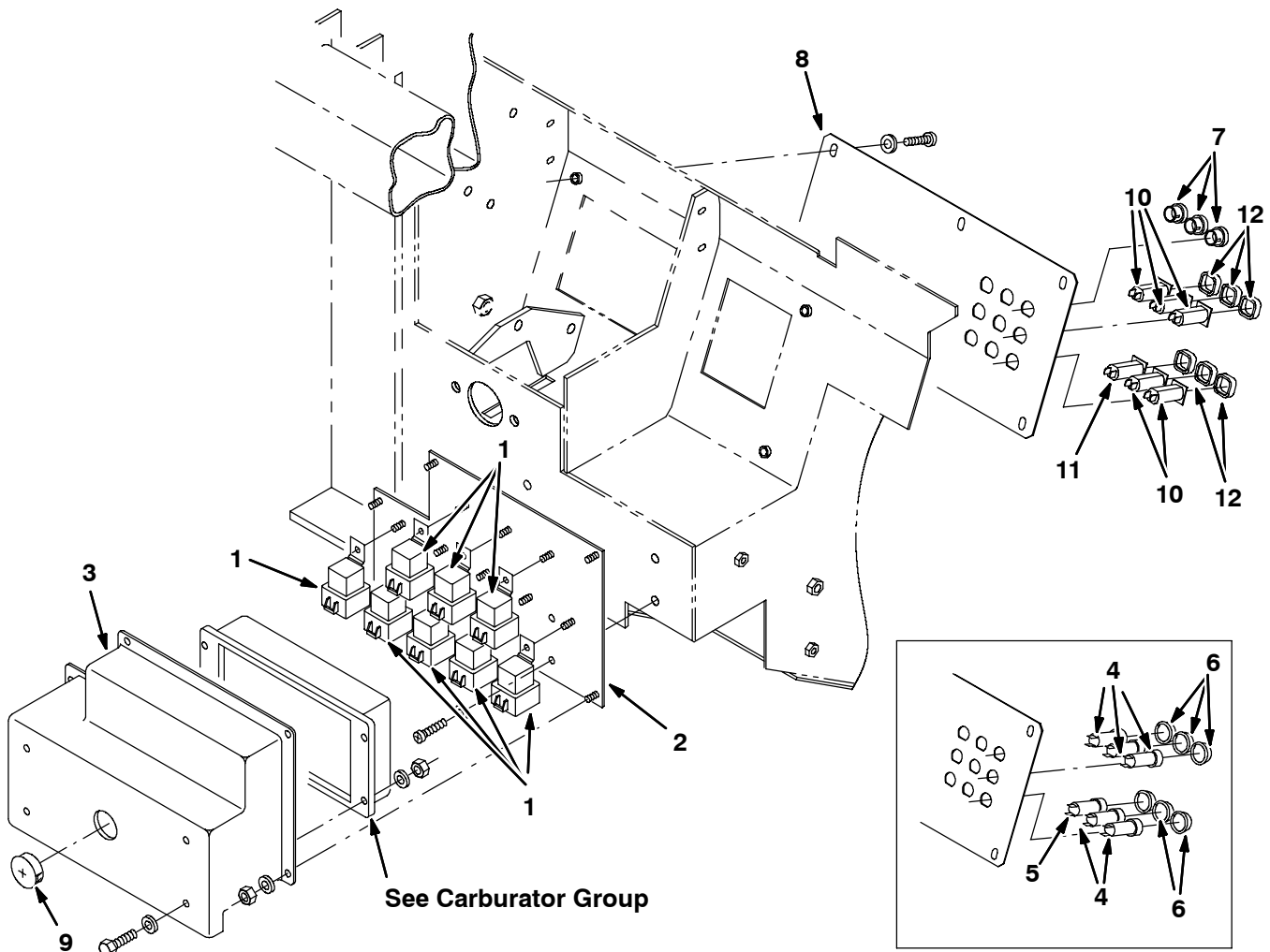


Fig. 87 - Electrical Instrument Panel Assembly

	Ref.	Part No.	Serial Number	Description	Qty.
▽		59970	(004000-	) Replm Kit, Instr Panel	1
▲	1	59976	(004000-	) Replm Kit, Case	1
▲	2	59977	(004000-	) Replm Kit, Seal	1
▲▽	3	59974	(004000-	) Replm Kit, Cir Board	1
▲▲	4	59978	(004000-	) Replm Kit, Hourmeter	1
▲	5	59979	(004000-	) Replm Kit, Touch Panel	1
▲	6	59971	(004000-	) Replm Kit, Lamp, Backlighting (Set of 8)	2
▲	7	56346	(004000-	) Replm Kit, Lamp, Fault (Set of 8)	1
	8	10632-5	(004000-	) Grommet,Rbr,0.25ld,For .09Matl	4
	9	61969	(004000-004274	) Switch, Rocker, Dpdt	1
	10	57807	(004000-004274	) Cover, Rocker Switch Seal	1
▽	11	87536	(004000-	) Switch Ignition	1
▲	12	87866	(004000-	) Key Set,Switch Ku	1
	13	382516	(004000-	) Boot, Switch	1
	14	79648	(004000-	) Seal, Handle, Valve	1
	15	64141	(004000-	) Light, Indicator 14V Red 1.2x0.7	1
	16	383165	(004322-	) Boot, Switch, Ignition	1
	17	1012670	(004275-	) Panel, Cover, Dash	1
	18	56992	(004275-005999	) Plugbutton	1
	19	65245	(004000-004274	) Panel, Cover, Dash	1
	20	73736	(004000-	) Washer	1
	21	1012185	(006000-	) Light, Check Eng, Amb, 14vdc	1

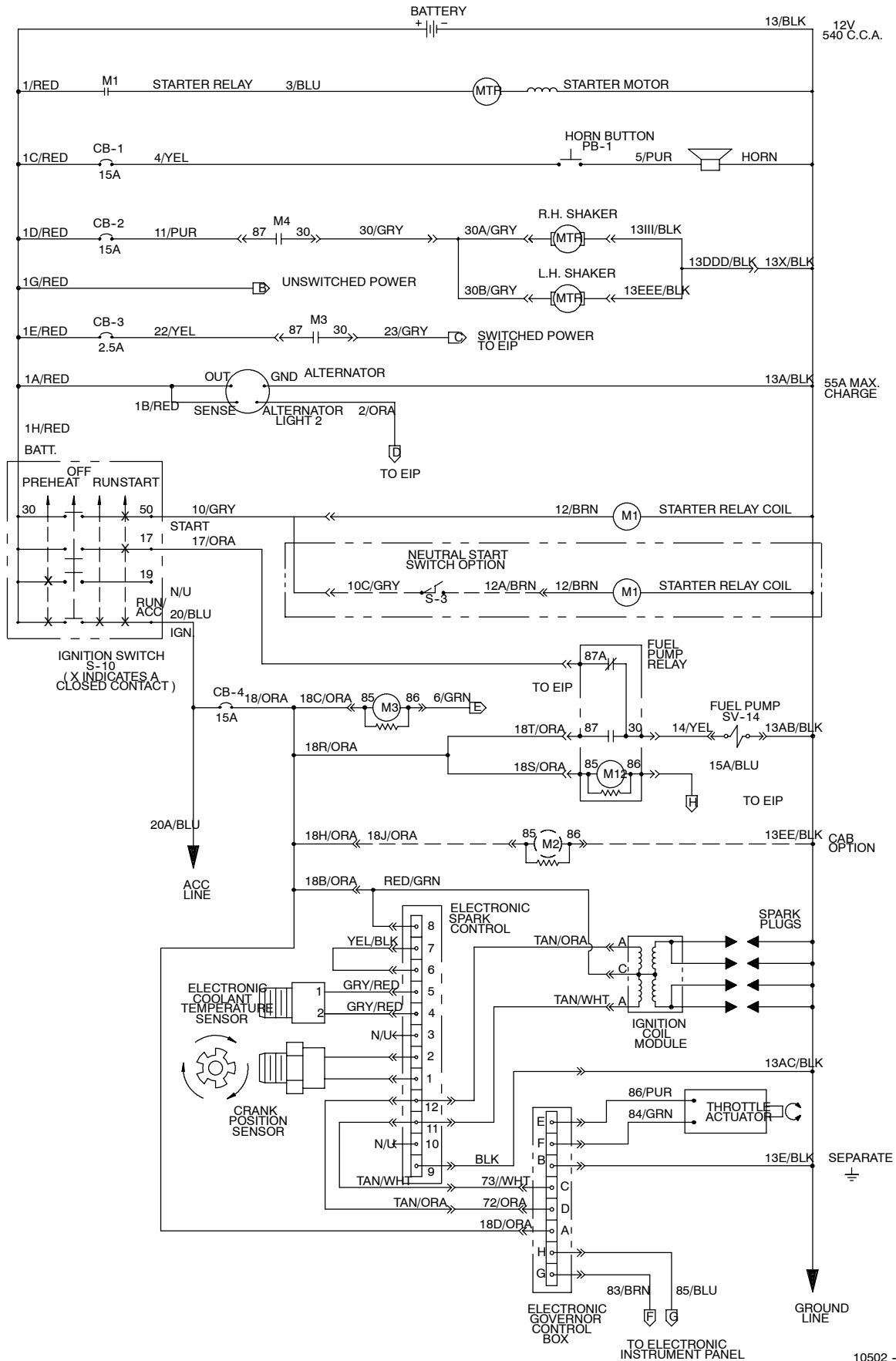
**Fig. 88 - Electrical Circuit Breaker and Relay Group**



07735 - G, LP

Ref.	Part No.	Serial Number	Description	Qty.
1	56186	(004000- )	Relay, Shrouded, 12 Vdc	8
2	70398	(004000- )	Plate, Mtg, Relay	1
3	70402	(004000- )	Cover, Relay Panel	1
4	57803	(004000-007289 )	Breaker-Circuit, 15 Resetbl	5
5	87583	(004000-007289 )	Breaker-Circuit, 2.5 Resetbl	1
6	57751	(004000-007289 )	Boot-Circuit Breaker	6
7	57167	(004000- )	Plugbtn .62H .03-.12 Blacknyl	3
8	70411	(004000- )	Plate, Circuit Breaker	1
9	76888	(004000- )	Button, Plug 1.25H	1
10	1045858	(007290- )	Circuitbreaker, 15A, Restable	5
11	1046152	(007290- )	Circuitbreaker, 2.5A, Restable	1
12	1046173	(007290- )	Boot, Circuitbreaker	6

Fig. 89 - Electrical Schematic (004000-004936)



10502 - G, LP

## Fig. 89 - Electrical Schematic (004000-004936)

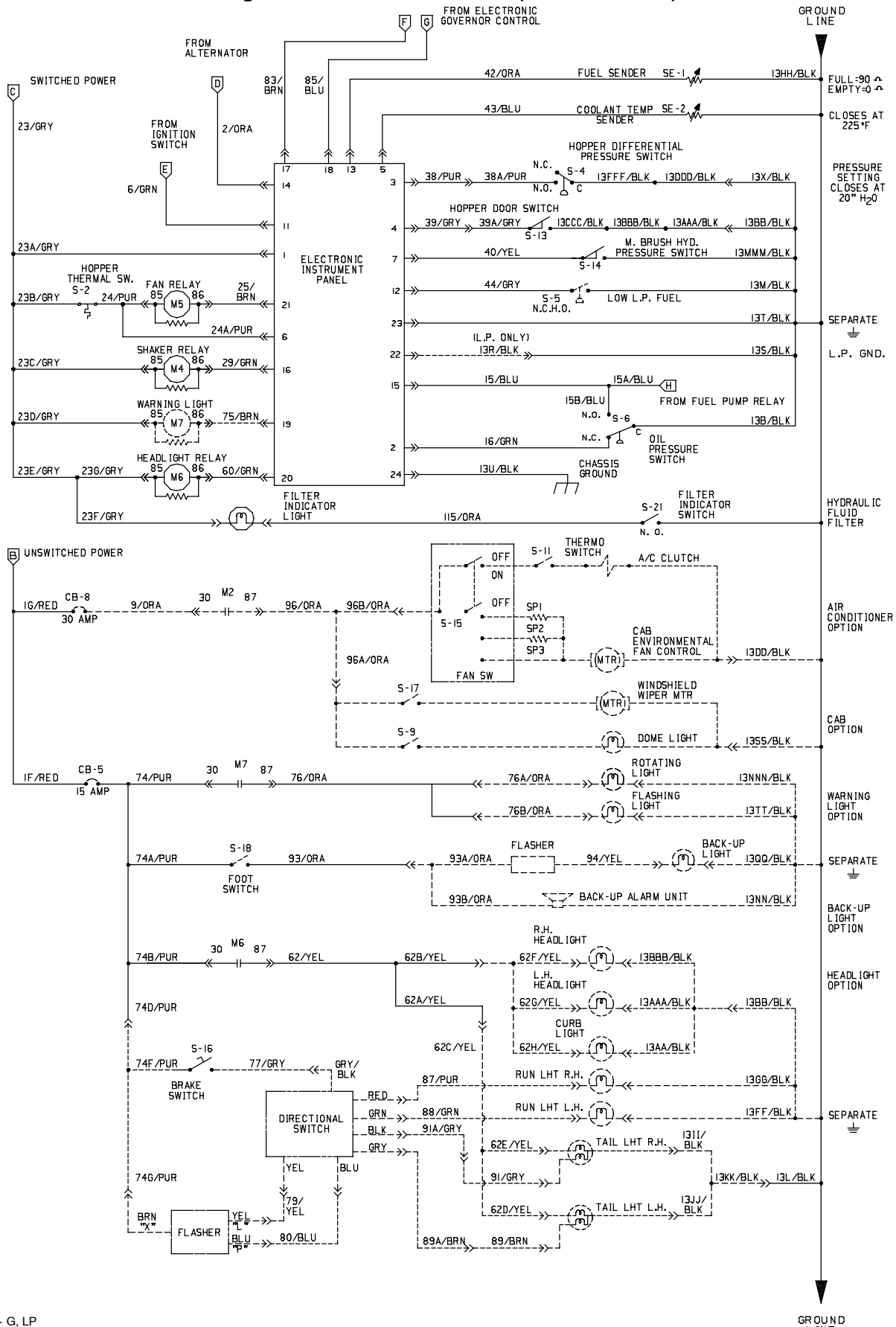
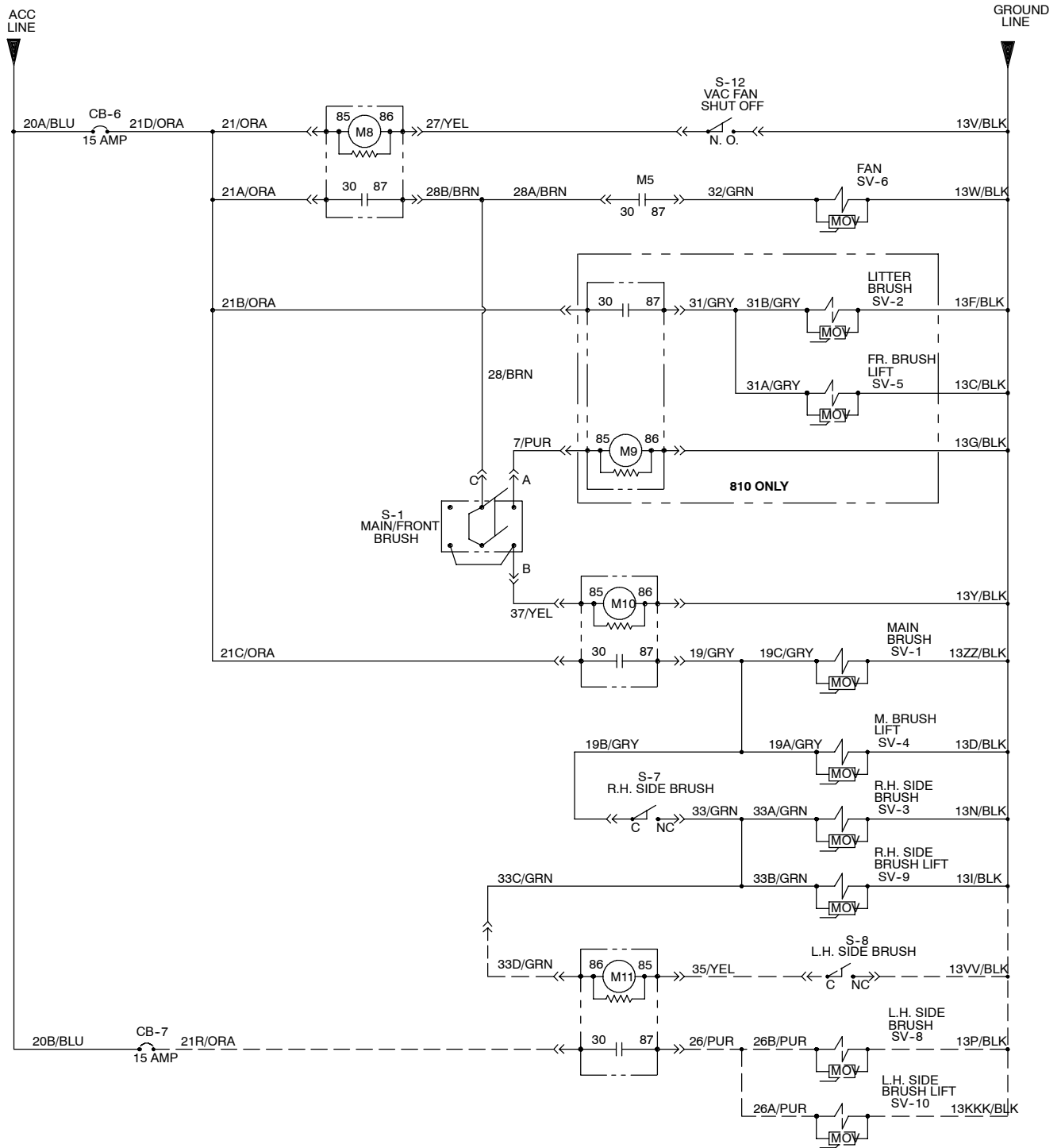




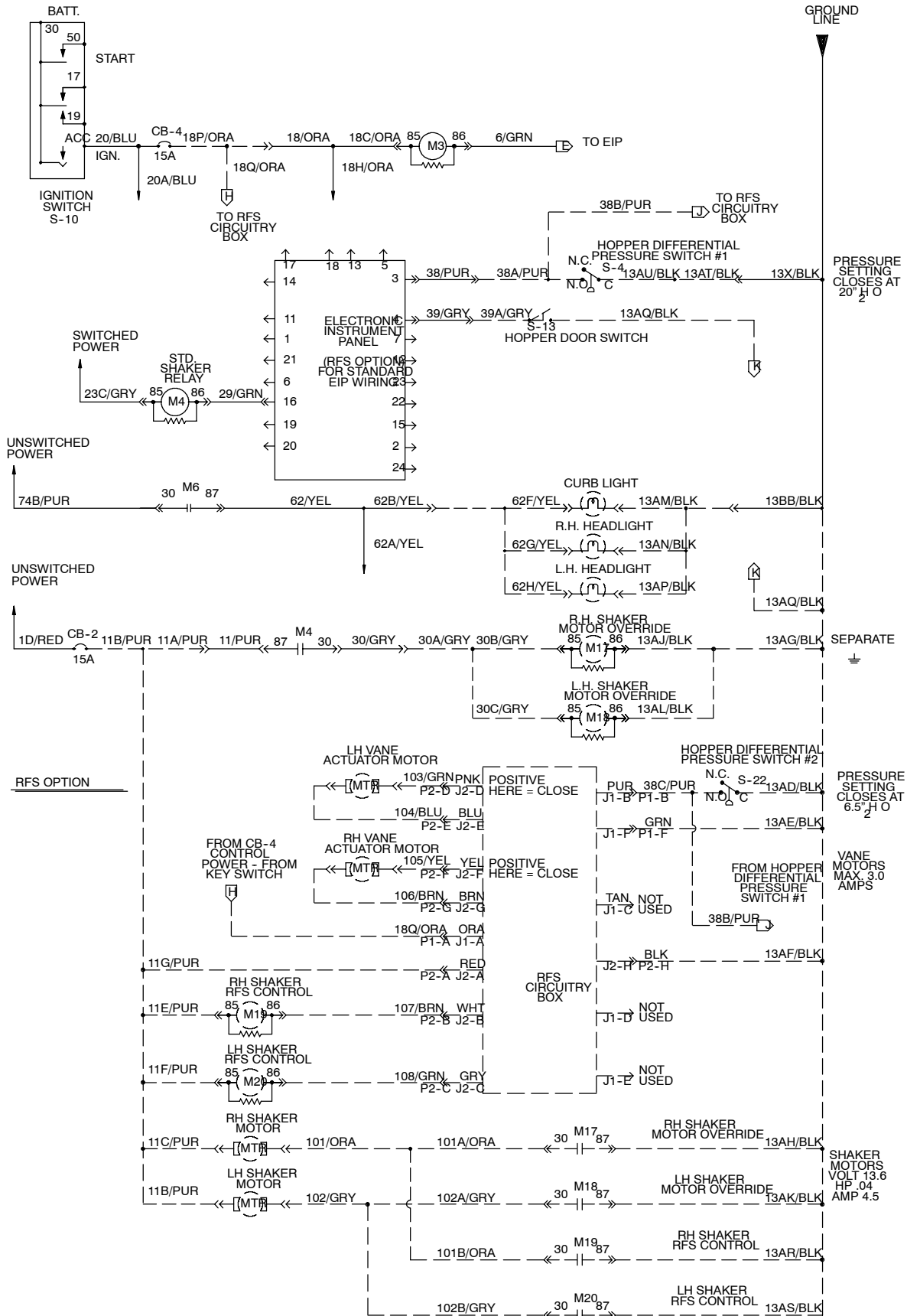
Fig. 89 - Electrical Schematic (004000-004936)



LEGEND			
M	POWER RELAY	HM	HOURLMETER
MTR	MOTOR	SV	SOLENOID VALVE
CB	CIRCUIT BREAKER	S	SWITCH
PM	PERMANENT MAGNET	ACC	ACCESSORY
J	JACK-FEM. SOCKET	GND	GROUND CHASSIS
P	PLUG-MALE PIN	C	COMMON
PB	PUSHBUTTON	N.O.	NORMALLY OPEN
VM	VOLTMETER	N.C.	NORMALLY CLOSED
FU	FUSE	NOV	METAL OXIDE VARISTOR

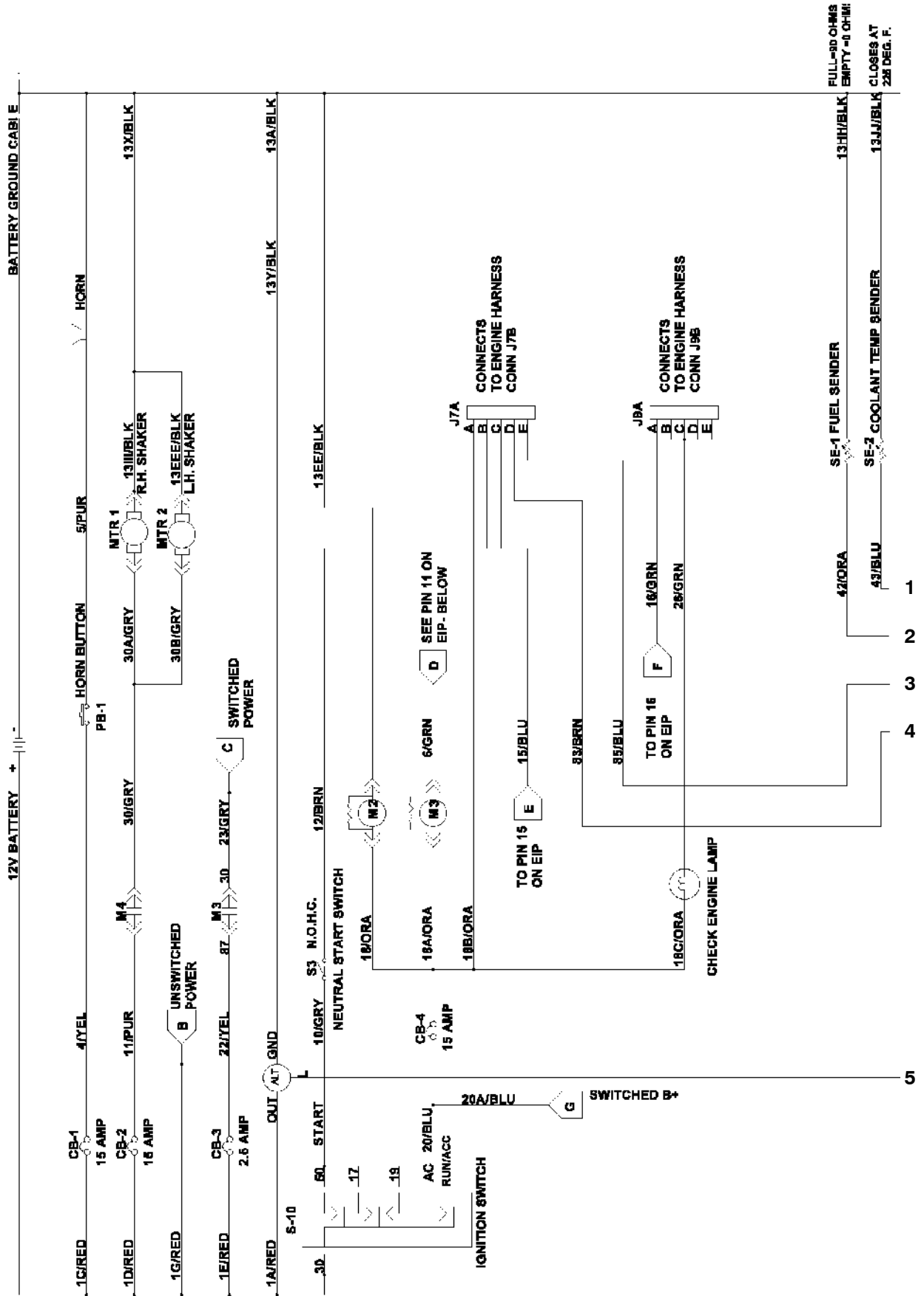
10502 - G, LP

Fig. 89 - Electrical Schematic (004000-004936)



10502 - G, LP

Fig. 90 - Electrical Schematic (004937-005999)



## Fig. 90 - Electrical Schematic (004937-005999)

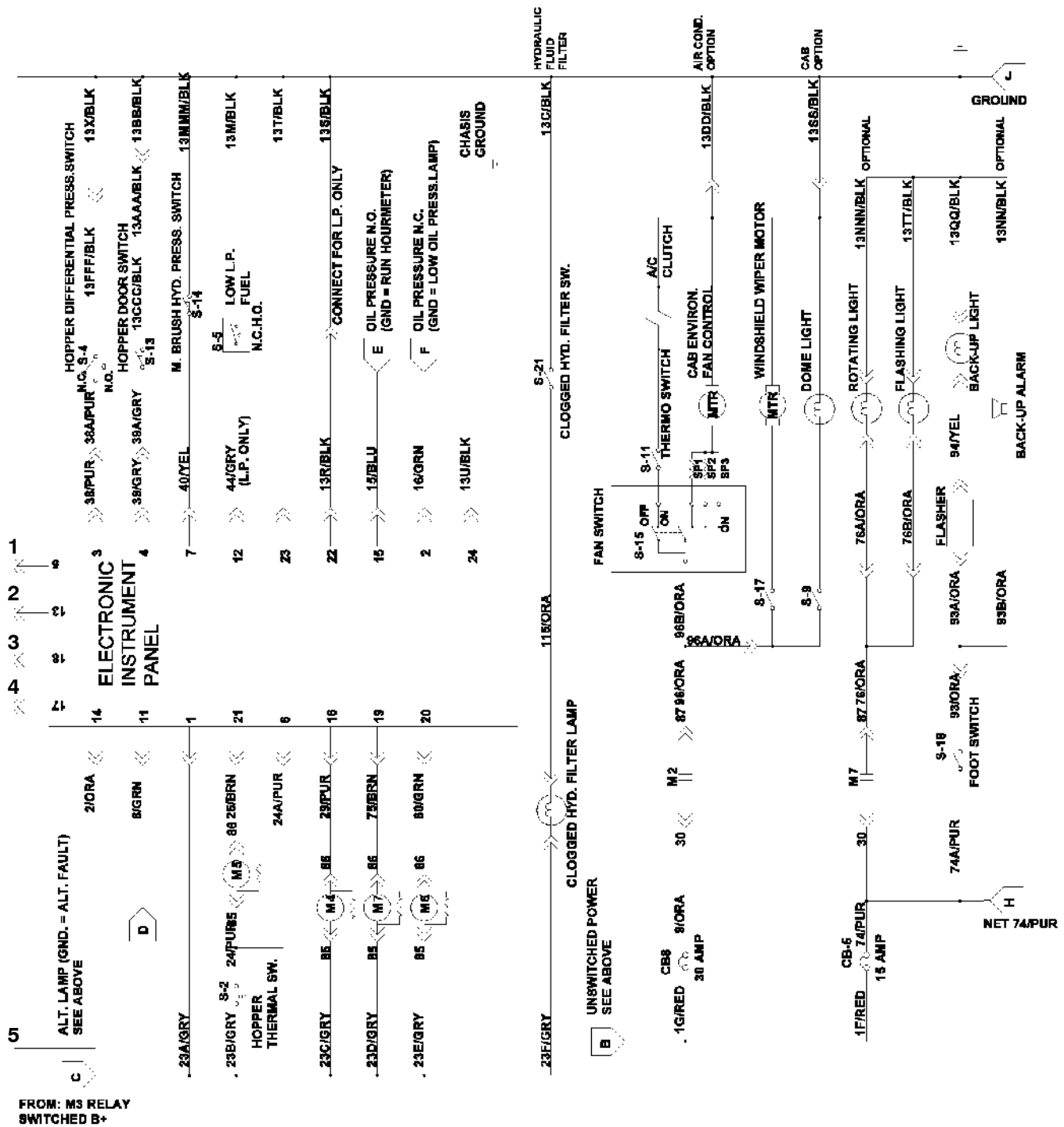
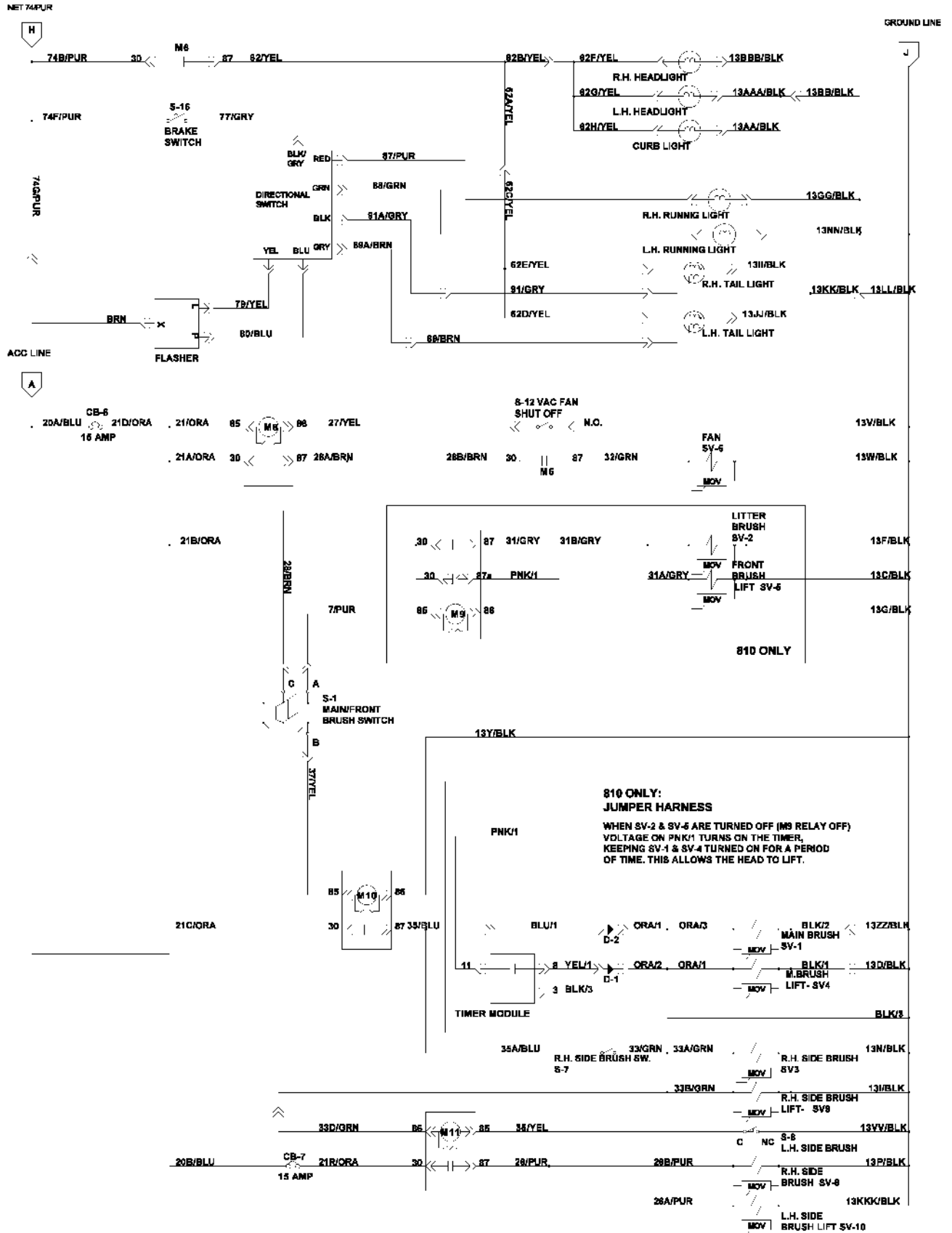
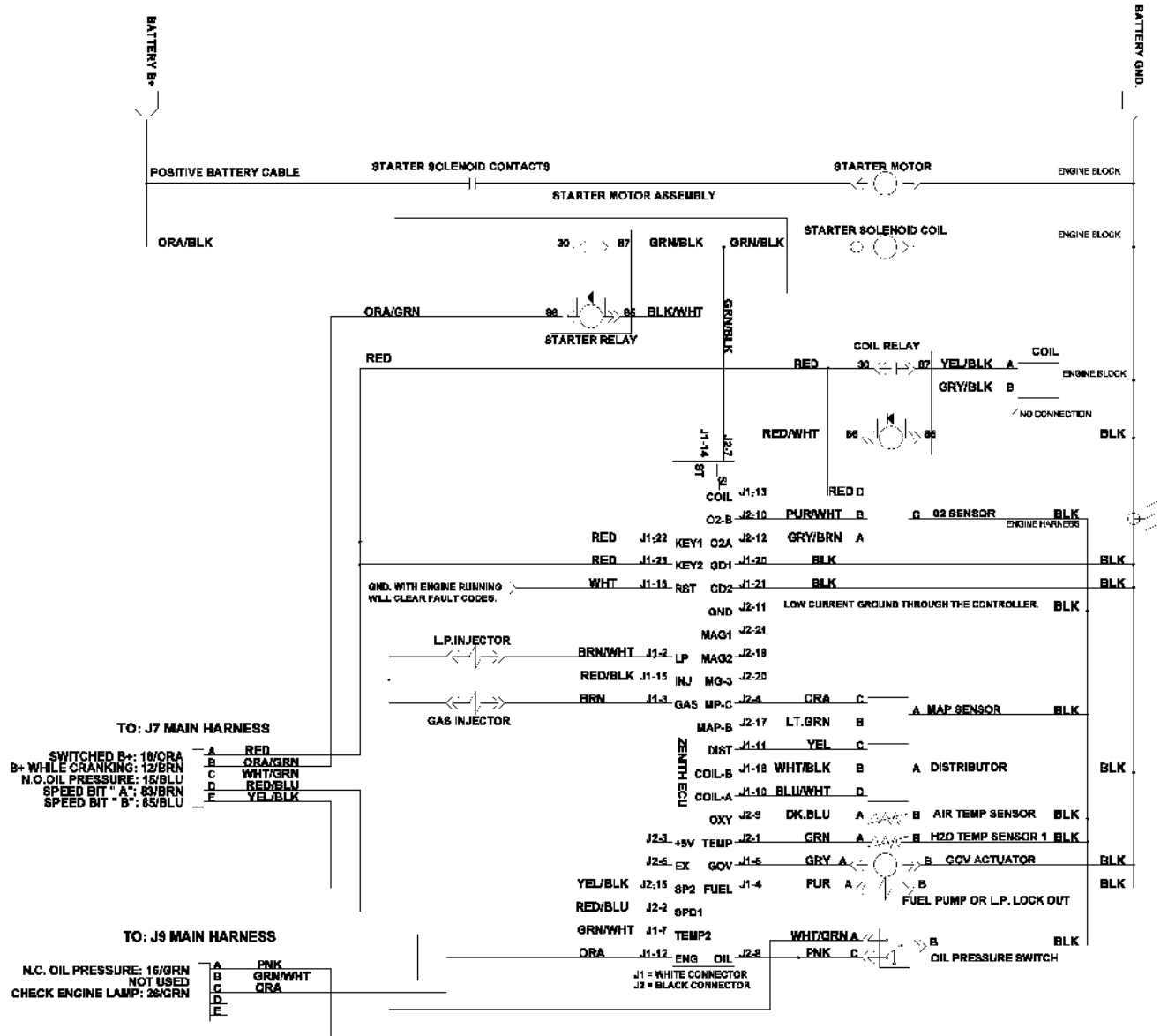


Fig. 90 - Electrical Schematic (004937-005999)



**Fig. 90 - Electrical Schematic (004937-005999)**



393277 - 800, 810, G, Lp

Fig. 90 - Electrical Schematic (004937-005999)

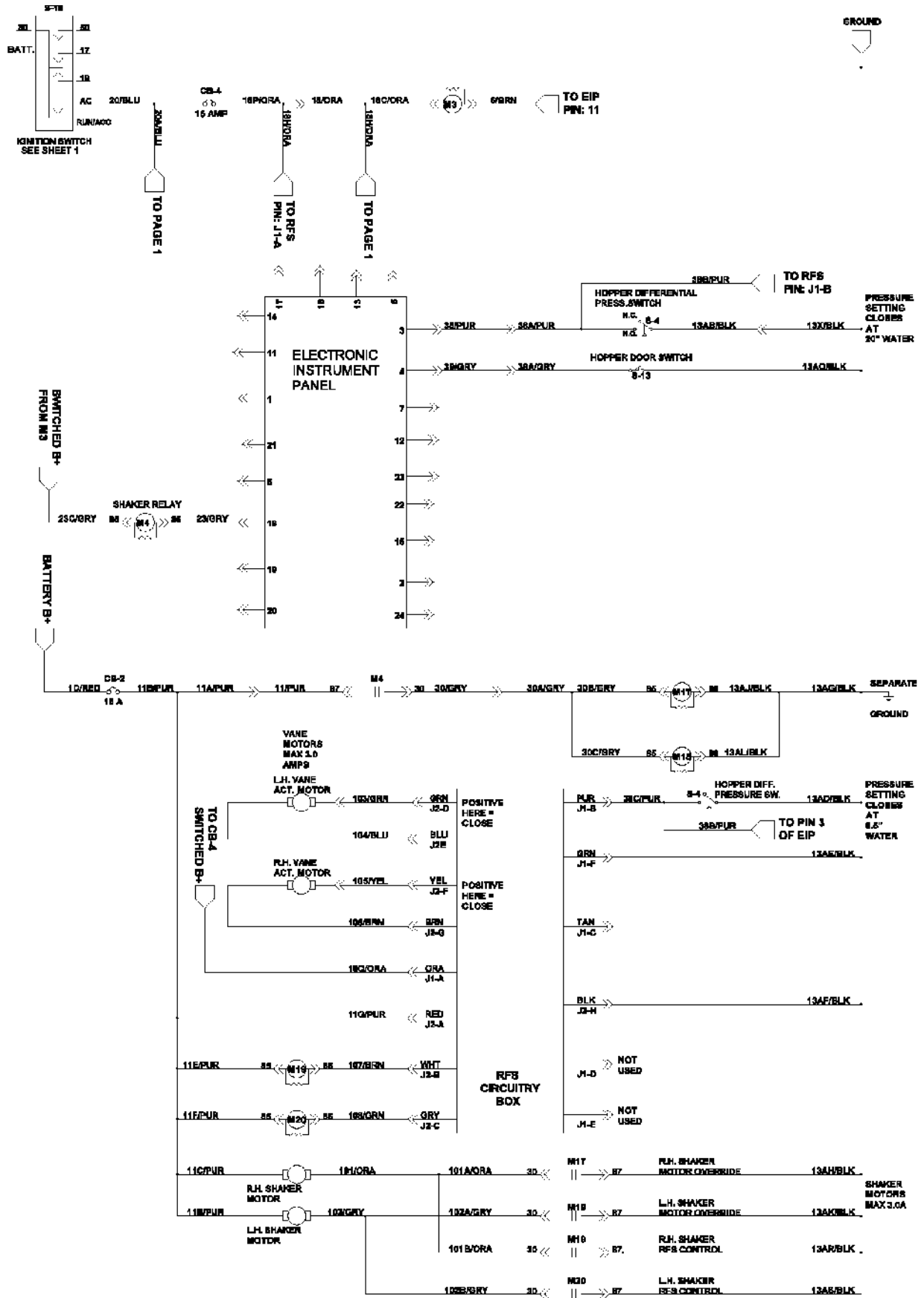
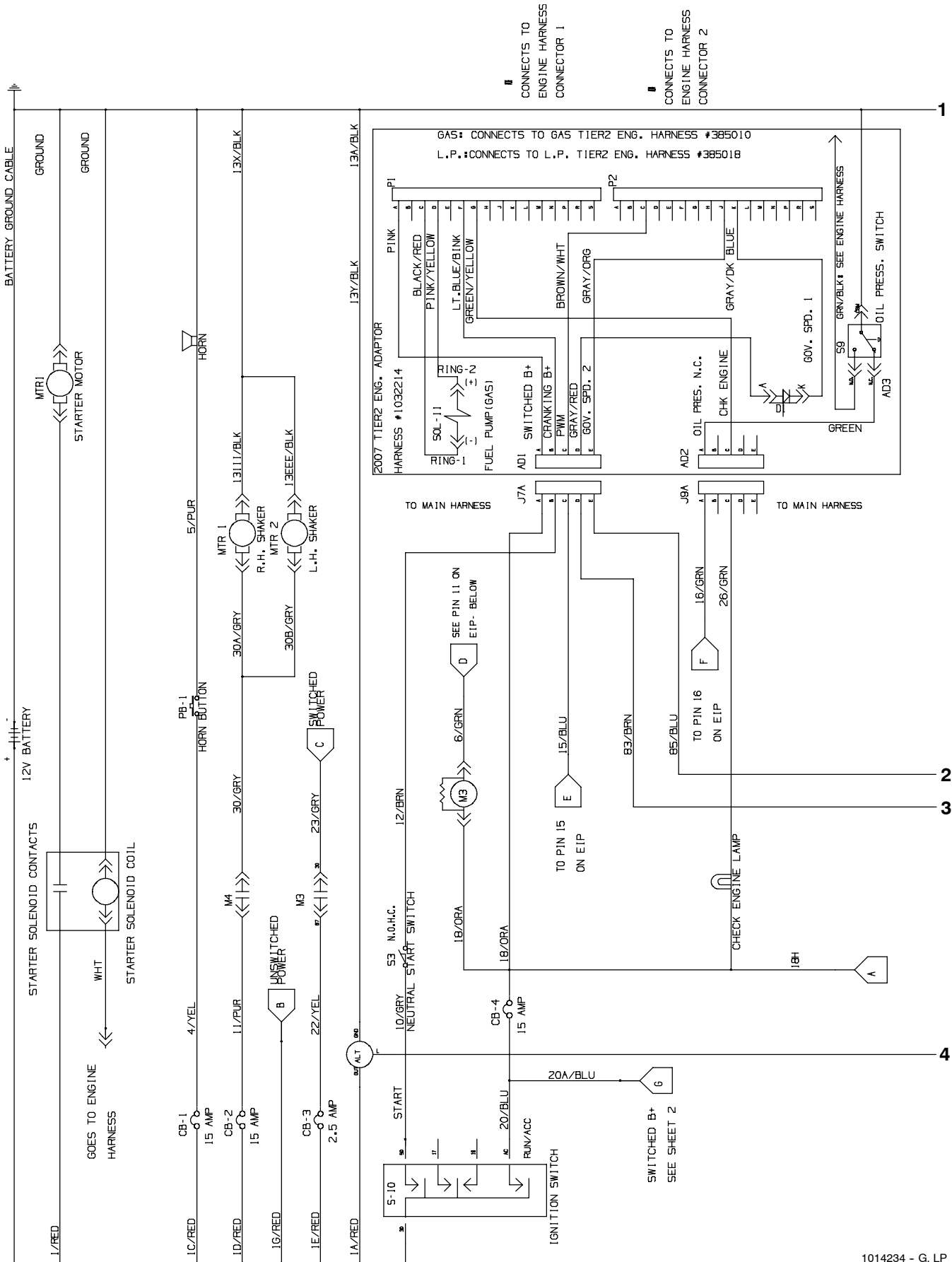


Fig. 91 - Electrical Schematic (006000- )

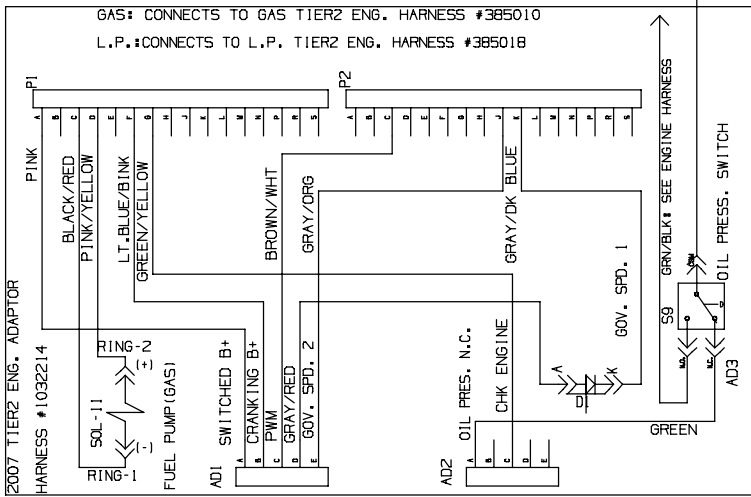


CONNECTS TO ENGINE HARNESS CONNECTOR 1

CONNECTS TO ENGINE HARNESS CONNECTOR 2

GAS: CONNECTS TO GAS TIER2 ENG. HARNESS #385010

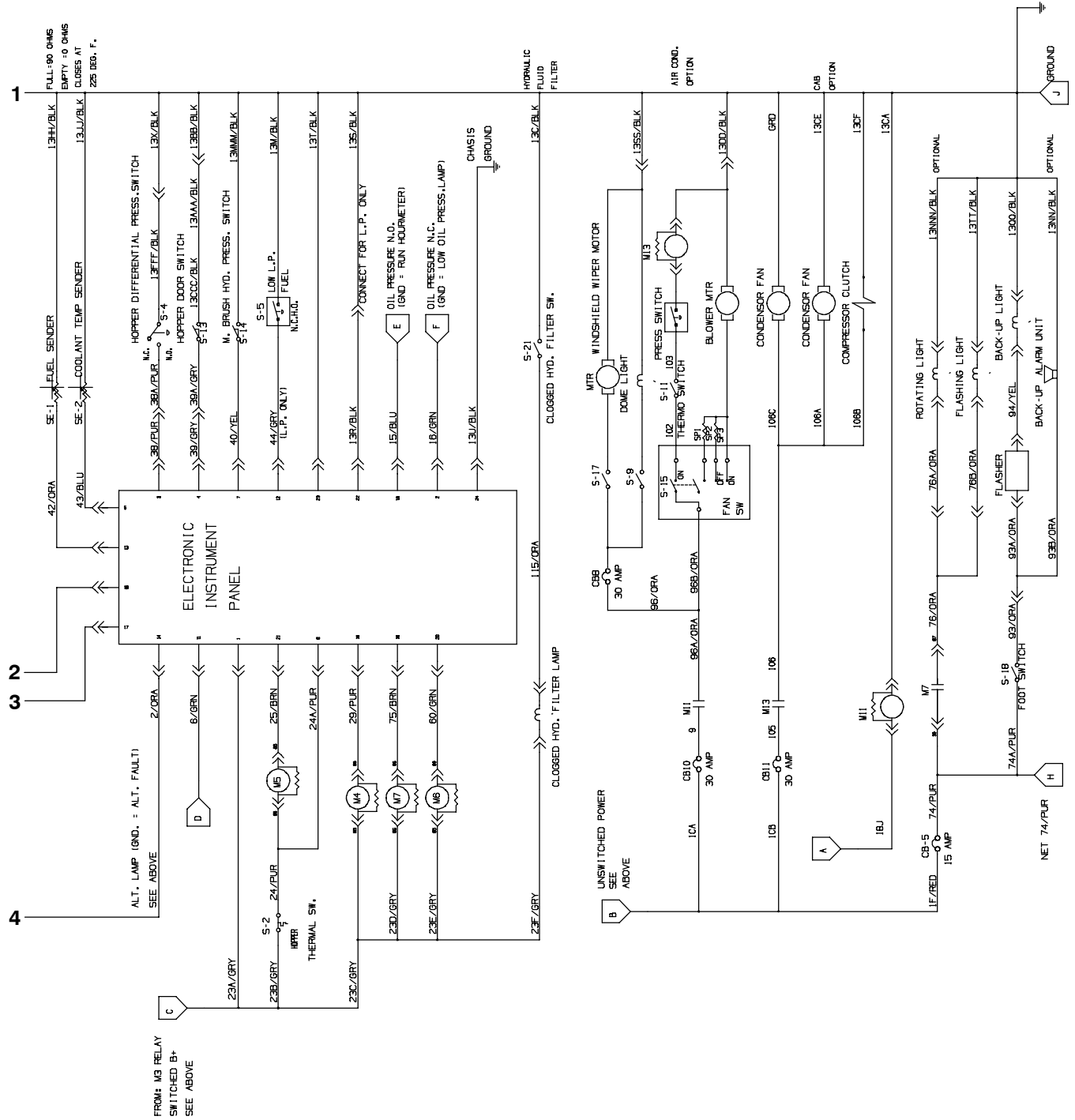
L.P.: CONNECTS TO L.P. TIER2 ENG. HARNESS #385018



1014234 - G, LP

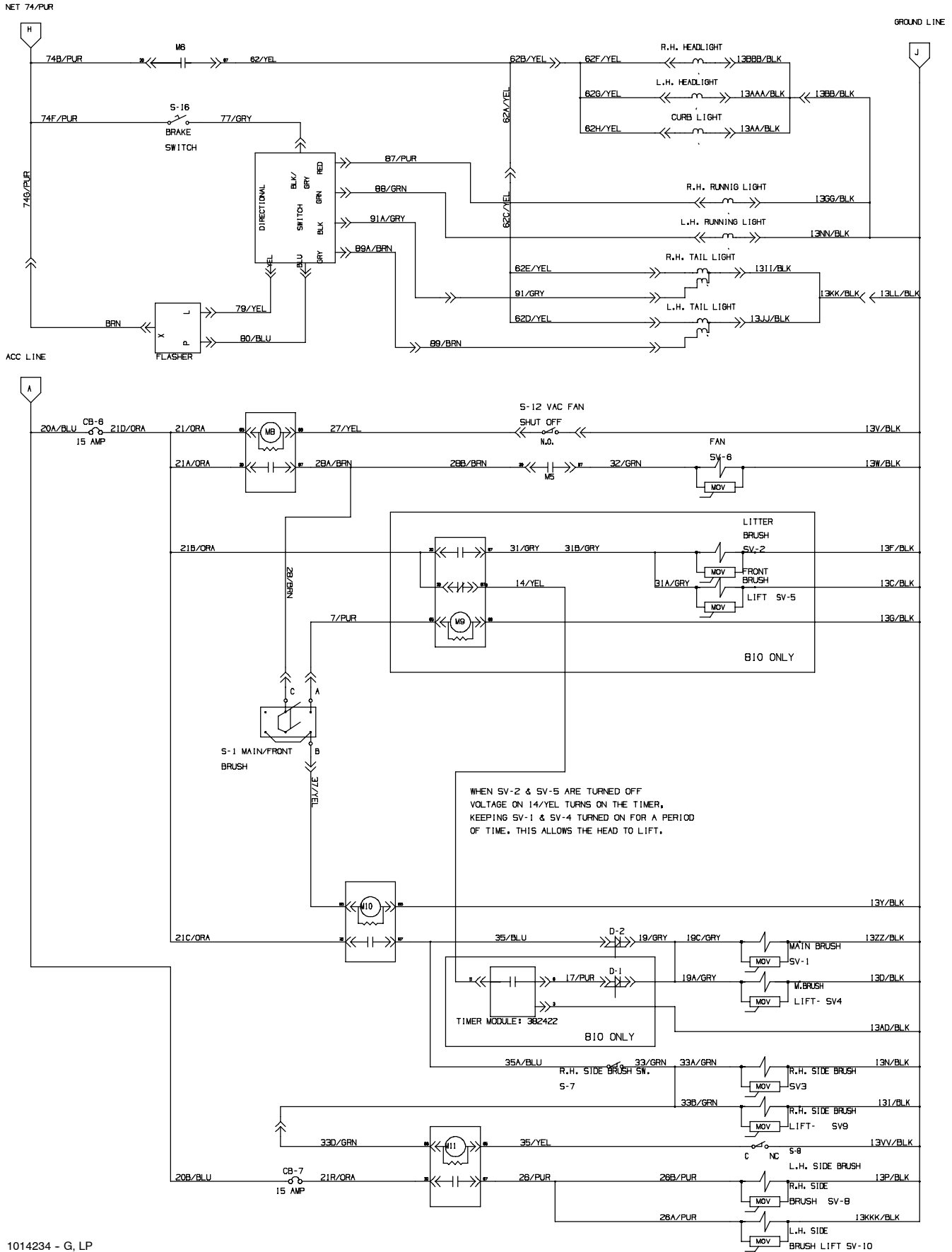


Fig. 91 - Electrical Schematic (006000- )



1014234 - G, LP

## Fig. 91 - Electrical Schematic (006000- )



1014234 - G, LP

Fig. 91 - Electrical Schematic (006000- )

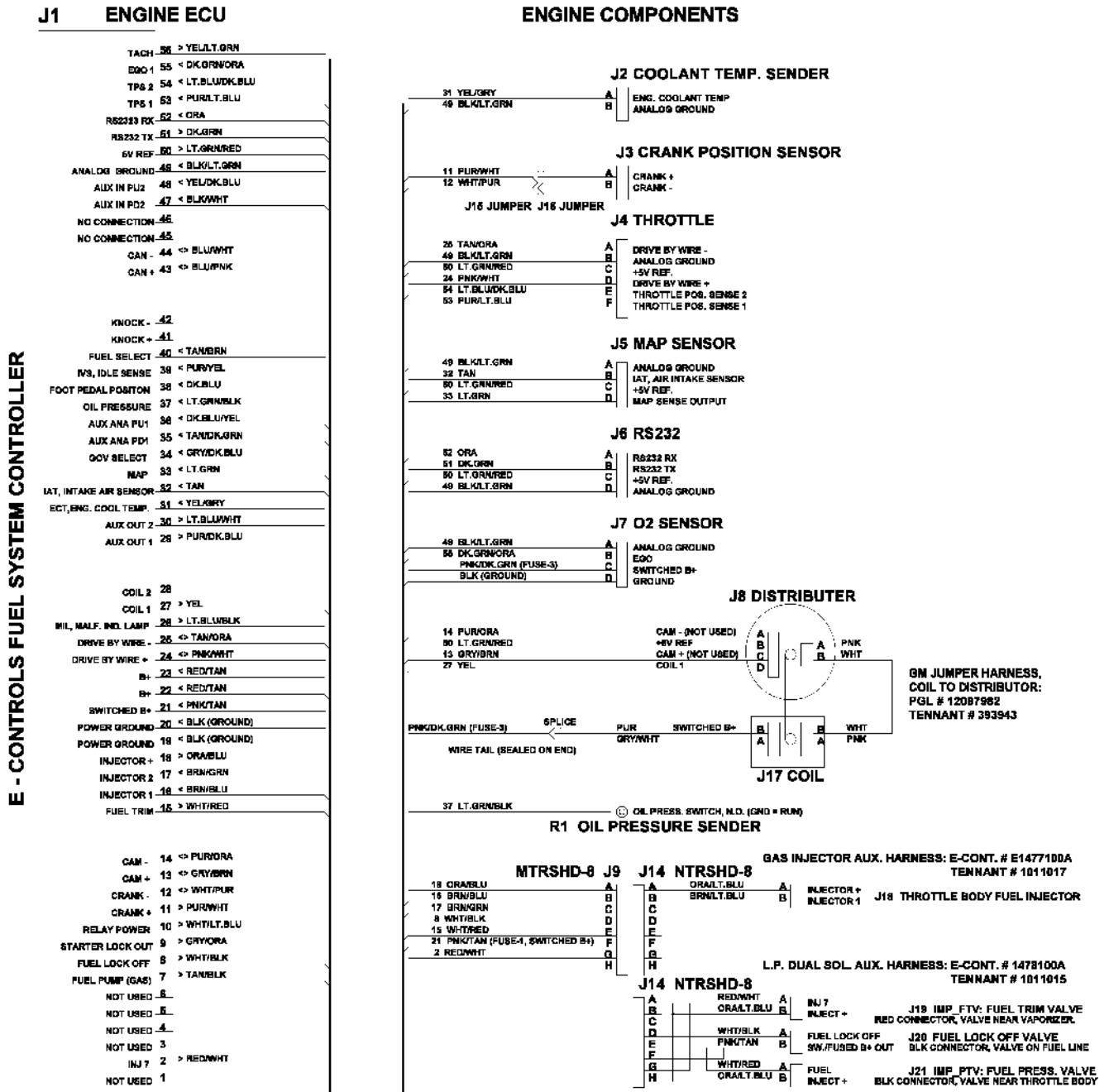
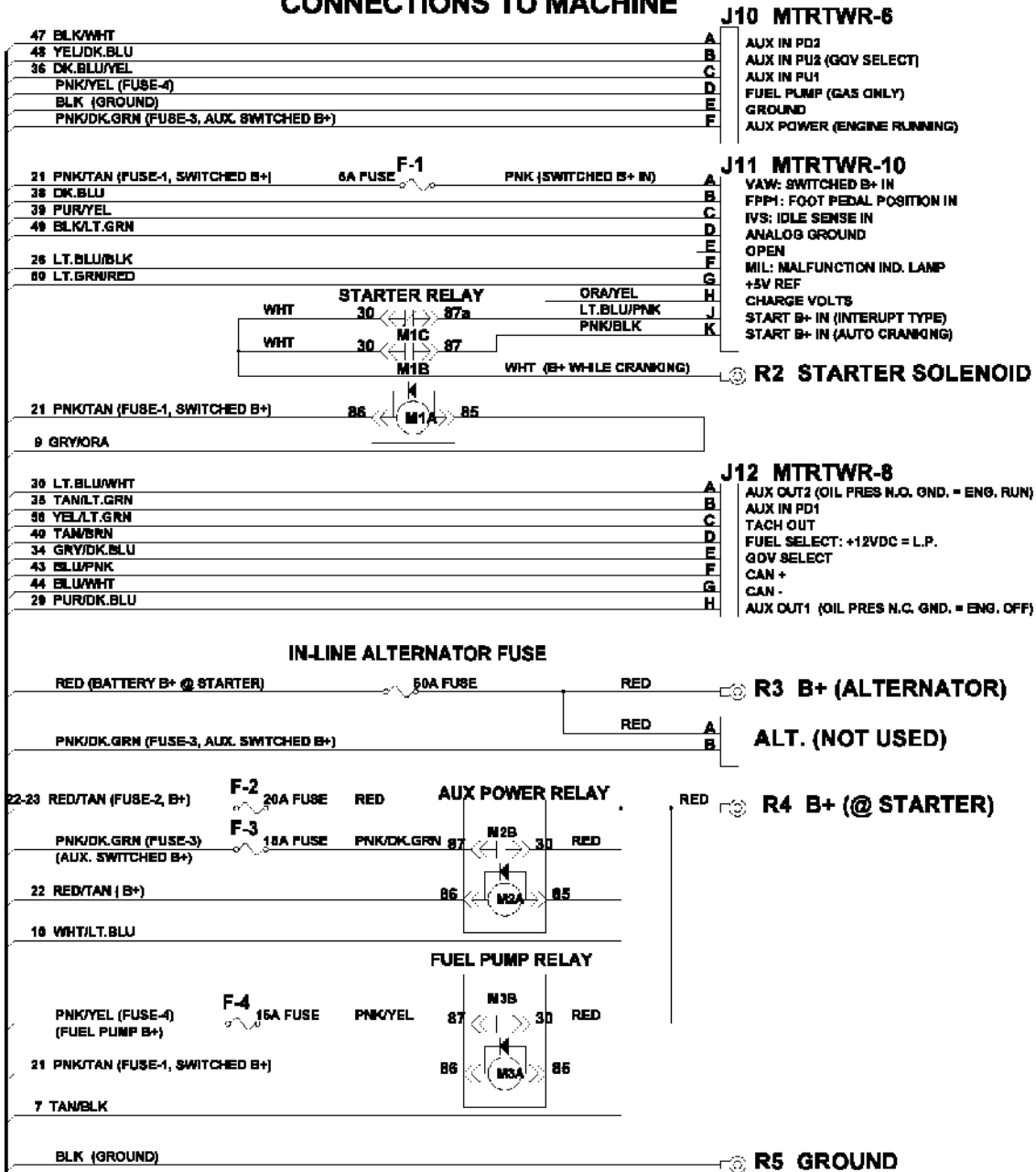
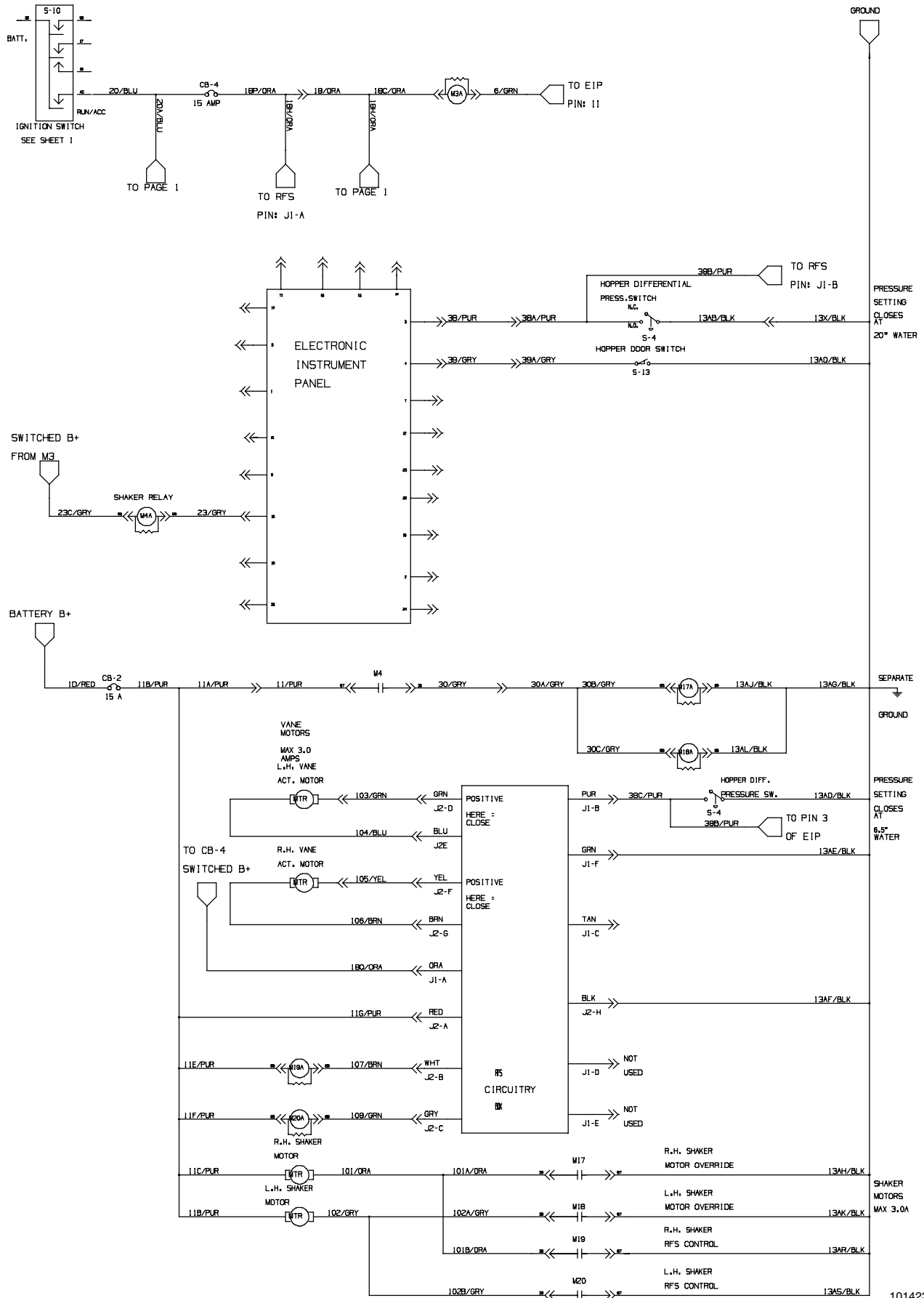


Fig. 91 - Electrical Schematic (006000- )  
**CONNECTIONS TO MACHINE**



- NOTES:**
- 1) VENDOR: E-CONTROLS #E1350010E
  - 2) ALL WIRE TO BE: SAE J1128 TXL
  - 3) 3.0L GAS ENGINES INC. AUX. INJECTOR HARNESS:  
 E-CONTROLS #E1477100A / TENNANT #1011017.
  - 4) L.P. ENGINES INCLUDE AUX. INJECTOR HARNESS:  
 E-CONTROLS #E1478100 / TENNANT #1011015

Fig. 91 - Electrical Schematic (006000- )



1014234 - G, LP

Fig. 92 - Wire Harness Group, Gas/LPG, Main (004000- 004274)

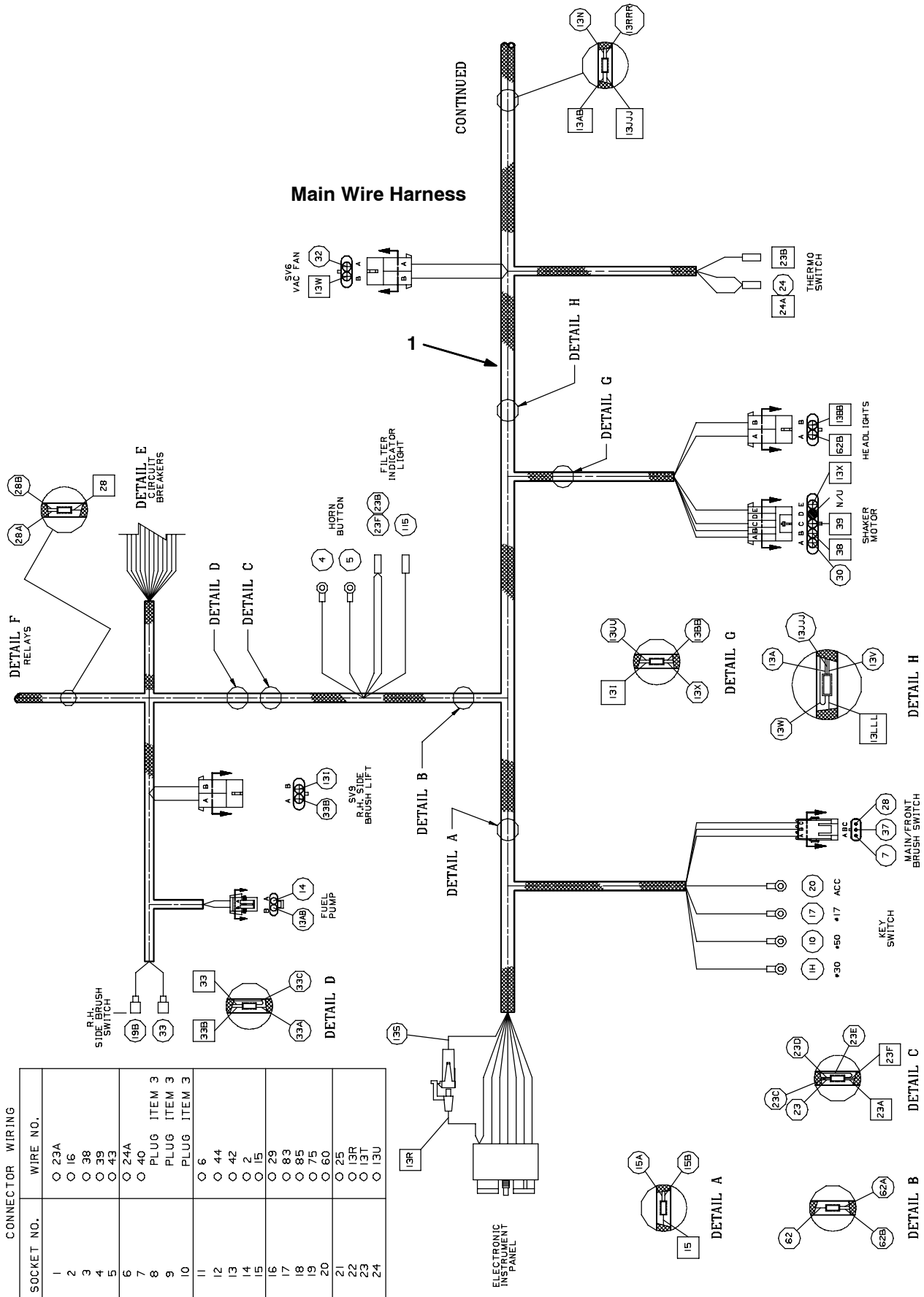


Fig. 92 - Wire Harness Group, Gas/LPG, Main (004000- 004274)

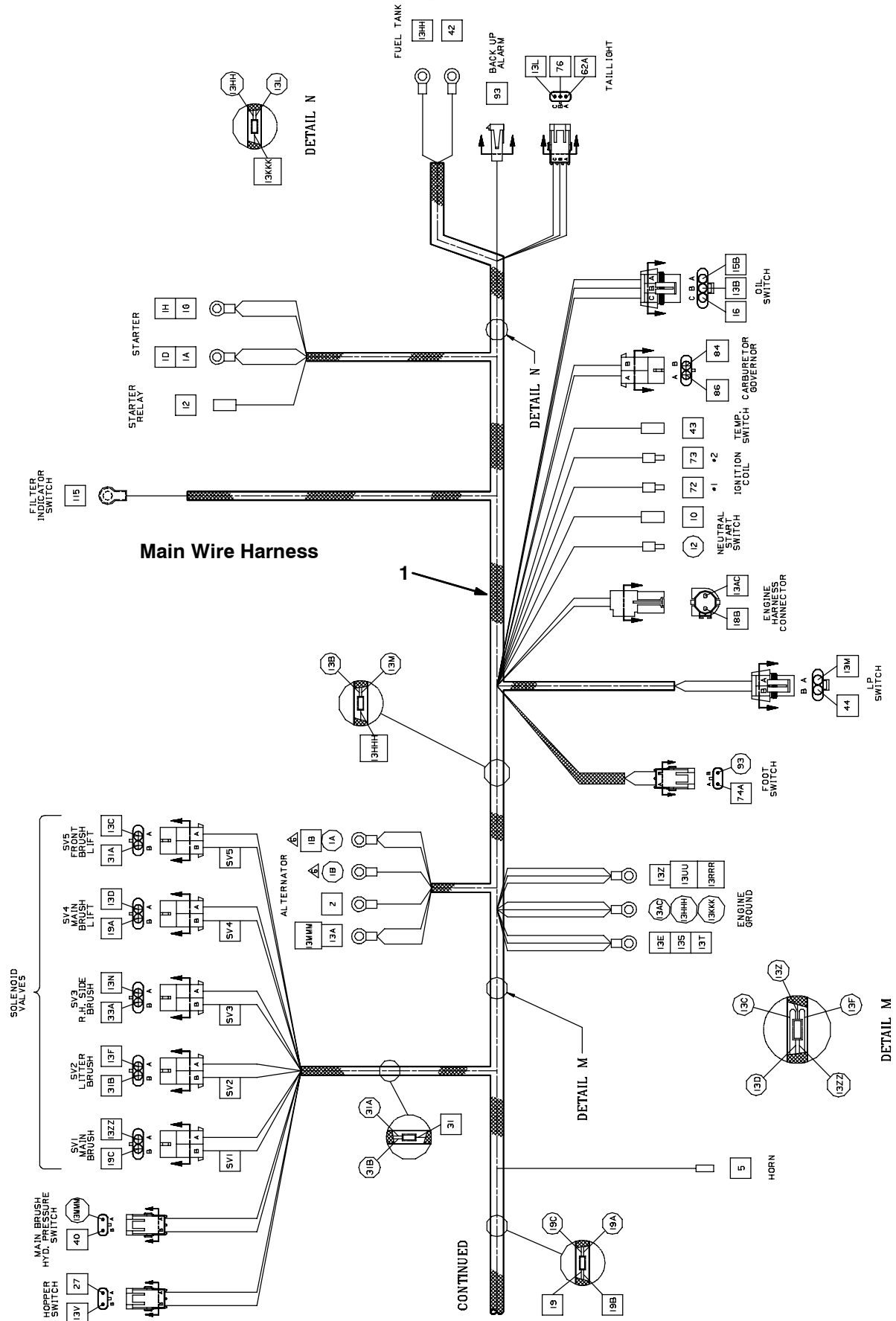
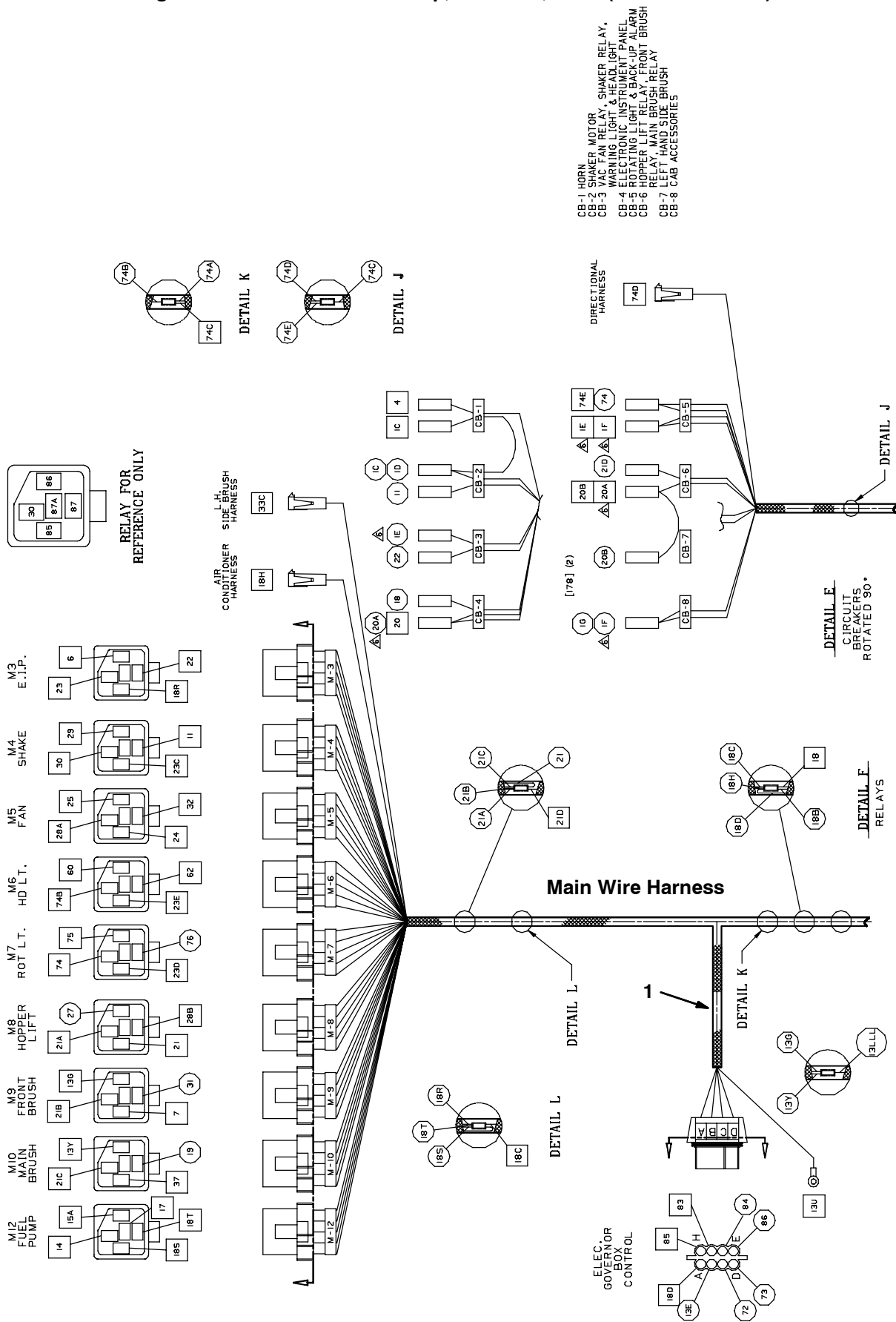
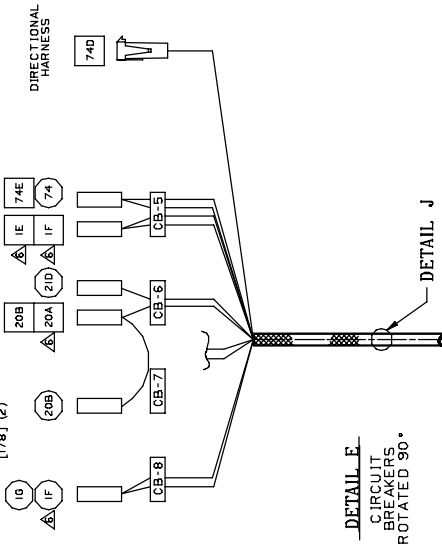
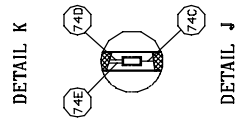
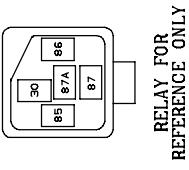


Fig. 92 - Wire Harness Group, Gas/LPG, Main (004000- 004274)

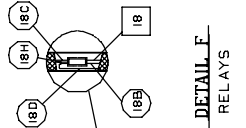
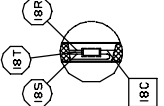


- CB-1 HORN
- CB-2 SHAKER MOTOR
- CB-3 VAC WARNING LIGHT & HEADLIGHT
- CB-4 ELECTRONIC INSTRUMENT PANEL
- CB-5 HOPPER LIFT RELAY
- CB-6 HOPPER LIFT RELAY - FRONT BRUSH
- CB-7 RELAY - MAIN BRUSH RELAY
- CB-8 LEFT HAND SIDE BRUSH
- CB-8 CAB ACCESSORIES

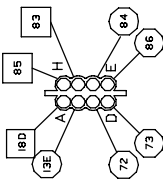
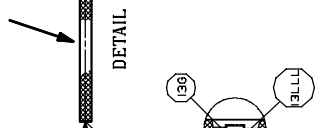


DETAIL E  
CIRCUIT  
BREAKERS  
ROTATED 90°

Main Wire Harness



DETAIL F  
RELAYS

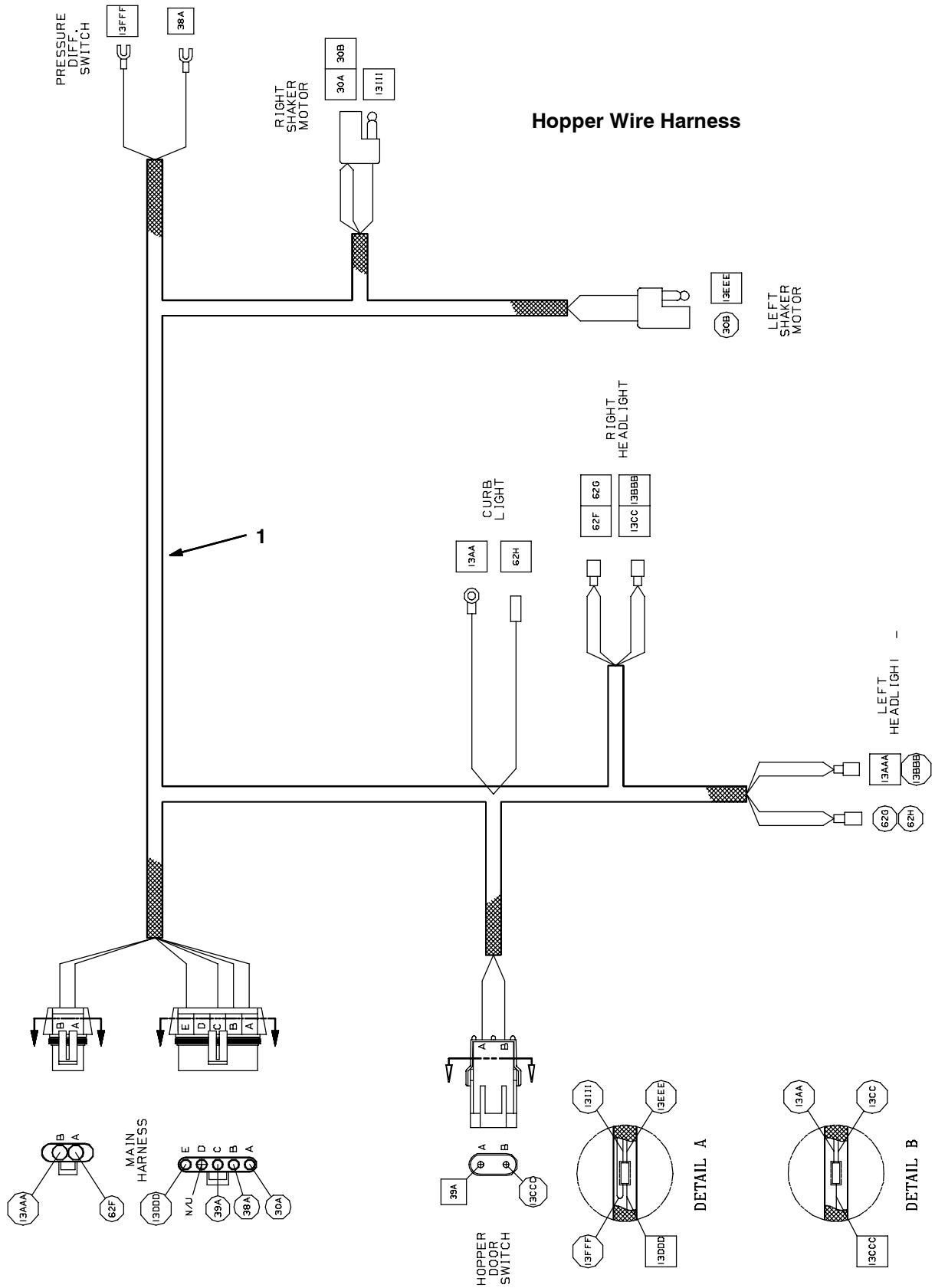




**Fig. 92 - Wire Harnesses Group, Gas/LPG, Main (004000- 004274)**

<b>Ref.</b>	<b>Part No.</b>	<b>Serial Number</b>	<b>Description</b>	<b>Qty.</b>
1	83693	(004000-004274 )	Harness, Main, Gas/LPG, Lrg	1

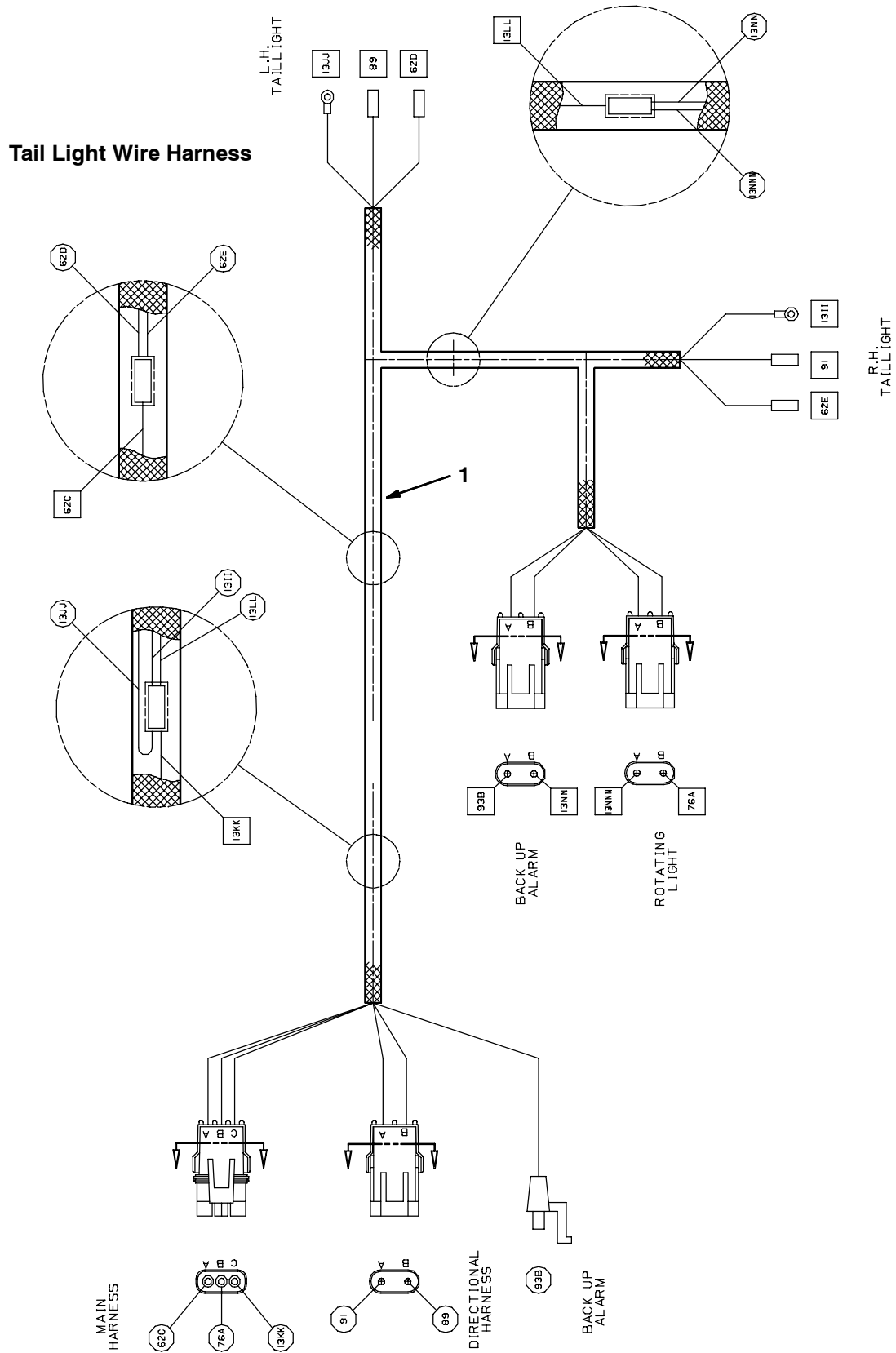
**Fig. 93 - Wire Harnesses Group, Gas/LPG, Hopper (004000- )**



351144 - G, LP

Ref.	Part No.	Serial Number	Description	Qty.
1	83695	(004000- )	Harness, Hopper 800/810	1

Fig. 94 - Wire Harnesses Group, Gas/LPG, Tail Lights (004000- )



351145 - G, LP

Ref.	Part No.	Serial Number	Description	Qty.
1	70400	(004000- )	Harness, Turn/Rotate/Tail Lights	1

Fig. 95 - Wire Harness Group, Gas/LPG, Main (004275-004936)

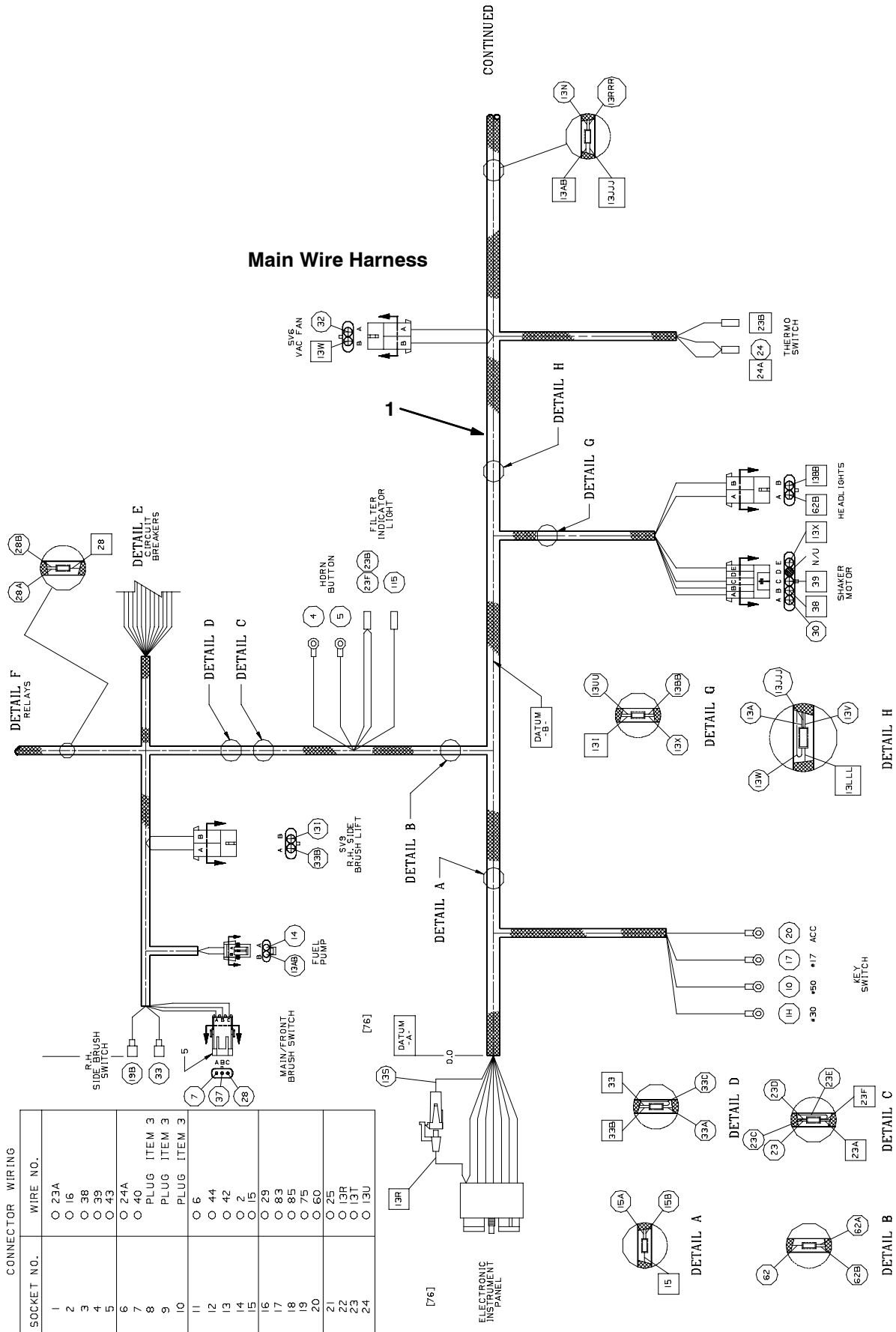


Fig. 95 - Wire Harness Group, Gas/LPG, Main (004275-004936)

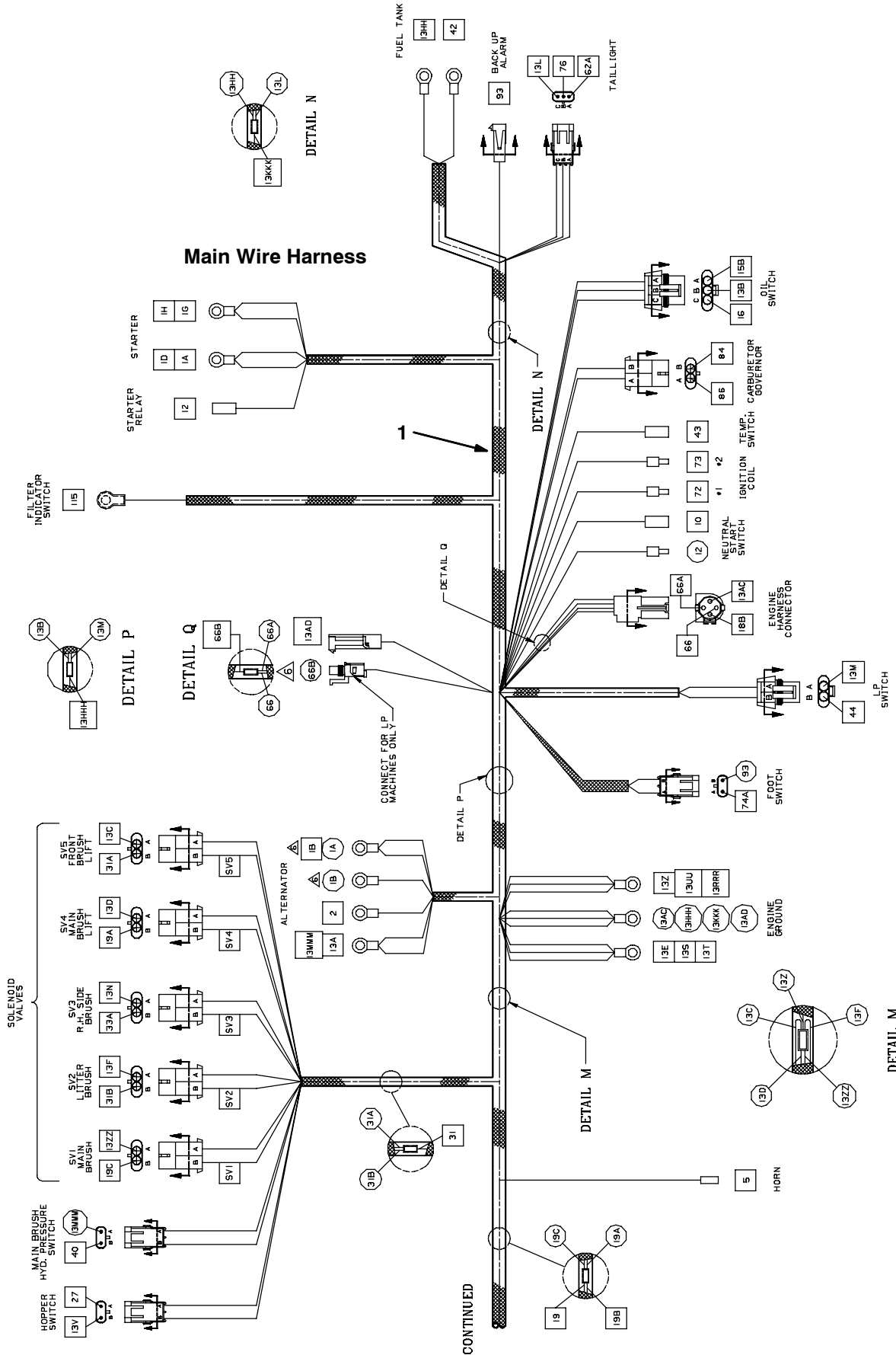
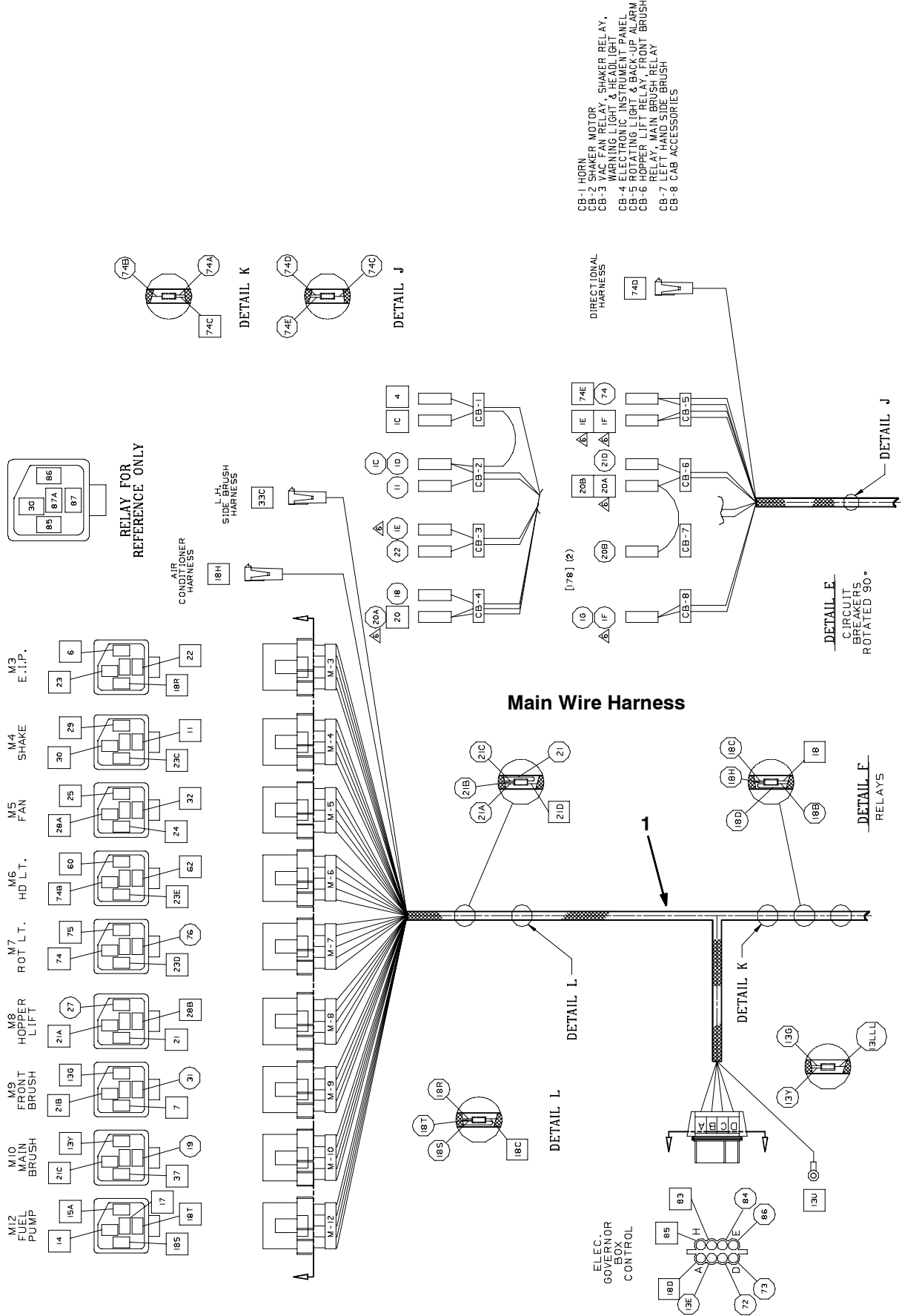


Fig. 95 - Wire Harnesses Group, Gas/LPG, Main (004275-004936)



- CB-1 HORN
- CB-2 SHAKER MOTOR
- CB-3 VAC FAN RELAY, SHAKER RELAY, WARNING LIGHT & HEADLIGHT
- CB-4 ELECTRONIC POWER PANEL
- CB-5 ELECTRONIC POWER LIFT
- CB-6 HOPPER LIFT RELAY
- CB-7 RELAY, MAIN BRUSH RELAY
- CB-8 CAB ACCESSORIES

**Fig. 95 - Wire Harnesses Group, Gas/LPG, Main (004275-004936)**

<b>Ref.</b>	<b>Part No.</b>	<b>Serial Number</b>	<b>Description</b>	<b>Qty.</b>
1	398315	(004275-004936 )	Harness, Main, Gas/LPG, Lrg	1

Fig. 96 - Wire Harness Group, Gas/LPG, Main (004937- )

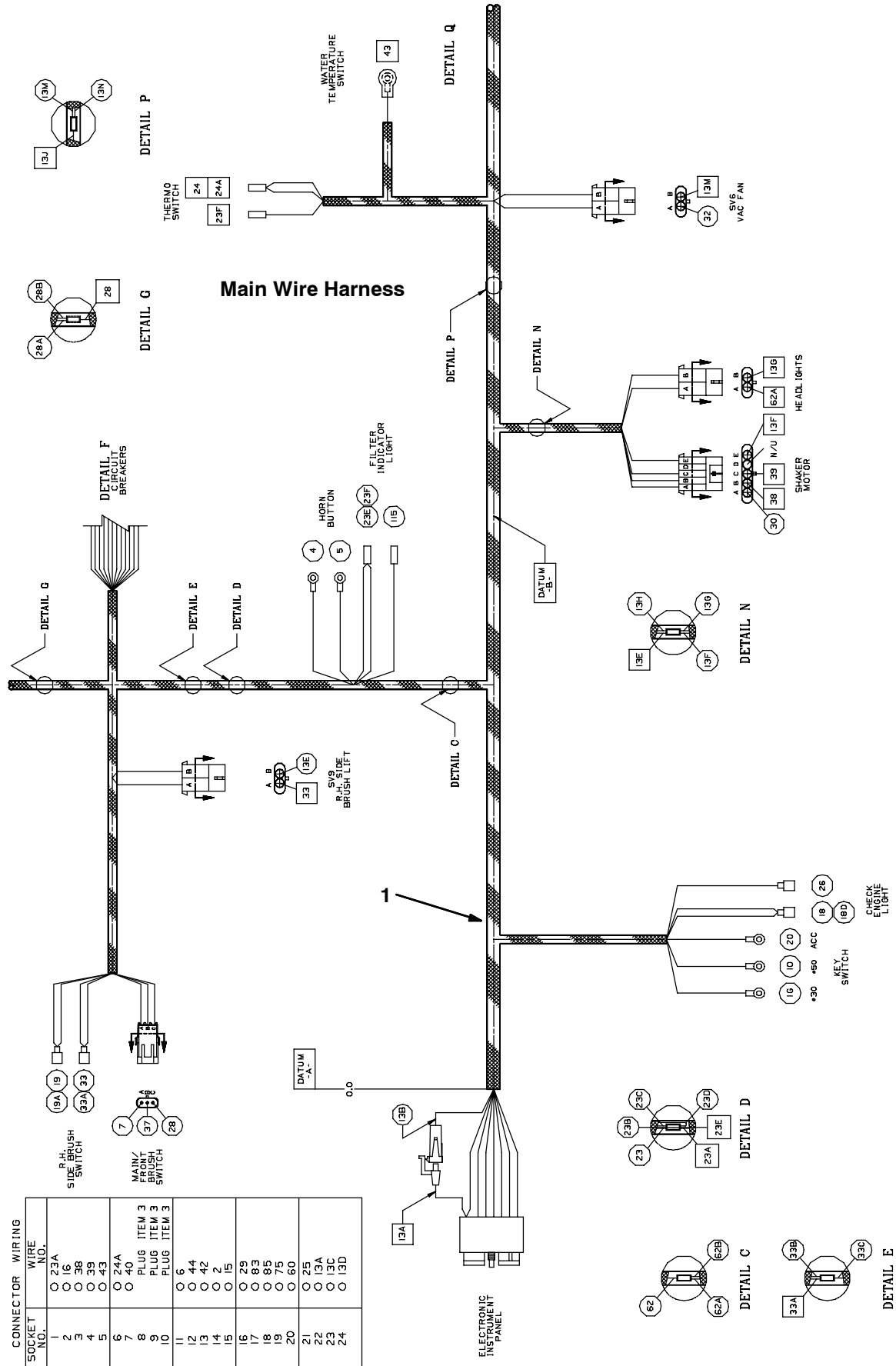




Fig. 96 - Wire Harnesses Group, Gas/LPG, Main (004937- )

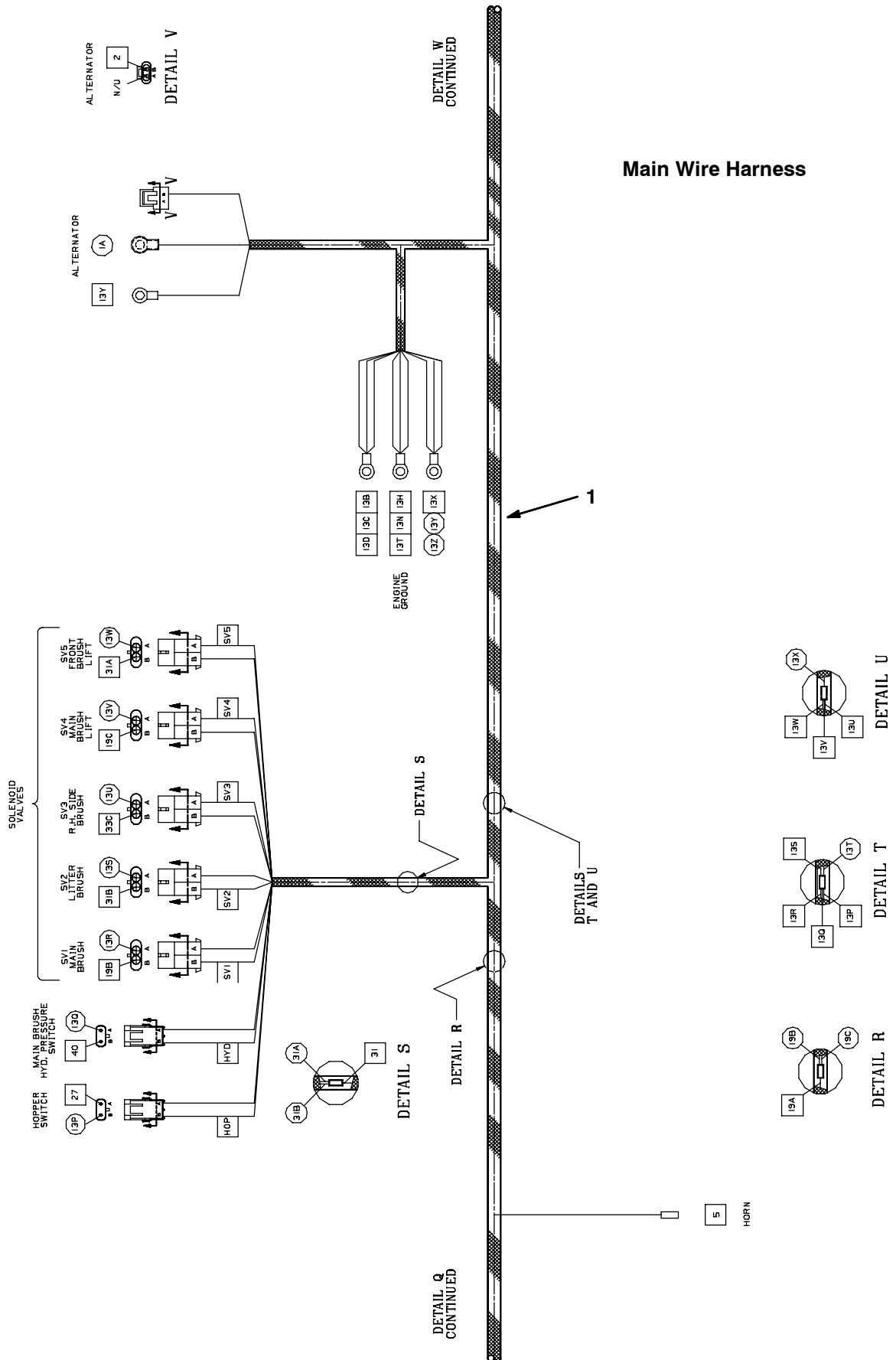


Fig. 96 - Wire Harnesses Group, Gas/LPG, Main (004937- )

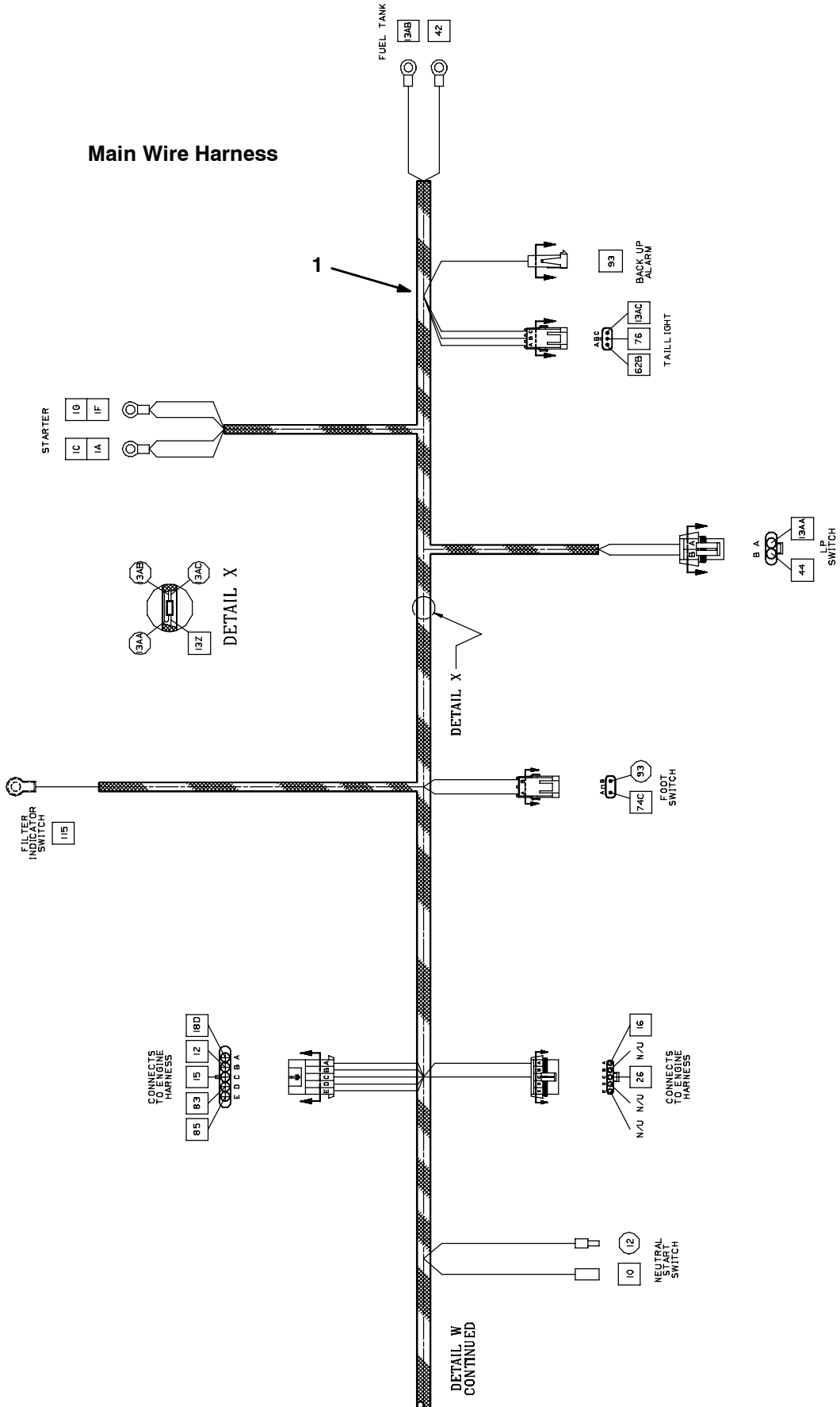
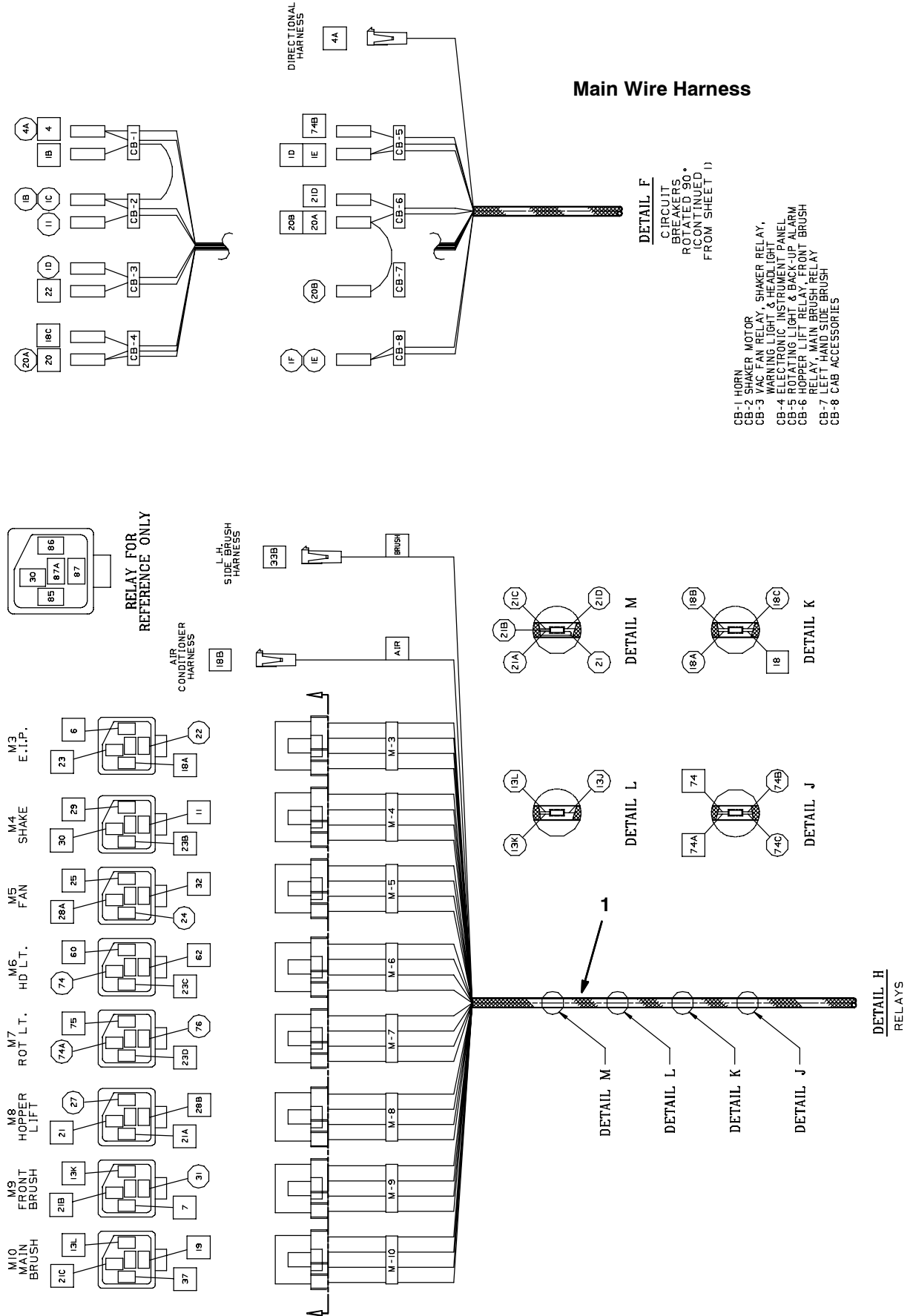


Fig. 96 - Wire Harnesses Group, Gas/LPG, Main (004937- )



# STANDARD PARTS

353876 - GM, G, LP

**Fig. 96 - Wire Harnesses Group, Gas/LPG Main (004937- )**

<b>Ref.</b>	<b>Part No.</b>	<b>Serial Number</b>	<b>Description</b>	<b>Qty.</b>
1	392564	(004937- )	Harness, Main, Gas/LPG, Lrg	1
	371921	(004937-005999 )	Harness, Gm 3.0 L Engine Harness	1

Fig. 97 - Wire Harnesses Group, Gas/LPG Engine (006000-006999)

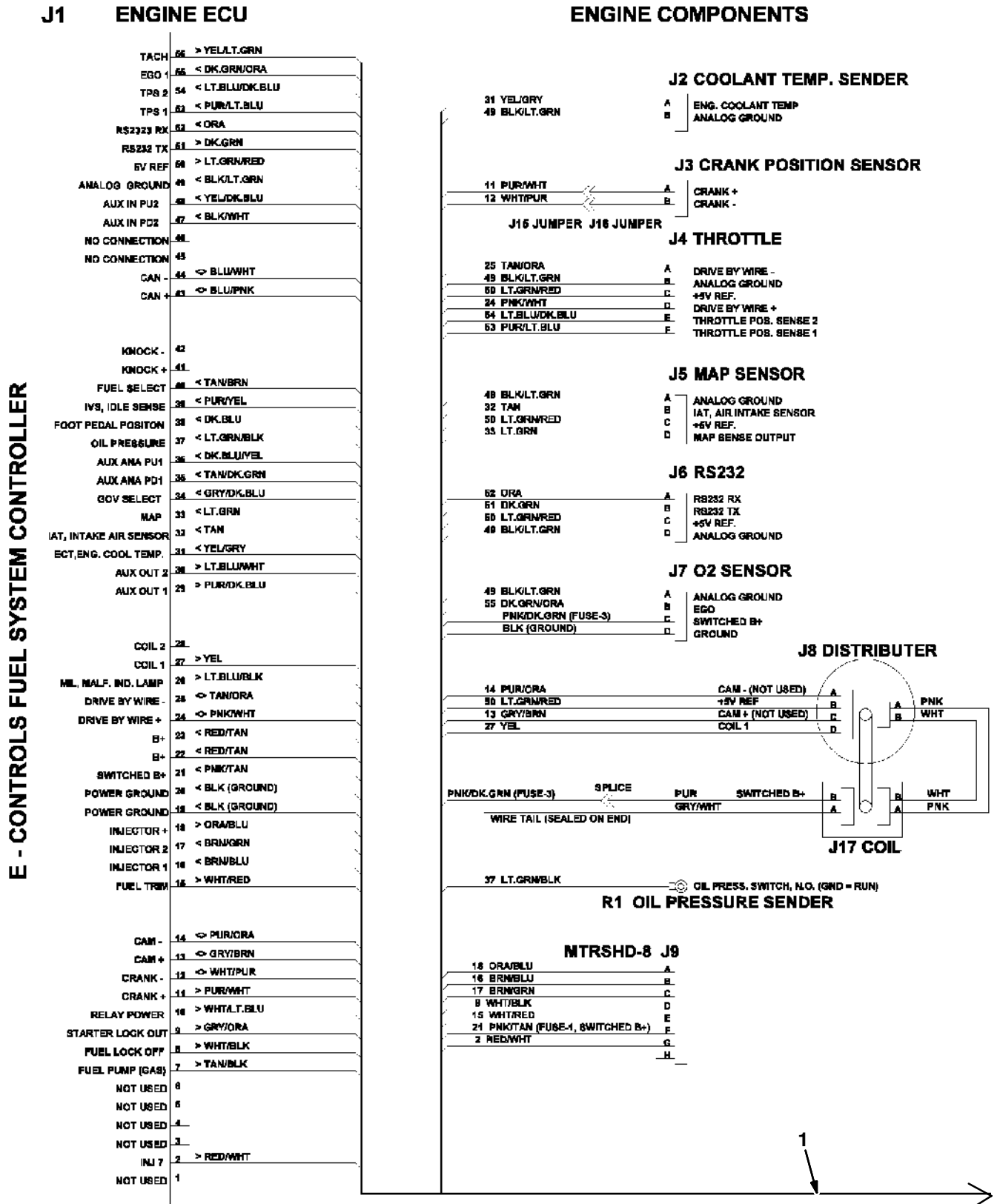


Fig. 97 - Wire Harnesses Group, Gas/LPG Engine (006000-006999)

## CONNECTIONS TO MACHINE

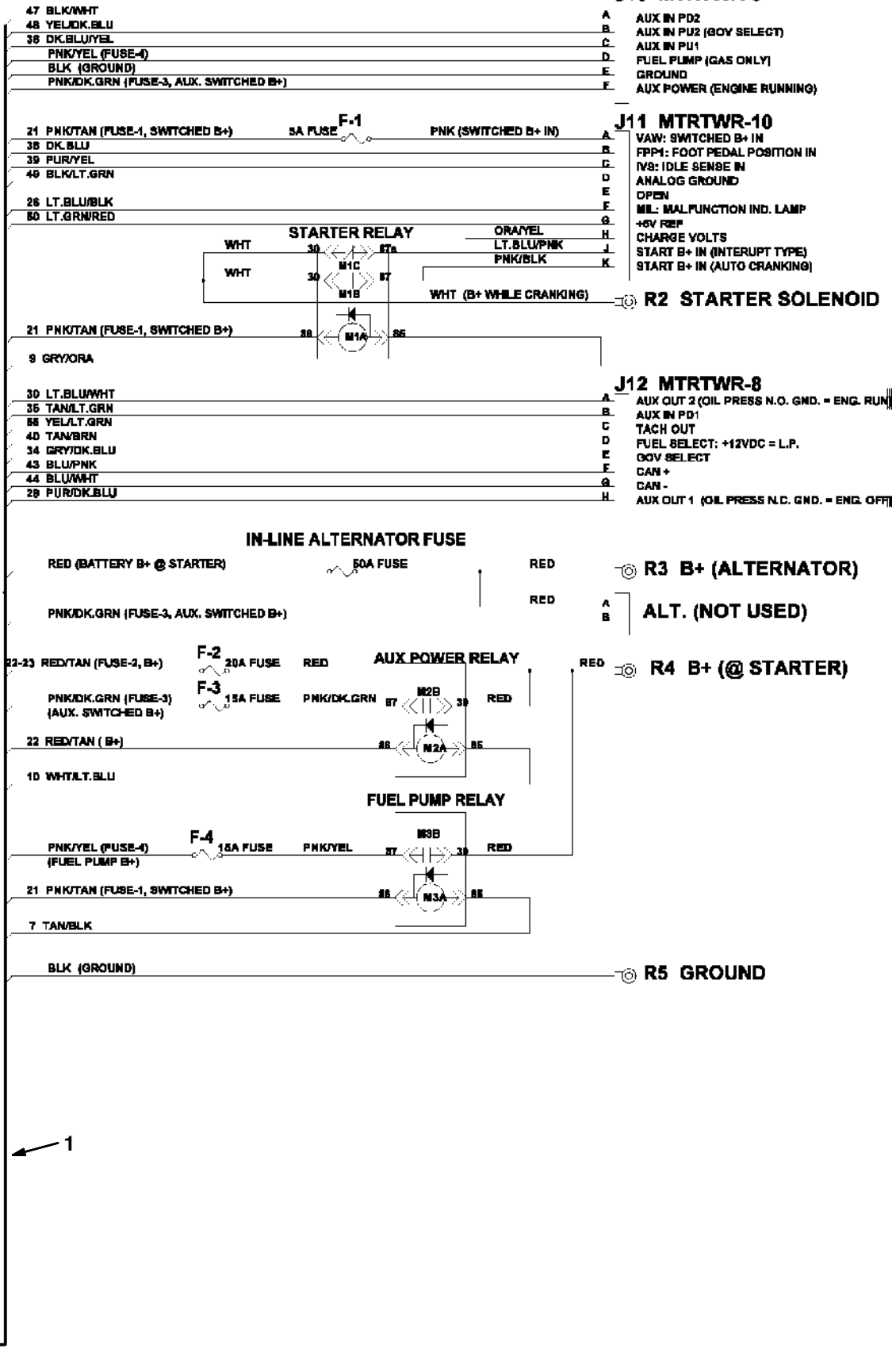
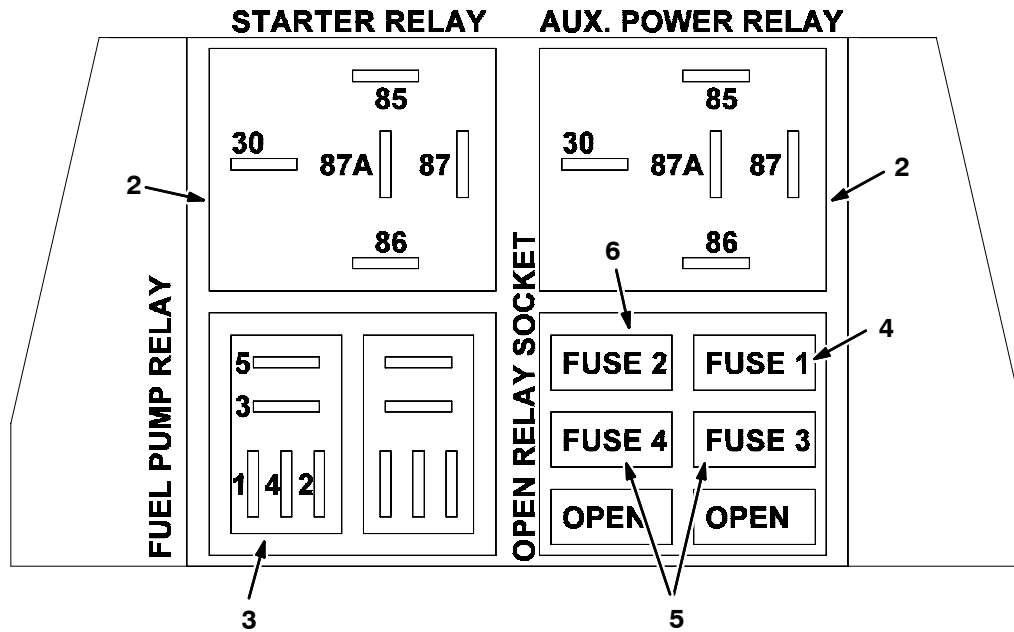


Fig. 97 - Wire Harnesses Group, Gas/LPG Engine (006000-006999)



GM, G, LP

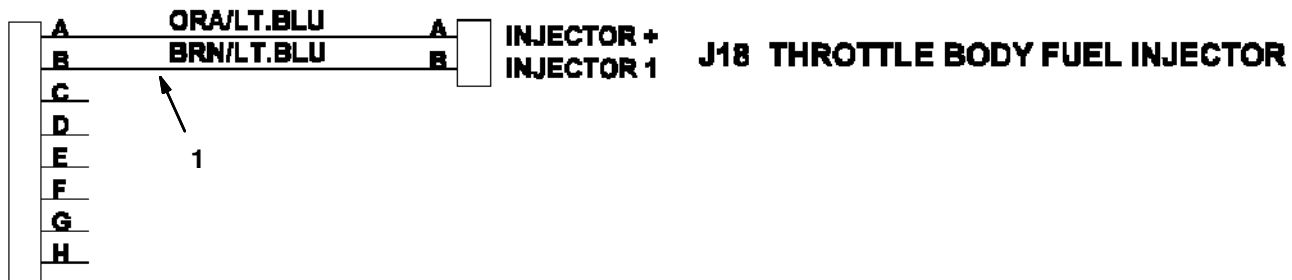
Ref.	Part No.	Serial Number	Description	Qty.
▽	1	1011011	(006000-006999 ) Harness, Eng [3.0l, Gm, E-cntrl]	1
▲	2	57804	(006000-006999 ) Relay, 12vdc, 40a, Spdt	2
▲	3	394916	(006000-006999 ) Relay, 12vdc, 20a, Spdt	1
▲	4	372235	(006000-006999 ) Fuse, 5 Amp, [Min-5]	1
▲	5	372236	(006000-006999 ) Fuse, 15 Amp, [Min-15]	2
▲	6	372237	(006000-006999 ) Fuse, 20 Amp, [Min-20]	1

# STANDARD PARTS

Fig. 98 - Wire Harnesses Group, Gas/LPG, Injectors (006000-006999)

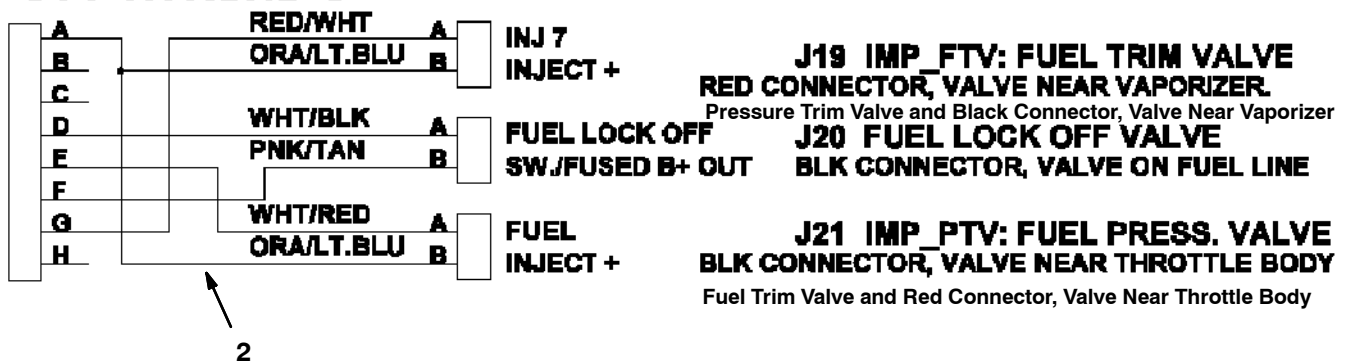
## GAS INJECTOR AUX. HARNESS

### J14 NTRSHD-8



## L.P. DUAL SOL. AUX. HARNESS

### J14 NTRSHD-8

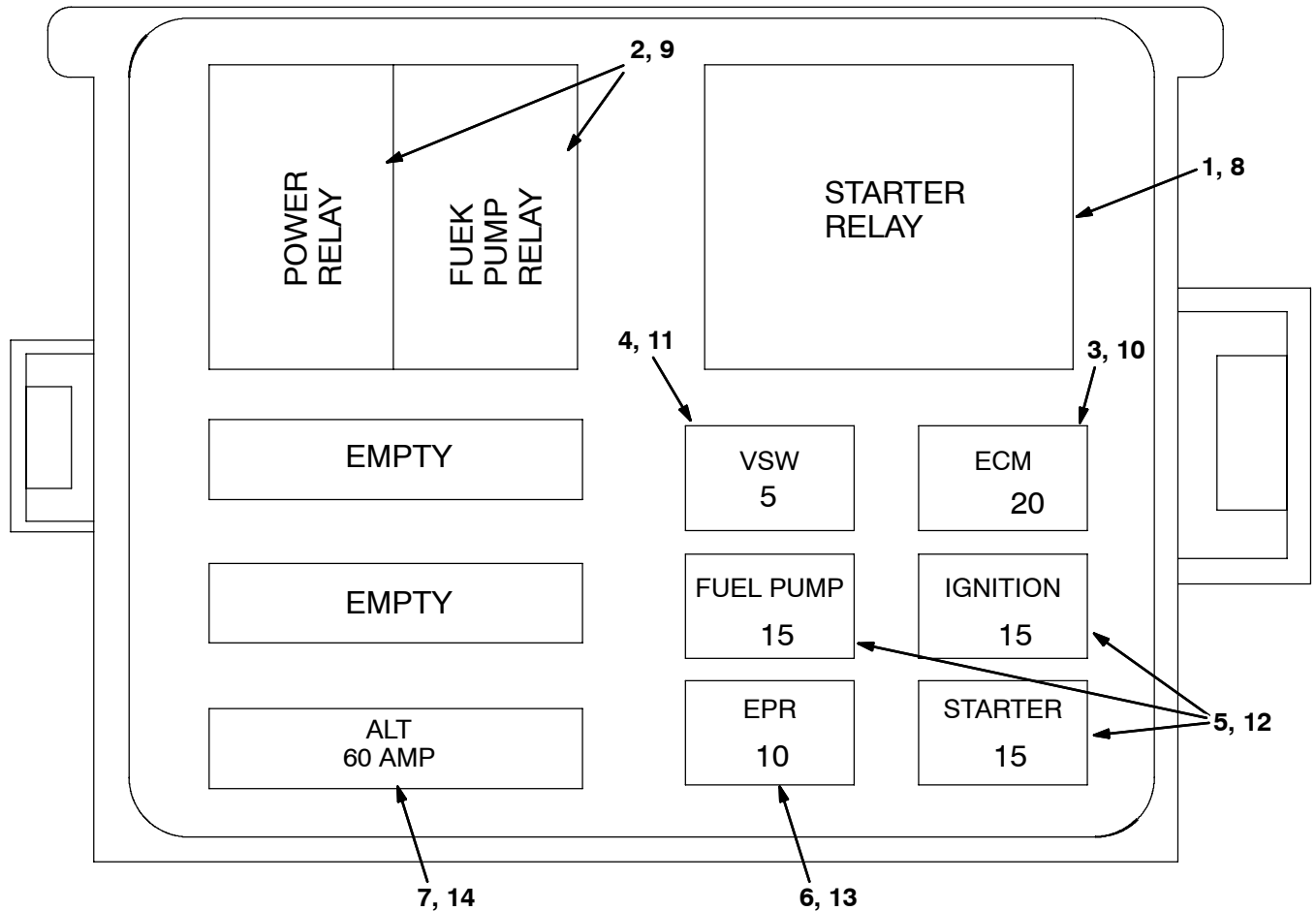


GM, G, LP

Ref.	Part No.	Serial Number	Description	Qty.
1	1011017	(006000-006999 )	Harness, Injector, Gas[3.0l Gm,E-Cntrl]	1
2	1011015	(006000-006999 )	Harness, Lpg Injector [3.0l, Gm,E-Cont]	1



Fig. 99 - Wire Harnesses Group, Gas/LPG Engine (007000-007486)

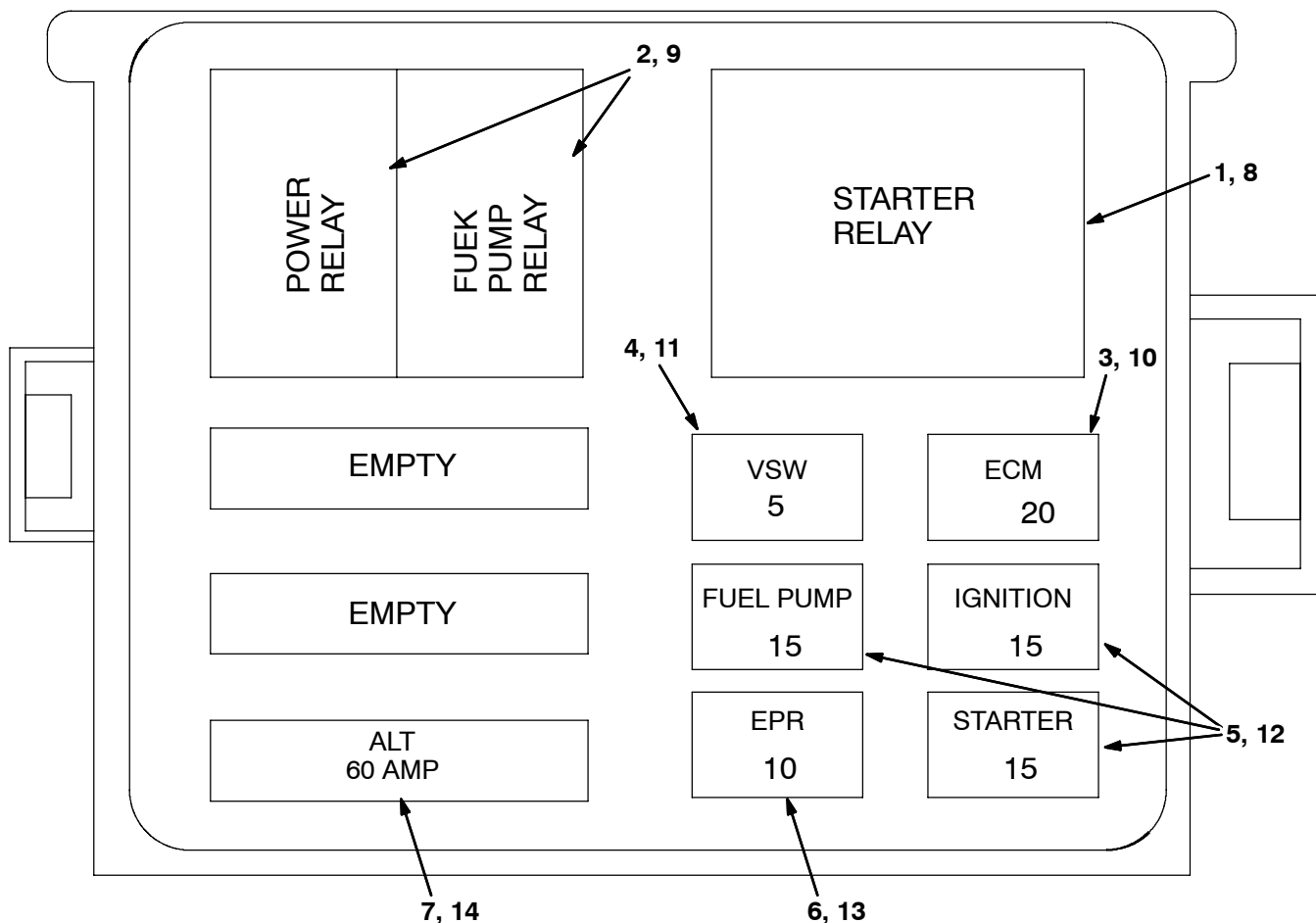


GM, G, LP

Ref.	Part No.	Serial Number	Description	Qty.
▽	385010	(007000-007486 )	Harness, Eng, Gas [3.0l 2007]	1
▲	1 394916	(007000-007486 )	Relay, 12vdc, 20a, Spdt	1
▲	2 57804	(007000-007486 )	Relay, 12vdc, 40a, Spdt	2
▲	3 372237	(007000-007486 )	Fuse, 20 Amp, [Min-20]	1
▲	4 372235	(007000-007486 )	Fuse, 5 Amp, [Min-5]	1
▲	5 372236	(007000-007486 )	Fuse, 15 Amp, [Min-15]	2
▲	6 384999	(007000-007486 )	Fuse, 10 Amp	1
▲	7 384998	(007000-007486 )	Fuse, 60 Amp	1
▽	385018	(007000-007486 )	Harness, Eng, Lpg [3.0l 2007]	1
▲	8 394916	(007000-007486 )	Relay, 12vdc, 20a, Spdt	1
▲	9 57804	(007000-007486 )	Relay, 12vdc, 40a, Spdt	2
▲	10 372237	(007000-007486 )	Fuse, 20 Amp, [Min-20]	1
▲	11 372235	(007000-007486 )	Fuse, 5 Amp, [Min-5]	1
▲	12 372236	(007000-007486 )	Fuse, 15 Amp, [Min-15]	2
▲	13 384999	(007000-007486 )	Fuse, 10 Amp	1
▲	14 384998	(007000-007486 )	Fuse, 60 Amp	1

# STANDARD PARTS

Fig. 100 - Wire Harnesses Group, Gas/LPG Engine (007487- )



GM, G, LP

Ref.	Part No.	Serial Number	Description	Qty.
▽	1063654	(007487- )	Harness, Wire, Eng, Gas [Gm 3.0l 10]	1
▲	1 394916	(007487- )	Relay, 12vdc, 20a, Spdt	1
▲	2 57804	(007487- )	Relay, 12vdc, 40a, Spdt	2
▲	3 372237	(007487- )	Fuse, 20 Amp, [Min-20]	1
▲	4 372235	(007487- )	Fuse, 5 Amp, [Min-5]	1
▲	5 372236	(007487- )	Fuse, 15 Amp, [Min-15]	2
▲	6 384999	(007487- )	Fuse, 10 Amp	1
▲	7 384998	(007487- )	Fuse, 60 Amp	1
▽	1063653	(007487- )	Harness, Wire, Eng, Lpg [Gm 3.0l 10]	1
▲	8 394916	(007487- )	Relay, 12vdc, 20a, Spdt	1
▲	9 57804	(007487- )	Relay, 12vdc, 40a, Spdt	2
▲	10 372237	(007487- )	Fuse, 20 Amp, [Min-20]	1
▲	11 372235	(007487- )	Fuse, 5 Amp, [Min-5]	1
▲	12 372236	(007487- )	Fuse, 15 Amp, [Min-15]	2
▲	13 384999	(007487- )	Fuse, 10 Amp	1
▲	14 384998	(007487- )	Fuse, 60 Amp	1

Fig. 101 - Wire Harness Schematic, Gas Engine (007000- )

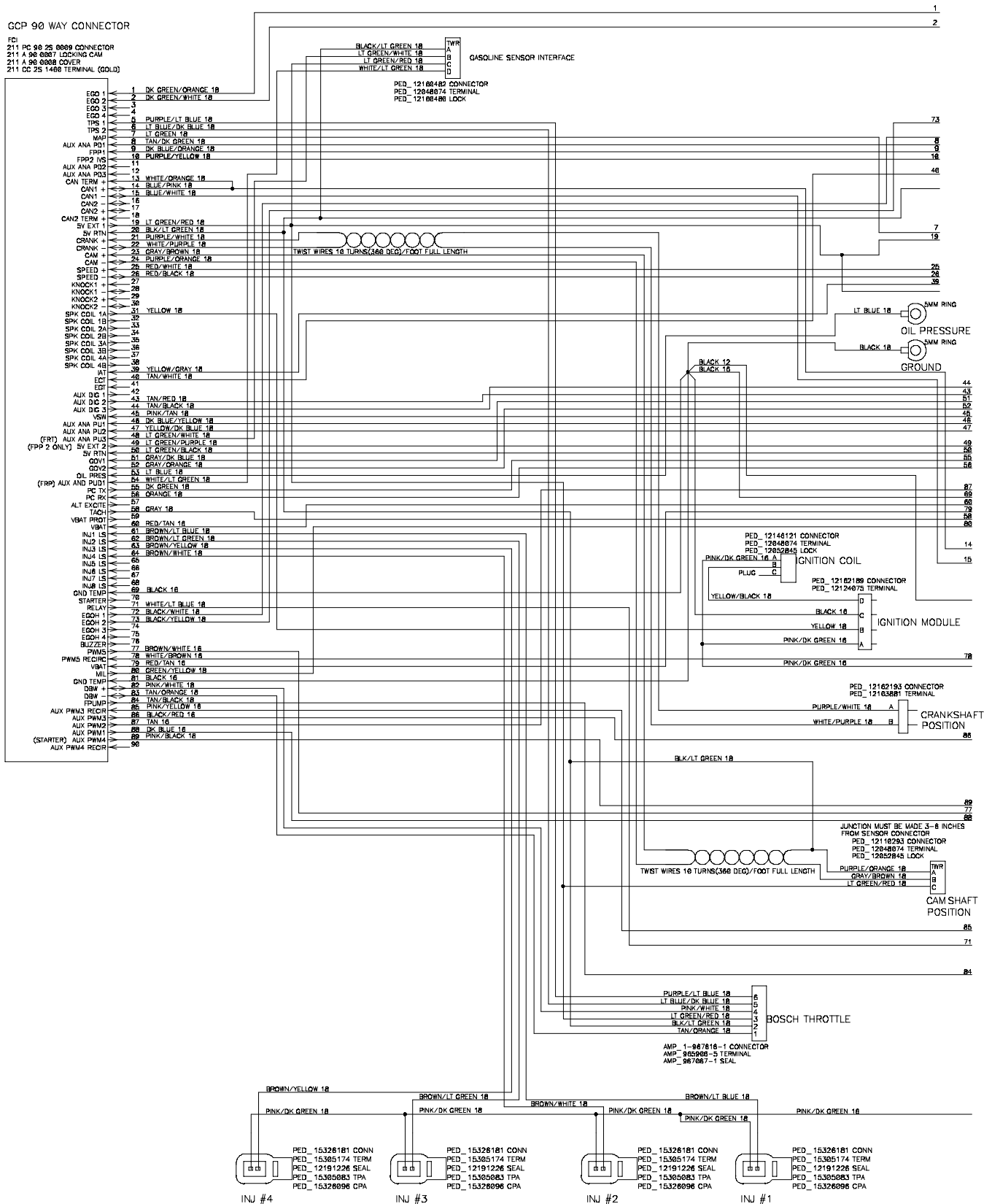


Fig. 101 - Wire Harness Schematic, Gas Engine (007000- )

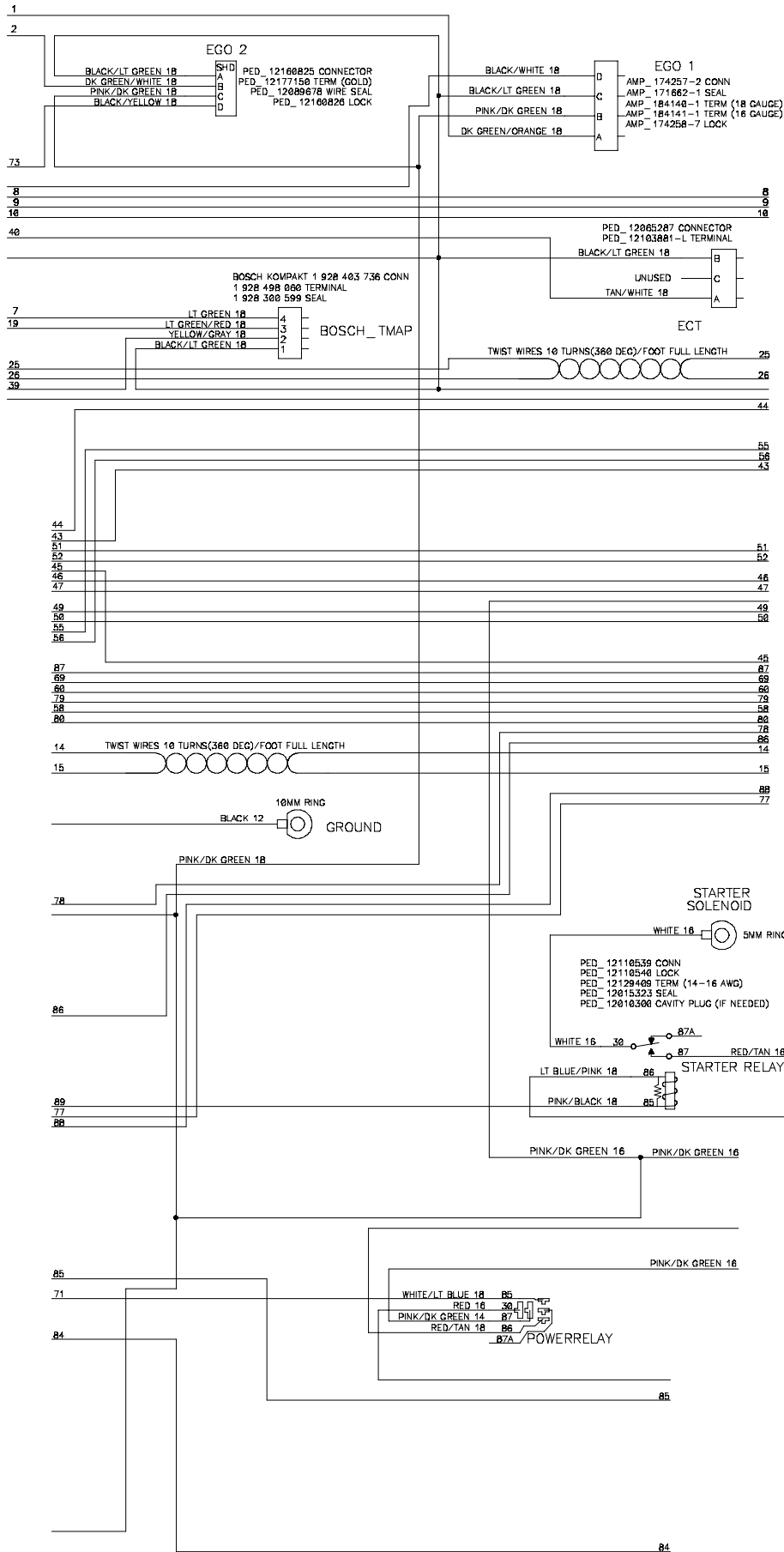
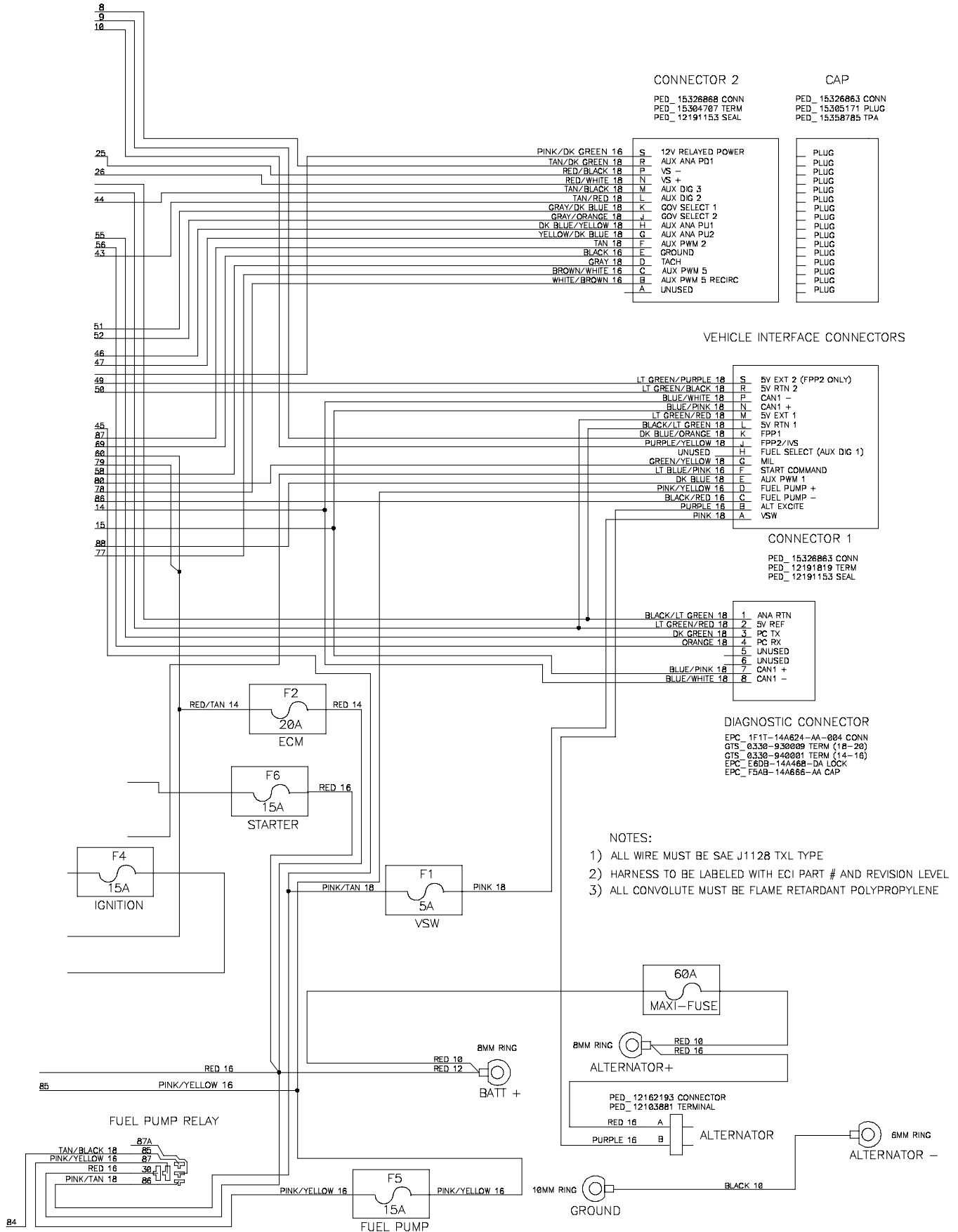


Fig. 101 - Wire Harnesses Schematic, Gas Engine (007000- )



## Fig. 102 - Wire Harness Schematic, LPG Engine (007000- )

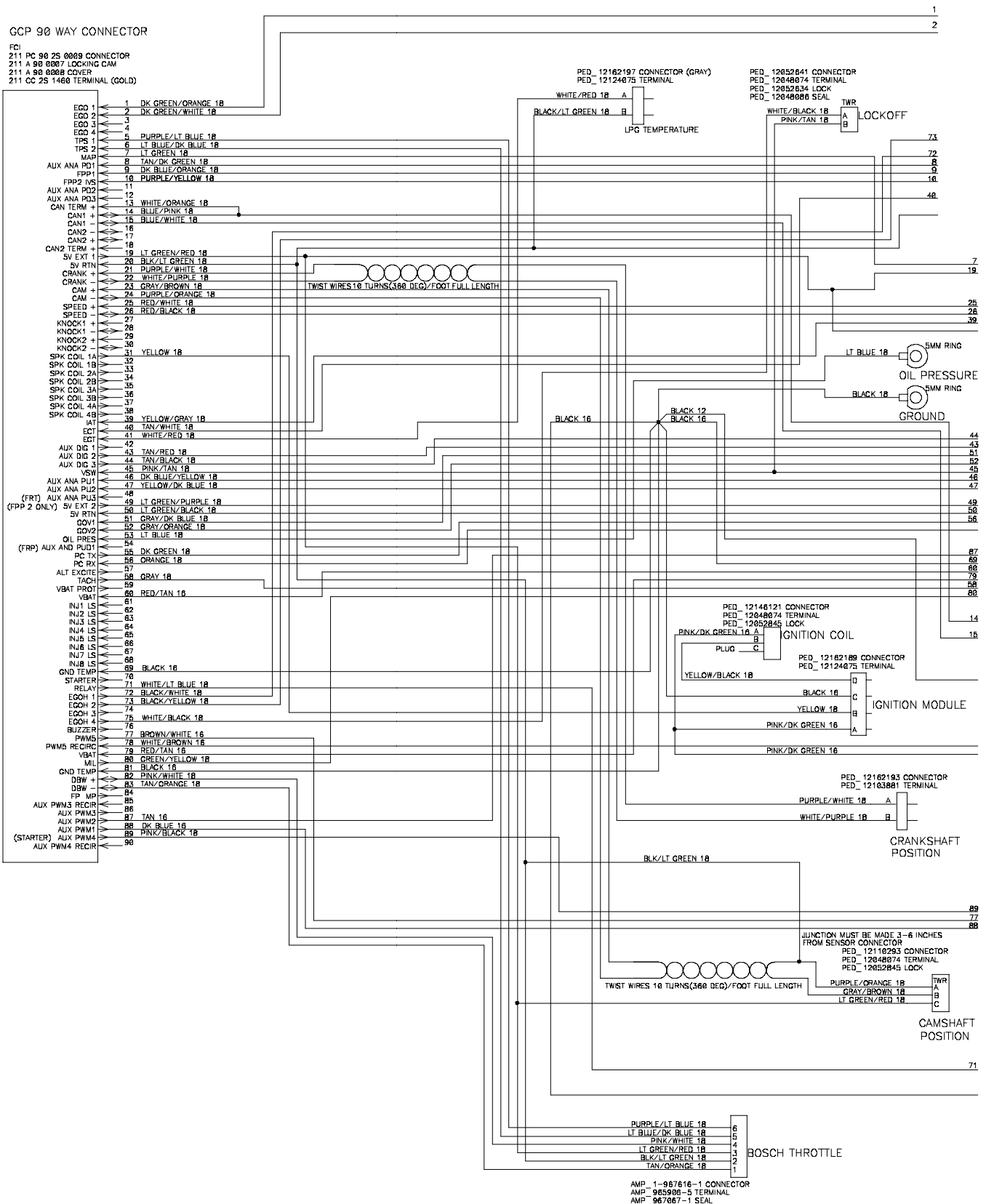
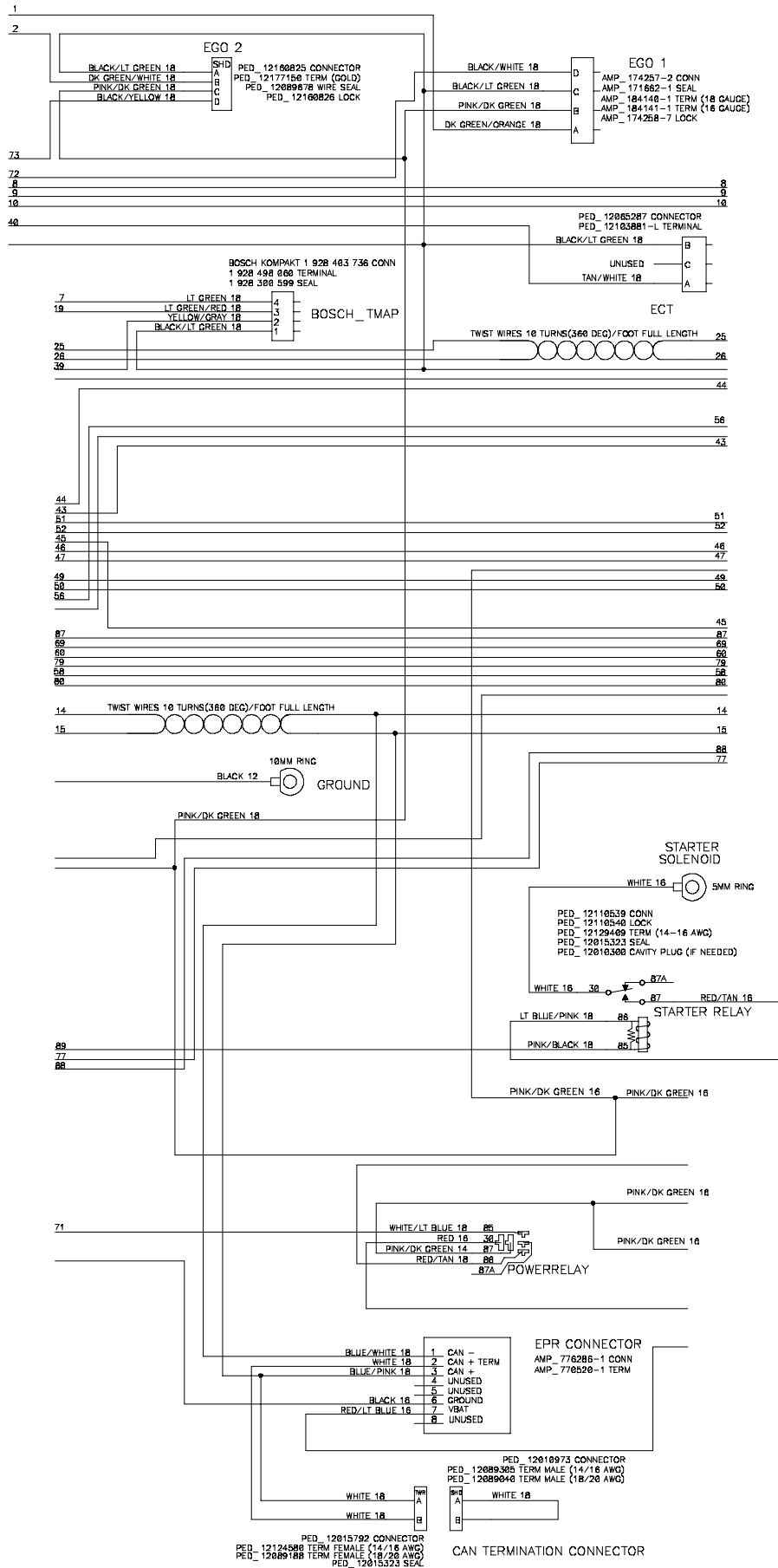
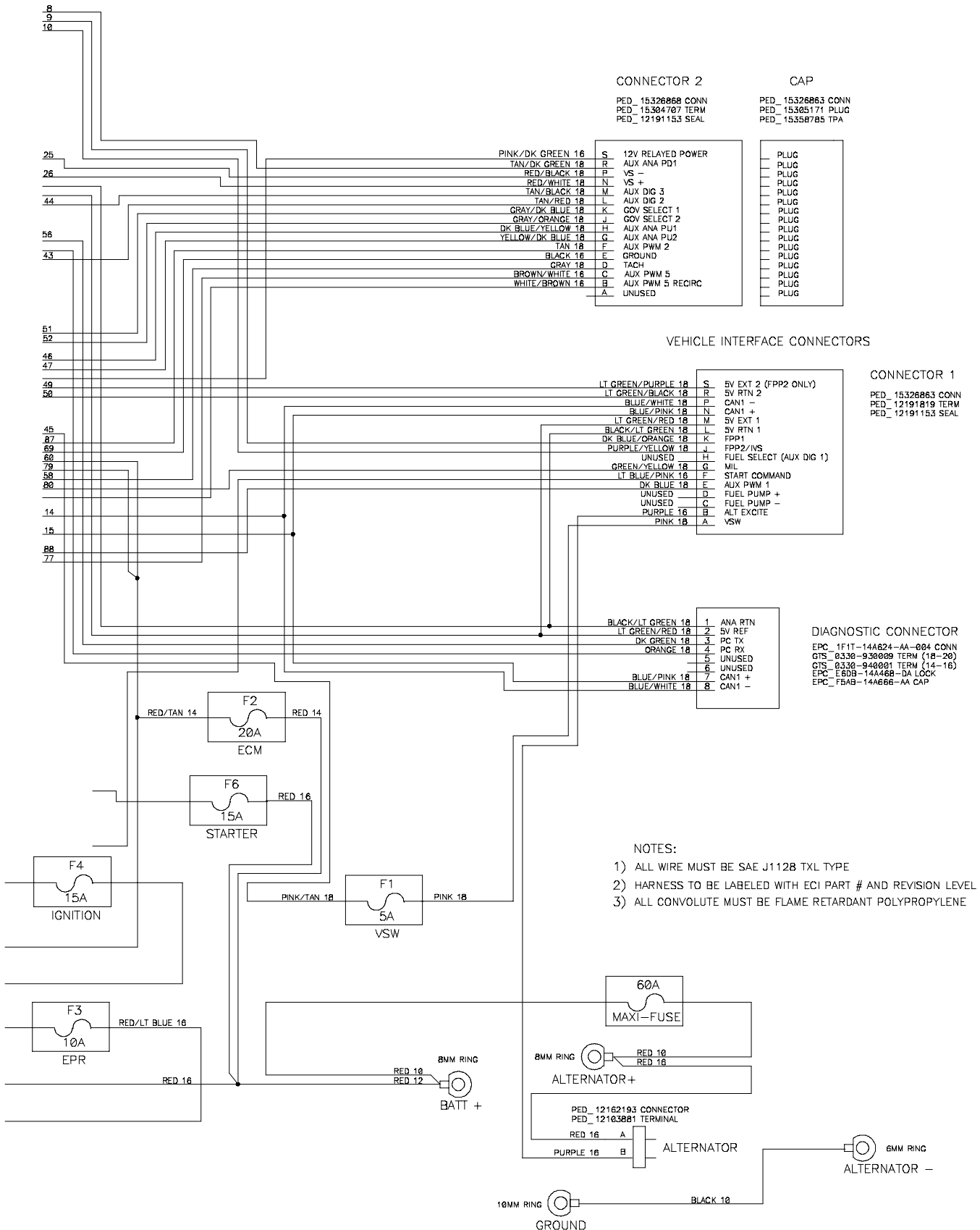


Fig. 102 - Wire Harness Schematic, LPG Engine (007000- )



# STANDARD PARTS

Fig. 102 - Wire Harness Schematic, LPG Engine (007000- )

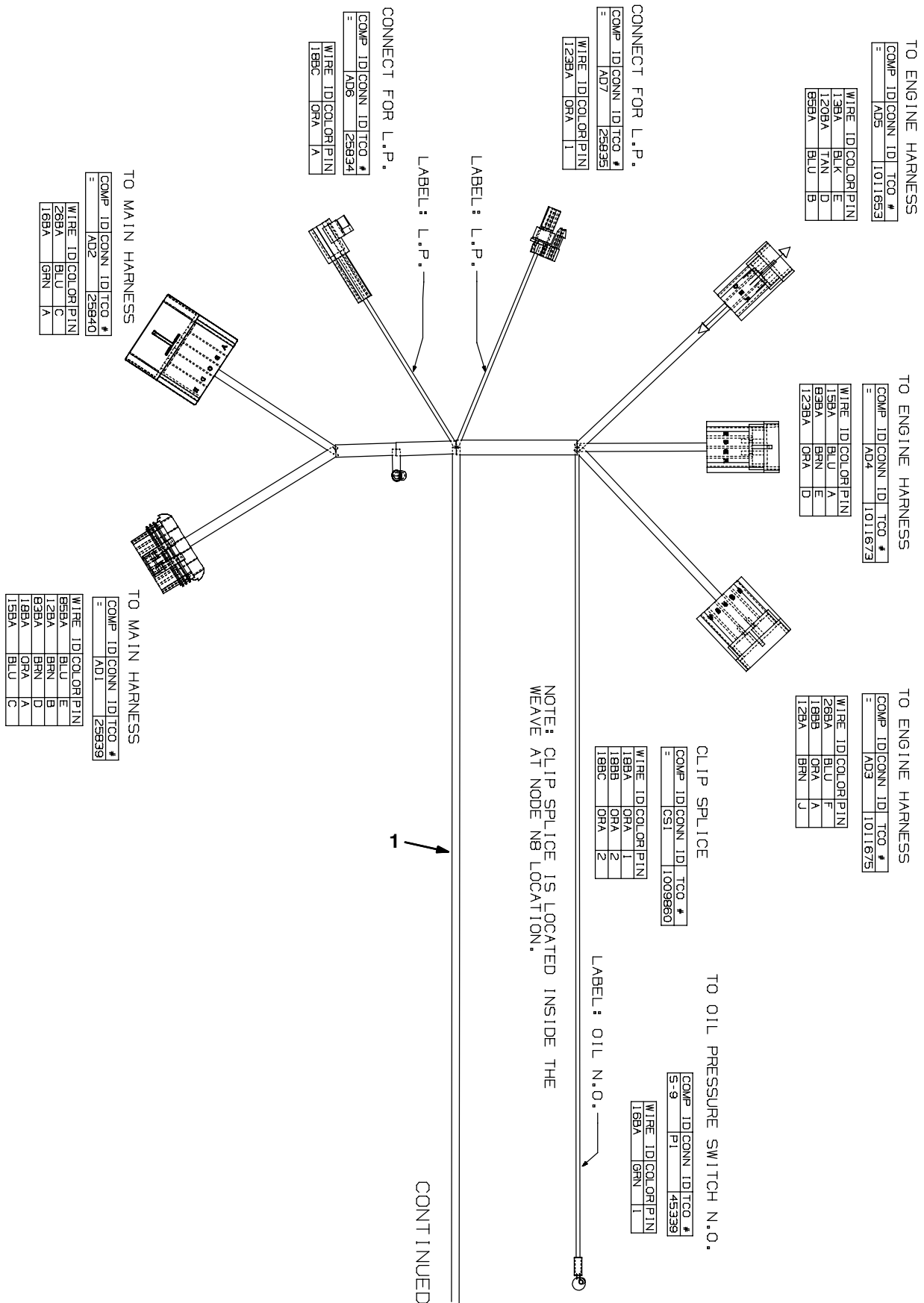




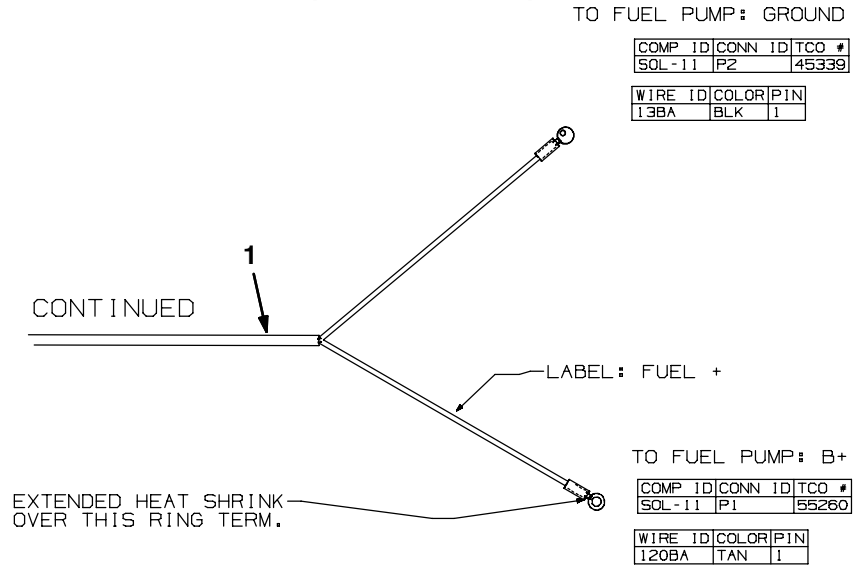


# STANDARD PARTS

Fig. 103 - Wire Harnesses Group, Gas/LPG, Adaptor (006000-006999)



**Fig. 103 - Wire Harnesses Group, Gas/LPG, Adaptor (006000-006999)**



GM, G, LP

Ref.	Part No.	Serial Number	Description	Qty.
1	1012033	(006000-006999 )	Harness, Adaptor [800/8410]	1

# STANDARD PARTS

Fig. 104 - Wire Harnesses Group, Gas/LPG, Adaptor (007000- )

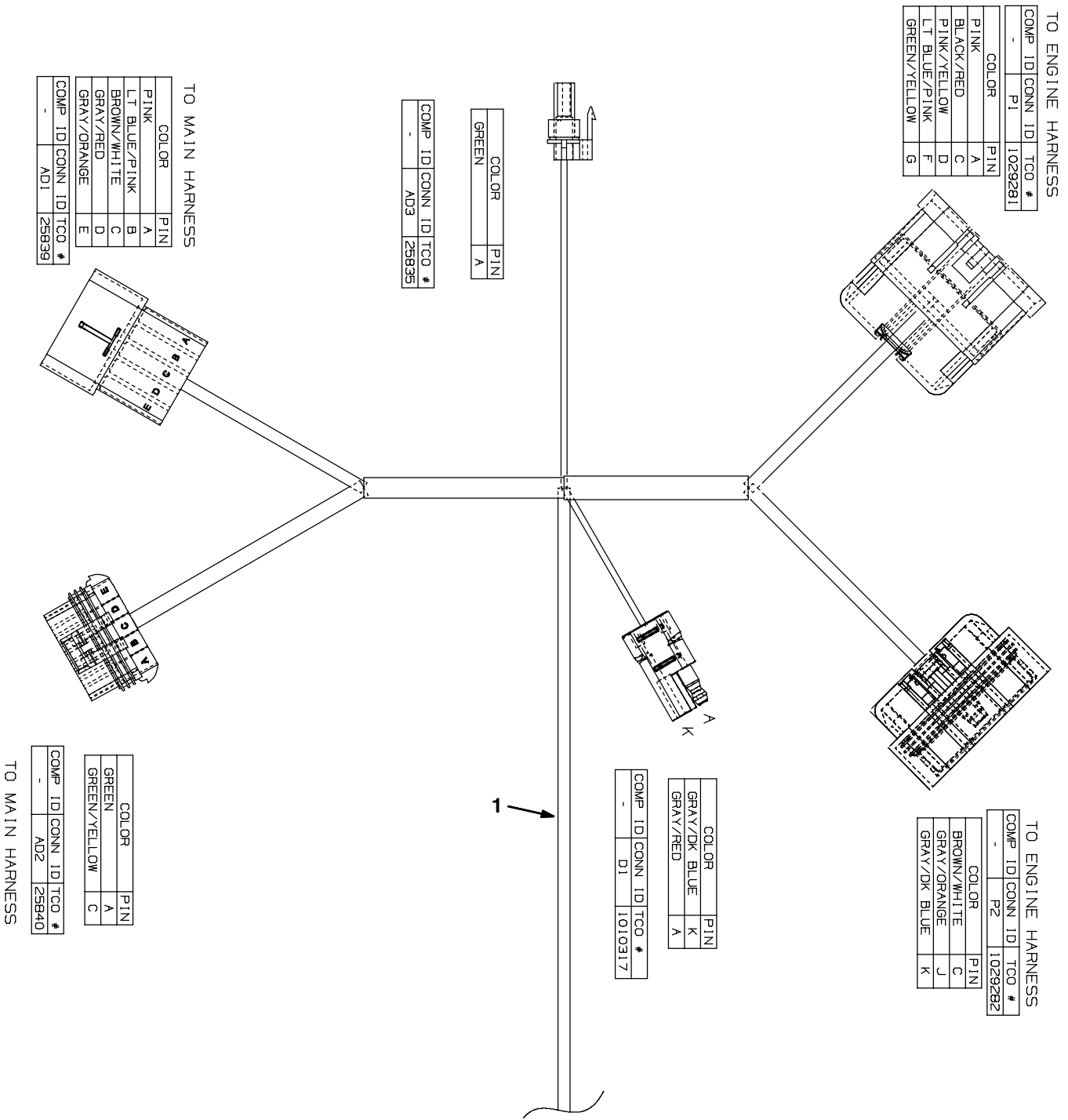
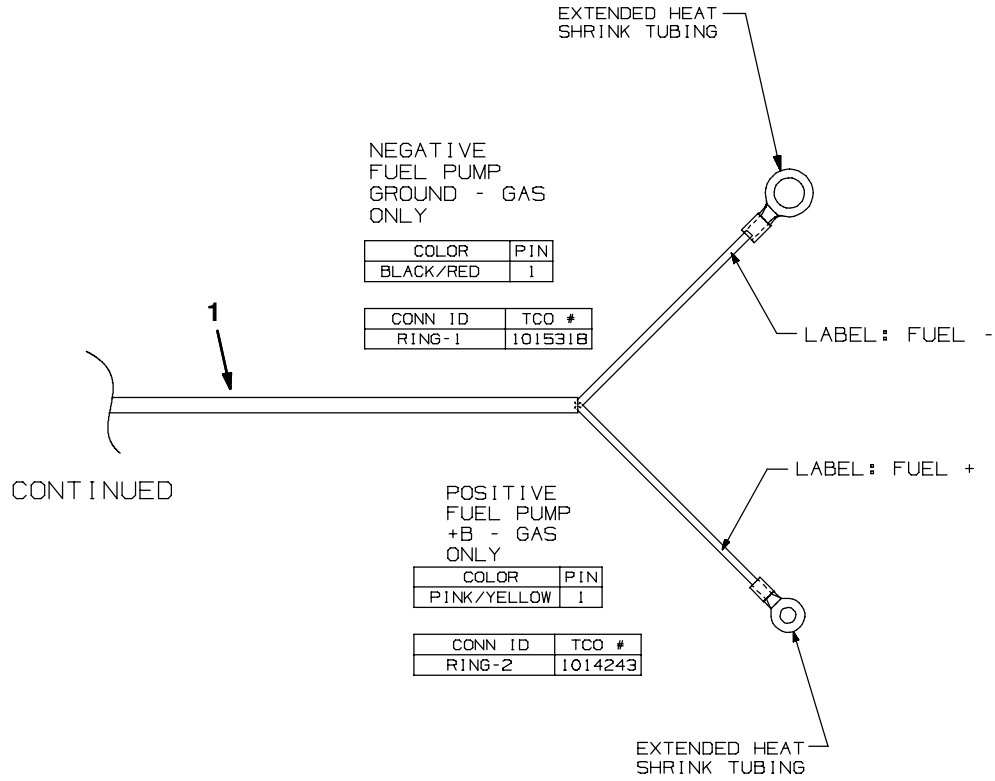


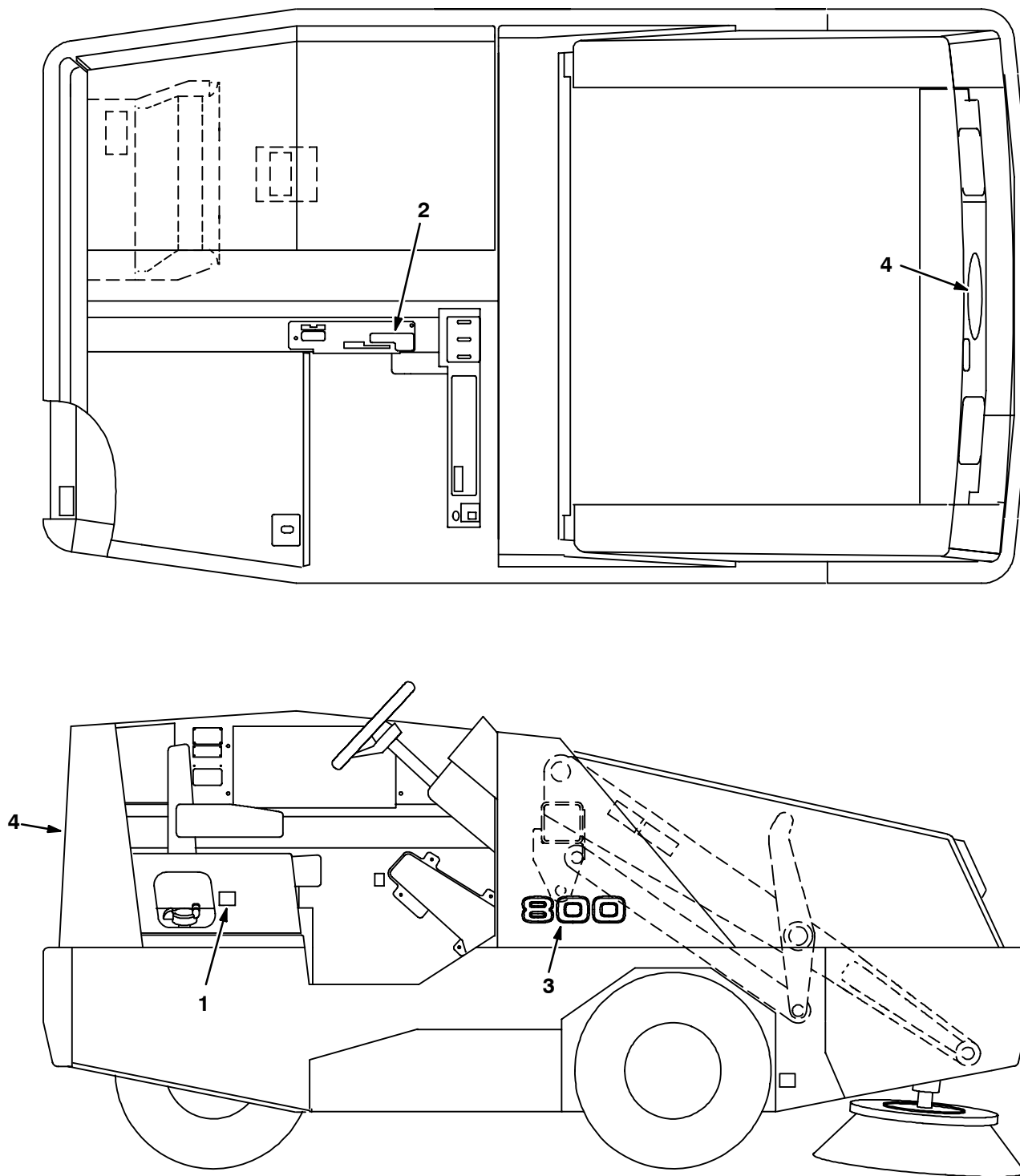
Fig. 104 - Wire Harnesses Group, Gas/LPG, Adaptor (007000- )



GM, G, LP

Ref.	Part No.	Serial Number	Description	Qty.
1	1032214	(007000- )	Harness, Adaptor, Eng, Gas/Lpg [Gm3.0]	1

**Fig. 105 - Label Group**



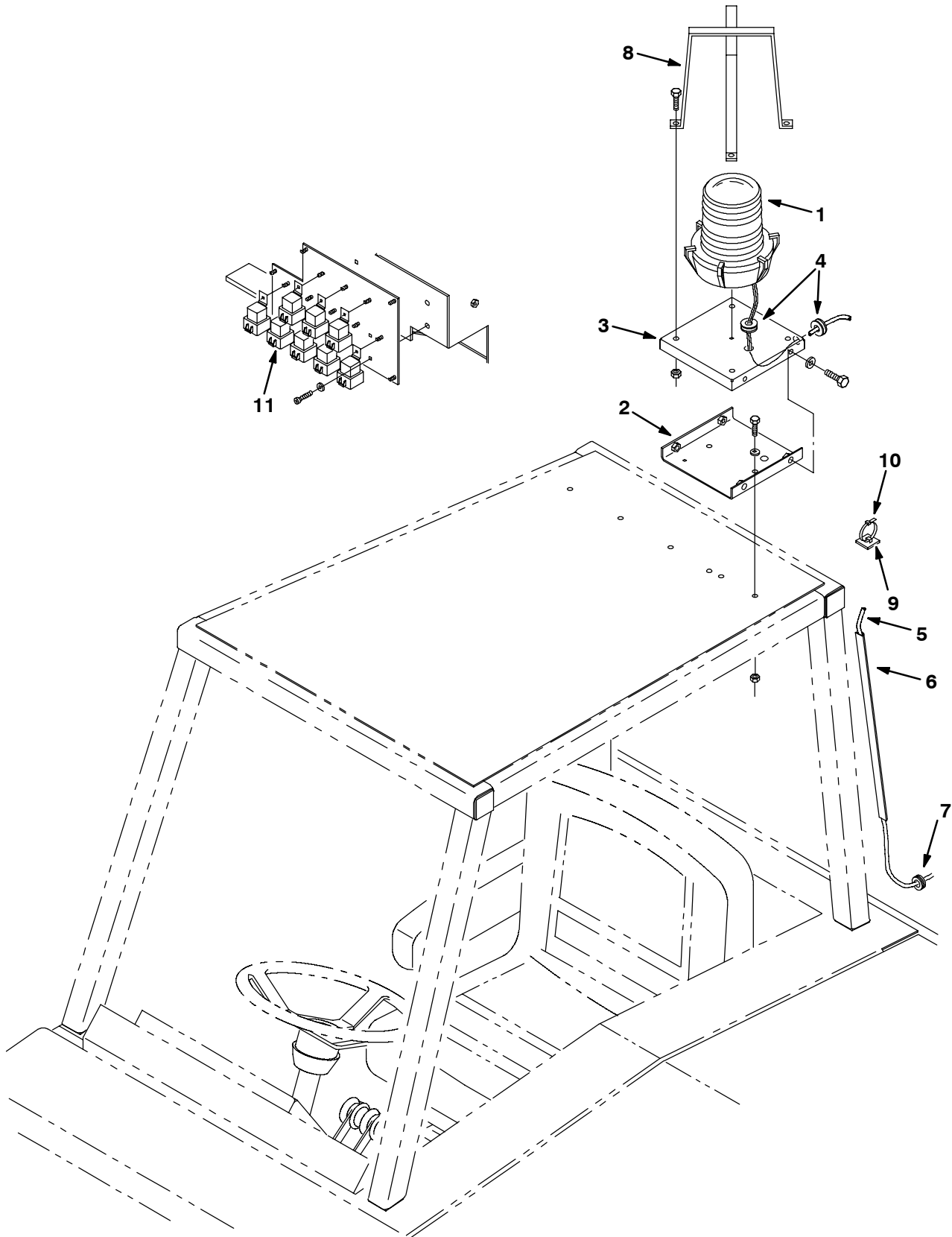
08774 - 800, NA

Ref.	Part No.	Serial Number	Description	Qty.
1	59767	(004000- )	Label Set, Info & Hazard	1
2	70705	(004000- )	Label Set, Operational 800	1
3	70536	(004000- )	Label, Numerals 800	2
4	09806	(004000- )	Label, Logo, 10.4l,Oval[Tennant,Blu/Grn]	2

# SECTION 3

Contents	Page
Fig. 1 - Light Kit, Flashing, Overhead Guard . . .	3-2
Fig. 2 - Light Kit, Flashing, Cab . . . . .	3-4
Fig. 3 - Light Kit, Revolving, Overhead Guard . .	3-6
Fig. 4 - Light Kit, Revolving, Cab . . . . .	3-8
Fig. 5 - Light Kit, Flashing, Low . . . . .	3-10
Fig. 6 - Light Kit, Revolving, Low . . . . .	3-12
Fig. 7 - Back-Up Alarm Kit . . . . .	3-14
Fig. 8 - Turn Signal Kit . . . . .	3-16
Fig. 9 - Overhead Guard Kit . . . . .	3-18
Fig. 10 - Hopper Floor Kit . . . . .	3-20
Fig. 11 - Bumper Assembly, SE . . . . .	3-21
Fig. 12 - Brush Lift Group, Side, L.H. . . . .	3-22
Fig. 13 - Brush Group, Side, L.H. . . . .	3-26
Fig. 14 - Brush Wire Harness Group, Side, L.H.	3-30
Fig. 15 - Brush Hydraulic Hose Group, Side, L.H.	3-31
Fig. 16 - Brush Light Kit, Side . . . . .	3-32
Fig. 17 - Cab Kit . . . . .	3-34
Fig. 18 - Cab Mirror Kit . . . . .	3-36
Fig. 19 - Cab Seals Group . . . . .	3-38
Fig. 20 - Cab AC and Heater Box Group, Ford .	3-40
Fig. 21 - Cab AC and Heater Hose Group, Ford	3-42
Fig. 22 - Cab AC Compressor Group, Ford . . . .	3-44
Fig. 23 - Cab AC and Heater Box Group, GM . .	3-46
Fig. 24 - Cab AC and Heater Hose Group, GM .	3-48
Fig. 25 - Cab AC Compressor Group, GM (004937-006999) . . . . .	3-50
Fig. 26 - Cab AC Compressor Group, GM (007000- ) . . . . .	3-54
Fig. 27 - Cab Heater Box Group, Ford . . . . .	3-56
Fig. 28 - Cab Heater Hose Group, Ford . . . . .	3-58
Fig. 29 - Cab Heater Box Group, GM . . . . .	3-60
Fig. 30 - Cab Heater Hose Group, GM . . . . .	3-62
Fig. 31 - Alternator Group, SE, Ford . . . . .	3-64
Fig. 32 - Heavy Duty Alternator Kit, GM (004937-006999) . . . . .	3-66
Fig. 33 - Heavy Duty Alternator Kit, GM (007000- ) . . . . .	3-68
Fig. 34 - Vacuum Wand Kit . . . . .	3-70
Fig. 35 - Side Brush Dust Control Kit . . . . .	3-72
Fig. 36 - Protectoseal Fuel Tank Cap Group . . .	3-74
Fig. 37 - Fire Extinguisher Kit . . . . .	3-75
Fig. 38 - Solid Tire and Rim Assembly . . . . .	3-76
Fig. 39 - Seat Belt Kit . . . . .	3-77
Fig. 40 - RFS Filter System Group . . . . .	3-78
Fig. 41 - Cab AC Drain Hose Kit . . . . .	3-80
Fig. 42 - Neutral Start Group . . . . .	3-82
Fig. 43 - Muffler Group, Non-Catalytic . . . . .	3-83
Fig. 44 - Documentation Group . . . . .	3-84

Fig. 1 - Light Kit, Flashing, Overhead Guard

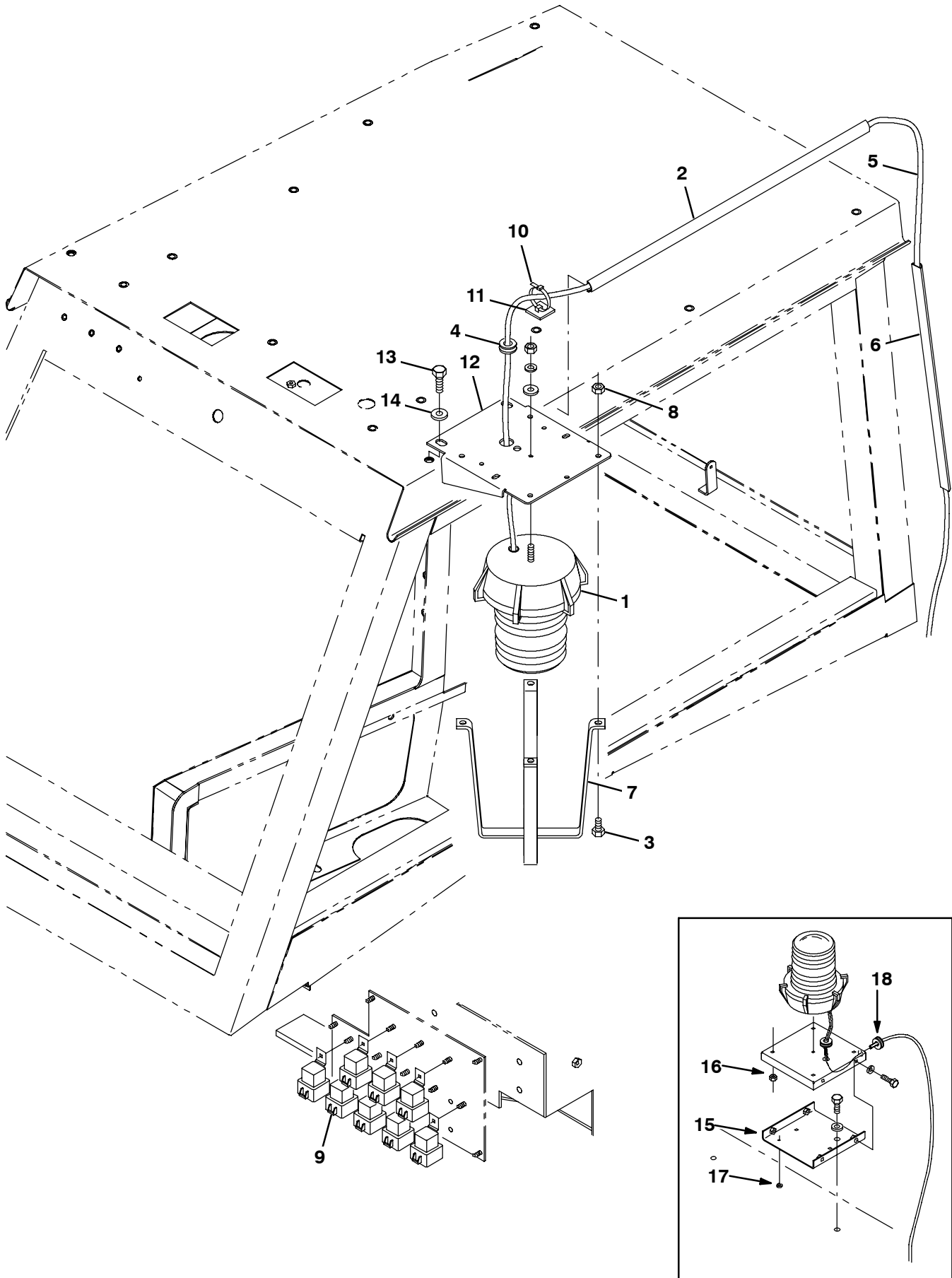




**Fig. 1 - Light Kit, Flashing, Overhead Guard**

	<b>Ref.</b>	<b>Part No.</b>	<b>Serial Number</b>	<b>Description</b>	<b>Qty.</b>
▽		73755	(004000-	) Light Kit Flsh 800L Ohg	1
▲▽	1	82063	(004000-	) Light, Flashing, Amber, 12V-Re	1
▲▲		58520	(004000-	) Lens,Flashing Lite Fr207 Amber	1
▲▲		45779	(004000-	) Bulb, 12V	1
▲	2	73899	(004000-	) Bracket	1
▲	3	73898	(004000-	) Panel	1
▲	4	10632-20	(004000-	) Grommet,Rbr,0.38ld,For .06Matl	2
▲	5	74000	(004000-	) Harness,Rev/Flsh Light,Cab,Ohg	1
▲	6	1064050	(004000-	) Duct, Afmkt, Vyl, 0.40 X 0.75 .25d, 04ft	1
▲	7	10632-4	(004000-	) Grommet,Rbr,0.63ld,For .06Matl	1
▲	8	45272	(004000-	) Guard Wldt, Lights, Revl & Flsh	1
▲	9	55248	(004000-	) Cable Tie Mount	1
▲	10	49266	(004000-	) Tie, Cable	1
▲	11	56186	(004000-	) Relay, Shrouded, 12V	1
		58518	(004000-	) Lens,Flashing Lite Fr207 Red	1
		58519	(004000-	) Lens,Flashing Lite Fr207 Blue	1

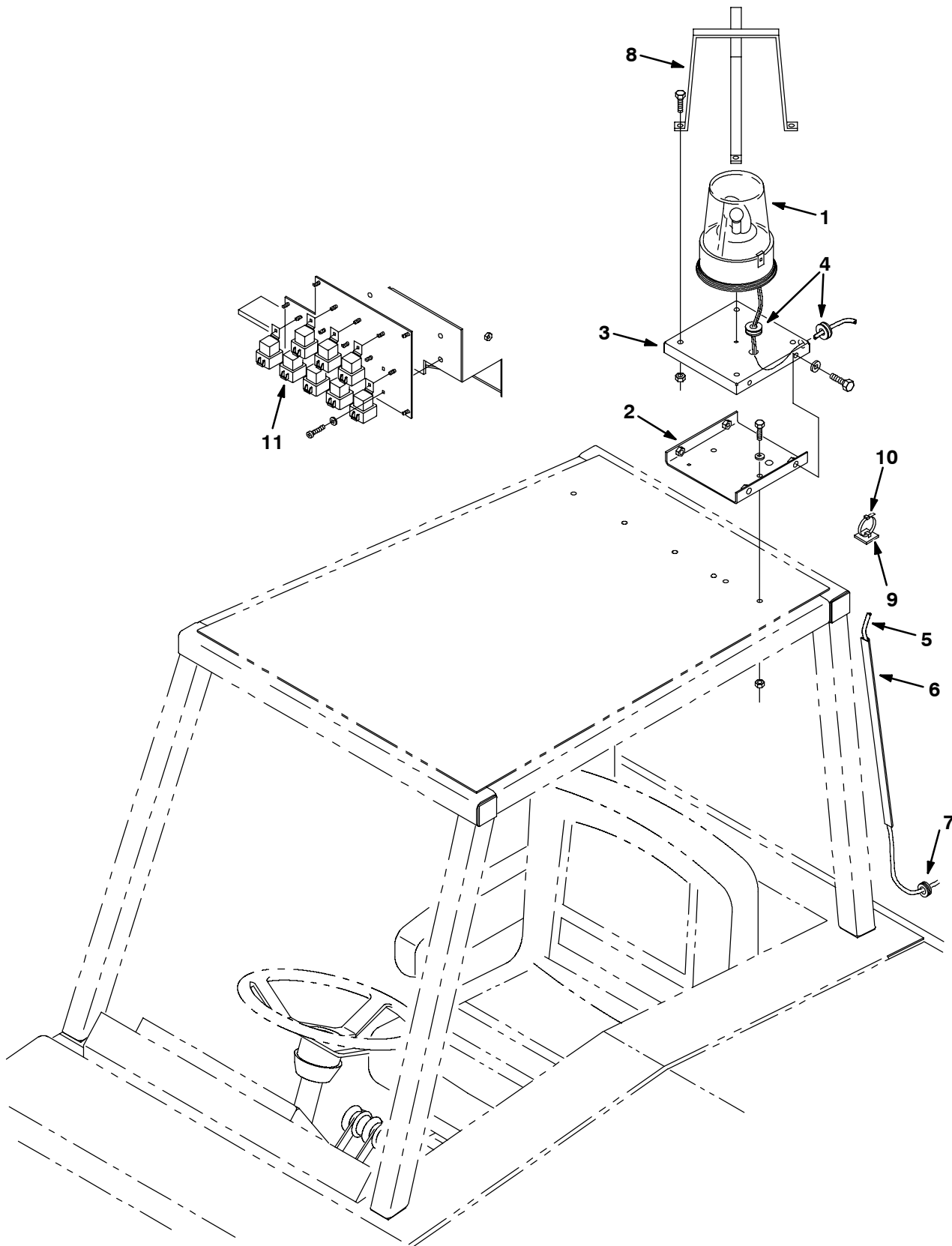
Fig. 2 - Light Kit, Flashing, Cab



**Fig. 2 - Light Kit, Flashing, Cab**

Ref.	Part No.	Serial Number	Description	Qty.
▽	73751	(004000-	) Light Kit Flsh 800L Cab	1
▲▽	1 82063	(004000-	) Light, Flashing, Amber, 12V-Re	1
▲▲	58520	(004000-	) Lens,Flashing Lite Fr207 Amber	1
▲▲	45779	(004000-	) Bulb, 12V	1
▲	2 1060450	( xxxxxx-	) Duct, Afmkt, Vyl, 0.40 X 0.75 .25d, 04ft	1
▲	3 15675	(004000-	) Screw, Hex, M8 X 1.25 X 16, Ss	4
▲	4 10632-20	(004000-	) Grommet,Rbr,0.38ld,For .06Matl	1
▲	5 74000	(004000-	) Harness,Rev/Flsh Light,Cab,Ohg	1
▲	6 1064050	(004000-	) Duct, Afmkt, Vyl, 0.40 X 0.75 .25d, 04ft	1
▲	7 45272	(004000-	) Guard Wldt, Lights, Revl & Flsh	1
▲	8 08709	(004000-	) Nut, Hex, Lock, M8 X 1.25, NI	4
▲	9 56186	(004000-	) Relay, Shrouded, 12V	1
▲	10 55248	(004000-	) Cable Tie Mount	1
▲	11 49266	(004000-	) Tie, Cable	1
▲	12 1066763	( xxxxxx-	) Bracket, Mtg, Light, Rotating	1
▲	13 09028	( xxxxxx-	) Screw, Hex, M10 X 1.50 X 25, Ss	2
▲	14 32492	( xxxxxx-	) Washer, Flat, 0.38, Std	2
	15 73899	(004000- xxxxxx )	Bracket	1
	16 73898	(004000- xxxxxx )	Panel	1
	17 10632-20	(004000- xxxxxx )	Grommet,Rbr,0.38ld,For .06Matl	1
	18 29233	(004000- xxxxxx )	Bumper, Rubber	1
	58518	(004000-	) Lens,Flashing Lite Fr207 Red	1
	58519	(004000-	) Lens,Flashing Lite Fr207 Blue	1

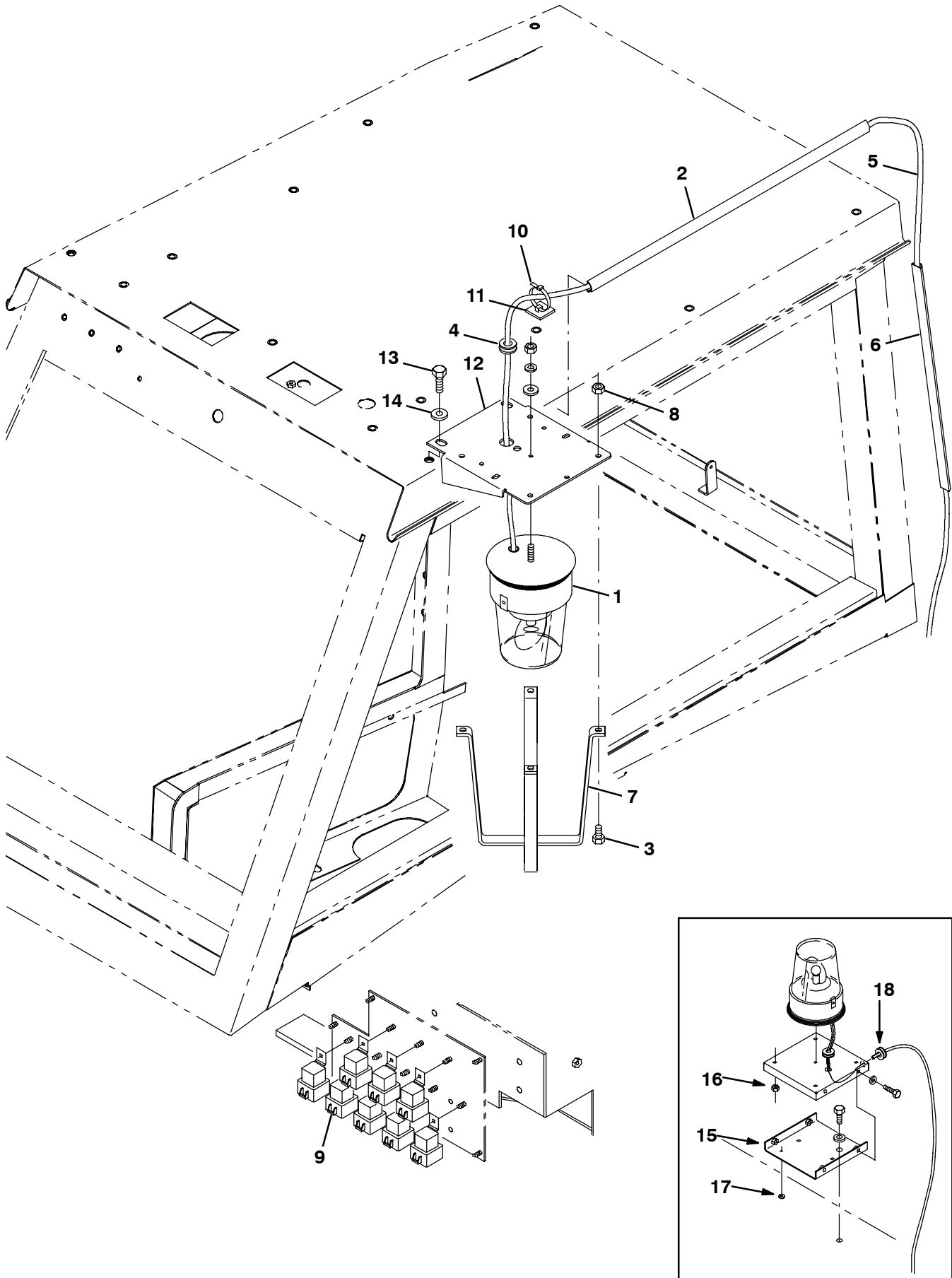
Fig. 3 - Light Kit, Revolving, Overhead Guard



**Fig. 3 - Light Kit, Revolving, Overhead Guard**

	<b>Ref.</b>	<b>Part No.</b>	<b>Serial Number</b>	<b>Description</b>	<b>Qty.</b>
▽		73757	(004000-	) Light Kit Revl 800L Ohg	1
▲▽	1	82200	(004000-	) Light,Rev.Amber 12V-Reworked	1
▲▲		44681-1	(004000-	) Lens,Rev.Light,Amber	1
▲▲		45779	(004000-	) Bulb, 12V	1
▲	2	73899	(004000-	) Bracket	1
▲	3	73898	(004000-	) Panel	1
▲	4	10632-20	(004000-	) Grommet,Rbr,0.38ld,For .06Matl	2
▲	5	74000	(004000-	) Harness,Rev/Flsh Light,Cab,Ohg	1
▲	6	1064050	(004000-	) Duct, Afmkt, Vyl, 0.40 X 0.75 .25d, 04ft	1
▲	7	10632-4	(004000-	) Grommet,Rbr,0.63ld,For .13Matl	1
▲	8	45272	(004000-	) Guard Wldt, Lights, Revl & Flsh	1
▲	9	55248	(004000-	) Cable Tie Mount	1
▲	10	49266	(004000-	) Tie, Cable	1
▲	11	56186	(004000-	) Relay, Shrouded, 12V	1
		44681	(004000-	) Lens,Rev.Light,Red	1
		44681-2	(004000-	) Lens,Rev.Light,Blue	1

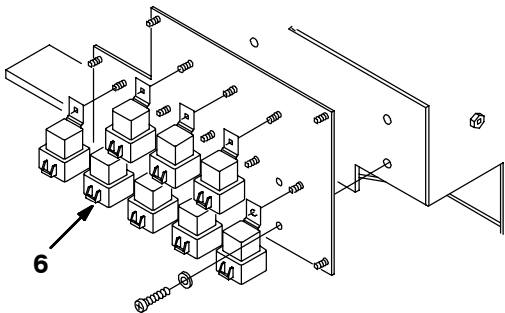
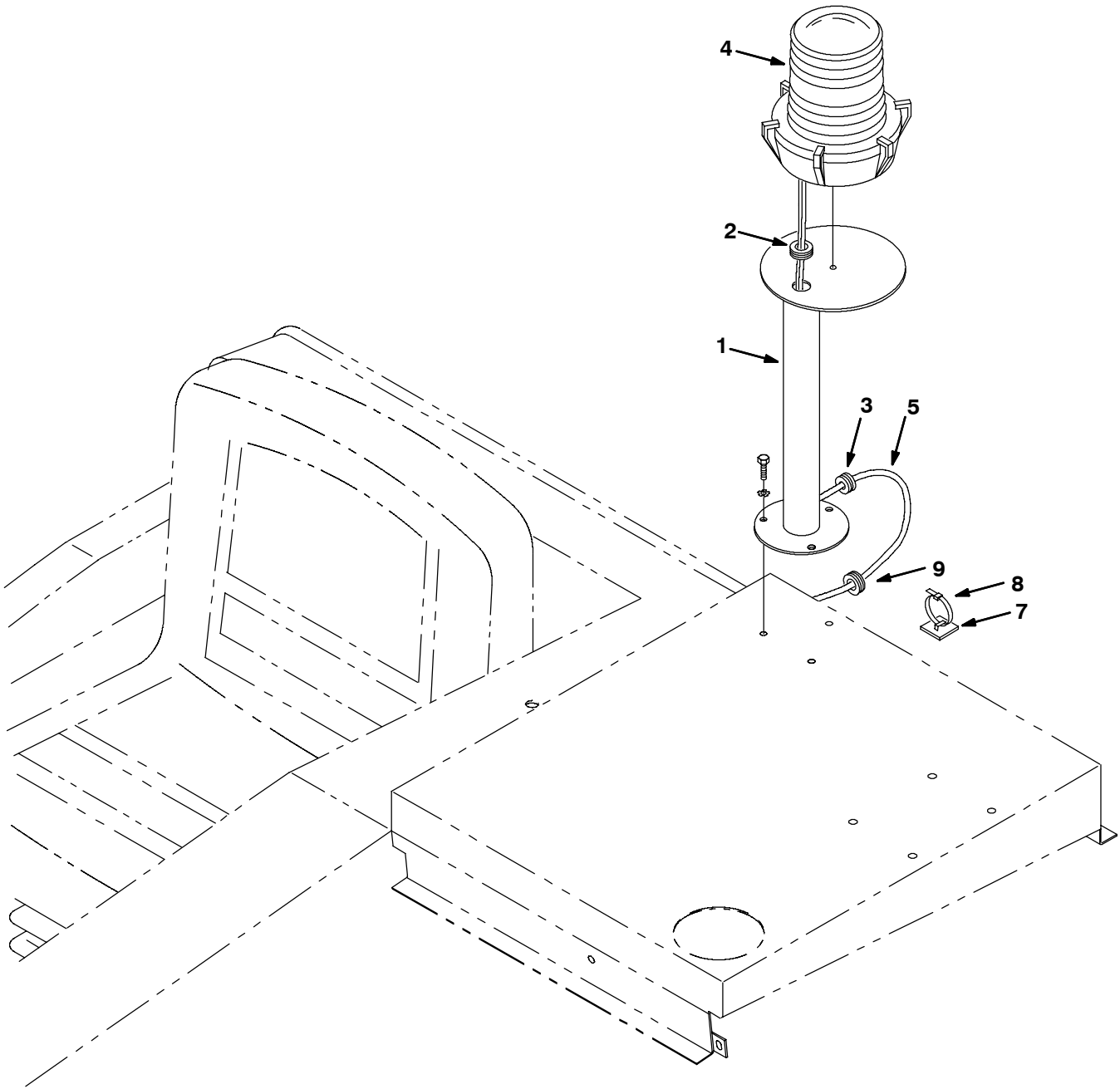
Fig. 4 - Light Kit, Revolving, Cab



**Fig. 4 - Light Kit, Revolving, Cab**

Ref.	Part No.	Serial Number	Description	Qty.
▽	73753	(004000-	) Light Kit Revl 800L Cab	1
▲▽	1 82200	(004000-	) Light,Rev.Amber 12V-Reworked	1
▲▲	44681-1	(004000-	) Lens,Rev.Light,Amber	1
▲▲	45779	(004000-	) Bulb, 12V	1
▲	2 1060450	( xxxxxx-	) Duct, Afmkt, Vyl, 0.40 X 0.75 .25d, 04ft	1
▲	3 15675	(004000-	) Screw, Hex, M8 X 1.25 X 16, Ss	4
▲	4 10632-20	(004000-	) Grommet,Rbr,0.38ld,For .06Matl	1
▲	5 74000	(004000-	) Harness,Rev/Flsh Light,Cab,Ohg	1
▲	6 1064050	(004000-	) Duct, Afmkt, Vyl, 0.40 X 0.75 .25d, 04ft	1
▲	7 45272	(004000-	) Guard Wldt, Lights, Revl & Flsh	1
▲	8 29233	(004000-	) Bumper, Rubber	1
▲	9 56186	(004000-	) Relay, Shrouded, 12V	1
▲	10 55248	(004000-	) Cable Tie Mount	1
▲	11 49266	(004000-	) Tie, Cable	1
▲	12 1066763	( xxxxxx-	) Bracket, Mtg, Light, Rotating	1
▲	13 09028	( xxxxxx-	) Screw, Hex, M10 X 1.50 X 25, Ss	2
▲	14 32492	( xxxxxx-	) Washer, Flat, 0.38, Std	2
	15 73899	(004000- xxxxxx )	Bracket	1
	16 73898	(004000- xxxxxx )	Panel	1
	17 10632-20	(004000- xxxxxx )	Grommet,Rbr,0.38ld,For .06Matl	1
	18 29233	(004000- xxxxxx )	Bumper, Rubber	1
	58518	(004000-	) Lens,Flashing Lite Fr207 Red	1
	58519	(004000-	) Lens,Flashing Lite Fr207 Blue	1

Fig. 5 - Light Kit, Flashing, Low

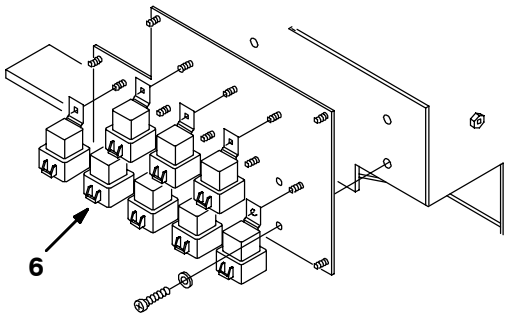
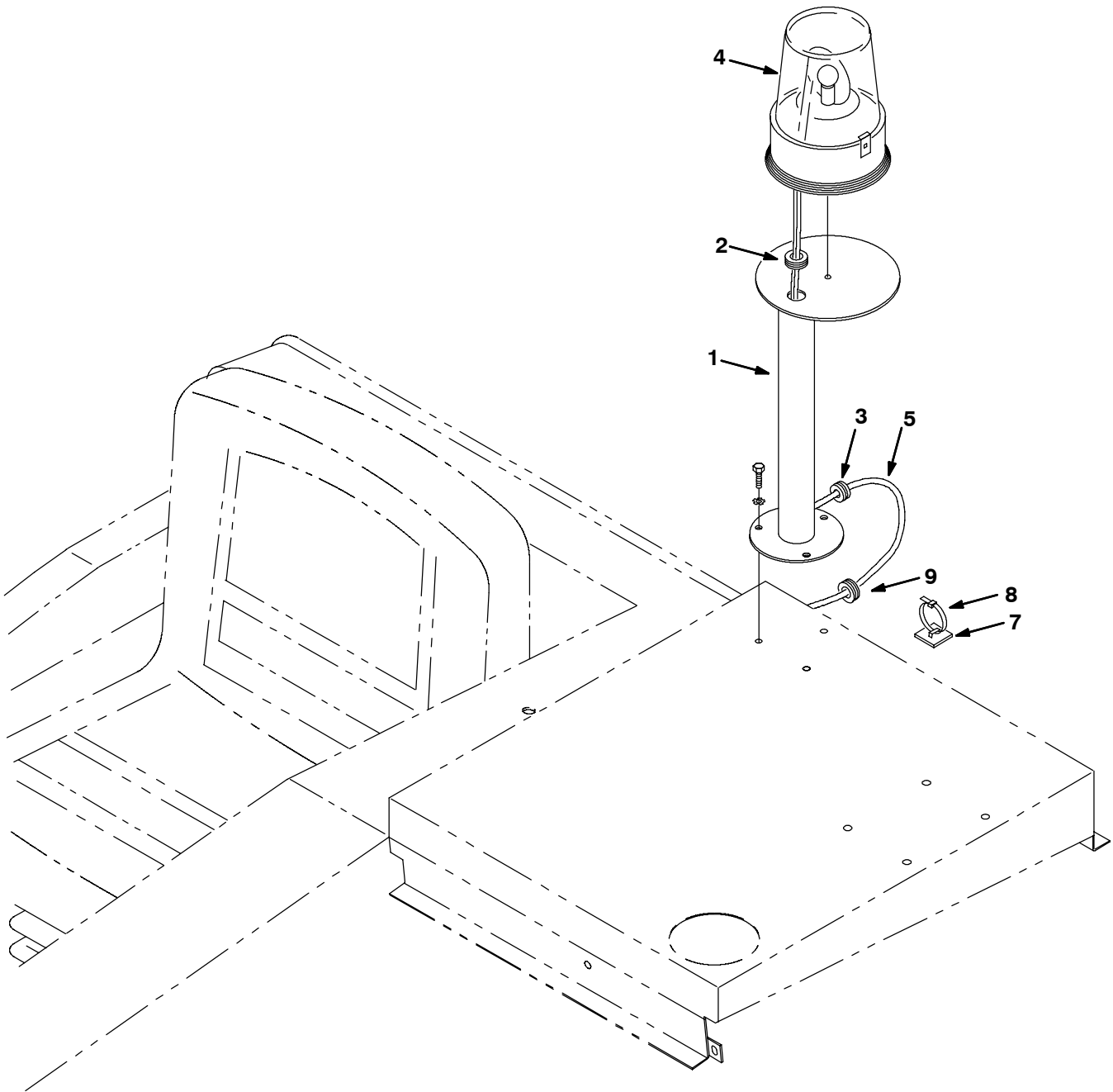




**Fig. 5 - Light Kit, Flashing, Low**

	<b>Ref.</b>	<b>Part No.</b>	<b>Serial Number</b>	<b>Description</b>	<b>Qty.</b>
▽		380643	(004000-	) Kit, Light, Flsh, Low	1
▲	1	31954	(004000-	) Pedestal Wldt, Light	1
▲	2	10632-9	(004000-	) Grommet, Rbr, 0.56 Id For .13mat	1
▲	3	10632-12	(004000-	) Grommet, Rbr, 0.38 Id For .12mat	1
▲▽	4	82063	(004000-	) Light, Flashing Amb 12v-re	1
▲▲		58520	(004000-	) Lens, Flashing Amb 12V	1
▲▲		45779	(004000-	) Bulb	1
▲	5	380691	(004000-	) Harness, Alarm, Backup	1
▲	6	56186	(004000-	) Relay 12Vdc 40A Spdt	1
▲	7	55248	(004000-	) Cabletie Mount, Adhesive	2
▲	8	49266	(004000-	) Tie, Cable 1.75D Max 7.50Lg	2
▲	9	10632-4	(004000-	) Grommet	1
		58518	(004000-	) Lens, Flashing Red	1
		58519	(004000-	) Lens, Flashing Blue	1

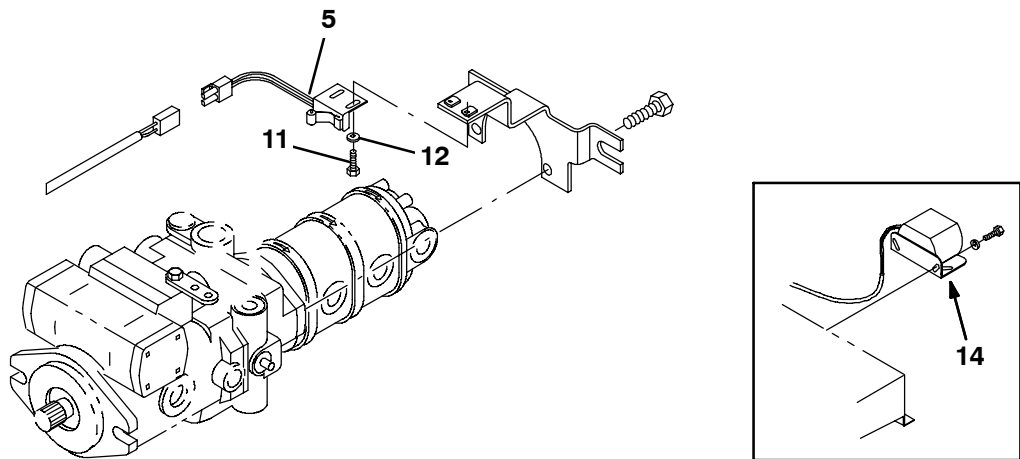
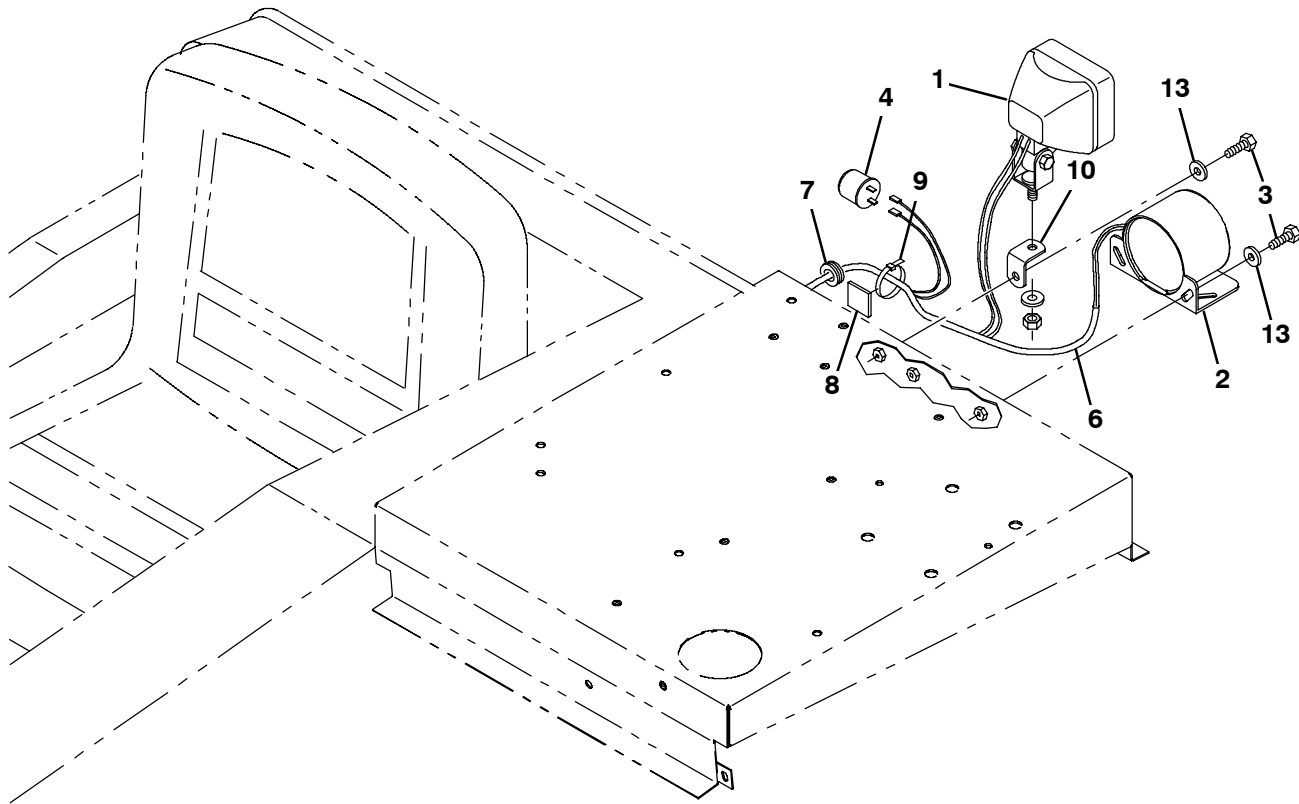
Fig. 6 - Light Kit, Revolving, Low



**Fig. 6 - Light Kit, Revolving, Low**

	<b>Ref.</b>	<b>Part No.</b>	<b>Serial Number</b>	<b>Description</b>	<b>Qty.</b>
▽		380644	(004000-	) Kit, Light, Revl, Low	1
▲	1	31954	(004000-	) Pedestal Wldt, Light	1
▲	2	10632-9	(004000-	) Grommet, Rbr, 0.56 Id For .13mat	1
▲	3	10632-12	(004000-	) Grommet, Rbr, 0.38 Id For .12mat	1
▲▽	4	82200	(004000-	) Light, Rev. Amber 12v-re	1
▲▲		44681-1	(004000-	) Lens, Rev. Light, Amber	1
▲▲		45779	(004000-	) Bulb	1
▲	5	380691	(004000-	) Harness, Alarm, Backup	1
▲	6	56186	(004000-	) Relay 12Vdc 40A Spdt	1
▲	7	55248	(004000-	) Cabletie Mount, Adhesive	2
▲	8	49266	(004000-	) Tie, Cable 1.75D Max 7.50Lg	2
▲	9	10632-4	(004000-	) Grommet	1
		44681	(004000-	) Lens, Rev. Light, Red	1
		44681-2	(004000-	) Lens, Rev. Light, Blue	1

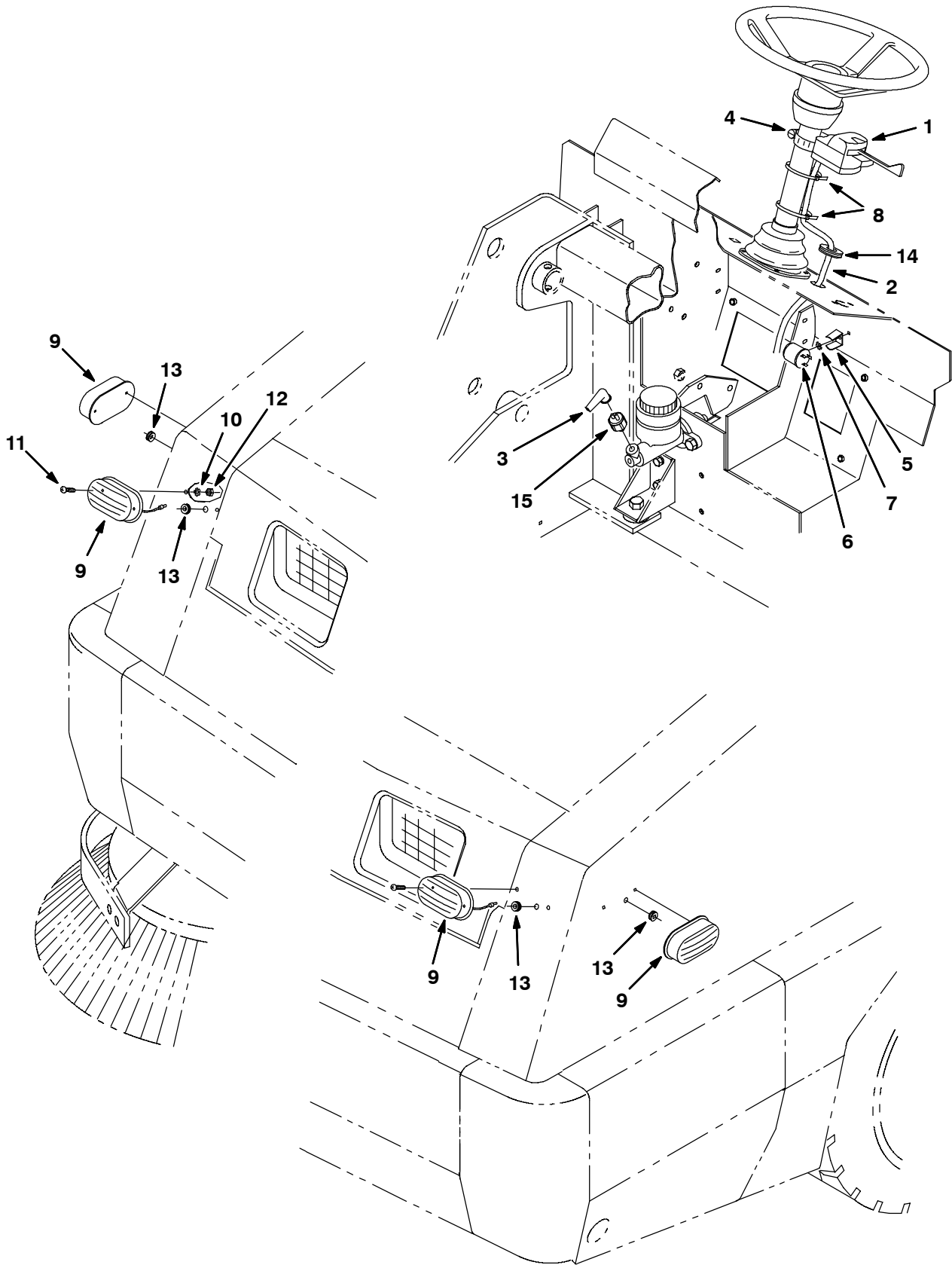
Fig. 7 - Back-Up Alarm Kit



**Fig. 7 - Back-Up Alarm Kit**

	<b>Ref.</b>	<b>Part No.</b>	<b>Serial Number</b>	<b>Description</b>	<b>Qty.</b>
▽		380640	(004000-	) Kit, Alarm, Backup	1
▲▽	1	382978	(004000-	) Light, Spot 12V, 32cp	1
▲▲		393770	(004000-	) Lamp, 12VDC 55w	1
▲	2	9007131	(007519-	) Alarm Assy, Backup, 12/48vdc	1
▲	3	06943	(004000-	) Screw, Hex, M6 X 1.00 X 20, 8.8	3
▲	4	24576	(004000-	) Flasher, 12v	1
▲	5	59965	(004000-	) Switch Assy, Roller-no	1
▲	6	380691	(004000-	) Harness, Alarm, Back-up	1
▲	7	10632-4	(004000-	) Grommet	1
▲	8	55248	(004000-	) Mount, Tie	2
▲	9	49266	(004000-	) Tie, Cable	2
▲	10	76385	(004000-	) Bracket	1
▲	11	09206	(004000-	) Screw, Hex, M4 X 0.70 X 12, 8.8	2
▲	12	19065	(004000-	) Washer, Flat, 08	2
▲	13	32483	(004000-	) Washer, Flat, 0.25, Sae	3
	14	61923	(004000-007518 )	Horn, Back-up Alarm	1

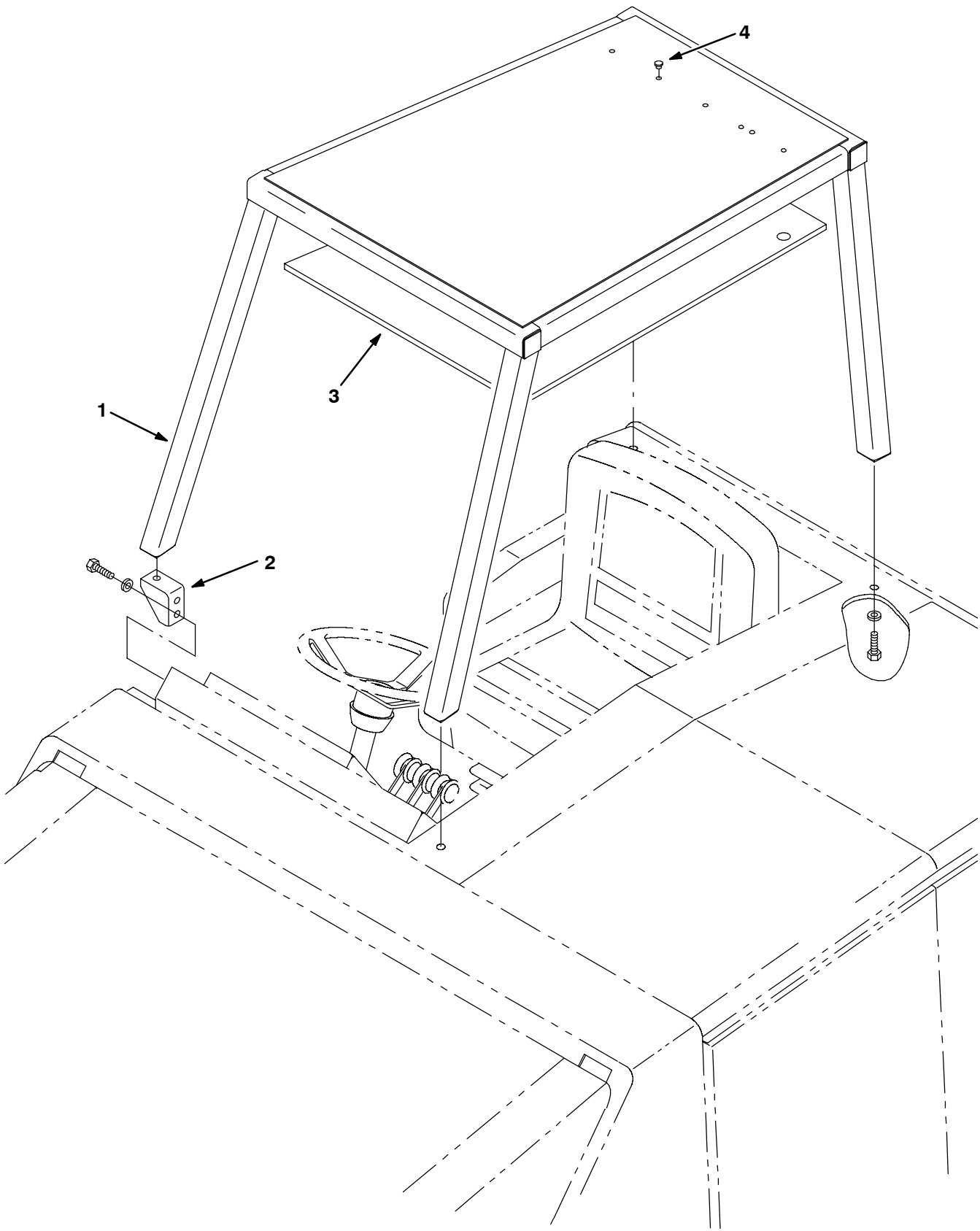
Fig. 8 - Turn Signal Kit



**Fig. 8 - Turn Signal Kit**

	<b>Ref.</b>	<b>Part No.</b>	<b>Serial Number</b>	<b>Description</b>	<b>Qty.</b>
▽		380712	(004000-	) Kit, Signal, Turn	1
▲	1	60751	(004000-	) Signal Turn	1
▲	2	76423	(004000-	) Harness, Directional	1
▲	3	61365	(004000-	) Boot, 90deg .44id 0.62id 1.69l, Blk	1
▲	4	11531	(004000-	) Clamp-Wormdrive, 0.81- 1.50D	1
▲	5	24576-1	(004000-	) Bracket, Flasher	1
▲	6	31922	(004000-	) Flasher Heavy Duty	1
▲	7	41139	(004000-	) Washer-Loc Int-Ext 10 Pltd	1
▲	8	49266	(004000-	) Tie, Cable	4
▲▽	9	34848	(004000-	) Light Assy Mark/Yel 12V- . A	4
▲▲		87948	(004000-	) Bulb, #194	1
▲	10	41140	(004000-	) Washer-Loc Int-Ext .25 Pltd	8
▲	11	06927	(004000-	) Screw, Pan, M04	8
▲	12	02850	(004000-	) Nut, Hex, Lock	8
▲	13	10632-5	(004000-	) Grommet Rbr 0.25ld For .09Matl	5
▲	14	10632-8	(004000-	) Grommet,Rbr,0.75ld,For .13Matl	1
▲	15	13959	(004000-	) Switch	1

Fig. 9 - Overhead Guard Kit

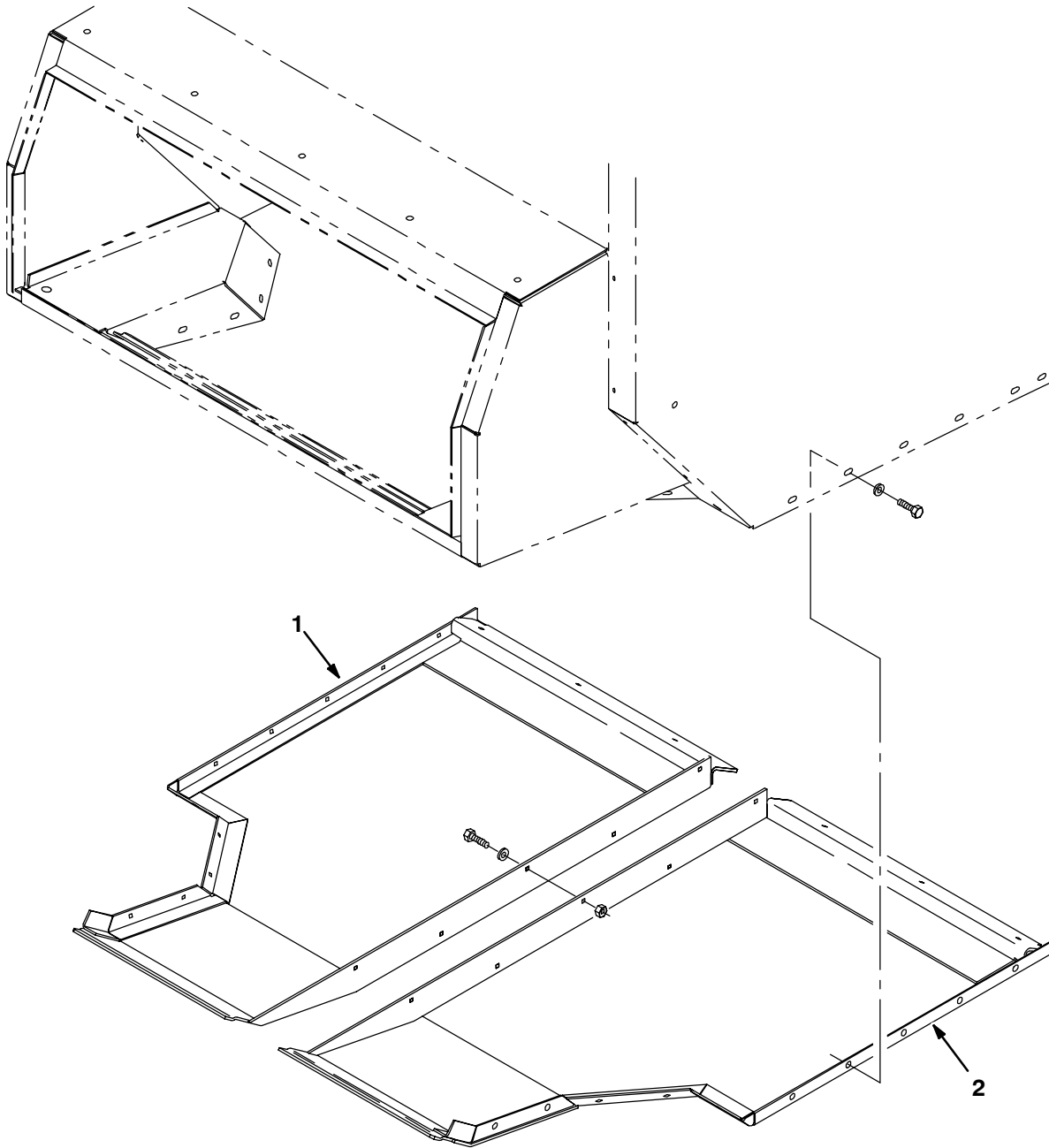




**Fig. 9 - Overhead Guard Kit**

	<b>Ref.</b>	<b>Part No.</b>	<b>Serial Number</b>	<b>Description</b>	<b>Qty.</b>
▽		70669	(004000-	) Guard Kit, Overhead	1
▲	1	65258	(004000-	) Guard Wldt, Overhead	1
▲	2	70454	(004000-	) Bracket, Mtg, Ohg	1
▲	3	74007	(004000-	) Foam, Insulation	1
▲	4	33806	(004000-	) Plugbutton	6

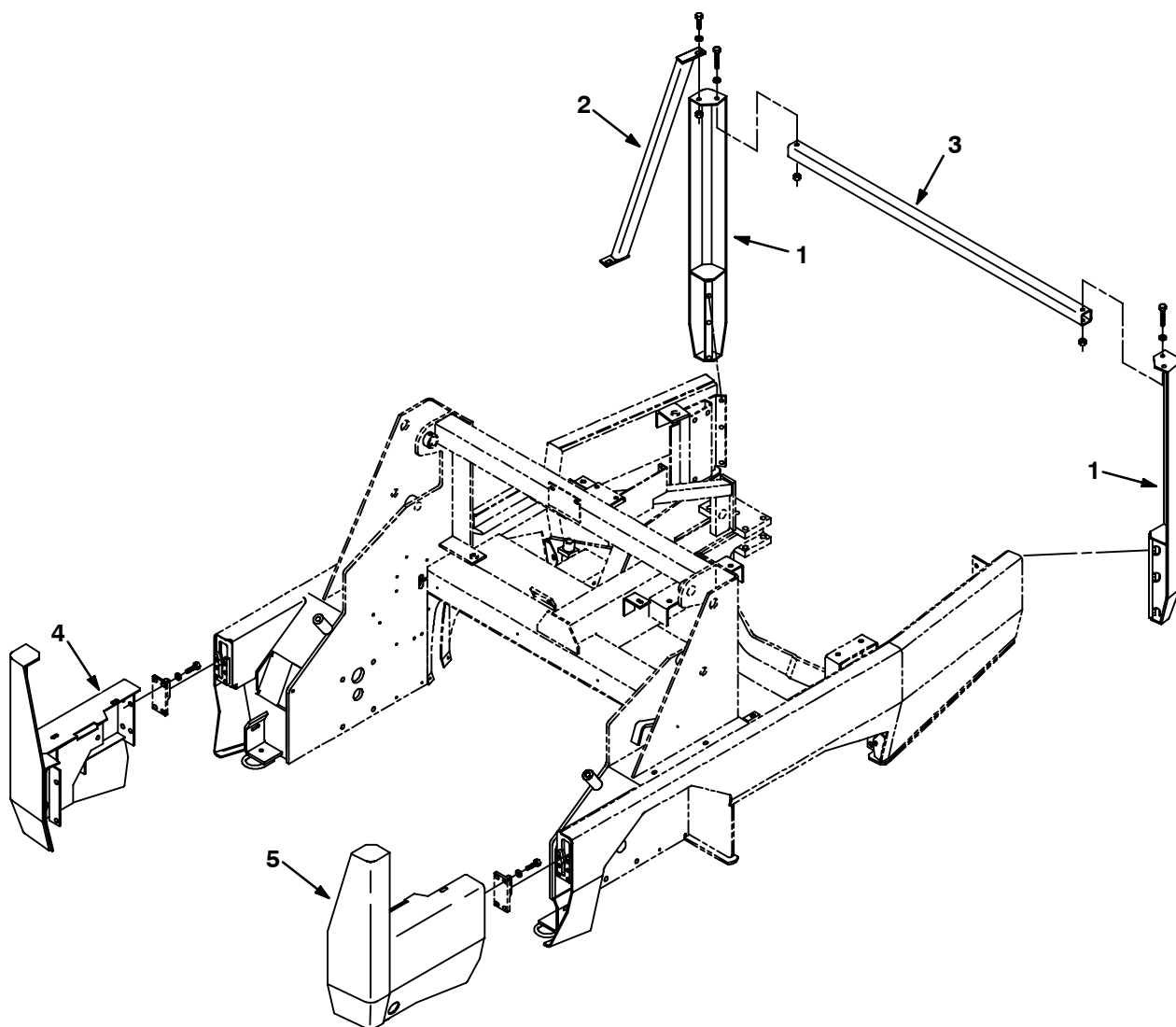
**Fig. 10 - Hopper Floor Kit**



07668 - 800

Ref.	Part No.	Serial Number	Description	Qty.
▽	70686	(004000-	) Hopper Floor Kit, St Stl 800	1
▲	1 77611	(004000-	) Panel Wldt, Hopper, Floor, RH	1
▲	2 77613	(004000-	) Panel Wldt, Hopper, Floor, LH	1

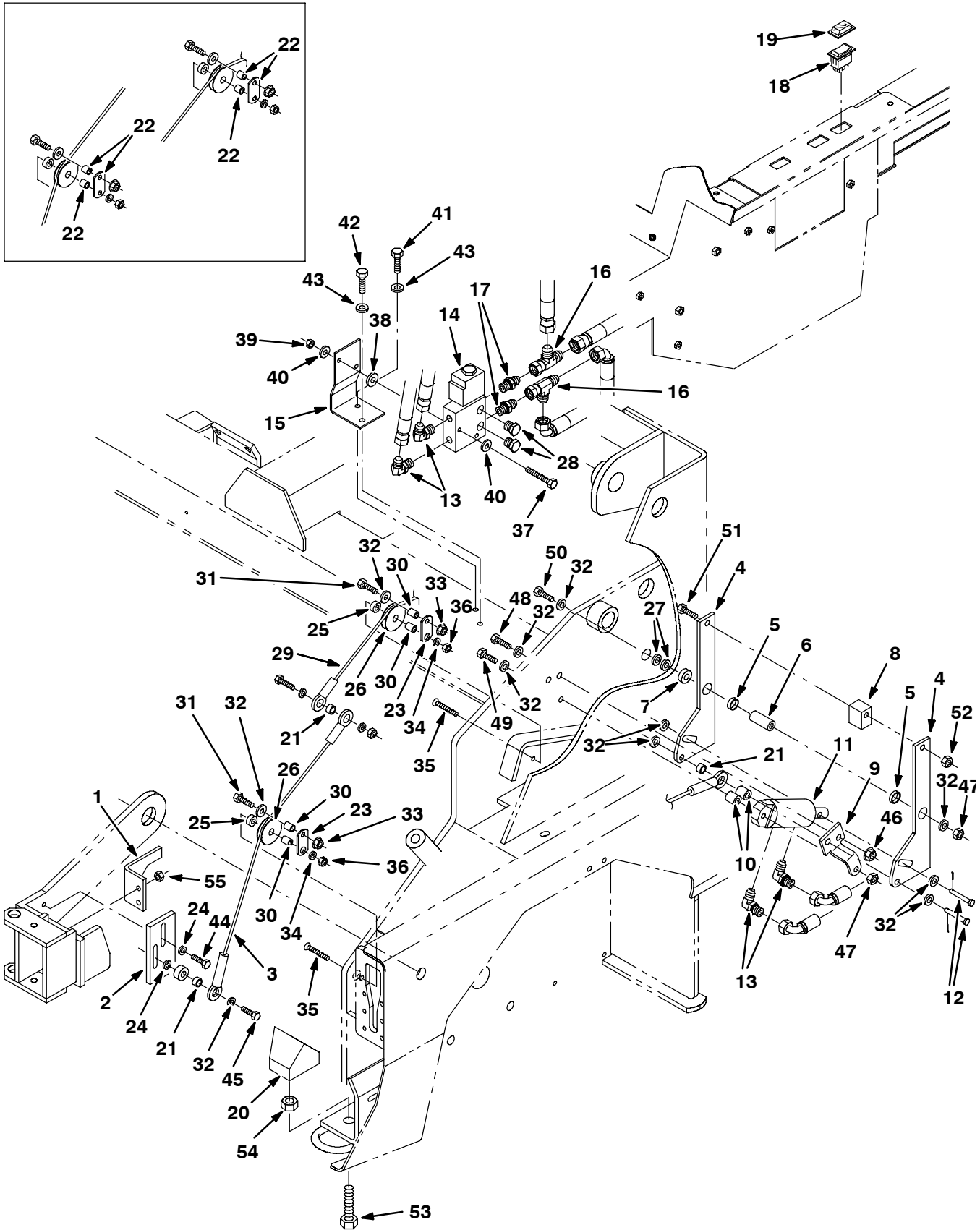
Fig. 11 - Bumper Assembly, SE



09909 - ALL

Ref.	Part No.	Serial Number	Description	Qty.
▽	83557	(004000-	) Bumper Assy, Se	1
▲	1 70802	(004000-	) Leg Wldt, Bumper, Se	2
▲	2 70793	(004000-	) Brace Wldt, Bumper, Se	1
▲	3 70815	(004000-	) Tube, Cross, Bumper, Se	1
▲	4 83626	(004000-	) Bumper Wldt, Se, Rh, Front	1
▲	5 83627	(004000-	) Bumper Wldt, Se, Lh, Front	1

**Fig. 12 - Brush Lift Group, Side, L.H.**



**Fig. 12 - Brush Lift Group, Side, L.H.**

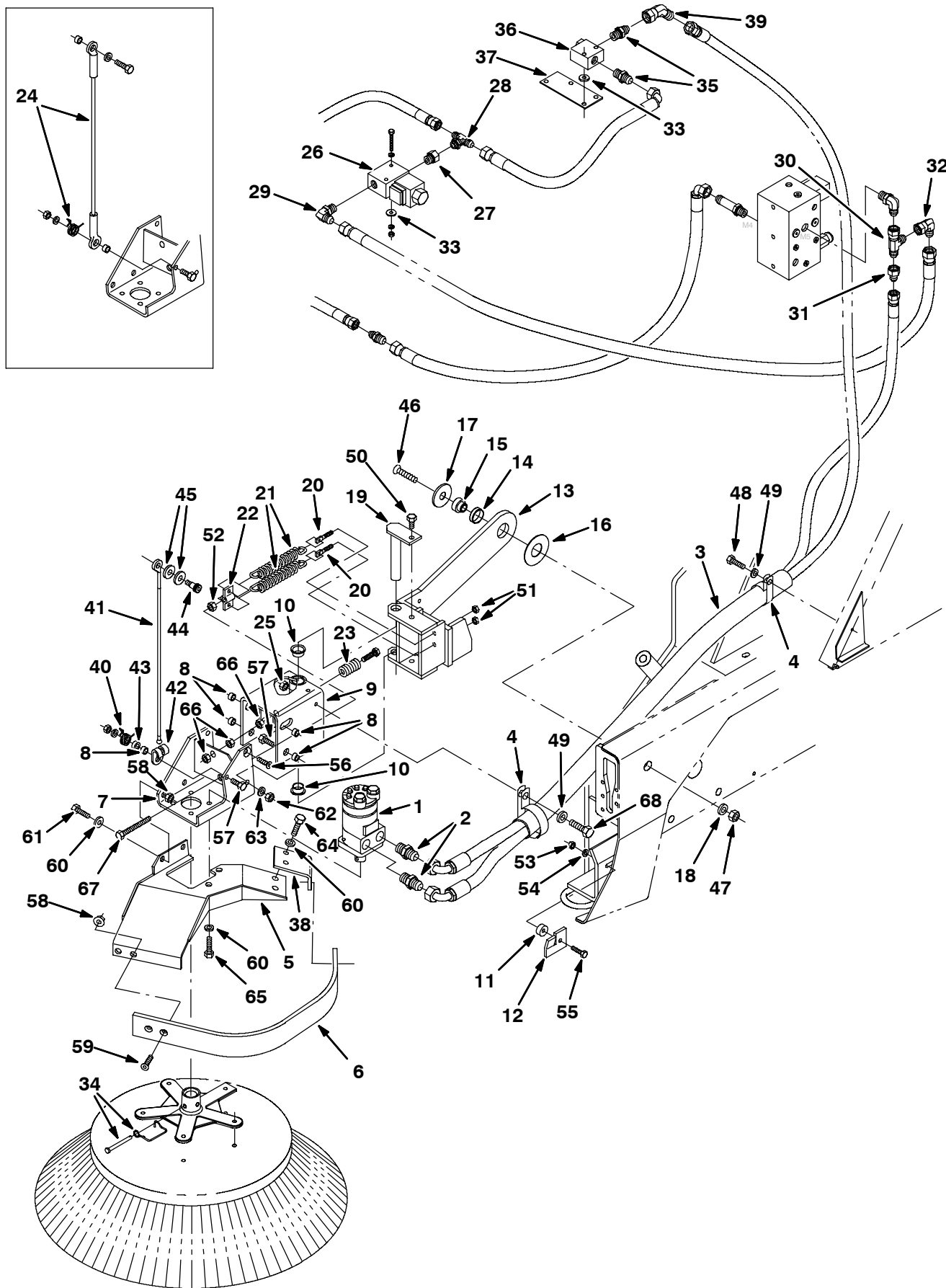
Ref.	Part No.	Serial Number	Description	Qty.
1	77458	(004000-	) Bracket, Angle	1
2	77569	(004000-	) Plate Wldt	1
3	70532	(004000-	) Cable, Glv .25d 021.2l .63eye /.63eye	1
4	77584	(004000-	) Plate	2
5	74090	(004000-	) Bearing	2
6	77597	(004000-	) Sleeve, 0.406B 0.75D1.80 Stl	1
7	77727	(004000-	) Sleeve .438B 1.00D .35Stl	1
8	77459	(004000-	) Spacer	1
9	77783	(004000-	) Plate, Angle	1
10	77600	(004000-	) Sleeve, 0.406B .750D .800Stl	2
11	1041034	(004000-	) Cylinder, Hyd, 1.5b 06.3l 01.50strk 2500	1
12	51813	(004000-	) Pin,Clevis,0.37 Dia.X 2.12 Lg	2
13	77097	(004000-	) Ftg-Hyd E90 Jm04/Om04	4
14	84016	(004000-007338	) Valve, Hyd, Solenoid (See Breakdowns)	1
14	1049211	(007339-	) Valve, Cntrl, Hyd, Solenoid, 12vdc 06gpm (See Break-downs)	1
15	21231	(004000-	) Bracket, Side Brush, Valve	1
16	42215	(004000-	) Fitting, Hyd, Tee, Jf06/Jm06/Jm06, Run	2
17	56690	(004000-	) Ftg-Hyd Str Jm06/Om06	2
18	65561	(004000-	) Switch Rocker Spst	1
19	57807	(004000-	) Cover, Rocker Switch Seal	1
20	77738	(004000-	) Block	1
21	65174	(004000-	) Spacer	3
22	375416	(004000- xxxxxx	) Replacement Kit, Roller, Side Brush Lift	1
23	375415	( xxxxxx-	) Plate, Side Brush, Roller	2
24	41186	(004000-	) Washer-Belleville .31 Pltd	2
25	73737	(004000-	) Sleeve, .375B .75D .32 Stl	2
26	74391	(004000-	) Pulley - Cable, 1.5 Dia	2
27	32492	(004000-	) Flat Washer, 3/8" Hard	2
28	46482	(004000-	) Ftg-Hyd Plg Om06	2
29	23936	(004000-	) Cable, Glv .25d 016.8l .64eye /.64eye	1
30	80395	( xxxxxx-	) Sleeve	4
31	76570	( xxxxxx-	) Screw, Hex m08	2
32	32492	( xxxxxx-	) Washer, Flat	12
33	07791	( xxxxxx-	) Nut, Hex, Flange	2
34	33924	( xxxxxx-	) Washer, Flat m10	2
35	09028	( xxxxxx-	) Screw, Hex m10	2
36	32715	( xxxxxx-	) Nut, Hex Lock m10	2
37	06548	(004000-	) Screw, Hex, M6 X 1.0 X 60, 8.8	2
38	63416	(004000-	) Washer, Rbr, .12 0.31b 0.88d	2
39	08708	(004000-	) Nut, Hex, Lock, M6 X 1.0, NI	2
40	19066	(004000-	) Washer, Flat, #10	4
41	16931	(004000-	) Screw, Hex, M8 X 1.25 X 20, 8.8	1
42	76570	(004000-	) Screw, Hex, M8 X 1.25 X 30, 8.8	1
43	32491	(004000-	) Washer, Flat, 0.31 Std	2
44	09010	(004000-	) Screw, Hex, M8 X 1.25 X 25, Ss	2
45	39283	(004000-	) Screw, Hex, M10 X 1.5 X 25, 8.8	2
46	07792	(004000-	) Nut, Hex, Flng, M10 X 1.5	2
47	41430	(004000-	) Nut, Hex, Lock, M10 X 1.5, NI	2
48	39284	(004000-	) Screw, Hex, M10 X 1.5 X 35, 8.8	2

**Fig. 12 - Brush Lift Group, Side, L.H.**

<b>Ref.</b>	<b>Part No.</b>	<b>Serial Number</b>	<b>Description</b>	<b>Qty.</b>
49	06965	(004000-	) Screw, Hex, M10 X 1.5 X 80, 8.8	1
50	03193	(004000-	) Screw, Hex, M10 X 1.5 X 90, 8.8	1
51	06957	(004000-	) Screw, Hex, M8 X 1.25 X 60, 8.8	1
52	08709	(004000-	) Nut, Hex, Lock, M8 X 1.25, NI	1
53	77752	(004000-	) Screw, Hex, M16 X 2.0 X 70, 8.8, FI	1
54	33342	(004000-	) Nut, Hex, Lock, M16 X 2.0, NI	1
55	39311	(004000-	) Nut, Hex, Std, M8 X 1.25	1



**Fig. 13 - Brush Group, Side, L.H.**





**Fig. 13 - Brush Group, Side, L.H.**

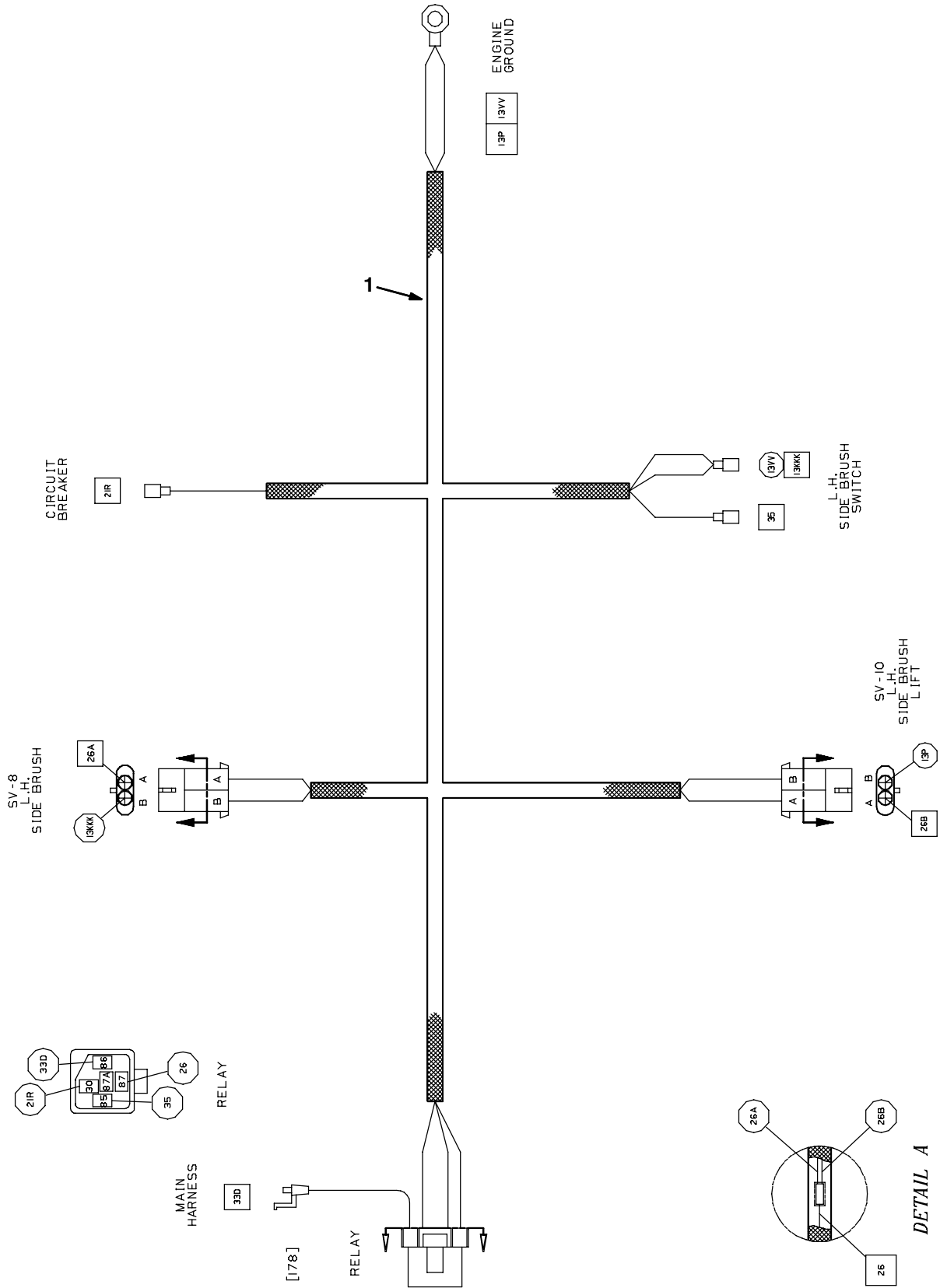
Ref.	Part No.	Serial Number	Description	Qty.
1	79781	(004000-	) Motor, Hyd Gear In 17.9 B 1500 (See Breakdowns)	1
2	47508	(004000-	) Ftg-Hyd StrJm06/Om10	2
3	76461	(004000-	) Sleeve, Nylon #27 55.OI	1
4	67366	(004000-	) Clamp, Cable, Stl, 1.0x2.0x0.62w, 1hole	2
5	21250	(004000-	) Guard Wldt, Sidebrush	1
6	21252	(004000-	) Guard, Side Brush	1
7	75142	(004000-	) Bracket, Mounting, Motor	1
8	65174	(004000-	) Spacer	5
9	75099	(004000-	) Bracket Wldt, Pivot	1
10	04761	(004000-	) Bearing, Flange .875 Bore	2
11	74059	(004000-	) Spacer	1
12	75899	(004000-	) Bracket, Angle	1
13	75117	(004000-	) Bracket Wldt, Lift	1
14	70627	(004000-	) Bearing	1
15	70526	(004000-	) Shaft, Pivot	1
16	70524	(004000-	) Washer, 1.300B 3.000	1
17	70525	(004000-	) Spacer	1
18	36328	(004000-	) Washer-Belleville .50 Pltd	1
19	70431	(004000-	) Pin	1
20	70626	(004000-	) Bolt-Eye M8-1.25	2
21	65160	(004000-	) Spring, Extension	2
22	65173	(004000-	) Bracket, Spring	1
23	65180	(004000-	) Spring, Comp	1
24	375417	(004000- xxxxxx )	Replacement Kit, Side Brush Cable, Lh	1
25	07790	(004000-	) Nut, Hex, Flng, M6 X 1.00	1
26	84015	(004000-007338 )	Valve-Hyd, Solenoid (See Breakdowns)	1
26	1049210	(007339-	) Valve, Cntrl, Hyd, Solenoid, 12vdc 12gpm (See Break-downs)	1
27	47637	(004000-	) Ftg-Hyd Str Om08/Of06	1
28	67683	(004000-	) Ftg-Hyd Tee Jm06/Omj	1
29	44868	(004000-	) Ftg-Hyd E90 Jm08/Om08	1
30	45482	(004000-	) Ftg-Hyd Tee Jm08/Jmjf	1
31	47753	(004000-	) Ftg-Hyd Str Jm06/Jf08	1
32	17980	(004000-	) Ftg-Hyd E90 Jm08/Jf08	1
33	63416	(004000-	) Washer, .310B .88D .12Rbr	4
34	84581	(004000-	) Pin Assy, .312X3.0 W/Lanyard	1
35	56690	(004000-	) Ftg-Hyd Str Jm06/Om06	2
36	79621	(004000-	) Check Valve, 100 Psi	1
37	79622	(004000-	) Plate, Mtg, Check Valve	1
38	21251	(004000-	) Plate, Angle	1
39	16472	(004000-	) Fitting - 45	1
40	375403	(004000-	) Spring, Torsion	1
41	375401	( xxxxxx-	) Cable	1
42	1017898	( xxxxxx-	) Hook, Cable, .44d Ball	1
43	375404	( xxxxxx-	) Spacer	1
44	36758	( xxxxxx-	) Bolt, Shld, .50d X 0.50, .38-16	1
45	32486	( xxxxxx-	) Washer, Flat	2
46	20192	(004000-	) Screw, Flt, .50-13 X 2.00, Al	1
47	32985	(004000-	) Nut, Hex, Lock, .50-13, NI	1
48	12459	(004000-	) Screw, Hex, M6 X 1.0 X 20, Fmg	1
49	41185	(004000-	) Washer, Belleville, .25	2
50	09291	(004000-	) Screw, Hex, M10 X 1.5 X 20, Ss	1

**Fig. 13 - Brush Group, Side, L.H.**

<b>Ref.</b>	<b>Part No.</b>	<b>Serial Number</b>	<b>Description</b>	<b>Qty.</b>
51	39311	(004000-	) Nut, Hex, Std, M8 X 1.25	2
52	39312	(004000-	) Nut, Hex, Std, M10 X 1.5	1
53	08709	(004000-	) Nut, Hex, Lock, M8 X 1.25, NI	1
54	32496	(004000-	) Screw, Pan, #10-24 X 0.50, Fmg	1
55	41342	(004000-	) Screw, Hex, M8 X 1.25 X 40, 8.8	1
56	06535	(004000-	) Screw, Flt, M10 X 1.5 X 35, 10.9	1
57	39284	(004000-	) Screw, Hex, M10 X 1.5 X 35, 8.8	3
58	07792	(004000-	) Nut, Hex, Flng, M10 X 1.5	8
59	09081	(004000-	) Screw, Flt, M10 X 1.5 X 25, 10.9	4
60	32485	(004000-	) Washer, Flat, 0.38 Sae	9
61	39283	(004000-	) Screw, Hex, M10 X 1.5 X 25, 8.8	2
62	41430	(004000-	) Nut, Hex, Lock, M10 X 1.5, NI	4
63	32492	(004000-	) Washer, Flat, 0.38 Std	7
64	09770	(004000-	) Screw, Hex, M10 X 1.5 X 25, Ss, NI	4
65	34195	(004000-	) Screw, Hex, .38-16 X 1.00, NI	4
66	07787	(004000-	) Nut, Hex, Std, M10 X 1.5, Ss	3
67	76438	(004000-	) Screw, Hex, M10 X 1.5 X 90, 8.8, FI	1
68	06944	(004000-	) Screw, Hex, M6 X 1.0 X 25, 8.8	1



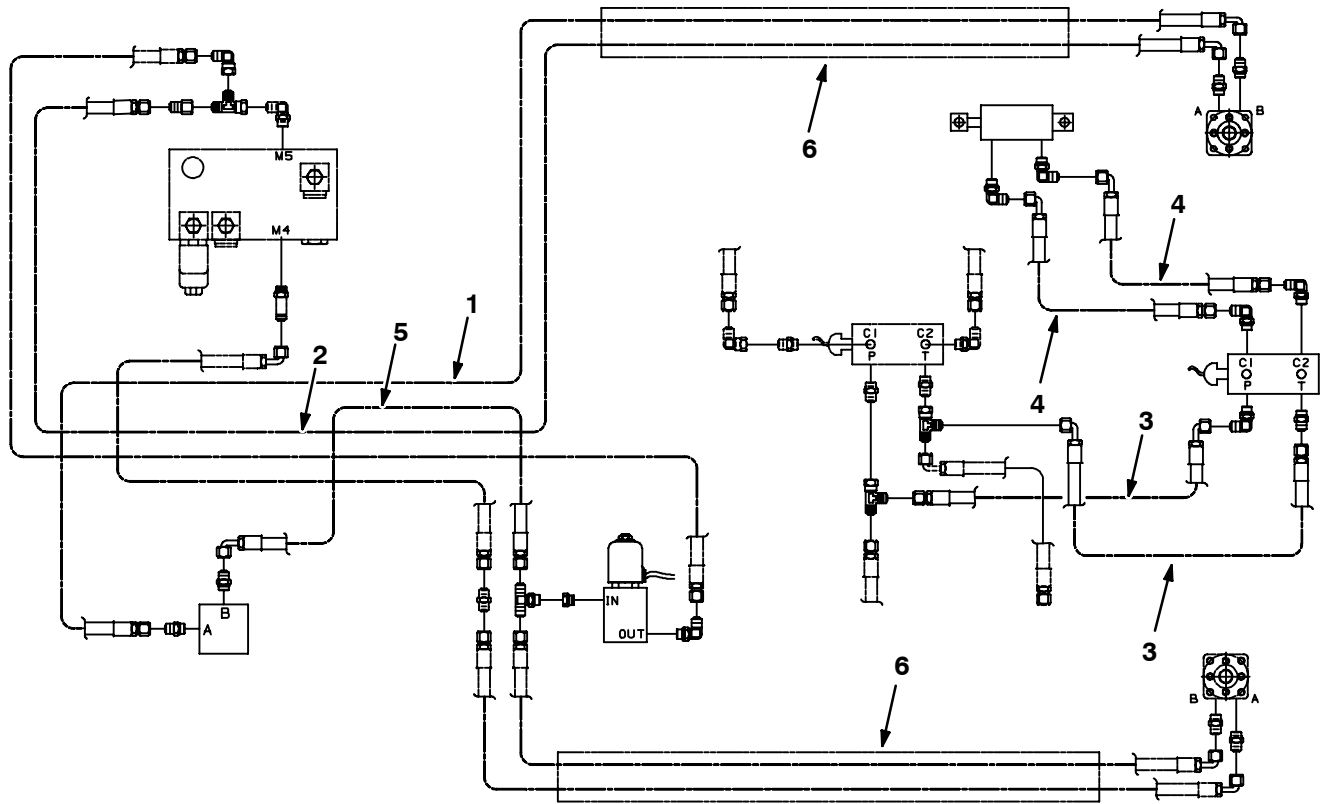
Fig. 14 - Brush Wire Harness Group, Side, L.H.



10501 - ALL

Ref.	Part No.	Serial Number	Description	Qty.
1	83699	(004000- )	Harness, Side Brush, L.H.	1

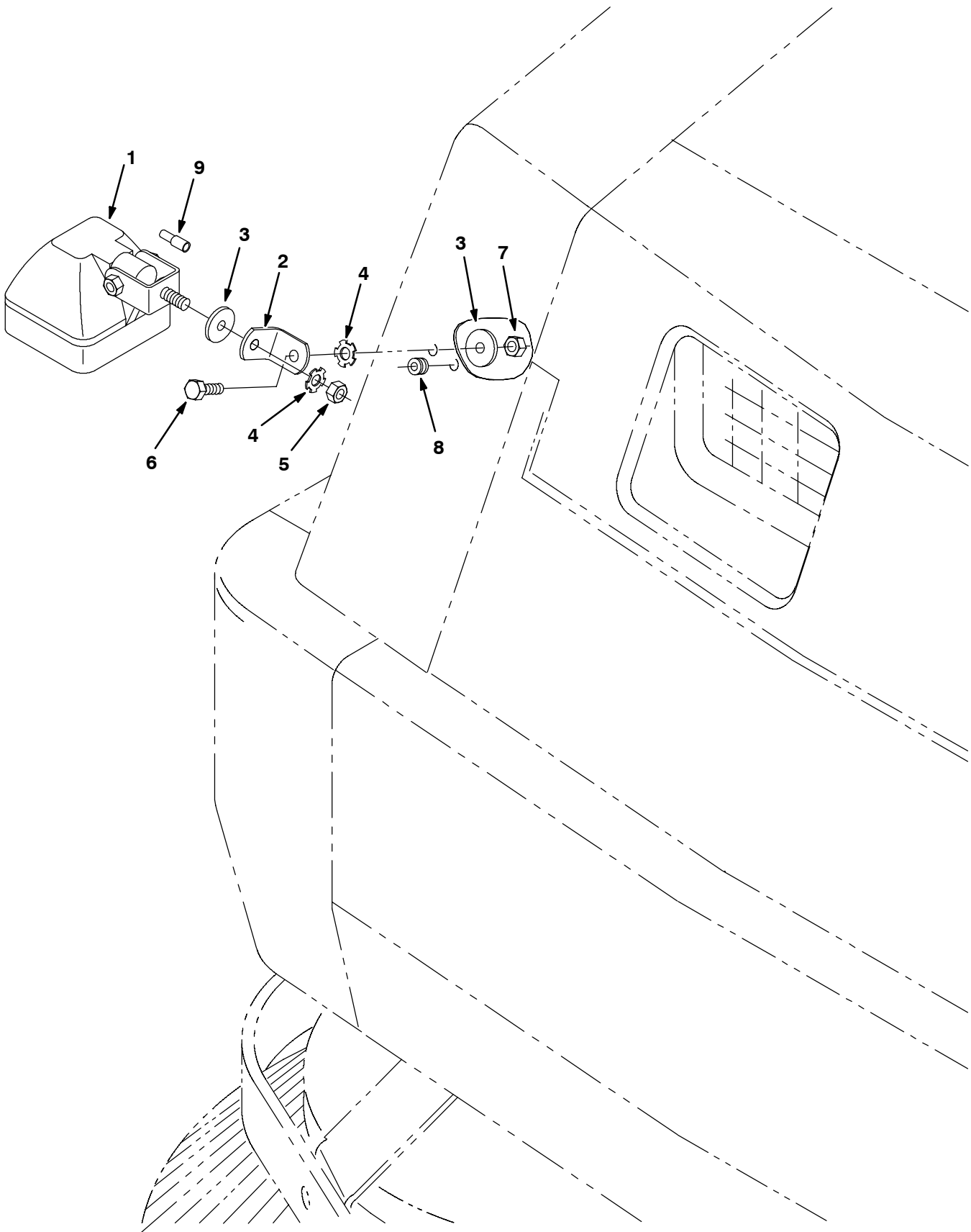
Fig. 15 - Brush Hydraulic Hose Group, Side, L.H.



08763 - 800

Ref.	Part No.	Serial Number	Description	Qty.
1	76684	(004000-	) Hose-Hyd Med 06	1
2	31597	(004000-	) Hose, Hyd, Med06, Jf06e90/Jf06str, 068.0	1
3	78998	(004000-	) Hose-Hyd Med 06	2
4	57963	(004000-	) Hose-Hyd Med 04	2
5	01999	(004000-	) Hose-Hyd Med 06	1
6	76461	(004000-	) Sleeve, Nyl, #27 55.0l	2

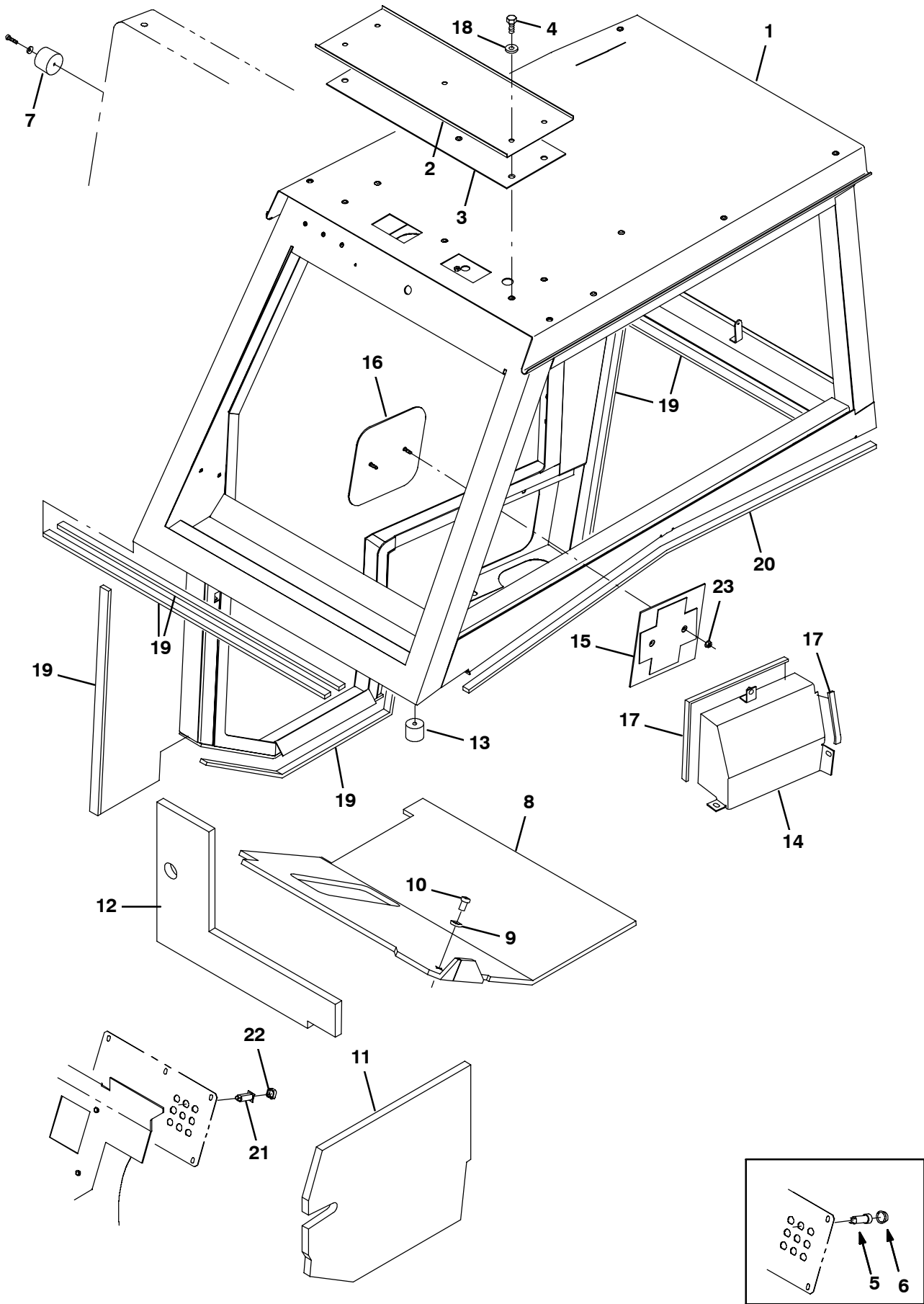
Fig. 16 - Brush Light Kit, Side



**Fig. 16 - Brush Light Kit, Side**

	<b>Ref.</b>	<b>Part No.</b>	<b>Serial Number</b>	<b>Description</b>	<b>Qty.</b>
▽		70699	(004000-	) Light Kit, Side Brush	1
▲▽	1	382979	(004000-	) Light, Spot, 12VDC 55w	1
▲▲		393770	(004000-	) Lamp, 12VDC 55w	1
▲	2	76385	(004000-	) Bracket, Angle	1
▲	3	30013	(004000-	) Washer, Flat, 0.31 Fender	1
▲	4	41141	(004000-	) Washer-Loc Int-Ext .31 Pltd	2
▲	5	32960	(004000-	) Nut, Hex, Lock, .31-24, NI	1
▲	6	16931	(004000-	) Screw, Hex, M08 X 1.25 X 20, 8.8	1
▲	7	08709	(004000-	) Nut, Hex, Lock, M08 X 1.25,NI	1
▲	8	10632-5	(004000-	) Grommet Rbr 0.25ld For .09Matl	1
▲	9	32668	(004000-	) Connector, Ele, Plug, Femal, .156d	1

Fig. 17 - Cab Kit





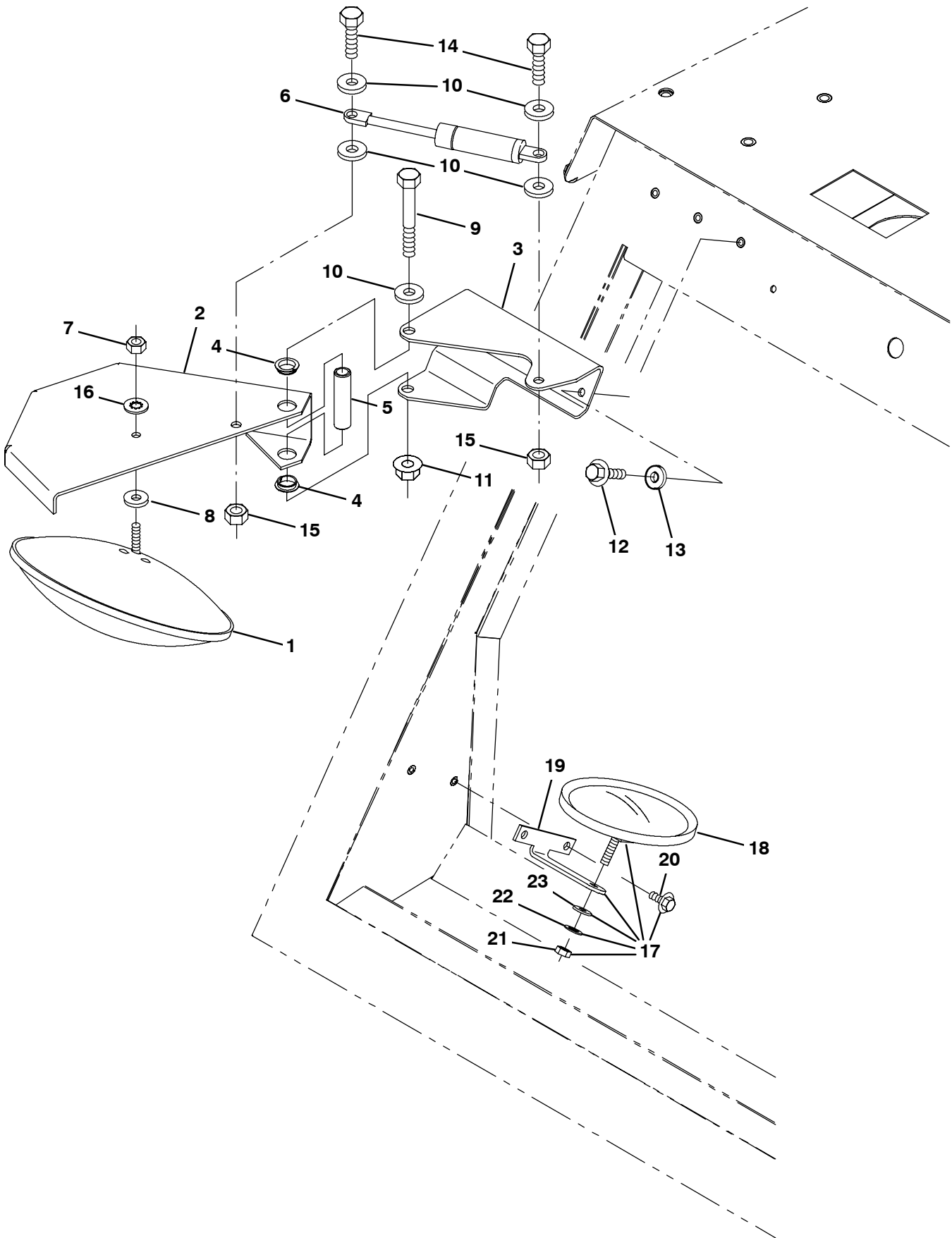
**Fig. 17 - Cab Kit**

*NOTE: The Cab kit, TENNANT Part Number 380601 is for gas machines and includes Fig. 17, Fig. 18 and Fig. 19.*

*NOTE: The Cab kit, TENNANT Part Number 380604 is for Lpg machines and includes Fig. 17, Fig. 18, and Fig. 19.*

<b>Ref.</b>	<b>Part No.</b>	<b>Serial Number</b>	<b>Description</b>	<b>Qty.</b>
1	9007651	(004000-	) Cab Assy, Oprtr [800] (See Breakdowns)	1
2	380634	(004000-	) Cover, Cab Pressurizer	1
3	380635	(004000-	) Gasket, Cab Pressurizer	1
4	06943	(004000-	) Screw, Hex, M6 X 1.00 X 20, 8.8	4
5	57803	(004000-007289	) Breaker-Circuit, 15 Resetable	1
6	57751	(004000-007289	) Boot, Circuit Breaker	1
7	44851	(004000-	) Bumper, Rubber	1
8	76522	(004000-	) Tread, Rubber	1
9	41178	(004000-	) Washer-Flt .25 Fender	1
10	21246	(004000-	) Rivet, Plastic	1
11	77652	(004000-	) Insulation, Acstc, Side, Lower, .8t	1
12	76516	(004000-	) Insulation, Acstc, Front, Lower	1
13	383185	(004000-	) Latch Assy, Rbr, 1.6d 1.4l/1.0d 1.0l	1
14	70620	(004000-	) Cover Wldt, Fuel Inlet	1
15	70785	(004000-	) Plate Wldt, Inlet, Fuel (LPG Only)	1
16	70788	(004000-	) Cover Wldt, Inlet, Fuel (LPG Only)	1
17	1015224	(004000-	) Seal, Afmkt, Ure, Adh, 0.38, 0.75w 01ft	2
18	32490	(004000-	) Washer, Flat, 0.25, Std	4
19	1015184	(004000-	) Seal, Afmkt, Ure, Adh, 0.50, 1.00w 03ft	6
20	1015182	(004000-	) Seal, Afmkt, Ure, Adh, 0.50, 1.00w 08ft	1
21	1045858	(007290-	) Circuitbreaker, 15A, Resetable	1
22	1046173	(007290-	) Boot, Circuitbreaker	1
23	07790	(004000-	) Nut, Hex, Flng, M6 X 1.00	2

Fig. 18 - Cab Mirror Kit



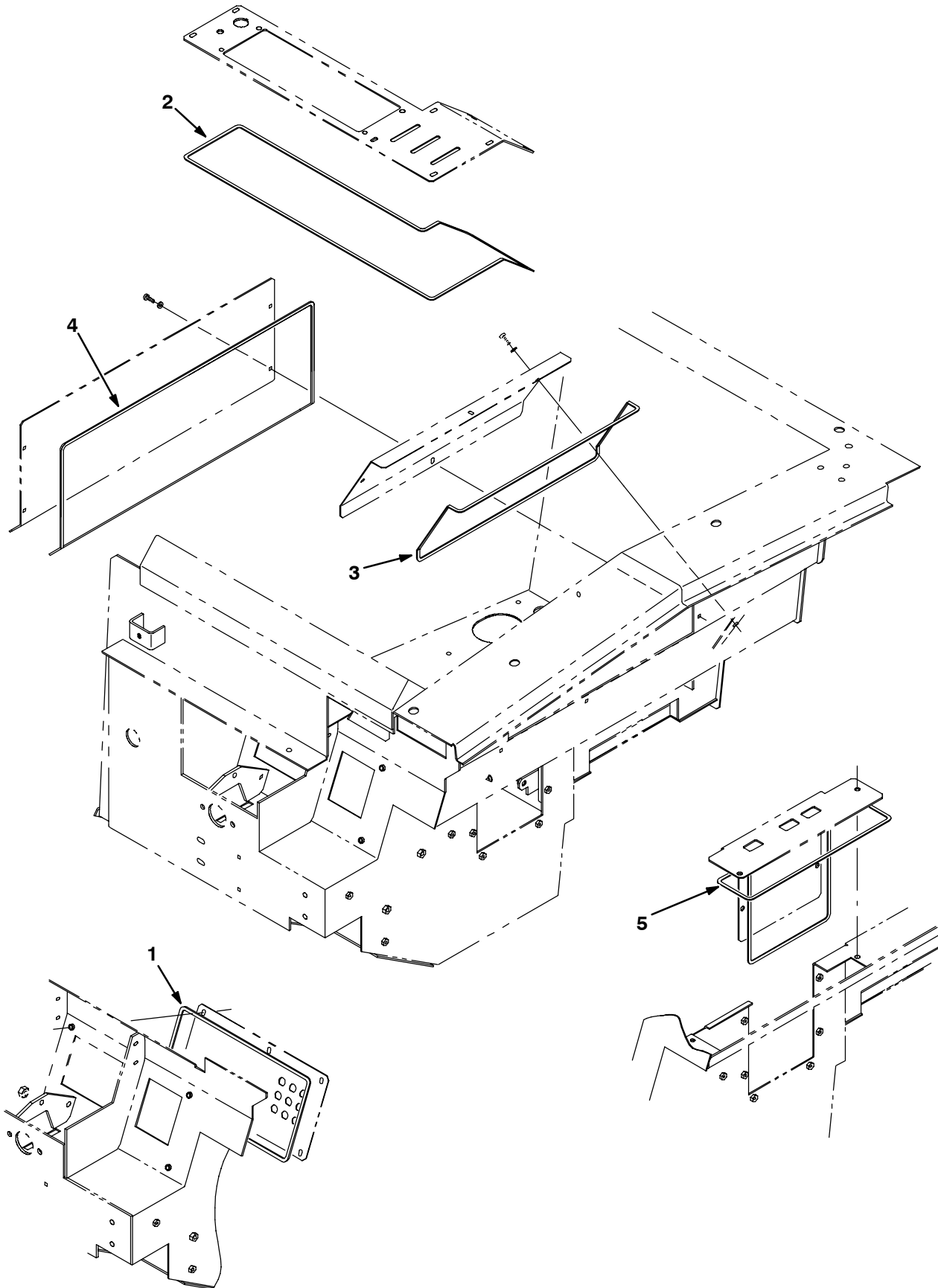
**Fig. 18 - Cab Mirror Kit**

*NOTE: The Cab kit, TENNANT Part Number 380601 is for gas machines and includes Fig. 17, Fig. 18 and Fig. 19.*

*NOTE: The Cab kit, TENNANT Part Number 380604 is for Lpg machines and includes Fig. 17, Fig. 18 and Fig. 19.*

Ref.	Part No.	Serial Number	Description	Qty.
▽	76898	(004000-	) Mirror Kit, Side Brush	1
▲	1 68445	(004000-	) Mirror,8.0 Round,Convex	1
▲	2 75881	(004000-	) Guard, Mirror	1
▲	3 1061949	(004000-	) Bracket, Mirror, Mtg	1
▲	4 41434	(004000-	) Bshg,Flange,0.62Bx0.68Od,Nylon	2
▲	5 70761	(004000-	) Tube, 0.62D .44B 2.44, Stl	1
▲	6 12549	(004000-	) Spring, Gas 80 Lb	1
▲	7 01691	(004000-	) Nut, Hex, Std, .31-18, Ss	1
▲	8 01685	(004000-	) Washer, Flat, 0.38b 0.88d .08, Ss	1
▲	9 03193	(004000-	) Screw, Hex, M10 X 1.50 X 90, 8.8	1
▲	10 32492	(004000-	) Washer, Flat, 0.38, Std	1
▲	11 07792	(004000-	) Nut, Hex, Flng, M10 X 1.50	1
▲	12 76099	(004000-	) Screw, Hex, M8 X 1.25 X 25, Fmg	3
▲	13 32491	(004000-	) Washer, Flat, 0.31, Std	3
▲	14 21195	(004000-	) Screw, Hex, .38-16 X 0.75, G5	2
▲	15 50902	(004000-	) Nut, Hex, Lock, .38-16, NI	2
▲	16 43952	(004000-	) Washer, Lock, Int, 0.31, Ss	1
▲▽	17 369786	(004000-	) Mirror Assembly	1
▲▲	18 1050295	(004000-	) Mirror, Convex, 0.50d	1
▲▲	19 49032	(004000-	) Bracket, Mtg, Mirror	1
▲▲	20 74455	(004000-	) Screw, Hex m06	2
▲▲	21 01691	(004000-	) Nut, Hex, Std, .31-18, Ss	1
▲▲	22 43952	(004000-	) Washer, Lock, Int, 0.31 Ss	1
▲▲	23 01685	(004000-	) Washer, Flat, 0.31 Ss	1

Fig. 19 - Cab Seals Group



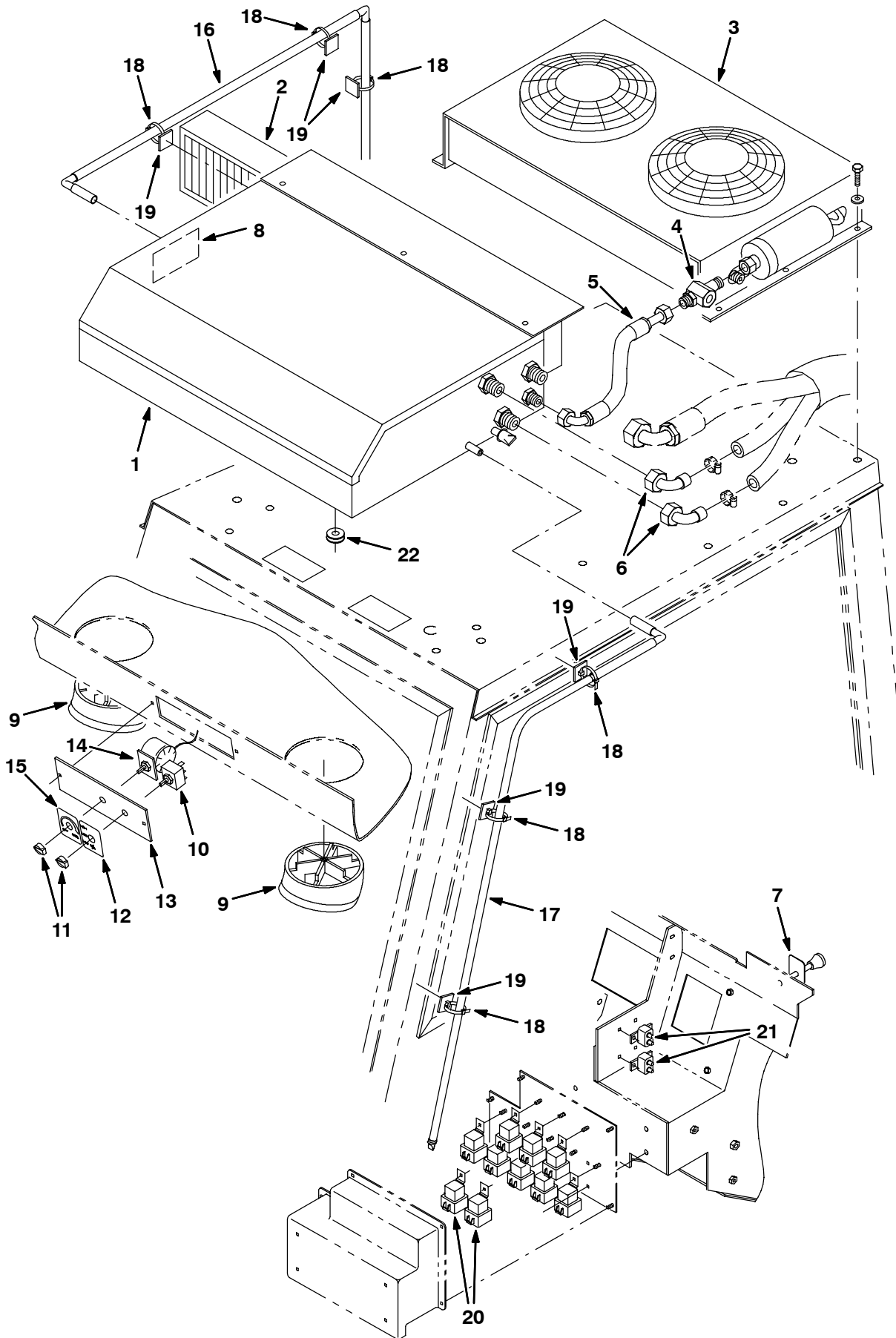
**Fig. 19 - Cab Seals Group**

*NOTE: The Cab kit, TENNANT Part Number 380601 is for gas machines and includes Fig. 17, Fig. 18 and Fig. 19.*

*NOTE: The Cab kit, TENNANT Part Number 380604 is for Lpg machines and includes Fig. 17, Fig. 18 and Fig. 19.*

<b>Ref.</b>	<b>Part No.</b>	<b>Serial Number</b>	<b>Description</b>	<b>Qty.</b>
1	1021969	(004000-	) Seal, Foam, .06t .25w 42.0l	1
2	1021968	(004000-	) Seal, Foam, .06t .25w 84.0l	1
3	1021937	(004000-	) Seal, Foam, .06t .25w 54.0l	1
4	1021966	(004000-	) Seal, Foam, .06t .25w 76.0l	1
5	1021951	(004000-	) Seal, Foam, .06t .25w 34.0l	1

Fig. 20 - Cab AC and Heater Box Group, Ford

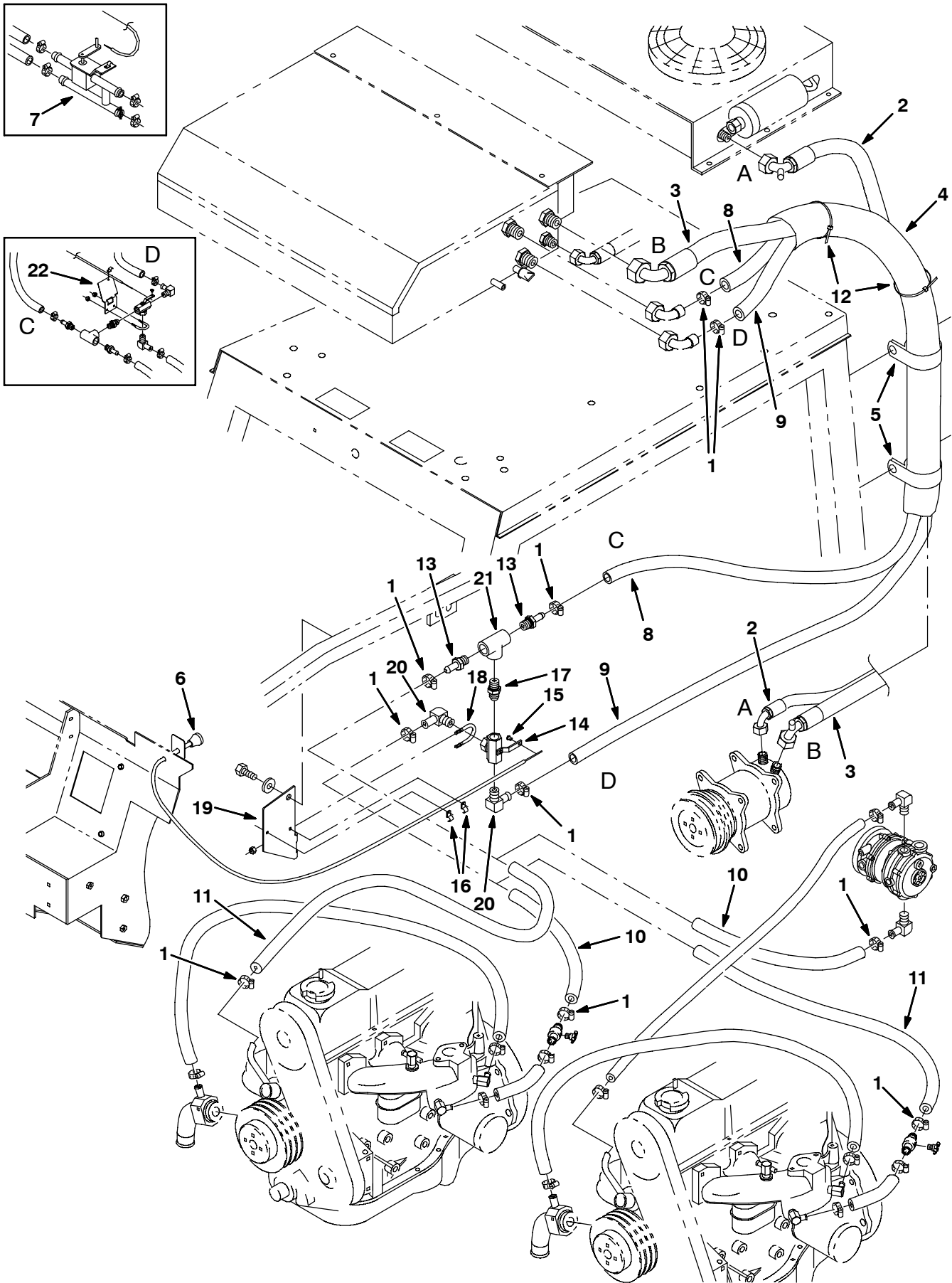


**Fig. 20 - Cab AC and Heater Box Group, Ford**

NOTE: AC/Heater kit, TENNANT Part Number 380574 includes Fig. 20, Fig. 21, and Fig. 22.

Ref.	Part No.	Serial Number	Description	Qty.
▽	380576	(004000-004936 )	Heater & A/C, W/ Fan, Roof	1
▲	1 380613	(004000-004936 )	Box Assy, Heater, A/C (See Breakdowns)	1
▲	2 380689	(004000-004936 )	Filter, Panel, Heat-A/C	1
▲	3 380625	(004000-004936 )	Condenser, A/C, Roof (See Breakdowns)	1
▲	4 380630	(004000-004936 )	Gauge, Sight, A/C	1
▲	5 380684	(004000-004936 )	Hose, A/C, 06 09.0l	1
▲	6 380615	(004000-004936 )	Fitting, Elbow	2
▲	7 380663	(004000-004936 )	Label, Opertnl, Pull Heat	1
▲	8 380673	(004000-004936 )	Label, Caution	1
▲	9 380617	(004000-004936 )	Louver, Adj, Heat-A/C	2
▲	10 380619	(004000-004936 )	Switch, 3 Pos, Blower, Heat	1
▲	11 380661	(004000-004936 )	Knob, Rnd, Control, Heat-A/C	2
▲	12 380662	(004000-004936 )	Label, Opertnl, Fan, Hi/Med/Low	1
▲	13 380690	(004000-004936 )	Plate, Mtg, Switch, A/C	1
▲	14 380624	(004000-004936 )	Switch, Thermo, A/C	1
▲	15 380665	(004000-004936 )	Label, Opertnl, Temp	1
▲	16 374134	(004000-004936 )	Hose Assy, Drain, A/C	1
▲	17 374135	(004000-004936 )	Hose Assy, Drain, A/C	1
▲	18 49266	(004000-004936 )	Tie, Cable, Nyl, 07.3l .19w 1.8 Max D	10
▲	19 55248	(004000-004936 )	Mount, Cable Tie	10
	20 56186	(004000-004936 )	Relay, 12vdc, 40a, Spdt N/O	2
	21 374210	(004000-004936 )	Circuitbreaker, 20.0a, Thermal	2
	22 77811	(004000-004936 )	Grommet, Cab, Harness, Wire	1

Fig. 21 - Cab AC and Heater Hose Group, Ford



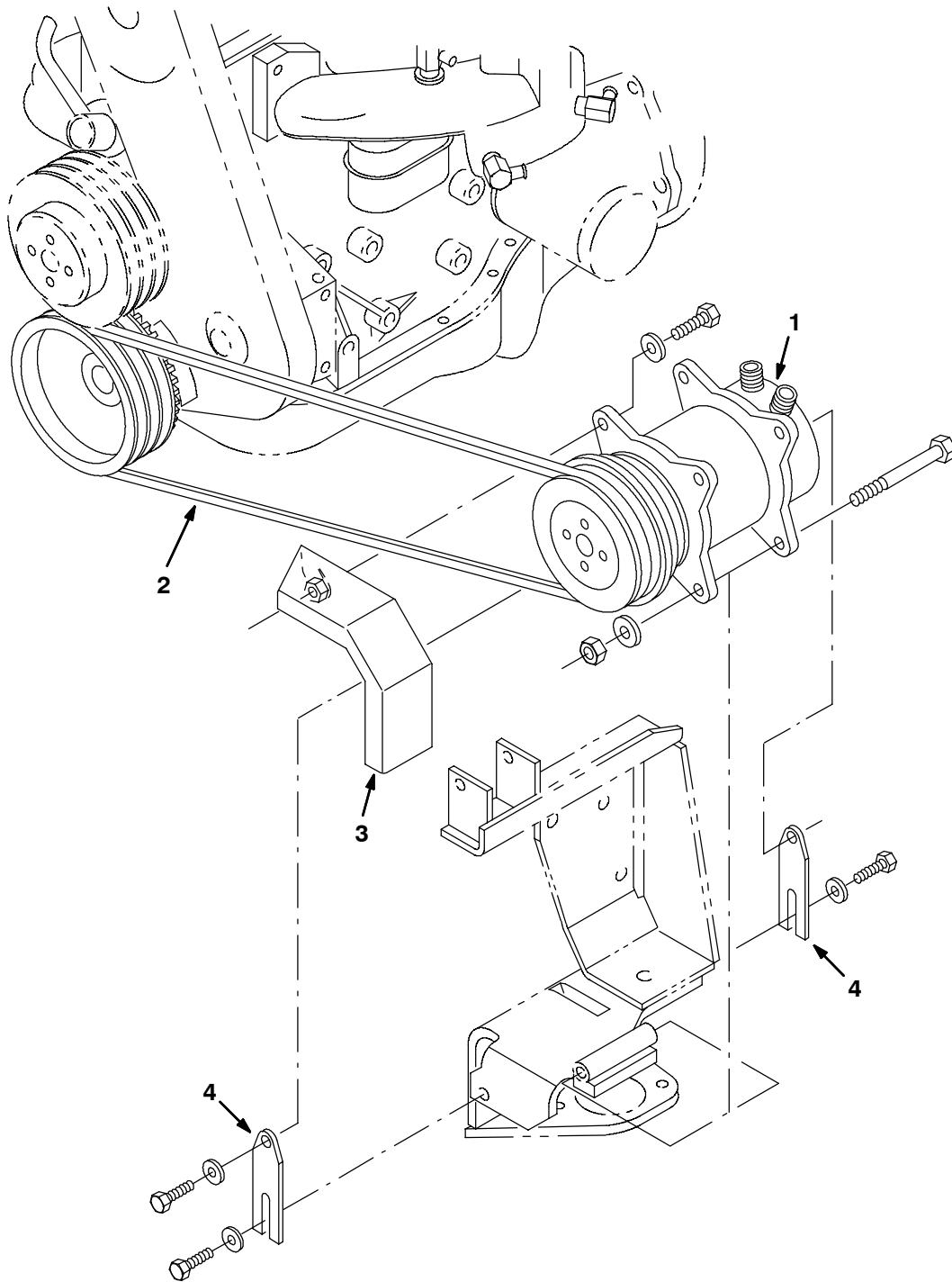


**Fig. 21 - Cab AC and Heater Hose Group, Ford**

NOTE: AC/Heater kit, TENNANT Part Number 380574 includes Fig. 20, Fig. 21, and Fig. 22.

Ref.	Part No.	Serial Number	Description	Qty.
1	63810	(004000-004936 )	Clamp, Hose, Wormdrive, 0.56-1.06d	8
2	380685	(004000-004936 )	Hose, A/C, 08 100.0l [R134]	1
3	380686	(004000-004480 )	Hose, A/C, 12 107.0l [R134]	1
3	375751	(004481-004936 )	Hose, A/C, 12 115.0l [R134]	1
4	375512	(004000-004936 )	Sleeve, Nyl, #33 65.0l	1
5	41016	(004000-004936 )	Clamp, Cable, Stl, 2.25d X 1.00w, 1h	1
6	43558A	(004000-004936 )	Cable, Cntrl, Choke, 85/90l 1.4d Knob	1
7	380618	(004000-004374 )	Valve, Water, Heater, H, 10bm	1
8	380621	(004000-004936 )	Hose, Heater, 0.62id 80.0l	1
9	380620	(004000-004936 )	Hose, Heater, 0.62id 77.0l	1
10	72979	(004000-004718 )	Hose, Heater, 0.62id 20.0l	1
10	61870	(004719-004936 )	Hose, Heater, 0.62id 31.0l	1
11	72978	(004000-004718 )	Hose, Heater, 0.62id 13.0l	1
11	61869	(004719-004936 )	Hose, Heater, 0.62id 24.0l	1
12	763116	(004000-004936 )	Tie, Cable, Nyl, 15.3l . W 4.5 Max D	3
▽	375728	(004375-004936 )	Valve Assy, Ball, 3 Way, Em10/Em10/Em10	1
▲	13 59901	(004375-004936 )	Fitting, Brs, Str, Em10/Pm08	2
▲	14 31507	(004375-004936 )	Valve, Ball, 3-way, 08pf/08pf/08pf Brs	1
▲	15 43242	(004375-004936 )	Swivel	1
▲	16 1043352	(004375-004936 )	Clamp, Cable, Stl, 0.18d X 0.75w, 1hole	2
▲	17 40573	(004375-004936 )	Fitting, Hyd, Str, Pm08/Pm08	1
▲	18 45142	(004375-004936 )	Bolt, U, .25-20 X 2.00, 1.10id	1
▲	19 374129	(004719-004936 )	Bracket, Mtg, Valve, Cntrl, Heater	1
▲	20 30268	(004375-004936 )	Fitting, Brs, E90, Em10/Pm08	2
▲	21 24450	(004375-004936 )	Fitting, Brs, Tee, Pf08/Pf08/Pf08	1
	22 375726	(004375-004718 )	Bracket, Mtg, Valve,Control, Heater	1

Fig. 22 - Cab AC Compressor Group, Ford

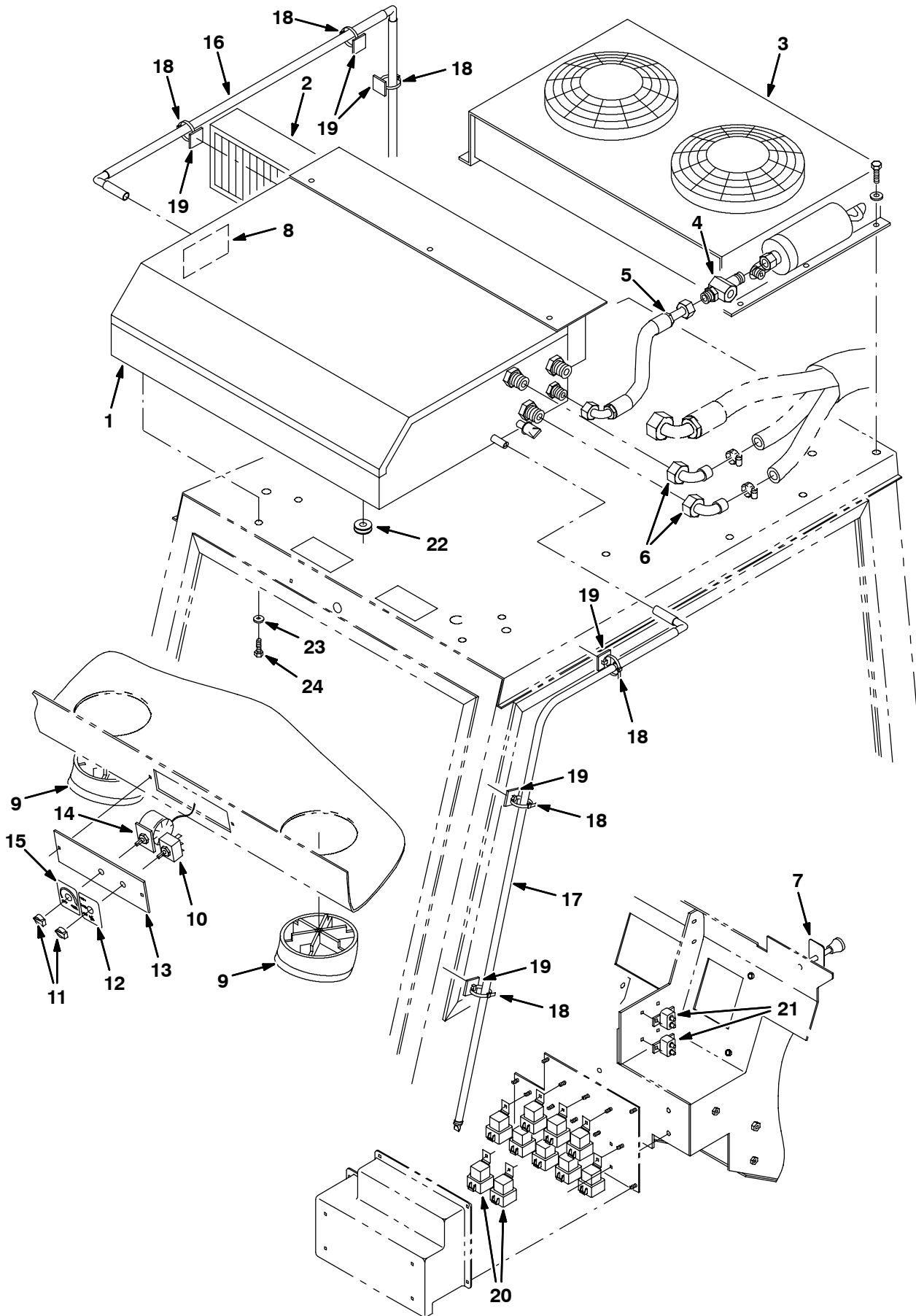


**Fig. 22 - Cab AC Compressor Group, Ford**

*NOTE: AC/Heater kit, TENNANT Part Number 380574 includes Fig. 20, Fig. 21, and Fig. 22.*

<b>Ref.</b>	<b>Part No.</b>	<b>Serial Number</b>	<b>Description</b>	<b>Qty.</b>
1	77674	(004000-004936 )	Compressor, A/C	1
2	380676	(004000- xxxxxx )	Belt, V, Hc41 41.1L	1
2	375729	( xxxxxx-004936 )	Belt, V, Hc41 40.1L	1
3	380563	(004000-004936 )	Bracket, Belt, Guard, Ac	1
4	380697	(004000-004936 )	Link, Tension 2.4L	2

Fig. 23 - Cab AC and Heater Box Group, GM



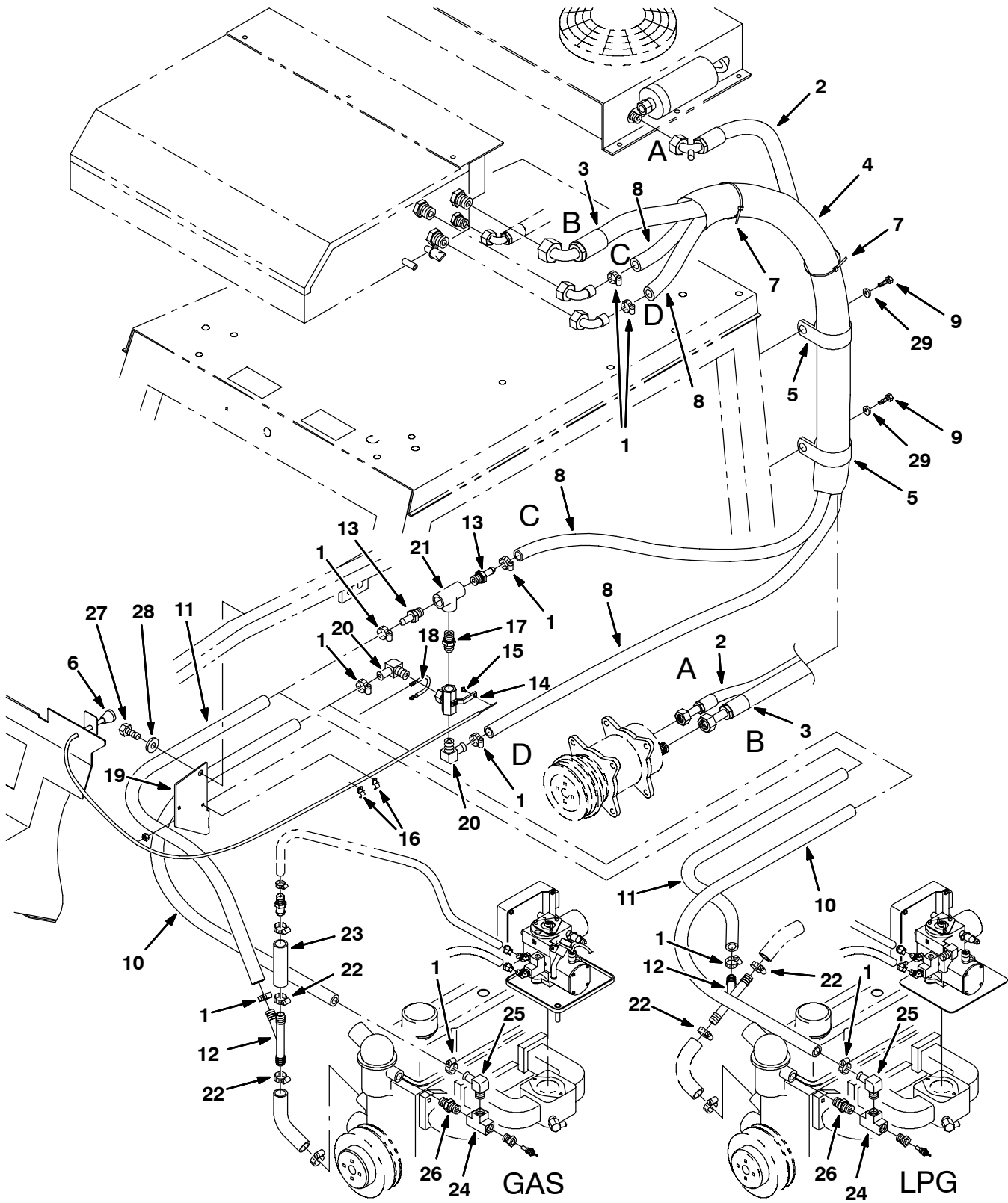
**Fig. 23 - Cab AC and Heater Box Group, GM**

NOTE: AC/Heater kit, TENNANT Part Number 374287 includes Fig. 23, Fig. 24, and Fig. 25.

NOTE: AC/Heater kit, TENNANT Part Number 9002998 includes Fig. 23, Fig. 24, and .Fig. 26

	<b>Ref.</b>	<b>Part No.</b>	<b>Serial Number</b>	<b>Description</b>	<b>Qty.</b>
▽		380576	(004937-	) Heater & A/C, W/ Fan, Roof	1
▲	1	380613	(004937-	) Box Assy, Heater, A/C (See Breakdowns)	1
▲	2	380689	(004937-	) Filter, Panel, Heat-A/C	1
▲	3	380625	(004937-	) Condenser, A/C, Roof (See Breakdowns)	1
▲	4	380630	(004937-	) Gauge, Sight, A/C	1
▲	5	380684	(004937-	) Hose, A/C, 06 09.0l	1
▲	6	380615	(004937-	) Fitting, Elbow	2
▲	7	380663	(004937-	) Label, Opertnl, Pull Heat	1
▲	8	380673	(004937-	) Label, Caution	1
▲	9	380617	(004937-	) Louver, Adj, Heat-A/C	2
▲	10	380619	(004937-	) Switch, 3 Pos, Blower, Heat	1
▲	11	380661	(004937-	) Knob, Rnd, Control, Heat-A/C	2
▲	12	380662	(004937-	) Label, Opertnl, Fan, Hi/Med/Low	1
▲	13	380690	(004937-	) Plate, Mtg, Switch, A/C	1
▲	14	380624	(004937-	) Switch, Thermo, A/C	1
▲	15	380665	(004937-	) Label, Opertnl, Temp	1
▲	16	374134	(004937-	) Hose Assy, Drain, A/C	1
▲	17	374135	(004937-	) Hose Assy, Drain, A/C	1
▲	18	49266	(004937-	) Tie, Cable, Nyl, 07.3l .19w 1.8 Max D	10
▲	19	55248	(004937-	) Mount, Cable Tie	10
	20	56186	(004937-	) Relay, 12vdc, 40a, Spdt N/O	2
	21	374210	(004937-	) Circuitbreaker, 20.0a, Thermal	2
	22	77811	(004937-	) Grommet, Cab, Harness, Wire	1
	23	32490	(004937-	) Washer, Flat, 0.25 Std	12
	24	12459	(004937-	) Screw, Hex, M6 X 1.0 X 20, Fmg	12

Fig. 24 - Cab AC and Heater Hose Group, GM



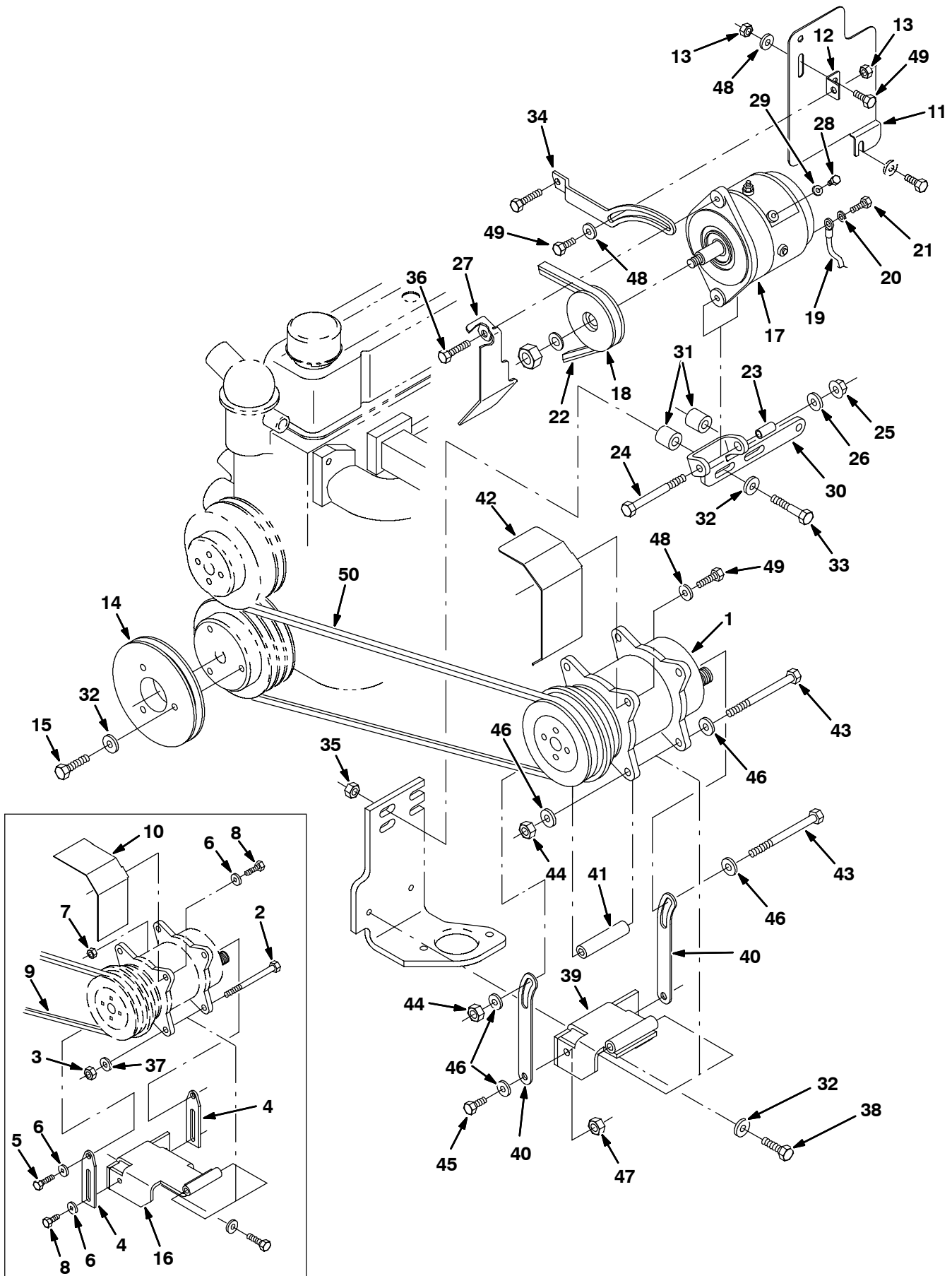
**Fig. 24 - Cab AC and Heater Hose Group, GM**

NOTE: AC/Heater kit, TENNANT Part Number 374287 includes Fig. 23, Fig. 24, and Fig. 25.

NOTE: AC/Heater kit, TENNANT Part Number 9002998 includes Fig. 23, Fig. 24, and .Fig. 26

Ref.	Part No.	Serial Number	Description	Qty.
1	63810	(004937-	) Clamp, Hose, Wormdrive, 0.56-1.06d	8
2	1021799	(004937-	) Hose, A/C, 08, Str/E90, 112.0l [R134]	1
3	1021797	(004937-	) Hose, A/C, 12, Str/E90, 127.0l [R134]	1
4	375512	(004937-	) Sleeve, Nyl, #33 65.0l	1
5	41016	(004937-	) Clamp, Cable, Stl, 2.25d X 1.00w, 1h	2
6	43558A	(004937-	) Cable, Cntrl, Choke, 85/90l 1.4d Knob	1
7	763116	(004937-	) Tie, Cable, Nyl, 15.3l . W 4.5 Max D	3
8	1016561	(004937-	) Hose, Afmkt, Rbr, Heater, 0.62id, 08ft	2
9	12459	(004937-	) Screw, Hex, M6 X 1.0 X 20, Fmg	2
10	1016556	(004937-	) Hose, Afmkt, Rbr, Heater, 0.62id, 03ft	1
11	1016560	(004937-	) Hose, Afmkt, Rbr, Heater, 0.62id, 02ft	1
12	393255	(004937-	) Fitting, Plstc, Tee, Bm12/Bm12/Bm12	1
▽	375728	(004937-	) Valve Assy, Ball, 3 Way, Em10/Em10/Em10	1
▲	13 59901	(004937-	) Fitting, Brs, Str, Em10/Pm08	2
▲	14 31507	(004937-	) Valve, Ball, 3-way, 08pf/08pf/08pf Brs	1
▲	15 43242	(004937-	) Swivel	1
▲	16 1043352	(004937-	) Clamp, Cable, Stl, 0.18d X 0.75w, 1hole	2
▲	17 40573	(004937-	) Fitting, Hyd, Str, Pm08/Pm08	1
▲	18 45142	(004937-	) Bolt, U, .25-20 X 2.00, 1.10id	1
▲	19 374129	(004937-	) Bracket, Mtg, Valve, Cntrl, Heater	1
▲	20 30268	(004937-	) Fitting, Brs, E90, Em10/Pm08	2
▲	21 24450	(004937-	) Fitting, Brs, Tee, Pf08/Pf08/Pf08	1
	22 11399	(004937-	) Clamp, Hose, Wormdrive, 0.81-1.50d	2
	23 75197	(004937-	) Hose, Heater, 0.75id 04.0l	1
	24 24450	(004937-	) Fitting, Brass, Tee	1
	25 30268	(004937-	) Fitting, Brs, E90, Em10/Pm08	1
	26 40573	(004937-	) Fitting, Hyd, Str, Pm08/Pm08	1
	27 16930	(004937-	) Screw, Hex, M10 X 1.5 X 50, 8.8	1
	28 32492	(004937-	) Washer, Flat, 0.38 Std	1
	29 32490	(004937-	) Washer, Flat, 0.25 Std	2

Fig. 25 - Cab AC Compressor Group, GM (004937-006999)





**Fig. 25 - Cab AC Compressor Group, GM (004937-006999)**

NOTE: AC/Heater kit, TENNANT Part Number 374287 includes Fig. 23, Fig. 24, and Fig. 25.

NOTE: AC/Heater kit, TENNANT Part Number 9002998 includes Fig. 23, Fig. 24, and .Fig. 26

Ref.	Part No.	Serial Number	Description	Qty.
1	393219	(004937-006999 )	Compressor, A/C	1
2	20177	(004937-006348 )	Screw, Hex, .38-16 X 4.00, 5	1
3	59156	(004937-006348 )	Nut, Hex, Lock, .38-16, NI, Ss	1
4	73717	(004937-006348 )	Arm, Tension, A/C, .18 1.3w 4.2l	1
5	76570	(004937-006348 )	Screw, Hex, M8 X 1.25 X 30, 8.8	2
6	32491	(004937-006348 )	Washer, Flat, 0.31 Std	4
7	08709	(004937-006348 )	Nut, Hex, Lock, M8 X 1.25, NI	2
8	16931	(004937-006348 )	Screw, Hex, M8 X 1.25 X 20, 8.8	4
9	64899	(004937-006348 )	Belt, V, [3v] 40.0l, 1only [Hc38]	1
10	1007343	(004937-006348 )	Bracket, Belt, Guard, A/C	1
11	1019513	(004937-006999 )	Plate, Shield, Heat	1
12	1008513	(004937-006999 )	Angle, Heat, Shield	1
13	39311	(004937-006999 )	Nut, Hex, Std, M08 X 1.25	2
14	393201	(004937-006999 )	Sheave, Aux, [Hc38], 1Grv 6.8od [Gm 3.0L]	1
15	39670	(004937-006999 )	Screw, Hex, .38-24 X 1.50, 5	3
16	392613	(004937-006348 )	Bracket Wldt, Mtg, A/C	1
17	75828	(004937-006999 )	Alternator, 12vdc, 100A [Brushless]	1
18	77555	(004937-006999 )	Sheave, [3L], 1Grv, 03.5Pd 0.67B	1
19	31525	(004937-006999 )	Wire, 10ga 16.0l Blk .38ring /.25ring	1
20	371509	(004937-006999 )	Washer, Lock, .38	1
21	39277	(004937-006999 )	Screw, Hex, M8 X 1.25 X 25, 8.8	1
22	393244	(004937-006999 )	Belt, V, [Hc41] 42.0l	1
23	1008512	(004937-006999 )	Bushing, Sleeve, .40b X .50d X 1.06l	1
24	34877	(004937-006999 )	Screw, Hex, M10 X 1.5 X 100, 8.8	1
25	07792	(004937-006999 )	Nut, Hex, Flng, M10 X 1.5	1
26	41186	(004937-006999 )	Washer, Belleville, .31	1
27	1008538	(004937-006999 )	Bracket, Guard, Alternator, Hd [Gm3.0l]	1
28	21237	(004937-006999 )	Screw, Hex, M4 X 0.7 X 6, 8.8	1
29	32978	(004937-006999 )	Washer, Lock, Int, #08	1
30	1008510	(004937-006999 )	Bracket, Mtg, Alternator, Hd,[Gm3.0l]	1
31	35756	(004937-006999 )	Tube, 01.00d 00.50b 01.0l Stl Pnt	2
32	32492	(004937-006999 )	Washer, Flat, 0.38 Std	4
33	27991	(004937-006999 )	Screw, Hex, .38-16 X 2.25, 5	2
34	1008519	(004937-006999 )	Arm, Alternator, Hd [Gm3.0l]	1
35	50902	(004937-006999 )	Nut, Hex, Lock, .38-16, NI	2
36	04375	(004937-006999 )	Screw, Hex, M 8 X 1.25 X 40, FI	1
37	32492	(004937-006348 )	Washer, Flat, 0.38 Std	6
38	06537	(004937-006999 )	Screw, Hex, M10 X 1.5 X 120, 8.8, FI	2
39	1017085	(006349-006999 )	Bracket Wldt, Mtg, A/C	1
40	1017102	(006349-006999 )	Arm, Tens	2
41	1017292	(006349-006999 )	Tube, 00.75d 00.41b 03.3l Stl PI	2
42	1017515	(006349-006999 )	Guard, Belt, A/C	1
43	07819	(006349-006999 )	Screw, Hex, M10 X 1.5 X 130, 8.8	2
44	32715	(006349-006999 )	Nut, Hex, Lock, M10 X 1.5, Ss	2

**Fig. 25 - Cab AC Compressor Group, GM (004937-006999)**

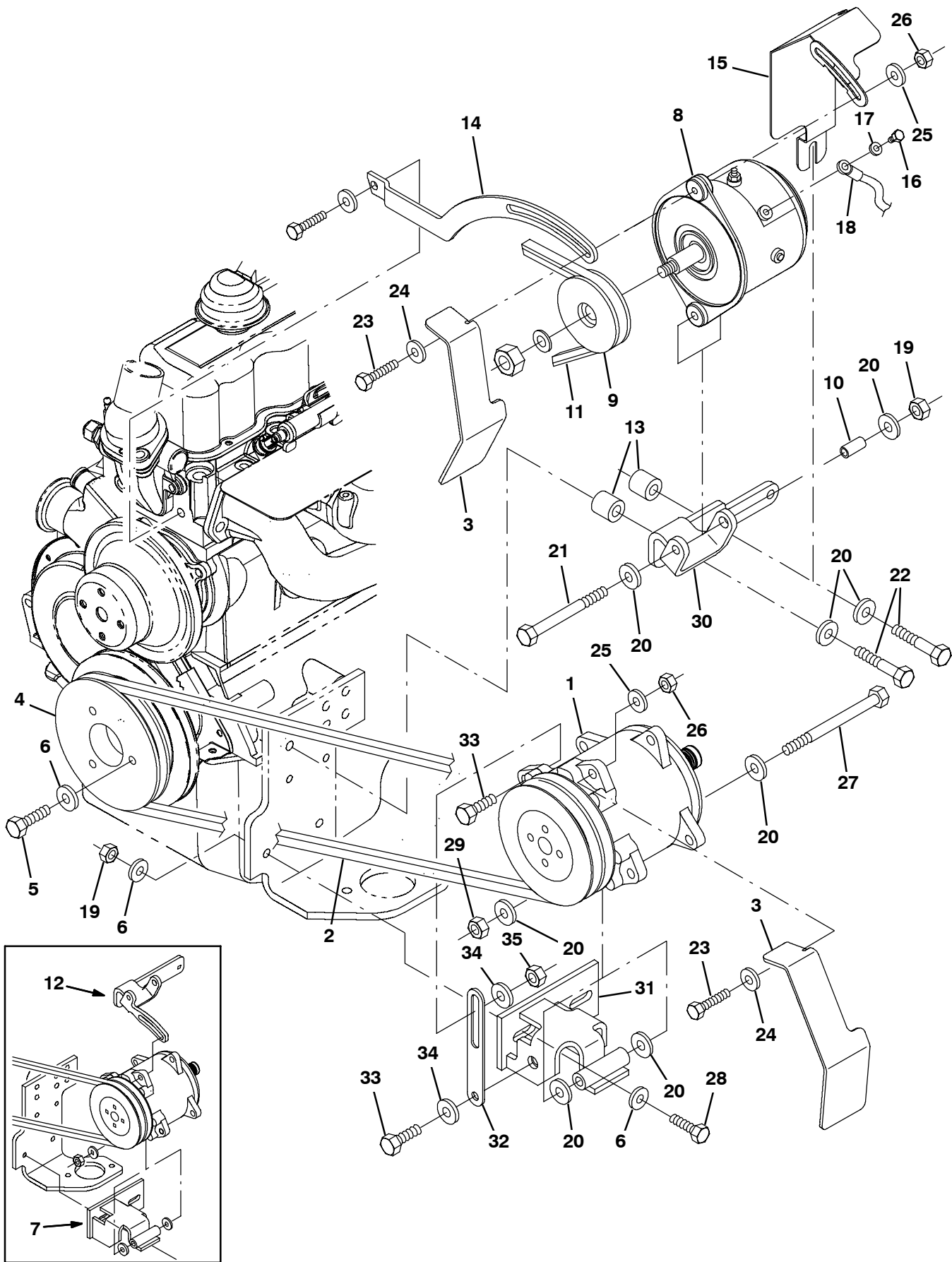
NOTE: AC/Heater kit, TENNANT Part Number 374287 includes Fig. 23, Fig. 24, and Fig. 25.

NOTE: AC/Heater kit, TENNANT Part Number 9002998 includes Fig. 23, Fig. 24, and .Fig. 26

<b>Ref.</b>	<b>Part No.</b>	<b>Serial Number</b>	<b>Description</b>	<b>Qty.</b>
45	39283	(006349-006999 )	Screw, Hex, M10 X 1.5 X 25, 8.8	2
46	32485	(006349-006999 )	Washer, Flat, 0.38 Sae	6
47	41430	(006349-006999 )	Nut, Hex, Lock, M10 X 1.5, NI	2
48	32491	(006349-006999 )	Washer, Flat, 0.31 Std	4
49	16931	(006349-006999 )	Screw, Hex, M8 X 1.25 X 20, 8.8	4
50	380544	(006349-006999 )	Belt, V, [3v] 38.5l [Hc38/41]	1



Fig. 26 - Cab AC Compressor Group, GM (007000- )

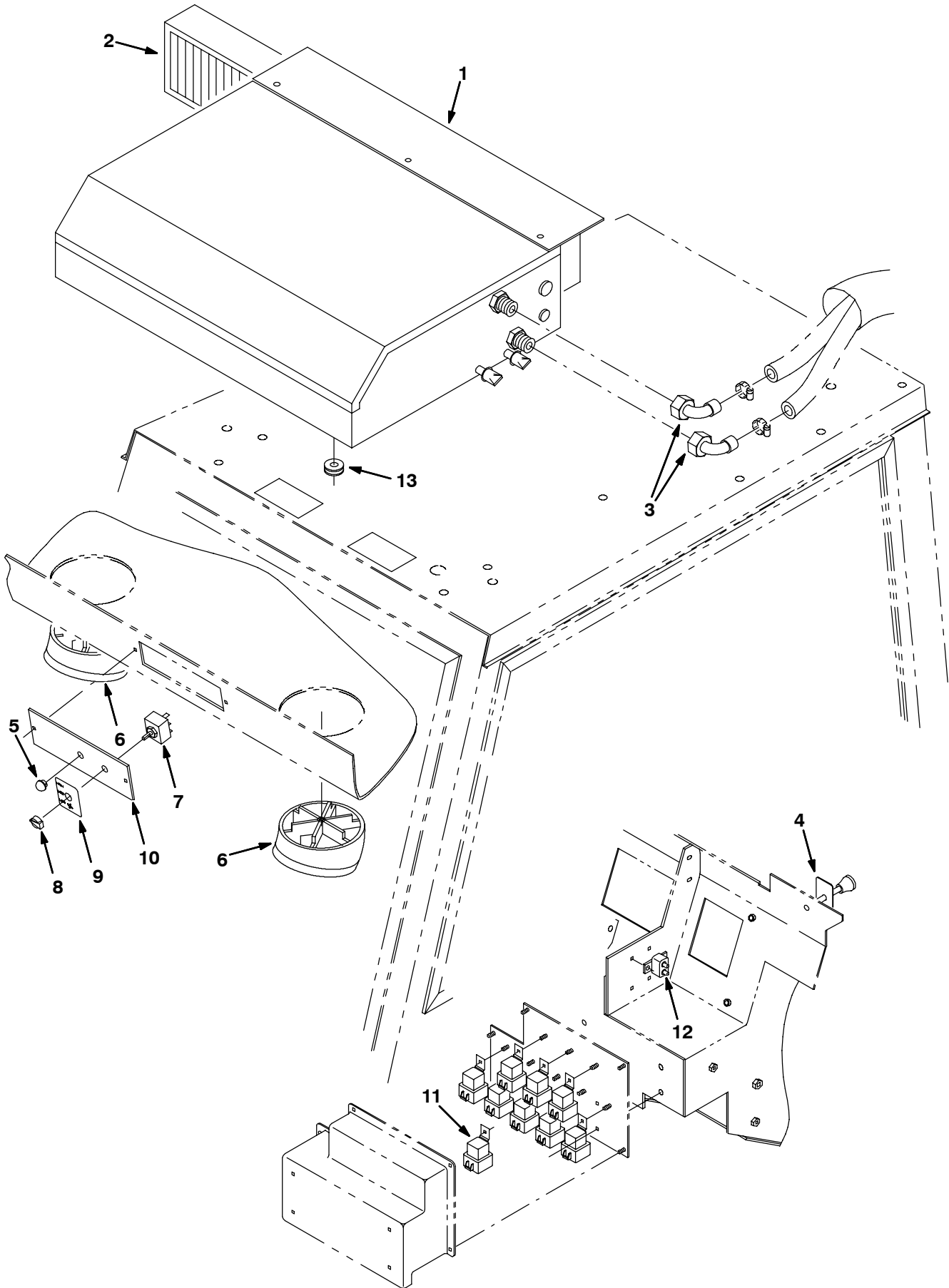


**Fig. 26 - Cab AC Compressor Group, GM (007000- )**

NOTE: AC/Heater kit, TENNANT Part Number 9002998 includes Fig. 23, Fig. 24, and .Fig. 26

Ref.	Part No.	Serial Number	Description	Qty.
1	1030582	(007000-	) Compressor, A/C [2007]	1
2	380544	(007000-	) Belt, V, 38.5l [Hc38]	1
3	1030762	(007000-	) Bracket, Guard, Alternator, Hd [800/810]	2
4	393201	(007000-	) Sheave, Aux, 1grv, 06.8od [Gm3.0l, Hc38]	1
5	39670	(007000-	) Screw, Hex, .38-24 X 1.50, G5	3
6	32492	(007000-	) Washer, Flat, 0.38, Std	7
7	1030657	(007000-007367	) Bracket Wldt, Mtg, A/C [800 07]	1
8	1030627	(007000-	) Alternator, Se [800/810, 07]	1
9	77555	(007000-	) Sheave, 01grv, 03.5pd 0.67b [3l]	1
10	371526	(007000-	) Sleeve, Alternator	1
11	78772	(007000-	) Belt, V, 45.1l [Hc38]	1
12	1030654	(007000-007367	) Bracket, Mtg, Alternator, Hd[800/810 07]	1
13	35756	(007000-	) Tube, 0.50id 1.00od 01.0l, Stl, Pntd	2
14	1030708	(007000-	) Arm, Adj, Alternator, Hd [800/810 07]	1
15	1032904	(007000-	) Shield, Heat, Alternator, Hd[800/810 07]	1
16	21237	(007000-	) Screw, Hex, M4 X 0.7 X 6, 8.8	1
17	32978	(007000-	) Washer, Lock, Int, #08	1
18	31525	(007000-	) Wire, 10ga 16.0l Blk .25ring /.38ring	1
19	50902	(007000-	) Nut, Hex, Lock, .38-16, NI	3
20	32485	(007000-	) Washer, Flat, 0.38, Sae	8
21	20177	(007000-	) Screw, Hex, .38-16 X 4.00, G5	1
22	27992	(007000-	) Screw, Hex, .38-16 X 2.50, G5	2
23	04375	(007000-	) Screw, Hex, M8 X 1.25 X 40, 8.8, FI	2
24	41186	(007000-	) Washer, Flat, Belleville, .31	2
25	32491	(007000-	) Washer, Flat, 0.31, Std	2
26	08709	(007000-	) Nut, Hex, Lock, M8 X 1.25, NI	2
27	06966	(007000-	) Screw, Hex, M10 X 1.5 X 110, 8.8	1
28	21198	(007000-	) Screw, Hex, .38-16 X 1.25, G5	2
29	32715	(007000-	) Nut, Hex, Lock, M10 X 1.5, Ss	1
30	1051245	(007368-	) Bracket, Mtg, Alternator, Hd[800/810 07]	1
31	1050610	(007368-	) Bracket Wldt, Mtg, A/C [800 07]	1
32	1050584	(007368-	) Arm, Tens [2008]	1
33	39283	(007368-	) Screw, Hex, M10 X 1.50 X 25, 8.8	2
34	32485	(007368-	) Washer, Flat, 0.38, Sae	2
35	41430	(007368-	) Nut, Hex, Lock, M10 X 1.5, NI	1

Fig. 27 - Cab Heater Box Group, Ford

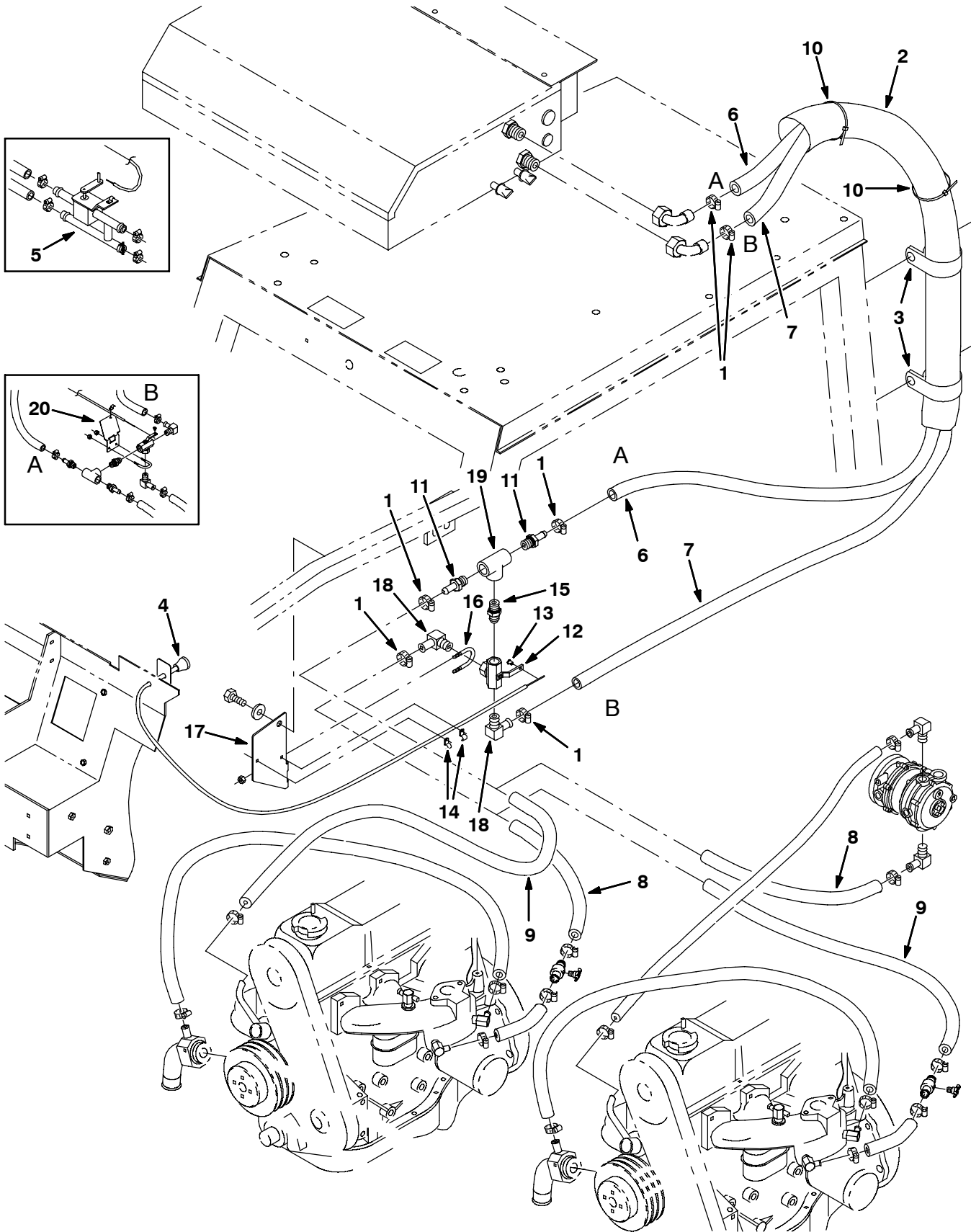


**Fig. 27 - Cab Heater Box Group, Ford**

*NOTE: Heater kit, TENNANT Part Number 380610 includes Fig. 27, and Fig. 28.*

	<b>Ref.</b>	<b>Part No.</b>	<b>Serial Number</b>	<b>Description</b>	<b>Qty.</b>
▽		380612	(004000-004936 )	Heater & A/C, W/ Fan, Roof	1
▲	1	380614	(004000-004936 )	Box Assy, Heater, A/C (See Breakdowns)	1
▲	2	380689	(004000-004936 )	Filter, Panel, Heat-A/C	1
▲	3	380615	(004000-004936 )	Fitting, Elbow	2
▲	4	380663	(004000-004936 )	Label, Opertnl, Pull Heat	1
▲	5	56992	(004000-004936 )	Button, Plug, 0.50h .03-.12 [Black Ny]	1
▲	6	380617	(004000-004936 )	Louver, Adj, Heat-A/C	2
▲	7	380619	(004000-004936 )	Switch, 3 Pos, Blower, Heat	1
▲	8	380661	(004000-004936 )	Knob, Rnd, Control, Heat-A/C	1
▲	9	380662	(004000-004936 )	Label, Opertnl, Fan, Hi/Med/Low	1
▲	10	380690	(004000-004936 )	Plate, Mtg, Switch, A/C	1
	11	56186	(004000-004936 )	Relay, 12vdc, 40a, Spdt N/O	1
	12	374210	(004000-004936 )	Circuitbreaker, 20.0a, Thermal	1
	13	77811	(004000-004936 )	Grommet, Cab, Harness, Wire	1

Fig. 28 - Cab Heater Hose Group, Ford



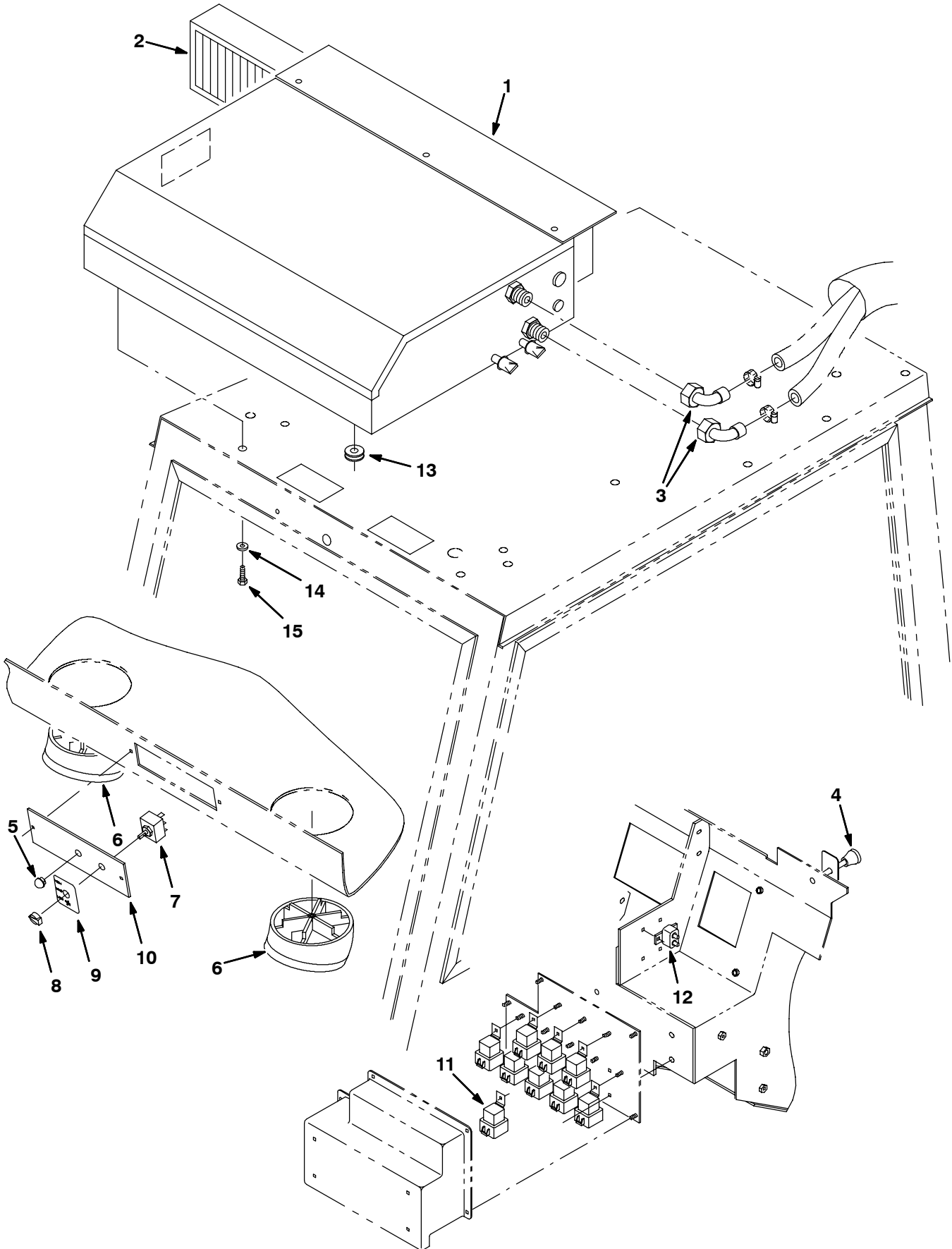


**Fig. 28 - Cab Heater Hose Group, Ford**

NOTE: Heater kit, TENNANT Part Number 380610 includes Fig. 27, and Fig. 28.

Ref.	Part No.	Serial Number	Description	Qty.
1	63810	(004000-004936 )	Clamp, Hose, Wormdrive, 0.56-1.06d	6
2	375512	(004000-004936 )	Sleeve, Nyl, #33 65.0l	1
3	41016	(004000-004936 )	Clamp, Cable, Stl, 2.25d X 1.00w, 1h	2
4	43558A	(004000-004936 )	Cable, Cntrl, Choke, 85/90l 1.4d Knob	1
5	380618	(004000-004374 )	Valve, Water, Heater, H, 10bm	1
6	380621	(004000-004936 )	Hose, Heater, 0.62id 80.0l	1
7	380620	(004000-004936 )	Hose, Heater, 0.62id 77.0l	1
8	72979	(004000-004718 )	Hose, Heater, 0.62id 20.0l	1
8	61870	(004719-004936 )	Hose, Heater, 0.62id 31.0l	1
9	72978	(004000-004718 )	Hose, Heater, 0.62id 13.0l	1
9	61869	(004719-004936 )	Hose, Heater, 0.62id 24.0l	1
10	763116	(004000-004936 )	Tie, Cable, Nyl, 15.3l . W 4.5 Max D	3
▽	375728	(004375-004936 )	Valve Assy, Ball, 3 Way, Em10/Em10/Em10	1
▲	11 59901	(004375-004936 )	Fitting, Brs, Str, Em10/Pm08	2
▲	12 31507	(004375-004936 )	Valve, Ball, 3-way, 08pf/08pf/08pf Brs	1
▲	13 43242	(004375-004936 )	Swivel	1
▲	14 1043352	(004375-004936 )	Clamp, Cable, Stl, 0.18d X 0.75w, 1hole	2
▲	15 40573	(004375-004936 )	Fitting, Hyd, Str, Pm08/Pm08	1
▲	16 45142	(004375-004936 )	Bolt, U, .25-20 X 2.00, 1.10id	1
▲	17 374129	(004719-004936 )	Bracket, Mtg, Valve, Cntrl, Heater	1
▲	18 30268	(004375-004936 )	Fitting, Brs, E90, Em10/Pm08	2
▲	19 24450	(004375-004936 )	Fitting, Brs, Tee, Pf08/Pf08/Pf08	1
	20 375726	(004375-004718 )	Bracket, Mtg, Valve,Control, Heater	1

Fig. 29 - Cab Heater Box Group, GM

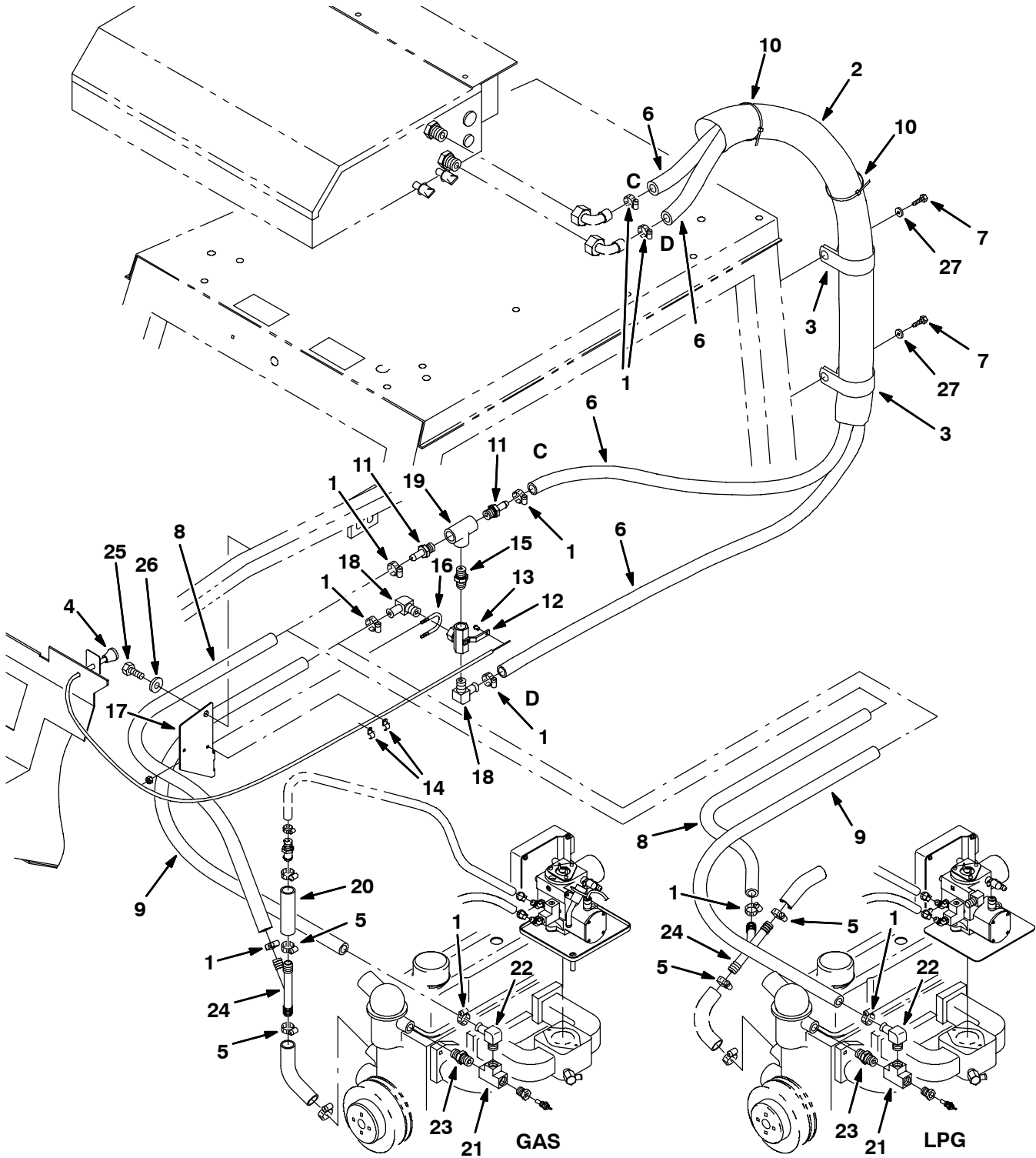


**Fig. 29 - Cab Heater Box Group, GM**

*NOTE: Heater kit, TENNANT Part Number 374285 includes Fig. 29, and Fig. 30.*

	<b>Ref.</b>	<b>Part No.</b>	<b>Serial Number</b>	<b>Description</b>	<b>Qty.</b>
▽		380612	(004937-	) Heater & A/C, W/ Fan, Roof	1
▲	1	380614	(004937-	) Box Assy, Heater, A/C (See Breakdowns)	1
▲	2	380689	(004937-	) Filter, Panel, Heat-A/C	1
▲	3	380615	(004937-	) Fitting, Elbow	2
▲	4	380663	(004937-	) Label, Opertnl, Pull Heat	1
▲	5	56992	(004937-	) Button, Plug, 0.50h .03-.12 [Black Ny]	1
▲	6	380617	(004937-	) Louver, Adj, Heat-A/C	2
▲	7	380619	(004937-	) Switch, 3 Pos, Blower, Heat	1
▲	8	380661	(004937-	) Knob, Rnd, Control, Heat-A/C	1
▲	9	380662	(004937-	) Label, Opertnl, Fan, Hi/Med/Low	1
▲	10	380690	(004937-	) Plate, Mtg, Switch, A/C	1
	11	56186	(004937-	) Relay, 12vdc, 40a, Spdt N/O	1
	12	374210	(004937-	) Circuitbreaker, 20.0a, Thermal	1
	13	77811	(004937-	) Grommet, Cab, Harness, Wire	1
	14	32490	(004937-	) Washer, Flat, 0.25 Std	12
	15	12459	(004937-	) Screw, Hex, M6 X 1.0 X 20, Fmg	12

**Fig. 30 - Cab Heater Hose Group, GM**

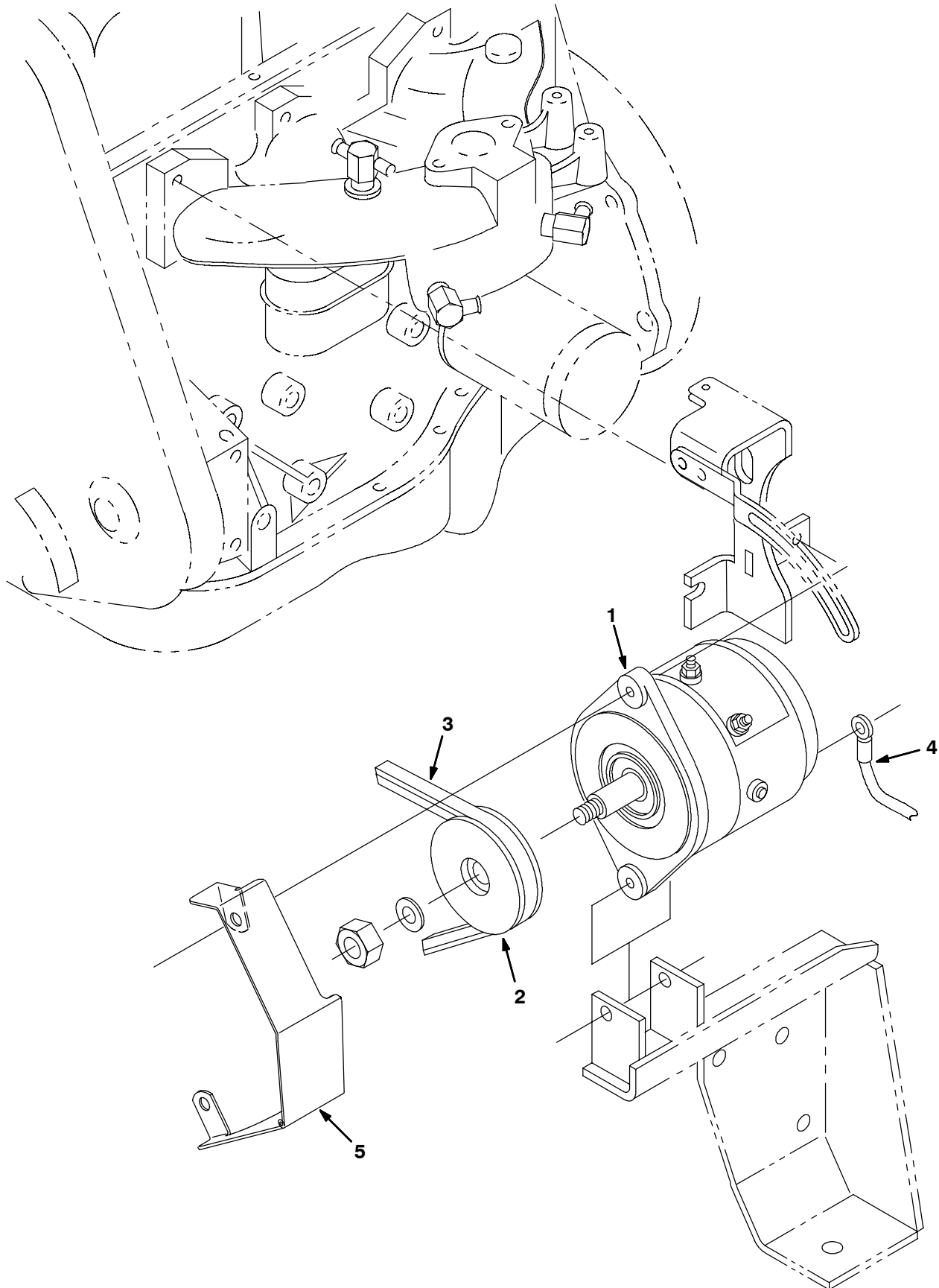


**Fig. 30 - Cab Heater Hose Group, GM**

NOTE: Heater kit, TENNANT Part Number 374285 includes Fig. 29, and Fig. 30.

Ref.	Part No.	Serial Number	Description	Qty.
1	63810	(004937-	) Clamp, Hose, Wormdrive, 0.56-1.06d	8
2	375512	(004937-	) Sleeve, Nyl, #33 65.0l	1
3	41016	(004937-	) Clamp, Cable, Stl, 2.25d X 1.00w, 1h	1
4	43558A	(004937-	) Cable, Cntrl, Choke, 85/90l 1.4d Knob	1
5	11399	(004937-	) Clamp, Hose, Wormdrive, 0.81-1.50d	2
6	1016561	(004937-	) Hose, Afmkt, Rbr, Heater, 0.62id, 08ft	2
7	12459	(004937-	) Screw, Hex, M6 X 1.0 X 20, Fmg	2
8	1016556	(004937-	) Hose, Afmkt, Rbr, Heater, 0.62id, 03ft	1
9	1016560	(004937-	) Hose, Afmkt, Rbr, Heater, 0.62id, 02ft	1
10	763116	(004937-	) Tie, Cable, Nyl, 15.3l . W 4.5 Max D	3
▽	375728	(004937-	) Valve Assy, Ball, 3 Way, Em10/Em10/Em10	1
▲	11 59901	(004937-	) Fitting, Brs, Str, Em10/Pm08	2
▲	12 31507	(004937-	) Valve, Ball, 3-way, 08pf/08pf/08pf Brs	1
▲	13 43242	(004937-	) Swivel	1
▲	14 1043352	(004937-	) Clamp, Cable, Stl, 0.18d X 0.75w, 1hole	2
▲	15 40573	(004937-	) Fitting, Hyd, Str, Pm08/Pm08	1
▲	16 45142	(004937-	) Bolt, U, .25-20 X 2.00, 1.10id	1
▲	17 374129	(004937-	) Bracket, Mtg, Valve, Cntrl, Heater	1
▲	18 30268	(004937-	) Fitting, Brs, E90, Em10/Pm08	2
▲	19 24450	(004937-	) Fitting, Brs, Tee, Pf08/Pf08/Pf08	1
20	75197	(004937-	) Hose, Heater, 0.75id 04.0l	1
21	24450	(004937-	) Fitting, Brass, Tee	1
22	30268	(004937-	) Fitting, Brs, E90, Em10/Pm08	1
23	40573	(004937-	) Fitting, Hyd, Str, Pm08/Pm08	1
24	393255	(004937-	) Fitting, Plstc, Tee, Bm12/Bm12/Bm12	1
25	16930	(004937-	) Screw, Hex, M10 X 1.5 X 50, 8.8	1
26	32492	(004937-	) Washer, Flat, 0.38 Std	1
27	32490	(004937-	) Washer, Flat, 0.25 Std	2

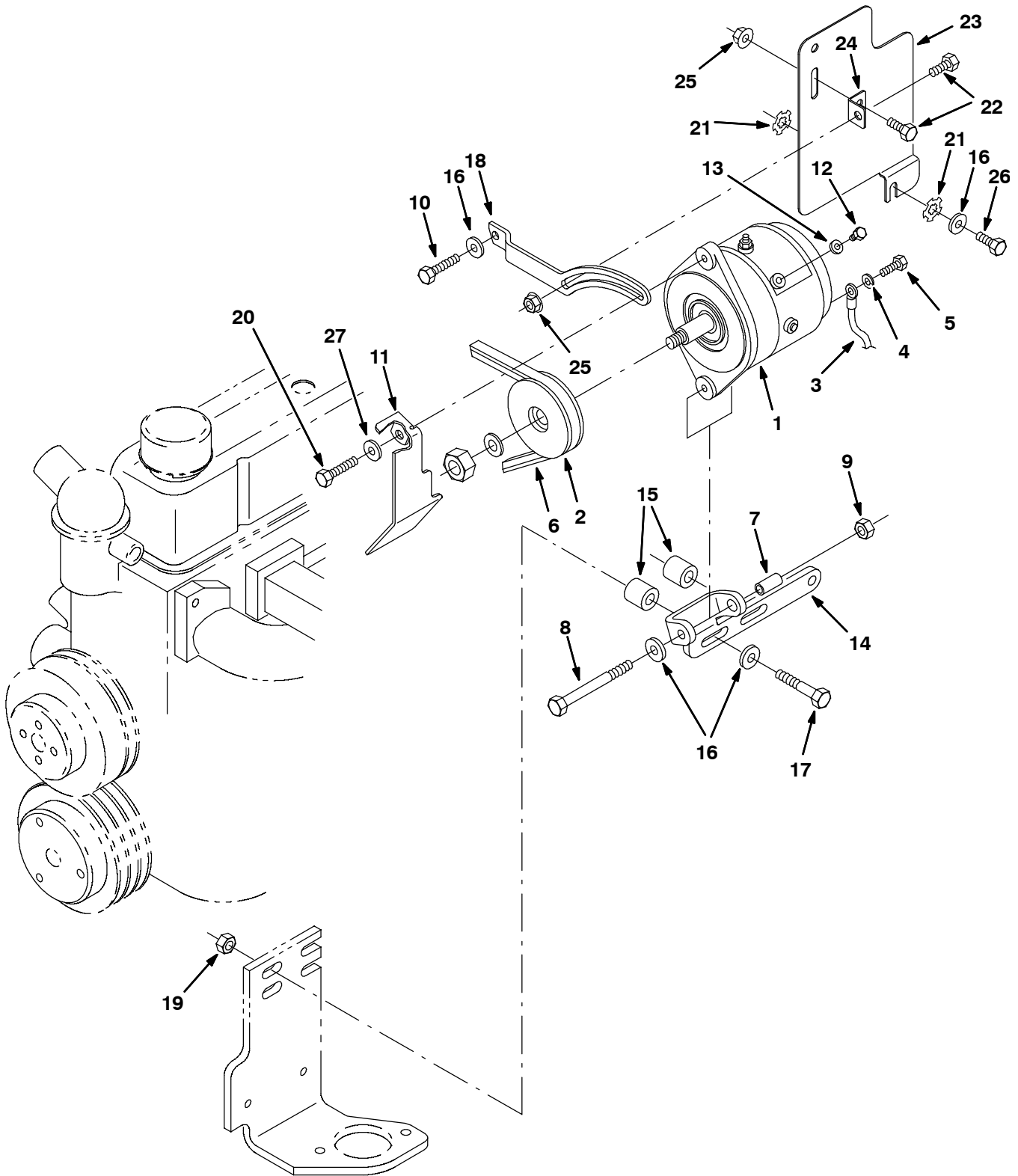
Fig. 31 - Alternator Group, SE, Ford



**Fig. 31 - Alternator Group, SE, Ford**

	<b>Ref.</b>	<b>Part No.</b>	<b>Serial Number</b>	<b>Description</b>	<b>Qty.</b>
▽		380702	(004000-004937 )	Kit, Alternator, Hd, Gas/Lpg	1
▲	1	75828	(004000-004937 )	Alternator	1
▲	2	77555	(004000-004937 )	Sheave, Alternator, Se	1
▲	3	83641	(004000-004937 )	Belt, V	1
▲	4	31525	(004000-004937 )	Wire, Ground	1
▲	5	21223	(004000-004937 )	Guard, Alternator	1

Fig. 32 - Heavy Duty Alternator Kit, GM (004937-006999)

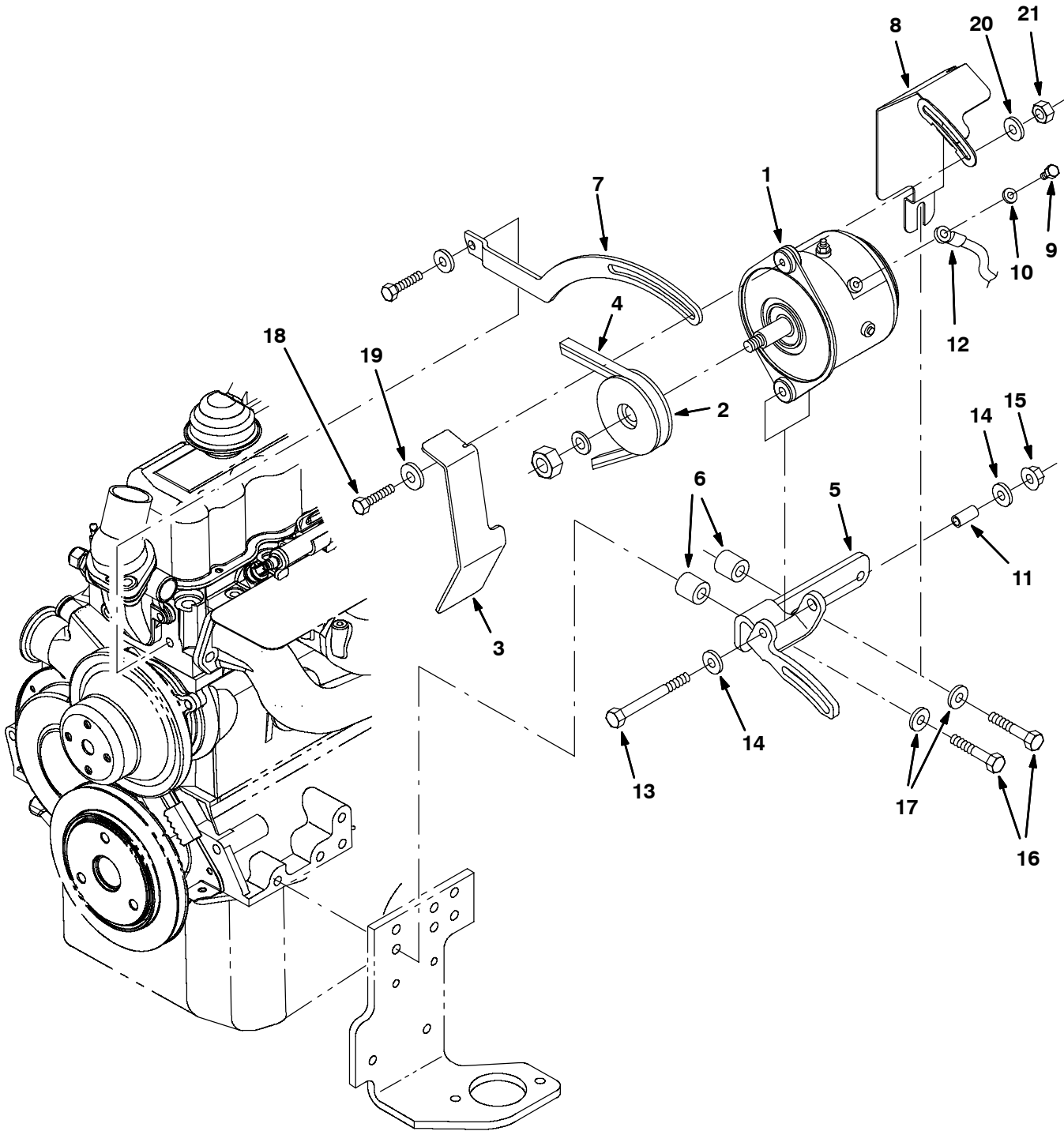




**Fig. 32 - Heavy Duty Alternator Kit, GM (004937-006999)**

Ref.	Part No.	Serial Number	Description	Qty.
▽	393241	(004937-006999 )	Kit, Ci, Alternator, Hd,Gas/Lpg,[Gm3.0l]	1
▲	1 75828	(004937-006999 )	Alternator, 12vdc, 100A [Brushless]	1
▲	2 77555	(004937-006999 )	Sheave, [3L], 1Grv, 03.5Pd 0.67B	1
▲	3 31525	(004937-006999 )	Wire, 10ga 16.0l Blk .38ring /.25ring	1
▲	4 371509	(004937-006999 )	Washer, Lock, .38	1
▲	5 39277	(004937-006999 )	Screw, Hex, M8 X 1.25 X 25, 8.8	1
▲	6 393244	(004937-006999 )	Belt, V, [Hc41] 42.0l	1
▲	7 371526	(004937-006999 )	Sleeve, Alternator	1
▲	8 20177	(004937-006999 )	Screw, Hex, .38-16 X 4.00, 5	1
▲	9 50902	(004937-006999 )	Nut, Hex, Lock, .38-16, NI	1
▲	10 21195	(004937-006999 )	Screw, Hex, .38-16 X 0.75, 5	1
▲	11 1008538	(004937-006999 )	Bracket, Guard, Alternator, Hd [Gm3.0l]	1
▲	12 21237	(004937-006999 )	Screw, Hex, M4 X 0.7 X 6, 8.8	1
▲	13 32978	(004937-006999 )	Washer, Lock, Int, #08	1
▲	14 1008094	(004937-006999 )	Bracket, Mtg, Alternator, Lower,[Gm3.0l]	1
▲	15 07274	(004937-006999 )	Tube, 01.00d 00.44b 00.7l Stl Pit	2
▲	16 32485	(004937-006999 )	Washer, Flat, .38 Sae	5
▲	17 27990	(004937-006999 )	Screw, Hex, .38-16 X 2.25, 5	2
▲	18 1008519	(004937-006999 )	Arm, Alternator, Hd [Gm3.0l]	1
▲	19 50902	(004937-006999 )	Nut, Hex, Lock, .38-16, NI	2
▲	20 39277	(004937-006999 )	Screw, Hex, M8 X 1.25 X 25, 8.8	1
▲	21 41142	(004937-006999 )	Washer, Lock, Int-ext, .38	2
▲	22 16735	(004937-006999 )	Screw, Hex, M8 X 1.25 X 16, 8.8	2
▲	23 1019513	(004937-006999 )	Plate, Shield, Heat	1
▲	24 1008513	(004937-006999 )	Angle, Heat, Shield	1
▲	25 07791	(004937-006999 )	Nut, Hex, Flng, M8 X 1.25	2
▲	26 21197	(004937-006999 )	Screw, Hex, .38-16 X 1.00, 5	1
▲	27 41186	(004937-006999 )	Washer, Belleville, .31	1

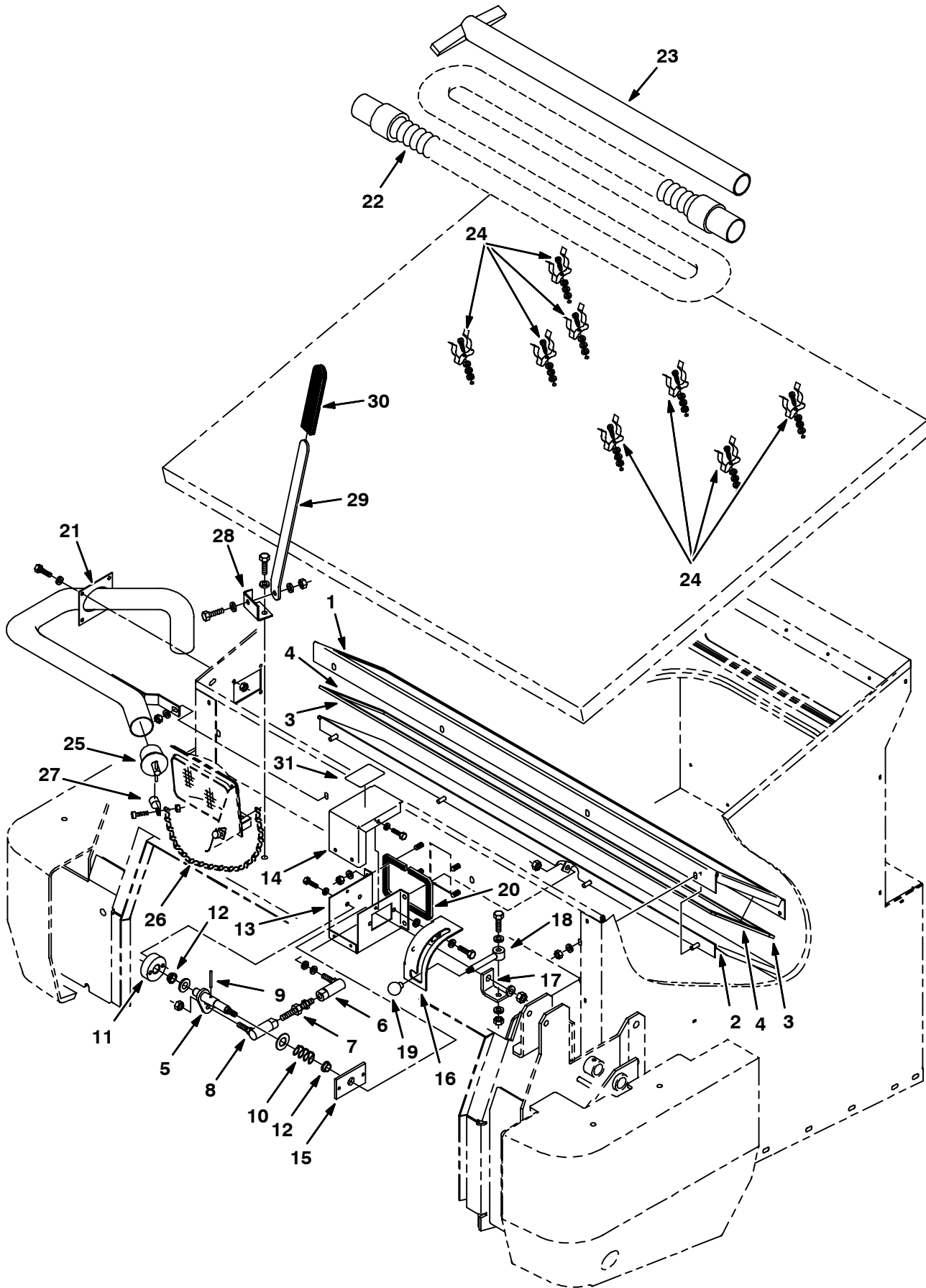
Fig. 33 - Heavy Duty Alternator Kit, GM (007000- )



**Fig. 33 - Heavy Duty Alternator Kit, GM (007000- )**

	<b>Ref.</b>	<b>Part No.</b>	<b>Serial Number</b>	<b>Description</b>	<b>Qty.</b>
▽		9002915	(007000-	) Alternator Kit, Hd, Gas/Lpg, Ci[800/810]	1
▲	1	1030627	(007000-	) Alternator, Se [800/810, 07]	1
▲	2	77555	(007000-	) Sheave, 01grv, 03.5pd 0.67b [3]	1
▲	3	1030762	(007000-	) Bracket, Guard, Alternator, Hd [800/810]	1
▲	4	78772	(007000-	) Belt, V, 45.1l [Hc38]	1
▲	5	1030654	(007000-	) Bracket, Mtg, Alternator, Hd[800/810 07]	1
▲	6	35756	(007000-	) Tube, 0.50id 1.00od 01.0l, Stl, Pntd	2
▲	7	1030708	(007000-	) Arm, Adj, Alternator, Hd [800/810 07]	1
▲	8	1032904	(007000-	) Shield, Heat, Alternator, Hd[800/810 07]	1
▲	9	21237	(007000-	) Screw, Hex, M4 X 0.7 X 6, 8.8	1
▲	10	32978	(007000-	) Washer, Lock, Int, #08	1
▲	11	371526	(007000-	) Sleeve, Alternator	1
▲	12	31525	(007000-	) Wire, 10ga 16.0l Blk .25ring /.38ring	1
▲	13	20177	(007000-	) Screw, Hex, .38-16 X 4.00, G5	1
▲	14	32495	(007000-	) Washer, Flat, 0.75, Std	2
▲	15	50902	(007000-	) Nut, Hex, Lock, .38-16, NI	1
▲	16	27992	(007000-	) Screw, Hex, .38-16 X 2.50, G5	2
▲	17	32485	(007000-	) Washer, Flat, 0.38, Sae	2
▲	18	04375	(007000-	) Screw, Hex, M8 X 1.25 X 40, 8.8, FI	1
▲	19	41186	(007000-	) Washer, Flat, Belleville, .31	1
▲	20	32491	(007000-	) Washer, Flat, 0.31, Std	1
▲	21	08709	(007000-	) Nut, Hex, Lock, M8 X 1.25, NI	1

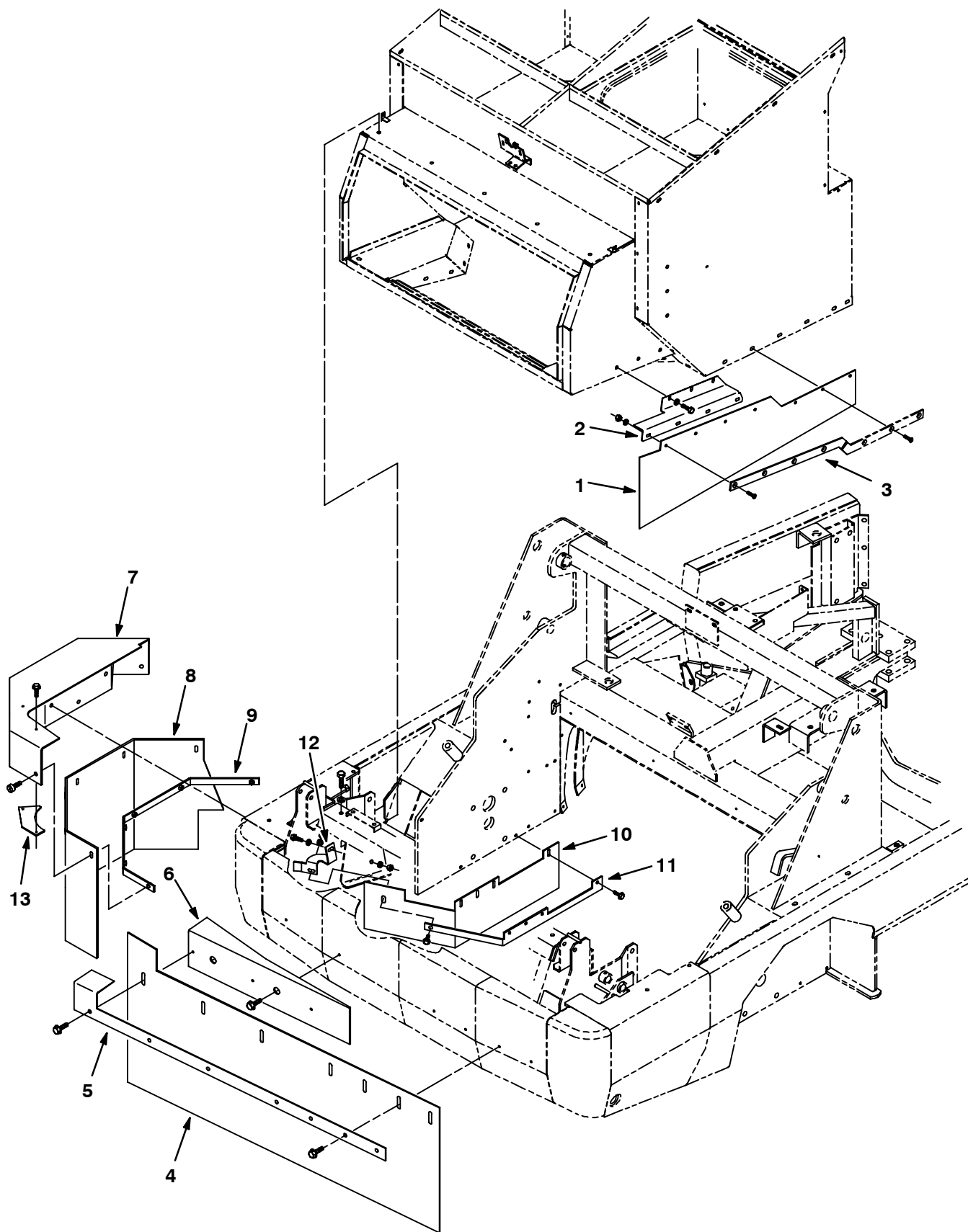
Fig. 34 - Vacuum Wand Kit



**Fig. 34 - Vacuum Wand Kit**

	<b>Ref.</b>	<b>Part No.</b>	<b>Serial Number</b>	<b>Description</b>	<b>Qty.</b>
▽		70668	(004000-	) Wand Kit, Vac	1
▲	1	73871	(004000-	) Plate, Mounting, Vac Door	1
▲	2	75701	(004000-	) Plate Wldt, Vac Door	1
▲	3	75876	(004000-	) Seal, Foam Rbr, .19 .75W 47.1L	2
▲	4	75877	(004000-	) Seal, Foam Rbr .19 .75W 8.43L	2
▲	5	21047	(004000-	) Shaft	1
▲	6	82962	(004000-	) Balljoint .375-24 Lh	1
▲	7	11676	(004000-	) Stud, Adjustment	1
▲	8	51531	(004000-	) Ball Joint .375-24	1
▲	9	23146	(004000-	) Pin,Roll,.18Odx1.62L,.187/.192	1
▲	10	19035	(004000-	) Sprng,Comp,0.83ldx.07Wire 1.0L	1
▲	11	21041	(004000-	) Disk	1
▲	12	04843	(004000-	) Bearing, Flange .625 Bore	2
▲	13	21054	(004000-	) Box, Mounting, Lever, Vac	1
▲	14	21104	(004000-	) Panel, Cover	1
▲	15	73880	(004000-	) Plate	1
▲	16	79646	(004000-	) Plate, Latch	1
▲	17	79647	(004000-	) Angle	1
▲	18	79644	(004000-	) Handle	1
▲	19	26565	(004000-	) Knob,0.38-16,1.25Dia,Plastic	1
▲	20	79674	(004000-	) Seal	1
▲	21	74074	(004000-	) Adaptor Wldt, Vac Wand	1
▲	22	54009	(004000-	) Hose&2Cuff Assy,Vinyl2.0ld10Ft	1
▲	23	54012	(004000-	) Wand	1
▲	24	36158	(004000-	) Clip Finger Grip	8
▲	25	42124	(004000-	) Plug, Drain	1
▲	26	374012	(004000-	) Chain, Jack, #12, 08.5l 11 Links	1
▲	27	26395-2	(004000-	) Clamp-Cable, 0.38Dia 0.38Wth	1
▲	28	76286	(004000-	) Adaptor Wldt, Vac Wand	1
▲	29	76338	(004000-	) Bar, Prop	1
▲	30	70659	(004000-	) Grip, Handle, Flat	2
▲	31	76406	(004000-	) Label, Vac Wand	1

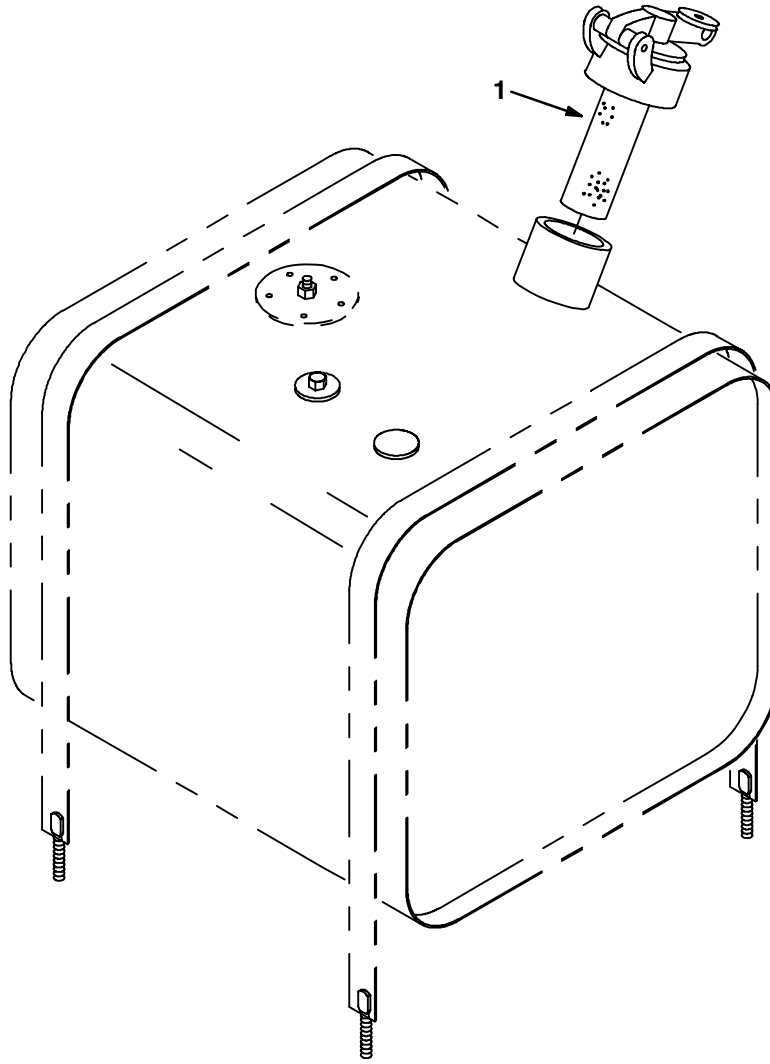
Fig. 35 - Side Brush Dust Control Kit



**Fig. 35 - Side Brush Dust Control Kit**

	<b>Ref.</b>	<b>Part No.</b>	<b>Serial Number</b>	<b>Description</b>	<b>Qty.</b>
▽		76100	(004000-	) Dust Control Kit, Side Brush	1
▲	1	76036	(004000-	) Skirt, Deflection	1
▲	2	76030	(004000-	) Bracket, Mounting, Skirt	1
▲	3	76038	(004000-	) Strip, Retainer, Skirt	1
▲	4	75901	(004000-	) Skirt, Cover, Sbdc	1
▲	5	76049	(004000-	) Skirt, Retainer	1
▲	6	77759	(004000-	) Bracket Wldt	1
▲	7	75989	(004000-	) Plate Wldt, Skirt	1
▲	8	76069	(004000-	) Skirt, Cover, Sbdc	1
▲	9	76055	(004000-	) Plate, Retainer	1
▲	10	76074	(004000-	) Skirt	1
▲	11	76081	(004000-	) Skirt	1
▲	12	76084	(004000-	) Bracket	1
▲	13	77755	(004000-	) Plate	1

**Fig. 36 - Protectoseal Fuel Tank Cap Group**

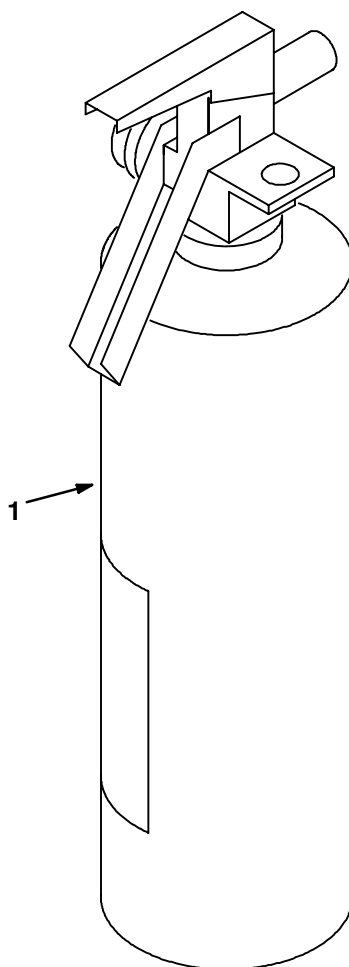


07471 - ALL

Ref.	Part No.	Serial Number	Description	Qty.
1	02506-6	(004000- )	Gas Cap, Protectoseal	1



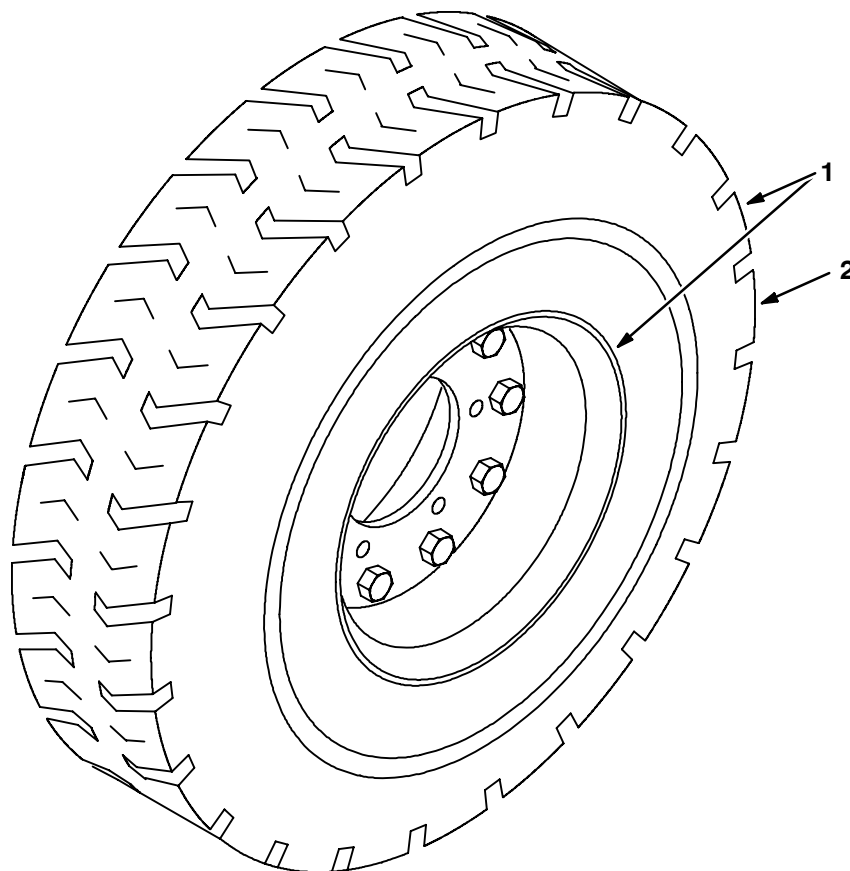
Fig. 37 - Fire Extinguisher Kit



07516 - JP, NA

	Ref.	Part No.	Serial Number	Description	Qty.
▽		70692	(004000-	) Extinguisher Kit Fire 800	1
▲	1	25312	(004000-	) Extinguisher, Fire	

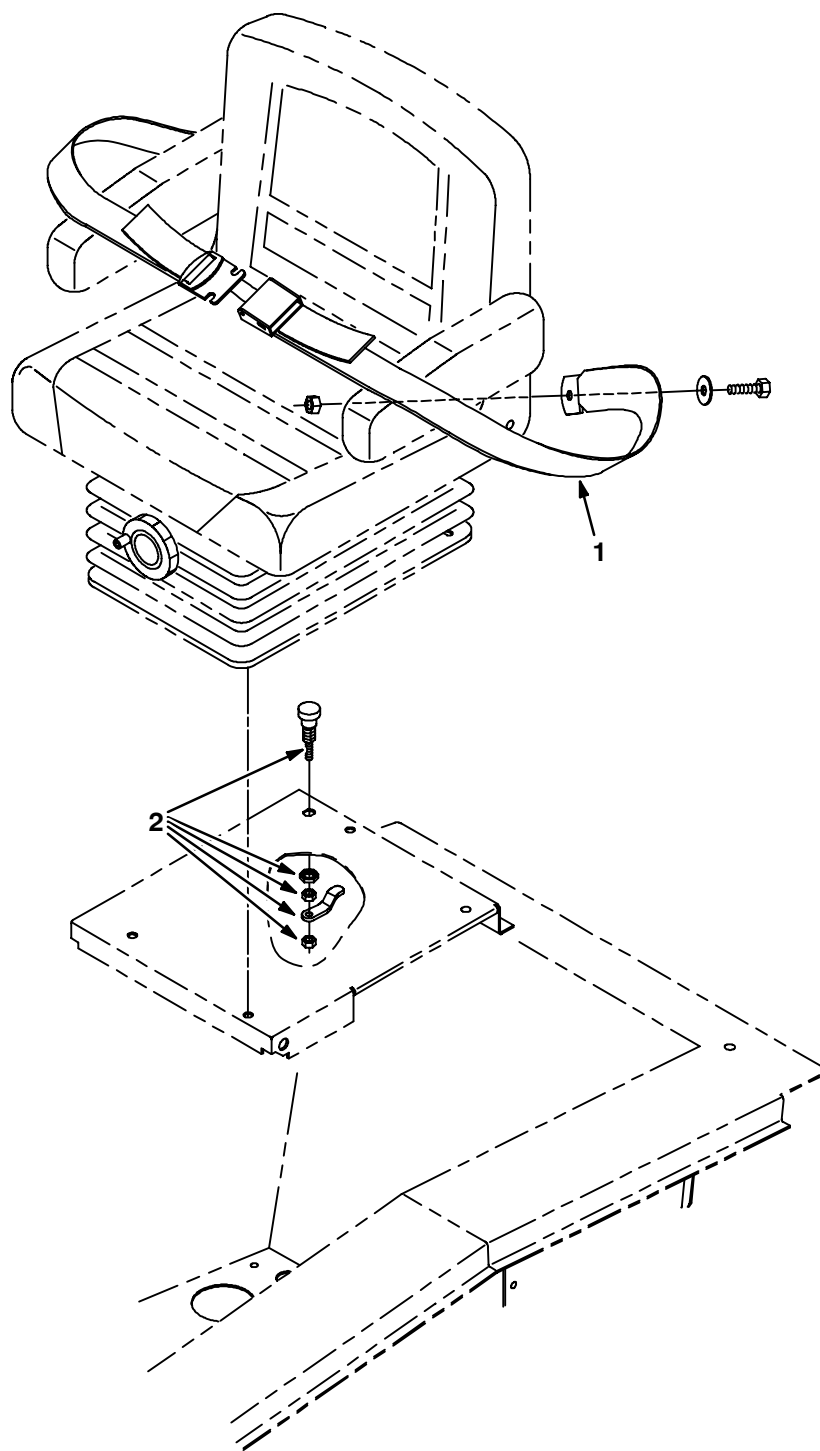
**Fig. 38 - Solid Tire and Rim Assembly**



07666 - ALL

	<b>Ref.</b>	<b>Part No.</b>	<b>Serial Number</b>	<b>Description</b>	<b>Qty.</b>
▽	1	21671	(004000-	) Tire and Rim Assy, Solid 6.5	1
▲	2	63228	(004000-	) Tire, Solid	1

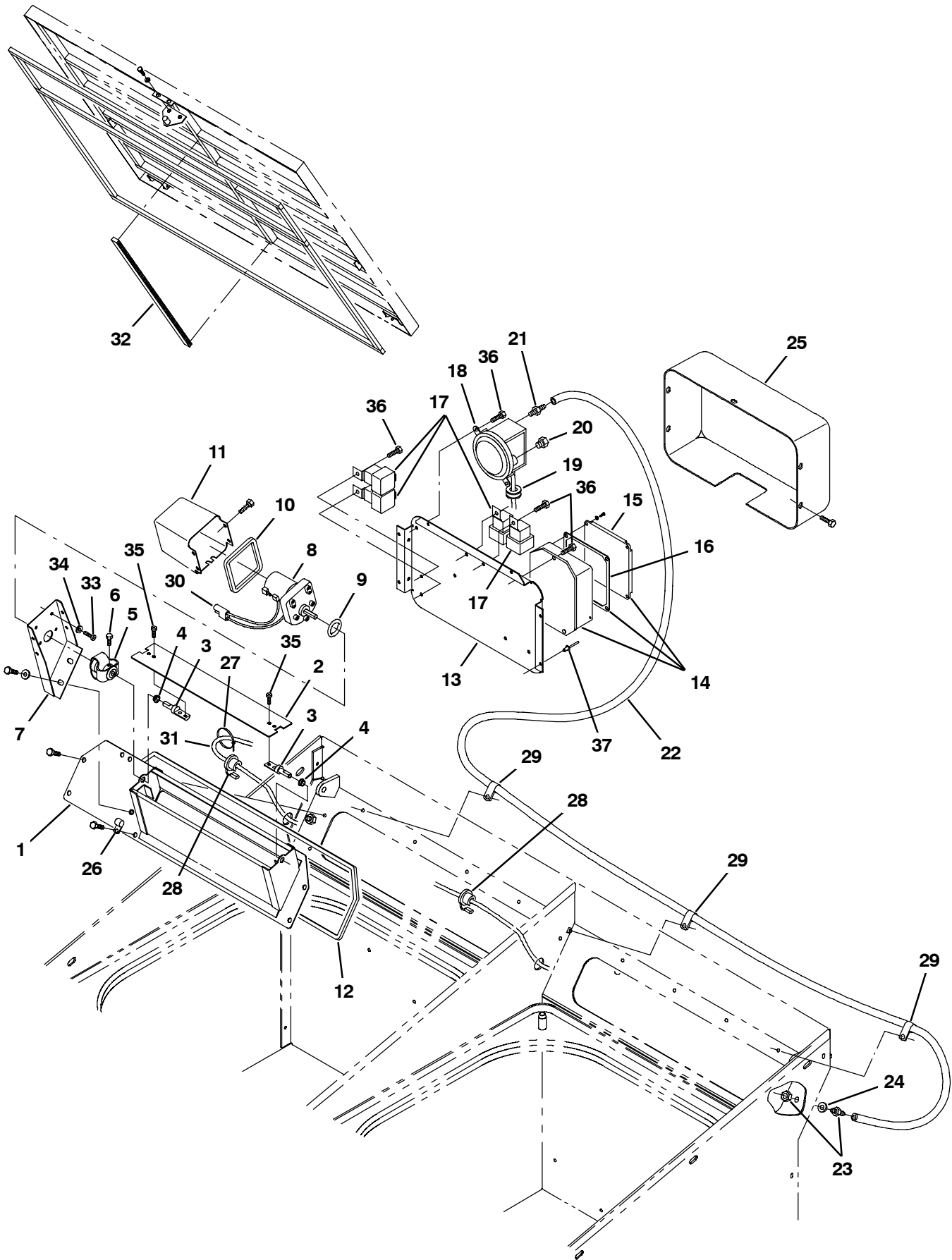
Fig. 39 - Seat Belt Kit



07674 - ALL

	Ref.	Part No.	Serial Number	Description	Qty.
▽		70690	(004000-	) Seat Belt Kit	1
▲	1	30533	(004000-	) Belt, Seat	1
▲	2	87337	(004000-	) Latch, Door	1

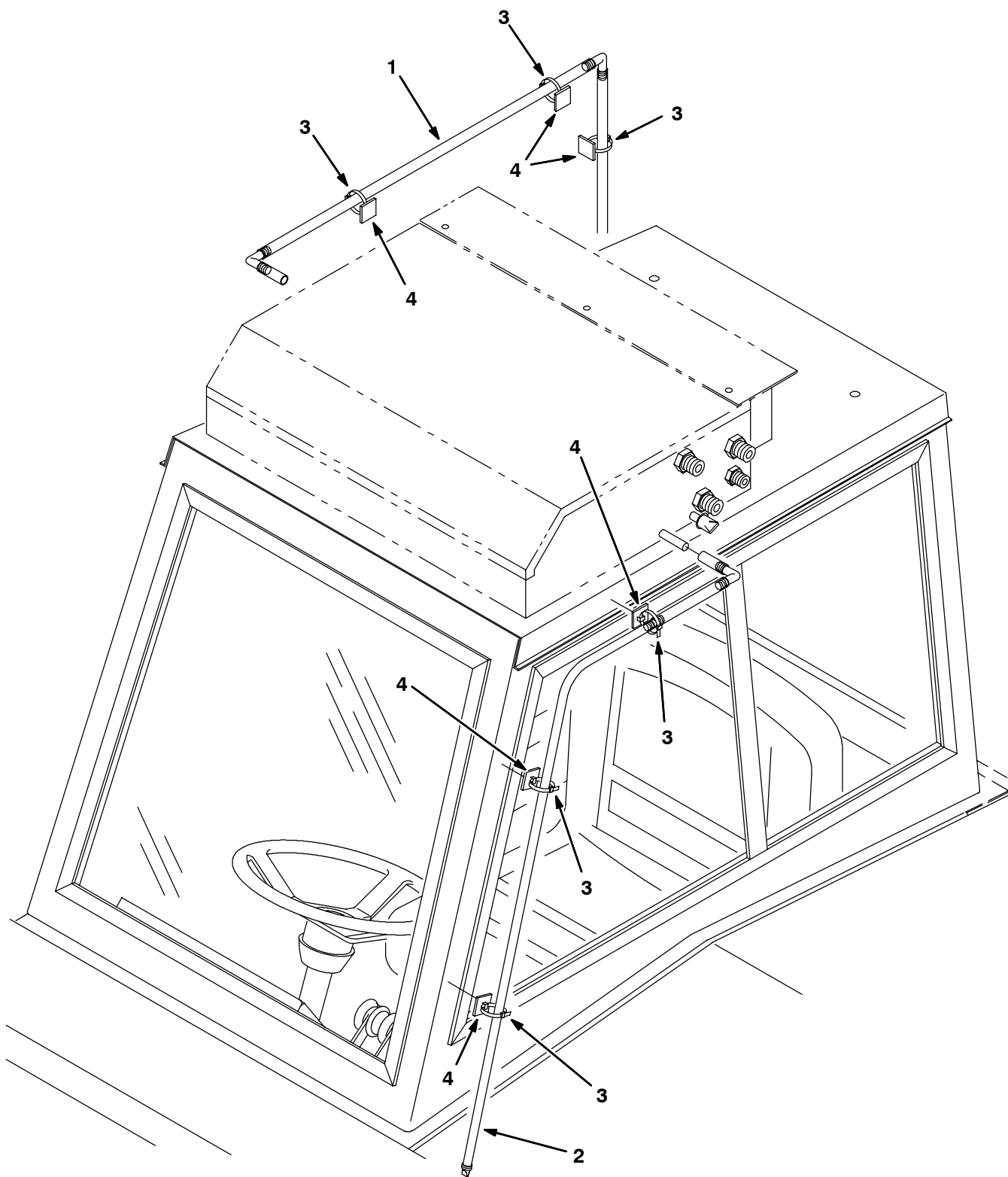
Fig. 40 - RFS Filter System Group



**Fig. 40 - RFS Filter System Group**

	<b>Ref.</b>	<b>Part No.</b>	<b>Serial Number</b>	<b>Description</b>	<b>Qty.</b>
▽		79174	(004000-	) Rfs Kit	1
▲	1	79160	(004000-	) Duct Wldt, Rfs	2
▲	2	79156	(004000-	) Plate, Shutter	2
▲	3	79159	(004000-	) Shaft, Pivot	4
▲	4	11747	(004000-	) Bearing, Nylon	4
▲	5	79158	(004000-	) Coupling	2
▲	6	42011	(004000-	) Screw, Hex, 10-24 X 0.50, Ss	4
▲	7	79157	(004000-	) Bracket, Mounting, Gearmotor	2
▲	8	79170	(004000-	) Motor, Ele, Geared, 12Vdc	2
▲	9	79172	(004000-	) Seal, O-Ring .787Idx.210Th	2
▲	10	79167	(004000-	) Seal	2
▲	11	79155	(004000-	) Cover, Motor	2
▲	12	79168	(004000-	) Seal	2
▲	13	79177	(004000-	) Plate, Mounting, Rfs Control	1
▲▽	14	79176	(004000-	) Controller Assy, Rfs	1
▲▲	15	59954	(004000-	) Cover, Housing, Electrical	1
▲▲	16	59921	(004000-	) Gasket, Cover, Alum	1
▲	17	56186	(004000-	) Relay, Shrouded, 12 Vdc	4
▲	18	75465	(004000-	) Switch, Pressure	1
▲	19	10632-4	(004000-	) Grommet,Rbr,0.62ld,For .06Matl	1
▲	20	82739	(004000-	) Ftg, Breather	1
▲	21	40607	(004000-	) Ftg,Brass,St Bm03/Pm02	1
▲	22	21301	(004000-	) Hose, Vacuum, .16 Id X 76.0 Lg	1
▲	23	39923	(004000-	) Ftg,Bulkhead-Barb Wh 1074X4	1
▲	24	43454	(004000-	) Washer, .344B .69D .06Nylon	1
▲	25	79169	(004000-	) Cover, Electrical	1
▲	26	40678	(004000-	) Clamp,Cable .44D .62Wide	2
▲	27	49266	(004000-	) Tie, Cable 1.75D Max 7.50Lg	12
▲	28	34864	(004000-	) Strain,Relief	2
▲	29	46236	(004000-	) Clamp-Cable, 0.25Dia 0.56Wth	3
▲	30	79025	(004000-	) Harness, Motor, Duct	2
▲	31	79026	(004000-	) Harness, Hopper, Rfs	1
▲		83706	(004000-	) Harness, Rfs Jumper	1
▲	32	70851	(004000-	) Seal, Urethane	1
▲		44961	(004000-	) Tie, Cable 4.00 Max 14.50Lg	28
▲		23935	(004000-	) Seal, Filter	2
▲		57809	(004000-	) Breaker-Cicuit, 15 Resetable	2
▲	33	49766	(004000-	) Screw, Hex, #08-32 X 0.38, Ss	8
▲	34	02938	(004000-	) Washer, Lock, Int, 08 Ss	8
▲	35	06932	(004000-	) Screw, Pan, M5 X 0.80 X 10, 4.8	8
▲	36	74455	(004000-	) Screw, Hex, M6 X 1.0 X 12, Fmg	9
▲	37	34738	(004000-	) Rivet, Blind, .125d X 0.32 X .25d, Stl	6

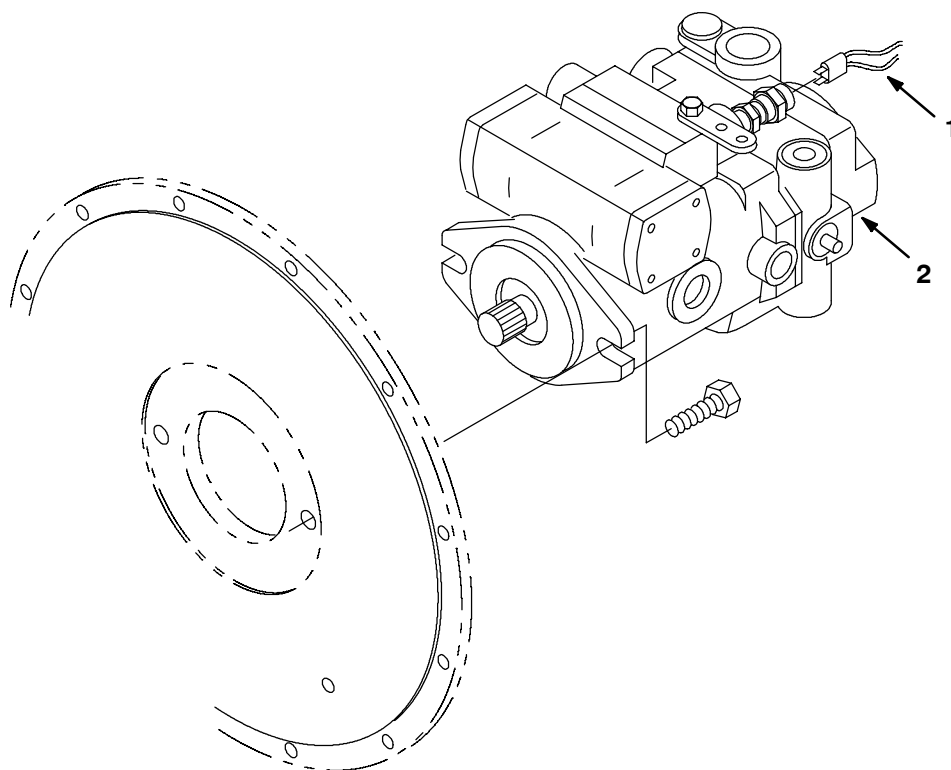
Fig. 41 - Cab AC Drain Hose Kit



**Fig. 41 - Cab AC Drain Hose Kit**

	<b>Ref.</b>	<b>Part No.</b>	<b>Serial Number</b>	<b>Description</b>	<b>Qty.</b>
▽		374133	(004000-	) Kit, Ci, Drain Hose, A/C	1
▲	1	374134	(004000-	) Hose Assy, Drain, A/C	1
▲	2	374135	(004000-	) Hose Assy, Drain, A/C	1
▲	3	49266	(004000-	) Tie, Cable, Nyl, 07.3l .19w 1.8 Max D	10
▲	4	55248	(004000-	) Mount, Cable Tie	10

**Fig. 42 - Neutral Start Group**

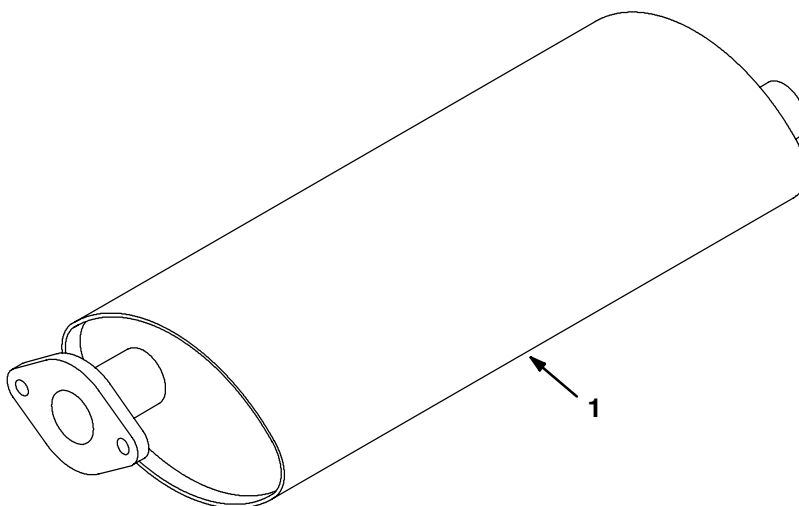


09831 - ALL

Ref.	Part No.	Serial Number	Description	Qty.
1	63407	(004000- )	Harness, Neutral, Start	1
2	74164	(004000-004586 )	Pump, Hyd Piston V 2.48 (See breakdowns)	1
2	373405	(004587- )	Pump, Hyd Piston V 2.48 (See breakdowns)	1



**Fig. 43 - Muffler Group, Non-Catalytic**



09831 - GM, G, LP

<b>Ref.</b>	<b>Part No.</b>	<b>Serial Number</b>	<b>Description</b>	<b>Qty.</b>
1	1012634	(006000-006999 )	Muffler, Exhaust	1

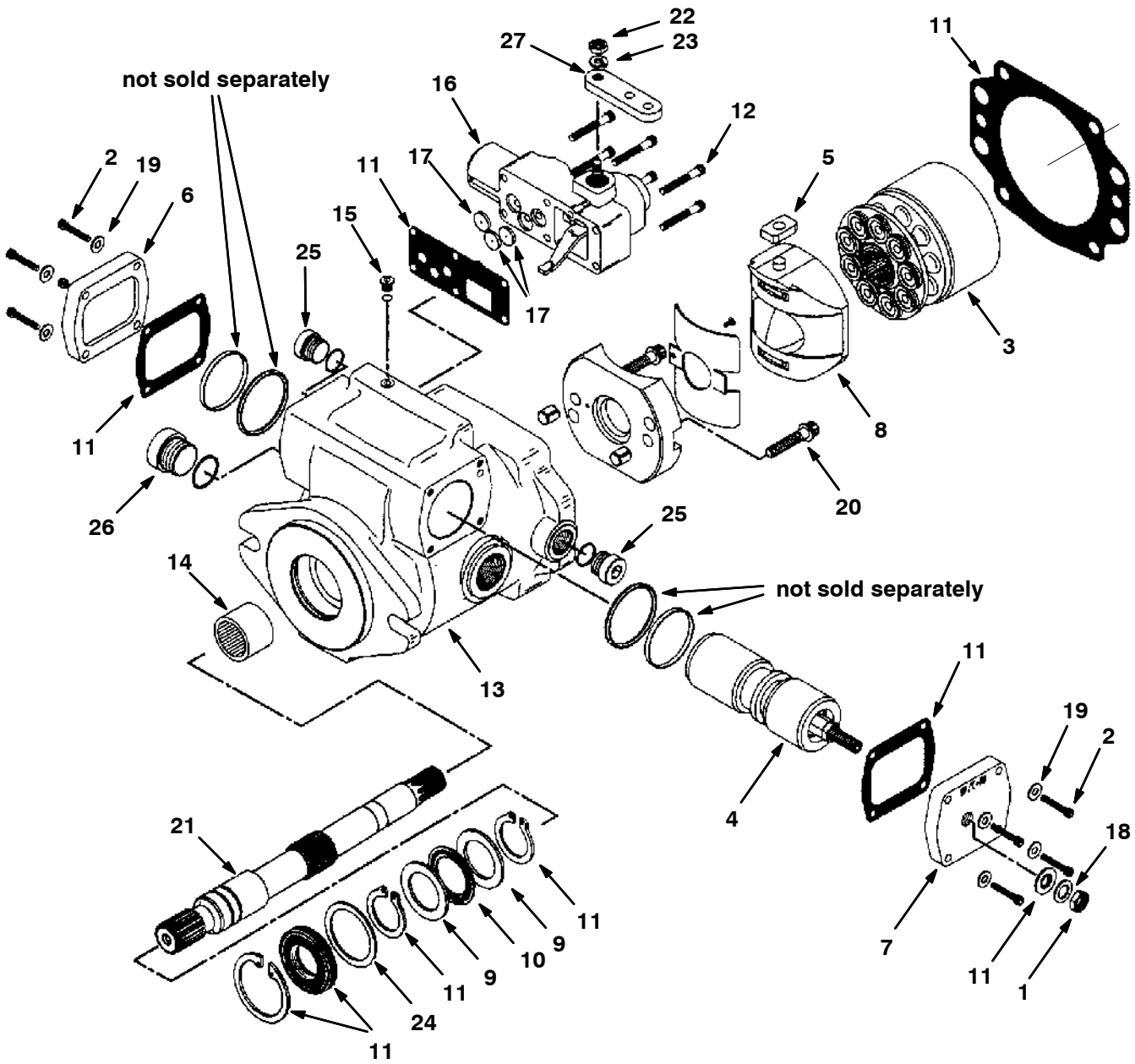
**Fig. 44 - Documentation Group**

<b>Ref.</b>	<b>Part No.</b>	<b>Serial Number</b>	<b>Description</b>	<b>Qty.</b>
	330120	(004000-	) Manual Pkg 800G	1
	MM337	(004000-	) Manual, Service 800/810	1
	393223	(004000-	) Manual, Service, Eng, [Gm 3.0L]	1
	21791	(004000-	) Manual, Service FD (Lrg) 2.3L	1
	385439	(004000-	) Manual, Service FD (Lrg) 2.5L	1
	330122	(004000-	) Manual Op/Mt 800G Spanish	1
	330123	(004000-	) Manual Op/Mt 800G French	1
	1052092	(004000-	) Video, Oprtr, Training, Dvd [800]	1
	9003927	(007000-	) Manual, Eng, Cd-Rom [Tier II, Gm3.0L]	1

## SECTION 4

Contents	Page	Contents	Page
Fig. 1 - Hydraulic Piston Pump Breakdown, 74163 .....	4-2	Fig. 32 - AC and Heater Box Breakdown, 380613 .....	4-54
Fig. 2 - Hydraulic Piston Pump Breakdown, 74163 .....	4-4	Fig. 33 - Heater Box Breakdown, 380614 .....	4-56
Fig. 3 - Hydraulic Piston Pump Breakdown, 373404 .....	4-6	Fig. 34 - Brake Assy, Right Hand (R.h.) 77790 .	4-58
Fig. 4 - Hydraulic Piston Pump Breakdown, 373404 .....	4-8	Fig. 35 - Brake Assy, Left Hand (L.h.) 77770 . . .	4-60
Fig. 5 - Hydraulic Manual Control Breakdown, 74273 .....	4-10	Fig. 36 - LPG EFI Breakdown, 371894 .....	4-62
Fig. 6 - Hydraulic Piston Pump Breakdown, 74164 .....	4-12	Fig. 37 - LPG EFI Breakdown, 371895 .....	4-64
Fig. 7 - Hydraulic Piston Pump Breakdown, 74164 .....	4-14	Fig. 38 - Gasoline EFI Breakdown, 371896 . . . .	4-66
Fig. 8 - Hydraulic Piston Pump Breakdown, 373405 .....	4-16	Fig. 39 - Gasoline Electronic Fuel Ignition Breakdown, 371897 .....	4-68
Fig. 9 - Hydraulic Piston Pump Breakdown, 373405 .....	4-18	Fig. 40 - Hydraulic Solenoid Valve Breakdown, 1049210 .....	4-70
Fig. 10 - Hydraulic Manual Control Breakdown, 373369 .....	4-20	Fig. 41 - Hydraulic Solenoid Valve Breakdown, 1049209 .....	4-72
Fig. 11 - Hydraulic Gear Pump Breakdown, 62561 .....	4-22	Fig. 42 - Hydraulic Solenoid Valve Breakdown, 1049211 .....	4-74
Fig. 12 - Hydraulic Gear Pump Breakdown, 373254 .....	4-24		
Fig. 13 - Hydraulic Motor Breakdown, 63426 . . .	4-26		
Fig. 14 - Hydraulic Motor Breakdown, 22626 . . .	4-28		
Fig. 15 - Hydraulic Motor Breakdown, 373464 . .	4-30		
Fig. 16 - Hydraulic Motor Breakdown, 53434 . . .	4-32		
Fig. 17 - Hydraulic Motor Breakdown, 79781 . . .	4-33		
Fig. 18 - Hydraulic Motor Breakdown, 19117 . . .	4-34		
Fig. 19 - Hydraulic Motor Breakdown, 63542 . . .	4-35		
Fig. 20 - Hydraulic Steering Valve Breakdown, 65242 .....	4-36		
Fig. 21 - Hydraulic Solenoid Valve Breakdown, 84015 .....	4-38		
Fig. 22 - Hydraulic Solenoid Valve Breakdown, 84016 .....	4-39		
Fig. 23 - Hydraulic Valve Breakdown, 375563 . .	4-40		
Fig. 24 - Hydraulic Solenoid Valve Breakdown, 84014 .....	4-42		
Fig. 25 - Hydraulic Cylinder Breakdown, 53601 .....	4-44		
Fig. 26 - Hydraulic Cylinder Breakdown, 1026719 .....	4-45		
Fig. 27 - Cab Assembly .....	4-46		
Fig. 28 - Cab Door Assembly .....	4-48		
Fig. 29 - Cab Insulation Group .....	4-50		
Fig. 30 - Cab Wire Harness Group .....	4-52		
Fig. 31 - AC Condenser Box Breakdown, 380625 .....	4-53		

**Fig. 1 - Hydraulic Piston Pump Breakdown, 74163**

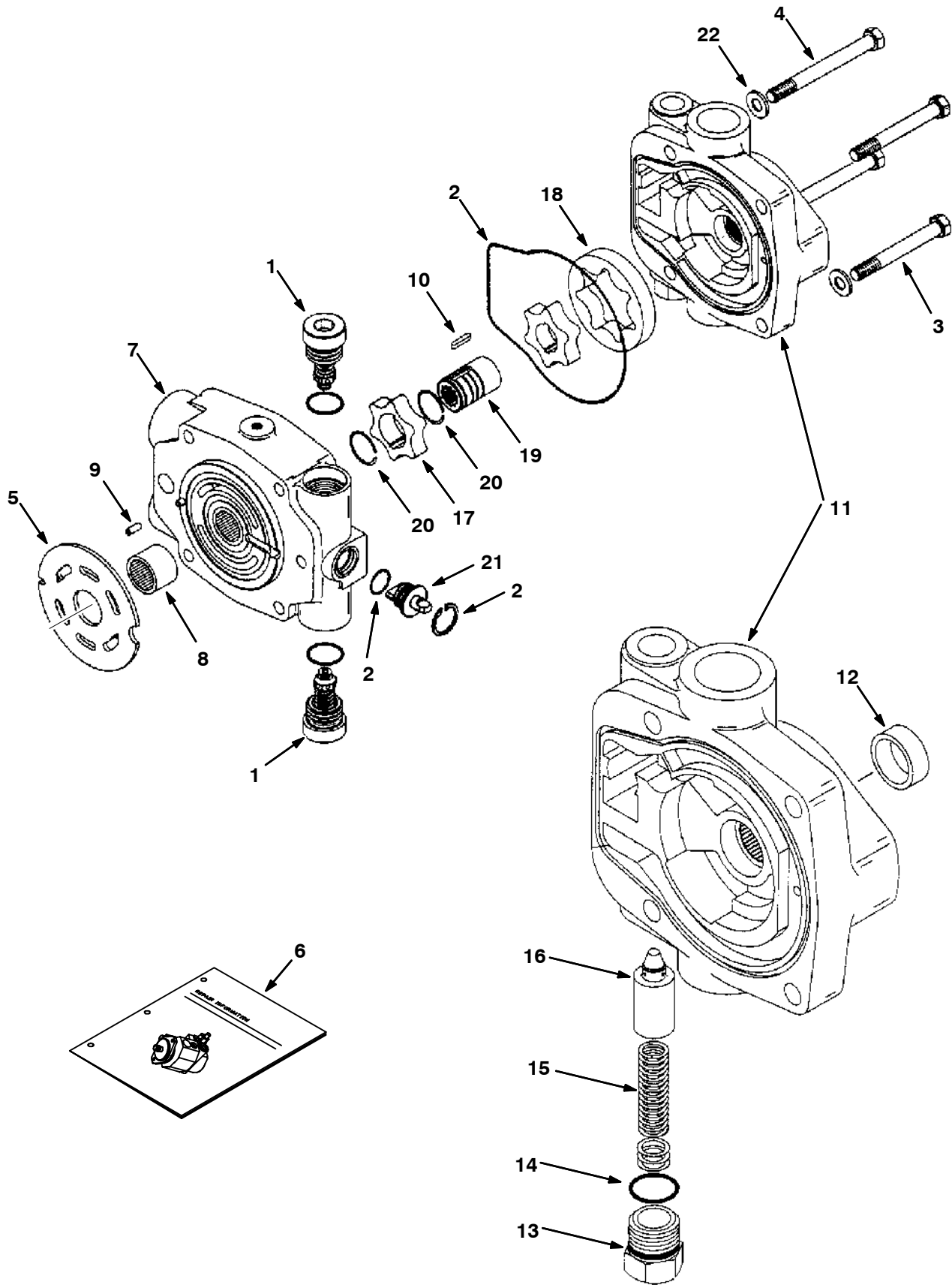


**Fig. 1 - Hydraulic Piston Pump Breakdown, 74163**

NOTE: Piston Pump, TENNANT Part Number 74163, includes Fig. 1, Fig. 2 and Fig. 5.

Ref.	Part No.	Serial Number	Description	Qty.
1	74184	(000000-	) Nut, Jam	1
2	74223	(000000-	) Screw, Cap	8
3	61882	(000000-	) Rotating Kit	1
4	74253	(000000-	) Piston, Servo	1
5	74254	(000000-	) Follower, Piston	1
6	74256	(000000-	) Plate, Cover En	1
7	74257	(000000-	) Plate, Cover En	1
8	74258	(000000-	) Camplate S/A En	1
9	74240	(000000-	) Race, Bearing Ce	2
10	74210	(000000-	) Bearing	1
11	74283	(000000-	) Seal Kit, Pump En	1
12	74262	(000000-	) Screw, Cap En	6
▽	74263	(000000-	) Housing S/A En	1
▲	13 79771	(000000-	) Housing En	1
▲	14 37462	(000000-	) Bearing	1
▲	15 79742	(000000-	) Plug S/A En	1
16	74273	(000000-	) Control, Manual (See Breakdowns)	1
17	74276	(000000-	) Orifice, Valve En	3
18	74280	(000000-	) Washer En	1
19	74281	(000000-	) Washer En	8
20	79747	(000000-	) Cap Screw En	2
21	74265	(000000-	) Shaft, Drive Sp En	1
22	74266	(000000-	) Nut En	1
23	74267	(000000-	) Lockwasher En	1
24	37460	(000000-	) Washer	1
25	13907	(000000-	) Plug #8	2
26	79779	(000000-	) Plug,#12 O-Ring Ph	1
27	74272	(000000-	) Arm, Control En	1

**Fig. 2 - Hydraulic Piston Pump Breakdown, 74163**

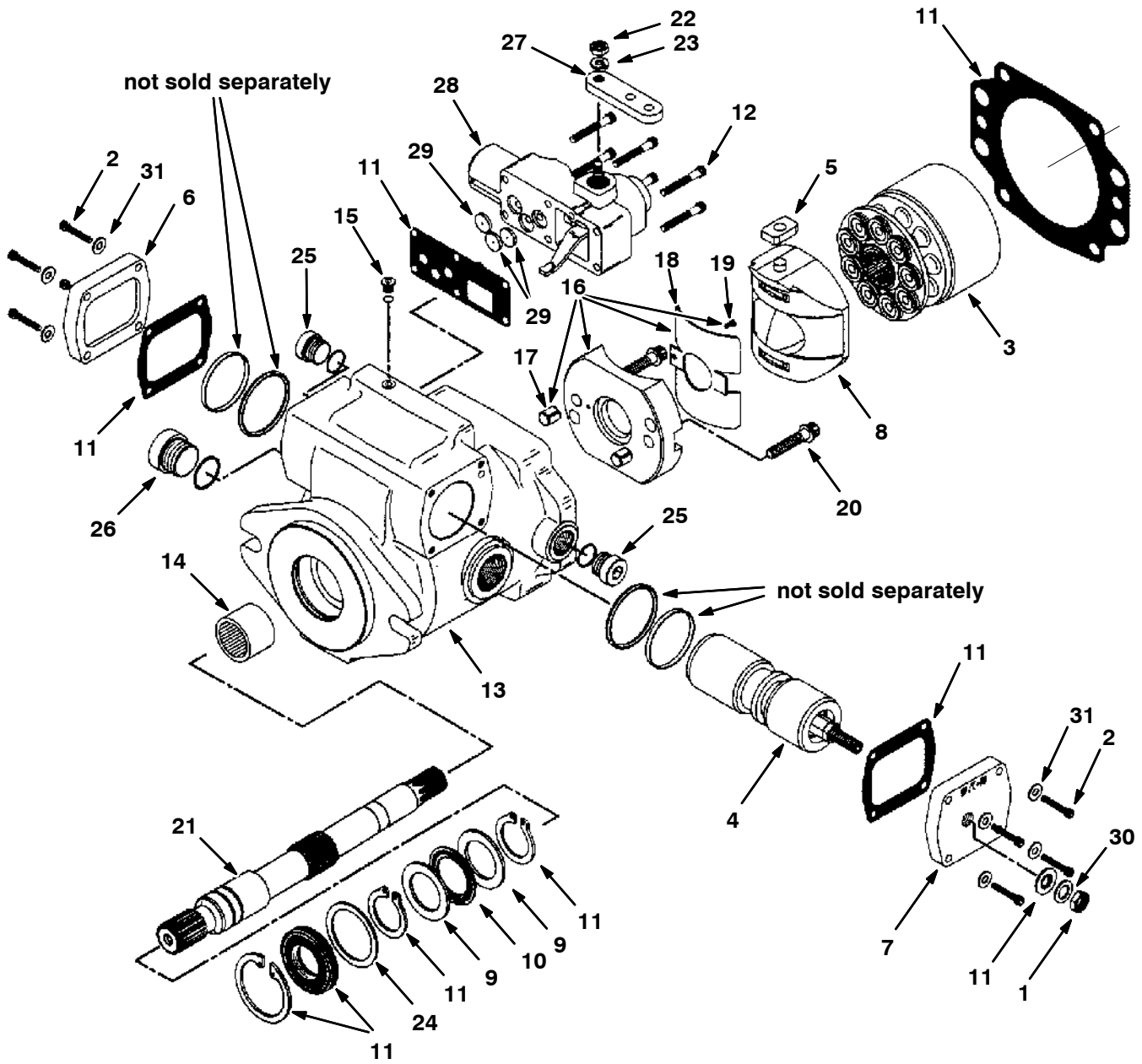


**Fig. 2 - Hydraulic Piston Pump Breakdown, 74163**

NOTE: Piston Pump, TENNANT Part Number 74163, includes Fig. 1, Fig. 2 and Fig. 5.

Ref.	Part No.	Serial Number	Description	Qty.
1	74259	(000000-	) Relief Valve Sa En	2
2	74283	(000000-	) Seal Kit, Pump En	1
3	74260	(000000-	) Screw, Cap En	2
4	74261	(000000-	) Screw, Cap En	2
5	61886	(000000-	) Valve Plate	1
6	79708	(000000-	) Repair Info,Pmp En	1
▽	7	74264	(000000-) Backplate S/A En	1
▲	8	34159	(000000-) Bearing	1
▲	9	79748	(000000-) Roll Pin En	1
10	74270	(000000-	) Key En	1
▽	11	74271	(000000-) Charge Pmp Adap En	1
▲	12	79749	(000000-) Bushing En	1
▲	13	79750	(000000-) Plug En	1
▲	14	79751	(000000-) Shims En	1
▲	15	79752	(000000-) Spring En	1
▲	16	79753	(000000-) Poppet En	1
17	74274	(000000-	) Geroter,Ring In En	1
18	74275	(000000-	) Geroter,Ring Ot En	1
19	74277	(000000-	) Coupler En	1
20	74278	(000000-	) Ring, Retaining En	2
21	74279	(000000-	) Actuator, Valve En	1
22	74282	(000000-	) Washer En	4

**Fig. 3 - Hydraulic Piston Pump Breakdown, 373404**



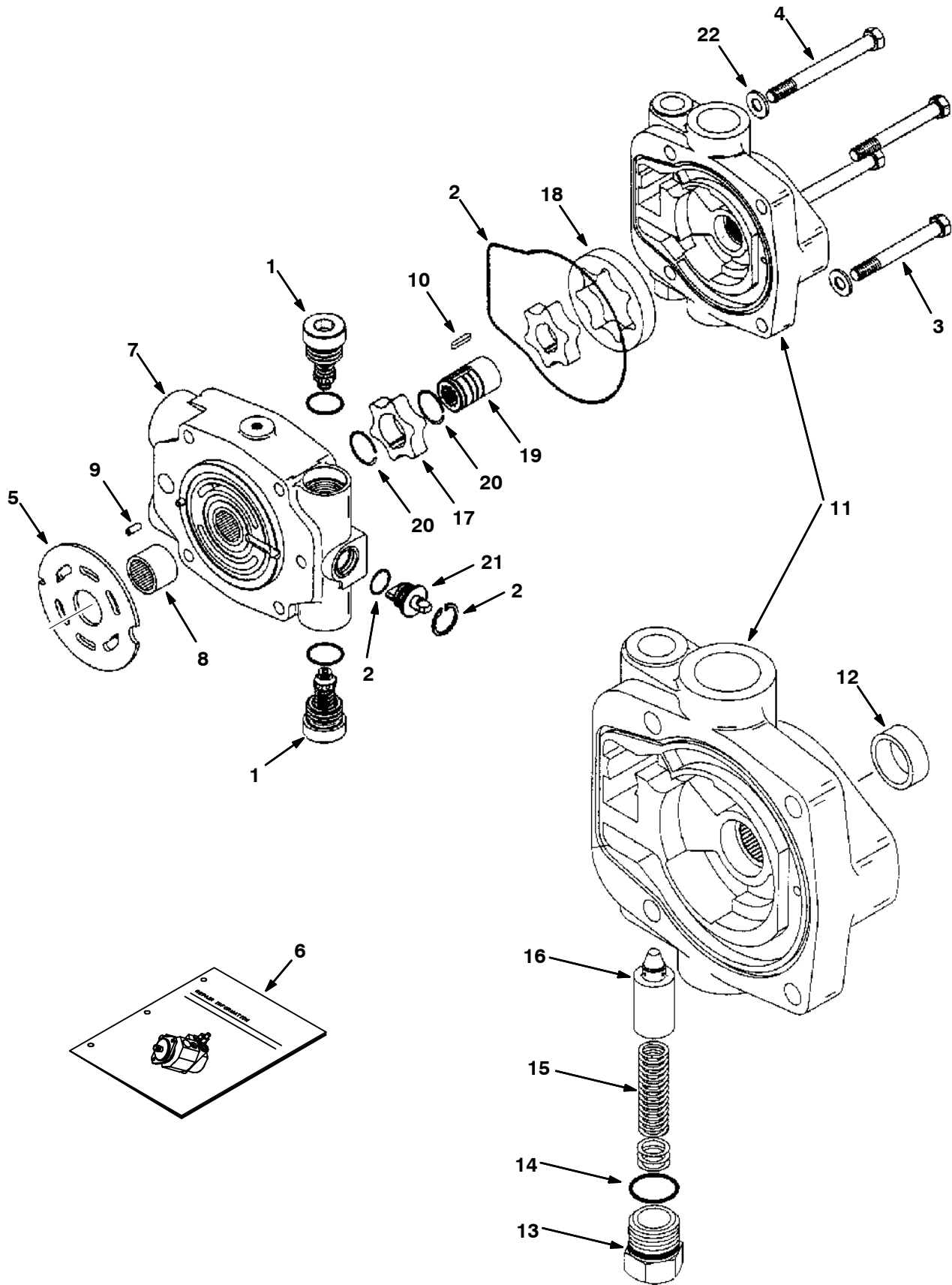


**Fig. 3 - Hydraulic Piston Pump Breakdown, 373404**

NOTE: Piston Pump, TENNANT Part Number 373404, includes Fig. 3, Fig. 4 and Fig. 5.

Ref.	Part No.	Serial Number	Description	Qty.
1	74184	(000000-	) Nut, Jam	1
2	74223	(000000-	) Screw, Cap	8
3	61882	(000000-	) Rotating Kit	1
4	373407	(000000-	) Piston, Servo	1
5	74254	(000000-	) Follower, Piston	1
6	74256	(000000-	) Plate, Cover En	1
7	74257	(000000-	) Plate, Cover En	1
8	74258	(000000-	) Camplate S/A En	1
9	74240	(000000-	) Race, Bearing Ce	2
10	74210	(000000-	) Bearing	1
11	74283	(000000-	) Seal Kit, Pump En	1
12	74262	(000000-	) Screw, Cap En	6
▽	373408	(000000-	) Housing S/A En	1
▲	13 373409	(000000-	) Housing En	1
▲	14 37462	(000000-	) Bearing	1
▲	15 79742	(000000-	) Plug S/A En	1
▽	16 373410	(000000-	) Cradle Sub Assy En	1
▲	17 373218	(000000-	) Dowel Bushing En	2
▲	18 373414	(000000-	) Bushing En	1
▲	19 373415	(000000-	) Cap Screw En	1
20	79747	(000000-	) Cap Screw En	2
21	74265	(000000-	) Shaft, Drive Sp En	1
22	74266	(000000-	) Nut En	1
23	74267	(000000-	) Lockwasher En	1
24	37460	(000000-	) Washer	1
25	13907	(000000-	) Plug #8	2
26	79779	(000000-	) Plug,#12 O-Ring Ph	1
27	74272	(000000-	) Arm, Control En	1
28	74273	(000000-	) Control, Manual (See Breakdowns)	1
29	74276	(000000-	) Orifice, Valve En	3
30	74280	(000000-	) Washer En	1
31	74281	(000000-	) Washer En	8

**Fig. 4 - Hydraulic Piston Pump Breakdown, 373404**

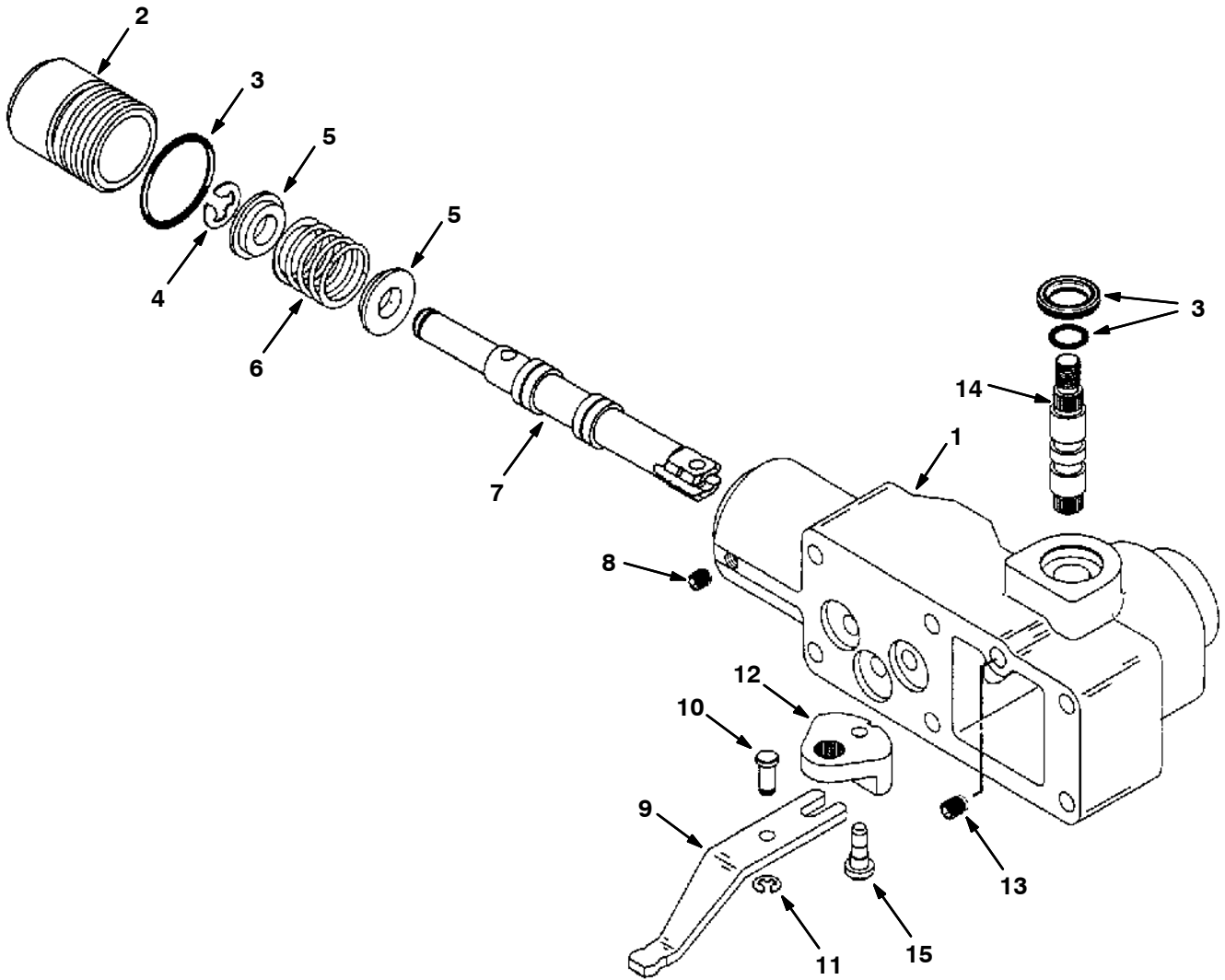


**Fig. 4 - Hydraulic Piston Pump Breakdown, 373404**

NOTE: Piston Pump, TENNANT Part Number 373404, includes .Fig. 3, Fig. 4 and Fig. 5.

Ref.	Part No.	Serial Number	Description	Qty.	
1	74259	(000000-	) Relief Valve Sa En	2	
2	74283	(000000-	) Seal Kit, Pump En	1	
3	373374	(000000-	) Screw, Cap En	2	
4	373375	(000000-	) Screw, Cap En	2	
5	61886	(000000-	) Valve Plate	1	
6	373406	(000000-	) Repair Info,Pmp En	1	
▽	7	373412	(000000-	) Backplate S/A En	1
▲	8	34159	(000000-	) Bearing	1
▲	9	79748	(000000-	) Roll Pin En	1
10	74270	(000000-	) Key En	1	
▽	11	74271	(000000-	) Charge Pmp Adap En	1
▲	12	79749	(000000-	) Bushing En	1
▲	13	79750	(000000-	) Plug En	1
▲	14	79751	(000000-	) Shims En	1
▲	15	79752	(000000-	) Spring En	1
▲	16	79753	(000000-	) Poppet En	1
17	74274	(000000-	) Geroter,Ring In En	1	
18	74275	(000000-	) Geroter,Ring Ot En	1	
19	74277	(000000-	) Coupler En	1	
20	74278	(000000-	) Ring, Retaining En	2	
21	373413	(000000-	) Actuator, Valve En	1	
22	74282	(000000-	) Washer En	4	

**Fig. 5 - Hydraulic Manual Control Breakdown, 74273**



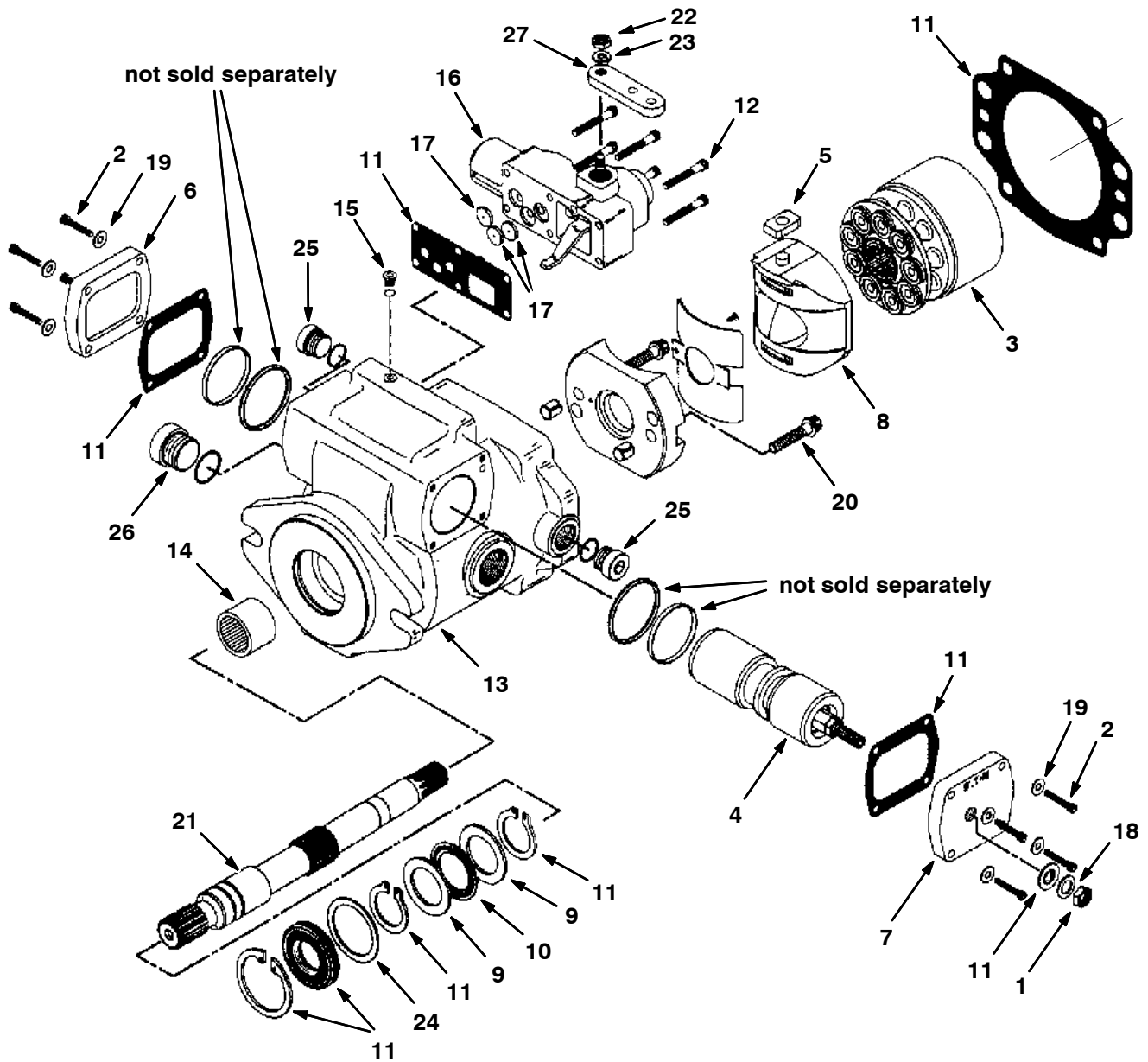
**Fig. 5 - Hydraulic Manual Control Breakdown, 74273**

NOTE: Piston Pump, TENNANT Part Number 74163, includes Fig. 1, Fig. 2 and Fig. 5.

NOTE: Piston Pump, TENNANT Part Number 373404, includes .Fig. 3, Fig. 4 and Fig. 5.

	Ref.	Part No.	Serial Number	Description	Qty.
▽		74273	(000000-	) Control, Manual	1
▲	1	79754	(000000-	) Housing,Control	1
▲	2	79755	(000000-	) Plug	1
▲	3	79776	(000000-	) Seal Kit,Cntrl	1
▲	4	79756	(000000-	) Ring, Retaining	1
▲	5	79757	(000000-	) Spring,Retainer	2
▲	6	79758	(000000-	) Spring, Cntr	1
▲	7	79759	(000000-	) Valve Spool	1
▲	8	79760	(000000-	) Screw, Set	1
▲	9	79761	(000000-	) Link, Feedback	1
▲	10	79762	(000000-	) Dowel Pin	1
▲	11	79763	(000000-	) Ring, Retaining	1
▲	12	79764	(000000-	) Bell Crank	1
▲	13	79765	(000000-	) Screw, Set	1
▲	14	79766	(000000-	) Shaft, Input	1
▲	15	79767	(000000-	) Pin, Headed	1

**Fig. 6 - Hydraulic Piston Pump Breakdown, 74164**

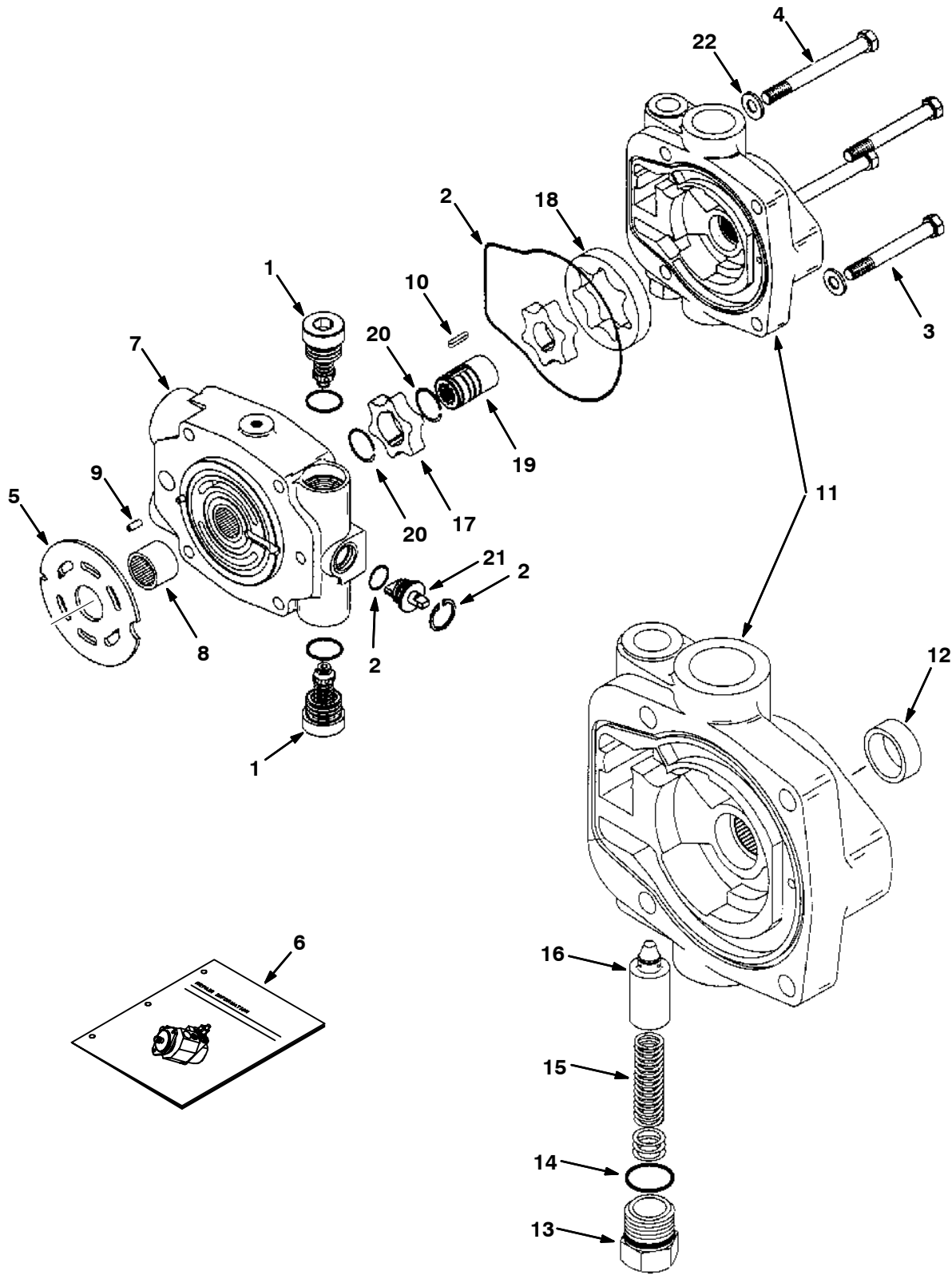


**Fig. 6 - Hydraulic Piston Pump Breakdown, 74164**

NOTE: Piston Pump, TENNANT Part Number 74164, includes Fig. 6, Fig. 7 and Fig. 10.

Ref.	Part No.	Serial Number	Description	Qty.
1	74184	(000000-	) Nut, Jam	1
2	74223	(000000-	) Screw, Cap	8
3	61882	(000000-	) Rotating Kit	1
4	74253	(000000-	) Piston, Servo	1
5	74254	(000000-	) Follower, Piston	1
6	74256	(000000-	) Plate, Cover En	1
7	74257	(000000-	) Plate, Cover En	1
8	74258	(000000-	) Camplate S/A En	1
9	74240	(000000-	) Race, Bearing Ce	2
10	74210	(000000-	) Bearing	1
11	74283	(000000-	) Seal Kit, Pump En	1
12	74262	(000000-	) Screw, Cap En	6
▽	74263	(000000-	) Housing S/A En	1
▲	13 79771	(000000-	) Housing En	1
▲	14 37462	(000000-	) Bearing	1
▲	15 79742	(000000-	) Plug S/A En	1
	16 373369	(000000-	) Control, Manual (See Breakdowns)	1
	17 74276	(000000-	) Orifice, Valve En	3
	18 74280	(000000-	) Washer En	1
	19 74281	(000000-	) Washer En	8
	20 79747	(000000-	) Cap Screw En	2
	21 74265	(000000-	) Shaft, Drive Sp En	1
	22 74266	(000000-	) Nut En	1
	23 74267	(000000-	) Lockwasher En	1
	24 37460	(000000-	) Washer	1
	25 13907	(000000-	) Plug #8	2
	26 79779	(000000-	) Plug,#12 O-Ring Ph	1
	27 74272	(000000-	) Arm, Control En	1

**Fig. 7 - Hydraulic Piston Pump Breakdown, 74164**



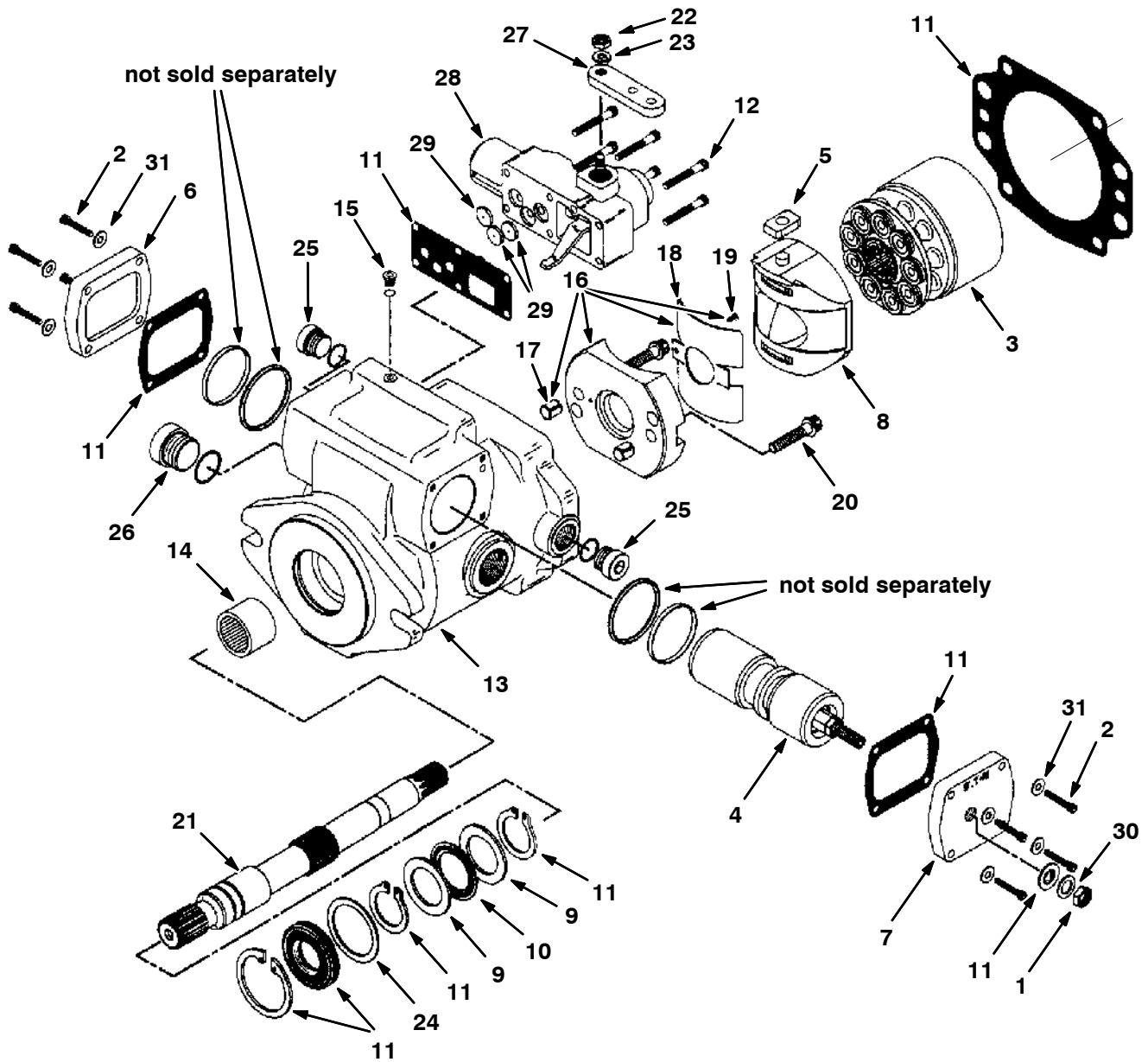


**Fig. 7 - Hydraulic Piston Pump Breakdown, 74164**

NOTE: Piston Pump, TENNANT Part Number 74164, includes Fig. 6, Fig. 7 and Fig. 10.

Ref.	Part No.	Serial Number	Description	Qty.
1	74259	(000000-	) Relief Valve Sa En	2
2	74283	(000000-	) Seal Kit, Pump En	1
3	74260	(000000-	) Screw, Cap En	2
4	74261	(000000-	) Screw, Cap En	2
5	61886	(000000-	) Valve Plate	1
6	79708	(000000-	) Repair Info,Pmp En	1
▽	7	74264	(000000-) Backplate S/A En	1
▲	8	34159	(000000-) Bearing	1
▲	9	79748	(000000-) Roll Pin En	1
10	74270	(000000-	) Key En	1
▽	11	74271	(000000-) Charge Pmp Adap En	1
▲	12	79749	(000000-) Bushing En	1
▲	13	79750	(000000-) Plug En	1
▲	14	79751	(000000-) Shims En	1
▲	15	79752	(000000-) Spring En	1
▲	16	79753	(000000-) Poppet En	1
17	74274	(000000-	) Geroter,Ring In En	1
18	74275	(000000-	) Geroter,Ring Ot En	1
19	74277	(000000-	) Coupler En	1
20	74278	(000000-	) Ring, Retaining En	2
21	74279	(000000-	) Actuator, Valve En	1
22	74282	(000000-	) Washer En	4

**Fig. 8 - Hydraulic Piston Pump Breakdown, 373405**

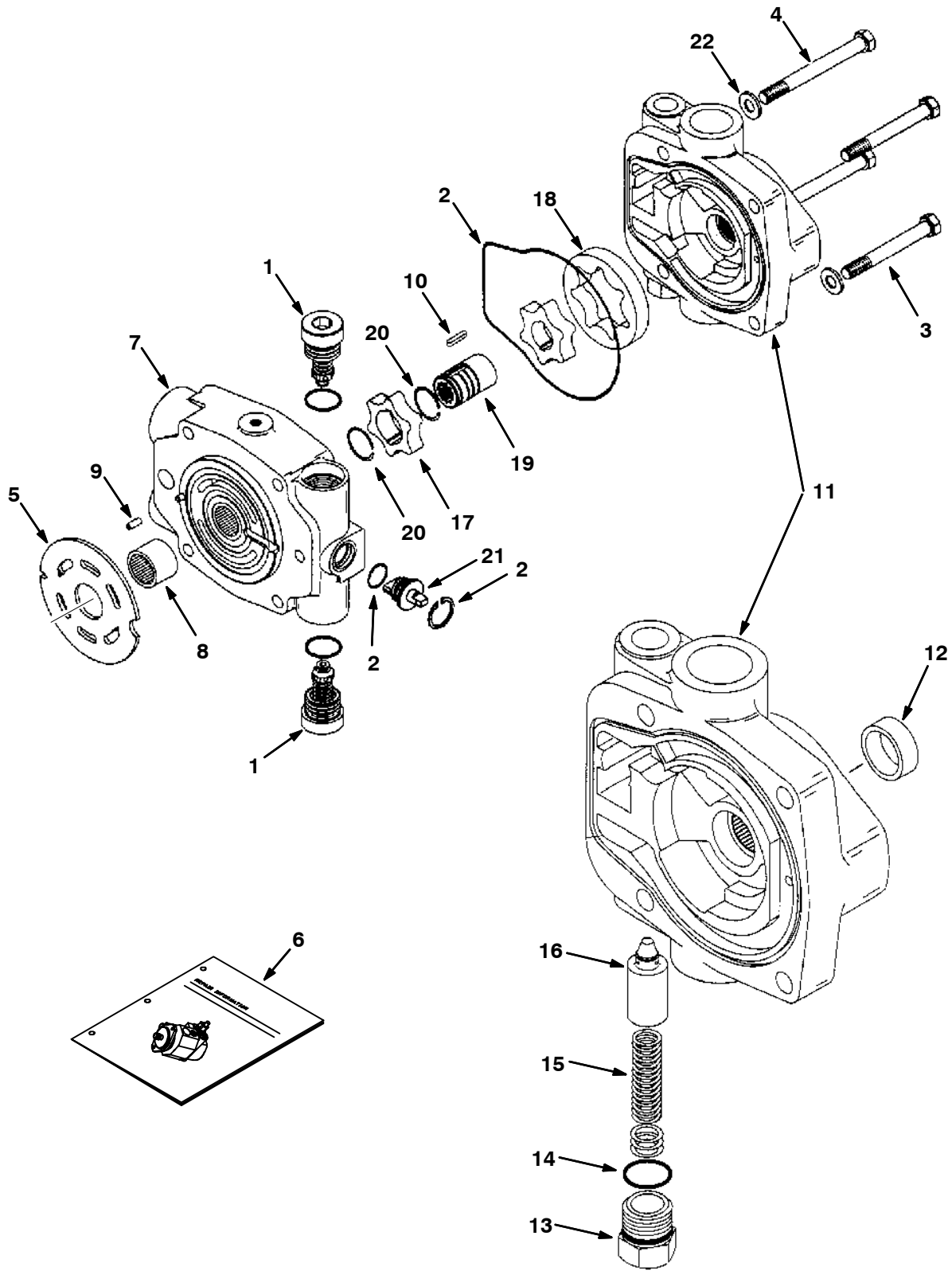


**Fig. 8 - Hydraulic Piston Pump Breakdown, 373405**

NOTE: Piston Pump, TENNANT Part Number 373405, includes Fig. 8, Fig. 9 and Fig. 10.

Ref.	Part No.	Serial Number	Description	Qty.
1	74184	(000000-	) Nut, Jam	1
2	74223	(000000-	) Screw, Cap	8
3	61882	(000000-	) Rotating Kit	1
4	373407	(000000-	) Piston, Servo	1
5	74254	(000000-	) Follower, Piston	1
6	74256	(000000-	) Plate, Cover En	1
7	74257	(000000-	) Plate, Cover En	1
8	74258	(000000-	) Camplate S/A En	1
9	74240	(000000-	) Race, Bearing Ce	2
10	74210	(000000-	) Bearing	1
11	74283	(000000-	) Seal Kit, Pump En	1
12	74262	(000000-	) Screw, Cap En	6
▽	373408	(000000-	) Housing S/A En	1
▲	13 373409	(000000-	) Housing En	1
▲	14 37462	(000000-	) Bearing	1
▲	15 79742	(000000-	) Plug S/A En	1
▽	16 373410	(000000-	) Cradle Sub Assy En	1
▲	17 373218	(000000-	) Dowel Bushing En	2
▲	18 373414	(000000-	) Bushing En	1
▲	19 373415	(000000-	) Cap Screw En	1
20	79747	(000000-	) Cap Screw En	2
21	74265	(000000-	) Shaft, Drive Sp En	1
22	74266	(000000-	) Nut En	1
23	74267	(000000-	) Lockwasher En	1
24	37460	(000000-	) Washer	1
25	13907	(000000-	) Plug #8	2
26	79779	(000000-	) Plug,#12 O-Ring Ph	1
27	74272	(000000-	) Arm, Control En	1
28	373369	(000000-	) Control, Manual (See Breakdowns)	1
29	74276	(000000-	) Orifice, Valve En	3
30	74280	(000000-	) Washer En	1
31	74281	(000000-	) Washer En	8

**Fig. 9 - Hydraulic Piston Pump Breakdown, 373405**

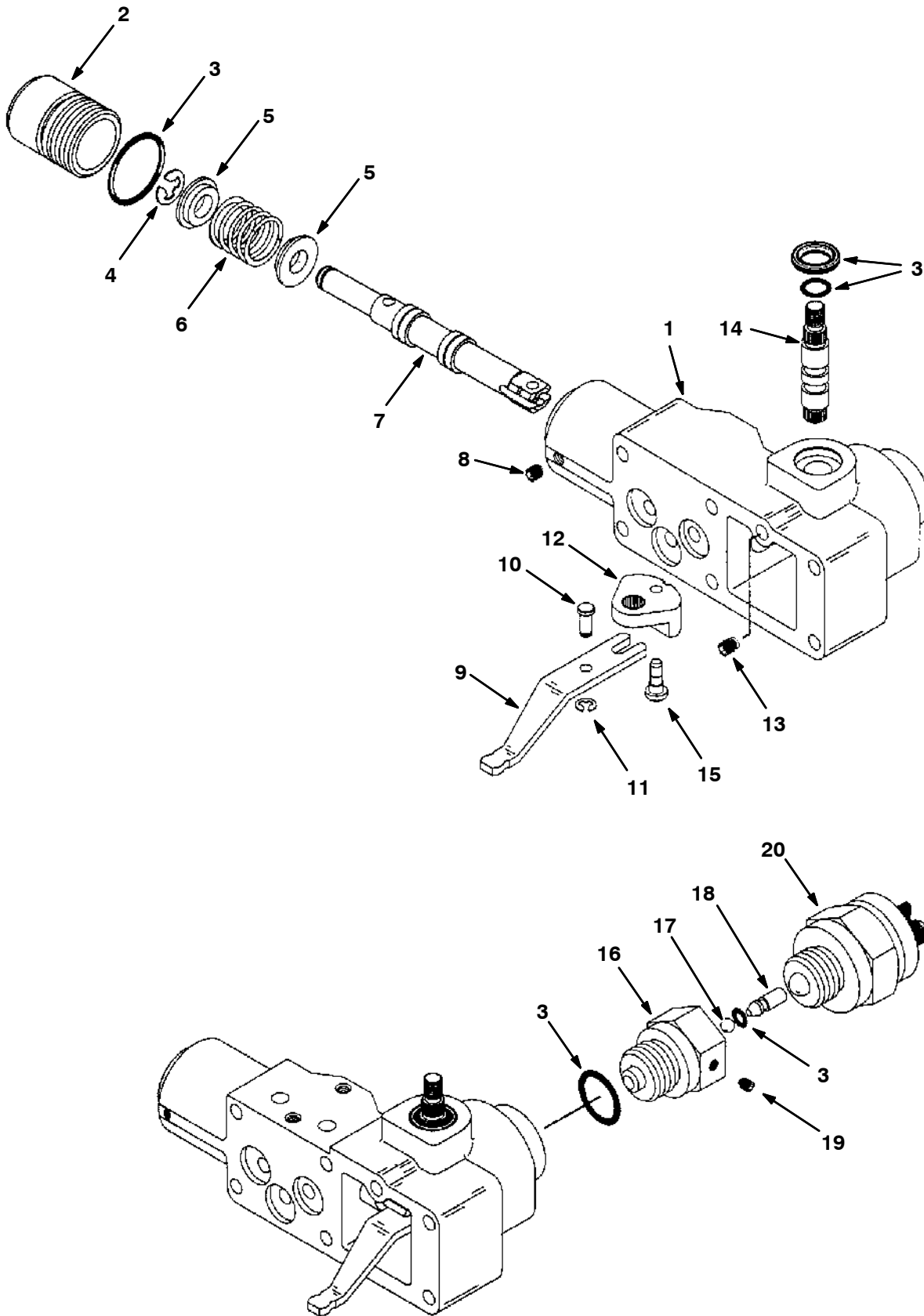


**Fig. 9 - Hydraulic Piston Pump Breakdown, 373405**

NOTE: Piston Pump, TENNANT Part Number 373405, includes Fig. 8, Fig. 9 and Fig. 10.

Ref.	Part No.	Serial Number	Description	Qty.	
1	74259	(000000-	) Relief Valve Sa En	2	
2	74283	(000000-	) Seal Kit, Pump En	1	
3	373374	(000000-	) Screw, Cap En	2	
4	373375	(000000-	) Screw, Cap En	2	
5	61886	(000000-	) Valve Plate	1	
6	373406	(000000-	) Repair Info,Pmp En	1	
▽	7	373412	(000000-	) Backplate S/A En	1
▲	8	34159	(000000-	) Bearing	1
▲	9	79748	(000000-	) Roll Pin En	1
10	74270	(000000-	) Key En	1	
▽	11	74271	(000000-	) Charge Pmp Adap En	1
▲	12	79749	(000000-	) Bushing En	1
▲	13	79750	(000000-	) Plug En	1
▲	14	79751	(000000-	) Shims En	1
▲	15	79752	(000000-	) Spring En	1
▲	16	79753	(000000-	) Poppet En	1
17	74274	(000000-	) Geroter,Ring In En	1	
18	74275	(000000-	) Geroter,Ring Ot En	1	
19	74277	(000000-	) Coupler En	1	
20	74278	(000000-	) Ring, Retaining En	2	
21	373413	(000000-	) Actuator, Valve En	1	
22	74282	(000000-	) Washer En	4	

**Fig. 10 - Hydraulic Manual Control Breakdown, 373369**



**Fig. 10 - Hydraulic Manual Control Breakdown, 373369**

NOTE: Piston Pump, TENNANT Part Number 74164, includes Fig. 6, Fig. 7 and Fig. 10.

NOTE: Piston Pump, TENNANT Part Number 373405, includes Fig. 8, Fig. 9 and Fig. 10.

	Ref.	Part No.	Serial Number	Description	Qty.
▽		373369	(000000-	) Manual Control En	1
▲	1	79777	(000000-	) Housing,Control En	1
▲	2	79755	(000000-	) Plug En	1
▲	3	79776	(000000-	) Seal Kit,Cntrl En	1
▲	4	79756	(000000-	) Ring, Retaining En	1
▲	5	79757	(000000-	) Spring,Retainer En	2
▲	6	79758	(000000-	) Spring, Cntr En	1
▲	7	79772	(000000-	) Vlv Spool Wide En	1
▲	8	79760	(000000-	) Screw, Set En	1
▲	9	79761	(000000-	) Link, Feedback En	1
▲	10	79762	(000000-	) Dowel Pin En	1
▲	11	79763	(000000-	) Ring, Retaining En	1
▲	12	79764	(000000-	) Bell Crank En	1
▲	13	79765	(000000-	) Screw, Set En	1
▲	14	79766	(000000-	) Shaft, Input En	1
▲	15	79767	(000000-	) Pin, Headed En	1
▲	16	373371	(000000-	) Adaptor,Neutral En	1
▲	17	79774	(000000-	) Ball En	1
▲	18	373372	(000000-	) Pin, Cntrl Assy En	1
▲	19	79760	(000000-	) Screw, Set En	1
▲	20	373373	(000000-	) Switch,Lockout En	1

**Fig. 11 - Hydraulic Gear Pump Breakdown, 62561**

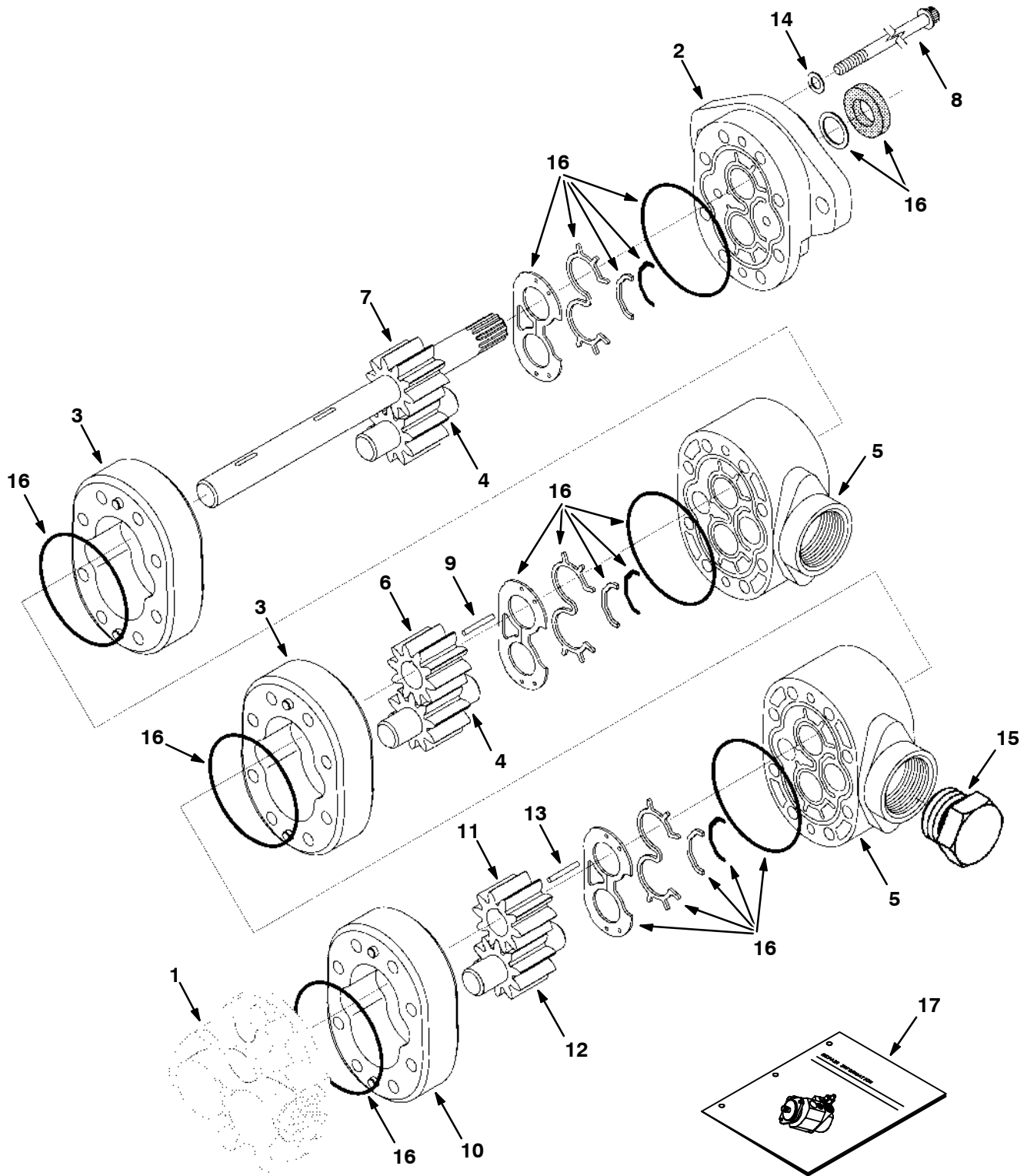




Fig. 11 - Hydraulic Gear Pump Breakdown, 62561

	Ref.	Part No.	Serial Number	Description	Qty.
▽		62561	(000000-	) Pump, Hyd	1
▲	1	58242	(000000-	) Plate, Back	1
▲	2	74149	(000000-	) Plate, Front	1
▲	3	74150	(000000-	) Body Assy	2
▲	4	74151	(000000-	) Gear, Idler	2
▲	5	74152	(000000-	) Plate, Adapter	2
▲	6	74148	(000000-	) Gear, Slip Fit	1
▲	7	65226	(000000-	) Drive Gear Assembly	1
▲	8	74154	(000000-	) Screw, Cap	8
▲	9	74160	(000000-	) Key, Round	1
▲	10	74157	(000000-	) Body Assembly	1
▲	11	74153	(000000-	) Gear	1
▲	12	74158	(000000-	) Gear, Idler	1
▲	13	74156	(000000-	) Key, Round	1
▲	14	74159	(000000-	) Washer	4
▲	15	74161	(000000-	) Plug, O-ring	1
▲	16	59305	(000000-	) Kit, Seal, Hyd, Pump	1
	17	763483	(000000-	) Repair Info, Pump	1

**Fig. 12 - Hydraulic Gear Pump Breakdown, 373254**

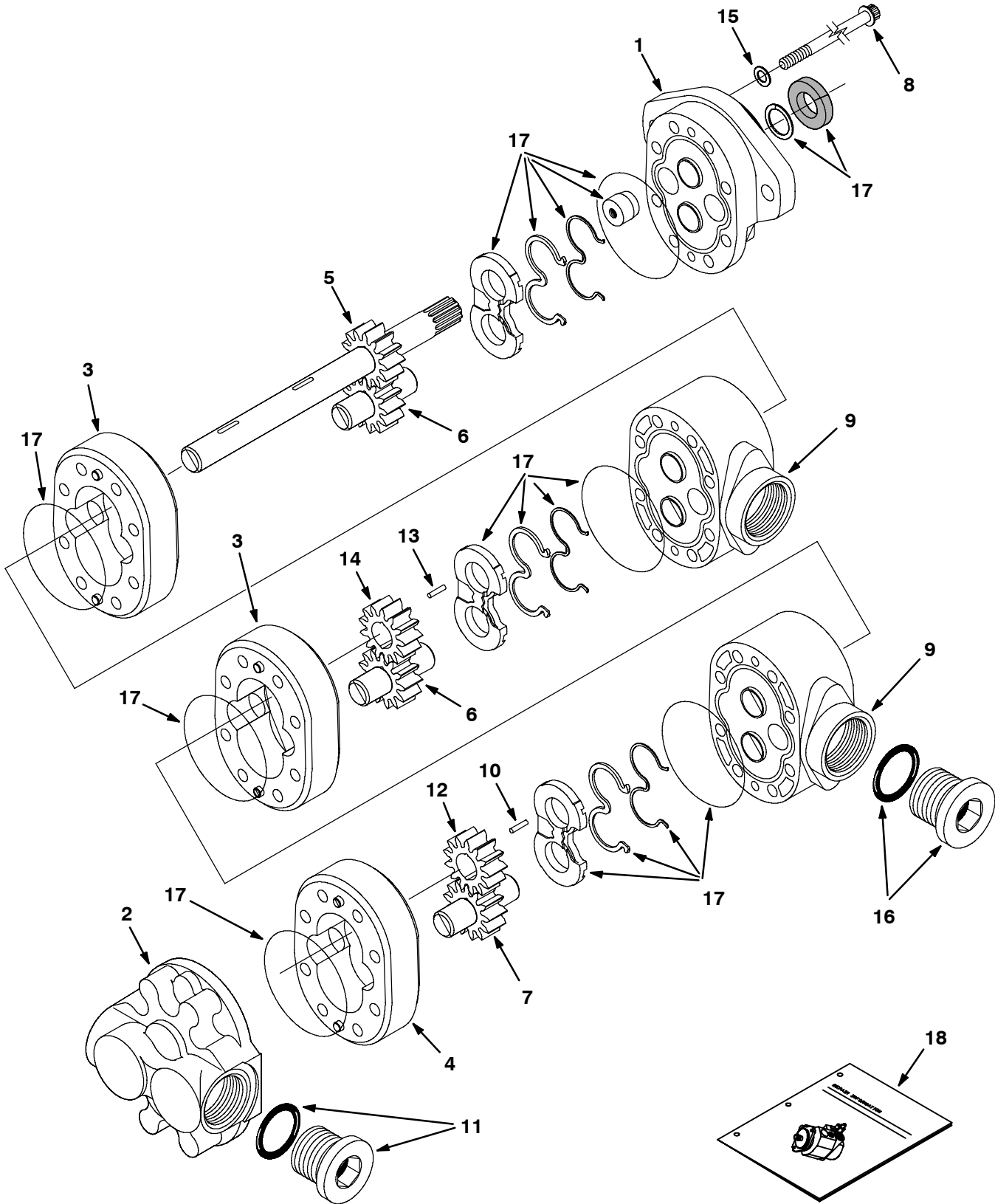


Fig. 12 - Hydraulic Gear Pump Breakdown, 373254

Ref.	Part No.	Serial Number	Description	Qty.
▽	373254	(000000-	) Pump, Hyd, Gear, [Ex3] 0.66 [R] 3000	1
▲ 1	373201	(000000-	) Plate, Front, Pump, Hyd	1
▲ 2	373276	(000000-	) Plate, Back, Pump, Hyd	1
▲ 3	373232	(000000-	) Housing	1
▲ 4	373256	(000000-	) Body	2
▲ 5	373457	(000000-	) Gear, Drive	1
▲ 6	373211	(000000-	) Gear Assy, Idler	1
▲ 7	373258	(000000-	) Gear, Idler	2
▲ 8	74154	(000000-	) Screw, Cap, Motor, Hyd	8
▲ 9	373235	(000000-	) Plate, Adaptor	2
▲ 10	373458	(000000-	) Key	1
▲ 11	71725	(000000-	) Plug, O-Ring	1
▲ 12	373259	(000000-	) Gear, [Slip Fit]	1
▲ 13	373284	(000000-	) Key	1
▲ 14	373242	(000000-	) Gear	1
▲ 15	373243	(000000-	) Washer	4
▲ 16	74161	(000000-	) Plug, O-Ring	1
▲ 17	373255	(000000-	) Kit, Seal, Pump	1
▲ 18	373207	(000000-	) Instr, Kit, Repair, Pump, Hyd	1

**Fig. 13 - Hydraulic Motor Breakdown, 63426**

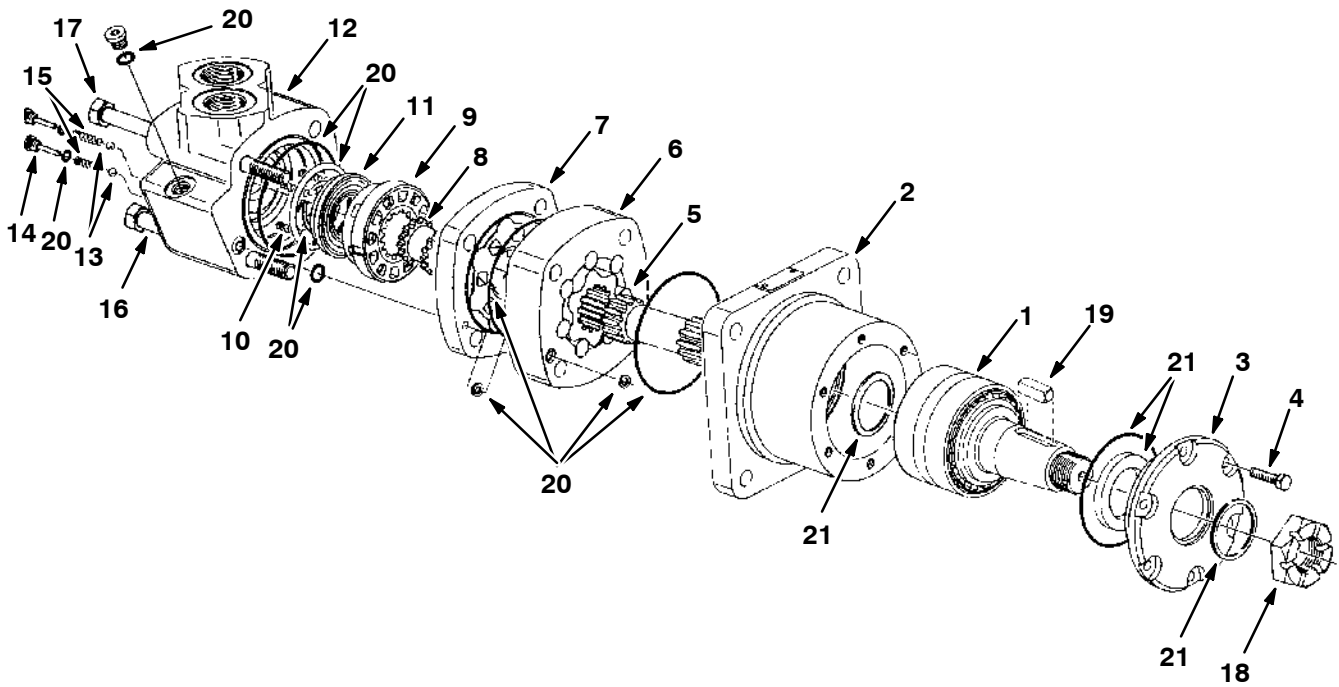


Fig. 13 - Hydraulic Motor Breakdown, 63426

	Ref.	Part No.	Serial Number	Description	Qty.
▽		63426	(000000-	) Motor, Propelling	1
▲	1	34180	(000000-	) Shaft and Brg	1
▲	2	74132	(000000-	) Housing, Brg	1
▲	3	74133	(000000-	) Retainer, Frt	1
▲	4	37943	(000000-	) Bolt	6
▲	5	34181	(000000-	) Drive	1
▲	6	34182	(000000-	) Gerotor Set	1
▲	7	34184	(000000-	) Valve Plate	1
▲	8	34183	(000000-	) Drive, Valve	1
▲	9	34185	(000000-	) Valve	1
▲	10	34178	(000000-	) Spring	3
▲	11	37723	(000000-	) Plate	1
▲	12	74134	(000000-	) Housing Assy	1
▲	13	37766	(000000-	) Ball	2
▲	14	74137	(000000-	) Plug Assembly	2
▲	15	34179	(000000-	) Spring	2
▲	16	74135	(000000-	) Screw, Cap	2
▲	17	74136	(000000-	) Screw, Cap	2
▲	18	45622	(000000-	) Nut	1
▲	19	45623	(000000-	) Key	1
▲	20	40380	(000000-	) Seal Kit, Motor	1
▲	21	65227	(000000-	) Seal Kit, Shaft	1

**Fig. 14 - Hydraulic Motor Breakdown, 22626**

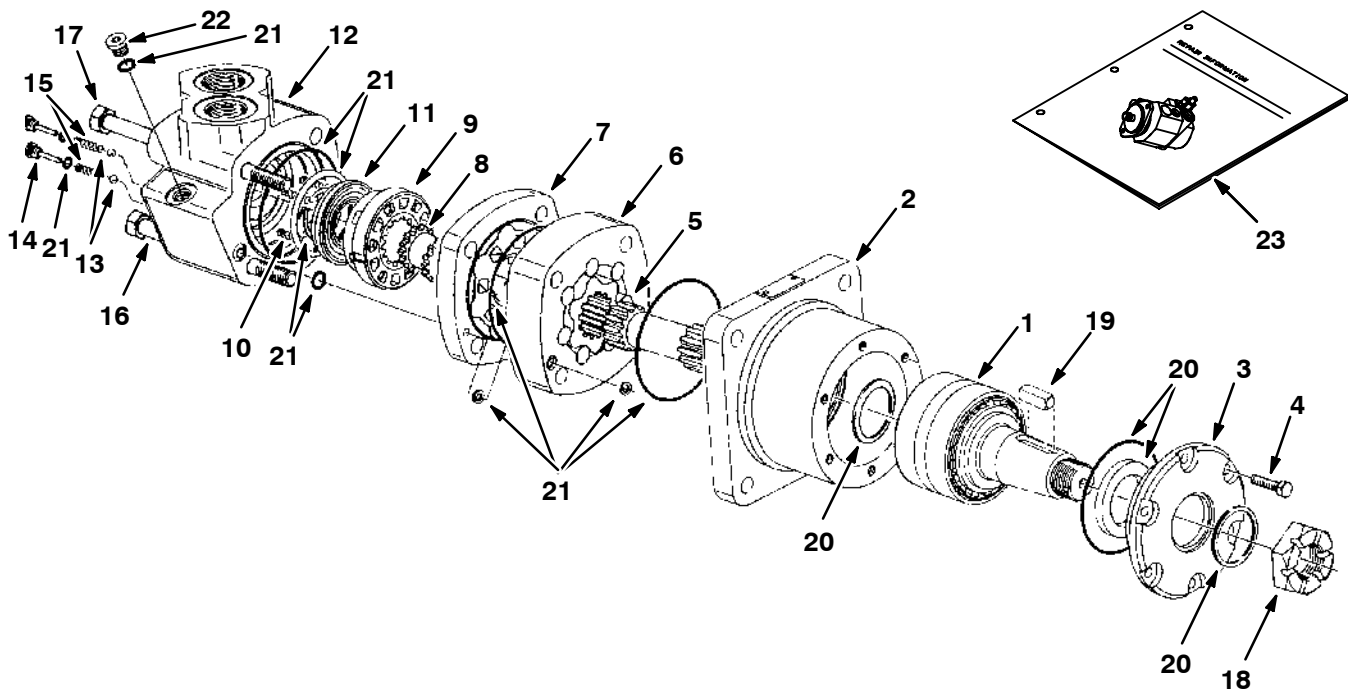


Fig. 14 - Hydraulic Motor Breakdown, 22626

	Ref.	Part No.	Serial Number	Description	Qty.
▽		22626	(000000-	) Motor, Propelling	1
▲	1	22629	(000000-	) Shaft and Brg	1
▲	2	22630	(000000-	) Housing, Brg	1
▲	3	22636	(000000-	) Retainer, Frt	1
▲	4	37943	(000000-	) Bolt	6
▲	5	34181	(000000-	) Drive	1
▲	6	74214	(000000-	) Gerotor Set	1
▲	7	34184	(000000-	) Valve Plate	1
▲	8	34183	(000000-	) Drive, Valve	1
▲	9	34185	(000000-	) Valve	1
▲	10	34178	(000000-	) Spring	3
▲	11	37723	(000000-	) Plate	1
▲	12	74134	(000000-	) Housing Assy	1
▲	13	37766	(000000-	) Ball	2
▲	14	74137	(000000-	) Plug Assembly	2
▲	15	34179	(000000-	) Spring	2
▲	16	74135	(000000-	) Screw, Cap	2
▲	17	74136	(000000-	) Screw, Cap	2
▲	18	45622	(000000-	) Nut	1
▲	19	45623	(000000-	) Key	1
▲▽	20	22645	(000000-	) Seal Kit, Shaft	1
▲▲	21	22646	(000000-	) Seal Kit, Motor	1
▲▲		74220	(000000-	) Seal Kit, Rear	1
▲	22	74098	(000000-	) Plug, O-Ring	1
	23	74246	(000000-	) Repair Info, Motor	1

**Fig. 15 - Hydraulic Motor Breakdown, 373464**

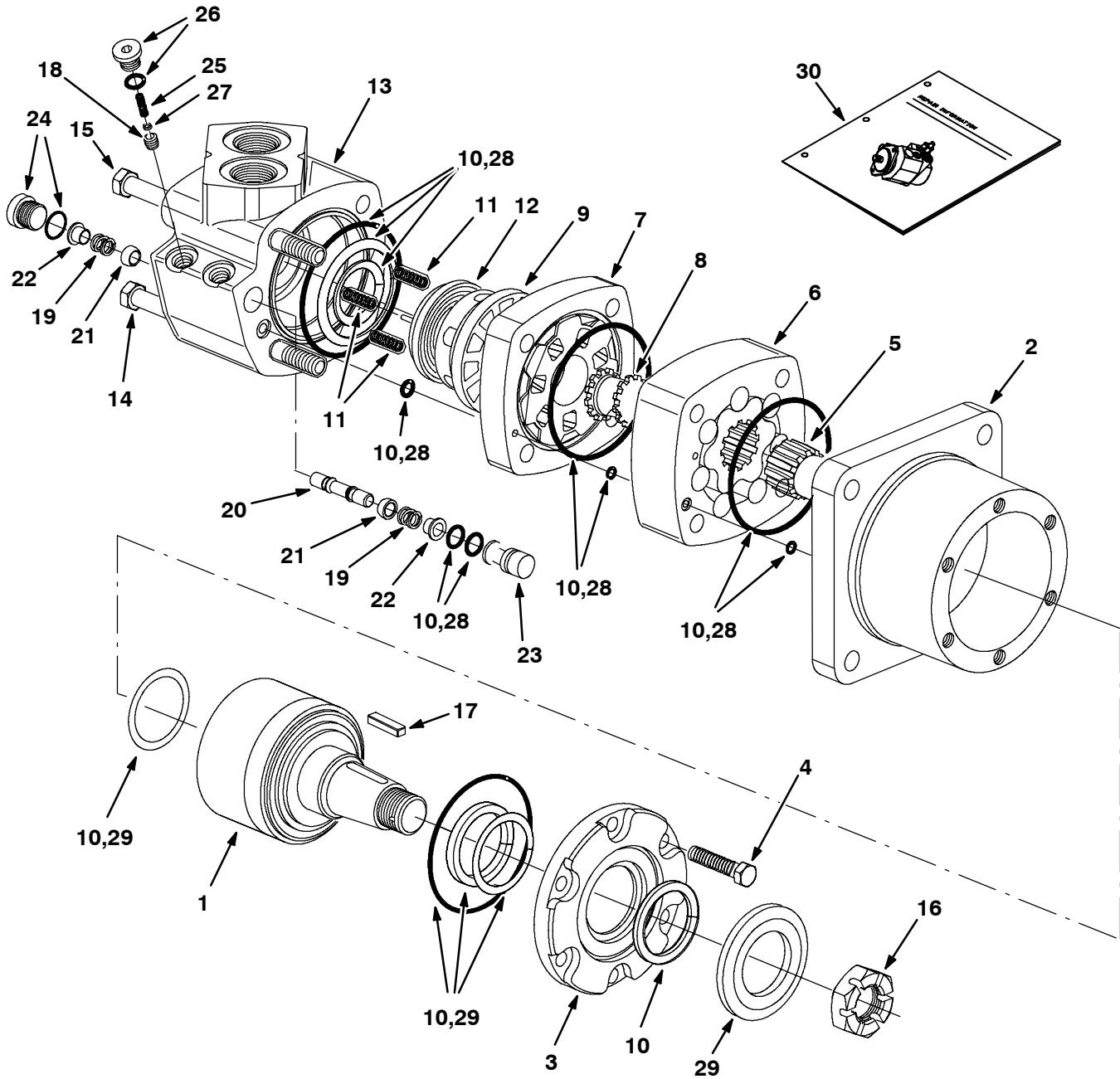
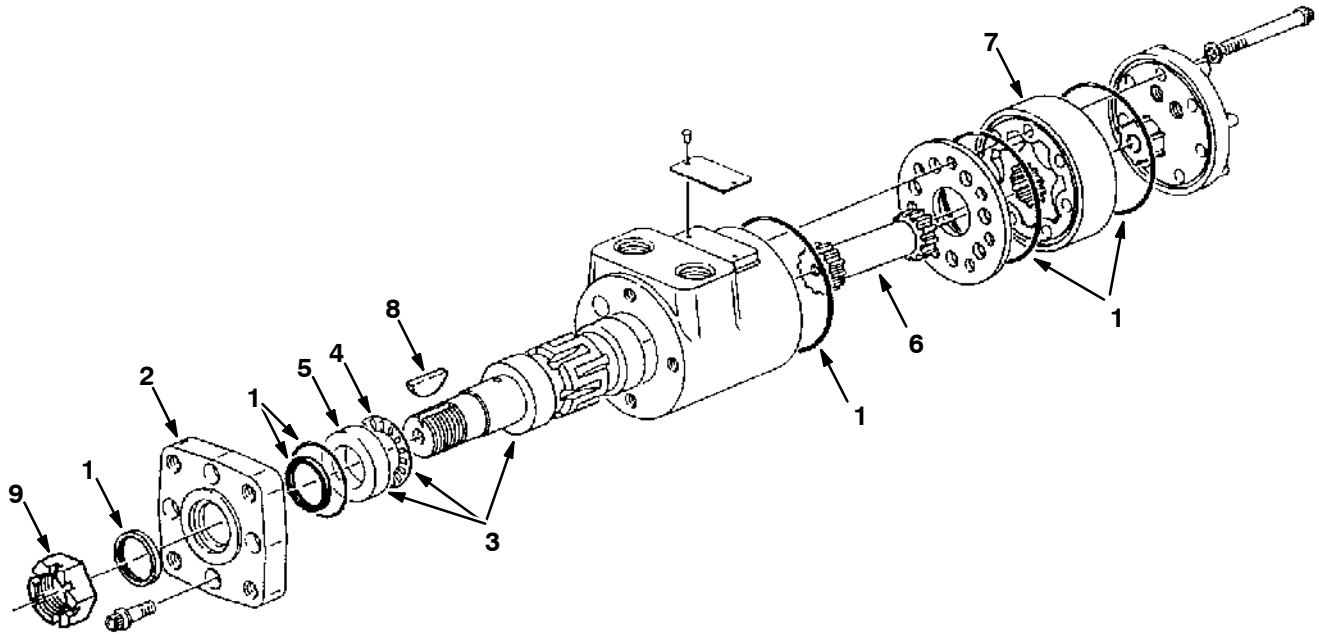




Fig. 15 - Hydraulic Motor Breakdown, 373464

Ref.	Part No.	Serial Number	Description	Qty.
▽	373464	(000000-	) Motor, Hyd, Gear, [In] 29.9 B 3000	1
▲	1 22629	(000000-	) Shaft, Motor, Hyd	1
▲	2 22630	(000000-	) Housing, Bearing, Motor, Hyd	1
▲	3 22636	(000000-	) Retainer, Front, Motor, Hyd	1
▲	4 37943	(000000-	) Bolt, Motor, Hyd	6
▲	5 34181	(000000-	) Drive, Motor, Hyd	1
▲	6 74214	(000000-	) Geroler Set, Motor, Hyd	1
▲	7 34184	(000000-	) Plate, Valve, Motor, Hyd	1
▲	8 34183	(000000-	) Valve, Drive, Motor, Hyd	1
▲	9 373541	(000000-	) Valve	1
▲	10 22646	(000000-	) Kit, Seal, Motor, Hyd	1
▲	11 34178	(000000-	) Spring, Motor, Hyd	3
▲	12 37723	(000000-	) Plate, Motor, Hyd	1
▲	13 373549	(000000-	) Housing, Valve	1
▲	14 74135	(000000-	) Screw, Cap, Motor, Hyd	2
▲	15 74136	(000000-	) Screw, Cap, Motor, Hyd	2
▲	16 45622	(000000-	) Nut, Motor, Hyd	1
▲	17 45623	(000000-	) Key, Motor, Hyd	1
▲	18 373542	(000000-	) Poppet	1
▲	19 373291	(000000-	) Spring	2
▲	20 373543	(000000-	) Piston	1
▲	21 373226	(000000-	) Poppet, Pump, Hyd, Gear	2
▲	22 373236	(000000-	) Sleeve, Dashpo, Pump, Hyd, Gear	2
▲	23 373544	(000000-	) Plug	1
▲	24 373545	(000000-	) Plug Assy	1
▲	25 373546	(000000-	) Spring	1
▲	26 373547	(000000-	) Plug Assy	1
▲	27 373548	(000000-	) Shim	1
▲	28 74220	(000000-	) Kit, Seal, Hyd, Motor	1
▲	29 22645	(000000-	) Kit, Seal, Motor, Hyd	1
	30 74246	(000000-	) Repair Info,Mtr Cl	1

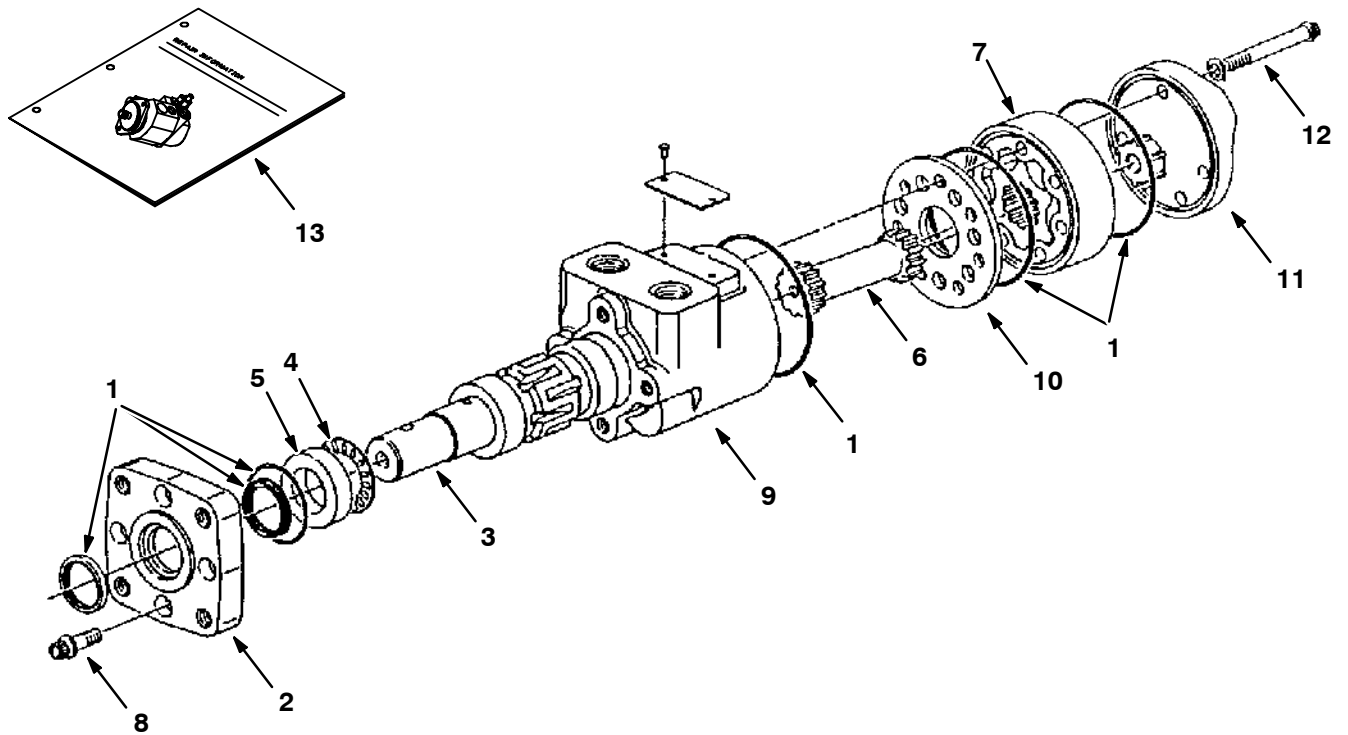
**Fig. 16 - Hydraulic Motor Breakdown, 53434**



05348 - ALL

Ref.	Part No.	Serial Number	Description	Qty.
▽	53434	(000000-	) Motor, Hydraulic	1
▲	1 61490	(000000-	) Seal Kit	1
▲	2 31354	(000000-	) Flange, Mounting	1
▲▽	3 58278	(000000-	) Output Shaft Assembly	1
▲▲	4 45628	(000000-	) Bearing	1
▲▲	5 16695	(000000-	) Race, Thrust	1
▲	6 34176	(000000-	) Drive	1
▲	7 58270	(000000-	) Gerotor Set	1
▲	8 00500-15	(000000-	) Key, Woodruff	1
▲	9 39527	(000000-	) Nut, Slotted Hex	1

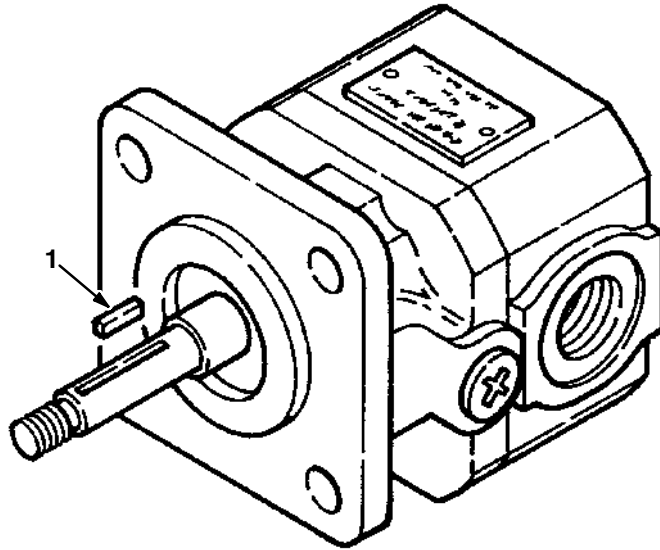
**Fig. 17 - Hydraulic Motor Breakdown, 79781**



07716,09670 - ALL

Ref.	Part No.	Serial Number	Description	Qty.
▽	79781	(000000-	) Motor, Hydraulic	1
▲	1 61490	(000000-	) Seal Kit	1
▲	2 79782	(000000-	) Flange, Mounting	1
▲	3 16694	(000000-	) Shaft	1
▲	4 45628	(000000-	) Bearing Thrust	1
▲	5 16695	(000000-	) Race, Thrust	1
▲	6 31380	(000000-	) Drive	1
▲	7 31385	(000000-	) Gerotor Set	1
▲	8 37555	(000000-	) Screw	4
▲	9 74100	(000000-	) Housing	1
▲	10 74094	(000000-	) Spacer Plate	1
▲	11 74101	(000000-	) End Cap	1
▲	12 65232	(000000-	) Cap Screw	5
▲	13 74250	(000000-	) Repair Info, Motor	1

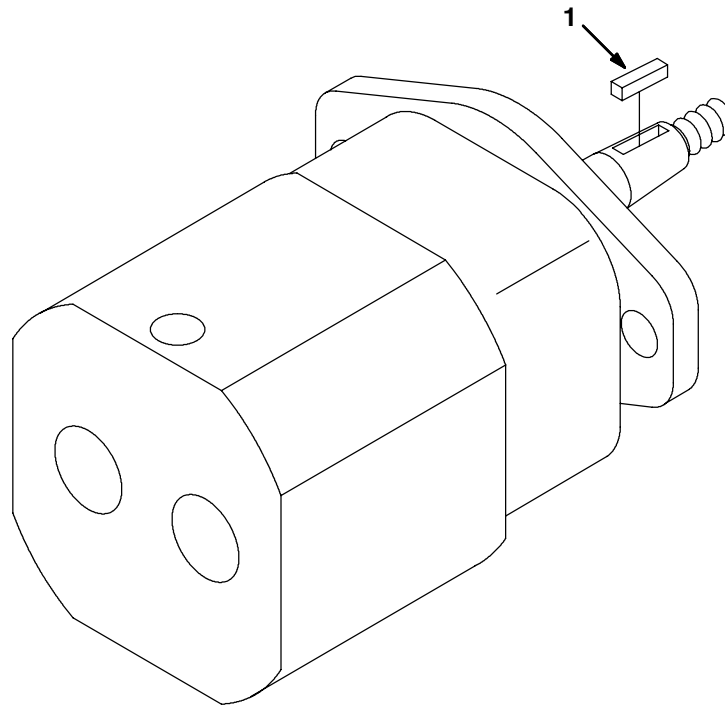
**Fig. 18 - Hydraulic Motor Breakdown, 19117**



05190 - ALL

	<b>Ref.</b>	<b>Part No.</b>	<b>Serial Number</b>	<b>Description</b>	<b>Qty.</b>
▽		19117	(000000-	) Motor, Hydraulic	1
▲	1	00954	(000000-	) Key	1
▲		74233	(000000-	) Seal Kit	1

**Fig. 19 - Hydraulic Motor Breakdown, 63542**



10556 - ALL

	<b>Ref.</b>	<b>Part No.</b>	<b>Serial Number</b>	<b>Description</b>	<b>Qty.</b>
▽		63542	(000000-	) Motor, Hydraulic	1
▲	1	00960	(000000-	) Key, Square 0.12 0.12 00.50 LG	1
▲		74233	(000000-	) Seal Kit, Hyd Mtr Gear	1

**Fig. 20 - Hydraulic Steering Valve Breakdown, 65242**

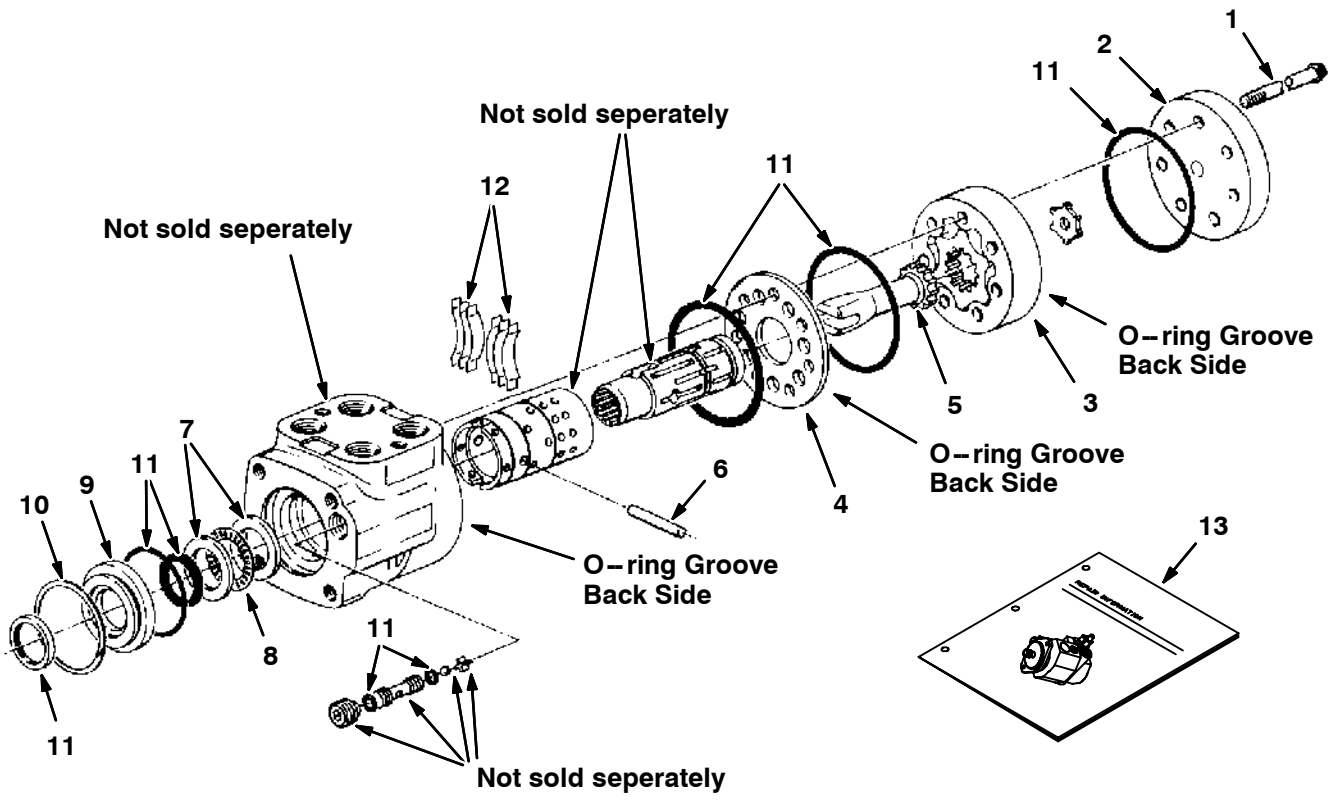
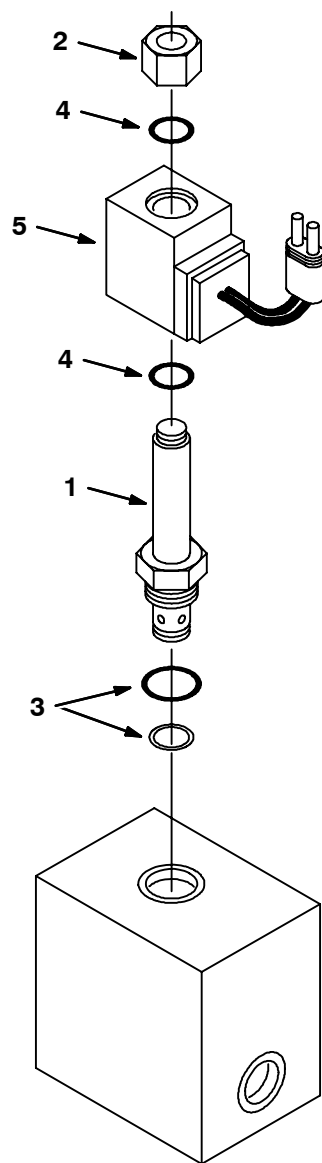


Fig. 20 - Hydraulic Steering Valve Breakdown, 65242

	Ref.	Part No.	Serial Number	Description	Qty.
▽		65242	(000000-	) Steer Control Hyd#4 04.5 1300	1
▲	1	74174	(000000-	) Cap, Screw	6
▲	2	74194	(000000-	) Cap, End	1
▲	3	65235	(000000-	) Gerotor Set Cl	1
▲	4	74182	(000000-	) Plate, Wear	1
▲	5	58596	(000000-	) Drive	1
▲	6	74218	(000000-	) Pin	1
▲	7	74109	(000000-	) Race, Bearing	2
▲	8	74110	(000000-	) Bearing, Needle	1
▲	9	74112	(000000-	) Bushing, Seal	1
▲	10	74111	(000000-	) Ring, Retainer	1
▲	11	74190	(000000-	) Seal Kit, Scu	1
▲	12	74195	(000000-	) Spring Kit	1
	13	74251	(000000-	) Repair Info,Scu Cl	1

Fig. 21 - Hydraulic Solenoid Valve Breakdown, 84015

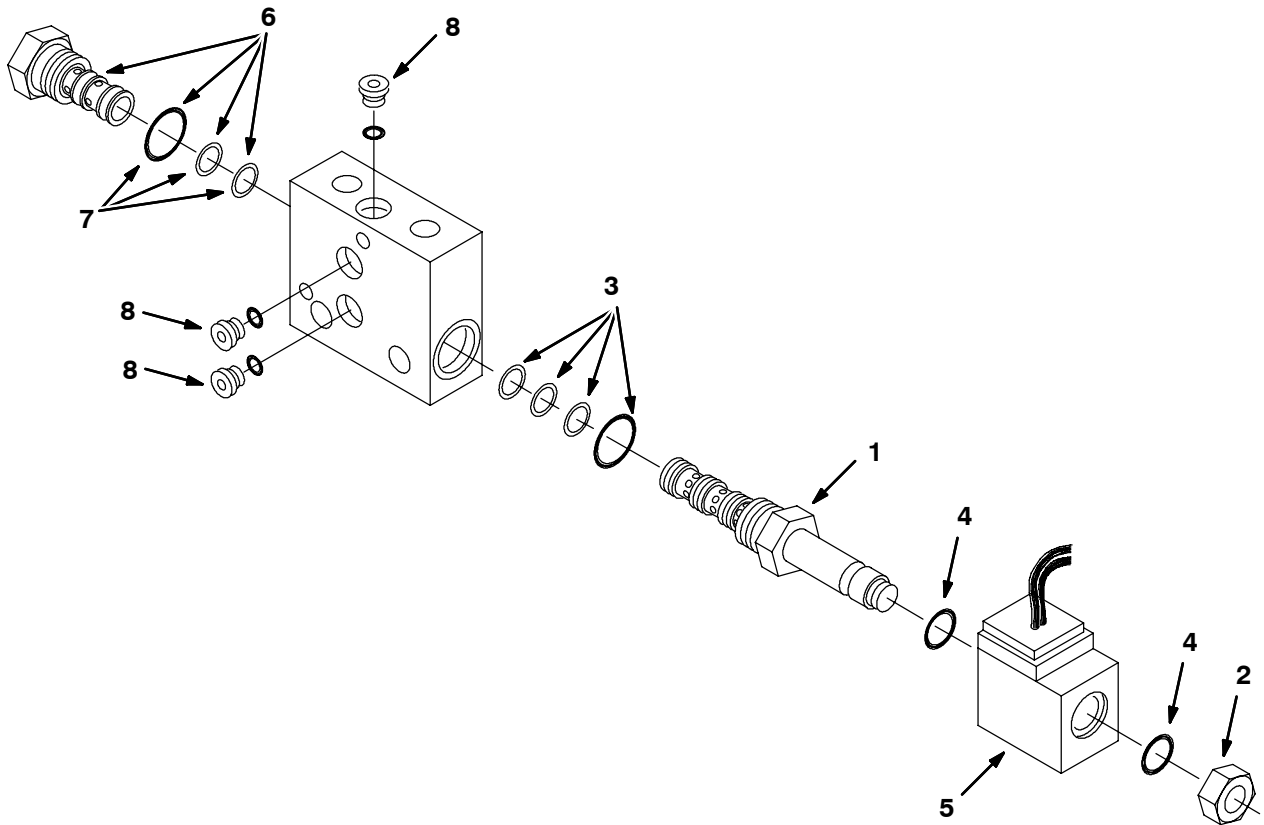


07639 - ALL

Ref.	Part No.	Serial Number	Description	Qty.
▽	84015	(000000-	) Valve - Hyd., Solenoid	1
▲▽	1 79739	(000000-	) Valve Stem, N.D.	1
▲▲	2 79731	(000000-	) Nut, Cart., LNG.	1
▲▲	3 79711	(000000-	) Seal Kit, Cart.	1
▲▲	4 79740	(000000-	) Seal Kit, Coil	1
▲	5 21917	(000000-	) Coil, 12V W/Var	1



**Fig. 22 - Hydraulic Solenoid Valve Breakdown, 84016**



10499 - ALL

Ref.	Part No.	Serial Number	Description	Qty.
▽	84016	(000000-	) Valve, Hyd Control Solenoid	1
▲▽	1 79719	(000000-	) Valve Stem 4W2P	1
▲▲	2 79728	(000000-	) Nut, Cart., Sht	1
▲▲	3 79711	(000000-	) Seal Kit, Cart	1
▲▲	4 79740	(000000-	) Seal Kit, Coil	1
▲	5 21917	(000000-	) Coil, 12V W/Var	1
▲▽	6 74145	(000000-	) Cart, Pilot Cntr	1
▲▲	7 79711	(000000-	) Seal Kit, Cart	1
▲	8 13902	(000000-	) Plug, #2 O-Ring	3

**Fig. 23 - Hydraulic Valve Breakdown, 375563**

CONTROL VALVE	
Spool #1	Hopper Lift
Spool #2	Hopper Dump
Spool #3	Hopper Door

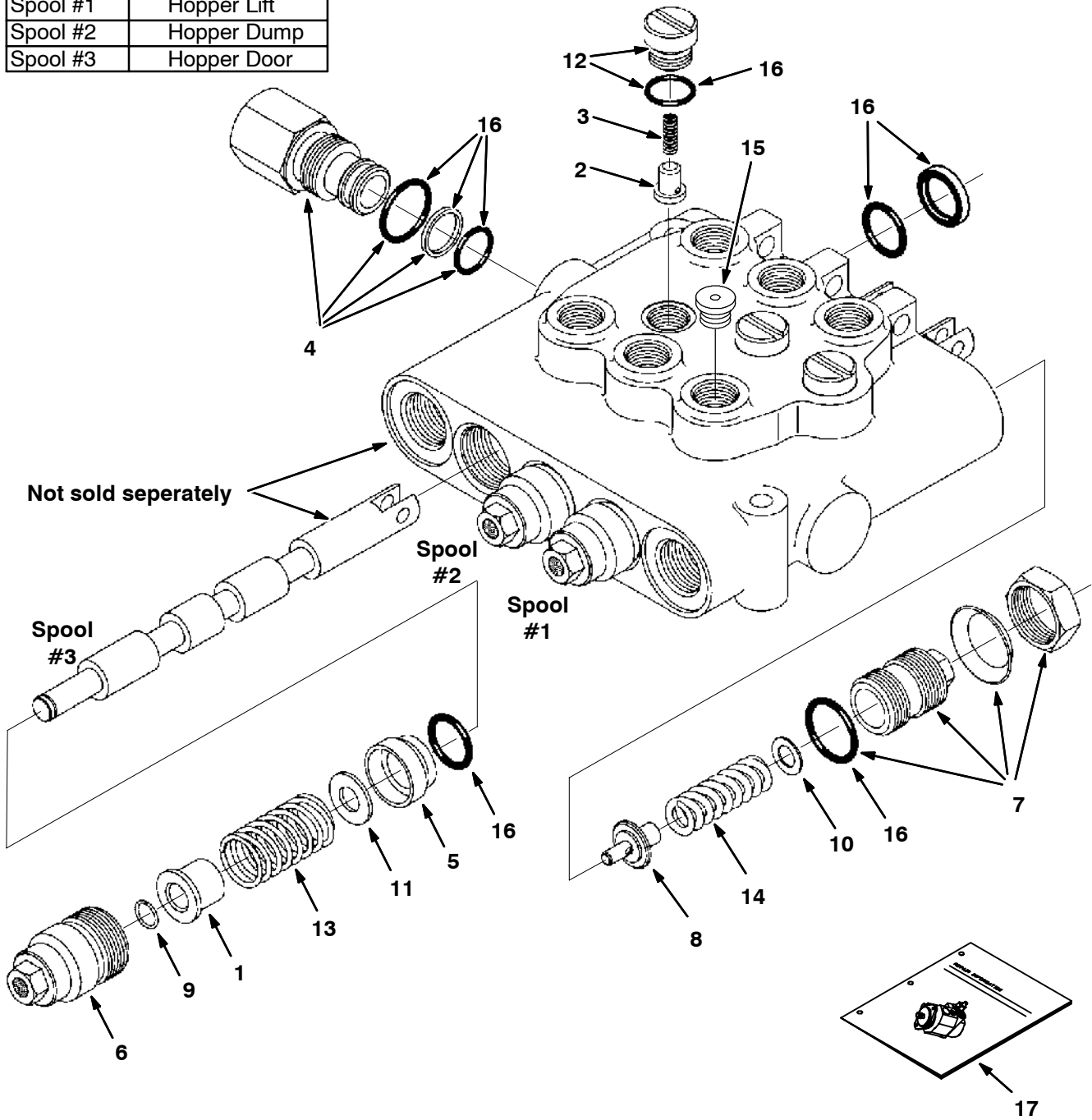


Fig. 23 - Hydraulic Valve Breakdown, 375563

	Ref.	Part No.	Serial Number	Description	Qty.
▽		375563	(000000-	) Valve, Hyd Control Man	1
▲	1	79822	(000000-	) Spacer En	3
▲	2	79786	(000000-	) Plunger En	3
▲	3	79787	(000000-	) Spring En	3
▲	4	79823	(000000-	) Plug Assy,Byd En	1
▲	5	79788	(000000-	) Bushing En	3
▲	6	79789	(000000-	) Cap Assembly En	3
▲	7	79790	(000000-	) Plug Assembly En	1
▲	8	79791	(000000-	) Poppet En	1
▲	9	79792	(000000-	) Retaining Rng En	3
▲	10	79793	(000000-	) Shim .035 Thk En	1
▲	10	79798	(000000-	) Shim .015 Thk En	1
▲	10	79799	(000000-	) Shim .010 Thk En	1
▲	11	79794	(000000-	) Washer En	3
▲	12	79795	(000000-	) Plug & O-Ring En	3
▲	13	79824	(000000-	) Spring En	3
▲	14	79797	(000000-	) Spring En	1
▲	15	13904	(000000-	) Plug Gage #6	1
▲	16	79812	(000000-	) Seal Kit, Vlv En	1
▲	17	79820	(000000-	) Instr. Valve Repair Info	1

**Fig. 24 - Hydraulic Solenoid Valve Breakdown, 84014**

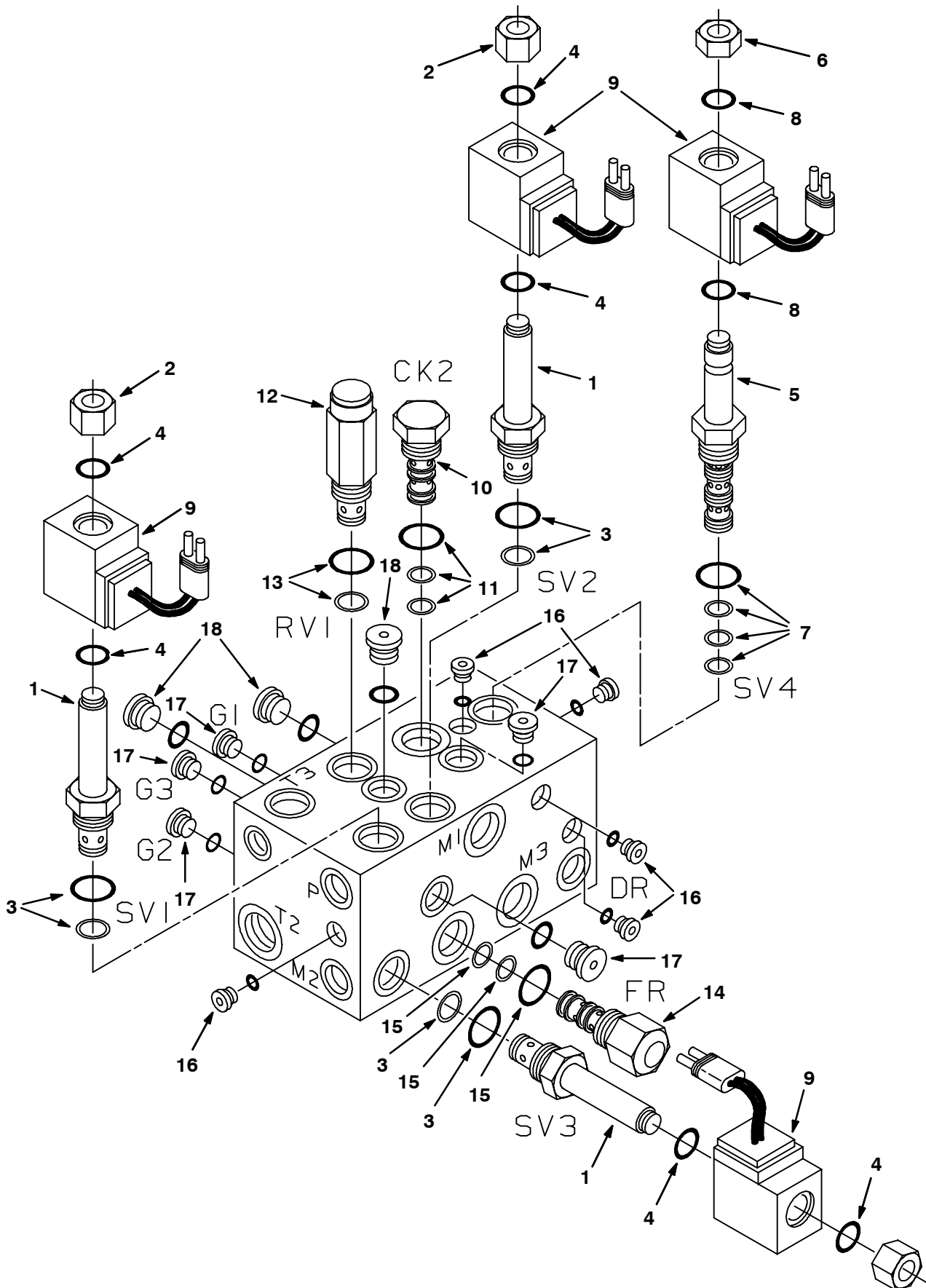
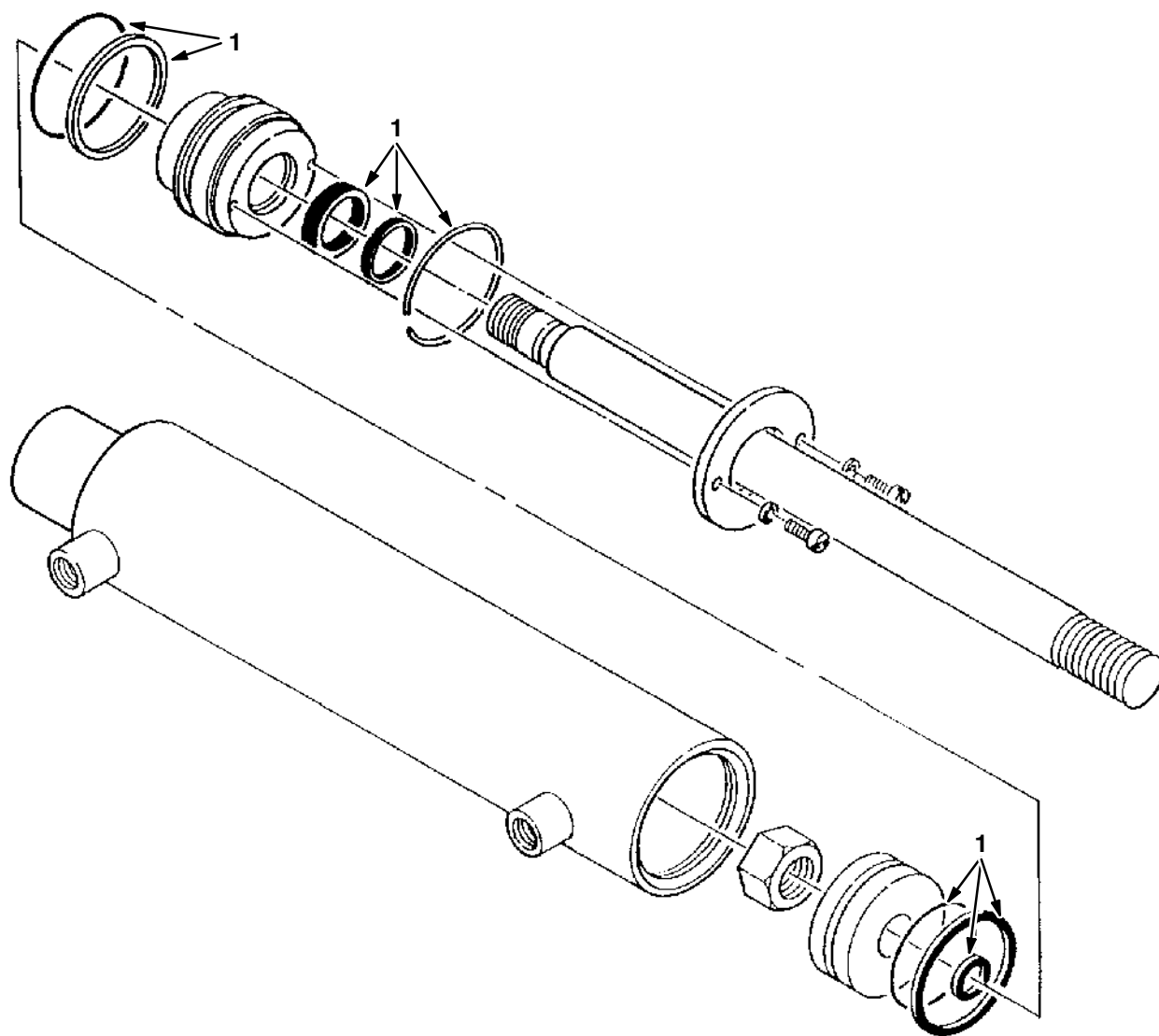


Fig. 24 - Hydraulic Solenoid Valve Breakdown, 84014

	Ref.	Part No.	Serial Number	Description	Qty.
▽		84014	(000000-	) Valve, Hyd Control Solenoid	1
▲▽	1	79739	(000000-	) Valve Stem N.O. CP	3
▲▲	2	79731	(000000-	) Nut, Cart., LNG CP	1
▲▲	3	79711	(000000-	) Seal Kit, Cart CP	1
▲▲	4	79740	(000000-	) Seal Kit, Coil CP	1
▲▽	5	79719	(000000-	) Valve Stem 4W2P CP	1
▲▲	6	79728	(000000-	) Nut, Cart., SHT CP	1
▲▲	7	79711	(000000-	) Seal Kit, Cart CP	1
▲▲	8	79740	(000000-	) Seal Kit, Coil CP	1
▲	9	21917	(000000-	) Coil 12V w/Var CP	4
▲▽	10	74146	(000000-	) Cart, Check Valve CP	1
▲▲	11	79711	(000000-	) Seal Kit, Cart CP	1
▲▽	12	65240	(000000-	) Cart, PSI CN CP	1
▲▲	13	79711	(000000-	) Seal Kit, Cart CP	1
▲▽	14	74268	(000000-	) Cart Flow Control CP	1
▲▲	15	79711	(000000-	) Seal Kit, Cart CP	1
▲	16	13902	(000000-	) Plug #2	6
▲	17	74098	(000000-	) Plug Gage #4	5
▲	18	13904	(000000-	) Plug Gage #6	3

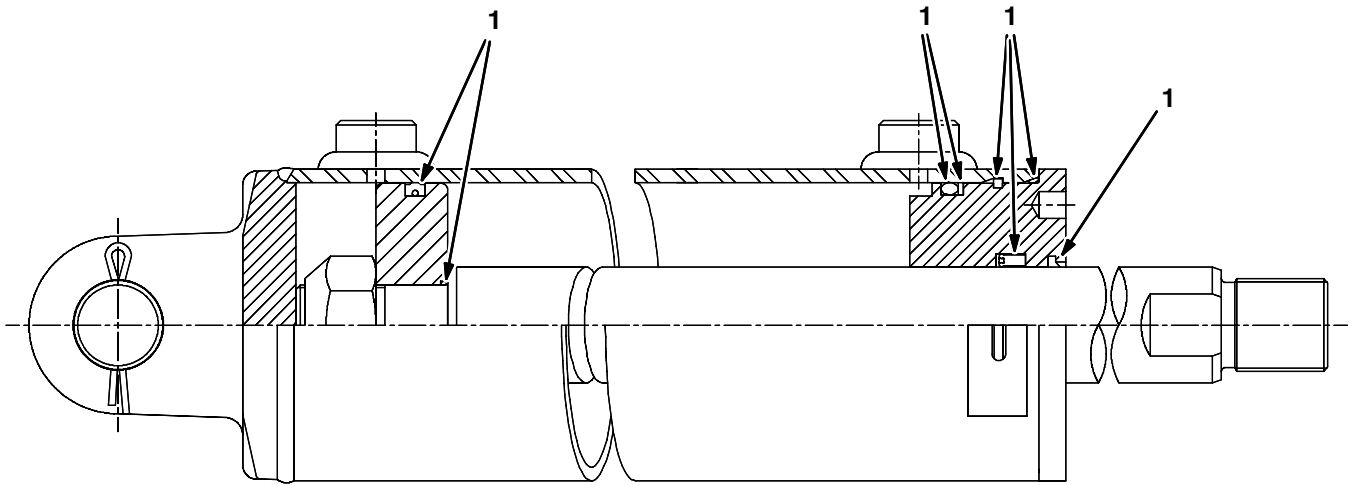
**Fig. 25 - Hydraulic Cylinder Breakdown, 53601**



07494 - ALL

	<b>Ref.</b>	<b>Part No.</b>	<b>Serial Number</b>	<b>Description</b>	<b>Qty.</b>
▽		53601	(000000- )	Cylinder, Hyd, 2.0b,15.0l, Rep.By1028492	1
▲	1	04483	(000000- )	Seal Kit	1

**Fig. 26 - Hydraulic Cylinder Breakdown, 1026719**



354486 - ALL

	<b>Ref.</b>	<b>Part No.</b>	<b>Serial Number</b>	<b>Description</b>	<b>Qty.</b>
▽		1026719	(000000-	) Cylinder, Hyd, 4.0b 29.1l 14.50strk 2500	1
▲	1	9001702	(000000-	) Seal Kit, Cyl, Hyd	1

Fig. 27 - Cab Assembly

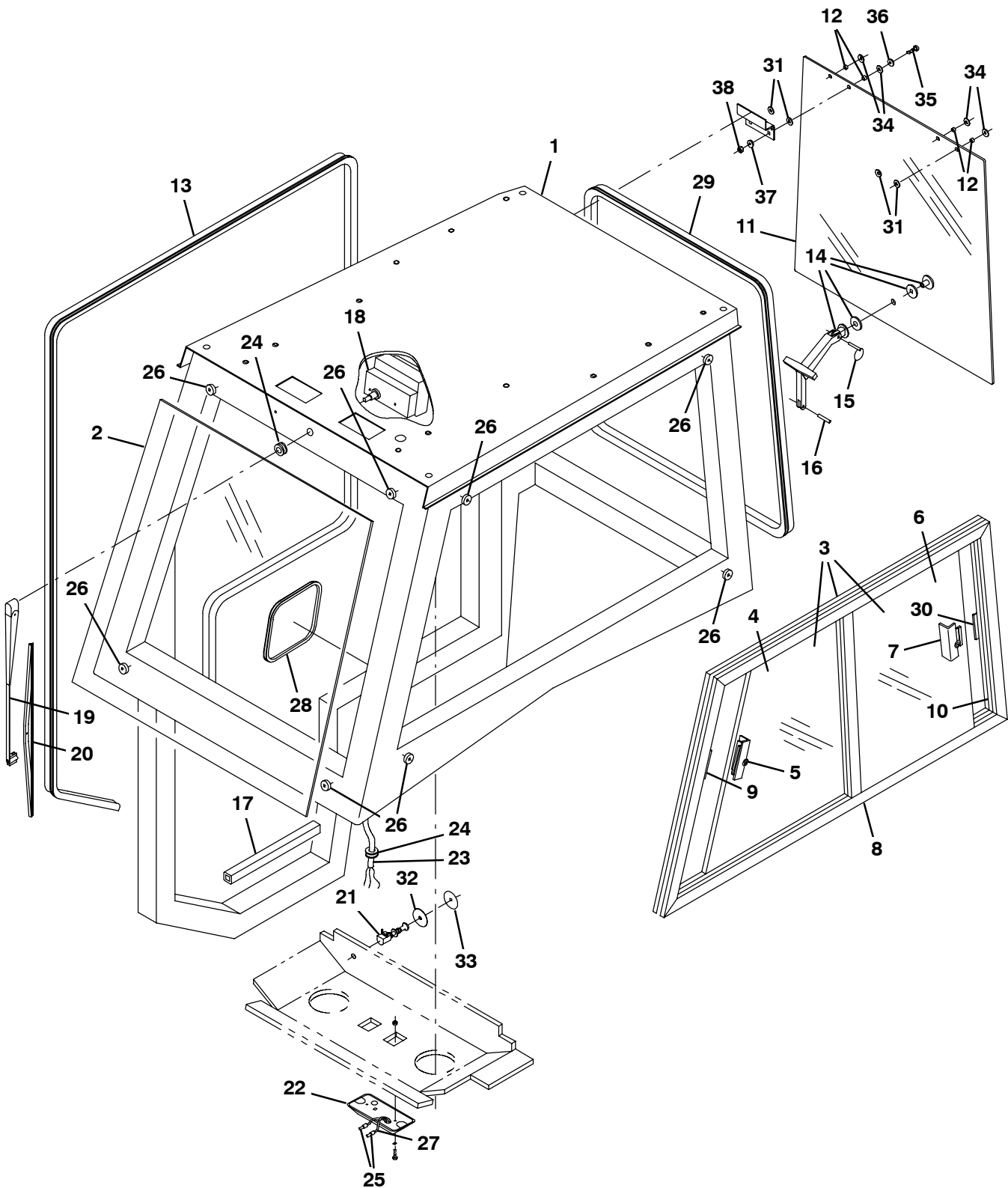


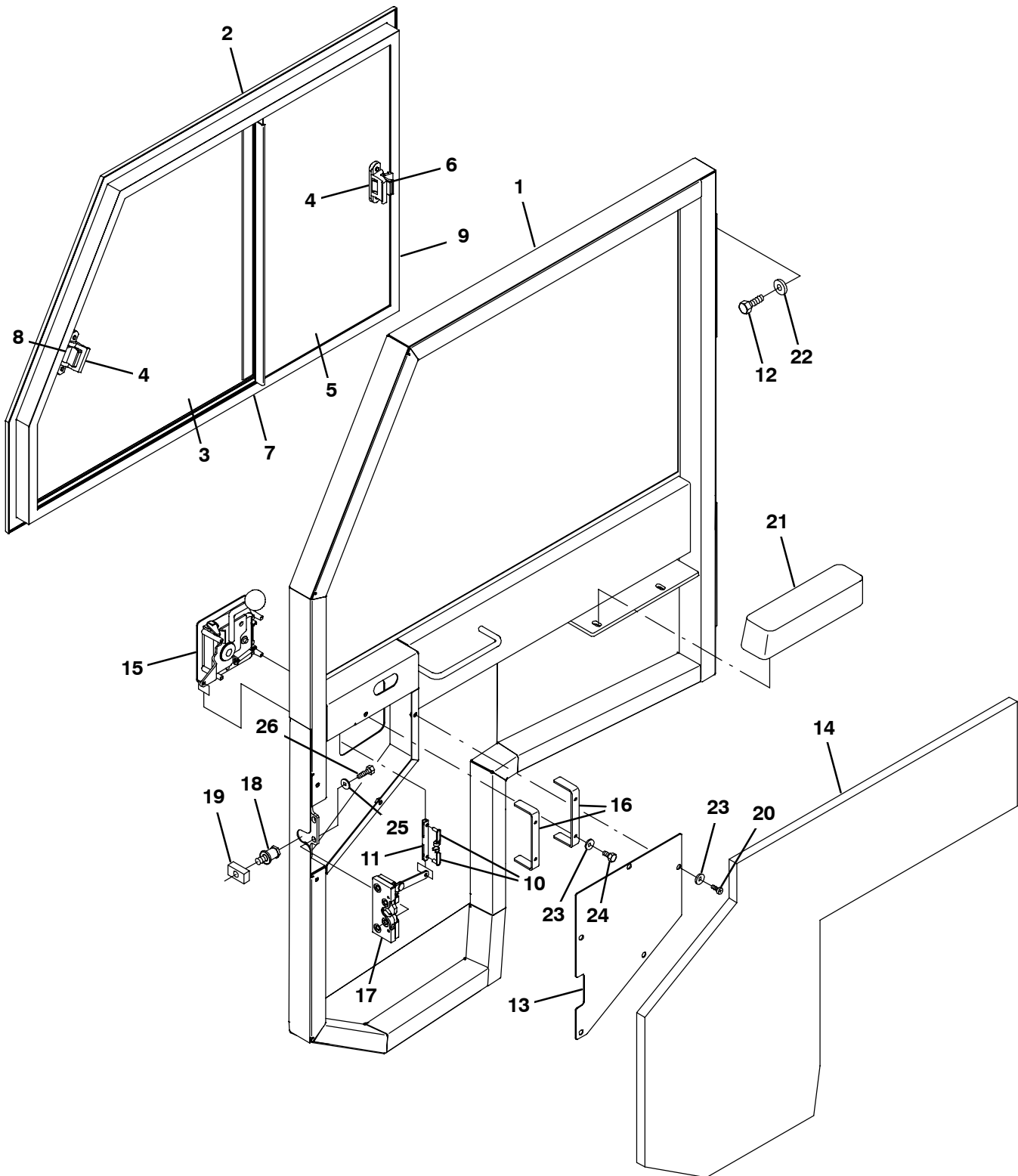


Fig. 27 - Cab Assembly

NOTE: The Cab Assembly, TENNANT Part Number 9007651 includes Fig. 27, Fig. 28, Fig. 29, and Fig. 30

Ref.	Part No.	Serial Number	Description	Qty.	
1	1057434	(000000-	) Cab Wldt, 800	1	
2	1059997	(000000-	) Pane, Glass, Windshield	1	
▽	3	1062707	(000000-	) Pane Assy, Cab, Lh Side	1
▲▽	4	21307	(000000-	) Pane, Glass, Cab, Front	1
▲▲	5	374750	(000000-	) Latch, Pane, Cab	1
▲▽	6	21308	(000000-	) Pane, Glass, Cab, Rear	1
▲▲	7	374750	(000000-	) Latch, Pane, Cab	1
▲▽	8	21309	(000000-	) Frame, Pane, Cab, Side	1
▲▲	9	374765	(000000-	) Keeper, Latch, Pane	1
10	21310	(000000-	) Seal Kit, Pane, Cab	1	
11	1060000	(000000-	) Glass, Pane, Windshield,800 Cab	1	
12	1061468	(000000-	) Spacer, Nyl	4	
13	1030601	(000000-	) Seal, Afmkt, Bulb, 90, 0.75d F/11ga 20ft	1	
14	1058259	(000000-	) Latch Kit, Wndw, Cab, Rear	1	
15	1062119	(000000-	) Ring, Wndw, Cab, Rear	1	
16	1065921	(000000-	) Pin, Roll, .187 Dia. X .56	1	
17	1061492	(000000-	) Seal, Door, Rbr, 14" Lg	1	
18	311303	(000000-	) Motor, Ele, Wiper, 12vdc	1	
19	1062083	(000000-	) Arm, Wiper, Windshield	1	
20	1062084	(000000-	) Blade, Wiper, Windshield	1	
21	1062092	(000000-	) Switch, Motor, Wiper, 12v	1	
▽	22	76996	(000000-	) Light, Dome 12V	1
▲	374759	(000000-	) Lamp	1	
23	380577	(000000-	) Harness, Cab (See Fig. 30)	1	
24	10632-14	(000000-	) Grommet, Rbr, 1.00id, F/1.4h, .12 Matl	2	
25	50474	(000000-	) Terminal, Qm, .25 16-14ga, Blu, F-Ins	2	
26	64757	(000000-	) Bumper, Rbr, Adh, 0.50d 0.14th	8	
27	77812	(000000-	) Wire, Dome Light	2	
28	380692	(000000-	) Molding, Trim (Gasoline only)	1	
29	1030593	(000000-	) Seal, Afmkt, Bulb, 90, 0.75d F/11ga 08ft	1	
30	374294	(000000-	) Latch, Keeper, Pane [J-dak]	1	
31	63416	(000000-	) Washer, Flat, 0.31b 0.88d .12, Rbr	4	
32	1066313	(000000-	) Plate, Sppt	1	
33	1066314	(000000-	) Label, Opertnl, Switch, On-off	1	
34	1066218	(000000-	) Washer, Flat, .28b 0.75d 1.80, Ne	4	
35	1065954	(000000-	) Screw, Pan, Phl, M6 X 1.0 X 20, Blk	4	
36	397779	(000000-	) Washer, Flat, 0.28b 1.00d .06, Stl, Blk	4	
37	32483	(000000-	) Washer, Flat, 0.25, Sae	4	
38	08712	(000000-	) Nut, Hex, Lock, M6 X 1.00, NI, Ss	4	

Fig. 28 - Cab Door Assembly

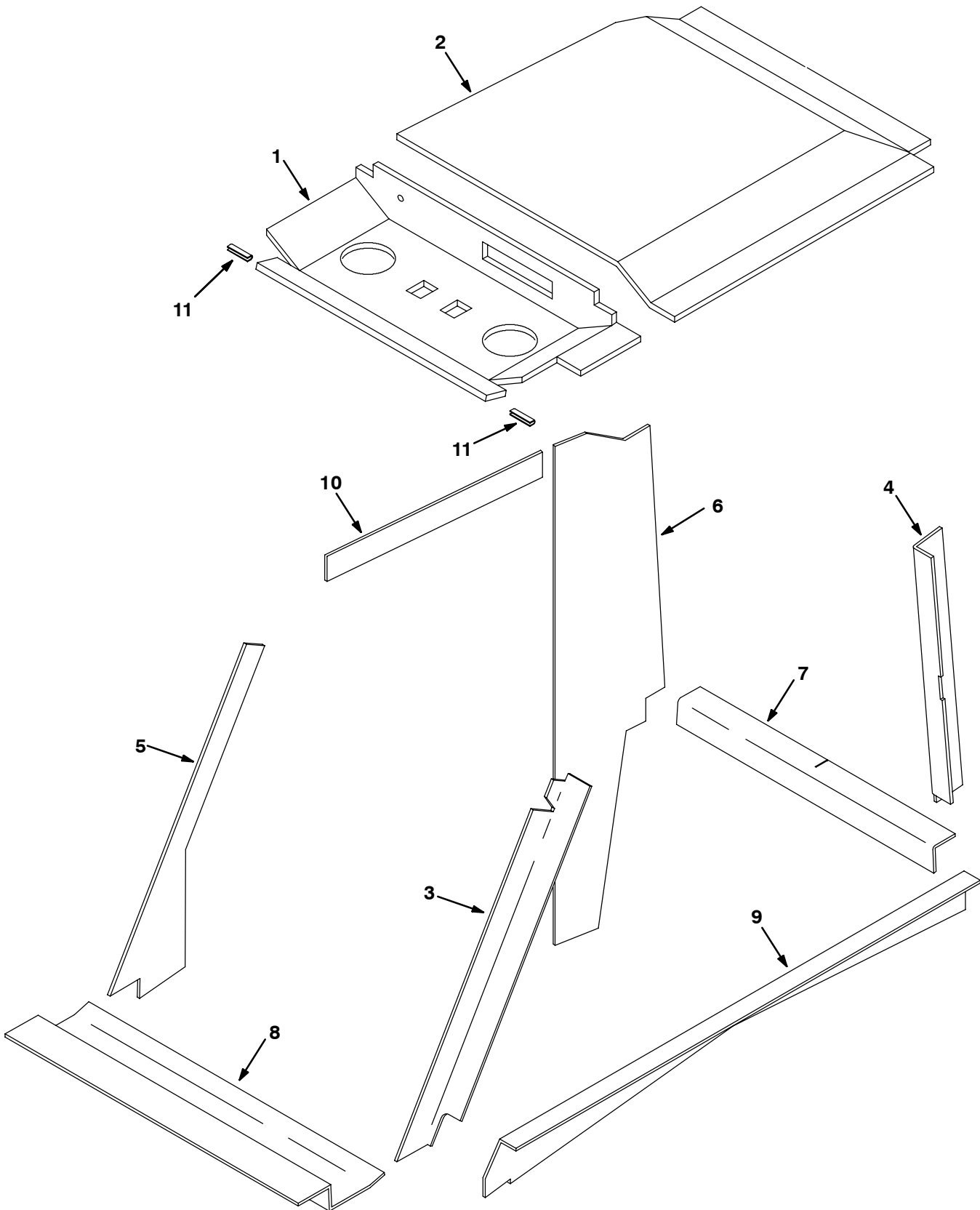


**Fig. 28 - Cab Door Assembly**

NOTE: The Cab Assembly, TENNANT Part Number 9007651 includes Fig. 27, Fig. 28, Fig. 29, and .Fig. 30

Ref.	Part No.	Serial Number	Description	Qty.
1	1057885	(000000-	) Door Wldt, Cab	1
2	1062708	(000000-	) Pane Assy, Door, Cab, Rh Side	1
3	21311	(000000-	) Pane, Glass, Door Front	1
4	374750	(000000-	) Latch, Pane, Cab	2
5	21312	(000000-	) Pane, Glass, Door, Rear	1
6	374294	(000000-	) Latch, Keeper, Pane [J-dak]	1
7	21313	(000000-	) Frame, Pane, Door, Side	1
8	374765	(000000-	) Keeper, Latch, Pane	1
9	374757	(000000-	) Seal Kit, Pane, Door	1
10	1058258	(000000-	) Clip, Retainer	2
11	1058257	(000000-	) Link, Connecting	1
12	06961	(000000-	) Screw, Hex, M10 X 1.5	8
13	1058309	(000000-	) Cover, Latch Assy, Door	1
14	1065909	(000000-	) Insulation, Acstc, Door, Side	1
15	1058254	(000000-	) Latch Assy, Door	1
	21150	(000000-	) Key Set	1
16	1061447	(000000-	) Bracket, Latch, Sppt	2
17	1058256	(000000-	) Lock Assy, Door	1
18	58490	(000000-	) Pin, Latch	1
19	1061655	(000000-	) Plate, Thrd	1
20	06933	(000000-	) Screw, Pan, Phl, M5 X 0.80 X 16, 4.8	5
21	311336	(000000-	) Armrest, Black	1
22	32492	(000000-	) Washer, Flat, 0.38, Std	8
23	19066	(000000-	) Washer, Flat, 0.25b 0.56d .05, Pl, 10	9
24	42011	(000000-	) Screw, Hex, 10-24 X 0.50, Ss	4
25	32483	(000000-	) Washer, Flat, 0.25, Sae	3
26	25046	(000000-	) Screw, Hex, .25-20 X 1.00, G5	3

**Fig. 29 - Cab Insulation Group**

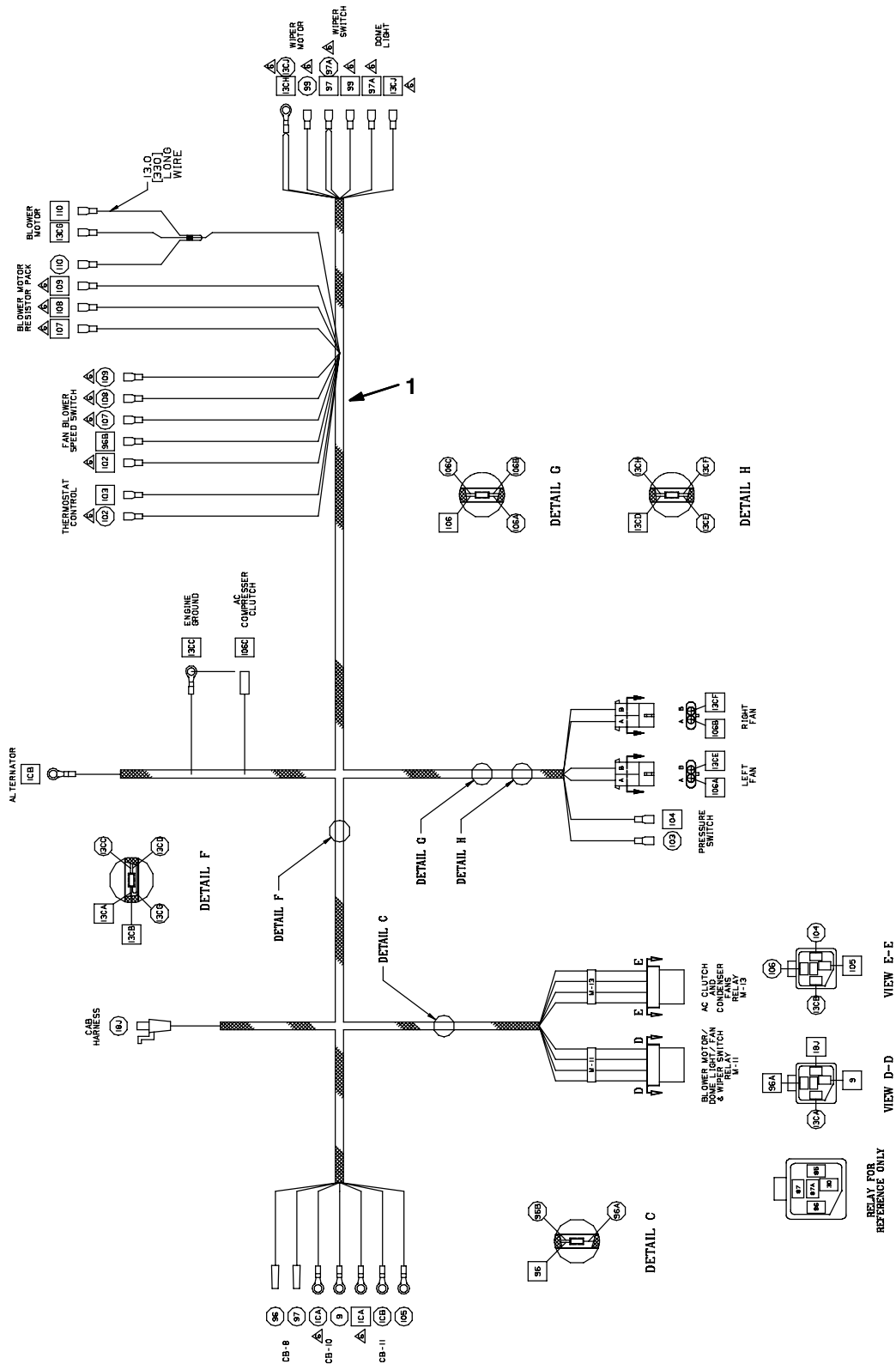


**Fig. 29 - Cab Insulation Group**

NOTE: The Cab Assembly, TENNANT Part Number 9007651 includes Fig. 27, Fig. 28, Fig. 29, and Fig. 30

Ref.	Part No.	Serial Number	Description	Qty.
1	77800	(000000-	) Headliner, Front	1
2	77801	(000000-	) Headliner, Rear Cw	1
3	77802	(000000-	) Foam, Lh Front Pos	1
4	77803	(000000-	) Foam, Lh Rear Pos	1
5	77804	(000000-	) Foam, Rh Front Pos	1
6	77805	(000000-	) Foam, Rh Rear Pos	1
7	77806	(000000-	) Foam, Rear Sill	1
8	77807	(000000-	) Foam, Front Sill	1
9	77808	(000000-	) Foam, Lh Side Sill	1
10	77809	(000000-	) Foam, Rh Upper Sill	1
11	384156	(000000-	) Molding, Trim, Pvc,.18-.31 01.5l	2

**Fig. 30 - Cab Wire Harness Group**

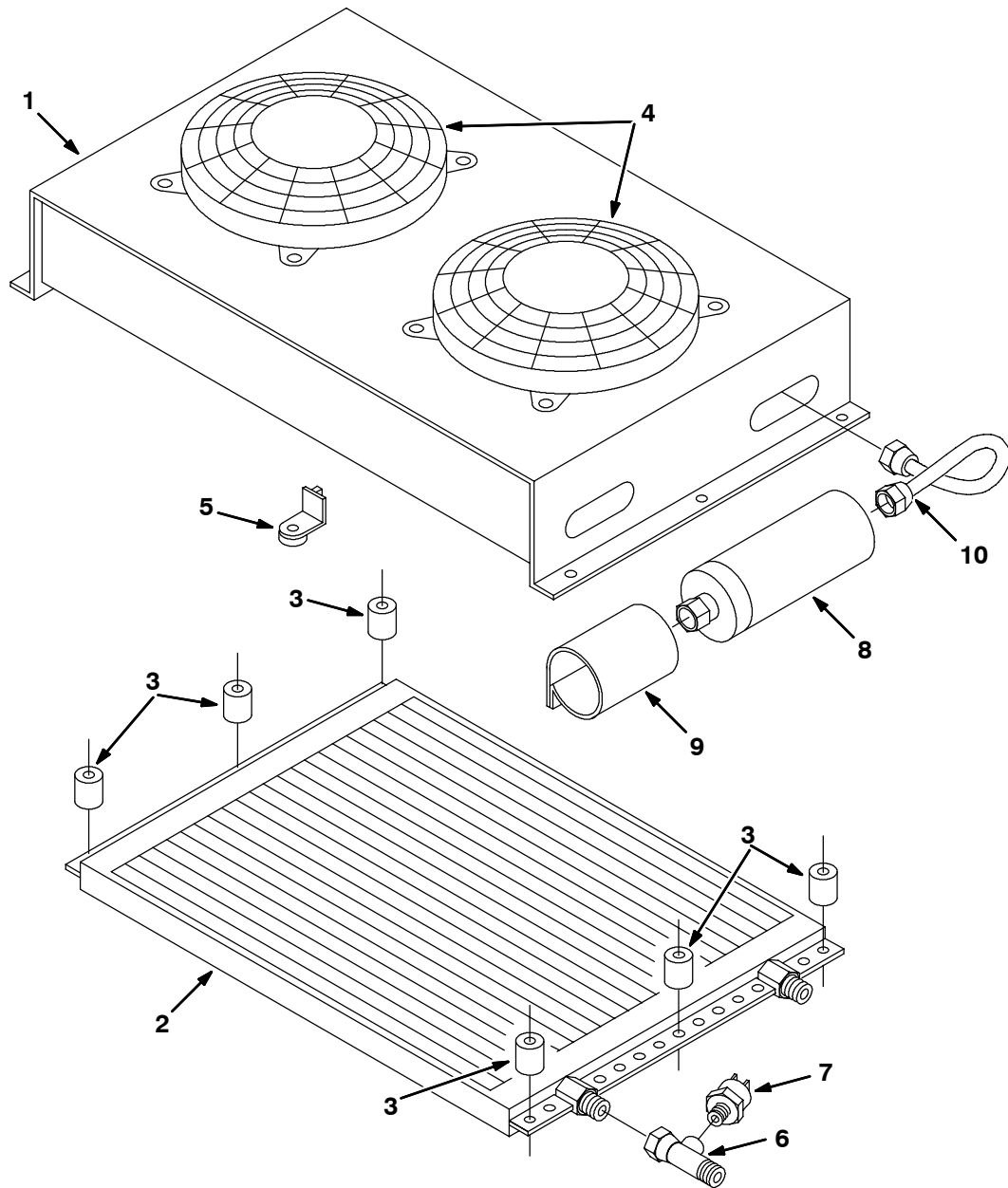


NOTE: The Cab Assembly, TENNANT Part Number 9007651 includes Fig. 27, Fig. 28, Fig. 29, and Fig. 30

351143 - ALL

Ref.	Part No.	Serial Number	Description	Qty.
1	380577	(000000-	) Harness, Cab, 800/810	1

**Fig. 31 - AC Condenser Box Breakdown, 380625**



350830 - ALL

Ref.	Part No.	Serial Number	Description	Qty.
▽	380625	(000000-	) Condenser Assy, A/C	1
▲	1 380666	(000000-	) Housing, Condenser	1
▲	2 380667	(000000-	) Coil, Condenser	1
▲	3 380668	(000000-	) Spacer, Condenser	6
▲	4 380669	(000000-	) Fan, Condenser	2
▲	5 380670	(000000-	) Foot, Fan	8
▲	6 380671	(000000-	) Ftg, Shrader	1
▲	7 380672	(000000-	) Binary	1
▲	8 380627	(000000-	) Dryer, Ac	1
▲	9 380628	(000000-	) Bracket,A/C Dryer	1
▲	10 380626	(000000-	) Tube Asy,Cond/Dry	1

**Fig. 32 - AC and Heater Box Breakdown, 380613**

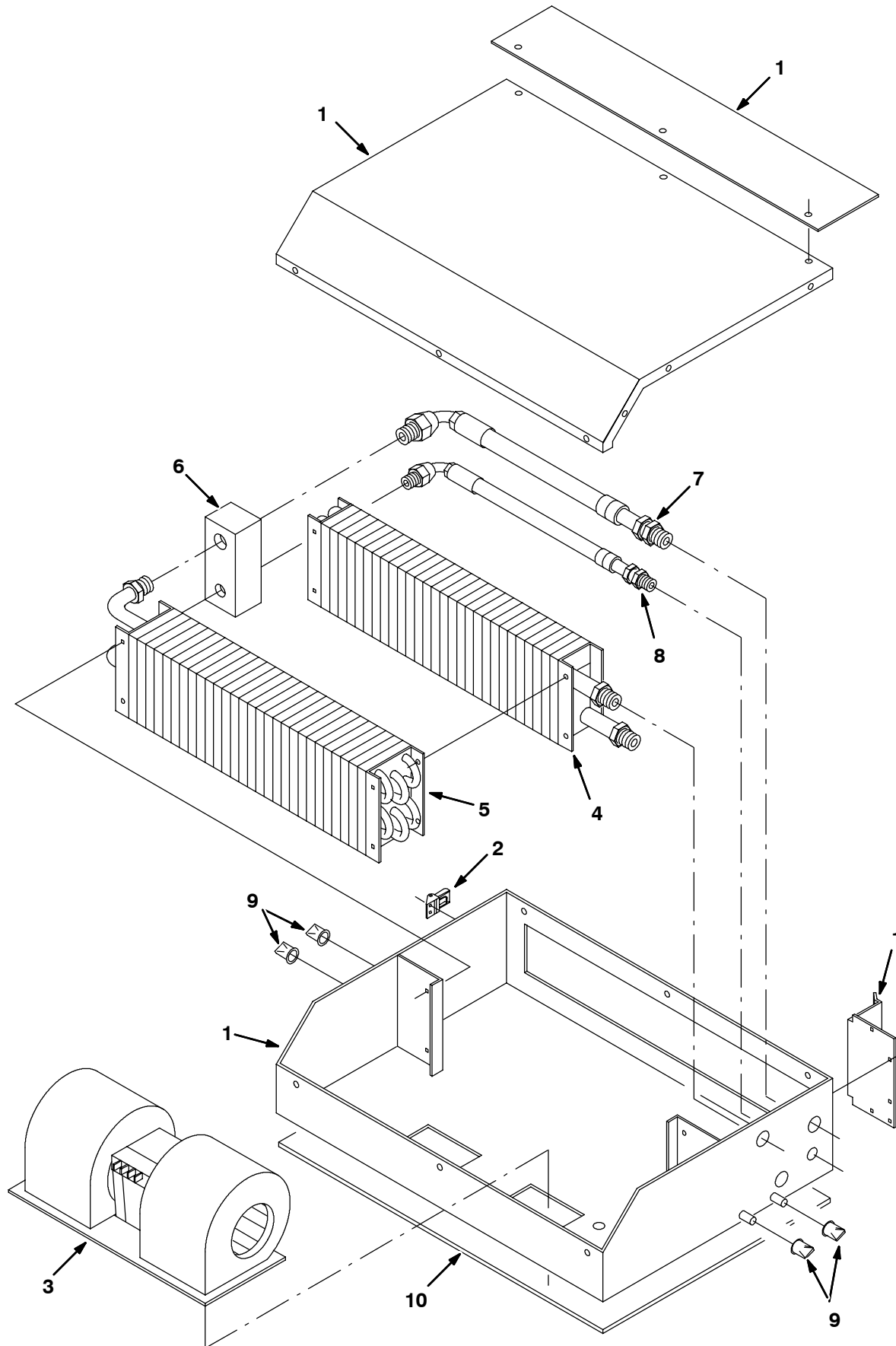




Fig. 32 - AC and Heater Box Breakdown, 380613

	Ref.	Part No.	Serial Number	Description	Qty.
▽		380613	(000000-	) Box Assy, Heat/Ac	1
▲	1	388407	(000000-	) Housing Assembly	1
▲	2	87579	(000000-	) Latch, Tension	1
▲	3	380649	(000000-	) Blower, Heat/Ac	1
▲	4	380650	(000000-	) Heater Coil	1
▲	5	380651	(000000-	) Coil, Evaporator	1
▲	6	380652	(000000-	) Valve, Expansion	1
▲	7	380578	(000000-	) A/C Hose#10 134A	1
▲	8	380579	(000000-	) A/C Hose #6 134A	1
▲	9	380659	(000000-	) Duck Bill	4
▲	10	380616	(000000-	) Gasket, Box/Cab	1

**Fig. 33 - Heater Box Breakdown, 380614**

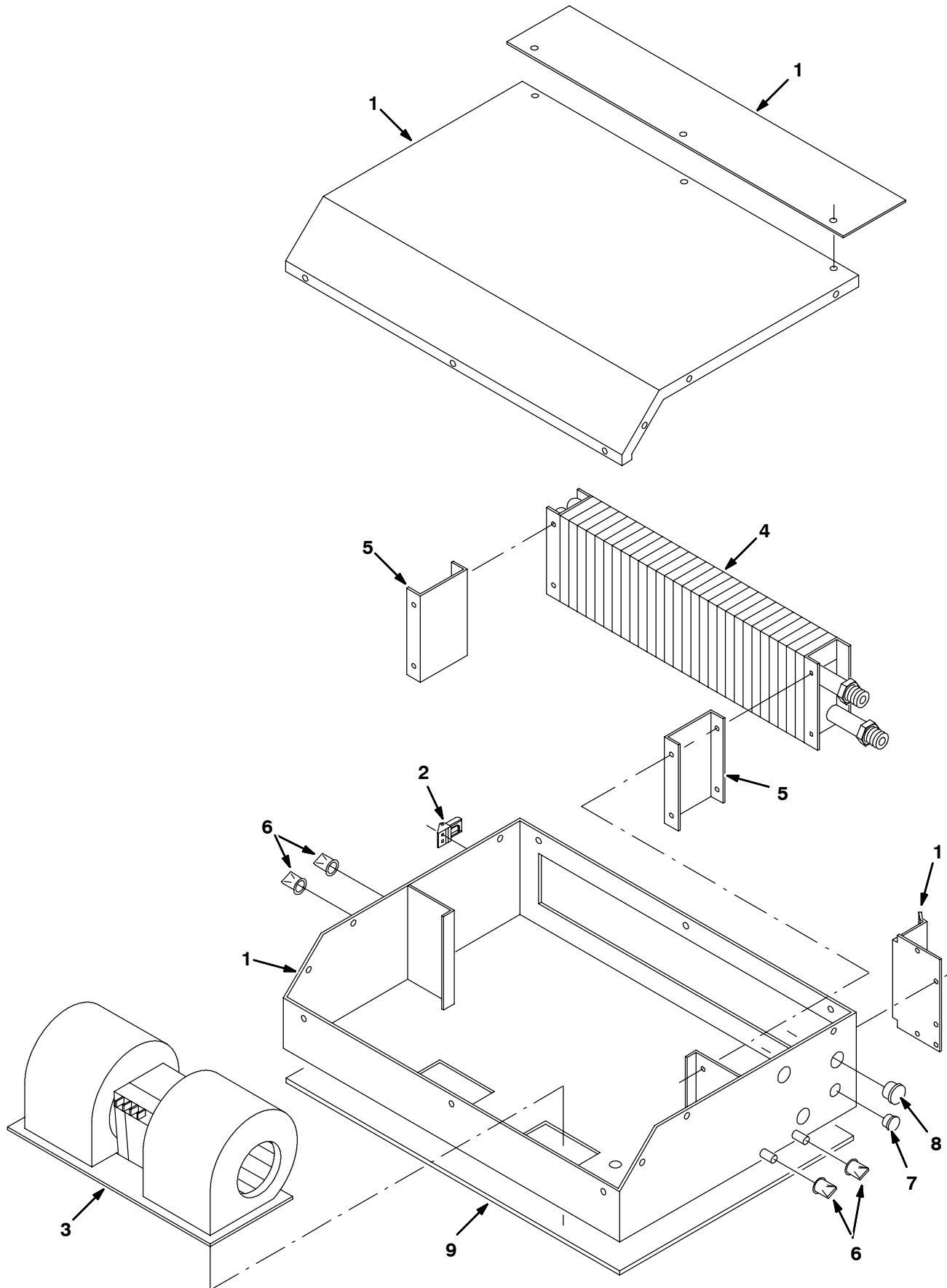


Fig. 33 - Heater Box Breakdown, 380614

	Ref.	Part No.	Serial Number	Description	Qty.
▽		380614	(000000-	) Box Assy, Heat	1
▲	1	388407	(000000-	) Housing Assembly	1
▲	2	87579	(000000-	) Latch, Tension	1
▲	3	380649	(000000-	) Blower, Heat/Ac	1
▲	4	380650	(000000-	) Heater Coil	1
▲	5	380660	(000000-	) Brkt,Mtg,Htr Coil	2
▲	6	380659	(000000-	) Duck Bill	4
▲	7	57167	(000000-	) Plugbtn .62H .03-.12 Blacknyl	1
▲	8	82727	(000000-	) Plugbtn .88H .03-.12 Blacknyl	1
▲	9	380616	(000000-	) Gasket, Box/Cab	1

**Fig. 34 - Brake Assy, Right Hand (R.h.) 77790**

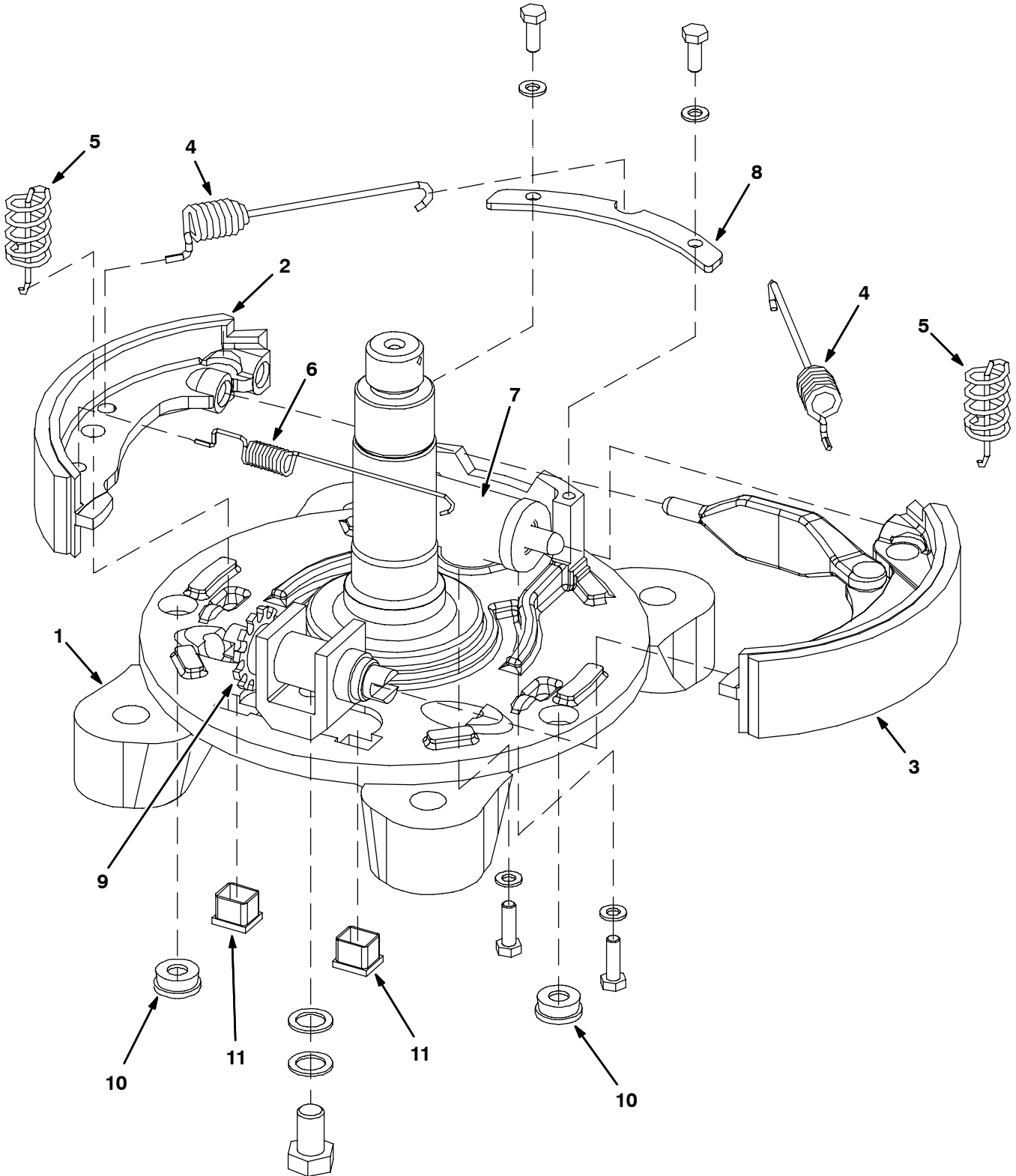


Fig. 34 - Brake Assy, Right Hand (R.h.) 77790

	Ref.	Part No.	Serial Number	Description	Qty.
▽		77790	(000000-	) Brake Assy, Drum, Hyd, 08.8d 1.6w Rh	1
▲	1	77768	(000000-	) Backing Plate Rh	1
▲	2	70613	(000000-	) Shoe, Brake	1
▲	3	70612	(000000-	) Shoe, Brake	1
▲	4	21728	(000000-	) Spring	2
▲	5	70617	(000000-	) Spring	2
▲	6	70618	(000000-	) Spring	1
▲	7	70609	(000000-	) Cylinder, Wheel, Brake	1
▲	8	70603	(000000-	) Clamp, Hold Down	1
▲	9	70615	(000000-	) Adjuster, Manual	1
▲	10	372950	(000000-	) Plug, Rbr, Rnd	2
▲	11	372951	(000000-	) Plug, Plstc, Sq	2

**Fig. 35 - Brake Assy, Left Hand (L.h.) 77770**

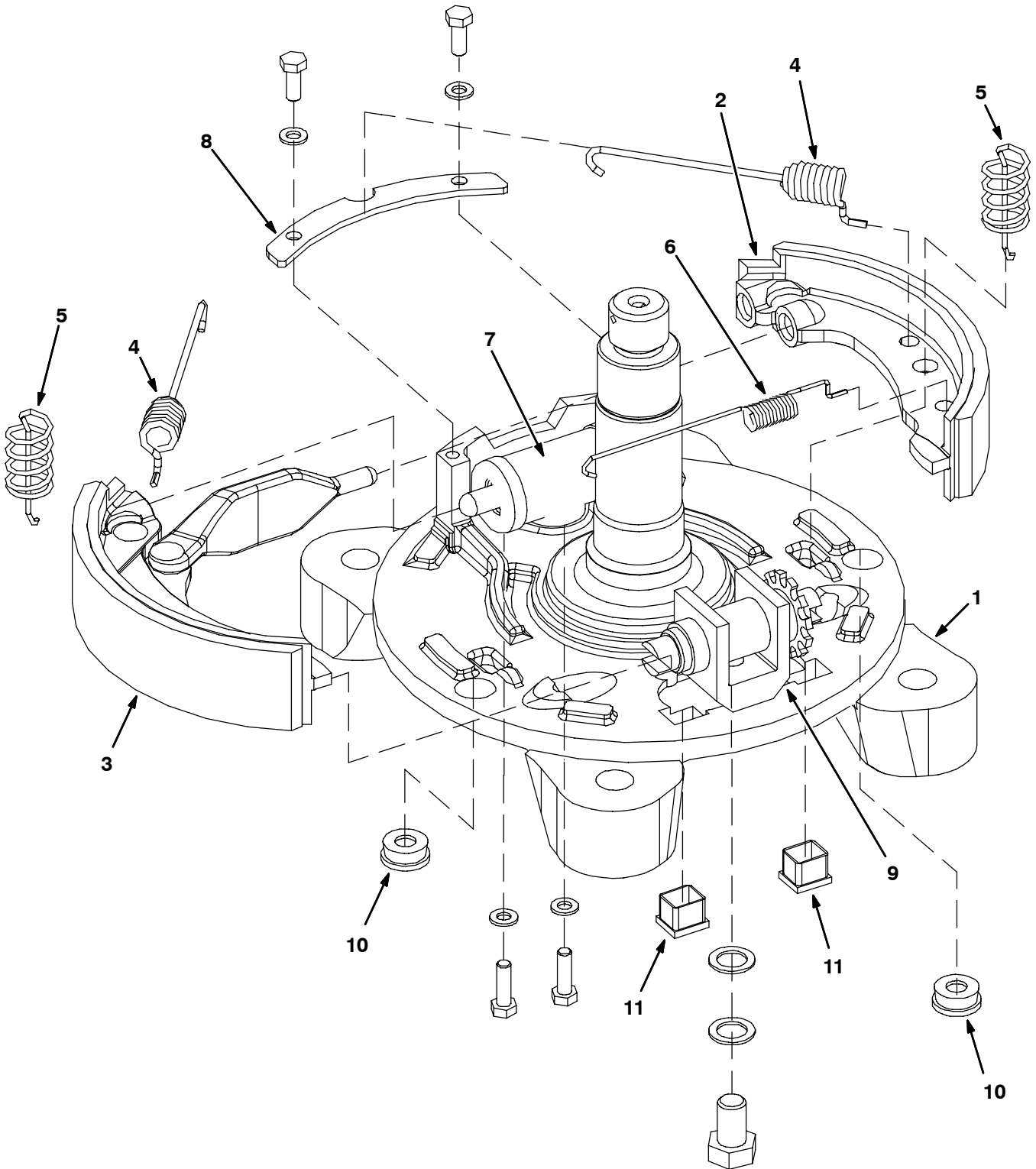


Fig. 35 - Brake Assy, Left Hand (L.h.) 77770

	Ref.	Part No.	Serial Number	Description	Qty.
▽		77770	(000000-	) Brake Assy, Drum, Hyd, 08.0d 1.6w Lh	1
▲	1	77769	(000000-	) Plate, Backing	1
▲	2	70613	(000000-	) Shoe, Brake	1
▲	3	70611	(000000-	) Shoe, Brake	1
▲	4	21728	(000000-	) Spring	2
▲	5	70617	(000000-	) Spring	2
▲	6	70618	(000000-	) Spring	1
▲	7	70609	(000000-	) Cylinder, Wheel, Brake	1
▲	8	70603	(000000-	) Clamp, Hold Down	1
▲	9	70615	(000000-	) Adjuster, Manual	1
▲	10	372950	(000000-	) Plug, Rbr, Rnd	2
▲	11	372951	(000000-	) Plug, Plstc, Sq	2

**Fig. 36 - LPG EFI Breakdown, 371894**

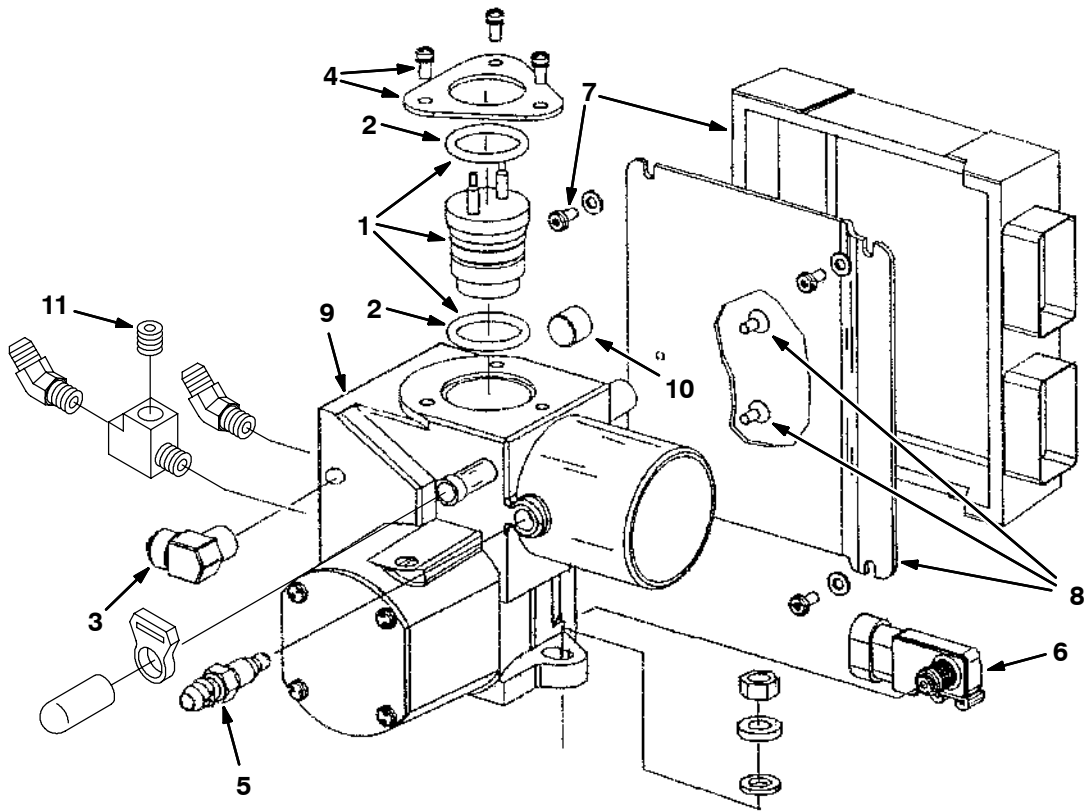




Fig. 36 - LPG EFI Breakdown, 371894

	Ref.	Part No.	Serial Number	Description	Qty.
▽		371894	(000000-	) Housing Assy, Throttle, Lpg, [With Ecu]	1
▲▽	1	1017270	(000000-	) Injector, Fuel, Lpg [3.0l Gm] 8410	1
▲▲	2	371665	(000000-	) Kit, Org, Injector, Top And Bottom, Lpg	1
▲	3	371666	(000000-	) Fitting, Fuel Inlet, Lpg	1
▲	4	371651	(000000-	) Plate, Injector Mtg, W/ Screw	1
▲	5	371653	(000000-	) Sensor, Temp	1
▲		371714	(000000-	) Kit, Connector, Coolant Sensor	1
▲		371715	(000000-	) Kit, Connector, Sensor, [lat]	1
▲	6	371654	(000000-	) Sensor, Manifold Press	1
▲		371713	(000000-	) Kit, Connector, Sensor, [Map]	1
▲	7	9000823	(000000-	) Kit, Replmt, Controller	1
▲	8	391891	(000000-	) Plate, Mtg, W/ Screw, [Ecu], Lpg	1
▲	9	371669	(000000-	) Housing, Throttle, Lpg	1
▲		371718	(000000-	) Kit, Connector, Govnr	1
▲	10	371660	(000000-	) Fitting, Coolant Plug	1
▲	11	10552	(000000-	) Fitting, Pipe, Plug, Pm02 Soc Head	1

**Fig. 37 - LPG EFI Breakdown, 371895**

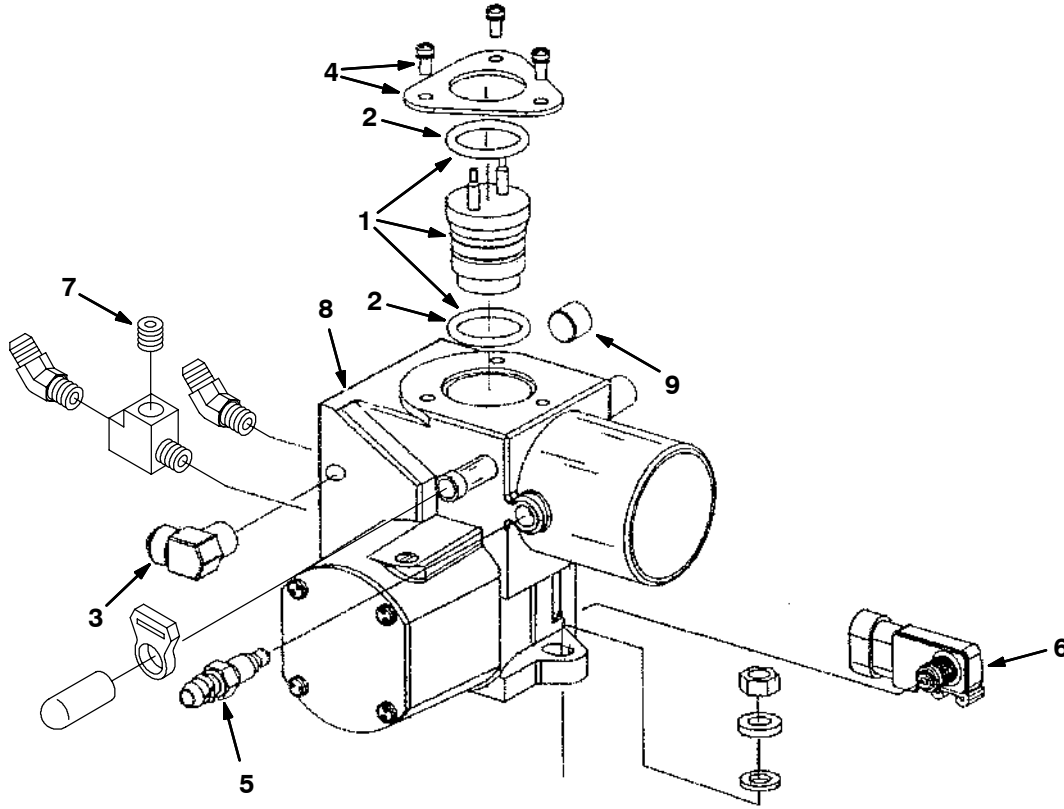


Fig. 37 - LPG EFI Breakdown, 371895

	Ref.	Part No.	Serial Number	Description	Qty.
▽		371895	(000000-	) Housing Assy, Throttle, Lpg, [Without Ecu]	1
▲▽	1	1017270	(000000-	) Injector, Fuel, Lpg [3.0l Gm] 8410	1
▲▲	2	371665	(000000-	) Kit, Org, Injector, Top And Bottom, Lpg	1
▲	3	371666	(000000-	) Fitting, Fuel Inlet, Lpg	1
▲	4	371651	(000000-	) Plate, Injector Mtg, W/ Screw	1
▲	5	371653	(000000-	) Sensor, Temp	1
▲		371714	(000000-	) Kit, Connector, Coolant Sensor	1
▲		371715	(000000-	) Kit, Connector, Sensor, [lat]	1
▲	6	371654	(000000-	) Sensor, Manifold Press	1
▲		371713	(000000-	) Kit, Connector, Sensor, [Map]	1
▲	7	10552	(000000-	) Fitting, Pipe, Plug, Pm02 Soc Head	1
▲	8	371669	(000000-	) Housing, Throttle, Lpg	1
▲		371718	(000000-	) Kit, Connector, Govnr	1
▲	9	371660	(000000-	) Fitting, Coolant Plug	1

**Fig. 38 - Gasoline EFI Breakdown, 371896**

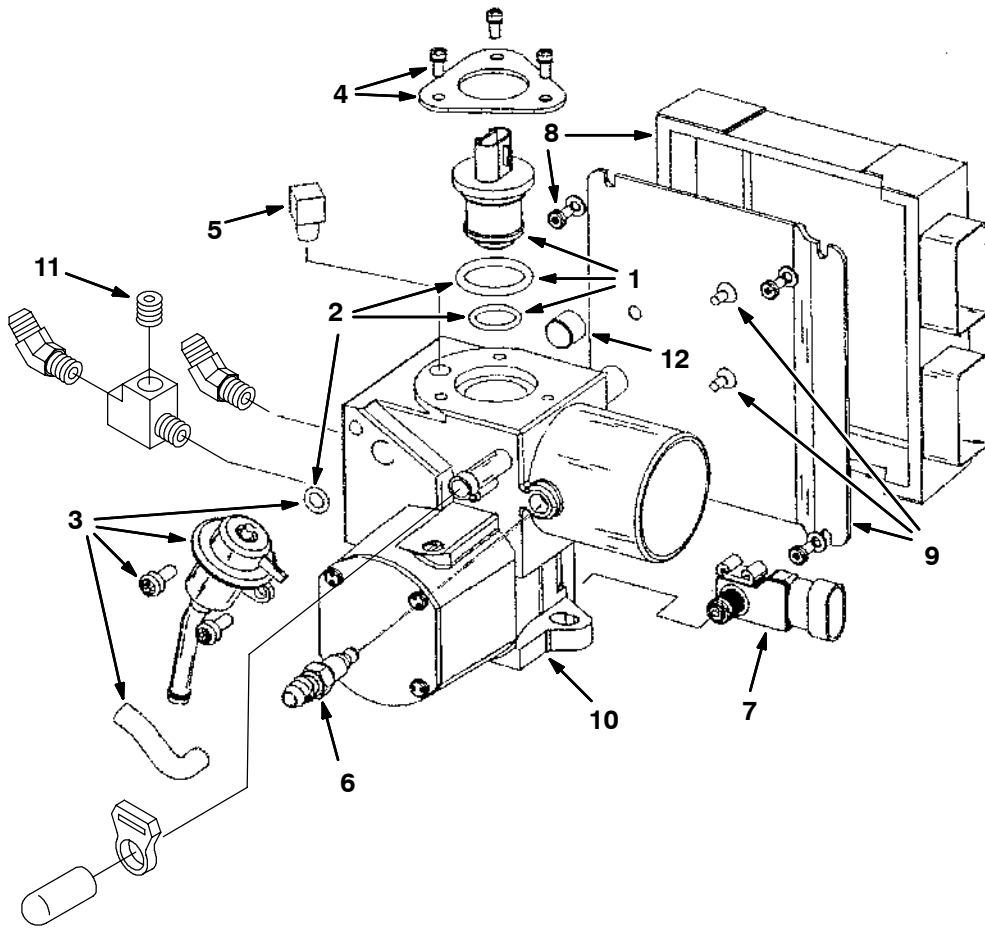


Fig. 38 - Gasoline EFI Breakdown, 371896

	Ref.	Part No.	Serial Number	Description	Qty.
▽		371896	(000000-	) Housing Assy, Throttle, Gas, [With Ecu]	1
▲▽	1	371899	(000000-	) Injector, Gas, W/ Top And Bottom Org	1
▲▲	2	371649	(000000-	) Kit, Org, Injector And Reg, Gas	1
▲		371716	(000000-	) Kit, Connector, Gas Injector	1
▲	3	371908	(000000-	) Kit, Reg, Gas Press	1
▲	4	371651	(000000-	) Plate, Injector Mtg, W/ Screw	1
▲	5	15555-2	(000000-	) Fitting, Brs, E90, If05/Pm04	1
▲		371714	(000000-	) Kit, Connector, Coolant Sensor	1
▲		371715	(000000-	) Kit, Connector, Sensor, [lat]	1
▲	6	371653	(000000-	) Sensor, Temp	1
▲	7	371654	(000000-	) Sensor, Manifold Press	1
▲	8	371901	(000000-	) Control, Electronic, Gas	1
▲	9	391890	(000000-	) Plate, Mtg, W/ Screw, [Ecu], Gas	1
▲	10	371902	(000000-	) Housing, Throttle, Gas	1
▲		371718	(000000-	) Kit, Connector, Govnr	1
▲	11	10552	(000000-	) Fitting, Pipe, Plug, Pm02 Soc Head	1
▲	12	371660	(000000-	) Fitting, Coolant Plug	1

**Fig. 39 - Gasoline Electronic Fuel Ignition Breakdown, 371897**

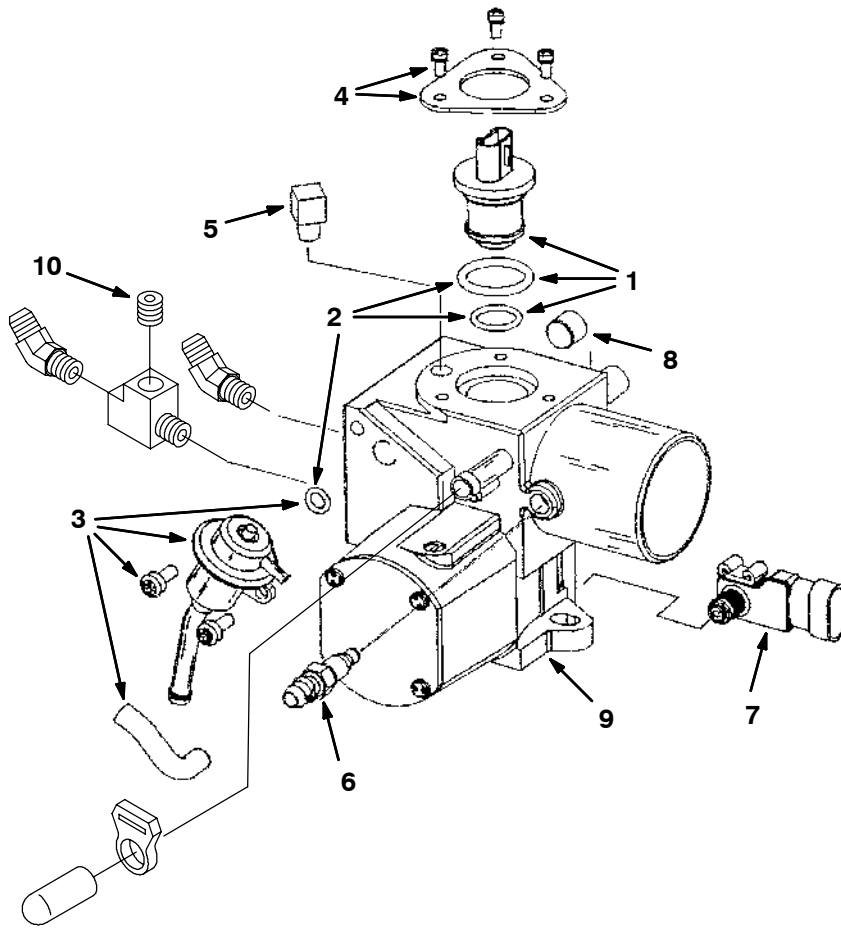


Fig. 39 - Gasoline Electronic Fuel Ignition Breakdown, 371897

	Ref.	Part No.	Serial Number	Description	Qty.
▽		371897	(000000-	) Housing Assy, Throttle, Gas, [Without Ecu]	1
▲▽	1	371899	(000000-	) Injector, Gas, W/ Top And Bottom Org	1
▲▲	2	371649	(000000-	) Kit, Org, Injector And Reg, Gas	1
▲		371716	(000000-	) Kit, Connector, Gas Injector	1
▲	3	371908	(000000-	) Kit, Reg, Gas Press	1
▲	4	371651	(000000-	) Plate, Injector Mtg, W/ Screw	1
▲	5	15555-2	(000000-	) Fitting, Brs, E90, If05/Pm04	1
▲		371714	(000000-	) Kit, Connector, Coolant Sensor	1
▲		371715	(000000-	) Kit, Connector, Sensor, [lat]	1
▲	6	371653	(000000-	) Sensor, Temp	1
▲	7	371654	(000000-	) Sensor, Manifold Press	1
▲	8	371660	(000000-	) Fitting, Coolant Plug	1
▲	9	371902	(000000-	) Housing, Throttle, Gas	1
▲		371718	(000000-	) Kit, Connector, Govnr	1
▲	10	10552	(000000-	) Fitting, Pipe, Plug, Pm02 Soc Head	1

**Fig. 40 - Hydraulic Solenoid Valve Breakdown, 1049210**

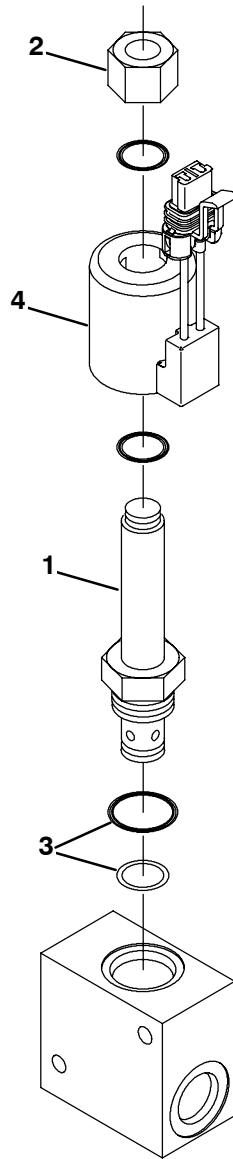




Fig. 40 - Hydraulic Solenoid Valve Breakdown, 1049210

	Ref.	Part No.	Serial Number	Description	Qty.
▽		1049210	(000000-	) Valve, Cntrl, Hyd, Solenoid, 12vdc 12gpm	1
▲	1	1050812	(000000-	) Stem, Valve, Hyd	1
▲	2	1050811	(000000-	) Nut, Valve, Cartridge	1
▲	3	1050780	(000000-	) Seal Kit, Cartridge	1
▲	4	1050809	(000000-	) Solenoid, Valve, Hyd, 36vdc	1

**Fig. 41 - Hydraulic Solenoid Valve Breakdown, 1049209**

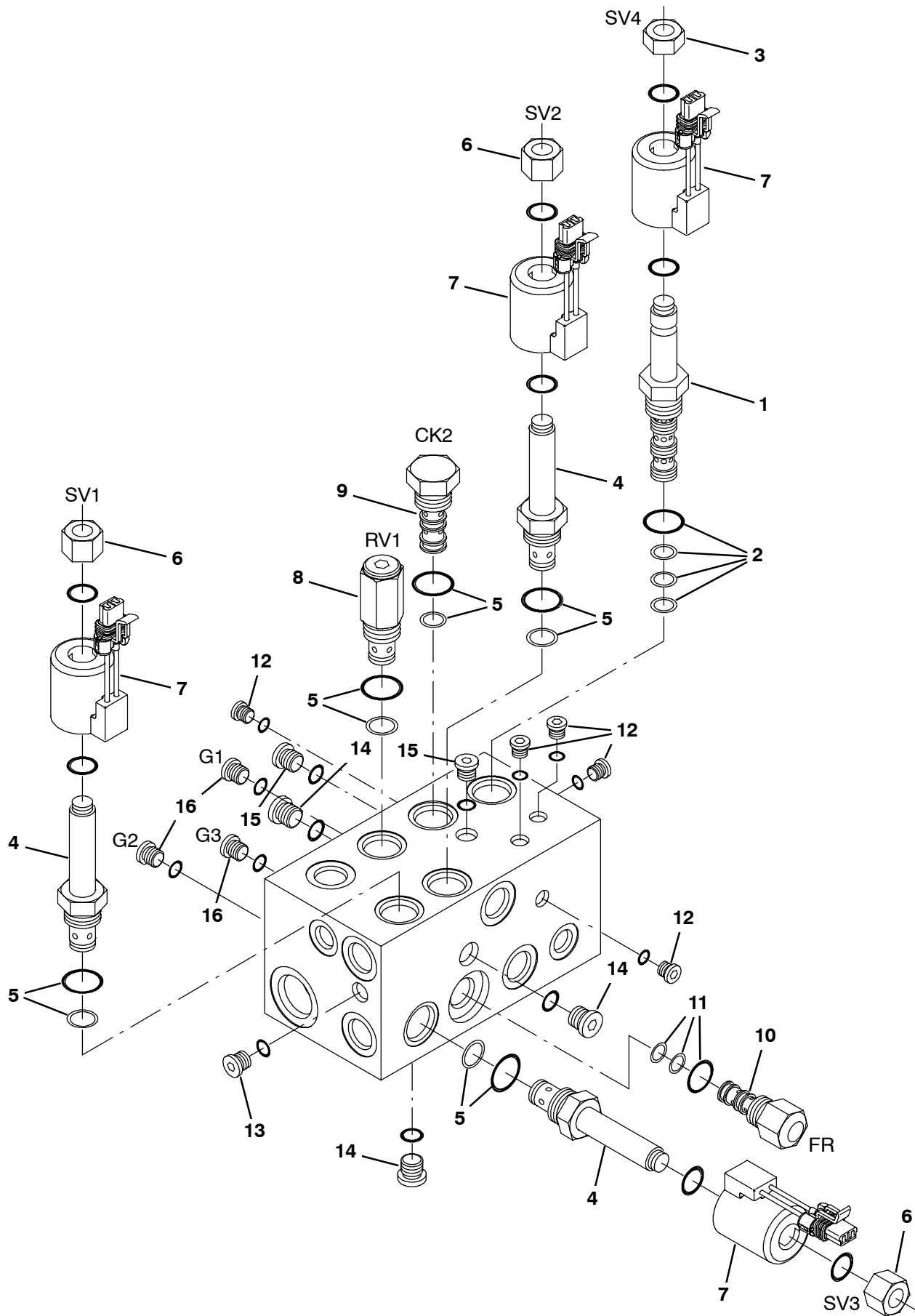
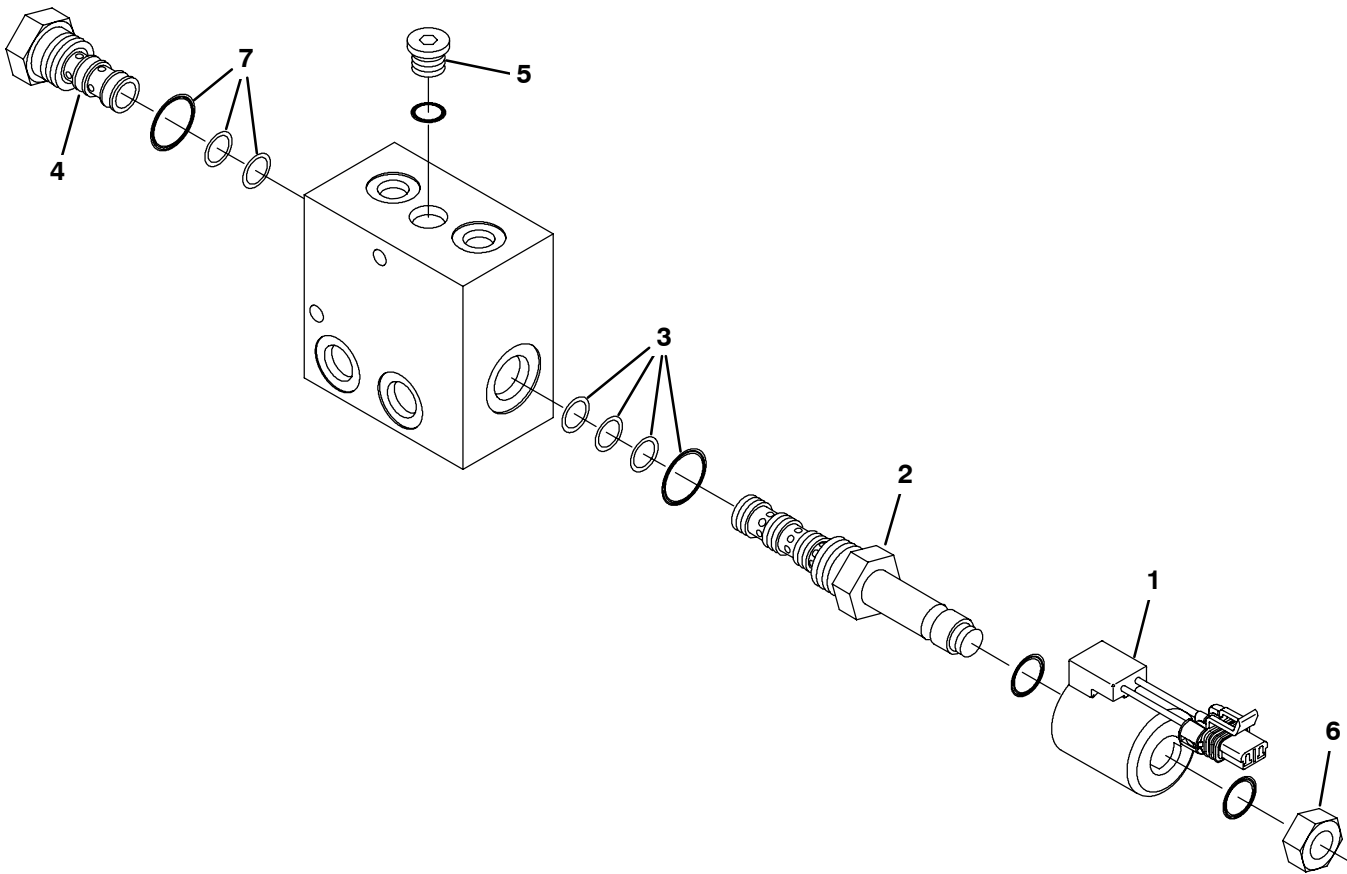


Fig. 41 - Hydraulic Solenoid Valve Breakdown, 1049209

Ref.	Part No.	Serial Number	Description	Qty.	
▽	1049209	(000000-	) Valve, Cntrl, Hyd, Solenoid, 12vdc 08gpm	1	
▲	1	1050861	(000000-	) Solenoid, Valve, Hyd	1
▲	2	1050870	(000000-	) Seal Kit, Cartridge	1
▲	3	373584	(000000-	) Nut, Valve, Cartridge	1
▲	4	1050812	(000000-	) Stem, Valve, Hyd	3
▲	5	1050780	(000000-	) Seal Kit, Cartridge	1
▲	6	373585	(000000-	) Nut, Valve, Cartridge	3
▲	7	1050809	(000000-	) Solenoid, Valve, Hyd, 36vdc	4
▲	8	1050862	(000000-	) Valve, Cartridge, Relief	1
▲	9	1050863	(000000-	) Valve, Cartridge, Check	1
▲	10	1050864	(000000-	) Valve, Cartridge, Flow Reg	1
▲	11	1050871	(000000-	) Seal Kit, Cartridge	1
▲	12	1050865	(000000-	) Fitting, Plug, Om02, Valve	5
▲	13	1050866	(000000-	) Fitting, Plug, Om04, Valve	1
▲	14	1050867	(000000-	) Fitting, Plug, Om06, Valve	3
▲	15	1050868	(000000-	) Fitting, Plug, Om05, Valve	2
▲	16	1050869	(000000-	) Fitting, Plug, Om04, Valve	3

**Fig. 42 - Hydraulic Solenoid Valve Breakdown, 1049211**



354900 - ALL

Ref.	Part No.	Serial Number	Description	Qty.	
▽	1049211	(000000-	) Valve, Cntrl, Hyd, Solenoid, 12vdc 06gpm	1	
▲	1	1050809	(000000-	) Solenoid, Valve, Hyd, 36vdc	1
▲	2	1050861	(000000-	) Solenoid, Valve, Hyd	1
▲	3	1050870	(000000-	) Seal Kit, Cartridge	1
▲	4	1050872	(000000-	) Valve, Cartridge, Check	1
▲	5	1050873	(000000-	) Fitting, Plug, Om06, Valve	1
▲	6	1051078	(000000-	) Nut, Valve, Cartridge	1
▲	7	1051079	(000000-	) Seal Kit, Cartridge	1

# SECTION 5

<b>Contents</b>	<b>Page</b>
Fig. 1 - Engine Block Group .....	5-2
Fig. 2 - Gaskets Group .....	5-4
Fig. 3 - Cylinder Head Group .....	5-6
Fig. 4 - Cylinder Front Cover Group .....	5-7
Fig. 5 - Starter Breakdown .....	5-8
Fig. 6 - Oil Pan Group .....	5-10
Fig. 7 - Crankshaft Group .....	5-12
Fig. 8 - Manifolds Group .....	5-14
Fig. 9 - Flywheel Group .....	5-16
Fig. 10 - Camshaft And Sprocket Group .....	5-18
Fig. 11 - Valve And Rocker Arm Cover Group ..	5-20
Fig. 12 - Piston And Connecting Rod Group ...	5-22
Fig. 13 - Water Pump, Thermostat and Fan Group .....	5-23
Fig. 14 - Ignition Group .....	5-24

## 2.3L ENGINE BREAKDOWN

Fig. 1 - Engine Block Group

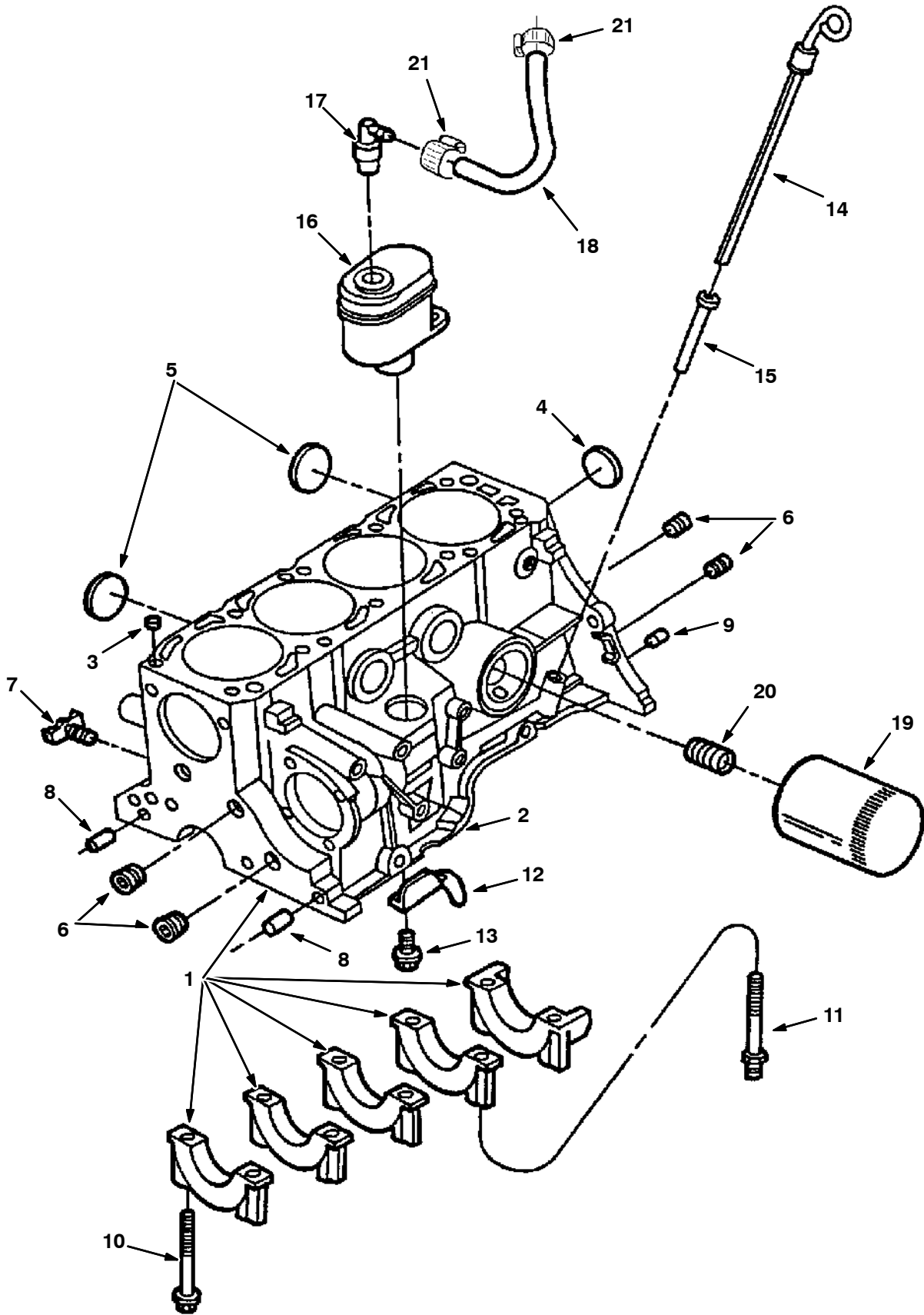
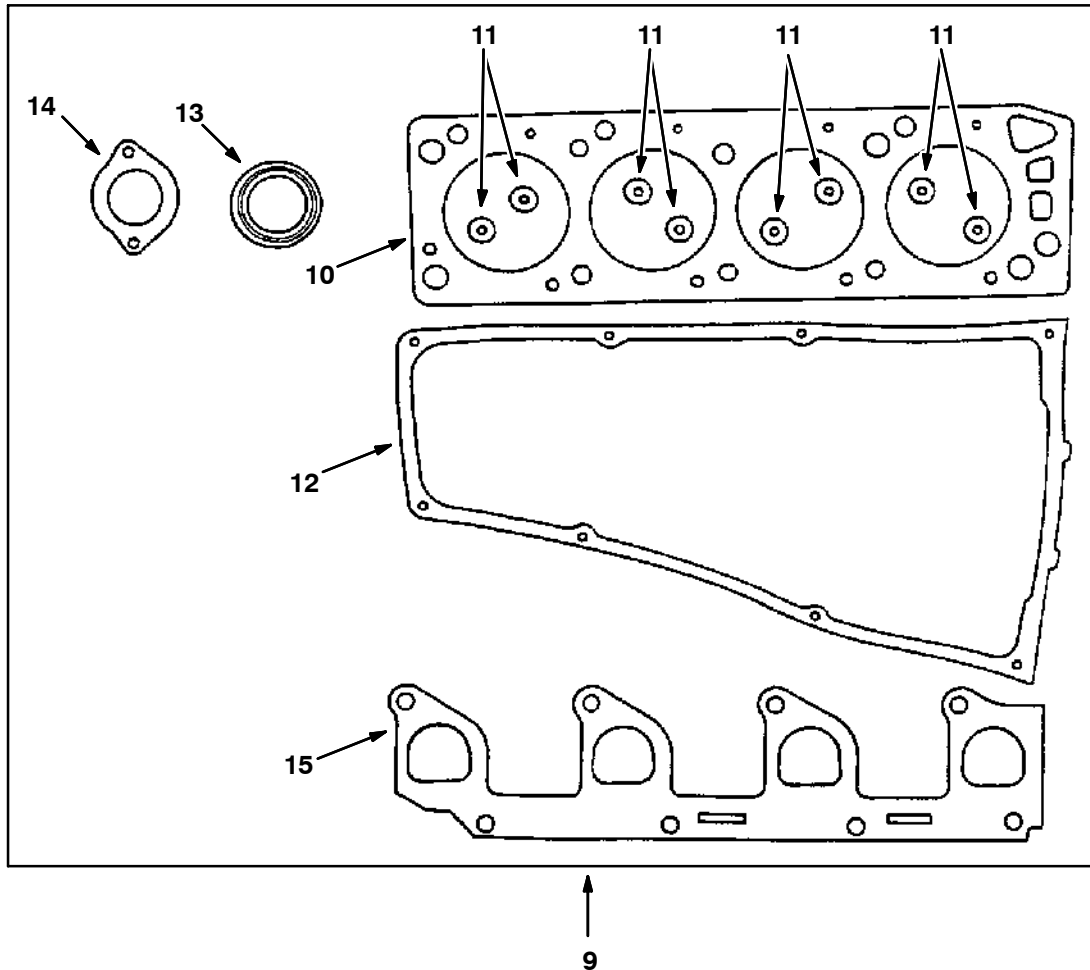
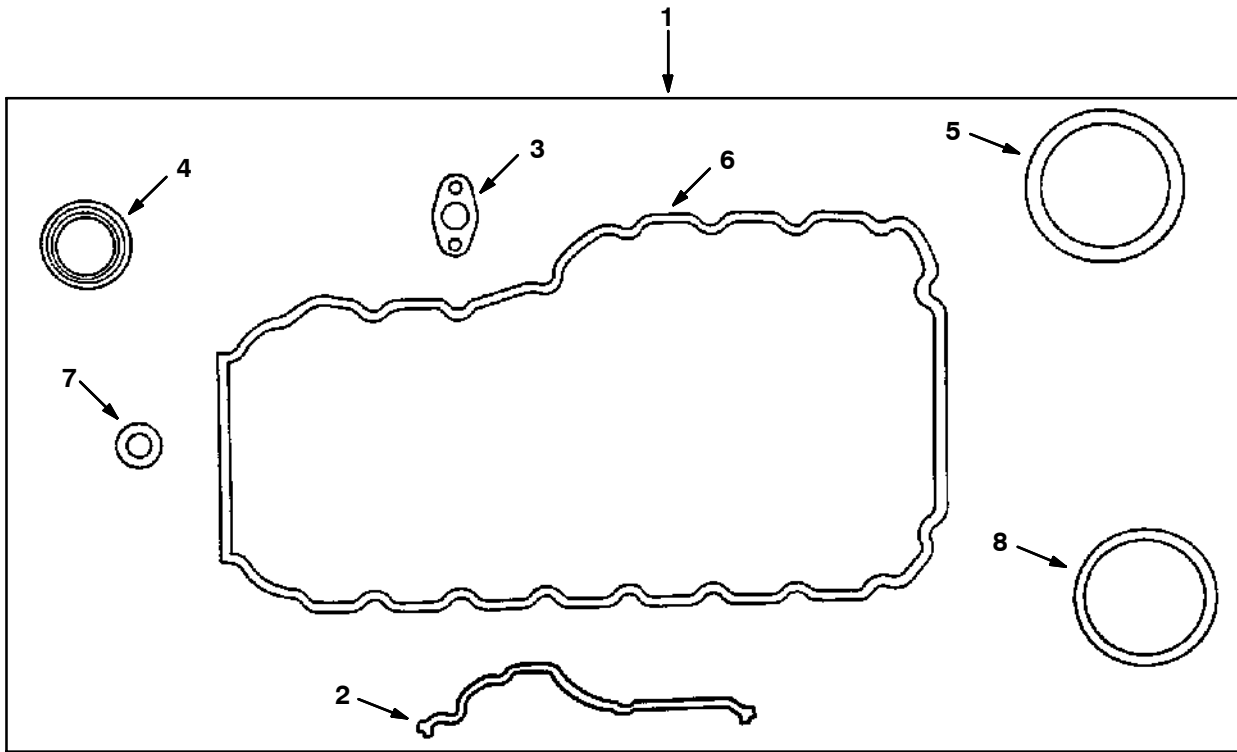


Fig. 1 - Engine Block Group

Ref.	Part No.	Description	Qty.	
	1	84875	Cyl Block Assy (Short Block Assy)	1
▽	2	84876	Block Assy	1
▲	3	73958	Dowel	2
▲	4	73921	Plug-Std 2.078	1
▲	4	73920	Plug .06 O/S	-
▲	5	84877	Plug, 1.50 Cup	4
▲	6	73917	Plug 3/8 Npt	5
▲	6	36268	Plug 1/4 Npt	2
▲	7	54911-32	Draincock,End.Block	1
▲	8	84878	Dowel,Frnt Cover	2
▲	9	73975	Dowel	2
▲	10	73950	Bolt M12	9
▲	11	74516	Stud M12	1
▲	12	84879	Baffle	1
	13	84880	Bolt, M6X16.5mm	2
	14	10723	Indicator,Oil	1
	15	10724	Short Tube	1
	16	84882	Separator	1
	17	84883	Pcv Vlv Asy	1
	18	84884	Hose	1
	19	39703-2	Filter Element, Oil	1
	20	84962	Insert-Oilfilt	1
	21	54333	Clamp, Hose, Wormdrive	2

## 2.3L ENGINE BREAKDOWN

Fig. 2 - Gaskets Group



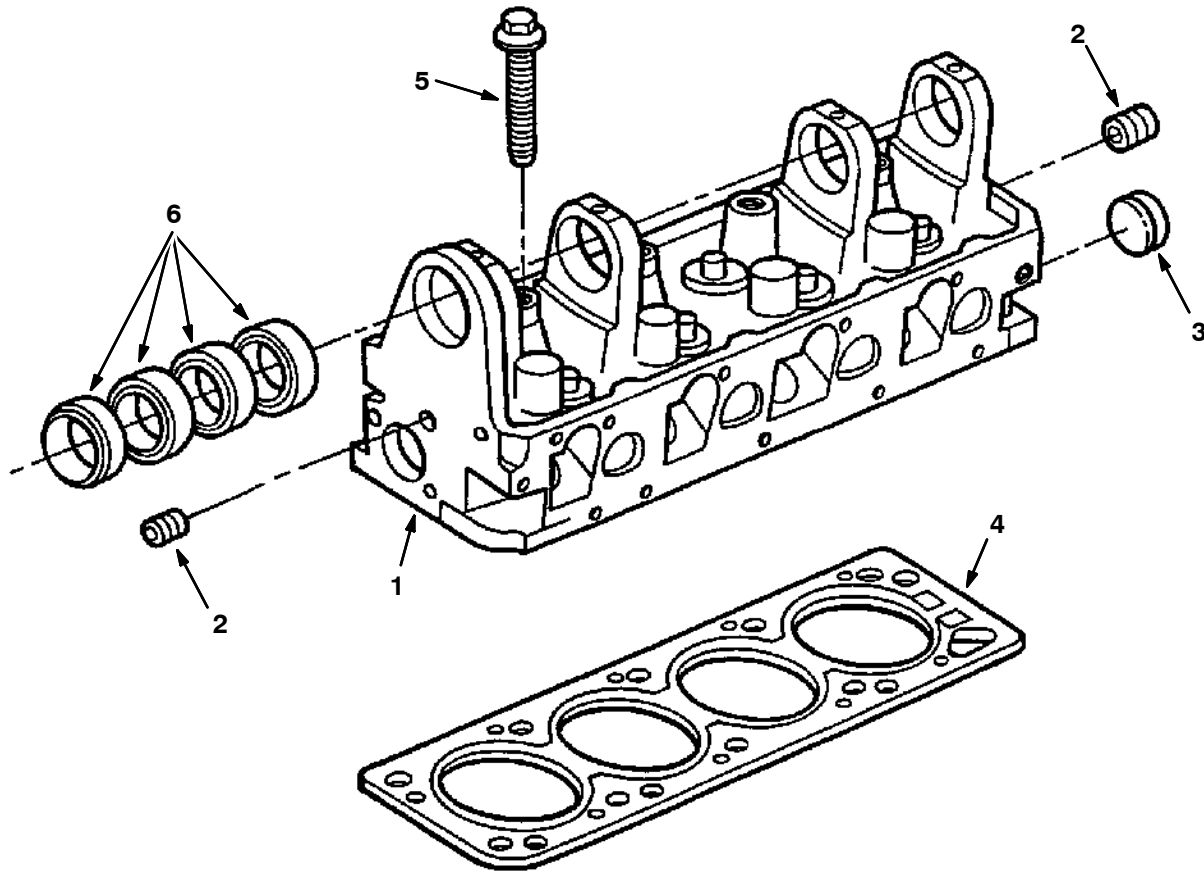


**Fig. 2 - Gaskets Group**

	<b>Ref.</b>	<b>Part No.</b>	<b>Description</b>	<b>Qty.</b>
▽	1	84885	Gskt Kit,Lower	1
▲	2	84886	Gskt,Frnt Cvr	1
▲	3	84887	Gskt,Pmp/Putube	1
▲	4	60833	Oil Seal, Front	1
▲	5	84888	Seal, Rear	1
▲	6	84889	Gasket,Oil Pan	1
▲	7	37157	Gasket Oil	1
▲	8	84983	Gskt,Water Pump	1
▽	9	84891	Gskt Kit,Upper	1
▲	10	60806	Gasket, Head	1
▲	11	84892	Seal,Valve Stem	8
▲	12	84893	Gskt,Rockr Cvr	1
▲	13	60833	Oil Seal, Front	1
▲	14	74538	Gskt-Waterout	1
▲	15	84894	Gskt,In.Manfld	1

## 2.3L ENGINE BREAKDOWN

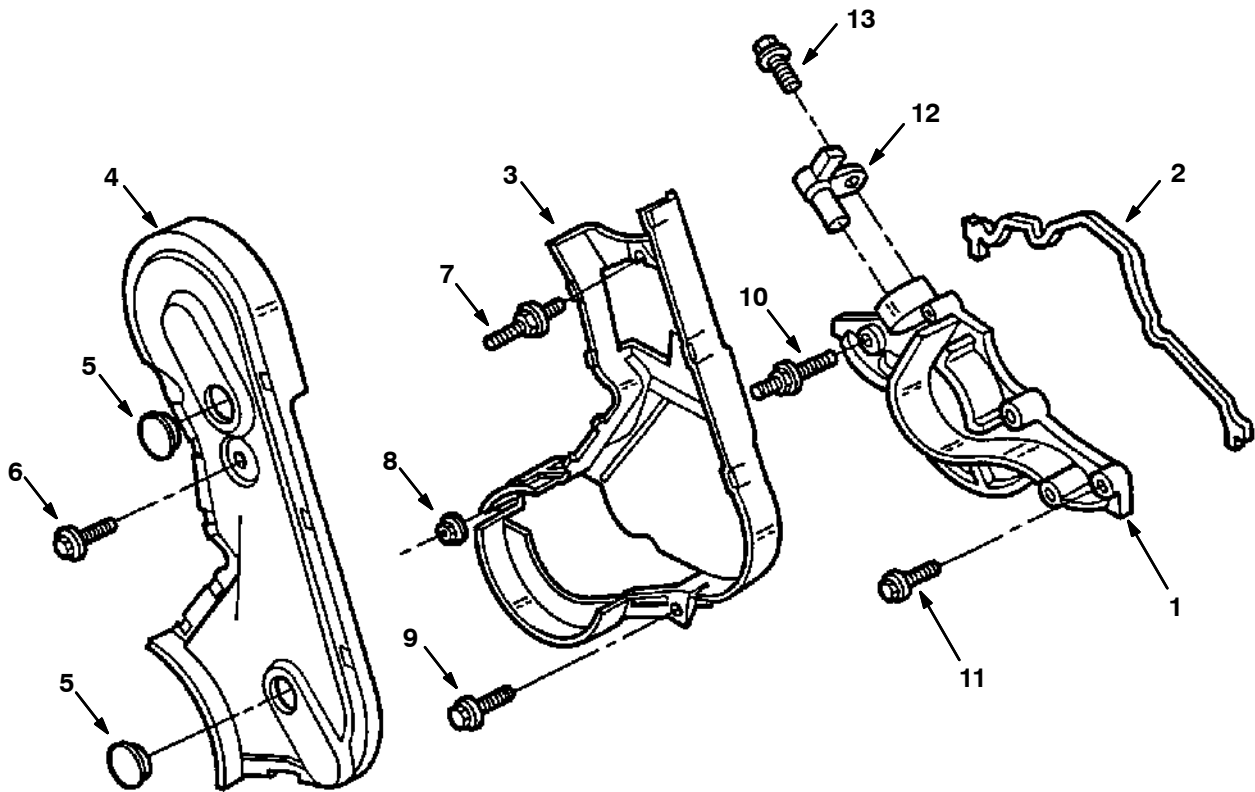
Fig. 3 - Cylinder Head Group



10445 - 800L, 8410, G, LP

Ref.	Part No.	Description	Qty.
1	84907	Head-W/O Valves	1
2	36268	Plug 1/4 Npt	2
3	84910	Plug, 1.50 Cup	1
4	60806	Gasket, Head	1
5	73927	Bolt M12	10
6	60817	Bearing Cam,	4
6	73936	Bearing, .016 Camshaft	-

Fig. 4 - Cylinder Front Cover Group



10446 - 800L, 8410, G, LP

Ref.	Part No.	Description	Qty.
1	84895	Lower Cover	1
2	84896	Gskt,Front Cvr	1
3	84897	Inner Cover	1
4	84898	Outer Cover	1
5	74536	Plug	2
6	84899	Bolt, M8 X 17 Schd	1
7	84900	Stud,M8X51.0mm	1
8	84901	Nut, M6	1
9	84902	Scr&Wsh,M6X22.5	1
10	84903	Stud,M6X61.8mm	1
11	84904	Bolt,M6X37.5mm	3
12	84905	Sensor,Crnksft	1
13	84906	Screw,M6X22.5mm	1

## 2.3L ENGINE BREAKDOWN

Fig. 5 - Starter Breakdown

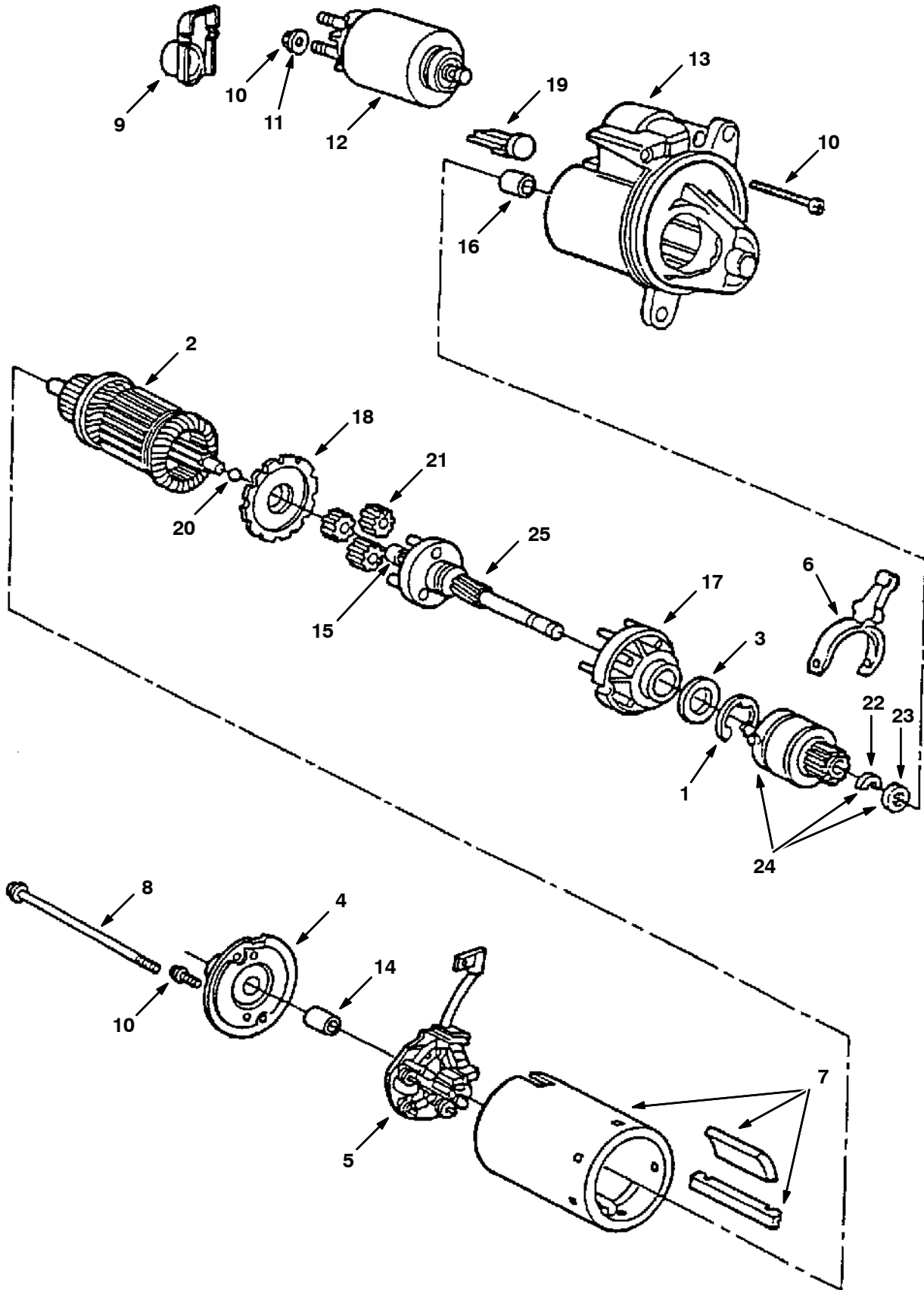


Fig. 5 - Starter Breakdown

	Ref.	Part No.	Description	Qty.
▽		60938	Motor, Starting, Perm Mag, 12V	1
▲	1	79640	Retaining Ring	1
▲	2	84999	Armature	1
▲	3	79956	Washer	1
▲	4	79628	Plate & Brg	1
▲	5	79629	Brush Holder	1
▲	6	79630	Lever	1
▲	7	79631	Frame&Mag.As	1
▲	8	79632	Bolt-Thru	2
▲	9	79970	Term.Cover	1
▲▽	10	79633	Kit-Attaching	1
▲▲	11	79957	Nut&Washer,M8	1
▲	12	370829	Solenoid	1
▲	13	79634	Hsg W/Brg	1
▲	14	79635	Bearing	1
▲	15	79960	Planet Bearing	3
▲	16	79961	Bearing	1
▲	17	79962	Statnry Gear	1
▲	18	79963	Retnr.Gear	1
▲	19	79964	Seal	1
▲	20	79965	Arm.Thr.Ball	1
▲	21	79966	Gear Assy	3
▲	22	79636	Ring-Drv.Stop	1
▲	23	79967	Retainer	1
▲	24	79638	Drive Assy	1
▲	25	79969	Shft Asy,Output	1

Fig. 6 - Oil Pan Group

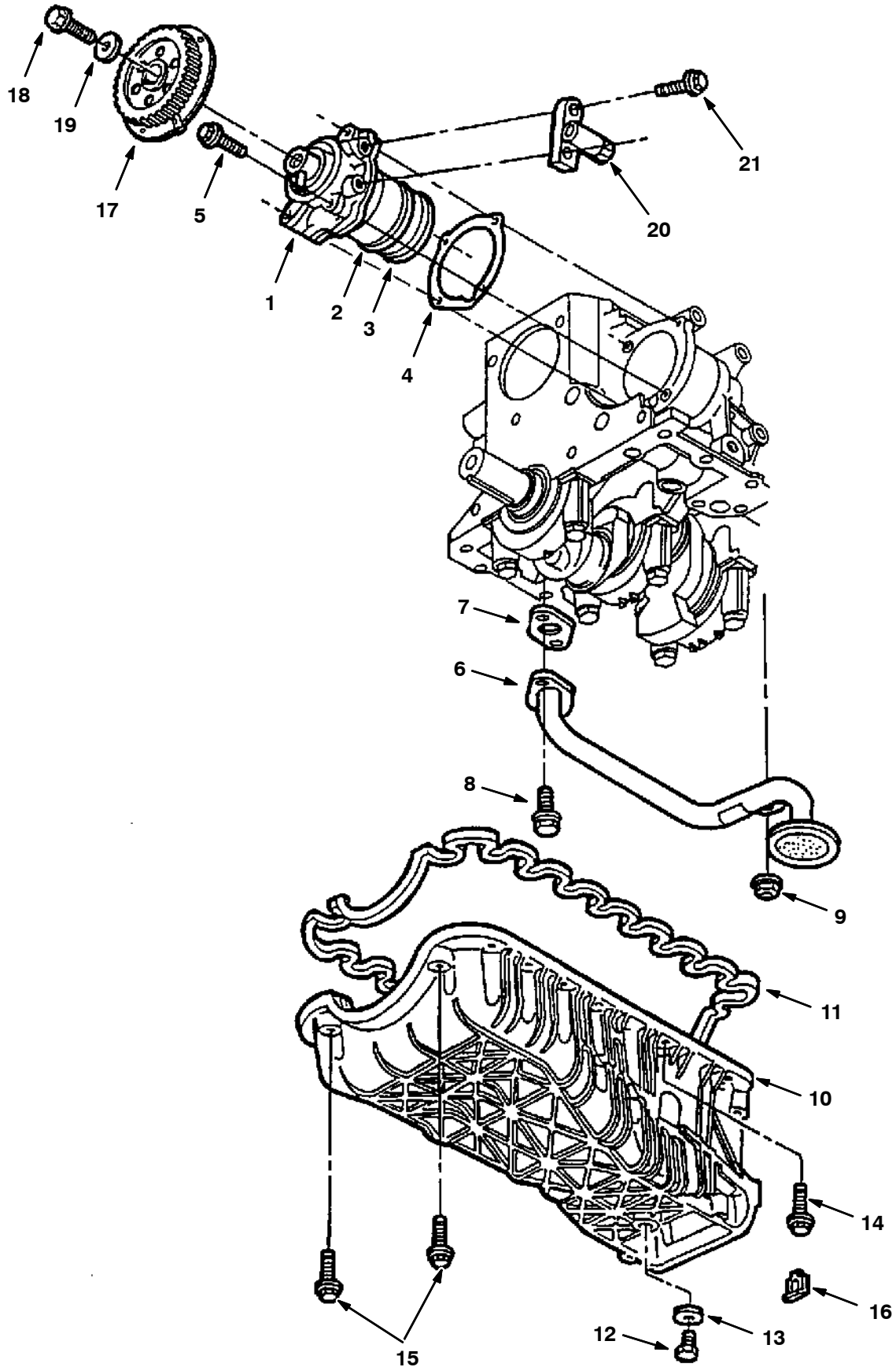


Fig. 6 - Oil Pan Group

Ref.	Part No.	Description	Qty.
1	84963	Oil Pump	1
2	84964	O-Ring,2.375	1
3	84965	O-Ring-2.250	1
4	84966	Gskt,Oilpmp/Blk	1
5	84967	Bolt,M6X47.5mm	4
6	84968	Oil Pickup Tube	1
7	84969	Gskt,Pu Tube	1
8	84970	Bolt,M8X20.0mm	2
9	84971	Nut,M10	1
10	84972	Oil Pan Assy	1
11	84889	Gasket,Oil Pan	1
12	37127	Oil Plug	1
13	37157	Gasket Oil	1
14	84973	Bolt,M6X27.5mm	16
15	84974	Bolt,M6X52.5mm	2
16	84975	Oil Pan Spacer	-
16	84976	Oil Pan Spacer	-
16	84977	Oil Pan Spacer	-
17	84978	Oil Pmp Sprkt	1
18	84979	Bolt,M10X40.0mm	1
19	74561	Washer	1
20	84980	Camsft.Sensor	1
21	84981	Bolt,M5X20.0M	2

## 2.3L ENGINE BREAKDOWN

Fig. 7 - Crankshaft Group

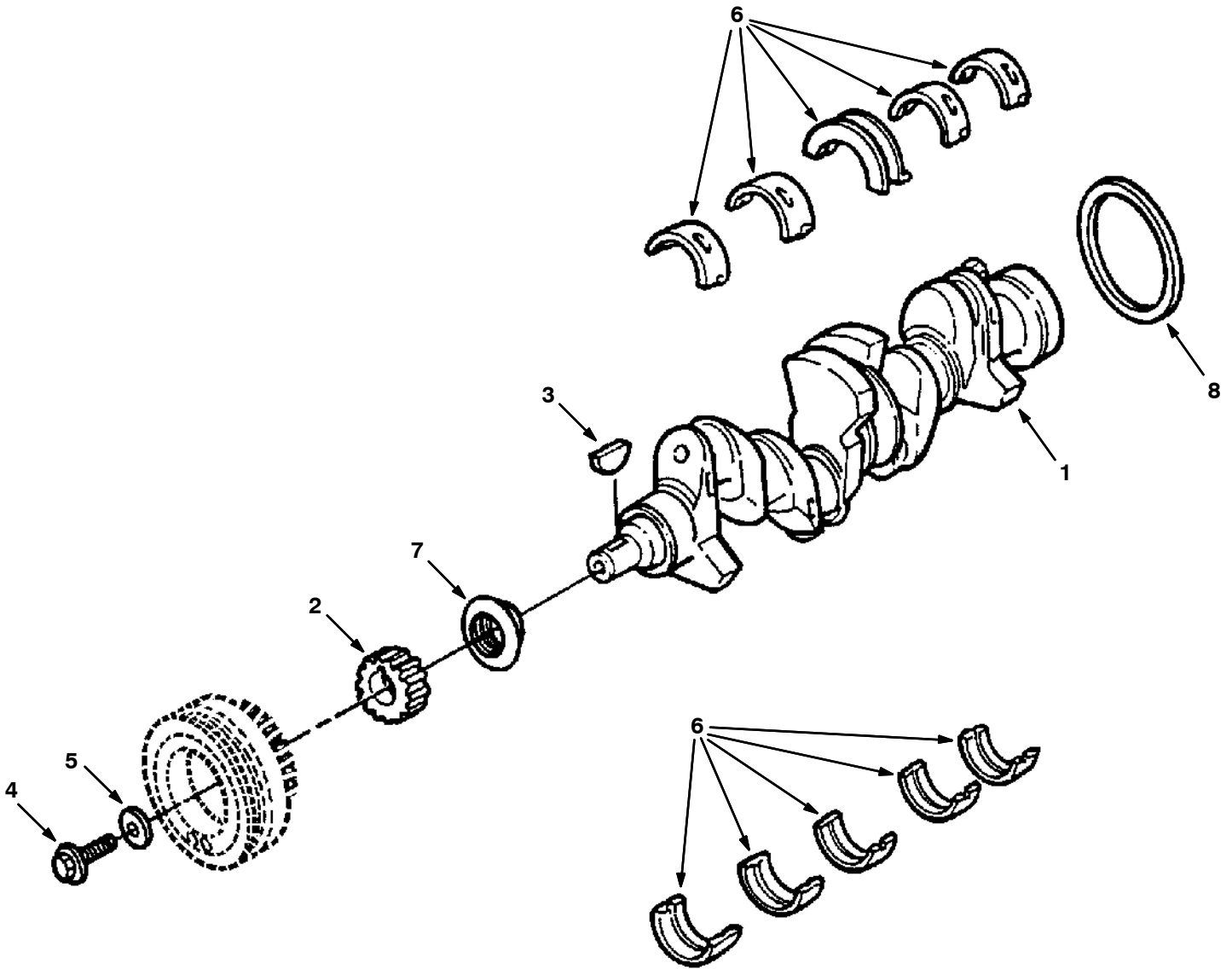




Fig. 7 - Crankshaft Group

Ref.	Part No.	Description	Qty.
1	84923	Crankshaft Asy	1
2	84924	Crnksft Sprckt	1
3	84925	Crnkshaft Key	1
4	84926	Bolt,M14X55.0M	1
5	84927	Wash M15 1.53Od	1
6	1051175	Bearing Kit, Cshft, Std[F2.3/2.5I]	4
6	1051167	Bearing Kit, Cshft, .040[F2.3/2.5I]	-
6	1051174	Bearing Kit, Cshft, .010[F2.3/2.5I]	-
6	1051173	Bearing Kit, Cshft, .020[F2.3/2.5I]	-
6	1051172	Bearing Kit, Cshft, .030[F2.3/2.5I]	-
7	60833	Oil Seal, Front	1
8	84947	Crnksft Seal-Rear	1

## 2.3L ENGINE BREAKDOWN

Fig. 8 - Manifolds Group

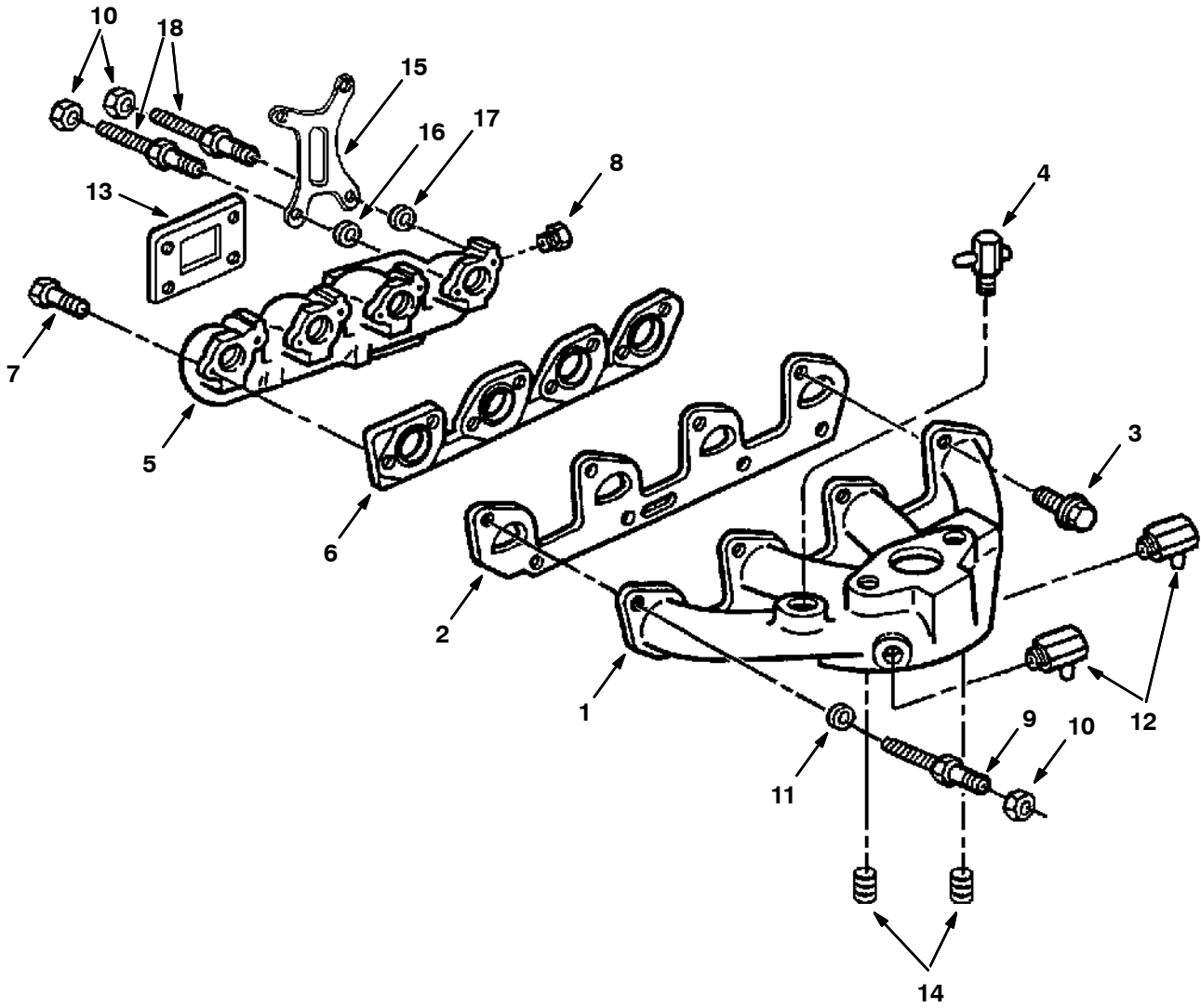
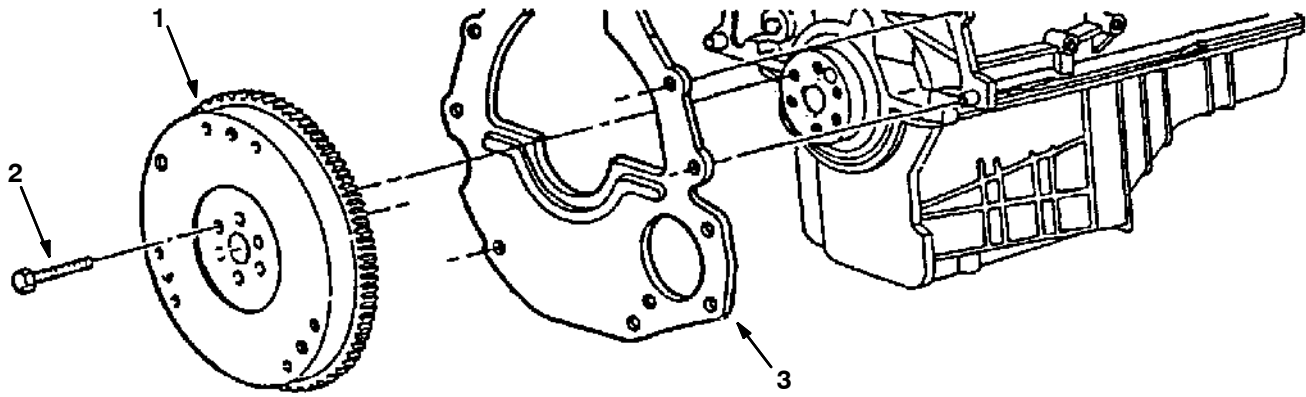


Fig. 8 - Manifolds Group

Ref.	Part No.	Description	Qty.
1	84990	Int.Manifold	1
2	84991	Gskt,Int.Mnflid	1
3	84992	Bolt,M8X25.0mm	7
4	74527	Vac.Fitting	1
5	74509	Exh.Manifold	1
6	84995	Gskt,Exh.Mnflid	1
7	84996	Bolt,M10X55.0M	6
8	84997	Plug, 1/2Npt	1
9	79972	Stud	1
10	79973	Nut M8-1.25	3
11	79974	Spacer	1
12	84985	Elbow,90 deg	2
13	36048	Gasket, Exh. Flange	1
14	73917	Plug 3/8 NPT	2
15	79976	Lifting Eye	1
16	21792	Spacer	1
17	21793	Spacer	1
18	21794	Stud	2

Fig. 9 - Flywheel Group



**Fig. 9 - Flywheel Group**

<b>Ref.</b>	<b>Part No.</b>	<b>Description</b>	<b>Qty.</b>
1	370103	Replm Kit, Flywheel	1
	370102	Flywheel	1
	84659	Flywheel Ring Gear	1
2	64038	Bolt	12
3	83669	Rear Plate	12

## 2.3L ENGINE BREAKDOWN

Fig. 10 - Camshaft And Sprocket Group

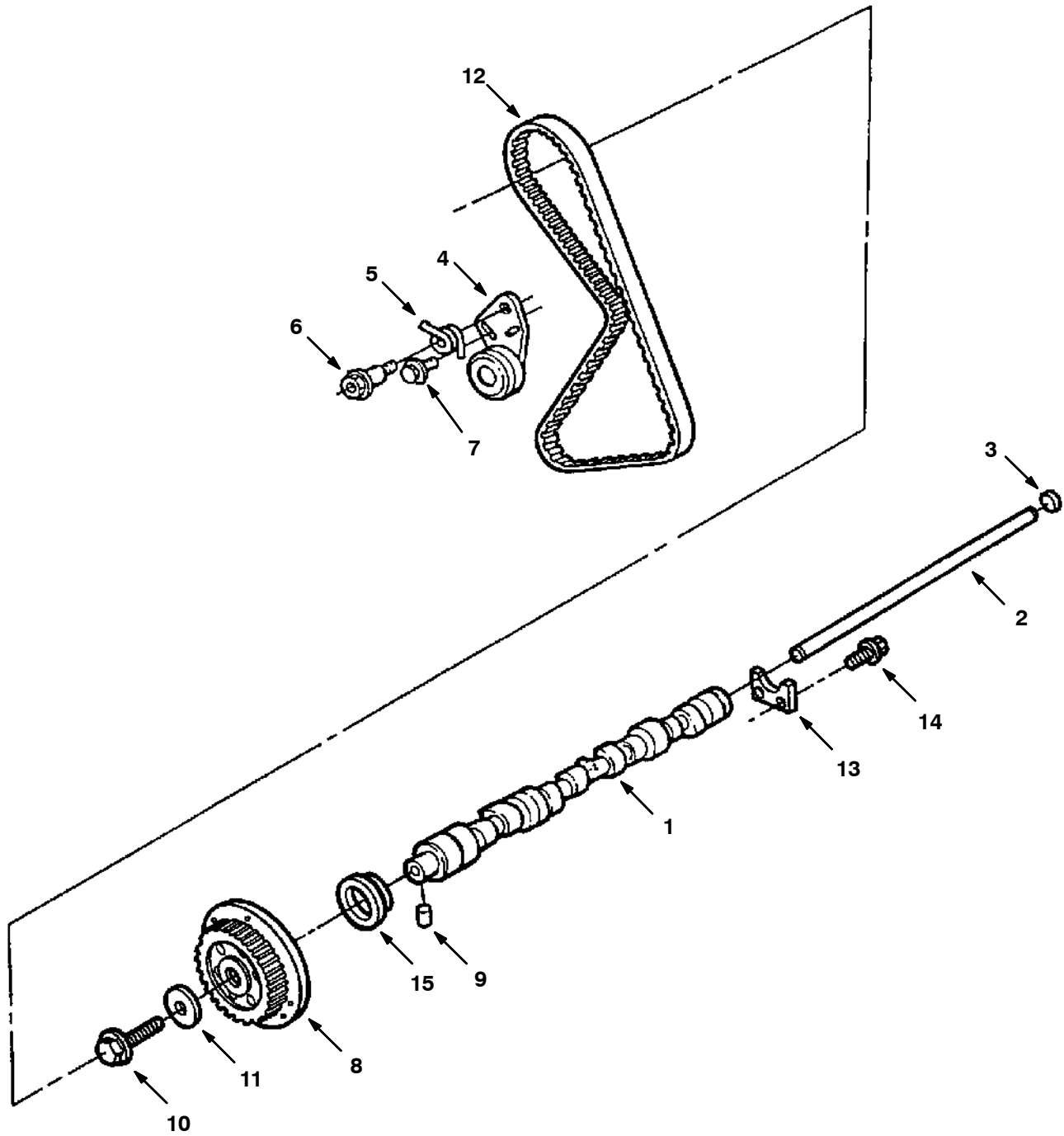
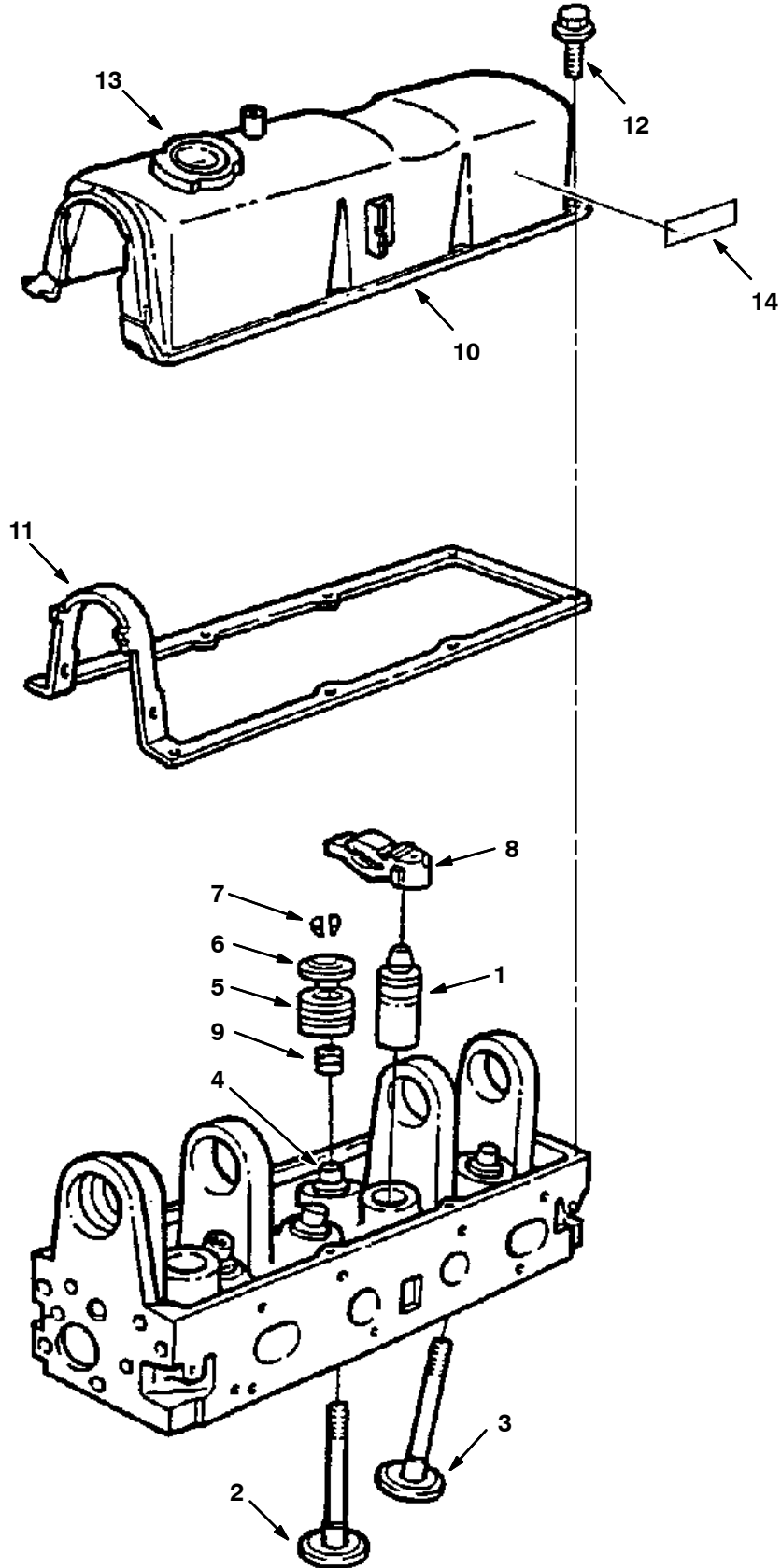


Fig. 10 - Camshaft And Sprocket Group

Ref.	Part No.	Description	Qty.
1	84915	Camshaft	1
2	84916	Rod	1
3	84917	Plug	1
4	73967	Tensioner, Arm	1
5	73970	Spring, Tension	1
6	84919	Bolt, Tens. Sprn	1
7	74552	Bolt	1
8	84978	Camshft Sprckt	1
9	84921	Pin, 1/4X.32	1
10	74545	Bolt M12X45	1
11	73937	Washer	1
12	84936	Timing Belt	1
13	73954	Plate	1
14	74548	Scr&Wash M6	2
15	60833	Oil Seal, Front	1

## 2.3L ENGINE BREAKDOWN

Fig. 11 - Valve And Rocker Arm Cover Group



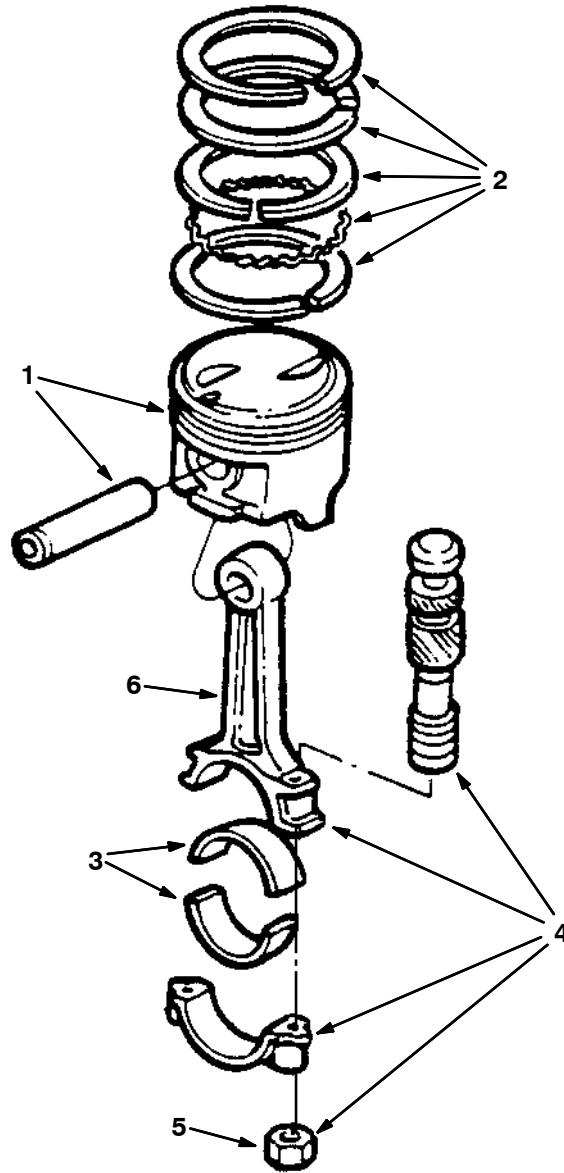


**Fig. 11 - Valves And Rocker Arm Cover Group**

Ref.	Part No.	Description	Qty.
1	84950	Tap.Assy-Valve	8
2	84951	Std.Exh.Valve	4
3	84952	Std.Int.Valve	4
4	84953	Valve Guide Bushing	-
5	84954	Valve Spring	8
6	84955	Valve Spring Retainer	8
7	84956	Valve Spring Key	16
8	84957	Valve Rocker Arm	8
9	84958	Valve Stem Seal	8
10	370876	Valve Rocker Arm Cover	1
11	73995	Gasket,Rocker Cover	1
12	84961	Scr&Wsh,M6X15.0M	8
13	60836	Breather Cap	1
14	36164	Warning Label, Starter	1

## 2.3L ENGINE BREAKDOWN

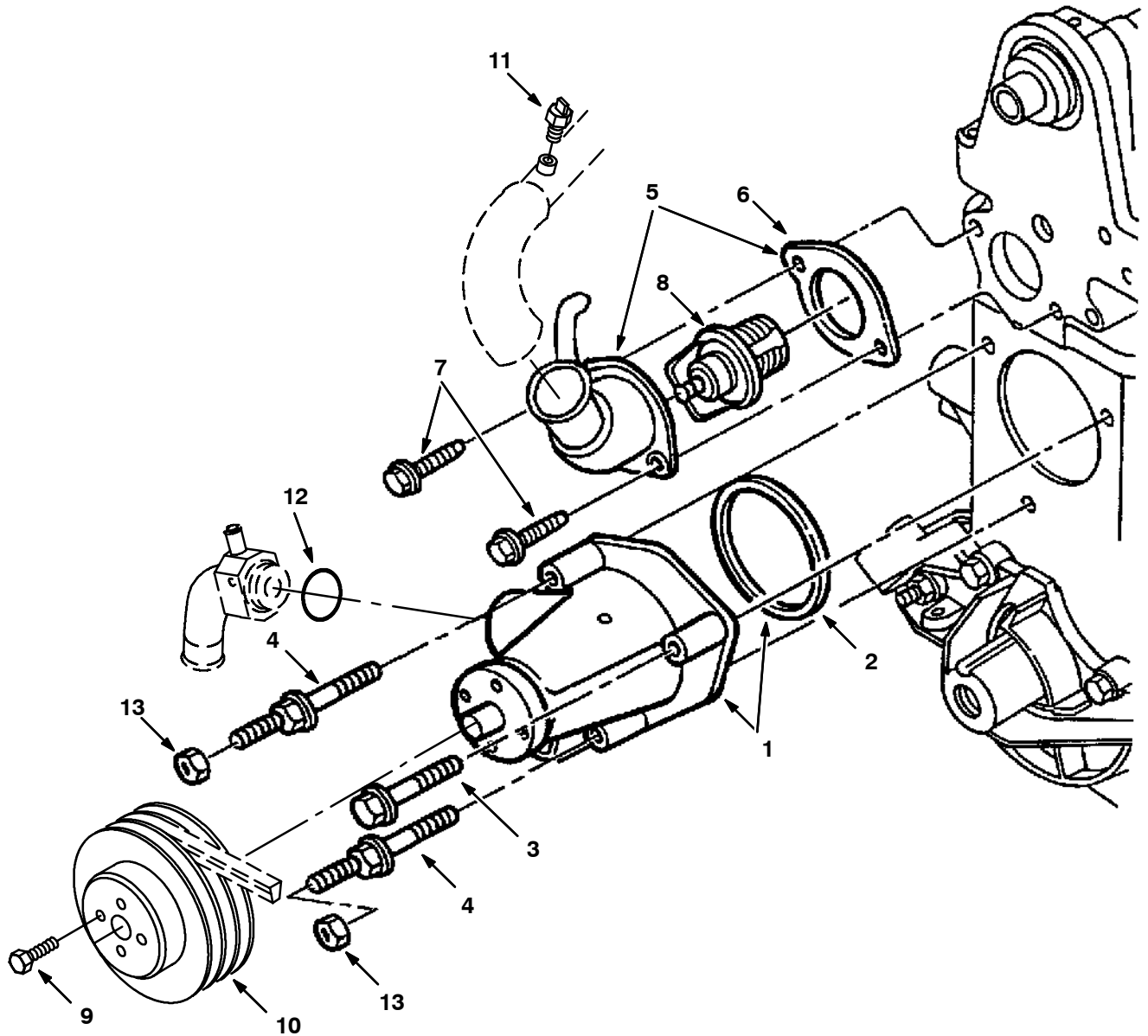
Fig. 12 - Piston And Connecting Rod Group



10447 - 800L, 8410, G, LP

Ref.	Part No.	Description	Qty.	
1	84911	Piston, Std.	4	
2	84913	Ring Set, Std.	2	
3	60812	Bearing	8	
3	73977	Brg-Conn.Rod	-	
3	73978	Brg-Conn.Rod	-	
3	73979	Brg-Conn.Rod	-	
3	73980	Brg-Conn.Rod	-	
3	73981	Brg-Conn.Rod	-	
3	73982	Brg-Conn.Rod	-	
▽	4	84914	Connecting Rd	4
▲	5	60813	Nut, Conrod-8	8
▲	6	60814	Bolt-Conrod-4	8

Fig. 13 - Water Pump, Thermostat and Fan Group

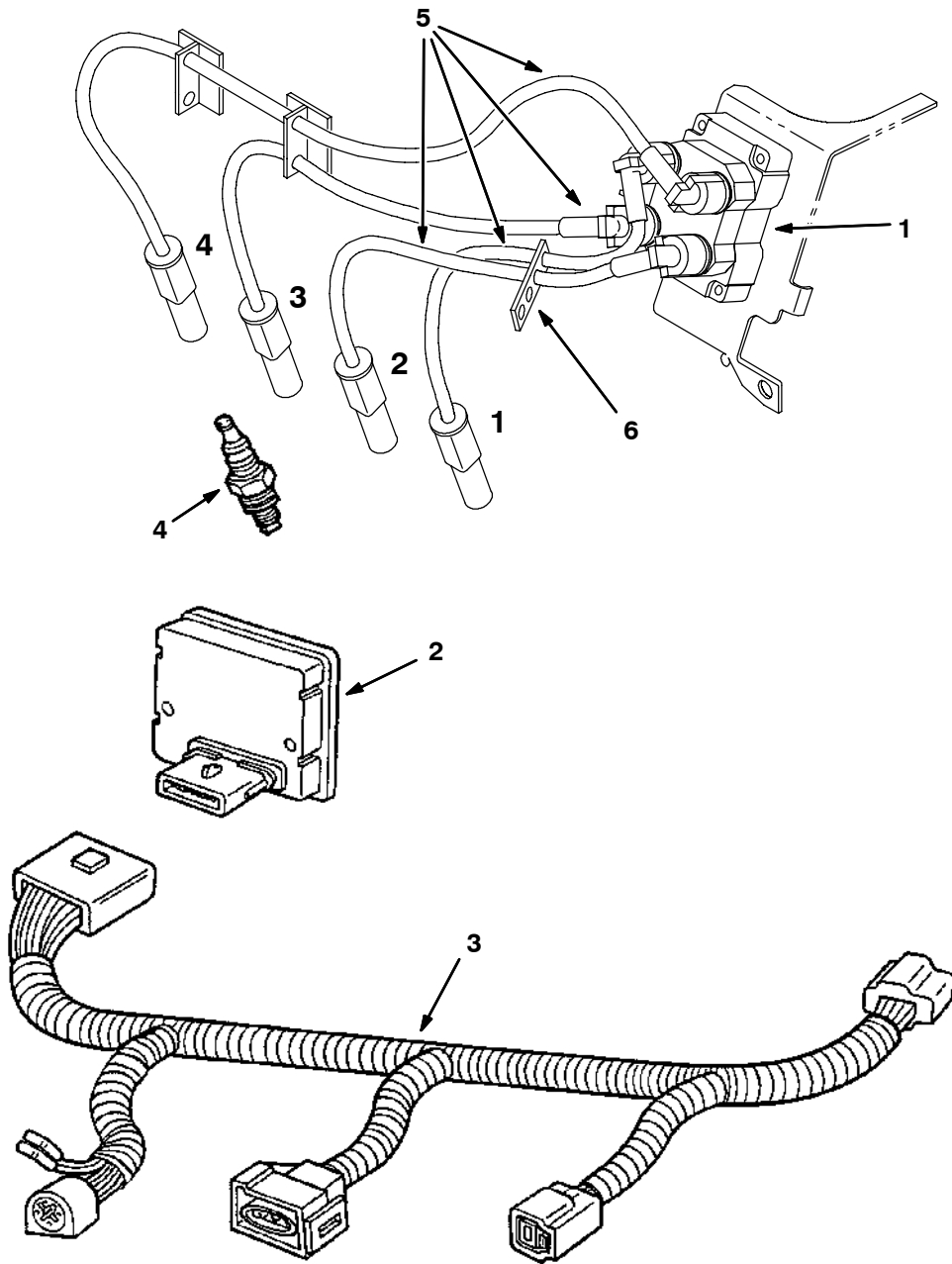


10528 - 800L, 8410, G, LP

Ref.	Part No.	Description	Qty.
▽	1 84982	Water Pump	1
▲	2 84983	Gskt,Water Pump	1
	3 84984	Bolt,M8X53.0mm	1
	4 84998	Stud	2
▽	5 73996	Water Outlet	1
▲	6 74538	Gasket Water Outlet Connection	1
	7 84988	Bolt,M8X18.0M	2
	8 84987	Therm 190 W/Gsk	1
	9 84994	Bolt, M8X12.0mm	1
	10 36014	Sheave, Water Pump	1
	11 84989	Temperature sensor	1
	12 79975	O-Ring, Water Pump Adaptor	1
	13 84993	Locknut	2

## 2.3L ENGINE BREAKDOWN

Fig. 14 - Ignition Group



10524-350562 - 800L, 8410, G, LP

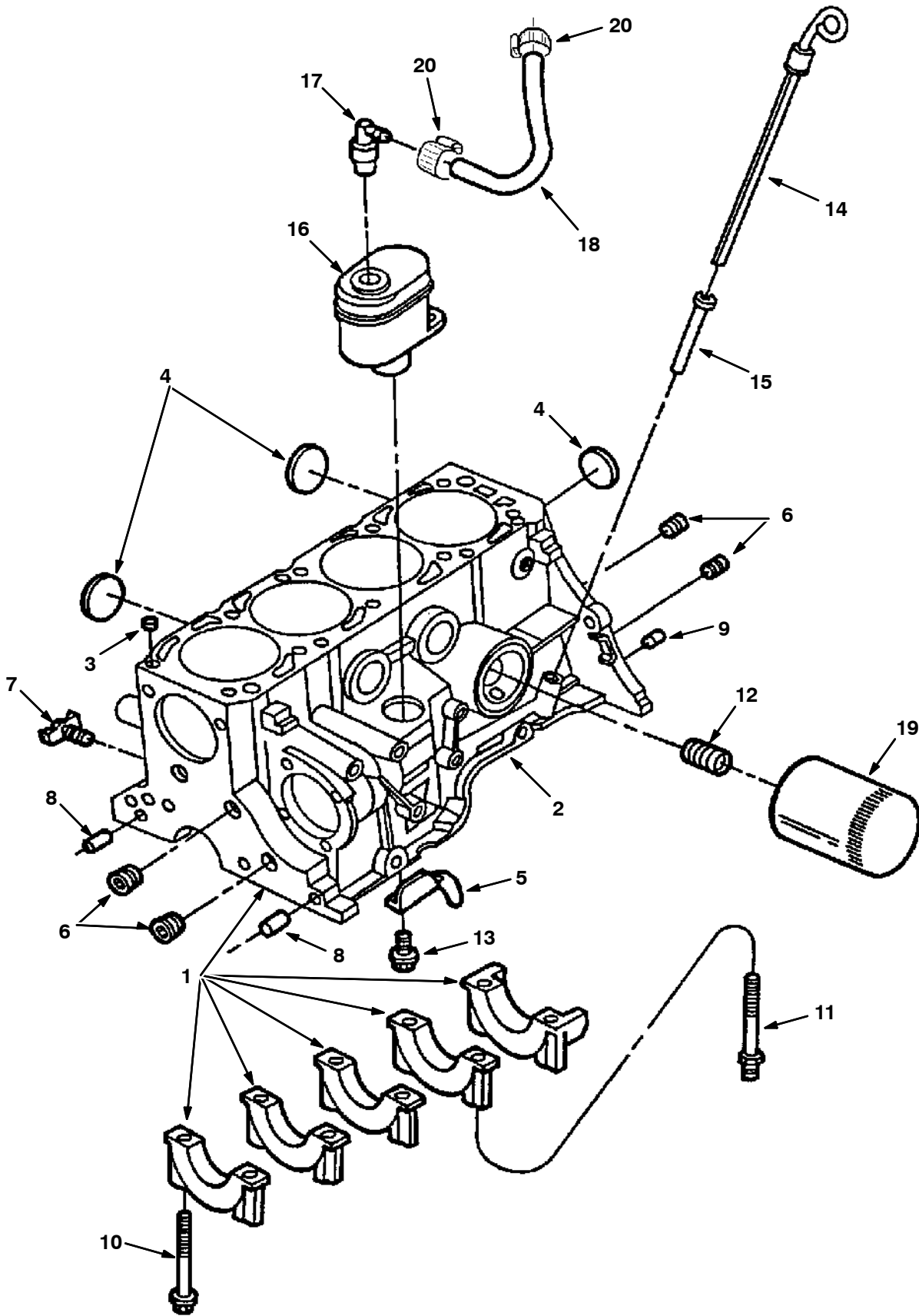
Ref.	Part No.	Description	Qty.
1	83732	Ignition Coil	1
2	9003676	Module Kit, Ignition, Replmt [Ford 2.3l]	1
3	83707	Wire Harness	1
4	60846	Spark Plug	4
5	83677	Wire Asy, Spark Plug	1
6	84882	Separator	1

## SECTION 6

<b>Contents</b>	<b>Page</b>
Fig. 1 - Engine Block Group .....	6-2
Fig. 2 - Gaskets Group .....	6-4
Fig. 3 - Cylinder Head Group .....	6-6
Fig. 4 - Cylinder Front Cover Group .....	6-7
Fig. 5 - Starter Breakdown .....	6-8
Fig. 6 - Oil Pan Group .....	6-10
Fig. 7 - Crankshaft Group .....	6-12
Fig. 8 - Manifolds Group .....	6-14
Fig. 9 - Flywheel Group .....	6-16
Fig. 10 - Camshaft And Sprocket Group .....	6-18
Fig. 11 - Valve And Rocker Arm Cover Group ..	6-20
Fig. 12 - Piston And Connecting Rod Group ...	6-22
Fig. 13 - Water Pump, Thermostat and Fan Group .....	6-23
Fig. 14 - Ignition Group .....	6-24

## 2.5L ENGINE BREAKDOWN

Fig. 1 - Engine Block Group



**Fig. 1 - Engine Block Group**

Ref.	Part No.	Description	Qty.
	1	370847 Cyl Block Assy (Short Block Assy)	1
▽	2	370848 Block Assy	1
▲	3	73958 Dowel	2
▲	4	73921 Plug-Std 2.078	5
▲	4	73920 Plug .06 O/S	-
▲	5	84879 Baffle	1
▲	6	73917 Plug 3/8 Npt	5
▲	6	36268 Plug 1/4 Npt	2
▲	7	54911-32 Draincock,End.Block	1
▲	8	84878 Dowel,Frnt Cover	2
▲	9	370873 Dowel	2
▲	10	73950 Bolt M12	9
▲	11	74516 Stud M12	1
	12	84962 Insert-Oilfilt	1
	13	84880 Bolt, M6X16.5mm	2
	14	370850 Indicator,Oil	1
	15	10724 Short Tube	1
	16	84882 Separator	1
	17	84883 Pcv Vlv Asy	1
	18	84884 Hose	1
	19	39703-2 Filter Element, Oil	1
	20	54333 Clamp, Hose, Wormdrive	2

# 2.5L ENGINE BREAKDOWN

Fig. 2 - Gaskets Group

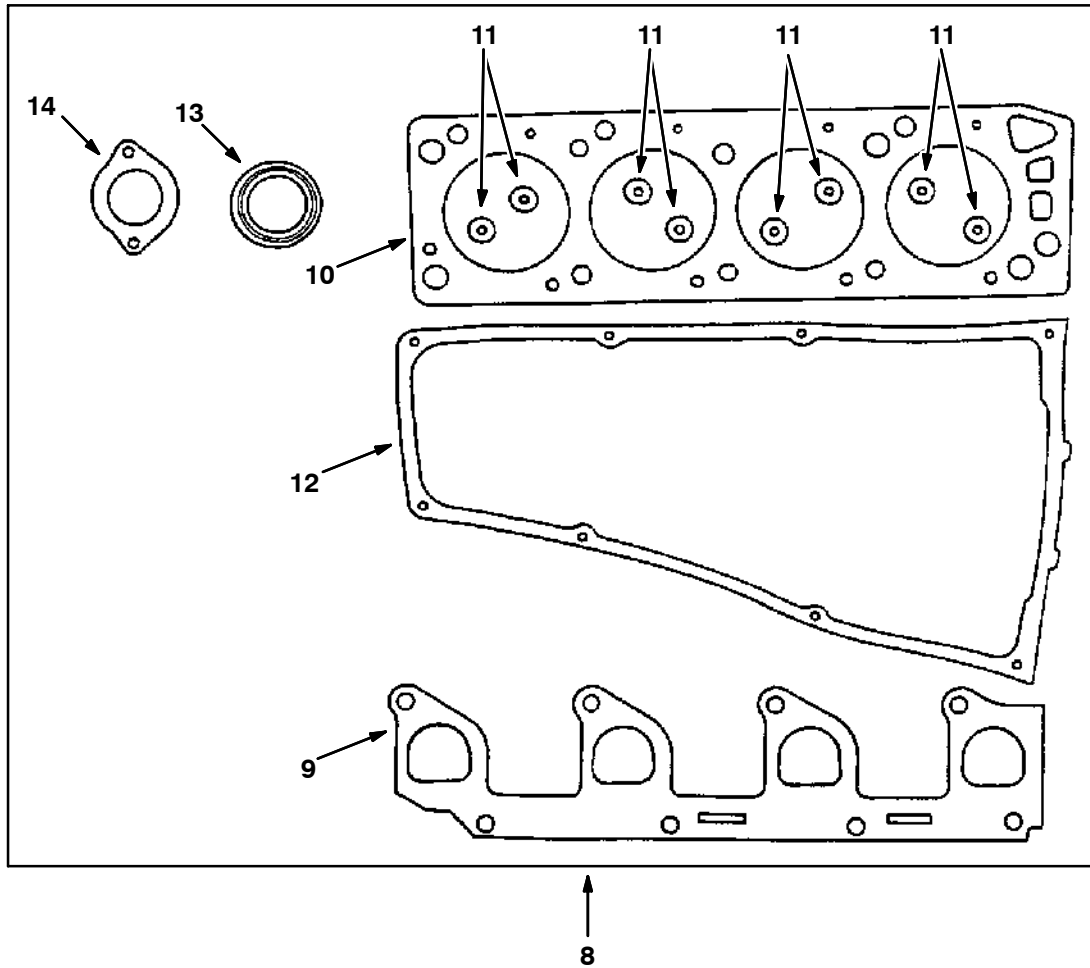
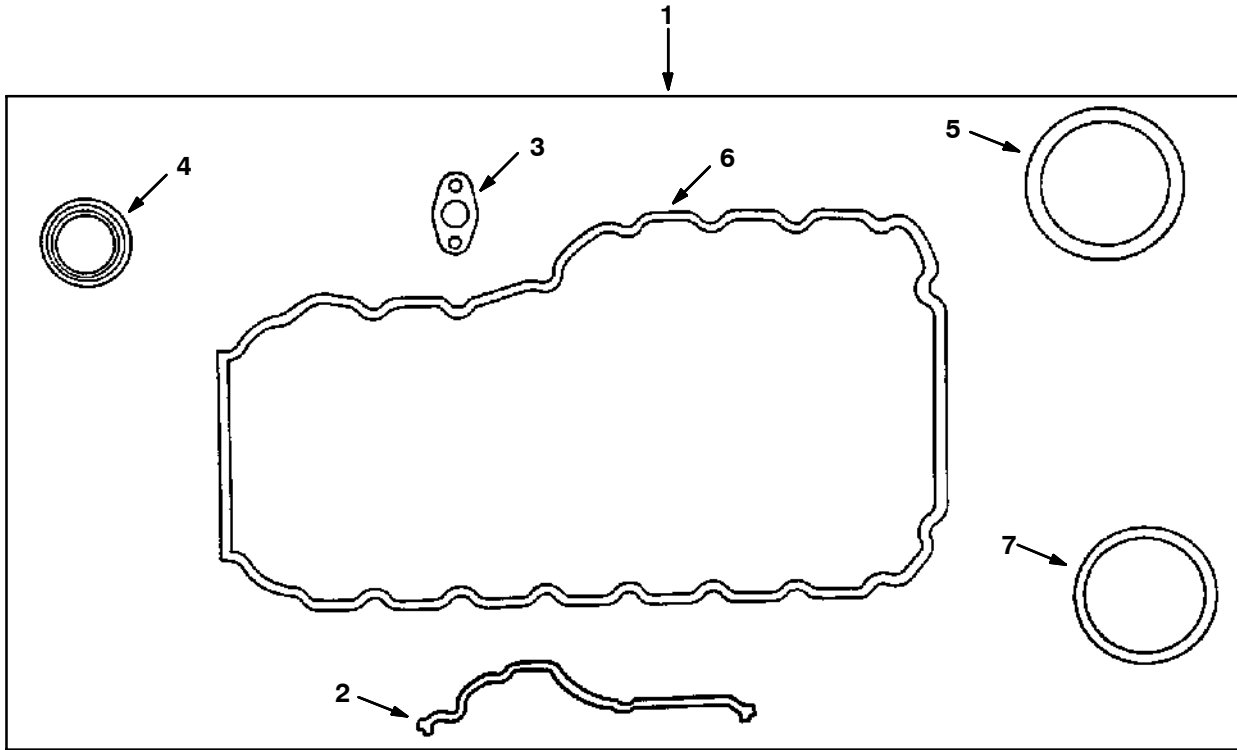


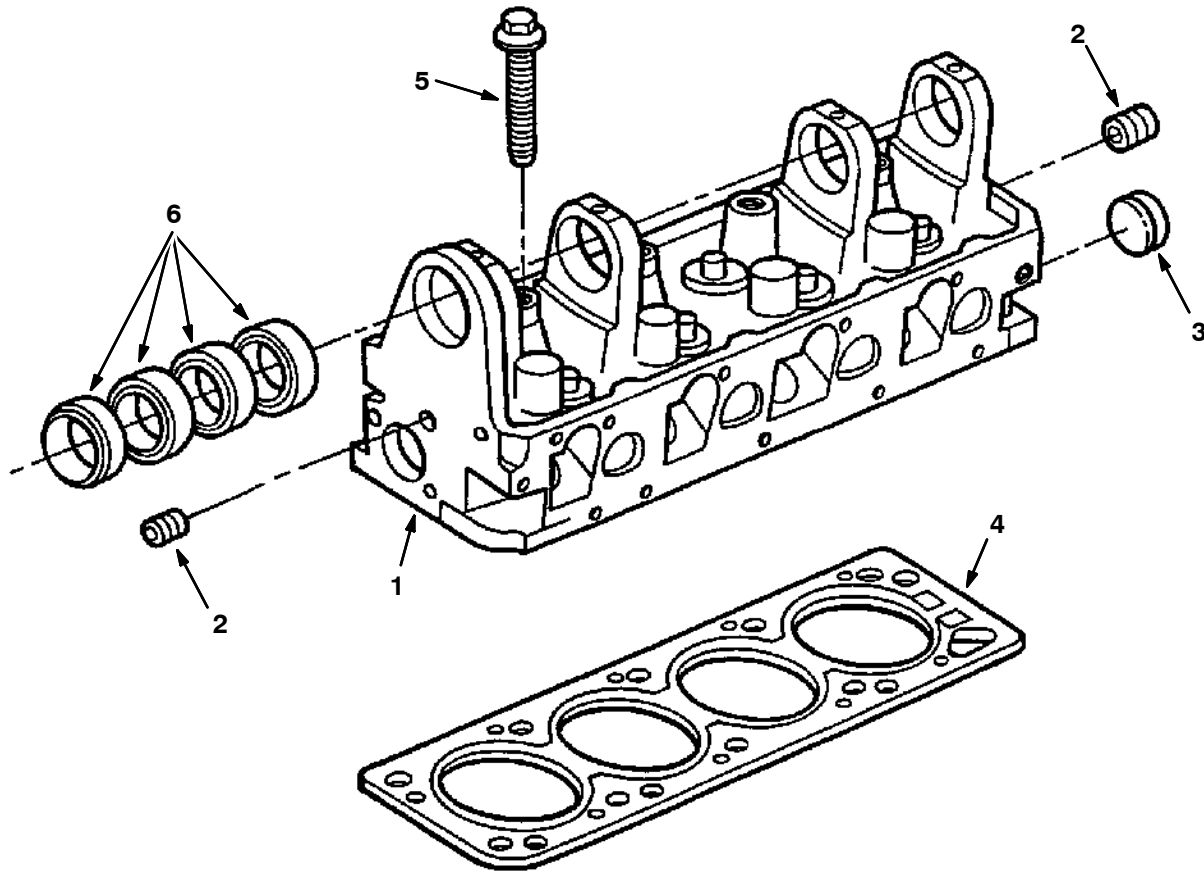


Fig. 2 - Gaskets Group

	Ref.	Part No.	Description	Qty.
▽	1	370851	Gskt Kit,Lower	1
▲	2	84896	Gskt,Frnt Cvr	1
▲	3	84887	Gskt,Pmp/Putube	1
▲	4	60833	Oil Seal, Front	1
▲	5	60834	Seal, Rear	1
▲	6	84889	Gasket,Oil Pan	1
▲	7	84983	Gskt,Water Pump	1
▽	8	84891	Gskt Kit,Upper	1
▲	9	84991	Gskt,In.Manfld	1
▲	10	60806	Gasket, Head	1
▲	11	84958	Seal,Valve Stem	8
▲	12	73995	Gskt,Rockr Cvr	1
▲	13	60833	Oil Seal, Front	1
▲	14	74538	Gskt-Waterout	1

## 2.5L ENGINE BREAKDOWN

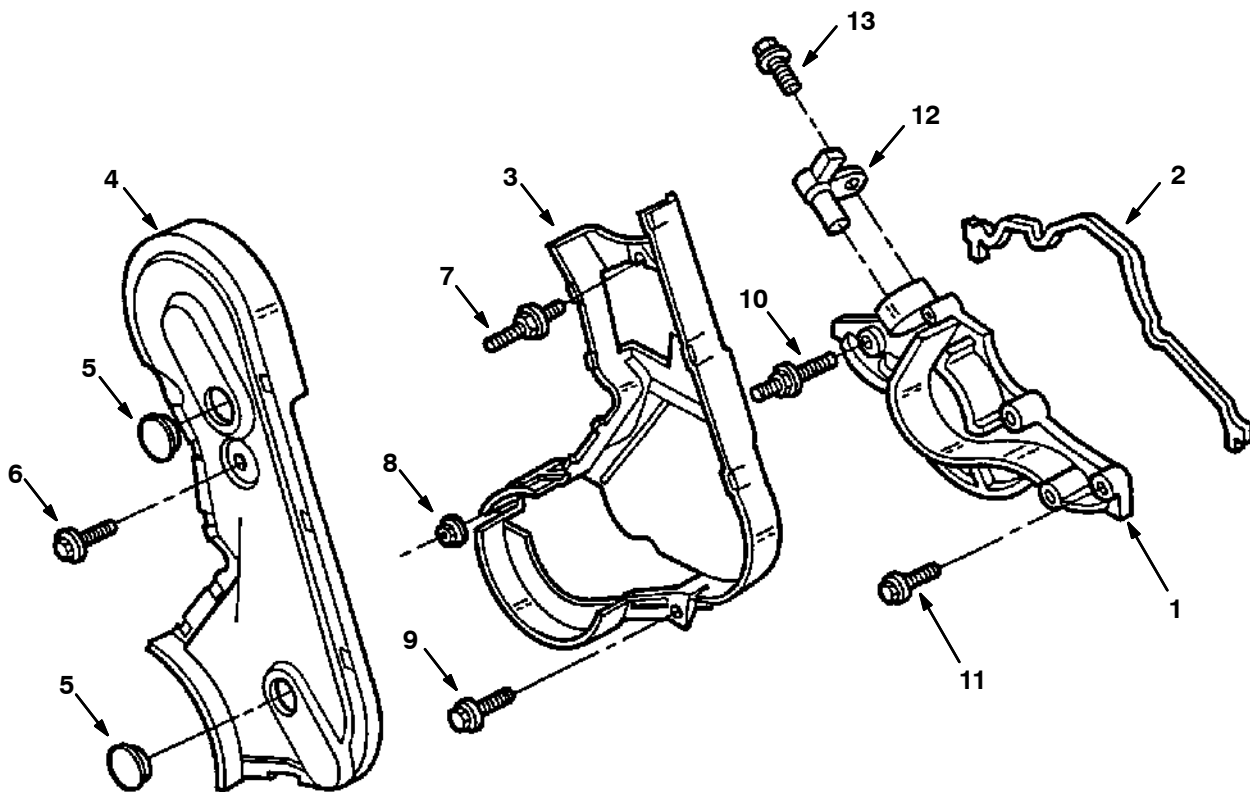
Fig. 3 - Cylinder Head Group



10445 - 800L, 8410, G, LP

Ref.	Part No.	Description	Qty.
1	84907	Head-W/O Valves	1
2	36268	Plug 1/4 Npt	2
3	84910	Plug, 1.50 Cup	1
4	60806	Gasket, Head	1
5	73927	Bolt M12	10
6	60817	Bearing Cam,	4
6	73936	Bearing, .016 Camshaft	-

Fig. 4 - Cylinder Front Cover Group



10446 - 800L, 8410, G, LP

Ref.	Part No.	Description	Qty.
1	84895	Lower Cover	1
2	84896	Gskt,Front Cvr	1
3	84897	Inner Cover	1
4	84898	Outer Cover	1
5	74536	Plug	2
6	84899	Bolt, M8 X 17 Schd	1
7	84900	Stud,M8X51.0mm	1
8	84901	Nut, M6	1
9	84902	Scr&Wsh,M6X22.5	1
10	84903	Stud,M6X61.8mm	1
11	84904	Bolt,M6X37.5mm	3
12	84905	Sensor,Crnksft	1
13	84906	Screw,M6X22.5mm	1

## Fig. 5 - Starter Breakdown

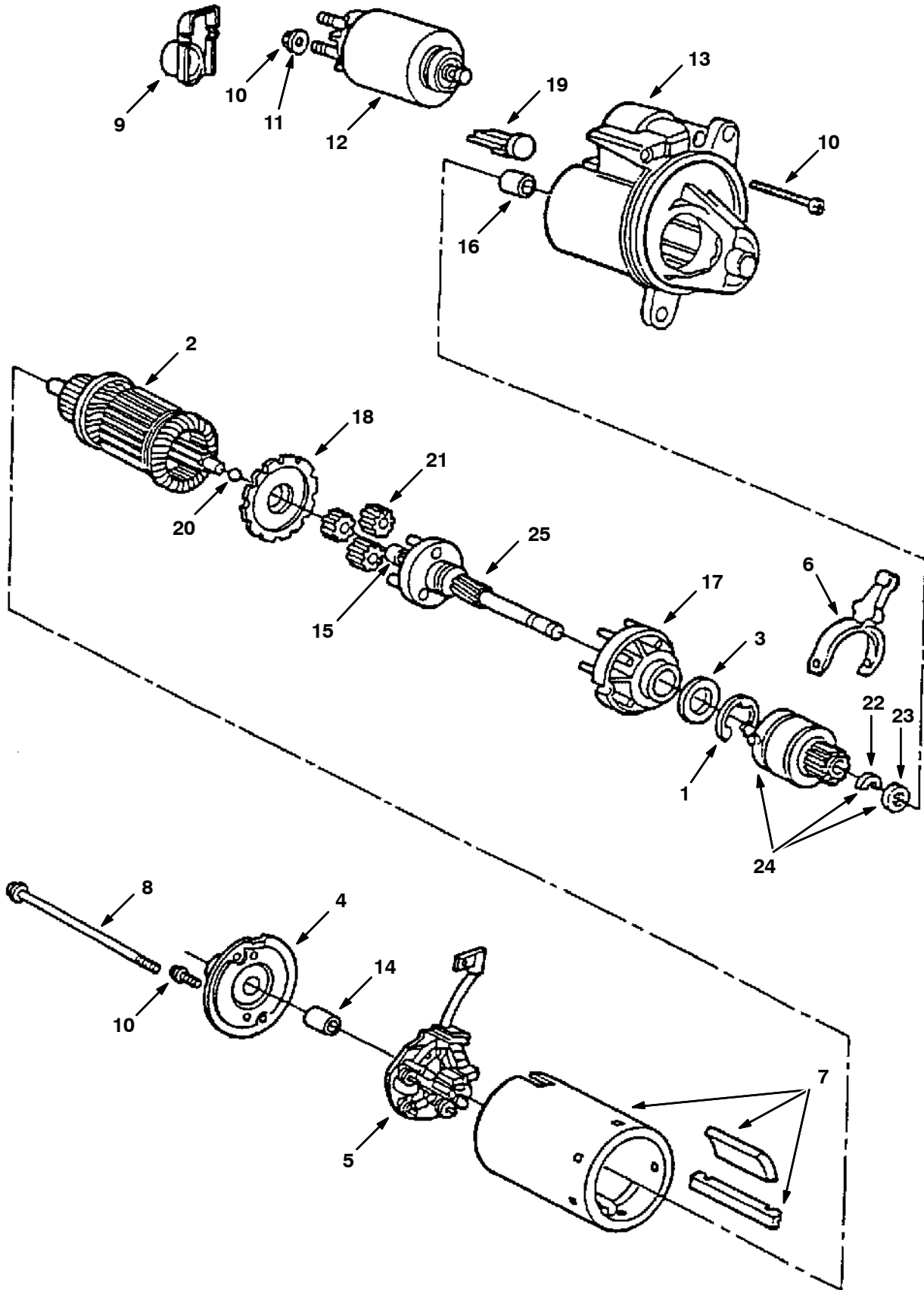


Fig. 5 - Starter Breakdown

	Ref.	Part No.	Description	Qty.
▽		60938	Motor, Starting, Perm Mag, 12V	1
▲	1	79640	Retaining Ring	1
▲	2	84999	Armature	1
▲	3	79956	Washer	1
▲	4	79628	Plate & Brg	1
▲	5	79629	Brush Holder	1
▲	6	79630	Lever	1
▲	7	79631	Frame&Mag.As	1
▲	8	79632	Bolt-Thru	2
▲	9	79970	Term.Cover	1
▲▽	10	79633	Kit-Attaching	1
▲▲	11	79957	Nut&Washer,M8	1
▲	12	370829	Solenoid	1
▲	13	79634	Hsg W/Brg	1
▲	14	79635	Bearing	1
▲	15	79960	Planet Bearing	3
▲	16	79961	Bearing	1
▲	17	79962	Statnry Gear	1
▲	18	79963	Retnr.Gear	1
▲	19	79964	Seal	1
▲	20	79965	Arm.Thr.Ball	1
▲	21	79966	Gear Assy	3
▲	22	79636	Ring-Drv.Stop	1
▲	23	79967	Retainer	1
▲	24	79638	Drive Assy	1
▲	25	79969	Shft Asy,Output	1

Fig. 6 - Oil Pan Group

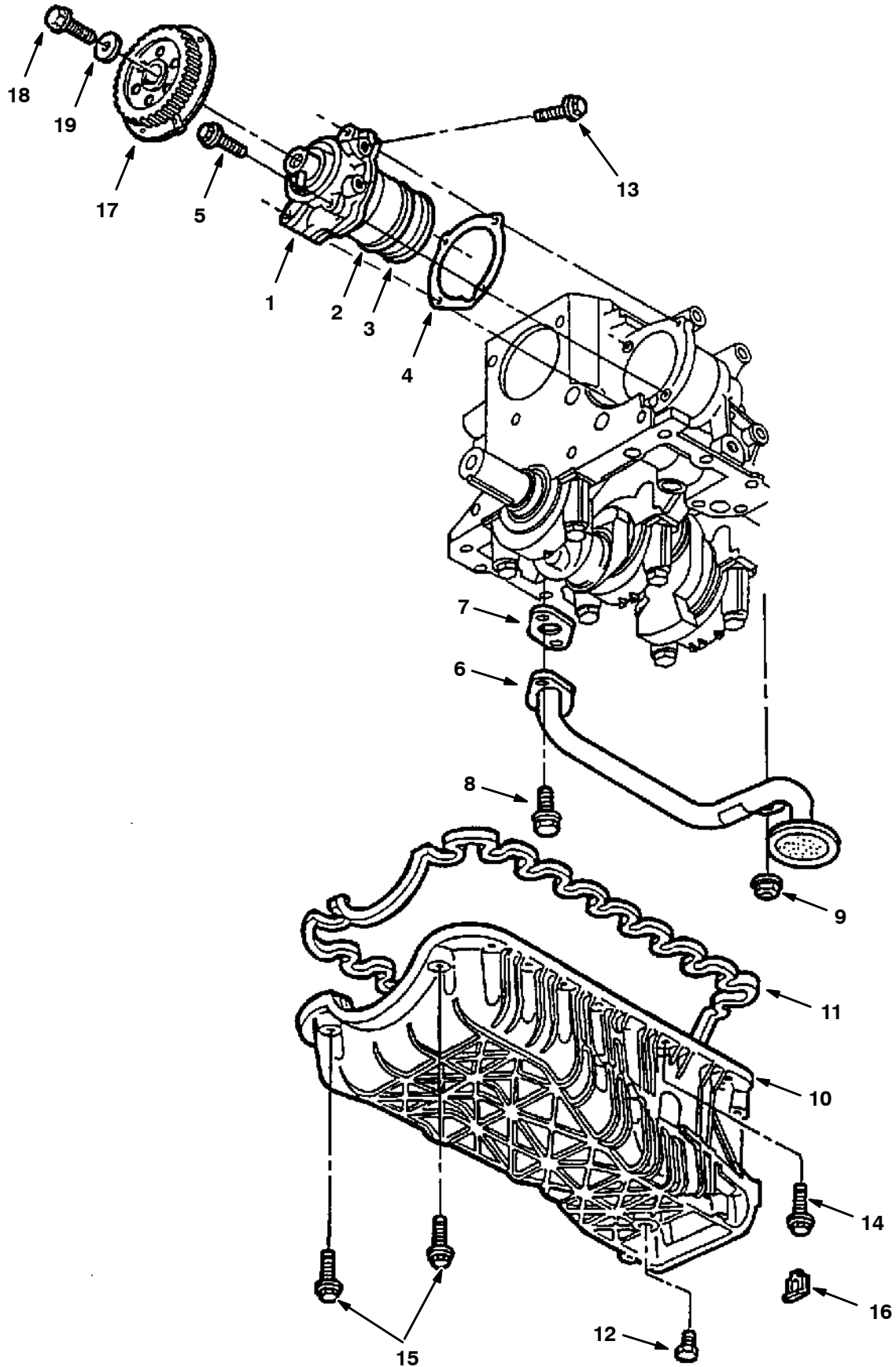


Fig. 6 - Oil Pan Group

Ref.	Part No.	Description	Qty.
1	84963	Oil Pump	1
2	84964	O-Ring,2.375	1
3	84965	O-Ring-2.250	1
4	84966	Gskt,Oilpmp/Blk	1
5	84967	Bolt,M6X47.5mm	4
6	370852	Oil Pickup Tube	1
7	84969	Gskt,Pu Tube	1
8	84970	Bolt,M8X20.0mm	2
9	84971	Nut,M10	1
10	370853	Oil Pan Assy	1
11	84889	Gasket,Oil Pan	1
12	370854	Oil Plug	1
13	84981	Bolt,M5X20.0M	2
14	84973	Bolt,M6X27.5mm	16
15	84974	Bolt,M6X52.5mm	2
16	84975	Oil Pan Spacer	-
16	84976	Oil Pan Spacer	-
16	84977	Oil Pan Spacer	-
17	84978	Oil Pmp Sprkt	1
18	84979	Bolt,M10X40.0mm	1
19	74561	Washer	1

Fig. 7 - Crankshaft Group

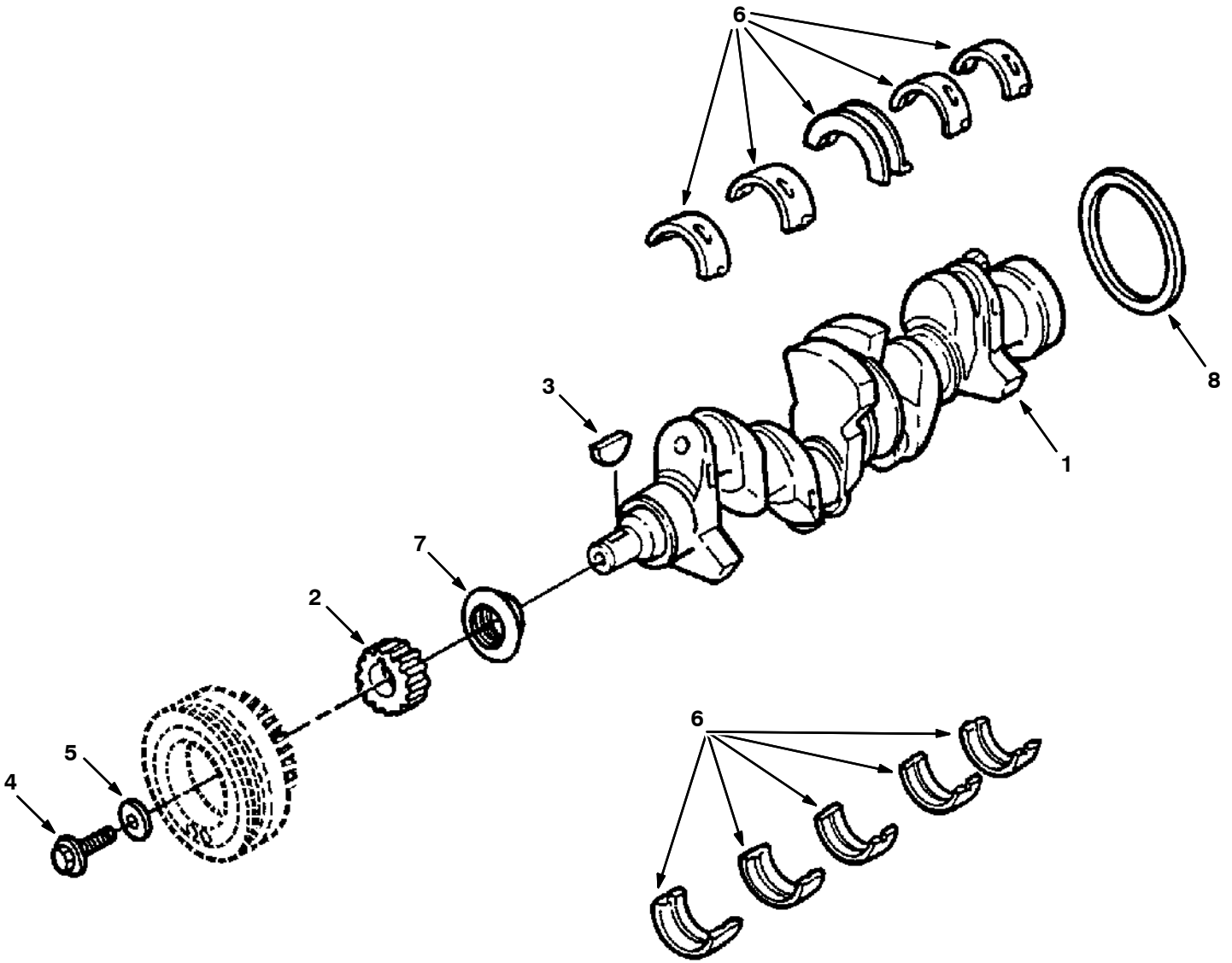




Fig. 7 - Crankshaft Group

Ref.	Part No.	Description	Qty.
1	370855	Crankshaft Asy	1
2	84924	Crnksft Sprckt	1
3	84925	Crnkshaft Key	1
4	84926	Bolt,M14X55.0M	1
5	84927	Wash M15 1.53Od	1
6	1051175	Bearing Kit, Cshft, Std[F2.3/2.5]	4
6	1051167	Bearing Kit, Cshft, .040[F2.3/2.5]	-
6	1051174	Bearing Kit, Cshft, .010[F2.3/2.5]	-
6	1051173	Bearing Kit, Cshft, .020[F2.3/2.5]	-
6	1051172	Bearing Kit, Cshft, .030[F2.3/2.5]	-
7	60833	Oil Seal, Front	1
8	60834	Crnksft Seal-Rear	1

Fig. 8 - Manifolds Group

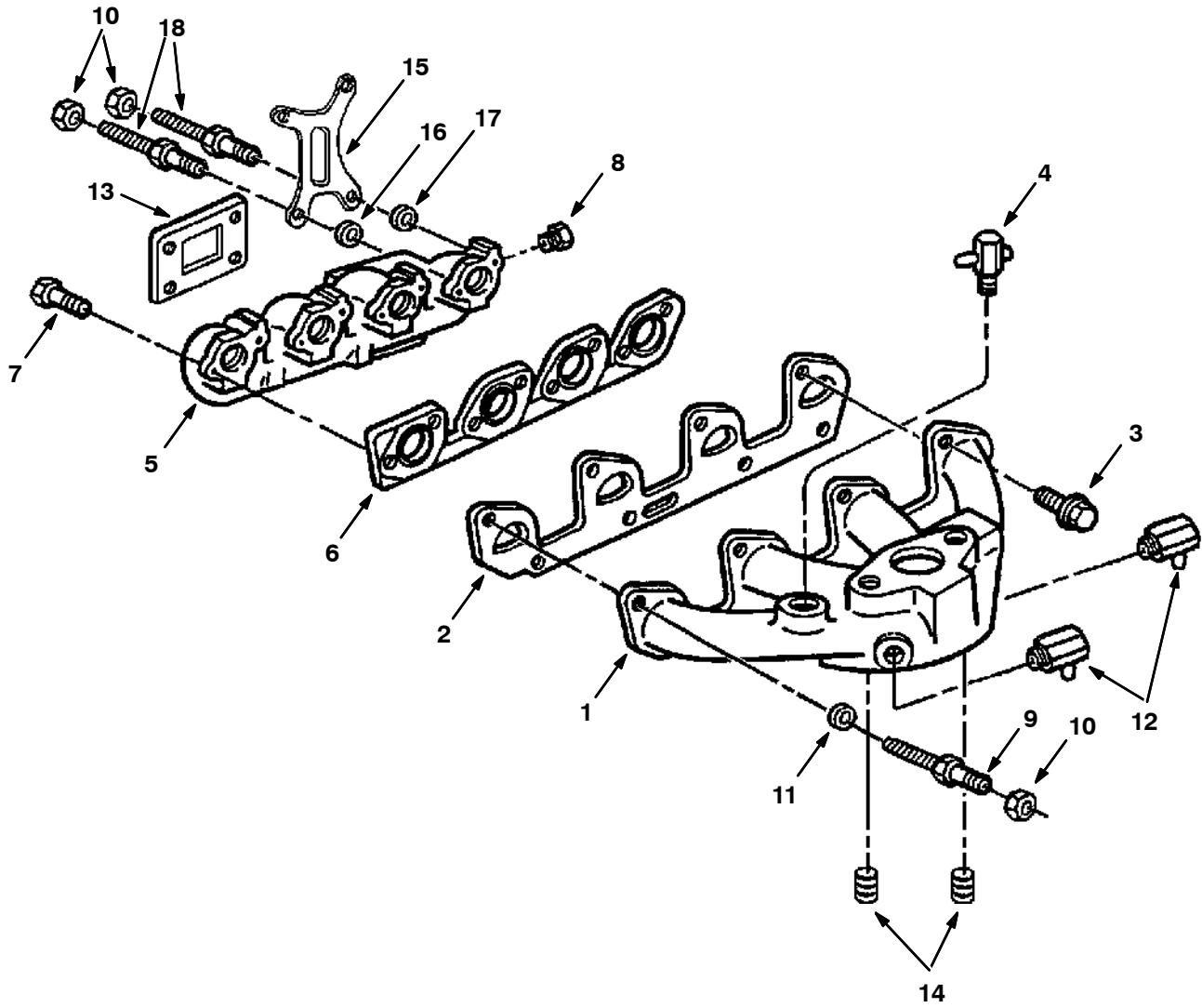
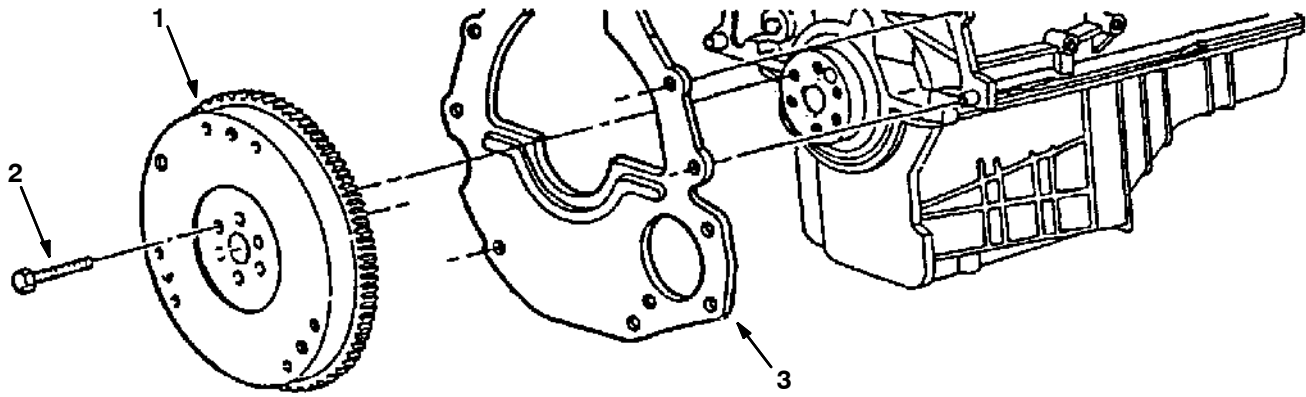


Fig. 8 - Manifolds Group

Ref.	Part No.	Description	Qty.
1	84990	Int.Manifold	1
2	84991	Gskt,Int.Mnflid	1
3	84992	Bolt,M8X25.0mm	7
4	74527	Vac.Fitting	1
5	74509	Exh.Manifold	1
6	84995	Gskt,Exh.Mnflid	1
7	84996	Bolt,M10X55.0M	6
8	84997	Plug, 1/2Npt	1
9	79972	Stud	1
10	79973	Nut M8-1.25	3
11	79974	Spacer	1
12	84985	Elbow,90 deg	2
13	36048	Gasket, Exh. Flange	1
14	73917	Plug 3/8 NPT	2
15	79976	Lifting Eye	1
16	21792	Spacer	1
17	21793	Spacer	1
18	21794	Stud	2

Fig. 9 - Flywheel Group



**Fig. 9 - Flywheel Group**

	<b>Ref.</b>	<b>Part No.</b>	<b>Description</b>	<b>Qty.</b>
▽	1	370102	Flywheel	1
▲		84659	Gear, Ring [Fd]	1
	2	64038	Bolt,M10X58.0mm	6
	3	83669	Rear Plate	1

## 2.5L ENGINE BREAKDOWN

Fig. 10 - Camshaft And Sprocket Group

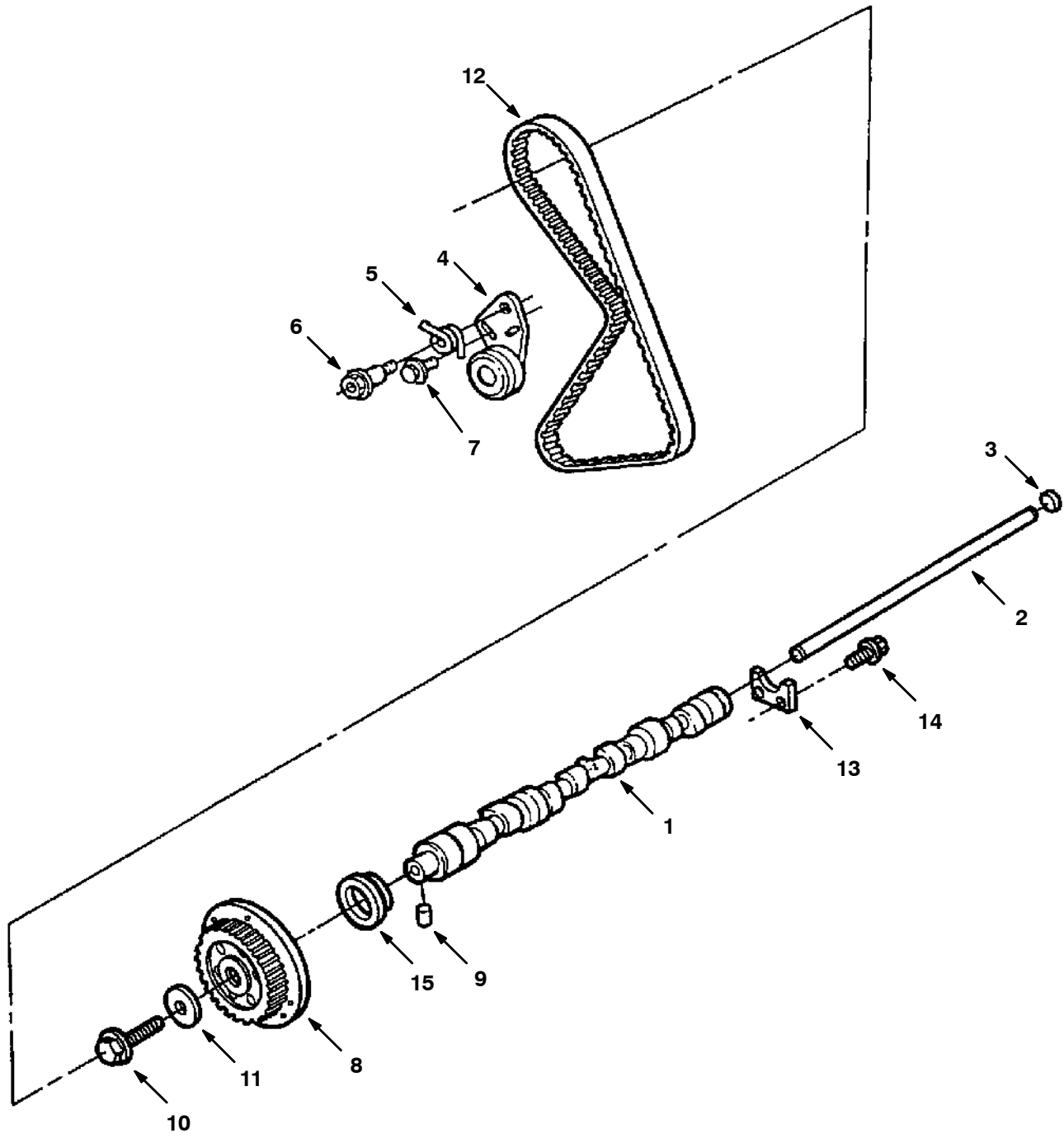
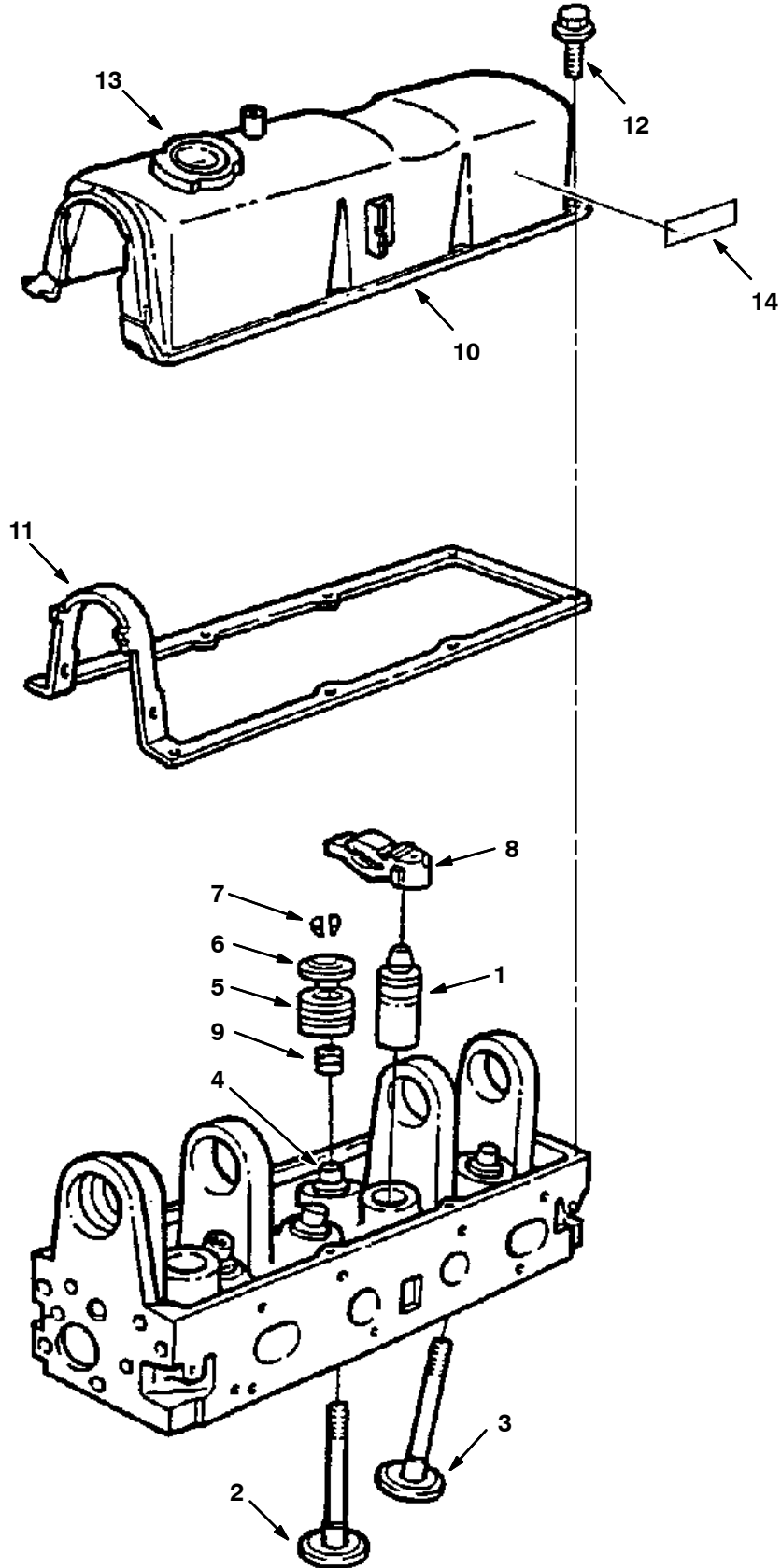


Fig. 10 - Camshaft And Sprocket Group

Ref.	Part No.	Description	Qty.
1	84915	Camshaft	1
2	84916	Rod	1
3	84917	Plug	1
4	73967	Tensioner, Arm	1
5	73970	Spring, Tension	1
6	84919	Bolt, Tens. Sprn	1
7	74552	Bolt	1
8	84978	Camshft Sprckt	1
9	84921	Pin, 1/4X.32	1
10	74545	Bolt M12X45	1
11	73937	Washer	1
12	84936	Timing Belt	1
13	73954	Plate	1
14	74548	Scr&Wash M6	2
15	60833	Oil Seal, Front	1

## 2.5L ENGINE BREAKDOWN

Fig. 11 - Valve And Rocker Arm Cover Group



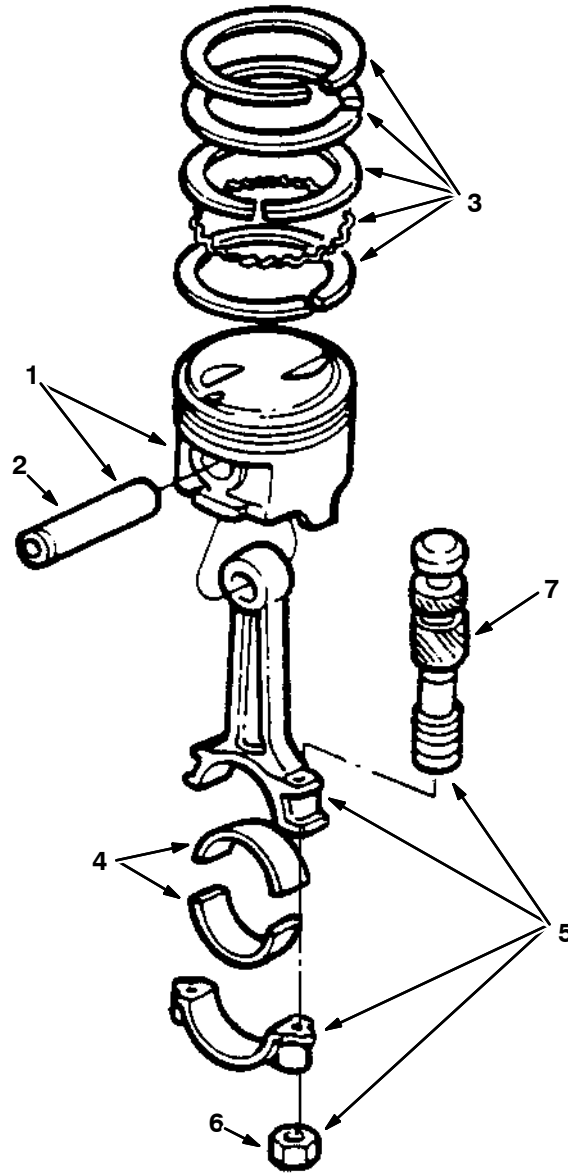


**Fig. 11 - Valves And Rocker Arm Cover Group**

<b>Ref.</b>	<b>Part No.</b>	<b>Description</b>	<b>Qty.</b>
1	84950	Tap.Assy-Valve	8
2	84951	Std.Exh.Valve	4
3	84952	Std.Int.Valve	4
4	84953	Valve Guide Bushing	-
5	84954	Valve Spring	8
6	84955	Valve Spring Retainer	8
7	84956	Valve Spring Key	16
8	84957	Valve Rocker Arm	8
9	84958	Valve Stem Seal	8
10	370876	Valve Rocker Arm Cover	1
11	73995	Gasket,Rocker Cover	1
12	84961	Scr&Wsh,M6X15.0M	8
13	60836	Breather Cap	1
14	36164	Warning Label, Starter	1

## 2.5L ENGINE BREAKDOWN

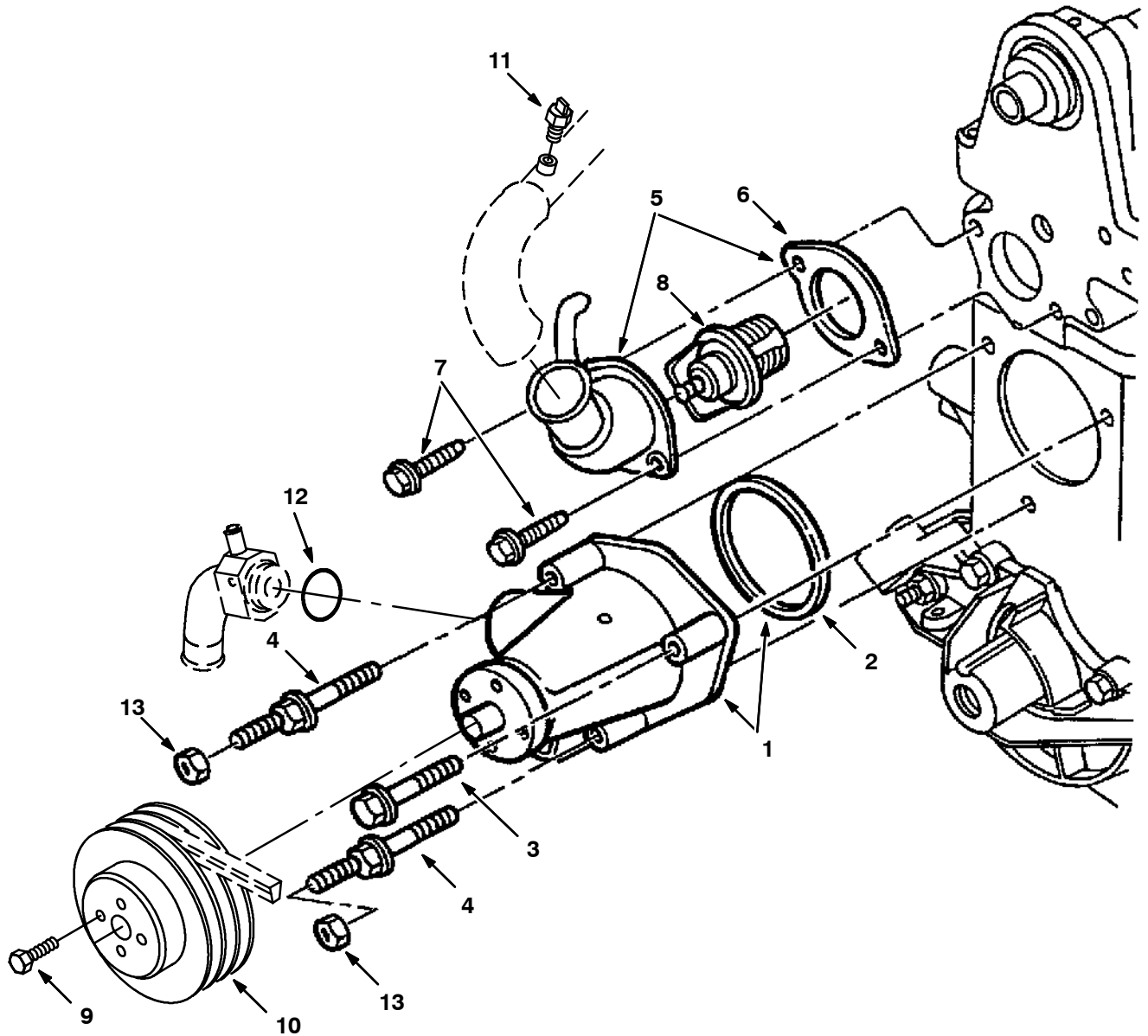
Fig. 12 - Piston And Connecting Rod Group



10447 - 800L, 8410, G, LP

Ref.	Part No.	Description	Qty.	
1	370888	Piston, Std.	4	
2	370889	Piston Pin	4	
3	370890	Ring Set, Std.	2	
4	370891	Bearing	8	
▽	5	370892	Connecting Rd	4
▲	6	60813	Nut, Conrod-8	8
▲	7	60814	Bolt-Conrod-4	8

Fig. 13 - Water Pump, Thermostat and Fan Group

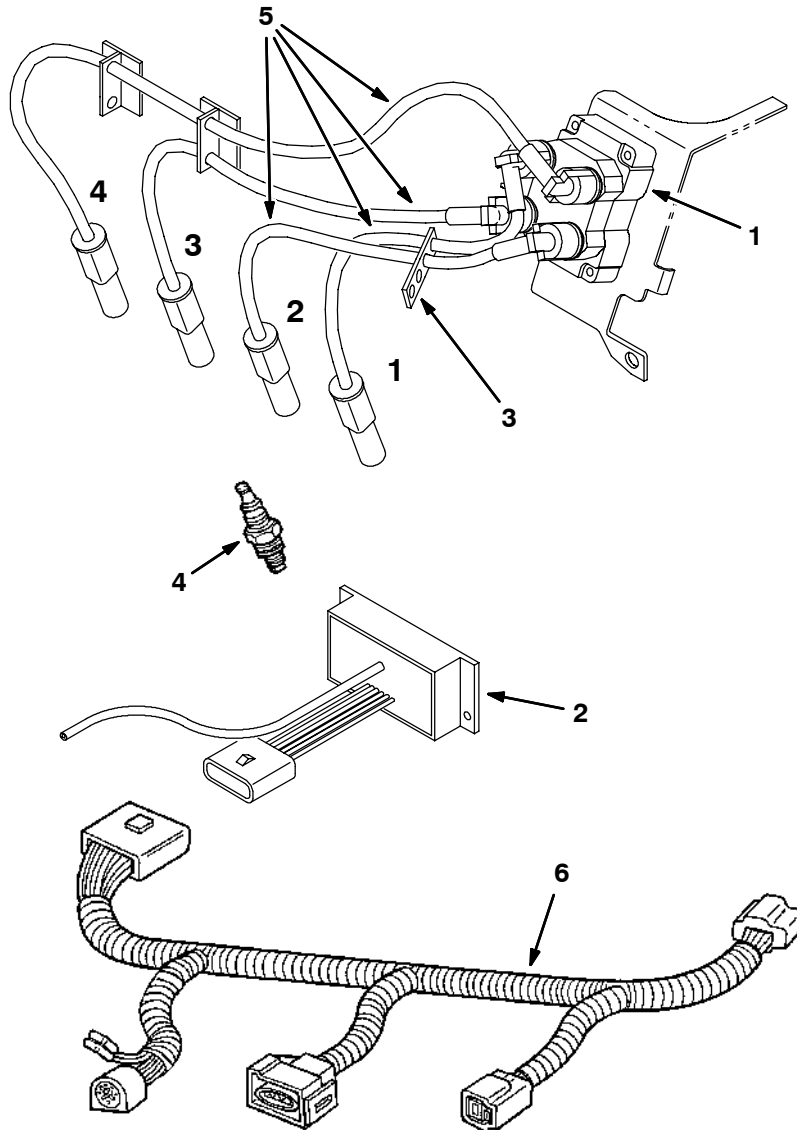


10528 - 800L, 8410, G, LP

Ref.	Part No.	Description	Qty.	
▽	1	84982	Water Pump	1
▲	2	84983	Gskt,Water Pump	1
	3	84984	Bolt,M8X53.0mm	1
	4	84998	Stud	2
▽	5	73996	Water Outlet	1
▲	6	74538	Gasket Water Outlet Connection	1
	7	84988	Bolt,M8X18.0M	2
	8	84987	Therm 190 W/Gsk	1
	9	84994	Bolt, M8X12.0mm	1
	10	36014	Sheave, Water Pump	1
	11	84989	Temperature sensor	1
	12	79975	O-Ring, Water Pump Adaptor	1
	13	84993	Locknut	2

## 2.5L ENGINE BREAKDOWN

Fig. 14 - Ignition Group



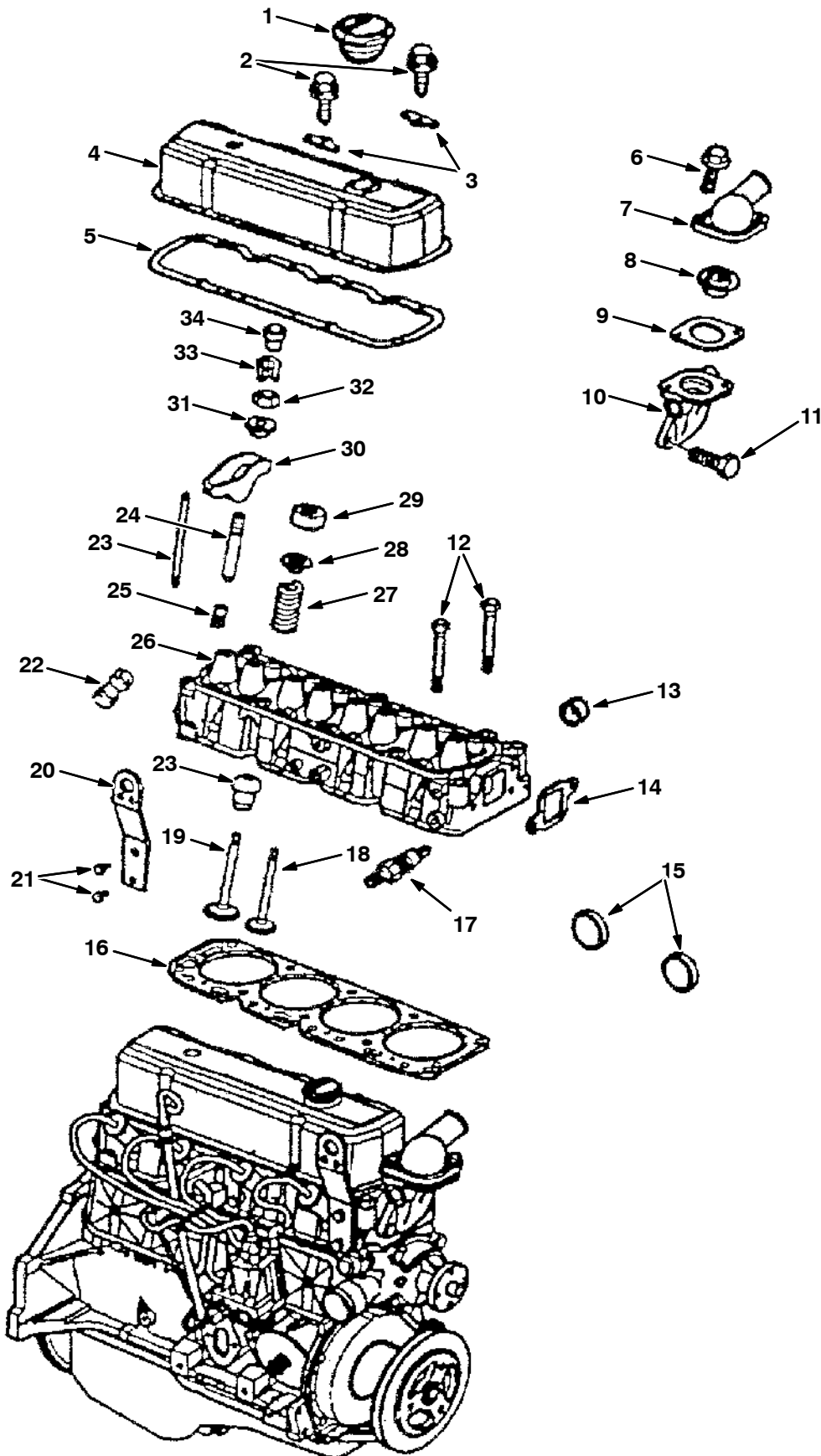
10524-350562 - 800L, 8410, G, LP

Ref.	Part No.	Description	Qty.
1	83732	Ignition Coil	1
2	374274	Ignition Module Kit	1
3	84882	Separator	1
4	60846	Spark Plug	4
5	83677	Wire Asy, Spark Plug	1
6	370875	Harness, Wire, Eng	1

# SECTION 7

<b>Contents</b>	<b>Page</b>
Fig. 1 - Cylinder Head, Valves Group . . . . .	7-2
Fig. 2 - Distributor and Ignition Group . . . . .	7-4
Fig. 3 - Engine Block and Piston Group . . . . .	7-6
Fig. 4 - Oil Pump and Oil Pan Group . . . . .	7-8
Fig. 5 - Crankshaft Group . . . . .	7-10
Fig. 6 - Camshaft and Water Pump Group . . . . .	7-12

Fig. 1 - Cylinder Head, Valves Group



### 3.0L GM ENGINE BREAKDOWN, GASOLINE, LPG

G, LP

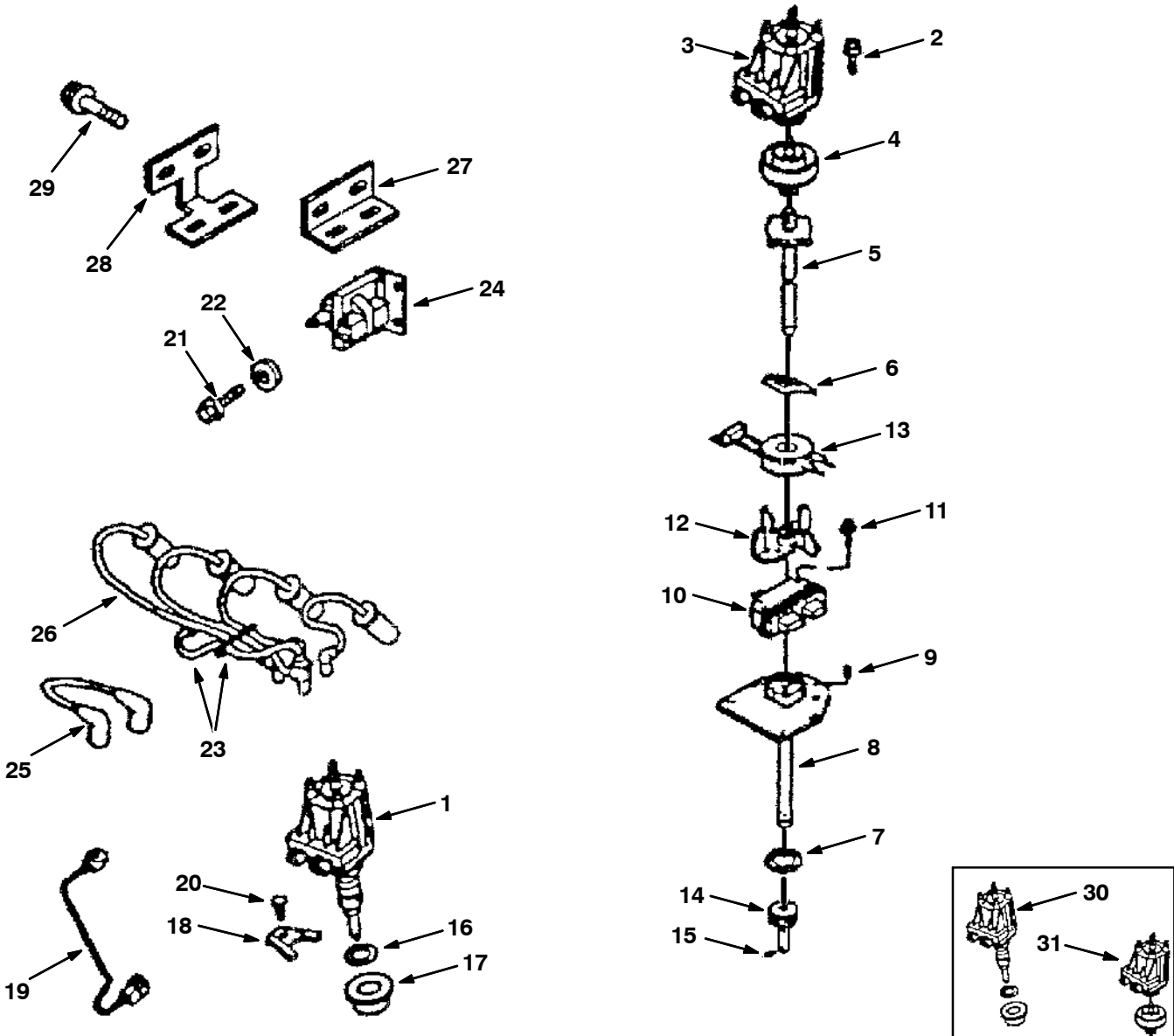
**Fig. 1 - Cylinder Head, Valves Group**

Ref.	Part No.	Description	Qty.
1	371891	Cap, Fill, Oil	1
2	393824	Bolt	-
3	393895	Reinforcement	-
4	393896	Cover	1
5	393897	Gasket	-
6	393898	Bolt	3
7	393899	Outlet For engine serial numbers (004937-006999)	1
8	393900	Thermostat	1
9	393901	Gasket	1
10	393902	Housing	1
11	393898	Bolt	3
12	393903	Bolt	-
13	393904	Plug	2
14	393917	Gasket	1
15	393918	Plug	-
16	393933	Gasket	1
17	393934	① Sparkplug [Gm 3.0]	4
17	9006586	② Sparkplug [Gm 3.0]	4
18	393935	Valve, Exhaust	4
19	393936	Valve, Intake	4
20	393937	Bracket	1
21	393938	Bolt	8
22	393951	Lifter	8
23	393952	Rod	8
24	393953	Stud, .003" O.S.	8
24	393954	Stud, .013" O.S.	8
25	393955	Sealer	8
26	393956	Head	1
27	393957	Spring	8
28	393958	Cap, Valve Spring	8
29	393959	Shield	12
30	393960	Arm Kit	8
31	393961	Ball	8
32	393962	Nut	8
33	393963	Key	16
34	393964	Rotator	4

① Machine Serial number (004937-006999)

② Machine Serial number (007000- )

Fig. 2 - Distributor and Ignition Group





## 3.0L GM ENGINE BREAKDOWN, GASOLINE, LPG

G, LP

**Fig. 2 - Distributor and Ignition Group**

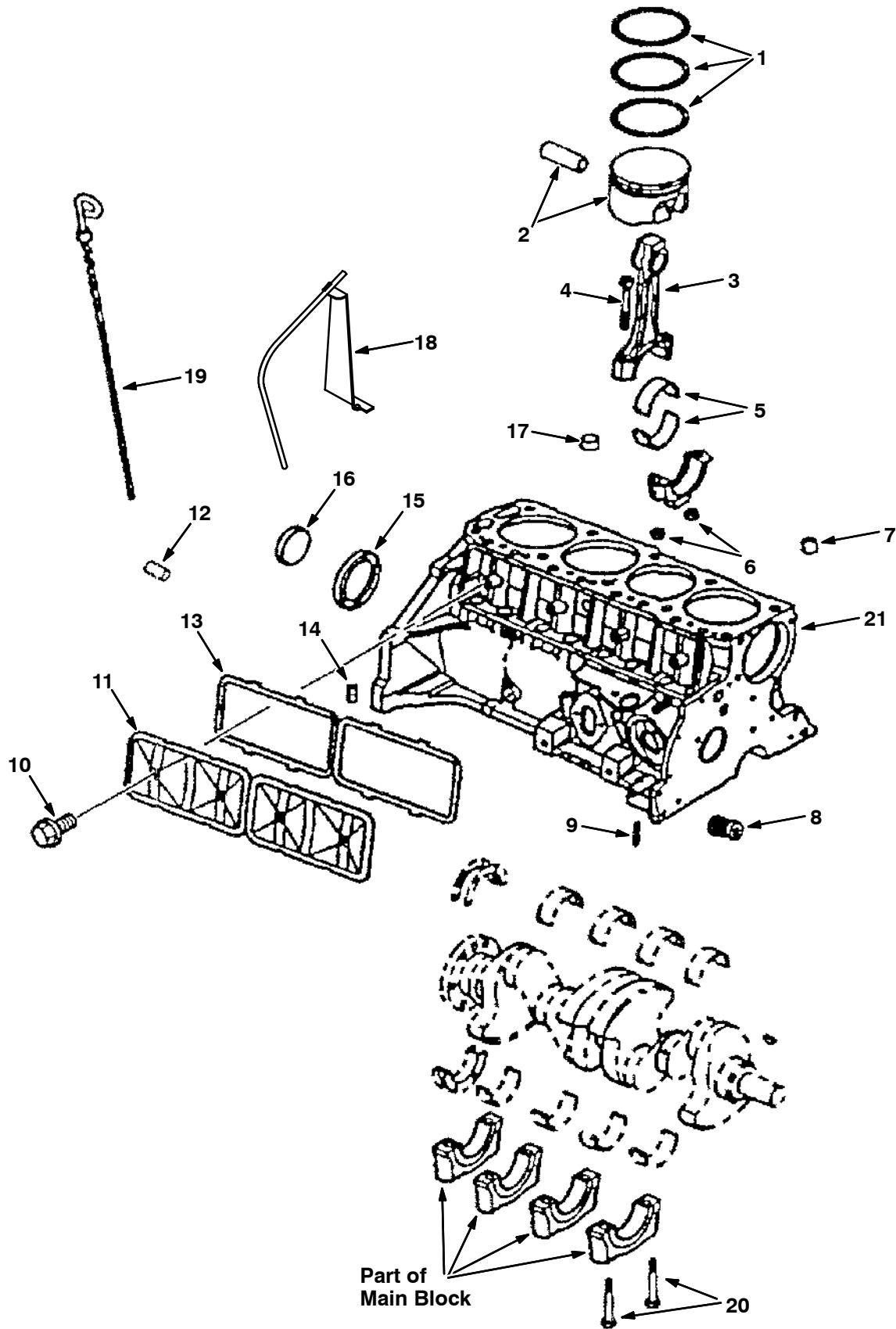
Ref.	Part No.	Description	Qty.
▽	1 9006584	② Distributor	1
▲	2 393919	Bolt	2
▲	3 9006585	② Cap, Distributor	1
▲	4 393921	Rotor	1
▲	5 393922	Shaft	1
▲	6 393923	Retainer	1
▲	7 393924	Sealer	1
▲	8 393925	Housing	1
▲	9 393926	Pin	1
▲	10 393927	Module	1
▲	11 393928	Bolt	2
▲	12 393929	Pole Piece	1
▲	13 393930	Coil	1
▲	14 393931	Gear	1
▲	15 393932	Pin	1
	16 393940	Gasket	1
	17 393941	Washer	1
	18 393942	Clamp	1
	19 393943	Wire	1
	20 393898	Bolt	3
	21 393945	Bolt, (HFH3/8-16x062 280 POR)	2
	22 393946	Washer	2
	23 393947	Retainer	-
	24 393948	① Coil	1
	24 9006587	② Coil	1
	25 393949	① Wire	1
	25 9006588	② Wire, Coil	1
	26 393950	① Spark Plug Wires (Straight Boots)	1
	26 9006583	② Wire Set, Sparkplug (90 Degree Boots)	1
	27 393965	Bracket, Top	1
	28 393966	Bracket, Bottom	1
	29 393967	Bolt	-
	30 393939	① Distributor	1
	31 393920	① Cap, Distributor	1

① Machine Serial number (004937-006999)

② Machine Serial number (007000- )

### 3.0L GM ENGINE BREAKDOWN, GASOLINE, LPG

Fig. 3 - Engine Block and Piston Group



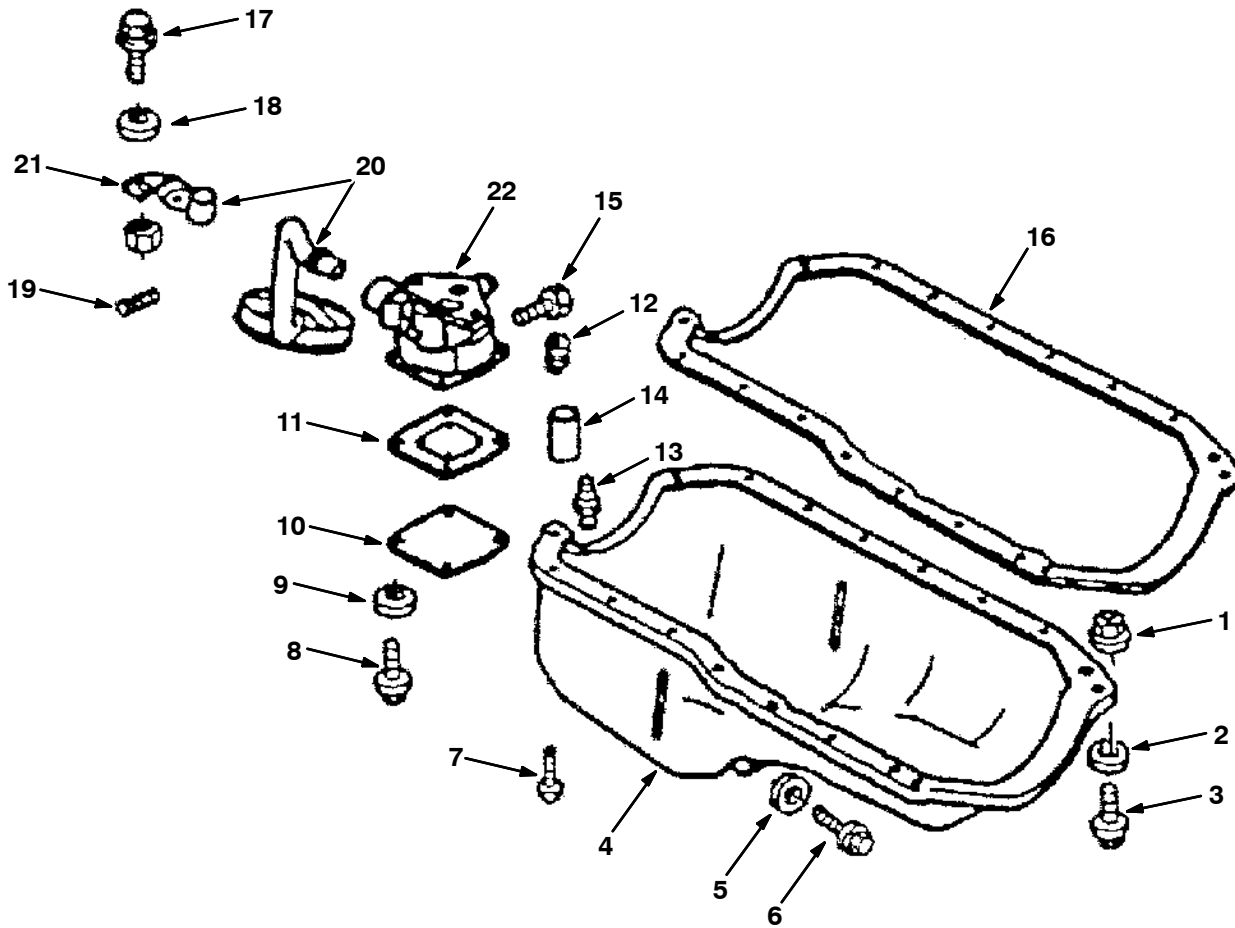
### 3.0L GM ENGINE BREAKDOWN, GASOLINE, LPG

G, LP

**Fig. 3 - Engine Block and Piston Group**

Ref.	Part No.	Description	Qty.
1	393806	Ring Kit, Std	4
1	393807	Ring Kit, .030" O.S.	4
2	393808	Piston, STD	4
2	393809	Piston, Hi-limit	4
2	393810	Piston, .020" O.S.	4
3	393811	Conn Rod	4
4	393812	Bolt	8
5	393813	Bearing Kit, Std	4
5	393814	Bearing Kit, .001 U.S.	4
6	393815	Nut, Conn Rod	8
7	393816	Bearing Kit	1
8	393832	Valve	1
9	393833	Pin	8
10	393882	Bolt	4
11	393883	Cover	1
12	393884	Pin	2
13	393662	Sealant, [Rtv], 03.35oz	-
13	393663	Sealant, [Rtv], 05.00oz	-
14	393886	Plug	1
15	393888	Plug	1
16	393889	Plug	-
17	393890	Plug	1
18	372464	Tube, Ds	1
19	372251	Dipstick	1
20	393872	Bolt	10
21	393887	Engine, Partial (Includes block, pistons, rods, crankshaft, bearings, rear seal gasket)	1

Fig. 4 - Oil Pump and Oil Pan Group



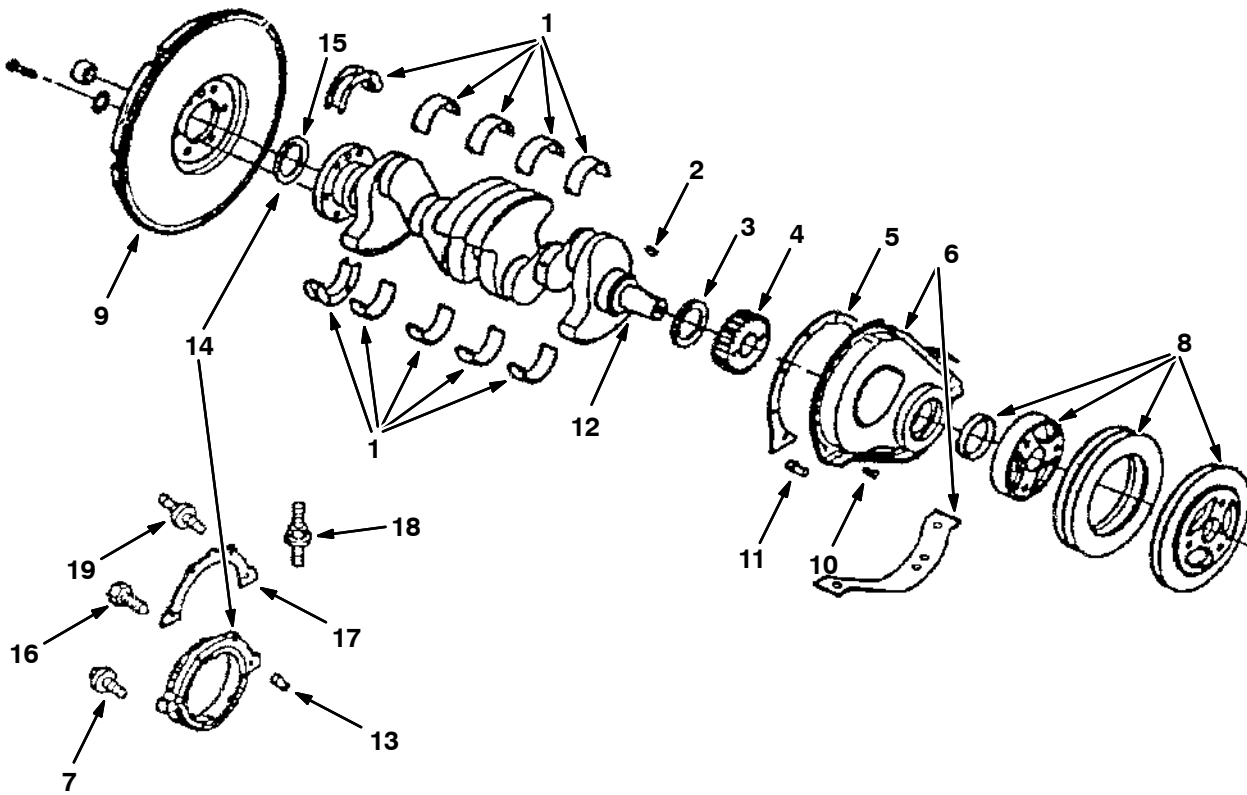
### 3.0L GM ENGINE BREAKDOWN, GASOLINE, LPG

G, LP

**Fig. 4 - Oil Pump and Oil Pan Group**

Ref.	Part No.	Description	Qty.
	1 393848	Nut	-
	2 393849	Washer	-
	3 393850	Bolt	-
▽	4 393853	Oil Pan	1
▲	5 393852	Gasket	1
▲	6 393851	Plug	1
	7 393824	Bolt (1/4-20x1/2)	2
	7 393850	Bolt (1/4-20x.62)	2
	7 393854	Bolt (5/16-18x5/8)	12
	8 393855	Screw	4
	9 393849	Washer	4
	10 393856	Cover	1
	11 393857	Gasket	1
	12 393858	Spring	1
	13 393859	Plug	1
	14 393860	Valve	1
	15 393861	Bolt	3
	16 393862	Gasket	1
	17 393867	Bolt	-
	18 393868	Washer	-
	19 393869	Pin	1
	20 393871	Screen, w/Tube	1
▽	20 393870	Screen, w/Suction Pipe	1
▲	21 393865	Bracket	1
	22 393863	Pump	1

Fig. 5 - Crankshaft Group



### 3.0L GM ENGINE BREAKDOWN, GASOLINE, LPG

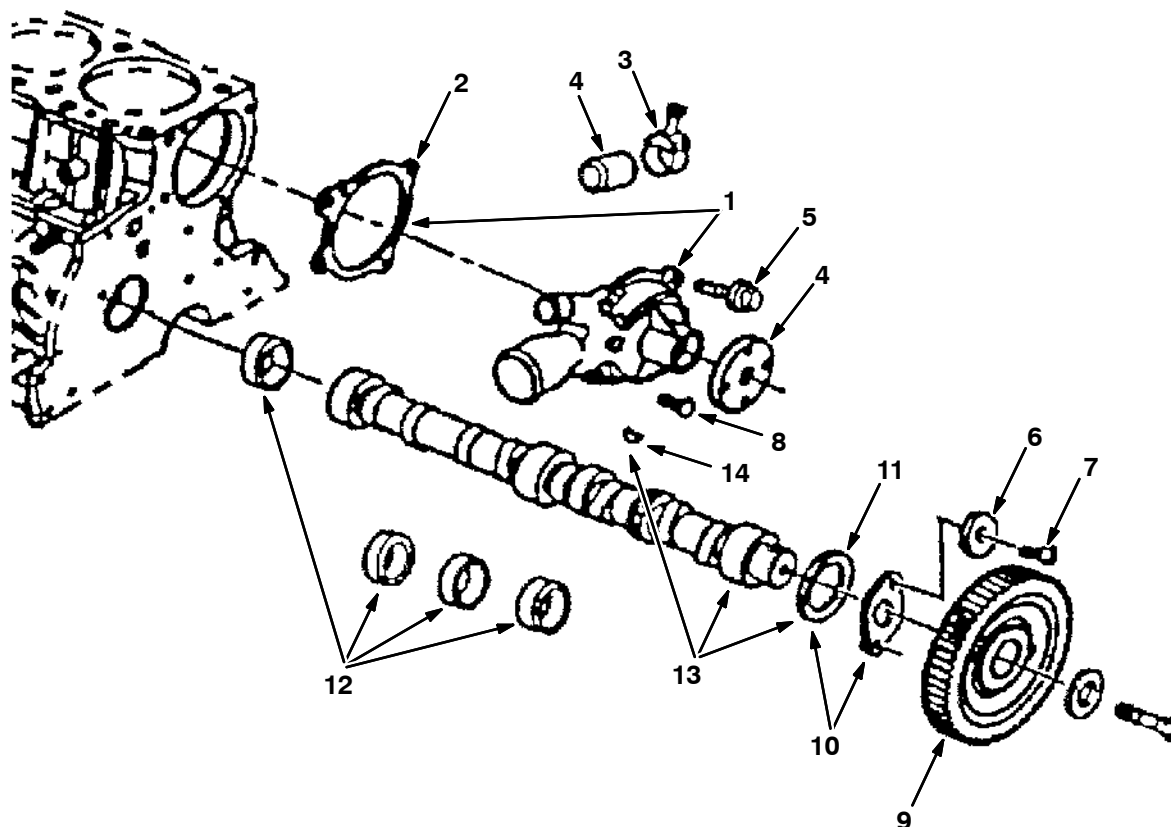
G, LP

**Fig. 5 - Crankshaft Group**

Ref.	Part No.	Description	Qty.	
1	393837	Bearing Kit, Std #1, 2, 3, 4	4	
1	393838	Bearing Kit, .001" #1, 2, 3, 4	4	
1	393839	Bearing Kit, .010" #1, 2, 3, 4	1	
1	393840	Bearing Kit, .020" #1, 2, 3, 4	1	
1	393841	Bearing Kit, .030" #1, 2, 3, 4	1	
1	393836	Bearing Kit, Std #5	4	
1	393834	Bearing Kit, .001" #5	4	
1	393835	Bearing Kit, .025" #5	4	
2	393826	Key	1	
3	393842	Seal	1	
4	393843	Gear	1	
5	393844	Gasket	1	
6	393845	Cover	1	
7	393875	Bolt	-	
8	393846	Balancer	1	
9	393881	Gear	1	
10	393824	Bolt	8	
11	393864	Nozzle	1	
12	393866	Crankshaft	1	
13	393873	Pin	1	
▽	14	393874	Housing	1
▲	15	393880	Seal	1
	16	393876	Bolt	-
	17	393877	Gasket	1
	18	393878	Stud	1
	19	393879	Stud	2

### 3.0L GM ENGINE BREAKDOWN, GASOLINE, LPG

Fig. 6 - Camshaft and Water Pump Group



G, LP

	Ref.	Part No.	Description	Qty.
▽	1	393820	Water Pump	1
▲	2	393817	Gasket	1
	4	393818	Cap	1
	3	393819	Clamp	1
	5	393821	Bolt	1
	6	393822	Washer	1
	7	393823	Bolt (1/4-20x1/12 Hex)	1
	7	393824	Bolt (1/4-20x1/12)	3
	8	393825	Bolt (5/16-18x1.5 Hex)	2
	9	393827	Gear	1
▽	10	393828	Plate Kit	1
▲	11	393829	Ring	3
	12	393830	Bearing Kit	1
▽	13	393831	Camshaft	2
▲	14	393826	Key	1



# SECTION 8

**CONTENTS**

**PAGE**

PART NUMBER TO PAGE NUMBER CROSS REFERENCE LIST ..... 8-2  
PART DESCRIPTION TO PAGE NUMBER CROSS REFERENCE LIST ..... 8-18

# CROSS REFERENCE

## PART NUMBER TO PAGE NUMBER CROSS REFERENCE LIST

Part Number	Page Number	Part Number	Page Number	Part Number	Page Number
MM337	3-84	06961	4-49	09010	2-172, 3-23
00500-15	4-32	06962	2-105, 2-107	09011	2-27
00954	4-34	06963	2-141	09028	2-35, 2-171, 3-5, 3-9, 3-23
00960	2-133, 2-135, 2-137, 4-35	06965	2-172, 3-24	09081	2-167, 3-28
01274	2-31	06966	3-55	09120	2-175
01685	2-27, 2-57, 3-37	06968	2-48, 2-175	09145	2-137
01686	2-35	06969	2-141	09164	2-35
01691	3-37	06972	2-27, 2-43, 2-45, 2-47	09206	3-15
01706	2-107	06993	2-143	09258	2-17, 2-19
01987	2-157, 2-159	06995	2-143	09291	2-167, 3-27
01999	3-31	07274	3-67	09570	2-113
02247	2-73, 2-133, 2-135, 2-137	07449	2-151	09718	2-143
02506-6	3-74	07514	2-175	09740	2-27
02549	2-157	07562	2-89, 2-91, 2-93, 2-97	09770	2-168, 3-28
02713	2-183	07592	2-51, 2-53, 2-55	09806	2-236
02850	3-17	07783	2-143	1007162	2-51, 2-53
02931	2-175	07787	2-167, 3-28	1007343	3-51
02938	3-79	07788	2-15	1008094	2-51, 2-53, 2-55, 3-67
03026	2-89, 2-91, 2-93, 2-95, 2-97, 2-99	07789	2-71	1008510	3-51
03192	2-48, 2-105	07790	2-19, 2-121, 2-123, 2-133, 2-135, 2-137, 2-151, 2-163, 2-168, 3-27, 3-35	1008512	3-51
03193	2-31, 2-172, 3-24, 3-37	07791	2-27, 2-43, 2-45, 2-47, 2-53, 2-55, 2-95, 2-99, 2-121, 2-123, 2-139, 2-171, 3-23, 3-67	1008513	2-53, 3-51, 3-67
03922	2-181	07792	2-9, 2-11, 2-167, 2-172, 2-175, 3-23, 3-28, 3-37, 3-51	1008519	3-51, 3-67
04375	3-51, 3-55, 3-69	07793	2-141, 2-175	1008538	2-55, 3-51, 3-67
04414	2-13, 2-41, 2-43, 2-45, 2-47	07805	2-151	1008988	2-113
04483	4-44	07819	3-51	1011011	2-221
04706	2-185	07934	2-153	1011015	2-222
04761	2-167, 3-27	08085	2-151, 2-165	1011017	2-222
04843	2-31, 3-71	08166	2-105, 2-107	1011216	2-105, 2-107
05611	2-183	08179	2-171	1011259	2-105
05880	2-101, 2-103	08180	2-145	1011655	2-139
05881	2-101, 2-103	08346	2-151	1011702	2-97, 2-99
06121	2-7	08708	2-9, 2-11, 2-17, 2-19, 2-31, 2-35, 2-93, 2-97, 2-131, 2-137, 2-139, 2-171, 2-181, 3-23	1011780	2-93, 2-95, 2-97, 2-99
06146	2-163	08709	2-27, 2-95, 2-99, 2-121, 2-123, 2-133, 2-135, 2-137, 2-167, 2-172, 2-175, 2-181, 3-5, 3-24, 3-28, 3-33, 3-51, 3-55, 3-69	1011788	2-141
06474A	2-165	08711	2-43, 2-45, 2-47, 2-48	1011795	2-141
06524	2-17	08712	2-151, 4-47	1011895	2-113, 2-115
06535	2-167, 3-28	08713	2-27	1011899	2-93, 2-95, 2-97, 2-99
06537	2-167, 3-51			1011941	2-113
06548	2-171, 3-23			1011942	2-113
06927	3-17			1011943	2-113
06932	3-79			1011944	2-105
06933	4-49			1011959	2-105
06941	2-131			1012012	2-105
06942	2-71, 2-121, 2-123			1012018	2-113
06943	2-19, 2-135, 2-137, 2-151, 2-163, 2-171, 2-181, 3-15, 3-35			1012033	2-233
06944	2-9, 2-11, 2-93, 2-97, 2-131, 2-168, 3-28			1012110	2-113
06946	2-9, 2-11, 2-139			1012185	2-187
06948	2-65			1012248	2-113
06949	2-95, 2-99, 2-115			1012250	2-113
06957	2-172, 2-175, 3-24			1012469	2-113
				1012634	3-83
				1012656	2-177
				1012657	2-177
				1012670	2-187
				1012677	2-113

# CROSS REFERENCE

Part Number	Page Number	Part Number	Page Number	Part Number	Page Number
1012719	2-45	1028559	2-107	1043095	2-71
1012720	2-45	1028835	2-107	1043352	3-43, 3-49, 3-59, 3-63
1012737	2-129	1028836	2-107	1044235	2-39
1012754	2-95, 2-99	1028924	2-115	1045764	2-133, 2-135, 2-137
1012785	2-141	1029293	2-115	1045858	2-188, 3-35
1012990	2-105	1029295	2-115	1046152	2-188
1012999	2-105	1029334	2-48	1046173	2-188, 3-35
1013030	2-113	1029375	2-47	1046389	2-19
1013031	2-105, 2-107	1029502	2-115	1049209	2-163, 4-73
1013086	2-113	1029649	2-55	1049210	2-183, 3-27, 4-71
1013113	2-105	1029737	2-131	1049211	2-171, 3-23, 4-74
1013116	2-105	1029996	2-107	1050295	3-37
1013117	2-105	1030122	2-107	1050584	3-55
1013344	2-95, 2-99	1030134	2-107	1050610	3-55
1013350	2-63	1030189	2-131	1050780	4-71, 4-73
1013366	2-95, 2-99	1030272	2-48	1050809	4-71, 4-73, 4-74
1013509	2-115	1030485	2-115	1050811	4-71
1013588	2-105	1030501	2-107	1050812	4-71, 4-73
1014411	2-45, 2-47	1030502	2-107	1050861	4-73, 4-74
1014456	2-15	1030533	2-107	1050862	4-73
1014491	2-165	1030582	3-55	1050863	4-73
1014595	2-113	1030593	4-47	1050864	4-73
1015182	3-35	1030601	4-47	1050865	4-73
1015184	3-35	1030627	3-55, 3-69	1050866	4-73
1015224	3-35	1030635	2-55	1050867	4-73
1016556	3-49, 3-63	1030654	3-55, 3-69	1050868	4-73
1016560	3-49, 3-63	1030657	3-55	1050869	4-73
1016561	3-49, 3-63	1030708	3-55, 3-69	1050870	4-73, 4-74
1017080	2-73	1030762	3-55, 3-69	1050871	4-73
1017085	3-51	1031961	2-47	1050872	4-74
1017102	3-51	1032032	2-99	1050873	4-74
1017218	2-151	1032075	2-7	1051078	4-74
1017239	2-73	1032083	2-107	1051079	4-74
1017270	4-63, 4-65	1032142	2-107	1051167	5-13, 6-13
1017272	2-73	1032214	2-235	1051172	5-13, 6-13
1017292	3-51	1032382	2-57	1051173	5-13, 6-13
1017476	2-73	1032804	2-65	1051174	5-13, 6-13
1017477	2-73	1032805	2-81	1051175	5-13, 6-13
1017500	2-73	1032812	2-115	1051245	3-55
1017515	3-51	1032904	3-55, 3-69	1051599	2-137
1017598	2-73	1033344	2-137	1052092	3-84
1017662	2-73	1033497	2-137	1053474	2-143
1017898	2-167, 3-27	1033746	2-115	1053518	2-23
1018573	2-45, 2-48	1033897	2-115	1053585	2-143
1019188	2-133, 2-135	1033899	2-115	1055106	2-39
1019513	2-53, 3-51, 3-67	1034105	2-47	10552	4-63, 4-65, 4-67, 4-69
1019939	2-115	1034676	2-115	1055893	2-137
1020982	2-151	1037311	2-81	1056213	2-137
1021797	3-49	1037312	2-81	1057434	4-47
1021799	3-49	1037313	2-81	1057708	2-4
1021937	3-39	1038176	2-177	1057711	2-4
1021951	3-39	1038293	2-107	1057885	4-49
1021966	3-39	1040835	2-59	1058254	4-49
1021968	3-39	1041034	2-171, 3-23	1058256	4-49
1021969	3-39	1041090	2-29	1058257	4-49
1023853	2-135, 2-137	1041151	2-82, 2-87	1058258	4-49
1026719	2-25, 4-45	1041152	2-82, 2-87	1058259	4-47
1028300	2-7	1041739AM	2-133, 2-135, 2-137	1058309	4-49
1028492	2-143	1042110	2-25		
1028558	2-107	1042969	2-5		

# CROSS REFERENCE

Part Number	Page Number	Part Number	Page Number	Part Number	Page Number
105997	4-47	12271	2-15	19313	2-21, 2-133, 2-135, 2-137, 2-183
1060000	4-47	12273	2-57, 2-151	19315	2-43, 2-45, 2-47, 2-65, 2-81, 2-85
1060286	2-107	12274	2-31, 2-175	19317	2-65, 2-73, 2-81, 2-85
1060450	3-5, 3-9	12316	2-119, 2-175	19459	2-161
1060653	2-65, 2-81, 2-85	12459	2-167, 3-27, 3-47, 3-49, 3-61, 3-63	19544	2-153
1061447	4-49	12549	3-37	19747	2-57
1061468	4-47	130041	2-73	19760	2-121
1061492	4-47	13048	2-59	19774	2-39
1061655	4-49	13124	2-93	20177	2-53, 2-55, 2-121, 2-123, 3-51, 3-55, 3-67, 3-69
1061949	3-37	13124	2-93	20192	2-167, 3-27
1062083	4-47	13248	2-183	21041	3-71
1062084	4-47	13902	4-39, 4-43	21047	3-71
1062092	4-47	13904	4-41, 4-43	21054	3-71
1062119	4-47	13907	4-3, 4-7, 4-13, 4-17	21104	3-71
1062356	2-85	13959	3-17	21109	2-171
1062362	2-65	14242	2-145	21117	2-157, 2-159
1062545	2-99	14296	2-41	21119	2-157, 2-159
1062668	2-107	14595-1	2-151	21131	2-15
1062707	4-47	14605	2-151	21136	2-101, 2-103
1062708	4-49	150516	2-73	21138	2-101, 2-103, 2-105
10632-12	3-11, 3-13	15331	2-179	21150	4-49
10632-14	4-47	15543	2-93, 2-97	21168	2-7, 2-9, 2-11
10632-20	3-3, 3-5, 3-7, 3-9	15555-1	2-111	21195	2-53, 2-55, 2-87, 2-185, 3-37, 3-67
10632-4	2-37, 3-3, 3-7, 3-11, 3-13, 3-15, 3-79	15555-2	4-67, 4-69	21197	2-43, 2-45, 2-47, 2-53, 2-55, 3-67
10632-5	2-187, 3-17, 3-33	15675	3-5, 3-9	21198	2-43, 2-45, 2-47, 2-151, 3-55
10632-8	3-17	15724	2-69	21215	2-167
10632-9	3-11, 3-13	16387	2-61, 2-63	21221	2-31
1063653	2-224	16431	2-157, 2-159	21223	3-65
1063654	2-224	16455	2-165	21224	2-167
1064050	3-3, 3-5, 3-7, 3-9	16456	2-25	21230	2-15
1064125	2-147	16472	3-27	21231	2-171, 3-23
1064126	2-147	16694	4-33	21237	3-51, 3-55, 3-67, 3-69
1064170	2-159	16695	4-32, 4-33	21238	2-167
1065909	4-49	16735	2-31, 2-53, 2-105, 2-149, 3-67	21241	2-181
1065921	4-47	16738	2-59	21246	2-13, 3-35
1065954	4-47	16930	2-181, 3-49, 3-63	21250	3-27
1066218	4-47	16931	2-19, 2-31, 2-105, 2-107, 2-115, 2-121, 2-123, 2-133, 2-135, 2-137, 2-139, 2-141, 2-171, 2-181, 3-23, 3-33, 3-51, 3-52	21251	3-27
1066313	4-47	17414	2-39, 2-69, 2-71, 2-119, 2-121, 2-123	21252	3-27
1066314	4-47	17521	2-71	21282	2-9, 2-11
10664	2-4, 2-21	17808	2-145	21294	2-39
1066763	3-5, 3-9	17809	2-145	21301	3-79
10723	5-3	17980	2-163, 2-165, 3-27	21303	2-35
10724	5-3, 6-3	19035	3-71	21307	4-47
10819	2-175	19065	2-65, 2-85, 3-15	21308	4-47
10830	2-65, 2-81, 2-85	19066	2-27, 2-31, 2-57, 2-95, 2-99, 2-121, 2-123, 2-135, 2-137, 2-163, 2-171, 3-23, 4-49	21309	4-47
10831	2-45, 2-47	19117	2-183, 4-34	21310	4-47
10911	2-163	19311	2-43, 2-45, 2-47	21311	4-49
10959	2-23, 2-25	19312	2-65, 2-81, 2-85, 2-105, 2-107	21312	4-49
11399	2-57, 2-61, 2-73, 3-49, 3-63			21313	4-49
11442-1	2-87, 2-119, 2-121, 2-123			21643	2-15
11442-23	2-117, 2-119, 2-123			21671	3-76
11531	2-125, 2-127, 2-129, 2-131, 3-17				
11676	3-71				
11716	2-179				
11747	2-31, 3-79				
11984	2-59				

# CROSS REFERENCE

Part Number	Page Number	Part Number	Page Number	Part Number	Page Number
21672	2-147	29570	2-73	32491	2-19, 2-31, 2-51, 2-95, 2-99, 2-105, 2-107, 2-115, 2-121, 2-123, 2-127, 2-129, 2-133, 2-135, 2-137, 2-139, 2-143, 2-149, 2-172, 2-181, 3-23, 3-37, 3-51, 3-52, 3-55, 3-69
21722	2-29	30013	3-33	32492	2-9, 2-11, 2-23, 2-25, 2-35, 2-43, 2-45, 2-47, 2-51, 2-105, 2-107, 2-133, 2-135, 2-137, 2-141, 2-168, 2-171, 2-181, 3-5, 3-9, 3-23, 3-28, 3-37, 3-49, 3-51, 3-55, 3-63, 4-49
21728	4-59, 4-61	30251	2-175	32493	2-17, 2-19, 2-43, 2-45, 2-47
21729	2-157, 2-159	30252	2-175	32495	3-69
21731	2-109, 2-111, 2-113	30253	2-175	32496	2-167, 3-28
21732	2-109, 2-111, 2-113	30255	2-175	32598	2-145
21740	2-143	30268	3-43, 3-49, 3-59, 3-63	32668	3-33
21791	3-84	30389	2-59, 2-69, 2-71	32715	2-171, 3-23, 3-51, 3-55
21792	5-15, 6-15	30407	2-121, 2-123	32895	2-175
21793	5-15, 6-15	30533	3-77	32899	2-151
21794	5-15, 6-15	31038	2-39	32960	3-33
21917	4-38, 4-39, 4-43	311303	4-47	32978	2-113, 2-115, 3-51, 3-55, 3-67, 3-69
222460	2-171	311336	2-13, 4-49	32980	2-55, 2-113, 2-115
22290	2-185	311828	2-73	32981	2-57, 2-115
22308-3	2-117, 2-119, 2-121	31354	4-32	32982	2-71, 2-105, 2-107
22324	2-119	31380	4-33	32984	2-21, 2-133, 2-135, 2-183
22626	2-143, 4-29	31385	4-33	32985	2-143, 2-167, 3-27
22629	4-29, 4-31	31507	3-43, 3-49, 3-59, 3-63	32987	2-143
22630	4-29, 4-31	31525	3-51, 3-55, 3-65, 3-67, 3-69	330120	3-84
22636	4-29, 4-31	31526	2-39	330122	3-84
22645	4-29, 4-31	31563	2-157, 2-159	330123	3-84
22646	4-29, 4-31	31597	3-31	33342	3-24
23146	3-71	31599	2-133, 2-135, 2-137	33404	2-177
23156	2-69, 2-71, 2-119, 2-121, 2-123	31603	2-159	33799	2-157, 2-159
23498	2-181	31605	2-163	33806	2-13, 3-19
23935	3-79	31613	2-4, 2-161	33817	2-161
23936	2-171, 3-23	31775	2-149	33924	2-171, 3-23
23946	2-13	31922	3-17	33951	2-59, 2-67
23950	2-17	31954	3-11, 3-13	34072	2-69
24012	2-105, 2-107	31999	2-35	34159	4-5, 4-9, 4-15, 4-19
24047	2-117, 2-119, 2-121, 2-123	32006	2-35	34176	4-32
24450	3-43, 3-49, 3-59, 3-63	32009	2-35	34178	4-27, 4-29, 4-31
24576-1	3-17	32129	2-163	34179	4-27, 4-29
24576	3-15	32229	2-43, 2-45, 2-47	34180	4-27
24899	2-175	32425	2-9, 2-11, 2-43, 2-45, 2-47, 2-65, 2-71, 2-85, 2-87, 2-115, 2-131, 2-175, 2-181, 3-15, 4-47, 4-49	34181	4-27, 4-29, 4-31
24924	2-59	32483	2-9, 2-11, 2-43, 2-45, 2-47, 2-65, 2-71, 2-85, 2-87, 2-115, 2-131, 2-175, 2-181, 3-15, 4-47, 4-49	34182	4-27
24928-1	2-117, 2-119, 2-121, 2-123	32485	2-51, 2-53, 2-55, 2-87, 2-151, 2-168, 3-28, 3-52, 3-55, 3-67, 3-69	34183	4-27, 4-29, 4-31
25014	2-103, 2-105, 2-107	32486	2-141, 2-143, 2-167, 2-175, 3-27	34184	4-27, 4-29, 4-31
25046	2-57, 2-151, 4-49	32490	2-19, 2-65, 2-81, 2-85, 2-93, 2-97, 2-115, 2-133, 2-137, 2-151, 3-35, 3-47, 3-49, 3-61, 3-63	34185	4-27, 4-29
25047	2-65, 2-81, 2-85			34195	2-168, 3-28
25312	3-75				
25610	2-109, 2-111, 2-113				
26395-2	3-71				
26496	2-117, 2-119, 2-121, 2-123				
26565	3-71				
27048	2-71, 2-113, 2-117, 2-119, 2-121, 2-123				
27767	2-71				
27980	2-65, 2-81, 2-85				
27990	2-133, 2-135, 2-137, 3-67				
27991	2-51, 2-53, 2-55, 3-51				
27992	3-55, 3-69				
29233	3-5, 3-9				

# CROSS REFERENCE

Part Number	Page Number	Part Number	Page Number	Part Number	Page Number
34306	2-4, 2-161	370892	6-22	371761	2-43, 2-45, 2-47
34323	2-9, 2-11, 2-19	37127	5-11	371762	2-43
34330	2-175	371500	2-57	371763	2-61
34355	2-157, 2-159	371502	2-57	371764	2-73
34359	2-143, 2-177	371503	2-57	371765	2-61
34360	2-157, 2-159	371504	2-57	371766	2-61, 2-73
34379	2-157, 2-159	371505	2-57	371767	2-61, 2-73
34390	2-161	371507	2-43	371768	2-73
34392	2-29	371508	2-43, 2-45, 2-47	371770	2-51
34738	3-79	371509	2-43, 2-45, 2-47, 2-51, 2-65, 2-81, 2-85, 3-51, 3-67	371865	2-55
34821	2-141			371875	2-65, 2-81, 2-85
34848	3-17			371877	2-65, 2-81, 2-85
34864	2-37, 3-79	371512	2-43, 2-45, 2-47	371891	7-3
34877	3-51	371516	2-43, 2-45, 2-47	371894	2-73, 4-63
35323	2-5	371517	2-43	371895	2-73, 4-65
35324	2-5	371518	2-43, 2-45, 2-47	371896	2-61, 4-67
35325	2-5	371519	2-43, 2-45, 2-47	371897	2-61, 4-69
35326	2-5	371520	2-43, 2-45, 2-47	371899	4-67, 4-69
35327	2-5	371526	2-51, 2-53, 2-55, 3-55, 3-67, 3-69	371901	4-67
35336	2-5			371902	4-67, 4-69
35688	2-29	371527	2-51, 2-53, 2-55	371908	4-67, 4-69
35707	2-121, 2-123	371528	2-51	371921	2-218
35756	2-51, 2-53, 2-55, 3-51, 3-55, 3-69	371529	2-51	372235	2-221, 2-223, 2-224
		371532	2-61	372236	2-221, 2-223, 2-224
35980	2-41	371538	2-61	372237	2-221, 2-223, 2-224
36014	5-23, 6-23	371553	2-65, 2-81, 2-85	372251	7-7
36048	5-15, 6-15	37157	5-5, 5-11	372440	2-113, 2-115
36050	2-4, 2-59, 2-109	371572	2-43	372445	2-45, 2-47
361160	2-7	371573	2-103, 2-105	372456	2-45, 2-47
36158	3-71	371646	2-61, 2-74	372457	2-45
36164	5-21, 6-21	371647	2-61, 2-74	372458	2-45, 2-47
36165	2-39, 2-61, 2-73	371649	4-67, 4-69	372464	7-7
36192	2-21	371651	4-63, 4-65, 4-67, 4-69	372466	2-63, 2-65, 2-81, 2-85
36268	5-3, 5-6, 6-3, 6-6			372470	2-65, 2-77, 2-81, 2-85
36328	2-167, 2-175, 3-27	371653	4-63, 4-65, 4-67, 4-69	372472	2-63, 2-65, 2-77, 2-81, 2-87
36556	2-165			372473	2-45, 2-47
36758	2-7, 2-167, 3-27	371654	4-63, 4-65, 4-67, 4-69	372474	2-45, 2-48
369701	2-143			372479	2-45, 2-47
369704	2-15	371658	2-61, 2-74	372483	2-63, 2-77
36971	2-151	371660	4-63, 4-65, 4-67, 4-69	372484	2-77
369786	3-37			372488	2-63
370011	2-5	371661	2-111	372489	2-63, 2-77
370102	5-17, 6-17	371662	2-111	372490	2-63, 2-77
370103	5-17	371665	4-63, 4-65	372491	2-105
370829	5-9, 6-9	371666	4-63, 4-65	372492	2-63, 2-77
370847	6-3	371669	4-63, 4-65	372493	2-63, 2-77
370848	6-3	371713	4-63, 4-65	372495	2-77
370850	6-3	371714	4-63, 4-65, 4-67, 4-69	372496	2-77
370851	6-5			372497	2-77
370852	6-11	371715	4-63, 4-65, 4-67, 4-69	372498	2-77
370853	6-11			372500	2-77
370854	6-11	371716	4-67, 4-69	372501	2-77
370855	6-13	371718	4-63, 4-65, 4-67, 4-69	372503	2-77
370873	6-3			372504	2-77
370875	6-24	371749	2-73	372505	2-77
370876	5-21, 6-21	371750	2-73	372506	2-77
370888	6-22	371754	2-73	372507	2-77
370889	6-22	371755	2-73		
370890	6-22	371757	2-73		
370891	6-22	371759	2-73		

# CROSS REFERENCE

Part Number	Page Number	Part Number	Page Number	Part Number	Page Number
372508	2-77	373405	3-82	375512	3-43, 3-49, 3-59, 3-63
372510	2-77	373406	4-9, 4-19	375513	2-15
372511	2-77	373407	4-7, 4-17	375526	2-149
372512	2-77	373408	4-7, 4-17	375536	2-15
372514	2-77	373409	4-7, 4-17	375537	2-15
372515	2-77	373410	4-7, 4-17	375555	4-33
372516	2-77	373412	4-9, 4-19	375563	2-165, 4-41
372517	2-77	373413	4-9, 4-19	375564	2-31
372518	2-77	373414	4-7, 4-17	375565	2-31
372523	2-77	373415	4-7, 4-17	375566	2-31
372526	2-77	373457	4-25	375575	2-143
372527	2-77	373458	4-25	375576	2-143
372528	2-77, 2-81, 2-87	373464	2-143, 4-31	375586	2-133, 2-135
372529	2-81, 2-87	373541	4-31	375666	2-171
372531	2-77	373542	4-31	375693	2-17
372539	2-82, 2-87	373543	4-31	375695	2-17
372545	2-63, 2-65, 2-77, 2-81	373544	4-31	375696	2-13
372569	2-77	373545	4-31	375698	2-13
372577	2-77	373546	4-31	375698	2-13
372579	2-81, 2-85	373547	4-31	375718	2-59, 2-67
372608	2-77	373548	4-31	375721	2-181
372610	2-77	373549	4-31	375726	3-43, 3-59
372611	2-77	373584	4-73	375728	3-43, 3-49, 3-59, 3-63
372612	2-77	373585	4-73	375729	3-45
372615	2-77	374012	3-71	375751	3-43
372651	2-4, 2-95, 2-99	374127	2-59, 2-67	375762	2-143
372652	2-4, 2-95, 2-99	374129	3-43, 3-49, 3-59, 3-63	37723	4-27, 4-29, 4-31
372859	2-77	374133	3-81	37766	4-27, 4-29
372860	2-63	374134	3-41, 3-47, 3-81	37943	4-27, 4-29, 4-31
372891	2-63, 2-77	374135	3-41, 3-47, 3-81	380514	2-151
372899	2-77	374154	2-71	380532	2-15
372937	2-73	374158	2-117, 2-121, 2-123	380533	2-15
372950	4-59, 4-61	374210	3-41, 3-47, 3-57, 3-61	380544	3-52, 3-55
372951	4-59, 4-61	374230	2-133, 2-135, 2-137	380563	3-45
373201	4-25	374240	2-149	380566	2-151
373207	4-25	374274	6-24	380567	2-151
373211	4-25	374294	4-47, 4-49	380568	2-151
373218	4-7, 4-17	37460	4-3, 4-7, 4-13, 4-17	380576	3-41, 3-47
373226	4-31	374615	2-69	380577	4-47, 4-52
373232	4-25	37462	4-3, 4-7, 4-13, 4-17	380578	4-55
373235	4-25	374625	2-59, 2-67	380579	4-55
373236	4-31	374648	2-69	380591	2-89, 2-91, 2-93, 2-95, 2-97, 2-99
373242	4-25	374649	2-69	380592	2-89
373243	4-25	374750	4-47, 4-49	380598	2-41
373254	2-153, 4-25	374757	4-49	380612	3-57, 3-61
373255	4-25	374759	4-47	380613	3-41, 3-47, 4-55
373256	4-25	374765	4-47, 4-49	380614	3-57, 3-61, 4-57
373258	4-25	375193	2-41	380615	3-41, 3-47, 3-57, 3-61
373259	4-25	375400	2-167	380616	4-55, 4-57
373276	4-25	375401	2-167, 3-27	380617	3-41, 3-47, 3-57, 3-61
373284	4-25	375402	2-167	380618	3-43, 3-59
373291	4-31	375403	3-27	380619	3-41, 3-47, 3-57, 3-61
373369	4-13, 4-17, 4-21	375404	2-167, 3-27	380620	3-43, 3-59
373371	4-21	375415	2-171, 3-23	380621	3-43, 3-59
373372	4-21	375416	2-171, 3-23	380624	3-41, 3-47
373373	4-21	375417	3-27		
373374	4-9, 4-19	375511	2-133, 2-135, 2-137		
373375	4-9, 4-19				
373404	2-153				

# CROSS REFERENCE

Part Number	Page Number	Part Number	Page Number	Part Number	Page Number
380625	3-41, 3-47, 4-53	381391	2-135, 2-137	392570	2-61, 2-73
380626	4-53	381962	2-31	392590	2-127, 2-129, 2-131
380627	4-53	382507	2-133	392591	2-127, 2-129
380628	4-53	382516	2-187	392593	2-111
380630	3-41, 3-47	382726	2-31	392594	2-111
380634	3-35	382978	3-15	392597	2-111
380635	3-35	382979	3-33	392598	2-113
380640	3-15	383014	2-71	392611	2-51, 2-53, 2-55
380643	3-11	383165	2-187	392613	3-51
380644	3-13	383170	2-71	392619	2-43
380649	4-55, 4-57	383185	3-35	392622	2-43, 2-45
380650	4-55, 4-57	384156	4-51	392629	2-111, 2-113, 2-115
380651	4-55	384971	2-81, 2-87	392642	2-43, 2-45
380652	4-55	384973	2-81	392647	2-129, 2-131
380659	4-55, 4-57	384974	2-63, 2-65, 2-77, 2-81, 2-85	392649	2-111
380660	4-57	384975	2-81	39277	2-133, 2-135, 2-137, 2-139, 3-51, 3-67
380661	3-41, 3-47, 3-57, 3-61	384977	2-81	39278	2-143
380662	3-41, 3-47, 3-57, 3-61	384978	2-81, 2-87	39279	2-149
380663	3-41, 3-47, 3-57, 3-61	384979	2-81, 2-87	39283	2-9, 2-11, 2-168, 2-172, 2-175, 3-23, 3-28, 3-52, 3-55
380665	3-41, 3-47	384985	2-65, 2-81, 2-85	39284	2-35, 2-48, 2-107, 2-167, 2-172, 3-23, 3-28
380666	4-53	384986	2-81	39285	2-151
380667	4-53	384996	2-81	39305	2-143
380668	4-53	384998	2-223, 2-224	39311	2-19, 2-167, 3-24, 3-28, 3-51
380669	4-53	384999	2-223, 2-224	39312	2-167, 3-28
380670	4-53	385000	2-65, 2-81, 2-87	39313	2-17, 2-19, 2-27
380671	4-53	385001	2-65, 2-81, 2-85	393200	2-111
380672	4-53	385002	2-65, 2-81, 2-85	393201	3-51, 3-55
380673	3-41, 3-47	385003	2-65, 2-81, 2-85	393205	2-91
380675	2-157, 2-159	385004	2-65, 2-81	393207	2-91
380676	3-45	385006	2-65, 2-81	393208	2-91, 2-93, 2-95
380680	2-13	385007	2-65, 2-81	393216	2-127
380681	2-23	385008	2-65, 2-81, 2-85	393219	3-51
380683	2-151	385009	2-115	393223	3-84
380684	3-41, 3-47	385010	2-223	393227	2-53, 2-55
380685	3-43	385011	2-82, 2-87	393229	2-127, 2-129
380686	3-43	385012	2-81	393241	3-67
380689	3-41, 3-47, 3-57, 3-61	385013	2-82, 2-87	393244	3-51, 3-67
380690	3-41, 3-47, 3-57, 3-61	385014	2-81	393252	2-103
380691	3-11, 3-13, 3-15	385015	2-81, 2-87	393253	2-103
380692	2-13, 4-47	385016	2-81, 2-85	393255	3-49, 3-63
380697	3-45	385017	2-81, 2-85	393373	2-95, 2-97, 2-99
380702	3-65	385018	2-223	39346	2-9, 2-11, 2-143
380709	2-4	385019	2-47	39349	2-27
380710	2-4	385412	2-41	39350	2-143
380712	3-17	385414	2-59	393662	7-7
380717	2-149	385415	2-59	393663	7-7
380728	2-13	385417	2-39	393770	3-15, 3-33
380736	2-161	385426	2-41	393806	7-7
380748	2-131	385433	2-41	393807	7-7
380754	2-133	385439	3-84	393808	7-7
380760	2-15	386063	2-119	393809	7-7
380761	2-15	388407	4-55, 4-57	393810	7-7
380762	2-15	391890	4-67	393811	7-7
380763	2-15	391891	4-63	393812	7-7
380764	2-15	39210	2-25, 2-29, 2-161		
		392258	2-73		
		392561	2-43		
		392563	2-43		
		392564	2-218		



# CROSS REFERENCE

Part Number	Page Number	Part Number	Page Number	Part Number	Page Number
393813	7-7	393874	7-11	393926	7-5
393814	7-7	393875	7-11	393927	7-5
393815	7-7	393876	7-11	393928	7-5
393816	7-7	393877	7-11	393929	7-5
393817	7-12	393878	7-11	393930	7-5
393818	7-12	393879	7-11	393931	7-5
393819	7-12	393880	7-11	393932	7-5
393820	7-12	393881	7-11	393933	7-3
393821	7-12	393882	7-7	393934	2-4, 7-3
393822	7-12	393883	7-7	393935	7-3
393823	7-12	393884	7-7	393936	7-3
393824	7-3, 7-9, 7-11, 7-12	393886	7-7	393937	7-3
393825	7-12	393887	7-7	393938	7-3
393826	7-11, 7-12	393888	7-7	393939	7-5
393827	7-12	393889	7-7	39394	2-5
393828	7-12	393890	7-7	393940	7-5
393829	7-12	393895	7-3	393941	7-5
393830	7-12	393896	7-3	393942	7-5
393831	7-12	393897	7-3	393943	7-5
393832	7-7	393898	2-61, 2-63, 2-73, 2-77, 7-3, 7-5	393945	7-5
393833	7-7	393899	7-3	393946	7-5
393834	7-11	393900	7-3	393947	7-5
393835	7-11	393901	7-3	393948	7-5
393836	7-11	393902	7-3	393949	7-5
393837	7-11	393903	7-3	393950	7-5
393838	7-11	393904	7-3	393951	7-3
393839	7-11	393905	2-61, 2-63, 2-73, 2-77	393952	7-3
393840	7-11	393906	2-61, 2-63, 2-73, 2-77	393953	7-3
393841	7-11	393907	2-61, 2-63, 2-73, 2-77	393954	7-3
393842	7-11	393908	2-61, 2-63, 2-73, 2-78	393955	7-3
393843	7-11	393909	2-61, 2-63, 2-73, 2-78	393956	7-3
393844	7-11	393910	2-61, 2-63, 2-73, 2-78	393957	7-3
393845	7-11	393911	2-61, 2-63, 2-73, 2-78	393958	7-3
393846	7-11	393912	2-61, 2-63, 2-73, 2-78	393959	7-3
393848	7-9	393913	2-61, 2-63, 2-73, 2-78	393960	7-3
393849	7-9	393914	2-61, 2-63, 2-73, 2-78	393961	7-3
393850	7-9	393915	2-61, 2-63, 2-73, 2-78	393962	7-3
393851	7-9	393916	2-61, 2-63, 2-73, 2-78	393963	7-3
393852	7-9	393917	7-3	393964	7-3
393853	7-9	393918	7-3	393965	7-5
393854	7-9	393919	7-5	393966	7-5
393855	7-9	393920	7-5	393967	7-5
393856	7-9	393921	7-5	393972	2-73
393857	7-9	393922	7-5	393973	2-43
393858	7-9	393923	7-5	393975	2-43
393859	7-9	393924	7-5	393982	2-4, 2-57
393860	7-9	393925	7-5	393984	2-43, 2-63, 2-65, 2-77, 2-81, 2-85
393861	7-9			393994	2-43, 2-45, 2-47, 2-51
393862	7-9			393998	2-51, 2-53, 2-55
393863	7-9			394916	2-221, 2-223, 2-224
393864	7-11			39527	4-32
393865	7-9			39534	2-183
393866	7-11			39670	3-51, 3-55
393867	7-9			39703-2	2-4, 5-3, 6-3
393868	7-9			397779	4-47
393869	7-9			398315	2-213
393870	7-9			39923	2-37, 3-79
393871	7-9			40380	4-27
393872	7-7				
393873	7-11				

# CROSS REFERENCE

Part Number	Page Number	Part Number	Page Number	Part Number	Page Number
40514	2-161	43952	3-37	49766	3-79
40573	3-43, 3-49, 3-59, 3-63	43955	2-9, 2-11	49933	2-165
40585	2-109, 2-111	43958	2-143	49934	2-57
40607	2-37, 2-69, 3-79	44078	2-185	50335	2-43, 2-45, 2-47, 2-113, 2-115, 2-119
40678	2-37, 3-79	44681-1	3-7, 3-9, 3-13	50474	4-47
40716	2-13	44681-2	3-7, 3-13	50902	2-43, 2-45, 2-47, 2-53, 2-55, 2-121, 2-123, 2-133, 2-135, 2-137, 2-175, 2-183, 3-37, 3-51, 3-55, 3-67, 3-69
40870-8	2-181	44681	3-7, 3-13	50960	2-133, 2-135, 2-137
41016	2-111, 3-43, 3-49, 3-59, 3-63	44777	2-13	51021N	2-5
41073	2-143	44851	2-17, 2-19, 3-35	51109	2-149
41130	2-181	44868	2-163, 3-27	51176	2-13
41131	2-171, 2-179	44869	2-163, 2-165, 2-175, 2-183	51193	2-145
41139	3-17	44906	2-133	51305	2-73, 2-131, 2-133, 2-135, 2-137
41140	3-17	44961	3-79	51322	2-21, 2-133, 2-135, 2-137
41141	3-33	44961	3-79	51338	2-145
41142	2-53, 2-55, 3-67	45142	3-43, 3-49, 3-59, 3-63	51340	2-143
41169	2-151	45177	2-89, 2-91, 2-93, 2-97	51341	2-143
41178	2-9, 2-11, 2-13, 2-89, 2-91, 2-93, 2-97, 3-35	45272	3-3, 3-5, 3-7, 3-9	51373	2-145
41185	2-9, 2-11, 2-19, 2-167, 3-27	45482	2-163, 3-27	51448	2-175
41186	2-31, 2-53, 2-55, 2-133, 2-135, 2-137, 2-139, 2-141, 3-23, 3-51, 3-55, 3-67, 3-69	45622	4-27, 4-29, 4-31	51449	2-175
41295	2-131	45623	4-27, 4-29, 4-31	51483	2-149
41342	2-167, 2-171, 3-28	45628	4-32, 4-33	51531	3-71
41346	2-175	45779	3-3, 3-5, 3-7, 3-9, 3-11, 3-13	51534	2-177
41430	2-31, 2-48, 2-133, 2-135, 2-137, 2-151, 2-168, 2-172, 2-181, 3-23, 3-28, 3-52, 3-55	45780	2-7	51542	2-5
41434	3-37	45786	2-147	51545	2-149
41619	2-15	46236	2-149, 3-79	51560-5	2-95, 2-99
41722	2-151	46481	2-21, 2-153	51562	2-149
42011	2-51, 2-53, 2-55, 3-79, 4-49	46482	3-23	51564	2-175
42124	3-71	46611	2-69, 2-71	51693	2-179
42207	2-167	46800	2-133	51787	2-21, 2-31
42215	2-161, 2-165, 3-23	47167	2-61, 2-73	51813	2-171, 3-23
42226	2-183	47313A	2-59	51839	2-69, 2-71, 2-91
42260	2-21, 2-161	47504	2-165, 2-171	52402	2-133, 2-135, 2-137, 2-165
42368	2-113, 2-115	47508	2-153, 2-167, 3-27	52911	2-153
43242	3-43, 3-49, 3-59, 3-63	47512	2-25, 2-133, 2-135, 2-137	53029	2-67, 2-111
43363	2-7	47522	2-143	53268	2-69
43454	2-15, 2-37, 3-79	47585	2-185	53395-2	2-119
43500	2-4, 2-7	47637	3-27	53400-1	2-117, 2-119, 2-121, 2-123
43555	2-35, 2-89, 2-91, 2-93, 2-95, 2-97, 2-99	47638	2-25, 2-165	53400-4	2-117, 2-119, 2-121, 2-123
43558A	3-43, 3-49, 3-59, 3-63	47720	2-117, 2-119, 2-121, 2-123	53434	2-175, 4-32
43611	2-121, 2-123	47753	3-27	53461-2	2-15, 2-17, 2-19
43844	2-59, 2-67, 2-111, 2-113, 2-115, 2-131	47958	2-15	53468	2-127, 2-129, 2-131
		48006	2-21	53601	2-143, 4-44
		48014	2-89, 2-91, 2-93, 2-97	54009	3-71
		48056	2-133, 2-135, 2-137	54012	3-71
		48069	2-35	54140	2-113
		48267	2-109, 2-111, 2-113	54222	2-151
		48282	2-119	54274	2-183
		49032	3-37	54275A	2-183
		49263	2-7, 2-185	54333	5-3, 6-3
		49266	2-37, 3-3, 3-5, 3-7, 3-9, 3-11, 3-13, 3-15, 3-17, 3-41, 3-47, 3-79, 3-81		
		49282	2-13		

# CROSS REFERENCE

Part Number	Page Number	Part Number	Page Number	Part Number	Page Number
54396	2-43, 2-45, 2-47, 2-127, 2-129	57944	2-157, 2-159	60806	5-5, 5-6, 6-5, 6-6
54527	2-89, 2-91, 2-93, 2-97	57963	2-157, 2-159, 3-31	60812	5-22
54528	2-89, 2-91, 2-93, 2-97	57988	2-165	60813	5-22, 6-22
54615	2-13	57993	2-163	60814	5-22, 6-22
54833	2-143	57994	2-161	60817	5-6, 6-6
54862	2-183	58114	2-181	60833	5-5, 5-13, 5-19, 6-5, 6-13, 6-19
54878	2-175	58228	2-133, 2-135, 2-137, 2-181	60834	6-5, 6-13
54911-32	2-125, 2-127, 2-129, 2-131, 5-3, 6-3	58242	4-23	60836	5-21, 6-21
55248	3-3, 3-5, 3-7, 3-9, 3-11, 3-13, 3-15, 3-41, 3-47, 3-81	58270	4-32	60846	2-4, 5-24, 6-24
55347	2-43	58278	4-32	60933	2-4, 2-89, 2-91, 2-93, 2-97
55586	2-161, 2-175	58293	2-23	60934	2-4, 2-89, 2-91, 2-93, 2-97
55685	2-165	58357	2-35	60938	5-9, 6-9
55686	2-25	58359	2-25	61288	2-161
55700	2-157, 2-159	58366	2-15, 2-57	61363	2-39, 2-51, 2-53, 2-55
55756	2-15	58489	2-9, 2-17, 2-19	61365	3-17
55779	2-175	58490	4-49	61490	4-32, 4-33
55845	2-15	58518	3-3, 3-5, 3-9, 3-11	61529	2-39
56185	2-185	58519	3-3, 3-5, 3-9, 3-11	61531	2-39
56186	2-188, 3-3, 3-5, 3-7, 3-9, 3-11, 3-13, 3-41, 3-47, 3-57, 3-61, 3-79	58520	3-3, 3-5, 3-11	61869	3-43, 3-59
56346	2-187	58524	2-31	61870	3-43, 3-59
56398	2-185	58589	2-117, 2-119, 2-121, 2-123	61882	4-3, 4-7, 4-13, 4-17
56690	2-113, 2-163, 2-171, 2-185, 3-23, 3-27	58590	2-117, 2-119, 2-121, 2-123	61886	4-5, 4-9, 4-15, 4-19
56692	2-153, 2-183	58596	4-37	61923	3-15
56820	2-143, 2-171	58844	2-11, 2-15	61931	2-39
56821	2-183	58858	2-153, 2-161	61969	2-177, 2-187
56976A	2-117, 2-119, 2-121, 2-123	58898	2-9, 2-11	62172	2-165
56992	2-187, 3-57, 3-61	59015	2-109	62173	2-165
57048	2-41, 2-43, 2-45, 2-47	59156	3-51	62234	2-131
57167	2-188, 4-57	59192	2-15, 2-17, 2-19	62389	2-153
57173	2-157, 2-159	59305	4-23	62561	2-153, 4-23
57297	2-117, 2-119, 2-121, 2-123	59375	2-39	62595-16	2-13
57311	2-149	59577	2-163	62595-2	2-13
57411	2-165	59633	2-35	62595-3	2-13
57568	2-159	59661	2-21	62865	2-119, 2-123
57751	2-188, 3-35	59668	2-151	62954	2-4, 2-7
57772	2-171	59672	2-151	62955	2-4, 2-7
57773	2-41, 2-43, 2-45, 2-47	59767	2-236	62956	2-4, 2-7
57803	2-188, 3-35	59808	2-69	62957	2-4, 2-7
57804	2-221, 2-223, 2-224	59866	2-25	630094	2-39
57807	2-171, 2-177, 2-187, 3-23	59901	3-43, 3-49, 3-59, 3-63	63228	3-76
57809	3-79	59921	3-79	63233	2-35
57820	2-13, 2-17, 2-19	59954	3-79	63234	2-35
57934	2-59	59965	2-23, 3-15	63263	2-41, 2-43, 2-45, 2-47
57936	2-23, 2-25	59970	2-187	63276	2-151
57941	2-7	59971	2-187	63292	2-151
		59974	2-187	63294	2-13
		59976	2-187	63295	2-149
		59977	2-187	63297	2-35
		59978	2-187	63311	2-35
		59979	2-187	63378	2-31
		60293	2-139	63407	3-82
		60559	2-39	63416	2-133, 2-171, 3-23, 3-27, 4-47
		60725	2-69, 2-71	63426	2-143, 4-27
		60726	2-69, 2-71	63436	2-175
		60751	3-17		
		60762	2-59		

# CROSS REFERENCE

Part Number	Page Number	Part Number	Page Number	Part Number	Page Number
63449	2-175	64635	2-149	65561	2-171, 3-23
63450	2-175	64651	2-185	66020	2-5
63471	2-143	64655	2-185	67310	2-143, 2-153
63491	2-143	64740	2-73	67366	2-167, 3-27
63496	2-143	64757	4-47	67683	3-27
63535	2-41	64788	2-4, 2-9, 2-11	67767	2-25, 2-121, 2-123, 2-143
63540	2-143	64801	2-9	68445	3-37
63541	2-175	64802	2-11	68866	2-151
63542	2-133, 2-135, 2-137, 4-35	64811	2-175	68869	2-139, 2-141
63543	2-143	64873	2-35	69097	2-67
63544	2-7	64874	2-35	69234	2-163, 2-181
63583	2-25	64884	2-13	69904	2-7
63584	2-25	64886	2-143	69906	2-31
63647	2-27	64887	2-143	70006	2-161
63663	2-7	64893	2-29	70072	2-161
63665	2-27	64899	2-51, 3-51	70160	2-39
63667	2-27	64905	2-165	70173	2-109, 2-111, 2-113
63668	2-27	64919	2-4, 2-7	70218	2-185
63669	2-27	64920	2-4, 2-7	70219	2-185
63671	2-33	64950	2-149	70388	2-27
63695	2-41, 2-43, 2-45, 2-47	65129	2-149	70398	2-188
63751	2-13	65145-1	2-153	70400	2-209
63810	2-59, 2-63, 2-69, 2-71, 2-77, 2-81, 2-87, 2-91, 3-43, 3-49, 3-59, 3-63	65160	2-167, 3-27	70402	2-188
63818	2-133, 2-135, 2-137	65168	2-167	70407	2-17, 2-19
63926	2-23	65170	2-167	70411	2-188
64038	5-17, 6-17	65173	2-167, 3-27	70431	2-167, 3-27
64058	2-147	65174	2-167, 2-171, 3-23, 3-27	70435	2-117, 2-119, 2-121, 2-123
64141	2-187	65180	2-167, 3-27	70450	2-13
64156	2-25	65188	2-157, 2-159	70453	2-4, 2-9, 2-11
64228	2-163	65191	2-157, 2-159	70454	3-19
64233	2-177	65194	2-157, 2-159	70477	2-109, 2-111, 2-113, 2-115
64278	2-15	65195	2-157, 2-159	70478	2-13
64279	2-15	65196	2-157	70506	2-149
64299	2-181	65197	2-157, 2-159	70517	2-7
64312	2-15	65199	2-157, 2-159	70521	2-167
64392	2-35	65201	2-157, 2-159	70524	2-167, 3-27
64394	2-35	65202	2-157	70525	2-167, 3-27
64410	2-35	65204	2-157, 2-159	70526	2-167, 3-27
64419	2-21	65205	2-157, 2-159	70532	2-171, 3-23
64434	2-165	65212	2-157, 2-159	70536	2-236
64500	2-35	65213	2-157, 2-159	70538	2-5
64501	2-35	65215	2-161	70550	2-149
64543	2-17, 2-19	65221	2-21	70597	2-9
64545	2-17, 2-19	65222	2-21	70598	2-11
64556	2-149	65224	2-157, 2-159	70603	4-59, 4-61
64558	2-149	65226	4-23	70609	4-59, 4-61
64559	2-35	65227	4-27	70611	4-61
64567	2-35	65232	4-33	70612	4-59
64580	2-35	65235	4-37	70613	4-59, 4-61
64586	2-185	65240	4-43	70615	4-59, 4-61
64618	2-35, 2-133, 2-135, 2-137, 2-181	65242	2-185, 4-37	70617	4-59, 4-61
64621	2-35, 2-133, 2-135, 2-137, 2-181	65245	2-187	70618	4-59, 4-61
64631	2-185	65248	2-177	70620	3-35
		65249	2-177	70622	2-185
		65252	2-21	70623	2-185
		65258	3-19	70626	2-167, 3-27
		65278	2-31	70627	2-167, 3-27
		65281	2-31		
		65527	2-69		

# CROSS REFERENCE

Part Number	Page Number	Part Number	Page Number	Part Number	Page Number
70628	2-17, 2-19	73645	2-7	74045	2-27
70631	2-101	73646	2-181	74046	2-27
70635	2-125, 2-129, 2-131	73648	2-9	74051	2-151
70636	2-125	73649	2-11	74059	2-167, 3-27
70649	2-5	73650	2-181	74060	2-167
70650	2-35	73654	2-4, 2-9, 2-11	74062	2-9
70651	2-35	73678	2-27	74063	2-11
70659	3-71	73679	2-27	74064	2-7
70668	3-71	73685	2-181	74066	2-7
70669	3-19	73717	3-51	74067	2-7
70686	3-20	73724	2-7	74069	2-27
70690	3-77	73727	2-37	74074	3-71
70692	3-75	73731	2-143	74076	2-39
70699	3-33	73733	2-143	74081	2-13
70704	2-13	73734	2-35	74082	2-133, 2-135, 2-137
70705	2-236	73736	2-187	74089	2-117, 2-119, 2-121, 2-123
70709	2-185	73737	2-171, 3-23	74090	2-171, 3-23
70717	2-185	73749	2-27	74094	4-33
70718	2-117, 2-119, 2-121, 2-123	73751	3-5	74098	4-29, 4-43
70719	2-117, 2-119, 2-121, 2-123	73753	3-9	74100	4-33
70725	2-151	73755	3-3	74101	4-33
70730	2-31	73757	3-7	74109	4-37
70742	2-31	73771	2-27	74110	4-37
70747	2-151	73772	2-27	74111	4-37
70749	2-151	73862	2-7	74112	4-37
70754	2-125	73863	2-7	74132	4-27
70756	2-13	73870	2-4, 2-9, 2-11	74133	4-27
70761	2-31, 3-37	73871	3-71	74134	4-27, 4-29
70762	2-31	73880	3-71	74135	4-27, 4-29, 4-31
70767	2-111	73887	2-27	74136	4-27, 4-29, 4-31
70775	2-183	73888	2-4, 2-9, 2-11	74137	4-27, 4-29
70783	2-151	73898	3-3, 3-5, 3-7, 3-9	74142	2-185
70785	3-35	73899	3-3, 3-5, 3-7, 3-9	74145	4-39
70788	3-35	73901	2-13	74146	4-43
70790	2-183	73903	2-13	74148	4-23
70793	3-21	73917	5-3, 5-15, 6-3, 6-15	74149	4-23
70802	3-21	73920	5-3, 6-3	74150	4-23
70808	2-11	73921	5-3, 6-3	74151	4-23
70809	2-9	73927	5-6, 6-6	74152	4-23
70810	2-183	73936	5-6, 6-6	74153	4-23
70815	3-21	73937	5-19, 6-19	74154	4-23, 4-25
70825	2-181	73950	5-3, 6-3	74156	4-23
70827	2-165	73954	5-19, 6-19	74157	4-23
70832	2-101, 2-103	73958	5-3, 6-3	74158	4-23
70843	2-7	73967	5-19, 6-19	74159	4-23
70844	2-7	73970	5-19, 6-19	74160	4-23
70847	2-165	73975	5-3	74161	4-23, 4-25
70849	2-69	73977	5-22	74163	2-153
70851	3-79	73978	5-22	74164	3-82
70876	2-59, 2-67	73979	5-22	74174	4-37
71552	2-157, 2-159	73980	5-22	74182	4-37
71725	4-25	73981	5-22	74184	4-3, 4-7, 4-13, 4-17
72970	2-185	73982	5-22	74190	4-37
72978	2-91, 3-43, 3-59	73995	5-21, 6-5, 6-21	74194	4-37
72979	2-69, 2-71, 3-43, 3-59	73996	5-23, 6-23	74195	4-37
73017	2-67	74000	3-3, 3-5, 3-7, 3-9	74210	4-3, 4-7, 4-13, 4-17
73020	2-69	74007	3-19	74214	4-29, 4-31
		74015	2-31	74218	4-37
		74022	2-149	74220	4-29, 4-31
		74040	2-15		

# CROSS REFERENCE

Part Number	Page Number	Part Number	Page Number	Part Number	Page Number
74223	4-3, 4-7, 4-13, 4-17	75128	2-15	76471	2-23
74233	4-34, 4-35	75142	3-27	76474	2-27
74240	4-3, 4-7, 4-13, 4-17	75197	3-49, 3-63	76487	2-27
74246	4-29, 4-31	75303	2-15	76490	2-149
74250	4-33	75428	2-13	76491	2-149
74251	4-37	75456-1	2-181	76492	2-13
74253	4-3, 4-13	75456-2	2-181	76494	2-13
74254	4-3, 4-7, 4-13, 4-17	75456-3	2-181	76495	2-13
74256	4-3, 4-7, 4-13, 4-17	75456-4	2-181	76497	2-157, 2-159
74257	4-3, 4-7, 4-13, 4-17	75456	2-181	76498	2-157, 2-159
74258	4-3, 4-7, 4-13, 4-17	75465	2-37, 3-79	76516	3-35
74259	4-5, 4-9, 4-15, 4-19	75575	2-149	76522	3-35
74260	4-5, 4-15	75612	2-175	76523	2-151
74261	4-5, 4-15	75666	2-89, 2-91, 2-93, 2-95, 2-97, 2-99	76570	2-107, 2-171, 2-181, 3-23, 3-51
74262	4-3, 4-7, 4-13, 4-17	75701	3-71	76647	2-151
74263	4-3, 4-13	75768	2-43, 2-45, 2-47	76653	2-149
74264	4-5, 4-15	75828	3-51, 3-65, 3-67	76684	3-31
74265	4-3, 4-7, 4-13, 4-17	75854	2-109, 2-111	76736	2-109, 2-111, 2-113
74266	4-3, 4-7, 4-13, 4-17	75861	2-23	767407	2-153
74267	4-3, 4-7, 4-13, 4-17	75876	3-71	76762	2-57
74268	4-43	75877	3-71	76825	2-95
74270	4-5, 4-9, 4-15, 4-19	75881	3-37	76870	2-15
74271	4-5, 4-9, 4-15, 4-19	75883	2-15	76888	2-13, 2-188
74272	4-3, 4-7, 4-13, 4-17	75891	2-25	768897	2-133
74273	4-3, 4-7, 4-11	75899	3-27	76898	3-37
74274	4-5, 4-9, 4-15, 4-19	75901	3-73	76907	2-109, 2-111
74275	4-5, 4-9, 4-15, 4-19	75968	2-185	76955	2-53, 2-55
74276	4-3, 4-7, 4-13, 4-17	75989	3-73	76956	2-51
74277	4-5, 4-9, 4-15, 4-19	76030	3-73	769806	2-73
74278	4-5, 4-9, 4-15, 4-19	76036	3-73	769808	2-61
74279	4-5, 4-15	76038	3-73	76996	4-47
74280	4-3, 4-7, 4-13, 4-17	76049	3-73	77097	2-29, 2-163, 2-171, 2-177, 2-183, 3-23
74281	4-3, 4-7, 4-13, 4-17	76055	3-73	77340	2-13
74282	4-5, 4-9, 4-15, 4-19	76069	3-73	77388	2-31
74283	4-3, 4-5, 4-7, 4-9, 4-13, 4-15, 4-17, 4-19	76074	3-73	77394	2-31
74391	2-171, 3-23	76081	3-73	77399	2-13, 2-15
74402	2-67	76084	3-73	77400	2-31
74443	2-59, 2-67	76099	3-37	77430	2-41, 2-43, 2-45, 2-47
74455	2-27, 3-37, 3-79	76100	3-73	77434	2-41, 2-43, 2-45, 2-47
74509	5-15, 6-15	76285	2-13	77435	2-41, 2-43, 2-45, 2-47
74516	5-3, 6-3	76286	3-71	77452	2-133, 2-135, 2-137
74527	5-15, 6-15	763025	2-65, 2-85	77458	3-23
74536	5-7, 6-7	763113	2-181	77459	2-171, 3-23
74538	5-5, 5-23, 6-5, 6-23	763114	2-137	77463	2-23
74545	5-19, 6-19	763116	3-43, 3-49, 3-59, 3-63	77471	2-35
74548	5-19, 6-19	76316	2-161	77473	2-157, 2-159
74552	5-19, 6-19	76321	2-89, 2-91, 2-93, 2-97	77485	2-165
74561	5-11, 6-11	76338	3-71	77488	2-165
74920	2-7	763483	4-23	77490	2-139
74944	2-127, 2-131	76383	2-101, 2-103	77491	2-165
75010	2-5	76384	2-27	77492	2-165
75011	2-5	76385	3-15, 3-33	77493	2-165
75012	2-29	76406	3-71	77498	2-165
75028	2-167	76423	3-17	77499	2-165
75046	2-31	76438	2-167, 3-28	77516	2-33
75047	2-31	76461	3-27, 3-31		
75099	3-27	76470	2-23		
75117	3-27				

# CROSS REFERENCE

Part Number	Page Number	Part Number	Page Number	Part Number	Page Number
77523	2-33	78122	2-117, 2-119, 2-121, 2-123	79670	2-7
77531	2-181			79671	2-7
77532	2-181	78750	2-125, 2-127, 2-129	79674	3-71
77553	2-181	78772	3-55, 3-69	79680	2-7
77555	3-51, 3-55, 3-65, 3-67, 3-69	78897	2-59	79681	2-7
77558	2-109	78998	3-31	79708	4-5, 4-15
77569	3-23	79010	2-7	79711	4-38, 4-39, 4-43
77575	2-163	79019	2-31	79719	4-39, 4-43
77578	2-179	79025	3-79	79728	4-39, 4-43
77579	2-139	79026	3-79	79731	4-38, 4-43
77580	2-179	79028	2-13, 2-179	79739	4-38, 4-43
77583	2-179	79032	2-4	79740	4-38, 4-39, 4-43
77584	2-171, 3-23	79116	2-13	79742	4-3, 4-7, 4-13, 4-17
77593	2-7	79138	2-29	79747	4-3, 4-7, 4-13, 4-17
77597	2-171, 3-23	79139	2-27	79748	4-5, 4-9, 4-15, 4-19
77600	2-171, 3-23	79140	2-143	79749	4-5, 4-9, 4-15, 4-19
77601	2-171	79151	2-145	79750	4-5, 4-9, 4-15, 4-19
77602	2-139, 2-141	79152	2-143, 2-145	79751	4-5, 4-9, 4-15, 4-19
77605	2-171, 2-179	79153	2-143, 2-145	79752	4-5, 4-9, 4-15, 4-19
77611	3-20	79155	3-79	79753	4-5, 4-9, 4-15, 4-19
77613	3-20	79156	3-79	79754	4-11
77632	2-4	79157	3-79	79755	4-11, 4-21
77634	2-4	79158	3-79	79756	4-11, 4-21
77640	2-157, 2-159	79159	3-79	79757	4-11, 4-21
77641	2-157, 2-159	79160	3-79	79758	4-11, 4-21
77652	3-35	79167	3-79	79759	4-11
77669	2-171	79168	3-79	79760	4-11, 4-21
77674	3-45	79169	3-79	79761	4-11, 4-21
77680	2-7	79170	3-79	79762	4-11, 4-21
77682	2-171	79172	3-79	79763	4-11, 4-21
77711	2-15	79174	3-79	79764	4-11, 4-21
77727	2-171, 3-23	79176	3-79	79765	4-11, 4-21
77734	2-7	79177	3-79	79766	4-11, 4-21
77738	3-23	79381	2-127, 2-129	79767	4-11, 4-21
77752	3-24	79506	2-27	79771	4-3, 4-13
77755	3-73	79591	2-31	79772	4-21
77759	3-73	79593	2-149	79774	4-21
77768	4-59	79594	2-149	79776	4-11, 4-21
77769	4-61	79596	2-29	79777	4-21
77770	2-145, 4-61	79597	2-27	79779	4-3, 4-7, 4-13, 4-17
77777	2-7	79600	2-27	79781	2-167, 3-27, 4-33
77778	2-15	79608	2-7	79782	4-33
77782	2-7	79621	3-27	79786	4-41
77783	3-23	79622	3-27	79787	4-41
77790	2-145, 4-59	79628	5-9, 6-9	79788	4-41
77800	4-51	79629	5-9, 6-9	79789	4-41
77801	4-51	79630	5-9, 6-9	79790	4-41
77802	4-51	79631	5-9, 6-9	79791	4-41
77803	4-51	79632	5-9, 6-9	79792	4-41
77804	4-51	79633	5-9, 6-9	79793	4-41
77805	4-51	79634	5-9, 6-9	79794	4-41
77806	4-51	79635	5-9, 6-9	79795	4-41
77807	4-51	79636	5-9, 6-9	79797	4-41
77808	4-51	79638	5-9, 6-9	79798	4-41
77809	4-51	79640	5-9, 6-9	79799	4-41
77811	3-41, 3-47, 3-57, 3-61	79642	2-157, 2-159	79812	4-41
77812	4-47	79644	3-71	79820	4-41
78043	2-109	79646	3-71	79822	4-41
		79647	3-71	79823	4-41
		79648	2-187	79824	4-41

# CROSS REFERENCE

Part Number	Page Number	Part Number	Page Number	Part Number	Page Number
79872	2-143	83643	2-109	84899	5-7, 6-7
79956	5-9, 6-9	83644	2-109	84900	5-7, 6-7
79957	5-9, 6-9	83652	2-39	84901	5-7, 6-7
79960	5-9, 6-9	83664	2-39	84902	5-7, 6-7
79961	5-9, 6-9	83669	5-17, 6-17	84903	5-7, 6-7
79962	5-9, 6-9	83673	2-41	84904	5-7, 6-7
79963	5-9, 6-9	83674	2-41, 2-43, 2-45, 2-47	84905	5-7, 6-7
79964	5-9, 6-9			84906	5-7, 6-7
79965	5-9, 6-9	83677	5-24, 6-24	84907	5-6, 6-6
79966	5-9, 6-9	83678	2-59	84910	5-6, 6-6
79967	5-9, 6-9	83679	2-67	84911	5-22
79969	5-9, 6-9	83682	2-59, 2-67	84913	5-22
79970	5-9, 6-9	83683	2-59, 2-67	84914	5-22
79972	5-15, 6-15	83684	2-59, 2-67	84915	5-19, 6-19
79973	5-15, 6-15	83685	2-59, 2-67	84916	5-19, 6-19
79974	5-15, 6-15	83686	2-59, 2-67	84917	5-19, 6-19
79975	5-23, 6-23	83689	2-41	84919	5-19, 6-19
79976	5-15, 6-15	83690	2-125, 2-127	84921	5-19, 6-19
80395	2-171, 3-23	83691	2-125	84923	5-13
82063	3-3, 3-5, 3-11	83692	2-39	84924	5-13, 6-13
82168	2-151	83693	2-207	84925	5-13, 6-13
82200	3-7, 3-9, 3-13	83695	2-208	84926	5-13, 6-13
82509	2-111	83699	3-30	84927	5-13, 6-13
82510	2-111	83706	3-79	84936	5-19, 6-19
82661	2-101, 2-103, 2-107	83707	5-24	84947	5-13
82727	2-15, 4-57	83729	2-39	84950	5-21, 6-21
82731	2-39	83731	2-39	84951	5-21, 6-21
82733	2-183	83732	5-24, 6-24	84952	5-21, 6-21
82739	2-37, 3-79	83747	2-39	84953	5-21, 6-21
82820	2-157, 2-159	83750	2-39	84954	5-21, 6-21
82825	2-29	83758	2-59, 2-67	84955	5-21, 6-21
82830	2-21	83853	2-39	84956	5-21, 6-21
82832	2-143	84014	2-163, 4-43	84957	5-21, 6-21
82835	2-157, 2-159	84015	2-183, 3-27, 4-38	84958	5-21, 6-5, 6-21
82839	2-151	84016	2-171, 3-23, 4-39	84961	5-21, 6-21
82843	2-157, 2-159	84103	2-151	84962	5-3, 6-3
82921	2-13	84581	2-167, 3-27	84963	5-11, 6-11
82962	3-71	84659	5-17, 6-17	84964	5-11, 6-11
83547	2-33	84875	5-3	84965	5-11, 6-11
83548	2-33	84876	5-3	84966	5-11, 6-11
83549	2-23	84877	5-3	84967	5-11, 6-11
83551	2-23	84878	5-3, 6-3	84968	5-11
83553	2-23, 2-25	84879	5-3, 6-3	84969	5-11, 6-11
83554	2-23, 2-25	84880	5-3, 6-3	84970	5-11, 6-11
83555	2-25	84882	5-3, 5-24, 6-3, 6-24	84971	5-11, 6-11
83557	3-21	84883	2-4, 5-3, 6-3	84972	5-11
83578	2-59, 2-69, 2-71	84884	5-3, 6-3	84973	5-11, 6-11
83580	2-59, 2-69, 2-71	84885	5-5	84974	5-11, 6-11
83581	2-51, 2-53	84886	5-5	84975	5-11, 6-11
83584	2-93, 2-95, 2-97, 2-99	84887	5-5, 6-5	84976	5-11, 6-11
		84888	5-5	84977	5-11, 6-11
83591	2-113	84889	5-5, 5-11, 6-5, 6-11	84978	5-11, 5-19, 6-11, 6-19
83618	2-29	84891	5-5, 6-5		
83620	2-33	84892	5-5	84979	5-11, 6-11
83622	2-33	84893	5-5	84980	5-11
83626	3-21	84894	5-5	84981	5-11, 6-11
83627	3-21	84895	5-7, 6-7	84982	5-23, 6-23
83639	2-59	84896	5-7, 6-5, 6-7	84983	5-5, 5-23, 6-5, 6-23
83640	2-67	84897	5-7, 6-7	84984	5-23, 6-23
83641	3-65	84898	5-7, 6-7	84985	5-15, 6-15



<b>Part Number</b>	<b>Page Number</b>	<b>Part Number</b>	<b>Page Number</b>
84987	5-23, 6-23	9007131	3-15
84988	5-23, 6-23	9007380	2-87
84989	5-23, 6-23	9007423	2-85
84990	5-15, 6-15	9007651	3-35
84991	5-15, 6-5, 6-15	9008193	2-87
84992	5-15, 6-15	9008194	2-65, 2-85
84993	5-23, 6-23	9008799	2-65, 2-85
84994	5-23, 6-23	9008800	2-65, 2-85
84995	5-15, 6-15	9008801	2-65, 2-85
84996	5-15, 6-15	9008802	2-65, 2-85
84997	5-15, 6-15	9008803	2-85
84998	5-23, 6-23	9008804	2-87
84999	5-9, 6-9	9008805	2-87
86034	2-149	9008806	2-85
86041	2-39	9008807	2-85
86328	2-111	9008808	2-85
86798	2-7	9008809	2-87
86824	2-61		
86860	2-7		
86953	2-151		
87308	2-65, 2-85, 2-87		
87337	3-77		
87396	2-109, 2-111, 2-113, 2-115		
87515	2-7		
87536	2-187		
87579	4-55, 4-57		
87583	2-188		
87631	2-175		
87866	2-187		
87948	3-17		
87972	2-133		
9000355	2-115		
9000360	2-129		
9000823	4-63		
9001070	2-133, 2-135		
9001183	2-133		
9001293	2-151		
9001554	2-135, 2-137		
9001702	4-45		
9002915	3-69		
9003391	2-85		
9003676	5-24		
9003927	3-84		
9004327	2-19		
9004539	2-78		
9006583	7-5		
9006584	7-5		
9006585	7-5		
9006586	2-4, 7-3		
9006587	7-5		
9006588	7-5		
9006589	2-65, 2-81, 2-85		
9006591	2-61, 2-65		
9006592	2-113, 2-115		
9006618	2-85		
9006620	2-87		
9006633	2-57		
9006635	2-57		
9006741	2-137		

**PART DESCRIPTION TO PAGE NUMBER CROSS REFERENCE LIST**

**A**

A/C Hose #6 134A, 4-55  
 A/C Hose#10 134A, 4-55  
 Actuator, Valve En, 4-5, 4-9, 4-15, 4-19  
 Actuator-Lh, Governor, 2-59, 2-67  
 Adapter, Carburetor, Ford 2.3, 2-59, 2-67  
 Adapter, Throttle Body, 2-77  
 Adapter, Valve, 400mm [Bosch], 2-81, 2-85  
 Adaptor Wldt, Vac Wand, 3-71  
 Adaptor, Elbow, Carb, Gas, 2-59  
 Adaptor, Filter, Remote, 2-57  
 Adaptor, Fuelline, 2-113  
 Adaptor, Intake, Lpg [3.0l], 2-77  
 Adaptor, Valve, Fuel Trim, 2-77  
 Adaptor, Water Pump Machined, 2-39  
 Adaptor,Neutral En, 4-21  
 Adjuster, Manual, 4-59, 4-61  
 Alarm Assy, Backup, 12/48vdc, 3-15  
 Alternator Kit, Hd, Gas/Lpg, Cij[800/810], 3-69  
 Alternator, 12vdc, 075a [Valeo], 2-51, 2-53, 2-55  
 Alternator, 12vdc, 100A [Brushless], 3-51, 3-67  
 Alternator, 50A/12V Mando, 2-39  
 Alternator, Se [800/810, 07], 3-55, 3-69  
 Alternator, 3-65  
 Angle, Bolt, Latch, 2-17, 2-19  
 Angle, Dust Seal, 2-27  
 Angle, Heat, Shield, 2-53, 3-51, 3-67  
 Angle, Mount, 2-31  
 Angle, Mtg, .12x1x1x4.5L, 2-71  
 Angle, Mtg, 2-117, 2-119, 2-121, 2-123  
 Angle, Retainer, Lip, 2-27  
 Angle, Retainer, Seal, 2-9, 2-11  
 Angle, 3-71  
 Arm Alternator, 2-39  
 Arm Kit, 7-3  
 Arm Wldt, Hopper Lift w label, 2-23  
 Arm Wldt, M Br, Idler, 2-175  
 Arm Wldt, M Br, Motor, 2-175  
 Arm.Thr.Ball, 5-9, 6-9  
 Arm, Adj, Alternator, Hd [800/810 07], 3-55, 3-69  
 Arm, Adj, Alternator, 2-53  
 Arm, Adjmt, Alternator, 2-55  
 Arm, Alternator, Hd [Gm3.0l], 3-51, 3-67  
 Arm, Alternator, 2-51  
 Arm, Control En, 4-3, 4-7, 4-13, 4-17  
 Arm, Lift, Hppr, Lower, 2-23  
 Arm, Safety W/Label, 2-23  
 Arm, Tens [2008], 3-55  
 Arm, Tens, 3-51  
 Arm, Tension, A/C, .18 1.3w 4.2l, 3-51  
 Arm, Wiper, Windshield, 4-47  
 Armature, 5-9, 6-9  
 Armrest, Black, 2-13, 4-49

**B**

Backing Plate Rh, 4-59  
 Backplate S/A En, 4-5, 4-9, 4-15, 4-19  
 Baffle, 5-3, 6-3  
 Balancer, 7-11  
 Ball En, 4-21  
 Ball Joint .375-24, 3-71  
 Ball, 4-27, 4-29, 7-3  
 Balljoint .375-24 Lh, 3-71  
 Balljoint, Rod End, 2-143  
 Band,Mtg., 2-89, 2-91, 2-93, 2-97  
 Bar Wldt, Brush Pressure, 2-175  
 Bar Wldt, Pivot, 2-151  
 Bar, Cylinder End, 2-25  
 Bar, Equalizer, 2-149  
 Bar, Frame, 2-7  
 Bar, Prop, 3-71  
 Bar, Retainer, Dust Seal, 2-27  
 Bar, Retainer, 2-13  
 Bar, Shaker Stem, 2-35  
 Battery, 12V, Wet, 2-139  
 Battery, Wet, 12vdc 0700cca, 2-141  
 Bearing Cam,, 5-6, 6-6  
 Bearing Kit, .001 U.S., 7-7  
 Bearing Kit, .001" #1, 2, 3, 4, 7-11  
 Bearing Kit, .001" #5, 7-11  
 Bearing Kit, .010" #1, 2, 3, 4, 7-11  
 Bearing Kit, .020" #1, 2, 3, 4, 7-11  
 Bearing Kit, .025" #5, 7-11  
 Bearing Kit, .030" #1, 2, 3, 4, 7-11  
 Bearing Kit, Cshft, .010[F2.3/2.5l], 5-13, 6-13  
 Bearing Kit, Cshft, .020[F2.3/2.5l], 5-13, 6-13  
 Bearing Kit, Cshft, .030[F2.3/2.5l], 5-13, 6-13  
 Bearing Kit, Cshft, .040[F2.3/2.5l], 5-13, 6-13  
 Bearing Kit, Cshft, Std[F2.3/2.5l], 5-13, 6-13  
 Bearing Kit, Std #1, 2, 3, 4, 7-11  
 Bearing Kit, Std #5, 7-11  
 Bearing Kit, Std, 7-7  
 Bearing Kit, 7-7, 7-12  
 Bearing Thrust, 4-33  
 Bearing, .016 Camshaft, 5-6, 6-6  
 Bearing, Fiberglide .50 X .50, 2-35  
 Bearing, Fiberglide, 2-151  
 Bearing, Flange .500B, 2-185  
 Bearing, Flange .625 Bore, 2-31, 3-71  
 Bearing, Flange .875 Bore, 2-167, 3-27  
 Bearing, Journal, 2-25, 2-29  
 Bearing, Needle, 4-37  
 Bearing, Nylon .50B, 2-165  
 Bearing, Nylon, 2-31, 3-79  
 Bearing, Thrust .500, 2-7  
 Bearing, Thrust - Fiberglide, 2-35  
 Bearing,Ball.669B 1.575D .472W, 2-39  
 Bearing&Clr ,1.25B 2.44D 1.41W, 2-175  
 Bearing-Ball,1.38B 2.83D 0.67W, 2-175  
 Bearing-Cone, 1.38Bore 0.72Wth, 2-145

Bearing-Cone, 1.50Bore 0.75Wth, 2-145  
 Bearing-Cone, 2.63Bore 0.87Wth, 2-143  
 Bearing-Cup , 4.33Dia 0.74Wth, 2-143  
 Bearing-Cup, 2.56Dia 0.55Wth, 2-145  
 Bearing-Cup, 2.72Dia 0.59Wth, 2-145  
 Bearing-Flange,2 Hole 0.50Bore, 2-185  
 Bearing-Journal, 2-23, 2-25  
 Bearing, 2-35, 2-167, 2-171, 3-23, 3-27, 4-3, 4-5, 4-7, 4-9, 4-13, 4-15, 4-17, 4-19, 4-32, 5-9, 5-22, 6-9, 6-22  
 Bearng-Journal, 2-23  
 Bell Crank En, 4-21  
 Bell Crank, 4-11  
 Belt, Seat, 3-77  
 Belt, V, [3v] 39.6l [Hc41], 2-53, 2-55  
 Belt, V, [3v] 38.5l [Hc38/41], 3-52  
 Belt, V, [3v] 40.0l, 1only [Hc38], 2-51, 3-51  
 Belt, V, [Hc41] 42.0l, 3-51, 3-67  
 Belt, V, 38.5l [Hc38], 3-55  
 Belt, V, 45.1l [Hc38], 3-55, 3-69  
 Belt, V, Hc 38-46.375, 2-39  
 Belt, V, Hc41 40.1L, 3-45  
 Belt, V, Hc41 41.1L, 3-45  
 Belt, V, 3-65  
 Binary, 4-53  
 Blade, Deflector, 2-4, 2-7  
 Blade, Wiper, Windshield, 4-47  
 Block Assy, 5-3, 6-3  
 Block, 3-23  
 Blower, Heat/Ac, 4-55, 4-57  
 Body Assembly, 4-23  
 Body Assy, 4-23  
 Body, 4-25  
 Bolt (1/4-20x.62), 7-9  
 Bolt (5/16-18x5/8), 7-9  
 Bolt (1/4-20x1/12 Hex), 7-12  
 Bolt (1/4-20x1/12), 7-12  
 Bolt (1/4-20x1/2), 7-9  
 Bolt (5/16-18x1.5 Hex), 7-12  
 Bolt M12, 5-3, 5-6, 6-3, 6-6  
 Bolt M12X45, 5-19, 6-19  
 Bolt, (HFH3/8-16x062 280 POR), 7-5  
 Bolt, Carriage, .38-16 X 1.00, 2-175  
 Bolt, Clutch, 2-43, 2-45, 2-47  
 Bolt, Eye, Lift, 2-45  
 Bolt, Latch, 2-9, 2-11  
 Bolt, M6X16.5mm, 5-3, 6-3  
 Bolt, M8 X 17 Schd, 5-7, 6-7  
 Bolt, M8X12.0mm, 5-23, 6-23  
 Bolt, Motor, Hyd, 4-31  
 Bolt, Shld, .50d X 0.50, .38-16, 2-167, 3-27  
 Bolt, Starter, 2-43, 2-45, 2-47  
 Bolt, U, .25-20 X 2.00, 1.10id, 3-43, 3-49, 3-59, 3-63  
 Bolt,M10X40.0mm, 5-11, 6-11  
 Bolt,M10X55.0M, 5-15, 6-15  
 Bolt,M10X58.0mm, 6-17  
 Bolt,M14X55.0M, 5-13, 6-13

- Bolt,M5X20.0M, 5-11, 6-11  
 Bolt,M6X27.5mm, 5-11, 6-11  
 Bolt,M6X37.5mm, 5-7, 6-7  
 Bolt,M6X47.5mm, 5-11, 6-11  
 Bolt,M6X52.5mm, 5-11, 6-11  
 Bolt,M8X18.0M, 5-23, 6-23  
 Bolt,M8X20.0mm, 5-11, 6-11  
 Bolt,M8X25.0mm, 5-15, 6-15  
 Bolt,M8X53.0mm, 5-23, 6-23  
 Bolt,Tens.Sprn, 5-19, 6-19  
 Bolt-Conrod-4, 5-22, 6-22  
 Bolt-Eye M8-1.25, 2-167, 3-27  
 Bolt-Thru, 5-9, 6-9  
 Bolt, 2-61, 2-63, 2-73, 2-77, 2-78, 4-27,  
 4-29, 5-17, 5-19, 6-19, 7-3, 7-5,  
 7-7, 7-9, 7-11, 7-12  
 Boot, 90deg .44id 0.62id 1.69l, Blk, 3-17  
 Boot, Circuit Breaker, 3-35  
 Boot, Circuitbreaker, 2-188, 3-35  
 Boot, Str .42ID .12H .25L, 2-39  
 Boot, Str 0.42id .12h 0.25l, 2-51, 2-53,  
 2-55  
 Boot, Switch, Ignition, 2-187  
 Boot, Switch, 2-187  
 Boot-Circuit Breaker, 2-188  
 Boot, 2-185  
 Box Assy, Heat/Ac, 4-55  
 Box Assy, Heat, 4-57  
 Box Assy, Heater, A/C (See Breakdowns),  
 3-41, 3-47, 3-57, 3-61  
 Box, Mounting, Lever, Vac, 3-71  
 Brace Wldt, Bumper, Se, 3-21  
 Bracket [Epr], 2-81  
 Bracket Kit, Mtg, Cable, Replmt[800/810],  
 2-151  
 Bracket Wldt, Alternator Mtg, 2-39  
 Bracket Wldt, Eng/Alt Mount, 2-41  
 Bracket Wldt, Fan Inlet, 2-181  
 Bracket Wldt, Gas Spring, 2-15  
 Bracket Wldt, Lift, 3-27  
 Bracket Wldt, Mounting, Valve, 2-165  
 Bracket Wldt, Mtg, A/C [800 07], 3-55  
 Bracket Wldt, Mtg, A/C, 3-51  
 Bracket Wldt, Mtg, Battery, 2-141  
 Bracket Wldt, Mtg, Headlight, 2-33  
 Bracket Wldt, Mtg, Motor [2007], 2-137  
 Bracket Wldt, Mtg, Motor, 2-137  
 Bracket Wldt, Pivot, 3-27  
 Bracket Wldt, Steering Tilt, 2-185  
 Bracket Wldt, Tank, Lpg, 2-117, 2-119,  
 2-121, 2-123  
 Bracket Wldt, 3-73  
 Bracket, Bottom, 7-5  
 Bracket, Adjuster, Brake, 2-149  
 Bracket, Alternator, 2-51, 2-53, 2-55  
 Bracket, Angle, 2-167, 2-181, 3-23, 3-27,  
 3-33  
 Bracket, Arm, Steering, 2-143  
 Bracket, Battery, 2-139  
 Bracket, Belt, Guard, A/C, 3-51  
 Bracket, Belt, Guard, Ac, 3-45  
 Bracket, Box, Relay, 2-65, 2-81, 2-85  
 Bracket, Brace Center, 2-15  
 Bracket, Brush Lift, Main, 2-177  
 Bracket, Eng Mtg Rh, 2-41  
 Bracket, Eng, 2-139  
 Bracket, Flasher, 3-17  
 Bracket, Fltr, Fuel, 2-113  
 Bracket, Fltr, Lpg [6600], 2-73  
 Bracket, Guard, Alternator, Hd [800/810],  
 3-55, 3-69  
 Bracket, Guard, Alternator, Hd [Gm3.0l],  
 2-55, 3-51, 3-67  
 Bracket, Ignition, 2-39  
 Bracket, Isolator, 2-105  
 Bracket, L 12.0L Hood Support, 2-15  
 Bracket, L, 2.20,2.00, .18T,1., 2-133,  
 2-135, 2-137  
 Bracket, Latch, Sppt, 4-49  
 Bracket, Lh, 2-31  
 Bracket, Lift, 2-167  
 Bracket, Mirror, Mtg, 3-37  
 Bracket, Mounting Motor, 2-183  
 Bracket, Mounting, Eng, Rear, 2-41, 2-43,  
 2-45, 2-47  
 Bracket, Mounting, Eng,Rear Lh, 2-41,  
 2-43, 2-45, 2-47  
 Bracket, Mounting, Gearmotor, 3-79  
 Bracket, Mounting, Headlamp, 2-31  
 Bracket, Mounting, Motor, 2-167, 3-27  
 Bracket, Mounting, Skirt, 3-73  
 Bracket, Mounting, Vaporizer, 2-69  
 Bracket, Mounting, 2-163  
 Bracket, Mtg, Alternator, Hd,[Gm3.0l],  
 3-51  
 Bracket, Mtg, Alternator, Hd[800/810 07],  
 3-55, 3-69  
 Bracket, Mtg, Alternator, Lower,[Gm3.0l],  
 3-67  
 Bracket, Mtg, Battery, 2-139  
 Bracket, Mtg, Coil, 2-39  
 Bracket, Mtg, Eng, Lh, 2-43, 2-45, 2-47  
 Bracket, Mtg, Eng, Rear, 2-41, 2-43,  
 2-45, 2-47  
 Bracket, Mtg, Eng, Rh, 2-41, 2-43, 2-45,  
 2-47  
 Bracket, Mtg, Fltr, Oil, W/ Label [800l],  
 2-133  
 Bracket, Mtg, Fltr, Oil, W/Label [800l],  
 2-133, 2-135, 2-137  
 Bracket, Mtg, Ftg, 2-29  
 Bracket, Mtg, Fuelline, 2-111  
 Bracket, Mtg, Heat Shield, 2-105, 2-107  
 Bracket, Mtg, Isolator [800/810 07], 2-107  
 Bracket, Mtg, Isolator [Gm3.0l 2010], 2-87  
 Bracket, Mtg, Isolator, 2-105  
 Bracket, Mtg, Light, Rotating, 3-5, 3-9  
 Bracket, Mtg, Mirror, 3-37  
 Bracket, Mtg, Ohg, 3-19  
 Bracket, Mtg, Propel Cable, 2-151  
 Bracket, Mtg, Skirt, 2-27  
 Bracket, Mtg, Tank, Coolant F/87972,  
 2-133  
 Bracket, Mtg, Valve, Cntrl, Heater, 3-43,  
 3-49, 3-59, 3-63  
 Bracket, Mtg, Valve,Control, Heater, 3-43,  
 3-59  
 Bracket, Mtg, Valve, 2-183  
 Bracket, Oper Comp, 2-13  
 Bracket, Pivot, 2-167  
 Bracket, Pump, Fuel, 2-109, 2-111, 2-113  
 Bracket, Retainer, Battery, 2-141  
 Bracket, Rh, 2-31  
 Bracket, Side Brush, Valve, 3-23  
 Bracket, Spring, 2-167, 3-27  
 Bracket, Stand-Off, Fltr, Air, 2-95, 2-99  
 Bracket, Starter, 2-43, 2-45, 2-47  
 Bracket, Steering, Machining (Replaced by  
 375534), 2-143  
 Bracket, Steering, Machining, 2-143  
 Bracket, Tail Pipe, 2-101, 2-103, 2-105  
 Bracket, Tailpipe [800/810 2007], 2-107  
 Bracket, Tailpipe, 2-105  
 Bracket, Top, 7-5  
 Bracket, Wldt,Cable Mtg, 2-151  
 Bracket,A/C Dryer, 4-53  
 Bracket-Mtg, Governor, 2-59, 2-67  
 Bracket, 2-7, 3-3, 3-5, 3-7, 3-9, 3-15,  
 3-73, 7-3, 7-9  
 Brake Assy, Drum, Hyd, 08.0d 1.6w Lh,  
 4-61  
 Brake Assy, Drum, Hyd, 08.8d 1.6w Rh,  
 4-59  
 Brake Assy, Lh (See Breakdowns), 2-145  
 Brake Assy, Rh (See Breakdowns), 2-145  
 Breaker-Cicuit, 15 Resetable, 3-79  
 Breaker-Circuit, 2.5 Resetbl, 2-188  
 Breaker-Circuit, 15 Resetbl, 2-188  
 Breaker-Circuit, 15 Resetable, 3-35  
 Breather Cap and Gasket, 2-161  
 Breather Cap, 5-21, 6-21  
 Breather, Hyd 40Mic NO DS, 2-4  
 Breather, Hyd, 2-161  
 Brg-Conn.Rod, 5-22  
 Brkt,Mtg,Htr Coil, 4-57  
 Brkt-L,1.2 1.0 .12 .8L2/H&S, 2-39  
 Brush Holder, 5-9, 6-9  
 Brush Kit, 2-39  
 Brush, Swp, Wedge, Polypropylene, 2-5  
 Brush-Outsd -Polypropylene, 2-5  
 Brush-Patrl -Nylon, 2-5  
 Brush-Side Swp -Assy-Nylon, 2-5  
 Brush-Side Swp -Assy-Polypropylene,  
 2-5  
 Brush-Side Swp -Nylon, 2-5  
 Brush-Side Swp -Polypropylene, 2-5  
 Brush-Side Swp -Assy-Flat Wire, 2-5  
 Brush-Side Swp -Flat Wire, 2-5  
 Brush-Sweep -Nylon (24SR), 2-5  
 Brush-Sweep -Nylon (8DR), 2-5  
 Brush-Sweep -Polypropylene&Wire, 2-5  
 Brush-Sweep -Polypropylene, 2-5  
 Brush-Sweep -Wire, 2-5  
 Bshg,Flange,0.62Bx0.68Od,Nylon, 3-37  
 Bulb, #194, 3-17  
 Bulb, 12V .5A 4Cp #1157, 2-7  
 Bulb, 12V, 3-3, 3-5, 3-7, 3-9  
 Bulb, 3-11, 3-13

## CROSS REFERENCE

Bumper Assy, Se, 3-21  
Bumper Wldt., Rear, Gas/Die, 2-7  
Bumper Wldt., Rear, LPG, 2-7  
Bumper Wldt, Lh, 2-33  
Bumper Wldt, Rear, Gas/Dsl, 2-7  
Bumper Wldt, Rear, Lpg, 2-7  
Bumper Wldt, Rh, 2-33  
Bumper Wldt, Se, Rh, Front, 3-21  
Bumper Wldt, Sppt, Hopper, Rh, 2-33  
Bumper Wldt, Se, Lh, Front, 3-21  
Bumper, Corner, Mach, 2-7  
Bumper, Cover, Hopper, 2-31  
Bumper, Rbr, 1.5d 1.50 0.28h, 2-17, 2-19  
Bumper, Rbr, Adh, 0.50d 0.14th, 4-47  
Bumper, Rubber, 2-13, 2-21, 2-31, 3-5, 3-9, 3-35  
Bushing En, 4-7, 4-17  
Bushing En, 4-5, 4-9, 4-15, 4-19, 4-41  
Bushing, Isolator-Inner, Rbr., 2-165  
Bushing, Isolator, 2-35, 2-133, 2-135, 2-137, 2-181  
Bushing, Rubber, 2-89, 2-91, 2-93, 2-97  
Bushing, Seal, 4-37  
Bushing, Sleeve, .40b X .50d X 1.06l, 3-51  
Button, Plug 1.25H, 2-188  
Button, Plug, 0.50h .03-.12 [Black Nyl], 3-57, 3-61

### C

Cab Assy, Oprtr [800] (See Breakdowns), 3-35  
Cab Wldt, 800, 4-47  
Cable Assy, Choke 67.00Lg, 2-59  
Cable Assy-Batt, Pos, 48.0, 2Ga, 2-139  
Cable Tie Mount, 3-3, 3-5, 3-7, 3-9  
Cable, Battery, 02ga 36.0l Blk .38ring, 2-141  
Cable, Battery, 02ga 48.0l Red .41ring, 2-141  
Cable, Brake, Park, 2-149  
Cable, Cntrl, Choke, 85/90l 1.4d Knob, 3-43, 3-49, 3-59, 3-63  
Cable, Glv .25d 016.8l .64eye /.64eye, 2-171, 3-23  
Cable, Glv .25d 021.2l .63eye /.63eye, 2-171, 3-23  
Cable, Lift, Main Brush, 2-177  
Cable, Push, Pull, 2-151  
Cable, Speed Control, 2-151  
Cable, 2-167, 3-27  
Cabletie Mount, Adhesive, 3-11, 3-13  
Cam, 2-151  
Camplate S/A En, 4-3, 4-7, 4-13, 4-17  
Camsft. Sensor, 5-11  
Camshaft, 5-19, 6-19, 7-12  
Camshft Sprckt, 5-19, 6-19  
Cap Assembly En, 4-41  
Cap Screw En, 4-3, 4-7, 4-13, 4-17  
Cap Screw, 4-33  
Cap, Cyl Assy, Master Brake, 2-149  
Cap, Distributor, 7-5  
Cap, End, 4-37

Cap, Fill, Oil, 7-3  
Cap, Fuel, Tank, 2-115  
Cap, Fuel, 2-109  
Cap, Grease Black Paint, 2-145  
Cap, Radiator, 14psi [Stant], 2-133, 2-135, 2-137  
Cap, Screw, 4-37  
Cap, Tank, Fuel, 2.3neck 2.6d, 2-111, 2-113  
Cap, Valve Spring, 7-3  
Cap, Valve Stem, 2-147  
Cap, Wheel, Steering, 2-185  
Cap, 2-39, 7-12  
Carburetor, Gas, 2-59  
Carburetor, Lpg W/Gasket, 2-67  
Cart Flow Control CP, 4-43  
Cart, Check Valve CP, 4-43  
Cart, Pilot Cntr, 4-39  
Cart, PSI CN CP, 4-43  
Chain, Jack, #12, 08.5l 11 Links, 3-71  
Chain, Link#2/0, 7Links, 2-4  
Chain, Sash, #35, 06.0l 11 Link, 2-7  
Chain, Link#2/0, 7Links, 2-7  
Channel Wldt, Mtg, Eng, Rear, 2-43, 2-45, 2-47  
Channel Wldt, Mtg, Engine, Rear, 2-41  
Channel, Mounting, 2-7  
Channel, Mtg, Fan Motor, 2-133, 2-135  
Channel, Mtg, Steering Latch, 2-185  
Channel, Retainer, Seal, Rear, 2-4  
Channel, Retainer, Seal, Rear, 2-7  
Channel, Retainer, 2-4, 2-7, 2-143  
Charge Pmp Adap En, 4-5, 4-9, 4-15, 4-19  
Check Valve, 100 Psi, 3-27  
Circuitbreaker, 20.0a, Thermal, 3-41, 3-47, 3-57, 3-61  
Circuitbreaker, 15A, Resetable, 3-35  
Circuitbreaker, 15A, Restable, 2-188  
Circuitbreaker, 2.5A, Restable, 2-188  
Clamp, Cable, Stil, 0.18d X 0.75w, 1hole, 3-43, 3-49, 3-59, 3-63  
Clamp, Cable, Stil, 0.38d X 0.62w, 1h, 2-111, 2-113  
Clamp, Cable, Stil, 0.44d X 0.62w, 1h, 2-37  
Clamp, Cable, Stil, 0.69d X 0.62w, 1hole, 2-121, 2-123  
Clamp, Cable, Stil, 0.9x1.8x0.62w, 1h, 2-113  
Clamp, Cable, Stil, 1.00d X 0.75w, 1h, 2-163, 2-181  
Clamp, Cable, Stil, 1.0x2.0x0.62w, 1hole, 2-167, 3-27  
Clamp, Cable, Stil, 1.25d X 1.00w, 1h, 2-15, 2-57  
Clamp, Cable, Stil, 1.50d X 0.75w, 1h, 2-111  
Clamp, Cable, Stil, 1.75d X 1.00w, 1h, 2-127, 2-129  
Clamp, Cable, Stil, 1.75d X 1.00w, 1hole, 2-131

Clamp, Cable, Stil, 2.00d X 0.75w, 1h, 2-113  
Clamp, Cable, Stil, 2.00d X 0.75w, 1hole, 2-115  
Clamp, Cable, Stil, 2.25d X 1.00w, 1h, 3-43, 3-49, 3-59, 3-63  
Clamp, Cable, Stil, 2.25d X 1.0w, 1h, 2-111  
Clamp, Cable- Brake, 2-149  
Clamp, Cable, 2-143  
Clamp, Hold Down, 4-59, 4-61  
Clamp, Hose, 1.0, 2-82, 2-87  
Clamp, Hose, Spring Stil, 0.86d X 0.38w, 2-93, 2-95, 2-97, 2-99  
Clamp, Hose, Spring, 0.62d, 2-81, 2-87  
Clamp, Hose, Wormdrive, 0.25-0.62d, .31w, 2-115, 2-131  
Clamp, Hose, Wormdrive, 0.25-0.62d, 2-111, 2-113  
Clamp, Hose, Wormdrive, 0.50-1.06d, 2-61  
Clamp, Hose, Wormdrive, 0.56-1.06d, .56w, 2-63, 2-81, 2-87  
Clamp, Hose, Wormdrive, 0.56-1.06d, 2-71, 2-77, 2-91, 3-43, 3-49, 3-59, 3-63  
Clamp, Hose, Wormdrive, 0.81-1.50d, 2-57, 2-61, 2-73, 3-49, 3-63  
Clamp, Hose, Wormdrive, 1.06-2.00d, 2-127, 2-129, 2-131  
Clamp, Hose, Wormdrive, 1.25-2.00d, 2-127, 2-129  
Clamp, Hose, Wormdrive, 1.31-3.25d, .50w, 2-97  
Clamp, Hose, Wormdrive, 1.31-3.25d, 2-93  
Clamp, Hose, Wormdrive, 2.25-3.25d, .50w, 2-95, 2-99  
Clamp, Hose, Wormdrive, 2.50-3.50d, .50w, 2-95, 2-99  
Clamp, Hose, Wormdrive, 5-3, 6-3  
Clamp, Mtg, Motor, Upper, 2-35  
Clamp, Muffler, 1.62d, 2-105, 2-107  
Clamp, Valve, Trim [Impco], 2-78  
Clamp, Cable .44D .62Wide, 3-79  
Clamp-Cable, 0.25Dia 0.56Wth, 2-149, 3-79  
Clamp-Cable, 0.38Dia 0.38Wth, 3-71  
Clamp-Cable, 0.38Dia 0.62Wth, 2-109  
Clamp-Cable, .69Dia. 62Wth, 2-25  
Clamp-Muffler, For 1.87 Od Tube, 2-101, 2-103  
Clamp-Muffler, For 2.00 Od Tube, 2-101, 2-103  
Clamp-Wormdrive, 0.25- 0.62D, 2-59, 2-67  
Clamp-Wormdrive, 0.56- 1.06D, 2-59, 2-69, 2-71  
Clamp-Wormdrive, 0.81- 1.50D, 3-17  
Clamp-Wormdrive, 1.06- 2.00D, 2-125  
Clamp-Wormdrive, 1.62- 3.50D, 2-35, 2-89, 2-91, 2-93, 2-97  
Clamp-Wormdrive, 2.63- 4.50D, 2-181  
Clamp-Wormdrive, 3.62- 5.50D, 2-181

Clamp, 2-61, 2-63, 2-73, 2-78, 7-5, 7-12  
 Cleaner, Air Al Se, 2-89, 2-91, 2-93, 2-97  
 Clevis, Adjust. 0.25-28Th. Cad., 2-151  
 Clip Finger Grip, 3-71  
 Clip, Keeper, Open, 2-121, 2-123  
 Clip, Pine-tree .236h Plastic, 2-13  
 Clip, Pine-Tree .250h Plastic, 2-7  
 Clip, Retainer, 4-49  
 Clip, Tree, 2-15  
 Coil 12V w/Var CP, 4-43  
 Coil, 12V W/Var, 4-38, 4-39  
 Coil, Condenser, 4-53  
 Coil, Evaporator, 4-55  
 Coil, 7-5  
 Column, Steering 12", 2-185  
 Compressor, A/C [2007], 3-55  
 Compressor, A/C, 3-45, 3-51  
 Condenser Assy, A/C, 4-53  
 Condenser, A/C, Roof (See Breakdowns),  
 3-41, 3-47  
 Conn Rod, 7-7  
 Connecting Rd, 5-22, 6-22  
 Connector, Ele, Plug, Femal, .156d, 3-33  
 Connector, Fuel, E90, Qf, 2-115  
 Connector, Fuel, Qf, 2-113  
 Control Unit, Gov., 2-59, 2-67  
 Control, Electronic, Gas, 4-67  
 Control, Govnr [All Purpose], 2-59  
 Control, Manual (See Breakdowns), 4-3,  
 4-7, 4-13, 4-17  
 Control, Manual, 4-11  
 Controller Assy, Rfs, 3-79  
 Controller, Lpg, 12Vdc, 2-71  
 Converter, Lpg, 2-77  
 Cooler-Hyd, 2-21  
 Coupler En, 4-5, 4-9, 4-15, 4-19  
 Coupling Flywheel, 2-41  
 Coupling, Quickdisc, Lpg, Shwd, 2-117,  
 2-119, 2-121, 2-123  
 Coupling, 3-79  
 Cover Assy, Hopper, 2-31  
 Cover Weldt., 2-39  
 Cover Wldt, Engine Se, 2-15  
 Cover Wldt, Fuel Inlet, 3-35  
 Cover Wldt, Inlet, Fuel (LPG Only), 3-35  
 Cover, Cab Pressurizer, 3-35  
 Cover, Electrical, 3-79  
 Cover, Hose, 2-81, 2-87  
 Cover, Housing, Electrical, 3-79  
 Cover, Latch Assy, Door, 4-49  
 Cover, Motor, 3-79  
 Cover, Relay Panel, 2-188  
 Cover, Rocker Switch Seal, 2-171, 2-177,  
 2-187, 3-23  
 Cover, 2-39, 7-3, 7-7, 7-9, 7-11  
 Cradle Sub Assy En, 4-7, 4-17  
 Crankshaft Asy, 5-13, 6-13  
 Crankshaft, 7-11  
 Crnksft Seal-Rear, 5-13, 6-13  
 Crnksft Sprckt, 5-13, 6-13  
 Crnksft Key, 5-13, 6-13  
 Cyl Block Assy (Short Block Assy), 5-3,  
 6-3

Cylinder, Hyd, 1.5b 06.3l 01.50strk 2500,  
 2-171, 3-23  
 Cylinder, Hyd, 2.0b 08.0l 04.00strk 2500,  
 2-177  
 Cylinder, Hyd, 2.0b 12.0l 08.00strk 2500,  
 2-29  
 Cylinder, Hyd, 2.0b 15.0l 08.00strk 1500,  
 2-143  
 Cylinder, Hyd, 2.0b 23.8l 14.90strk 2500,  
 2-25  
 Cylinder, Hyd, 2.0b, 15.0l, (Replaced  
 by 1028492) (See Breakdowns),  
 2-143  
 Cylinder, Hyd, 2.0b, 15.0l, Rep. By 1028492,  
 4-44  
 Cylinder, Hyd, 4.0b 29.1l 14.50strk 2500  
 (See Breakdowns), 2-25  
 Cylinder, Hyd, 4.0b 29.1l 14.50strk 2500,  
 4-45  
 Cylinder, Master Brake, 2-149  
 Cylinder, Wheel, Brake, 4-59, 4-61

**D**

Dampner, Engine, 2-13  
 Dipstick, 7-7  
 Disc, 2-35  
 Disk, 3-71  
 Distributor, 7-5  
 Door Assy [800/810 08], 2-19  
 Door Wldt, Brush, Lh, 2-9  
 Door Wldt, Brush, Rh, 2-11  
 Door Wldt, Cab, 4-49  
 Door Wldt, Engine, 2-17  
 Door Wldt, Hopper, 2-29  
 Door Wldt, Rear, 2-21  
 Door, Bumper, Lpg, 2-7  
 Dowel Bushing En, 4-7, 4-17  
 Dowel Pin En, 4-21  
 Dowel Pin, 4-11  
 Dowel, Frnt Cover, 5-3, 6-3  
 Dowel, 5-3, 6-3  
 Drain Cock, .25npt, 2-125  
 Drain Cock, .25Npt Wh#120 Angl, 2-133,  
 2-135, 2-137  
 Draincock, End. Block, 5-3, 6-3  
 Drive Assy, 5-9, 6-9  
 Drive Gear Assembly, 4-23  
 Drive, Motor, Hyd, 4-31  
 Drive, Valve, 4-27, 4-29  
 Drive, 4-27, 4-29, 4-32, 4-33, 4-37  
 Drum Assy, Brake 9/16, 2-145  
 Dryer, Ac, 4-53  
 Duck Bill, 4-55, 4-57  
 Duct Wldt, Rfs, 3-79  
 Duct, Afmkt, Vyl, 0.40 X 0.75 .25d, 04ft,  
 3-3, 3-5, 3-7, 3-9  
 Duct, Inlet, Vac Fan, 2-27  
 Duct, Rear, 2-133, 2-135, 2-137  
 Dust Control Kit, Side Brush, 3-73

**E**

Elbow, 90 deg, 5-15, 6-15  
 Element, Air Cleaner, 2-89, 2-91, 2-93,  
 2-97  
 Element, Filter Safety, 2-89, 2-91, 2-93,  
 2-97  
 Element, Filter, Air, 2-4  
 Element, Fltr, Air [Dn], 2-4, 2-95, 2-99  
 Element, Fltr, Air, 2-4, 2-95, 2-99  
 Element, Fltr, Fuel Lpg [Coalescent], 2-73  
 Element, Fltr, Oil, Eng, Spin-on[Gm], 2-4,  
 2-57  
 End Cap, 4-33  
 Engine [Ford, 2.5l Reman] (See 2.5L  
 Engine Brkdn), 2-39  
 Engine Assy, Gas, Clsd Loop [Gm, 3.0l]  
 (See GM Engine Breakdown), 2-45  
 Engine Assy, LPG, Clsd Loop [Gm, 3.0l]  
 (See GM Engine Breakdown), 2-45  
 Engine Purch Kit, Lrg423 (See 2.3L Engine  
 Brkdn), 2-39  
 Engine, Block, Long [Gm3.0l] (See GM  
 Engine Breakdown), 2-47  
 Engine, Gm, 3.0 Liter, Gas (See GM  
 Engine Breakdown), 2-43  
 Engine, Gm, 3.0 Liter, Lpg (See GM  
 Engine Breakdown), 2-43  
 Engine, Partial (Includes block, pistons,  
 rods, crankshaft, bearings, rear seal  
 gasket), 7-7  
 Exh. Manifold, 5-15, 6-15  
 Extinguisher Kit Fire 800, 3-75  
 Extinguisher, Fire, 3-75  
 Extrusion, .062 Matl 10.10Lg, 2-39

**F**

Fan, Condenser, 4-53  
 Fan, Cooling, 18.0d, 8 Blade, 0.5b Taper,  
 2-137  
 Fan, Radiator, 2-133, 2-135  
 Fan, Repair Kit, Reassembly, 2-181  
 Fender Washer, 2-9, 2-11  
 Ferrule, 2-35  
 Filter Assy, (standard), 2-35  
 Filter Assy, Air, 3.0 Inlet, 2-95, 2-99  
 Filter Assy, Fine, Hopper (option), 2-35  
 Filter Assy, Spin-on, 2-4, 2-21  
 Filter Element, Oil, Cont. Gas-SE, 2-4  
 Filter Element, Oil, 5-3, 6-3  
 Filter Element, 2-21  
 Filter Kit, Lpg Lockoff, 2-77  
 Filter, Air, Pre-Cln, A/C, 2-95, 2-99  
 Filter, Fuel [Gm 1.6l/3.0l], 2-115  
 Filter, Fuel, Lpg [Coalescent], 2-73  
 Filter, Fuel, 2-4, 2-59, 2-109, 2-111  
 Filter, Fuelock, [Ballwin#4-2384b], 2-119  
 Filter, Fuelock, Lpg[Gm1.6l 2010], 2-87  
 Filter, Fuelockoff, Lpg, 2-69  
 Filter, Panel, Heat-A/C, 3-41, 3-47, 3-57,  
 3-61

## CROSS REFERENCE

- Filter, Pre-Cleaner, A/C, 2-89, 2-91, 2-93, 2-97
- Fitting - 45, 3-27
- Fitting Kit [Epr], 2-81, 2-87
- Fitting, 90 Deg, 2-57
- Fitting, Barb, 3/4" [Epr], 2-85
- Fitting, Brass Drain Cock, 2-59, 2-69, 2-71
- Fitting, Brass, Tee, 3-49, 3-63
- Fitting, Brs, Adapter, 2-77
- Fitting, Brs, E45, Pm06/Pf06, 2-71
- Fitting, Brs, E90, Em05/Pm02, 2-111
- Fitting, Brs, E90, Em10/Pm06, 2-91
- Fitting, Brs, E90, Em10/Pm08, 3-43, 3-49, 3-59, 3-63
- Fitting, Brs, E90, lf05/Pm02, 2-111
- Fitting, Brs, E90, lf05/Pm04, 4-67, 4-69
- Fitting, Brs, E90, Pm04/Pf04, 2-71
- Fitting, Brs, E90, Pm06/Em10, 2-71
- Fitting, Brs, E90, Em05/Pm04, 2-115
- Fitting, Brs, E90, lf06/Pm04, 2-113
- Fitting, Brs, E90, Pm04/Pf04, 2-113
- Fitting, Brs, Rst, Pf04/.69-16f, .063, 2-73
- Fitting, Brs, Str, Bm05/Pm04, 2-111
- Fitting, Brs, Str, Em10/Pm08, 3-43, 3-49, 3-59, 3-63
- Fitting, Brs, Str, lf05/lf05, 2-111
- Fitting, Brs, Str, lf05/Pm02, 2-111
- Fitting, Brs, Str, Pm06/Em10, 2-71
- Fitting, Brs, Str, Pm08/Pf06, 2-61, 2-73
- Fitting, Brs, Str, Bm05/Pm04, 2-115
- Fitting, Brs, Str, lf05/lf05, 2-113
- Fitting, Brs, Str, lf06/lf06, 2-113
- Fitting, Brs, Str, Pm02, Service, 2-95, 2-99
- Fitting, Brs, Str, Pm04/Bm05, 2-113
- Fitting, Brs, Str, Pm04/Bm06, T, 2-73
- Fitting, Brs, Str, Pm08/Pf04, 2-73
- Fitting, Brs, Tee, Pf08/Pf08/Pf08, 3-43, 3-49, 3-59, 3-63
- Fitting, Bshg, 2-65, 2-81, 2-87
- Fitting, Cap, 2-77
- Fitting, Coolant Plug, 4-63, 4-65, 4-67, 4-69
- Fitting, Draincock, .25npt 90, 2-73
- Fitting, Draincock, .25npt, 2-127, 2-129, 2-131
- Fitting, Draincock, E90, .25npt, 2-131
- Fitting, E70, 2-77
- Fitting, E90, 2-65, 2-77, 2-81, 2-82, 2-85, 2-87
- Fitting, Elbow, 2-61, 2-73, 3-41, 3-47, 3-57, 3-61
- Fitting, Fuel Inlet, Lpg, 4-63, 4-65
- Fitting, Fuel, Str, 0.38-24 [07 Eng], 2-115
- Fitting, Fuel, Str, 0.56-18 [07 Eng], 2-115
- Fitting, Hose, 10hose/Pm06, 2-77
- Fitting, Hose, Vacuum, .25, 2-77
- Fitting, Hose, 2-61
- Fitting, Hyd, E45, Jm06/Om06, 2-143
- Fitting, Hyd, E45, Pm04/Pf04, 2-119
- Fitting, Hyd, E90, Fm12/Om16, 2-153
- Fitting, Hyd, E90, Jm08/Pm04, 2-73
- Fitting, Hyd, E90, Pm06/Jm06, 2-57
- Fitting, Hyd, E90, Splc, 2-87
- Fitting, Hyd, E90, Swivel Pf04/Pm04, 2-119, 2-121, 2-123
- Fitting, Hyd, Plug, Jm06, 2-57
- Fitting, Hyd, Str, Fm12/Om16, 2-143
- Fitting, Hyd, Str, Jm04/Om04, 2-161
- Fitting, Hyd, Str, Jm05/Om06, 2-113
- Fitting, Hyd, Str, Jm06/Om04, 2-133, 2-135, 2-137
- Fitting, Hyd, Str, Jm06/Om06, 2-113
- Fitting, Hyd, Str, Pm04/Pf02, 2-71
- Fitting, Hyd, Str, Pm08/Pm08, 3-43, 3-49, 3-59, 3-63
- Fitting, Hyd, Tee, Jf06/Jm06/Jm06, Run, 3-23
- Fitting, Nipple, .25mal, 2-81, 2-87
- Fitting, Nipple, .25npt, Brs, 2-77
- Fitting, Pipe, Plug, Pm02 Soc Head, 4-63, 4-65, 4-67, 4-69
- Fitting, Pipe, Plug, Pm04 Hex Soc, 2-73
- Fitting, Pipe, Str, Pm04/Pf02, 2-119, 2-121, 2-123
- Fitting, Pipe, Str, Pm04/Sf04, 2-123
- Fitting, Pipe, Tee, Pm06/Pf06/Pf06, 2-77
- Fitting, Plstc, Tee, Bm12/Bm12/Bm12, 3-49, 3-63
- Fitting, Plstc, Tee, Bm12/Pf08/Bm12, 2-73
- Fitting, Plug, Om02, Valve, 4-73
- Fitting, Plug, Om04, Valve, 4-73
- Fitting, Plug, Om05, Valve, 4-73
- Fitting, Plug, Om06, Valve, 4-73, 4-74
- Fitting, Plug, Pm08 Sq Head, 2-71
- Fitting, Plug, 2-57, 2-133, 2-135, 2-137
- Fitting, Special, Carb, 2-67
- Fitting, Str, E90, .25npt, 2-77
- Fitting, Str, 2-77
- Fitting-Brs Str, 2-109
- Fitting, 2-57, 2-61, 2-63, 2-73, 2-78
- Fitting, Plstc, Str, Bm06/M.69-16, 2-73
- Flange, Mounting, 4-32, 4-33
- Flange, Brg, 3 Hole, 2-175
- Flasher Heavy Duty, 3-17
- Flasher, 12v, 3-15
- Flat Washer, 3/8" Hard, 3-23
- Flywheel Ring Gear, 5-17
- Flywheel, 5-17, 6-17
- Foam, Front Sill, 4-51
- Foam, Insulation, 3-19
- Foam, Lh Front Pos, 4-51
- Foam, Lh Rear Pos, 4-51
- Foam, Lh Side Sill, 4-51
- Foam, Rear Sill, 4-51
- Foam, Rh Front Pos, 4-51
- Foam, Rh Rear Pos, 4-51
- Foam, Rh Upper Sill, 4-51
- Follower, Piston, 4-3, 4-7, 4-13, 4-17
- Foot, Fan, 4-53
- Frame, Pane, Cab, Side, 4-47
- Frame, Pane, Door, Side, 4-49
- Frame&Mag.As, 5-9, 6-9
- Frame, 2-7
- Ftg, Breathe, 2-37, 3-79
- Ftg, E190 Npt/02Pf-02Pm, 2-59
- Ftg, Grease.12 Npt 45 .88L, 2-179
- Ftg, Grease.25-28Th 90 .75L, 2-143
- Ftg, Shrader, 4-53
- Ftg, Brass Tee 04Pf- 04Pm- 04Pf, 2-69
- Ftg, Brass, St Bm03/Pm02, 2-69, 3-79
- Ftg, Brass, Tee 06lf- 02Pm- 06lf, 2-149
- Ftg, Bulkhead .25Npt Wh W21204, 2-117, 2-119, 2-121, 2-123
- Ftg, Bulkhead-Barb Wh 1074X4, 2-37, 3-79
- Ftg-Brs E90 Bm05/Pm02, 2-67
- Ftg-Brs E90 Bm10/Pm06, 2-69
- Ftg-Brs lf05/lf05, 2-109
- Ftg-Brs Str Bm03/Pm02, 2-37
- Ftg-Brs Str lf05/Pm02, 2-109
- Ftg-E190 Npt/Npt 04Pf/04Pm, 2-117, 2-119, 2-121, 2-123
- Ftg-Hyd E45 Jm04/Om04, 2-143, 2-177
- Ftg-Hyd E45 Jm08/Om08, 2-183
- Ftg-Hyd E45 Jm12/Jf12, 2-153
- Ftg-Hyd E45 Jm20/Jf20, 2-153
- Ftg-Hyd E45 Pm04/Pf04, 2-117, 2-119, 2-121, 2-123
- Ftg-Hyd E90 Jm04/Om04, 2-171
- Ftg-Hyd E90 Jm04/Jf04, 2-25, 2-29, 2-161
- Ftg-Hyd E90 Jm04/Om04, 2-29, 2-163, 2-171, 2-177, 2-183, 3-23
- Ftg-Hyd E90 Jm04/Om06, 2-25, 2-165
- Ftg-Hyd E90 Jm06/Jf06, 2-165
- Ftg-Hyd E90 Jm06/Om06, 2-143
- Ftg-Hyd E90 Jm06/Om08, 2-25, 2-133, 2-135, 2-137
- Ftg-Hyd E90 Jm08/Jf08, 2-163, 2-165, 3-27
- Ftg-Hyd E90 Jm08/Om08, 2-163, 3-27
- Ftg-Hyd E90 Jm08/Om10, 2-183
- Ftg-Hyd E90 Jm12/Om12, 2-153
- Ftg-Hyd E90 Jm12/om12, 2-21
- Ftg-Hyd E90 Jm12/Om16, 2-153
- Ftg-Hyd E90 Pm06/Jm10, 2-67
- Ftg-Hyd E90 Pm08/Jm10, 2-69, 2-71
- Ftg-Hyd E90 Special Jm12/Jf12, 2-161
- Ftg-Hyd E90, 2-161, 2-171
- Ftg-Hyd Plg Om06, 3-23
- Ftg-Hyd Plg Om12, 2-161
- Ftg-Hyd Rst JM04/.047, 2-165
- Ftg-Hyd Rst Jm04/.063, 2-25
- Ftg-Hyd Str Jm12/Om16, 2-153
- Ftg-Hyd Str Jm04/Om04, 2-175
- Ftg-Hyd Str Jm04/Om06, 2-165
- Ftg-Hyd Str Jm04/Om08, 2-25
- Ftg-Hyd Str Jm06/Jf08, 3-27
- Ftg-Hyd Str Jm06/Om06, 2-163, 2-185, 3-23, 3-27
- Ftg-Hyd Str Jm06/Om08, 2-133, 2-135, 2-137, 2-165
- Ftg-Hyd Str Jm06/Om10, 2-153, 2-167
- Ftg-Hyd Str Jm06Om06L, 2-163
- Ftg-Hyd Str Jm08/Jm06, 2-167
- Ftg-Hyd Str Jm08/Jm08, 2-183

Ftg-Hyd Str Jm08/Om08, 2-163, 2-165, 2-175  
 Ftg-Hyd Str Jm08/Om10, 2-153, 2-183  
 Ftg-Hyd Str Jm08Om08L, 2-163  
 Ftg-Hyd Str Jm12/Om12, 2-21, 2-161  
 Ftg-Hyd Str Jm12/Om16, 2-143  
 Ftg-Hyd Str Jm12Om12L, 2-163  
 Ftg-Hyd Str Jm20/Om20, 2-153, 2-161  
 Ftg-Hyd Str Om08/Of06, 3-27  
 Ftg-Hyd Str Pm04/Jm06, 2-69  
 Ftg-Hyd Str Pm04/Pf02, 2-39, 2-69  
 Ftg-Hyd str, 2-171  
 Ftg-Hyd StrJm06/Om10, 3-27  
 Ftg-Hyd Tee Jm04Jfjm, 2-165  
 Ftg-Hyd Tee Jm04Jmjf, 2-165  
 Ftg-Hyd Tee Jm04Jmjm, 2-29  
 Ftg-Hyd Tee Jm04Jmom, 2-161  
 Ftg-Hyd Tee Jm04Omjm, 2-133, 2-135, 2-137  
 Ftg-Hyd Tee Jm06Jmjf, 2-161, 2-165  
 Ftg-Hyd Tee Jm06Jmom, 2-161  
 Ftg-Hyd Tee Jm06Omjm, 3-27  
 Ftg-Hyd Tee Jm08Jmjf, 2-163, 3-27  
 Ftg-Hyd Tee Jm08Omjm, 2-165  
 Ftg-Hyd Tee Jm12Jfjm, 2-153  
 Ftg-Hyd Tee Jm12Jmjf, 2-161  
 Ftg-Str Npt/Npt S04Pf-04Pm, 2-117, 2-119  
 Ftg-Tee Npt 04Pm- 04Pf- 04Pf, 2-117, 2-119, 2-121, 2-123  
 Fuel, Fltr [Gm 1.6l/3.0l], 2-113  
 Fuelline, .31d 05if/05jf Stl, 2-113  
 Fuelline, .31d Str/E90, Plstc, 2-113  
 Fuelline, .31d Str/Str, Plstc, 2-113  
 Fuelline, .312 Od, 2-109  
 Fuelline, .31d 05if/05f, 2-111  
 Fuelline, .31d 05if/05if, 2-111  
 Fuelline, .31d 05if/Bea, 2-111  
 Fuelline, .31d 05if/Qm Stl, 2-113  
 Fuelline, .31d E90, 05/06, Plstc, 2-115  
 Fuelline, .31d Str/Str, Plstc [8200], 2-115  
 Fuelline, .31d Str/Str,Plstc[M20/T20 07], 2-115  
 Fuelline, .375 Od, 2-69  
 Fuelline, .38d 06if/06if Stl, 2-113  
 Fuelline, .38d 06if/Bea Stl, 2-113  
 Fuelock Replacement Kit, 2-69  
 Fuse, 10 Amp, 2-223, 2-224  
 Fuse, 15 Amp, [Min-15], 2-221, 2-223, 2-224  
 Fuse, 20 Amp, [Min-20], 2-221, 2-223, 2-224  
 Fuse, 5 Amp, [Min-5], 2-221, 2-223, 2-224  
 Fuse, 60 Amp, 2-223, 2-224

**G**

Gas Cap, Protectoseal, 3-74  
 Gasket Kit, Repair, Lpg [Gm1.6l 2007], 2-85  
 Gasket Kit, Vacfan, Replmt [800], 2-181  
 Gasket Oil, 5-5, 5-11

Gasket Water Outlet Connection, 5-23, 6-23  
 Gasket, 2.7D 1.5B.12T 5/ 2.1Bc, 2-109  
 Gasket, Body, Throttle [1.6l], 2-65, 2-77, 2-81  
 Gasket, Body, Throttle, Gas, 2-63  
 Gasket, Box/Cab, 4-55, 4-57  
 Gasket, Cab Pressurizer, 3-35  
 Gasket, Carb To Engine, 2-59, 2-67  
 Gasket, Carb, 2-63, 2-77  
 Gasket, Carburetor Air Horn, 2-59  
 Gasket, Cover, Alum, 3-79  
 Gasket, Exh. Flange, 5-15, 6-15  
 Gasket, Exhaust, 2 Hole, 3.4bc, 2-105  
 Gasket, Exhaust, 2hole, 3.4bc, 2-107  
 Gasket, Fire Switch, 2-183  
 Gasket, Flng, Exhaust [Gm3.0l], 2-107  
 Gasket, Head, 5-5, 5-6, 6-5, 6-6  
 Gasket, Hyd Cap, 2-161  
 Gasket, Hyd Tank Breather, 2-161  
 Gasket, Lpg, Adapter [Gm 2007], 2-81  
 Gasket, Lpg, Mixer [Gm 2007], 2-81  
 Gasket, Manifold, Intake, 2-65, 2-81, 2-85  
 Gasket, Send-Unit, 2-111  
 Gasket, Sender, Fuel, 2-113, 2-115  
 Gasket,Oil Pan, 5-5, 5-11, 6-5, 6-11  
 Gasket,Rocker Cover, 5-21, 6-21  
 Gasket, 2-61, 2-63, 2-73, 2-77, 2-78, 2-103, 2-105, 7-3, 7-5, 7-9, 7-11, 7-12  
 Gauge, Sight Lh, 2-161  
 Gauge, Sight, A/C, 3-41, 3-47  
 Gear Assy, Idler, 4-25  
 Gear Assy, 5-9, 6-9  
 Gear, [Slip Fit], 4-25  
 Gear, Drive, 4-25  
 Gear, Idler, 4-23, 4-25  
 Gear, Ring [Fd], 6-17  
 Gear, Slip Fit, 4-23  
 Gear, 4-23, 4-25, 7-5, 7-11, 7-12  
 Geroter Set, Motor, Hyd, 4-31  
 Geroter,Ring In En, 4-5, 4-9, 4-15, 4-19  
 Geroter,Ring Ot En, 4-5, 4-9, 4-15, 4-19  
 Gerotor Set Cl, 4-37  
 Gerotor Set, 4-27, 4-29, 4-32, 4-33  
 Glass, Pane, Windshield,800 Cab, 4-47  
 Governor and Control Unit Assy, Gas, 2-59  
 Governor and Control Unit Assy, Lpg 2.3, 2-67  
 Governor Assy, Gas, 2-59  
 Governor Assy, Lpg, 2-67  
 Grip, Handle, Flat, 3-71  
 Grommet Rbr 0.25ld For .09Matl, 3-17, 3-33  
 Grommet, Cab, Harness, Wire, 3-41, 3-47, 3-57, 3-61  
 Grommet, Flexible .25, 2-7  
 Grommet, Rbr, 0.38 ld For .12mat, 3-11, 3-13  
 Grommet, Rbr, 0.56 ld For .13mat, 3-11, 3-13

Grommet, Rbr, 1.00id, F/1.4h, .12 Matl, 4-47  
 Grommet, Rbr, 3.25id, F/3.5h, .06 Matl, 2-95, 2-99  
 Grommet, Rbr, 3.75ld F/ 4.0H ., 2-89, 2-91, 2-93, 2-97  
 Grommet,Rbr,0.25ld,For .09Matl, 2-187  
 Grommet,Rbr,0.38ld,For .06Matl, 3-3, 3-5, 3-7, 3-9  
 Grommet,Rbr,0.50ld,For .25Matl, 2-7  
 Grommet,Rbr,0.62ld,For .06Matl, 2-37, 3-79  
 Grommet,Rbr,0.63ld,For .06Matl, 3-3  
 Grommet,Rbr,0.63ld,For .13Matl, 3-7  
 Grommet,Rbr,0.75ld,For .13Matl, 3-17  
 Grommet, 2-43, 2-63, 2-65, 2-77, 2-81, 2-85, 3-11, 3-13, 3-15  
 Gskt Kit,Lower, 5-5, 6-5  
 Gskt Kit,Upper, 5-5, 6-5  
 Gskt,Exh.Mnfl, 5-15, 6-15  
 Gskt,Frnt Cvr, 5-5, 6-5  
 Gskt,Front Cvr, 5-7, 6-7  
 Gskt,In.Manfld, 5-5, 6-5  
 Gskt,Int.Mnfl, 5-15, 6-15  
 Gskt,Oilpmp/Blk, 5-11, 6-11  
 Gskt,Pmp/Putube, 5-5, 6-5  
 Gskt,Pu Tube, 5-11, 6-11  
 Gskt,Rockr Cvr, 5-5, 6-5  
 Gskt,Water Pump, 5-5, 5-23, 6-5, 6-23  
 Gskt-Waterout, 5-5, 6-5  
 Guard Kit, Overhead, 3-19  
 Guard Wldt, Alternator, F/60559, 2-39  
 Guard Wldt, Hopper, 2-33  
 Guard Wldt, Lights, Revl & Fish, 3-3, 3-5, 3-7, 3-9  
 Guard Wldt, Overhead, 3-19  
 Guard Wldt, Side Brush, 2-167  
 Guard Wldt, Sidebrush, 3-27  
 Guard, Alternator, 3-65  
 Guard, Belt, A/C, 3-51  
 Guard, Belt, Alternator, 2-51, 2-53  
 Guard, Mirror, 3-37  
 Guard, Side Brush, 2-167, 3-27  
 Guide, 2-35

**H**

Handle, Center, 2-165  
 Handle, Container, 2-31  
 Handle, Lh, 2-165  
 Handle, Lift, Brush, 2-185  
 Handle, Rh, 2-165  
 Handle, Valve, Cntrl, 2-131  
 Handle, 3-71  
 Harness, Rfs Jumper, 3-79  
 Harness, Adapter, Eng, Gas/Lpg [Gm3.0l], 2-235  
 Harness, Adaptor [800/8410], 2-233  
 Harness, Alarm, Back-up, 3-15  
 Harness, Alarm, Backup, 3-11, 3-13  
 Harness, Cab (See Fig. 30), 4-47  
 Harness, Cab, 800/810, 4-52  
 Harness, Directional, 3-17

## CROSS REFERENCE

- Harness, Eng [3.0l, Gm, E-cntrl], 2-221  
Harness, Eng, Gas [3.0l 2007], 2-223  
Harness, Eng, Lpg [3.0l 2007], 2-223  
Harness, Eng, 2-115  
Harness, Gm 3.0 L Engine Harness, 2-218  
Harness, Hopper 800/810, 2-208  
Harness, Hopper, Rfs, 3-79  
Harness, Injector, Gas[3.0l Gm,E-Cntrl], 2-222  
Harness, Lpg Injector [3.0l, Gm,E-Cont], 2-222  
Harness, Main, Gas/LPG, Lrg, 2-207, 2-213, 2-218  
Harness, Motor, Duct, 3-79  
Harness, Neutral, Start, 3-82  
Harness, Side Brush, L.H., 3-30  
Harness, Switch, Oil Press, Ground Wire, 2-45, 2-48  
Harness, Turn/Rotate/Tail Lights, 2-209  
Harness, Wire, Eng, Gas [Gm 3.0l 10], 2-224  
Harness, Wire, Eng, Lpg [Gm 3.0l 10], 2-224  
Harness, Wire, Eng, 6-24  
Harness,Rev/Fish Light,Cab,Ohg, 3-3, 3-5, 3-7, 3-9  
Head-W/O Valves, 5-6, 6-6  
Head, 7-3  
Headlight, 12V.Rect., 2-31  
Headliner, Front, 4-51  
Headliner, Rear Cw, 4-51  
Heater & A/C, W/ Fan, Roof, 3-41, 3-47, 3-57, 3-61  
Heater Coil, 4-55, 4-57  
Hinge, W/Pin, 2-17, 2-19  
Hinge, 2-15, 2-17, 2-19, 2-31  
Hook, Cable, .44d Ball, 2-167, 3-27  
Hook, Lift [Gm3.0l 2007], 2-47, 2-48  
Hook, S-.120 X 1.31, Zinc Pl., 2-7  
Hopper Floor Kit, St Stil 800, 3-20  
Hopper Wldt, 2-27  
Horn, 12 Volt, 2-15  
Horn, Back-up Alarm, 3-15  
Hose Assy, Drain, A/C, 3-41, 3-47, 3-81  
Hose Lpg, 10Lpg 28In.Lg, 2-69, 2-71  
Hose, .50, 2-57  
Hose, .62id X 20.0 Lng Heater, 2-69, 2-71  
Hose, [Pcv], 2-43  
Hose, 0050, 04, Im05str /lf05str , 10.0, 2-111, 2-113  
Hose, 9.5mm X 450mm [Pcv], 2-63, 2-77  
Hose, A/C, 06 09.0l, 3-41, 3-47  
Hose, A/C, 08 100.0l [R134], 3-43  
Hose, A/C, 08, Str/E90, 112.0l [R134], 3-49  
Hose, A/C, 12 107.0l [R134], 3-43  
Hose, A/C, 12 115.0l [R134], 3-43  
Hose, A/C, 12, Str/E90, 127.0l [R134], 3-49  
Hose, Afmkt, Rbr, Heater, 0.62id, 02ft, 3-49, 3-63  
Hose, Afmkt, Rbr, Heater, 0.62id, 03ft, 3-49, 3-63  
Hose, Afmkt, Rbr, Heater, 0.62id, 08ft, 3-49, 3-63  
Hose, Balancing, Press, 45mm, 2-77  
Hose, Balancing, Press, 680mm, 2-77  
Hose, Conv, 2-73  
Hose, Coolant, 1.50id To 1.75id, Mold, 2-129, 2-131  
Hose, Drain, Eng Oil, 2-57  
Hose, Drain, Overflow, Radiator, 2-135, 2-137  
Hose, Fan Inlet, 2-181  
Hose, Fuel, 0.31id [Evap Emission 07], 2-115  
Hose, Fuel, .38d, Rbr, 2-65, 2-81, 2-85  
Hose, Fuel, 0.31id 11.0l, 2-111  
Hose, Fuel, 0.31id 14.0l, 2-111  
Hose, Fuel, 0.31id 16.0l, 2-113  
Hose, Fuel, 0.50id 52.0l, 2-61, 2-63  
Hose, Fuel, 165mm, 2-77  
Hose, Fuel, Jf06e90, 20.3l, 2-113  
Hose, Fuelline, 10.0L, 2-109  
Hose, Heater .62id X 15.0Lg, 2-59  
Hose, Heater .62id X 38.0Lg, 2-59  
Hose, Heater, 0.38id x 18.0 L, 2-61  
Hose, Heater, 0.38id x 21.0id, 2-73  
Hose, Heater, 0.38id, 2-61  
Hose, Heater, 0.62id 13.0l, 2-91, 3-43, 3-59  
Hose, Heater, 0.62id 18.0l, 2-93  
Hose, Heater, 0.62id 20.0l, 3-43, 3-59  
Hose, Heater, 0.62id 24.0l, 2-97, 3-43, 3-59  
Hose, Heater, 0.62id 31.0l, 3-43, 3-59  
Hose, Heater, 0.62id 77.0l, 3-43, 3-59  
Hose, Heater, 0.62id 80.0l, 3-43, 3-59  
Hose, Heater, 0.62id, 024.0l, 2-95, 2-99  
Hose, Heater, 0.75id 04.0l, 3-49, 3-63  
Hose, Heater, Str, 0.62id 15.0, 2-71  
Hose, Hyd, Med06, Jf06e90/Jf06str, 068.0, 3-31  
Hose, Hyd, Tc12, Ff12e45/Ff12str, 045.0, 2-159  
Hose, Hyd,Low04, Jf04str /Jf04, 2-157  
Hose, Hyd,Low06, Jf06str /Jf06str , 26.0, 2-57  
Hose, Intake, Mold, 2.00id [Epdm], 2-99  
Hose, Intake, Mold, 2.0id X 2.26id[Epdm], 2-99  
Hose, Intake, Mold, 3.00id 2.00id [Epdm], 2-99  
Hose, Intake, Mold, Rwk 380592, 2-95  
Hose, Lpg, 4Lpg X 35.0Lg, 2-117, 2-119, 2-121  
Hose, Lpg, 4Lpg X 40.0Lg, 2-117  
Hose, Lpg, Med05, Pm04str/Sm04str, 055.0, 2-121  
Hose, Lpg, Med05, Pm04str/Sm04str, 067.0, 2-123  
Hose, Lpg, Med05, Pm04str/Sm04str, 31.0l, 2-119  
Hose, Lpg, Med05, Pm04str/Sm04str, 46.0l, 2-121, 2-123  
Hose, Lpg, Med05, Pm04str/Sm04str, 67.0l, 2-119  
Hose, Lpg, Med08, Jf08str/Jf08str , 35.0, 2-73  
Hose, Lpg, Med08, Jf08str/Jf08str , 37.5, 2-73  
Hose, Mold [Epr To Mixer], 2-82, 2-87  
Hose, Mold, .62 To .75, 2-77, 2-81, 2-87  
Hose, Mold, .62 X 37.0, 2-77  
Hose, Molded, 2-89, 2-91, 2-93, 2-97  
Hose, Pvc, Clr, 0.38id 0.56od 13.00l, 2-73  
Hose, Pvc, Clr, 0.38id 0.56od 048.0l, 2-131  
Hose, Radiator, Lower, 2-125  
Hose, Radiator, Upper, 2-125  
Hose, Rbr 1.50id 1.88od 12.0 L, 2-125  
Hose, Rbr, 1.50id 1.88od 06.0l, 2-127, 2-129  
Hose, Rbr, 1.50id 1.88od 12.0l, 2-127, 2-129, 2-131  
Hose, Rbr, 1.50id 1.88od 04.0l, 2-131  
Hose, Rbr, 1.50id 1.88od 6.0 L, 2-125  
Hose, Rbr, 2.00id 2.50od 03.0l, 2-93, 2-97  
Hose, Rbr, E120 1.50id 1.20id 05.0 05.2, 2-129  
Hose, Rbr, E120 1.50id 1.20id 06.4 2.7, 2-127  
Hose, Rbr, E90 1.50id 1.50id 09.4 6.3, 2-127  
Hose, Rbr, E90 1.50id 1.62id 0.40 04.0, 2-129  
Hose, Rbr, E90, 1.50id 1.50id 06.3 04.5, 2-131  
Hose, Rbr, E90, 2.00id 2.00id 03.5 03.5, 2-95  
Hose, Rubber.38ldx.62Od 21.0Lg, 2-59, 2-67  
Hose, Rubber, 2-59, 2-67  
Hose, Supply, Gas, .25id, 2-81  
Hose, Vac, Rubber, 2-37  
Hose, Vacuum, .16 Id X 76.0 Lg, 3-79  
Hose, Vacuum,.16ld X 15.0 Lg, 2-39  
Hose, Vacuum,.16ld X 21.0Lg, 2-69  
Hose, Valve, Fuel Trim, 325mm, 2-77  
Hose, Valve, Press Trim, 405mm, 2-77  
Hose,Heater .62ldx15.0Lg, 2-69, 2-71  
Hose,Heater .62ldx53.0Lg, 2-59, 2-69, 2-71  
Hose&2Cuff Assy,Vinyl2.0ld10Ft, 3-71  
Hose&cuff Assy, Vinyl4.0ldx50, 2-181  
Hose-Hyd Ar 04, 2-157, 2-159  
Hose-Hyd Ar04, 2-157, 2-159  
Hose-Hyd Low 04, 2-157, 2-159  
Hose-Hyd Low04 Jf/J9, 2-157, 2-159  
Hose-Hyd Low06, 2-157, 2-159  
Hose-Hyd Low12 Jf/Jf, 2-157, 2-159  
Hose-Hyd Low12 Jf/jf, 2-157, 2-159  
Hose-Hyd Low12, 2-157, 2-159  
Hose-Hyd Med 04, 3-31  
Hose-Hyd Med 06, 3-31  
Hose-Hyd Med04 Jf/J4, 2-157, 2-159



Hose-Hyd Med04 Jf/Jf, 2-157, 2-159  
 Hose-Hyd Med04, 2-157, 2-159  
 Hose-Hyd Med06 Jf/J9, 2-157, 2-159  
 Hose-Hyd Med06 Jf/Jf, 2-157, 2-159  
 Hose-Hyd Med06, 2-157, 2-159  
 Hose-Hyd Med08 Jf/J4, 2-157, 2-159  
 Hose-Hyd Med08 Jf/J9, 2-157, 2-159  
 Hose-Hyd Med08, 2-157, 2-159  
 Hose-Hyd Med12, 2-157, 2-159  
 Hose-Hyd Med78 Jf/J9, 2-157, 2-159  
 Hose-Hyd Suc20 Spcl 22.5, 2-157, 2-159  
 Hose-Hyd, 2-157, 2-159  
 Hose, 2-61, 5-3, 6-3  
 House, Wheel, 2-143  
 Housing Assembly, 4-55, 4-57  
 Housing Assy, Throttle, Gas, [With Ecu]  
 (See Breakdowns), 2-61  
 Housing Assy, Throttle, Gas, [With Ecu],  
 4-67  
 Housing Assy, Throttle, Gas, [Without Ecu]  
 (See Breakdowns), 2-61  
 Housing Assy, Throttle, Gas, [Without  
 Ecu], 4-69  
 Housing Assy, Throttle, Gas, 2-63  
 Housing Assy, Throttle, Lpg [Gm 3.0],  
 2-77  
 Housing Assy, Throttle, Lpg, [With Ecu]  
 (See Breakdowns), 2-73  
 Housing Assy, Throttle, Lpg, [With Ecu],  
 4-63  
 Housing Assy, Throttle, Lpg, [Without Ecu]  
 (See Breakdowns), 2-73  
 Housing Assy, Throttle, Lpg, [Without Ecu],  
 4-65  
 Housing Assy, 4-27, 4-29  
 Housing En, 4-3, 4-7, 4-13, 4-17  
 Housing S/A En, 4-3, 4-7, 4-13, 4-17  
 Housing Wldt, Vac Fan, Front, 2-181  
 Housing Wldt, Vac Fan, Rear, 2-181  
 Housing, Bearing, Motor, Hyd, 4-31  
 Housing, Brg, 4-27, 4-29  
 Housing, Condenser, 4-53  
 Housing, Flywheel, 2.5 Lrg, 2-41  
 Housing, Flywheel, Machined 2.3 Lrg,  
 2-41  
 Housing, Sppt, Wheel (Repl. by 375534),  
 2-143  
 Housing, Sppt, Wheel, Rear, 2-143  
 Housing, Throttle, 40mm [Bosch], 2-63,  
 2-65, 2-77, 2-81, 2-85  
 Housing, Throttle, Gas, 4-67, 4-69  
 Housing, Throttle, Lpg, 4-63, 4-65  
 Housing, Valve, 4-31  
 Housing, Control En, 4-21  
 Housing, Control, 4-11  
 Housing, 2-43, 2-45, 2-47, 4-25, 4-33,  
 7-3, 7-5, 7-11  
 Hsg W/Brg, 5-9, 6-9  
 Hub and Stud Assy., 2-143  
 Hub Assy, 2-147  
 Hub, Drive, Brush, Side, 1.00b 8.8bc, 2-5

I

Ignition Coil, 5-24, 6-24  
 Ignition Module Kit, 6-24  
 Impeller 9.5 Dia. 18 Blade Mac, 2-181  
 Indicator Service Air Filter, 2-89, 2-91,  
 2-93, 2-97  
 Indicator, Service, Fltr, Air [20h20 Dn],  
 2-95, 2-99  
 Indicator, Oil, 5-3, 6-3  
 Injector, Fuel, Lpg [3.0l Gm] 8410, 4-63,  
 4-65  
 Injector, Gas, W/ Top And Bottom Org,  
 4-67, 4-69  
 Inner Cover, 5-7, 6-7  
 Insert, Wheel, Steering, 2-185  
 Insert-Oilfilt, 5-3, 6-3  
 Instr. Valve Repair Info, 4-41  
 Instr, Kit, Repair, Pump, Hyd, 4-25  
 Insulation, Acoustic, Fan, 2-181  
 Insulation, Acoustic, Vac Fan, 2-183  
 Insulation, Acstc, 1.0 09.9w 25.0l, 2-13  
 Insulation, Acstc, Door, Side, 4-49  
 Insulation, Acstc, Front, Lower, 3-35  
 Insulation, Acstc, Side, Lower, .8t, 3-35  
 Insulation, S/Foam .5T 17.0X 15, 2-15  
 Insulation, S/Foam 1.0 Seal Brake Pedal,  
 2-149  
 Insulation, S/Foam 1.0X3.0X3.0, 2-7  
 Insulation, S/Foam 1.5X4.0X4.0, 2-7  
 Insulation, S/Foam, .8T 16.5X5, 2-15  
 Insulation, S/Foam, .8T 17.0X15, 2-15  
 Insulation, S/Foam, .8T 18.0X4.5, 2-15  
 Insulation, S/Foam, .8T 23.0X4X3, 2-15  
 Insulation, S/Foam, Seat, 2-13  
 Insulation, S/Foam, 2-7  
 Insulation, Sound Foam, 2-149  
 Insulation, S/Foam .8X19.3X20.3, 2-15  
 Insulation, 2-13  
 Int. Manifold, 5-15, 6-15  
 Isolator [Epr], 2-81  
 Isolator Kit, Mtg, Vaporizer, Rbr, 2-77  
 Isolator, Box, Relay, 2-65, 2-77, 2-81,  
 2-85  
 Isolator, Mounting, 2-41  
 Isolator, Mtg, 2-41, 2-43, 2-45, 2-47  
 Isolator, Rbr, 2-107  
 Isolator, Rubber, 2-105  
 Isolator, Vac Fan, 2-163  
 Isolator, Vib, Flng, 1.3l .5b 2/.39h, 2-43,  
 2-45, 2-47  
 Isolator, Vib, Flng, 2.0l .5b 2/.41h, 2-43,  
 2-45, 2-47  
 Isolator, Vib, Ring, 1.0d .25-20/.25-20,  
 2-105, 2-107  
 Isolator, Vibration, 2-183  
 Isolator-Vibration .25-20, 2-101, 2-103  
 Isolator-Vibration .31-18, 2-21, 2-133,  
 2-135, 2-137  
 Isolator-Vibration, 60 Lb. Ratng, 2-183  
 Isolator, 2-87

K

Keeper, Latch, Pane, 4-47, 4-49  
 Key En, 4-5, 4-9, 4-15, 4-19  
 Key Set, Switch Ku, 2-187  
 Key Set, 4-49  
 Key, Motor, Hyd, 4-31  
 Key, Round, 4-23  
 Key, Sq, 0.12 X 0.12, 0.50l, 2-133, 2-135,  
 2-137  
 Key, Square 0.12 0.12 00.50 LG, 4-35  
 Key, Woodruff, 4-32  
 Key, 4-25, 4-27, 4-29, 4-34, 7-3, 7-11,  
 7-12  
 Kit, Adaptor, Manifold, 2-61, 2-74  
 Kit, Alarm, Backup, 3-15  
 Kit, Alternator, Hd, Gas/Lpg, 3-65  
 Kit, Ci, Alternator, Hd, Gas/Lpg, [Gm3.0],  
 3-67  
 Kit, Ci, Drain Hose, A/C, 3-81  
 Kit, Connector, Coolant Sensor, 4-63,  
 4-65, 4-67, 4-69  
 Kit, Connector, Gas Injector, 4-67, 4-69  
 Kit, Connector, Govnr, 4-63, 4-65, 4-67,  
 4-69  
 Kit, Connector, Sensor, [lat], 4-63, 4-65,  
 4-67, 4-69  
 Kit, Connector, Sensor, [Map], 4-63, 4-65  
 Kit, Gasket, Manifold, 2-61, 2-74  
 Kit, Light, Fish, Low, 3-11  
 Kit, Light, Revl, Low, 3-13  
 Kit, Org, Injector And Reg, Gas, 4-67,  
 4-69  
 Kit, Org, Injector, Top And Bottom, Lpg,  
 4-63, 4-65  
 Kit, Reg, Gas Press, 4-67, 4-69  
 Kit, Repair, Fuelock, Mv 310-6, 2-119  
 Kit, Repair, Vaporizer, F/383170, 2-71  
 Kit, Replmt, Control, Govnr, [All Purps],  
 2-59, 2-67  
 Kit, Replmt, Controller, 4-63  
 Kit, Seal, Hyd, Motor, 4-31  
 Kit, Seal, Hyd, Pump, 4-23  
 Kit, Seal, Motor, Hyd, 4-31  
 Kit, Seal, Pump, 4-25  
 Kit, Signal, Turn, 3-17  
 Kit-Attaching, 5-9, 6-9  
 Knob, Plastic, 2-171, 2-179  
 Knob, Rnd, Control, Heat-A/C, 3-41,  
 3-47, 3-57, 3-61  
 Knob, 0.38-16, 1.25Dia, Plastic, 3-71  
 Knob, 2-165

L

Label Set, Info & Hazard, 2-236  
 Label Set, Operational 800, 2-236  
 Label, Caution, 3-41, 3-47  
 Label, Instr, Filter Drain, 2-73  
 Label, Logo, 10.4l, Oval [Tennant, Blu/Grn],  
 2-236  
 Label, Numerals 800, 2-236

## CROSS REFERENCE

Label, Opertnl, Fan, Hi/Med/Low, 3-41, 3-47, 3-57, 3-61  
Label, Opertnl, Pull Heat, 3-41, 3-47, 3-57, 3-61  
Label, Opertnl, Switch, On-off, 4-47  
Label, Opertnl, Temp, 3-41, 3-47  
Label, Vac Wand, 3-71  
Lamp, 12VDC 55w, 3-15, 3-33  
Lamp, 4-47  
Lanyard Assy., 2-21  
Latch Assy, Door, 4-49  
Latch Assy, Lpg Tank Mtg,W/Nut, 2-117, 2-119, 2-121, 2-123  
Latch Assy, Rbr, 1.6d 1.4l/1.0d 1.0l, 3-35  
Latch Kit, Wndw, Cab, Rear, 4-47  
Latch, Bolt, 2-15, 2-17, 2-19  
Latch, Bumper, 2-33  
Latch, Door, 3-77  
Latch, Hook (Supplier's Lh), 2-11  
Latch, Hook (Supplier's Rh), 2-9  
Latch, Hook Rh, 2-17, 2-19  
Latch, Hook, Rh, Single Catch, 2-31  
Latch, Hook, Rh, 2-15  
Latch, Keeper, Pane [J-dak], 4-47  
Latch, Keeper, Pane [J-dak], 4-49  
Latch, Pane, Cab, 4-47, 4-49  
Latch, Tension, 4-55, 4-57  
Latch, 2-21, 2-175  
Leg Wldt, Bumper, Se, 3-21  
Lens, Flashing Amb 12V, 3-11  
Lens, Flashing Blue, 3-11  
Lens, Flashing Red, 3-11  
Lens, Rev. Light, Amber, 3-13  
Lens, Rev. Light, Blue, 3-13  
Lens, Rev. Light, Red, 3-13  
Lens, Flashing Lite Fr207 Amber, 3-3, 3-5  
Lens, Flashing Lite Fr207 Blue, 3-3, 3-5, 3-9  
Lens, Flashing Lite Fr207 Red, 3-3, 3-5, 3-9  
Lens, Rev. Light, Amber, 3-7, 3-9  
Lens, Rev. Light, Blue, 3-7  
Lens, Rev. Light, Red, 3-7  
Lever, Brake, 2-149  
Lever, Pump, Propel, 2-151  
Lever, 5-9, 6-9  
Lifter, 7-3  
Lifting Eye, 5-15, 6-15  
Light Assy Mark/Yel 12V- . A, 3-17  
Light Assy Stop/Red 12V- . A, 2-7  
Light Kit Flsh 800L Cab, 3-5  
Light Kit Flsh 800L Ohg, 3-3  
Light Kit Revl 800L Cab, 3-9  
Light Kit Revl 800L Ohg, 3-7  
Light Kit, Side Brush, 3-33  
Light, Check Eng, Amb, 14vdc, 2-187  
Light, Dome 12V, 4-47  
Light, Flashing Amb 12v-re, 3-11  
Light, Flashing, Amber, 12V-Re, 3-3, 3-5  
Light, Indicator 14V Red 1.2x0.7, 2-187  
Light, Rev. Amber 12v-re, 3-13  
Light, Spot 12V, 32cp, 3-15  
Light, Spot, 12VDC 55w, 3-33

Light, Rev. Amber 12V-Reworked, 3-7, 3-9  
Link, 0.18, 1.5w 03.6l, 1/0.4h 1/0.3h, 2-107  
Link, Connecting, 4-49  
Link, Eccentric, 2-35  
Link, Feedback En, 4-21  
Link, Feedback, 4-11  
Link, Tension 2.4L, 3-45  
Linkage Kit, Governor, 2-59, 2-67  
Lintel, Main, 2-15  
Lintel, Rear, 2-15  
Lock Assy, Door, 4-49  
Locknut, 5-23, 6-23  
Lockwasher En, 4-3, 4-7, 4-13, 4-17  
Louver, Adj, Heat-A/C, 3-41, 3-47, 3-57, 3-61  
Lower Cover, 5-7, 6-7

## M

Magnet, Drive Brush, 2-31  
Maintenance Kit, 400HR 800/810 gas, 2-4  
Maintenance Kit, 400HR 800/810 lpg, 2-4  
Maintenance Kit, 800HR 800/810, 2-4  
Maintenance Kit, Skirts 800, 2-4  
Maintenance Kit, Skirts, 2-4  
Manifold, Exhaust [Gm3.0l], 2-65, 2-81, 2-85  
Manifold, Exhaust, 2-61, 2-63, 2-73, 2-78  
Manifold, Gas, Relief, Valve, 2-115  
Manifold, Intake [2007], 2-65, 2-81  
Manifold, Intake [Gm3.0l 2010], 2-65, 2-85  
Manifold, Intake, 2-61, 2-63, 2-73, 2-78  
Manual Op/Mt 800G French, 3-84  
Manual Control En, 4-21  
Manual Op/Mt 800G Spanish, 3-84  
Manual Pkg 800G, 3-84  
Manual, Eng, Cd-Rom [Tier li, Gm3.0l], 3-84  
Manual, Service 800/810, 3-84  
Manual, Service FD (Lrg) 2.3L, 3-84  
Manual, Service FD (Lrg) 2.5L, 3-84  
Manual, Service, Eng, [Gm 3.0L], 3-84  
Mirror Assembly, 3-37  
Mirror Kit, Side Brush, 3-37  
Mirror, Convex, 0.50d, 3-37  
Mirror, 8.0 Round, Convex, 3-37  
Mixer [E100lp Gm1.6l 2010], 2-85  
Module Kit, Ignition, Replmt [Ford 2.3l], 5-24  
Module, Ecu, Gas [Gm 3.0l], 2-63  
Module, Ecu, Gas [Gm3.0l 2007], 2-65  
Module, Ecu, Gas [Gm3.0l 2010], 2-65  
Module, Ecu, Lpg [Gm 3.0l], 2-77  
Module, Ecu, Lpg [Gm3.0l 2007], 2-81  
Module, Ecu, Lpg [Gm3.0l 2010], 2-85  
Module, 7-5  
Molding, Trim (Gasoline only), 4-47  
Molding, Trim 11-14Ga 4.0, 2-149  
Molding, Trim 11-14Ga 15.75, 2-13  
Molding, Trim 11-14Ga 5.75, 2-13  
Molding, Trim 16Ga&Thinnr 10.0, 2-13

Molding, Trim, Pvc, .08-.11 01.0l, 2-7  
Molding, Trim, Pvc, .08-.11 08.5l (Gas only), 2-13  
Molding, Trim, Pvc, .18-.31 01.5l, 4-51  
Motor, Ele, Geared, 12Vdc, 3-79  
Motor, Ele, Wiper, 12vdc, 4-47  
Motor, Electric, 13.6 Vdc, 2-35  
Motor, Hyd Gear In 17.9 B 1500 (See Breakdowns), 3-27  
Motor, Hyd, (See Breakdowns), 2-167  
Motor, Hyd, Gear, [In] 29.9 B 3000, 4-31  
Motor, Hydraulic, 4-32, 4-33, 4-34, 4-35  
Motor, Propelling, 4-27, 4-29  
Motor, Starting, Perm Mag, 12V, 5-9, 6-9  
Motor-Hyd Gear (See Breakdowns), 2-143  
Motor-Hyd Gear Ex (See Breakdowns), 2-183  
Motor-Hyd Gear In (See Breakdowns), 2-143, 2-175  
Motor-Hyd, Gear In 10.0 (See Breakdowns), 2-133, 2-135, 2-137  
Mount, Cable Tie, 3-41, 3-47, 3-81  
Mount, Filter, Remote, 2-57  
Mount, Tie, 3-15  
Muffler, Catalytic [Gm 1.6/3.0], 2-105  
Muffler, Catalytic [Gm 3.0l 2007], 2-107  
Muffler, Catalytic [Gm 3.0l 2010], 2-107  
Muffler, Exhaust, 2-101, 2-103, 3-83

## N

Nozzle, 7-11  
Nut En, 4-3, 4-7, 4-13, 4-17  
Nut Low Crown .62-18, 2-171  
Nut M8-1.25, 5-15, 6-15  
Nut, Adjustable, Lpg Tank Mtg, 2-117, 2-119, 2-121, 2-123  
Nut, Cart., LNG CP, 4-43  
Nut, Cart., LNG., 4-38  
Nut, Cart., SHT CP, 4-43  
Nut, Cart., Sht, 4-39  
Nut, Conn Rod, 7-7  
Nut, Conrod-8, 5-22, 6-22  
Nut, Flanged, .38-24, 2-51  
Nut, Flng, M05-0.8 [Gm1.6l Lp 2010], 2-85  
Nut, Flng, M8, 2-81, 2-87  
Nut, Hex Lock m06, 2-31  
Nut, Hex Lock m10, 2-171, 3-23  
Nut, Hex, Flange, 2-171, 3-23  
Nut, Hex, Flng, .38-16, 2-65, 2-81, 2-85  
Nut, Hex, Flng, M05 X 0.8, 2-71  
Nut, Hex, Flng, M08 X 1.25, 2-43, 2-45, 2-47  
Nut, Hex, Flng, M10 X 1.5, 2-167, 2-172, 2-175, 3-23, 3-28, 3-51  
Nut, Hex, Flng, M10 X 1.50, 2-9, 2-11, 3-37  
Nut, Hex, Flng, M12 X 1.75, 2-141, 2-175  
Nut, Hex, Flng, M6 X 1.0, 2-133, 2-135, 2-137, 2-151, 2-163  
Nut, Hex, Flng, M6 X 1.00, 2-19, 2-121, 2-123, 2-168, 3-27, 3-35

Nut, Hex, Flng, M8 X 1.25, 2-27, 2-53, 2-55, 2-95, 2-99, 2-121, 2-123, 2-139, 3-67  
 Nut, Hex, Jam, .25-28, 2-151  
 Nut, Hex, Lock, .25-20, NI, Ss, 2-151  
 Nut, Hex, Lock, .25-20, NI, 2-57, 2-115  
 Nut, Hex, Lock, .31-24, NI, 3-33  
 Nut, Hex, Lock, .38-16, NI, Ss, 3-51  
 Nut, Hex, Lock, .38-16, NI, 2-43, 2-45, 2-47, 2-53, 2-55, 2-121, 2-123, 2-133, 2-135, 2-137, 2-175, 2-183, 3-37, 3-51, 3-55, 3-67, 3-69  
 Nut, Hex, Lock, .50-13, NI, Ss, 2-175  
 Nut, Hex, Lock, .50-13, NI, 2-143, 2-167, 3-27  
 Nut, Hex, Lock, .75-10, NI, 2-143  
 Nut, Hex, Lock, M 6 X 1.0, NI, 2-139  
 Nut, Hex, Lock, M06 X 1.0, NI, 2-17, 2-19  
 Nut, Hex, Lock, M08 X 1.25, NI, 3-33  
 Nut, Hex, Lock, M10 X 1.5, NI, 2-31, 2-48, 2-133, 2-135, 2-137, 2-151, 2-168, 2-172, 2-181, 3-23, 3-28, 3-52, 3-55  
 Nut, Hex, Lock, M10 X 1.5, Ss, 3-51, 3-55  
 Nut, Hex, Lock, M12 X 1.75, NI, 2-43, 2-45, 2-47, 2-48  
 Nut, Hex, Lock, M16 X 2.0, NI, 3-24  
 Nut, Hex, Lock, M6 X 1.0, NI, 2-35, 2-93, 2-97, 2-171, 3-23  
 Nut, Hex, Lock, M6 X 1.0, Ss, NI, 2-151  
 Nut, Hex, Lock, M6 X 1.00, NI, Ss, 4-47  
 Nut, Hex, Lock, M6 X 1.00, NI, 2-9, 2-11, 2-131, 2-137, 2-181  
 Nut, Hex, Lock, M8 X 1.25, NI, Ss, 2-27  
 Nut, Hex, Lock, M8 X 1.25, NI, 2-27, 2-95, 2-99, 2-121, 2-123, 2-133, 2-135, 2-137, 2-167, 2-172, 2-175, 2-181, 3-5, 3-24, 3-28, 3-51, 3-55, 3-69  
 Nut, Hex, Lock, 3-17  
 Nut, Hex, M10 X 1.50 [Stover], 2-107  
 Nut, Hex, Std, .25-20, 2-65, 2-81, 2-85, 2-105, 2-107  
 Nut, Hex, Std, .31-18, Ss, 3-37  
 Nut, Hex, Std, .31-18, 2-21, 2-133, 2-135, 2-137, 2-183  
 Nut, Hex, Std, .38-16, 2-103, 2-105, 2-107  
 Nut, Hex, Std, .44-14, 5, 2-9, 2-11  
 Nut, Hex, Std, .62-18, 2-179  
 Nut, Hex, Std, .75-16, 2-143  
 Nut, Hex, Std, #10-24, 2-43, 2-45, 2-47  
 Nut, Hex, Std, M05 X 0.8, 2-43, 2-45, 2-47, 2-119  
 Nut, Hex, Std, M08 X 1.25, 3-51  
 Nut, Hex, Std, M10 X 1.5, Ss, 2-167, 3-28  
 Nut, Hex, Std, M10 X 1.5, 2-167, 3-28  
 Nut, Hex, Std, M12 X 1.75, Ss, 2-15  
 Nut, Hex, Std, M12 X 1.75, 2-17, 2-19, 2-27  
 Nut, Hex, Std, M20 X 2.50, 8, 2-143  
 Nut, Hex, Std, M4 X 0.7, 8, 2-113  
 Nut, Hex, Std, M4 X 0.70, 8, 2-115  
 Nut, Hex, Std, M5 X 0.8, 8, 2-113

Nut, Hex, Std, M5 X 0.80, 8, 2-115  
 Nut, Hex, Std, M8 X 1.25, 2-19, 2-167, 3-24, 3-28  
 Nut, Hex, Stover, M10 X 1.5, 2-105  
 Nut, Jam, 4-3, 4-7, 4-13, 4-17  
 Nut, Low Crown, .62-18, 2-179  
 Nut, M6, 5-7, 6-7  
 Nut, Motor, Hyd, 4-31  
 Nut, Slotted Hex, 4-32  
 Nut, Valve, Cartridge, 4-71, 4-73, 4-74  
 Nut, Wheel Lug, 9/16-18, 2-145  
 Nut, Wheel Lug, 2-143  
 Nut, Lock-Special 2.16-18Uns, 2-143  
 Nut, M10, 5-11, 6-11  
 Nut, Wing .44-20 Special, 2-89, 2-91, 2-93, 2-97  
 Nut&Washer, M8, 5-9, 6-9  
 Nut-hx Jam M20x1.5 4 Pltd, 2-185  
 Nut-Hxlocnyln .31-24 Reg Pltd, 2-133, 2-135, 2-137  
 Nut-Hxslot 1.00-20 Pltd, 2-145  
 Nut-Low Crown .50-20 Pltd, 2-181  
 Nut, 2-61, 2-63, 2-73, 2-77, 4-27, 4-29, 7-3, 7-9

**O**

O-Ring Gland, 2-153  
 O-Ring, Water Pump Adaptor, 5-23, 6-23  
 O-Ring, 2.375, 5-11, 6-11  
 O-Ring-2.250, 5-11, 6-11  
 Oil Pan Assy, 5-11, 6-11  
 Oil Pan Spacer, 5-11, 6-11  
 Oil Pan, 7-9  
 Oil Pickup Tube, 5-11, 6-11  
 Oil Plug, 5-11, 6-11  
 Oil Pmp Sprkt, 5-11, 6-11  
 Oil Pump, 5-11, 6-11  
 Oil Seal, Front, 5-5, 5-13, 5-19, 6-5, 6-13, 6-19  
 Oil, Hyd [El, Iso 100, 05gal], 2-4  
 Oil, Hyd [El, Iso 32, 05gal], 2-4  
 Orifice, Valve En, 4-3, 4-7, 4-13, 4-17  
 Outer Cover, 5-7, 6-7  
 Outlet For engine serial numbers (004937-006999), 7-3  
 Output Shaft Assembly, 4-32

**P**

Pad, Tread, 2-7, 2-151  
 Pad, 2-149  
 Pane Assy, Cab, Lh Side, 4-47  
 Pane Assy, Door, Cab, Rh Side, 4-49  
 Pane, Glass, Cab, Front, 4-47  
 Pane, Glass, Cab, Rear, 4-47  
 Pane, Glass, Door Front, 4-49  
 Pane, Glass, Door, Rear, 4-49  
 Pane, Glass, Windshield, 4-47  
 Panel Wldt w/label, 2-13  
 Panel Wldt, Access Floor, 2-151  
 Panel Wldt, Cover Engine, 2-15

Panel Wldt, Fender, Lh, 2-31  
 Panel Wldt, Fender, Rh, 2-31  
 Panel Wldt, Hopper, Floor, LH, 3-20  
 Panel Wldt, Hopper, Floor, RH, 3-20  
 Panel Wldt, Rear, Lh, 2-7  
 Panel Wldt, Rear, Rh, 2-7  
 Panel Wldt, Shaker, 2-35  
 Panel, Air Conditioning, 2-13  
 Panel, Bottom, Hopper, Rh, 2-27  
 Panel, Corner, Eng Cover, 2-15  
 Panel, Cover, Access, 2-13  
 Panel, Cover, Corner, 2-15  
 Panel, Cover, Dash, 2-187  
 Panel, Cover, 3-71  
 Panel, Deflector, Dirt, Lh, 2-27  
 Panel, Deflector, Dirt, Rh, 2-27  
 Panel, Fuel Inlet w/label, 2-13  
 Panel, Fuel, Inlet, Lpg, 2-13  
 Panel, Headlight, 2-31  
 Panel, Hopper, Bottom, Lh, 2-27  
 Panel, Louver, 2-17  
 Panel, Permafilter, Upper, 2-27  
 Panel, Support, Seat, 2-13  
 Panel, Vacuum Duct, 2-15  
 Panel, 3-3, 3-5, 3-7, 3-9  
 Pcv Vlv Assy, 5-3, 6-3  
 Pedal Wldt, Propel Lower W/tread, 2-151  
 Pedal Wldt, 2-149  
 Pedal, Upper W/tread, 2-151  
 Pedestal Wldt, Light, 3-11, 3-13  
 Pin Assy, .312X3.0 W/Lanyard, 3-27  
 Pin Assy, Side Brush W/clip, 2-167  
 Pin Weldt., 2-23  
 Pin Wldt., 2-25  
 Pin Wldt, Latch, 2-31  
 Pin, 1.00 Odx 4.50, Drilled, 2-25  
 Pin, 1.25 Odx 3.50, Grooved, 2-25  
 Pin, 1.250 Od X 4.50, 2-25  
 Pin, 1.500 ODx7.81, Drilled, 2-23  
 Pin, 1/4X.32, 5-19, 6-19  
 Pin, Clevis .18 Dia.X .62 Lg, 2-165  
 Pin, Clevis .25 Dia, 1.000 Lg., 2-151  
 Pin, Clevis .31 Dia X 4.50 Lg, 2-151  
 Pin, Clevis .375D X 1.000 Lg, 2-149  
 Pin, Clevis .375D X 1.312 Lg, 2-151  
 Pin, Clevis .50 Dia X 2.25 Lg, 2-29  
 Pin, Clevis .50 Dia X 4.50 Lg, 2-151  
 Pin, Clevis, 0.31 D X 0.75l, 2-133  
 Pin, Clevis, 2-151  
 Pin, Cntrl Assy En, 4-21  
 Pin, Cotter .094X1.00, 2-171  
 Pin, Cotter, .125 X 0.75, 2-151  
 Pin, Cotter, .125 X 2.00, 2-145  
 Pin, Hair Cotter, 0.69 D .092 Wir, 2-133  
 Pin, Haircotter .31D .058Wire, 2-151  
 Pin, Haircotter .31d .058wire, 2-165  
 Pin, Headed En, 4-21  
 Pin, Headed, 4-11  
 Pin, Hitch .50D X 1.50L, 2-7  
 Pin, Latch, 4-49  
 Pin, Retainer, 2-77  
 Pin, Roll, .187 Dia. X .56, 4-47  
 Pin, Roll, 2-41

## CROSS REFERENCE

- Pin,Clevis,0.37 Dia.X 2.12 Lg, 2-171, 3-23  
Pin,Clevis,0.50 Dia.X 2.00 Lg, 2-177  
Pin,Clevis,0.50 Dia.X 3.50 Lg, 2-165  
Pin,Roll,.18Odx1.62L,.187/.192, 3-71  
Pin, 2-23, 2-29, 2-167, 3-27, 4-37, 7-5, 7-7, 7-9, 7-11  
Pipe Wldt, Exhaust, Gas/Lpg, 2-101  
Pipe, 2-73  
Piston Pin, 6-22  
Piston, .020" O.S., 7-7  
Piston, Hi-limit, 7-7  
Piston, Servo, 4-3, 4-7, 4-13, 4-17  
Piston, Std., 5-22, 6-22  
Piston, STD, 7-7  
Piston, 4-31  
Pivot Wldt, Wheel, 2-143  
Planet Bearing, 5-9, 6-9  
Plate & Brg, 5-9, 6-9  
Plate Kit, 7-12  
Plate Wldt., 2-117, 2-119, 2-121, 2-123  
Plate Wldt, Inlet, Fuel (LPG Only), 3-35  
Plate Wldt, Skirt, 3-73  
Plate Wldt, Vac Door, 3-71  
Plate Wldt, 2-171, 3-23  
Plate, Adapter, 4-23  
Plate, Adaptor, 4-25  
Plate, Adj, Brush, 2-179  
Plate, Angle, 2-167, 2-171, 3-23, 3-27  
Plate, Back, Pump, Hyd, 4-25  
Plate, Back, 4-23  
Plate, Backing, 4-61  
Plate, Circuit Breaker, 2-188  
Plate, Cover En, 4-3, 4-7, 4-13, 4-17  
Plate, Cover, 2-27, 2-171  
Plate, Drive, 2-43, 2-45, 2-47  
Plate, Front, Pump, Hyd, 4-25  
Plate, Front, 4-23  
Plate, Guide, Bumper, 2-7  
Plate, Injector Mtg, W/ Screw, 4-63, 4-65, 4-67, 4-69  
Plate, Latch, 3-71  
Plate, Link, 2-23  
Plate, Motor, Hyd, 4-31  
Plate, Mounting, Rfs Control, 3-79  
Plate, Mounting, Tank, Gas, 2-109  
Plate, Mounting, Vac Door, 3-71  
Plate, Mounting, Water Pump, 2-39  
Plate, Mtg [Epr], 2-87  
Plate, Mtg, Check Valve, 3-27  
Plate, Mtg, Latch, 2-175  
Plate, Mtg, Relay, 2-188  
Plate, Mtg, Steering Boot, 2-185  
Plate, Mtg, Switch, A/C, 3-41, 3-47, 3-57, 3-61  
Plate, Mtg, Tank, Gas, 2-111, 2-113, 2-115  
Plate, Mtg, Valve, Solenoid, 2-163  
Plate, Mtg, W/ Screw, [Ecu], Gas, 4-67  
Plate, Mtg, W/ Screw, [Ecu], Lpg, 4-63  
Plate, Mtg, 2-117, 2-119, 2-121, 2-123  
Plate, Pin Retainer, 2-23, 2-25  
Plate, Pivot, Wheel, 2-143  
Plate, Retainer, Foam, 2-183  
Plate, Retainer, 3-73  
Plate, Seal, 2-175  
Plate, Shield, Heat, W/Label, 2-127, 2-129  
Plate, Shield, Heat, 2-53, 3-51, 3-67  
Plate, Shutter, 3-79  
Plate, Side Brush Roller, 2-171  
Plate, Side Brush, Roller, 3-23  
Plate, Spacer, Mtg, Eng 2.3Fd, 2-41  
Plate, Spacer, 2-25  
Plate, Sppt, 4-47  
Plate, Spring - Side Brush, 2-181  
Plate, Striker, 2-21  
Plate, Support, Cover Se, 2-15  
Plate, Thrd, 4-49  
Plate, Vac Fan, 2-181  
Plate, Valve, Motor, Hyd, 4-31  
Plate, Wear, 4-37  
Plate-Cover, 2-171  
Plate, 2-61, 2-73, 2-151, 2-171, 3-23, 3-71, 3-73, 4-27, 4-29, 5-19, 6-19  
Plug .06 O/S, 5-3, 6-3  
Plug & O-Ring En, 4-41  
Plug #2, 4-43  
Plug #8, 4-3, 4-7, 4-13, 4-17  
Plug 1/4 Npt, 5-3, 5-6, 6-3, 6-6  
Plug 3/8 NPT, 5-15, 6-15  
Plug 3/8 Npt, 5-3, 6-3  
Plug Assembly En, 4-41  
Plug Assembly, 4-27, 4-29  
Plug Assy,Byd En, 4-41  
Plug Assy, 4-31  
Plug En, 4-5, 4-9, 4-15, 4-19, 4-21  
Plug Gage #4, 4-43  
Plug Gage #6, 4-41, 4-43  
Plug S/A En, 4-3, 4-7, 4-13, 4-17  
Plug Weld, Brush Drive, Sweep, 2-175  
Plug Wldt, Idler, 2-175  
Plug, #2 O-Ring, 4-39  
Plug, 1.50 Cup, 5-3  
Plug, 1/2Npt, 5-15, 6-15  
Plug, Control Box, 2-59, 2-67  
Plug, Drain, 3-71  
Plug, Hole, Injector, 2-81, 2-85  
Plug, O-Ring, 4-25, 4-29  
Plug, O-ring, 4-23  
Plug, Plstc, Sq, 4-59, 4-61  
Plug, Rbr, Rnd, 4-59, 4-61  
Plug, Tube, 2-175  
Plug,#12 O-Ring Ph, 4-3, 4-7, 4-13, 4-17  
Plug,1.50 Cup, 5-6, 6-6  
Plug-Std 2.078, 5-3, 6-3  
Plug, 4-11, 4-31, 5-7, 5-19, 6-7, 6-19, 7-3, 7-7, 7-9  
Plugbtn .62H .03-.12 Blacknyl, 2-188  
Plugbtn .62H .03-.12 Blacknyl, 4-57  
Plugbtn .75H .03-.12 Blacknyl, 2-13  
Plugbtn .88H .03-.12 Blacknyl, 4-57  
Plugbtn 1.25h .12 Max Blacknyl, 2-13  
Plugbutton .88H .03-.12 Blacknyl, 2-15  
Plugbutton, 2-13, 2-187, 3-19  
Plunger En, 4-41  
Pole Piece, 7-5  
Poppet En, 4-5, 4-9, 4-15, 4-19, 4-41  
Poppet, Pump, Hyd, Gear, 4-31  
Poppet, 4-31  
Pulley - Cable, 1.5 Dia, 3-23  
Pulley Assy, Cable, 1.5 Dia, 2-171  
Pulley, Alternator, 2-39  
Pulley, Fan, 2-51, 2-53, 2-55  
Pump, Fuel, Gas, 2-111  
Pump, Fuel, 2-109, 2-113, 2-115  
Pump, Hyd Piston V 2.48 (See breakdowns), 3-82  
Pump, Hyd, Gear, [Ex3] 0.66 [R] 3000, 4-25  
Pump, Hyd, 4-23  
Pump-Hyd Gear Ex (See Breakdowns), 2-153  
Pump-Hyd Piston V (See Breakdowns), 2-153  
Pump, 7-9

## R

- Race, Bearing Ce, 4-3, 4-7, 4-13, 4-17  
Race, Bearing, 4-37  
Race, Thrust, 4-32, 4-33  
Radiator, 2-133, 2-135, 2-137  
Rear Plate, 5-17, 6-17  
Rectifier, 2-39  
Regulator [ Gm3.0l 2010], 2-87  
Regulator [Ep], 2-81  
Regulator, Press, Electronic [Epr], 2-85  
Regulator, 2-39, 2-73  
Reinforcement, 7-3  
Relay 12Vdc 40A Spdt, 3-11, 3-13  
Relay, 12vdc, 20a, Spdt, 2-221, 2-223, 2-224  
Relay, 12vdc, 40a, Spdt N/O, 3-41, 3-47, 3-57, 3-61  
Relay, 12vdc, 40a, Spdt, 2-221, 2-223, 2-224  
Relay, Shrouded, 12 Vdc, 2-188, 3-79  
Relay, Shrouded, 12V, 3-3, 3-5, 3-7, 3-9  
Relief Valve Sa En, 4-5, 4-9, 4-15, 4-19  
Repair Info, Motor, 4-29, 4-33  
Repair Info, Pump, 4-23  
Repair Info,Mtr Cl, 4-31  
Repair Info,Pmp En, 4-5, 4-9, 4-15, 4-19  
Repair Info,Scu Cl, 4-37  
Replacement Kit, Rh. Side Brush Cable, 2-167  
Replacement Kit, Roller, Side Brush Lift, 2-171, 3-23  
Replacement Kit, Side Brush Cable, Lh, 3-27  
Replm Kit, Case, 2-187  
Replm Kit, Cir Board, 2-187  
Replm Kit, Flywheel, 5-17  
Replm Kit, Hourmeter, 2-187  
Replm Kit, Instr Panel, 2-187  
Replm Kit, Lamp, Backlighting (Set of 8), 2-187

Replm Kit, Lamp, Fault (Set of 8), 2-187  
 Replm Kit, Seal, 2-187  
 Replm Kit, Touch Panel, 2-187  
 Restrictor, Jet, Coolant, 2-77  
 Retainer, Front, Motor, Hyd, 4-31  
 Retainer, Frt, 4-27, 4-29  
 Retainer, 5-9, 6-9, 7-5  
 Retaining Ring-External, 1.25D, 2-25  
 Retaining Ring, 5-9, 6-9  
 Retaining Rng En, 4-41  
 Retnr.Gear, 5-9, 6-9  
 Rfs Kit, 3-79  
 Ring Kit, .030" O.S., 7-7  
 Ring Kit, Std, 7-7  
 Ring Set,Std., 5-22, 6-22  
 Ring Wldt, Mtg, Filter, 2-35  
 Ring Wldt, Shaker, 2-35  
 Ring, Isolator, Outer Rbr, 2-133, 2-135, 2-137, 2-181  
 Ring, Isolator, Outer, Rbr, 2-35  
 Ring, Retainer, Lock, 2-143  
 Ring, Retainer, 4-37  
 Ring, Retaining En, 4-5, 4-9, 4-15, 4-19, 4-21  
 Ring, Retaining, Ex 1.5 Dia Hd, 2-23  
 Ring, Retaining, Ext 1.12, 2-35  
 Ring, Retaining, 4-11  
 Ring, Rubber, 2-89, 2-91, 2-93, 2-97  
 Ring, Wndw, Cab, Rear, 4-47  
 Ring,Retain,Ex,0.50 Stil Steel, 2-151  
 Ring,Retain,Ex,0.50Od,Heavy Dt, 2-185  
 Ring-Drv.Stop, 5-9, 6-9  
 Ring, 2-165, 7-12  
 Rivet, Blind, .125d X 0.32 X .25d, Stil, 3-79  
 Rivet, Plastic .250Dx.898, 2-185  
 Rivet, Plastic .325D X .787, 2-13  
 Rivet, Plastic, 2-9, 2-11, 3-35  
 Rivet, Pop, 2-17  
 Rod End .250-28 .25Dia, 2-151  
 Rod Wldt, Push, Brake, 2-149  
 Rod, Hanger, Isolator, 2-105, 2-107  
 Rod, Latch, Steering, Tilt, 2-185  
 Rod, Seat, 2-13  
 Rod, Support Cover, 2-15  
 Rod, Thrd, 2 End .50-13 05.75, 2-177  
 Rod, Thread, 2-171, 2-179  
 Rod-End, .25-28rh Fem 0.25b [Teflon], 2-151  
 Rod-Thrd, Full .25-28, 2-151  
 Rod-Thread, 2End M08X1.25X10Lg, 2-149  
 Rod, 5-19, 6-19, 7-3  
 Roll Pin En, 4-5, 4-9, 4-15, 4-19  
 Rotating Kit, 4-3, 4-7, 4-13, 4-17  
 Rotator, 7-3  
 Rotor, 7-5

**S**

Scr Flt M8x1.25 20, 2-163  
 Scr Hex .38-16X0.75, 2-185  
 Scr Soc M6x1.0 20, 2-59, 2-67  
 Scr&Wash M6, 5-19, 6-19

Scr&Wsh,M6X15.0M, 5-21, 6-21  
 Scr&Wsh,M6X22.5, 5-7, 6-7  
 Scr-Hxfmgm 5X0.8 16 pltd, 2-15  
 Scr-Shld .500Dx0.50L .38-16, 2-7  
 Scr-soc .50-13x2.75 Alloypltd, 2-143  
 Scr-soc M12x1.75 60, 2-143  
 Screen Kit, Door, Side, Modif, 2-19  
 Screen, Filter, 2-35  
 Screen, Muffler, 2-101, 2-103  
 Screen, w/Suction Pipe, 7-9  
 Screen, w/Tube, 7-9  
 Screw Flt, 2-183  
 Screw Set M 6X1.020, 2-165  
 Screw, .38-16 X 1.00, 2-65, 2-81, 2-85  
 Screw, .38-24 X 4.0, 2-51  
 Screw, Cap En, 4-3, 4-5, 4-7, 4-9, 4-13, 4-15, 4-17, 4-19  
 Screw, Cap, Motor, Hyd, 4-25, 4-31  
 Screw, Cap, 4-3, 4-7, 4-13, 4-17, 4-23, 4-27, 4-29  
 Screw, Flt, .50-13 X 2.00, Al, 2-167, 3-27  
 Screw, Flt, M10 X 1.5 X 25, 10.9, 2-167, 3-28  
 Screw, Flt, M10 X 1.5 X 35, 10.9, 2-167, 3-28  
 Screw, Flt, M5 X 0.8 X 16, 10.9, 2-175  
 Screw, Flt, M8 X 1.25 X 30, Ss, 2-27  
 Screw, Hex m06, 3-37  
 Screw, Hex m08, 2-171, 3-23  
 Screw, Hex m10, 2-171, 3-23  
 Screw, Hex, .25-20 X 0.50, 5, 2-43, 2-45, 2-47  
 Screw, Hex, .25-20 X 0.50, G5, 2-65, 2-81, 2-85  
 Screw, Hex, .25-20 X 0.75, 5, 2-73  
 Screw, Hex, .25-20 X 0.75, G5, 2-65, 2-81, 2-85  
 Screw, Hex, .25-20 X 0.75, NI, 2-9, 2-11, 2-19  
 Screw, Hex, .25-20 X 1.00, 5, 2-57, 2-151  
 Screw, Hex, .25-20 X 1.00, G5, 4-49  
 Screw, Hex, .25-20 X 1.25, G5, 2-65, 2-81, 2-85  
 Screw, Hex, .31-09 X 1.25, Wood, 2-5  
 Screw, Hex, .31-18 X 0.75, 5, 2-43, 2-45, 2-47, 2-127, 2-129  
 Screw, Hex, .31-18 X 1.00, 5, 2-53, 2-55  
 Screw, Hex, .31-18 X 1.25, 5, 2-51  
 Screw, Hex, .31-24 X 0.75, 5, 2-51, 2-53, 2-55  
 Screw, Hex, .38-16 X 0.75, 5, 2-53, 2-55, 3-67  
 Screw, Hex, .38-16 X 0.75, G5, 2-87, 3-37  
 Screw, Hex, .38-16 X 1.00, 5, 2-43, 2-45, 2-47, 2-53, 2-55, 3-67  
 Screw, Hex, .38-16 X 1.00, NI, 2-168, 3-28  
 Screw, Hex, .38-16 X 1.25, 5, 2-151  
 Screw, Hex, .38-16 X 1.25, G5, 3-55  
 Screw, Hex, .38-16 X 2.00, 5, 2-133, 2-135, 2-137  
 Screw, Hex, .38-16 X 2.00, Fl, 2-43

Screw, Hex, .38-16 X 2.25, 5, 2-51, 2-53, 2-55, 3-51, 3-67  
 Screw, Hex, .38-16 X 2.50, G5, 3-55, 3-69  
 Screw, Hex, .38-16 X 3.00, G5, 2-121, 2-123  
 Screw, Hex, .38-16 X 4.00, 5, 2-53, 2-55, 3-51, 3-67  
 Screw, Hex, .38-16 X 4.00, G5, 2-121, 2-123, 3-55, 3-69  
 Screw, Hex, .38-24 X 1.50, 5, 3-51  
 Screw, Hex, .38-24 X 1.50, G5, 3-55  
 Screw, Hex, .50-13 X 3.50, 5, 2-175  
 Screw, Hex, .62-18 X 0.31, 2-45, 2-48  
 Screw, Hex, .75-10 X 2.50, G5, 2-143  
 Screw, Hex, #08-32 X 0.38, Ss, 3-79  
 Screw, Hex, #08-32 X 0.38, Tcut, 2-107  
 Screw, Hex, #10-24 X 0.50, Ss, 2-53, 2-55  
 Screw, Hex, 10-24 X 0.50, Ss, 3-79, 4-49  
 Screw, Hex, M 8 X 1.25 X 40, Fl, 3-51  
 Screw, Hex, M05 X 0.8 X 25, Ss, 2-119  
 Screw, Hex, M06 X 1.0 X 16, 8.8, 2-71  
 Screw, Hex, M08 X 1.00 X 16, 10.9, 2-41  
 Screw, Hex, M08 X 1.25 X 20, 8.8, 3-33  
 Screw, Hex, M08 X 1.25 X 25, 8.8, 2-43, 2-45, 2-47  
 Screw, Hex, M10 X 1.5 X 30, 8.8, 2-105  
 Screw, Hex, M10 X 1.5 X 45, 8.8, 2-105  
 Screw, Hex, M10 X 1.5 X 100, 8.8, 3-51  
 Screw, Hex, M10 X 1.5 X 110, 8.8, 3-55  
 Screw, Hex, M10 X 1.5 X 120, 8.8, Fl, 3-51  
 Screw, Hex, M10 X 1.5 X 130, 8.8, 3-51  
 Screw, Hex, M10 X 1.5 X 20, Ss, NI, 2-23, 2-25  
 Screw, Hex, M10 X 1.5 X 20, Ss, 2-167, 3-27  
 Screw, Hex, M10 X 1.5 X 25, 8.8, 2-9, 2-11, 2-168, 2-172, 2-175, 3-23, 3-28, 3-52  
 Screw, Hex, M10 X 1.5 X 25, Ss, NI, 2-168, 3-28  
 Screw, Hex, M10 X 1.5 X 25, Ss, 2-35  
 Screw, Hex, M10 X 1.5 X 30, 8.8, 2-48  
 Screw, Hex, M10 X 1.5 X 35, 8.8, 2-35, 2-48, 2-107, 2-167, 2-172, 3-23, 3-28  
 Screw, Hex, M10 X 1.5 X 40, 8.8, 2-151  
 Screw, Hex, M10 X 1.5 X 45, 8.8, 2-107  
 Screw, Hex, M10 X 1.5 X 50, 8.8, 2-181, 3-49, 3-63  
 Screw, Hex, M10 X 1.5 X 60, 8.8, 2-141  
 Screw, Hex, M10 X 1.5 X 80, 8.8, 2-172, 3-24  
 Screw, Hex, M10 X 1.5 X 90, 8.8, Fl, 3-28  
 Screw, Hex, M10 X 1.5 X 90, 8.8, 2-31, 2-172, 3-24  
 Screw, Hex, M10 X 1.5, 4-49  
 Screw, Hex, M10 X 1.50 X 25, 8.8, 3-55  
 Screw, Hex, M10 X 1.50 X 25, Ss, 3-5, 3-9  
 Screw, Hex, M10 X 1.50 X 90, 8.8, 3-37

## CROSS REFERENCE

- Screw, Hex, M12 X 1.75 X 60, 8.8, 2-43, 2-45, 2-47  
Screw, Hex, M12 X 1.75 X 30, 8.8, 2-175  
Screw, Hex, M12 X 1.75 X 35, 8.8, 2-48, 2-175  
Screw, Hex, M12 X 1.75 X 40, 8.8, 2-141  
Screw, Hex, M12 X 1.75 X 60, 8.8, 2-27  
Screw, Hex, M16 X 2.0 X 70, 8.8, Fl, 3-24  
Screw, Hex, M20 X 2.5 X 60, 8.8, 2-143  
Screw, Hex, M20 X 2.5 X 70, 8.8, 2-143  
Screw, Hex, M4 X 0.7 X 6, 8.8, 3-51, 3-67  
Screw, Hex, M4 X 0.7 X 6, 8.8, 3-55, 3-69  
Screw, Hex, M4 X 0.70 X 12, 8.8, 3-15  
Screw, Hex, M5 X 0.80 X 10, Fl, 2-65, 2-85  
Screw, Hex, M5 X 0.80 X 25, Ss, 2-175  
Screw, Hex, M6 X 1.0 X 35, 8.8, 2-139  
Screw, Hex, M6 X 1.0 X 10, 8.8, 2-131  
Screw, Hex, M6 X 1.0 X 12, Fmg, 2-27, 3-79  
Screw, Hex, M6 X 1.0 X 16, 8.8, 2-121, 2-123  
Screw, Hex, M6 X 1.0 X 20, 8.8, NI, 2-31, 2-175  
Screw, Hex, M6 X 1.0 X 20, 8.8, 2-19, 2-135, 2-137, 2-151, 2-163, 2-171, 2-181  
Screw, Hex, M6 X 1.0 X 20, Fmg, 2-167, 3-27, 3-47, 3-49, 3-61, 3-63  
Screw, Hex, M6 X 1.0 X 25, 8.8, 2-9, 2-11, 2-93, 2-97, 2-131, 2-168, 3-28  
Screw, Hex, M6 X 1.0 X 35, 8.8, 2-9, 2-11  
Screw, Hex, M6 X 1.0 X 35, Ss, 2-151  
Screw, Hex, M6 X 1.0 X 45, 8.8, 2-65  
Screw, Hex, M6 X 1.0 X 50, 8.8, 2-95, 2-99, 2-115  
Screw, Hex, M6 X 1.0 X 60, 8.8, 2-171, 3-23  
Screw, Hex, M6 X 1.00 X 12, 8.8, 2-65, 2-85, 2-87  
Screw, Hex, M6 X 1.00 X 20, 8.8, 2-137, 3-15, 3-35  
Screw, Hex, M8 X 1.25 X 16, 8.8, 2-105  
Screw, Hex, M8 X 1.25 X 20, 8.8, 2-105, 2-139, 3-51  
Screw, Hex, M8 X 1.25 X 25, 8.8, 2-139, 3-51, 3-67  
Screw, Hex, M8 X 1.25 X 16, 8.8, 2-31, 2-53, 2-149, 3-67  
Screw, Hex, M8 X 1.25 X 16, Ss, 3-5, 3-9  
Screw, Hex, M8 X 1.25 X 20, 8.8, 2-19, 2-31, 2-107, 2-115, 2-121, 2-123, 2-133, 2-135, 2-137, 2-141, 2-171, 2-181, 3-23, 3-52  
Screw, Hex, M8 X 1.25 X 20, Ss, NI, 2-57, 2-151  
Screw, Hex, M8 X 1.25 X 20, Ss, 2-27  
Screw, Hex, M8 X 1.25 X 25, 8.8, 2-133, 2-135, 2-137, 3-67  
Screw, Hex, M8 X 1.25 X 25, Fmg, 3-37  
Screw, Hex, M8 X 1.25 X 25, Ss, 2-172, 3-23  
Screw, Hex, M8 X 1.25 X 30, 8.8, 2-107, 2-181, 3-23, 3-51  
Screw, Hex, M8 X 1.25 X 30, Ss, 2-27  
Screw, Hex, M8 X 1.25 X 40, 8.8, Fl, 3-55, 3-69  
Screw, Hex, M8 X 1.25 X 40, 8.8, 2-167, 3-28  
Screw, Hex, M8 X 1.25 X 50, 8.8, 2-143  
Screw, Hex, M8 X 1.25 X 60, 8.8, 2-172, 2-175, 3-24  
Screw, Hex, M8 X 1.25 X 70, 8.8, 2-149  
Screw, M6 X 10mm, 2-65, 2-81  
Screw, Pan, #10-24 X 0.50, Fmg, 2-167, 3-28  
Screw, Pan, M 6 X 1.0 X 40, 4.8, 2-17, 2-19  
Screw, Pan, M04, 3-17  
Screw, Pan, m06, 2-31  
Screw, Pan, M5 X 0.80 X 10, 4.8, 3-79  
Screw, Pan, M6 X 1.0 X 20, 4.8, 2-35  
Screw, Pan, Phl, M5 X 0.80 X 16, 4.8, 4-49  
Screw, Pan, Phl, M6 X 1.0 X 20, Blk, 4-47  
Screw, Pan, Phl, M6 X 1.00 X 16, 4.8, 2-137  
Screw, Set En, 4-21  
Screw, Set, 2-175, 4-11  
Screw, Soc, .38-16 X 1.00, Al, 2-65, 2-81, 2-85  
Screw, Soc, .38-16 X 1.25, Al, 2-45, 2-47  
Screw, Soc, .38-16 X 2.25, G5, 2-45, 2-47  
Screw, Soc, #12-24 X 1.50, 2-81, 2-85  
Screw, Soc, M4 X 0.70 X 16, 2-85  
Screw, Soc, M6 X 1.00 X 70, 2-81, 2-85  
Screw, M6X22.5mm, 5-7, 6-7  
Screw-Hex M10X1.5 90 Full Thd, 2-167  
Screw-Hex M10X1.5, 2-167  
Screw-Set M10 X 1.50 2045H, 2-151  
Screw, 2-51, 2-73, 4-33, 7-9  
Seal Kit, 4-32, 4-33  
Seal Kit, Cart CP, 4-43  
Seal Kit, Cart., 4-38  
Seal Kit, Cart, 4-39  
Seal Kit, Cartridge, 4-71, 4-73, 4-74  
Seal Kit, Coil CP, 4-43  
Seal Kit, Coil, 4-38, 4-39  
Seal Kit, Cyl, Hyd, 4-45  
Seal Kit, Hyd Mtr Gear, 4-35  
Seal Kit, Motor, 4-27, 4-29  
Seal Kit, Pane, Cab, 4-47  
Seal Kit, Pane, Door, 4-49  
Seal Kit, Pump En, 4-3, 4-5, 4-7, 4-9, 4-13, 4-15, 4-17, 4-19  
Seal Kit, Rear, 4-29  
Seal Kit, Scu, 4-37  
Seal Kit, Shaft, 4-27, 4-29  
Seal Kit, Shaker Panel, 2-35  
Seal Kit, Vlv En, 4-41  
Seal Kit, Cntrl En, 4-21  
Seal Kit, Cntrl, 4-11  
Seal Kit, 4-34, 4-44  
Seal, 48.0 Lg., 2-13, 2-17, 2-19  
Seal, 7.00 Lg, 2-13  
Seal, Afmkt, Bulb, 90, 0.75d F/11ga 08ft, 4-47  
Seal, Afmkt, Bulb, 90, 0.75d F/11ga 20ft, 4-47  
Seal, Afmkt, Ure, Adh, 0.38, 0.75w 01ft, 3-35  
Seal, Afmkt, Ure, Adh, 0.50, 1.00w 03ft, 3-35  
Seal, Afmkt, Ure, Adh, 0.50, 1.00w 08ft, 3-35  
Seal, Bearing, 2-185  
Seal, Boot, Steering Column, 2-185  
Seal, Brush Comp, Side, 2-4, 2-9, 2-11  
Seal, Brush Door, 2-9, 2-11  
Seal, Bulb, Sd-0504 19.75Lg, 2-15  
Seal, Bulb, Sd-0504 24.50Lg, 2-13  
Seal, Bulb, Sd-0504 28.00 Lg, 2-13  
Seal, Door, Brush, Lh, 2-9  
Seal, Door, Brush, Rh, 2-11  
Seal, Door, Rbr, 14" Lg, 4-47  
Seal, Duct, 2-133, 2-135, 2-137  
Seal, Dust, 2-13, 2-27, 2-35  
Seal, Filter, 3-79  
Seal, Foam Rbr .19 .75W 8.43L, 3-71  
Seal, Foam Rbr, .19 .75W 47.1L, 3-71  
Seal, Foam, .06t .25w 34.0l, 3-39  
Seal, Foam, .06t .25w 42.0l, 3-39  
Seal, Foam, .06t .25w 54.0l, 3-39  
Seal, Foam, .06t .25w 76.0l, 3-39  
Seal, Foam, .06t .25w 84.0l, 3-39  
Seal, Foam, Urethane Covered, 2-27  
Seal, Handle, Valve, 2-187  
Seal, O-Ring .7871dx.210Th, 3-79  
Seal, Org, .139 X 03.109 Id, 2-57  
Seal, Org, Sensor, Temp [Epr], 2-82, 2-87  
Seal, Org, 2-77  
Seal, Pan, Top, 2-4, 2-7  
Seal, Rear, 5-5, 6-5  
Seal, Rod, Adjuster, 2-13, 2-179  
Seal, Ure, 0.38 0.75w 19.5l Adh, 2-133, 2-135, 2-137  
Seal, Urethane Covered Foam, 2-31  
Seal, Urethane, 3-79  
Seal, Foam Rbr, .31 .75W 14.8L, 2-13  
Seal, Foam Rbr, .62 .62W 24.5L, 2-15, 2-17, 2-19  
Seal, Org, Lpg, Mixer [Gm 2007], 2-81  
Seal, Valve Stem, 5-5, 6-5  
Seal, 2-7, 2-13, 2-15, 3-71, 3-79, 5-9, 6-9, 7-11  
Sealant, [Rtv], 03.35oz, 7-7  
Sealant, [Rtv], 05.00oz, 7-7  
Sealer, 7-3, 7-5  
Sealing Kit, Operator Comp, 2-13  
Seat Belt Kit, 3-77  
Seat, Suspension, 2-13  
Send Unit, Temperature, 2-39  
Send Unit, 2-109  
Send-Unit, Fuel [800/810 2007], 2-115  
Send-Unit, Fuel, Ohm, 2-113

- Send-unit, Water, Temperature, .38npt, 2-61, 2-73
- Send-Unit, 2-111
- Sender, Filter, Hydraulic, 2-21
- Sending unit, Oil Press, 2-43, 2-45, 2-47
- Sensor [T Map], 2-65, 2-81, 2-85
- Sensor, [Tmap], 2-63, 2-77
- Sensor, Exhaust, Tailpipe, 2-107
- Sensor, Manifold Press, 4-63, 4-65, 4-67, 4-69
- Sensor, Oxygen [Gm 1.6l/3.0l 2007], 2-107
- Sensor, Oxygen, 2-105
- Sensor, Speed, Timing Wheel [3.0l], 2-63, 2-77
- Sensor, Temp [Epr], 2-82, 2-87
- Sensor, Temp, Coolant, 2-61, 2-63, 2-65, 2-77
- Sensor, Temp, 2-63, 2-65, 2-77, 2-81, 2-87, 4-63, 4-65, 4-67, 4-69
- Sensor, Water Temp, 2-73
- Sensor,Crnksft, 5-7, 6-7
- Separator, 5-3, 5-24, 6-3, 6-24
- Set Screw, 2-35
- Shaft and Brg, 4-27, 4-29
- Shaft Wldt, Main Brush, 2-175
- Shaft, Drive Sp En, 4-3, 4-7, 4-13, 4-17
- Shaft, Eccentric, 2-35
- Shaft, Idler, 2-175
- Shaft, Input En, 4-21
- Shaft, Input, 4-11
- Shaft, Motor, Hyd, 4-31
- Shaft, Pivot, 2-167, 3-27, 3-79
- Shaft, 3-71, 4-33, 7-5
- Shaker Bar Replacement Kit, 2-35
- Sheave, [3L], 1Grv, 03.5Pd 0.67B, 3-51, 3-67
- Sheave, 01grv, 03.5pd 0.67b [3l], 3-55, 3-69
- Sheave, Alternator, Se, 3-65
- Sheave, Aux, [Hc38], 1Grv 6.8od [Gm 3.0L], 3-51
- Sheave, Aux, 1grv, 06.8od [Gm3.0l, Hc38], 3-55
- Sheave, Eng Crank,Fd W/Tg 2Gr, 2-39
- Sheave, Water Pump, 5-23, 6-23
- Shft Asy,Output, 5-9, 6-9
- Shield Wldt, Heat, Manifold, 2-131
- Shield, Dust, 2-7, 2-43, 2-45, 2-47
- Shield, Heat [Gm3.0l 2010], 2-65, 2-85
- Shield, Heat, Alternator [2007], 2-55
- Shield, Heat, Alternator [Gm3.0l 10], 2-65, 2-85
- Shield, Heat, Alternator, Hd[800/810 07], 3-55, 3-69
- Shield, Heat, Manifold, 2-65, 2-81
- Shield, Heat, 2-61, 2-74, 2-105, 2-107
- Shield, 7-3
- Shim .003Th 0.88Odx0.506ld, 2-181
- Shim .005Th 0.88Odx0.506ld, 2-181
- Shim .010 Thk En, 4-41
- Shim .010Th 0.88Odx0.506ld, 2-181
- Shim .015 Thk En, 4-41
- Shim .020Th 0.88Odx0.506ld, 2-181
- Shim .035 Thk En, 4-41
- Shim .060Th 0.880Dxo.506ld, 2-181
- Shim, 4-31
- Shims En, 4-5, 4-9, 4-15, 4-19
- Shoe, Brake, 4-59, 4-61
- Short Tube, 5-3, 6-3
- Shoulder Screw, 2-35
- Shroud Kit, Fan, Radiator [800/810], 2-137
- Shroud Wldt, Fan, Radiator [800/810], 2-137
- Shroud, Fan, Radiator, W/ Label [800l], 2-133, 2-135
- Signal Turn, 3-17
- Skirt, Brush Door, 2-4, 2-9, 2-11
- Skirt, Cooling Fan [800/810], 2-137
- Skirt, Cover, Sbdc, 3-73
- Skirt, Deflection, 3-73
- Skirt, Deflector, 2-27
- Skirt, Front, Indoor, 2-4, 2-9, 2-11
- Skirt, Lip, 2-27
- Skirt, Retainer, 3-73
- Skirt, Seal, Main Brush, 2-4, 2-7
- Skirt, 3-73
- Sleeve .438B 1.00D .35Stl, 3-23
- Sleeve, .259B .38D .62 Dom, 2-165
- Sleeve, .320B .32D .49 Lc Stl, 2-31
- Sleeve, .344B .50D .81 Cr.Anc, 2-149
- Sleeve, .375B .62D1.06 Stl, 2-143
- Sleeve, .375B .75D .32 Stl, 2-171, 3-23
- Sleeve, .385B .62D .62 Cd.Cad, 2-13
- Sleeve, .408B .62D .53Stl, 2-151
- Sleeve, .438B 1.00D .35 Stl, 2-171
- Sleeve, 0.406B .750D .800Stl, 3-23
- Sleeve, 0.406B 0.75D1.80 Stl, 2-171, 3-23
- Sleeve, Alternator, 2-51, 2-53, 2-55, 3-55, 3-67, 3-69
- Sleeve, Bearing, 2-35
- Sleeve, Dashpo, Pump, Hyd, Gear, 4-31
- Sleeve, Hyd 30", 2-175
- Sleeve, Nyl 16.0 L, 2-21
- Sleeve, Nyl, #27 55.0l, 3-31
- Sleeve, Nyl, #33 65.0l, 3-43, 3-49, 3-59, 3-63
- Sleeve, Nyl, 37, 25.0l, 2-143
- Sleeve, Nylon #27 65.0L, 2-167
- Sleeve, Nylon #27 55.0l, 3-27
- Sleeve, P/M, 0.496d 0.318b 0.50l 430ss, 2-171
- Sleeve, P/M, 0.496d 0.318b 0.65l 430ss, 2-171
- Sleeve, Pivot, Door, 2-29
- Sleeve, Throttle [Bosch], Plstc, 2-77
- Sleeve,0.406B .750D .800 Stl, 2-171
- Sleeve, 2-89, 2-91, 2-93, 2-97, 3-23
- Solenoid, Valve, Hyd, 36vdc, 4-71, 4-73, 4-74
- Solenoid, Valve, Hyd, 4-73, 4-74
- Solenoid, 5-9, 6-9
- Spacer En, 4-41
- Spacer Plate, 4-33
- Spacer, .25 L, 2-165
- Spacer, .75D .9L .25-28 Th, 2-151
- Spacer, .90L, 2-165
- Spacer, Brake, 2-149
- Spacer, Condenser, 4-53
- Spacer, Nyl, 4-47
- Spacer, Sppt, Filter Lock Off, 2-77
- Spacer-.50 Od X .055W X 1.0, 2-149
- Spacer, 2-25, 2-61, 2-73, 2-133, 2-135, 2-137, 2-149, 2-167, 2-171, 2-181, 3-23, 3-27, 5-15, 6-15
- Spark Plug Wires (Straight Boots), 7-5
- Spark Plug-10 FD, 2-4
- Spark Plug, 5-24, 6-24
- Sparkplug [Gm 3.0], 2-4, 7-3
- Sparkplug, 2-4
- Spindle, Adjustment, 2-15
- Spring En, 4-41
- Spring En, 4-5, 4-9, 4-15, 4-19, 4-41
- Spring Kit, 4-37
- Spring, Cntr En, 4-21
- Spring, Cntr, 4-11
- Spring, Comp, 2-167, 3-27
- Spring, Extension, 2-167, 3-27
- Spring, Gas 80 Lb, 3-37
- Spring, Motor, Hyd, 4-31
- Spring, Propel, Centering, 2-151
- Spring, Recirculation, 2-7
- Spring, Tens,0.5Dx.06Wire 2.5L, 2-149
- Spring, Tension, 2-177, 5-19, 6-19
- Spring, Torsion, Rh, 2-167
- Spring, Torsion, 3-27
- Spring,Retainer En, 4-21
- Spring,Retainer, 4-11
- Spring-Gas, Engine Cover, 2-31
- Spring, 2-35, 4-27, 4-29, 4-31, 4-59, 4-61, 7-3, 7-9
- Sprng,Comp,0.62ldx.06Wire 2.3L, 2-185
- Sprng,Comp,0.83ldx.07Wire 1.0L, 3-71
- Sprng,Comp,0.87ldx.10Wire 2.5L, 2-179
- Sprng,Tens,0.965Odx.09Wire4.4L, 2-31
- Sprng,Tens,1.00Odx.09Wire 2.8L, 2-151
- Starter, 2-43, 2-45, 2-47
- Statnry Gear, 5-9, 6-9
- Std.Exh.Valve, 5-21, 6-21
- Std.Int.Valve, 5-21, 6-21
- Steer Control Hyd#4 04.5 1300, 4-37
- Steer Control, Hyd, 2-185
- Stem, Valve, Hyd, 4-71, 4-73
- Strain,Relief, 2-37, 3-79
- Strainer-Hyd Suction 25-100-03, 2-4, 2-161
- Strap Weldmt, Gas Tank, 2-109
- Strap Wldt, Tank, .06th X 1.0w, 37.7l, 2-111, 2-113
- Strap Wldt, Tank, 0.06 1.0w 37.7l, 2-115
- Strap, Hinge - Lp Tank Mtg, 2-117, 2-119, 2-121, 2-123
- Strap, Mounting, 2-59, 2-67
- Strap, Mtg.- Lp Tank, 2-117, 2-119, 2-121, 2-123
- Strap, Mtg, Fltr, Air, 7.17id, 2-95, 2-99
- Strap, Retainer, Seal, 2-4, 2-7

## CROSS REFERENCE

Strap, Tank Retainer - Lp, 2-117, 2-119, 2-121, 2-123  
Strip, Edging, 2-7  
Strip, Hopper, 2-27  
Strip, Retainer, Bearing, 2-175  
Strip, Retainer, Brake Cable, 2-149  
Strip, Retainer, Seal, Lh, 2-9  
Strip, Retainer, Seal, Rh, 2-11  
Strip, Retainer, Seal, Side, 2-9, 2-11  
Strip, Retainer, Shield, Lh, 2-7  
Strip, Retainer, Shield, Rh, 2-7  
Strip, Retainer, Skirt, Front, 2-27  
Strip, Retainer, Skirt, 2-4, 2-9, 2-11, 3-73  
Strip, Spacer, 2-15  
Stud M12, 5-3, 6-3  
Stud, .003" O.S., 7-3  
Stud, .013" O.S., 7-3  
Stud, .38-16 X 1.2l, 2-63, 2-65, 2-81, 2-85  
Stud, Adjustment, 3-71  
Stud, Wheel .56-18x2.13, 2-143, 2-145  
Stud, M6X61.8mm, 5-7, 6-7  
Stud, M8X51.0mm, 5-7, 6-7  
Stud, 2-61, 2-63, 2-73, 2-77, 2-78, 5-15, 5-23, 6-15, 6-23, 7-11  
Support Wldt, Sppt, Hopper Lh, 2-33  
Switch Assy, Pressure, Hyd, 2-163  
Switch Assy, Roller-no, 3-15  
Switch Ignition, 2-187  
Switch Rocker Spst, 2-171, 3-23  
Switch, 3 Pos, Blower, Heat, 3-41, 3-47, 3-57, 3-61  
Switch, Motor, Wiper, 12v, 4-47  
Switch, Press, 0006psi Dpdt, 2-39  
Switch, Press, 12vdc 08a Spst Nc 0070psi, 2-119, 2-121, 2-123  
Switch, Pressure, Lpg, 2-69  
Switch, Pressure, 2-37, 3-79  
Switch, Pushmom, Spst100A 12V, 2-185  
Switch, Rocker, Dpdt, 2-177, 2-187  
Switch, Roller, 2-23  
Switch, Thermo, A/C, 3-41, 3-47  
Switch, Lockout En, 4-21  
Switch, 2-71, 3-17  
Swivel, 3-43, 3-49, 3-59, 3-63

## T

Tank Wldt, Hydraulic w/label, 2-161  
Tank, Coolant, 03.5 03.0 06.5deep 1.0 Qt, 2-133  
Tank, Coolant, 04.7 03.3 4.7deep, 1liter, 2-135, 2-137  
Tank, Coolant, 06.0 04.5 06.9deep 2.5 Qt, 2-133  
Tank, Fuel, 14 Gas 14.7 13.0 19.0l, 2-111  
Tank, Fuel, 14 Gas 14.7 13.0 19.0, 2-113  
Tank, Fuel, 14.0gal, 14.66w 13.0hi 19.0l, 2-115  
Tank, Fuel, 2-109  
Tank-Lp, 33#, Liq, Both, Fill Ga, 2-117, 2-119, 2-121, 2-123  
Tap, Assy-Valve, 5-21, 6-21

Temperature sensor, 5-23, 6-23  
Tensioner, Arm, 5-19, 6-19  
Term. Cover, 5-9, 6-9  
Terminal, Qm, .25 16-14ga, Blu, F-Ins, 4-47  
Therm 190 W/Gsk, 5-23, 6-23  
Thermostat Assembly, 155 Deg, 2-183  
Thermostat Housing [Gm3.0l 2007], 2-48  
Thermostat, 7-3  
Tie, Cable 1.75D Max 7.50Lg, 2-37  
Tie, Cable 1.75D Max 7.50Lg, 3-11, 3-13, 3-79  
Tie, Cable 3.00D Max 11.41Lg, 2-185  
Tie, Cable 4.00 Max 14.50Lg, 3-79  
Tie, Cable, 11.3l, 2.75d Max, 2-137  
Tie, Cable, 20.0l, 6.00d Max, 2-181  
Tie, Cable, Nyl, 07.3l .19w 1.8 Max D, 3-41, 3-47, 3-81  
Tie, Cable, Nyl, 11.4l .19w 3.0 Max D, 2-7  
Tie, Cable, Nyl, 15.3l . W 4.5 Max D, 3-43, 3-49, 3-59, 3-63  
Tie, Cable, 3-3, 3-5, 3-7, 3-9, 3-15, 3-17  
Tie, Wire 11-1/2x.19 Ny (not shown), 2-73  
Timing Belt, 5-19, 6-19  
Tire & Flap Assy, 2-147  
Tire & Rim Assy, Pneu 6.50-10, 2-147  
Tire and Rim Assy, Solid 6.5, 3-76  
Tire, Solid, 3-76  
Tray Wldt, Drip, Gas [3.0l], 2-63  
Tread, Floormat, Rubber, 2-13  
Tread, Rubber, 3-35  
Trim, 2-13  
Tube Assy, Brake, 2-149  
Tube Assy, Fuel .31Od, 2-109  
Tube Assy, Cond/Dry, 4-53  
Tube Wldt, Brace, Center, 2-15  
Tube Wldt, Intake, 2.0d .38npt, 2-91  
Tube Wldt, Tee, 2-93, 2-95, 2-97, 2-99  
Tube, 0.50id 1.00od 01.0l, Stl, Pntd, 3-55, 3-69  
Tube, 0.62D .44B 2.44, Stl, 2-31, 3-37  
Tube, 00.75d 00.41b 03.3l Stl Pl, 3-51  
Tube, 01.00d 00.44b 00.7l Stl Plt, 3-67  
Tube, 01.00d 00.50b 01.0l Stl Pnt, 3-51  
Tube, 01.00d 00.50b 01.0l Stl Pnt, 2-51, 2-53, 2-55  
Tube, Air Bleed, 2-59, 2-69, 2-71  
Tube, Coolant, 1.5d Upper, Gas/Lpg, 2-127, 2-129  
Tube, Coolant, 1.5d W/.25npt Low, G/Lpg, 2-127, 2-129, 2-131  
Tube, Coolant, 1.5od Lower, 2-125  
Tube, Cross, Bumper, Se, 3-21  
Tube, Ds, 7-7  
Tube, Exhaust, 2.0d [Gm3.0] [800/810], 2-103, 2-105  
Tube, Exhaust, Lower, [800/810, 2007], 2-107  
Tube, Exhaust, Rear [Gm3.0l 800/810 07], 2-107  
Tube, Exhaust, Rear, 2-105  
Tube, Inner, 2-147

Tube, Intake, 2.0d 04.0l, 2-91  
Tube, Mach, Retainer, Spring, 1.0d 1.7l, 2-177  
Tube, Radiator, Upper [800gas/Lpg], 2-131  
Tube, Radiator, Upper, Gas/Lpg, 2-125  
Tube, Spacer, Brush Lift, 2-177  
Tube, Tailpipe, 2-107

## U

U-Nut Clip, M6, 2-15

## V

Vac. Fitting, 5-15, 6-15  
Valve [Pcv], 2-65, 2-81, 2-85  
Valve - Hyd., Solenoid, 4-38  
Valve Assy, Ball, 3 Way, Em10/Em10/Em10, 3-43, 3-49, 3-59, 3-63  
Valve Guide Bushing, 5-21, 6-21  
Valve Plate, 4-5, 4-9, 4-15, 4-19, 4-27, 4-29  
Valve Rocker Arm Cover, 5-21, 6-21  
Valve Rocker Arm, 5-21, 6-21  
Valve Spool, 4-11  
Valve Spring Key, 5-21, 6-21  
Valve Spring Retainer, 5-21, 6-21  
Valve Spring, 5-21, 6-21  
Valve Stem N.O. CP, 4-43  
Valve Stem 4W2P CP, 4-43  
Valve Stem 4W2P, 4-39  
Valve Stem Seal, 5-21, 6-21  
Valve Stem, N.D., 4-38  
Valve, [Pcv], 2-43, 2-63, 2-77  
Valve, Ball, 3-way, 08pf/08pf/08pf Brs, 3-43, 3-49, 3-59, 3-63  
Valve, Cartridge, Check, 4-73, 4-74  
Valve, Cartridge, Flow Reg, 4-73  
Valve, Cartridge, Relief, 4-73  
Valve, Check, 2-77  
Valve, Cntrl, Hyd, Solenoid, 12vdc 06gpm (See Breakdowns), 2-171, 3-23  
Valve, Cntrl, Hyd, Solenoid, 12vdc 06gpm, 4-74  
Valve, Cntrl, Hyd, Solenoid, 12vdc 08gpm (See Breakdowns), 2-163  
Valve, Cntrl, Hyd, Solenoid, 12vdc 08gpm, 4-73  
Valve, Cntrl, Hyd, Solenoid, 12vdc 12gpm (See Breakdowns), 2-183, 3-27  
Valve, Cntrl, Hyd, Solenoid, 12vdc 12gpm, 4-71  
Valve, Drive, Motor, Hyd, 4-31  
Valve, Exhaust, 7-3  
Valve, Expansion, 4-55  
Valve, Fuelock, Lpg, W/ Wire Connector, 2-77  
Valve, Hyd Control Man (See Breakdowns), 2-165  
Valve, Hyd Control Man, 4-41



Valve, Hyd Control Solenoid, 4-39, 4-43  
 Valve, Hyd Solenoid (See Breakdowns),  
 2-171  
 Valve, Hyd, Solenoid (See Breakdowns),  
 3-23  
 Valve, Intake, 7-3  
 Valve, Lock Off, 2-81, 2-87  
 Valve, Lpg [Mixer], 2-81  
 Valve, PCV, 2-4  
 Valve, Press Relief, Lpg Rego, 2-117,  
 2-119, 2-121, 2-123  
 Valve, Trim, Fuel, Lpg, 2-77  
 Valve, Trim, Fuel, Normal Flow, 2-77  
 Valve, Water, Heater, H, 10bm, 3-43, 3-59  
 Valve-Hyd, Solenoid (See Breakdowns),  
 2-163, 2-183, 3-27  
 Valve, 4-27, 4-29, 4-31, 7-7, 7-9  
 Vaporizer Repair Kit, 2-69  
 Vaporizer, Lpg, 2-69  
 Vaporizer, 2-73  
 Video, Oprtr, Training, Dvd [800], 3-84  
 Vlv Spool Wide En, 4-21

**W**

Wand Kit, Vac, 3-71  
 Wand, 3-71  
 Warning Label, Starter, 5-21, 6-21  
 Wash M15 1.53Od, 5-13, 6-13  
 Washer, 7-9  
 Washer En, 4-3, 4-5, 4-7, 4-9, 4-13,  
 4-15, 4-17, 4-19, 4-41  
 Washer, .281B .62D .06Nylon, 2-59  
 Washer, .310B .88D .12Rbr, 3-27  
 Washer, .344B .69D .06Nylon, 2-15, 3-79  
 Washer, .516B .90D .07Cr., 2-151  
 Washer, .531B 1.75D .12Cr.Znc, 2-175  
 Washer, .531B 1.88D .12Hard Zn, 2-13,  
 2-41  
 Washer, .532B 2.13D .11Hr.Znc, 2-41,  
 2-43, 2-45, 2-47  
 Washer, 0.25b 1.12d .12, Ss, 2-119  
 Washer, 0.53b 1.88d .12, Stl, Pl, 2-43,  
 2-45, 2-47  
 Washer, 1.015B 1.75D .11Hrs, 2-29  
 Washer, 1.300B 3.000, 2-167, 3-27  
 Washer, Belleville, .25, 2-167, 3-27  
 Washer, Belleville, .31, 2-31, 2-53, 2-55,  
 2-133, 2-135, 2-137, 2-139, 3-51,  
 3-67  
 Washer, Belleville, .50, 2-175  
 Washer, Fender, 2-89, 2-91, 2-93, 2-97  
 Washer, Flat m10, 2-171, 3-23  
 Washer, Flat, .25 Sae, 2-43, 2-45, 2-47  
 Washer, Flat, .28b 0.75d 1.80, Ne, 4-47  
 Washer, Flat, .31 Std, 2-43, 2-45, 2-47,  
 2-51, 2-127, 2-129  
 Washer, Flat, .38 Sae, 2-51, 3-67  
 Washer, Flat, .38 Std, 2-43, 2-45, 2-47,  
 2-51  
 Washer, Flat, .50 Std, 2-43, 2-45, 2-47

Washer, Flat, #10, 2-27, 2-31, 2-57,  
 2-95, 2-99, 2-121, 2-123, 2-135,  
 2-137, 2-163, 2-171, 3-23  
 Washer, Flat, 0.19b 0.44d .05, Pl, 08,  
 2-65, 2-85  
 Washer, Flat, 0.25 Sae, 2-175  
 Washer, Flat, 0.25 Std, 2-93, 2-97, 2-133,  
 2-151, 3-47, 3-49, 3-61, 3-63  
 Washer, Flat, 0.25, Sae, 2-9, 2-11, 2-65,  
 2-85, 2-87, 2-115, 2-131, 2-181,  
 3-15, 4-47, 4-49  
 Washer, Flat, 0.25, Std, 2-19, 2-65, 2-81,  
 2-85, 2-115, 2-137, 3-35  
 Washer, Flat, 0.25b 0.56d .05, Pl, 10, 4-49  
 Washer, Flat, 0.28b 1.00d .06, Stl, 2-73  
 Washer, Flat, 0.28b 1.00d .06, Stl, Blk,  
 4-47  
 Washer, Flat, 0.28b 1.38d .12, Hrs Pl,  
 2-165  
 Washer, Flat, 0.31 Fender, 3-33  
 Washer, Flat, 0.31 Ss, 3-37  
 Washer, Flat, 0.31 Std, 2-31, 2-105,  
 2-133, 2-135, 2-137, 2-139, 2-149,  
 2-172, 2-181, 3-23, 3-51, 3-52  
 Washer, Flat, 0.31, Hardened, 2-55  
 Washer, Flat, 0.31, Sae, 2-27  
 Washer, Flat, 0.31, Std, 2-19, 2-95, 2-99,  
 2-107, 2-115, 2-121, 2-123, 2-143,  
 3-37, 3-55, 3-69  
 Washer, Flat, 0.31b 0.88d .12, Rbr, 4-47  
 Washer, Flat, 0.321b 1.00d .12, Ss, 2-151  
 Washer, Flat, 0.38 Sae, 2-53, 2-55,  
 2-151, 2-168, 3-28, 3-52  
 Washer, Flat, 0.38 Ss, 2-57  
 Washer, Flat, 0.38 Std, 2-23, 2-25, 2-35,  
 2-105, 2-133, 2-135, 2-137, 2-168,  
 3-28, 3-49, 3-51, 3-63  
 Washer, Flat, 0.38, Hardened, 2-65, 2-81,  
 2-85  
 Washer, Flat, 0.38, Sae, 2-87, 3-55, 3-69  
 Washer, Flat, 0.38, Std, 2-9, 2-11, 2-107,  
 2-141, 2-181, 3-5, 3-9, 3-37, 3-55,  
 4-49  
 Washer, Flat, 0.38b 0.88d .08, Ss, 2-27,  
 3-37  
 Washer, Flat, 0.39b 0.75d .06, Nyl, 2-121,  
 2-123  
 Washer, Flat, 0.40b 1.12d .12, Stl, Pl,  
 2-183  
 Washer, Flat, 0.44, Std, 2-9, 2-11, 2-143  
 Washer, Flat, 0.44b 1.00 .08, Ss, 2-35  
 Washer, Flat, 0.44b 2.00d .12, Stl, Pl,  
 2-133, 2-135, 2-137  
 Washer, Flat, 0.50 Sae, 2-175  
 Washer, Flat, 0.50, Sae, 2-141, 2-143  
 Washer, Flat, 0.50, Std, 2-17, 2-19  
 Washer, Flat, 0.56b 1.38d .11, Ss, 2-15  
 Washer, Flat, 0.62, Sae, 2-179  
 Washer, Flat, 0.75, Sae, 2-143  
 Washer, Flat, 0.75, Std, 3-69  
 Washer, Flat, 08, 3-15  
 Washer, Flat, 1.02b 1.75d .12, Stl, 2-145

Washer, Flat, Belleville, .25, 2-9, 2-11,  
 2-19  
 Washer, Flat, Belleville, .31, 2-141, 3-55,  
 3-69  
 Washer, Flat, 2-171, 3-23, 3-27  
 Washer, Flt, .25 Sae, 2-71  
 Washer, Loc, M5, 2-43, 2-45, 2-47  
 Washer, Lock, .25, 2-43, 2-45, 2-47  
 Washer, Lock, .31, 2-43, 2-45, 2-47, 2-51  
 Washer, Lock, .38, 2-43, 2-45, 2-47,  
 2-51, 3-51, 3-67  
 Washer, Lock, #10, 2-43, 2-45, 2-47  
 Washer, Lock, 0.38, 2-65, 2-81, 2-85  
 Washer, Lock, Int / Ext, 0.38, 2-65, 2-81,  
 2-85  
 Washer, Lock, Int, .25, 2-71  
 Washer, Lock, Int, #08, 2-113, 2-115,  
 3-51, 3-55, 3-67, 3-69  
 Washer, Lock, Int, #10, 2-55, 2-113,  
 2-115  
 Washer, Lock, Int, 0.25, 2-105, 2-107  
 Washer, Lock, Int, 0.31 Ss, 3-37  
 Washer, Lock, Int, 0.31, Ss, 3-37  
 Washer, Lock, Int, 0.31, 2-21, 2-133,  
 2-135, 2-183  
 Washer, Lock, Int, 08 Ss, 3-79  
 Washer, Lock, Int, 10, Ss, 2-175  
 Washer, Lock, Int-ext, .38, 2-53, 2-55,  
 3-67  
 Washer, Rbr, .12 0.31b 0.88d, 2-133,  
 2-171, 3-23  
 Washer, Lock Special, 2-143  
 Washer-Belleville .31 Pltd, 3-23  
 Washer-Belleville .50 Pltd, 2-167, 3-27  
 Washer-Flt .25 Fender Rltd., 2-13  
 Washer-Flt .25 Fender, 3-35  
 Washer-Loc Int-Ext .31 Pltd, 3-33  
 Washer-Loc Int-Ext .25 Pltd, 3-17  
 Washer-Loc Int-Ext 10 Pltd, 3-17  
 Washer, 2-37, 2-61, 2-63, 2-73, 2-77,  
 2-143, 2-167, 2-187, 4-3, 4-7, 4-13,  
 4-17, 4-23, 4-25, 5-9, 5-11, 5-19,  
 6-9, 6-11, 6-19, 7-5, 7-9, 7-12  
 Water Outlet, 5-23, 6-23  
 Water Pump, 5-23, 6-23, 7-12  
 Weight, LPG/Gas, 2-7  
 Wheel, Steering, 2-185  
 Wire Ass'Y-Elect.,Ground, 2-41, 2-43,  
 2-45, 2-47  
 Wire Asy,Spark Plug, 5-24, 6-24  
 Wire Harness, 5-24  
 Wire Kit, LP, 2-69  
 Wire Set, Sparkplug (90 Degree Boots),  
 7-5  
 Wire, 10ga 16.0l Blk .38ring /.25ring,  
 3-51, 3-67  
 Wire, 10ga 16.0l Blk .25ring /.38ring, 3-55,  
 3-69  
 Wire, 42.0 Lg, 2Ga, Neg, 2-139  
 Wire, Coil, 7-5  
 Wire, Dome Light, 4-47  
 Wire, Ground, 2-51, 2-53, 2-55, 3-65  
 Wire, Lead, 2-15

## CROSS REFERENCE

---

Wire-Ground, Alternator, 2-39

Wire, 7-5

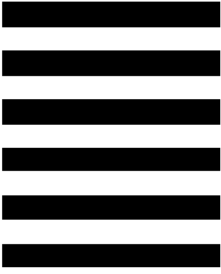




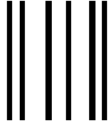
**TENNANT COMPANY**  
 Technical Publications #15  
 701 North Lilac Drive  
 P.O. Box 1452  
 Minneapolis, MN 55440-9947

POSTAGE WILL BE PAID BY ADDRESSEE

**BUSINESS REPLY MAIL**  
 FIRST CLASS MAIL PERMIT NO. 94 MINNEAPOLIS, MN



NO POSTAGE  
 NECESSARY  
 IF MAILED  
 IN THE  
 UNITED STATES



Fold along dotted lines

Tape here



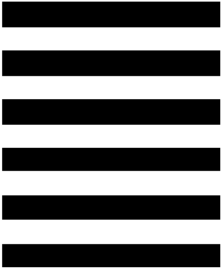




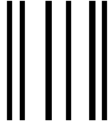
**TENNANT COMPANY**  
 Technical Publications #15  
 701 North Lilac Drive  
 P.O. Box 1452  
 Minneapolis, MN 55440-9947

POSTAGE WILL BE PAID BY ADDRESSEE

**BUSINESS REPLY MAIL**  
 FIRST CLASS MAIL PERMIT NO. 94 MINNEAPOLIS, MN



NO POSTAGE  
 NECESSARY  
 IF MAILED  
 IN THE  
 UNITED STATES



Fold along dotted lines

Tape here

