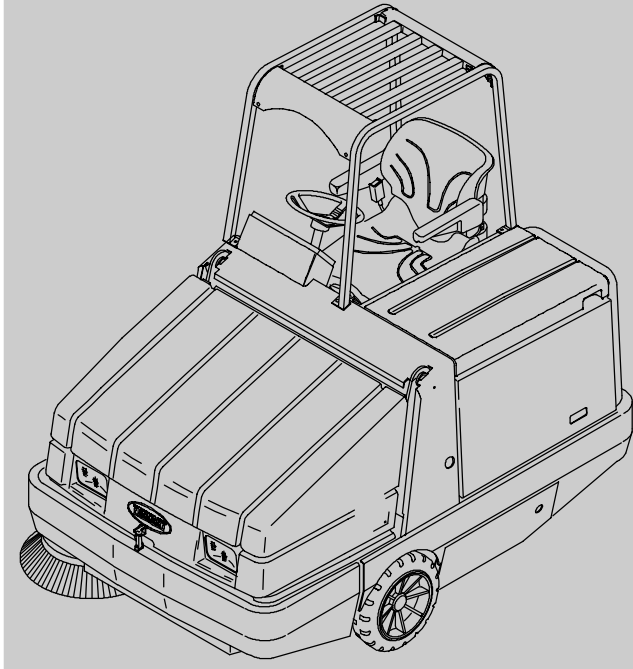




# 6650

(Diesel)

## Sweeper Parts Manual



**North America / International**

[www.tennantco.com](http://www.tennantco.com)

**330930**  
**Rev. 05 (03-2008)**



When ordering replacement parts, use the illustrated parts list section in this manual. Before ordering parts or supplies, be sure to have your machine model number and serial number available. Only use TENNANT Company supplied or equivalent parts. Parts and supplies may be ordered online, by phone, or mail from any authorized parts and service center, distributor or from any of the manufacturer's subsidiaries.

This machine will provide excellent service. However, the best results will be obtained at minimum costs if:

- The machine is operated with reasonable care.
- The machine is maintained regularly - per the machine maintenance instructions provided.
- The machine is maintained with manufacturer supplied or equivalent parts.

#### **MACHINE DATA**

Please fill out at time of installation for future reference.

Model No. - \_\_\_\_\_

Serial No. - \_\_\_\_\_

Machine Options - \_\_\_\_\_

Sales Rep. - \_\_\_\_\_

Sales Rep. phone no. - \_\_\_\_\_

Customer Number - \_\_\_\_\_

Installation Date - \_\_\_\_\_

#### **Tennant Company**

PO Box 1452

Minneapolis, MN 55440

Phone: (800) 553-8033 or (763) 513-2850

[www.tennantco.com](http://www.tennantco.com)

Thermo-Sentry, II-Speed, Perma-Filter, 1 Step, Duramer, Vario Sweeping Brush, and VCS are US registered trademarks of Tennant Company.

Specifications and parts are subject to change without notice.

Copyright © 2003 - 2008 TENNANT Company, Printed in U.S.A.

## HOW TO USE THIS MANUAL

This section on *HOW TO USE THIS MANUAL* will tell you how to:

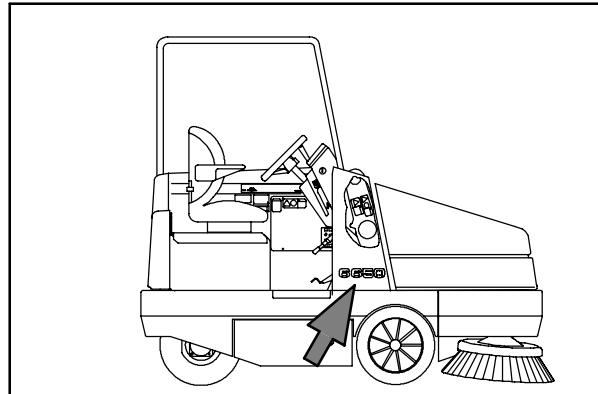
- Find important machine information for ordering correct repair parts.
- Find TENNANT part numbers.
- Order TENNANT parts and supplies.

### IMPORTANT INFORMATION

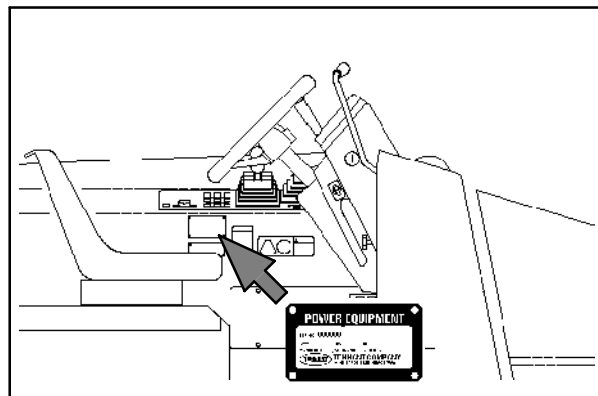
When placing an order for parts, the machine model and machine serial number are important. Refer to the *MACHINE DATA* box which is filled out during the installation of your machine. The *MACHINE DATA* box is located on the inside of the front cover of this manual.

MACHINE DATA	
<i>Please fill out at time of installation for future reference.</i>	
Machine Model Number -	6650D
Machine Serial Number -	_____
Machine Options -	_____
TENNANT Representative/phone no. -	_____
Customer ID Number -	_____
Date of Installation -	_____
Manual Number -	330930
Revision:	00
Published:	4-03

The model number of your machine is on the side of the machine.



The serial number of your machine is printed on the machine data plate located as shown.



# HOW TO USE THIS MANUAL

## FINDING A TENNANT PART NUMBER

This manual contains the following sections:

- HOW TO USE THIS MANUAL
- STANDARD PARTS
- OPTIONS
- BREAKDOWNS
- CROSS REFERENCE

The STANDARD PARTS section lists repair parts for standard machines. They are grouped in this general order:

- General wear parts.
- Machine frame and related parts.
- Machine propelling system.
- Scrubbing components.
- Electrical parts.

The OPTION section lists repair parts of options.

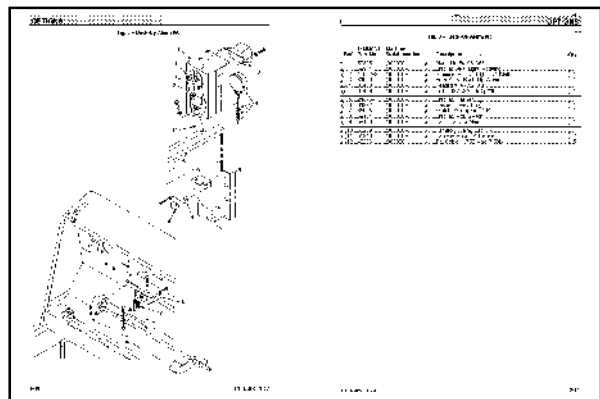
The BREAKDOWN section lists available repair parts of major components.

All sections in this manual consist of parts illustrations and corresponding parts lists.

The parts illustrations are numbered with **Ref** numbers which refer to corresponding parts lists.

The parts lists include a number of columns of information:

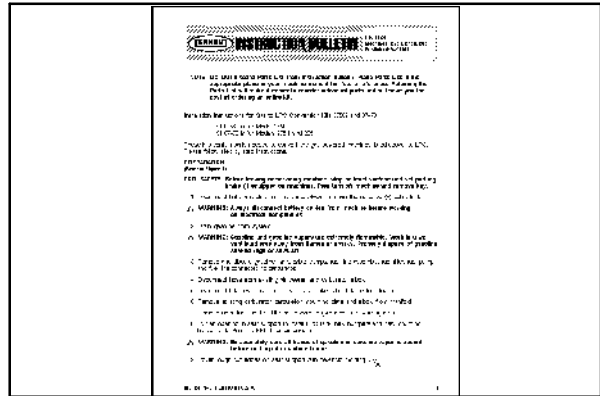
- **Ref** - column refers to the reference number on the parts illustration.
- ▽ - indicates the part is an assembly.
- ▲ - indicates the part is included in the assembly listed just before it.
- **Part No.** - column lists the TENNANT part number for the part.
- **Serial Number** - column indicates the set of machines the part number is applicable to. Serial numbers change when the machine design has been modified. The most current design of the machine is shown in the main illustration, older designs are boxed in a corner of the illustration.
- **Description** - column is a brief description of the part.
- **Qty.** - column lists the quantity of that part used in that area of the machine.



Ref.	TENNANT Part No.	Machine Serial number	Description	Qty.
▽	59335	QC0000-	Alarm Kit, Bu Alv 355L	1
▲ 1	59944	QC0000-	Bracket W/d. Jght, Rotating	1
▲ 2	10632-9	QC0000-	Grommet,Rctr,0.66ld,For .13Matl	1
▲ 3	61920	QC0000-	Horn Ass'y, Back-Up Alarm	1
▲ 4	38438	QC0000-	Headlight Ass'y,21CG	1
▲ 4	38439	QC0000-	Flare, 1/2" Dia. 1/4" x #1004	1
▲ 5	24676-	CUUUU-	Bracket, Flasher	1
▲ 6	31922	CUUUU-	Flasher, Heavy Duty	1
▲ 7	359J6	CUUUU-	Switch, Waterproof, 11A	1
▲ 8	59154	QC0000-	Bracket, Mtg. Switch	1
▲ 9	59153	QC0000-	Carr., BackUp Alarm	1
▲ 10	60239	QC0000-	Harness, Alarm, BackUp	1
▲ 11	55246	QC0000-	Cable, Mount, Adhesive	2
▲ 12	49256	QC0000-	Tie, Cable .75D Max 7.50Lg	5

*NOTE: If a service kit is installed on your machine, be sure to keep the INSTRUCTION BULLETIN which came with the kit. It contains repair parts numbers needed for ordering future parts.*

*NOTE: Fasteners used in this machine may be metric or non-metric. Take care when replacing hardware to replace with same thread size.*



## PLACING AN ORDER

Orders may be placed by phone, fax, or by mail. Phone orders may need written confirmation. Follow the steps below to insure prompt delivery:

1. Identify the model number of your machine.
2. Identify the serial number of your machine.
3. Find the part number of the part you need. Do not order by page number or reference number. If you are not able to find the part number, call your TENNANT representative for help or send the old part as a sample.
4. Determine the quantity of the part you need.
5. Provide the following company information:
  - Company name
  - Customer ID Number
  - Shipping address
  - Billing address
  - First and last name of person ordering parts
  - Telephone number
  - Purchase order number
6. Provide definitive shipping instructions.

## HOW TO USE THIS MANUAL

---

Any claim for loss or damage to a shipment in transit should be filed promptly with the transportation company making the delivery. Shipments will be complete unless the packing list or order acknowledgement indicates items back ordered.

If parts received are suspected to be incorrect or defective, please contact the TENNANT representative from whom you ordered the part. They will give authorization for return and/or handle replacement shipments when required.

## SECTION 2

Contents	Page
Fig. 1 - General Recommended Maintenance Items	2-2
Fig. 2 - Brushes, Replacement	2-4
Fig. 3 - Main Frame Group	2-6
Fig. 4 - Brush Door Group, Right	2-8
Fig. 5 - Brush Door Group, Left	2-10
Fig. 6 - Seat and Shroud Group	2-12
Fig. 7 - Grille Group, Right	2-14
Fig. 8 - Grille Group, Left	2-16
Fig. 9 - Engine Cover Group	2-18
Fig. 10 - Engine Side Door Group	2-20
Fig. 11 - Steering and Firewall Group	2-22
Fig. 12 - Instrument Panel Assembly	2-24
Fig. 13 - Side Instrument Panel Group	2-26
Fig. 14 - Electrical Group	2-28
Fig. 15 - Engine and Governor Group	2-30
Fig. 16 - Engine Mount Group	2-32
Fig. 17 - Engine Air Cleaner Group	2-34
Fig. 18 - Engine Alternator and Engine Fan Group	2-36
Fig. 19 - Engine Muffler Group	2-38
Fig. 20 - Engine Fuel Tank Group	2-40
Fig. 21 - Engine Radiator Group	2-44
Fig. 22 - Battery Group	2-46
Fig. 23 - Drive Wheel Group, Rear	2-48
Fig. 24 - Wheel Assembly, Rear	2-50
Fig. 25 - Wheel and Brakes Group, Front	2-52
Fig. 26 - Brake Lever and Pedal Group	2-54
Fig. 27 - Directional Pedal Group	2-56
Fig. 28 - Hydraulic Pump Linkage Group	2-58
Fig. 29 - Hopper Group (6650 XP)	2-60
Fig. 30 - Hopper Group (6650 XS)	2-62
Fig. 31 - Hopper Cylinder and Dump Door Group (6650 XP)	2-64
Fig. 32 - Hopper Cylinder and Dump Door Group (6650 XS)	2-66
Fig. 33 - Hopper Hood Group	2-68
Fig. 34 - Hopper Bumper Group (6650 XP)	2-70
Fig. 35 - Hopper Bumper Group (6650 XS)	2-72
Fig. 36 - Hopper Filter Box Group (6650 XP)	2-74
Fig. 37 - Hopper Filter Box Group (6650 XS)	2-76
Fig. 38 - Hopper Lift Arms Group	2-78

Contents	Page
Fig. 39 - Side Brush Motor and Pivot Group	2-80
Fig. 40 - Side Brush Lift Group	2-82
Fig. 41 - Main Brush Lift Group	2-84
Fig. 42 - Main Brush Drive Group	2-86
Fig. 43 - Vacuum Fan Group	2-88
Fig. 44 - Hydraulic Schematic	2-90
Fig. 45 - Hydraulic Hose Group	2-92
Fig. 46 - Hydraulic Reservoir Group	2-94
Fig. 47 - Hydraulic Cooler Group (000000-009999)	2-96
Fig. 48 - Hydraulic Cooler Group (010000- )	2-98
Fig. 49 - Hydraulic Pumps Group	2-100
Fig. 50 - Hydraulic Control Valve Group	2-102
Fig. 51 - Electrical Schematic	2-104
Fig. 52 - Electrical Wire Harnesses Group	2-108
Fig. 53 - Label Group	2-117

**Fig. 1 - General Recommended Maintenance Items**

Ref.	Part No.	Serial Number	Description	Qty.
▽	9000200	(000000-	) Kit, Maint, Skirt, Hppr [6600/6650XP]	1
▲	379706	(000000-	) Skirt, Lip	1
▲	379705	(000000-	) Skirt, Lip	1
▲	379704	(000000-	) Strap, Main, Lip	1
▲	379792	(000000-	) Bolt, Carriage, M08 X 1.25 X 35	5
▲	01685	(000000-	) Washer, Flat, 0.31 Ss	5
▲	08713	(000000-	) Nut, Hex, Lock, M 8 X 1.25, NI, Ss	5
▲	1010167	(000000-	) Skirt, Hppr, Plstc	1
▲	1010166	(000000-	) Skirt, Hppr, Plstc	1
▲	1010165	(000000-	) Retainer, Skirt	2
▲	11329	(000000-	) Screw, Hex, M 6 X 1.0 X 16, Ss, NI	5
▲	01684	(000000-	) Washer, Flat, 0.25 Ss	5
▽	72068	(000000-	) Kit, Maint, Seal, [6650XS]	1
▲	59680	(000000-	) Skirt, Hppr, Rear	1
▲	59681	(000000-	) Skirt, Hppr, Rear	1
▲	55890	(000000-	) Retainer, Skirt, Hppr, Rear	1
▲	09010	(000000-	) Screw, Hex, M 8 X 1.25 X 25, Ss	5
▲	01685	(000000-	) Washer, Flat, 0.31 Ss	5
▲	08713	(000000-	) Nut, Hex, Lock, M 8 X 1.25, NI, Ss	5
▲	54089	(000000-	) Skirt, Side, Sbdc, Lh	1
▲	54013	(000000-	) Retainer, Skirt, Hppr, Side, Rear	1
▲	54014	(000000-	) Retainer, Skirt, Hppr, Side, Front	1
▲	12459	(000000-	) Screw, Hex, M 6 X 1.0 X 20, Fmg	6
▲	01684	(000000-	) Washer, Flat, 0.25 Ss	6
▲	60339	(000000-	) Carton, Rsc Kit, 4.5 X 4.5 X 45.0	1
▽	9000203	(000000-	) Kit, Maint, Skirt, Door, Hppr [6600/6650]	1
▲	379702	(000000-	) Seal, Door, Dump, Side	2
▲	379703	(000000-	) Strap, Door, Dump, Side	2
▲	08716	(000000-	) Screw, Hex, M 6 X 1.0 X 20, Ss	8
▲	01684	(000000-	) Washer, Flat, 0.25 Ss	16
▲	08712	(000000-	) Nut, Hex, Lock, M 6 X 1.0, NI, Ss	8
▲	379699	(000000-	) Seal, Door, Dump	1
▲	379698	(000000-	) Plate, Retainer, Door, Dump	1
▲	379791	(000000-	) Bolt, Carriage, M06 X 1.0 X 30	6
▲	01684	(000000-	) Washer, Flat, 0.25 Ss	12
▲	08712	(000000-	) Nut, Hex, Lock, M 6 X 1.0, NI, Ss	6
▲	60339	(000000-	) Carton, Rsc Kit, 4.5 X 4.5 X 45.0	1
▽	9000211	(000000-	) Kit, Maint, 400hr [6600d] Kubo	1
▲	58120	(000000-	) Element, Fltr, Air	1
▲	55849	(000000-	) Element, Fltr, Oil, Spin On [Ku]	1
▲	36050	(000000-	) Filter, Fuel, In-Line	1
▲	1017126	(000000-	) Element, Fltr, Fuel [Dn]	1
▲	1008968	(000000-	) Element, Fltr, Oil, Hyd	1
▲	23163	(000000-	) Cap, Breather, Hyd, 2.2 Ds	1
▲	31613	(000000-	) Strainer, Hyd, 25gpm 100mesh Psi	1
▲	58327	(000000-	) Belt, V, [3v] 41.0l [Hc41]	1
▲	393361	(000000-	) Belt, V, [Xl] 29.5l [9295]	1



Fig. 1 - General Recommended Maintenance Items

Ref.	Part No.	Serial Number	Description	Qty.
	16411	(000000-	) Paint, Airdry, Off-White, 12oz	1
	16412	(000000-	) Paint, Airdry, Teal, 12oz, Solid	1
	377540	(000000-	) Paint, Airdry, Blk, 12oz	1
	377538	(000000-	) Paint, Airdry, Gray, 12oz	1
	377537	(000000-	) Paint, Airdry, Iron Gray, 12oz	1

Fig. 2 - Brushes, Replacement

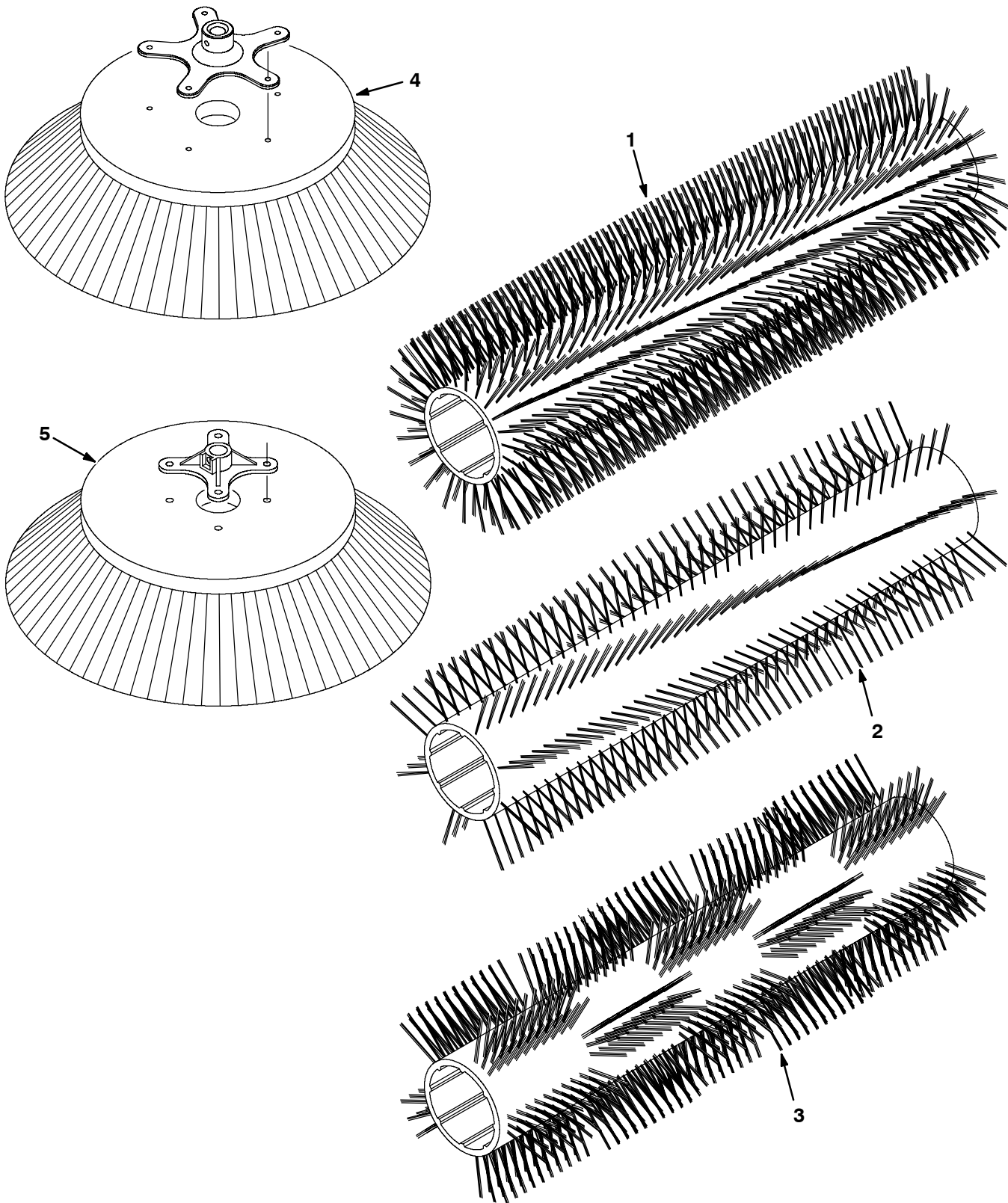


Fig. 2 - Brushes, Replacement

Ref.	Part No.	Serial Number	Description	Qty.
1	54927	(000000-	) Brush, Swp, 45l, 24 Single Row, Natural Fiber & Wire	1
1	54922	(000000-	) Brush, Swp, 45l, 24 Single Row, Nylon	1
2	54923	(000000-	) Brush, Swp, 45l, 8 Double Row, Nylon	1
2	54925	(000000-	) Brush, Swp, 45l, 8 Double Row, Polypropylene & Wire	1
2	59440	(000000-	) Brush, Swp, 45l, 8 Double Row, Wire	1
2	66019	(000000-	) Brush, Swp, 45l, 8 Double Row, Polypropylene	1
2	66018	(000000-	) Brush, Swp, 45l, 5 Double Row, Patrol, Nylon	1
2	370008	(000000-	) Brush, Swp, 45l, Sand Wedge, Polypropylene	1
3	370009	(000000-	) Brush, Swp, 45l, Window , Polypropylene	1
4	51021N	(000000-	) Brush, Disk, Swp, 26.0 D, Nylon	1
4	51542	(000000-	) Brush, Disk, Swp, 26.0 D, Flat Wire	1
4	70538	(000000-	) Brush, Disk, Swp, 26.0 D, Polypropylene	1
5	59431	(000000-	) Brush, Disk, Swp, 23.0 D, Polypropylene (Aux. Side Brush Option)	1
5	08013N	(000000-	) Brush, Disk, Swp, 23.0 D, Nylon (Aux. Side Brush Option)	1
5	59432	(000000-	) Brush, Disk, Swp, 23.0 D, Flat Wire (Aux. Side Brush Option)	1

Fig. 3 - Main Frame Group

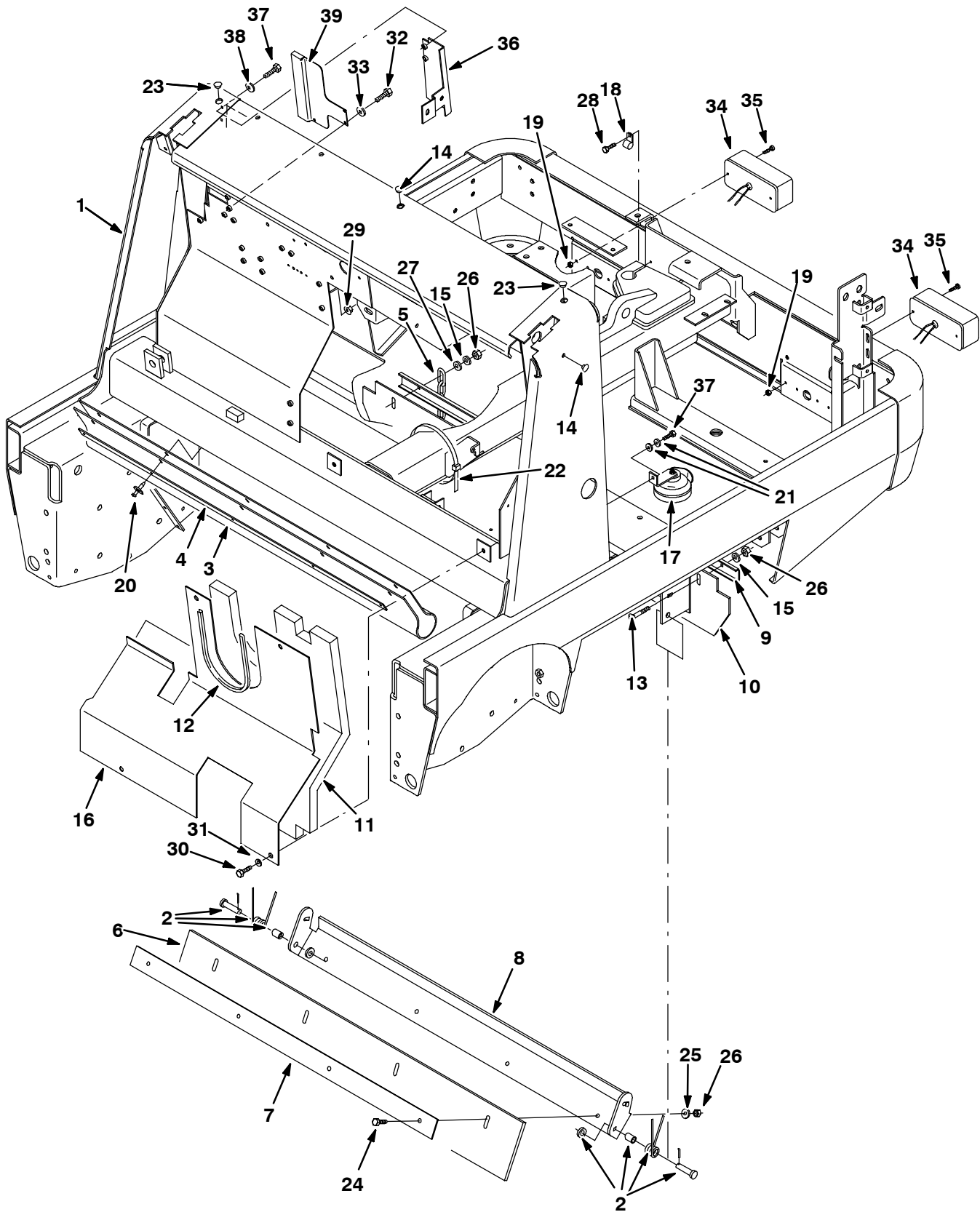


Fig. 3 - Main Frame Group

Ref.	Part No.	Serial Number	Description	Qty.	
1	1007050	(000000-009999 )	Frame Wldt, Main [6600/6650]	1	
1	1013913	(010000- )	Frame Wldt, Main [6600/6650]	1	
2	69904	(000000- )	Spring	1	
3	379752	(000000- )	Skirt, Hopper	1	
4	56890	(000000- )	Retainer, Skirt, Hppr, Top	1	
5	09342	(000000- )	Chain, Coil, Str, 210, 06.9l 05 Link	1	
6	54190	(000000- )	Skirt, Deflector	1	
6	374517	(000000- )	Skirt, Recirculation, Turf	1	
7	54184	(000000- )	Retainer, Blade, Deflector	1	
8	54182	(000000- )	Bracket, Flap, Recirculation	1	
9	383161	(000000- )	Channel, Retainer, Seal, Rear	1	
10	383160	(000000- )	Skirt, Seal, Main Brush	1	
11	1008654	(000000- )	Insulation, Acstc, Firewall	1	
12	62595-21	(000000- )	Molding, Trim, Pvc, .08-.11 25.6l	1	
13	69915	(000000- )	Bolt, Carriage, M08 X 1.25 X 40	4	
14	01314	(000000- )	Button, Plug, 0.38h .03-.12 [Black Nyl]	3	
15	01684	(000000- )	Washer, Flat, 0.25 Ss	4	
16	1007310	(000000- )	Panel, Eng	1	
17	369704	(000000- )	Horn, 12vdc, DbA	1	
18	33584	(000000- )	Clamp, Cable, Stl, 0.63d X 0.50w, 1h	2	
19	06549	(000000- )	Nut, Hex, Lock, M 5 X 0.8, NI	4	
20	21246	(000000- )	Rivet, Plstc, .325d X 0.787	5	
21	41141	(000000- )	Washer, Lock, Int-Ext, .31	2	
22	222809	(000000- )	Tie, Cable, Nyl, 29.8l .30w 9.0 Max D	3	
23	57167	(000000- )	Button, Plug, 0.62h .03-.12 [Black Nyl]	2	
24	09011	(000000- )	Screw, Hex, M 8 X 1.25 X 30, Ss	4	
25	01685	(000000- )	Washer, Flat, 0.31 Ss	4	
26	08713	(000000- )	Nut, Hex, Lock, M 8 X 1.25, NI, Ss	8	
27	41142	(000000- )	Washer, Lock, Int-Ext, .38	1	
28	06942	(000000- )	Screw, Hex, M 6 X 1.0 X 16, 8.8	3	
29	07791	(000000- )	Nut, Hex, Flng, M08 X 1.25	1	
30	41342	(000000- )	Screw, Hex, M 8 X 1.25 X 40, 8.8	4	
31	32491	(000000- )	Washer, Flat, 0.31 Std	4	
32	06942	(000000- )	Screw, Hex, M 6 X 1.0 X 16, 8.8	4	
33	32483	(000000- )	Washer, Flat, 0.25 Sae	4	
▽	34	59949	(000000- )	Taillight, 12vdc, 6.6 X 3.1, Rwk 59948	2
▲	45780	(000000- )	Lamp, 12vdc, 0.5a Watt 04cp [#1157]	1	
	35	54093	(000000- )	Screw, Chz, M05 X 0.8 X 60, 4.8	4
	36	1007811	(000000- )	Panel, Sppt, Lever, Side Brush	1
	37	16931	(000000- )	Screw, Hex, M 8 X 1.25 X 20, 8.8	2
	38	01685	(000000- )	Washer, Flat, 0.31 Ss	2
	39	1007625	(000000- )	Plate, Cover	1

Fig. 4 - Brush Door Group, Right

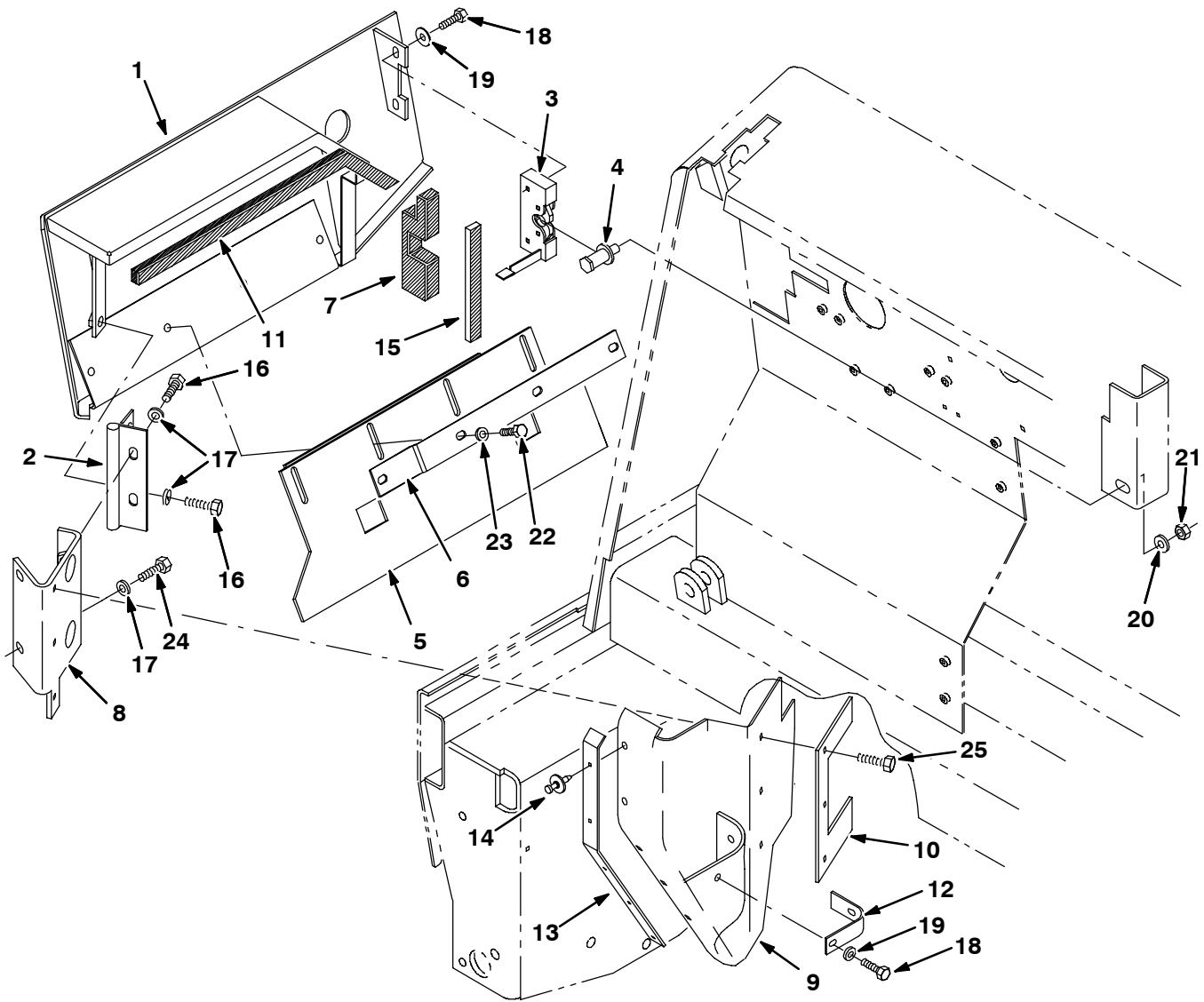


Fig. 4 - Brush Door Group, Right

Ref.	Part No.	Serial Number	Description	Qty.
1	59761	(000000-	) Door Wldt, Brush, Rh	1
2	72120	(000000-	) Hinge, .38pin .11 3.5w 05.6l 4/H&Slot	1
3	59195	(000000-	) Latch, Hook, Rh	1
4	59192	(000000-	) Latch, Bolt	1
5	379751	(000000-	) Skirt, Brush Door	1
6	379756	(000000-	) Strip, Retaining	1
7	59537	(000000-	) Seal, Rbr, Open, 1.00th, Door, Brush, Rh	1
8	72118	(000000-	) Bracket, Mtg, Hinge, Brush Door, Rh	1
9	379755	(000000-	) Skirt, Deflection	1
10	59692	(000000-	) Strap	1
11	69931	(000000-	) Seal, Rbr, Open, 0.31th, 0.75w 21.0l Adh	1
12	58770	(000000-	) Bracket, Angle, .12 2.75 3.17 01.0l	1
13	56914	(000000-	) Strap	1
14	72968	(000000-	) Rivet, Plstc, .250 X 0.898	5
15	13301	(000000-	) Seal, Rbr, Open, 0.31th, 0.75w 07.0l Adh	1
16	09028	(000000-	) Screw, Hex, M10 X 1.5 X 25, Ss	4
17	41187	(000000-	) Washer, Belleville, .38	6
18	09007	(000000-	) Screw, Hex, M 6 X 1.0 X 25, Ss	4
19	01684	(000000-	) Washer, Flat, 0.25 Ss	4
20	41619	(000000-	) Washer, Flat, 0.50 Ss	1
21	07788	(000000-	) Nut, Hex, Std, M12 X 1.75, Ss	1
22	09010	(000000-	) Screw, Hex, M 8 X 1.25 X 25, Ss	4
23	01685	(000000-	) Washer, Flat, 0.31 Ss	4
24	09291	(000000-	) Screw, Hex, M10 X 1.5 X 20, Ss	2
25	76099	(000000-	) Screw, Hex, M8 X 1.25 X 25, Fmg	3

Fig. 5 - Brush Door Group, Left

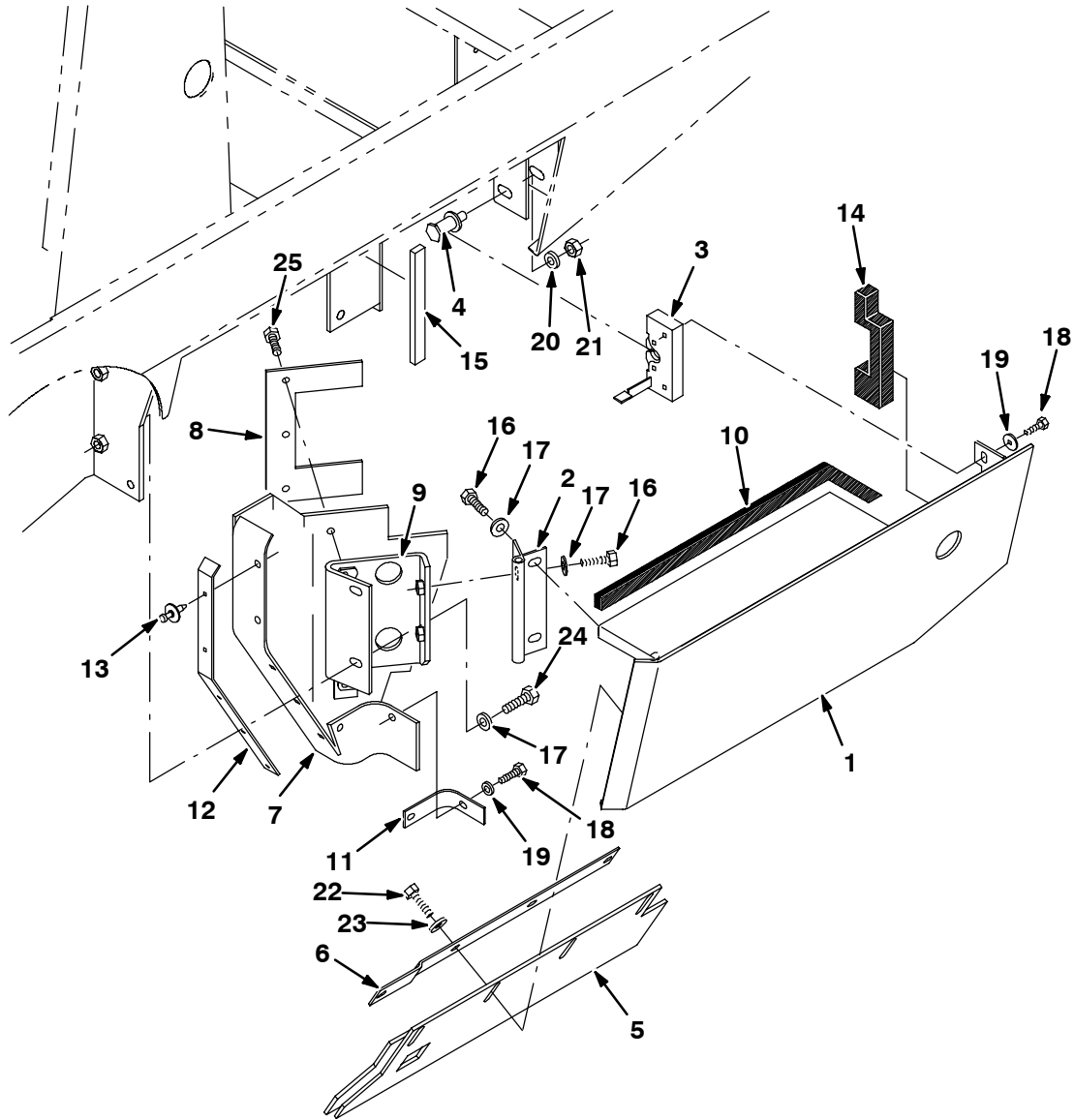




Fig. 5 - Brush Door Group, Left

Ref.	Part No.	Serial Number	Description	Qty.
1	59760	(000000-	) Door Wldt, Brush, Lh	1
2	72120	(000000-	) Hinge, .38pin .11 3.5w 05.6l 4/H&Slot	1
3	59194	(000000-	) Latch Hook, Lh	1
4	59192	(000000-	) Latch, Bolt	1
5	379750	(000000-	) Skirt, Brush Door	1
6	379756	(000000-	) Strip, Retaining	1
7	379755	(000000-	) Skirt, Deflection	1
8	59692	(000000-	) Strap	1
9	72119	(000000-	) Bracket, Mtg, Hinge, Brush Door, Lh	1
10	69931	(000000-	) Seal, Rbr, Open, 0.31th, 0.75w 21.0l Adh	1
11	58770	(000000-	) Bracket, Angle, .12 2.75 3.17 01.0l	1
12	56914	(000000-	) Strap	1
13	72968	(000000-	) Rivet, Plstc, .250 X 0.898	5
14	59538	(000000-	) Seal, Rbr, Open, 1.00th, Door, Brush, Lh	1
15	13301	(000000-	) Seal, Rbr, Open, 0.31th, 0.75w 07.0l Adh	1
16	09028	(000000-	) Screw, Hex, M10 X 1.5 X 25, Ss	4
17	41187	(000000-	) Washer, Belleville, .38	6
18	09007	(000000-	) Screw, Hex, M 6 X 1.0 X 25, Ss	4
19	01684	(000000-	) Washer, Flat, 0.25 Ss	4
20	41619	(000000-	) Washer, Flat, 0.50 Ss	1
21	07788	(000000-	) Nut, Hex, Std, M12 X 1.75, Ss	1
22	09010	(000000-	) Screw, Hex, M 8 X 1.25 X 25, Ss	4
23	01685	(000000-	) Washer, Flat, 0.31 Ss	4
24	09291	(000000-	) Screw, Hex, M10 X 1.5 X 20, Ss	2
25	76099	(000000-	) Screw, Hex, M8 X 1.25 X 25, Fmg	3

Fig. 6 - Seat and Shroud Group

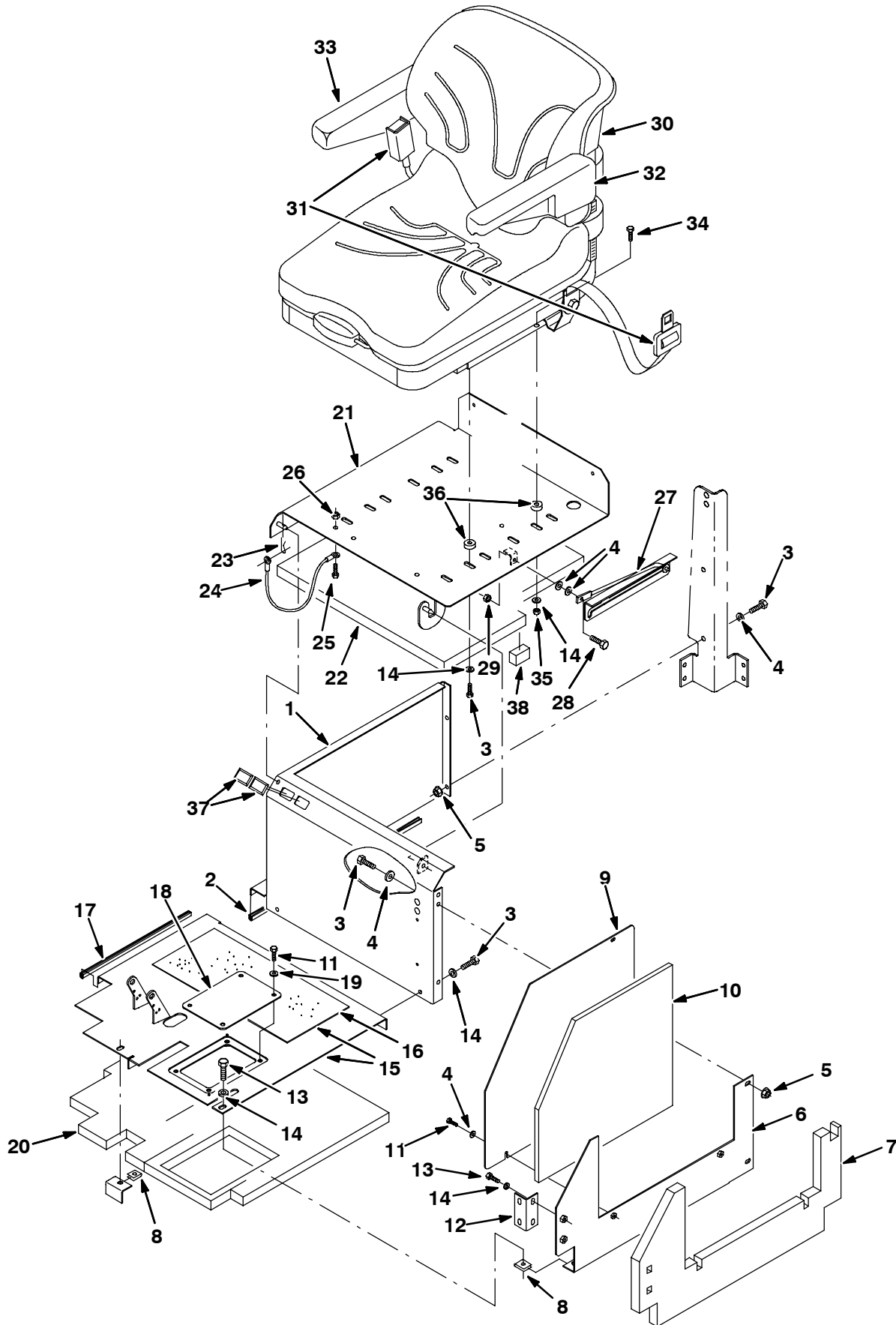


Fig. 6 - Seat and Shroud Group

Ref.	Part No.	Serial Number	Description	Qty.	
1	1008738	(000000-010468 )	Panel Wldt, Sppt, Seat	1	
1	1024441	(010469- )	Panel Wldt, Sppt, Seat	1	
2	62595-23	(000000- )	Molding, Trim, Pvc,.08-.11 22.8l	1	
3	39277	(000000- )	Screw, Hex, M 8 X 1.25 X 25, 8.8	7	
4	32490	(000000- )	Washer, Flat, 0.25 Std	9	
5	07791	(000000- )	Nut, Hex, Fing, M08 X 1.25	3	
6	1006726	(000000- )	Panel, Inside	1	
7	1006751	(000000- )	Insulation, Acstc, Panl	1	
8	58595	(000000- )	Nut, U, M08 X 1.25	2	
9	377241	(000000- )	Plate, Access, W/Label [6600/6650]	1	
10	1008256	(000000- )	Insulation, Acstc	1	
11	06942	(000000- )	Screw, Hex, M 6 X 1.0 X 16, 8.8	7	
12	59771	(000000- )	Bracket	1	
13	16735	(000000- )	Screw, Hex, M 8 X 1.25 X 16, 8.8	4	
14	32491	(000000- )	Washer, Flat, 0.31 Std	8	
▽	15	377199	(000000- )	Plate, Floor, W/ Tread [6600/6650]	1
▲	16	16369	(000000- )	Tread, Non-Skid, 08.W 17.0l	1
	17	62595-22	(000000- )	Molding, Trim, Pvc,.08-.11 14.2l	1
	18	1009066	(000000- )	Plate, Floor, Access	1
	19	32483	(000000- )	Washer, Flat, 0.25 Sae	4
	20	1009130	(000000- )	Insulation, Acstc, Plate, Floor	1
	21	1009590	(000000- )	Cover Wldt, Sppt, Seat	1
	22	59822	(000000- )	Insulation, Acstc, Cover, Seat, 1.0	1
	23	44906	(000000- )	Pin, Hair Cotter, 0.69 D .092 Wir	1
	24	57702	(000000- )	Cable, .06d, 12.0l, .26eye /.26eye	1
	25	06943	(000000- )	Screw, Hex, M 6 X 1.0 X 20, 8.8	1
	26	07790	(000000- )	Nut, Hex, Fing, M06 X 1.0	1
	27	54615	(000000- )	Arm Wldt, Safety, Sppt, Seat, .38d 10.1l	1
	28	06946	(000000- )	Screw, Hex, M 6 X 1.0 X 35, 8.8	1
	29	08708	(000000- )	Nut, Hex, Lock, M 6 X 1.0, NI	1
▽	30	377070	(000000- )	Seat, Dlx, W/2 Swing Arm [6650/6600]	1
▲	31	377071	(000000- )	Seatbelt, Static F/ Dlx Seat[6650/6600]	1
▲	32	377072	(000000- )	Arm, Swing, Lh	1
▲	33	377073	(000000- )	Arm, Swing, Rh	1
	34	76570	(000000- )	Screw, Hex, M 8 X 1.25 X 30, 8.8	4
	35	08709	(000000- )	Nut, Hex, Lock, M 8 X 1.25 NI	2
	36	69462	(000000- )	Tube, 01.00d 00.38b 00.4l Stl Plt	4
	37	57772	(000000- )	Button, Plug, Switch, 1.45 X 0.83 Hole	2
	38	370124	(000000- )	Insulation, Acstc, 1.0 01.5w 06.8l	1

Fig. 7 - Grille Group, Right

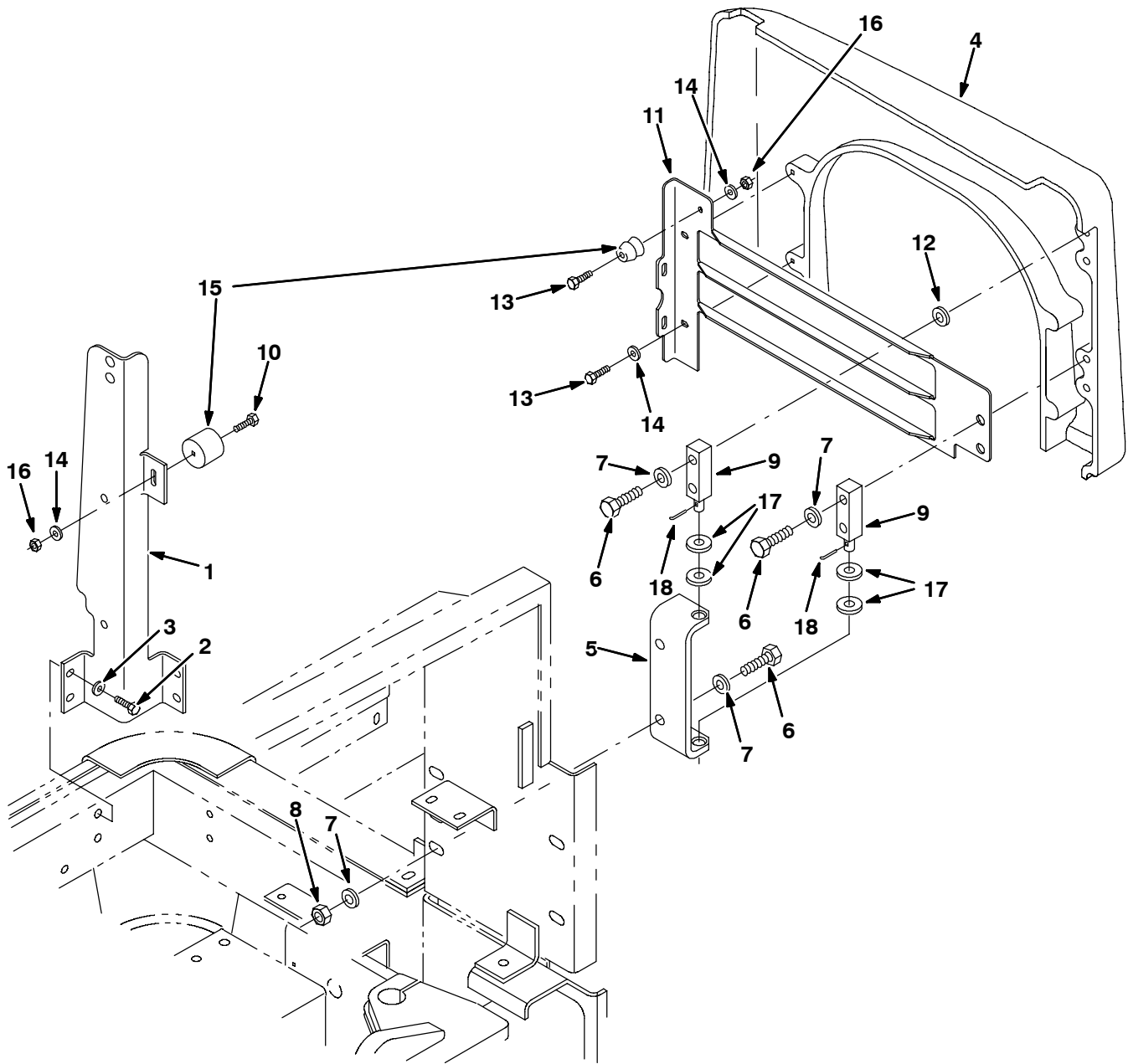


Fig. 7 - Grille Group, Right

Ref.	Part No.	Serial Number	Description	Qty.
1	383183	(000000-	) Channel, Post, Corner	1
2	09011	(000000-	) Screw, Hex, M 8 X 1.25 X 30, Ss	4
3	32491	(000000-	) Washer, Flat, 0.31 Std	4
4	379871	(000000-	) Grille, Door, Lpg	1
5	1008120	(000000-	) Bracket, Grill [6600/6650]	1
6	06969	(000000-	) Screw, Hex, M12 X 1.75 X 40, 8.8	6
7	36328	(000000-	) Washer, Belleville, .50	8
8	08711	(000000-	) Nut, Hex, Lock, M12 X 1.75,NI	2
9	72176	(000000-	) Pin	2
10	06945	(000000-	) Screw, Hex, M 6 X 1.0 X 30, 8.8	1
11	1006558	(000000-	) Grille, Filler, Door, Rh	1
12	32493	(000000-	) Washer, Flat, 0.50 Std	2
13	06942	(000000-	) Screw, Hex, M 6 X 1.0 X 16, 8.8	3
14	32490	(000000-	) Washer, Flat, 0.25 Std	4
15	383185	(000000-	) Latch Assy, Rbr, 1.6d 1.4l/1.0d 1.0l	1
16	08708	(000000-	) Nut, Hex, Lock, M 6 X 1.0, NI	2
17	32486	(000000-	) Washer, Flat, 0.50 Sae	4
18	44906	(000000-	) Pin, Hair Cotter, 0.69 D .092 Wir	2

**Fig. 8 - Grille Group, Left**

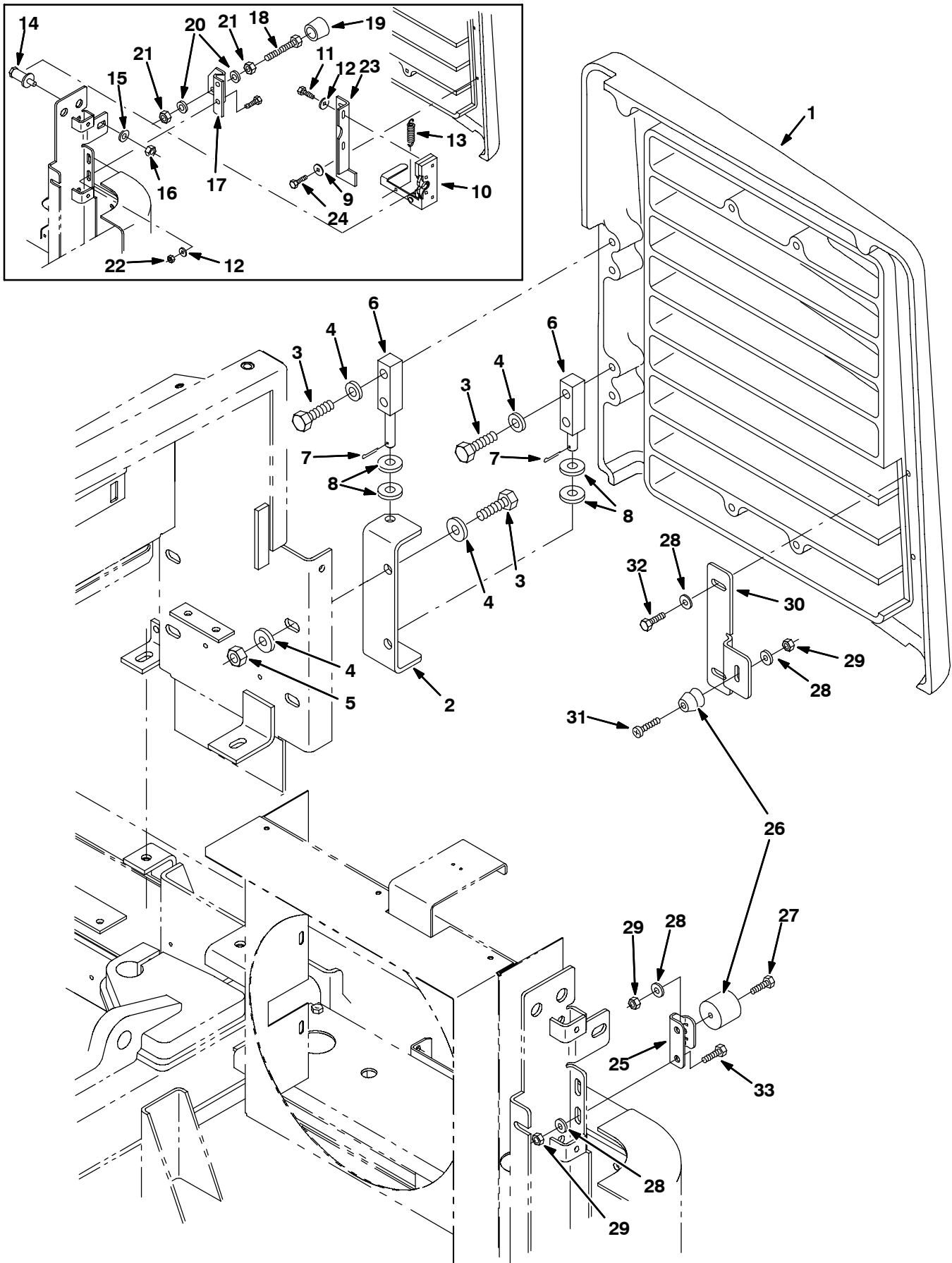


Fig. 8 - Grille Group, Left

Ref.	Part No.	Serial Number	Description	Qty.
1	379565	(000000-	) Grill, Door, Lh	1
2	1008120	(000000-	) Bracket, Grill [6600/6650]	1
3	06969	(000000-	) Screw, Hex, M12 X 1.75 X 40, 8.8	6
4	36328	(000000-	) Washer, Belleville, .50	8
5	08711	(000000-	) Nut, Hex, Lock, M12 X 1.75,NI	2
6	72176	(000000-	) Pin	2
7	44906	(000000-	) Pin, Hair Cotter, 0.69 D .092 Wir	2
8	32493	(000000-	) Washer, Flat, 0.50 Std	4
9	32491	(000000-009999	) Washer, Flat, 0.31 Std	2
10	59695	(000000-009999	) Latch	1
11	06944	(000000-009999	) Screw, Hex, M 6 X 1.0 X 25, 8.8	2
12	32940	(000000-009999	) Clevis, Adj, 1.12pin, 1.00-14	4
13	59870	(000000-009999	) Spring, Extn, 0.38od X 0.05wir, 2.5l	1
14	59192	(000000-009999	) Latch, Bolt	1
15	32493	(000000-009999	) Washer, Flat, 0.50 Std	1
16	39313	(000000-009999	) Nut, Hex, Std, M12 X 1.75	1
17	70248	(000000-009999	) Bracket, Stop Bolt, Rear Grill	1
18	55347	(000000-009999	) Screw, Hex, .38-16 X 2.00, Fl	1
19	01318	(000000-009999	) Tip, Rbr, 0.94d 0.59b 0.88l	1
20	32492	(000000-009999	) Washer, Flat, 0.38 Std	2
21	25014	(000000-009999	) Nut, Hex, Std, .38-16	2
22	08709	(000000-009999	) Nut, Hex, Lock, M 8 X 1.25 NI	2
23	70252	(000000-009999	) Bracket, Latch, Grill, Lpg	1
24	16931	(000000-009999	) Screw, Hex, M 8 X 1.25 X 20, 8.8	1
25	1014797	(010000-	) Bracket, Mtg, Stop, Door	1
26	383185	(010000-	) Latch Assy, Rbr, 1.6d 1.4l/1.0d 1.0l	1
27	06945	(010000-	) Screw, Hex, M6 X 1.0 X 30, 8.8	1
28	32490	(010000-	) Washer, Flat, 0.25 Std	6
29	08708	(010000-	) Nut, Hex, Lock, M6 X 1.0, NI	4
30	1014752	(010000-	) Bracket, Mtg, Latch	1
31	09145	(010000-	) Screw, Pan, M6 X 1.0 X 16, 4.8	1
32	11329	(010000-	) Screw, Hex, M6 X 1.0 X 16, Ss, NI	2
33	16931	(010000-	) Screw, Hex, M8 X 1.25 X 20, 8.8	2

**Fig. 9 - Engine Cover Group**

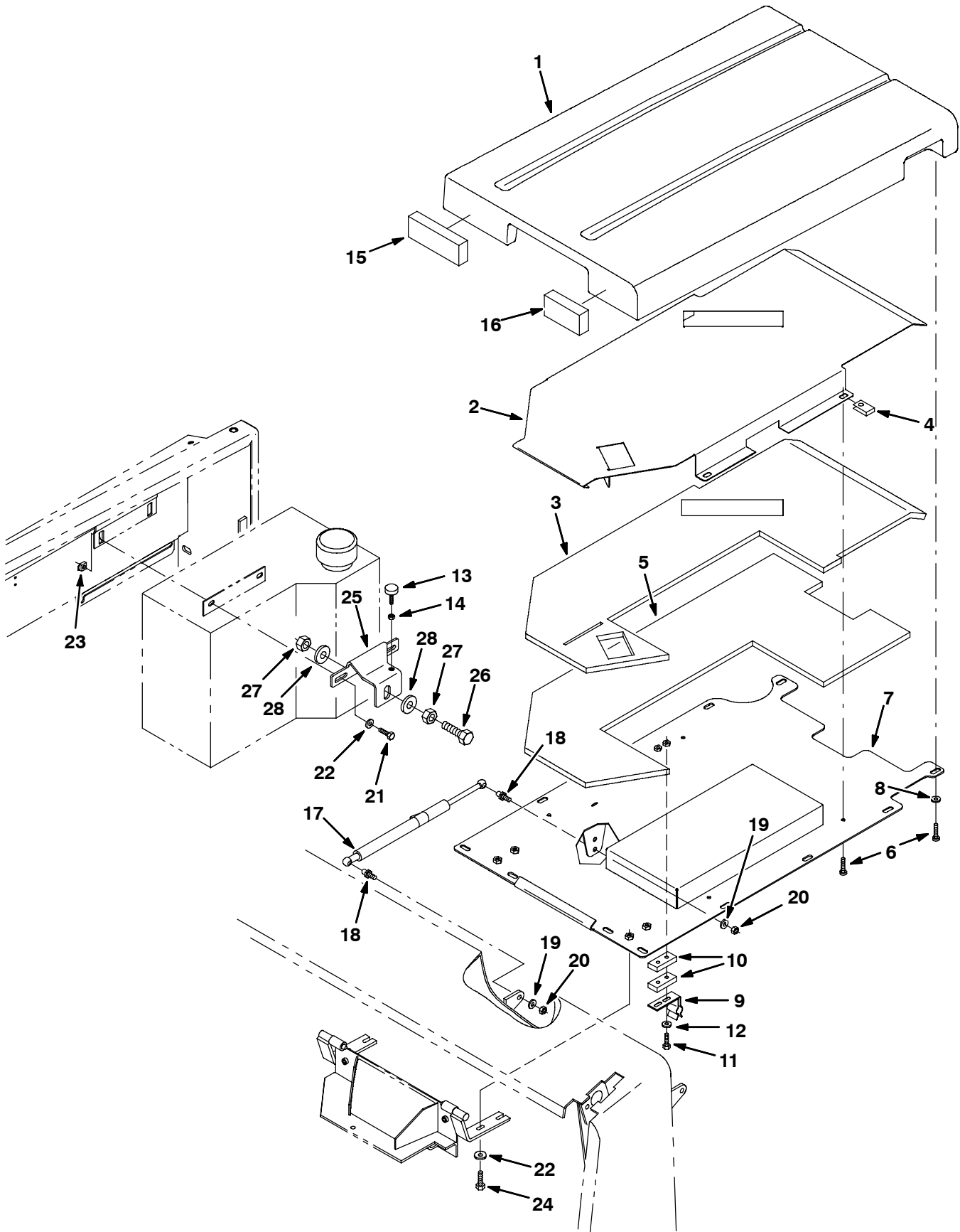




Fig. 9 - Engine Cover Group

Ref.	Part No.	Serial Number	Description	Qty.
1	383162	(000000-	) Cover, Eng, Plstc, [6600/6650]	1
2	1009217	(000000-014999	) Plate, Cover, Eng, Top	1
2	1031242	(015000-	) Plate, Cover, Eng, Top [6600/6650 2007]	1
3	1009292	(000000-014999	) Insulation, Acstc, 0.5 15.5w 35.6l Notch	1
3	1035134	(015000-	) Insulation, Acstc, 0.5, 35.6 X 15.5 Cham	1
4	12271	(000000-	) Nut, U, M06 X 1.0	5
5	1009315	(000000-014999	) Insulation, Acstc, 0.5 15.5w 33.2l Notch	1
5	1035125	(015000-	) Insulation, Acstc, 0.5, 33.3 X 15.5 Cham	1
6	09145	(000000-	) Screw, Pan, M 6 X 1.0 X 16, 4.8	17
7	1006424	(000000-009999	) Plate Wldt, Cover, Eng	1
7	1014071	(010000-014999	) Plate Wldt, Cover, Plstc, Eng	1
7	1031240	(015000-	) Plate Wldt, Cover, Plstc, Eng [2007]	1
8	29570	(000000-	) Washer, 0.28b 1.00d .06, Stl	12
9	1008916	(000000-	) Bracket Wldt, Latch	1
10	1008913	(000000-	) Spacer, Brkt, Latch	2
11	06943	(000000-	) Screw, Hex, M 6 X 1.0 X 20, 8.8	2
12	32483	(000000-	) Washer, Flat, 0.25 Sae	2
13	20802	(000000-	) Bumper, Rbr, 1.0d 0.38t .25-20	1
14	32520	(000000-	) Nut, Hex, Jam, .25-20	1
15	69986	(000000-	) Insulation, Acstc, 1.0 02.0w 05.8l	1
16	69987	(000000-	) Insulation, Acstc, 1.0 02.0w 04.0l	1
17	77728	(000000-	) Gasspring, 130lb, 6.2strk	1
18	58494	(000000-	) Stud, Ball, .39d .31-16, Gasspring	2
19	01685	(000000-	) Washer, Flat, 0.31 Ss	2
20	01760	(000000-	) Nut, Hex, Lock, .31-18, NI, Thin	2
21	76956	(000000-	) Screw, Hex, .31-18 X 1.25, 5	2
22	32491	(000000-	) Washer, Flat, 0.31 Std	6
23	29124	(000000-	) Nut, Speed, Retainer, .31-18 [.093-.126]	2
24	39277	(000000-	) Screw, Hex, M 8 X 1.25 X 25, 8.8	4
25	1006162	(000000-	) Bracket, Latch, Cover, Eng	1
26	06988	(000000-	) Screw, Hex, M16 X 2.0 X 90, 8.8	1
27	763066	(000000-	) Nut, Hex, Jam, M16x2.0	2
28	15331	(000000-	) Washer, Flat, 0.62 Sae	2

Fig. 10 - Engine Side Door Group

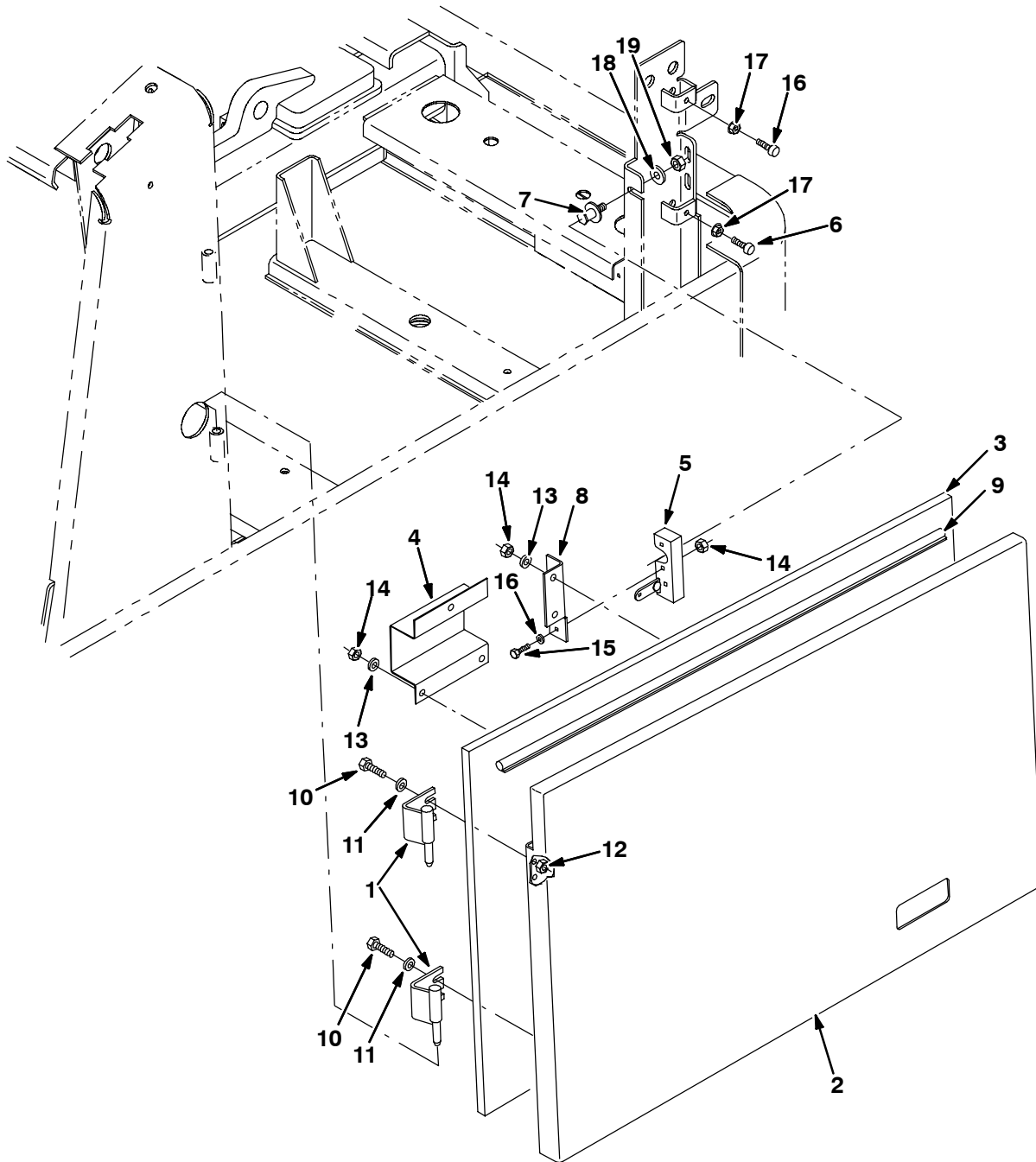


Fig. 10 - Engine Side Door Group

Ref.	Part No.	Serial Number	Description	Qty.
1	59377	(000000-	) Hinge Wldt, Door, Side	2
2	59830	(000000-	) Door Wldt, Eng, Side	1
3	59018	(000000-	) Insulation, Acstc	1
4	59829	(000000-	) Bracket, Door	1
5	59661	(000000-	) Latch	1
6	75128	(000000-	) Spindle, Adjustment	2
7	72154	(000000-	) Bolt, Latch	1
8	59828	(000000-	) Bracket, Latch, Door	1
9	59647	(000000-	) Seal, Bulb, [Sd-0504], 36.50l	1
10	16931	(000000-	) Screw, Hex, M 8 X 1.25 X 20, 8.8	4
11	41186	(000000-	) Washer, Belleville, .31	4
12	07791	(000000-	) Nut, Hex, Flng, M08 X 1.25	4
13	32483	(000000-	) Washer, Flat, 0.25 Sae	5
14	08708	(000000-	) Nut, Hex, Lock, M 6 X 1.0, NI	7
15	16949	(000000-	) Screw, Hex, .25-20 X 0.75, Sems	2
16	32490	(000000-	) Washer, Flat, 0.25 Std	2
17	27978	(000000-	) Nut, Hex, Flng, .25-20	2
18	32492	(000000-	) Washer, Flat, 0.38 Std	1
19	50902	(000000-	) Nut, Hex, Lock, .38-16, NI	1

Fig. 11 - Steering and Firewall Group

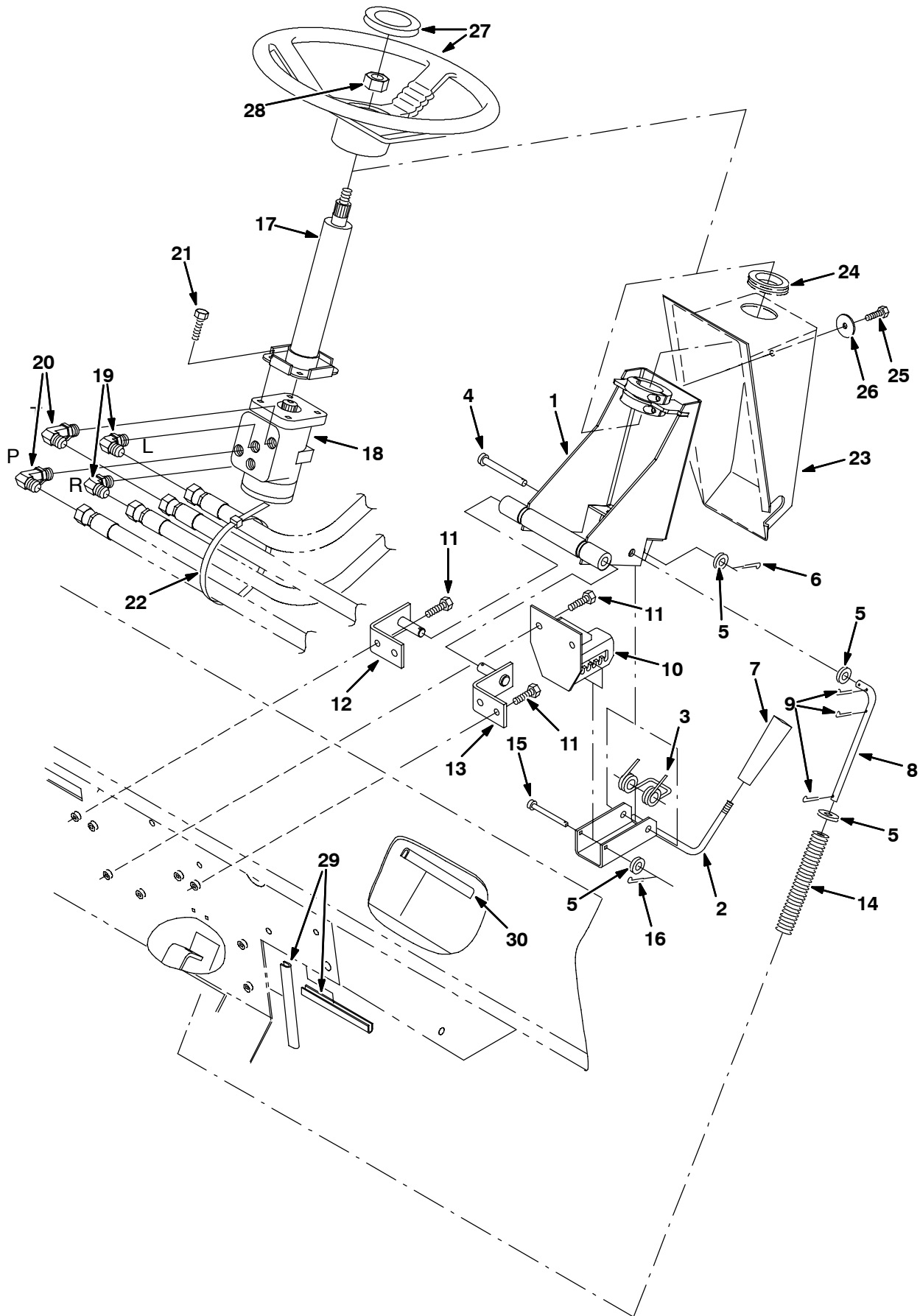


Fig. 11 - Steering and Firewall Group

Ref.	Part No.	Serial Number	Description	Qty.	
1	1007121	(000000-	) Bracket Wldt, Valve	1	
2	56379	(000000-	) Lever	1	
3	56198	(000000-	) Spring, Tors, 0.54id .11wir 06.0coil	1	
4	23191	(000000-	) Pin, Clevis, 0.37 D X 3.00l	1	
5	32492	(000000-	) Washer, Flat, 0.38 Std	4	
6	39005	(000000-	) Pin, Cotter, .094 X 0.75	1	
7	59940	(000000-	) Knob, Tpr, 1.12d 3.88l M08x1.25 Plstc	1	
8	56392	(000000-	) Rod, L, . D	1	
9	08182	(000000-	) Pin, Cotter, .125 X 1.00	3	
10	56385	(000000-	) Bracket Wldt, Ntch Steering	1	
11	16735	(000000-	) Screw, Hex, M 8 X 1.25 X 16, 8.8	6	
12	58667	(000000-	) Bracket Wldt, Mtg, Steering	1	
13	58665	(000000-	) Bracket Wldt, Mtg, Steering	1	
14	63852	(000000-	) Spring, Cmpr, 0.970d .11wir 5.5l	1	
15	04733-10	(000000-	) Pin, Clevis, 0.25 D X 2.44l	1	
16	08178	(000000-	) Pin, Cotter, .062 X 0.75	1	
▽	17	57935	(000000-	) Column, Steering #4 08.0l 0.81d 36tooth	1
▲		74142	(000000-	) Cap, Tube	1
18	1005089	(000000-	) Steer-Control, Hyd (See Breakdown)	1	
19	56820	(000000-	) Fitting, Hyd, E90, Jm06/Om06	2	
20	71727	(000000-	) Fitting, Hyd, E90, Jm06om06l	2	
21	02994	(000000-	) Screw, Hex, .38-16 X 0.75, Ss	4	
22	49263	(000000-	) Tie, Cable, Nyl, 11.4l .19w 3.0 Max D	6	
23	1011779	(000000-	) Cover, Column, Steering	1	
24	54345	(000000-	) Grommet, Rbr, 1.62id, F/ 1.9h, .13matl	1	
25	06942	(000000-	) Screw, Hex, M6 X 1.0 X 16, 8.8	2	
26	41178	(000000-	) Washer, Flat, 0.25 Fender	2	
27	56398	(000000-	) Wheel, Steering	1	
28	56185	(000000-	) Nut, Hex, Jam, M20 X 1.5	1	
29	57564	(000000-	) Molding, Trim, Pvc,.08-.11 05.0l	2	
30	62595-6	(000000-	) Molding, Trim, Pvc,.08 .11 07.5l	1	

Fig. 12 - Instrument Panel Assembly

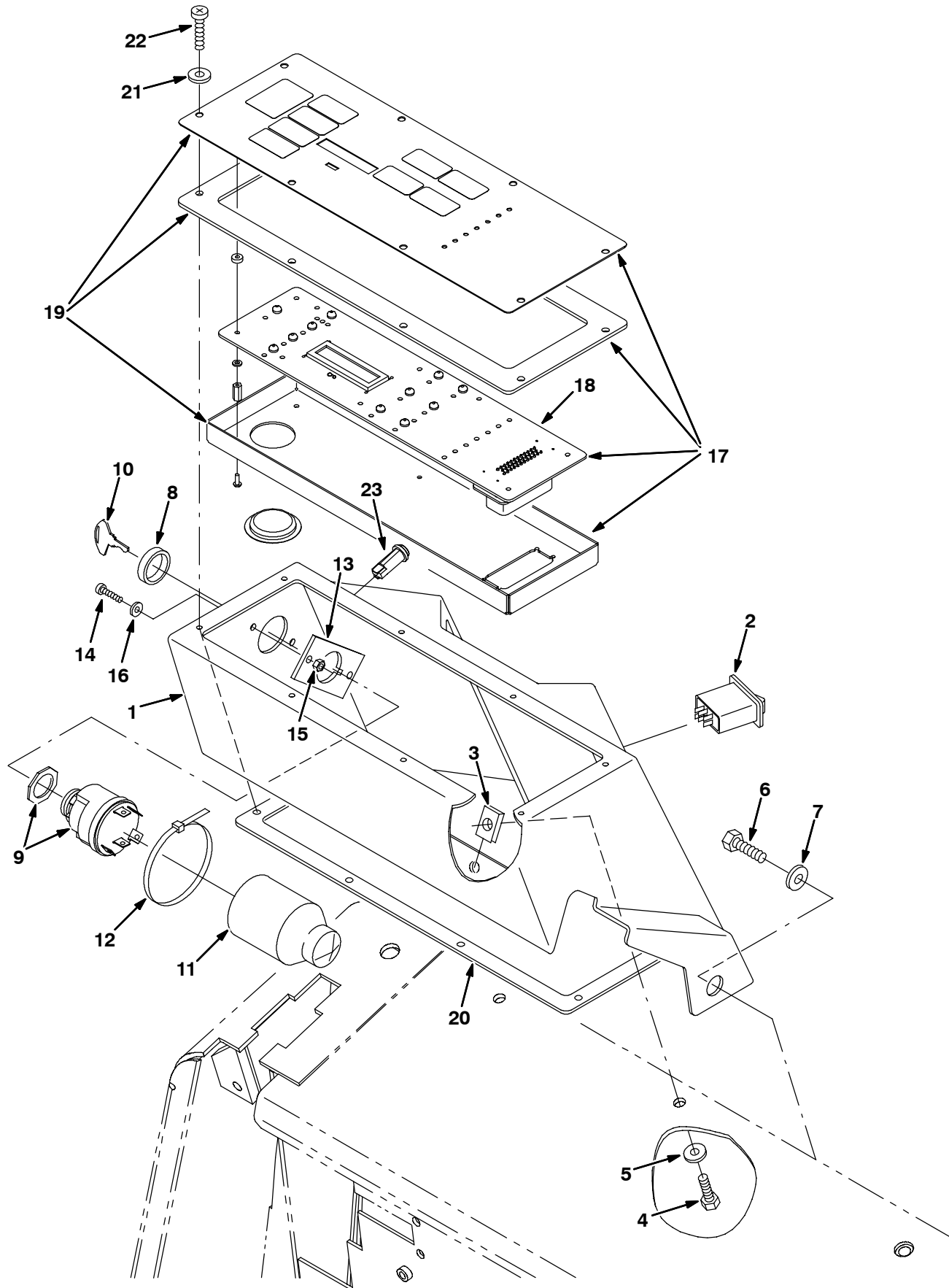


Fig. 12 - Instrument Panel Assembly

Ref.	Part No.	Serial Number	Description	Qty.	
1	1012906	(000000-	) Panel, Instmt [6650]	1	
2	392171	(000000-	) Switch, Rocker, 36vdc 05a Dpdt On/Of/On	1	
3	12271	(000000-	) Nut, U, M06 X 1.0	2	
4	06944	(000000-	) Screw, Hex, M 6 X 1.0 X 25, 8.8	2	
5	32490	(000000-	) Washer, Flat, 0.25 Std	2	
6	16735	(000000-	) Screw, Hex, M 8 X 1.25 X 16, 8.8	2	
7	32491	(000000-	) Washer, Flat, 0.31 Std	2	
8	382516	(000000-	) Boot, Switch	1	
▽	9	87536	(000000-	) Switch, Ign	1
▲	10	87866	(000000-	) Key, Ignition, [Set Of 2]	1
11	383165	(000000-	) Boot, Switch, Ignition	1	
12	49263	(000000-	) Tie, Cable, Nyl, 11.4l .19w 3.0 Max D	1	
13	19768	(000000-	) Plate	1	
14	06933	(000000-	) Screw, Pan, M 5 X 0.8 X 16, 4.8	2	
15	06549	(000000-	) Nut, Hex, Lock, M 5 X 0.8, NI	2	
16	19066	(000000-	) Washer, Flt, #10	2	
▽	17	1012947	(000000-	) Panel Assy, Instmt [6650 E-Controls]	1
▲	18	9000475	(000000-	) Circuitboard Kit, Replmt [6650 E-Cntrls]	1
▲	19	377294	(000000-	) Kit, Replmt, Overlay [6650]	1
20	1012871	(000000-	) Plate, Retainer	1	
21	1012615	(000000-	) Washer, .19b .44b .03, Nyl	8	
22	06933	(000000-	) Screw, Pan, M5 X 0.8 X 16, 4.8	8	
23	34820	(000000-	) Light, Panl, 14vdc, Red, 0.6d	1	

Fig. 13 - Side Instrument Panel Group

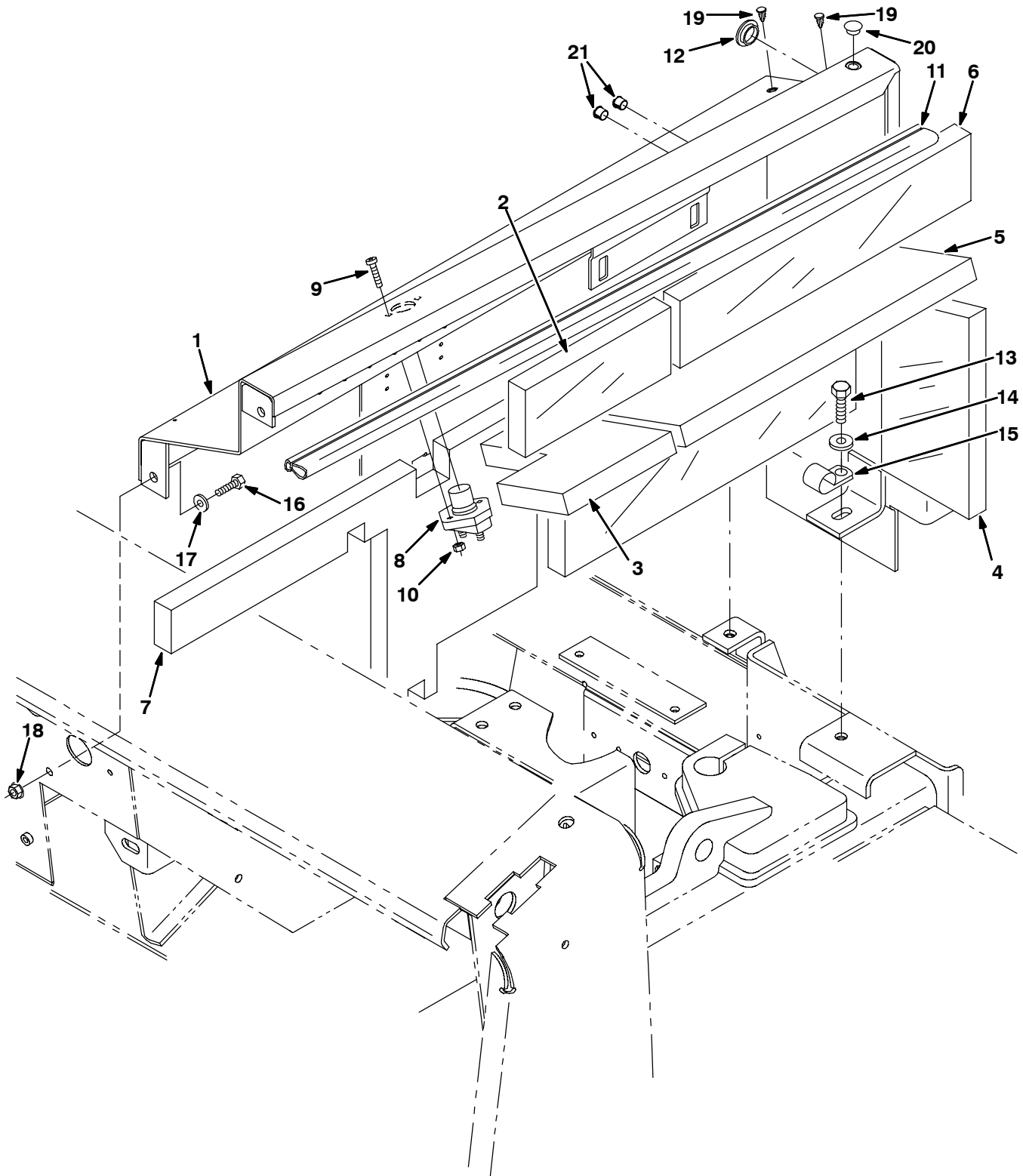




Fig. 13 - Side Instrument Panel Group

Ref.	Part No.	Serial Number	Description	Qty.
1	1014363	(000000-	) Panel, Wldt, Instmt, Side [6650]	1
2	1009218	(000000-	) Insulation, Acstc	1
3	1009221	(000000-	) Insulation, Acstc	1
4	59622	(000000-	) Insulation, Acstc, 1.0 03.5w 10.5l Adh	1
5	59621	(000000-	) Insulation, Acstc, 1.0 15.5w 17.5l	1
6	59623	(000000-	) Insulation, Acstc, 1.0 02.0w 17.5l Adh	1
7	1008262	(000000-	) Insulation, Acstc	1
8	44078	(000000-	) Switch, Push, 12vdc 80a Spst No	1
9	09164	(000000-	) Screw, Pan, M 6 X 1.0 X 20, 4.8	2
10	08708	(000000-	) Nut, Hex, Lock, M 6 X 1.0, NI	2
11	59647	(000000-	) Seal, Bulb,[Sd-0504], 36.50L	3
12	55035	(000000-	) Button, Plug, 1.00h .00-.17 [Black Nyl]	2
13	39284	(000000-	) Screw, Hex, M10 X 1.5 X 35, 8.8	2
14	32492	(000000-	) Washer, Flat, 0.38 Std	2
15	69234	(000000-	) Clamp, Cable, Stl, 1.00d X 0.62w, 1h	2
16	76570	(000000-	) Screw, Hex, M 8 X 1.25 X 30, 8.8	2
17	32491	(000000-	) Washer, Flat, 0.31 Std	2
18	07791	(000000-	) Nut, Hex, Flng, M08 X 1.25	2
19	77399	(000000-	) Clip, [Pine-Tree], .236h, Plstc	2
20	01314	(000000-	) Button, Plug, 0.38h .03-.12 [Black Nyl]	2
21	33807	(000000-	) Button, Plug, 0.44h .03-.12 [Black Nyl]	2

**Fig. 14 - Electrical Group**

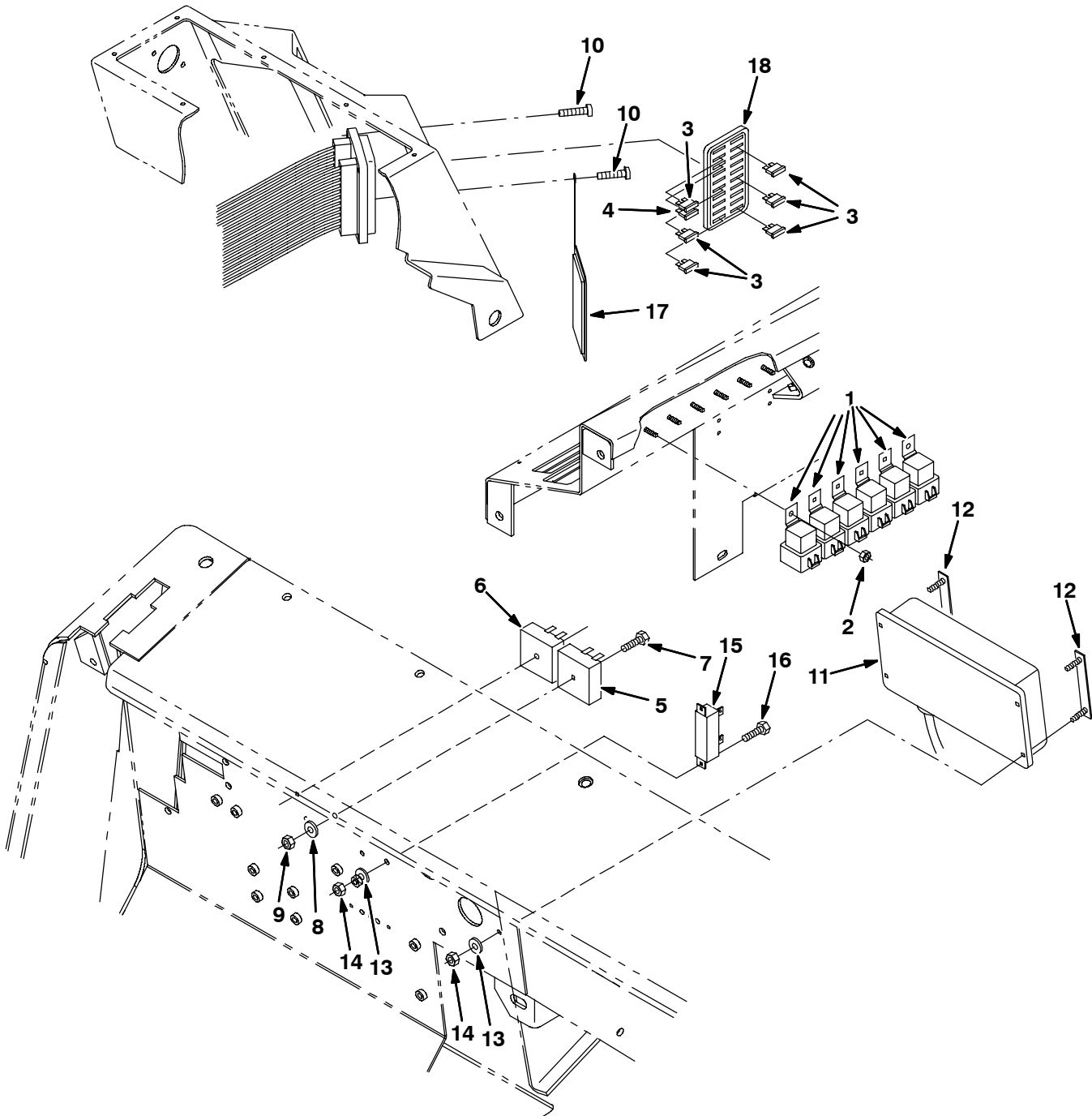


Fig. 14 - Electrical Group

Ref.	Part No.	Serial Number	Description	Qty.
1	56186	(000000-	) Relay, 12vdc, 40a, Spdt N/O	6
2	08708	(000000-	) Nut, Hex, Lock, M 6 X 1.0, NI	6
3	762514	(000000-	) Fuse, 15 Amp	6
4	1009161	(000000-	) Fuse, 40a	1
5	379665	(000000-	) Module	1
6	379656	(000000-	) Timer	1
7	07805	(000000-	) Screw, Hex, M 6 X 1.0 X 35, Ss	2
8	32483	(000000-	) Washer, Flat, 0.25 Sae	2
9	08712	(000000-	) Nut, Hex, Lock, M 6 X 1.0, NI, Ss	2
10	39254	(000000-	) Screw, Pan, #10-32 X 0.38, 2	4
11	374763	(000000-	) Control, Govnr, [2000 All Purpose]	1
12	59935	(000000-	) Plate	2
13	19066	(000000-	) Washer, Flt, #10	6
14	06549	(000000-	) Nut, Hex, Lock, M 5 X 0.8, NI	6
15	71539	(000000-	) Resistor, 022.00Ohm, 040Watt	1
16	09244	(000000-	) Screw, Hex, M5X0.8X16, 8.8	2
17	371904	(000000-	) Cover, Fuseholder	1
18	9000267	(000000-	) Fuse Block	1

Fig. 15 - Engine and Governor Group

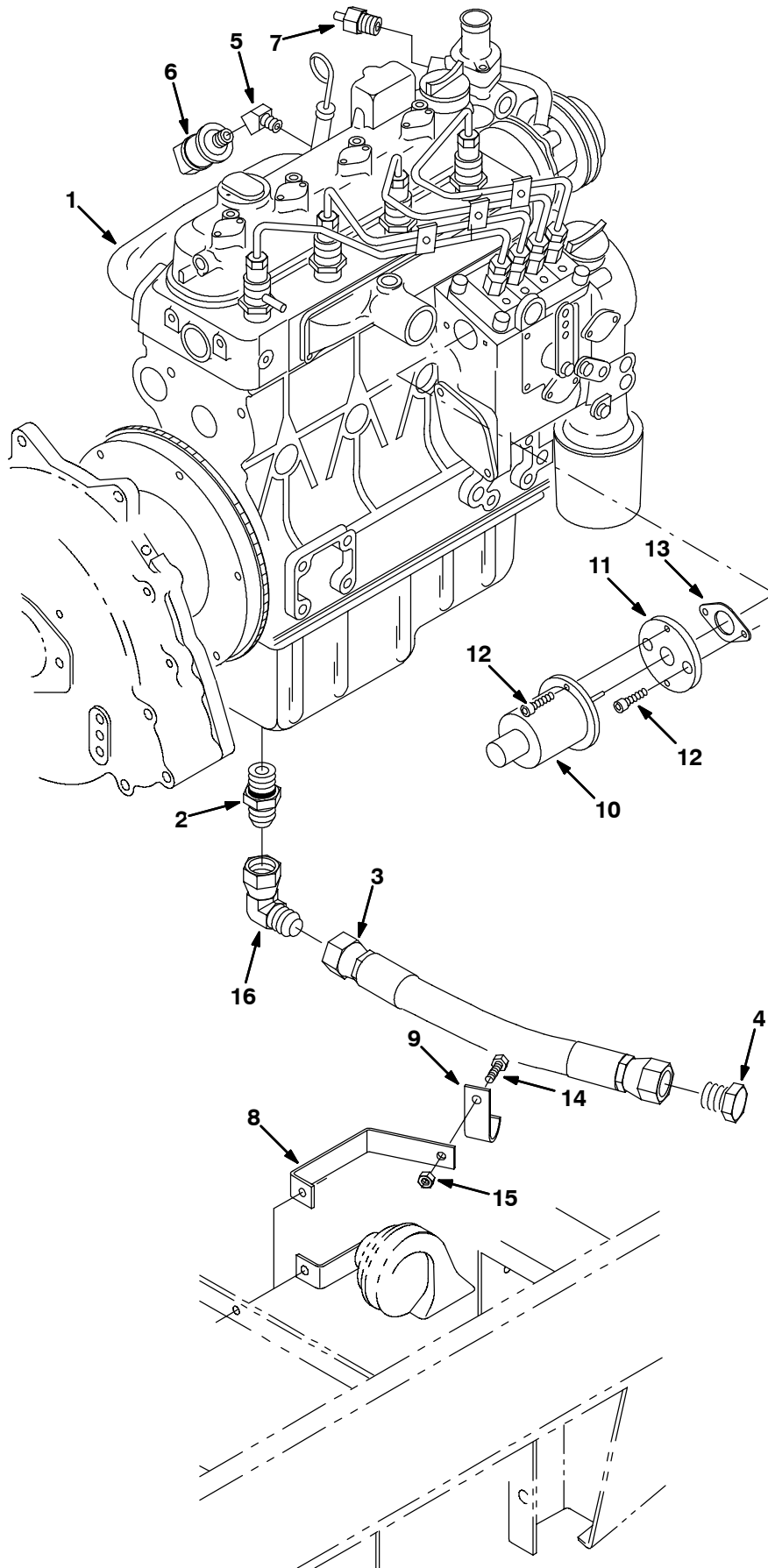


Fig. 15 - Engine and Governor Group

Ref.	Part No.	Serial Number	Description	Qty.
1	84625	(000000-	) Engine, Kubo, Dsl, 37hp [E Series] (See Engine Breakdown)	1
2	1015631	(000000-	) Fitting, Hyd, Str, Spcl	1
3	59891	(000000-	) Hose, Hyd,Low12, Jf12str /Jf12str , 10.0	1
4	59885	(000000-	) Fitting, Hyd, Plug, Jm12	1
5	24976	(000000-	) Fitting, Brs, E45, Pm02/Pf02	1
6	79399	(000000-	) Switch, Press, 12vdc 02a Dpdt N 0006psi	1
7	60711	(000000-	) Sensor, Temp, Water, 06pmt 235deg [Fd]	1
8	374511	(000000-	) Bracket, Clamp, Drain Hose	1
9	30407	(000000-	) Clip, Keeper, Open	1
10	71385	(000000-	) Actuator, Govnr, Dsl	1
11	393401	(000000-	) Adaptor, Actuator, Govnr, Eng, Dsl	1
12	71388	(000000-	) Screw, Soc, M 6 X 1.0 X 16, 12.9	4
13	70165	(000000-	) Gasket, Solenoid, Throttle [Ku] 16299	1
14	16931	(000000-	) Screw, Hex, M 8 X 1.25 X 20, 8.8	1
15	07791	(000000-	) Nut, Hex, Flng, M08 X 1.25	1
16	35033	(000000-	) Fitting, Hyd, E90, Jf12/Jm12	1

**Fig. 16 - Engine Mount Group**

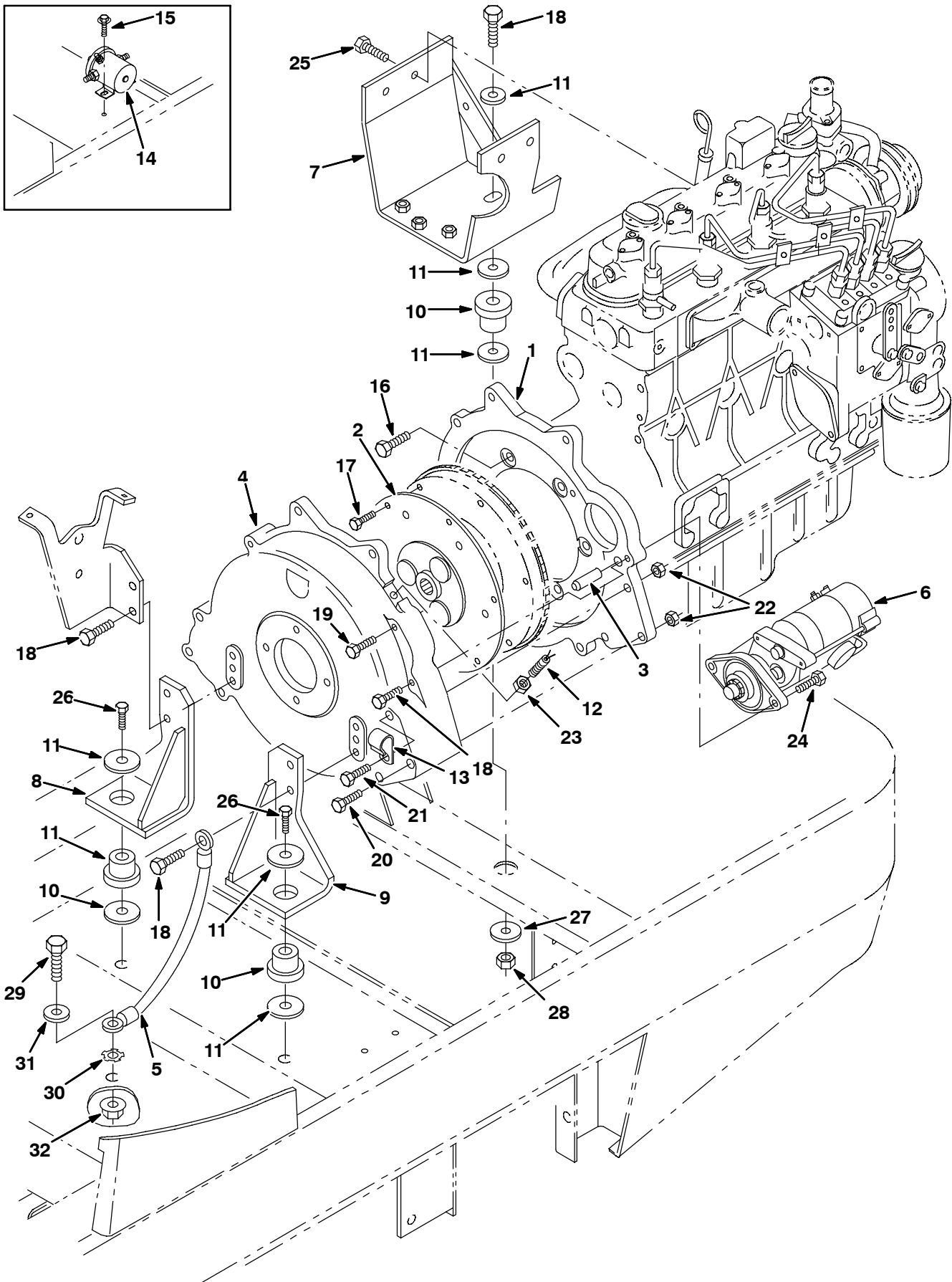


Fig. 16 - Engine Mount Group

Ref.	Part No.	Serial Number	Description	Qty.
1	55837	(000000-	) Housing, Flywheel, Mach, [1505] Kubo	1
2	19252	(000000-	) Coupling, Drive, Flex, 9.5d/13tooth	1
3	54911-16	(000000-	) Pin, Dowel, Cyl.Block To Flywhl.Hsg.	2
4	58566	(000000-	) Housing, Flywheel, Mach, [1505] Kubo	1
5	57773	(000000-	) Wire Assy, 06ga 13.0l Blk .41h/ .41h	1
6	74405	(000000-	) Motor, Starter, 12vdc (See Engine Breakdown)	1
7	55831	(000000-	) Bracket Wldt, Mtg, Eng, Front, Kubo	1
8	57755	(000000-	) Bracket Wldt, Mtg, Eng, Dis, Rear, Rh	1
9	57754	(000000-	) Bracket Wldt, Mtg, Eng, Dis, Rear, Lh	1
10	51176	(000000-	) Isolator, Vib, Dia .50	3
11	04414	(000000-	) Washer, 0.53b 1.88d .12, Stl, PI	6
12	59946	(000000-	) Magnet, Pickup	1
13	30407	(000000-	) Clip, Keeper, Open	1
14	375117	(000000- xxxxxx )	Relay, 12vdc, 100a, Spdt N/O [Camdec]	1
15	361339	(000000- xxxxxx )	Screw, Hex, M 6 X 1.0 X 16, Fmg	2
16	07299	(000000-	) Screw, Hex, M10 X 1.25 X 25, 8.8	6
17	16735	(000000-	) Screw, Hex, M 8 X 1.25 X 16, 8.8	6
18	39283	(000000-	) Screw, Hex, M10 X 1.5 X 25, 8.8	7
19	39284	(000000-	) Screw, Hex, M10 X 1.5 X 35, 8.8	4
20	06537	(000000-	) Screw, Hex, M10 X 1.5 X 120, FI	2
21	06966	(000000-	) Screw, Hex, M10 X 1.5 X 110, 8.8	4
22	41430	(000000-	) Nut, Hex, Lock, M10 X 1.5, NI	6
23	20171	(000000-	) Nut, Hex, Jam, .38-24	1
24	76570	(000000-	) Screw, Hex, M 8 X 1.25 X 30, 8.8	2
25	58286	(000000-	) Screw, Hex, M10 X 1.25 X 20, 8.8	4
26	06972	(000000-	) Screw, Hex, M12 X 1.75 X 60, 8.8	3
27	32493	(000000-	) Washer, Flat, 0.50 Std	1
28	08711	(000000-	) Nut, Hex, Lock, M12 X 1.75,NI	1
29	06943	(000000-	) Screw, Hex, M 6 X 1.0 X 20, 8.8	1
30	41140	(000000-	) Washer, Lock, Int-Ext, .25	1
31	32490	(000000-	) Washer, Flat, 0.25 Std	1
32	07790	(000000-	) Nut, Hex, FIng, M06 X 1.0	1

Fig. 17 - Engine Air Cleaner Group

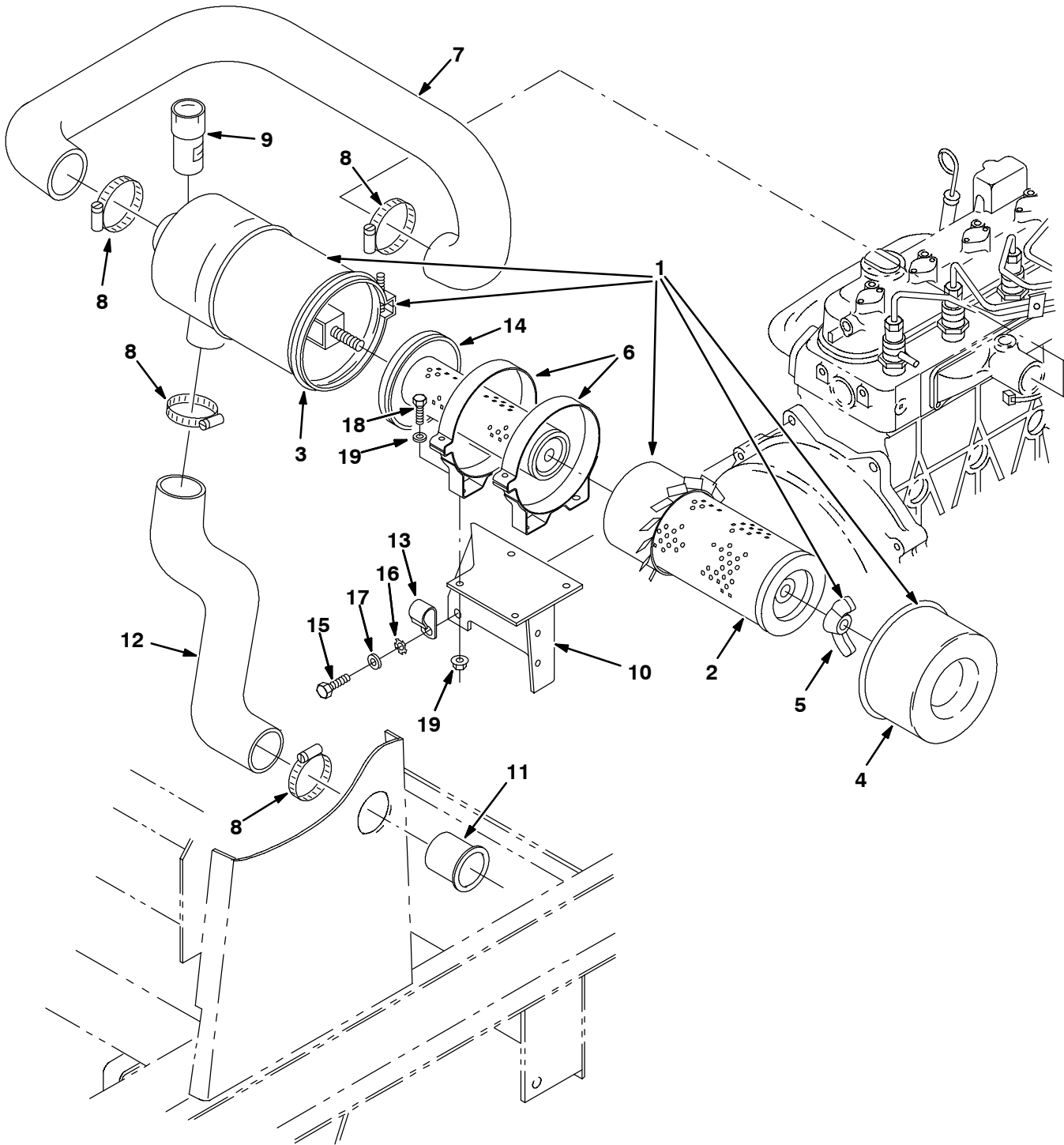




Fig. 17 - Engine Air Cleaner Group

Ref.	Part No.	Serial Number	Description	Qty.
▽	1	58538	(000000- ) Filter Assy, Air, 2.0inlet	1
▲	2	58120	(000000- ) Element, Fltr, Air, [Dn#P133298]	1
▲	3	02740	(000000- ) Clamp Assy, Fltr, Air	1
▲	4	02741	(000000- ) Cup Assy, Fltr, Air	1
▲	5	07562	(000000- ) Nut, Wing, .44-20, Special	1
	6	51560-3	(000000- ) Strap, Band, Mtg, Air Fltr, 5.3d	2
	7	58090	(000000- ) Hose, Intake, Mold, 2.00id 1.75id,[Epdm]	1
	8	14432	(000000- ) Clamp, Hose, Wormdrive, 1.81-2.75d	4
	9	03026	(000000- ) Indicator, Filter, Air	1
	10	53783	(000000- ) Bracket, Mtg, Air Fltr, [Ford/Kubota]	1
	11	58346	(000000- ) Tube, Intake, 2.0d 02.0l Flange	1
	12	59811	(000000- ) Hose, Intake, Mold, 2.00id 2.00id,[Epdm]	1
	13	30407	(000000- ) Clip, Keeper, Open	1
	14	58121	(000000- ) Element, Fltr, Air, [Ar#Arm-11-87]	1
	15	39284	(000000- ) Screw, Hex, M10 X 1.5 X 35, 8.8	1
	16	41142	(000000- ) Washer, Lock, Int-Ext, .38	1
	17	32485	(000000- ) Washer, Flat, .38 Sae	1
	18	16931	(000000- ) Screw, Hex, M8X1.25X20, 8.8	4
	19	07791	(000000- ) Nut, Hex, Flng, M8X1.25	4

Fig. 18 - Engine Alternator and Engine Fan Group

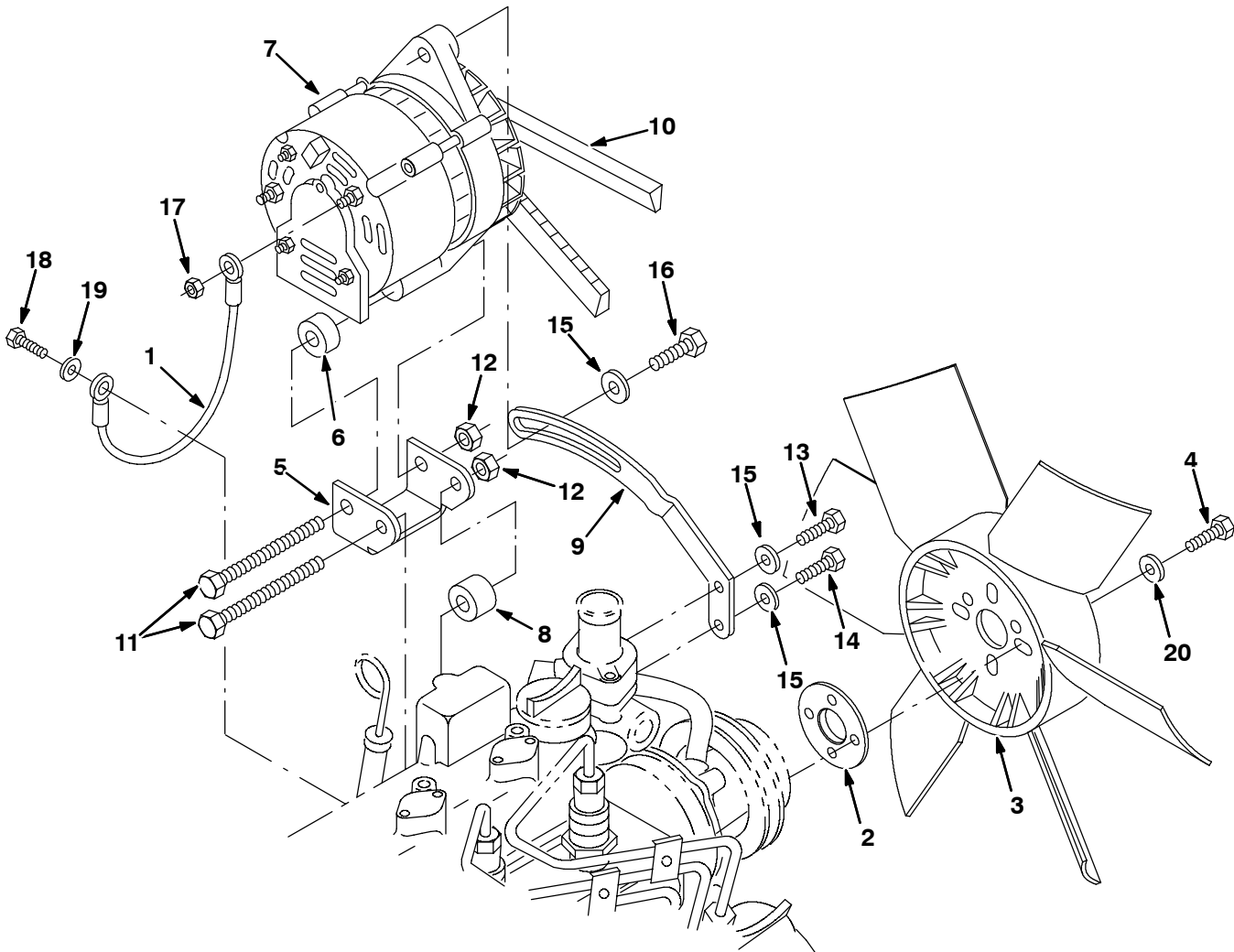


Fig. 18 - Engine Alternator and Engine Fan Group

Ref.	Part No.	Serial Number	Description	Qty.
1	82731	(000000-	) Wire, 10ga 09.0l Blk .41ring /#10ring	1
2	30569	(000000-	) Spacer, Fan, Eng, 2.3d 0.1 0.95b 1.10d	1
3	30559	(000000-	) Fan, Cooling, 14.2d, 6 Blade, 1.8d Bc	1
4	06942	(000000-	) Screw, Hex, M 6 X 1.0 X 16, 8.8	4
5	55855	(000000-	) Bracket, Mtg, Alternator	1
6	55863	(000000-	) Tube, 01.00d 00.28b 00.5l Stl Plt	1
7	392611	(000000-	) Alternator, 12vdc 075a	1
8	07274	(000000-	) Tube, 01.00d 00.44b 00.7l Stl Plt	1
9	55856	(000000-	) Arm, Alternator, [Curved], 6.5r	1
10	58327	(000000-	) Belt, V, [3v] 41.0l [Hc41]	1
11	35710	(000000-	) Screw, Hex, .38-16 X 3.75, 5	2
12	59156	(000000-	) Nut, Hex, Lock, .38-16, NI, Ss	2
13	06943	(000000-	) Screw, Hex, M 6 X 1.0 X 20, 8.8	1
14	06548	(000000-	) Screw, Hex, M 6 X 1.0 X 60, 8.8	1
15	32483	(000000-	) Washer, Flat, 0.25 Sae	3
16	06953	(000000-	) Screw, Hex, M 6 X 1.0 X 100, 8.8	1
17	45181	(000000-	) Nut, Hex, Lock, #10-24, NI	1
18	16735	(000000-	) Screw, Hex, M 8 X 1.25 X 16, 8.8	1
19	41142	(000000-	) Washer, Lock, Int-Ext, .38	1
20	19066	(000000-	) Washer, Flt, #10	4

Fig. 19 - Engine Muffler Group

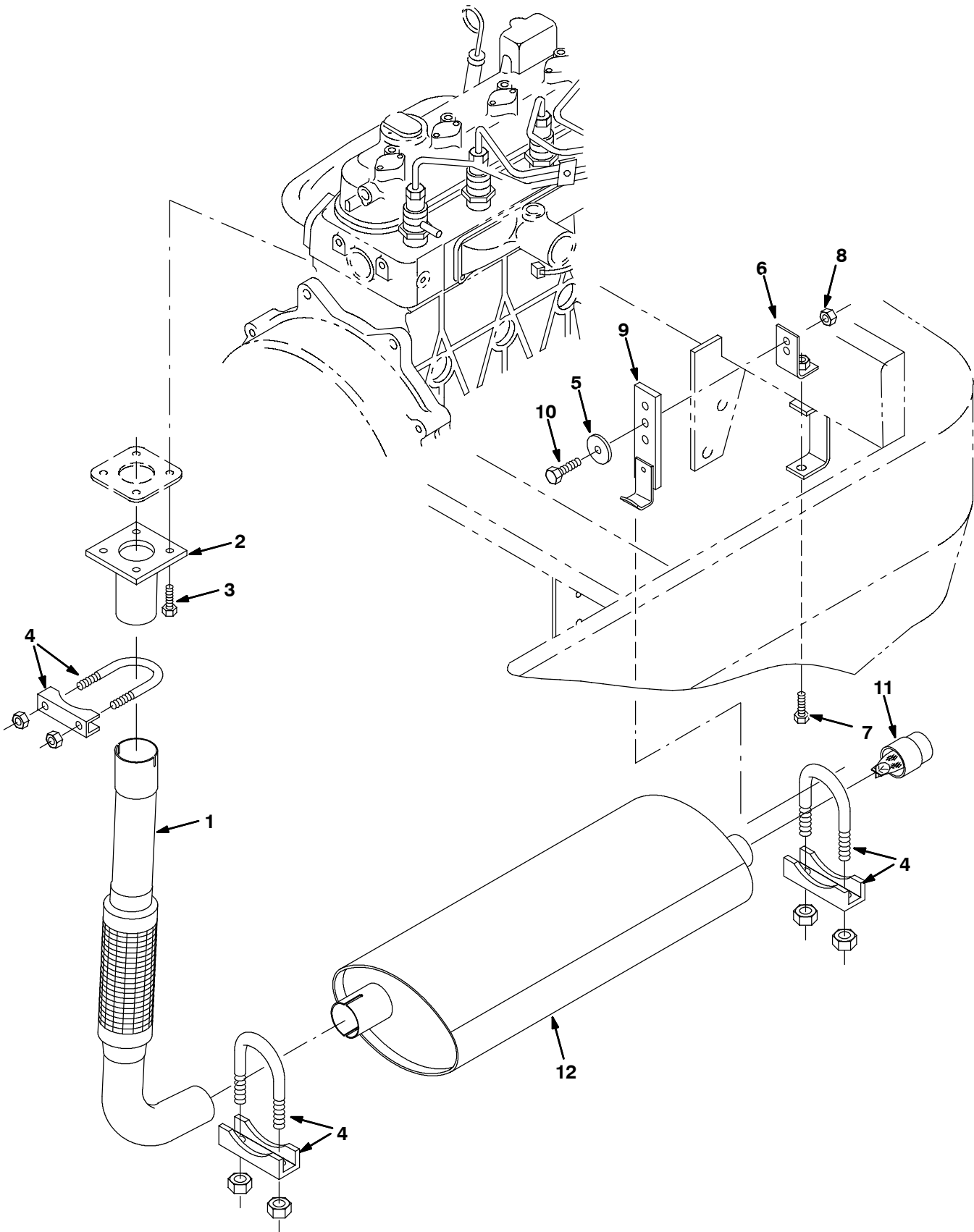


Fig. 19 - Engine Muffler Group

Ref.	Part No.	Serial Number	Description	Qty.
1	369782	(000000-	) Tube Wldt, Exhaust, 1.6d W/ Flex Lh	1
2	74452	(000000-	) Tube Wldt, Exhaust, 1.5d 4h Flng	1
3	16931	(000000-	) Screw, Hex, M 8 X 1.25 X 20, 8.8	2
4	24012	(000000-	) Clamp, Muffler, 1.62d	3
5	30013	(000000-	) Washer, Flat, 0.31 Fender	1
6	1010448	(000000-	) Angle, Mtg, Muffler	1
7	16931	(000000-	) Screw, Hex, M 8 X 1.25 X 20, 8.8	1
8	08709	(000000-	) Nut, Hex, Lock, M 8 X 1.25 NI	1
9	374691	(000000-	) Strap, Muffler Hanger	1
10	39277	(000000-	) Screw, Hex, M 8 X 1.25 X 25, 8.8	1
11	1009681	(000000-	) Screen, Sparkarrest	1
12	33333	(000000-	) Muffler, Exhaust	1

**Fig. 20 - Engine Fuel Tank Group**

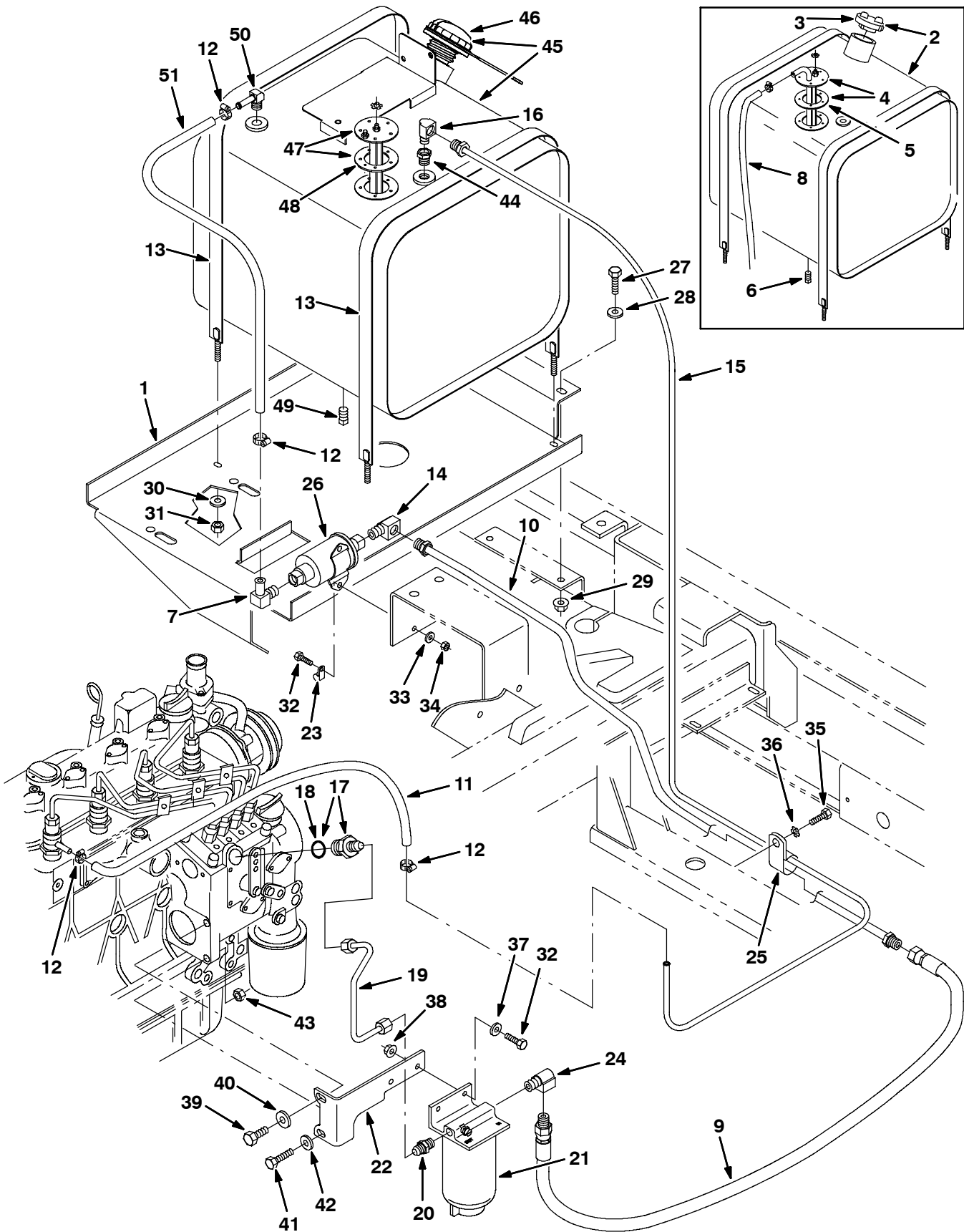


Fig. 20 - Engine Fuel Tank Group

Ref.	Part No.	Serial Number	Description	Qty.
	1	55222	(000000- ) Tray, Mtg, Tank, Fuel	1
▽	2	72191	(000000-014999 ) Tank, Fuel, 9.4 Gal	1
▲	3	48267	(000000-014999 ) Cap, Tank, Fuel, 2.3neck 2.6d	1
▲▽	4	74406	(000000-014999 ) Send-Unit, Fuel, Ohm	1
▲▲	5	14131	(000000-014999 ) Gasket, Sender, Fuel, 2.7d 1.5b 5/ 2.1bc	1
▲	6	48126	(000000-014999 ) Fitting, Pipe, Plug, Pm02 Sq Head	1
	7	53029	(000000- ) Fitting, Brs, E90, Em05/Pm02	1
	8	82509	(000000-014999 ) Hose, Fuel, 0.31id 11.0l	1
	9	70173	(000000- ) Hose, 0050, 04, Im05str /lf05str , 10.0	1
	10	377206	(000000- ) Fuelline, .31d 05if/05if Stl	1
	11	87738	(000000- ) Hose, Fuel, 0.18id 29.0l	1
	12	43844	(000000- ) Clamp, Hose, Wormdrive, 0.25-0.62d	4
	13	87396	(000000- ) Strap Wldt, Tank, .06th X 1.0w, 37.7l	2
	14	15555-1	(000000- ) Fitting, Brs, E90, lf05/Pm02	1
	15	72193	(000000- ) Fuelline, .19d 05if/Bea Stl	1
	16	53078	(000000- ) Fitting, Brs, E90, lf03/Pm02	1
▽	17	58301	(000000- ) Fitting, Hyd, Str, Metric, Om10/Jm04	1
▲	18	77002	(000000- ) Seal, O-Ring, .064 X 00.30id	1
	19	377205	(000000- ) Fuelline Assy, Dsl [6600/6650]	1
	20	06678	(000000- ) Fitting, Hyd, Str, Pm04/Jm04	1
▽	21	1016827	(000000- ) Filter Assy, Fuel, Dsl	1
▲		1017126	(000000- ) Element, Fltr, Fuel [Dn]	1
	22	1010471	(000000- ) Bracket, Mtg, Fltr, Fuel, Dsl	1
	23	46236	(000000- ) Clamp, Cable, Stl, 0.25d X 0.56w, 1h	1
	24	15555-2	(000000- ) Fitting, Brs, E90, lf05/Pm04	1
	25	26395-1	(000000- ) Clamp, Cable, Stl, 0.56d X 0.38w, 1hole	1
	26	59015	(000000- ) Pump, Fuel	1
	27	39277	(000000- ) Screw, Hex, M 8 X 1.25 X 25, 8.8	4
	28	32491	(000000- ) Washer, Flat, 0.31 Std	4
	29	07791	(000000- ) Nut, Hex, Flng, M08 X 1.25	4
	30	32483	(000000- ) Washer, Flat, 0.25 Sae	4
	31	32981	(000000- ) Nut, Hex, Lock, .25-20, NI	4
	32	06943	(000000- ) Screw, Hex, M 6 X 1.0 X 20, 8.8	4
	33	41140	(000000- ) Washer, Lock, Int-Ext, .25	2
	34	08708	(000000- ) Nut, Hex, Lock, M 6 X 1.0, NI	2
	35	74455	(000000- ) Screw, Hex, M 6 X 1.0 X 12, Fmg	1
	36	41140	(000000- ) Washer, Lock, Int-Ext, .25	1
	37	32490	(000000- ) Washer, Flat, 0.25 Std	2
	38	07790	(000000- ) Nut, Hex, Flng, M06 X 1.0	2
	39	58286	(000000- ) Screw, Hex, M10 X 1.25 X 20, 8.8	1
	40	32485	(000000- ) Washer, Flat, .38 Sae	1
	41	76570	(000000- ) Screw, Hex, M 8 X 1.25 X 30, 8.8	1
	42	39349	(000000- ) Washer, Flat, .31 Sae	1
	43	08709	(000000- ) Nut, Hex, M 8 X 1.25 NI	1
	44	17414	(000000- ) Fitting, Hyd, Str, Pf02/Pm04	1

**Fig. 20 - Engine Fuel Tank Group**

	<b>Ref.</b>	<b>Part No.</b>	<b>Serial Number</b>	<b>Description</b>	<b>Qty.</b>
▽	45	1030271	(015000-	) Tank, Fuel, 09.4gal, 14.62w 13.1hi 15.6l	1
▲	46	1032812	(015000-	) Cap, Fuel, Tank	1
▲▽	47	1033900	(015000-	) Send-unit, Fuel	1
▲▲	48	1033897	(015000-	) Gasket, Sender, Fuel	1
▲	49	48126	(015000-	) Fitting, Pipe, Plug, Pm02 Sq Head	1
	50	9000355	(015000-	) Fitting, Brs, E90, Em05/Pm04	1
	51	1033746	(015000-	) Hose, Fuel, 0.31id [Evap Emission 07]	1





Fig. 21 - Engine Radiator Group

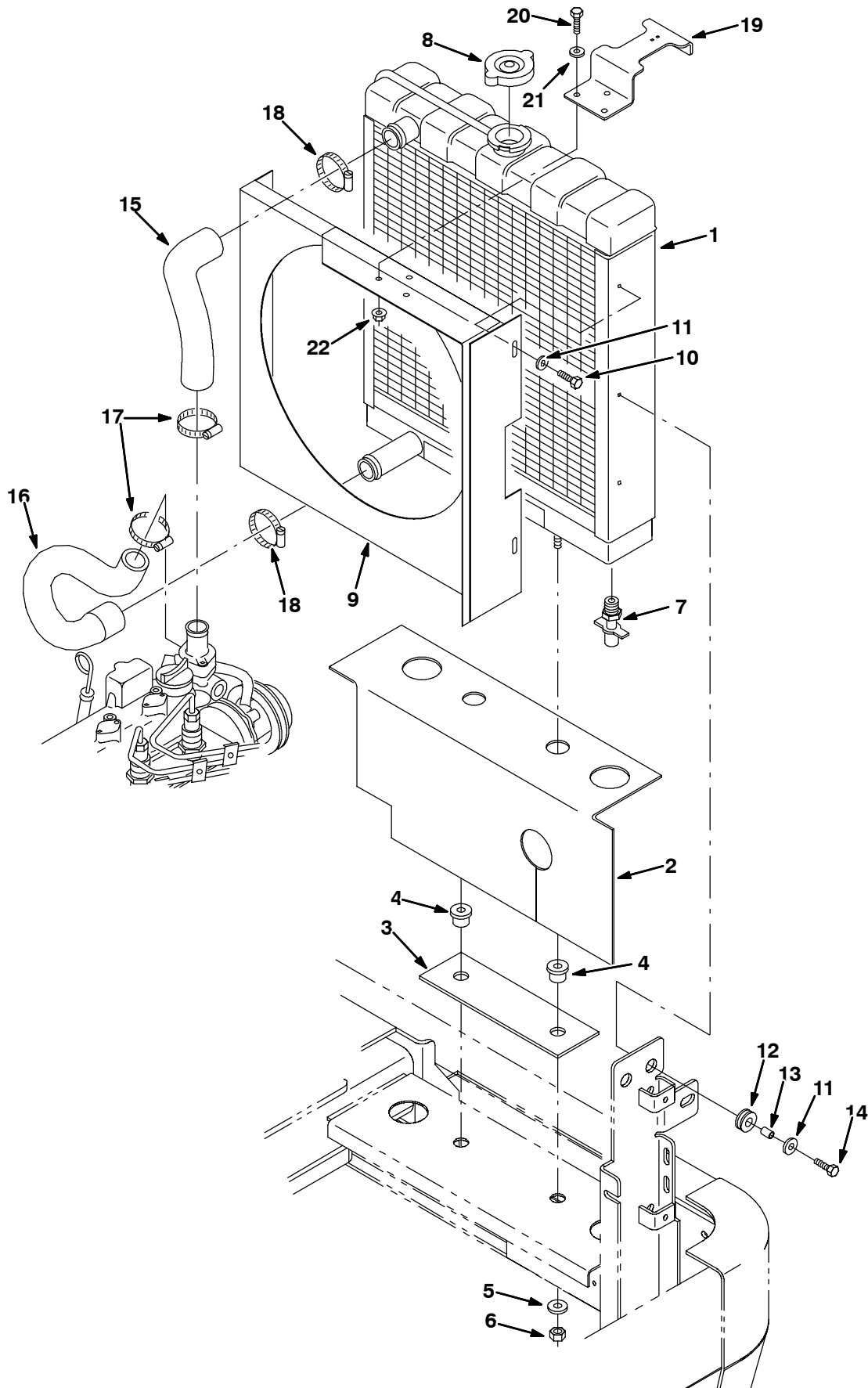


Fig. 21 - Engine Radiator Group

Ref.	Part No.	Serial Number	Description	Qty.
1	1018073	(000000-	) Radiator, [F/ 1018073 Afmkt]	1
2	1008857	(000000-	) Skirt, Deflector, Air	1
3	59551	(000000-	) Bar, Flt, Stl, 0.18 X 3.0 X 10.0 L	1
4	54274	(000000-	) Isolator, Vib, Bshg, 1.1d 0.6l .4b 0.78h	2
5	32492	(000000-	) Washer, Flat, 0.38 Std	2
6	41430	(000000-	) Nut, Hex, Lock, M10 X 1.5, NI	2
7	54911-32	(000000-	) Fitting, Draincock, .25npt	1
8	1032822	(000000-010326	) Cap, Radiator, 7psi	1
8	1045764	(010327-	) Cap, Radiator, 14psi [Stant]	1
9	1016630	(000000-	) Guard, Belt, Fan, Dsl, W/Label	1
10	87308	(000000-	) Screw, Hex, M 6 X 1.0 X 12, 8.8	3
11	32490	(000000-	) Washer, Flat, 0.25 Std	4
12	86727	(000000-	) Grommet, Rbr, 0.50id, F/ 0.8h, .19matl	1
13	59881	(000000-	) Tube, 00.38d 00.28b 00.6l Stl	1
14	06944	(000000-	) Screw, Hex, M 6 X 1.0 X 25, 8.8	1
15	55857	(000000-	) Hose, Coolant, Mold, 1.00id To 1.25id	1
16	55858	(000000-	) Hose, Coolant, Mold, 1.00id To 1.25id	1
17	11399	(000000-	) Clamp, Hose, Wormdrive, 0.81-1.50d	2
18	11531	(000000-	) Clamp, Hose, Wormdrive, 1.06-2.00d	2
19	1010476	(010000-	) Bracket, Latch, Dsl	1
20	06942	(010000-	) Screw, Hex, M6 X 1.0 X 16, 8.8	3
21	32485	(010000-	) Washer, Flat, 0.38 Sae	3
22	07790	(010000-	) Nut, Hex, Flng, M6 X 1.0	3

Fig. 22 - Battery Group

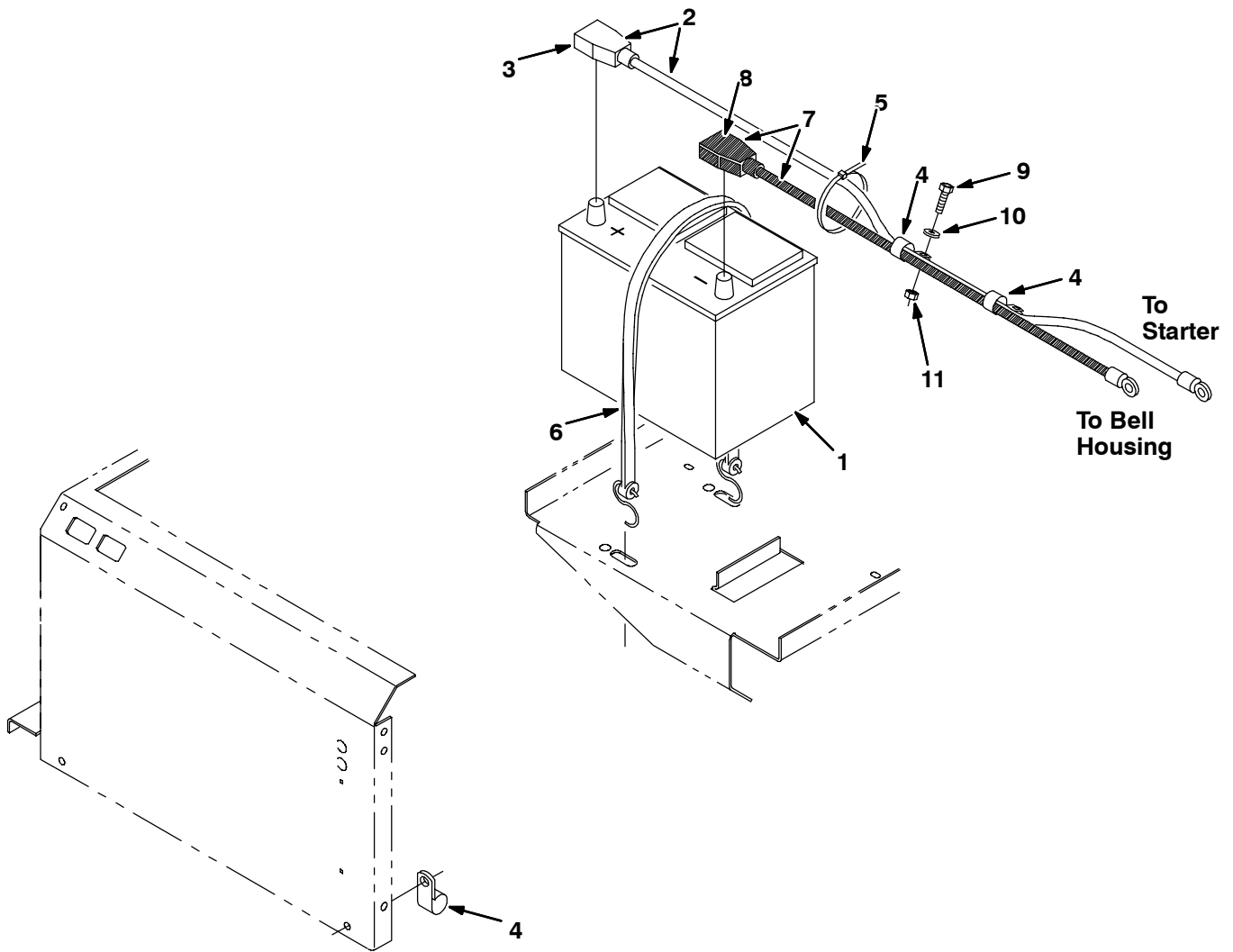


Fig. 22 - Battery Group

Ref.	Part No.	Serial Number	Description	Qty.	
1	10143	(000000-	) Battery, 12vdc, 0600cca, Wet	1	
▽	2	60292	(000000-	) Cable, Battery, Pos 2ga 66.0l .41 Hole	1
▲	3	68873	(000000-	) Boot, Cable, Battery, Red	1
	4	69234	(000000-	) Clamp, Cable, Stl, 1.00d X 0.62w, 1h	3
	5	49266	(000000-	) Tie, Cable, Nyl, 07.3l .19w 1.8 Max D	2
	6	33671	(000000-	) Strap, Rbr, Tie-Down, 2/Hooks 19.0l	1
▽	7	60295	(000000-	) Cable, Battery, Neg 2ga 60.0l .41 Hole	1
▲	8	68872	(000000-	) Boot, Cable, Battery, Black	1
	9	16931	(000000-	) Screw, Hex, M 8 X 1.25 X 20, 8.8	2
	10	39349	(000000-	) Washer, Flat, 0.31 Sae	2
	11	07791	(000000-	) Nut, Hex, Flng, M08 X 1.25	2

**Fig. 23 - Wheel Group, Rear Drive**

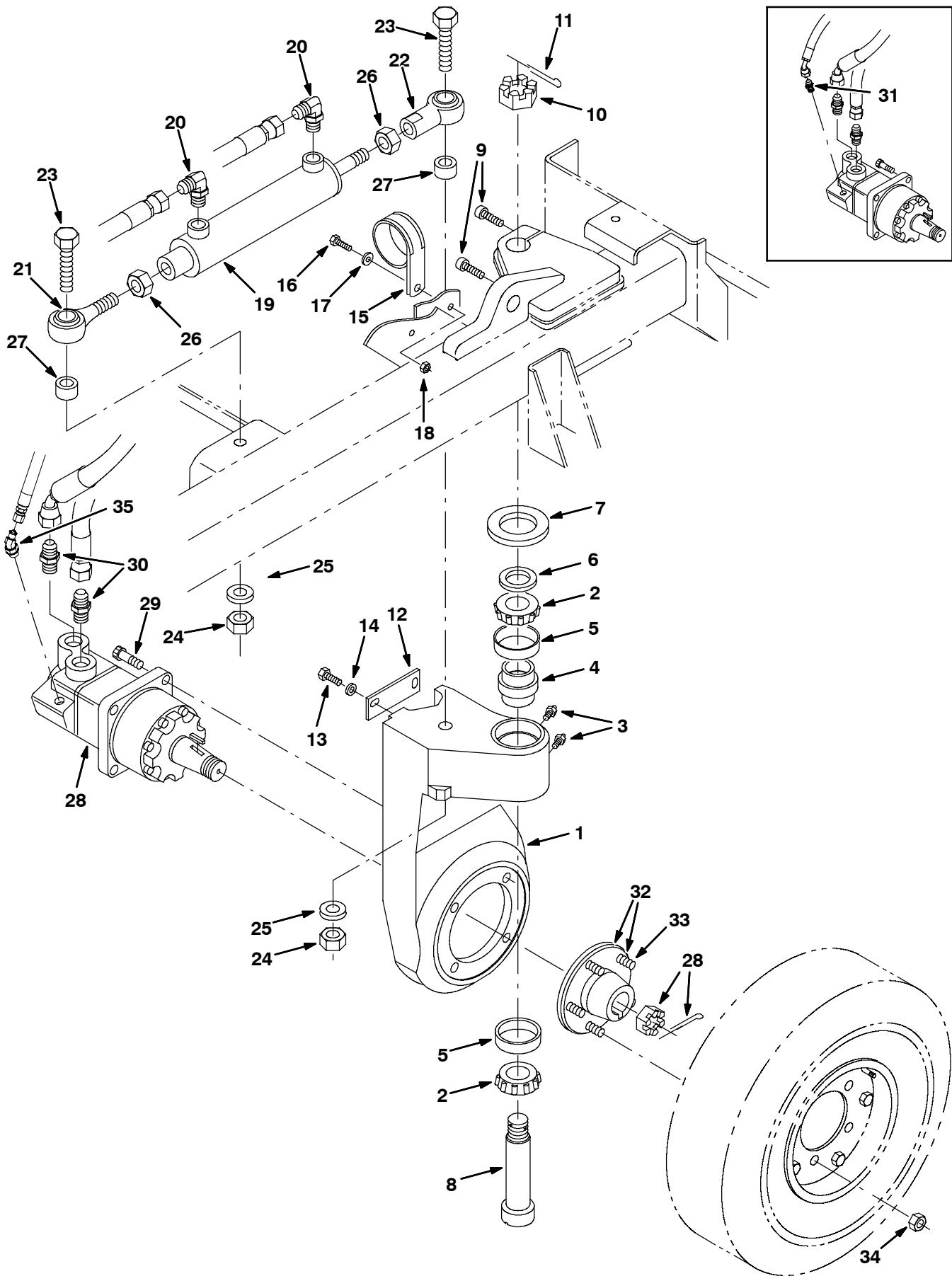


Fig. 23 - Wheel Group, Rear Drive

Ref.	Part No.	Serial Number	Description	Qty.	
1	374561	(000000-	) Housing, Sppt, Drive, Rear	1	
2	51339	(000000-	) Bearing, Cone, 1.38b 0.71w	2	
3	47801	(000000-	) Fitting, Grease, Str Pm04 .63l	2	
4	374560	(000000-	) Seal, Rear Drive Grease Cavity	1	
5	51338	(000000-	) Bearing, Cup, 2.56d 0.55w	2	
6	54051	(000000-	) Washer, 1.39b 2.12d .13, Stl	1	
7	374563	(000000-	) Washer, 2.16b 3.50d .16, Felt	1	
8	73281	(000000-	) Pin	1	
9	72926	(000000-	) Screw, Soc, M16 X 2.0 X 50, 12.9	2	
10	54052	(000000-	) Nut, Hex, Slt'd, 1.12-18	1	
11	08329	(000000-	) Pin, Cotter, .125 X 2.50	1	
12	58842	(000000-	) Bar, Flt, Stl, 0.19 X 1.50 X 04.10l	1	
13	09011	(000000-	) Screw, Hex, M 8 X 1.25 X 30, Ss	2	
14	32491	(000000-	) Washer, Flat, 0.31 Std	2	
15	70157	(000000-	) Clamp, Cable, Ss, 2.50d X 1.00w, 1h	1	
16	09740	(000000-	) Screw, Hex, M 8 X 1.25 X 20, Ss	1	
17	39349	(000000-	) Washer, Flat, 0.31 Sae	1	
18	07791	(000000-	) Nut, Hex, Flng, M08 X 1.25	1	
19	53601	(000000-010886	) Cylinder, Hyd, 2.0b,15.0l,08.00strk,1500 (See Breakdowns)	1	
19	1028492	(010887-	) Cylinder, Hyd, 2.0b,15.0l,08.00strk,1500	1	
20	56820	(000000-	) Fitting, Hyd, E90, Jm06/Om06	2	
21	64886	(000000-	) Rod-End, .75-16rh Mal 0.75b	1	
22	64887	(000000-	) Rod-End, .75-16rh Fem 0.75b	1	
23	374553	(000000-	) Screw, Hex, .75-10 X 3.50, 5	2	
24	43958	(000000-	) Nut, Hex, Std, .75-16	2	
25	39350	(000000-	) Washer, Flat, 0.75 Sae	2	
26	32987	(000000-	) Nut, Hex, Lock, .75-10, NI	2	
27	374552	(000000-	) Tube, 00.75d 00.25b 00.8l Stl Plt	2	
28	379609	(000000-	) Motor, Hyd, Gear, [Int], 19.0 X 3000 (See Breakdowns)	1	
29	19583	(000000-	) Screw, Soc, .50-13 X 1.50, Al	4	
30	42223	(000000-	) Fitting, Hyd, Str, Jm10/Om12	2	
31	55685	(000000-015164	) Fitting, Hyd, Str, Jm04/Om06	1	
▽	32	54087	(000000-	) Hub Assy, Wheel, 5 Bolt 4.50bc Taper B	1
▲	33	32126	(000000-	) Stud, Wheel, .50-20 X 1.50	5
	34	24339	(000000-	) Nut, Wheel, .50-20 X 60 Angle	5
	35	393215	(015165-	) Fitting, Hyd, E45, Jm04/Om06	1

Fig. 24 - Wheel Assembly, Rear

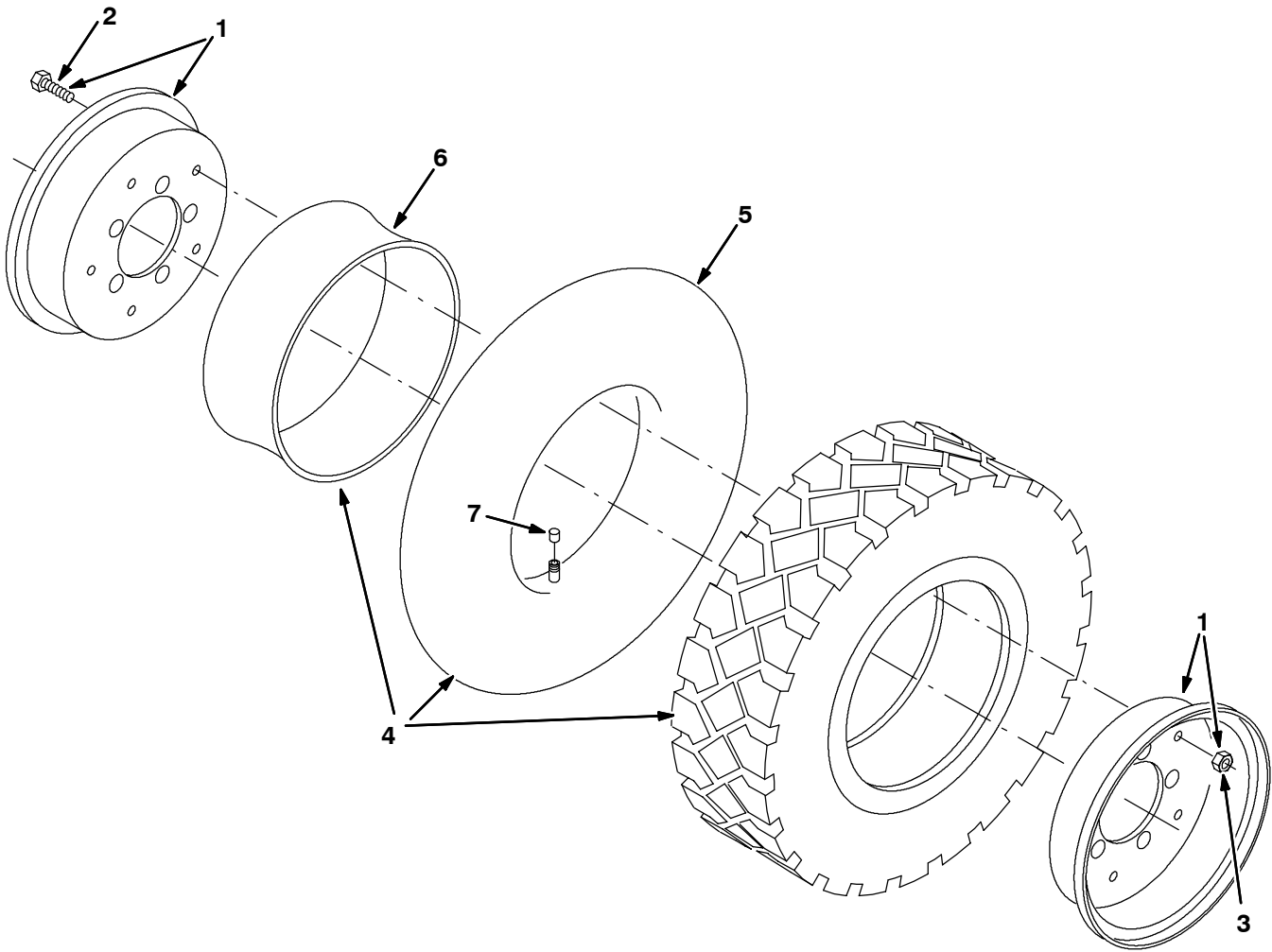




Fig. 24 - Wheel Assembly, Rear

	Ref.	Part No.	Serial Number	Description	Qty.
		70287	(000000-	) Tire Assy, Pneu, 570/500-08 4.5bc/5bolt	1
▲▽	1	53818	(000000-	) Rim Assy, 08 X 3.76 4.5bc/5b	1
▲▲	2	370181	(000000-	) Screw, Hex, M10 X 1.5 X 25, 10.9	5
▲▲	3	41430	(000000-	) Nut, Hex, Lock, M10 X 1.5, NI	5
▲▽	4	53819	(000000-	) Tire, W/Tube & Flap	1
▲▲	5	70280	(000000-	) Innertube, [5.00r-8],[Js2] Valve,[500-8]	1
▲▲	6	53819-2	(000000-	) Flap, Tire/Tube, 570/500-8	1
▲▲	7	45786	(000000-	) Cap, Valve, Tire, Tubeless	1

Fig. 25 - Wheel and Brakes Group, Front

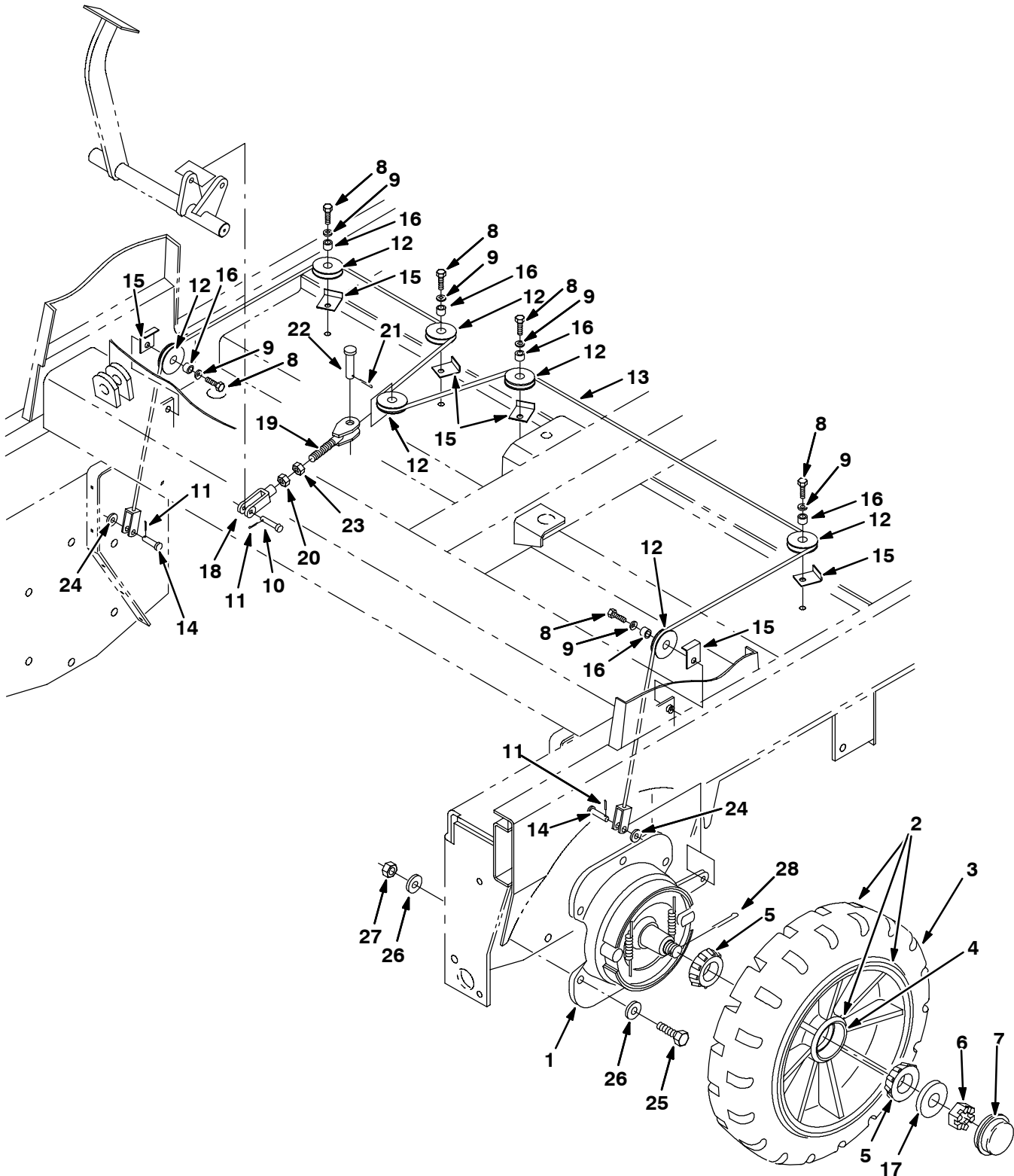


Fig. 25 - Wheel and Brakes Group, Front

Ref.	Part No.	Serial Number	Description	Qty.
▽	1	54577	(000000- ) Brake Assy, Drum, Mech, 07.9d	2
▲		66211	(000000- ) Shoe, Brake	2
▲▽		66213	(000000- ) Kit, Brake	1
▲▲		70161	(000000- ) Shaft	1
▲		70158	(000000- ) Spring	2
▽	2	54437	(000000- ) Tire Assy, Solid, 18.0x5.0 1.56b	2
▲	3	54567	(000000- ) Tire, Solid, 18.0 X 5.0 X 12.1 No Rim	1
▲	4	51338	(000000- ) Bearing, Cup, 2.56d 0.55w	2
	5	51339	(000000- ) Bearing, Cone, 1.38b 0.71w	4
	6	14242	(000000- ) Nut, Hex, Slt'd, 1.00-20	2
	7	54390	(000000- ) Cap, Hub, Dust 2.57d 0.77l	2
	8	09011	(000000- ) Screw, Hex, M 8 X 1.25 X 30, Ss	6
	9	39349	(000000- ) Washer, Flat, 0.31 Sae	6
	10	86240	(000000- ) Pin, Clevis, 0.38 D X 1.13l	1
	11	39005	(000000- ) Pin, Cotter, .094 X 0.75	3
	12	369781	(000000- ) Pulley, Cable, 1.5d, Nyl	7
	13	54617	(000000- ) Cable, .19d, 105.8l, .4clevis/.4clevis	1
	14	09088	(000000- ) Pin, Clevis, 0.37 D X 1.00l	2
	15	54400	(000000- ) Bracket, Angle, Keeper, Cable	6
	16	222460	(000000- ) Sleeve, P/M, 0.496d 0.318b 0.50l 430ss	6
	17	32969	(000000- ) Washer, Flat, 1.00 Sae	2
	18	374710	(000000- ) Clevis, Adj, 0.38pin, 0.50 - 20	1
	19	71373	(000000- ) Clevis Wldt, Adj, .50pin 0.50-20, PI	1
	20	43957	(000000- ) Nut, Hex, Std, .50-20	1
	21	08182	(000000- ) Pin, Cotter, .125 X 1.00	1
	22	58078	(000000- ) Pin, Clevis, 0.50 D X 1.25l	1
	23	48985	(000000- ) Nut, Hex, Jam, .50-20	1
	24	32485	(000000- ) Washer, Flat, .38 Sae	2
	25	06969	(000000- ) Screw, Hex, M12 X 1.75 X 40, 8.8	12
	26	32486	(000000- ) Washer, Flat, 0.50 Sae	24
	27	08711	(000000- ) Nut, Hex, Lock, M12 X 1.75,NI	12
	28	08202	(000000- ) Pin, Cotter, .125 X 1.75	2

Fig. 26 - Brake Lever and Pedal Group

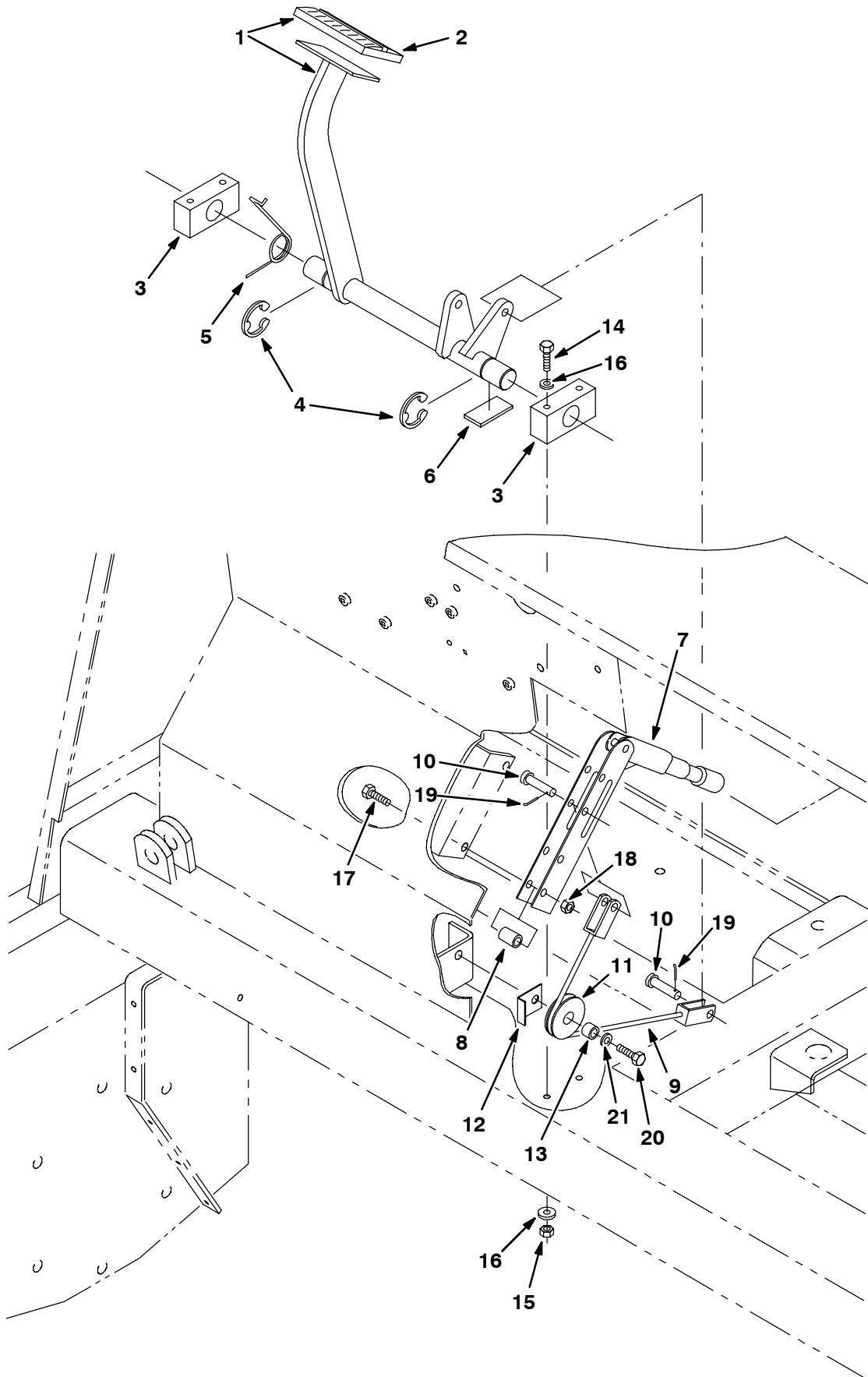


Fig. 26 - Brake Lever and Pedal Group

Ref.	Part No.	Serial Number	Description	Qty.
▽	1	72132	(000000- ) Shaft Assy, Pedal, Brake, W/ Pad	1
▲	2	51109	(000000- ) Pad, Pedal, Brake, 3.9 2.4 0.75t	1
	3	86751	(000000- ) Bearing	2
	4	23788	(000000- ) Ring, Retaining, Ext, 0.98d, [E-Ring]	2
	5	54607	(000000- ) Spring, Tors, 1.13id .12wir 02.3coil Rh	1
	6	69933	(000000- ) Strip, Rbr, 0.13 01.00w 02.0l	1
	7	51545	(000000- ) Lever, Brake, Parking	1
	8	51562	(000000- ) Tube, 00.51d 00.33b 00.8l Stl Plt	2
	9	54616	(000000- ) Cable, .19d, 20.0l, .4clevis/.4clevis	1
	10	86240	(000000- ) Pin, Clevis, 0.38 D X 1.13l	2
	11	369781	(000000- ) Pulley, Cable, 1.5d, Nyl	1
	12	54400	(000000- ) Bracket, Angle, Keeper, Cable	1
	13	222460	(000000- ) Sleeve, P/M, 0.496d 0.318b 0.50l 430ss	1
	14	58979	(000000- ) Screw, Hex, M 6 X 1.00 X 55, Ss	4
	15	08712	(000000- ) Nut, Hex, Lock, M 6 X 1.0, NI, Ss	4
	16	32490	(000000- ) Washer, Flat, 0.25 Std	8
	17	06956	(000000- ) Screw, Hex, M 8 X 1.25 X 45, 8.8	2
	18	08709	(000000- ) Nut, Hex, Lock, M 8 X 1.25 NI	2
	19	39005	(000000- ) Pin, Cotter, .094 X 0.75	2
	20	06955	(000000- ) Screw, Hex, M 8 X 1.25 X 35, 8.8	1
	21	39349	(000000- ) Washer, Flat, 0.31 Sae	1

**Fig. 27 - Directional Pedal Group**

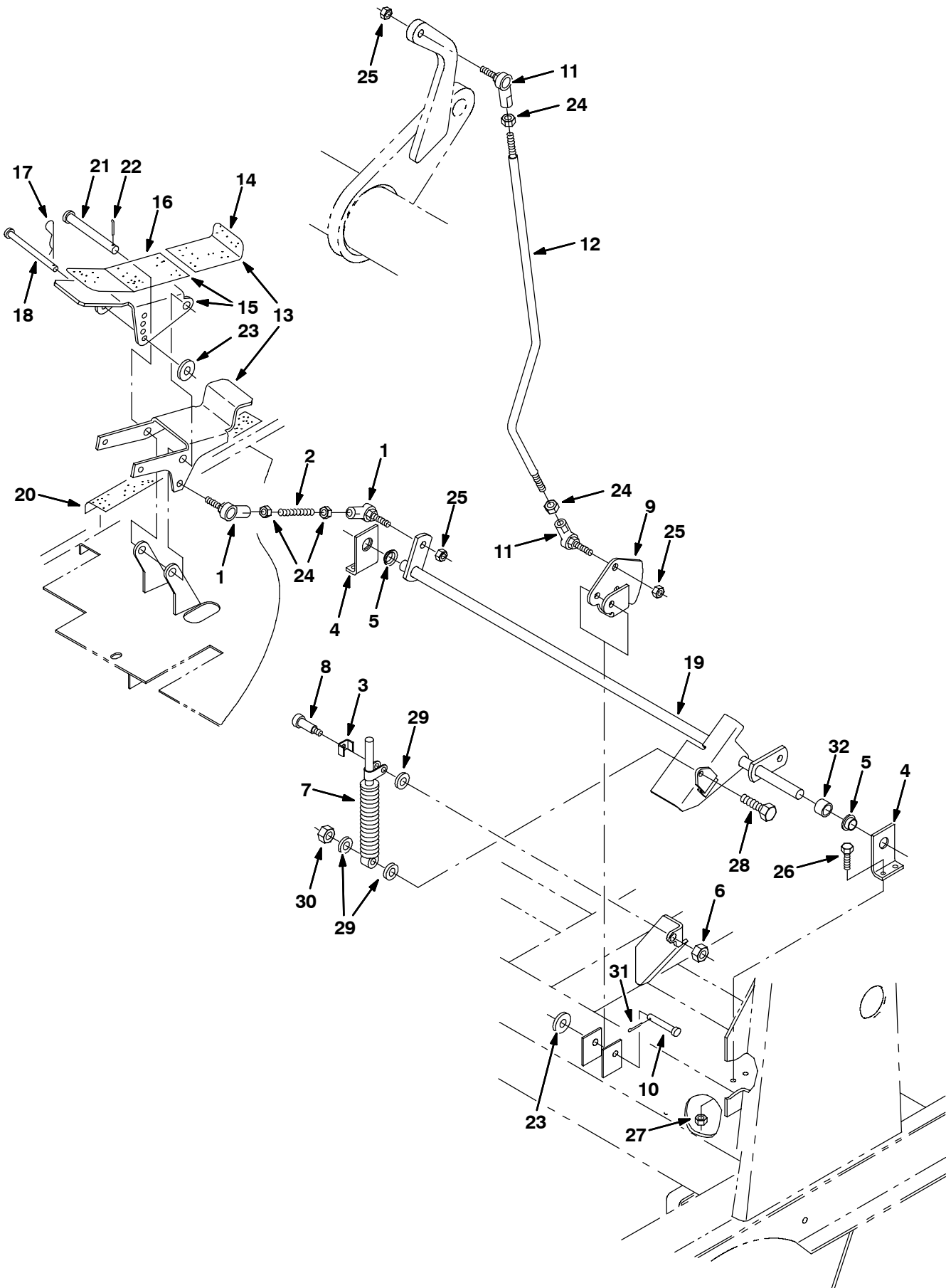


Fig. 27 - Directional Pedal Group

Ref.	Part No.	Serial Number	Description	Qty.	
1	05686	(000000-	) Rod-End, M10 X 1.5rh Fem M10 X 1.5stud	2	
2	54996	(000000-	) Rod, Thrd, Full, M10x1.5 03.3l	1	
3	84170	(000000-	) Bracket, Retainer, Safety	1	
4	53927	(000000-	) Bracket, Sppt, Control Rod	2	
5	04843	(000000-	) Bushing, Flng, 0.63b 0.72d 0.25l	2	
6	75934	(000000-	) Nut, Hex, Lock, .25-20, NI	1	
7	73411	(000000-	) Shock Absorber, 2.3 Strk	1	
8	16213	(000000-	) Bolt, Shld, .31d X 1.00, .25-20	1	
9	379732	(000000-	) Bracket, Speed Limiter	1	
10	51813	(000000-	) Pin, Clevis, 0.37 D X 2.12l	1	
11	05686	(000000-	) Rod-End, M10 X 1.5rh Fem M10 X 1.5stud	2	
12	374520	(000000-	) Rod, Thrd, Limiter,Speed, M10x1.5	1	
▽	13	72130	(000000-	) Pedal, Propel, Lower, W/ Tread	1
▲	14	75430	(000000-	) Tread, Non-Skid, 02.2w 15.5l	1
▽	15	72131	(000000-	) Pedal, Propel, Upper, W/ Tread	1
▲	16	75430	(000000-	) Tread, Non-Skid, 02.2w 15.5l	1
17	44906	(000000-	) Pin, Hair Cotter, 0.69 D .092 Wir	1	
18	59672	(000000-	) Pin, Clevis, 0.37 D X 4.50l	1	
19	74475	(000000-	) Shaft Wldt, Propel	1	
20	75430	(000000-	) Tread, Non-Skid, 02.2w 15.5l	1	
21	59668	(000000-	) Pin, Clevis, 0.50 D X 4.50l	1	
22	08012	(000000-	) Pin, Clevis, 0.50 D X 4.50l	1	
23	32492	(000000-	) Washer, Flat, 0.38 Std	2	
24	39312	(000000-	) Nut, Hex, Std, M10 X 1.5	4	
25	41430	(000000-	) Nut, Hex, Lock, M10 X 1.5, NI	4	
26	06943	(000000-	) Screw, Hex, M 6 X 1.0 X 20, 8.8	4	
27	07790	(000000-	) Nut, Hex, Flng, M06 X 1.0	4	
28	41342	(000000-	) Screw, Hex, M 8 X 1.25 X 40, 8.8	1	
29	32491	(000000-	) Washer, Flat, 0.31 Std	3	
30	08709	(000000-	) Nut, Hex, Lock, M 8 X 1.25 NI	1	
31	39005	(000000-	) Pin, Cotter, .094 X 0.75	1	
32	28014A	(000000-	) Tube, 00.88d 00.66b 00.6l Stl Plt	1	

Fig. 28 - Hydraulic Pump Linkage Group

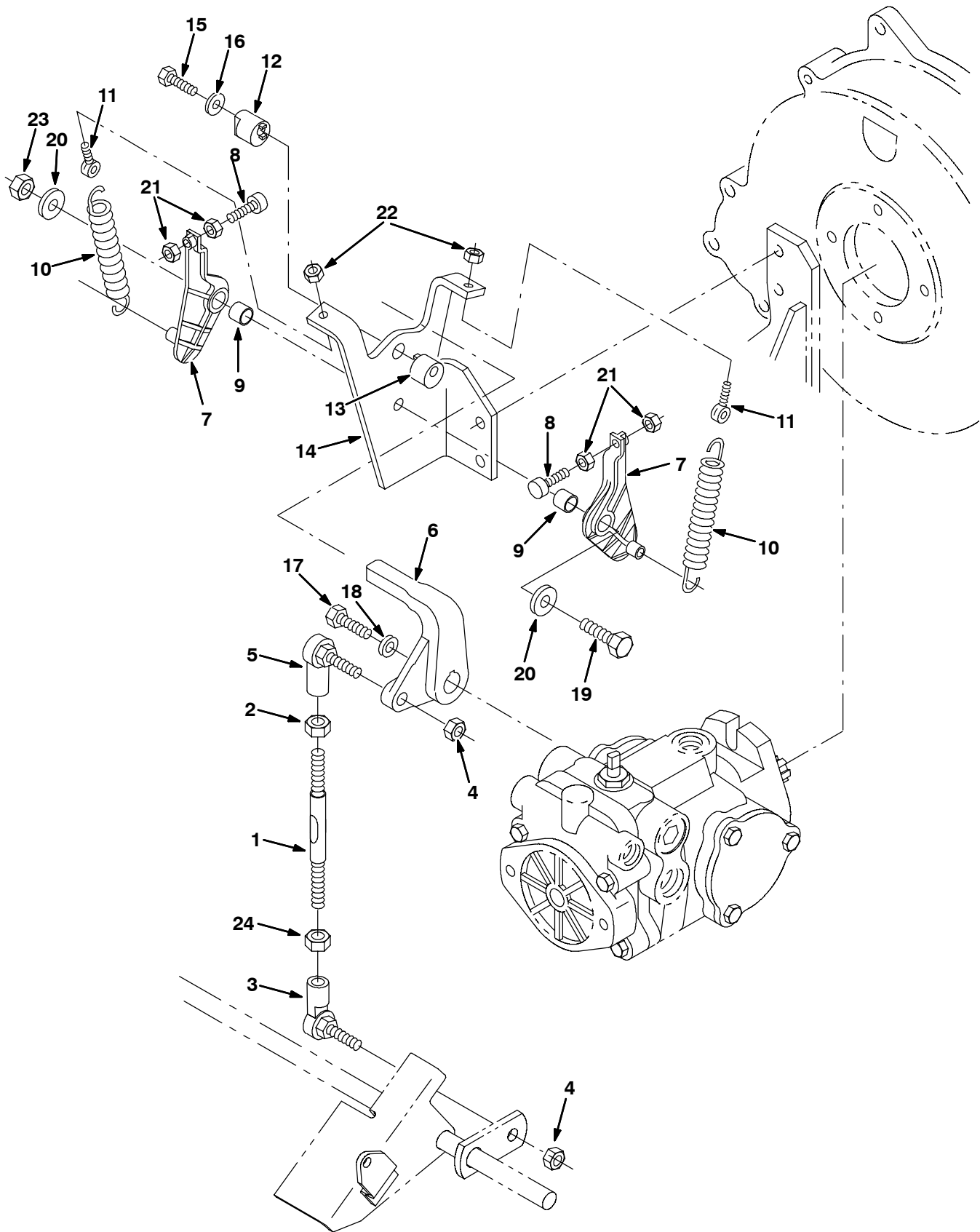




Fig. 28 - Hydraulic Pump Linkage Group

Ref.	Part No.	Serial Number	Description	Qty.
1	54015	(000000-	) Rod, Thrd, 2 End, M10x1.5 05.8l 1/Lh	1
2	39312	(000000-	) Nut, Hex, Std, M10 X 1.5	1
3	05685	(000000-	) Rod-End, M10 X 1.5lh Fem M10 X 1.5stud	1
4	41430	(000000-	) Nut, Hex, Lock, M10 X 1.5, NI	2
5	05686	(000000-	) Rod-End, M10 X 1.5rh Fem M10 X 1.5stud	1
6	54999	(000000-	) Arm, Cntrl, Pintle, Casting	1
7	53953	(000000-	) Arm, Cntrl, Pintle, Centering	2
8	54205	(000000-	) Bumper, Rbr, 0.5d 0.16t M5 X 08	2
9	63234	(000000-	) Tube, Rnd, 0.50d 0.38b 00.6l, Ss	2
10	11842	(000000-	) Spring, Extn, 0.75od X 0.12wir, 4.3l	2
11	48079	(000000-	) Bolt, Eye, .25-20 X 1.40 X .25 Eye	2
12	53947	(000000-	) Cam, Centering, Pintle	1
13	54655	(000000-	) Cam, Centering, Pintle	1
14	383017	(000000-	) Bracket, Mtg, Propel Centering	1
15	59658	(000000-	) Screw, Hex, M 8 X 1.25 X 35, Ss, NI	1
16	39349	(000000-	) Washer, Flat, 0.31 Sae	1
17	50042	(000000-	) Screw, Hex, .31-24 X 0.50, 5	1
18	32491	(000000-	) Washer, Flat, 0.31 Std	1
19	42467	(000000-	) Screw, Hex, .38-16 X 2.00, Ss	1
20	32492	(000000-	) Washer, Flat, 0.38 Std	2
21	50335	(000000-	) Nut, Hex, Std, M05 X 0.8	4
22	32981	(000000-	) Nut, Hex, Lock, .25-20, NI	2
23	36643	(000000-	) Nut, Hex, Lock, .38-16, NI, Thin	1
24	09775	(000000-	) Nut, Hex, Std, M10-1.5 , Ss	1

**Fig. 29 - Hopper Group (6650 XP)**

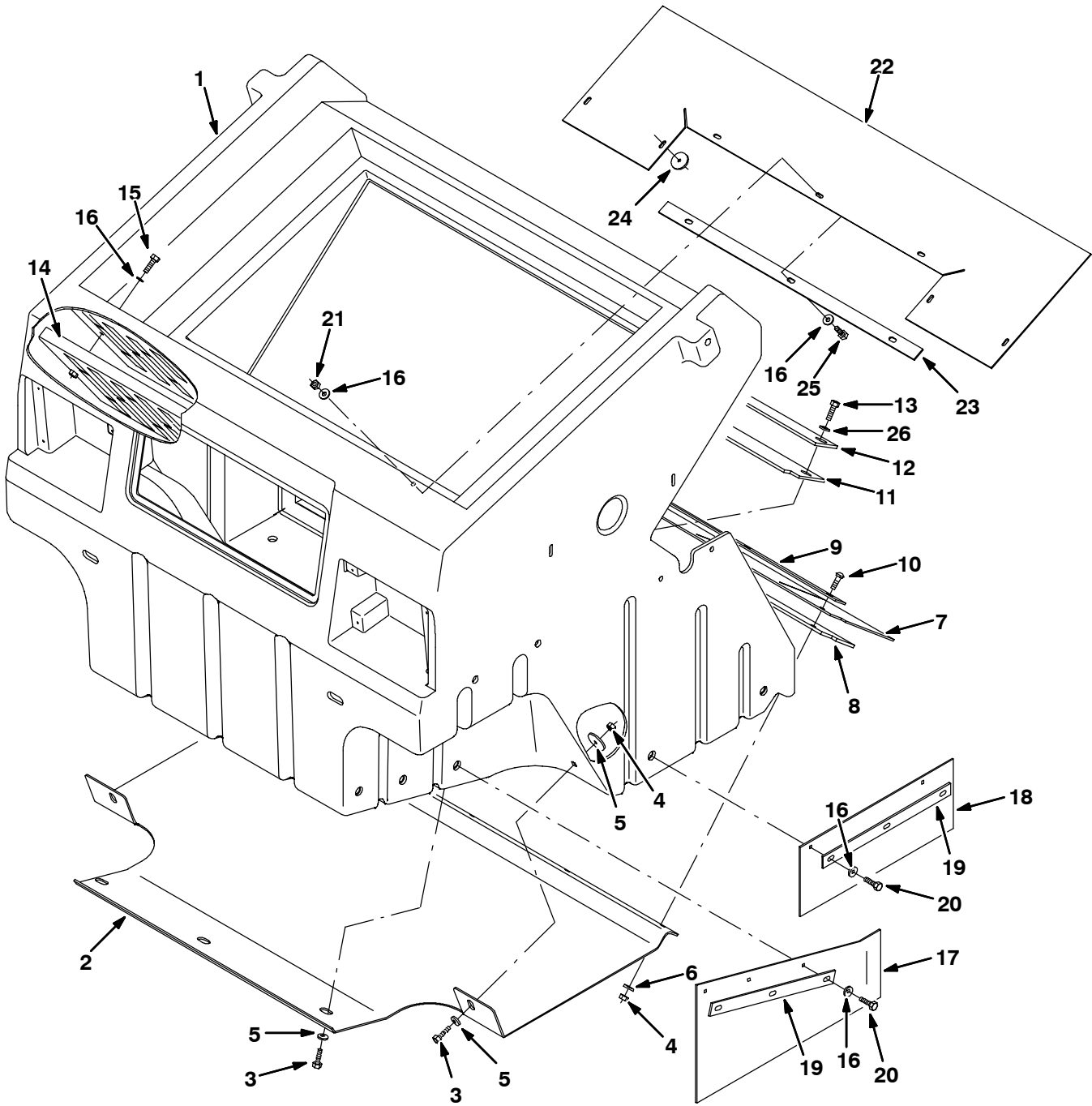


Fig. 29 - Hopper Group (6650 XP)

Ref.	Part No.	Serial Number	Description	Qty.
1	377061	(000000-	) Hopper, Plstc [6600/6650xp]	1
2	377008	(000000-	) Plate Wldt, Bottom, Hppr, [6600/6650xp]	1
3	49826	(000000-	) Screw, Hex, M 8 X 1.25 X 16, Ss, NI	5
4	08713	(000000-	) Nut, Hex, Lock, M 8 X 1.25, NI, Ss	7
5	379829	(000000-	) Washer, 0.34b 1.50d .12, Stl, PI	12
6	01685	(000000-	) Washer, Flat, 0.31 Ss	10
7	379706	(000000-	) Skirt, Lip	1
8	379705	(000000-	) Skirt, Lip	1
9	379704	(000000-	) Strap, Main, Lip	1
10	379792	(000000-	) Bolt, Carriage, M08 X 1.25 X 35	5
11	379727	(000000-	) Seal, Rbr, Door, .19 2.50w 40.6l Red	1
12	379726	(000000-	) Strap, Wiper, Door	1
13	59658	(000000-	) Screw, Hex, M 8 X 1.25 X 35, Ss, NI	7
14	379812	(000000-	) Panel Wldt, Perma-Filter	1
15	33930	(000000-	) Screw, Hex, M 6 X 1.0 X 40, Ss	2
16	01684	(000000-	) Washer, Flat, 0.25 Ss	15
17	1010167	(000000-	) Skirt, Hppr, Plstc	1
18	1010166	(000000-	) Skirt, Hppr, Plstc	1
19	1010165	(000000-	) Retainer, Skirt	2
20	11329	(000000-	) Screw, Hex, M 6 X 1.0 X 16, Ss, NI	5
21	08712	(000000-	) Nut, Hex, Lock, M 6 X 1.0, NI, Ss	
22	379834	(000000-	) Seal, Pocket, Hopper	1
23	379835	(000000-	) Plate, Retainer	1
24	41178	(000000-	) Washer, Flat, 0.25 Fender	2
25	08716	(000000-	) Screw, Hex, M 6 X 1.0 X 20, Ss	5
26	64153	(000000-	) Washer, Flat, 0.34b 1.12d .12, Stl, PI	2

Fig. 30 - Hopper Group (6650 XS)

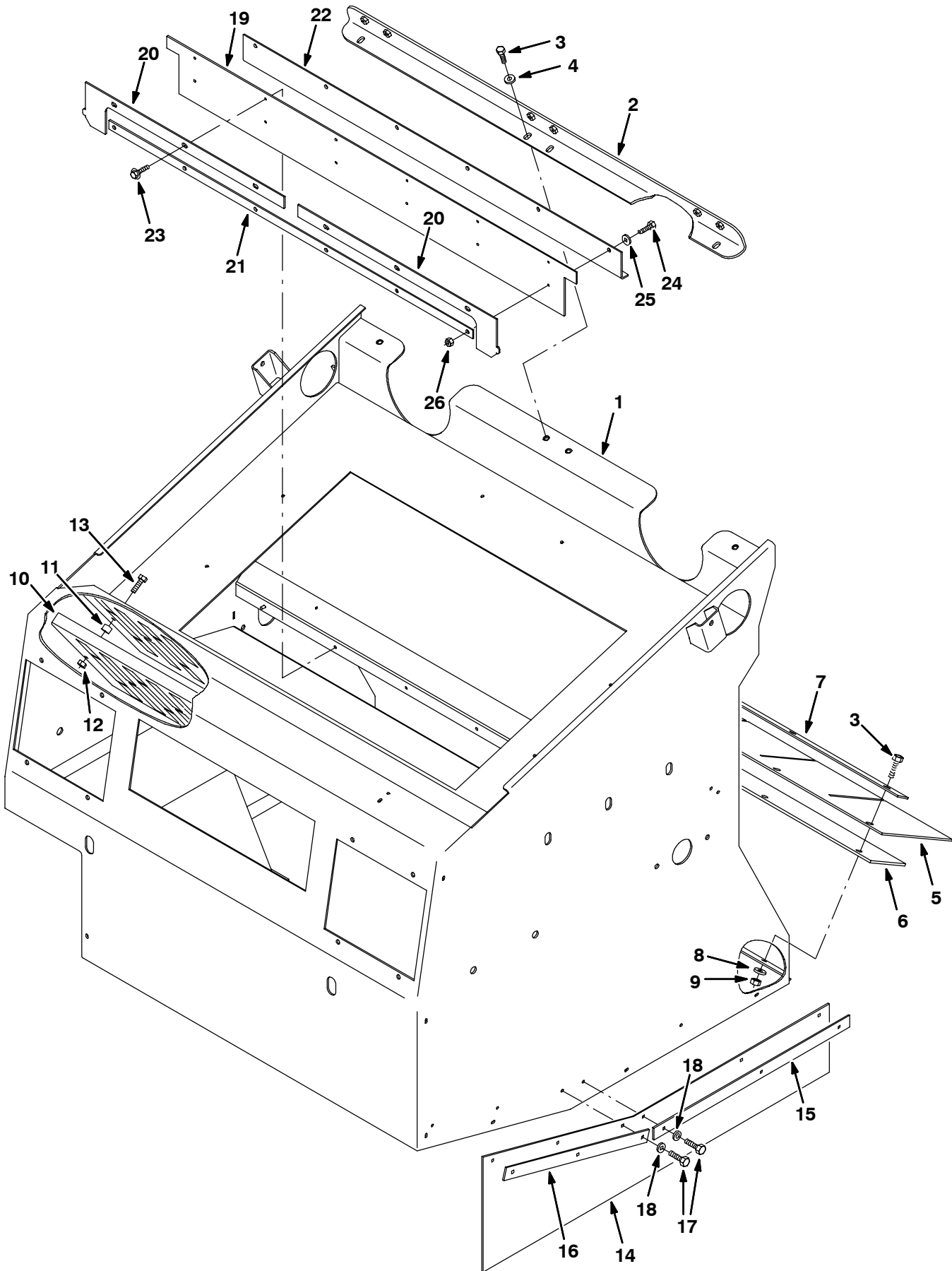


Fig. 30 - Hopper Group (6650 XS)

Ref.	Part No.	Serial Number	Description	Qty.
1	1002842	(000000-	) Hopper Wldt	1
2	1007853	(000000-	) Bracket, Hppr	1
3	09010	(000000-	) Screw, Hex, M 8 X 1.25 X 25, Ss	9
4	32491	(000000-	) Washer, Flat, 0.31 Std	4
5	59680	(000000-	) Skirt, Hppr, Rear	1
6	59681	(000000-	) Skirt, Hppr, Rear	1
7	55890	(000000-	) Retainer, Skirt, Hppr, Rear	1
8	01685	(000000-	) Washer, Flat, 0.31 Ss	5
9	08713	(000000-	) Nut, Hex, Lock, M 8 X 1.25, NI, Ss	5
10	55021	(000000-	) Panel, Perma-Filter	1
11	82483	(000000-	) Tube	2
12	08712	(000000-	) Nut, Hex, Lock, M 6 X 1.0, NI, Ss	2
13	33930	(000000-	) Screw, Hex, M 6 X 1.0 X 40, Ss	2
14	54089	(000000-	) Skirt, Side, Sbdc, Lh	1
15	54013	(000000-	) Retainer, Skirt, Hppr, Side, Rear	1
16	54014	(000000-	) Retainer, Skirt, Hppr, Side, Front	1
17	12459	(000000-	) Screw, Hex, M 6 X 1.0 X 20, Fmg	6
18	01684	(000000-	) Washer, Flat, 0.25 Ss	6
19	1006730	(000000-	) Strip, Door, Hppr	1
20	1008808	(000000-	) Strip, Retainer, Hppr	2
21	1006738	(000000-	) Strip, Door, Hppr	1
22	1006737	(000000-	) Strip, Door, Hppr	1
23	361339	(000000-	) Screw, Hex, M 6 X 1.0 X 16, Fmg	4
24	08716	(000000-	) Screw, Hex, M 6 X 1.0 X 20, Ss	14
25	32490	(000000-	) Washer, Flat, 0.25 Std	6
26	08708	(000000-	) Nut, Hex, Lock, M 6 X 1.0, NI	6

**Fig. 31 - Hopper Cylinder and Dump Door Group (6650 XP)**

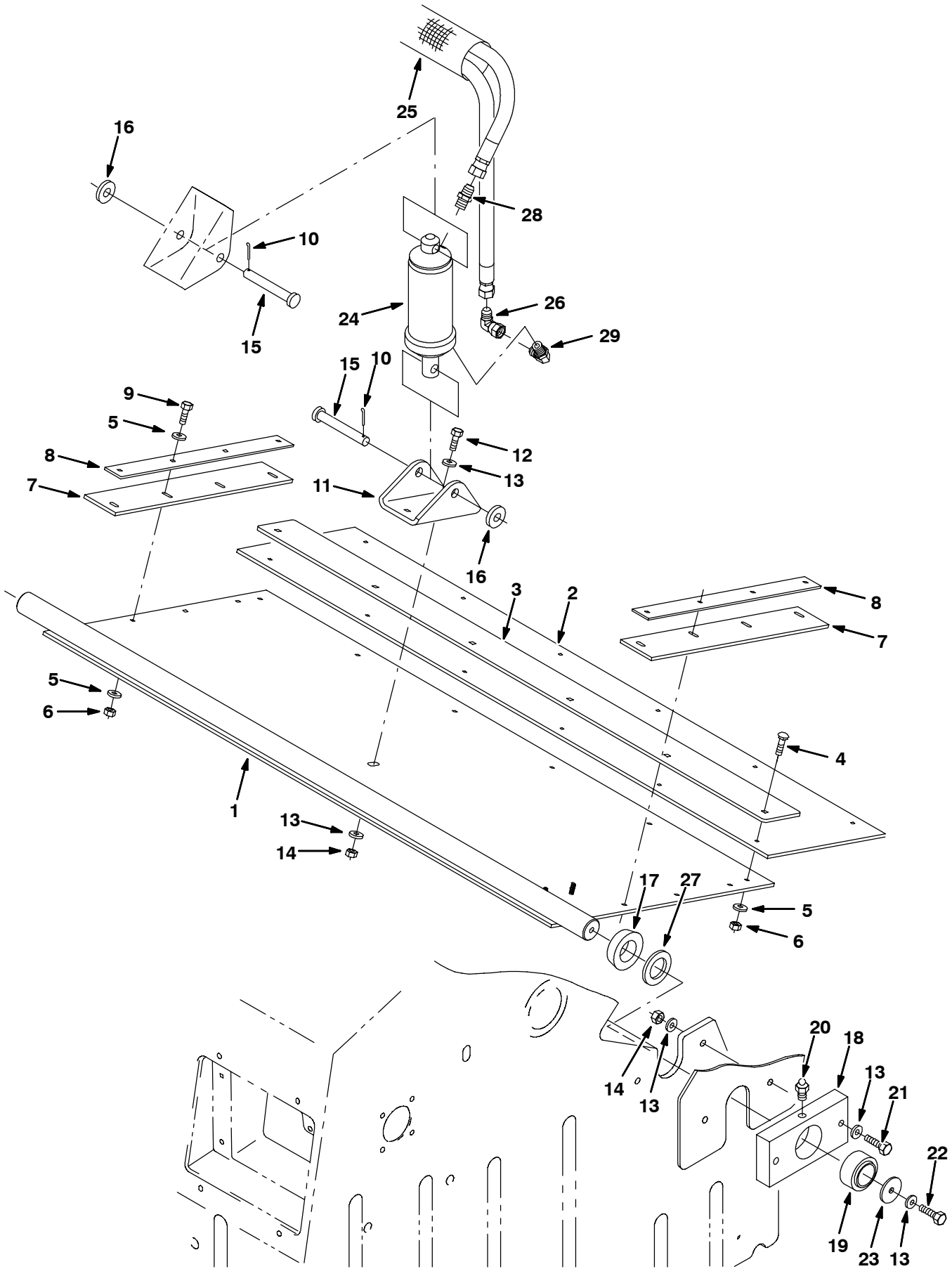


Fig. 31 - Hopper Cylinder and Dump Door Group (6650 XP)

Ref.	Part No.	Serial Number	Description	Qty.
1	379701	(000000-	) Door Wldt, Dump	1
2	379699	(000000-	) Seal, Door, Dump	1
3	379698	(000000-	) Plate, Retainer, Door, Dump	1
4	379791	(000000-	) Bolt, Carriage, M06 X 1.0 X 30	6
5	01684	(000000-	) Washer, Flat, 0.25 Ss	24
6	08712	(000000-	) Nut, Hex, Lock, M 6 X 1.0, NI, Ss	14
7	379702	(000000-	) Seal, Door, Dump, Side	2
8	379703	(000000-	) Strap, Door, Dump, Side	2
9	08716	(000000-	) Screw, Hex, M 6 X 1.0 X 20, Ss	8
10	08175	(000000-	) Pin, Cotter, .125 X 1.25	2
11	379728	(000000-	) Bracket, Cyl	1
12	09010	(000000-	) Screw, Hex, M 8 X 1.25 X 25, Ss	2
13	01685	(000000-	) Washer, Flat, 0.31 Ss	14
14	08713	(000000-	) Nut, Hex, Lock, M 8 X 1.25, NI, Ss	6
15	06474A	(000000-	) Pin, Clevis, 0.50 D X 3.50l	2
16	32486	(000000-	) Washer, Flat, 0.50 Sae	2
17	379821	(000000-	) Seal, Shaft	2
18	55914	(000000-	) Housing, Brg, Pivot, Door, Dust	2
19	42120-1	(000000-	) Bearing, Self Align, 1.25b 2.00d	2
20	47801	(000000-	) Fitting, Grease, Str Pm04 .63l	2
21	222504	(000000-	) Screw, Hex, M 8 X 1.25 X 55, Ss	4
22	49826	(000000-	) Screw, Hex, M 8 X 1.25 X 16, Ss, NI	2
23	379829	(000000-	) Washer, 0.34b 1.50d .12, Stl, PI	2
24	1038176	(000000-	) Cylinder, Hyd, 2.0b,08.0l,04.00strk,2500	1
25	87677	(000000-	) Sleeve, Nyl, 17 20.0L	1
26	39210	(000000-	) Fitting, Hyd, E90, Jm04/Jf04	1
27	379832	(000000-	) Washer, Rbr, .19 1.25b 2.00d	2
28	55586	(000000-	) Fitting, Hyd, Str, Jm04/Om04	1
29	77097	(000000-	) Fitting, Hyd, E90, Jm04/Om04	1

Fig. 32 - Hopper Cylinder and Dump Door Group (6650 XS)

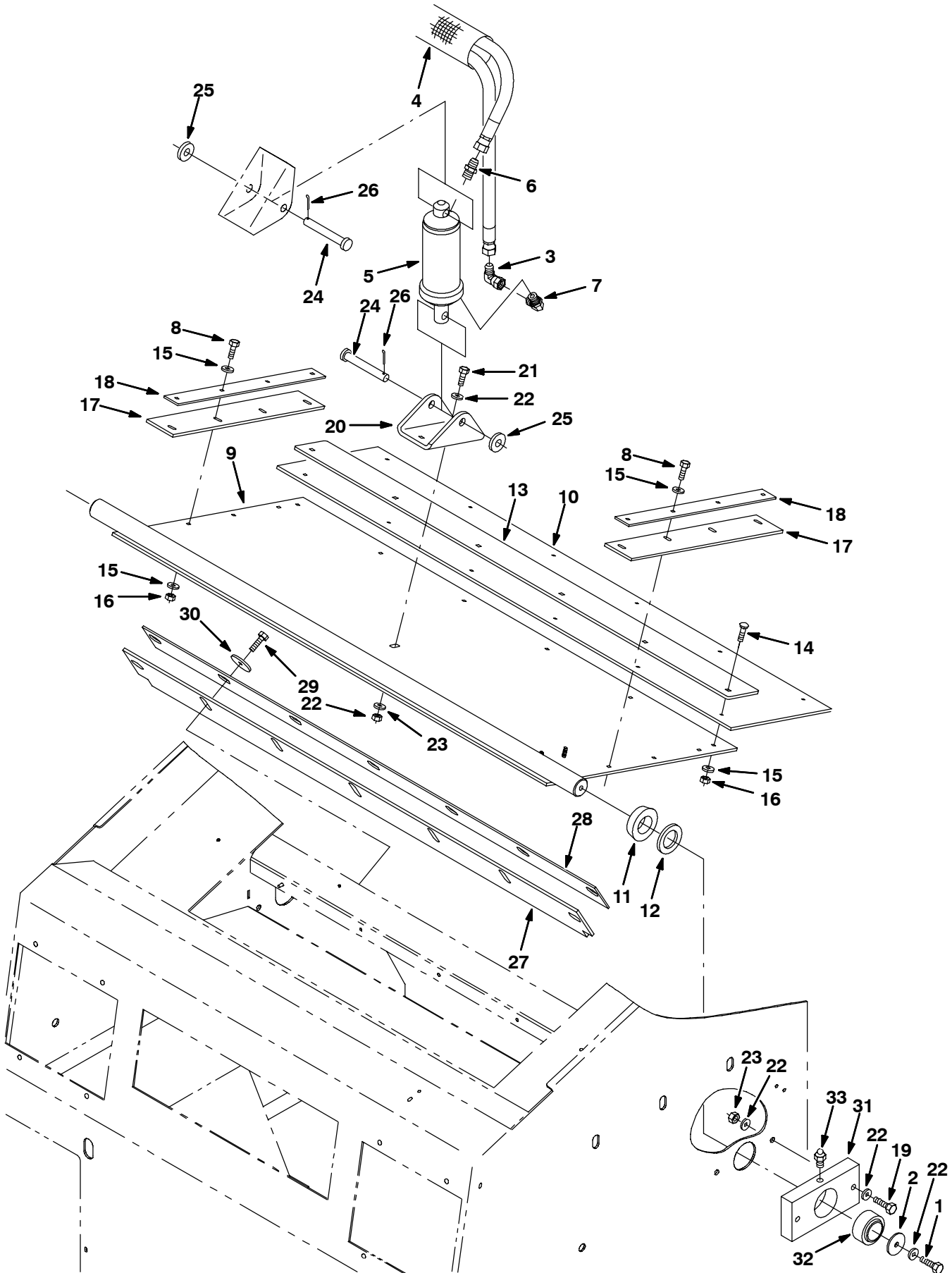




Fig. 32 - Hopper Cylinder and Dump Door Group (6650 XS)

Ref.	Part No.	Serial Number	Description	Qty.
1	49826	(000000-	) Screw, Hex, M 8 X 1.25 X 16, Ss, NI	2
2	379829	(000000-	) Washer, 0.34b 1.50d .12, Stl, PI	2
3	39210	(000000-	) Fitting, Hyd, E90, Jm04/Jf04	1
4	87767	(000000-	) Sleeve, Nyl, 17 20.0L	1
5	1038176	(000000-	) Cylinder, Hyd, 2.0b,08.0l,04.00strk,2500	1
6	55586	(000000-	) Fitting, Hyd, Str, Jm04/Om04	1
7	77097	(000000-	) Fitting, Hyd, E90, Jm04/Om04	1
8	08716	(000000-	) Screw, Hex, M 6 X 1.0 X 20, Ss	8
9	379701	(000000-	) Door Wldt, Dump	1
10	379699	(000000-	) Seal, Door, Dump	1
11	379821	(000000-	) Seal, Shaft	2
12	379832	(000000-	) Washer, Rbr, .19 1.25b 2.00d	2
13	379698	(000000-	) Plate, Retainer, Door, Dump	1
14	379791	(000000-	) Bolt, Carriage, M06 X 1.0 X 30	6
15	01684	(000000-	) Washer, Flat, 0.25 Ss	24
16	08712	(000000-	) Nut, Hex, Lock, M 6 X 1.0, NI, Ss	14
17	379702	(000000-	) Seal, Door, Dump, Side	2
18	379703	(000000-	) Strap, Door, Dump, Side	2
19	222504	(000000-	) Screw, Hex, M 8 X 1.25 X 55, Ss	4
20	379728	(000000-	) Bracket, Cyl	1
21	09010	(000000-	) Screw, Hex, M 8 X 1.25 X 25, Ss	2
22	01685	(000000-	) Washer, Flat, 0.31 Ss	14
23	08713	(000000-	) Nut, Hex, Lock, M 8 X 1.25, NI, Ss	6
24	06474A	(000000-	) Pin, Clevis, 0.50 D X 3.50l	2
25	32486	(000000-	) Washer, Flat, 0.50 Sae	2
26	08175	(000000-	) Pin, Cotter, .125 X 1.25	2
27	379727	(000000-	) Seal, Rbr, Door, .19 2.50w 40.6l Red	1
28	379726	(000000-	) Strap, Wiper, Door	1
29	223163	(000000-	) Screw, Hex, M 8 X 1.25 X 30, NI	7
30	379829	(000000-	) Washer, 0.34b 1.50d .12, Stl, PI	7
31	55914	(000000-	) Housing, Brg, Pivot, Door, Dust	2
32	42120-1	(000000-	) Bearing, Self Align, 1.25b 2.00d	2
33	47801	(000000-	) Fitting, Grease, Str Pm04 .63l	2

Fig. 33 - Hopper Hood Group

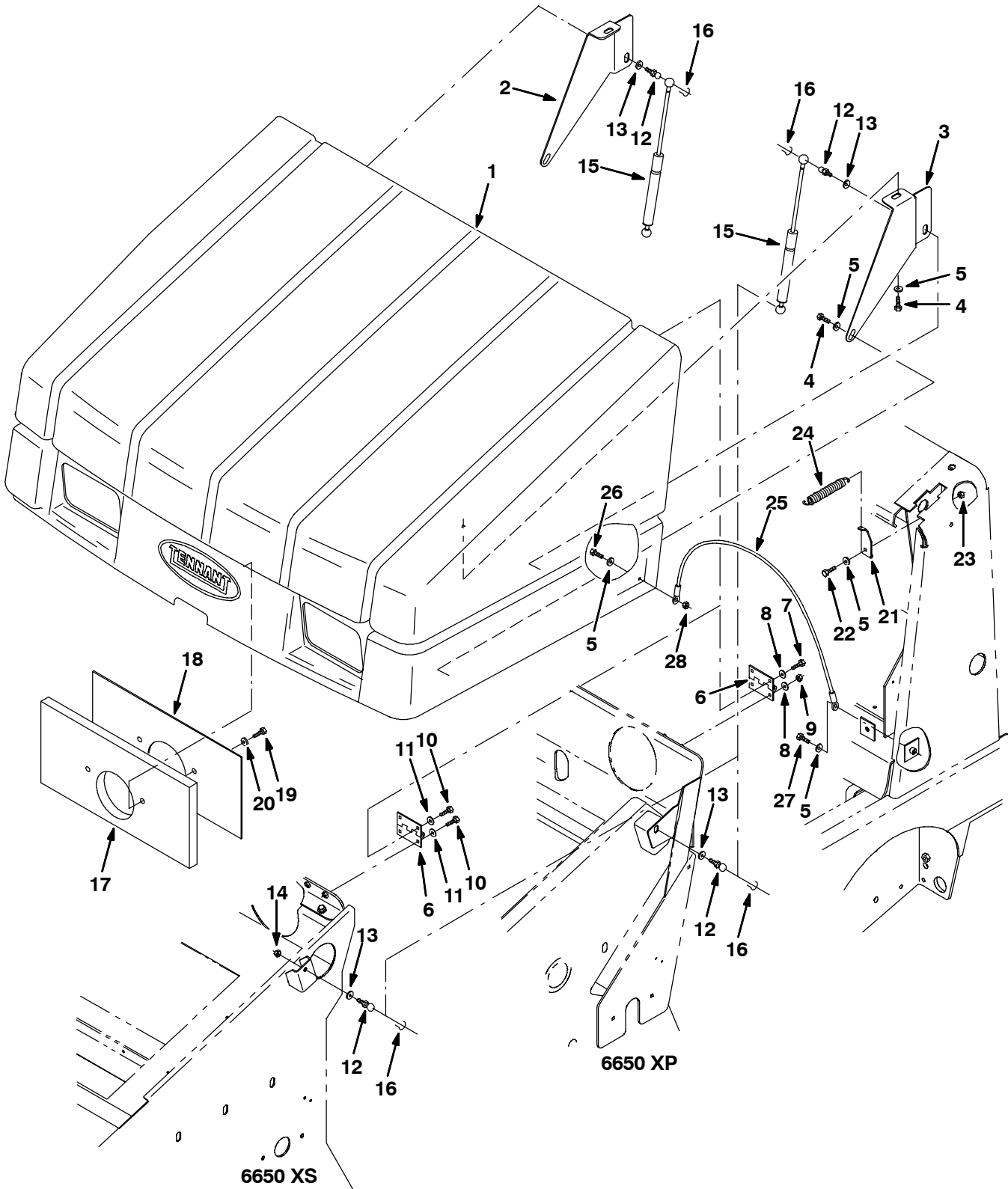


Fig. 33 - Hopper Hood Group

Ref.	Part No.	Serial Number	Description	Qty.
1	379881	(000000-	) Cover, Hopper, 6500	1
2	379786	(000000-	) Bracket, Hood, Rh	1
3	379787	(000000-	) Bracket, Hood, Lh	1
4	49826	(000000-	) Screw, Hex, M 8 X 1.25 X 16, Ss, NI	4
5	32491	(000000-	) Washer, Flat, 0.31 Std	7
6	379784	(000000-	) Hinge, .25pin .12 2.9w 03.5l 4/0.31slot	3
7	11329	(000000-	) Screw, Hex, M 6 X 1.0 X 16, Ss, NI	6
8	32490	(000000-	) Washer, Flat, 0.25 Std	12
9	08708	(000000-	) Nut, Hex, Lock, M 6 X 1.0, NI	6
10	11329	(000000-	) Screw, Hex, M 6 X 1.0 X 16, Ss, NI	12
11	32490	(000000-	) Washer, Flat, 0.25 Std	12
12	1024270	(000000-	) Stud, Ball, .39d .31-18, .75l	4
13	01685	(000000-	) Washer, Flat, 0.31 Ss	4
14	01760	(000000-	) Nut, Hex, Lock, .31-18, NI, Thin	4
15	64535	(000000-	) Gasspring, 120lb, 7.1strk	2
16	64595	(000000-	) Clip, Safety, Gasspring	4
17	1008132	(000000-	) Seal, Ure, 1.00 10.40w 19.0l Adh	1
18	1008636	(000000-	) Strip, Plstc, 0.03 10.38w 19.0l	1
19	33930	(000000-	) Screw, Hex, M6 X 1.0 X 40, Ss	2
20	41178	(000000-	) Washer, Flat, 0.25 Fender	2
21	70193	(000000-	) Bracket, Cable, Spring	1
22	39277	(000000-	) Screw, Hex, M 8 X 1.25 X 25, 8.8	1
23	07791	(000000-	) Nut, Hex, Flng, M08 X 1.25	1
24	74353	(000000-	) Spring, Extn, 0.75od X 0.06wir, 3.5l	1
25	74352	(000000-	) Cable, .09d, 42.0l, .4clevis/.4clevis	1
26	49826	(000000-	) Screw, Hex, M 8 X 1.25 X 16, Ss, NI	1
27	16931	(000000-	) Screw, Hex, M 8 X 1.25 X 20, 8.8	1
28	08709	(000000-	) Nut, Hex, Lock, M8 X 1.25, NI	1

Fig. 34 - Hopper Bumper Group (6650 XP)

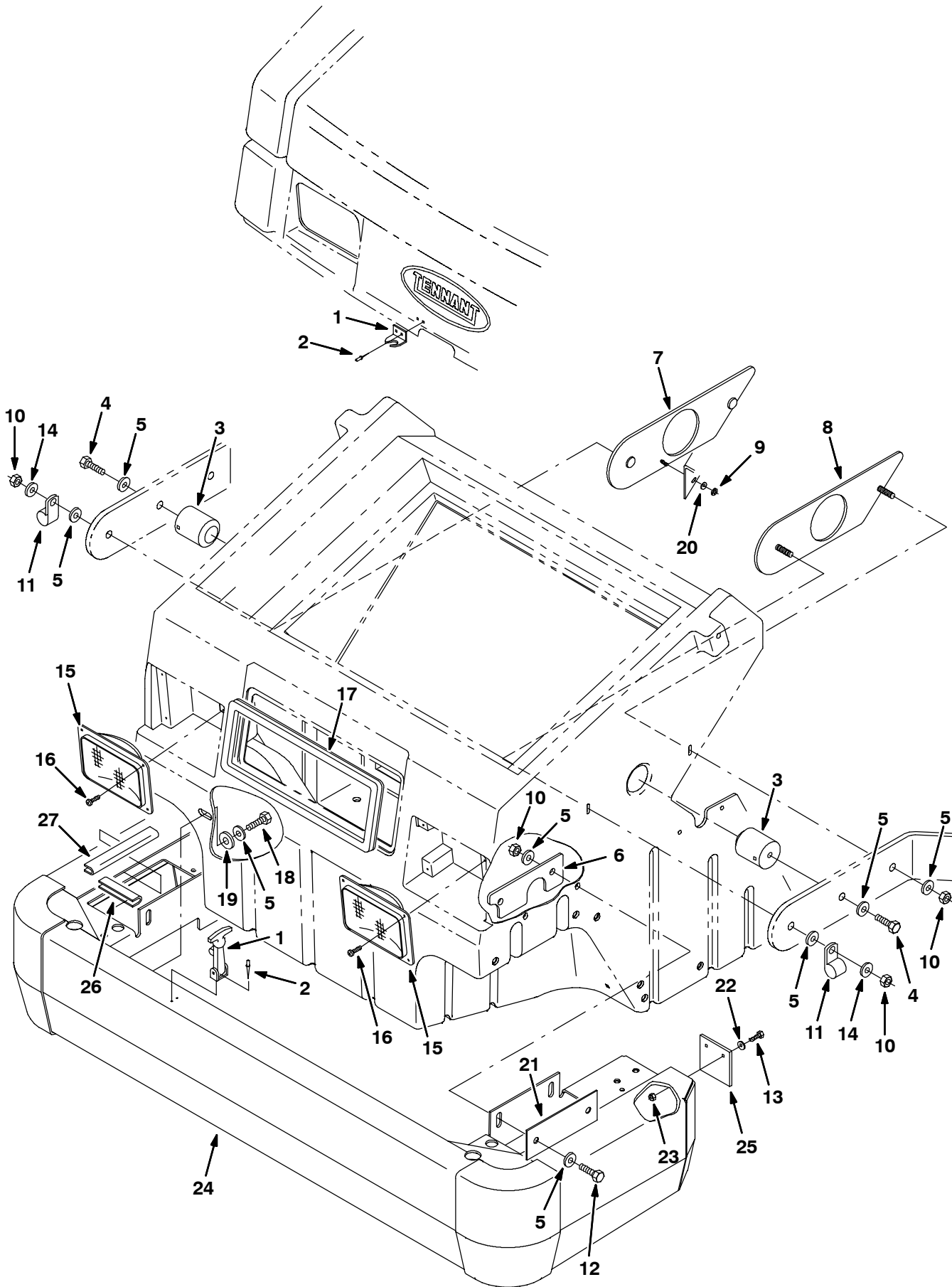


Fig. 34 - Hopper Bumper Group (6650 XP)

Ref.	Part No.	Serial Number	Description	Qty.
1	11636	(000000-	) Latch	1
2	01335	(000000-	) Rivet, Blind, .125d X 0.44 X .25d, Alm	4
3	364498	(000000-	) Pin, Hopper, Lift	2
4	69972	(000000-	) Screw, Hex, M12 X 1.75 X 40, 10.9	2
5	36328	(000000-	) Washer, Belleville, .50	16
6	379820	(000000-	) Plate, Retainer, Bumper	2
7	379788	(000000-	) Plate, Retainer, Rh	1
8	379789	(000000-	) Plate, Retainer, Lh	1
9	1029988	(000000-	) Nut, Push, M6 X 1.0	2
10	08711	(000000-	) Nut, Hex, Lock, M12 X 1.75,NI	8
11	53466	(000000-	) Clamp, Cable, Stl, 1.50d X 1.00w, 1h	2
12	06971	(000000-	) Screw, Hex, M12 X 1.75 X 50, 8.8	4
13	08716	(000000-	) Screw, Hex, M6 X 1.0 X 20, Ss	4
14	32486	(000000-	) Washer, Flat, 0.50, Sae	2
15	58524	(000000-	) Headlight, 12vdc, 50watt . A [#70744]	2
16	360943	(000000-	) Screw, Pan, #10-14 X 0.75, F/Plstc	8
17	379883	(000000-	) Seal, Bulb, 90, 0.50d .31grip 50.0l	1
18	09029	(000000-	) Screw, Hex, M12 X 1.75 X 40, Ss	2
19	32494	(000000-	) Washer, Flat, 0.62 Std	2
20	41178	(000000-	) Washer, Flat, 0.25 Fender	2
21	379827	(000000-	) Plate, Retainer, Bumper	2
22	01684	(000000-	) Washer, Flat, 0.25 Ss	4
23	08712	(000000-	) Nut, Hex, Lock, M 6 X 1.0, NI, Ss	4
24	1006038	(000000-	) Bumper Wldt, Front	1
25	59448	(000000-	) Skirt	2
26	31775	(000000-	) Molding, Trim, Pvc,.08-.11 04.0l	1
27	62595	(000000-	) Molding, Trim, Pvc,.08-.11 07.7l	1

Fig. 35 - Hopper Bumper Group (6650 XS)

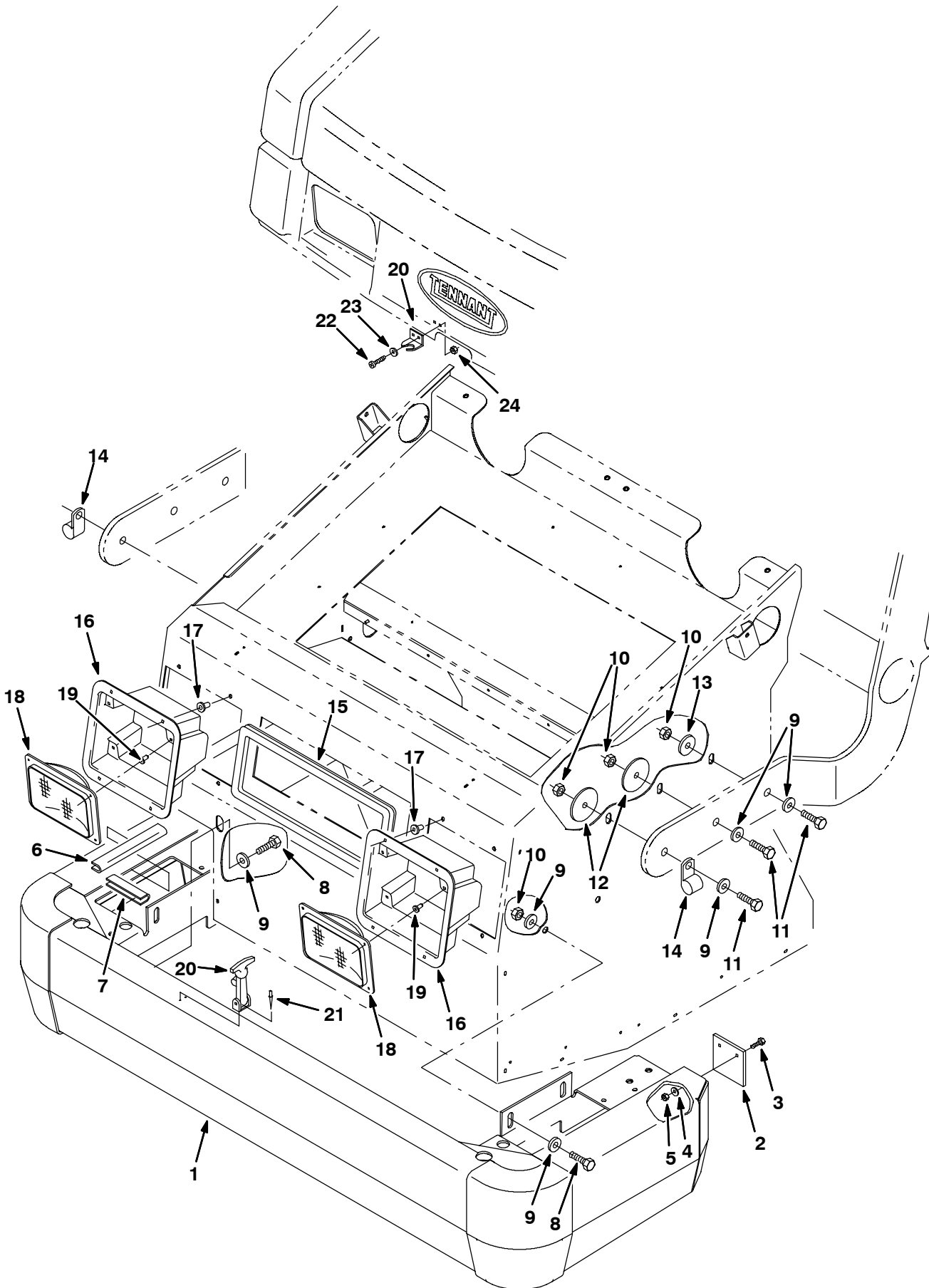


Fig. 35 - Hopper Bumper Group (6650 XS)

Ref.	Part No.	Serial Number	Description	Qty.
1	1006038	(000000-	) Bumper Wldt, Front	1
2	59448	(000000-	) Skirt	2
3	08716	(000000-	) Screw, Hex, M 6 X 1.0 X 20, Ss	4
4	01684	(000000-	) Washer, Flat, 0.25 Ss	4
5	08712	(000000-	) Nut, Hex, Lock, M 6 X 1.0, NI, Ss	4
6	62595	(000000-	) Molding, Trim, Pvc,.08-.11 07.7l	1
7	31775	(000000-	) Molding, Trim, Pvc,.08-.11 04.0l	1
8	41346	(000000-	) Screw, Hex, M12 X 1.75 X 30, 8.8	6
9	36328	(000000-	) Washer, Belleville, .50	16
10	08711	(000000-	) Nut, Hex, Lock, M12 X 1.75,NI	10
11	69972	(000000-	) Screw, Hex, M12 X 1.75 X 40, 10.9	6
12	72159	(000000-	) Washer, 0.56b 3.03d .25, Stl, PI	4
13	51564	(000000-	) Washer, 0.53b 1.75d .12, Stl, PI	2
14	53466	(000000-	) Clamp, Cable, Stl, 1.50d X 1.00w, 1h	2
15	74409	(000000-	) Seal, Bulb, [Sd-0355], 50.00l	1
16	59004	(000000-	) Housing, Headlight, Hppr	2
17	72971	(000000-	) Rivet, Plstc, .325d X 0.787	8
18	58524	(000000-	) Headlight, 12vdc, 50watt . A [#70744]	2
19	72969	(000000-	) Rivet, Plstc, .181d X 0.720	8
20	11636	(000000-	) Latch	1
21	82457	(000000-	) Rivet, Blind, .125d X 0.44 X .25d, Stl	2
22	60388	(000000-	) Screw, Pan, #06-32 X 1.75, Ss	2
23	19064	(000000-	) Washer, Flat, #06	2
24	75939	(000000-	) Nut, Hex, Lock, #06-32, NI	2

**Fig. 36 - Hopper Filter Box Group (6650 XP)**

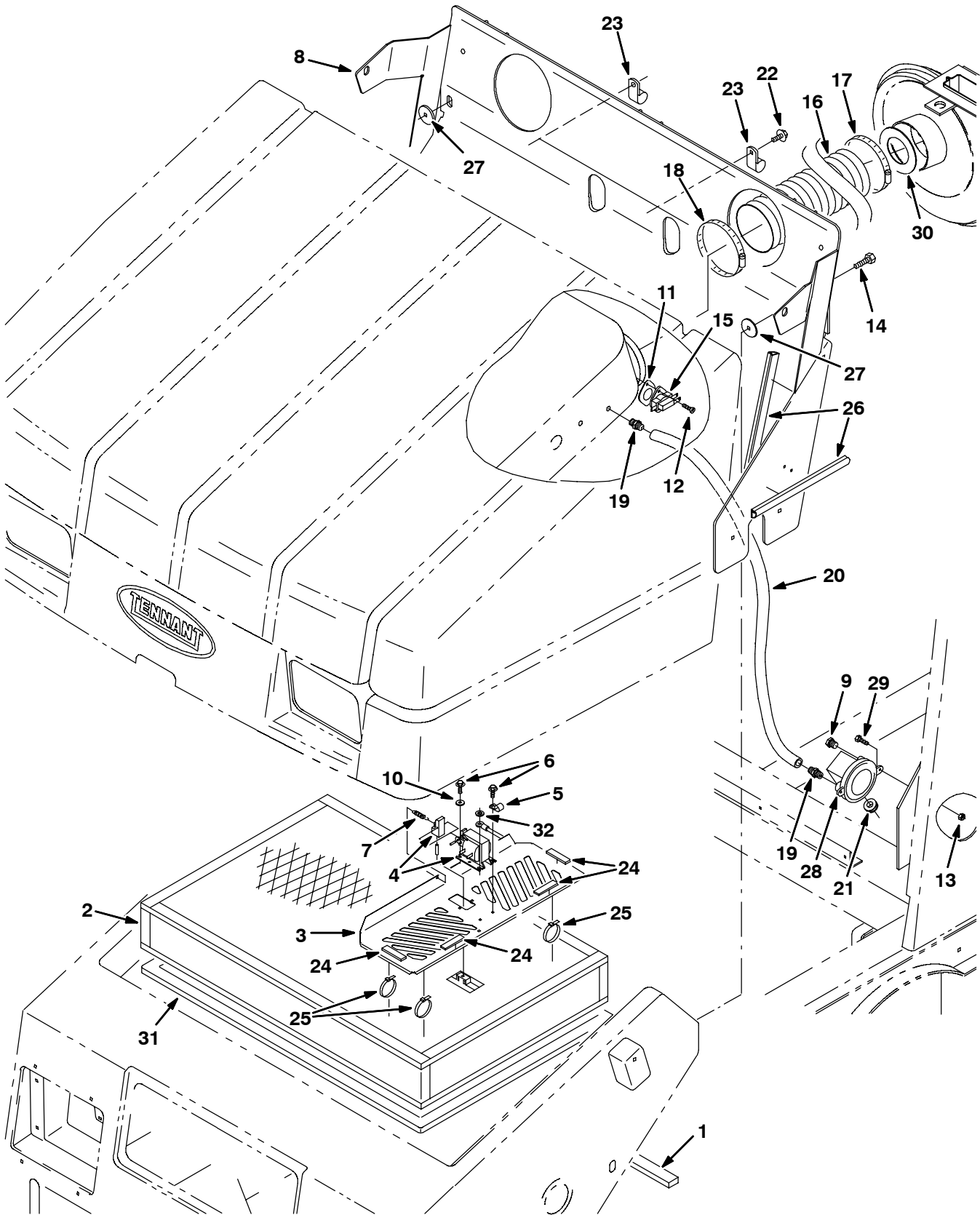




Fig. 36 - Hopper Filter Box Group (6650 XP)

Ref.	Part No.	Serial Number	Description	Qty.
1	375202	(000000-	) Seal, Ure, 0.38 0.75w 40.0l Adh	1
2	375249	(000000-	) Filter Pkg Kit, 098plts, Ci	1
2	1041617	(000000-	) Filter Kit, Panl, Syn, Replmt	1
3	379555	(000000-	) Plate, Panel, Shaker	1
4	379890	(000000-	) Solenoid, Filter Shaker	1
5	26395-2	(000000-	) Clamp, Cable, Stl, 0.38d X 0.38w, 1h	1
6	16944	(000000-	) Screw, Hex, M4 X 0.7 X 10, Fmg	4
7	1045426	(000000-	) Spring, Extn, 0.43od 0.05wir 01.4l	1
8	1008271	(000000-	) Bracket Wldt, Hppr, [6600/6650xp]	1
9	82739	(000000-	) Fitting, Brs, Breather 02mp	1
10	19065	(000000-	) Washer, Flat, #08	2
11	82733	(000000-	) Gasket, Switch, Fire	1
12	360943	(000000-	) Screw, Pan, #10-14 X 0.75, F/Plstc	2
13	02850	(000000-	) Nut, Hex, Lock, M 4 X 0.7, NI	2
14	16735	(000000-	) Screw, Hex, M 8 X 1.25 X 16, 8.8	2
15	367679	(000000-	) Sensor, Thermal, 120vac 10a Spdt	1
16	77320	(000000-	) Hose, Flex, Vacuum, 4.0d 23.0l	1
17	23498	(000000-	) Clamp, Hose, Wormdrive, 3.56-4.50d	1
18	9004550	(000000-	) Kit, Clamp, Hopper Filter Box, 6600/6650	1
19	40607	(000000-	) Fitting, Brs, Str, Bm03/Pm02	2
20	379719	(000000-	) Hose, Vacuum, 0.16id 60.0l	1
21	10632-4	(000000-	) Grommet, Rbr, 0.62id, F/ 0.9h, .06matl	1
22	361339	(000000-	) Screw, Hex, M 6 X 1.0 X 16, Fmg	2
23	1009318	(000000-	) Clamp, Cable, Stl, 0.6x1.2x0.75w, 1h	2
24	379822	(000000-	) Seal, Ure, 0.38 0.75w 04.0l Adh	4
25	49266	(000000-	) Tie, Cable, Nyl, 07.3l .19w 1.8 Max D	4
26	86330	(000000-	) Duct, Vyl, 0.40 X 0.75 .25d 10.0l	2
27	379829	(000000-	) Washer, 0.34b 1.50d .12, Stl, PI	2
28	34868	(000000-	) Switch, Press, 12vdc A Spdt N 0011psi	1
29	09206	(000000-	) Screw, Hex, M 4 X 0.7 X 12, 8.8	2
30	379849	(000000-	) Kit, Ring, Restrictor, [6500/6550]	1
31	379817	(000000-	) Seal, Rbr, 0.38, 20.0 30.0, Fltr	1
32	32982	(000000-	) Washer, Lock, Int, 0.25	1

Fig. 37 - Hopper Filter Box Group (6650 XS)

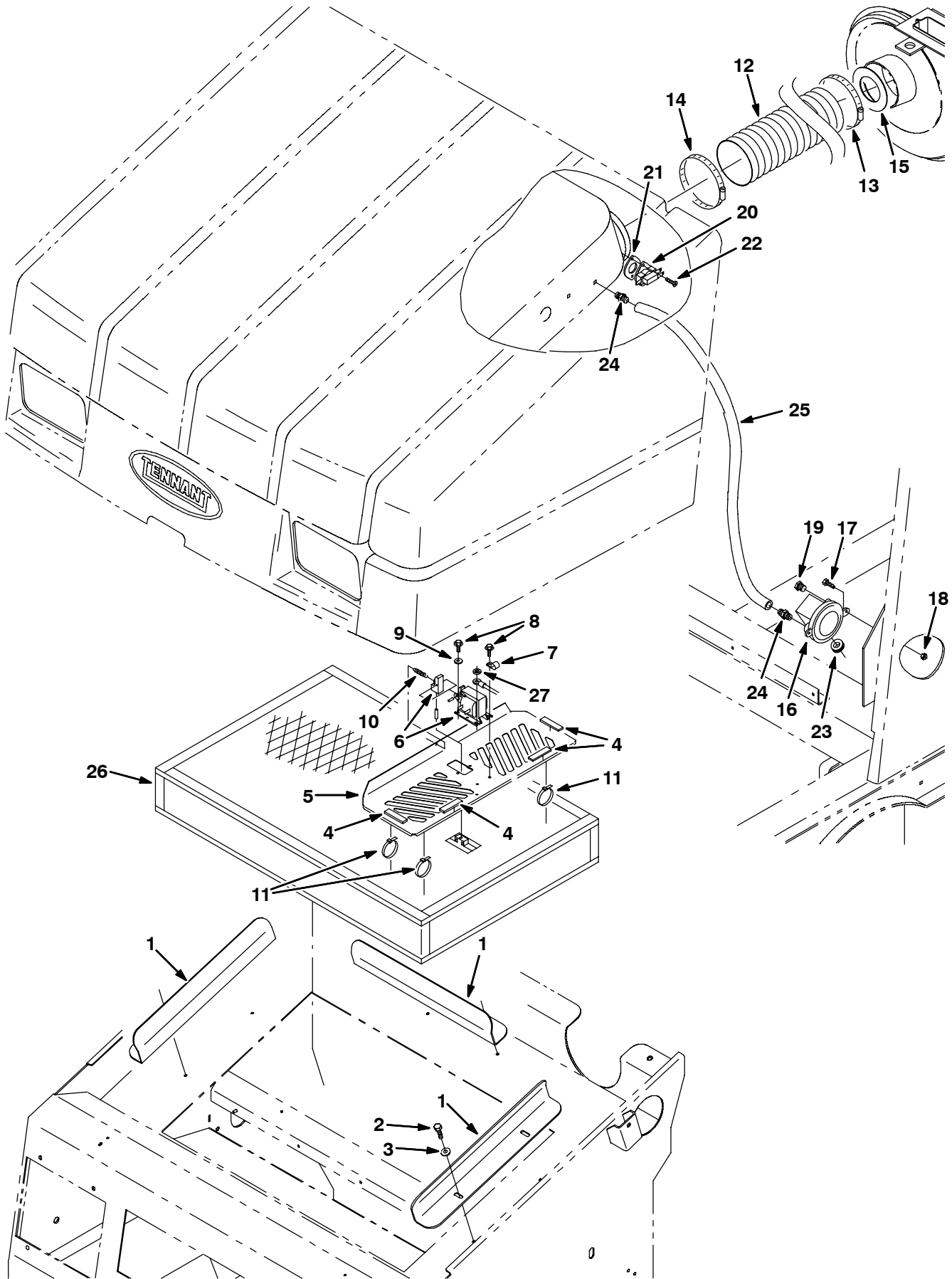


Fig. 37 - Hopper Filter Box Group (6650 XS)

Ref.	Part No.	Serial Number	Description	Qty.
1	1007280	(000000-	) Panel, Hppr	3
2	09010	(000000-	) Screw, Hex, M 8 X 1.25 X 25, Ss	6
3	01685	(000000-	) Washer, Flat, 0.31 Ss	6
4	379822	(000000-	) Seal, Ure, 0.38 0.75w 04.0l Adh	4
5	379555	(000000-	) Plate, Panel, Shaker	1
6	379890	(000000-	) Solenoid, Filter Shaker	1
7	26395-2	(000000-	) Clamp, Cable, Stl, 0.38d X 0.38w, 1h	1
8	16944	(000000-	) Screw, Hex, M4 X 0.7 X 10, Fmg	4
9	19065	(000000-	) Washer, Flat, #08	2
10	1045426	(000000-	) Spring, Extn, 0.43od 0.05wir 01.4l	1
11	49266	(000000-	) Tie, Cable, Nyl, 07.3l .19w 1.8 Max D	4
12	77320	(000000-	) Hose, Flex, Vacuum, 4.0d 23.0l	1
13	23498	(000000-	) Clamp, Hose, Wormdrive, 3.56-4.50d	1
14	9004550	(000000-	) Kit, Clamp, Hopper Filter Box, 6600/6650	1
15	379849	(000000-	) Kit, Ring, Restrictor, [6500/6550]	1
16	34868	(000000-	) Switch, Press, 12vdc A Spdt N 0011psi	1
17	09206	(000000-	) Screw, Hex, M 4 X 0.7 X 12, 8.8	2
18	02850	(000000-	) Nut, Hex, Lock, M 4 X 0.7, NI	2
19	82739	(000000-	) Fitting, Brs, Breather 02mp	1
20	02712	(000000-	) Thermostat	1
21	82733	(000000-	) Gasket, Switch, Fire	1
22	360943	(000000-	) Screw, Pan, #10-14 X 0.75, F/Plstc	2
23	10632-4	(000000-	) Grommet, Rbr, 0.62id, F/ 0.9h, .06matl	1
24	40607	(000000-	) Fitting, Brs, Str, Bm03/Pm02	2
25	379719	(000000-	) Hose, Vacuum, 0.16id 60.0l	1
26	375249	(000000-	) Filter Pkg Kit, 098plts, Ci	1
27	32982	(000000-	) Washer, Lock, Int, 0.25	1

**Fig. 38 - Hopper Lift Arms Group**

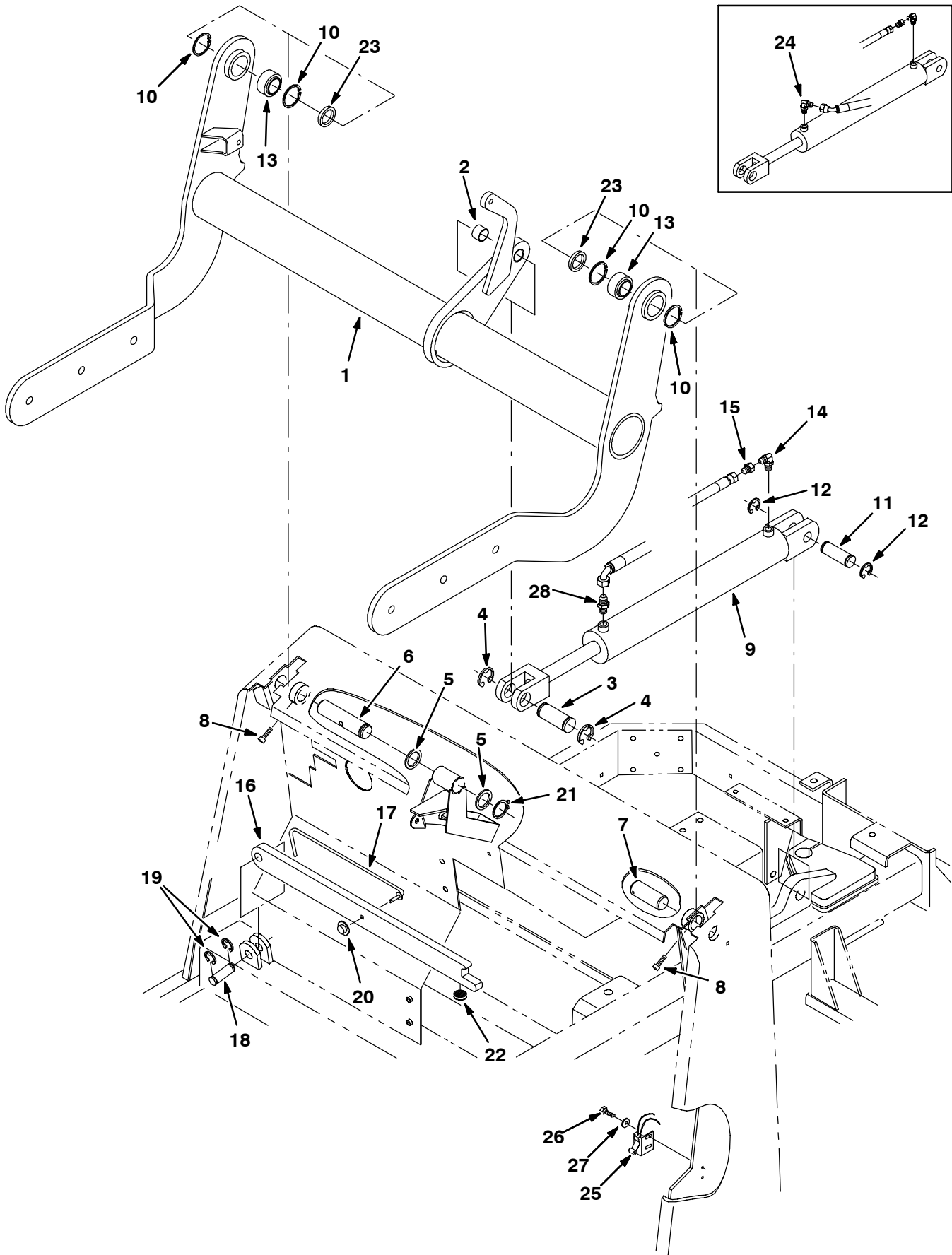


Fig. 38 - Hopper Lift Arms Group

Ref.	Part No.	Serial Number	Description	Qty.
	1	59825	(000000- ) Arm, Lift, Hppr, W/ Label	1
▽	69908	(000000- )	Pin Assy, Clevis, Hopper Lift	1
▲	2	59866	(000000- ) Bushing, Sleeve, 1.25b 1.40d 1.00l, Fgl	1
▲	3	59867	(000000- ) Pin, Grooved	1
▲	4	59861	(000000- ) Ring, Retaining, Ext, 1.25d	2
	5	54079	(000000- ) Washer, 1.28b 1.75d .08, Stl, PI	4
	6	55462	(000000- ) Pin	1
	7	55463	(000000- ) Pin, 1.25d 03.3l 1/M08x1.25 Stl	1
	8	39308	(000000- ) Screw, Soc, M 8 X 1.25 X 25, 12.9	2
	9	74419	(000000-010501 ) Cylinder, Hyd, 2.5b,28.4l,15.00strk,2500 (See Breakdowns) (Replaced by 9001862)	1
▽	9	1025228	(010502- ) Cylinder, Hyd, 2.5b,28.4l,15.00strk,2500	1
▲	9001557	(010502- )	Seal Kit	1
	10	59542	(000000- ) Ring, Retaining, Int, 2.00d	4
	11	59380	(000000- ) Pin-Grvd,1.00d 3.0l/ 2.71btwn	1
	12	23788	(000000- ) Ring, Retaining, Ext, 0.98d, [E-Ring]	2
	13	42120-1	(000000- ) Bearing, Self Align, 1.25b 2.00d	2
	14	77097	(000000- ) Fitting, Hyd, E90, Jm04/Om04	1
	15	16455	(000000- ) Fitting, Hyd, Rst, Jm04/.047	1
	16	59827	(000000- ) Arm, Safety, Hppr, W/ Label	1
	17	58645	(000000- ) Rod, Arm, Safety	1
	18	59842	(000000- ) Pin, Arm, Safety	1
	19	23788-1	(000000- ) Ring, Retaining, Ext, 0.75d	2
	20	59849	(000000- ) Nut, Retainer, .312 Dia	1
	21	58359	(000000- ) Retainer, Ring	1
	22	16786	(000000- ) Bumper, Arm, Safety	1
	23	70272	(000000- ) Tube, 01.75d 01.31b 00.31 Stl PI	2
	23	70271	(000000- ) Washer, 1.28b 1.75d .25, Stl, PI	2
	24	77098	(000000-010501 ) Fitting, Hyd, E90, Jm06/Om04	1
	25	23211	(000000- ) Switch, Snap Actn, 12vdc 15a No Rlr	1
	26	55845	(000000- ) Screw, Hex, M 5 X 0.8 X 16, Fmg	2
	27	01683	(000000- ) Washer, Flat, #10 Ss	2
	28	50960	(010502- ) Fitting, Hyd, Str, Jm06/Om04	1

**Fig. 39 - Side Brush Motor and Pivot Group**

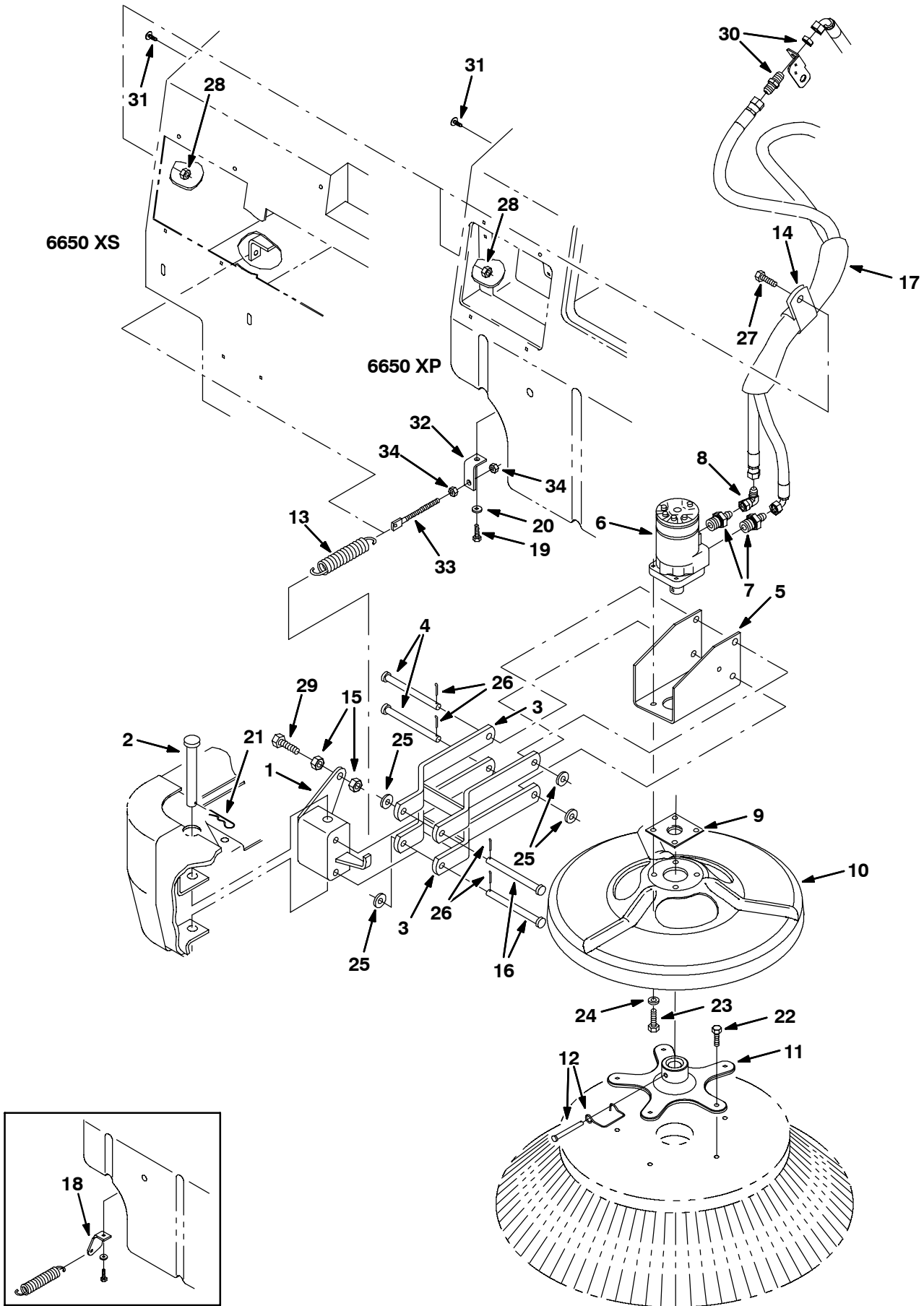


Fig. 39 - Side Brush Motor and Pivot Group

Ref.	Part No.	Serial Number	Description	Qty.
1	54050	(000000-	) Pivot	1
2	54660	(000000-	) Pin, Clevis, 0.75 D X 5.50l	1
3	53965	(000000-	) Arm Wldt, Sppt, Brush, Side	2
4	51225	(000000-	) Pin, Clevis, 0.50 D X 5.50l	2
5	71540	(000000-	) Bracket, Mtg, Motor, Side Brush	1
6	379607	(000000-	) Motor, Hyd, Gear, [In] 17.9 B 1500 (See Breakdowns)	1
7	47508	(000000-	) Fitting, Hyd, Str, Jm06/Om10	2
8	47504	(000000-	) Fitting, Hyd, E90, Jm06/Jf06	1
9	16082	(000000-	) Guard, String, Motor, Brush	1
10	379532	(000000-	) Guard, Brush, [6550]	1
11	1042969	(000000-	) Hub, Drive, Brush, Side, 1.0b 8.75 Bc	1
12	84581	(000000-	) Pin	1
13	47745	(000000-	) Spring, Extn, 1.12od X 0.14wir, 6.3l	1
14	53466	(000000-	) Clamp, Cable, Stl, 1.50d X 1.00w, 1h	2
15	07788	(000000-	) Nut, Hex, Std, M12 X 1.75, Ss	2
16	51538	(000000-	) Pin, Clevis, 0.50 D X 5.00l	2
17	87676	(000000-	) Sleeve, Nyl, 27 30.0L	1
18	379815	(000000-009499)	) Bracket, Spring, Side Brush (6650 XP Only)	1
19	49826	(000000-	) Screw, Hex, M 8 X 1.25 X 16, Ss, NI (6650 XP Only)	1
20	01685	(000000-	) Washer, Flat, 0.31 Ss (6650 XP Only)	1
21	02942	(000000-	) Pin, Hair Cotter, 0.62 D .120 Wir	1
22	39394	(000000-	) Screw, Hex, .31-09 X 1.25, Wood	5
23	46559	(000000-	) Screw, Hex, .38-16 X 1.25, NI	4
24	32492	(000000-	) Washer, Flat, 0.38 Std	4
25	32493	(000000-	) Washer, Flat, 0.50 Std	4
26	08182	(000000-	) Pin, Cotter, .125 X 1.00	4
27	06960	(000000-	) Screw, Hex, M10 X 1.5 X 16, 8.8	2
28	07792	(000000-	) Nut, Hex, Flng, M10 X 1.5	2
29	06973	(000000-	) Screw, Hex, M12 X 1.75 X 70, 8.8	1
30	16864	(000000-	) Fitting, Hyd, Str, Jm06/Jm06 Bkhd	1
31	21168	(000000-	) Clip, [Pine-Tree], .250h, Plstc	1
32	1011427	(009500-	) Bracket, Spring, Side Brush	1
33	1007220	(009500-	) Bolt, Eye, M10x1.50 X 117mm 8.0 Eye	1
34	07787	(009500-	) Nut, Hex, Std, M10 X 1.5, Ss	2

Fig. 40 - Side Brush Lift Group

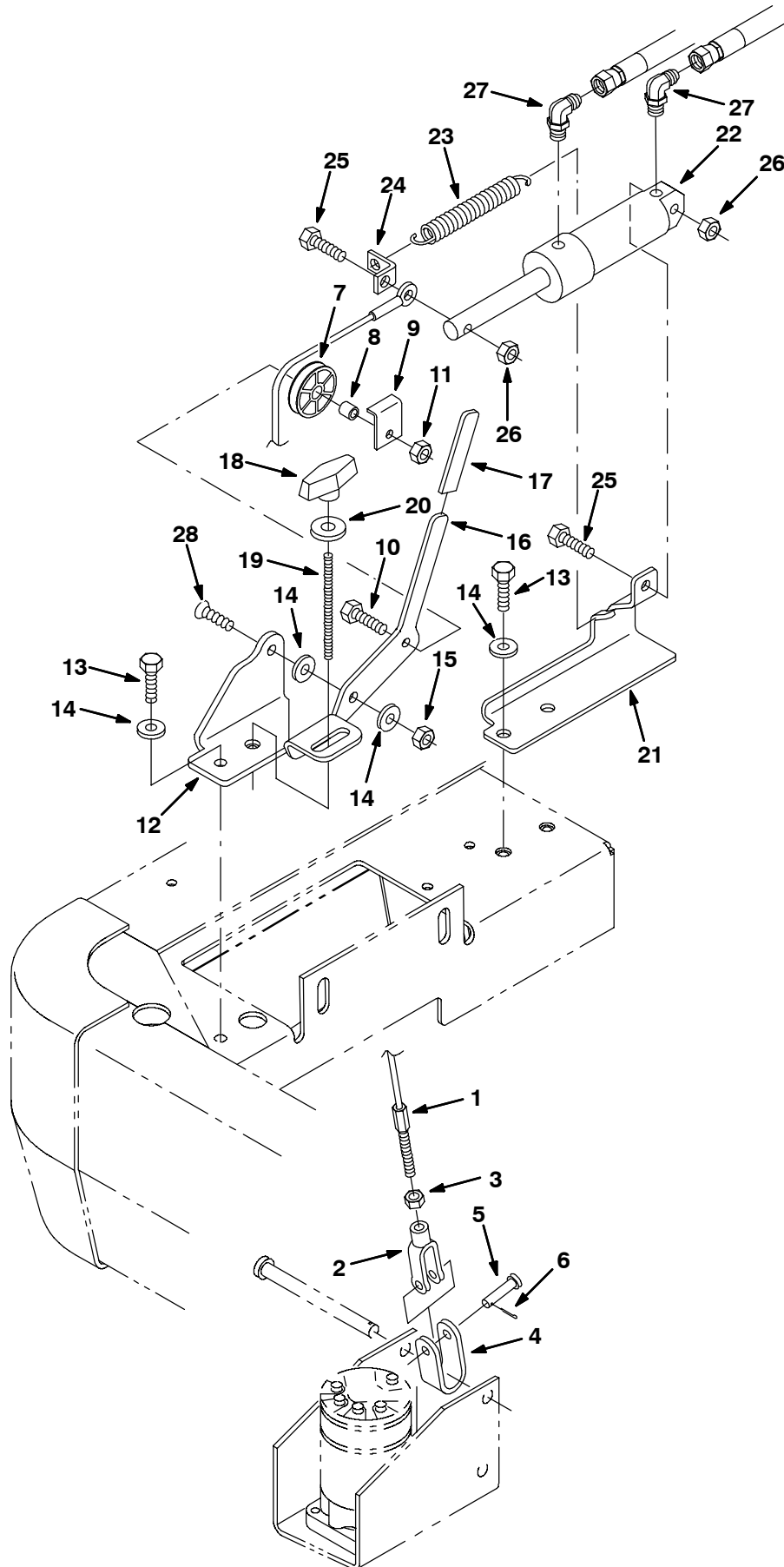




Fig. 40 - Side Brush Lift Group

Ref.	Part No.	Serial Number	Description	Qty.
1	77335	(000000-	) Cable, .13d, 14.9l, .41eye /M10x1.5	1
2	12267	(000000-	) Clevis, Adj, 0.38pin, M10x1.5	1
3	32716	(000000-	) Nut, Hex, Jam, M10 X 1.5, Ss	1
4	59899	(000000-	) Bracket, U, .12 1.2w 2.30h 1.0l	1
5	29558	(000000-	) Pin, Clevis, 0.37 D X 1.50l	1
6	08179	(000000-	) Pin, Cotter, .094 X 1.00	1
7	369781	(000000-	) Pulley, Cable, 1.5d, Nyl	1
8	222460	(000000-	) Sleeve, P/M, 0.496d 0.318b 0.50l 430ss	1
9	54400	(000000-	) Bracket, Angle, Keeper, Cable	1
10	76570	(000000-	) Screw, Hex, M 8 X 1.25 X 30, 8.8	1
11	08709	(000000-	) Nut, Hex, Lock, M 8 X 1.25 NI	1
12	1008462	(000000-	) Bracket, Mtg, Lever, Rh	1
13	03192	(000000-	) Screw, Hex, M10 X 1.5 X 30, 8.8	3
14	32492	(000000-	) Washer, Flat, 0.38 Std	7
15	41430	(000000-	) Nut, Hex, Lock, M10 X 1.5, NI	1
16	1009180	(000000-	) Bracket, Adj, Brush, Side, Rh	1
17	360467	(000000-	) Grip, Vyl	1
18	04706	(000000-	) Knob, Tee, 2.5x1.0 1.1l 0.38-16 Plstc	1
19	387151	(000000-	) Shaft, Thrd	1
20	32493	(000000-	) Washer, Flat, 0.50 Std	1
21	1008062	(000000-	) Bracket, Mtg, Cyl	1
22	1038176	(000000-	) Cylinder, Hyd, 1.5b,07.8l,02.80strk,2500	1
23	29499	(000000-	) Spring, Extn, 0.75od X 0.11wir, 4.5l	1
24	77336	(000000-	) Angle, Retainer, Spring	1
25	39285	(000000-	) Screw, Hex, M10 X 1.5 X 40, 8.8	2
26	41430	(000000-	) Nut, Hex, Lock, M10 X 1.5, NI	2
27	77097	(000000-	) Fitting, Hyd, E90, Jm04/Om04	2
28	09081	(000000-	) Screw, Flt, M10X1.5X25, 10.9	1

Fig. 41 - Main Brush Lift Group

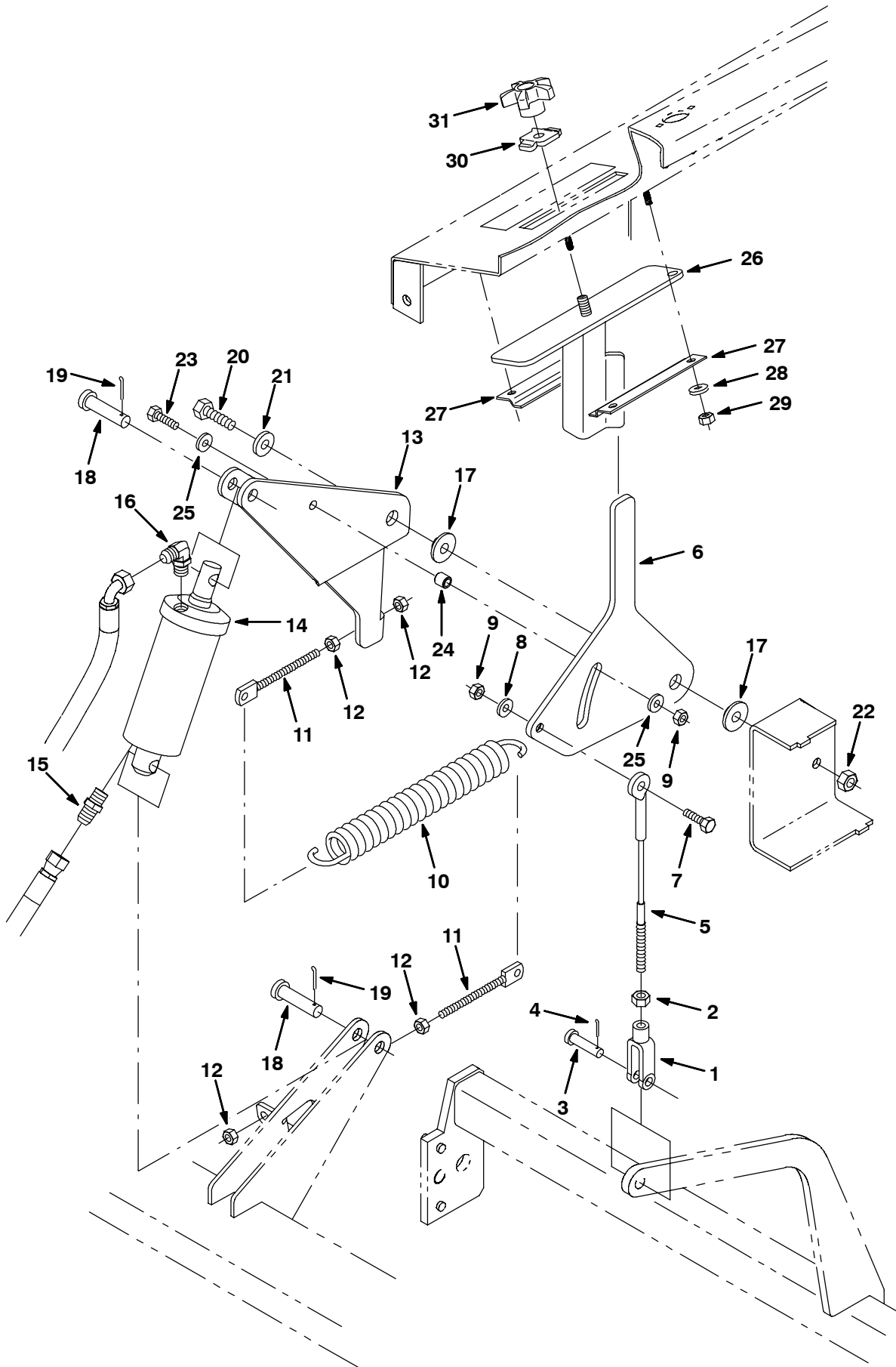


Fig. 41 - Main Brush Lift Group

Ref.	Part No.	Serial Number	Description	Qty.
1	12267	(000000-	) Clevis, Adj, 0.38pin, M10x1.5	1
2	32716	(000000-	) Nut, Hex, Jam, M10 X 1.5, Ss	1
3	86240	(000000-	) Pin, Clevis, 0.38 D X 1.13l	1
4	08179	(000000-	) Pin, Cotter, .094 X 1.00	1
5	383194	(000000-	) Cable, Lift, Main Brush	1
6	1005498	(000000-	) Bracket, Brush, Stop Adj	1
7	07810	(000000-	) Screw, Flt, M08 X 1.25 X 25, 10.9	1
8	32491	(000000-	) Washer, Flat, 0.31 Std	1
9	08709	(000000-	) Nut, Hex, Lock, M 8 X 1.25 NI	2
10	368197	(000000-	) Spring, Extn, 1.39od X 0.15wir, 9.0l	1
11	1007220	(000000-	) Bolt, Eye, M10x1.50 X 117mm 8.0 Eye	2
12	39312	(000000-	) Nut, Hex, Std, M10 X 1.5	4
13	1005489	(000000-	) Bracket Wldt, Cyl Mtg	1
14	54096	(000000-	) Cylinder, Hyd, 2.0b,08.0l,04.00strk,2500	1
15	55586	(000000-	) Fitting, Hyd, Str, Jm04/Om04	1
16	77097	(000000-	) Fitting, Hyd, E90, Jm04/Om04	1
17	363087	(000000-	) Bushing, Flng, 0.44b 1.25d 0.25l	2
18	43290	(000000-	) Pin, Clevis, 0.50 D X 1.75l	2
19	08182	(000000-	) Pin, Cotter, .125 X 1.00	2
20	39285	(000000-	) Screw, Hex, M10 X 1.5 X 40, 8.8	1
21	32492	(000000-	) Washer, Flat, 0.38 Std	1
22	41430	(000000-	) Nut, Hex, Lock, M10 X 1.5, NI	1
23	06955	(000000-	) Screw, Hex, M 8 X 1.25 X 35, 8.8	1
24	222460	(000000-	) Sleeve, P/M, 0.496d 0.318b 0.50l 430ss	1
25	32491	(000000-	) Washer, Flat, 0.31 Std	2
26	1005762	(000000-	) Bracket Wldt, Brush Adj	1
27	1006422	(000000-	) Retainer, Stop	2
28	32483	(000000-	) Washer, Flat, 0.25 Sae	4
29	08708	(000000-	) Nut, Hex, Lock, M 6 X 1.0, NI	4
30	1005740	(000000-	) Plate, Brush, Adj	1
31	383205	(000000-	) Knob, Star, 2.2od 8ear 1.1l M10x1.5 Pls	1

**Fig. 42 - Main Brush Drive Group**

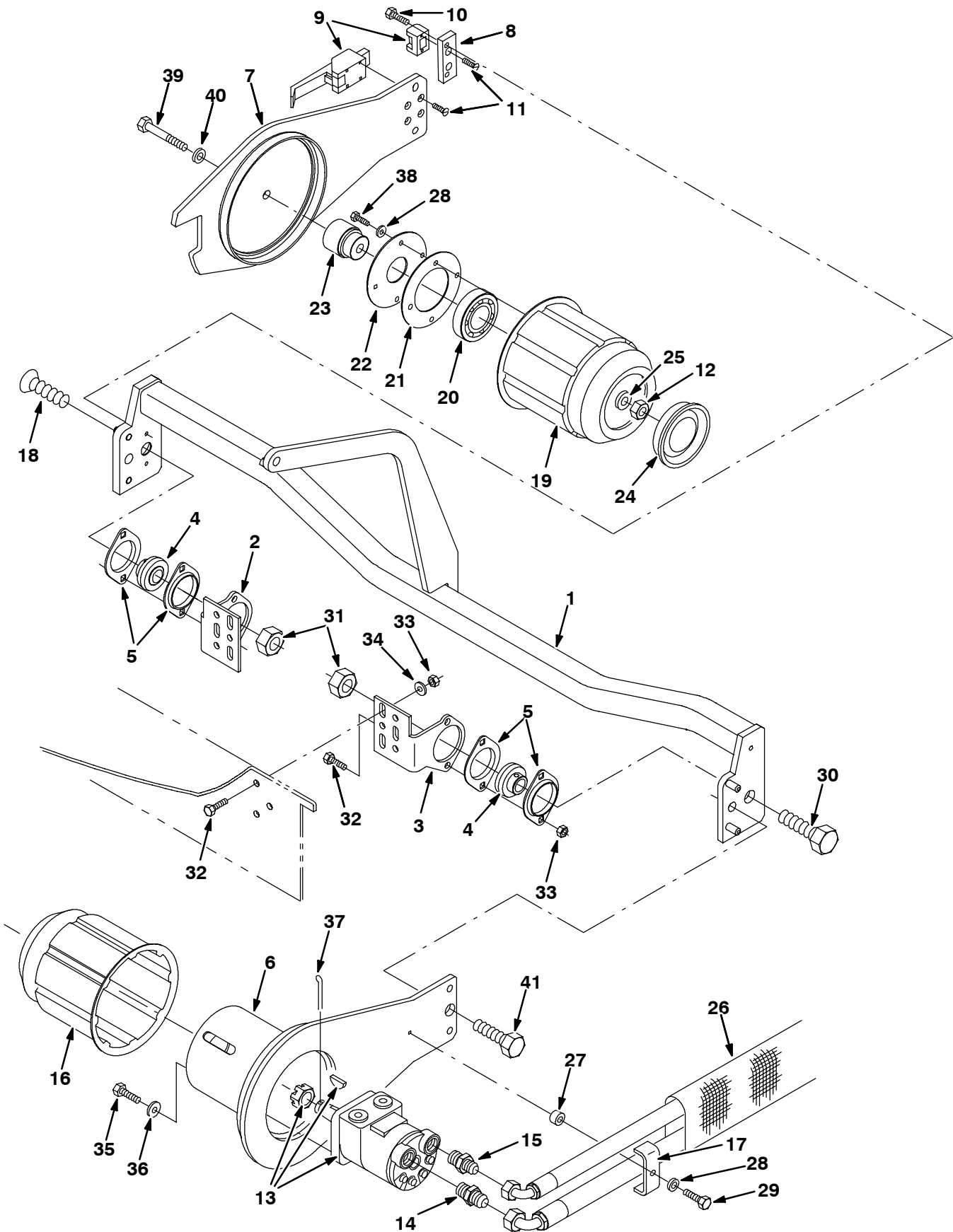


Fig. 42 - Main Brush Drive Group

Ref.	Part No.	Serial Number	Description	Qty.
1	1015432	(000000-	) Tube Wldt	1
2	383142	(000000-	) Bracket, Mtg, Rh	1
3	383143	(000000-	) Bracket, Mtg, Lh	1
4	25887	(000000-	) Bearing, W/ Collar, 0.75b 1.85d 1.06w	2
5	35973	(000000-	) Flange, Brg, 1.9id 2h	4
6	383139	(000000-	) Arm Wldt, Brush, Main, Drive, Lh	1
7	377249	(000000-	) Arm, Brush, Main, W/ Label [6600]	1
8	54204	(000000-	) Plate, Mtg	1
9	54878	(000000-	) Latch	1
10	15678	(000000-	) Screw, Hex, M 6 X 1.0 X 16, Ss	2
11	09120	(000000-	) Screw, Flt, M05 X 0.8 X 16, 10.9	6
12	08711	(000000-	) Nut, Hex, Lock, M12 X 1.75, NI	1
13	379608	(000000-	) Motor, Hyd, Gear, [In] 02.8 1500 (See Breakdowns)	1
14	44869	(000000-	) Fitting, Hyd, Str, Jm08/Om08	1
15	52402	(000000-	) Fitting, Hyd, Str, Jm06/Om08	1
16	87631	(000000-	) Plug Wldt, Drive, Brush, Sweep	1
17	51715	(000000-	) Bracket, U, .18 2.8 0.9 1.0l 1/0.3h	1
18	1007807	(000000-	) Screw, Flt, .75-10 X 2.50, Al	1
19	55779	(000000-	) Plug Wldt, Idler, Brush	1
20	24899	(000000-	) Bearing, Ball, 1.38b 2.83d 0.67w	1
21	30252	(000000-	) Disc, .08 4.39d 2.56b 4/.28h 3.8bc	1
22	30253	(000000-	) Disc, .06 4.39d 1.67b 4/.30h 3.8bc	1
23	30251	(000000-	) Shaft, Idler, Plug, Brush	1
24	30255	(000000-	) Cap, Vinyl, 3.28d 0.45l	1
25	51564	(000000-	) Washer, 0.53b 1.75d .12, Stl, PI	1
26	13773	(000000-	) Sleeve, Nyl, #27 20.0l	1
27	56228	(000000-	) Tube, Plstc, 0.31od 0.25id 00.5l, Blk	1
28	01684	(000000-	) Washer, Flat, 0.25 Ss	5
29	07805	(000000-	) Screw, Hex, M 6 X 1.0 X 35, Ss	1
30	39395	(000000-	) Screw, Hex, .75-10 X 2.50, FI	1
31	32987	(000000-	) Nut, Hex, Lock, .75-10, NI	2
32	09010	(000000-	) Screw, Hex, M 8 X 1.25 X 25, Ss	10
33	08709	(000000-	) Nut, Hex, Lock, M 8 X 1.25 NI	10
34	41186	(000000-	) Washer, Belleville, .31	3
35	01762	(000000-	) Screw, Hex, .38-16 X 0.75, NI	4
36	32485	(000000-	) Washer, Flat, .38 Sae	4
37	08175	(000000-	) Pin, Cotter, .125 X 1.25	1
38	12277	(000000-	) Screw, Hex, M 6 X 1.0 X 20, Ss, NI	4
39	06975	(000000-	) Screw, Hex, M12 X 1.75 X 90, 8.8	1
40	36328	(000000-	) Washer, Belleville, .50	1
41	06977	(000000-	) Screw, Hex, M16 X 2.0 X 20, 8.8	1

**Fig. 43 - Vacuum Fan Group**

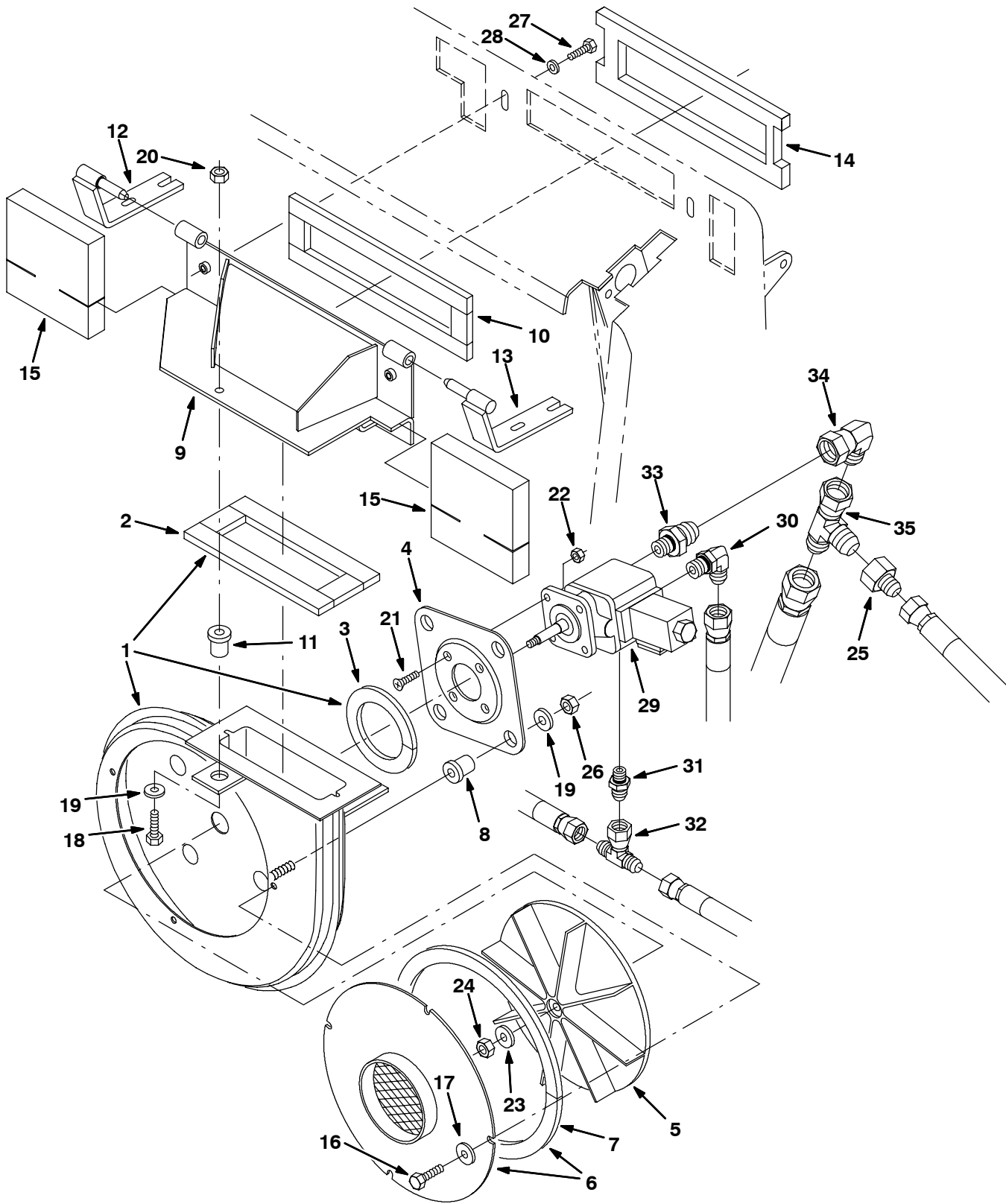


Fig. 43 - Vacuum Fan Group

Ref.	Part No.	Serial Number	Description	Qty.
▽	1	72133	(000000- ) Housing Assy, Vacfan, 09.0d Impeller	1
▲	2	59734	(000000- ) Seal, Ure, 0.38 0.75w 21.0l Adh	1
▲	3	59967	(000000- ) Seal, Ure, 0.38 0.75w 13.2l Adh	1
	4	54275A	(000000- ) Bracket, Mtg, Motor	1
	5	74454	(000000- ) Impeller, 9.00d X 1.40w X 0.376b	1
▽	6	59656	(000000- ) Duct Assy, Vacfan, W/ Seal	1
▲	7	59735	(000000- ) Seal, Ure, 0.38 0.75w 33.0l Adh	1
	8	54274	(000000- ) Isolator, Vib, Bshg, 1.1d 0.6l .4b 0.78h	4
	9	58540	(000000- ) Duct Wldt, Transition, Vacfan	1
	10	378972	(000000- ) Seal, Ure, 0.38 0.75w 25.2l Adh	1
	11	59649	(000000- ) Isolator, Vib, Bshg, 1.1d 0.6l .4b 0.78h	1
	12	374504	(000000- ) Hinge Wldt, Pin, .43d, Cover, Eng, Rh	1
	13	374505	(000000- ) Hinge Wldt, Pin, .43d, Cover, Eng, Lh	1
	14	69990	(000000- ) Insulation, Acstc, Seal, Vac Fan	1
	15	66184	(000000- ) Insulation, Acstc, 1.0 05.0w 05.0l	2
	16	34323	(000000- ) Screw, Hex, .25-20 X 0.75, NI	4
	17	41178	(000000- ) Washer, Flat, 0.25 Fender	4
	18	39285	(000000- ) Screw, Hex, M10 X 1.5 X 40, 8.8	3
	19	13248	(000000- ) Washer, Flat, 0.38 Std	7
	20	41430	(000000- ) Nut, Hex, Lock, M10 X 1.5, NI	3
	21	07810	(000000- ) Screw, Flt, M08 X 1.25 X 25, 10.9	4
	22	08709	(000000- ) Nut, Hex, Lock, M 8 X 1.25 NI	4
	23	32485	(000000- ) Washer, Flat, .38 Sae	1
	24	31241	(000000- ) Nut, Hex, Lock, .31-24, NI, Thin	1
	25	78143	(000000- ) Fitting, Hyd, Str, Jm08/Jf12	1
	26	50902	(000000- ) Nut, Hex, Lock, .38-16, NI	4
	27	39277	(000000- ) Screw, Hex, M 8 X 1.25 X 25, 8.8	2
	28	32491	(000000- ) Washer, Flat, 0.31 Std	2
	29	53485	(000000- ) Motor, Hyd, Gear, [Ex] .194 R 3000 (See Breakdowns)	1
	30	44868	(000000- ) Fitting, Hyd, E90, Jm08/Om08	1
	31	50960	(000000- ) Fitting, Hyd, Str, Jm06/Om04	1
	32	35586	(000000- ) Fitting, Hyd, Tee, Jm06/Jf06/Jm06	1
	33	62390	(000000- ) Fitting, Hyd, Str, Jm12/Om08	1
	34	35033	(000000- ) Fitting, Hyd, E90, Jm12/Jf12	1
	35	40514	(000000- ) Fitting, Hyd, Tee, Jm12/Jm12/Jf12	1

Fig. 44 - Hydraulic Schematic

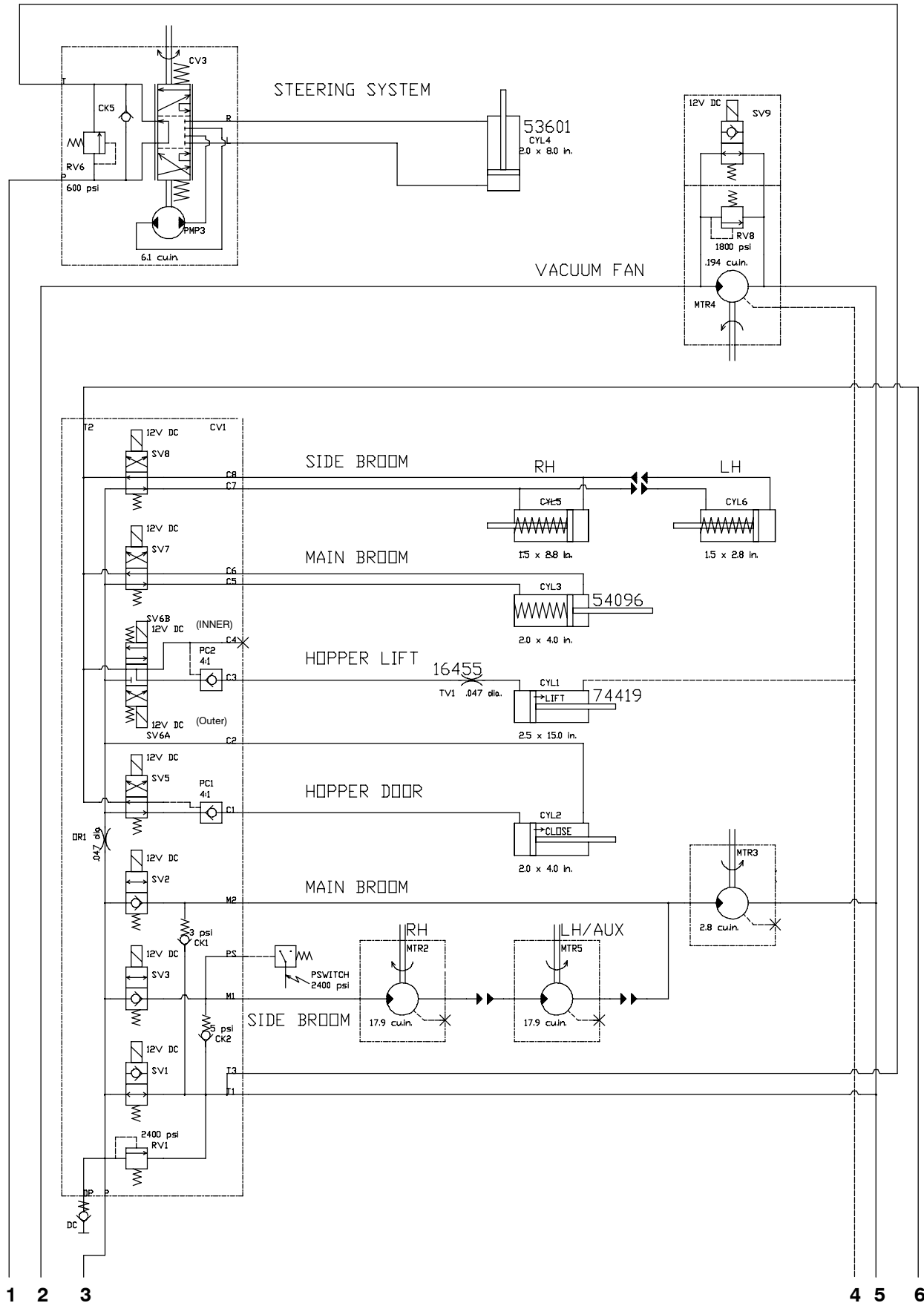




Fig. 44 - Hydraulic Schematic

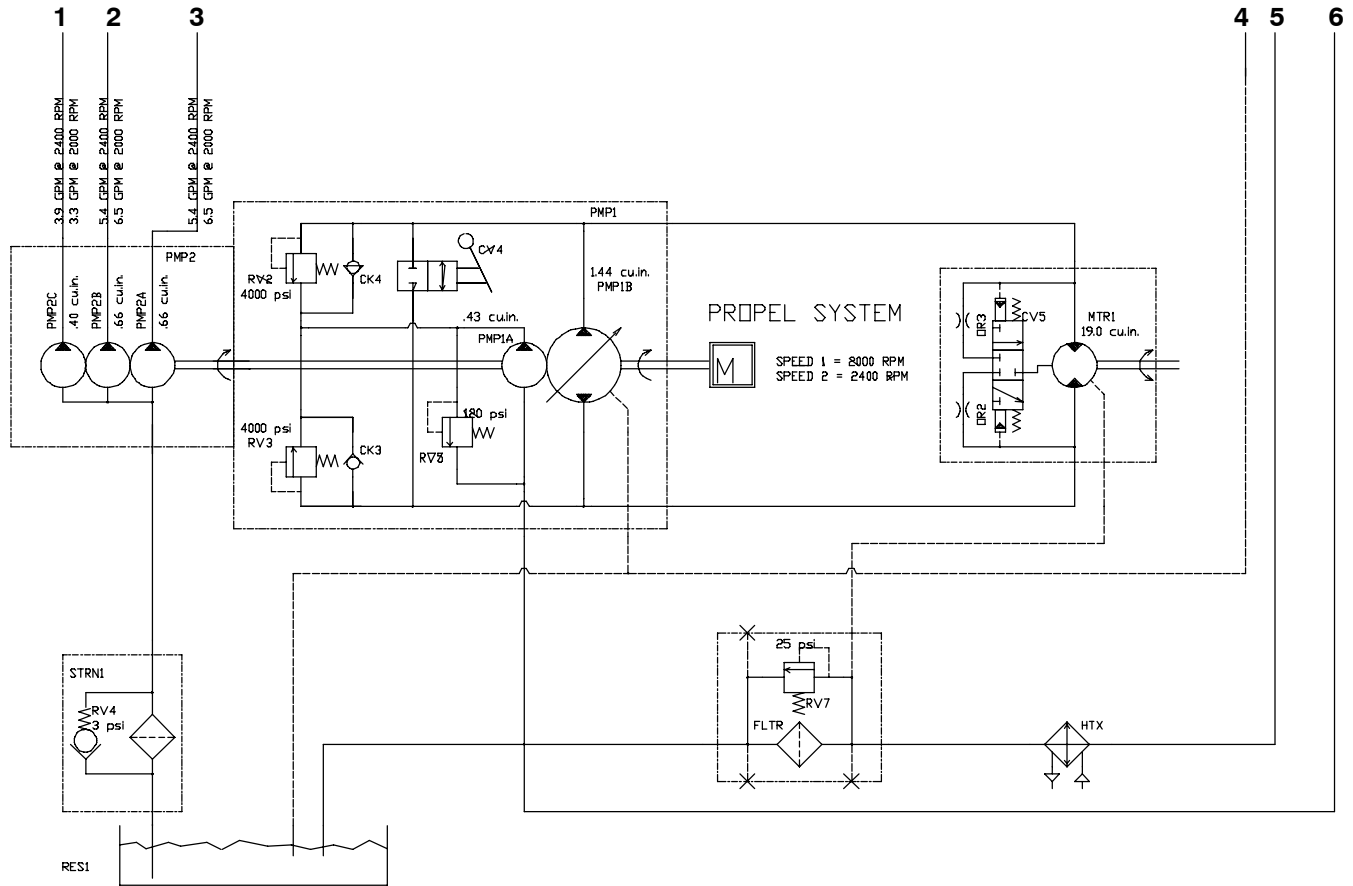


Fig. 45 - Hydraulic Hose Group

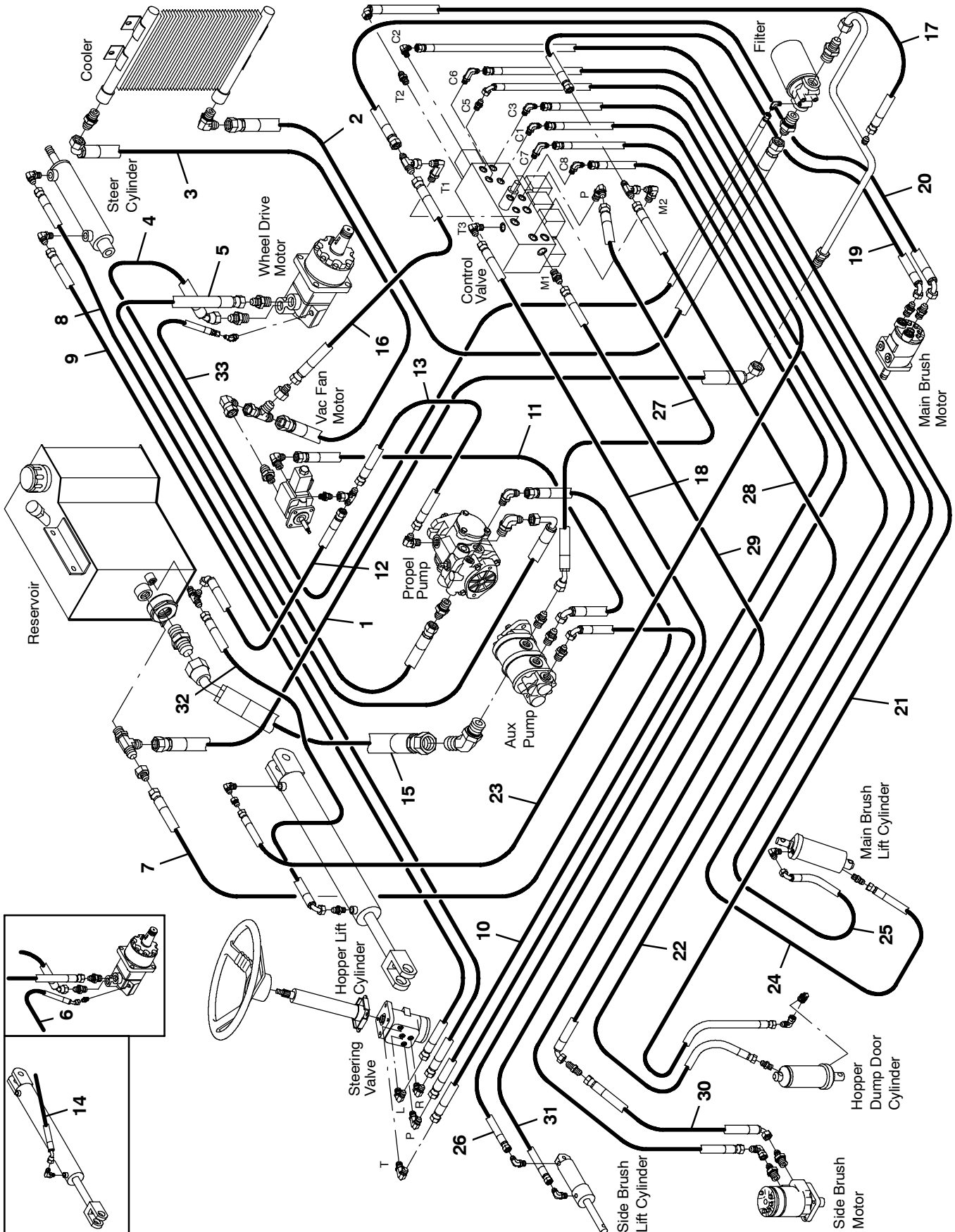


Fig. 45 - Hydraulic Hose Group

Ref.	Part No.	Serial Number	Description	Qty.
1	377250	(000000-	) Hose, Hyd,Med12, Jf12str /Jf12e90 , 23.0	1
2	59106	(000000-009999	) Hose, Hyd,Med12, Jf12str /Jf12e90l, 60.0	1
2	377250	(010000-	) Hose, Hyd,Med12, Jf12str /Jf12e90 , 23.0	1
3	31719	(000000-	) Hose, Hyd,Med12, Jf12str /Jf12e90 , 60.0	1
4	59574	(000000-	) Hose, Hyd,Tc 10, Jf10str /Jf10e45 , 54.0	1
5	1011582	(000000-	) Hose, Hyd,Tc 10, Jf10str /Jf10e90l, 67.0	1
6	377230	(000000-015164	) Hose, Hyd,Med04, Jf04str /Jf04e45 , 52.0	1
7	82820	(000000-	) Hose, Hyd,Med08, Jf08str /Jf08e90 , 34.0	1
8	377235	(000000-	) Hose, Hyd, Tc 06, Jf06str/Jf06str, 48.0	1
9	396210	(000000-	) Hose, Hyd,Tc 06, Jf06str /Jf06str , 36.0	1
10	396234	(000000-	) Hose, Hyd,Tc 06, Jf06str /Jf06e90 , 62.0	1
11	59578	(000000-	) Hose, Hyd,Med08, Jf08str /Jf08e90 , 32.0	1
12	01999	(000000-	) Hose, Hyd,Med06, Jf06str /Jf06e90 , 20.0	1
13	34376	(000000-	) Hose, Hyd,Med06, Jf06str /Jf06str , 16.0	1
14	377225	(000000-010501	) Hose, Hyd,Med06, Jf06str /Jf06e45 , 12.0	1
15	9000227	(000000-	) Hose, Hyd, Suc20, JfStr/Jf20E45, 25.0	1
16	34395	(000000-	) Hose, Hyd, Tc 06, Jf Str/E90 , 48.0l	1
17	77784	(000000-	) Hose, Hyd,Med06, Jf06str /Jf06e90 , 17.0	1
18	9000371	(000000-	) Hose, Hyd, Ar06, Jf06str / Jf06str, 70.0	1
19	364983	(000000-	) Hose, Hyd,Med06, Jf06str /Jf06e90 , 39.0	1
20	377232	(000000-	) Hose, Hyd,Med08, Jf08str /Jf08e90 , 37.0	1
21	77640	(000000-	) Hose, Hyd,Tc 04, Jf04str /Jf04str ,106.0	1
22	21117	(000000-	) Hose, Hyd,Tc 04, Jf04str /Jf04str , 98.0	1
23	77306	(000000-	) Hose, Hyd,Med04, Jf04str /Jf04str , 52.0	1
24	57962	(000000-	) Hose, Hyd,Med04, Jf04str /Jf04e90 , 64.0	1
25	377234	(000000-	) Hose, Hyd,Tc 04, Jfstr /Jf04e45 , 66.0	1
26	65208	(000000-	) Hose, Hyd,Tc 04, Jf04str /Jf04str ,104.0	1
27	16473	(000000-	) Hose, Hyd,Med08, Jf08str /Jf08e45 , 26.0	1
28	9000249	(000000-	) Hose, Hyd,Med06, Jf06str /Jf06e90 , 84.0	1
29	377226	(000000-	) Hose, Hyd,Tc 06, Jf06str /Jf06str ,126.0	1
30	71552	(000000-	) Hose, Hyd,Med06, Jf06str /Jf06e90 , 46.0	1
31	77641	(000000-	) Hose, Hyd,Tc 04, Jf04str /Jf04str ,114.0	1
32	01998	(010502-	) Hose, Hyd, Med06, Jf06e90/Jf06str, 010.0	1
33	77306	(015165-	) Hose, Hyd, Med04, Jf04str/Jf04str, 052.0	1

Fig. 46 - Hydraulic Reservoir Group

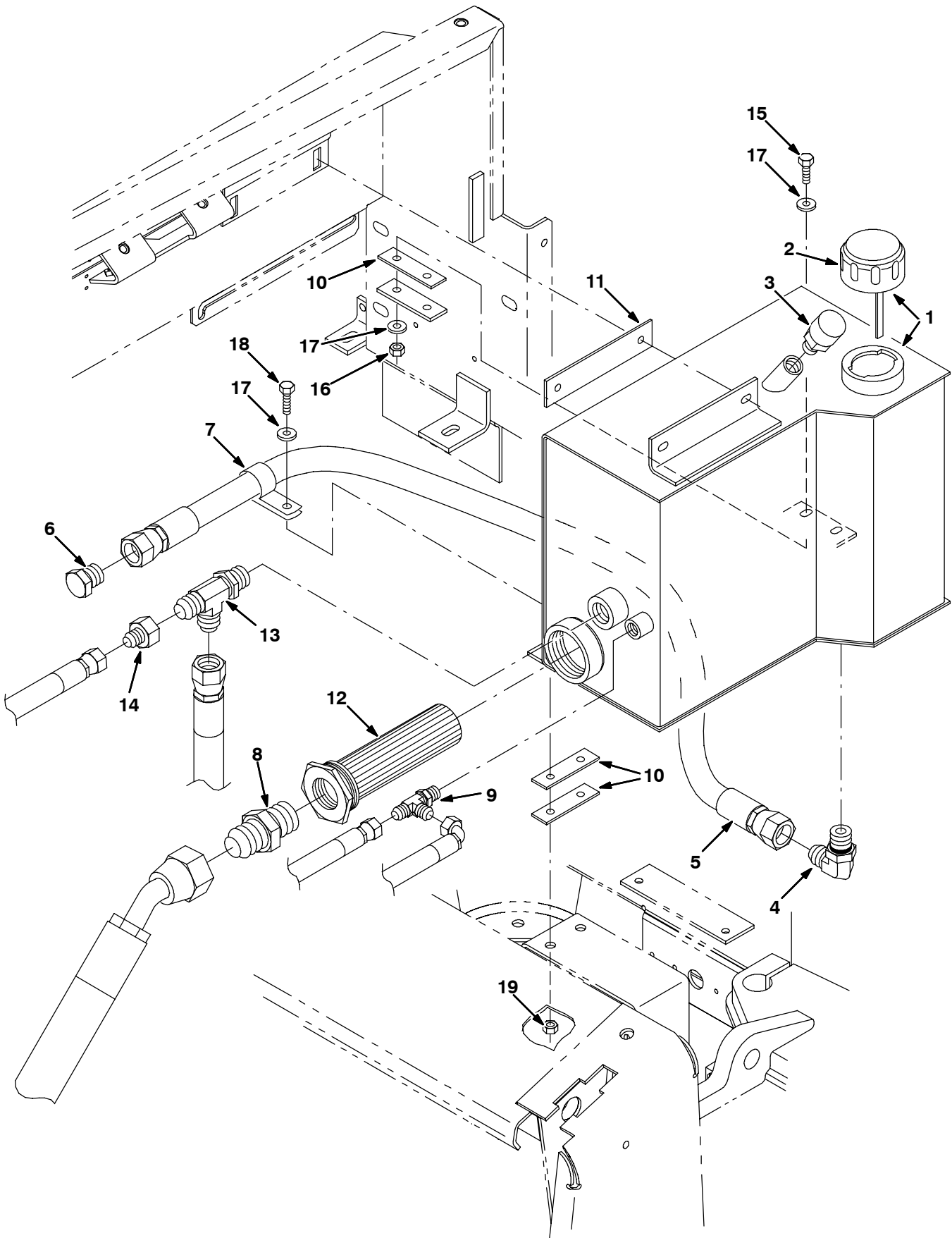


Fig. 46 - Hydraulic Reservoir Group

	Ref.	Part No.	Serial Number	Description	Qty.
▽	1	377244	(000000-	) Reservoir, W/ Label, 06.5gal [6600/6650]	1
▲	2	23163	(000000-	) Cap, Breather, Hyd, 2.2 Ds	1
	3	23182	(000000-	) Breather, Hyd, 20mic 05psi .75-16	1
	4	56821	(000000-	) Fitting, Hyd, E90, Jm08/Om10	1
	5	13115	(000000-	) Hose, Hyd,Low08, Jf08str /Jf08str , 20.0	1
	6	16376	(000000-	) Fitting, Hyd, Plug, Jm08	1
	7	53466	(000000-	) Clamp, Cable, Stl, 1.50d X 1.00w, 1h	1
	8	58858	(000000-	) Fitting, Hyd, Str, Jm20/Om20	1
	9	76316	(000000-	) Fitting, Hyd, Tee, Jm06/Jm06/Om06	1
	10	59789	(000000-	) Strip, Rbr, 0.13 01.00w 03.5l	3
	11	59790	(000000-	) Strip, Rbr, 0.13 01.50w 07.0l	1
	12	31613	(000000-	) Strainer, Hyd, 25gpm 100mesh Psi	1
	13	42216	(000000-	) Fitting, Hyd, Tee, Jm12/Jm12/Om12	1
	14	78143	(000000-	) Fitting, Hyd, Str, Jm08/Jf12	1
	15	09010	(000000-	) Screw, Hex, M 8 X 1.25 X 25, Ss	2
	16	08709	(000000-	) Nut, Hex, Lock, M 8 X 1.25 NI	2
	17	32491	(000000-	) Washer, Flat, 0.31 Std	4
	18	76570	(000000-	) Screw, Hex, M 8 X 1.25 X 30, 8.8	2
	19	08713	(000000-	) Nut, Hex, Lock, M 8 X 1.25, NI, Ss	2

Fig. 47 - Hydraulic Cooler Group (00000-009999)

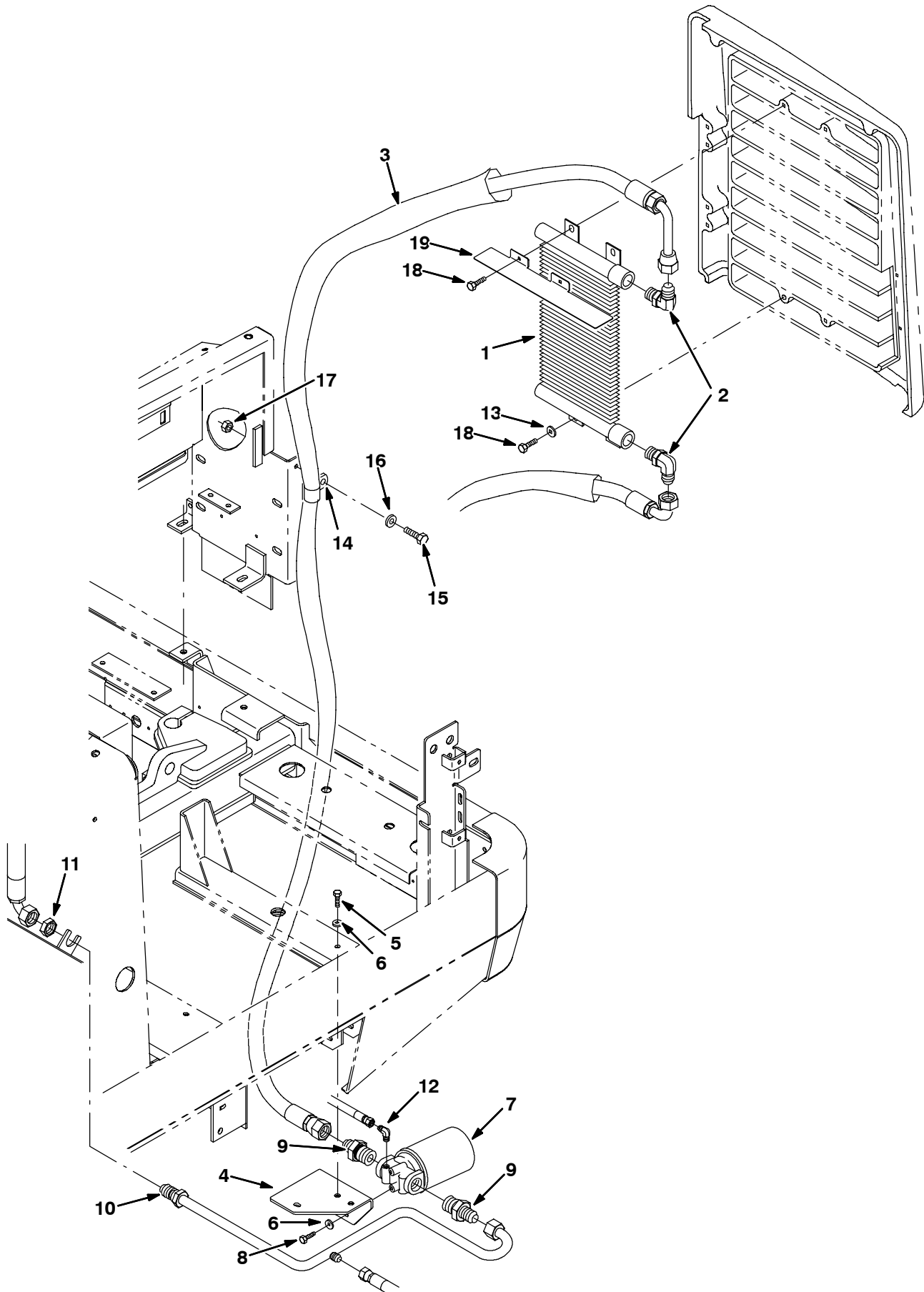


Fig. 47 - Hydraulic Cooler Group (000000-009999)

Ref.	Part No.	Serial Number	Description	Qty.	
1	13698	(000000-009999 )	Cooler, Hyd, 25gpm 325btu Of12 13x12x2	1	
2	46481	(000000-009999 )	Fitting, Hyd, E90, Jm12/Om12	2	
3	87676	(000000-009999 )	Sleeve, Nyl, #27 30.0l	1	
4	1006647	(000000-009999 )	Bracket, Mtg, Hyd	1	
5	06956	(000000-009999 )	Screw, Hex, M 8 X 1.25 X 45, 8.8	2	
6	32491	(000000-009999 )	Washer, Flat, 0.31 Std	4	
▽	7	1006329	(000000-009999 )	Filter, Hyd 10mic 30gpm 150	1
▲		1008968	(000000-009999 )	Element, Fltr, Oil, Hyd	1
8	54395	(000000-009999 )	Screw, Hex, .31-18 X 0.62, 5	2	
9	71562	(000000-009999 )	Fitting, Hyd, Str, Jm12/Om20	2	
10	1007048	(000000-009999 )	Tube, Hyd, 12 Jf12/Jm12	1	
11	396279	(000000-009999 )	Fitting, Hyd, Nut, Jm12	1	
12	55455	(000000-009999 )	Fitting, Hyd, E90, Pm02/Jm04	1	
13	41178	(000000-009999 )	Washer, Flat, 0.25 Fender	2	
14	53466	(000000-009999 )	Clamp, Cable, Stl, 1.50d X 1.00w, 1h	2	
15	16931	(000000-009999 )	Screw, Hex, M 8 X 1.25 X 20, 8.8	2	
16	32491	(000000-009999 )	Washer, Flat, 0.31 Std	2	
17	07791	(000000-009999 )	Nut, Hex, Flng, M08 X 1.25	2	
18	11329	(000000-009999 )	Screw, Hex, M 6 X 1.0 X 16, Ss, NI	4	
19	1007966	(000000-009999 )	Deflector, Air	2	

Fig. 48 - Hydraulic Cooler Group (010000- )

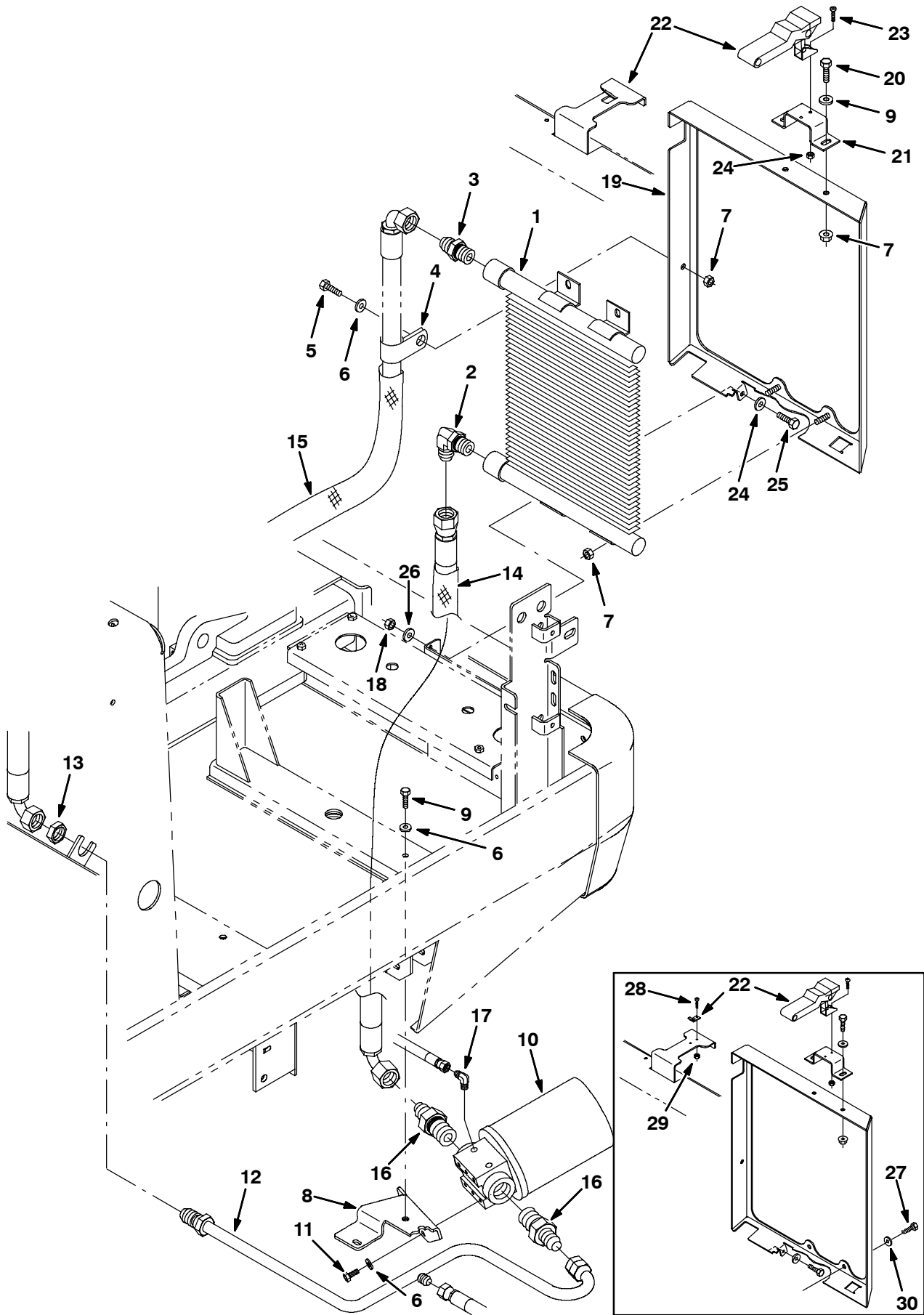




Fig. 48 - Hydraulic Cooler Group (010000- )

Ref.	Part No.	Serial Number	Description	Qty.	
1	13698	(010000-	) Cooler, Hyd, 25gpm 325btu Of12 13x12x2	1	
2	46481	(010000-	) Fitting, Hyd, E90, Jm12/Om12	1	
3	42260	(010000-	) Fitting, Hyd, Str, Jm12/Om12	1	
4	69234	(010000-	) Clamp, Cable, Stl, 1.00d X 0.62w, 1h	1	
5	39277	(010000-	) Screw, Hex, M8 X 1.25 X 25, 8.8	1	
6	32491	(010000-	) Washer, Flat, 0.31 Std	7	
7	07791	(010000-	) Nut, Hex, Flng, M8 X 1.25	5	
8	1013681	(010000-014999	) Bracket, Mtg, Hyd	1	
8	1029163	(015000-	) Bracket, Mtg, Hyd	1	
9	06956	(010000-	) Screw, Hex, M8 X 1.25 X 45, 8.8	2	
▽	10	1006329	(010000-	) Filter, Hyd 10mic 30gpm 150	1
▲		1008968	(010000-	) Element, Fltr, Oil, Hyd	1
	11	54395	(010000-	) Screw, Hex, .31-18 X 0.62, 5	2
	12	1014005	(010000-	) Tube, Hyd, 12 Jf12/Jm12	1
	13	396279	(010000-	) Fitting, Hyd, Nut, Jm12	1
	14	82830	(010000-	) Sleeve, Nyl, 27 16.0l	1
	15	87676	(010000-	) Sleeve, Nyl, 27 30.0l	1
	16	71562	(010000-	) Fitting, Hyd, Str, Jm12/Om20	2
	17	55455	(010000-	) Fitting, Hyd, E90, Pm02/Jm04	1
	18	08708	(010000-	) Nut, Hex, Lock, M6 X 1.0, NI	4
	19	1008457	(010000-	) Bracket, Cooler, Hyd	1
	20	16931	(010000-	) Screw, Hex, M8 X 1.25 X 20, 8.8	2
	21	1010049	(010000-	) Bracket, Stop	1
	22	49800	(010000-	) Latch	1
	23	49697	(010000-	) Screw, Pan, M4 X 0.7 X 10, Ss	2
	24	02850	(010000-	) Nut, Hex, Lock, M4 X 0.7, NI	2
	25	06942	(010000-	) Screw, Hex, M6 X 1.0 X 16, 8.8	2
	26	32483	(010000-	) Washer, Flat, 0.25 Sae	4
	27	07810	(025000-xxxxxx	) Screw, Flt, M8 X 1.25 X 25, 10.9	4
	28	49697	(025000-xxxxxx	) Screw, Pan, M4 X 0.7 X 10, Ss	2
	29	02850	(025000-xxxxxx	) Nut, Hex, Lock, M4 X 0.7, NI	2
	30	32483	(025000-xxxxxx	) Washer, Flat, 0.25 Sae	4

Fig. 49 - Hydraulic Pumps Group

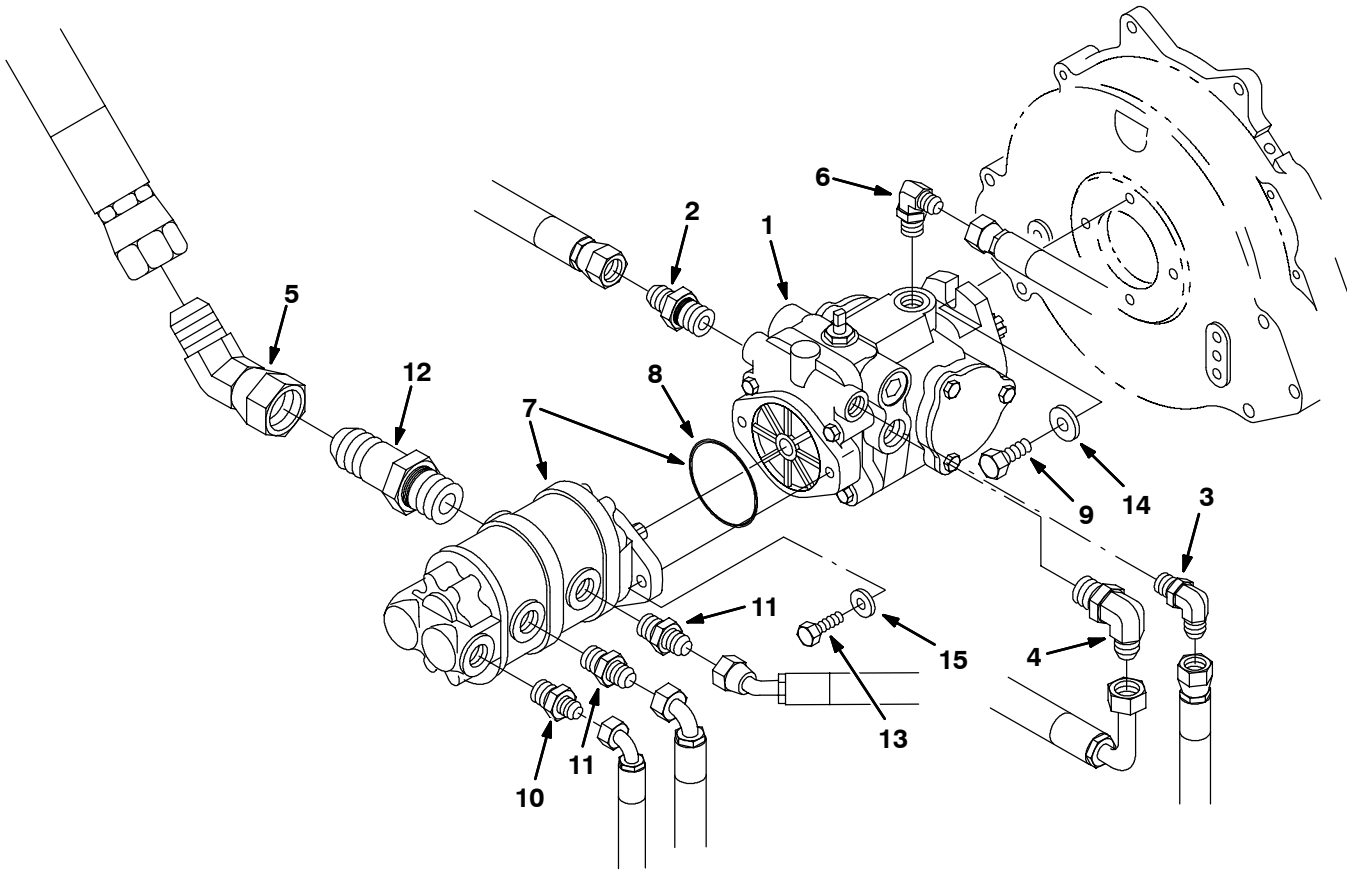


Fig. 49 - Hydraulic Pumps Group

Ref.	Part No.	Serial Number	Description	Qty.
1	373452	(000000-	) Pump, Hyd, Piston, [V] 1.44 [R] 4000 (See Breakdowns)	1
2	42223	(000000-	) Fitting, Hyd, Str, Jm10/Om12	1
3	44868	(000000-	) Fitting, Hyd, E90, Jm08/Om08	1
4	53076	(000000-	) Fitting, Hyd, E90, Jm10/Om12	1
5	19544	(000000-	) Fitting, Hyd, E45, Jm20/Jf20	1
6	47512	(000000-	) Fitting, Hyd, E90, Jm06/Om08	1
▽	7	9000210	(000000-) Pump, Hyd, Gear, W/Org, Afmkt (See Breakdowns)	1
▲	8	65145-1	(000000-) Seal, O-Ring, .069 X 3.06id	1
9	39810	(000000-	) Screw, Hex, .50-13 X 1.25, 5	1
10	47508	(000000-	) Fitting, Hyd, Str, Jm06/Om10	1
11	56692	(000000-	) Fitting, Hyd, Str, Jm08/Om10	2
12	19458	(000000-	) Fitting, Hyd, Str, Jm20om20l	1
13	46559	(000000-	) Screw, Hex, .38-16 X 1.25, NI	2
14	32493	(000000-	) Washer, Flat, 0.50 Std	2
15	32485	(000000-	) Washer, Flat, .38 Sae	2

**Fig. 50 - Hydraulic Control Valve Group**

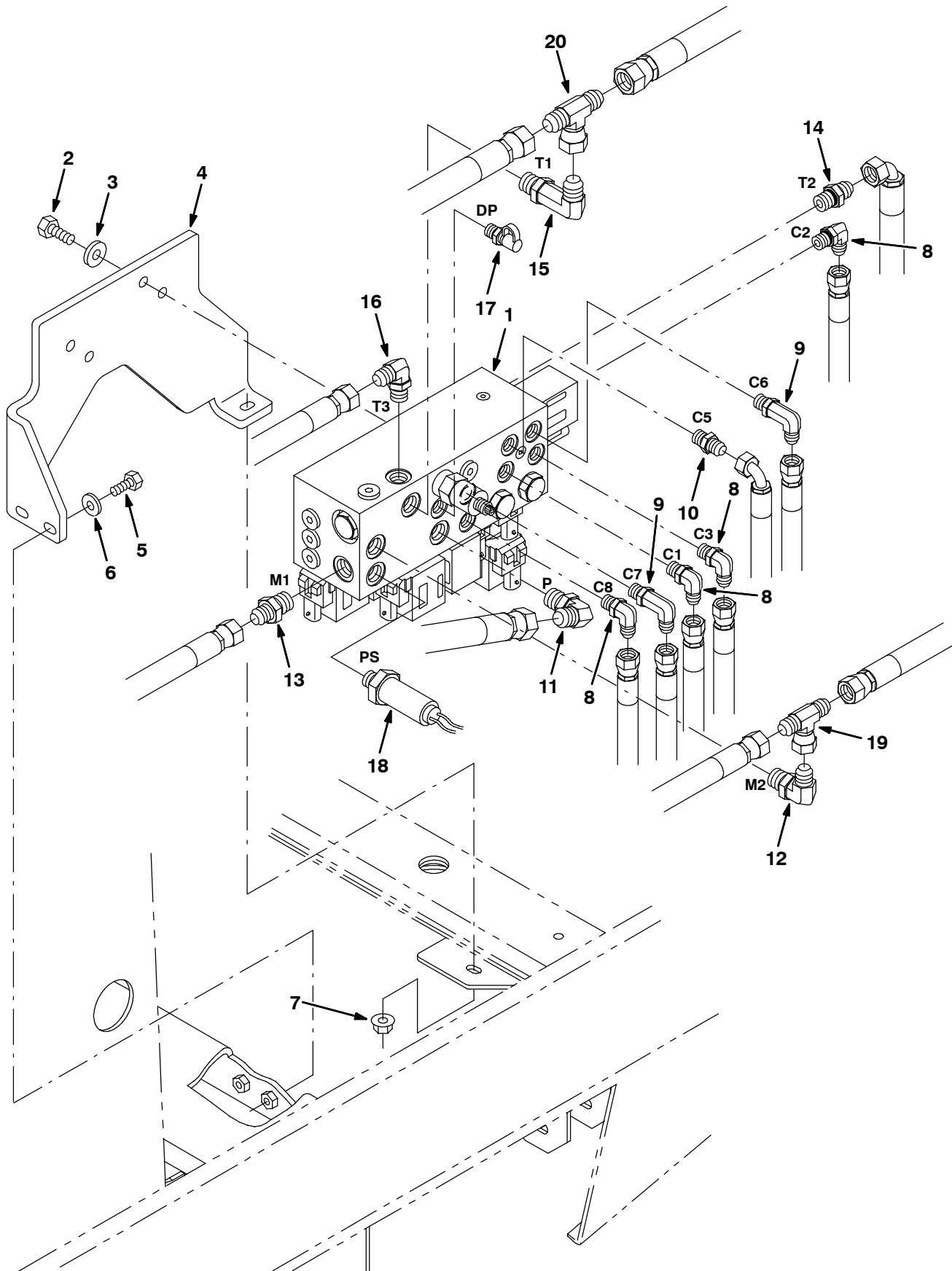


Fig. 50 - Hydraulic Control Valve Group

Ref.	Part No.	Serial Number	Description	Qty.
1	1005148	(000000-	) Valve, Cntrl, Hyd [6650] (See Breakdowns)	1
2	06961	(000000-	) Screw, Hex, M10 X 1.5 X 20, 8.8	2
3	32492	(000000-	) Washer, Flat, 0.38 Std	2
4	1006309	(000000-	) Bracket, Mtg, Valve	1
5	16931	(000000-	) Screw, Hex, M 8 X 1.25 X 20, 8.8	3
6	32491	(000000-	) Washer, Flat, 0.31 Std	3
7	07791	(000000-	) Nut, Hex, Flng, M08 X 1.25	1
8	77097	(000000-	) Fitting, Hyd, E90, Jm04/Om04	4
9	82825	(000000-	) Fitting, Hyd, E90, Jm04om04l	2
10	55586	(000000-	) Fitting, Hyd, Str, Jm04/Om04	1
11	44868	(000000-	) Fitting, Hyd, E90, Jm08/Om08	1
12	47512	(000000-	) Fitting, Hyd, E90, Jm06/Om08	1
13	52402	(000000-	) Fitting, Hyd, Str, Jm06/Om08	1
14	56690	(000000-	) Fitting, Hyd, Str, Jm06/Om06	1
15	69173	(000000-	) Fitting, Hyd, E90, Jm08/Om08[2.48l]	1
16	56820	(000000-	) Fitting, Hyd, E90, Jm06/Om06	1
17	395973	(000000-	) Fitting, Hyd, Str, Om04/Qm04	1
18	77575	(000000-	) Switch Assy, Press, 12vdc 02a Spst No	1
19	35586	(000000-	) Fitting, Hyd, Tee, Jm06/Jf06/Jm06	1
20	76315	(000000-	) Fitting, Hyd, Tee, Jm08/Jf08/Jm08	1

## Fig. 51 - Electrical Schematic

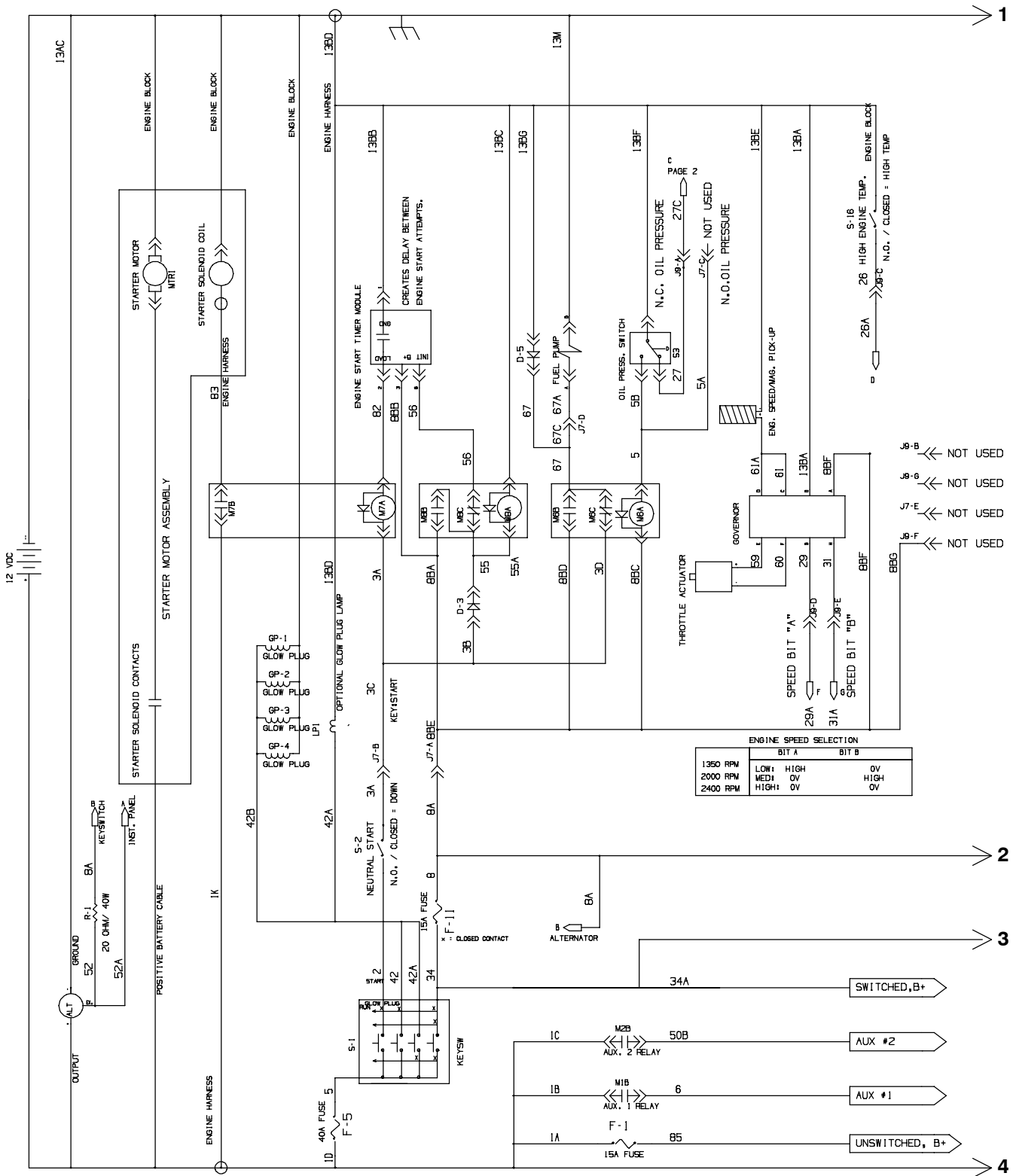


Fig. 51 - Electrical Schematic

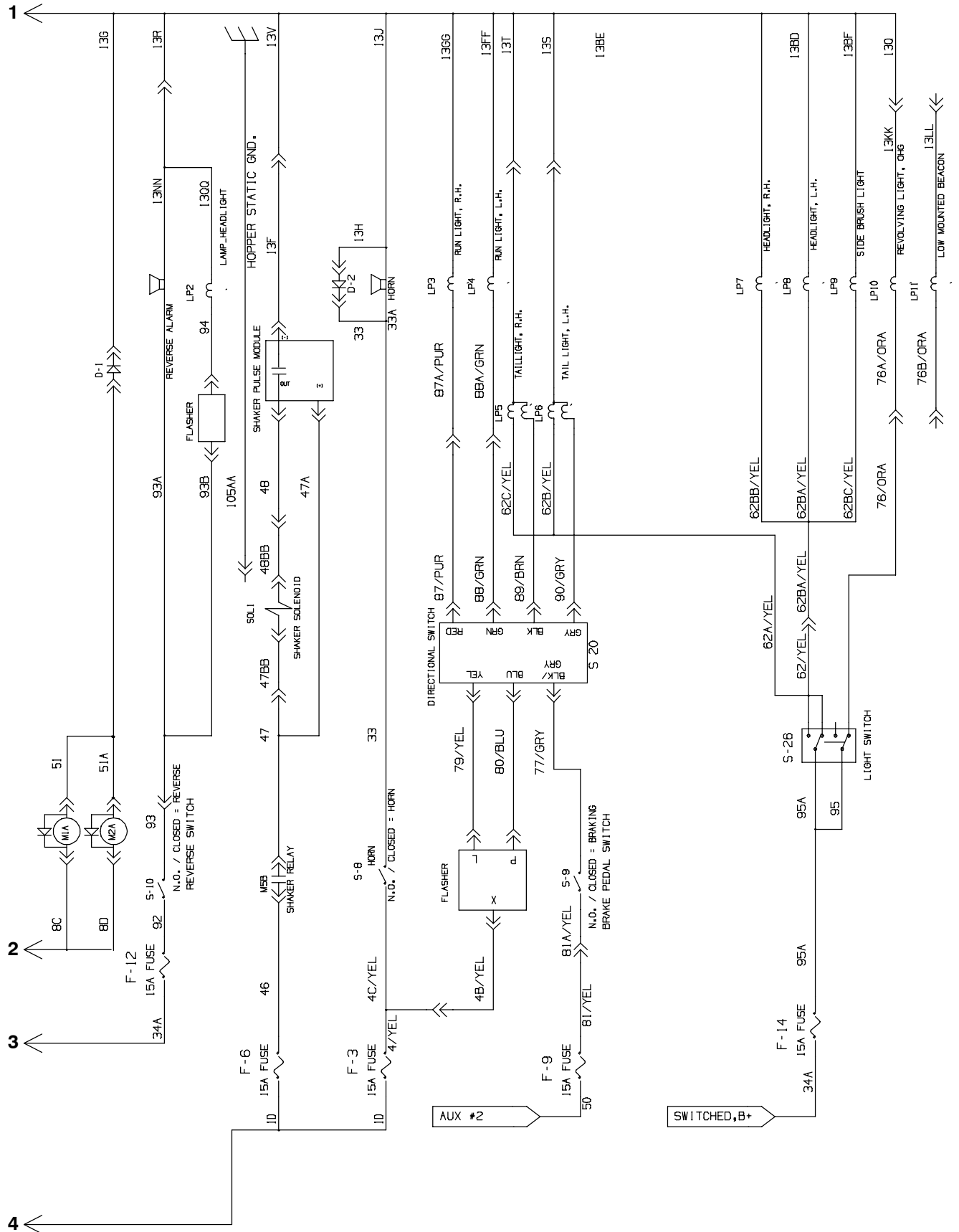


Fig. 51 - Electrical Schematic

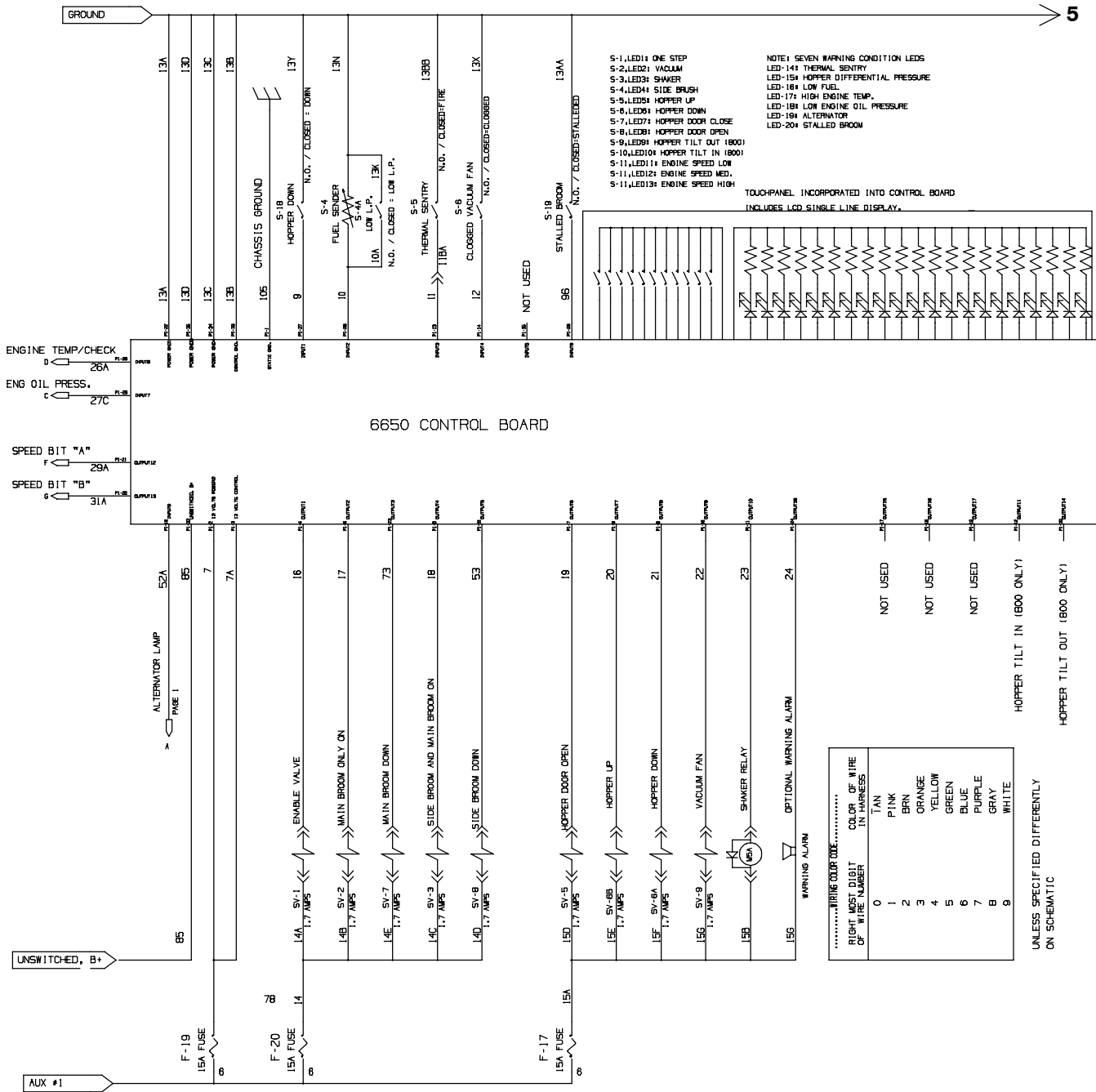
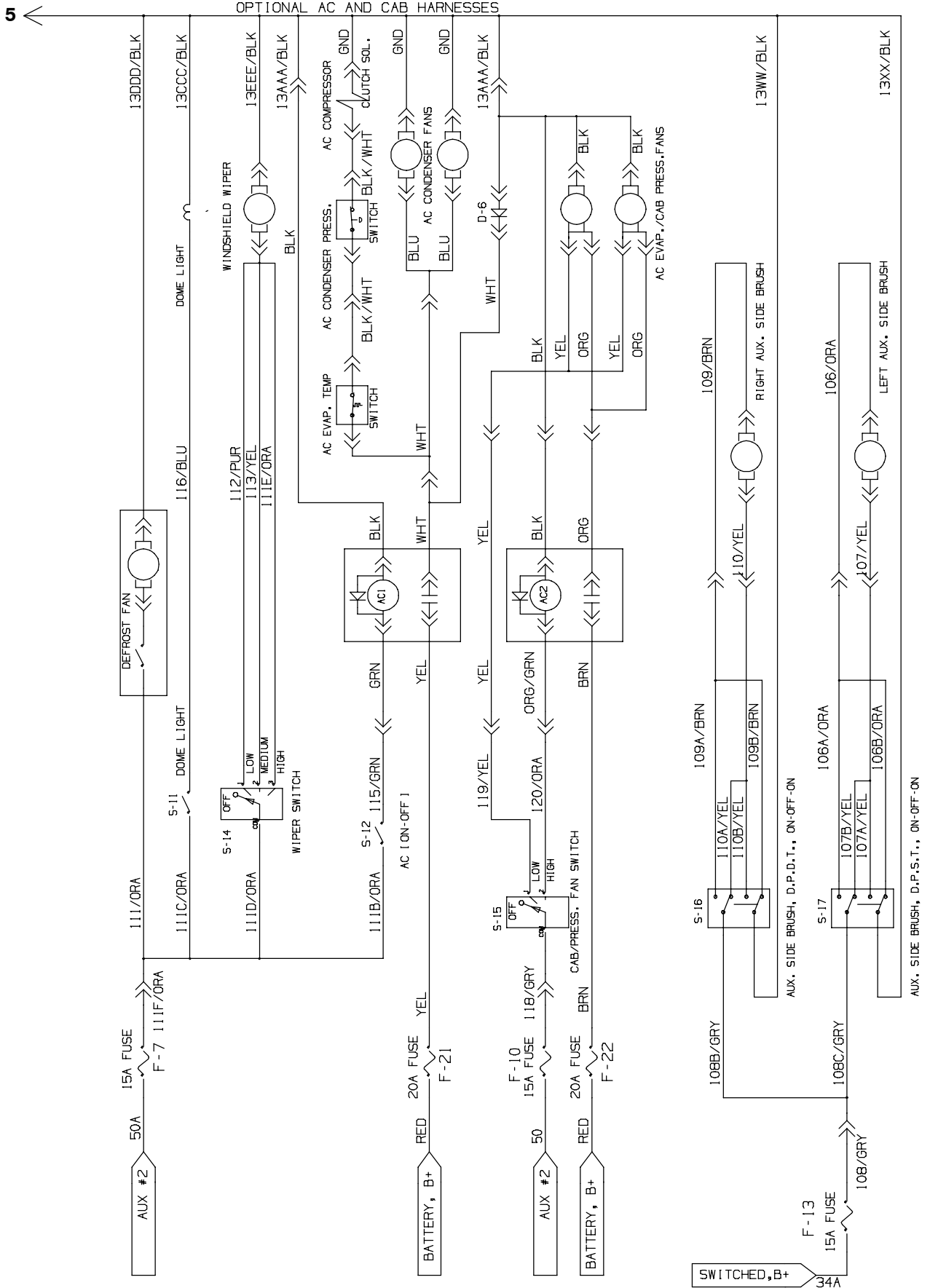




Fig. 51 - Electrical Schematic



5

Fig. 52 - Electrical Wire Harness Group

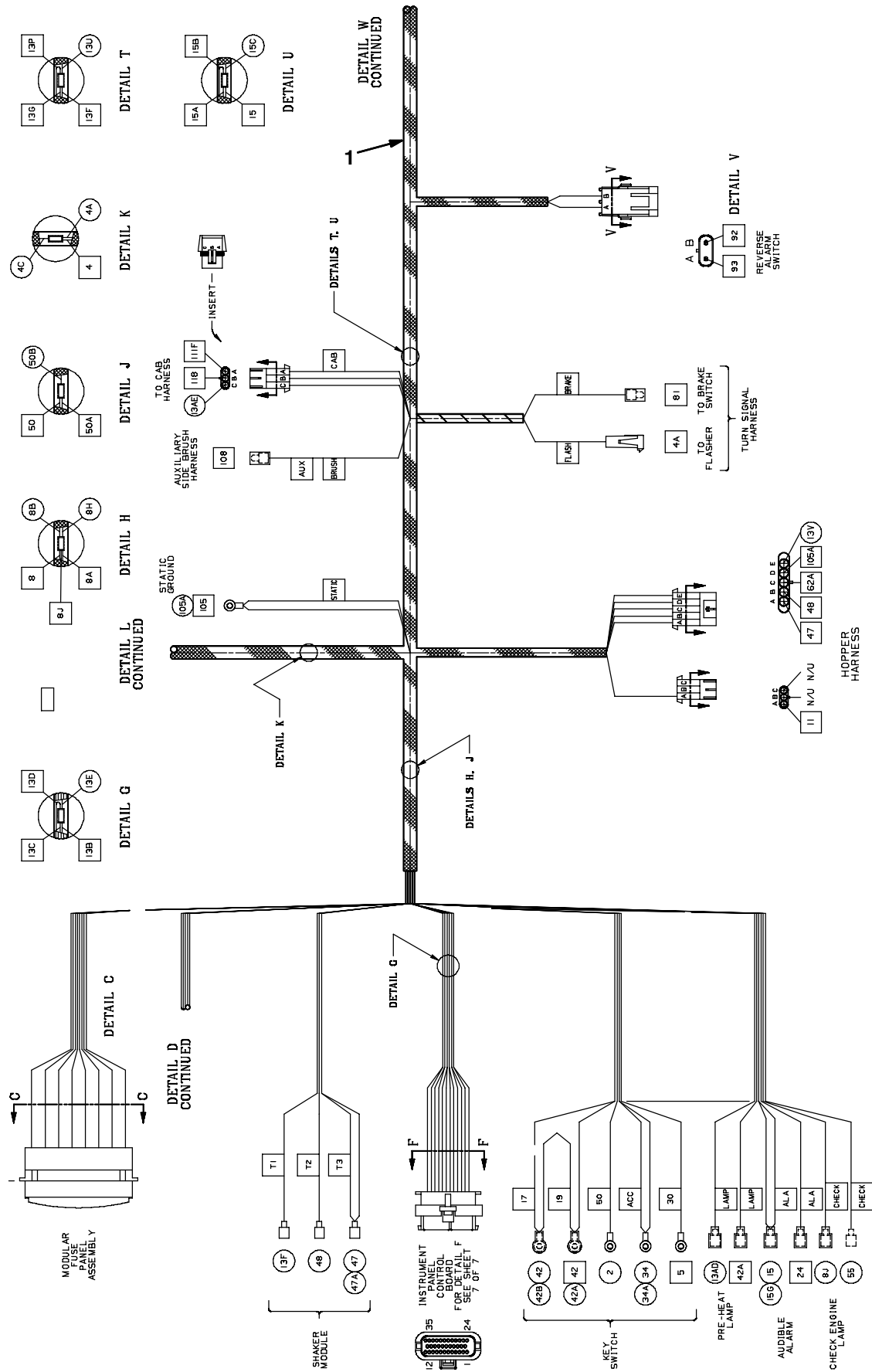


Fig. 76 - Electrical Wire Harness Group

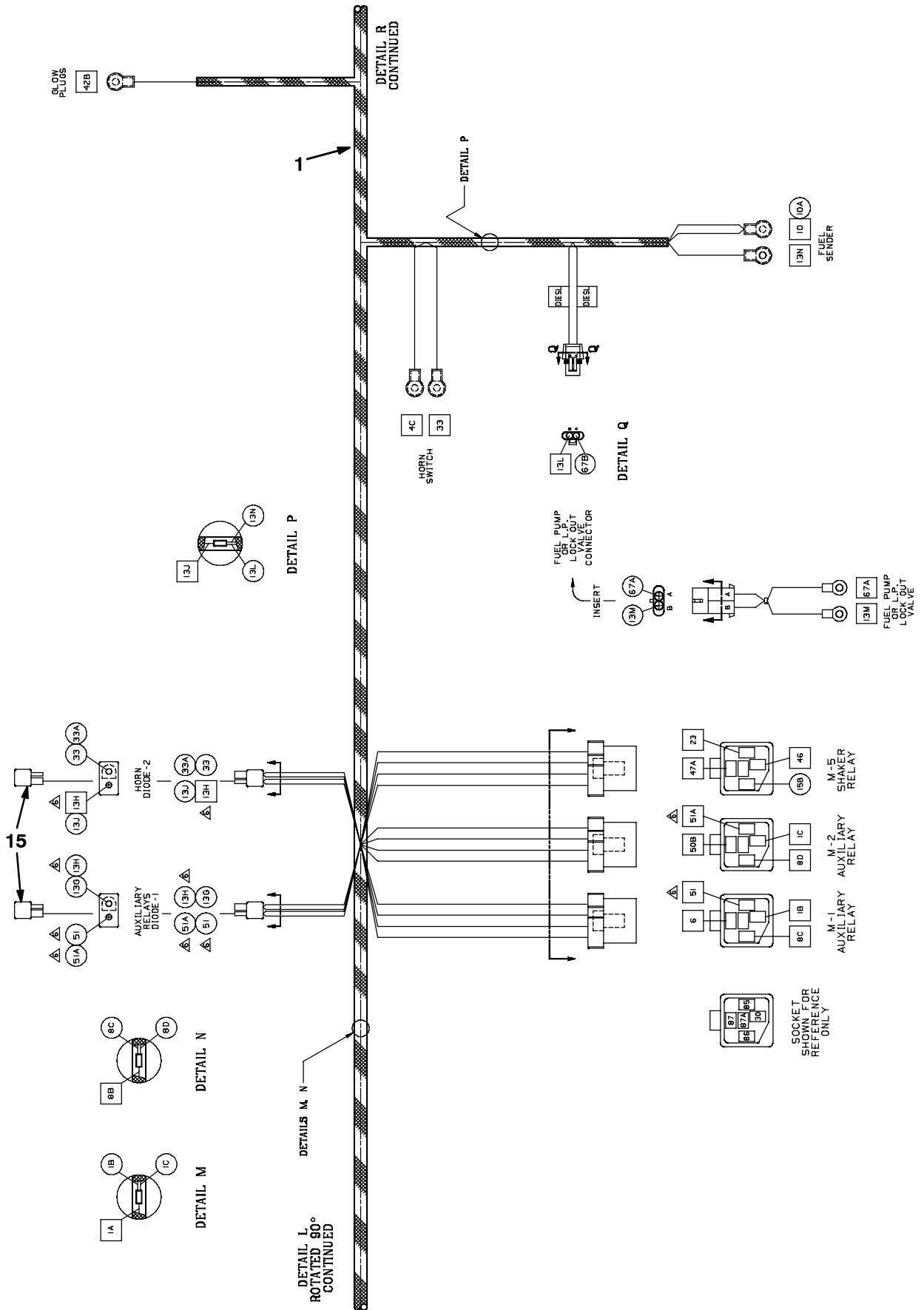


Fig. 52 - Electrical Wire Harness Group

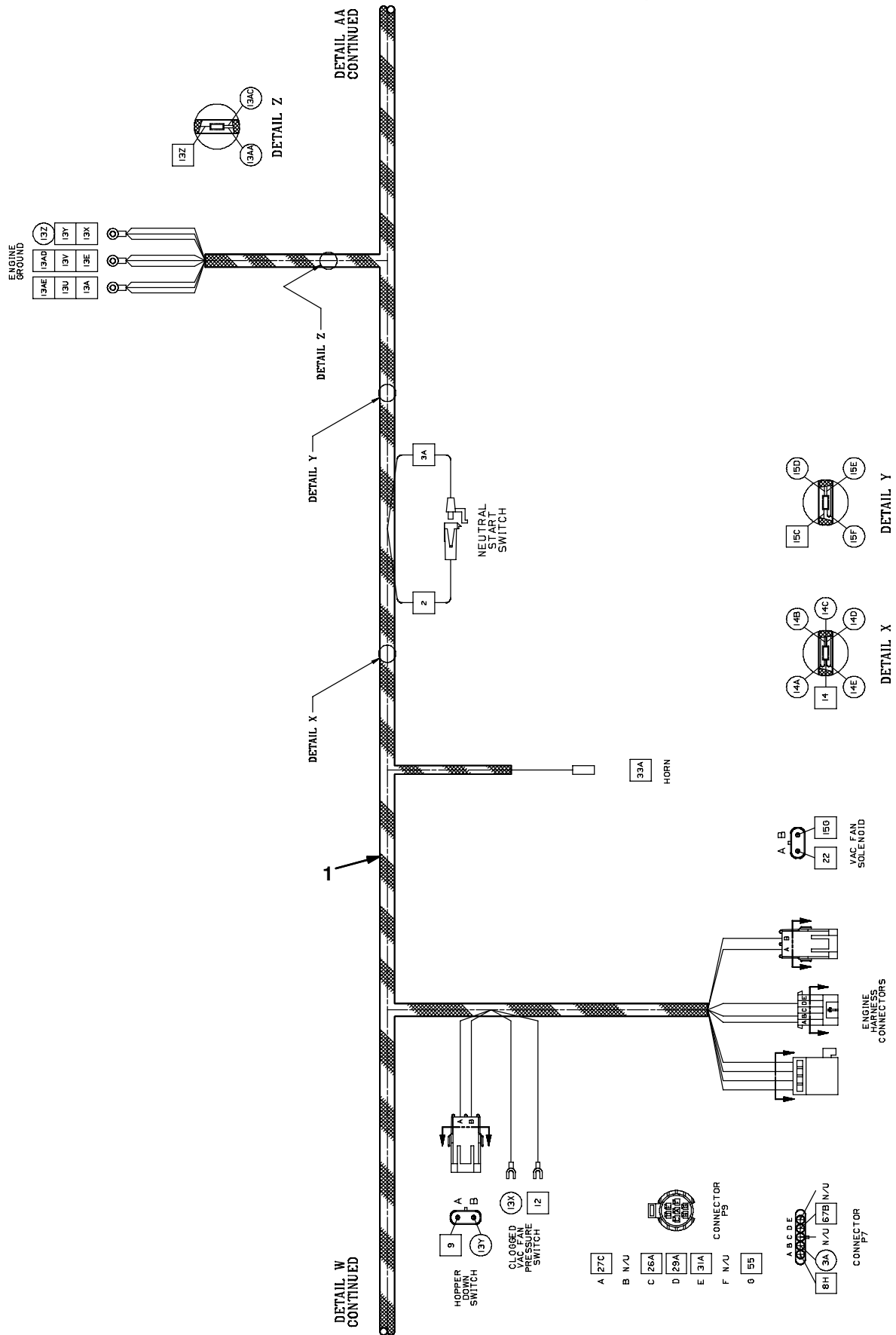


Fig. 52 - Electrical Wire Harness Group

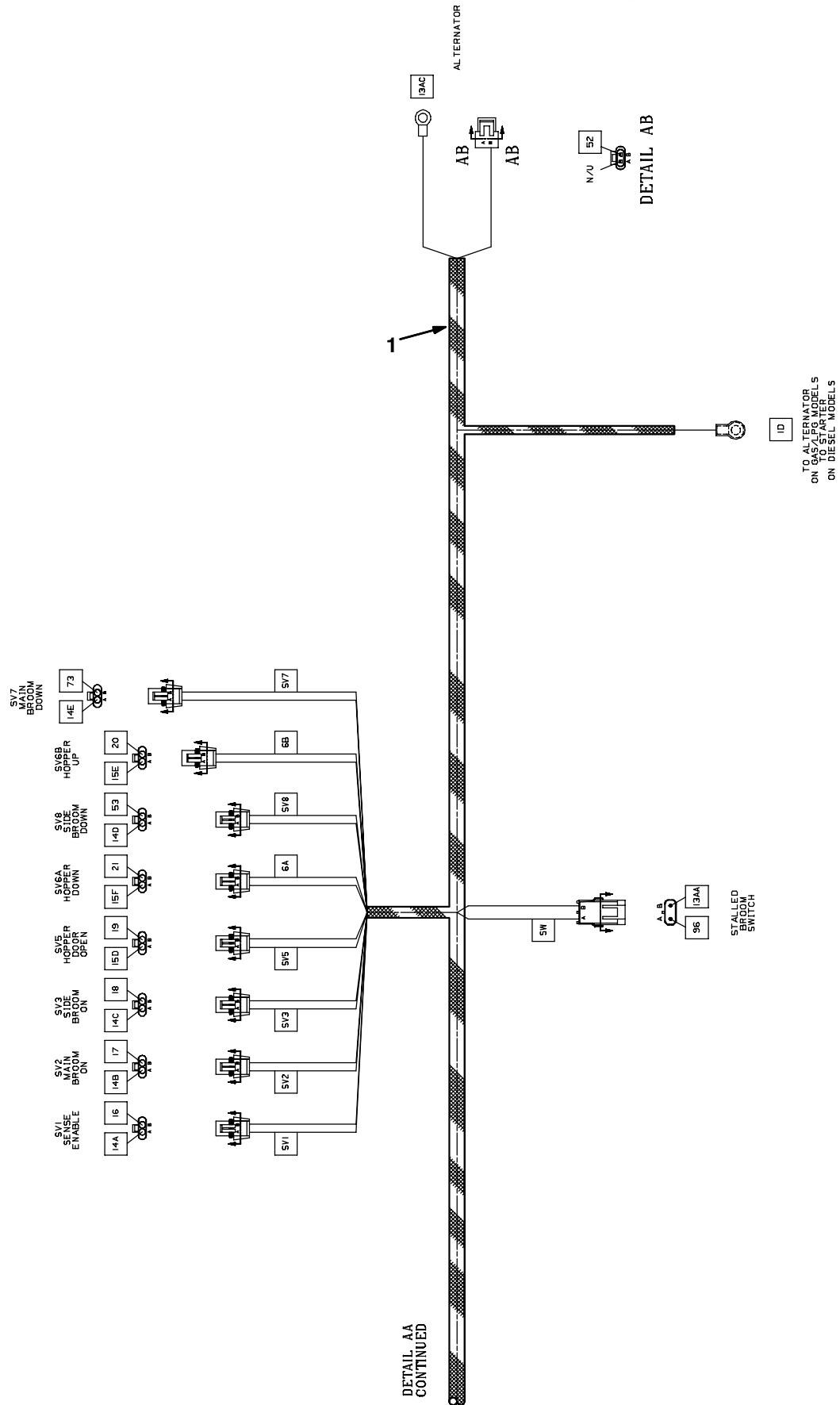


Fig. 52 - Electrical Wire Harness Group

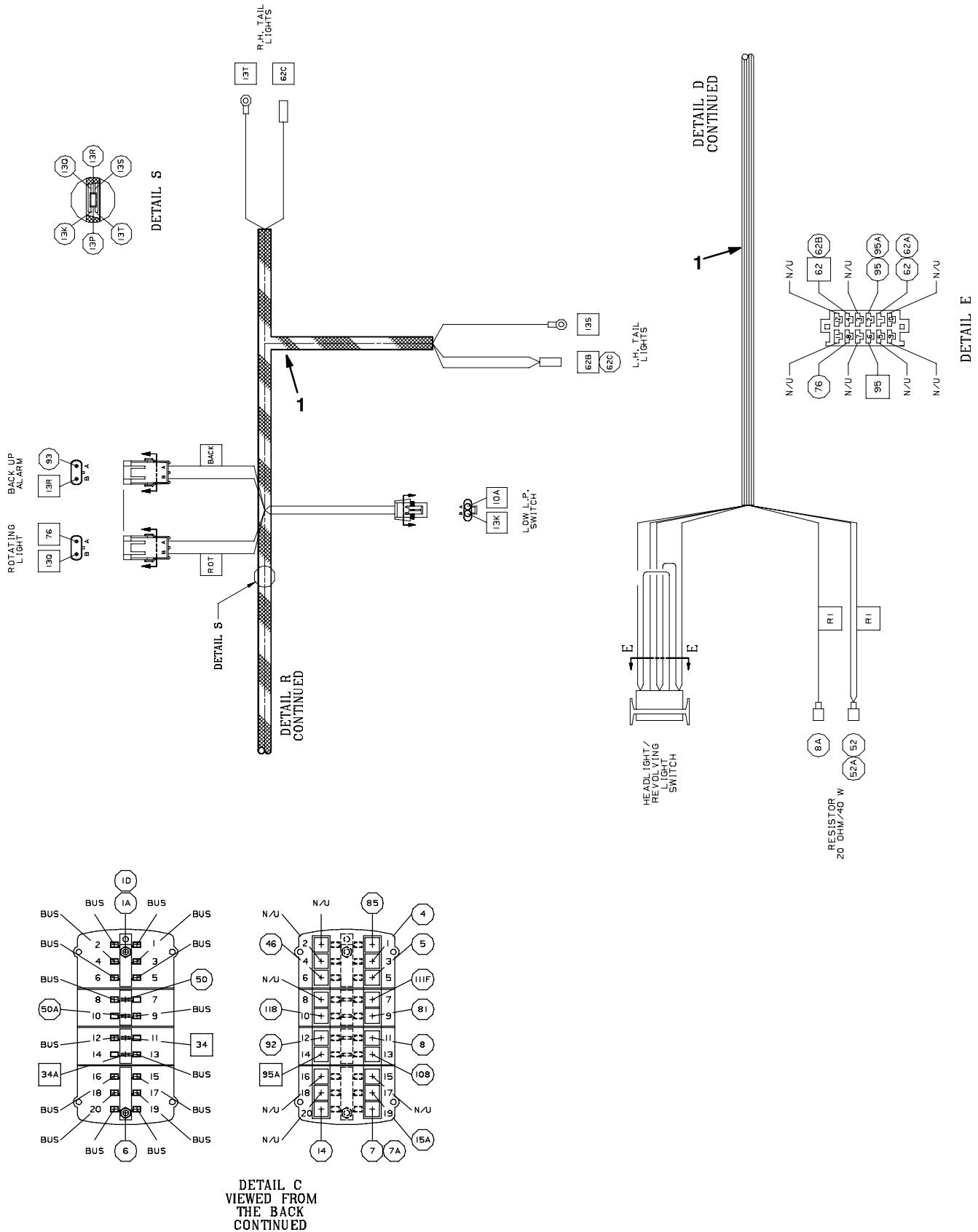


Fig. 52 - Electrical Wire Harness Group

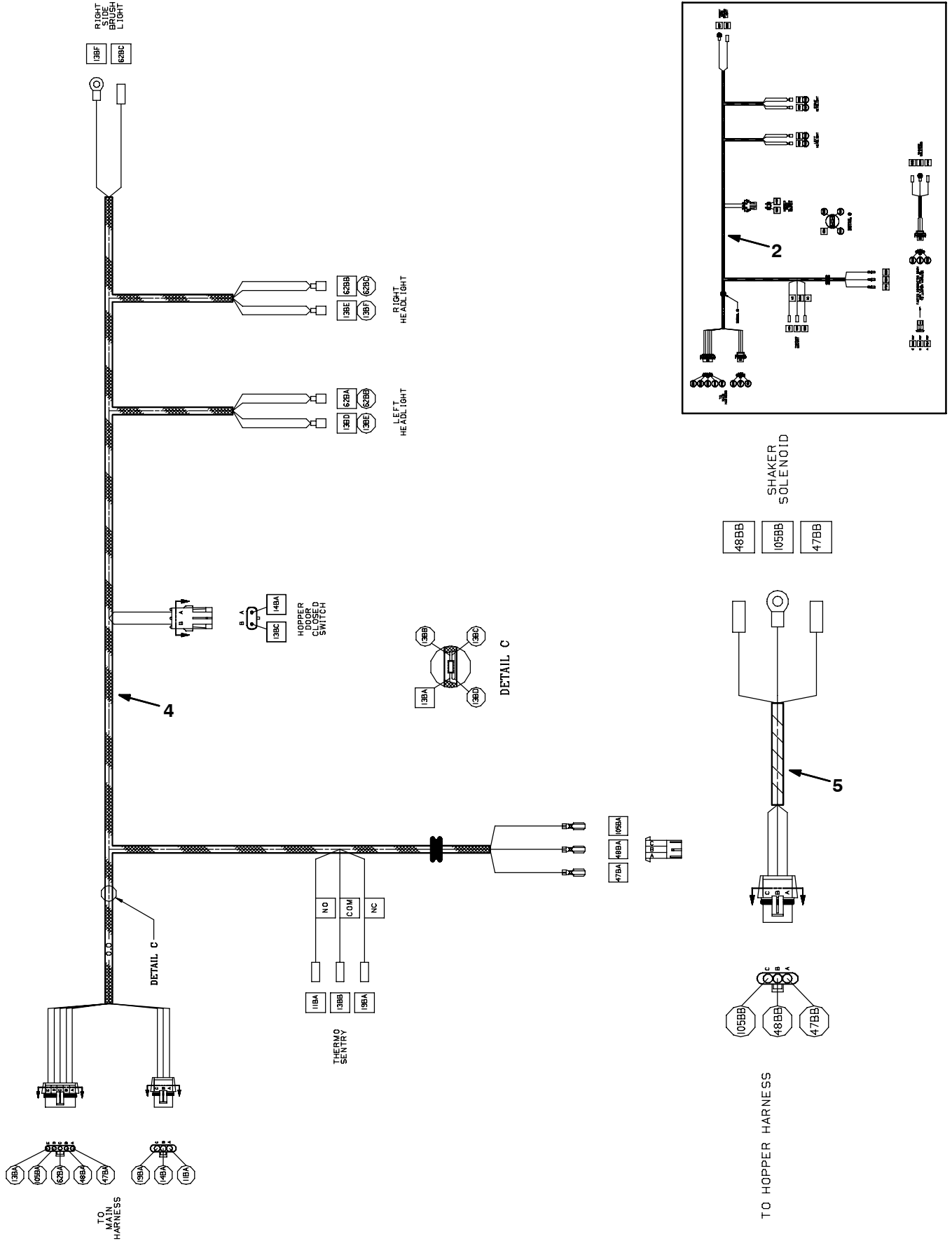


Fig. 52 - Electrical Wire Harness Group

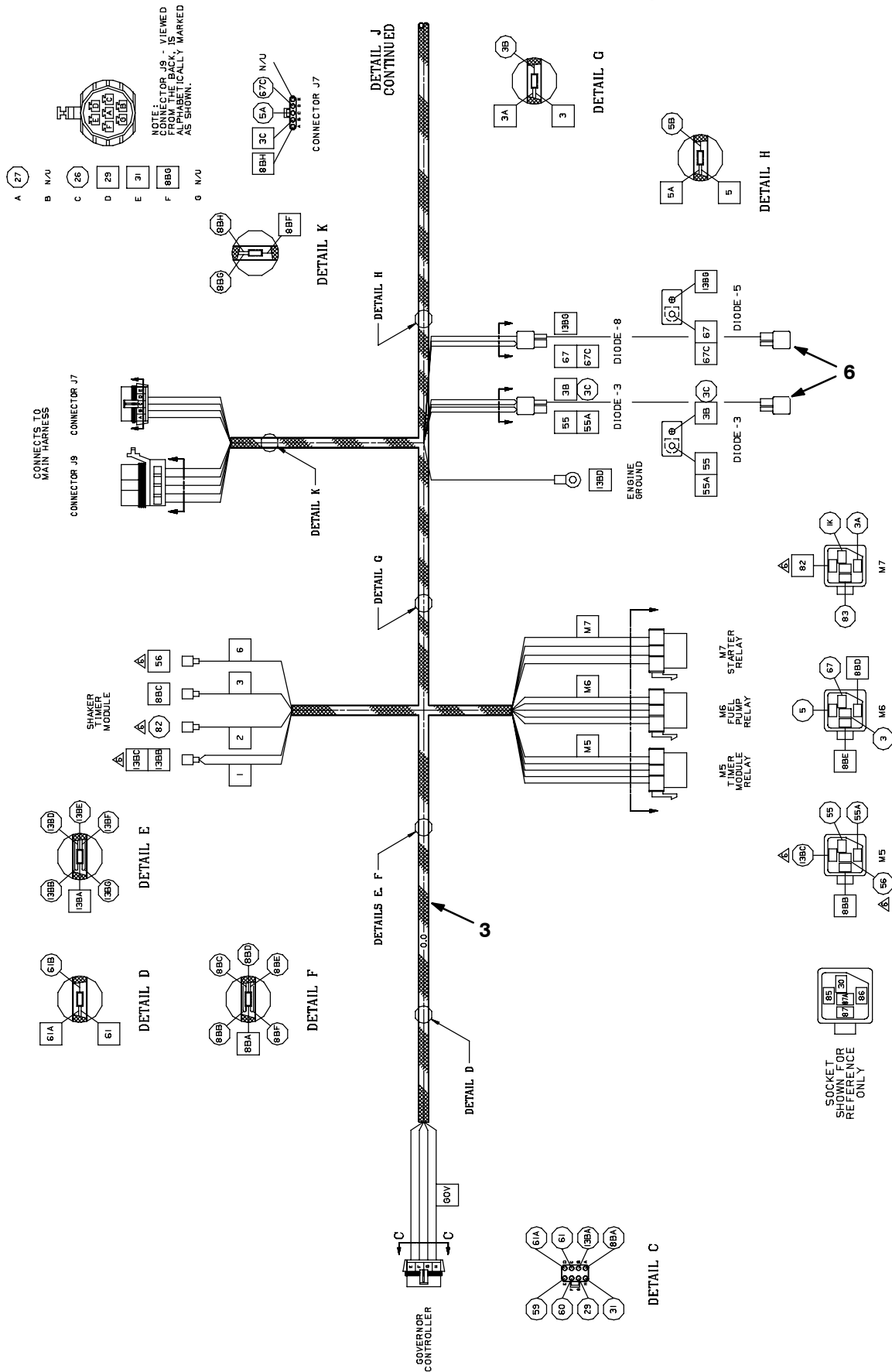




Fig. 52 - Electrical Wire Harness Group

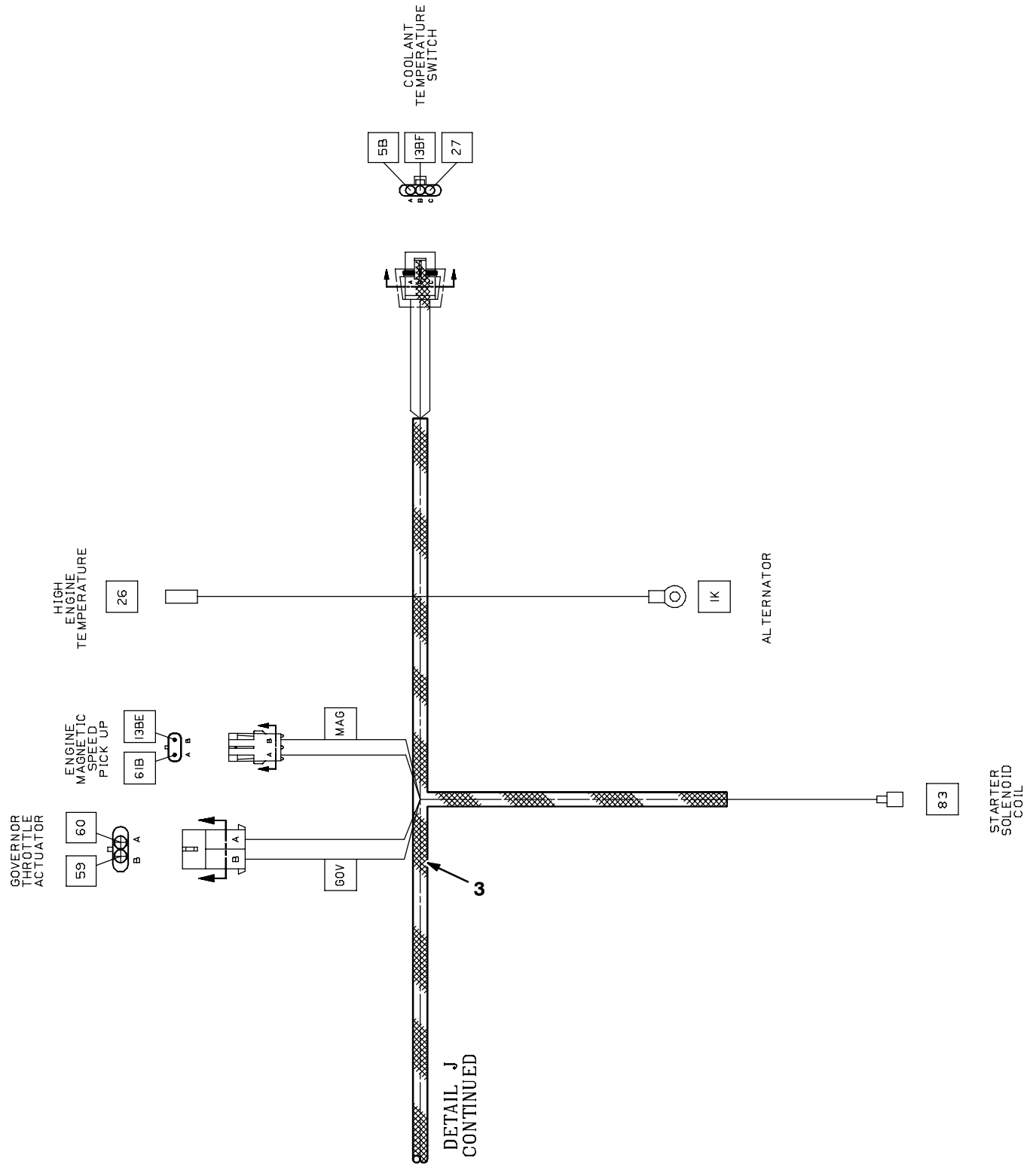
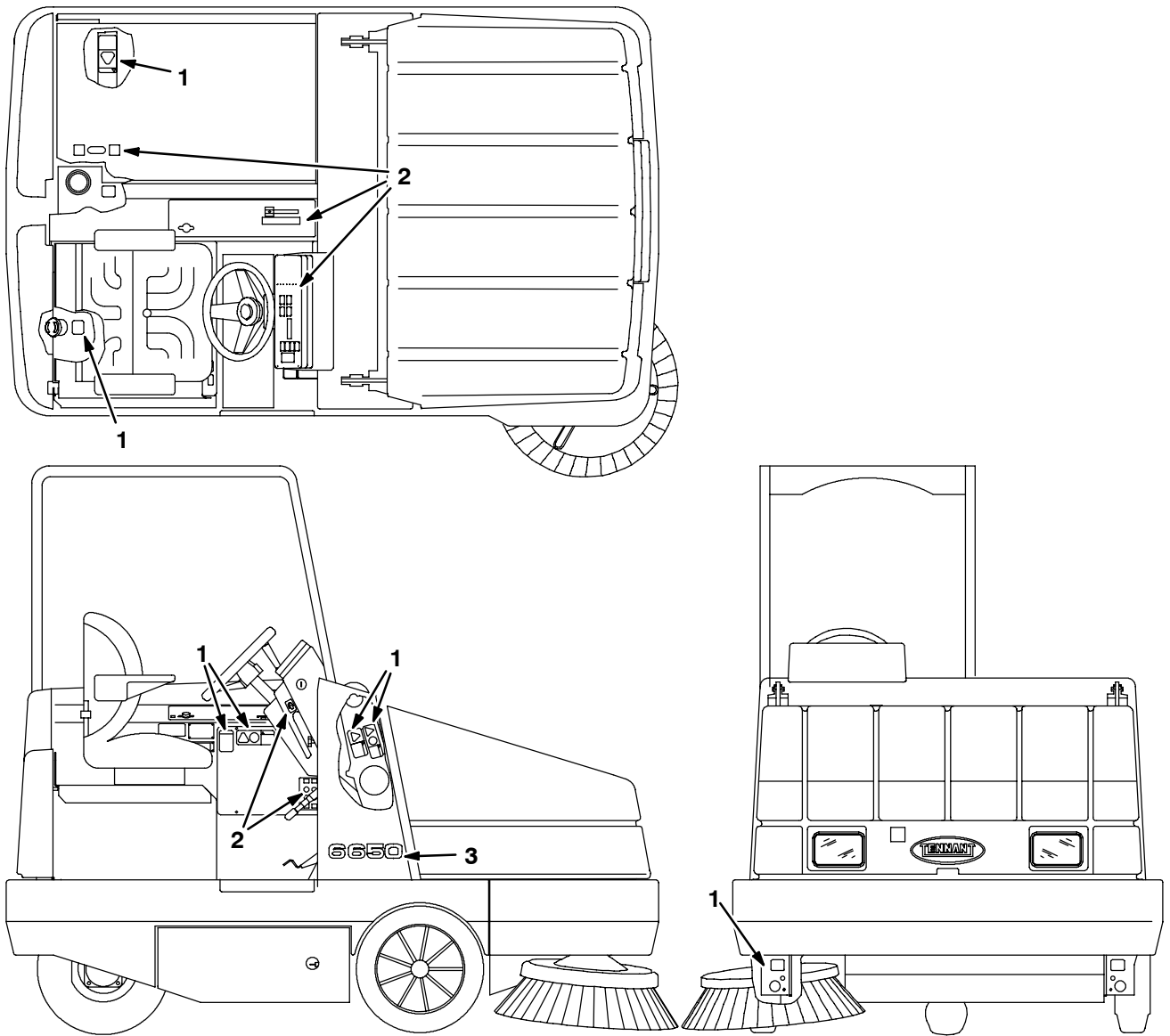


Fig. 52 - Electrical Wire Harnesses Group

Ref.	Part No.	Serial Number	Description	Qty.
1	377063	(000000-	) Harness, Main [6650]	1
2	377046	(000000-010665	) Harness, Hppr [6600/6650]	1
3	377187	(000000-	) Harness, Eng, Dsl [6600/6650]	1
4	391955	(010666-	) Harness, Hppr [6600/6650]	1
5	391956	(010666-	) Harness, Solenoid, Shkr [6600/6650]	1
6	222290	(000000-	) Diode, Elec, Plug	4

Fig. 53 - Label Group



351767 - 6500, NA

Ref.	Part No.	Serial Number	Description	Qty.
1	59767	(000000-	) Label Set, Info/Hzrd, [Multi-Machines]	1
2	377168	(000000-	) Label Set, Opertnl [6650]	1
3	377186	(000000-	) Label, Numerals [6650xp]	1
3	377169	(000000-	) Label, Numerals [6650xs]	2



# SECTION 3

Contents	Page
Fig. 1 - Signal Light Kit	3-2
Fig. 2 - Flashing Light Kit, Overhead Guard	3-4
Fig. 3 - Revolving Light Kit, Overhead Guard	3-6
Fig. 4 - Flashing Light Kit, LRC	3-8
Fig. 5 - Revolving Light Kit, LRC	3-10
Fig. 6 - Flashing Light Kit, Cab	3-12
Fig. 7 - Revolving Light Kit, Cab	3-14
Fig. 8 - Flashing Light Kit, Flush Mounting	3-16
Fig. 9 - Revolving Light Kit, Flush Mounting	3-18
Fig. 10 - Back-Up Alarm Kit, LRC	3-20
Fig. 11 - Back-Up Alarm Kit, Cab	3-22
Fig. 12 - Overhead Guard Kit	3-24
Fig. 13 - Cab Insulation Group	3-26
Fig. 14 - Cab Frame and Windows Group	3-28
Fig. 15 - Cab Door Group	3-30
Fig. 16 - Cab Electrical and Wiper Group	3-32
Fig. 17 - Cab Dust Kit	3-34
Fig. 18 - Cab Vent and Duct Group	3-36
Fig. 19 - Heater and Pressurizer Group	3-38
Fig. 20 - Air Conditioning and Heater Group	3-40
Fig. 21 - Air Conditioning Compressor Group	3-42
Fig. 22 - Air Conditioning Engine Cover Group	3-44
Fig. 23 - Air Conditioning and Heater Electrical Group	3-46
Fig. 24 - Air Conditioning and Heater Wire Harness Group	3-47
Fig. 25 - Blower Wand Group	3-48
Fig. 26 - Blower Wand Group, Overhead Guard	3-50
Fig. 27 - Blower Wand Engine Cover Group	3-52
Fig. 28 - Vacuum Wand Kit	3-54
Fig. 29 - Vacuum Wand Kit, With Cab	3-56
Fig. 30 - Left Side Brush Drive Motor and Pivot Group (6650 XP)	3-58
Fig. 31 - Left Side Brush Lift Group (6650 XP)	3-60
Fig. 32 - Auxiliary Side Brush Motor Group	3-62
Fig. 33 - Auxiliary Side Brush Pivot Group	3-64
Fig. 34 - Auxiliary Side Brush Hopper Deflector Group	3-66
Fig. 35 - Auxiliary Side Brush Wire Harnesses Group	3-67
Fig. 36 - Auxiliary Side Brush Hopper Bumper Group (6650XP Only)	3-68

Contents	Page
Fig. 37 - Side Brush Dust Control Kit	3-70
Fig. 38 - Fire Extinguisher Kit	3-72
Fig. 39 - Soft Ride Non Marking Rear Tire And Wheel Assembly	3-74
Fig. 40 - Soft Ride Rear Tire And Wheel Assembly	3-75
Fig. 41 - Hi-Wear Rear Tire And Wheel Assembly	3-76
Fig. 42 - Foam Filled Rear Tire Assembly	3-77
Fig. 43 - Solid Non Marking Turf Front Tire And Wheel Assembly	3-78
Fig. 44 - Solid Turf Tire And Wheel Assembly	3-79
Fig. 45 - Solid Non Marking Tire And Wheel Assembly	3-80
Fig. 46 - Transport Kit	3-81
Fig. 47 - Documentation Group	3-82

Fig. 1 - Signal Light Kit

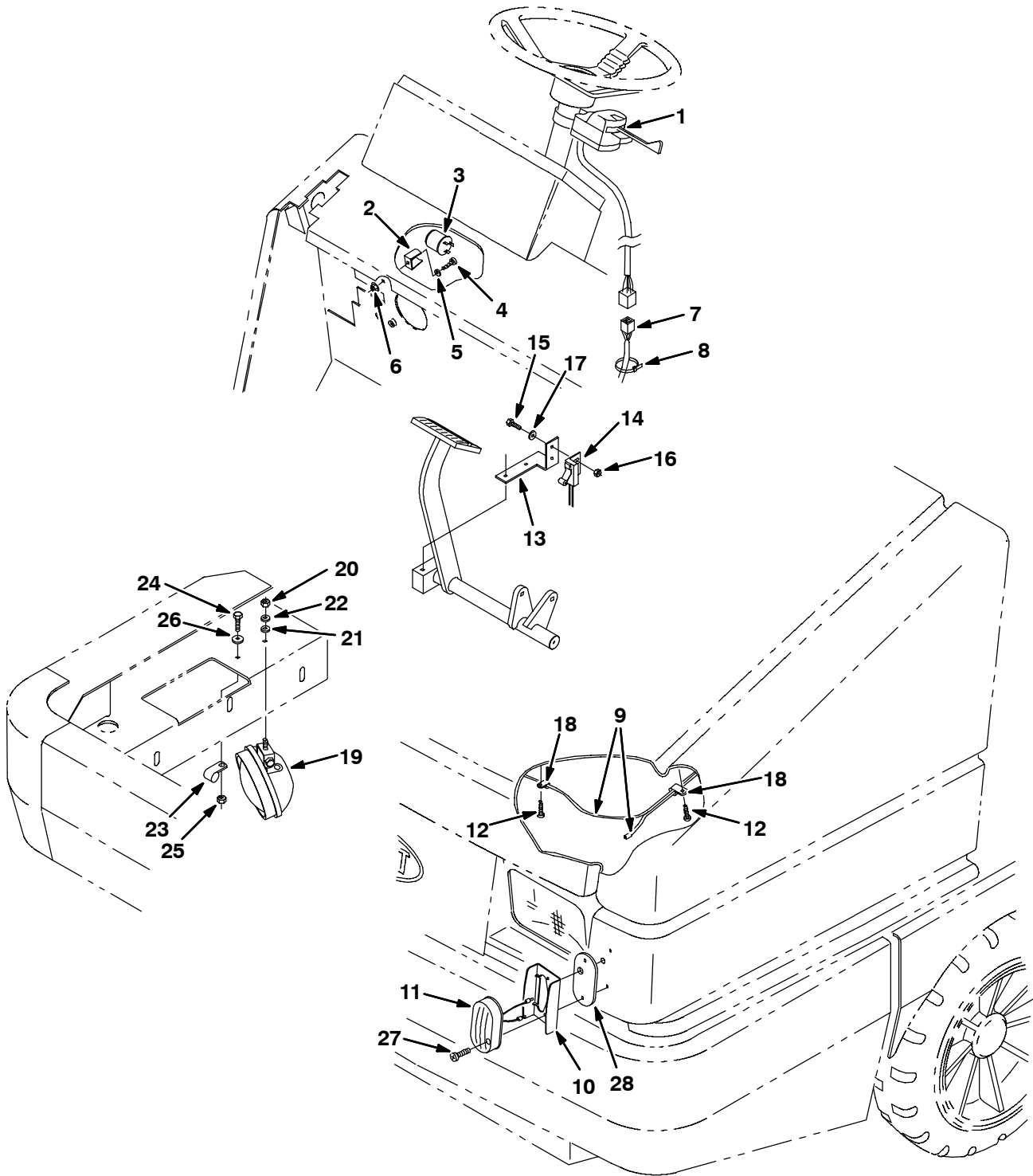


Fig. 1 - Signal Light Kit

Ref.	Part No.	Serial Number	Description	Qty.
▽	377280	(000000-	) Kit, Ci, Turn Signal [6650Xs]	1
▲▽	1 60751	(000000-	) Switch, Turn Signal, 12vdc Rwk 60750	1
▲▲	48570	(000000-	) Lamp, 12vdc, Turn Signal	1
▲	2 24576-1	(000000-	) Bracket, Mtg, Flasher	1
▲	3 31922	(000000-	) Flasher, Hd, 12vdc 25a, [#10-57300]	1
▲	4 06932	(000000-	) Screw, Pan, M 5 X 0.8 X 10, 4.8	1
▲	5 41139	(000000-	) Washer, Lock, Int-Ext, #10	1
▲	6 07789	(000000-	) Nut, Hex, Flng, M05 X 0.8	1
▲	7 60283	(000000-	) Harness, Turn Signal, [ 355]	1
▲	8 49266	(000000-	) Tie, Cable, Nyl, 07.3l .19w 1.8 Max D	12
▲	9 60284	(000000-	) Harness, Turn Signal, [355L]	1
▲	10 72178	(000000-	) Bracket, Light, Sbdc	2
▲▽	11 379855	(000000-	) Light, Marker, 12Vdc, Yel, 4.0 X 2.0	2
▲▲	87948	(000000-	) Lamp, 12vdc, . A Cp [#194]	1
▲	12 360943	(000000-	) Screw, Pan, #10-14 X 0.75, F/Plstc	6
▲	13 59920	(000000-	) Bracket, Switch	1
▲	14 59962	(000000-	) Switch, Snap Actn, 12vdc 15a Nc Rlr	1
▲	15 09738	(000000-	) Screw, Hex, M 5 X 0.8 X 12, Ss	2
▲	16 06549	(000000-	) Nut, Hex, Lock, M 5 X 0.8, NI	2
▲	17 19066	(000000-	) Washer, Flt, #10	2
▲	18 26395-2	(000000-	) Clamp, Cable, Stl, 0.38d X 0.38w, 1h	6
▲▽	19 19827	(000000-	) Light, Spot, 12vdc, 35watt Rwk 68305	1
▲▲	51570	(000000-	) Headlight, 12vdc, 35watt 2.7a [#4411]	1
▲	20 41437	(000000-	) Nut, Hex, Lock, .31-18, NI, Ss	1
▲	21 41141	(000000-	) Washer, Lock, Int-Ext, .31	1
▲	22 32491	(000000-	) Washer, Flat, 0.31 Std	1
▲	23 40678	(000000-	) Clamp, Cable, Stl, 0.44d X 0.62w, 1h	1
▲	24 16735	(000000-	) Screw, Hex, M 8 X 1.25 X 16, 8.8	1
▲	25 08709	(000000-	) Nut, Hex, Lock, M 8 X 1.25 NI	1
▲	26 39349	(000000-	) Washer, Flat, 0.31 Sae	1
▲	27 06939	(000000-	) Screw, Pan, M5 X 0.8 X 45, 4.8	4
▲	28 382459	(000000-	) Gasket	2

Fig. 2 - Flashing Light Kit, Overhead Guard

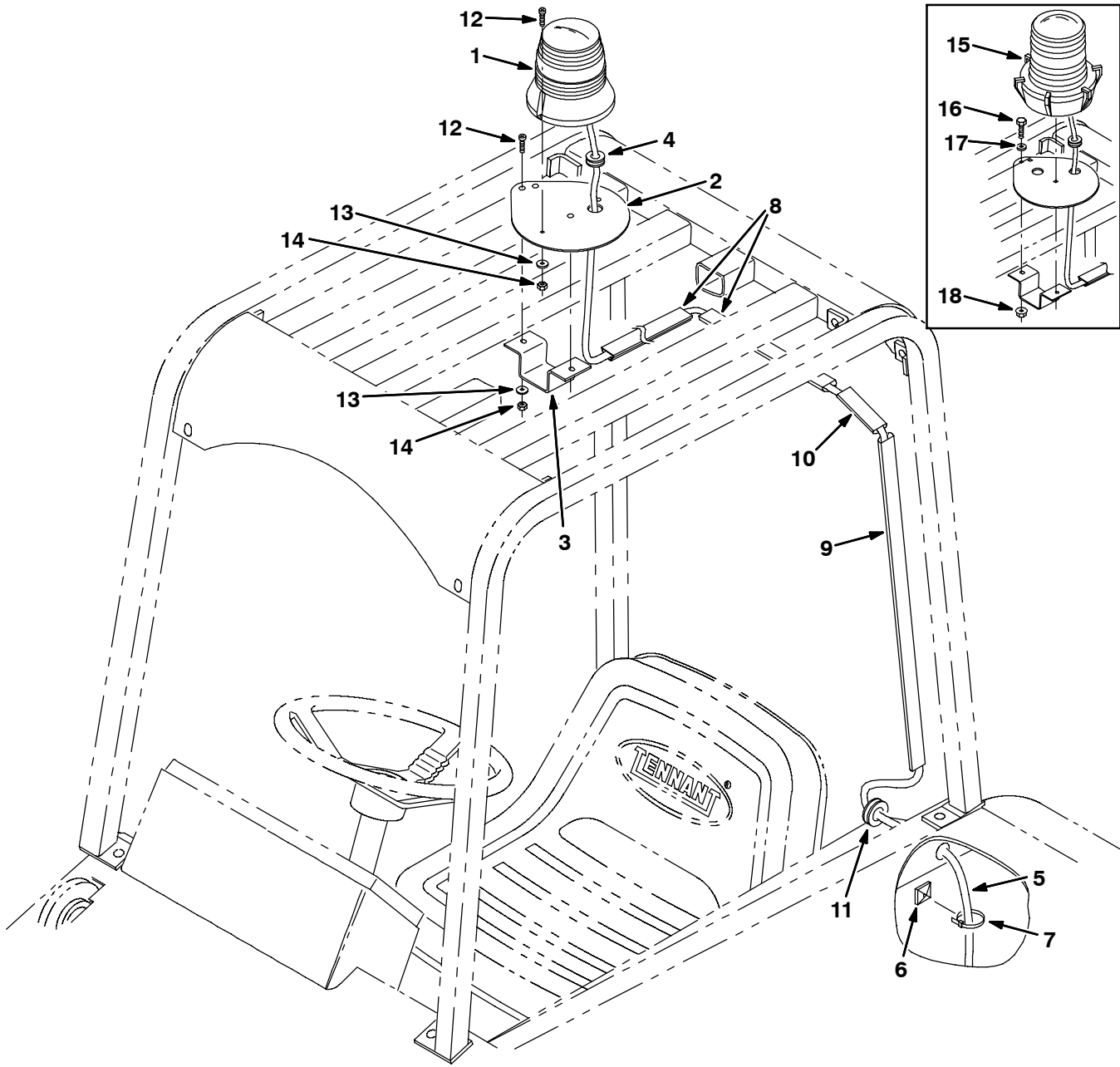
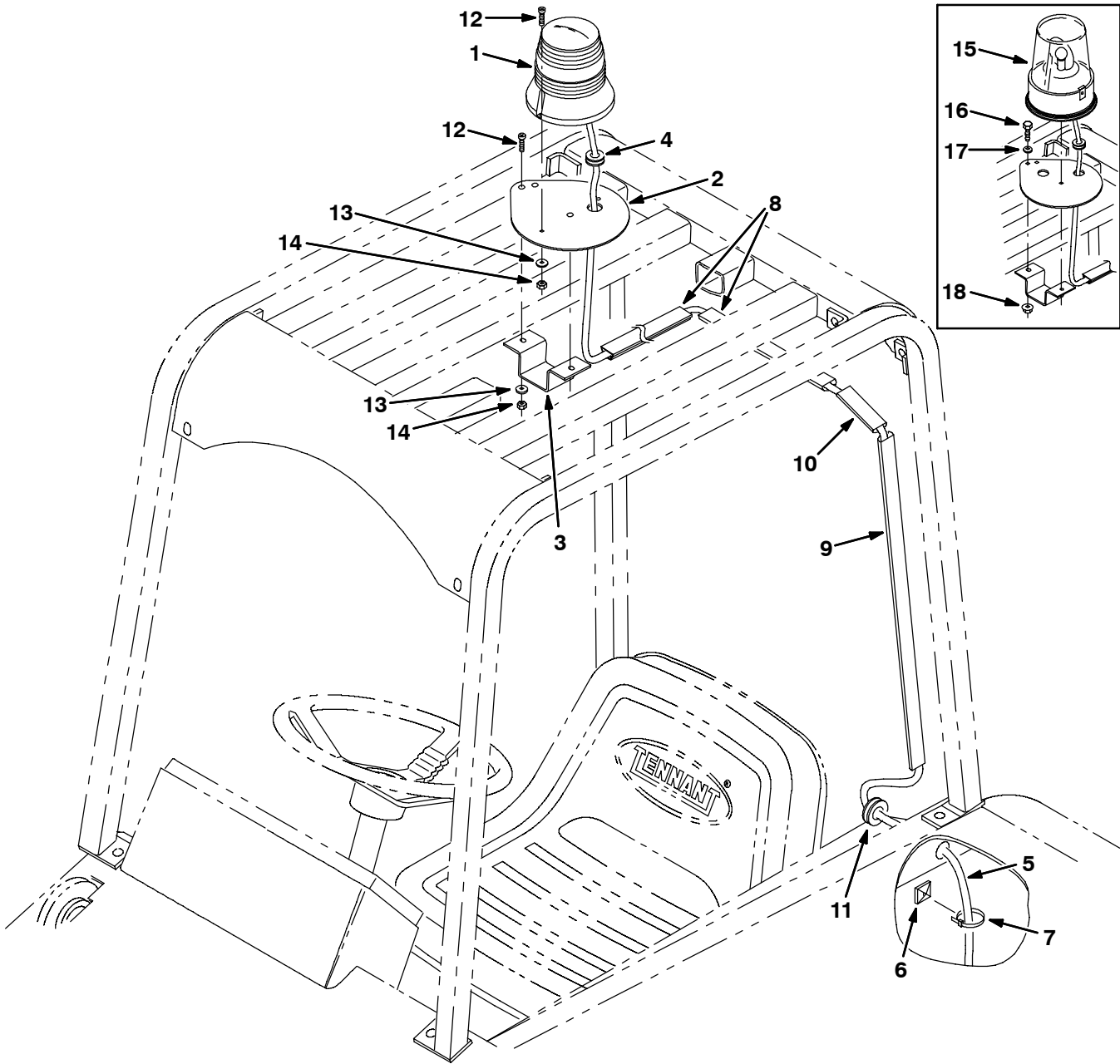




Fig. 2 - Flashing Light Kit, Overhead Guard

Ref.	Part No.	Serial Number	Description	Qty.
▽	377273	(000000-	) Kit, Ci, Light, Flsh, Ohg	1
▲▽	1 1017248	(010239-	) Lamp, Flasher, Amb [12-48 Vdc]	1
▲▲	9000879	(010239-	) Lens, Lamp, Amb, Strobe/Flasher	1
▲▲	9000845	(010239-	) Lamp, Bulb, Lamp, Flsh	1
▲▲	1027798	(010239-	) Lens, Red, F/ Revl / Flasher	1
▲▲	1027800	(010239-	) Lens, Blu, F/ Revl / Flasher	1
▲	29192	(010239-	) Terminal, Ring, .25stud 16-14ga, Ins	1
▲	55272	(010239-	) Terminal, Bullet, Mal, .157d, 12ga	1
▲	2 57220	(000000-	) Plate	1
▲	3 59447	(000000-	) Bracket, Mtg, Light, Ohg	1
▲	4 10632-9	(000000-	) Grommet, Rbr, 0.63id, F/ 0.8h, .12matl	1
▲	5 60288	(000000-	) Harness, Light, Revl, Ohg, [ 355l]	1
▲	6 55248	(000000-	) Mount, Cable Tie	5
▲	7 49266	(000000-	) Tie, Cable, Nyl, 07.3l .19w 1.8 Max D	8
▲	8 86330	(000000-	) Duct, Vyl, 0.40 X 0.75 .25d 10.0l	2
▲	9 86332	(000000-	) Duct, Vyl, 0.40 X 0.75 .25d 26.0l	1
▲	10 86333	(000000-	) Duct, Vyl, 0.40 X 0.75 .25d 03.5l	1
▲	11 10632-18	(000000-	) Grommet, Rbr, 0.69id, F/ 0.1h, .25matl	1
▲	12 06934	(010239-	) Screw, Pan, M5 X 0.8 X 20, 4.8	4
▲	13 19066	(010239-	) Washer, Flat, #10	4
▲	14 06549	(010239-	) Nut, Hex, Lock, M5 X 0.8, NI	4
▽	15 82063	(000000-010238	) Light, Flsh, 12vdc, Amb, Rwk 82198	1
▲	58520	(000000-010238	) Lens, Amber, Light, Flsh, [Fr207]	1
▲	45779	(000000-010238	) Lamp, 12vdc, 2.1a Watt 32c [#1156]	1
	16 06942	(000000-010238	) Screw, Hex, M 6 X 1.0 X 16, 8.8	1
	17 07790	(000000-010238	) Nut, Hex, Flng, M06 X 1.0	1
	18 32483	(000000-010238	) Washer, Flat, 0.25 Sae	1
	58518	(000000-010238	) Lens, Red, Light, Flsh, [Fr207]	1
	58519	(000000-010238	) Lens, Blue, Light, Flsh, [Fr207]	1

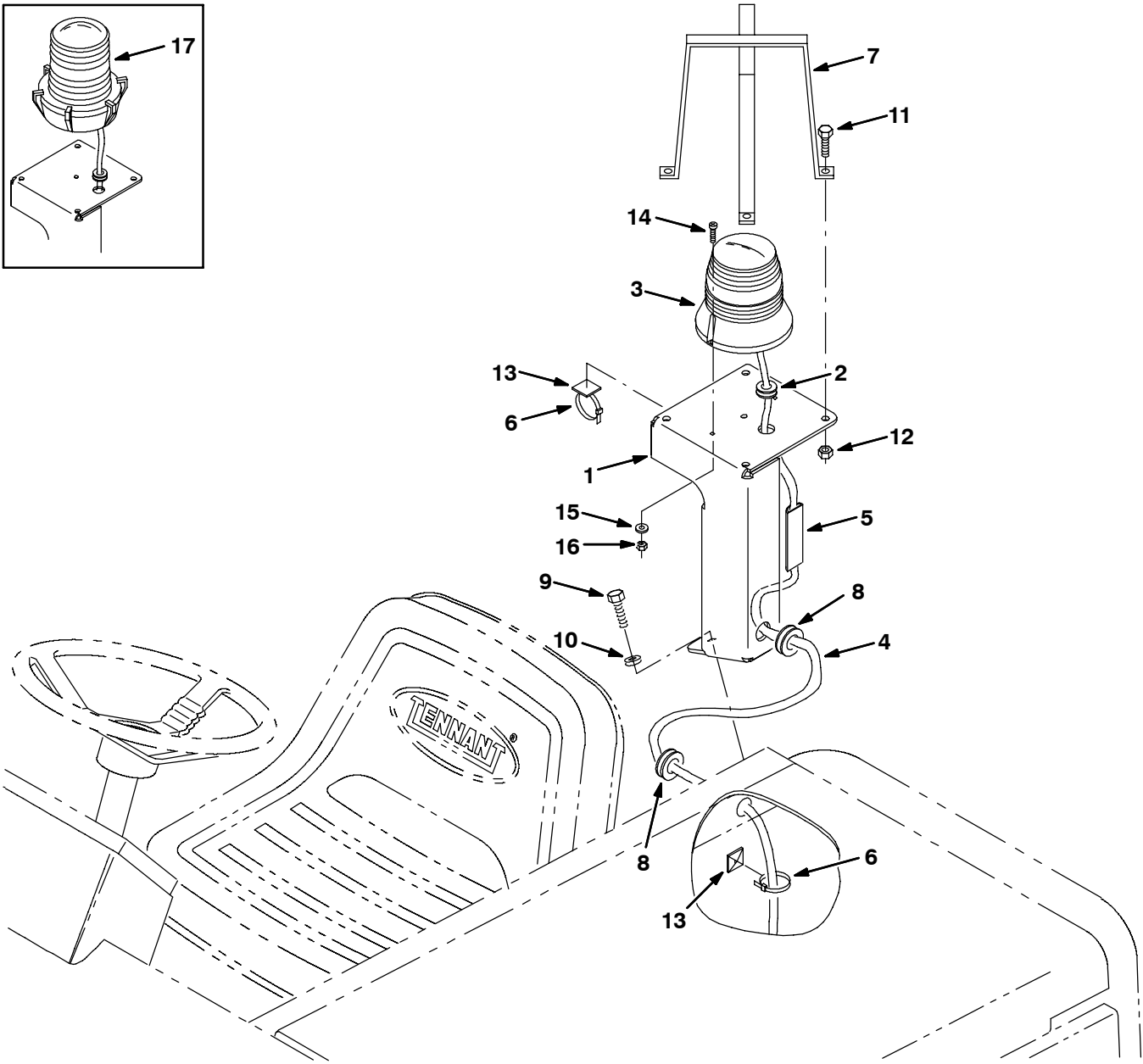
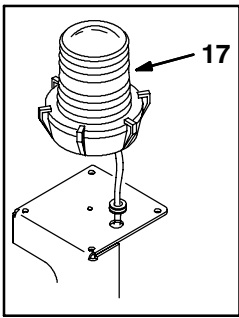
Fig. 3 - Revolving Light Kit, Overhead Guard



**Fig. 3 - Revolving Light Kit, Overhead Guard**

Ref.	Part No.	Serial Number	Description	Qty.
▽	377264	(000000-	) Kit, Ci, Light, Revl, Ohg [6600/6650]	1
▲▽	1 1017250	(010415-	) Lamp Strobe, Amb [12-48 Vdc]	1
▲▲	9000879	(010415-	) Lens, Lamp, Amb, Strobe/Flasher	1
▲▲	9000846	(010415-	) Lamp, Bulb, Lamp, Strobe	1
▲▲	1027798	(010415-	) Lens, Red, F/ Revl / Flasher	1
▲▲	1027800	(010415-	) Lens, Blu, F/ Revl / Flasher	1
▲	29192	(010415-	) Terminal, Ring, .25stud 16-14ga, Ins	1
▲	55272	(010415-	) Terminal, Bullet, Mal, .157d, 12ga	1
▲	2 57220	(000000-	) Plate	1
▲	3 59447	(000000-	) Bracket, Mtg, Light, Ohg	1
▲	4 10632-9	(000000-	) Grommet, Rbr, 0.63id, F/ 0.8h, .12matl	1
▲	5 60288	(000000-	) Harness, Light, Revl, Ohg, [ 355l]	1
▲	6 55248	(000000-	) Mount, Cable Tie	5
▲	7 49266	(000000-	) Tie, Cable, Nyl, 07.3l .19w 1.8 Max D	8
▲	8 86330	(000000-	) Duct, Vyl, 0.40 X 0.75 .25d 10.0l	2
▲	9 86332	(000000-	) Duct, Vyl, 0.40 X 0.75 .25d 26.0l	1
▲	10 86333	(000000-	) Duct, Vyl, 0.40 X 0.75 .25d 03.5l	1
▲	11 10632-18	(000000-	) Grommet, Rbr, 0.69id, F/ 0.1h, .25matl	1
▲	12 06934	(010415-	) Screw, Pan, M5 X 0.8 X 20, 4.8	4
▲	13 19066	(010415-	) Washer, Flat, #10	4
▲	14 06549	(010415-	) Nut, Hex, Lock, M5 X 0.8, NI	4
▽	15 82200	(000000-010414	) Light, Revl, 12vdc, Amb, Rwk 82200	1
▲	44681-1	(000000-010414	) Lens, Amber, Light, Revl	1
▲	45779	(000000-010414	) Lamp, 12vdc, 2.1a Watt 32c [#1156]	1
	16 06942	(000000-010414	) Screw, Hex, M 6 X 1.0 X 16, 8.8	1
	17 07790	(000000-010414	) Nut, Hex, Flng, M06 X 1.0	1
	18 32483	(000000-010414	) Washer, Flat, 0.25 Sae	1
	44681	(000000-010414	) Lens, Red, Light, Revl	1
	44681-2	(000000-010414	) Lens, Blue, Light, Revl	1

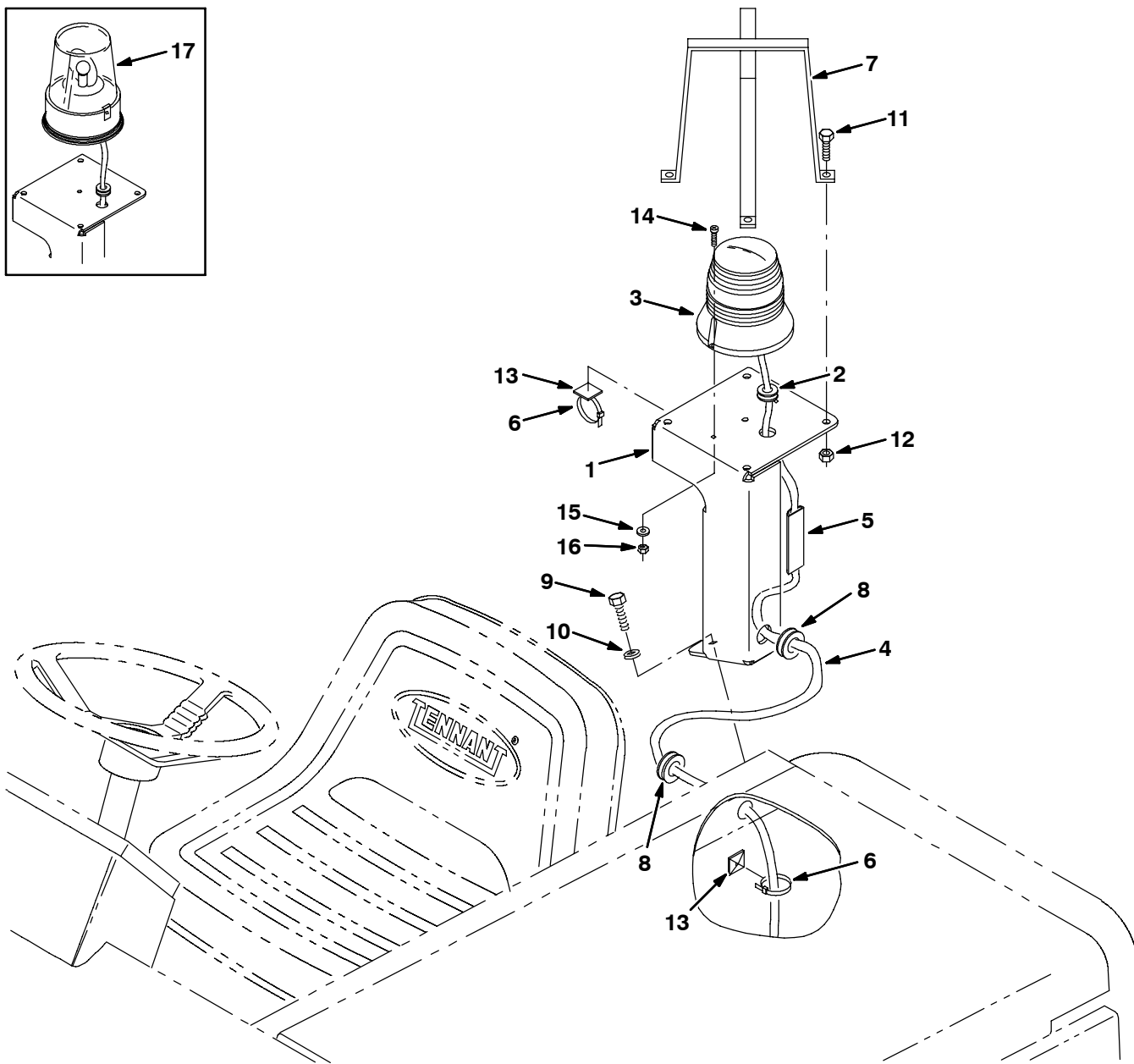
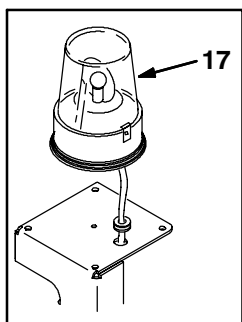
Fig. 4 - Flashing Light Kit, LRC



**Fig. 4 - Flashing Light Kit, LRC**

	<b>Ref.</b>	<b>Part No.</b>	<b>Serial Number</b>	<b>Description</b>	<b>Qty.</b>
▽		377271	(000000-	) Kit, Ci, Light, Flsh [6600/6650]	1
▲	1	1021363	(000000-	) Bracket, Light, Rotating	1
▲	2	10632-9	(000000-	) Grommet, Rbr, 0.63id, F/ 0.8h, .12matl	1
▲▽	3	1017248	(010239-	) Lamp, Flasher, Amb [12-48 Vdc]	1
▲▲		9000879	(010239-	) Lens, Lamp, Amb, Strobe/Flasher	1
▲▲		9000845	(010239-	) Lamp, Bulb, Lamp, Flsh	1
▲▲		1027798	(010239-	) Lens, Red, F/ Revl / Flasher	1
▲▲		1027800	(010239-	) Lens, Blu, F/ Revl / Flasher	1
▲		29192	(010239-	) Terminal, Ring, .25stud 16-14ga, Ins	1
▲		55272	(010239-	) Terminal, Bullet, Mal, .157d, 12ga	1
▲	4	71543	(000000-	) Harness, Light, Flsh, Revl, [ 355l]	1
▲	5	86333	(000000-	) Duct, Vyl, 0.40 X 0.75 .25d 03.5l	1
▲	6	49266	(000000-	) Tie, Cable, Nyl, 07.3l .19w 1.8 Max D	6
▲	7	45272	(000000-	) Guard Wldt, Light, Revl/Flsh	1
▲	8	10632-18	(000000-	) Grommet, Rbr, 0.69id, F/ 0.1h, .25matl	2
▲	9	16931	(000000-	) Screw, Hex, M 8 X 1.25 X 20, 8.8	2
▲	10	32491	(000000-	) Washer, Flat, 0.31 Std	2
▲	11	08716	(000000-	) Screw, Hex, M6 X 1.0 X 20, Ss	4
▲	12	08708	(000000-	) Nut, Hex, Lock, M6 X 1.00 NI	4
▲	13	55248	(000000-	) Mount, Cable Tie	6
▲	14	06934	(010239-	) Screw, Pan, M5 X 0.8 X 20, 4.8	2
▲	15	19066	(010239-	) Washer, Flat, #10	2
▲	16	06549	(010239-	) Nut, Hex, Lock, M5 X 0.8, NI	2
▽	17	82063	(000000-010238	) Light, Flsh, 12vdc, Amb, Rwk 82198	1
▲		58520	(000000-010238	) Lens, Amber, Light, Flsh, [Fr207]	1
▲		45779	(000000-010238	) Lamp, 12vdc, 2.1a Watt 32c [#1156]	1
		58518	(000000-010238	) Lens, Red, Light, Flsh, [Fr207]	1
		58519	(000000-010238	) Lens, Blue, Light, Flsh, [Fr207]	1

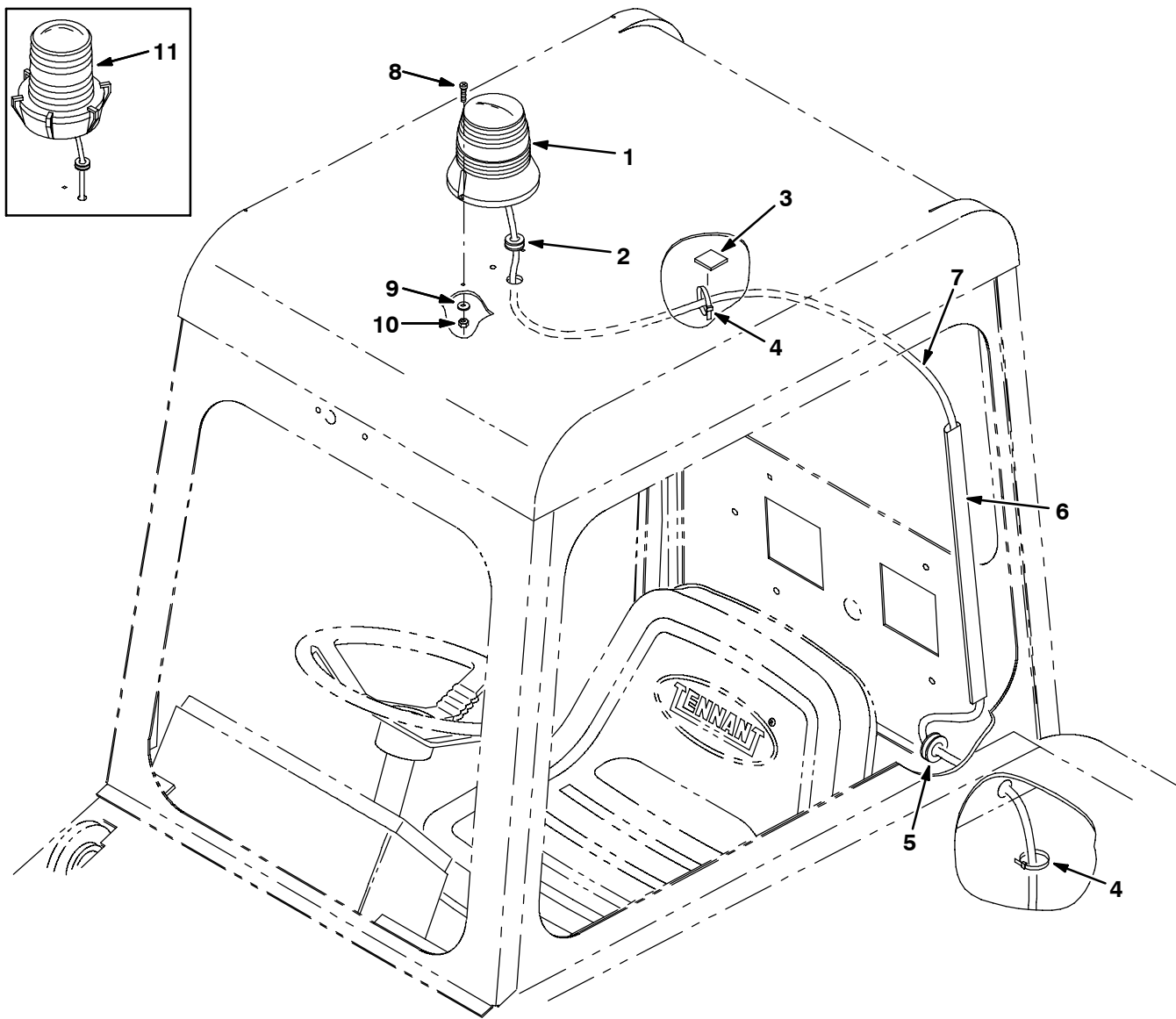
Fig. 5 - Revolving Light Kit, LRC



**Fig. 5 - Revolving Light Kit, LRC**

Ref.	Part No.	Serial Number	Description	Qty.
▽	377262	(000000-	) Kit, Ci, Light, Revl [6600/6650]	1
▲	1 72100	(000000-	) Bracket, Light, Rotating	1
▲	2 10632-9	(000000-	) Grommet, Rbr, 0.63id, F/ 0.8h, .12matl	1
▲▽	3 1017250	(010415-	) Lamp Strobe, Amb [12-48 Vdc]	1
▲▲	9000879	(010415-	) Lens, Lamp, Amb, Strobe/Flasher	1
▲▲	1027798	(010415-	) Lens, Red, F/ Revl / Flasher	1
▲▲	1027800	(010415-	) Lens, Blu, F/ Revl / Flasher	1
▲▲	9000846	(010415-	) Lamp, Bulb, Lamp, Strobe	1
▲	29192	(010415-	) Terminal, Ring, .25stud 16-14ga, Ins	1
▲	55272	(010415-	) Terminal, Bullet, Mal, .157d, 12ga	1
▲	4 71543	(000000-	) Harness, Light, Flsh, Revl, [ 355l]	1
▲	5 86333	(000000-	) Duct, Vyl, 0.40 X 0.75 .25d 03.5l	1
▲	6 49266	(000000-	) Tie, Cable, Nyl, 07.3l .19w 1.8 Max D	12
▲	7 45272	(000000-	) Guard Wldt, Light, Revl/Flsh	1
▲	8 10632-18	(000000-	) Grommet, Rbr, 0.69id, F/ 0.1h, .25matl	2
▲	9 16931	(000000-	) Screw, Hex, M 8 X 1.25 X 20, 8.8	2
▲	10 32491	(000000-	) Washer, Flat, 0.31 Std	2
▲	11 09740	(000000-	) Screw, Hex, M 8 X 1.25 X 20, Ss	4
▲	12 08709	(000000-	) Nut, Hex, Lock, M 8 X 1.25 NI	4
▲	13 55248	(000000-	) Mount, Cable Tie	6
▲	14 06934	(010415-	) Screw, Pan, M5 X 0.8 X 20, 4.8	2
▲	15 19066	(010415-	) Washer, Flat, #10	2
▲	16 06549	(010415-	) Nut, Hex, Lock, M5 X 0.8, NI	2
▽	17 82200	(000000-010414	) Light, Revl, 12vdc, Amb, Rwk 82200	1
▲	44681-1	(000000-010414	) Lens, Amber, Light, Revl	1
▲	45779	(000000-010414	) Lamp, 12vdc, 2.1a Watt 32c [#1156]	1
	44681	(000000-010414	) Lens, Red, Light, Revl	1
	44681-2	(000000-010414	) Lens, Blue, Light, Revl	1

Fig. 6 - Flashing Light Kit, Cab

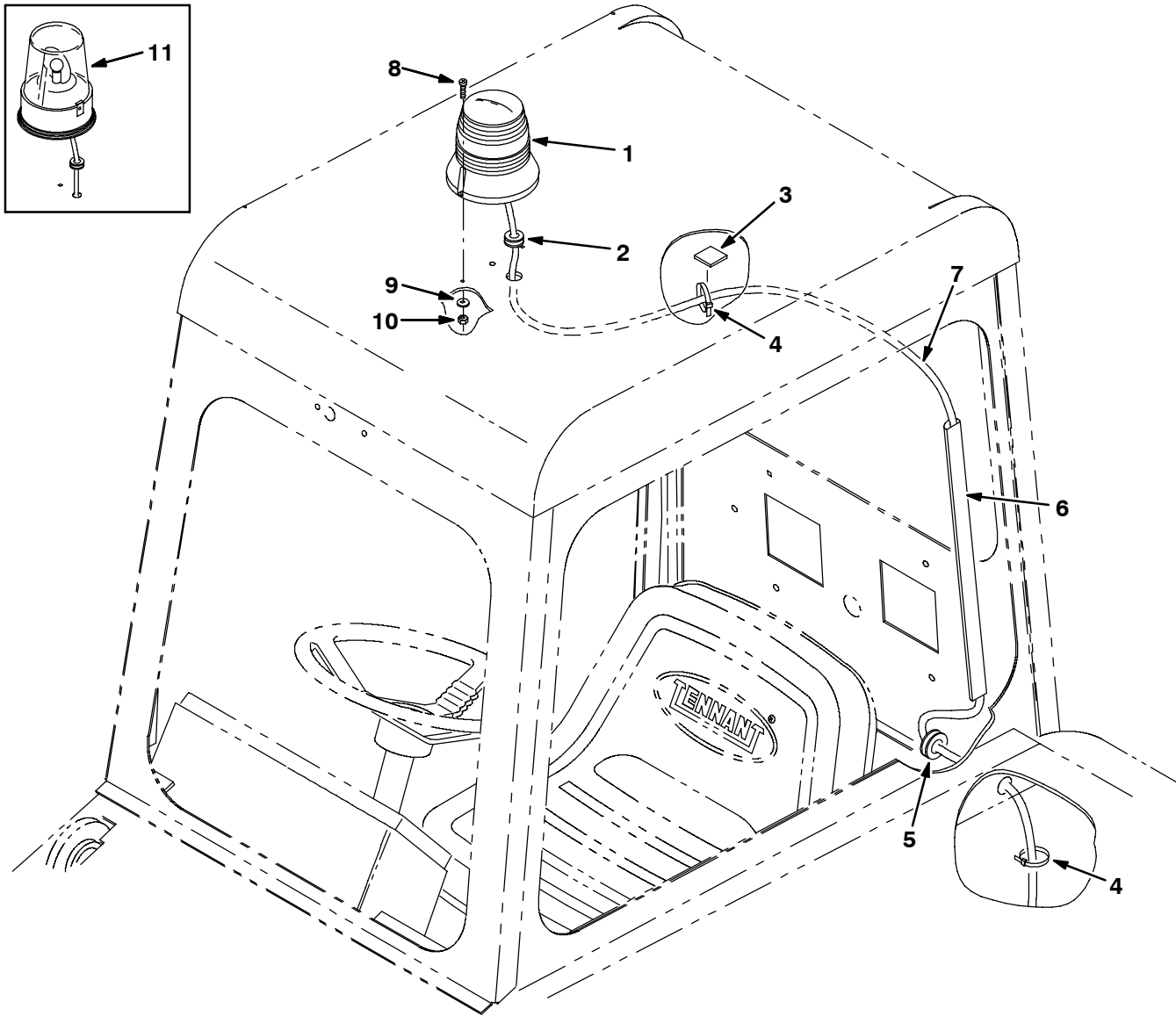




**Fig. 6 - Flashing Light Kit, Cab**

Ref.	Part No.	Serial Number	Description	Qty.
▽	377275	(000000-	) Kit, Ci, Light, Flsh, Cab [6600/6650]	1
▲▽	1 1017248	(010239-	) Lamp, Flasher, Amb [12-48 Vdc]	1
▲▲	9000879	(010239-	) Lens, Lamp, Amb, Strobe/Flasher	1
▲▲	9000845	(010239-	) Lamp, Bulb, Lamp, Flsh	1
▲▲	1027798	(010239-	) Lens, Red, F/ Revl / Flasher	1
▲▲	1027800	(010239-	) Lens, Blu, F/ Revl / Flasher	1
▲	29192	(010239-	) Terminal, Ring, .25stud 16-14ga, Ins	1
▲	55272	(010239-	) Terminal, Bullet, Mal, .157d, 12ga	1
▲	2 10632-9	(000000-	) Grommet, Rbr, 0.63id, F/ 0.8h, .12matl	1
▲	3 55248	(000000-	) Mount, Cable Tie	4
▲	4 49266	(000000-	) Tie, Cable, Nyl, 07.3l .19w 1.8 Max D	4
▲	5 10632-18	(000000-	) Grommet, Rbr, 0.69id, F/ 0.1h, .25matl	1
▲	6 86332	(000000-	) Duct, Vyl, 0.40 X 0.75 .25d 26.0l	1
▲	7 60288	(000000-	) Harness, Light, Revl, Ohg, [ 355l]	1
▲	8 06934	(010239-	) Screw, Pan, M5 X 0.8 X 20, 4.8	2
▲	9 19066	(010239-	) Washer, Flat, #10	2
▲	10 06549	(010239-	) Nut, Hex, Lock, M5 X 0.8, NI	2
▽	11 82063	(000000-010238	) Light, Flsh, 12vdc, Amb, Rwk 82198	1
▲	58520	(000000-010238	) Lens, Amber, Light, Flsh, [Fr207]	1
▲	45779	(000000-010238	) Lamp, 12vdc, 2.1a Watt 32c [#1156]	1
	58518	(000000-010238	) Lens, Red, Light, Flsh, [Fr207]	1
	58519	(000000-010238	) Lens, Blue, Light, Flsh, [Fr207]	1

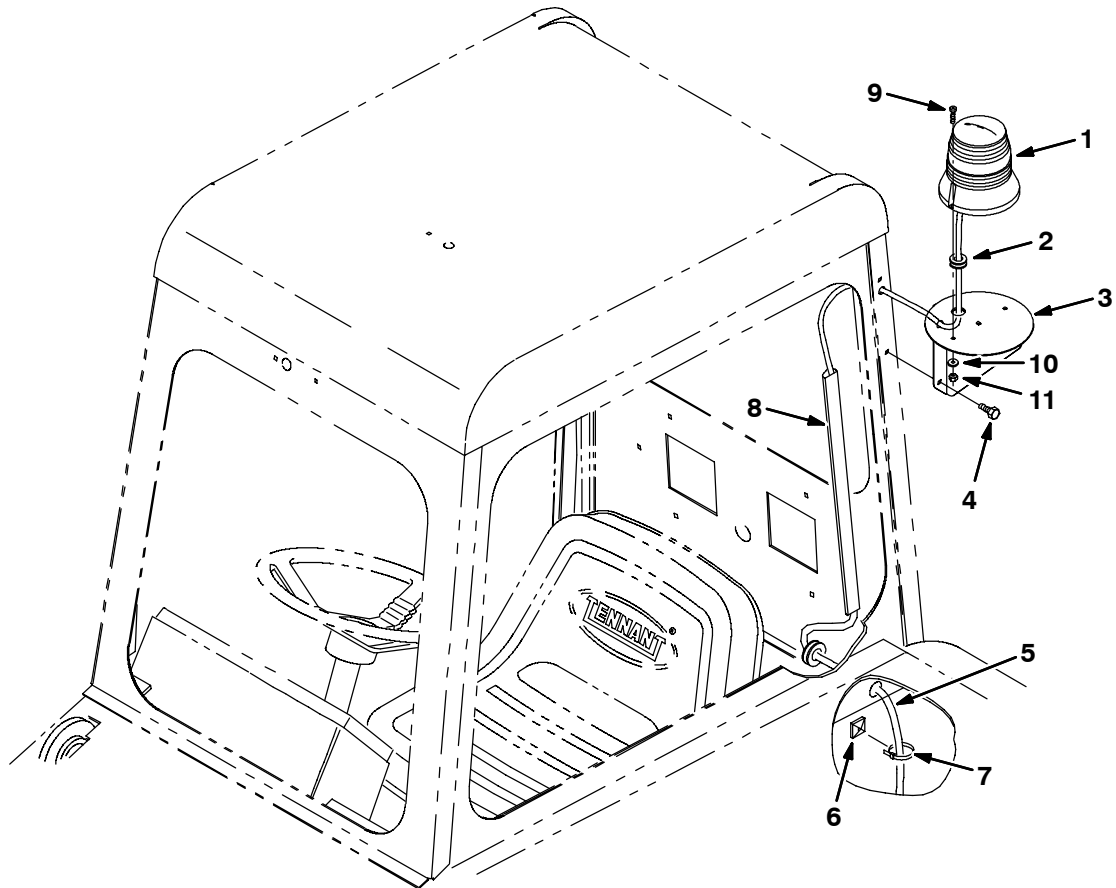
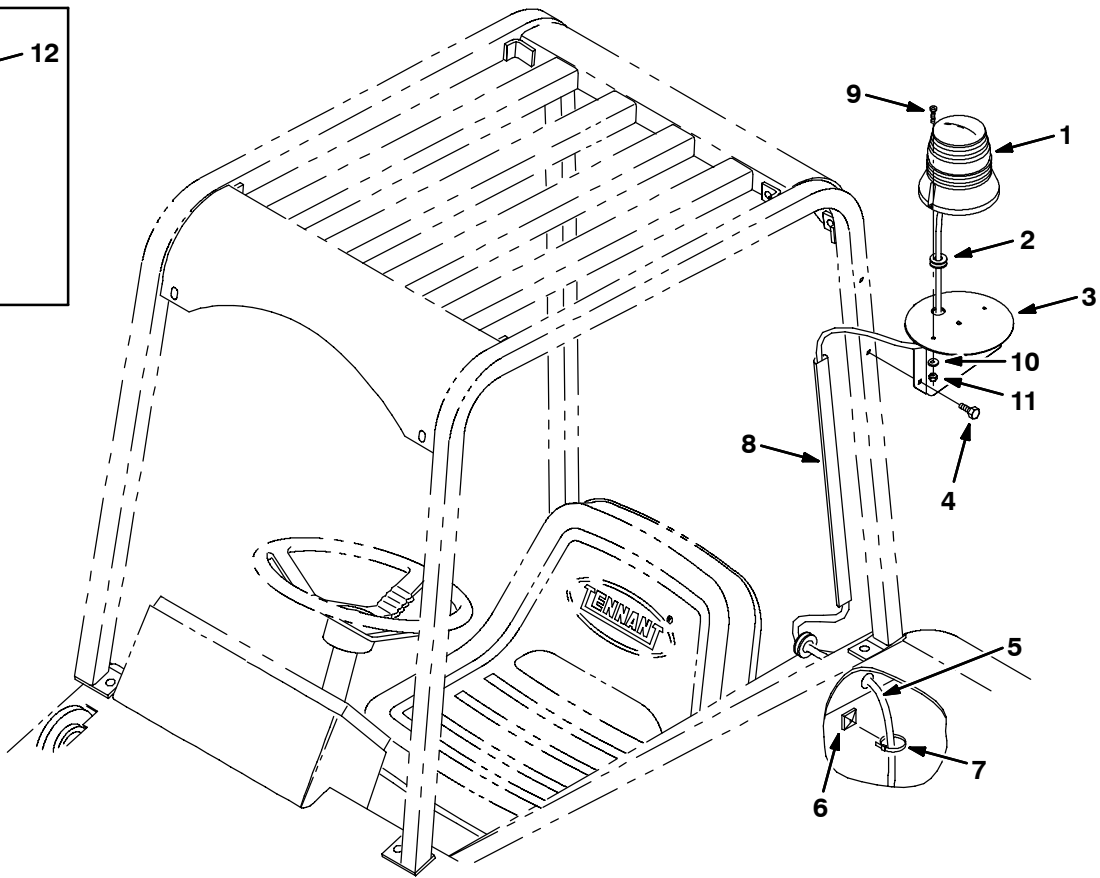
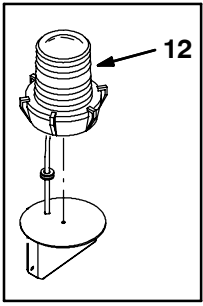
Fig. 7 - Revolving Light Kit, Cab



**Fig. 7 - Revolving Light Kit, Cab**

	<b>Ref.</b>	<b>Part No.</b>	<b>Serial Number</b>	<b>Description</b>	<b>Qty.</b>
▽		377266	(000000-	) Kit, Ci, Light, Revl, Cab [6600/6650]	1
▲▽	1	1017250	(010415-	) Lamp Strobe, Amb [12-48 Vdc]	1
▲▲		9000879	(010415-	) Lens, Lamp, Amb, Strobe/Flasher	1
▲▲		9000846	(010415-	) Lamp, Bulb, Lamp, Strobe	1
▲▲		1027798	(010415-	) Lens, Red, F/ Revl / Flasher	1
▲▲		1027800	(010415-	) Lens, Blu, F/ Revl / Flasher	1
▲		29192	(010415-	) Terminal, Ring, .25stud 16-14ga, Ins	1
▲		55272	(010415-	) Terminal, Bullet, Mal, .157d, 12ga	1
▲	2	10632-9	(000000-	) Grommet, Rbr, 0.63id, F/ 0.8h, .12matl	1
▲	3	55248	(000000-	) Mount, Cable Tie	4
▲	4	49266	(000000-	) Tie, Cable, Nyl, 07.3l .19w 1.8 Max D	4
▲	5	10632-18	(000000-	) Grommet, Rbr, 0.69id, F/ 0.1h, .25matl	1
▲	6	86332	(000000-	) Duct, Vyl, 0.40 X 0.75 .25d 26.0l	1
▲	7	60288	(000000-	) Harness, Light, Revl, Ohg, [ 355l]	1
▲	8	06934	(010415-	) Screw, Pan, M5 X 0.8 X 20, 4.8	2
▲	9	19066	(010415-	) Washer, Flat, #10	2
▲	10	06549	(010415-	) Nut, Hex, Lock, M5 X 0.8, NI	2
▽	11	82200	(000000-010414	) Light, Revl, 12vdc, Amb, Rwk 82200	1
▲		44681-1	(000000-010414	) Lens, Amber, Light, Revl	1
▲		45779	(000000-010414	) Lamp, 12vdc, 2.1a Watt 32c [#1156]	1
		44681	(000000-010414	) Lens, Red, Light, Revl	1
		44681-2	(000000-010414	) Lens, Blue, Light, Revl	1

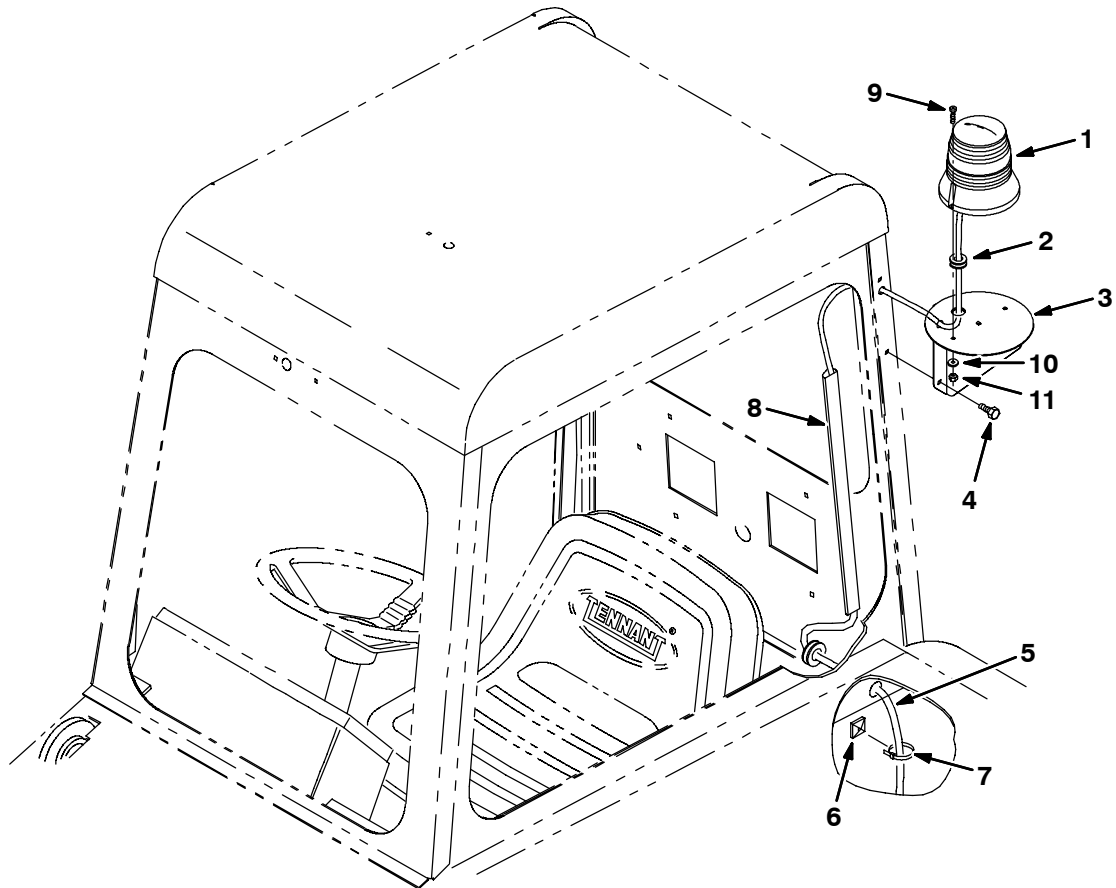
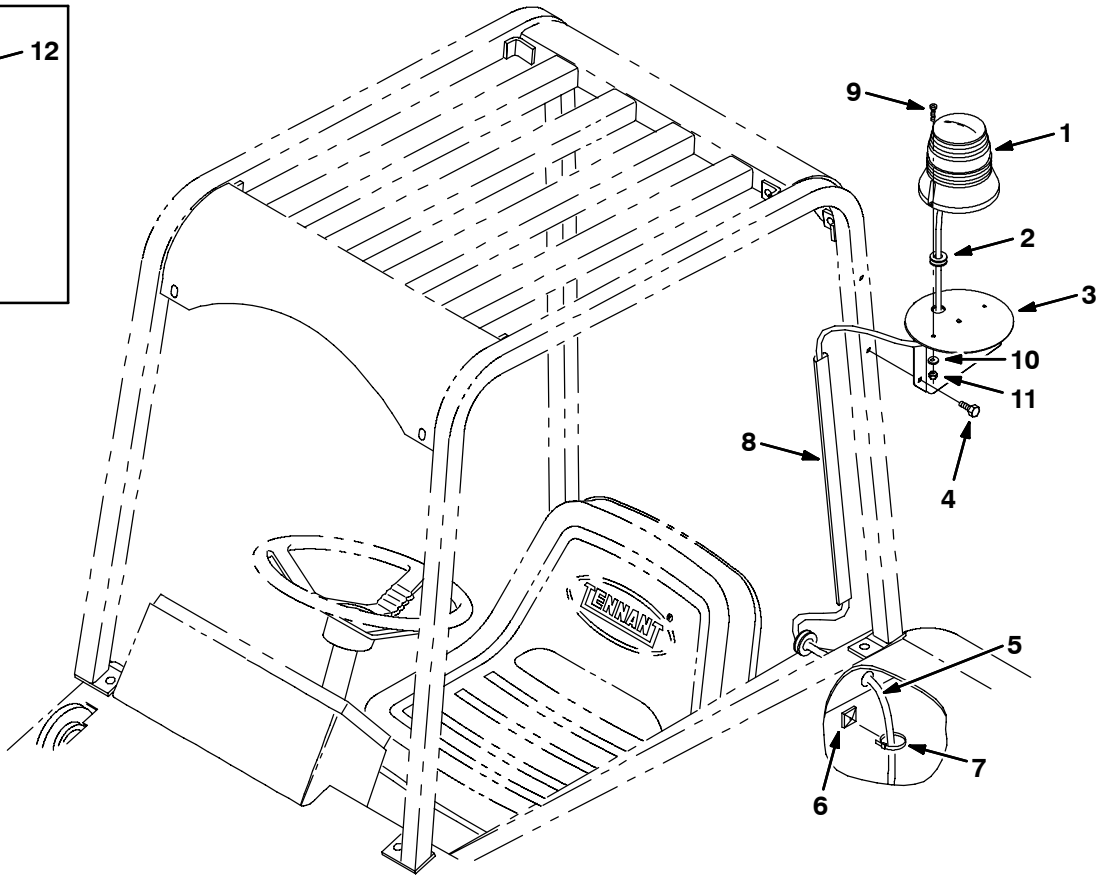
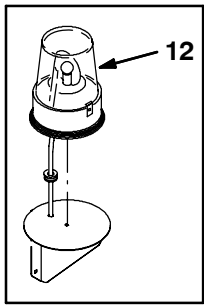
Fig. 8 - Flashing Light Kit, Flush Mounting



**Fig. 8 - Flashing Light Kit, Flush Mounting**

Ref.	Part No.	Serial Number	Description	Qty.
▽	377088	(000000-	) Kit, Ci, Light, Flsh, Flush, Cab	1
▲▽	1 1017248	(010239-	) Lamp, Flasher, Amb [12-48 Vdc]	1
▲▲	9000879	(010239-	) Lens, Lamp, Amb, Strobe/Flasher	1
▲▲	9000845	(010239-	) Lamp, Bulb, Lamp, Flsh	1
▲▲	1027798	(010239-	) Lens, Red, F/ Revl / Flasher	1
▲▲	1027800	(010239-	) Lens, Blu, F/ Revl / Flasher	1
▲	29192	(010239-	) Terminal, Ring, .25stud 16-14ga, Ins	1
▲	55272	(010239-	) Terminal, Bullet, Mal, .157d, 12ga	1
▲	2 10632-9	(000000-	) Grommet, Rbr, 0.63id, F/ 0.8h, .12matl	1
▲	3 1021364	(000000-	) Bracket Wldt, Mtg, Light	1
▲	4 763045	(000000-	) Screw, Hex, M 8 X 1.25 X 20, Fmg	2
▲	5 60288	(000000-	) Harness, Light, Revl, Ohg, [ 355l]	1
▲	6 55248	(000000-	) Mount, Cable Tie	10
▲	7 49266	(000000-	) Tie, Cable, Nyl, 07.3l .19w 1.8 Max D	16
▲	8 1027395	(000000-	) Duct, Vyl, 0.40 X 0.75 .25d Max 48.0l	1
▲	9 06934	(010239-	) Screw, Pan, M5 X 0.8 X 20, 4.8	2
▲	10 19066	(010239-	) Washer, Flat, #10	2
▲	11 06549	(010239-	) Nut, Hex, Lock, M5 X 0.8, NI	2
▽	12 82063	(000000-010238	) Light, Flsh, 12vdc, Amb, Rwk 82198	1
▲	58520	(000000-010238	) Lens, Amber, Light, Flsh, [Fr207]	1
▲	45779	(000000-010238	) Lamp, 12vdc, 2.1a Watt 32c [#1156]	1
	58518	(000000-010238	) Lens, Red, Light, Flsh, [Fr207]	1
	58519	(000000-010238	) Lens, Blue, Light, Flsh, [Fr207]	1

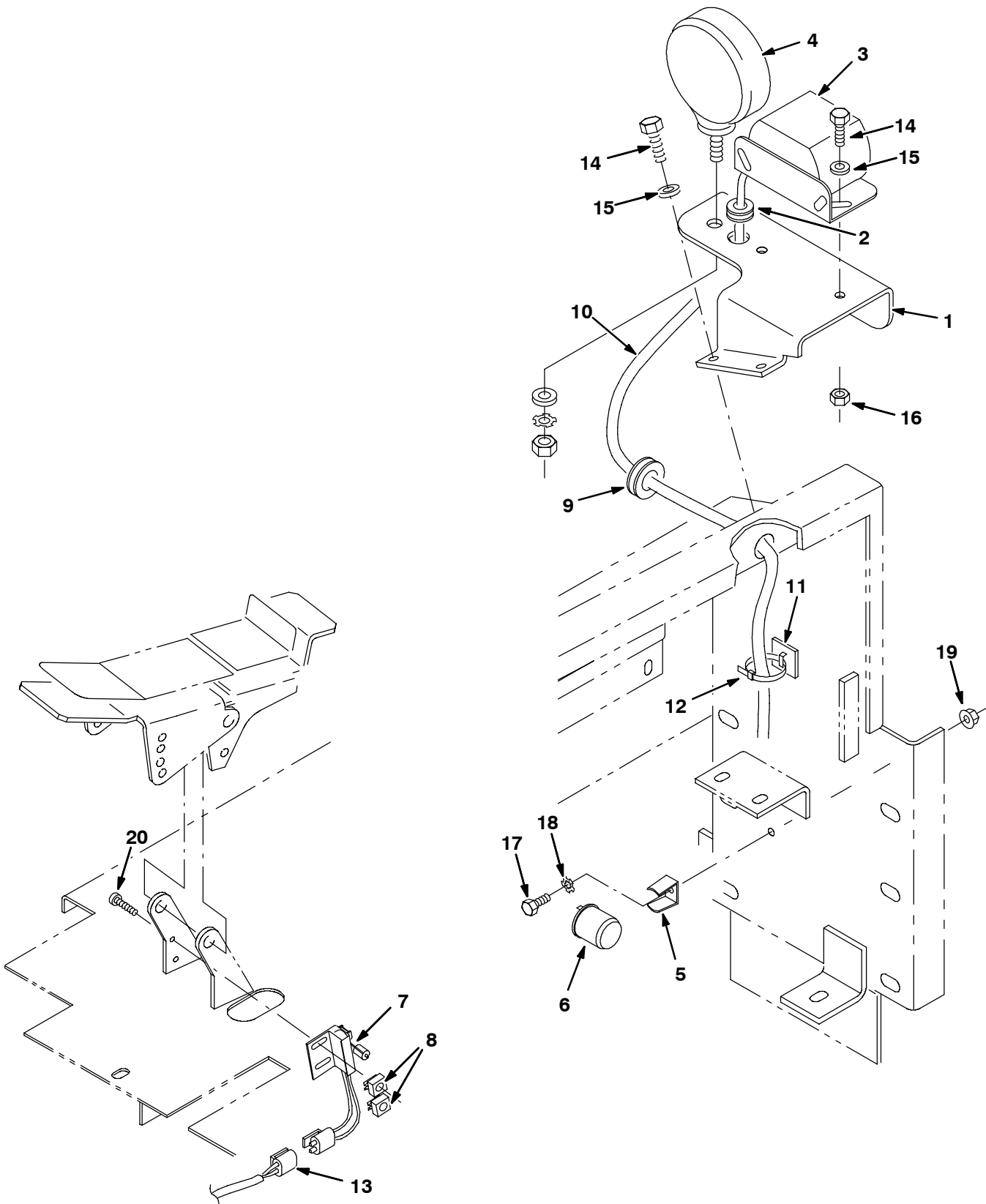
Fig. 9 - Revolving Light Kit, Flush Mounting



**Fig. 9 - Revolving Light Kit, Flush Mounting**

Ref.	Part No.	Serial Number	Description	Qty.
▽	377086	(000000-	) Kit, Ci, Light, Revl, Flush, Ohg	1
▲▽	1 1017250	(010415-	) Lamp Strobe, Amb [12-48 Vdc]	1
▲▲	9000879	(010415-	) Lens, Lamp, Amb, Strobe/Flasher	1
▲▲	9000846	(010415-	) Lamp, Bulb, Lamp, Strobe	1
▲▲	1027798	(010415-	) Lens, Red, F/ Revl / Flasher	1
▲▲	1027800	(010415-	) Lens, Blu, F/ Revl / Flasher	1
▲	29192	(010415-	) Terminal, Ring, .25stud 16-14ga, Ins	1
▲	55272	(010415-	) Terminal, Bullet, Mal, .157d, 12ga	1
▲	2 10632-9	(000000-	) Grommet, Rbr, 0.63id, F/ 0.8h, .12matl	1
▲	3 1021364	(000000-	) Bracket Wldt, Mtg, Light	1
▲	4 763045	(000000-	) Screw, Hex, M 8 X 1.25 X 20, Fmg	2
▲	5 60288	(000000-	) Harness, Light, Revl, Ohg, [ 355l]	1
▲	6 55248	(000000-	) Mount, Cable Tie	10
▲	7 49266	(000000-	) Tie, Cable, Nyl, 07.3l .19w 1.8 Max D	16
▲	8 1027395	(000000-	) Duct, Vyl, 0.40 X 0.75 .25d Max 48.0l	1
▲	9 06934	(010415-	) Screw, Pan, M5 X 0.8 X 20, 4.8	2
▲	10 19066	(010415-	) Washer, Flat, #10	2
▲	11 06549	(010415-	) Nut, Hex, Lock, M5 X 0.8, NI	2
▽	12 82200	(000000-010414	) Light, Revl, 12vdc, Amb, Rwk 82200	1
▲	44681-1	(000000-010414	) Lens, Amber, Light, Revl	1
▲	45779	(000000-010414	) Lamp, 12vdc, 2.1a Watt 32c [#1156]	1
	44681-2	(000000-010414	) Lens, Blue, Light, Revl	1
	44681	(000000-010414	) Lens, Red, Light, Revl	1

Fig. 10 - Back-Up Alarm Kit, LRC





**Fig. 10 - Back-Up Alarm Kit , LRC**

NOTE: Backup alarm is standard on the 6650 XS machine.

Ref.	Part No.	Serial Number	Description	Qty.
▽	377192	(000000-	) Kit, Ci, Alarm, Backup, A/V, W/O Cab	1
▲	1 1012369	(000000-	) Bracket Wldt, Backup	1
▲	2 10632-9	(000000-	) Grommet, Rbr, 0.63id, F/ 0.8h, .12matl	1
▲	3 61920	(000000-	) Alarm Assy, Backup, 12-24vdc 82-107dba	1
▲▽	4 36438	(000000-	) Light, Spot, 12vdc, 21cp Rwk 44025a	1
▲▲	36439	(000000-	) Lamp, 12vdc, 0.9a, 15cp Watt [#1004]	1
▲	5 24576-1	(000000-	) Bracket, Mtg, Flasher	1
▲	6 24576	(000000-	) Flasher, 12vdc, [Hd#552ps83]	1
▲	7 23211	(000000-	) Switch, Snap Actn, 12vdc 15a No Rlr	1
▲	8 23210	(000000-	) Nut, Speed, Retainer, #08-32 [.025-.063]	2
▲	9 10632-18	(000000-	) Grommet, Rbr, 0.69id, F/ 0.1h, .25matl	1
▲	10 71544	(000000-	) Harness, Alarm, Backup, [ 355]	1
▲	11 55248	(000000-	) Mount, Cable Tie	2
▲	12 49266	(000000-	) Tie, Cable, Nyl, 07.3l .19w 1.8 Max D	5
▲	13 70159	(000000-	) Harness, Alarm, Backup, [ 355]	1
▲	14 16931	(000000-	) Screw, Hex, M 8 X 1.25 X 20, 8.8	4
▲	15 32491	(000000-	) Washer, Flat, 0.31 Std	4
▲	16 08709	(000000-	) Nut, Hex, Lock, M 8 X 1.25 NI	2
▲	17 09738	(000000-	) Screw, Hex, M 5 X 0.8 X 12, Ss	1
▲	18 41139	(000000-	) Washer, Lock, Int-Ext, #10	1
▲	19 07789	(000000-	) Nut, Hex, Flng, M05 X 0.8	1
▲	20 32516	(000000-	) Screw, Pan, #08-32 X 0.50, 1	2

Fig. 11 - Back-Up Alarm Kit, Cab

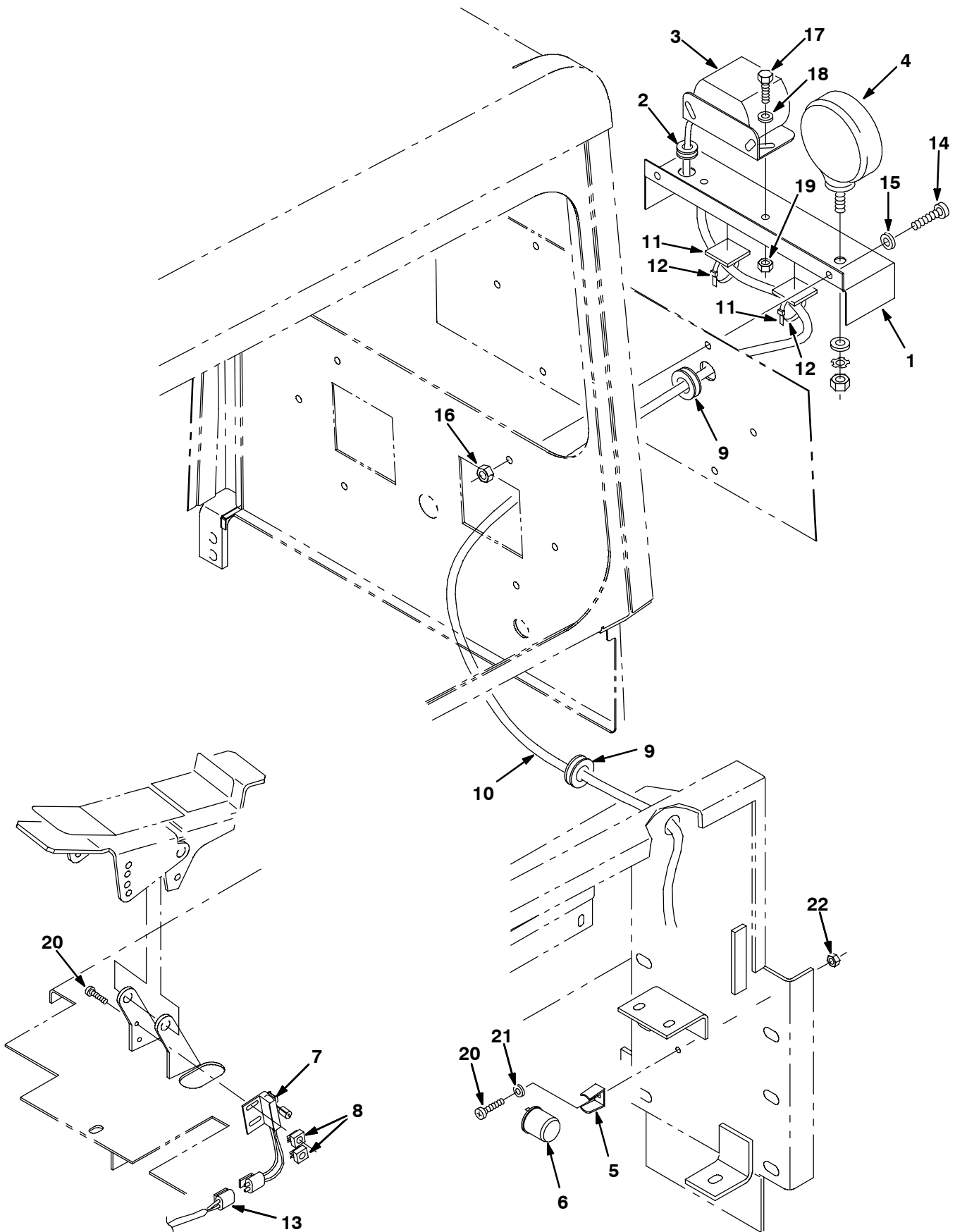
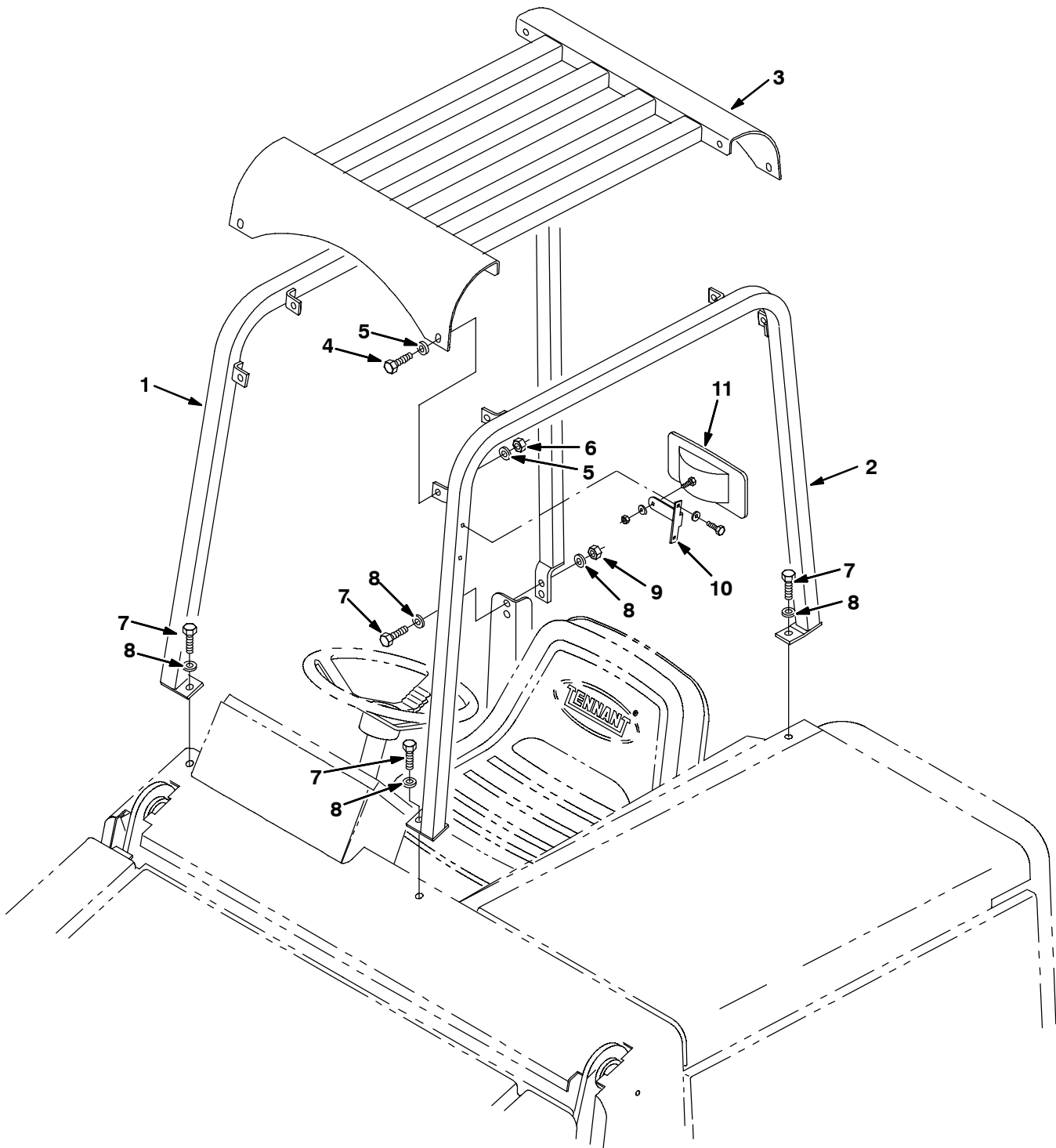


Fig. 11 - Back-Up Alarm Kit, Cab

Ref.	Part No.	Serial Number	Description	Qty.
▽	377190	(000000-	) Kit, Ci, Alarm, Backup, A/V, W/ Cab	1
▲	1 71058	(000000-	) Bracket, Alarm, Backup	1
▲	2 10632-12	(000000-	) Grommet, Rbr, 0.38id, F/ 0.5h, .12matl	1
▲	3 61920	(000000-	) Alarm Assy, Backup, 12-24vdc 82-107dba	1
▲▽	4 36438	(000000-	) Light, Spot, 12vdc, 21cp Rwk 44025a	1
▲▲	36439	(000000-	) Lamp, 12vdc, 0.9a, 15cp Watt [#1004]	1
▲	5 24576-1	(000000-	) Bracket, Mtg, Flasher	1
▲	6 24576	(000000-	) Flasher, 12vdc, [Hd#552ps83]	1
▲	7 23211	(000000-	) Switch, Snap Actn, 12vdc 15a No Rlr	1
▲	8 23210	(000000-	) Nut, Speed, Retainer, #08-32 [.025-.063]	2
▲	9 10632-18	(000000-	) Grommet, Rbr, 0.69id, F/ 0.1h, .25matl	2
▲	10 71544	(000000-	) Harness, Alarm, Backup, [ 355]	1
▲	11 55248	(000000-	) Mount, Cable Tie	2
▲	12 49266	(000000-	) Tie, Cable, Nyl, 07.3l .19w 1.8 Max D	10
▲	13 70159	(000000-	) Harness, Alarm, Backup, [ 355]	1
▲	14 17284	(000000-	) Screw, Btn, M 8 X 1.25 X 16, Ss	2
▲	15 01685	(000000-	) Washer, Flat, 0.31 Ss	2
▲	16 07791	(000000-	) Nut, Hex, Flng, M08 X 1.25	2
▲	17 16931	(000000-	) Screw, Hex, M 8 X 1.25 X 20, 8.8	2
▲	18 32491	(000000-	) Washer, Flat, 0.31 Std	2
▲	19 08709	(000000-	) Nut, Hex, Lock, M 8 X 1.25 NI	2
▲	20 09738	(000000-	) Screw, Hex, M 5 X 0.8 X 12, Ss	1
▲	21 41139	(000000-	) Washer, Lock, Int-Ext, #10	1
▲	22 07789	(000000-	) Nut, Hex, Flng, M05 X 0.8	1
▲	23 32516	(000000-	) Screw, Pan, #08-32 X 0.50, 1	2

Fig. 12 - Overhead Guard Kit

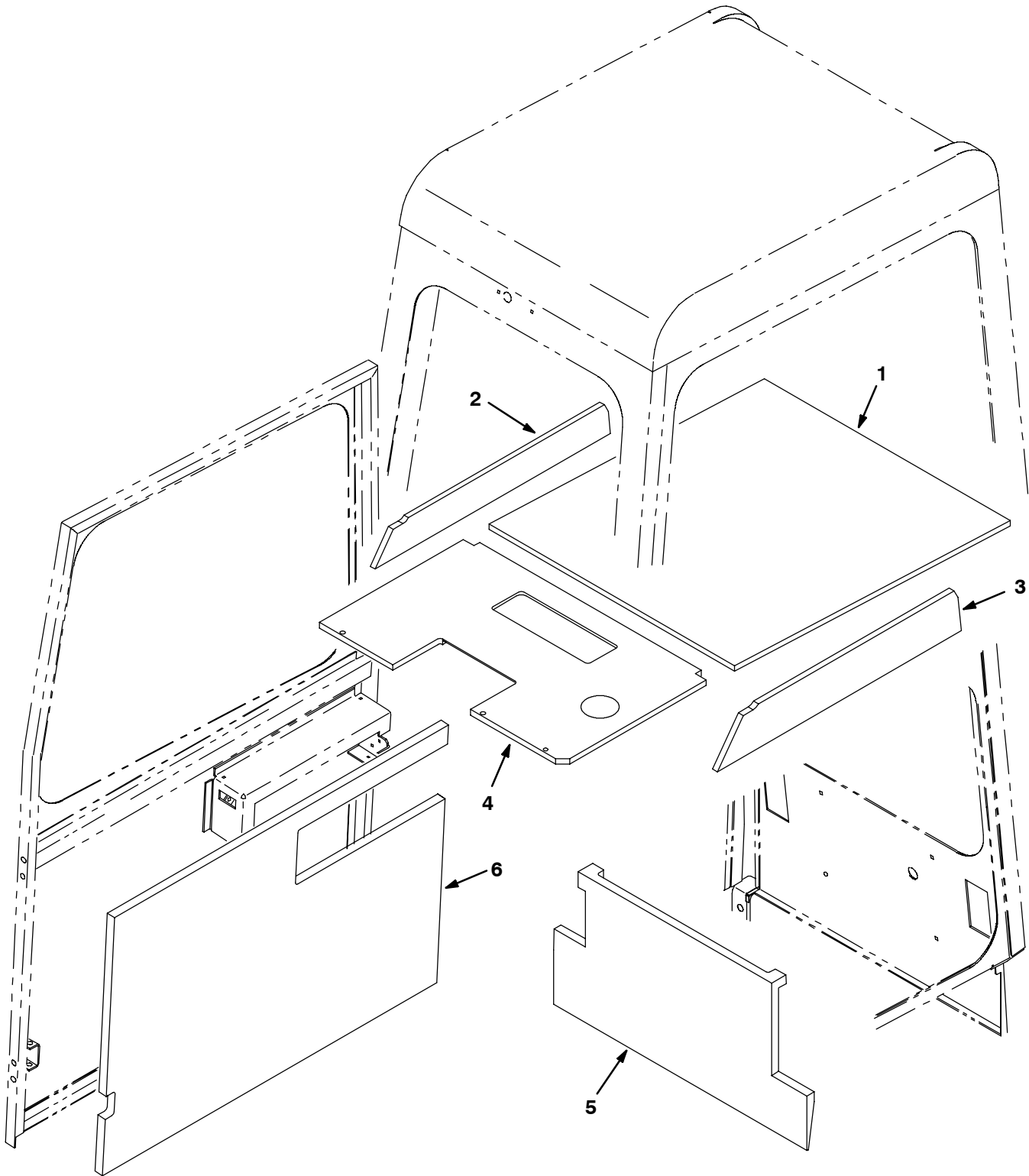


**Fig. 12 - Overhead Guard Kit**

*NOTE: Overhead guard is standard on the 6650 XS machine.*

	<b>Ref.</b>	<b>Part No.</b>	<b>Serial Number</b>	<b>Description</b>	<b>Qty.</b>
▽		377031	(000000-	) Kit, Ci, Ohg [6600/6650]	1
▲	1	59665	(000000-	) Tube Wldt, Leg, Ohg, Rh, White, [ 355]	1
▲	2	59666	(000000-	) Tube Wldt, Leg, Ohg, Lh, White, [ 355]	1
▲	3	391850	(000000-	) Guard Wldt, Ohg, Top	1
▲	4	39283	(000000-	) Screw, Hex, M10 X 1.5 X 25, 8.8	8
▲	5	32492	(000000-	) Washer, Flat, 0.38 Std	16
▲	6	41430	(000000-	) Nut, Hex, Lock, M10 X 1.5, NI	8
▲	7	41346	(000000-	) Screw, Hex, M12 X 1.75 X 30, 8.8	5
▲	8	32486	(000000-	) Washer, Flat, 0.50 Sae	8
▲	9	08711	(000000-	) Nut, Hex, Lock, M12 X 1.75,NI	3
▲	10	49032	(000000-	) Bracket, Mtg, Mirror, Rearview	1
▲	11	49034	(000000-	) Mirror, Convex, 06.7 X 06.2	1

Fig. 13 - Cab Insulation Group

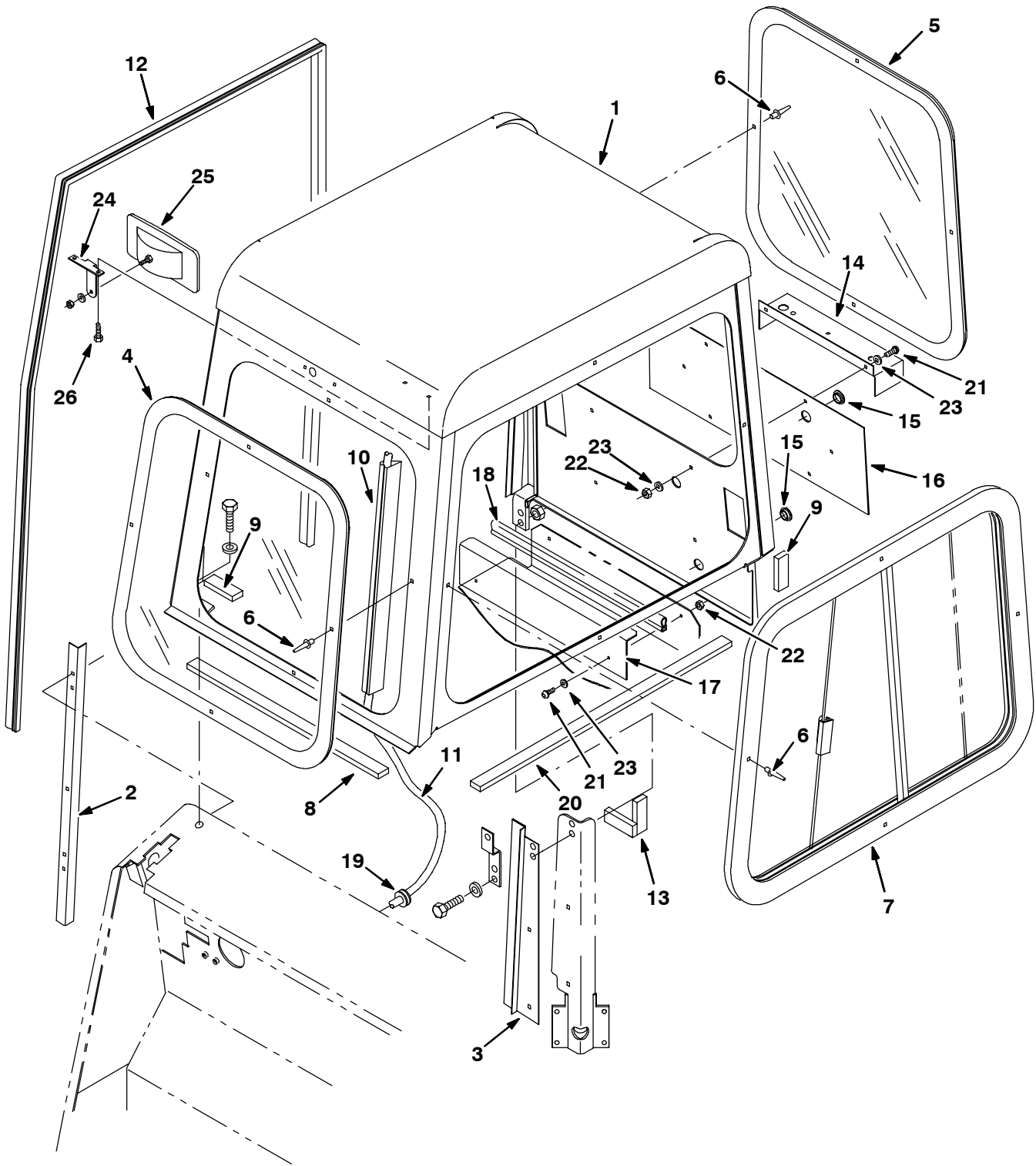


**Fig. 13 - Cab Insulation Group**

*NOTE: Cab Kit, TENNANT Part Number 377021, includes Fig. 13, Fig. 14, Fig. 15, Fig. 16, and Fig. 17.*

<b>Ref.</b>	<b>Part No.</b>	<b>Serial Number</b>	<b>Description</b>	<b>Qty.</b>
1	55073	(000000-	) Insulation, Acstc, 0.3 25.5w 25.6l	1
2	55074	(000000-	) Insulation, Acstc, 0.5 02.9w 24.3l Cab	1
3	55161	(000000-	) Insulation, Acstc, 0.5 03.9w 25.3l Cab	1
4	55162	(000000-	) Insulation, Acstc, Panel	1
5	55164	(000000-	) Insulation, Acstc, 0.8 23.3w 34.6l Cab	1
6	1010155	(000000-	) Insulation, Acstc, Door	1

Fig. 14 - Cab Frame and Windows Group



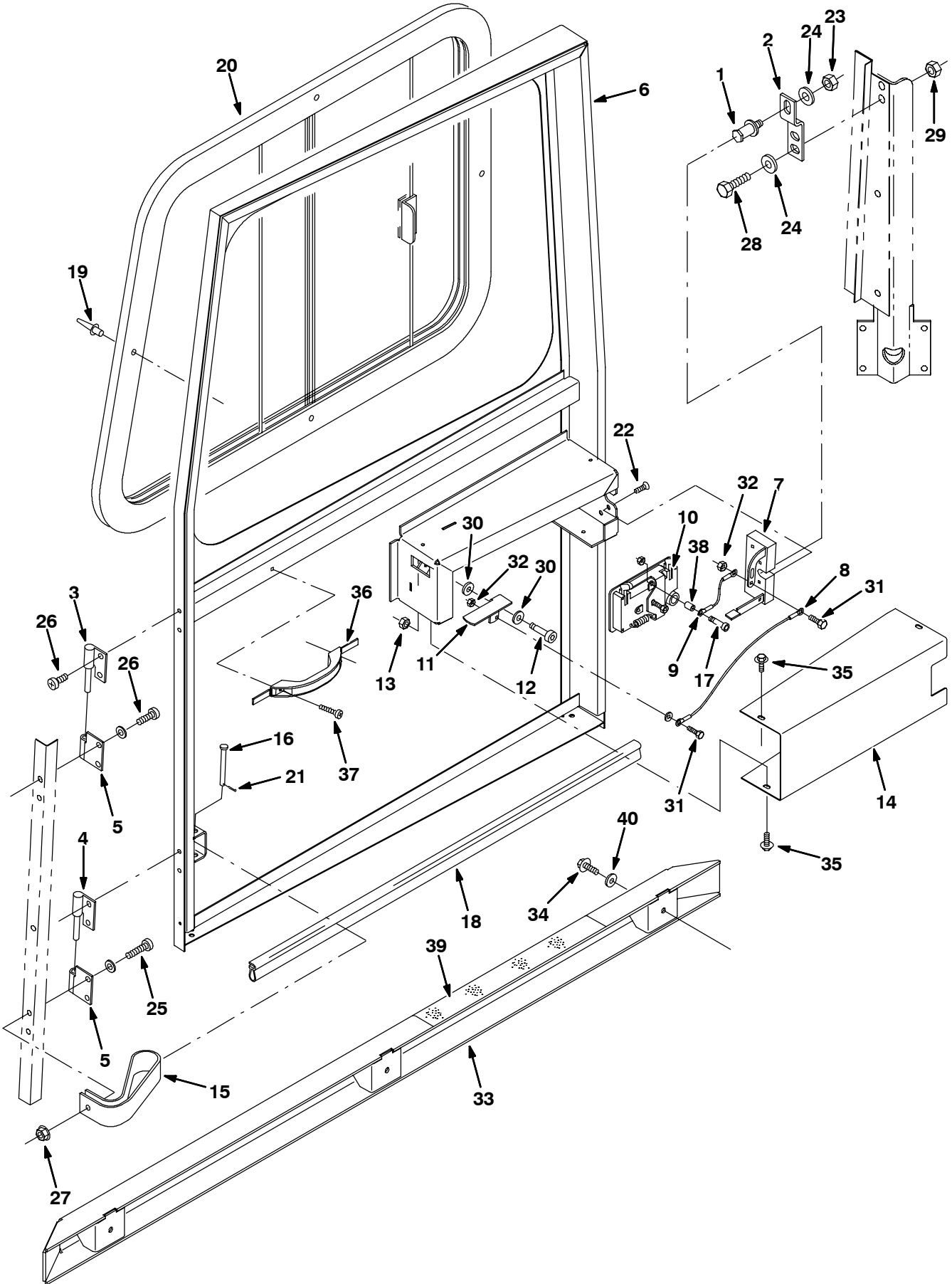


**Fig. 14 - Cab Frame and Windows Group**

NOTE: Cab Kit, TENNANT Part Number 377021, includes Fig. 13, Fig. 14, Fig. 15, Fig. 16, and Fig. 17.

Ref.	Part No.	Serial Number	Description	Qty.
1	370143	(000000-	) Cab	1
2	56546	(000000-	) Angle, Mtg, Stl, .06 1.0 1.0 28.5l	1
3	56560	(000000-	) Panel, Jam, Door, Rear, Lower	1
4	74430	(000000-	) Pane, Cab	1
5	74431	(000000-	) Pane, Cab	1
6	82457	(000000-	) Rivet, Blind, .125d X 0.44 X .25d, Stl	12
7	74429	(000000-	) Pane, Cab	1
8	55959	(000000-	) Seal, Ure, 0.38 0.75w 28.8l Adh	1
9	55968	(000000-	) Seal, Ure, 0.38 0.75w 02.4l Adh	2
10	55973	(000000-	) Duct, Vyl, 0.74 X 1.50 .75d Max 24.0l	1
11	60287	(000000-	) Harness, Cab, [355l]	1
12	66221	(000000-	) Seal, Bulb, [Sd-0504], 142.00l	1
13	66197	(000000-	) Insulation, Acstc, Seat	1
14	71058	(000000-	) Bracket, Alarm, Backup	1
15	55035	(000000-	) Button, Plug, 1.00h .00-.17 [Black Nyl]	2
16	55270	(000000-	) Plate	1
17	55227	(000000-	) Plate, Seal	1
18	55228	(000000-	) Seal, Bulb, [Sd-0504], 19.75l	1
19	10632-12	(000000-	) Grommet, Rbr, 0.38ld, F/ 0.5H, .12Matl	1
20	55963	(000000-	) Seal, Ure, 0.38 0.75w 36.0l Adh	1
21	17284	(000000-	) Screw, Btn, M 8 X 1.25 X 16, Ss	8
22	08709	(000000-	) Nut, Hex, Lock, M 8 X 1.25 NI	8
23	39349	(000000-	) Washer, Flat, 0.31 Sae	16
24	49032	(000000-	) Bracket, Mtg, Mirror, Rearview	1
25	49034	(000000-	) Mirror, Convex, 06.7 X 06.2	1
26	24593	(000000-	) Screw, Hex, .25-20 X 0.50, Fmg	2

**Fig. 15 - Cab Door Group**

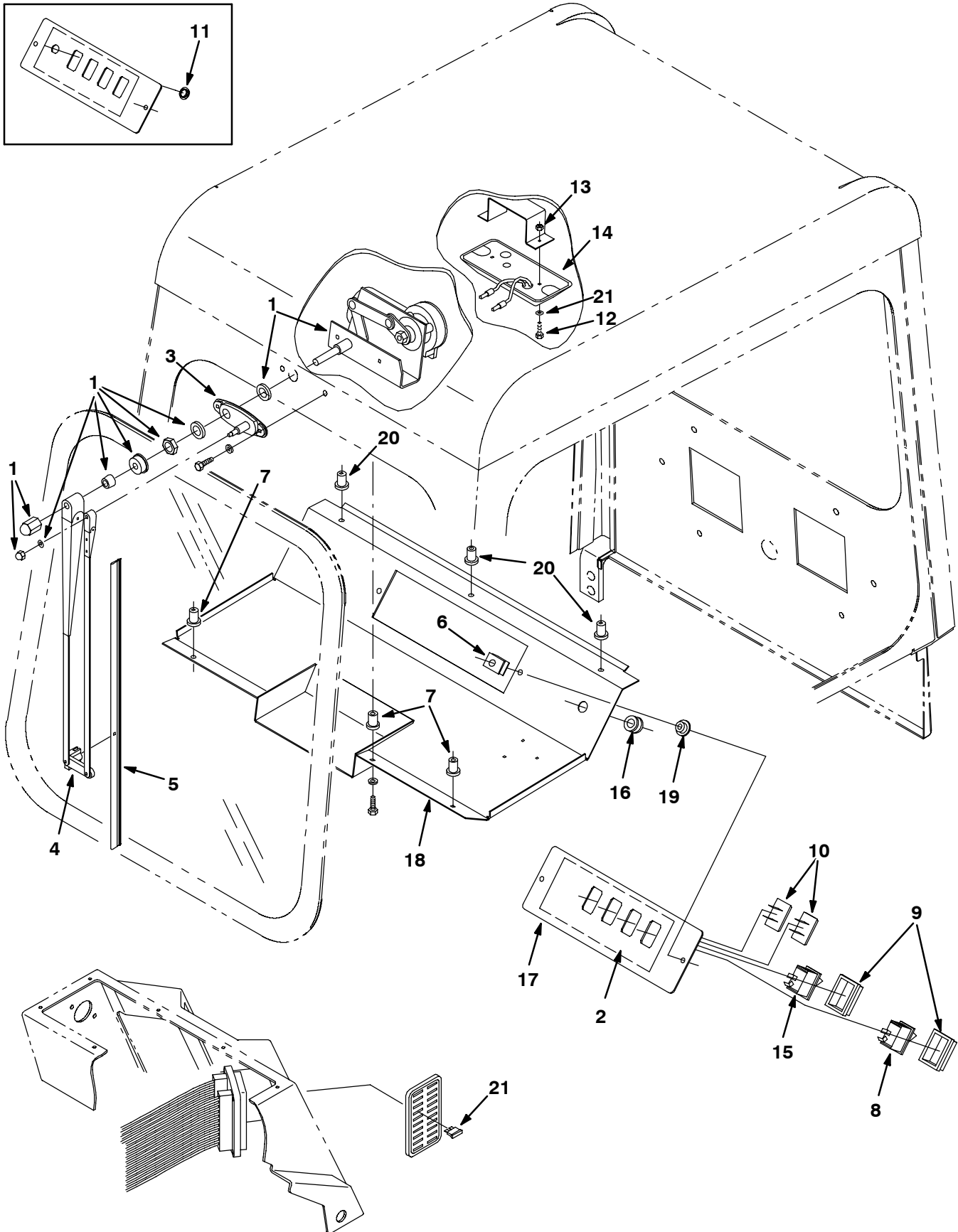


**Fig. 15 - Cab Door Group**

NOTE: Cab Kit, TENNANT Part Number 377021, includes Fig. 13, Fig. 14, Fig. 15, Fig. 16, and Fig. 17.

Ref.	Part No.	Serial Number	Description	Qty.
1	58898	(000000-	) Bolt, Latch, F/58489/58844	1
2	1009892	(000000-	) Bracket, Latch, Bolt	1
3	374653	(000000-	) Hinge Wldt, Door, Cab, Pin, Long	1
4	374654	(000000-	) Hinge Wldt, Door, Cab, Pin, Short	1
5	374651	(000000-	) Hinge Wldt, Tube, .38b, Door, Cab	2
6	1005339	(000000-	) Door Wldt, Cab	1
7	59514	(000000-	) Latch	1
8	57702	(000000-	) Cable, .06d, 12.0l, .26eye /.26eye	1
9	55038	(000000-	) Cable, .06d, 05.8l, .26eye /.26eye	1
10	59515	(000000-	) Handle, Door, Paddle	1
11	391816	(000000-	) Lever, Door Release	1
12	02129	(000000-	) Bolt, Shld, .38d X 0.38, .31-18	1
13	01760	(000000-	) Nut, Hex, Lock, .31-18, NI, Thin	1
14	1009152	(000000-	) Bracket, Armrest	1
15	60862	(000000-	) Sleeve, Nyl, #13 14.7l	1
16	02126	(000000-	) Pin, Clevis, 0.37 D X 3.00l	1
17	31249	(000000-	) Bolt, Shld, .25d X 1.25, #10-24	1
18	72024	(000000-	) Seal, Bulb, [Sd-0504], 34.50l	1
19	82457	(000000-	) Rivet, Blind, .125d X 0.44 X .25d, Stl	4
20	74428	(000000-	) Pane, Door, Cab	1
21	39005	(000000-	) Pin, Cotter, .094 X 0.75	1
22	09062	(000000-	) Screw, Flt, M06 X 1.0 X 16, 10.9	4
23	43955	(000000-	) Nut, Hex, Std, .44-14, 5	1
24	32493	(000000-	) Washer, Flat, 0.50 Std	8
25	33943	(000000-	) Screw, Flt, M08 X 1.25 X 40, 10.9	1
26	07810	(000000-	) Screw, Flt, M08 X 1.25 X 25, 10.9	7
27	07791	(000000-	) Nut, Hex, Flng, M08 X 1.25	5
28	06969	(000000-	) Screw, Hex, M12 X 1.75 X 40, 8.8	2
29	08711	(000000-	) Nut, Hex, Lock, M12 X 1.75,NI	3
30	43611	(000000-	) Washer, 0.39b 0.75d .06, Nyl	2
31	06943	(000000-	) Screw, Hex, M 6 X 1.0 X 20, 8.8	2
32	08708	(000000-	) Nut, Hex, Lock, M 6 X 1.0, NI	2
33	1010170	(000000-	) Bumper Wldt, Cab Door	1
34	76099	(000000-	) Screw, Hex, M 8 X 1.25 X 25, Fmg	3
35	12459	(000000-	) Screw, Hex, M 6 X 1.0 X 20, Fmg	4
36	381962	(000000-	) Handle, Container	1
37	09164	(000000-	) Screw, Pan, M6 X 1.0 X 20, 4.8	2
38	59881	(000000-	) Tube, 00.38d 00.28b 00.6l Stl	2
39	75430	(000000-	) Tread, Non-skid, 02.2w 15.5l	1
40	32491	(000000-	) Washer, Flat, 0.31, Std	3

Fig. 16 - Cab Electrical and Wiper Group

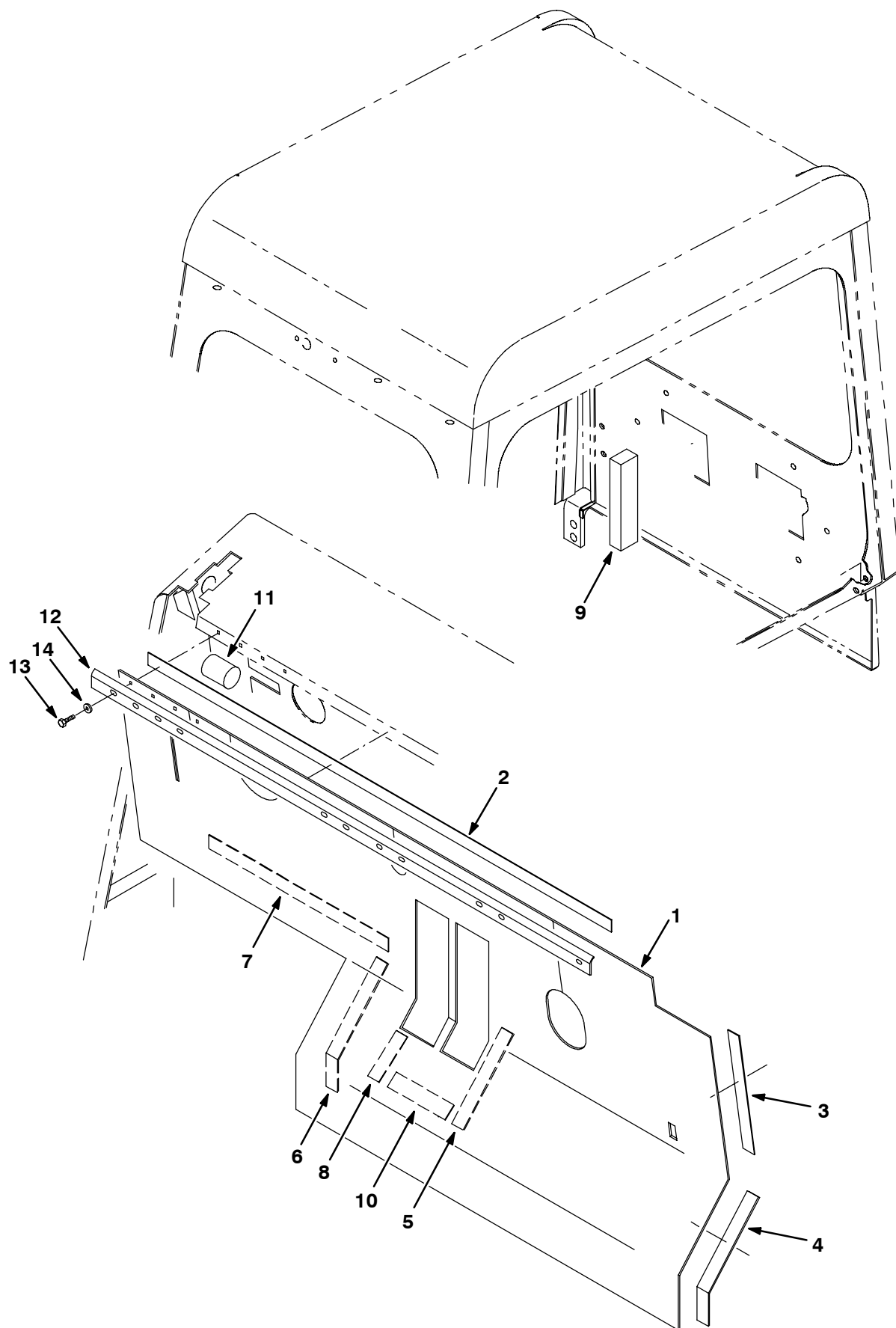


**Fig. 16 - Cab Electrical and Wiper Group**

NOTE: Cab Kit, TENNANT Part Number 377021, includes Fig. 13, Fig. 14, Fig. 15, Fig. 16, and Fig. 17.

Ref.	Part No.	Serial Number	Description	Qty.	
1	59803	(000000-	) Motor, Ele, Wiper, 12vdc 68deg	1	
2	1012397	(000000-	) Label, Opertnl, Cab	1	
2	1012361	(000000-	) Label, Opertnl, Cab (W/AC)	1	
3	59797	(000000-	) Kit, Wiper, Mtg, Plate	1	
4	59799	(000000-	) Arm, Wiper, Windshield, [Panto]	1	
5	74433	(000000-	) Blade, Wiper, Windshield 18.0	1	
6	12271	(000000-	) Nut, U, M06 X 1.0	2	
7	41845	(000000-	) Nut, Isolator, .25-20 Wall Thk .015-.094	3	
8	65553	(000000-	) Switch, Rocker, 28vdc 15a Dpdt On/Of/On	1	
9	57807	(000000-	) Cover, Seal, Rocker Switch	2	
10	57772	(000000-	) Button, Plug, Switch, 1.45 X 0.83 Hole	2	
11	57167	(000000-009557	) Button, Plug, 0.62h .03-.12 [Black Nyl]	1	
12	09206	(000000-	) Screw, Hex, M 4 X 0.7 X 12, 8.8	2	
13	02850	(000000-	) Nut, Hex, Lock, M 4 X 0.7, NI	2	
▽	14	55461	(000000-	) Light, Dome, 12vdc, Rwk 58951	1
▲		72142	(000000-	) Lamp, 12vdc Lamp, Dome [Speaker]	1
15	65561	(000000-	) Switch, Rocker, 28vdc 15a Spst On/Of	1	
16	10632-12	(000000-	) Grommet, Rbr, 0.38id, F/ 0.5h, .12matl	1	
17	71057	(000000-009557	) Panel, Instmt, Cab	1	
17	1012357	009558-	) Panel, Instmt, Cab [6600/6650]	1	
18	72049	(000000-	) Cover Wldt, Roof, Cab, Front	1	
19	01047	(000000-	) Bushing, Flng, 0.32b 0.75d 0.14l	2	
20	61913	(000000-	) Nut, Isolator, .25-20 Wall Thk .031-.187	3	
21	19065	(000000-	) Washer, Flat, #08	2	
22	762514	(000000-	) Fuse, 15 Amp	1	

Fig. 17 - Cab Dust Kit

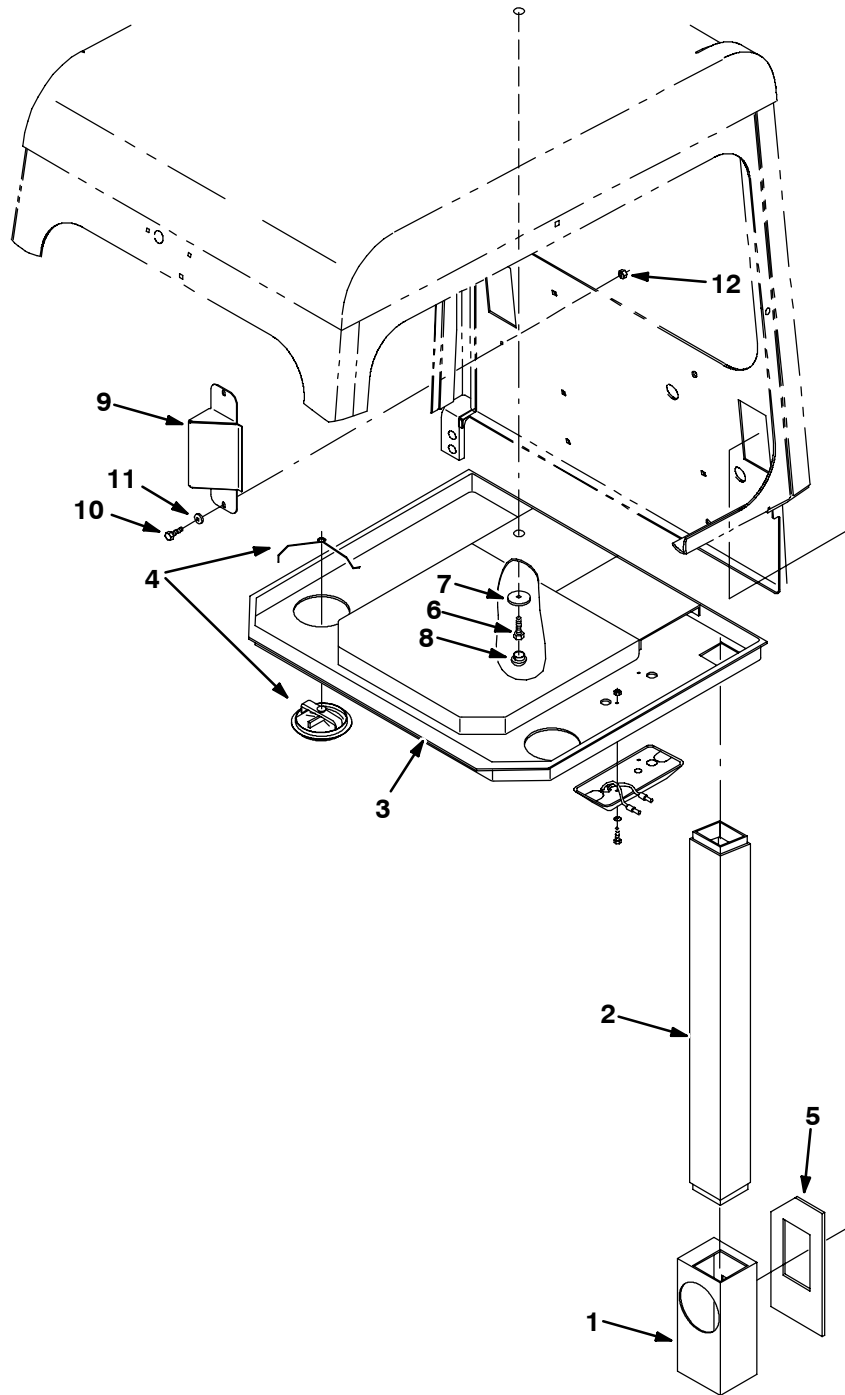


**Fig. 17 - Cab Dust Kit**

*NOTE: Cab Kit, TENNANT Part Number 377021, includes Fig. 13, Fig. 14, Fig. 15, Fig. 16, and Fig. 17.*

	<b>Ref.</b>	<b>Part No.</b>	<b>Serial Number</b>	<b>Description</b>	<b>Qty.</b>
▽		370115	(000000-	) Kit, Dust, Cab, [385/355]	1
▲	1	370116	(000000-	) Skirt, Firewall, Rh	1
▲	2	370117	(000000-	) Fastener, [Hook & Loop], 45.00l	1
▲	3	370118	(000000-	) Fastener, [Hook & Loop], 09.75l	1
▲	4	370119	(000000-	) Fastener, [Hook & Loop], 11.00l	1
▲	5	370120	(000000-	) Fastener, [Hook & Loop], 15.00l	1
▲	6	370121	(000000-	) Fastener, [Hook & Loop], 12.00l	1
▲	7	370122	(000000-	) Fastener, [Hook & Loop], 16.50l	1
▲	8	370129	(000000-	) Fastener, [Hook & Loop], 03.25l	1
▲	9	370124	(000000-	) Insulation, Acstc, 1.0 01.5w 06.8l	1
▲	10	370130	(000000-	) Fastener, [Hook & Loop], 05.19l	1
▲	11	370125	(000000-	) Seal, Rbr, Clsd, 1.50d 39.9l	2
▲	12	370159	(000000-	) Strip, Steel	1
▲	13	12459	(000000-	) Screw, Hex, M 6 X 1.0 X 20, Fmg	11
▲	14	01684	(000000-	) Washer, Flat, 0.25 Ss	11

Fig. 18 - Cab Vent and Duct Group

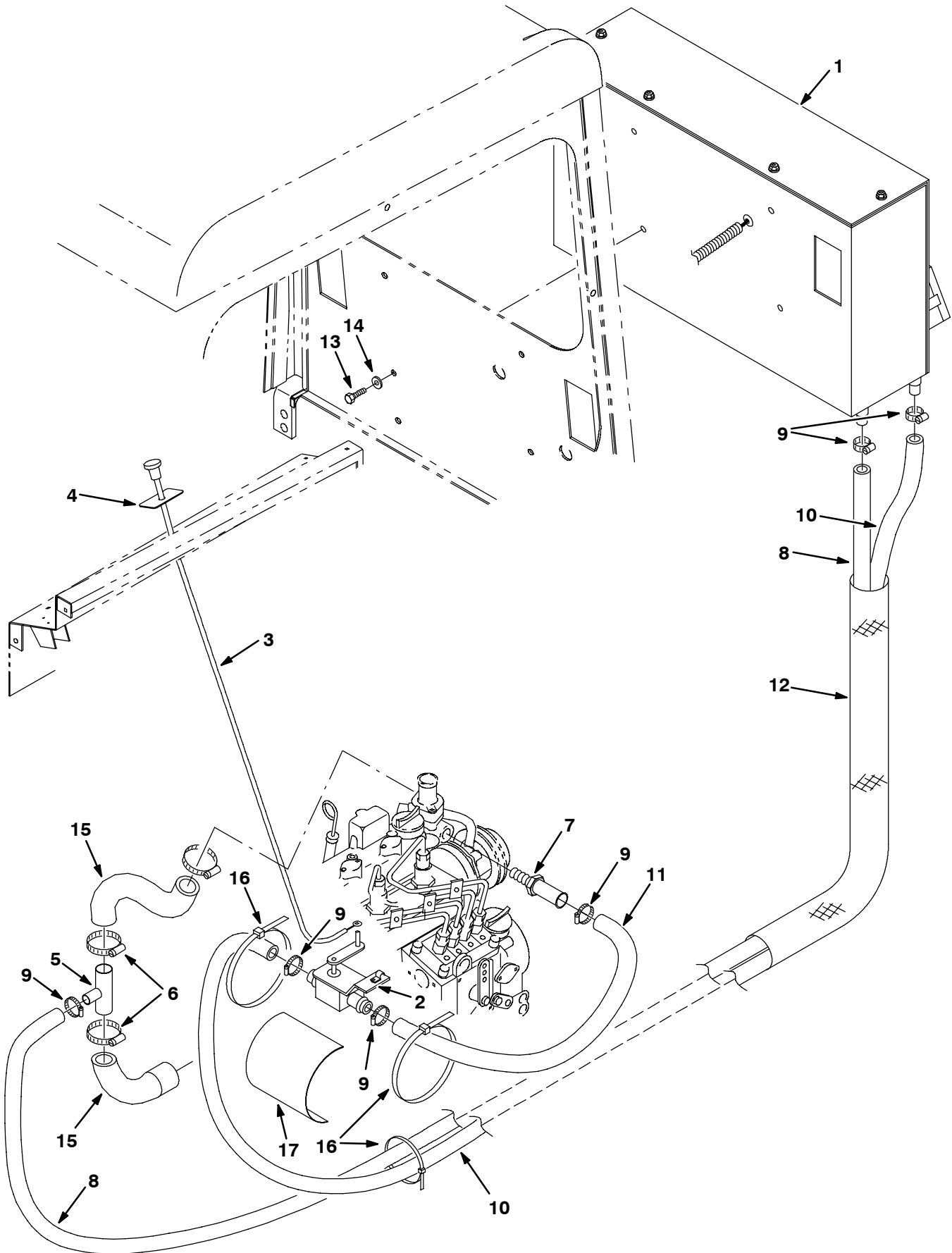




**Fig. 18 - Cab Vent and Duct Group**

	<b>Ref.</b>	<b>Part No.</b>	<b>Serial Number</b>	<b>Description</b>	<b>Qty.</b>
▽		1011902	(000000-	) Duct, Air Pkg	1
▲	1	393392	(000000-	) Duct, Transition, Windowside	1
▲	2	393394	(000000-	) Duct, Upright, Windowside, 23.8l	1
▲	3	9000266	(000000-	) Liner, Head, Plenum	1
▲	4	393396	(000000-	) Diffuser, Air	5
	5	375306	(000000-	) Spacer, Duct	2
	6	24592	(000000-	) Screw, Hex, #10-24 X 0.75, Fmg	1
	7	41178	(000000-	) Washer, Flat, 0.25 Fender	1
	8	57167	(000000-	) Button, Plug, 0.62h .03-.12 [Blk Nyl]	1
	9	1011492	(000000-	) Channel, Vent, Heater	1
	10	24199	(000000-	) Screw, Hex, M5 X 0.8 X 16, Ss	2
	11	01683	(000000-	) Washer, Flat, #10 Ss	2
	12	06549	(000000-	) Nut, Hex, Lock, M5 X 0.8, NI	2

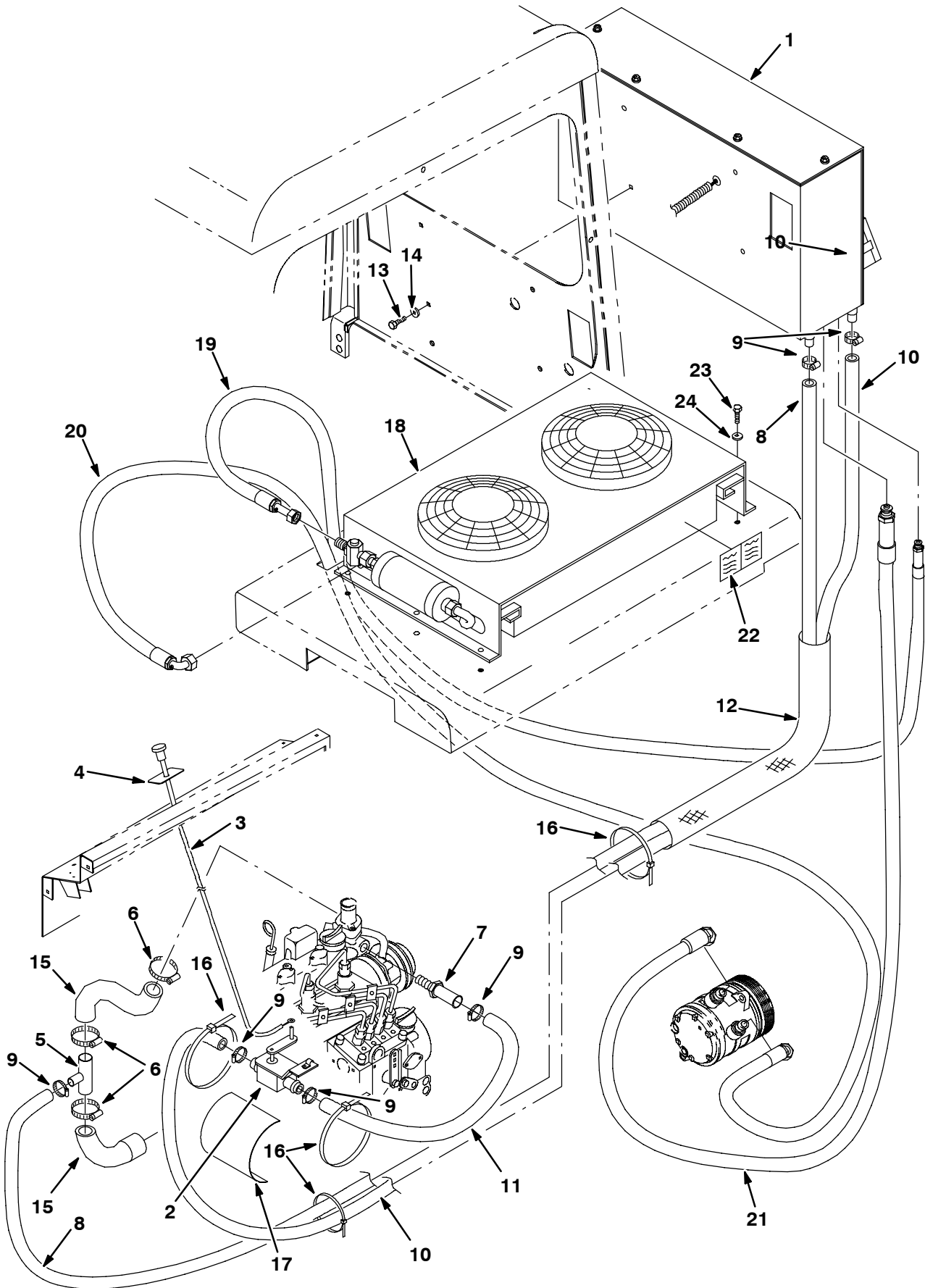
Fig. 19 - Heater and Pressurizer Group



**Fig. 19 - Heater and Pressurizer Group**

<b>Ref.</b>	<b>Part No.</b>	<b>Serial Number</b>	<b>Description</b>	<b>Qty.</b>
1	1010757	(000000-	) Housing Assy, Heater/Press. [6650/6600] (See Break-downs)	1
2	393354	(000000-	) Valve, Inline, Temp	1
3	393355	(000000-	) Cable Assy, Push-Pull	1
4	393356	(000000-	) Label, Heat On-Off	1
5	66195	(000000-	) Tube Wldt, Tee, 1.0d 3.0l 0.6d	1
6	11399	(000000-	) Clamp, Hose, Wormdrive, 0.81-1.50d	2
7	27767	(000000-	) Fitting, Brs, Str, Pm06/Em10	1
8	57912	(000000-	) Hose, Heater, E90, 0.62id 60.0 4.0	1
9	63810	(000000-	) Clamp, Hose, Wormdrive, 0.56-1.06d	6
10	393369	(000000-	) Hose, Heater, 0.062id 84l	1
11	393373	(000000-	) Hose, Heater, 0.62id 24l	1
12	367987	(000000-	) Sleeve, Nyl, 33 60.0l	1
13	76955	(000000-	) Screw, Hex, .31-18 X 1.00, 5	4
14	32491	(000000-	) Washer, Flt, .31 Std	4
15	55858	(000000-	) Hose, Coolant, Mold, (Cut in 2)	1
16	763116	(000000-	) Tie, Cable, Nyl, 15.3l . W 4.5 Max D	6
17	36658	(000000-	) Strip, Rbr, 0.06 04.00W 05.0L	6

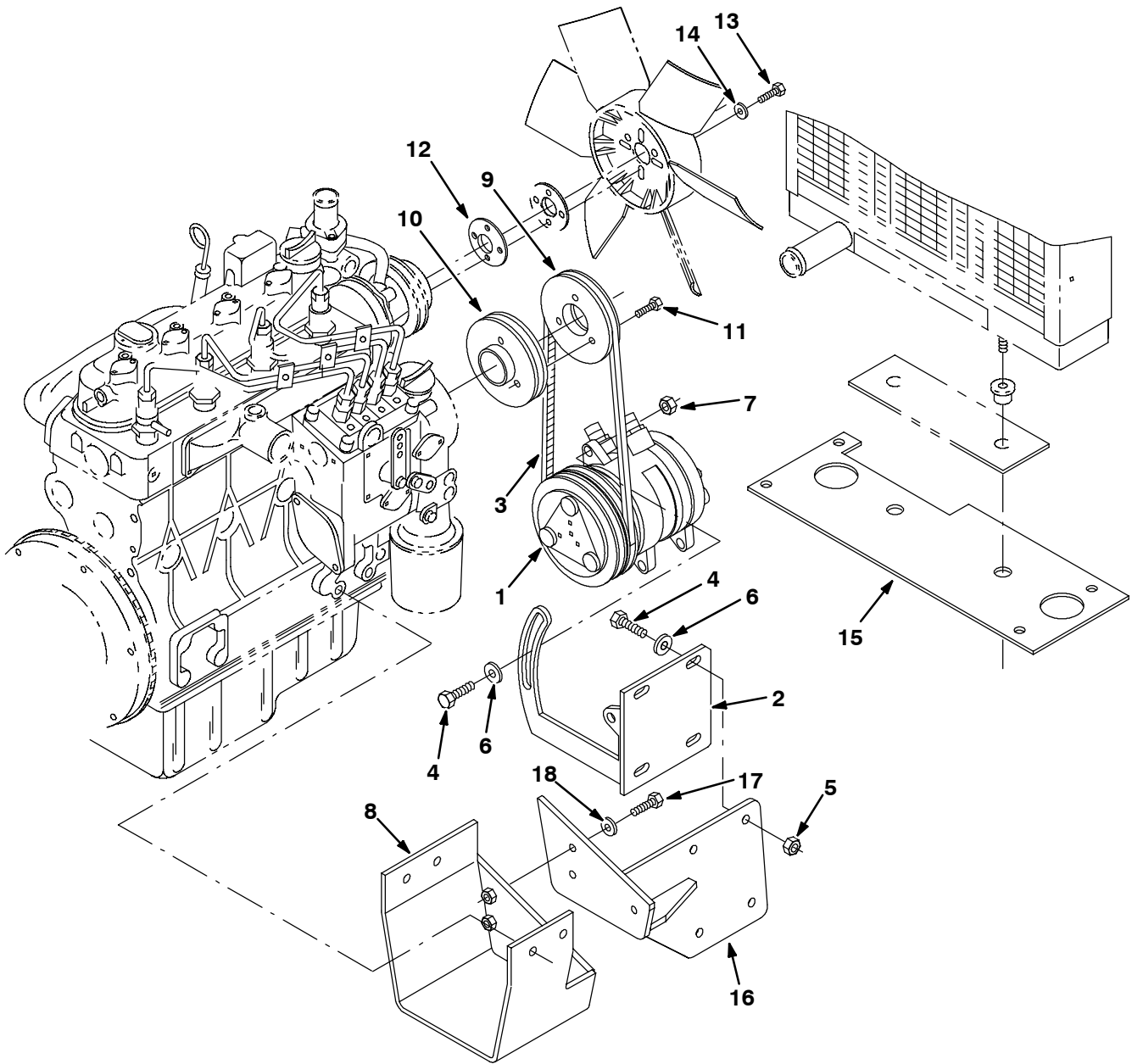
Fig. 20 - Air Conditioning and Heater Group



**Fig. 20 - Air Conditioning and Heater Group**

<b>Ref.</b>	<b>Part No.</b>	<b>Serial Number</b>	<b>Description</b>	<b>Qty.</b>
1	1010755	(000000-	) Housing Assy, A/C/Heater [6650/6600] (See Breakdowns)	1
2	393354	(000000-	) Valve, Inline, Temp	1
3	393355	(000000-	) Cable Assy, Push-Pull	1
4	393356	(000000-	) Label, Heat On-Off	1
5	66195	(000000-	) Tube Wldt, Tee, 1.0d 3.0l 0.6d	1
6	11399	(000000-	) Clamp, Hose, Wormdrive, 0.81-1.50d	2
7	27767	(000000-	) Fitting, Brs, Str, Pm06/Em10	1
8	57912	(000000-	) Hose, Heater, E90, 0.62id 60.0 4.0	1
9	63810	(000000-	) Clamp, Hose, Wormdrive, 0.56-1.06d	6
10	393369	(000000-	) Hose, Heater, 0.062id 84l	1
11	393373	(000000-	) Hose, Heater, 0.62id 24l	1
12	367987	(000000-	) Sleeve, Nyl, 33 60.0l	1
13	76955	(000000-	) Screw, Hex, .31-18 X 1.00, 5	4
14	32491	(000000-	) Washer, Flt, .31 Std	4
15	55858	(000000-	) Hose, Coolant, Mold, (Cut in 2)	1
16	763116	(000000-	) Tie, Cable, Nyl, 15.3l . W 4.5 Max D	6
17	36658	(000000-	) Strip, Rbr, 0.06 04.00W 05.0L	6
18	393340	(000000-	) Condenser Assy, A/C, W /Fan (See Breakdown)	1
19	393326	(000000-	) Hose, A/C, 06 094.5l Str E45 [R134]	1
20	393327	(000000-	) Hose, A/C, 08 076.0l E90 E90 [R134]	1
21	393328	(000000-	) Hose, A/C, 10 104.0l Str E90 [R134]	1
22	393362	(000000-	) Label, Spec, A/C	1
23	24593	(000000-	) Screw, Hex, .25-20 X 0.50, Fmg	4
24	19066	(000000-	) Washer, Flat, #10	4

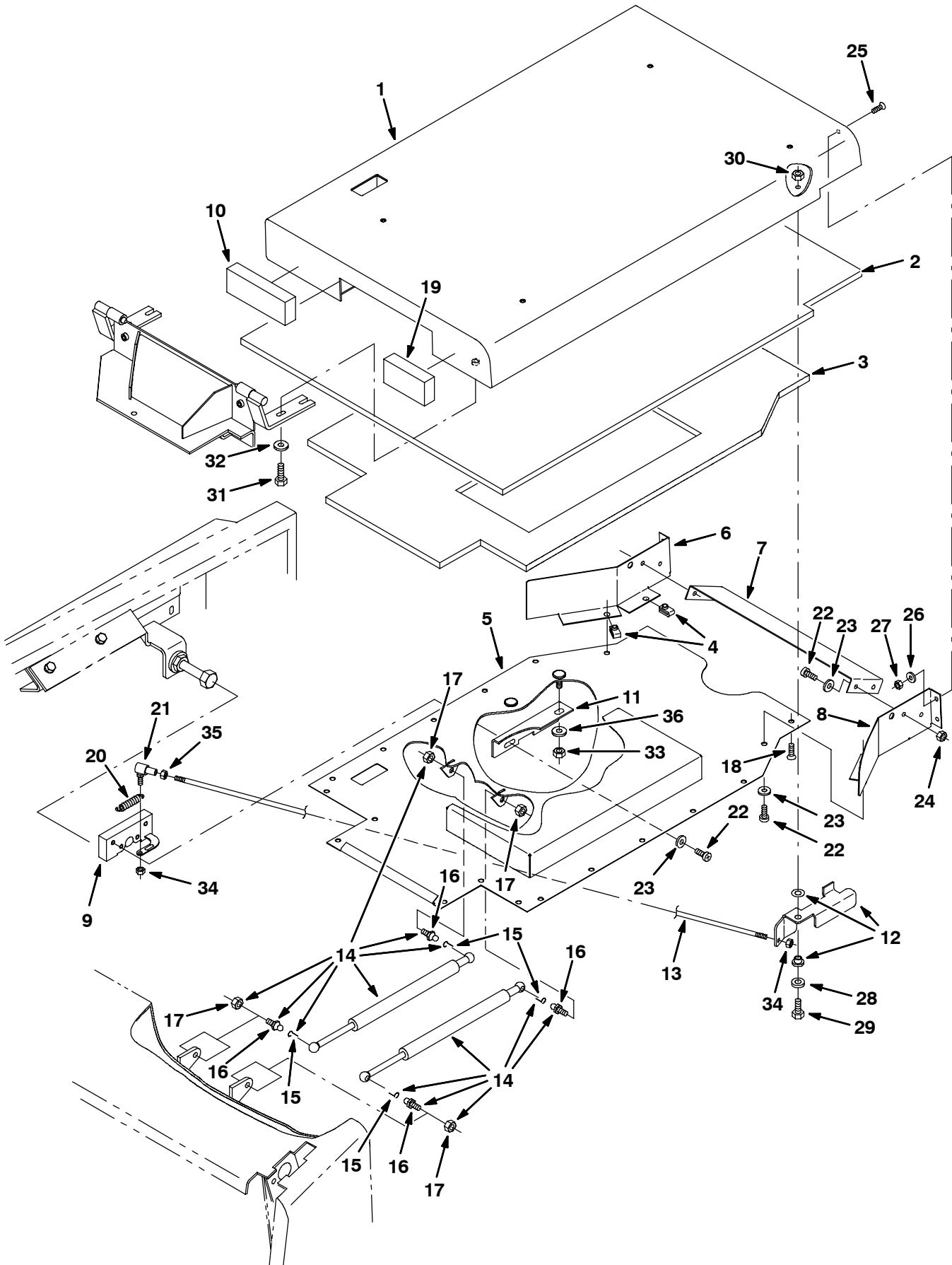
Fig. 21 - Air Conditioning Compressor Group



**Fig. 19 - Air Conditioning Compressor Group**

<b>Ref.</b>	<b>Part No.</b>	<b>Serial Number</b>	<b>Description</b>	<b>Qty.</b>
1	393359	(000000-	) Compressor, A/C, V Pully [134][Tm-08hd]	1
2	393360	(000000-	) Bracket Wldt, Mtg, Compressor, A/C	1
3	1013233	(000000-	) Belt, V, [Xl], 31.5l	1
4	21198	(000000-	) Screw, Hex, .38-16 X 1.25, 5	7
5	50902	(000000-	) Nut, Hex, Lock, .38-16, NI	4
6	32485	(000000-	) Washer, Flat, 0.38 Sae	7
7	27980	(000000-	) Nut, Hex, Flng, .38-16	3
8	1012183	(000000-	) Bracket Wldt, Compressor Mtg, A/C, Dsl	1
9	393370	(000000-	) Sheave, A/C [Kubota Dsl]	1
10	393371	(000000-	) Sheave, A/C, Rwk, Dsl [Ku]	1
11	76957	(000000-	) Screw, Hex, .31-18 X 1.50, 5	3
12	393412	(000000-	) Spacer, Fan	1
13	06943	(000000-	) Screw, Hex, M6 X 1.0 X 20, 8.8	3
14	19066	(000000-	) Washer, Flat, #10	3
15	393368	(000000-	) Plate, Mtg, Radiator	1
16	1010479	(000000-	) Bracket Wldt, Compressor Mtg, A/C, Dsl	1
17	39277	(000000-	) Screw, Hex, M8 X 1.25 X 25, 8.8	3
18	32491	(000000-	) Washer, Flat, 0.31 Std	3

Fig. 22 - Air Conditioning Engine Cover Group

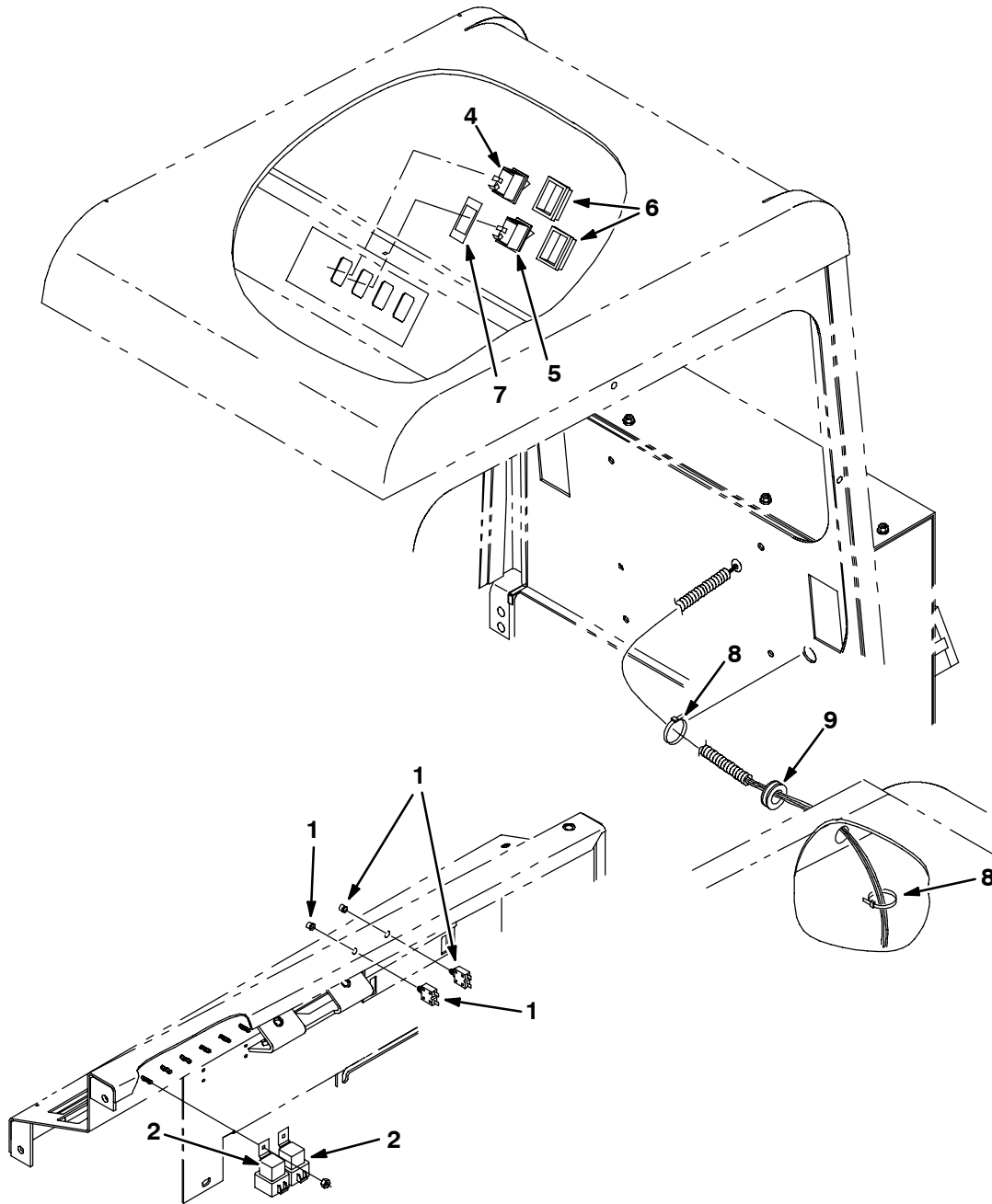




**Fig. 22 - Air Conditioning Engine Cover Group**

Ref.	Part No.	Serial Number	Description	Qty.	
1	1010267	(000000-	) Door Wldt, Eng, Top	1	
2	59019	(000000-	) Insulation, Acstc, 0.8 26.0w 36.3l	1	
3	58999	(000000-014999	) Insulation, Acstc, Cover, Eng, Bottom	1	
3	1035090	(015000-	) Insulation, Cover, Eng, Bottom [2007]	1	
4	12271	(000000-	) Nut, U, M06 X 1.0	20	
5	1014084	(000000-014999	) Plate Wldt, Cover, Eng	1	
5	1033100	(015000-	) Plate Wldt, Cover, Eng, Metal [2007]	1	
6	69952	(000000-	) Plate	1	
7	58849	(000000-	) Bracket, Deflector, Cover, Eng	1	
8	69951	(000000-	) Plate	1	
9	59514	(000000-	) Latch	1	
10	69986	(000000-	) Insulation, Acstc, 1.0 02.0w 05.8l	1	
11	70142	(000000-	) Bracket, Latch, Eng Cover	1	
12	69907	(000000-	) Handle Assy, Latch, Eng Cover	1	
13	55048	(000000-	) Rod	1	
▽	14	69906	(000000-	) Gasspring Assy, Eng Cover	2
▲	15	64595	(000000-	) Clip, Safety, Gasspring	2
▲	16	58494	(000000-	) Stud, Ball, .39d .31-16, Gasspring	2
▲	17	01760	(000000-	) Nut, Hex, Lock, .31-18, NI, Thin	2
	18	09062	(000000-	) Screw, Flt, M06 X 1.0 X 16, 10.9	2
	19	69987	(000000-	) Insulation, Acstc, 1.0 02.0w 04.0l	1
	20	53091	(000000-	) Spring, Extn, 0.50od X 0.06wir, 1.8l	1
	21	14601	(000000-	) Balljoint, .25-28 Fem/.25-28mal	1
	22	09145	(000000-	) Screw, Pan, M 6 X 1.0 X 16, 4.8	24
	23	32483	(000000-	) Washer, Flat, 0.25 Sae	24
	24	08708	(000000-	) Nut, Hex, Lock, M 6 X 1.0, NI	4
	25	09120	(000000-	) Screw, Flt, M05 X 0.8 X 16, 10.9	4
	26	19066	(000000-	) Washer, Flt, #10	4
	27	06549	(000000-	) Nut, Hex, Lock, M 5 X 0.8, NI	4
	28	32490	(000000-	) Washer, Flat, 0.25 Std	3
	29	16931	(000000-	) Screw, Hex, M 8 X 1.25 X 20, 8.8	1
	30	08709	(000000-	) Nut, Hex, Lock, M 8 X 1.25 NI	4
	31	39277	(000000-	) Screw, Hex, M 8 X 1.25 X 25, 8.8	4
	32	41186	(000000-	) Washer, Belleville, .31	4
	33	41430	(000000-	) Nut, Hex, Lock, M10 X 1.5, NI	2
	34	18390	(000000-	) Nut, Hex, Lock, .25-28, NI, Thin	2
	35	32899	(000000-	) Nut, Hex, Jam, .25-28	1
	36	32492	(000000-	) Washer, Flat, 0.38 Std	2

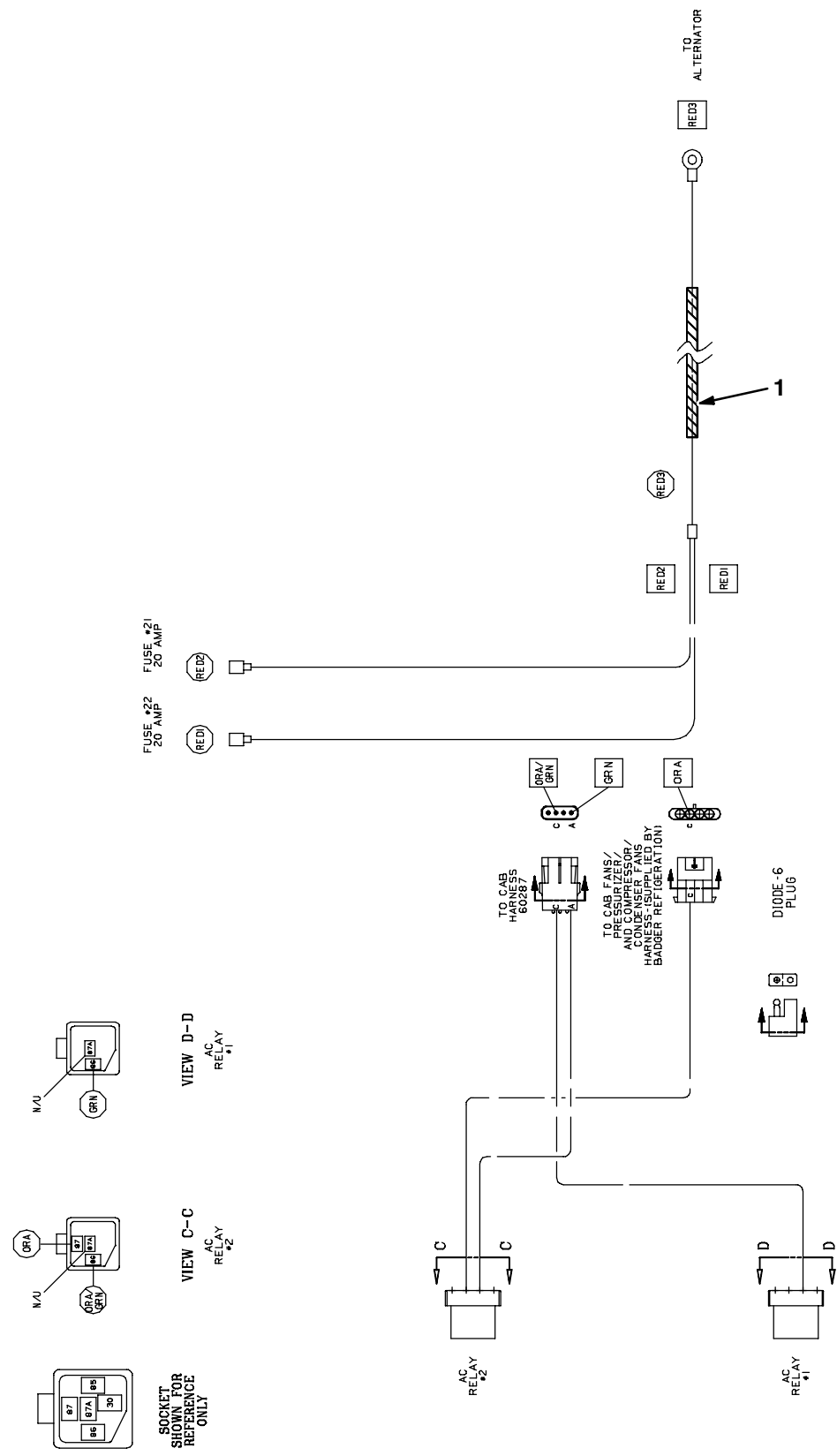
**Fig. 23 - Air Conditioning and Heater Electrical Group**



354022 - 6600, 6650

Ref.	Part No.	Serial Number	Description	Qty.
1	383723	(000000- )	Circuitbreaker, 20.0a, Resetable	2
2	56186	(000000- )	Relay, 12vdc, 40a, Spdt N/O [Potter]	2
3	08708	(000000- )	Nut, Hex, Lock, M6 X 1.0, NI	2
4	65553	(000000- )	Switch, Rocker, 28vdc 15a Dpdt On/Of/On	1
5	65561	(000000- )	Switch, Rocker, 28vdc 15a Spst On/Of	1
6	57807	(000000- )	Cover, Seal, Rocker Switch	2
7	393363	(000000- )	Label, Info, A/C, On-Off	1
8	49263	(000000- )	Tie, Cable, Nyl, 11.4l .19w 3.0 Max D	10
9	10632-18	(000000- )	Grommet, Rbr, 0.69id, F/ 0.1h, .25matl	1

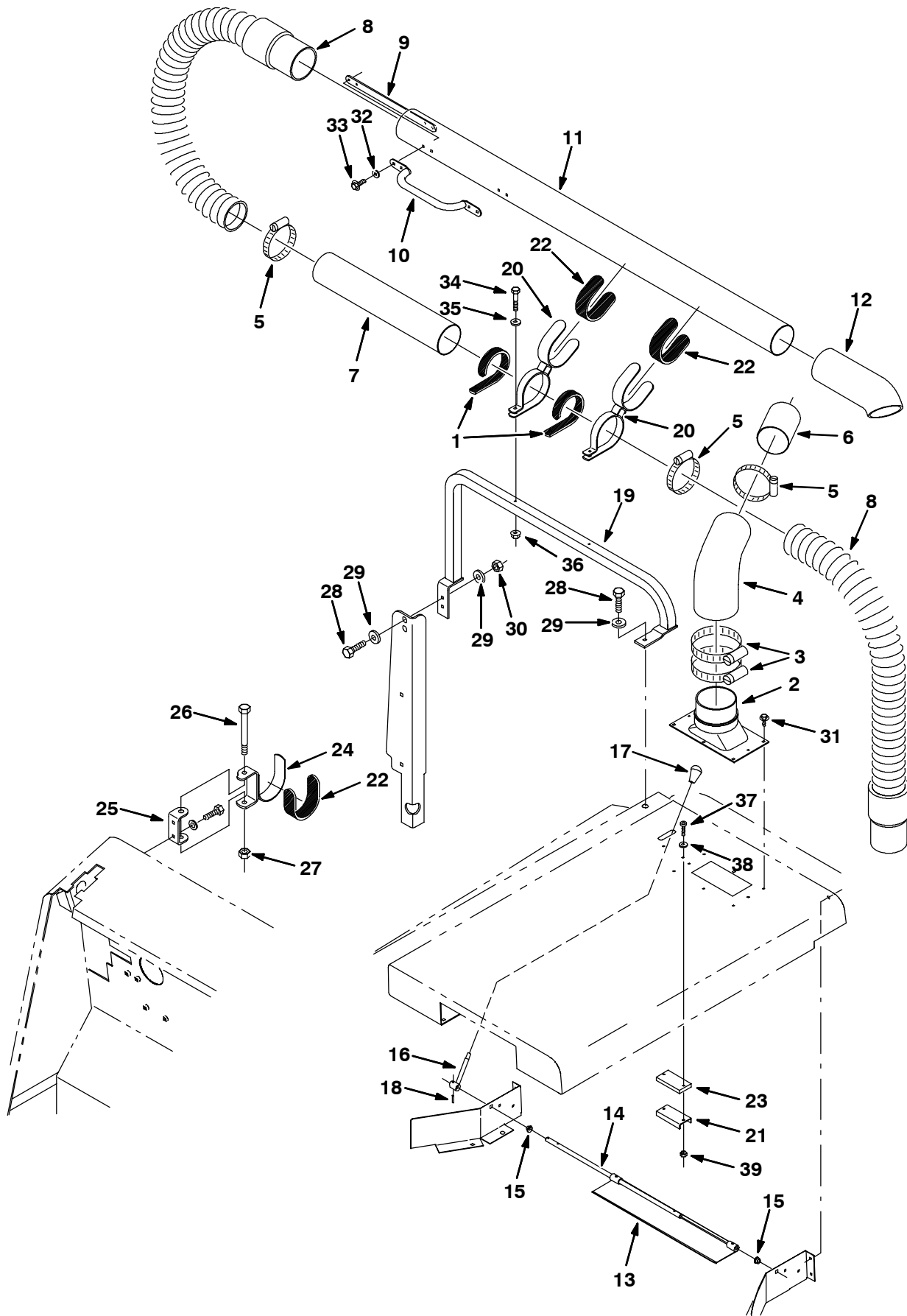
Fig. 24 - Air Conditioning and Heater Wire Harness Group



354022 - 6600, 6650

Ref.	Part No.	Serial Number	Description	Qty.
1	377098	(000000-	) Harness, A/C, Heater [6600/6650]	2

Fig. 25 - Blower Wand Group



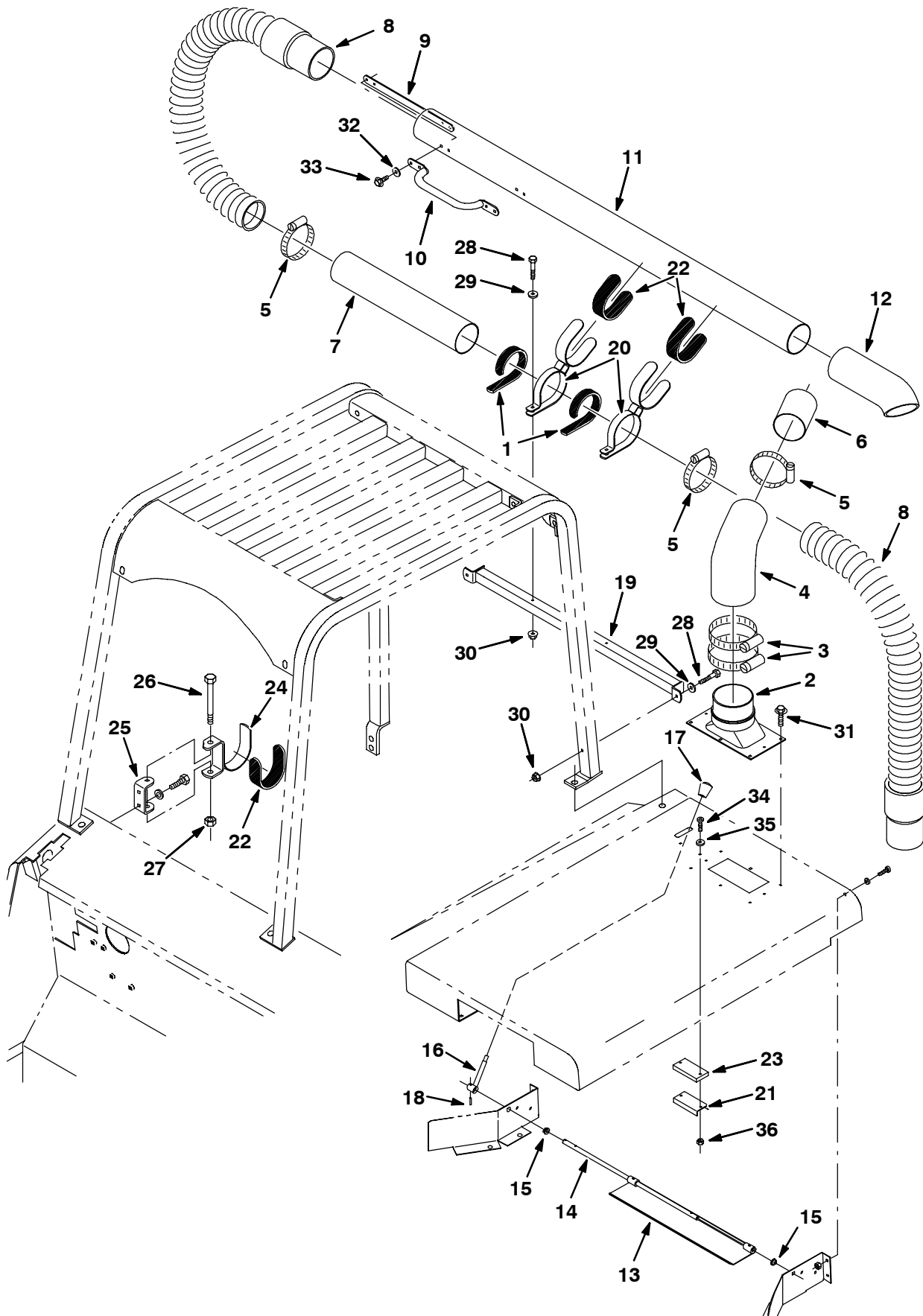
**Fig. 25 - Blower Wand Group**

NOTE: Blower Wand Kit, TENNANT Part Number 377067, includes Fig. 25 and Fig. 27.

NOTE: Blower Wand Kit, TENNANT Part Number 9000774, includes Fig. 25 and Fig. 27.

Ref.	Part No.	Serial Number	Description	Qty.
1	71025	(000000-	) Strip, Rbr, 0.13 00.75w 10.3l	2
2	72143	(000000-	) Duct, Blower Wand	1
3	23498	(000000-	) Clamp, Hose, Wormdrive, 3.56-4.50d	2
4	59919	(000000-	) Hose, Rbr, E90 3.00id 3.50id 03.5 3.3	1
5	43555	(000000-	) Clamp, Hose, Wormdrive, 1.62-3.50d	3
6	53894	(000000-	) Tube, Plstc, 3.00d 2.90b 04.0l Clear	1
7	53883	(000000-	) Tube, Plstc, 3.00d 2.90b 16.0l Clear	1
8	64320	(000000-	) Hose Assy, W/1cuff, 3.0d, 24l, 3.0/	2
9	69937	(000000-	) Plate, Backing, Handle	1
10	32822	(000000-	) Handle	1
11	53895	(000000-	) Tube, Plstc, 3.00d 2.90b 48.0l Clear	1
12	59104	(000000-	) Hose, Rbr	1
13	59012	(000000-	) Plate Wldt, Blower Wand	1
14	59013	(000000-	) Pin, 0.38d 17.2l 1/.10h 2/M04 X 0.7h	1
15	63469-3	(000000-	) Bushing, Snap In, 0.38b 0.31d .14t Nyl	2
16	58881	(000000-	) Lever	1
17	69955	(000000-	) Knob, Tpr, 1.00d 1.63l M08x1.25 Plstc	1
18	23999-6	(000000-	) Pin, Roll, .090 D X 0.75l, .094/.097	1
19	69923	(000000-	) Tube Wldt, Sppt, Blower Wand	1
20	55489	(000000-	) Clamp Wldt, Tube, Blower Wand	2
21	63378	(000000-	) Magnet	1
22	69981	(000000-	) Strip, Rbr, 0.13 01.25w 08.8l	3
23	69953	(000000-	) Plate	1
24	74438	(000000-	) Bracket Wldt, Sppt, Blower	1
25	74439	(000000-	) Bracket, Mtg, Tube, Blower Wand	1
26	34877	(000000-	) Screw, Hex, M10 X 1.5 X 100, 8.8	1
	59768	(000000-	) Label Set, Opertnl	1
27	41430	(000000-	) Nut, Hex, Lock, M10 X 1.5, NI	1
28	41346	(000000-	) Screw, Hex, M12 X 1.75 X 30, 8.8	3
29	32486	(000000-	) Washer, Flat, 0.50 Sae	7
30	08711	(000000-	) Nut, Hex, Lock, M12 X 1.75,NI	2
31	24593	(000000-	) Screw, Hex, .25-20 X 0.50, Fmg	6
32	01683	(000000-	) Washer, Flat, #10 Ss	4
33	12459	(000000-	) Screw, Hex, M 6 X 1.0 X 20, Fmg	4
34	06949	(000000-	) Screw, Hex, M 6 X 1.0 X 50, 8.8	2
35	32483	(000000-	) Washer, Flat, 0.25 Sae	2
36	07790	(000000-	) Nut, Hex, Fmg, M06 X 1.0	2
37	24198	(000000-	) Screw, Pan, M 5 X 0.8 X 25, Ss	2
38	19066	(000000-	) Washer, Flt, #10	2
39	06549	(000000-	) Nut, Hex, Lock, M 5 X 0.8, NI	2

Fig. 26 - Blower Wand Group, Overhead Guard



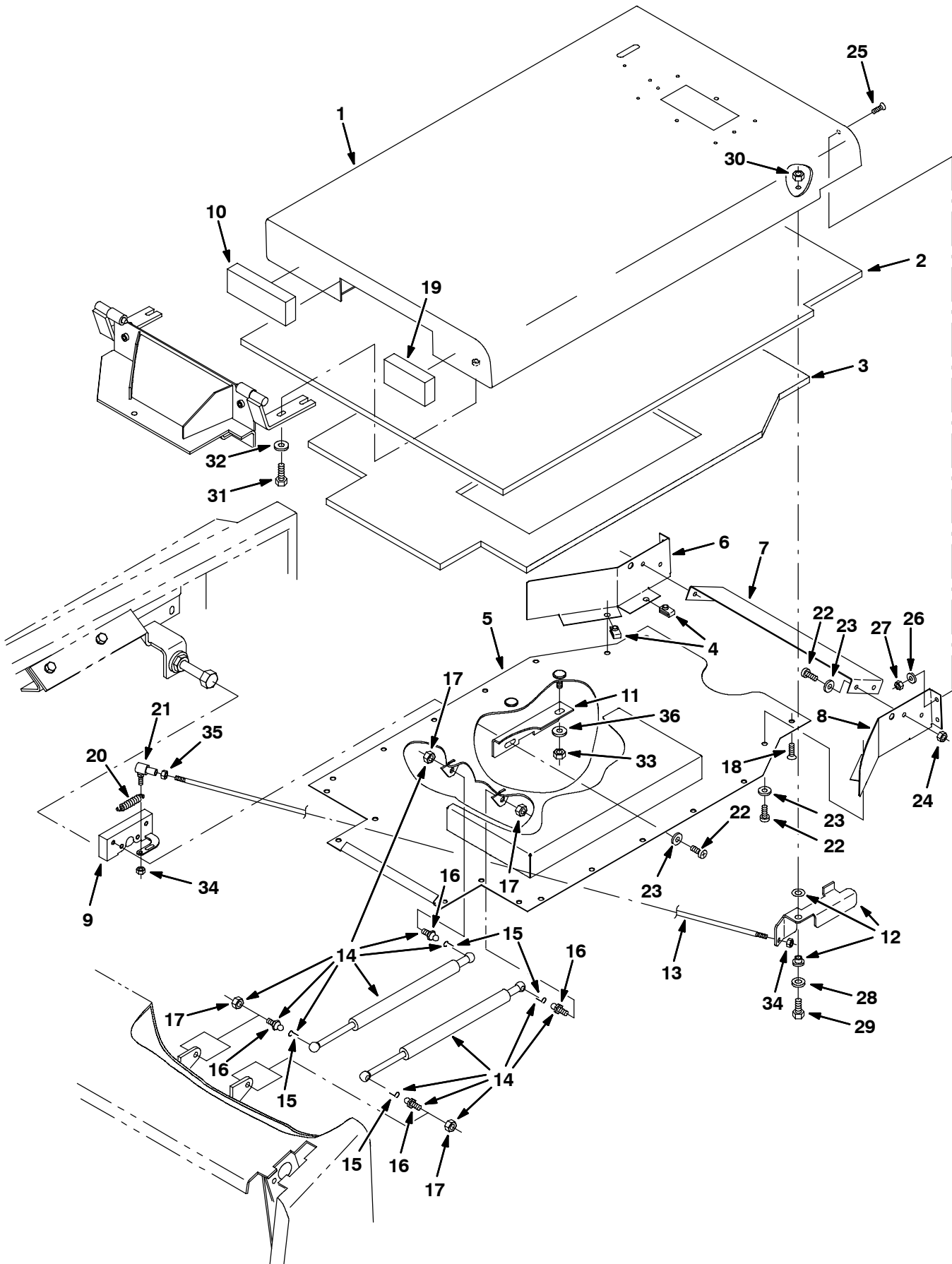
**Fig. 26 - Blower Wand Group, Overhead Guard**

NOTE: Blower Wand Kit, TENNANT Part Number 377093, includes Fig. 26 and Fig. 27.

NOTE: Blower Wand Kit, TENNANT Part Number 9000775, includes Fig. 26 and Fig. 27.

Ref.	Part No.	Serial Number	Description	Qty.
1	71025	(000000-	) Strip, Rbr, 0.13 00.75w 10.3l	2
2	72143	(000000-	) Duct, Blower Wand	1
3	23498	(000000-	) Clamp, Hose, Wormdrive, 3.56-4.50d	2
4	59919	(000000-	) Hose, Rbr, E90 3.00id 3.50id 03.5 3.3	1
5	43555	(000000-	) Clamp, Hose, Wormdrive, 1.62-3.50d	3
6	53894	(000000-	) Tube, Plstc, 3.00d 2.90b 04.0l Clear	1
7	53883	(000000-	) Tube, Plstc, 3.00d 2.90b 16.0l Clear	1
8	64320	(000000-	) Hose Assy, W/1cuff, 3.0d, 24l, 3.0/	2
9	69937	(000000-	) Plate, Backing, Handle	1
10	32822	(000000-	) Handle	1
11	53895	(000000-	) Tube, Plstc, 3.00d 2.90b 48.0l Clear	1
12	59104	(000000-	) Hose, Rbr	1
13	59012	(000000-	) Plate Wldt, Blower Wand	1
14	59013	(000000-	) Pin, 0.38d 17.2l 1/.10h 2/M04 X 0.7h	1
15	63469-3	(000000-	) Bushing, Snap In, 0.38b 0.31d .14t Nyl	2
16	58881	(000000-	) Lever	1
17	69955	(000000-	) Knob, Tpr, 1.00d 1.63l M08x1.25 Plstc	1
18	23999-6	(000000-	) Pin, Roll, .090 D X 0.75l, .094/.097	1
19	69958	(000000-	) Tube Wldt, Sppt, Blower, Wand	1
20	55489	(000000-	) Clamp Wldt, Tube, Blower Wand	2
21	63378	(000000-	) Magnet	1
22	69981	(000000-	) Strip, Rbr, 0.13 01.25w 08.8l	3
23	69953	(000000-	) Plate	1
24	74438	(000000-	) Bracket Wldt, Sppt, Blower	1
25	74439	(000000-	) Bracket, Mtg, Tube, Blower Wand	1
26	07819	(000000-	) Screw, Hex, M10 X 1.5 X 130, 8.8	1
	59768	(000000-	) Label Set, Opertnl, [ 355l]	1
27	41430	(000000-	) Nut, Hex, Lock, M10 X 1.5, NI	1
28	06949	(000000-	) Screw, Hex, M 6 X 1.0 X 50, 8.8	4
29	32483	(000000-	) Washer, Flat, 0.25 Sae	4
30	07790	(000000-	) Nut, Hex, Flng, M06 X 1.0	4
31	24593	(000000-	) Screw, Hex, .25-20 X 0.50, Fmg	6
32	01683	(000000-	) Washer, Flat, #10 Ss	4
33	12459	(000000-	) Screw, Hex, M 6 X 1.0 X 20, Fmg	4
34	24198	(000000-	) Screw, Pan, M 5 X 0.8 X 25, Ss	2
35	19066	(000000-	) Washer, Flt, #10	2
36	06549	(000000-	) Nut, Hex, Lock, M 5 X 0.8, NI	2

Fig. 27 - Blower Wand Engine Cover Group





**Fig. 27 - Blower Wand Engine Cover Group**

NOTE: Blower Wand Kit, TENNANT Part Number 377067, includes Fig. 25 and Fig. 27.

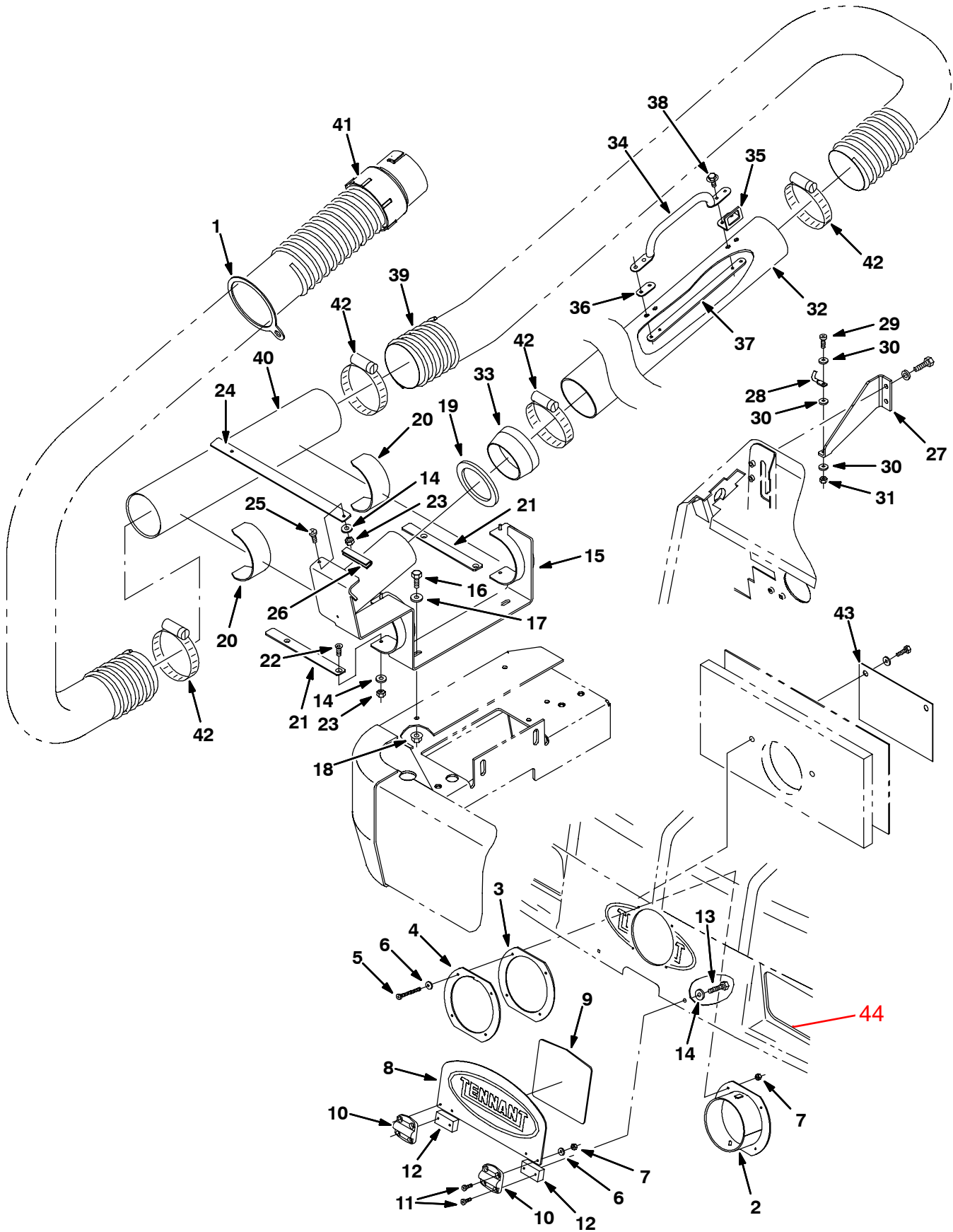
NOTE: Blower Wand Kit, TENNANT Part Number 9000774, includes Fig. 25 and Fig. 27.

NOTE: Blower Wand Kit, TENNANT Part Number 377093, includes Fig. 26 and Fig. 27.

NOTE: Blower Wand Kit, TENNANT Part Number 9000775, includes Fig. 26 and Fig. 27.

Ref.	Part No.	Serial Number	Description	Qty.	
1	69935	(000000-	) Door Wldt, Eng, Top, Blower Wand	1	
2	59019	(000000-	) Insulation, Acstc, 0.8 26.0w 36.3l	1	
3	58999	(000000-014999	) Insulation, Acstc, Cover, Eng, Bottom	1	
3	1035090	(015000-	) Insulation, Cover, Eng, Bottom [2007]	1	
4	12271	(000000-	) Nut, U, M06 X 1.0	20	
5	1010316	(000000-009999	) Plate Wldt, Cover, Eng	1	
5	1018778	(010000-014999	) Plate Wldt, Cover, Eng, Metal	1	
5	1035093	(015000-	) Plate Wldt, Cover, Eng, Metal [2007]	1	
6	69952	(000000-	) Plate	1	
7	58849	(000000-	) Bracket, Deflector, Cover, Eng	1	
8	69951	(000000-	) Plate	1	
9	59514	(000000-	) Latch	1	
10	69986	(000000-	) Insulation, Acstc, 1.0 02.0w 05.8l	1	
11	70142	(000000-	) Bracket, Latch, Eng Cover	1	
12	69907	(000000-	) Handle Assy, Latch, Eng Cover	1	
13	55048	(000000-	) Rod	1	
▽	14	69906	(000000-	) Gasspring Assy, Eng Cover	2
▲	15	64595	(000000-	) Clip, Safety, Gasspring	2
▲	16	58494	(000000-	) Stud, Ball, .39d .31-16, Gasspring	2
▲	17	01760	(000000-	) Nut, Hex, Lock, .31-18, NI, Thin	2
18	09062	(000000-	) Screw, Flt, M06 X 1.0 X 16, 10.9	2	
19	69987	(000000-	) Insulation, Acstc, 1.0 02.0w 04.0l	1	
20	53091	(000000-	) Spring, Extn, 0.50od X 0.06wir, 1.8l	1	
21	14601	(000000-	) Balljoint, .25-28 Fem/.25-28mal	1	
22	09145	(000000-	) Screw, Pan, M 6 X 1.0 X 16, 4.8	24	
23	32483	(000000-	) Washer, Flat, 0.25 Sae	24	
24	08708	(000000-	) Nut, Hex, Lock, M 6 X 1.0, NI	4	
25	09120	(000000-	) Screw, Flt, M05 X 0.8 X 16, 10.9	4	
26	19066	(000000-	) Washer, Flt, #10	4	
27	06549	(000000-	) Nut, Hex, Lock, M 5 X 0.8, NI	4	
28	32490	(000000-	) Washer, Flat, 0.25 Std	1	
29	16931	(000000-	) Screw, Hex, M 8 X 1.25 X 20, 8.8	1	
30	08709	(000000-	) Nut, Hex, Lock, M 8 X 1.25 NI	4	
31	39277	(000000-	) Screw, Hex, M 8 X 1.25 X 25, 8.8	4	
32	41186	(000000-	) Washer, Belleville, .31	4	
33	41430	(000000-	) Nut, Hex, Lock, M10 X 1.5, NI	2	
34	18390	(000000-	) Nut, Hex, Lock, .25-28, NI, Thin	2	
35	32899	(000000-	) Nut, Hex, Jam, .25-28	1	
36	32492	(000000-	) Washer, Flat, 0.38 Std	2	

Fig. 28 - Vacuum Wand Kit



**Fig. 28 - Vacuum Wand Kit**

Ref.	Part No.	Serial Number	Description	Qty.
▽	377141	(000000-	) Kit, Ci, Wand, Vaccuum	1
▲	1 1009163	(000000-	) Strap, Mtg, Cuff	1
▲	2 1007965	(000000-	) Tube Wldt, Hppr	1
▲	3 1008629	(000000-	) Gasket, Flange	2
▲	4 1008611	(000000-	) Flange, Ring	1
▲	5 377165	(000000-	) Screw, Pan, M4x0.7 X 60, 4.8	4
▲	6 19065	(000000-	) Washer, Flat, #08	4
▲	7 02850	(000000-	) Nut, Hex, Lock, M 4 X 0.7, NI	4
▲	8 1010600	(000000-	) Door, Vacuum, W/Label [6600/6650]	1
▲	9 1007993	(000000-	) Gasket, Door	1
▲	10 367950	(000000-	) Hinge, .40pin 2.2w 2.0l 4/0.21h	2
▲	11 06927	(000000-	) Screw, Pan, M 4 X 0.7 X 16, 4.8	8
▲	12 1008304	(000000-	) Spacer, Hinge	2
▲	13 06947	(000000-	) Screw, Hex, M 6 X 1.0 X 40, 8.8	2
▲	14 32483	(000000-	) Washer, Flat, 0.25 Sae	5
▲	15 1008713	(000000-	) Bracket Wldt, Wand	1
▲	16 16931	(000000-	) Screw, Hex, M 8 X 1.25 X 20, 8.8	2
▲	17 39349	(000000-	) Washer, Flat, 0.31 Sae	2
▲	18 07791	(000000-	) Nut, Hex, Flng, M08 X 1.25	2
▲	19 1008724	(000000-	) Gasket, Tube	1
▲	20 1008734	(000000-	) Strip, Rbr, 0.13 02.00w 7.2l	2
▲	21 1009429	(000000-	) Strap, Hose	2
▲	22 09062	(000000-	) Screw, Flt, M06 X 1.0 X 16, 10.9	2
▲	23 08708	(000000-	) Nut, Hex, Lock, M 6 X 1.0, NI	3
▲	24 1009795	(000000-	) Strap, Hose	1
▲	25 09145	(000000-	) Screw, Pan, M 6 X 1.0 X 16, 4.8	1
▲	26 74068	(000000-	) Molding, Trim, Pvc,.18-.31 02.8l	1
▲	27 1009116	(000000-	) Bracket, Wand	1
▲	28 1009366	(000000-	) Bar, Wand	1
▲	29 06934	(000000-	) Screw, Pan, M 5 X 0.8 X 20, 4.8	1
▲	30 19066	(000000-	) Washer, Flt, #10	3
▲	31 06549	(000000-	) Nut, Hex, Lock, M 5 X 0.8, NI	1
▲	32 1010823	(000000-	) Tube, Wand, Vacuum	1
▲	33 382634	(000000-	) Bumper, Wand, Vacuum	1
▲	34 32822	(000000-	) Handle	1
▲	35 1009122	(000000-	) Bracket, Mtg, Wand	1
▲	36 1009167	(000000-	) Spacer, Handle	1
▲	37 69937	(000000-	) Plate, Backing, Handle	1
▲	38 361339	(000000-	) Screw, Hex, M 6 X 1.0 X 16, Fmg	4
▲	39 1009847	(000000-	) Hose, Vacuum, 4.00id X 53.0l	1
▲	40 1009811	(000000-	) Tube, Wand	1
▲	41 1009540	(000000-	) Hose Assy, W/1cuff, 4.0d, 87.8l, 4.0/	1
▲	42 23498	(000000-	) Clamp, Hose, Wormdrive, 3.56-4.50d	4
▲	43 1010537	(000000-	) Flap, Vac Wand	1
▲	44 377162		Cover, Hopper, Rework .....	1

Fig. 29 - Vacuum Wand Kit, With Cab

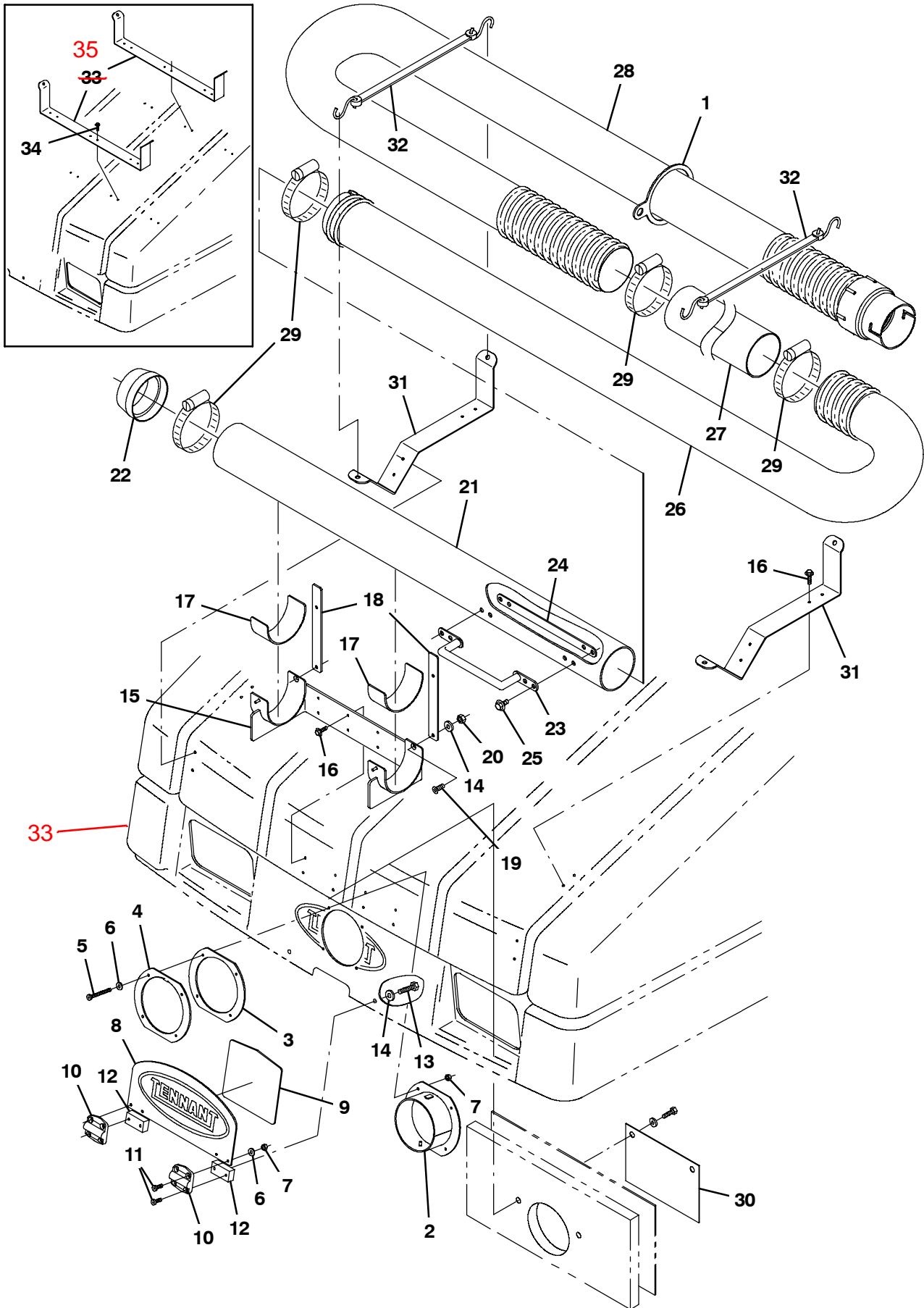
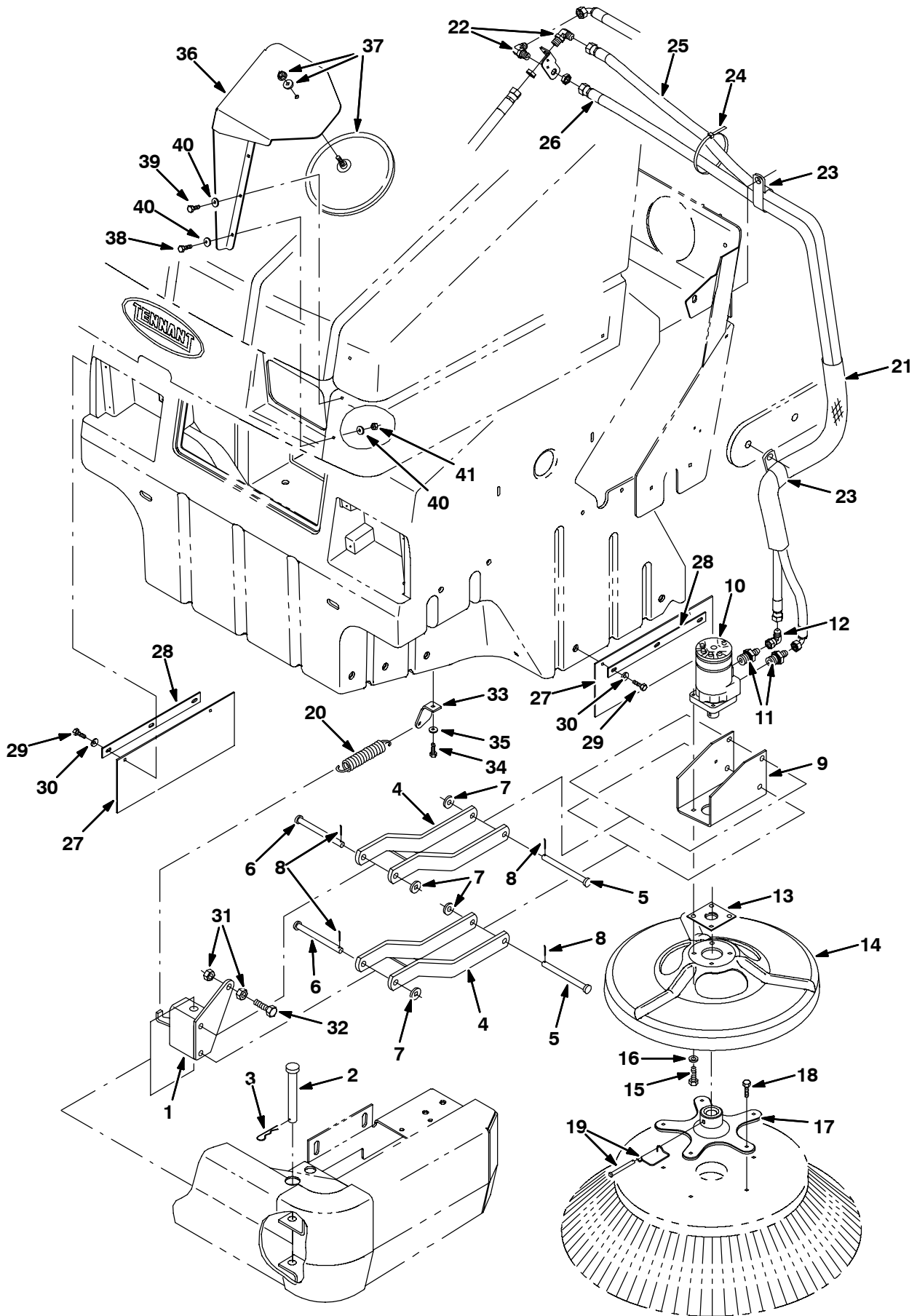


Fig. 29 - Vacuum Wand Kit, With Cab

Ref.	Part No.	Serial Number	Description	Qty.
▽	9000263	(000000-	) Wand Kit, Vacuum, W/ Cab, Ci	1
▲	1 1009163	(000000-	) Strap, Mtg, Cuff	1
▲	2 1007965	(000000-	) Tube Wldt, Hppr	1
▲	3 1008629	(000000-	) Gasket, Flange	2
▲	4 1008611	(000000-	) Flange, Ring	1
▲	5 377165	(000000-	) Screw, Pan, M4x0.7 X 60, 4.8	4
▲	6 19065	(000000-	) Washer, Flat, #08	4
▲	7 02850	(000000-	) Nut, Hex, Lock, M 4 X 0.7, NI	4
▲	8 1010600	(000000-	) Door, Vacuum, W/Label [6600/6650]	1
▲	9 1007993	(000000-	) Gasket, Door	1
▲	10 367950	(000000-	) Hinge, .40pin 2.2w 2.0l 4/0.21h	2
▲	11 06927	(000000-	) Screw, Pan, M 4 X 0.7 X 16, 4.8	8
▲	12 1008304	(000000-	) Spacer, Hinge	2
▲	13 06947	(000000-	) Screw, Hex, M 6 X 1.0 X 40, 8.8	2
▲	14 32483	(000000-	) Washer, Flat, 0.25 Sae	5
▲	15 1011511	(000000-	) Bracket Wldt, Wand	1
▲	16 383000	(000000-	) Screw, Hex, #12-16 X 0.75, F/Plstc	16
▲	17 1008734	(000000-	) Strip, Rbr, 0.13 02.00w 7.2l	2
▲	18 1009429	(000000-	) Strap, Hose	2
▲	19 09062	(000000-	) Screw, Flt, M06 X 1.0 X 16, 10.9	2
▲	20 08708	(000000-	) Nut, Hex, Lock, M 6 X 1.0, NI	3
▲	21 1010823	(000000-	) Tube, Vacuum Wand W/ Label	1
▲	22 382634	(000000-	) Bumper, Wand, Vacuum	1
▲	23 32822	(000000-	) Handle	1
▲	24 69937	(000000-	) Plate, Backing, Handle	1
▲	25 361339	(000000-	) Screw, Hex, M 6 X 1.0 X 16, Fmg	4
▲	26 1009847	(000000-	) Hose, Vacuum, 4.00id X 53.0l	1
▲	27 1009811	(000000-	) Tube, Wand	1
▲	28 1009540	(000000-	) Hose Assy, W/1cuff, 4.0d, 87.8l, 4.0/	1
▲	29 23498	(000000-	) Clamp, Hose, Wormdrive, 3.56-4.50d	4
▲	30 1010537	(000000-	) Flap, Vac Wand	1
▲	31 1040200	( xxxxxx-	) Bracket, Mtg, Hose, Vacuum	2
▲	32 33671	(000000-	) Strap, Rbr, Tie-Down, 2/Hooks 19.0l	2
▲	<del>33</del> 1011176	(000000- xxxxxx )	Bracket, Wand, Vacuum	2
▲	34 383000	(000000- xxxxxx )	Screw, Hex, #12-16 X 0.75, F/Plstc	12

▲ 33 377162 Cover, Hopper, Rework ..... 1

Fig. 30 - Left Side Brush Drive Motor and Pivot Group (6650 XP)

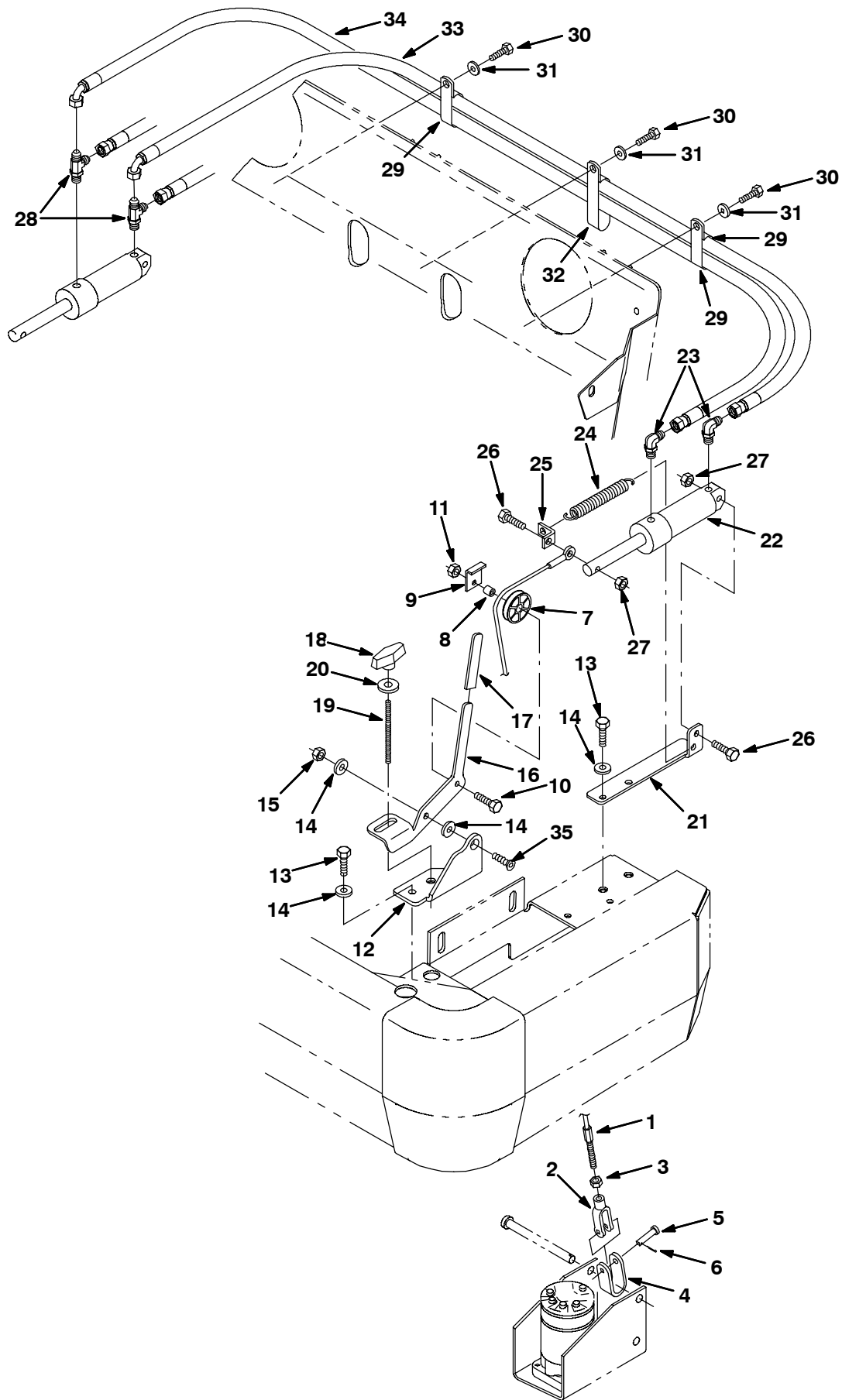


**Fig. 30 - Left Side Brush Drive Motor and Pivot Group (6650 XP)**

NOTE: Left Side Brush Kit, TENNANT Part Number 377140, includes Fig. 30 and Fig. 31.

Ref.	Part No.	Serial Number	Description	Qty.
1	72424	(000000-	) Pivot	1
2	54660	(000000-	) Pin, Clevis, 0.75 D X 5.50l	1
3	02942	(000000-	) Pin, Hair Cotter, 0.62 D .120 Wir	1
4	72427	(000000-	) Arm Wldt, Sppt, Brush, Side	2
5	51225	(000000-	) Pin, Clevis, 0.50 D X 5.50l	2
6	51538	(000000-	) Pin, Clevis, 0.50 D X 5.00l	2
7	32493	(000000-	) Washer, Flat, 0.50 Std	4
8	08182	(000000-	) Pin, Cotter, .125 X 1.00	4
9	379862	(000000-	) Bracket, Motor, Side Brush, Lh, [6550]	1
10	379607	(000000-	) Motor, Hyd, Gear, [In] 17.9 B 1500 (See Breakdowns)	1
11	47508	(000000-	) Fitting, Hyd, Str, Jm06/Om10	2
12	47504	(000000-	) Fitting, Hyd, E90, Jm06/Jf06	1
13	16082	(000000-	) Guard, String, Motor, Brush	1
14	379532	(000000-	) Guard, Brush, [6550]	1
15	46559	(000000-	) Screw, Hex, .38-16 X 1.25, NI	4
16	32492	(000000-	) Washer, Flat, 0.38 Std	4
17	1017575	(000000-	) Hub, Drive, Brush, Side, 1.0B 8.75 Bc	1
18	39394	(000000-	) Screw, Hex, .31-09 X 1.25, Wood	5
19	84581	(000000-	) Pin	1
20	47745	(000000-	) Spring, Extn, 1.12od X 0.14wir, 6.3l	1
21	87676	(000000-	) Sleeve, Nyl, 27 30.0l	1
22	57075	(000000-	) Fitting, Hyd, E90, Jm06/Jm06 Bkhd	2
23	09570	(000000-	) Clamp, Cable, Stl, 0.9x1.8x0.62w, 1h	2
24	49263	(000000-	) Tie, Cable, Nyl, 11.4l .19w 3.0 Max D	2
25	9000250	(000000-	) Hose, Hyd,Tc 06, Jf06str /Jf06e90 , 88.0	1
26	9000249	(000000-	) Hose, Hyd,Med06, Jf06str /Jf06e90 , 84.0	1
27	1010166	(000000-	) Skirt, Hppr, Plstc	2
28	1010165	(000000-	) Retainer, Skirt	2
29	11329	(000000-	) Screw, Hex, M 6 X 1.0 X 16, Ss, NI	4
30	01684	(000000-	) Washer, Flat, 0.25 Ss	4
31	07788	(000000-	) Nut, Hex, Std, M12 X 1.75, Ss	2
32	06973	(000000-	) Screw, Hex, M12 X 1.75 X 70, 8.8	1
33	379815	(000000-	) Bracket, Spring, Side Brush	1
34	49826	(000000-	) Screw, Hex, M 8 X 1.25 X 16, Ss, NI	1
35	01685	(000000-	) Washer, Flat, 0.31 Ss	1
36	1010432	(000000-	) Bracket, Mirror, Side Brush	1
37	68445	(000000-	) Mirror, Convex, 08.0d	1
38	06946	(000000-	) Screw, Hex, M6 X 1.0 X 35, 8.8	2
39	06944	(000000-	) Screw, Hex, M6 X 1.0 X 25, 8.8	1
40	32490	(000000-	) Washer, Flat, 0.25 Std	6
41	08708	(000000-	) Nut, Hex, Lock, M6 X 1.0, NI	3

Fig. 31 - Left Side Brush Lift Group (6650 XP)





**Fig. 31 - Left Side Brush Lift Group (6650 XP)**

NOTE: Left Side Brush Kit, TENNANT Part Number 377140, includes Fig. 30 and Fig. 31.

Ref.	Part No.	Serial Number	Description	Qty.
1	77335	(000000-	) Cable, .13d, 14.9l, .41eye /M10x1.5	1
2	12267	(000000-	) Clevis, Adj, 0.38pin, M10x1.5	1
3	32716	(000000-	) Nut, Hex, Jam, M10 X 1.5, Ss	1
4	59899	(000000-	) Bracket, U, .12 1.2w 2.30h 1.0l	1
5	29558	(000000-	) Pin, Clevis, 0.37 D X 1.50l	1
6	08179	(000000-	) Pin, Cotter, .094 X 1.00	1
7	369781	(000000-	) Pulley, Cable, 1.5d, Nyl	1
8	222460	(000000-	) Sleeve, P/M, 0.496d 0.318b 0.50l 430ss	1
9	54400	(000000-	) Bracket, Angle, Keeper, Cable	1
10	76570	(000000-	) Screw, Hex, M 8 X 1.25 X 30, 8.8	1
11	08709	(000000-	) Nut, Hex, Lock, M 8 X 1.25 NI	1
12	1008463	(000000-	) Bracket, Mtg, Lever, Lh	1
13	03192	(000000-	) Screw, Hex, M10 X 1.5 X 30, 8.8	3
14	32492	(000000-	) Washer, Flat, 0.38 Std	6
15	41430	(000000-	) Nut, Hex, Lock, M10 X 1.5, NI	1
16	1009177	(000000-	) Bracket, Adj, Brush, Side, Lh	1
17	360467	(000000-	) Grip, Vyl	1
18	04706	(000000-	) Knob, Tee, 2.5x1.0 1.1l 0.38-16 Plstc	1
19	387151	(000000-	) Shaft, Thrd	1
20	32493	(000000-	) Washer, Flat, 0.50 Std	1
21	1005193	(000000-	) Bracket, Mtg, Cyl	1
22	1038137	(000000-	) Cylinder, Hyd, 1.5b,07.8l,02.80strk,2500	1
23	77097	(000000-	) Fitting, Hyd, E90, Jm04/Om04	2
24	29499	(000000-	) Spring, Extn, 0.75od X 0.11wir, 4.5l	1
25	77336	(000000-	) Angle, Retainer, Spring	1
26	39285	(000000-	) Screw, Hex, M10 X 1.5 X 40, 8.8	2
27	41430	(000000-	) Nut, Hex, Lock, M10 X 1.5, NI	2
28	34390	(000000-	) Fitting, Hyd, Tee, Jm04/Jm04/Om04	2
29	1009318	(000000-	) Clamp, Cable, Stl, 0.6x1.2x0.75w, 1h	2
30	361339	(000000-	) Screw, Hex, M 6 X 1.0 X 16, Fmg	3
31	32483	(000000-	) Washer, Flat, 0.25 Sae	3
32	09570	(000000-	) Clamp, Cable, Stl, 0.9X1.8X0.62W, 1H	1
33	57962	(000000-	) Hose, Hyd, Med04, Jf04Str/Jf04E90, 64.0	1
34	82816	(000000-	) Hose, Hyd, Med04, Jf04Str/Jf04E90, 76.0	1
35	09081	(000000-	) Screw, Flt, M10X1.5X25, 10.9	1

Fig. 32 - Auxiliary Side Brush Motor Group

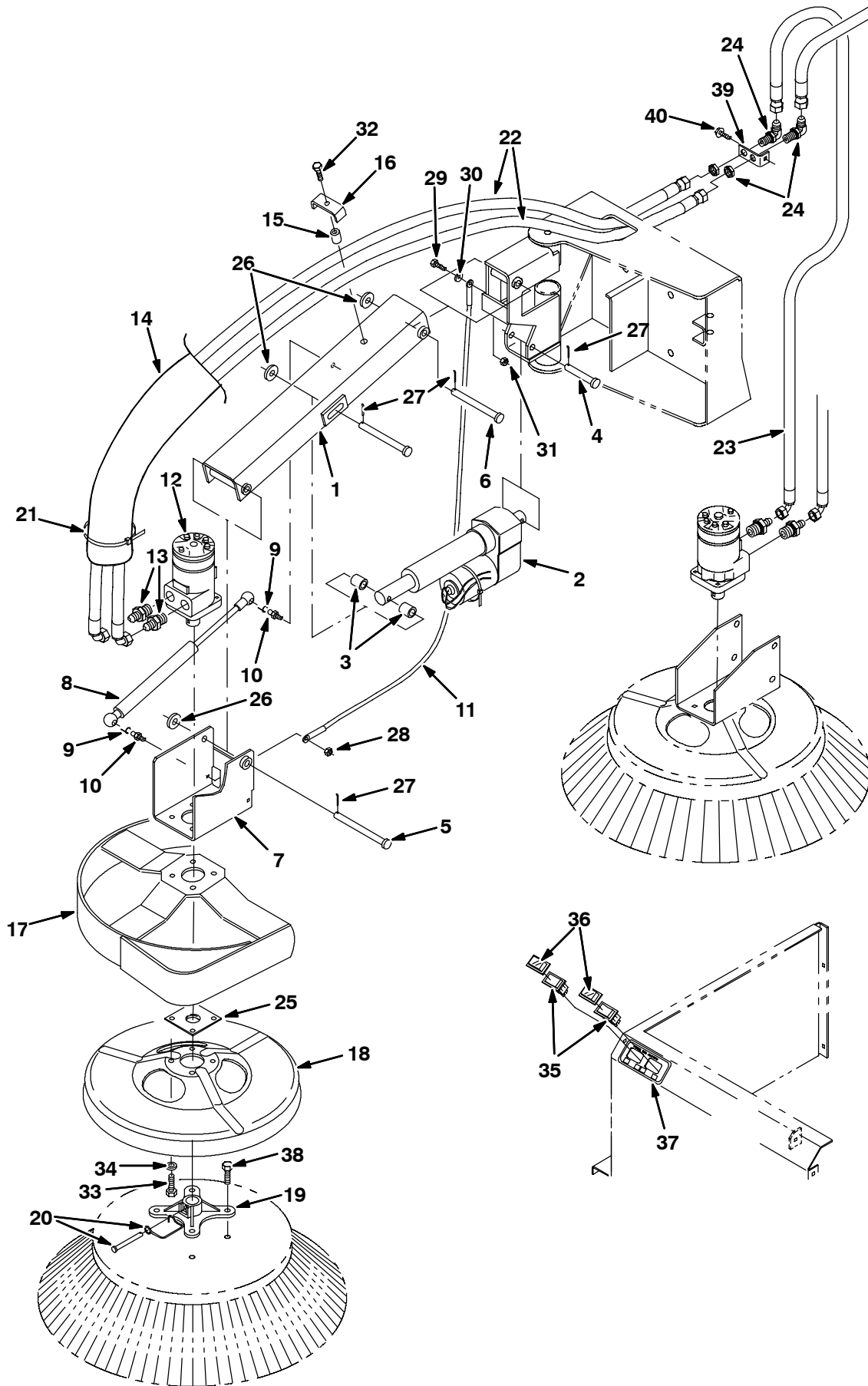


Fig. 32 - Auxiliary Side Brush Motor Group

Ref.	Part No.	Serial Number	Description	Qty.
1	55778	(000000-	) Arm Wldt, Sppt, Brush, Side	1
2	55776	(000000-	) Actuator, 12vdc, 04.0stroke 250lb	1
3	55834	(000000-	) Tube, 00.68d 00.56b 01.0l Stl Plt	2
4	23683	(000000-	) Pin, Clevis, 0.50 D X 3.00l	1
5	51225	(000000-	) Pin, Clevis, 0.50 D X 5.50l	1
6	51538	(000000-	) Pin, Clevis, 0.50 D X 5.00l	2
7	55793	(000000-	) Bracket Wldt, Mtg, Motor	1
8	82334	(000000-	) Gasspring, 120lb, 6.3strk	1
9	64595	(000000-	) Clip, Safety, Gasspring	2
10	58494	(000000-	) Stud, Ball, .39d .31-16, Gasspring	2
11	35298	(000000-	) Cable, .13d, 20.0l, .32eye /.32eye	1
12	373340	(000000-	) Motor, Hyd, Gear, [In] 14.1 B 1500 (See Breakdowns)	1
13	47508	(000000-	) Fitting, Hyd, Str, Jm06/Om10	2
14	35484	(000000-	) Sleeve, Nyl, #27 45.0l	1
15	09900-1	(000000-	) Tube, 00.52d 00.26b 00.8l Stl Plt	1
16	51715	(000000-	) Bracket, U, .18 2.8 0.9 1.0l 1/0.3h	1
17	55823	(000000-	) Guard Wldt, Brush	1
18	53984	(000000-	) Guard, Brush, [6400 355]	1
19	47501	(000000-	) Hub, Drive, Brush, Side, 1.0b 05.50 Bc	1
20	84581	(000000-	) Pin	1
21	49266	(000000-	) Tie, Cable, Nyl, 07.3l .19w 1.8 Max D	13
22	31566	(000000-	) Hose, Hyd,Med06, Jf06str /Jf06e90 , 48.0	2
23	9000243	(000000-	) Hose, Hyd, med06, Jf06Str/Jf06E90, 30.0	1
24	57075	(000000-	) Fitting, Hyd, E90, Jm06/Jm06 Bkhd	2
25	16082	(000000-	) Guard, String, Motor, Brush	1
26	32493	(000000-	) Washer, Flat, 0.50 Std	6
27	08175	(000000-	) Pin, Cotter, .125 X 1.25	4
28	01760	(000000-	) Nut, Hex, Lock, .31-18, NI, Thin	2
29	16931	(000000-	) Screw, Hex, M 8 X 1.25 X 20, 8.8	1
30	39349	(000000-	) Washer, Flat, 0.31 Sae	1
31	08709	(000000-	) Nut, Hex, Lock, M 8 X 1.25 NI	1
32	06947	(000000-	) Screw, Hex, M 6 X 1.0 X 40, 8.8	1
33	82842	(000000-	) Screw, Hex, .38-16 X 1.50, NI	4
34	32492	(000000-	) Washer, Flat, 0.38 Std	4
35	65560	(000000-	) Switch, Rocker, 28vdc 15a Dpdt On/Of/On	2
36	57807	(000000-	) Cover, Seal, Rocker Switch	2
37	69999	(000000-	) Label, Control, Side Brush	1
38	39396	(000000-	) Screw, Hex, .31-12 X 1.50, Fmg, [Ab]	4
39	1011299	(000000-	) Bracket, Sidebrush, Aux	1
40	361339	(000000-	) Screw, Hex, M6X1.0X16, Fmg	1

Fig. 33 - Auxiliary Side Brush Pivot Group

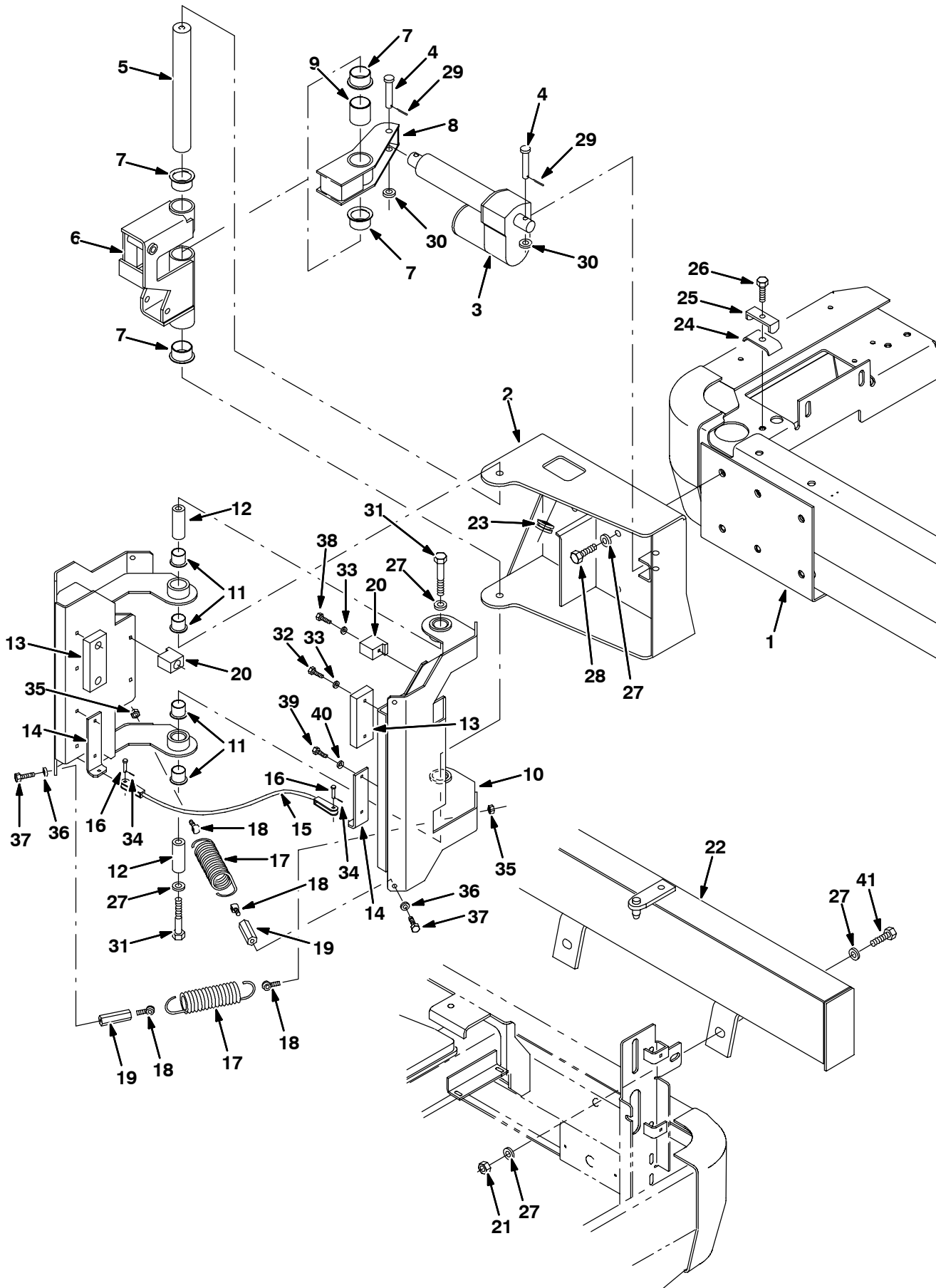
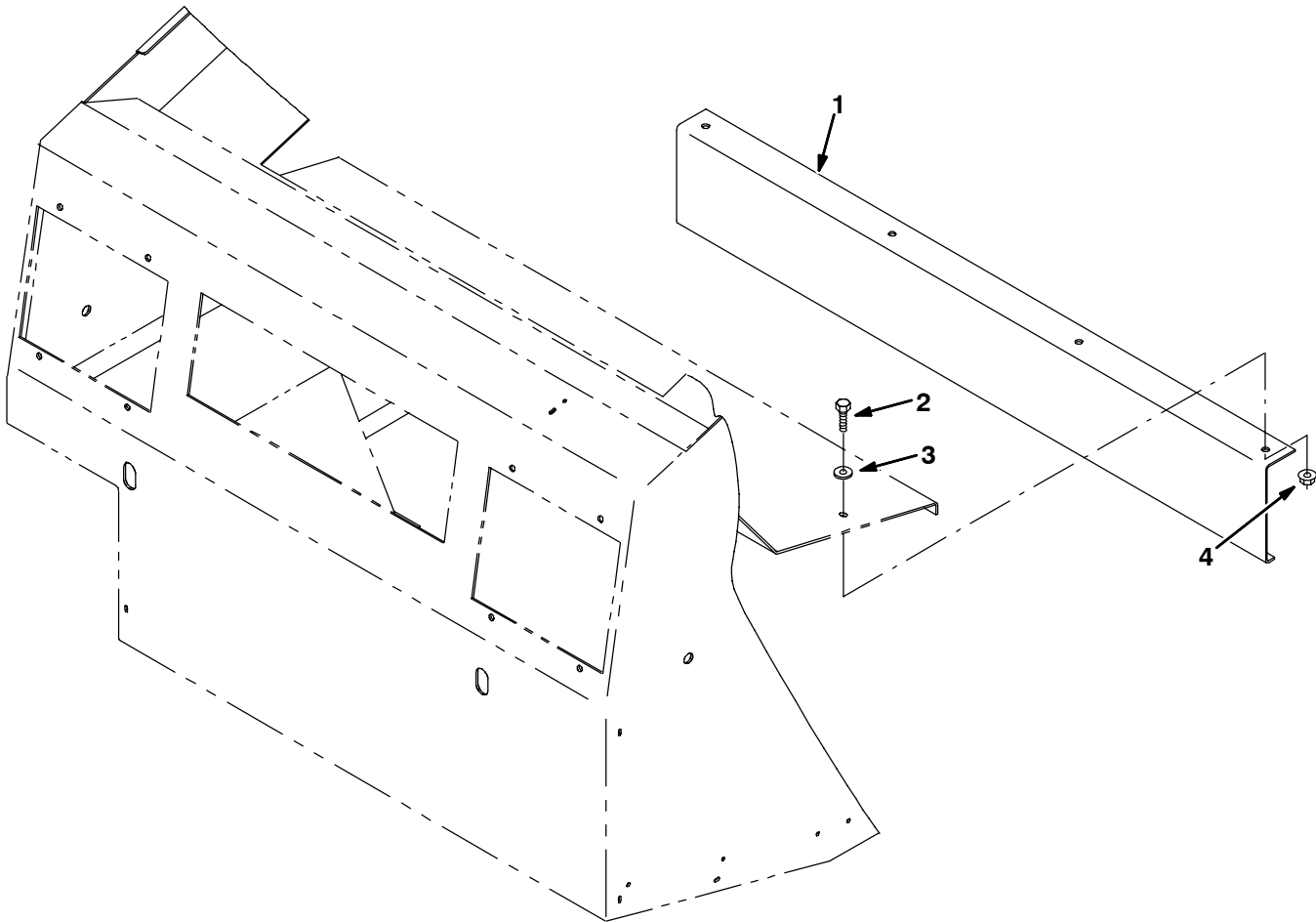


Fig. 33 - Auxiliary Side Brush Pivot Group

Ref.	Part No.	Serial Number	Description	Qty.
1	1008579	(000000-	) Bumper Wldt, Front	1
2	379737	(000000-	) Channel Wldt, Sppt	1
3	35426	(000000-	) Actuator Assy, 12vdc, 06.0stroke 250lb	1
4	06279	(000000-	) Pin, Clevis, 0.50 D X 2.50l	2
5	54427	(000000-	) Shaft, Pivot	1
6	54428	(000000-	) Pivot Wldt, Actuator	1
7	54620	(000000-	) Bushing, Flng, 1.50b 1.65d 1.00l	4
8	54404	(000000-	) Pivot Wldt	1
9	54465	(000000-	) Bushing, Sleeve, 1.50b 1.66d 1.75l Tef	1
10	54621	(000000-	) Frame Wldt, Sppt, Spring	2
11	54618	(000000-	) Bushing, Flng, 1.00b 1.13d 1.00l	4
12	55767	(000000-	) Tube, 01.00d 00.50b 02.7l Stl Plt	2
13	69994	(000000-	) Bumper, Brush, Side	2
14	69995	(000000-	) Bracket, Cable	2
15	69991	(000000-	) Cable, .13d, 10.6l, .2clevis/.2clevis	1
16	36376	(000000-	) Pin, Clevis, 0.19 D X 0.50l	2
17	55617	(000000-	) Spring, Extn, 1.75od X 0.23wir, 7.5l	4
18	69998	(000000-	) Bolt, Eye, M08x1.25 X 030mm 8.0 Eye	8
19	69997	(000000-	) Bar, Hex, Stl, 0.75 2.5l M8x1.25 Thru	4
20	69993	(000000-	) Bumper, Brush, Side	2
21	08711	(000000-	) Nut, Hex, Lock, M12 X 1.75,NI	2
22	379740	(000000-	) Weight Wldt, Counter, Aux Side Brush	1
23	10632-1	(000000-	) Grommet, Rbr, 1.06id, F/ 1.4h, .19matl	1
24	70267	(000000-	) Strip, Rbr, 0.25 01.50w 03.5l	1
25	70268	(000000-	) Bracket, U, .18 2.7 0.9 1.0l 1/0.4h	1
26	27990	(000000-	) Screw, Hex, .38-16 X 2.00, 5	1
27	32493	(000000-	) Washer, Flat, 0.50 Std	12
28	41346	(000000-	) Screw, Hex, M12 X 1.75 X 30, 8.8	6
29	08202	(000000-	) Pin, Cotter, .125 X 1.75	2
30	32486	(000000-	) Washer, Flat, 0.50 Sae	2
31	06976	(000000-	) Screw, Hex, M12 X 1.75 X 100, 8.8	2
32	06944	(000000-	) Screw, Hex, M 6 X 1.0 X 25, 8.8	4
33	32483	(000000-	) Washer, Flat, 0.25 Sae	6
34	39005	(000000-	) Pin, Cotter, .094 X 0.75	2
35	08709	(000000-	) Nut, Hex, Lock, M 8 X 1.25 NI	4
36	32491	(000000-	) Washer, Flat, 0.31 Std	8
37	04375	(000000-	) Screw, Hex, M 8 X 1.25 X 40, FI	4
38	06947	(000000-	) Screw, Hex, M 6 X 1.0 X 40, 8.8	2
39	06943	(000000-	) Screw, Hex, M 6 X 1.0 X 20, 8.8	4
40	32490	(000000-	) Washer, Flat, 0.25 Std	4
41	06969	(000000-	) Screw, Hex, M12 X 1.75 X 40, 8.8	2

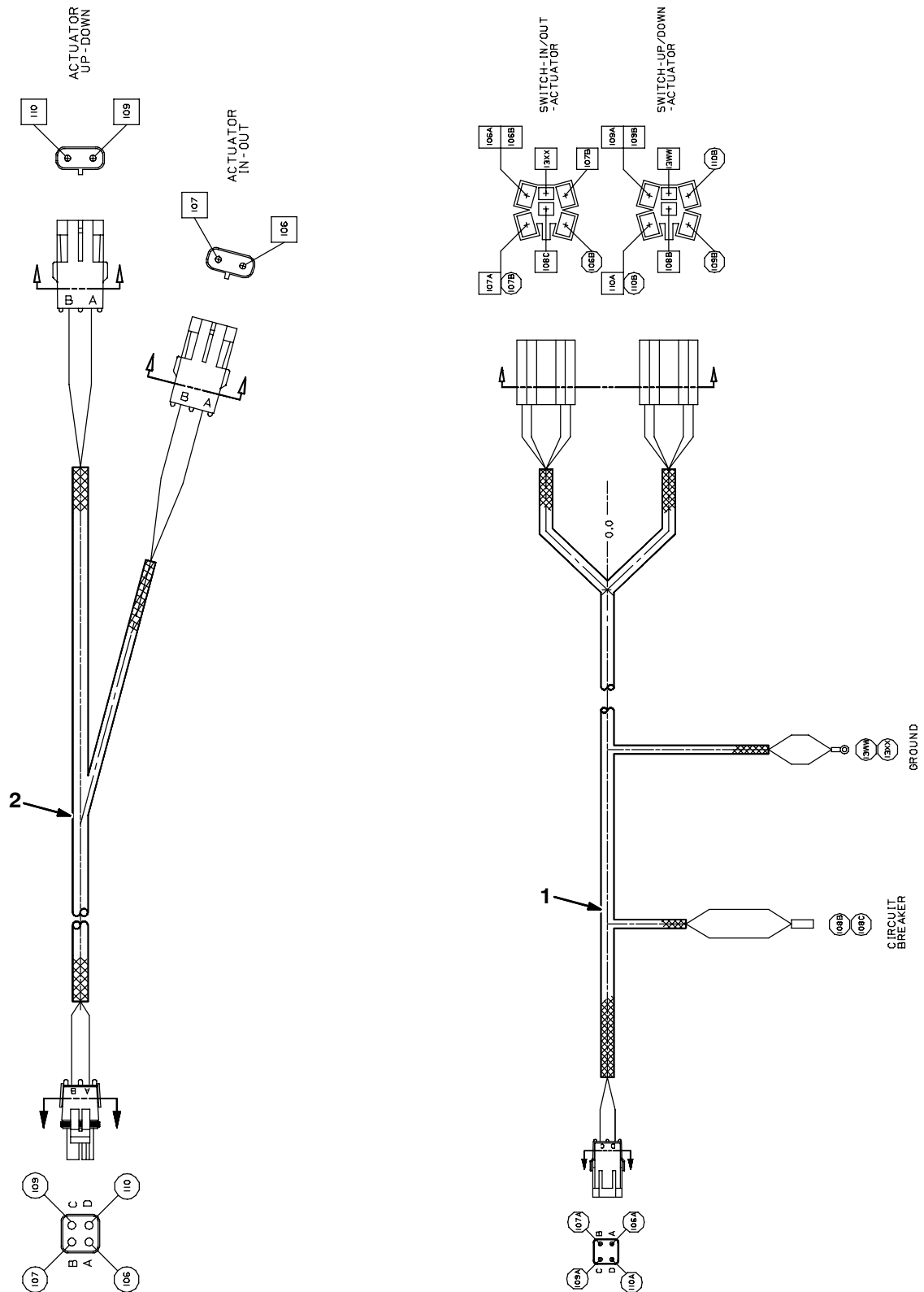
**Fig. 34 - Auxiliary Side Brush Hopper Deflector Group**



353978 - 6650xs

Ref.	Part No.	Serial Number	Description	Qty.
1	1008660	(000000-	) Plate, Deflector	1
2	39277	(000000-	) Screw, Hex, M 8 X 1.25 X 25, 8.8	4
3	32491	(000000-	) Washer, Flat, 0.31 Std	4
4	07791	(000000-	) Nut, Hex, Flng, M08X1.25	4

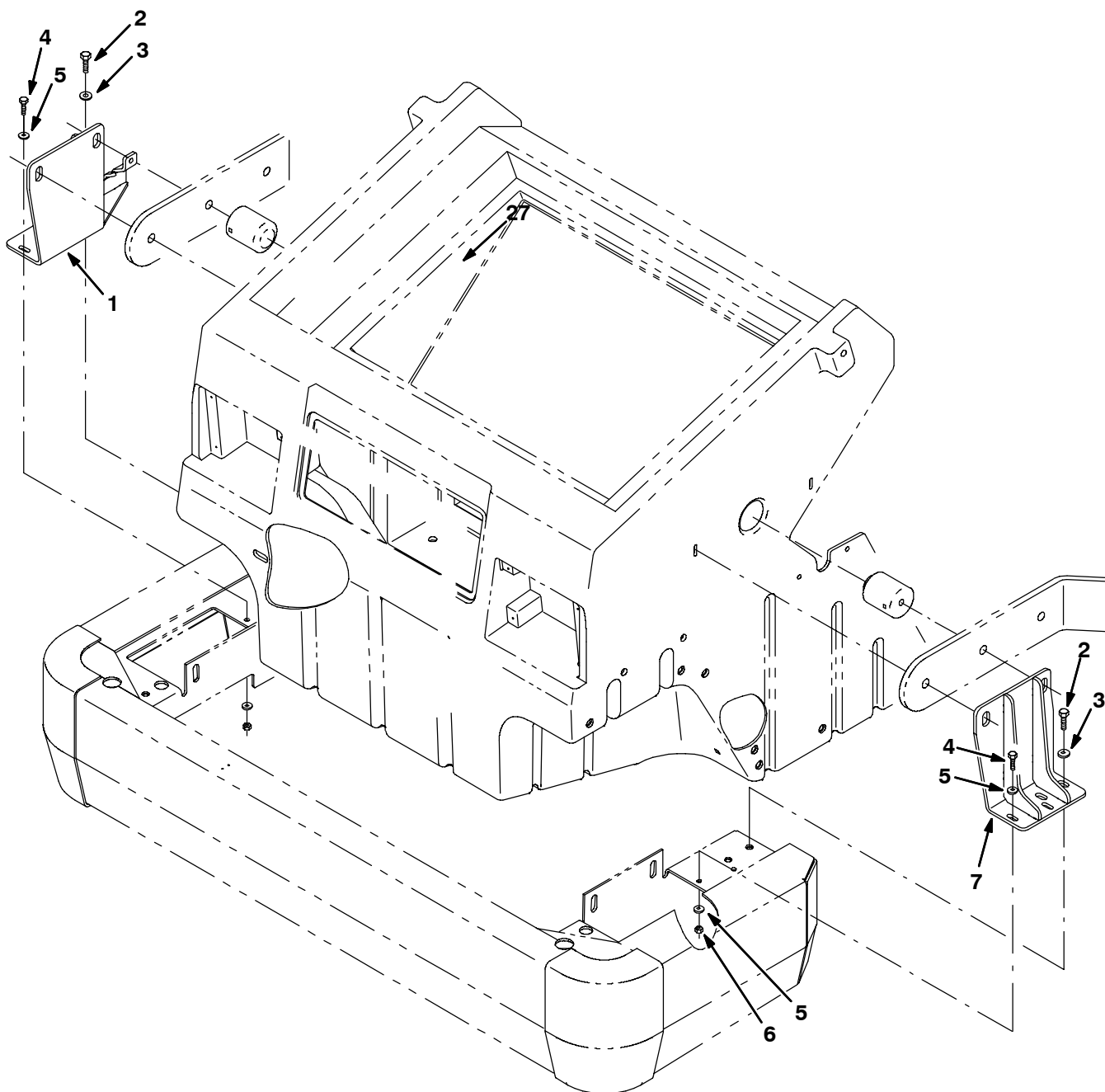
Fig. 35 - Auxiliary Side Brush Wire Harnesses Group



353979 - 6650xs

Ref.	Part No.	Serial Number	Description	Qty.
1	60285	(000000- )	Harness, Brush, Side, Aux, [ 385d]	1
2	60286	(000000- )	Harness, Brush, Side, Aux, [ 385]	1

Fig. 36 - Auxiliary Side Brush Hopper Bumper Group (6650XP Only)

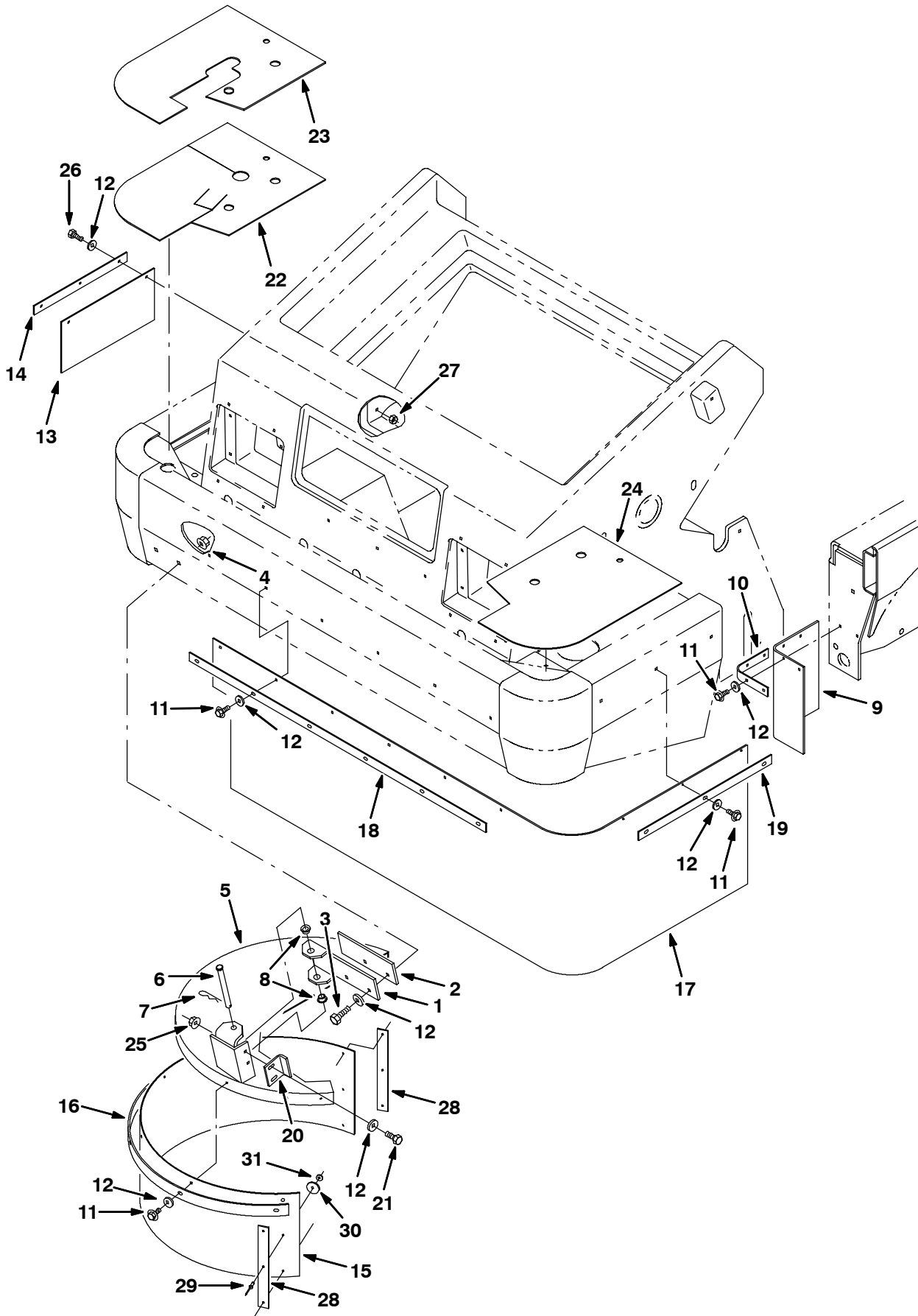




**Fig. 36 - Auxiliary Side Brush Hopper Bumper Group (6650XP Only)**

<b>Ref.</b>	<b>Part No.</b>	<b>Serial Number</b>	<b>Description</b>	<b>Qty.</b>
1	1018786	(000000-	) Bracket Wldt, Side, Rh, Sba, Aux	1
2	03192	(000000-	) Screw, Hex, M10 X 1.5 X 30, 8.8	3
3	32492	(000000-	) Washer, Flat, 0.38 Std	3
4	09010	(000000-	) Screw, Hex, M8 X 1.25 X 25, Ss	4
5	32491	(000000-	) Washer, Flat, 0.31 Std	8
6	08709	(000000-	) Nut, Hex, Lock, M8 X 1.25, NI	4
7	1018765	(000000-	) Bracket Wldt, Side, Lh, Sba, Aux	1

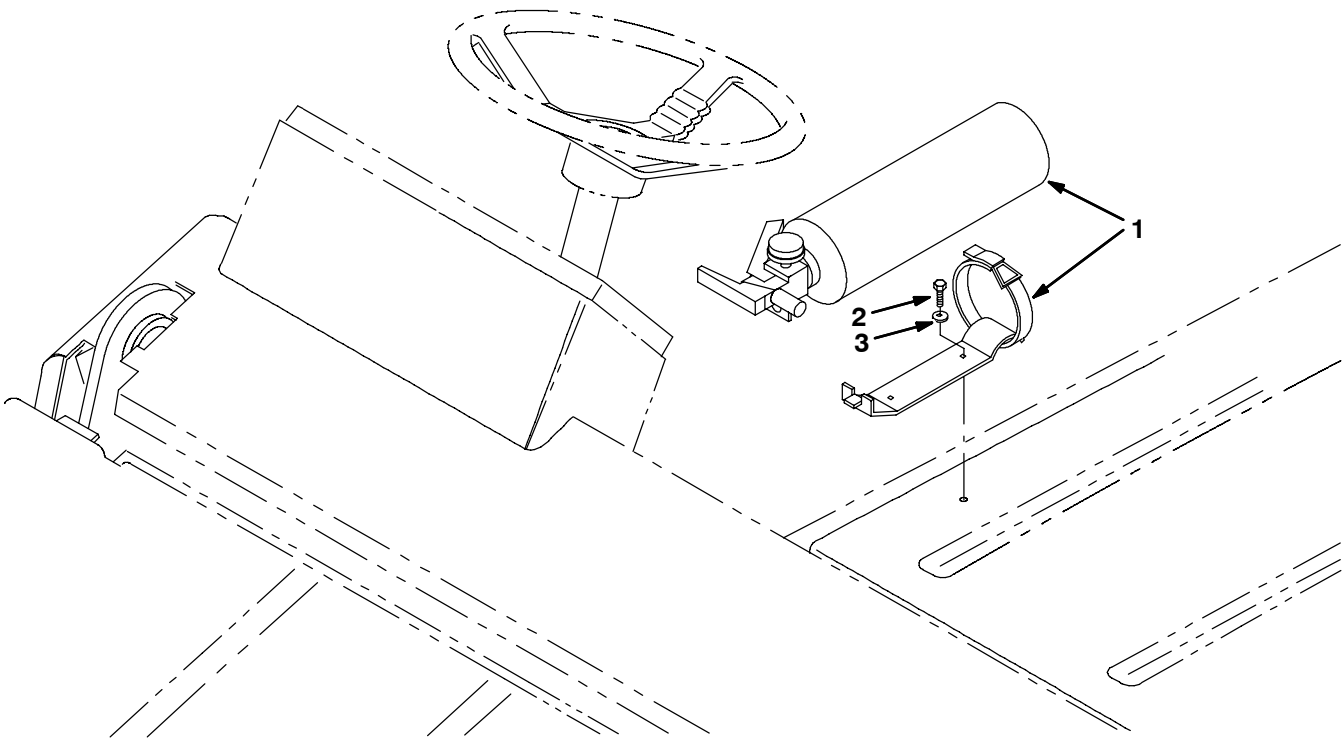
Fig. 37 - Side Brush Dust Control Kit



**Fig. 37 - Side Brush Dust Control Kit**

Ref.	Part No.	Serial Number	Description	Qty.
▽	377144	(000000-	) Kit, Ci, Sbdc, [6600/6650]	1
▲	1 74383	(000000-	) Bracket, Sbdc	1
▲	2 379810	(000000-	) Plate, Spacer	2
▲	3 39284	(000000-	) Screw, Hex, M10 X 1.5 X 35, 8.8	2
▲	4 07792	(000000-	) Nut, Hex, Flng, M10 X 1.5	2
▲	5 379797	(000000-	) Cover Wldt, Brush, Sbdc	1
▲	6 51538	(000000-	) Pin, Clevis, 0.50 D X 5.00l	1
▲	7 44906	(000000-	) Pin, Hair Cotter, 0.69 D .092 Wir	1
▲	8 23274	(000000-	) Bushing, Flng, 0.50b 0.62d 0.40l	2
▲	9 66176	(000000-	) Skirt	2
▲	10 66177	(000000-	) Plate, Retainer	2
▲	11 12459	(000000-	) Screw, Hex, M 6 X 1.0 X 20, Fmg	21
▲	12 01684	(000000-	) Washer, Flat, 0.25 Ss	27
▲	13 1010166	(000000-	) Skirt, Hppr, Plstc	1
▲	14 1010165	(000000-	) Retainer, Skirt	1
▲	15 379804	(000000-	) Skirt	1
▲	16 379803	(000000-	) Plate, Retainer	1
▲	17 1011052	(000000-	) Skirt, Front, Sbdc	1
▲	18 1011057	(000000-	) Strip, Retainer, Sbdc	1
▲	19 74381	(000000-	) Retainer, Skirt, Sbdc, Lh	1
▲	20 74382	(000000-	) Angle, Stop	1
▲	21 16931	(000000-	) Screw, Hex, M 8 X 1.25 X 20, 8.8	2
▲	22 1010301	(000000-	) Seal, Sbdc, Bmpr (6600 Only)	1
▲	23 1010302	(000000-	) Seal, Sbdc, Bmpr (6650 Only)	1
▲	24 1010269	(000000-	) Seal, Sbdc, Bmpr	1
▲	25 07791	(000000-	) Nut, Hex, Flng, M08 X 1.25	2
▲	26 09007	(000000-	) Screw, Hex, M 6 X 1.0 X 25, Ss	3
▲	27 08712	(000000-	) Nut, Hex, Lock, M 6 X 1.0, NI, Ss	3
▲	28 1018368	(000000-	) Strip, Retainer, Skirt	2
▲	29 60428	(000000-	) Rivet, Blind, .188d X 0.58 X .38d, Stl	4
▲	30 41178	(000000-	) Washer, Flat, 0.25 Fender	4
▲	31 19324	(000000-	) Washer, Flat, #10 Sae	4

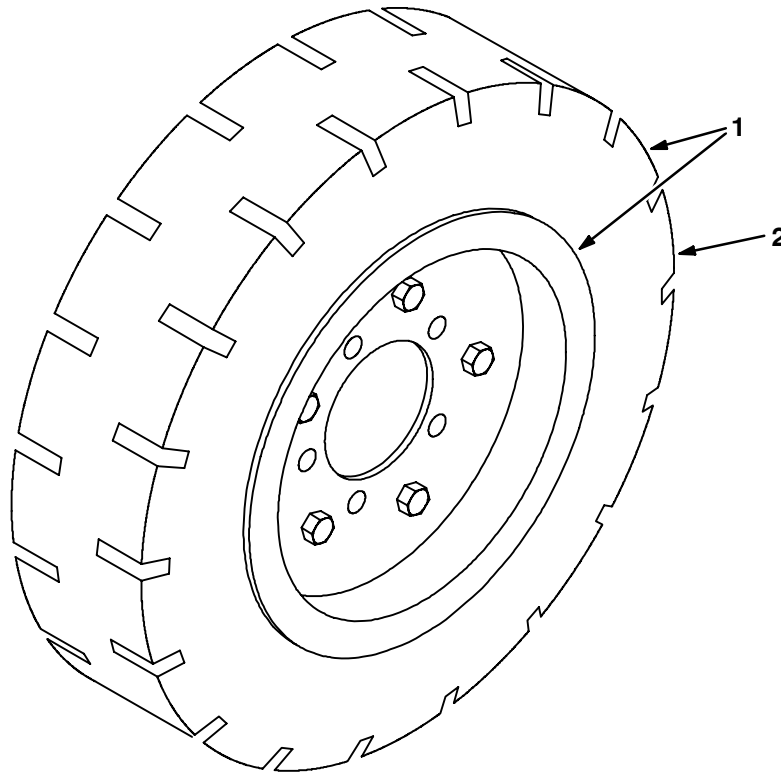
Fig. 38 - Fire Extinguisher Kit



**Fig. 38 - Fire Extinguisher Kit**

	<b>Ref.</b>	<b>Part No.</b>	<b>Serial Number</b>	<b>Description</b>	<b>Qty.</b>
▽		377013	(000000-	) Kit, Ci, Extinguisher, Fire, [6600/6650]	1
▲	1	25312	(000000-	) Extinguisher, Fire	1
▲	2	55845	(000000-	) Screw, Hex, M 5 X 0.8 X 16, Fmg	2
▲	3	32492	(000000-	) Washer, Flat, 0.38 Std	2

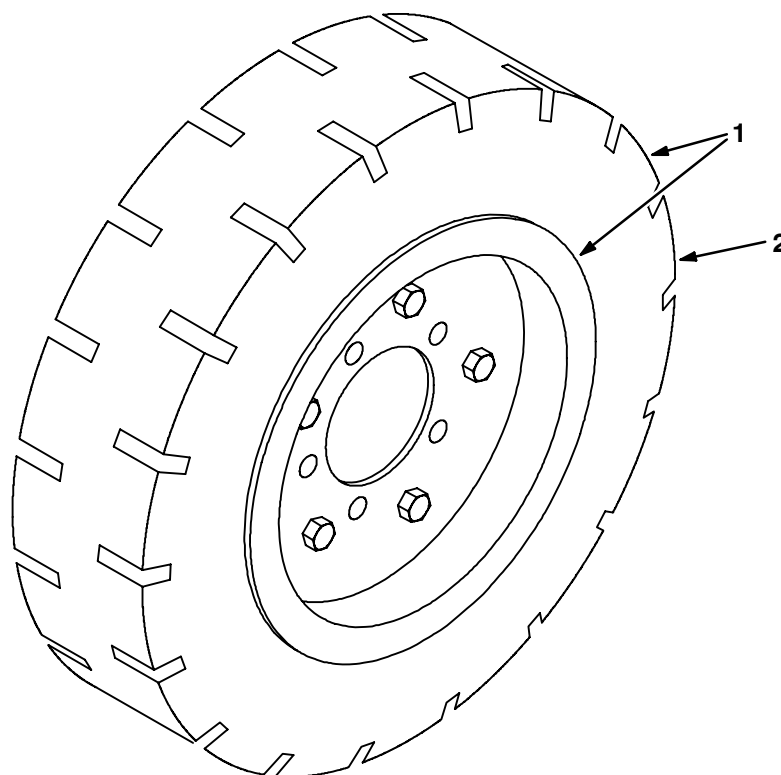
**Fig. 39 - Soft Ride Non Marking Rear Tire And Wheel Assembly**



354012

	<b>Ref.</b>	<b>Part No.</b>	<b>Serial Number</b>	<b>Description</b>	<b>Qty.</b>
▽	1	71022	(000000-	) Tire Assy, Solid, 18.0x4.3 4.5bc/5bolt	1
▲	2	61488	(000000-	) Tire, Solid, 18.0 X 7-8/4.33 [Sc10 Nm]	1

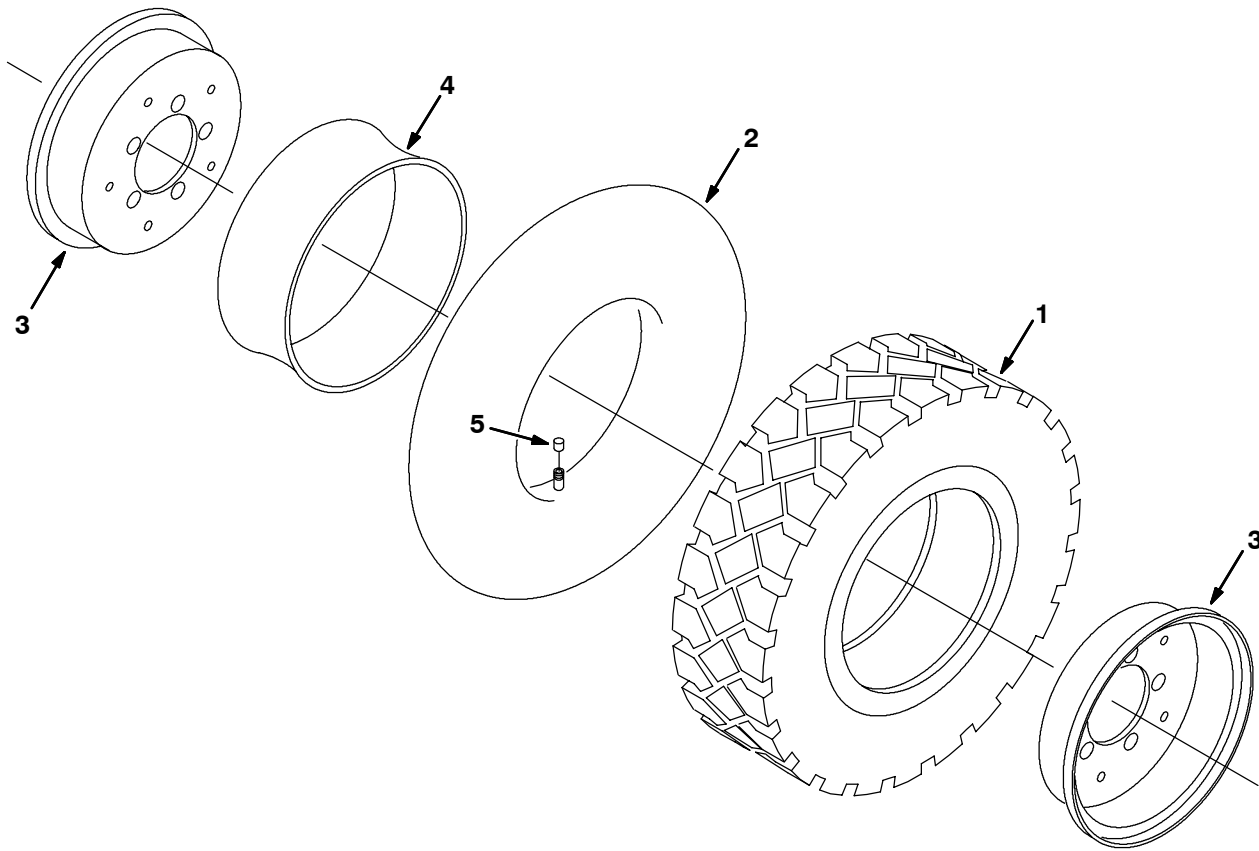
Fig. 40 - Soft Ride Rear Tire And Wheel Assembly



354012

	Ref.	Part No.	Serial Number	Description	Qty.
▽	1	53817	(000000-	) Tire Assy, Solid, 18.0x4.3 4.5bc/5bolt	1
▲	2	53816	(000000-	) Tire, Solid, 18.0 X 7.0 X8.0 [4.33 Sc15]	1

**Fig. 41 - Hi-Wear Rear Tire And Wheel Assembly**

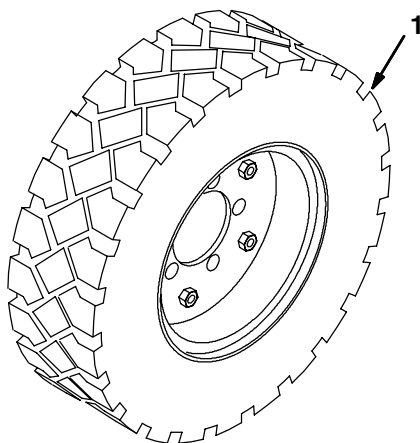


354013

Ref.	Part No.	Serial Number	Description	Qty.
▽	70278	(000000-	) Tire Assy, Pneu, 570/500-08 4.5bc/5bolt	1
▲	1 70279	(000000-	) Tire, [5.70/5.00r-8],High Wear, [Ic80]	1
▲	2 70280	(000000-	) Innertube, [5.00r-8],[Js2] Valve,[500-8]	1
▲	3 70281	(000000-	) Rim Assy, 08 X 4.25 4.5bc/5b, [5.25-8]	1
▲	4 53819-2	(000000-	) Flap, Tire/Tube, 570/500-8	1
▲	5 45786	(000000-	) Cap, Valve, Tire, Tubeless, [Schrader]	1



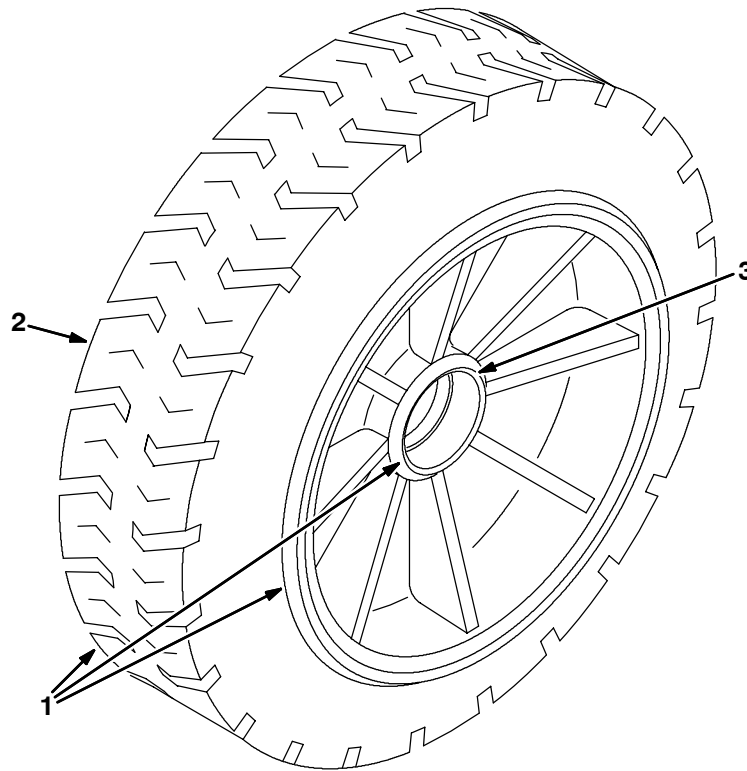
Fig. 42 - Foam Filled Rear Tire Assembly



354014

Ref.	Part No.	Serial Number	Description	Qty.
1	374602	(000000-	) Tire Assy, Foam, 570/500-08 4.5bc/5bolt	1

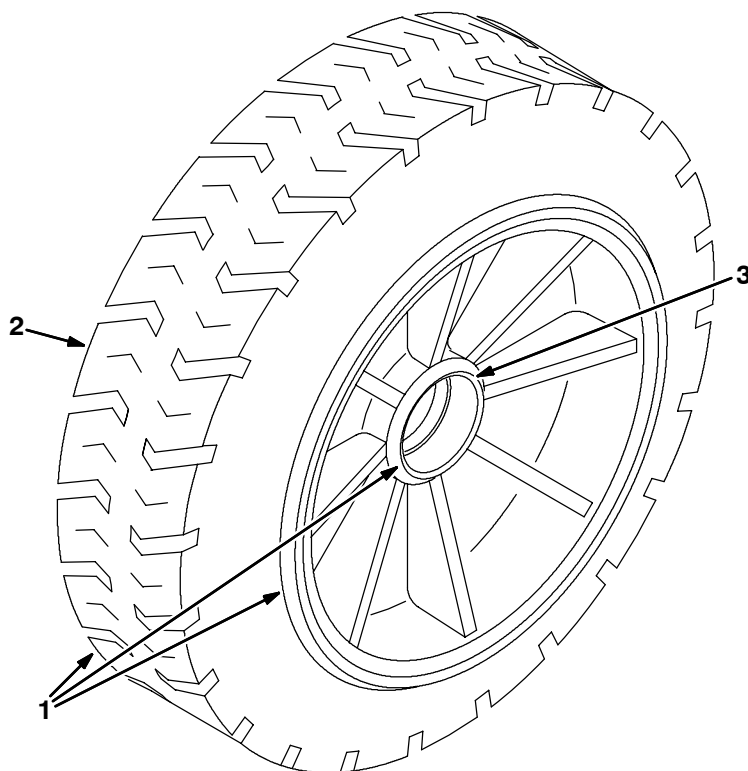
**Fig. 43 - Solid Non Marking Turf Front Tire And Wheel Assembly**



354015

	<b>Ref.</b>	<b>Part No.</b>	<b>Serial Number</b>	<b>Description</b>	<b>Qty.</b>
▽	1	374689	(000000-	) Tire & Wheel Assy, Solid, Turf Non-Mark	1
▲	2	374688	(000000-	) Tire, Solid, 18.0 X 7.0 Non-Mark [Mn]	1
▲	3	51338	(000000-	) Bearing, Cup, 2.56d 0.55w	2

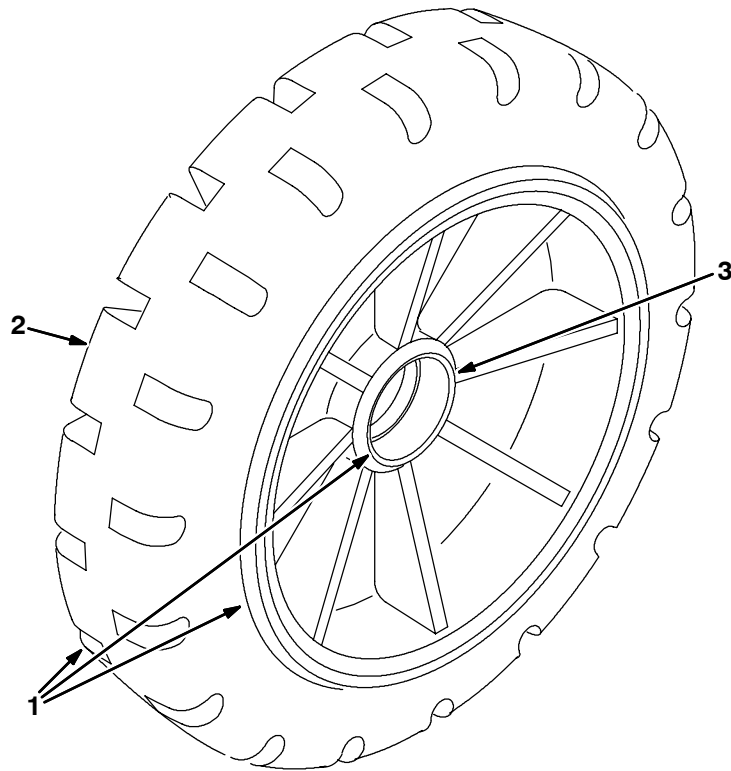
Fig. 44 - Solid Turf Tire And Wheel Assembly



354015

	Ref.	Part No.	Serial Number	Description	Qty.
▽	1	374605	(000000-	) Tire Assy, Solid, 18.0x7.0 , W/ Brg	1
▲	2	374604	(000000-	) Tire, Solid, 18.0 X 7.0 Turf [Mn]	1
▲	3	51338	(000000-	) Bearing, Cup, 2.56d 0.55w	2

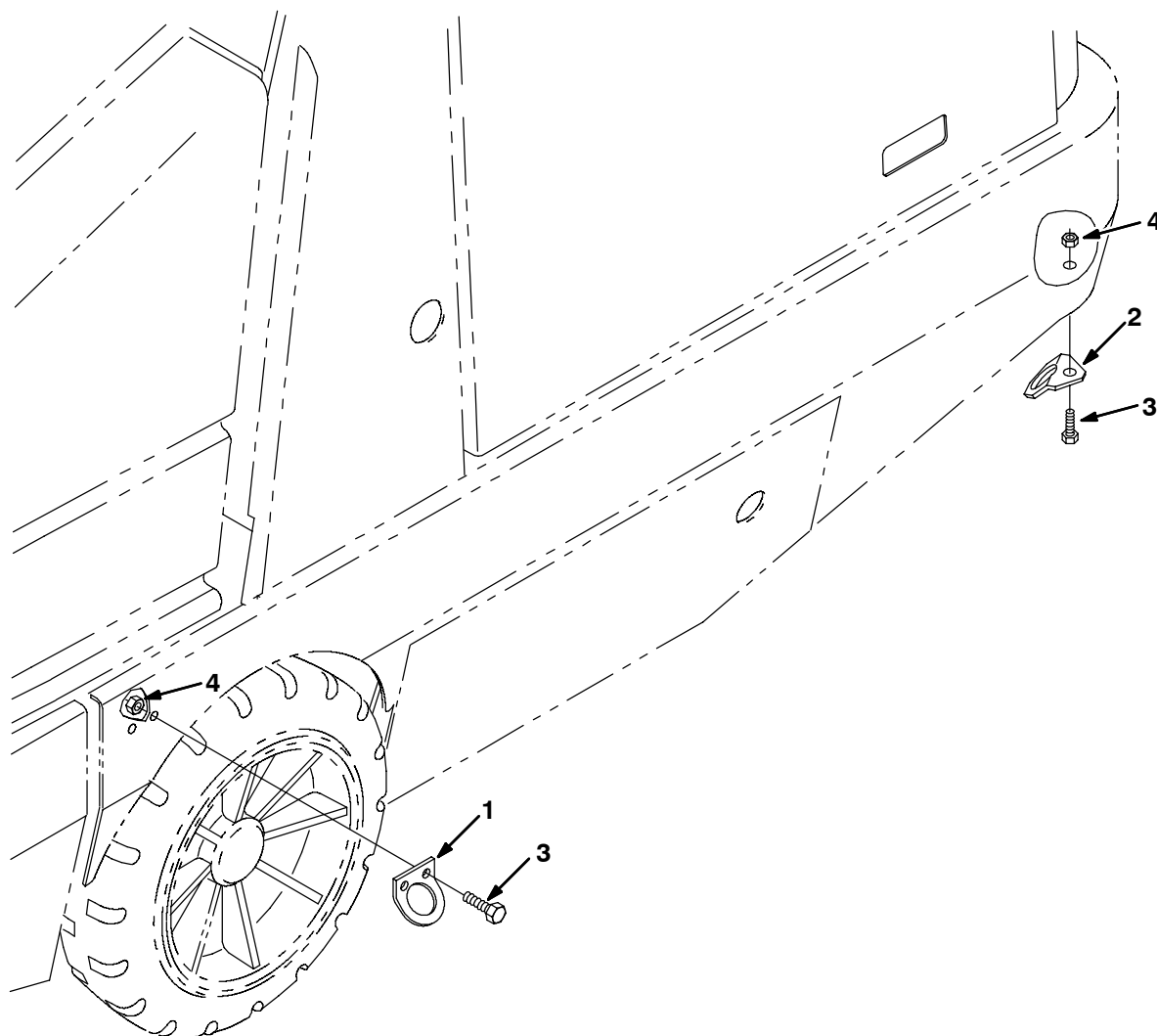
**Fig. 45 - Solid Non Marking Tire And Wheel Assembly**



354016

	<b>Ref.</b>	<b>Part No.</b>	<b>Serial Number</b>	<b>Description</b>	<b>Qty.</b>
▽	1	374608	(000000-	) Tire Assy, Solid, 18.0x5.0 , W/ Brg	1
▲	2	374607	(000000-	) Tire, Solid, 18.0 X 5.0 Non-Mark [Mn]	1
▲	3	51338	(000000-	) Bearing, Cup, 2.56d 0.55w	2

Fig. 46 - Transport Kit



354011

Ref.	Part No.	Serial Number	Description	Qty.
▽	379844	(000000-	) Kit, Ci, Transport [6600/6650]	1
▲	1 82196	(000000-	) Bracket, Tie-Down	2
▲	2 14983	(000000-	) Bracket, Tie-Down	2
▲	3 39283	(000000-	) Screw, Hex, M10 X 1.5 X 25, 8.8	6
▲	4 07792	(000000-	) Nut, Hex, Flng, M10 X 1.5	6

**Fig. 47 - Documentation Group**

07501 - 6650, D, NA

<b>Ref.</b>	<b>Part No.</b>	<b>Serial Number</b>	<b>Description</b>	<b>Qty.</b>
	330930	(000000-	) Manual Pkg, [6650 Dsl Na]	1
	330935	(000000-	) Manual, Cd-Rom, Service Info [6600/6650]	1
	330932	(000000-	) Manual, Oprtr, [6650 Dsl Es Na]	1
	330933	(000000-	) Manual, Oprtr, [6650 Dsl Fr Na]	1
	377136	(000000-	) Video, Operator [6650] Vhs Ntsc	1
	84660	(000000-	) Manual, Eng, Kubo [1505E]	1
	330915	(000000-	) Manual Pkg, Service Info [6600/6650]	1

## SECTION 4

Contents	Page
Fig. 1 - Hydraulic Piston Pump Breakdown, 373452 .....	4-2
Fig. 2 - Hydraulic Gear Pump Breakdown, 9000210 .....	4-4
Fig. 3 - Hydraulic Motor Breakdown, 379609 .....	4-6
Fig. 4 - Hydraulic Motor Breakdown, 379608 .....	4-8
Fig. 5 - Hydraulic Motor Breakdown, 379607 .....	4-9
Fig. 6 - Hydraulic Motor Breakdown, 373340 .....	4-10
Fig. 7 - Hydraulic Motor Breakdown, 53485 .....	4-11
Fig. 8 - Hydraulic Steering Valve Breakdown, 1005089 .....	4-12
Fig. 9 - Hydraulic Cylinder Breakdown, 74419 .....	4-14
Fig. 10 - Hydraulic Cylinder Breakdown, 53601 .....	4-15
Fig. 11 - Hydraulic Control Valve Breakdown, 1005148 .....	4-16
Fig. 12 - Air Conditioning Condenser Breakdown, 393340 .....	4-18
Fig. 13 - Air Conditioning Evaporator / Heater Breakdown, 1010755 .....	4-20
Fig. 14 - Heater Pressurizer Breakdown, 1010757 .....	4-21

**Fig. 1 - Hydraulic Piston Pump Breakdown, 373452**

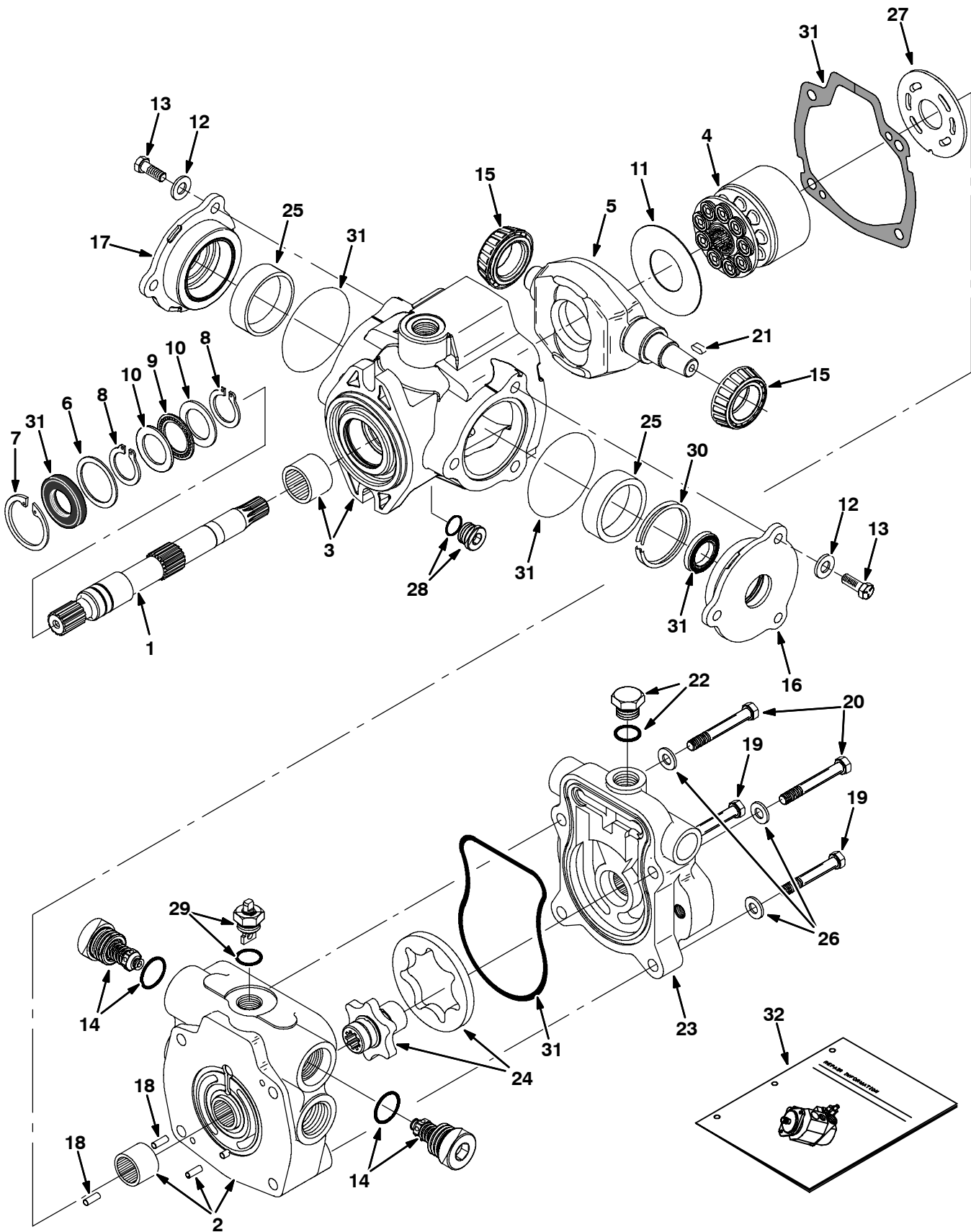




Fig. 1 - Hydraulic Piston Pump Breakdown, 373452

Ref.	Part No.	Serial Number	Description	Qty.
▽	373452	(000000-	) Pump, Hyd, Piston, [V] 1.44 [R] 4000	1
▲	1 55931	(000000-	) Driveshaft, Pump, Hyd	1
▲	2 373430	(000000-	) Cover, End	1
▲	3 373389	(000000-	) Housing	1
▲	4 02706	(000000-	) Kit, Rotating, Pump, Hyd	1
▲	5 373390	(000000-	) Cam	1
▲	6 70096	(000000-	) Washer, Flt, Pump, Hyd	1
▲	7 55926	(000000-	) Ring, Retaining, Pump, Hyd	1
▲	8 373434	(000000-	) Ring, Retaining	2
▲	9 74225	(000000-	) Bearing, Thrust, Pump, Hyd	1
▲	10 74226	(000000-	) Race, Bearing, Pump, Hyd	2
▲	11 373327	(000000-	) Insert, Plate, Cam, Pump, Hyd	1
▲	12 373391	(000000-	) Washer, Pump, Hyd	6
▲	13 373346	(000000-	) Screw, Cap	6
▲	14 373494	(000000-	) Valve, Relief, 4000 Psi	2
▲	15 373317	(000000-	) Bearing, Cone, Pump, Hyd	2
▲	16 373393	(000000-	) Plate, Cover	1
▲	17 373394	(000000-	) Plate, Cover	1
▲	18 70100	(000000-	) Pin, Dowel, Pump, Hyd	2
▲	19 373336	(000000-	) Screw, Cap, Pump, Hyd	2
▲	20 373337	(000000-	) Screw, Cap, Pump, Hyd	2
▲	21 74237	(000000-	) Key, Shaft, Pump, Hyd	1
▲	22 13907	(000000-	) Fitting, Plug, O-Ring	1
▲	23 55930	(000000-	) Adaptor Assy, Pump, Hyd	1
▲	24 55932	(000000-	) Gerotor, Pump, Hyd	1
▲	25 373395	(000000-	) Bearing, Cup	2
▲	26 373396	(000000-	) Washer	4
▲	27 74180	(000000-	) Plate, Valve, Pump, Hyd	1
▲	28 13907	(000000-	) Fitting, Plug, O-Ring	1
▲	29 373413	(000000-	) Actuator, Valve, Bypass	1
▲	30 373402	(000000-	) Kit, Shim	1
▲	31 373398	(000000-	) Kit, Seal, Hyd, Pump	1
	32 373429	(000000-	) Instr, Repair, Pump	1

**Fig. 2 - Hydraulic Gear Pump Breakdown, 9000210**

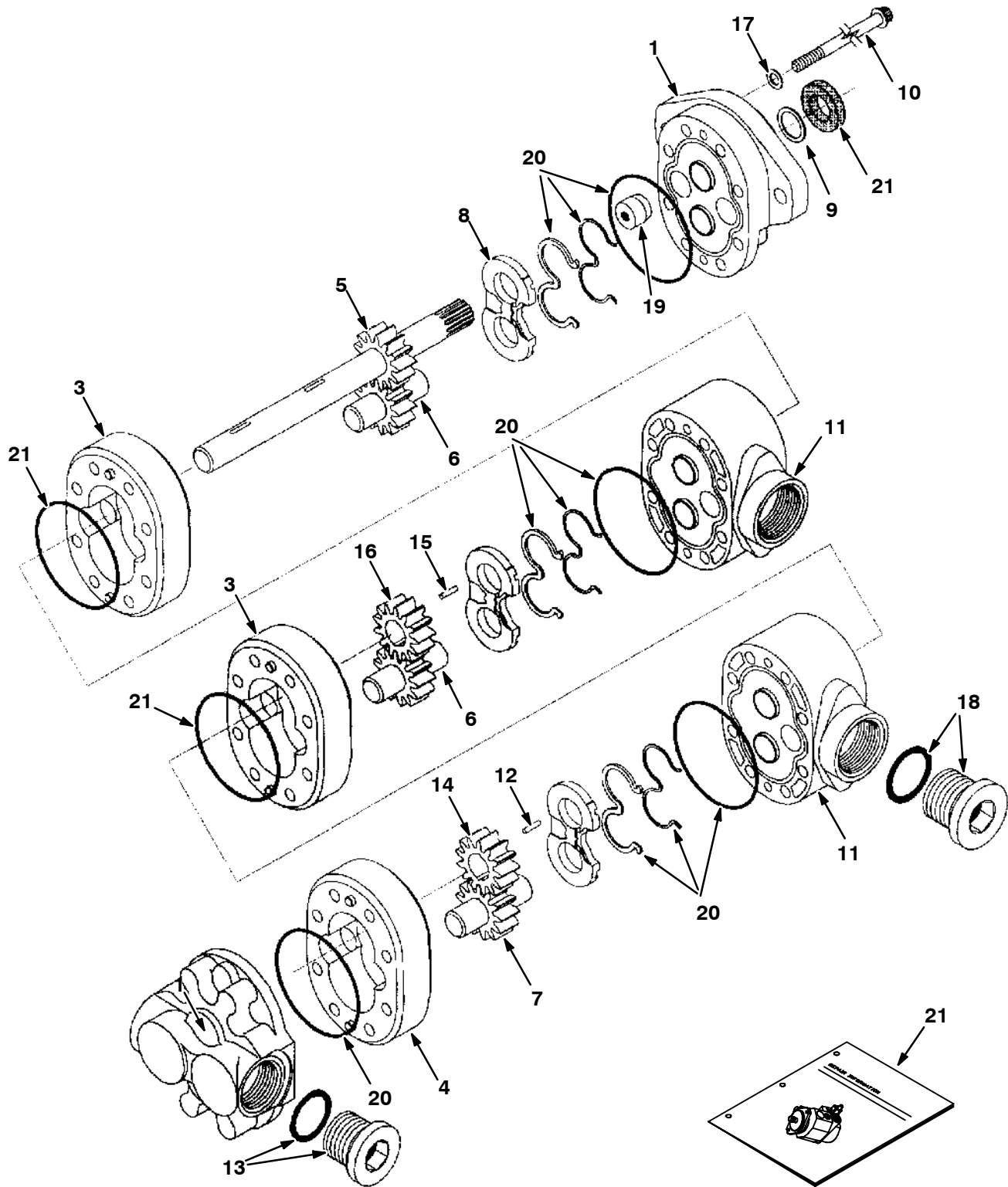


Fig. 2 - Hydraulic Gear Pump Breakdown, 9000210

Ref.	Part No.	Serial Number	Description	Qty.	
▽	9000210	(000000-	) Pump, Hyd, Gear [Ex3] 0.66 [X] 3000	1	
▲	1	373201	(000000-	) Plate, Front, Pump, Gear	1
▲	2	373276	(000000-	) Plate, Back, Pump, Gear	1
▲	3	373232	(000000-	) Body, Pump, Gear	2
▲	4	373285	(000000-	) Body, Pump, Gear	1
▲	5	373257	(000000-	) Gear, Drive, Pump, Hyd	1
▲	6	373211	(000000-	) Gear Assy, Idler, Pump, Hyd	2
▲	7	373286	(000000-	) Gear Assy, Idler, Pump, Hyd	1
▲	8	373227	(000000-	) Plate, Wear, Pump, Hyd	3
▲	9	373234	(000000-	) Washer, Flt	1
▲	10	74154	(000000-	) Screw, Cap, Motor, Hyd	8
▲	11	373235	(000000-	) Plate, Adaptor, Pump, Hyd	2
▲	12	373287	(000000-	) Key, Round	1
▲	13	71725	(000000-	) Plug, W/O-Ring, #16	1
▲	14	373288	(000000-	) Gear, Drive, Pump, Hyd	1
▲	15	373284	(000000-	) Key, Round	1
▲	16	373242	(000000-	) Gear, Drive, Pump, Hyd	1
▲	17	373243	(000000-	) Washer, Flt	4
▲	18	74161	(000000-	) Plug, W/O-Ring #20	1
▲	19	373244	(000000-	) Plug, Pump, Hyd	1
▲	20	373255	(000000-	) Kit, Seal, Pump, Hyd	1
	21	373207	(000000-	) Instr, Kit, Repair, Pump, Hyd	1

Fig. 3 - Hydraulic Motor Breakdown, 379609

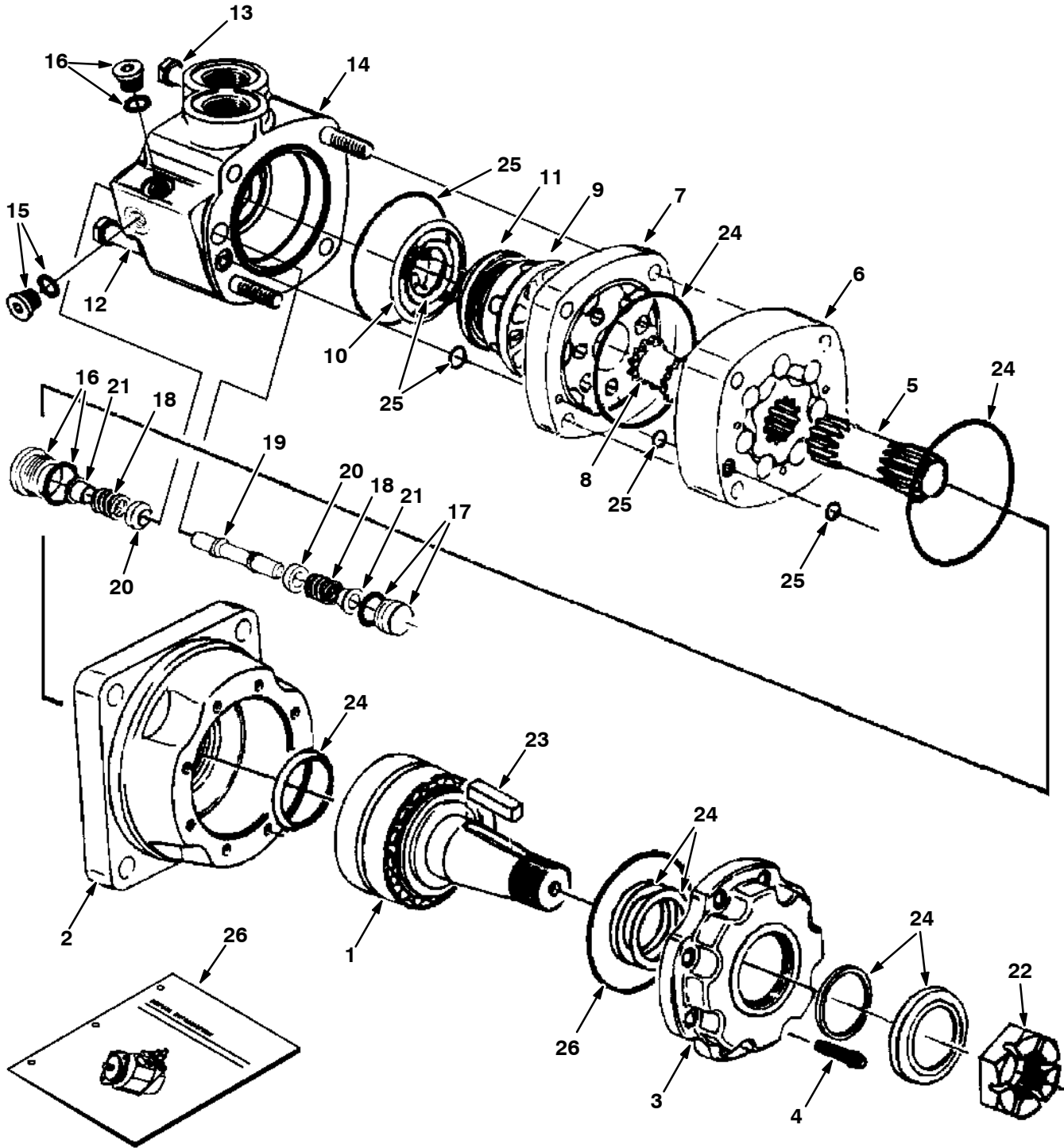
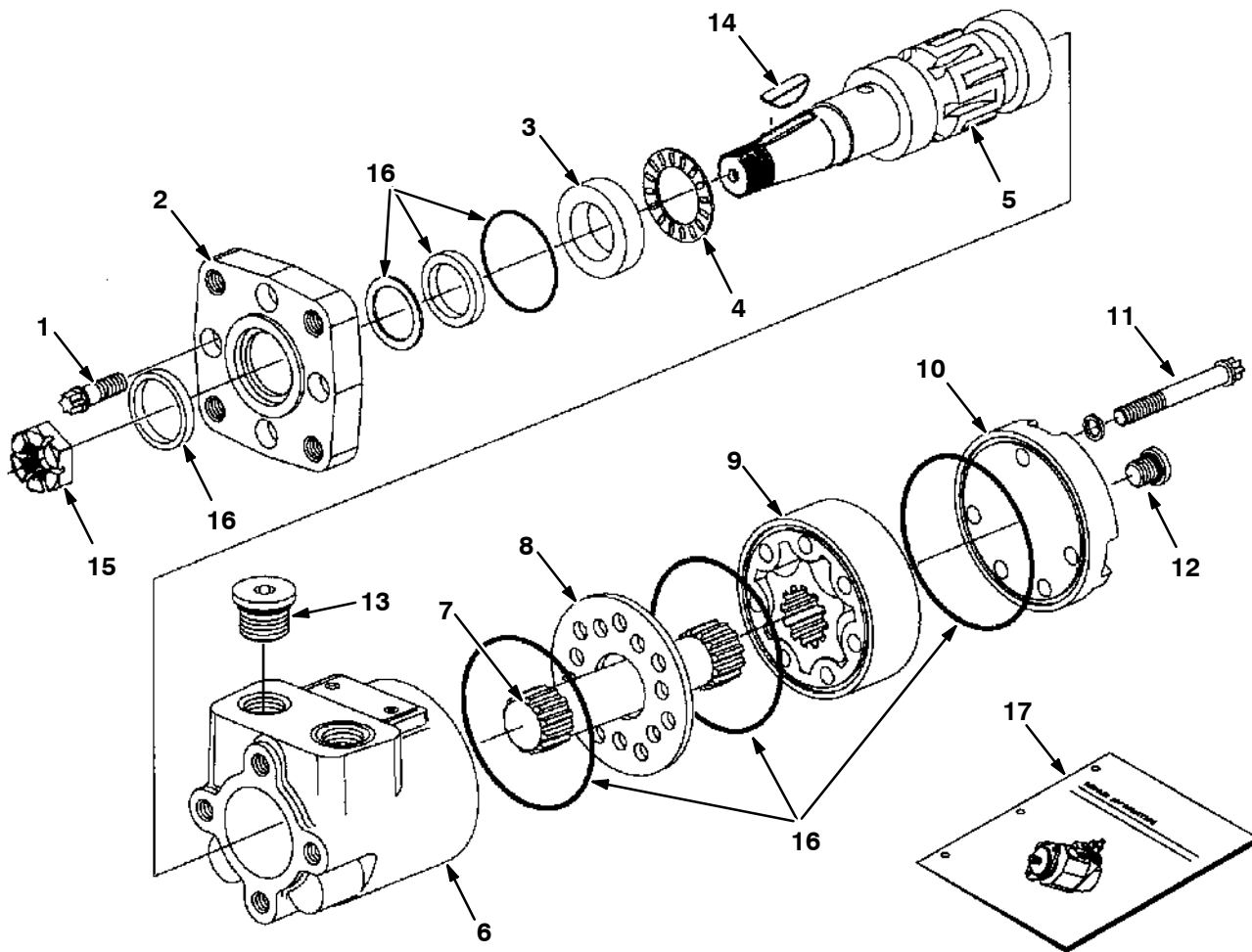


Fig. 3 - Hydraulic Motor Breakdown, 379609

Ref.	Part No.	Serial Number	Description	Qty.
▽	379609	(000000-	) Motor, Hyd, Gear, [Int], 19.0 X 3000	1
▲	1 74165	(000000-	) Shaft, Motor, Hyd	1
▲	2 74166	(000000-	) Housing, Brg, Motor, Hyd	1
▲	3 74167	(000000-	) Retainer, Motor, Hyd	1
▲	4 74168	(000000-	) Screw, Cap, Motor, Hyd	8
▲	5 37616	(000000-	) Drive, Motor, Hyd	1
▲	6 37756	(000000-	) Geroler, Motor, Hyd	1
▲	7 74122	(000000-	) Plate, Valve, Motor, Hyd	1
▲	8 52405	(000000-	) Valve, Motor, Hyd	1
▲	9 74123	(000000-	) Valve, Motor, Hyd	1
▲	10 34178	(000000-	) Spring, Motor, Hyd	2
▲	11 38968	(000000-	) Ring, Motor, Hyd	1
▲	12 74125	(000000-	) Bolt, Motor, Hyd	3
▲	13 38255	(000000-	) Bolt, Motor, Hyd	1
▲	14 373297	(000000-	) Housing, Valve	1
▲	15 373298	(000000-	) Plug	1
▲	16 373260	(000000-	) Plug, Pump, Hyd, Gear	2
▲	17 373299	(000000-	) Plug	1
▲	18 373291	(000000-	) Spring	2
▲	19 373217	(000000-	) Piston, Pump, Hyd, Gear	1
▲	20 373226	(000000-	) Poppet, Pump, Hyd, Gear	2
▲	21 373236	(000000-	) Sleeve, Dashpo, Pump, Hyd, Gear	2
▲	22 45622	(000000-	) Nut, Motor, Hyd	1
▲	23 45623	(000000-	) Key, Motor, Hyd	1
▲	24 79828	(000000-	) Kit, Seal, Motor, Hyd	1
▲	25 33580	(000000-	) Kit, Seal, Motor, Hyd	1
	26 79729	(000000-	) Instr, Repair, Motor, Hyd, Gear	1

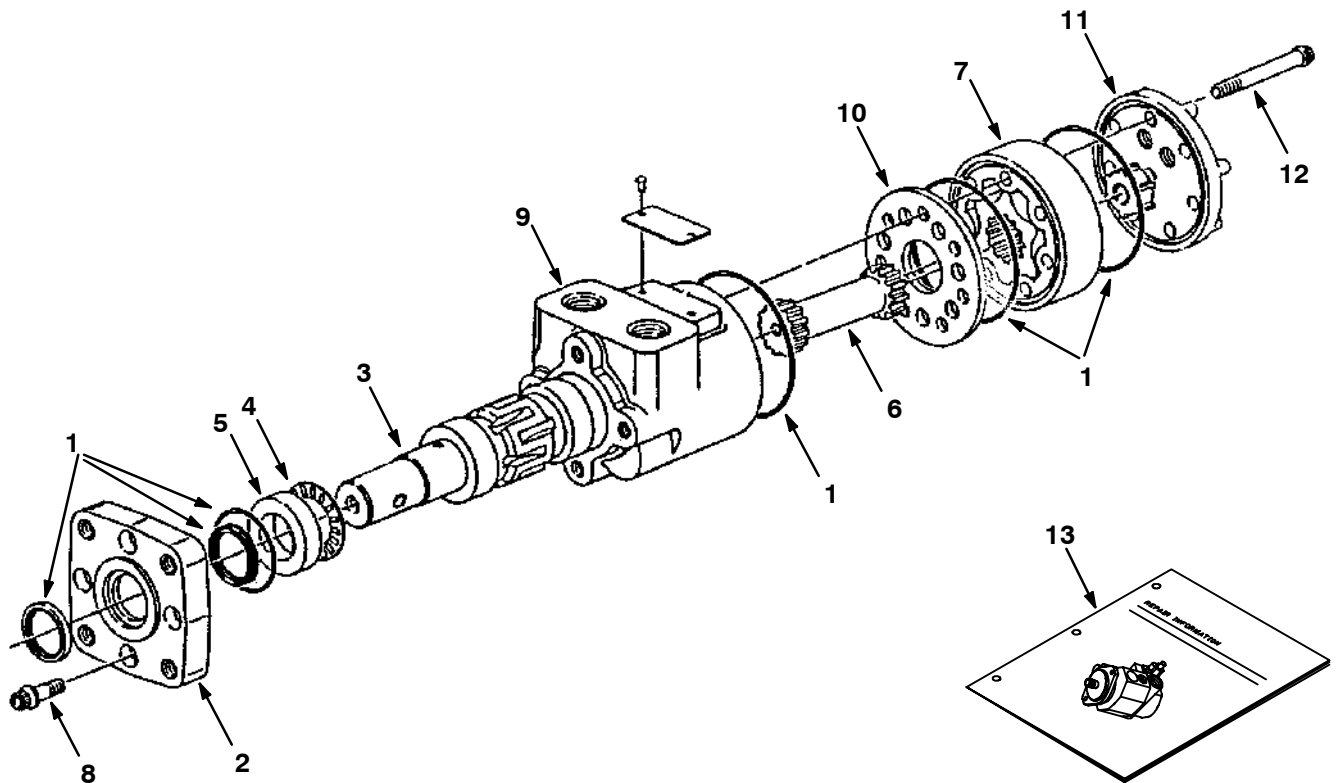
**Fig. 4 - Hydraulic Motor Breakdown, 379608**



09606 - 09670

Ref.	Part No.	Serial Number	Description	Qty.	
▽	379608	(000000-	) Motor, Hyd, Gear, [In] 02.8 1500	1	
▲	1	37555	(000000-	) Screw, Motor, Hyd	4
▲	2	31354	(000000-	) Flange, Motor, Hyd	1
▲	3	16695	(000000-	) Race, Thrust, Motor, Hyd	1
▲	4	45628	(000000-	) Bearing, Thrust, Motor, Hyd	1
▲	5	31375	(000000-	) Shaft, Output, Motor, Hyd	1
▲	6	74100	(000000-	) Housing, Motor, Hyd	1
▲	7	34176	(000000-	) Drive, Motor, Hyd	1
▲	8	74094	(000000-	) Plate, Spacer, Motor, Hyd	1
▲	9	31381	(000000-	) Gerotor Set, Motor, Hyd	1
▲	10	74095	(000000-	) End Cap, Motor, Hyd	1
▲	11	74174	(000000-	) Cap, Screw, Strg Valve	5
▲	12	74098	(000000-	) Fitting, Plug, O-Ring, #4	1
▲	13	74099	(000000-	) Fitting, Plug, O-Ring, Motor, Hyd	2
▲	14	00500-15	(000000-	) Key, Woodruff, 0.25 1.00, [Asa#0808]	1
▲	15	39527	(000000-	) Nut, Hex, Slt'd, .75-16	1
▲	16	<del>61490</del> 22654	- ) Kit, <del>Replmt</del> , Seal, Motor, Hyd	1	
▲	17	<del>22654</del> 74250	- ) <del>Kit, Seal, Motor, Hyd</del> Inst, Motor, Hyd	1	

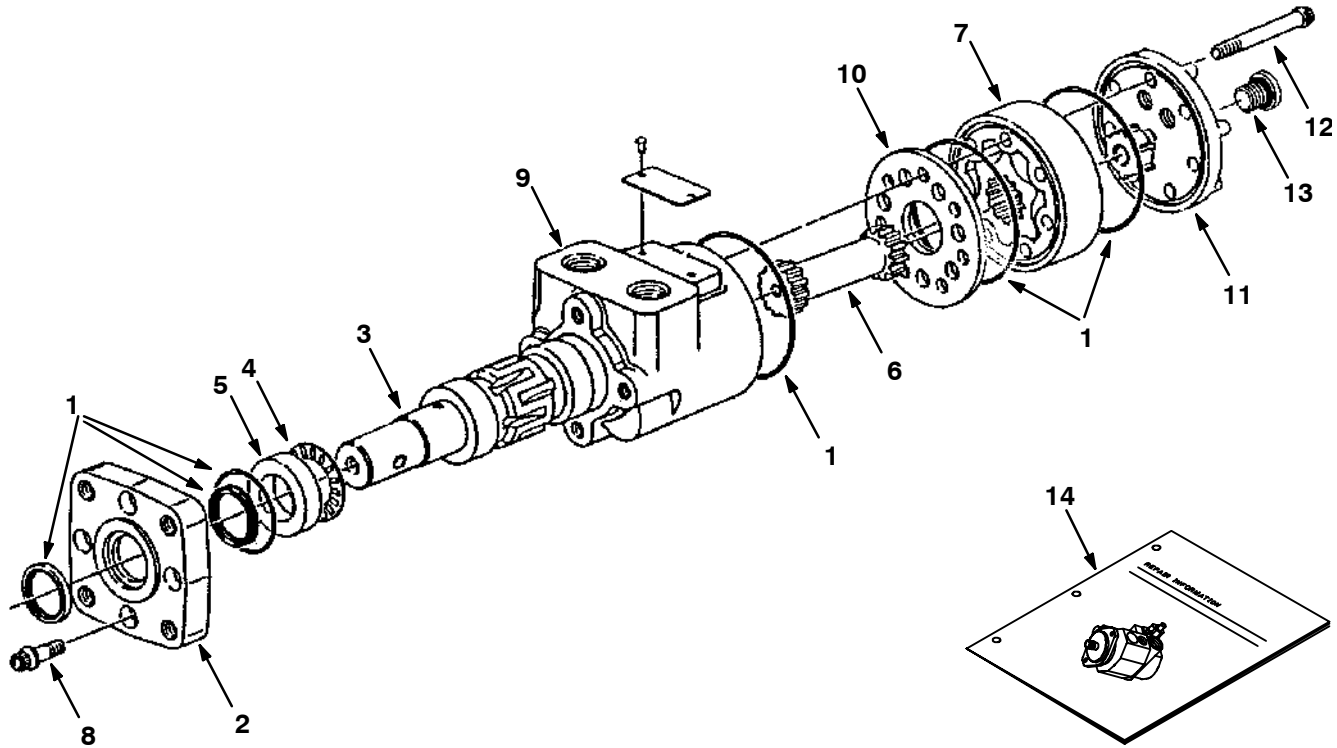
Fig. 5 - Hydraulic Motor Breakdown, 379607



08926 - 09670

Ref.	Part No.	Serial Number	Description	Qty.	
▽	379607	(000000-	) Motor, Hyd, Gear, [In] 17.9 B 1500	1	
▲	1	22654	(000000-	) Kit, Seal, Motor, Hyd	1
▲	2	31354	(000000-	) Flange, Motor, Hyd	1
▲	3	31373	(000000-	) Shaft, Output, Motor, Hyd	1
▲	4	45628	(000000-	) Bearing, Thrust, Motor, Hyd	1
▲	5	16695	(000000-	) Race, Thrust, Motor, Hyd	1
▲	6	31380	(000000-	) Drive, Motor, Hyd	1
▲	7	31385	(000000-	) Gerotor Set, Motor, Hyd	1
▲	8	37555	(000000-	) Screw, Motor, Hyd	4
▲	9	74100	(000000-	) Housing, Motor, Hyd	1
▲	10	74094	(000000-	) Plate, Spacer, Motor, Hyd	1
▲	11	74101	(000000-	) Cap, End, Motor, Hyd	1
▲	12	65232	(000000-	) Screw, Cap, Motor, Hyd	5
	13	74250	(000000-	) Instruction, Repair, Motor, Hyd	1

**Fig. 6 - Hydraulic Motor Breakdown, 373340**

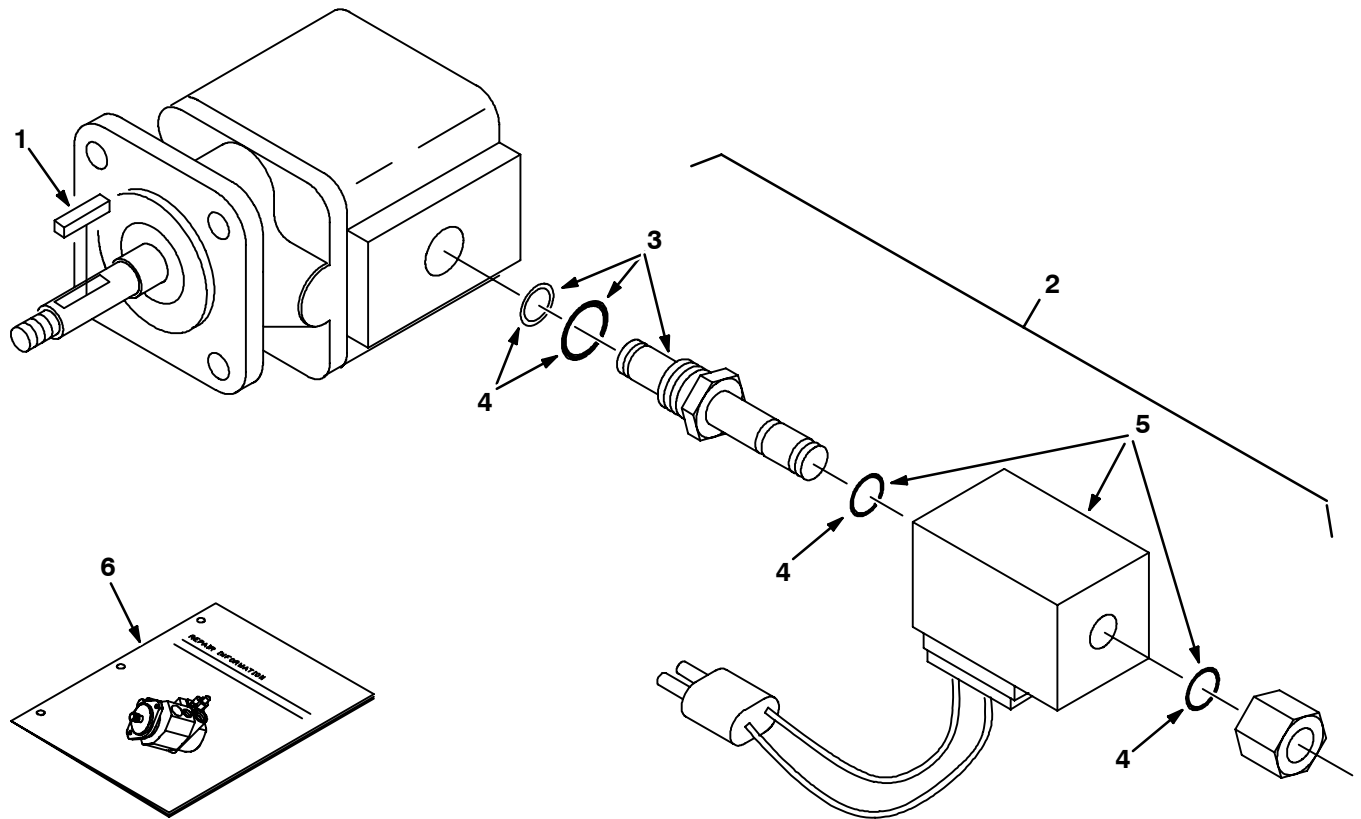


08926-09670-6550, IC

Ref.	Part No.	Serial Number	Description	Qty.
▽	373340	(000000-	) Motor, Hydraulic	1
▲	1 22654	(000000-	) Seal Kit	1
▲	2 31354	(000000-	) Flange, Mounting	1
▲	3 31373	(000000-	) Output Shaft	1
▲	4 45628	(000000-	) Bearing Thrust	1
▲	5 16695	(000000-	) Race, Thrust	1
▲	6 31377	(000000-	) Drive	1
▲	7 31384	(000000-	) Gerotor Set	1
▲	8 37555	(000000-	) Screw	4
▲	9 74100	(000000-	) Housing	1
▲	10 74094	(000000-	) Spacer Plate	1
▲	11 74101	(000000-	) End Cap	1
▲	12 22622	(000000-	) Screw, Cap	5
▲	13 74098	(000000-	) Plug	1
▲	14 74250	(000000-	) Repair Info.	1



**Fig. 7 - Hydraulic Motor Breakdown, 53485**



07490 - 09670

Ref.	Part No.	Serial Number	Description	Qty.
▽	53485	(000000-	) Motor, Hyd, Gear, [Ex] .194 R 3000	1
▲	74233	(000000-	) Kit, Seal, Motor, Hyd, Gear	1
▲	1 00966	(000000-	) Key, Sq, 0.12 X 0.12, 00.75l	1
▲▽	2 54095	(000000-	) Valve, Hyd, Cartridge	1
▲▲	3 59378	(000000-	) Valve Stem, N.O.Valve, Hyd	1
▲▲	4 48813	(000000-	) Kit, Seal, Valve, Hyd	1
▲▲	5 35493	(000000-	) Solenoid, 12v, Valve, Hyd	1
	6 IB3614	(000000-	) Instr, Seal Kit, Motor, F/74147	1

**Fig. 8 - Hydraulic Steering Valve Breakdown, 1005089**

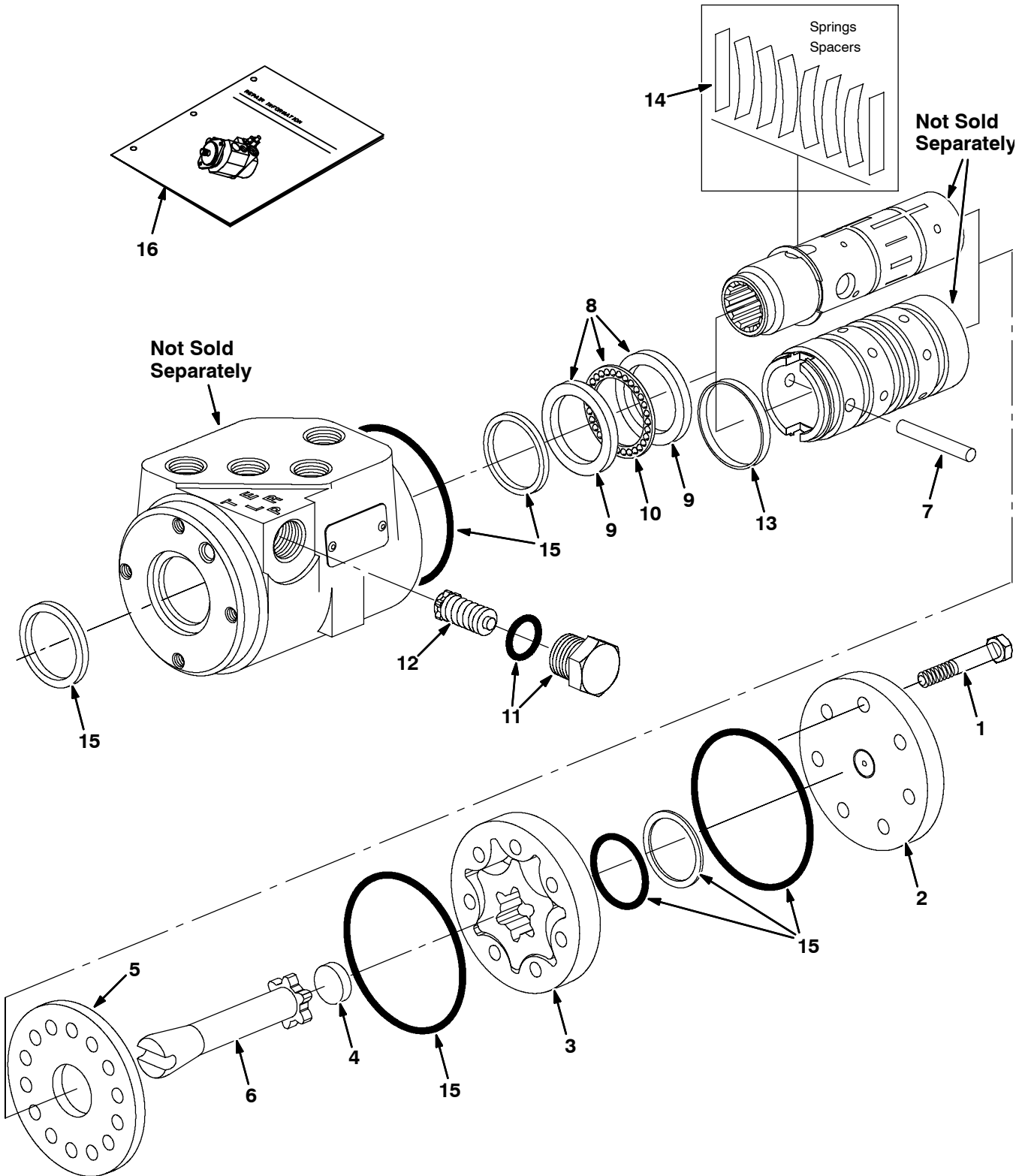
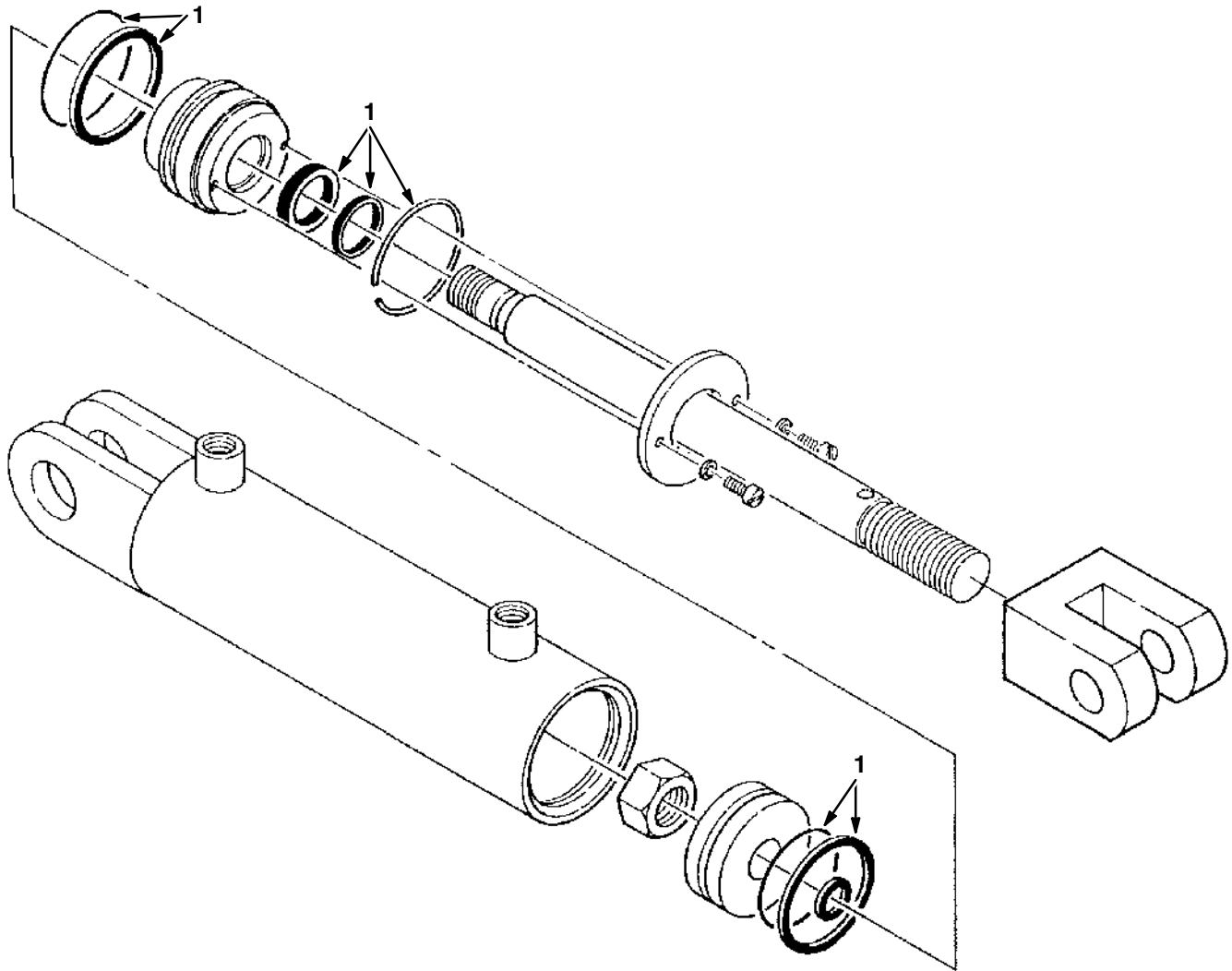


Fig. 8 - Hydraulic Steering Valve Breakdown, 1005089

	Ref.	Part No.	Serial Number	Description	Qty.
▽		1005089	(000000-	) Steer-Control, Hyd	1
▲	1	74183	(000000-	) Screw, Valve, Strg	7
▲	2	74185	(000000-	) Cap, End, Valve, Strg	1
▲	3	74192	(000000-	) Gerotor, Valve, Strg	1
▲	4	74193	(000000-	) Spacer, Valve, Strg	1
▲	5	74222	(000000-	) Plate, Wear, Valve, Strg	1
▲	6	74231	(000000-	) Drive, Valve, Strg	1
▲	7	74232	(000000-	) Pin, Valve, Strg	1
▲▽	8	21935	(000000-	) Bearing Kit	1
▲▲	9	74234	(000000-	) Race, Bearing, Valve, Strg	2
▲▲	10	74236	(000000-	) Bearing, Valve, Strg	1
▲	11	21933	(000000-	) Plug Assy	1
▲	12	373560	(000000-	) Valve Assy, Relief	1
▲	13	74243	(000000-	) Ring, Retainer, Valve, Strg	1
▲	14	74196	(000000-	) Kit, Spring, Valve, Strg	1
▲	15	74244	(000000-	) Kit, Seal, Hyd, Valve, Strg	1
	16	74245	(000000-	) Instruction, Repair, Valve, Strg	1

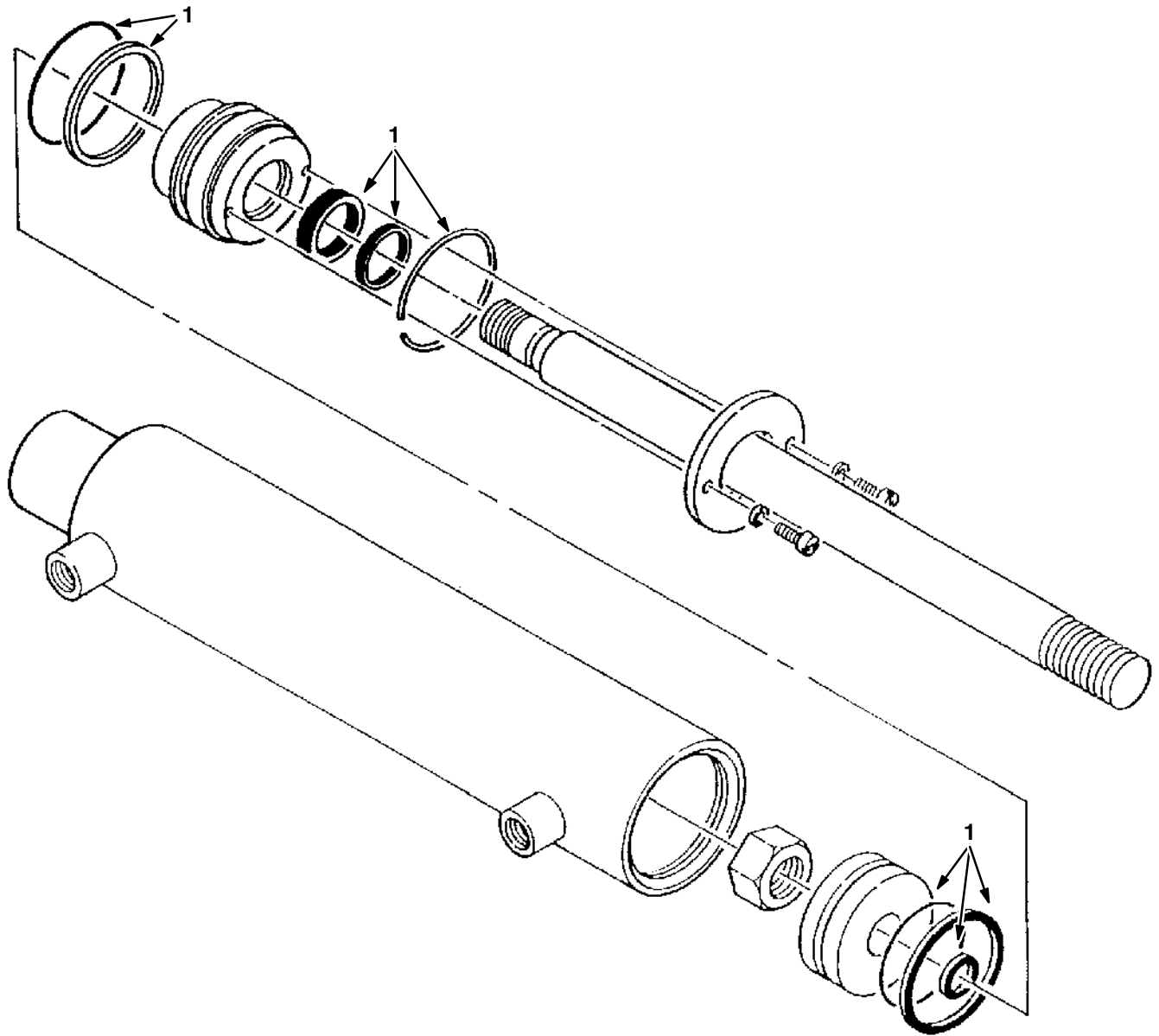
**Fig. 9 - Hydraulic Cylinder Breakdown, 74419**



07493

	<b>Ref.</b>	<b>Part No.</b>	<b>Serial Number</b>	<b>Description</b>	<b>Qty.</b>
▽		74419	(000000-	) Cylinder, Hyd, 2.5b,28.4l,15.00strk,2500	1
▲	1	59335	(000000-	) Kit, Seal, Cyl, Hyd	1

**Fig. 10 - Hydraulic Cylinder Breakdown, 53601**



07494

Ref.	Part No.	Serial Number	Description	Qty.
▽	53601	(000000-	) Cylinder, Hyd, 2.0b,15.0l,08.00strk,1500	1
▲	1 04483	(000000-	) Kit, Seal, Cyl, Hyd	1

**Fig. 11 - Hydraulic Control Valve Breakdown, 1005148**

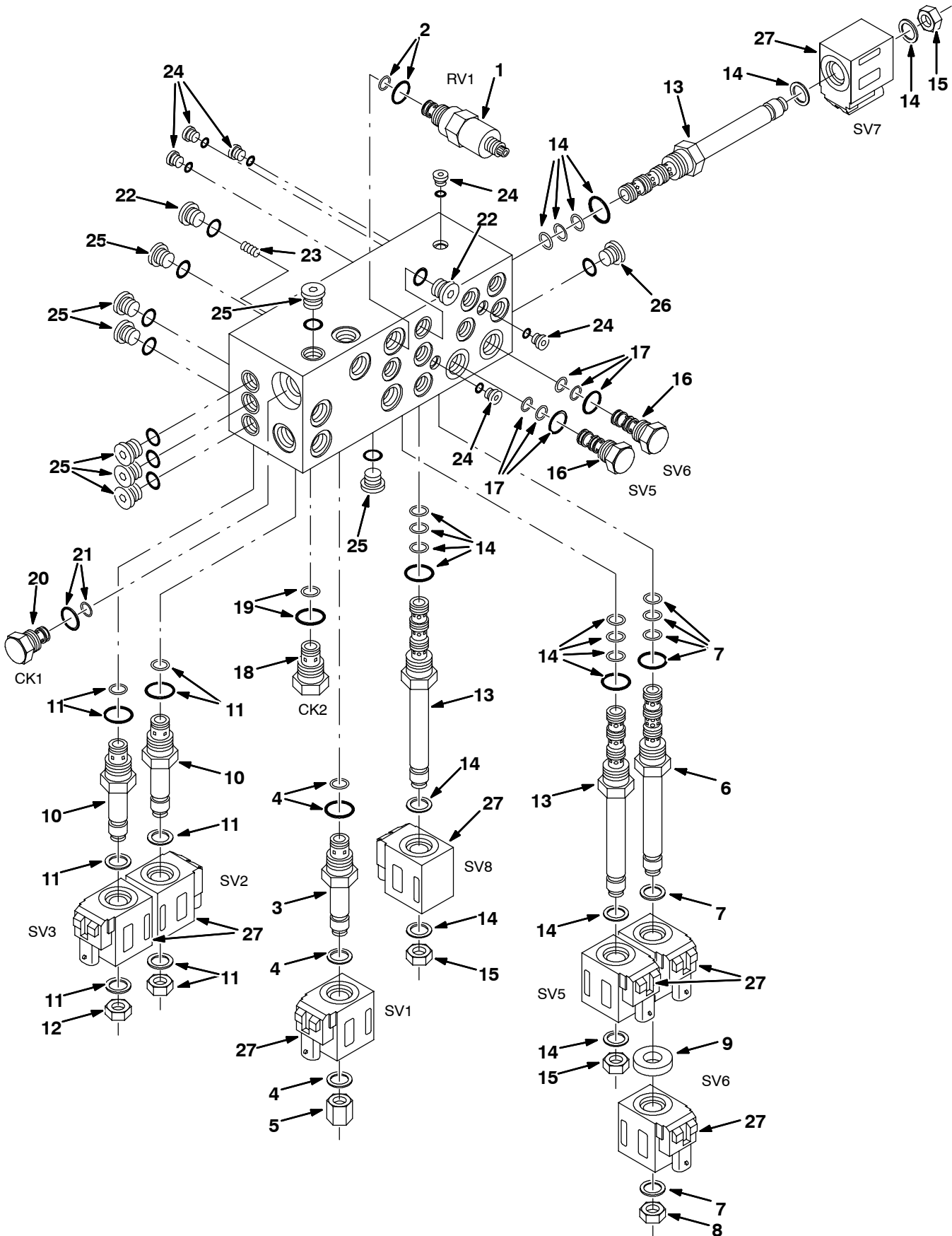


Fig. 11 - Hydraulic Control Valve Breakdown, 1005148

	Ref.	Part No.	Serial Number	Description	Qty.
▽		1005148	(000000-	) Valve, Cntrl, Hyd [6650]	1
▲▽	1	373576	(000000-	) Cart, PSI Cntrl	1
▲▲	2	373582	(000000-	) Seal Kit, Cart	1
▲▽	3	373575	(000000-	) Cart, Sol. Cntrl	1
▲▲	4	373582	(000000-	) Seal Kit, Cart	1
▲▲	5	373585	(000000-	) Nut, Long	1
▲▽	6	373577	(000000-	) Cart, Sol. Cntrl	1
▲▲	7	373582	(000000-	) Seal Kit, Cart	1
▲▲	8	373584	(000000-	) Nut, Short	1
▲▲	9	373583	(000000-	) Spacer, Coil	1
▲▽	10	373574	(000000-	) Cart, Sol. Cntrl	2
▲▲	11	373582	(000000-	) Seal Kit, Cart	1
▲▲	12	373584	(000000-	) Nut, Short	1
▲▽	13	373573	(000000-	) Cart, Sol. Cntrl	3
▲▲	14	373582	(000000-	) Seal Kit, Cart	1
▲▲	15	373584	(000000-	) Nut, Short	1
▲▽	16	373578	(000000-	) Cart, Plt. Cntrl	2
▲▲	17	373582	(000000-	) Seal Kit, Cart	1
▲▽	18	373579	(000000-	) Cart, Check Vlv	1
▲▲	19	373582	(000000-	) Seal Kit, Cart	1
▲▽	20	373580	(000000-	) Cart, Check Vlv	1
▲▲	21	373582	(000000-	) Seal Kit, Cart	1
▲	22	13904	(000000-	) Fitting, Plug, O-Ring, #6, Valve	2
▲	23	373581	(000000-	) Oriface, Plug	1
▲	24	13902	(000000-	) Fitting, Plug, O-Ring, #2, Valve	6
▲	25	373586	(000000-	) Plug, #5 O-Ring Ph	8
▲	26	74098	(000000-	) Fitting, Plug, O-Ring, #4	1
▲	27	373554	(000000-	) Coil, 12V Sol	8

**Fig. 12 - Air Conditioning Condenser Breakdown, 393340**

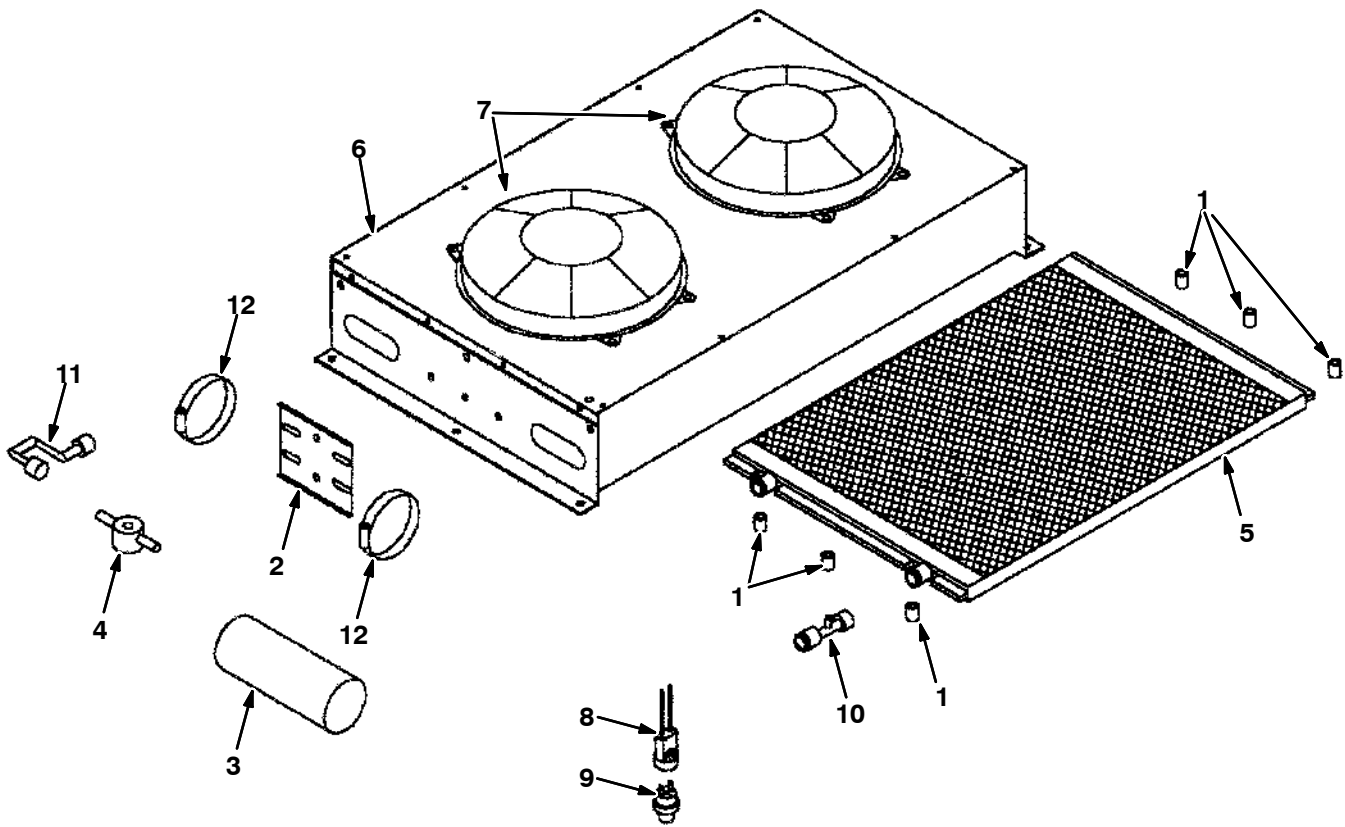


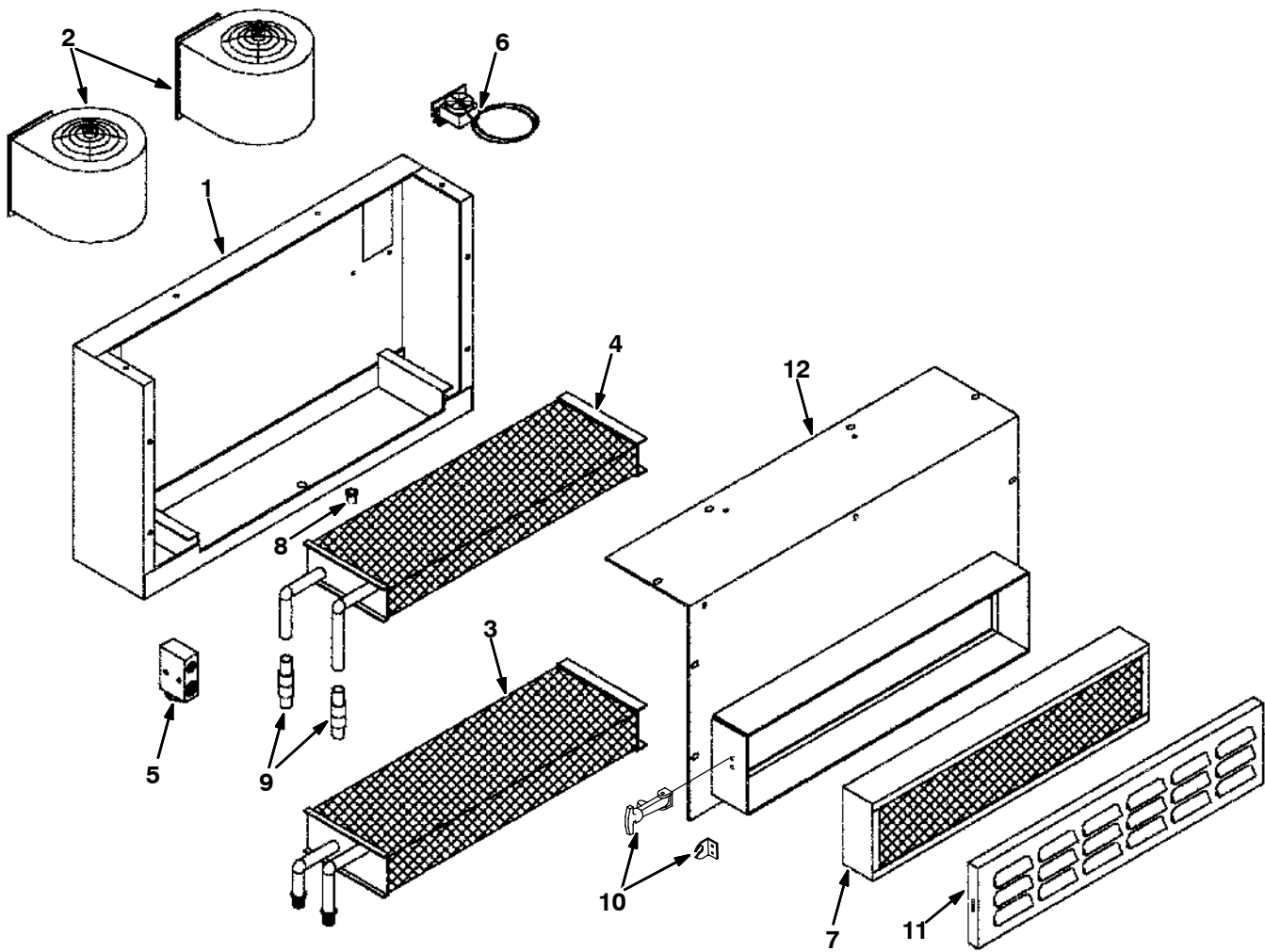


Fig. 12 - Air Conditioning Condenser Breakdown, 393340

	Ref.	Part No.	Serial Number	Description	Qty.
▽		393340	(000000-	) Condenser Assy, A/C, W /Fan	1
▲	1	393341	(000000-	) Spacer, Steel, Condenser, A/C	6
▲	2	393342	(000000-	) Bracket, Mtg, Drier, A/C	1
▲	3	393343	(000000-	) Drier, A/C	1
▲	4	393344	(000000-	) Glass, Sight, A/C	1
▲	5	393345	(000000-	) Coil, Condenser, A/C	1
▲	6	393346	(000000-	) Housing, Condenser/Fan, A/C	1
▲	7	393347	(000000-	) Fan, Condenser, 12vdc, A/C	2
▲	8	393348	(000000-	) Boot, Switch, Binary, A/C	1
▲	9	393349	(000000-	) Switch, Binary, A/C	1
▲	10	393350	(000000-	) Fitting, Valve, Schrader, A/C	1
▲	11	393351	(000000-	) Fitting, Condenser, Left, A/C	1
▲	12	83584	(000000-	) Clamp, Hose, Wormdrive, 1.31-3.25d	2

# BREAKDOWNS

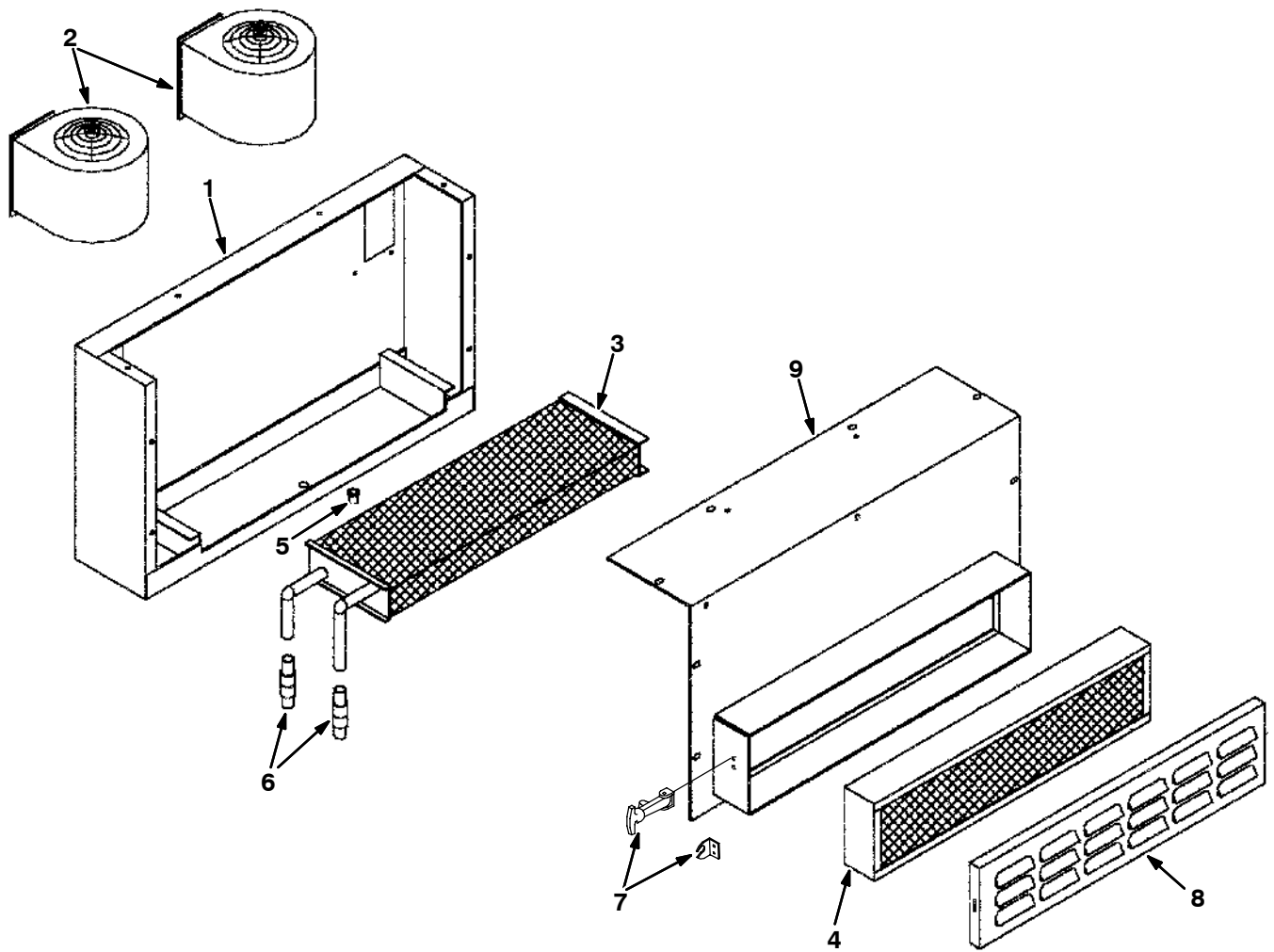
Fig. 13 - Air Conditioning Evaporator / Heater Breakdown, 1010755



IC

Ref.	Part No.	Serial Number	Description	Qty.	
▽	1010755	(000000-	) Heater & A/C Assy [R134]	1	
▲	1	9000902	(000000-	) Housing, Blower, A/C [6600]	1
▲	2	393330	(000000-	) Motor, Blower, 12vdc, A/C	2
▲	3	393331	(000000-	) Coil, Evaporator, A/C	1
▲	4	393332	(000000-	) Core, Heater	1
▲	5	393333	(000000-	) Block, Expansion, A/C	1
▲	6	393334	(000000-	) Thermostat, A/C	1
▲	7	393335	(000000-	) Filter, Air, A/C	1
▲	8	393336	(000000-	) Valve, Drain, A/C	1
▲	9	393337	(000000-	) Adaptor, Tube, A/C	2
▲	10	9000860	(000000-	) Latch, Rbr, A/C Cover W/ Rivets	2
▲	11	9000903	(000000-	) Cover, Fltr, A/C [6600]	1
▲	12	9000904	(000000-	) Cover, Hsng, Blower [6600]	1
▲		377109	(000000-	) Harness, Heater/Evaporator [6600/6650]	1

Fig. 14 - Heater Pressurizer Breakdown, 1010757



Ref.	Part No.	Serial Number	Description	Qty.	
▽	1010757	(000000-	) Heater/Presszr Assy	1	
▲	1	9000902	(000000-	) Housing, Blower, A/C [6600]	1
▲	2	393330	(000000-	) Motor, Blower, 12vdc, A/C	2
▲	3	393332	(000000-	) Core, Heater	1
▲	4	393335	(000000-	) Filter, Air, A/C	1
▲	5	393336	(000000-	) Valve, Drain, A/C	1
▲	6	393337	(000000-	) Adaptor, Tube, A/C	2
▲	7	9000860	(000000-	) Latch, Rbr, A/C Cover W/ Rivets	2
▲	8	9000903	(000000-	) Cover, Fltr, A/C [6600]	1
▲	9	9000904	(000000-	) Cover, Hsng, Blower [6600]	1
▲	377109	(000000-	) Harness, Heater/Evaporator [6600/6650]	1	

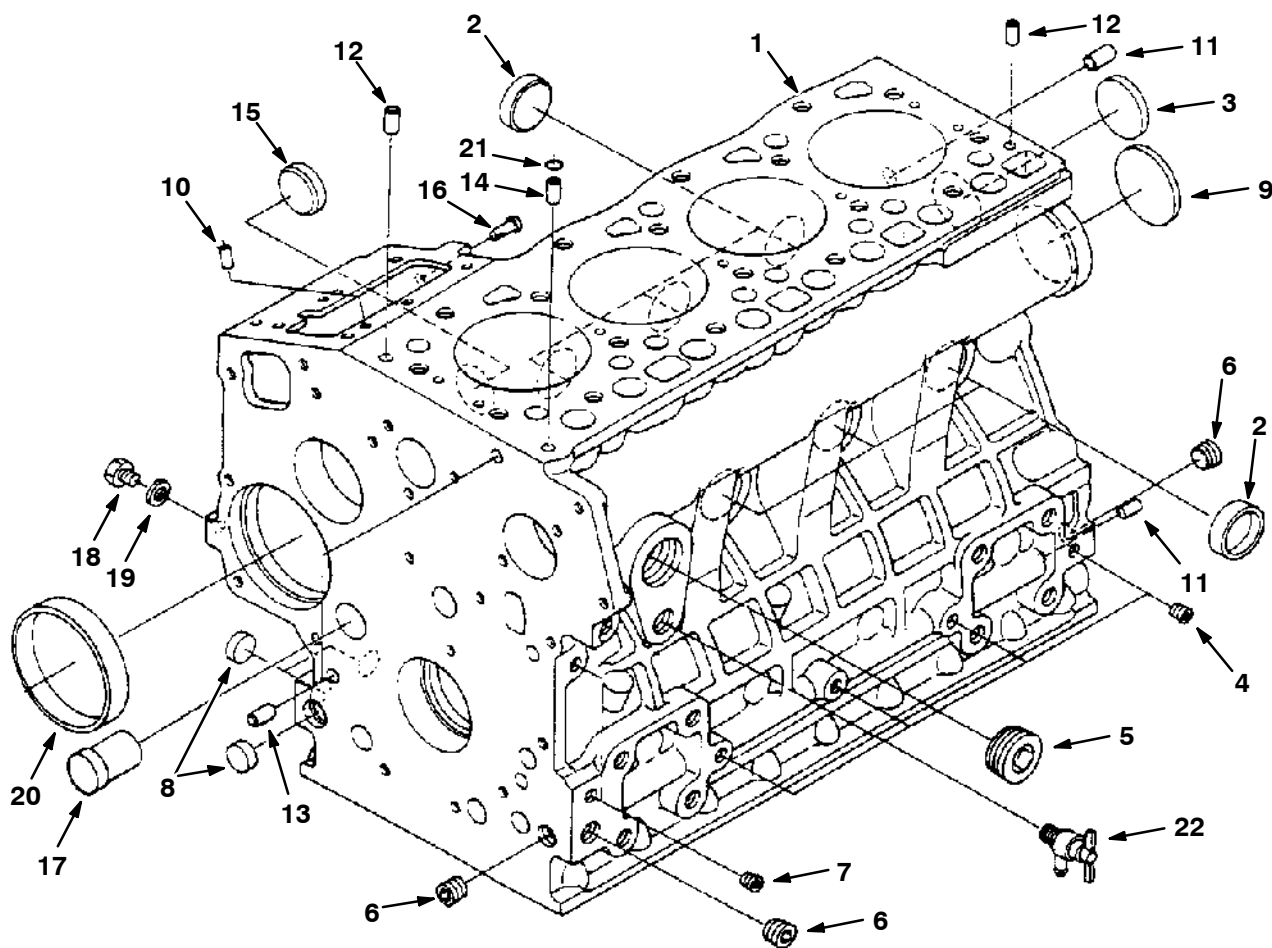
IC



## SECTION 5

Contents	Page
Fig. 1 - Crankcase Group .....	5-2
Fig. 2 - Oil Pan Group .....	5-4
Fig. 3 - Cylinder Head Group .....	5-5
Fig. 4 - Gear Case Group .....	5-6
Fig. 5 - Water Pump Group .....	5-8
Fig. 6 - Main Bearing Case Group .....	5-9
Fig. 7 - Head Cover Group (Wxxxxx-3xxxxxx) .....	5-10
Fig. 8 - Head Cover Group (4xxxxx- ) .....	5-11
Fig. 9 - Manifold Group .....	5-12
Fig. 10 - Valve, Rocker Arm Group .....	5-13
Fig. 11 - Camshaft Group .....	5-14
Fig. 12 - Piston and Crankshaft Group .....	5-16
Fig. 13 - Flywheel Group .....	5-18
Fig. 14 - Starter Breakdown, 74405 .....	5-20
Fig. 15 - Nozzle Holder and Glow Plug Group	5-22
Fig. 16 - Injection Pump Group .....	5-24
Fig. 17 - Injection Pump Breakdown .....	5-26
Fig. 18 - Fuel Camshaft Group .....	5-28
Fig. 19 - Idling Group .....	5-29
Fig. 20 - Speed Control Plate Group .....	5-30
Fig. 21 - Governor Group .....	5-31
Fig. 22 - Water Flange Group .....	5-32

Fig. 1 - Crankcase Group



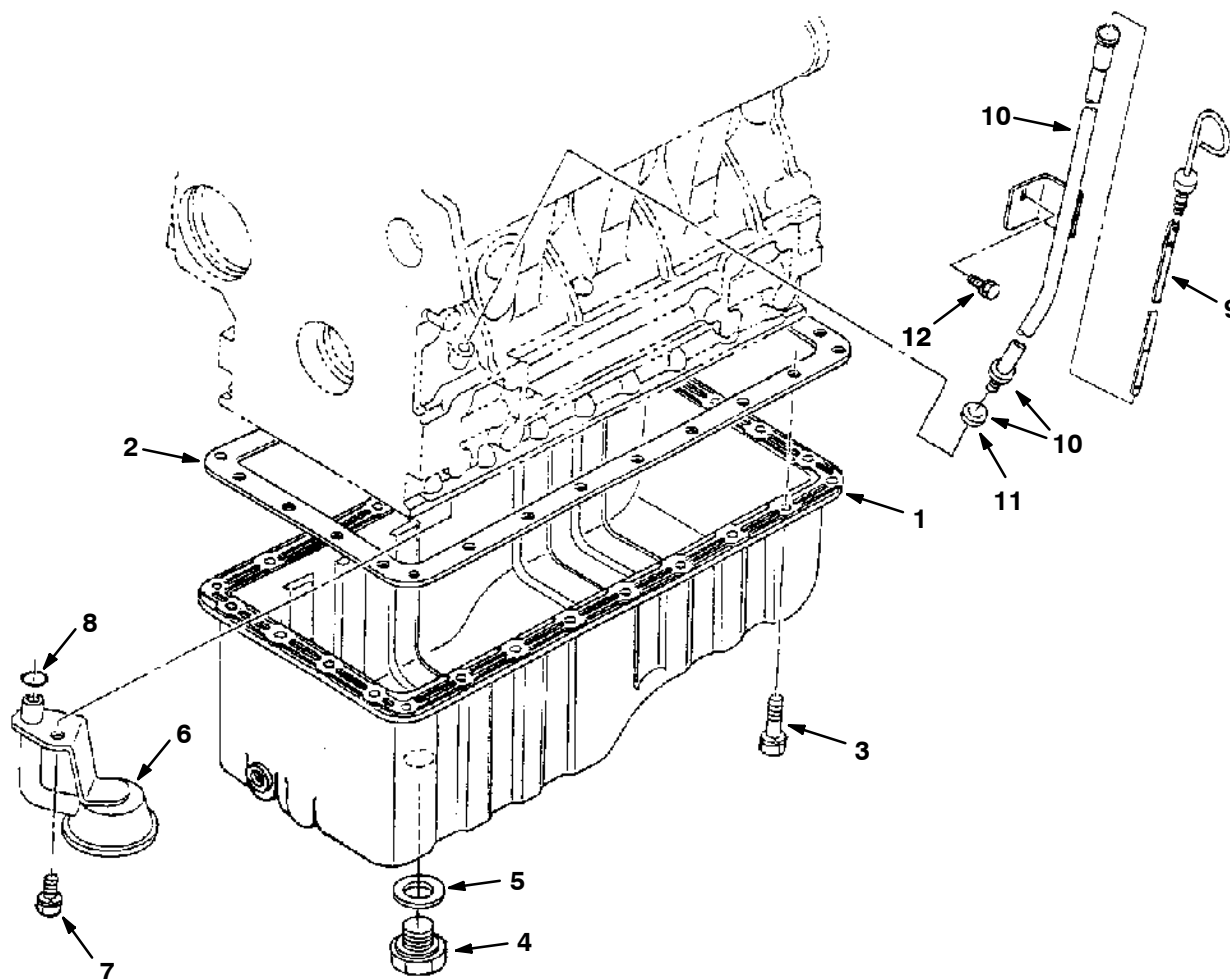
**Fig. 1 - Crankcase Group**

Ref.	Part No.		Description	Qty.
	1	84646	① Crankcase	1
▽	1	372920	② Crankcase, Compl	1
▲	2	70998	Cap, Sealing	6
▲	3	39087	Cap, Sealing	1
▲	4	39088	Plug	4
▲	5	84647	Plug	1
▲	6	71985	Plug	3
▲	7	39051	Plug	2
▲	8	361436	Plug, Expansion	3
▲	9	71986	Plug, Expansion	1
▲	10	71987	Pin, Straight	2
▲	11	71988	Pin, Straight	2
▲	12	71989	Pin, Straight	2
▲	13	71990	Pin, Pipe	2
▲	14	71991	Pin, Pipe	1
▲	15	71992	Plug	1
▲	16	39105	Pin, Start Spring	1
▲	17	71993	Plug	1
▲	18	39062	Plug	1
▲	19	10895	Gasket	1
▲	20	70887	Bush, Governor Gear	1
	21	39063	O-Ring	1
	22	70888	Assembly Cock, Drain	1

① Kubota Serial number (Wxxxxx-3xxxxxx)

② Kubota Serial number number (4xxxxx- )

## Fig. 2 - Oil Pan Group

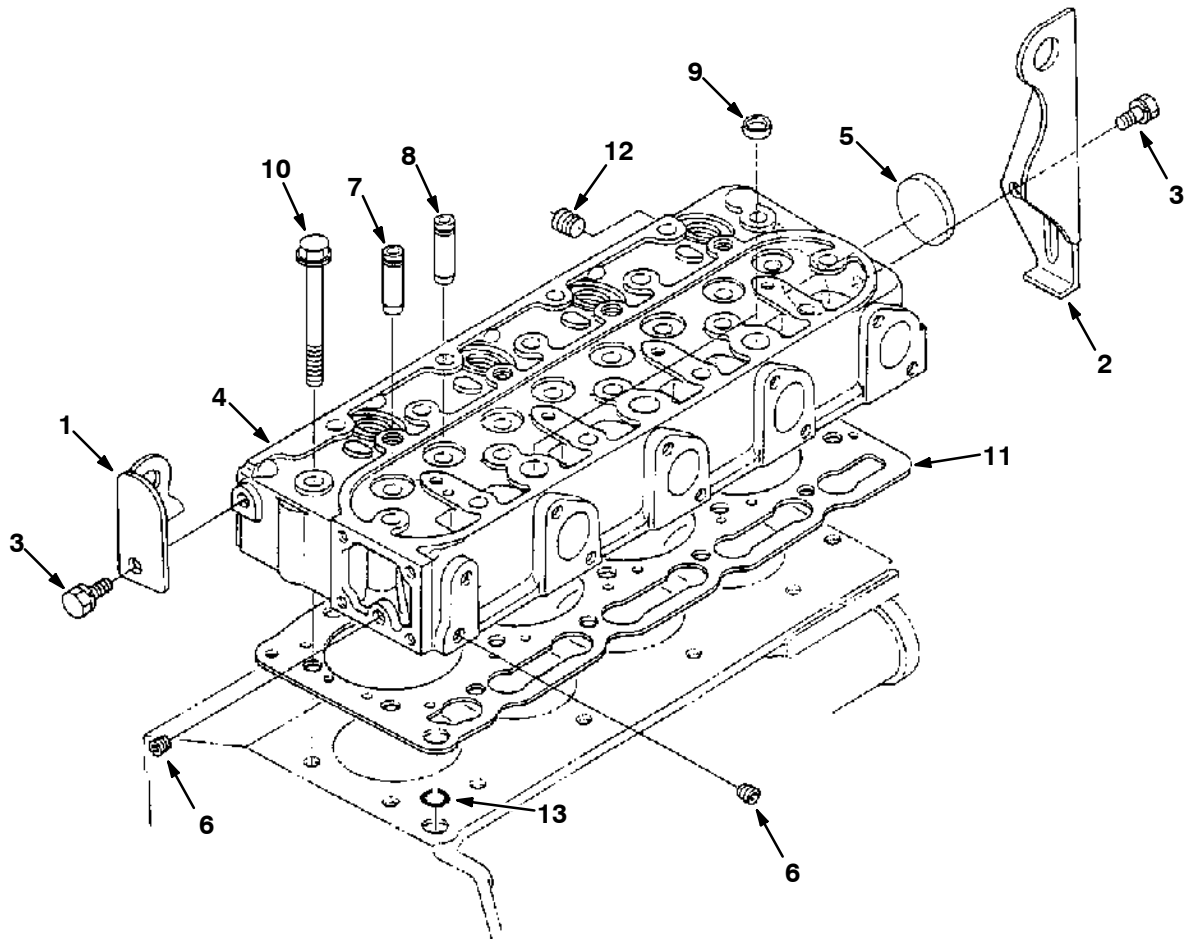


07409 - 6600L, 7400, D

Ref.	Part No.	Description	Qty.	
1	71994	Pan, Oil	1	
2	70889	Gasket, Pan, Oil	1	
3	71995	Screw, Hex [Ku]	26	
4	70890	Plug	1	
5	70891	Gasket, Plug, Drain [Ku]	1	
6	70892	Element, Fitr, Oil, Eng, Spin-on[Ku]	1	
7	39094	Screw, Hex [Ku]	1	
8	41792	Seal Org [Ku]	1	
9	70893	Dipstick [Ku]	1	
▽	10	361428	Dipstick, Oil [Ku]	1
▲	11	361366	Seal Org [Ku]	1
	12	39073	Screw, Hex [Ku]	1
		66187	Gasket Set	1



**Fig. 3 - Cylinder Head Group**



07411 - 6600L, 7400, 8200L, D

Ref.	Part No.	Description	Qty.
1	71996	Hook, Engine 1	1
2	71997	Hook, Engine 2	1
3	39073	Bolt	2
4	84631	① Head, Cyl, W/O Valve [Ku]	1
▽ 4	372921	② Head, Cyl [Ku]	1
▲ 5	51331	Cap, Sealing	1
▲ 6	39088	Plug	2
▲ 7	70895	Guide, Inlet Valve	4
▲ 8	70896	Guide, Exhaust Valve	4
▲ 9	71999	Cap, Sealing	3
10	70897	Bolt, Cylinder Head	18
11	70899	Gasket, Cyclinder Head	1
	66194	Gasket Set, Upper	1
12	72010	Plug	1
13	39063	O-Ring	1

① Kubota Serial number (Wxxxxx-3xxxxxx)

② Kubota Serial number number (4xxxxx- )

Fig. 4 - Gear Case Group

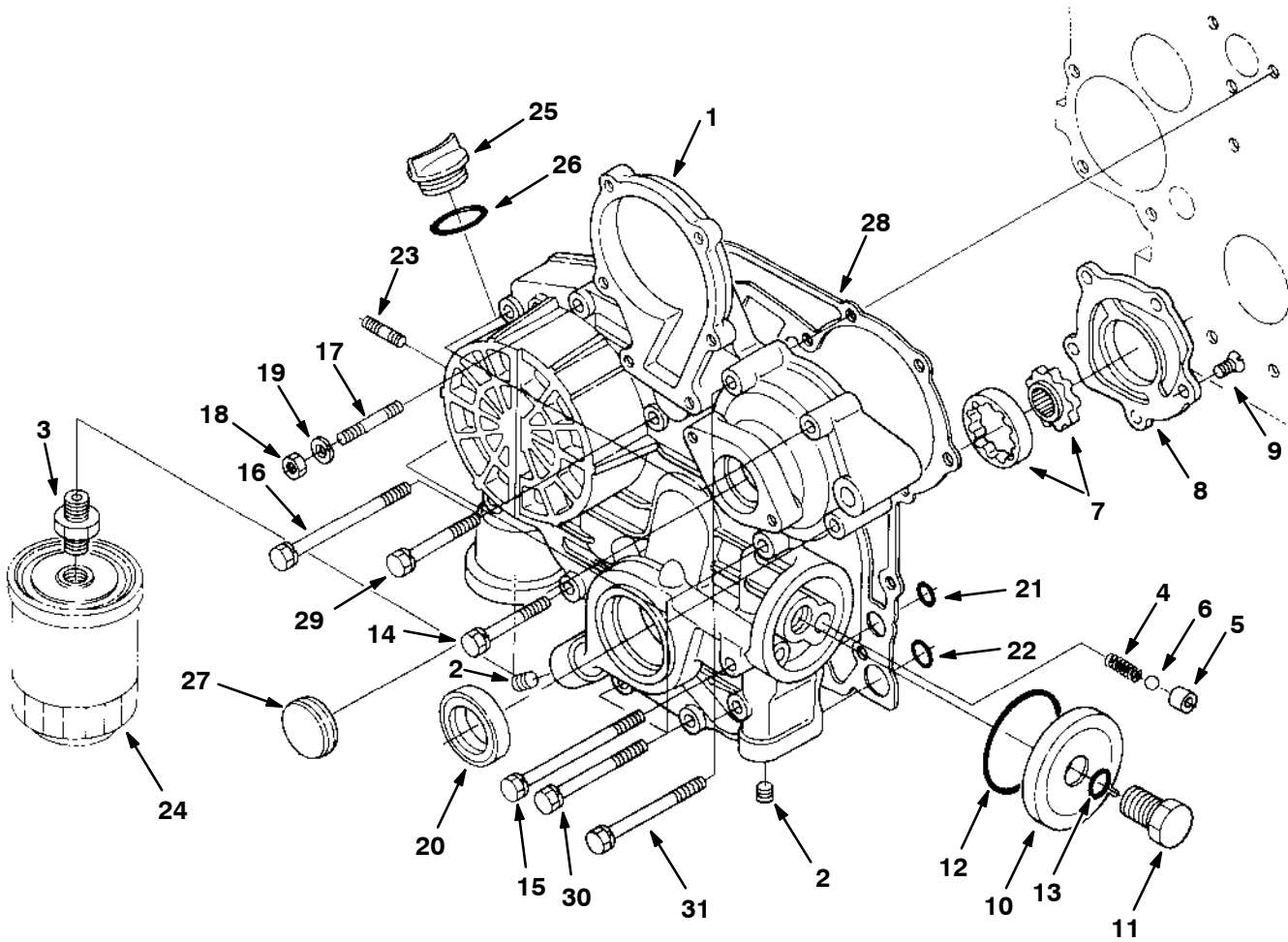
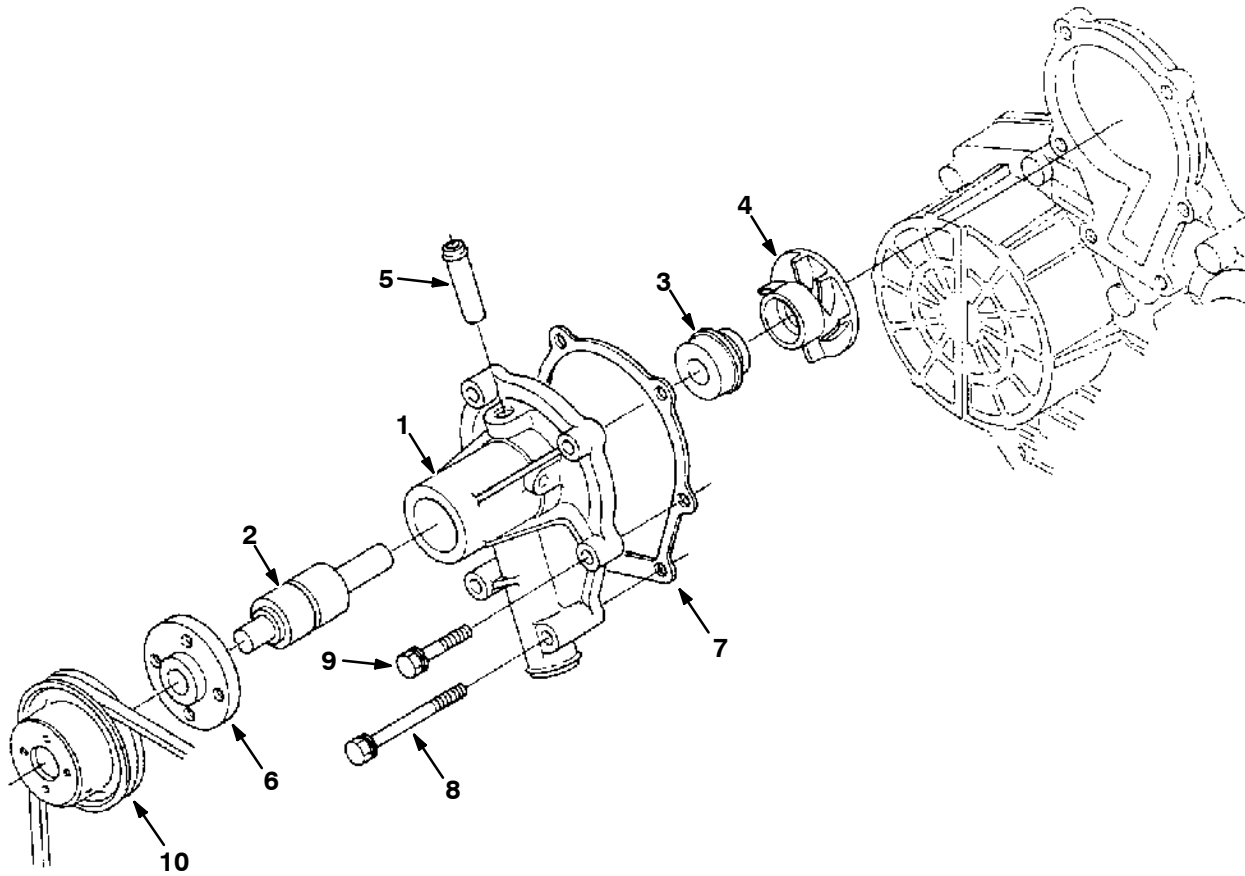


Fig. 4 - Gear Case Group

	Ref.	Part No.	Description	Qty.
▽	1	72011	Comp. Case, Gear	1
▲	2	72012	Plug	4
▲	3	12916	Joint, Pipe	1
▲	4	70900	Spring	1
▲	5	70901	Seat, Valve	1
▲	6	70902	Ball	1
▲	7	70903	Assembly Rotor, Oil Pump	1
▲	8	70904	Cover, Oil Pump	1
▲	9	72013	Screw	5
▲	10	70905	Cover	1
▲	11	70906	Bolt	1
▲	12	70907	O-Ring	1
▲	13	39103	O-Ring	1
	14	72014	Bolt	1
	15	72015	Bolt	2
	16	72016	Bolt	1
	17	72017	Stud	1
	18	39121	Nut	1
	19	39065	Washer, Spring	1
	20	70909	Seal, Oil	1
	21	70910	O-Ring	2
	22	70911	O-Ring	2
	23	72018	Stud	2
	24	55849	Assembly Cartridge, Oil	1
	25	39161	Oil Filter, Plug	1
	26	70913	O-Ring	1
	27	70189	Cover	1
	28	70912	Gasket, Gear Case	1
	29	72993	Bolt	3
	30	72994	Bolt	4
	31	72995	Bolt	2

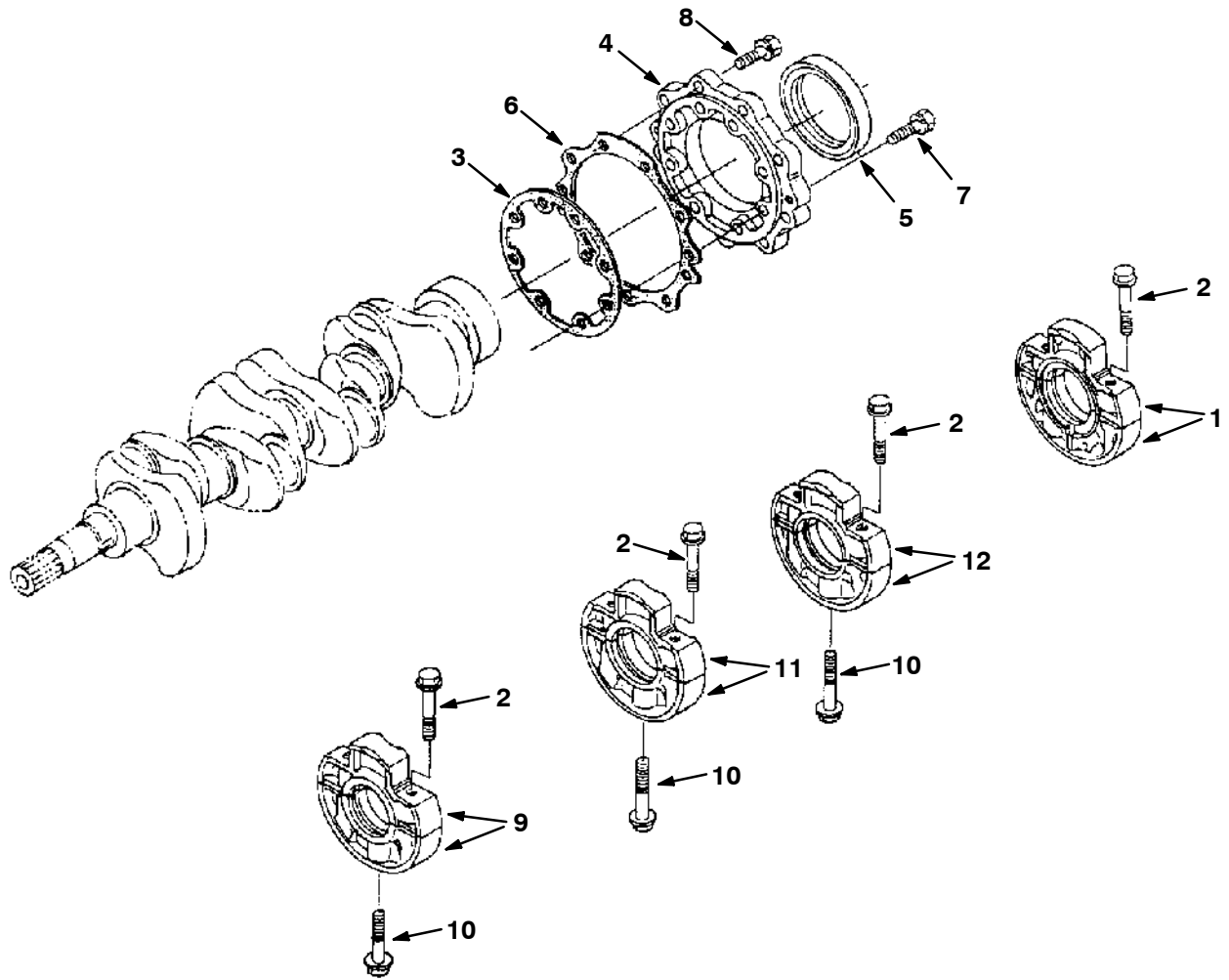
**Fig. 5 - Water Pump Group**



07415 - 6600L, 7400, D

Ref.	Part No.	Description	Qty.
▽	1 66205	Assembly Pump, Water	1
▲	2 70915	Bearing, Ball	1
▲	3 70916	Assembly Seal, Mechanical	1
▲	4 70917	Impeller, Water Pump	1
▲	5 361440	Fitting, Pipe, Water [Ku]	1
▲	6 70919	Flange, Pump, Water [Ku]	1
▲	7 70920	Gasket, Pump, Water [Ku]	1
	8 72997	Bolt	2
	9 72996	Bolt	4
	10 55847	Pully, Fan	1

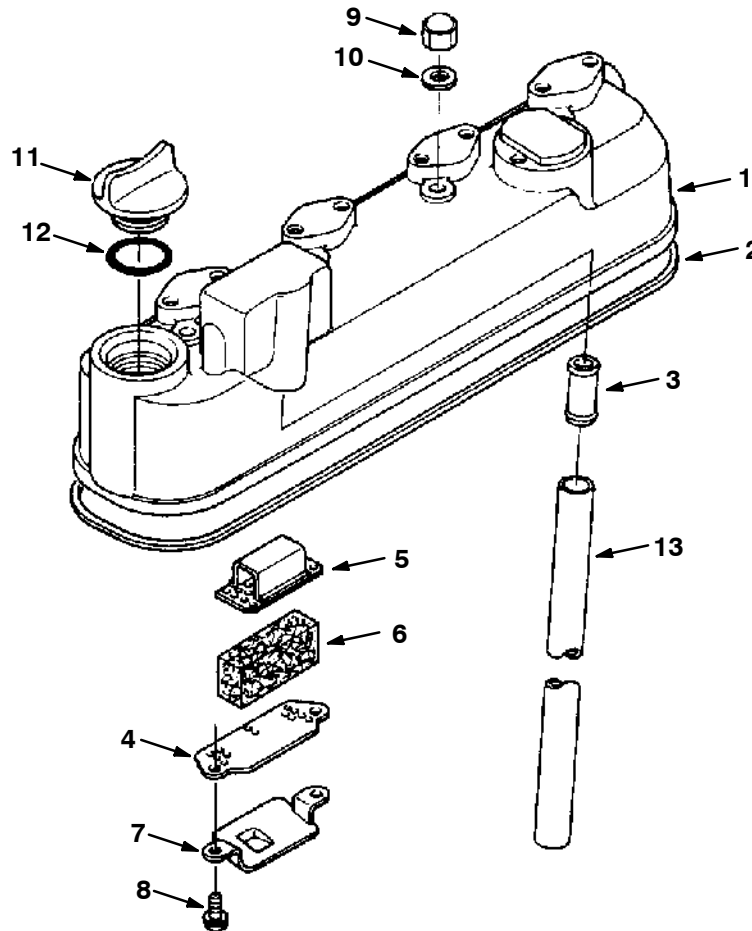
Fig. 6 - Main Bearing Case Group



07417 - 6600L, 7400, D

Ref.	Part No.	Description	Qty.
1	70921	Assembly Case, Main Bearing	1
2	72998	Bolt, Bearing Case 1	8
3	70922	Gasket, Bearing Case	1
4	70923	Cover, Bearing Case	1
5	70924	Seal, Oil	1
6	70925	Gasket, Bearing Case Cover	1
7	72999	Bolt	8
8	39119	Bolt	9
9	70926	Assembly Case, Main Bearing 1	1
10	73479	Bolt, Bearing Case 2	3
11	70927	Assembly Case, Main Bearing 2	1
12	70928	Assembly Case, Main Bearing 3	1

Fig. 7 - Head Cover Group (Wxxxxx-3xxxxxx)



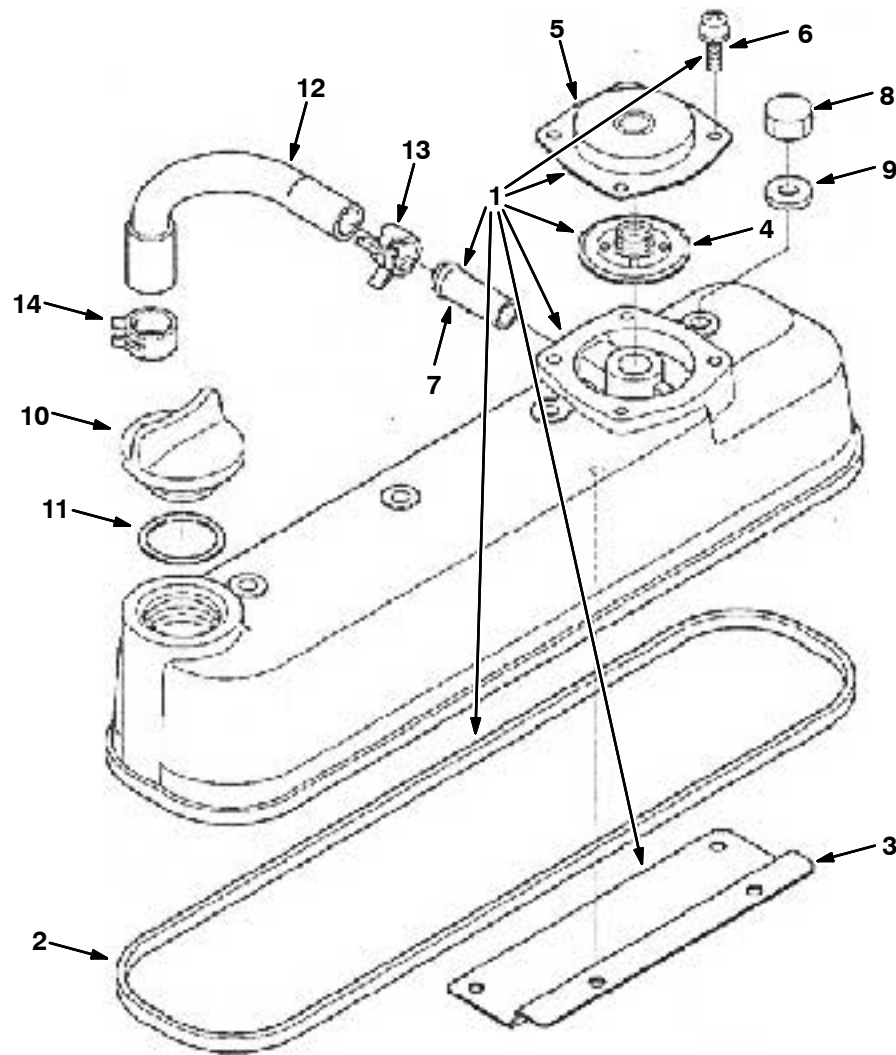
07419 - 6600L, 7400, D

Ref.	Part No.	Description	Qty.
▽	1 73480	① Cover, Cylinder Head	1
▲	2 70929	① Gasket, Head Cover	1
▲	3 73481	① Joint, Breather Pipe	1
▲	4 70930	① Plate, Element 1	1
▲	5 70931	① Plate, Element 2	1
▲	6 70932	① Element, Breather	1
▲	7 70933	① Oil Shield, Breather	1
▲	8 73482	① Screw, With Washer	2
	9 73483	① Nut, Cap	4
	10 73484	① Gasket	4
	11 361374	① Plug, Oil Filler	1
	12 39162	① O-Ring	1
	13 73485	① Pipe, Breather	1

① Kubota Serial number (Wxxxxx-3xxxxxx)

② Kubota Serial number number (4xxxxx- )

**Fig. 8 - Head Cover Group (4xxxxx- )**



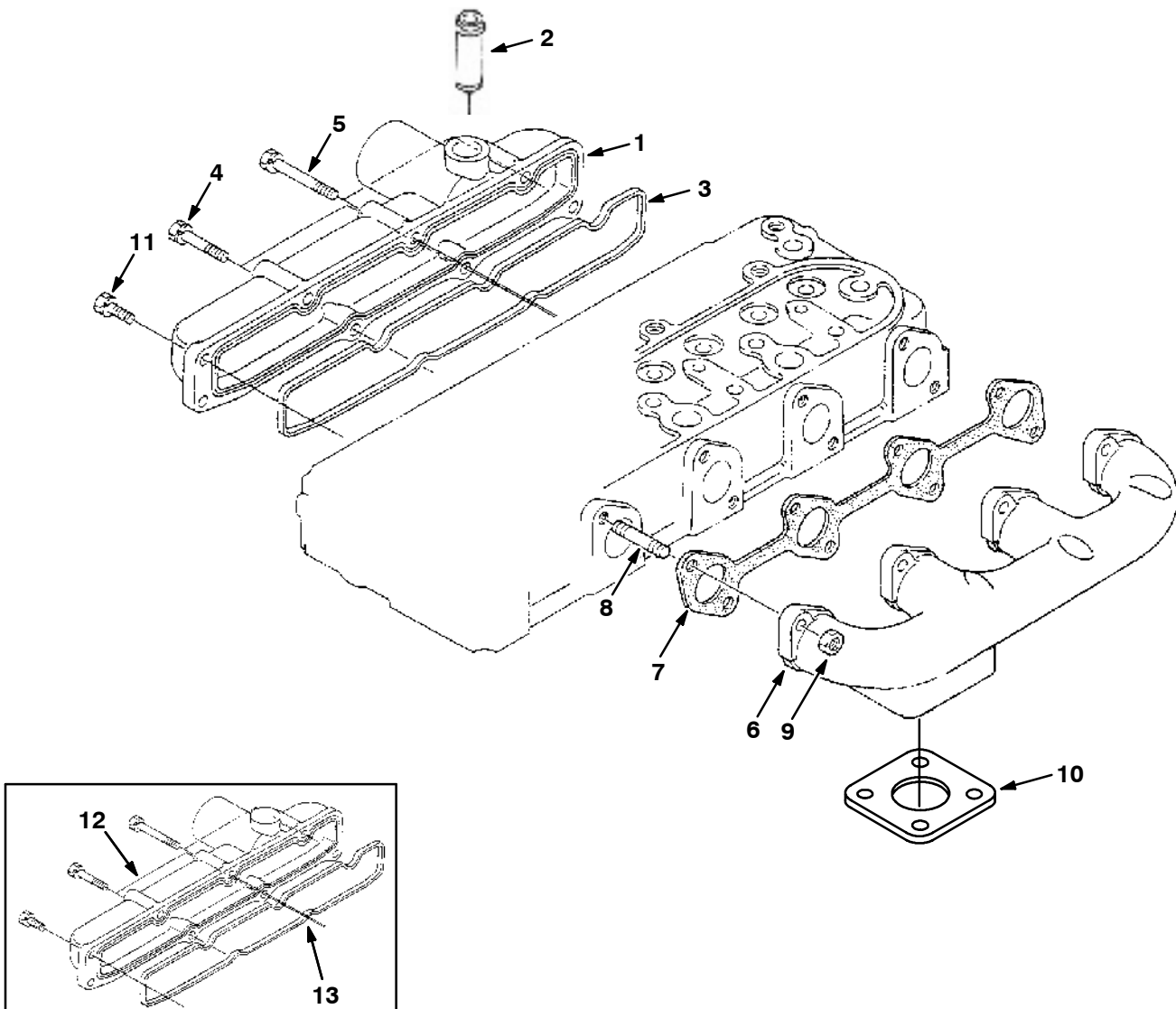
07419 - 6600L, 7400, D

Ref.	Part No.	Description	Qty.
▽	1 372918	② Cover Assy, Head, Cyl	1
▲	2 70929	② Gasket, Cover, Head, Cyl [Ku]	1
▲	3 372912	② Shield, Breather	1
▲	4 372928	② Valve, Breather, Complt	1
▲	5 372927	② Cover, Breather	1
▲	6 372900	② Screw, Pan	4
▲	7 30125	② Pipe, Water	1
	8 73483	② Nut, Hex, Cap [Ku] 15952-92331	1
	9 73484	② Gasket, F/Bolt [Ku] 15951-96661	1
	10 361374	② Cap, Filler, Oil [Ku]	1
	11 39162	② Seal, Org [Ku] 04811-50300	1
	12 372913	② Tube, Breather	1
	13 372901	② Clamp, Hose	1
	14 372904	② Clamp, Hose	1

▽ Kubota Serial number (Wxxxxx-3xxxxxx)

② Kubota Serial number number (4xxxxx- )

Fig. 9 - Manifold Group



07421 - 6600L, 7400, D

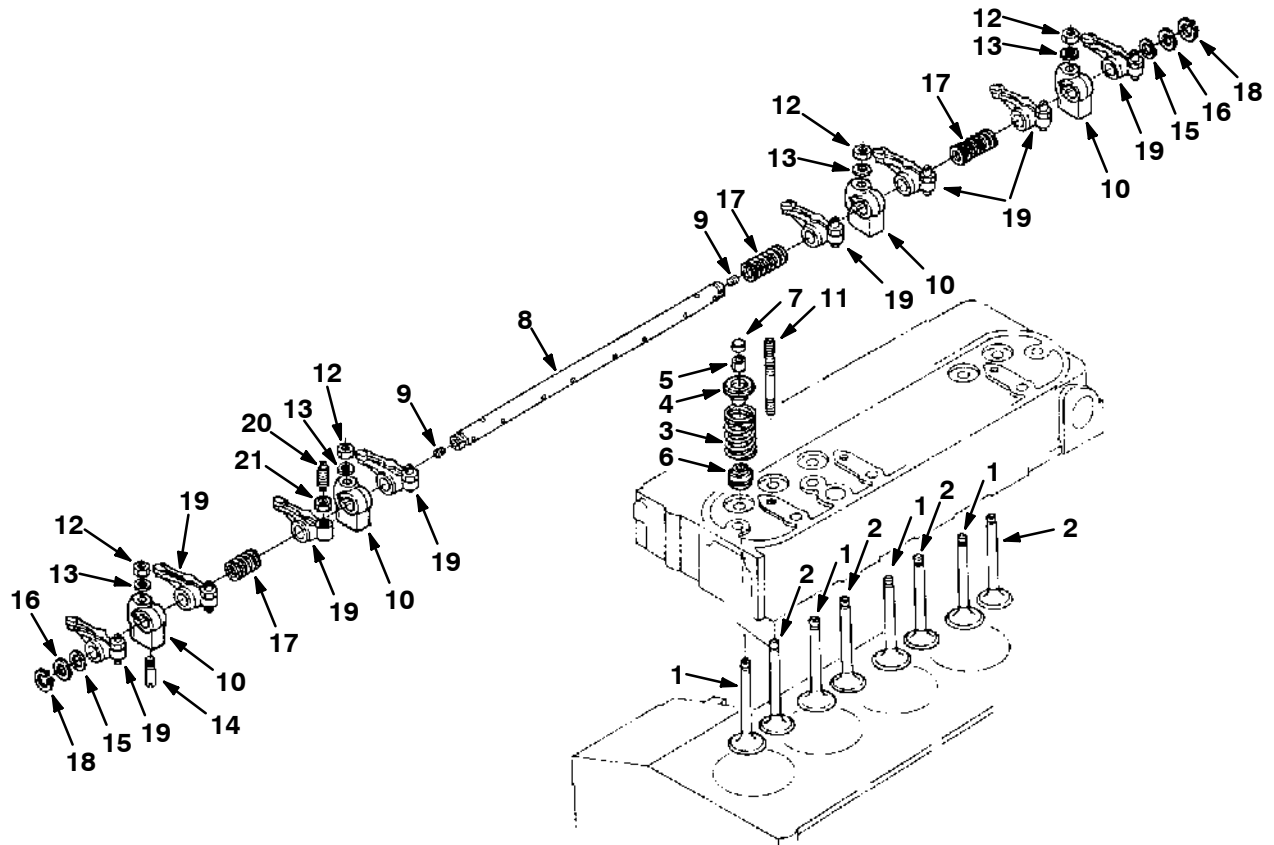
	Ref.	Part No.		Description	Qty.
▽	1	372905	②	Manifold Assy, Inlet	1
▲	2	73481	②	Pipe, Breather [Ku]	1
▲	3	70934	②	Gasket, In-manifold	1
	4	72996		Bolt	2
	5	72994		Bolt	3
	6	73487		Manifold, Exhaust, Front, Down	1
	7	70935		Gasket, Ex-manifold	1
	8	73488		Stud	8
	9	361427		Nut	8
	10	51332		Gasket Ku	1
	11	40409		Bolt	3
▽	12	73486	①	Manifold, Inlet	1
▲	13	70934	①	Gasket, Manifold, Intake [Ku]	1

① Kubota Serial number (Wxxxxx-3xxxxxx)

② Kubota Serial number number (4xxxxx- )



**Fig. 10 - Valve, Rocker Arm Group**



07423 - 6600L, 7400, D

Ref.	Part No.	Description	Qty.	
1	70936	Valve, Inlet	4	
2	70937	Valve, Exhaust	4	
3	73491	Spring, Valve	8	
4	73492	Retainer, Valve Spring	8	
5	73493	Collet, Valve Spring	8	
6	73494	Seal, Valve Stem	8	
7	361392	Cap, Valve	8	
▽	8	73495	Assembly Shaft, R-arm	1
▲	9	73496	Screw, Set	2
10	73497	Bracket, Rocker Arm	4	
11	73498	Stud	4	
12	73499	Nut	4	
13	73500	Washer, Plain	4	
14	73501	Screw, Set	1	
15	73502	Washer 1	2	
16	73503	Washer 2	2	
17	73504	Spring, Rocker Arm	3	
18	73505	Cir-clip, External	2	
▽	19	73506	Assembly Rocker Arm	8
▲	20	73507	Screw, Adjusting	8
▲	21	73508	Nut	8

Fig. 11 - Camshaft Group

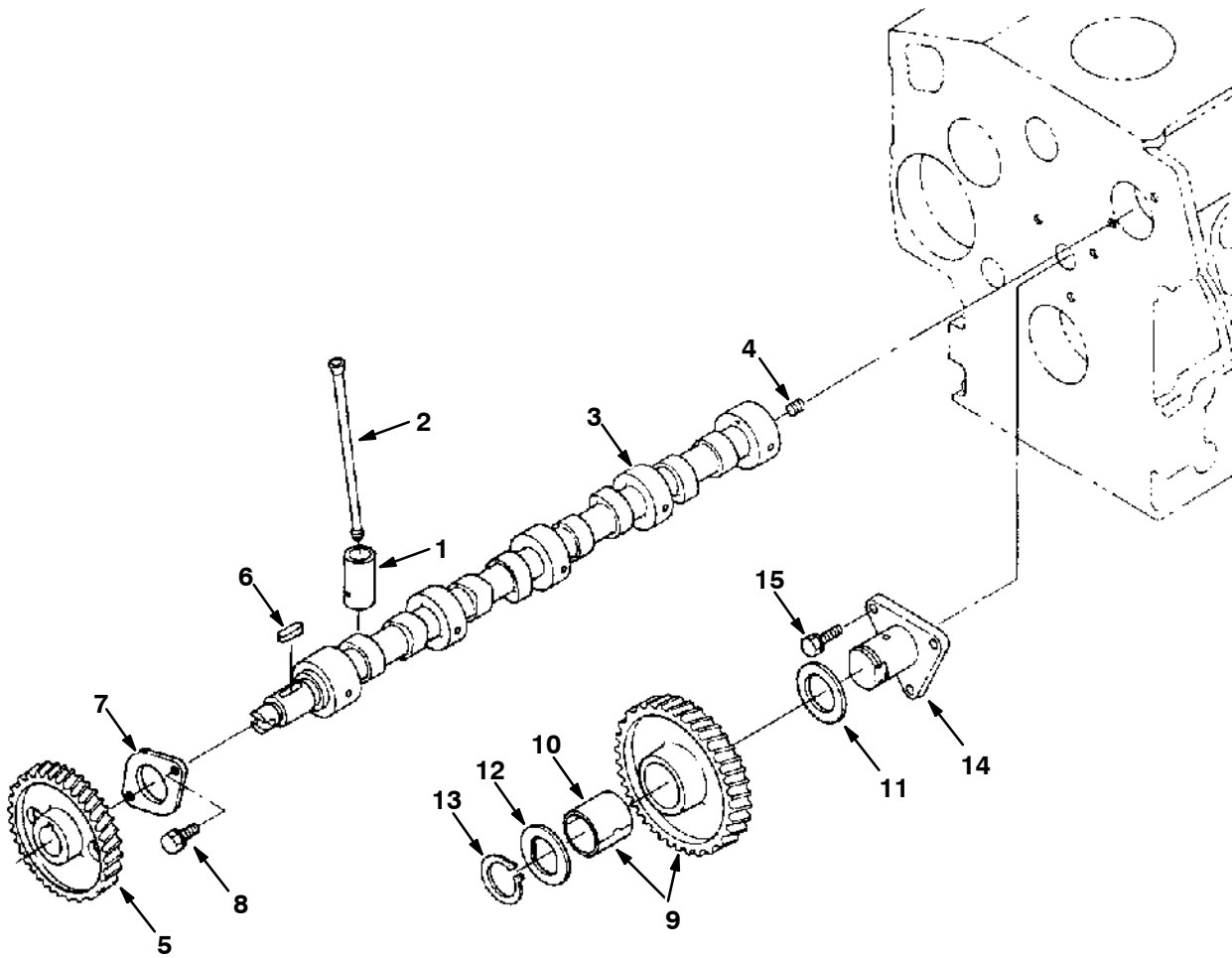


Fig. 11 - Camshaft Group

	Ref.	Part No.	Description	Qty.
	1	12895	Tappet	8
	2	73509	Push Rod	8
▽	3	73510	Assembly Camshaft	1
▲	4	39197	Screw, Set	1
▲	5	73511	Gear, Camshaft	1
▲	6	73512	Key, Feather	1
▲	7	73513	Stopper, Camshaft	1
▲	8	39160	Bolt	2
▽	9	73514	Comp Idle Gear 1	1
▲	10	73515	Bush, Idle Gear	1
	11	73516	Collar, Idle Gear 1	1
	12	73517	Collar, Idle Gear 2	1
	13	73518	Cir-clip, Idle Gear	1
	14	73519	Shaft, Idle Gear 1	1
	15	41973	Bolt	3

Fig. 12 - Piston and Crankshaft Group

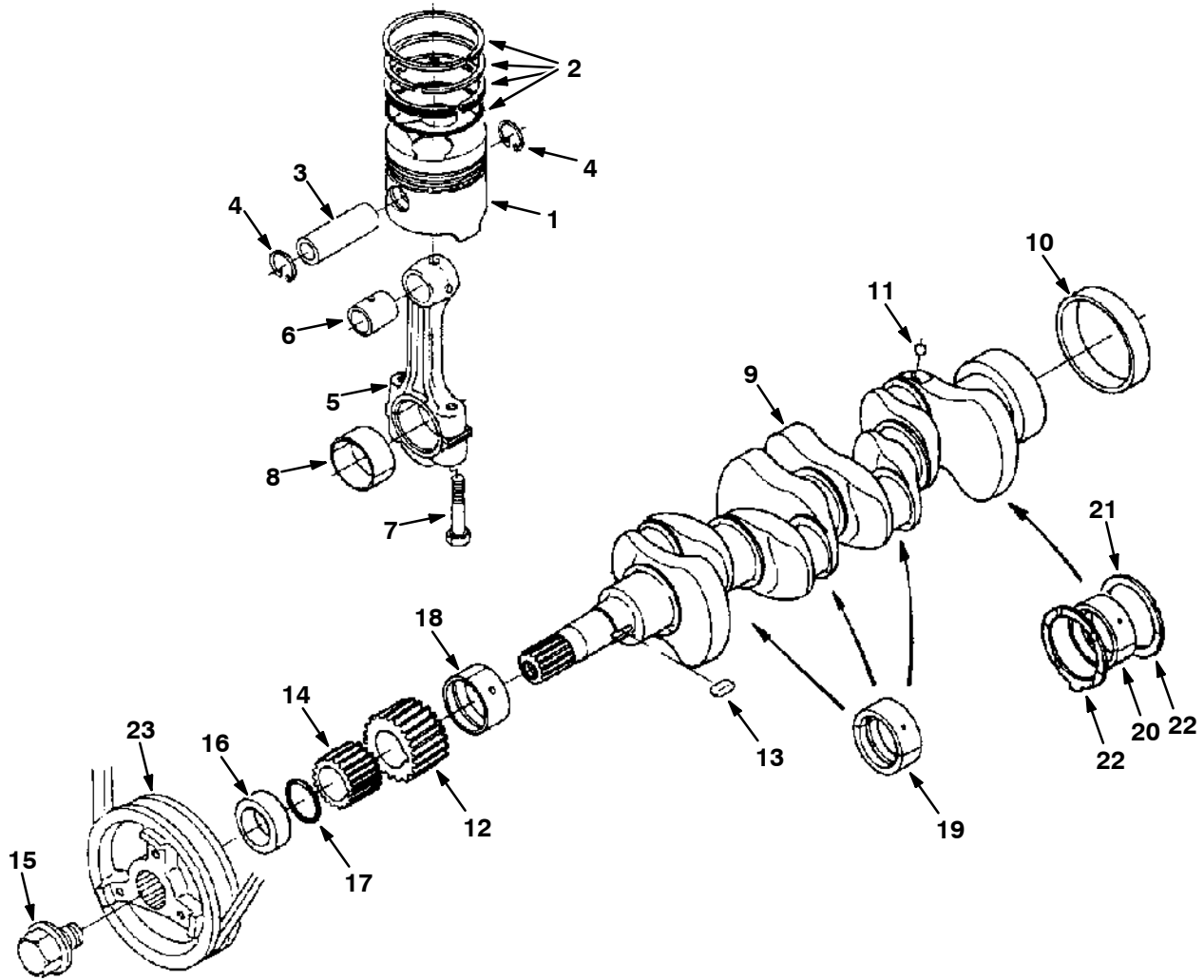
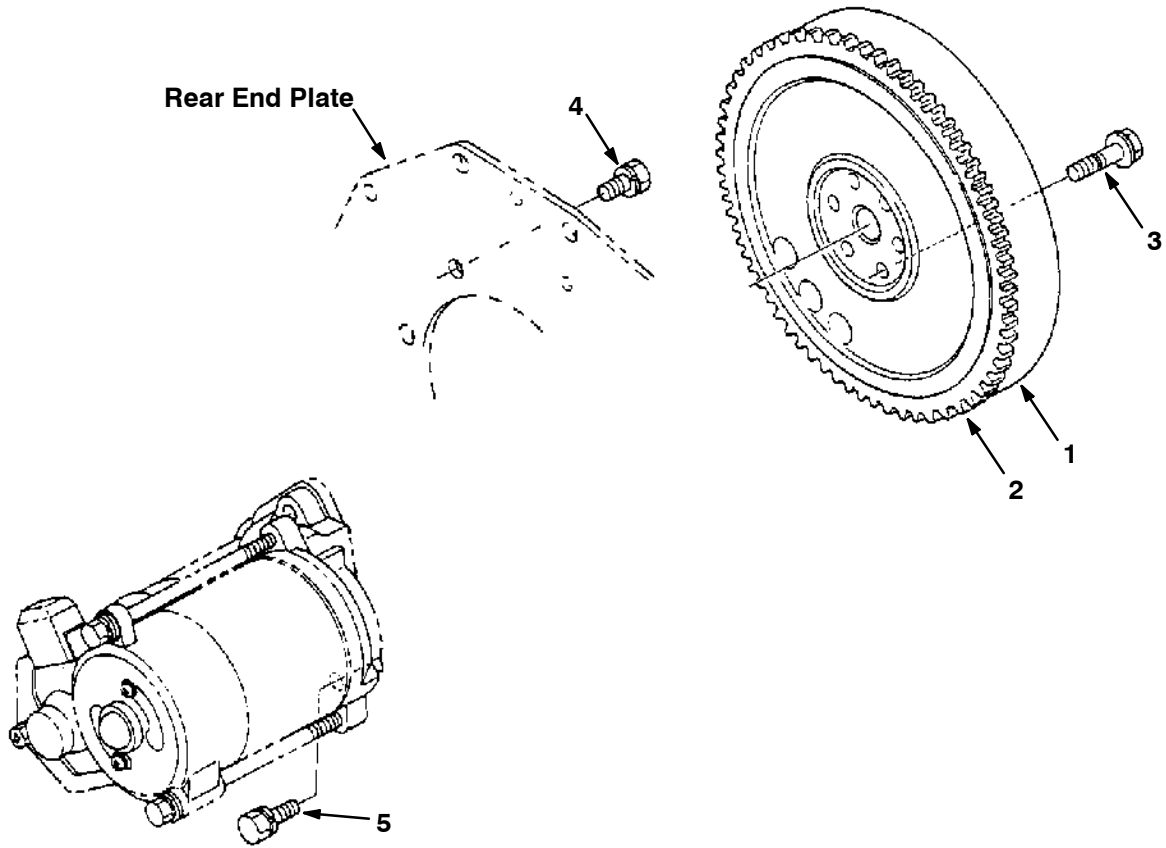


Fig. 12 - Piston and Crankshaft Group

Ref.	Part No.	Description	Qty.	
1	73520	Piston	4	
1	73521	Piston 05	4	
2	70938	Assembly Piston Ring	4	
2	70939	Assembly Piston Ring 05	4	
3	73522	Pin, Piston	4	
4	73523	Cir-clip, Piston Pin	8	
▽	5	73524	Assembly Connecting Rod	4
▲	6	70940	Bush, Piston Pin	4
▲	7	73525	Bolt, Connecting Rod	8
▲	8	70941	Metal, Crankpin	4
▲	8	66204	Metal, Crankpin 02	4
▲	8	66207	Metal, Crankpin 04	4
▽	9	73526	Comp. Crankshaft	1
▲	10	70942	Sleeve, Crankshaft	1
▲	11	73527	Ball	4
▲	12	73528	Gear, Crankshaft	1
▲	13	73529	Key	1
▲	14	73530	Gear, Oil Pump Drive	1
	15	73532	Bolt	1
	16	70943	Collar, Crankshaft	1
	17	70944	O-Ring	1
	18	70945	Metal, Crankshaft 1	1
	18	70946	Metal, Crankshaft1 02	1
	18	70947	Metal, Crankshaft1 04	1
	19	70948	Metal, Crankshaft 2	3
	19	70949	Metal, Crankshaft2 02	3
	19	70950	Metal, Crankshaft2 04	3
	20	70951	Metal, Crankshaft 3	1
	20	70952	Metal, Crankshaft3 02	1
	20	70953	Metal, Crankshaft3 04	1
	21	10844	Metal, Side 1	2
	21	70954	Metal, Side 1 02	2
	21	70955	Metal, Side 1 04	2
	22	10845	Metal, Side 2	2
	22	30121	Metal, Side 2 02	2
	22	30122	Metal, Side 2 04	2
	23	73531	Pulley, Fan Drive, 112mm	1

**Fig. 13 - Flywheel Group**



**Fig. 13 - Flywheel Group**

	<b>Ref.</b>	<b>Part No.</b>	<b>Description</b>	<b>Qty.</b>
▽	1	70956	Comp. Flywheel	1
▲	2	70957	Gear, Ring	1
	3	73533	Bolt, Flywheel	6
	4	73534	Bolt	8
	5	73535	Bolt	2

Fig. 14 - Starter Breakdown, 74405

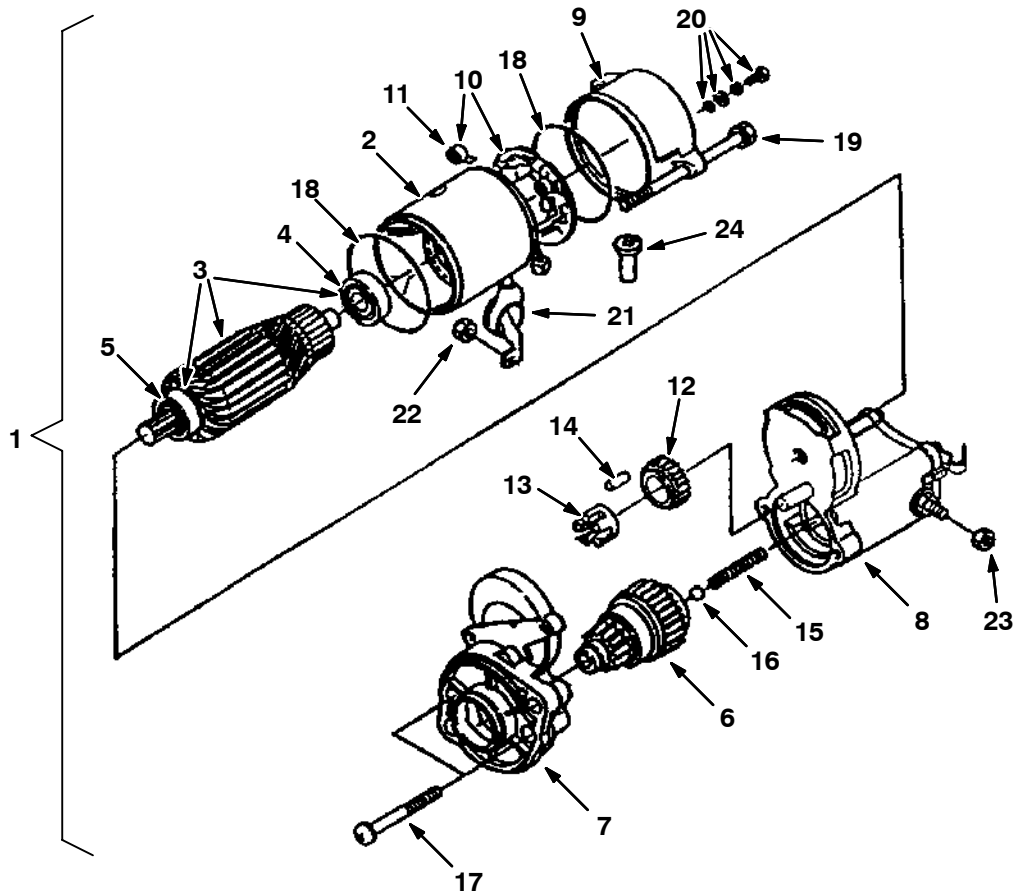
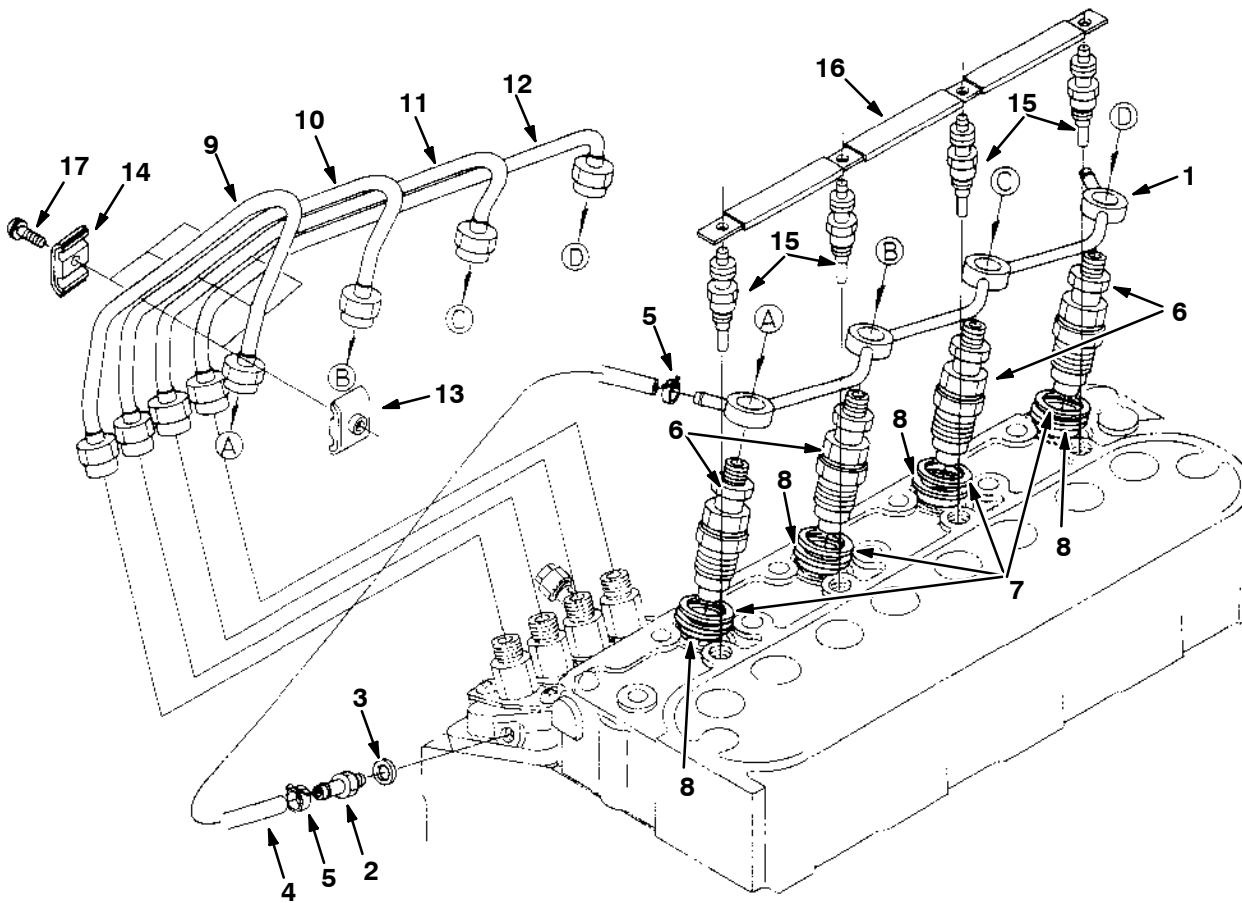




Fig. 14 - Starter Breakdown, 74405

	Ref.	Part No.	Description	Qty.
▽	1	74405	Assy Starter	1
▲	2	70196	Assy Yoke	1
▲▽	3	70197	Assy Armature	1
▲▲	4	70198	Bearing	1
▲▲	5	70199	Bearing	1
▲	6	70200	Clutch, Over Running	1
▲	7	70201	Frame, Drive End	1
▲	8	70202	Assy Switch, Magneto	1
▲	9	70203	Frame, End	1
▲▽	10	70204	Assy Holder, Brush	1
▲▲	11	70205	Spring, Brush	4
▲	12	70206	Gear	1
▲	13	70207	Retainer	1
▲	14	73545	Roller	5
▲	15	70208	Spring	1
▲	16	73547	Ball	1
▲	17	70209	Bolt	2
▲	18	20433	O-Ring	2
▲	19	70210	Bolt	2
▲	20	20432	Assy Bolt	2
▲	21	70211	Cover	1
▲	22	73551	Nut, Hexagon	1
▲	23	70212	Nut, Hexagon	1
▲	24	70213	Pipe, Drain	1

**Fig. 15 - Nozzle Holder and Glow Plug Group**



**Fig. 15 - Nozzle Holder and Glow Plug Group**

Ref.	Part No.	Description	Qty.
	1 73554	Pipe, Over Flow	1
	2 73555	Screw	1
	3 40166	Gasket	1
▽	4 361373	Assembly Pipe, Over Flow	1
▲	5 361368	Band, Pipe	2
	6 393674	① Holder Assembly, Nozzle	4
▽	6 372917	② Housing Assy, Nozzle	4
▲	7 70964	Gasket	4
▲	8 20719	Seal, Heat	4
	9 70965	Pipe, Injection 1	1
	10 70966	Pipe, Injection 2	1
	11 70967	Pipe, Injection 3	1
	12 70968	Pipe, Injection 4	1
	13 30131	Clamp, Pipe 1	3
	14 30132	Clamp, Pipe 2	3
	15 84638	Plug, Glow	4
	16 73560	Cord, Glow Plug	1
	17 39508	Screw, With Washer	3

① Kubota Serial Number (Wxxxxx-3xxxxxx)

② Kubota Serial Number (4xxxxx- )

Fig. 16 - Injection Pump Group

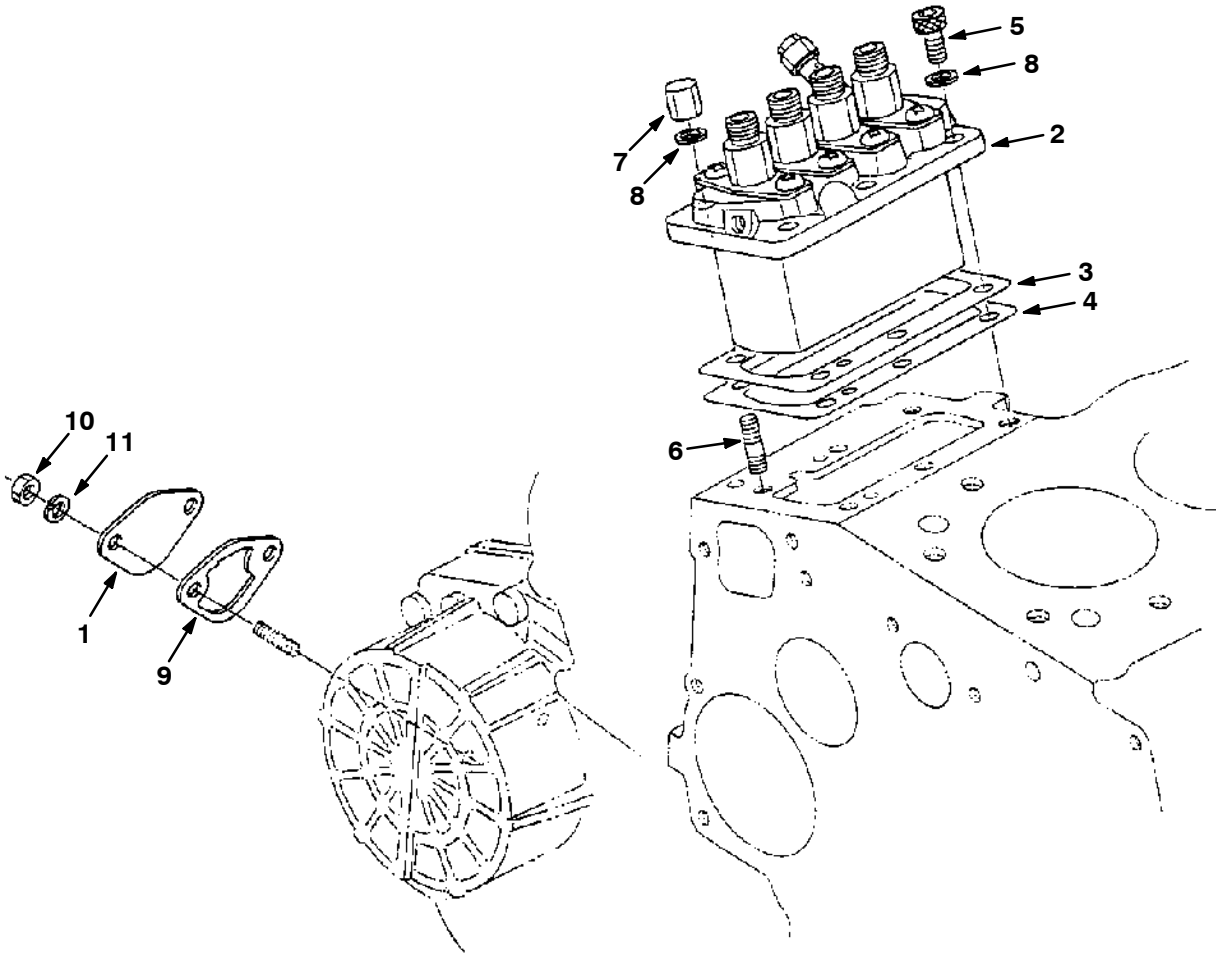


Fig. 16 - Injection Pump Group

Ref.	Part No.	Description	Qty.
1	73565	Fuel Pump Cover Plate	1
2	84635	Assembly Pump, Injection (See Injection Pump Breakdown)	1
3	70972	Shim, Injection Pump 0.20 mm	1
4	70973	Shim, Injection Pump 0.25 mm	2
4	84644	Shim, Injection Pump 0.30 mm	1
5	73561	Bolt	3
6	73562	Stud	3
7	73563	Nut, Cap	3
8	39065	Washer, Spring	6
9	70974	Gasket, Fuel Pump	1
10	39121	Nut	2
11	39065	Washer, Spring	2

Fig. 17 - Injection Pump Breakdown

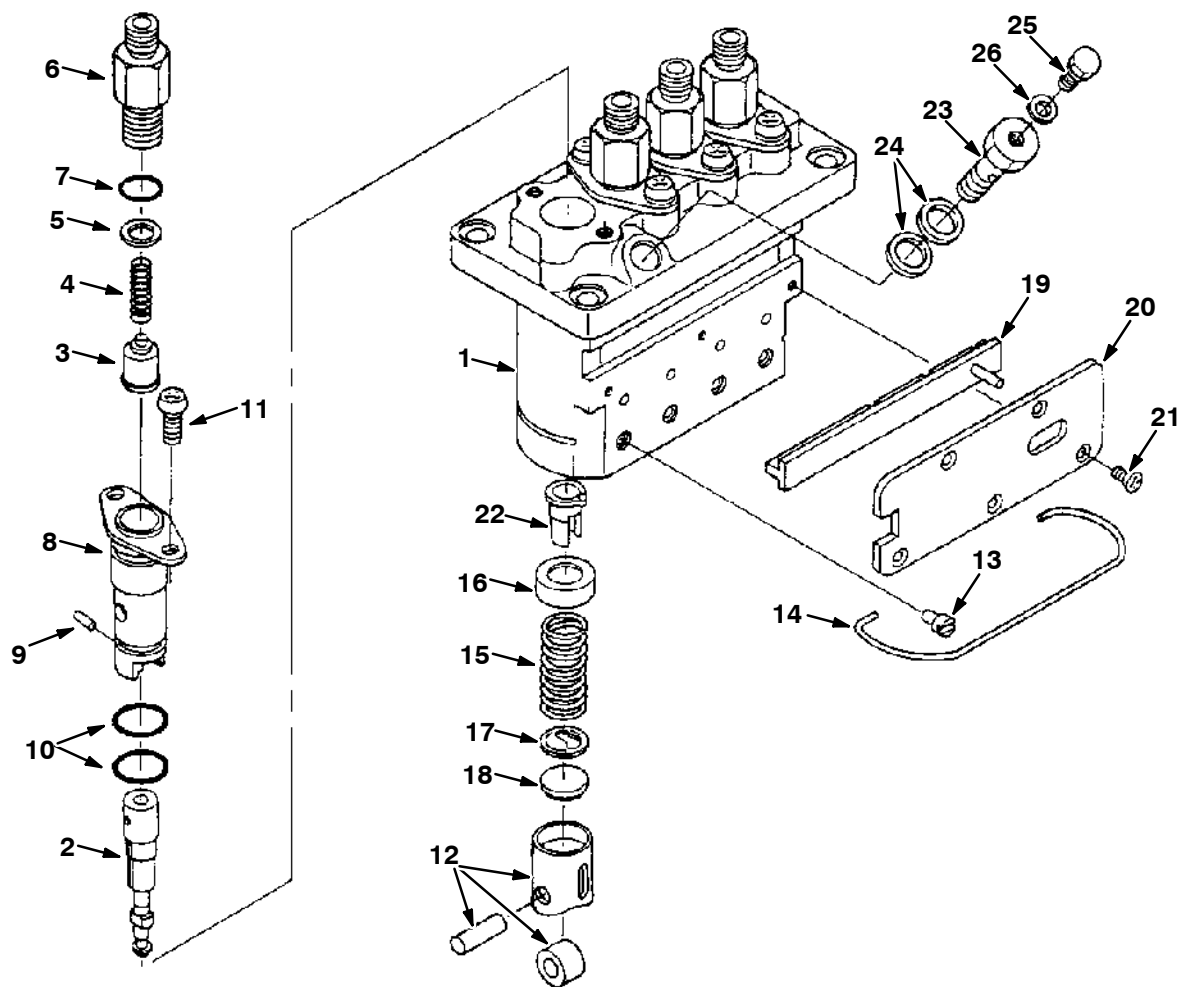
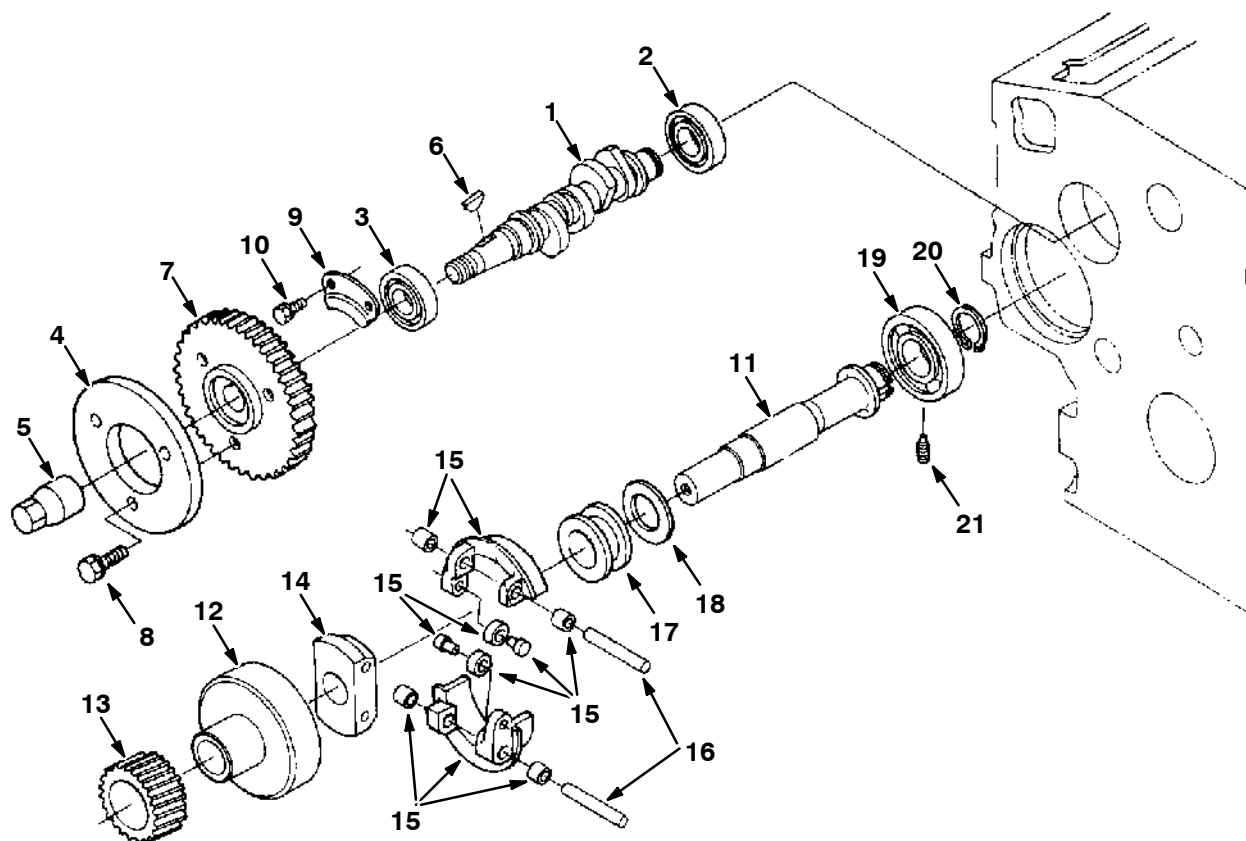


Fig. 17 - Injection Pump Breakdown

	Ref.	Part No.	Description	Qty.
▽	1	84635	Assembly Pump, Injection	1
▲	2	84648	Plunger, Pump	4
▲	3	73567	Valve, Delivery	4
▲	4	73568	Spring, Delivery Valve	4
▲	5	73569	Gasket, Delivery Valve	4
▲	6	73570	Holder, Delivery Valve	4
▲	7	73571	O-Ring	4
▲	8	73572	Flange, Sleeve	4
▲	9	73573	Pin, Joint	4
▲	10	73574	O-Ring	8
▲	11	73575	Screw	8
▲	12	73576	Assembly Tappet	4
▲	13	73577	Pin, Tappet Guide	4
▲	14	73578	Pin, Clamp	1
▲	15	73579	Spring, Plunger	4
▲	16	73580	Seat, Spring Upper	4
▲	17	73581	Seat, Spring Lower	4
▲	18	73582	Shim	1
▲	19	84649	Rack, Control	1
▲	20	84650	Plate	1
▲	21	73585	Screw	5
▲	22	73586	Sleeve, Control	4
▲	23	84651	Screw, Follow	1
▲	24	73588	Gasket	2
▲	25	73589	Screw	1
▲	26	73590	Gasket	1

Fig. 18 - Fuel Camshaft Group

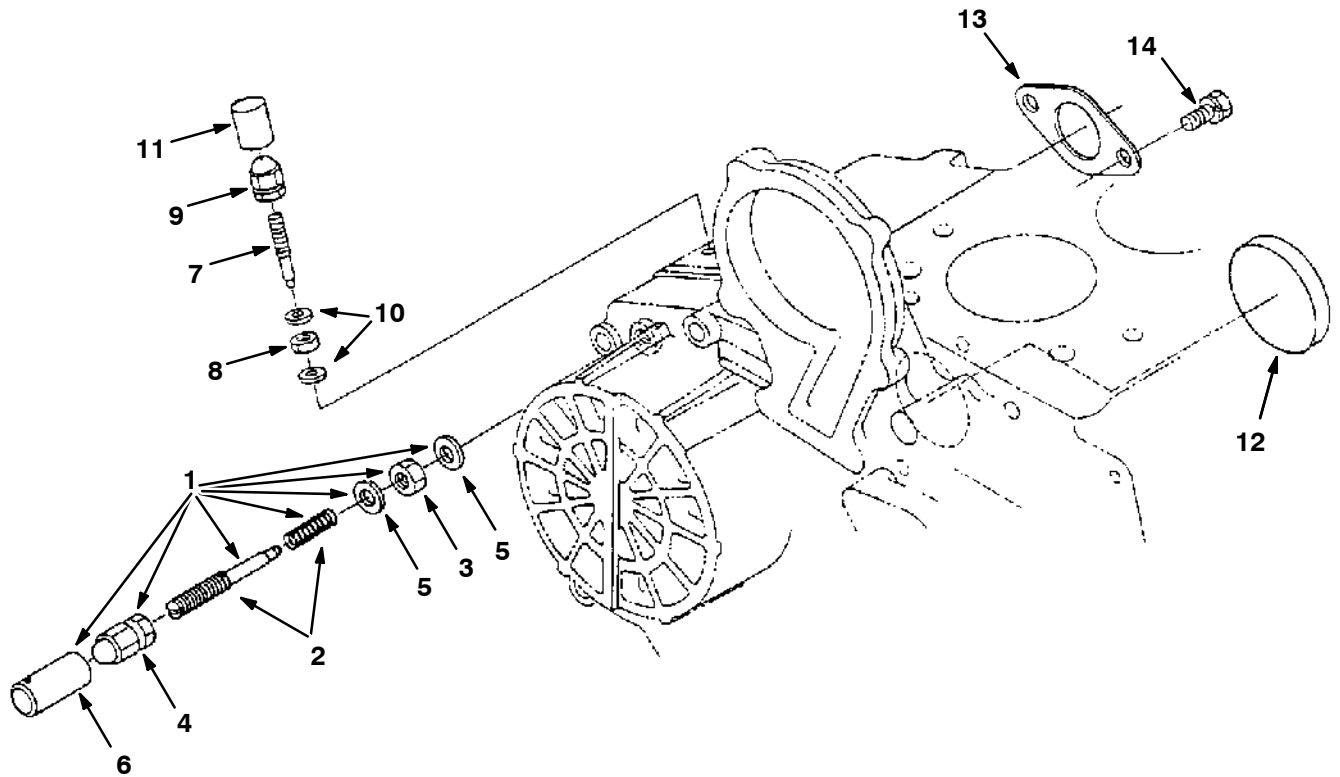


07441 - 6600L, 7400, D

Ref.	Part No.	Description	Qty.	
1	84636	Camshaft, Fuel	1	
2	70975	Bearing, Ball	1	
3	70976	Bearing, Ball	1	
4	73592	Cam, Fuel	1	
5	73593	Nut, Cap	1	
6	73594	Key, Woodruff	1	
7	73595	Gear, Injection Pump	1	
8	40409	Bolt	3	
9	73596	Stopper	1	
10	71995	Bolt	2	
▽	11	73597	Assembly Shaft, Governor	1
▲	12	73598	Holder, Governor Gear	1
▲	13	73599	Gear, Governor	1
▲	14	73600	Holder,	1
▲	15	73601	Comp. Weight, Governor	2
▲	16	73602	Shaft, Governor Weight	2
▲	17	70977	Sleeve, Governor	1
▲	18	70978	Washer, Thrust	1
	19	70979	Bearing, Ball	1
	20	73603	Cir-clip, Governor Shaft	1
	21	73604	Screw, Set	1



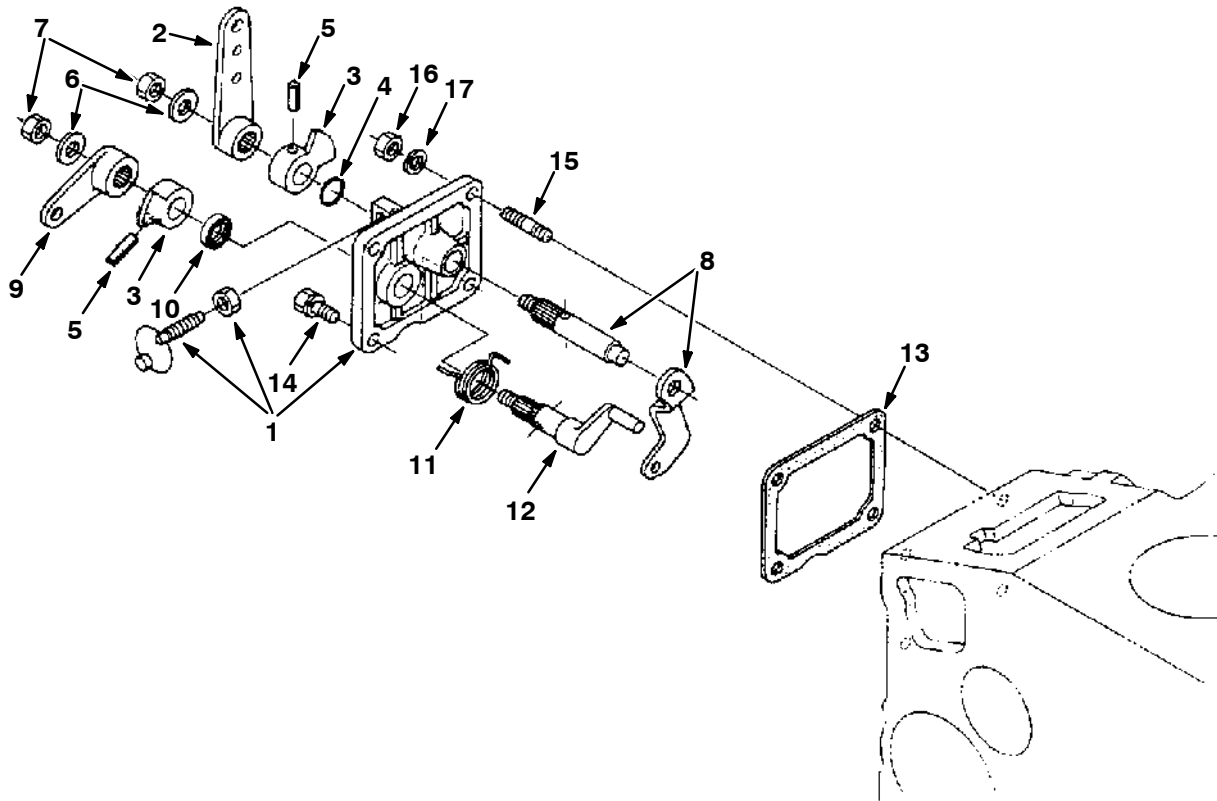
**Fig. 19 - Idling Group**



07443 - 7400, 6500L, D

Ref.	Part No.	Description	Qty.	
▽	1	70980	Assembly Apparatus, Idle	1
▲	2	73605	Assembly Bolt, Adjusting	1
▲	3	73606	Nut	1
▲	4	73607	Nut, Cap	1
▲	5	40166	Gasket	2
▲	6	30136	Cap	1
	7	73610	Bolt, Adjusting	1
	8	73606	Nut	1
	9	73607	Nut, Cap	1
	10	40166	Gasket	2
	11	30136	Cap	1
	12	70188	Cover	1
	13	70165	Gasket, Thrtl Blk	1
	14	39160	Bolt	2

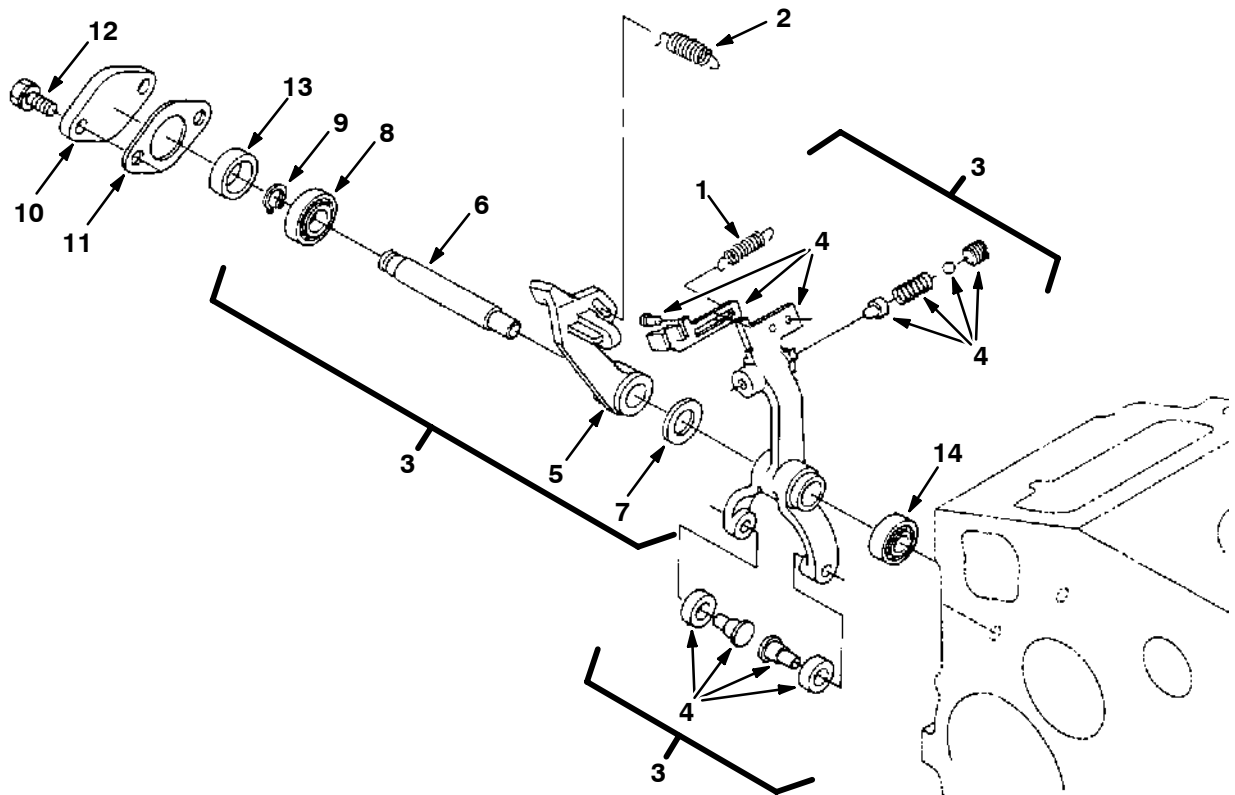
Fig. 20 - Speed Control Plate Group



07445 - 6600L, 7400, D

Ref.	Part No.	Description	Qty.
▽	1 70982	Assembly Plate, Control	1
▲	2 73618	Lever, Speed Control	1
▲	3 73619	Lever, Speed Control	2
▲	4 73620	O-Ring	1
▲	5 40407	Pin, Spring	2
▲	6 73621	Washer, Plain	2
▲	7 73622	Nut	2
▲	8 73623	Comp. Lever, Governor	1
▲	9 73624	Lever, Engine Stop	1
▲	10 70983	Seal, Oil	1
▲	11 73625	Spring, Return	1
▲	12 73626	Shaft, Stop Lever	1
	13 70984	Gasket	1
	14 41973	Bolt	2
	15 72018	Stud	2
	16 39121	Nut	2
	17 39065	Washer, Spring	2

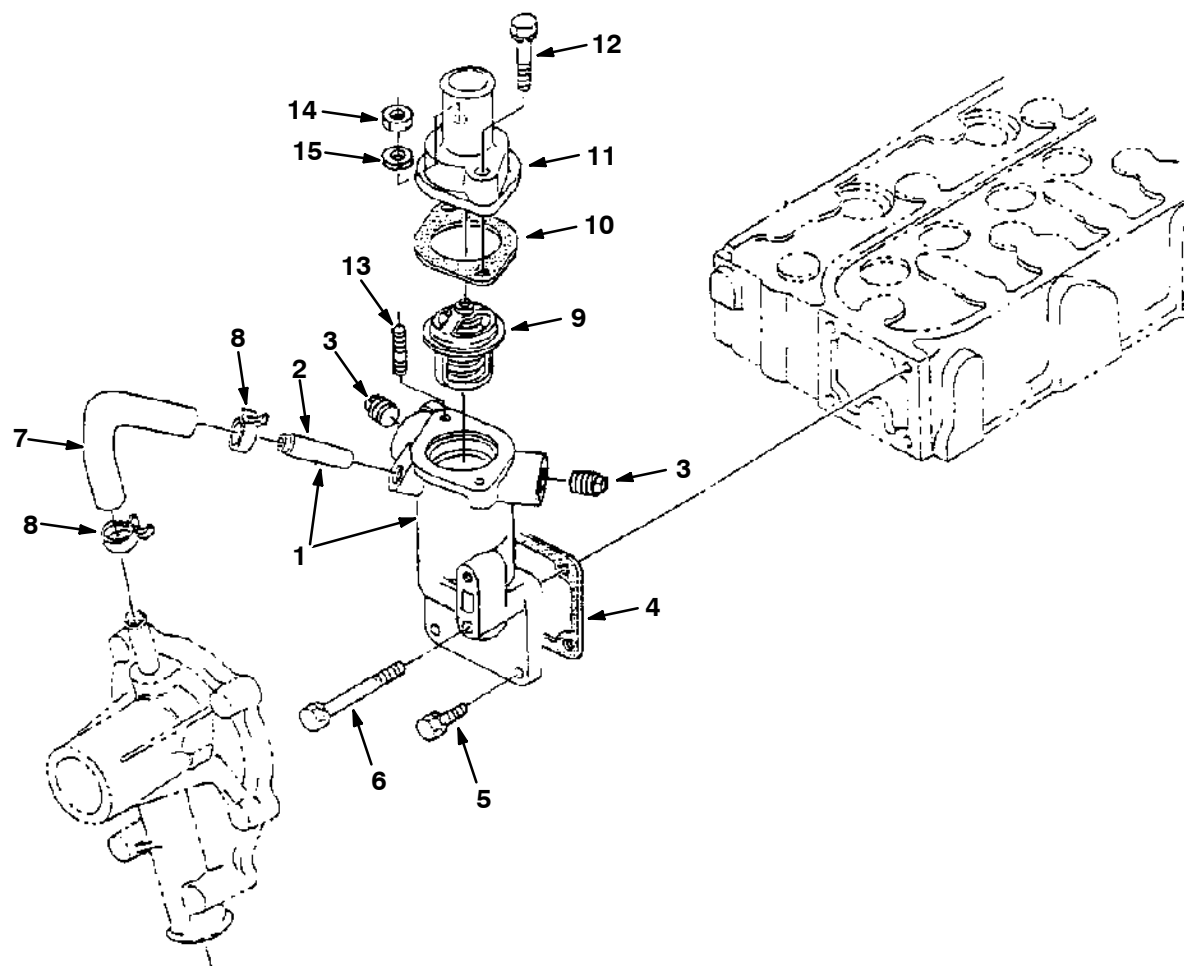
Fig. 21 - Governor Group



07447 - 6600L, 7400, D

Ref.	Part No.	Description	Qty.
1	70985	Spring, Start	1
2	70986	Spring, Governor	1
▽ 3	73627	Assembly Lever, Fork	1
▲ 4	70987	Comp. Lever, Fork 1	1
▲ 5	73628	Lever, Fork 2	1
▲ 6	73629	Shaft, Fork Lever	1
▲ 7	70988	Washer, Plain	1
▲ 8	70989	Bearing, Ball	1
▲ 9	73630	Cir-clip, External	1
10	73631	Cover, Fork Lever Shaft	1
11	361430	Gasket	1
12	39160	Bolt	2
13	70991	Collar 1	1
14	70992	Bearing, Ball	1

Fig. 22 - Water Flange Group



07451

	Ref.	Part No.	Description	Qty.
▽	1	368090	Flange, Water [Ku]	1
▲	2	361440	Pipe, Water Return 1	1
	3	73632	Plug	2
	4	70994	Gasket, Water Flange	1
	5	41973	Bolt	3
	6	72995	Bolt	1
	7	73633	Pipe, Water Return 2	1
	8	73634	Band, Pipe	2
	9	10852	Thermostat, 180deg, 1.7d	1
	10	10851	Gasket, 1.7d	1
	11	368091	Housing, Thermostat, 1.7d [Ku]	1
	12	72996	Bolt	1
	13	73636	Stud	1
	14	39121	Nut	1
	15	39065	Washer, Spring	2

# SECTION 6

CONTENTS	PAGE
PART NUMBER TO PAGE NUMBER CROSS REFERENCE LIST .....	6-2
PART DESCRIPTION TO PAGE NUMBER CROSS REFERENCE LIST .....	6-13

# CROSS REFERENCE

## PART NUMBER TO PAGE NUMBER CROSS REFERENCE LIST

Part Number	Page Number	Part Number	Page Number	Part Number	Page Number
IB3614	4-11	06934	3-5, 3-7, 3-9, 3-11,	08182	2-23, 2-53, 2-81,
00500-15	4-8		3-13, 3-15, 3-17,		2-85, 3-59
00966	4-11		3-19, 3-55	08202	2-53, 3-65
01047	3-33	06939	3-3	08329	2-49
01314	2-7, 2-27	06942	2-7, 2-13, 2-15,	08708	2-13, 2-15, 2-17,
01318	2-17		2-23, 2-37, 2-45,		2-21, 2-27, 2-29,
01335	2-71		2-99, 3-5, 3-7		2-41, 2-63, 2-69,
01683	2-79, 3-37, 3-49,	06943	2-13, 2-19, 2-33,		2-85, 2-99, 3-9,
	3-51		2-37, 2-41, 2-57,		3-31, 3-45, 3-46,
01684	2-2, 2-7, 2-9, 2-11,		3-31, 3-43, 3-65		3-53, 3-55, 3-57,
	2-61, 2-63, 2-65,	06944	2-17, 2-25, 2-45,		3-59
	2-67, 2-71, 2-73,		3-59, 3-65	08709	2-13, 2-17, 2-39,
	2-87, 3-35, 3-59,	06945	2-15, 2-17		2-41, 2-55, 2-57,
	3-71	06946	2-13, 3-59		2-69, 2-83, 2-85,
01685	2-2, 2-7, 2-9, 2-11,	06947	3-55, 3-57, 3-63,		2-87, 2-89, 2-95,
	2-19, 2-61, 2-63,		3-65		3-3, 3-11, 3-21,
	2-65, 2-67, 2-69,	06949	3-49, 3-51		3-23, 3-29, 3-45,
	2-77, 2-81, 3-23,	06953	2-37		3-53, 3-61, 3-63,
	3-59	06955	2-55, 2-85		3-65, 3-69
01760	2-19, 2-69, 3-31,	06956	2-55, 2-97, 2-99	08711	2-15, 2-17, 2-33,
	3-45, 3-53, 3-63	06960	2-81		2-53, 2-71, 2-73,
01762	2-87	06961	2-103		2-87, 3-25, 3-31,
01998	2-93	06966	2-33		3-49, 3-65
01999	2-93	06969	2-15, 2-17, 2-53,	08712	2-2, 2-29, 2-55,
02126	3-31		3-31, 3-65		2-61, 2-63, 2-65,
02129	3-31	06971	2-71		2-67, 2-71, 2-73,
02706	4-3	06972	2-33		3-71
02712	2-77	06973	2-81, 3-59	08713	2-2, 2-7, 2-61, 2-63,
02740	2-35	06975	2-87		2-65, 2-67, 2-95
02741	2-35	06976	3-65	08716	2-2, 2-61, 2-63,
02850	2-75, 2-77, 2-99,	06977	2-87		2-65, 2-67, 2-71,
	3-33, 3-55, 3-57	06988	2-19		2-73, 3-9
02942	2-81, 3-59	07274	2-37	09007	2-9, 2-11, 3-71
02994	2-23	07299	2-33	09010	2-2, 2-9, 2-11, 2-63,
03026	2-35	07562	2-35		2-65, 2-67, 2-77,
03192	2-83, 3-61, 3-69	07787	2-81		2-87, 2-95, 3-69
04375	3-65	07788	2-9, 2-11, 2-81, 3-59	09011	2-7, 2-15, 2-49, 2-53
04414	2-33	07789	3-3, 3-21, 3-23	09028	2-9, 2-11
04483	4-15	07790	2-13, 2-33, 2-41,	09029	2-71
04706	2-83, 3-61		2-45, 2-57, 3-5, 3-7,	09062	3-31, 3-45, 3-53,
04733-10	2-23		3-49, 3-51		3-55, 3-57
04843	2-57	07791	2-7, 2-13, 2-21,	09081	2-83, 3-61
05685	2-59		2-27, 2-31, 2-35,	09088	2-53
05686	2-57, 2-59		2-41, 2-47, 2-49,	09120	2-87, 3-45, 3-53
06279	3-65		2-69, 2-97, 2-99,	09145	2-17, 2-19, 3-45,
06474A	2-65, 2-67		2-103, 3-23, 3-31,		3-53, 3-55
06537	2-33		3-55, 3-66, 3-71	09164	2-27, 3-31
06548	2-37	07792	2-81, 3-71, 3-81	09206	2-75, 2-77, 3-33
06549	2-7, 2-25, 2-29, 3-3,	07805	2-29, 2-87	09244	2-29
	3-5, 3-7, 3-9, 3-11,	07810	2-85, 2-89, 2-99,	09291	2-9, 2-11
	3-13, 3-15, 3-17,		3-31	09342	2-7
	3-19, 3-37, 3-45,	07819	3-51	09570	3-59, 3-61
	3-49, 3-51, 3-53,	08012	2-57	09738	3-3, 3-21, 3-23
	3-55	08013N	2-5	09740	2-49, 3-11
06678	2-41	08175	2-65, 2-67, 2-87,	09775	2-59
06927	3-55, 3-57		3-63	09900-1	3-63
06932	3-3	08178	2-23	1002842	2-63
06933	2-25	08179	2-83, 2-85, 3-61	1005089	2-23, 4-13

# CROSS REFERENCE

Part Number	Page Number	Part Number	Page Number	Part Number	Page Number
1005148	2-103, 4-17	1009122	3-55	1012871	2-25
1005193	3-61	1009130	2-13	1012906	2-25
1005339	3-31	1009152	3-31	1012947	2-25
1005489	2-85	1009161	2-29	1013233	3-43
1005498	2-85	1009163	3-55, 3-57	1013681	2-99
1005740	2-85	1009167	3-55	1013913	2-7
1005762	2-85	1009177	3-61	1014005	2-99
1006038	2-71, 2-73	1009180	2-83	1014071	2-19
1006162	2-19	1009217	2-19	1014084	3-45
1006309	2-103	1009218	2-27	10143	2-47
1006329	2-97, 2-99	1009221	2-27	1014363	2-27
1006422	2-85	1009292	2-19	1014752	2-17
1006424	2-19	1009315	2-19	1014797	2-17
1006558	2-15	1009318	2-75, 3-61	1015432	2-87
1006647	2-97	1009366	3-55	1015631	2-31
1006726	2-13	1009429	3-55, 3-57	1016630	2-45
1006730	2-63	1009540	3-55, 3-57	1016827	2-41
1006737	2-63	1009590	2-13	1017126	2-2, 2-41
1006738	2-63	1009681	2-39	1017248	3-5, 3-9, 3-13, 3-17
1006751	2-13	1009795	3-55	1017250	3-7, 3-11, 3-15, 3-19
1007048	2-97	1009811	3-55, 3-57	1017575	3-59
1007050	2-7	1009847	3-55, 3-57	1018073	2-45
1007121	2-23	1009892	3-31	1018368	3-71
1007220	2-81, 2-85	1010049	2-99	1018765	3-69
1007280	2-77	1010155	3-27	1018778	3-53
1007310	2-7	1010165	2-2, 2-61, 3-59, 3-71	1018786	3-69
1007625	2-7	1010166	2-2, 2-61, 3-59, 3-71	1021363	3-9
1007807	2-87	1010167	2-2, 2-61	1021364	3-17, 3-19
1007811	2-7	1010170	3-31	1024270	2-69
1007853	2-63	1010267	3-45	1024441	2-13
1007965	3-55, 3-57	1010269	3-71	1025228	2-79
1007966	2-97	1010301	3-71	1027395	3-17, 3-19
1007993	3-55, 3-57	1010302	3-71	1027798	3-5, 3-7, 3-9, 3-11, 3-13, 3-15, 3-17, 3-19
1008062	2-83	1010316	3-53		
1008120	2-15, 2-17	1010432	3-59	1027800	3-5, 3-7, 3-9, 3-11, 3-13, 3-15, 3-17, 3-19
1008132	2-69	1010448	2-39		
1008256	2-13	1010471	2-41	1028492	2-49
1008262	2-27	1010476	2-45	1029163	2-99
1008271	2-75	1010479	3-43	1029988	2-71
1008304	3-55, 3-57	1010537	3-55, 3-57	1030271	2-42
1008457	2-99	1010600	3-55, 3-57	1031240	2-19
1008462	2-83	1010755	3-41, 4-20	1031242	2-19
1008463	3-61	1010757	3-39, 4-21	1032812	2-42
1008579	3-65	1010823	3-55, 3-57	1032822	2-45
1008611	3-55, 3-57	1011052	3-71	1033100	3-45
1008629	3-55, 3-57	1011057	3-71	1033746	2-42
1008636	2-69	1011176	3-57	1033897	2-42
1008654	2-7	1011299	3-63	1033900	2-42
1008660	3-66	1011427	2-81	1035090	3-45, 3-53
1008713	3-55	1011492	3-37	1035093	3-53
1008724	3-55	1011511	3-57	1035125	2-19
1008734	3-55, 3-57	1011582	2-93	1035134	2-19
1008738	2-13	1011779	2-23	1038137	3-61
1008808	2-63	1011902	3-37	1038176	2-65, 2-67, 2-83
1008857	2-45	1012183	3-43	1040200	3-57
1008913	2-19	1012357	3-33	1041617	2-75
1008916	2-19	1012361	3-33	1042969	2-81
1008968	2-2, 2-97, 2-99	1012369	3-21	1045426	2-75, 2-77
1009066	2-13	1012397	3-33		
1009116	3-55	1012615	2-25		

# CROSS REFERENCE

Part Number	Page Number	Part Number	Page Number	Part Number	Page Number
1045764	2-45	16931	2-7, 2-17, 2-21,	24198	3-49, 3-51
10632-1	3-65		2-31, 2-35, 2-39,	24199	3-37
10632-12	3-23, 3-29, 3-33		2-47, 2-69, 2-97,	24339	2-49
10632-18	3-5, 3-7, 3-9, 3-11, 3-13, 3-15, 3-21, 3-23, 3-46		2-99, 2-103, 3-9, 3-11, 3-21, 3-23, 3-45, 3-53, 3-55, 3-63, 3-71	24576	3-21, 3-23
10632-4	2-75, 2-77	16944	2-75, 2-77	24576-1	3-3, 3-21, 3-23
10632-9	3-5, 3-7, 3-9, 3-11, 3-13, 3-15, 3-17, 3-19, 3-21	16949	2-21	24592	3-37
10844	5-17	17284	3-23, 3-29	24593	3-29, 3-41, 3-49, 3-51
10845	5-17	17414	2-41	24899	2-87
10851	5-32	18390	3-45, 3-53	24976	2-31
10852	5-32	19064	2-73	25014	2-17
10895	5-3	19065	2-75, 2-77, 3-33, 3-55, 3-57	25312	3-73
11329	2-2, 2-17, 2-61, 2-69, 2-97, 3-59	19066	2-25, 2-29, 2-37, 3-3, 3-5, 3-7, 3-9, 3-11, 3-13, 3-15, 3-17, 3-19, 3-41, 3-43, 3-45, 3-49, 3-51, 3-53, 3-55	25887	2-87
11399	2-45, 3-39, 3-41			26395-1	2-41
11531	2-45			26395-2	2-75, 2-77, 3-3
11636	2-71, 2-73	19252	2-33	27767	3-39, 3-41
11842	2-59	19324	3-71	27978	2-21
12267	2-83, 2-85, 3-61	19458	2-101	27980	3-43
12271	2-19, 2-25, 3-33, 3-45, 3-53	19544	2-101	27990	3-65
12277	2-87	19583	2-49	28014A	2-57
12459	2-2, 2-63, 3-31, 3-35, 3-49, 3-51, 3-71	19768	2-25	29124	2-19
12895	5-15	19827	3-3	29192	3-5, 3-7, 3-9, 3-11, 3-13, 3-15, 3-17, 3-19
12916	5-7	20171	2-33	29499	2-83, 3-61
13115	2-95	20432	5-21	29558	2-83, 3-61
13248	2-89	20433	5-21	29570	2-19
13301	2-9, 2-11	20719	5-23	30013	2-39
13698	2-97, 2-99	20802	2-19	30121	5-17
13773	2-87	21117	2-93	30122	5-17
13902	4-17	21168	2-81	30125	5-11
13904	4-17	21198	3-43	30131	5-23
13907	4-3	21246	2-7	30132	5-23
14131	2-41	21933	4-13	30136	5-29
14242	2-53	21935	4-13	30251	2-87
14432	2-35	222290	2-116	30252	2-87
14601	3-45, 3-53	222460	2-53, 2-55, 2-83, 2-85, 3-61	30253	2-87
14983	3-81	222504	2-65, 2-67	30255	2-87
15331	2-19	222809	2-7	30407	2-31, 2-33, 2-35
15555-1	2-41	223163	2-67	30559	2-37
15555-2	2-41	22622	4-10	30569	2-37
15678	2-87	22654	4-8, 4-9, 4-10	31241	2-89
16082	2-81, 3-59, 3-63	23163	2-2, 2-95	31249	3-31
16213	2-57	23182	2-95	31354	4-8, 4-9, 4-10
16369	2-13	23191	2-23	31373	4-9, 4-10
16376	2-95	23210	3-21, 3-23	31375	4-8
16411	2-3	23211	2-79, 3-21, 3-23	31377	4-10
16412	2-3	23274	3-71	31380	4-9
16455	2-79	23498	2-75, 2-77, 3-49, 3-51, 3-55, 3-57	31381	4-8
16473	2-93	23683	3-63	31384	4-10
16695	4-8, 4-9, 4-10	23788	2-55, 2-79	31385	4-9
16735	2-13, 2-23, 2-25, 2-33, 2-37, 2-75, 3-3	23788-1	2-79	31566	3-63
16786	2-79	23999-6	3-49, 3-51	31613	2-2, 2-95
16864	2-81	24012	2-39	31719	2-93
				31775	2-71, 2-73
				31922	3-3
				32126	2-49



# CROSS REFERENCE

Part Number	Page Number	Part Number	Page Number	Part Number	Page Number
32483	2-7, 2-13, 2-19, 2-21, 2-29, 2-37, 2-41, 2-85, 2-99, 3-5, 3-7, 3-45, 3-49, 3-51, 3-53, 3-55, 3-57, 3-61, 3-65	33807	2-27	370117	3-35
32485	2-35, 2-41, 2-45, 2-53, 2-87, 2-89, 2-101, 3-43	33930	2-61, 2-63, 2-69	370118	3-35
32486	2-15, 2-53, 2-65, 2-67, 2-71, 3-25, 3-49, 3-65	33943	3-31	370119	3-35
32490	2-13, 2-15, 2-17, 2-21, 2-25, 2-33, 2-41, 2-45, 2-55, 2-63, 2-69, 3-45, 3-53, 3-59, 3-65	34176	4-8	370120	3-35
32491	2-7, 2-13, 2-15, 2-17, 2-19, 2-25, 2-27, 2-41, 2-49, 2-57, 2-59, 2-63, 2-69, 2-85, 2-89, 2-95, 2-97, 2-99, 2-103, 3-3, 3-9, 3-11, 3-21, 3-23, 3-31, 3-39, 3-41, 3-43, 3-65, 3-66, 3-69	34178	4-7	370121	3-35
32492	2-17, 2-21, 2-23, 2-27, 2-45, 2-57, 2-59, 2-81, 2-83, 2-85, 2-103, 3-25, 3-45, 3-53, 3-59, 3-61, 3-63, 3-69, 3-73	34323	2-89	370122	3-35
32493	2-15, 2-17, 2-33, 2-81, 2-83, 2-101, 3-31, 3-59, 3-61, 3-63, 3-65	34376	2-93	370124	2-13, 3-35
32494	2-71	34390	3-61	370125	3-35
32516	3-21, 3-23	34395	2-93	370129	3-35
32520	2-19	34820	2-25	370130	3-35
32716	2-83, 2-85, 3-61	34868	2-75, 2-77	370143	3-29
32822	3-49, 3-51, 3-55, 3-57	34877	3-49	370159	3-35
32899	3-45, 3-53	35033	2-31, 2-89	370181	2-51
32940	2-17	35298	3-63	371904	2-29
32969	2-53	35426	3-65	372900	5-11
32981	2-41, 2-59	35484	3-63	372901	5-11
32982	2-75, 2-77	35493	4-11	372904	5-11
32987	2-49, 2-87	35586	2-89, 2-103	372905	5-12
330915	3-82	35710	2-37	372912	5-11
330930	3-82	35973	2-87	372913	5-11
330932	3-82	360467	2-83, 3-61	372917	5-23
330933	3-82	36050	2-2	372918	5-11
330935	3-82	360943	2-71, 2-75, 2-77, 3-3	372920	5-3
33333	2-39	361339	2-33, 2-63, 2-75, 3-55, 3-57, 3-61, 3-63	372921	5-5
33580	4-7	361366	5-4	372927	5-11
33584	2-7	361368	5-23	372928	5-11
33671	2-47, 3-57	361373	5-23	373201	4-5
		361374	5-10, 5-11	373207	4-5
		361392	5-13	373211	4-5
		361427	5-12	373217	4-7
		361428	5-4	373226	4-7
		361430	5-31	373227	4-5
		361436	5-3	373232	4-5
		361440	5-8, 5-32	373233	4-5
		363087	2-85	373234	4-5
		36328	2-15, 2-17, 2-71, 2-73, 2-87	373235	4-5
		36376	3-65	373236	4-7
		36438	3-21, 3-23	373242	4-5
		36439	3-21, 3-23	373243	4-5
		364498	2-71	373244	4-5
		364983	2-93	373255	4-5
		36643	2-59	373257	4-5
		36658	3-39, 3-41	373260	4-7
		367679	2-75	373276	4-5
		367950	3-55, 3-57	373284	4-5
		367987	3-39, 3-41	373285	4-5
		368090	5-32	373286	4-5
		368091	5-32	373287	4-5
		368197	2-85	373288	4-5
		369704	2-7	373291	4-7
		369781	2-53, 2-55, 2-83, 3-61	373297	4-7
		369782	2-39	373298	4-7
		370008	2-5	373299	4-7
		370009	2-5	373317	4-3
		370115	3-35	373327	4-3
		370116	3-35	373336	4-3
				373337	4-3
				373340	3-63, 4-10
				373346	4-3
				373389	4-3
				373390	4-3

# CROSS REFERENCE

Part Number	Page Number	Part Number	Page Number	Part Number	Page Number
373391	4-3	377031	3-25	379703	2-2, 2-65, 2-67
373393	4-3	377046	2-116	379704	2-2, 2-61
373394	4-3	377061	2-61	379705	2-2, 2-61
373395	4-3	377063	2-116	379706	2-2, 2-61
373396	4-3	377070	2-13	379719	2-75, 2-77
373398	4-3	377071	2-13	379726	2-61, 2-67
373402	4-3	377072	2-13	379727	2-61, 2-67
373413	4-3	377073	2-13	379728	2-65, 2-67
373429	4-3	377086	3-19	379732	2-57
373430	4-3	377088	3-17	379737	3-65
373434	4-3	377098	3-47	379740	3-65
373452	2-101, 4-3	377109	4-20, 4-21	379750	2-11
373494	4-3	377136	3-82	379751	2-9
373554	4-17	377141	3-55	379752	2-7
373560	4-13	377144	3-71	379755	2-9, 2-11
373573	4-17	377165	3-55, 3-57	379756	2-9, 2-11
373574	4-17	377168	2-117	379784	2-69
373575	4-17	377169	2-117	379786	2-69
373576	4-17	377186	2-117	379787	2-69
373577	4-17	377187	2-116	379788	2-71
373578	4-17	377190	3-23	379789	2-71
373579	4-17	377192	3-21	379791	2-2, 2-65, 2-67
373580	4-17	377199	2-13	379792	2-2, 2-61
373581	4-17	377205	2-41	379797	3-71
373582	4-17	377206	2-41	379803	3-71
373583	4-17	377225	2-93	379804	3-71
373584	4-17	377226	2-93	379810	3-71
373585	4-17	377230	2-93	379812	2-61
373586	4-17	377232	2-93	379815	2-81, 3-59
374504	2-89	377234	2-93	379817	2-75
374505	2-89	377235	2-93	379820	2-71
374511	2-31	377241	2-13	379821	2-65, 2-67
374517	2-7	377244	2-95	379822	2-75, 2-77
374520	2-57	377249	2-87	379827	2-71
374552	2-49	377250	2-93	379829	2-61, 2-65, 2-67, 2-75
374553	2-49	377262	3-11	379832	2-65, 2-67
374560	2-49	377264	3-7	379834	2-61
374561	2-49	377266	3-15	379835	2-61
374563	2-49	377271	3-9	379844	3-81
374602	3-77	377273	3-5	379849	2-75, 2-77
374604	3-79	377275	3-13	379855	3-3
374605	3-79	377280	3-3	379862	3-59
374607	3-80	377294	2-25	379871	2-15
374608	3-80	377537	2-3	379881	2-69
374651	3-31	377538	2-3	379883	2-71
374653	3-31	377540	2-3	379890	2-75, 2-77
374654	3-31	37756	4-7	381962	3-31
374688	3-78	378972	2-89	382459	3-3
374689	3-78	379532	2-81, 3-59	382516	2-25
374691	2-39	379555	2-75, 2-77	38255	4-7
374710	2-53	379565	2-17	382634	3-55, 3-57
374763	2-29	379607	2-81, 3-59, 4-9	383000	3-57
375117	2-33	379608	2-87, 4-8	383017	2-59
375202	2-75	379609	2-49, 4-7	383139	2-87
375249	2-75, 2-77	379656	2-29	383142	2-87
375306	3-37	379665	2-29	383143	2-87
37555	4-8, 4-9, 4-10	379698	2-2, 2-65, 2-67	383160	2-7
37616	4-7	379699	2-2, 2-65, 2-67	383161	2-7
377008	2-61	379701	2-65, 2-67	383162	2-19
377013	3-73	379702	2-2, 2-65, 2-67		

# CROSS REFERENCE

Part Number	Page Number	Part Number	Page Number	Part Number	Page Number
383165	2-25	393342	4-19	41346	2-73, 3-25, 3-49, 3-65
383183	2-15	393343	4-19	41430	2-33, 2-45, 2-51, 2-57, 2-59, 2-83, 2-85, 2-89, 3-25, 3-45, 3-49, 3-51, 3-53, 3-61
383185	2-15, 2-17	393344	4-19	41437	3-3
383194	2-85	393345	4-19	41619	2-9, 2-11
383205	2-85	393346	4-19	41792	5-4
383723	3-46	393347	4-19	41845	3-33
387151	2-83, 3-61	393348	4-19	41973	5-15, 5-30, 5-32
38968	4-7	393349	4-19	42120-1	2-65, 2-67, 2-79
39005	2-23, 2-53, 2-55, 2-57, 3-31, 3-65	393350	4-19	42216	2-95
39051	5-3	393351	4-19	42223	2-49, 2-101
39062	5-3	393354	3-39, 3-41	42260	2-99
39063	5-3, 5-5	393355	3-39, 3-41	42467	2-59
39065	5-7, 5-25, 5-30, 5-32	393356	3-39, 3-41	43290	2-85
39073	5-4, 5-5	393359	3-43	43555	3-49, 3-51
39087	5-3	393360	3-43	43611	3-31
39088	5-3, 5-5	393361	2-2	43844	2-41
39094	5-4	393362	3-41	43955	3-31
39103	5-7	393363	3-46	43957	2-53
39105	5-3	393368	3-43	43958	2-49
39119	5-9	393369	3-39, 3-41	44078	2-27
39121	5-7, 5-25, 5-30, 5-32	393370	3-43	44681	3-7, 3-11, 3-15, 3-19
39160	5-15, 5-29, 5-31	393371	3-43	44681-1	3-7, 3-11, 3-15, 3-19
39161	5-7	393373	3-39, 3-41	44681-2	3-7, 3-11, 3-15, 3-19
39162	5-10, 5-11	393392	3-37	44868	2-89, 2-101, 2-103
391816	3-31	393394	3-37	44869	2-87
391850	3-25	393396	3-37	44906	2-13, 2-15, 2-17, 2-57, 3-71
391955	2-116	393401	2-31	45181	2-37
391956	2-116	393412	3-43	45272	3-9, 3-11
39197	5-15	39349	2-41, 2-47, 2-49, 2-53, 2-55, 2-59, 3-3, 3-29, 3-55, 3-63	45622	4-7
39210	2-65, 2-67	39350	2-49	45623	4-7
392171	2-25	393674	5-23	45628	4-8, 4-9, 4-10
39254	2-29	39394	2-81, 3-59	45779	3-5, 3-7, 3-9, 3-11, 3-13, 3-15, 3-17, 3-19
392611	2-37	39395	2-87	45780	2-7
39277	2-13, 2-19, 2-39, 2-41, 2-69, 2-89, 2-99, 3-43, 3-45, 3-53, 3-66	39396	3-63	45786	2-51, 3-76
39283	2-33, 3-25, 3-81	39508	5-23	46236	2-41
39284	2-27, 2-33, 2-35, 3-71	39527	4-8	46481	2-97, 2-99
39285	2-83, 2-85, 2-89, 3-61	395973	2-103	46559	2-81, 2-101, 3-59
39308	2-79	396210	2-93	47501	3-63
39312	2-57, 2-59, 2-85	396234	2-93	47504	2-81, 3-59
39313	2-17	396279	2-97, 2-99	47508	2-81, 2-101, 3-59, 3-63
393215	2-49	39810	2-101	47512	2-101, 2-103
393326	3-41	40166	5-23, 5-29	47745	2-81, 3-59
393327	3-41	40407	5-30	47801	2-49, 2-65, 2-67
393328	3-41	40409	5-12, 5-28	48079	2-59
393330	4-20, 4-21	40514	2-89	48126	2-41, 2-42
393331	4-20	40607	2-75, 2-77	48267	2-41
393332	4-20, 4-21	40678	3-3	48570	3-3
393333	4-20	41139	3-3, 3-21, 3-23	48813	4-11
393334	4-20	41140	2-33, 2-41	48985	2-53
393335	4-20, 4-21	41141	2-7, 3-3	49032	3-25, 3-29
393336	4-20, 4-21	41142	2-7, 2-35, 2-37	49034	3-25, 3-29
393337	4-20, 4-21	41178	2-23, 2-61, 2-69, 2-71, 2-89, 2-97, 3-37, 3-71		
393340	3-41, 4-19	41186	2-21, 2-87, 3-45, 3-53		
393341	4-19	41187	2-9, 2-11		
		41342	2-7, 2-57		

# CROSS REFERENCE

Part Number	Page Number	Part Number	Page Number	Part Number	Page Number
49263	2-23, 2-25, 3-46, 3-59	54015	2-59	55248	3-5, 3-7, 3-9, 3-11, 3-13, 3-15, 3-17, 3-19, 3-21, 3-23
49266	2-47, 2-75, 2-77, 3-3, 3-5, 3-7, 3-9, 3-11, 3-13, 3-15, 3-17, 3-19, 3-21, 3-23, 3-63	54050	2-81	55270	3-29
49697	2-99	54051	2-49	55272	3-5, 3-7, 3-9, 3-11, 3-13, 3-15, 3-17, 3-19
49800	2-99	54052	2-49	55347	2-17
49826	2-61, 2-65, 2-67, 2-69, 2-81, 3-59	54079	2-79	55455	2-97, 2-99
50042	2-59	54087	2-49	55461	3-33
50335	2-59	54089	2-2, 2-63	55462	2-79
50902	2-21, 2-89, 3-43	54093	2-7	55463	2-79
50960	2-79, 2-89	54095	4-11	55489	3-49, 3-51
51021N	2-5	54096	2-85	55586	2-65, 2-67, 2-85, 2-103
51109	2-55	54182	2-7	55617	3-65
51176	2-33	54184	2-7	55685	2-49
51225	2-81, 3-59, 3-63	54190	2-7	55767	3-65
51331	5-5	54190	2-7	55776	3-63
51332	5-12	54204	2-87	55778	3-63
51338	2-49, 2-53, 3-78, 3-79, 3-80	54205	2-59	55779	2-87
51339	2-49, 2-53	54274	2-45, 2-89	55793	3-63
51538	2-81, 3-59, 3-63, 3-71	54275A	2-89	55823	3-63
51542	2-5	54345	2-23	55831	2-33
51545	2-55	54390	2-53	55834	3-63
51560-3	2-35	54395	2-97, 2-99	55837	2-33
51562	2-55	54400	2-53, 2-55, 2-83, 3-61	55845	2-79, 3-73
51564	2-73, 2-87	54404	3-65	55847	5-8
51570	3-3	54427	3-65	55849	2-2, 5-7
51715	2-87, 3-63	54428	3-65	55855	2-37
51813	2-57	54437	2-53	55856	2-37
52402	2-87, 2-103	54465	3-65	55857	2-45
52405	4-7	54567	2-53	55858	2-45, 3-39, 3-41
53029	2-41	54577	2-53	55863	2-37
53076	2-101	54607	2-55	55890	2-2, 2-63
53078	2-41	54615	2-13	55914	2-65, 2-67
53091	3-45, 3-53	54616	2-55	55926	4-3
53466	2-71, 2-73, 2-81, 2-95, 2-97	54617	2-53	55930	4-3
53485	2-89, 4-11	54618	3-65	55931	4-3
53601	2-49, 4-15	54620	3-65	55932	4-3
53783	2-35	54621	3-65	55959	3-29
53816	3-75	54655	2-59	55963	3-29
53817	3-75	54660	2-81, 3-59	55968	3-29
53818	2-51	54878	2-87	55973	3-29
53819	2-51	54911-16	2-33	56185	2-23
53819-2	2-51, 3-76	54911-32	2-45	56186	2-29, 3-46
53883	3-49, 3-51	54922	2-5	56198	2-23
53894	3-49, 3-51	54923	2-5	56228	2-87
53895	3-49, 3-51	54925	2-5	56379	2-23
53927	2-57	54927	2-5	56385	2-23
53947	2-59	54996	2-57	56392	2-23
53953	2-59	54999	2-59	56398	2-23
53965	2-81	55021	2-63	56546	3-29
53984	3-63	55035	2-27, 3-29	56560	3-29
54013	2-2, 2-63	55038	3-31	56690	2-103
54014	2-2, 2-63	55048	3-45, 3-53	56692	2-101
		55073	3-27	56820	2-23, 2-49, 2-103
		55074	3-27	56821	2-95
		55161	3-27	56890	2-7
		55162	3-27	56914	2-9, 2-11
		55164	3-27		
		55222	2-41		
		55227	3-29		
		55228	3-29		

# CROSS REFERENCE

Part Number	Page Number	Part Number	Page Number	Part Number	Page Number
57075	3-59, 3-63	59432	2-5	59940	2-23
57167	2-7, 3-33, 3-37	59440	2-5	59946	2-33
57220	3-5, 3-7	59447	3-5, 3-7	59949	2-7
57564	2-23	59448	2-71, 2-73	59962	3-3
57702	2-13, 3-31	59514	3-31, 3-45, 3-53	59967	2-89
57754	2-33	59515	3-31	60283	3-3
57755	2-33	59537	2-9	60284	3-3
57772	2-13, 3-33	59538	2-11	60285	3-67
57773	2-33	59542	2-79	60286	3-67
57807	3-33, 3-46, 3-63	59551	2-45	60287	3-29
57912	3-39, 3-41	59574	2-93	60288	3-5, 3-7, 3-13, 3-15, 3-17, 3-19
57935	2-23	59578	2-93	60292	2-47
57962	2-93, 3-61	59621	2-27	60295	2-47
58078	2-53	59622	2-27	60339	2-2
58090	2-35	59623	2-27	60388	2-73
58120	2-2, 2-35	59647	2-21, 2-27	60428	3-71
58121	2-35	59649	2-89	60711	2-31
58286	2-33, 2-41	59656	2-89	60751	3-3
58301	2-41	59658	2-59, 2-61	60862	3-31
58327	2-2, 2-37	59661	2-21	61488	3-74
58346	2-35	59665	3-25	61490	4-8
58359	2-79	59666	3-25	61913	3-33
58494	2-19, 3-45, 3-53, 3-63	59668	2-57	61920	3-21, 3-23
58518	3-5, 3-9, 3-13, 3-17	59672	2-57	62390	2-89
58519	3-5, 3-9, 3-13, 3-17	59680	2-2, 2-63	62595	2-71, 2-73
58520	3-5, 3-9, 3-13, 3-17	59681	2-2, 2-63	62595-21	2-7
58524	2-71, 2-73	59692	2-9, 2-11	62595-22	2-13
58538	2-35	59695	2-17	62595-23	2-13
58540	2-89	59734	2-89	62595-6	2-23
58566	2-33	59735	2-89	63234	2-59
58595	2-13	59760	2-11	63378	3-49, 3-51
58645	2-79	59761	2-9	63469-3	3-49, 3-51
58665	2-23	59767	2-117	63810	3-39, 3-41
58667	2-23	59768	3-49, 3-51	63852	2-23
58770	2-9, 2-11	59771	2-13	64153	2-61
58842	2-49	59789	2-95	64320	3-49, 3-51
58849	3-45, 3-53	59790	2-95	64535	2-69
58858	2-95	59797	3-33	64595	2-69, 3-45, 3-53, 3-63
58881	3-49, 3-51	59799	3-33	64886	2-49
58898	3-31	59803	3-33	64887	2-49
58979	2-55	59811	2-35	65145-1	2-101
58999	3-45, 3-53	59822	2-13	65208	2-93
59004	2-73	59825	2-79	65232	4-9
59012	3-49, 3-51	59827	2-79	65553	3-33, 3-46
59013	3-49, 3-51	59828	2-21	65560	3-63
59015	2-41	59829	2-21	65561	3-33, 3-46
59018	2-21	59830	2-21	66018	2-5
59019	3-45, 3-53	59842	2-79	66019	2-5
59104	3-49, 3-51	59849	2-79	66176	3-71
59106	2-93	59861	2-79	66177	3-71
59156	2-37	59866	2-79	66184	2-89
59192	2-9, 2-11, 2-17	59867	2-79	66187	5-4
59194	2-11	59870	2-17	66194	5-5
59195	2-9	59881	2-45, 3-31	66195	3-39, 3-41
59335	4-14	59885	2-31	66197	3-29
59377	2-21	59891	2-31	66204	5-17
59378	4-11	59899	2-83, 3-61	66205	5-8
59380	2-79	59919	3-49, 3-51	66207	5-17
59431	2-5	59920	3-3		
		59935	2-29		

# CROSS REFERENCE

Part Number	Page Number	Part Number	Page Number	Part Number	Page Number
66211	2-53	70207	5-21	70933	5-10
66213	2-53	70208	5-21	70934	5-12
66221	3-29	70209	5-21	70935	5-12
68445	3-59	70210	5-21	70936	5-13
68872	2-47	70211	5-21	70937	5-13
68873	2-47	70212	5-21	70938	5-17
69173	2-103	70213	5-21	70939	5-17
69234	2-27, 2-47, 2-99	70248	2-17	70940	5-17
69462	2-13	70252	2-17	70941	5-17
69904	2-7	70267	3-65	70942	5-17
69906	3-45, 3-53	70268	3-65	70943	5-17
69907	3-45, 3-53	70271	2-79	70944	5-17
69908	2-79	70272	2-79	70945	5-17
69915	2-7	70278	3-76	70946	5-17
69923	3-49	70279	3-76	70947	5-17
69931	2-9, 2-11	70280	2-51, 3-76	70948	5-17
69933	2-55	70281	3-76	70949	5-17
69935	3-53	70287	2-51	70950	5-17
69937	3-49, 3-51, 3-55, 3-57	70538	2-5	70951	5-17
69951	3-45, 3-53	70887	5-3	70952	5-17
69952	3-45, 3-53	70888	5-3	70953	5-17
69953	3-49, 3-51	70889	5-4	70954	5-17
69955	3-49, 3-51	70890	5-4	70955	5-17
69958	3-51	70891	5-4	70956	5-19
69972	2-71, 2-73	70892	5-4	70957	5-19
69981	3-49, 3-51	70893	5-4	70964	5-23
69986	2-19, 3-45, 3-53	70895	5-5	70965	5-23
69987	2-19, 3-45, 3-53	70896	5-5	70966	5-23
69990	2-89	70897	5-5	70967	5-23
69991	3-65	70899	5-5	70968	5-23
69993	3-65	70900	5-7	70972	5-25
69994	3-65	70901	5-7	70973	5-25
69995	3-65	70902	5-7	70974	5-25
69997	3-65	70903	5-7	70975	5-28
69998	3-65	70904	5-7	70976	5-28
69999	3-63	70905	5-7	70977	5-28
70096	4-3	70906	5-7	70978	5-28
70100	4-3	70907	5-7	70979	5-28
70142	3-45, 3-53	70909	5-7	70980	5-29
70157	2-49	70910	5-7	70982	5-30
70158	2-53	70911	5-7	70983	5-30
70159	3-21, 3-23	70912	5-7	70984	5-30
70161	2-53	70913	5-7	70985	5-31
70165	2-31, 5-29	70915	5-8	70986	5-31
70173	2-41	70916	5-8	70987	5-31
70188	5-29	70917	5-8	70988	5-31
70189	5-7	70919	5-8	70989	5-31
70193	2-69	70920	5-8	70991	5-31
70196	5-21	70921	5-9	70992	5-31
70197	5-21	70922	5-9	70994	5-32
70198	5-21	70923	5-9	70998	5-3
70199	5-21	70924	5-9	71022	3-74
70200	5-21	70925	5-9	71025	3-49, 3-51
70201	5-21	70926	5-9	71057	3-33
70202	5-21	70927	5-9	71058	3-23, 3-29
70203	5-21	70928	5-9	71373	2-53
70204	5-21	70929	5-10, 5-11	71385	2-31
70205	5-21	70930	5-10	71388	2-31
70206	5-21	70931	5-10	71539	2-29
		70932	5-10	71540	2-81

# CROSS REFERENCE

Part Number	Page Number	Part Number	Page Number	Part Number	Page Number
71543	3-9, 3-11	72999	5-9	73551	5-21
71544	3-21, 3-23	73281	2-49	73554	5-23
71552	2-93	73411	2-57	73555	5-23
71562	2-97, 2-99	73479	5-9	73560	5-23
71725	4-5	73480	5-10	73561	5-25
71727	2-23	73481	5-10, 5-12	73562	5-25
71985	5-3	73482	5-10	73563	5-25
71986	5-3	73483	5-10, 5-11	73565	5-25
71987	5-3	73484	5-10, 5-11	73567	5-27
71988	5-3	73485	5-10	73568	5-27
71989	5-3	73486	5-12	73569	5-27
71990	5-3	73487	5-12	73570	5-27
71991	5-3	73488	5-12	73571	5-27
71992	5-3	73491	5-13	73572	5-27
71993	5-3	73492	5-13	73573	5-27
71994	5-4	73493	5-13	73574	5-27
71995	5-4, 5-28	73494	5-13	73575	5-27
71996	5-5	73495	5-13	73576	5-27
71997	5-5	73496	5-13	73577	5-27
71999	5-5	73497	5-13	73578	5-27
72010	5-5	73498	5-13	73579	5-27
72011	5-7	73499	5-13	73580	5-27
72012	5-7	73500	5-13	73581	5-27
72013	5-7	73501	5-13	73582	5-27
72014	5-7	73502	5-13	73585	5-27
72015	5-7	73503	5-13	73586	5-27
72016	5-7	73504	5-13	73588	5-27
72017	5-7	73505	5-13	73589	5-27
72018	5-7, 5-30	73506	5-13	73590	5-27
72024	3-31	73507	5-13	73592	5-28
72049	3-33	73508	5-13	73593	5-28
72068	2-2	73509	5-15	73594	5-28
72100	3-11	73510	5-15	73595	5-28
72118	2-9	73511	5-15	73596	5-28
72119	2-11	73512	5-15	73597	5-28
72120	2-9, 2-11	73513	5-15	73598	5-28
72130	2-57	73514	5-15	73599	5-28
72131	2-57	73515	5-15	73600	5-28
72132	2-55	73516	5-15	73601	5-28
72133	2-89	73517	5-15	73602	5-28
72142	3-33	73518	5-15	73603	5-28
72143	3-49, 3-51	73519	5-15	73604	5-28
72154	2-21	73520	5-17	73605	5-29
72159	2-73	73521	5-17	73606	5-29
72176	2-15, 2-17	73522	5-17	73607	5-29
72178	3-3	73523	5-17	73610	5-29
72191	2-41	73524	5-17	73618	5-30
72193	2-41	73525	5-17	73619	5-30
72424	3-59	73526	5-17	73620	5-30
72427	3-59	73527	5-17	73621	5-30
72926	2-49	73528	5-17	73622	5-30
72968	2-9, 2-11	73529	5-17	73623	5-30
72969	2-73	73530	5-17	73624	5-30
72971	2-73	73531	5-17	73625	5-30
72993	5-7	73532	5-17	73626	5-30
72994	5-7, 5-12	73533	5-19	73627	5-31
72995	5-7, 5-32	73534	5-19	73628	5-31
72996	5-8, 5-12, 5-32	73535	5-19	73629	5-31
72997	5-8	73545	5-21	73630	5-31
72998	5-9	73547	5-21	73631	5-31

# CROSS REFERENCE

Part Number	Page Number	Part Number	Page Number	Part Number	Page Number
73632	5-32	74475	2-57	84644	5-25
73633	5-32	75128	2-21	84646	5-3
73634	5-32	75430	2-57, 3-31	84647	5-3
73636	5-32	75934	2-57	84648	5-27
74068	3-55	75939	2-73	84649	5-27
74094	4-8, 4-9, 4-10	76099	2-9, 2-11, 3-31	84650	5-27
74095	4-8	762514	2-29, 3-33	84651	5-27
74098	4-8, 4-10, 4-17	763045	3-17, 3-19	84660	3-82
74099	4-8	763066	2-19	86240	2-53, 2-55, 2-85
74100	4-8, 4-9, 4-10	763116	3-39, 3-41	86330	2-75, 3-5, 3-7
74101	4-9, 4-10	76315	2-103	86332	3-5, 3-7, 3-13, 3-15
74122	4-7	76316	2-95	86333	3-5, 3-7, 3-9, 3-11
74123	4-7	76570	2-13, 2-27, 2-33, 2-41, 2-83, 2-95,	86727	2-45
74125	4-7		3-61	86751	2-55
74142	2-23	76955	3-39, 3-41	87308	2-45
74154	4-5	76956	2-19	87396	2-41
74161	4-5	76957	3-43	87536	2-25
74165	4-7	77002	2-41	87631	2-87
74166	4-7	77097	2-65, 2-67, 2-79, 2-83, 2-85, 2-103,	87676	2-81, 2-97, 2-99, 3-59
74167	4-7		3-61	87677	2-65
74168	4-7	77098	2-79	87738	2-41
74174	4-8	77306	2-93	87767	2-67
74180	4-3	77320	2-75, 2-77	87866	2-25
74183	4-13	77335	2-83, 3-61	87948	3-3
74185	4-13	77336	2-83, 3-61	9000200	2-2
74192	4-13	77399	2-27	9000203	2-2
74193	4-13	77575	2-103	9000210	2-101, 4-5
74196	4-13	77640	2-93	9000211	2-2
74222	4-13	77641	2-93	9000227	2-93
74225	4-3	77641	2-93	9000243	3-63
74226	4-3	77728	2-19	9000249	2-93, 3-59
74231	4-13	77784	2-93	9000250	3-59
74232	4-13	78143	2-89, 2-95	9000263	3-57
74233	4-11	79399	2-31	9000266	3-37
74234	4-13	79729	4-7	9000267	2-29
74236	4-13	79828	4-7	9000355	2-42
74237	4-3	82063	3-5, 3-9, 3-13, 3-17	9000371	2-93
74243	4-13	82196	3-81	9000475	2-25
74244	4-13	82200	3-7, 3-11, 3-15, 3-19	9000845	3-5, 3-9, 3-13, 3-17
74245	4-13	82334	3-63	9000846	3-7, 3-11, 3-15, 3-19
74250	4-9, 4-10	82457	2-73, 3-29, 3-31	9000860	4-20, 4-21
74352	2-69	82483	2-63	9000879	3-5, 3-7, 3-9, 3-11, 3-13, 3-15, 3-17, 3-19
74353	2-69	82509	2-41	9000902	4-20, 4-21
74381	3-71	82731	2-37	9000903	4-20, 4-21
74382	3-71	82733	2-75, 2-77	9000904	4-20, 4-21
74383	3-71	82739	2-75, 2-77	9001557	2-79
74405	2-33, 5-21	82816	3-61	9004550	2-75, 2-77
74406	2-41	82820	2-93		
74409	2-73	82825	2-103		
74419	2-79, 4-14	82830	2-99		
74428	3-31	82842	3-63		
74429	3-29	83584	4-19		
74430	3-29	84170	2-57		
74431	3-29	84581	2-81, 3-59, 3-63		
74433	3-33	84625	2-31		
74438	3-49, 3-51	84631	5-5		
74439	3-49, 3-51	84635	5-25, 5-27		
74452	2-39	84636	5-28		
74454	2-89	84638	5-23		
74455	2-41				



**PART DESCRIPTION TO PAGE NUMBER CROSS REFERENCE LIST**

**A**

Actuator Assy, 12vdc, 06.0stroke 250lb, 3-65  
 Actuator, 12vdc, 04.0stroke 250lb, 3-63  
 Actuator, Govnr, Dsl, 2-31  
 Actuator, Valve, Bypass, 4-3  
 Adaptor Assy, Pump, Hyd, 4-3  
 Adaptor, Actuator, Govnr, Eng, Dsl, 2-31  
 Adaptor, Tube, A/C, 4-20, 4-21  
 Alarm Assy, Backup, 12-24vdc 82-107dba, 3-21, 3-23  
 Alternator, 12vdc 075a, 2-37  
 Angle, Mtg, Muffler, 2-39  
 Angle, Mtg, Stil, .06 1.0 1.0 28.5l, 3-29  
 Angle, Retainer, Spring, 2-83, 3-61  
 Angle, Stop, 3-71  
 Arm Wldt, Brush, Main, Drive, Lh, 2-87  
 Arm Wldt, Safety, Sppt, Seat, .38d 10.1l, 2-13  
 Arm Wldt, Sppt, Brush, Side, 2-81, 3-59, 3-63  
 Arm, Alternator, [Curved], 6.5r, 2-37  
 Arm, Brush, Main, W/ Label [6600], 2-87  
 Arm, Cntrl, Pintle, Casting, 2-59  
 Arm, Cntrl, Pintle, Centering, 2-59  
 Arm, Lift, Hppr, W/ Label, 2-79  
 Arm, Safety, Hppr, W/ Label, 2-79  
 Arm, Swing, Lh, 2-13  
 Arm, Swing, Rh, 2-13  
 Arm, Wiper, Windshield, [Panto], 3-33  
 Assembly Apparatus, Idle, 5-29  
 Assembly Bolt, Adjusting, 5-29  
 Assembly Camshaft, 5-15  
 Assembly Cartridge, Oil, 5-7  
 Assembly Case, Main Bearing, 5-9  
 Assembly Case, Main Bearing 1, 5-9  
 Assembly Case, Main Bearing 2, 5-9  
 Assembly Case, Main Bearing 3, 5-9  
 Assembly Cock, Drain, 5-3  
 Assembly Connecting Rod, 5-17  
 Assembly Lever, Fork, 5-31  
 Assembly Pipe, Over Flow, 5-23  
 Assembly Piston Ring, 5-17  
 Assembly Piston Ring 05, 5-17  
 Assembly Plate, Control, 5-30  
 Assembly Pump, Injection, 5-27  
 Assembly Pump, Injection (See Injection Pump Breakdown), 5-25  
 Assembly Pump, Water, 5-8  
 Assembly Rocker Arm, 5-13  
 Assembly Rotor, Oil Pump, 5-7  
 Assembly Seal, Mechanical, 5-8  
 Assembly Shaft, Governor, 5-28  
 Assembly Shaft, R-arm, 5-13  
 Assembly Tappet, 5-27  
 Assy Armature, 5-21  
 Assy Bolt, 5-21  
 Assy Holder, Brush, 5-21  
 Assy Starter, 5-21  
 Assy Switch, Magneto, 5-21  
 Assy Yoke, 5-21

**B**

Ball, 5-7, 5-17, 5-21  
 Balljoint, .25-28 Fem/.25-28mal, 3-45, 3-53  
 Band, Pipe, 5-23, 5-32  
 Bar, Flt, Stil, 0.18 X 3.0 X 10.0 L, 2-45  
 Bar, Flt, Stil, 0.19 X 1.50 X 04.10l, 2-49  
 Bar, Hex, Stil, 0.75 2.5l M8x1.25 Thru, 3-65  
 Bar, Wand, 3-55  
 Battery, 12vdc, 0600cca, Wet, 2-47  
 Bearing, 2-55, 5-21  
 Bearing Kit, 4-13  
 Bearing Thrust, 4-10  
 Bearing, Ball, 5-8, 5-28, 5-31  
 Bearing, Ball, 1.38b 2.83d 0.67w, 2-87  
 Bearing, Cone, 1.38b 0.71w, 2-49, 2-53  
 Bearing, Cone, Pump, Hyd, 4-3  
 Bearing, Cup, 4-3  
 Bearing, Cup, 2.56d 0.55w, 2-49, 2-53, 3-78, 3-79, 3-80  
 Bearing, Self Align, 1.25b 2.00d, 2-65, 2-67, 2-79  
 Bearing, Thrust, Motor, Hyd, 4-8, 4-9  
 Bearing, Thrust, Pump, Hyd, 4-3  
 Bearing, Valve, Strg, 4-13  
 Bearing, W/ Collar, 0.75b 1.85d 1.06w, 2-87  
 Belt, V, [3v] 41.0l [Hc41], 2-37  
 Belt, V, [3v] 41.0l [Hc41], 2-2  
 Belt, V, [Xl] 29.5l [9295], 2-2  
 Belt, V, [Xl], 31.5l, 3-43  
 Blade, Wiper, Windshield 18.0, 3-33  
 Block, Expansion, A/C, 4-20  
 Body, Pump, Gear, 4-5  
 Bolt, 5-5, 5-7, 5-8, 5-9, 5-12, 5-15, 5-17, 5-19, 5-21, 5-25, 5-28, 5-29, 5-30, 5-31, 5-32  
 Bolt, Adjusting, 5-29  
 Bolt, Bearing Case 1, 5-9  
 Bolt, Carriage, M06 X 1.0 X 30, 2-2, 2-65, 2-67  
 Bolt, Carriage, M08 X 1.25 X 35, 2-2, 2-61  
 Bolt, Carriage, M08 X 1.25 X 40, 2-7  
 Bolt, Connecting Rod, 5-17  
 Bolt, Cylinder Head, 5-5  
 Bolt, Eye, .25-20 X 1.40 X .25 Eye, 2-59  
 Bolt, Eye, M08x1.25 X 030mm 8.0 Eye, 3-65  
 Bolt, Eye, M10x1.50 X 117mm 8.0 Eye, 2-81, 2-85  
 Bolt, Flywheel, 5-19  
 Bolt, Latch, 2-21  
 Bolt, Latch, F/58489/58844, 3-31  
 Bolt, Motor, Hyd, 4-7  
 Bolt, Shld, .25d X 1.25, #10-24, 3-31  
 Bolt, Shld, .31d X 1.00, .25-20, 2-57  
 Bolt, Shld, .38d X 0.38, .31-18, 3-31  
 Bolt, Bearing Case 2, 5-9  
 Boot, Switch, Binary, A/C, 4-19

Boot, Cable, Battery, Black, 2-47  
 Boot, Cable, Battery, Red, 2-47  
 Boot, Switch, 2-25  
 Boot, Switch, Ignition, 2-25  
 Bracket, 2-13  
 Bracket Wldt, Backup, 3-21  
 Bracket Wldt, Brush Adj, 2-85  
 Bracket Wldt, Compressor Mtg, A/C, Dsl, 3-43  
 Bracket Wldt, Cyl Mtg, 2-85  
 Bracket Wldt, Hppr, [6600/6650xp], 2-75  
 Bracket Wldt, Latch, 2-19  
 Bracket Wldt, Mtg, Compressor, A/C, 3-43  
 Bracket Wldt, Mtg, Eng, Dis, Rear, Lh, 2-33  
 Bracket Wldt, Mtg, Eng, Dis, Rear, Rh, 2-33  
 Bracket Wldt, Mtg, Eng, Front, Kubo, 2-33  
 Bracket Wldt, Mtg, Light, 3-17, 3-19  
 Bracket Wldt, Mtg, Motor, 3-63  
 Bracket Wldt, Mtg, Steering, 2-23  
 Bracket Wldt, Ntch Steering, 2-23  
 Bracket Wldt, Side, Lh, Sba, Aux, 3-69  
 Bracket Wldt, Side, Rh, Sba, Aux, 3-69  
 Bracket Wldt, Sppt, Blower, 3-49, 3-51  
 Bracket Wldt, Valve, 2-23  
 Bracket Wldt, Wand, 3-55, 3-57  
 Bracket, Adj, Brush, Side, Lh, 3-61  
 Bracket, Adj, Brush, Side, Rh, 2-83  
 Bracket, Alarm, Backup, 3-23, 3-29  
 Bracket, Angle, .12 2.75 3.17 01.0l, 2-9, 2-11  
 Bracket, Angle, Keeper, Cable, 2-53, 2-55, 2-83, 3-61  
 Bracket, Armrest, 3-31  
 Bracket, Brush, Stop Adj, 2-85  
 Bracket, Cable, 3-65  
 Bracket, Cable, Spring, 2-69  
 Bracket, Clamp, Drain Hose, 2-31  
 Bracket, Cooler, Hyd, 2-99  
 Bracket, Cyl, 2-65, 2-67  
 Bracket, Deflector, Cover, Eng, 3-45, 3-53  
 Bracket, Door, 2-21  
 Bracket, Flap, Recirculation, 2-7  
 Bracket, Grill [6600/6650], 2-15, 2-17  
 Bracket, Hood, Lh, 2-69  
 Bracket, Hood, Rh, 2-69  
 Bracket, Hppr, 2-63  
 Bracket, Latch, Bolt, 3-31  
 Bracket, Latch, Cover, Eng, 2-19  
 Bracket, Latch, Door, 2-21  
 Bracket, Latch, Dsl, 2-45  
 Bracket, Latch, Eng Cover, 3-45, 3-53  
 Bracket, Latch, Grill, Lpg, 2-17  
 Bracket, Light, Rotating, 3-9, 3-11  
 Bracket, Light, Sbd, 3-3  
 Bracket, Mirror, Side Brush, 3-59  
 Bracket, Motor, Side Brush, Lh, [6550], 3-59  
 Bracket, Mtg, Air Fltr, [Ford/Kubota], 2-35  
 Bracket, Mtg, Alternator, 2-37

## CROSS REFERENCE

- Bracket, Mtg, Cyl, 2-83, 3-61  
Bracket, Mtg, Drier, A/C, 4-19  
Bracket, Mtg, Flasher, 3-3, 3-21, 3-23  
Bracket, Mtg, Fltr, Fuel, Dsl, 2-41  
Bracket, Mtg, Hinge, Brush Door, Lh, 2-11  
Bracket, Mtg, Hinge, Brush Door, Rh, 2-9  
Bracket, Mtg, Hose, Vacuum, 3-57  
Bracket, Mtg, Hyd, 2-97, 2-99  
Bracket, Mtg, Latch, 2-17  
Bracket, Mtg, Lever, Lh, 3-61  
Bracket, Mtg, Lever, Rh, 2-83  
Bracket, Mtg, Lh, 2-87  
Bracket, Mtg, Light, Ohg, 3-5, 3-7  
Bracket, Mtg, Mirror, Rearview, 3-25, 3-29  
Bracket, Mtg, Motor, 2-89  
Bracket, Mtg, Motor, Side Brush, 2-81  
Bracket, Mtg, Propel Centering, 2-59  
Bracket, Mtg, Rh, 2-87  
Bracket, Mtg, Stop, Door, 2-17  
Bracket, Mtg, Tube, Blower Wand, 3-49, 3-51  
Bracket, Mtg, Valve, 2-103  
Bracket, Mtg, Wand, 3-55  
Bracket, Retainer, Safety, 2-57  
Bracket, Rocker Arm, 5-13  
Bracket, Sbdc, 3-71  
Bracket, Sidebrush, Aux, 3-63  
Bracket, Speed Limiter, 2-57  
Bracket, Sppt, Control Rod, 2-57  
Bracket, Spring, Side Brush, 2-81, 3-59  
Bracket, Spring, Side Brush (6650 XP Only), 2-81  
Bracket, Stop, 2-99  
Bracket, Stop Bolt, Rear Grill, 2-17  
Bracket, Switch, 3-3  
Bracket, Tie-Down, 3-81  
Bracket, U, .12 1.2w 2.30h 1.0l, 2-83, 3-61  
Bracket, U, .18 2.7 0.9 1.0l 1/0.4h, 3-65  
Bracket, U, .18 2.8 0.9 1.0l 1/0.3h, 2-87, 3-63  
Bracket, Wand, 3-55  
Bracket, Wand, Vacuum, 3-57  
Brake Assy, Drum, Mech, 07.9d, 2-53  
Breather, Hyd, 20mic 05psi .75-16, 2-95  
Brush, Disk, Swp, 23.0 D, Flat Wire (Aux. Side Brush Option), 2-5  
Brush, Disk, Swp, 23.0 D, Nylon (Aux. Side Brush Option), 2-5  
Brush, Disk, Swp, 23.0 D, Polypropylene (Aux. Side Brush Option), 2-5  
Brush, Disk, Swp, 26.0 D, Flat Wire, 2-5  
Brush, Disk, Swp, 26.0 D, Nylon, 2-5  
Brush, Disk, Swp, 26.0 D, Polypropylene, 2-5  
Brush, Swp, 45l, 24 Single Row, Natural Fiber & Wire, 2-5  
Brush, Swp, 45l, 24 Single Row, Nylon, 2-5  
Brush, Swp, 45l, 5 Double Row, Patrol, Nylon, 2-5  
Brush, Swp, 45l, 8 Double Row, Nylon, 2-5  
Brush, Swp, 45l, 8 Double Row, Polypropylene, 2-5  
Brush, Swp, 45l, 8 Double Row, Polypropylene & Wire, 2-5  
Brush, Swp, 45l, 8 Double Row, Wire, 2-5  
Brush, Swp, 45l, Sand Wedge, Polypropylene, 2-5  
Brush, Swp, 45l, Window, Polypropylene, 2-5  
Bumper Wldt, Cab Door, 3-31  
Bumper Wldt, Front, 2-71, 2-73, 3-65  
Bumper, Arm, Safety, 2-79  
Bumper, Brush, Side, 3-65  
Bumper, Rbr, 0.5d 0.16t M5 X 08, 2-59  
Bumper, Rbr, 1.0d 0.38t .25-20, 2-19  
Bumper, Wand, Vacuum, 3-55, 3-57  
Bush, Governor Gear, 5-3  
Bush, Idle Gear, 5-15  
Bush, Piston Pin, 5-17  
Bushing, Flng, 0.32b 0.75d 0.14l, 3-33  
Bushing, Flng, 0.44b 1.25d 0.25l, 2-85  
Bushing, Flng, 0.50b 0.62d 0.40l, 3-71  
Bushing, Flng, 0.63b 0.72d 0.25l, 2-57  
Bushing, Flng, 1.00b 1.13d 1.00l, 3-65  
Bushing, Flng, 1.50b 1.65d 1.00l, 3-65  
Bushing, Sleeve, 1.25b 1.40d 1.00l, Fgl, 2-79  
Bushing, Sleeve, 1.50b 1.66d 1.75l Tef, 3-65  
Bushing, Snap In, 0.38b 0.31d .14t Nyl, 3-49, 3-51  
Button, Plug, 0.38h .03-.12 [Black Nyl], 2-7, 2-27  
Button, Plug, 0.44h .03-.12 [Black Nyl], 2-27  
Button, Plug, 0.62h .03-.12 [Black Nyl], 2-7, 3-33  
Button, Plug, 0.62h .03-.12 [Blk Nyl], 3-37  
Button, Plug, 1.00h .00-.17 [Black Nyl], 2-27, 3-29  
Button, Plug, Switch, 1.45 X 0.83 Hole, 2-13, 3-33
- C**
- Cab, 3-29  
Cable Assy, Push-Pull, 3-39, 3-41  
Cable, .06d, 05.8l, .26eye / .26eye, 3-31  
Cable, .06d, 12.0l, .26eye / .26eye, 2-13, 3-31  
Cable, .09d, 42.0l, .4clevis/.4clevis, 2-69  
Cable, .13d, 10.6l, .2clevis/.2clevis, 3-65  
Cable, .13d, 14.9l, .41eye / M10x1.5, 2-83, 3-61  
Cable, .13d, 20.0l, .32eye / .32eye, 3-63  
Cable, .19d, 20.0l, .4clevis/.4clevis, 2-55  
Cable, .19d, 105.8l, .4clevis/.4clevis, 2-53  
Cable, Battery, Neg 2ga 60.0l .41 Hole, 2-47  
Cable, Battery, Pos 2ga 66.0l .41 Hole, 2-47  
Cable, Lift, Main Brush, 2-85  
Cam, 4-3  
Cam, Centering, Pintle, 2-59  
Cam, Fuel, 5-28  
Camshaft, Fuel, 5-28  
Cap, 5-29  
Cap, Breather, Hyd, 2.2 Ds, 2-2, 2-95  
Cap, End, Motor, Hyd, 4-9  
Cap, End, Valve, Strg, 4-13  
Cap, Filler, Oil [Ku], 5-11  
Cap, Fuel, Tank, 2-42  
Cap, Hub, Dust 2.57d 0.77l, 2-53  
Cap, Radiator, 14psi [Stant], 2-45  
Cap, Radiator, 7psi, 2-45  
Cap, Screw, Strg Valve, 4-8  
Cap, Sealing, 5-3, 5-5  
Cap, Tank, Fuel, 2.3neck 2.6d, 2-41  
Cap, Tube, 2-23  
Cap, Valve, 5-13  
Cap, Valve, Tire, Tubeless, 2-51  
Cap, Valve, Tire, Tubeless, [Schrader], 3-76  
Cap, Vinyl, 3.28d 0.45l, 2-87  
Cart, Check Vlv, 4-17  
Cart, Plt. Cntrl, 4-17  
Cart, PSI Cntrl, 4-17  
Cart, Sol. Cntrl, 4-17  
Carton, Rsc Kit, 4.5 X 4.5 X 45.0, 2-2  
Chain, Coil, Str, 210, 06.9l 05 Link, 2-7  
Channel Wldt, Sppt, 3-65  
Channel, Post, Corner, 2-15  
Channel, Retainer, Seal, Rear, 2-7  
Channel, Vent, Heater, 3-37  
Cir-clip, External, 5-13, 5-31  
Cir-clip, Governor Shaft, 5-28  
Cir-clip, Idle Gear, 5-15  
Cir-clip, Piston Pin, 5-17  
Circuitboard Kit, Replmt [6650 E-Cntrls], 2-25  
Circuitbreaker, 20.0a, Resetable, 3-46  
Clamp Assy, Fltr, Air, 2-35  
Clamp Wldt, Tube, Blower Wand, 3-49, 3-51  
Clamp, Cable, Ss, 2.50d X 1.00w, 1h, 2-49  
Clamp, Cable, Stl, 0.25d X 0.56w, 1h, 2-41  
Clamp, Cable, Stl, 0.38d X 0.38w, 1h, 2-75, 2-77, 3-3  
Clamp, Cable, Stl, 0.44d X 0.62w, 1h, 3-3  
Clamp, Cable, Stl, 0.56d X 0.38w, 1hole, 2-41  
Clamp, Cable, Stl, 0.63d X 0.50w, 1h, 2-7  
Clamp, Cable, Stl, 0.6x1.2x0.75w, 1h, 2-75, 3-61  
Clamp, Cable, Stl, 0.9x1.8x0.62w, 1h, 3-59, 3-61  
Clamp, Cable, Stl, 1.00d X 0.62w, 1h, 2-27, 2-47, 2-99  
Clamp, Cable, Stl, 1.50d X 1.00w, 1h, 2-71, 2-73, 2-81, 2-95, 2-97  
Clamp, Hose, 5-11  
Clamp, Hose, Wormdrive, 0.25-0.62d, 2-41

Clamp, Hose, Wormdrive, 0.56-1.06d, 3-39, 3-41  
 Clamp, Hose, Wormdrive, 0.81-1.50d, 2-45, 3-39, 3-41  
 Clamp, Hose, Wormdrive, 1.06-2.00d, 2-45  
 Clamp, Hose, Wormdrive, 1.31-3.25d, 4-19  
 Clamp, Hose, Wormdrive, 1.62-3.50d, 3-49, 3-51  
 Clamp, Hose, Wormdrive, 1.81-2.75d, 2-35  
 Clamp, Hose, Wormdrive, 3.56-4.50d, 2-75, 2-77, 3-49, 3-51, 3-55, 3-57  
 Clamp, Muffler, 1.62d, 2-39  
 Clamp, Pipe 1, 5-23  
 Clamp, Pipe 2, 5-23  
 Clevis Wldt, Adj, .50pin 0.50-20, PI, 2-53  
 Clevis, Adj, 0.38pin, 0.50 - 20, 2-53  
 Clevis, Adj, 0.38pin, M10x1.5, 2-83, 2-85, 3-61  
 Clevis, Adj, 1.12pin, 1.00-14, 2-17  
 Clip, [Pine-Tree], .236h, Plstc, 2-27  
 Clip, [Pine-Tree], .250h, Plstc, 2-81  
 Clip, Keeper, Open, 2-31, 2-33, 2-35  
 Clip, Safety, Gasspring, 2-69, 3-45, 3-53, 3-63  
 Clutch, Over Running, 5-21  
 Coil, 12V Sol, 4-17  
 Coil, Condenser, A/C, 4-19  
 Coil, Evaporator, A/C, 4-20  
 Collar 1, 5-31  
 Collar, Crankshaft, 5-17  
 Collar, Idle Gear 1, 5-15  
 Collar, Idle Gear 2, 5-15  
 Collet, Valve Spring, 5-13  
 Column, Steering #4 08.0l 0.81d 36tooth, 2-23  
 Comp Idle Gear 1, 5-15  
 Comp. Case, Gear, 5-7  
 Comp. Crankshaft, 5-17  
 Comp. Flywheel, 5-19  
 Comp. Lever, Fork 1, 5-31  
 Comp. Lever, Governor, 5-30  
 Comp. Weight, Governor, 5-28  
 Compressor, A/C, V Pully [134][Tm-08hd], 3-43  
 Condenser Assy, A/C, W /Fan, 4-19  
 Condenser Assy, A/C, W /Fan (See Breakdown), 3-41  
 Control, Govnr, [2000 All Purpose], 2-29  
 Cooler, Hyd, 25gpm 325btu Of12 13x12x2, 2-97, 2-99  
 Cord, Glow Plug, 5-23  
 Core, Heater, 4-20, 4-21  
 Coupling, Drive, Flex, 9.5d/13tooth, 2-33  
 Cover, 5-7, 5-21, 5-29  
 Cover Assy, Head, Cyl, 5-11  
 Cover Wldt, Brush, Sbdc, 3-71  
 Cover Wldt, Roof, Cab, Front, 3-33  
 Cover Wldt, Sppt, Seat, 2-13  
 Cover, Bearing Case, 5-9

Cover, Breather, 5-11  
 Cover, Column, Steering, 2-23  
 Cover, Cylinder Head, 5-10  
 Cover, End, 4-3  
 Cover, Eng, Plstc, [6600/6650], 2-19  
 Cover, Fltr, A/C [6600], 4-20, 4-21  
 Cover, Fork Lever Shaft, 5-31  
 Cover, Fuseholder, 2-29  
 Cover, Hopper, 6500, 2-69  
 Cover, Hsng, Blower [6600], 4-20, 4-21  
 Cover, Oil Pump, 5-7  
 Cover, Seal, Rocker Switch, 3-33, 3-46, 3-63  
 Crankcase, 5-3  
 Crankcase, Complt, 5-3  
 Cup Assy, Fltr, Air, 2-35  
 Cylinder, Hyd, 1.5b,07.8l,02.80strk,2500, 2-83, 3-61  
 Cylinder, Hyd, 2.0b,08.0l,04.00strk,2500, 2-65, 2-67, 2-85  
 Cylinder, Hyd, 2.0b,15.0l,08.00strk,1500, 2-49, 4-15  
 Cylinder, Hyd, 2.0b,15.0l,08.00strk,1500 (See Breakdowns), 2-49  
 Cylinder, Hyd, 2.5b,28.4l,15.00strk,2500, 2-79, 4-14  
 Cylinder, Hyd, 2.5b,28.4l,15.00strk,2500 (See Breakdowns) (Replaced by 9001862), 2-79

**D**

Deflector, Air, 2-97  
 Diffuser, Air, 3-37  
 Diode, Elec, Plug, 2-116  
 Dipstick [Ku], 5-4  
 Dipstick, Oil [Ku], 5-4  
 Disc, .06 4.39d 1.67b 4/.30h 3.8bc, 2-87  
 Disc, .08 4.39d 2.56b 4/.28h 3.8bc, 2-87  
 Door Wldt, Brush, Lh, 2-11  
 Door Wldt, Brush, Rh, 2-9  
 Door Wldt, Cab, 3-31  
 Door Wldt, Dump, 2-65, 2-67  
 Door Wldt, Eng, Side, 2-21  
 Door Wldt, Eng, Top, 3-45  
 Door Wldt, Eng, Top, Blower Wand, 3-53  
 Door, Vacuum, W/Label [6600/6650], 3-55, 3-57  
 Drier, A/C, 4-19  
 Drive, 4-10  
 Drive, Motor, Hyd, 4-7, 4-8, 4-9  
 Drive, Valve, Strg, 4-13  
 Driveshaft, Pump, Hyd, 4-3  
 Duct Assy, Vacfan, W/ Seal, 2-89  
 Duct Wldt, Transition, Vacfan, 2-89  
 Duct, Air Pkg, 3-37  
 Duct, Blower Wand, 3-49, 3-51  
 Duct, Transition, Windowside, 3-37  
 Duct, Upright, Windowside, 23.8l, 3-37  
 Duct, Vyl, 0.40 X 0.75 .25d 03.5l, 3-5, 3-7, 3-9, 3-11  
 Duct, Vyl, 0.40 X 0.75 .25d 10.0l, 2-75, 3-5, 3-7

Duct, Vyl, 0.40 X 0.75 .25d 26.0l, 3-5, 3-7, 3-13, 3-15  
 Duct, Vyl, 0.40 X 0.75 .25d Max 48.0l, 3-17, 3-19  
 Duct, Vyl, 0.74 X 1.50 .75d Max 24.0l, 3-29

**E**

Element, Breather, 5-10  
 Element, Fltr, Air, 2-2  
 Element, Fltr, Air, [Ar#Arm-11-87], 2-35  
 Element, Fltr, Air, [Dn#P133298], 2-35  
 Element, Fltr, Fuel [Dn], 2-2, 2-41  
 Element, Fltr, Oil, Eng, Spin-on[Ku], 5-4  
 Element, Fltr, Oil, Hyd, 2-2, 2-97, 2-99  
 Element, Fltr, Oil, Spin On [Ku], 2-2  
 End Cap, 4-10  
 End Cap, Motor, Hyd, 4-8  
 Engine, Kubo, Dsl, 37hp [E Series] (See Engine Breakdown), 2-31  
 Extinguisher, Fire, 3-73

**F**

Fan, Condencer, 12vdc, A/C, 4-19  
 Fan, Cooling, 14.2d, 6 Blade, 1.8d Bc, 2-37  
 Fastener, [Hook & Loop], 03.25l, 3-35  
 Fastener, [Hook & Loop], 05.19l, 3-35  
 Fastener, [Hook & Loop], 09.75l, 3-35  
 Fastener, [Hook & Loop], 11.00l, 3-35  
 Fastener, [Hook & Loop], 12.00l, 3-35  
 Fastener, [Hook & Loop], 15.00l, 3-35  
 Fastener, [Hook & Loop], 16.50l, 3-35  
 Fastener, [Hook & Loop], 45.00l, 3-35  
 Filter Assy, Air, 2.0inlet, 2-35  
 Filter Assy, Fuel, Dsl, 2-41  
 Filter Kit, Panl, Syn, Replmt, 2-75  
 Filter Pkg Kit, 098plts, Ci, 2-75, 2-77  
 Filter, Air, A/C, 4-20, 4-21  
 Filter, Fuel, In-Line, 2-2  
 Filter, Hyd 10mic 30gpm 150, 2-97, 2-99  
 Fitting, Brs, Breather 02mp, 2-75, 2-77  
 Fitting, Brs, E45, Pm02/Pf02, 2-31  
 Fitting, Brs, E90, Em05/Pm02, 2-41  
 Fitting, Brs, E90, If03/Pm02, 2-41  
 Fitting, Brs, E90, If05/Pm02, 2-41  
 Fitting, Brs, E90, If05/Pm04, 2-41  
 Fitting, Brs, E90, Em05/Pm04, 2-42  
 Fitting, Brs, Str, Bm03/Pm02, 2-75, 2-77  
 Fitting, Brs, Str, Pm06/Em10, 3-39, 3-41  
 Fitting, Condenser, Left, A/C, 4-19  
 Fitting, Draincock, .25npt, 2-45  
 Fitting, Grease, Str Pm04 .63l, 2-49, 2-65, 2-67  
 Fitting, Hyd, E45, Jm04/Om06, 2-49  
 Fitting, Hyd, E45, Jm20/Jf20, 2-101  
 Fitting, Hyd, E90, Jf12/Jm12, 2-31  
 Fitting, Hyd, E90, Jm04/Jf04, 2-65, 2-67

## CROSS REFERENCE

- Fitting, Hyd, E90, Jm04/Om04, 2-65, 2-67, 2-79, 2-83, 2-85, 2-103, 3-61  
Fitting, Hyd, E90, Jm04om04l, 2-103  
Fitting, Hyd, E90, Jm06/Jf06, 2-81, 3-59  
Fitting, Hyd, E90, Jm06/Jm06 Bkhd, 3-59, 3-63  
Fitting, Hyd, E90, Jm06/Om04, 2-79  
Fitting, Hyd, E90, Jm06/Om06, 2-23, 2-49, 2-103  
Fitting, Hyd, E90, Jm06/Om08, 2-101, 2-103  
Fitting, Hyd, E90, Jm06om06l, 2-23  
Fitting, Hyd, E90, Jm08/Om08, 2-89, 2-101, 2-103  
Fitting, Hyd, E90, Jm08/Om08[2.48l], 2-103  
Fitting, Hyd, E90, Jm08/Om10, 2-95  
Fitting, Hyd, E90, Jm10/Om12, 2-101  
Fitting, Hyd, E90, Jm12/Jf12, 2-89  
Fitting, Hyd, E90, Jm12/Om12, 2-97, 2-99  
Fitting, Hyd, E90, Pm02/Jm04, 2-97, 2-99  
Fitting, Hyd, Nut, Jm12, 2-97, 2-99  
Fitting, Hyd, Plug, Jm08, 2-95  
Fitting, Hyd, Plug, Jm12, 2-31  
Fitting, Hyd, Rst, Jm04/.047, 2-79  
Fitting, Hyd, Str, Jm04/Om04, 2-65, 2-67, 2-85, 2-103  
Fitting, Hyd, Str, Jm04/Om06, 2-49  
Fitting, Hyd, Str, Jm06/Jm06 Bkhd, 2-81  
Fitting, Hyd, Str, Jm06/Om04, 2-79, 2-89  
Fitting, Hyd, Str, Jm06/Om06, 2-103  
Fitting, Hyd, Str, Jm06/Om08, 2-87, 2-103  
Fitting, Hyd, Str, Jm06/Om10, 2-81, 2-101, 3-59, 3-63  
Fitting, Hyd, Str, Jm08/Jf12, 2-89, 2-95  
Fitting, Hyd, Str, Jm08/Om08, 2-87  
Fitting, Hyd, Str, Jm08/Om10, 2-101  
Fitting, Hyd, Str, Jm10/Om12, 2-49, 2-101  
Fitting, Hyd, Str, Jm12/Om08, 2-89  
Fitting, Hyd, Str, Jm12/Om12, 2-99  
Fitting, Hyd, Str, Jm12/Om20, 2-97, 2-99  
Fitting, Hyd, Str, Jm20/Om20, 2-95  
Fitting, Hyd, Str, Jm20om20l, 2-101  
Fitting, Hyd, Str, Metric, Om10/Jm04, 2-41  
Fitting, Hyd, Str, Om04/Qm04, 2-103  
Fitting, Hyd, Str, Pf02/Pm04, 2-41  
Fitting, Hyd, Str, Pm04/Jm04, 2-41  
Fitting, Hyd, Str, Spcl, 2-31  
Fitting, Hyd, Tee, Jm04/Jm04/Om04, 3-61  
Fitting, Hyd, Tee, Jm06/Jf06/Jm06, 2-89, 2-103  
Fitting, Hyd, Tee, Jm06/Jm06/Om06, 2-95  
Fitting, Hyd, Tee, Jm08/Jf08/Jm08, 2-103  
Fitting, Hyd, Tee, Jm12/Jm12/Jf12, 2-89  
Fitting, Hyd, Tee, Jm12/Jm12/Om12, 2-95  
Fitting, Pipe, Plug, Pm02 Sq Head, 2-41, 2-42  
Fitting, Pipe, Water [Ku], 5-8  
Fitting, Plug, O-Ring, 4-3  
Fitting, Plug, O-Ring, #2, Valve, 4-17  
Fitting, Plug, O-Ring, #4, 4-8, 4-17  
Fitting, Plug, O-Ring, #6, Valve, 4-17  
Fitting, Plug, O-Ring, Motor, Hyd, 4-8  
Fitting, Valve, Schrader, A/C, 4-19  
Flange, Brg, 1.9id 2h, 2-87  
Flange, Motor, Hyd, 4-8, 4-9  
Flange, Mounting, 4-10  
Flange, Pump, Water [Ku], 5-8  
Flange, Ring, 3-55, 3-57  
Flange, Sleeve, 5-27  
Flange, Water [Ku], 5-32  
Flap, Tire/Tube, 570/500-8, 2-51, 3-76  
Flap, Vac Wand, 3-55, 3-57  
Flasher, 12vdc, [Hd#552ps83], 3-21, 3-23  
Flasher, Hd, 12vdc 25a, [#10-57300], 3-3  
Frame Wldt, Main [6600/6650], 2-7  
Frame Wldt, Sppt, Spring, 3-65  
Frame, Drive End, 5-21  
Frame, End, 5-21  
Fuel Pump Cover Plate, 5-25  
Fuelline Assy, Dsl [6600/6650], 2-41  
Fuelline, .31d 05if/05if Stl, 2-41  
Fuelline, .19d 05if/Bea Stl, 2-41  
Fuse Block, 2-29  
Fuse, 15 Amp, 2-29, 3-33  
Fuse, 40a, 2-29
- ### G
- Gasket, 3-3, 5-3, 5-10, 5-23, 5-27, 5-29, 5-30, 5-31  
Gasket Ku, 5-12  
Gasket Set, 5-4  
Gasket Set, Upper, 5-5  
Gasket, 1.7d, 5-32  
Gasket, Bearing Case, 5-9  
Gasket, Bearing Case Cover, 5-9  
Gasket, Cover, Head, Cyl [Ku], 5-11  
Gasket, Cyclinder Head, 5-5  
Gasket, Delivery Valve, 5-27  
Gasket, Door, 3-55, 3-57  
Gasket, Ex-manifold, 5-12  
Gasket, F/Bolt [Ku] 15951-96661, 5-11  
Gasket, Flange, 3-55, 3-57  
Gasket, Fuel Pump, 5-25  
Gasket, Gear Case, 5-7  
Gasket, Head Cover, 5-10  
Gasket, In-manifold, 5-12  
Gasket, Manifold, Intake [Ku], 5-12  
Gasket, Pan, Oil, 5-4  
Gasket, Plug, Drain [Ku], 5-4  
Gasket, Pump, Water [Ku], 5-8  
Gasket, Sender, Fuel, 2-42  
Gasket, Sender, Fuel, 2.7d 1.5b 5/ 2.1bc, 2-41  
Gasket, Solenoid, Throttle [Ku] 16299, 2-31  
Gasket, Switch, Fire, 2-75, 2-77  
Gasket, Thrlt Blk, 5-29  
Gasket, Tube, 3-55  
Gasket, Water Flange, 5-32  
Gasspring Assy, Eng Cover, 3-45, 3-53  
Gasspring, 120lb, 6.3strk, 3-63  
Gasspring, 120lb, 7.1strk, 2-69  
Gasspring, 130lb, 6.2strk, 2-19  
Gear, 5-21  
Gear Assy, Idler, Pump, Hyd, 4-5  
Gear, Camshaft, 5-15  
Gear, Crankshaft, 5-17  
Gear, Drive, Pump, Hyd, 4-5  
Gear, Governor, 5-28  
Gear, Injection Pump, 5-28  
Gear, Oil Pump Drive, 5-17  
Gear, Ring, 5-19  
Geroler, Motor, Hyd, 4-7  
Gerotor Set, 4-10  
Gerotor Set, Motor, Hyd, 4-8, 4-9  
Gerotor, Pump, Hyd, 4-3  
Gerotor, Valve, Strg, 4-13  
Glass, Sight, A/C, 4-19  
Grill, Door, Lh, 2-17  
Grille, Door, Lpg, 2-15  
Grille, Filler, Door, Rh, 2-15  
Grip, Vyl, 2-83, 3-61  
Grommet, Rbr, 0.38id, F/ 0.5H, .12Matl, 3-23, 3-29, 3-33  
Grommet, Rbr, 0.50id, F/ 0.8h, .19matl, 2-45  
Grommet, Rbr, 0.62id, F/ 0.9h, .06matl, 2-75, 2-77  
Grommet, Rbr, 0.63id, F/ 0.8h, .12matl, 3-5, 3-7, 3-9, 3-11, 3-13, 3-15, 3-17, 3-19, 3-21  
Grommet, Rbr, 0.69id, F/ 0.1h, .25matl, 3-5, 3-7, 3-9, 3-11, 3-13, 3-15, 3-21, 3-23, 3-46  
Grommet, Rbr, 1.06id, F/ 1.4h, .19matl, 3-65  
Grommet, Rbr, 1.62id, F/ 1.9h, .13matl, 2-23  
Guard Wldt, Brush, 3-63  
Guard Wldt, Light, Revl/Flsh, 3-9, 3-11  
Guard Wldt, Ohg, Top, 3-25  
Guard, Belt, Fan, Dsl, W/Label, 2-45  
Guard, Brush, [6400 355], 3-63  
Guard, Brush, [6550], 2-81, 3-59  
Guard, String, Motor, Brush, 2-81, 3-59, 3-63  
Guide, Exhaust Valve, 5-5  
Guide, Inlet Valve, 5-5
- ### H
- Handle, 3-49, 3-51, 3-55, 3-57  
Handle Assy, Latch, Eng Cover, 3-45, 3-53  
Handle, Container, 3-31  
Handle, Door, Paddle, 3-31  
Harness, A/C, Heater [6600/6650], 3-47  
Harness, Alarm, Backup, [ 355], 3-21, 3-23  
Harness, Alarm, Backup, [ 355l], 3-21, 3-23  
Harness, Brush, Side, Aux, [ 385], 3-67  
Harness, Brush, Side, Aux, [ 385d], 3-67  
Harness, Cab, [355l], 3-29  
Harness, Eng, Dsl [6600/6650], 2-116  
Harness, Heater/Evaporator [6600/6650], 4-20, 4-21

- Harness, Hppr [6600/6650], 2-116  
 Harness, Light, Flsh, Revl, [ 355], 3-9, 3-11  
 Harness, Light, Revl, Ohg, [ 355], 3-5, 3-7, 3-13, 3-15, 3-17, 3-19  
 Harness, Main [6650], 2-116  
 Harness, Solenoid, Shagr [6600/6650], 2-116  
 Harness, Turn Signal, [ 355], 3-3  
 Harness, Turn Signal, [355L], 3-3  
 Head, Cyl [Ku], 5-5  
 Head, Cyl, W/O Valve [Ku], 5-5  
 Headlight, 12vdc, 35watt 2.7a [#4411], 3-3  
 Headlight, 12vdc, 50watt . A [#70744], 2-71, 2-73  
 Heater & A/C Assy [R134], 4-20  
 Heater/Pressrgr Assy, 4-21  
 Hinge Wldt, Door, Cab, Pin, Long, 3-31  
 Hinge Wldt, Door, Cab, Pin, Short, 3-31  
 Hinge Wldt, Door, Side, 2-21  
 Hinge Wldt, Pin, .43d, Cover, Eng, Lh, 2-89  
 Hinge Wldt, Pin, .43d, Cover, Eng, Rh, 2-89  
 Hinge Wldt, Tube, .38b, Door, Cab, 3-31  
 Hinge, .25pin .12 2.9w 03.5l 4/0.31slot, 2-69  
 Hinge, .38pin .11 3.5w 05.6l 4/H&Slot, 2-9, 2-11  
 Hinge, .40pin 2.2w 2.0l 4/0.21h, 3-55, 3-57  
 Holder Assembly, Nozzle, 5-23  
 Holder,, 5-28  
 Holder, Delivery Valve, 5-27  
 Holder, Governor Gear, 5-28  
 Hook, Engine 1, 5-5  
 Hook, Engine 2, 5-5  
 Hopper Wldt, 2-63  
 Hopper, Plstc [6600/6650xp], 2-61  
 Horn, 12vdc, Dba, 2-7  
 Hose Assy, W/1cuff, 3.0d, 24l, 3.0/, 3-49, 3-51  
 Hose Assy, W/1cuff, 4.0d, 87.8l, 4.0/, 3-55, 3-57  
 Hose, 0050, 04, Im05str /lf05str , 10.0, 2-41  
 Hose, A/C, 06 094.5l Str E45 [R134], 3-41  
 Hose, A/C, 08 076.0l E90 E90 [R134], 3-41  
 Hose, A/C, 10 104.0l Str E90 [R134], 3-41  
 Hose, Coolant, Mold, (Cut in 2), 3-39, 3-41  
 Hose, Coolant, Mold, 1.00id To 1.25id, 2-45  
 Hose, Flex, Vacuum, 4.0d 23.0l, 2-75, 2-77  
 Hose, Fuel, 0.31id [Evap Emission 07], 2-42  
 Hose, Fuel, 0.18id 29.0l, 2-41  
 Hose, Fuel, 0.31id 11.0l, 2-41  
 Hose, Heater, 0.062id 84l, 3-39, 3-41  
 Hose, Heater, 0.62id 24l, 3-39, 3-41  
 Hose, Heater, E90, 0.62id 60.0 4.0, 3-39, 3-41  
 Hose, Hyd, Ar06, Jf06str / Jf06str, 70.0, 2-93  
 Hose, Hyd, Med04, Jf04Str/Jf04E90, 64.0, 3-61  
 Hose, Hyd, Med04, Jf04Str/Jf04E90, 76.0, 3-61  
 Hose, Hyd, Med04, Jf04str/Jf04str, 052.0, 2-93  
 Hose, Hyd, Med06, Jf06e90/Jf06str, 010.0, 2-93  
 Hose, Hyd, med06, Jf06Str/Jf06E90, 30.0, 3-63  
 Hose, Hyd, Suc20, JfStr/Jf20E45, 25.0, 2-93  
 Hose, Hyd, Tc 06, Jf Str/E90 , 48.0l, 2-93  
 Hose, Hyd, Tc 06, Jf06str/Jf06str, 48.0, 2-93  
 Hose, Hyd,Low08, Jf08str /Jf08str , 20.0, 2-95  
 Hose, Hyd,Low12, Jf12str /Jf12str , 10.0, 2-31  
 Hose, Hyd,Med04, Jf04str /Jf04e45 , 52.0, 2-93  
 Hose, Hyd,Med04, Jf04str /Jf04e90 , 64.0, 2-93  
 Hose, Hyd,Med04, Jf04str /Jf04str , 52.0, 2-93  
 Hose, Hyd,Med06, Jf06str /Jf06e45 , 12.0, 2-93  
 Hose, Hyd,Med06, Jf06str /Jf06e90 , 17.0, 2-93  
 Hose, Hyd,Med06, Jf06str /Jf06e90 , 20.0, 2-93  
 Hose, Hyd,Med06, Jf06str /Jf06e90 , 39.0, 2-93  
 Hose, Hyd,Med06, Jf06str /Jf06e90 , 46.0, 2-93  
 Hose, Hyd,Med06, Jf06str /Jf06e90 , 48.0, 3-63  
 Hose, Hyd,Med06, Jf06str /Jf06e90 , 84.0, 2-93, 3-59  
 Hose, Hyd,Med06, Jf06str /Jf06str , 16.0, 2-93  
 Hose, Hyd,Med08, Jf08str /Jf08e45 , 26.0, 2-93  
 Hose, Hyd,Med08, Jf08str /Jf08e90 , 32.0, 2-93  
 Hose, Hyd,Med08, Jf08str /Jf08e90 , 34.0, 2-93  
 Hose, Hyd,Med08, Jf08str /Jf08e90 , 37.0, 2-93  
 Hose, Hyd,Med12, Jf12str /Jf12e90 , 23.0, 2-93  
 Hose, Hyd,Med12, Jf12str /Jf12e90 , 60.0, 2-93  
 Hose, Hyd,Med12, Jf12str /Jf12e90l, 60.0, 2-93  
 Hose, Hyd,Tc 04, Jf04str /Jf04str , 98.0, 2-93  
 Hose, Hyd,Tc 04, Jf04str /Jf04str , 104.0, 2-93  
 Hose, Hyd,Tc 04, Jf04str /Jf04str , 106.0, 2-93  
 Hose, Hyd,Tc 04, Jf04str /Jf04str , 114.0, 2-93  
 Hose, Hyd,Tc 04, Jfstr /Jf04e45 , 66.0, 2-93  
 Hose, Hyd,Tc 06, Jf06str /Jf06e90 , 62.0, 2-93  
 Hose, Hyd,Tc 06, Jf06str /Jf06e90 , 88.0, 3-59  
 Hose, Hyd,Tc 06, Jf06str /Jf06str , 36.0, 2-93  
 Hose, Hyd,Tc 06, Jf06str /Jf06str , 126.0, 2-93  
 Hose, Hyd,Tc 10, Jf10str /Jf10e45 , 54.0, 2-93  
 Hose, Hyd,Tc 10, Jf10str /Jf10e90l, 67.0, 2-93  
 Hose, Intake, Mold, 2.00id 1.75id,[Epdm], 2-35  
 Hose, Intake, Mold, 2.00id 2.00id,[Epdm], 2-35  
 Hose, Rbr, 3-49, 3-51  
 Hose, Rbr, E90 3.00id 3.50id 03.5 3.3, 3-49, 3-51  
 Hose, Vacuum, 0.16id 60.0l, 2-75, 2-77  
 Hose, Vacuum, 4.00id X 53.0l, 3-55, 3-57  
 Housing, 4-3, 4-10  
 Housing Assy, Heater/Press. [6650/6600] (See Breakdowns), 3-39  
 Housing Assy, Nozzle, 5-23  
 Housing Assy, Vacfan, 09.0d Impeller, 2-89  
 Housing, Blower, A/C [6600], 4-20, 4-21  
 Housing, Brg, Motor, Hyd, 4-7  
 Housing, Brg, Pivot, Door, Dust, 2-65, 2-67  
 Housing, Condenser/Fan, A/C, 4-19  
 Housing, Flywheel, Mach, [1505] Kubo, 2-33  
 Housing, Headlight, Hppr, 2-73  
 Housing, Motor, Hyd, 4-8, 4-9  
 Housing, Sppt, Drive, Rear, 4-49  
 Housing, Thermostat, 1.7d [Ku], 5-32  
 Housing, Valve, 4-7  
 Housyng Assy, A/C/Heater [6650/6600] (See Breakdowns), 3-41  
 Hub Assy, Wheel, 5 Bolt 4.50bc Taper B, 2-49  
 Hub, Drive, Brush, Side, 1.0b 05.50 Bc, 3-63  
 Hub, Drive, Brush, Side, 1.0B 8.75 Bc, 2-81, 3-59

**I**

- Impeller, 9.00d X 1.40w X 0.376b, 2-89  
 Impeller, Water Pump, 5-8  
 Indicator, Filter, Air, 2-35  
 Innertube, [5.00r-8],[Js2] Valve,[500-8], 2-51, 3-76  
 Insert, Plate, Cam, Pump, Hyd, 4-3  
 Instr, Kit, Repair, Pump, Hyd, 4-5

## CROSS REFERENCE

Instr, Repair, Motor, Hyd, Gear, 4-7  
Instr, Repair, Pump, 4-3  
Instr, Seal Kit, Motor, F/74147, 4-11  
Instruction, Repair, Motor, Hyd, 4-9  
Instruction, Repair, Valve, Strg, 4-13  
Insulation, Acstc, 2-13, 2-21, 2-27  
Insulation, Acstc, 0.3 25.5w 25.6l, 3-27  
Insulation, Acstc, 0.5 02.9w 24.3l Cab, 3-27  
Insulation, Acstc, 0.5 03.9w 25.3l Cab, 3-27  
Insulation, Acstc, 0.5 15.5w 33.2l Notch, 2-19  
Insulation, Acstc, 0.5 15.5w 35.6l Notch, 2-19  
Insulation, Acstc, 0.5, 33.3 X 15.5 Cham, 2-19  
Insulation, Acstc, 0.5, 35.6 X 15.5 Cham, 2-19  
Insulation, Acstc, 0.8 23.3w 34.6l Cab, 3-27  
Insulation, Acstc, 0.8 26.0w 36.3l, 3-45, 3-53  
Insulation, Acstc, 1.0 01.5w 06.8l, 2-13, 3-35  
Insulation, Acstc, 1.0 02.0w 04.0l, 2-19, 3-45, 3-53  
Insulation, Acstc, 1.0 02.0w 05.8l, 2-19, 3-45, 3-53  
Insulation, Acstc, 1.0 02.0w 17.5l Adh, 2-27  
Insulation, Acstc, 1.0 03.5w 10.5l Adh, 2-27  
Insulation, Acstc, 1.0 05.0w 05.0l, 2-89  
Insulation, Acstc, 1.0 15.5w 17.5l, 2-27  
Insulation, Acstc, Cover, Eng, Bottom, 3-45, 3-53  
Insulation, Acstc, Cover, Seat, 1.0, 2-13  
Insulation, Acstc, Door, 3-27  
Insulation, Acstc, Firewall, 2-7  
Insulation, Acstc, Panel, 3-27  
Insulation, Acstc, Panl, 2-13  
Insulation, Acstc, Plate, Floor, 2-13  
Insulation, Acstc, Seal, Vac Fan, 2-89  
Insulation, Acstc, Seat, 3-29  
Insulation, Cover, Eng, Bottom [2007], 3-45, 3-53  
Isolator, Vib, Bshg, 1.1d 0.6l .4b 0.78h, 2-45, 2-89  
Isolator, Vib, Dia .50, 2-33

### J

Joint, Breather Pipe, 5-10  
Joint, Pipe, 5-7

### K

Key, 5-17  
Key, Feather, 5-15  
Key, Ignition, [Set Of 2], 2-25  
Key, Motor, Hyd, 4-7

Key, Round, 4-5  
Key, Shaft, Pump, Hyd, 4-3  
Key, Sq, 0.12 X 0.12, 00.75l, 4-11  
Key, Woodruff, 5-28  
Key, Woodruff, 0.25 1.00, [Asa#0808], 4-8  
Kit, Brake, 2-53  
Kit, Ci, Alarm, Backup, A/V, W/ Cab, 3-23  
Kit, Ci, Alarm, Backup, A/V, W/O Cab, 3-21  
Kit, Ci, Extinguisher, Fire, [6600/6650], 3-73  
Kit, Ci, Light, Flsh [6600/6650], 3-9  
Kit, Ci, Light, Flsh, Cab [6600/6650], 3-13  
Kit, Ci, Light, Flsh, Flush, Cab, 3-17  
Kit, Ci, Light, Flsh, Ohg, 3-5  
Kit, Ci, Light, Revl [6600/6650], 3-11  
Kit, Ci, Light, Revl, Cab [6600/6650], 3-15  
Kit, Ci, Light, Revl, Flush, Ohg, 3-19  
Kit, Ci, Light, Revl, Ohg [6600/6650], 3-7  
Kit, Ci, Ohg [6600/6650], 3-25  
Kit, Ci, Sbdc, [6600/6650], 3-71  
Kit, Ci, Transport [6600/6650], 3-81  
Kit, Ci, Turn Signal [6650Xs], 3-3  
Kit, Ci, Wand, Vacuum, 3-55  
Kit, Clamp, Hopper Filter Box, 6600/6650, 2-75, 2-77  
Kit, Dust, Cab, [385/355], 3-35  
Kit, Maint, 400hr [6600d] Kubo, 2-2  
Kit, Maint, Seal, [6650XS], 2-2  
Kit, Maint, Skirt, Door, Hppr [6600/6650], 2-2  
Kit, Maint, Skirt, Hppr [6600/6650XP], 2-2  
Kit, Replmt, Overlay [6650], 2-25  
Kit, Replmt, Seal, Motor, Hyd, 4-8  
Kit, Ring, Restrictor, [6500/6550], 2-75, 2-77  
Kit, Rotating, Pump, Hyd, 4-3  
Kit, Seal, Cyl, Hyd, 4-14, 4-15  
Kit, Seal, Hyd, Pump, 4-3  
Kit, Seal, Hyd, Valve, Strg, 4-13  
Kit, Seal, Motor, Hyd, 4-7, 4-8, 4-9  
Kit, Seal, Motor, Hyd, Gear, 4-11  
Kit, Seal, Pump, Hyd, 4-5  
Kit, Seal, Valve, Hyd, 4-11  
Kit, Shim, 4-3  
Kit, Spring, Valve, Strg, 4-13  
Kit, Wiper, Mtg, Plate, 3-33  
Knob, Star, 2.2od 8ear 1.1l M10x1.5 Pls, 2-85  
Knob, Tee, 2.5x1.0 1.1l 0.38-16 Plstc, 2-83, 3-61  
Knob, Tpr, 1.00d 1.63l M08x1.25 Plstc, 3-49, 3-51  
Knob, Tpr, 1.12d 3.88l M08x1.25 Plstc, 2-23

### L

Label Set, Info/Hzrd, [Multi-Machines], 2-117  
Label Set, Opertnl, 3-49  
Label Set, Opertnl [6650], 2-117  
Label Set, Opertnl, [ 355], 3-51

Label, Control, Side Brush, 3-63  
Label, Heat On-Off, 3-39, 3-41  
Label, Info, A/C, On-Off, 3-46  
Label, Numerals [6650xp], 2-117  
Label, Numerals [6650xs], 2-117  
Label, Opertnl, Cab, 3-33  
Label, Opertnl, Cab (W/AC), 3-33  
Label, Spec, A/C, 3-41  
Lamp Strobe, Amb [12-48 Vdc], 3-7, 3-11, 3-15, 3-19  
Lamp, 12vdc Lamp, Dome [Speaker], 3-33  
Lamp, 12vdc, . A Cp [#194], 3-3  
Lamp, 12vdc, 0.9a, 15cp Watt [#1004], 3-21, 3-23  
Lamp, 12vdc, 0.5a Watt 04cp [#1157], 2-7  
Lamp, 12vdc, 2.1a Watt 32c [#1156], 3-5, 3-7, 3-9, 3-11, 3-13, 3-15, 3-17, 3-19  
Lamp, 12vdc, Turn Signal, 3-3  
Lamp, Bulb, Lamp, Flsh, 3-5, 3-9, 3-13, 3-17  
Lamp, Bulb, Lamp, Strobe, 3-7, 3-11, 3-15, 3-19  
Lamp, Flasher, Amb [12-48 Vdc], 3-5, 3-9, 3-13, 3-17  
Latch, 2-17, 2-21, 2-71, 2-73, 2-87, 2-99, 3-31, 3-45, 3-53  
Latch Assy, Rbr, 1.6d 1.4l/1.0d 1.0l, 2-15, 2-17  
Latch Hook, Lh, 2-11  
Latch, Bolt, 2-9, 2-11, 2-17  
Latch, Hook, Rh, 2-9  
Latch, Rbr, A/C Cover W/ Rivets, 4-20, 4-21  
Lens, Amber, Light, Flsh, [Fr207], 3-5, 3-9, 3-13, 3-17  
Lens, Amber, Light, Revl, 3-7, 3-11, 3-15, 3-19  
Lens, Blu, F/ Revl / Flasher, 3-5, 3-7, 3-9, 3-11, 3-13, 3-15, 3-17, 3-19  
Lens, Blue, Light, Flsh, [Fr207], 3-5, 3-9, 3-13, 3-17  
Lens, Blue, Light, Revl, 3-7, 3-11, 3-15, 3-19  
Lens, Lamp, Amb, Strobe/Flasher, 3-5, 3-7, 3-9, 3-11, 3-13, 3-15, 3-17, 3-19  
Lens, Red, Light, Flsh, [Fr207], 3-5, 3-9, 3-13, 3-17  
Lens, Red, Light, Revl, 3-7, 3-11, 3-15, 3-19  
Lens, Red, F/ Revl / Flasher, 3-5, 3-7, 3-9, 3-11, 3-13, 3-15, 3-17, 3-19  
Lever, 2-23, 3-49, 3-51  
Lever, Brake, Parking, 2-55  
Lever, Door Release, 3-31  
Lever, Engine Stop, 5-30  
Lever, Fork 2, 5-31  
Lever, Speed Control, 5-30  
Light, Dome, 12vdc, Rwk 58951, 3-33

Light, Flsh, 12vdc, Amb, Rwk 82198, 3-5,  
3-9, 3-13, 3-17  
Light, Marker, 12Vdc, Yel, 4.0 X 2.0, 3-3  
Light, Panl, 14vdc, Red, 0.6d, 2-25  
Light, Revl, 12vdc, Amb, Rwk 82200, 3-7,  
3-11, 3-15, 3-19  
Light, Spot, 12vdc, 21cp Rwk 44025a,  
3-21, 3-23  
Light, Spot, 12vdc, 35watt Rwk 68305,  
3-3  
Liner, Head, Plenum, 3-37

**M**

Magnet, 3-49, 3-51  
Magnet, Pickup, 2-33  
Manifold Assy, Inlet, 5-12  
Manifold, Exhaust, Front, Down, 5-12  
Manifold, Inlet, 5-12  
Manual Pkg, [6650 Dsl Na], 3-82  
Manual Pkg, Service Info [6600/6650],  
3-82  
Manual, Cd-Rom, Service Info  
[6600/6650], 3-82  
Manual, Eng, Kubo [1505E], 3-82  
Manual, Oprtr, [6650 Dsl Es Na], 3-82  
Manual, Oprtr, [6650 Dsl Fr Na], 3-82  
Metal, Crankpin, 5-17  
Metal, Crankpin 02, 5-17  
Metal, Crankpin 04, 5-17  
Metal, Crankshaft 1, 5-17  
Metal, Crankshaft 2, 5-17  
Metal, Crankshaft 3, 5-17  
Metal, Crankshaft1 02, 5-17  
Metal, Crankshaft1 04, 5-17  
Metal, Crankshaft2 02, 5-17  
Metal, Crankshaft2 04, 5-17  
Metal, Crankshaft3 02, 5-17  
Metal, Crankshaft3 04, 5-17  
Metal, Side 1, 5-17  
Metal, Side 1 02, 5-17  
Metal, Side 1 04, 5-17  
Metal, Side 2, 5-17  
Metal, Side 2 02, 5-17  
Metal, Side 2 04, 5-17  
Mirror, Convex, 06.7 X 06.2, 3-25, 3-29  
Mirror, Convex, 08.0d, 3-59  
Module, 2-29  
Molding, Trim, Pvc,.08 .11 07.5l, 2-23  
Molding, Trim, Pvc,.08-.11 04.0l, 2-71,  
2-73  
Molding, Trim, Pvc,.08-.11 05.0l, 2-23  
Molding, Trim, Pvc,.08-.11 07.7l, 2-71,  
2-73  
Molding, Trim, Pvc,.08-.11 14.2l, 2-13  
Molding, Trim, Pvc,.08-.11 22.8l, 2-13  
Molding, Trim, Pvc,.08-.11 25.6l, 2-7  
Molding, Trim, Pvc,.18-.31 02.8l, 3-55  
Motor, Blower, 12vdc, A/C, 4-20, 4-21  
Motor, Ele, Wiper, 12vdc 68deg, 3-33  
Motor, Hyd, Gear, [Ex] .194 R 3000, 4-11  
Motor, Hyd, Gear, [Ex] .194 R 3000 (See  
Breakdowns), 2-89

Motor, Hyd, Gear, [In] 02.8 1500, 4-8  
Motor, Hyd, Gear, [In] 02.8 1500 (See  
Breakdowns), 2-87  
Motor, Hyd, Gear, [In] 14.1 B 1500 (See  
Breakdowns), 3-63  
Motor, Hyd, Gear, [In] 17.9 B 1500, 4-9  
Motor, Hyd, Gear, [In] 17.9 B 1500 (See  
Breakdowns), 2-81, 3-59  
Motor, Hyd, Gear, [Int], 19.0 X 3000, 4-7  
Motor, Hyd, Gear, [Int], 19.0 X 3000 (See  
Breakdowns), 2-49  
Motor, Hydraulic, 4-10  
Motor, Starter, 12vdc (See Engine  
Breakdown), 2-33  
Mount, Cable Tie, 3-5, 3-7, 3-9, 3-11,  
3-13, 3-15, 3-17, 3-19, 3-21, 3-23  
Muffler, Exhaust, 2-39

**N**

Nut, 5-7, 5-12, 5-13, 5-25, 5-29, 5-30,  
5-32  
Nut, Cap, 5-10, 5-25, 5-28, 5-29  
Nut, Hex, Cap [Ku] 15952-92331, 5-11  
Nut, Hex, Flng, .25-20, 2-21  
Nut, Hex, Flng, .38-16, 3-43  
Nut, Hex, Flng, M05 X 0.8, 3-3, 3-21,  
3-23  
Nut, Hex, Flng, M06 X 1.0, 2-13, 2-33,  
2-41, 2-57, 3-5, 3-7, 3-49, 3-51  
Nut, Hex, Flng, M08 X 1.25, 2-7, 2-13,  
2-21, 2-27, 2-31, 2-41, 2-47, 2-49,  
2-69, 2-97, 2-103, 3-23, 3-31, 3-55,  
3-71  
Nut, Hex, Flng, M08X1.25, 3-66  
Nut, Hex, Flng, M10 X 1.5, 2-81, 3-71,  
3-81  
Nut, Hex, Flng, M6 X 1.0, 2-45  
Nut, Hex, Flng, M8 X 1.25, 2-99  
Nut, Hex, Flng, M8X1.25, 2-35  
Nut, Hex, Jam, .25-20, 2-19  
Nut, Hex, Jam, .25-28, 3-45, 3-53  
Nut, Hex, Jam, .38-24, 2-33  
Nut, Hex, Jam, .50-20, 2-53  
Nut, Hex, Jam, M10 X 1.5, Ss, 2-83, 2-85,  
3-61  
Nut, Hex, Jam, M16x2.0, 2-19  
Nut, Hex, Jam, M20 X 1.5, 2-23  
Nut, Hex, Lock, .25-20, NI, 2-41, 2-57,  
2-59  
Nut, Hex, Lock, .25-28, NI, Thin, 3-45,  
3-53  
Nut, Hex, Lock, .31-18, NI, Ss, 3-3  
Nut, Hex, Lock, .31-18, NI, Thin, 2-19,  
2-69, 3-31, 3-45, 3-53, 3-63  
Nut, Hex, Lock, .31-24, NI, Thin, 2-89  
Nut, Hex, Lock, .38-16, NI, 2-21, 2-89,  
3-43  
Nut, Hex, Lock, .38-16, NI, Ss, 2-37  
Nut, Hex, Lock, .38-16, NI, Thin, 2-59  
Nut, Hex, Lock, .75-10, NI, 2-49, 2-87  
Nut, Hex, Lock, #06-32, NI, 2-73  
Nut, Hex, Lock, #10-24, NI, 2-37

Nut, Hex, Lock, M 4 X 0.7, NI, 2-75, 2-77,  
3-33, 3-55, 3-57  
Nut, Hex, Lock, M 5 X 0.8, NI, 2-7, 2-25,  
2-29, 3-3, 3-45, 3-49, 3-51, 3-53,  
3-55  
Nut, Hex, Lock, M 6 X 1.0, NI, 2-13, 2-15,  
2-21, 2-27, 2-29, 2-41, 2-63, 2-69,  
2-85, 3-31, 3-45, 3-53, 3-55, 3-57  
Nut, Hex, Lock, M 6 X 1.0, NI, Ss, 2-2,  
2-29, 2-55, 2-61, 2-63, 2-65, 2-67,  
2-71, 2-73, 3-71  
Nut, Hex, Lock, M 8 X 1.25 NI, 2-13, 2-17,  
2-39, 2-55, 2-57, 2-83, 2-85, 2-87,  
2-89, 2-95, 3-3, 3-11, 3-21, 3-23,  
3-29, 3-45, 3-53, 3-61, 3-63, 3-65  
Nut, Hex, Lock, M 8 X 1.25, NI, Ss, 2-2,  
2-7, 2-61, 2-63, 2-65, 2-67, 2-95  
Nut, Hex, Lock, M10 X 1.5, NI, 2-33, 2-45,  
2-51, 2-57, 2-59, 2-83, 2-85, 2-89,  
3-25, 3-45, 3-49, 3-51, 3-53, 3-61  
Nut, Hex, Lock, M12 X 1.75, NI, 2-15,  
2-17, 2-33, 2-53, 2-71, 2-73, 2-87,  
3-25, 3-31, 3-49, 3-65  
Nut, Hex, Lock, M4 X 0.7, NI, 2-99  
Nut, Hex, Lock, M5 X 0.8, NI, 3-5, 3-7,  
3-9, 3-11, 3-13, 3-15, 3-17, 3-19,  
3-37  
Nut, Hex, Lock, M6 X 1.0, NI, 2-17, 2-99,  
3-46, 3-59  
Nut, Hex, Lock, M6 X 1.00 NI, 3-9  
Nut, Hex, Lock, M8 X 1.25, NI, 2-69, 3-69  
Nut, Hex, M 8 X 1.25 NI, 2-41  
Nut, Hex, Sltld, .75-16, 4-8  
Nut, Hex, Sltld, 1.00-20, 2-53  
Nut, Hex, Sltld, 1.12-18, 2-49  
Nut, Hex, Std, .38-16, 2-17  
Nut, Hex, Std, .44-14, 5, 3-31  
Nut, Hex, Std, .50-20, 2-53  
Nut, Hex, Std, .75-16, 2-49  
Nut, Hex, Std, M05 X 0.8, 2-59  
Nut, Hex, Std, M10 X 1.5, 2-57, 2-59,  
2-85  
Nut, Hex, Std, M10 X 1.5, Ss, 2-81  
Nut, Hex, Std, M10-1.5, Ss, 2-59  
Nut, Hex, Std, M12 X 1.75, 2-17  
Nut, Hex, Std, M12 X 1.75, Ss, 2-9, 2-11,  
2-81, 3-59  
Nut, Hexagon, 5-21  
Nut, Isolator, .25-20 Wall Thk .015-.094,  
3-33  
Nut, Isolator, .25-20 Wall Thk .031-.187,  
3-33  
Nut, Long, 4-17  
Nut, Motor, Hyd, 4-7  
Nut, Push, M6 X 1.0, 2-71  
Nut, Retainer, .312 Dia, 2-79  
Nut, Short, 4-17  
Nut, Speed, Retainer, .31-18 [.093-.126],  
2-19  
Nut, Speed, Retainer, #08-32 [.025-.063],  
3-21, 3-23  
Nut, U, M06 X 1.0, 2-19, 2-25, 3-33,  
3-45, 3-53

## CROSS REFERENCE

Nut, U, M08 X 1.25, 2-13  
Nut, Wheel, .50-20 X 60 Angle, 2-49  
Nut, Wing, .44-20, Special, 2-35

### O

O-Ring, 5-3, 5-5, 5-7, 5-10, 5-17, 5-21,  
5-27, 5-30  
Oil Filter, Plug, 5-7  
Oil Shield, Breather, 5-10  
Oriface, Plug, 4-17  
Output Shaft, 4-10

### P

Pad, Pedal, Brake, 3.9 2.4 0.75t, 2-55  
Paint, Airdry, Blk, 12oz, 2-3  
Paint, Airdry, Gray, 12oz, 2-3  
Paint, Airdry, Iron Gray, 12oz, 2-3  
Paint, Airdry, Off-White, 12oz, 2-3  
Paint, Airdry, Teal, 12oz, Solid, 2-3  
Pan, Oil, 5-4  
Pane, Cab, 3-29  
Pane, Door, Cab, 3-31  
Panel Assy, Instmt [6650 E-Controls],  
2-25  
Panel Wldt, Perma-Filter, 2-61  
Panel Wldt, Sppt, Seat, 2-13  
Panel, Eng, 2-7  
Panel, Hppr, 2-77  
Panel, Inside, 2-13  
Panel, Instmt [6650], 2-25  
Panel, Instmt, Cab, 3-33  
Panel, Instmt, Cab [6600/6650], 3-33  
Panel, Jam, Door, Rear, Lower, 3-29  
Panel, Perma-Filter, 2-63  
Panel, Sppt, Lever, Side Brush, 2-7  
Panel, Wldt, Instmt, Side [6650], 2-27  
Pedal, Propel, Lower, W/ Tread, 2-57  
Pedal, Propel, Upper, W/ Tread, 2-57  
Pin, 2-15, 2-17, 2-49, 2-79, 2-81, 3-59,  
3-63  
Pin Assy, Clevis, Hopper Lift, 2-79  
Pin-Grvd, 1.00d 3.0l2/ 2.71btwn, 2-79  
Pin, 0.38d 17.2l 1/.10h 2/M04 X 0.7h,  
3-49, 3-51  
Pin, 1.25d 03.3l 1/M08x1.25 Stl, 2-79  
Pin, Arm, Safety, 2-79  
Pin, Clamp, 5-27  
Pin, Clevis, 0.19 D X 0.50l, 3-65  
Pin, Clevis, 0.25 D X 2.44l, 2-23  
Pin, Clevis, 0.37 D X 1.00l, 2-53  
Pin, Clevis, 0.37 D X 1.50l, 2-83, 3-61  
Pin, Clevis, 0.37 D X 2.12l, 2-57  
Pin, Clevis, 0.37 D X 3.00l, 2-23, 3-31  
Pin, Clevis, 0.37 D X 4.50l, 2-57  
Pin, Clevis, 0.38 D X 1.13l, 2-53, 2-55,  
2-85  
Pin, Clevis, 0.50 D X 1.25l, 2-53  
Pin, Clevis, 0.50 D X 1.75l, 2-85  
Pin, Clevis, 0.50 D X 2.50l, 3-65  
Pin, Clevis, 0.50 D X 3.00l, 3-63

Pin, Clevis, 0.50 D X 3.50l, 2-65, 2-67  
Pin, Clevis, 0.50 D X 4.50l, 2-57  
Pin, Clevis, 0.50 D X 5.00l, 2-81, 3-59,  
3-63, 3-71  
Pin, Clevis, 0.50 D X 5.50l, 2-81, 3-59,  
3-63  
Pin, Clevis, 0.75 D X 5.50l, 2-81, 3-59  
Pin, Cotter, .062 X 0.75, 2-23  
Pin, Cotter, .094 X 0.75, 2-23, 2-53, 2-55,  
2-57, 3-31, 3-65  
Pin, Cotter, .094 X 1.00, 2-83, 2-85, 3-61  
Pin, Cotter, .125 X 1.00, 2-23, 2-53, 2-81,  
2-85, 3-59  
Pin, Cotter, .125 X 1.25, 2-65, 2-67, 2-87,  
3-63  
Pin, Cotter, .125 X 1.75, 2-53, 3-65  
Pin, Cotter, .125 X 2.50, 2-49  
Pin, Dowel, Cyl.Block To Flywhl.Hsg.,  
2-33  
Pin, Dowel, Pump, Hyd, 4-3  
Pin, Grooved, 2-79  
Pin, Hair Cotter, 0.62 D .120 Wir, 2-81,  
3-59  
Pin, Hair Cotter, 0.69 D .092 Wir, 2-13,  
2-15, 2-17, 2-57, 3-71  
Pin, Hopper, Lift, 2-71  
Pin, Joint, 5-27  
Pin, Pipe, 5-3  
Pin, Piston, 5-17  
Pin, Roll, .090 D X 0.75l, .094/.097, 3-49,  
3-51  
Pin, Spring, 5-30  
Pin, Start Spring, 5-3  
Pin, Straight, 5-3  
Pin, Tappet Guide, 5-27  
Pin, Valve, Strg, 4-13  
Pipe, Breather, 5-10  
Pipe, Breather [Ku], 5-12  
Pipe, Drain, 5-21  
Pipe, Injection 1, 5-23  
Pipe, Injection 2, 5-23  
Pipe, Injection 3, 5-23  
Pipe, Injection 4, 5-23  
Pipe, Over Flow, 5-23  
Pipe, Water, 5-11  
Pipe, Water Return 1, 5-32  
Pipe, Water Return 2, 5-32  
Piston, 5-17  
Piston 05, 5-17  
Piston, Pump, Hyd, Gear, 4-7  
Pivot, 2-81, 3-59  
Pivot Wldt, 3-65  
Pivot Wldt, Actuator, 3-65  
Plate, 2-25, 2-29, 3-5, 3-7, 3-29, 3-45,  
3-49, 3-51, 3-53, 5-27  
Plate Wldt, Blower Wand, 3-49, 3-51  
Plate Wldt, Bottom, Hppr, [6600/6650xp],  
2-61  
Plate Wldt, Cover, Eng, 2-19, 3-45, 3-53  
Plate Wldt, Cover, Eng, Metal, 3-53  
Plate Wldt, Cover, Eng, Metal [2007],  
3-45, 3-53  
Plate Wldt, Cover, Plstc, Eng, 2-19

Plate Wldt, Cover, Plstc, Eng [2007], 2-19  
Plate, Access, W/Label [6600/6650], 2-13  
Plate, Adaptor, Pump, Hyd, 4-5  
Plate, Back, Pump, Gear, 4-5  
Plate, Backing, Handle, 3-49, 3-51, 3-55,  
3-57  
Plate, Brush, Adj, 2-85  
Plate, Cover, 2-7, 4-3  
Plate, Cover, Eng, Top, 2-19  
Plate, Cover, Eng, Top [6600/6650 2007],  
2-19  
Plate, Deflector, 3-66  
Plate, Element 1, 5-10  
Plate, Element 2, 5-10  
Plate, Floor, Access, 2-13  
Plate, Floor, W/ Tread [6600/6650], 2-13  
Plate, Front, Pump, Gear, 4-5  
Plate, Mtg, 2-87  
Plate, Mtg, Radiator, 3-43  
Plate, Panel, Shaker, 2-75, 2-77  
Plate, Retainer, 2-25, 2-61, 3-71  
Plate, Retainer, Bumper, 2-71  
Plate, Retainer, Door, Dump, 2-2, 2-65,  
2-67  
Plate, Retainer, Lh, 2-71  
Plate, Retainer, Rh, 2-71  
Plate, Seal, 3-29  
Plate, Spacer, 3-71  
Plate, Spacer, Motor, Hyd, 4-8, 4-9  
Plate, Valve, Motor, Hyd, 4-7  
Plate, Valve, Pump, Hyd, 4-3  
Plate, Wear, Pump, Hyd, 4-5  
Plate, Wear, Valve, Strg, 4-13  
Plug, 4-7, 4-10, 5-3, 5-4, 5-5, 5-7, 5-32  
Plug Assy, 4-13  
Plug Wldt, Drive, Brush, Sweep, 2-87  
Plug Wldt, Idler, Brush, 2-87  
Plug, #5 O-Ring Ph, 4-17  
Plug, Expansion, 5-3  
Plug, Glow, 5-23  
Plug, Oil Filler, 5-10  
Plug, Pump, Hyd, 4-5  
Plug, Pump, Hyd, Gear, 4-7  
Plug, W/O-Ring #20, 4-5  
Plug, W/O-Ring, #16, 4-5  
Plunger, Pump, 5-27  
Poppet, Pump, Hyd, Gear, 4-7  
Pulley, Cable, 1.5d, Nyl, 2-53, 2-55,  
2-83, 3-61  
Pulley, Fan Drive, 112mm, 5-17  
Pully, Fan, 5-8  
Pump, Fuel, 2-41  
Pump, Hyd, Gear [Ex3] 0.66 [X] 3000, 4-5  
Pump, Hyd, Gear, W/Org, Afmkt (See  
Breakdowns), 2-101  
Pump, Hyd, Piston, [V] 1.44 [R] 4000, 4-3  
Pump, Hyd, Piston, [V] 1.44 [R] 4000 (See  
Breakdowns), 2-101  
Push Rod, 5-15



## R

Race, Bearing, Pump, Hyd, 4-3  
 Race, Bearing, Valve, Strg, 4-13  
 Race, Thrust, 4-10  
 Race, Thrust, Motor, Hyd, 4-8, 4-9  
 Rack, Control, 5-27  
 Radiator, [F/ 1018073 Afmkt], 2-45  
 Relay, 12vdc, 40a, Spdt N/O, 2-29  
 Relay, 12vdc, 40a, Spdt N/O [Potter], 3-46  
 Relay, 12vdc, 100a, Spdt N/O [Camdec], 2-33  
 Repair Info., 4-10  
 Reservoir, W/ Label, 06.5gal [6600/6650], 2-95  
 Resistor, 022.00Ohm, 040Watt, 2-29  
 Retainer, 5-21  
 Retainer, Blade, Deflector, 2-7  
 Retainer, Motor, Hyd, 4-7  
 Retainer, Ring, 2-79  
 Retainer, Skirt, 2-2, 2-61, 3-59, 3-71  
 Retainer, Skirt, Hppr, Rear, 2-2, 2-63  
 Retainer, Skirt, Hppr, Side, Front, 2-2, 2-63  
 Retainer, Skirt, Hppr, Side, Rear, 2-2, 2-63  
 Retainer, Skirt, Hppr, Top, 2-7  
 Retainer, Skirt, Sbdc, Lh, 3-71  
 Retainer, Stop, 2-85  
 Retainer, Valve Spring, 5-13  
 Rim Assy, 08 X 3.76 4.5bc/5b, 2-51  
 Rim Assy, 08 X 4.25 4.5bc/5b, [5.25-8], 3-76  
 Ring, Motor, Hyd, 4-7  
 Ring, Retainer, Valve, Strg, 4-13  
 Ring, Retaining, 4-3  
 Ring, Retaining, Ext, 0.75d, 2-79  
 Ring, Retaining, Ext, 0.98d, [E-Ring], 2-55, 2-79  
 Ring, Retaining, Ext, 1.25d, 2-79  
 Ring, Retaining, Int, 2.00d, 2-79  
 Ring, Retaining, Pump, Hyd, 4-3  
 Rivet, Blind, .125d X 0.44 X .25d, Alm, 2-71  
 Rivet, Blind, .125d X 0.44 X .25d, Stil, 2-73, 3-29, 3-31  
 Rivet, Blind, .188d X 0.58 X .38d, Stil, 3-71  
 Rivet, Plstc, .181d X 0.720, 2-73  
 Rivet, Plstc, .250 X 0.898, 2-9, 2-11  
 Rivet, Plstc, .325d X 0.787, 2-7, 2-73  
 Rod, 3-45, 3-53  
 Rod-End, .75-16rh Fem 0.75b, 2-49  
 Rod-End, .75-16rh Mal 0.75b, 2-49  
 Rod-End, M10 X 1.5lh Fem M10 X 1.5stud, 2-59  
 Rod-End, M10 X 1.5rh Fem M10 X 1.5stud, 2-57, 2-59  
 Rod, Arm, Safety, 2-79  
 Rod, L, . D, 2-23  
 Rod, Thrd, 2 End, M10x1.5 05.8l 1/Lh, 2-59  
 Rod, Thrd, Full, M10x1.5 03.3l, 2-57  
 Rod, Thrd, Limiter, Speed, M10x1.5, 2-57

Roller, 5-21

## S

Screen, Sparkarrest, 2-39  
 Screw, 4-10, 5-7, 5-23, 5-27  
 Screw, Adjusting, 5-13  
 Screw, Btn, M 8 X 1.25 X 16, Ss, 3-23, 3-29  
 Screw, Cap, 4-3, 4-10  
 Screw, Cap, Motor, Hyd, 4-5, 4-7, 4-9  
 Screw, Cap, Pump, Hyd, 4-3  
 Screw, Chz, M05 X 0.8 X 60, 4.8, 2-7  
 Screw, Flt, .75-10 X 2.50, Al, 2-87  
 Screw, Flt, M05 X 0.8 X 16, 10.9, 2-87, 3-45, 3-53  
 Screw, Flt, M06 X 1.0 X 16, 10.9, 3-31, 3-45, 3-53, 3-55, 3-57  
 Screw, Flt, M08 X 1.25 X 25, 10.9, 2-85, 2-89, 3-31  
 Screw, Flt, M08 X 1.25 X 40, 10.9, 3-31  
 Screw, Flt, M10X1.5X25, 10.9, 2-83, 3-61  
 Screw, Flt, M8 X 1.25 X 25, 10.9, 2-99  
 Screw, Follow, 5-27  
 Screw, Hex [Ku], 5-4  
 Screw, Hex, .25-20 X 0.50, Fmg, 3-29, 3-41, 3-49, 3-51  
 Screw, Hex, .25-20 X 0.75, NI, 2-89  
 Screw, Hex, .25-20 X 0.75, Sems, 2-21  
 Screw, Hex, .31-09 X 1.25, Wood, 2-81, 3-59  
 Screw, Hex, .31-12 X 1.50, Fmg, [Ab], 3-63  
 Screw, Hex, .31-18 X 0.62, 5, 2-97, 2-99  
 Screw, Hex, .31-18 X 1.00, 5, 3-39, 3-41  
 Screw, Hex, .31-18 X 1.25, 5, 2-19  
 Screw, Hex, .31-18 X 1.50, 5, 3-43  
 Screw, Hex, .31-24 X 0.50, 5, 2-59  
 Screw, Hex, .38-16 X 0.75, NI, 2-87  
 Screw, Hex, .38-16 X 0.75, Ss, 2-23  
 Screw, Hex, .38-16 X 1.25, 5, 3-43  
 Screw, Hex, .38-16 X 1.25, NI, 2-81, 2-101, 3-59  
 Screw, Hex, .38-16 X 1.50, NI, 3-63  
 Screw, Hex, .38-16 X 2.00, 5, 3-65  
 Screw, Hex, .38-16 X 2.00, Fl, 2-17  
 Screw, Hex, .38-16 X 2.00, Ss, 2-59  
 Screw, Hex, .38-16 X 3.75, 5, 2-37  
 Screw, Hex, .50-13 X 1.25, 5, 2-101  
 Screw, Hex, .75-10 X 2.50, Fl, 2-87  
 Screw, Hex, .75-10 X 3.50, 5, 2-49  
 Screw, Hex, #10-24 X 0.75, Fmg, 3-37  
 Screw, Hex, #12-16 X 0.75, F/Plstc, 3-57  
 Screw, Hex, M 4 X 0.7 X 12, 8.8, 2-75, 2-77, 3-33  
 Screw, Hex, M 5 X 0.8 X 12, Ss, 3-3, 3-21, 3-23  
 Screw, Hex, M 5 X 0.8 X 16, Fmg, 2-79, 3-73  
 Screw, Hex, M 6 X 1.0 X 12, 8.8, 2-45  
 Screw, Hex, M 6 X 1.0 X 12, Fmg, 2-41  
 Screw, Hex, M 6 X 1.0 X 16, 8.8, 2-7, 2-13, 2-15, 2-37, 3-5, 3-7

Screw, Hex, M 6 X 1.0 X 16, Fmg, 2-33, 2-63, 2-75, 3-55, 3-57, 3-61  
 Screw, Hex, M 6 X 1.0 X 16, Ss, 2-87  
 Screw, Hex, M 6 X 1.0 X 16, Ss, NI, 2-61, 2-69, 2-97, 3-59  
 Screw, Hex, M 6 X 1.0 X 20, 8.8, 2-13, 2-19, 2-33, 2-37, 2-41, 2-57, 3-31, 3-65  
 Screw, Hex, M 6 X 1.0 X 20, Fmg, 2-2, 2-63, 3-31, 3-35, 3-49, 3-51, 3-71  
 Screw, Hex, M 6 X 1.0 X 20, Ss, 2-2, 2-61, 2-63, 2-65, 2-67, 2-73  
 Screw, Hex, M 6 X 1.0 X 20, Ss, NI, 2-87  
 Screw, Hex, M 6 X 1.0 X 25, 8.8, 2-17, 2-25, 2-45, 3-65  
 Screw, Hex, M 6 X 1.0 X 25, Ss, 2-9, 2-11, 3-71  
 Screw, Hex, M 6 X 1.0 X 30, 8.8, 2-15  
 Screw, Hex, M 6 X 1.0 X 35, 8.8, 2-13  
 Screw, Hex, M 6 X 1.0 X 35, Ss, 2-29, 2-87  
 Screw, Hex, M 6 X 1.0 X 40, 8.8, 3-55, 3-57, 3-63, 3-65  
 Screw, Hex, M 6 X 1.0 X 40, Ss, 2-61, 2-63  
 Screw, Hex, M 6 X 1.0 X 50, 8.8, 3-49, 3-51  
 Screw, Hex, M 6 X 1.0 X 60, 8.8, 2-37  
 Screw, Hex, M 6 X 1.0 X 100, 8.8, 2-37  
 Screw, Hex, M 6 X 1.0 X 16, Ss, NI, 2-2  
 Screw, Hex, M 6 X 1.00 X 55, Ss, 2-55  
 Screw, Hex, M 8 X 1.25 X 16, 8.8, 2-13, 2-23, 2-25, 2-33, 2-37, 2-75, 3-3  
 Screw, Hex, M 8 X 1.25 X 16, Ss, NI, 2-61, 2-65, 2-67, 2-69, 3-59  
 Screw, Hex, M 8 X 1.25 X 16, Ss, NI (6650 XP Only), 2-81  
 Screw, Hex, M 8 X 1.25 X 20, 8.8, 2-7, 2-17, 2-21, 2-31, 2-39, 2-47, 2-69, 2-97, 2-103, 3-9, 3-11, 3-21, 3-23, 3-45, 3-53, 3-55, 3-63, 3-71  
 Screw, Hex, M 8 X 1.25 X 20, Fmg, 3-17, 3-19  
 Screw, Hex, M 8 X 1.25 X 20, Ss, 2-49, 3-11  
 Screw, Hex, M 8 X 1.25 X 25, 8.8, 2-13, 2-19, 2-39, 2-41, 2-69, 2-89, 3-45, 3-53, 3-66  
 Screw, Hex, M 8 X 1.25 X 25, Fmg, 3-31  
 Screw, Hex, M 8 X 1.25 X 25, Ss, 2-2, 2-9, 2-11, 2-63, 2-65, 2-67, 2-77, 2-87, 2-95  
 Screw, Hex, M 8 X 1.25 X 30, 8.8, 2-13, 2-27, 2-33, 2-41, 2-83, 2-95, 3-61  
 Screw, Hex, M 8 X 1.25 X 30, NI, 2-67  
 Screw, Hex, M 8 X 1.25 X 30, Ss, 2-7, 2-15, 2-49, 2-53  
 Screw, Hex, M 8 X 1.25 X 35, 8.8, 2-55, 2-85  
 Screw, Hex, M 8 X 1.25 X 35, Ss, NI, 2-59, 2-61  
 Screw, Hex, M 8 X 1.25 X 40, 8.8, 2-7, 2-57

## CROSS REFERENCE

- Screw, Hex, M 8 X 1.25 X 40, Fl, 3-65  
Screw, Hex, M 8 X 1.25 X 45, 8.8, 2-55, 2-97  
Screw, Hex, M 8 X 1.25 X 55, Ss, 2-65, 2-67  
Screw, Hex, M10 X 1.25 X 20, 8.8, 2-33, 2-41  
Screw, Hex, M10 X 1.25 X 25, 8.8, 2-33  
Screw, Hex, M10 X 1.5 X 16, 8.8, 2-81  
Screw, Hex, M10 X 1.5 X 20, 8.8, 2-103  
Screw, Hex, M10 X 1.5 X 20, Ss, 2-9, 2-11  
Screw, Hex, M10 X 1.5 X 25, 8.8, 2-33, 3-25, 3-81  
Screw, Hex, M10 X 1.5 X 25, Ss, 2-9, 2-11  
Screw, Hex, M10 X 1.5 X 30, 8.8, 2-83, 3-61  
Screw, Hex, M10 X 1.5 X 35, 8.8, 2-27, 2-33, 2-35, 3-71  
Screw, Hex, M10 X 1.5 X 40, 8.8, 2-83, 2-85, 2-89, 3-61  
Screw, Hex, M10 X 1.5 X 100, 8.8, 3-49  
Screw, Hex, M10 X 1.5 X 110, 8.8, 2-33  
Screw, Hex, M10 X 1.5 X 120, Fl, 2-33  
Screw, Hex, M10 X 1.5 X 130, 8.8, 3-51  
Screw, Hex, M10 X 1.5 X 25, 10.9, 2-51  
Screw, Hex, M10 X 1.5 X 30, 8.8, 3-69  
Screw, Hex, M12 X 1.75 X 30, 8.8, 2-73, 3-25, 3-49, 3-65  
Screw, Hex, M12 X 1.75 X 40, 10.9, 2-71, 2-73  
Screw, Hex, M12 X 1.75 X 40, 8.8, 2-53, 3-31, 3-65  
Screw, Hex, M12 X 1.75 X 40, Ss, 2-71  
Screw, Hex, M12 X 1.75 X 50, 8.8, 2-71  
Screw, Hex, M12 X 1.75 X 60, 8.8, 2-33  
Screw, Hex, M12 X 1.75 X 70, 8.8, 2-81, 3-59  
Screw, Hex, M12 X 1.75 X 90, 8.8, 2-87  
Screw, Hex, M12 X 1.75 X 100, 8.8, 3-65  
Screw, Hex, M12 X 1.75 X 40, 8.8, 2-15, 2-17  
Screw, Hex, M16 X 2.0 X 90, 8.8, 2-19  
Screw, Hex, M16 X 2.0 X 20, 8.8, 2-87  
Screw, Hex, M4 X 0.7 X 10, Fmg, 2-75, 2-77  
Screw, Hex, M5 X 0.8 X 16, Ss, 3-37  
Screw, Hex, M5X0.8X16, 8.8, 2-29  
Screw, Hex, M6 X 1.0 X 16, 8.8, 2-23, 2-45, 2-99  
Screw, Hex, M6 X 1.0 X 16, Ss, NI, 2-17  
Screw, Hex, M6 X 1.0 X 20, 8.8, 3-43  
Screw, Hex, M6 X 1.0 X 20, Ss, 2-71, 3-9  
Screw, Hex, M6 X 1.0 X 25, 8.8, 3-59  
Screw, Hex, M6 X 1.0 X 30, 8.8, 2-17  
Screw, Hex, M6 X 1.0 X 35, 8.8, 3-59  
Screw, Hex, M6 X 1.0 X 40, Ss, 2-69  
Screw, Hex, M6X1.0X16, Fmg, 3-63  
Screw, Hex, M8 X 1.25 X 20, 8.8, 2-17, 2-99  
Screw, Hex, M8 X 1.25 X 25, 8.8, 2-99, 3-43  
Screw, Hex, M8 X 1.25 X 25, Fmg, 2-9, 2-11  
Screw, Hex, M8 X 1.25 X 25, Ss, 3-69  
Screw, Hex, M8 X 1.25 X 45, 8.8, 2-99  
Screw, Hex, M8X1.25X20, 8.8, 2-35  
Screw, Motor, Hyd, 4-8, 4-9  
Screw, Pan, 5-11  
Screw, Pan, #06-32 X 1.75, Ss, 2-73  
Screw, Pan, #08-32 X 0.50, 1, 3-21, 3-23  
Screw, Pan, #10-14 X 0.75, F/Plstc, 2-71, 2-75, 2-77, 3-3  
Screw, Pan, #10-32 X 0.38, 2, 2-29  
Screw, Pan, M 4 X 0.7 X 16, 4.8, 3-55, 3-57  
Screw, Pan, M 5 X 0.8 X 10, 4.8, 3-3  
Screw, Pan, M 5 X 0.8 X 16, 4.8, 2-25  
Screw, Pan, M 5 X 0.8 X 20, 4.8, 3-55  
Screw, Pan, M 5 X 0.8 X 25, Ss, 3-49, 3-51  
Screw, Pan, M 6 X 1.0 X 16, 4.8, 2-19, 3-45, 3-53, 3-55  
Screw, Pan, M 6 X 1.0 X 20, 4.8, 2-27  
Screw, Pan, M4 X 0.7 X 10, Ss, 2-99  
Screw, Pan, M4x0.7 X 60, 4.8, 3-55, 3-57  
Screw, Pan, M5 X 0.8 X 16, 4.8, 2-25  
Screw, Pan, M5 X 0.8 X 20, 4.8, 3-5, 3-7, 3-9, 3-11, 3-13, 3-15, 3-17, 3-19  
Screw, Pan, M5 X 0.8 X 45, 4.8, 3-3  
Screw, Pan, M6 X 1.0 X 16, 4.8, 2-17  
Screw, Pan, M6 X 1.0 X 20, 4.8, 3-31  
Screw, Set, 5-13, 5-15, 5-28  
Screw, Soc, .50-13 X 1.50, Al, 2-49  
Screw, Soc, M 6 X 1.0 X 16, 12.9, 2-31  
Screw, Soc, M 8 X 1.25 X 25, 12.9, 2-79  
Screw, Soc, M16 X 2.0 X 50, 12.9, 2-49  
Screw, Valve, Strg, 4-13  
Screw, With Washer, 5-10, 5-23  
Seal Kit, 4-10  
Seal Kit, 2-79  
Seal Kit, Cart, 4-17  
Seal Org [Ku], 5-4  
Seal, Bulb, [Sd-0355], 50.00l, 2-73  
Seal, Bulb, [Sd-0504], 19.75l, 3-29  
Seal, Bulb, [Sd-0504], 34.50l, 3-31  
Seal, Bulb, [Sd-0504], 36.50l, 2-21  
Seal, Bulb, [Sd-0504], 142.00l, 3-29  
Seal, Bulb, 90, 0.50d .31grip 50.0l, 2-71  
Seal, Bulb, [Sd-0504], 36.50L, 2-27  
Seal, Door, Dump, 2-2, 2-65, 2-67  
Seal, Door, Dump, Side, 2-2, 2-65, 2-67  
Seal, Heat, 5-23  
Seal, O-Ring, .064 X 00.30id, 2-41  
Seal, O-Ring, .069 X 3.06id, 2-101  
Seal, Oil, 5-7, 5-9, 5-30  
Seal, Org [Ku] 04811-50300, 5-11  
Seal, Pocket, Hopper, 2-61  
Seal, Rbr, 0.38, 20.0 30.0, Fltr, 2-75  
Seal, Rbr, Clsd, 1.50d 39.9l, 3-35  
Seal, Rbr, Door, .19 2.50w 40.6l Red, 2-61, 2-67  
Seal, Rbr, Open, 0.31th, 0.75w 07.0l Adh, 2-9, 2-11  
Seal, Rbr, Open, 0.31th, 0.75w 21.0l Adh, 2-9, 2-11  
Seal, Rbr, Open, 1.00th, Door, Brush, Lh, 2-11  
Seal, Rbr, Open, 1.00th, Door, Brush, Rh, 2-9  
Seal, Rear Drive Grease Cavity, 2-49  
Seal, Sbdc, Bmpr, 3-71  
Seal, Sbdc, Bmpr (6600 Only), 3-71  
Seal, Sbdc, Bmpr (6650 Only), 3-71  
Seal, Shaft, 2-65, 2-67  
Seal, Ure, 0.38 0.75w 02.4l Adh, 3-29  
Seal, Ure, 0.38 0.75w 04.0l Adh, 2-75, 2-77  
Seal, Ure, 0.38 0.75w 13.2l Adh, 2-89  
Seal, Ure, 0.38 0.75w 21.0l Adh, 2-89  
Seal, Ure, 0.38 0.75w 25.2l Adh, 2-89  
Seal, Ure, 0.38 0.75w 28.8l Adh, 3-29  
Seal, Ure, 0.38 0.75w 33.0l Adh, 2-89  
Seal, Ure, 0.38 0.75w 36.0l Adh, 3-29  
Seal, Ure, 0.38 0.75w 40.0l Adh, 2-75  
Seal, Ure, 1.00 10.40w 19.0l Adh, 2-69  
Seal, Valve Stem, 5-13  
Seat, Dlx, W/2 Swing Arm [6650/6600], 2-13  
Seat, Spring Lower, 5-27  
Seat, Spring Upper, 5-27  
Seat, Valve, 5-7  
Seatbelt, Static F/ Dlx Seat[6650/6600], 2-13  
Send-unit, Fuel, 2-42  
Send-Unit, Fuel, Ohm, 2-41  
Sensor, Temp, Water, 06pmt 235deg [Fd], 2-31  
Sensor, Thermal, 120vac 10a Spdt, 2-75  
Shaft, 2-53  
Shaft Assy, Pedal, Brake, W/ Pad, 2-55  
Shaft Wldt, Propel, 2-57  
Shaft, Fork Lever, 5-31  
Shaft, Governor Weight, 5-28  
Shaft, Idle Gear 1, 5-15  
Shaft, Idler, Plug, Brush, 2-87  
Shaft, Motor, Hyd, 4-7  
Shaft, Output, Motor, Hyd, 4-8, 4-9  
Shaft, Pivot, 3-65  
Shaft, Stop Lever, 5-30  
Shaft, Thrd, 2-83, 3-61  
Sheave, A/C [Kubota Dsl], 3-43  
Sheave, A/C, Rwk, Dsl [Ku], 3-43  
Shield, Breather, 5-11  
Shim, 5-27  
Shim, Injection Pump 0.20 mm, 5-25  
Shim, Injection Pump 0.25 mm, 5-25  
Shim, Injection Pump 0.30 mm, 5-25  
Shock Absorber, 2.3 Strk, 2-57  
Shoe, Brake, 2-53  
Skirt, 2-71, 2-73, 3-71  
Skirt, Brush Door, 2-9, 2-11  
Skirt, Deflection, 2-9, 2-11  
Skirt, Deflector, 2-7  
Skirt, Deflector, Air, 2-45  
Skirt, Firewall, Rh, 3-35  
Skirt, Front, Sbdc, 3-71

Skirt, Hopper, 2-7  
 Skirt, Hpr, Plstc, 2-2, 2-61, 3-59, 3-71  
 Skirt, Hpr, Rear, 2-2, 2-63  
 Skirt, Lip, 2-2, 2-61  
 Skirt, Recirculation, Turf, 2-7  
 Skirt, Seal, Main Brush, 2-7  
 Skirt, Side, Sbdc, Lh, 2-2, 2-63  
 Sleeve, Control, 5-27  
 Sleeve, Crankshaft, 5-17  
 Sleeve, Dashpo, Pump, Hyd, Gear, 4-7  
 Sleeve, Governor, 5-28  
 Sleeve, Nyl, #13 14.7l, 3-31  
 Sleeve, Nyl, #27 20.0l, 2-87  
 Sleeve, Nyl, #27 30.0l, 2-97  
 Sleeve, Nyl, #27 45.0l, 3-63  
 Sleeve, Nyl, 17 20.0L, 2-65, 2-67  
 Sleeve, Nyl, 27 16.0l, 2-99  
 Sleeve, Nyl, 27 30.0l, 2-81, 2-99, 3-59  
 Sleeve, Nyl, 33 60.0l, 3-39, 3-41  
 Sleeve, P/M, 0.496d 0.318b 0.50l 430ss, 2-53, 2-55, 2-83, 2-85, 3-61  
 Solenoid, 12v, Valve, Hyd, 4-11  
 Solenoid, Filter Shaker, 2-75, 2-77  
 Spacer Plate, 4-10  
 Spacer, Brkt, Latch, 2-19  
 Spacer, Coil, 4-17  
 Spacer, Duct, 3-37  
 Spacer, Fan, 3-43  
 Spacer, Fan, Eng, 2.3d 0.1 0.95b 1.10d, 2-37  
 Spacer, Handle, 3-55  
 Spacer, Hinge, 3-55, 3-57  
 Spacer, Steel, Condenser, A/C, 4-19  
 Spacer, Valve, Strg, 4-13  
 Spindle, Adjustment, 2-21  
 Spring, 2-7, 2-53, 4-7, 5-7, 5-21  
 Spring, Brush, 5-21  
 Spring, Cmpr, 0.970d .11wir 5.5l, 2-23  
 Spring, Delivery Valve, 5-27  
 Spring, Extn, 0.380d X 0.05wir, 2.5l, 2-17  
 Spring, Extn, 0.500d X 0.06wir, 1.8l, 3-45, 3-53  
 Spring, Extn, 0.750d X 0.06wir, 3.5l, 2-69  
 Spring, Extn, 0.750d X 0.11wir, 4.5l, 2-83, 3-61  
 Spring, Extn, 0.750d X 0.12wir, 4.3l, 2-59  
 Spring, Extn, 1.120d X 0.14wir, 6.3l, 2-81, 3-59  
 Spring, Extn, 1.390d X 0.15wir, 9.0l, 2-85  
 Spring, Extn, 1.750d X 0.23wir, 7.5l, 3-65  
 Spring, Extn, 0.430d 0.05wir 01.4l, 2-75, 2-77  
 Spring, Governor, 5-31  
 Spring, Motor, Hyd, 4-7  
 Spring, Plunger, 5-27  
 Spring, Return, 5-30  
 Spring, Rocker Arm, 5-13  
 Spring, Start, 5-31  
 Spring, Tors, 0.54id .11wir 06.0coil, 2-23  
 Spring, Tors, 1.13id .12wir 02.3coil Rh, 2-55  
 Spring, Valve, 5-13  
 Steer-Control, Hyd, 4-13

Steer-Control, Hyd (See Breakdown), 2-23  
 Stopper, 5-28  
 Stopper, Camshaft, 5-15  
 Strainer, Hyd, 25gpm 100mesh Psi, 2-95  
 Strainer, Hyd, 25gpm 100mesh Psi, 2-2  
 Strap, 2-9, 2-11  
 Strap Wldt, Tank, .06th X 1.0w, 37.7l, 2-41  
 Strap, Band, Mtg, Air Fltr, 5.3d, 2-35  
 Strap, Door, Dump, Side, 2-2, 2-65, 2-67  
 Strap, Hose, 3-55, 3-57  
 Strap, Main, Lip, 2-2, 2-61  
 Strap, Mtg, Cuff, 3-55, 3-57  
 Strap, Muffler Hanger, 2-39  
 Strap, Rbr, Tie-Down, 2/Hooks 19.0l, 2-47, 3-57  
 Strap, Wiper, Door, 2-61, 2-67  
 Strip, Door, Hpr, 2-63  
 Strip, Plstc, 0.03 10.38w 19.0l, 2-69  
 Strip, Rbr, 0.06 04.00W 05.0L, 3-39, 3-41  
 Strip, Rbr, 0.13 00.75w 10.3l, 3-49, 3-51  
 Strip, Rbr, 0.13 01.00w 02.0l, 2-55  
 Strip, Rbr, 0.13 01.00w 03.5l, 2-95  
 Strip, Rbr, 0.13 01.25w 08.8l, 3-49, 3-51  
 Strip, Rbr, 0.13 01.50w 07.0l, 2-95  
 Strip, Rbr, 0.13 02.00w 7.2l, 3-55, 3-57  
 Strip, Rbr, 0.25 01.50w 03.5l, 3-65  
 Strip, Retainer, Hpr, 2-63  
 Strip, Retainer, Sbdc, 3-71  
 Strip, Retainer, Skirt, 3-71  
 Strip, Retaining, 2-9, 2-11  
 Strip, Steel, 3-35  
 Stud, 5-7, 5-12, 5-13, 5-25, 5-30, 5-32  
 Stud, Ball, .39d .31-16, Gasspring, 2-19, 3-45, 3-53, 3-63  
 Stud, Ball, .39d .31-18, .75l, 2-69  
 Stud, Wheel, .50-20 X 1.50, 2-49  
 Switch Assy, Press, 12vdc 02a Spst No, 2-103  
 Switch, Binary, A/C, 4-19  
 Switch, Ign, 2-25  
 Switch, Press, 12vdc A Spdt N 0011psi, 2-75, 2-77  
 Switch, Press, 12vdc 02a Dpdt N 0006psi, 2-31  
 Switch, Push, 12vdc 80a Spst No, 2-27  
 Switch, Rocker, 28vdc 15a Dpdt On/Of/On, 3-33, 3-46, 3-63  
 Switch, Rocker, 28vdc 15a Spst On/Of, 3-33, 3-46  
 Switch, Rocker, 36vdc 05a Dpdt On/Of/On, 2-25  
 Switch, Snap Actn, 12vdc 15a Nc Rlr, 3-3  
 Switch, Snap Actn, 12vdc 15a No Rlr, 2-79, 3-21, 3-23  
 Switch, Turn Signal, 12vdc Rwk 60750, 3-3

T

Taillight, 12vdc, 6.6 X 3.1, Rwk 59948, 2-7  
 Tank, Fuel, 09.4gal, 14.62w 13.1hi 15.6l, 2-42  
 Tank, Fuel, 9.4 Gal, 2-41  
 Tappet, 5-15  
 Terminal, Bullet, Mal, .157d, 12ga, 3-5, 3-7, 3-9, 3-11, 3-13, 3-15, 3-17, 3-19  
 Terminal, Ring, .25stud 16-14ga, Ins, 3-5, 3-7, 3-9, 3-11, 3-13, 3-15, 3-17, 3-19  
 Thermostat, 2-77  
 Thermostat, 180deg, 1.7d, 5-32  
 Thermostat, A/C, 4-20  
 Tie, Cable, Nyl, 07.3l .19w 1.8 Max D, 2-47, 2-75, 2-77, 3-3, 3-5, 3-7, 3-9, 3-11, 3-13, 3-15, 3-17, 3-19, 3-21, 3-23, 3-63  
 Tie, Cable, Nyl, 11.4l .19w 3.0 Max D, 2-23, 2-25, 3-46, 3-59  
 Tie, Cable, Nyl, 15.3l . W 4.5 Max D, 3-39, 3-41  
 Tie, Cable, Nyl, 29.8l .30w 9.0 Max D, 2-7  
 Timer, 2-29  
 Tip, Rbr, 0.94d 0.59b 0.88l, 2-17  
 Tire & Wheel Assy, Solid, Turf Non-Mark, 3-78  
 Tire Assy, Foam, 570/500-08 4.5bc/5bolt, 3-77  
 Tire Assy, Pneu, 570/500-08 4.5bc/5bolt, 2-51, 3-76  
 Tire Assy, Solid, 18.0x4.3 4.5bc/5bolt, 3-74, 3-75  
 Tire Assy, Solid, 18.0x5.0 1.56b, 2-53  
 Tire Assy, Solid, 18.0x5.0 , W/ Brg, 3-80  
 Tire Assy, Solid, 18.0x7.0 , W/ Brg, 3-79  
 Tire, [5.70/5.00r-8], High Wear, [lc80], 3-76  
 Tire, Solid, 18.0 X 5.0 Non-Mark [Mn], 3-80  
 Tire, Solid, 18.0 X 5.0 X 12.1 No Rim, 2-53  
 Tire, Solid, 18.0 X 7-8/4.33 [Sc10 Nm], 3-74  
 Tire, Solid, 18.0 X 7.0 Non-Mark [Mn], 3-78  
 Tire, Solid, 18.0 X 7.0 Turf [Mn], 3-79  
 Tire, Solid, 18.0 X 7.0 X8.0 [4.33 Sc15], 3-75  
 Tire, W/Tube & Flap, 2-51  
 Tray, Mtg, Tank, Fuel, 2-41  
 Tread, Non-skid, 02.2w 15.5l, 2-57, 3-31  
 Tread, Non-Skid, 08.W 17.0l, 2-13  
 Tube, 2-63  
 Tube Wldt, 2-87  
 Tube Wldt, Exhaust, 1.5d 4h Flng, 2-39  
 Tube Wldt, Exhaust, 1.6d W/ Flex Lh, 2-39  
 Tube Wldt, Hpr, 3-55, 3-57  
 Tube Wldt, Leg, Ohg, Lh, White, [ 355], 3-25

## CROSS REFERENCE

Tube Wldt, Leg, Ohg, Rh, White, [ 355],  
3-25  
Tube Wldt, Sppt, Blower Wand, 3-49  
Tube Wldt, Sppt, Blower, Wand, 3-51  
Tube Wldt, Tee, 1.0d 3.0l 0.6d, 3-39, 3-41  
Tube, 00.38d 00.28b 00.6l Stil, 2-45, 3-31  
Tube, 00.51d 00.33b 00.8l Stil Plt,  
2-55  
Tube, 00.52d 00.26b 00.8l Stil Plt,  
3-63  
Tube, 00.68d 00.56b 01.0l Stil Plt,  
3-63  
Tube, 00.75d 00.25b 00.8l Stil Plt,  
2-49  
Tube, 00.88d 00.66b 00.6l Stil Plt, 2-57  
Tube, 01.00d 00.28b 00.5l Stil Plt, 2-37  
Tube, 01.00d 00.38b 00.4l Stil Plt,  
2-13  
Tube, 01.00d 00.44b 00.7l Stil Plt, 2-37  
Tube, 01.00d 00.50b 02.7l Stil Plt,  
3-65  
Tube, 01.75d 01.31b 00.31 Stil Pl, 2-79  
Tube, Breather, 5-11  
Tube, Hyd, 12 Jf12/Jm12, 2-97, 2-99  
Tube, Intake, 2.0d 02.0l Flange, 2-35  
Tube, Plstc, 0.31od 0.25id 00.5l, Blk, 2-87  
Tube, Plstc, 3.00d 2.90b 04.0l Clear, 3-49,  
3-51  
Tube, Plstc, 3.00d 2.90b 16.0l Clear, 3-49,  
3-51  
Tube, Plstc, 3.00d 2.90b 48.0l Clear, 3-49,  
3-51  
Tube, Rnd, 0.50d 0.38b 00.6l, Ss, 2-59  
Tube, Vacuum Wand W/ Label, 3-57  
Tube, Wand, 3-55, 3-57  
Tube, Wand, Vacuum, 3-55

### V

Valve Assy, Relief, 4-13  
Valve Stem, N.O.Valve, Hyd, 4-11  
Valve, Breather, Complt, 5-11  
Valve, Cntrl, Hyd [6650], 4-17  
Valve, Cntrl, Hyd [6650] (See  
Breakdowns), 2-103  
Valve, Delivery, 5-27  
Valve, Drain, A/C, 4-20, 4-21  
Valve, Exhaust, 5-13  
Valve, Hyd, Cartridge, 4-11  
Valve, Inlet, 5-13  
Valve, Inline, Temp, 3-39, 3-41  
Valve, Motor, Hyd, 4-7  
Valve, Relief, 4000 Psi, 4-3  
Video, Operator [6650] Vhs Ntsc, 3-82

### W

Wand Kit, Vacuum, W/ Cab, Ci, 3-57  
Washer, 4-3  
Washer 1, 5-13  
Washer 2, 5-13  
Washer, Flat, .31 Sae, 2-41

Washer, Flat, .38 Sae, 2-41  
Washer, .19b .44b .03, Nyl, 2-25  
Washer, 0.28b 1.00d .06, Stil, 2-19  
Washer, 0.34b 1.50d .12, Stil, Pl, 2-61,  
2-65, 2-67, 2-75  
Washer, 0.39b 0.75d .06, Nyl, 3-31  
Washer, 0.53b 1.75d .12, Stil, Pl, 2-73,  
2-87  
Washer, 0.53b 1.88d .12, Stil, Pl, 2-33  
Washer, 0.56b 3.03d .25, Stil, Pl, 2-73  
Washer, 1.28b 1.75d .08, Stil, Pl, 2-79  
Washer, 1.28b 1.75d .25, Stil, Pl, 2-79  
Washer, 1.39b 2.12d .13, Stil, 2-49  
Washer, 2.16b 3.50d .16, Felt, 2-49  
Washer, Belleville, .31, 2-21, 2-87, 3-45,  
3-53  
Washer, Belleville, .38, 2-9, 2-11  
Washer, Belleville, .50, 2-15, 2-17, 2-71,  
2-73, 2-87  
Washer, Flat, .38 Sae, 2-35, 2-53, 2-87,  
2-89, 2-101  
Washer, Flat, #06, 2-73  
Washer, Flat, #08, 2-75, 2-77, 3-33,  
3-55, 3-57  
Washer, Flat, #10, 3-5, 3-7, 3-9, 3-11,  
3-13, 3-15, 3-17, 3-19, 3-41, 3-43  
Washer, Flat, #10 Sae, 3-71  
Washer, Flat, #10 Ss, 2-79, 3-37, 3-49,  
3-51  
Washer, Flat, 0.25 Fender, 2-23, 2-61,  
2-69, 2-71, 2-89, 2-97, 3-37, 3-71  
Washer, Flat, 0.25 Sae, 2-7, 2-13, 2-19,  
2-21, 2-29, 2-37, 2-41, 2-85, 2-99,  
3-5, 3-7, 3-45, 3-49, 3-51, 3-53,  
3-55, 3-57, 3-61, 3-65  
Washer, Flat, 0.25 Ss, 2-2, 2-7, 2-9,  
2-11, 2-61, 2-63, 2-65, 2-67, 2-71,  
2-73, 2-87, 3-35, 3-59, 3-71  
Washer, Flat, 0.25 Std, 2-13, 2-15, 2-17,  
2-21, 2-25, 2-33, 2-41, 2-45, 2-55,  
2-63, 2-69, 3-45, 3-53, 3-59, 3-65  
Washer, Flat, 0.31 Fender, 2-39  
Washer, Flat, 0.31 Sae, 2-47, 2-49, 2-53,  
2-55, 2-59, 3-3, 3-29, 3-55, 3-63  
Washer, Flat, 0.31 Ss, 2-2, 2-7, 2-9,  
2-11, 2-19, 2-61, 2-63, 2-65, 2-67,  
2-69, 2-77, 3-23, 3-59  
Washer, Flat, 0.31 Ss (6650 XP Only),  
2-81  
Washer, Flat, 0.31 Std, 2-7, 2-13, 2-15,  
2-17, 2-19, 2-25, 2-27, 2-41, 2-49,  
2-57, 2-59, 2-63, 2-69, 2-85, 2-89,  
2-95, 2-97, 2-99, 2-103, 3-3, 3-9,  
3-11, 3-21, 3-23, 3-43, 3-65, 3-66,  
3-69  
Washer, Flat, 0.31, Std, 3-31  
Washer, Flat, 0.34b 1.12d .12, Stil, Pl,  
2-61  
Washer, Flat, 0.38 Sae, 2-45, 3-43

Washer, Flat, 0.38 Std, 2-17, 2-21, 2-23,  
2-27, 2-45, 2-57, 2-59, 2-81, 2-83,  
2-85, 2-89, 2-103, 3-25, 3-45, 3-53,  
3-59, 3-61, 3-63, 3-69, 3-73  
Washer, Flat, 0.50 Sae, 2-15, 2-53, 2-65,  
2-67, 3-25, 3-49, 3-65  
Washer, Flat, 0.50 Ss, 2-9, 2-11  
Washer, Flat, 0.50 Std, 2-15, 2-17, 2-33,  
2-81, 2-83, 2-101, 3-31, 3-59, 3-61,  
3-63, 3-65  
Washer, Flat, 0.50, Sae, 2-71  
Washer, Flat, 0.62 Sae, 2-19  
Washer, Flat, 0.62 Std, 2-71  
Washer, Flat, 0.75 Sae, 2-49  
Washer, Flat, 1.00 Sae, 2-53  
Washer, Flt, 4-5  
Washer, Flt, .31 Std, 3-39, 3-41  
Washer, Flt, #10, 2-25, 2-29, 2-37, 3-3,  
3-45, 3-49, 3-51, 3-53, 3-55  
Washer, Flt, Pump, Hyd, 4-3  
Washer, Lock, Int-Ext, .25, 2-33, 2-41  
Washer, Lock, Int-Ext, .31, 2-7, 3-3  
Washer, Lock, Int-Ext, .38, 2-7, 2-35,  
2-37  
Washer, Lock, Int-Ext, #10, 3-3, 3-21,  
3-23  
Washer, Lock, Int, 0.25, 2-75, 2-77  
Washer, Plain, 5-13, 5-30, 5-31  
Washer, Pump, Hyd, 4-3  
Washer, Rbr, .19 1.25b 2.00d, 2-65, 2-67  
Washer, Spring, 5-7, 5-25, 5-30, 5-32  
Washer, Thrust, 5-28  
Weight Wldt, Counter, Aux Side Brush,  
3-65  
Wheel, Steering, 2-23  
Wire Assy, 06ga 13.0l Blk .41h/ .41h,  
2-33  
Wire, 10ga 09.0l Blk .41ring /#10ring,  
2-37



# We Need Your Help...

As part of Tennant's Zero Defects Program, we want to know about errors you have found or suggestions you may have regarding our machine manuals. If you find an error or have a suggestion, please complete this postage-paid form and mail it to us. Thank you for helping us make zero defects a way of life at Tennant.

Manual No. \_\_\_\_\_ Rev. No. \_\_\_\_\_ Publish Date \_\_\_\_\_ Page \_\_\_\_\_  
Machine \_\_\_\_\_  Report Error  Suggestion

---

---

---

---

---

---

---

---

---

---

---

---

---

---

---

---

---

---

Name \_\_\_\_\_ Date \_\_\_\_\_

Customer Number \_\_\_\_\_

Company \_\_\_\_\_

Address \_\_\_\_\_

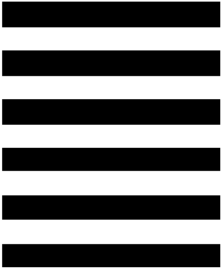
City/State/Zip Code \_\_\_\_\_



**TENNANT COMPANY**  
 Technical Publications #15  
 701 North Lilac Drive  
 P.O. Box 1452  
 Minneapolis, MN 55440-9947

POSTAGE WILL BE PAID BY ADDRESSEE

**BUSINESS REPLY MAIL**  
 FIRST CLASS MAIL PERMIT NO. 94 MINNEAPOLIS, MN



NO POSTAGE  
 NECESSARY  
 IF MAILED  
 IN THE  
 UNITED STATES



Fold along dotted lines

Tape here





# We Need Your Help...

As part of Tennant's Zero Defects Program, we want to know about errors you have found or suggestions you may have regarding our machine manuals. If you find an error or have a suggestion, please complete this postage-paid form and mail it to us. Thank you for helping us make zero defects a way of life at Tennant.

Manual No. \_\_\_\_\_ Rev. No. \_\_\_\_\_ Publish Date \_\_\_\_\_ Page \_\_\_\_\_  
Machine \_\_\_\_\_  Report Error  Suggestion

---

---

---

---

---

---

---

---

---

---

---

---

---

---

---

---

---

---

---

---

---

---

---

---

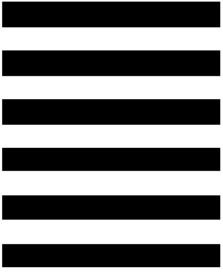
Name \_\_\_\_\_ Date \_\_\_\_\_  
Customer Number \_\_\_\_\_  
Company \_\_\_\_\_  
Address \_\_\_\_\_  
City/State/Zip Code \_\_\_\_\_



**TENNANT COMPANY**  
 Technical Publications #15  
 701 North Lilac Drive  
 P.O. Box 1452  
 Minneapolis, MN 55440-9947

POSTAGE WILL BE PAID BY ADDRESSEE

**BUSINESS REPLY MAIL**  
 FIRST CLASS MAIL PERMIT NO. 94 MINNEAPOLIS, MN



NO POSTAGE  
 NECESSARY  
 IF MAILED  
 IN THE  
 UNITED STATES



Fold along dotted lines

Tape here

