



T581

BATTERY FLOOR SCRUBBER

OPERATOR'S MANUAL (EN)
MANUAL DE INSTRUCCIONES (ES)
MANUEL D'INSTRUCTIONS (FR)



Model Part No.:

9022008 - SCRUBBER [T581 50CM, 150AH WET, NA]

9022009 - SCRUBBER [T581 50CM, 140AH AGM, NA]



North America



To view, print or download
the parts manual, visit:
www.tennantco.com/manuals

ENGLISH
**(Translation of original
instructions)**

TABLE OF CONTENTS

TECHNICAL SPECIFICATIONS	4
MACHINE DIMENSIONS	6
SAFETY SYMBOLS	7
GENERAL INFORMATION	8
Purpose of this manual	8
Identifying the machine	8
Documentation provided with the machine	8
TECHNICAL INFORMATION	9
General description	9
Parts of the machine	9
Danger zones	10
Accessories	10
SAFETY INFORMATION	11
Safety precautions	11
MOVEMENT INSTALLATION	14
Lifting and transporting the packaged machine	14
Delivery checks	14
Unpacking	14
Batteries (Battery version)	14
Batteries: preparation	15
Batteries: installation and connection	15
Batteries: removal	16
Choosing a battery charger	16
Preparing the battery charger	16
Squeegee installation and adjustment	17
Squeegee adjustment	17
Brush installation	18
Lifting and transporting the machine	19
PRACTICAL GUIDE FOR THE OPERATOR	20
Preparing the machine for work	20
Controls	21
Working	24
Some useful tips to get the most from your scrubber drier	24
Emptying the collection tank:	24
Emptying the water/detergent tank	25
Filling the water/detergent tank	25
Finishing work	26
Moving the machine when not in operation	26
PERIODS OF INACTIVITY	27
MAINTENANCE INSTRUCTIONS	28
Maintenance - General rules	28
Cleaning the suction motor air filter	28
Cleaning the water/detergent tank filter	29
Cleaning the dirty water tank float	29
Fuses: replacing	30
Battery maintenance and charging	32
Replacing the squeegee blades	33
Pushing and pulling the machine:	34
Periodic checks	35
TROUBLESHOOTING	36
DISPLAY ALARMS	37
TECHNICAL MENU	39
RECOMMENDED SPARE PARTS	40

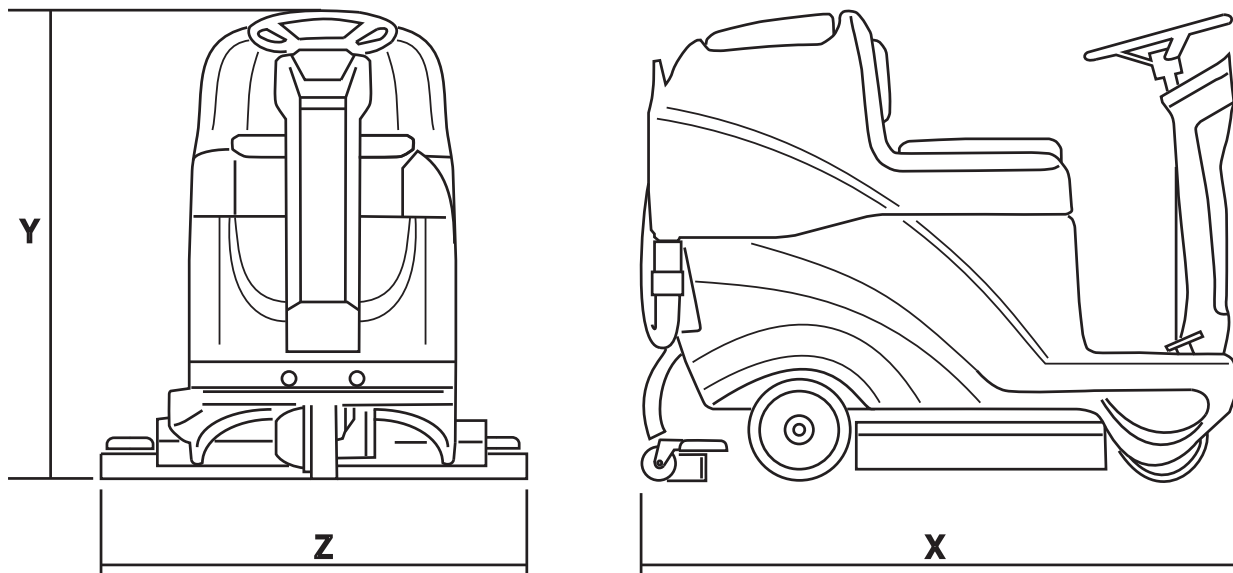
TECHNICAL SPECIFICATIONS

Cleaning width	mm	530
	inch	21
Squeegee width	mm	710
	inch	28
Cleaning capacity per hour	m ² /h	3180
	ft ² /h	34229
Number of brushes	n°	1
Brush diameter	mm	530
	inch	21
Maximum brush pressure	g/cm ²	10,3
	kPa	0,98
Brush rotation speed	g/1° RPM	150
Brush motor power	W	400
	HP	0,53
Drive motor power	W	300
	HP	0,4
Maximum speed	Km/h	6
	mph	3,7
Suction motor power	W	480 (2 stadi)
	HP	0,64
Solution tank	L	75
	gal	20
Dirty water tank	L	80
	gal	21
Rear wheel diameter	mm	225
	inch	8,8
Maximum slope	%	8
Gross weight	Kg	418
	lbs	921,5

Transported weight	Kg	293
	lbs	645,9
Number of batteries	n°	2
Battery voltage	V	12
Individual battery capacity	Ah (20h)	140 - 150
Power system voltage	V	24
Machine dimensions	mm	X=1310 Z=673 Y=1030
	inch	X=51,5 Z=26,4 Y=40,5
Battery compartment dimensions (length, width, height)	mm	390x478x260
	inch	15,3x18,8x10,2
Packed size (length, width, height)	mm	1445x795x1140
	inch	56,8x31,2x44,8
Sound pressure	LpA (dB)	57 dB 56 dB (Eco)
Measurement uncertainty	K (dB)	3,2
Vibration level (hand)	HAV m/sec ²	1,5
Measurement uncertainty, k	m/sec ²	0,8
Vibration level (body)	HBV m/sec ²	0,6
Measurement uncertainty, k	m/sec ²	0,3
Maximum water and detergent temperature	°C	da 4 a 55






Data subject to variation without warning.

MACHINE DIMENSIONS



X-Y-Z: [See "TECHNICAL SPECIFICATIONS" table](#)

SAFETY SYMBOLS

	MAXIMUM SLOPE
	OPERATOR'S MANUAL, OPERATING INSTRUCTIONS
	READ THE OPERATOR'S MANUAL
	DIRECT CURRENT SYMBOL
	INSULATION CLASS, THIS CLASSIFICATION ONLY APPLIES TO MACHINES POWERED BY BATTERIES.

GENERAL INFORMATION

Purpose of this manual

This manual has been written by the Manufacturer and is an integral part of the **machine**¹. It defines the purpose for which the machine has been designed and constructed and contains all the information required by **operators**².

In addition to this manual, which contains information for operators, other publications are available providing specific information for **maintenance personnel**³.

The terms "right" and "left", "clockwise" and "anti-clockwise" refer to the forward movement of the machine.

Constant compliance with the instructions provided in this manual guarantees the safety of the operator and the machine, ensures low running costs and high quality results and extends the working life of the machine. Failure to follow these instructions may lead to injury to the operator or damage to the machine, floor and environment.

Consult the table of contents at the beginning of the manual to find the section you need rapidly. Parts of the text requiring special attention are printed in bold and preceded by the symbols illustrated and described here.

! DANGER!

Indicates the need for attention in order to avoid a series of consequences which could cause death or serious injury to personnel.

! WARNING!

Indicates the need for attention in order to avoid a series of consequences which could cause injury to personnel or damage to the machine or work environment or financial loss.

! IMPORTANT!

Important information.

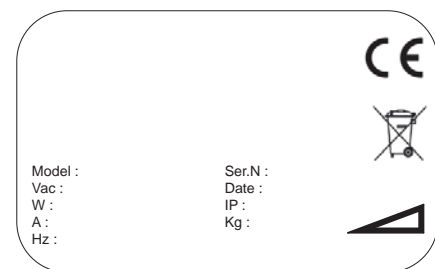
In line with the company's policy of constant product development and updating, the Manufacturer reserves the right to make modifications without prior notice.

Although your machine may differ appreciably from the illustrations in this document, the correctness and validity of the instructions contained in this manual are guaranteed.

Identifying the machine

The nameplate provides the following information:

- ▶ Model
- ▶ Battery voltage
- ▶ Total rated power
- ▶ Rated current draw
- ▶ Serial number
- ▶ Year of manufacture
- ▶ IP Index of Protection
- ▶ Dry weight
- ▶ Maximum negotiable gradient
- ▶ Name of manufacturer



Documentation provided with the machine

- ▶ Operator's manual
- ▶ Certificate of warranty
- ▶ Charger Manual

¹ The definition "machine" replaces the trade name covered by this manual.

² Persons responsible for using the machine without performing any operations requiring precise technical skills.

³ Persons with experience, technical training and a knowledge of legislation and standards, able to perform all the necessary operations and to recognise and avoid possible risks in handling, installation, use and maintenance of this machine.

TECHNICAL INFORMATION

General description

This machine is a scrubber drier for sweeping, washing and drying flat, horizontal, smooth or moderately rough, even and obstacle free floors in civil and industrial premises.

The scrubber drier spreads a solution of water and detergent in the correct concentration on the floor and then scrubs it to remove the dirt. By carefully choosing the detergent and brushes (or abrasive disks) from the wide range of accessories available, the machine can be adapted to a wide range of combinations of types of floor and dirt.

A suction system incorporated in the machine dries the floor after washing by means of the low pressure generated in the dirty water tank by the suction motor. The squeegee connected to the tank collects the dirty water.

Parts of the machine

The machine comprises the main parts described below (fig. 1).

- ▶ The water/detergent tank (fig. 1, ref. 1) contains and carries the mixture of clean water and cleaning product.
- ▶ The dirty water tank (fig. 1, ref. 2) collects the dirty water picked up from the floor after washing;
- ▶ Control panel (fig. 1, ref. 3).
- ▶ Head assembly (fig. 1, ref. 4), the main element comprises the brushes/rollers which distribute the detergent solution onto the floor and remove the dirt.
- ▶ Squeegee assembly (fig. 1, ref. 5): wipes and dries the floor by collecting the water.



Danger zones

- ▶ Control panel: risk of injury from short circuits.
- ▶ Tank assembly: when using certain detergents, danger of irritation for eyes, skin, mucous membranes and respiratory tract and of asphyxia. Danger represented by the dirt collected from the environment (germs and chemical substances). Danger of crushing between the two tanks when the dirty water tank is replaced on top of the detergent tank.
- ▶ Washing head assembly: danger due to brush rotation.
- ▶ Front/rear wheels: risk of crushing between the wheels and chassis.
- ▶ Danger of short circuit between the battery poles and presence of hydrogen during charging.

Accessories

- ▶ Soft, hard and abrasive brushes.
- ▶ NORD ELETTRONICA NE284 - S.P.E.CHBHD1-XR-P battery charger for single-brush version
- ▶ S.P.E. CBHD3/CHBHD1-XR-P battery charger for double-brush version

SAFETY INFORMATION

Safety precautions

! DANGER!

Read this Operator's Manual carefully before start-up and use and before performing any maintenance or other work on the machine.

! WARNING!

Rigorously follow all the instructions in this Operator's Manual (in particular those marked "Danger!" and "Warning!". Also respect the safety labels applied to the machine (see the "[Safety symbols](#)" section.

The Manufacturer declines all liability for injury to persons or damage to property resulting from failure to follow instructions.

The machine must be used exclusively by persons trained in its use and/or who have demonstrated their ability and have been expressly authorised to use it.

The machine must not be used by minors.

The machine must not be used for purposes other than those for which it was expressly designed. Scrupulously respect all safety standards and conditions applicable to the type of building in which the machine is to be operated (e.g.: pharmaceutical companies, hospitals, chemicals, etc.).

This machine is intended for use in commercial applications, such as hotels, schools, hospitals, factories, shops and offices, or for hire.

The machine must only be used indoors.

Do not use the machine without a protection structure (FOPS) in areas where the operator could be struck by falling objects.

Warning, the machine must be kept in closed environments at all times.

Do not use the machine in inadequate lighting, explosive atmospheres, on public roads, to clean dirt that is hazardous to health (dust, gas, etc.) or in unsuitable environments.

The machine is designed to operate in temperatures between +4°C and +40°C (39.2°F and 104°F). It can be stored in temperatures between +0°C and +50°C (32°F and 122°F) when not in use.

The machine is designed to operate at relative humidity levels between 0% and 95%.

Never use the machine to clean up flammable or explosive liquids (e.g. petrol, fuel oil, etc.), acids or solvents (e.g. paint solvents, acetone etc.) even if diluted. Never clean up burning or incandescent objects.

Never use the machine on slopes or ramps more than specified in "[Technical specifications](#)"; never drive sideways across even gentle slopes. Always manoeuvre with care and avoid reversing. When transiting steeper ramps or slopes, take the utmost care to prevent tipping and/or uncontrolled acceleration.

Never park the machine on a slope.

Never leave the machine unattended with the motor or engine on. Before leaving it, turn the motor or engine off and make sure it cannot move accidentally.

Always pay attention to other people, especially children, in the place where you are working.

Children must be supervised to make sure they do not play with the machine.

The machine is not intended for use by persons (including children) with reduced physical, sensory or mental capabilities, or lack of experience and knowledge, unless they are supervised by a person responsible for their safety and have received instruction in the use of the machine.

Never use the machine to transport people or goods or to tow things.

Do not tow the machine.

Never rest objects of any weight on the machine for any reason.

Never obstruct the ventilation and heat dispersion openings.

Never remove, modify or circumvent safety devices.

Numerous unpleasant experiences have shown that a wide range of personal objects may cause serious accidents. Before beginning work, remove jewellery, watches, ties, etc..

The operator must always use personal protection devices: protective apron or overalls, non-slip waterproof shoes, rubber gloves, protective goggles and ear protectors and mask to protect the

respiratory tract.

Keep hands away from moving parts.

Make sure the power sockets used for the battery charger are connected to a suitable earth system and protected by thermal magnetic and earth leakage breakers.

Make sure the electrical characteristics of the machine (voltage, frequency, power) given on the nameplate correspond to those of the mains electricity supply.

It is indispensable to respect the battery manufacturer's instructions and applicable legislation. The batteries should always be kept clean and dry to avoid surface leakage current. Protect the batteries from impurities such as metal dust.

Never rest tools on the batteries as they could cause short circuits leading to explosions.

When using battery acid, always follow scrupulously the safety instructions given in the "[Batteries: preparation](#)" section.

Battery charger (OPTIONAL): check the power cable regularly for damage. If the power cable is damaged, do not use the charger; to replace the cable, contact a specialist service centre.

If particularly strong magnetic fields are present, assess their possible effect on the control electronics.

To recharge the batteries, always use the battery charger supplied with the machine (when provided).

Never wash the machine with water jets.

In the case of malfunction and/or faulty operation, turn the machine off immediately (disconnecting it from the mains power supply or batteries) and do not tamper with it. Contact a service centre authorised by the Manufacturer.

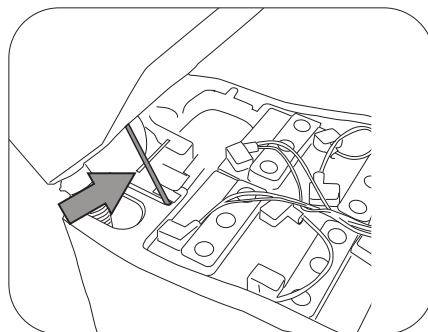
All maintenance operations must be performed in an adequately illuminated area and only after disconnecting the machine from the power supply.

All work on the electrical system and all maintenance and repair operations other than those explicitly described in this manual must be performed by specialist and experienced personnel only.

! DANGER!

When lifting the dirty water tank (after having first been emptied) to access the compartment, the safety bracket must be inserted in position, to stop the tank from accidentally closing again (Fig. 29).

29



Only use original accessories and spare parts supplied by the Manufacturer to guarantee safe and problem-free operation of the machine. Never use parts removed from other machines or from other kits.

The machine is designed and constructed to provide ten years' service from the date of manufacture shown on the nameplate. After this period, whether the machine has been used or not, it should be disposed of according to current legislation in the country in which it is used.

It should be disconnected from the power supply, emptied of all liquids and cleaned prior to disposal. The machine is classified as WEEE type special waste and is covered by the requirements of applicable environmental protection regulations (2002/96/EC WEEE).

The machine must be disposed of separately from ordinary waste in compliance with current legislation and standards.

If you decide to stop using the machine, remove the batteries and dispose of them through an authorised recycling centre.

Also make sure that all parts of the machine that could represent a hazard, particularly to children, are made safe.

Alternatively, return the machine to the Manufacturer for a complete overhaul.



MOVEMENT INSTALLATION

Lifting and transporting the packaged machine

! WARNING!

During all lifting operations, make sure the packaged machine is firmly secured to avoid it tipping up or being accidentally dropped.

Always load/unload lorries in adequately illuminated areas.

The machine is packaged on a wooden pallet by the Manufacturer. It must be loaded on to the transporting vehicle using suitable equipment (see EC Directive 89/392 and subsequent amendments and/or additions). At destination, it must be unloaded using similar means.

A fork lift truck must always be used to lift the packaged body of the machine. Handle with care to avoid knocking or overturning the machine.

Delivery checks

When the carrier delivers the machine, make sure the packaging and machine are both whole and undamaged. If the machine is damaged, make sure the carrier is aware of the damage and before accepting the goods, reserve the right (in writing) to request compensation for the damage.

Unpacking

! WARNING!

When unpacking the machine, the operator must be provided with the necessary personal protection devices (gloves, goggles, etc.) to limit the risk of injury.

Proceed as follows to unpack the machine.

- ▶ Cut and remove the plastic straps using scissors or nippers.
- ▶ Remove the cardboard packaging.
- ▶ Remove the bags from the battery compartment and check their contents: this Operator's Manual, certificate of warranty; battery bridges with terminals; connector for battery charger.

Depending on the model, remove the metal brackets or cut the plastic straps fixing the machine chassis to the pallet.

Using a sloping ramp, push the machine backwards off the pallet; see the paragraph "[Pushing and pulling the machine](#)" for details on engaging/disengaging the electric brake on the drive wheel.

Unpack the brushes from their packaging.

Clean the outside of the machine, taking care to respect safety regulations.

Once the machine is clear of the packaging, proceed to install the batteries (see the "[Batteries: installation and connection](#)" section).

The packaging may be kept and reused to protect the machine if it is moved to another site or to a repair workshop.

Otherwise it must be disposed of in compliance with current legislation.

Batteries (Battery version)

Two different types of battery may be installed on these machines:

- ▶ Leak-proof tubular batteries: these require regular checks on electrolyte level. When necessary, top up with distilled water until the plates are covered. Do not over-fill (5 mm max. above the plates).
- ▶ Gel batteries: this type of battery requires no maintenance.

Battery technical characteristics must correspond to those listed in the [Technical specifications](#) section. The use of higher capacity batteries could seriously jeopardise manoeuvrability and lead to the drive motor overheating. Batteries with a lower capacity and weight will require charging more frequently.

Batteries must be kept charged, dry and clean and the connections must be kept tight.

! IMPORTANT!

Follow the instructions below to configure the machine's software for the type of batteries installed:

see the "[Technical menu](#) section".

Batteries: preparation

! DANGER!

During battery installation and any type of battery maintenance, the operator must be provided with the necessary personal protection devices (gloves, goggles overalls, etc.) to limit the risk of injury. Keep clear of naked flames, avoid short circuiting the battery poles, avoid sparks and do not smoke.

Batteries are normally supplied filled with acid and ready for use.

If the batteries are dry, proceed as follows before installing them in the machine.

Remove the caps and fill all elements with sulphuric acid solution specific for batteries until the plates are entirely covered (this requires at least a couple of passes for each element).

Leave the batteries stand for 4-5 hours to allow air bubbles to come to the surface and the plates to absorb the electrolyte.

Make sure the level of electrolyte is still above the plates and if necessary top up with sulphuric acid solution.

Close the caps.

Install the batteries in the machine (following the procedure described below).

Charge the batteries before starting up the machine for the first time. Follow the instructions in the "[Battery maintenance and charging](#)" section.

Batteries: installation and connection

! DANGER!

Check that all switches on the control panel are in the "0" (off) position.

Make sure you connect the terminals marked with a "+" to the positive poles of the battery.

Do not check the battery charge by sparking.

Meticulously follow the instructions given below as short circuiting the batteries could cause them to explode.

Place the batteries in the battery compartment, orienting them as shown in the drawings (figs. 2 and 3). On machines fitted with two batteries, place the polystyrene spacers supplied between the compartment and the batteries, see the drawing (fig. 3)

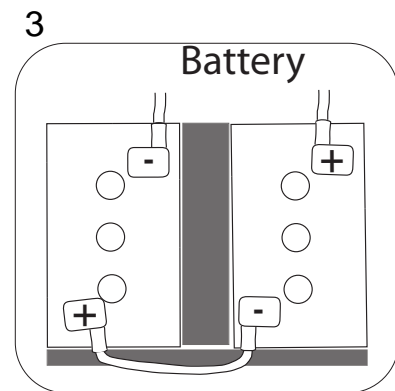
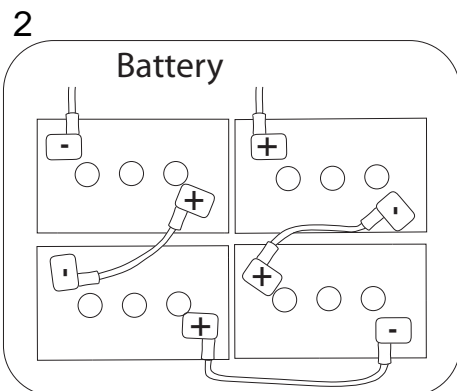
Referring to the cable layout shown in the above diagram, connect the battery cables and bridge terminals to the battery poles. Arrange the cables as shown in the diagram, tighten the terminals on the poles and coat with Vaseline.

Lower the tank into the working position.

When using the machine, follow the instructions below.

! WARNING!

Never allow the batteries to become excessively flat as this could damage them irreparably.



Batteries: removal

! DANGER!

When removing the batteries, the operator must be equipped with suitable personal protection devices (gloves, goggles, overalls, safety shoes, etc.) to reduce the risk of injury. Make sure the switches on the control panel are in the “0” position (off) and the machine is turned off. Keep away from naked flames, do not short circuit the battery poles, do not cause sparks and do not smoke. Proceed as follows.

- ▶ Disconnect the battery cables and bridge terminals from the battery poles.
- ▶ If necessary, remove the devices fixing the battery to the base of the machine.
- ▶ Lift the batteries from the compartment using suitable lifting equipment.

Choosing a battery charger

Make sure the battery charger is compatible with the batteries to be charged.

Tubular lead batteries: an automatic charger is recommended. Consult the battery charger manufacturer and manual to confirm the choice.

Gel batteries: use a charger specific for this type of battery.

! DANGER

Use CE-marked battery chargers that comply with the relevant product standards (EN60335-2-29), featuring double or reinforced insulation between input and output, and a SELV output circuit.

Preparing the battery charger

If you wish to use a battery charger not provided with the machine, you must fit it with the connector supplied with the machine.

The connector supplied for the external battery charger is suitable for cables with a minimum cross-section of 16 mm².

Proceed as follows to fit the connector:

Remove about 13 mm of protective sheath from the red and black cables of the battery charger.

Insert the wires into the connector contacts and squeeze them forcefully with suitable pliers.

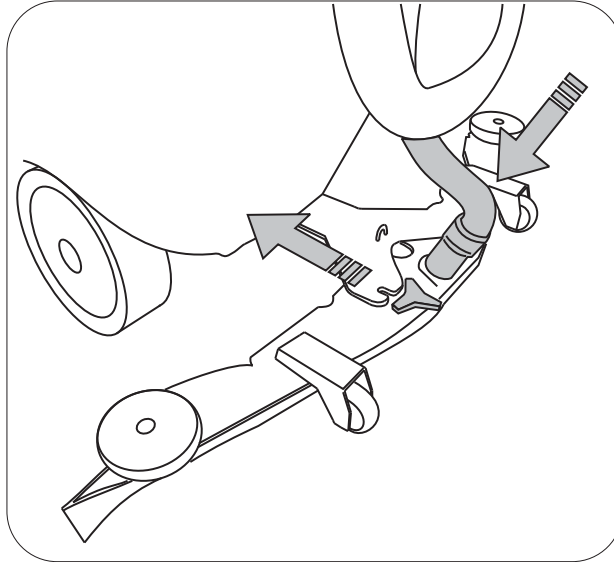
Respect the polarity (red wire + black wire –) when inserting the wires into the connector.

Squeegee installation and adjustment

Switch the machine on, lower the squeegee by pressing the suction motor button.

Place the squeegee in the slots provided on the support (fig. 4), then tighten the fastening knobs and insert the suction hose.

4

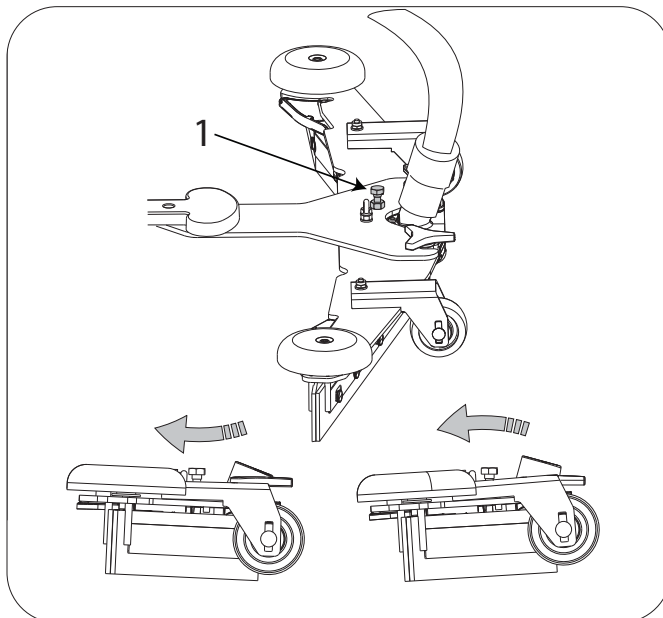


Squeegee adjustment

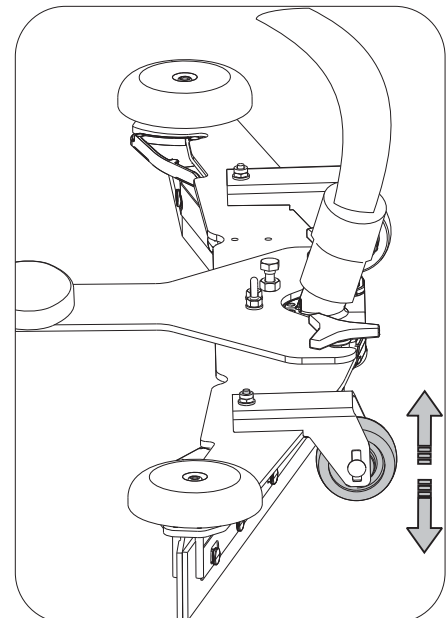
The squeegee blades scrape the film of water and detergent from the floor and prepare the way for perfect drying. With time, the constant rubbing makes the edge of the blade in contact with the floor rounded and cracked, reducing the drying efficiency and requiring it to be replaced. The state of wear should be checked frequently.

For perfect drying, the squeegee must be adjusted in such a way that the edge of the rear blade bends during operation by about 45° with respect to the floor at every point. The angle of the blades can be adjusted using the screw (fig. 5, ref. 1), while the height of the squeegee from the floor can be adjusted by changing the height of the two wheels (fig. 6).

5



6

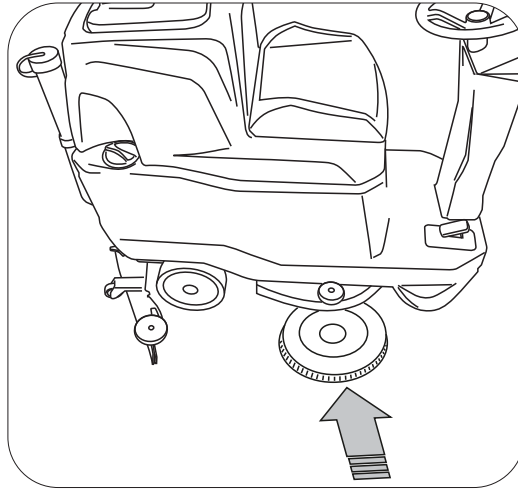


Brush installation

Single-brush machine:

position the brush underneath the head, in the centre (Fig. 7); switch the machine on. Pressing the ATTACH/RELEASE button once after starting the machine releases the brushes, pressing the button a second time activates automatic brush attachment; the button is only enabled when all the functions are deactivated (suction motor and brushes).

7

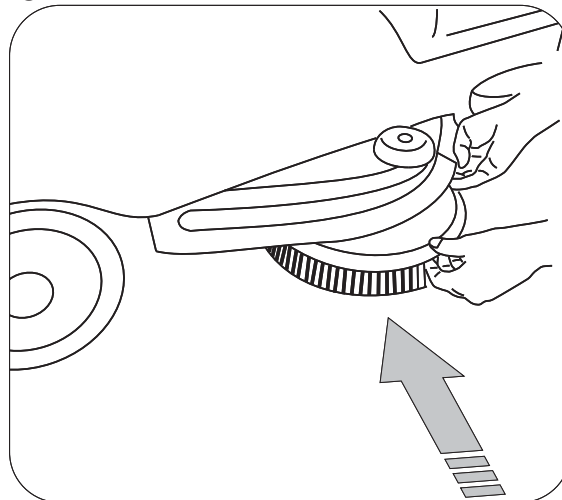


Double-brush machine:

position the brushes underneath the head on both sides (Fig. 8), the brushes should rest on the brush centering device in the centre of the head; switch the machine on.

Pressing the ATTACH/RELEASE button once after starting the machine releases the brushes, pressing the button a second time activates automatic brush attachment; the button is only enabled when all the functions are deactivated (suction motor and brushes).

8



! IMPORTANT!

Follow the instructions given below to configure the machine's control software to use the display language you require.

See the "[Technical menu](#)" section.

Lifting and transporting the machine

! WARNING!

All phases of lifting and moving must be performed in an adequately illuminated environment with the adoption of the safety measures most appropriate to the situation.

The operator must always use personal protection devices.

Proceed as follows to load the machine onto a means of transport.

- ▶ Empty the tanks.
- ▶ Remove the batteries.
- ▶ Position the machine on a pallet and fix it in place with plastic straps or metal brackets.
- ▶ Lift the pallet (with the machine) using a fork lift truck and load it onto the means of transport.
- ▶ Anchor the machine to the means of transport with cables connected to the pallet and to the machine itself.

PRACTICAL GUIDE FOR THE OPERATOR

! WARNING!

Before starting work, wear overalls, ear protectors, non-slip and waterproof shoes, mask to protect the respiratory tract, gloves and all other personal protection devices necessitated by the work environment.

! WARNING!

Do not leave the machine unattended or parked with the key in the switch and the parking brake disengaged.

! IMPORTANT!

If you are using the machine for the first time, we recommend trying it out on a large obstacle-free surface first to acquire the necessary familiarity.

! WARNING!

To avoid damaging the surface of the floor you are cleaning, avoid rotating the brushes with the machine stationary.

! IMPORTANT!

The machine is fitted with a driver detection device. It is only possible to start the machine while seated correctly in the driving seat. The device halts the machine if you get up from the seat.

! WARNING!

Always dilute the detergent according to the manufacturer's instructions. Do not use sodium hypochlorite (bleach) or other oxidants, particularly in strong concentrations. Do not use solvents or hydrocarbons. The water and detergent temperature must not exceed the maximum indicated in the "[Technical specifications](#)". They must be free of sand and/or other impurities.

The machine has been designed for use with low-foam biodegradable detergents made specifically for scrubber driers.

For a complete and up-to-date list of the detergents and chemicals available, contact the Manufacturer:

Use products suitable for the floor and dirt to be removed only.

Follow the safety regulations on use of detergents given in the section "Safety regulations".

Preparing the machine for work

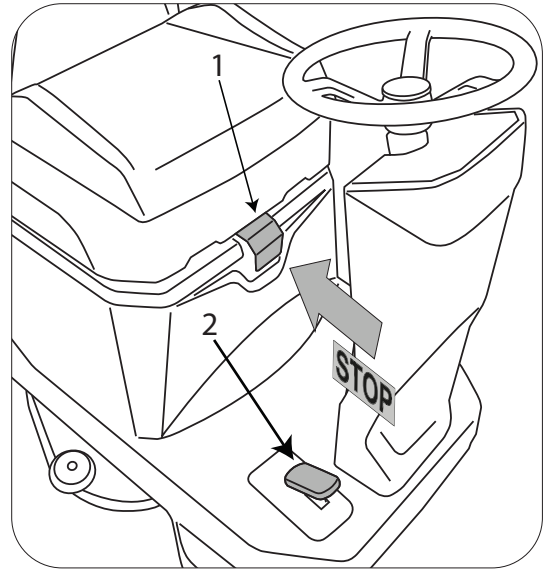
Proceed as follows before starting work.

- ▶ Check that the display shows the batteries to be fully charged. Recharge if necessary. See the "[Battery maintenance and charging](#)" section.
- ▶ Make sure that the dirty water tank is empty. Empty it if necessary, see "[Emptying the dirty water tank](#)".
- ▶ Make sure that the solution tank is full. Fill it if necessary, see "[Filling the water/detergent tank](#)".

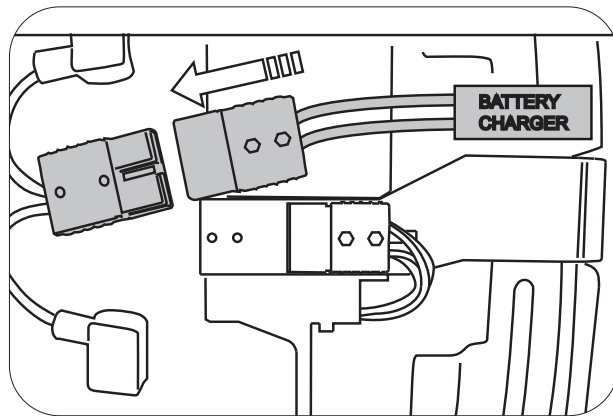
Controls

- ▶ **Emergency switch (fig. 9, ref. 1):** pushing the safety lever towards the tank, when necessary or in the event of imminent danger, stops all the machine's functions, opening the electrical circuit that supplies power to the machine.
- ▶ **Accelerator pedal (fig. 9, ref. 2):** press this pedal to control the speed of the machine. If the accelerator pedal is released for more than three seconds while the machine is switched on, the "AUTO POWER-OFF" function switches off all machine functions. To start again, simply press the accelerator pedal. To enable/disable and change the delay for "AUTO POWER-OFF" mode, go to the ["Technical menu"](#).
- ▶ **Battery charger socket (fig. 10):** if the machine is not fitted with a battery charger, to recharge the batteries, plug in the connector highlighted, see ["Preparing the battery charger"](#).
- ▶ **Main switch (fig. 11, ref. 1):** Switches power to all machine functions on/off.

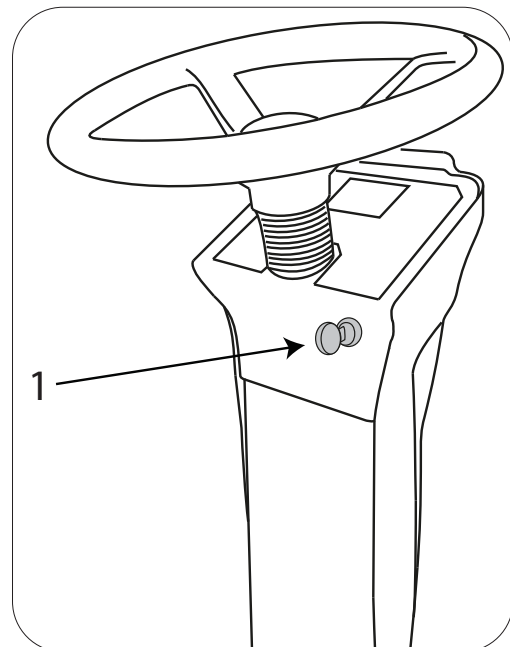
9



10

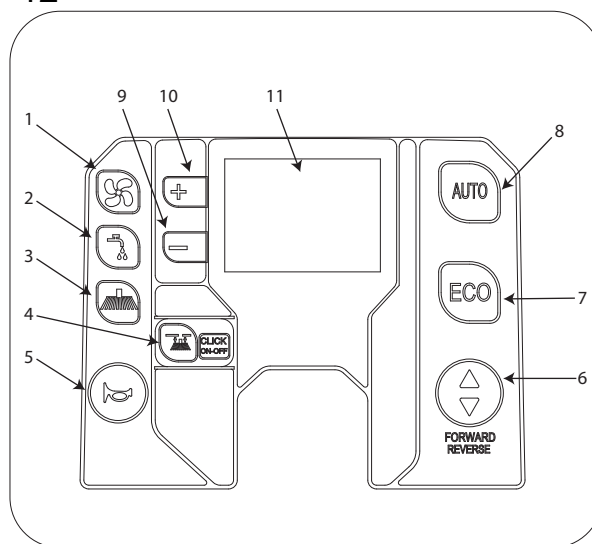


11



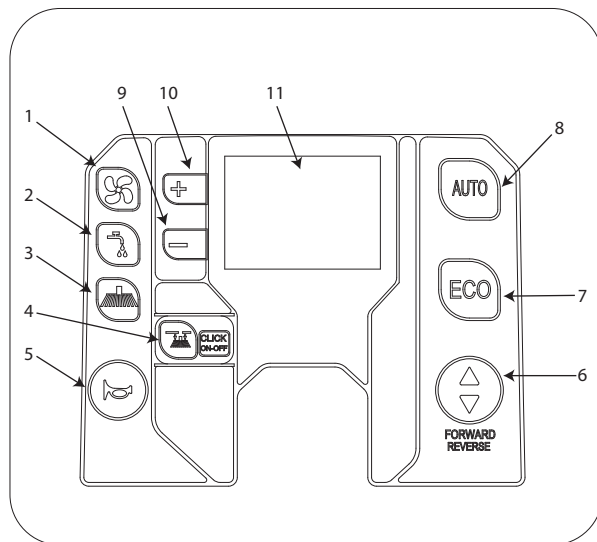
- ▶ **Suction button (fig. 12, ref. 1):** during operation with the AUTO, ECO or APC programs, starts/stops the suction motor; outside of these programs, starts the suction motor in manual mode, lowering the squeegee.
- ▶ **Water/detergent button (fig. 12, ref. 2):** during operation with the AUTO, ECO and APC programs, starts and stops (holding the button for two seconds) delivery of water/detergent; outside of these programs, starts/stops delivery in manual mode. In the AUTO program, the quantity of water/detergent can be adjusted by pressing the button; each time the button is pressed, the set level increases, Lev1, Lev2,..... Lev Auto (delivery proportional to travel speed).
If the AUTO program is active, setting the delivery parameter will exit the program and activate manual mode.
- ▶ **Brush button (fig. 12, ref. 3):** inside the AUTO, ECO and APC programs, starts/stops the brushes; outside of these programs, starts/stops operation of the brushes in manual mode. In the AUTO program, pressing and holding the button (for two seconds) activates brush pressure adjustment mode; pressing the “+” and “-” buttons performs the adjustment, from 1 to 5 (VERSION WITH TWO BRUSHES ONLY). Setting the parameter exits the program and activates manual mode.
- ▶ **Attach-release brushes “CLICK-ON-OFF” (fig. 12, ref. 4):** used to automatically attach and detach the brushes. Pressing the button once after starting the machine releases the brushes, pressing it a second time activates automatic brush attachment. The button is only active when all the functions are deactivated (suction motor and brushes); the same button can be used to navigate the [“Technical Menu”](#).

12



- ▶ **Horn button (fig. 12, ref. 5):** Press to sound the horn.
- ▶ **Forwards travel button (fig. 12, ref. 6):** selects the machine's travel direction; when selecting reverse gear, the display shows the letter "R" and the buzzer sounds intermittently.
- ▶ **ECO program button (fig. 12, ref. 7):** all the functions are activated in "ECO" mode: brush pressure, water/detergent flow-rate, brush speed and suction motor speed. In this program, energy consumption is reduced and the machine emits less noise.
- ▶ **AUTO program button (fig. 12, ref. 8):** all the functions are activated in "AUTOMATIC" mode: brush pressure, water flow-rate and detergent delivery are preset by the manufacturer, however can be modified from the ["Technical Menu"](#).
- ▶ **"+ , -" buttons (fig. 12, ref. 9-10):** these are used to set travel speed, or increase or decrease the user parameters.
- ▶ **Display (fig. 12, ref. 11):** displays the remaining battery charge, expressed as a percentage, the logo of the active functions, "hour counter" - the machine operating hours, the set travel speed and any alarms, see chapter ["Alarms on the display"](#).

12



Working

- ▶ Sit correctly in the seat.
- ▶ Turn the main switch to position “1”.
- ▶ Select the direction of travel with the direction selector.
- ▶ Select the AUTO or ECO program.
- ▶ Press the accelerator pedal to move off and start work.

Some useful tips to get the most from your scrubber drier

In the event of particularly stubborn dirt on the floor, washing and drying can be performed in two separate operations.

Prewashing with brushes or pads:

- ▶ Turn the main switch to position “1”.
- ▶ Select the AUTO or ECO program.
- ▶ Press the suction motor button to stop suction.
- ▶ Press the accelerator pedal to move off and start work.
- ▶ If necessary, adjust the flow of detergent delivered to the brush, using the water/detergent button; the outlet flow must be metered in relation to the required travel speed; the slower the machine travels, the less detergent must be delivered.
- ▶ Persist when washing particularly dirty points to give the detergent time to perform its chemical action detaching and suspending the dirt and the brushes time to exert an effective mechanical action.

Drying:

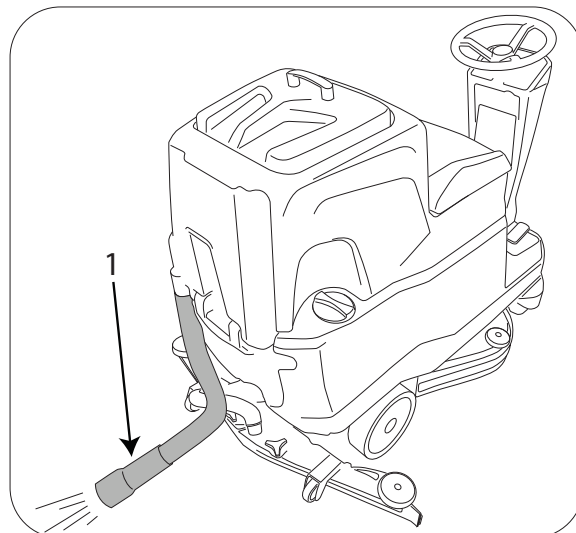
- ▶ Lower the squeegee and with the suction motor on, pass over the same area washed previously. The result is equivalent to in-depth washing and subsequent ordinary maintenance will take less time.

Emptying the collection tank:

If the tank is full, the display shows the corresponding alarm, see [“Display alarms”](#); after a few seconds, the suction motor shuts down, then stop the machine and empty the tank following the instructions shown below:

- ▶ Switch off all the machine’s functions.
- ▶ Take the machine to the disposal area.
- ▶ Unhook the hose from the clip.
- ▶ Empty the tank using the hose (fig. 13, ref. 1), at the end rinse the tank with clean water.

13

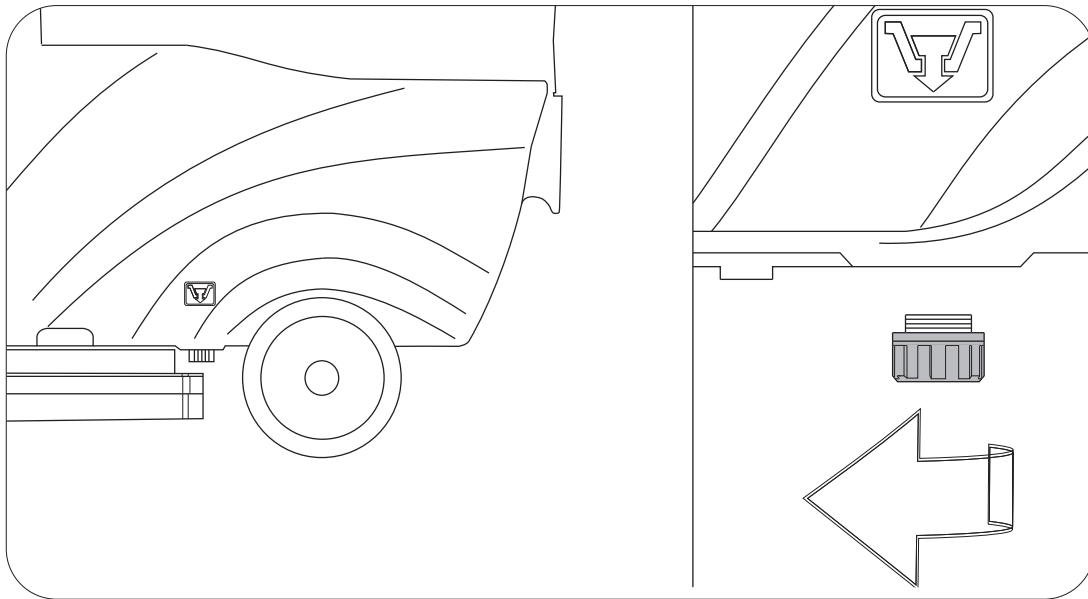


Emptying the water/detergent tank

To empty the tank, follow the instructions shown below:

- ▶ Switch off all the machine's functions.
- ▶ Take the machine to the disposal area.
- ▶ Stop the machine.
- ▶ Empty the tank by unscrewing the plug (fig. 14).

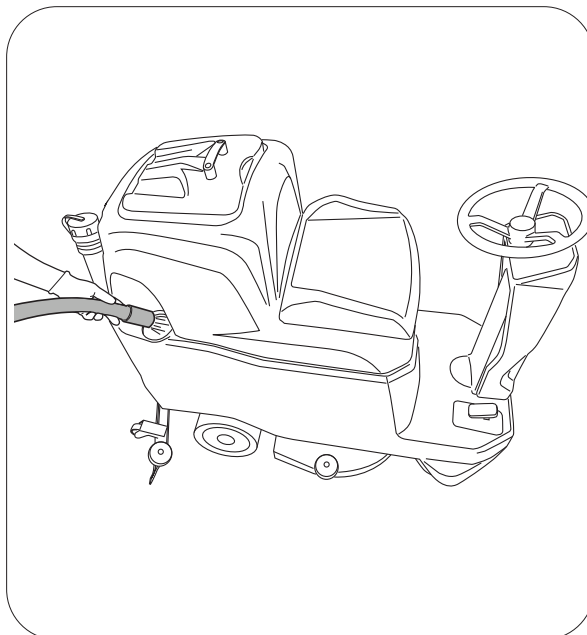
14



Filling the water/detergent tank

Fill the tank through the opening provided (fig. 15). The machine is equipped with a graduated measuring cap that can be used to dilute the detergent inside the tank. If the tank is empty, the display shows the corresponding alarm, see ["Display alarms"](#) . The quantity of water/detergent in the tank can be checked using the level tube on the side of the machine (fig. 15).

15



Finishing work

! IMPORTANT!

Empty the dirty water tank and recharge the batteries

When ending work, switch off the machine at the main switch. The machine does not have a parking brake as it is fitted with an electric brake, which automatically brakes the machine when the drive pedal is not pressed.

Moving the machine when not in operation

Proceed as follows to move the machine.

- ▶ Select the direction of travel.
- ▶ Press the accelerator pedal.

If the machine cannot be moved using the electric drive, the machine can be pushed after having disengaged the electric brake, see [“Pushing and pulling the machine”](#).

PERIODS OF INACTIVITY

If the machine is not used for some time, for example, on display in a showroom or stored in the warehouse for a period or more than one month, the following operations are required:

- ▶ Completely recharge the batteries before storing them. During long periods of inactivity, you should charge the batteries regularly (at least once every two months) to keep them constantly at maximum charge.
- ▶ Disconnect the batteries from the machine using the connector provided.
- ▶ Unplug the battery charger (if present) from the mains power supply.
- ▶ Remove the squeegee and brushes (or abrasive disks), wash them and put them away in a dry place (preferably in a bag or wrapped in plastic film) away from dust.
- ▶ Make sure the tanks are completely empty and perfectly clean.

! WARNING!

If the batteries are not recharged regularly as described above, they may be irrevocably damaged.

The manufacturer is not liable for any malfunctions resulting from neglect, improper and/or incorrect use.

MAINTENANCE INSTRUCTIONS

! DANGER!

Never perform any maintenance operations without first disconnecting the batteries. Maintenance of the electrical circuit and all other operations not expressly required by this manual must be performed by specialised personnel only, in compliance with current safety legislation and as described in the maintenance manual.

Maintenance - General rules

Performing regular maintenance according to the Manufacturer's instructions improves performance and extends the working life of the machine.

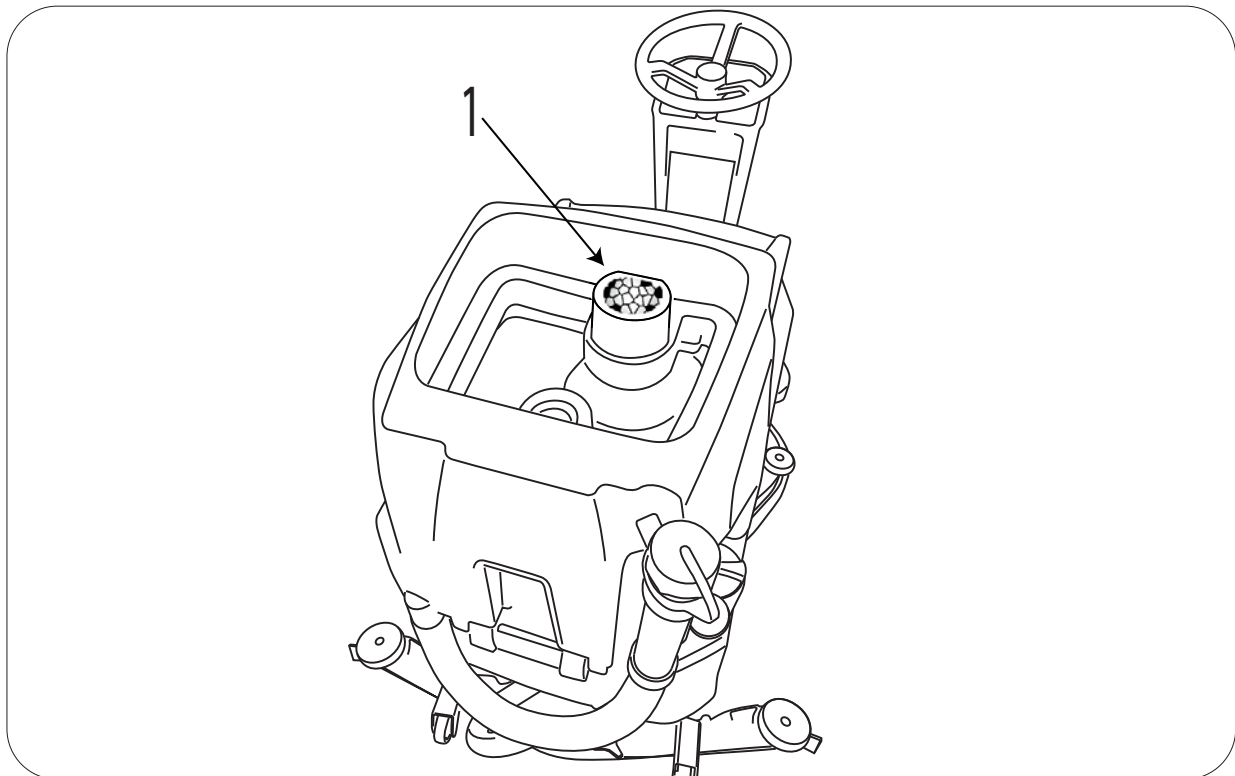
When cleaning the machine, observe the following precautions.

- ▶ Avoid using pressure washers. Water could penetrate the electrical compartment or motors leading to damage or short circuits.
- ▶ Do not use steam to avoid the heat warping plastic parts.
- ▶ Do not use solvents or hydrocarbon based products. These can damage the cowling and rubber components.

Cleaning the suction motor air filter

Open the dirty water tank lid, then remove the filter from its housing (fig. 17), wash it under running water or using the same detergent dispensed by the machine, then when it is dry, replace the filter in its housing.

17

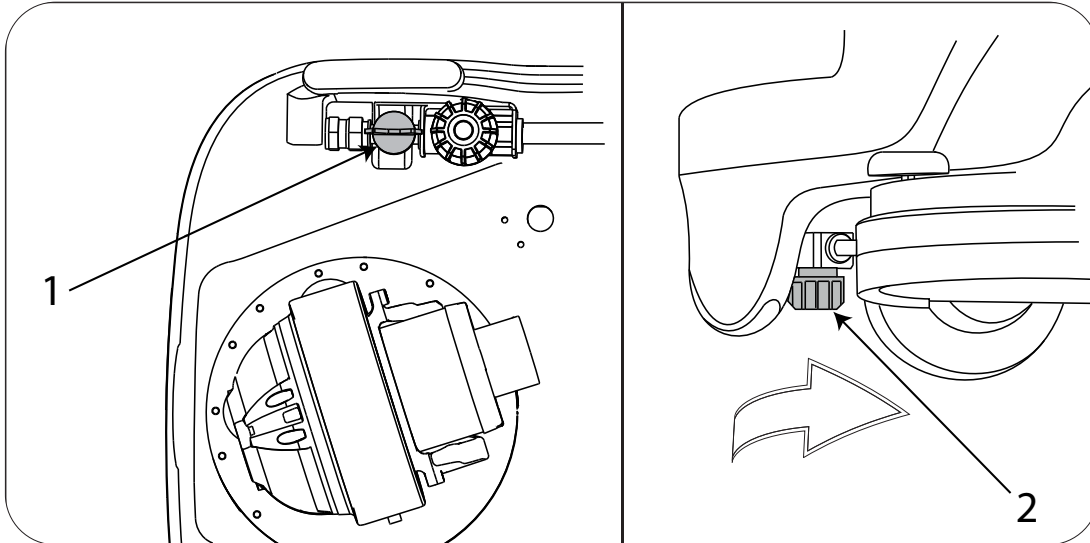


Cleaning the water/detergent tank filter

To clean the filter, proceed as follows:

- ▶ Close the tap (fig. 18, ref. 1) on the front left of the machine, next to the drive wheel.
- ▶ Unscrew the filter cover (fig. 18, ref. 2), remove the filter, then wash it under running water or using the same detergent dispensed by the machine.
- ▶ Replace the filter in its housing, making sure it is correctly positioned and retighten the screw.

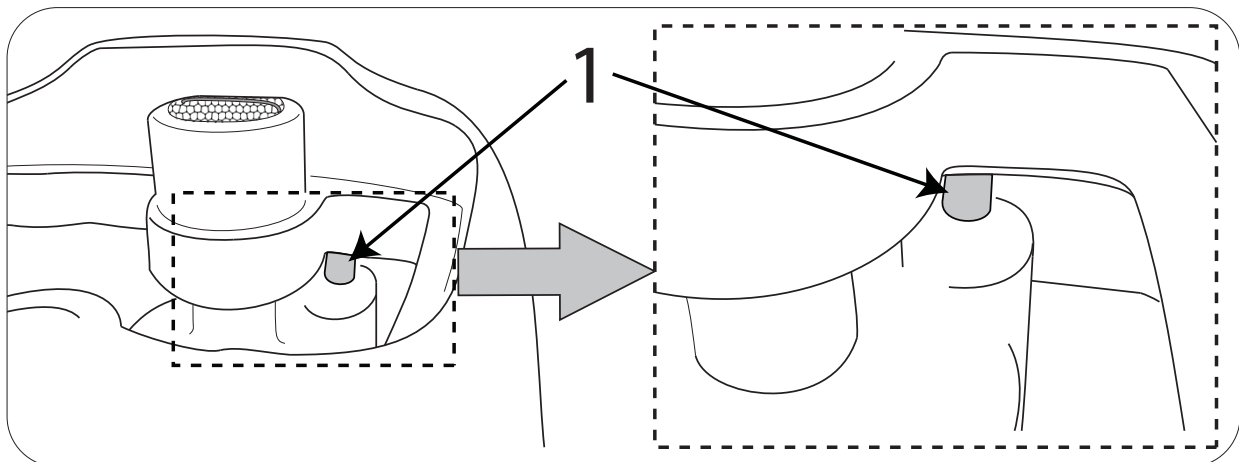
18



Cleaning the dirty water tank float

Open the dirty water tank lid, clean the float (fig. 19, ref. 1) situated at the front of the dirty water tank, making sure not to aim the water directly against the float; make sure it slides freely on its rod.

19



Fuses: replacing

! DANGER!

This operation must be performed with the machine switched off and the key removed.

! WARNING!

Never use a fuse with a higher amperage than specified.

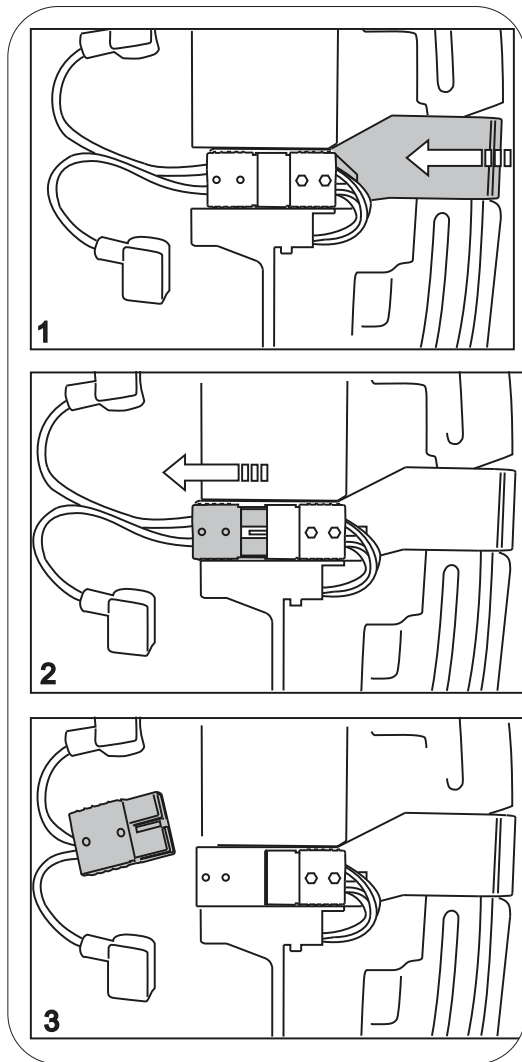
! DANGER!

Do not rest the electronic board panel on the batteries, as a short-circuit may cause the batteries to explode.

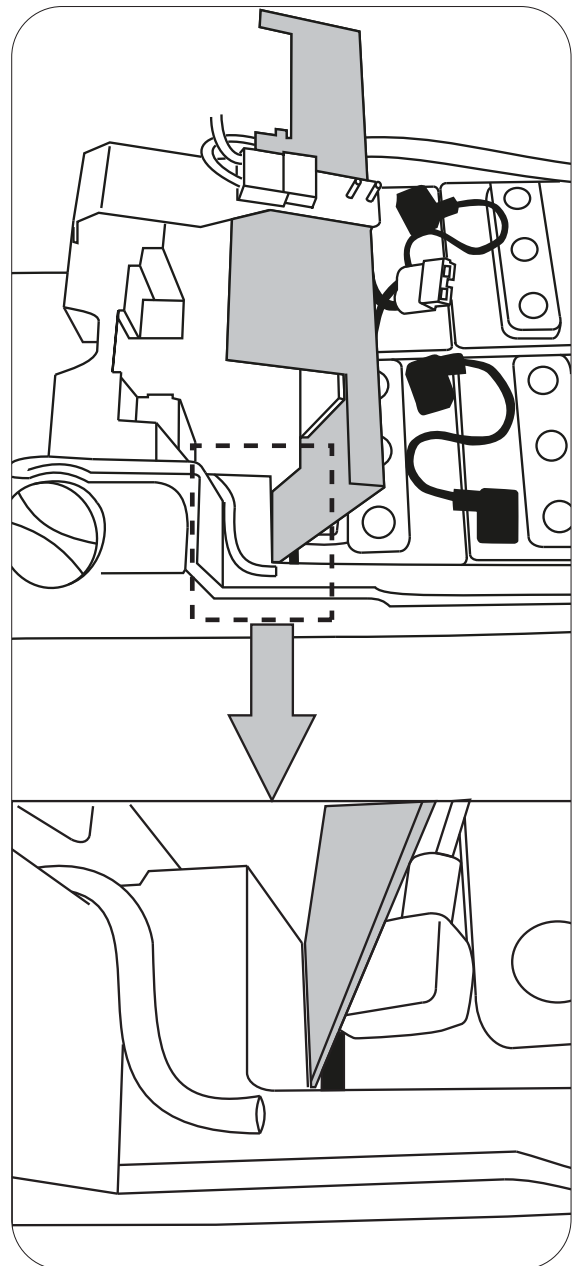
If a fuse continues to blow, the fault in the wiring, boards (if present) or motors must be identified and repaired. Have the machine checked by qualified personnel.

Lift the dirty water tank, disconnect the battery wiring connector from the electrical system (fig. 20, ref. 1-2-3), lift the electronic board panel, secure it to the corner of the tank, as shown in the figure (fig. 21), then check the fuses.

20

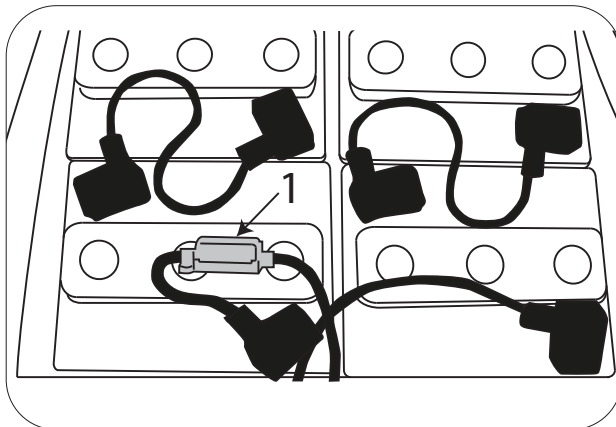


21



(fig. 22, ref. 1) main fuse 100A.

22



(fig. 23, ref. 1-2) brush motor fuses 30A.

(fig. 23, ref. 3) head actuator, squeegee actuator fuse 5A.

(fig. 23, ref. 4) suction motor fuse 30A.

(fig. 23, ref. 5) solenoid valve fuse 5A.

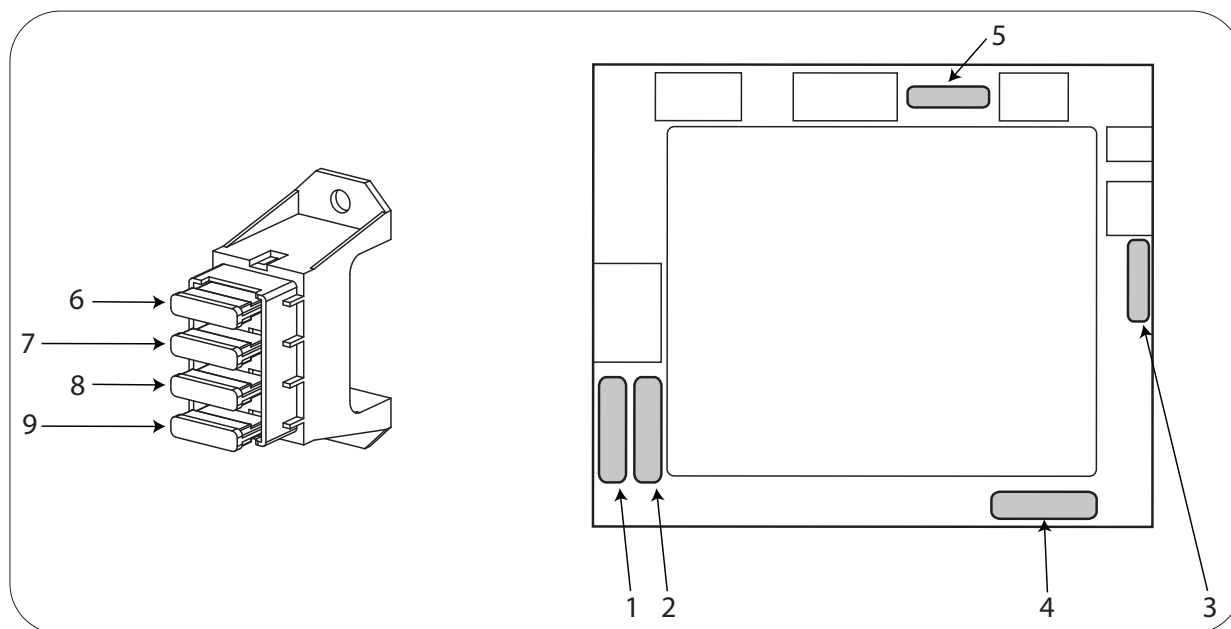
(fig. 23, ref. 6) on-off key switch fuse 5A.

(fig. 23, ref. 7) flashing beacon fuse 5A.

(fig. 23, ref. 8) head actuator fuse 3A.

(fig. 23, ref. 9) squeegee actuator fuse 3A.

23



Battery maintenance and charging

! DANGER!

Do not check the batteries by sparking.

The batteries give off flammable fumes. Put out all fires and hot embers before checking or topping up the battery level.

! DANGER!

Perform the operations described below in a ventilated area.

! WARNING

When recharging the batteries, the dirty water tank must be open (rotated backwards) so as to allow correct air flow in the battery and battery charger compartment.

! WARNING!

In the case of gel batteries, use a specific charger for gel batteries only.

! WARNING!

To avoid permanent damage to the batteries, do not run them down completely.

! WARNING!

Charge the batteries as instructed in the battery charger manual.

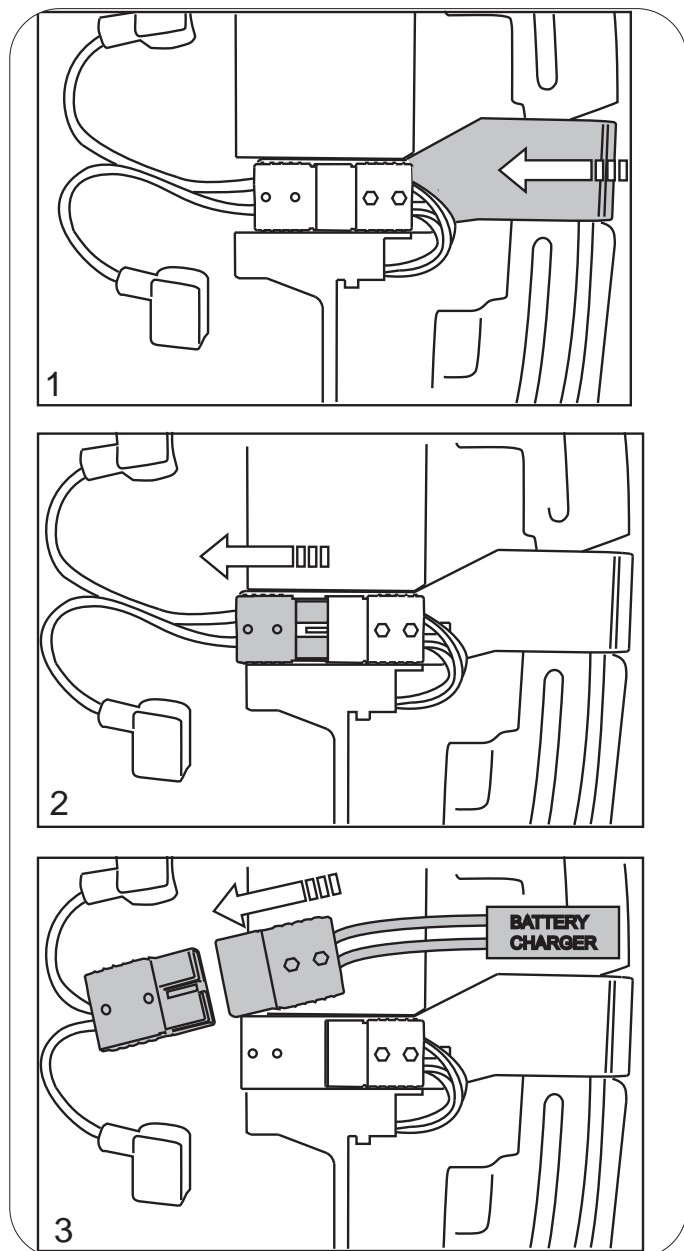
Disconnect the connectors at the end of charging.

To avoid permanent damage to the batteries, do not run them down completely.

“STANDALONE” battery charger, electrical connection to the machine:

- ▶ Lift the dirty water tank.
- ▶ Press the emergency switch (fig. 24, ref. 1).
- ▶ Lift the connector (fig. 24, ref. 2-3), removing it from the two pins.
- ▶ Attach the connector to the battery charger.
- ▶ Start the recharge cycle.
- ▶ Disconnect the connectors at the end of charging.
- ▶ Reconnect the battery wiring connector to the machine connector.

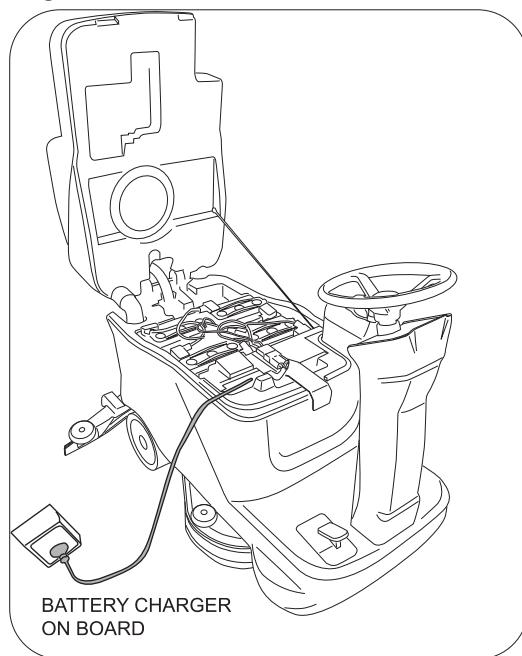
24



“ONBOARD” battery charger:

- ▶ Lift the dirty water tank
- ▶ Unplug the battery charger.
- ▶ Plug the cable into the power socket (fig. 25).
- ▶ Start the recharge cycle.
- ▶ The display will show when the recharge cycle ends, see [“Display alarms”](#)
- ▶ At end of the recharge cycle, unplug the cable from the power socket.

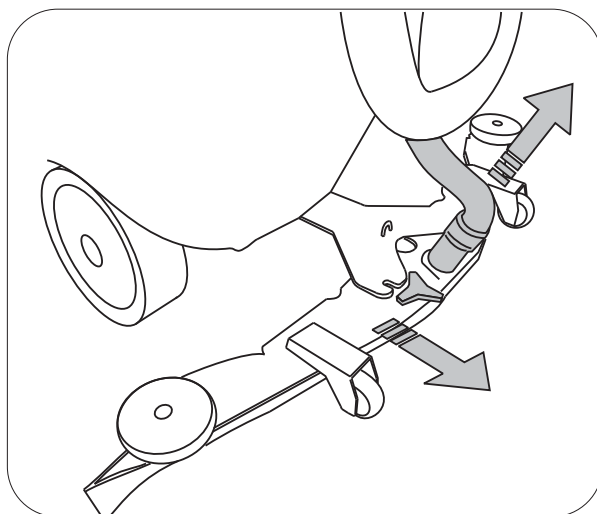
25



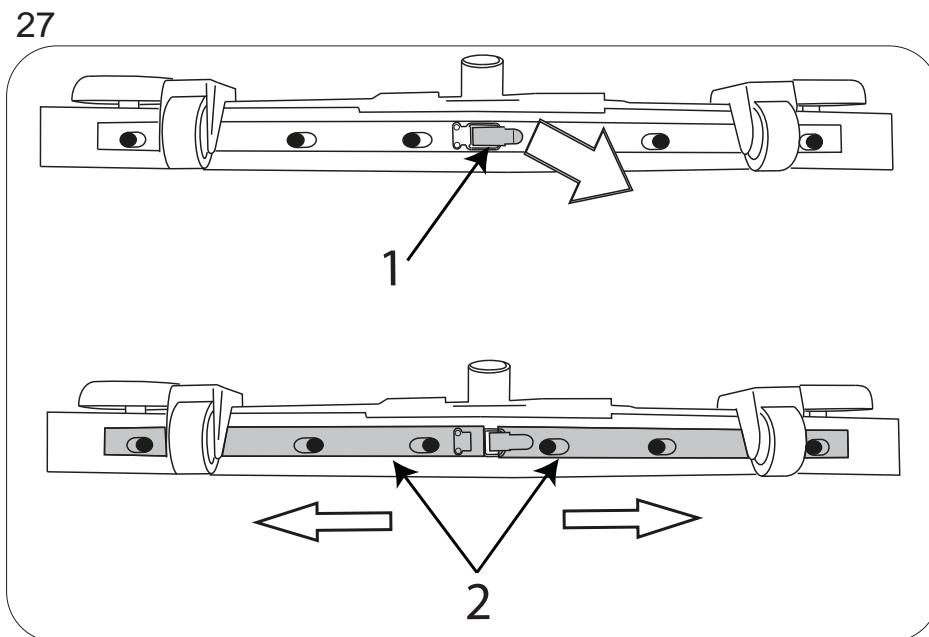
Replacing the squeegee blades

- ▶ Switch the machine on, lower the squeegee by pressing the suction motor button.
- ▶ Remove the suction hose from the squeegee (fig. 26).
- ▶ Unscrew the fastening knobs.
- ▶ Remove the squeegee from the slots on the support.

26



- ▶ Open the hook (fig. 27, ref. 1).
- ▶ Push the two blade pressing devices (fig. 27, ref. 2) outwards, then remove them.
- ▶ Remove the blade.
- ▶ Reuse the same blade by reversing the edge in contact with the floor until all four edges are worn out, or replace with a new blade, fitting it onto the screws on the body of the squeegee.
- ▶ Reposition the two blade pressing devices by centering the wider part of the slots on the squeegee body fastening pins, then push the blade pressing devices inwards.
- ▶ Close the hook again.
- ▶ Replace the squeegee on its support, following the instructions described previously.



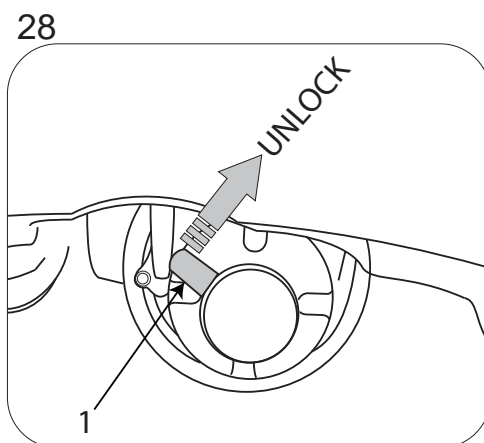
Pushing and pulling the machine:

When the electric drive cannot be used, the machine can be easily pushed or pulled by turning the lever (fig. 28) clockwise, so as to release the electric brake. After moving the machine, set the lever back to the original position.

! WARNING!

If the lever is in the position where the electric brake is disengaged (lever turned clockwise), the machine's brake will be disabled.

Never start the machine with the electric brake disabled.



Periodic checks

The table below indicates the Person Responsible for each procedure.

O = Operator.

T = Trained Personnel.

Interval	Person Resp.	Key	Description	Procedure	Lubricant/ Fluid
Daily	O	1	Pad(s)	Check, flip or replace	
	O	1	Brush(s)	Check, clean	
	O	6	Squeegee	Clean, check for damage and wear	
	O	8	Scrub head skirt	Check for damage and wear	
	O	2	recovery tank	Drain, rinse, clean float shut-off screen and debris tray	
	O	3	Solution tank	Drain, rinse	
	O	4	Severe Environment tank (option)	Check, refill	CAD
	O	5	Automatic battery watering tank (option)	Check, refill	DW
	O	7	Batteries	Charge if necessary	
Weekly	O	7	Battery cells	Check electrolyte level	DW
	O	7	Battery compartment	Check for liquid	
	O	6	Squeegee assembly drip trap reservoir (dual disk model)	Check. Clean	
50 Hours	O	2	Recovery tank lid seal	Check for wear	
	O	9	Solution tank filter	Remove and clean	
1 0 0 Hours	O	7	Battery watering system (option)	Check hoses for damage and wear	
2 0 0 Hours	O	7	Batteries, terminals and cables	Check and clean	
	T	13	Steering chain	Lubricate, check tension, and check for damage and wear	GL
	T	14	Steering cable	Check tension. Check for damage and wear	
7 5 0 Hours	T	10	Vacuum motor	Replace carbon brushes	
1 2 5 0 Hours	T	11	Propel motor	Replace carbon brushes	
	T	12	Brush motor(s)	Replace carbon brushes	

LUBRICANT/FLUID

DW Distilled water
 CAD Commercial approved detergent
 GL SAE 90 weight gear lubricant

TROUBLESHOOTING

PROBLEM	CAUSE	REMEDY
The machine does not work	The batteries are disconnected	Connect the batteries to the machine
	The batteries are flat	Recharge the batteries
	Battery disconnect lever pressed	Return the lever to its correct position
The brushes do not turn	The dirty water tank is full	Empty the dirty water tank
	Blown fuse	Replace
	Faulty switch	Replace
	The batteries are flat	Recharge the batteries
	Damaged motor	Replace
	Wire detached	Check
The machine does not clean uniformly	The brush or disks are worn	Replace
No solution comes out of the detergent tank	The tap upstream of the filter is closed	Open the tap
	Damaged solenoid valve	Replace
	Dirty solenoid valve	Check
	The detergent tank is empty	Top up
	The hose delivering detergent to the brush is blocked	Unblock
	Blown fuse	Replace
Detergent flow does not stop	Damaged solenoid valve	Replace
	Damaged solenoid valve wiring	Check
The suction motor does not start	The dirty water tank is full	Empty the dirty water tank
	Blown fuse	Replace
	Faulty switch	Replace
	The batteries are flat	Recharge the batteries
	Damaged motor	Replace
	Wire detached	Check
The squeegee does not clean or has poor suction	The edge of the rubber blades in contact with the floor is worn	Replace the blades
	Blockage or damage in the squeegee or in the hose	Check
	The dirty water tank float is activated or is blocked by dirt, or is faulty	Empty the dirty water tank, check the float.
	Blockage in the suction hose	Check
	The suction hose is not connected to the squeegee or is damaged	Check
	Suction motor not powered or faulty	Check
The machine does not move	The batteries are flat	Recharge the batteries
	Drive wheel actuator problem	Check the alarm code shown on the display
The machine does not brake	Electromagnetic brake disengaged	Check
The batteries do not provide the normal working time	The battery poles and charging terminals are dirty and oxidised	Clean and grease the poles and terminals, charge the batteries
	The battery charger does not work or is not suitable	Check

DISPLAY ALARMS

Alarm	Possible cause	What to do
BRUSH PROTECTOR	The brush motor has overheated. Faulty thermal protector contact on the motors. Faulty connection.	Wait for the brush motors to cool down. Replace the brush motor. Check the connection.
DRIVE PROTECTOR	The drive wheel has overheated. Faulty thermal protector contact on the motor. Faulty connection.	Wait for the drive wheel to cool down. Replace the drive wheel. Check the connection.
NO OPERATOR	The driver detection microswitch is not detecting an operator.	Sit correctly in the seat. Check the connection. Check the seat microswitch.
ACCELERATOR KEY	Incorrect start-up sequence Faulty accelerator pedal microswitch. Faulty connection.	Release the accelerator pedal during start-up. Replace the accelerator pedal microswitch. Check the connection.
WATER RESERVE	Solution tank almost empty. Stuck sensor. Faulty sensor or connection.	Fill the solution tank. Clean the level sensor. Replace the level sensor. Check the connection.
NO WATER	Solution tank empty. Stuck sensor. Faulty sensor or connection.	Fill the solution tank. Clean the level sensor. Replace the level sensor. Check the connection.
DIRTY WATER TANK	Dirty water tank full. Stuck sensor. Faulty sensor or connection.	Empty the dirty water tank. Clean the level sensor. Replace the level sensor. Check the connection.
CHEMICAL FINISHED	Chem-Dose tank empty. Stuck sensor. Faulty sensor or connection.	Fill the Chem-Dose tank. Clean the level sensor. Replace the level sensor. Check the connection.
FUNCTION BOARD NOT DETECTED	Communication with functions board interrupted. Faulty auxiliary boards.	Check the connection between the boards. Check the auxiliary boards.
BATTERY FLAT	Battery voltage less than: 20.7 V GEL/AGM - 20.3 V ACID. Flat batteries.	Recharge the batteries. Replace the batteries.
BATTERY RESERVE	Battery voltage less than : 21.5 V GEL/AGM - 20.5 V ACID. Flat batteries.	Recharge the batteries. Replace the batteries.
CALL SERVICE	The set number of hours for scheduled service have been reached/exceeded.	Call a service centre to arrange scheduled service.
BATTERY CHARGING	The on-board battery charger is operating, all the machine's functions are disabled.	Disconnect the battery charger
CHARGING COMPLETE	The on-board battery charger is operating, the charge is complete, all the machine's functions are disabled.	Disconnect the battery charger
ERROR FROM C.B.	Battery charger malfunction	Replace the battery charger
BATTERY NO CONNECT	Battery not connected Fuse inside the battery charger blown	Connect the battery Replace the battery charger
O.C. BRUSH	Brush motor short-circuit	Replace the brush motor
BRUSH FUSE	Brush motor fuse blown	Replace the fuse

DISCONNECT EMERGENCY	Electronic board communication problem	Press the emergency switch and reset it after 10 seconds. If following this procedure, the "update software" message is shown on the display, do not switch the machine off, but rather wait for the procedure to end.
DRIVE BOARD DISPLAY ALARMS		
DRIVE BOARD TEMPERATURE	Board temperature between -10°C and +80°C. Excessive vehicle effort. Electric brake engaged.	Cool or heat the board. Do not overwork the machine on long ramps. Check the electric brake.
ACCELERATOR FAULT	Faulty potentiometer connections. Faulty potentiometer. Incorrect potentiometer type setting.	Check the connection. Replace the potentiometer. Set the correct potentiometer.
SPEED FAULT	Speed signal connections interrupted. Faulty functions board.	Check connection between functions board and drive board. Replace functions board.
DRIVE BOARD U.V.	Battery voltage less than 17 V. Connection error between batteries and controller.	Charge or replace the batteries. Check battery connection.
DRIVE BOARD O.V.	Battery voltage over 31 V. Machine moving with battery charger connected. Faulty battery connection.	Check or replace the batteries. Disconnect the battery charger. Check battery connection.
RELAY FAULT	Faulty relay. Faulty drive board.	Replace the drive board.
INPUT FAULT	Emergency input activated on the drive board. Key connection on the drive board.	Check connection between functions board and drive board.
HDP 10 SEC.	Accelerator pedal pressed when starting for more than 10 seconds. Potentiometer not adjusted.	Release accelerator pedal when starting the machine. Check potentiometer adjustment.
ELECTRIC BRAKE FAULT	Faulty drive board. Faulty electric brake.	Replace the drive board. Check / replace the electric brake.
PRE-CARCHE FAULT	Check electric brake short. Faulty board. MOSFET failure.	Replace the drive board.
HDP	Accelerator pedal pressed when starting. Potentiometer not adjusted.	Release accelerator pedal when starting the machine. Check potentiometer adjustment.
TRACTION DRIVE FAULT	Drive motor short Drive motor connection short. Faulty board.	Check / replace the drive motor. Check motor connections. Replace the drive board.
DRIVE BOARD FAULT	Faulty drive motor connection. Faulty board.	Check motor connection. Replace the drive board.
DRIVE BOARD POWER SUPPLY	Battery not connected. Faulty battery connection.	Connect battery cables. Check battery cables
OVERCURRENT	Excessive machine effort. Drive motor damaged.	Do not overwork the machine on long ramps. Check / replace the drive motor.
TRACTION ALARM	Drive system problem	Wait a few seconds with the machine on until the correct message is shown on the display.

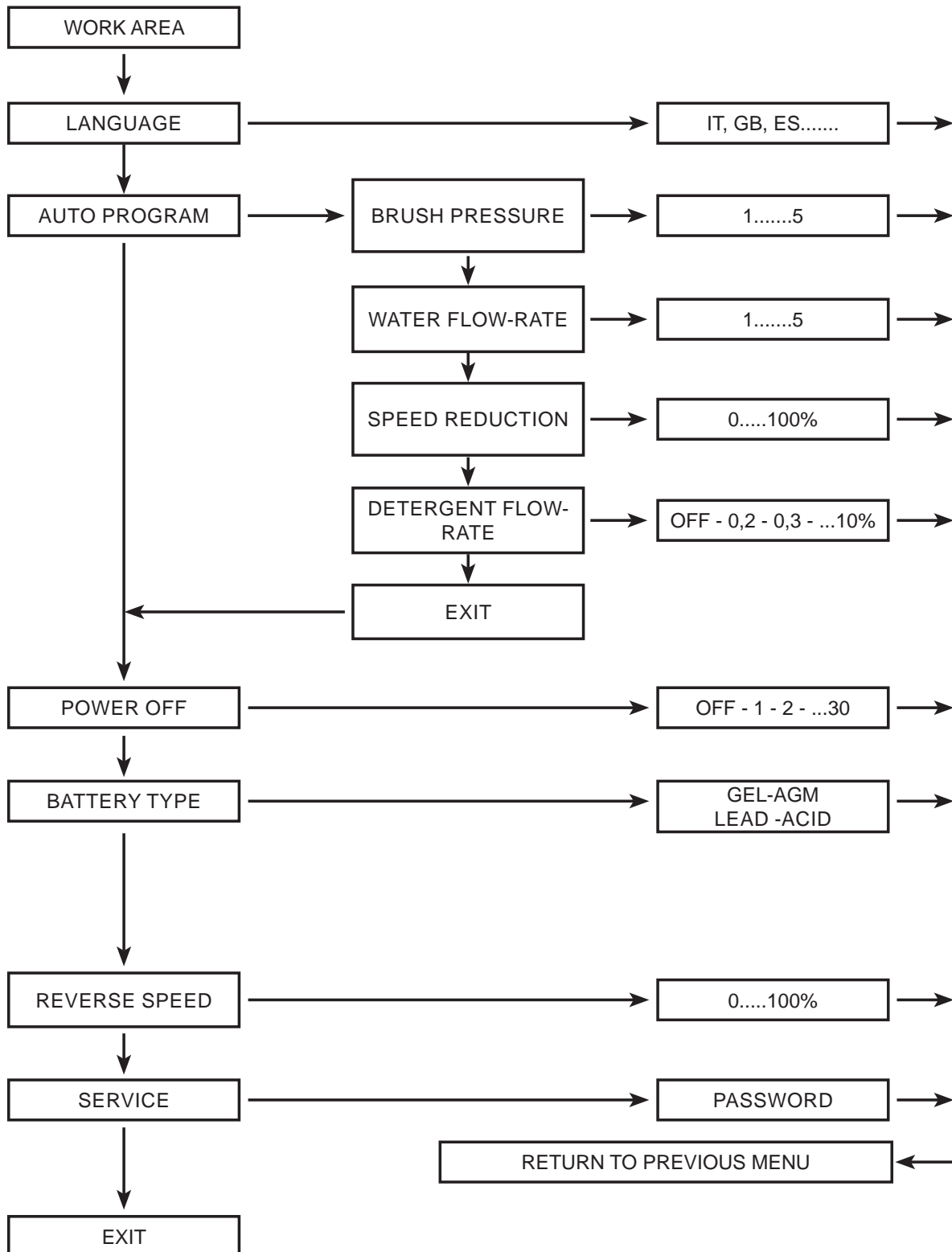
TECHNICAL MENU

Enter the menu by pressing “+” and “-” together when no functions are active.

The “+” button increases the selected parameter or the variable relating to the selected parameter.

The “-” button increases the selected parameter or the variable relating to the selected parameter.

The “Attach-release brushes” button selects the parameter to be set and confirms the entered variable.



RECOMMENDED SPARE PARTS

Part Number	Description
SPPV01495	BRUSH ASSY, DISK, SCB, 50CM, PYP, SOFT
SPPV01332	BRUSH ASSY, DISK, SCB, 50CM, PYP
SPPV01335	PAD DRIVER 50CM [STANDARD]
1243338	PAD, POLISH, 20.0D, WHITE [QTY 5]
1243339	PAD, BUFF, 20.0D, RED [QTY 5]
1243340	PAD, SCRUB, 20.0D, BLUE [QTY 5]
1243566	PAD, STRIP, 20.0D, BROWN [QTY 5]
1243661	PAD, STRIP, 20.0D, BLACK, HI PROD [QTY 5]
1243670	PAD, SURF PREP, 20.0D MAROON [QTY 5]
1240393	PAD, POLISH, 20.0D, YELLOW [QTY 5]
9017755	BLADE, SQGE, FRONT, 815L, LATEX [OPTION]
9017756	BLADE, SQGE, REAR, 815L, LATEX [OPTION]
9017757	BLADE, SQGE, FRONT, 815L, PYU [OPTION]
9017758	BLADE, SQGE, REAR, 815L, PYU [OPTION]
9017759	BLADE, SQGE, FRONT, 815L, LINATEX [STANDARD]
9017760	BLADE, SQGE, REAR, 815L, LINATEX [STANDARD]
897383	FLAP
1053408	BATTERY, AGM, 12VDC 140AH
1015046	BATTERY, WET, 12VDC 150AH
9017803	ACTUATOR, SQGE, 24VDC
9017805	ACTUATOR, BRUSH HEAD, 24VDC
9017764	BRUSH, CARBON, VAC FAN
897436 9017716	MOTOR VACUUM 24 2-STAGES
9017765	MOTOR, BRUSH, 24VDC
897500	BOARD
9017686	BRUSH KIT, CARBON, BRUSH MOTOR [4 PC]
9017784	BRUSH, CARBON, TRANSAXLE MOTOR
9018401	GASKET, MOTOR, VACUUM
9017785	FILTER, MOTOR, VAC FAN
9017786	HOSE ASSY, RECOVERY
897466	SCREEN, FILTER
9017790	SENSOR, LEVEL, LIQ
9017793	HOSE ASSY, DRAIN
9017794	CAP KIT, DRAIN HOSE, RECVY
9017795	SENSOR, POSITION, DRIVE
9017718	VALVE, WATER, SOLENOID, 24VDC
9017800	TIRE, SOLID, PYU
9017802	CAP KIT, DRAIN PLUG W/GASKET
9017807	DRIVE ASSY, WHEEL
9017808	BRAKE ASSY, W/LEVER, COMPLT

9017809	WHEEL, SCRBR, 250MM X 60MM
MEVR00644	FUSE 30A
9017817	FUSE 5A
9017819	FUSE 100A
MEVR00584	FUSE 3A
9017821	CIRCUITBOARD, MAIN
9017823	CIRCUITBOARD, DISPLAY PANEL

ESPAÑOL
(Traducción de las
instrucciones originales)

ÍNDICE

CARACTERÍSTICAS TÉCNICAS.....	4
MEDIDAS DE LA MÁQUINA	6
SEÑALES DE SEGURIDAD	7
INFORMACIONES GENERALES.....	8
Finalidad del manual	8
Identificación de la máquina.....	8
Documentación adjunta a la máquina.....	8
INFORMACIONES TÉCNICAS.....	9
Descripción general	9
Leyenda	9
Zonas peligrosas.....	10
Accesorios.....	10
INFORMACIONES SOBRE LA SEGURIDAD	11
Normas de seguridad.....	11
DESPLAZAMIENTO E INSTALACIÓN	14
Levantamiento y transporte de la máquina embalada	14
Controles que se deben realizar en el momento de la entrega	14
Desembalaje	14
Baterías de alimentación (versión Batería).....	14
Batería: preparación.....	15
Baterías: instalación y conexión.....	15
Batería: desmontaje	16
Elección del cargador de baterías.....	16
Preparación del cargador de baterías	16
Instalación y regulación del secador de suelos.....	17
Regulación del secador de suelos	17
Instalación de los cepillos	18
Levantamiento y transporte de la máquina.....	19
GUÍA PRÁCTICA PARA EL OPERADOR	20
Preparación de la máquina para el trabajo	20
Mandos	21
Trabajo	24
Algunos consejos útiles para utilizar correctamente la fregadora-secadora.....	24
Vaciado del depósito del agua sucia.....	24
Vaciado del depósito de agua/detergente.....	25
Llenado del depósito de agua/detergente.....	25
Fin del trabajo	26
Desplazamiento de la máquina sin que trabaje	26
PERÍODOS DE INACTIVIDAD	27
INSTRUCCIONES PARA EL MANTENIMIENTO	28
Mantenimiento – Reglas generales.....	28
Limpieza del filtro de aire del aspirador	28
Limpieza del filtro del depósito de agua/detergente.....	29
Limpieza del flotador del depósito de agua sucia	29
Fusibles: sustitución.....	30
Mantenimiento y recarga de las baterías.....	32
Sustitución de los labios del secador de suelos.....	33
Empuje/remolque de la máquina	34
Controles periódicos	35
INCONVENIENTES, CAUSAS Y SOLUCIONES	36
ALARMAS EN LA PANTALLA	37
MENÚ TÉCNICO.....	39
PIEZAS DE REPUESTO RECOMENDADAS.....	40

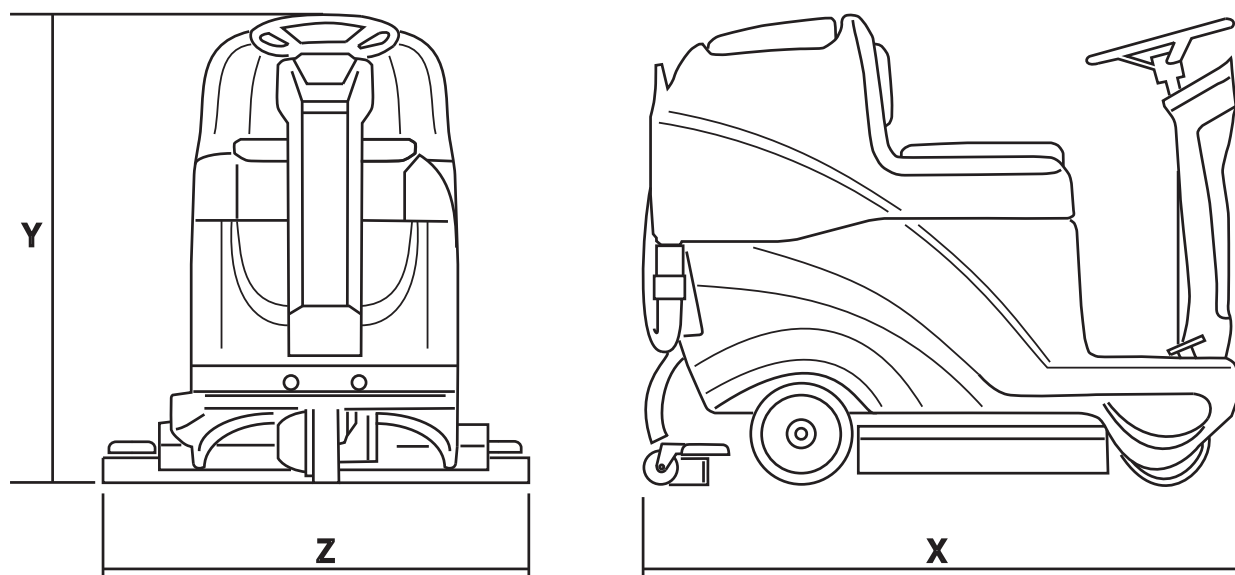
CARACTERÍSTICAS TÉCNICAS

Anchura de trabajo útil	mm	530
	inch	21
Anchura secador de suelos	mm	710
	inch	30
Rendimiento horario	m ² /h	3180
	ft ² /h	34229
Número de cepillos	n°	1
Diámetro del cepillo	mm	530
	inch	21
Presión máxima del cepillo	g/cm ²	10,3
	kPa	0,98
Velocidad de rotación del cepillo	g/1° RPM	150
Potencia del motor del cepillo	W	400
	HP	0,53
Potencia del motor de tracción	W	300
	HP	0,4
Velocidad máxima	km/h	6
	mph	3,7
Potencia del motor de aspiración	W	480 (2 etapas)
	HP	0,64
Depósito de la solución	L	75
	gal	20
Depósito de agua sucia	L	80
	gal	21
Diámetro de las ruedas traseras	mm	225
	inch	8,8
Pendiente superable	%	8
Peso bruto	Kg	418
	lbs	921,5

Peso transportado	Kg	293
	lbs	645,9
Número de baterías	n°	2
Tensión de la batería	V	12
Capacidad de cada batería	Ah (20h)	140 - 150
Tensión de alimentación	V	24
Medidas de la máquina	mm	X=1310 Z=673 Y=1030
	inch	X=51,5 Z=26,4 Y=40,5
Medidas del compartimiento de las baterías (largo, ancho, alto)	mm	390x478x260
	inch	15,3x18,8x10,2
Medidas del embalaje (largo, ancho, alto)	mm	1445X795X1140
	inch	56,8x31,2x44,8
Presión sonora	LpA (dB)	57 dB 56 dB (Eco)
Incertidumbre de la medida	K (dB)	3,2
Vibraciones en la mano	HAV m/s ²	1,5
Incertidumbre de las medidas, k	m/s ²	0,8
Vibraciones en el cuerpo	HBV m/s ²	0,6
Incertidumbre de las medidas, k	m/s ²	0,3
Temperatura máxima del agua y detergente	°C	de 4 a 55






Datos sujetos a modificaciones sin aviso previo

MEDIDAS DE LA MÁQUINA



X-Y-Z: Véase la Tabla “CARACTERÍSTICAS TÉCNICAS”

SEÑALES DE SEGURIDAD

	PENDIENTE SUPERABLE
	MANUAL DEL OPERADOR, INSTRUCCIONES PARA EL FUNCIONAMIENTO
	LEA EL MANUAL DEL OPERADOR
	SÍMBOLO CORRIENTE CONTINUA
	CLASE DE AISLAMIENTO, DICHA CLASIFICACIÓN SÓLO ES VÁLIDA CON EL APARATO FUNCIONANDO CON BATERÍA.

INFORMACIONES GENERALES

Finalidad del manual

Este manual ha sido redactado por el Fabricante y forma parte integrante de la **máquina**¹.

En el manual se define el uso previsto de la máquina y también contiene todas las informaciones necesarias para los **operadores**².

Además de este manual, que contiene las informaciones necesarias para los usuarios, se han redactado otras publicaciones que contienen informaciones específicas para los técnicos **encargados del mantenimiento**³.

Las indicaciones derecha o izquierda, horario o antihorario presentes en este manual siempre se refieren al sentido de avance de la máquina.

El respeto constante de las indicaciones garantiza la seguridad del hombre y de la máquina, la economía de explotación, la calidad de los resultados y una larga duración del funcionamiento de la misma máquina. El incumplimiento de las prescripciones podría provocar daños al hombre, a la máquina, al suelo lavado y al medio ambiente.

Para encontrar rápidamente los argumentos, consulte el índice situado al principio del manual.

Los párrafos que revisten una importancia particular están destacados en negrita y anteceditos por los símbolos que se ilustran y definen a continuación.

! PELIGRO

Indica que es necesario prestar atención a fin de no incurrir en consecuencias graves que podrían provocar la muerte del personal o posibles daños a la salud.

! ATENCIÓN

Indica que es necesario prestar atención a fin de no incurrir en consecuencias graves que podrían provocar daños a la máquina, al medio ambiente donde se trabaja o pérdidas económicas.

! INFORMACIÓN

Indicaciones que revisten particular importancia

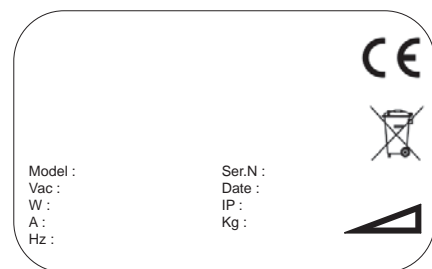
El Fabricante, en su afán de mantener una política de desarrollo y actualización constante del producto, puede modificarlo sin ningún aviso previo.

Si bien la máquina en su poder se diferencia sensiblemente de las ilustraciones contenidas en este documento, se garantizan, igualmente, la seguridad y las informaciones sobre la misma.

Identificación de la máquina

En la placa de características se hallan las siguientes informaciones:

- ▶ Modelo.
- ▶ Tensión de alimentación.
- ▶ Potencia nominal total.
- ▶ Corriente nominal absorbida.
- ▶ Número de serie (número de matrícula).
- ▶ Año de fabricación.
- ▶ Grado de protección IP
- ▶ Peso en seco.
- ▶ Pendiente máxima.
- ▶ Identificación del Fabricante.



Documentación adjunta a la máquina

- ▶ Manual de uso;
- ▶ Certificado de garantía;
- ▶ Manual del cargador de batería.

1 La definición "máquina" sustituye la denominación comercial a la que se refiere este manual.

2 Son las personas que tienen la función de utilizar la máquina sin realizar trabajos que requieran una capacitación técnica específica.

3 Las personas con experiencia, capacitación técnica y conocimientos de la normativa pueden realizar los trabajos necesarios y son las que logran reconocer y evitar posibles peligros durante el desplazamiento, instalación, uso y mantenimiento de la máquina.

INFORMACIONES TÉCNICAS

Descripción general

La máquina en cuestión es una fregadora-secadora de suelos, que se utiliza en entornos civiles e industriales para barrer, lavar y secar los suelos planos, horizontales, lisos o moderadamente irregulares, uniformes y sin obstáculos.

La fregadora-secadora distribuye sobre el suelo una solución de agua y detergente oportunamente dosificada y lo cepilla adecuadamente a fin de eliminar la suciedad. Seleccionando atentamente el detergente para limpieza y los cepillos (o discos abrasivos) entre la dilatada gama de accesorios disponibles, la máquina se puede adaptar a diferentes combinaciones de tipos de suelo y de suciedad.

Un sistema de aspiración de líquidos, integrado en la máquina, permite secar el suelo recién lavado. El secado se lleva a cabo por el vacío generado por el motor de aspiración en el depósito de agua sucia. El secador de suelos, conectado al mismo depósito, permite recoger el agua sucia.

Leyenda

Los componentes principales de la máquina son los siguientes (Fig. 1):

- ▶ El depósito de agua/detergente (Fig. 1-Ref. 1), sirve para contener y transportar la mezcla de agua limpia y del producto de limpieza.
- ▶ El depósito de agua sucia (Fig. 1-Ref. 2): sirve para recoger el agua sucia aspirada del suelo durante el lavado.
- ▶ Cuadro de mandos (Fig. 1-Ref. 3).
- ▶ Grupo cabezal (Fig. 1-Ref. 4), el elemento principal está representado por los cepillos/rodillos que distribuyen la solución de detergente sobre el suelo, eliminando la suciedad.
- ▶ Grupo secador de suelos (Fig. 1-Ref. 5), tiene la función de limpiar y secar el suelo, recuperando el agua vertida sobre el mismo.



Zonas peligrosas

- ▶ Cuadro de mandos: peligro de cortocircuitos.
- ▶ Grupo depósito: con algunos detergentes particulares, subsiste el peligro de irritación de los ojos, piel, mucosas, sistema respiratorio y asfixia. Peligro debido a la suciedad recogida del medio ambiente (gérmenes y sustancias químicas). Peligro de aplastamiento entre dos depósitos cuando se coloca el depósito de agua sucia sobre el depósito de la solución.
- ▶ Grupo cabezal de fregado: peligro por la rotación de los cepillos.
- ▶ Ruedas traseras / delantera: peligro de aplastamiento entre la rueda y el chasis.
- ▶ Compartimiento del motor/baterías: peligro de cortocircuito entre los polos de las baterías y presencia de hidrógeno durante la recarga.

Accesorios

- ▶ Cepillos Soft, Hard, Abrasive.
- ▶ Carga baterías NORD ELETTRONICA NE284 - S.P.E.CHBHD1-XR-P para versión con un único cepillo
- ▶ Carga baterías S.P.E. CBHD3/CHBHD1-XR-P para versión con doble cepillo.

INFORMACIONES SOBRE LA SEGURIDAD

Normas de seguridad

! PELIGRO

Lea detenidamente el “Manual de Instrucciones para el uso” antes de proceder con la puesta en marcha, uso, mantenimiento, mantenimiento ordinario o cualquier otro tipo de operación hecha en la máquina.

! ATENCIÓN

Respete escrupulosamente todas las indicaciones contenidas en el Manual (especialmente aquellas de peligro y de atención) y las placas aplicadas directamente en la máquina, véase el capítulo “[Señales de Seguridad](#)”.

El Fabricante no se considera responsable por daños a personas o bienes provocados por el incumplimiento de las prescripciones.

La máquina debe ser utilizada exclusivamente por personal preparado para su utilización, que haya demostrado su capacidad y que haya sido expresamente encomendado para su uso.

Los menores de edad tienen prohibido utilizar la máquina.

No destine esta máquina para otros usos que no sean aquellos previstos. Tenga en cuenta el tipo de edificio donde trabaje (ej.: industrias farmacéuticas, hospitales, industrias químicas, etc.) y respete escrupulosamente las normas y condiciones de seguridad allí vigentes.

Esta máquina está destinada para un uso comercial, por ejemplo en hoteles, colegios, hospitales, fábricas, comercios, oficinas y actividades de alquiler.

La máquina está destinada para uso sólo interno.

Atención, la máquina debe mantenerse sólo en entornos cerrados.

No utilice la máquina sin una estructura de protección (FOPS) en zonas donde el operador podría ser golpeado por caída de objetos.

No utilice la máquina en lugares que carezcan de una iluminación adecuada, en entornos con riesgo de explosión, en la vía pública, cuando haya suciedad nociva para la salud (polvos, gas, etc.) y en lugares inadecuados.

El rango de temperatura previsto para utilizar la máquina está comprendido entre +4 °C y +40 °C (39.2°F and 104°F); por el contrario, cuando no se utiliza la máquina, el rango de temperatura está comprendido entre +0 °C y +50 °C (32°F and 122°F).

El rango de humedad previsto para la máquina en cualquier condición en que se encuentre es entre 0% y 95%.

Nunca barra líquidos inflamables ni explosivos (ej. gasolina, aceite combustible, etc.), ácidos ni disolventes (ej. disolventes para pinturas, acetona, etc.) aunque estén diluidos. No barra nunca objetos encendidos o incandescentes.

No utilice la máquina sobre pendientes o rampas superiores véase el capítulo “[Características Técnicas](#)”; sobre las pendientes pequeñas no utilice la máquina en sentido transversal, y maniobre la con cuidado y sin hacer inversiones. Durante el transporte sobre rampas o pendientes más altas, tenga mucho cuidado para evitar vuelcos o aceleraciones incontroladas.

No aparque nunca la máquina sobre una pendiente.

La máquina no debe dejarse nunca con los motores encendidos y sin vigilancia: podrá dejarla sola únicamente después de haber apagado los motores, impedido cualquier movimiento accidental y desconectado la alimentación eléctrica.

Durante el uso tenga cuidado con las personas, especialmente los niños, que podrían estar en el lugar donde se esté trabajando.

Es necesario vigilar los niños para que no jueguen con el equipo.

La máquina no está destinada para ser utilizada por personas (incluidos los niños) cuyas capacidades físicas, sensoriales o mentales no sean adecuadas, o que no posean experiencia ni conocimientos, salvo que éstas sean controladas o hayan sido preparadas sobre el uso de la máquina por una persona responsable de su seguridad.

No utilice la máquina para transportar personas u objetos, ni para remolcar objetos.

No remolque la máquina.

No utilice la máquina como superficie de apoyo para ningún peso ni por ningún motivo.

No obstruya las aberturas de ventilación y de eliminación del calor.

No quite, ni modifique, ni desactive los dispositivos de seguridad.

Numerosas experiencias desagradables han demostrado que hay diferentes objetos que pueden provocar accidentes graves a las personas: antes de empezar a trabajar, quítese las pulseras, anillos, cadenas, relojes, corbatas, etc.

Siempre utilice las protecciones individuales para la seguridad del operador: bata o mono protector, zapatos impermeables y con suelas antideslizantes, guantes de goma, gafas y orejeras de protección, mascarillas para la protección de las vías respiratorias.

No introduzca las manos entre los componentes móviles.

Controle que las tomas de corriente para la alimentación del cargador de baterías estén conectadas a una red de tierra adecuada y que estén protegidas por interruptores magnetotérmicos o diferenciales.

Asegúrese de que las características eléctricas de la máquina (tensión, frecuencia, potencia absorbida), indicadas en la placa de características, respondan a las de la instalación de distribución de la energía eléctrica.

Es indispensable respetar las instrucciones del Fabricante de las baterías y las disposiciones legales. Mantenga las baterías limpias y secas a fin de evitar corrientes de dispersión superficial. Proteja las baterías contra las impurezas, por ejemplo del polvo metálico.

No apoye herramientas sobre las baterías: peligro de cortocircuito y explosión.

Cuando utilice ácido para las baterías, respete las instrucciones presentes en el apartado "[Batería: preparación](#)".

Cargador de baterías (OPCIONAL): controle periódicamente el cable de alimentación comprobando que no esté dañado; si estuviera dañado, no utilice la máquina, para la sustitución diríjase a un centro de asistencia especializado.

Ante la presencia de campos magnéticos muy altos, considere el posible efecto sobre la parte electrónica de control.

Para recargar las baterías, utilice siempre (si se ha suministrado) el cargador de baterías que se entrega con la máquina.

No lave nunca la máquina con agua bajo presión.

En caso de avería o de funcionamiento incorrecto de la máquina, apáguela de inmediato (desconectándola de las baterías/red eléctrica) y no trate de repararla. Contacte con un centro de servicio técnico del Fabricante.

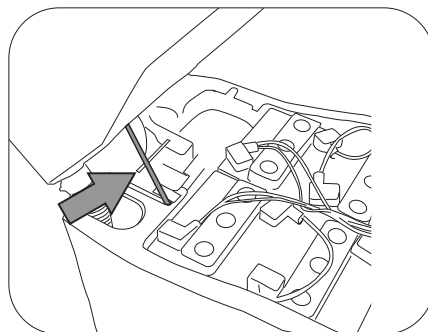
Todos los trabajos de mantenimiento deben llevarse a cabo en entornos bien iluminados y únicamente tras haber desconectado la máquina de la alimentación eléctrica.

Cualquier tipo de trabajo sobre la instalación eléctrica y todas las operaciones de mantenimiento y reparación (especialmente aquellas que no se describen explícitamente en este manual) deben ser llevadas a cabo solo por personal técnico especializado y experto en el sector.

! PELIGRO

Cuando el depósito de agua sucia está levantado (debe haberse vaciado previamente) para acceder al compartimiento, debe introducirse el soporte de seguridad en su posición que impide que el depósito se cierre accidentalmente (Fig. 29).

29



Está permitido utilizar solamente accesorios y piezas de repuesto originales suministrados por el Fabricante, porque son los únicos que ofrecen la seguridad de que la máquina pueda funcionar de manera segura y sin inconvenientes. No utilice como repuestos piezas desmontadas de otras máquinas u otros kits.

Esta máquina ha sido diseñada y fabricada para que tenga una vida útil de unos diez años a partir de la fecha de fabricación, la cual está impresa en la placa de características. Transcurrido dicho plazo, aunque la máquina se utilice o no, deberá ser desguazada según la legislación vigente en el lugar de uso: la máquina deberá desconectarse de la alimentación eléctrica, vaciarse de todos los líquidos y limpiarse;

Este producto es un residuo especial tipo RAEE y responde a los requisitos exigidos por las nuevas directivas de protección del medio ambiente (2002/96/CE RAEE).

Deberá eliminarse por separado de los residuos comunes, en cumplimiento de las leyes y normas vigentes.

Si se decide no utilizar más la máquina, se aconseja desmontar las baterías y llevarlas a un centro de recogida autorizado.

También se aconseja volver inocuas las piezas de la máquina que podrían ser peligrosas especialmente para los niños.

Como alternativa, la máquina puede ser entregada al Fabricante para su revisión completa.



DESPLAZAMIENTO E INSTALACIÓN

Levantamiento y transporte de la máquina embalada

! ATENCIÓN

En todas las operaciones de levantamiento controle que la máquina embalada esté fijada perfectamente para que no se vuelque ni se caiga accidentalmente.

Las operaciones de carga y descarga de los camiones deben llevarse a cabo con una iluminación adecuada.

La máquina, embalada por el Fabricante sobre un palet de madera, deberá cargarse utilizando equipos de desplazamiento adecuados (consulte la Directiva 2006/42/CEE y siguientes actualizaciones o integraciones) sobre el vehículo de transporte y, al llegar a destino, deberá descargarse con el mismo tipo de equipo utilizado para la carga.

El cuerpo de la máquina embalado puede levantarse únicamente con una carretilla elevadora con horquillas. Manipule con cuidado sin golpear la máquina ni volcarla.

Controles que se deben realizar en el momento de la entrega

Cuando el transportista entregue la máquina, controle con atención la integridad del embalaje y la de la máquina embalada. Si la máquina ha sufrido daños, comuníquese inmediatamente al transportista; antes de aceptar la mercancía, resérvese por escrito de presentar una solicitud de daños y perjuicios.

Desembalaje

! ATENCIÓN

Durante el desembalaje de la máquina, el operador deberá utilizar los elementos de seguridad necesarios (guantes, gafas, etc.) para limitar los riesgos de accidente.

Desembale la máquina siguiendo estas operaciones:

- ▶ corte los flejes de plástico con tijeras o tenazas y elimínelos;
- ▶ quite el cartón;
- ▶ extraiga los sobres situados en el interior del compartimiento de las baterías y compruebe su contenido:
 - manual de uso y mantenimiento, certificado de garantía;
 - puentes de las baterías con bornes;
 - 1 conector para el cargador de baterías;

de acuerdo con el modelo, quite los soportes metálicos o corte los flejes de plástico que fijan el chasis de la máquina al palet;

Utilizando un plano inclinado, baje la máquina del palet empujándola marcha atrás, véase el apartado "[Empuje/remolque de la máquina](#)" para desbloquear/bloquear el electrofreno de la motorrueda;

desembale los cepillos;

limpie la parte exterior de la máquina respetando las normas de seguridad;

cuando la máquina esté lejos del embalaje, se podrá proceder con la instalación de las baterías, véase el apartado "[Batería: instalación y conexión](#)".

De ser necesario, guarde los elementos del embalaje para poderlos reutilizar para proteger la máquina en caso de transporte o para enviarla a los talleres de reparación.

En caso contrario, hay que eliminarlos según lo previsto por las leyes vigentes en materia.

Baterías de alimentación (versión Batería)

En estas máquinas se pueden instalar dos tipos diferentes de baterías:

- ▶ baterías blindadas tubulares: necesitan un control periódico del nivel de electrolito. Cuando sea necesario, reponga el nivel solo con agua destilada hasta cubrir las placas; no se exceda con el relleno (máx. 5 mm por encima de las placas).
- ▶ baterías de gel: este tipo de baterías no requiere mantenimiento.

Las características técnicas deben ser conformes a aquellas indicadas en el capítulo correspondiente a las [Características Técnicas](#) de la máquina; en efecto, utilizar acumuladores más pesados podría comprometer, incluso seriamente, la maniobrabilidad y sobrecalentar el motor de tracción; las baterías de menor capacidad y peso requieren ser recargadas con más frecuencia.

Las baterías deben estar siempre cargadas, secas, limpias y con las conexiones bien apretadas.

! INFORMACIÓN

Siga estas instrucciones para configurar en el Programa de la máquina el tipo de batería instalada:

véase el capítulo “[Menú Técnico](#)”

Batería: preparación

! PELIGRO

Durante la instalación o cualquier tipo de mantenimiento de las baterías, el operador deberá utilizar los elementos de protección (guantes, gafas, ropa de protección, etc.) necesarios para limitar los riesgos de accidente; manténgase lejos de las llamas, no cortocircuite los polos de las baterías, no provoque chispas ni fume.

Las baterías se suministran por lo general cargadas con ácido y listas para su uso.

Si se utilizaran baterías con carga seca, antes de montarlas en la máquina, habrá que activarlas de la siguiente manera:

después de haber quitado los tapones de las baterías, llene todos los elementos con una solución de ácido sulfúrico específico, hasta que las placas queden completamente cubiertas (pase por lo menos un par de veces por cada elemento);

deje reposar durante 4-5 horas para que las burbujas de aire suban hacia la superficie y para que las placas absorban el electrolito;

compruebe que el nivel del electrolito supere las placas y, de ser necesario, reponga el nivel añadiendo la solución de ácido sulfúrico;

cierre los tapones;

monte las baterías en la máquina (según el procedimiento indicado a continuación).

Ahora será oportuno llevar a cabo una primera recarga antes de poner en funcionamiento la máquina: para esta operación, lea las instrucciones dadas en el apartado “[Mantenimiento y recarga de las baterías](#)”.

Baterías: instalación y conexión

! PELIGRO

Compruebe que todos los interruptores del cuadro de mandos estén en la posición “0” (apagado).

Monte en los polos positivos solo los bornes identificados con el símbolo “+”. No controle la carga de las baterías produciendo chispas.

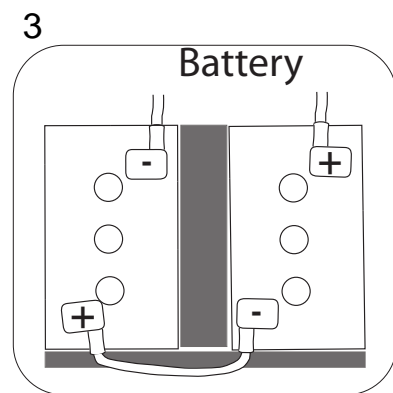
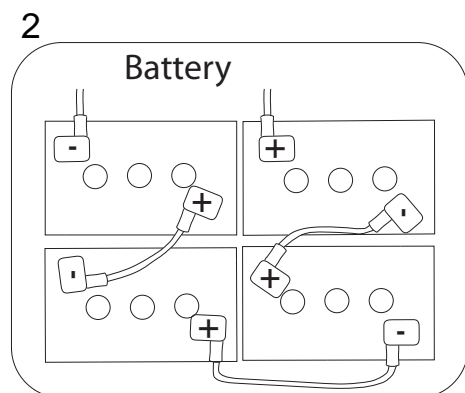
Aténgase escrupulosamente a las indicaciones dadas a continuación porque un cortocircuito en las baterías podría hacer que estas exploten.

Introduzca las baterías en el compartimiento, tal como indicado en el dibujo (Fig. 2-Fig. 3). En las máquinas equipadas con dos baterías es necesario colocar entre el compartimiento y las baterías los distanciadores de poliestireno suministrados de serie (Fig.3)

Tomando como referencia la disposición de los cables, visible en el dibujo, conecte los bornes de los cables a los polos de las baterías. Oriente los cables como se muestra en los dibujos, apriete los bornes en los polos y cúbralos con vaselina.

Baje el depósito en la posición de trabajo.

Utilice la máquina según las instrucciones dadas a continuación.



! ATENCIÓN

Nunca deje que la batería se descargue excesivamente porque podría arruinarse irremediablemente.

Batería: desmontaje

! PELIGRO

Durante el desmontaje de la batería, el operador debe utilizar los elementos de protección (guantes, gafas, ropa de protección, zapatos de seguridad, etc.) necesarios para limitar los riesgos de accidente; controle que todos los interruptores situados en el cuadro de mandos estén en la posición "0" (apagado) y que la máquina esté apagada, manténgase lejos del fuego, no cortocircuite los polos de las baterías, no provoque chispas ni fume, proceda de la siguiente manera:

- ▶ desconecte los bornes de los cables de los polos de la batería.
- ▶ si fuera necesario, quite los dispositivos que fijan la batería a la base de la máquina.
- ▶ levante la batería del compartimiento con equipos de elevación adecuados.

Elección del cargador de baterías

Compruebe que el cargador de baterías sea compatible con las baterías que se deben recargar.

Baterías tubulares de plomo: se aconseja un cargador de baterías automático, consulte con el fabricante y el manual del cargador de baterías para confirmar la elección.

Baterías de gel: utilice un cargador de baterías específico para este tipo de baterías.

! PELIGRO

Utilice un cargador de batería con la marca CE, que cumpla con la norma del producto (EN60335-2-29), provisto de doble aislamiento o aislamiento reforzado entre la entrada y la salida y con circuito de salida tipo SELV

Preparación del cargador de baterías

Si se desea utilizar un cargador de baterías no suministrado con la máquina, habrá que montar el conector enviado junto con la máquina.

El conector suministrado para el cargador de baterías exterior es adecuado para cables con una sección mínima de 16 mm².

Para instalar el conector, proceda de la siguiente manera:

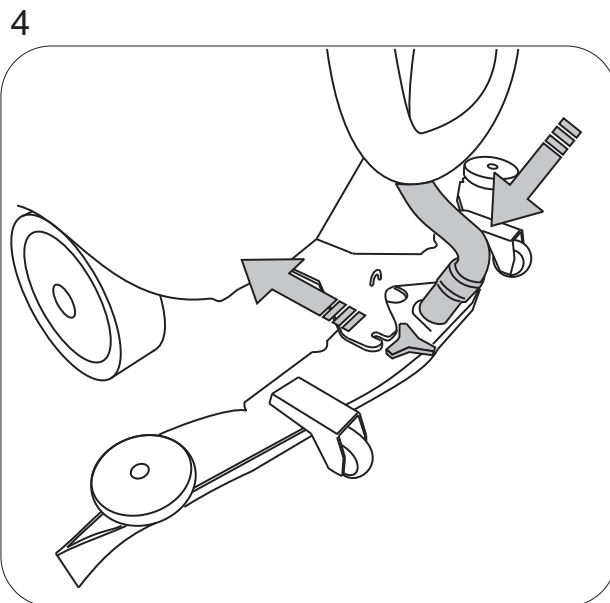
pele unos 13 mm el cable rojo y el cable negro del cargador de baterías;

introduzca los cables en los contactos del conector y aplaste con fuerza con pinzas adecuadas;

introduzca los cables en el conector respetando las polaridades (cable rojo +, cable negro –).

Instalación y regulación del secador de suelos

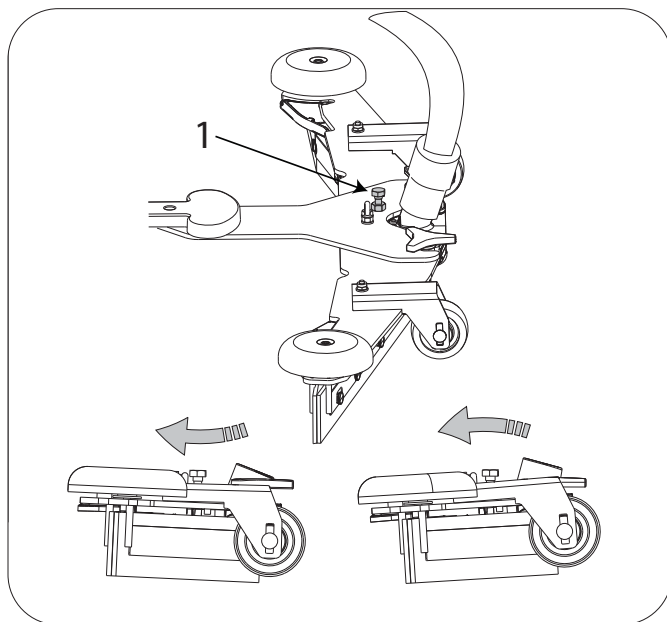
Encienda la máquina, baje el secador de suelos presionando el pulsador del aspirador. Introduzca el secador de suelos en los agujeros alargados presentes en el soporte (Fig. 4), enrosque los volantes de fijación e introduzca el tubo de aspiración.



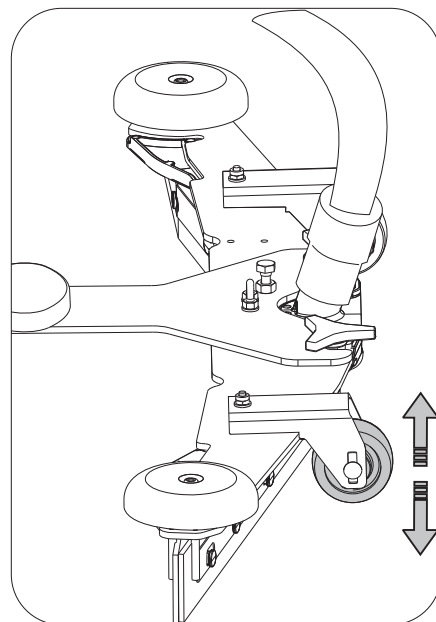
Regulación del secador de suelos

Los labios del secador tienen la función de recoger del suelo la película de agua y detergente para que el suelo quede perfectamente seco. Con el pasar del tiempo, el roce continuo redondea y fisura el canto vivo en contacto con el suelo, comprometiendo la eficacia de secado y, por consiguiente, habrá que sustituir el labio. Por dicho motivo, controle a menudo las condiciones de los labios; Para obtener un secado perfecto, hay que regular el secador de suelos de manera que el labio trasero quede flexionado durante el trabajo en alrededor de 45° respecto del suelo en toda su longitud. La inclinación de los labios se puede regular con el tornillo (Fig. 5-Ref. 1), también es posible regular la altura del secador del suelo a través de la altura de las dos ruedas (Fig. 6).

5



6

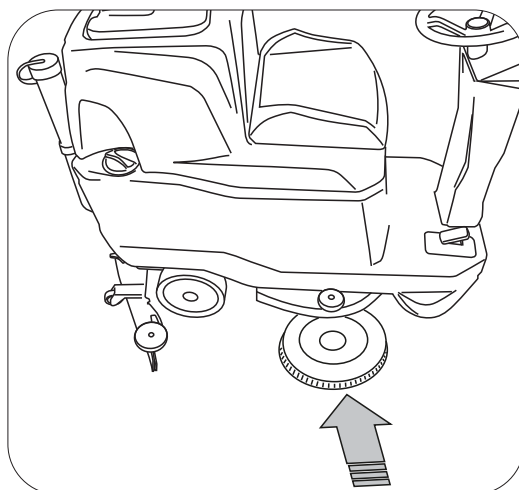


Instalación de los cepillos

Máquina con un cepillo:

situar el cepillo debajo del cabezal en el centro (Fig.7), encender la máquina. Presionando una vez el pulsador ENGANCHE/DESENGANCHE, después del encendido de la máquina, se activa el desenganche del cepillo, la segunda presión del pulsador activa el enganche automático del cepillo, el pulsador sólo está activo con todas las funciones desactivadas (aspirador y cepillos).

7

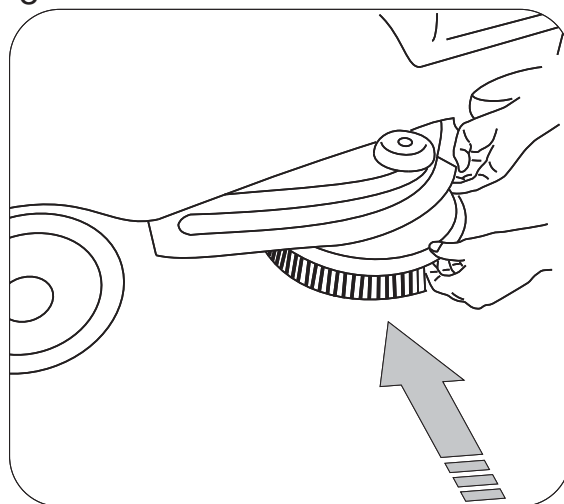


Máquina con dos cepillos:

situar los cepillos debajo del cabezal a ambos lados (Fig.8), los cepillos deberán apoyarse en los equilibrados cepillo instalados en el centro del cabezal, encender la máquina.

Presionando una vez el pulsador ENGANCHE/DESENGANCHE, después del encendido de la máquina, se activa el desenganche del cepillo, la segunda presión del pulsador activa el enganche automático del cepillo, el pulsador sólo está activo con todas las funciones desactivadas (aspirador y cepillos).

8



! INFORMACIÓN

Respete las siguientes instrucciones para configurar en el Software de la máquina el idioma de los mensajes visualizados en la pantalla:

véase el capítulo “[Menú Técnico](#)”

Levantamiento y transporte de la máquina

! ATENCIÓN

Todas las operaciones deben hacerse en un lugar bien iluminado y tomando las medidas de seguridad más adecuadas para dichas situaciones.

Siempre utilice los elementos de protección individual para la seguridad del operador.

Para cargar la máquina sobre un vehículo de transporte, siga estos pasos:

- ▶ Vacíe los depósitos.
- ▶ Quite las baterías.
- ▶ Acomode la máquina sobre el palet, fijándola con flejes de plástico o con los estribos metálicos respectivos.
- ▶ Levante el palet con una carretilla elevadora con horquillas y cárguelo sobre el vehículo de transporte.
- ▶ Fije la máquina al vehículo de transporte con cables conectados al palet y a la misma máquina.

GUÍA PRÁCTICA PARA EL OPERADOR

! ATENCIÓN

Antes de comenzar a trabajar, póngase camisas, orejeras, zapatos impermeables y con suelas antideslizantes, mascarilla de protección de las vías respiratorias, guantes y todos los elementos de protección necesarios para el medio ambiente donde deba trabajar.

! ATENCIÓN

Nunca deje la máquina sin vigilancia o aparcada con la llave de encendido puesta en el interruptor general y sin el electrofreno de estacionamiento puesto.

! INFORMACIÓN

Cuando utilice la máquina por primera vez, se aconseja llevar a cabo una breve prueba sobre una superficie amplia y sin obstáculos para familiarizarse con la máquina.

! ATENCIÓN

Para no arruinar la superficie del suelo, no deje que los cepillos giren con la máquina detenida.

! INFORMACIÓN

La máquina incorpora un dispositivo de presencia que permite encenderla únicamente si el operador está en la posición de trabajo correcta; el dispositivo detiene la máquina cuando el operador se levanta del asiento.

! ATENCIÓN

Diluya los detergentes según las indicaciones del Proveedor. No utilice hipoclorito de sodio (lejía) u otros oxidantes, especialmente en concentraciones altas, ni utilice disolventes o hidrocarburos. La temperatura del agua y del detergente no debe superar la temperatura máxima indicada en las ["Características Técnicas"](#) y dichos elementos no deben contener arena u otras impurezas.

La máquina ha sido diseñada para utilizarse con detergentes no espumosos y biodegradables, específicos para fregadoras-secadoras de suelos.

Para una lista completa y actualizada de los detergentes y productos químicos disponibles, contacte con el Fabricante.

Utilice sólo productos adecuados para el suelo y para la suciedad que deba limpiar. Respete las normas de seguridad relativas al uso de los detergentes indicadas en el apartado ["Normas de seguridad"](#).

Preparación de la máquina para el trabajo

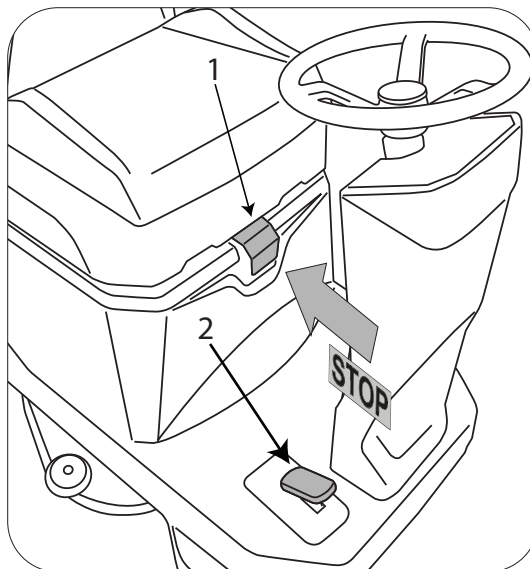
Antes de comenzar a trabajar, lleve a cabo las siguientes operaciones:

- ▶ Controle a través de la pantalla que las baterías estén completamente cargadas; en caso contrario, recárguelas; véase el apartado ["Mantenimiento y recarga de las baterías"](#).
- ▶ Asegúrese de que el depósito de agua sucia esté vacío; si así no fuera, vacíelo, véase el apartado ["Vaciado del depósito de agua sucia"](#).
- ▶ Asegúrese de que el depósito de la solución detergente esté lleno; si así no fuera, llénelo, véase el apartado ["Llenado del depósito de agua/detergente"](#).

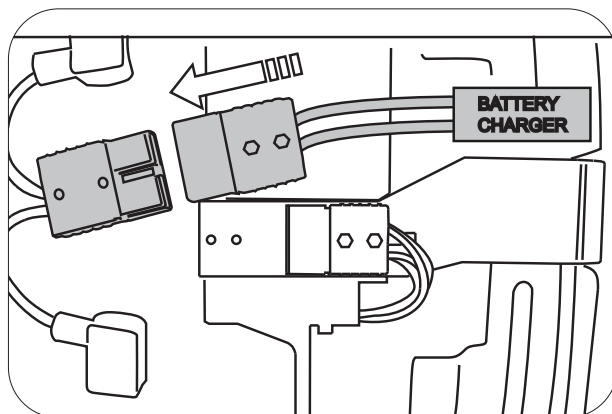
Mandos

- ▶ **Interruptor de emergencia (Fig. 9-Ref. 1):** empujando la palanca de seguridad hacia el depósito, si fuera necesario o en caso de peligro, se interrumpirán todas las funciones de la máquina, abriendo el circuito eléctrico de alimentación de la máquina.
- ▶ **Pedal del acelerador (Fig. 9-Ref. 2):** con este pedal se regula la velocidad de la máquina. Con la máquina encendida, si se soltara el pedal del acelerador durante más de tres segundos, la máquina entrará en modo "AUTO POWER-OFF", se apagarán todas las funciones de la máquina que se encenderán de nuevo al volver a apretar el acelerador. Es posible activar/desactivar y modificar el tiempo de activación del modo "AUTO POWER-OFF" mediante el ["Menú Técnico"](#).
- ▶ **Toma para el cargador de baterías (Fig. 10):** cuando la máquina no incorpore el cargador de baterías, para recargar las baterías conecte el conector que se muestra en la figura, véase el apartado ["Preparación del cargador de baterías"](#).
- ▶ **Interruptor general (Fig. 11-Ref. 1):** activa/desactiva todas las funciones de la máquina.

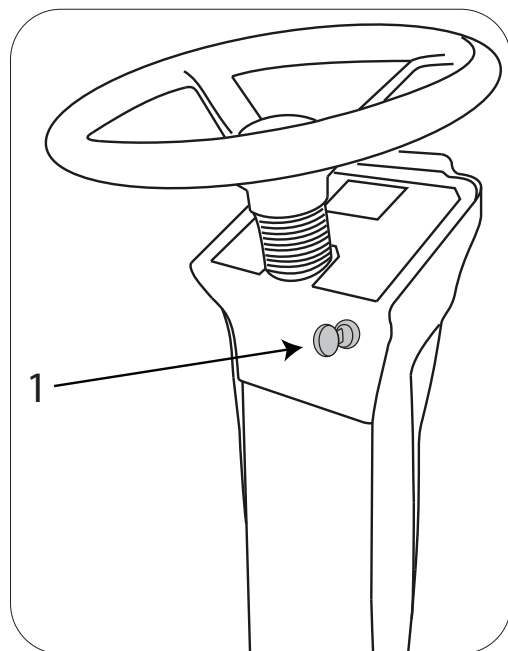
9



10

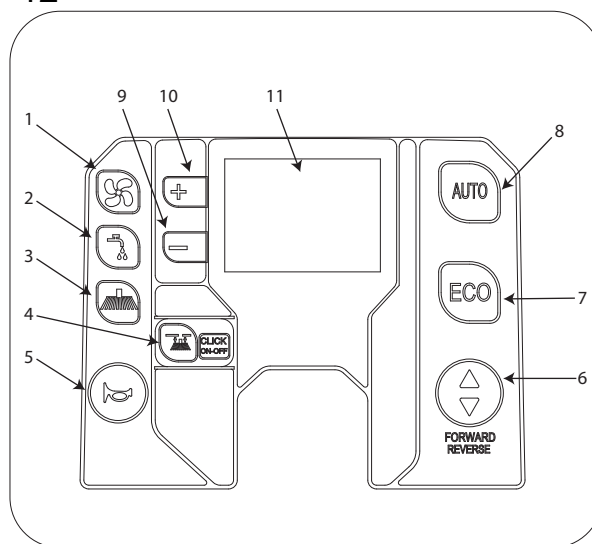


11

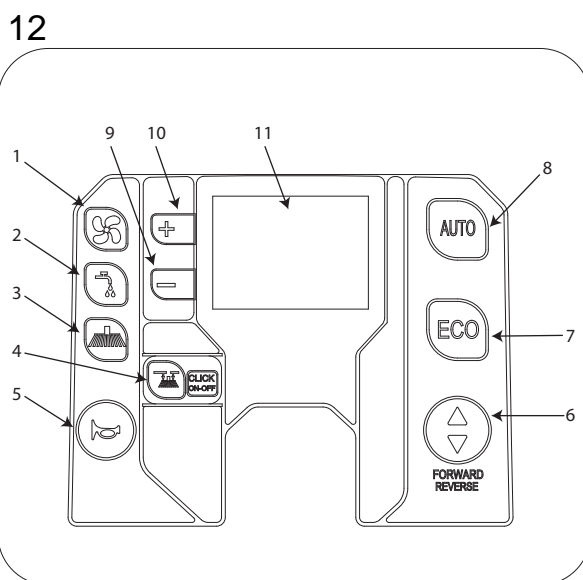


- ▶ **Pulsador aspirador (Fig. 12-Ref. 1):** durante el funcionamiento con los programas AUTO, ECO o APC, activa/desactiva el aspirador; fuera de los programas, activa el aspirador en modo manual bajando el secador.
 - ▶ **Pulsador agua/detergente (Fig. 12-Ref. 2):** durante el funcionamiento con los programas AUTO, ECO y APC, activa y desactiva (manteniendo presionado el pulsador durante dos segundos) la distribución de agua/detergente; fuera de los programas, activa/desactiva la distribución en modo manual. En el programa AUTO, presionando el pulsador se puede modificar la cantidad de agua/detergente; cada vez que se presiona se pasa en secuencia el nivel configurado, Niv1, Niv2, etc. Niv Auto (distribución proporcional a la velocidad de avance).
- Dentro del programa AUTO, si se modifica el parámetro distribución se sale del programa y se entra en modo MANUAL.
- ▶ **Pulsador cepillo (Fig. 12-Ref. 3):** dentro de los programas AUTO, ECO y APC, activa/desactiva los cepillos; fuera de los programas, activa/desactiva el funcionamiento de los cepillos en modo manual. En el programa AUTO, presionándolo más seguido (dos segundos) se entra en el modo de regulación de la presión de los cepillos; si se presionan los pulsadores “+” y “-” se realiza la regulación que puede ser de 1 a 5 (SOLO PARA LA VERSIÓN CON DOS CEPILLOS). Cuando se modifica el parámetro se sale del programa y se entra en modo MANUAL.
 - ▶ **Enganche-desenganche de los cepillos “CLICK-ON-OFF” (Fig. 12-Ref. 4):** sirve para enganchar y desenganchar en modo automático los cepillos. Al presionar una vez el pulsador después del encendido de la máquina, se activa el desenganche de los cepillos, la segunda vez que se pulsa se activa el enganche automático de los cepillos. El pulsador está activo únicamente con todas las funciones desactivadas (aspirador y cepillos); también permite navegar dentro del [“Menú Técnico”](#).

12



- ▶ **Pulsador avisador acústico (Fig. 12-Ref. 5):** activa el avisador acústico.
- ▶ **Pulsador dirección de avance (Fig. 12-Ref. 6):** selecciona la dirección de marcha de la máquina, seleccionando la marcha atrás, en la pantalla aparece la letra “R” y suena de manera intermitente el zumbador.
- ▶ **Pulsador programa ECO (Fig. 12-Ref. 7):** se activan todas las funciones en modo “ECO”, la presión de los cepillos, el caudal de agua/detergente, la velocidad de los cepillos y la velocidad del aspirador. En este programa de trabajo se reduce el consumo de energía y disminuye el ruido producido por la máquina..
- ▶ **Pulsador programa AUTO (Fig. 12-Ref. 8):** se activan todas las funciones en modo “AUTOMÁTICO”, la presión de los cepillos, el caudal de agua y la distribución del detergente están predeterminados por el fabricante; sin embargo, pueden modificarse a través del [“Menú Técnico”](#).
- ▶ **Pulsadores “+ , -” (Fig. 12-Refs. 9-10):** sirven para configurar la velocidad de marcha, aumentando y disminuyendo los parámetros configurables por el usuario.
- ▶ **Pantalla (Fig. 12-Ref. 11):** muestra el estado de carga restante de las baterías indicado en porcentaje, el icono de las funciones activas, “Cuentahoras” muestra las horas de uso de la máquina, la velocidad de marcha configurada y las alarmas, véase el capítulo [“Alarmas en la pantalla”](#).



Trabajo

- ▶ Siéntese en el asiento.
- ▶ Coloque el interruptor general en la posición "1".
- ▶ Seleccione la dirección de marcha con el pulsador.
- ▶ Seleccione el programa de funcionamiento AUTO o ECO.
- ▶ Apriete el pedal del acelerador y comience a trabajar.

Algunos consejos útiles para utilizar correctamente la fregadora-secadora

Si en el suelo hubiera un tipo de suciedad difícil de limpiar, la máquina puede hacer las operaciones de lavado y secado por separado.

Prelavado con el uso de cepillos o pad:

- ▶ Coloque el interruptor general en la posición "1".
- ▶ Seleccione el programa de funcionamiento AUTO o ECO.
- ▶ Presione el pulsador del aspirador para desactivar la aspiración.
- ▶ Apriete el pedal del acelerador y comience a trabajar.
- ▶ Si fuera necesario, regule el flujo de detergente enviado al cepillo con el pulsador agua/detergente; el flujo de salida debe dosificarse de acuerdo con la velocidad de avance deseado por el operador, cuanto más lento se avance, menos cantidad de detergente debe salir.
- ▶ Lave en especial los puntos más sucios, de esta manera el detergente tendrá el tiempo necesario como para cumplir su acción química de separación y suspensión de la suciedad y los cepillos podrán cumplir una acción mecánica eficaz.

Secado:

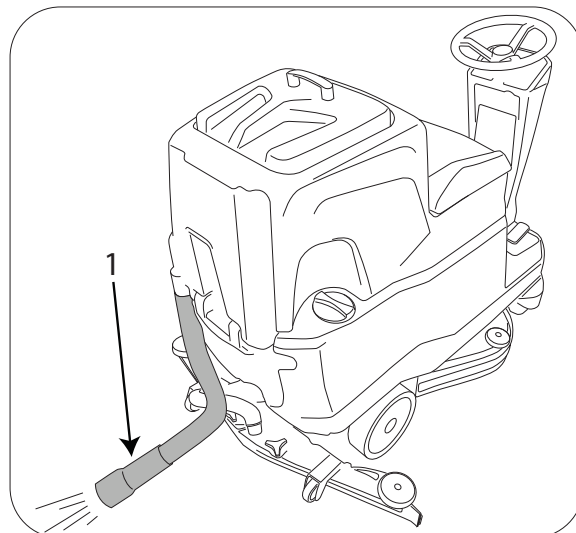
- ▶ Presione el pulsador aspirador para activar la aspiración, pase nuevamente por la misma zona antes lavada, así se obtiene un resultado equivalente al lavado profundo y se reducirán las operaciones de mantenimiento ordinario.

Vaciado del depósito del agua sucia

Si el depósito estuviera lleno, en la pantalla se visualizará la alarma correspondiente, véase el capítulo "[Alarmas en la pantalla](#)" transcurridos algunos segundos se activará el bloqueo del motor del aspirador, habrá que detener la máquina y vaciar el depósito siguiendo las instrucciones dadas a continuación:

- ▶ Apague todas las funciones de la máquina.
- ▶ Coloque la máquina en la zona de vaciado.
- ▶ Desenganche el tubo del clip.
- ▶ Vacíe el depósito a través de la manguera (Fig. 13, Ref. 1) al final del trabajo, enjuague el depósito con agua limpia.

13

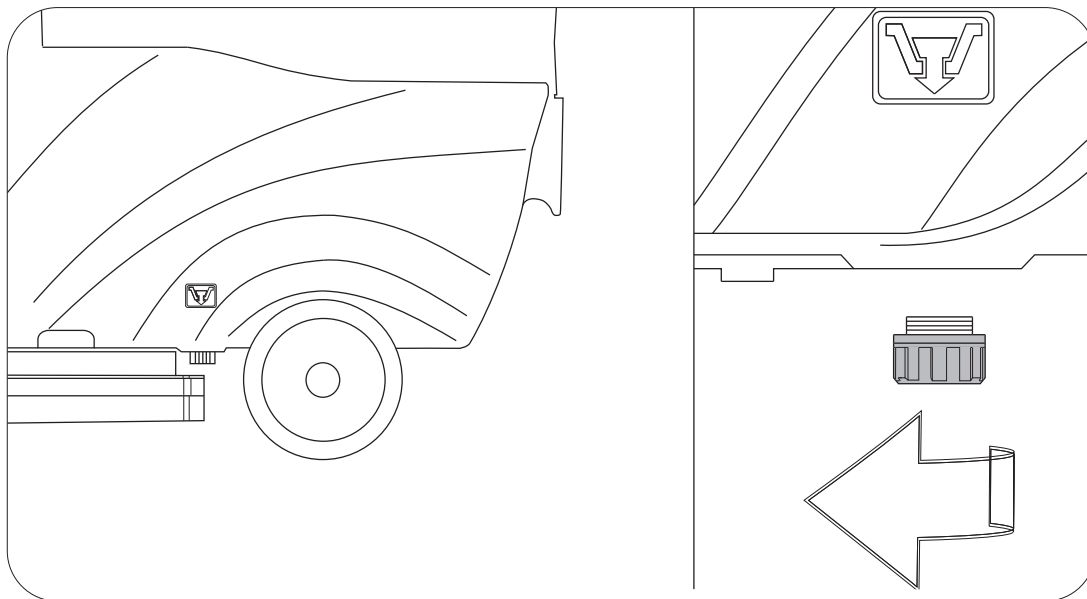


Vaciado del depósito de agua/detergente

El depósito se puede vaciar siguiendo estas instrucciones:

- ▶ Apague todas las funciones de la máquina.
- ▶ Coloque la máquina en la zona de vaciado.
- ▶ Detenga la máquina.
- ▶ Vacíe el depósito desenroscando el tapón (Fig. 14).

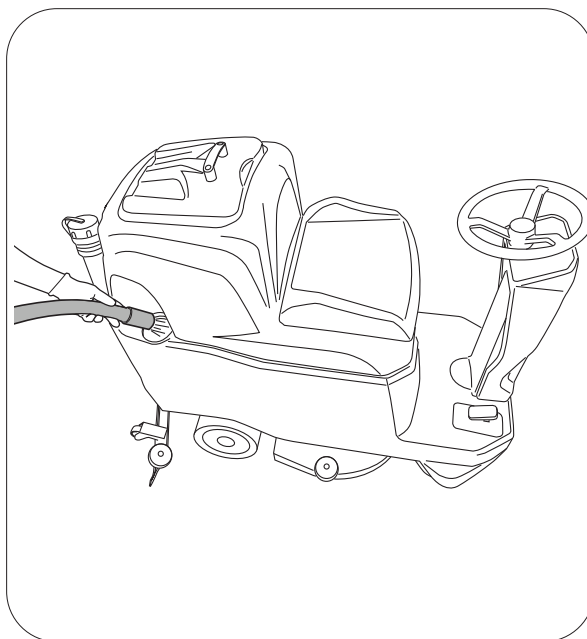
14



Llenado del depósito de agua/detergente

Llene el depósito a través de la abertura correspondiente (Fig. 15). La máquina está equipada con un tapón graduado que se puede utilizar para diluir el detergente en el interior del depósito. Si el depósito está vacío, en la pantalla se visualizará la alarma correspondiente, véase el capítulo [“Alarmas en la pantalla”](#). De todas maneras es posible comprobar la cantidad de agua/detergente presente a través del tubo de nivel presente en el costado de la máquina (Fig. 15).

15



Fin del trabajo

! INFORMACIÓN

Vacíe el depósito de agua sucia y recargue las baterías

Al final de trabajo, apague la máquina con el interruptor general. Esta máquina no incorpora el freno de estacionamiento porque está equipada con electrofreno que frena automáticamente la máquina al soltar el pedal de marcha.

Desplazamiento de la máquina sin que trabaje

Para mover la máquina, siga estos pasos:

- ▶ Seleccione la dirección de marcha.
- ▶ Apriete el pedal del acelerador.

Si no fuera posible desplazar la máquina con la tracción eléctrica, es posible desplazarla empujándola desbloqueando el electrofreno, véase el apartado [“Empuje/remolque de la máquina”](#).

PERÍODOS DE INACTIVIDAD

Cuando la máquina debe permanecer inactiva, por ejemplo expuesta en una sala de exposición o en un almacén, durante más de un mes, lleve a cabo las siguientes indicaciones:

- ▶ Recargue completamente las baterías antes de guardarlas en el almacén. Durante los períodos prolongados de inactividad, recargue las baterías una vez cada dos meses como mínimo para conservarlas con la carga máxima constantemente.
- ▶ Desconecte las baterías de la máquina mediante el conector.
- ▶ Desconecte el cargador de baterías (en su caso) de la alimentación eléctrica.
- ▶ Desmonte, lave y guarde en un lugar seco el secador de suelos y los cepillos (preferentemente embalados con papel o con una película de plástico), protegidos del polvo.
- ▶ Asegúrese de que los depósitos estén completamente vacíos y bien limpios.

! ATENCIÓN

Si no se cargaran periódicamente las baterías como antes indicado, existe el riesgo de que se arruinen irremediablemente.

El fabricante no se asume ninguna responsabilidad por posibles desperfectos provocados por negligencias, uso inadecuado y/o no conforme.

INSTRUCCIONES PARA EL MANTENIMIENTO

! PELIGRO

No hay que llevar a cabo ninguna operación de mantenimiento sin haber desconectado antes las baterías.

Las operaciones de mantenimiento del sistema eléctrico y todas aquellas que no estén descritas en este manual de uso, deben ser llevadas a cabo por personal técnico especializado, de conformidad con las normas de seguridad vigentes y con cuanto previsto en el manual para el mantenimiento.

Mantenimiento – Reglas generales

Hacer un mantenimiento regular, respetando las indicaciones dadas por el Fabricante, garantiza un mejor rendimiento y una mayor duración de la máquina.

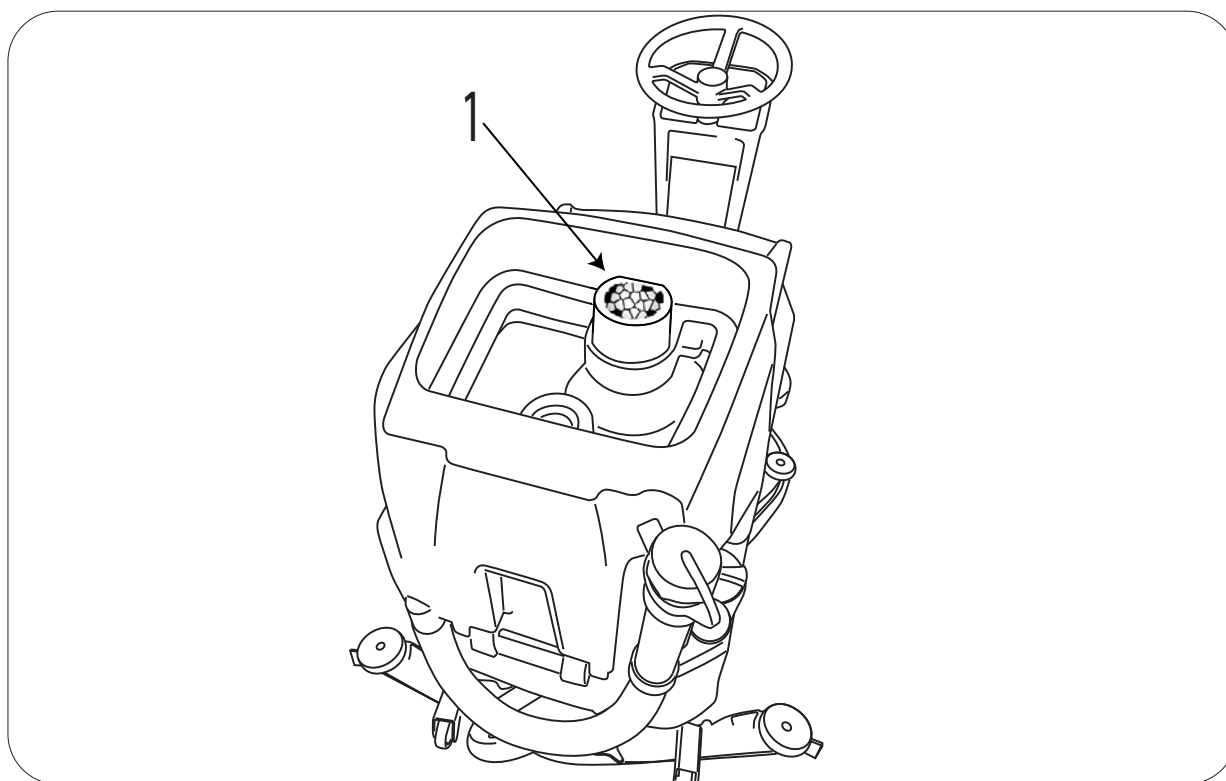
Cuando limpie la máquina siempre siga estos pasos:

- ▶ no utilice hidrolimpiadoras: podría entrar agua en el interior del compartimiento eléctrico o de los motores, produciendo averías o cortocircuitos;
- ▶ no utilice vapor porque el calor podría deformar las piezas de plástico;
- ▶ no utilice hidrocarburos ni disolventes: se podrían arruinar los capós y las piezas de goma.

Limpieza del filtro de aire del aspirador

Abra la tapa del depósito de agua sucia y extraiga el filtro (Fig. 17), lavándolo con agua corriente o con el detergente utilizado en la máquina, seque y monte el filtro en su alojamiento.

17

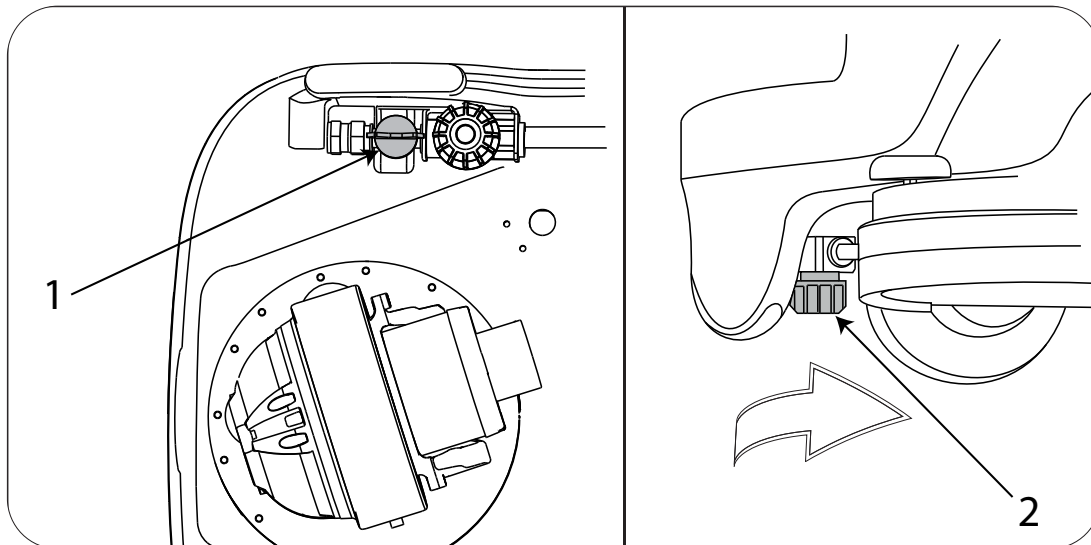


Limpeza del filtro del depósito de agua/detergente

Para limpiar el filtro proceda de la siguiente manera:

- ▶ Cierre la válvula (Fig. 18-Ref.1) que se encuentra en la parte delantera izquierda de la máquina, al lado de la motorrueda.
- ▶ Desenrosque la tapa del filtro (Fig. 18-Ref. 2), extraiga el filtro y límpielo con agua corriente o con el detergente utilizado en la máquina.
- ▶ Instale de nuevo el filtro en el soporte, asegúrese de que el filtro haya quedado bien montado y enrosque la tapa.

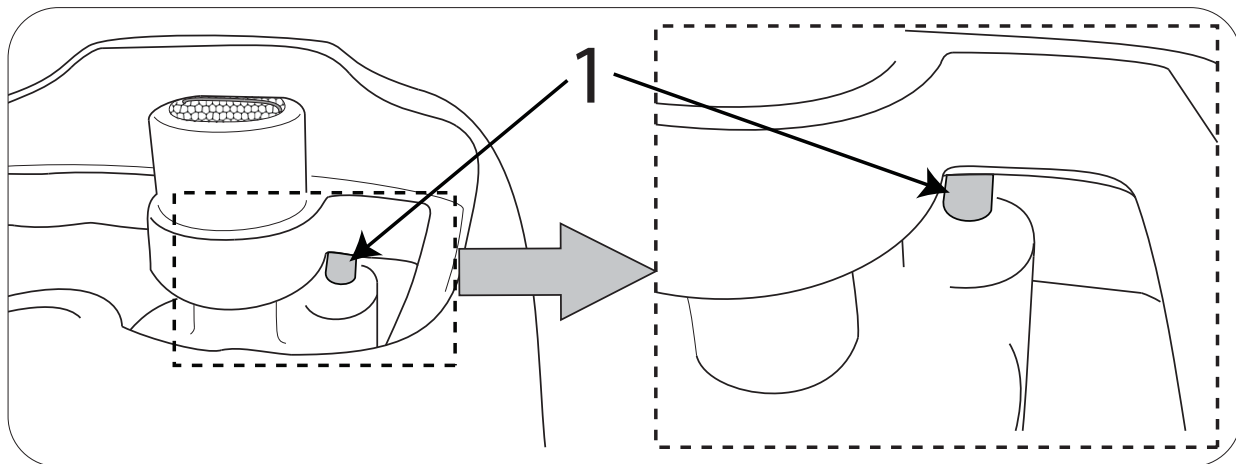
18



Limpeza del flotador del depósito de agua sucia

Abra la tapa del depósito de agua sucia, limpie el flotador (Fig. 19-Ref. 1) situado en la pared delantera del depósito de agua sucia sin dirigir el chorro de agua directamente contra el mismo; compruebe que el flotador se deslice libremente por su perno.

19



Fusibles: sustitución

! PELIGRO

Esta operación debe hacerse con la máquina apagada y sin la llave.

! ATENCIÓN

Nunca instale un fusible con un amperaje superior a aquel previsto.

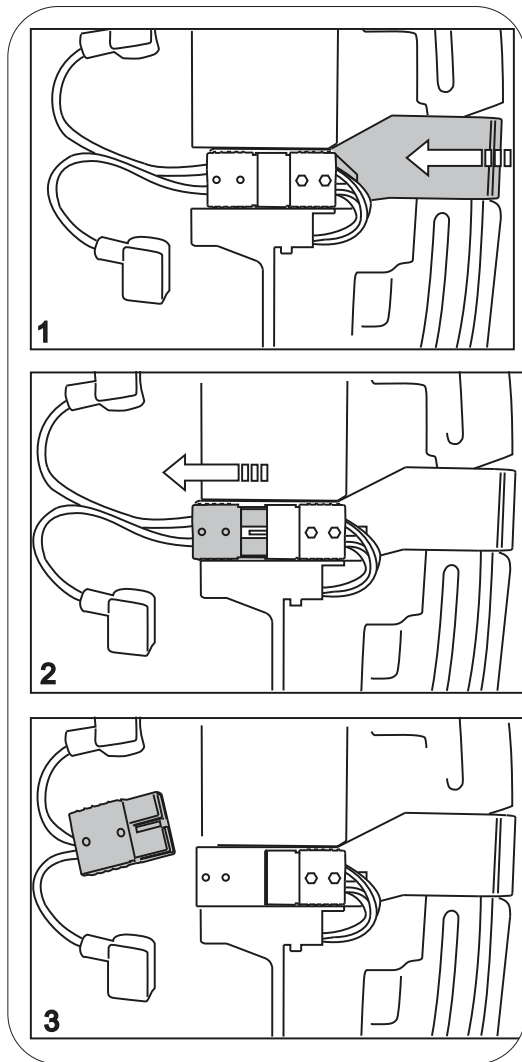
! PELIGRO

No apoye el panel de las tarjetas electrónicas sobre las baterías porque un cortocircuito podría provocar su explosión.

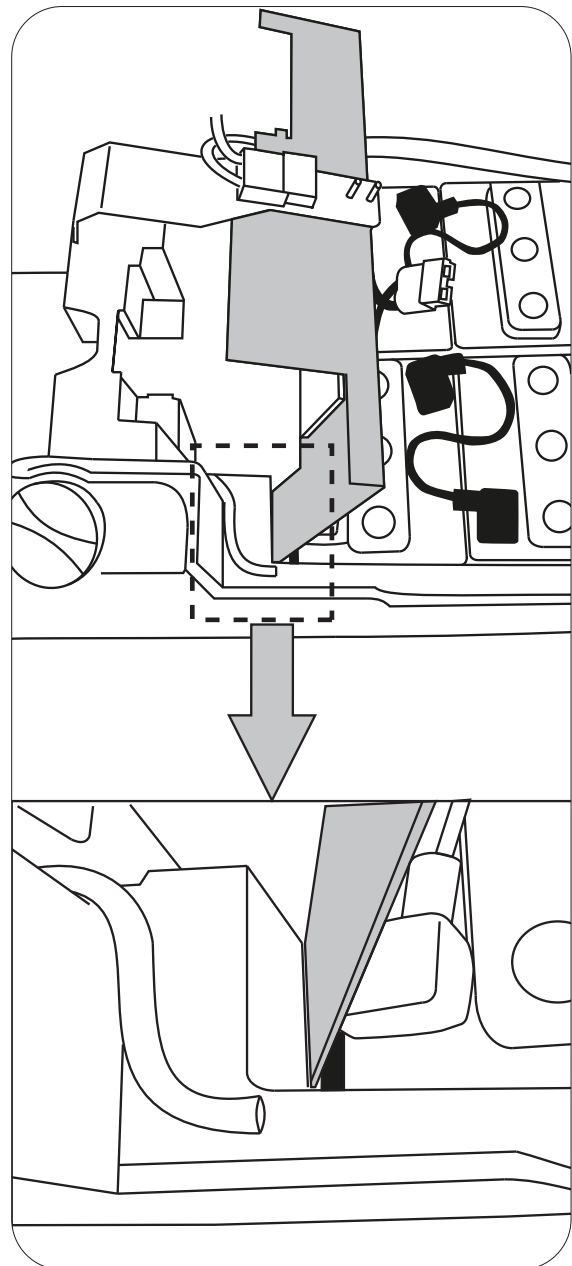
Si un fusible se quemara continuamente, habrá que identificar y reparar el desperfecto en los cables, en las tarjetas (en su caso) o en los motores: haga controlar la máquina a personal técnico especializado.

Levante el depósito de agua sucia, desconecte el conector cableado de las baterías del sistema eléctrico (Fig. 20-Ref. 1-2-3), levante el panel de las tarjetas electrónicas, bloquéelo en la esquina del depósito como se muestra en la figura (Fig. 21), controle los fusibles.

20

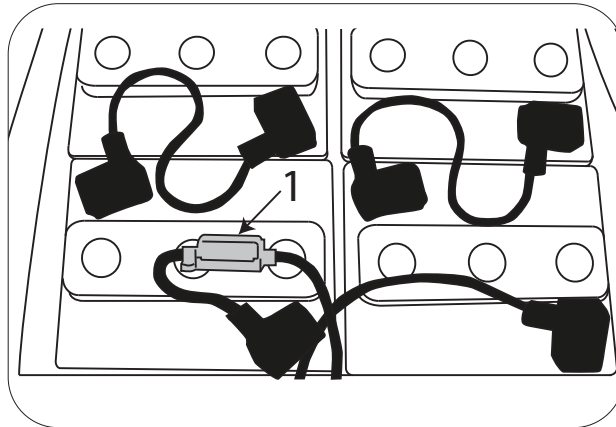


21



(Fig. 22-Ref.1) fusible general 100A.

22



(Fig. 23-Ref. 1-2) fusibles de los motores de los cepillos 30A.

(Fig. 23-Ref. 3) fusible del actuador del cabezal, actuador del secador de suelos 5A.

(Fig. 23-Ref. 4) fusible del aspirador 30A.

(Fig. 23-Ref. 5) fusible electroválvula 5A.

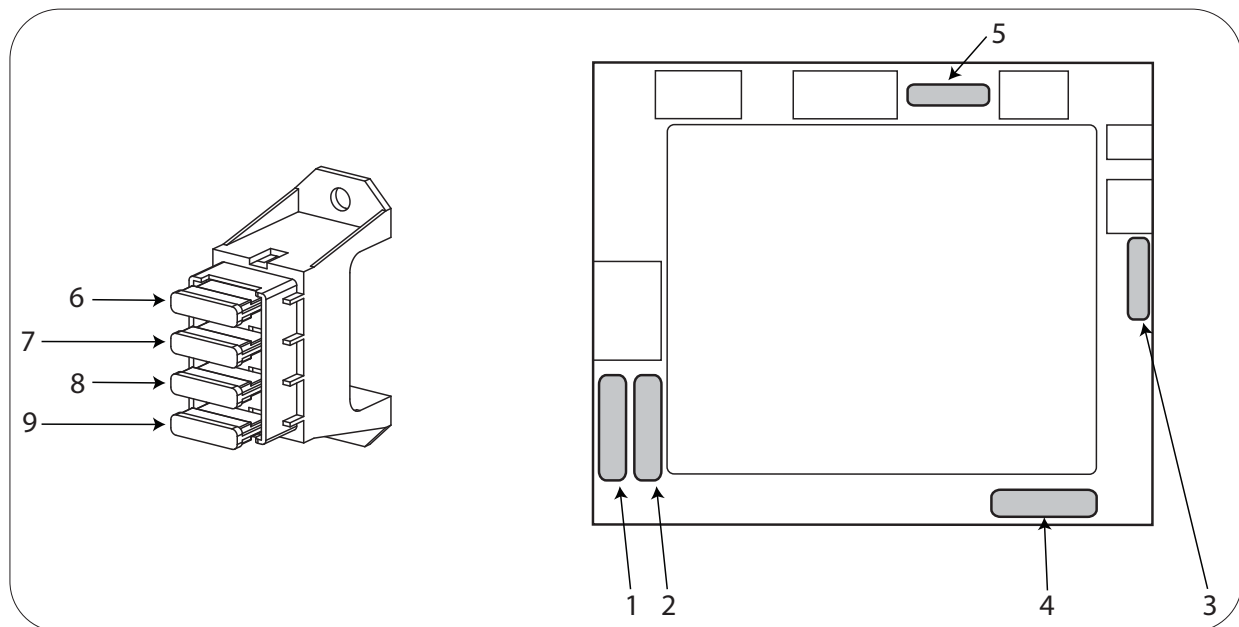
(Fig. 23-Ref. 6) fusible del interruptor de llave on-off 5A.

(Fig. 23-Ref. 7) fusible de baliza intermitente 5A.

(Fig. 23-Ref. 8) fusible del actuador del cabezal 3A.

(Fig. 23-Ref. 9) fusible del actuador secador de suelos 3A.

23



Mantenimiento y recarga de las baterías

! PELIGRO

No controle la carga de las baterías produciendo chispas.

Las baterías emanan vapores inflamables: antes de controlar o reponer el nivel de las baterías, apague cualquier fuente que pueda producir fuego o chispas.

! PELIGRO

Lleve a cabo las operaciones descritas a continuación en un lugar ventilado.

! ATENCIÓN

Durante la recarga de las baterías, el depósito de agua sucia debe ser abierto (girado hacia dentro) para permitir la correcta ventilación del compartimiento de las baterías y del cargador de baterías.

! ATENCIÓN

En el caso de baterías de gel, utilice únicamente un cargador de baterías específico para baterías de gel.

! ATENCIÓN

A fin de evitar daños permanentes en las baterías, nunca deje que se descarguen completamente.

! ATENCIÓN

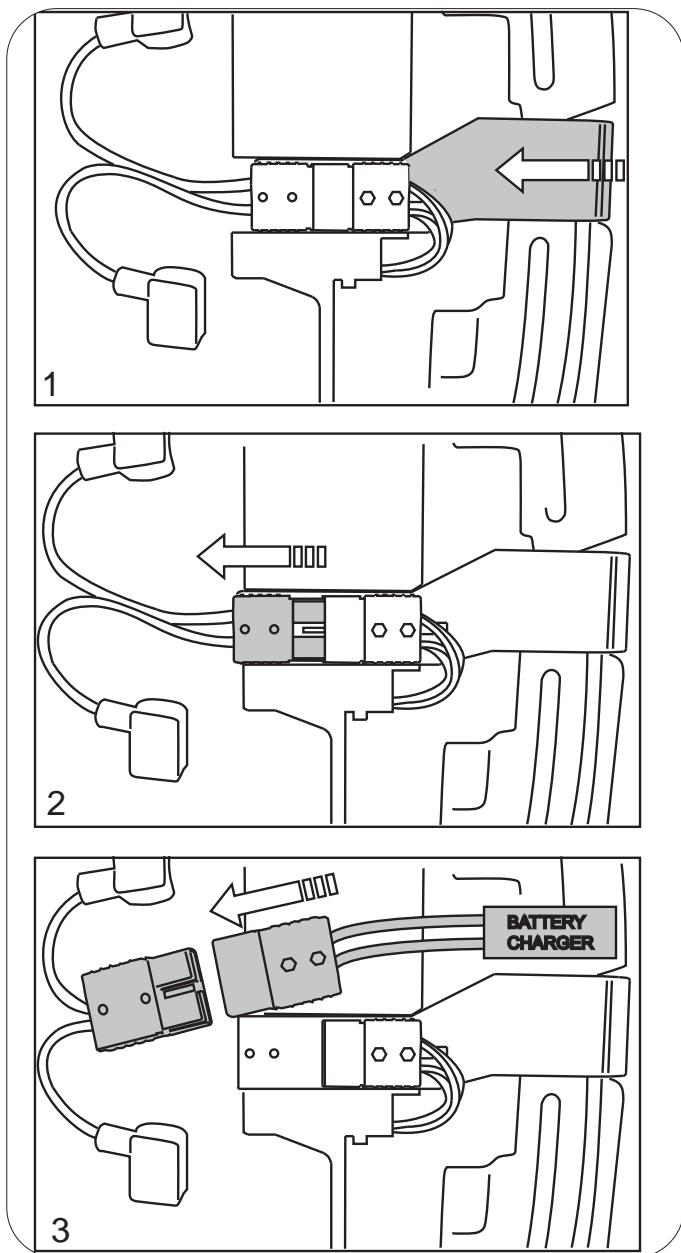
Recargue las baterías según las especificaciones indicadas en el manual del cargador de baterías; al concluir la recarga, desconecte los conectores.

A fin de evitar daños permanentes en las baterías, nunca deje que se descarguen completamente.

Cargador de baterías "STANDALONE", conexión eléctrica a la máquina:

- ▶ Levante el depósito de agua sucia.
- ▶ Presione el interruptor de emergencia (Fig. 24-Ref. 1).
- ▶ Levante el conector (Fig. 24-Ref. 2-3), liberándolo de los pernos.
- ▶ Conecte el conector al cargador de baterías.
- ▶ Comience el ciclo de recarga.
- ▶ Al concluir el ciclo de recarga, desconecte el conector.
- ▶ Conecte nuevamente el conector de los cables de las baterías a aquel de la máquina.

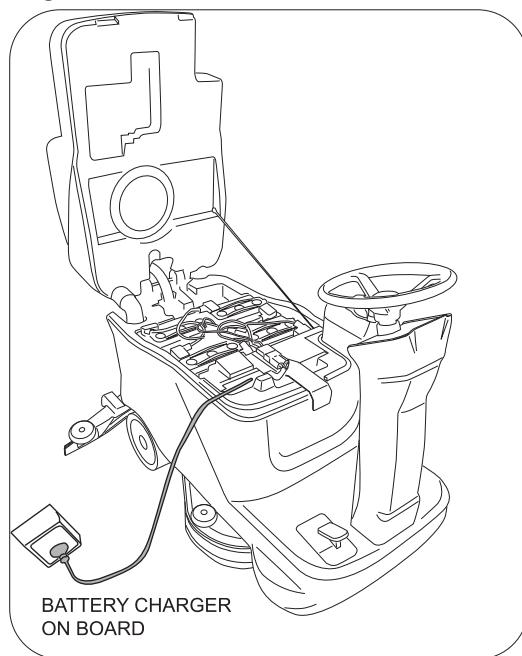
24



Cargador de baterías "ONBOARD":

- ▶ Levante el depósito de agua sucia.
- ▶ Extraiga la clavija del cargador de baterías.
- ▶ Conecte la clavija a la toma de corriente (Fig. 25).
- ▶ Comience el ciclo de recarga.
- ▶ La pantalla de la máquina mostrará el final de la recarga, véase el capítulo ["Alarmas en la pantalla"](#)
- ▶ Al final del ciclo de recarga desconecte la clavija de la toma de corriente.

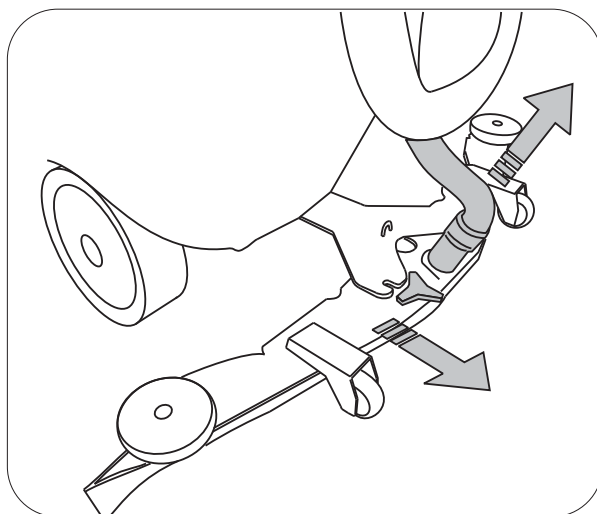
25



Sustitución de los labios del secador de suelos

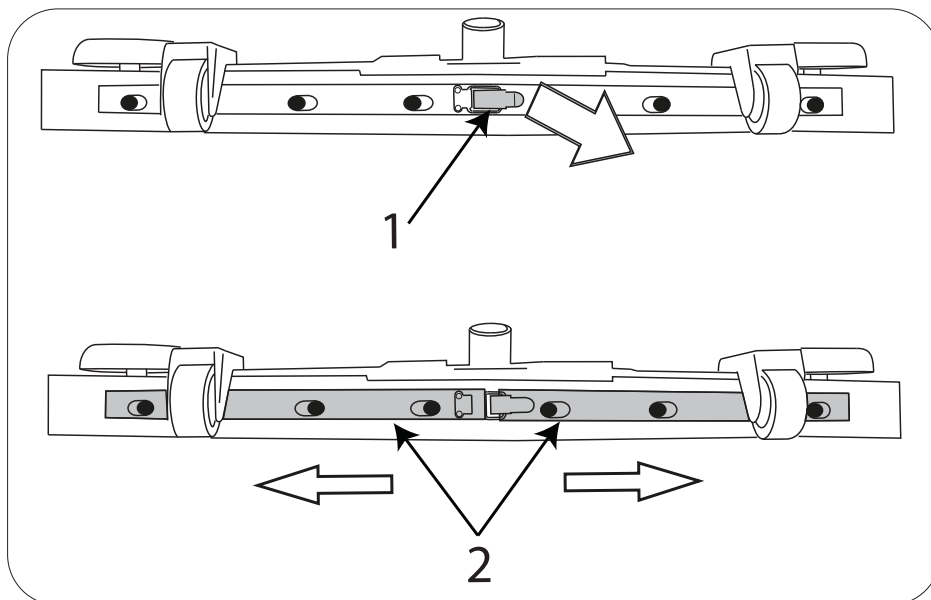
- ▶ Encienda la máquina, baje el secador de suelos presionando el pulsador del aspirador.
- ▶ Extraiga el tubo de aspiración del secador de suelos (Fig. 26).
- ▶ Desenrosque los volantes de fijación.
- ▶ Extraiga el secador de suelos de los agujeros alargados del soporte.

26



- ▶ Abra el gancho (Fig. 27-Ref. 1).
- ▶ Empuje hacia afuera los dos prensadores de labios (Fig. 27-Ref. 2) y extráigalos.
- ▶ Desmonte el labio.
- ▶ Reinstale el mismo labio invirtiendo el canto en contacto con el suelo hasta que se desgasten los cuatro cantos, o monte un nuevo labio encastrándolo en los pernos del cuerpo del secador de suelos.
- ▶ Monte nuevamente los dos prensadores de labios, centrando la parte más ancha de los agujeros alargados en los pernos de fijación del cuerpo del secador de suelos y empujando los prensadores de labios hacia adentro.
- ▶ Cierre el gancho.
- ▶ Reinstale el secador de suelos en su soporte siguiendo las indicaciones descritas anteriormente.

27



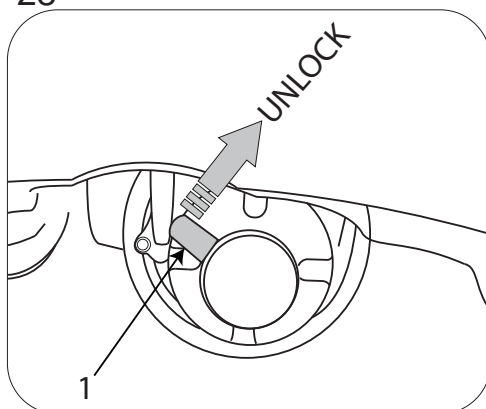
Empuje/remolque de la máquina

Cuando no es posible utilizar la tracción eléctrica, para empujar/remolcar fácilmente la máquina, es necesario girar la palanca (Fig. 28) en el sentido horario para desbloquear el electrofreno. Al concluir el desplazamiento, coloque la palanca en la posición original.

! ATENCIÓN

**Si la palanca está en la posición de freno electromagnético desactivado (palanca girada en el sentido horario), el freno de la máquina quedará desactivado.
No encienda jamás la máquina con el electrofreno desactivado.**

28



Controles periódicos

En la tabla de abajo se indica la Encargada de cada procedimiento.

O = Operador

C = Personal capacitado.

Frecuencia	Encargado	Leyenda	Descripción	Procedimiento	Lubricante/Líquido
Diariamente	O	1	Pad(s)	Controle, limpie o sustituya	
	O	1	Cepillo(s)	Controle y limpie	
	O	6	Secador de suelos	Limpie, compruebe si presenta daños y la condición de desgaste	
	O	8	Chapa antisalpicaduras	Compruebe si presenta daños y la condición de desgaste	
	O	2	Depósito de agua sucia	Vacíe, enjuague, limpie la protección del flotador y la cesta de residuos	
	O	3	Depósito de la solución	Vacíe y enjuague	
	O	4	Depósito aplicaciones Heavy Duty (opcional)	Controle y reponga	DAC
	O	5	Carga automática de baterías (opcional)	Controle y reponga	AD
	O	7	Baterías	Cargue si es necesario	
Semanalmente	O	7	Baterías	Controle el nivel del electrolito	AD
	O	7	Alojamiento de las baterías	Controle los líquidos	
	O	6	Sifón grupo secador de suelos (modelo de doble disco)	Controle Limpie	
50 horas	O	2	Junta de la tapa del depósito de agua sucia	Compruebe la condición de desgaste	
	O	9	Filtro del depósito de la solución	Extraiga y limpie	
100 horas	O	7	KIT de carga de baterías (opcional)	Compruebe posibles daños y la condición de desgaste de los tubos	
200 horas	O	7	Baterías, bornes y cables	Controle y limpie	
	C	13	Cadena de la dirección	Lubrique, compruebe la tensión, controle posibles daños y la condición de desgaste	LR
	C	14	Cable de la dirección	Compruebe la tensión. Compruebe si presenta daños y la condición de desgaste	
750 horas	C	10	Motor de aspiración	Sustituya las escobillas	
1250 horas	C	11	Motor de tracción	Sustituya las escobillas	
	C	12	Motores cepillo	Sustituya las escobillas	

LUBRICANTE/LÍQUIDO

AD Agua destilada

DAC Detergente aprobado comercializado

LR Lubricante reductor SAE W90

INCONVENIENTES, CAUSAS Y SOLUCIONES

INCONVENIENTES	CAUSAS	SOLUCIONES
La máquina no funciona	Las baterías están desconectadas	Conecte las baterías a la máquina
	Las baterías están descargadas	Recargue las baterías
	La palanca de desenganche de las baterías está apretada	Restablezca la posición de la palanca
Los cepillos no giran	El depósito de agua sucia está lleno	Vacíe el depósito de agua sucia
	El fusible está quemado	Sustituya
	El interruptor está averiado	Sustituya
	Las baterías están descargadas	Recargue las baterías
	El motor está roto	Sustituya
	El cable se ha desconectado	Controle
La máquina no lava uniformemente	Los cepillos o los discos abrasivos están desgastados	Sustituya
La solución no sale del depósito de detergente	Está cerrada la válvula situada antes del filtro	Abra la válvula
	La electroválvula está rota	Sustituya
	La electroválvula está sucia.	Controle
	El depósito de detergente está vacío	Reponga
	El tubo que lleva la solución al cepillo está atascado	Libere el tubo
	El fusible está quemado	Sustituya
El flujo de la solución no se interrumpe	La electroválvula está rota	Sustituya
	Los cables de la electroválvula están averiados	Controle
El motor de aspiración no funciona	El depósito de agua sucia está lleno	Vacíe el depósito de agua sucia
	El fusible está quemado	Sustituya
	El interruptor está averiado	Sustituya
	Las baterías están descargadas	Recargue las baterías
	El motor está roto	Sustituya
	El cable se ha desconectado	Controle
El secador de suelos no limpia ni aspira bien	El canto de los labios de goma, en contacto con el suelo, está desgastado	Sustituya los labios
	El secador de suelos o el tubo están atascados o averiados	Controle
	El flotador del depósito de agua sucia se ha activado o está bloqueado de suciedad o está roto	Vacíe el depósito de agua sucia, controle el flotador.
	El tubo de aspiración está atascado	Controle
	El tubo de aspiración está desconectado del secador de suelos o está averiado	Controle
	El motor de aspiración no está alimentado o está averiado	Controle
La máquina no avanza	Las baterías están descargadas	Recargue las baterías
	Problema en el accionamiento de la motorrueda	Controle el código de alarma que aparece en la pantalla
La máquina no frena	El freno electromagnético está desbloqueado	Controle
Las baterías no aseguran la autonomía normal	Los polos y los bornes de las baterías están sucios u oxidados	Limpie y engrase los polos y los bornes de la batería, recargue las baterías
	El cargador de baterías no funciona o no es adecuado	Controle

ALARMAS EN LA PANTALLA

Alarma	Posible Causa	Operación
TÉRMICO CEPILLOS	Sobrecalentamiento de los motores de los cepillos. Contacto térmico defectuoso en los motores. Conexión defectuosa.	Deje que los motores de los cepillos se enfíen. Sustituya el motor del cepillo. Controle la conexión.
TÉRMICO TRACCIÓN	Sobrecalentamiento de la motorrueda. Contacto térmico defectuoso en el motor. Conexión defectuosa.	Deje que la motorrueda se enfíe. Sustituya la motorrueda. Controle la conexión.
NO OPERADOR	El microinterruptor de seguridad del asiento no detecta la presencia del operador.	Siéntese en el asiento. Controle la conexión. Controle el microinterruptor del asiento.
LLAVE ACELERADOR	Secuencia de encendido incorrecta Microinterruptor del pedal del acelerador defectuoso. Conexión defectuosa.	Suelte el pedal del acelerador durante el encendido. Sustituya el microinterruptor del pedal del acelerador. Controle la conexión.
RESERVA AGUA	Depósito de la solución casi vacío. Sensor bloqueado. Sensor o conexión defectuosos.	Llene el depósito de la solución. Limpie el sensor de nivel. Sustituya el sensor de nivel. Controle la conexión.
FALTA AGUA	Depósito de la solución vacío. Sensor bloqueado. Sensor o conexión defectuosos.	Llene el depósito de la solución. Limpie el sensor de nivel. Sustituya el sensor de nivel. Controle la conexión.
DEPÓSITO AGUA SUCIA	Depósito de agua sucia lleno. Sensor bloqueado. Sensor o conexión defectuosos.	Vacíe el depósito de agua sucia. Limpie el sensor de nivel. Sustituya el sensor de nivel. Controle la conexión.
DETERG. AGOTADO	Depósito Chem Dose vacío. Sensor bloqueado. Sensor o conexión defectuosos.	Llene el depósito Chem Dose. Limpie el sensor de nivel. Sustituya el sensor de nivel. Controle la conexión.
TARJETA EQUIPOS NO DETECTADA	Comunicación con la tarjeta de los equipos interrumpida. Tarjetas auxiliares defectuosas.	Controle la conexión entre las tarjetas. Controle las tarjetas auxiliares.
BATERÍA DESCARGADA	Tensión de la batería inferior a: 20,7 V GEL/ AGM - 20,3 V ÁCIDO. Baterías agotadas.	Recargue las baterías. Sustituya las baterías.
RESERVA BATERÍA	Tensión de la batería inferior a: 21,5 V GEL/ AGM - 20,5 V ÁCIDO. Baterías agotadas.	Recargue las baterías. Sustituya las baterías.
SERVICIO DE LLAMADA	Se han alcanzado/superado las horas configuradas para el servicio de asistencia programada.	Llame al centro de asistencia para el mantenimiento programado.
BATERÍA EN CARGA	El cargador de baterías a bordo está funcionando, están inhibidas todas las funciones de la máquina.	Desconecte el cargador de baterías
CARGA COMPLETA	El cargador de baterías a bordo está funcionando, la carga ha concluido, están inhibidas todas las funciones de la máquina.	Desconecte el cargador de baterías
ERROR FROM C.B.	Fallo de funcionamiento del cargador de baterías	Sustituya el cargador de baterías
BATTERY NO CONNECT	La batería no está conectada Fusible del interior del cargador de baterías quemado	Conecte la batería Sustituya el cargador de baterías
O.C. BRUSH	Cortocircuito en el motor del cepillo	Sustituya el motor del cepillo
BRUSH FUSE	Fusible cepillos quemado	Sustituya el fusible

DESCONECTAR EMERGEN- CIA	Problema comunicación tarjetas electrónicas	Presionar el interruptor de emergencia y rearmarlo tras 10 segundos. Si después de este procedimiento, en la pantalla aparece la indicación "update software", no apagar la máquina y dejar acabar el procedimiento.
ALARMAS EN LA PANTALLA DE LA TARJETA DE TRACCIÓN		
TEMPERATURA TARJETA TRACCIÓN	Temperatura de la tarjeta comprendida entre -10 °C y +80 °C. Esfuerzo excesivo de la máquina. Electrofreno activado.	Enfríe o caliente la tarjeta. No esfuere la máquina con rampas largas. Controle el electrofreno.
AVERÍA ACELERADOR	Conexiones defectuosas del potenciómetro. Potenciómetro defectuoso. Configuración incorrecta del tipo de potenciómetro.	Controle la conexión. Sustituya el potenciómetro. Configure el potenciómetro correcto.
FALLO VELOCIDAD	Conexiones de la señal de velocidad interrumpidas. Tarjeta de los equipos defectuosa.	Controle la conexión entre la tarjeta de los equipos y la tarjeta de la tracción. Sustituya la tarjeta de los equipos.
BAJA TENSIÓN TARJETA TRACCIÓN	Tensión de la batería inferior a 17 V. Error de conexión entre las baterías y el controlador.	Cargue o sustituya las baterías. Controle la conexión de la batería.
SOBRETENSIÓN TARJETA TRACCIÓN	Tensión de la batería superior a 13 V. Máquina en movimiento con el cargador de baterías conectado. Conexión de la batería defectuosa.	Controle o sustituya las baterías. Desconecte el cargador de baterías. Controle la conexión de la batería.
AVERÍA RELÉ	Relé defectuoso. Tarjeta de tracción defectuosa.	Sustituya la tarjeta de tracción.
AVERÍA ENTRADAS	Entrada de emergencia activa en la tarjeta de tracción. Conexión llave en la tarjeta de tracción.	Controle la conexión entre la tarjeta de los equipos y la tarjeta de la tracción.
PEDAL DESACT. 10 SEC.	Pedal del acelerador apretado durante más de 10 segundos durante el encendido. Potenciómetro no regulado.	Suelte el pedal del acelerador cuando la máquina se enciende. Controle la regulación del potenciómetro.
AVERÍA ELECTROFRENO	Tarjeta de tracción defectuosa. Electrofreno defectuoso.	Sustituya la tarjeta de tracción. Controle / sustituya el electrofreno.
AVERÍA PRECARGA	Control electrofreno en cortocircuito. Tarjeta defectuosa. Rotura mosfet.	Sustituya la tarjeta de tracción.
PEDAL DESACT.	Pedal del acelerador apretado durante el encendido. Potenciómetro no regulado.	Suelte el pedal del acelerador cuando la máquina se enciende. Controle la regulación del potenciómetro.
AVERÍAMOTORTRACCIÓN	Motor de tracción en cortocircuito. Conexión del motor de tracción en cortocircuito. Tarjeta defectuosa.	Controle / sustituya el motor de tracción. Controle las conexiones del motor. Sustituya la tarjeta de tracción.
AVERÍA TARJETA TRACCIÓN	Conexión del motor de tracción defectuosa. Tarjeta defectuosa.	Controle la conexión del motor. Sustituya la tarjeta de tracción.
ALIMENTACIÓN TARJETA TRACCIÓN	Batería desconectada. Conexión de la batería defectuosa.	Conecte los cables de la batería. Controle los cables de la batería
SOBRECORRIENTE	Esfuerzo excesivo de la máquina. Motor de tracción roto.	No esfuere la máquina con rampas largas. Controle / sustituya el motor de tracción.
TRACTION ALARM	Problema en el sistema de tracción	Esperar unos segundos, con la máquina encendida, para ver el mensaje correcto en la pantalla.

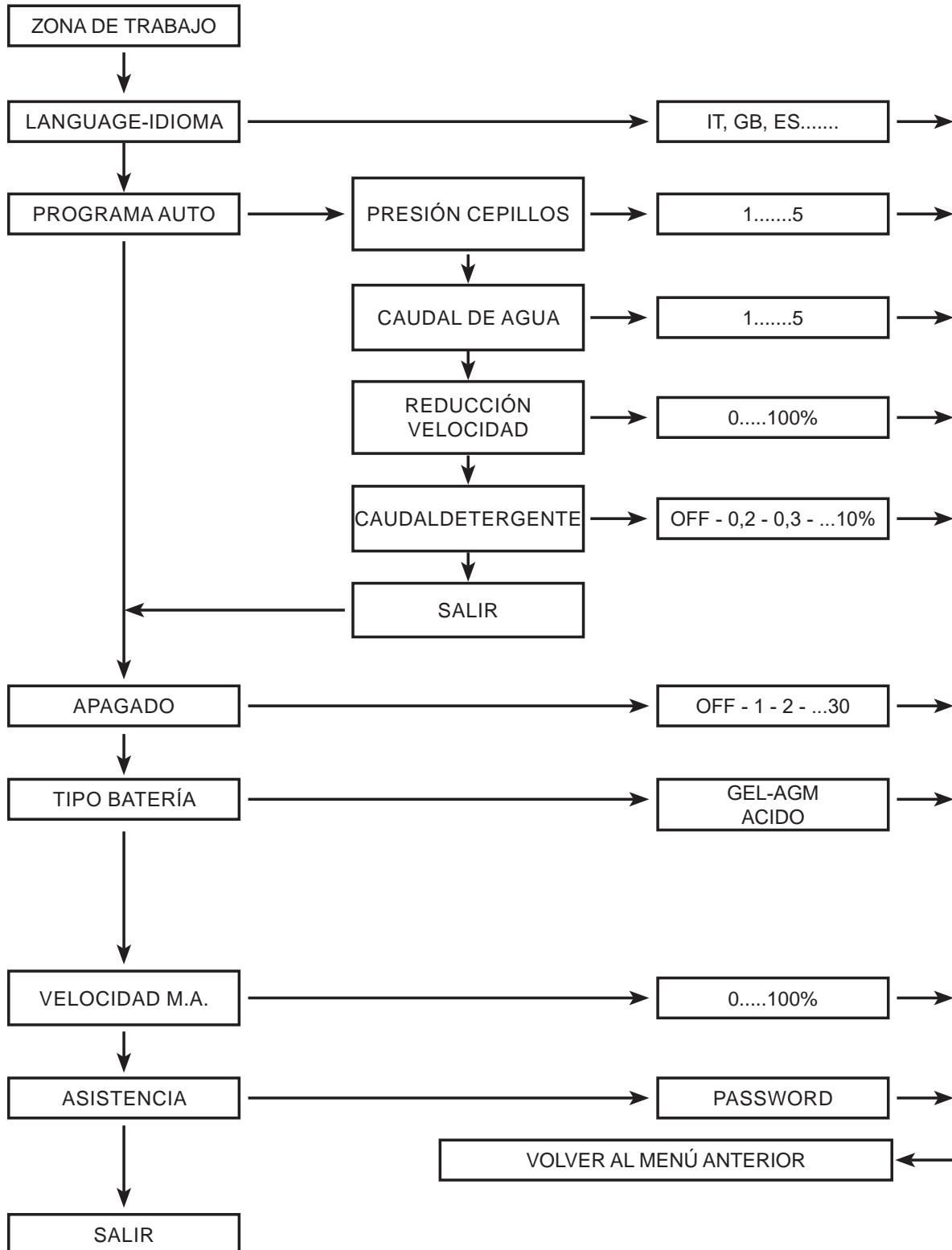
MENÚ TÉCNICO

Al menú se entra presionando simultáneamente el pulsador “+” y el pulsador “-”, sin ninguna función activa.

Pulsador “+”, incrementa la selección del parámetro o la variable del parámetro seleccionado.

Pulsador “-”, disminuye la selección del parámetro o la variable del parámetro seleccionado.

Pulsador “Enganche-desenganche cepillos”, selecciona el parámetro que se debe modificar y confirma la variable introducida.



PIEZAS DE REPUESTO RECOMENDADAS

Número de Pieza	DESCRIPCIÓN
SPPV01495	CEPILLO 50CM, PYP, SOFT
SPPV01332	CEPILLO 50CM, PYP
SPPV01335	DISCO DE ARRASTRE 50CM [ESTÁNDAR]
1243338	PAD, ABRILLANTADOR, 20.0D, BLANCO [CANT. 5]
1243339	PAD, PULIDO, 20.0D, ROJO [CANT. 5]
1243340	PAD, ABRASIVO, 20.0D, BLANCO [CANT. 5]
1243566	PAD, FREGADO, 20.0D, MARRÓN [CANT. 5]
1243661	PAD, FREGADO, 20.0D, NEGRA, ALTA PROD. [CANT. 5]
1243670	PAD, PREP. SUPERFICIE, 20.0D BERMELLÓN [CANT. 5]
1240393	PAD, ABRILLANTADOR, 20.0D, AMARILLO [CANT. 5]
9017755	LABIO, SECADOR, DELANTERO, 815L, LÁTEX [OPCIONAL]
9017756	LABIO, SECADOR, TRASERO, 815L, LÁTEX [OPCIONAL]
9017757	LABIO, SECADOR, DELANTERO, 815L, PU [OPCIONAL]
9017758	LABIO, SECADOR, TRASERO, 815L, PU [OPCIONAL]
9017759	LABIO, SECADOR, DELANTERO, 815L, LINATEX [ESTÁNDAR]
9017760	LABIO, SECADOR, TRASERO, 815L, LINATEX [ESTÁNDAR]
897383	FLAP
1053408	BATERÍA, AGM, 12VCC 140AH
1015046	BATERÍA, HÚMEDA, 12VCC 150AH
9017803	ACTUADOR, SECADOR, 24VDC
9017805	ACTUADOR, CABEZAL CEPILLO, 24VCC
9017764	CEPILLO, CARBONO, VENTILADOR DE ASPIRACIÓN
897436	MOTOR DE VACÍO 24 2-ETAPAS
9017765	MOTOR, CEPILLO, 24Vcc
897500	TABLERO
9017686	KIT CEPILLO, CARBONO, MOTOR CEPILLO [4 UDS.]
9017784	CEPILLO, CARBONO, MOTOR TRANSEJE
9018401	JUNTA, MOTOR, VACÍO
9017785	FILTRO, MOTOR, VENTILADOR DE ASPIRACIÓN
9017786	CONJUNTO MANGUERA, AGUA SUCIA
897466	MALLA, FILTRO
9017790	SENSOR, NIVEL, LÍQUIDO
9017793	CONJUNTO MANGUERA, DESAGÜE
9017794	KIT TAPÓN, MANGUERA DESAGÜE, AGUA SUCIA
9017795	SENSOR, POSICIÓN, ACCIONAMIENTO
9017718	VÁLVULA, AGUA, SOLENOIDE, 24Vcc
9017800	RUEDA, MACIZA, PU
9017802	KIT TAPÓN, TAPÓN DESAGÜE C/JUNTA
9017807	CONJUNTO ACCIONAMIENTO, RUEDA
9017808	CONJUNTO FRENO, C/PALANCA, COMPLETO

9017809	RUEDA, TRASERA, 250MM X 60MM
MEVR00644	FUSIBLE 30A
9017817	FUSIBLE 5A
9017819	FUSIBLE 100A
MEVR00584	FUSIBLE 3A
9017821	PLACA DE CIRCUITO, PRINCIPAL
9017823	PLACA DE CIRCUITO, PANEL DE PANTALLA

FRANÇAIS
(Traduction du
mode d'emploi original)

TABLE DES MATIERES

CARACTÉRISTIQUES TECHNIQUES	4
DIMENSIONS MACHINE	6
SIGNALISATION DE SÉCURITÉ	7
INFORMATIONS GÉNÉRALES	8
Objet du manuel	8
Identification de la machine	8
Documentation jointe à la machine	8
INFORMATIONS TECHNIQUES	9
Description générale	9
Légende	9
Zones dangereuses	10
Accessoires	10
INFORMATIONS SUR LA SÉCURITÉ	11
Normes de sécurité	11
MANUTENTION ET INSTALLATION	14
Levage et transport de la machine emballée	14
Contrôles à la livraison	14
Déballage	14
Batteries d'alimentation (version Battery)	14
Batterie : préparation	15
Batteries : installation et raccordement	15
Batterie : retrait	16
Choix du chargeur de batterie	16
Préparation du chargeur de batterie	16
Installation et réglage du suceur	17
Réglage du suceur	17
Installation des brosses	18
Levage et transport de la machine	19
GUIDE PRATIQUE POUR L'OPÉRATEUR	20
Préparation de la machine pour le travail	20
Commandes	21
Travail	24
Quelques conseils pour une utilisation optimale de la balayeuse	24
Vidange du réservoir de récupération	24
Vidange du réservoir d'eau/détergent	25
Remplissage du réservoir d'eau/détergent	25
Fin du travail	26
Déplacement de la machine hors utilisation	26
ARRET PROLONGE	27
INSTRUCTIONS POUR L'ENTRETIEN	28
Entretien - Règles générales	28
Nettoyage du filtre à air aspirateur	28
Nettoyage du filtre réservoir d'eau/détergent	29
Nettoyage du flotteur du réservoir de récupération	29
Fusibles : remplacement	30
Entretien et recharge des batteries	32
Remplacement lames suceur	33
Pousser/Remorquer la machine	34
Contrôles périodiques	35
PROBLÈMES, CAUSES ET REMÈDES	36
ALARMES AFFICHÉES	37
MENU TECHNIQUE	39
PIÈCES DE RECHANGE CONSEILLÉES	40

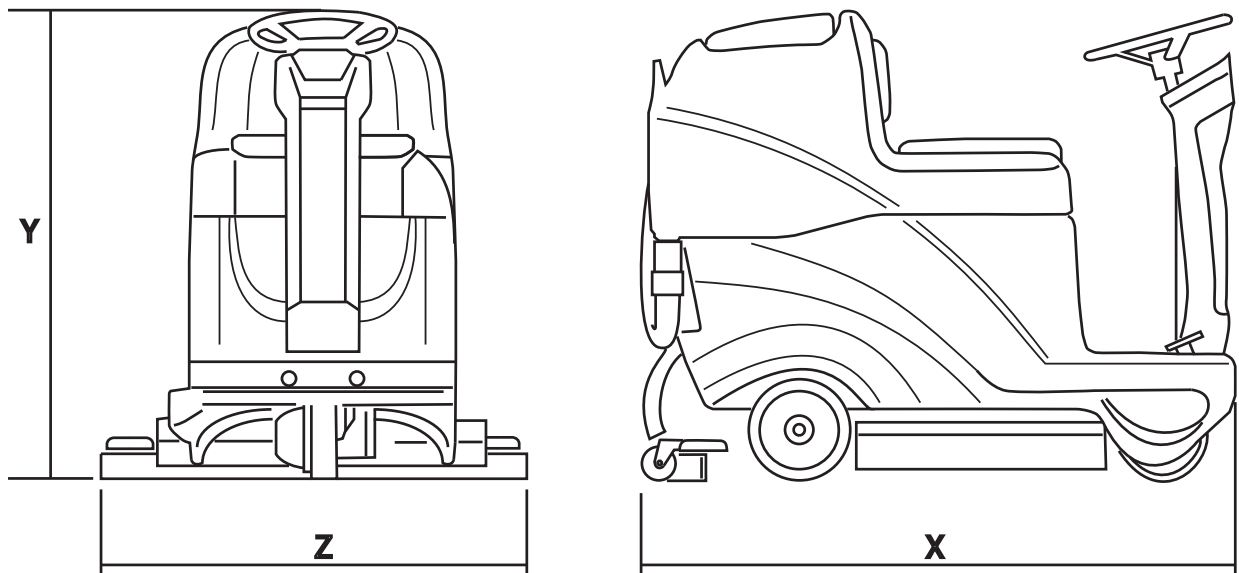
CARACTÉRISTIQUES TECHNIQUES

Largeur de travail	mm	530
	inch	21
Largeur suceur	mm	710
	inch	30
Rendement horaire	m ² /h	3180
	ft ² /h	34229
Nombre de brosses	nbre	1
Diamètre brosse	mm	530
	inch	21
Précision maximale brosse	g/cm ²	10,3
	kPa	0,98
Vitesse rotation brosse	g/1° RPM	150
Puissance moteur brosse	W	400
	HP	0,53
Puissance moteur traction	W	300
	HP	0,4
Vitesse maximale	Km/h	6
	mph	3,7
Puissance moteur aspiration	W	480 (2 étages)
	HP	0,64
Réservoir solution	L	75
	gal	20
Réservoir récupération	L	80
	gal	21
Diamètre roues arrière	mm	225
	inch	8,8
Pente franchissable	%	8
Poids brut	Kg	418
	lbs	921,5

Poids transporté	Kg	293
	lbs	645,9
Nombre de batteries	nbre	2
Tension batterie	V	12
Capacité batterie individuelle	Ah (20h)	140 - 150
Tension d'alimentation	V	24
Dimensions machine	mm	X=1310 Z=673 Y=1030
	inch	X=51,5 Z=26,4 Y=40,5
Dimension coffret batteries (longueur, largeur, hauteur)	mm	390x478x260
	inch	15,3x18,8x10,2
Dimension emballage (longueur, largeur, hauteur)	mm	1445X795X1140
	inch	56,8x31,2x44,8
Pression sonore	LpA (dB)	57 dB 56 dB (Eco)
Incertitude de la mesure	K (dB)	3,2
Vibrations, main	HAV m/s ²	1,5
Incertitude de la mesure, k	m/s ²	0,8
Vibrations, corps	HBV m/s ²	0,6
Incertitude de la mesure, k	m/s ²	0,3
Température maximale eau et détergent	°C	de 4 à 55




Ces caractéristiques peuvent être modifiées sans préavis

DIMENSIONS MACHINE



X-Y-Z: [Voir tableau « CARACTÉRISTIQUES TECHNIQUES ».](#)

SIGNALISATION DE SÉCURITÉ

	PENTE FRANCHISSABLE
	MANUEL DE L'OPÉRATEUR, INSTRUCTIONS POUR LE FONCTIONNEMENT
	LIRE LE MANUEL DE L'OPÉRATEUR
	SYMBOLE COURANT CONTINU
	CLASSE D'ISOLATION, CETTE CLASSIFICATION EST VALABLE UNIQUEMENT POUR UNE MACHINE À BATTERIE.

INFORMATIONS GÉNÉRALES

Objet du manuel

Ce manuel a été rédigé par le Constructeur et fait partie intégrante de la **machine**¹.

Il définit l'usage pour lequel la machine a été conçue et il contient toutes les informations nécessaires aux **opérateurs**².

Outre ce manuel qui contient les informations nécessaires aux utilisateurs, d'autres notices ont été rédigées plus spécifiquement à destination des techniciens **chargés de la maintenance**³.

Les éventuelles indications droite ou gauche, sens des aiguilles d'une montre ou sens inverse des aiguilles d'une montre présentes dans ce livret se réfèrent toujours à la direction de marche de la machine.

Le respect des instructions données dans cette notice garantit la sécurité des conditions de travail, une réduction des frais d'exploitation, la qualité des résultats ainsi qu'une longévité accrue de la machine. Le non-respect de ces prescriptions peut entraîner des risques pour les personnes et provoquer des dommages à la machine, à la surface lavée et à l'environnement.

Pour une recherche plus rapide des sujets traités, consulter le sommaire au début du manuel.

Certaines parties de cette notice requièrent une attention particulière, elles sont mises en évidence en caractères gras et sont précédées par des symboles illustrés et définis ci-après:

! DANGER

Ce symbole attire l'attention sur les dangers pouvant entraîner des risques pour la santé, voire la mort.

! ATTENTION

Ce symbole attire l'attention sur les dangers pouvant entraîner des dommages à la machine ou à l'environnement dans lequel elle évolue, ou des pertes sur le plan économique.

! INFORMATION

Indications très importantes

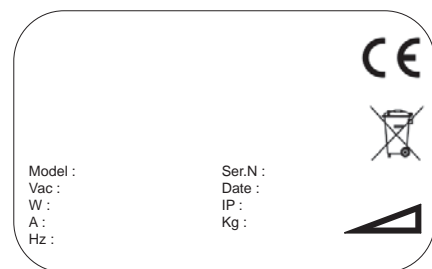
Le Constructeur mène une politique permanente en matière de développement et de modernisation de ses produits, qui peut l'amener à apporter des modifications sans préavis.

Même si votre machine est différente des illustrations contenues dans ce document, la sécurité et les informations concernant cette machine sont garanties.

Identification de la machine

La plaque machine indique:

- ▶ Modèle.
- ▶ Tension d'alimentation.
- ▶ Puissance nominale totale.
- ▶ Courant nominal absorbé.
- ▶ Numéro de série (numéro d'immatriculation).
- ▶ Année de fabrication.
- ▶ Indice de protection IP.
- ▶ Poids à sec.
- ▶ Pente maximale.
- ▶ Identification du constructeur.



Documentation jointe à la machine

- ▶ manuel d'utilisation;
- ▶ Certificat de garantie.
- ▶ Manuel du chargeur de batterie.

¹ La définition "machine" remplace la dénomination commerciale à laquelle se rapporte ce manuel.

² Ce sont les personnes qui utilisent la machine mais qui n'effectuent pas les interventions requérant une compétence technique précise.

³ Ce sont les personnes possédant l'expérience, la formation technique et de bonnes connaissances des normes et réglementations, leur permettant de reconnaître et éviter tout danger lors de la manutention, l'installation, l'utilisation et l'entretien de la machine.

INFORMATIONS TECHNIQUES

Description générale

La machine en question est une autolaveuse qui peut être utilisée dans un milieu domestique ou industriel pour balayer, laver et sécher les sols plats, horizontaux, lisses ou peu rugueux, uniformes et libres de tout encombrement.

La machine applique sur le sol une solution d'eau et de détergent dosée selon les besoins puis balaie pour enlever la saleté. En choisissant avec attention le détergent pour le nettoyage et les brosses (ou disques abrasifs) parmi la large gamme d'accessoires disponibles, il est possible de nettoyer tous les sols et d'éliminer tous les types de saleté.

Un système d'aspiration des liquides intégré à la machine permet de sécher le sol. L'eau sur le sol est aspirée grâce à la dépression générée par le moteur d'aspiration dans le réservoir de récupération, facilitant le séchage du sol. Le suceur, raccordé au réservoir, permet d'aspirer l'eau sale.

Légende

Les principales pièces de la machine sont (fig.1) :

- ▶ Le réservoir eau/détergent (Fig.1-Réf.1): sert à contenir et transporter le mélange d'eau propre et du produit nécessaire au nettoyage.
- ▶ Le réservoir de récupération (Fig.1-Réf.2): sert à récupérer l'eau sale aspirée sur le sol pendant le lavage;
- ▶ Tableau de commandes (Fig.1-Réf.3).
- ▶ Groupe tête (Fig.1-Réf.4), les brosses/rouleaux sont l'élément principal, elles appliquent la solution détergente sur le sol et éliminent la saleté.
- ▶ Groupe suceur (également appelé squeegee) (Fig.1-Réf.5), nettoie et sèche le sol en récupérant l'eau répandue sur celui-ci.



Zones dangereuses

- ▶ Tableau de commande : danger de courts-circuits.
- ▶ Groupe réservoir : en présence de détergents particuliers, danger d'irritation des yeux, peau, muqueuses, appareil respiratoire et risque d'asphyxie. Danger dû à la saleté ramassée sur le sol (germes et substances chimiques). Danger d'écrasement entre les deux réservoirs au moment de la mise en place du réservoir de récupération sur celui de la solution.
- ▶ Groupe tête de lavage : danger dû à la rotation des brosses.
- ▶ Roues arrière / avant : danger d'écrasement entre roue et châssis.
- ▶ Logement moteur/batteries : danger de court-circuit entre les pôles des batteries et présence d'hydrogène pendant le chargement.

Accessoires

- ▶ Brosses Soft, Hard, Abrasive.
- ▶ Chargeur de batterie NORD ELETTRONICA NE284 - S.P.E.CHBHD1-XR-P pour version monobrosse
- ▶ Chargeur de batterie S.P.E. CBHD3/CHBHD1-XR-P pour version double brosse

INFORMATIONS SUR LA SÉCURITÉ

Normes de sécurité

! DANGER

Lire attentivement le 'Manuel d'Instructions pour l'Emploi' avant la mise en marche, l'utilisation, la manutention, l'entretien courant, ou toute autre intervention sur la machine.

! ATTENTION

Respectez scrupuleusement toutes les indications contenues dans ce Manuel (en particulier celles liées aux symboles danger et attention) et les étiquettes (voir chapitre «[Signalisation de sécurité](#)») apposées directement sur la machine.

Le Constructeur décline toute responsabilité pour les dommages matériels et corporels causés par le non-respect de ces consignes.

La machine doit être utilisée uniquement par du personnel formé à son emploi, possédant les capacités requises, et expressément chargé de l'utilisation de la machine.

L'utilisation de la machine est interdite aux mineurs.

Ne pas utiliser cette machine pour d'autres usages que ceux expressément prévus. Selon le type de bâtiment dans lequel on évolue (par ex. industries pharmaceutiques, hôpitaux, industries chimiques etc.) respecter scrupuleusement les réglementations et normes de sécurité internes.

Cette machine est destinée à une utilisation commerciale par exemple dans des hôtels, écoles, hôpitaux, usines, magasins, bureaux et service de location.

La machine est destinée uniquement à une utilisation en intérieur.

Attention la machine doit être conservée uniquement dans un local fermé.

Ne pas utiliser la machine sans une structure de protection (FOPS) dans les zones où l'opérateur pourrait être heurté par des chutes d'objets.

Ne pas utiliser cette machine dans des lieux insuffisamment éclairés, dans des atmosphères explosives, sur des routes ouvertes à la circulation, en présence de substances nocives (poussières, gaz etc.) et dans des endroits non appropriés.

La plage de température prévue pour l'utilisation de la machine est comprise entre +4°C et +40°C (39.2°F and 104°F) ; par contre, quand la machine n'est pas utilisée, cette plage de température va de +0°C à +50°C (32°F and 122°F).

La plage d'humidité prévue pour la machine est comprise entre 0% et 95%, quelles que soient les conditions.

Ne jamais ramasser de liquides inflammables ou explosifs (ex. essence, huile combustible, etc.) d'acides et solvants (ex. diluants pour peintures, acétone, etc.) même dilués. Ne jamais aspirer d'objets en flammes ou incandescents.

Ne pas utiliser la machine sur des pentes ou rampes d'accès dont la déclivité est supérieure (voir chapitre «[Caractéristiques techniques](#)») ; en cas de faibles pentes, ne pas utiliser la machine transversalement et la manœuvrer toujours avec le maximum de précautions sans faire d'inversions. En cas de rampes ou de déclivités plus élevées, utiliser la machine avec précaution afin d'éviter que celle-ci ne se renverse ou n'accélère de façon incontrôlée.

Ne jamais garer la machine en pente.

La machine ne doit jamais être laissée sans surveillance quand le moteur est en marche. Avant de la quitter, arrêter les moteurs, bloquer la machine de façon à éviter tout mouvement intempestif et la débrancher.

Faire attention aux autres personnes, en particulier aux enfants éventuellement présents à l'endroit où on utilise la machine.

Les enfants doivent être surveillés pour s'assurer qu'ils ne jouent pas avec l'appareil.

La machine n'est pas prévue pour être utilisée par des personnes (y compris les enfants) dont les capacités physiques, sensorielles ou mentales sont réduites, ou qui manquent d'expérience ou de connaissance, sauf si elles ont pu bénéficier de la surveillance ou des instructions concernant l'utilisation de la machine de la part d'une personne responsable de leur sécurité.

Ne pas utiliser la machine pour le transport de personnes/objets ou le remorquage d'objets.

Ne pas tracter la machine.

Ne rien poser sur la machine.

Ne pas boucher les fentes de ventilation et d'évacuation de la chaleur.

Ne pas enlever, modifier ou ignorer les dispositifs de sécurité.

Malheureusement l'expérience a montré que certains vêtements et objets personnels peuvent provoquer des blessures graves: enlever bijoux, montres, cravates etc.

L'opérateur doit toujours se munir des équipements de protection individuelle (EPI): blouse ou combinaison de protection, chaussures antidérapantes et imperméables, gants en caoutchouc, lunettes et casque, masque pour la protection des voies respiratoires.

Ne pas mettre les mains dans les parties en mouvement.

S'assurer que les prises de courant pour l'alimentation des chargeurs de batterie sont raccordées à un système de mise à la terre et qu'elles sont protégées par des disjoncteurs magnétothermiques et différentiels.

S'assurer que les caractéristiques électriques de la machine (voltage, fréquence, puissance absorbée), indiquées sur l'étiquette, sont conformes à celles du réseau de distribution.

Il est indispensable de respecter les instructions du fabricant des batteries et de se conformer à la réglementation. Maintenir les batteries toujours propres et sèches afin d'éviter des courants de fuite superficielle. Protéger les batteries contre les impuretés, par exemple la poussière métallique.

Ne poser aucun outil sur les batteries: risque de court-circuit et d'explosion.

Faire attention quand on utilise de l'acide pour batteries: respecter les instructions présentes dans le paragraphe «[Batterie : préparation](#)».

Chargeur de batterie (OPTION): contrôler périodiquement le câble d'alimentation pour vérifier qu'il n'est pas abîmé; s'il est abîmé ne pas utiliser l'appareil. Pour faire remplacer le câble s'adresser à un centre d'assistance spécialisé.

En présence de champs magnétiques très élevés, évaluer l'effet possible que ceux-ci peuvent avoir sur le système électronique de commande.

Pour la recharge des batteries, utiliser toujours le chargeur de batterie fourni avec la machine (si fourni).

Ne jamais laver la machine au jet d'eau.

En cas de panne et/ou mauvais fonctionnement de la machine, l'arrêter immédiatement (en la débranchant des batteries/du secteur) et ne pas essayer de la réparer. Adressez-vous à un centre d'assistance technique du Constructeur.

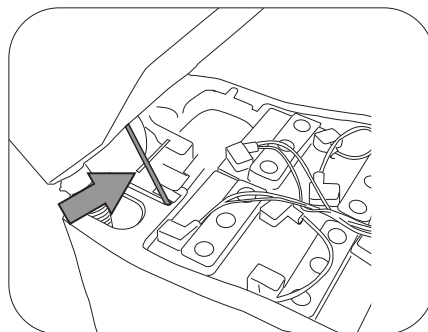
Toutes les opérations de maintenance doivent être effectuées dans des lieux suffisamment éclairés et après avoir débranché la machine du secteur.

Toute intervention sur l'installation électrique ou opération de maintenance et de réparation non expressément décrites dans ce manuel doivent être effectuées uniquement par du personnel technique spécialisé et expérimenté.

! DANGER

Quand on relève le réservoir de récupération (après l'avoir préalablement vidé de son contenu) pour accéder au compartiment, il est impératif de relever et fixer la tige de maintien pour

29



empêcher que le réservoir ne se referme accidentellement (Fig. 29).

N'utiliser que des accessoires et des pièces détachées d'origine, qui garantissent une sécurité et un fonctionnement optimum. Ne pas utiliser de pièces récupérées sur d'autres machines ou des pièces adaptables.

Cette machine a été conçue et fabriquée pour une durée de service de dix ans à partir de la date de fabrication indiquée sur la plaque d'identification. Passé ce délai, même si elle n'a pas été utilisée, la machine doit être détruite selon la réglementation en vigueur dans le lieu d'utilisation:

il faut débrancher la machine, vider tous les déchets et nettoyer la machine;

ce produit est un déchet spécial de type DEEE et répond aux prescriptions des nouvelles directives pour la protection de l'environnement (2002/96/CE DEEE).

Il doit être éliminé séparément des déchets ménagers conformément aux lois et réglementations en vigueur.

Si vous décidez de ne plus utiliser la machine, nous vous recommandons d'enlever les batteries et de les rapporter à un centre de collecte agréé.

En outre, il est recommandé de rendre inoffensives les pièces de la machine susceptibles de constituer un danger, surtout pour les enfants.

La machine peut également être remise au Constructeur pour une révision complète.



MANUTENTION ET INSTALLATION

Levage et transport de la machine emballée

! ATTENTION

Pour toutes les opérations de levage, s'assurer que la machine est bien fixée afin d'éviter tout renversement ou chute accidentelle. Le chargement/déchargement des engins de transport doit être effectué avec un éclairage approprié.

La machine, emballée sur une palette en bois par le Constructeur, doit être chargée sur le véhicule de transport avec des engins de manutention adaptés (conformément à la Directive 2006/42/CEE et modifications/intégrations suivantes). Une fois arrivée à destination, la machine doit être déchargée à l'aide de moyens similaires.

Le corps machine emballé doit être soulevé uniquement à l'aide d'un chariot élévateur à fourches. Manipuler avec précautions pour éviter les chocs et ne pas renverser la machine.

Contrôles à la livraison

Au moment de la livraison par le transporteur, vérifier soigneusement que l'emballage et la machine sont intacts. Si la machine est endommagée, faire constater les dégâts au transporteur. Avant d'accepter la marchandise, se réserver la possibilité par écrit de demander le remboursement des dommages.

Déballage

! ATTENTION

Pendant le déballage de la machine, l'opérateur doit être muni des équipements de protection nécessaires (gants, lunettes, etc.) afin de limiter les risques d'accident.

Déballer la machine :

- ▶ Couper et éliminer les feuillards plastiques à l'aide de ciseaux ou de cisailles ;
- ▶ Retirer le carton ;
- ▶ Sortir les sachets placés à l'intérieur du coffre batteries et en vérifier le contenu :
notice d'utilisation et d'entretien, certificat de garantie ;
ponts batteries avec bornes ;
1 connecteur pour le chargeur de batterie ;

Selon le modèle, enlever les étriers métalliques ou bien couper les feuillards plastiques qui fixent le châssis de la machine à la palette.

Faire descendre la machine de la palette en la poussant en marche arrière sur un plan incliné (voir paragraphe « [Pousser/Remorquer la machine](#) » pour débloquer/bloquer l'électrofrein du moteur-roue. Sortir les brosses et le suceur de leurs emballages.

Nettoyer l'extérieur de la machine en respectant les normes de sécurité.

Une fois la machine déballée, on peut installer les batteries (voir paragraphe « [Batterie : installation et raccordement](#) »).

Si nécessaire, garder l'emballage, car il peut être réutilisé pour protéger la machine en cas de changement de site ou d'expédition aux ateliers de réparation.

Dans le cas contraire, il doit être éliminé conformément aux lois en vigueur.

Batteries d'alimentation (version Battery)

Deux types de batteries peuvent être installés sur ces machines:

- ▶ Batteries tubulaires au plomb : ces batteries nécessitent un contrôle périodique du niveau de l'électrolyte. Si nécessaire, remplir uniquement avec de l'eau distillée jusqu'à recouvrir les plaques; ne pas trop remplir (pas plus de 5 mm au-dessus des plaques).
- ▶ Batteries gel : ce type de batterie ne nécessite aucun entretien.

Les caractéristiques techniques doivent correspondre à celles indiquées dans le chapitre concernant les [caractéristiques techniques](#) de la machine: en effet, l'emploi d'accumulateurs plus lourds peut compromettre sérieusement la maniabilité de la machine et entraîner une surchauffe du moteur de traction. Au contraire, l'emploi d'accumulateurs moins lourds et ayant une plus faible capacité exige des recharges plus fréquentes.

Les batteries doivent être maintenues chargées, sèches, propres et les connexions bien serrées.

! INFORMATION

Suivre les instructions suivantes pour sélectionner le type de batterie installée:
voir chapitre «[Menu technique](#)»

Batterie : préparation

! DANGER

Pendant l'installation ou l'entretien des batteries, l'opérateur doit être muni des équipements de protection nécessaires (gants, lunettes, combinaison, etc.) pour limiter le risque d'accidents, s'éloigner de toute flamme nue, ne pas court-circuiter les pôles des batteries, ne pas provoquer d'étincelles ni fumer.

Les batteries sont normalement livrées remplies d'acide et prêtes à l'emploi.

Si on utilise des batteries chargées sèches, avant de les monter sur la machine il est nécessaire d'effectuer les opérations suivantes:

Enlever les bouchons des batteries, remplir tous les éléments avec une solution d'acide sulfurique spécifique jusqu'à recouvrir complètement les plaques (passer sur chaque élément au moins deux fois);

Laisser reposer pendant 4-5 heures afin de donner aux bulles d'air le temps de remonter en surface et aux plaques le temps d'absorber l'électrolyte;

S'assurer que le niveau de l'électrolyte dépasse les plaques; en cas contraire, ajuster le niveau avec la solution d'acide sulfurique;

Refermer les bouchons.

Monter les accumulateurs sur la machine suivant la procédure indiquée plus loin.

Charger la batterie avant de mettre la machine en marche: voir le paragraphe «[Entretien et re-charge des batteries](#)».

Batteries : installation et raccordement

! DANGER

Vérifier que tous les interrupteurs du tableau de commande sont sur «0» (éteint).

Faire attention à raccorder les cosses avec le symbole «+» sur les pôles positifs. Ne pas contrôler la charge des batteries avec des outils générant des étincelles.

Respecter scrupuleusement les indications mentionnées ci-dessous, car un court-circuit peut faire exploser les batteries.

Introduire les batteries dans le coffret et les orienter comme indiqué sur le dessin (Fig.2-Fig.3).

Dans les machines équipées de deux batteries, il faut intercaler entre le coffret et les batteries les entretoises en polystyrène fournies, voir dessin (Fig.3)

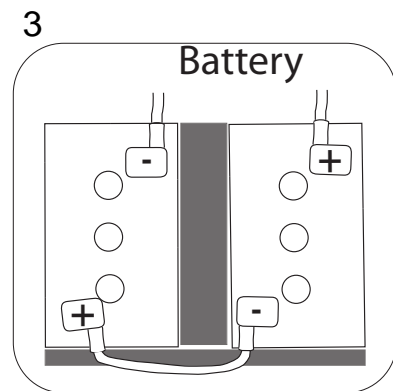
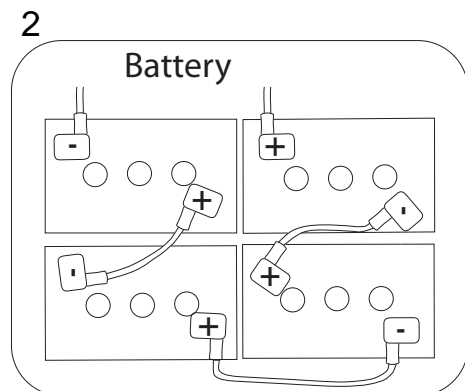
En se référant à la disposition des câbles indiquée sur les dessins, brancher les cosses du câblage aux bornes des accumulateurs. Après avoir orienté les câbles comme indiqué sur les dessins, serrer les cosses sur les pôles et les enduire de vaseline.

Abaisser le réservoir en position de travail.

Utiliser la machine conformément aux instructions données dans cette notice.

! ATTENTION

Éviter toute décharge excessive de la batterie car cela pourrait la détériorer irrémédiablement.



Batterie : retrait

! DANGER

Lors de la dépose de la batterie l'opérateur doit être muni des équipements de protection personnelle (gants, lunettes, combinaison, chaussures de sécurité etc.) nécessaires pour limiter les risques d'accident; vérifier que tous les interrupteurs sur le panneau de commandes sont sur «0» (éteint) et que la machine est éteinte, s'éloigner de toute flamme nue, ne pas court-circuiter les pôles des batteries, ne pas provoquer d'étincelles, ne pas fumer, et procéder comme suit:

- ▶ Débrancher les cosses du câblage batterie des pôles des batteries.
- ▶ Retirer, si nécessaire, les dispositifs d'ancrage de la batterie à la machine.
- ▶ Sortir la batterie du coffret à l'aide de moyens de manutention adaptés.

Choix du chargeur de batterie

Vérifier que le chargeur de batterie est bien compatible avec les batteries à charger.

Batteries tubulaires au plomb : il est conseillé d'utiliser un chargeur de batterie automatique, consulter toutefois le fabricant et le manuel du chargeur de batteries pour confirmer ce choix.

Batteries gel : utiliser un chargeur de batterie spécifique pour ce type d'accumulateurs.

! DANGER

Utiliser un chargeur de batterie portant le marquage CE, conforme à la norme de produit (EN60335-2-29), muni d'une double isolation ou d'une isolation renforcée entre l'entrée et la sortie et avec un circuit de sortie de type SELV.

Préparation du chargeur de batterie

Si on veut utiliser un chargeur de batterie non fourni avec la machine, il faut monter sur celui-ci le connecteur fourni avec la machine.

Le connecteur fourni pour le chargeur de batteries extérieur est conçu pour des câbles d'une section minimale de 16 mm².

Pour installer le connecteur:

dénuder les câbles rouge et noir du chargeur de batterie sur 13 mm environ;

insérer les câbles dans les bornes du connecteur et serrer à l'aide de pinces spéciales;

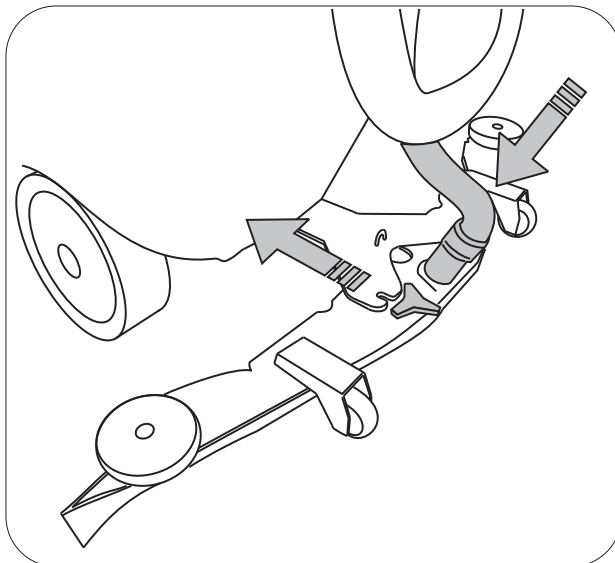
insérer les câbles dans le connecteur en respectant les polarités (câble rouge +, câble noir -).

Installation et réglage du suceur

Mettre la machine en marche, abaisser le suceur en appuyant sur le bouton aspirateur.

Introduire le suceur dans les fentes présentes dans le support (Fig. 4), puis visser les pommeaux de fixation et introduire le tube d'aspiration.

4

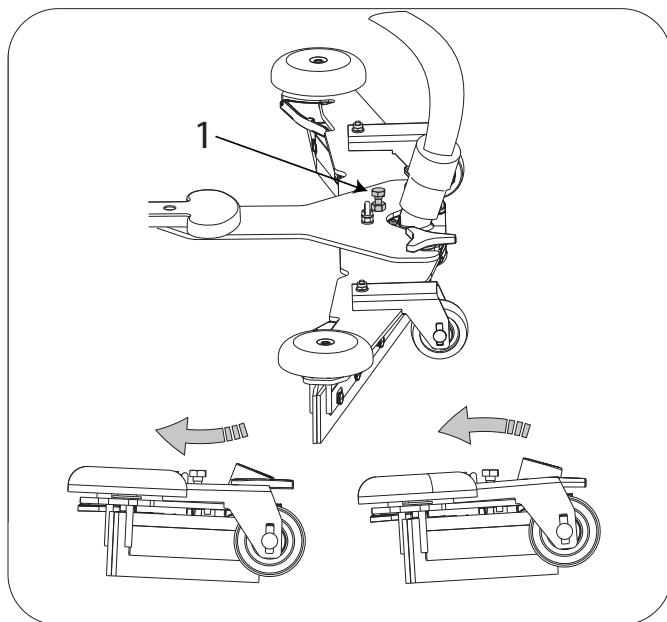


Réglage du suceur

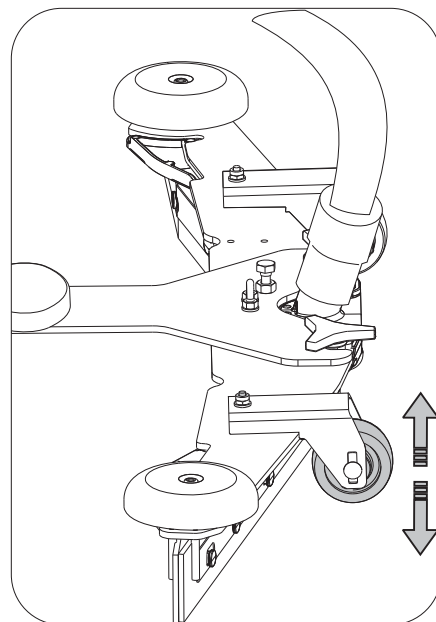
Les lames du suceur détachent la pellicule d'eau et de détergent qui recouvre le sol afin de permettre un séchage parfait. A la longue, le frottement arrondit et fissure la partie de la lame en contact avec le sol, ce qui diminue l'efficacité du séchage et rend nécessaire le remplacement de la lame. Il est donc impératif de contrôler souvent l'usure de la lame.

Pour obtenir un séchage parfait il faut régler le suceur de façon à ce que le bord de la lame arrière, pendant le travail, soit incliné de 45° environ par rapport au sol sur toute sa longueur. Il est possible de régler l'inclinaison des lames en agissant sur la vis (Fig.5-Réf.1), il est également possible de régler la hauteur du suceur en modifiant la hauteur des deux roues (Fig.6).

5



6

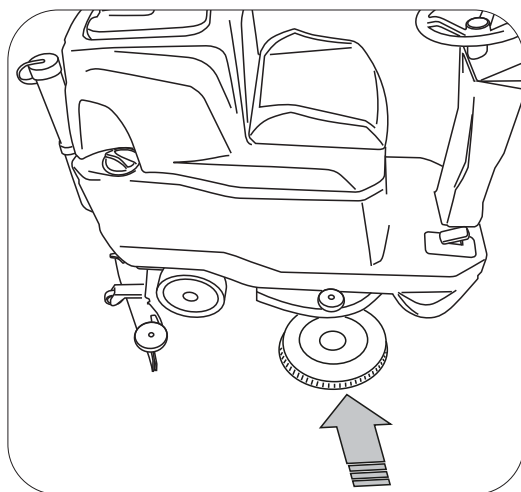


Installation des brosses

Machine à une brosse :

placer la brosse sous la tête, au centre (fig.7), mettre la machine en marche. Une pression sur le bouton ACCROCHAGE/DÉCROCHAGE après la mise en marche de la machine, permet d'activer le décrochage de la brosse, la deuxième pression sur le bouton active l'accrochage automatique de la brosse, le bouton ne fonctionne que lorsque toutes les fonctions sont désactivés (aspirateur et brosses).

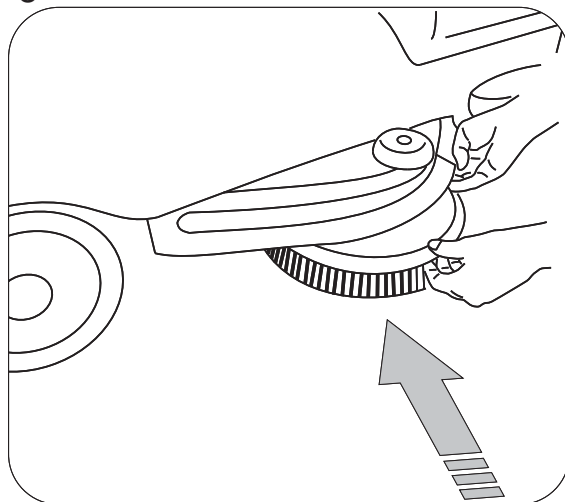
7



Machine à deux brosses :

positionner les brosses sous la tête, de chaque côté (Fig. 8), les brosses doivent être en appui sur les centrages de la brosse qui se trouvent au centre de la tête, mettre la machine en marche. Une pression sur le bouton ACCROCHAGE/DÉCROCHAGE après la mise en marche de la machine, permet d'activer le décrochage de la brosse, la deuxième pression sur le bouton active l'accrochage automatique de la brosse, le bouton ne fonctionne que lorsque toutes les fonctions sont désactivés (aspirateur et brosses).

8



! INFORMATION

Suivre les instructions suivantes pour paramétrer sur le logiciel de la machine la langue à utiliser pour les messages affichés sur l'écran :

voir le chapitre «[Menu technique](#)»

Levage et transport de la machine

! ATTENTION

Toutes les opérations doivent être effectuées dans des lieux bien éclairés et en adoptant les mesures de sécurité les plus appropriées à la situation.

Utiliser un équipement de protection individuelle approprié.

Pour charger la machine sur un engin de transport:

- ▶ Vider les réservoirs.
- ▶ Retirer les batteries.
- ▶ Placer la machine sur la palette en la fixant avec des feuilards ou les étriers métalliques prévus à cet effet.
- ▶ Soulever la palette à l'aide d'un chariot élévateur à fourches et la charger sur l'engin de transport.
- ▶ Fixer la machine à l'engin de transport à l'aide de cordes attachées à la palette et à la machine.

GUIDE PRATIQUE POUR L'OPÉRATEUR

! ATTENTION

Avant de commencer, revêtir combinaison, casque, chaussures antidérapantes et imperméables, masque de protection des voies respiratoires, gants et tout autre équipement de protection exigé par le milieu dans lequel on travaille.

! ATTENTION

Ne jamais laisser la machine sans surveillance, ne jamais la laisser garée avec la clé insérée dans l'interrupteur général et sans l'électrofrein de stationnement enclenché.

! INFORMATION

Avant d'utiliser la machine pour la première fois, il est conseillé d'effectuer une brève période d'essai sur une vaste surface sans obstacles afin d'acquérir l'habileté nécessaire.

! ATTENTION

Pour ne pas endommager la surface à nettoyer, les brosses ne doivent pas rester en rotation lorsque la machine est arrêtée.

! INFORMATION

La machine est équipée d'un dispositif de présence qui permet sa mise en marche uniquement si l'opérateur se trouve dans la position de travail correcte ; le dispositif arrête la machine si l'opérateur se lève du siège

! ATTENTION

Diluer toujours les détergents selon les indications du fournisseur. Ne pas utiliser d'hypochlorite de sodium (eau de javel) ou d'autres oxydants, surtout en concentrations élevées. Ne pas utiliser de solvants ou d'hydrocarbures. La température de l'eau et du détergent ne doit pas être supérieure à la température maximale indiquée dans les « [Caractéristiques techniques](#) ». En outre, eau et détergent ne doivent pas contenir de sable et/ou d'impuretés. La machine a été conçue pour être utilisée avec des détergents non moussants et biodégradables, spécifiques pour autolaveuses.

Consulter le constructeur pour avoir une liste complète et à jour des détergents et produits chimiques disponibles.

Utiliser exclusivement des détergents adaptés au sol à nettoyer et à la saleté à éliminer. Suivre les normes de sécurité relatives à l'utilisation des détergents indiquées dans le paragraphe « Normes de sécurité ».

Préparation de la machine pour le travail

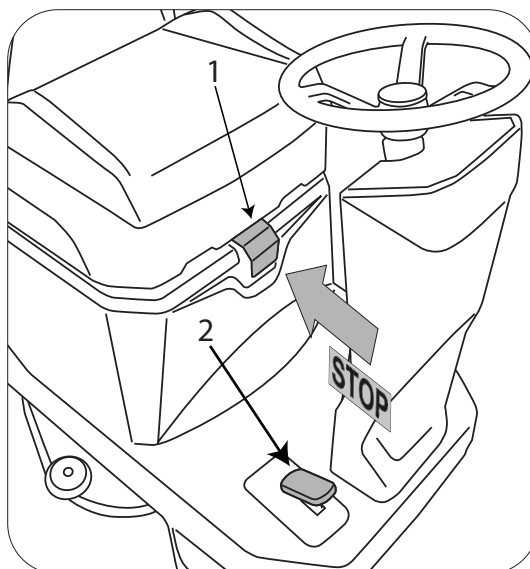
Effectuer les opérations suivantes avant de commencer à travailler:

- ▶ Contrôler sur l'écran que les batteries sont complètement chargées, en cas contraire les recharger (voir le paragraphe « [Entretien et recharge des batteries](#) »).
- ▶ S'assurer que le réservoir de récupération est vide ; si ce n'est pas le cas, le vider (voir paragraphe « [Vidange du réservoir de récupération](#) »).
- ▶ S'assurer que le réservoir de solution détergent est plein ; si ce n'est pas le cas, le vider (voir paragraphe « [Remplissage du réservoir eau/détergent](#) »).

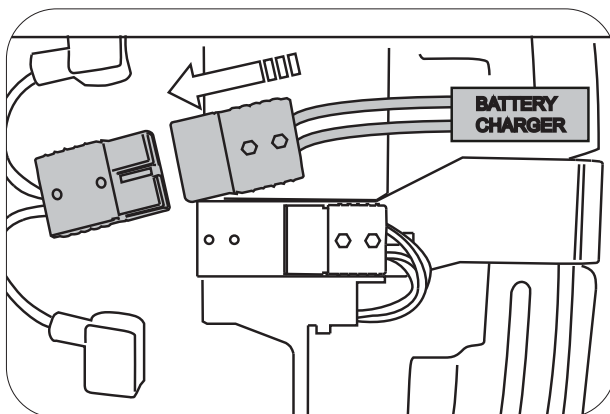
Commandes

- ▶ **Interrupteur d'urgence (Fig.9-Réf.1)** : en cas de besoin ou de danger imminent, pousser le levier de sécurité dans la direction du réservoir pour interrompre toutes les fonctions de la machine et ouvrir le circuit électrique d'alimentation de la machine.
- ▶ **Pédale accélérateur (Fig.9-Réf.2)** : actionner cette pédale pour régler la vitesse de la machine. Une fois la machine en marche, si la pédale accélérateur est relâchée pendant plus de trois secondes, elle passe en mode "AUTO POWER-OFF" : toutes les fonctions de la machine sont éteintes et seront rallumées lors du prochain appui sur l'accélérateur. Il est possible d'activer/désactiver et de modifier le temps d'activation du mode "AUTO POWER-OFF" grâce au [« Menu technique »](#).
- ▶ **Prise pour chargeur de batterie (Fig.10)** : si la machine n'est pas équipée de chargeur de batterie, la raccorder au connecteur indiqué pour la recharge (voir le paragraphe [« Préparation du chargeur de batterie »](#)).
- ▶ **Interrupteur général (Fig.11-Réf.1)** : active/désactive toutes les fonctions de la machine.

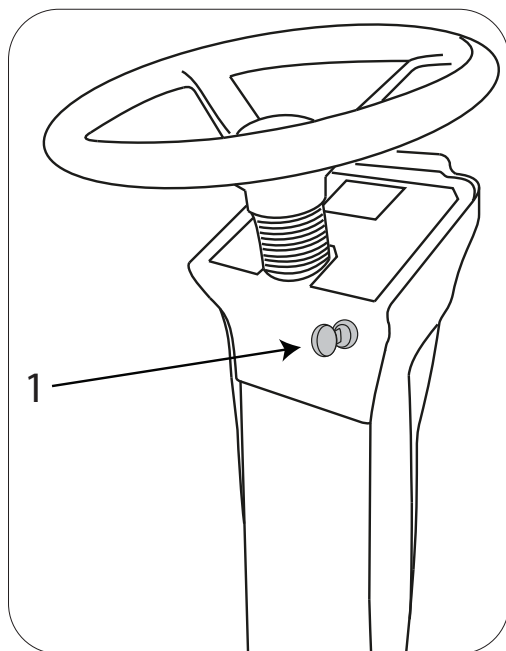
9



10

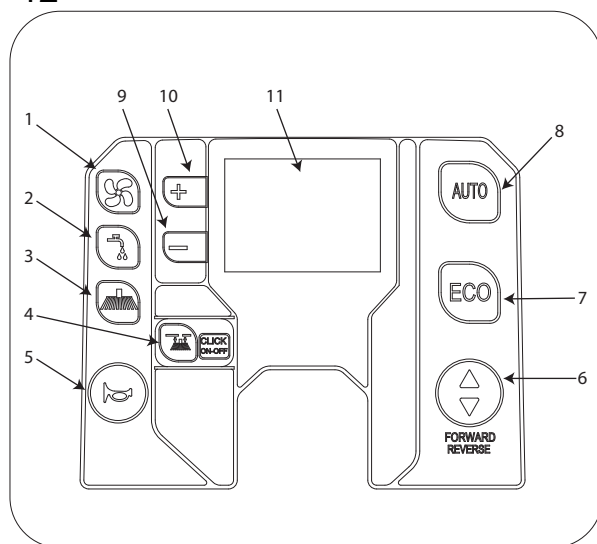


11

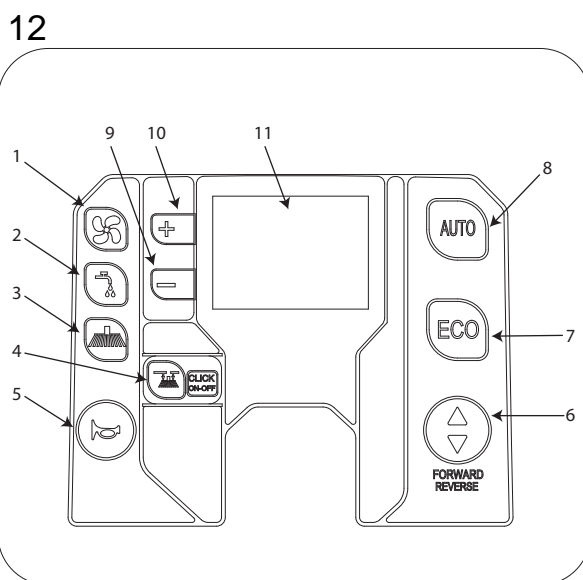


- ▶ **Touche aspirateur (Fig.12- Rep.1):** pendant le fonctionnement avec les programmes AUTO, ECO ou APC, active/désactive l'aspirateur; en-dehors de ces programmes active l'aspirateur en mode manuel en abaissant le suceur.
- ▶ **Touche eau/détergent (Fig.12- Rep.2):** pendant le fonctionnement avec les programmes AUTO, ECO et APC active/désactive (en la maintenant enfoncée pendant deux secondes) l'écoulement d'eau/détergent; en-dehors de ces programmes active/désactive l'écoulement en mode manuel Dans le programme AUTO elle permet de modifier la quantité d'eau/détergent, à chaque pression on descend d'un niveau: Liv1, Liv2.... Liv Auto (écoulement proportionnel à la vitesse d'avancement).
Si on modifie le paramètre écoulement quand on est en mode AUTO on quitte le programme et on revient en mode MANUEL.
- ▶ **Touche brosse (Fig. 12- Rep. 3):** dans les programmes AUTO, ECO et APC active/désactive les brosses; en-dehors de ces programmes active/désactive le fonctionnement des brosses en mode manuel. Dans le programme AUTO une pression prolongée (deux secondes) permet d'entrer en mode de réglage de la pression des brosses; la pression peut être réglée de 1 à 5 à l'aide des touches "+" et "-" (UNIQUEMENT POUR VERSION À DEUX BROSSES) Quand on modifie le paramètre on sort du programme et on revient en mode MANUEL.
- ▶ **Accrochage-décrochage brosses «CLICK-ON-OFF» (Fig. 12- Rep.4):** sert à accrocher et décrocher les brosses en mode automatique. Une pression sur cette touche après la mise en marche de la machine permet d'activer le décrochage des brosses, la deuxième pression sur la touche active l'accrochage automatique des brosses. La touche n'est active que quand toutes les fonctions sont désactivées (aspirateur et brosses); elle permet en outre de naviguer dans le ["Menu Technique"](#).

12



- ▶ **Touche avertisseur sonore (Fig.12- Rep.5):** active l'avertisseur sonore.
- ▶ **Touche direction avancement (Fig. 12- Rep.6):** sélectionne le sens de marche de la machine, si on sélectionne la marche arrière, la lettre «R» s'affiche sur l'écran et le signal sonore retentit par intermittence.
- ▶ **Touche programme ECO (Fig.12- Rep.7):** toutes les fonctions sont activées en mode «ECO», la pression des brosses, le débit de l'eau/détergent, la vitesse des brosses et la vitesse de l'aspirateur. Dans ce programme de travail la consommation d'énergie est réduite ainsi que le niveau sonore de la machine.
- ▶ **Touche programme AUTO (Fig. 12- Rep.8):** toutes les fonctions sont activées en mode "AUTOMATIQUE", la pression des brosses, le débit de l'eau et l'écoulement du détergent sont préprogrammés par le fabricant, ils peuvent toutefois être modifiés à l'aide du ["Menu Technique"](#).
- ▶ **Touches «+,-» (Fig. 12- Rep.9-10):** servent à régler la vitesse de marche, en augmentant ou en diminuant les paramètres programmables par l'utilisateur.
- ▶ **Écran (Fig.12- Rep.11):** affiche l'état de charge restant des batteries en pourcentage, le logo des fonctions actives, le compteur horaire affiche les heures d'utilisation de la machine, la vitesse de marche programmée et les alarmes, voir le chapitre ["Alarmes sur l'écran"](#)



Travail

- ▶ S'asseoir sur le siège.
- ▶ Porter l'interrupteur général en position "1".
- ▶ Sélectionner la direction de marche avec le bouton.
- ▶ Sélectionner le programme de fonctionnement AUTO ou ECO.
- ▶ Appuyer sur la pédale d'accélérateur et commencer le travail.

Quelques conseils pour une utilisation optimale de la balayeuse

Si la saleté présente sur le sol est particulièrement tenace, il est possible d'effectuer un pré-lavage puis un séchage en deux temps distincts.

Pré-lavage avec l'utilisation de brosses ou d'un pad :

- ▶ Porter l'interrupteur général en position "1".
- ▶ Sélectionner le programme de fonctionnement AUTO ou ECO.
- ▶ Appuyer sur le bouton aspirateur pour désactiver l'aspiration.
- ▶ Appuyer sur la pédale d'accélérateur et commencer le travail.
- ▶ Si nécessaire, régler le flux de détergent envoyé à la brosse avec le bouton eau/détergent ; le flux de sortie doit être dosé en fonction de la vitesse de marche désirée par l'opérateur : plus la vitesse est réduite, moins le détergent doit s'écouler.
- ▶ Insister sur les endroits les plus sales: cela permet au détergent d'exercer son action chimique et aux brosses d'effectuer une action mécanique efficace.

Séchage :

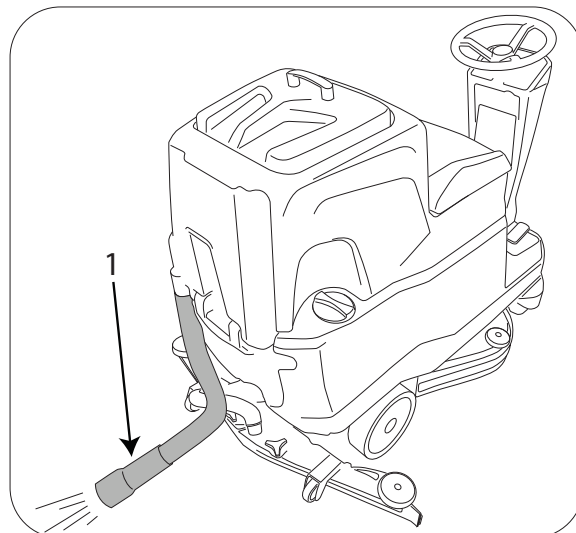
- ▶ Appuyer sur le bouton aspirateur pour mettre en marche l'aspiration, repasser sur la zone précédemment lavée : on obtient ainsi le même résultat qu'un lavage en profondeur et on raccourcit considérablement les opérations d'entretien courant.

Vidange du réservoir de récupération

Si le réservoir est plein, l'écran affiche l'alarme correspondant, voir le chapitre « [Alarmes sur l'écran](#) », et le blocage du moteur aspirateur intervient au bout de quelques secondes ; il faut s'arrêter et vider le réservoir en suivant les instructions ci-dessous :

- ▶ Éteindre toutes les fonctions de la machine.
- ▶ Amener la machine dans la zone de vidange choisie.
- ▶ Décrocher le tube de l'attache.
- ▶ Vider le réservoir à l'aide du tuyau flexible (Fig.13-Réf.1), à la fin du travail rincer le réservoir à l'eau propre.

13

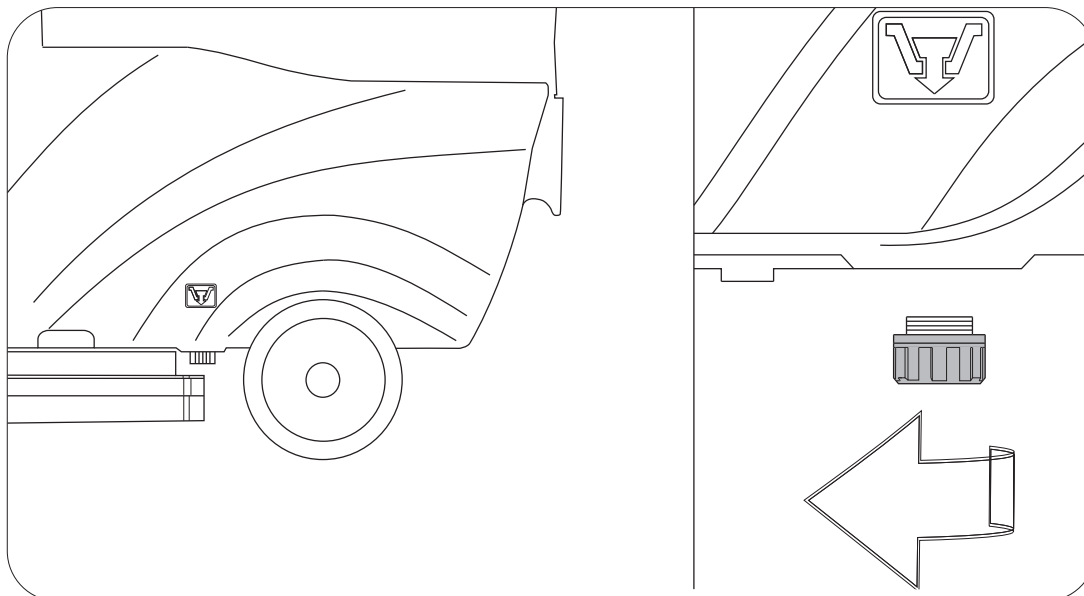


Vidange du réservoir d'eau/détergent

Il est possible de vider le réservoir en suivant les instructions ci-dessous :

- ▶ Éteindre toutes les fonctions de la machine.
- ▶ Amener la machine dans la zone de vidange choisie.
- ▶ Arrêter la machine.
- ▶ Vider le réservoir en dévissant le bouchon (Fig.14).

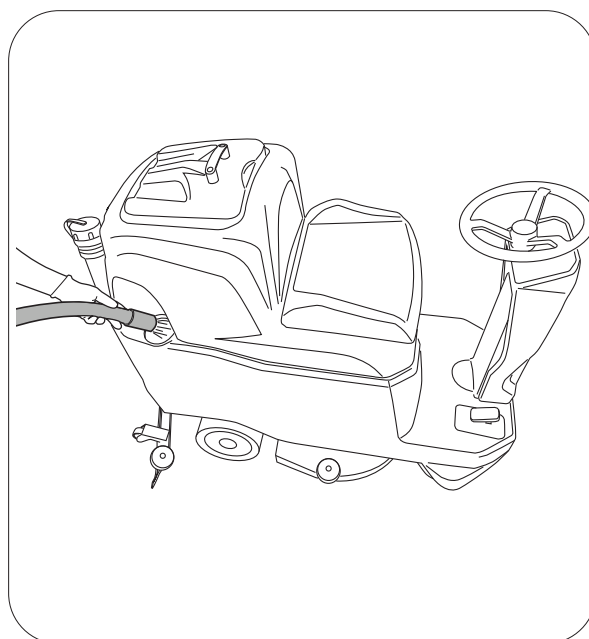
14



Remplissage du réservoir d'eau/détergent

Remplir le réservoir par l'orifice prévu à cet effet (Fig.15). La machine est équipée d'un bouchon gradué qui peut être utilisé pour diluer le détergent à l'intérieur du réservoir. Si le réservoir est vide, l'écran affiche l'alarme correspondant, voir le chapitre « [Alarmes sur l'écran](#) ». Il est toutefois possible de vérifier la quantité d'eau/détergent présente grâce au tube de niveau présent sur le flanc de la machine (Fig.15).

15



Fin du travail

! INFORMATION

Vider le réservoir de récupération et recharger les batteries

À la fin du travail, éteindre la machine avec l'interrupteur général. Le frein de parking n'est pas prévu sur cette machine car elle est munie d'un électrofrein électromagnétique, qui freine automatiquement la machine quand la pédale de marche n'est pas actionnée.

Déplacement de la machine hors utilisation

Pour déplacer la machine effectuer les actions suivantes:

- ▶ Sélectionner la direction de marche.
- ▶ Appuyer sur la pédale d'accélérateur.

S'il n'est pas possible de déplacer la machine avec la traction électrique, il est autorisé de déplacer la machine en la poussant en débloquant l'électrofrein, voir paragraphe [« Pousser/Remorquer la machine »](#).

ARRET PROLONGE

Quand la machine n'est pas utilisée pendant plus d'un mois, par exemple lorsqu'elle est exposée dans un salon ou stockée en entrepôt, suivre les points ci-dessous:

- ▶ Recharger complètement les batteries avant de les stocker. En cas d'inutilisation prolongée, recharger régulièrement les batteries (au moins tous les deux mois) afin de les maintenir à la charge maximale.
- ▶ Déconnecter les batteries de la machine en débranchant le connecteur.
- ▶ Débrancher éventuellement le chargeur de batterie de l'alimentation électrique.
- ▶ Le suceur et les brosses (ou les disques abrasifs) doivent être démontés, lavés et rangés dans un endroit sec (de préférence emballés dans un sac ou une feuille de plastique) à l'abri de la poussière.
- ▶ S'assurer que les réservoirs sont complètement vides et parfaitement propres.

! ATTENTION

Si on ne recharge pas les batteries régulièrement comme indiqué précédemment elles risquent d'être irrémédiablement endommagées.

Le constructeur n'est pas responsable des mauvais fonctionnements dus à un manque d'entretien, à une utilisation incorrecte et/ou non conforme.

INSTRUCTIONS POUR L'ENTRETIEN

! DANGER

Avant toute opération d'entretien débrancher impérativement les batteries.
Les opérations d'entretien concernant l'installation électrique et, plus en général, toutes celles non décrites explicitement dans ce manuel, doivent être effectuées par des techniciens spécialisés, conformément aux normes de sécurité en vigueur et aux indications du manuel pour la maintenance.

Entretien - Règles générales

Un entretien régulier, conformément aux recommandations du Constructeur, est garant d'un parfait fonctionnement de la machine et de sa longévité.

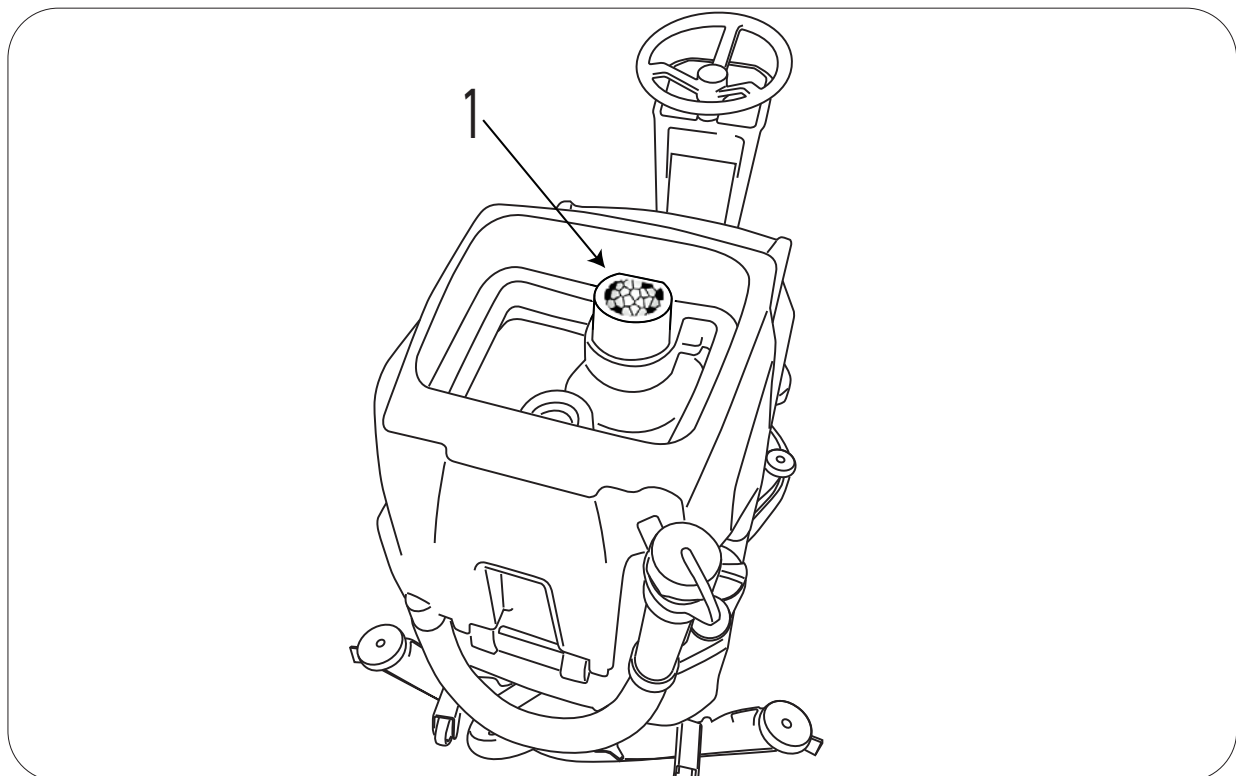
Lors du nettoyage de la machine il est recommandé de prendre les précautions suivantes:

- ▶ Ne pas utiliser de nettoyeurs haute pression: de l'eau pourrait entrer à l'intérieur du coffret électrique ou du coffre moteurs, et les endommager ou provoquer un court-circuit;
- ▶ Ne pas utiliser de vapeur, la chaleur pouvant déformer les pièces en plastique;
- ▶ Ne pas employer d'hydrocarbures ou de solvants: cela pourrait endommager les capots et les parties en caoutchouc.

Nettoyage du filtre à air aspirateur

Ouvrir le couvercle du réservoir de récupération, puis sortir le filtre (Fig.17) du logement, le laver à l'eau courant ou avec le détergent utilisé sur la machine et remettre le filtre dans son logement uniquement après l'avoir séché.

17

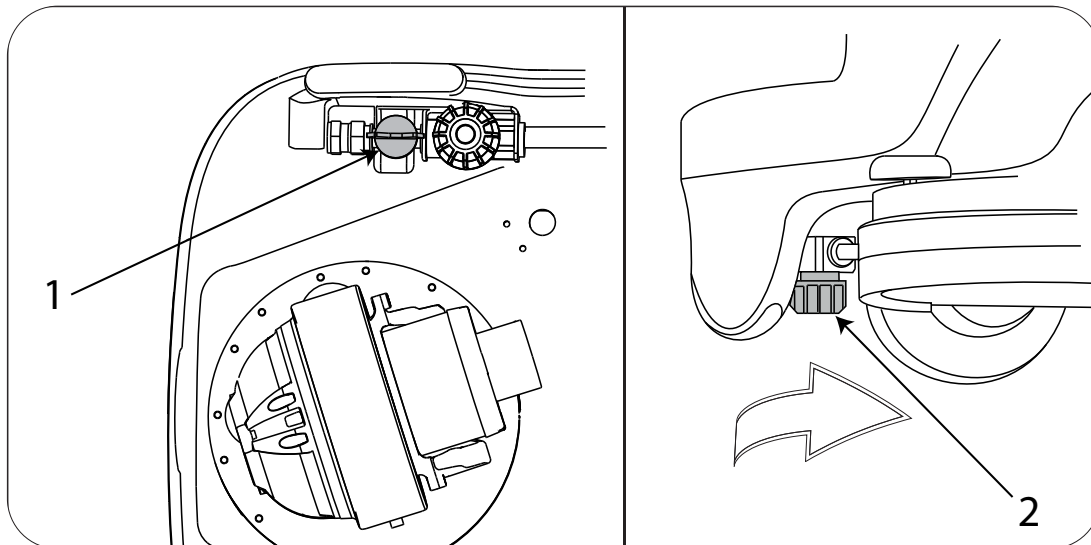


Nettoyage du filtre réservoir d'eau/détergent

Pour le nettoyage du filtre, procéder comme suit :

- ▶ Fermer le robinet (Fig.18-Réf.1) qui se trouve dans la partie avant gauche de la machine, à côté du moteur-roue.
- ▶ Dévisser le couvercle du filtre (Fig.18-Réf.2), sortir le filtre et le nettoyer à l'eau courante ou avec le détergent utilisé sur la machine.
- ▶ Remettre le filtre sur son support et vérifier qu'il est bien en place dans son logement; puis revisser le couvercle.

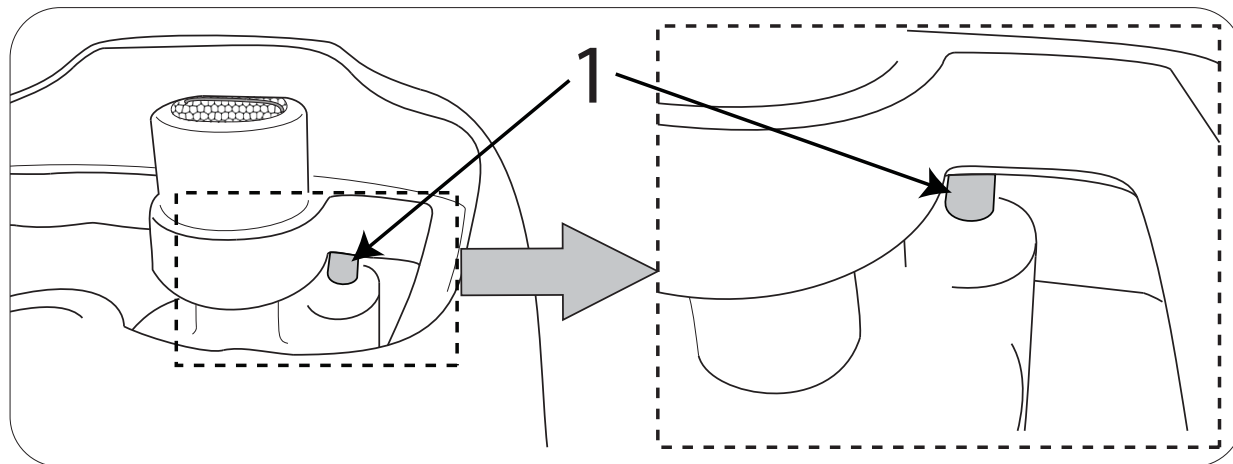
18



Nettoyage du flotteur du réservoir de récupération

Ouvrir le couvercle du réservoir de récupération, nettoyer le flotteur (Fig.19-Réf.1) situé dans la partie avant du réservoir de récupération, en faisant attention à ne pas diriger le jet d'eau directement contre ce dernier ; vérifier que le flotteur coulisse librement sur son axe.

19



Fusibles : remplacement

! DANGER

Cette opération doit être réalisée machine arrêtée et clé retirée

! ATTENTION

Ne jamais remplacer le fusible par un autre de plus fort ampérage.

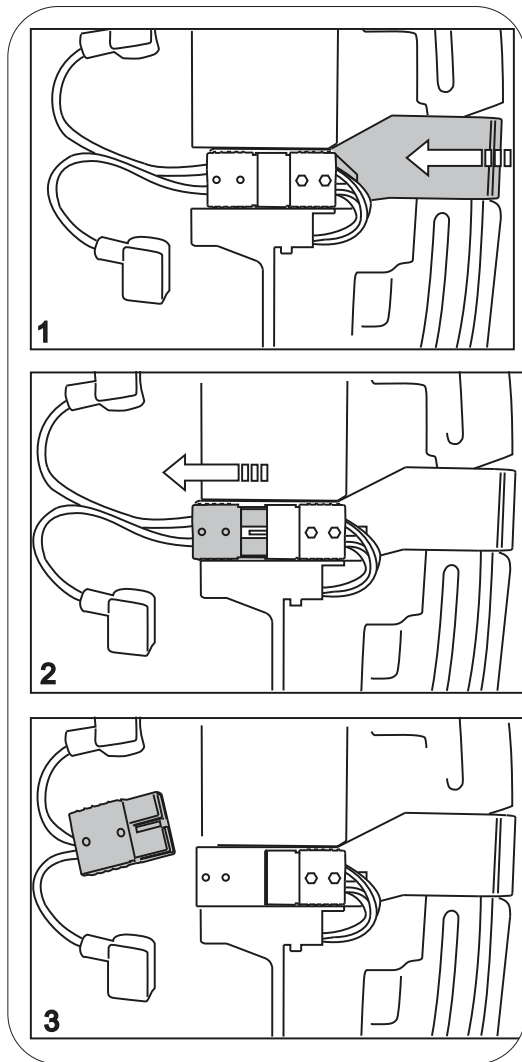
! DANGER

Ne pas appuyer sur panneau de support des cartes électroniques sur les batteries, car un éventuel court-circuit peut provoquer l'explosion de ces dernières.

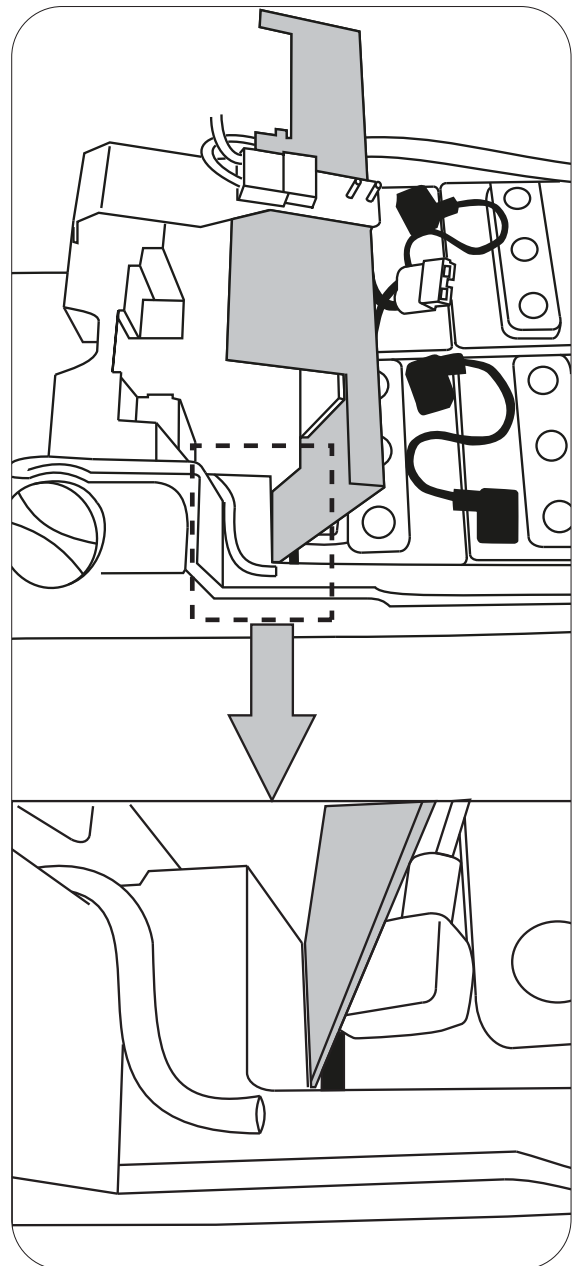
Si un fusible grille sans arrêt, il faut trouver et réparer la panne (câblage, cartes ou moteurs): faire vérifier la machine par un technicien qualifié.

Soulever le réservoir de récupération, débrancher le connecteur du câblage de batterie du circuit électrique (Fig.20-Réf.1-2-3), soulever le panneau de support des cartes électroniques et le bloquer dans le coin du réservoir comme indiqué sur la figure (Fig.21), puis vérifier les fusibles.

20

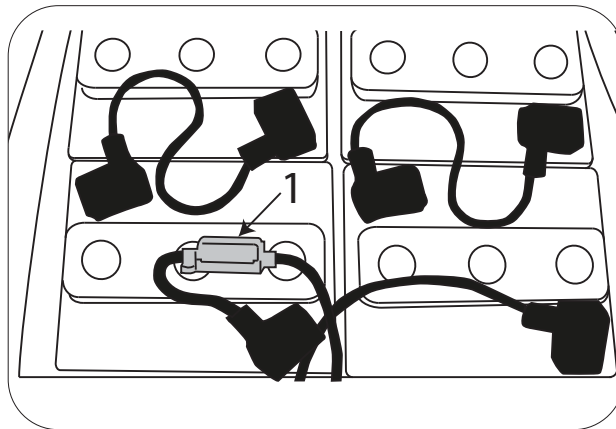


21



(Fig.22-Réf.1) fusible général 100A.

22



(Fig.23-Réf.1-2) fusibles moteurs brosses 30A.

(Fig.23-Réf.3) fusible actionneur tête, actionneur suceur 5A.

(Fig.23-Réf.4) fusible aspirateur 30A.

(Fig.23-Réf.5) fusible électrovanne 5A.

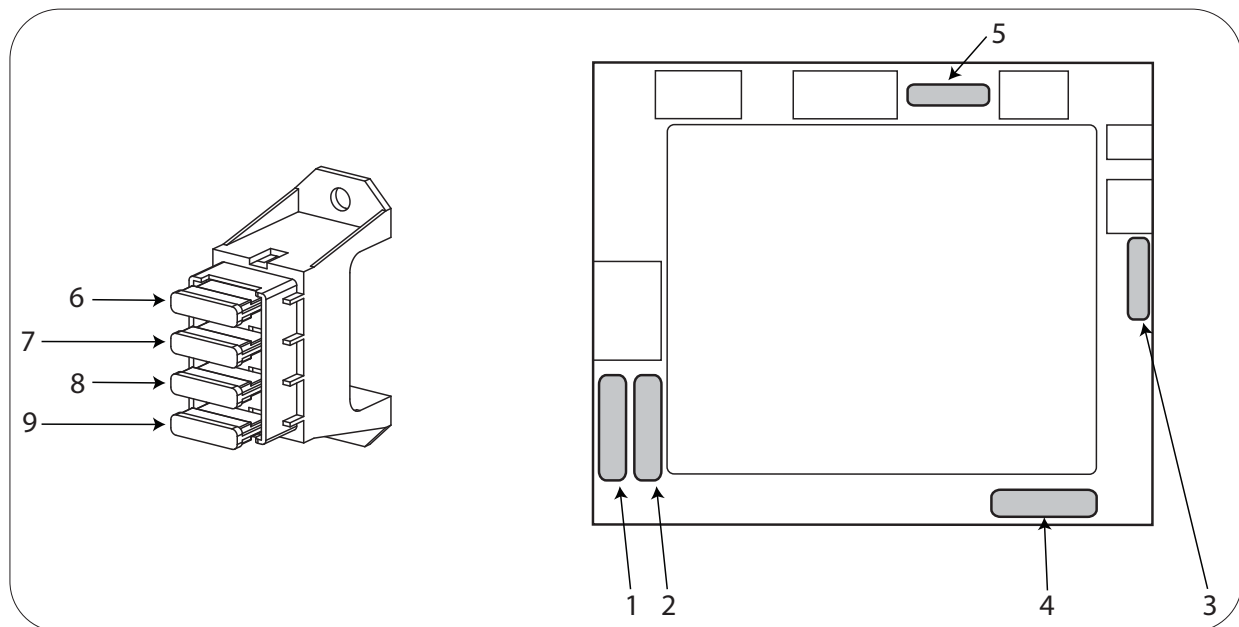
(Fig.23-Réf.6) fusible de l'interrupteur à clé marche-arrêt 5A.

(Fig.23-Réf.7) fusible de gyrophare clignotant 5A.

(Fig.23-Réf.8) fusible actionneur tête 3A.

(Fig.23-Réf.9) fusible actionneur suceur 3A.

23



Entretien et recharge des batteries

! DANGER

Ne pas contrôler les batteries avec des outils générant des étincelles.
Les batteries dégagent des vapeurs inflammables: éteindre tout feu ou braise avant de vérifier les batteries ou d'ajouter du liquide.

! DANGER

Effectuer les opérations suivantes dans des lieux aérés.

! ATTENTION

Pendant la recharge des batteries le réservoir de récupération doit être ouvert (basculé vers l'arrière) pour permettre une bonne aération du compartiment batteries et du chargeur de batteries.

! ATTENTION

En cas de batterie gel, utiliser uniquement un chargeur de batterie spécifique pour accumulateurs gel.

! ATTENTION

Afin d'éviter des dommages permanents aux batteries, ne jamais les décharger complètement.

! ATTENTION

Effectuer la recharge comme spécifié dans le manuel du chargeur de batterie;

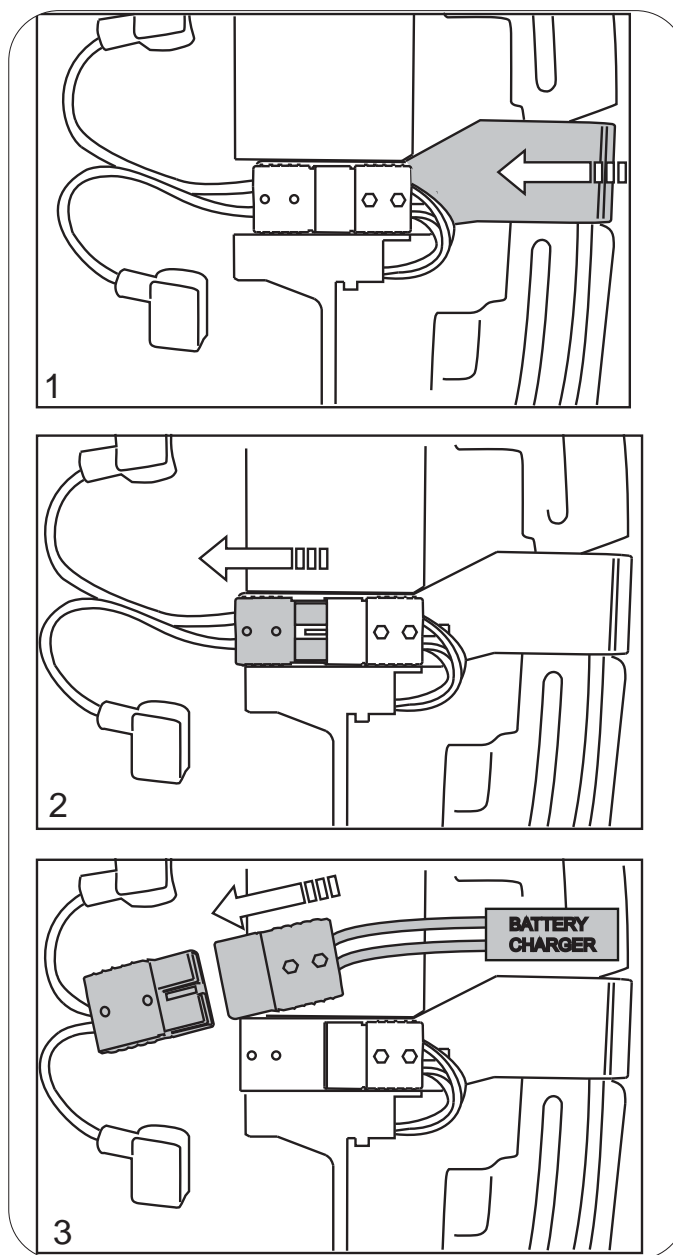
à la fin de la recharge débrancher les connecteurs.

Afin d'éviter des dommages permanents aux batteries, ne jamais les décharger complètement.

Chargeur de batterie « AUTONOME »,
branchement électrique à la machine :

- ▶ Soulever le réservoir de récupération.
- ▶ Appuyer sur l'interrupteur d'urgence (Fig.24-Réf.1).
- ▶ Soulever le connecteur (Fig.24-Réf.2-3) et le sortir des deux axes.
- ▶ Brancher le connecteur au chargeur de batterie.
- ▶ Commencer le cycle de recharge.
- ▶ À la fin du cycle de recharge, débrancher le connecteur.
- ▶ Rebrancher le connecteur du câblage des batteries au connecteur de la machine.

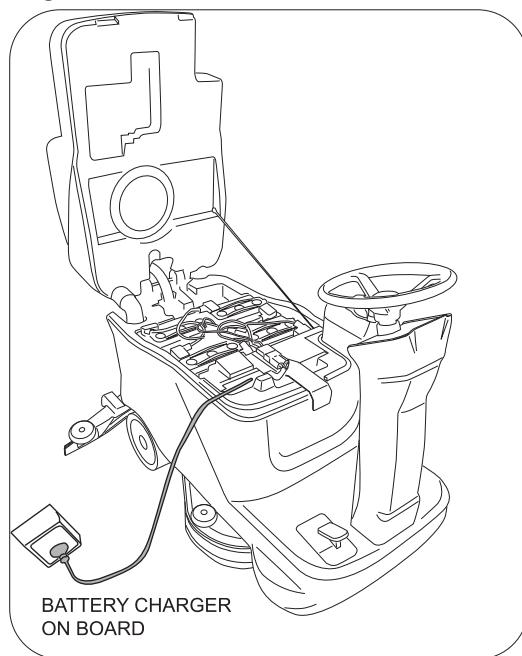
24



Chargeur de batterie « EMBARQUÉ » :

- ▶ Soulever le réservoir de récupération.
- ▶ Sortir la fiche du chargeur de batterie.
- ▶ Brancher la fiche sur la prise de courant (Fig.25).
- ▶ Commencer le cycle de recharge.
- ▶ L'écran de la machine affichera la fin de la recharge, voir le chapitre « [Alarmes sur l'écran](#) »
- ▶ À la fin du cycle de recharge, débrancher la fiche de la prise de courant.

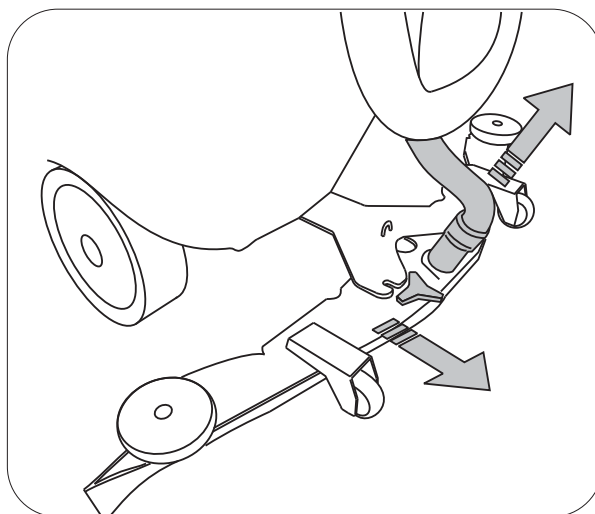
25



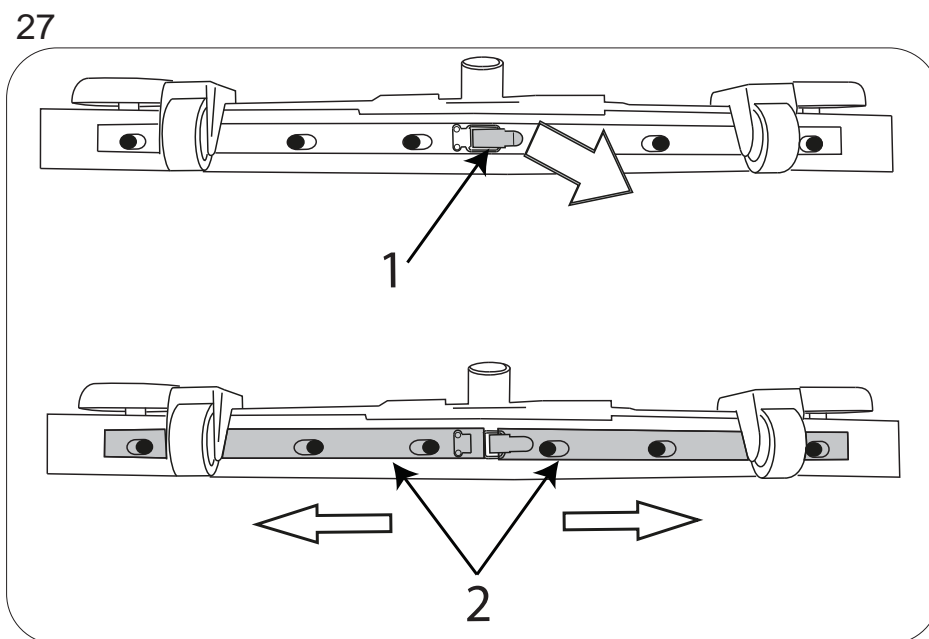
Remplacement lames suceur

- ▶ Mettre la machine en marche, abaisser le suceur en appuyant sur le bouton aspirateur.
- ▶ Sortir le tube d'aspiration du suceur (Fig.26).
- ▶ Dévisser les pommeaux de fixation.
- ▶ Sortir le suceur des fentes présentes dans le support.

26



- ▶ Ouvrir le crochet (Fig.27-Réf.1).
- ▶ Pousser vers l'extérieur les deux serre-lames (Fig.27-Réf.2), puis les sortir.
- ▶ Retirer la lame.
- ▶ Remonter la même lame en inversant la face en contact avec le sol (cette opération peut être répétée jusqu'à ce que les quatre faces soient usées) ou une nouvelle lame en l'encastrant dans les axes du groupe suceur;
- ▶ Remettre les deux serre-lames en plaçant la partie la plus large des boutonnières sur les axes de fixation du corps suceur, puis pousser les serre-lames vers l'intérieur.
- ▶ Refermer le crochet.
- ▶ Remonter le suceur sur son support en suivant les indications décrites auparavant.



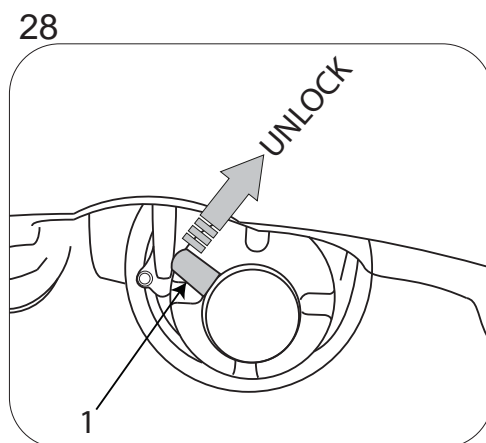
Pousser/Remorquer la machine

S'il n'est pas possible d'utiliser la traction électrique, pour déplacer aisément la machine en la poussant/remorquant, il faut tourner le levier (Fig.28) dans le sens des aiguilles d'une montre pour le déblocage de l'électrofrein. Une fois la machine déplacée ramener le levier dans sa position d'origine.

! ATTENTION

Si le levier est dans la position de frein électromagnétique désactivé (levier tourné dans le sens inverse des aiguilles d'une montre), le frein de la machine reste inactif.

Ne jamais mettre la machine en marche avec l'électrofrein désactivé.



Contrôles périodiques

Le tableau ci-dessous indique le responsable pour chaque procédure.

O = Opérateur

F = Personnel formé.

Intervalle	Responsable	Légende	Description	Procédure	Lubrifiant/Liquide
Tous les jours	O	1	Pad	Contrôler, tourner ou remplacer	
	O	1	Brosse(s)	Contrôler, nettoyer	
	O	6	Suceur	Nettoyer, contrôler l'état et l'usure	
	O	8	Protection projections	Contrôler l'état et l'usure	
	O	2	Réservoir de récupération	Vider, rincer, nettoyer la protection flotteur et bac à déchets	
	O	3	Réservoir solution	Vider, rincer	
	O	4	Réservoir environnements difficiles (option)	Contrôler, remplir	DCA
	O	5	Remplissage automatique batteries (option)	Contrôler, remplir	ED
	O	7	Batteries	Recharger si nécessaire	
Toutes les semaines	O	7	Batteries	Contrôler niveau électrolyte	ED
	O	7	Compartiment batteries	Contrôler présence de liquides	
	O	6	Siphon groupe suceur (modèle à double disque)	Contrôler Nettoyer	
50 heures	O	2	Joint couvercle réservoir de récupération	Contrôler état d'usure	
	O	9	Filtre réservoir solution	Retirer et nettoyer	
100 heures	O	7	KIT remplissage batteries (option)	Contrôler l'état et l'usure des tuyaux	
200 heures	O	7	Batteries, bornes et câbles	Contrôler et nettoyer	
	F	13	Chaîne direction	Lubrifier, vérifier la tension, contrôler l'état et l'usure	LR
	F	14	Câble direction	Vérifier la tension. Contrôler l'état et l'usure	
750 heures	F	10	Moteur d'aspiration	Remplacer les charbons	
1250 heures	F	11	Moteur traction	Remplacer les charbons	
	F	12	Moteurs brosse	Remplacer les charbons	

LUBRIFIANT/LIQUIDE

ED Eau distillée

DCA Détergent du commerce approuvé

LR Lubrifiant réducteur SAE W90

PROBLÈMES, CAUSES ET REMÈDES

INCONVÉNIENTS	CAUSES	REMÈDES
La machine ne marche pas	Les batteries sont débranchées	Brancher les batteries sur la machine
	Les batteries sont déchargées	Recharger les batteries
	Levier de décrochage des batteries enfoncé	Rétablir la position du levier
Les brosses ne tournent pas	Le réservoir récupération est plein	Vider le réservoir de récupération
	Fusible grillé	Remplacer
	Interrupteur défectueux	Remplacer
	Les batteries sont déchargées	Recharger les batteries
	Moteur endommagé	Remplacer
	Fil détaché	Contrôler
La machine ne lave pas uniformément	Les brosses ou les disques abrasifs sont usés	Remplacer
La solution de s'écoule pas du réservoir de détergent	Le robinet en amont du filtre est fermé	Ouvrir le robinet
	Électrovanne endommagée	Remplacer
	Électrovanne sale	Contrôler
	Le réservoir de détergent est vide	Faire le plein
	Le tuyau qui amène la solution jusqu'à la brosse est bouché	Éliminer l'obstruction
	Fusible grillé	Remplacer
La solution coule sans arrêt	Électrovanne endommagée	Remplacer
	Câblage électrovanne endommagé	Contrôler
Le moteur d'aspiration ne fonctionne pas	Le réservoir récupération est plein	Vider le réservoir de récupération
	Fusible grillé	Remplacer
	Interrupteur défectueux	Remplacer
	Les batteries sont déchargées	Recharger les batteries
	Moteur endommagé	Remplacer
	Fil détaché	Contrôler
Le suceur ne nettoie pas ou n'aspire pas	La lame en caoutchouc est abîmée	Remplacer les lames
	Obstruction ou dégât dans le suceur ou le tube	Contrôler
	Le flotteur du réservoir de récupération s'est déclenché ou il est encrassé ou il est défectueux	Vider le réservoir de récupération, contrôler le flotteur.
	Obstruction dans le tuyau d'aspiration;	Contrôler
	Le tuyau d'aspiration n'est pas raccordé au suceur ou est abîmé	Contrôler
	Moteur aspirateur non alimenté ou défectueux	Contrôler
La machine n'avance pas	Les batteries sont déchargées	Recharger les batteries
	Problème à l'actionnement moteur-roue	Contrôler le code d'alarme qui s'affiche sur l'écran
La machine ne freine pas	Frein électromagnétique débloqué	Contrôler
Les batteries n'assurent pas l'autonomie normale	Les pôles et les bornes des batteries sont sales ou oxydés	Nettoyer et graisser les bornes de la batterie, recharger les batteries
	Le chargeur de batterie ne marche pas ou n'est pas adapté	Contrôler

ALARMES AFFICHÉES

Alarme	Cause possible	Intervention
THERM.BROSSES	Surchauffe moteurs brosses. Contact thermique défectueux sur les moteurs. Connexion défectueuse.	Laisser refroidir les moteurs brosse. Remplacer le moteur brosse. Contrôler la connexion.
THERMIQUE TRACTION	Surchauffe du moteur-roue. Contact thermique défectueux sur le moteur. Connexion défectueuse.	Laisser refroidir le moteur-roue. Remplacer le moteur-roue. Contrôler la connexion.
AUCUN OPERATEUR	Le micro-interrupteur de sécurité ne détecte pas la présence de l'opérateur.	S'asseoir sur le siège. Contrôler la connexion. Contrôler le micro-interrupteur du siège.
CLEF ACCELERATEUR	Séquence d'allumage erronée Micro-interrupteur pédale d'accélérateur défectueux. Connexion défectueuse.	Relâcher la pédale d'accélérateur durant l'allumage. Remplacer le micro-interrupteur pédale d'accélérateur. Contrôler la connexion.
RESERVE EAU	Le réservoir solution est presque vide. Capteur bloqué. Capteur ou connexion défectueux.	Remplir le réservoir solution. Nettoyer le capteur de niveau. Remplacer le capteur de niveau. Contrôler la connexion.
MANQUE EAU	Le réservoir solution est vide Capteur bloqué. Capteur ou connexion défectueux.	Remplir le réservoir solution. Nettoyer le capteur de niveau. Remplacer le capteur de niveau. Contrôler la connexion.
RESERVOIR EAU SALE	Réservoir récupération plein. Capteur bloqué. Capteur ou connexion défectueux.	Vider le réservoir récupération. Nettoyer le capteur de niveau. Remplacer le capteur de niveau. Contrôler la connexion.
DETERGENT EPUISE	Réservoir Chem Dose vide. Capteur bloqué. Capteur ou connexion défectueux.	Remplir le réservoir Chem Dose. Nettoyer le capteur de niveau. Remplacer le capteur de niveau. Contrôler la connexion.
CARTE SERVICE NON DETECTEE	Communication avec la carte services interrompue. Cartes auxiliaires défectueuses.	Contrôler la connexion entre les cartes. Contrôler les cartes auxiliaires.
BATTERIE DÉCHARGÉE	Tension batterie inférieure à : 20,7 V GEL/ AGM - 20,3 V ACIDE. Batterie dégénérée.	Recharger les batteries. Remplacer les batteries.
RESERVE BATTERIE	Tension batterie inférieure à : 21,5 V GEL/ AGM - 20,5 V ACIDE. Batterie dégénérée.	Recharger les batteries. Remplacer les batteries.
APPEL SERVICE TECH- NIQUE	Le nombre d'heures défini pour l'assistance programmée a été atteint/dépassé.	Appeler le centre d'assistance pour l'entretien programmé.
BATTERIE EN CHARGE	Le chargeur de batterie embarqué est en marche, toutes les fonctions de la machine sont désactivées.	Débrancher le chargeur de batterie
CHARGE TERMINEE	Le chargeur de batterie embarqué est en marche, la charge est complète, toutes les fonctions de la machine sont désactivées.	Débrancher le chargeur de batterie
ERREUR DU CHARGEUR EMBARQUÉ	Mauvais fonctionnement du chargeur de batterie	Remplacer le chargeur de batterie
BATTERIES NON CON- NECTEES	Batterie non raccordée Fusible à l'intérieur du chargeur de batterie grillé	Raccorder la batterie Remplacer le chargeur de batterie
O.C. BRUSH	Court-circuit moteur brosse	Remplacer le moteur brosse

FUSIBLE BROSSE	Fusible brosses grillé	Remplacer le fusible
DÉCONNECTER URGENCE	Problème communication cartes électroniques	Appuyer sur l'interrupteur d'urgence et le réarmer au bout de 10 secondes. Si après cette procédure l'écran affiche "update software" ne pas éteindre la machine mais laisser se terminer la procédure.
ALARMES SUR L'ÉCRAN DE LA CARTE TRACTION		
TEMPERATURE CARTE TRACTION	Température carte entre -10°C et +80°C. Effort excessif du véhicule. Électrofrein enclenché.	Refroidir ou réchauffer la carte. Ne pas forcer la machine avec des rampes prolongées. Contrôler l'électrofrein.
PANNE ACCELERATEUR	Connexion potentiomètre défectueuses. Potentiomètre défectueux. Paramétrage type potentiomètre erroné.	Contrôler la connexion. Remplacer le potentiomètre. Paramétrer le potentiomètre correct.
DEFAUT VITESSE	Connexions signal vitesse interrompues. Carte services défectueuse.	Contrôler la connexion entre la carte services et la carte traction. Remplacer la carte services.
SOUS TENSION CARTE TRACTION	Tension batterie inférieure à 17 V. Erreur de connexion entre batteries et contrôleur.	Charger ou remplacer les batteries. Contrôler connexion batterie.
SUR TENSION CARTE TRACTION	Tension batterie supérieure à 31 V. Machine en mouvement avec chargeur de batterie raccordé. Connexion batterie défectueuse.	Contrôler ou remplacer les batteries. Débrancher le chargeur de batterie. Contrôler connexion batterie.
PANNE RELAIS	Relais défectueux. Carte traction défectueuse.	Remplacer la carte traction.
PANNE ENTREES	Entrée urgence activée sur la carte traction. Connexion clé sur la carte traction.	Contrôler la connexion entre la carte services et la carte traction.
HDP 10 SEC.	Pédale d'accélérateur enfoncée au démarrage pendant plus de 10 secondes. Potentiomètre non réglé.	Relâcher la pédale d'accélérateur au démarrage de la machine. Contrôler le réglage du potentiomètre.
PANNE ELECTROFREIN	Carte traction défectueuse. Électrofrein défectueux.	Remplacer la carte traction. Contrôler/remplacer l'électrofrein.
PANNE PRECHARGE	Contrôle électrofrein en CC. Carte défectueuse. Rupture mosfet.	Remplacer la carte traction.
HDP	Pédale d'accélérateur enfoncée au démarrage. Potentiomètre non réglé.	Relâcher la pédale d'accélérateur au démarrage de la machine. Contrôler le réglage du potentiomètre.
PANNEMOTEURTRACTION	Moteur traction en CC. Connexion moteur traction en CC. Carte défectueuse.	Contrôler/remplacer moteur traction. Contrôler connexions moteur. Remplacer la carte traction.
PANNE CARTE TRACTION	Connexion moteur traction défectueuse. Carte défectueuse.	Contrôler connexion moteur. Remplacer la carte traction.
ALIMENTATION CARTE TRACTION	Batterie non connectée. Connexion batterie défectueuse.	Connecter les câbles batterie. Contrôler les câbles batterie
SURINTENSITE	Effort excessif de la machine. Moteur traction endommagé.	Ne pas forcer la machine avec des rampes prolongées. Contrôler/remplacer moteur traction.
TRACTION ALARM	Problème au système traction	Attendre quelques secondes, machine allumée, que le bon message s'affiche.

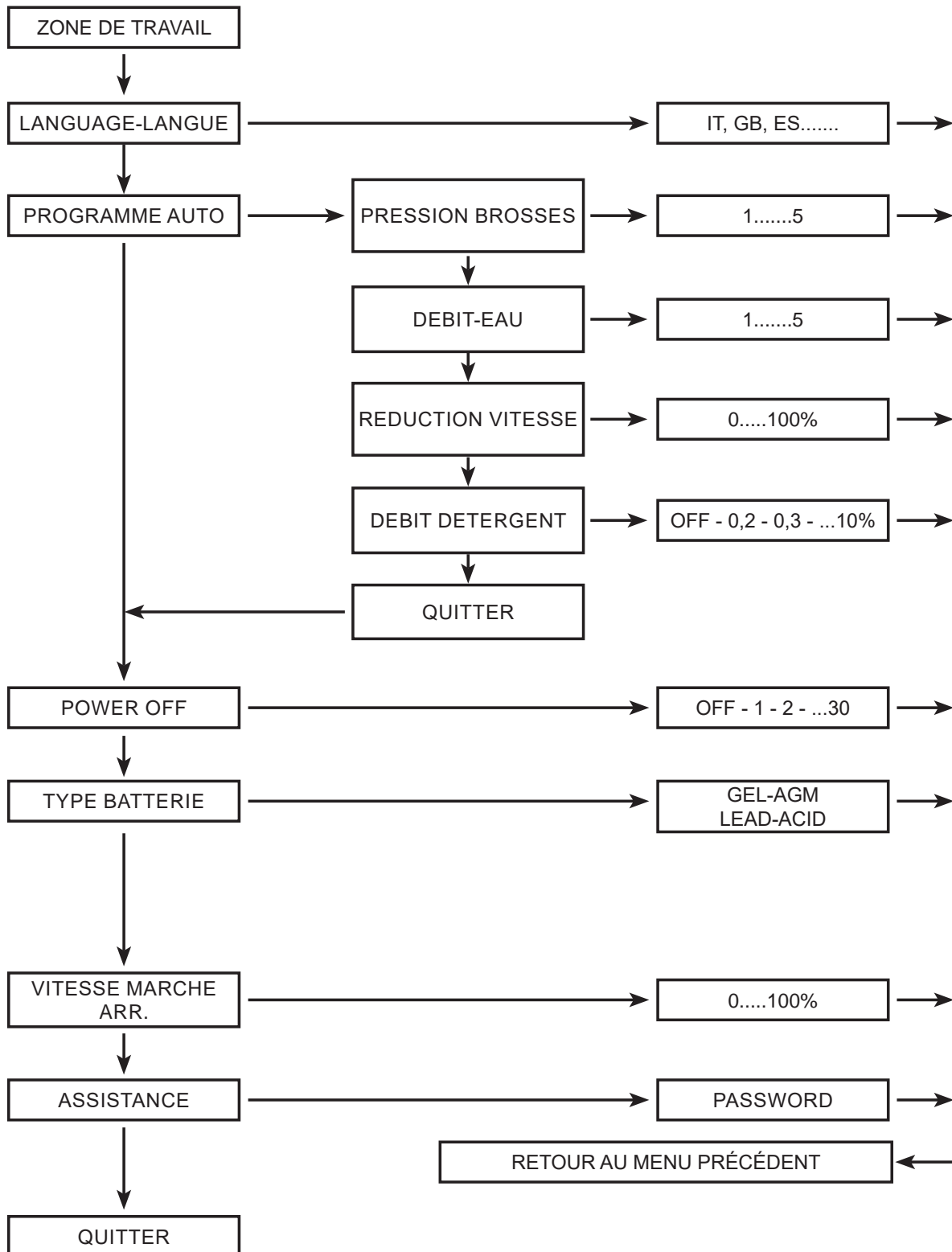
MENU TECHNIQUE

On accède au menu en appuyant simultanément sur le bouton « + » et le bouton « - » sans aucune fonction active.

Bouton « + », augmente la sélection du paramètre ou la variable du paramètre sélectionné.

Bouton « - », diminue la sélection du paramètre ou la variable du paramètre sélectionné.

Bouton « Accrochage-décrochage brosses », sélectionne le paramètre à modifier et confirme la variable saisie.



PIÈCES DE RECHANGE CONSEILLÉES

Référence	DESCRIPTION
SPPV01495	BROSSE 50CM, PYP, SOFT
SPPV01332	BROSSE 50CM, PYP
SPPV01335	TAMPON, SUPPORT D'ENTRAÎNEMENT 50 CM [STANDARD]
1243338	TAMPON, POLISSAGE, 20.0D, BLANC [x5]
1243339	TAMPON, NETTOYAGE, 20.0D, ROUGE [x5]
1243340	TAMPON, RÉCURAGE, 20.0D, BLEU [x5]
1243566	TAMPON, DÉCAPAGE, 20.0D, MARRON [x5]
1243661	TAMPON, DÉCAPAGE, 20.0D, NOIR, HAUTE PRODUCTIVITÉ [x5]
1243670	TAMPON, PRÉPARATION SURFACE 20.0D, MARRON [x5]
1240393	TAMPON, POLISSAGE, 20.0D, JAUNE [x5]
9017755	LAME, RACLETTE, AVANT, 815L, LATEX [OPTION]
9017756	LAME, RACLETTE, ARRIÈRE, 815L, LATEX [OPTION]
9017757	LAME, RACLETTE, AVANT, 815L, PYU [OPTION]
9017758	LAME, RACLETTE, ARRIÈRE, 815L, PYU [OPTION]
9017759	LAME, RACLETTE, AVANT, 815L, LINATEX [STANDARD]
9017760	LAME, RACLETTE, ARRIÈRE, 815L, LINATEX [STANDARD]
897383	VOLET
1053408	BATTERIE, AGM, 12 VDC 140 AH
1015046	BATTERIE, HUMIDE, 12 VDC 150 AH
9017803	ACTIONNEUR, RACLETTE, 24 VDC
9017805	ACTIONNEUR, TÊTE BROSSE, 24 VDC
9017764	BALAI, CHARBON, VENTILATEUR ASPIRATION
897436	MOTEUR ASPIRATION 24 2 ÉTAGES
9017765	MOTEUR, BALAI, 24 VDC
897500	CARTE
9017686	KIT BALAI, CHARBON, MOTEUR À BALAI [x4]
9017784	BALAI, CHARBON, MOTEUR TRANSMISSION
9018401	JOINT, MOTEUR, ASPIRATION
9017785	FILTRE, MOTEUR, VENTILATEUR ASPIRATION
9017786	BOYAU, RÉCUPÉRATION
897466	TAMIS, FILTRE
9017790	CAPTEUR, NIVEAU, LIQUIDE
9017793	BOYAU, VIDANGE
9017794	KIT BOUCHON, BOYAU VIDANGE, RÉCUPÉRATION
9017795	CAPTEUR, POSITION, ENTRAÎNEMENT
9017718	VANNE, EAU, SOLÉNOÏDE, 24 VDC
9017800	PNEU, PLEIN, PYU
9017802	KIT BOUCHON, BOUCHON VIDANGE AVEC JOINT
9017807	ENSEMBLE ENTRAÎNEMENT, ROUE
9017808	ENSEMBLE FREIN, AVEC LEVIER, COMPLET

9017809	ROUE, ARRIÈRE, 250 MM X 60 MM
MEVR00644	FUSIBLE 30 A
9017817	FUSIBLE 5 A
9017819	FUSIBLE 100 A
MEVR00584	FUSIBLE 3 A
9017821	CARTE DE CIRCUIT, PRINCIPALE
9017823	CARTE DE CIRCUIT, PANNEAU ÉCRAN

Tennant Company

PO. Box

10400 Clean Street

Eden Prairie, MN 55344-2650

Phone: (800) 553- 8033

www.tennantco.com

Copyright © 2020 Tennant Company. All rights reserved.