



T581

Rider Floor Scrubber

Parts Manual



Model Part No.:
1255470 - SCRUBBER [T581 50CM, W/O BATT, NA]
9022008 - SCRUBBER [T581 50CM, 150AH WET BATT, NA]
9022009 - SCRUBBER [T581 50CM, 140AH AGM BATT, NA]

Tennant True® Parts

North America



To view, print or download
Tennant manuals, visit:

www.tennantco.com/manuals

9021519
Rev. 00 (02-2021)

Only use TENNANT Company supplied or equivalent parts. Parts and supplies may be ordered online, by phone or from any Tennant Authorized Service Center or Distributor.

Before Ordering any parts or supplies, be sure to have the machine model number and serial number available.

Serial Number Location



Tennant Company
PO Box 1452
Minneapolis, MN 55440 USA
Phone: (800) 553-8033
www.tennantco.com

Specifications and parts are subject to change without notice.

Copyright © 2021 TENNANT Company

RECOMMENDED SPARE PARTS LIST 4

BRUSHES / PAD DRIVER AND PADS 5

RECOVERY TANK GROUP 6

SOLUTION TANK GROUP 8

SOLUTION TANK DRAIN HOSE GROUP 9

FRAME AND DRIVE WHEEL GROUP 10

SCRUB HEAD GROUP 14

SQUEEGEE GROUP 16

ELECTRICAL COMPONENT GROUP 18

CONTROL CONSOLE GROUP 22

DRIVE MOTOR BREAKDOWN 24

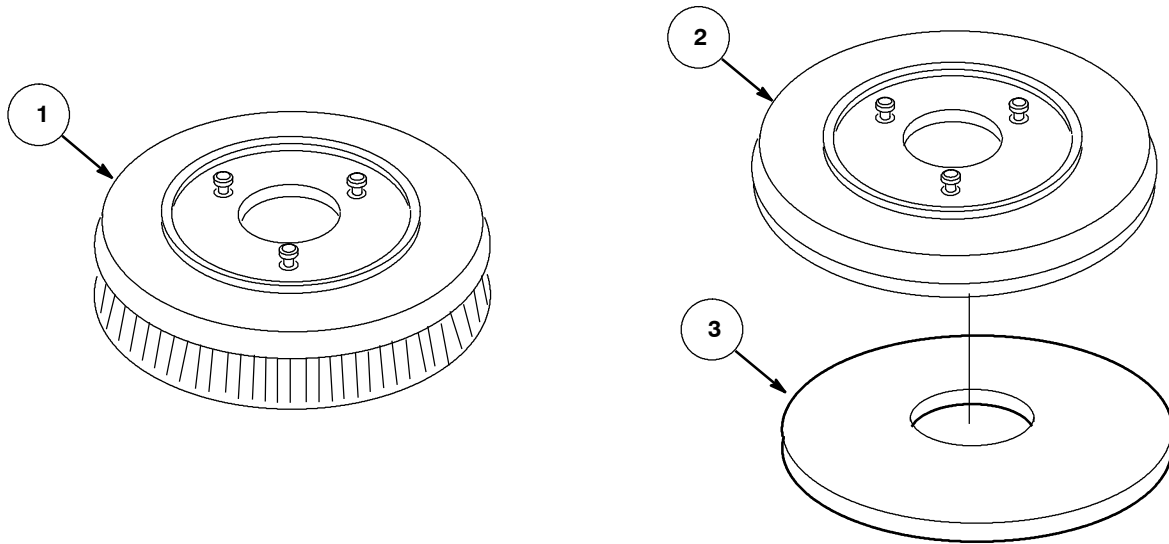
ELECTRICAL DIAGRAM 25

RECOMMENDED SPARE PARTS LIST

WEAR PARTS	
PART NO.	DESCRIPTION
SPPV01332	BRUSH ASSY, DISK, SCB, 50CM, PYP
SPPV01495	BRUSH ASSY, DISK, SCB, 50CM, PYP, SOFT
SPPV01335	PAD DRIVER 50CM [STANDARD]
1243338	PAD, POLISH, 20.0D, WHITE [QTY 5]
1243339	PAD, BUFF, 20.0D, RED [QTY 5]
1243340	PAD, SCRUB, 20.0D, BLUE [QTY 5]
1243566	PAD, STRIP, 20.0D, BROWN [QTY 5]
1243661	PAD, STRIP, 20.0D, BLACK, HI PROD [QTY 5]
1243670	PAD, SURF PREP, 20.0D MAROON [QTY 5]
1240393	PAD, POLISH, 20.0D, YELLOW [QTY 5]
9017759	BLADE, SQGE, FRONT, 815L, LINATEX [STANDARD]
9017760	BLADE, SQGE, REAR, 815L, LINATEX [STANDARD]
9017755	BLADE, SQGE, FRONT, 815L, LATEX [OPTION]
9017756	BLADE, SQGE, REAR, 815L, LATEX [OPTION]
9017757	BLADE, SQGE, FRONT, 815L, PYU [OPTION]
9017758	BLADE, SQGE, REAR, 815L, PYU [OPTION]

SERVICE PARTS	
PART NO.	DESCRIPTION
1053408	BATTERY, AGM, 12VDC 140AH
1015046	BATTERY, WET, 12VDC 150AH
9017803	ACTUATOR, SQGE, 24VDC
9017805	ACTUATOR, BRUSH HEAD, 24VDC
9017764	BRUSH, CARBON, VAC FAN
9017716	MOTOR VACUUM 24 2- STAGES
9017765	MOTOR, BRUSH, 24VDC
897500	BOARD
9017686	BRUSH KIT, CARBON, BRUSH MOTOR [4 PC]
9017784	BRUSH, CARBON, TRANSAXLE MOTOR
9018401	GASKET, MOTOR, VACUUM
9017785	FILTER, MOTOR, VAC FAN
9017786	HOSE ASSY, RECOVERY
897466	SCREEN, FILTER
9017790	SENSOR, LEVEL, LIQ
9017793	HOSE ASSY, DRAIN
9017794	CAP KIT, DRAIN HOSE, RECVY
9017795	SENSOR, POSITION, DRIVE
9017718	VALVE, WATER, SOLENOID, 24VDC
9017800	TIRE, SOLID, PYU
9017802	CAP KIT, DRAIN PLUG W/GASKET
9017803	ACTUATOR, SQGE, 24VDC
9017807	DRIVE ASSY, WHEEL
9017808	BRAKE ASSY, W/LEVER, COMPLT
9017809	WHEEL, SCRBR, 250MM X 60MM
897383	FLAP
9017815	FUSE 30A
9017817	FUSE 5A
9017819	FUSE 100A
MEVR00584	FUSE 3A
9017821	CIRCUITBOARD, MAIN
9017823	CIRCUITBOARD, DISPLAY PANEL

BRUSHES / PAD DRIVER AND PADS



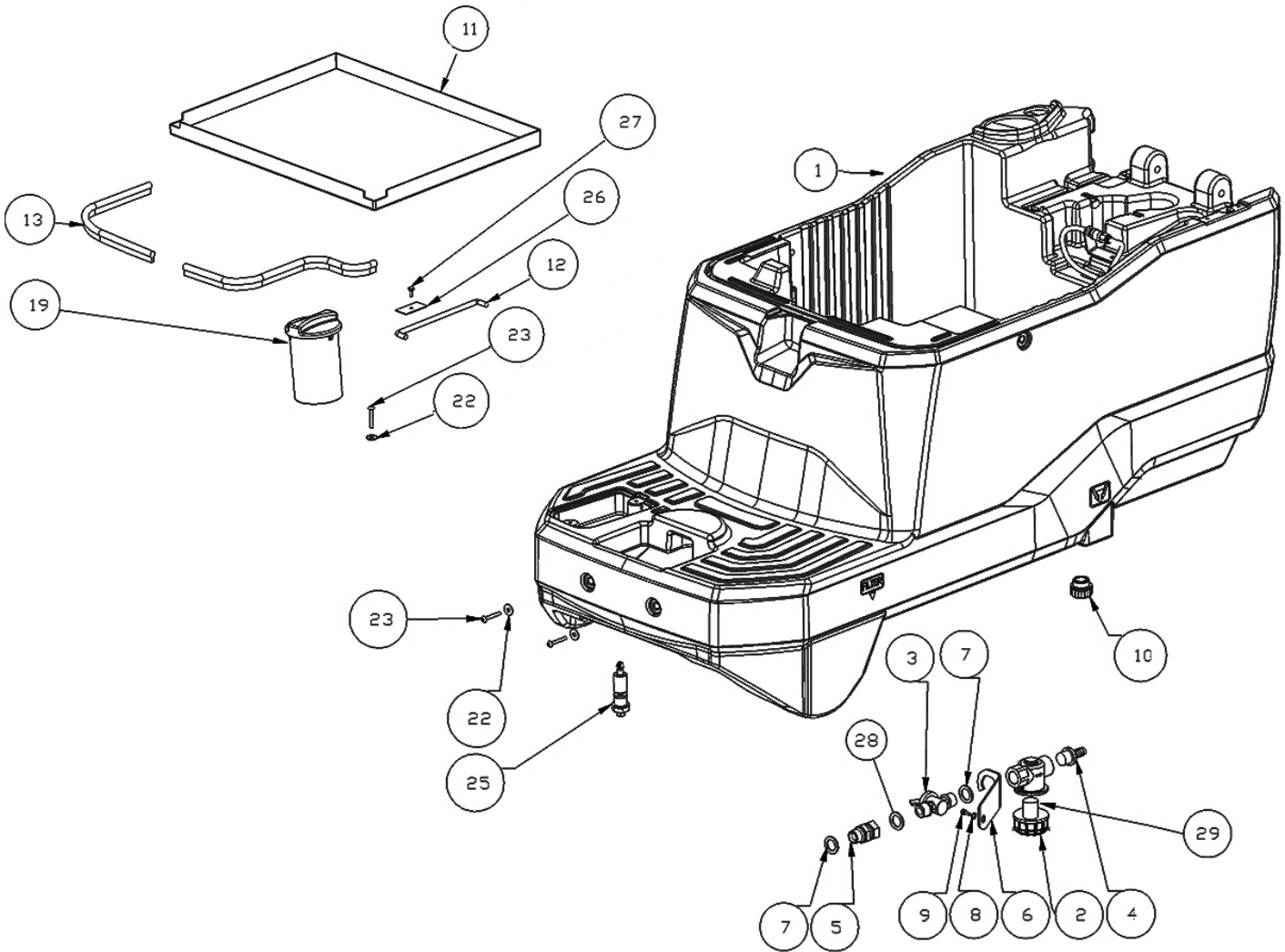
Ref.	Part No.	Serial Number	Description	Qty.
1	SPPV01332	(125546x- 00001-) BRUSH ASSY, DISK, SCB, 50CM, PYP	1
1	SPPV01495	(125546x- 00001-) BRUSH ASSY, DISK, SCB, 50CM, PYP, SOFT	1
2	SPPV01335	(125546x- 00001-) DRIVER ASSY, PAD, 50CM, 3- LUG	1
3	1243338	(125546x- 00001-) PAD, POLISH, 20.0D, WHITE [QTY 5]	1
3	1243339	(125546x- 00001-) PAD, BUFF, 20.0D, RED [QTY 5]	1
3	1243340	(125546x- 00001-) PAD, SCRUB, 20.0D, BLUE [QTY 5]	1
3	1243566	(125546x- 00001-) PAD, STRIP, 20.0D, BROWN [QTY 5]	1
3	1243661	(125546x- 00001-) PAD, STRIP, 20.0D, BLACK, HI PROD [QTY 5]	1
3	1243670	(125546x- 00001-) PAD, SURF PREP, 20.0D MAROON [QTY 5]	1
3	1240393	(125546x- 00001-) PAD, POLISH, 20.0D, YELLOW [QTY 5]	1

RECOVERY TANK GROUP

Ref.	Part No.	Serial Number	Description	Qty.
1	9017786	(1255470- 00001) HOSE ASSY, RECVY	1
2	897430	(1255470- 00001) PIN, 10D X 275L	1
3	897431	(1255470- 00001) NUT AUTOBL.M10 INOX DIN 985	2
4	897432	(1255470- 00001) WASHER, D. 10X21, UNI6592, INOX	2
5	MPVR12901	(1255470- 00001) TANK RECOVERY PT80 BLUE	1
6	897434	(1255470- 00001) BRACKET, HSGN, FAN	1
8	9017716	(1255470- 00001) FAN, VACUUM	1
9	9018401	(1255470- 00001) GASKET, MOTOR, VACUUM	1
10	897437	(1255470- 00001) INSULATION, FAN	1
11	897438	(1255470- 00001) FAIRLEAD, 13,5D	1
14	897439	(1255470- 00001) COVER, FAN	1
15	897440	(1255470- 00001) GASKET, RBR, FAN	1
16	9017790	(1255470- 00001) SENSOR, LEVEL, LIQ	1
17	897441	(1255470- 00001) COVER, TANK, RECVY [2180]	1
18	897657	(1255470- 00001) GASKET PT80 TANK LID	1
19	897443	(1255470- 00001) LABEL [FILTER]	1
24	9017785	(1255470- 00001) FILTER, MOTOR, VACFAN	1
25	9017793	(1255470- 00001) HOSE ASSY, DRAIN	1
26	897444	(1255470- 00001) SEAT [2180SR]	1
27	897445	(1255470- 00001) SWITCH, SENSOR, SEAT	1
28	897384	(1255470- 00001) WASHER D. 5X14 INX	3
29	897446	(1255470- 00001) SCREW TBEI M 6- 16	2
30	897447	(1255470- 00001) HANDLE, COVER	1
31	897315	(1255470- 00001) RUBBER LAV.	4
32	897112	(1255470- 00001) WASHER D. 6X18 INX UNI 6593	4
33	897448	(1255470- 00001) CLAMP, HOSE, WORMDRIVE, 45 - 60D	1
34	897449	(1255470- 00001) HANGER, HOSE	1
35	897151	(1255470- 00001) SCREW TE M 4X 10 INX	1
36	897450	(1255470- 00001) SCREW TE M 6x45 INOX	4
37	VTVT00916	(1255470- 00001) SCREW	3
38	897451	(1255470- 00001) NET	1
39	897452	(1255470- 00001) CAP	1
40	897453	(1255470- 00001) SCREW TE M4x12 UNI 5739 INOX	1
41	897156	(1255470- 00001) WASHER D. 4 INX	1
42	9017794	(1255470- 00001) CAP KIT, DRAIN HOSE, RECVY	1
43	897146	(1255470- 00001) SPACER	3
44	VTDD01693	(1255470- 00001) NUT, M5, INOX	3
45	KTRI06354	(1255470- 00001) LABEL KIT, T581	1

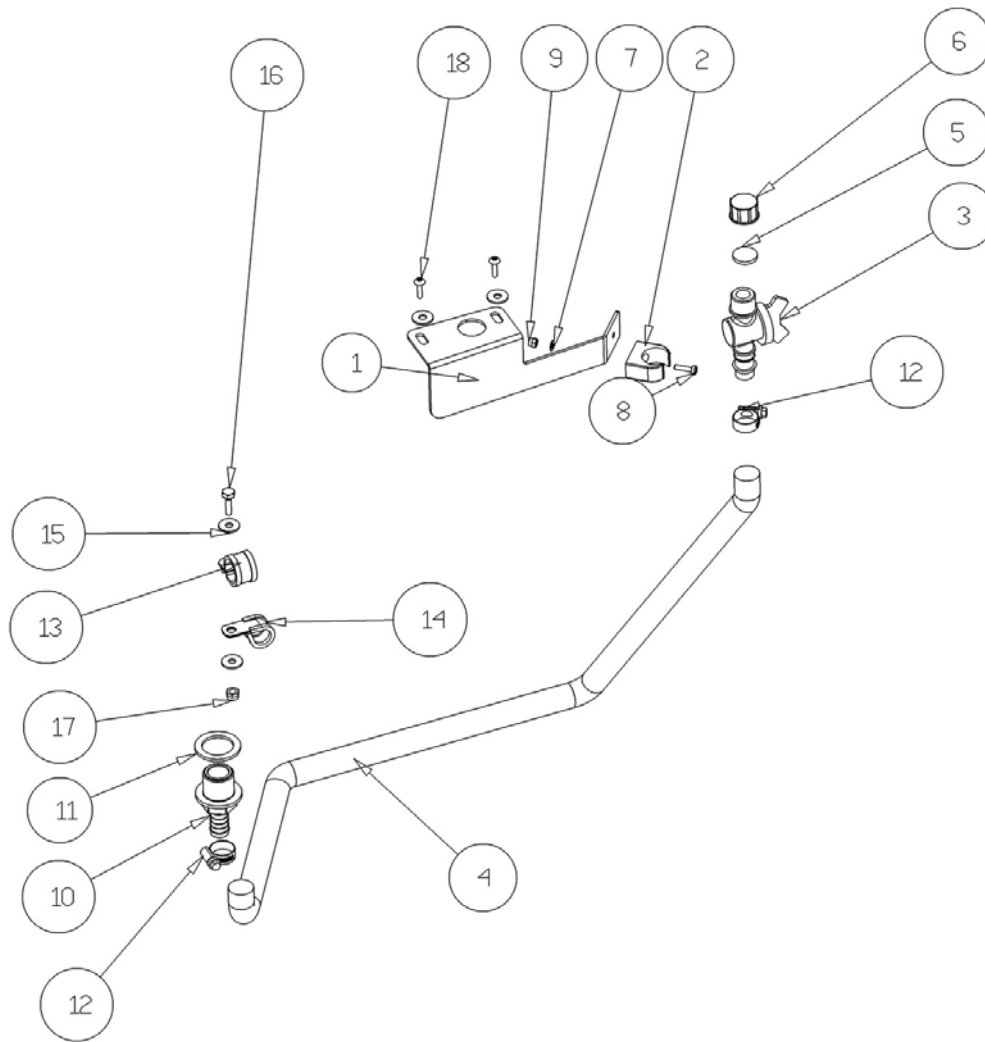
PARTS LIST

SOLUTION TANK GROUP



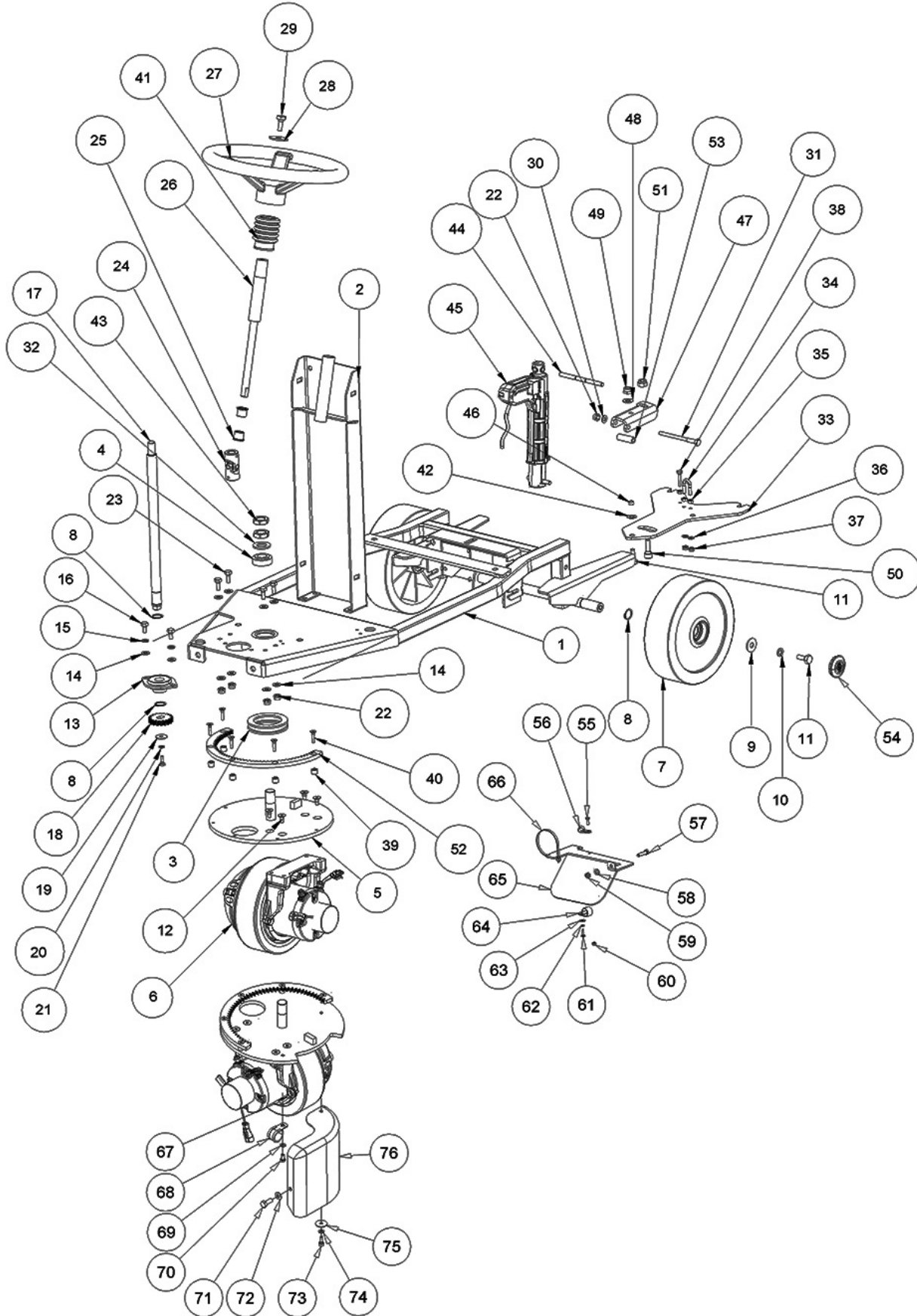
Ref.	Part No.	Serial Number	Description	Qty.
1	897454	(1255470-00001)	TANK, SOLTN [2180SR]	1
2	9017787	(1255470-00001)	SCREEN, SOLTN	1
3	9018454	(1255470-00001)	WATER, VALVE, SOLTN	1
4	897455	(1255470-00001)	CONNECTOR 1/2 M RESCA 15	1
5	897456	(1255470-00001)	CONNECTOR 1/2" M/F	1
6	897457	(1255470-00001)	BRACKET, WATER, FTLR	1
7	897458	(1255470-00001)	WASHER 1/2	2
8	897384	(1255470-00001)	WASHER D. 5X14 INX	1
9	897459	(1255470-00001)	SCREW, M5X12, TE, INOX	1
10	9017802	(1255470-00001)	CAP KIT, DRAIN PLUG W/GASKET	1
11	897460	(1255470-00001)	TRAY, BATTERY, D.490X394X30	1
12	897461	(1255470-00001)	ROD, SPPT, TANK	1
13	897462	(1255470-00001)	SEAL, SOLTN, TANK	1
19	897463	(1255470-00001)	CAP, SOLTN, TANK	1
22	897120	(1255470-00001)	WASHER, D.8X24, UNI6593, INOX	2
23	897243	(1255470-00001)	SCREW TE M8x35 UNI5739 INOX	2
25	9017790	(1255470-00001)	SENSOR, LEVEL, LIQ	1
26	897464	(1255470-00001)	BRACKET, ROD	1
27	897658	(1255470-00001)	SCREW M 5X 12 TSPEI UNI 5933	1
28	897465	(1255470-00001)	SEAL, ORG, 15,08D X 2,62 TH	1
29	897466	(1255470-00001)	SCREEN, FILTER	1

SOLUTION TANK DRAIN HOSE GROUP



Ref.	Part No.	Serial Number	Description	Qty.
1	897358	(1255470- 00001) BRACKET, DRAIN, VALVE	1
2	897266	(1255470- 00001) CLIP, M25	1
3	897271	(1255470- 00001) CONNECTOR 1/2 M RESCA 15	1
4	897656	(1255470- 00001) HOSE, DRAIN, SOLTN	1
5	897270	(1255470- 00001) GASKET D.21 SP.3 GOMMA	1
6	897269	(1255470- 00001) CAP 1/2" G X ELETTR. ACL	1
7	897156	(1255470- 00001) WASHER D. 4 INX	1
8	897359	(1255470- 00001) SCREW, TCTC, M4X16, ACCIAIO, INOX	1
9	897160	(1255470- 00001) NUT, M4, INOX, ZN	1
10	897360	(1255470- 00001) FITTING, PLASTIC, 3/4	1
11	897361	(1255470- 00001) CRANKCASE FRONTALE 705 GRIGIO	1
12	897362	(1255470- 00001) CLAMP, HOSE, WORMDRIVE, 12- 20D	2
13	897363	(1255470- 00001) FAIR, LEAD	1
14	897364	(1255470- 00001) CLAMP, STL, 16D, INSULATED	1
15	897112	(1255470- 00001) WASHER D. 6X18 INX UNI 6593	4
16	897287	(1255470- 00001) SCREW TE 6X20 UNI5739 INX	1
17	897138	(1255470- 00001) NUT M6 INOX	1
18	897329	(1255470- 00001) SCREW, TBEI, M5x16, INOX	2

FRAME AND DRIVE WHEEL GROUP

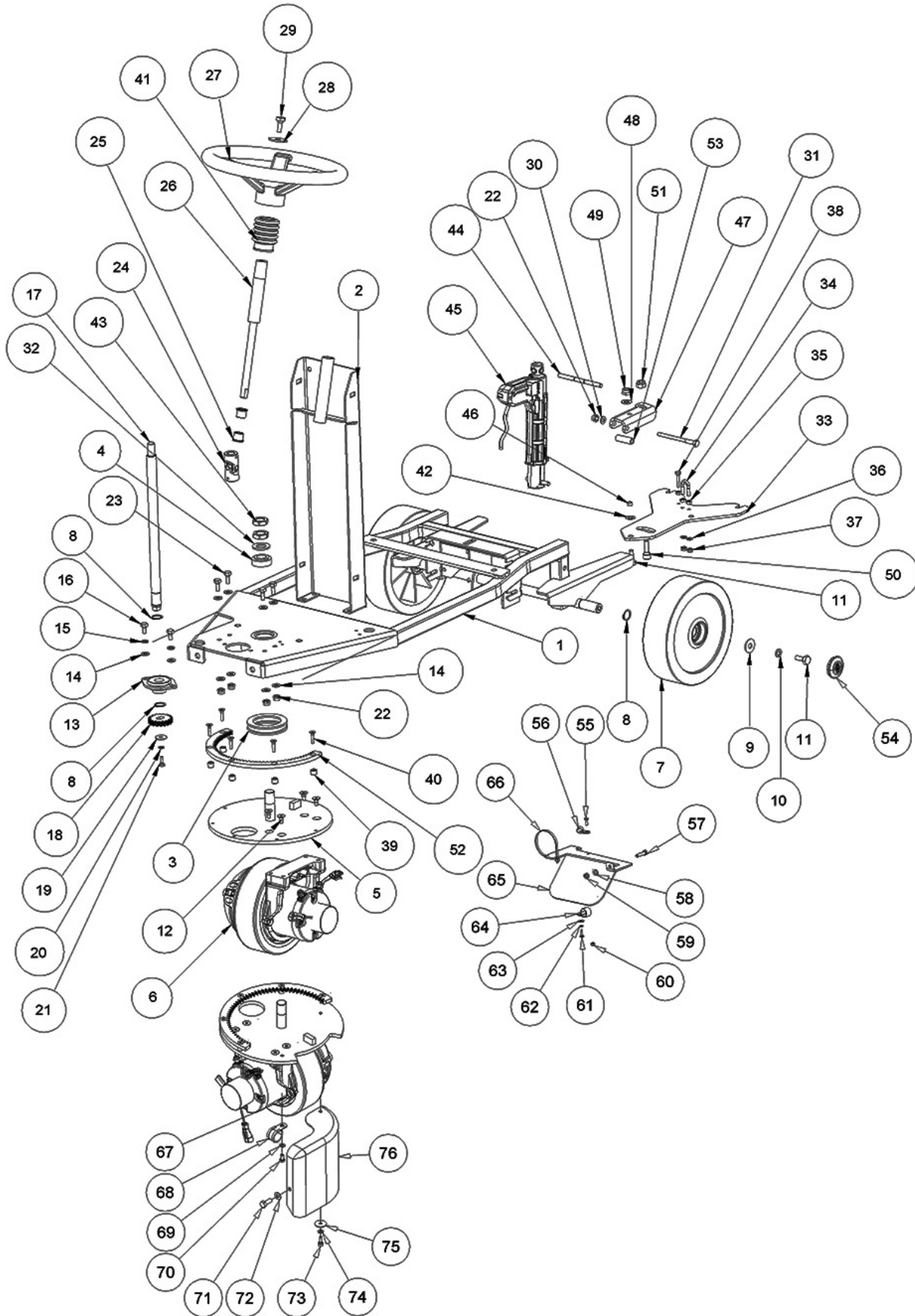


FRAME AND DRIVE WHEEL GROUP

Ref.	Part No.	Serial Number	Description	Qty.
1	897386	(1255470- 00001) FRAME [2180SR]	1
2	897387	(1255470- 00001) SUPPORT, WDLT, STEERING [2180SR]	1
3	897388	(1255470- 00001) BEARING 51112	1
4	897389	(1255470- 00001) BEARING 32004 TIPO SKF	1
5	897390	(1255470- 00001) PLATE, RND, STEERING, CONTROL	1
6	9017807	(1255470- 00001) DRIVE ASSY, WHEEL	1
7	9017809	(1255470- 00001) WHEEL, SCRBR, 250MM X 60MM	2
8	897280	(1255470- 00001) CIRCLIP, D. 20, UNI7435	2
9	897391	(1255470- 00001) WASHER D.10	2
10	897392	(1255470- 00001) WASHER D.10	2
11	897393	(1255470- 00001) SCREW, TE, M10X25, UNI5740	2
12	897394	(1255470- 00001) SCREW, TSPEI, M8X16	4
13	897283	(1255470- 00001) SUPPORT	1
14	897152	(1255470- 00001) WASHER, D.8, UNI6592, INOX	2
15	897216	(1255470- 00001) WASHER, D. 8, GRW, UNI1751, INOX	2
16	897184	(1255470- 00001) SCREW, TE, M8X16, UNI5739, A2	2
17	897395	(1255470- 00001) SHAFT, STEERING	1
18	897396	(1255470- 00001) SPROCKET, STEERING	1
19	897305	(1255470- 00001) WASHER, M6X24, UNI6593, INOX	1
20	897129	(1255470- 00001) WASHER D. 6 INX GRW UNI 1751	1
21	897128	(1255470- 00001) SCREW TE 6X16 UNI5739	1
22	897124	(1255470- 00001) NUT, M8, INOX	4
23	897316	(1255470- 00001) SCREW, TE, M8X20, UNI5739, INOX	4
24	897397	(1255470- 00001) JOINT, STEERING	1
25	897398	(1255470- 00001) BUSHING, 15B 24D 17.5	2
26	897399	(1255470- 00001) SHAFT, STEERING, WHEEL	1
27	897400	(1255470- 00001) WHEEL, STEERING 320MM	1
28	897401	(1255470- 00001) WASHER, M10X40X2,5, UNI6593, ZB	1
29	897402	(1255470- 00001) SCREW, TE, M10X20, UNI5739	1
30	897157	(1255470- 00001) WASHER NYLON 66 D. 84X17X2	2
31	897403	(1255470- 00001) SCREW, TE, M8X100	1
32	897288	(1255470- 00001) WASHER, UNI6592, FORO 20, INOX	1
33	897404	(1255470- 00001) CHANNEL, ARM, SQGE	1
34	897251	(1255470- 00001) BRACKET, M6X11X29	1
35	897405	(1255470- 00001) NUT M 6 A2 UNI 5588 INX	2
36	897106	(1255470- 00001) WASHER D.6 UNI 6592 INOX	2
37	897138	(1255470- 00001) NUT M6 INOX	2
38	897287	(1255470- 00001) SCREW TE 6X20 UNI5739 INX	1
39	897406	(1255470- 00001) SPACER, RND, 6,5B 12D 10	5
40	897407	(1255470- 00001) SCREW M6X25 TSPEI UNI5933	5
41	897408	(1255470- 00001) BELLOWS, SHAFT, STEERING	1
42	897409	(1255470- 00001) SPRING D.10.2 X20	1
43	897410	(1255470- 00001) NUT, HEX, M20 X 1,5	2
44	897380	(1255470- 00001) PIN, ACTUATOR, 8D X 115L	1
45	9017803	(1255470- 00001) ACTUATOR, SQGE, 24VDC	1
46	897411	(1255470- 00001) SPACER, RND, 8B 10D 5,9	1
47	897412	(1255470- 00001) SUPPORT	1
48	897152	(1255470- 00001) WASHER, D.8, UNI6592, INOX	1
49	897124	(1255470- 00001) NUT, M8, INOX	1
50	897413	(1255470- 00001) SCREW, TCEI, M10X30	1

PARTS LIST

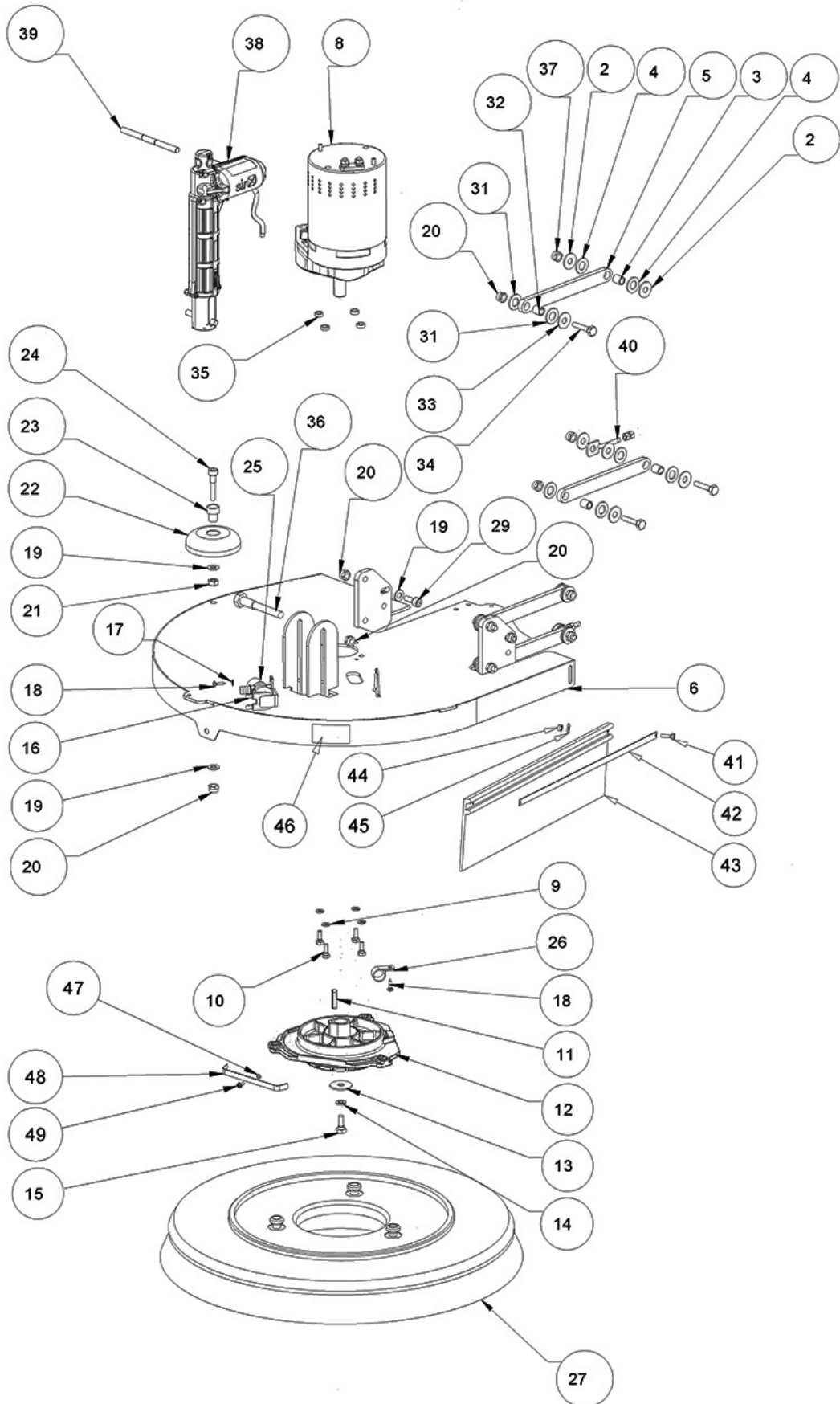
FRAME AND DRIVE WHEEL GROUP - Continued



FRAME AND DRIVE WHEEL GROUP - Continued

Ref.	Part No.	Serial Number	Description	Qty.
51	897414	(1255470- 00001) NUT M10 INOX	1
52	897415	(1255470- 00001) BRAKE	1
53	897416	(1255470- 00001) SPACER	1
54	897417	(1255470- 00001) CAP, WHEEL, PYP	2
55	897453	(1255470- 00001) SCREW TE M4x12 UNI 5739 INOX	1
56	897334	(1255470- 00001) DUCT LOCK D.9,5	1
57	897532	(1255470- 00001) SCREW TE M 6X 25 UNI 5739 INX	1
58	897106	(1255470- 00001) WASHER D.6 UNI 6592 INOX	1
59	897105	(1255470- 00001) NUT M6 INOX+ZIN.	1
60	897276	(1255470- 00001) NUT M 4 ATB A2	1
61	897262	(1255470- 00001) SCREW, M4X16	1
62	897204	(1255470- 00001) WASHER D. 4 GROVER A2 UNI1751	1
63	VTRS00017	(1255470- 00001) WASHER STEEL INOX 4X12	1
64	897137	(1255470- 00001) CLAMP FERMATUBO	1
65	MPVR12940	(1255470- 00001) GUIDE .	1
66	FSVR00049	(1255470- 00001) CLAMP 4,5x200 black	1
67	897556	(1255470- 00001) FAIR, LEAD DIAMETER 15.5	1
68	897363	(1255470- 00001) FAIR, LEAD	1
69	897129	(1255470- 00001) WASHER D. 6 INX GRW UNI 1751	1
70	897130	(1255470- 00001) SCREW, TE, M6X12, UNI5739, A2	1
71	897316	(1255470- 00001) SCREW, TE, M8X20, UNI5739, INOX	1
72	897152	(1255470- 00001) WASHER, D.8, UNI6592, INOX	1
73	897352	(1255470- 00001) SCREW, TCEI, M.6X16	1
74	897129	(1255470- 00001) WASHER D. 6 INX GRW UNI 1751	1
75	897305	(1255470- 00001) WASHER, M6X24, UNI6593, INOX	1
76	MPVR12936	(1255470- 00001) CRANKCASE .	1

SCRUB HEAD GROUP



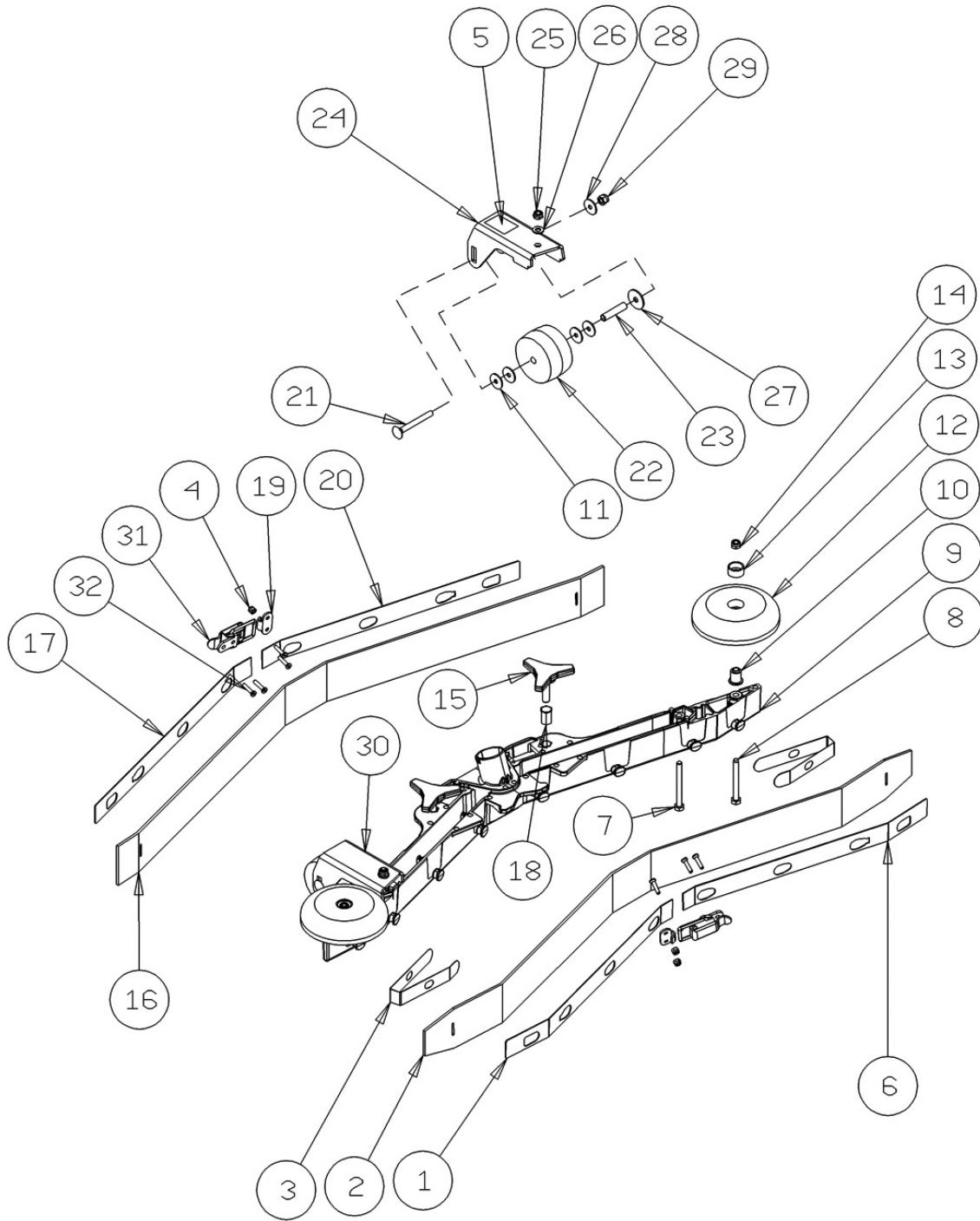
SCRUB HEAD GROUP

Ref.	Part No.	Serial Number	Description	Qty.
2	897120	(1255470-00001) WASHER, D.8X24, UNI6593, INOX	4
3	897370	(1255470-00001) BUSHING, 8B 12D 14	2
4	897371	(1255470-00001) WASHER, 13B 24D 2,5, NYL	2
5	897372	(1255470-00001) PLAT, ARM, SCB HEAD	4
6	897373	(1255470-00001) HEAD, SCB, 500MM	1
∇8	9017765	(1255470-00001) MOTOR, BRUSH, 24VDC	1
	9017686	(1255470-00001) CARBON BRUSH KIT, BRUSH MOTOR [4 PC]	1
▲	MOCC00480	(1255470-00001) MOTOR	1
▲	RDGR00052	(1255470-00001) REDUCTION UNIT	1
9	897129	(1255470-00001) WASHER D. 6 INX GRW UNI 1751	4
10	897287	(1255470-00001) SCREW TE 6X20 UNI5739 INX	4
11	VTVR16617	(1255470-00001) WEDGE 6X 6X30 UNI 6604	1
12	MFVR00242	(1255470-00001) DRIVE DISK CONICAL ALUMINIUM	1
13	897375	(1255470-00001) WASHER, D. 8 X32, UNI6593, INOX	1
14	897216	(1255470-00001) WASHER, D. 8, GRW, UNI1751, INOX	1
15	897316	(1255470-00001) SCREW, TE, M8X20, UNI5739, INOX	1
16	9017718	(1255470-00001) VALVE, WATER, SOLENOID, 24VDC	1
17	897156	(1255470-00001) WASHER D. 4 INX	2
18	897262	(1255470-00001) SCREW, M4X16	3
19	897152	(1255470-00001) WASHER, D.8, UNI6592, INOX	6
20	897124	(1255470-00001) NUT, M8, INOX	5
21	897229	(1255470-00001) NUT, M8, UNI5588, INOX, A2	1
22	897376	(1255470-00001) WHEEL, BPMR, 80D X 22W	1
23	897121	(1255470-00001) BUSHING NUOVO RUOTINO STRONG	1
24	897311	(1255470-00001) SCREW, M8X40	1
25	897256	(1255470-00001) TUBE FLEX D.12X3 ARMORV.PVC TR	1
26	897137	(1255470-00001) CLAMP FERMATUBO	1
27	SPPV01335	(1255470-00001) PAD DRIVER D.500	1
29	897377	(1255470-00001) SCREW TCEI M8X20 UNI5931 INOX	2
31	897371	(1255470-00001) WASHER, 13B 24D 2,5, NYL	8
32	897370	(1255470-00001) BUSHING, 8B 12D 14	4
33	897120	(1255470-00001) WASHER, D.8X24, UNI6593, INOX	4
34	897243	(1255470-00001) SCREW TE M8x35 UNI5739 INOX	4
35	897378	(1255470-00001) BUSHING, 8B 12D 4,3	4
36	897379	(1255470-00001) SCREW, TE, M8X80	1
37	897124	(1255470-00001) NUT, M8, INOX	4
38	9017805	(1255470-00001) ACTUATOR, BRUSH HEAD, 24VDC	1
39	897380	(1255470-00001) PIN, ACTUATOR, 8D X 115L	1
40	LAFN47168	(1255470-00001) BELT- STRETCHER ALTERNATOR TK1400	2
41	897145	(1255470-00001) SCREW TE 5X16 UNI5739 INX	3
42	897382	(1255470-00001) BRACKET	1
43	897383	(1255470-00001) FLAP	1
44	VTDD01693	(1255470-00001) NUT, M5, INOX	3
45	897384	(1255470-00001) WASHER D. 5X14 INX	3
46	897385	(1255470-00001) DRIVE DISK TESTATA	2
47	897204	(1255470-00001) WASHER D. 4 GROVER A2 UNI1751	1
48	MLML00350	(1255470-00001) SPRING ALUM. CONICAL DRIVER	1
49	897313	(1255470-00001) SCREW, TCB, TC, M4X10	1

∇ ASSEMBLY

▲ INCLUDED IN ASSEMBLY

SQUEEGEE GROUP

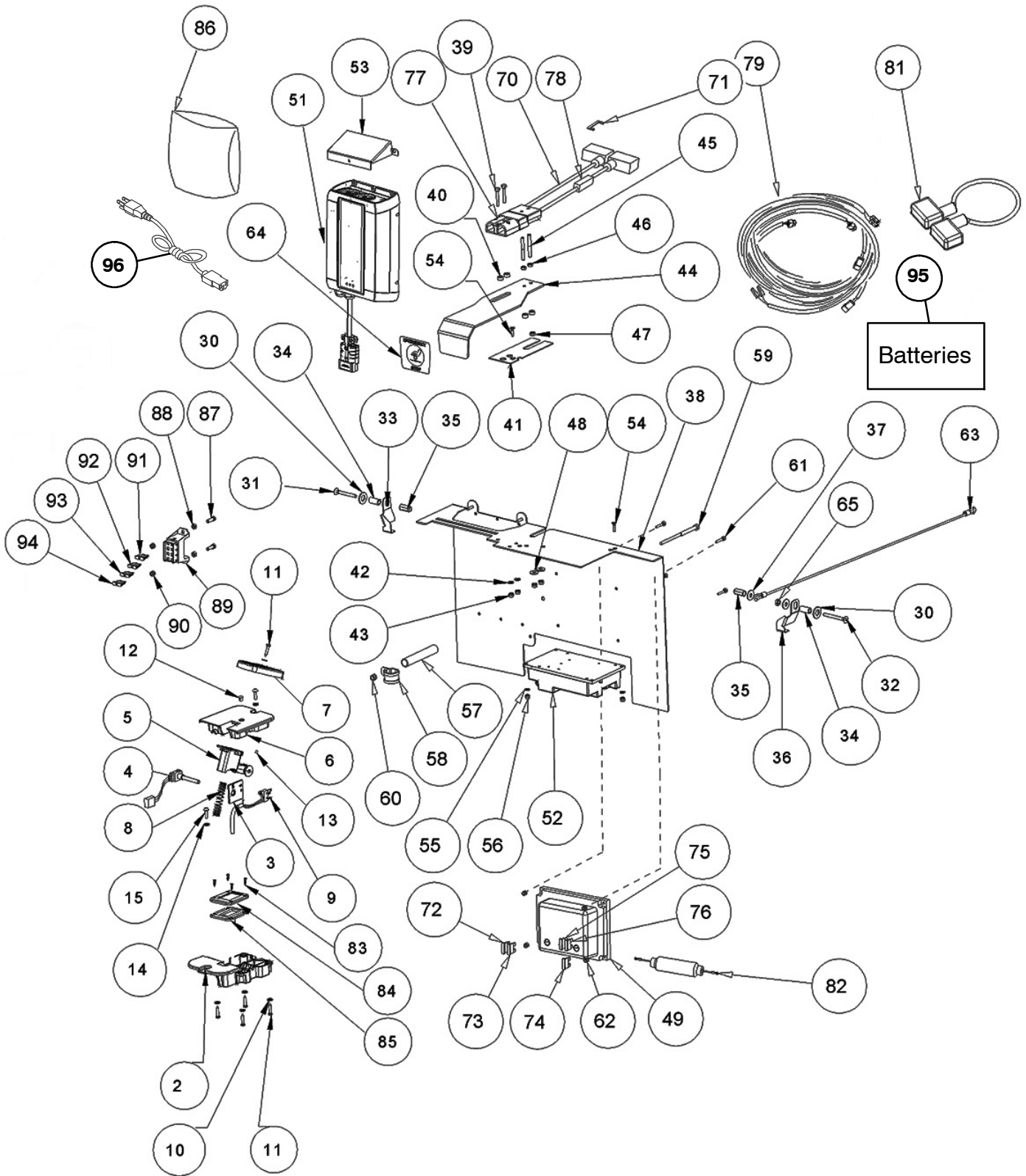


SQUEEGEE GROUP

Ref.	Part No.	Serial Number	Description	Qty.
1	897418	(1255470- 00001) STRAP, SQGE, XS, FRONT, RH	1
2	9017759	(1255470- 00001) BLADE, SQGE, FRONT, 815L, LINATEX (STANDARD)	1
2	9017757	(1255470- 00001) BLADE, SQGE, FRONT, 815L, PYU (OPTION)	1
2	9017755	(1255470- 00001) BLADE, SQGE, FRONT, 815L, LATEX (OPTION)	1
3	897116	(1255470- 00001) CLOSURE S	2
4	9018496	(1255470- 00001) NUT M 3 AUTOBL.DIN 985 IX.A2	8
5	897419	(1255470- 00001) LABEL	2
6	897420	(1255470- 00001) STRAP, SQGE, XS, FRONT, LH	1
7	897421	(1255470- 00001) SCREW TE M6X60 UNI5739 INOX	2
8	897422	(1255470- 00001) SCREW, TE, M.6X55	2
9	897423	(1255470- 00001) FRAME, SQGE, XS	1
10	897103	(1255470- 00001) SPACER, 6.00b 12.00d 16.5l, CPR	2
11	897157	(1255470- 00001) WASHER NYLON 66 D. 84X17X2	4
12	897376	(1255470- 00001) WHEEL, BPMR, 80D X 22W	2
13	897100	(1255470- 00001) SLEEVE, NYLON, 0,314b 0,72d 0,35l	2
14	897138	(1255470- 00001) NUT M6 INOX	2
15	9018577	(1255470- 00001) KNOB, SQGE, 3EAR	2
16	9017760	(1255470- 00001) BLADE, SQGE, REAR, 815L, LINATEX (STANDARD)	1
16	9017758	(1255470- 00001) BLADE, SQGE, REAR, 815L, PYU (OPTION)	1
16	9017756	(1255470- 00001) BLADE, SQGE, REAR, 815L, LATEX (OPTION)	1
17	897424	(1255470- 00001) STRAP, SQGE, XS, REAR, RH	1
18	9018578	(1255470- 00001) BUSHING, INSERT, SQGE	2
19	9018495	(1255470- 00001) HOOK, STRAP, SQGE	2
20	897425	(1255470- 00001) STRAP, SQGE, XS, REAR, LH	1
21	897426	(1255470- 00001) SCREW, M6X55	2
22	9018501	(1255470- 00001) WHEEL, 59,2D 22W 8,4B, GRAY	2
23	897427	(1255470- 00001) SPACER, RND, 6B 8D 34,5L	2
24	897428	(1255470- 00001) BRACKET, WHEEL, SQGE, LH	1
25	897138	(1255470- 00001) NUT M6 INOX	2
26	897106	(1255470- 00001) WASHER D.6 UNI 6592 INOX	2
27	897305	(1255470- 00001) WASHER, M6X24, UNI6593, INOX	2
28	897112	(1255470- 00001) WASHER D. 6X18 INX UNI 6593	2
29	897125	(1255470- 00001) NUT, M6, INOX	2
30	897429	(1255470- 00001) BRACKET, WHEEL, SQGE, RH	1
31	9018492	(1255470- 00001) LATCH, STRAP, SQGE	2
32	9018497	(1255470- 00001) BOLT, STRAP, SQGE	8

PARTS LIST

ELECTRICAL COMPONENT GROUP



ELECTRICAL COMPONENT GROUP

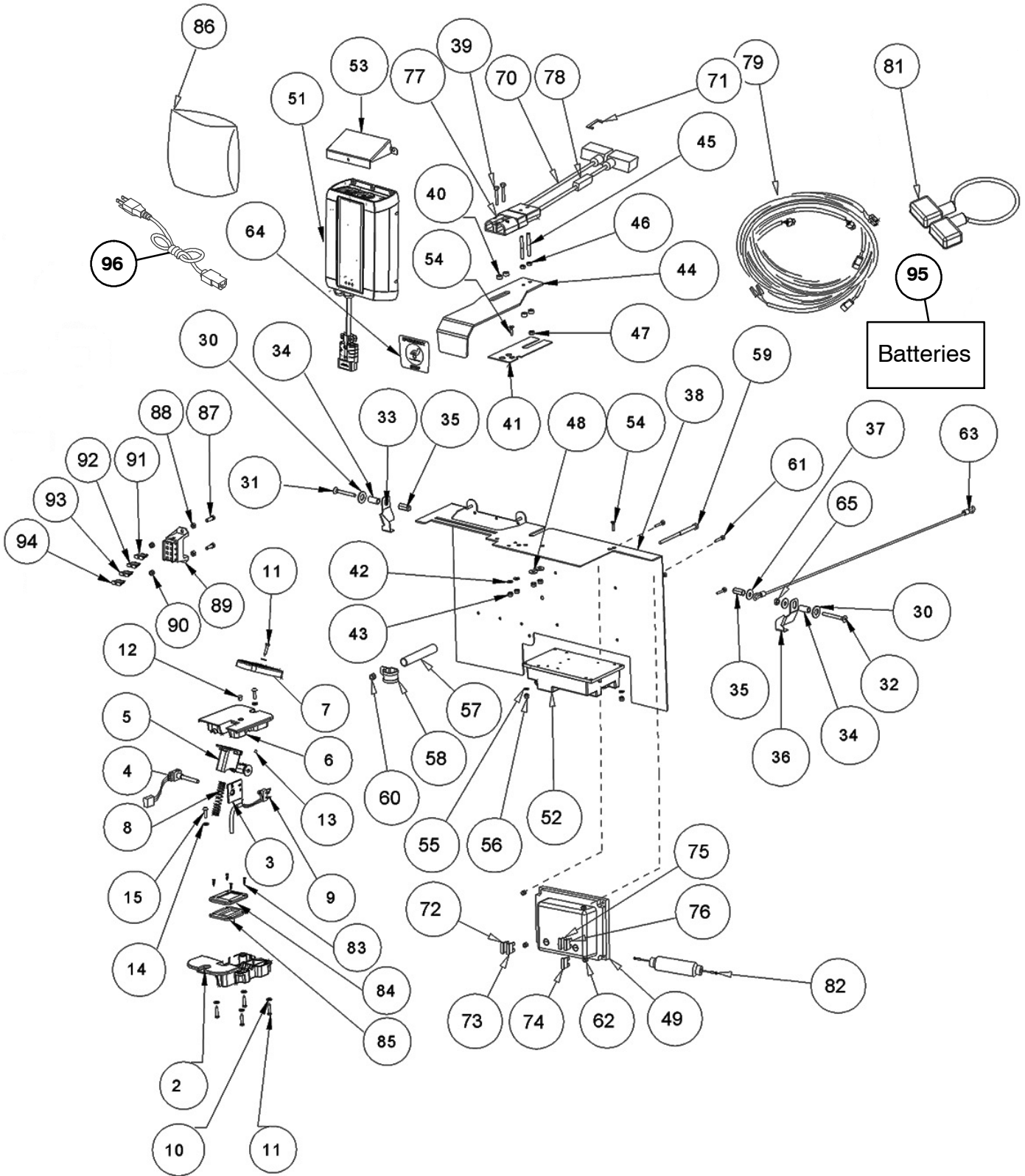
Ref.	Part No.	Serial Number	Description	Qty.
▽	PMVR01531	(1255470-00001) PEDAL, ASSY	1
▲ 2	MPVR11937	(1255470-00001) BASE CT80 ACCELERATOR	1
▲ 3	897468	(1255470-00001) PLATE	1
▲ 4	9017795	(1255470-00001) SENSOR, POSITION, DRIVE	1
▲ 5	MPVR11940	(1255470-00001) SUPPORT CT80 ACCELERATOR	1
▲ 6	MPVR11938	(1255470-00001) COVER CT80 ACCELERATOR	1
▲ 7	MPVR11939	(1255470-00001) PEDAL CT80 ACCELERATOR	1
▲ 8	9017810	(1255470-00001) SPRING, PEDAL	1
▲ 9	9017797	(1255470-00001) SWITCH, ACCELERATOR	1
10	897166	(1255470-00001) WASHER, D. 5, INOX	4
11	VTVT148694	(1255470-00001) SCREW TCB TC 5 X12 UNI 9707 TZ	4
12	897474	(1255470-00001) CAP D.6	1
13	897475	(1255470-00001) GRUB, SCREW, M4X8	1
14	897166	(1255470-00001) WASHER, D. 5, INOX	1
15	897476	(1255470-00001) SCREW, M5X16, TBCE, ISO7380, ZB	1
30	897432	(1255470-00001) WASHER, D. 10X21, UNI6592, INOX	2
31	897486	(1255470-00001) SCREW M6X45 TSPEI UNI5933	1
32	897487	(1255470-00001) SCREW, TSPEI, M6X50, UNI5933	1
33	897488	(1255470-00001) BRACKET	1
34	897489	(1255470-00001) SPACER	2
35	897490	(1255470-00001) RIVET	2
36	897491	(1255470-00001) BRACKET	1
37	897106	(1255470-00001) WASHER D.6 UNI 6592 INOX	1
38	897659	(1255470-00001) BRACKET, MTG, CIRCUITBOARD	1
39	897492	(1255470-00001) SCREW, TE, M5X30, UNI5739	2
40	897493	(1255470-00001) SPACER	2
41	897494	(1255470-00001) PLATE	1
42	897166	(1255470-00001) WASHER, D. 5, INOX	2
43	VTDD01693	(1255470-00001) NUT, M5, INOX	2
44	897495	(1255470-00001) LEVER	1
45	897496	(1255470-00001) PIN	2
46	897497	(1255470-00001) NUT, M5, INOX	2
47	897384	(1255470-00001) WASHER D. 5X14 INX	1
48	897384	(1255470-00001) WASHER D. 5X14 INX	2
49	897498	(1255470-00001) BOARD POWER SERVICE	1
51	897499	(1255470-00001) BATTERY, CHARGER CBHD1, XR, P 24V 15A	1
52	897500	(1255470-00001) BOARD	1
53	897501	(1255470-00001) CONVEYOR CBHD1, XR, P	1
54	897502	(1255470-00001) SCREW, M4X16, TSPEI, UNI5933	2
55	897156	(1255470-00001) WASHER D. 4 INX	2
56	897276	(1255470-00001) NUT M 4 ATB A2	2
57	897503	(1255470-00001) TUBE	1
58	897363	(1255470-00001) FAIR, LEAD	1
59	897504	(1255470-00001) SCREW TE M6X100 UNI5739	1
60	897138	(1255470-00001) NUT M6 INOX	1
61	897195	(1255470-00001) SCREW, TE, M4X16, UNI5739, INOX	4
62	897160	(1255470-00001) NUT, M4, INOX, ZN	4
63	897505	(1255470-00001) CABLE	1
64	897506	(1255470-00001) LABEL	1
65	897250	(1255470-00001) NUT, M6, UNI5589, INOX	1
70	897509	(1255470-00001) CABLE BATTERY, ANDERSON+FUS.	1

▽ ASSEMBLY

▲ INCLUDED IN ASSEMBLY

PARTS LIST

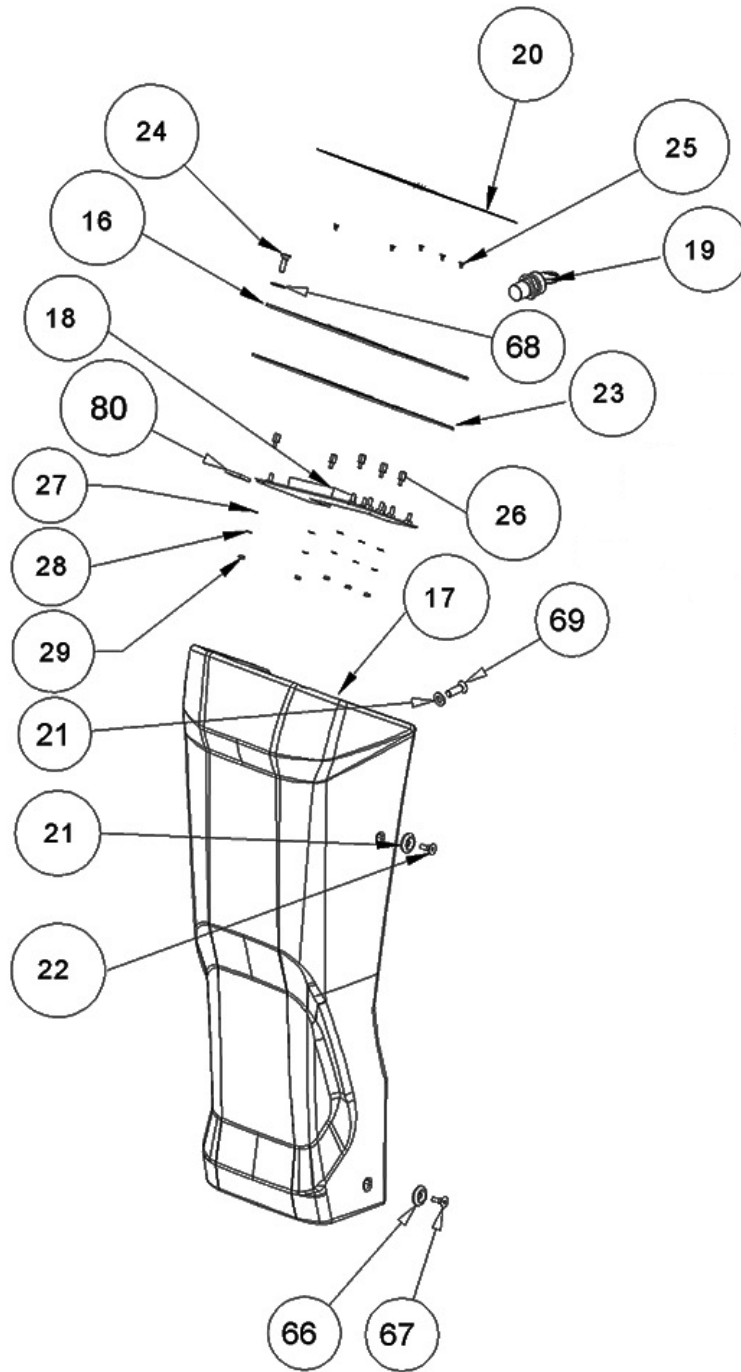
ELECTRICAL COMPONENT GROUP - Continued



ELECTRICAL COMPONENT GROUP - Continued

Ref.	Part No.	Serial Number	Description	Qty.
71	9017819	(1255470- 00001) FUSE 100A NST.	1
72	MEVR00644	(1255470- 00001) FUSE, 030A	1
73	MEVR00644	(1255470- 00001) FUSE, 030A	1
74	MEVR00644	(1255470- 00001) FUSE, 030A	1
75	9017817	(1255470- 00001) FUSE, 005A	1
76	9017817	(1255470- 00001) FUSE, 005A	1
77	897511	(1255470- 00001) PLUG	1
78	897512	(1255470- 00001) FUSE, HOLDER	1
79	MECB02211	(1255470- 00001) WIRING .	1
81	897357	(1255470- 00001) BATTERY, BRIDGE, M8, 70	1
82	897660	(1255470- 00001) WIRING DIODE FILTER	1
83	VTVT01594	(1255470- 00001) SCREW VITE TSPC 3x12	4
84	MPVR11928	(1255470- 00001) GASKET BRAKE PEDAL CT80	1
85	MPVR11933	(1255470- 00001) GASKET CT80 ACCELERATOR	1
86	MPVR02838	(1255470- 00001) BAG CHARGER POWER CORD	1
87	897145	(1255470- 00001) SCREW TE 5X16 UNI5739 INX	2
88	897497	(1255470- 00001) NUT, M5, INOX	2
89	MEVR02666	(1255470- 00001) FUSE CARRIER DIN	1
90	VTDD01693	(1255470- 00001) NUT, M5, INOX	2
91	MEVR01132	(1255470- 00001) FUSE A LAMA 5 A.	1
92	MEVR01132	(1255470- 00001) FUSE A LAMA 5 A.	1
93	MEVR00584	(1255470- 00001) FUSE 3A	1
94	MEVR00584	(1255470- 00001) FUSE 3A	1
95	1053408	(1255470- 00001) BATTERY, AGM, 12VDC 140AH	2
95	1015046	(1255470- 00001) BATTERY, WET, 12VDC 150AH	2
NS	MIVR00150	(1255470- 00001) SPACER, BATTERY, FOAM 1.57/40Wx18.9/480Lx6.3/160H	1
NS	MIVR00151	(1255470- 00001) SPACER, BATTERY, FOAM 5.5/140Wx13.4/340Lx6.3/160H	1
96	1069835	(125546x- 00001) CORD, POWER, CHRGR, 120VAC	1

CONTROL CONSOLE GROUP

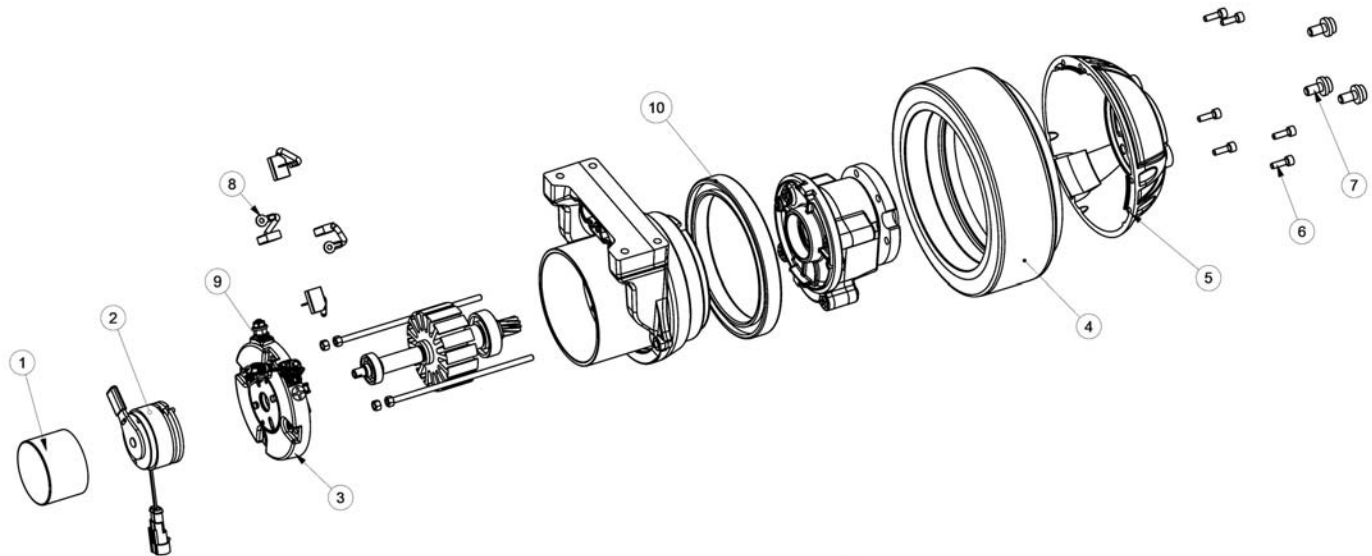


CONTROL CONSOLE GROUP

Ref.	Part No.	Serial Number	Description	Qty.
16	897477	(1255470- 00001) PLATE	1
17	MPVR12902	(1255470- 00001) CRANKCASE FRONTAL PT80 BLUE	1
18	9017823	(1255470- 00001) CIRCUITBOARD, DISPLAY PANL	1
19	1017696	(1255470- 00001) KEY SET, REPLMT [F/ KEYSWITCH 1011402]	1
20	897479	(1255470- 00001) LABEL, DISPLAY [2180SR]	1
21	897480	(1255470- 00001) UND.SCREW FLAN. D. 6.5, 22 H4.5 NYL.NERO	4
22	VTVT00869	(1255470- 00001) SCREW TSPEI M.6- 60 INOX A2	2
23	897482	(1255470- 00001) GASKET	1
24	897483	(1255470- 00001) SCREW, TSPEI, M5X20, UNI5933, INOX	4
25	897484	(1255470- 00001) SCREW TSP, TC M3X5 UNI7688 INOX	5
26	897485	(1255470- 00001) SPACER M3	5
28	897193	(1255470- 00001) WASHER, D. 3, INOX	5
29	9018496	(1255470- 00001) NUT M 3 AUTOBL.DIN 985 IX.A2	5
66	897480	(1255470- 00001) UND.SCREW FLAN. D. 6.5, 22 H4.5 NYL.NERO	2
67	897507	(1255470- 00001) SCREW, TSPEI, M6X35, UNI5933	2
68	897508	(1255470- 00001) WASHER, M5,3x14,5x3,2	4
69	897277	(1255470- 00001) SCREW, TSPEI, M6X20, UNI5933	2
80	897514	(1255470- 00001) CARD, SD	1

PARTS LIST

DRIVE MOTOR BREAKDOWN



Ref.	Part No.	Serial Number	Description	Qty.
▽	9017807	(1255470-00001) DRIVE ASSY, WHEEL	1
▲ 1	897365	(1255470-00001) COVER, BRAKE ASSY	1
▲ 2	9017808	(1255470-00001) BRAKE ASSY, W/LEVER, COMPLT	1
▲ 3	897366	(1255470-00001) RING, BRUSHHOLDER	1
▲ 4	9017800	(1255470-00001) TIRE, SOLID, PYU	1
▲ 5	897367	(1255470-00001) COVER, ALM	1
▲ 6	VTVT0552	(1255470-00001) SCREW	6
▲ 7	VTVT0551	(1255470-00001) SCREW	3
▲ 8	9017784	(1255470-00001) BRUSH, MOTOR, TRANSAXLE	4
▲ 9	897368	(1255470-00001) SENSOR, THERMAL	1
▲ 10	897369	(1255470-00001) BEARING, TRACTION, MOTOR	1

▽ ASSEMBLY

▲ INCLUDED IN ASSEMBLY

