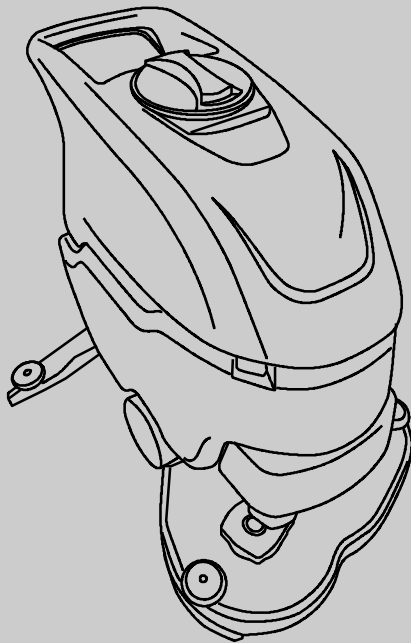




T390

Walk-behind Floor Scrubber

Parts Manual



Model Part No.:

- 1255469 - SCRUBBER [T390 70CM, W/O BATT, NA]
- 9022006 - SCRUBBER [T390 70CM, 150AH WET BATT, NA]
- 9022007 - SCRUBBER [T390 70CM, 140AH AGM BATT, NA]

TennantTrue® Parts

North America



To view, print or download
Tennant manuals, visit:

www.tennantco.com/manuals

9021518
Rev. 00 (02-2021)

Only use TENNANT Company supplied or equivalent parts. Parts and supplies may be ordered online, by phone or from any Tennant Authorized Service Center or Distributor.

Before Ordering any parts or supplies, be sure to have the machine model number and serial number available.

Serial Number Location



Tennant Company
PO Box 1452
Minneapolis, MN 55440 USA
Phone: (800) 553-8033
www.tennantco.com

Specifications and parts are subject to change without notice.

Copyright © 2021 TENNANT Company

RECOMMENDED SPARE PARTS LIST 4

BRUSHES / PAD DRIVER AND PADS 5

RECOVERY TANK GROUP 6

VACUUM MOTOR GROUP 8

SOLUTION TANK GROUP 9

SOLUTION TANK SOLENOID/FILTER GROUP 10

SOLUTION TANK DRAIN HOSE GROUP 11

TANK GROUP 12

FRAME AND DRIVE WHEEL GROUP 13

SCRUB HEAD GROUP 14

SCRUB HEAD LIFT GROUP 16

SQUEEGEE LIFT GROUP 18

SQUEEGEE GROUP 20

ELECTRICAL COMPONENT GROUP 22

BATTERY CHARGER GROUP 24

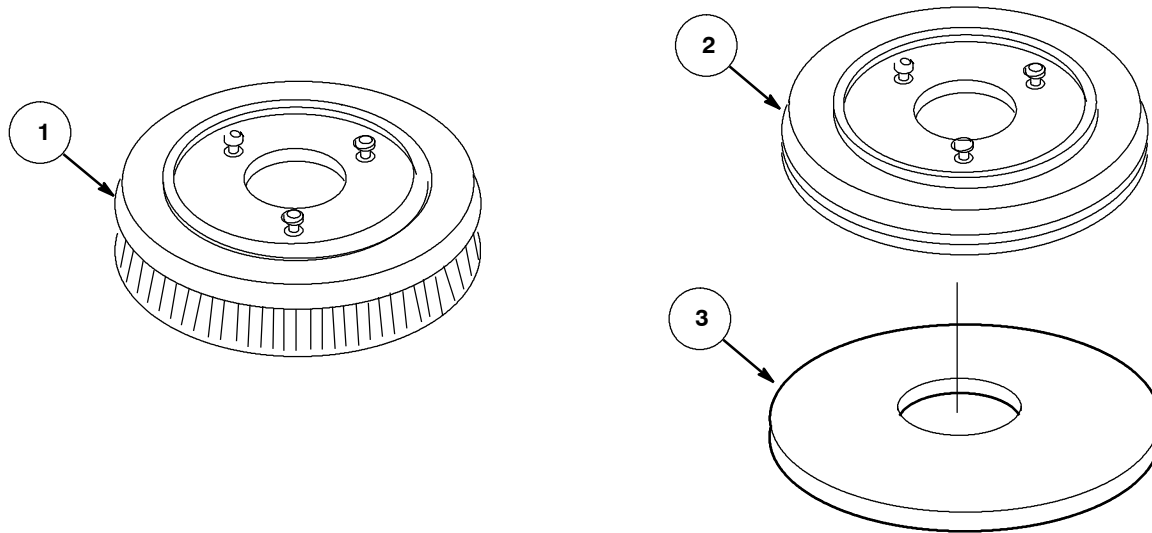
ELECTRICAL DIAGRAM 25

RECOMMENDED SPARE PARTS LIST

WEAR PARTS	
PART NO.	DESCRIPTION
9017816	BRUSH ASSY, DISK, SCB, 35CM, 3- LUG, PYP
9017730	BRUSH ASSY, DISK,SCB,35CM,3- LUG,PYP,SOFT
9017820	DRIVER ASSY, PAD, 35CM, 3- LUG [STANDARD]
1243656	PAD, BUFF, 14.0D, RED [QTY 5]
1243344	PAD, SCRUB, 14.0D, BLUE [QTY 5]
1243657	PAD, STRIP, 14.0D, BROWN [QTY 5]
1243658	PAD, STRIP, 14.0D, BLACK, HI PROD [QTY 5]
1243667	PAD, SURF PREP, 14.0D MAROON [QTY 5]
1243343	PAD, POLISH, 14.0D, WHITE [QTY 5]
1240389	PAD, POLISH, 14.0D, YELLOW [QTY 5]
9017813	BLADE, SQGE, FRONT, 1020L, LINATEX [STANDARD]
9017814	BLADE, SQGE, REAR, 1020L, LINATEX [STANDARD]
9017801	BLADE, SQGE, FRONT, 1020L, LATEX [OPTION]
9017804	BLADE, SQGE, REAR, 1020L, LATEX [OPTION]
9017806	BLADE, SQGE, FRONT, 1020L, PYU [OPTION]
9017811	BLADE, SQGE, REAR, 1020L, PYU [OPTION]

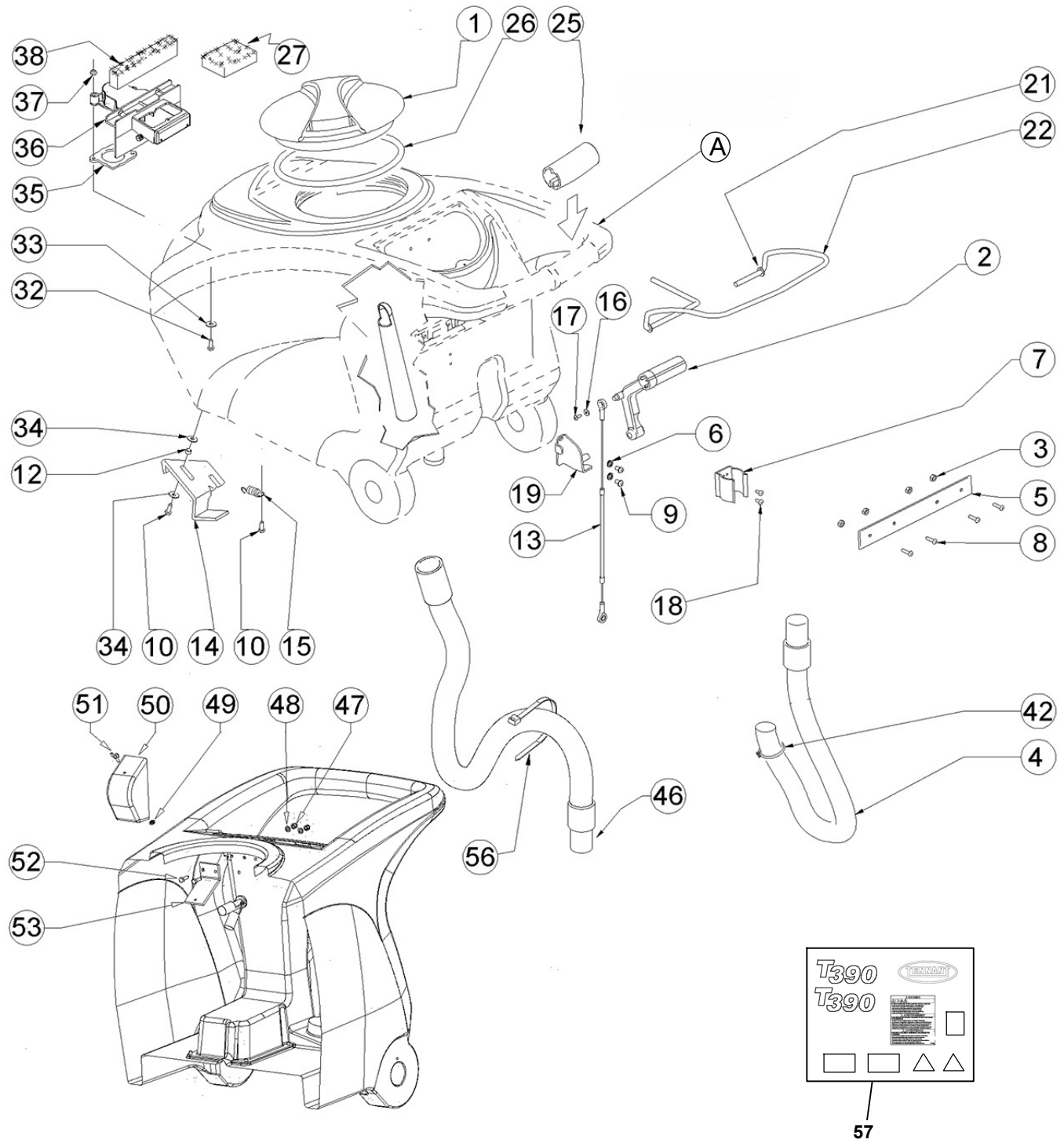
SERVICE PARTS	
PART NO.	DESCRIPTION
1053408	BATTERY, AGM, 12VDC 140AH
1015046	BATTERY, WET, 12VDC 150AH
9017713	FILTER, VACUUM
9017711	SEAL, COVER, RECOVERY TANK
9017712	HOSE ASSY, RECOVERY
9017715	CABLE, LIFT, SQGE
TBFX01299	HOSE ASSY, DRAIN
9017718	VALVE, WATER, SOLENOID, 24VDC
9017788	CASTER, SWIVEL
9017745	BEARING, WHEEL
9018584	FILTER, WATER, SOLUTION, COMPLETE
9017792	MOTOR, BRUSH, 24VDC
9017686	BRUSH KIT, CARBON, BRUSH MOTOR [4 PC]
9017716	FAN, MOTOR
9017687	BRUSH, CARBON, VAC FAN MOTOR
897349	MOTOR TRACTION 24V 200W 150G
9018034	BRUSH, CARBON, TRANSAXLE MOTOR
9017726	CIRCUITBOARD, MAIN
9017798	CIRCUITBOARD, DISPLAY
897289	BOARD
MEVR01428	FUSE 2A
9018332	FUSE 50A
9018333	FUSE 40A
897301	FUSE 30A
9017722	GUARD, SPLASH [OPTION]
9017737	FLOAT, SHUTOFF

BRUSHES / PAD DRIVER AND PADS



Ref.	Part No.	Serial Number	Description	Qty.
1	9017816	(1255469- 00001-) BRUSH ASSY, DISK, SCB, 35CM, 3- LUG, PYP	2
1	9017730	(1251589- 00001-) BRUSH ASSY, DISK, SCB, 35CM, 3- LUG PYP, SOFT	2
2	9017820	(1255469- 00001) DRIVER ASSY, PAD, 35CM, 3- LUG	2
3	1243656	(1251589- 00001-) PAD, BUFF, 14.0D, RED [QTY 5]	1
3	1243344	(1251589- 00001-) PAD, SCRUB, 14.0D, BLUE [QTY 5]	1
3	1243657	(1251589- 00001-) PAD, STRIP, 14.0D, BROWN [QTY 5]	1
3	1243658	(1251589- 00001-) PAD, STRIP, 14.0D, BLACK, HI PROD [QTY 5]	1
3	1243667	(1251589- 00001-) PAD, SURF PREP, 14.0D MAROON [QTY 5]	1
3	1243343	(1251589- 00001-) PAD, POLISH, 14.0D, WHITE [QTY 5]	1
3	1240389	(1251589- 00001-) PAD, POLISH, 14.0D, YELLOW [QTY 5]	1

RECOVERY TANK GROUP

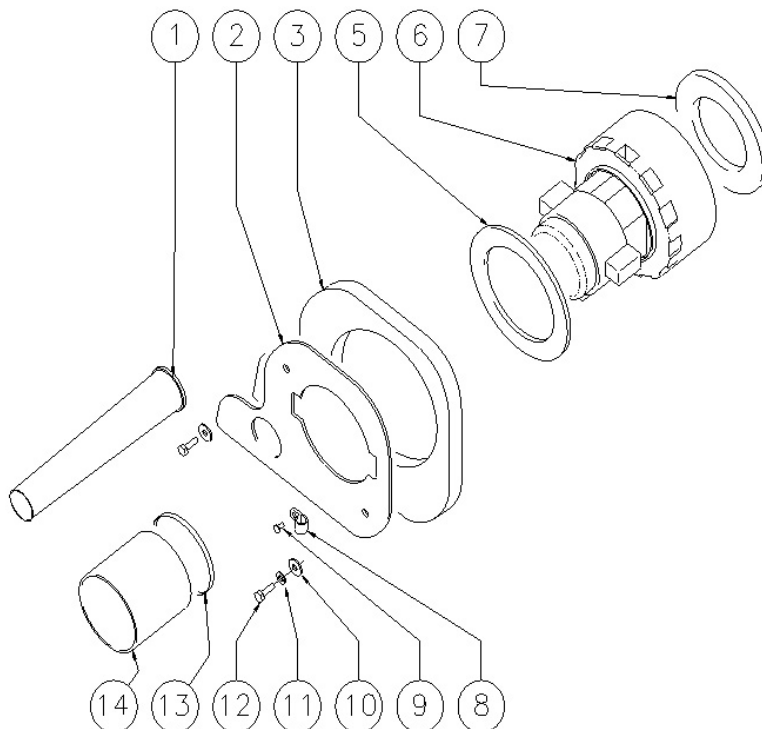


RECOVERY TANK GROUP

Ref.	Part No.	Serial Number	Description	Qty.
A	MPVR12964	(1255469-00001) TANK RECOVERY [T390]	1
1	MPVR12975	(1255469-00001) TANK CAP RAL7024	1
2	9017688	(1255469-00001) LEVER, LIFT, SQGE	1
3	897125	(1255469-00001) NUT, M6, INOX	4
4	TBFX01299	(1255469-00001) TUBE SPACER CT40/70/90	1
5	897144	(1255469-00001) PLATE COPRILEVA CONSENSO	1
6	897384	(1255469-00001) WASHER D. 5X14 INX	4
7	9017721	(1255469-00001) CLIP, HOSE, RECVY	1
8	897329	(1255469-00001) SCREW, TBEI, M5x16, INOX	4
9	897459	(1255469-00001) SCREW, M5X12, TE, INOX	2
10	897128	(1255469-00001) SCREW TE 6X16 UNI5739	3
12	897146	(1255469-00001) SPACER	2
13	9017715	(1255469-00001) CABLE, LIFT, SQGE	1
14	897330	(1255469-00001) HANDLE	1
15	897148	(1255469-00001) SPRING	1
16	897149	(1255469-00001) WASHER 4- 16 INOX A2	1
17	897150	(1255469-00001) SCREW, TC, M4X12, ZN	1
18	897151	(1255469-00001) SCREW TE M 4X 10 INX	2
19	897331	(1255469-00001) BRACKET	1
21	897152	(1255469-00001) WASHER, D.8, UNI6592, INOX	2
22	897153	(1255469-00001) LEVER HANDLE ACTIVATION	1
25	897332	(1255469-00001) KNOB	2
26	9017711	(1255469-00001) SEAL, COVER, RECVY TANK	1
27	9017713	(1255469-00001) FILTER, VACUUM	1
32	897333	(1255469-00001) SCREW, TE, M.4X25	2
33	897156	(1255469-00001) WASHER D. 4 INX	2
34	897157	(1255469-00001) WASHER NYLON 66 D. 84X17X2	4
35	897158	(1255469-00001) GASKET SCATOLA ASPIRAZIONE	1
36	897159	(1255469-00001) BOX	1
37	897160	(1255469-00001) NUT, M4, INOX, ZN	2
38	897161	(1255469-00001) GASKET CONDOTTO ASPIRAZIONE	1
42	FSVR00095	(1255469-00001) CLAMP 30- 45	1
46	9017712	(1255469-00001) HOSE ASSY, RECVY (includes item 56)	1
47	VTDD01693	(1255469-00001) NUT, M5, INOX	2
48	897166	(1255469-00001) WASHER, D. 5, INOX	2
49	897167	(1255469-00001) WASHER	1
50	897168	(1255469-00001) PROTECTION	1
51	897169	(1255469-00001) SCREW, M4X10	1
52	897145	(1255469-00001) SCREW TE 5X16 UNI5739 INX	2
53	897171	(1255469-00001) BRACKET	1
56	897172	(1255469-00001) CLAMP	1
57	KTRI06353	(1255469-00001) LABEL, KIT, T390	1

PARTS LIST

VACUUM MOTOR GROUP

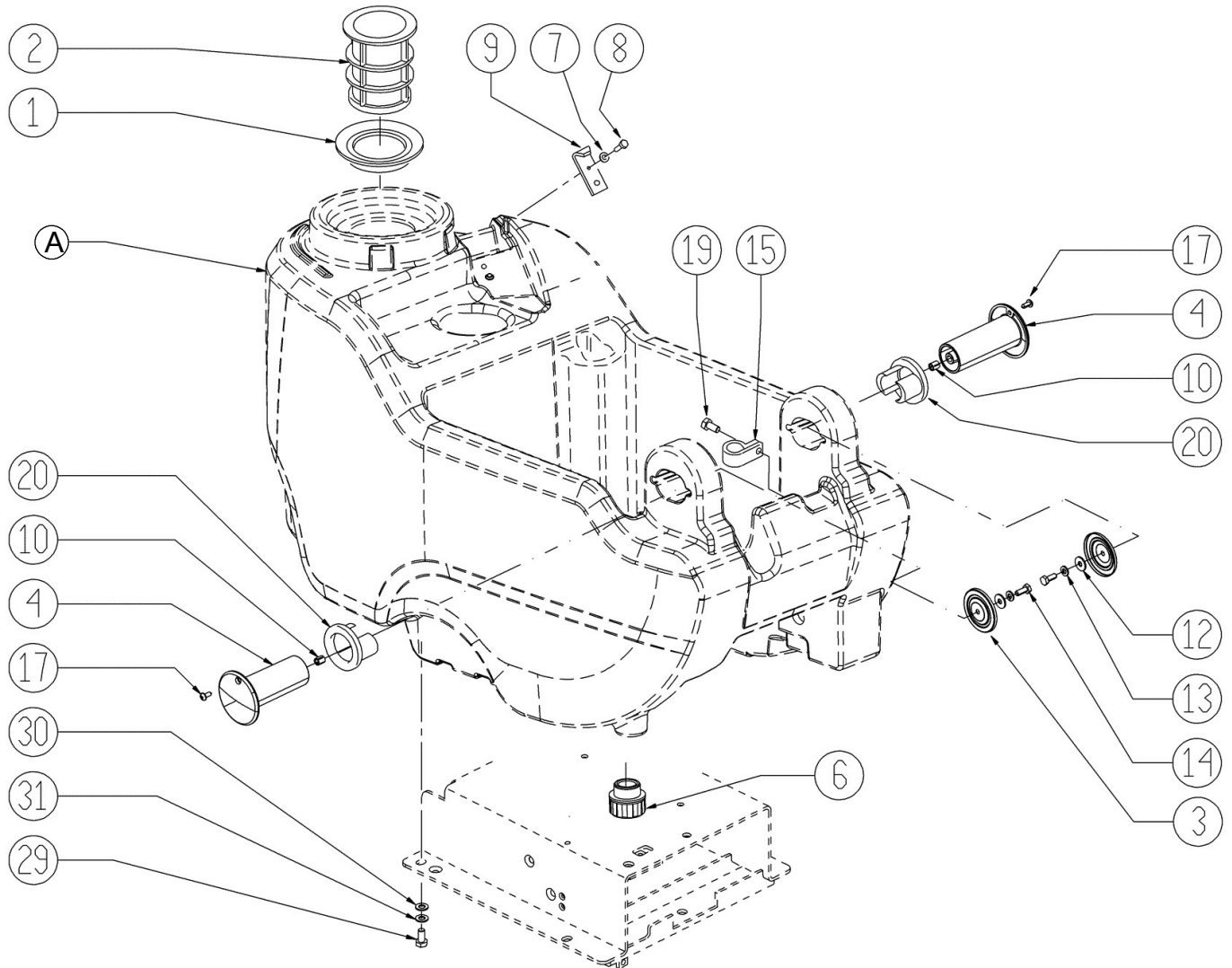


Ref.	Part No.	Serial Number	Description	Qty.
1	897134	(1255469- 00001) TUBE SCARICO	1
▽	KTRI01781	(1255469- 00001) MOTOR, VACUUM, ASM.	1
▲2	897133	(1255469- 00001) FLANGE ASPIRATORE	1
▲3	897143	(1255469- 00001) SOUND, PROOFING ASPIRATORE	1
▲5	897136	(1255469- 00001) FLANGE, NYLON	1
▲6	9017716	(1255469- 00001) FAN, VACUUM	1
6	9017687	(1255469- 00001) VR, BRUSH, MOTOR, VACFAN	2
▲7	9017714	(1255469- 00001) GASKET, MOTOR, VACUUM	1
▲8	897137	(1255469- 00001) CLAMP FERMATUBO	1
▲9	897140	(1255469- 00001) SCREW, M4X8, TCB, TC, UNI8112	1
10	897112	(1255469- 00001) WASHER D. 6X18 INX UNI 6593	2
11	897129	(1255469- 00001) WASHER D. 6 INX GRW UNI 1751	2
12	897128	(1255469- 00001) SCREW TE 6X16 UNI5739	2
▲13	897142	(1255469- 00001) CLAMP D.94	1
▲14	897141	(1255469- 00001) TUBE ASPIRAZIONE	1

▽ KIT

▲ INCLUDED IN KIT

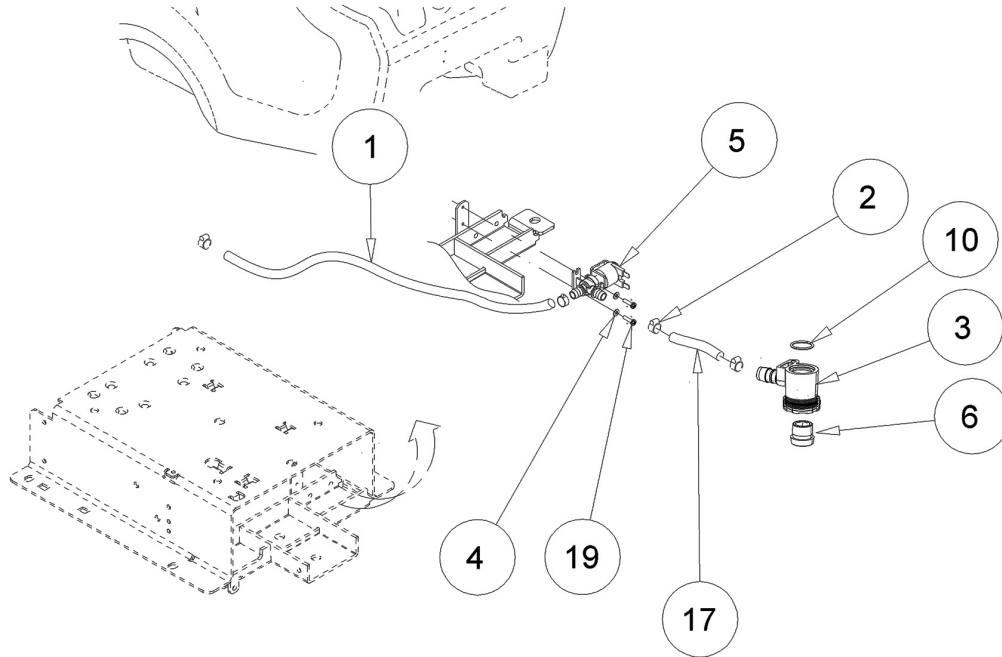
SOLUTION TANK GROUP



Ref.	Part No.	Serial Number	Description	Qty.
A	MPVR12976	(1255469- 00001) TANK SOLUTION [T390]	1
1	897173	(1255469- 00001) GASKET SHK	1
2	897174	(1255469- 00001) FILTER SOLUTION TANK INLET	1
3	897111	(1255469- 00001) PLATE, SPPT, STL	2
4	897175	(1255469- 00001) PIN	2
6	897176	(1255469- 00001) CAP 1/2"	1
7	897129	(1255469- 00001) WASHER D. 6 INX GRW UNI 1751	1
8	897177	(1255469- 00001) SCREW, TE, M6X10, INOX	1
9	897178	(1255469- 00001) PLATE	1
10	897179	(1255469- 00001) INSERT, THREAD, M6	1
12	897112	(1255469- 00001) WASHER D. 6X18 INX UNI 6593	2
13	897129	(1255469- 00001) WASHER D. 6 INX GRW UNI 1751	2
14	897128	(1255469- 00001) SCREW TE 6X16 UNI5739	2
15	897334	(1255469- 00001) DUCT LOCK D.9,5	2
19	VTVT15961	(1255469- 00001) SCREW, M5X16, TCB, TC, UNI7687	1
20	897182	(1255469- 00001) RUBBER GRUPPO MONTAGGIO	2
29	897184	(1255469- 00001) SCREW, TE, M8X16, UNI5739, A2	4
30	897185	(1255469- 00001) WASHER, D. 8, DIN6798- A, INOX, A2	4
31	897152	(1255469- 00001) WASHER, D.8, UNI6592, INOX	4

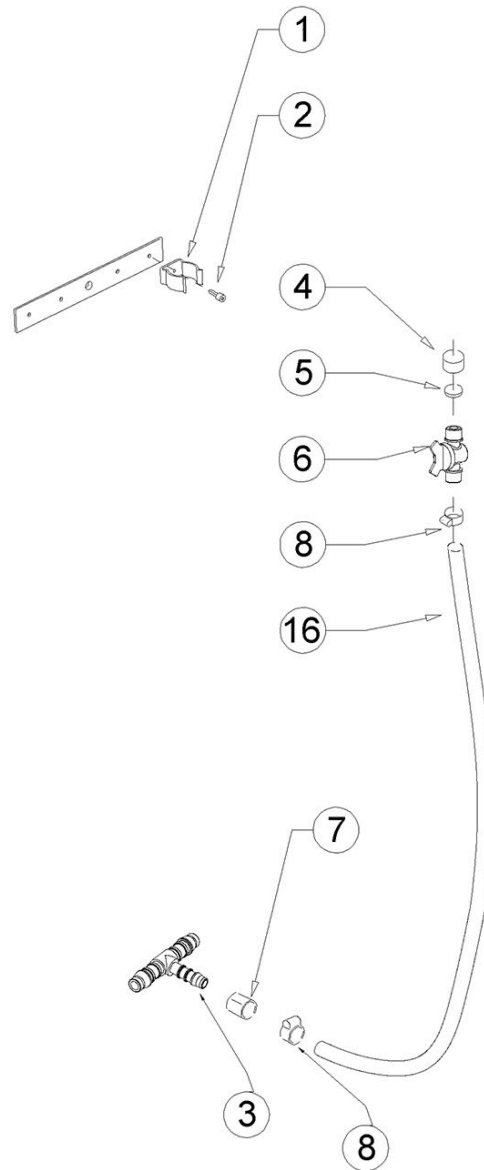
PARTS LIST

SOLUTION TANK SOLENOID/FILTER GROUP



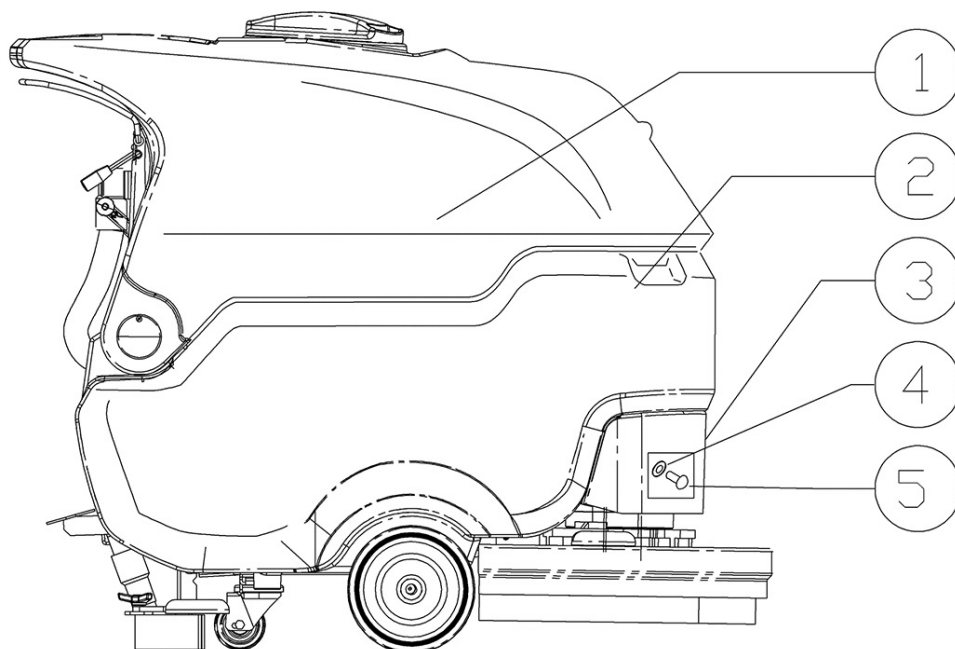
Ref.	Part No.	Serial Number	Description	Qty.
1	897256	(125546x- 00001) TUBE FLEX D.12X3 ARMORV.PVC TR	1
2	897257	(125546x- 00001) CLAMP	2
3	9018584	(125546x- 00001) FILTER, WATER, SOLNT, COMPL	1
4	897156	(125546x- 00001) WASHER D. 4 INX	2
5	9017718	(125546x- 00001) VALVE, WATER, SOLENOID, 24VDC	1
6	9018512	(125546x- 00001) SCREW, M20, SS	1
10	897261	(125546x- 00001) GASKET OR 21.2X3	1
17	897256	(125546x- 00001) TUBE FLEX D.12X3 ARMORV.PVC TR	1
19	897262	(125546x- 00001) SCREW, M4X16	2

SOLUTION TANK DRAIN HOSE GROUP



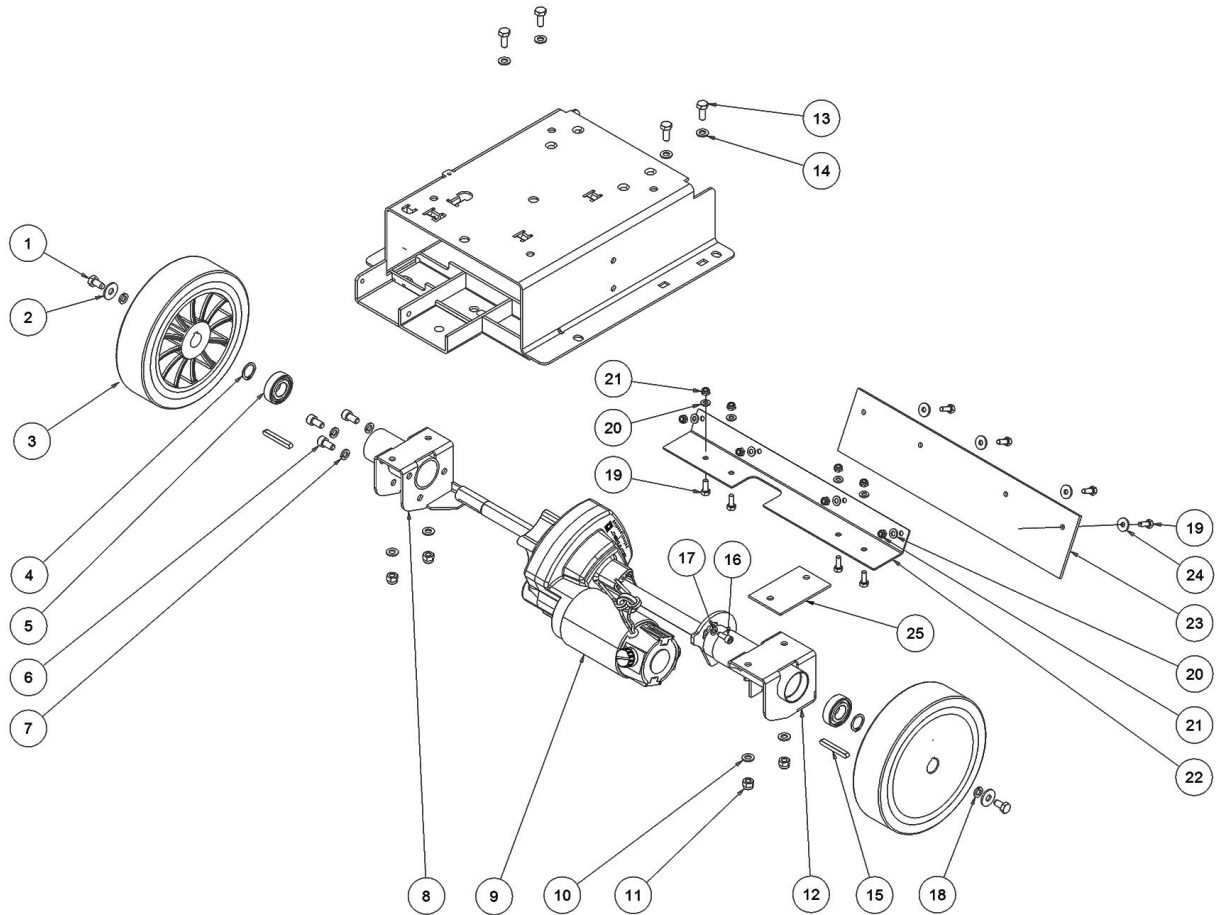
Ref.	Part No.	Serial Number	Description	Qty.
1	897266	(125546x- 00001) CLIP, M25	1
2	VTVT00339	(125546x- 00001) SCREW TCEI M5x20	1
3	897268	(125546x- 00001) CONNECTOR 3 VIE	1
4	897269	(125546x- 00001) CAP 1/2"G X ELETTR. ACL	1
5	897270	(125546x- 00001) GASKET D.21 SP.3 GOMMA	1
6	897271	(125546x- 00001) CONNECTOR 1/2 M RESCA 15	1
7	897272	(125546x- 00001) TUBE, D.30X12X17	1
8	897273	(125546x- 00001) CLAMP	1
16	897274	(125546x- 00001) TUBE, D.16	1

TANK GROUP



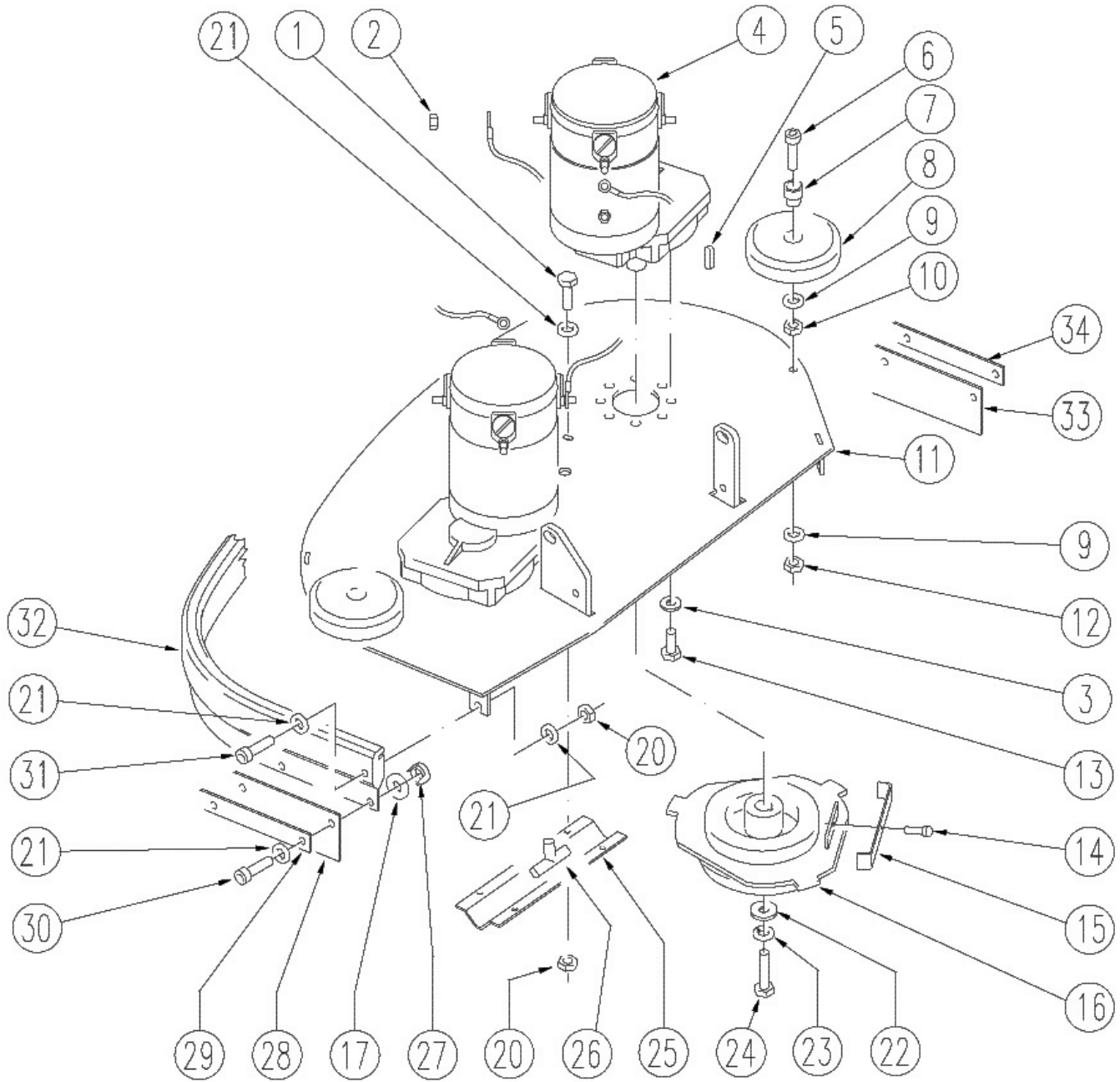
Ref.	Part No.	Serial Number	Description	Qty.
1	MPVR12964	(1255469- 00001) TANK RECOVERY [T390]	1
2	MPVR12976	(1255469- 00001) TANK SOLUTION [T390]	1
3	MPVR12977	(1255469- 00001) COVERING 60/70 RAL7024	1
4	897166	(1255469- 00001) WASHER, D. 5, INOX	4
5	VTVT15961	(1255469- 00001) SCREW, M5X16, TCB, TC, UNI7687	4

FRAME AND DRIVE WHEEL GROUP



Ref.	Part No.	Serial Number	Description	Qty.
1	897184	(1255469-00001) SCREW, TE, M8X16, UNI5739, A2	2
2	897120	(1255469-00001) WASHER, D.8X24, UNI6593, INOX	2
3	897346	(1255469-00001) WHEEL D.200	2
4	897280	(1255469-00001) CIRCLIP, D. 20, UNI7435	2
5	9017745	(1255469-00001) BEARING, WHEEL	2
6	897347	(1255469-00001) SCREW, TCEI, M.8X16	3
7	897216	(1255469-00001) WASHER, D. 8, GRW, UNI1751, INOX	3
8	897348	(1255469-00001) SUPPORT	1
9	897349	(1255469-00001) MOTOR TRACTION 24V 200W 150G	1
9	9017743	(1255469-00001) CARBON BRUSH KIT, MOTOR, TRANSAXLE [2 PC]	2
10	897152	(1255469-00001) WASHER, D.8, UNI6592, INOX	4
11	897124	(1255469-00001) NUT, M8, INOX	4
12	897350	(1255469-00001) SUPPORT,	1
13	897184	(1255469-00001) SCREW, TE, M8X16, UNI5739, A2	4
14	897152	(1255469-00001) WASHER, D.8, UNI6592, INOX	4
15	897351	(1255469-00001) KEY, M6X10X40, UNI6604 A (H.10)	2
16	897352	(1255469-00001) SCREW, TCEI, M.6X16	2
17	897129	(1255469-00001) WASHER D. 6 INX GRW UNI 1751	2
18	897129	(1255469-00001) WASHER D. 6 INX GRW UNI 1751	2
19	897128	(1255469-00001) SCREW TE 6X16 UNI5739	8
20	897106	(1255469-00001) WASHER D.6 UNI 6592 INOX	8
21	897138	(1255469-00001) NUT M6 INOX	8
22	897353	(1255469-00001) BRACKET, 90	1
23	897354	(1255469-00001) FLAP	1
24	897112	(1255469-00001) WASHER D. 6X18 INX UNI 6593	4
25	897355	(1255469-00001) PROTECTION	1

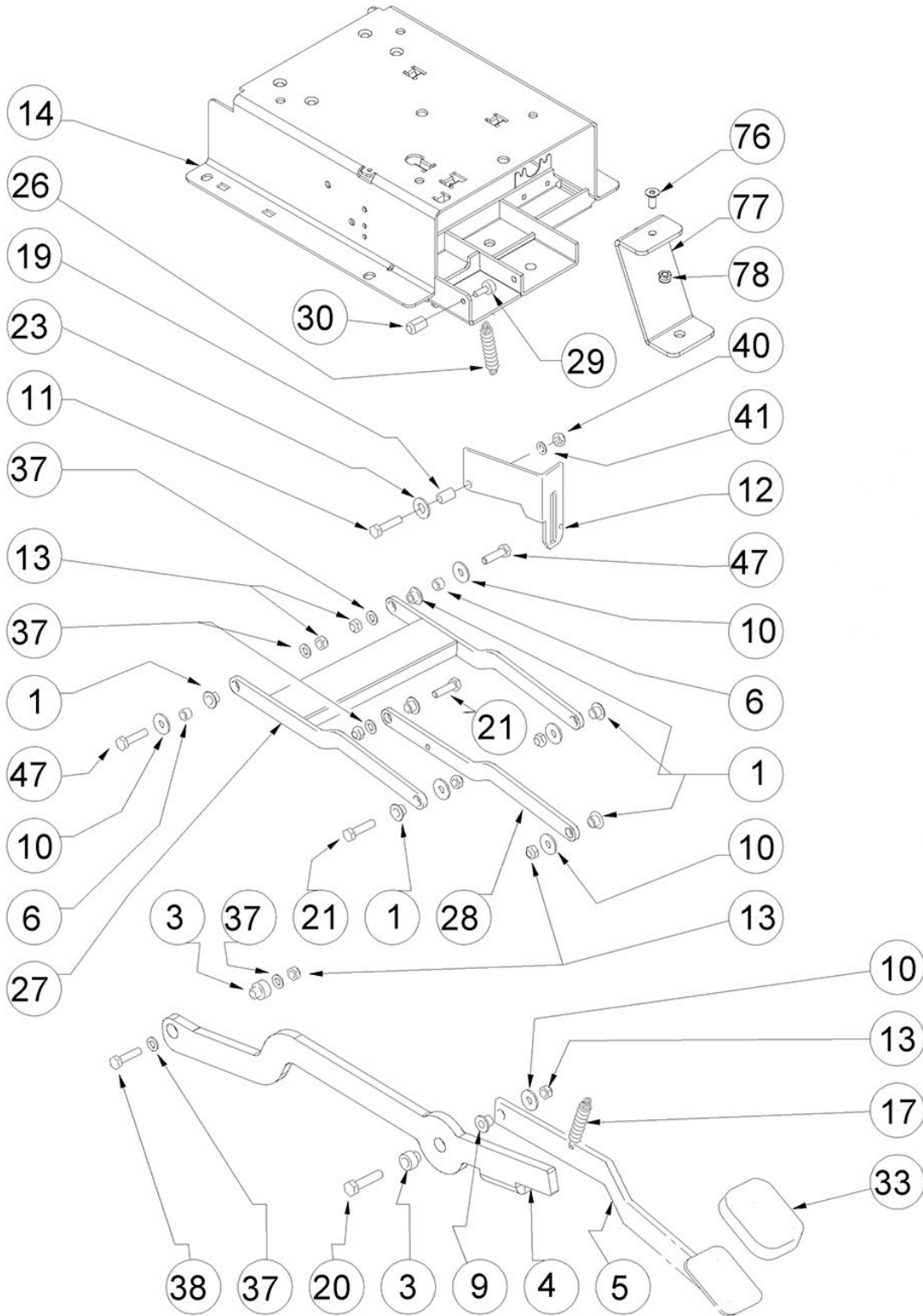
SCRUB HEAD GROUP



SCRUB HEAD GROUP

Ref.	Part No.	Serial Number	Description	Qty.
1	897128	(1255469-00001) SCREW TE 6X16 UNI5739	4
2	897309	(1255469-00001) NUT, M6, UNI5587, INOX	4
3	897129	(1255469-00001) WASHER D. 6 INX GRW UNI 1751	18
4	9017792	(1255469-00001) MOTOR, BRUSH, 24VDC	2
4	9017686	(1255469-00001) BRUSH KIT, CARBON, BRUSH MOTOR[4 PC]	4
5	897310	(1255469-00001) KEY, M6X6X30	2
6	897311	(1255469-00001) SCREW, M8X40	2
7	897121	(1255469-00001) BUSHING NUOVO RUOTINO STRONG	2
8	897101	(1255469-00001) WHEEL, BMPR, 98,5d X 21,5W	2
9	897152	(1255469-00001) WASHER, D.8, UNI6592, INOX	4
10	897229	(1255469-00001) NUT, M8, UNI5588, INOX, A2	2
11	897325	(1255469-00001) HEAD 70	1
12	897124	(1255469-00001) NUT, M8, INOX	2
13	897130	(1255469-00001) SCREW, TE, M6X12, UNI5739, A2	14
14	897313	(1255469-00001) SCREW, TCB, TC, M4X10	2
15	MLML00350	(1255469-00001) SPRING ALUM. CONICAL DRIVER	2
16	MFVR00242	(1255469-00001) DRIVE DISK CONICAL ALUMINIUM	2
17	897315	(1255469-00001) RUBBER LAV.	8
20	897125	(1255469-00001) NUT, M6, INOX	9
21	897112	(1255469-00001) WASHER D. 6X18 INX UNI 6593	22
22	897120	(1255469-00001) WASHER, D.8X24, UNI6593, INOX	2
23	897216	(1255469-00001) WASHER, D. 8, GRW, UNI1751, INOX	2
24	897316	(1255469-00001) SCREW, TE, M8X20, UNI5739, INOX	2
25	897326	(1255469-00001) DISTRIBUTOR 70	1
27	897318	(1255469-00001) NUT, M.6, TONDO FILET, 4 PUNTE	8
28	897319	(1255469-00001) FLAP	1
29	897320	(1255469-00001) FLAP RETAINER	1
30	897128	(1255469-00001) SCREW TE 6X16 UNI5739	8
31	897321	(1255469-00001) SCREW, M6X35, UNI5739, INOX	5
32	897327	(1255469-00001) BUMPER	1
33	897323	(1255469-00001) FLAP DX	1
34	897324	(1255469-00001) FLAP RETAINER RH SIDE	1

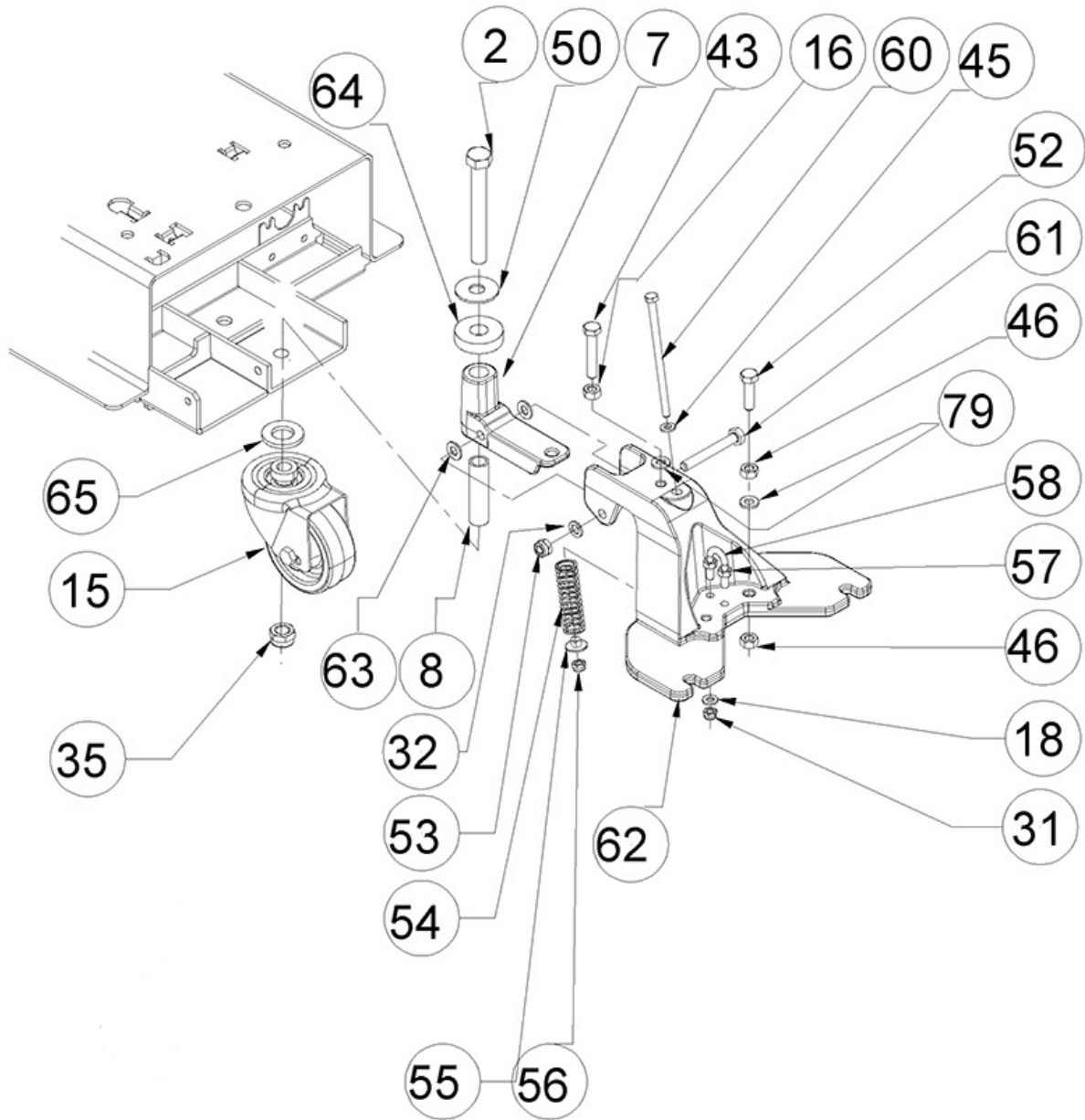
SCRUB HEAD LIFT GROUP



SCRUB HEAD LIFT GROUP

Ref.	Part No.	Serial Number	Description	Qty.
1	897218	(1255469-00001) BUSHING BRUSH DECK SUPPORT	6
3	897220	(1255469-00001) BUSHING PARALLELOGR.TEST.GR.	2
4	897335	(1255469-00001) BRACKET LIFTING BRUSH HEAD	1
5	897222	(1255469-00001) PEDAL BRUSH HEAD LIFTING	1
6	897336	(1255469-00001) BUSHING D. 9X12X 8.3	2
9	897225	(1255469-00001) BUSHING LEVA POSTER.	1
10	897120	(1255469-00001) WASHER, D.8X24, UNI6593, INOX	6
11	897287	(1255469-00001) SCREW TE 6X20 UNI5739 INX	1
12	897227	(1255469-00001) PLATE	1
13	897124	(1255469-00001) NUT, M8, INOX	8
14	897337	(1255469-00001) BASE	1
17	897230	(1255469-00001) SPRING TR E350 N	1
19	897231	(1255469-00001) BUSHING	1
20	897232	(1255469-00001) SCREW, TE, M8X50, INOX, A2	1
21	897233	(1255469-00001) SCREW, TE, M8X25, UNI5739, INOX	3
23	897157	(1255469-00001) WASHER NYLON 66 D. 84X17X2	1
26	897237	(1255469-00001) SPRING, L54.1 D.9.1	1
27	897338	(1255469-00001) ARM	1
28	897239	(1255469-00001) ARM, PARALLELOGRAM	1
29	MPVR75799	(1255469-00001) FASTENER, BMPR, 20 X 9 / M6 X 18	1
30	897655	(1255469-00001) NUT, M6, 16L	1
33	897240	(1255469-00001) COVER	1
37	897152	(1255469-00001) WASHER, D.8, UNI6592, INOX	4
38	897340	(1255469-00001) SCREW, TE, M8X40, UNI5737, INOX	1
40	897138	(1255469-00001) NUT M6 INOX	5
41	897106	(1255469-00001) WASHER D.6 UNI 6592 INOX	1
47	897246	(1255469-00001) SCREW, TE, M8X30, UNI5739, INOX	2
76	VTVT00129	(1255469-00001) SCREW TSCE UNI 5933 8X20 ZB	1
77	897342	(1255469-00001) BRACKET	1
78	897124	(1255469-00001) NUT, M8, INOX	1

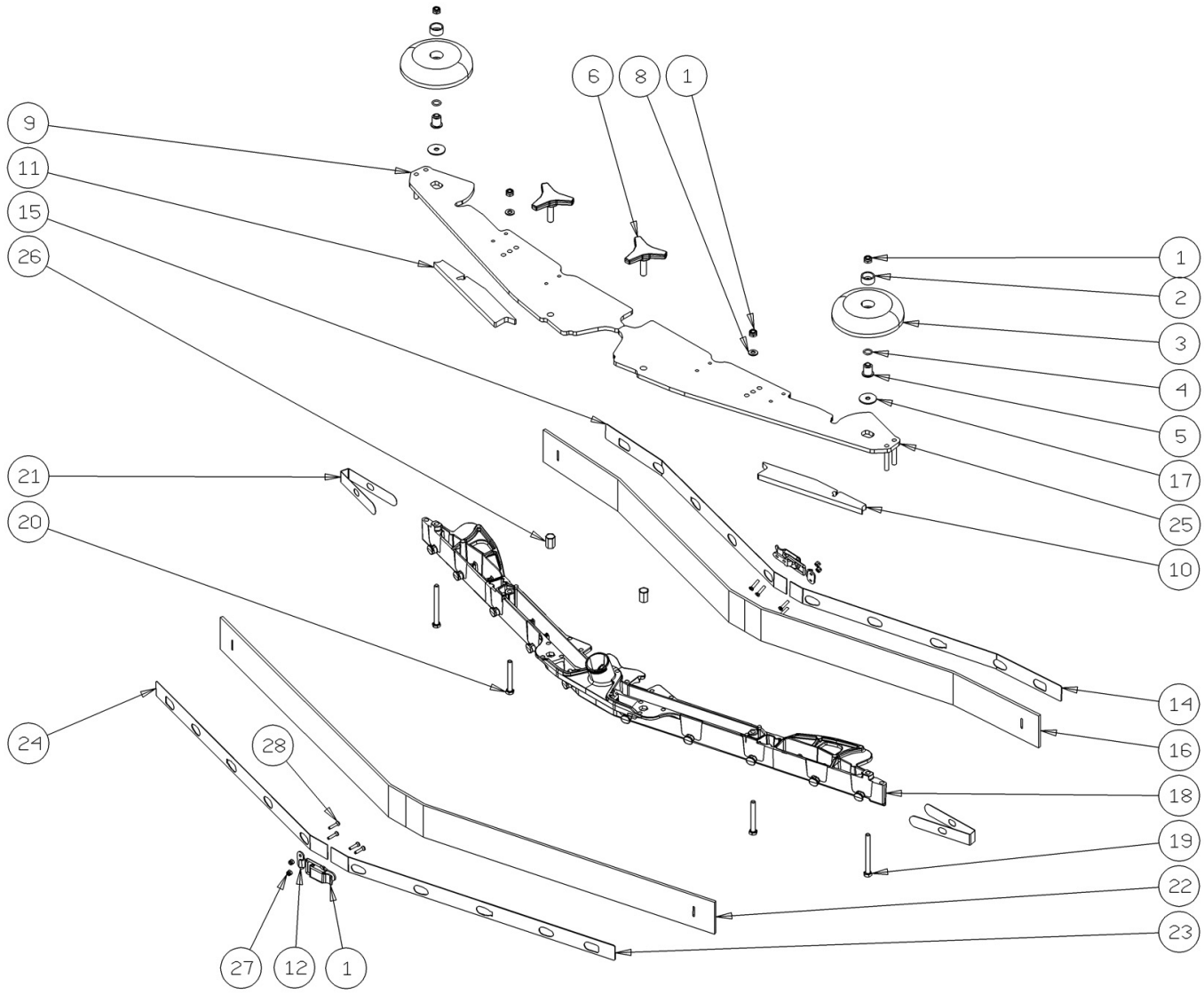
SQUEEGEE LIFT GROUP



SQUEEGEE LIFT GROUP

Ref.	Part No.	Serial Number	Description	Qty.
2	897219	(1255469-00001) SCREW TE M12X110	1
7	897223	(1255469-00001) SUPPORT SQUEEGEE	1
8	897224	(1255469-00001) PIN	1
15	9017788	(1255469-00001) CASTER, SWIVEL	1
16	897229	(1255469-00001) NUT, M8, UNI5588, INOX, A2	1
18	897106	(1255469-00001) WASHER D.6 UNI 6592 INOX	1
31	897138	(1255469-00001) NUT M6 INOX	1
32	897152	(1255469-00001) WASHER, D.8, UNI6592, INOX	1
35	897241	(1255469-00001) NUT, M.12, INOX, A2	1
43	897244	(1255469-00001) SCREW, TE, M8X45, INOX, A2	1
45	897106	(1255469-00001) WASHER D.6 UNI 6592 INOX	1
46	897229	(1255469-00001) NUT, M8, UNI5588, INOX, A2	1
50	897247	(1255469-00001) WASHER, D. 12X36X2.5, UNI6593	1
52	897246	(1255469-00001) SCREW, TE, M8X30, UNI5739, INOX	1
53	897124	(1255469-00001) NUT, M8, INOX	1
54	897249	(1255469-00001) SPRING	1
55	897218	(1255469-00001) BUSHING BRUSH DECK SUPPORT	1
56	897138	(1255469-00001) NUT M6 INOX	1
57	897250	(1255469-00001) NUT, M6, UNI5589, INOX	2
58	897251	(1255469-00001) BRACKET, M6X11X29	1
60	897252	(1255469-00001) SCREW, M6X110	1
61	897253	(1255469-00001) SCREW, M8X60	1
62	897254	(1255469-00001) SUPPORT SQUEEGEE	1
63	897157	(1255469-00001) WASHER NYLON 66 D. 84X17X2	1
64	897255	(1255469-00001) WASHER, M15X40	1
65	897247	(1255469-00001) WASHER, D. 12X36X2.5, UNI6593	1
79	897216	(1255469-00001) WASHER, D. 8, GRW, UNI1751, INOX	1

SQUEEGEE GROUP

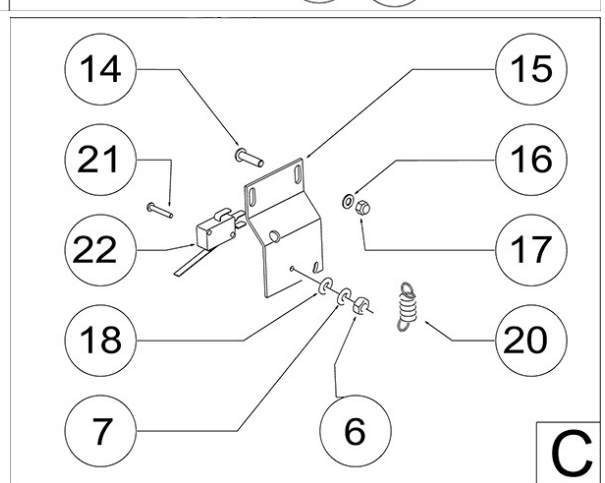
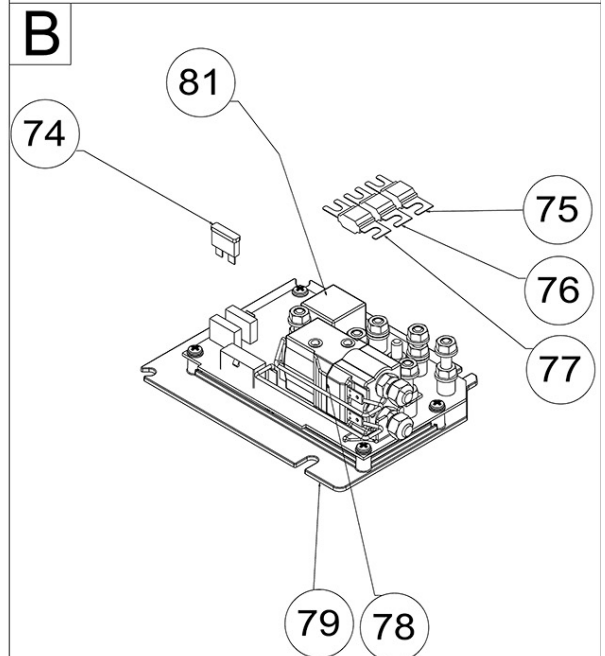
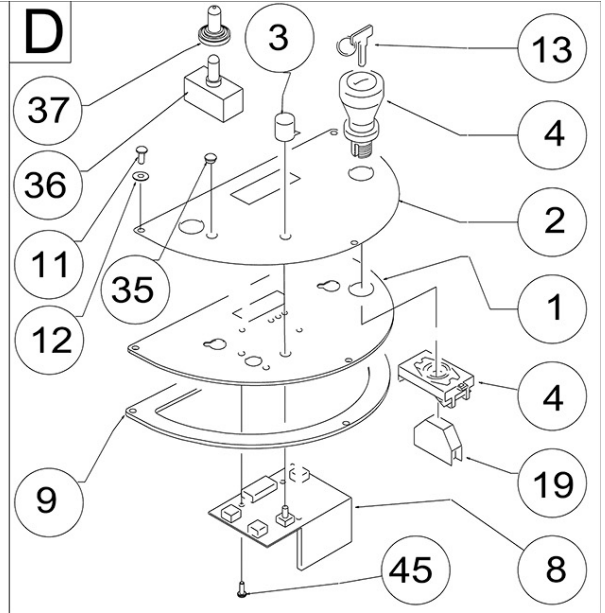
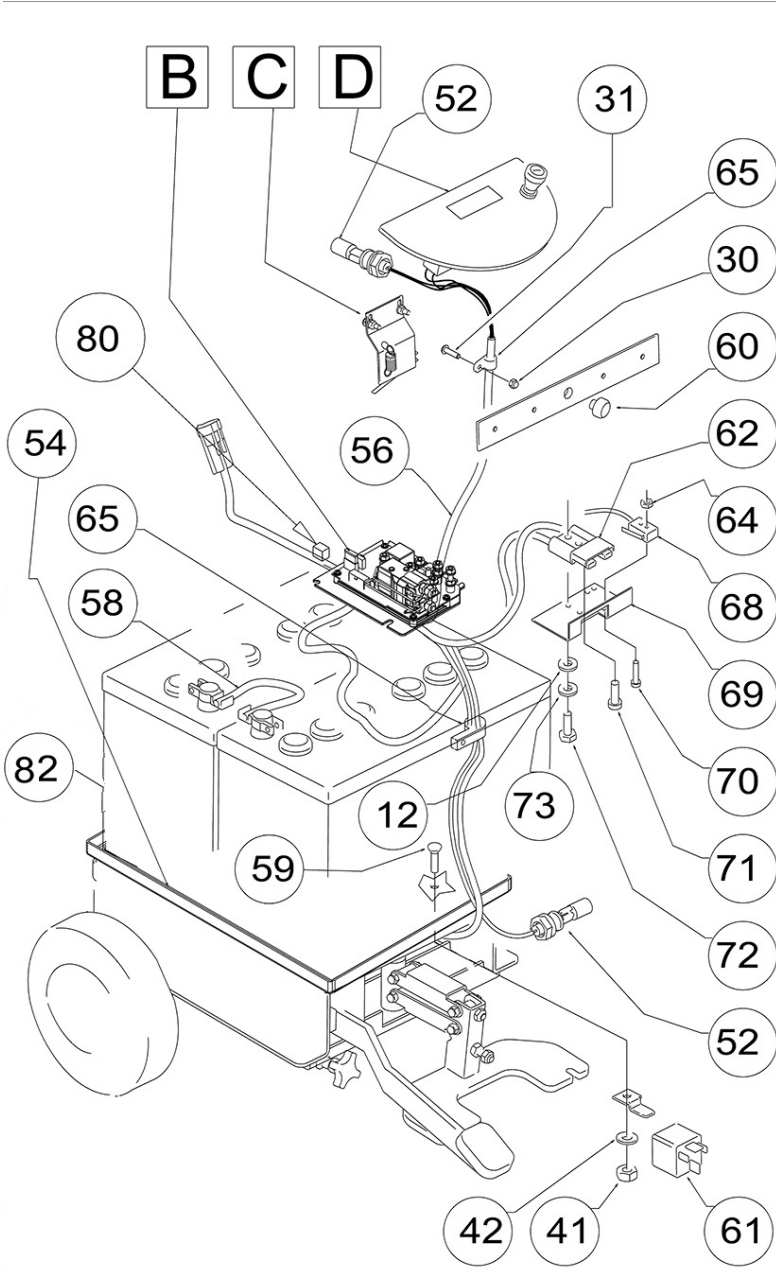


SQUEEGEE GROUP

Ref.	Part No.	Serial Number	Description	Qty.
1	9018492	(1255469-00001) LATCH, STRAP, SQGE	2
2	897100	(1255469-00001) SLEEVE, NYLON, 0,314b 0,72d 0,35l	2
3	897101	(1255469-00001) WHEEL, BMPR, 98,5d X 21,5W	2
4	897102	(1255469-00001) O- RING, 13.00 Od X 10.00 Id	2
5	897103	(1255469-00001) SPACER, 6.00b 12.00d 16.5l, CPR	2
6	897104	(1255469-00001) KNOB, TRI, M8x35 [YEL]	2
8	897106	(1255469-00001) WASHER D.6 UNI 6592 INOX	2
9	897302	(1255469-00001) PLATE	1
10	897303	(1255469-00001) GASKET	1
11	897304	(1255469-00001) GASKET	1
12	9018495	(1255469-00001) HOOK, STRAP, SQGE	2
14	897613	(1255469-00001) STRAP, SQGE, L, FRONT, RH	1
15	897620	(1255469-00001) STRAP, SQGE, L, FRONT, LH	1
16	9017813	(1255469-00001) BLADE, SQGE, FRONT, 1020L, LINATEX (STANDARD)	1
16	9017801	(1255469-00001) BLADE, SQGE, FRONT, 1020L, LATEX (OPTION)	1
16	9017806	(1255469-00001) BLADE, SQGE, FRONT, 1020L, PYU (OPTION)	1
17	897305	(1255469-00001) WASHER, M6X24, UNI6593, INOX	2
18	897306	(1255469-00001) BODY SQUEEGEE PRESSOFUSO "L"	1
19	897114	(1255469-00001) SCREW, M6X65, SS	2
20	897115	(1255469-00001) SCREW, M6X55, SS	2
21	897307	(1255469-00001) CLOSURE L	2
22	9017814	(1255469-00001) BLADE, SQGE, REAR, 1020L, LINATEX (STANDARD)	1
22	9017804	(1255469-00001) BLADE, SQGE, REAR, 1020L, LATEX (OPTION)	1
22	9017811	(1255469-00001) BLADE, SQGE, REAR, 1020L, PYU (OPTION)	1
23	897653	(1255469-00001) STRAP, SQGE, L, REAR, RH	1
24	897654	(1255469-00001) STRAP, SQGE, L, REAR, LH	1
25	897308	(1255469-00001) PLATE	1
26	897118	(1255469-00001) INSERT	2
27	9018496	(1255469-00001) NUT M 3 AUTOBL.DIN 985 IX.A2	8
28	9018497	(1255469-00001) BOLT, STRAP, SQGE	8

PARTS LIST

ELECTRICAL COMPONENT GROUP

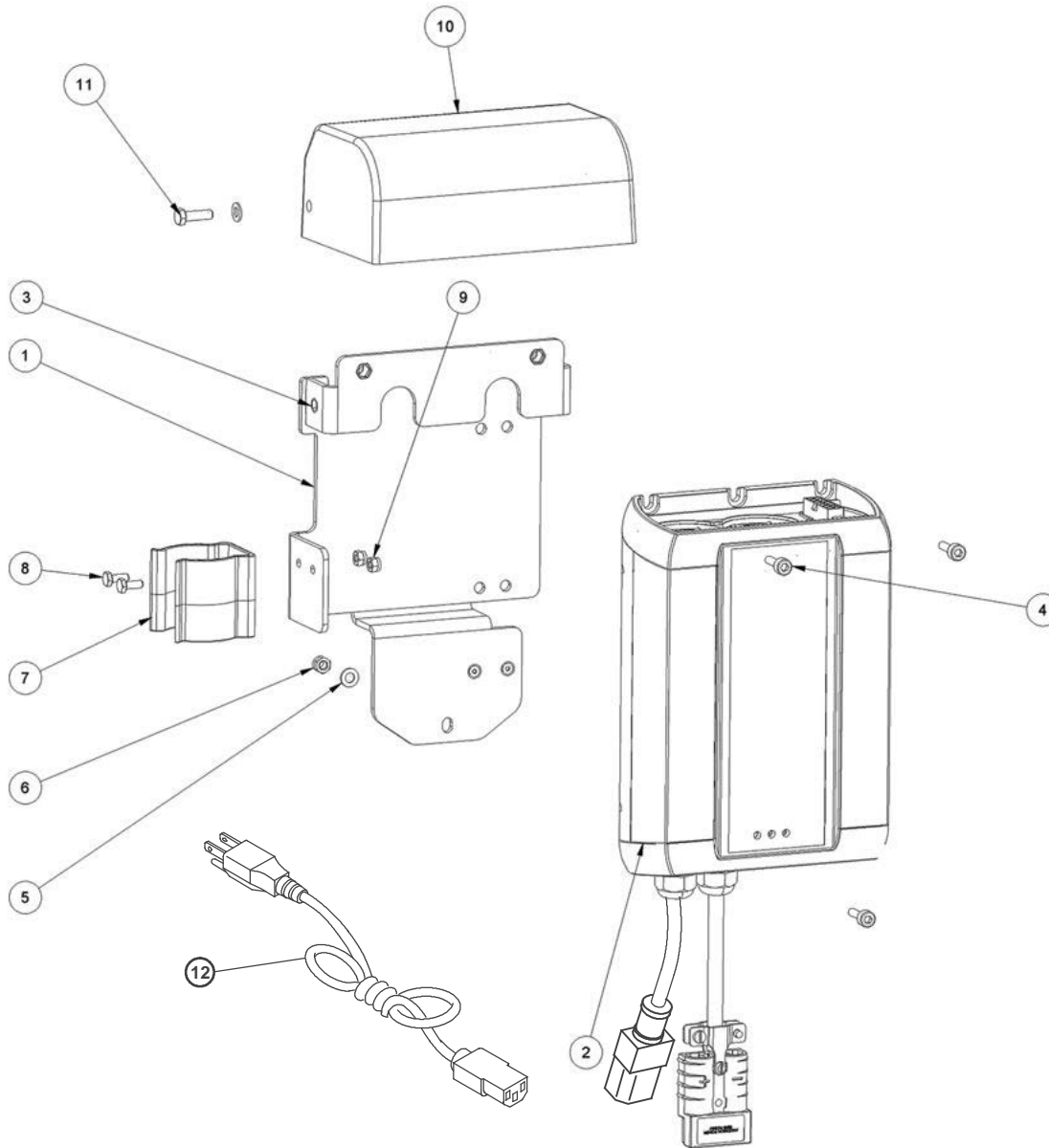


ELECTRICAL COMPONENT GROUP

Ref.	Part No.	Serial Number	Description	Qty.
D	897289	(1255469-00001) BOARD, DISPLAY	1
1	897187	(1255469-00001) SUPPORT	1
2	897290	(1255469-00001) LABEL	1
3	897291	(1255469-00001) KNOB POTENTIOMETER	1
4	897292	(1255469-00001) SWITCH KEY + EMERGENCY	1
6	897189	(1255469-00001) NUT, M3, INOX	2
7	897190	(1255469-00001) WASHER, D.3	2
8	KTRI02173	(1255468-00001) DISPLAY BOARD (includes 1, 2, 3, 8, 9)	1
8	9018576	(1255469-00001) CIRCUITBOARD ASSY	1
9	897191	(1255469-00001) GASKET, PANN, COM, EXTREME	1
11	897180	(1255469-00001) SCREW, M4X10, TCB, TC, INOX	3
12	897156	(1255469-00001) WASHER D. 4 INX	9
13	897293	(1255469-00001) KEYS SET SPARE SCRUBBERS W.B.	1
14	897145	(1255469-00001) SCREW TE 5X16 UNI5739 INX	2
15	897192	(1255469-00001) PLATE MICRO LEVA	1
16	897166	(1255469-00001) WASHER, D. 5, INOX	2
17	VTDD01693	(1255469-00001) NUT, M5, INOX	4
18	897193	(1255469-00001) WASHER, D. 3, INOX	2
19	897294	(1255469-00001) CONTACT	1
20	897148	(1255469-00001) SPRING	1
21	897194	(1255469-00001) SCREW TC+ M3, 16	2
22	9017689	(1255469-00001) SWITCH, HANDLE	1
30	897160	(1255469-00001) NUT, M4, INOX, ZN	4
31	897195	(1255469-00001) SCREW, TE, M4X16, UNI5739, INOX	6
35	897607	(1255469-00001) CAP, SCREW	1
36	897295	(1255469-00001) SWITCH 10A, 250VAC	1
37	897296	(1255469-00001) RUBBER DEVIATORE	1
41	897138	(1255469-00001) NUT M6 INOX	1
42	897106	(1255469-00001) WASHER D.6 UNI 6592 INOX	1
45	897203	(1255469-00001) SCREW	3
52	9017737	(1255469-00001) FLOAT, SHUTOFF	2
54	897207	(1255469-00001) BATTERY SUPPORT CT LINE	1
56	897356	(1255469-00001) WIRING, EYELET, M8	1
58	897357	(1255469-00001) BATTERY, BRIDGE, M8, 70	1
59	897300	(1255469-00001) SCREW TSTC UNI7688 M6X16	1
60	897196	(1255469-00001) CAP CHIUS.FORO PORTAFUS.L 15	1
61	897297	(1255469-00001) RELAY 24V 10/20A	1
62	897197	(1255469-00001) CONNECTOR	1
64	897198	(1255469-00001) NUT, M2	2
65	897137	(1255469-00001) CLAMP FERMATUBO	2
68	897199	(1255469-00001) MICROSWITCH CHARGING PLUG	1
69	897200	(1255469-00001) SUPPORT	1
70	897201	(1255469-00001) SCREW, TC, M.2X16, BRASS	2
71	897202	(1255469-00001) SCREW TSP+ 2.9X13 AUTOFIL. INOX	1
72	897155	(1255469-00001) SCREW, TE, M.4X25	2
73	897204	(1255469-00001) WASHER D. 4 GROVER A2 UNI1751	2
74	MEVR01428	(1255469-00001) FUSE 2A	1
75	897301	(1255469-00001) FUSE 30A OMEGA FT3030	1
76	9018333	(1255469-00001) FUSE, 40A	1
77	9018332	(1255469-00001) FUSE, 50A	1
78	897208	(1255469-00001) CONTACTOR 100A	1
79	9017726	(1255469-00001) CIRCUITBOARD, MAIN	1
80	897210	(1255469-00001) MOUSSE, M20x15x18	1
81	897209	(1255469-00001) RELAY 24V 70A	1
82	1053408	(1255469-00001) BATTERY, AGM, 12 VDC, 140AH	2
82	1015046	(1255469-00001) BATTERY, WET, 12VDC, 150AH	2

PARTS LIST

BATTERY CHARGER GROUP



Ref.	Part No.	Serial Number	Description	Qty.
1	LAFN11086	(125546x- 00001) SUPPORT -	1
2	9017742	(125546x- 00001) CHARGER, 24VDC 15A [ON- BOARD]	1
3	VTVR00564	(125546x- 00001) INSERT -	4
4	VTVT17720	(125546x- 00001) SCREW TCEI M 5X16 INOX	3
5	897166	(125546x- 00001) WASHER, D. 5, INOX	3
6	VTDD01693	(125546x- 00001) NUT, M5, INOX	1
7	9017721	(125546x- 00001) CLIP, HOSE, RECVY	1
8	897151	(125546x- 00001) SCREW TE M 4X 10 INX	2
9	897276	(125546x- 00001) NUT M 4 ATB A2	2
10	MPVR10816	(125546x- 00001) BAFFLE	1
11	897145	(125546x- 00001) SCREW TE 5X16 UNI5739 INX	2
12	1069835	(125546x- 00001) CORD, POWER, CHRGR, 120VAC	1

ELECTRICAL DIAGRAM

