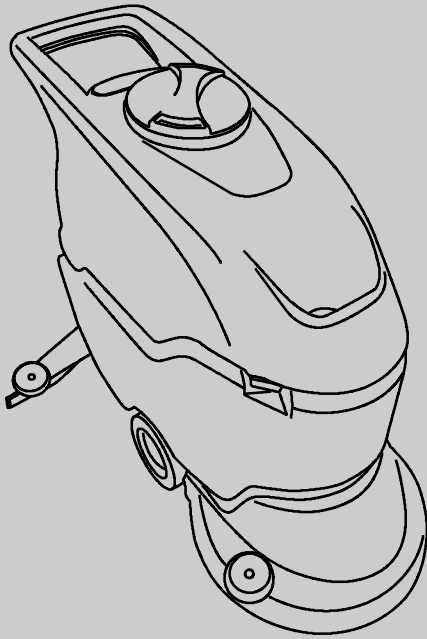




T290

Walk-behind Floor Scrubber

Parts Manual



Model Part No.:

- 1255467 – SCRUBBER [T290 50CM, PAD ASSIST, W/O BATT, NA]
- 1255468 - SCRUBBER [T290 50CM, PROPEL, W/O BATT, NA]
- 9022000 – SCRUBBER [T290 50CM, PAD ASSIST, 130AH WET BATT, NA]
- 9022001 - SCRUBBER [T290 50CM, PAD ASSIST, 150AH WET BATT, NA]
- 9022002 - SCRUBBER [T290 50CM, PAD ASSIST, 140AH AGM BATT, NA]
- 9022003 - SCRUBBER [T290 50CM, PROPEL, 130AH WET BATT, NA]
- 9022004 - SCRUBBER [T290 50CM, PROPEL, 150AH WET BATT, NA]
- 9022005 - SCRUBBER [T290 50CM, PROPEL, 140AH AGM BATT, NA]

TennantTrue® Parts

North America



To view, print or download
Tennant manuals, visit:

www.tennantco.com/manuals

9021517
Rev. 00 (02-2021)

Only use TENNANT Company supplied or equivalent parts. Parts and supplies may be ordered online, by phone or from any Tennant Authorized Service Center or Distributor.

Before Ordering any parts or supplies, be sure to have the machine model number and serial number available.

Serial Number Location



Tennant Company
PO Box 1452
Minneapolis, MN 55440 USA
Phone: (800) 553-8033
www.tennantco.com

Specifications and parts are subject to change without notice.

Copyright © 2021 TENNANT Company

RECOMMENDED SPARE PARTS LIST 4

BRUSHES / PAD DRIVER AND PADS 5

RECOVERY TANK GROUP 6

VACUUM MOTOR GROUP 8

SOLUTION TANK GROUP 9

SOLUTION TANK SOLENOID/FILTER GROUP 10

SOLUTION TANK DRAIN HOSE GROUP 11

WHEEL GROUP [T290 PAD ASSIST] 12

DRIVE WHEEL GROUP [T290 PROPEL] 13

SCRUB HEAD SHROUD GROUP 14

BRUSH MOTOR GROUP 15

SCRUB HEAD LIFT GROUP 16

SQUEEGEE LIFT GROUP 18

SQUEEGEE GROUP 20

ELECTRICAL COMPONENT GROUP [T290 PAD ASSIST] 22

ELECTRICAL COMPONENT GROUP [T290 PROPEL] 24

BATTERY CHARGER GROUP 26

ELECTRICAL DIAGRAM [T290 PAD ASSIST] 27

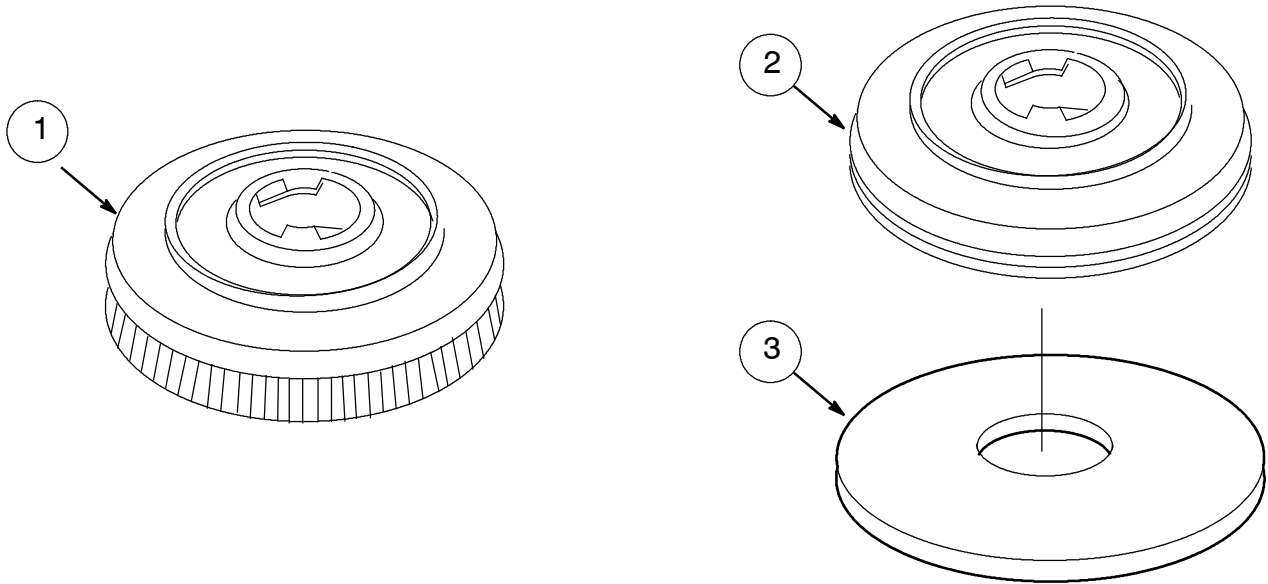
ELECTRICAL DIAGRAM [T290 PROPEL] 28

RECOMMENDED SPARE PARTS LIST

WEAR PARTS	
PART NO.	DESCRIPTION
9017703	BRUSH ASSY, DISK, SCB, 50CM, PYP
9017704	BRUSH ASSY, DISK, SCB, 50CM, PYP, SOFT
9017710	DRIVER ASSY, PAD, 50CM [STANDARD]
1243338	PAD, POLISH, 20.0D, WHITE [QTY 5]
1243339	PAD, BUFF, 20.0D, RED [QTY 5]
1243340	PAD, SCRUB, 20.0D, BLUE [QTY 5]
1243566	PAD, STRIP, 20.0D, BROWN [QTY 5]
1243661	PAD, STRIP, 20.0D, BLACK, HI PROD [QTY 5]
1243670	PAD, SURF PREP, 20.0D MAROON [QTY 5]
1240393	PAD, POLISH, 20.0D, YELLOW [QTY 5]
9017699	BLADE, SQGE, FRONT, 880L, LINATEX [STANDARD]
9017702	BLADE, SQGE, REAR, 900L, LINATEX [STANDARD]
9017695	BLADE, SQGE, FRONT, 880L, LATEX [OPTION]
9017694	BLADE, SQGE, REAR, 900L, LATEX [OPTION]
9017696	BLADE, SQGE, FRONT, 880L, PYU [OPTION]
9017698	BLADE, SQGE, REAR, 900L, PYU [OPTION]

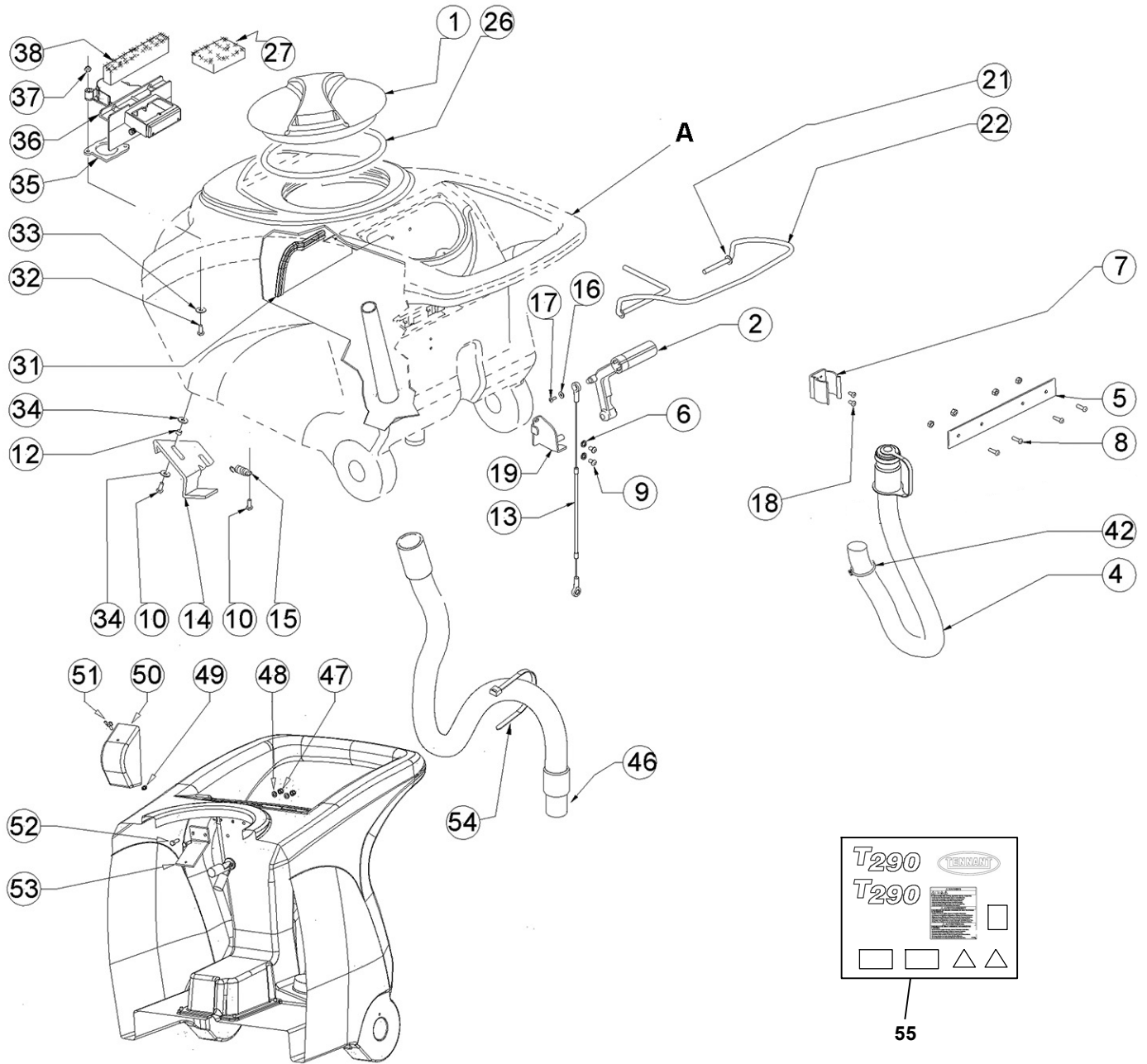
SERVICE PARTS	
PART NO.	DESCRIPTION
130869	BATTERY, WET, 12V 130AH
1053408	BATTERY, AGM, 12VDC 140AH
1015046	BATTERY, WET, 12VDC 150AH
9017713	FILTER, VACUUM
9017711	SEAL, COVER, RECVY TANK
9017712	HOSE ASSY, RECOVERY
9017715	CABLE, LIFT, SQGE
TBFX01299	HOSE ASSY, DRAIN
9017718	VALVE, WATER, SOLENOID, 24VDC
9017788	CASTER, SWIVEL
CUVR00294	BEARING, SUPPORT [PROPEL MODEL]
CUVR00293	BEARING , FLANGE [PROPEL MODEL]
9017719	BEARING, AXLE
9018584	FILTER, WATER, SOLNT, COMPL
9017725	MOTOR, BRUSH, 24VDC
9017686	BRUSH KIT, CARBON, BRUSH MOTOR [4 PC]
9017716	FAN, VACUUM
9017687	BRUSH, CARBON, VAC FAN MOTOR
897285	MOTOR, TRACTION, 24V 145W (PROPEL MODEL)
9018034	BRUSH, CARBON, TRANSAXLE MOTOR
9017726	CIRCUITBOARD, MAIN
9017798	CIRCUITBOARD, DISPLAY [PROPEL MODEL]
897186	CIRCUITBOARD, DISPLAY [PAD ASST MODEL]
MEVR01428	FUSE 2A, MAIN CIRCUIT BOARD
9018332	FUSE 50A, MAIN CIRCUIT BOARD
9018333	FUSE 40A, MAIN CIRCUIT BOARD
897301	FUSE 30A, MAIN CIRCUIT BOARD [PROPEL MODEL]
9017722	GUARD, SPLASH (OPTION)
9017737	FLOAT, SHUTOFF

BRUSHES / PAD DRIVER AND PADS



Ref.	Part No.	Serial Number	Description	Qty.
1	9017703	(125546x- 00001-) BRUSH ASSY, DISK, SCB, 50CM, PYP	1
1	9017704	(125546x- 00001-) BRUSH ASSY, DISK, SCB, 50CM, PYP, SOFT	1
2	9017710	(125546x- 00001-) DRIVER ASSY, PAD, 50CM	1
3	1243338	(125546x- 00001-) PAD, POLISH, 20.0D, WHITE [QTY 5]	1
3	1243339	(125546x- 00001-) PAD, BUFF, 20.0D, RED [QTY 5]	1
3	1243340	(125546x- 00001-) PAD, SCRUB, 20.0D, BLUE [QTY 5]	1
3	1243566	(125546x- 00001-) PAD, STRIP, 20.0D, BROWN [QTY 5]	1
3	1243661	(125546x- 00001-) PAD, STRIP, 20.0D, BLACK, HI PROD [QTY 5]	1
3	1243670	(125546x- 00001-) PAD, SURF PREP, 20.0D MAROON [QTY 5]	1
3	1240393	(125546x- 00001-) PAD, POLISH, 20.0D, YELLOW [QTY 5]	1

RECOVERY TANK GROUP

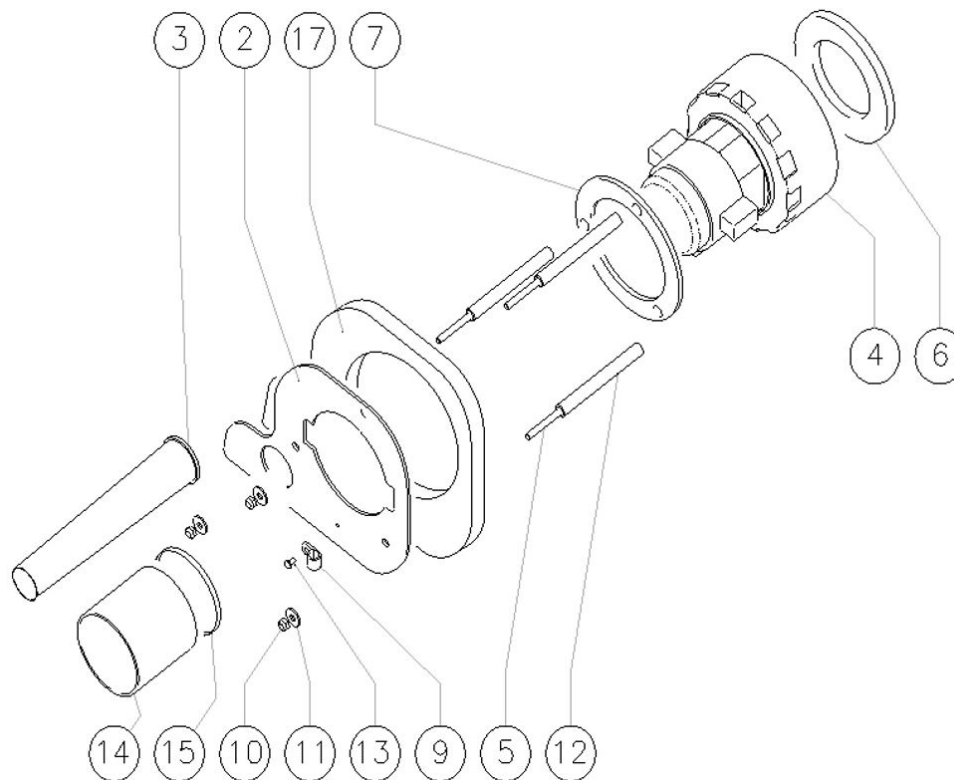


RECOVERY TANK GROUP

Ref.	Part No.	Serial Number	Description	Qty.
A	MPVR12900	(125546x- 00001) RECOVERY TANK	1
1	MPVR12975	(125546x- 00001) TANK CAP RAL 7024	2
2	9017688	(125546x- 00001) LEVER, LIFT, SQGE	1
4	TBFX01299	(125546x- 00001) TUBE SPACER	1
5	897144	(125546x- 00001) PLATE COPRILEVA CONSENSO	1
6	897644	(125546x- 00001) WASHER D. 5 INX GRW UNI 1751	2
7	9017721	(125546x- 00001) CLIP, HOSE, RECVY	1
8	897145	(125546x- 00001) SCREW TE 5X16 UNI5739 INX	4
9	897459	(125546x- 00001) SCREW, M5X12, TE, INOX	2
10	897128	(125546x- 00001) SCREW TE 6X16 UNI5739	3
12	897146	(125546x- 00001) SPACER	1
13	9017715	(125546x- 00001) CABLE, LIFT, SQGE	1
14	897147	(125546x- 00001) HANDLE	1
15	897148	(125546x- 00001) SPRING	1
16	897149	(125546x- 00001) WASHER 4- 16 INOX A2	1
17	897150	(125546x- 00001) SCREW, TC, M4X12, ZN	1
18	897151	(125546x- 00001) SCREW TE M 4X 10 INX	2
19	9018371	(125546x- 00001) BRACKET, LIFT, SQGE	1
21	897152	(125546x- 00001) WASHER, D.8, UNI6592, INOX	2
22	897153	(125546x- 00001) LEVER HANDLE ACTIVATION	1
26	9017711	(125546x- 00001) SEAL, COVER, RECVY TANK	1
27	9017713	(125546x- 00001) FILTER, VACUUM	1
31	897154	(125546x- 00001) PLATE	1
32	897155	(125546x- 00001) SCREW, TE, M.4X25	2
33	897156	(125546x- 00001) WASHER D. 4 INX	2
34	897157	(125546x- 00001) WASHER NYLON 66 D. 84X17X2	4
35	897158	(125546x- 00001) GASKET SCATOLA ASPIRAZIONE	1
36	897159	(125546x- 00001) BOX	1
37	897160	(125546x- 00001) NUT, M4, INOX, ZN	2
38	897161	(125546x- 00001) GASKET CONDOTTO ASPIRAZIONE	1
42	FSVR00095	(125546x- 00001) CLAMP 30- 45	1
46	9017712	(125546x- 00001) HOSE ASSY, RECVY (includes item 54)	1
47	VTDD01693	(125546x- 00001) NUT, M5, INOX	2
48	897166	(125546x- 00001) WASHER, D. 5, INOX	4
49	897167	(125546x- 00001) WASHER	1
50	897168	(125546x- 00001) PROTECTION	1
51	897169	(125546x- 00001) SCREW, M4X10	1
52	897170	(125546x- 00001) SCREW TE 5X20	2
53	897171	(125546x- 00001) BRACKET	1
54	897172	(125546x- 00001) CLAMP	1
55	KTRI06352	(125546x- 00001) KIT, LABEL, T290	1

PARTS LIST

VACUUM MOTOR GROUP

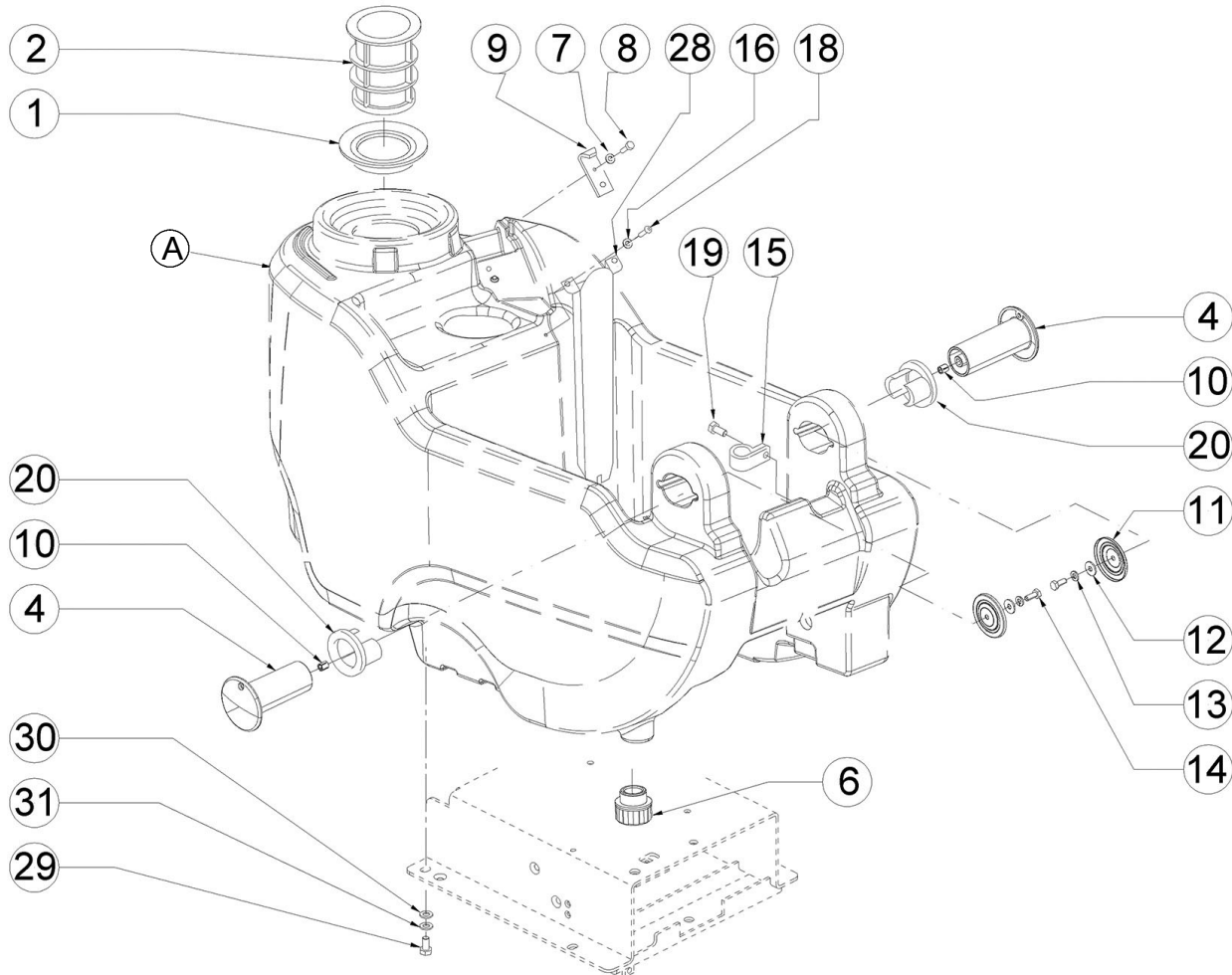


Ref.	Part No.	Serial Number	Description	Qty.
▽	KTRI01781	(125546x- 00001) MOTOR, VACUUM, ASM.	1
▲	897133	(125546x- 00001) FLANGE ASPIRATORE	1
▲	897134	(125546x- 00001) TUBE SCARICO	1
▲	9017716	(125546x- 00001) FAN, VACUUM, MOTOR	1
4	9017687	(125546x- 00001) CARBON BRUSH, MOTOR, VACFAN	2
5	897135	(125546x- 00001) ROD	3
▲	9017714	(125546x- 00001) GASKET, MOTOR, VACUUM	1
▲	897136	(125546x- 00001) FLANGE, NYLON	1
▲	897137	(125546x- 00001) CLAMP FERMATUBO	1
10	897138	(125546x- 00001) NUT M6 INOX	3
11	897112	(125546x- 00001) WASHER D. 6X18 INX UNI 6593	3
12	897139	(125546x- 00001) SPACER SH	3
▲	897140	(125546x- 00001) SCREW, M4X8, TCB, TC, UNI8112	1
▲	897141	(125546x- 00001) TUBE ASPIRAZIONE	1
▲	897142	(125546x- 00001) CLAMP D.94	1
▲	897143	(125546x- 00001) SOUND, PROOFING ASPIRATORE	1

▽ KIT

▲ INCLUDED IN KIT

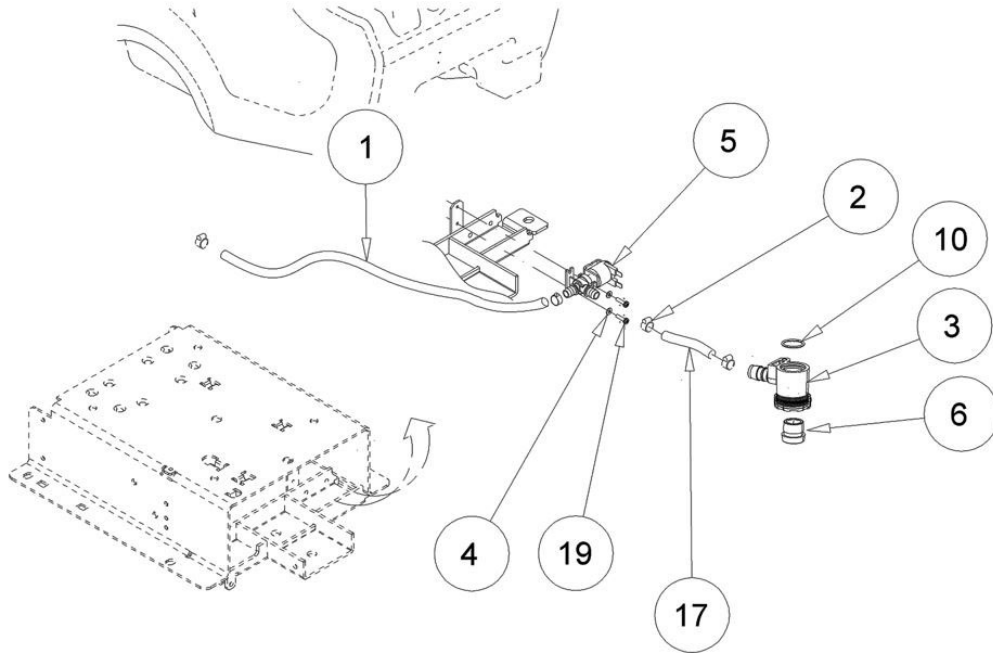
SOLUTION TANK GROUP



Ref.	Part No.	Serial Number	Description	Qty.
A	MPVR12974	(125546x- 00001) SOLUTION TANK	1
1	897173	(125546x- 00001) GASKET SHK	1
2	897174	(125546x- 00001) FILTER SOLUTION TANK INLET	1
4	897175	(125546x- 00001) PIN	2
6	897176	(125546x- 00001) CAP 1/2"	1
7	897129	(125546x- 00001) WASHER D. 6 INX GRW UNI 1751	1
8	897177	(125546x- 00001) SCREW, TE, M6X10, INOX	1
9	897178	(125546x- 00001) PLATE	1
10	897179	(125546x- 00001) INSERT, THREAD, M6	2
11	897111	(125546x- 00001) PLATE, SPPT, STL	2
12	897112	(125546x- 00001) WASHER D. 6X18 INX UNI 6593	2
13	897129	(125546x- 00001) WASHER D. 6 INX GRW UNI 1751	2
14	897128	(125546x- 00001) SCREW TE 6X16 UNI5739	2
15	897137	(125546x- 00001) CLAMP FERMATUBO	2
16	897156	(125546x- 00001) WASHER D. 4 INX	2
18	897180	(125546x- 00001) SCREW, M4X10, TCB, TC, INOX	2
19	VTVT15961	(125546x- 00001) SCREW, M5X16, TCB, TC, UNI7687	1
20	897182	(125546x- 00001) RUBBER GRUPPO MONTAGGIO	2
28	897183	(125546x- 00001) FLAP POSTER. TERGI 950 MAGG.	1
29	897184	(125546x- 00001) SCREW, TE, M8X16, UNI5739, A2	4
30	897152	(125546x- 00001) WASHER, D.8, UNI6592, INOX	4
31	897185	(125546x- 00001) WASHER, D. 8, DIN6798- A, INOX, A2	4

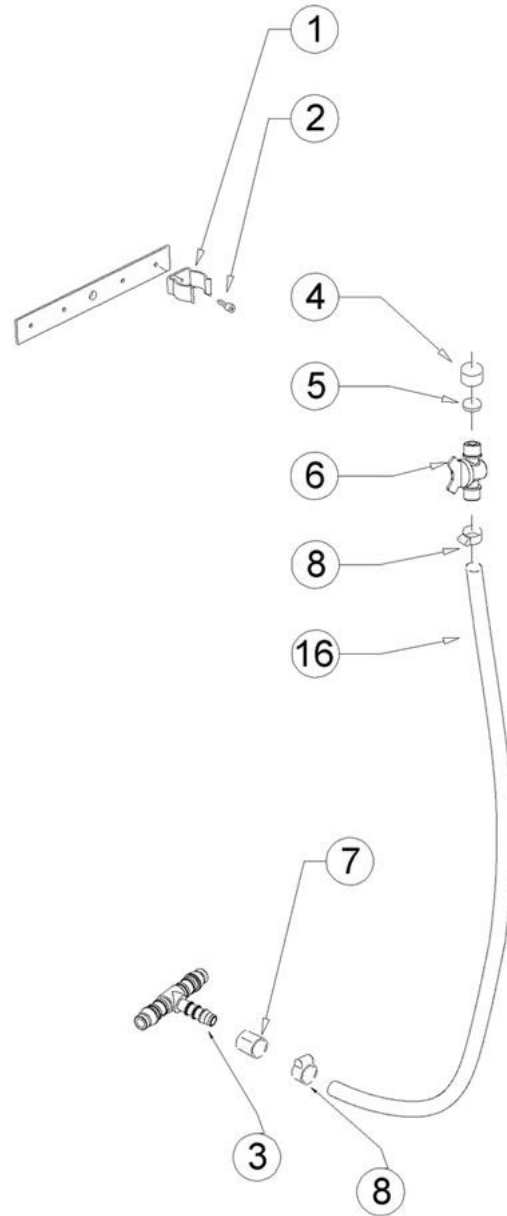
PARTS LIST

SOLUTION TANK SOLENOID/FILTER GROUP



Ref.	Part No.	Serial Number	Description	Qty.
1	897256	(125546x- 00001) TUBE FLEX D.12X3 ARMORV.PVC TR	1
2	897257	(125546x- 00001) CLAMP	2
3	9018584	(125546x- 00001) FILTER, WATER, SOLNT, COMPL	1
4	897156	(125546x- 00001) WASHER D. 4 INX	2
5	9017718	(125546x- 00001) VALVE, WATER, SOLENOID, 24VDC	1
6	9018512	(125546x- 00001) SCREW, M20, SS	1
10	897261	(125546x- 00001) GASKET OR 21.2X3	1
17	897256	(125546x- 00001) TUBE FLEX D.12X3 ARMORV.PVC TR	1
19	897262	(125546x- 00001) SCREW, M4X16	2

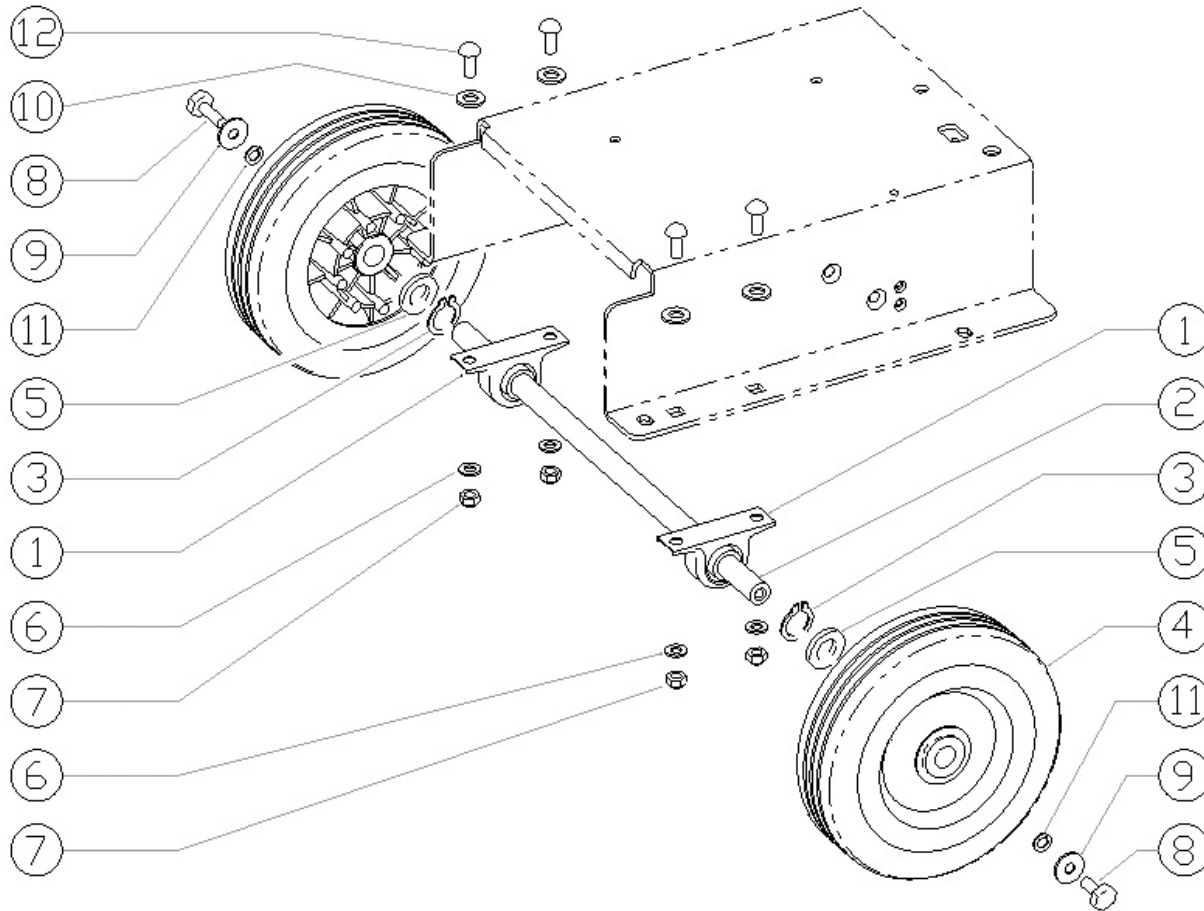
SOLUTION TANK DRAIN HOSE GROUP



Ref.	Part No.	Serial Number	Description	Qty.
1	897266	(125546x- 00001) CLIP, M25	1
2	VTVT00339	(125546x- 00001) SCREW TCEI M5x20	1
3	897268	(125546x- 00001) CONNECTOR 3 VIE	1
4	897269	(125546x- 00001) CAP 1/2"G X ELETTROV. ACL	1
5	897270	(125546x- 00001) GASKET D.21 SP.3 GOMMA	1
6	897271	(125546x- 00001) CONNECTOR 1/2 M RESCA 15	1
7	897272	(125546x- 00001) TUBE, D.30X12X17	1
8	897273	(125546x- 00001) CLAMP	1
16	897274	(125546x- 00001) TUBE, D.16	1

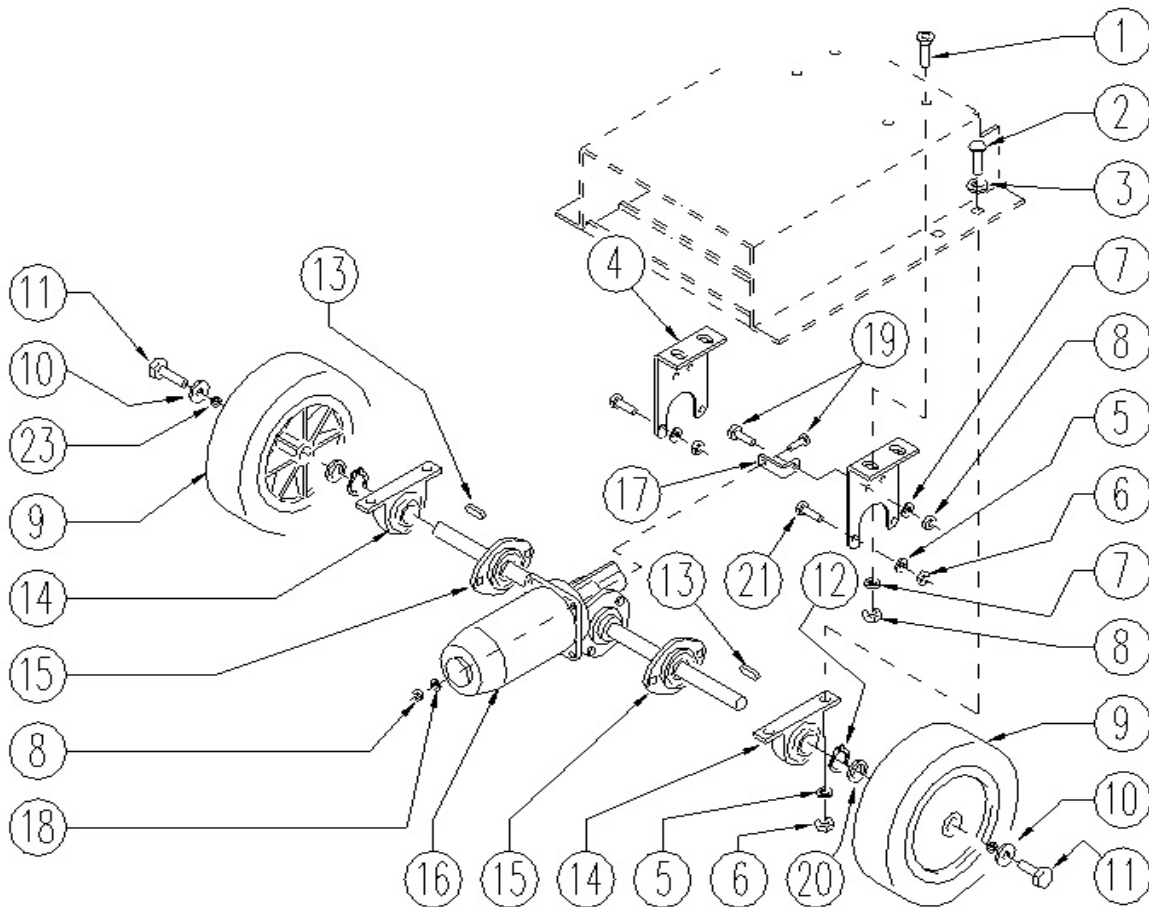
PARTS LIST

WHEEL GROUP [T290 PAD ASSIST]



Ref.	Part No.	Serial Number	Description	Qty.
1	9017719	(1255467- 00001) BEARING, AXLE	2
2	897211	(1255467- 00001) AXLE	1
3	897212	(1255467- 00001) RING D17 UNI7435 INOX	2
4	897213	(1255467- 00001) WHEEL D200 X CLT 40	2
5	897214	(1255467- 00001) WASHER, M17.5X32X1.5	4
6	897152	(1255467- 00001) WASHER, D.8, UNI6592, INOX	4
7	897124	(1255467- 00001) NUT, M8, INOX	4
8	897184	(1255467- 00001) SCREW, TE, M8X16, UNI5739, A2	2
9	897120	(1255467- 00001) WASHER, D.8X24, UNI6593, INOX	2
10	897215	(1255467- 00001) WASHER, D.12X24, UNI6592, INOX	4
11	897216	(1255467- 00001) WASHER, D. 8, GRW, UNI1751, INOX	2
12	897217	(1255467- 00001) SCREW	4

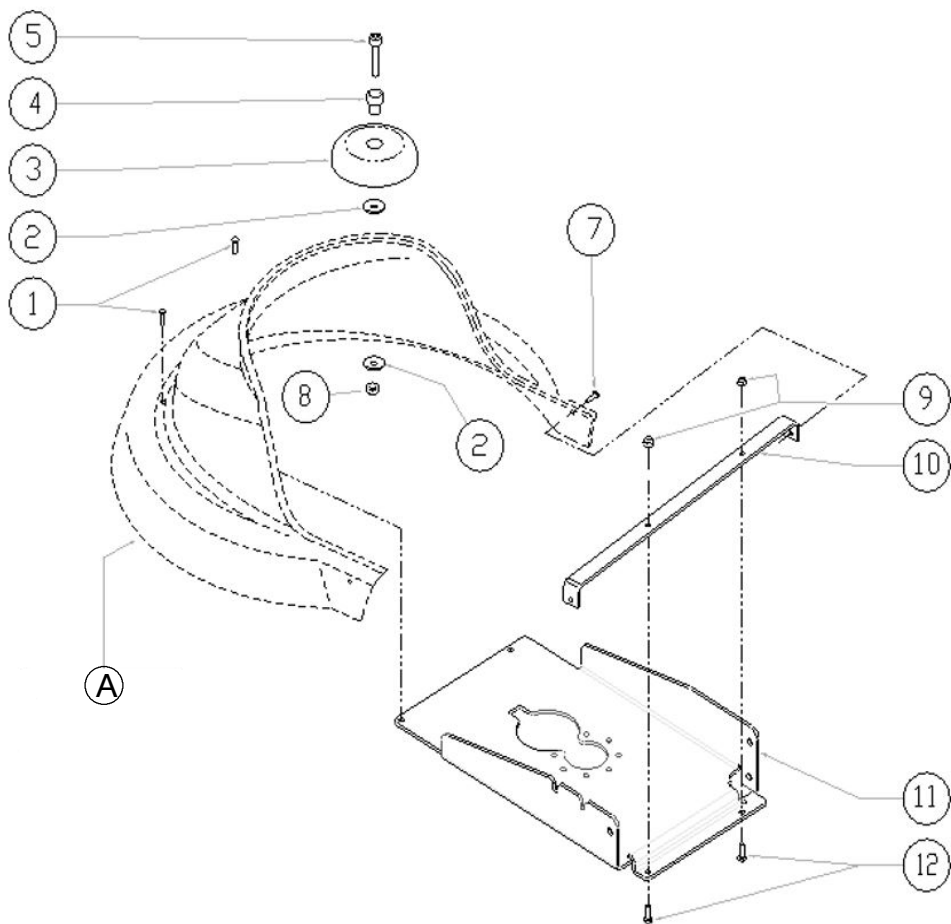
DRIVE WHEEL GROUP [T290 PROPEL]



Ref.	Part No.	Serial Number	Description	Qty.
1	897277	(1255468- 00001) SCREW, TSPEI, M6X20, UNI5933	4
2	897217	(1255468- 00001) SCREW	4
3	897215	(1255468- 00001) WASHER, D.12X24, UNI6592, INOX	4
4	897278	(1255468- 00001) BRACKET MOTORE	2
5	897152	(1255468- 00001) WASHER, D.8, UNI6592, INOX	8
6	897124	(1255468- 00001) NUT, M8, INOX	8
7	897112	(1255468- 00001) WASHER D. 6X18 INX UNI 6593	5
8	897138	(1255468- 00001) NUT M6 INOX	6
9	897279	(1255468- 00001) WHEEL	2
10	897120	(1255468- 00001) WASHER, D.8X24, UNI6593, INOX	2
11	897184	(1255468- 00001) SCREW, TE, M8X16, UNI5739, A2	2
12	897280	(1255468- 00001) CIRCLIP, D. 20, UNI7435	2
13	897281	(1255468- 00001) KEY, D. 6X6X40, UNI6604, A	2
14	CUVR00293	(1255468- 00001) BEARING Sb PP 204	2
15	CUVR00294	(1255468- 00001) BEARING Sb FL 204	2
16	897285	(1255468- 00001) MOTOR AOMPDIF 24V 145W	1
16	897284	(1255468- 00001) CARBON BRUSHES, MOTOR	2
17	897286	(1255468- 00001) SQUARE, SMALL	1
18	897106	(1255468- 00001) WASHER D.6 UNI 6592 INOX	1
19	897287	(1255468- 00001) SCREW TE 6X20 UNI5739 INX	2
20	897288	(1255468- 00001) WASHER, UNI6592, FORO 20, INOX	2
21	897233	(1255468- 00001) SCREW, TE, M8X25, UNI5739, INOX	4
23	897216	(1255468- 00001) WASHER, D. 8, GRW, UNI1751, INOX	2

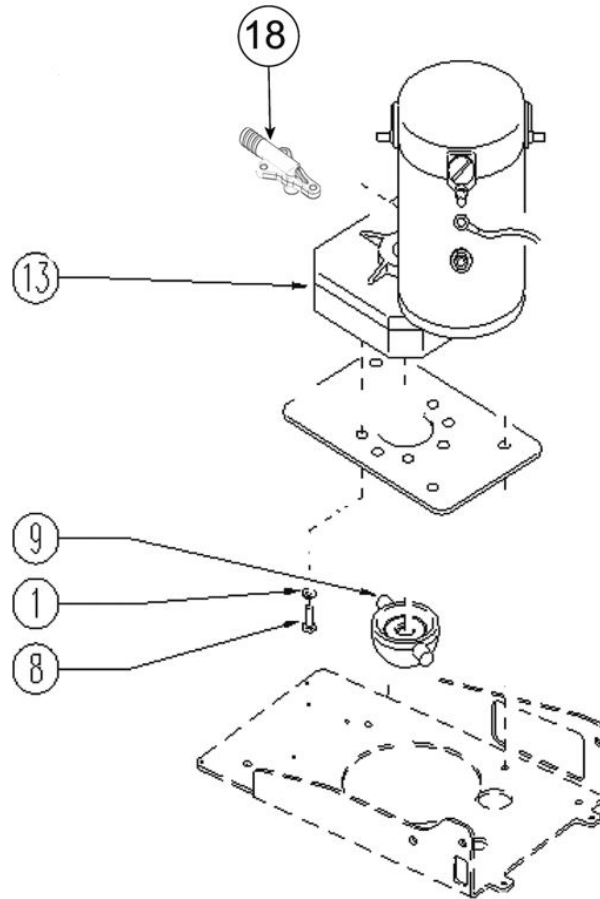
PARTS LIST

SCRUB HEAD SHROUD GROUP



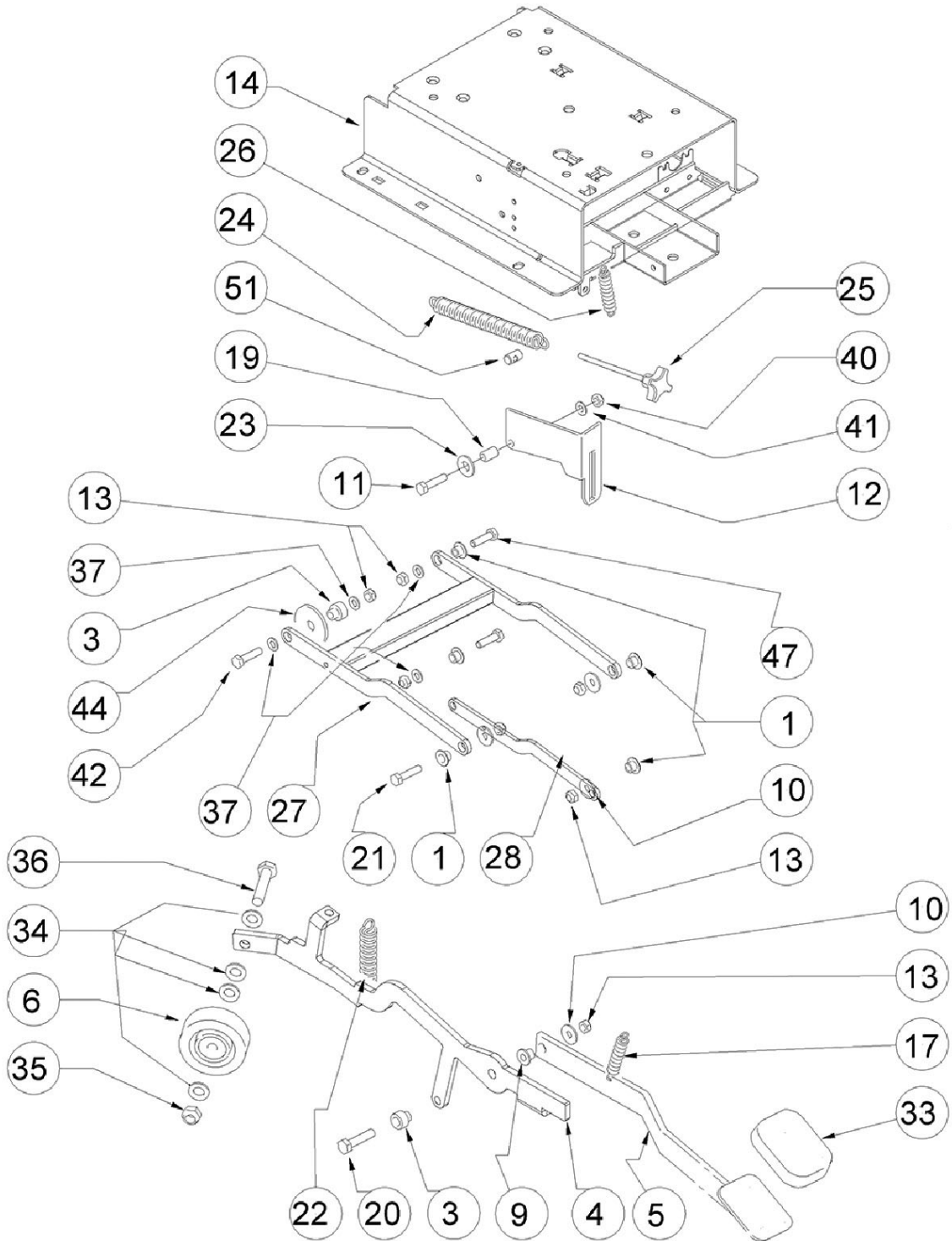
Ref.	Part No.	Serial Number	Description	Qty.
A	MPVR12973	(125546x- 00001) BRUSH PROTECT	1
1	897119	(125546x- 00001) SCREW, M4X10, TRILOBATA	2
2	897120	(125546x- 00001) WASHER, D.8X24, UNI6593, INOX	2
3	897101	(125546x- 00001) WHEEL, BMPR, 98,5d X 21,5W	1
4	897121	(125546x- 00001) BUSHING NUOVO RUOTINO STRONG	1
5	897122	(125546x- 00001) SCREW, TCEI, M8X30	1
7	897123	(125546x- 00001) SCREW M4X16	2
8	897124	(125546x- 00001) NUT, M8, INOX	1
9	897125	(125546x- 00001) NUT, M6, INOX	2
10	897126	(125546x- 00001) SUPPORT BRACKET CARTER 1 EXTREME	1
11	897127	(125546x- 00001) PLATE RIDUTTORE	1
12	897128	(125546x- 00001) SCREW TE 6X16 UNI5739	2

BRUSH MOTOR GROUP



Ref.	Part No.	Serial Number	Description	Qty.
1	897129	(125546x- 00001) WASHER D. 6 INX GRW UNI 1751	8
8	897130	(125546x- 00001) SCREW, TE, M6X12, UNI5739, A2	8
9	897131	(125546x- 00001) DRIVE DISK ALUMINIUM S.B.	1
13	9017725	(125546x- 00001) MOTOR, BRUSH, 24VDC	1
13	9017686	(125546x- 00001) BRUSH KIT, MOTOR, BRUSH [4 PC]	4
18	897132	(125546x- 00001) CONNECTOR	1

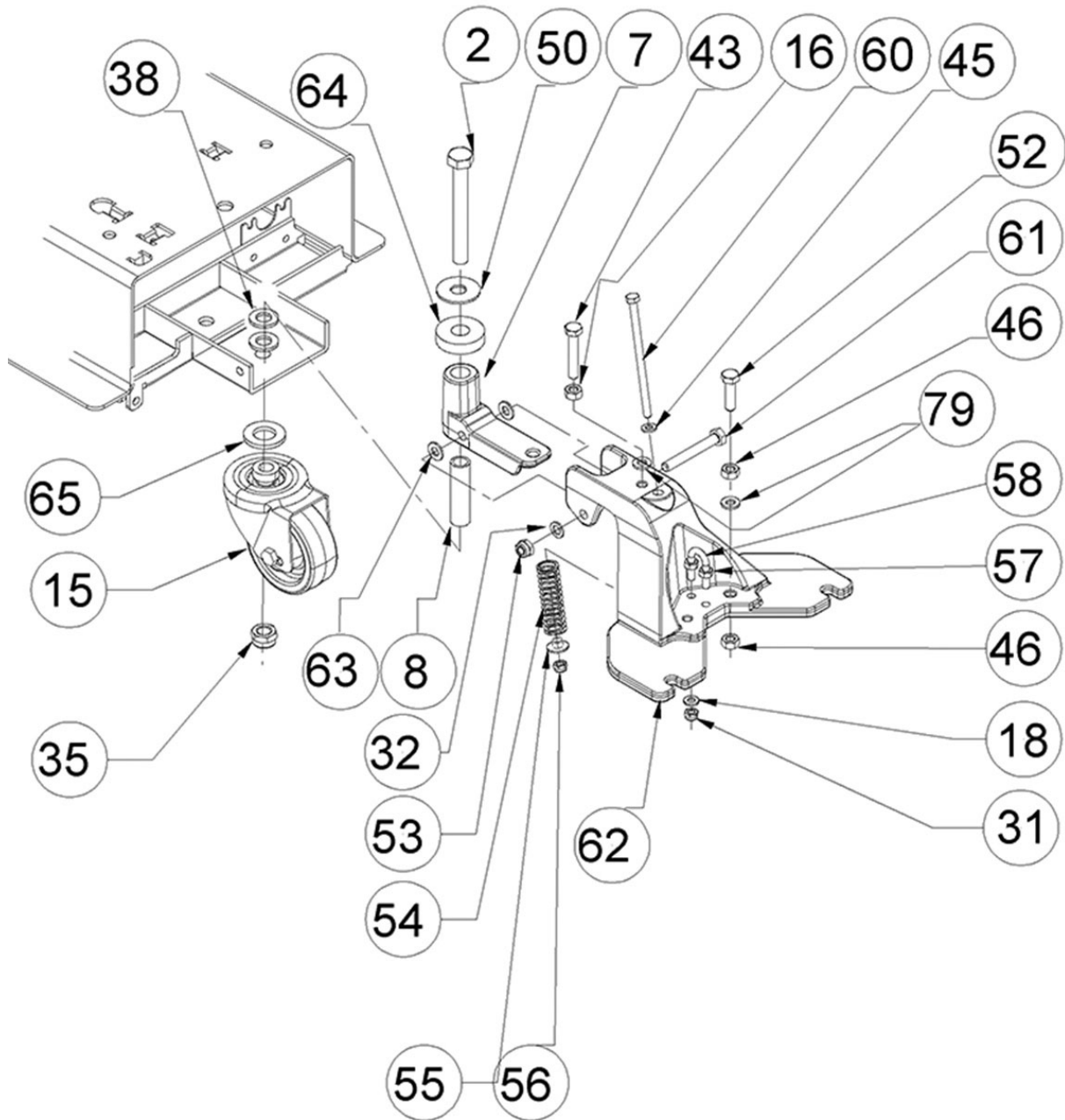
SCRUB HEAD LIFT GROUP



SCRUB HEAD LIFT GROUP

Ref.	Part No.	Serial Number	Description	Qty.
1	897218	(125546x- 00001) BUSHING BRUSH DECK SUPPORT	5
3	897220	(125546x- 00001) BUSHING PARALLELOGR.TEST.GR.	2
4	897221	(125546x- 00001) LEVER	1
5	897222	(125546x- 00001) PEDAL BRUSH HEAD LIFTING	1
6	9017728	(125546x- 00001) WHEEL, BRUSH, 80MM X 12MM	1
9	897225	(125546x- 00001) BUSHING LEVA POSTER.	1
10	897120	(125546x- 00001) WASHER, D.8X24, UNI6593, INOX	4
11	897287	(125546x- 00001) SCREW TE 6X20 UNI5739 INX	1
12	897227	(125546x- 00001) PLATE	1
13	897124	(125546x- 00001) NUT, M8, INOX	7
14	897228	(125546x- 00001) TANK, BASE	1
17	897230	(125546x- 00001) SPRING TR E350 N	1
19	897231	(125546x- 00001) BUSHING	1
20	897232	(125546x- 00001) SCREW, TE, M8X50, INOX, A2	1
21	897233	(125546x- 00001) SCREW, TE, M8X25, UNI5739, INOX	3
22	897234	(125546x- 00001) SPRING	1
23	897157	(125546x- 00001) WASHER NYLON 66 D. 84X17X2	1
24	897235	(125546x- 00001) SPRING D. 17.5 X110 N38	1
25	897236	(125546x- 00001) HANDWHEEL, M6, MAX110, D.35	1
26	897237	(125546x- 00001) SPRING, L54.1 D.9.1	1
27	897238	(125546x- 00001) ARM, MAINHEAD	1
28	897239	(125546x- 00001) ARM, PARALLELOGRAM	1
33	897240	(125546x- 00001) COVER	1
34	897215	(125546x- 00001) WASHER, D.12X24, UNI6592, INOX	4
35	897241	(125546x- 00001) NUT, M.12, INOX, A2	1
36	897242	(125546x- 00001) SCREW TE M12, 60 INOX	1
37	897152	(125546x- 00001) WASHER, D.8, UNI6592, INOX	4
40	897138	(125546x- 00001) NUT M6 INOX	5
41	897106	(125546x- 00001) WASHER D.6 UNI 6592 INOX	1
42	897243	(125546x- 00001) SCREW TE M8x35 UNI5739 INOX	1
44	897568	(125546x- 00001) GASKET, 12B 60D	1
47	897246	(125546x- 00001) SCREW, TE, M8X30, UNI5739, INOX	2
51	897248	(125546x- 00001) SPRING SUPPORT LAV. E/B 450	1

SQUEEGEE LIFT GROUP

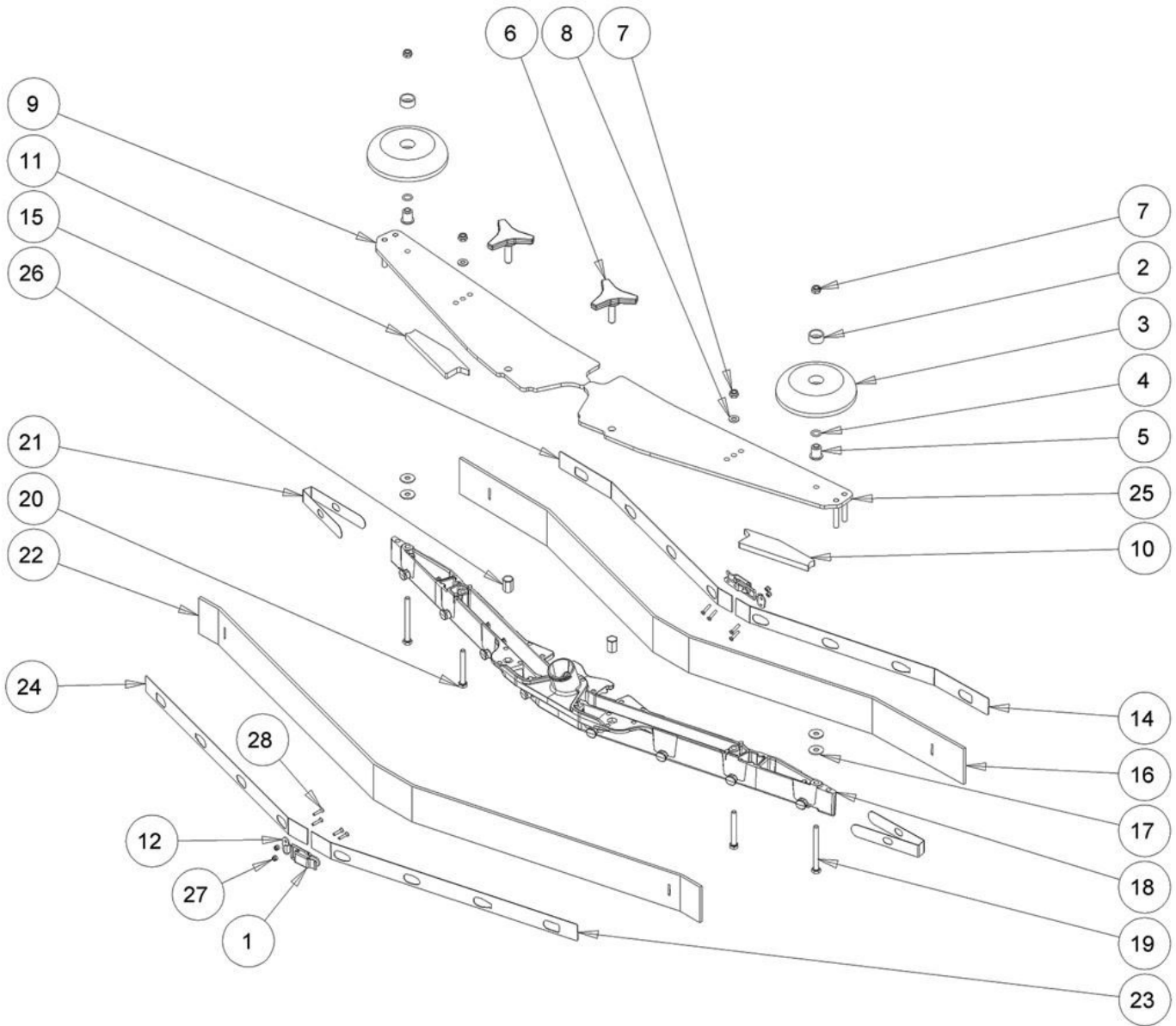


SQUEEGEE LIFT GROUP

Ref.	Part No.	Serial Number	Description	Qty.
2	897219	(125546x- 00001) SCREW TE M12X110	1
7	897223	(125546x- 00001) SUPPORT SQUEEGEE	1
8	897224	(125546x- 00001) PIN	1
15	9017788	(125546x- 00001) CASTER, SWIVEL	1
16	897229	(125546x- 00001) NUT, M8, UNI5588, INOX, A2	1
18	897106	(125546x- 00001) WASHER D.6 UNI 6592 INOX	2
31	897138	(125546x- 00001) NUT M6 INOX	2
32	897152	(125546x- 00001) WASHER, D.8, UNI6592, INOX	1
35	897241	(125546x- 00001) NUT, M.12, INOX, A2	3
38	897215	(125546x- 00001) WASHER, D.12X24, UNI6592, INOX	2
43	897244	(125546x- 00001) SCREW, TE, M8X45, INOX, A2	1
45	897106	(125546x- 00001) WASHER D.6 UNI 6592 INOX	1
46	897229	(125546x- 00001) NUT, M8, UNI5588, INOX, A2	2
50	897247	(125546x- 00001) WASHER, D. 12X36X2.5, UNI6593	1
52	897246	(125546x- 00001) SCREW, TE, M8X30, UNI5739, INOX	1
53	897124	(125546x- 00001) NUT, M8, INOX	1
54	897249	(125546x- 00001) SPRING	1
55	897218	(125546x- 00001) BUSHING BRUSH DECK SUPPORT	1
56	897138	(125546x- 00001) NUT M6 INOX	1
57	897250	(125546x- 00001) NUT, M6, UNI5589, INOX	2
58	897251	(125546x- 00001) BRACKET, M6X11X29	1
60	897252	(125546x- 00001) SCREW, M6X110	1
61	897253	(125546x- 00001) SCREW, M8X60	1
62	897254	(125546x- 00001) SUPPORT SQUEEGEE	1
63	897157	(125546x- 00001) WASHER NYLON 66 D. 84X17X2	2
64	897255	(125546x- 00001) WASHER, M15X40	1
65	897247	(125546x- 00001) WASHER, D. 12X36X2.5, UNI6593	1
79	897216	(125546x- 00001) WASHER, D. 8, GRW, UNI1751, INOX	1

PARTS LIST

SQUEEGEE GROUP



SQUEEGEE GROUP

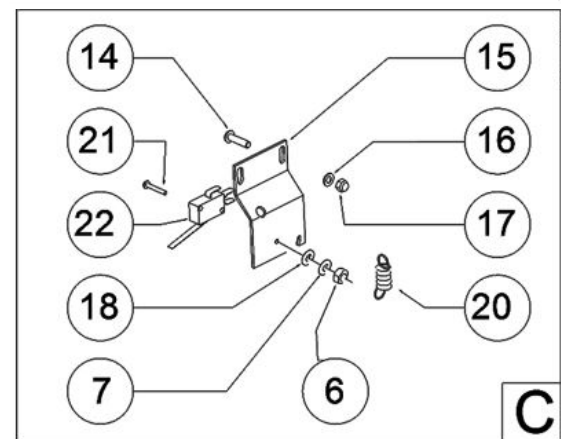
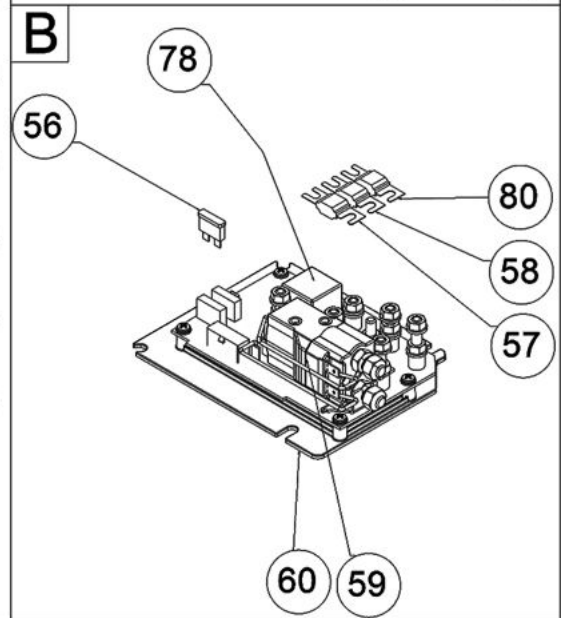
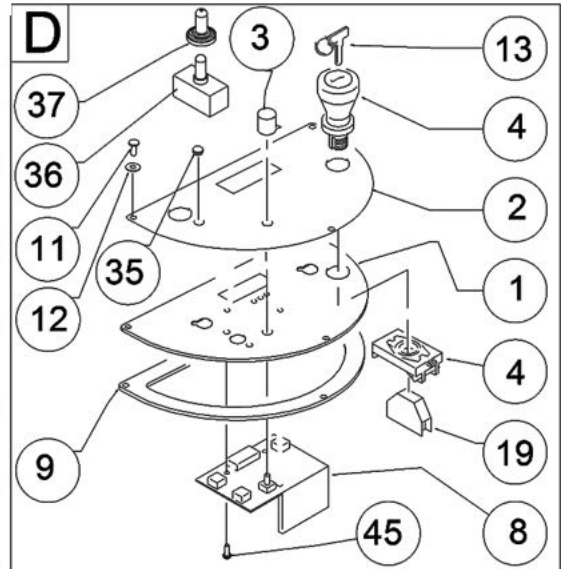
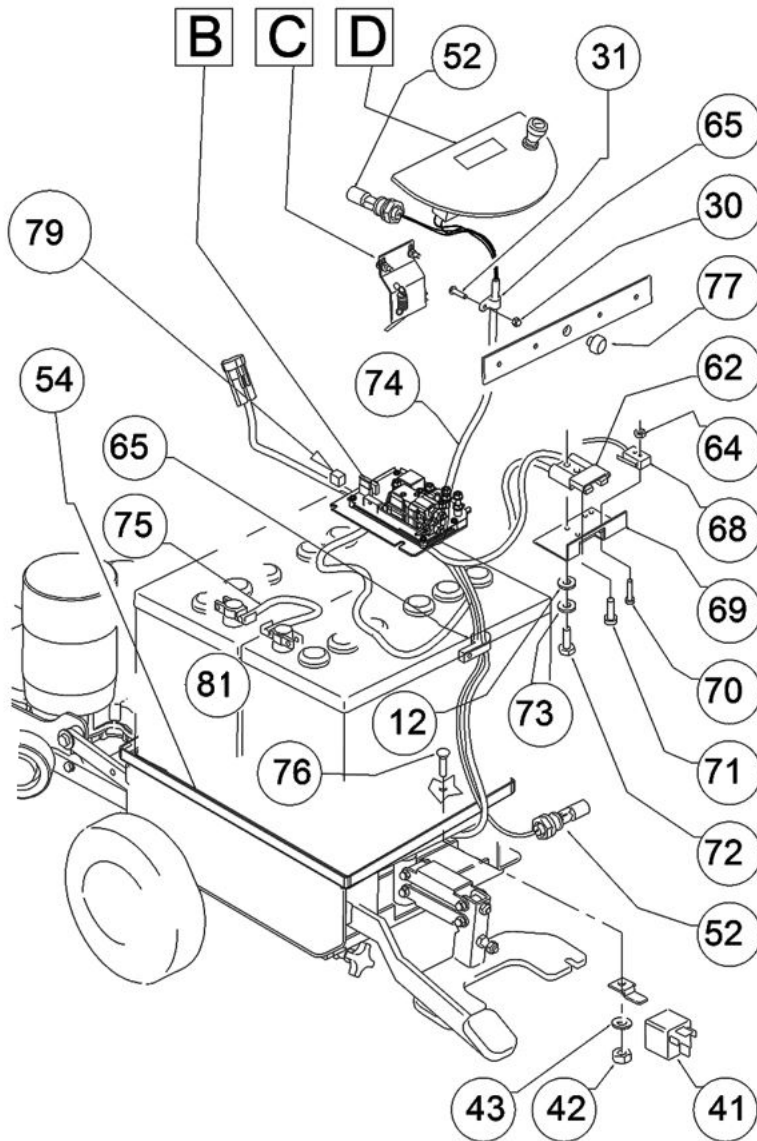
Ref.	Part No.	Serial Number	Description	Qty.
1	9018492	(125546x- 00001) LATCH, STRAP, SQGE	2
2	897100	(125546x- 00001) SLEEVE, NYLON, 0,314b 0,72d 0,35l	2
3	897101	(125546x- 00001) WHEEL, BMPR, 98,5d X 21,5W	2
4	897102	(125546x- 00001) O- RING, 13.00 Od X 10.00 Id	2
5	897103	(125546x- 00001) SPACER, 6.00b 12.00d 16.5l, CPR	2
6	897104	(125546x- 00001) KNOB, TRI, M8x35 [YEL]	2
7	897105	(125546x- 00001) NUT M6 INOX+ZIN.	2
8	897106	(125546x- 00001) WASHER D.6 UNI 6592 INOX	2
9	897107	(125546x- 00001) PLATE	1
10	897108	(125546x- 00001) GASKET	1
11	897109	(125546x- 00001) GASKET	1
12	9018495	(125546x- 00001) HOOK, STRAP, SQGE	2
14	897110	(125546x- 00001) BLADE HOLDER S SIZE ANT. RIGHT	1
15	897561	(125546x- 00001) STRAP, SQGE, S, REAR, RH	1
16	9017699	(125546x- 00001) BLADE, SQGE, FRONT, 880L, LINATEX (STANDARD)	1
16	9017695	(125546x- 00001) BLADE, SQGE, FRONT, 880L, LATEX (OPTION)	1
16	9017696	(125546x- 00001) BLADE, SQGE, FRONT, 880L, PYU (OPTION)	1
17	897112	(125546x- 00001) WASHER D. 6X18 INX UNI 6593	4
18	897113	(125546x- 00001) BODY SQUEEGEE PRESSOFUSO "S"	1
19	897114	(125546x- 00001) SCREW, M6X65, SS	2
20	897115	(125546x- 00001) SCREW, M6X55, SS	2
21	897116	(125546x- 00001) CLOSURE S	2
22	9017702	(125546x- 00001) BLADE, SQGE, REAR, 900L, LINATEX (STANDARD)	1
22	9017694	(125546x- 00001) BLADE, SQGE, REAR, 900L, LATEX (OPTION)	1
22	9017698	(125546x- 00001) BLADE, SQGE, REAR, 900L, PYU (OPTION)	1
23	9018493	(125546x- 00001) STRAP, SQGE	1
24	9018494	(125546x- 00001) STRAP, SQGE	1
25	897117	(125546x- 00001) PLATE	1
26	897118	(125546x- 00001) INSERT	2
27	9018496	(125546x- 00001) NUT M 3 AUTOBL.DIN 985 IX.A2	8
28	9018497	(125546x- 00001) BOLT, STRAP, SQGE	8

ELECTRICAL COMPONENT GROUP [T290 PAD ASSIST]

Ref.	Part No.	Serial Number	Description	Qty.
D	897186	(1255467- 00001) BOARD, 70 B	1
1	897187	(1255467- 00001) SUPPORT	1
2	897188	(1255467- 00001) LABEL	1
6	897189	(1255467- 00001) NUT, M3, INOX	7
7	897190	(1255467- 00001) WASHER, D.3	7
8	9017727	(1255467- 00001) CIRCUITBOARD, DISPLAY	1
9	897191	(1255467- 00001) GASKET, PANN, COM, EXTREME	1
11	897180	(1255467- 00001) SCREW, M4X10, TCB, TC, INOX	3
12	897156	(1255467- 00001) WASHER D. 4 INX	10
14	897145	(1255467- 00001) SCREW TE 5X16 UNI5739 INX	2
15	897192	(1255467- 00001) PLATE MICRO LEVA	1
16	897166	(1255467- 00001) WASHER, D. 5, INOX	2
17	VTDD01693	(1255467- 00001) NUT, M5, INOX	2
18	897193	(1255467- 00001) WASHER, D. 3, INOX	2
20	897148	(1255467- 00001) SPRING	1
21	897194	(1255467- 00001) SCREW TC+ M3, 16	2
22	9017689	(1255467- 00001) SWITCH, HANDLE	1
30	897160	(1255467- 00001) NUT, M4, INOX, ZN	1
31	897195	(1255467- 00001) SCREW, TE, M4X16, UNI5739, INOX	5
32	9017737	(1255467- 00001) FLOAT, SHUTOFF	2
33	897137	(1255467- 00001) CLAMP FERMATUBO	1
34	897196	(1255467- 00001) CAP CHIUS.FORO PORTAFUS.L 15	1
38	897197	(1255467- 00001) CONNECTOR	1
39	897198	(1255467- 00001) NUT, M2	2
40	897199	(1255467- 00001) MICROSWITCH CHARGING PLUG	1
41	897200	(1255467- 00001) SUPPORT	1
42	897201	(1255467- 00001) SCREW, TC, M.2X16, BRASS	2
43	897202	(1255467- 00001) SCREW TSP+ 2.9X13 AUTOFIL. INOX	1
44	897155	(1255467- 00001) SCREW, TE, M.4X25	2
45	897203	(1255467- 00001) SCREW	2
47	897204	(1255467- 00001) WASHER D. 4 GROVER A2 UNI1751	2
49	897137	(1255467- 00001) CLAMP FERMATUBO	1
50	897357	(1255467- 00001) BATTERY, BRIDGE, M8, 70	1
51	MECB02050	(1255467- 00001) WIRING CT40- 70 B EYELET M8	1
54	897207	(1255467- 00001) BATTERY SUPPORT CT LINE	1
56	MEVR01428	(1255467- 00001) FUSE 2A	1
57	9018332	(1255467- 00001) FUSE, 50A	1
58	9018333	(1255467- 00001) FUSE, 40A	1
59	897208	(1255467- 00001) CONTACTOR 100A	1
60	9017726	(1255467- 00001) CIRCUITBOARD, MAIN	1
61	897209	(1255467- 00001) RELAY 24V 70A	1
62	897210	(1255467- 00001) MOUSSE, M20x15x18	1
63	130869	(1255467- 00001) BATTERY, WET, 12VDC 130AH	2
63	1015046	(1255467- 00001) BATTERY, WET, 12VDC 150AH	2
63	1053408	(1255467- 00001) BATTERY, AGM, 12VDC 140AH	2

PARTS LIST

ELECTRICAL COMPONENT GROUP [T290 PROPEL]

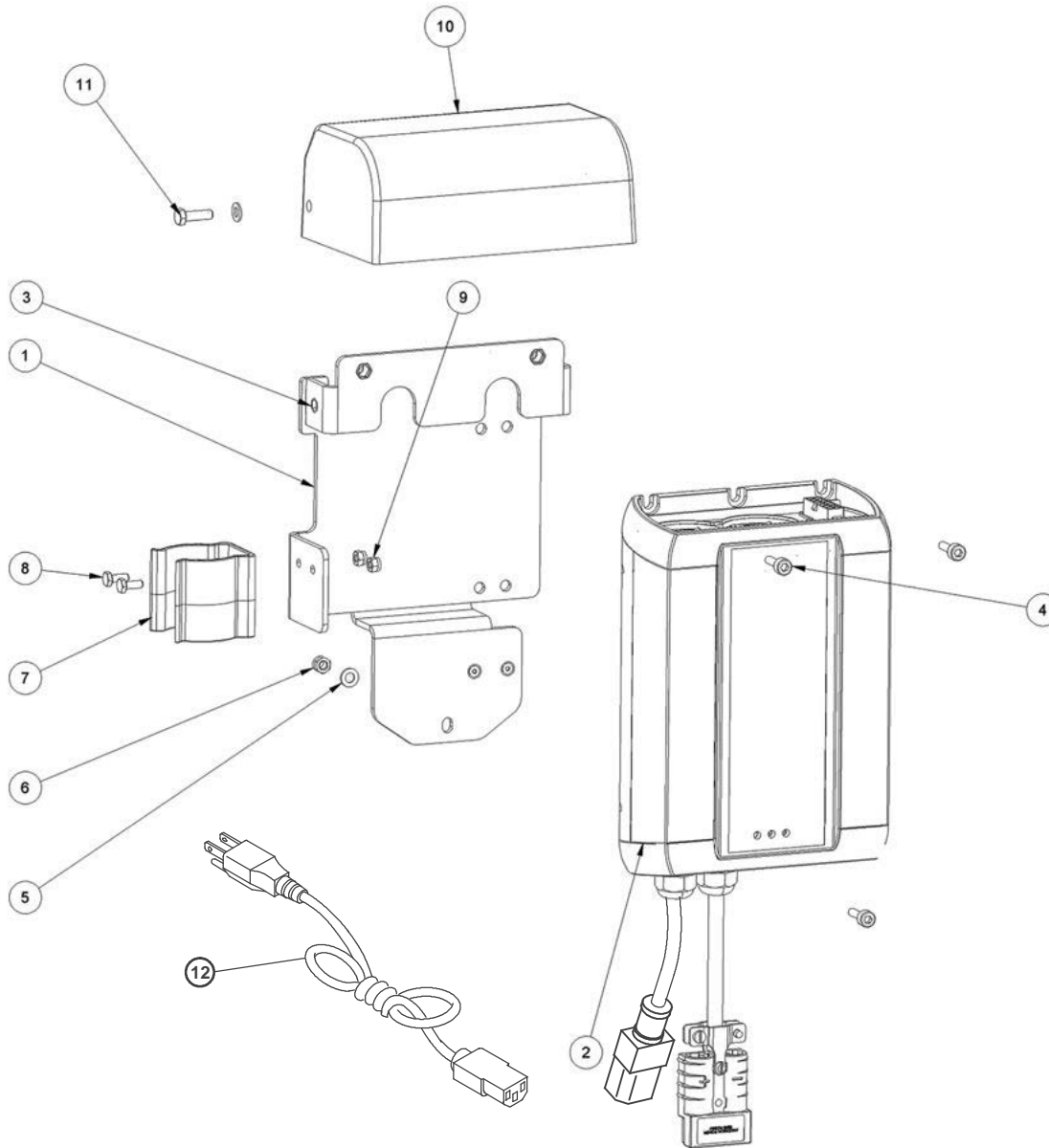


ELECTRICAL COMPONENT GROUP [T290 PROPEL]

Ref.	Part No.	Serial Number	Description	Qty.
D	897289	(1255468- 00001) BOARD ASSY	1
1	897187	(1255468- 00001) SUPPORT	1
2	897290	(1255468- 00001) LABEL	1
3	897291	(1255468- 00001) KNOB POTENTIOMETER	1
4	897292	(1255468- 00001) SWITCH KEY + EMERGENCY	1
6	897189	(1255468- 00001) NUT, M3, INOX	5
7	897190	(1255468- 00001) WASHER, D.3	5
8	KTRI02173	(1255468- 00001) DISPLAY BOARD (includes 1, 2, 3, 8, 9)	1
8	9018576	(1255468- 00001) CIRCUITBOARD ASSY	1
9	897191	(1255468- 00001) GASKET, PANN, COM, EXTREME	1
11	897180	(1255468- 00001) SCREW, M4X10, TCB, TC, INOX	3
12	897156	(1255468- 00001) WASHER D. 4 INX	10
13	897293	(1255468- 00001) KEYS SET SPARE SCRUBBERS W.B.	1
14	897145	(1255468- 00001) SCREW TE 5X16 UNI5739 INX	2
15	897192	(1255468- 00001) PLATE MICRO LEVA	1
16	897166	(1255468- 00001) WASHER, D. 5, INOX	2
17	VTDD01693	(1255468- 00001) NUT, M5, INOX	6
18	897193	(1255468- 00001) WASHER, D. 3, INOX	2
19	897294	(1255468- 00001) CONTACT	1
20	897148	(1255468- 00001) SPRING	1
21	897194	(1255468- 00001) SCREW TC+ M3, 16	2
22	9017689	(1255468- 00001) SWITCH, HANDLE	1
30	897160	(1255468- 00001) NUT, M4, INOX, ZN	1
31	897195	(1255468- 00001) SCREW, TE, M4X16, UNI5739, INOX	5
35	897607	(1255468- 00001) CAP, SCREW	1
36	897295	(1255468- 00001) SWITCH 10A, 250VAC	1
37	897296	(1255468- 00001) RUBBER DEVIATORE	1
41	897297	(1255468- 00001) RELAY 24V 10/20A	1
42	897138	(1255468- 00001) NUT M6 INOX	1
43	897106	(1255468- 00001) WASHER D.6 UNI 6592 INOX	1
45	897203	(1255468- 00001) SCREW	3
52	9017737	(1255468- 00001) FLOAT, SHUTOFF	2
54	897207	(1255468- 00001) BATTERY SUPPORT CT LINE	1
56	MEVR01428	(1255468- 00001) FUSE 2A	1
57	9018332	(1255468- 00001) FUSE, 50A	1
58	9018333	(1255468- 00001) FUSE, 40A	1
59	897208	(1255468- 00001) CONTACTOR 100A	1
60	9017726	(1255468- 00001) CIRCUITBOARD, MAIN	1
62	897298	(1255468- 00001) PLUG M CB50 A 600V RD.	1
64	897198	(1255468- 00001) NUT, M2	2
65	897137	(1255468- 00001) CLAMP FERMATUBO	2
68	897199	(1255468- 00001) MICROSWITCH CHARGING PLUG	1
69	897200	(1255468- 00001) SUPPORT	1
70	897201	(1255468- 00001) SCREW, TC, M.2X16, BRASS	2
71	897202	(1255468- 00001) SCREW TSP+ 2.9X13 AUTOFIL. INOX	1
72	897155	(1255468- 00001) SCREW, TE, M.4X25	2
73	897204	(1255468- 00001) WASHER D. 4 GROVER A2 UNI1751	2
74	897356	(1255468- 00001) WIRING, EYELET, M8	1
75	897357	(1255468- 00001) BATTERY, BRIDGE, M8, 70	1
76	897300	(1255468- 00001) SCREW TSTC UNI7688 M6X16	1
77	897196	(1255468- 00001) CAP CHIUS.FORO PORTAFUS.L 15	1
78	897209	(1255468- 00001) RELAY 24V 70A	1
79	897210	(1255468- 00001) MOUSSE, M20x15x18	1
80	897301	(1255468- 00001) FUSE 30A OMEGA FT3030	1
81	130869	(1255468- 00001) BATTERY, WET, 12VDC 130AH	2
81	1053408	(1255468- 00001) BATTERY, AGM, 12VDC 140AH	2
81	1015046	(1255468- 00001) BATTERY, WET, 12VDC 150AH	2

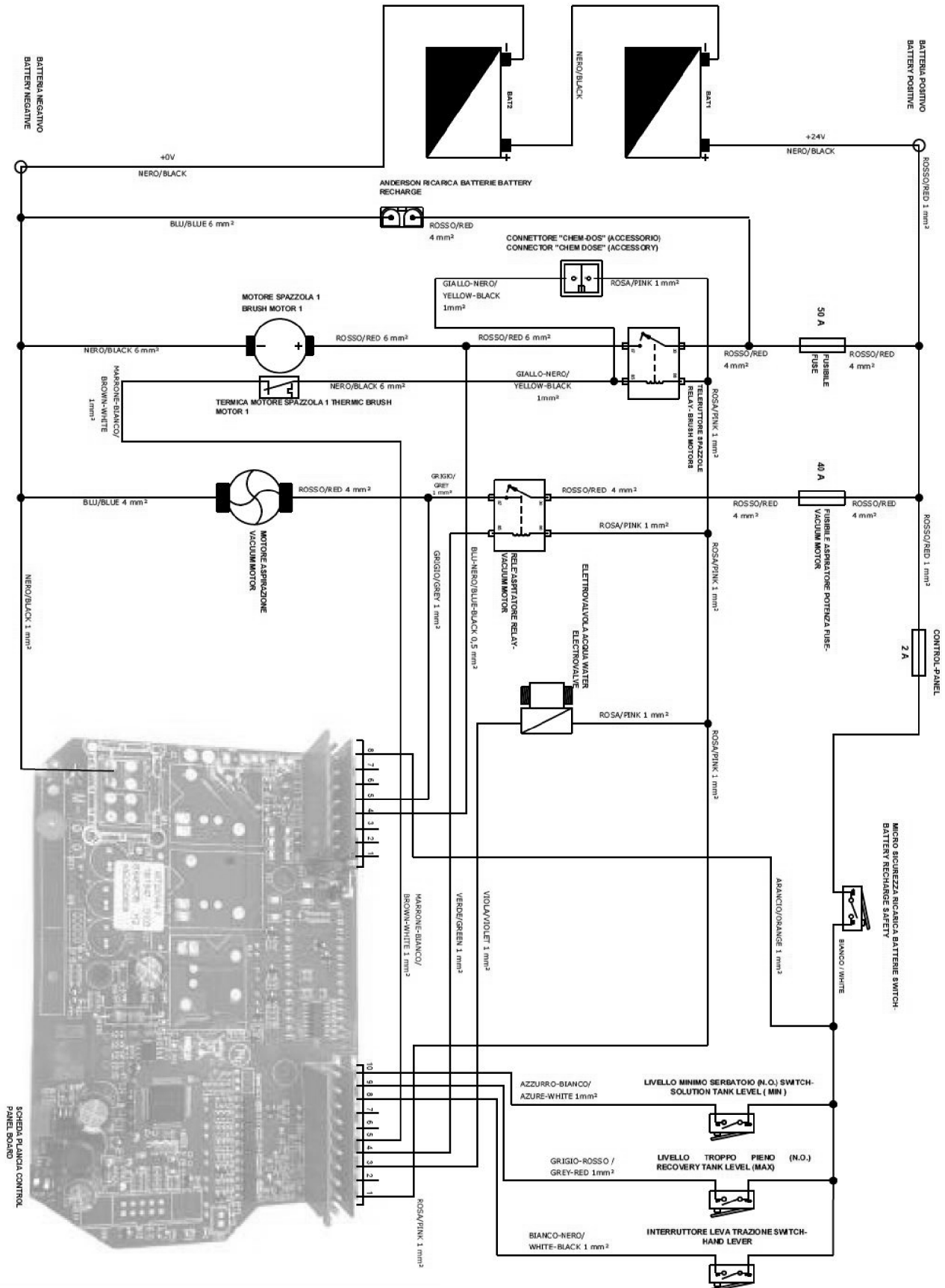
PARTS LIST

BATTERY CHARGER GROUP



Ref.	Part No.	Serial Number	Description	Qty.
1	LAFN11086	(125546x- 00001) SUPPORT -	1
2	9017742	(125546x- 00001) CHARGER, 24VDC 15A [ON- BOARD]	1
3	VTVR00564	(125546x- 00001) INSERT -	4
4	VTVT17720	(125546x- 00001) SCREW TCEI M 5X16 INOX	3
5	897166	(125546x- 00001) WASHER, D. 5, INOX	3
6	VTDD01693	(125546x- 00001) NUT, M5, INOX	1
7	9017721	(125546x- 00001) CLIP, HOSE, RECVY	1
8	897151	(125546x- 00001) SCREW TE M 4X 10 INX	2
9	897276	(125546x- 00001) NUT M 4 ATB A2	2
10	MPVR10816	(125546x- 00001) BAFFLE	1
11	897145	(125546x- 00001) SCREW TE 5X16 UNI5739 INX	2
12	1069835	(125546x- 00001) CORD, POWER, CHRGR, 120VAC	1

ELECTRICAL DIAGRAM [T290 PAD ASSIST]



ELECTRICAL DIAGRAM [T290 PROPEL]

