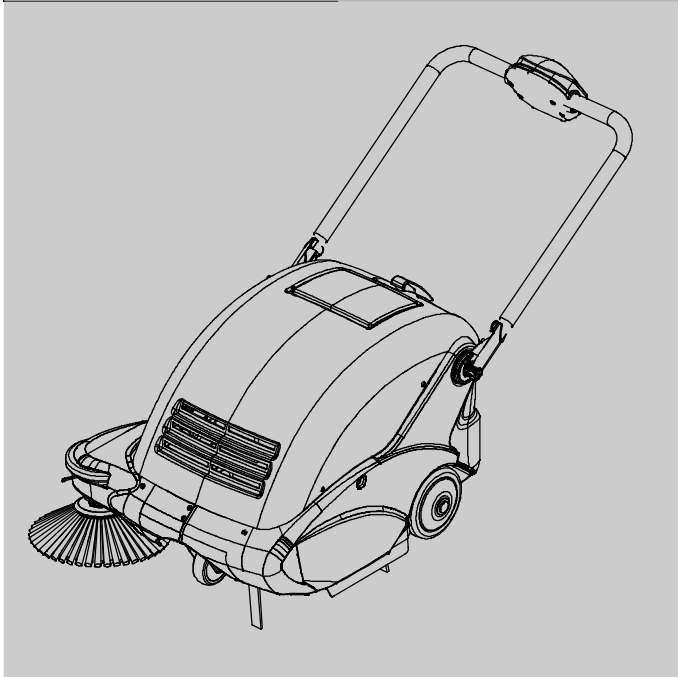




# S6

**Battery Powered Automatic  
Walk-behind Sweeper**

## **Parts Manual**



Model Part No.:  
1251268 - SWEEPER [S6 NA]  
1251269 - SWEEPER [S6 JP]

**TennantTrue® Parts**

## **Global**



To view, print or download  
Tennant manuals, visit:

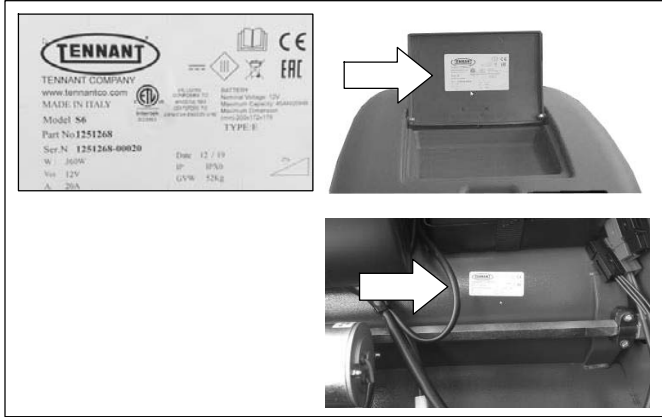
[www.tennantco.com/manuals](http://www.tennantco.com/manuals)

**9021086  
Rev. 00 (08-2020)**

Only use TENNANT Company supplied or equivalent parts. Parts and supplies may be ordered online, by phone or from any Tennant Authorized Service Center or Distributor.

Before Ordering any parts or supplies, be sure to have the machine model number and serial number available.

### Serial Number Location



### TABLE OF CONTENTS

RECOMMENDED SPARE PARTS LIST ...	3
FRAME AND HOPPER GROUP .....	4
BRUSH AND FILTER GROUP .....	8
ELECTRICAL DIAGRAM .....	12

### Tennant Company

PO Box 1452  
Minneapolis, MN 55440 USA  
Phone: (800) 553-8033  
[www.tennantco.com](http://www.tennantco.com)

### TENNANT Company Japan

9F Industry & Trade Center  
2 Yamashita-cho, Naka-ku  
Yokohama, Kanagawa 231-0023 Japan  
Phone: 81-45-640-5630  
Fax: 81-45-640-5604  
[www.tennant.co.jp](http://www.tennant.co.jp)

Specifications and parts are subject to change without notice.

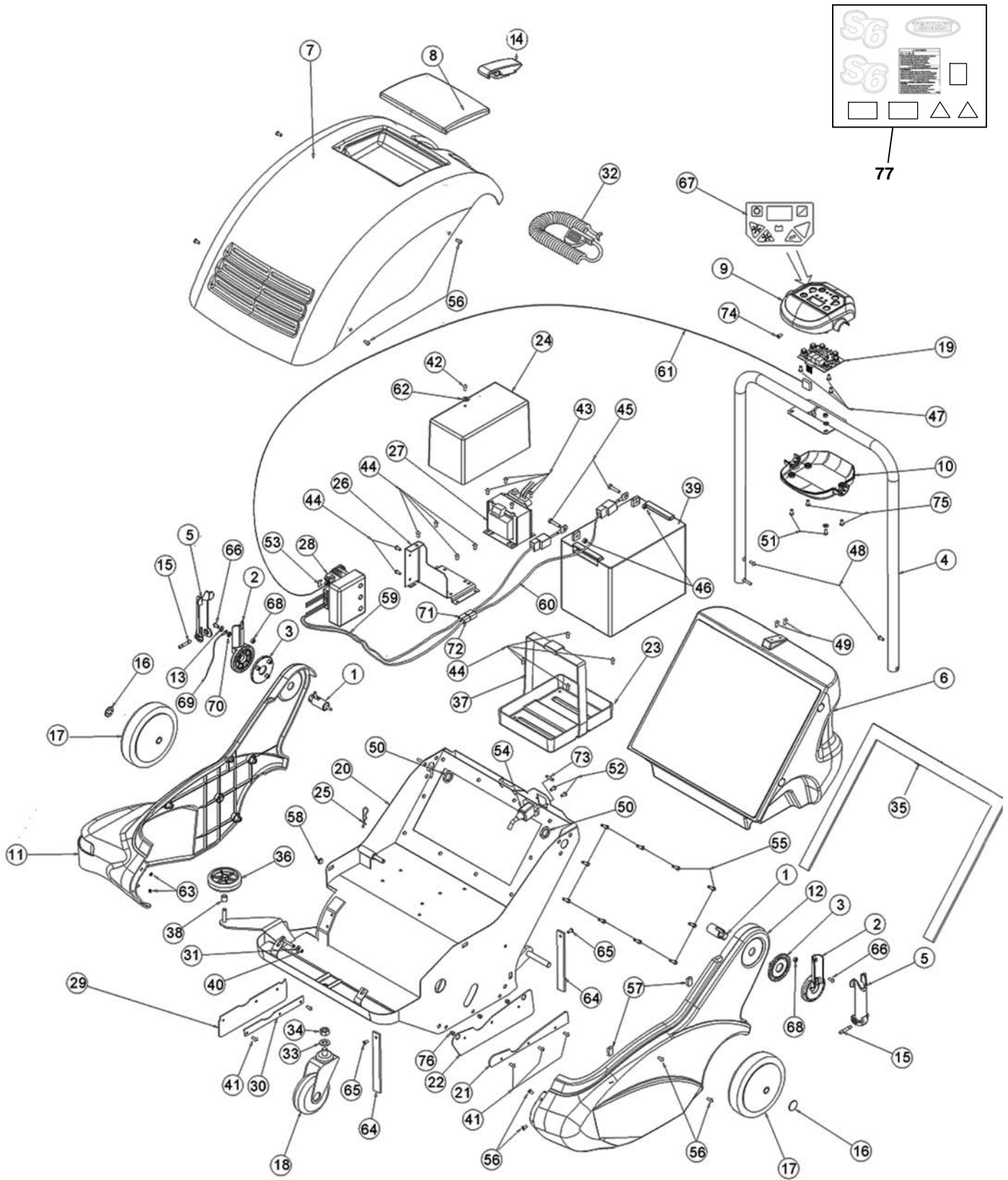
Copyright © 2020 TENNANT Company

## RECOMMENDED SPARE PARTS LIST

<b>WEAR PARTS</b>	
PART NO.	DESCRIPTION
SPPV00303	BRUSH, SIDE, STD
PMVR01121	BRUSH, MAIN, W/LOCKING RETAINER
FTDP00013	FILTER, PANEL, PAPER
FTDP00014	FILTER, PRE- FILTER
MPVR00938	SKIRT, FLAP, LH
MPVR00937	SKIRT, FLAP, RH
MPVR00935	SKIRT, FLAP, FRONT
MPVR00936	SKIRT, FLAP, REAR
1069835	CORD, POWER, CHARGER, 120V [NA]
989584	CORD, POWER, CHARGER, 100V [JP]

<b>SERVICE PARTS</b>	
PART NO.	DESCRIPTION
1065086	BATTERY, AGM, 12VDC 50AH/C20
RTRT00039	WHEEL, REAR
RTRT00040	CASTER, FRONT
MECE00020	CIRCUITBOARD, PANL, TOUCH
MECE00025	CIRCUITBOARD ASSY, TRACTION
RTRT00011	WHEEL, BMPPR
MEVR00039	FUSE, 020A, MAIN CARD
MECE00023	WIRE ASSY, TOUCH
MPVR04693	STRAP, STATIC
PMVR00438	GUIDE ASSY, ACTUATOR
MOCC00035	MOTOR, SHAKR
MOCC00036	MOTOR, VACUUM
MOCC00033	MOTOR, BRUSH, MAIN
MOCC00037	MOTOR, BRUSH, SIDE
MTIG00002	GEAR, MOTOR, SIDE BRUSH
MEVR01660	CARBON BRUSH, MOTOR [MOCC00033]
MEVR86071	CARBON BRUSH, MOTOR [MOCC00037]
MEVR00150	FUSE 2.5 A 250V 5X20
MPVR02939	STRAP, BATTERY
MEVR00039	FUSE, 020A, MAIN CARD
MEVR01986	FUSE, 01.25A, CHRGR
MEVR00150	FUSE 2.5 A 250V 5X20
MTCG00019	BELT, BRUSH, MAIN
MOCC00034	ACTUATOR, BRUSH
MPVR01708	GASKET KIT, HPPR [3 PC]
GUGO00414	GASKET SHAKER FRAME
MPVR00931	GASKET, FLTR
CUVR46942	BEARING, BRUSH, MAIN
CUVR00164	BEARING

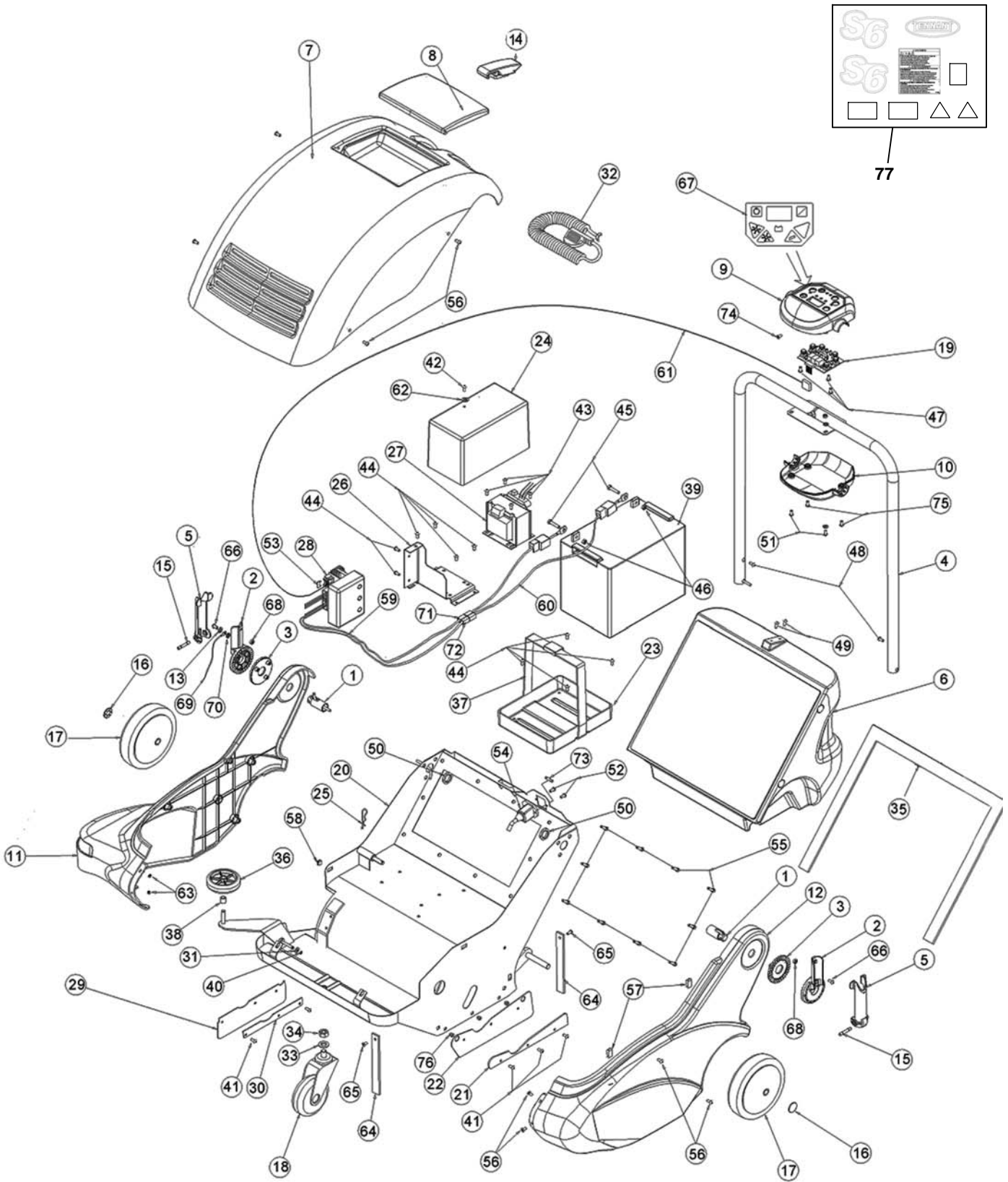
FRAME AND HOPPER GROUP



## FRAME AND HOPPER GROUP

Ref.	Part No.	Serial Number	Description	Qty.
1	LAFN01223	(125126x- 00001	) PIN, HANDLE, ROTATION	2
2	MPVR00914	(125126x- 00001	) CLAMP, LOCK, HANDLE [SERRATED]	2
3	MPVR00915	(125126x- 00001	) PAD [SERRATED, HANDLE LOCK]	2
4	LAFN06583	(125126x- 00001	) HANDLE SILVER 460 + HANDLES	1
5	MPVR00917	(125126x- 00001	) LEVER, LOCK, HANDLE	2
6	MPVR05160	(125126x- 00001	) HOPPER ASSY	1
7	MPVR12649	(125126x- 00001	) COVER, TOP [S6]	1
8	MPVR12650	(125126x- 00001	) COVER, STORAGE [S6]	1
9	MPVR00926	(125126x- 00001	) INSTR.PANEL UPPER	1
10	MPVR00927	(125126x- 00001	) HOUSING, CNTRL, BOTTOM	1
11	MPVR00928	(125126x- 00001	) COVER, SIDE, RIGHT [S6]	1
12	MPVR00929	(125126x- 00001	) COVER, SIDE, LEFT [S6]	1
13	VTRS03924	(125126x- 00001	) WASHER, LOCK	1
14	CHVR28735	(125126x- 00001	) LATCH [S6]	1
15	VTVR00304	(125126x- 00001	) PLUG UNI/N 22338 D.6 L=40	2
16	VTVR01684	(125126x- 00001	) CLIP, RETAINING	2
17	RTRT00039	(125126x- 00001	) WHEEL, REAR	2
18	RTRT00040	(125126x- 00001	) CASTER, FRONT	1
19	MECE00020	(125126x- 00001	) CIRCUITBOARD, PANL, TOUCH	1
20	LAFN01219	(125126x- 00001	) FRAME	1
21	LAFN01235	(125126x- 00001	) PLATE, SKIRT, LEFT SIDE	1
22	MPVR00938	(125126x- 00001	) SKIRT, FLAP, LH	1
23	MPVR05106	(125126x- 00001	) TRAY, BATTERY	1
24	MPVR05105	(125126x- 00001	) COVER [ELECTRONICS]	1
25	VTVR47052	(125126x- 00001	) PIN, ACTUATOR, MOTOR	1
26	LAFN06585	(125126x- 00001	) BRACKET, POWER CARD	1
27	MECE00408	(125126x- 00001	) TRANSFORMER, W/ WIRE HARNESS	1
28	MECE00025	(125126x- 00001	) CIRCUITBOARD ASSY, TRACTION	1
29	MPVR00937	(125126x- 00001	) SKIRT, FLAP, RH	1
30	LAFN01234	(125126x- 00001	) PLATE, SKIRT, RH SIDE	1
31	VTRS00503	(125126x- 00001	) WASHER, D. 6	1
32	1069835	(125126x- 00001	) CORD, POWER, CHRGR, 120VAC [NA]	1
32	989584	(125126x- 00001	) POWER CORD WITH PLUG, 125V12A, 4.5M [JP]	1
33	VTRS00506	(125126x- 00001	) WASHER D.12 UNI 6592	1
34	VTDD00012	(125126x- 00001	) VR, NUT, M12	1
35	MPVR01708	(125126x- 00001	) GASKET KIT, HPPR [3 PC]	1
36	RTRT00011	(125126x- 00001	) WHEEL, BMPR	1
37	MPVR02939	(125126x- 00001	) STRAP, BATTERY	2
38	LAFN75911	(125126x- 00001	) SPACER, D.12 H.7.	1
39	1065086	(125126x- 00001	) BATTERY, AGM, 12VDC 50AH/C20	1
40	VTAE48552	(125126x- 00001	) RING, RETAINING [D.6 UNI 7435]	1
41	897150	(125126x- 00001	) SCREW, TC, M4X12, ZN	5
42	VTVT00003	(125126x- 00001	) SCREW, HEX, M4 X 0.70 X 12	1
43	VTVT72043	(125126x- 00001	) SCREW	4
44	VTVT00003	(125126x- 00001	) SCREW, HEX, M4 X 0.70 X 12	10
45	VTVT00104	(125126x- 00001	) SCREW TE UNI 5739 6X18 ZB	2
46	VTDD00482	(125126x- 00001	) VR, NUT, M6, PL [UNI 5588]	2
47	VTVT00098	(125126x- 00001	) SCREW	3
48	VTVT00993	(125126x- 00001	) VR, SCREW, M5X0.08	2
49	VTVT00075	(125126x- 00001	) SCREW	2
50	LAFN06270	(125126x- 00001	) NUT	2

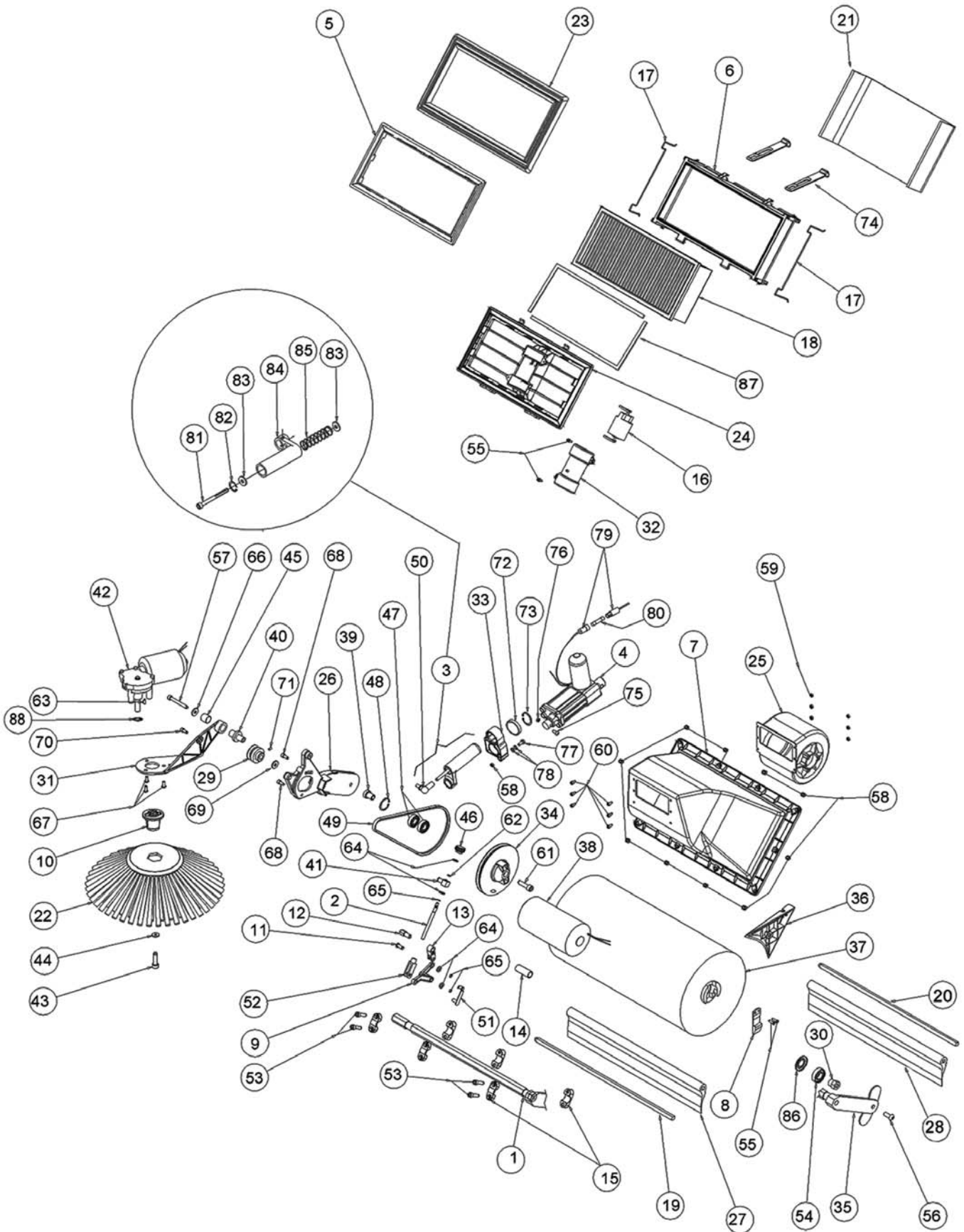
FRAME AND HOPPER GROUP - Continued



## FRAME AND HOPPER GROUP - Continued

Ref.	Part No.	Serial Number	Description	Qty.
51	VTVT15961	(125126x- 00001	) SCREW, M5X16, TCB, TC, UNI7687	2
52	VTVT00329	(125126x- 00001	) SCREW	2
53	MEVR00039	(125126x- 00001	) FUSE, 020A, MAIN CARD	1
54	MEVR01930	(125126x- 00001	) CONNECTOR, PLUG, CHRGR	1
55	VTVT83145	(125126x- 00001	) SCREW TSCE UNI 5933 5X15 ZB	11
56	VTVT75726	(125126x- 00001	) SCREW	4
57	MLML00001	(125126x- 00001	) CLIP, SPRING	4
58	VTDD00501	(125126x- 00001	) VR, NUT, M6, SQ CLIP	4
59	MECE00026	(125126x- 00001	) HARNESS, CHRGR, W/ PLUG	1
60	MECB00924	(125126x- 00001	) HARNESS, BATTERY	1
61	MECE00023	(125126x- 00001	) WIRE ASSY, TOUCH	1
62	VTRS15959	(125126x- 00001	) WASHER, 4 X 12	1
63	VTDD00491	(125126x- 00001	) NUT, M6	2
64	MPVR04693	(125126x- 00001	) STRAP, STATIC	2
65	VTVT62920	(125126x- 00001	) SCREW, HEX, M6 X 1.00 X 16, SS	2
66	VTVT00306	(125126x- 00001	) SCREW TSPEI M5x12 UNI5933	2
67	ETET00146	(125126x- 00001	) LABEL, TOUCH PANL	1
68	VTDD01678	(125126x- 00001	) VR, NUT, M5	2
69	MECB00971	(125126x- 00001	) WIRE ASSY	1
70	VTRS03924	(125126x- 00001	) WASHER, LOCK	1
71	12828	(125126x- 00001	) CONNECTOR, CABLE, BLK, 1 WIRE	1
72	12827	(125126x- 00001	) CONNECTOR, CABLE, RED, 1 WIRE	1
73	MEVR01986	(125126x- 00001	) FUSE, 01.25A, CHRGR	1
74	VTVT00724	(125126x- 00001	) VR, SCREW, M2, 9- 9, 5	1
75	VTVT00892	(125126x- 00001	) VR, SCREW, 5- 20, ZN	2
76	VTVR47015	(125126x- 00001	) PLASTIC INSERT (MEDREVITE)	5
77	KTRI06134	(125126x- 00001	) LABEL KIT, S6	1

BRUSH AND FILTER GROUP

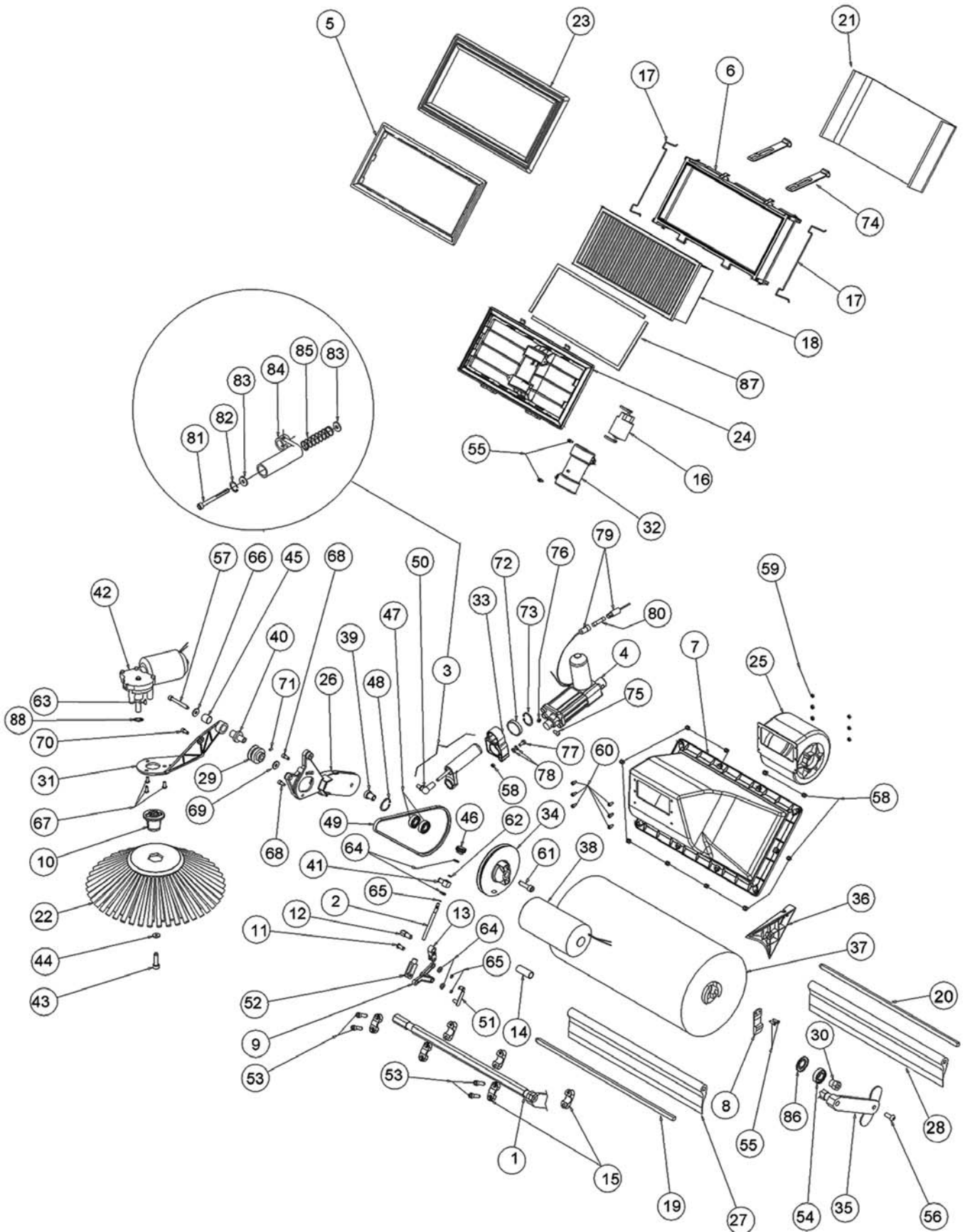




## BRUSH AND FILTER GROUP

Ref.	Part No.	Serial Number	Description	Qty.
1	ALTR00041	(125126x- 00001	) SHAFT, DRIVE, MAIN BRUSH	1
2	ALTR00042	(125126x- 00001	) ROD, ADJMT	1
3	PMVR00438	(125126x- 00001	) GUIDE ASSY, ACTUATOR	1
4	MOCC00034	(125126x- 00001	) ACTUATOR, BRUSH	1
5	MPVR00918	(125126x- 00001	) PLATE, FRAME, FLTR	1
6	MPVR00919	(125126x- 00001	) FRAME, FLTR	1
7	MPVR00920	(125126x- 00001	) HOUSING, BLOWER	1
8	PMVR00333	(125126x- 00001	) RETAINER, LOCKING, MAIN BRUSH	1
9	MPVR00934	(125126x- 00001	) ARM, DRIVING, SIDE BRUSH	1
10	MPVR01707	(125126x- 00001	) HUB, BRUSH, SIDE, DRIVE	1
11	MPVR00932	(125126x- 00001	) PIN	1
12	LAFN01227	(125126x- 00001	) PIN, ARM, DRIVING	1
13	MPVR00916	(125126x- 00001	) ROD, CONNECTING	1
14	LAFN01221	(125126x- 00001	) SPACER, SKIRT	1
15	MPVR00807	(125126x- 00001	) SUPPORT KIT, SHAFT, TOP & BOTTOM	3
16	MOCC00035	(125126x- 00001	) MOTOR, SHAKR	1
17	MLML00040	(125126x- 00001	) RETAINER, FLTR, FRAME	2
18	FTDP00013	(125126x- 00001	) FILTER, PANEL, PAPER	1
19	LAFN01232	(125126x- 00001	) PIN, HOLDER, FRONT SKIRT	1
20	LAFN01233	(125126x- 00001	) PIN, HOLDER, REAR SKIRT	1
21	FTDP00014	(125126x- 00001	) FILTER, PRE- FILTER	1
22	SPPV00303	(125126x- 00001	) BRUSH, SIDE, STD	1
23	MPVR00931	(125126x- 00001	) GASKET, FLTR	1
24	MPVR00933	(125126x- 00001	) FRAME, SHAKR	1
25	MOCC00036	(125126x- 00001	) MOTOR, VACUUM	1
26	MFVR00025	(125126x- 00001	) ARM, BRUSH, MAIN	1
27	MPVR00935	(125126x- 00001	) SKIRT, FLAP, FRONT	1
28	MPVR00936	(125126x- 00001	) SKIRT, FLAP, REAR	1
29	MTPL00038	(125126x- 00001	) PULLEY	1
30	LAFN01230	(125126x- 00001	) PIN	1
31	LAFN15263	(125126x- 00001	) ARM, BRUSH, SIDE	1
32	MPVR00925	(125126x- 00001	) COVER, MOTOR, SHAKR	1
33	MPVR00943	(125126x- 00001	) SPRING, GUIDE	1
34	MTPL00039	(125126x- 00001	) PULLEY CENTRAL BRUSH CONTROL	1
35	MFVR00026	(125126x- 00001	) ARM, BRUSH, MAIN	1
36	MPVR00940	(125126x- 00001	) CONVEYOR	1
37	PMVR01121	(125126x- 00001	) BRUSH, MAIN, W/LOCKING RETAINER	1
38	MOCC00033	(125126x- 00001	) MOTOR, BRUSH, MAIN	1
38	MEVR01660	(125126x- 00001	) CARBON BRUSH, MOTOR [MOCC00033]	2
39	LAFN01229	(125126x- 00001	) PIN, PULLEY	1
40	LAFN01228	(125126x- 00001	) PIN, ROTATION	1
41	LAFN01220	(125126x- 00001	) JOINT [ARTICULATED, ADJUSTOR ROD]	1
42	MOCC00037	(125126x- 00001	) MOTOR, BRUSH, SIDE	1
42	MEVR86071	(125126x- 00001	) CARBON BRUSH, MOTOR [MOCC00037]	2
42	MTIG00002	(125126x- 00001	) GEAR, MOTOR, SIDE BRUSH	1
43	604209	(125126x- 00001	) SCREW, M4X16	1
44	897589	(125126x- 00001	) WASHER, UNI6592, M4X16, ZB	1
45	LAFN06774	(125126x- 00001	) WASHER	1
46	VTVR00303	(125126x- 00001	) KNOB	1
47	CUVR46942	(125126x- 00001	) BEARING, BRUSH, MAIN	2
48	VTAE00010	(125126x- 00001	) RING, SNAP	1
49	MTCG00019	(125126x- 00001	) BELT, BRUSH, MAIN	1
50	VTVR45280	(125126x- 00001	) BALLJOINT	1

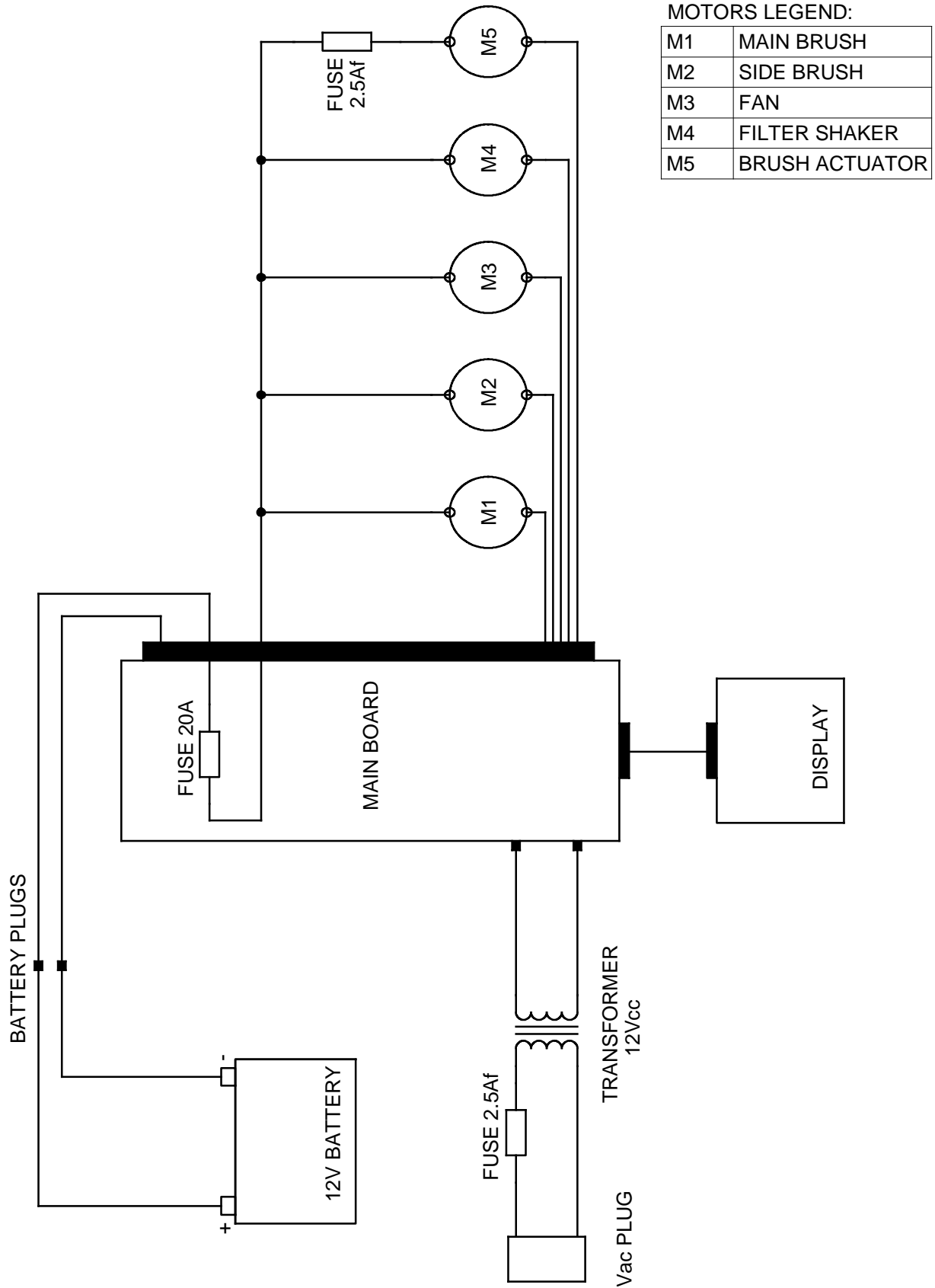
BRUSH AND FILTER GROUP - Continued



## BRUSH AND FILTER GROUP - Continued

Ref.	Part No.	Serial Number	Description	Qty.
51	CMCV00009	(125126x- 00001	) ARM	1
52	CMCV00006	(125126x- 00001	) LINK	1
53	VTVT06237	(125126x- 00001	) SCREW, 6 X 20 [UNI 5931]	4
54	CUVR00164	(125126x- 00001	) BEARING	1
55	VTVT00099	(125126x- 00001	) SCREW, 3.9 X 13 [UNI 6954]	2
56	VTVT87271	(125126x- 00001	) SCREW, BTN, M8 X 1.25 X 16	1
57	VTVT00063	(125126x- 00001	) SCREW TCCE UNI 5931 6X50 ZB	1
58	VTDD00017	(125126x- 00001	) NUT AUTOBLOCK DIN 985 M5	12
59	VTDD00009	(125126x- 00001	) NUT AUTOBLOCK DIN 985 M4 BASSO	6
60	VTVT00003	(125126x- 00001	) SCREW, HEX, M4 X 0.70 X 12	6
61	VTVT01354	(125126x- 00001	) SCREW TCCE UNI 5931 8X35 ZB	1
62	GUGO00288	(125126x- 00001	) WASHER	1
63	VTVR75730	(125126x- 00001	) VR, KEY, WOODRUFF, 03MM X 03MM, 3.7MML	1
64	VTRS00011	(125126x- 00001	) WASHER, FLAT, 6 X 12	4
65	VTAE48552	(125126x- 00001	) RING, RETAINING [D.6 UNI 7435]	3
66	VTRS63242	(125126x- 00001	) WASHER, FLAT, 6 X 24	1
67	VTVT62920	(125126x- 00001	) SCREW, HEX, M6 X 1.00 X 16, SS	3
68	VTVT00005	(125126x- 00001	) SCREW, HEX, M5 X 0.80 X 12	1
69	VTRS00029	(125126x- 00001	) WASHER	1
70	VTVT00005	(125126x- 00001	) SCREW, HEX, M5 X 0.80 X 12	1
71	VTVT00989	(125126x- 00001	) GRUB SCREW 4X8	1
72	LAFN06775	(125126x- 00001	) WASHER	1
73	VTAE09655	(125126x- 00001	) RING, RETAINING, 25MMD, OUTER SNAP	1
74	MPVR04648	(125126x- 00001	) LATCH, FLTR, RBR	2
75	VTVT00245	(125126x- 00001	) SCREW TE M6X30 UNI 5739	1
76	VTDD00010	(125126x- 00001	) VR, NUT, M6 X 1.0	1
77	VTVT12041	(125126x- 00001	) SCREW	2
78	VTRS00010	(125126x- 00001	) WASHER UNI 6592 5X10 ZB	2
79	MECB00925	(125126x- 00001	) VR, FUSE BOX	1
80	MEVR00150	(125126x- 00001	) FUSE 2.5 A 250V 5X20	1
81	VTVT37013	(125126x- 00001	) SCREW TE M 6X100 UNI 5737	1
82	VTAE00009	(125126x- 00001	) SEEGER INTERNAL DIN 472 D.20	1
83	LAFN00124	(125126x- 00001	) CYLINDAR BAR, BUSHING	2
84	LAFN01238	(125126x- 00001	) GUIDE SPRING CASE	1
85	MLML45281	(125126x- 00001	) SPRING CENTRAL BRUSH 1400	1
86	LAFN07372	(125126x- 00001	) CAP PROTECTION BEARING	1
87	GUGO00414	(125126x- 00001	) GASKET SHAKER FRAME	
88	VTAE87276	(125126x- 00001	) SEEGER EXT. D10 DIN471	

ELECTRICAL DIAGRAM



MOTORS LEGEND:

M1	MAIN BRUSH
M2	SIDE BRUSH
M3	FAN
M4	FILTER SHAKER
M5	BRUSH ACTUATOR