



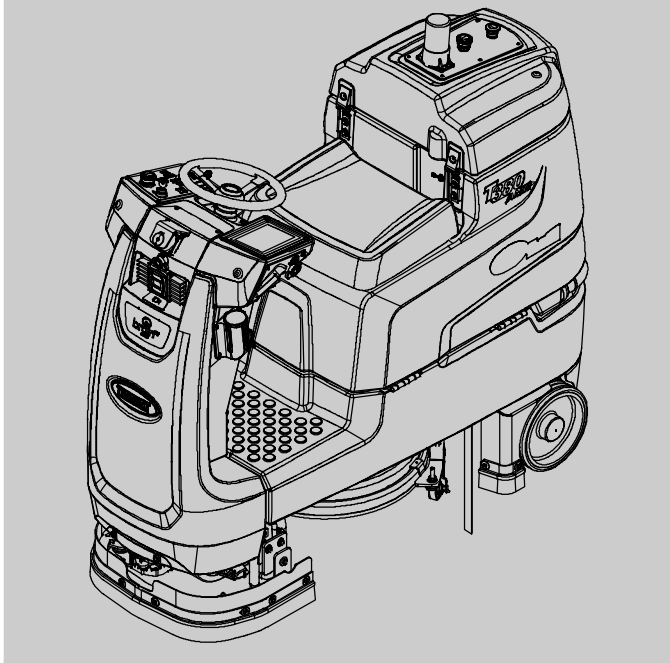
T380AMR

Rider Scrubber

Parts Manual



(S/N 10000000-20000000)



Hygenic[®] Fully Cleanable Recovery Tank
TennantTrue[®] Parts
Pro-Panel[®] Controls
Insta-Click[™] Magnetic Disk



Global

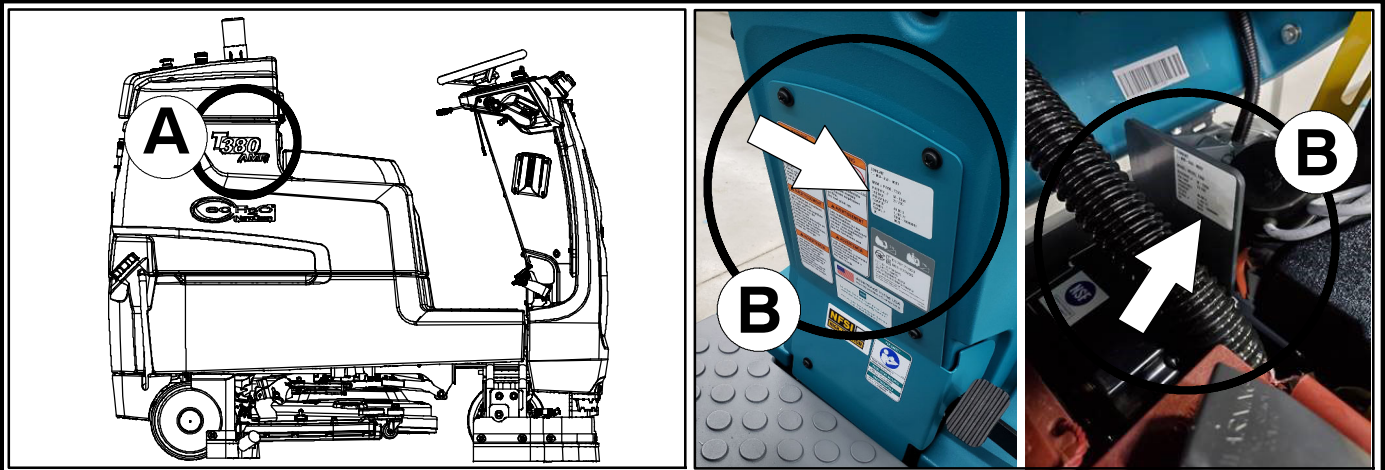


For the latest Parts manuals and other language Operator manuals, visit:

www.tennantco.com/manual

9021010
Rev. 00 (08-2020)





Ref	Part No.	Serial Number	Description	Qty.
1	82681	(000000-)	Bracket Wldt, Lpg Mount	1
∇ 2	63810	(000000-)	Latch Assy, Lpg Tank Mtg, W/Nut	4
▲ 3	51839	(000000-)	Nut Adjustable, Lpg Tank Mtg	2
4	49263	(000000-)	Tie, Cable	3
	82556	(000000- 001039)	Bracket, Vaporizer	1
	54930	(000000-)	Vaporizer, LPG	1

HOW TO ORDER PARTS - See diagram above

Only use TENNANT Company supplied or equivalent parts. Parts and supplies may be ordered online, by phone, by fax or by mail.

Follow the steps below to ensure prompt delivery.

1. (A) Identify the machine model.
2. (B) Identify the machine serial number from the data label.
3. (C) Ensure the proper serial number is used from the parts list.
4. Identify the part number and quantity.
Do not order by page or reference numbers.
5. Provide your name, company name, customer ID number, billing and shipping address, phone number and purchase order number.
6. Provide detail shipping instructions.

- (D) ∇ - identifies an assembly
▲ - identifies parts included in assembly

Please fill out at time of installation for future reference.

Model No. - _____

Serial No. - _____

Machine Options - _____

Sales Rep. - _____

Sales Rep. phone no. - _____

Customer ID Number - _____

Installation Date - _____

Tennant Company
 PO Box 1452
 Minneapolis, MN 55440 USA
 Phone: (800) 553-8033
 www.tennantco.com

Specifications and parts are subject to change without notice.

Copyright © 2020 TENNANT Company, Printed in U.S.A.

ES	<p>CÓMO SOLICITAR PIEZAS - Consulte el diagrama anterior.</p> <p>Utilice sólo las piezas suministradas por TENNANT Company o piezas equivalentes. Puede solicitar las piezas a través de internet, por teléfono, por fax o por correo.</p> <p>Siga los siguientes pasos para que la entrega sea rápida.</p> <ol style="list-style-type: none"> 1. (A) Indique el modelo de máquina. 2. (B) Indique el número de serie de la etiqueta de datos. 3. (C) Asegúrese de que indica el número de serie correcto de la lista de piezas. 4. Indique la cantidad y el número de la pieza. No realice el pedido indicando el número de página o el de referencia. 5. Incluya su nombre, el nombre de la empresa, el ID de cliente, las direcciones de envío y facturación, el número de teléfono y el número del pedido de compra. 6. Facilite instrucciones de envío. <hr/> <p>(D) ▽ - identifica un conjunto ▲ - identifica piezas de un conjunto</p>	<p>Rellene estos datos cuando realice la instalación para utilizarlos como referencia en el futuro.</p> <p>Nº modelo - _____</p> <p>Nº serie - _____</p> <p>Opciones de la máquina - _____</p> <p>Vendedor - _____</p> <p>Nº teléfono vendedor - _____</p> <p>Nº cliente - _____</p> <p>Fecha de instalación - _____</p>
-----------	---	---

FR	<p>COMMENT COMMANDER DES PIÈCES DÉTACHÉES - Voir le schéma ci-dessus.</p> <p>Utilisez uniquement des pièces fournies par la société TENNANT ou équivalentes. Les pièces et fournitures peuvent être commandées en ligne, par téléphone, fax, ou par courrier.</p> <p>Suivez les étapes ci-dessous pour assurer une livraison rapide.</p> <ol style="list-style-type: none"> 1. (A) Identifiez le modèle de la machine. 2. (B) Identifiez le numéro de série de la machine, à partir de l'étiquette signalétique. 3. (C) Assurez-vous que le numéro de série correct est utilisé à partir de la liste de pièces détachées. 4. Identifiez le numéro de pièce et la quantité. Ne commandez pas par page ou numéros de référence. 5. Fournissez votre nom, le nom de votre société, votre numéro d'identification de client, l'adresse de facturation et d'expédition, le numéro de téléphone et le numéro du bon de commande. 6. Fournissez des instructions d'expédition détaillées. <hr/> <p>(D) ▽ - identifie un assemblage ▲ - identifie les pièces composant l'assemblage</p>	<p>A remplir au moment de l'installation à titre de référence.</p> <p>Nº du modèle - _____</p> <p>Nº de série - _____</p> <p>Options de la machine - _____</p> <p>Agent commercial - _____</p> <p>Nº tél. de l'agent commercial - _____</p> <p>Numéro d'identification client - _____</p> <p>Date d'installation - _____</p>
-----------	---	---

RECOMMENDED MAINTENANCE ITEMS

GENERAL RECOMMENDED MAINTENANCE
ITEMS 7

STANDARD PARTS

BRUSHES AND PAD DRIVER GROUP, 500MM
DISK MAGNETIC HUB 8

SCRUB HEAD GROUP, DISK 500MM MAGNETIC
HUB 10

RECOVERY TANK COVER AND LIGHTS
GROUP 12

RECOVERY TANK GROUP 14

RECOVERY TANK HOSE GROUP 16

VACUUM MOTOR GROUP 18

SOLUTION TANK GROUP 20

FRAME GROUP 22

FRONT GUARD GROUP 24

REAR GUARD GROUP 26

SEAT GROUP 28

ANTI-JOY RIDE GROUP 30

STEERING GROUP 32

FRONT DRIVE WHEEL GROUP 34

FRONT COVERS GROUP 36

FRONT CAMERA AND SENSORS GROUP 38

INSTRUMENT PANEL GROUP 40

ELECTRICAL GROUP 42

ELECTRICAL CONTROLLER GROUP 44

SCRUB HEAD LIFT GROUP 46

SCRUB HEAD LINKAGE GROUP 48

SQUEEGEE GROUP 50

SQUEEGEE RAIL GROUP 52

BRAKE AND ACCELERATOR PEDALS
GROUP 54

SOLUTION GROUP, CONVENTIONAL 56

BATTERY GROUP, WET 225AH C20 58

OFF- BOARD BATTERY CHARGER GROUP ... 60

LABEL GROUP 62

ELECTRICAL DIAGRAM 64

WIRE HARNESS GROUP, MAIN 70

WIRE HARNESS GROUP, TANK 74

WIRE HARNESS GROUP, SEAT 75

WIRE HARNESS GROUP, DIRECTION
SWITCH 76

OPTIONS

BATTERY WATERING, HYDROLINK SYSTEM . 78

SOLUTION GROUP, ec- H2O NANOCLEAN 80

DOCUMENTATION GROUP (ONLINE ONLY) ... 82

BREAKDOWNS

ec- H2O NANOCLEAN MODULE BREAKDOWN,
9020643 84

STEERING CONTROL BREAKDOWN,
1019727 86

DRIVE WHEEL BREAKDOWN, 9021134 88

TABLE OF CONTENTS

RECOMMENDED MAINTENANCE ITEMS

GENERAL RECOMMENDED MAINTENANCE ITEMS

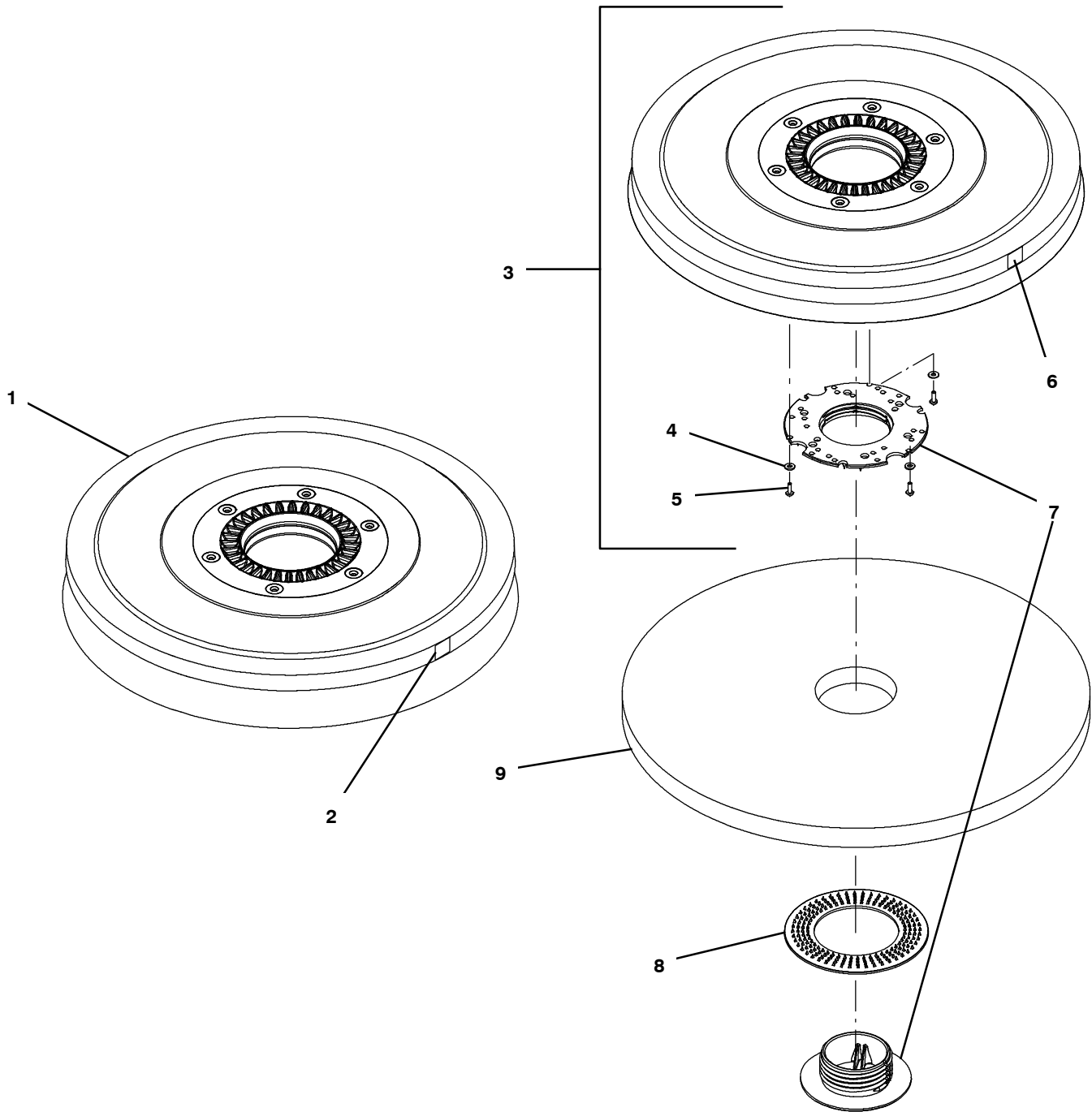
	Part No.	Serial Number	Description	Qty.
▲▽	9016742	(10000000- 20000000)	Blade Kit, 500mm, Linatex	1
▲▲	1223125	(10000000- 20000000)	Blade, Sqge, Rear, 1007l, Linatex[500mm]	1
▲▲	1223124	(10000000- 20000000)	Blade, Sqge, Front, 938l, Linatex[500mm]	1
▽	9016741	(10000000- 20000000)	Blade Kit, 500mm, Gum	1
▲	1227127	(10000000- 20000000)	Blade, Sqge, Rear, 1007l, Gum [500mm]	1
▲	1227126	(10000000- 20000000)	Blade, Sqge, Front, 938l, Gum [500mm]	1
▽	9016743	(10000000- 20000000)	Blade Kit, 500mm, Urethane	1
▲	1227125	(10000000- 20000000)	Blade, Sqge, Rear, 1007l, Urethane 500mm	1
▲	1227124	(10000000- 20000000)	Blade, Sqge, Front, 938l, Urethane 500mm	1
	1249896	(10000000- 20000000)	Strainer, 1.75d (Recovery Tank)	1
	1207357	(10000000- 20000000)	Tray, Debris, Tank, Recvy [T300]	1
▽	1249557	(10000000- 20000000)	Hose Assy, Drain, 1.5d X 62.2l [Pvc] (Black) (Recovery Tank)	1
▲▽	1218955	(10000000- 20000000)	Cap, Drain Assy [Black]	1
▲▲	1019563	(10000000- 20000000)	Strap, Cap, Drain	
▲▲	1008637	(10000000- 20000000)	Seal, Org, 1.48id 1.76od	
	1249426	(10000000- 20000000)	Hose Assy,W/2cuff,1.5d 018l 2.0/1.5[Pvc] (Squeegee)	1
	1038560	(10000000- 20000000)	Tire Assy, Solid, 250mm X 80mm, 25mmd	2
	1018505	(10000000- 20000000)	Horn, 12- 48vdc [88.5 Decibels]	2
	1073476	(10000000- 20000000)	Caster, Swivel, 50mmd, M10 X 30, Clr PI (Front Guard)	2
▽	9021042	(10000000- 20000000)	Bumper Kit, Bristles, Guard, Front	1
▲	72968	(10000000- 20000000)	Rivet, Plstc, .250d X 0.90	8
▲	1249407	(10000000- 20000000)	Bumper, Bristles, Guard, Front	1
▽	9021043	(10000000- 20000000)	Bumper Kit, Bristles, Guard, Rear	2
▲	72968	(10000000- 20000000)	Rivet, Plstc, .250d X 0.90	2
▲	1251288	(10000000- 20000000)	Bumper, Bristles, Guard, Rear	1
	1242894	(10000000- 20000000)	Sign Kit, Amr [Home Location]	1
	1234625	(10000000- 20000000)	Caster, Swivel, 50mmd, M10 X 48, Clr PI (Squeegee)	3
	222403	(10000000- 20000000)	Wheel, 02.0d 0.88w 0.50b	1
▽	1211537	(10000000- 20000000)	Filter, In- Line [80 Mesh, Fine, White]	1
▲	1218885	(10000000- 20000000)	Gasket [Epdm, F/1211537]	1
▲	1218883	(10000000- 20000000)	Screen, Fltr, 80 Mesh, Ss [Fine, White]	1
▲	613991	(10000000- 20000000)	Bowl, Clr, Short, F/1005302	1
▽	9020643	(10000000- 20000000)	Module Kit, Replmt [Ec- H2o, B 02] (See Breakdowns)	1
▲	9013646	(10000000- 20000000)	Cartridge, Ec- H2o Nanoclean Wcm, 270ml	1

▽ ASSEMBLY

▲ INCLUDED IN ASSEMBLY

BRUSHES AND PAD DRIVER GROUP, 500MM DISK MAGNETIC HUB

356780



BRUSHES AND PAD DRIVER GROUP, 500MM DISK MAGNETIC HUB

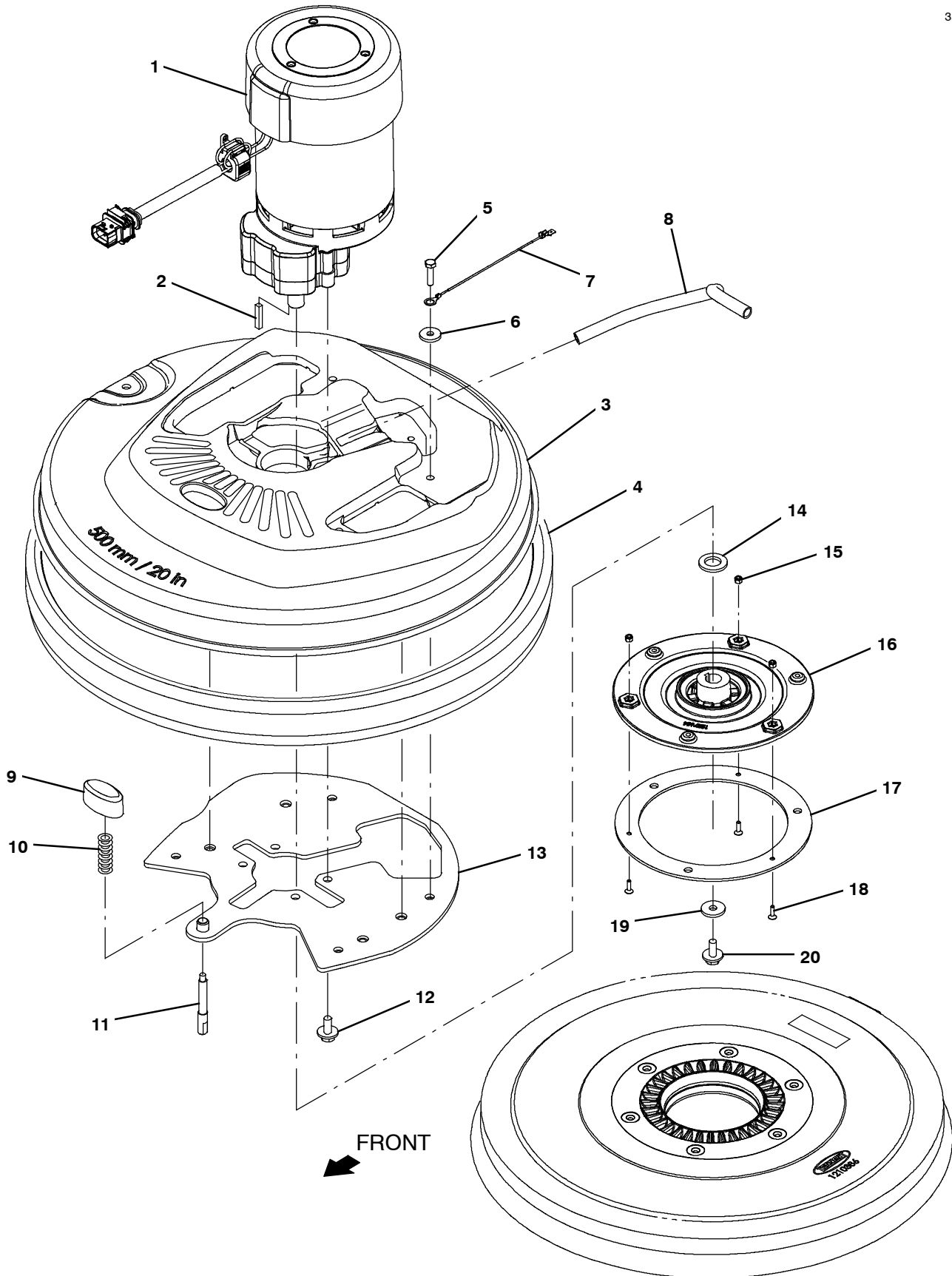
	Ref.	Part No.	Serial Number	Description	Qty.
▽	1	1210386	(10000000- 20000000)	Brush Assy, Disk, Scb, 50cm, Mag, Nyl (Nylon)	1
▲	2	1218392	(10000000- 20000000)	Label, Safety, Magnet, Med	1
▽	1	1213032	(10000000- 20000000)	Brush Assy, Disk, Scb, 50cm, Mag, Pyp (Polypropylene)	1
▲	2	1218392	(10000000- 20000000)	Label, Safety, Magnet, Med	1
▽	1	1213033	(10000000- 20000000)	Brush Assy, Disk, Scb, 50cm, Mag, Ab (Abrasive Bristle)	1
▲	2	1218392	(10000000- 20000000)	Label, Safety, Magnet, Med	1
▽	3	1209197	(10000000- 20000000)	Driver Assy, Pad, 50cm, Brush, Magnetic	1
▲	4	41579	(10000000- 20000000)	Washer, Flat, 08, Ss	3
▲	5	1212542	(10000000- 20000000)	Screw, Pan, Phl, M4 X 0.70 X 12, Nl, Ss	3
▲	6	1218392	(10000000- 20000000)	Label, Safety, Magnet, Med	3
▲	7	32506	(10000000- 20000000)	Device, Centering, Rh Pad Retainer	1
	8	32505	(10000000- 20000000)	Washer, Flat, 92b 156d 2.6l, Pad Driver	1
	9	1243338	(10000000- 20000000)	Pad, Polish, 20.0d, White [1pick=1ctn]	1
	9	1243339	(10000000- 20000000)	Pad, Buff, 20.0d, Red [1pick=1ctn]	1
	9	1243340	(10000000- 20000000)	Pad, Scb, 20.0d, Blu [1pick=1ctn] (Blue)	1
	9	1243566	(10000000- 20000000)	Pad, Stripping, 20.0d, Brn [1pick=1ctn] (Brown)	1
	9	1243661	(10000000- 20000000)	Pad, Strip, 20.0d Blk[Hi Prod1pick=1ctn] (Black)	1
	9	1243670	(10000000- 20000000)	Pad, Surf Prep, 20.0d Maroon[1pick=1ctn]	1
	9	1240393	(10000000- 20000000)	Pad, Polish, 20.0d, Yel [1pick=1ctn] (Yellow)	1

▽ ASSEMBLY

▲ INCLUDED IN ASSEMBLY

SCRUB HEAD GROUP, DISK 500MM MAGNETIC HUB

355766



SCRUB HEAD GROUP, DISK 500MM MAGNETIC HUB

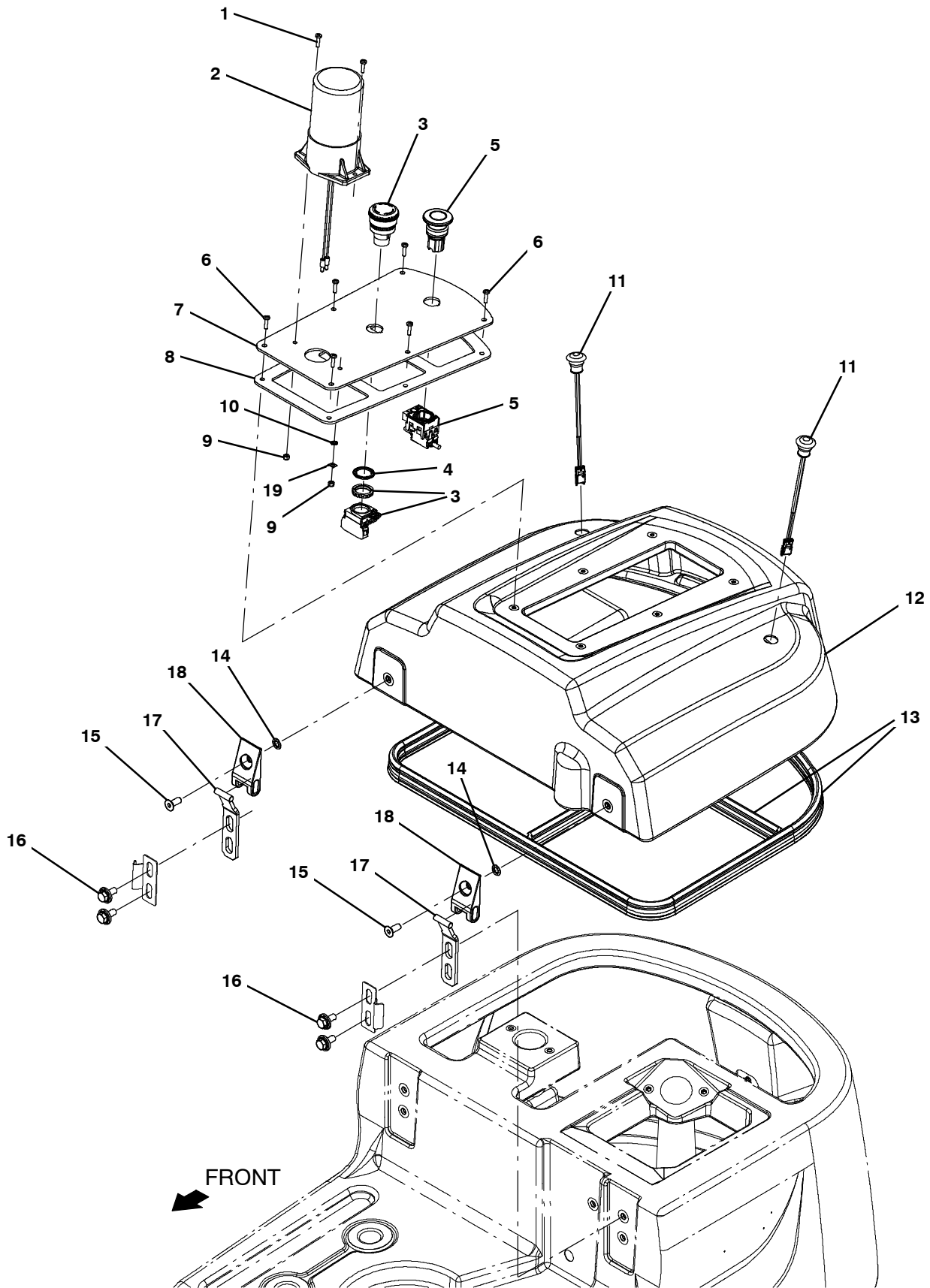
	Ref.	Part No.	Serial Number	Description	Qty.
▽	1	1253148	(10000000-20000000)	Motor, Ele, 24vdc 0215rpm 650w, 17mm	1
▲		1227273	(10000000-20000000)	Vr, Brush Kit, Motor, Ele (4pc)	1
	2	1014328	(10000000-20000000)	Key, Sq, 05mm X 05mm, 25mml	1
	3	1208041	(10000000-20000000)	Housing, Head, 50cm	1
	4	1055025	(10000000-20000000)	Bumper, Head, 50cm, W/ Bristle Skirt, Im	1
	5	1016005	(10000000-20000000)	Screw, Hex, M6 X 1.00 X 25, NI, Fl, Ss	3
	6	140053	(10000000-20000000)	Washer, Flat, 0.28b 0.88d .12, Ss	3
	7	1074344	(10000000-20000000)	Harness, Ele [Ring With .250m Tail]	1
	8	1236363	(10000000-20000000)	Hose, Afmkt, Pe, .375id .50od, 02ft	1
	9	1211242	(10000000-20000000)	Button, Plunger, Pad	1
	10	1212785	(10000000-20000000)	Spring, Cmpr, .66od, .05wir, 1.75l, Ss	1
	11	1211256	(10000000-20000000)	Pin, Stop, Long	1
	12	1020341	(10000000-20000000)	Screw, Hex, M8 X 1.25 X 20, Ss, Sems	4
	13	1223980	(10000000-20000000)	Plate Wldt, Head, Weighted	1
	14	1022549	(10000000-20000000)	Spacer, Shaft, 17.15b 30.0d 3.0l, Ss	1
	15	33932	(10000000-20000000)	Nut, Hex, Lock, M4 X 0.70, NI, Ss	3
	16	1227654	(10000000-20000000)	Hub, Drive, Magnetic [Machined]	1
	17	1205043	(10000000-20000000)	Ring, Hub, Magnetic	1
	18	1227670	(10000000-20000000)	Screw, Flt, Soc, M4 X 0.70 X 14, 18- 8, Ss	3
	19	1017218	(10000000-20000000)	Washer, Flat, 0.32b 1.00d .12, Ss	1
	20	1020341	(10000000-20000000)	Screw, Hex, M8 X 1.25 X 20, Ss, Sems	1

▽ ASSEMBLY

▲ INCLUDED IN ASSEMBLY

RECOVERY TANK COVER AND LIGHTS GROUP

355767



RECOVERY TANK COVER AND LIGHTS GROUP

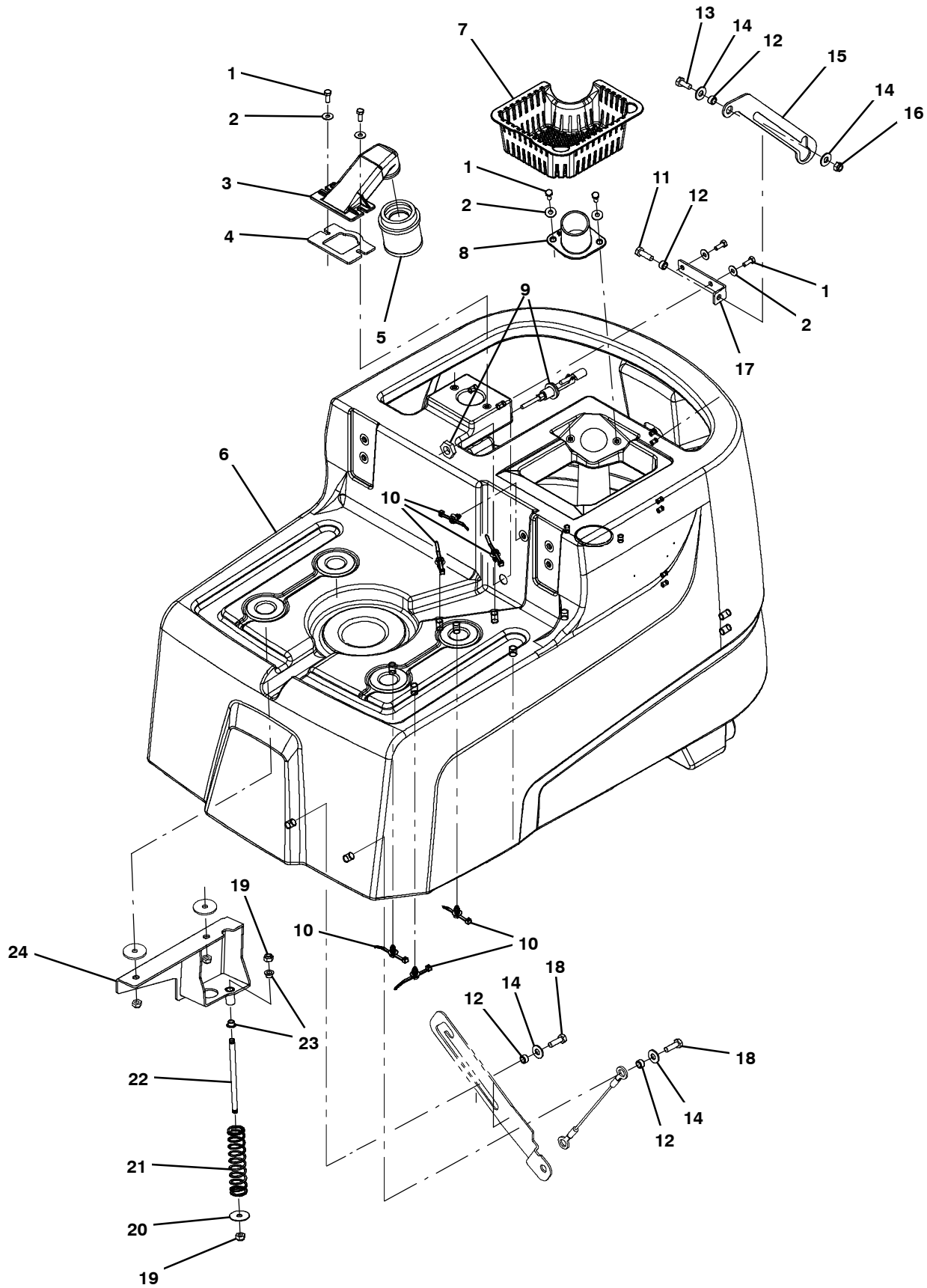
Ref.	Part No.	Serial Number	Description	Qty.
1	24265	(10000000- 20000000)	Screw, Pan, Phl, M4 X 0.70 X 16, Ss	2
2	1014564	(10000000- 20000000)	Light, Strobe, 12- 80vdc, 4watt	1
3	1242161	(10000000- 20000000)	Switch, Safety, Shutoff	1
4	1242538	(10000000- 20000000)	Ring, Lock, E- Stop	1
5	1240637	(10000000- 20000000)	Switch, Push, Mom, Blue	1
6	24265	(10000000- 20000000)	Screw, Pan, Phl, M4 X 0.70 X 16, Ss	6
▽	7	9021046	(10000000- 20000000) Plate Kit, Label, E- stop [T380amr]	1
▲	8	1250300	(10000000- 20000000) Gasket, Cover, Recvy	1
9	33932	(10000000- 20000000)	Nut, Hex, Lock, M4 X 0.70, NI, Ss	2
10	140061	(10000000- 20000000)	Washer, Lock, Ext, 08, PI	1
11	1240252	(10000000- 20000000)	Light, Marker	2
12	1250215	(10000000- 20000000)	Cover, Recvy, Rm- Hg, Trimmmed [T380amr]	1
13	1066433	(10000000- 20000000)	Seal, Afmkt, Bulb, Dual, 08ft [F/.30gap]	1
14	32984	(10000000- 20000000)	Washer, Lock, Int, 0.31	2
15	222463	(10000000- 20000000)	Screw, Flt, Soc, M8 X 1.25 X 20, Al, Blk	2
16	1020341	(10000000- 20000000)	Screw, Hex, M8 X 1.25 X 20, Ss, Sems	4
17	1012055	(10000000- 20000000)	Hinge Wldt, Cover	2
18	1050554	(10000000- 20000000)	Hinge, Leaf [T7, 5680/5700]	2
19	1252199	(10000000- 20000000)	Terminal, Spade [Faston]	1

▽ ASSEMBLY

▲ INCLUDED IN ASSEMBLY

RECOVERY TANK GROUP

355768



RECOVERY TANK GROUP

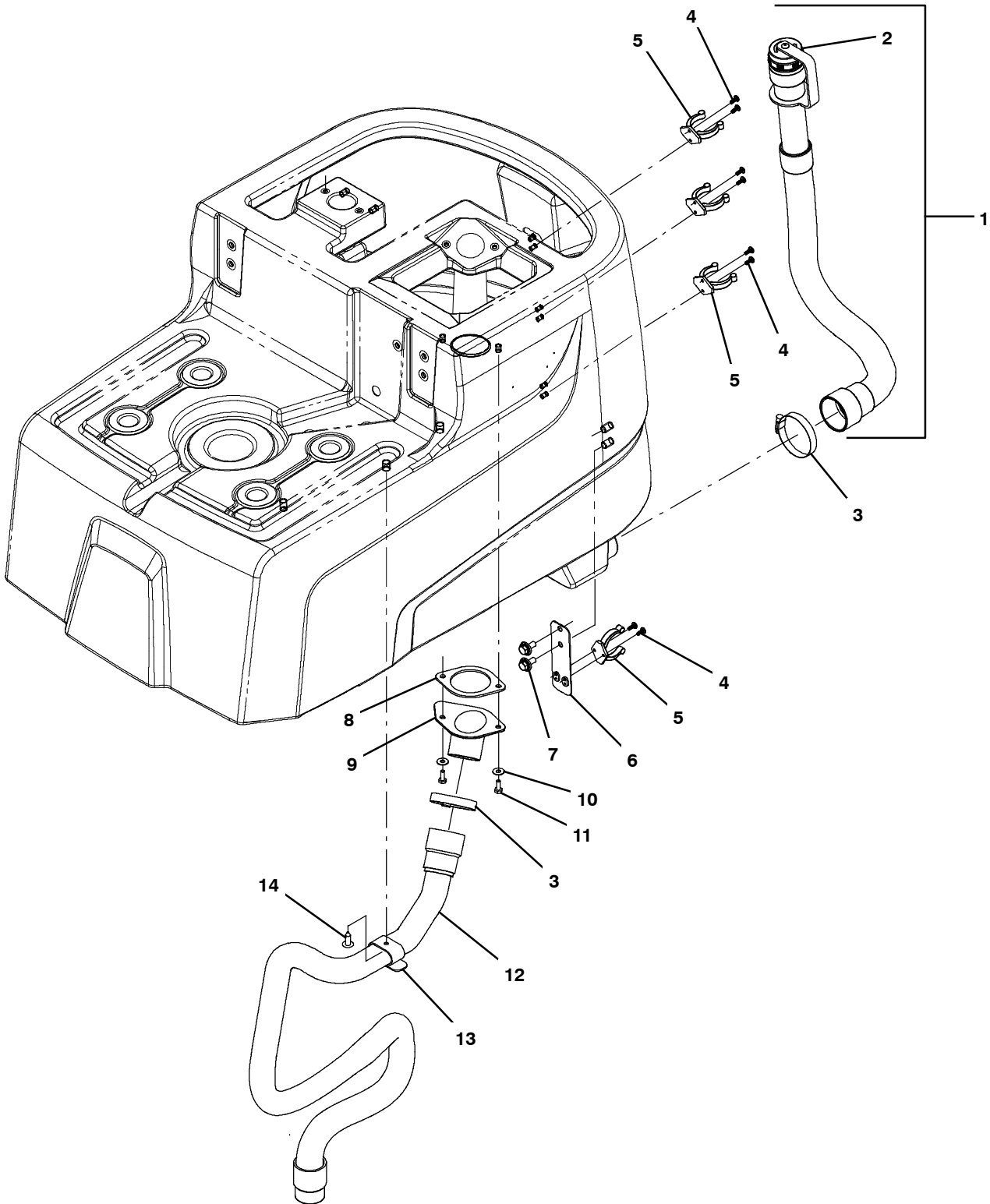
Ref.	Part No.	Serial Number	Description	Qty.
1	11329	(10000000- 20000000)	Screw, Hex, M6 X 1.00 X 16, NI, Ss	6
2	01684	(10000000- 20000000)	Washer, Flat, 0.27b 0.69d .05, Ss	6
3	1011777	(10000000- 20000000)	Mount, Float, Mold	1
4	1013628	(10000000- 20000000)	Gasket, Mtg, Float, .125th, Neo, Adh	1
5	1249896	(10000000- 20000000)	Strainer, 1.75d	1
6	9021044	(10000000- 20000000)	Kit, Tank, Recvy, W/O Ech2o Na [T380amr]	1
6	9021045	(10000000- 20000000)	Kit, Tank, Recvy W/ Ech2o Na [T380amr]	1
6	9021056	(10000000- 20000000)	Kit, Tank, Recvy W/O Ech2o Ce [T380amr]	1
6	9021057	(10000000- 20000000)	Kit, Tank, Recvy W/ Ech2o Ce [T380amr]	1
6	9021058	(10000000- 20000000)	Kit, Tank, Recvy W/O Ech2o Tj [T380amr]	1
6	9021059	(10000000- 20000000)	Kit, Tank, Recvy W/ Ech2o Tj [T380amr]	1
7	1207357	(10000000- 20000000)	Tray, Debris, Tank, Recvy [T300]	1
8	1229076	(10000000- 20000000)	Tube, Adapter, 1.7d [T600]	1
9	385685	(10000000- 20000000)	Sensor, Level, Liq, 14vdc 01a .62- 11	1
10	1210807	(10000000- 20000000)	Wire, Tie [W/.25" Fir Tree Clip]	6
11	09010	(10000000- 20000000)	Screw, Hex, M8 X 1.25 X 25, Ss	1
12	222516	(10000000- 20000000)	Sleeve, P/M, 0.32b 0.50d 0.3l [430ss]	4
13	09740	(10000000- 20000000)	Screw, Hex, M8 X 1.25 X 20, Ss	1
14	01685	(10000000- 20000000)	Washer, Flat, 0.38b 0.88d .08, Ss	4
15	1251798	(10000000- 20000000)	Bar, Prop, Tank, Recvy	1
16	08713	(10000000- 20000000)	Nut, Hex, Lock, M8 X 1.25, NI, Ss	1
17	1249575	(10000000- 20000000)	Bracket, Mtg, Cable	1
18	12333	(10000000- 20000000)	Screw, Hex, M8 X 1.25 X 25, Ss, NI	2
19	08709	(10000000- 20000000)	Nut, Hex, Lock, M8 X 1.25, NI	2
20	30013	(10000000- 20000000)	Washer, Flat, 0.31, Fendr	1
21	1254279	(10000000- 20000000)	Spring, Cmpr, 1.08od .09wir 4.53l, Mw	1
22	1254280	(10000000- 20000000)	Shaft, Plunger	1
23	1251107	(10000000- 20000000)	Bushing, Flng, 8mmb 10mmd 7.5mml	2
24	1254339	(10000000- 20000000)	Bracket Wldt, Tank, Assist	1

▽ ASSEMBLY

▲ INCLUDED IN ASSEMBLY

RECOVERY TANK HOSE GROUP

355798



RECOVERY TANK HOSE GROUP

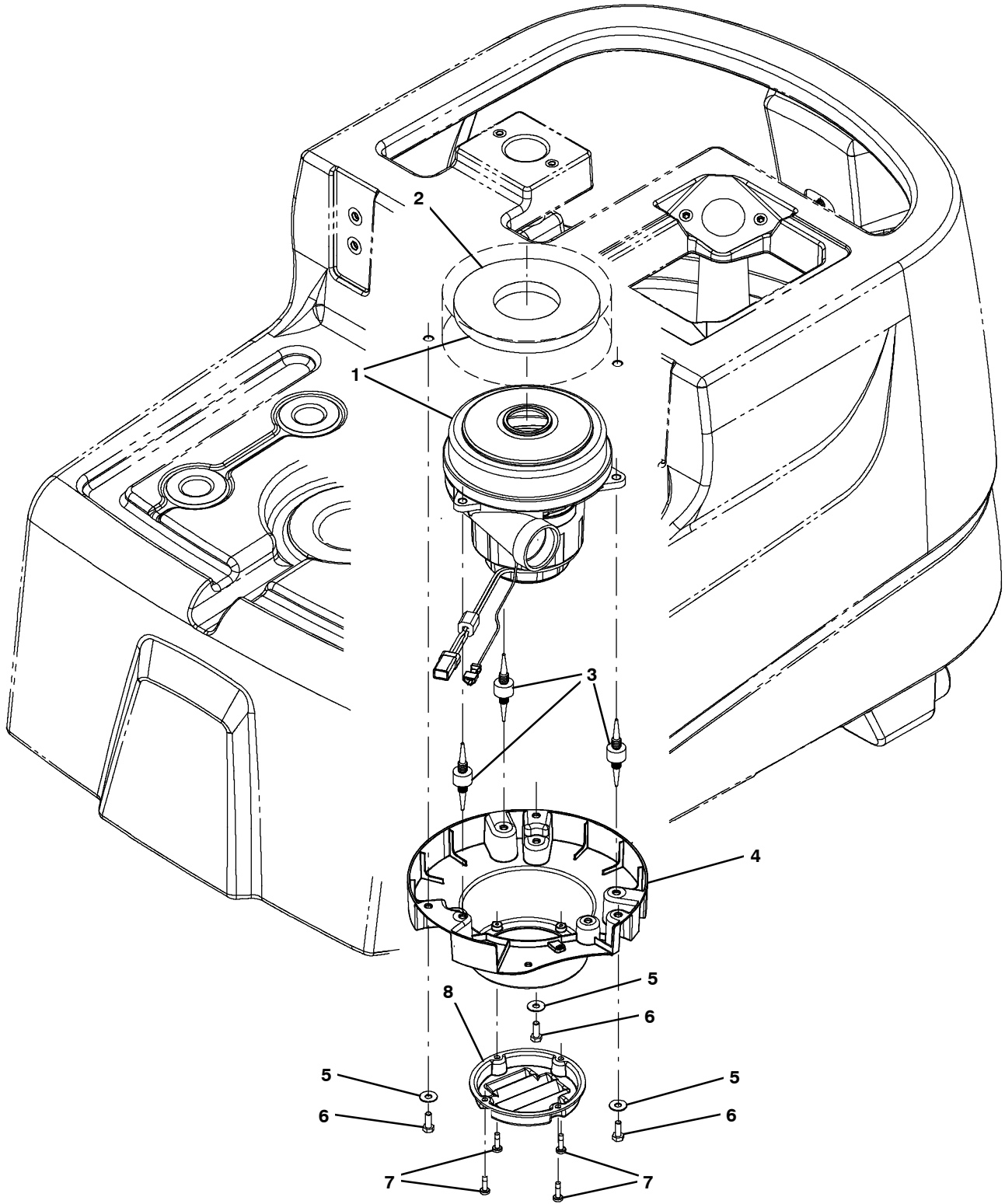
Ref.	Part No.	Serial Number	Description	Qty.
▽	1	1249557	(10000000- 20000000) Hose Assy, Drain, 1.5d X 62.2l [Pvc] (Black)	1
▲▽	2	1218955	(10000000- 20000000) Cap, Drain Assy [Black]	1
▲▲		1019563	(10000000- 20000000) Strap, Cap, Drain	1
▲▲		1008637	(10000000- 20000000) Seal, Org, 1.48id 1.76od	1
	3	14432	(10000000- 20000000) Clamp, Hose, Wormdrive, 1.81- 2.75d, .50w	2
	4	607006	(10000000- 20000000) Screw, Trs, M4 X 0.70 X 12, Phl, Pl	8
	5	1001992	(10000000- 20000000) Clip, Grip, Hose, 1.63- 1.87, Blk Nyl	4
	6	1252680	(10000000- 20000000) Bracket, Wldt, Mtg, Hose	1
	7	1020341	(10000000- 20000000) Screw, Hex, M8 X 1.25 X 20, Ss, Sems	2
	8	1230613	(10000000- 20000000) Gasket, Adapter, Hose, Neo	1
	9	1238130	(10000000- 20000000) Tube, Hose, Adapter 2.0d	1
	10	01684	(10000000- 20000000) Washer, Flat, 0.27b 0.69d .05, Ss	8
	11	11329	(10000000- 20000000) Screw, Hex, M6 X 1.00 X 16, Ni, Ss	8
	12	1249426	(10000000- 20000000) Hose Assy,W/2cuff,1.5d 018l 2.0/1.5[Pvc]	1
	13	1059534	(10000000- 20000000) Fastener, 09.00l [Hook & Loop]	1
	14	140262	(10000000- 20000000) Clip, Snap- In	1

▽ ASSEMBLY

▲ INCLUDED IN ASSEMBLY

VACUUM MOTOR GROUP

355770



VACUUM MOTOR GROUP

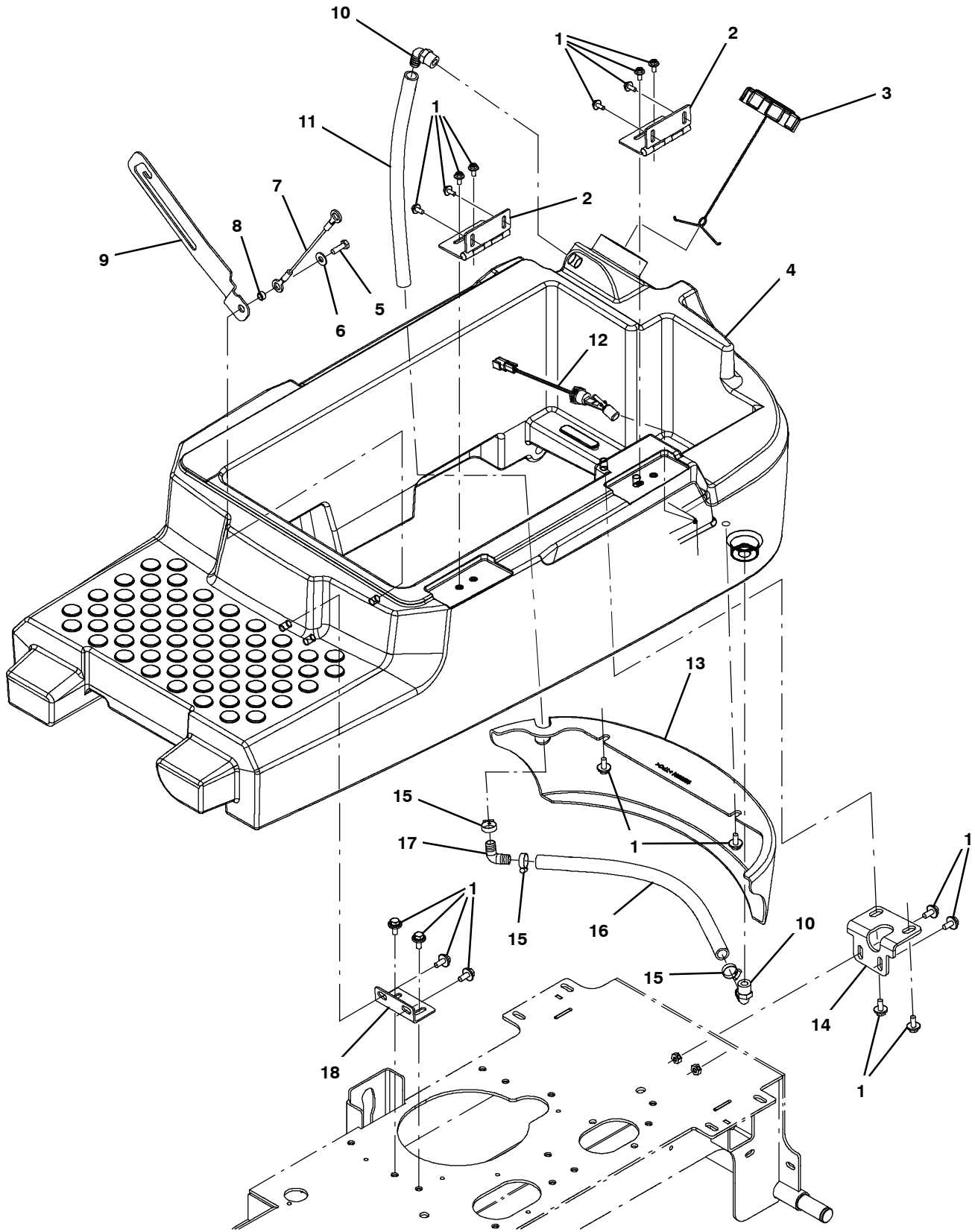
	Ref.	Part No.	Serial Number	Description	Qty.
▽	1	9016755	(10000000- 20000000)	Fan Kit, Vacuum, Ci [T350/Ss350]	1
▲		1206774	(10000000- 20000000)	Vr, Brush Kit, Motor, Fan	1
▲	2	100038	(10000000- 20000000)	Gasket, .50, 02.63id 05.75od, Adh [Epdm]	1
	3	1062016	(10000000- 20000000)	Isolator, Vib, .75d	3
	4	1207368	(10000000- 20000000)	Mount, Vacfan, 5.7/6.6	1
	5	01684	(10000000- 20000000)	Washer, Flat, 0.27b 0.69d .05, Ss	3
	6	11329	(10000000- 20000000)	Screw, Hex, M6 X 1.00 X 16, NI, Ss	3
	7	1043573	(10000000- 20000000)	Screw, #10- 14 X 0.675, Spl[Shcs,Selftap]	4
	8	1209342	(10000000- 20000000)	Cover, Inlet, Vac, Vented	1

▽ ASSEMBLY

▲ INCLUDED IN ASSEMBLY

SOLUTION TANK GROUP

355769

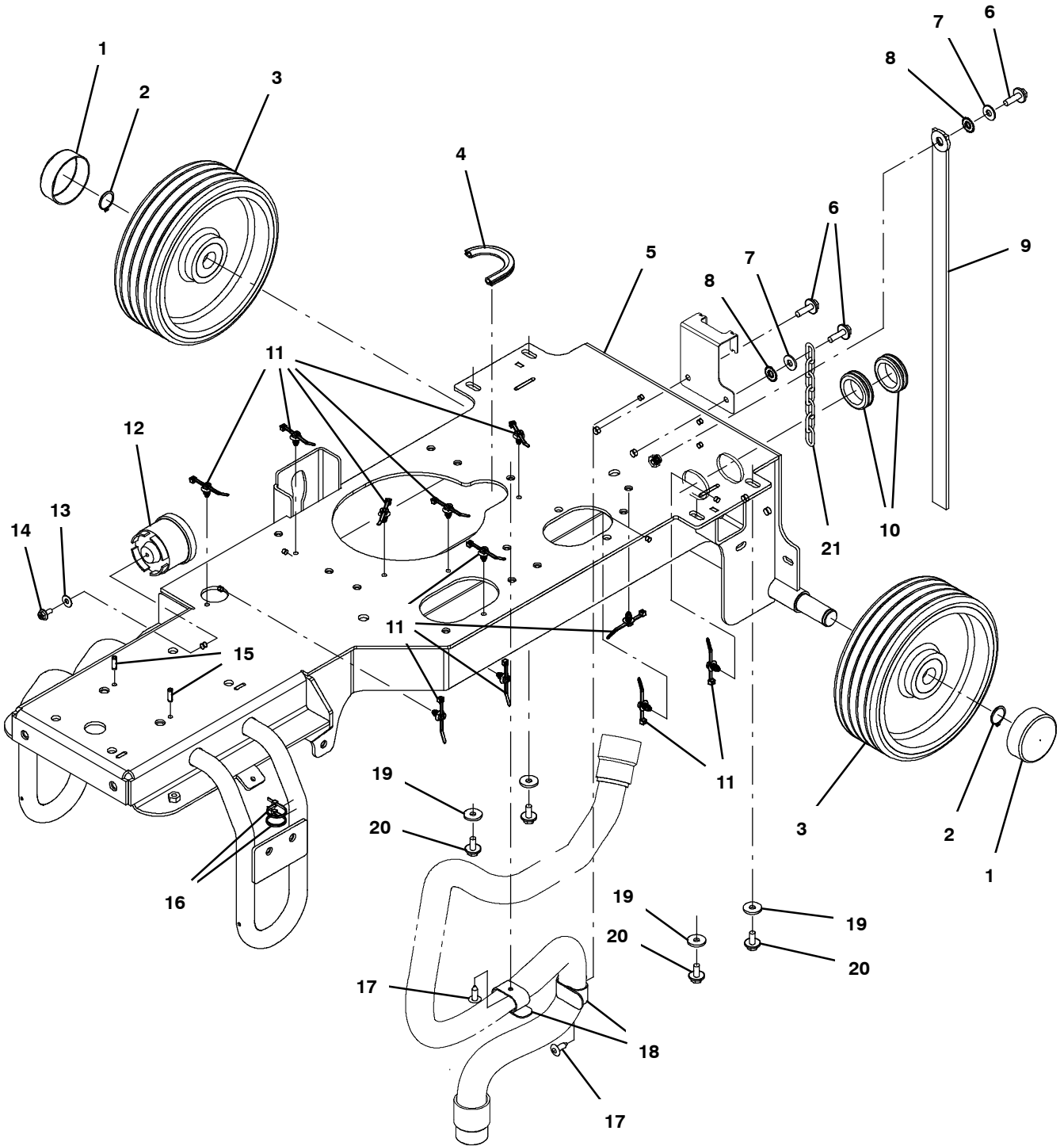


SOLUTION TANK GROUP

Ref.	Part No.	Serial Number	Description	Qty.
1	1020341	(10000000- 20000000)	Screw, Hex, M8 X 1.25 X 20, Ss, Sems	8
2	1217669	(10000000- 20000000)	Hinge Assy, 7.0 Pin, 11 Ga, 100l X 105w	2
3	1011885	(10000000- 20000000)	Cap, Tank	1
4	9021149	(10000000- 20000000)	Kit, Tank, Soltn [T380amr]	1
5	12333	(10000000- 20000000)	Screw, Hex, M8 X 1.25 X 25, Ss, NI	1
6	01685	(10000000- 20000000)	Washer, Flat, 0.38b 0.88d .08, Ss	1
7	87172	(10000000- 20000000)	Cable, Glv .13d 010.0l .52eye /.52eye	1
8	222516	(10000000- 20000000)	Sleeve, P/M, 0.32b 0.50d 0.3l [430ss]	1
9	1252517	(10000000- 20000000)	Bracket, Retaining, Tank	1
10	630371	(10000000- 20000000)	Fitting, Plstc, E90, Bm10/Pm08	2
11	1253197	(10000000- 20000000)	Hose, Drain, 0.62id 0.88od, 15.75l, Pvc	1
12	1250198	(10000000- 20000000)	Sensor, Level, Liq, 14vdc, 01a	1
13	9021104	(10000000- 20000000)	Kit, Shroud, Rear [T380amr]	1
14	1249806	(10000000- 20000000)	Bracket, Sppt, Tank	1
15	54333	(10000000- 20000000)	Clamp, Hose, Wormdrive, 0.31- 0.88d, .31w	3
16	1035355	(10000000- 20000000)	Hose, Afmkt, Pvc, Clr, 0.62id, 02ft	1
17	391365	(10000000- 20000000)	Fitting, Plstc, E90, Bm10/Bm10	2
18	1249527	(10000000- 20000000)	Angle, Mtg, Tank, Soltn	1

FRAME GROUP

355789

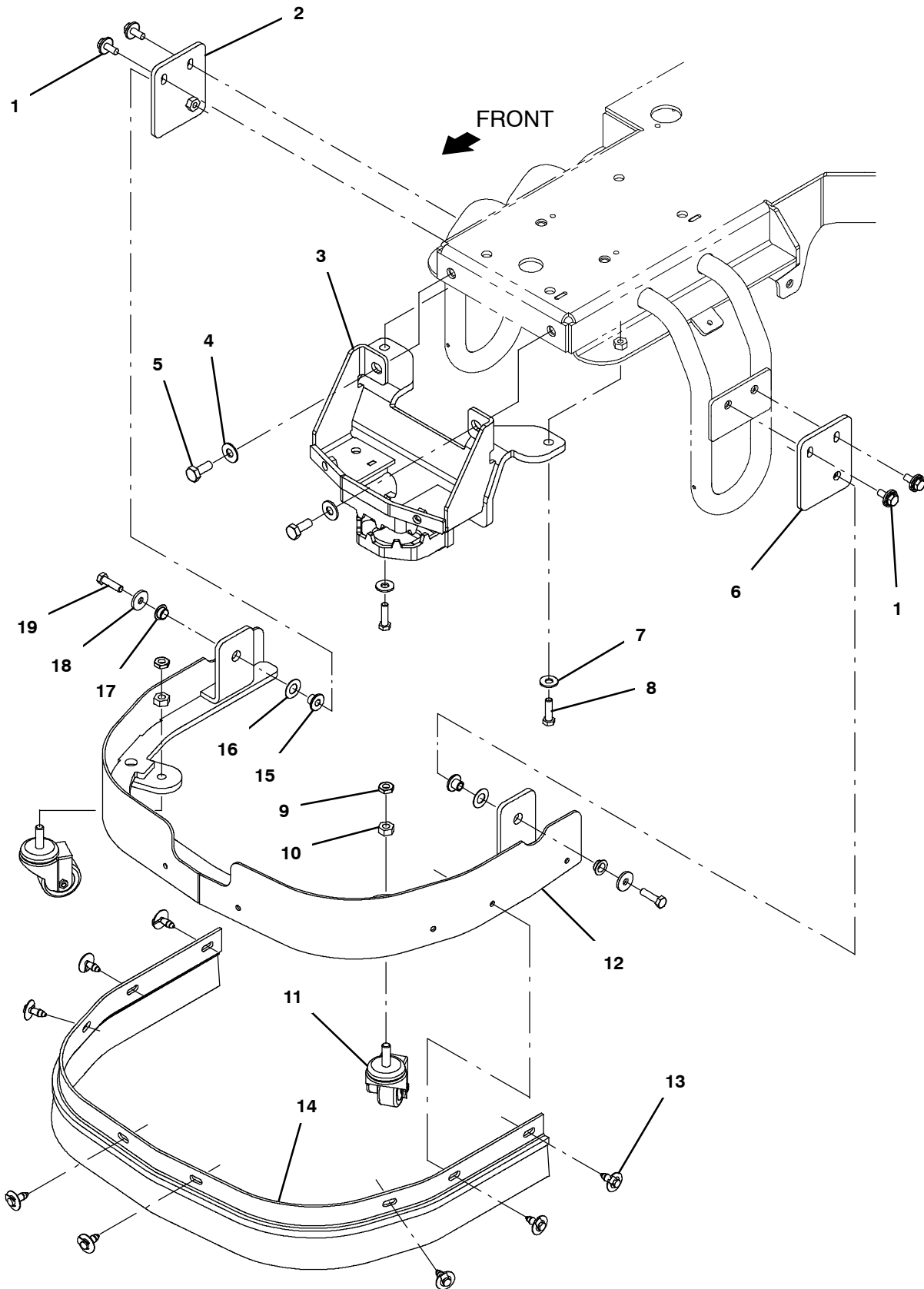


FRAME GROUP

Ref.	Part No.	Serial Number	Description	Qty.
1	1016957	(10000000- 20000000)	Cap, Vyl, 70mmid X 25mml	2
2	09005	(10000000- 20000000)	Ring, Retaining, Ext, 1.00d, Basic	2
3	1038560	(10000000- 20000000)	Tire Assy, Solid, 250mm X 80mm, 25mmid	2
4	606889	(10000000- 20000000)	Molding, Trim, Edge, Plstc, .12x.56x3.6l	1
5	1249000	(10000000- 20000000)	Frame Wldt, Main	1
6	1072816	(10000000- 20000000)	Screw, Hex, M8 X 1.25 X 30, Ss, Sems	2
7	01685	(10000000- 20000000)	Washer, Flat, 0.38b 0.88d .08, Ss	2
8	41141	(10000000- 20000000)	Washer, Lock, Int- Ext, 0.31	2
9	71579	(10000000- 20000000)	Strap, Static, W/Grommet, .19 1.1w 25.0l	1
10	10632- 13	(10000000- 20000000)	Grommet, Rbr, 1.50id, F/1.8h, .19 Matl	2
11	1210807	(10000000- 20000000)	Wire, Tie [W/.25" Fir Tree Clip]	11
12	1018505	(10000000- 20000000)	Horn, 12- 48vdc [88.5 Decibels]	2
13	01684	(10000000- 20000000)	Washer, Flat, 0.27b 0.69d .05, Ss	1
14	1034731	(10000000- 20000000)	Screw, Hex, M6 X 1.00 X 16, Sems, Ss	1
15	17404	(10000000- 20000000)	Pin, Roll, .250d X 0.75l, .250/.256	2
16	130773	(10000000- 20000000)	Tie, Cable, Nyl, 11.0l, .14w, 3.0 Max. D	2
17	140262	(10000000- 20000000)	Clip, Snap- In	2
18	1059534	(10000000- 20000000)	Fastener, 09.00l [Hook & Loop]	2
19	1017218	(10000000- 20000000)	Washer, Flat, 0.32b 1.00d .12, Ss	4
20	1020341	(10000000- 20000000)	Screw, Hex, M8 X 1.25 X 20, Ss, Sems	4
21	43500	(10000000- 20000000)	Chain, Coil, Str, 2/0, 09.0l 07 Link	1

FRONT GUARD GROUP

355772



FRONT GUARD GROUP

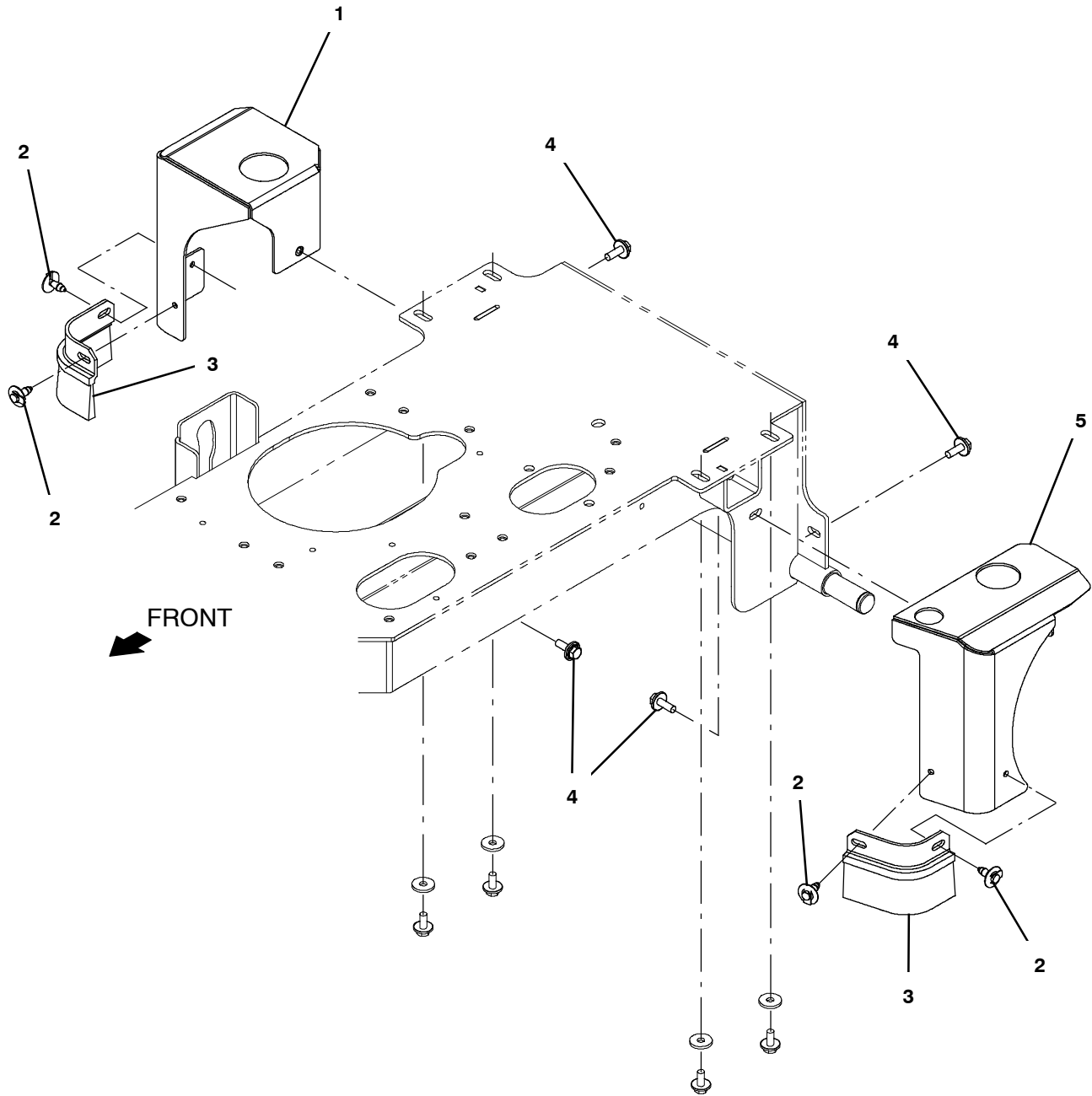
Ref.	Part No.	Serial Number	Description	Qty.
1	1020341	(10000000- 20000000)	Screw, Hex, M8 X 1.25 X 20, Ss, Sems	4
2	1249641	(10000000- 20000000)	Plate Wldt, Guard, Pivot, Rh	1
3	1247120	(10000000- 20000000)	Guard Wldt, Sensor	1
4	01686	(10000000- 20000000)	Washer, Flat, 0.44b 1.00d .08, Ss	2
5	09028	(10000000- 20000000)	Screw, Hex, M10 X 1.50 X 25, Ss	2
6	1249640	(10000000- 20000000)	Plate Wldt, Guard, Pivot, Lh	2
7	01685	(10000000- 20000000)	Washer, Flat, 0.38b 0.88d .08, Ss	2
8	1016399	(10000000- 20000000)	Screw, Hex, M8 X 1.25 X 30, NI, Ss	2
9	32716	(10000000- 20000000)	Nut, Hex, Jam, M10 X 1.5, Ss	2
10	07787	(10000000- 20000000)	Nut, Hex, Std, M10 X 1.50, Ss	2
11	1073476	(10000000- 20000000)	Caster, Swivel, 50mmd, M10 X 30, Clr PI	2
12	1250617	(10000000- 20000000)	Guard Wldt, Front	1
▽	9021042	(10000000- 20000000)	Bumper Kit, Bristles, Guard, Front	1
▲	13 72968	(10000000- 20000000)	Rivet, Plstc, .250d X 0.90	8
▲	14 1249407	(10000000- 20000000)	Bumper, Bristles, Guard, Front	1
15	1225659	(10000000- 20000000)	Bushing, Flng, 8.3b 11.8d 9.7l	2
16	89710	(10000000- 20000000)	Washer, Flat, 0.51b 1.00d .03, Nyl	2
17	1225660	(10000000- 20000000)	Bushing, Flng, 12.0b 7.0l 14.0d, Plstc	2
18	1017218	(10000000- 20000000)	Washer, Flat, 0.32b 1.00d .12, Ss	2
19	1016399	(10000000- 20000000)	Screw, Hex, M8 X 1.25 X 30, NI, Ss	2

▽ ASSEMBLY

▲ INCLUDED IN ASSEMBLY

REAR GUARD GROUP

355773



REAR GUARD GROUP

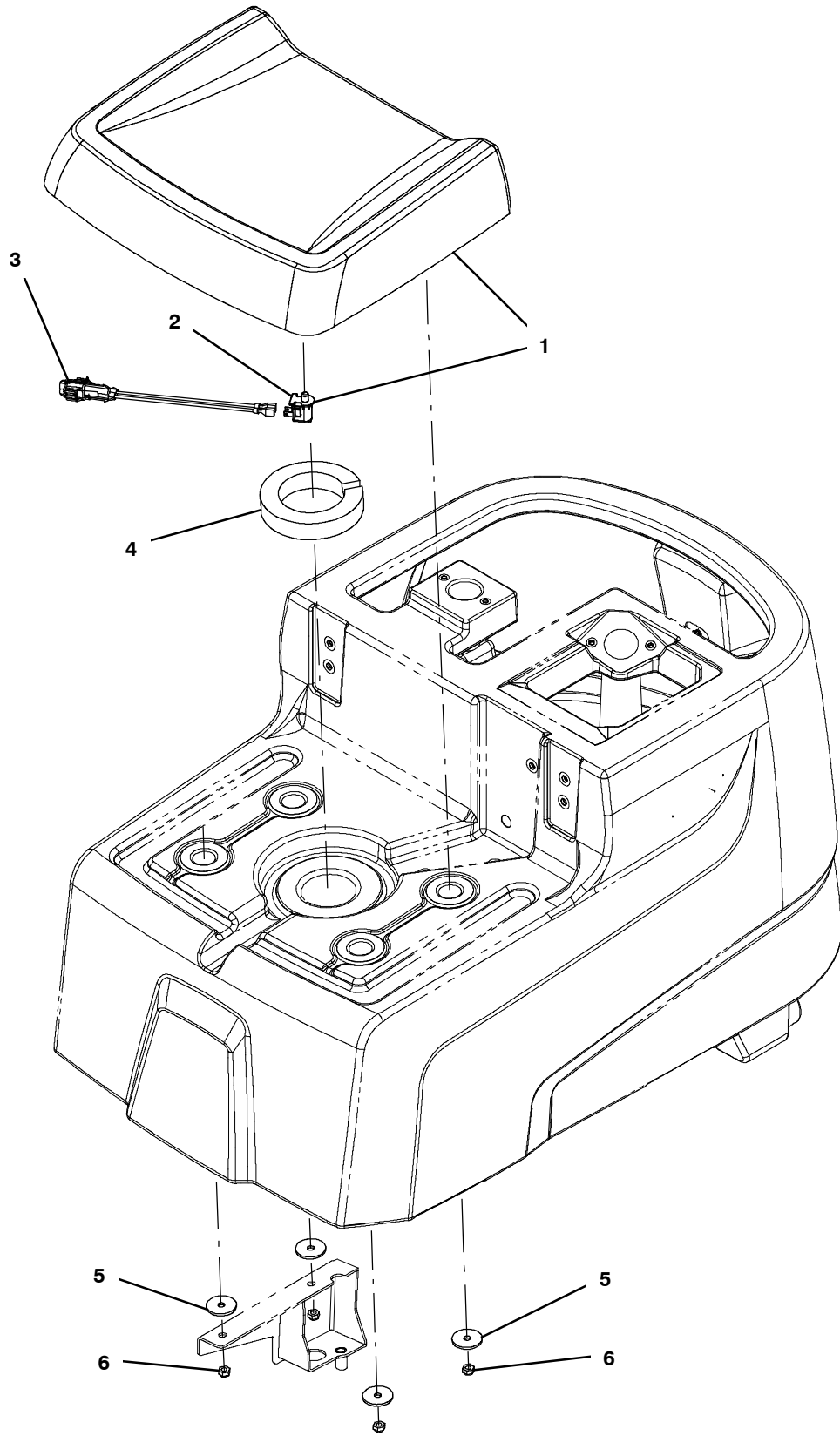
Ref.	Part No.	Serial Number	Description	Qty.
1	1251259	(10000000- 20000000)	Bracket Wldt, Guard, Rear, Rh	1
▽	9021043	(10000000- 20000000)	Bumper Kit, Bristles, Guard, Rear	2
▲	2 72968	(10000000- 20000000)	Rivet, Plstc, .250d X 0.90	2
▲	3 1251288	(10000000- 20000000)	Bumper, Bristles, Guard, Rear	1
4	1072628	(10000000- 20000000)	Screw, Hex, M8 X 1.25 X 25, Ss, Sems	4
5	1251243	(10000000- 20000000)	Bracket Wldt, Guard, Rear, Lh	1

▽ ASSEMBLY

▲ INCLUDED IN ASSEMBLY

SEAT GROUP

355771



SEAT GROUP

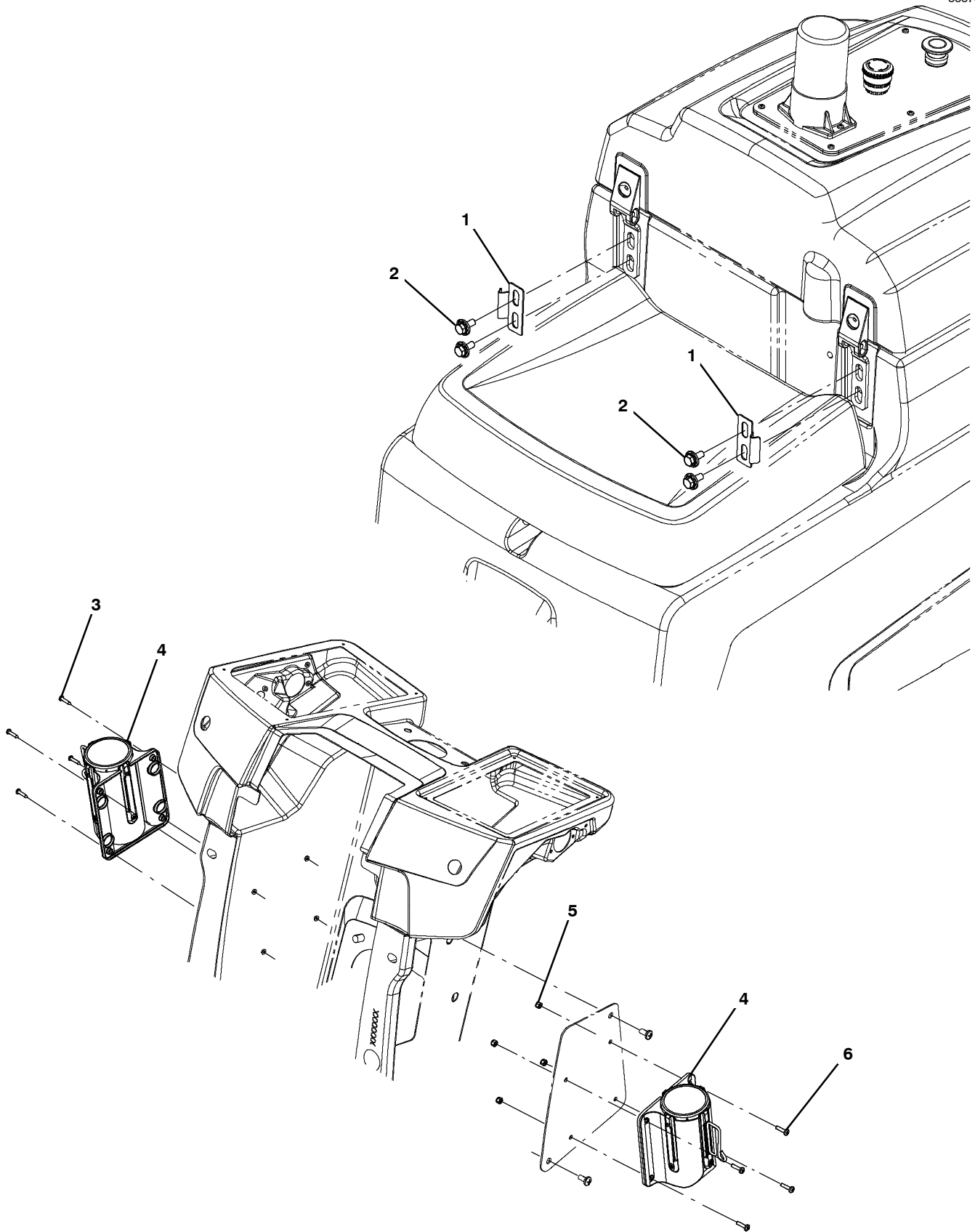
	Ref.	Part No.	Serial Number	Description	Qty.
▽	1	1253157	(10000000- 20000000)	Seat, Std [T380amr]	1
▲	2	1048955	(10000000- 20000000)	Switch, Seat, No [Delta 6440- 04]	1
	3	1076833	(10000000- 20000000)	Harness, Ele, Seat [T380amr]	1
	4	1253161	(10000000- 20000000)	Gasket, 1.00, 3.3id 5.1od, Adh [Epdm]	1
	5	379829	(10000000- 20000000)	Washer, Flat, 0.34b 1.50d .12, Stl, Pl	4
	6	08709	(10000000- 20000000)	Nut, Hex, Lock, M8 X 1.25, NI	4

▽ ASSEMBLY

▲ INCLUDED IN ASSEMBLY

ANTI-JOY RIDE GROUP

355780



ANTI-JOY RIDE GROUP

Ref.	Part No.	Serial Number	Description	Qty.
1	1251886	(10000000- 20000000)	Bracket, Mtg, Strap	2
2	1020341	(10000000- 20000000)	Screw, Hex, M8 X 1.25 X 20, Ss, Sems	4
3	140825	(10000000- 20000000)	Screw, Pan, Phl, 06 X 0.50, Fmg/Ab, Blk	4
4	1250503	(10000000- 20000000)	Belt, Retractable	2
5	33932	(10000000- 20000000)	Nut, Hex, Lock, M4 X 0.70, NI, Ss	4
6	24265	(10000000- 20000000)	Screw, Pan, Phl, M4 X 0.70 X 16, Ss	4

STEERING GROUP

Ref.	Part No.	Serial Number	Description	Qty.
1	1019706	(10000000- 20000000)	Cap, Wheel, Steering	1
2	08711	(10000000- 20000000)	Nut, Hex, Lock, M12 X 1.75, NI	1
3	64154	(10000000- 20000000)	Washer, Flat, 0.53b 1.12d .11, Stl, Pl	1
4	1012002	(10000000- 20000000)	Wheel, Steering, 300mm	1
5	1012437	(10000000- 20000000)	Bellows, Shaft, Steering	1
6	1072816	(10000000- 20000000)	Screw, Hex, M8 X 1.25 X 30, Ss, Sems	2
7	1252424	(10000000- 20000000)	Bearing, Spherical, 20b	1
8	1251855	(10000000- 20000000)	Plate, Brg, Adapter	1
9	1210807	(10000000- 20000000)	Wire, Tie [W/.25" Fir Tree Clip]	7
10	1253083	(10000000- 20000000)	Column Wldt, Steering	1
11	39281	(10000000- 20000000)	Screw, Hex, M8 X 1.25 X 90, 8.8	4
12	01685	(10000000- 20000000)	Washer, Flat, 0.38b 0.88d .08, Ss	4
∇	13	9018592*	Sensor, Position, Steering, Afmkt	1
▲	14	1240459	Screw, Set, M4 X 0.70 X 6, NI	2
15	1241160	(10000000- 20000000)	Plate Wldt, Motor, Steering	1
16	09740	(10000000- 20000000)	Screw, Hex, M8 X 1.25 X 20, Ss	2
17	01685	(10000000- 20000000)	Washer, Flat, 0.38b 0.88d .08, Ss	2
18	1241157	(10000000- 20000000)	Plate Wldt, Motor	1
19	1014328	(10000000- 20000000)	Key, Sq, 05mm X 05mm, 25mml	1
20	1250736	(10000000- 20000000)	Shaft, Steering	1
21	1242289	(10000000- 20000000)	Key, Sq, 06mm X 06mm, 50mml	1
22	00912	(10000000- 20000000)	Key, Sq, 0.19 X 0.19, 1.00l	1
23	1240007	(10000000- 20000000)	Gearbox, Steering, 20mmb	1
24	1253334	(10000000- 20000000)	Motor Assy, Steering, Rwk [Deutsch Dtp]	1
25	374174	(10000000- 20000000)	Screw, Soc, M8 X 1.25 X 20, 12.9	4
26	32491	(10000000- 20000000)	Washer, Flat, 0.31, Std	4
27	08713	(10000000- 20000000)	Nut, Hex, Lock, M8 X 1.25, NI, Ss	4
28	1242308	(10000000- 20000000)	Joint, U, 0.75id	1
29	46820	(10000000- 20000000)	Screw, Set, .31- 18 X 0.38, NI	4
30	01686	(10000000- 20000000)	Washer, Flat, 0.44b 1.00d .08, Ss	6
31	14529	(10000000- 20000000)	Screw, Hex, M10 X 1.50 X 70, Ss	4
32	09740	(10000000- 20000000)	Screw, Hex, M8 X 1.25 X 20, Ss	4
33	01685	(10000000- 20000000)	Washer, Flat, 0.38b 0.88d .08, Ss	4
34	9020753*	(10000000- 20000000)	Amplifier, Cntrl, Motor, Afmkt	1
35	24265	(10000000- 20000000)	Screw, Pan, Phl, M4 X 0.70 X 16, Ss	4
36	1252477	(10000000- 20000000)	Bracket, Connector, Propel	1
37	24265	(10000000- 20000000)	Screw, Pan, Phl, M4 X 0.70 X 16, Ss	2
38	09028	(10000000- 20000000)	Screw, Hex, M10 X 1.50 X 25, Ss	2
39	10632- 14	(10000000- 20000000)	Grommet, Rbr, 1.00id, F/1.4h, .12 Matl	1
40	1242301	(10000000- 20000000)	Cable, Service, Amr	1

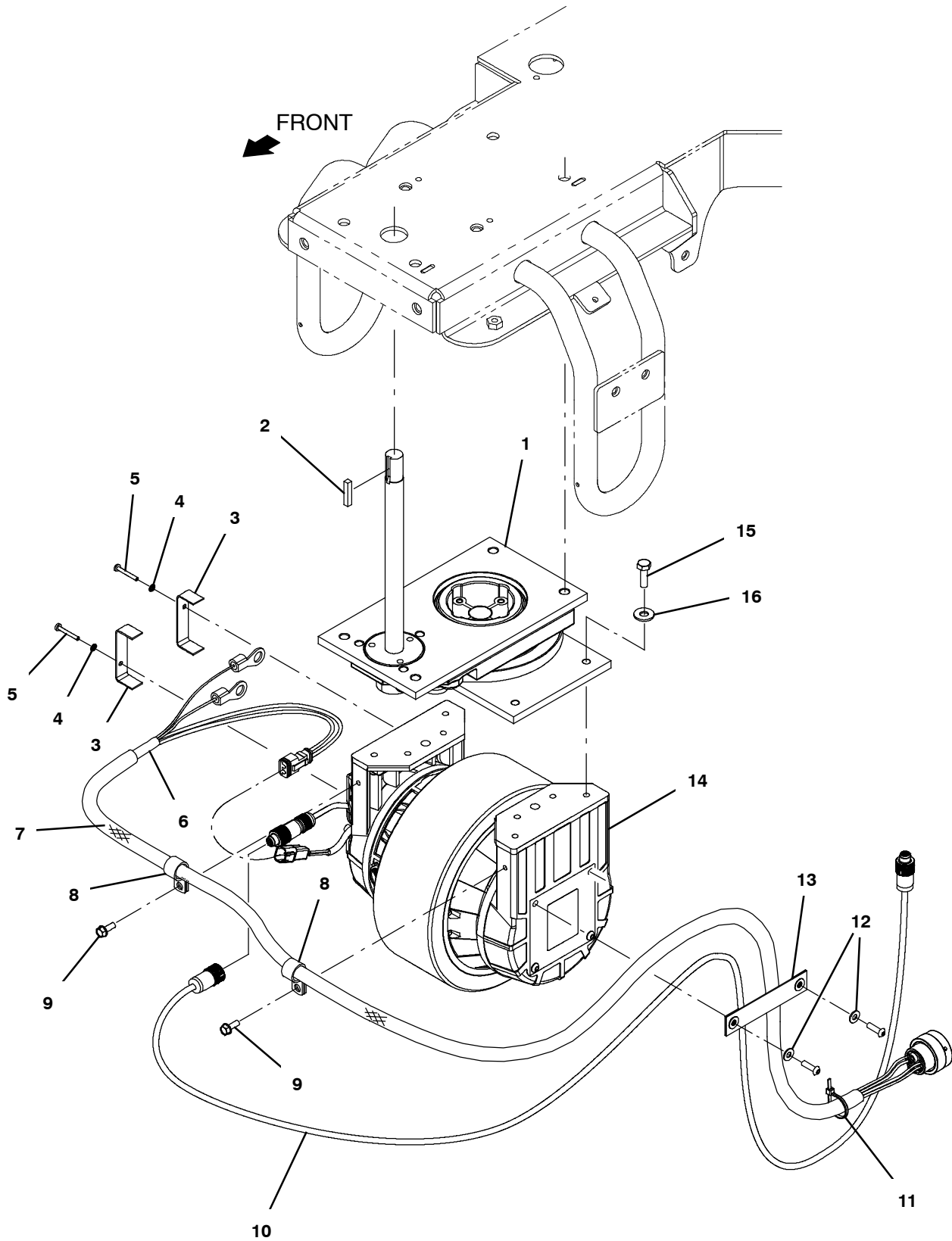
* Requires Tennant *True* service or an authorized Tennant service provider.

∇ ASSEMBLY

▲ INCLUDED IN ASSEMBLY

FRONT DRIVE WHEEL GROUP

355777



FRONT DRIVE WHEEL GROUP

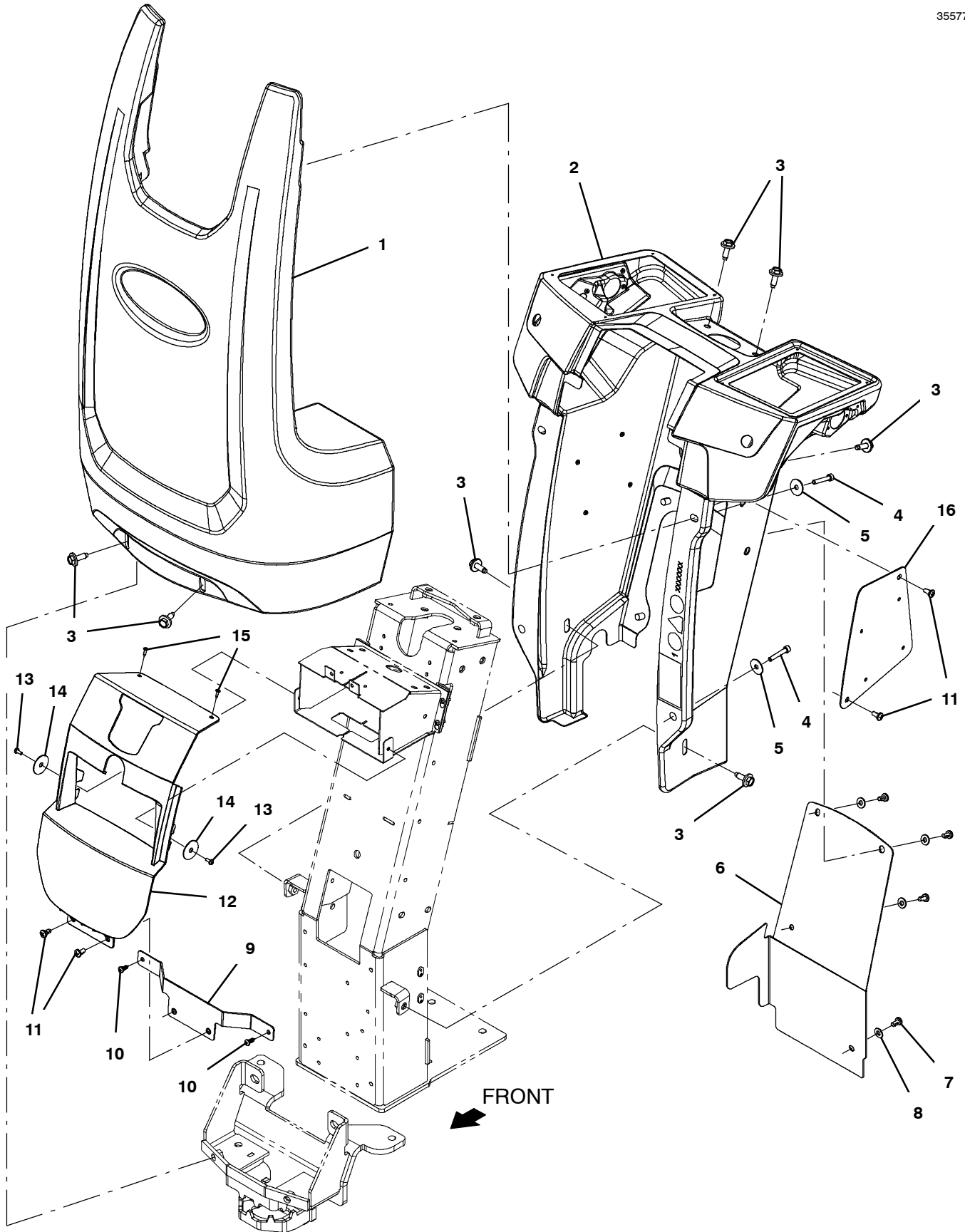
Ref.	Part No.	Serial Number	Description	Qty.
1	1019724	(10000000- 20000000)	Steer- Control Assy, Wheel Drive (See Breakdowns)	1
2	00912	(10000000- 20000000)	Key, Sq, 0.19 X 0.19, 1.00l	1
3	1064972	(10000000- 20000000)	Bracket, Cord	2
4	02938	(10000000- 20000000)	Washer, Lock, Int, 08, Ss	2
5	33931	(10000000- 20000000)	Screw, Pan, Phl, M4 X 0.70 X 30, Ss	2
6	1076838	(10000000- 20000000)	Harness, Motor, Brake [T380amr]	1
7	1015761	(10000000- 20000000)	Sleeve, Afmkt, Nyl, 0.86id, 03ft	1
8	40678- 1	(10000000- 20000000)	Clamp, Cable, Stl, 0.88d X 0.62w, 1hole	2
9	361339	(10000000- 20000000)	Screw, Hex, M6 X 1.00 X 16, Fmg	2
10	1242300	(10000000- 20000000)	Cable, Sensor, Spd	1
11	49263	(10000000- 20000000)	Tie, Cable, Nyl, 11.4l .19w 3.0 Max D	4
12	19066	(10000000- 20000000)	Washer, Flat, 0.25b 0.56d .05, Pl, 10	2
13	1019224	(10000000- 20000000)	Strap, Nyl	1
▽	14	9021134	(10000000- 20000000) Wheel, Drive, 250mm, 24vdc, W/Encd, Afmt (See Breakdowns)	1
▲	1253490	(10000000- 20000000)	Connector, Hsng	1

▽ ASSEMBLY

▲ INCLUDED IN ASSEMBLY

FRONT COVERS GROUP

355776

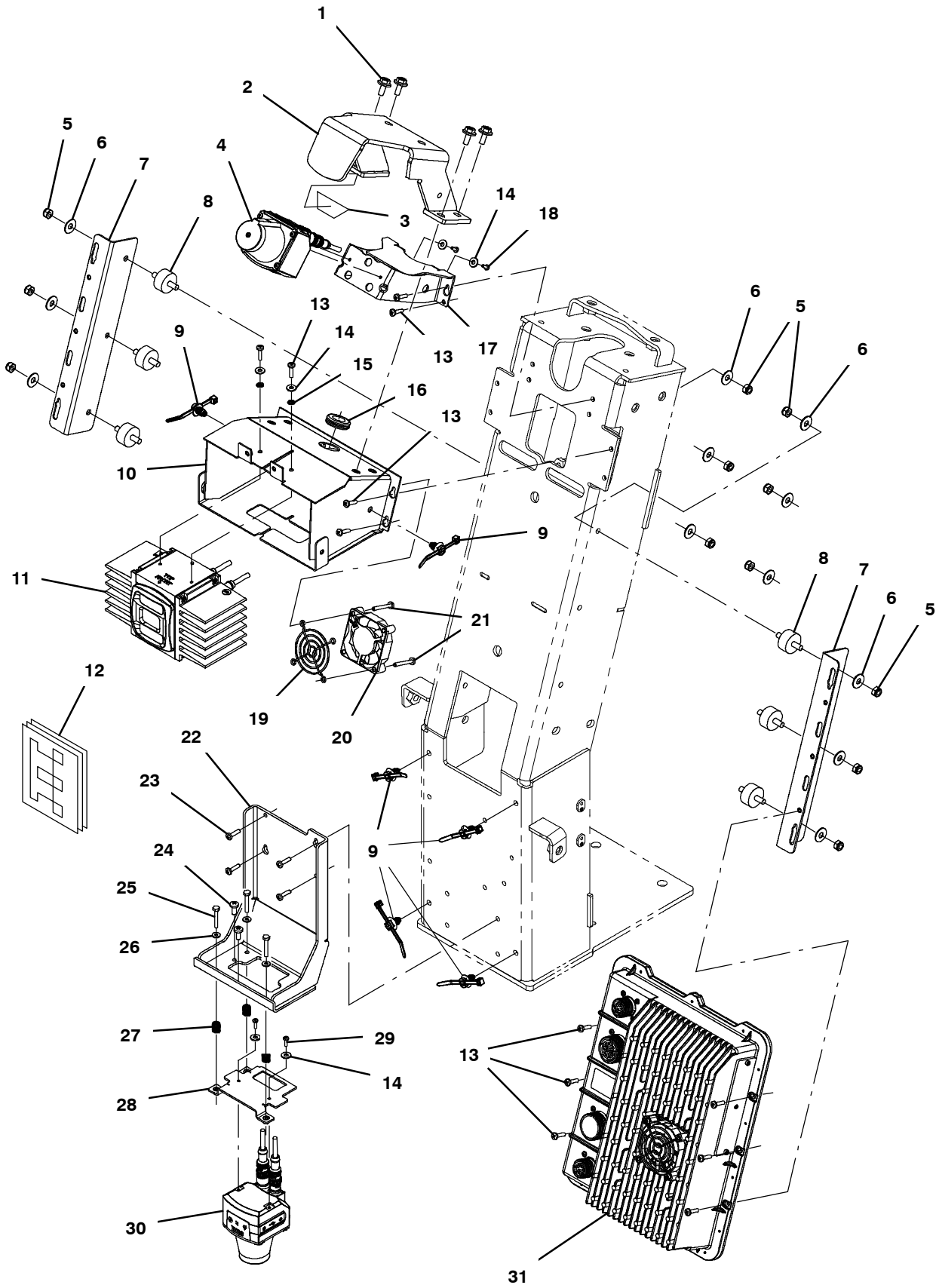


FRONT COVERS GROUP

Ref.	Part No.	Serial Number	Description	Qty.
1	9021070	(10000000- 20000000)	Shroud, Front, Rm- TI, Trimmed, W/Label	1
2	9021071	(10000000- 20000000)	Shroud, Instmt, Rm- TI, Trimmed, Afmkt	1
3	1037346	(10000000- 20000000)	Screw, Hex, M8 X 1.25 X 25, 9.8, Sems	8
4	1242446	(10000000- 20000000)	Screw, Soc, M6 X 1.00 X 35, 12.9, NI	4
5	397779	(10000000- 20000000)	Washer, Flat, 0.28b 1.00d .06, Stl, Blk	4
6	9021090	(10000000- 20000000)	Panel, Access, Column, Na	1
6	9021091	(10000000- 20000000)	Panel, Access, Column, Ce	1
6	9021092	(10000000- 20000000)	Panel, Access, Column, Jp	1
7	1045525	(10000000- 20000000)	Screw, Pan, Phl, M6 X 1.00 X 12, Blk	4
8	1069322	(10000000- 20000000)	Washer, Flat, 0.25, Sae, Blk	4
9	1250686	(10000000- 20000000)	Bracket Wldt, Mtg, Bezel	1
10	1018155	(10000000- 20000000)	Screw, Pan, Phl, M5 X 0.80 X 16, Tcut, Ss	2
11	1045525	(10000000- 20000000)	Screw, Pan, Phl, M6 X 1.00 X 12, Blk	4
12	9020613	(10000000- 20000000)	Bezel, Cntr, W/Labels [T7amr]	1
13	49697	(10000000- 20000000)	Screw, Pan, Phl, M4 X 0.70 X 10, Ss	2
14	41178	(10000000- 20000000)	Washer, Flat, 0.25, Fendr	2
15	140825	(10000000- 20000000)	Screw, Pan, Phl, 06 X 0.50, Fmg/Ab, Blk	2
16	1250504	(10000000- 20000000)	Cover, Access, Controller	1

FRONT CAMERA AND SENSORS GROUP

355778



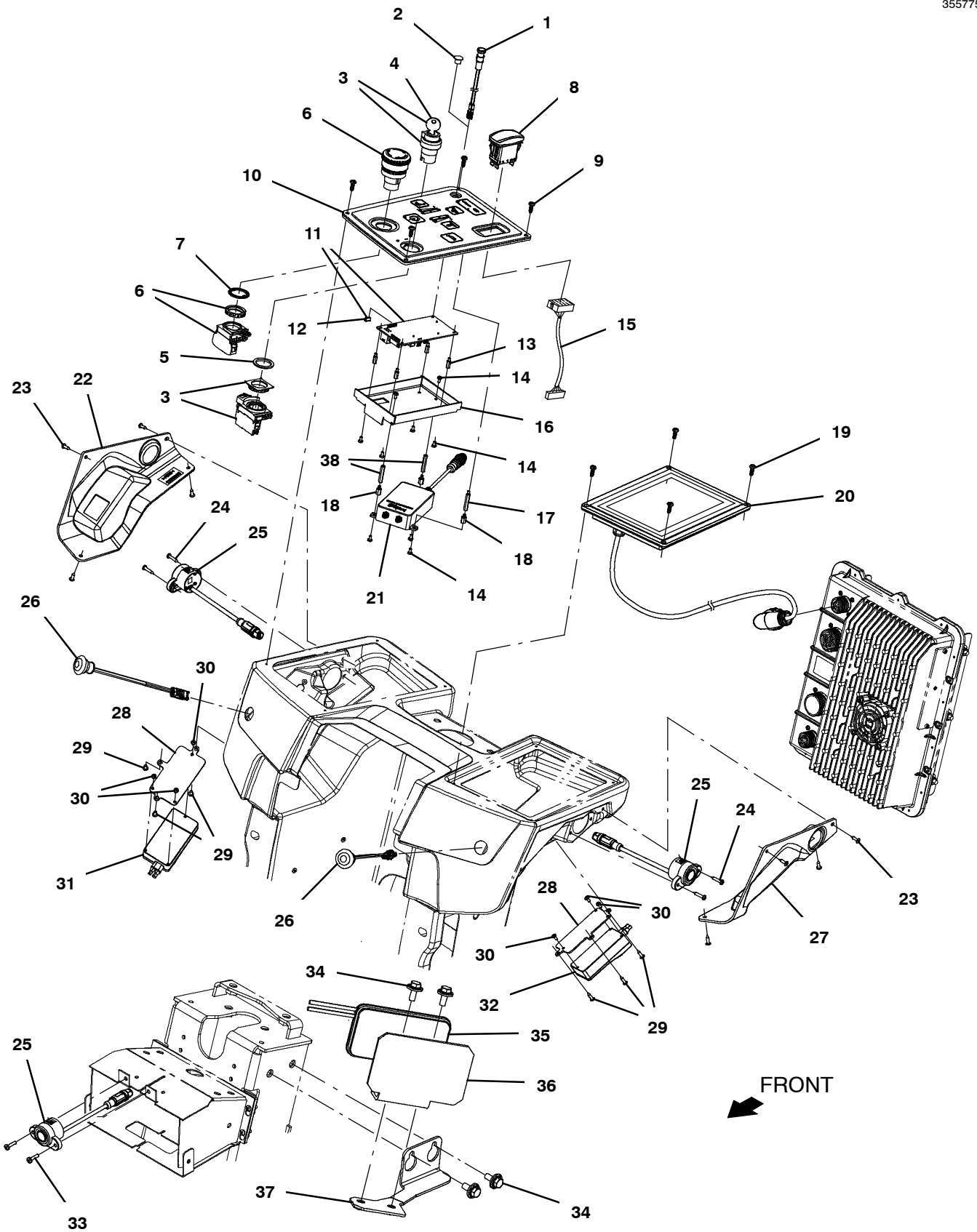
FRONT CAMERA AND SENSORS GROUP

Ref.	Part No.	Serial Number	Description	Qty.
1	1034731	(10000000- 20000000)	Screw, Hex, M6 X 1.00 X 16, Sems, Ss	4
2	1241964	(10000000- 20000000)	Bracket Wldt, Hood, Sensor	1
3	1248768	(10000000- 20000000)	Label, Target, Sensor	1
4	9018604*	(10000000- 20000000)	Sensor, Range, Amr, Afmkt [Lidar Tim551]	1
5	08712	(10000000- 20000000)	Nut, Hex, Lock, M6 X 1.00, NI, Ss	12
6	01684	(10000000- 20000000)	Washer, Flat, 0.27b 0.69d .05, Ss	12
7	1241565	(10000000- 20000000)	Bracket Wldt, Controller	2
8	1240009	(10000000- 20000000)	Isolator, Vib, 1.0d 0.5l M6/M6	12
9	1210807	(10000000- 20000000)	Wire, Tie [W/.25" Fir Tree Clip]	6
10	1241139	(10000000- 20000000)	Bracket Wldt, Camera	1
11	9018605*	(10000000- 20000000)	Camera Assy, Front, Afmkt [3d lfm O3d]	1
12	1242894	(10000000- 20000000)	Sign Kit, Amr [Home Location]	1
13	24265	(10000000- 20000000)	Screw, Pan, Phl, M4 X 0.70 X 16, Ss	16
14	19065	(10000000- 20000000)	Washer, Flat, 0.19b 0.44d .05, Pl, 08	6
15	02938	(10000000- 20000000)	Washer, Lock, Int, 08, Ss	2
16	10632- 4	(10000000- 20000000)	Grommet, Rbr, 0.62id, F/0.9h, .06 Matl	1
17	1241658	(10000000- 20000000)	Bracket Wldt, Sensor, Upper	1
18	1249642	(10000000- 20000000)	Screw, Pan, Phl, M3 X 0.50 X 8, 4.8	2
19	1240631	(10000000- 20000000)	Guard, Fan	1
20	1240113	(10000000- 20000000)	Fan, Cooling, Camera	1
21	33931	(10000000- 20000000)	Screw, Pan, Phl, M4 X 0.70 X 30, Ss	2
22	1247036	(10000000- 20000000)	Bracket, Sensor, Lower	1
23	24265	(10000000- 20000000)	Screw, Pan, Phl, M4 X 0.70 X 16, Ss	4
24	09200	(10000000- 20000000)	Screw, Pan, Phl, M5 X 0.80 X 12, Ss	2
25	09205	(10000000- 20000000)	Screw, Hex, M4 X 0.70 X 25, 8.8	3
26	19064	(10000000- 20000000)	Washer, Flat, 0.16b 0.38d .05, Pl, 06	3
27	1240077	(10000000- 20000000)	Spring, Cmpr, .36od, .04wir, 0.75l, Ss	3
28	1241407	(10000000- 20000000)	Plate Assy, Sensor, Lower	1
29	06920	(10000000- 20000000)	Screw, Pan, Phl, M3 X 0.50 X 10, 4.8	2
30	9018607*	(10000000- 20000000)	Sensor, Range, Amr, Afmkt [Lidar Tim571]	1
31	1248248*	(10000000- 20000000)	Controller, Amr [Bcm]	1

* Requires Tennant *True* service or an authorized Tennant service provider.

INSTRUMENT PANEL GROUP

355775



INSTRUMENT PANEL GROUP

Ref.	Part No.	Serial Number	Description	Qty.	
1	1253802	(10000000- 20000000)	Light, Led, .312d, 2 Volt [Tri- Color] (ec- H2O Models)	1	
2	80061	(10000000- 20000000)	Plug, Hole, Rnd, 0.30h 0.3l (Models without ec- H2O)	1	
▽	3	1240354	(10000000- 20000000)	Switch, Key	1
▲	4	1240918	(10000000- 20000000)	Key, Switch	1
5	1241210	(10000000- 20000000)	Ring, Lock, Switch	1	
6	1242161	(10000000- 20000000)	Switch, Safety, Shutoff	1	
7	1242538	(10000000- 20000000)	Ring, Lock, E- Stop	1	
8	1248870	(10000000- 20000000)	Switch, Rocker, Spdt, Mom / None / Mom	1	
9	49162	(10000000- 20000000)	Screw, Pan, Phl, 08- 16 X 0.50, F/ Plstc	4	
10	9020922	(10000000- 20000000)	Membrane Kit, Replmt [T7amr]	1	
▽	11	9021069*	(10000000- 20000000)	Controller Kit, Membrane	1
▲	12	1244879	(10000000- 20000000)	Shunt [Pcb, Jumper, .100" Spacing]	1
13	1240633	(10000000- 20000000)	Stand- Off, Hex, M3 X 0.5, M/F, 10mml	4	
14	06919	(10000000- 20000000)	Screw, Pan, Phl, M3 X 0.50 X 6, 4.8	9	
15	1076463	(10000000- 20000000)	Harness, Ele [T7amr, Dir Switch]	1	
16	1240467	(10000000- 20000000)	Cover, Circuitboard	1	
17	1240907	(10000000- 20000000)	Stand- Off, Hex, M3 X 0.5, F/M, 25mml	1	
18	1249846	(10000000- 20000000)	Stand- Off, Hex, M3 X 0.5, F/M 8mml, Nyl	3	
19	49162	(10000000- 20000000)	Screw, Pan, Phl, 08- 16 X 0.50, F/ Plstc	4	
20	1240639	(10000000- 20000000)	Monitor, Lcd, Touch	1	
21	9018597*	(10000000- 20000000)	Controller, Telem, Amr, Afmkt	1	
22	1250666	(10000000- 20000000)	Bezel, Rh	1	
23	140825	(10000000- 20000000)	Screw, Pan, Phl, 06 X 0.50, Fmg/Ab, Blk	8	
24	140826	(10000000- 20000000)	Screw, Pan, Phl, 06- 20 X 0.75, Fmg/Ab, Ss	4	
25	9018608*	(10000000- 20000000)	Camera, Amr, Afmkt [2d] (Set of 3)	1	
26	1240252	(10000000- 20000000)	Light, Marker	2	
27	1250665	(10000000- 20000000)	Bezel, Lh	1	
28	1241661	(10000000- 20000000)	Plate, Mtg, Camera	2	
29	140825	(10000000- 20000000)	Screw, Pan, Phl, 06 X 0.50, Fmg/Ab, Blk	6	
30	06919	(10000000- 20000000)	Screw, Pan, Phl, M3 X 0.50 X 6, 4.8	6	
31	9018594*	(10000000- 20000000)	Camera, Amr, Side, Rh, Afmk [lfm O3x 3d]	1	
32	9018595*	(10000000- 20000000)	Camera, Amr, Side, Lh, Afmk [lfm O3x 3d]	1	
33	24265	(10000000- 20000000)	Screw, Pan, Phl, M4 X 0.70 X 16, Ss	2	
34	1020341	(10000000- 20000000)	Screw, Hex, M8 X 1.25 X 20, Ss, Sems	4	
35	9018613*	(10000000- 20000000)	Antenna, Amr, Afmkt	1	
36	1242513	(10000000- 20000000)	Angle, Mtg, Antenna	1	
37	1249500	(10000000- 20000000)	Bracket Wldt, Antenna	1	
38	1240634	(10000000- 20000000)	Stand- Off, Hex, M3 X 0.5, Fem, 25mml	2	

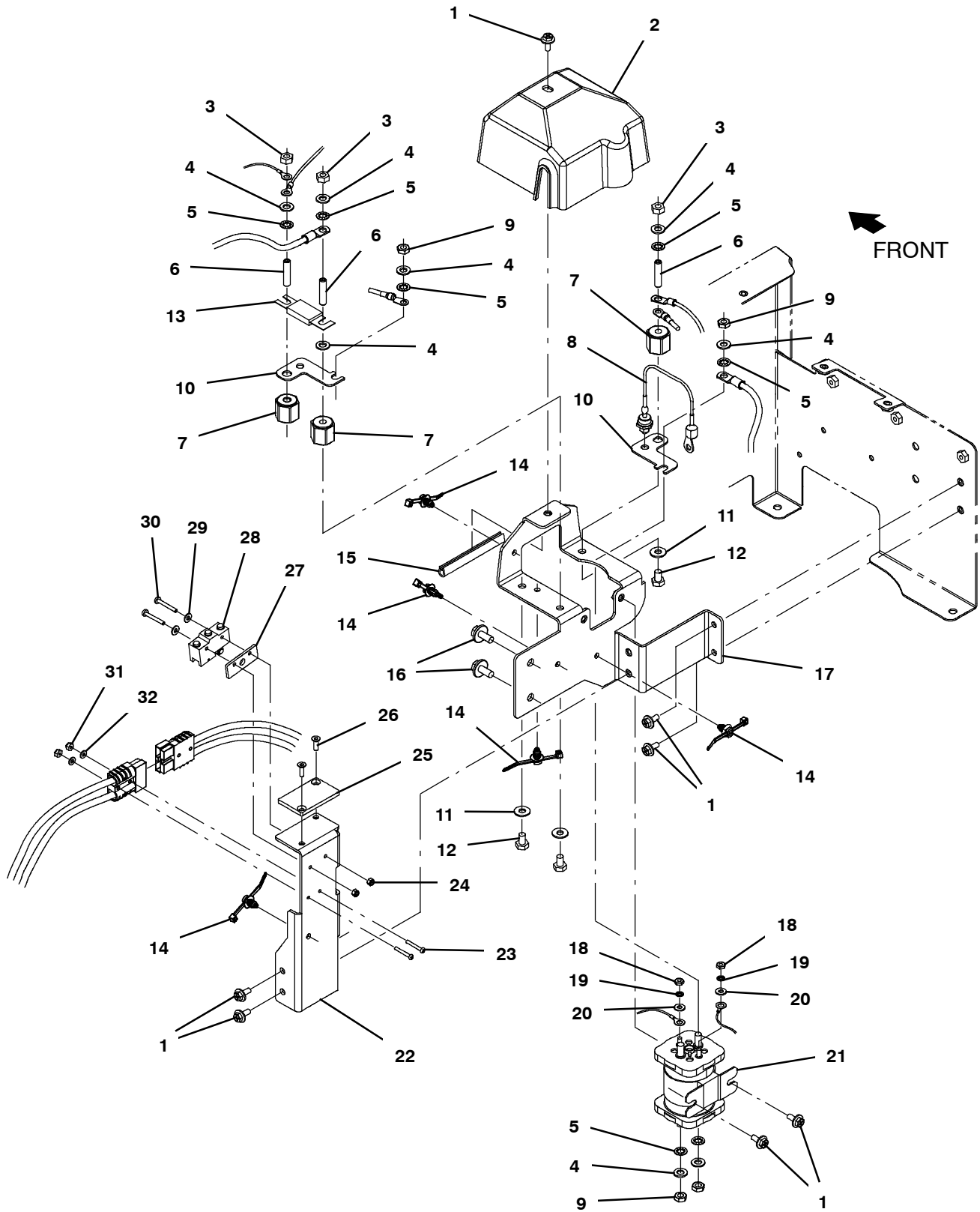
* Requires Tennant *True* service or an authorized Tennant service provider.

▽ ASSEMBLY

▲ INCLUDED IN ASSEMBLY

ELECTRICAL GROUP

355783

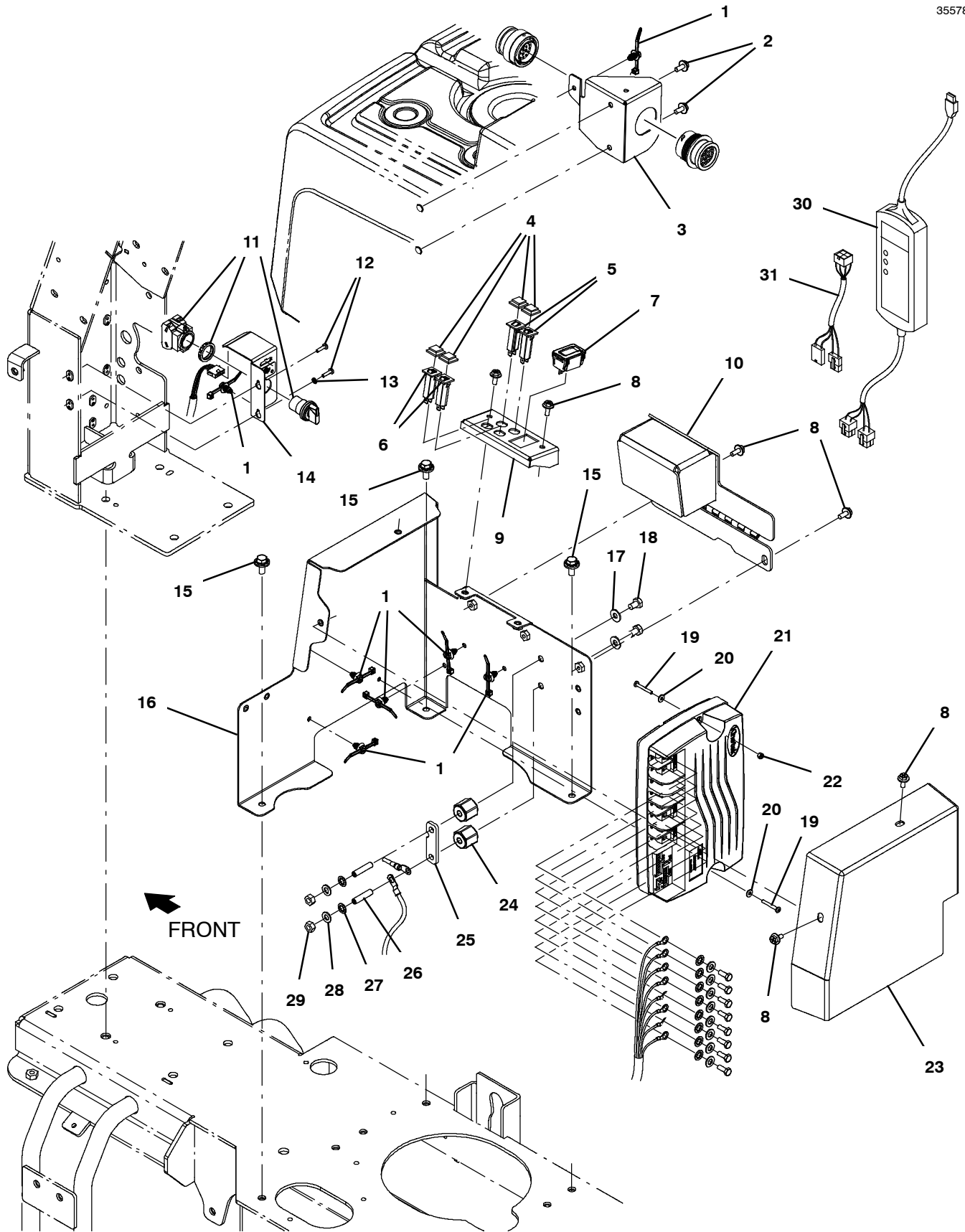


ELECTRICAL GROUP

Ref.	Part No.	Serial Number	Description	Qty.
1	1034731	(10000000- 20000000)	Screw, Hex, M6 X 1.00 X 16, Sems, Ss	7
2	1252399	(10000000- 20000000)	Cover, Contactor, Plstc	1
3	39311	(10000000- 20000000)	Nut, Hex, Std, M8 X 1.25	3
4	1209373	(10000000- 20000000)	Washer, Flat, M8.4b X 16d X 1.6, Brs	6
5	43952	(10000000- 20000000)	Washer, Lock, Int, 0.31, Ss	6
6	607461	(10000000- 20000000)	Screw, Set, M8 X 1.25 X 35, NI	3
7	1205345	(10000000- 20000000)	Stand- Off, Wir, M8, Insulator, Panel	3
8	1240555	(10000000- 20000000)	Harness, Ele [T7amr, Diode]	1
9	20170	(10000000- 20000000)	Nut, Hex, Jam, .31- 24	4
10	1250204	(10000000- 20000000)	Busbar, .08t .78w 3.47h 4.38l	1
11	32490	(10000000- 20000000)	Washer, Flat, 0.25, Std	3
12	50388	(10000000- 20000000)	Screw, Hex, M8 X 1.25 X 12, 8.8	3
13	86379	(10000000- 20000000)	Fuse, 100a, 0.88 2.4l, 125volt	1
14	1210807	(10000000- 20000000)	Wire, Tie [W/.25" Fir Tree Clip]	5
15	62595- 6	(10000000- 20000000)	Molding, Trim, Pvc, .08- .11 07.5l	2
16	1020341	(10000000- 20000000)	Screw, Hex, M8 X 1.25 X 20, Ss, Sems	1
17	1252921	(10000000- 20000000)	Bracket Wldt, Mtg, Contactor	1
18	01689	(10000000- 20000000)	Nut, Hex, Std, #10- 32, Ss	2
19	07514	(10000000- 20000000)	Washer, Lock, Int, 10, Ss	2
20	01683	(10000000- 20000000)	Washer, Flat, 10, Ss	2
21	1243585	(10000000- 20000000)	Contactor, 24vdc, 200a, Spdt	1
22	1253674	(10000000- 20000000)	Bracket Wldt, Mtg, Charger	1
23	25005	(10000000- 20000000)	Screw, Pan, Phl, 06- 32 X 1.00, G1	2
24	33932	(10000000- 20000000)	Nut, Hex, Lock, M4 X 0.70, NI, Ss	2
25	1229329	(10000000- 20000000)	Pad, Rest, Sqge	1
26	09120	(10000000- 20000000)	Screw, Flt, Soc, M5 X 0.80 X 16, 10.9	2
27	1252753	(10000000- 20000000)	Plate, Switch, Guard	1
28	1244049	(10000000- 20000000)	Switch, Snap, Rlr	1
29	41579	(10000000- 20000000)	Washer, Flat, 08, Ss	2
30	33931	(10000000- 20000000)	Screw, Pan, Phl, M4 X 0.70 X 30, Ss	2
31	75939	(10000000- 20000000)	Nut- Hxlocnyln 06- 32 Regss18- 8	2
32	19064	(10000000- 20000000)	Washer, Flat, 0.16b 0.38d .05, Pl, 06	2

ELECTRICAL CONTROLLER GROUP

355784



ELECTRICAL CONTROLLER GROUP

Ref.	Part No.	Serial Number	Description	Qty.	
1	1210807	(10000000- 20000000)	Wire, Tie [W/.25" Fir Tree Clip]	7	
2	1034731	(10000000- 20000000)	Screw, Hex, M6 X 1.00 X 16, Sems, Ss	2	
3	1253128	(10000000- 20000000)	Plate, Mtg, Connector	1	
4	1064191	(10000000- 20000000)	Boot, Circuitbreaker	4	
5	1208816	(10000000- 20000000)	Circuitbreaker, 04.0a, Resetable	2	
6	1064187	(10000000- 20000000)	Circuitbreaker, 10.0a, Resetable	2	
7	1064038	(10000000- 20000000)	Gauge, Hourmeter, 05- 277 Volt, Ac / Dc	1	
8	1034731	(10000000- 20000000)	Screw, Hex, M6 X 1.00 X 16, Sems, Ss	6	
9	1250087	(10000000- 20000000)	Plate, Cover, Breaker	1	
10	1253456	(10000000- 20000000)	Stop Wldt, Charging	1	
11	1242766	(10000000- 20000000)	Switch, Rotary, No/Nc	1	
12	24265	(10000000- 20000000)	Screw, Pan, Phl, M4 X 0.70 X 16, Ss	2	
13	32978	(10000000- 20000000)	Washer, Lock, Int, 08	1	
14	1250341	(10000000- 20000000)	Bracket, Mtg, Switch	1	
15	1020341	(10000000- 20000000)	Screw, Hex, M8 X 1.25 X 20, Ss, Sems	3	
16	1252934	(10000000- 20000000)	Bracket Wldt, Panl [Elec]	1	
17	32490	(10000000- 20000000)	Washer, Flat, 0.25, Std	2	
18	50388	(10000000- 20000000)	Screw, Hex, M8 X 1.25 X 12, 8.8	2	
19	06930	(10000000- 20000000)	Screw, Pan, Phl, M4 X 0.70 X 30, 4.8	2	
20	19065	(10000000- 20000000)	Washer, Flat, 0.19b 0.44d .05, Pl, 08	2	
21	1252377*	(10000000- 20000000)	Controller, Mach [Kinetek, T380amr]	1	
22	33932	(10000000- 20000000)	Nut, Hex, Lock, M4 X 0.70, NI, Ss	1	
23	1252354	(10000000- 20000000)	Cover, Controller, Plstc [Elec]	1	
24	1205345	(10000000- 20000000)	Stand- Off, Wir, M8, Insulator, Panel	2	
25	1212780	(10000000- 20000000)	Busbar, 125a 0.188 0.750w 2.638l	1	
26	607461	(10000000- 20000000)	Screw, Set, M8 X 1.25 X 35, NI	2	
27	43952	(10000000- 20000000)	Washer, Lock, Int, 0.31, Ss	2	
28	1209373	(10000000- 20000000)	Washer, Flat, M8.4b X 16d X 1.6, Brs	2	
29	39311	(10000000- 20000000)	Nut, Hex, Std, M8 X 1.25	2	
▽	9018621	(10000000- 20000000)	Tool Kit, Cntrl	1	
▲	30	1248828	(10000000- 20000000)	Harness, Cntrl, [Usb To Can Interface]	1
▲	31	1248829	(10000000- 20000000)	Harness, Ele [Can Programmer]	1

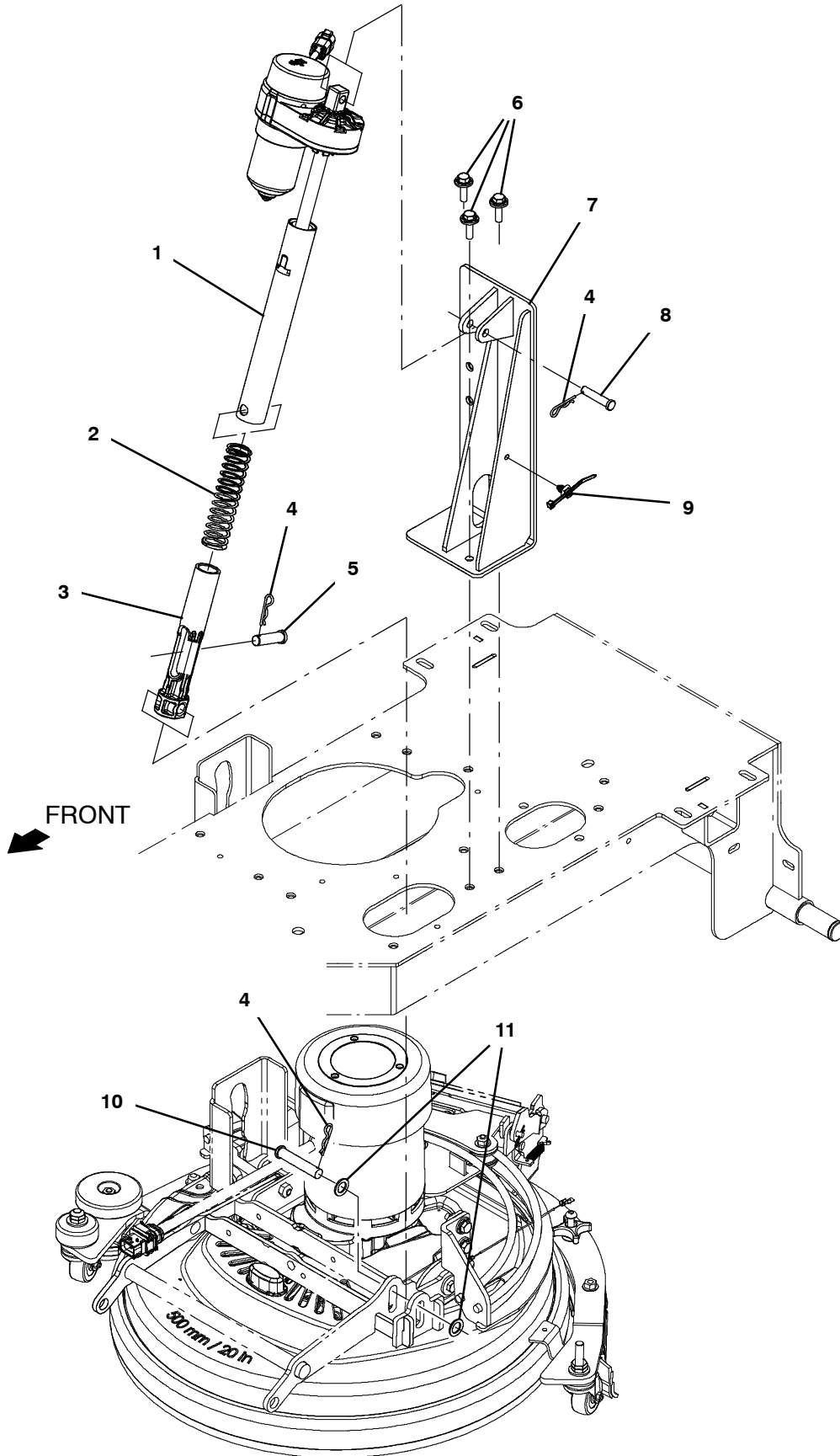
* Requires Tennant *True* service or an authorized Tennant service provider.

▽ ASSEMBLY

▲ INCLUDED IN ASSEMBLY

SCRUB HEAD LIFT GROUP

355782

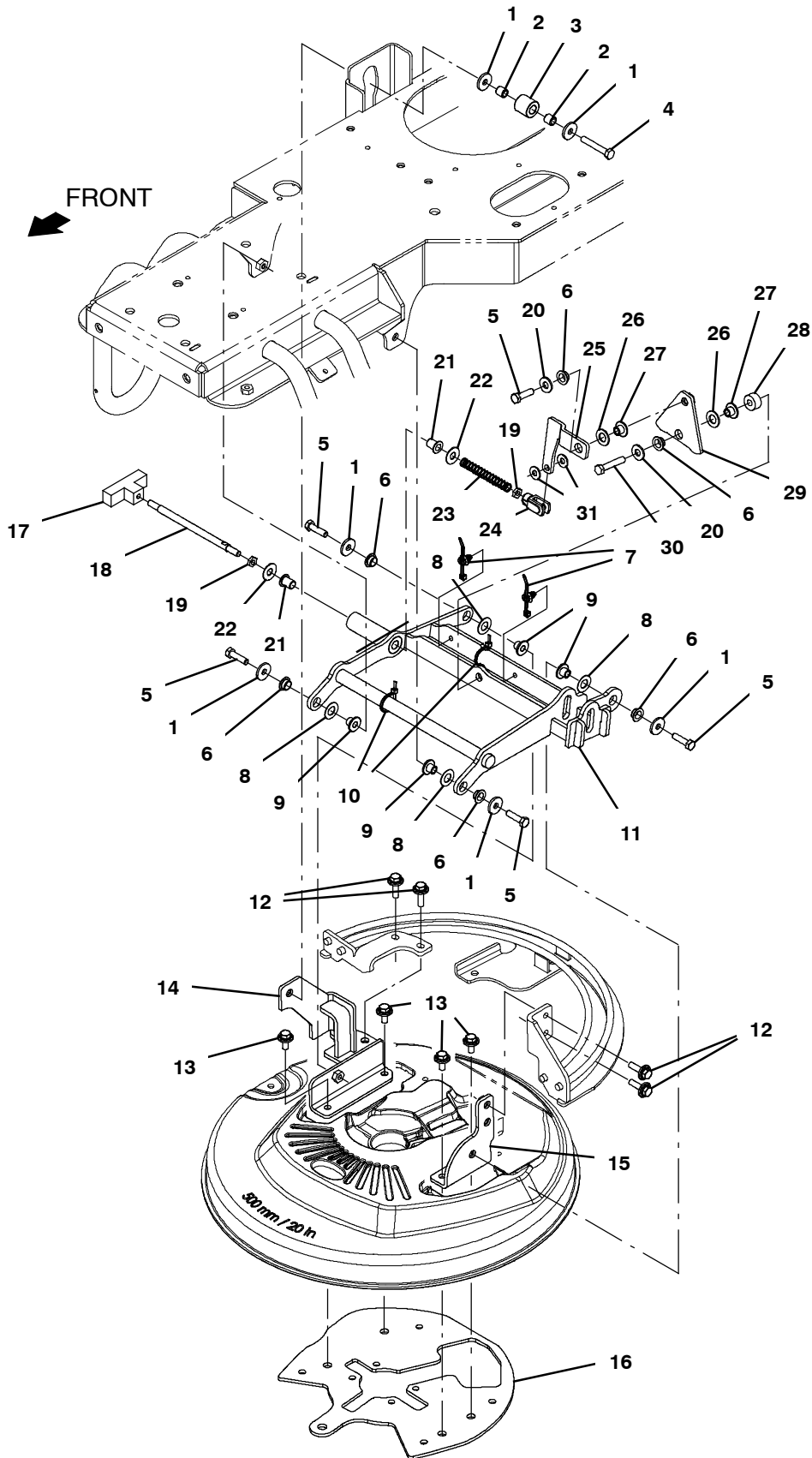


SCRUB HEAD LIFT GROUP

Ref.	Part No.	Serial Number	Description	Qty.
1	9021048	(10000000- 20000000)	Actuator Kit, Ci [T380amr]	1
2	1228678	(10000000- 20000000)	Spring, Cmpr, 1.22od .12wir 5.0l	1
3	1221544	(10000000- 20000000)	Tube, Plunger, Spring	1
4	44906	(10000000- 20000000)	Pin, Cotter, Hair, 0.38d .093 Wir	3
5	43290	(10000000- 20000000)	Pin, Clevis, 0.50d X 1.75l	1
6	1072816	(10000000- 20000000)	Screw, Hex, M8 X 1.25 X 30, Ss, Sems	3
7	9021049	(10000000- 20000000)	Bracket Kit, Mtg, Actuator, Ci [T380amr]	1
8	17461	(10000000- 20000000)	Pin, Clevis, 0.37d X 1.75l	1
9	1210807	(10000000- 20000000)	Wire, Tie [W/.25" Fir Tree Clip]	1
10	06279	(10000000- 20000000)	Pin, Clevis, 0.50d X 2.50l	1
11	140058	(10000000- 20000000)	Washer, Flat, 0.54b 0.88d .06, Ss [Wand]	2

SCRUB HEAD LINKAGE GROUP

355781

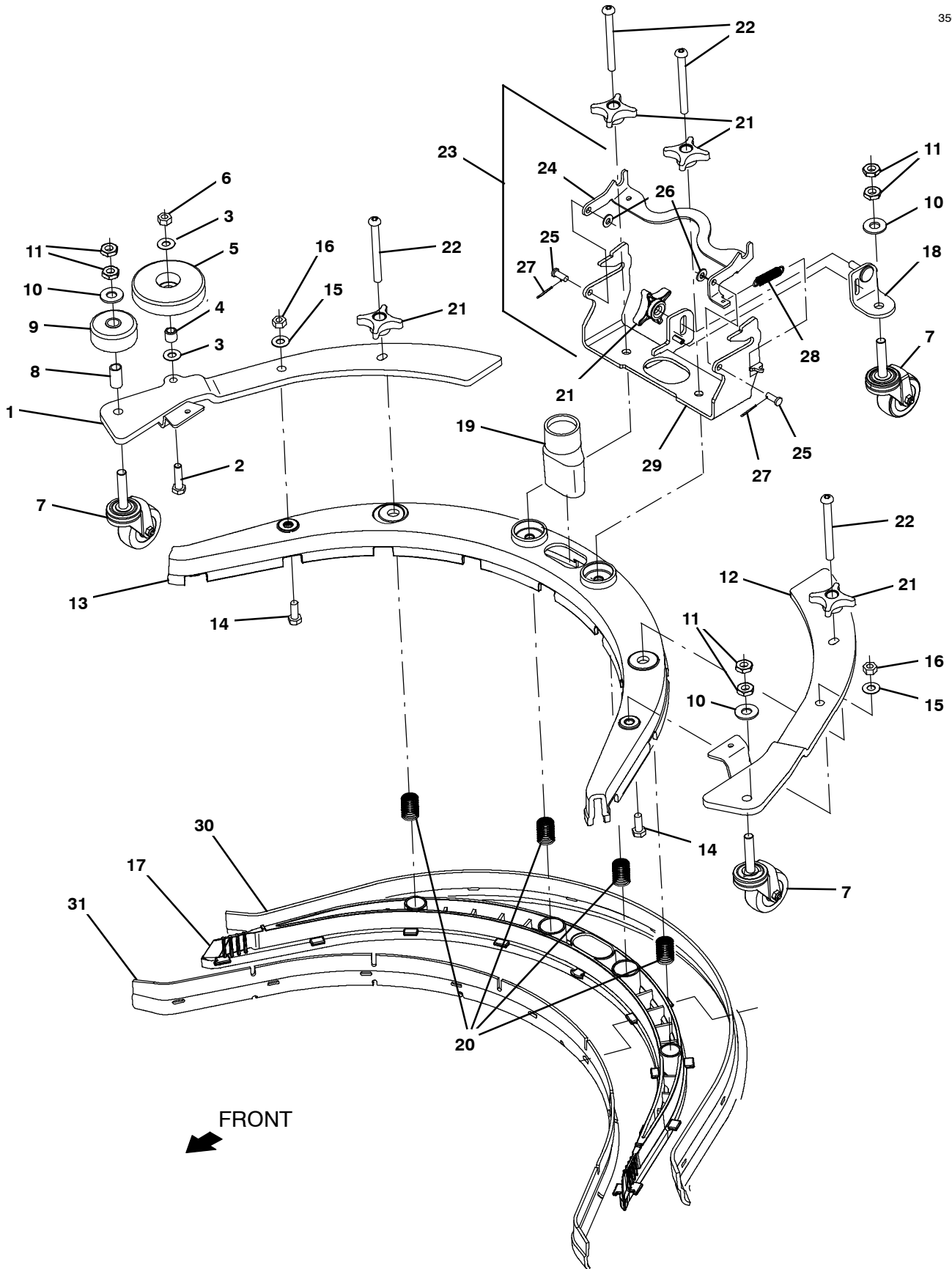


SCRUB HEAD LINKAGE GROUP

Ref.	Part No.	Serial Number	Description	Qty.
1	1017218	(10000000- 20000000)	Washer, Flat, 0.32b 1.00d .12, Ss	6
2	222460	(10000000- 20000000)	Sleeve, P/M, 0.32b 0.50d 0.5l [430ss]	2
3	1014020	(10000000- 20000000)	Roller, 0.99d 0.50b 0.95l, Acetal	1
4	49694	(10000000- 20000000)	Screw, Hex, M8 X 1.25 X 50, Ss	1
5	1016399	(10000000- 20000000)	Screw, Hex, M8 X 1.25 X 30, NI, Ss	5
6	1225660	(10000000- 20000000)	Bushing, Flng, 12.0b 7.0l 14.0d, Plstc	6
7	1210807	(10000000- 20000000)	Wire, Tie [W/.25" Fir Tree Clip]	2
8	89710	(10000000- 20000000)	Washer, Flat, 0.51b 1.00d .03, Nyl	4
9	1225659	(10000000- 20000000)	Bushing, Flng, 8.3b 11.8d 9.7l	4
10	130773	(10000000- 20000000)	Tie, Cable, Nyl, 11.0l, .14w, 3.0 Max. D	2
11	1253760	(10000000- 20000000)	Lift Wldt, Head, Magnet	1
12	1072816	(10000000- 20000000)	Screw, Hex, M8 X 1.25 X 30, Ss, Sems	4
13	1020341	(10000000- 20000000)	Screw, Hex, M8 X 1.25 X 20, Ss, Sems	4
14	1250766	(10000000- 20000000)	Bracket Wldt, Mtg, Head	1
15	1250210	(10000000- 20000000)	Bracket Wldt, Head Mtg, 50d, Short	1
16	1223980	(10000000- 20000000)	Plate Wldt, Head, Weighted	1
17	1254016	(10000000- 20000000)	Handle, T, M8 X 1.25, Pull, Yel	1
18	1254024	(10000000- 20000000)	Rod, Thrd, 2 End, M08 X 1.25 7.0l	1
19	200101017	(10000000- 20000000)	Nut, Hex, Jam, M8 X 1.25	2
20	01685	(10000000- 20000000)	Washer, Flat, 0.38b 0.88d .08, Ss	2
21	1247152	(10000000- 20000000)	Bushing, Flng, 10mmb 12mmd 17mml	2
22	140028	(10000000- 20000000)	Washer, Flat, 0.42b 1.00d .05, Ss	2
23	626081	(10000000- 20000000)	Spring, Cmpr, 0.48od .04wir 03.5l	1
24	1253951	(10000000- 20000000)	Clevis Assy, M8x1.25, W/ M8pin	1
25	1253978	(10000000- 20000000)	Plate, Release, Link	1
26	608562	(10000000- 20000000)	Washer, Flat, 0.51b 0.94d .06, Nyl	2
27	1253968	(10000000- 20000000)	Bushing, Flng, 8.3bc12.0d 9.2l	2
28	1252286	(10000000- 20000000)	Bracket, Spacer, Mtg, Release	1
29	1253769	(10000000- 20000000)	Plate Wldt, Release, Brush, Spline	1
30	1203909	(10000000- 20000000)	Screw, Hex, M8 X 1.25 X 45, Ss, NI	1
31	630446	(10000000- 20000000)	Washer, Flat, 0.31b 0.75d .06, Nyl	2

SQUEEGEE GROUP

356737



SQUEEGEE GROUP

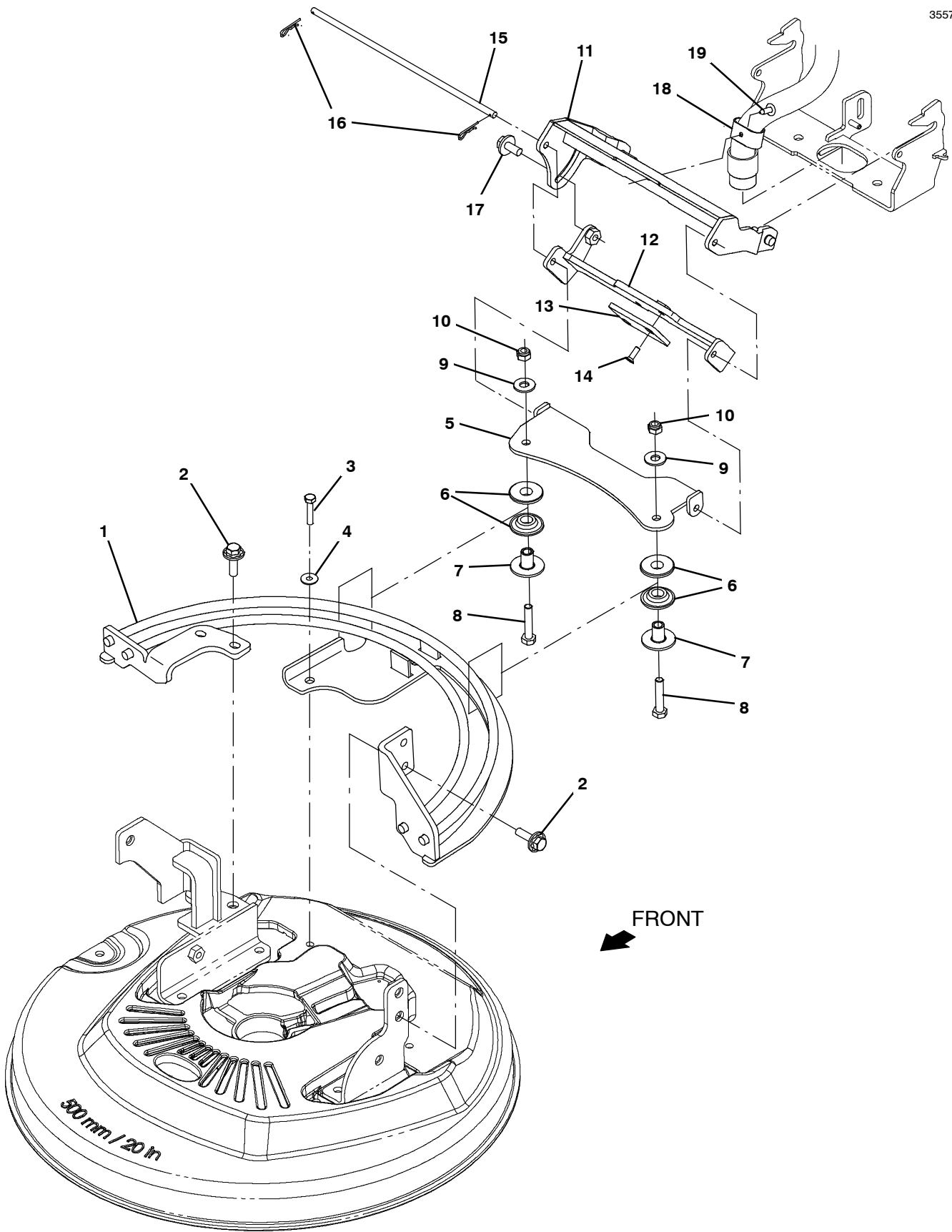
Ref.	Part No.	Serial Number	Description	Qty.
▽	9040169	(10000000- 20000000)	Squeegee Kit, 500mm, Ci [T350/Ss350]	1
▲	1 1231165	(10000000- 20000000)	Bracket Wldt, Sppt, Sqge, Rh	1
▲	2 1016399	(10000000- 20000000)	Screw, Hex, M8 X 1.25 X 30, Ni, Ss	1
▲	3 140027	(10000000- 20000000)	Washer, Flat, 0.35b 0.75d .04, Ss	2
▲	4 222460	(10000000- 20000000)	Sleeve, P/M, 0.32b 0.50d 0.5l [430ss]	1
▲	5 1010560	(10000000- 20000000)	Wheel, Bmpr, 80d X 25w, Non- Marking	1
▲	6 07786	(10000000- 20000000)	Nut, Hex, Std, M8 X 1.25, Ss	1
▲	7 1234625	(10000000- 20000000)	Caster, Swivel, 50mmd, M10 X 48, Clr Pl	3
▲	8 1233732	(10000000- 20000000)	Sleeve, .40b .50d .93l [304ss]	1
▲	9 222403	(10000000- 20000000)	Wheel, 02.0d 0.88w 0.50b	1
▲	10 01686	(10000000- 20000000)	Washer, Flat, 0.44b 1.00d .08, Ss	2
▲	11 32716	(10000000- 20000000)	Nut, Hex, Jam, M10 X 1.5, Ss	4
▲	12 1231164	(10000000- 20000000)	Bracket Wldt, Sppt, Sqge, Lh	1
▲	13 1234623	(10000000- 20000000)	Frame, Sqge, 50cm	1
▲	14 09740	(10000000- 20000000)	Screw, Hex, M8 X 1.25 X 20, Ss	2
▲	15 140027	(10000000- 20000000)	Washer, Flat, 0.35b 0.75d .04, Ss	2
▲	16 07786	(10000000- 20000000)	Nut, Hex, Std, M8 X 1.25, Ss	2
▲	17 1222892	(10000000- 20000000)	Retainer, Sqge, 50cm	1
▲	18 1228615	(10000000- 20000000)	Bracket Wldt, Caster, Sqge	1
▲	19 1229370	(10000000- 20000000)	Coupling, Sqge, 50cm	1
▲	20 22290	(10000000- 20000000)	Spring, Cmpr, 0.72od .06wir 02.3l	4
▲	21 1213677	(10000000- 20000000)	Knob, Star, 2.00od 4ear M8x1.25 [Yel]	5
▲	22 1212755	(10000000- 20000000)	Screw, Btn, M8 X 1.25 X 80, Ss	4
▲▽	23 9016747	(10000000- 20000000)	Bracket Kit, Sqge, 500mm, Ci	1
▲▲	24 1232136	(10000000- 20000000)	Bracket, Release, Sqge, 50cm	1
▲▲	25 1233730	(10000000- 20000000)	Pin, Clevis, 0.25d, 0.63l	2
▲▲	26 19066	(10000000- 20000000)	Washer, Flat, 0.25b 0.56d .05, Pl, 10	2
▲▲	27 08178	(10000000- 20000000)	Pin, Cotter, .062 X 0.75	2
▲▲	28 1233820	(10000000- 20000000)	Spring, Extn, 0.375od .052wir 1.75l	1
▲▲	29 1250468	(10000000- 20000000)	Bracket Wldt, Sqge, 50cm	1
▲▽	9016742	(10000000- 20000000)	Blade Kit, 500mm, Linatex	1
▲▲	30 1223125	(10000000- 20000000)	Blade, Sqge, Rear, 1007l, Linatex[500mm]	1
▲▲	31 1223124	(10000000- 20000000)	Blade, Sqge, Front, 938l, Linatex[500mm]	1
▽	9016741	(10000000- 20000000)	Blade Kit, 500mm, Gum	1
▲	30 1227127	(10000000- 20000000)	Blade, Sqge, Rear, 1007l, Gum [500mm]	1
▲	31 1227126	(10000000- 20000000)	Blade, Sqge, Front, 938l, Gum [500mm]	1
▽	9016743	(10000000- 20000000)	Blade Kit, 500mm, Urethane	1
▲	30 1227125	(10000000- 20000000)	Blade, Sqge, Rear, 1007l, Urethane 500mm	1
▲	31 1227124	(10000000- 20000000)	Blade, Sqge, Front, 938l, Urethane 500mm	1

▽ ASSEMBLY

▲ INCLUDED IN ASSEMBLY

SQUEEGEE RAIL GROUP

355792



SQUEEGEE RAIL GROUP

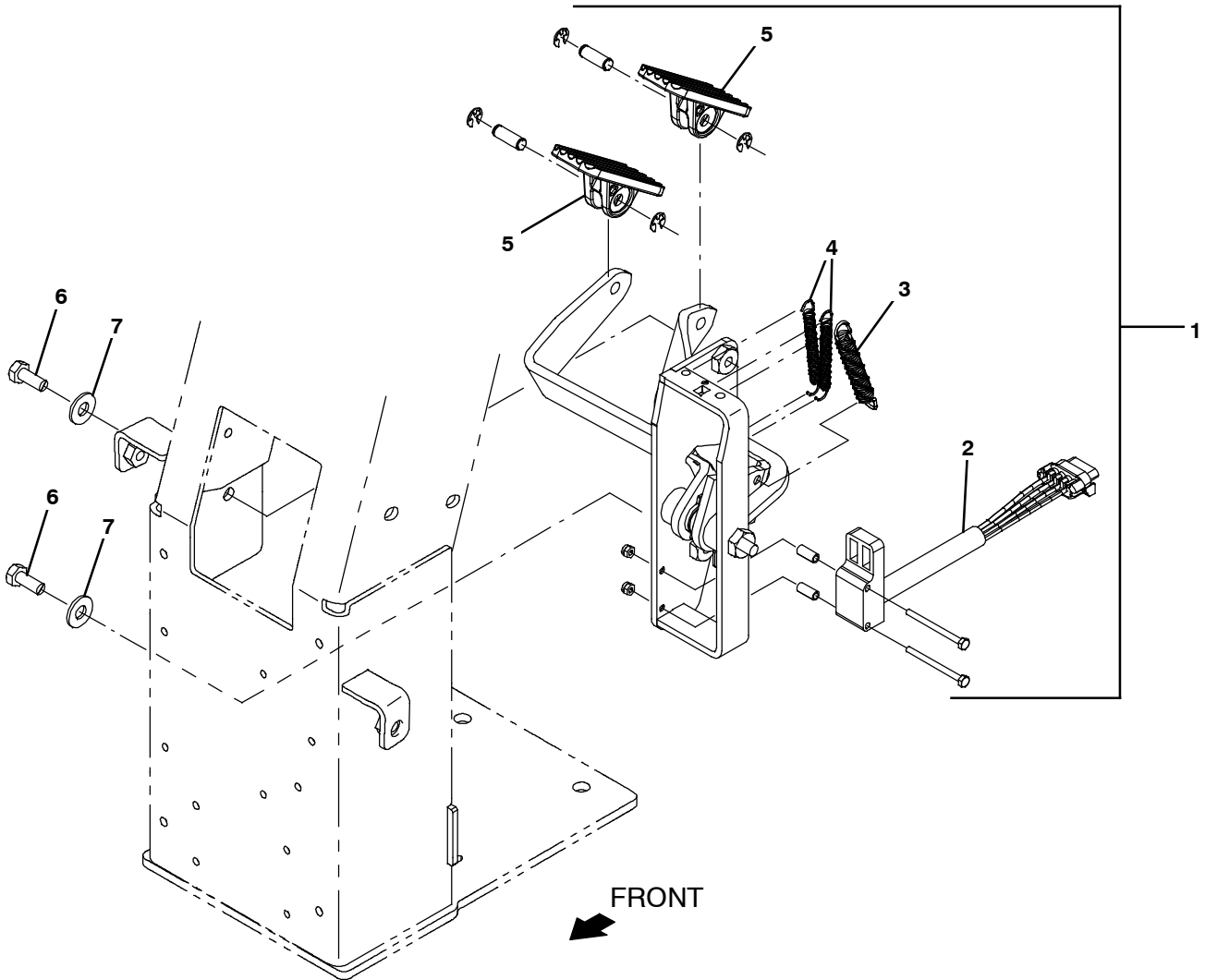
Ref.	Part No.	Serial Number	Description	Qty.
▽	9016749	(10000000- 20000000)	Rail Kit, Sqge, 500mm, Ci [T350/Ss350]	1
▲	1 1225954	(10000000- 20000000)	Rail Wldt, Sqge, 50cm	1
▲	2 1072816	(10000000- 20000000)	Screw, Hex, M8 X 1.25 X 30, Ss, Sems	4
▲	3 1016005	(10000000- 20000000)	Screw, Hex, M6 X 1.00 X 25, NI, FI, Ss	1
▲	4 01684	(10000000- 20000000)	Washer, Flat, 0.27b 0.69d .05, Ss	1
▽	9040171	(10000000- 20000000)	Support Kit, Sqge, Ci [T350/Ss350]	1
▲	5 1231458	(10000000- 20000000)	Linkage Wldt, Brg, Sqge	1
▲	6 1231946	(10000000- 20000000)	Roller, 12.8mmb 35.0mmd 8.4mml	4
▲	7 1226539	(10000000- 20000000)	Bushing, FIng, 8.3mmb 12.7mmd 17.8mml	2
▲	8 59658	(10000000- 20000000)	Screw, Hex, M8 X 1.25 X 35, NI, Ss	2
▲	9 140027	(10000000- 20000000)	Washer, Flat, 0.35b 0.75d .04, Ss	2
▲	10 07786	(10000000- 20000000)	Nut, Hex, Std, M8 X 1.25, Ss	2
▲	11 1250474	(10000000- 20000000)	Linkage Wldt, Sqge, Adj	1
▲	12 1233352	(10000000- 20000000)	Bracket Wldt, Sqge, Adj	1
▲	13 1229329	(10000000- 20000000)	Pad, Rest, Sqge	1
▲	14 09120	(10000000- 20000000)	Screw, Flt, Soc, M5 X 0.80 X 16, 10.9	2
▲	15 1234041	(10000000- 20000000)	Pin, 0.25d, 10.45l	1
▲	16 08085	(10000000- 20000000)	Pin, Cotter, Hair, 0.31d .058 Wir	2
▲	17 1020341	(10000000- 20000000)	Screw, Hex, M8 X 1.25 X 20, Ss, Sems	1
	18 1059534	(10000000- 20000000)	Fastener, 09.00l [Hook & Loop]	1
	19 140262	(10000000- 20000000)	Clip, Snap- In	1

▽ ASSEMBLY

▲ INCLUDED IN ASSEMBLY

BRAKE AND ACCELERATOR PEDALS GROUP

356911



BRAKE AND ACCELERATOR PEDALS GROUP

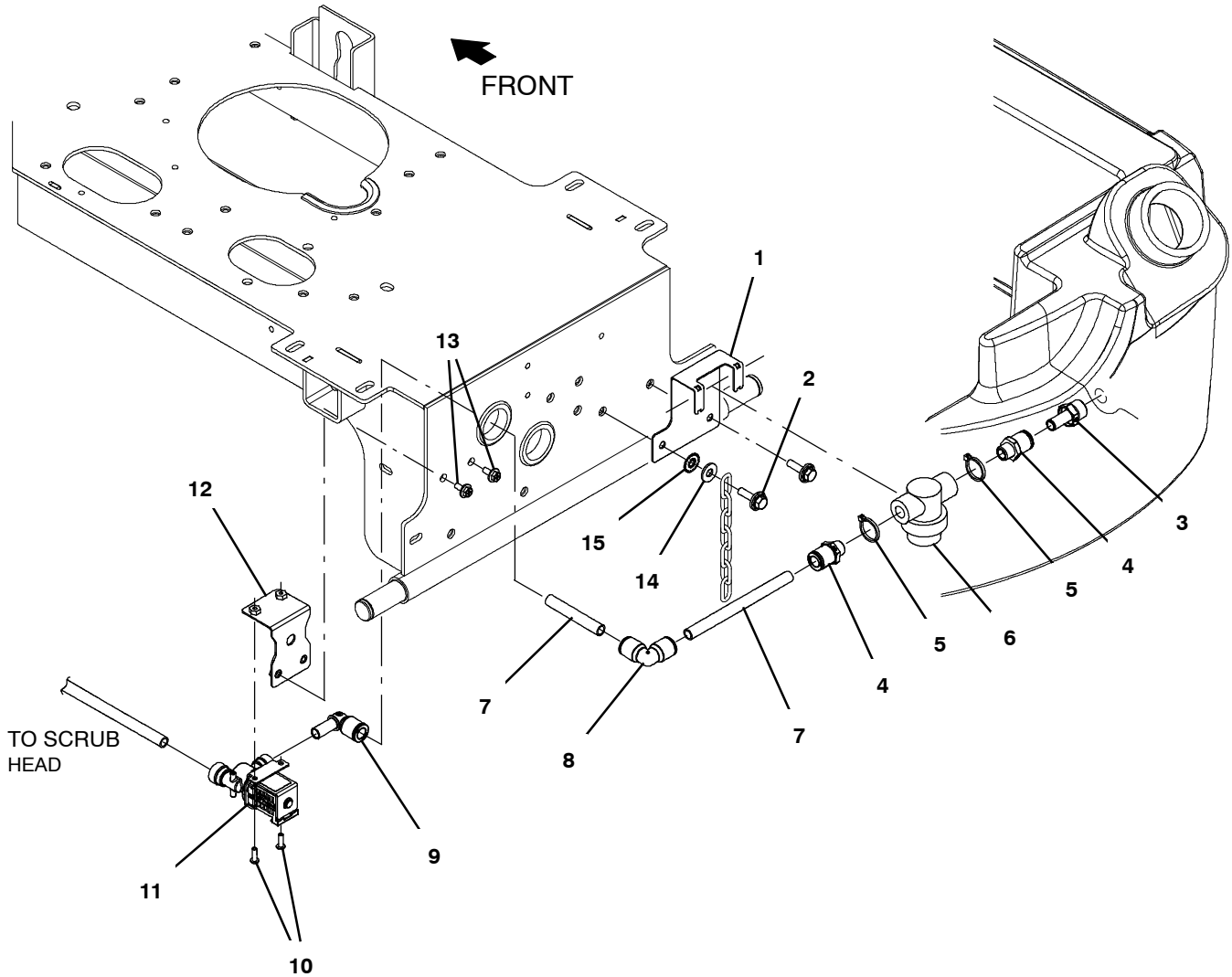
	Ref.	Part No.	Serial Number	Description	Qty.
▽	1	1072477	(10000000- 20000000)	Pedal Assy, Accelerator, Brake	1
▲	2	1058687	(10000000- 20000000)	Vr, Sensor, Position [Hall]	1
▲	3	1031716	(10000000- 20000000)	Spring, Extn, 0.50od 0.07wir 03.0l	1
▲	4	1061049	(10000000- 20000000)	Vr, Spring, Extn, 0.35od 0.05wir 02.8l	2
▲	5	1072478	(10000000- 20000000)	Vr, Pedal, Foot, W/ Tread	2
	6	09740	(10000000- 20000000)	Screw, Hex, M8 X 1.25 X 20, Ss	2
	7	01685	(10000000- 20000000)	Washer, Flat, 0.38b 0.88d .08, Ss	2

▽ ASSEMBLY

▲ INCLUDED IN ASSEMBLY

SOLUTION GROUP, CONVENTIONAL

355785



SOLUTION GROUP, CONVENTIONAL

Ref.	Part No.	Serial Number	Description	Qty.	
1	1250603	(10000000- 20000000)	Bracket, Mtg, Strainer	1	
2	1072816	(10000000- 20000000)	Screw, Hex, M8 X 1.25 X 30, Ss, Sems	2	
3	1250331	(10000000- 20000000)	Fitting, Plstc, Str, Qm08/Pm08	1	
4	1212813	(10000000- 20000000)	Fitting, Plstc, Str, Qf08/Pm06	2	
5	130773	(10000000- 20000000)	Tie, Cable, Nyl, 11.0l, .14w, 3.0 Max. D	2	
▽	6	1211537	(10000000- 20000000)	Filter, In- Line [80 Mesh, Fine, White]	1
▲		1218885	(10000000- 20000000)	Gasket [Epdm, F/1211537]	1
▲		1218883	(10000000- 20000000)	Screen, Fltr, 80 Mesh, Ss [Fine, White]	1
▲		613991	(10000000- 20000000)	Bowl, Clr, Short, F/1005302	1
7	1236364	(10000000- 20000000)	Hose, Afmkt, Pe, .375id .50od, 03ft	1	
8	1221945	(10000000- 20000000)	Fitting, Plstc, E90, Qf08/Qf08	1	
9	1212809	(10000000- 20000000)	Fitting, Plstc, E90, Qf08/Qm08	1	
10	1205799	(10000000- 20000000)	Screw, Btn, M5 X 0.8 X 16, 8.8, NI, Torx	2	
11	1250755	(10000000- 20000000)	Valve, Water, Solenoid, 24vdc Qf08/Qf08	1	
12	1250013	(10000000- 20000000)	Bracket Wldt, Mtg, Solenoid	1	
13	1034731	(10000000- 20000000)	Screw, Hex, M6 X 1.00 X 16, Sems, Ss	2	
14	01685	(10000000- 20000000)	Washer, Flat, 0.38b 0.88d .08, Ss	1	
15	41141	(10000000- 20000000)	Washer, Lock, Int- Ext, 0.31	1	

▽ ASSEMBLY

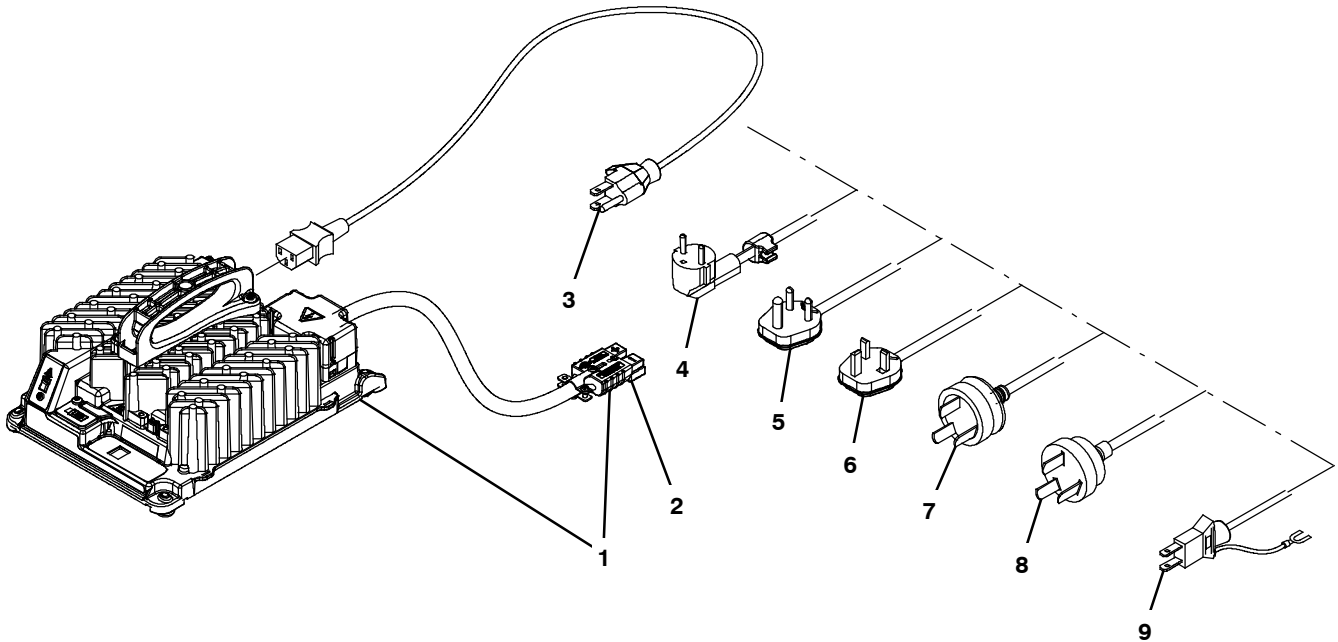
▲ INCLUDED IN ASSEMBLY

BATTERY GROUP, WET 225AH C20

Ref.	Part No.	Serial Number	Description	Qty.
1	68872	(10000000- 20000000)	Boot, Terminal, Battery, 02- 01ga, Blk	4
2	223356	(10000000- 20000000)	Cable, 04ga 12.0l Blk .31ring /.31ring	1
3	397907	(10000000- 20000000)	Cable, 04ga 30.0l Red .31ring /[Pp120]	1
4	1073680	(10000000- 20000000)	Cable, 04ga 15.0l Blk [M8 Ring/M8 Ring]	1
5	397908	(10000000- 20000000)	Cable, 04ga 08.0l Red .31ring / [Pp120]	1
6	1020105	(10000000- 20000000)	Sleeve, Afmkt, Nyl, 0.86id, 01ft	1
7	1070591	(10000000- 20000000)	Battery, Wet, 12vdc 0225ah, W/ Cart [Tr]	2
8	1072628	(10000000- 20000000)	Screw, Hex, M8 X 1.25 X 25, Ss, Sems	2
9	41141	(10000000- 20000000)	Washer, Lock, Int- Ext, 0.31	1
10	01685	(10000000- 20000000)	Washer, Flat, 0.38b 0.88d .08, Ss	1
11	1249492	(10000000- 20000000)	Tray Wldt, Battery	1
12	54333	(10000000- 20000000)	Clamp, Hose, Wormdrive, 0.31- 0.88d, .31w	1
13	1014987	(10000000- 20000000)	Hose, Afmkt, Pvc, Clr, 0.25id, 01ft	1

OFF-BOARD BATTERY CHARGER GROUP

356767



OFF- BOARD BATTERY CHARGER GROUP

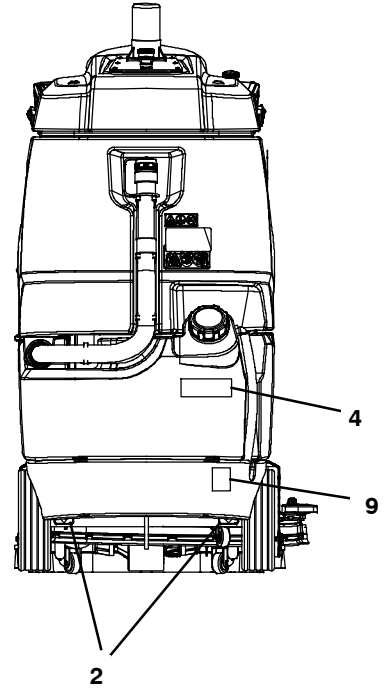
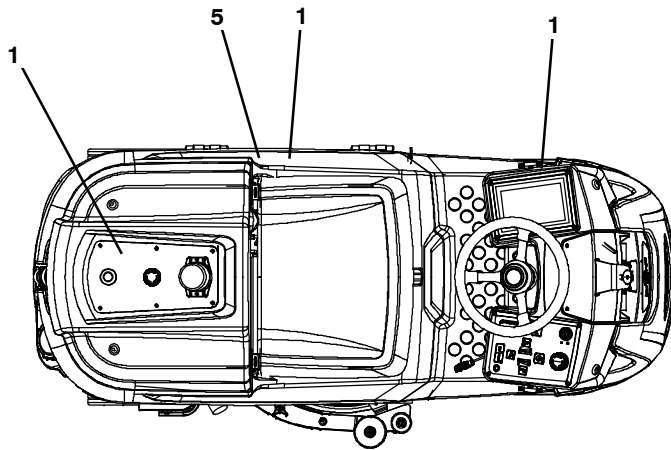
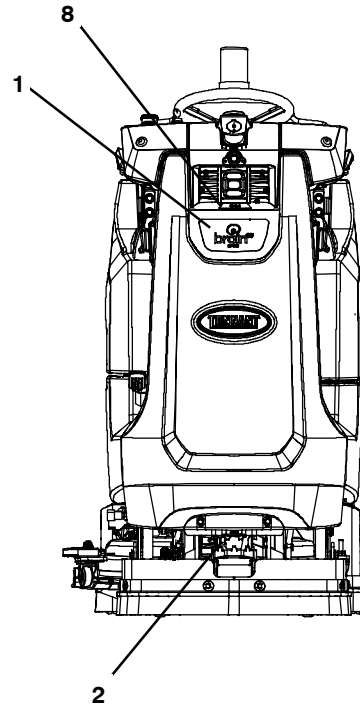
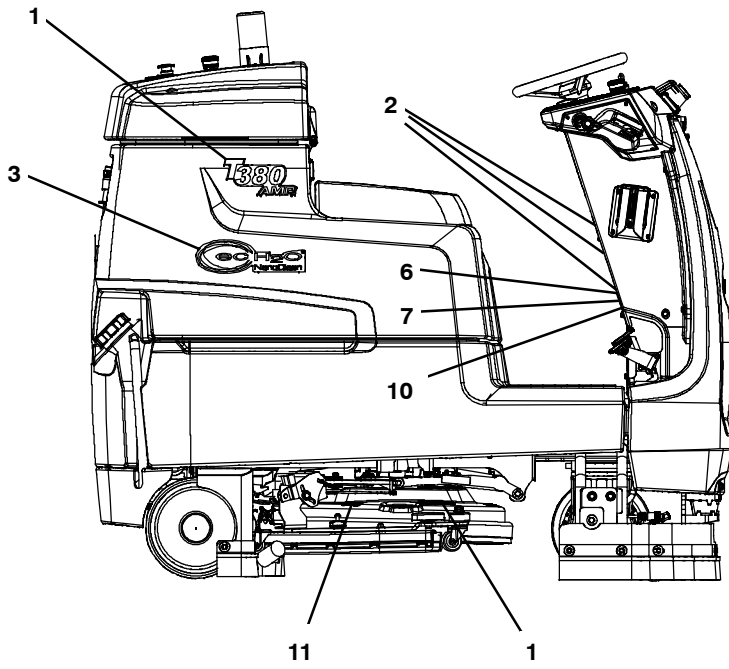
	Ref.	Part No.	Serial Number	Description	Qty.
▽	1	1217495	(10000000- 20000000)	Charger, 24vdc, 650w,85- 265vac [Off Brd]	1
▲	2	605387	(10000000- 20000000)	Connector, Anderson, 050a, Red [W/O Con]	1
	3	1025642	(10000000- 20000000)	Cord, Power, 16/3, 15ft Blk [Us] (United States)	1
	4	1032849	(10000000- 20000000)	Cord, Power, Blk [4.5meter, Ce] (Europe)	1
	5	1048304	(10000000- 20000000)	Cord, Power [4.5meter, India, S.Africa]	1
	6	1032820	(10000000- 20000000)	Cord, Power, Blk [4.5meter, Uk] (United Kingdom)	1
	7	1026325	(10000000- 20000000)	Cord, Power, 1.0mm2/3 Blk[2.5meter, Aus] (Australia)	1
	8	1026330	(10000000- 20000000)	Cord, Power, 1.0mm2 [2.5meter, China]	1
	9	1019426	(10000000- 20000000)	Cord, Charger, Ele, Tj (Japan)	1

▽ ASSEMBLY

▲ INCLUDED IN ASSEMBLY

LABEL GROUP

355791



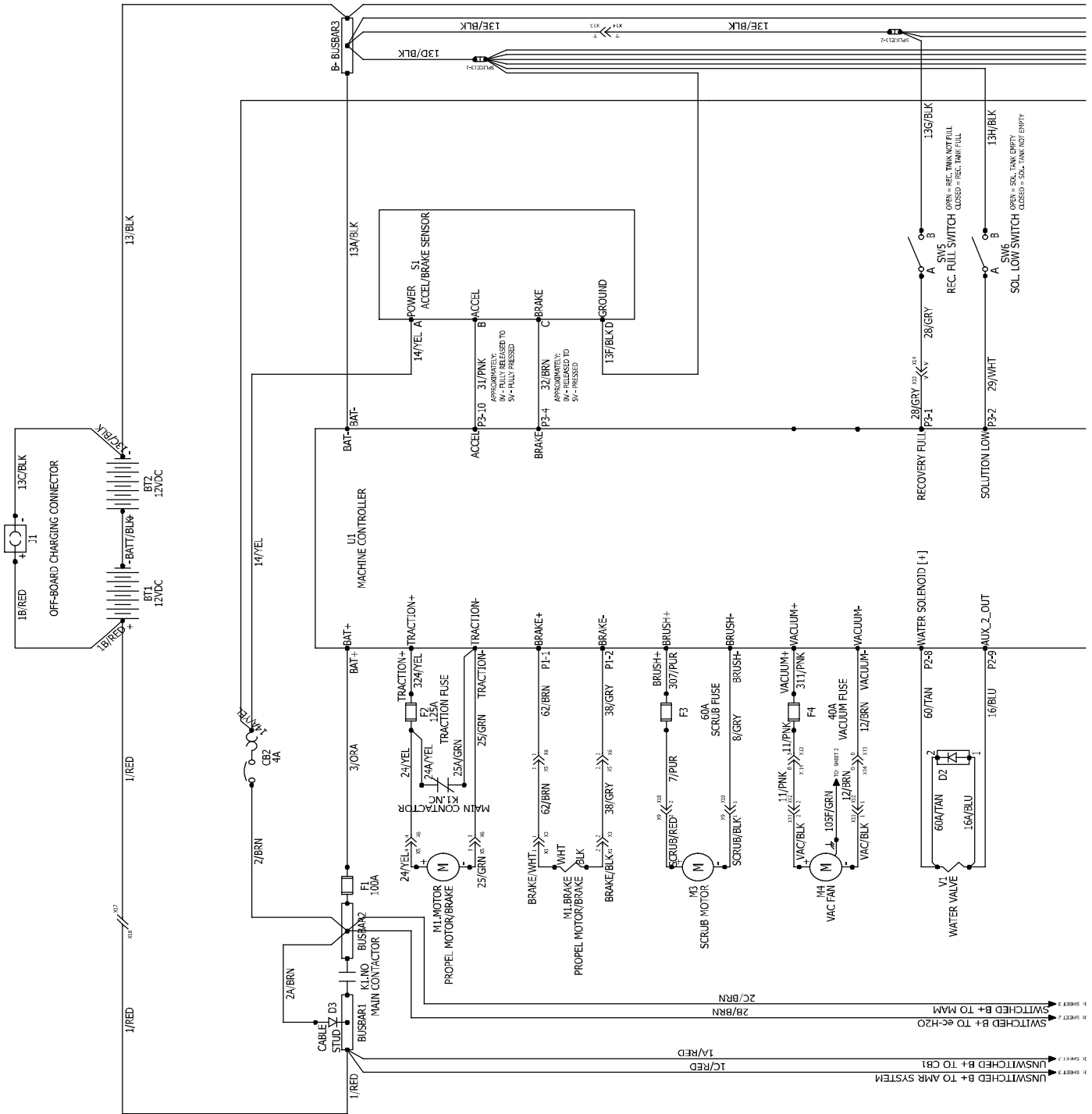
LABEL GROUP

Ref.	Part No.	Serial Number	Description	Qty.
1	1253199	(10000000- 20000000)	Label Set, Info/Hzrd [T380 Amr]	1
2	1015167	(10000000- 20000000)	Label Set, Info/Hzrd (North America)	1
2	1019186	(10000000- 20000000)	Label Set, Info/Hzrd, Tj [T7] (Japan)	1
2	1248367	(10000000- 20000000)	Label Set, Info/Hzrd [T7+/T7amr Ce] (EMEA)	1
3	1252821	(10000000- 20000000)	Label, Logo, 10.5l, 4color, [Ec- H2o]	1
4	1050003	(10000000- 20000000)	Label [User, Attention, Ec- H2o]	1
5	1253135	(10000000- 20000000)	Label, Hzrd, Battery [T380 Amr]	1
6	1250056	(10000000- 20000000)	Label, Info [Brain Reg]	1
7	1249760	(10000000- 20000000)	Label, Info, Usa	1
8	1249761	(10000000- 20000000)	Label, Warning, Camera	1
9	1254081	(10000000- 20000000)	Label, Info, Filter	1
10	1253156	(10000000- 20000000)	Label, Data [T380 Amr, Ce] (EMEA)	1
11	1030507	(10000000- 20000000)	Label, Warning, 2x2 [No Step]	1

EMEA = Europe, Middle East, and Africa

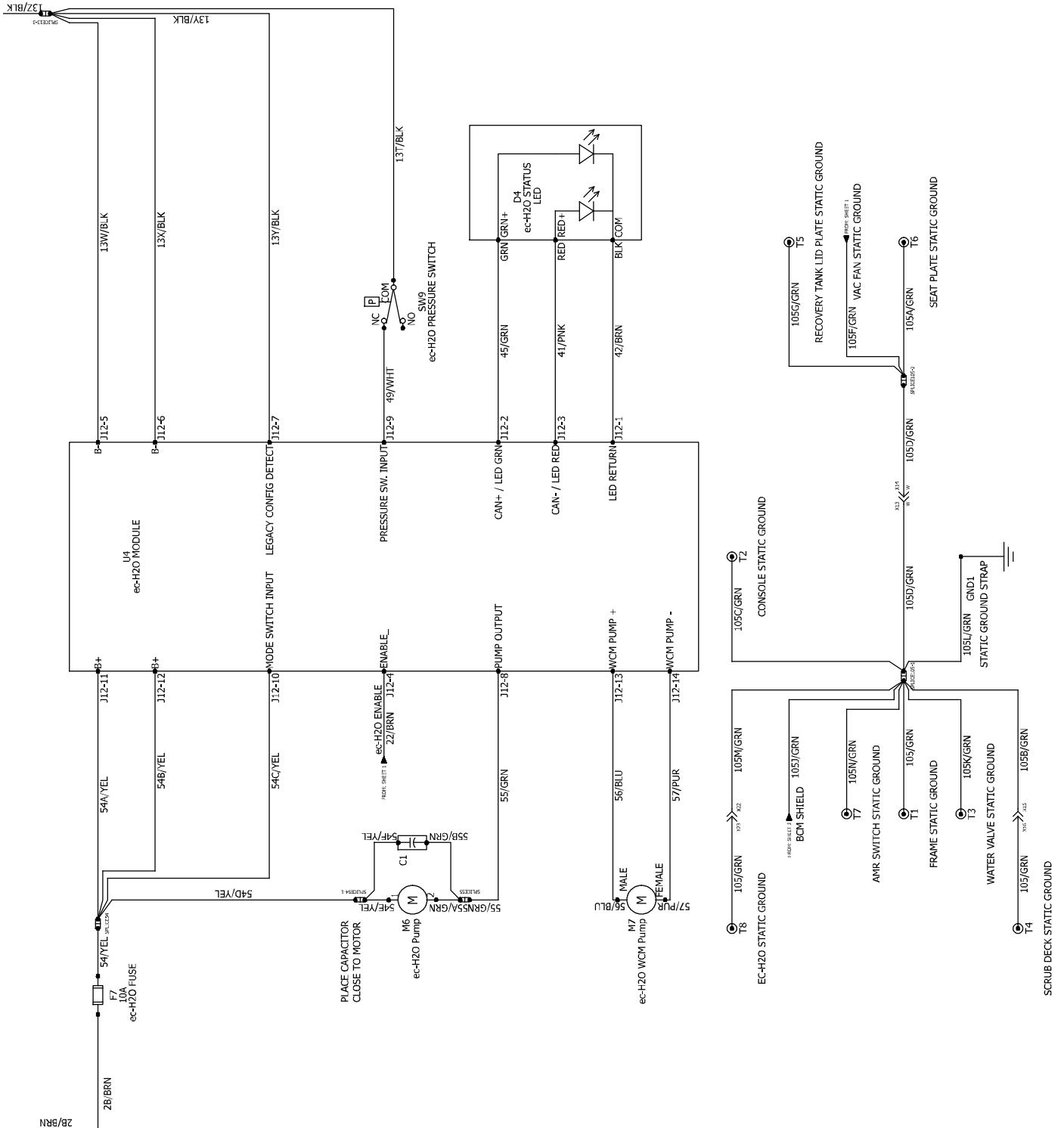
ELECTRICAL DIAGRAM

1076753_00



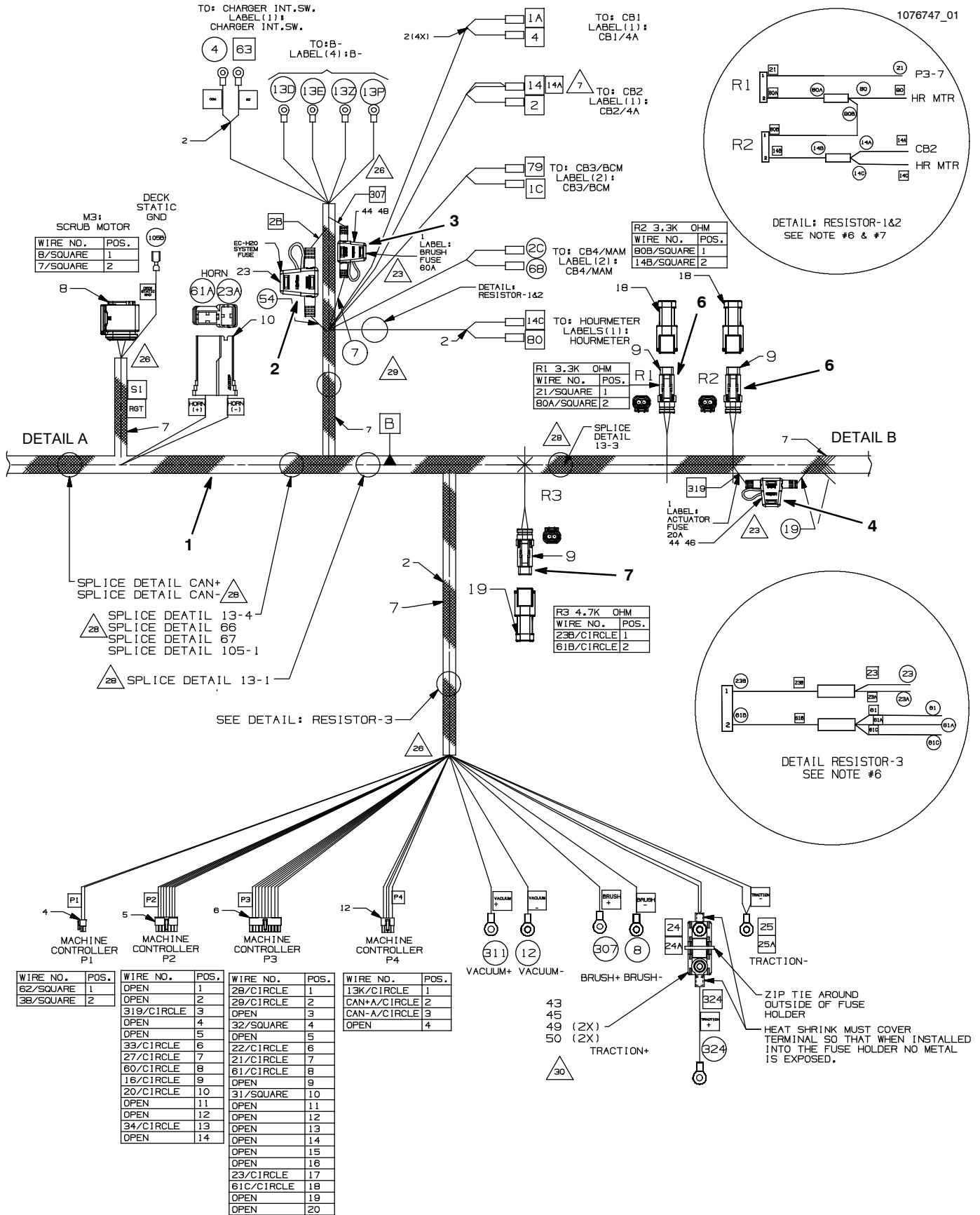
ELECTRICAL DIAGRAM

1076753_00



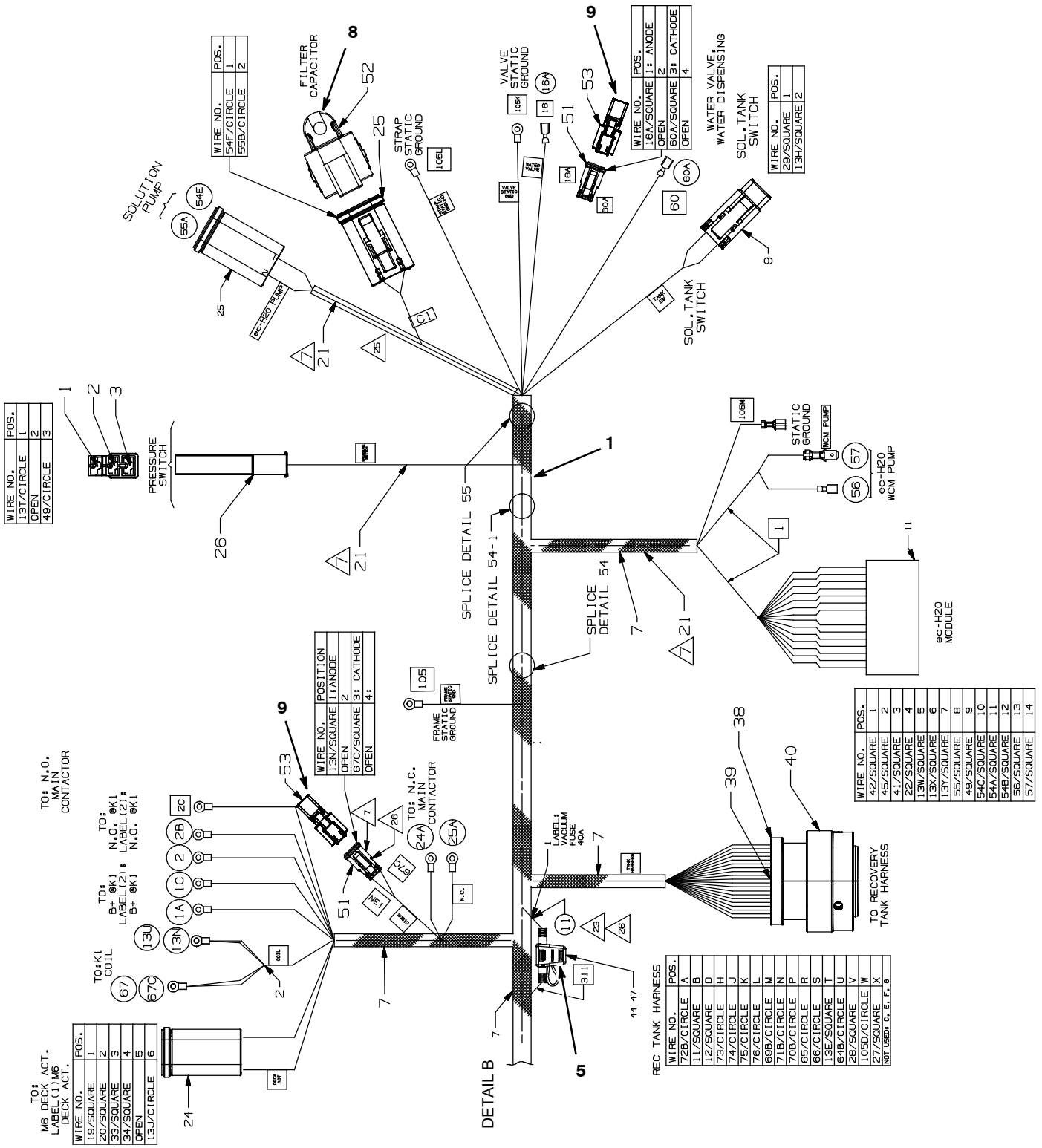
WIRE HARNESS GROUP, MAIN

1076747_01



WIRE HARNESS GROUP, MAIN

1076747_01



WIRE HARNESS GROUP, MAIN

Ref.	Part No.	Serial Number	Description	Qty.
▽	1	1076747	(10000000- 20000000) Harness, Ele, Main [T380amr]	1
▲	2	1248573	(10000000- 20000000) Fuse, 125a 58vdc [Bf1 Midi Slo- blow] (ec- H2O Option)	1
▲	3	1254425	(10000000- 20000000) Fuse, 060a 58vdc [Lp Jcase Slo- blow] (Brush)	1
▲	4	1254419	(10000000- 20000000) Fuse, 020a 58vdc [Lp Jcase Slo- blow] (Actuator)	1
▲	5	1254424	(10000000- 20000000) Fuse, 040a 58vdc [Lp Jcase Slo- blow] (Vacuum)	1
▲	6	1076841	(10000000- 20000000) Resistor, Ele, Plug [3.3k, 1/2w, 5%]	2
▲	7	1076842	(10000000- 20000000) Resistor, Ele, Plug [4.7k, 1/2w, 5%]	1
▲	8	1076845	(10000000- 20000000) Capacitor, Ele, Plug [.01uf, 200vdc]	1
▲	9	1076844	(10000000- 20000000) Diode, Elec, Plug [6 Amp, 2pin]	2
	10	9020605*	(10000000- 20000000) Harness, Amr, Upper, Afmkt	1
	11	9021072*	(10000000- 20000000) Harness, Amr, Lower, Afmkt	1
	12	9021073*	(10000000- 20000000) Harness, Amr, Power, Afmkt	1

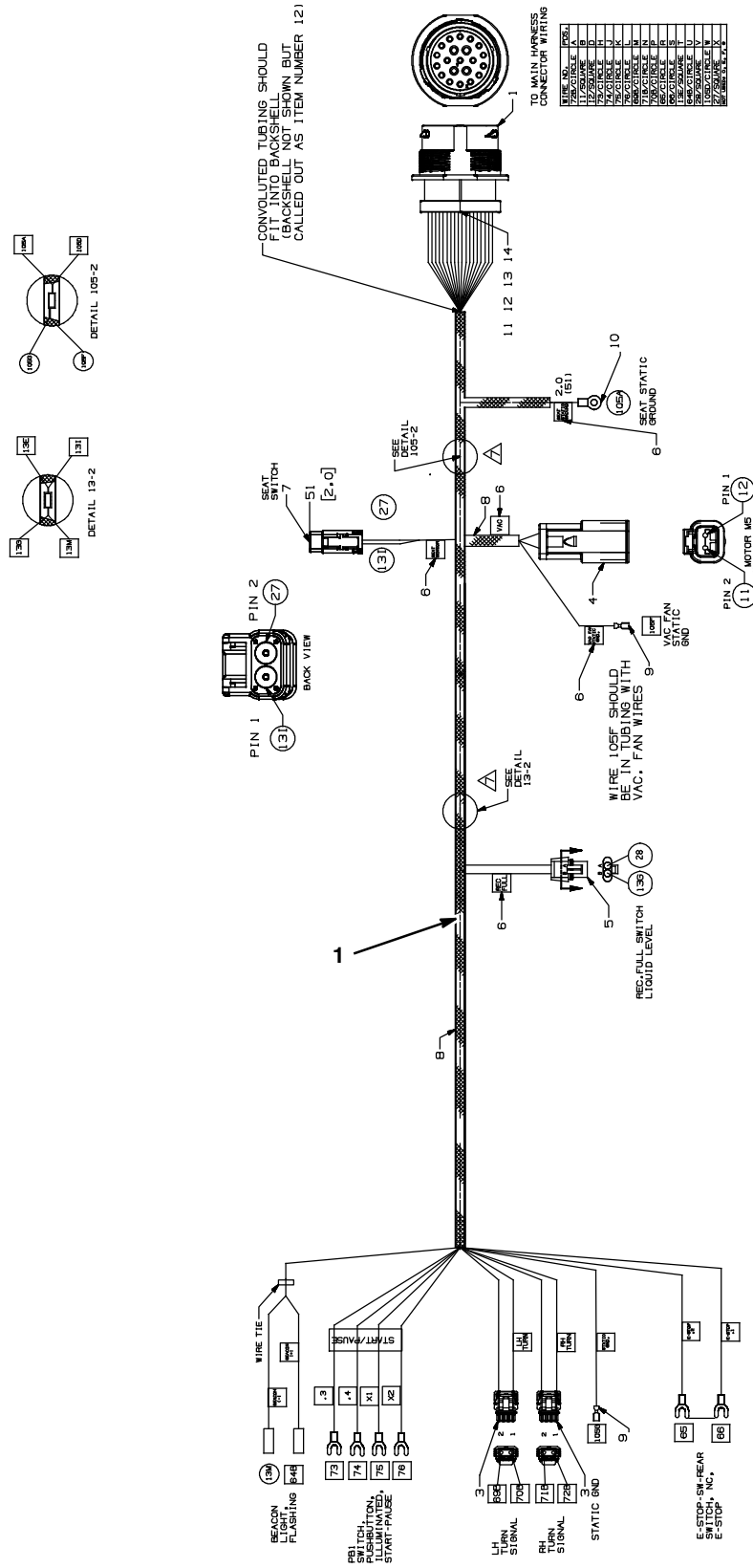
* Requires Tennant *True* service or an authorized Tennant service provider.

▽ ASSEMBLY

▲ INCLUDED IN ASSEMBLY

WIRE HARNESS GROUP, TANK

1076748_01

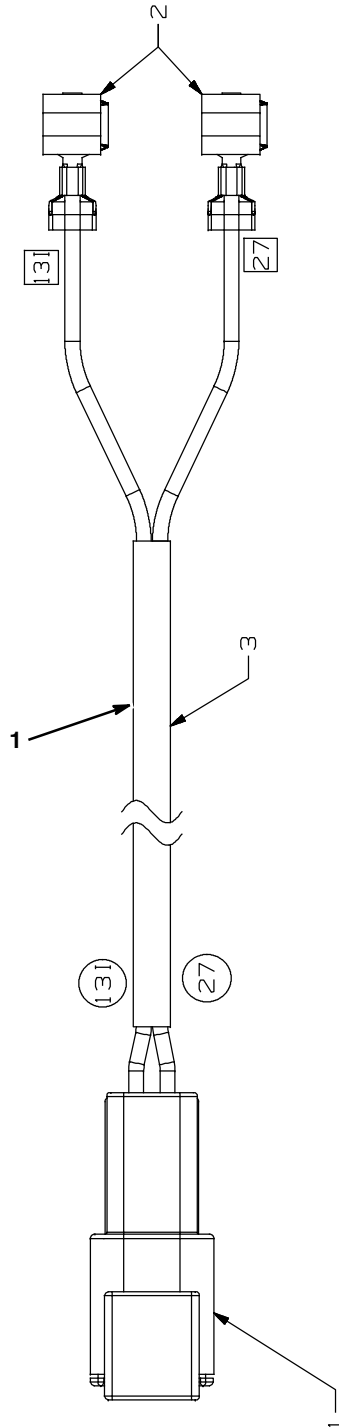


Ref.	Part No.	Serial Number	Description	Qty.
1	1076748	(1000000-2000000)	Harness, Ele, Tank [T380amr]	1

WIRE HARNESS GROUP, SEAT

1076833_01

ITEM P/N	DESCRIPTION	MFG P/N	TPA	QTY
1 -	CONNECTOR 2P, DEUTSCH, DTM SERIES	DTM04-2P	WM-2P	1
2 -	TERMINAL, FASTON 250 FLAG REC 18-14 AWG TPBR, SHANK INSULATION	60764-2	N/A	2
3	NYLON SPLIT CONVOLUTED TUBING THAT MEETS FLAMMABILITY RATING: HB40, HBF, V-2, V-1, V-0, OR BETTER	N/A	N/A	AS REQUIRED



POS.	WIRE NO	COLOR	TYPE	GAUGE	CIRCLE TERMINAL	SQUARE TERMINAL
1	131	BLACK	GXL	18 AWG	1060-20-0144	60764-2
2	27	PUR	GXL	18 AWG	1060-20-0144	60764-2

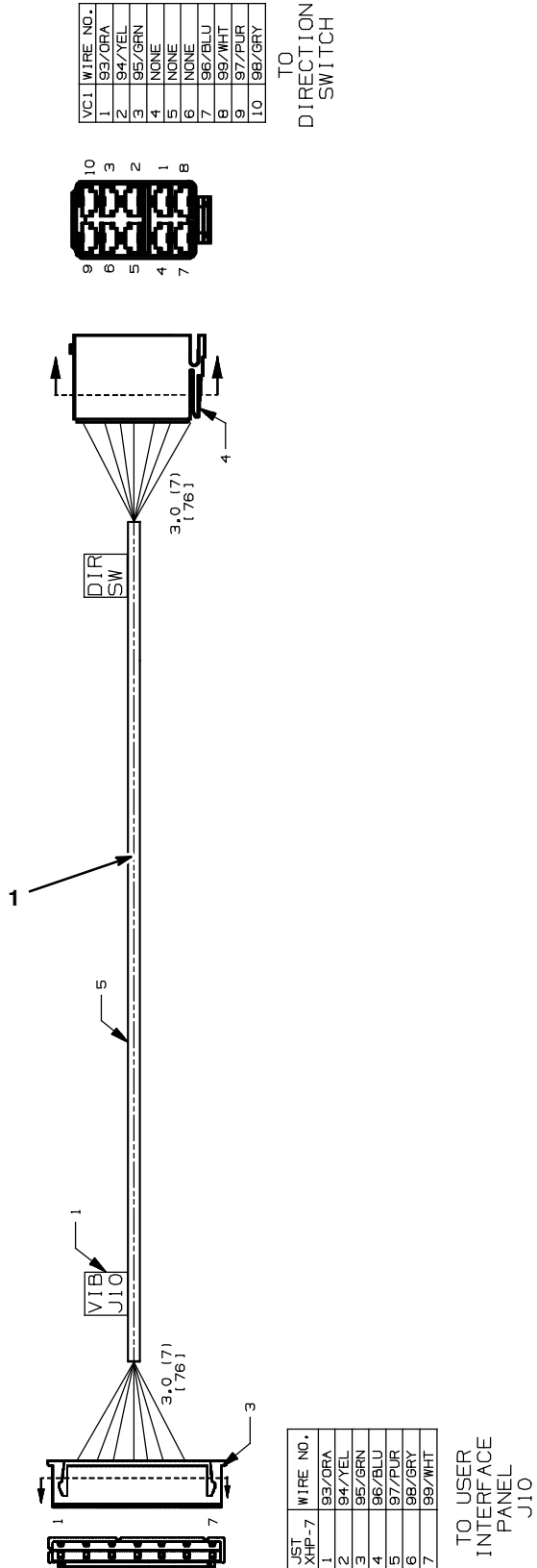
Ref.	Part No.	Serial Number	Description	Qty.
1	1076833	(10000000-20000000)	Harness, Ele, Seat [T380amr]	1

WIRE HARNESS GROUP, DIRECTION SWITCH

1076463_00

ITEM #	P/N	DESCRIPTION	QTY
1	-	LABEL, MARKER, PRINT TEXT AS INDICATED	2
2	-	WIRE TIES	AS REQ'D
3	-	CONNECTOR BODY (1), 7F, XH SERIES, 2.5MM, JST SALES AMERICA #XHP-7	1
4	-	CONNECTOR BODY (1), 10P, V-SERIES CENTURA, CARLING TECHNOLOGIES, #VC1-01	1
5	-	GENERAL CABLE, 10COND, 22AWG, GRAY, CAROL BRAND #C4071A	1
6	-	TERMINAL RECEPTACLE, FEMALE, 2.5MM, CONNECTIVITY, #60296-22AWG, TE	7
7	-	TERMINAL RECEPTACLE, FEMALE, 22-26AWG, JST SALES AMERICA INC, #SXH-001T-F0.6	7

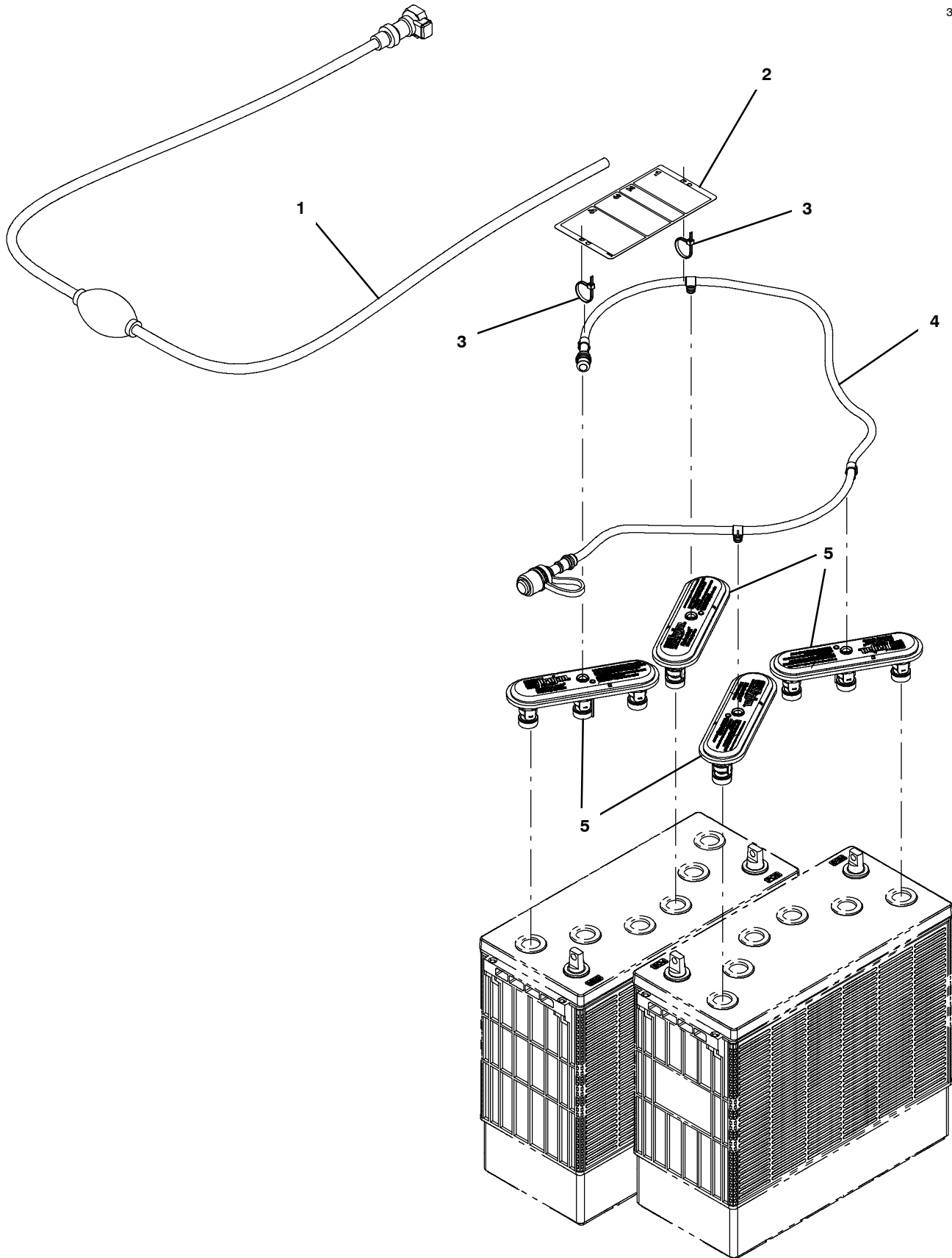
WIRE NO.	COLOR	GAUGE	TYPE
93	ORA	22	SEE NOTE #1
94	YEL	22	SEE NOTE #1
95	GRN	22	SEE NOTE #1
96	BLU	22	SEE NOTE #1
97	PUR	22	SEE NOTE #1
98	GRY	22	SEE NOTE #1
99	WHT	22	SEE NOTE #1



Ref.	Part No.	Serial Number	Description	Qty.
1	1076463	(10000000-20000000)	Harness, Ele [T7amr, Dir Switch]	1

BATTERY WATERING, HYDROLINK SYSTEM

355787



BATTERY WATERING, HYDROLINK SYSTEM

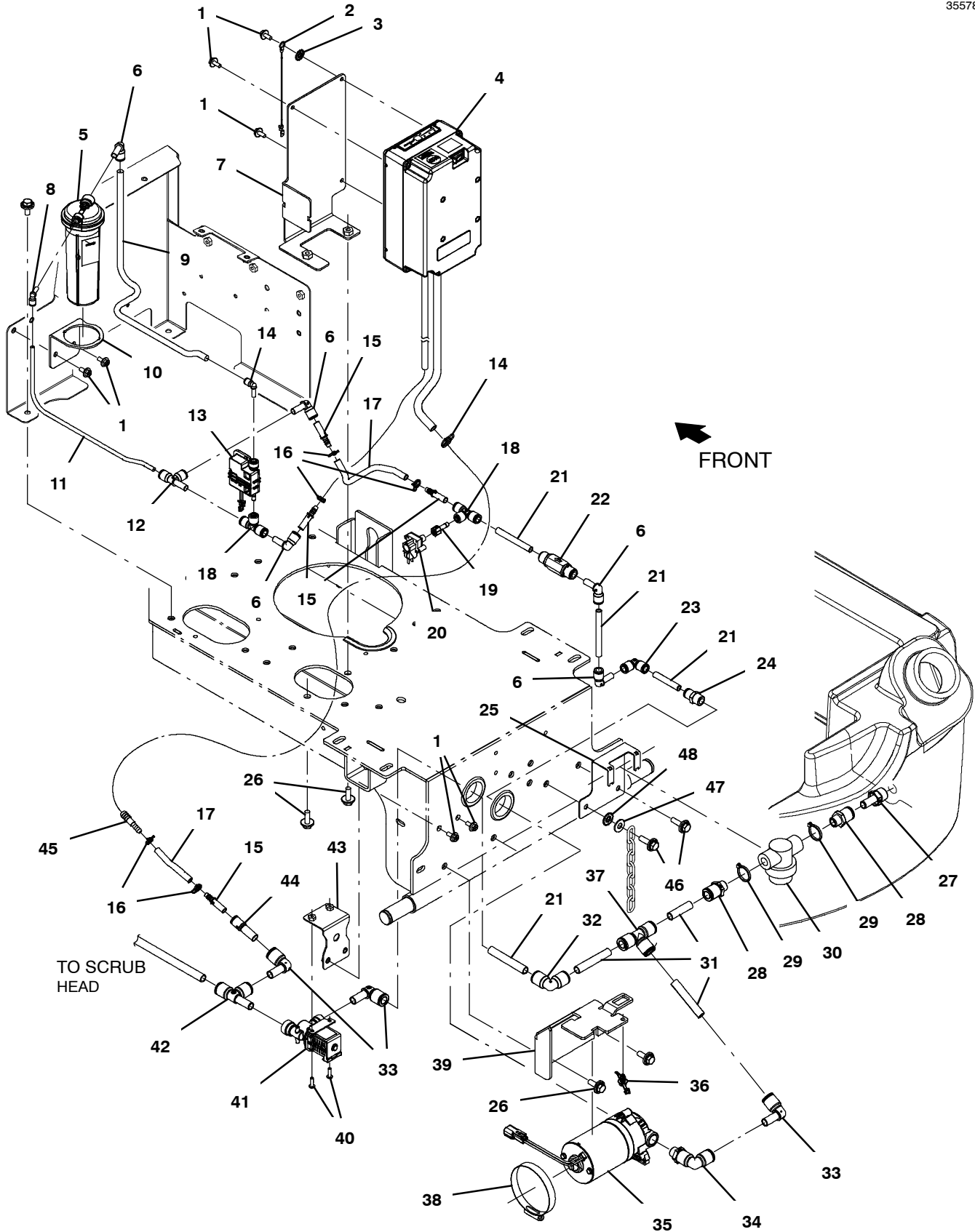
	Ref.	Part No.	Serial Number	Description	Qty.
▽		9010300	(10000000- 20000000)	Battery Fill Kit, 24v, Ci [Hydrolink]	1
▲	1	1058939	(10000000- 20000000)	Pump Kit, Fill, Hand, Battery	1
▲	2	1071084	(10000000- 20000000)	Label, Tag, Battery [Hydrolink Watering]	1
▲	3	130773	(10000000- 20000000)	Tie, Cable, Nyl, 11.0l, .14w, 3.0 Max. D	2
▲	4	1229544	(10000000- 20000000)	Tube, Water, Battery, 24vdc [Trojan]	1
▲	5	1204142	(10000000- 20000000)	Manifold, Battery [Trojan Hydrolink]	4

▽ ASSEMBLY

▲ INCLUDED IN ASSEMBLY

SOLUTION GROUP, ec-H2O NANOCLEAN

355786



SOLUTION GROUP, ec- H2O NANOCLEAN

Ref.	Part No.	Serial Number	Description	Qty.
	1	1034731	(10000000- 20000000) Screw, Hex, M6 X 1.00 X 16, Sems, Ss	5
	2	1074344	(10000000- 20000000) Harness, Ele [Ring With .250m Tail]	1
	3	41140	(10000000- 20000000) Washer, Lock, Int- Ext, 0.25	1
▽	4	9020643	(10000000- 20000000) Module Kit, Replmt [Ec- H2o, B 02] (See Breakdowns)	1
▲	5	9013646	(10000000- 20000000) Cartridge, Ec- H2o Nanoclean Wcm, 270ml	1
	6	1215186	(10000000- 20000000) Fitting, Plstc, E90, Qf06/Qm06	4
	7	1250092	(10000000- 20000000) Bracket Wldt, Mtg, Ech2o	1
	8	1214339	(10000000- 20000000) Fitting, Plstc, E90, Qfo4/Qm04	2
	9	9014147	(10000000- 20000000) Hose, Afmkt, Pvc, 0.06id .25od, 05ft	1
	10	1249781	(10000000- 20000000) Bracket, Cartridge, Ech2o	1
	11	9014146	(10000000- 20000000) Hose, Afmkt, Pvc, 0.06id .38od, 05ft	1
	12	1224323	(10000000- 20000000) Fitting, Plstc, Tee, Qf06/Qf06/Qm06	1
	13	1216973	(10000000- 20000000) Pump Assy, Dispenser	1
	14	607775	(10000000- 20000000) Clamp, Hose, Wir, .63 - .66, Blk	1
	15	1212857	(10000000- 20000000) Fitting, Plstc, Str, Qm06/Bm04	4
	16	613735	(10000000- 20000000) Clamp, Hose, Wir, .40 - .42, Yel	4
	17	1014986	(10000000- 20000000) Hose, Afmkt, Pvc, Clr, 0.25id, 02ft	1
	18	1212855	(10000000- 20000000) Fitting, Plstc, Tee, Qf04/Qf06/Qf06	1
	19	1231855	(10000000- 20000000) Fitting, Plstc, Str, Qm04/Pf02	1
	20	1044415	(10000000- 20000000) Switch, Press, 20psi, Pm02	1
	21	9014148	(10000000- 20000000) Hose, Afmkt, Nat, 0.25id 0.375od, 06ft	1
	22	1215527	(10000000- 20000000) Valve, Check, 1.0 Psi Qf06/Qf06	1
	23	1212856	(10000000- 20000000) Fitting, Plstc, E90, Qf06/Qf06	1
	24	1231160	(10000000- 20000000) Fitting, Plstc, Str, Qf06/Pm06	1
	25	1250603	(10000000- 20000000) Bracket, Mtg, Strainer	1
	26	1072628	(10000000- 20000000) Screw, Hex, M8 X 1.25 X 25, Ss, Sems	6
	27	1250331	(10000000- 20000000) Fitting, Plstc, Str, Qm08/Pm08	1
	28	1212813	(10000000- 20000000) Fitting, Plstc, Str, Qf08/Pm06	2
	29	130773	(10000000- 20000000) Tie, Cable, Nyl, 11.0l, .14w, 3.0 Max. D	2
▽	30	1211537	(10000000- 20000000) Filter, In- Line [80 Mesh, Fine, White]	1
▲		1218885	(10000000- 20000000) Gasket [Epdm, F/1211537]	1
▲		1218883	(10000000- 20000000) Screen, Fltr, 80 Mesh, Ss [Fine, White]	1
▲		613991	(10000000- 20000000) Bowl, Clr, Short, F/1005302	1
	31	1236365	(10000000- 20000000) Hose, Afmkt, Pe, .375id .50od, 08ft	1
	32	1211945	(10000000- 20000000) Plate, Mtg, Steering Trans [T16]	1
	33	1212809	(10000000- 20000000) Fitting, Plstc, E90, Qf08/Qm08	3
	34	1212987	(10000000- 20000000) Fitting, Plstc, E90, Qf08/Pm06, Swivel	1
	35	1210517	(10000000- 20000000) Pump, Soltn, Ele, 24vdc, 35 Psi	1
	36	1210807	(10000000- 20000000) Wire, Tie [W/.25" Fir Tree Clip]	1
	37	1212858	(10000000- 20000000) Fitting, Plstc, Tee, Qf08/Qf08/Qf08	1
	38	43555	(10000000- 20000000) Clamp, Hose, Wormdrive, 2.62- 3.50d	1
	39	1250010	(10000000- 20000000) Bracket, Wldt, Pump, Ech2o	1
	40	1205799	(10000000- 20000000) Screw, Btn, M5 X 0.8 X 16, 8.8, NI, Torx	2
	41	1250755	(10000000- 20000000) Valve, Water, Solenoid, 24vdc Qf08/Qf08	1
	42	1212806	(10000000- 20000000) Fitting, Plstc, Tee, Qf08/Qf08/Qm08	1
	43	1250013	(10000000- 20000000) Bracket Wldt, Mtg, Solenoid	1
	44	1215218	(10000000- 20000000) Fitting, Plstc, Str, Qf06/Qm08	1
	45	1039557	(10000000- 20000000) Fitting, Plstc, Str, Bm04/Bm06	1
	46	1072816	(10000000- 20000000) Screw, Hex, M8 X 1.25 X 30, Ss, Sems	2
	47	01685	(10000000- 20000000) Washer, Flat, 0.38b 0.88d .08, Ss	1
	48	41141	(10000000- 20000000) Washer, Lock, Int- Ext, 0.31	1

▽ ASSEMBLY

▲ INCLUDED IN ASSEMBLY

DOCUMENTATION GROUP (ONLINE ONLY)

Ref.	Part No.	Serial Number	Description	Qty.
	9021010	(10000000- 20000000)	Manual, Parts[T380amr, En, Global]	1
	9020999	(10000000- 20000000)	Manual, Oprtr [T380amr, En, Na]	1
	9021007	(10000000- 20000000)	Manual, Oprtr [T380amr, Es, Na]	1
	9021008	(10000000- 20000000)	Manual, Oprtr [T380amr, Fr, Na]	1
	9021009	(10000000- 20000000)	Manual, Oprtr [T380amr, Jp]	1
	9021011	(10000000- 20000000)	Manual, Service [T380amr, En]	1
	9021108	(10000000- 20000000)	Instr, Wall Chart [T380amr, Na]	1

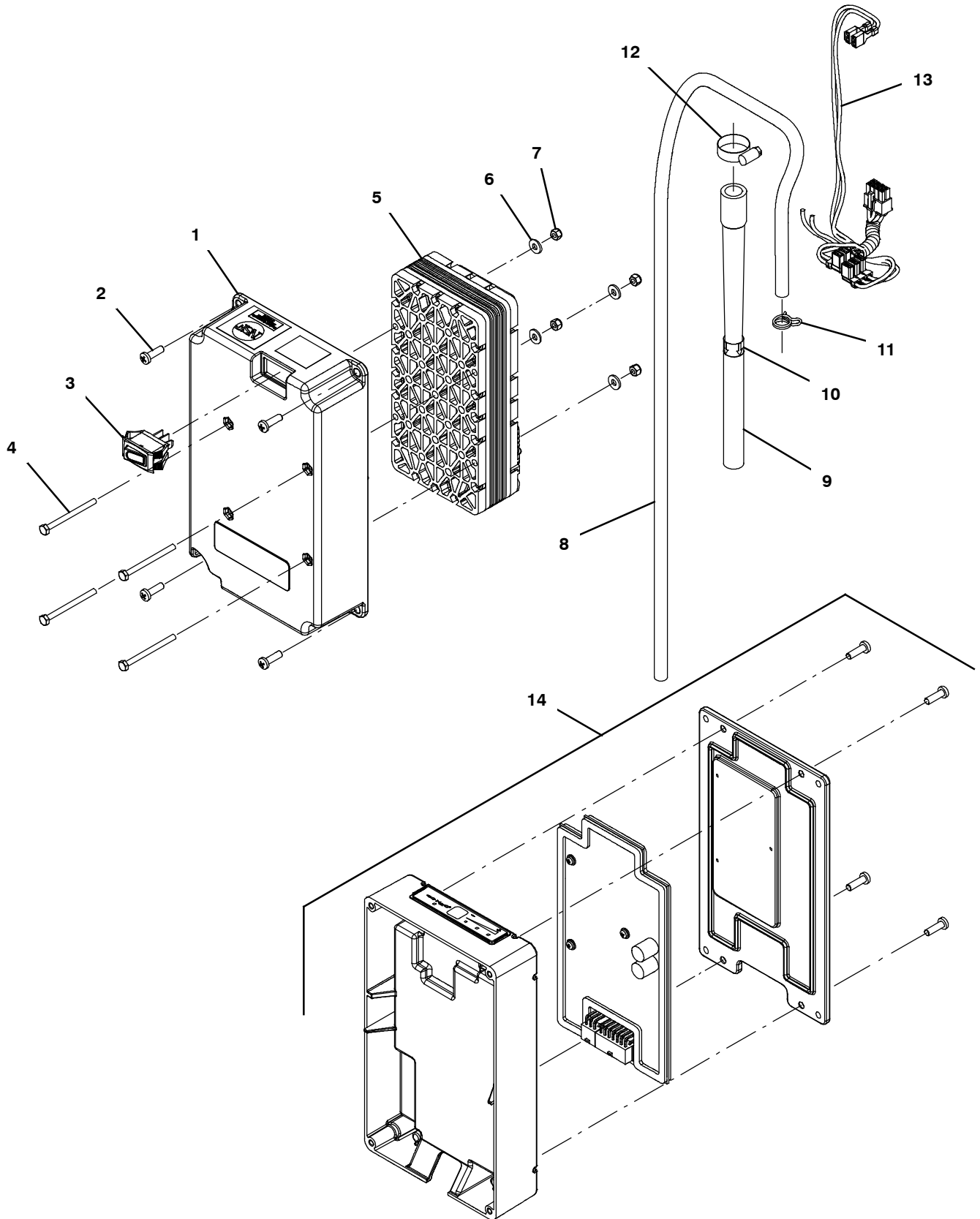


To view, print, or download the latest Parts manual, other language Operator manuals, and Use and Care Guides (wall charts), visit:

www.tennantco.com/manual

ec- H2O NANOCLEAN MODULE BREAKDOWN, 9020643

355797



ec- H2O NANOCLEAN MODULE BREAKDOWN, 9020643

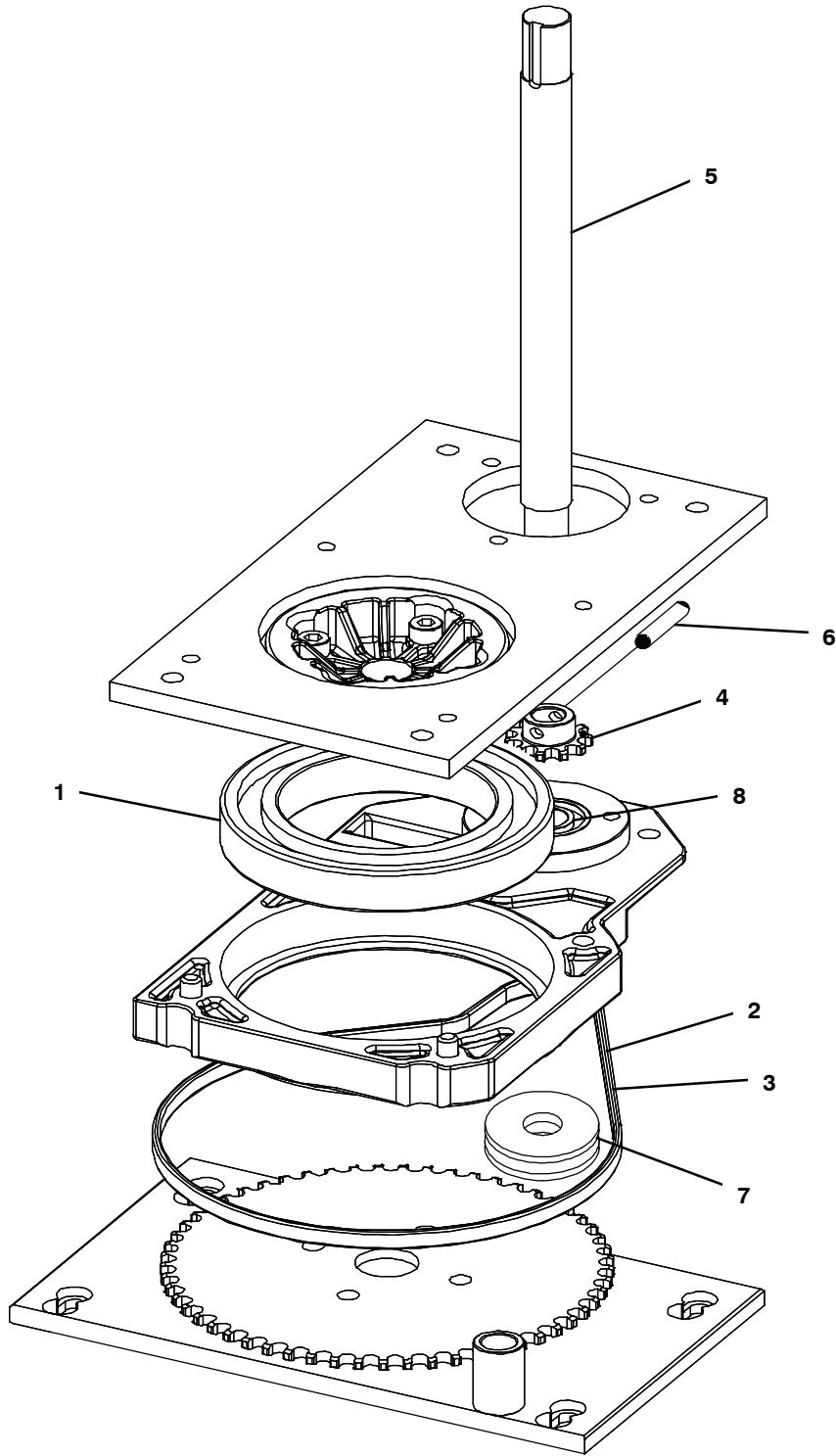
	Ref.	Part No.	Serial Number	Description	Qty.
▽		9020643	(10000000- 20000000)	Module Kit, Replmt [Ec- H2o, B 02] (Includes ec- H2O NanoClean Cartridge 9013646)	1
▲▽		9014126	(10000000- 20000000)	Ec- H2o Nc Kit [Module B, Plumbing]	1
▲▲	1	1208823	(10000000- 20000000)	Housing, Module, Upper, Ec- H2o	1
▲▲	2	1015506	(10000000- 20000000)	Screw, Pan, Phl, M5 X 16, Tcut [Plastic]	4
▲▲	3	1044393	(10000000- 20000000)	Switch, Rocker, Spst, Mom	1
▲▲	4	32509	(10000000- 20000000)	Screw, Hex, M4 X 0.70 X 50, Ss	4
▲▲	5	1233516	(10000000- 20000000)	Electrode, 5 Plate [De Nora Tech]	1
▲▲	6	41579	(10000000- 20000000)	Washer, Flat, 08, Ss	4
▲▲	7	33932	(10000000- 20000000)	Nut, Hex, Lock, M4 X 0.70, NI, Ss	4
▲▲	8	1006415	(10000000- 20000000)	Hose, Afmkt, Pvc, Clr, 0.25id, 03ft	1
▲▲	9	1208526	(10000000- 20000000)	Hose, Molded, Bm08/Bm06	1
▲▲	10	1049637	(10000000- 20000000)	Label, Direction [Ec- H2o]	1
▲▲	11	613735	(10000000- 20000000)	Clamp, Hose, Wir, .40 - .42, Yel	1
▲▲	12	54333	(10000000- 20000000)	Clamp, Hose, Wormdrive, 0.31- 0.88d, .31w	1
▲▲	13	1073286	(10000000- 20000000)	Harness, Ele, Module B2 [Ec- H2o]	1
▲	14	9014127	(10000000- 20000000)	Controller Kit, Replmt [Ec- H2o Nc] (Includes ec- H2O NanoClean Cartridge 9013646)	1

▽ ASSEMBLY

▲ INCLUDED IN ASSEMBLY

STEERING CONTROL BREAKDOWN, 1019727

355795



STEERING CONTROL BREAKDOWN, 1019727

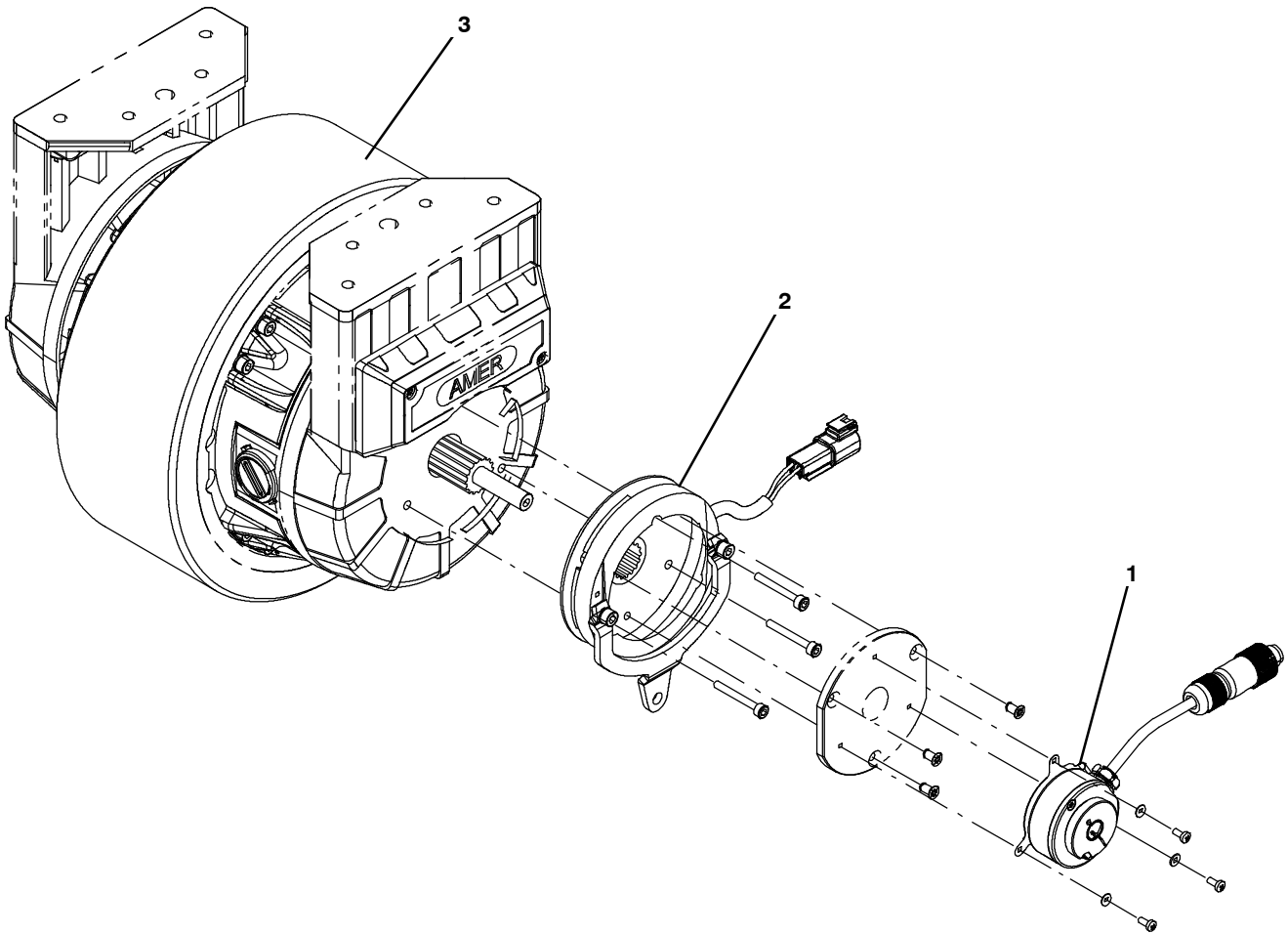
	Ref.	Part No.	Serial Number	Description	Qty.
▽		1019724	(10000000- 20000000)	Steer- Control Assy, Wheel Drive	1
▲	1	372874	(10000000- 20000000)	Vr, Bearing, Steering	1
▲	2	372875	(10000000- 20000000)	Vr, Chain, Steering	1
▲	3	372876	(10000000- 20000000)	Vr, Link, Master	1
▲	4	372881	(10000000- 20000000)	Vr, Sprocket	1
▲	5	1029229	(10000000- 20000000)	Vr, Shaft, Steering	1
▲	6	1038313	(10000000- 20000000)	Vr, Pin, Roll, 06mm X 28mm [T7/Ssrsteer]	1
▲	7	1043371	(10000000- 20000000)	Vr, Pulley, Tens	1
▲	8	9008719	(10000000- 20000000)	Vr, Bearing [6003 2rs]	2

▽ ASSEMBLY

▲ INCLUDED IN ASSEMBLY

DRIVE WHEEL BREAKDOWN, 9021134

355796



DRIVE WHEEL BREAKDOWN, 9021134

	Ref.	Part No.	Serial Number	Description	Qty.
▽		9021134	(10000000- 20000000)	Wheel, Drive, 250mm, 24vdc, W/Encd, Afmt	1
▲	1	9018804	(10000000- 20000000)	Vr, Sensor Kit, Encoder	1
▲▽	2	9021133	(10000000- 20000000)	Vr, Brake Kit, Parking	1
▲▲		1253490	(10000000- 20000000)	Connector, Hsng	1
▲▲		1253491	(10000000- 20000000)	Lock, Connector	1
▲▲		1253494	(10000000- 20000000)	Terminal, Mal	2
▲	3	9018929	(10000000- 20000000)	Vr, Wheel Kit, Blue	1

▽ ASSEMBLY

▲ INCLUDED IN ASSEMBLY