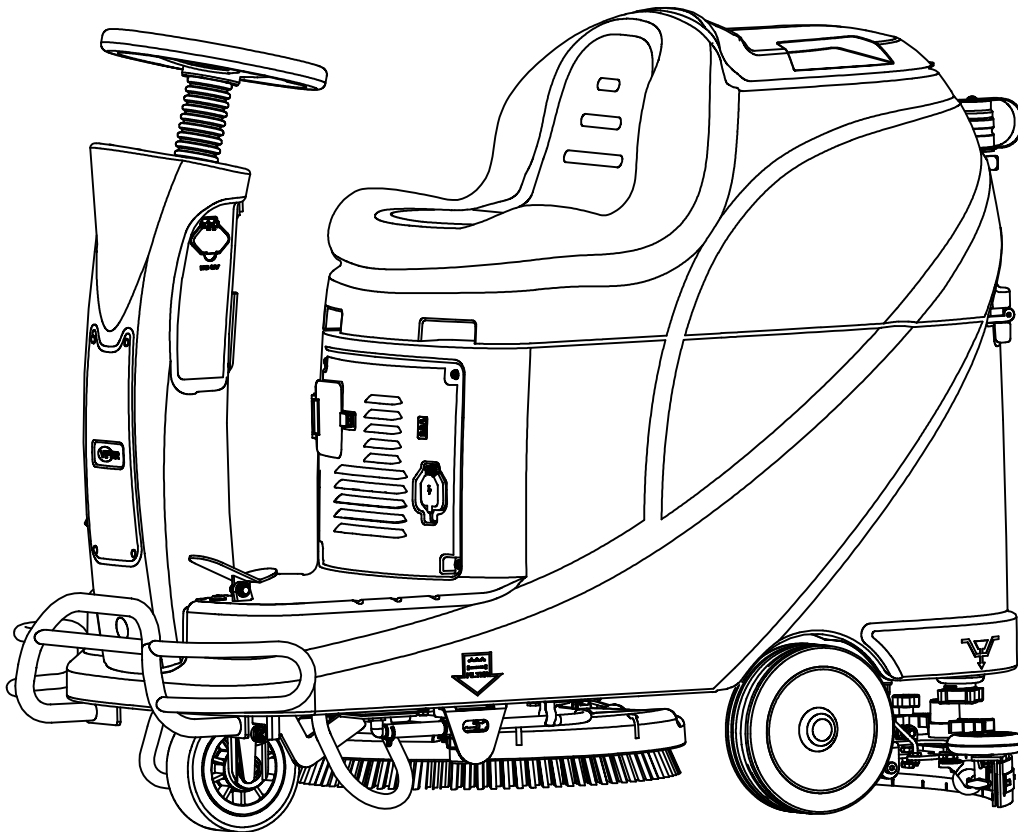




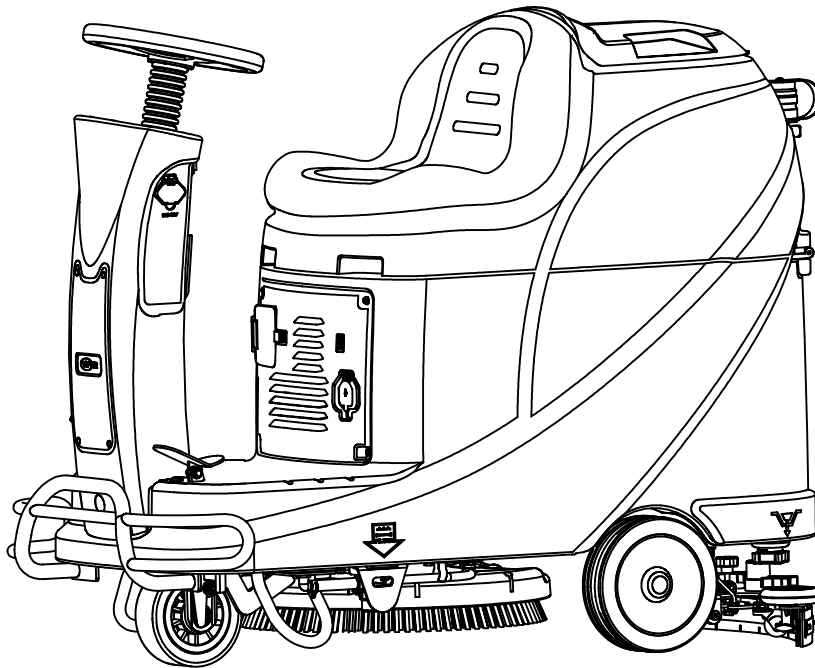
Ride-on Scrubbers Part List

AS530R



PART LIST

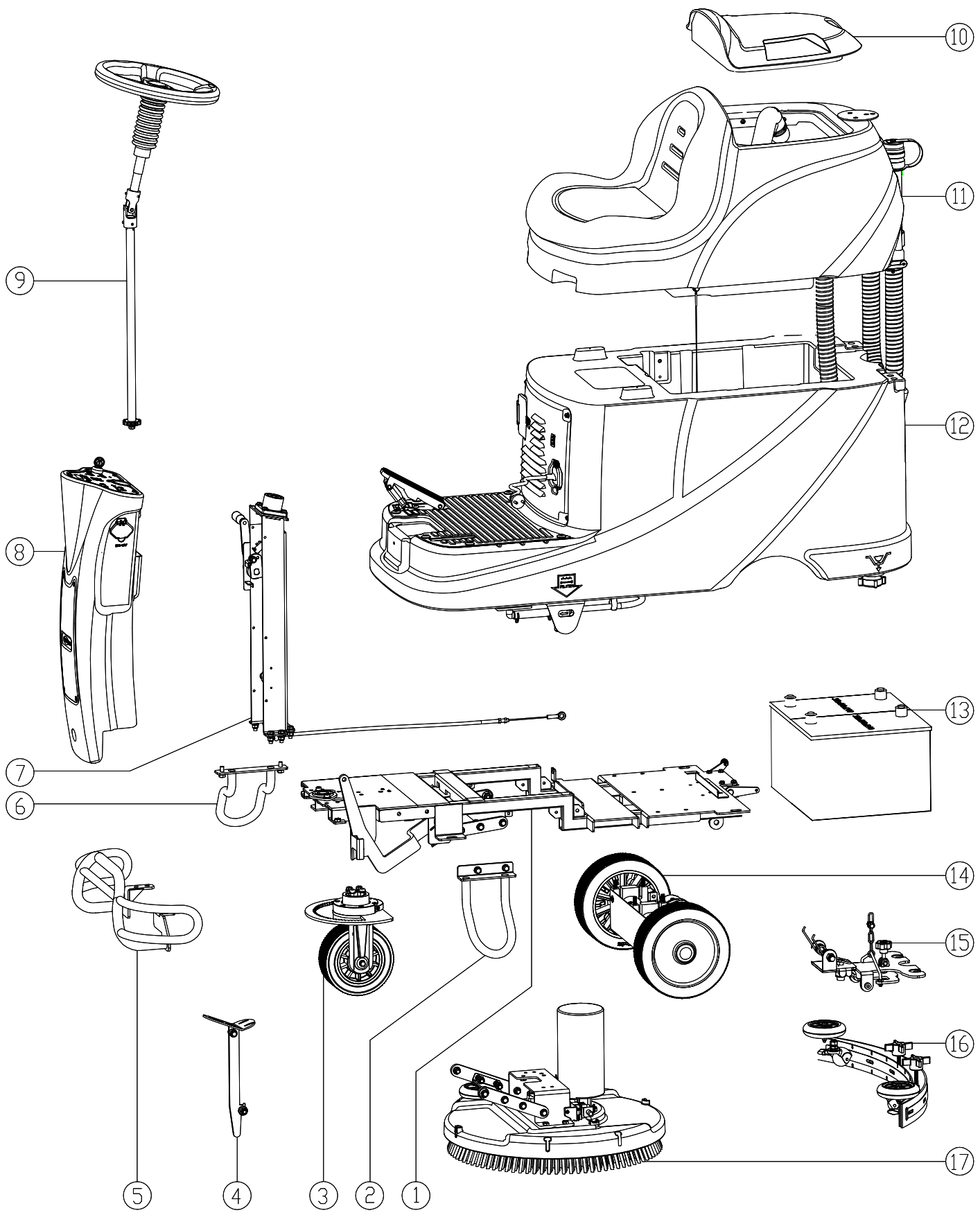
TABLE OF CONTENTS



Description	Page
COMPLETE ASSEMBLY	2-3
CHASSIS AND BUMPER ASSEMBLY	4-5
FRONT WHEEL ASSEMBLY	6-7
DRIVE MOTOR AND REAR WHEEL ASSEMBLY	8-9
DIRECTION CONTROL ASSEMBLY	10-11
FRONT MAIN FRAME ASSEMBLY	12-13
CONTROL HOUSING ASSEMBLY	14-15
BRUSH ASSEMBLY	16-17
SOLUTION TANK ASSEMBLY	18-19
ELECTRIC PARTS ASSEMBLY	20-21
RECOVERY TANK ASSEMBLY	22-23
SQUEEGEE BRACKET ASSEMBLY	24-25
SQUEEGEE ASSEMBLY	26-27
ELECTRIC PARTS	28-29
OTHER ELECTRIC PARTS ASSEMBLY	30-31
MOTOR SPEED CONTROLLER CONNECT WIRE	32-32
MAIN CONECTION WIRE	33-33
WEAR AND TEAR PARTS	34-35
WIRING DIAGRAM	36-36

PART LIST

COMPLETE ASSEMBLY



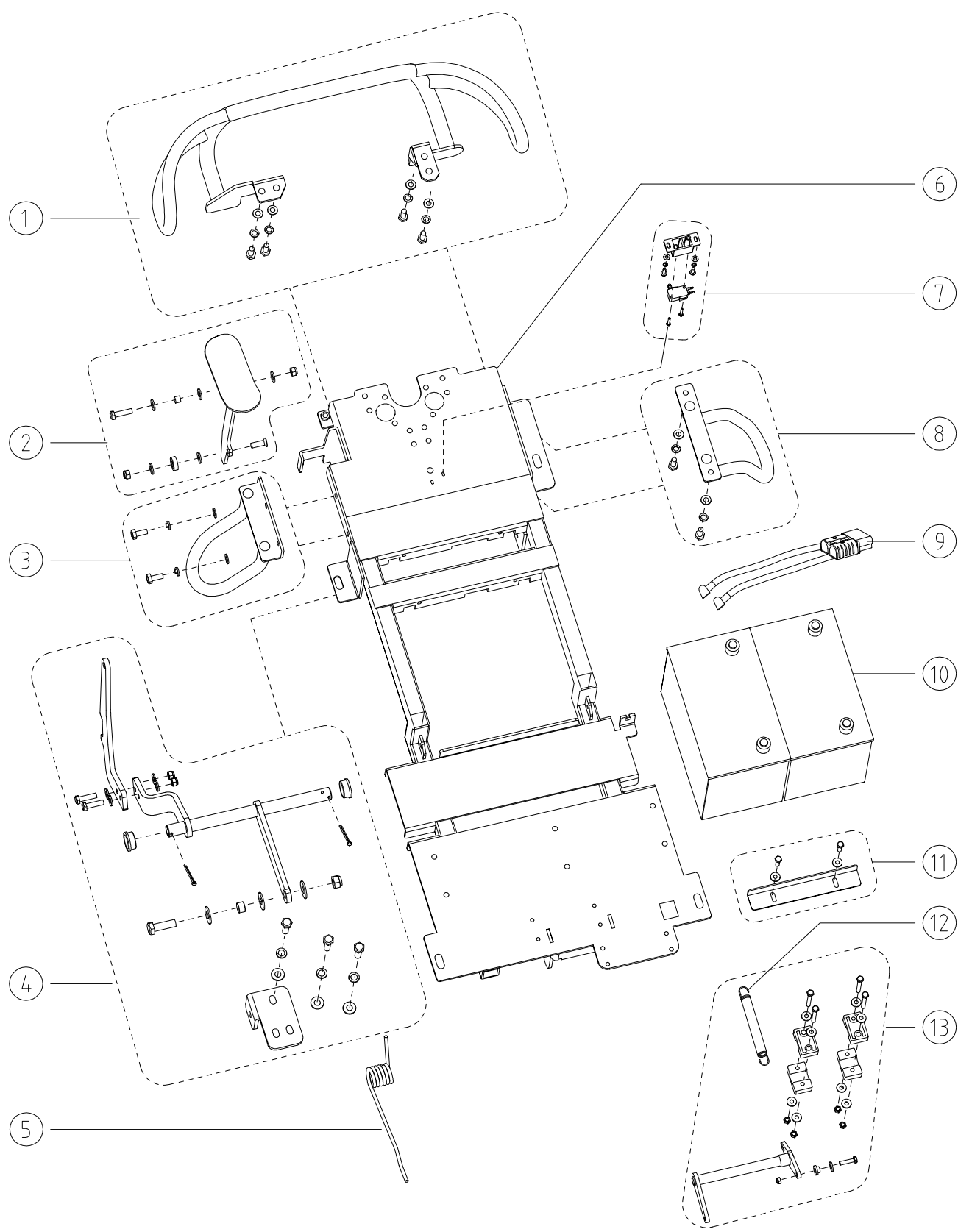
PART LIST

COMPLETE ASSEMBLY

Item	Description	Qty
1	CHASSIS ASSEMBLY	1
2	LEFT BUMPER ASSEMBLY	1
3	FRONT WHEEL ASSEMBLY	1
4	BRUSH LIFTING PEDAL ASSEMBLY	1
5	KIT FRONT BUMPER	1
6	RIGHT BUMPER ASSEMBLY	1
7	FRONT MAIN FRAME ASSEMBLY	1
8	FRONT HOUSING ASSEMBLY	1
9	DIRECTION CONTROL ASSEMBLY	1
10	RECOVERY TANK COVER ASSEMBLY	1
11	RECVOERY TANK ASSEMBLY	1
12	SOLUTION TANK ASSEMBLY	1
13	BATTERIES	2
14	DRIVE MOTOR AND REAR WHEEL ASSEMBLY	1
15	SQUEEGEE BRACKET ASSEMBLY	1
16	SQUEEGEE ASSEMBLY	1
17	BRUSH ASSEMBLY	1

PART LIST

CHASSIS AND BUMPER ASSEMBLY



PART LIST

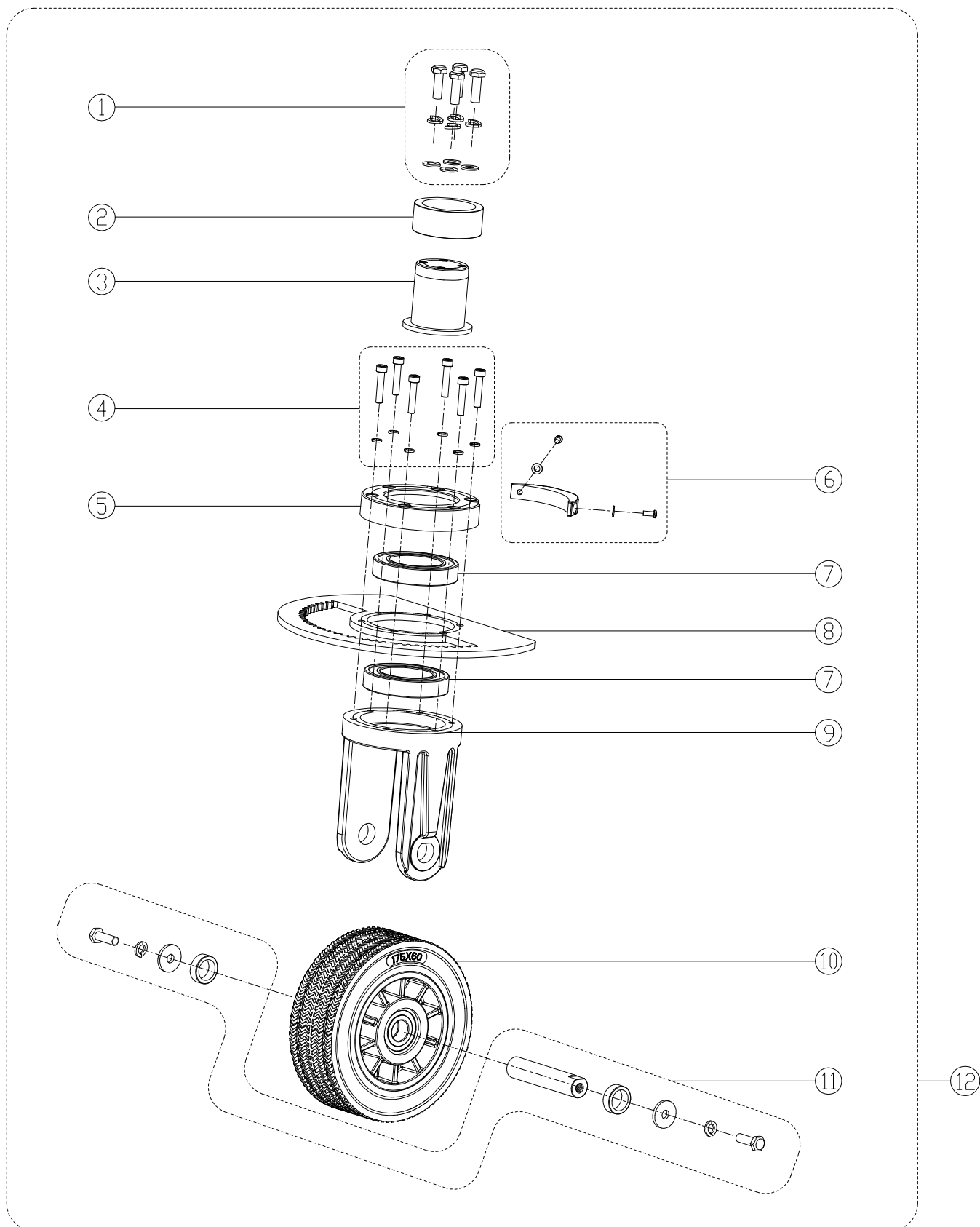
CHASSIS AND BUMPER ASSEMBLY

Item	Part No.	Description	Qty
1	VR23055	FRONT BUMPER KIT	1
2	VR25017	BRUSH LIFT PEDAL KIT	1
3	VR23056	LEFT BUMPER KIT	1
4	VR25016	ROTARY BRACKET KIT	1
* 5	VR25027	SPRING	1
6	VR23000	CHASSIS	1
7	VR23057	MICROSWITCH KIT	1
8	VR23058	RIGHT BUMPER KIT	1
9	VS10206	BATTERY CONNECTIONS	1
10		BATTERIES	1
11	VR23060	BATTERY BRACKET KIT	1
12	VR11003	SQUEEGEE LIFT RESTORATION SPRING	1
13	VR23059	SQUEEGEE LIFT BRACKET KIT	1

* ONLY FOR AS530R-US .

PART LIST

FRONT WHEEL ASSEMBLY



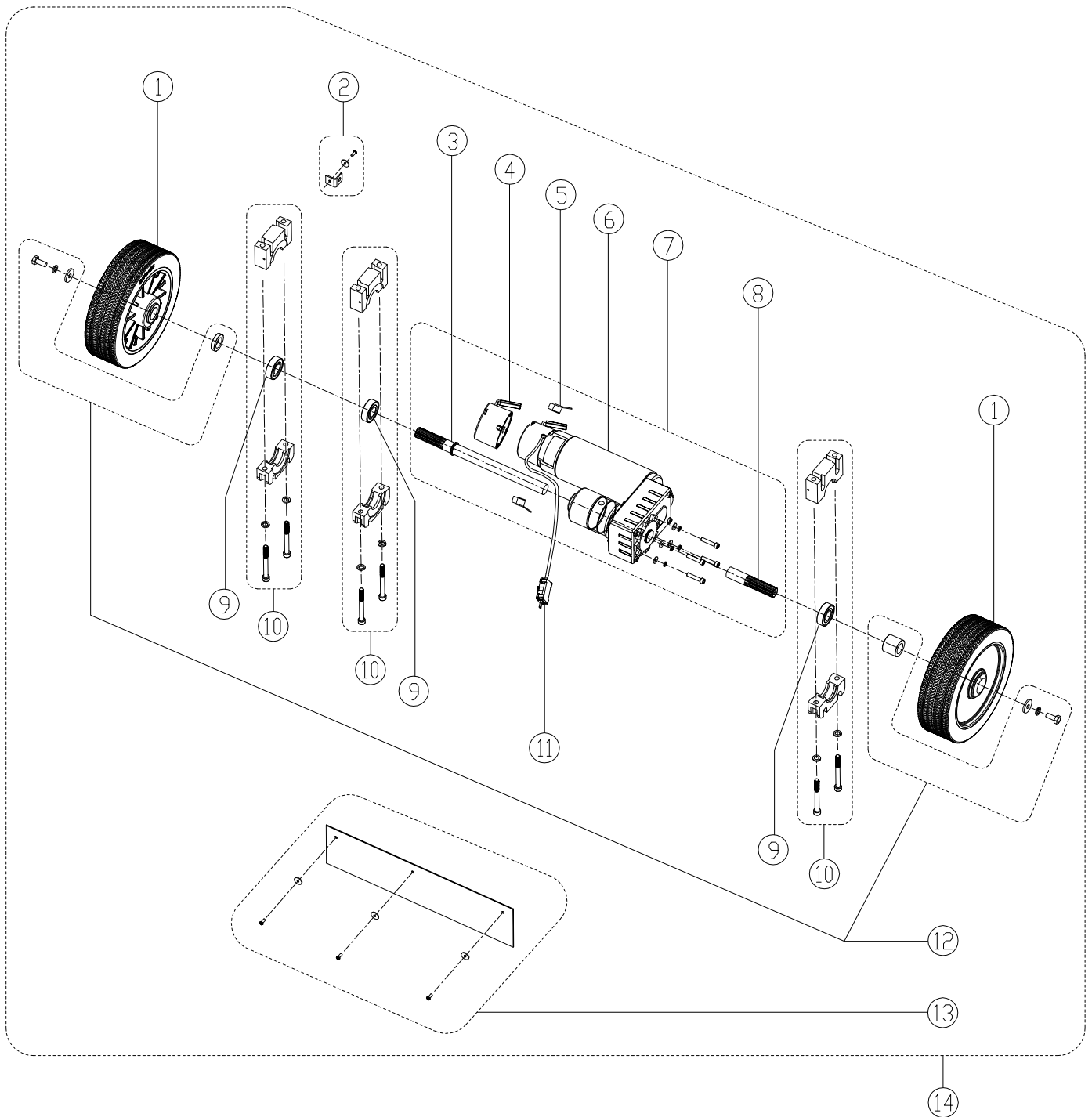
PART LIST

FRONT WHEEL ASSEMBLY

Item	Part No.	Description	Qty
1	VR23061	KIT HARDWARE FIXED PILLARS	1
2	VR23036	FRONT WHEEL WASHER	1
3	VR23035	FRONT WHEEL FIXED PILLARS	1
4	VR23062	KIT HARDWARE FRONT WHEEL BRACKET	1
5	VR23039	FIXED BEARING RING	1
6	VR23047	KIT CONTACTOR	1
7	VR23037	BEARING	2
8	VR23034	BIG GEAR	1
9	VR23031	FRONT WHEEL BRACKET	1
10	VR23030	FRONT WHEEL	1
11	VR23054	KIT WHEEL FIXED	1
12	VR23043	FRONT WHEEL ASSEMBLY	1

PART LIST

DRIVE MOTOR AND REAR WHEEL ASSEMBLY

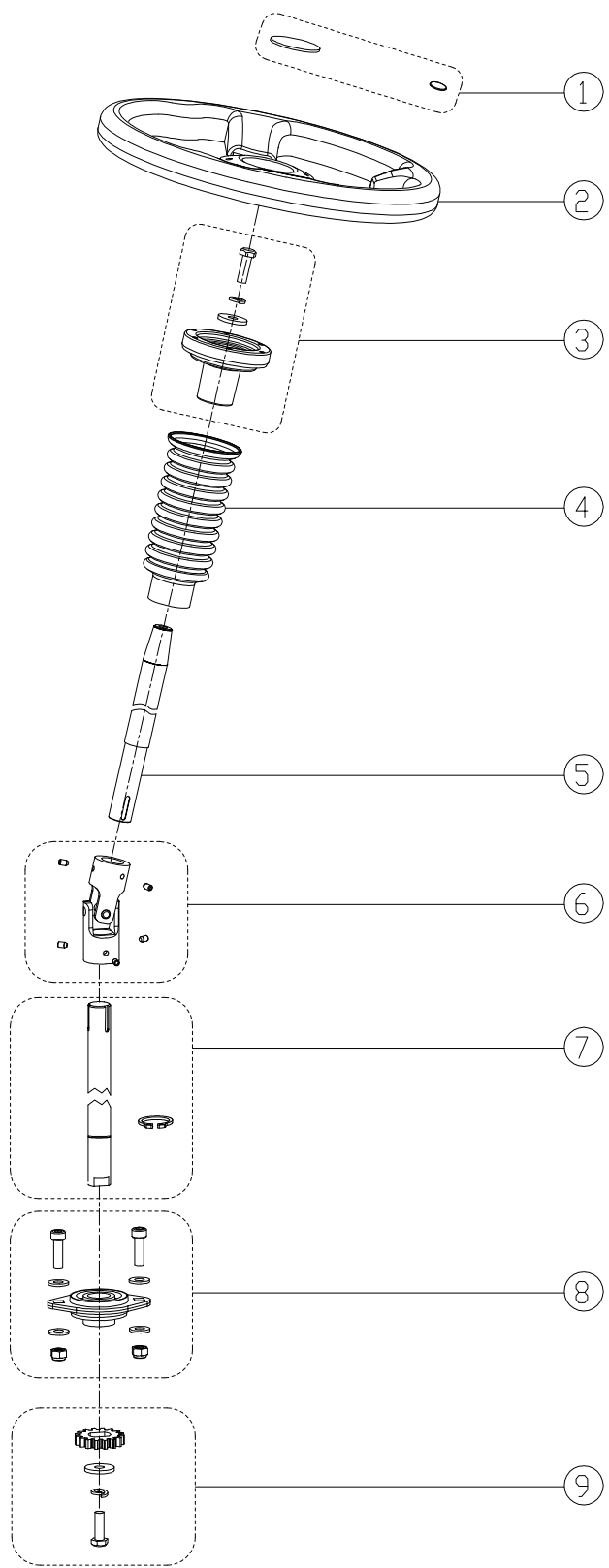


PART LIST

DRIVE MOTOR AND REAR WHEEL ASSEMBLY

Item	Part No.	Description	Qty
1	VR23029	REAR WHELL	2
2	VR23048	KIT HOOK BLOCK	1
3	VR27022	MOTOR SHAFT(LONG)	1
4	VR27025	KIT MOTOR BRAKE	1
5	VR27024	CARBON BRUSH	2
6	VR27020	MOTOR TRACTION	1
7	VR23049	KIT MOTOR TRACTION	1
8	VR27023	MOTOR SHAFT(SHORT)	1
9	VF14075	BEARING	3
10	VR23050	KIT TRACTION MOUNT	3
11	VR27100	WATERPROOF CASE	1
12	VR23053	KIT REAR WHELL FIXED	1
13	VR23051	KIT WATERPROOF BOARD	1
14	VR23044	DRIVE MOTOR AND REAR WHEEL ASSEMBLY	1

DIRECTION CONTROL ASSEMBLY

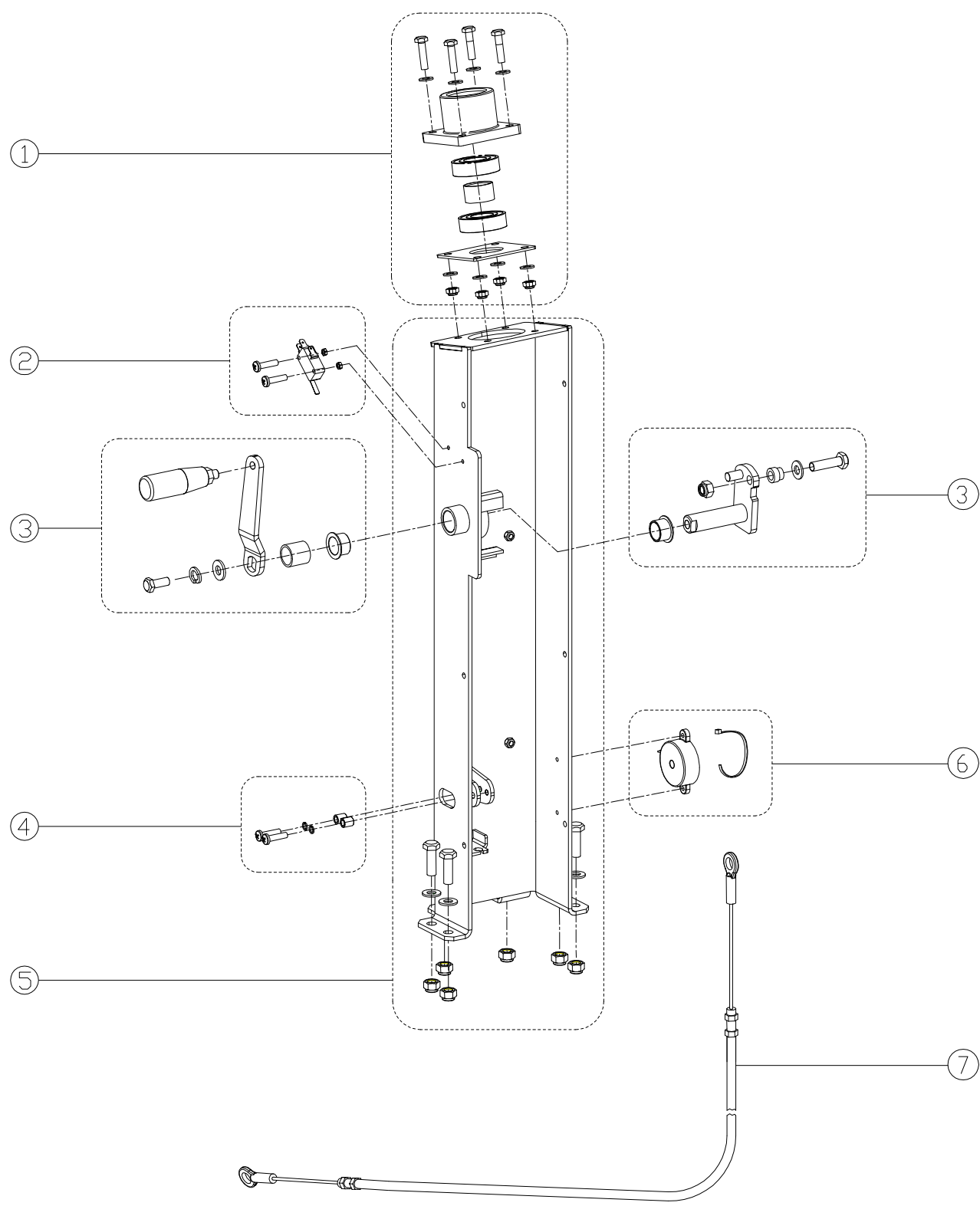


PART LIST

DIRECTION CONTROL ASSEMBLY

Item	Part No.	Description	Qty
1	VR24084	KIT STEERING WHEEL LOGO	1
2	VR10016	STEERING WHEEL	1
3	VR24085	KIT STEERING WHEEL LOCK	1
4	VR24011	RUBBER SLEEVE STEERING WHEEL	1
5	VR24010	UP SHAFT STEERING WHEEL	1
6	VR10040	KIT UNIVERSAL JOINT	1
7	VR24090	KIT DOWN SHAFT STEERING WHEEL	1
8	VR24087	KIT BEARING WITH BRACKET	1
9	VR24086	KIT GEAR	1

FRONT MAIN FRAME ASSEMBLY

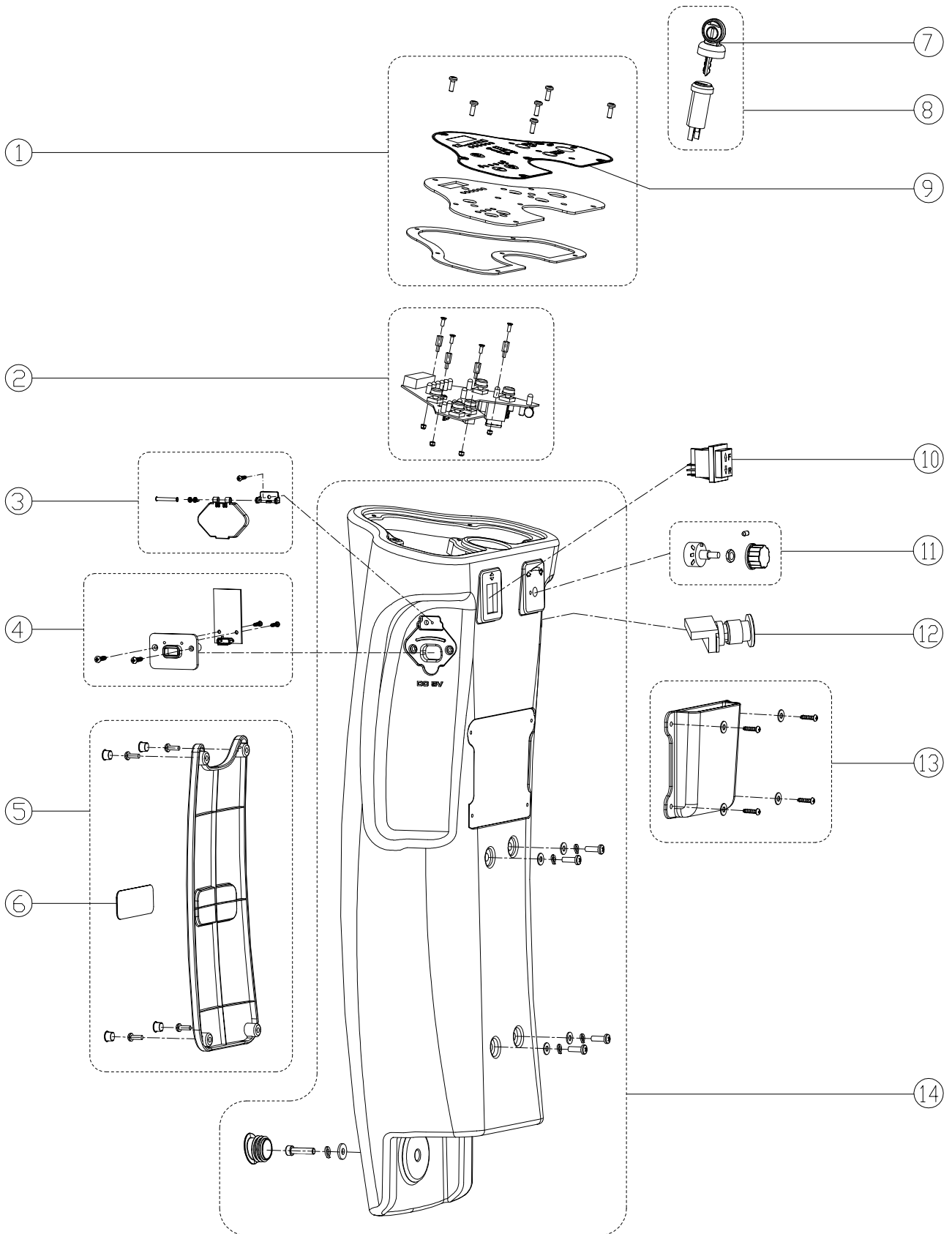


PART LIST

FRONT MAIN FRAME ASSEMBLY

Item	Part No.	Description	Qty
1	VR24071	KIT BEARING BASE	1
2	VR24072	KIT SQUEEGEE SWITCH	1
3	VR24073	KIT HANDLE SQUEEGEE LIFT	1
4	VR24074	KIT CABLE GUIDE WHEEL SQUEEGEE LIFT	1
5	VR24075	KIT FRONT FRAME	1
6	VR24076	KIT HORN	1
7	VR24021	CABLE SQUEEGEE LIFT	1

CONTROL HOUSING ASSEMBLY

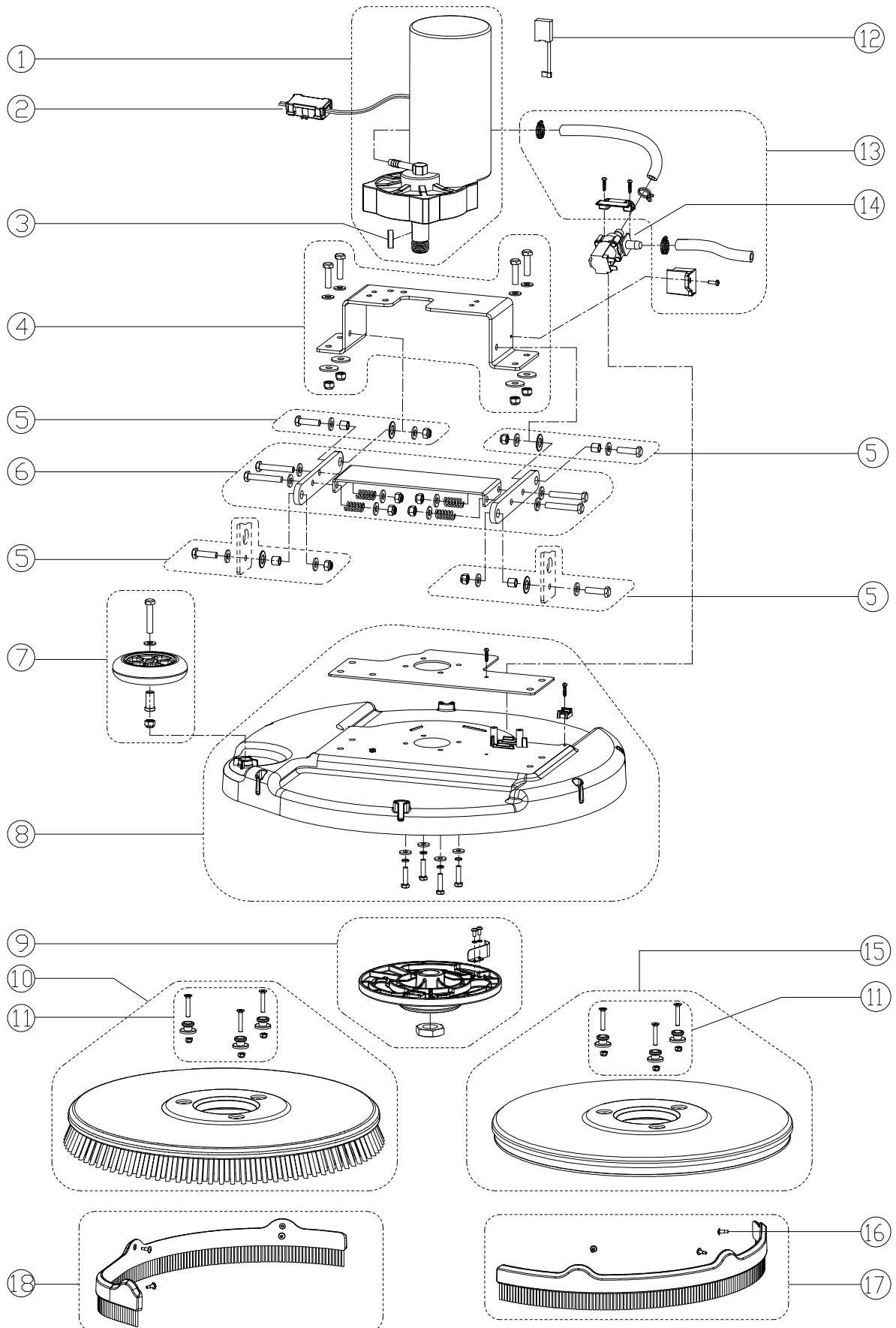


PART LIST

CONTROL HOUSING ASSEMBLY

Item	Part No.	Description	Qty
1	VR24077	KIT CONTROL PANEL	1
2	VR24078	KIT CONTROL PCB (EU VERSION)	1
	VR24089	KIT CONTROL PCB (US VERSION)	1
3	VR15200	KIT USB COVER	1
4	VR24080	KIT USB PCB	1
5	VR24081	KIT CONTROL HOUSING COVER	1
6	VR24022	LOGO LABEL	1
7	146 2887 000	KEY	1
8	9100001354	KEY SWITCH	1
9	VR24001	CONTROL PANEL DECAL	1
10	VR15110	FORWARD OR REVERSE BUTTON	1
11	VR24079	SPEED POTENTIOMETER	1
12	VR27172	EMERGENCY-STOP BUTTON	1
13	VR24082	KIT PHONE STORAGE	1
14	VR24083	KIT CONTROL HOUSING	1

BRUSH ASSEMBLY



PART LIST

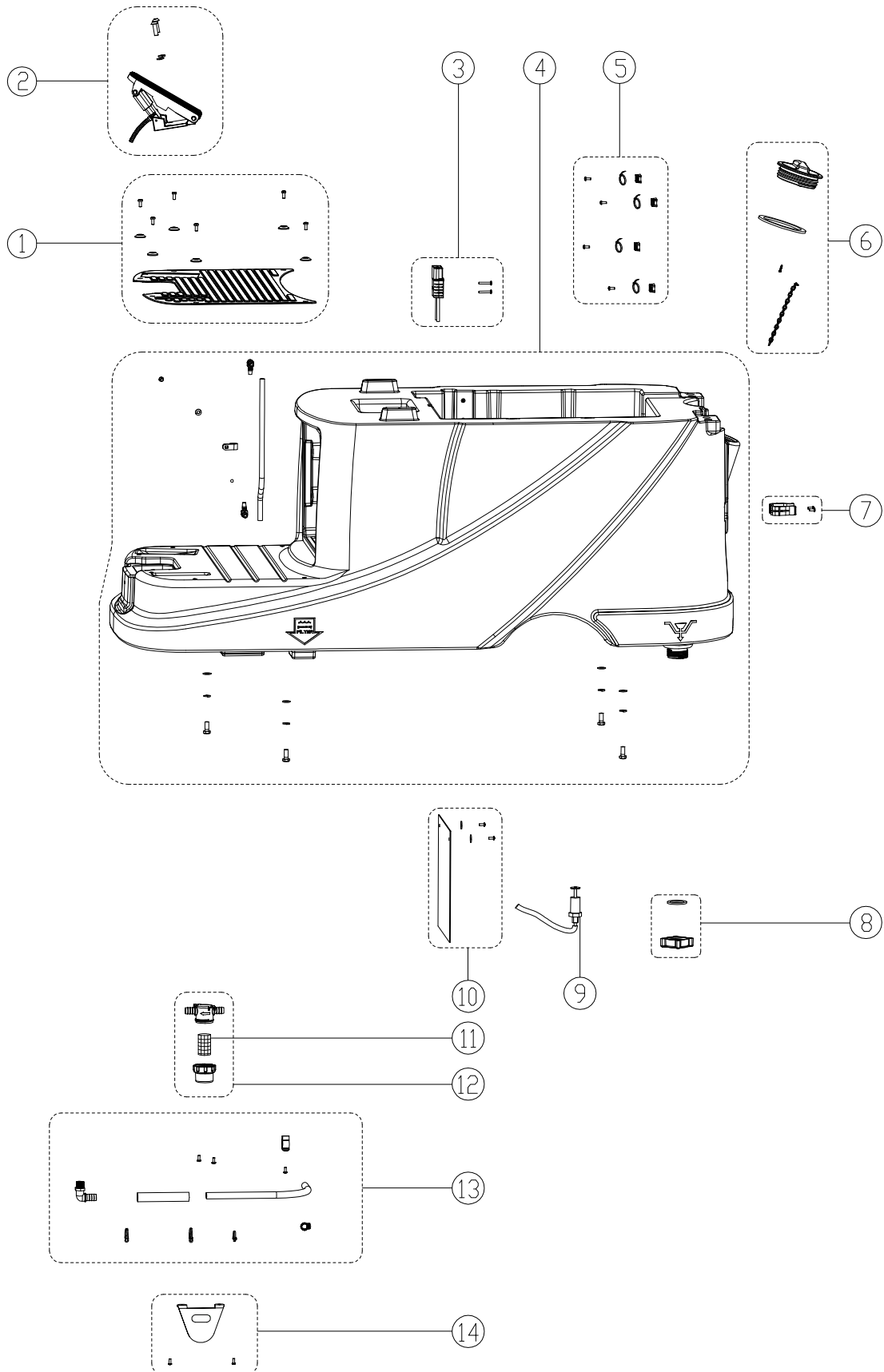
BRUSH ASSEMBLY

Item	Part No.	Description	Qty
1	VR27010	KIT BRUSH MOTOR	1
2	VR27100	WATERPROOF CASE	1
3	VR25013	SHAFT KEY	1
4	VR25041	KIT BRUSH LIFT PLATE	1
5	VR25042	KIT BRUSH LIFT ARM CONNECTION	1
6	VR25043	KIT BRUSH LIFT ARM	1
7	VR25044	KIT BUMPER WHEEL	1
8	VR25045	KIT BRUSH DECK	1
9	VR25046	KIT PLATE DRIVE	1
10	VR25014	KIT BRUSH	1
11	VF25048	KIT BRUSH SREW	1
12	VF89116	CARBON BRUSH	4
13	VR25047	TUBE KIT	1
14	VR25030	SOLENOID VALVE	1
* 15	VR25022	PAD DRIVER 20"	1
16	VS10516	STEP SCREW	6
* 17	VR25026	LEFT BRUSH SKIRT HEADWARE KIT	1
* 18	VR25025	RIGHT BRUSH SKIRT HEADWARE KIT	1

* OPTIONAL

PART LIST

SOLUTION TANK ASSEMBLY



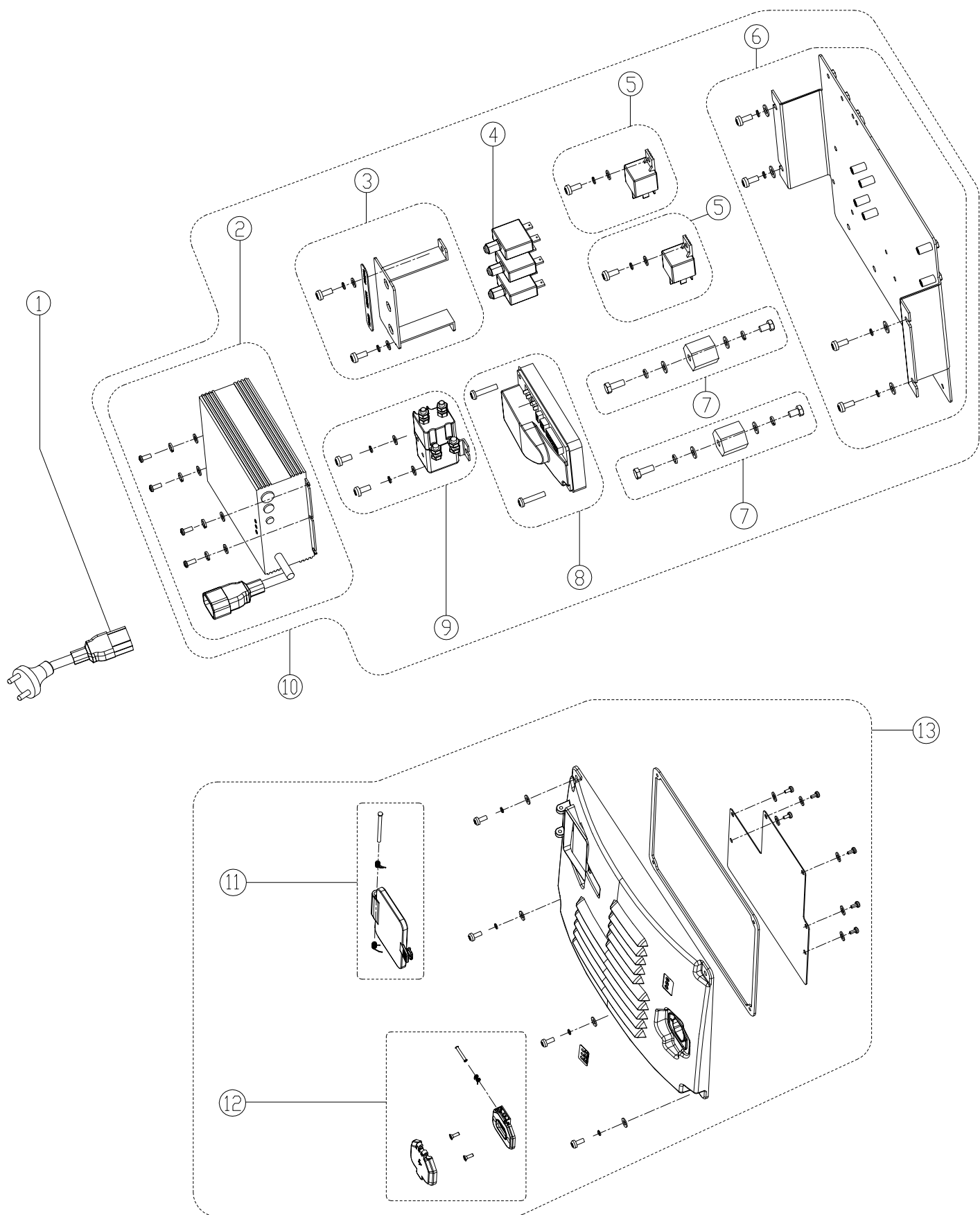
PART LIST

SOLUTION TANK ASSEMBLY

Item	Part No.	Description	Qty
1	VR21021	KIT ANTI-SKID PLATE	1
2	VR21022	KIT SPEED CONTROL PEDAL	1
3	VR21037	KIT INPUT CONNECTION CABLE	1
4	VR21038	KIT SOLUTION TANK	1
5	VR21039	KIT WIRE CLAMP	1
6	VR21023	KIT SOLUTION COVER	1
7	VR21040	KIT HOSE CLAMP	1
8	VF90536	KIT OUTLET COVER	1
9	VR13430	SWITCH SOLUTION TANK WATER LEVEL	1
10	VR21041	KIT WATERPROOF BOARD	1
11	VF90608	FILTER INSERT	1
12	VF90621	FILTER	1
13	VR21042	HOSE,ADAPTOR	1
14	VR21043	KIT FILTER PROTECTION	1

PART LIST

ELECTRIC PARTS ASSEMBLY



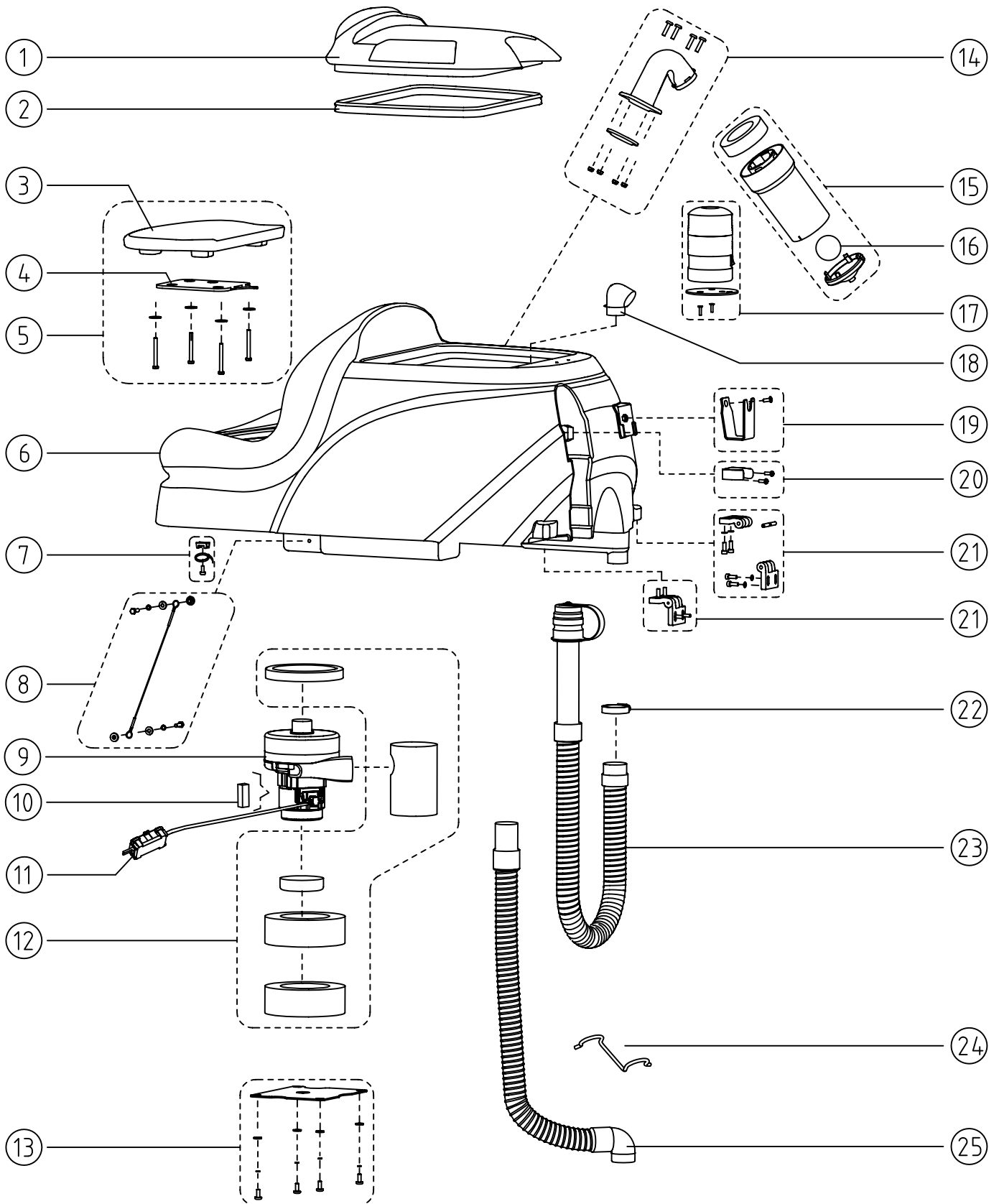
PART LIST

ELECTRIC PARTS ASSEMBLY

Item	Part No.	Description	Qty
1	VF89725	BATTERY CHARGING CABLE(EU)	1
	VF89724	BATTERY CHARGING CABLE(US)	1
	VF89721	BATTERY CHARGING CABLE(CN)	1
	VF89726	BATTERY CHARGING CABLE(UK)	1
2	VR21053	KIT CHARGER (EU VERSION)	1
	VR21057	KIT CHARGER (US VERSION)	1
3	VR21044	KIT FIX BRACKET	1
4	ZD48320	BREAKER	3
5	VR21045	KIT RELAY	2
6	VR21046	KIT ELECTRIC PARTS MOUNTING PLATE	1
7	VR21047	KIT CONNECT WIRE POLE	2
8	VR21048	KIT DRIVE MOTOR CONTROL	1
9	VR21049	KIT CONTACTOR	1
10	VR21002	KIT ELECTRIC PARTS MOUNTING PLATE	1
11	VR13120	KIT TRANSPARENT LID	1
12	VS10126	KIT CHARGER SOKET	1
13	VR21005	LID KIT ELECTRIC BOX	1

PART LIST

RECOVERY TANK ASSEMBLY



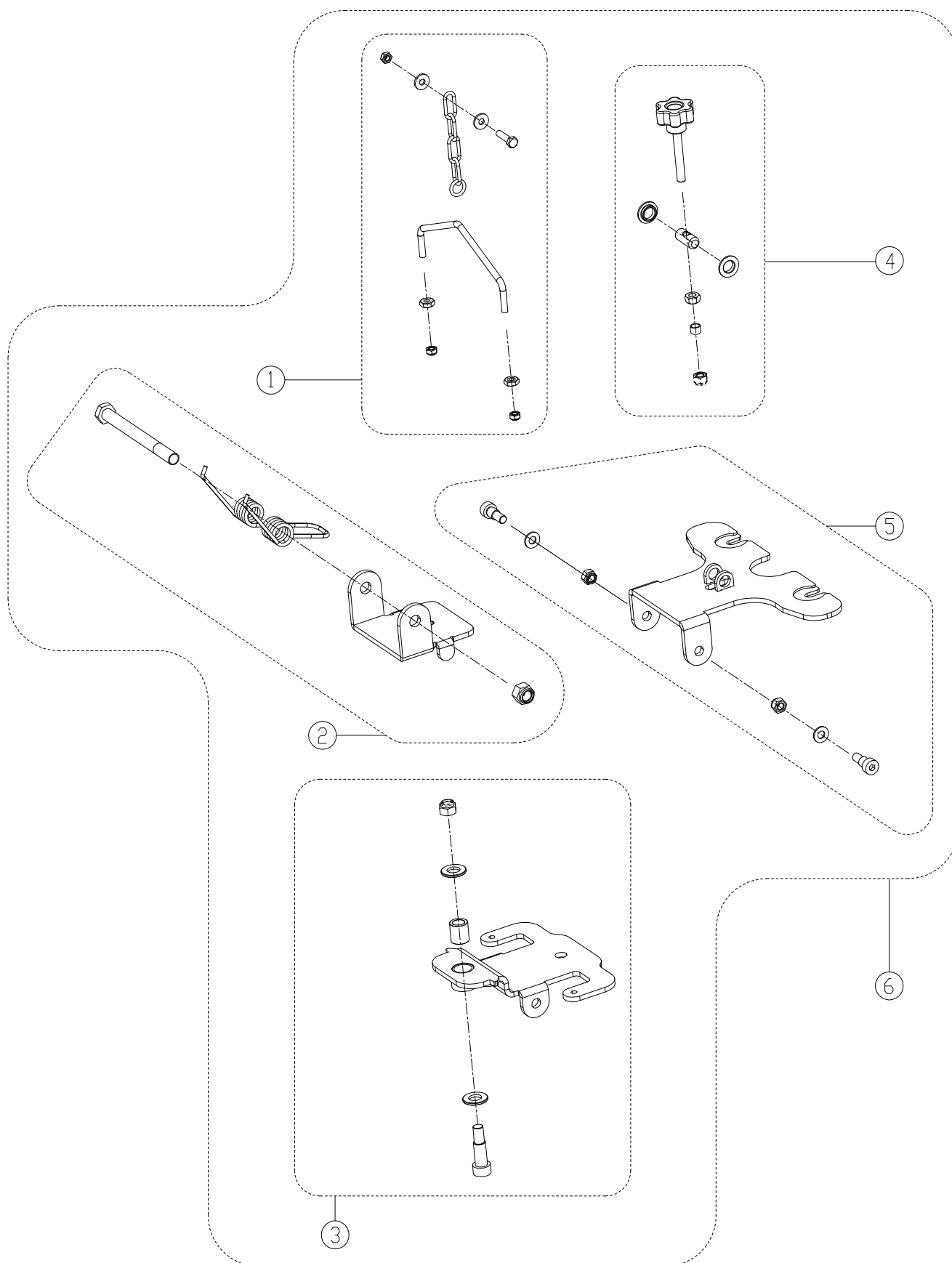
PART LIST

RECOVERY TANK ASSEMBLY

Item	Part No.	Description	Qty
1	VR22001	RECOVERY TANK COVER	1
2	VR22002	GASKET	1
3	VR22011	CUSHION	1
4	VR27012	CUSHION SWITCH KIT	1
5	VR22013	CUSHION KIT	1
6	VR22003	RECOVERY TANK	1
7	VR22015	CABLE CLAMP	1
8	VR22016	RECOVERY TANK PULL CABLE KIT	1
9	VF90520	VACUUM MOTOR	1
10	VF90522	CARBON BRUSH	2
11	VR27100	WATERPROOF CASE	1
12	VS10112	GASKET VACUUM MOTOR KIT	1
13	VS10113	VACUUM MOTOR COVER KIT	1
14	VS10110	ELBOW ADAPTOR KIT	1
15	VF90534	FLOAT KIT	1
16	VR22019	FLOATE	1
*17	VR17160	WARNING LIGHT KIT	1
18	VS13316	BEND TUBE	1
19	VR17605	SQUEEGEE HOOK KIT	1
20	VR22017	CLAMP DRAIN HOSE KIT	1
21	VR22018	HINGE KIT	2
22	VA20304	CLAMP 2"	1
23	VR22006	DRAIN HOSE	1
24	VF83150	DRAIN HOSE CLAMP	1
25	VF84223	SUCTION HOSE	1

* OPTIONAL

SQUEEGEE BRACKET ASSEMBLY

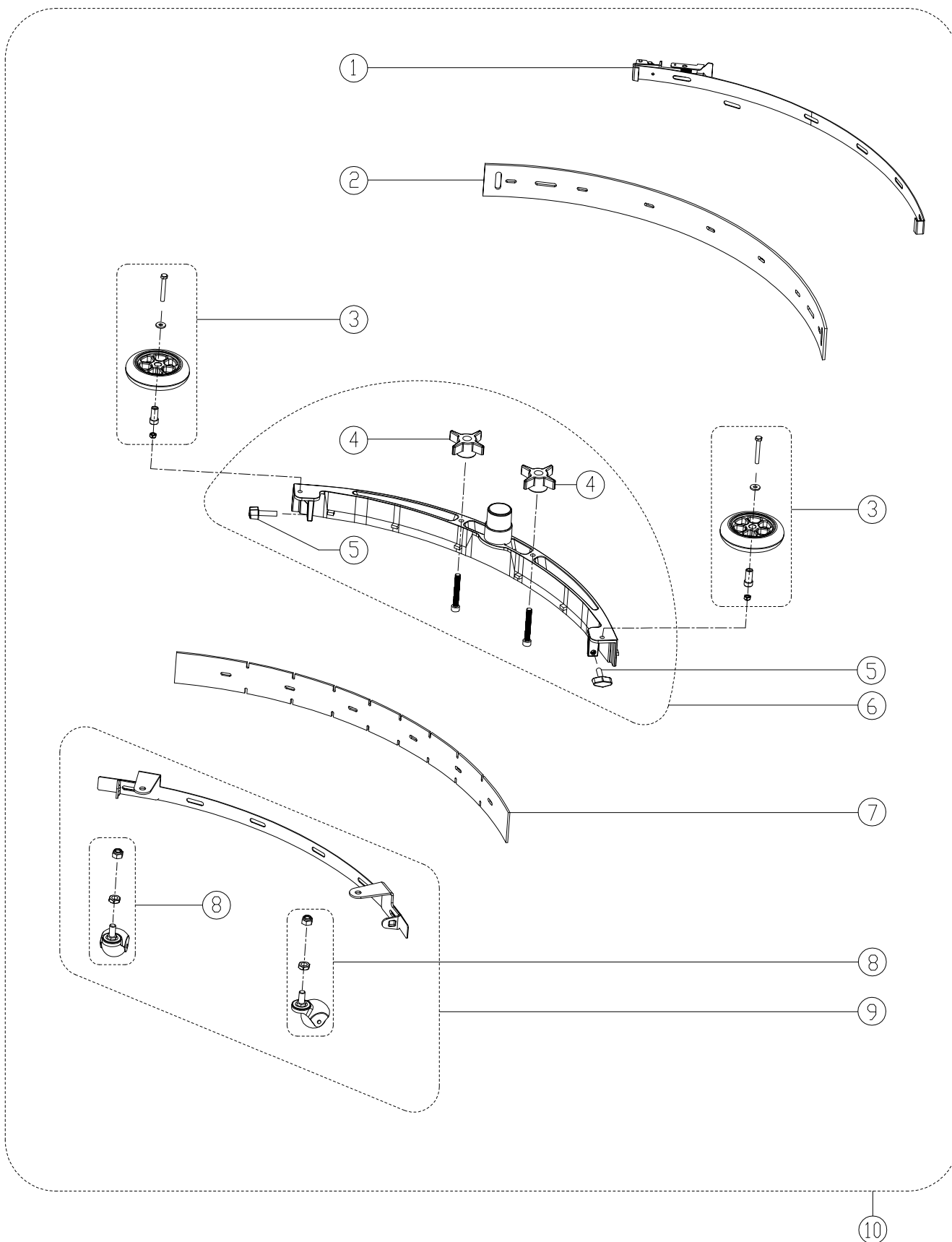


PART LIST

SQUEEGEE BRACKET ASSEMBLY

Item	Part No.	Description	Qty
1	VR26014	KIT SQUEEGEE LIFT CHAIN	1
2	VR26015	KIT SQUEEGEE BRACKET	1
3	VR26016	KIT SQUEEGEE MOUNTING PIVOT	1
4	VR26017	KIT SQUEEGEE ADJUSTMENT HANDLE	1
5	VR26018	KIT SQUEEGEE ADJUSTMENT BRACKET	1
6	VR26006	SQUEEGEE BRACKET ASSEMBLY	1

SQUEEGEE ASSEMBLY



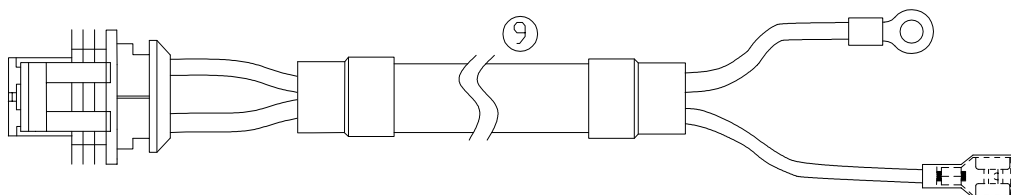
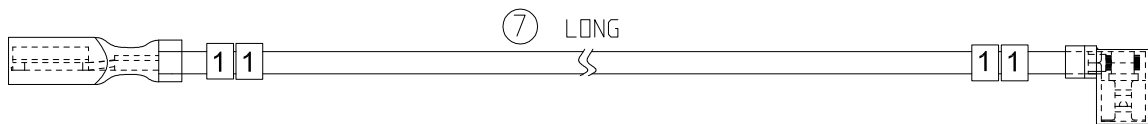
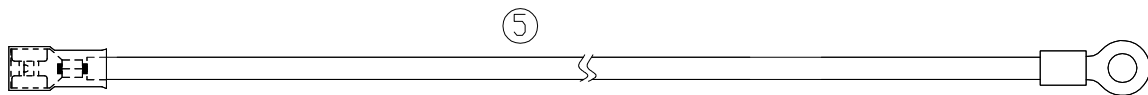
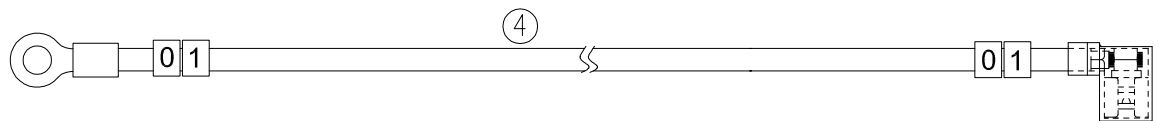
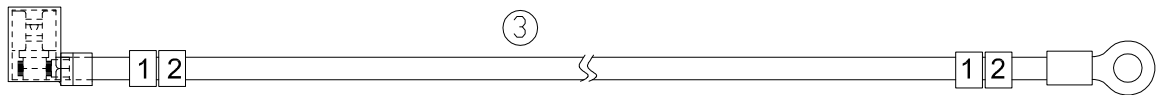
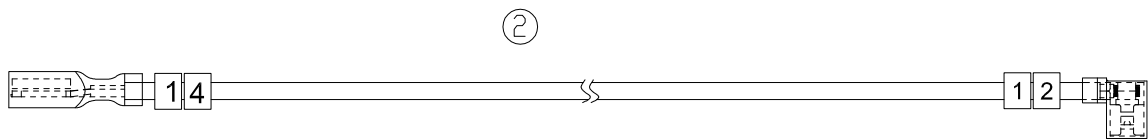
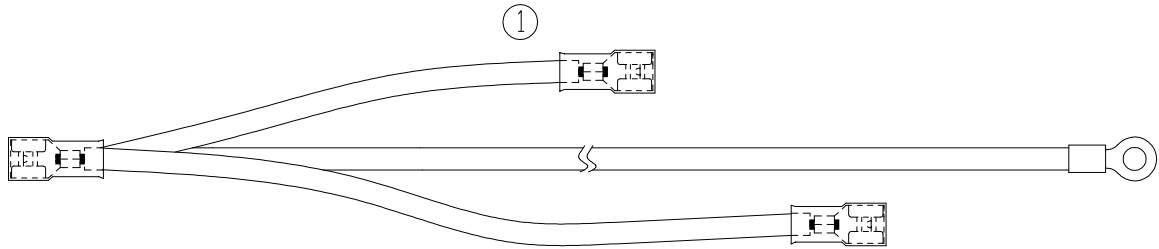
PART LIST

SQUEEGEE ASSEMBLY

Item	Part No.	Description	Qty
1	VF90138	STRAP KIT REAR SQUEEGEE	1
2	VF90104	SQUEEGEE BLADE REAR	1
	*VF90147	SQUEEGEE BLADE REAR(PU)	1
3	VR26019	WHEEL KIT BUMPER	2
4	VF81210	KNOB	2
5	VF85420	WING NUT	2
6	VR26020	SQUEEGEE ALUMINUM BODY	1
7	VF90103	SQUEEGEE BLADE FRONT	1
	*VF90146	SQUEEGEE BLADE FRONT(PU)	1
8	VR26021	KIT SQUEEGEE UNIVERSAL WHEEL	2
9	VR26022	STRAP KIT FRONT SQUEEGEE	1
10	VR26000	SQUEEGEE ASSEMBLY	1

* OPTIONAL

ELECTRIC PARTS

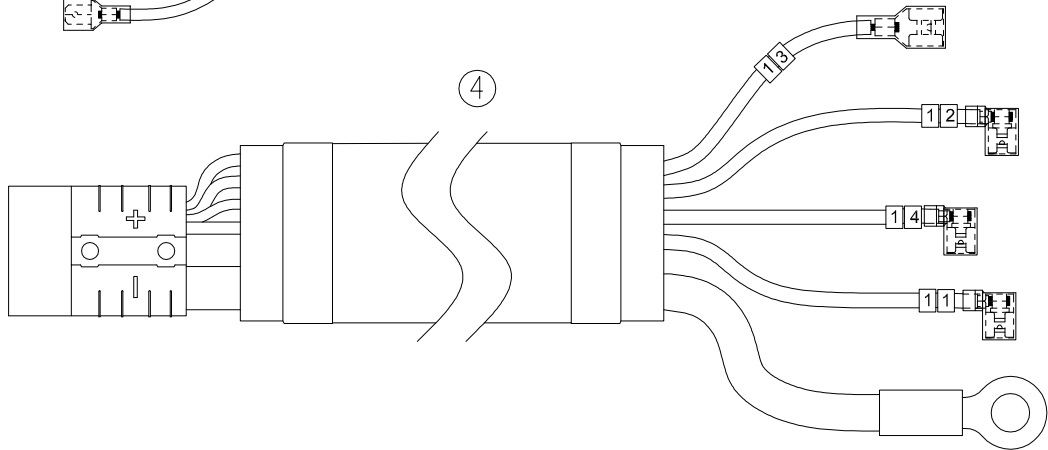
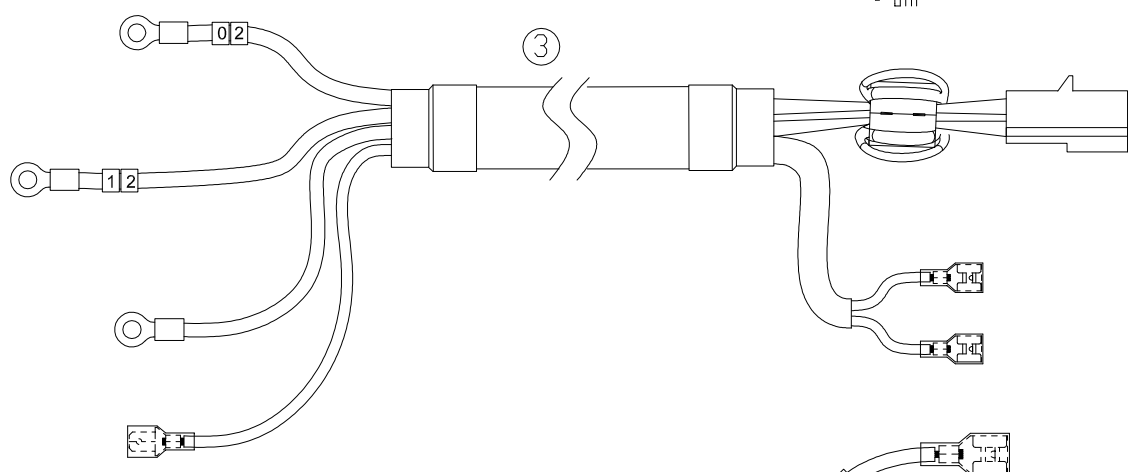
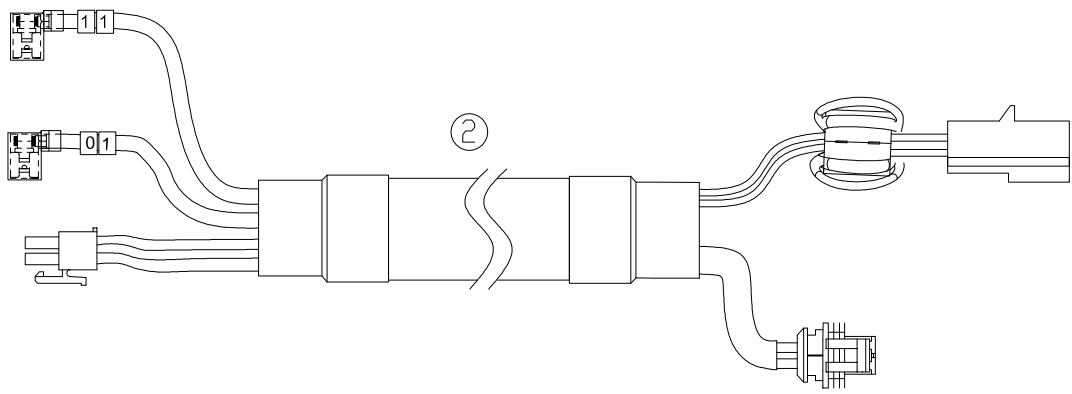
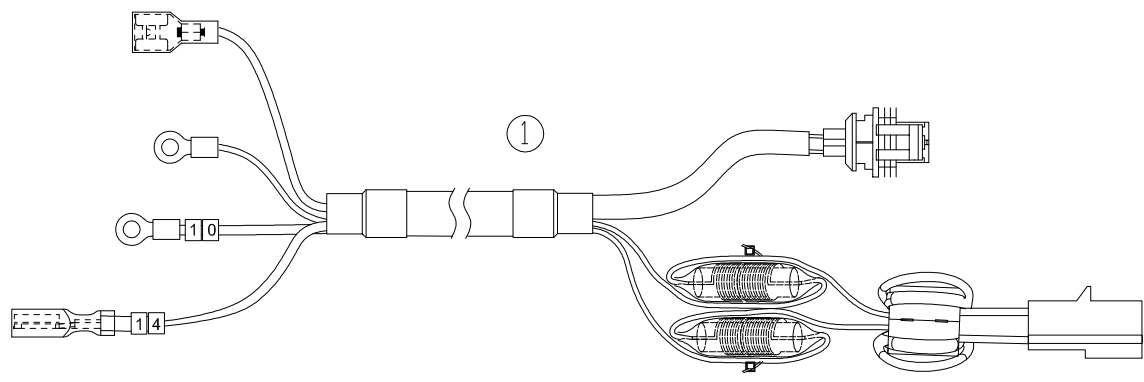


PART LIST

ELECTRIC PARTS

Item	Part No.	Description	Qty
1	VR27111	RELAY CONNECT WIRE	1
2	VR27140	VACUUM MOTOR CIRCUIT BREAK TO RELAY CONNECT WIRE	1
3	VS10216	BRUSH MOTOR CIRCUIT BREAK TO RELAY CONNECT WIRE	1
4	VR27153	SPEED CONTROL TO "-"BINDING POST CONNECT WIRE	1
5	VR27152	RELAY TO "-"BINDING POST CONNECT WIRE	1
6	VR27150	DRIVE MOTOR CIRCUIT BREAK TO RELAY CONNECT WIRE	1
7	VR27151	RELAY TO MOTOR SPEED CONTROLLER CONNECT WIRE	1
8	VR27131	BRUSH MOTOR SHORT WIRE	1
9	VR27120	CLEAN WATER LEVEL WIRE	1

OTHER ELECTRIC PARTS ASSEMBLY



PART LIST

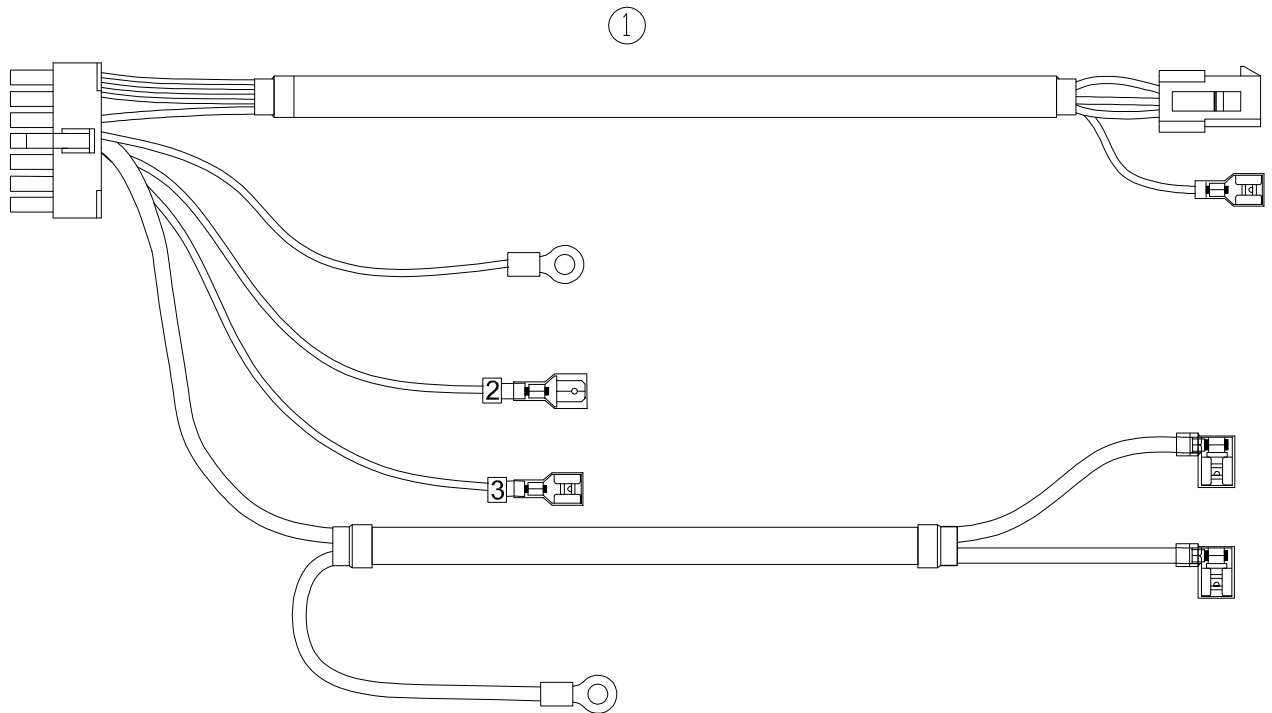
OTHER ELECTRIC PARTS ASSEMBLY

Item	Part No.	Description	Qty
1	VR27141	VACUUM MOTOR CONNECT WIRE EMC CERTIFICATE	1
	* VR27142	VACUUM MOTOR CONNECT WIRE	1
2	VR27154	DRIVE MOTOR CONNECT WIRE EMC CERTIFICATE	1
	* VR27156	DRIVE MOTOR CONNECT WIRE	1
3	VR27130	BRUSH MOTOR CONNECT WIRE EMC CERTIFICATE	1
	* VR27133	BRUSH MOTOR CONNECT WIRE	1
4	VR27110	24V INPUT LINE WIRE	1

* For AS530R-XX version except AS530R-EU.

PART LIST

MOTOR SPEED CONTROLLER CONNECT WIRE



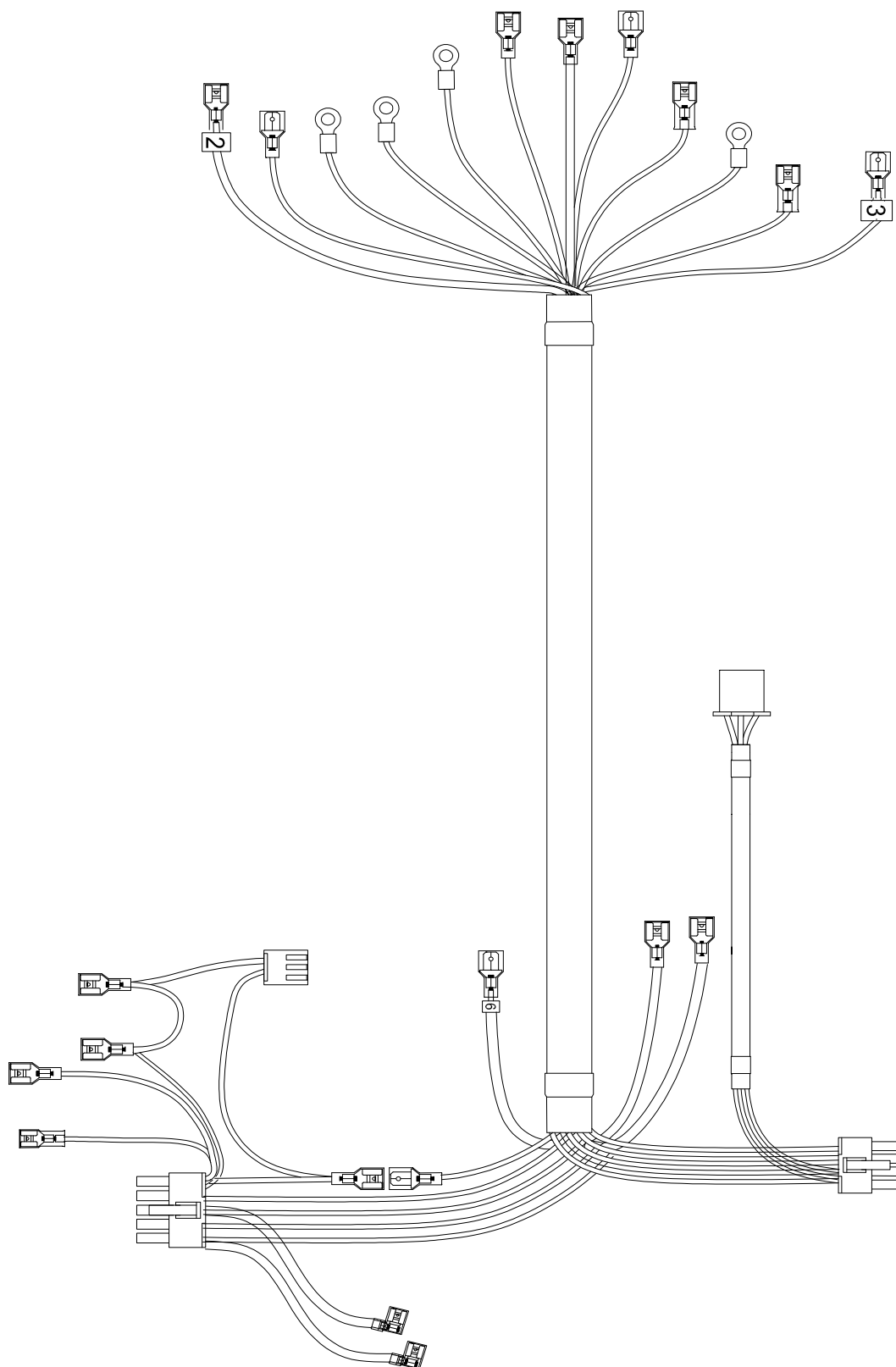
BUZZE CONNECT WIRE



Item	Part No.	Description	Qty
1	VR27155	MOTOR SPEED CONTROLLER CONNECT WIRE	1
2	VR27157	BUZZE CONNECT WIRE	1

PART LIST

MAIN CONECTION WIRE



Item	Part No.	Description	Qty
1	VR27112	MAIN CONNECT WIRE	1

PART LIST

WEAR AND TEAR PARTS

Item	Part No.	Description	Qty
1	VR23057	MICROSWITCH KIT	1
2	VR22002	GASKET	1
3	VR27012	CUSHION SWITCH KIT	1
4	VF90520	VACUUM MOTOR	1
5	VF90534	FLOAT KIT	1
6	VF90522	CARBON BRUSH	2
7	VR22006	DRAIN HOSE	1
8	VF84223	SUCTION HOSE	1
9	VR10040	KIT UNIVERSAL JOINT	1
10	VR24072	KIT SQUEEGEE SWITCH	1
11	VR24078	KIT CONTROL PCB	1
	VR24089	KIT CONTROL PCB (US VERSION)	1
12	9100001354	KEY SWITCH	1
13	VR15110	FORWARD OR REVERSE BUTTON	1
14	VR24079	SPEED POTENTIOMETER	1
15	VR27172	EMERGENCY-STOP BUTTON	1
16	VR25046	KIT PLATE DRIVE	1
17	VF80216D	SOLENOID VALVE	1
18	VF89116	CARBON BRUSH	4
19	VR23047	KIT CONTACTOR	1
20	VR27025	KIT MOTOR BRAKE	1
21	VR27024	CARBON BRUSH	2
22	VR21022	KIT SPEED CONTROL PEDAL	1
23	VR21023	KIT SOLUTION COVER	1
24	VF90536	KIT OUTLET COVER	1
25	VF90621	FILTER	1
26	VF89725	BATTERY CHARGING CABLE(EU)	1
	VF89724	BATTERY CHARGING CABLE(US)	1
	VF89721	BATTERY CHARGING CABLE(CN)	1
	VF89726	BATTERY CHARGING CABLE(UK)	1
27	VR21053	KIT CHARGER (EU VERSION)	1
	VR21057	KIT CHARGER (US VERSION)	1
28	ZD48320	BREAKER	3
29	VR21045	KIT RELAY	2
30	VR21048	KIT DRIVE MOTOR CONTROL	1
31	VR21049	KIT CONTACTOR	1

PART LIST

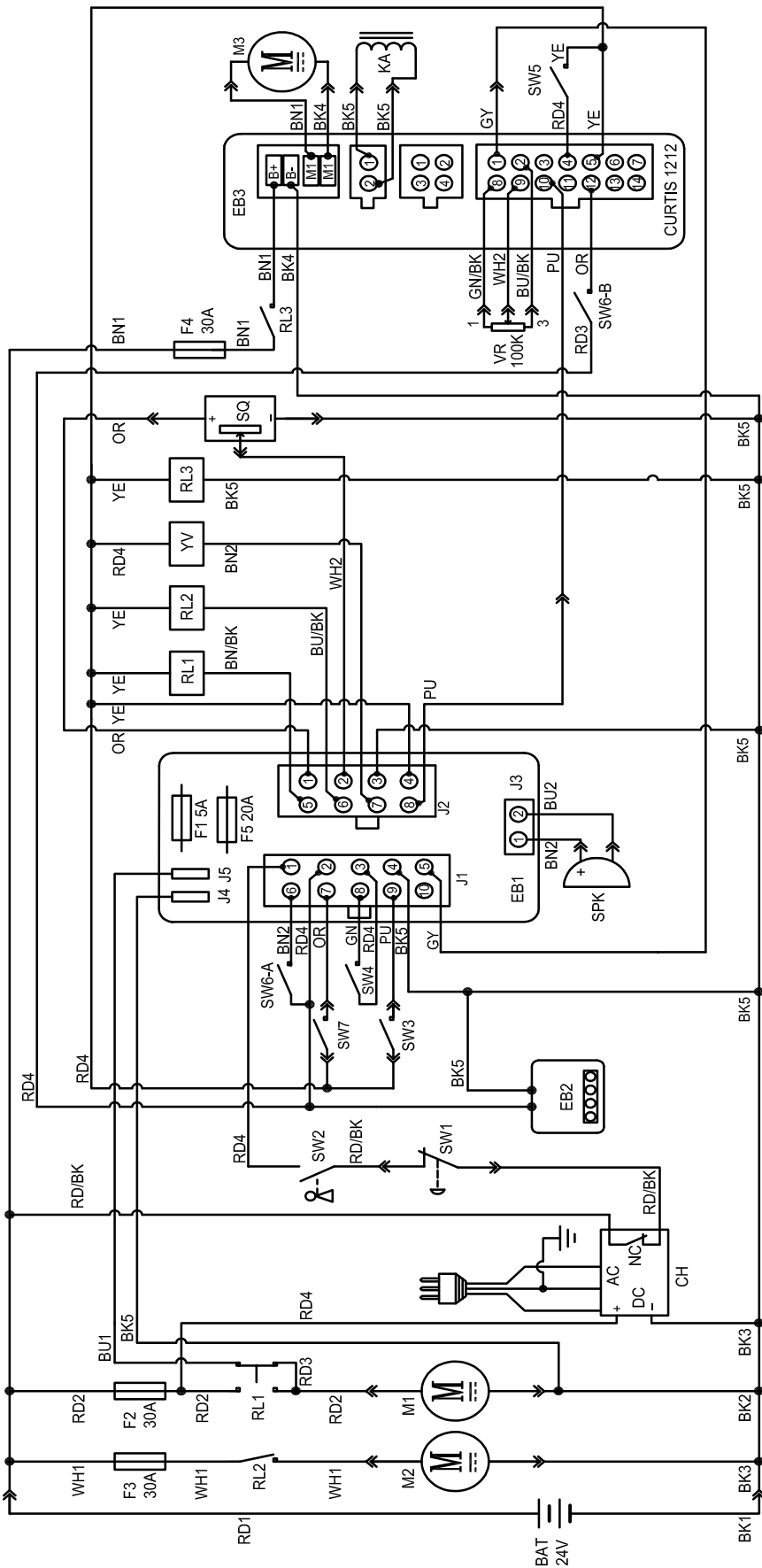
WEAR AND TEAR PARTS

Item	Part No.	Description	Qty
32	VR26014	KIT SQUEEGEE LIFT CHAIN	1
33	VR26017	KIT SQUEEGEE ADJUSTMENT HANDLE	1
34	VF90138	STRAP KIT REAR SQUEEGEE	1
35	VF90104	SQUEEGEE BLADE REAR	1
	*VF90147	SQUEEGEE BLADE REAR(PU)	1
36	VR26019	WHEEL KIT BUMPER	2
37	VF90103	SQUEEGEE BLADE FRONT	1
	*VF90146	SQUEEGEE BLADE FRONT(PU)	1
38	VR26021	KIT SQUEEGEE UNIVERSAL WHEEL	2
39	*VR25025	KIT RIGHT BRUSH SKIRT HEADWARE	1
40	*VR25026	KIT LEFT BRUSH SKIRT HEADWARE	1

* OPTIONAL

PART LIST

WIRING DIAGRAM



WIRE ROD	WIRE ROD	WIRE ROD
RD1	RED/6AWG	BN/BK BROWN/BLACK / 20AWG
RD2	RED/10AWG	BU1 BLUE/18AWG
RD3	RED/18AWG	BU2 BLUE/20AWG
RD4	RED/20AWG	BU/BK BLUE/BLACK / 20AWG
RD/BK	RED/BLACK / 20AWG	GN GREEN/20AWG
BK1	BLACK/6AWG	GN/BK GREEN/BLACK /20AWG
BK2	BLACK/10AWG	GY GRAY/20AWG
BK3	BLACK/12AWG	PU PURPLE/20AWG
BK4	BLACK/14AWG	OR ORANGE/20AWG
BK5	BLACK/18AWG	YE YELLOW/20AWG
BN1	BROWN/14AWG	WH1 WHITE/12AWG
BN2	BROWN/20AWG	WH2 WHITE/20AWG

COMPONENTS		COMPONENTS	
BAT	24V BATTERIES	M1	BRUSH MOTOR
CH	BATTERY CHARGER	M2	VACUUM MOTOR
EB1	CONTROL PANEL BOARD	M3	DRIVE MOTOR
EB2	USB CHARGING ELECTRONIC BOARD	SW1	EMERGENCY-STOP SWITCH
EB3	DRIVE ELECTRONIC BOARD	SW2	KEY SWITCH
RL1	BRUSH MOEOR ELECTROM SWITCH	SW3	CLEAN WATER LEVEL SWITCH
RL2	VACUUM MOEOR ELECTROM SWITCH	SW4	VACUUM MOTOR SWITCH
RL3	DRIVE SYSTEM ELECTROM SWITCH	SW5	OPTIONAL MODE SWITCH
YV	WATER ELECTROVALVE	SW6-A	OPTIONAL REVERSE SWITCH
F1	CONTROL PANEL BOARD FUSE	SW6-B	OPTIONAL REVERSE SWITCH
F2	BRUSH MOTOR CIRCUIT BREAKER	SW7	SEAT SWITCH
F3	VACUUM MOTOR CIRCUIT BREAKER	SQ	FOOT THROTTLE
F4	DRIVE SYSTEM CIRCUIT BREAKER	SPK	12VDC BUZZER
F5	BRUSH RELEASE FUSE	VR	SPEED POTENTIOMETER
KA	BRAKE		



www.vipercleaning.com