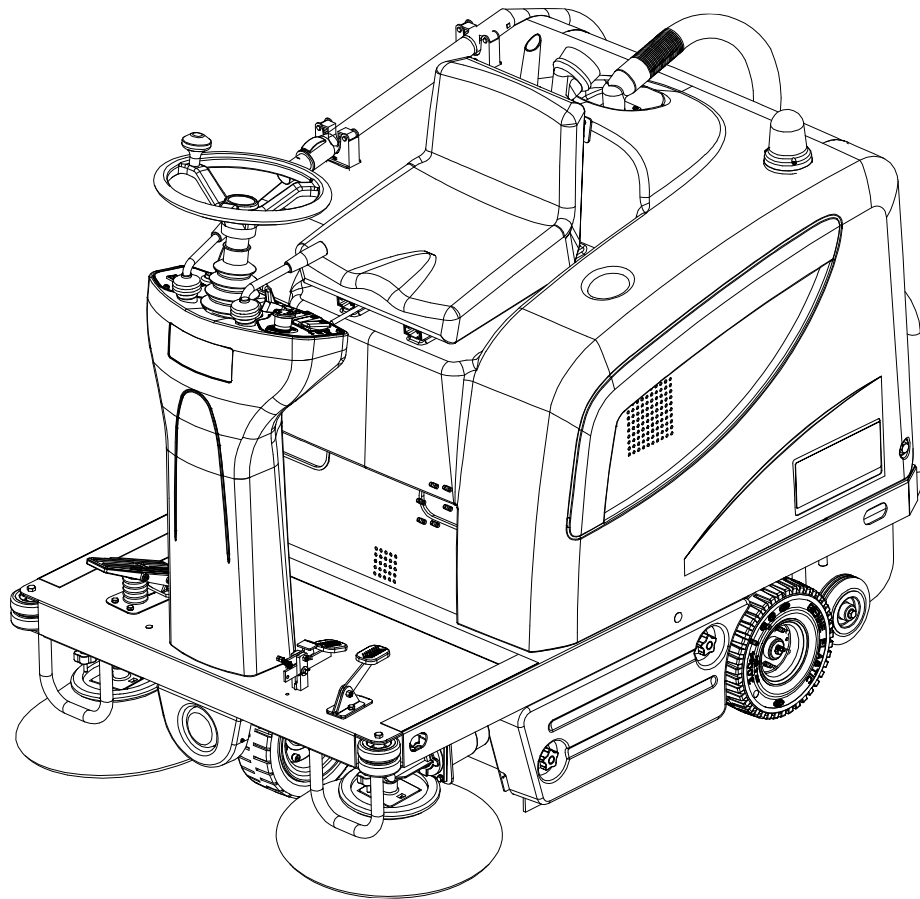


Terra™ 4300B



INSTRUCTION FOR USE
Advance model: 908 4309 010

ENGLISH

INSTRUCTIONS D'UTILISATION
Modèle Advance: 908 4309 010

FRANÇAIS

INSTRUCCIONES DE USO
Modelo Advance: 908 4309 010

ESPAÑOL

INSTRUÇÕES DE USO
Modelo Advance: 908 4309 010

PORTUGUÊS

TABLE OF CONTENTS

INTRODUCTION	2
MANUAL PURPOSE AND CONTENTS	2
TARGET	2
HOW TO KEEP THIS MANUAL	2
OTHER REFERENCE MANUALS	2
SPARE PARTS AND MAINTENANCE	3
OPERATION CAPABILITIES	3
CONVENTIONS	3
UNPACKING/DELIVERY	3
SAFETY	4
SYMBOLS	4
GENERAL INSTRUCTIONS	4
MACHINE DESCRIPTION	6
MACHINE STRUCTURE	6
CONTROL PANEL	8
ACCESSORIES/OPTIONS	8
TECHNICAL DATA	9
WIRING DIAGRAM	10
USE	12
BATTERY CHECK/SETTING ON A NEW MACHINE	12
WET OR GEL BATTERY SETTING	13
BEFORE STARTING THE MACHINE	13
STARTING AND STOPPING THE MACHINE	14
MACHINE OPERATION	15
HOPPER EMPTYING	15
AFTER USING THE MACHINE	15
PUSHING/TOWING THE MACHINE	15
MACHINE LONG INACTIVITY	15
FIRST PERIOD OF USE	15
MAINTENANCE	16
SCHEDULED MAINTENANCE TABLE	16
MAIN BROOM HEIGHT CHECK AND ADJUSTMENT	17
MAIN BROOM REPLACEMENT	18
SIDE BROOM HEIGHT CHECK AND ADJUSTMENT	19
SIDE BROOM REPLACEMENT	19
DUST FILTER CLEANING AND INTEGRITY CHECK	20
SKIRT HEIGHT AND OPERATION CHECK	21
BATTERY CHARGING	22
FUSE CHECK/REPLACEMENT/RESET	23
TROUBLESHOOTING	24
SCRAPPING	24

INTRODUCTION



NOTE

The numbers in brackets refer to the components shown in Machine Description chapter.

MANUAL PURPOSE AND CONTENTS

The purpose of this Manual is to provide the operator with all necessary information to use the machine properly in a safe and autonomous way. It contains information about technical data, safety, operation, storage, maintenance, spare parts and disposal. Before performing any procedure on the machine, the operators and qualified technicians must read this Manual carefully. Contact Advance in case of doubts regarding the interpretation of the instructions and for any further information.

TARGET

This Manual is intended for operators and technicians qualified to perform the machine maintenance. The operators must not perform procedures reserved for qualified technicians. Advance will not be answerable for damages coming from the non-observance of this prohibition.

HOW TO KEEP THIS MANUAL

The User Manual must be kept near the machine, inside an adequate case, away from liquids and other substances that can cause damage to it.

IDENTIFICATION DATA

The machine model and serial number are marked on the plate (37).

The machine model year is written in the declaration of conformity and it is also indicated by the first two figures of the machine serial number.

This information is useful when requiring machine spare parts. Use the following table to write down the machine identification data.

MACHINE model
MACHINE serial number

OTHER REFERENCE MANUALS

Other manuals supplied with the machine:

- Electronic Battery Charger Manual (if equipped), to be considered an integral part of this Manual
- Sweeper Spare Parts List

Other available manuals:

- Service Manual (that can be consulted at Advance Service Centers)

SPARE PARTS AND MAINTENANCE

All necessary operating, maintenance and repair procedures must be performed by qualified personnel or by Advance Service Centers. Only original spare parts and accessories must be used.

Contact Advance for service or to order spare parts and accessories, specifying the machine model and serial number.

CHANGES AND IMPROVEMENTS

Advance constantly improves its products and reserves the right to make changes and improvements at its discretion without being obliged to apply such benefits to the machines that were previously sold.

Any change and/or addition of accessories must be approved and performed by Advance.

OPERATION CAPABILITIES

This sweeper has been designed and built to clean/sweep smooth and solid floors, and to collect dust and light debris, in civil and industrial environments, under safe operation conditions by a qualified operator.

CONVENTIONS

Forward, backward, front, rear, left or right are intended with reference to the operator's position, that is to say on the driver's seat (25).

UNPACKING/DELIVERY

To unpack the machine carefully follow the instructions on the packing.

Upon delivery check that the packing and the machine were not damaged during transportation. In case of visible damages, keep the packing and have it checked by the carrier that delivered it. Call the carrier immediately to fill in a damage claim.

Check that the machine is equipped with the following features:

- Technical documents:
 - Sweeper User Manual
 - Electronic Battery Charger Manual
 - Sweeper Spare Parts List
- No. 1 70 A fuse

SAFETY

The following symbols indicate potentially dangerous situations. Always read this information carefully and take all necessary precautions to safeguard people and property.

The operator's cooperation is essential in order to prevent injury. No accident prevention program is effective without the total cooperation of the person responsible for the machine operation. Most of the accidents that may occur in a factory, while working or moving around, are caused by failure to comply with the simplest rules for exercising prudence. A careful and prudent operator is the best guarantee against accidents and is essential for successful completion of any prevention program.

SYMBOLS

**DANGER!**

It indicates a dangerous situation with risk of death for the operator.

**WARNING!**

It indicates a potential risk of injury for people or damage to objects.

**CAUTION!**

It indicates a caution or a remark related to important or useful functions. Pay careful attention to the paragraphs marked by this symbol.

**NOTE**

It indicates a remark related to important or useful functions.

**CONSULTATION**

It indicates the necessity to refer to the User Manual before performing any procedure.

GENERAL INSTRUCTIONS

Specific warnings and cautions to inform about potential damages to people and machine are shown below.

**DANGER!**

- ***Before performing any maintenance, repair, cleaning or replacement procedure disconnect the battery connector, remove the ignition key and engage the parking brake.***
- ***This machine must be used by properly trained operators only. Children or disabled people cannot use this machine.***
- ***Keep the batteries away from sparks, flames and incandescent material. During the normal operation explosive gases are released.***
- ***Do not wear jewels when working near electrical components.***
- ***Do not work under the lifted machine without supporting it with safety stands.***
- ***When working under the open hood, ensure that it cannot be closed by accident.***
- ***Do not operate the machine near toxic, dangerous, flammable and/or explosive powders, liquids or vapors. This machine is not suitable for collecting dangerous powders.***
- ***If the machine is equipped with lead (WET) batteries, battery charging produces highly explosive hydrogen gas. Keep the hood open when charging the batteries and perform this procedure in well-ventilated areas and away from naked flames.***
- ***When lead batteries (WET) are installed on this machine, do not tilt the machine more than 30° from its horizontal position to not allow the highly corrosive acid to leak out of the batteries. When the machine is to be tilted to perform maintenance procedures, remove the batteries.***

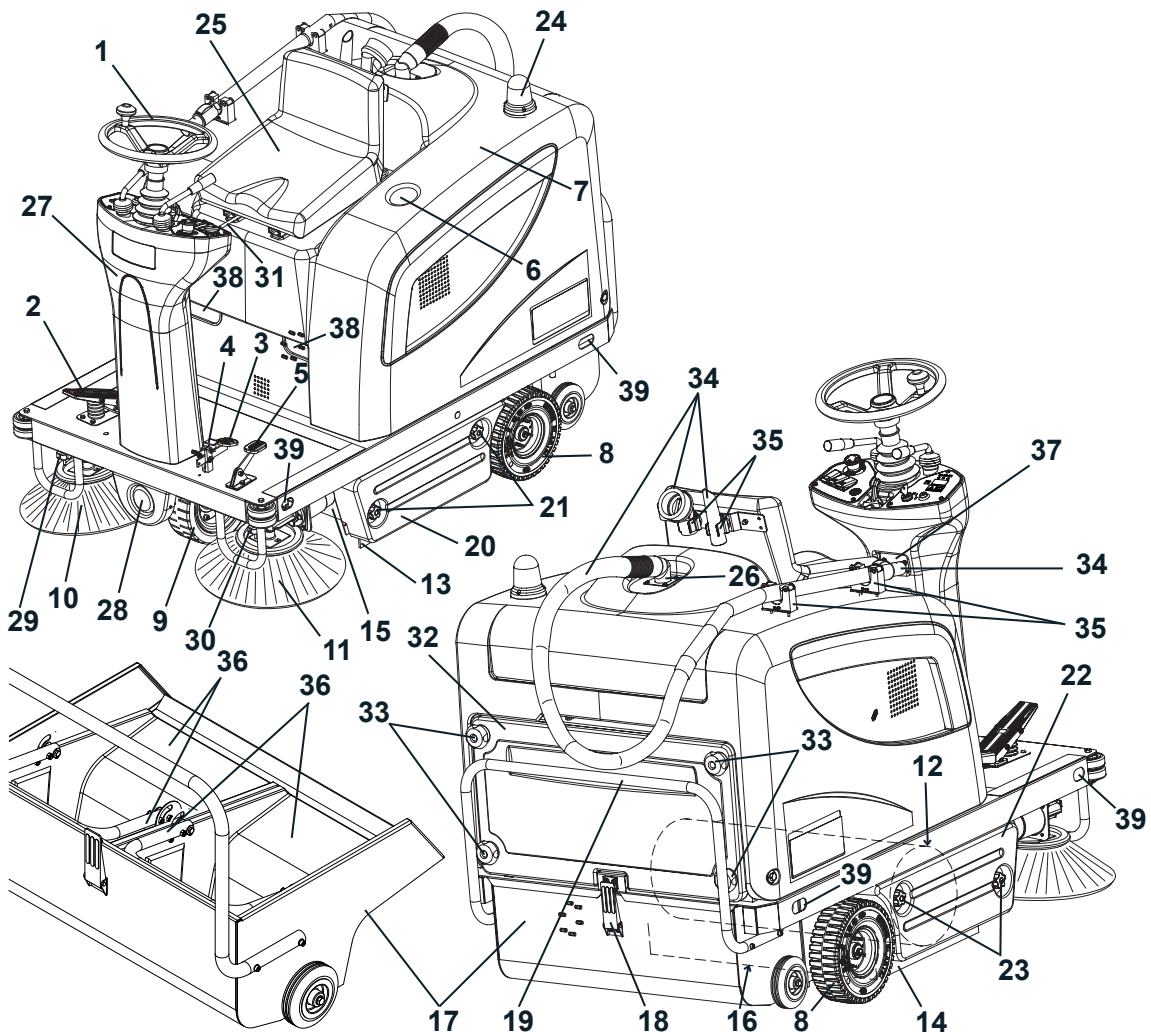
**WARNING!**

- *Carefully read all the instructions before performing any maintenance/repair procedure.*
- *Take all necessary precautions to prevent hair, jewels and loose clothes from being caught by the machine moving parts.*
- *When the machine is equipped with lead batteries (WET), don't smoke while charging the batteries.*
- *Before using the battery charger, ensure that frequency and voltage values, shown on the machine serial number plate, match the electrical mains voltage.*
- *Do not pull or carry the machine by the battery charger cable and never use the battery charger cable as a handle. Do not close a door on the battery charger cable, or pull the battery charger cable around sharp edges or corners. Do not run the machine on the battery charger cable. Keep the battery charger cable away from heated surfaces.*
- *Do not charge the batteries if the battery charger cable or the plug are damaged. If the battery charger cable is damaged, contact Advance Service Center.*
- *To reduce the risk of fire, electric shock, or injury, do not leave the machine unattended when it is plugged in. Before performing any maintenance procedure, disconnect the battery charger cable from the electrical mains.*
- *To avoid any unauthorized use of the machine, remove the ignition key.*
- *Do not leave the machine unattended without being sure that it cannot move independently.*
- *Do not use the machine on slopes with a gradient exceeding the specifications.*
- *Use only brooms supplied with the machine and those specified in the User Manual. Using other brooms could reduce safety.*
- *Before using the machine, close all doors and/or covers.*
- *Do not use the machine in excessively dusty areas.*
- *Do not wash the machine with direct or pressurised water jets, or with corrosive substances.*
- *Do not use compressed air to clean this type of machine, except for the filters (see the relevant paragraph).*
- *While using this machine, take care not to cause damage to other people, and children especially.*
- *Do not put any can containing fluids on the machine.*
- *The machine storage temperature must be 32°F to 104°F (0°C to +40°C).*
- *The machine working temperature must be 32°F to 104°F (0°C to +40°C).*
- *The humidity must be between 30% and 95%.*
- *Always protect the machine against the sun, rain and bad weather, both under operation and inactivity condition. Store the machine indoors, in a dry place. This machine must be used in dry conditions, it must not be used or kept outdoors in wet conditions.*
- *Do not use the machine as a means of transport, or for pushing/towing.*
- *Do not allow the brooms to operate while the machine is stationary to avoid damaging the floor.*
- *In case of fire, possibly use a powder fire extinguisher, not a water one.*
- *Do not bump into shelves or scaffoldings, especially where there is a risk of falling objects.*
- *Adjust the operation speed to suit the floor conditions.*
- *This machine cannot be used on roads or public streets.*
- *Do not tamper with the machine safety guards.*
- *Follow the routine maintenance procedures scrupulously.*
- *Do not remove or modify the plates affixed to the machine.*
- *In case of machine malfunctions, ensure that these are not due to lack of maintenance. Otherwise, request assistance from the authorised personnel or from an authorised Service Center.*
- *If parts must be replaced, require ORIGINAL spare parts from an Authorised Dealer or Retailer.*
- *To ensure machine proper and safe operation, the scheduled maintenance shown in the relevant chapter of this Manual must be performed by the authorised personnel or by an authorised Service Center.*
- *The machine must be disposed of properly, because of the presence of toxic-harmful materials (batteries, oils, etc.), which are subject to standards that require disposal in special centres (see the Scrapping chapter).*

MACHINE DESCRIPTION

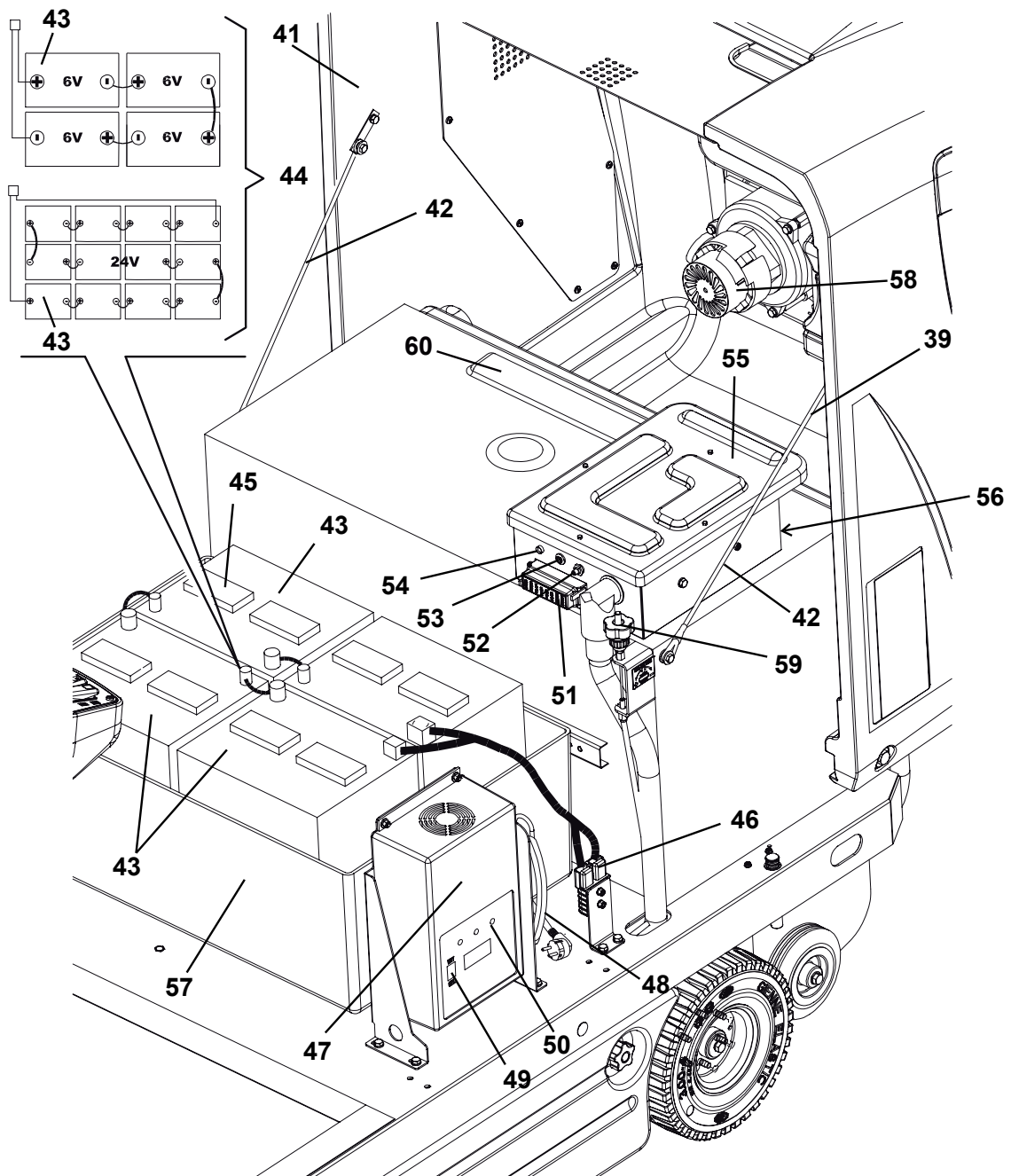
MACHINE STRUCTURE

1. Steering wheel
2. Forward/reverse gear pedal
3. Service brake pedal
4. Parking brake lever
Press the brake pedal (3), then use the lever (4) to switch from the service brake to the parking brake.
5. Front skirt lifting pedal
6. Can holder
7. Hood
8. Rear driving wheels on fixed axle
9. Front steering wheel
10. Right side broom
11. Left side broom
12. Main broom
13. Left side skirt
14. Right side skirt
15. Front skirt
16. Rear skirt
17. Hopper (empty it when it is full)
18. Hopper fastening hook
19. Hopper handle
20. Left door (to be opened for performing maintenance procedures only)
21. Door knobs
22. Left door (for main broom removal)
23. Door knobs
24. Flashing light (always on when the ignition key is turned to "I") (optional)
25. Driver's seat with safety microswitch
26. Additional hole for manual vacuum system kit (optional)
27. Adjustable steering column
28. Working light (optional)
29. Right side broom height adjusting knob
30. Left side broom height adjusting knob (optional)
31. Seat longitudinal position adjusting lever
32. Vacuum filter compartment cover
33. Cover knobs
34. Manual vacuum system (optional)
35. Manual vacuum system fasteners
36. Internal containers with handle for dumping (optional)
37. Serial number plate/technical data/conformity certification
38. Hood opening handles
39. Machine lifting anchors



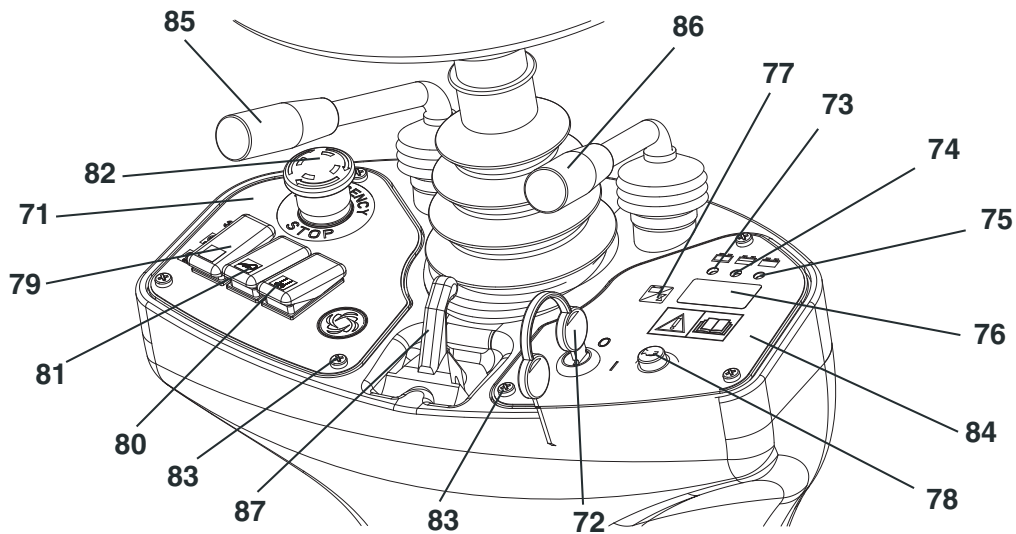
MACHINE STRUCTURE (Continues)

- | | |
|--|---|
| <ul style="list-style-type: none"> 41. Hood (open) 42. Hood support tie rods 43. Lead batteries (WET) or optional gel batteries (GEL) 44. Battery connection diagram 45. Battery caps (for WET batteries only) 46. Battery connector 47. Electronic battery charger 48. Battery charger cable 49. Lead (WET) or gel (GEL) battery selector on the optional electronic battery charger 50. Charged battery warning light 51. Lamellar fuse box | <ul style="list-style-type: none"> 52. Main broom motor circuit breaker 53. Side broom motor circuit breaker 54. Drive system malfunction led. 55. Electrical component box 56. Drive system electronic board 57. Battery case 58. Manual vacuum system (optional) 59. Main broom height adjusting knob 60. Air baffle plate <p>If the led is on, the drive system is operating, if the led flashes, the drive system is malfunctioning.</p> |
|--|---|



CONTROL PANEL

71. Left control panel
72. Ignition key (when turned to "0" it turns the machine off and disables all functions; when turned to "1" it enables all machine functions; it also turns on the flashing light)
73. Discharged battery warning light (red). When it is on, the batteries are discharged. The autonomy is over, the batteries must be recharged (see the procedure in the relevant paragraph).
74. Semi-discharged battery warning light (yellow). When it is on, the batteries are semi-discharged. Residual autonomy is few minutes.
75. Charged battery warning light (green). When it is on, the batteries are charged. Residual autonomy depends on battery capacity and working conditions.
76. Display. When pressed, it shows in sequence:
 - Working hours
 - Last digit of the hours - (dot) - minutes
 - Battery voltage (V)
77. Display selection push-button: hour counter/hour and minute counter/battery voltage (V)
78. Horn switch
79. Vacuum fan/filter shaker switch
80. Manual vacuum system additional hole switch (optional)
81. Working light switch (optional)
82. Emergency push-button
Press it in case of emergency to stop all the machine functions. To deactivate the emergency push-button, turn it in the direction shown by the arrow.
83. Panel fastening screws
84. Right control panel
85. Left and right side broom lifting/lowering lever
86. Main broom lifting/lowering lever
87. Steering wheel adjusting lever



S311410

ACCESSORIES/OPTIONS

In addition to the standard components, the machine can be equipped with the following accessories/options, according to the machine specific use:

- GEL batteries
- Main and side brooms with harder or softer bristles
- Antistatic polyester or polyester BIA C dust filter
- Manual vacuum system
- Working light
- Flashing light
- Skirts of various materials
- Protective roof

For further information concerning the optional accessories, contact an authorised Retailer.

TECHNICAL DATA

General	Values
Machine length	58.3 in (1,480 mm)
Machine width (without side brooms)	36.6 in (930 mm)
Machine maximum height (at the steering wheel)	48.0 in (1,220 mm)
Cleaning width (without side brooms)	27.6 in (700 mm)
Cleaning width (with side brooms)	49.6 in (1,260 mm)
Minimum distance from the floor (skirts not included)	2.2 in (55 mm)
Main broom size (diameter x length)	11.8 x 27.6 in (300 mm x 700 mm)
Side broom diameter	16.5 in (420 mm)
Main broom speed	550 rpm
Side broom speed	80 rpm
Front steering wheel diameter	9.8 in (250 mm)
Rear driving wheel diameter	9.8 in (250 mm)
Front wheel specific pressure on the floor	159.5 psi (1.1 N/mm ²)
Rear wheel specific pressure on the floor	101.5 psi (0.7 N/mm ²)
Total machine weight (without batteries)	573.2 lb (260 kg)
Hopper capacity	18.5 gal (70 liters)
Main broom motor	0.67 HP (500 W)
Side broom motors	0.08 HP (60 W)
Drive system motor	0.8 HP (600 W), 110 rpm
Vacuum system motor	0.41 HP (310 W)
Filter shaker motor	0.12 HP (90 W), 6,000 rpm
Sound pressure level at workstation (A Lpa)	63.8 dB(A)
Vibration level at the operator's arms (*)	< 8.2 ft/s ² (< 2.5 m/s ²)
Vibration level at the operator's body (*)	1.9 ft/s ² (0.6 m/s ²)

(*) Under normal working conditions, on a level asphalt surface.

Performance	Values
Maximum forward/reverse speed	3.7 mph (6 km/h)
Maximum reverse speed	1.8 mph (3 km/h)
Gradeability	11.3° (20 %)
Minimum turning radius	51.6 in (1,310 mm)

Batteries	Values
Battery voltage	24 V
Standard battery	Lead with acid electrolyte (WET)
Optional battery	Gel, hermetic (GEL)
Battery minimum capacity (with optional battery charger)	185 Ah C5
Battery maximum capacity	256 Ah C5
Battery case inner size (length x width x height)	24.8 x 16.5 x 14.5 in (630 x 420 x 370 mm)
Battery compartment maximum size (width x length x height)	26.0 x 17.3 x 16.6 in (660 x 440 x 370 mm)

Dust vacuuming and filtering	Values
Paper dust filter 5-10 µm	14.1 ft ² (4.3 m ²)
Main broom compartment vacuum	0.43 in H ₂ O (11 mm H ₂ O)
Filter shaker activation	Electric

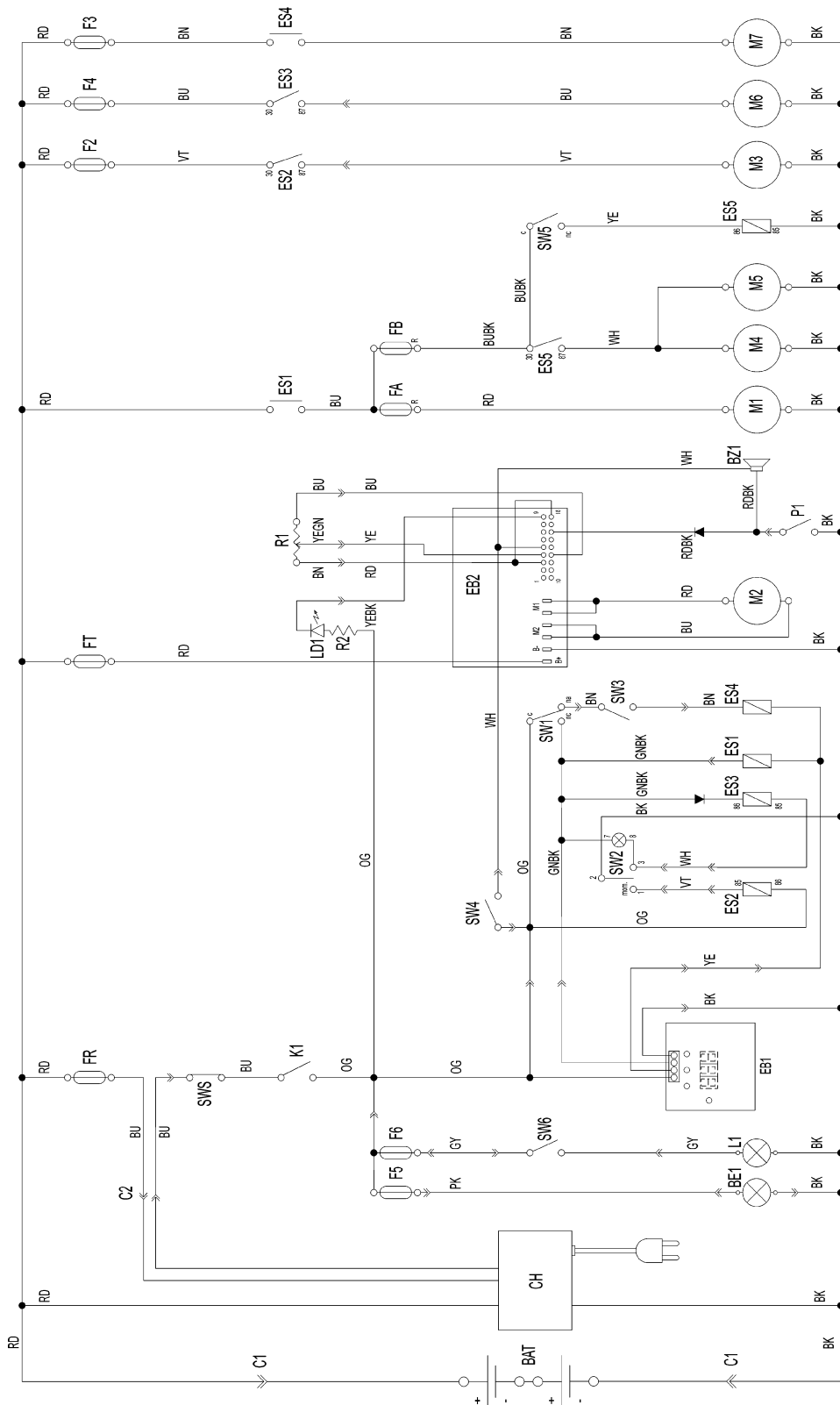
WIRING DIAGRAM**Key**

BAT	Batteries
BE1	Flashing light (optional)
BZ1	Reverse gear buzzer/horn
C1	Battery connector
C2	Battery charger sub-connector (optional)
CH1	Battery charger (optional)
EB1	Hour counter and battery voltage display
EB2	Drive system electronic board
ES1	Main broom relay
ES2	Filter shaker relay
ES3	Vacuum system relay
ES4	Manual vacuum system relay (optional)
ES5	Side broom relay
FA	Main broom circuit breaker
FB	Side broom circuit breaker
FT	Drive system fuse (70 A)
F1	Main fuse (key circuit) (15 A)
F2	Filter shaker motor fuse (25 A)
F3	Manual vacuum system fuse (40 A) (optional)
F4	Vacuum system motor fuse (30 A)
F5	Horn and pivoting light fuse (10 A)
F6	Working light fuse (10 A) (optional)
K1	Ignition key
LD1	Drive system electronic board diagnostic led
L1	Working light (optional)
M1	Main broom motor
M2	Drive system motor
M3	Filter shaker motor
M4	Right side broom motor
M5	Left side broom motor
M6	Vacuum system motor
M7	Manual vacuum system motor (optional)
P1	Horn switch
R1	Drive speed potentiometer (pedal)
R2	Led resistance
SWS	Emergency push-button
SW1	Main broom microswitch
SW2	Vacuum system/filter shaker switch
SW3	Manual vacuum system switch (optional)
SW4	Driver's seat safety microswitch
SW5	Side broom microswitch
SW6	Working light switch (optional)

Color code

BK	Black
BU	Blue
BN	Brown
GN	Green
GY	Grey
OG	Orange
PK	Pink
RD	Red
VT	Violet
WH	White
YE	Yellow

WIRING DIAGRAM (Continues)



S311411

USE

**WARNING!**

On some points of the machine there are some adhesive plates indicating:

- **DANGER**
- **WARNING**
- **CAUTION**
- **CONSULTATION**

While reading this Manual, the operator must pay careful attention to the symbols shown on the plates. Do not cover these plates for any reason and immediately replace them if they are damaged.

BATTERY CHECK/SETTING ON A NEW MACHINE

**WARNING!**

If the machine must be pushed for service reasons (missing batteries, discharged batteries, etc.) do not exceed 2.5 mph (4 km/h).

**NOTE**

If the machine is equipped with electronic battery charger (optional), this must be connected to the batteries to allow the machine to operate.

The machine needs four 6 V batteries, connected according to the diagram (44), or one 24 V battery box.

The machine can be supplied in one of the following configurations:

- A) WET or GEL batteries already installed on the machine
- B) WET batteries installed on the machine but without electrolyte
- C) Without batteries

According to machine configuration, proceed as follows.

A) WET or GEL batteries already installed on the machine

1. Open the machine hood (7) and check that the batteries are connected to the machine with the connector (46).
2. Close the hood (7).
3. Insert the ignition key (72) and turn it to "I" [without pressing the pedal (2)].

If the green warning light (75) turns on, the batteries are charged.

If the yellow (74) or red (73) warning light turns on, the batteries must be charged (see the procedure in Maintenance chapter).

B) WET batteries installed on the machine but without electrolyte

4. Open the machine hood (7).
5. Remove all battery caps (45).

**WARNING!**

Pay attention when using sulfuric acid, as it is corrosive. If it comes in contact with skin or eyes, rinse thoroughly with water and consult a physician.

Batteries have to be filled in a well-ventilated area.

Wear protective gloves.

6. Fill the battery cells with sulfuric acid for batteries (density 2.79 to 2.84 lb at 77°F (1.27 to 1.29 kg at 25°C)) according to the instructions shown in the Battery Manual.
The correct quantity of sulfuric acid is shown in the Battery Manual.
7. Let the batteries rest and fill in with sulfuric acid according to the instructions shown in the Battery Manual.
8. Charge the batteries (see the procedure in Maintenance chapter).

C) Without batteries

9. Buy appropriate batteries (see the Technical Data paragraph and the diagram (44)).
For the battery choice and installation, apply to qualified battery Retailers.
10. Install the batteries.
11. Set the machine and the battery charger (if equipped) according to the type of batteries installed, as shown in the next paragraph.

WET OR GEL BATTERY SETTING



NOTE

If the machine is equipped with electronic battery charger (optional), this must be connected to the batteries to allow the machine to operate.

According to the type of batteries (WET or GEL), set the electronic board of the machine and the battery charger (if equipped), according to the following procedure:

1. Turn the ignition key (72) to "0".
2. Open the hood (7).

Machine setting

3. The machine factory setting is for lead (WET) batteries. If this setting corresponds to the type of batteries installed on the machine, go to the next paragraph, otherwise perform the following procedures:
 - Disconnect the battery connector (46).
 - Remove the screws (83) and carefully remove the right control panel (84).
 - Install a jumper wire (A, Fig. 1) on "GEL" connectors (B) for gel batteries.
 - Carefully install the control panel (84) and the relevant screws.
 - Connect the battery connector (46).

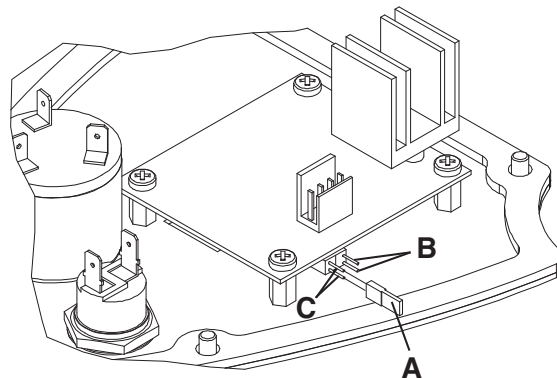


Figure 1

S311412

Battery charger setting

4. Turn the battery selector (49) to WET for lead batteries or to GEL for gel batteries.
5. Charge the batteries (see the procedure in Maintenance chapter).

BEFORE STARTING THE MACHINE



CAUTION!

Make sure that there are no open doors/hoods and that the machine is in normal operating conditions.

Make sure that the hopper (17) is properly closed.

If the machine has not been used after being transported, check that all the blocks used for the transportation have been removed.

STARTING AND STOPPING THE MACHINE

Starting the machine

1. Sit on the driver's seat (25).
2. If necessary, adjust the seat to a comfortable position by using the lever (31).
If necessary, use the lever (87) to tilt the steering column (1) forward or backward in order to reach a comfortable position.
3. Turn the ignition key (72) to "I" and do not press the pedal (2). Check that the green warning light (75) (charged battery) turns on.
If the yellow (74) or red warning light (73) turns on, turn the ignition key to "0" and charge the batteries (see the procedure in Maintenance chapter).
4. Disengage the parking brake by pressing and releasing the pedal (3).
5. Drive the machine to the working area, by keeping the hands on the steering wheel and pressing the pedal (2) on the front side to move forward and on the rear side to move backward.
The drive speed can be adjusted from zero to maximum speed by increasing the pressure on the pedal (2).



NOTE

The seat (25) is equipped with a safety sensor, which allows the machine to be driven by pressing the pedal (2) only when the operator is on the driver's seat.

6. Lower the main broom with the lever (86); it will start turning.
7. Turn on the vacuum system by pushing the switch (79) backward.



NOTE

The vacuum system turns on only when the main broom is lowered.

8. Lower the side brooms (10 and 11) with the lever (85).



NOTE

*The side brooms (10 and 11) can be lowered and lifted even when the machine is moving.
The side brooms do not turn when they are lifted or when the main broom is lifted.*

9. Start sweeping by turning the steering wheel (1) and moving the machine forward by pressing the pedal (2).

Stopping the machine

10. To stop the machine, release the pedal (2).
To stop the machine quickly, also press the service brake pedal (3).
In case of emergency, press the emergency push-button (82) to immediately stop the machine. To deactivate the emergency push-button (82), turn it in the direction shown by the arrow.
11. Lift the side brooms (10 and 11) with the lever (85).
12. Turn off the vacuum system by bringing back the switch (79) to the centre.
13. Lift the main broom (12) with the lever (86).
14. To stop the machine, turn the ignition key (72) to "0".
15. Engage the parking brake by pressing the pedal (3) and engaging the lever (4).

MACHINE OPERATION

**WARNING!**

Pay careful attention when operating the machine at high speed: sudden steering could cause this three-wheel machine to become unstable due to weight distribution.

Always reduce the speed before steering.

1. Avoid stopping for a long time with the machine in the same position and the brooms turning: this could create unwanted marks on the floor.
2. To collect light and bulky waste materials, lift the front skirt by pressing the pedal (5); take into consideration that the machine vacuum capability is reduced when the front skirt is lifted.

**CAUTION!**

When operating on wet grounds, it is essential to turn off the vacuum system with the lever (79) to prevent the dust filter from being damaged.

3. For machine proper operation, the dust filter must be as clean as possible. To clean it while sweeping, turn on the filter shaker by pressing the switch (79) forward for a few seconds.
During this operation the vacuum fan is automatically shut off.
After cleaning the filter, press the switch (79) backward to restart the vacuum system; then start sweeping again.
While working, repeat the procedure every 10 minutes on average (depending on the dustiness of the area to be cleaned).

**NOTE**

When the dust filter is clogged and/or the hopper is full, the machine cannot collect dust and debris anymore.

4. The hopper (17) should be dumped after each working period and whenever it is full (see the procedure in the next paragraph).

HOPPER EMPTYING

1. Stop the machine by releasing the drive pedal.
2. Turn the ignition key (2) to "0".
3. Engage the parking brake by pressing the pedal (3) and engaging the lever (4).
4. Disengage the hook (18) by pulling its lower end.
5. Remove the hopper (17) by using the handle (19) and by disengaging it from the inner guides.
Discharge all the debris into special containers. To make discharging procedure easier, inside the hopper there are two different containers (optional) with handle (36).
6. Install the containers with handle (36), if equipped.
7. Install the hopper (17) and engage it to the inner guides, then fasten it with the hook (18).
8. The machine is ready to start sweeping again.

AFTER USING THE MACHINE

After working, before leaving the machine, perform the following procedures.

1. Lift the side brooms with the lever (85).
2. Lift the main broom with the lever (86).
3. Turn on the filter shaker with the switch (79).
4. Empty the hopper (17) (see the procedure in the previous paragraph).
5. Remove the ignition key (72).
6. Engage the parking brake by pressing the pedal (3) and engaging the lever (4).

PUSHING/TOWING THE MACHINE

To push/tow the machine when it is turned off, no special prearrangement is necessary.

MACHINE LONG INACTIVITY

If the machine is not going to be used for more than 30 days, proceed as follows:

1. Check that the machine storage area is dry and clean.
2. Disconnect the battery connector (46).

FIRST PERIOD OF USE

After the first 8 hours perform the following procedures:

- Check the fastening and connecting parts for proper tightening.
- Check the visible parts for integrity and leakages.

MAINTENANCE

The lifespan of the machine and its maximum operating safety are ensured by proper and regular maintenance.

The following table provides the scheduled maintenance. The intervals shown may vary according to particular working conditions, which are to be defined by the person in charge of the maintenance.

All scheduled or extraordinary maintenance procedures must be performed by qualified personnel, or by an authorised Service Center.

This Manual describes only the easiest and most common maintenance procedures.

For other maintenance procedures shown in the Scheduled Maintenance Table, refer to the Service Manual that can be consulted at any Service Center.



WARNING!

To perform maintenance procedures, the machine must be off, the ignition key removed, and, if necessary, the batteries must be disconnected.

Before performing any maintenance procedure, carefully read the instructions shown in Safety chapter.

SCHEDULED MAINTENANCE TABLE

Procedure	Upon delivery	Every 10 hours	Every 50 hours	Every 100 hours	Every 200 hours	Every 400 hours
WET battery fluid level check						
Side and main broom height check and adjustment						
Dust filter cleaning and integrity check						
Skirt height and operation check						
Filter shaker operation check			(*)			
Main broom driving belt visual inspection			(*)			
Nut and screw tightening check				(*)(1)		
Service and parking brake check and adjustment				(*)		
Steering chain check and cleaning					(*)	
Main broom driving belt replacement					(*)	
Main motor and drive system motor carbon brush check or replacement						(*)

(*) For the relevant procedure, see the Service Manual.

(1) And after the first 8 running-in hours.

MAIN BROOM HEIGHT CHECK AND ADJUSTMENT



NOTE

Brooms with harder or softer bristles are available. This procedure is applicable to all types of brooms.

1. Check the main broom distance from the floor as shown below:
 - Drive the machine on a level floor.
 - Keep the machine stationary, lower the main broom and turn it on for a few seconds.
 - Stop and lift the main broom, then move the machine and switch it off.
 - Check that the main broom print (A, Fig. 2), along its length, is 0.8 to 1.6 in (2 to 4 cm) wide.

If the print (A) is not within specifications, adjust the broom height as shown in step 2.
2. Engage the parking brake with the pedal (3) and the lever (4).
3. Turn the ignition key (72) to "0".
4. Open the hood (7).
5. Loosen the knob (A, Fig. 3) on the left side of the machine.
6. Turn the knob (B, Fig. 3) and remind that:
 - It must be screwed to lift the broom;
 - It must be unscrewed to lower the broom.

After the adjustment, hold the knob (B) and tighten the knob (A).
7. Perform step 1 again to check the proper adjustment of the main broom height.
8. When the broom is too worn to be adjusted, replace it as shown in the next paragraph.



CAUTION!

If the main broom print is excessive (larger than 1.6 in (4 cm)), the machine regular operation is affected and the moving or electrical parts can overheat, thus reducing machine life. Pay careful attention when performing the above-mentioned checks, and always use the machine according to the indicated conditions.

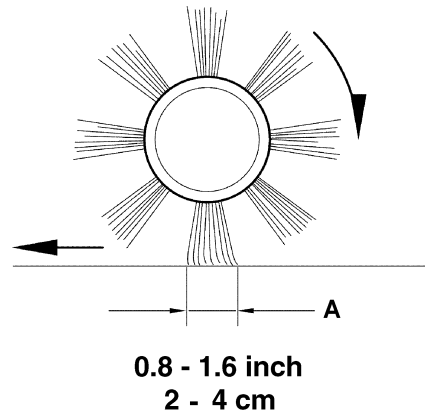


Figure 2

S311389

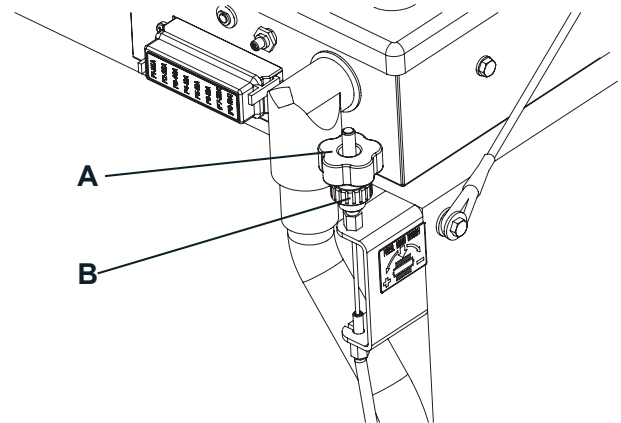


Figure 3

S311390

MAIN BROOM REPLACEMENT



NOTE

Brooms with harder or softer bristles are available.
This procedure is applicable to all types of brooms.



CAUTION!

It is advisable to wear protective gloves when replacing the main broom because there can be sharp debris between the bristles.

1. Drive the machine on a level floor and engage the parking brake with the pedal (3) and the lever (4).
2. Turn the ignition key (72) to "0".
3. Unscrew the knobs (23) and remove the right door (22).
4. Loosen the knob (A, Fig. 4).
5. Unscrew the knobs (B, Fig. 4) and remove the broom compartment cover (C).
6. Remove the broom (A, Fig. 5).
7. Check that the drive hub (A, Fig. 6) is free from dirt or foreign materials (ropes, rags, etc.) accidentally rolled up.
8. The new main broom must be installed with the bristles rows (B, Fig. 6) bent as shown in the figure.
9. Install the new main broom (C, Fig. 6) and ensure that the mesh (D) correctly fits into the relevant drive hub (A).
10. Install the broom compartment cover (C, Fig. 4) and tighten the knobs (B) and (A).
11. Install the right door (22), then tighten the knobs (23).
12. Check and adjust the main broom height as shown in the previous paragraph.

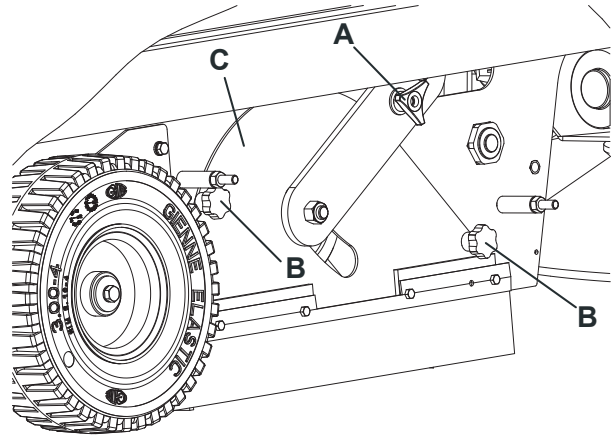


Figure 4

S311391

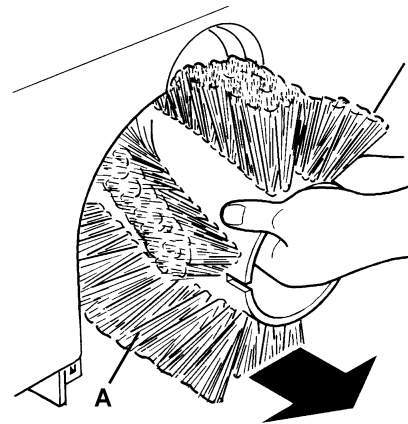


Figure 5

S311392

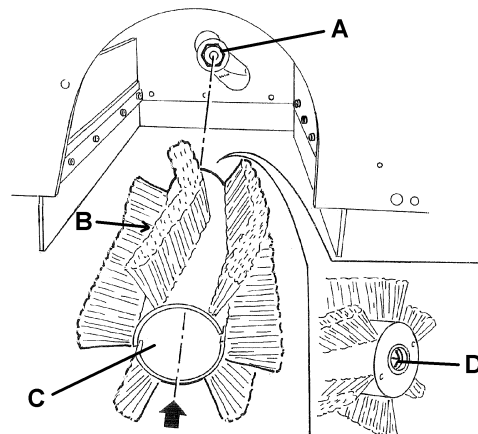


Figure 6

S311393

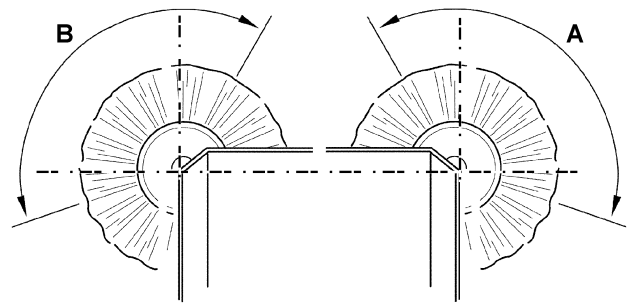
SIDE BROOM HEIGHT CHECK AND ADJUSTMENT



NOTE

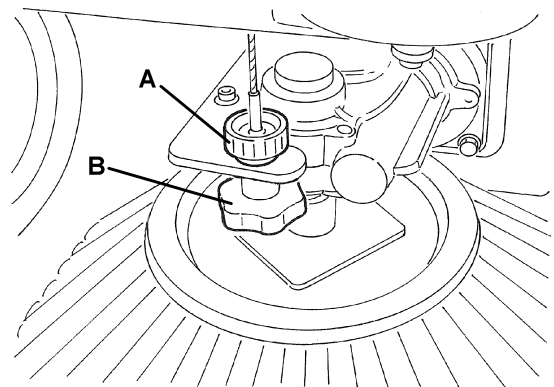
Brooms with harder or softer bristles are available.
This procedure is applicable to all types of brooms.

- Check the side broom distance from the floor, according to the following procedure:
 - Drive the machine on a level ground and lower the side brooms.
 - Keep the machine stationary and turn on the side brooms for a few seconds.
 - Lift the side brooms, then move the machine and turn it off.
 - Check that the side broom prints are as shown in the figure (A and B, Fig. 7).
 If the print is not within specifications, adjust the broom height, according to the procedure shown in step 2.
- Engage the parking brake with the pedal (3) and the lever (4).
- Turn the ignition key (72) to "0".
- Loosen the knob (A, Fig. 8) positioned above the broom.
- Turn the knob (B, Fig. 8) and remind that:
 - It must be screwed to lift the broom;
 - It must be unscrewed to lower the broom.
 After the adjustment, hold the knob (B) and tighten the knob (A).
- Perform step 1 again to check the proper adjustment of the side broom height.
- When the brooms are too worn and can no longer be adjusted, replace them according to the procedure shown in the relevant paragraph.



S311394

Figure 7



S311395

Figure 8

SIDE BROOM REPLACEMENT



NOTE

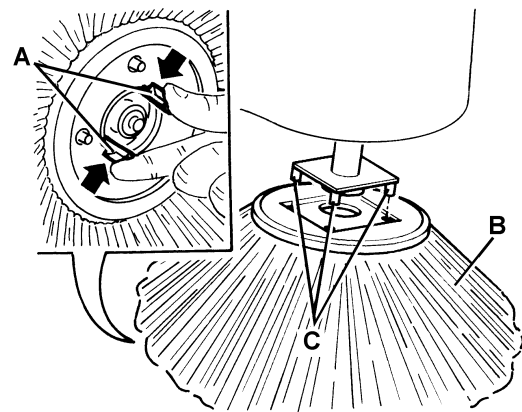
Brooms with harder or softer bristles are available.
This procedure is applicable to all types of brooms.



CAUTION!

It is advisable to wear protective gloves when replacing the side brooms because there can be sharp debris between the bristles.

- Drive the machine on a level floor and engage the parking brake with the pedal (4) and the lever (3).
- Turn the ignition key (82) to "0".
- Lay the hand inside the side broom and press the tabs (A, Fig. 9) inwards, then remove the broom (B) by disengaging it from the four pins (C).
- Install the new side broom by engaging it on the pins (C, Fig. 9) and on the tabs (A).
- Check and adjust the side broom height as shown in the previous paragraph.



S311396

Figure 9

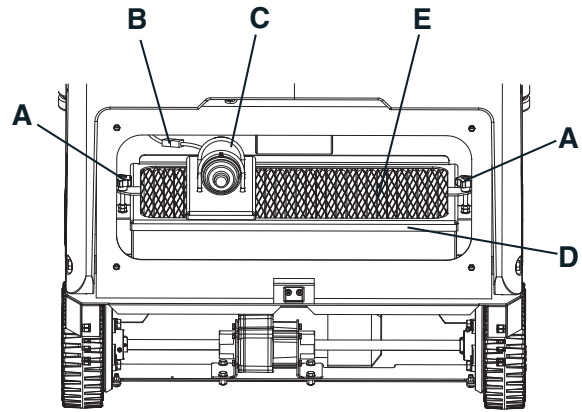
DUST FILTER CLEANING AND INTEGRITY CHECK



NOTE

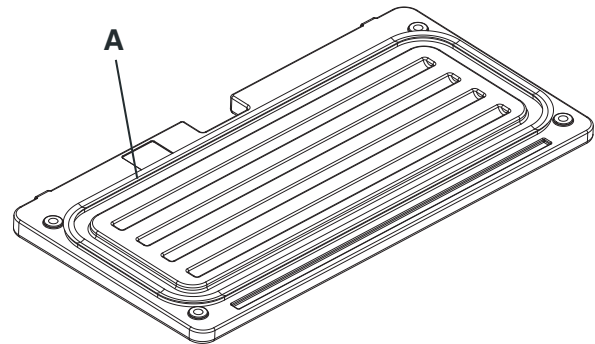
Besides the standard paper filter, polyester filters are also available. The following procedure is applicable to each type of filter.

1. Drive the machine on a level floor and engage the parking brake with the pedal (3) and the lever (4).
 2. Turn the ignition key (72) to "0".
 3. Disengage the hook (18) by pulling its lower end.
 4. Remove the hopper (17) by using the handle (19) and by disengaging it from the inner guides.
 5. Unscrew the knobs (33) and remove the filter compartment cover (32).
 6. Loosen the knobs (A, Fig. 10).
 7. Disconnect the connector (B, Fig. 10) from the filter shaker motor (C).
 8. Remove the dust filter fastening frame (D, Fig. 10).
 9. Remove the dust filter (E, Fig. 10).
 10. In an outdoor area, clean the filter by shaking it on a level and clean surface, tapping the side (A, Fig. 12) opposite to the wire gauze (B).
 11. Complete the cleaning procedure by using compressed air (C, Fig. 12) at maximum 6 Bar, blowing only from the side of the wire gauze (B), at a minimum distance of 11.8 in (30 cm).
- According to the filter type, observe the following cautions:
- Paper filter (standard): Do not use water or detergents to clean it, otherwise it can be damaged.
 - Polyester filter (optional): For a better cleaning, it is allowed to wash the filter with water and non-lathering detergents. This provides better quality cleaning but reduces the life of the filter, which will have to be replaced more frequently. The use of inadequate detergents can damage the filter.
12. Check the filter body for tears. If necessary, replace the filter.
 13. Clean the rubber gasket (A, Fig. 11) of the cover (32) and check it for integrity and efficiency; if necessary replace it.
 14. Assemble the components in the reverse order of disassembly, and note the following:
 - Install the filter (E, Fig. 10) with the wire gauze (B, Fig. 12) facing upwards.



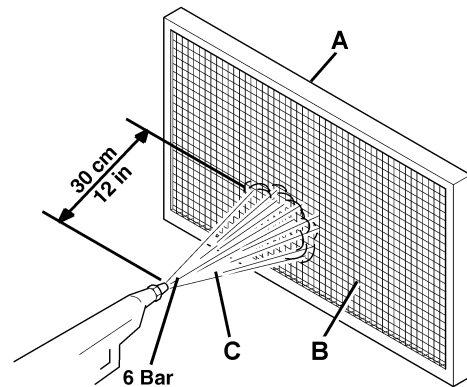
S311397

Figure 10



S311398

Figure 11



S311399

Figure 12

SKIRT HEIGHT AND OPERATION CHECK

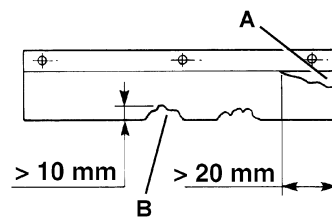
1. Drive the machine on a level floor that is suitable for checking the skirt height.
Engage the parking brake with the pedal (3) and the lever (4).
2. Turn the ignition key (72) to "0".

Side skirt check

3. Unscrew the knobs (23 and 21) and remove both left (20) and right doors (22).
4. Check the side skirts (13 and 14) for integrity. Replace the skirts when they have cuts (A, Fig. 13) larger than 0.79 in (20 mm) or cracks (B) larger than 0.39 in (10 mm) (for skirt replacement, refer to the Service Manual).
5. Check that distance from the ground of the side skirts (13 and 14) is within 0 – 0.12 in (0 – 3 mm) (A, Fig. 14). If necessary, adjust the skirt height by using the slots on the screws (A, Fig. 17).
6. Assemble the components in the reverse order of disassembly.

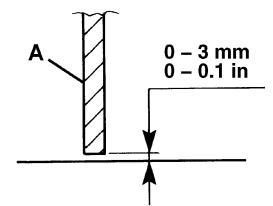
Front and rear skirt check

7. Remove the main broom as shown in the relevant paragraph.
8. Check the front (15) and rear skirts (16) for integrity. Replace the skirts when they have cuts (A, Fig. 13) larger than 0.79 in (20 mm) or cracks (B) larger than 0.39 in (10 mm) (for skirt replacement, refer to the Service Manual).
9. Check that:
 - The front skirt (A, Fig. 18) slightly touches the floor (A, Fig. 15).
 - The distance from the ground of the rear skirt (B, Fig. 18) is within 0 – 0.12 in (0 – 3 mm) (A, Fig. 14).
10. If necessary, adjust the skirt height by using the slots on the screws (C and D, Fig. 18).
11. Press the front skirt lifting pedal (5) and check that the front skirt (A, Fig. 16) turns upward for about 90° (as shown in the figure); then release the pedal and check that the skirt does not remain in an intermediate position but returns to its initial position. If necessary, for the front skirt control cable adjustment or replacement, refer to the Service Manual.
12. Assemble the components in the reverse order of disassembly.



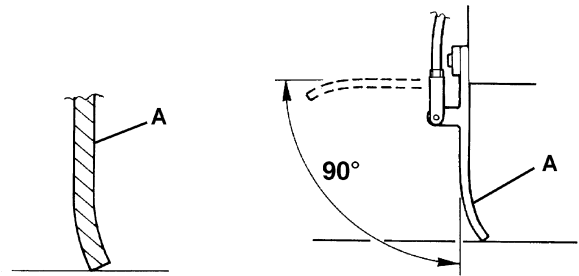
S311400

Figure 13



S311401

Figure 14

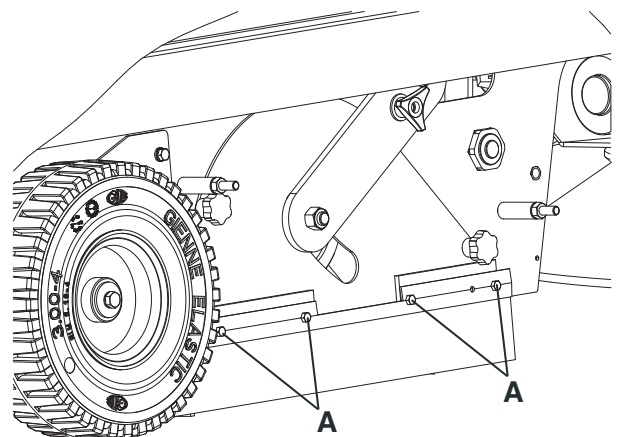


S311402

Figure 15

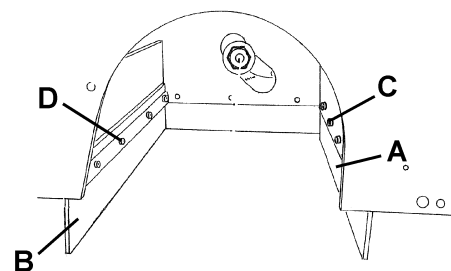
S311403

Figure 16



S311404

Figure 17



S311405

Figure 18

BATTERY CHARGING**CAUTION!**

Charge the batteries when the yellow (73) or red warning light (74) turns on and at the end of each cleaning cycle. Keeping the batteries charged make their life last longer.

**WARNING!**

When the batteries are discharged, charge them as soon as possible, as that condition makes their life shorter.

**WARNING!**

If the machine is equipped with lead (WET) batteries, battery charging produces highly explosive hydrogen gas. Charge the batteries in well-ventilated areas and away from naked flames. Do not smoke while charging the batteries. While charging the batteries always keep the hood open.

**WARNING!**

Pay careful attention when charging WET batteries as there may be battery fluid leakages. The battery fluid is corrosive. If it comes in contact with skin or eyes, rinse thoroughly with water and consult a physician.

1. Drive the machine on a level floor and engage the parking brake with the pedal (3) and the lever (4).
2. Turn the ignition key (72) to "0".
3. Open the hood (7).
4. (For WET batteries only) check the level of electrolyte inside the batteries. If necessary, top up through the caps (45). Leave all the caps (45) open for battery charging. If necessary, clean the upper surface of the batteries.
5. Charge the batteries according to one of the following methods, depending on the presence of the electronic battery charger (47) (optional).

Charging the batteries with an external battery charger

6. Check that the battery charger is suitable by referring to the Battery Charger Manual. The battery charger voltage rating is 24 V.

**CAUTION!**

Use a battery charger suitable for the type of batteries installed.

7. Disconnect the battery connector (46) and connect it to the external battery charger.
8. Connect the battery charger to the electrical mains.
9. After charging, disconnect the battery charger from the electrical mains and from the battery connector (46).
10. (For WET batteries only) check the level of electrolyte inside the batteries; then close all the caps (45).
11. Reconnect the battery connector (46) to the machine connector.
12. Close the hood (7). The machine is ready to be used.

Charging the batteries with the battery charger (optional)

13. (For WET batteries only) check the level of electrolyte inside the batteries. If necessary, top up through the caps (45). Leave all the caps (45) open for battery charging. When the correct level is reached, clean, if necessary, the upper surface of the batteries.
14. Connect the battery charger cable (48) to the electrical mains.

**WARNING!**

Check that the voltage and frequency shown on the machine serial number plate (37) match the electrical mains values.

**NOTE**

When the battery charger is connected to the electrical mains, all machine functions are automatically disabled.

15. When the green warning light (50) turns on, the batteries are charged.
16. For further information about the battery charger operation (47), see the Battery Charger Manual.
17. Disconnect the battery charger cable (48) from the electrical mains and place it in its housing on the machine.
18. (For WET batteries only) Close all the caps (45).
19. Close the hood (7). The machine is ready to be used.

FUSE CHECK/REPLACEMENT/RESET

1. Drive the machine on a level floor and engage the parking brake with the pedal (3) and the lever (4).
2. Turn the ignition key (72) to "0".
3. Open the hood (7).
4. Disconnect the battery connector (46).

Lamellar fuse check/replacement

5. Remove the fuse box cover (51).
6. Check/replace the relevant fuse among the following (Fig. 19):
 - F1: Main fuse (key circuit) (15 A)
 - F2: Filter shaker motor fuse (25 A)
 - F3: Manual vacuum system fuse (40 A) (optional)
 - F4: Vacuum system motor fuse (30 A)
 - F5: Horn and pivoting light fuse (10 A)
 - F6: Working light fuse (10 A) (optional)
7. Remove the electrical component box cover (55).
8. Check/replace the following fuse (Fig. 20):
 - FT: Drive system fuse (70 A)

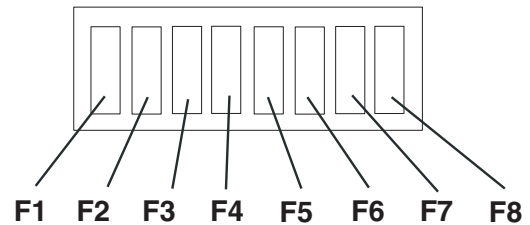


Figure 19

S311413

Circuit breaker check

9. Check for deactivation of one of the following fuses, then reset it after the relevant motor has cooled down:
 - FA: Main broom motor circuit breaker (30 A) (52)
 - FB: Side broom motor circuit breaker (10 A) (53)

Assembly

10. Assemble the components in the reverse order of disassembly.

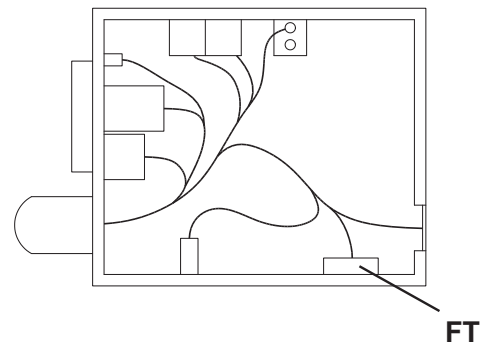


Figure 20

S311414

TROUBLESHOOTING

Trouble	Possible cause	Remedy
The machine does not start when turning the ignition key to "I".	The battery connector (46) is disconnected.	Connect the battery connector.
	The F1 fuse in the box (51) is open.	Replace the F1 fuse.
	The battery charger cable (48) is connected to the electrical mains.	Disconnect the battery charger cable from the electrical mains.
The machine does not move when pressing the pedal (2).	The parking brake is engaged.	Disengage the parking brake.
	When starting the machine with the ignition key (72), the pedal (2) is pressed, or the operator is not yet on the driver's seat.	Start the machine with the ignition key (72), only after being on the driver's seat and without pressing the pedal (2).
The main broom does not work.	The circuit breaker (52) is deactivated.	Reset the fuse (52) by pressing the relevant switch.
The side brooms do not operate.	The main broom is not lowered.	Lower the main broom.
	The circuit breaker (53) is deactivated.	Reset the fuse (53) by pressing the relevant switch.
The machine operates only when stationary, otherwise the red warning light (73) turns on.	The batteries are discharged.	Charge the batteries. If the problem persists, replace the battery.
The battery autonomy is low.	The batteries are dead.	Replace the batteries.
	The battery capacity is low.	Buy batteries with higher capacity (see the Technical Data paragraph).
The dive system malfunction led (54) is flashing.	The drive system is malfunctioning.	To detect the failure, refer to the Service Manual (at any Advance Service Center).

For further information, refer to the Service Manual, available at any Advance Service Center.

SCRAPPING

Have the machine scrapped by a qualified scrapper.

Before scrapping the machine, remove and separate the following materials, which must be disposed of properly according to the Law in force:

- Batteries
- Engine oil
- Polyester dust filter
- Main and side brooms
- Plastic hoses and components
- Electrical and electronic components (*)

(*) Refer to the nearest Advance Center especially when scrapping electrical and electronic components.

TABLE DES MATIERES

INTRODUCTION	2
BUT ET CONTENU DU MANUEL	2
DESTINATAIRES.....	2
CONSERVATION DU MANUEL.....	2
AUTRES MANUELS DE REFERENCE.....	2
PIECES DE RECHANGE ET ENTRETIEN	3
CAPACITES OPERATIONNELLES	3
CONVENTIONS	3
DEBALLAGE / LIVRAISON	3
SECURITE	4
SYMBOLES UTILISES	4
INSTRUCTIONS GENERALES.....	4
DESCRIPTION DE LA MACHINE	6
STRUCTURE DE LA MACHINE.....	6
TABLEAU DE BORD ET COMMANDES	8
ACCESSOIRES / OPTIONS.....	8
CARACTERISTIQUES TECHNIQUES.....	9
SCHEMA ELECTRIQUE.....	10
UTILISATION	12
CONTROLE / PREPARATION DES BATTERIES SUR UNE MACHINE NEUVE	12
CONFIGURATION DU TYPE DE BATTERIES INSTALLEES (WET OU GEL)	13
AVANT LA MISE EN MARCHE	13
MISE EN MARCHE ET ARRET DE LA MACHINE	14
MACHINE AU TRAVAIL	15
VIDANGE DU CONTENEUR DECHETS	15
APRES L'UTILISATION DE LA MACHINE	15
DEPLACEMENT PAR POUSSEE / REMORQUAGE DE LA MACHINE	15
INACTIVITE PROLONGEE DE LA MACHINE	15
PREMIERE PERIODE D'UTILISATION.....	15
ENTRETIEN	16
PLAN D'ENTRETIEN PROGRAMME.....	16
CONTROLE ET REGLAGE DE LA HAUTEUR DU BALAI CENTRAL	17
REPLACEMENT DU BALAI CENTRAL.....	18
CONTROLE ET REGLAGE DE LA HAUTEUR DES BALAIS LATERAUX.....	19
REPLACEMENT DES BALAIS LATERAUX	19
NETTOYAGE ET CONTROLE DE L'INTEGRITE DU FILTRE A POUSSIERE	20
CONTROLE DE LA HAUTEUR ET DU FONCTIONNEMENT DES VOLETS	21
CHARGEMENT DES BATTERIES	22
CONTROLE / REMPLACEMENT / RETABLISSEMENT DES FUSIBLES	23
DEPISTAGE DES PANNES	24
MISE A LA FERRAILLE	24

INTRODUCTION

**REMARQUE**

Les nombres entre parenthèses se rapportent aux composants indiqués au chapitre Description de la machine.

BUT ET CONTENU DU MANUEL

Ce manuel se propose de fournir à l'opérateur toutes les informations nécessaires afin qu'il puisse utiliser la machine correctement et la gérer de la manière la plus autonome et sûre. Il comprend des informations relatives à l'aspect technique, la sécurité, le fonctionnement, l'arrêt de la machine, l'entretien, les pièces de rechange et la mise à la ferraille.

Avant d'effectuer toute opération sur la machine, les opérateurs et les techniciens qualifiés doivent lire attentivement les instructions contenues dans ce manuel. En cas de doutes sur la correcte interprétation des instructions, contacter Advance pour avoir plus de renseignements.

DESTINATAIRES

Ce manuel s'adresse à l'opérateur aussi bien qu'aux techniciens préposés à l'entretien de la machine.

Les opérateurs ne doivent pas exécuter les opérations réservées aux techniciens qualifiés. Advance ne répond pas des dommages dus à l'inobservance de cette interdiction.

CONSERVATION DU MANUEL

Le manuel d'utilisation doit être gardé près de la machine, dans une enveloppe spéciale et, surtout, loin de liquides et de tout ce qui pourrait compromettre l'état de lisibilité.

DONNEES D'IDENTIFICATION

Le numéro de série et le modèle de la machine sont indiqués sur la plaque (37).

L'année de fabrication de la machine est indiquée dans la Déclaration de Conformité, ainsi que par les deux premiers chiffres du numéro de série de la machine.

Ces informations sont nécessaires lors de la commande des pièces de rechange de la machine. Utiliser l'espace suivant pour y noter les données d'identification de la machine.

Modèle de la MACHINE
Numéro de série de la MACHINE

AUTRES MANUELS DE REFERENCE

Les manuels suivants sont livrés avec la machine :

- Manuel du chargeur de batterie électronique, si équipé, qui doit être considéré comme une partie intégrante de ce manuel
- Catalogue de pièces de rechange de la balayeuse

Autres manuels disponibles :

- Manuel d'entretien (consultable auprès des Services après-vente Advance)

PIECES DE RECHANGE ET ENTRETIEN

Pour toute nécessité concernant l'emploi, l'entretien et la réparation, s'adresser au personnel qualifié ou directement aux Services après-vente Advance. Utiliser toujours des pièces de rechange et des accessoires d'origine.

Pour l'assistance ou la commande de pièces de rechange et accessoires, contacter Advance en spécifiant toujours le modèle et le numéro de série de la machine.

MODIFICATIONS ET AMELIORATIONS

Advance vise à un constant perfectionnement de ses produits et se réserve le droit d'effectuer des modifications et des améliorations lorsqu'elle le considère nécessaire sans l'obligation de modifier les machines précédemment vendues.

Il est entendu que toute modification et / ou addition d'accessoires doit toujours être approuvée et réalisée par Advance.

CAPACITES OPERATIONNELLES

Cette balayeuse est conçue et fabriquée pour le nettoyage / balayage de sols lisses et solides et pour le ramassage de poussières et déchets légers, en milieux civils et industriels, en condition de complète sécurité par un opérateur qualifié.

CONVENTIONS

Toutes les références à en avant, en arrière, avant, arrière, droite ou gauche indiquées dans ce manuel doivent être considérées comme référées à l'opérateur assis en position de conduite sur le siège (25).

DEBALLAGE / LIVRAISON

Pour déballer la machine, suivre attentivement les instructions sur l'emballage.

Lors de la livraison de la machine, contrôler attentivement que l'emballage et la machine n'ont pas été endommagés pendant le transport. Si les dommages sont évidents, garder l'emballage de façon qu'il puisse être examiné par le transporteur qui l'a livré.

Contactez immédiatement le transporteur pour remplir une demande de dommages-intérêts.

Contrôler que le matériel livré avec la machine correspond à la liste suivante :

- Documentation technique :
 - Manuel d'utilisation de la balayeuse
 - Manuel du chargeur de batterie électronique
 - Catalogue de pièces de rechange de la balayeuse
- N° 1 fusible de 70 A

SECURITE

On utilise la symbolique suivante pour signaler les conditions de danger potentielles. Lire attentivement ces informations et prendre les précautions nécessaires pour protéger les personnes et les choses.

Pour éviter tout accident, la collaboration de l'opérateur est essentielle. Aucun programme de prévention des accidents du travail ne peut résulter efficace sans la totale collaboration de la personne directement responsable du fonctionnement de la machine. La plupart des accidents qui peuvent survenir dans une entreprise, pendant le travail ou les déplacements, sont dus à l'inobservance des plus simples règles de prudence. Un opérateur attentif et prudent est la meilleure garantie contre les accidents du travail et se révèle indispensable pour compléter n'importe quel programme de prévention.

SYMBOLES UTILISES

**DANGER !**

Indique une situation dangereuse exposant l'opérateur au risque de blessures graves, voire mortelles.

**ATTENTION !**

Indique un risque potentiel d'accident pour les personnes ou de dommage matériel.

**AVERTISSEMENT !**

Indique un avertissement ou une remarque sur des fonctions clé ou utiles. Prêter la plus grande attention aux segments de texte marqués par ce symbole.

**REMARQUE**

Indique une remarque sur des fonctions clé ou utiles.

**CONSULTATION**

Indique la nécessité de consulter le manuel d'utilisation avant d'effectuer toute opération.

INSTRUCTIONS GENERALES

Les avertissements et précautions spécifiques suivants informent sur les potentiels risques de dommages à la machine ou aux personnes.

**DANGER !**

- *Avant d'effectuer toute opération de nettoyage, d'entretien et de remplacement des composants, débrancher le connecteur de la batterie, enlever la clé de contact et actionner le frein de stationnement.*
- *Cette machine doit être utilisée uniquement par le personnel adéquatement formé. L'utilisation de la machine est interdite aux enfants et aux personnes handicapées.*
- *Tenir les étincelles, les flammes et les matériaux fumants et incandescents loin des batteries. Les batteries produisent des gaz potentiellement explosifs pendant l'utilisation ordinaire.*
- *Ne pas porter de bijoux quand on travaille près des composants électriques.*
- *Ne pas travailler sous la machine soulevée, sans des supports fixes de sécurité convenables.*
- *Chaque fois qu'on travaille sous le coffre ouvert, s'assurer que celui-ci ne peut pas se refermer accidentellement.*
- *Ne pas opérer avec cette machine en présence de poudres, liquides ou vapeurs nuisibles, dangereux, inflammables et / ou explosifs : la machine ne doit pas être utilisée pour ramasser des matériaux dangereux.*
- *Si des batteries au plomb (WET) sont installées dans la machine, en chargeant les batteries un gaz hydrogène très explosif est produit. Garder le coffre ouvert pendant le cycle de rechargement des batteries et effectuer l'opération exclusivement en milieux bien aérés et loin de flammes libres.*
- *En cas d'installation à bord de batteries au plomb (WET), ne pas incliner la machine de plus de 30° depuis l'horizontale, car cela pourrait provoquer des pertes de liquide très corrosif. Au cas où il serait nécessaire d'incliner la machine pour l'entretien, enlever les batteries.*

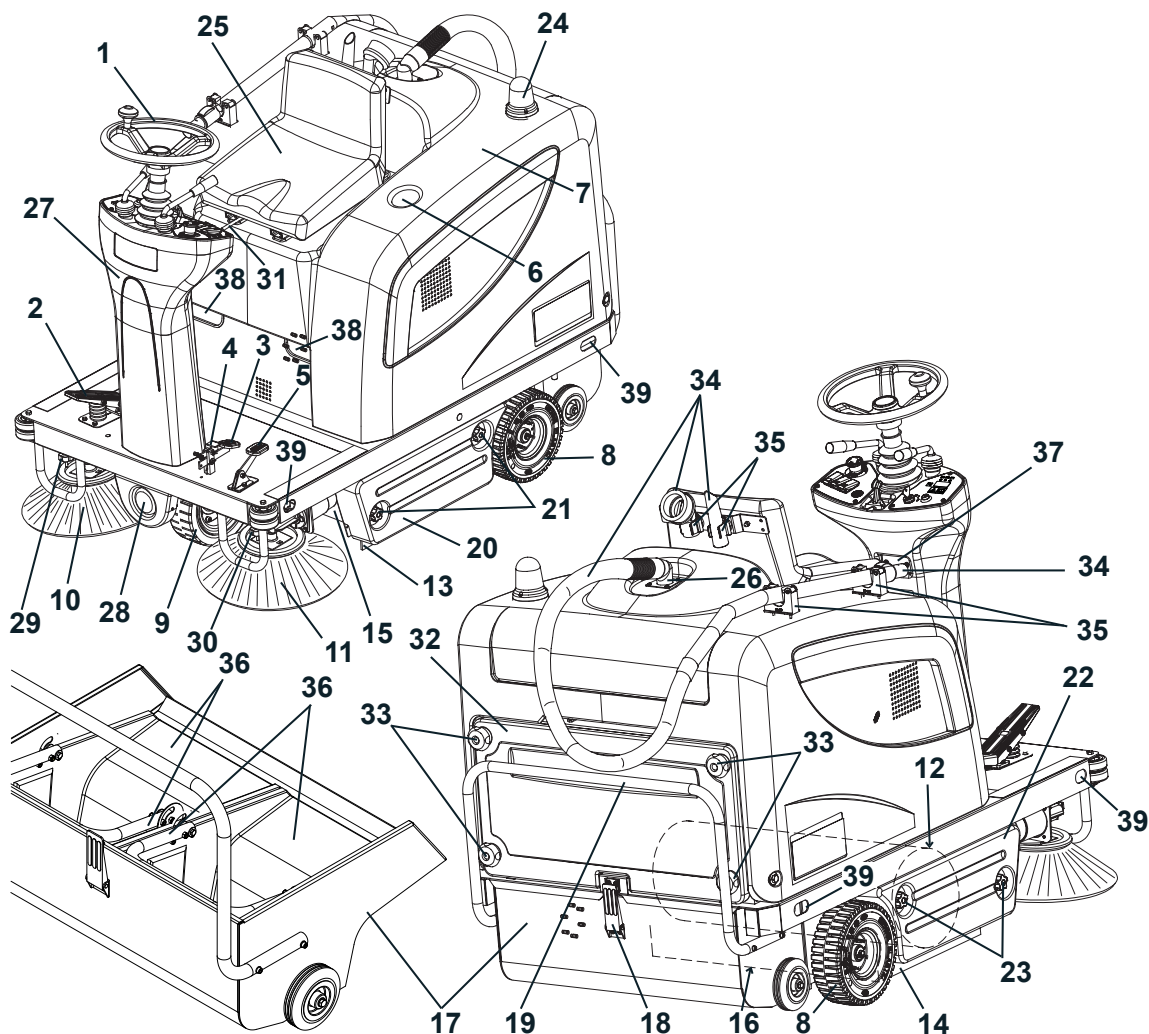
**ATTENTION !**

- Avant d'effectuer toute activité d'entretien / réparation, lire attentivement toutes les instructions qui concernent l'entretien / réparation.
- Prendre les précautions convenables afin que les cheveux, les bijoux, les parties non adhérentes des vêtements ne soient pas capturés par les parties en mouvement de la machine.
- Si des batteries au plomb (WET) sont installées dans la machine, ne pas fumer pendant le chargement des batteries.
- Avant d'utiliser le chargeur de batterie, s'assurer que la fréquence et la tension indiquées sur la plaque avec numéro de série de la machine coïncident avec la tension du réseau.
- Ne pas utiliser le câble du chargeur de batterie pour tirer ou transporter la machine et ne pas utiliser le câble comme poignée. Ne pas fermer de porte sur le câble du chargeur de batterie, ne pas tirer le câble sur des surfaces ou coins tranchants. Ne pas faire passer la machine sur le câble du chargeur de batterie. Tenir le câble du chargeur de batterie loin des surfaces chaudes.
- Si le câble du chargeur de batterie ou la fiche sont endommagés, ne pas charger les batteries de la machine. Si le câble du chargeur de batterie est endommagé, contacter un Service après-vente Advance.
- Pour réduire le risque d'incendie, choc électrique ou blessures, ne pas laisser la machine sans surveillance lorsqu'elle est branchée au réseau électrique. Débrancher le câble du chargeur de batterie du réseau électrique avant d'effectuer toute opération d'entretien.
- Pour éviter l'utilisation non autorisée de la machine, enlever la clé de contact.
- Avant de laisser la machine sans surveillance, veiller à ce que celle-ci ne puisse pas bouger de façon autonome.
- Ne pas utiliser la machine sur des surfaces ayant une pente supérieure à la valeur indiquée sur la machine même.
- Utilisez exclusivement les balais livrés avec la machine et spécifiées dans le manuel d'utilisation. L'utilisation de balais différentes peut compromettre la sécurité.
- Avant d'utiliser la machine, fermer tous les couvercles et / ou portillons.
- Ne pas utiliser la machine dans des endroits très poussiéreux.
- Ne pas laver la machine avec des jets d'eau directs ou sous pression ou avec des substances corrosives.
- Ne pas utiliser d'air comprimé pour le nettoyage général de la machine, sauf que pour les filtres (voir le paragraphe spécifique).
- Pendant l'utilisation de cette machine, faire attention à sauvegarder l'intégrité des autres personnes, en particulier des enfants.
- Ne pas poser de conteneurs de liquides sur la machine.
- La température de stockage doit être comprise entre 32°F et 104°F (0°C et +40°C).
- La température de travail de la machine doit être comprise entre 32°F et 104°F (0°C et +40°C).
- L'humidité doit être comprise entre 30 % et 95 %.
- Protéger toujours la machine du soleil, de la pluie et d'autres intempéries, pendant le fonctionnement et en état d'arrêt. Garder la machine dans un endroit couvert et sec : elle a été conçue pour l'utilisation à sec, par conséquent elle ne doit pas être utilisée ou gardée dehors, dans des conditions d'humidité.
- Ne pas utiliser la machine comme moyen de transport ou de poussée / remorquage.
- Ne pas faire travailler les balais lorsque la machine est arrêtée pour ne pas endommager le sol.
- En cas d'incendie, il est préférable d'utiliser un extincteur à poudre, plutôt qu'un extincteur à eau.
- Ne pas heurter contre des étagères ou des échafaudages, en particulier en cas de danger de chute d'objets.
- Adapter la vitesse d'utilisation aux conditions d'adhérence.
- La machine n'est pas approuvée pour l'utilisation sur la voie publique.
- Ne pas altérer pour aucune raison les protections prévues pour la machine.
- Respecter scrupuleusement les instructions prévues pour l'entretien ordinaire.
- Ne pas enlever ou altérer les plaques installées sur la machine.
- S'assurer que les éventuelles anomalies de fonctionnement de la machine ne dépendent pas du manque d'entretien. En cas contraire demander l'intervention de personnel autorisé ou d'un Service après-vente autorisé.
- En cas de remplacement de pièces, demander les pièces de rechange D'ORIGINE à un concessionnaire ou revendeur agréé.
- Afin de garantir la sécurité et le bon fonctionnement de la machine, faire effectuer l'entretien programmé prévu au chapitre spécifique de ce manuel par du personnel autorisé ou par un Service après-vente agréé.
- Lors de la mise à la ferraille, la machine ne doit pas être abandonnée par la présence de matériaux toxiques (batteries, huiles etc.), sujets à des lois qui prévoient l'élimination auprès de centres spéciaux (voir le chapitre Mise à la ferraille).

DESCRIPTION DE LA MACHINE

STRUCTURE DE LA MACHINE

1. Volant
2. Pédale de marche avant / arrière
3. Pédale frein de service
4. Levier frein de stationnement
Appuyer sur la pédale du frein (3) puis actionner le levier (4) pour commuter le frein de service en frein de stationnement.
5. Pédale volet avant
6. Porte-objets
7. Coffre
8. Roues arrière de traction sur essieu fixe
9. Roue avant de direction
10. Balai latéral droit
11. Balai latéral gauche
12. Balai central
13. Volet latéral gauche
14. Volet latéral droit
15. Volet avant
16. Volet arrière
17. Conteneur déchets (le vider lorsqu'il est plein)
18. Crochet de retenue conteneur déchets
19. Poignée conteneur déchets
20. Portillon gauche (ouvrir seulement pour les opérations d'entretien)
21. Pommeaux portillon
22. Portillon gauche (pour enlever le balai central)
23. Pommeaux portillon
24. Feu clignotant (toujours en fonction si la clé de contact est sur "I") (optionnel)
25. Siège de conduite avec microinterrupteur de sécurité
26. Prise supplémentaire pour aspirateur manuel (optionnel)
27. Colonne de direction, inclinable en avant ou en arrière
28. Feu de travail (optionnel)
29. Poignée de réglage hauteur balai latéral droit
30. Poignée de réglage hauteur balai latéral gauche (optionnel)
31. Levier de réglage position longitudinale siège
32. Couvercle compartiment filtre d'aspiration
33. Pommeaux couvercle
34. Aspirateur manuel (optionnel)
35. Dispositifs de retenue aspirateur manuel
36. Conteneurs intérieurs avec poignée pour déchargement déchets (optionnels)
37. Plaque avec numéro de série / données techniques / marquage de conformité
38. Poignées d'ouverture coffre
39. Ancrages de soulèvement machine



STRUCTURE DE LA MACHINE (suite)

- | | |
|--|--|
| <ul style="list-style-type: none"> 41. Coffre (ouvert) 42. Tirants de support coffre 43. Batteries au plomb (WET) ou au gel (GEL) (optionnelles) 44. Schémas de branchement batteries 45. Bouchons batteries (seulement pour batteries WET) 46. Connecteur batteries 47. Chargeur de batterie électronique 48. Câble chargeur de batterie 49. Sélecteur chargeur de batterie électronique optionnel pour batteries au plomb (WET) ou au gel (GEL) 50. Témoin lumineux batteries chargées 51. Boîte fusibles à lamelle | <ul style="list-style-type: none"> 52. Fusible restaurable moteur balai central 53. Fusible restaurable moteurs balais latéraux 54. Led de signalisation système de traction en panne.
Si le led est allumé fixe, le système de traction fonctionne correctement ; si le led clignote, le système de traction est en panne. 55. Boîte composants électriques 56. Carte électronique système de traction 57. Conteneur batteries 58. Aspirateur manuel (optionnel) 59. Poignée de réglage hauteur balai central 60. Déflecteur d'air |
|--|--|

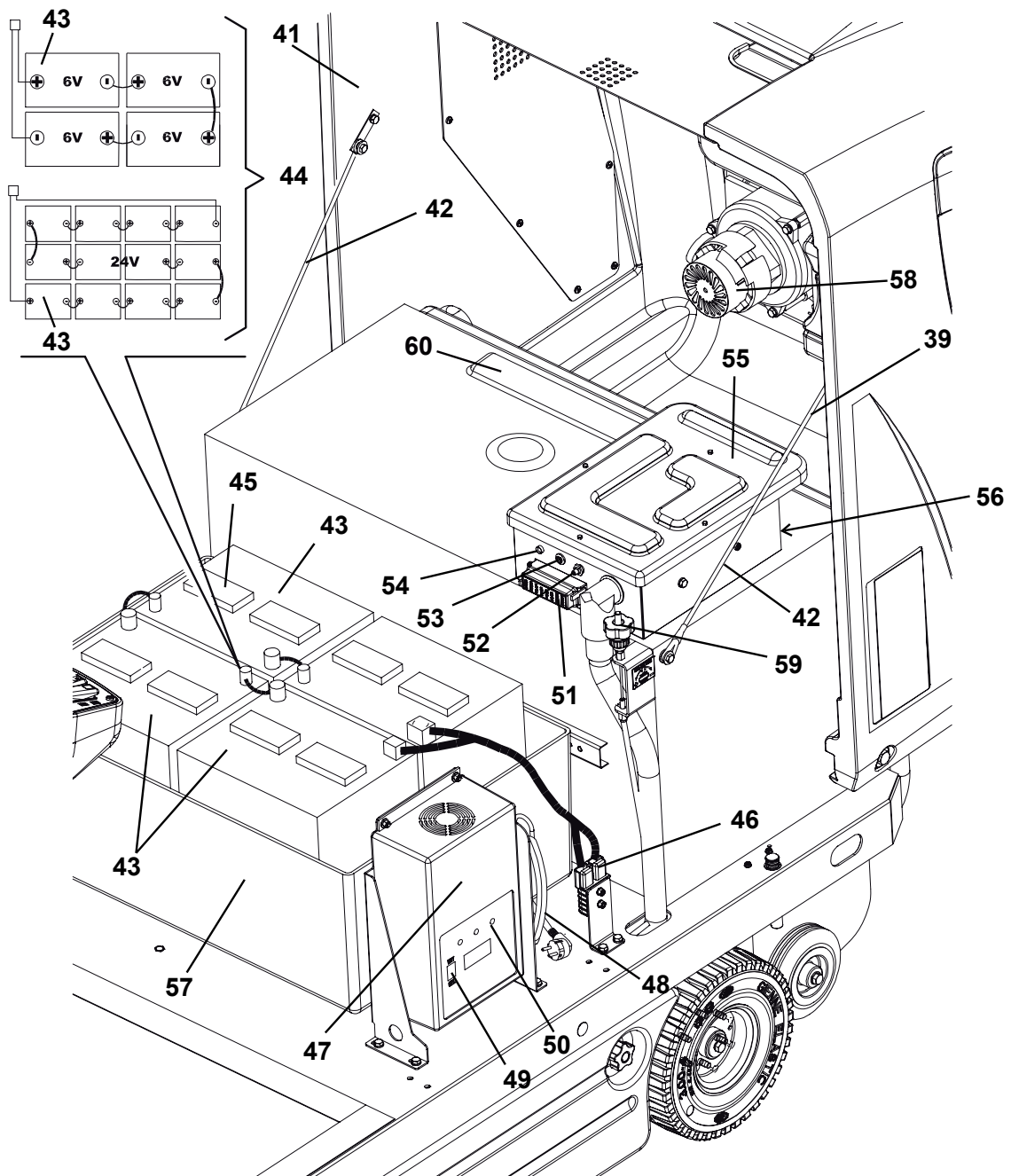
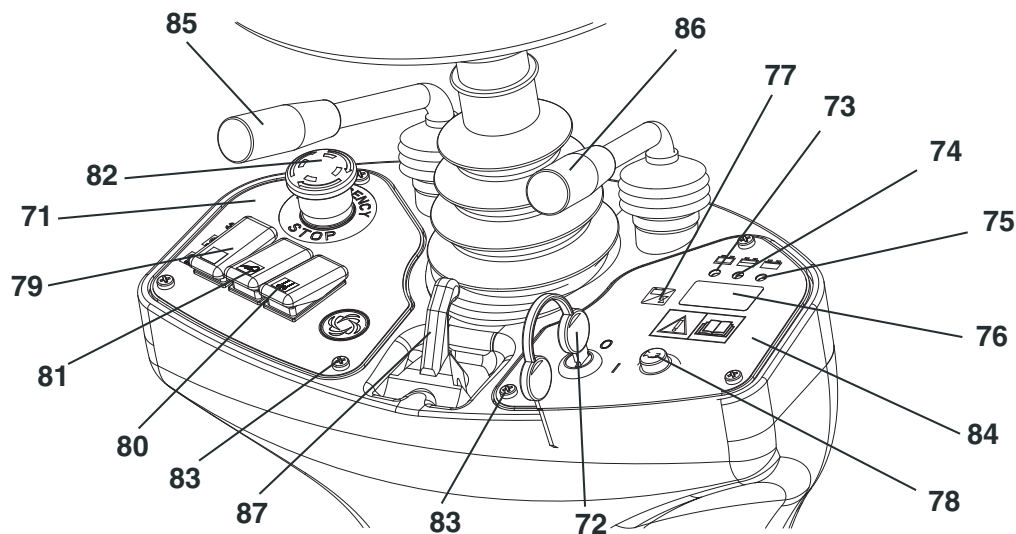


TABLEAU DE BORD ET COMMANDES

71. Tableau de bord gauche
72. Clé de contact (tournée en position "0", elle arrête la machine et en désactive toutes les fonctions ; tournée en position "I", elle active toutes les fonctions et le feu clignotant)
73. Témoin lumineux batteries déchargées (rouge). S'il s'allume, il indique que les batteries sont déchargées. L'autonomie est épuisée et les batteries doivent être chargées (voir la procédure au paragraphe spécifique).
74. Témoin lumineux batteries demi-chargées (jaune). S'il s'allume, il indique que les batteries sont demi-chargées. L'autonomie résiduelle est de quelques minutes.
75. Témoin lumineux batteries chargées (vert). S'il s'allume, il indique que les batteries sont chargées. L'autonomie résiduelle dépend de la capacité des batteries installées et des conditions de travail.
76. Afficheur. En y appuyant, on visualise sur l'afficheur en séquence :
 - heures de travail
 - dernier chiffre des heures - (point) - minutes
 - tension batteries (V)
77. Bouton-poussoir de sélection sur l'afficheur : compteur horaire/compteur horaire et minuteur/tension batteries (V)
78. Interrupteur avertisseur sonore
79. Interrupteur ventilateur d'aspiration / secoueur
80. Interrupteur prise supplémentaire pour aspirateur manuel (optionnelle)
81. Interrupteur feu de travail (optionnel)
82. Bouton-poussoir d'urgence
Il doit être appuyé en cas d'urgence pour arrêter toute fonction de la machine. Pour le désactiver après l'utilisation, le tourner dans le sens de la flèche qui se trouve sur le bouton-poussoir même.
83. Vis de fixation tableaux
84. Tableau de bord droit
85. Levier de soulèvement / abaissement balai latéral droit et balai latéral gauche
86. Levier de soulèvement / abaissement balai central
87. Levier de réglage position volant



S311410

ACCESSOIRES / OPTIONS

Outre les composants présents dans le modèle standard, la machine peut être équipée des accessoires optionnels suivants, selon l'emploi spécifique de la machine :

- Batteries GEL
- Balais central et latéraux avec poils plus ou moins durs par rapport au standard
- Filtre à poussière en polyester antistatique et en polyester BIA C
- Aspirateur manuel
- Feu de travail
- Feu clignotant
- Volets en matériaux différents
- Toit de protection opérateur

Pour de plus amples informations relatives aux accessoires optionnels susmentionnés, s'adresser au revendeur agréé.

CARACTERISTIQUES TECHNIQUES

Caractéristiques générales	Valeurs
Longueur machine	58,3 in (1.480 mm)
Largeur machine (sans balais latéraux)	36,6 in (930 mm)
Hauteur maximum machine (au volant)	48,0 in (1.220 mm)
Largeur de nettoyage (sans balais latéraux)	27,6 in (700 mm)
Largeur de nettoyage (avec balais latéraux)	49,6 in (1.260 mm)
Hauteur minimum du sol (volets non compris)	2,2 in (55 mm)
Dimensions balai central (diamètre x longueur)	11,8 x 27,6 in (300 mm x 700 mm)
Diamètre balais latéraux	16,5 in (420 mm)
Vitesse de rotation balai central	550 tr/mn
Vitesse de rotation brosses latérales	80 tr/mn
Diamètre roue de direction avant	9,8 in (250 mm)
Diamètre roues de traction arrières	9,8 in (250 mm)
Pression spécifique au sol roue avant	159,5 psi (1,1 N/mm ²)
Pression spécifique au sol roues arrière	101,5 psi (0,7 N/mm ²)
Poids total machine (sans batteries)	573,2 lb (260 kg)
Capacité conteneur déchets	18,5 gal (70 litri)
Moteur balai central	0,67 HP (500 W)
Moteur balais latéraux	0,08 HP (60 W)
Moteur système de traction	0,8 HP (600 W), 110 giri/min
Moteur système d'aspiration	0,41 HP (310 W)
Moteur secoueur	0,12 HP (90 W), 6.000 giri/min
Niveau pression acoustique (A Lpa)	63,8 dB (A)
Niveau de vibrations transmises aux bras de l'opérateur (*)	< 8,2 ft/s ² (< 2,5 m/s ²)
Niveau de vibrations transmises au corps de l'opérateur (*)	1,9 ft/s ² (0,6 m/s ²)

(*) En conditions de travail normales, sur une surface horizontale d'asphalte.

Performances	Valeurs
Vitesse maximum (marche avant / marche arrière)	3,7 mph (6 km/h)
Vitesse maximum en marche arrière	1,8 mph (3 km/h)
Pente maximum franchissable	11,3° (20 %)
Rayon de braquage minimum	51,6 in (1.310 mm)

Batteries	Valeurs
Tension batteries	24 V
Batterie standard	Au plomb, avec électrolyte acide (WET)
Batterie optionnelle	Au gel, hermétique (GEL)
Capacité minimum batteries (avec chargeur de batterie optionnel)	185 Ah C5
Capacité maximum batteries	256 Ah C5
Dimensions intérieures conteneur batteries (largeur x longueur x hauteur)	24,8 x 16,5 x 14,5 in (630 x 420 x 370 mm)
Dimensions maximum logement batteries (largeur x longueur x hauteur)	26,0 x 17,3 x 16,6 in (660 x 440 x 370 mm)

Aspiration et filtrage poussières	Valeurs
Filtre à poussière en papier de 5-10 µm	14,1 ft ² (4,3 m ²)
Dépression logement balai central	0,43 in H ₂ O (11 mm H ₂ O)
Actionnement secoueur	Electrique

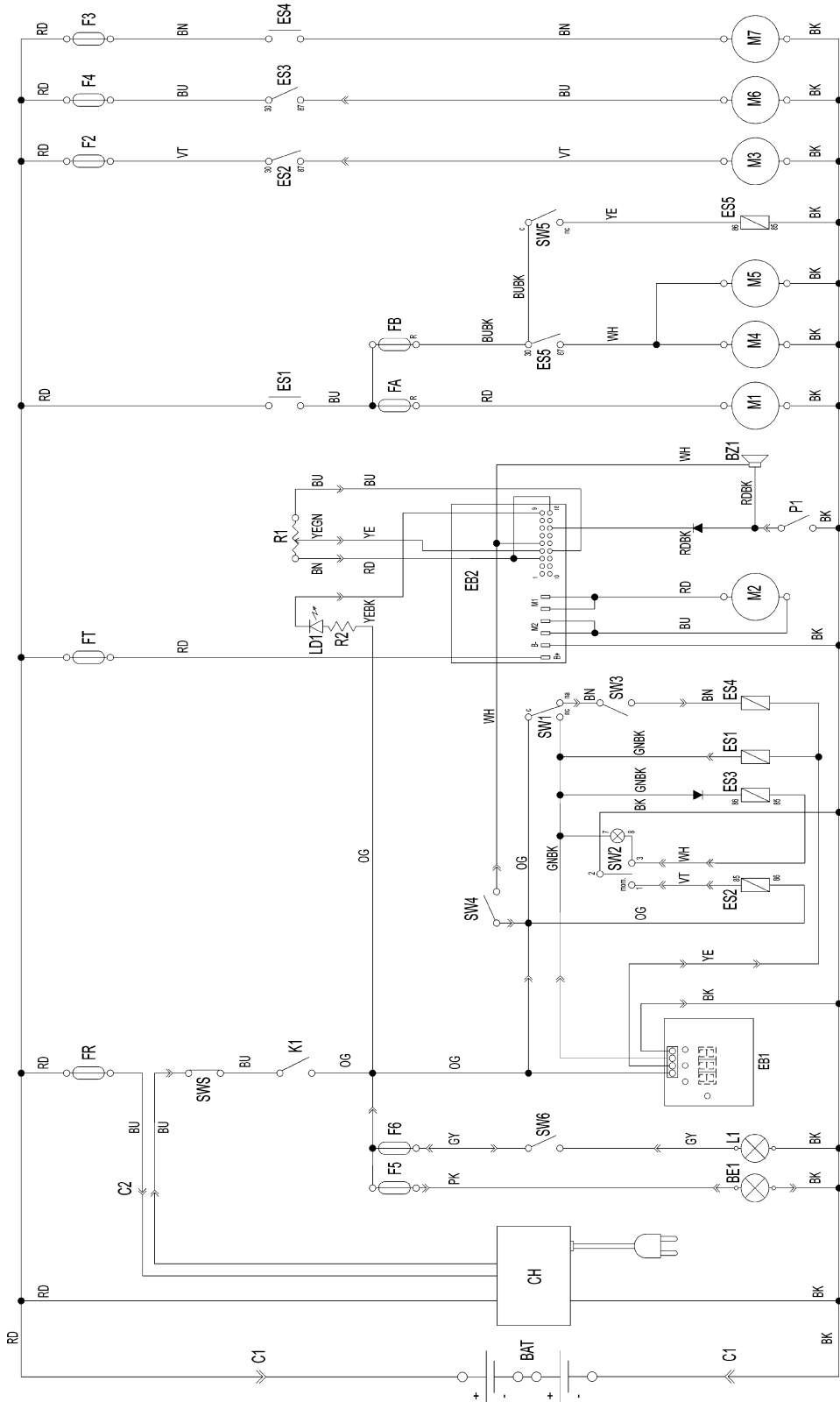
SCHEMA ELECTRIQUE**Légende**

BAT	Batteries
BE1	Feu clignotant (optionnel)
BZ1	Avertisseur sonore de marche arrière / avertisseur sonore
C1	Connecteur batteries
C2	Connecteur secondaire chargeur de batterie (optionnel)
CH1	Chargeur de batterie (optionnel)
EB1	Afficheur compteur horaire et tension batteries
EB2	Carte électronique système de traction
ES1	Relais balai central
ES2	Relais secoueur
ES3	Relais système d'aspiration
ES4	Relais aspirateur manuel (optionnel)
ES5	Relais balais latéraux
FA	Fusible restaurable balai central
FB	Fusible restaurable balais latéraux
FT	Fusible système de traction (70 A)
F1	Fusible général (circuit clé) (15 A)
F2	Fusible moteur secoueur (25 A)
F3	Fusible aspirateur manuel (40 A) (optionnel)
F4	Fusible moteur système d'aspiration (30 A)
F5	Fusible avertisseur sonore et feu tournant (10 A)
F6	Fusible feu de travail (10 A) (optionnel)
K1	Clé de contact
LD1	Led diagnostique carte électronique système de traction
L1	Feu de travail (optionnel)
M1	Moteur balai central
M2	Moteur système de traction
M3	Moteur secoueur
M4	Moteur balai latéral droit
M5	Moteur balai latéral gauche
M6	Moteur système d'aspiration
M7	Moteur aspirateur manuel (optionnel)
P1	Interrupteur avertisseur sonore
R1	Potentiomètre vitesse de traction (pédale)
R2	Résistance led
SWS	Bouton-poussoir d'urgence
SW1	Microinterrupteur balai central
SW2	Interrupteur système d'aspiration / secoueur
SW3	Interrupteur aspirateur manuel (optionnel)
SW4	Microinterrupteur de sécurité dans le siège de conduite
SW5	Microinterrupteur balais latéraux
SW6	Interrupteur feu de travail (optionnel)

Codes des couleurs

BK	Noir
BU	Bleu clair
BN	Marron
GN	Vert
GY	Gris
OG	Orange
PK	Rose
RD	Rouge
VT	Violet
WH	Blanc
YE	Jaune

SCHEMA ELECTRIQUE (suite)



S311411

UTILISATION

**ATTENTION !**

Des plaques adhésives appliquées sur certains points de la machine indiquent :

- **DANGER**
- **ATTENTION**
- **AVERTISSEMENT**
- **CONSULTATION**

Lors de la lecture de ce manuel, l'opérateur doit bien comprendre le sens des symboles illustrés sur les plaques. Ne pas couvrir les plaques et les remplacer immédiatement en cas d'endommagement.

CONTROLE / PREPARATION DES BATTERIES SUR UNE MACHINE NEUVE

**ATTENTION !**

Dans le cas où la machine est déplacée par poussée pour des raisons de service (manque de batteries, batteries déchargées, etc.) ne jamais dépasser la vitesse de 4 km/h (2,5 mph).

**REMARQUE**

Si la machine est équipée avec chargeur de batterie à bord (optionnel), il faut le brancher aux batteries pour permettre le fonctionnement de la machine.

La machine requiert quatre batteries de 6 V, branchées en suivant le schéma (44), ou un boîtier de batteries de 24 V.

La machine peut être livrée selon une des configurations suivantes :

- A) Batteries (WET o GEL) installées dans la machine et prêtes à l'utilisation
- B) Batteries (WET) installées dans la machine, mais sèches, c'est-à-dire sans électrolyte liquide
- C) Sans batteries

Selon la configuration, procéder comme suit.

A) Batteries (WET o GEL) installées dans la machine et prêtes à l'utilisation

1. Ouvrir le coffre (7) de la machine et vérifier que les batteries sont branchées à la machine au moyen du connecteur (46).
2. Fermer le coffre (7).
3. Insérer la clé de contact (72) et la tourner sur "I" [sans appuyer sur la pédale (2)].

Si le témoin lumineux vert (75) s'allume, les batteries sont prêtes à l'utilisation.

Si le témoin lumineux jaune (74) ou le témoin lumineux rouge (73) s'allume, il est nécessaire de charger les batteries (voir la procédure au chapitre Entretien).

B) Batteries (WET) installées dans la machine, mais sèches, c'est-à-dire sans électrolyte liquide

4. Ouvrir le coffre (7) de la machine.
5. Enlever tous les bouchons (45) des batteries.

**ATTENTION !**

L'acide sulfurique est hautement corrosif, donc le manipuler avec précaution. En cas de contact avec les yeux ou la peau, laver et rincer abondamment à l'eau et consulter un médecin.

Les batteries doivent être remplies dans un endroit bien aéré.

Porter des gants de protection.

6. Remplir les éléments des batteries avec acide sulfurique pour batteries [densité de 2,79 à 2,84 lb à 77°F (1,27 à 1,29 kg à 25°C)] selon les instructions spécifiées dans le manuel des batteries.
La quantité correcte de solution acide à insérer est indiquée dans le manuel des batteries.
7. Laisser les batteries au repos et remplir les éléments avec la solution d'acide sulfurique, selon les instructions indiquées dans le manuel des batteries.
8. Charger les batteries (voir la procédure au chapitre Entretien).

C) Sans batteries

9. Acheter des batteries adéquates [voir le chapitre Caractéristiques techniques et le schéma (44)].
S'adresser aux revendeurs de batteries qualifiés pour le choix et l'installation.
10. Installer les batteries.
11. Configurer la machine et le chargeur de batterie (si équipé) en fonction du type de batteries installées, en suivant les indications du paragraphe suivant.

CONFIGURATION DU TYPE DE BATTERIES INSTALLEES (WET OU GEL)



REMARQUE

Si la machine est équipée avec chargeur de batterie à bord (optionnel), il faut le brancher aux batteries pour permettre le fonctionnement de la machine.

En fonction du type de batteries installées (WET ou GEL), configurer la carte électronique de la machine et le chargeur de batterie (si équipé) en procédant comme suit :

1. Tourner la clé de contact (72) sur "0".
2. Ouvrir le coffre (7).

Configuration de la machine

3. La configuration d'usine de la machine est pour batteries au plomb (WET). Si cette configuration correspond au type de batteries achetées, passer au paragraphe suivant. En cas contraire, effectuer les opérations suivantes :
 - Débrancher le connecteur (46) des batteries.
 - Déposer les vis (83) et le tableau de bord droit (84) avec soin.
 - Positionner la barrette (A, Fig. 1) sur les connecteurs "GEL" (B) pour batteries au gel.
 - Installer avec soin le tableau de bord (84) et le fixer à l'aide des vis.
 - Brancher le connecteur (46) des batteries.

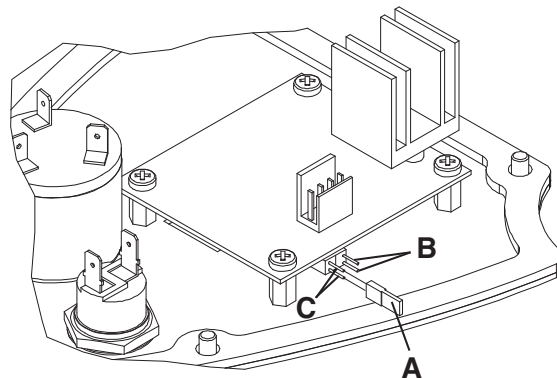


Figure 1

S311412

Configuration du chargeur de batterie

4. Positionner le sélecteur (49) sur WET pour batteries au plomb ou sur GEL pour batteries au gel.
5. Charger les batteries (voir la procédure au chapitre Entretien).

AVANT LA MISE EN MARCHÉ



AVERTISSEMENT !

S'assurer que la machine n'a pas de portillons / coffres ouverts et qu'elle se trouve dans des conditions normales d'utilisation.

S'assurer que le conteneur déchets (17) est fermé correctement.

Si la machine n'a pas encore été utilisée après le transport, vérifier que tous les sabots et les moyens de blocage utilisés pour le transport ont été enlevés.

MISE EN MARCHÉ ET ARRÊT DE LA MACHINE

Mise en marche de la machine

1. S'asseoir en position de conduite sur le siège (25).
2. Si besoin est, régler la position du siège selon son propre confort à l'aide du levier (31).
Si besoin est, régler l'inclinaison, en avant ou en arrière, de la colonne de direction (1) selon son propre confort à l'aide du levier (87).
3. Tourner la clé de contact (72) sur "I", sans appuyer sur la pédale de marche (2). Vérifier que le témoin lumineux vert (75) s'allume (batterie chargée).
Dans le cas où le témoin lumineux jaune (74) ou rouge (73) s'allume, positionner la clé de contact à nouveau sur "0", puis charger les batteries (voir la procédure au chapitre Entretien).
4. Désactiver le frein de stationnement en appuyant sur la pédale (3) et en la relâchant.
5. Se porter sur le lieu de travail, démarrer la machine les mains sur le volant et appuyer sur la partie avant de la pédale (2) pour la marche avant et sur la partie arrière pour la marche arrière.
La vitesse d'avance est réglable de 0 à la valeur maximum, selon la pression exercée sur la pédale (2).



REMARQUE

Le siège (25) est équipé d'un capteur de sécurité qui ne permet le mouvement de la machine, à l'aide de la pédale (2), que lorsque l'opérateur est assis sur son siège.

6. Baisser le balai central au moyen du levier (86) ; le balai commencera aussi à tourner.
7. Activer le système d'aspiration en appuyant sur la partie inférieure de l'interrupteur (79).



REMARQUE

Le système d'aspiration peut être activé seulement si le balai central est baissé.

8. Baisser les balais latéraux (10 et 11) à l'aide du levier (85).



REMARQUE

*Les balais latéraux (10 et 11) peuvent être baissés et soulevés même lorsque la machine est en mouvement.
Les balais latéraux ne tournent pas s'ils sont soulevés ; en outre, ils ne tournent pas si le balai central est soulevé.*

9. Commencer le travail de balayage en manœuvrant le volant (1) et en appuyant sur la pédale (2) pour faire avancer la machine.

Arrêt de la machine

10. Pour arrêter la machine, relâcher la pédale (2).
Pour arrêter la machine rapidement, appuyer aussi sur la pédale du frein de service (3).
Pour arrêter la machine immédiatement en cas d'urgence, appuyer sur le bouton-poussoir d'urgence (82). Pour désactiver le bouton-poussoir d'urgence (82) après son activation, le tourner dans le sens de la flèche qui se trouve sur le bouton-poussoir même.
11. Soulever les balais latéraux (10 et 11) à l'aide du levier (85).
12. Désactiver le système d'aspiration en reportant l'interrupteur (79) dans la position initiale.
13. Soulever le balai central (12) à l'aide du levier (86).
14. Pour arrêter la machine, tourner la clé de contact (72) sur "0".
15. Activer le frein de stationnement en appuyant sur la pédale (3) et en actionnant le levier (4).

MACHINE AU TRAVAIL



ATTENTION !

Faire attention lorsqu'on utilise la machine à vitesse élevée, puisque des braquages soudains pourraient provoquer des situations d'instabilité dues à la typologie de la machine, à trois roues, et à la distribution du poids sur ces dernières.

Réduire toujours la vitesse avant d'effectuer tout braquage.

1. Ne pas s'arrêter pendant longtemps dans la même position avec les balais qui tournent : des traces non désirées pourraient rester sur le sol.
2. Pour collecter les déchets légers et volumineux, soulever le volet avant en appuyant sur la pédale (5) ; considérer que, pendant que le volet avant est soulevé, la capacité d'aspiration de la machine est réduite.



AVERTISSEMENT !

S'il est nécessaire d'opérer sur un sol mouillé, il faut désactiver le système d'aspiration en actionnant le levier (79) pour protéger le filtre à poussière.

3. Pour un bon travail de balayage il faut que le filtre poussières soit le plus propre possible. Pour le nettoyage du filtre pendant le balayage, activer le secoueur en appuyant sur la partie supérieure de l'interrupteur (79) pendant quelques secondes. Pendant cette opération, le ventilateur d'aspiration est automatiquement désactivé. Le nettoyage du filtre effectué, appuyer sur la partie inférieure de l'interrupteur (79) pour activer à nouveau le système d'aspiration, puis reprendre le travail de balayage. Répéter l'opération en moyenne toutes les 10 minutes pendant le travail (selon la quantité de poussière du milieu à nettoyer).



REMARQUE

Lorsque le filtre à poussière est obstrué et / ou le conteneur déchets est plein, la machine n'arrive plus à collecter ni de poussière ni de déchets.

4. Vider le conteneur déchets (17) chaque fois qu'il est plein ainsi qu'à la fin du travail (voir la procédure au paragraphe suivant).

VIDANGE DU CONTENEUR DECHETS

1. Arrêter la machine, en relâchant la pédale de marche.
2. Tourner la clé de contact (2) sur "0".
3. Activer le frein de stationnement en appuyant sur la pédale (3) et en actionnant le levier (4).
4. Dégager le crochet (18) en tirant son extrémité inférieure.
5. Enlever le conteneur déchets (17) à l'aide de la poignée (19), en le dégageant des guides internes. Décharger les déchets dans les conteneurs prévus à cet effet. Le conteneur déchets peut être équipé à son intérieur avec deux conteneurs (optionnels) avec poignée (36), pour faciliter le déchargement des déchets.
6. Installer à nouveau les conteneurs avec poignée (36), si présents.
7. Installer le conteneur déchets (17) en l'engageant aux guides internes, puis le fixer à l'aide du crochet (18).
8. La machine est prête pour reprendre le travail de balayage.

APRES L'UTILISATION DE LA MACHINE

Le travail effectué, avant de laisser la machine, d'effectuer les opérations suivantes :

1. Soulever les balais latéraux à l'aide du levier (85).
2. Soulever le balai central au moyen du levier (86).
3. Activer le secoueur à l'aide de l'interrupteur (79).
4. Vider le conteneur déchets (17) (voir la procédure au paragraphe précédent).
5. Enlever la clé de contact (72).
6. Activer le frein de stationnement en appuyant sur la pédale (3) et en actionnant le levier (4).

DEPLACEMENT PAR POUSSEE / REMORQUAGE DE LA MACHINE

Pour déplacer aisément la machine par poussée / remorquage, aucun arrangement préalable n'est nécessaire.

INACTIVITE PROLONGEE DE LA MACHINE

Si l'on prévoit de ne pas utiliser la machine pendant plus de 30 jours, il est convenable d'effectuer les opérations suivantes :

1. S'assurer de garder la machine dans un endroit sec et propre.
2. Débrancher le connecteur (46) des batteries.

PREMIERE PERIODE D'UTILISATION

Après la première période d'utilisation (les 8 premières heures), il faut :

- Contrôler le serrage des éléments de fixation et de connexion.
- Vérifier que les parties visibles sont intactes et qu'elles ne présentent pas de pertes de liquides.

ENTRETIEN

La durée de vie de la machine et sa sécurité de fonctionnement sont garanties par un entretien soigné et régulier.

Veillez trouver ci-dessous le plan d'entretien programmé. Les périodicités indiquées peuvent subir des variations en fonction de conditions de travail particulières, à définir par le responsable de l'entretien.

Toutes les opérations d'entretien programmé ou extraordinaire doivent être effectuées par du personnel qualifié ou par un Service après-vente agréé.

Après le plan d'entretien programmé, ce manuel contient seulement les opérations d'entretien les plus simples et les plus récurrentes.

Pour les procédures des autres opérations d'entretien prévues par le plan d'entretien programmé et d'entretien extraordinaire, se référer au manuel d'entretien consultable auprès des Services après-vente.



ATTENTION !

Les opérations d'entretien doivent être effectuées avec la machine arrêtée, la clé enlevée et, le cas échéant, avec les batteries débranchées.

Lire attentivement toutes les instructions du chapitre Sécurité avant d'effectuer les opérations d'entretien.

PLAN D'ENTRETIEN PROGRAMME

Procédure	Lors de la livraison	Toutes les 10 heures	Toutes les 50 heures	Toutes les 100 heures	Toutes les 200 heures	Toutes les 400 heures
Contrôle niveau liquide batteries WET						
Contrôle et réglage de la hauteur des balais latéraux et central						
Nettoyage et contrôle de l'intégrité du filtre à poussière						
Contrôle de la hauteur et du fonctionnement des volets						
Contrôle du fonctionnement du secoueur			(*)			
Contrôle visuel courroie de transmission balai central			(*)			
Contrôle du serrage des écrous et des vis				(*)(1)		
Contrôle et réglage frein de service et frein de stationnement				(*)		
Contrôle et nettoyage chaîne direction					(*)	
Remplacement courroie de transmission balai central					(*)	
Contrôle ou remplacement charbons moteur principal et moteur système de traction						(*)

(*) Pour la procédure relative, se référer au manuel d'entretien.

(1) Et après les 8 premières heures de rodage.

CONTROLE ET REGLAGE DE LA HAUTEUR DU BALAI CENTRAL



REMARQUE

La machine est livrée avec des balais de dureté différente. La procédure ci-décrite est applicable à tous les types de balais.

1. Contrôler la hauteur du sol du balai central, en procédant comme suit :
 - Amener la machine sur un sol plat.
 - En gardant la machine en position d'arrêt, baisser le balai central et le faire tourner pendant quelques secondes.
 - Arrêter et soulever le balai central, puis déplacer la machine et l'arrêter.
 - Contrôler que la largeur de la trace (A, Fig. 2) laissée par le balai central est comprise entre 2 et 4 cm (entre 0,8 et 1,6 in) dans toute sa longueur.

Au cas où la trace (A) résulterait différente, procéder au réglage de la hauteur du balai, en opérant comme indiqué à partir du point 2.

2. Activer le frein de stationnement au moyen de la pédale (3) et du levier (4).
3. Tourner la clé de contact (72) sur "0".
4. Ouvrir le coffre (7).
5. Desserrer le pommeau (A, Fig. 3) sur le côté gauche de la machine.
6. Tourner le pommeau (B, Fig. 3), en considérant que :
 - pour soulever le balai, il doit être vissé ;
 - pour baisser le balai, il doit être dévissé.
 Le réglage effectué, serrer le pommeau (A) en bloquant le pommeau (B).
7. Exécuter à nouveau le point 1 pour vérifier le réglage de la hauteur du sol du balai central.
8. Lorsque l'usure excessive du balai n'en permet plus le réglage, le remplacer comme prévu au paragraphe suivant.



AVERTISSEMENT !

Une trace excessive [supérieure à 4 cm (1,6 in)] de la brosse centrale compromet le fonctionnement régulier de la machine et peut provoquer la surchauffe des parties en mouvement, en réduisant considérablement leur durée.

Prêter attention pendant l'opération de contrôle susmentionnée et ne pas faire fonctionner la machine en conditions différentes de celles décrites.

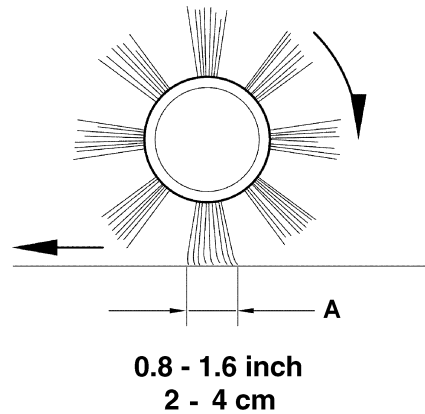


Figure 2

S311389

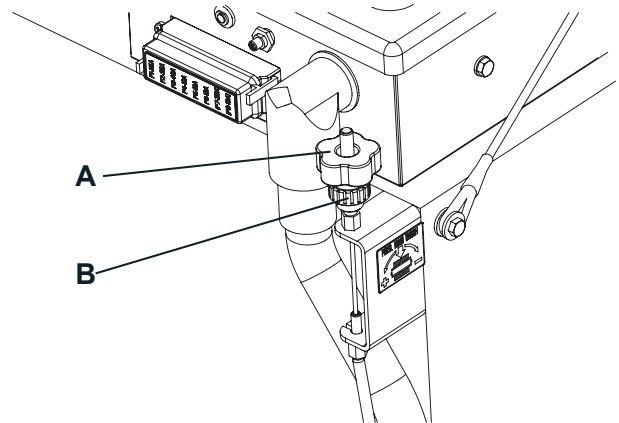


Figure 3

S311390

REEMPLACEMENT DU BALAI CENTRAL



REMARQUE

La machine est livrée avec des balais de dureté différente. La procédure ci-décrite est applicable à tous les types de balais.



AVERTISSEMENT !

L'utilisation de gants de travail est conseillée pendant le remplacement du balai central à cause de la présence éventuelle de débris tranchants parmi les poils.

1. Amener la machine sur un sol plat et activer le frein de stationnement au moyen de la pédale (3) et du levier (4).
2. Tourner la clé de contact (72) sur "0".
3. Dévisser les pommeaux (23) et enlever le portillon droit (22).
4. Dévisser le pommeau (A, Fig. 4).
5. Dévisser les pommeaux (B, Fig. 4) et enlever le couvercle du logement (C) du balai.
6. Enlever le balai (A, Fig. 5).
7. Contrôler que le moyeu entraîneur (A, Fig. 6) est propre et non obstrué par des objets (cordes, chiffons, etc.) enroulés accidentellement.
8. Installer le nouveau balai central, en orientant les poils (B, Fig. 6) comme indiqué dans la figure.
9. Installer le nouveau balai central (C, Fig. 6) dans la machine et s'assurer que sa prise (D) s'insère dans le relatif moyeu entraîneur (A).
10. Installer le couvercle du logement (C, Fig. 4) du balai et serrer les pommeaux (B) et (A).
11. Installer le portillon droit (22) et serrer les pommeaux (23).
12. Contrôler et régler la hauteur du balai central, comme indiqué au paragraphe précédent.

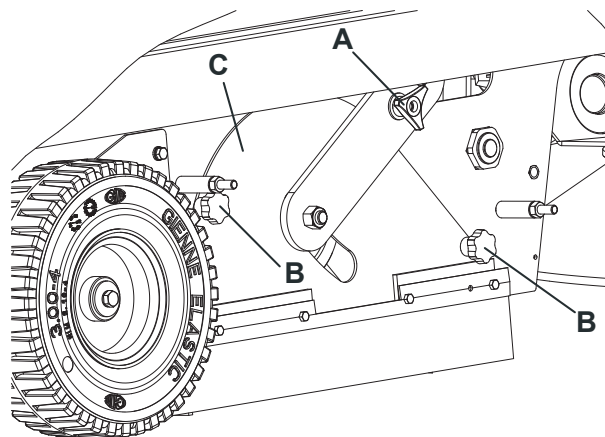


Figure 4

S311391

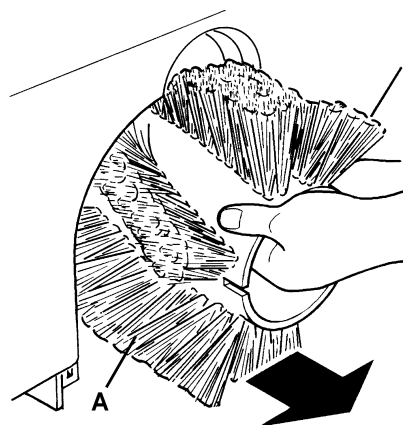


Figure 5

S311392

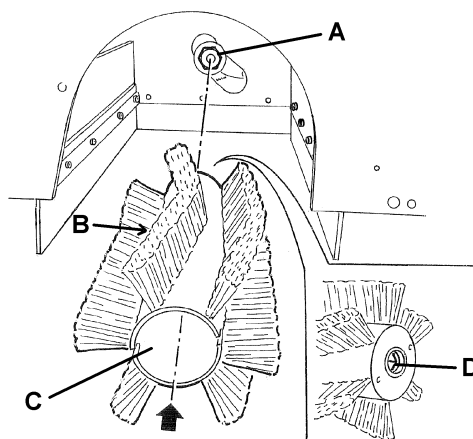


Figure 6

S311393

CONTROLE ET REGLAGE DE LA HAUTEUR DES BALAIS LATÉRAUX



REMARQUE

La machine est livrée avec des balais de dureté différente. La procédure ci-décrite est applicable à tous les types de balais.

1. Contrôler la hauteur du sol des brosses latérales, en procédant comme suit :
 - Porter la machine sur un sol plat et baisser les balais latéraux.
 - En gardant la machine en position d'arrêt, faire tourner les balais latéraux pendant quelques secondes.
 - Soulever les balais latéraux, puis déplacer la machine et l'arrêter.
 - Contrôler que les traces laissées par les balais latéraux sont, en extension et orientation, comme indiqué dans la figure (A et B, Fig. 7).

Au cas où la trace résulterait différente, procéder au réglage de la hauteur des balais, en opérant comme indiqué à partir du point 2.

2. Activer le frein de stationnement au moyen de la pédale (3) et du levier (4).
3. Tourner la clé de contact (72) sur "0".
4. Desserrer le pommeau (A, Fig. 8) situé sur le balai.
5. Tourner le pommeau (B, Fig. 8), en considérant que :
 - pour soulever le balai, il doit être vissé ;
 - pour baisser le balai, il doit être dévissé.
 Le réglage effectué, serrer le pommeau (A) en bloquant le pommeau (B).
6. Exécuter à nouveau le point 1 pour vérifier le réglage de la hauteur du sol des brosses latérales.
7. Lorsque l'usure excessive des balais n'en permet plus le réglage, les remplacer comme prévu au paragraphe spécifique.

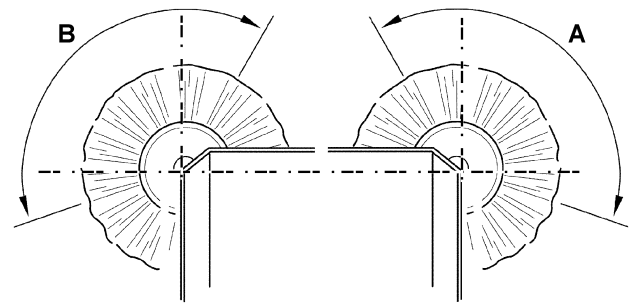


Figure 7

S311394

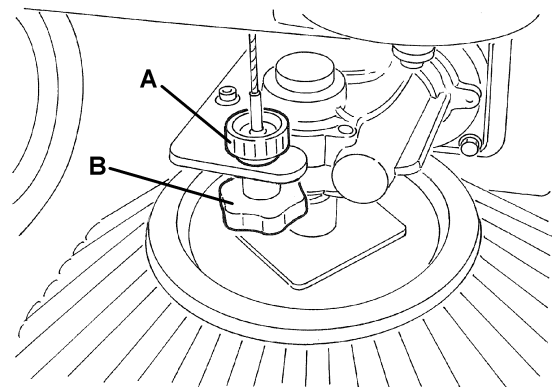


Figure 8

S311395

REPLACEMENT DES BALAIS LATÉRAUX



REMARQUE

La machine est livrée avec des balais de dureté différente. La procédure ci-décrite est applicable à tous les types de balais.



AVERTISSEMENT !

L'utilisation de gants de travail est conseillée pendant le remplacement des brosses latérales à cause de la présence éventuelle de débris tranchants parmi les poils.

1. Amener la machine sur un sol plat et activer le frein de stationnement au moyen de la pédale (4) et du levier (3).
2. Tourner la clé de contact (82) sur "0".
3. Insérer la main à l'intérieur du balai latéral et appuyer sur les languettes (A, Fig. 9) vers l'intérieur, puis enlever le balai (B) en le dégageant des quatre pivots (C).
4. Installer le nouvel balai latéral dans la machine en l'engageant dans les pivots (C, Fig. 9) et dans les languettes (A).
5. Contrôler et régler la hauteur des balais latéraux, comme indiqué au paragraphe précédent.

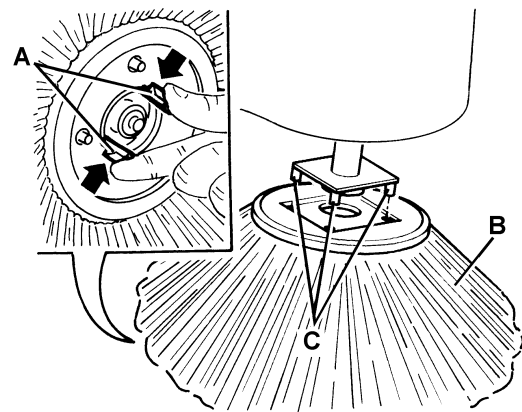


Figure 9

S311396

NETTOYAGE ET CONTROLE DE L'INTEGRITE DU FILTRE A POUSSIERE



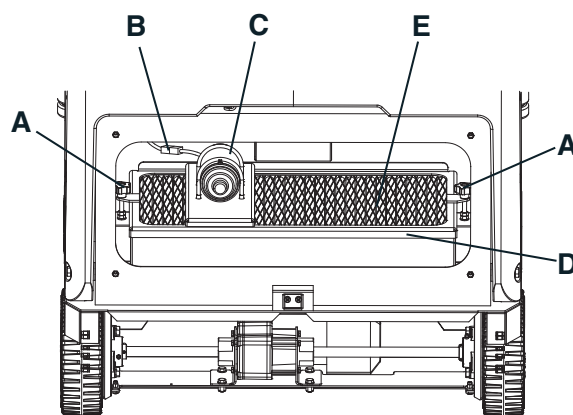
REMARQUE

Outre le filtre en papier standard, des filtres en polyester sont à disposition en tant qu'accessoires optionnels. La procédure ci-décrite est applicable à chacun de ces types.

1. Amener la machine sur un sol plat et activer le frein de stationnement au moyen de la pédale (3) et du levier (4).
2. Tourner la clé de contact (72) sur "0".
3. Dégager le crochet (18) en tirant son extrémité inférieure.
4. Enlever le conteneur déchets (17) à l'aide de la poignée (19), en le dégageant des guides internes.
5. Dévisser les pommeaux (33) et enlever le couvercle (32) du compartiment du filtre.
6. Dévisser les pommeaux (A, Fig. 10).
7. Débrancher le connecteur (B, Fig. 10) du moteur secoueur (C).
8. Enlever le cadre de fixation (D, Fig. 10) du filtre à poussière.
9. Enlever le filtre à poussière (E, Fig. 10).
10. A l'extérieur, dans un endroit approprié, nettoyer le filtre en le secouant sur une surface horizontale et propre, en battant le côté (A, Fig. 12) opposé à celui du tamis (B).
11. Compléter le nettoyage à l'aide d'un jet perpendiculaire d'air comprimé (C, Fig. 12) (6 bars maximum), en soufflant uniquement du côté du tamis (B) à une distance minimum de 30 cm (11,8 in).

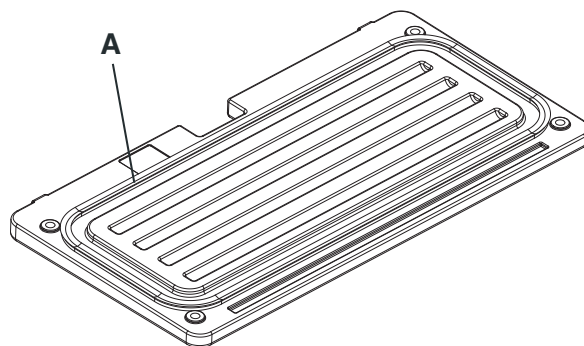
Observer en outre les indications suivantes en fonction du filtre traité :

- Filtre en papier (standard) : ne pas le nettoyer avec de l'eau ou du détergent pour ne pas risquer de l'endommager irrémédiablement.
 - Filtre en polyester (optionnel) : pour un nettoyage plus profond, il est possible de laver le filtre avec de l'eau et, éventuellement, avec des détergents non moussants. Ce type de lavage, même s'il est meilleur du point de vue qualitatif, réduit la vie utile du filtre, lequel devra être remplacé plus souvent. L'utilisation de détergents pas adéquats peut compromettre les caractéristiques fonctionnelles du filtre.
12. Contrôler que le corps du filtre n'a pas de déchirures. Si besoin est, remplacer le filtre.
 13. Nettoyer la bague en caoutchouc (A, Fig. 11) du couvercle (32) et contrôler qu'elle est intacte et efficace ; en cas contraire, la remplacer.
 14. Pour la repose, procéder dans l'ordre inverse de la dépose, en faisant attention aux indications suivantes :
 - Installer le filtre (E, Fig. 10) avec le tamis (B, Fig. 12) tourné vers le haut.



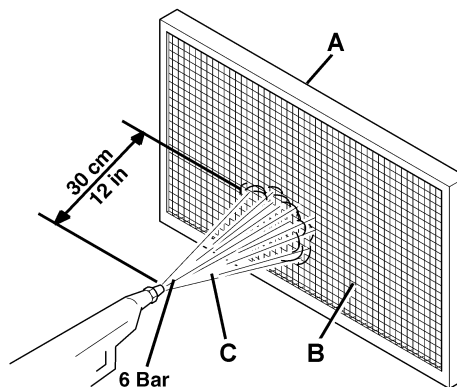
S311397

Figure 10



S311398

Figure 11



S311399

Figure 12

CONTROLE DE LA HAUTEUR ET DU FONCTIONNEMENT DES VOILETS

1. Amener la machine sur un sol plat et adéquat en tant que plan de référence pour le contrôle de la hauteur des volets. Activer le frein de stationnement au moyen de la pédale (3) et du levier (4).
2. Tourner la clé de contact (72) sur "0".

Contrôle des volets latéraux

3. Dévisser les pommeaux (23) et (21) et enlever les portillons droit (22) et gauche (20).
4. Contrôler l'intégrité des volets latéraux (13 et 14). Remplacer les volets en présence de coupures (A, Fig. 13) supérieures à 20 mm (0,79 in) ou de déchirures (B) supérieures à 10 mm (0,39 in) (pour le remplacement des volets, se référer au manuel d'entretien).
5. Contrôler que la hauteur du sol des volets latéraux (13 et 14) est comprise entre 0 et 3 mm (entre 0 et 0,12 in) (A, Fig. 14). Si besoin est, régler la hauteur des volets en utilisant les orifices oblongs sur les vis (A, Fig. 17).
6. Pour la repose, procéder dans l'ordre inverse de la dépose.

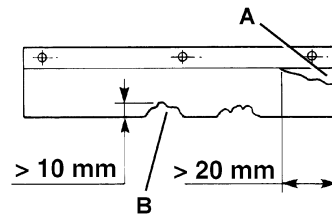


Figure 13

S311400

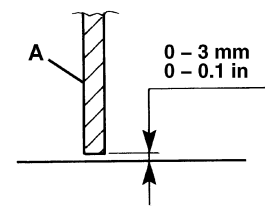


Figure 14

S311401

Contrôle des volets avant et arrière

7. Enlever le balai central, comme indiqué au paragraphe spécifique.
8. Contrôler l'intégrité des volets avant (15) et arrière (16). Remplacer les volets en présence de coupures (A, Fig. 13) supérieures à 20 mm (0,79 in) ou de déchirures (B) supérieures à 10 mm (0,39 in) (pour le remplacement des volets, se référer au manuel d'entretien).
9. Contrôler que :
 - le volet avant (A, Fig. 18) touche légèrement le sol et que, de toute façon, il ne se détache pas du sol (A, Fig. 15).
 - Le volet arrière (B, Fig. 18) se trouve à une hauteur du sol comprise entre 0 et 3 mm (entre 0 et 0,12 in) (A, Fig. 14).
10. Si besoin est, régler la hauteur des volets en utilisant les orifices oblongs sur les vis (C et D, Fig. 18).
11. Appuyer sur la pédale du volet avant (5) et contrôler que le volet avant (A, Fig. 16) tourne vers le haut d'environ 90° (voir la figure) ; relâcher la pédale et contrôler que le volet revient à la position initiale et qu'il ne reste pas dans une position intermédiaire. Si besoin est, pour le réglage ou le remplacement du câble de commande du volet avant, se référer au manuel d'entretien.
12. Pour la repose, procéder dans l'ordre inverse de la dépose.

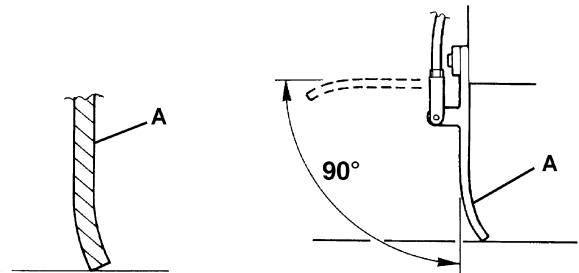


Figure 15

S311402

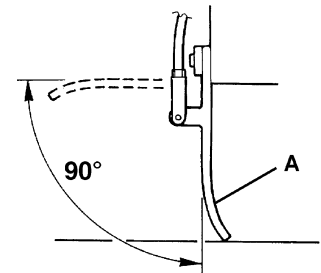


Figure 16

S311403

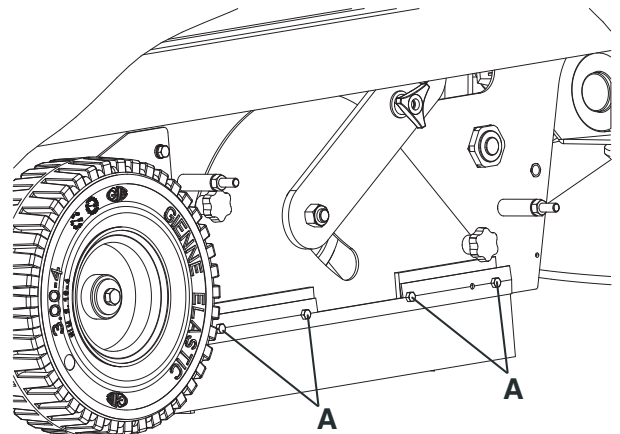


Figure 17

S311404

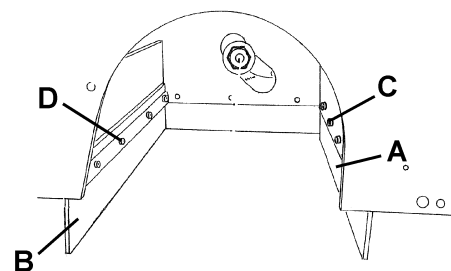


Figure 18

S311405

CHARGEMENT DES BATTERIES



AVERTISSEMENT !

Charger les batteries lorsque le témoin lumineux jaune (73) ou rouge (74) s'allume, ou à la fin de chaque cycle de nettoyage. Garder les batteries chargées prolonge leur vie.



ATTENTION !

Lorsque les batteries sont déchargées, les recharger dès que possible ; dans le cas contraire, leur durée de vie utile sera réduite.



ATTENTION !

Si des batteries au plomb (WET) sont installées dans la machine, en chargeant les batteries un gaz hydrogène très explosif est produit. Charger les batteries dans un endroit bien aéré et loin de flammes libres.

Ne pas fumer pendant le chargement des batteries.

Garder le coffre ouvert pendant tout le cycle de rechargement des batteries.



ATTENTION !

Pendant le chargement des batteries WET, prêter attention à d'éventuelles sorties de liquide des batteries. Ce liquide est hautement corrosif. En cas de contact avec les yeux ou la peau, laver et rincer abondamment à l'eau et consulter un médecin.

1. Amener la machine sur un sol plat et activer le frein de stationnement au moyen de la pédale (3) et du levier (4).
2. Tourner la clé de contact (72) sur "0".
3. Ouvrir le coffre (7).
4. (Uniquement pour batteries WET) contrôler le niveau de l'électrolyte dans les batteries. Si besoin est, faire l'appoint au moyen des bouchons (45). Laisser tous les bouchons (45) ouverts pour le rechargement successif. Si besoin est, nettoyer la surface supérieure des batteries.
5. Charger les batteries selon une des procédures suivantes, en fonction de la présence ou absence, dans la machine, du chargeur de batterie électronique (47) (optionnel).

Chargement des batteries avec chargeur de batterie externe

6. Contrôler si le chargeur de batterie est adéquat en se référant aux instructions de l'appareil. La tension nominale du chargeur de batterie est de 24 V.



AVERTISSEMENT !

Utiliser un chargeur de batterie adéquat au type de batteries installées.

7. Débrancher le connecteur (46) des batteries et le brancher au chargeur de batterie externe.
8. Brancher le chargeur de batterie au réseau électrique.
9. Une fois le chargement terminé, débrancher le chargeur de batterie du réseau électrique et du connecteur (46) des batteries.
10. (Uniquement pour batteries WET) contrôler le niveau de l'électrolyte dans les batteries ; puis, fermer tous les bouchons (45).
11. Rebrancher le connecteur (46) des batteries au connecteur correspondant dans la machine.
12. Fermer le coffre (7). La machine est prête à l'utilisation.

Chargement des batteries avec chargeur de batterie externe (optionnel)

13. (Uniquement pour batteries WET) contrôler le niveau de l'électrolyte dans les batteries. Si besoin est, faire l'appoint au moyen des bouchons (45). Laisser tous les bouchons (45) ouverts pour le rechargement successif. Après l'appoint du niveau, si besoin est, nettoyer la surface supérieure des batteries.
14. Brancher le câble (48) du chargeur de batterie à une prise de courant.



ATTENTION !

Contrôler que la tension et la fréquence indiquées sur la plaque (37) avec numéro de série de la machine coïncident avec les valeurs du réseau électrique.



REMARQUE

Lorsque le chargeur de batterie est branché au réseau électrique, toutes les fonctions de la machine sont automatiquement exclues.

15. Lorsque le témoin lumineux vert (50) s'allume, les batteries sont chargées.
16. Pour de plus amples informations relatives au fonctionnement du chargeur de batterie (47), se référer au manuel du chargeur de batterie.
17. Débrancher le câble (48) du chargeur de batterie du réseau électrique et le remettre dans le logement de la machine.
18. (Uniquement pour batteries WET) fermer tous les bouchons (45).
19. Fermer le coffre (7). La machine est prête à l'utilisation.

CONTROLE / REMPLACEMENT / RETABLISSEMENT DES FUSIBLES

1. Amener la machine sur un sol plat et activer le frein de stationnement au moyen de la pédale (3) et du levier (4).
2. Tourner la clé de contact (72) sur "0".
3. Ouvrir le coffre (7).
4. Débrancher le connecteur (46) des batteries.

Contrôle / remplacement des fusibles à lamelle

5. Enlever le couvercle de la boîte à fusibles (51).
6. Contrôler / remplacer le fusible concerné parmi les suivants (Fig. 19) :
 - F1: Fusible général (circuit clé) (15 A)
 - F2: Fusible moteur secoueur (25 A)
 - F3: Fusible aspirateur manuel (40 A) (optionnel)
 - F4: Fusible moteur système d'aspiration (30 A)
 - F5: Fusible avertisseur sonore et feu tournant (10 A)
 - F6: Fusible feu de travail (10 A) (optionnel)
7. Enlever le couvercle de la boîte des composants électriques (55).
8. Contrôler / remplacer le fusible suivant (Fig. 20) :
 - FT: Fusible système de traction (70 A)

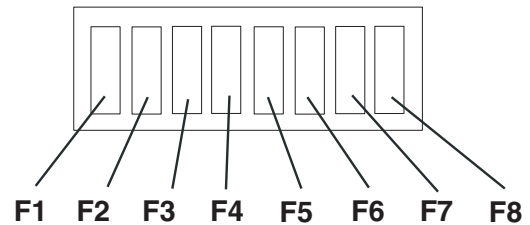


Figure 19

S311413

Contrôle des fusibles restaurables

9. Contrôler si un fusible parmi les suivants est débranché, puis attendre que le moteur correspondant refroidisse et le rétablir :
 - FA: Fusible restaurable moteur balai central (30 A) (52)
 - FB: Fusible restaurable moteur balais latéraux (10 A) (53)

Repose

10. Pour la repose, procéder dans l'ordre inverse de la dépose.

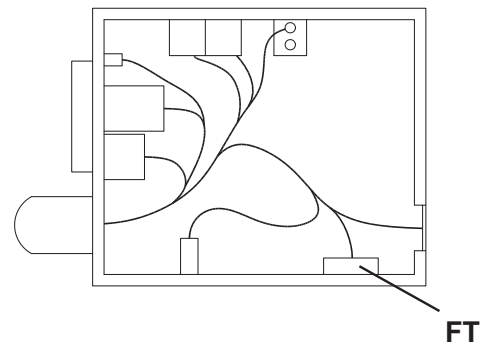


Figure 20

S311414

DEPISTAGE DES PANNES

Problème	Cause probable	Remède
En positionnant la clé de contact sur "I" la machine ne démarre pas	Le connecteur des batteries (46) est débranché.	Brancher le connecteur des batteries.
	Le fusible F1 dans la boîte (51) est interrompu	Remplacer le fusible F1
	Le câble (48) du chargeur de batterie est branché au réseau électrique	Débrancher le câble du chargeur de batterie du réseau électrique
En appuyant sur la pédale de marche (2) la machine ne bouge pas	Le frein de stationnement est activé.	Désactiver le frein de stationnement
	Pendant le démarrage de la machine au moyen de la clé (72), le pédale de marche (2) est appuyé ou l'opérateur est en train de s'asseoir sur son siège	S'asseoir sur le siège, puis démarrer la machine au moyen de la clé (72) sans appuyer en même temps sur la pédale de marche (2)
Le balai central ne fonctionne pas.	Le fusible restaurable (52) est désactivé	Réarmer le fusible (52) en appuyant sur le bouton-poussoir correspondant
Les balais latéraux ne fonctionnent pas.	Le balai central n'est pas baissé	Baisser le balai central
	Le fusible restaurable (53) est désactivé	Réarmer le fusible (53) en appuyant sur le bouton-poussoir correspondant
La machine ne fonctionne qu'en état d'arrêt, mais, sous effort, elle s'éteint et le témoin lumineux rouge (73) clignote	Les batteries sont déchargées.	Recharger les batteries. Au cas où le problème persiste, remplacer la batterie.
Les batteries ont une autonomie réduite.	La durée de vie des batteries est presque épuisée	Remplacer les batteries.
	La capacité des batteries est insuffisante	Installer des batteries de capacité supérieure (voir le paragraphe Caractéristiques techniques)
Le led de signalisation système de traction en panne (54) sur la carte clignote	Le système de traction est en panne	Pour identifier la panne, se référer au Manuel d'entretien (consultable auprès des Services après-vente Advance).

Pour de plus amples informations, se référer au manuel d'entretien consultable auprès des Services après-vente Advance.

MISE A LA FERRAILLE

Effectuer la mise à la ferraille de la machine auprès d'un démolisseur autorisé.

Avant la mise à la ferraille, il est nécessaire de déposer et séparer les éléments suivants et les envoyer aux collectes sélectives, conformément aux normes d'hygiène de l'environnement en vigueur :

- Batteries
- Huile moteur
- Filtre à poussière en polyester
- Balais central et latéraux
- Tuyaux et pièces en matériel plastique
- Parties électriques et électroniques (*)

(*) Pour la mise en décharge des parties électriques et électroniques, s'adresser auprès du centre Advance le plus proche.

ÍNDICE

INTRODUCCIÓN.....	2
FINALIDAD Y OBJETO DE ESTE MANUAL.....	2
DESTINATARIOS.....	2
CONSERVACIÓN DEL MANUAL.....	2
OTROS MANUALES DE REFERENCIA.....	2
PIEZAS DE REPUESTO Y MANTENIMIENTO.....	3
CARACTERÍSTICAS DE FUNCIONAMIENTO.....	3
CONVENCIONES.....	3
DESEMBALAJE/ENTREGA.....	3
SEGURIDAD.....	4
SÍMBOLOS.....	4
INSTRUCCIONES GENERALES.....	4
DESCRIPCIÓN DE LA MÁQUINA.....	6
ESTRUCTURA DE LA MÁQUINA.....	6
TABLERO DE CONTROL Y MANDOS.....	8
ACCESORIOS/OPCIONES.....	8
DATOS TÉCNICOS.....	9
ESQUEMA ELÉCTRICO.....	10
USO.....	12
CONTROL/PREPARACIÓN DE LAS BATERÍAS EN LA MÁQUINA NUEVA.....	12
REGULACIÓN DEL TIPO DE BATERÍAS INSTALADAS (WET O GEL).....	13
ANTES DE LA PUESTA EN MARCHA DE LA MÁQUINA.....	13
PUESTA EN MARCHA Y PARADA DE LA MÁQUINA.....	14
MÁQUINA EN FUNCIÓN.....	15
VACIADO DEL CAJÓN DE RESIDUOS.....	15
DESPUÉS DEL USO DE LA MÁQUINA.....	15
DESPLAZAMIENTO DE LA MÁQUINA MEDIANTE EMPUJE/REMOLQUE.....	15
PERIODO DE LARGA INACTIVIDAD DE LA MÁQUINA.....	15
PRIMER PERIODO DE USO.....	15
MANTENIMIENTO.....	16
ESQUEMA DE MANTENIMIENTO PROGRAMADO.....	16
CONTROL Y AJUSTE DE LA ALTURA DEL CEPILLO PRINCIPAL.....	17
SUSTITUCIÓN DEL CEPILLO PRINCIPAL.....	18
CONTROL Y AJUSTE DE LA ALTURA DE LOS CEPILLOS LATERALES.....	19
SUSTITUCIÓN DE LOS CEPILLOS LATERALES.....	19
LIMPIEZA Y CONTROL DE LA INTEGRIDAD DEL FILTRO DE POLVO.....	20
CONTROL DE LA ALTURA Y DEL FUNCIONAMIENTO DE LOS FLAPS.....	21
CARGA DE LAS BATERÍAS.....	22
CONTROL/SUSTITUCIÓN/REACTIVACIÓN DE LOS FUSIBLES.....	23
BÚSQUEDA AVERÍAS.....	24
DESGUACE.....	24

INTRODUCCIÓN



NOTA

Los números entre paréntesis se refieren a los componentes ilustrados en el capítulo Descripción de la máquina.

FINALIDAD Y OBJETO DE ESTE MANUAL

Este manual contiene todas las informaciones necesarias para que el operador utilice la máquina de forma adecuada, autónoma y segura. Incluye informaciones técnicas, sobre la seguridad, el funcionamiento, el período de inactividad, el mantenimiento, las piezas de repuesto y el desguace.

Antes de efectuar cualquier operación de mantenimiento, los operadores y los técnicos calificados tienen que leer cuidadosamente las instrucciones incluidas en este manual. En caso de dudas sobre la correcta interpretación de las instrucciones, consultar Advance para obtener explicaciones.

DESTINATARIOS

Este manual es para los operadores y los técnicos encargados del mantenimiento de la máquina.

Los operadores no deben efectuar procedimientos reservados a los técnicos calificados. Advance no es responsable para los daños causados a la máquina por falta de observación de esta prohibición.

CONSERVACIÓN DEL MANUAL

Este Manual de uso debe conservarse junto a la máquina, dentro de su contenedor, lejos de líquidos y otras sustancias que podrían dañarlo.

DATOS DE IDENTIFICACIÓN

El número de serie y el modelo de la máquina están marcados en la placa (37).

El año de fabricación de la máquina está en la declaración de conformidad y está también indicado por las dos primeras cifras del número de serie de la máquina misma.

Esta información es necesaria cuando se pidan piezas de repuesto para la máquina. Usar el espacio siguiente para escribir los datos de identificación de la máquina.

Modelo MÁQUINA

Número de serie MÁQUINA

OTROS MANUALES DE REFERENCIA

Otros manuales en dotación a la máquina:

- Manual del cargador de baterías electrónico, si en dotación, que debe considerarse parte integrante de este manual
- Catálogo de piezas de repuesto de la barredera

Otros manuales disponibles:

- Manual de asistencia (que se puede consultar en los Centros de asistencia Advance)

PIEZAS DE REPUESTO Y MANTENIMIENTO

Para cualquier necesidad que se refiere al uso, al mantenimiento y a las reparaciones, consultar al personal calificado o a los Centros de asistencia Advance. Se recomienda usar sólo piezas de repuesto y accesorios originales.

Para la asistencia o para ordenar piezas de repuesto o accesorios, acudir a Advance, especificando siempre el modelo y el número de serie de la máquina.

MODIFICACIONES Y MEJORAS

Advance está constantemente mejorando sus productos y se reserva el derecho de realizar modificaciones y mejoras a su discreción, sin verse obligada a aplicar dichas ventajas a las máquinas vendidas previamente.

Sólo Advance puede aprobar y efectuar cualquier modificación y/o instalación de accesorios.

CARACTERÍSTICAS DE FUNCIONAMIENTO

Esta barredera es adecuada para limpiar/barrer suelos lisos y sólidos y para aspirar polvo y residuos ligeros, en ambiente privado o industrial sobre , en condiciones de seguridad, por parte de un operador calificado.

CONVENCIONES

En este manual, las indicaciones de adelante, atrás, delantero, trasero, derecho e izquierdo, se refieren al operador en posición de conducción en su asiento (25).

DESEMBALAJE/ENTREGA

Para desembalar la máquina seguir cuidadosamente las instrucciones colocadas sobre el embalaje.

Al momento de la entrega, controlar atentamente el embalaje y la máquina por si hayan sufrido daños durante el transporte. Si los daños son evidentes, conservar el embalaje, de forma que el transportista que lo ha entregado lo pueda inspeccionar. Contactarlo de inmediato para compilar una indemnización daños y perjuicios.

Controlar que la máquina sea entregada junto a los siguientes componentes:

- Documentación técnica:
 - Manual de uso de la barredera
 - Manual del cargador de baterías electrónico
 - Catálogo de piezas de repuesto de la barredera
- N. 1 fusible de 70 A

SEGURIDAD

La siguiente simbología sirve para señalar situaciones de peligro potencial. Leer siempre cuidadosamente estas informaciones y tomar las precauciones necesarias para proteger personas y cosas.

Para evitar desgracias, la cooperación del operador es fundamental. Ningún programa de prevención de accidentes resulta eficaz sin la total cooperación de la persona directamente responsable del funcionamiento de la máquina. La mayoría de los accidentes que pueden ocurrir en una empresa, durante el trabajo o los traslados, son causados por no observar las reglas de seguridad fundamentales. Un operador cuidadoso y cauto es la mejor garantía para evitar posibles accidentes y resulta más eficaz que cualquier programa de prevención.

SÍMBOLOS

**¡PELIGRO!**

Indica un peligro con riesgo, incluso mortal, para el operador.

**¡ATENCIÓN!**

Indica el riesgo potencial de infortunios para las personas o de daños a las cosas.

**¡ADVERTENCIA!**

Indica una advertencia o una nota sobre una función importante o útil. Tener cuidado de las partes del texto marcadas con este símbolo.

**NOTA**

Indica una una nota sobre una función importante o útil.

**CONSULTAS**

Indica la necesidad de consultar el Manual de uso antes de efectuar cualquier operación.

INSTRUCCIONES GENERALES

Se describen aquí las advertencias y precauciones específicas por lo que se refiere a los potenciales riesgos de daños a la máquina o a las personas.

**¡PELIGRO!**

- *Antes de efectuar cualquier operación de limpieza, mantenimiento o sustitución de piezas desconectar el conector de la batería, quitar la llave de encendido y activar el freno de estacionamiento.*
- *Sólo los operadores cualificados pueden usar esta máquina. Los niños y los minusválidos no pueden usar esta máquina.*
- *Tener chispas, llamas y materiales fumantes/incandescentes lejos de las baterías. Durante el uso normal pueden salir gases explosivos.*
- *Quitarse las joyas cuando se trabaja cerca de los componentes eléctricos.*
- *No trabajar bajo la máquina levantada si ésta no está fijada con los soportes de seguridad adecuados.*
- *Cada vez que se trabaja bajo del capó abierto, asegurarse que el capó mismo no pueda cerrarse de forma accidental.*
- *No activar la máquina en un ambiente donde haya polvo, líquidos o vapores nocivos, peligrosos, inflamables y/o explosivos: esta máquina no es adecuada para recoger polvos peligrosos.*
- *Si se usan baterías de plomo (WET), cargando las baterías se produce gas hidrógeno muy explosivo. Tener el capó abierto durante las operaciones de carga de la batería y efectuar la carga solo en áreas muy bien ventiladas y lejos de llamas libres.*
- *Si la máquina está equipada de baterías de plomo (WET), no inclinar la máquina de más de 30° respecto a la línea horizontal, porque el líquido muy corrosivo de las baterías podría sobresalir. Si es necesario inclinar la máquina para las operaciones de mantenimiento, primero quitar las baterías.*

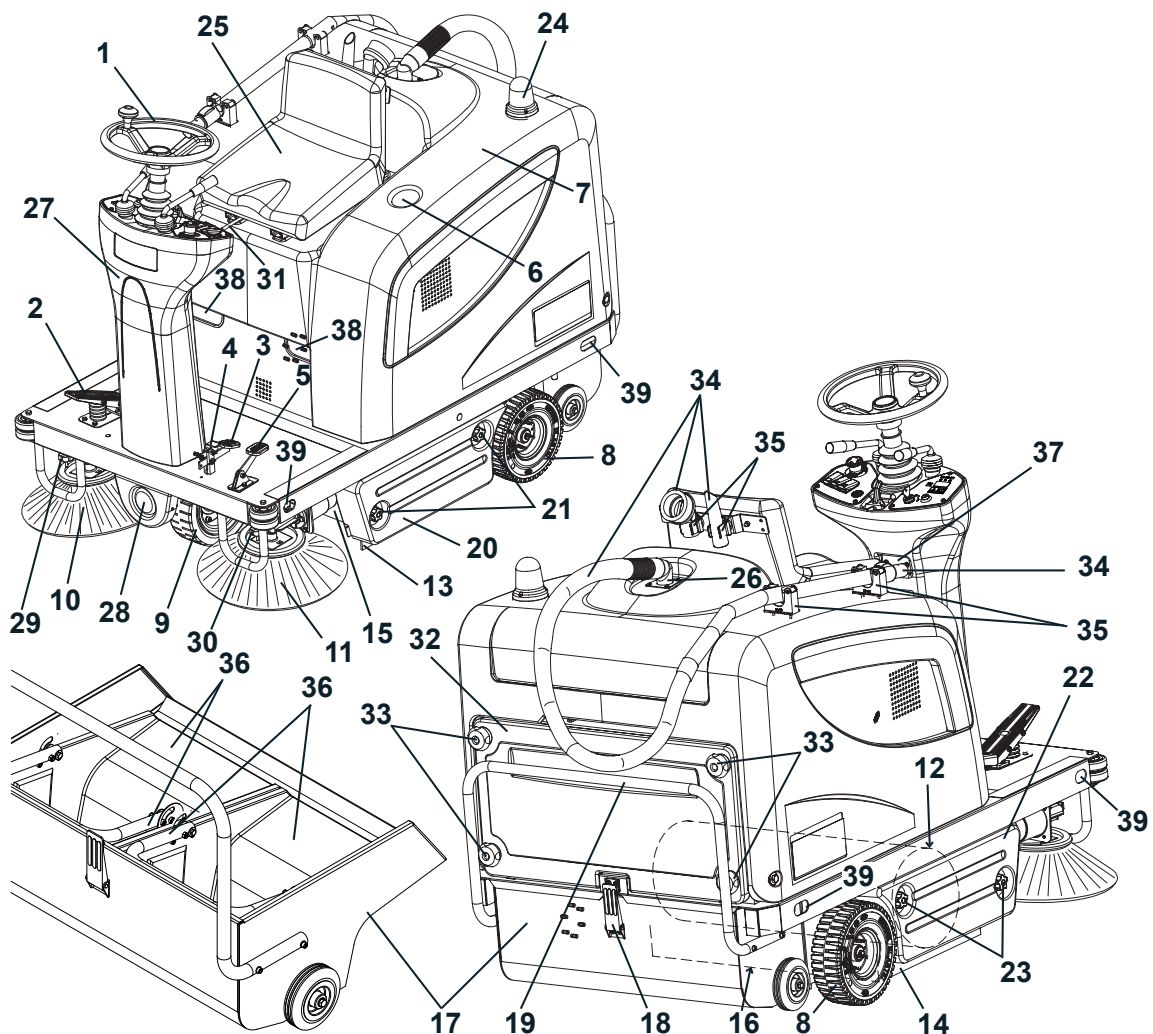
**¡ATENCIÓN!**

- *Antes de efectuar cualquier operación de mantenimiento/repación, leer cuidadosamente todas las instrucciones relacionadas.*
- *Tomar todas las precauciones necesarias para que el pelo, las joyas y las ropas no sean capturados por las partes móviles de la máquina.*
- *Si la máquina está equipada de baterías de plomo (WET), no fumar cuando se cargan las baterías.*
- *Antes de usar el cargador de baterías, asegurarse de que la frecuencia y la tensión indicadas en la placa del número de serie de la máquina coincidan con la tensión de la red.*
- *No tirar o transportar la máquina por el cable del cargador de baterías; no usar el cable como empuñadura. No cerrar el cable del cargador de baterías en una puerta o tirarlo sobre bordes o ángulos afilados. No atropellar el cable del cargador de baterías con la máquina.*
- *Tener el cable del cargador de baterías lejos de superficies calientes.*
- *No recargar las baterías de la máquina si el cable del cargador de baterías o el enchufe están dañados. Si el cable del cargador de baterías está dañado, acudir a un Centro de asistencia Advance.*
- *Para reducir el riesgo de incendio, electrochoque o lesiones, no dejar la máquina conectada a la red eléctrica cuando está sin custodia. Antes de efectuar las operaciones de mantenimiento, desconectar el cable del cargador de baterías de la red eléctrica.*
- *Para evitar usos no autorizados de la máquina, quitar la llave de encendido.*
- *No dejar la máquina sin custodia y sin haberse asegurado que no pueda moverse de forma autónoma.*
- *No usar la máquina sobre suelos con inclinaciones superiores a las especificaciones.*
- *Usar sólo los cepillos suministrados junto a la máquina o aquellos indicados en el Manual de uso. Usar otros cepillos puede perjudicar la seguridad.*
- *Antes de usar la máquina, cerrar todas los portillos y/o las tapas.*
- *No usar la máquina en ambientes demasiado polvorientos.*
- *No lavar la máquina con chorros de agua directa o presurizada, o con sustancias corrosivas.*
- *No usar aire comprimido para la limpieza general de este tipo de máquina, excepto para los filtros (véase el párrafo específico).*
- *Cuando se usa esta máquina, tener cuidado de salvaguardar la incolumidad de las personas, especialmente los niños.*
- *No apoyar contenedores de líquidos sobre la máquina.*
- *La temperatura de almacenamiento de la máquina debe estar entre los 32°F y 104°F (0°C y +40°C).*
- *La temperatura de la máquina en trabajo debe estar entre los 32°F y 104°F (0°C y +40°C).*
- *La humedad debe estar entre el 30% y el 95%.*
- *Proteger siempre la máquina del sol, lluvia y otra intemperie, tanto durante el funcionamiento como durante los períodos de inactividad. Almacenar la máquina en un lugar cerrado y seco: esta máquina sólo se puede usar en seco y no se debe usar o tener al exterior en condiciones de humedad.*
- *No usar la máquina como vehículo de transporte o de remolque/empuje.*
- *No permitir que los cepillos funcionen mientras la máquina está parada en un punto para evitar posibles daños al suelo.*
- *En caso de incendio usar un extintor de polvo, no de agua.*
- *No chocar contra estanterías o andamios de los que puedan caer objetos.*
- *Ajustar la velocidad de funcionamiento según la adherencia al suelo.*
- *Esta máquina no tiene aprobación para el uso en carreteras o vías públicas.*
- *No adulterar por ninguna razón las protecciones de la máquina.*
- *Atenerse escrupulosamente las instrucciones para el mantenimiento ordinario.*
- *No quitar ni modificar las placas colocadas en la máquina.*
- *Cuando la máquina no funciona correctamente, asegurarse de que ésto no sea causado por falta de mantenimiento. En caso contrario, pedir la intervención del personal autorizado o del Centro de asistencia autorizado.*
- *Si deben sustituirse piezas, solicitar piezas de repuesto ORIGINALES a un concesionario y/o revendedor autorizado.*
- *Para asegurar condiciones de funcionamiento correcto y seguro, el personal autorizado o el Centro de asistencia autorizado debe llevar a cabo el mantenimiento programado según las especificaciones indicadas en el capítulo relacionado de este manual.*
- *Nunca se debe abandonar la máquina al final de su ciclo vital, por la presencia de materiales tóxicos y dañinos (baterías, aceites, etc.) sujetos a normativas que exigen que se realice la eliminación en centros especiales (véase el capítulo Desguace).*

DESCRIPCIÓN DE LA MÁQUINA

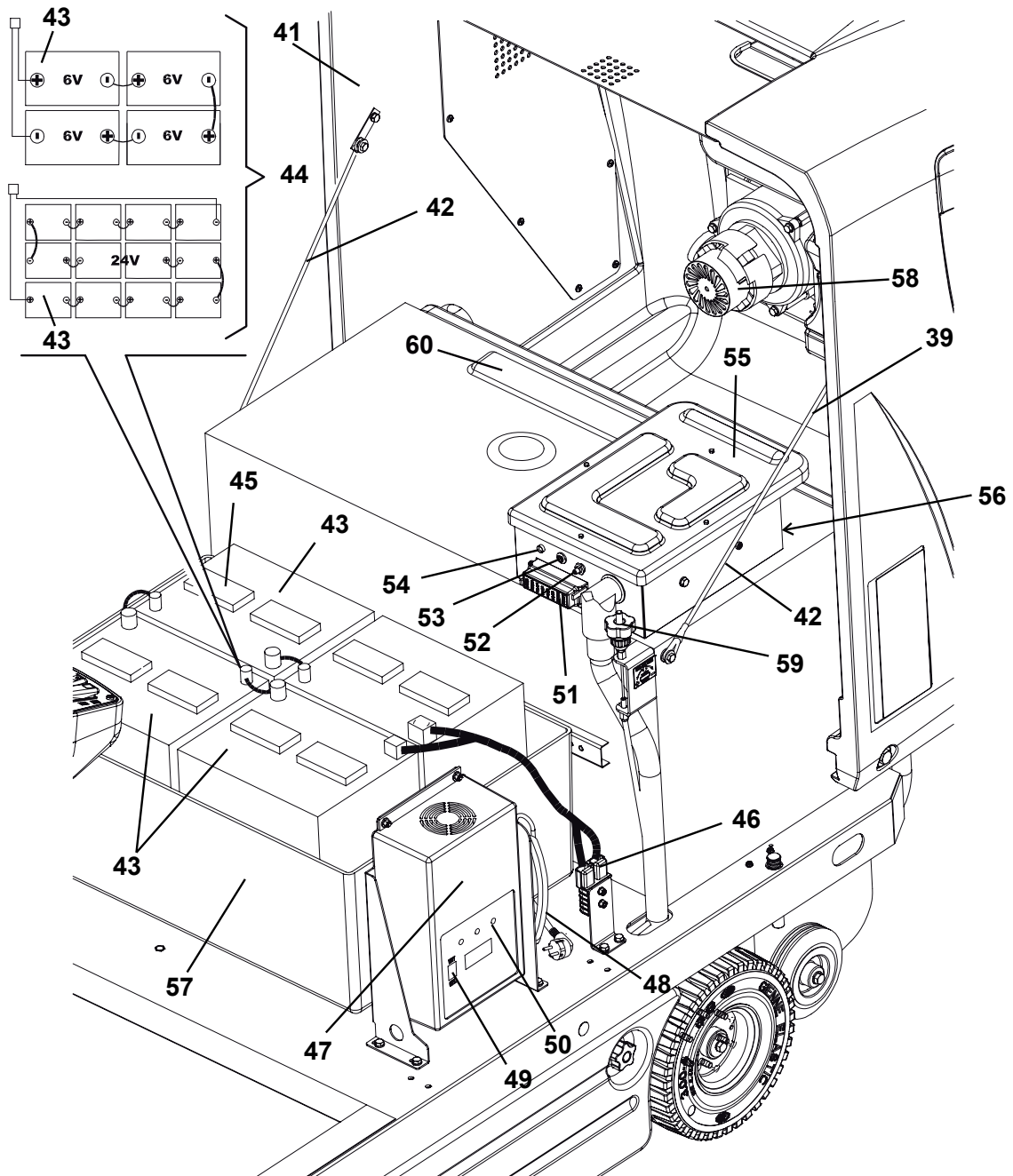
ESTRUCTURA DE LA MÁQUINA

1. Volante
2. Pedal de marcha adelante/atrás
3. Pedal del freno de servicio
4. Palanca del freno de estacionamiento
Pisar el pedal del freno (3), luego accionar la palanca (4) para conmutar el freno de servicio en freno de estacionamiento.
5. Pedal de subida del flap delantero
6. Portaobjetos
7. Capó
8. Ruedas traseras de tracción en eje fijo
9. Rueda delantera directriz
10. Cepillo lateral derecho
11. Cepillo lateral izquierdo
12. Cepillo principal
13. Flap lateral izquierdo
14. Flap lateral derecho
15. Flap delantero
16. Flap trasero
17. Cajón de residuos (vaciarlo cuando está lleno)
18. Gancho de fijación del cajón de residuos
19. Manilla del cajón de residuos
20. Portillo izquierdo (abrir sólo para efectuar operaciones de mantenimiento)
21. Perillas del portillo
22. Portillo izquierdo (para quitar el cepillo principal)
23. Perillas del portillo
24. Luz destelladora (siempre en función con la llave de encendido en posición "I") (opcional)
25. Asiento de conducción con microinterruptor de seguridad
26. Toma suplementaria para el sistema de aspiración manual (opcional)
27. Columna de la dirección ajustable
28. Luz de trabajo (opcional)
29. Empuñadura de ajuste de la altura del cepillo lateral derecho
30. Perilla de ajuste de la altura del cepillo lateral izquierdo (opcional)
31. Palanca de ajuste de la posición longitudinal del asiento
32. Tapa del compartimiento del filtro de aspiración
33. Perillas de la tapa
34. Sistema de aspiración manual (opcional)
35. Retenes del sistema de aspiración manual
36. Contenedores interiores con mango para la descarga de los residuos (opcionales)
37. Placa del número de serie/datos técnicos/marcación de conformidad
38. Manijas de apertura del capó
39. Anclajes de levantamiento de la máquina



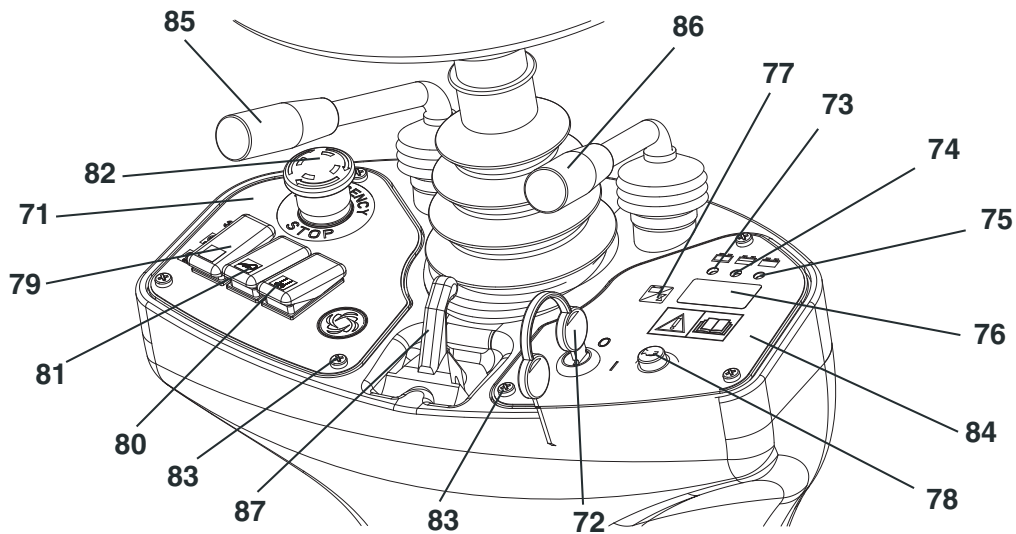
ESTRUCTURA DE LA MÁQUINA (Sigue)

- | | |
|--|--|
| 41. Capó (abierto) | 52. Fusible reseteable del motor del cepillo principal |
| 42. Tirantes de soporte del capó | 53. Fusible reseteable de los motores de los cepillos laterales |
| 43. Baterías de plomo (WET) o opcionales de gel (GEL) | 54. Led de señalización de averías del sistema de tracción. Si el led está encendido, el sistema de tracción funciona correctamente, si el led destella, el sistema de tracción está averiado. |
| 44. Esquemas de conexión de las baterías | 55. Caja de componentes eléctricos |
| 45. Tapones de baterías (sólo para baterías WET) | 56. Tarjeta electrónica del sistema de tracción |
| 46. Conector de las baterías | 57. Contenedor de las baterías |
| 47. Cargador de baterías electrónico | 58. Sistema de aspiración manual (opcional) |
| 48. Cable del cargador de baterías | 59. Empuñadura de ajuste de la altura del cepillo principal |
| 49. Selector del cargador de baterías opcional para baterías de plomo (WET) o de gel (GEL) | 60. Deflector aire |
| 50. Indicador luminoso de baterías cargadas | |
| 51. Caja de fusibles laminares | |



TABLERO DE CONTROL Y MANDOS

71. Tablero de control izquierdo
72. Llave de encendido (en posición "0" apaga la máquina y deshabilita todas las funciones; en posición "I" habilita las funciones de la máquina; además acciona la luz destelladora)
73. Indicador luminoso de baterías descargadas (rojo). Cuando está encendido las baterías están descargadas. La autonomía está agotada y las baterías deben ser cargadas (véase el procedimiento en el párrafo específico).
74. Indicador luminoso de baterías casi descargadas (amarillo). Cuando está encendido las baterías están casi descargadas. La autonomía residua es de unos minutos.
75. Indicador luminoso de baterías cargadas (verde). Cuando está encendido las baterías están cargadas. La autonomía residua depende de la capacidad de las baterías instaladas y de las condiciones de trabajo.
76. Visualizador datos. Pulsándolo muestra en secuencia:
 - horas de trabajo
 - última cifra de las horas - (punto) - minutos
 - tensión de baterías (V)
77. Pulsador de selección en el visualizador: cuentahoras/cuentahoras y minutos/tensión baterías (V)
78. Interruptor de la bocina
79. Interruptor del ventilador de aspiración/sacudidor del filtro
80. Interruptor de accionamiento de la toma suplementaria para el sistema de aspiración manual (opcional)
81. Interruptor de la luz de trabajo (opcional)
82. Pulsador de emergencia
Pulsarlo en caso de emergencia para parar todas las funciones de la máquina. Para desactivarlo, girarlo en el sentido de la flecha puesta sobre el pulsador mismo.
83. Tornillos de fijación de los paneles
84. Tablero de control derecho
85. Palanca de subida/bajada de los cepillos laterales derecho e izquierdo
86. Palanca de subida/bajada del cepillo principal
87. Palanca de ajuste de la posición del volante



S311410

ACCESORIOS/OPCIONES

Además de los componentes instalados en la versión estándar, la máquina puede equiparse con los siguientes accesorios/ opciones, según el uso específico:

- Baterías GEL
- Cepillos principal y laterales con cerdas más o menos duras con respeto al estándar
- Filtro de polvo de poliéster antiestático y de poliéster BIA C
- Sistema de aspiración manual
- Luz de trabajo
- Luz destelladora
- Flap de diferentes materiales
- Lumbrera de protección operador

Para informaciones suplementarias sobre estos accesorios opcionales, acudir al Revendedor autorizado.

DATOS TÉCNICOS

Generales	Valores
Largura de la máquina	58,3 in (1.480 mm)
Anchura de la máquina (sin cepillos laterales)	36,6 in (930 mm)
Altura máxima de la máquina (al volante)	48,0 in (1.220 mm)
Anchura de barrido (sin cepillos laterales)	27,6 in (700 mm)
Anchura de barrido (con cepillo lateral)	49,6 in (1.260 mm)
Distancia mínima desde el suelo (sin flaps)	2,2 in (55 mm)
Dimensiones del cepillo principal (diámetro x largura)	11,8 x 27,6 in (300 mm x 700 mm)
Diámetro de los cepillos laterales	16,5 in (420 mm)
Velocidad de rotación del cepillo principal	550 rpm
Velocidad de rotación de los cepillos laterales	80 rpm
Diámetro de la rueda delantera directriz	9,8 in (250 mm)
Diámetro de las ruedas traseras de tracción	9,8 in (250 mm)
Presión específica al suelo de las ruedas delanteras	159,5 psi (1,1 N/mm ²)
Presión específica al suelo de las ruedas traseras	101,5 psi (0,7 N/mm ²)
Peso total de la máquina (sin baterías)	573,2 lb (260 kg)
Capacidad del cajón de residuos	18,5 gal (70 litros)
Motor del cepillo principal	0,67 HP (500 W)
Motores cepillos laterales	0,08 HP (60 W)
Motor del sistema de tracción	0,8 HP (600 W), 110 rpm
Motor del sistema de aspiración	0,41 HP (310 W)
Motor del sacudidor del filtro	0,12 HP (90 W), 6.000 rpm
Nivel de presión sonora (A Lpa)	63,8 dB(A)
Nivel de vibraciones transmitidas a los brazos del operador (*)	< 8,2 ft/s ² (< 2,5 m/s ²)
Nivel de vibraciones transmitidas al cuerpo del operador (*)	1,9 ft/s ² (0,6 m/s ²)

(*) En condiciones de trabajo normal sobre un suelo llano de asfalto.

Prestaciones	Valores
Velocidad máxima (en marcha adelante/atrás)	3,7 mph (6 km/h)
Velocidad máxima en marcha atrás	1,8 mph (3 km/h)
Inclinación máxima superable	11,3° (20 %)
Radio mínimo de viraje	51,6 in (1.310 mm)

Baterías	Valores
Tensión de las baterías	24 V
Batería estándar	De plomo con electrolito ácido (WET)
Batería opcional	De gel hermética (GEL)
Capacidad mínima de las baterías (con cargador de baterías opcional)	185 Ah C5
Capacidad máxima de las baterías	256 Ah C5
Dimensiones internas del contenedor de las baterías (anchura x largura x altura)	24,8 x 16,5 x 14,5 in (630 x 420 x 370 mm)
Dimensiones máximas del compartimiento de las baterías (anchura x largura x altura)	26,0 x 17,3 x 16,6 in (660 x 440 x 370 mm)

Aspiración y filtrado de polvos	Valores
Filtro de polvo de papel de 5-10 µm	14,1 ft ² (4,3 m ²)
Depresión en el compartimiento del cepillo principal	0,43 in H ₂ O (11 mm H ₂ O)
Accionamiento sacudidor del filtro	Eléctrico

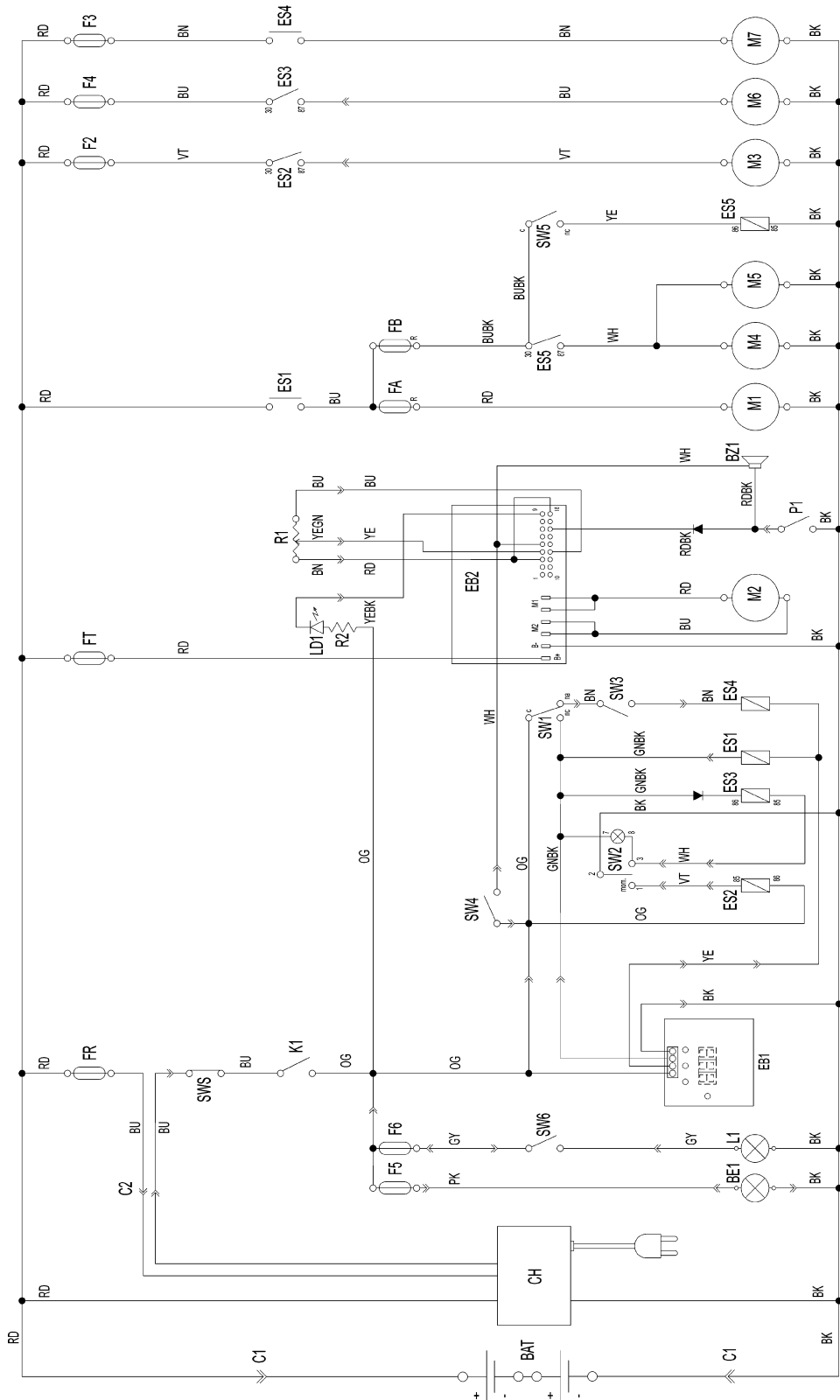
ESQUEMA ELÉCTRICO**Leyenda**

BAT	Baterías
BE1	Luz destelladora (opcional)
BZ1	Avisador acústico de marcha atrás/bocina
C1	Conector de las baterías
C2	Conector secundario del cargador de baterías (opcional)
CH1	Cargador de baterías (opcional)
EB1	Visualizador cuentahoras y tensión de baterías
EB2	Tarjeta electrónica del sistema de tracción
ES1	Relé cepillo principal
ES2	Relé sacudidor del filtro
ES3	Relé del sistema de aspiración
ES4	Relé sistema de aspiración manual (opcional)
ES5	Relé cepillos laterales
FA	Fusible reseteable cepillo principal
FB	Fusible reseteable cepillos laterales
FT	Fusible sistema de tracción (70 A)
F1	Fusible general (circuito llave) (15 A)
F2	Fusible motor sacudidor del filtro (25 A)
F3	Fusible sistema de aspiración manual (40 A) (opcional)
F4	Fusible motor sistema de aspiración (30 A)
F5	Fusible bocina y luz rotativa (10 A)
F6	Fusible luz de trabajo (10 A) (opcional)
K1	Llave de encendido
LD1	Led diagnóstico tarjeta electrónica del sistema de tracción
L1	Luz de trabajo (opcional)
M1	Motor del cepillo principal
M2	Motor del sistema de tracción
M3	Motor del sacudidor del filtro
M4	Motor del cepillo lateral derecho
M5	Motor cepillo lateral izquierdo
M6	Motor del sistema de aspiración
M7	Motor sistema de aspiración manual (opcional)
P1	Interruptor de la bocina
R1	Potenciómetro velocidad de tracción (pedal)
R2	Resistencia led
SWS	Pulsador de emergencia
SW1	Microinterruptor del cepillo principal
SW2	Interruptor del sistema de aspiración/sacudidor del filtro
SW3	Interruptor del sistema de aspiración manual (opcional)
SW4	Microinterruptor de seguridad en el asiento de conducción
SW5	Microinterruptor cepillos laterales
SW6	Interruptor de la luz de trabajo (opcional)

Códigos color

BK	Negro
BU	Azul
BN	Marrón
GN	Verde
GY	Gris
OG	Anaranjado
PK	Rosado
RD	Rojo
VT	Morado
WH	Blanco
YE	Amarillo

ESQUEMA ELÉCTRICO (Sigue)



S311411

USO

**¡ATENCIÓN!**

En unas partes de la máquina hay unas placas adhesivas que indican:

- PELIGRO
- ATENCIÓN
- ADVERTENCIA
- CONSULTAS

Leyendo este manual, el operador tiene que aprender el sentido de los símbolos indicados en las placas. Por ninguna razón estas placas deben cubrirse y si están dañadas tienen que sustituirse de inmediato.

CONTROL/PREPARACIÓN DE LAS BATERÍAS EN LA MÁQUINA NUEVA

**¡ATENCIÓN!**

Si es necesario desplazar la máquina mediante empuje (falta de baterías, baterías descargadas, etc.) no superar la velocidad de 4 km/h (2,5 mph).

**NOTA**

Si la máquina está equipada de cargador de baterías (opcional), es necesario conectarlo a las baterías para que la máquina funcione.

La máquina necesita cuatro baterías de 6 V, conectadas según el esquema (44), o un contenedor de baterías de 24 V.

La máquina puede ser entregada con las siguientes configuraciones:

- A) Baterías (WET o GEL) instaladas en la máquina y ya cargadas
- B) Baterías (WET) ya instaladas en la máquina, pero sin electrolito líquido
- C) Sin baterías

Según el tipo de máquina, efectuar las operaciones siguientes.

A) Baterías (WET o GEL) instaladas en la máquina y ya cargadas

1. Abrir el capó de la máquina (7) y comprobar que las baterías estén conectadas a la máquina con el conector (46).
2. Cerrar el capó (7).
3. Introducir la llave de encendido (72) y llevarla en posición "1" [sin pisar el pedal (2)].
Si el indicador luminoso verde (75) se enciende, la baterías están cargadas y pueden usarse.
Si se enciende el indicador luminoso amarillo (74) o rojo (73) es necesario cargar las baterías (véase el capítulo Mantenimiento).

B) Baterías (WET) ya instaladas en la máquina, pero sin electrolito líquido

4. Abrir el capó de la máquina (7).
5. Quitar todos los tapones (45) de las baterías.

**¡ATENCIÓN!**

El ácido sulfúrico es muy corrosivo, manejar con mucho cuidado. En caso de contacto con la piel o los ojos, lavar a conciencia con agua y consultar un médico.

Rellenar la batería en áreas muy bien ventiladas.

Usar guantes de protección.

6. Rellenar los elementos de las baterías con ácido sulfúrico para baterías [densidad de 2,79 a 2,84 lb a 77°F (1,27 a 1,29 kg a 25°C)], según las instrucciones especificadas en el manual de la baterías.
La correcta cantidad de ácido está especificada en el manual de las baterías.
7. Esperar y rellenar los elementos de las baterías con ácido sulfúrico según las instrucciones especificadas en el manual de las baterías.
8. Cargar las baterías (véase el capítulo Mantenimiento).

C) Sin baterías

9. Comprar unas baterías adecuadas [véase párrafo Datos técnicos y el esquema (44)].
Para la elección y la instalación, acudir a un Revendedor calificado.
10. Instalar las baterías.
11. Regular la máquina y el cargador de baterías (si en dotación) según el tipo de baterías instaladas, como indicado en el párrafo siguiente.

REGULACIÓN DEL TIPO DE BATERÍAS INSTALADAS (WET O GEL)



NOTA

Si la máquina está equipada de cargador de baterías (opcional), es necesario conectarlo a las baterías para que la máquina funcione.

Según el tipo de baterías instaladas (WET o GEL), regular la tarjeta electrónica de la máquina y el cargador de baterías (si en dotación), mediante el procedimiento siguiente:

1. Llevar la llave de encendido (72) en posición "0".
2. Abrir el capó (7).

Ajuste de la máquina

3. La regulación en fábrica de la máquina es para baterías de plomo (WET). Si la regulación corresponde al tipo de baterías compradas, pasar al párrafo siguiente, en caso contrario llevar a cabo las operaciones siguientes:
 - Desconectar el conector de las baterías (46).
 - Quitar los tornillos (83), luego quitar cuidadosamente el tablero de control derecho (84).
 - Poner el conector puente (A, Fig. 1) en los conectores (B) "GEL", para batería de gel.
 - Instalar cuidadosamente el tablero de control (84) y fijarlo con los tornillos.
 - Conectar el conector (46) de las baterías.

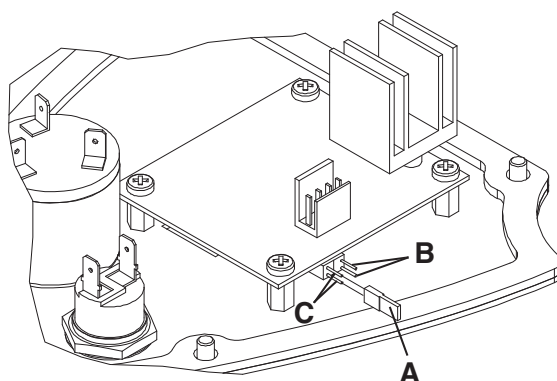


Figura 1

S311412

Regulación del cargador de baterías

4. Poner el selector (49) en posición WET para las baterías de plomo o en posición GEL para las baterías de gel.
5. Cargar las baterías (véase el capítulo Mantenimiento).

ANTES DE LA PUESTA EN MARCHA DE LA MÁQUINA



¡ADVERTENCIA!

Comprobar que no hay puertas/capó abiertos y que la máquina funcione normalmente.

Comprobar que el cajón de residuos (17) esté correctamente cerrado.

Si no se ha todavía usado la máquina después de la entrega, comprobar que todos los sistemas de bloqueo usados para el transporte se hayan quitados.

PUESTA EN MARCHA Y PARADA DE LA MÁQUINA

Puesta en marcha de la máquina

1. Sentarse en el asiento del conductor (25).
2. Si necesario, ajustar la posición del asiento con la palanca (31).
Si necesario, usar la palanca (87) para ajustar la inclinación, adelante o atrás, de la columna de la dirección (1).
3. Llevar la llave de encendido (72) en posición "I" sin pisar el pedal (2). Comprobar que el indicador luminoso verde (75) se encienda (batería cargada).
Si se enciende el indicador luminoso amarillo (74) o rojo (73), llevar la llave de encendido en posición "0", luego cargar las baterías (véase el capítulo Mantenimiento).
4. Desactivar el freno de estacionamiento pisando y soltando el pedal (3).
5. Llegar al lugar de trabajo, conduciendo la máquina con las manos sobre el volante y pisando el pedal (2) en la parte delantera para la marcha adelante y en la parte trasera para la marcha atrás.
La velocidad de marcha se puede ajustar de cero al valor máximo según la presión aplicada al pedal (2).



NOTA

El asiento (25) está equipado de un sensor de seguridad para permitir que la máquina se mueva pisando el pedal (2) sólo cuando el operador está sentado en el asiento.

6. Bajar el cepillo principal con la palanca (86); el cepillo empieza a girar.
7. Activar el sistema de aspiración, pulsando el interruptor (79) hacia atrás.



NOTA

El sistema de aspiración se activa sólo cuando el cepillo principal está bajado.

8. Bajar los cepillos laterales (10 y 11) con la palanca (85).



NOTA

*Los cepillos laterales (10 y 11) pueden bajarse o levantarse aun si la máquina se mueve.
Los cepillos laterales no ruedan cuando están levantados, y no ruedan tampoco cuando el cepillo principal está levantado.*

9. Empezar el trabajo, conduciendo la máquina con las manos sobre el volante (1) y pisando adecuadamente el pedal (2).

Parada de la máquina

10. Parar la máquina soltando el pedal (2).
Para parar la máquina rápidamente, pisar también el pedal del freno de servicio (3).
Para parar la máquina de inmediato en caso de emergencia, pulsar el pulsador de emergencia (82). Para desactivar el pulsador de emergencia (82) después de su activación, girarlo en el sentido indicado por la flecha que se encuentra sobre el pulsador mismo.
11. Levantar los cepillos laterales (10 y 11) con la palanca (85).
12. Desactivar el sistema de aspiración, llevando el interruptor (79) en posición central.
13. Levantar el cepillo principal (12) con la palanca (86).
14. Para apagar la máquina, girar la llave de encendido (72) en posición "0".
15. Activar el freno de estacionamiento pisando el pedal (3) y enganchando la palanca (4).

MÁQUINA EN FUNCIÓN



¡ATENCIÓN!

Se recomienda usar la máquina teniendo mucho cuidado durante la marcha a alta velocidad, porque las vueltas demasiado rápidas podrían causar situaciones de inestabilidad causadas por este tipo de máquina, de tres ruedas, y por la distribución de los pesos sobre las mismas.

Reducir siempre la velocidad antes de efectuar cualquier vuelta.

1. Evitar que los cepillos sigan funcionando durante demasiado tiempo mientras que la máquina está parada en un punto: la máquina podría dejar signos en el suelo.
2. Para recoger residuos ligeros y voluminosos, levantar el flap delantero pisando el pedal (5); tener en cuenta que por todo el tiempo de subida del flap delantero, la capacidad de aspiración de la máquina disminuye.



¡ADVERTENCIA!

Cuando se debe usar la máquina sobre suelos mojados, desactivar el sistema de aspiración con la palanca (79) para proteger el filtro polvos.

3. Para que la máquina funcione correctamente es necesario que el filtro polvos sea lo más limpio posible. Para limpiar el filtro durante el trabajo, activar el sacudidor del filtro, pulsando el interruptor (79) hacia adelante durante unos segundos. Durante esta operación el ventilador de aspiración se desactiva automáticamente. Tras haber limpiado el filtro, pulsar el interruptor (79) hacia atrás para reactivar el sistema de aspiración, luego empezar de nuevo a barrer. Repetir esta operación en media cada 10 minutos durante el trabajo (cambiar el intervalo sobre la base de la cantidad de polvo presente en el ambiente que se debe limpiar).



NOTA

Cuando el filtro está obstruido y/o el cajón de residuos está lleno, la máquina no puede más recoger polvo y residuos.

4. El cajón de residuos (17) se debe vaciar después de cada período de trabajo y cada vez que está lleno (para el relativo procedimiento véase el párrafo siguiente).

VACIADO DEL CAJÓN DE RESIDUOS

1. Parar la máquina soltando el pedal de marcha.
2. Llevar la llave de encendido (2) en posición "0".
3. Activar el freno de estacionamiento pisando el pedal (3) y enganchando la palanca (4).
4. Desenganchar el gancho (18) tirando de su extremidad inferior.
5. Con la manilla (19) quitar el cajón de residuos (17), desenganchándolo de las guías internas. Descargar los residuos en los contenedores apropiados. Al interior del cajón de residuos hay dos contenedores (opcionales) con mango (36) para facilitar la descarga de los residuos.
6. Reinstalar los contenedores con mango (36).
7. Instalar el cajón de residuos (17) enganchándolo a las guías internas, luego fijarlo con el gancho (18).
8. La máquina está lista para empezar de nuevo a barrer.

DESPUÉS DEL USO DE LA MÁQUINA

Al final del trabajo, antes de alejarse de la máquina:

1. Levantar los cepillos laterales con la palanca (85).
2. Levantar el cepillo principal con la palanca (86).
3. Activar el sacudidor del filtro con el interruptor (79).
4. Vaciar el cajón de residuos (17) (como indicado en el párrafo antecedente).
5. Quitar la llave de encendido (72).
6. Activar el freno de estacionamiento pisando el pedal (3) y enganchando la palanca (4).

DESPLAZAMIENTO DE LA MÁQUINA MEDIANTE EMPUJE/REMOLQUE

Para desplazar la máquina apagada mediante empuje/remolque, no sirve ningún procedimiento especial.

PERIODO DE LARGA INACTIVIDAD DE LA MÁQUINA

Si se piensa que la máquina no va a ser usada durante 30 días o más, efectuar las operaciones siguientes:

1. Dejar la máquina en un lugar seco y limpio.
2. Desconectar el conector de las baterías (46).

PRIMER PERIODO DE USO

Después del primer período de uso (primeras 8 horas) es necesario:

- Controlar que los dispositivos de fijación y conexión de la máquina estén apretados.
- Controlar que las partes visibles no sean dañadas y que no haya pérdidas de líquidos.

MANTENIMIENTO

Un mantenimiento cuidadoso y continuo garantiza la vida útil y la seguridad de funcionamiento de la máquina.

El esquema siguiente resume el mantenimiento programado. Los períodos indicados pueden variar según las condiciones de trabajos, que el encargado del mantenimiento debe establecer.

Todas las operaciones de mantenimiento programado o extraordinario deben ser efectuadas por el personal calificado o por un Centro de asistencia autorizado.

En este manual, después del esquema de mantenimiento programado, se describen sólo las operaciones de mantenimiento más sencillas y frecuentes.

Para las operaciones de mantenimiento no indicadas en el esquema de mantenimiento programado, véase el Manual de asistencia disponible en los Centros de asistencia.



¡ATENCIÓN!

Las operaciones de mantenimiento deben efectuarse con la máquina apagada, llave quitada y, si necesario, con las baterías desconectadas.

Antes de efectuar las operaciones de mantenimiento, leer cuidadosamente todas las instrucciones del capítulo Seguridad.

ESQUEMA DE MANTENIMIENTO PROGRAMADO

Procedimiento	Al momento de la entrega	Cada 10 horas	Cada 50 horas	Cada 100 horas	Cada 200 horas	Cada 400 horas
Control del nivel del líquido de las baterías WET						
Control y ajuste de la altura de los cepillos laterales y principal						
Limpieza y control de la integridad del filtro de polvos						
Control de la altura y del funcionamiento de los flaps						
Control del funcionamiento del sacudidor del filtro			(*)			
Control visual de la correa de transmisión del cepillo principal			(*)			
Control de la torsión de las tuercas y de los tornillos				(*)(1)		
Control y ajuste de los frenos de servicio y de estacionamiento				(*)		
Control y limpieza de la cadena de la dirección					(*)	
Sustitución de la correa de transmisión del cepillo principal					(*)	
Control/sustitución de los cepillos del motor principal y del motor del sistema de tracción						(*)

(*) Para el procedimiento relacionado, véase el Manual de asistencia.

(1) Y después de las primeras 8 horas de rodaje.

CONTROL Y AJUSTE DE LA ALTURA DEL CEPILLO PRINCIPAL



NOTA

Hay cepillos con cerdas más o menos duras. Este procedimiento es aplicable por cada uno de estos tipos.

- Controlar la altura del cepillo principal mediante el procedimiento siguiente:
 - Llevar la máquina sobre un suelo llano.
 - Parar la máquina en un punto y dejar que el cepillo principal gire durante unos segundos.
 - Parar y levantar el cepillo principal, luego desplazar la máquina y apagarla.
 - Controlar que la huella (A, Fig. 2) dejada por el cepillo principal por toda su largura sea de 2 a 4 cm (0,8 a 1,6 in).

Sólo en el caso de que la huella (A) sea diferente, ajustar la altura del cepillo, según las indicaciones del siguiente paso 2.

- Activar el freno de estacionamiento con el pedal (3) y la palanca (4).
- Llevar la llave de encendido (72) en posición "0".
- Abrir el capó (7).
- Aflojar la perilla (A, Fig. 3) en el lado izquierdo de la máquina.
- Girar la perilla (B, Fig. 3) teniendo en cuenta que:
 - enroscándola, el cepillo se levanta;
 - desenroscándola, el cepillo se baja.

Una vez efectuado el ajuste, teniendo bloqueada la perilla (B), apretar la perilla (A).

- Llevar a cabo de nuevo el paso 1 para controlar que la altura del cepillo principal sea correctamente ajustada.
- Si el cepillo está demasiado consumido no se puede ajustar más, sustituir el cepillo como indicado en el párrafo siguiente.



¡ADVERTENCIA!

Una huella demasiado grande (superior a 4 cm (1,6 in)) del cepillo principal perjudica el funcionamiento regular de la máquina y puede causar el sobrecalentamiento de los componentes móviles y eléctricos, reduciendo drásticamente sus duración.

Tener mucho cuidado cuando se efectúa el control arriba indicado y activar la máquina sólo en las condiciones indicadas.

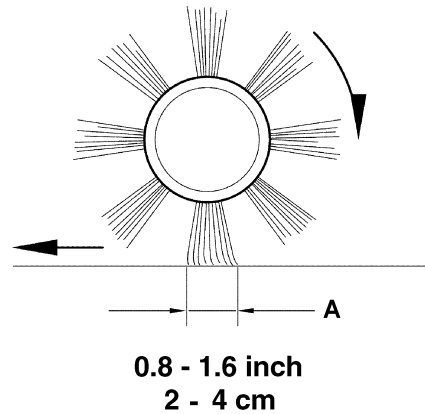


Figura 2

S311389

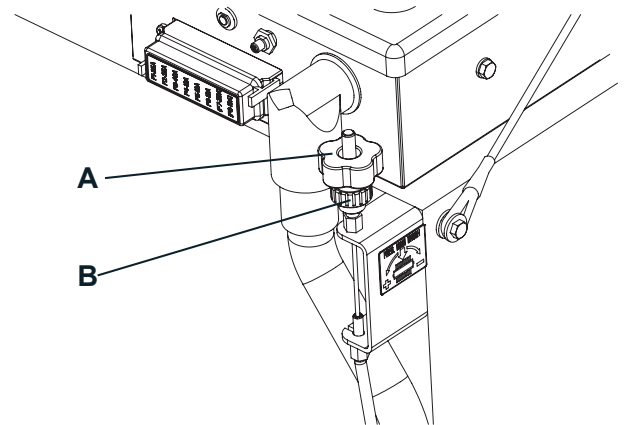


Figura 3

S311390

SUSTITUCIÓN DEL CEPILLO PRINCIPAL



NOTA

Hay cepillos con cerdas más o menos duras. Este procedimiento es aplicable por cada uno de estos tipos.



¡ADVERTENCIA!

Durante la sustitución del cepillo principal se aconseja usar guantes por que residuos cortantes podrían estar encastrados en las cerdas.

1. Llevar la máquina sobre un suelo llano y activar el freno de estacionamiento con el pedal (3) y la palanca (4).
2. Llevar la llave de encendido (72) en posición "0".
3. Desenroscar las perillas (23) y quitar el portillo derecho (22).
4. Desenroscar la perilla (A, Fig. 4).
5. Desenroscar las perillas (B, Fig. 4) y quitar la tapa del compartimiento del cepillo (C).
6. Quitar el cepillo (A, Fig. 5).
7. Controlar que el cubo arrastrador (A, Fig. 6) no esté sucio y que no haya objetos (cuerdas, trapos, etc.) enrollados accidentalmente.
8. Instalar el nuevo cepillo principal, inclinando las cerdas (B, Fig. 6) como indicado en la figura.
9. Instalar el nuevo cepillo principal (C, Fig. 6) en la máquina y asegurarse de que su engrane (D) se enganche en el cubo arrastrador (A) relacionado.
10. Instalar la tapa del compartimiento del cepillo (C, Fig. 4) y enroscar las perillas (B) y (A).
11. Instalar el portillo derecho (22) y enroscar las perillas (23).
12. Controlar y ajustar la altura del cepillo principal, como indicado en el párrafo antecedente.

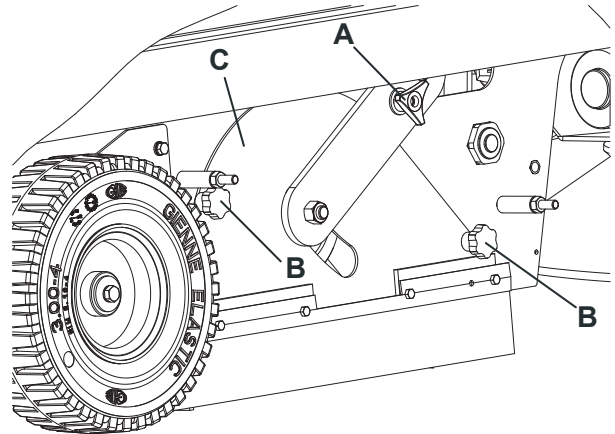


Figura 4

S311391

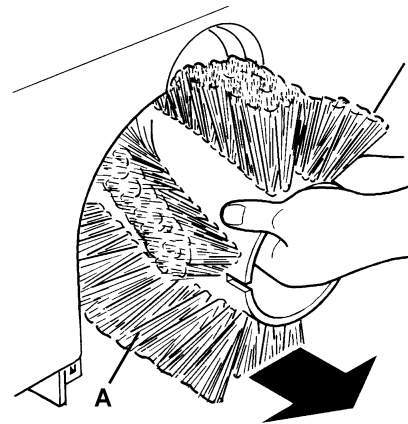


Figura 5

S311392

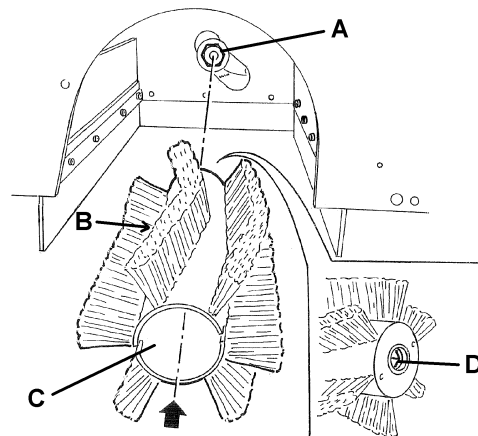


Figura 6

S311393

CONTROL Y AJUSTE DE LA ALTURA DE LOS CEPILLOS LATERALES



NOTA

Hay cepillos con cerdas más o menos duras. Este procedimiento es aplicable por cada uno de estos tipos.

1. Controlar la altura de los cepillos laterales mediante el procedimiento siguiente:
 - Llevar la máquina sobre un suelo llano y bajar los cepillos laterales.
 - Parar la máquina en un punto y dejar que los cepillos laterales giren durante unos segundos.
 - Levantar los cepillos laterales, luego desplazar la máquina y apagarla.
 - Comprobar que las huellas dejadas por los cepillos laterales sean como indicado en la figura (A y B, Fig. 7).

Sólo en el caso de que la huella sea diferente, ajustar la altura de los cepillos, según las indicaciones del siguiente paso 2.

2. Activar el freno de estacionamiento con el pedal (3) y la palanca (4).
3. Llevar la llave de encendido (72) en posición "0".
4. Aflojar la perilla (A, Fig. 8) que se encuentra sobre el cepillo.
5. Girar la perilla (B, Fig. 8) teniendo en cuenta que:
 - enroscándola, el cepillo se levanta;
 - desenroscándola, el cepillo se baja.
 Una vez efectuado el ajuste, teniendo bloqueada la perilla (B), apretar la perilla (A).
6. Llevar a cabo de nuevo el paso 1 para controlar que la altura de los cepillos laterales sea correctamente ajustada.
7. Si los cepillos están demasiado desgastados no se pueden ajustar más, sustituir los cepillos como indicado en el párrafo específico.

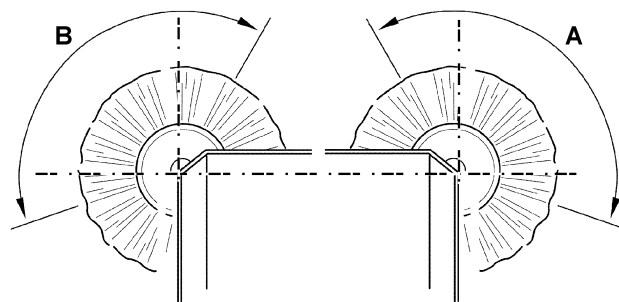


Figura 7

S311394

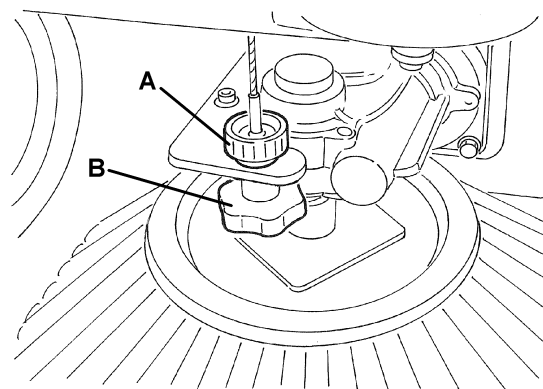


Figura 8

S311395

SUSTITUCIÓN DE LOS CEPILLOS LATERALES



NOTA

Hay cepillos con cerdas más o menos duras. Este procedimiento es aplicable por cada uno de estos tipos.



¡ADVERTENCIA!

Durante la sustitución de los cepillos laterales se aconseja usar guantes por que residuos cortantes podrían estar encastrados en las cerdas.

1. Llevar la máquina sobre un suelo llano y activar el freno de estacionamiento con el pedal (4) y la palanca (3).
2. Llevar la llave de encendido (82) en posición "0".
3. Poner la mano al interior del cepillo lateral y presionar hacia el interior las lengüetas (A, Fig. 9) luego quitar el cepillo (B) desenganchándolo de los cuatro pernos (C).
4. Instalar el nuevo cepillo lateral en la máquina enganchándolo a los pernos (C, Fig. 9) y a las lengüetas (A).
5. Controlar y ajustar la altura de los cepillos laterales, como indicado en el párrafo antecedente.

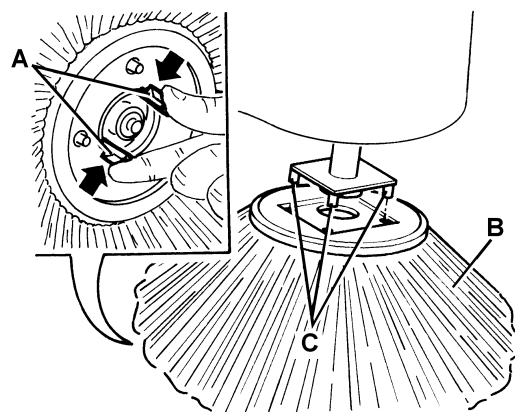


Figura 9

S311396

LIMPIEZA Y CONTROL DE LA INTEGRIDAD DEL FILTRO DE POLVO



NOTA

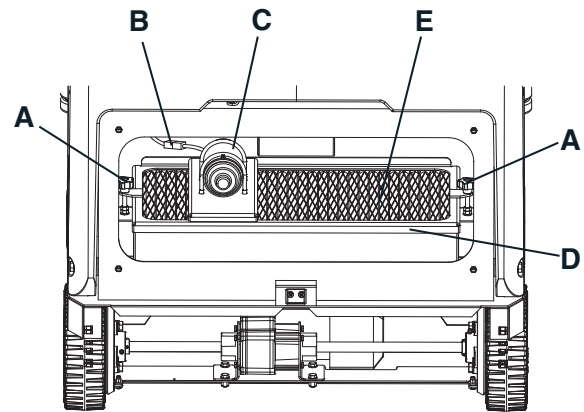
Además del filtro de papel estándar, hay también filtros de poliéster en opción. Este procedimiento es aplicable por cada uno de estos tipos.

1. Llevar la máquina sobre un suelo llano y activar el freno de estacionamiento con el pedal (3) y la palanca (4).
2. Llevar la llave de encendido (72) en posición "0".
3. Desenganchar el gancho (18) tirando de su extremidad inferior.
4. Con la manilla (19) quitar el cajón de residuos (17), desenganchándolo de las guías internas.
5. Desenroscar las perillas (33) y quitar la tapa del compartimento del filtro (32).
6. Desenroscar las perillas (A, Fig. 10).
7. Desconectar el conector (B, Fig. 10) del motor del sacudidor del filtro (C).
8. Quitar el bastidor de fijación (D, Fig. 10) del filtro de polvos.
9. Quitar el filtro de polvos (E, Fig. 10).
10. Al aire libre, limpiar el filtro sacudiéndolo sobre una superficie llana y limpia, batiendo el lado (A, Fig. 12) opuesto a el de la redcilla (B).
11. Completar la limpieza con un chorro perpendicular de aire comprimido (C, Fig. 12) de máximo 6 Bar, soplando sólo por el lado de la redcilla (B), desde una distancia mínima de 30 cm (11,8 in).

Según el tipo de filtro usado, tener en cuenta las siguientes informaciones:

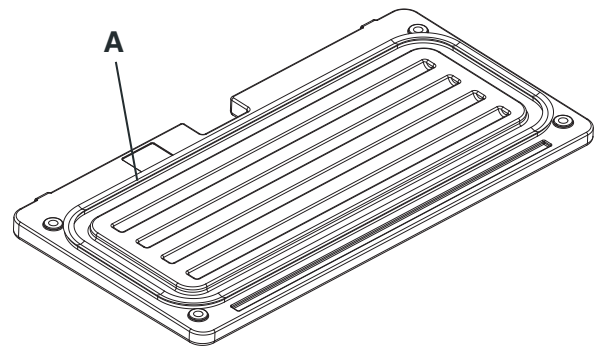
- Filtro de papel (estándar): no usar agua o detergentes para limpiarlo porque se podría dañar.
- Filtro de poliéster (opcional): para una limpieza más profunda, se podría eventualmente limpiar el filtro con agua y un detergente no espumógeno. Se recuerda que, este tipo de limpieza, si bien sea mejor cualitativamente, reduce la duración del filtro que, por consecuencia, tendrá que sustituirse más frecuentemente. El uso de detergentes no adecuados puede dañar el filtro.

12. Controlar que el cuerpo del filtro no esté desgarrado. Si necesario, sustituir el filtro.
13. Limpiar la guarnición de caucho (A, Fig. 11) de la tapa (32), y controlar que esté íntegra y eficiente, de lo contrario sustituirla.
14. Montar los componentes en orden contrario al desmontaje, teniendo cuidado de lo que sigue:
 - Instalar el filtro (E, Fig. 10) con la redcilla (B, Fig. 12) boca arriba.



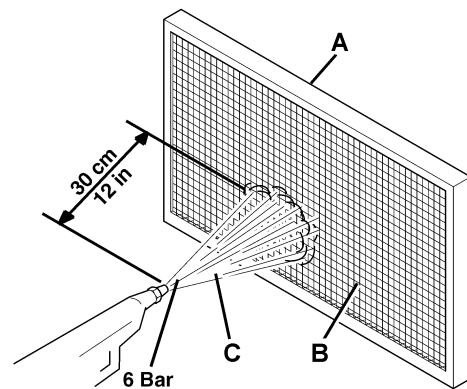
S311397

Figura 10



S311398

Figura 11



S311399

Figura 12

CONTROL DE LA ALTURA Y DEL FUNCIONAMIENTO DE LOS FLAPS

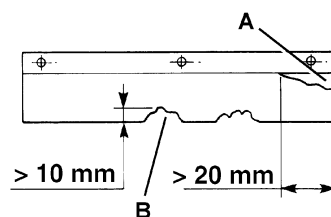
- Llevar la máquina sobre un suelo llano y adecuado para controlar que la altura de los flaps sea correcta. Activar el freno de estacionamiento con el pedal (3) y la palanca (4).
- Llevar la llave de encendido (72) en posición "0".

Control de los flaps laterales

- Desenroscar las perillas (23) y (21) y quitar los portillos derecho (22) e izquierdo (20).
- Controlar la integridad de los flaps laterales (13 y 14). Sustituir los flaps cuando hay cortes (A, Fig. 13) más grandes de 20 mm (0,79 in) o roturas/desgarros (B) más grandes de 10 mm (0,39 in) (para la sustitución de los flaps véase el Manual de asistencia).
- Controlar que la altura de los flaps laterales (13 y 14) sea de 0 a 3 mm (de 0 a 0,12 in) (A, Fig. 14). Si necesario ajustar la altura de los flaps con los agujeros sobre los tornillos (A, Fig. 17).
- Montar los componentes en orden contrario al desmontaje.

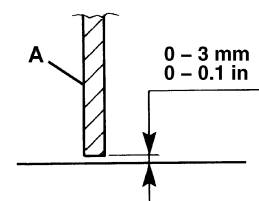
Control de los flaps delantero y trasero

- Quitar el cepillo principal como indicado en el párrafo específico.
- Controlar la integridad de los flaps delantero (15) y trasero (16). Sustituir los flaps cuando hay cortes (A, Fig. 13) más grandes de 20 mm (0,79 in) o roturas/desgarros (B) más grandes de 10 mm (0,39 in) (para la sustitución de los flaps véase el Manual de asistencia).
- Controlar que:
 - El flap delantero (A, Fig. 18), arrastre ligeramente contra el suelo y que, de todos modos, no sea desprendido del suelo (A, Fig. 15).
 - La distancia desde el suelo del flap trasero (B, Fig. 18) sea de 0 a 3 mm (de 0 a 0,12 in) (A, Fig. 14).
- Si necesario, ajustar la altura de los flaps usando los agujeros sobre los tornillos (C y D, Fig. 18).
- Activar el pedal para el levantamiento del flap delantero (5) y controlar que el flap delantero (A, Fig. 16) gire hacia arriba de 90° (como en la figura); luego soltar el pedal y controlar que el flap vuelva en su posición inicial y no se quede en posición intermedia. Si necesario, véase el Manual de asistencia para el ajuste o la sustitución del cable de mando del flap delantero.
- Montar los componentes en orden contrario al desmontaje.



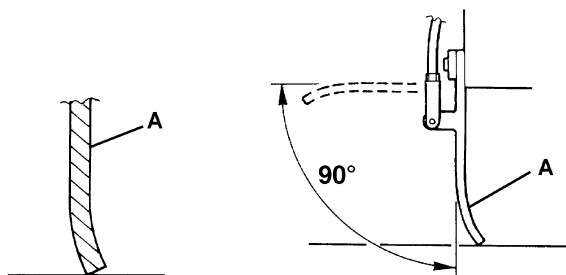
S311400

Figura 13



S311401

Figura 14

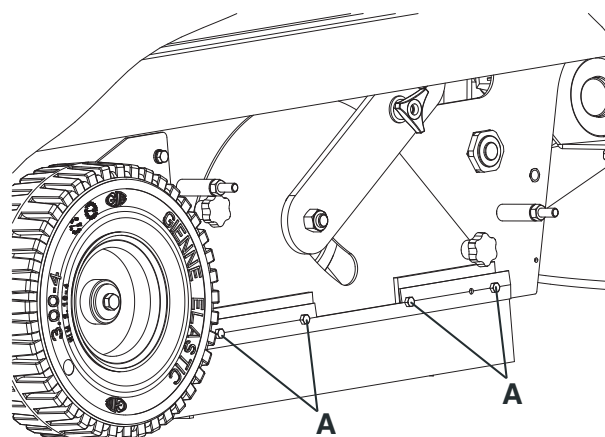


S311402

Figura 15

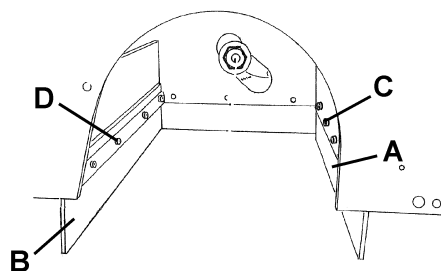
S311403

Figura 16



S311404

Figura 17



S311405

Figura 18

CARGA DE LAS BATERÍAS



¡ADVERTENCIA!

Cargar las baterías cuando el indicador luminoso amarillo (73) o rojo (74) se enciende y al final de cada trabajo. Si se mantienen las baterías cargadas, su durabilidad aumenta.



¡ATENCIÓN!

No dejar las baterías descargadas durante mucho tiempo, porque su durabilidad podría reducirse.



¡ATENCIÓN!

Si se usan baterías de plomo (WET), cargando las baterías se produce gas hidrógeno muy explosivo. Cargar las baterías sólo en áreas bien ventiladas y lejos de llamas libres.

No fumar cuando se cargan las baterías.

El capó debe quedarse abierto mientras que se cargan las baterías.



¡ATENCIÓN!

Tener cuidado mientras que se cargan las baterías WET porque el líquido de baterías podría sobresalir. Este líquido es corrosivo. En caso de contacto con la piel o los ojos, lavar a conciencia con agua y consultar un médico.

1. Llevar la máquina sobre un suelo llano y activar el freno de estacionamiento con el pedal (3) y la palanca (4).
2. Llevar la llave de encendido (72) en posición "0".
3. Abrir el capó (7).
4. (Sólo para baterías WET) controlar el nivel del electrolito en las baterías. Si necesario, rellenar a través de los tapones (45). Dejar todos los tapones (45) abiertos para la recarga siguiente. Si necesario, limpiar la superficie superior de las baterías.
5. Cargar las baterías en una de las formas siguientes, según si la máquina está equipada de cargador de baterías electrónico (47, Fig. U) (opcional) o menos.

Carga de las baterías con cargador externo

6. Controlar que el cargador de baterías sea adecuado consultando las instrucciones relacionadas. La tensión nominal del cargador de baterías es de 24 V.



¡ADVERTENCIA!

Usar un cargador de baterías adecuado para el tipo de baterías instalado.

7. Desconectar el conector (46) de las baterías y conectarlo al cargador de baterías externo.
8. Conectar el cargador de baterías a la red eléctrica.
9. Cuando la batería esté cargada, desconectar el cargador de baterías de la red eléctrica y del conector (46) de las baterías.
10. (Sólo para baterías WET) controlar el nivel del electrolito en las baterías, luego cerrar todos los tapones (45).
11. Volver a conectar el conector (46) de las baterías al conector que está en la máquina.
12. Cerrar el capó (7). La máquina está lista para el uso.

Carga de las baterías con cargador de baterías (opcional)

13. (Sólo para baterías WET) controlar el nivel del electrolito en las baterías. Si necesario, rellenar a través de los tapones (45). Dejar todos los tapones (45) abiertos para la recarga siguiente. Después de haber rellenado, limpiar (si necesario) la superficie superior de las baterías.
14. Conectar el cable (48) del cargador de baterías a un enchufe.



¡ATENCIÓN!

Controlar que la tensión y la frecuencia indicados en la placa del número de serie (37) de la máquina correspondan a aquellos de la red eléctrica.



NOTA

Cuando el cargador de baterías está conectado a la red eléctrica, todas las funciones de la máquina se paran automáticamente.

15. Cuando el indicador luminoso verde (50) se enciende, las baterías están cargadas.
16. Para informaciones suplementarias sobre el funcionamiento del cargador de baterías (47) consultar el manual relacionado.
17. Desconectar el cable (48) del cargador de baterías de la red eléctrica y colocarlo en su alojamiento en la máquina.
18. (Sólo para baterías WET) cerrar todos los tapones (45).
19. Cerrar el capó (7). La máquina está lista para el uso.

CONTROL/SUSTITUCIÓN/REACTIVACIÓN DE LOS FUSIBLES

1. Llevar la máquina sobre un suelo llano y activar el freno de estacionamiento con el pedal (3) y la palanca (4).
2. Llevar la llave de encendido (72) en posición "0".
3. Abrir el capó (7).
4. Desconectar el conector de las baterías (46).

Control/sustitución de los fusibles laminares

5. Quitar la tapa de la caja de fusibles (51).
6. Controlar/sustituir el fusible interesado entre los siguientes (Fig. 19):
 - F1: Fusible general (circuito llave) (15 A)
 - F2: Fusible motor sacudidor del filtro (25 A)
 - F3: Fusible sistema de aspiración manual (40 A) (opcional)
 - F4: Fusible motor sistema de aspiración (30 A)
 - F5: Fusible bocina y luz rotativa (10 A)
 - F6: Fusible luz de trabajo (10 A) (opcional)
7. Quitar la tapa de la caja de componentes eléctricos (55).
8. Controlar/sustituir el siguiente fusible (Fig. 20):
 - FT: Fusible sistema de tracción (70 A)

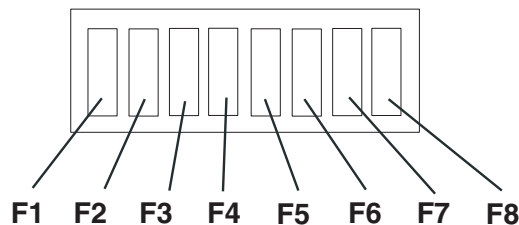


Figura 19

S311413

Control de los fusibles reseteables

9. Controlar si uno de los siguientes fusibles están desactivados, luego reactivarlo después de que el motor relacionado se haya enfriado:
 - FA: Fusible reseteable motor cepillo principal (30 A) (52)
 - FB: Fusible reseteable motor cepillos laterales (10 A) (53)

Montaje

10. Montar los componentes en orden contrario al desmontaje.

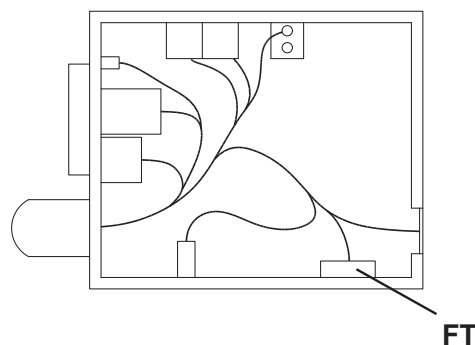


Figura 20

S311414

BÚSQUEDA AVERÍAS

Problema	Probable causa	Remedio
Llevando la llave de encendido en posición "II" la máquina no se pone en marcha.	El conector de las baterías (46) está desconectado.	Conectar el conector de las baterías.
	El fusible F1 en la caja (51) está abierto.	Sustituir el fusible F1.
	El cable (48) del cargador de baterías está conectado a la red eléctrica.	Desconectar el cargador de baterías de la red eléctrica.
Pisando el pedal (2) la máquina no se mueve.	El freno de estacionamiento no está activado.	Desactivar el freno de estacionamiento.
	Durante la puesta en marcha de la máquina con la llave (72), se pisa el pedal (2) o el operador está sentándose en el asiento de conducción.	Poner en marcha la máquina con la llave (72), tras haberse sentado en el asiento de conducción y sin pisar el pedal (2).
El cepillo principal no funciona.	El fusible reseteable (52) está desactivado.	Resetear el fusible (52) pulsando el pulsador relacionado.
Los cepillos laterales no funcionan.	El cepillo principal no está bajado.	Bajar el cepillo principal.
	El fusible reseteable (53) está desactivado.	Resetear el fusible (53) pulsando el pulsador relacionado.
La máquina funciona sólo cuando está parada en un punto, si se intenta moverla se apaga y el indicador luminoso rojo (73) destella.	Las baterías están descargadas.	Recargar las baterías. Si el problema sigue existiendo, sustituir las baterías.
La autonomía de las baterías es escasa.	Las baterías están muertas.	Sustituir las baterías.
	La capacidad de las baterías es insuficiente.	Instalar baterías de mayor capacidad (véase el párrafo Datos técnicos).
El led de señalización de averías de la tarjeta electrónica del sistema de tracción (54) destella.	El sistema de tracción está averiado.	Para informaciones suplementarias consultar el Manual de asistencia (en de los Centros de asistencia Advance).

Para informaciones suplementarias consultar el Manual de asistencia en los Centros de asistencia Advance.

DESGUACE

Eliminar la máquina en un demoledor calificado.

Antes de eliminar la máquina es necesario quitar y separar los siguientes materiales y eliminarlos según las actuales normas de higiene ambiental:

- Baterías
- Aceite del motor
- Filtro de polvo de poliéster
- Cepillos principal y laterales
- Tubos y componentes de plástico
- Componentes eléctricos y electrónicos (*)

(*) En particular, para el desguace de los componentes eléctricos y electrónicos, contactar con Advance.

ÍNDICE

INTRODUÇÃO	2
OBJECTIVO E CONTEÚDO DO MANUAL	2
DESTINATÁRIOS	2
CONSERVAÇÃO DO MANUAL	2
OUTROS MANUAIS DE REFERÊNCIA	2
PEÇAS DE SUBSTITUIÇÃO E MANUTENÇÃO	3
CAPACIDADE DE FUNCIONAMENTO	3
CONVENÇÕES	3
DESEMBALAGEM/ENTREGA	3
SEGURANÇA	4
SÍMBOLOS UTILIZADOS	4
INSTRUÇÕES GERAIS	4
DESCRIÇÃO DA MÁQUINA	6
ESTRUTURA DA MÁQUINA	6
PAINEL DE CONTROLO E COMANDOS	8
ACESSÓRIOS / OPCIONAIS	8
CARACTERÍSTICAS TÉCNICAS	9
DIAGRAMA ELÉCTRICO	10
UTILIZAÇÃO	12
CONTROLO / PREPARAÇÃO DAS BATERIAS NUMA MÁQUINA NOVA	12
AJUSTE DO TIPO DE BATERIAS INSTALADAS (WET OU GEL)	13
ANTES DO ARRANQUE DA MÁQUINA	13
PARTIDA E PARADA DA MÁQUINA	14
MÁQUINA EM OPERAÇÃO	15
ESVAZIAMENTO DO DEPÓSITO DE RESÍDUOS	15
APÓS UTILIZAÇÃO DA MÁQUINA	15
EMPURRAR/REBOCAR A MÁQUINA	15
INACTIVIDADE PROLONGADA DA MÁQUINA	15
PRIMEIRO PERÍODO DE UTILIZAÇÃO	15
MANUTENÇÃO	16
PLANO DE MANUTENÇÃO PROGRAMADA	16
CONTROLO E REGULAÇÃO DA ALTURA DA ESCOVA CENTRAL	17
SUBSTITUIÇÃO DA ESCOVA CENTRAL	18
CONTROLO E REGULAÇÃO DA ALTURA DAS ESCOVAS LATERAIS	19
SUBSTITUIÇÃO DAS ESCOVAS LATERAIS	19
LIMPEZA E CONTROLO DO ESTADO DO FILTRO DE POEIRAS	20
CONTROLO DA ALTURA E DO FUNCIONAMENTO DOS FLAPS	21
CARREGAMENTO DAS BATERIAS	22
CONTROLO/SUBSTITUIÇÃO/REPOSIÇÃO DOS FUSÍVEIS	23
RESOLUÇÃO DE PROBLEMAS	24
FIM DE VIDA	24

INTRODUÇÃO



NOTA

Os números indicados entre parêntesis referem-se aos componentes ilustrados no capítulo Descrição da máquina.

OBJECTIVO E CONTEÚDO DO MANUAL

Este manual tem como objectivo fornecer ao operador todas as informações necessárias para poder utilizar a máquina da maneira mais adequada, autónoma e segura possível. O manual compreende informações inerentes à parte técnica, à segurança, ao funcionamento, ao desligamento da máquina, à manutenção, às peças de substituição e ao fim de vida.

Antes de efectuar qualquer operação na máquina, os operadores e os técnicos qualificados devem ler cuidadosamente as instruções contidas no presente Manual. Em caso de dúvidas sobre a correcta interpretação das instruções, contacte a Advance para obter os esclarecimentos necessários.

DESTINATÁRIOS

O presente manual destina-se quer ao operador, quer aos técnicos qualificados de manutenção da máquina.

Os operadores não devem executar intervenções reservadas aos técnicos qualificados. A Advance não se responsabiliza por danos resultantes do não cumprimento desta proibição.

CONSERVAÇÃO DO MANUAL

O Manual de utilizador deve ser conservado próximo da máquina, dentro de seu estojo, protegido contra os líquidos e tudo mais que possa comprometer seu estado de legibilidade.

DADOS DE IDENTIFICAÇÃO

O número de série e o modelo da máquina estão indicados na placa (37).

O ano de produção da máquina está indicado na declaração de conformidade, além de ser indicado pelos primeiros dois dígitos do número de série da própria máquina.

Estas informações são necessárias quando são encomendadas peças de substituição para a máquina. Utilize o espaço abaixo para anotar os dados de identificação da máquina.

Modelo da MÁQUINA
Número de série da MÁQUINA

OUTROS MANUAIS DE REFERÊNCIA

Com a máquina, são fornecidos também os seguintes manuais:

- Manual do carregador electrónico, se for fornecido, deve ser considerado parte integrante do presente Manual
- Catálogo das peças de substituição da máquina de varrer

Outros manuais disponíveis:

- Manual de assistência (pode ser consultado nos centros de assistência da Advance)

PEÇAS DE SUBSTITUIÇÃO E MANUTENÇÃO

Para qualquer necessidade relativa à utilização, à manutenção e à reparação, consulte o pessoal qualificado ou directamente os Centros de assistência Advance. Utilize sempre peças de substituição e acessórios originais.

Para assistência e para encomendar peças de substituição e acessórios, contacte a Advance, especificando sempre o modelo e o número de série.

MODIFICAÇÕES E MELHORIAS

A Advance procura constantemente aperfeiçoar os produtos e reserva-se o direito de efectuar modificações e melhorias, quando necessário, sem a obrigação de modificar as máquinas já vendidas anteriormente.

Fica estipulado que qualquer modificação e/ou acréscimo de acessórios deve ser explicitamente aprovada e realizada pela Advance.

CAPACIDADE DE FUNCIONAMENTO

A máquina de varrer foi concebida e fabricada para limpar/varrer pisos lisos e sólidos, em espaços públicos e industriais, bem como para a recolha de poeiras e detritos leves, em condições de segurança verificada, por parte de um operador qualificado.

CONVENÇÕES

Todas as referências de para frente, para trás, dianteiro, traseiro, direito e esquerdo indicadas neste manual devem ser consideradas como se referindo ao operador sentado na posição de condução no banco (25).

DESEMBALAGEM/ENTREGA

Para desembalar a máquina, siga atentamente as instruções presentes na embalagem.

Quando a máquina for entregue, verifique cuidadosamente que a embalagem e a máquina não tenham sido danificados durante o transporte. Se os danos forem evidentes, conserve a eventual embalagem de modo que possa ser visionada pela empresa de entregas responsável. Contacte imediatamente a empresa de entregas para preencher um pedido de indemnização pelos danos. Verifique que o fornecimento da máquina corresponde à seguinte lista:

- Documentação técnica:
 - Manual do utilizador da varredora
 - Manual do carregador de bateria electrónico
 - Catálogo das peças de substituição da máquina de varrer
- N° 1 fusível de 70 A

SEGURANÇA

São utilizados os seguintes símbolos para assinalar eventuais situações de perigo. Leia sempre estas informações com atenção e tome as devidas precauções para proteger as pessoas e os objectos.

A colaboração do operador é essencial para evitar acidentes. Nenhum programa de prevenção de acidentes pode ser eficaz sem a total colaboração da pessoa directamente responsável pelo funcionamento da máquina. A maioria dos acidentes, que podem ocorrer numa fábrica, no trabalho ou nas deslocações, deve-se ao incumprimento das mais elementares normas de segurança. Um operador atento e prudente é a melhor garantia contra os acidentes e indispensável para implementar qualquer programa de prevenção.

SÍMBOLOS UTILIZADOS

**PERIGO!**

Indica um perigo com risco, até mortal, para o operador.

**ATENÇÃO!**

Indica um risco potencial de acidente para as pessoas ou de danos para os objectos.

**ADVERTÊNCIA!**

Indica uma advertência ou uma nota sobre funções chave ou sobre funções úteis. Preste a máxima atenção aos blocos de texto indicados com esse símbolo.

**NOTA**

Indica uma advertência sobre funções chave ou sobre funções úteis.

**CONSULTA**

Indica a necessidade de consultar o Manual do utilizador antes de executar qualquer operação.

INSTRUÇÕES GERAIS

Encontram-se descritas a seguir advertências e atenções específicas para indicar os potenciais perigos de danos à máquina e às pessoas.

**PERIGO!**

- *Antes de executar qualquer operação de limpeza, manutenção, substituição de peças ou conversão noutros funções, desligue o conector da bateria, retire a chave da ignição e accione o travão de estacionamento.*
- *Esta máquina deve ser utilizadas apenas por pessoas que tenham tido formação apropriada. É proibida a utilização da máquina por parte de crianças e pessoas com limitações físicas.*
- *Mantenha faíscas, chamas e materiais fumegantes/incandescentes, afastados das baterias. Gases explosivos são expelidos durante a utilização normal.*
- *Quando estiver a trabalhar próximo de componentes eléctricos, tire todas as jóias.*
- *Não trabalhe sob a máquina levantada, sem os suportes de elevação fixos de segurança adequados.*
- *Sempre que intervir sob o capot aberto, certifique-se de que o mesmo não se possa fechar acidentalmente.*
- *Não opere com esta máquina em espaços onde estejam presentes poeiras, líquidos ou vapores nocivos, perigosos, inflamáveis e/ou explosivos: esta máquina não é adequada a colectar poeiras perigosas.*
- *A máquina está equipada com baterias de chumbo (WET), durante o carregamento das baterias é produzido gás hidrogénio altamente explosivo. Mantenha o capot aberto durante todo o ciclo de recarga das baterias e efectua a operação somente em áreas bem ventiladas e longe de chamas livres.*
- *Se estiverem instaladas na máquina baterias de chumbo (WET), não incline a máquina acima de 30° em relação ao plano horizontal, de modo a não provocar o derrame do líquido altamente corrosivo das baterias. Quando for necessário inclinar a máquina para manutenções, retire previamente as baterias.*

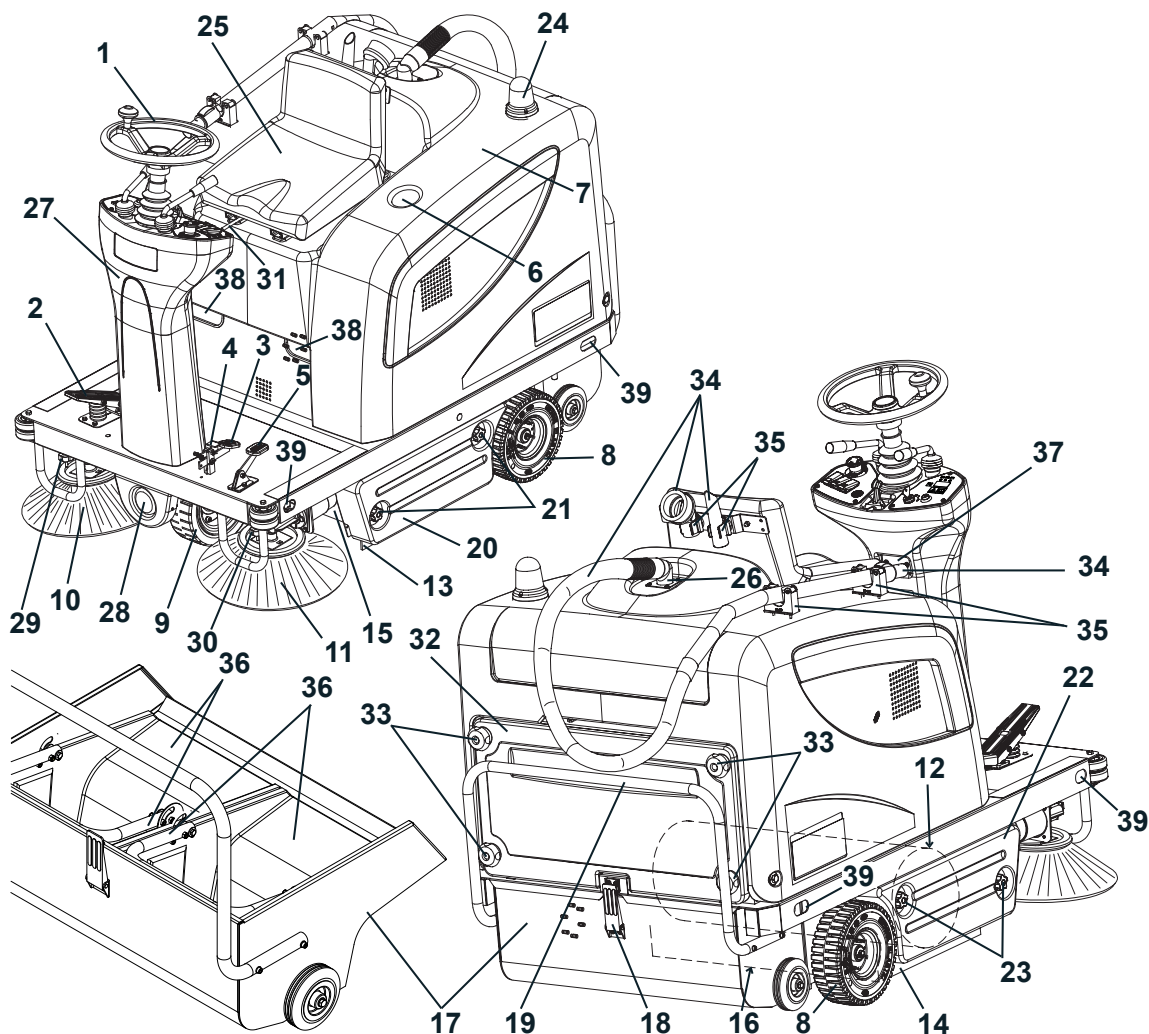
**ATENÇÃO!**

- Antes de efectuar qualquer intervenção de manutenção/reparação, leia cuidadosamente todas as instruções relativas à manutenção/reparação.
- Tomar as devidas precauções de modo que os cabelos, as jóias, as partes soltas das roupas, não sejam presas nas partes em movimento da máquina.
- A máquina está equipada com baterias de chumbo (WET), não fumar durante o carregamento das baterias.
- Antes de utilizar o carregador de baterias, certificar-se de que a frequência e a tensão indicada na placa de especificação da máquina coincidam com a tensão da rede eléctrica.
- Não utilize o cabo do carregador de baterias para tirar ou transportar a máquina, nem o utilize como se fosse uma pega. Não deixe que o cabo do carregador de baterias seja preso numa porta, nem o puxe em superfície ou ângulos afiados. Não passe com a máquina por cima do cabo do carregador de baterias.
- Mantenha o cabo do carregador de baterias afastado de superfícies quentes.
- Se o cabo do carregador de bateria ou a tomada estiverem danificados, não recarregue as baterias da máquina. Se o cabo do carregador de baterias estiver danificado, contacte um Centro de assistência Advance.
- Para reduzir o risco de incêndio, choques eléctricos ou lesões, não deixe a máquina ligada à rede eléctrica sem vigilância. Antes de efectuar a manutenção, desligue o cabo do carregador de bateria da rede eléctrica.
- Para evitar a utilização da máquina sem autorização, remova a chave de ignição.
- Se a máquina for deixada sem vigilância, deve ser bloqueada para impedir o movimento involuntário.
- Não utilize a máquina em superfícies cujo gradiente seja superior àquele marcado na máquina.
- Utilize unicamente as escovas fornecidas com a máquina e aquelas especificadas no Manual do utilizador. A utilização de outras escovas pode pôr em causa a segurança.
- Antes de utilizar a máquina, feche todas as portinholas e/ou tampas.
- Não utilize a máquina em espaços particularmente poeirentos.
- Não lave a máquina com jactos de água directos ou sob pressão, ou com substâncias corrosivas.
- Devido à tipologia da máquina não use ar comprimido para a limpeza geral excepto para os filtros (consulte o parágrafo específico).
- Durante a utilização da máquina, preste atenção para salvaguardar a segurança das outras pessoas, especialmente das crianças.
- Não pose recipientes com líquidos na máquina.
- A temperatura de armazenamento deve estar compreendida entre 32°F e 104°F (0°C e +40°C).
- A temperatura de uso da máquina deve estar compreendida entre 32°F e 104°F (0°C e +40°C).
- A humidade deve estar compreendida entre 30% e 95%.
- Proteja sempre a máquina do sol, chuva e outras intempéries seja em estado de funcionamento ou parada. Mantenha a máquina num lugar coberto, num ambiente seco: esta máquina destina-se apenas para utilização a seco e não deve ser utilizada ou colocada no exterior em condições de humidade.
- Não utilize a máquina como meio de transporte, para puxar ou empurrar.
- Evite que as escovas estejam em funcionamento com a máquina parada para não provocar danos no piso.
- Em caso de incêndio, utilize, se for possível, um extintor de pó e não de água.
- Não encoste a suportes ou andaimes, principalmente se existir o perigo de queda de objectos.
- Adeque a velocidade de utilização às condições de aderência.
- A presente máquina não é aprovada para a utilização em estradas ou vias públicas.
- Não violar, em hipótese alguma, as protecções previstas para a máquina.
- Ater-se escrupulosamente às instruções previstas para a manutenção ordinária.
- Não remova, nem altere as placas colocadas na máquina.
- No caso de se verificarem anomalias no funcionamento da máquina, certifique-se de que não se devem à falta de manutenção periódica. Caso contrário solicite a intervenção do pessoal autorizado ou do centro de assistência autorizado.
- Em caso de substituição de peças, solicite peças de substituição ORIGINAIS a um Concessionário ou Revendedor autorizado.
- Por motivos da segurança, e também do bom funcionamento, faça com que pessoal autorizado ou um centro de assistência autorizado execute a manutenção programada prevista no capítulo específico deste Manual.
- A máquina não deve ser abandonada, no fim de seu ciclo de vida, dado que contém materiais tóxicos nocivos (baterias, óleos, etc.), sujeitos a normas que prevêm a entrega em centros especiais (ver o capítulo Fim de vida).

DESCRIÇÃO DA MÁQUINA

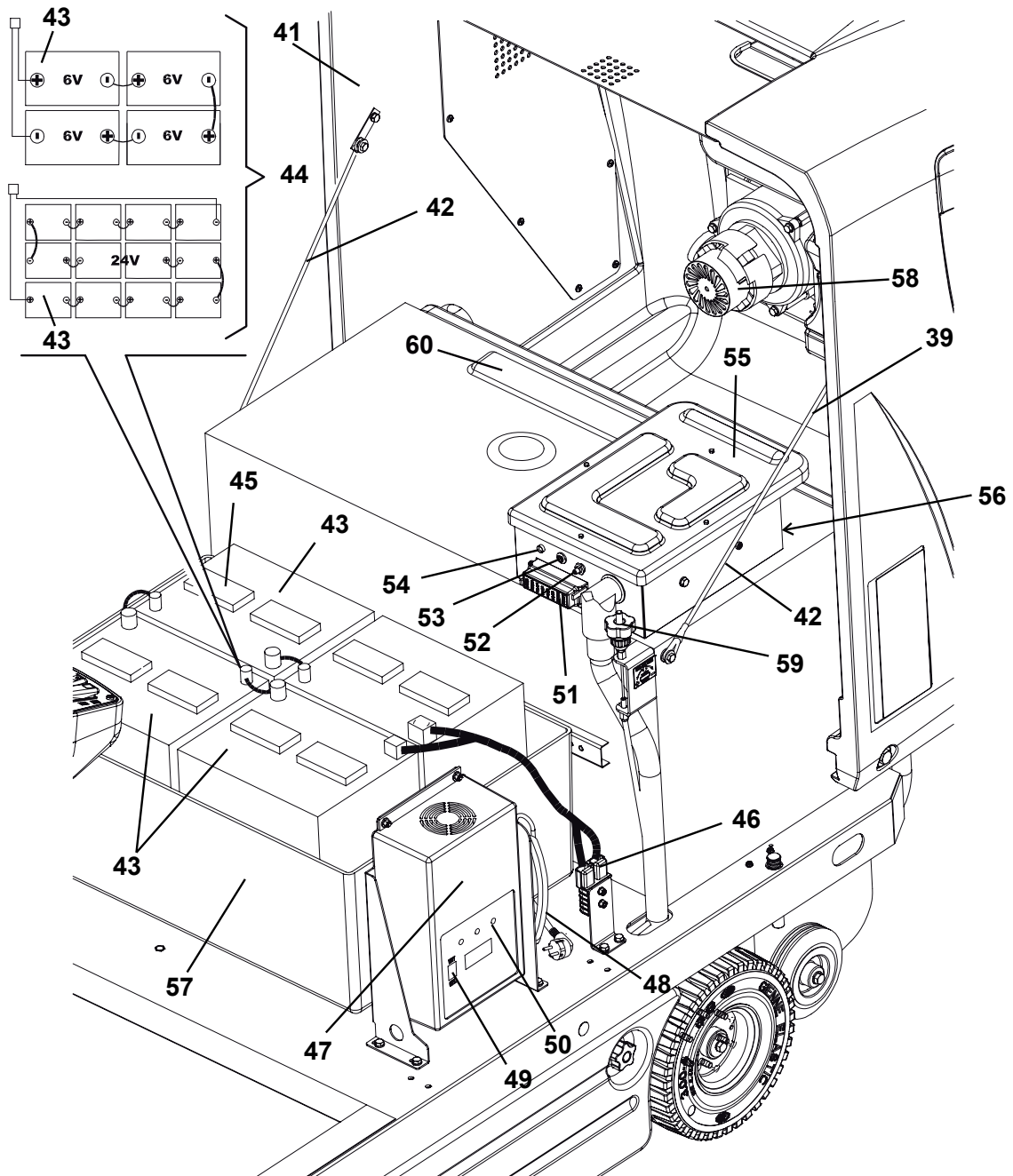
ESTRUTURA DA MÁQUINA

1. Volante
2. Pedal de marcha para a frente/marcha-atrás
3. Pedal do travão de serviço
4. Alavanca de engate do travão de estacionamento
Prima o pedal do travão (3) e accione em seguida a alavanca (4) para comutar o travão de serviço de estacionamento.
5. Pedal de elevação do flap dianteiro
6. Porta-objectos
7. Capot
8. Rodas traseiras de tracção no eixo fixo
9. Roda dianteira direccionável
10. Escova lateral direita
11. Escova lateral esquerda
12. Escova central
13. Flap lateral esquerdo
14. Flap lateral direito
15. Flap dianteiro
16. Flap traseiro
17. Depósito de resíduos (quando estiver cheio, esvazie-o)
18. Gancho de fixação do depósito de resíduos
19. Pega do depósito de resíduos
20. Tampa esquerda (abrir apenas para a manutenção)
21. Manípulos da porta
22. Tampa esquerda (para a extracção da escova central)
23. Manípulos da porta
24. Luz rotativa (está sempre em funcionamento se a chave de ignição estiver em "I") (opcional)
25. Assento de condutor com microinterruptor de segurança
26. Tomada suplementar para aspirador manual (opcional)
27. Coluna de direcção inclinável para a frente e para trás
28. Luz de trabalho (opcional)
29. Manípulo de regulação da altura da escova lateral direita
30. Manípulo de regulação da altura da escova lateral esquerda (opcional)
31. Alavanca de regulação da posição longitudinal do assento
32. Tampa do compartimento do filtro de aspiração
33. Manípulo da tampa
34. Aspirador manual (opcional)
35. Fixações do aspirador manual
36. Depósito interno com pega para descarga dos resíduos (opcionais)
37. Placa do número de série/dados técnicos/marca de conformidade
38. Puxadores de abertura do capot
39. Ancoragens para a elevação da máquina



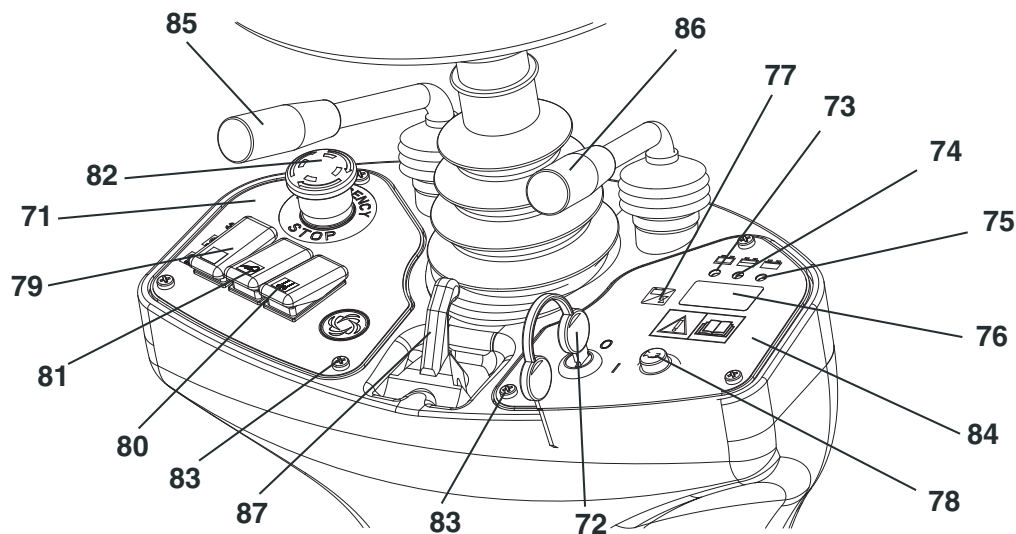
ESTRUTURA DA MÁQUINA (Continuação)

41. Capot (aberto)
42. Tirantes de fixação do capot
43. Baterias de chumbo (WET) ou opcionais de gel (GEL)
44. Esquemas de ligação das baterias
45. Tampas de baterias (apenas para baterias WET)
46. Conectores das baterias
47. Carregador de baterias electrónico
48. Cabo do carregador de baterias
49. Selector do carregador de baterias electrónico opcional para baterias de chumbo (WET) ou gel (GEL)
50. Sinalizador luminoso de baterias carregadas
51. Caixa de fusíveis lamelares
52. Disjuntor do motor da escova central
53. Disjuntor dos motores das escovas laterais
54. Led de sinalização de avaria do sistema de tracção. Se o led estiver aceso com a luz fixa, o sistema de tracção está a funcionar, se o led piscar, o sistema de tracção está avariado.
55. Caixa dos componentes eléctricos
56. Placa electrónica do sistema de tracção
57. Caixa da bateria
58. Aspirador manual (opcional)
59. Manípulo de regulação da altura da escova central
60. Deflector de ar



PAINEL DE CONTROLO E COMANDOS

71. Painel de controlo esquerdo
72. Chave de ignição (rodada para "0" pára a máquina e desactiva todas as funções; rodada para "I" activa as várias funções da máquina; além disso, acciona a luz intermitente)
73. Sinalizador luminoso de baterias descarregadas (vermelho). Se estiver aceso, significa que as baterias estão descarregadas. A autonomia está esgotada e as baterias devem ser recarregadas (consulte o procedimento no parágrafo específico).
74. Sinalizador luminoso de baterias semi-descarregadas (amarelo). Se estiver aceso, significa que as baterias estão semi-carregadas. A autonomia residual é de alguns minutos.
75. Sinalizador luminoso de baterias carregadas (verde). Se estiver aceso, significa que as baterias estão carregadas. A autonomia residual depende da capacidade das baterias instaladas e das condições de trabalho.
76. Visualizador de dados (display). Se o premir, visualiza no visor em sequência:
 - horas de trabalho
 - último dígito das horas - (ponto) - minutos
 - tensão baterias (V)
77. Botão de selecção no display: Contador de horas / contador de horas e minutos / tensão baterias (V)
78. Botão da buzina
79. Interruptor ventoinha de aspiração/sacudimento do filtro
80. Interruptor de accionamento tomada suplementar para aspirador manual (opcional)
81. Interruptor luz de trabalho (opcional)
82. Botão de emergência
Prima-o em situações de emergência para parar todas as funções da máquina. Para restabelecê-lo após o accionamento, rode-o no sentido da seta existente no próprio botão.
83. Parafusos de fixação dos painéis
84. Painel de controlo direito
85. Alavanca de elevação/abaixamento das escovas laterais direita e esquerda
86. Alavanca de elevação/abaixamento da escova central
87. Alavanca de regulação da posição do volante



S311410

ACESSÓRIOS / OPCIONAIS

Além dos componentes existentes na versão padrão, a máquina pode ser equipada com os seguintes acessórios/opcionais, com base na utilização específica da mesma:

- Baterias GEL
- Escovas central e laterais com cerdas mais rígidas ou mais macias em relação às normais
- Filtro poeiras e poliéster anti-estático e em poliéster BIA C
- Aspirador manual
- Luz de trabalho
- Luz intermitente
- Flap de materiais diversos
- Tecto de protecção do operador

Para mais informações relativas aos acessórios opcionais acima indicados, consulte o seu Revendedor habitual.

CARACTERÍSTICAS TÉCNICAS

Gerais	Valores
Comprimento da máquina	58,3 in (1.480 mm)
Largura máquina (sem as escovas laterais)	36,6 in (930 mm)
Altura máxima da máquina (no volante)	48,0 in (1.220 mm)
Amplitude de limpeza (sem escovas laterais)	27,6 in (700 mm)
Largura de limpeza (com escovas laterais)	49,6 in (1.260 mm)
Altura mínima ao chão (excluídos os flap)	2,2 in (55 mm)
Dimensões da escova central (diâmetro x comprimento)	11,8 x 27,6 in (300 mm x 700 mm)
Diâmetro das escovas laterais	16,5 in (420 mm)
Velocidade de rotação da escova central	550 rpm
Velocidade de rotação das escovas laterais	80 rpm
Diâmetro da roda dianteira direccionável	9,8 in (250 mm)
Diâmetro das rodas traseiras de tracção	9,8 in (250 mm)
Pressão específica ao solo da rodas dianteira	159,5 psi (1,1 N/mm ²)
Pressão específica das rodas traseiras no piso	101,5 psi (0,7 N/mm ²)
Peso total da máquina (sem baterias)	573,2 lb (260 kg)
Capacidade do depósito de resíduos	18,5 gal (70 litros)
Motor da escova central	0,67 HP (500 W)
Motores das escovas laterais	0,08 HP (60 W)
Motor do sistema de tracção	0,8 HP (600 W), 110 rpm
Motor do sistema de aspiração	0,41 HP (310 W)
Motor do dispositivo de sacudimento filtro	0,12 HP (90 W), 6.000 rpm
Nível de pressão sonora (A Lpa)	63,8 dB(A)
Nível das vibrações transmitidas ao braço do operador (*)	< 8,2 ft/s ² (< 2,5 m/s ²)
Nível de vibrações no corpo do operador (*)	1,9 ft/s ² (0,6 m/s ²)

(*) Em condições de trabalho normais na superfície plana do asfalto.

Desempenho	Valores
Velocidade máxima (em marcha para a frente/marcha-atrás)	3,7 mph (6 km/h)
Velocidade máxima em marcha-atrás	1,8 mph (3 km/h)
Inclinação máxima superável	11,3° (20 %)
Raio mínimo de viragem	51,6 in (1.310 mm)

Baterias	Valores
Tensão das baterias	24 V
Bateria normal	De chumbo com electrólitos ácidos (WET)
Bateria opcional	De gel hermética (GEL)
Capacidade mínima das baterias (com carregador de baterias opcional)	185 Ah C5
Capacidade máxima das baterias	256 Ah C5
Dimensões internas da caixa de bateria (largura x comprimento x altura)	24,8 x 16,5 x 14,5 in (630 x 420 x 370 mm)
Dimensões máximas compartimento de bateria (largura x comprimento x altura)	26,0 x 17,3 x 16,6 in (660 x 440 x 370 mm)

Aspiração e filtragem de poeiras	Valores
Filtro poeiras em papel de 5-10 µm	14,1 ft ² (4,3 m ²)
Depressão do compartimento da escova central	0,43 in H ₂ O (11 mm H ₂ O)
Accionamento do dispositivo de sacudimento do filtro	Eléctrica

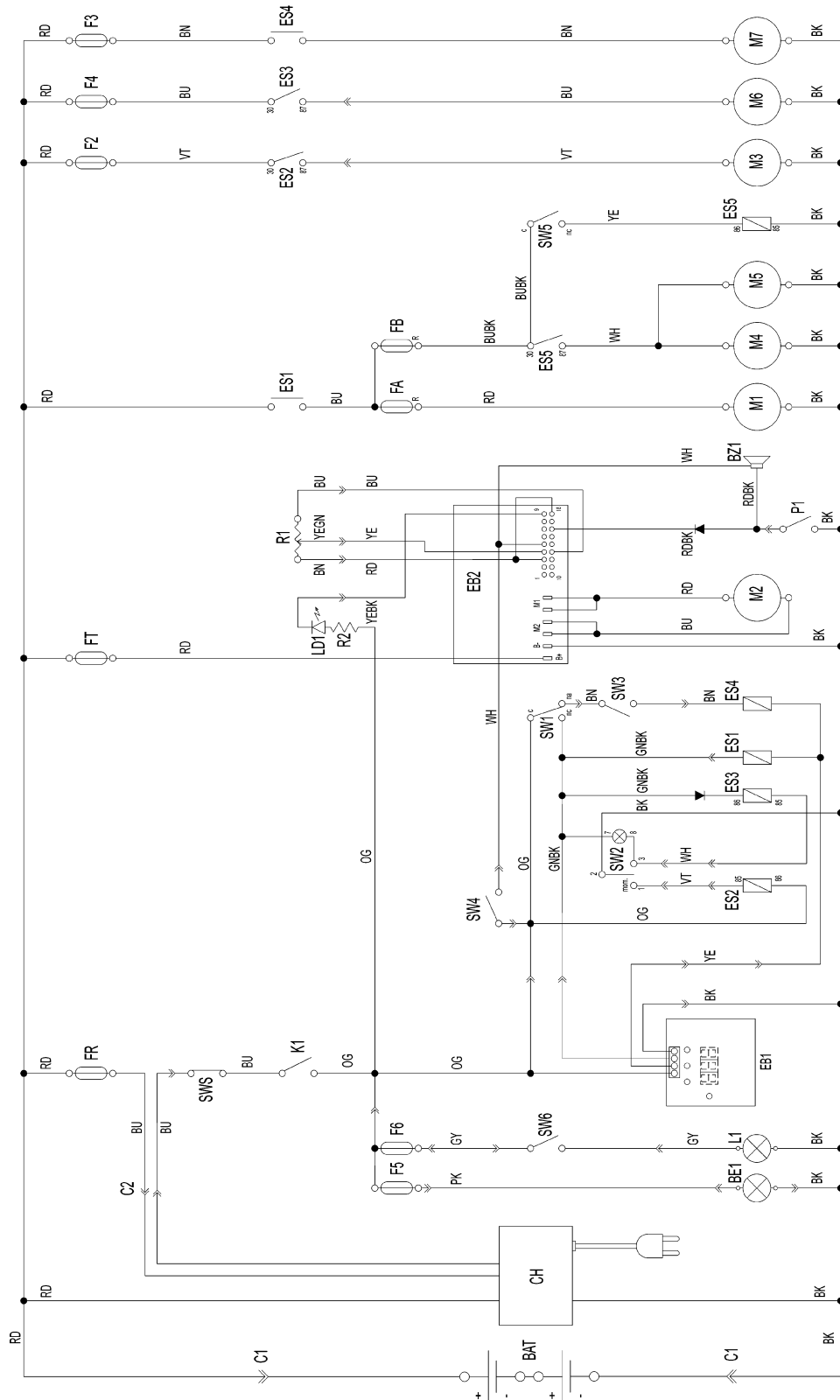
DIAGRAMA ELÉCTRICO**Legenda**

BAT	Baterias
BE1	Luz rotativa (opcional)
BZ1	Avisador sonoro de marcha-atrás/avisador acústico
C1	Conectores das baterias
C2	Conector secundário carregador de baterias (opcional)
CH1	Carregador de baterias (opcional)
EB1	Display contador de horas e tensão baterias
EB2	Placa electrónica do sistema de tracção
ES1	Relé da escova central
ES2	Relé do dispositivo de sacudimento filtro
ES3	Relé do sistema de aspiração
ES4	Relé do aspirador manual (opcional)
ES5	Relé das escovas laterais
FA	Disjuntor da escova central
FB	Disjuntor das escovas laterais
FT	Fusível sistema de tracção (70 A)
F1	Fusível geral (circuito chave) (15 A)
F2	Fusível motor do dispositivo de sacudimento do filtro (25 A)
F3	Fusível aspirador manual (40 A) (opcional)
F4	Fusível do motor do sistema de aspiração (30 A)
F5	Fusível avisador sonoro e luz rotativa (10 A)
F6	Fusível luzes de trabalho (10 A) (opcional)
K1	Chave de ignição
LD1	Led diagnóstico ficha electrónica sistema de tracção
L1	Luz de trabalho (opcional)
M1	Motor da escova central
M2	Motor do sistema de tracção
M3	Motor do dispositivo de sacudimento filtro
M4	Motor escova lateral direita
M5	Motor escova lateral esquerda
M6	Motor do sistema de aspiração
M7	Motor aspirador manual (opcional)
P1	Botão da buzina
R1	Potenciómetro de velocidade de tracção (pedal)
R2	Resistência led
SWS	Botão de emergência
SW1	Micro interruptor da escova central
SW2	Interruptor do sistema de aspiração/dispositivo de sacudimento do filtro
SW3	Interruptor aspirador manual (opcional)
SW4	Microinterruptor de segurança no banco de condução
SW5	Microinterruptor das escovas laterais
SW6	Interruptor luz de trabalho (opcional)

Código das cores

BK	Preto
BU	Azul
BN	Castanho
GN	Verde
GY	Cinza
OG	Laranja
PK	Rosa
RD	Vermelho
VT	Roxo
WH	Branco
YE	Amarelo

ESQUEMA ELÉCTRICO (Continuação)



S311411

UTILIZAÇÃO

**ATENÇÃO!**

Em alguns pontos da máquina encontram-se aplicados autocolantes que indicam:

- PERIGO
- ATENÇÃO
- ADVERTÊNCIA
- CONSULTA

O operador, durante a leitura deste Manual, deve compreender perfeitamente o significado dos símbolos presentes nas placas. Não cubra, em caso algum, os autocolantes e substitua-os imediatamente caso venham a ser danificados.

CONTROLO / PREPARAÇÃO DAS BATERIAS NUMA MÁQUINA NOVA

**ATENÇÃO!**

No caso em que a máquina seja movimentada através de empurro por motivos de serviço (falta de baterias, baterias descarregas, etc.), nunca ultrapassar a velocidade de 4 km/h (2,5 mph).

**NOTA**

Se a máquina estiver equipada com um carregador de baterias electrónico a bordo (opcional), é necessário ligá-lo às baterias para permitir o funcionamento da máquina.

A máquina precisa de quatro baterias de 6 V, ligadas se acordo com o esquema (44) ou uma caixa de bateria de 24 V.

A máquina pode ser fornecida numa das seguintes configurações:

- A) Baterias (WET ou GEL) montadas na máquina e prontas para o uso
- B) Baterias (WET) montadas na máquina mas a seco, ou seja, sem electrólito
- C) Sem baterias

Com base ao tipo de fornecimento recebido, operar como descrito a seguir.

A) Baterias (WET ou GEL) montadas na máquina e prontas para o uso

1. Abra o capot da máquina (7) e verifique se as baterias estão ligadas ao dinamotor com o conector (46).
2. Feche o capot (7).
3. Introduza a chave de ignição (72) e posicione-a em "1" [sem premir o pedal (2)].
Se o sinalizador luminoso verde (75) se acende, as baterias estão prontas para a utilização.
Caso se acenda o sinalizador luminoso amarelo (74) ou vermelho (73) é preciso carregar as baterias (consultar o procedimento no capítulo Manutenção).

B) Baterias (WET) montadas na máquina mas a seco, ou seja, sem electrólito

4. Abra o capot da máquina (7).
5. Remova todas as tampas (45) das baterias.

**ATENÇÃO!**

O ácido sulfúrico é altamente corrosivo, manusear com o máximo cuidado. Em caso de contacto com a pele ou os olhos, lave abundantemente com água e consulte um médico.

As baterias devem ser atestadas numa área bem ventilada.

Utilize luvas de protecção.

6. Encha as células da bateria com ácido sulfúrico para baterias [(densidade de 2,79 a 2,84 lb a 77°F (de 1,27 a 1,29 kg a 25°C)], seguindo as instruções indicadas no Manual das baterias.
A quantidade correcta de solução ácida a ser introduzida está indicada no Manual das baterias.
7. Deixe repousar as baterias, após o enchimento das células com solução de ácido sulfúrico, de acordo com as instruções especificadas no Manual das baterias.
8. Carregue as baterias (veja o procedimento no capítulo da Manutenção).

C) Sem baterias

9. Compre baterias adequadas [Ver parágrafo "Características Técnicas" e o diagrama (44)].
Para a escolha e a instalação, consulte Revendedores qualificados.
10. Instale as baterias.
11. Regule a máquina e o carregador de baterias (se fornecido) de acordo com o tipo de baterias instaladas, operando como indicado no seguinte parágrafo.

AJUSTE DO TIPO DE BATERIAS INSTALADAS (WET OU GEL)



NOTA

Se a máquina estiver equipada com um carregador de baterias electrónico a bordo (opcional), é necessário ligá-lo às baterias para permitir o funcionamento da máquina.

Consoante o tipo de baterias instaladas (WET ou GEL), regule a placa electrónica da máquina e o carregador de baterias (se fornecido), da seguinte forma:

1. Coloque a chave de ignição (72) em "0".
2. Abra o capot (7).

Ajuste da máquina

3. A regulação de fábrica da máquina é para baterias de chumbo (WET). Se esta regulação corresponder ao tipo de baterias compradas, passe para o próximo parágrafo; caso contrário, execute as seguintes operações:
 - Desligue o conector (46) das baterias.
 - Retire os parafusos (83) e retire o painel de controlo direito (84) com cautela.
 - Posicione o jumper (A, Fig. 1) nos conectores "GEL" (B) para baterias ao gel.
 - Montar com cuidado o painel de controlo (84) e fixe-o com os respectivos parafusos.
 - Ligue o conector (46) das baterias.

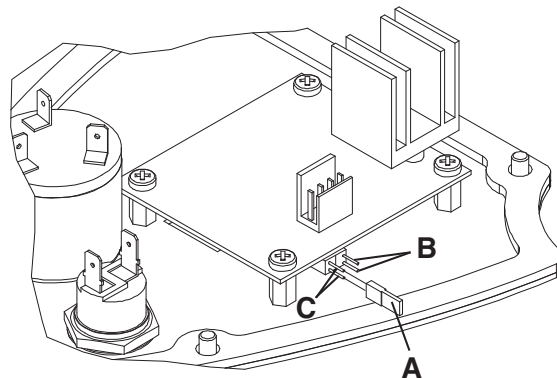


Figura 1

S311412

Ajuste do carregador de baterias

4. Levar o selector (49) em WET para baterias de chumbo ou em GEL para baterias ao gel.
5. Carregue as baterias (veja o procedimento no capítulo da Manutenção).

ANTES DO ARRANQUE DA MÁQUINA



ADVERTÊNCIA!

Verifique se a máquina não está com tampas/capots abertos e que se apresenta nas condições normais de utilização.

Verifique que o depósito de resíduos (17) esteja correctamente fechado.

Em caso da máquina ainda não ter sido utilizada após o transporte, verifique que todos os calços e meios de bloqueio utilizados para o transporte tenham sido removidos.

PARTIDA E PARADA DA MÁQUINA

Ligar a máquina

1. Coloque-se no assento do condutor (25).
2. Se necessário, regule a posição do banco em função para a sua própria comodidade com a alavanca (31).
Se necessário, regule a inclinação, para a frente ou para trás, da coluna de direcção (1) para a sua própria comodidade com a alavanca (87).
3. Coloque a chave de ignição (72) em "I", sem premir o pedal de marcha (2). Certifique-se que o sinalizador luminoso verde (75) se acende (bateria carregada).
Caso se acenda o sinalizador luminoso amarelo (74) ou vermelho (73), volte a colocar a chave de ignição em "0" e, em seguida, carregue as baterias (veja o procedimento no capítulo Manutenção).
4. Desengate o travão de estacionamento, premindo e soltando o pedal (3).
5. Posicione-se no local de trabalho, operando a máquina com as mãos no volante e pressionando o pedal (2) na parte dianteira para a marcha para frente e na parte traseira para a marcha-atrás.
A velocidade de avanço pode ser regulada de zero até seu valor máximo através da pressão exercida no pedal (2).



NOTA

O banco (25) possui um sensor de segurança que permite o movimento da máquina pressionando o pedal (2), somente com o operador sentado no assento.

6. Baixe a escova central, através da alavanca (86); a escova começará a rodar.
7. Accione o sistema de aspiração, premindo o interruptor para trás (79).



NOTA

O sistema de aspiração é activável apenas se a escova central estiver baixada.

8. Baixe as escovas laterais (10 e 11) com a alavanca (85).



NOTA

*As escovas laterais (10 e 11) também podem ser abaixadas e erguidas quando a máquina está em movimento.
As escovas laterais não rodam quando estão levantadas ou quando a escova central está levantada.*

9. Inicie o trabalho de varredura, operando a máquina com as mãos no volante (1) e pressionando adequadamente o pedal (2).

Desligar a máquina

10. Para parar a máquina, solte o pedal (2).
Para parar rapidamente a máquina, pressione também o pedal do travão de serviço (3).
Para parar a máquina imediatamente em caso de emergência, prima o botão de emergência (82). Para libertar o botão emergência (82) após a sua activação, rode-o no sentido da seta existente no próprio botão.
11. Levante as escovas laterais (10 e 11) através da respectiva alavanca (85).
12. Desactive o sistema de aspiração colocando o interruptor no centro (79).
13. Erga a escova central (12) accionando a alavanca (86).
14. Para parar a máquina, coloque a chave de ignição (72) em "0".
15. Engate o travão de estacionamento premindo o pedal (3) e engate a alavanca (4).

MÁQUINA EM OPERAÇÃO



ATENÇÃO!

Tenha o máximo cuidado quando utilizar a máquina na velocidade máxima: a máquina de três rodas pode ficar instável em caso de mudança brusca de direcção devido à distribuição do peso.

Reduz sempre a velocidade antes de efectuar qualquer mudança de direcção.

1. Evite parar a máquina por muito tempo na mesma posição, com as escovas a rodar: pode provocar marcas indesejáveis no piso.
2. Para a colecta de detritos leves e volumosos, levante o flap dianteiro premindo o pedal (5); tenha em conta que, enquanto o flap dianteiro estiver erguido, a capacidade de aspiração da máquina diminui.



ADVERTÊNCIA!

Caso seja necessário operar em terreno molhado é indispensável, para a salvaguarda do filtro de poeiras, desactivar o sistema de aspiração accionando a alavanca (79).

3. Para um bom trabalho de varredura é necessário que o filtro de poeiras esteja o mais limpo possível. Para a limpeza quando varre, accione o dispositivo de sacudimento do filtro premindo par a frente durante alguns segundos o interruptor (79). Durante esta operação, a ventoinha de aspiração é automaticamente parada. Quando tiver terminado a limpeza do filtro, prima para trás o interruptor (79) para reactivar o sistema de aspiração, retome então o trabalho de varrimento. Repita a operação em média a cada 10 minutos durante o trabalho (variar o intervalo em função da quantidade de poeiras presentes no espaço a ser limpo).



NOTA

Quando o filtro de poeiras estiver entupido e/ou o depósito de resíduos cheio, a máquina não consegue recolher poeiras e detritos.

4. No fim do trabalho e, sempre que o depósito de resíduos (17) estiver cheio, dever-se-á efectuar o seu esvaziamento (para o respectivo procedimento ver o parágrafo a seguir).

ESVAZIAMENTO DO DEPÓSITO DE RESÍDUOS

1. Pare a máquina soltando o pedal de marcha.
2. Coloque a chave de ignição (2) em "0".
3. Engate o travão de estacionamento premindo o pedal (3) e engate a alavanca (4).
4. Solte o gancho (18) puxando a sua extremidade inferior.
5. Remova o depósito de resíduos (17) com o puxador (19) e desengate-o dos guias internos. Despeje os resíduos num contento específico. No interior do depósito de resíduos existem dois contentores (opcionais) com pega (36) para facilitar o despejo.
6. Se presentes, reinstale os contentores com pega (36).
7. Instale o depósito de resíduos (17) engatando-o nos guias internos e prenda-o com o gancho (18).
8. A máquina está pronta para retomar o trabalho de varredura.

APÓS UTILIZAÇÃO DA MÁQUINA

No fim do trabalho, antes de deixar a máquina, efectue as seguintes operações.

1. Erga a escova lateral accionando a alavanca (85).
2. Erga a escova central accionando a alavanca (86).
3. Accione o dispositivo de sacudimento filtro com o interruptor (79).
4. Esvazie o depósito dos resíduos (17) (consulte o procedimento no parágrafo anterior).
5. Remova a chave de ignição (72).
6. Engate o travão de estacionamento premindo o pedal (3) e engate a alavanca (4).

EMPURRAR/REBOCAR A MÁQUINA

Para movimentar a máquina empurrando/rebocando, não é necessário efectuar qualquer preparação específica.

INACTIVIDADE PROLONGADA DA MÁQUINA

Caso preveja não utilizar a máquina por mais de 30 dias, é oportuno executar as seguintes operações:

1. Controlar que o local onde é guardada a máquina esteja seco e limpo.
2. Desligue o conector (46) das baterias.

PRIMEIRO PERÍODO DE UTILIZAÇÃO

Após o primeiro período de utilização (primeiras 8 horas) é necessário:

- Controlar o aperto dos órgãos de fixação e de ligação.
- Controle que as partes visíveis estejam intactas e não apresentem fugas.

MANUTENÇÃO

Uma manutenção cuidadosa e regular garante a longevidade da máquina e sua máxima segurança de funcionamento.

Encontra-se indicado a seguir o plano de manutenção programada. As periodicidades indicadas podem variar em função das condições especiais de trabalho, a serem definidas por parte do responsável da manutenção.

Todas as operações de manutenção programadas ou extraordinárias devem ser efectuadas por pessoal qualificado ou por um Centro de assistência autorizado.

Neste manual, após o plano de manutenção programada, estão indicados somente os procedimentos das manutenções mais simples e mais recorrentes.

Para o procedimento de outras operações de manutenção indicadas no plano de manutenção programada, consulte o Manual de assistência que possuem os vários Centros de assistência.



ATENÇÃO!

As operações de manutenção devem ser efectuadas com a máquina desligada, chave removida e, quando necessário, com as baterias desligadas.

Antes de efectuar manutenções, ler cuidadosamente todas as instruções do capítulo Segurança.

PLANO DE MANUTENÇÃO PROGRAMADA

Procedimento	No momento da entrega	A cada 10 horas	A cada 50 horas	A cada 100 horas	A cada 200 horas	A cada 400 horas
Controlo do nível do líquido das baterias WET						
Controlo e regulação da altura das escovas laterais e central						
Limpeza e controlo do estado do filtro de poeiras						
Controlo da altura e do funcionamento dos flaps						
Controlo do funcionamento do dispositivo de sacudimento do filtro			(*)			
Controlo visual da correia de transmissão da escova central			(*)			
Controlo do aperto das porcas e parafusos				(*)(1)		
Controlo e ajuste dos travões de serviço e de estacionamento				(*)		
Controlo e limpeza das correntes de direcção					(*)	
Substituição da correia de transmissão da escova central					(*)	
Controlo ou substituição dos carvões do motor principal e do motor do sistema de tracção						(*)

(*) Para o respectivo procedimento, fazer referência ao Manual de assistência.

(1) E depois das primeiras 8 horas de rodagem.

CONTROLO E REGULAÇÃO DA ALTURA DA ESCOVA CENTRAL



NOTA

São fornecidas escovas com várias durezas. O presente procedimento é aplicável a todos os tipos de escova.

1. Controle a correcta altura ao piso da escova central, do seguinte modo:
 - Coloque a máquina num terreno plano.
 - Mantendo a máquina parada, baixe a escova central e faça-a girar durante alguns segundos.
 - Pare e levante a escova central, então desloque a máquina e desligue-a.
 - Verifique se a marca (A, Fig. 2) deixada pela escova central tem uma largura de 0,8 a 1,6 in (de 2 a 4 cm) em todo o seu comprimento.

Somente no caso em que a marca (A) for diferente, proceda à regulação da altura da escova, operando como descrito no ponto 2 a seguir.

2. Accione o travão de estacionamento com o pedal (3) e a alavanca (4).
3. Coloque a chave de ignição (72) em "0".
4. Abra o capot (7).
5. Solte os manípulos (A, Fig. 3) no lado esquerdo da máquina.
6. Rode o manípulo (B, Fig. 3), tendo em conta que:
 - para levantar a escova, deve apertar;
 - para baixa a escova, deve desapertar.
 Uma vez a regulação concluída, mantenha o manípulo (B) bloqueado e aperte o manípulo (A).
7. Execute novamente o ponto 1 para verificar a correcta regulação da altura ao solo da escova central.
8. Quando o excessivo consumo da escova já não permitir a sua regulação, substitua a escova como indicado no parágrafo seguinte.



ADVERTÊNCIA!

Uma marca excessiva no chão [maior que 1,6 in (4 cm)] feita pela escova central compromete o regular funcionamento da máquina e pode levar ao super-aquecimento das partes em movimento, reduzindo drasticamente a durabilidade das mesmas.

Prestar especial atenção ao executar a operação de verificação acima indicada e nunca fazer a máquina funcionar fora das condições indicadas.

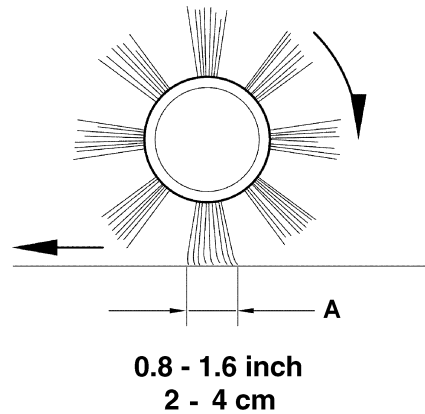


Figura 2

S311389

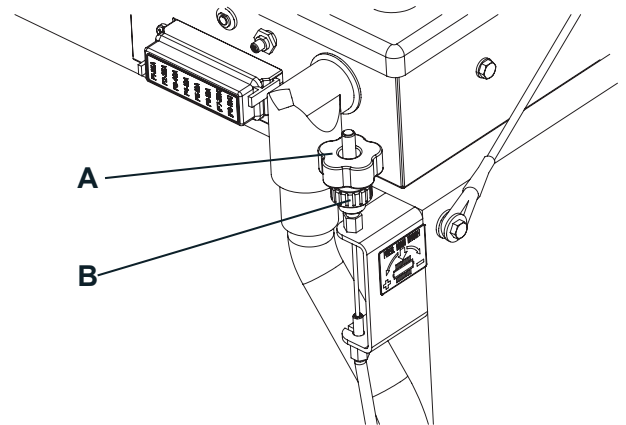


Figura 3

S311390

SUBSTITUIÇÃO DA ESCOVA CENTRAL



NOTA

São fornecidas escovas com várias durezas. O presente procedimento é aplicável a todos os tipos de escova.



ADVERTÊNCIA!

Aconselha-se o uso de luvas durante a substituição da escova central devido à possível presença de detritos cortantes presos entre as cerdas.

1. Coloque a máquina num terreno plano e puxe o travão de estacionamento através do pedal (3) e a alavanca (4).
2. Coloque a chave de ignição (72) em "0".
3. Desaperte os manípulos (23) e retire a tampa direita (22).
4. Desaparafuse o manípulo (A, Fig. 4).
5. Desaperte os manípulos (B, Fig. 4) e retire a tampa do compartimento da escova (C).
6. Retire a escova (A, Fig. 5).
7. Verifique que o cubo arrastador (A, Fig. 6) esteja livre de sujeira e de objectos (cordas, panos, etc.) enrolados acidentalmente.
8. Instale a nova escova central, orientando as cerdas (B, Fig. 6) como ilustrado na figura.
9. Insira a nova escova central (C, Fig. 6) na máquina e certifique-se que sua engrenagem (D) está inserida no respectivo cubo arrastador (A).
10. Recoloque a tampa do compartimento da escova (C, Fig. 4) na sua sede e aparafuse os manípulos (A) e (B).
11. Instale a tampa direita (22) e aperte os manípulos (23).
12. Controle e regule a altura da escova central, como indicado no parágrafo anterior.

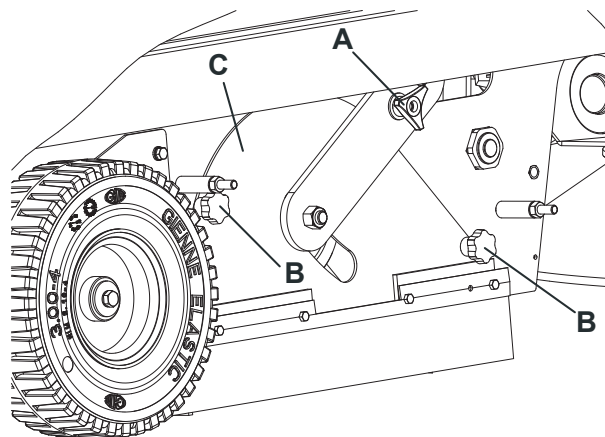


Figura 4

S311391

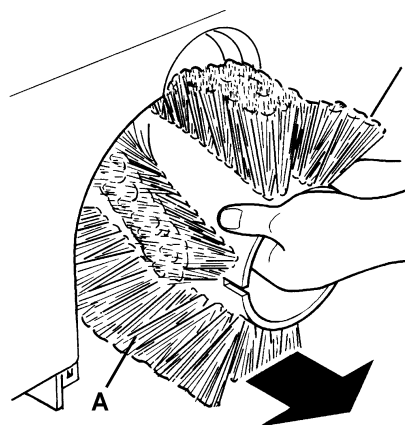


Figura 5

S311392

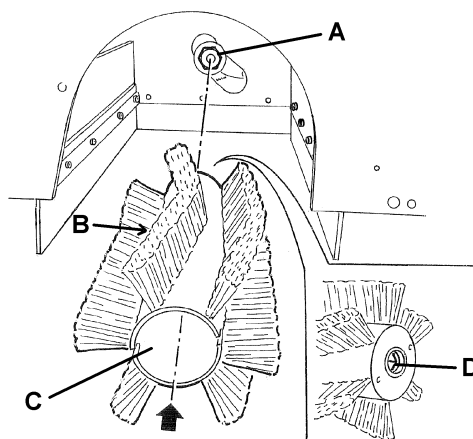


Figura 6

S311393

CONTROLO E REGULAÇÃO DA ALTURA DAS ESCOVAS LATERAIS



NOTA

São fornecidas escovas com várias durezas. O presente procedimento é aplicável a todos os tipos de escova.

- Controle a correcta altura ao piso das escovas laterais, do seguinte modo:
 - Coloque a máquina no terreno plano e abaixe as escovas laterais.
 - Mantendo a máquina parada, faça girar, durante alguns segundos, as escovas laterais.
 - Levante as escovas laterais, desloque a máquina e desligue-a.
 - Controle que as marcas deixada pela escova lateral corresponda, em extensão e direcção, à figura (A, Fig. 7).

Somente no caso em que a marca for diferente, proceda à regulação da altura das escovas, operando como descrito no ponto 2 a seguir.

- Accione o travão de estacionamento com o pedal (3) e a alavanca (4).
- Coloque a chave de ignição (72) em "0".
- Desaperte o manípulo (A, Fig. 8) situado por baixo da escova.
- Rode o manípulo (B, Fig. 8), tendo em conta que:
 - para levantar a escova, deve apertar;
 - para baixa a escova, deve desapertar.
 Uma vez a regulação concluída, mantenha o manípulo (B) bloqueado e aperte o manípulo (A).
- Execute novamente o ponto 1 para verificar a correcta regulação da altura ao solo das escovas laterais.
- Quando o excessivo consumo das escovas já não permitir a sua regulação, substitua-as como indicado no parágrafo específico.

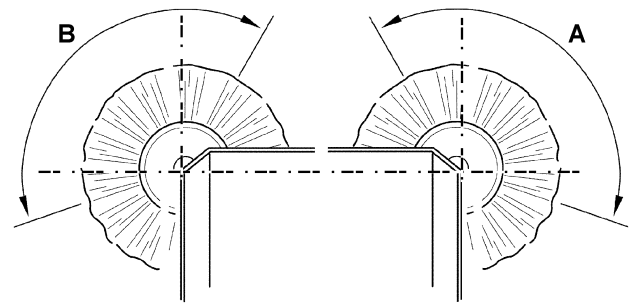


Figura 7

S311394

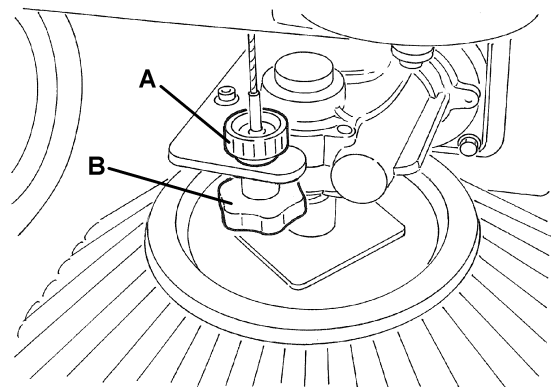


Figura 8

S311395

SUBSTITUIÇÃO DAS ESCOVAS LATERAIS



NOTA

São fornecidas escovas com várias durezas. O presente procedimento é aplicável a todos os tipos de escova.



ADVERTÊNCIA!

Aconselha-se o uso de luvas durante a substituição das escovas laterais devido à possível presença de detritos cortantes inseridos entre as cerdas.

- Coloque a máquina num terreno plano e puxe o travão de estacionamento através do pedal (4) e a alavanca (3).
- Coloque a chave de ignição (82) em "0".
- Insira a mão no interior da escova lateral e prima para o interior as linguetas (A, Fig. 9), depois retire a escova (B) desengatando-a dos quatro pernos (C).
- Monte na máquina a nova escova lateral engatando os pernos (C, Fig. 9) e as linguetas (A).
- Controle e regule a altura das escovas laterais, como indicado no parágrafo anterior.

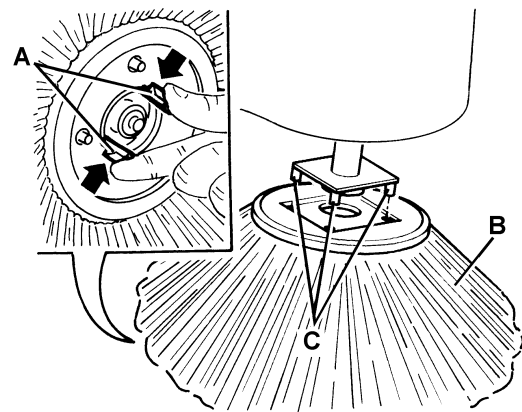


Figura 9

S311396

LIMPEZA E CONTROLO DO ESTADO DO FILTRO DE POEIRAS



NOTA

Além do filtro de papel standard, estão disponíveis em opção, também filtros de poliéster. Este procedimento pode ser aplicado a qualquer um deste tipo.

1. Coloque a máquina num terreno plano e puxe o travão de estacionamento através do pedal (3) e a alavanca (4).
 2. Coloque a chave de ignição (72) em "0".
 3. Solte o gancho (18) puxando a sua extremidade inferior.
 4. Remova o depósito de resíduos (17) com o puxador (19) e desengate-o dos guias internos.
 5. Desaperte os manípulos (33) e retire a tampa do compartimento do filtro (32).
 6. Desaparafuse os manípulos (A, Fig. 10).
 7. Ligue o conector (B, Fig. 10) do motor do dispositivo de sacudimento do filtro (C).
 8. Remova o quadro de fixação (D, Fig. 10) do filtro de poeiras.
 9. Remova o filtro de poeiras (E, Fig. 10).
 10. Num espaço ao ar livre, limpe o filtro sacudindo-o contra uma superfície plana e limpa, batendo com o lado (A, Fig. 12), oposto ao da rede (B).
 11. Complete a limpeza com um jacto perpendicular de ar comprimido (C, Fig. 12) a um máximo de 6 bars, soprando unicamente do lado da rede (B) a uma distância mínima de 11,8 in (30 cm).
- Tome, além disso, os seguintes cuidados em função do tipo de filtro tratado:
- Filtro de papel (padrão): não utilize água ou detergente para a limpeza para não correr o risco de danificar de modo irreversível.
 - Filtro de poliéster (opcional): Para uma limpeza mais profunda, é possível lavar o filtro com água e eventualmente com detergente que não faça espuma. Não se esqueça que este tipo de lavagem, mesmo sendo de melhor qualidade, reduz a vida útil do filtro que deverá ser substituído mais frequentemente. A utilização de detergentes inadequados prejudica as características de funcionamento do filtro.
12. Verifique que o corpo do filtro não tenha golpes. Se for necessário, substitua o filtro.
 13. Limpe a junta de borracha (A, Fig. 11) da tampa (32) e verifique que esteja em bom estado e a funcionar, caso contrário substitua-a.
 14. Monte os componentes na ordem inversa em relação à desmontagem, prestando atenção às seguintes condições:
 - Instale o filtro (E, Fig. 10) com a rede (B, Fig. 12) virado para cima.

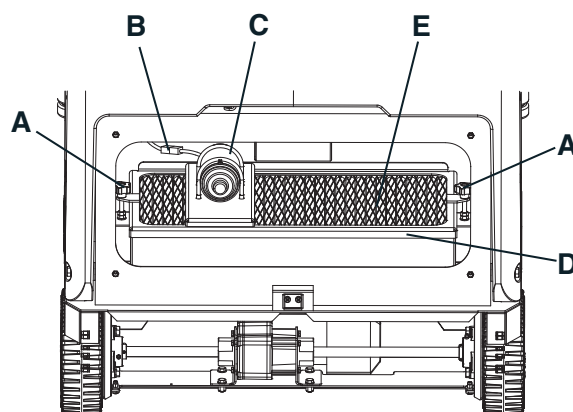


Figura 10

S311397

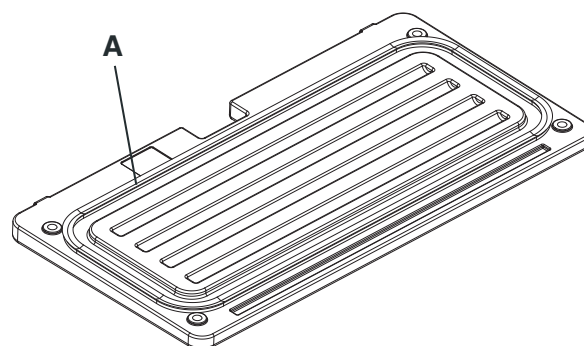


Figura 11

S311398

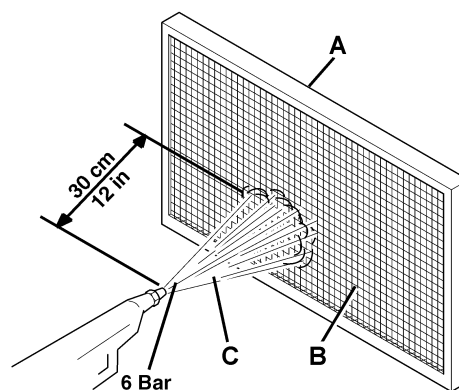


Figura 12

S311399

CONTROLO DA ALTURA E DO FUNCIONAMENTO DOS FLAPS

1. Coloque a máquina num terreno plano e adequado a servir como plano de referência para a verificação da correcta altura dos flaps.
Accione o travão de estacionamento com o pedal (3) e a alavanca (4).
2. Coloque a chave de ignição (72) em "0".

Controlo dos flaps laterais

3. Desaperte os manípulos (23) e (21) e remova as tampas direita (22) e esquerda (20).
4. Controle o estado dos flaps laterais (13 e 14). Substitua os flaps quando apresentarem cortes (A, Fig. 13) de mais de 0,79 in (20 mm) ou golpes (B) de mais de 10 mm (0,39 in) (fazer referência ao Manual de assistência para a substituição dos flaps).
5. Controle se a altura ao solo dos flaps laterais (13 e 14) está compreendida entre 0 e 3 mm (0 e 1,12 in) (A, Fig. 14). Se necessário, regule a altura dos flaps através dos orifícios existentes nos parafusos (A, Fig. 17).
6. Monte os componentes na ordem inversa em relação à desmontagem.

Controlo dos flaps dianteiro e traseiro

7. Remova a escova central, como previsto no respectivo parágrafo.
8. Controle o estado dos flaps anterior (15) e posterior (16). Substitua os flaps quando apresentarem cortes (A, Fig. 13) de mais de 20 mm (0,79 in) ou golpes (B) de mais de 10 mm (0,39 in) (fazer referência ao Manual de assistência para a substituição dos flaps).
9. Controle que:
 - O flap dianteiro (A, Fig. 18), esfregue ligeiramente o piso e que, todavia, não esteja afastado do chão (A, Fig. 15).
 - O flap traseiro (B, Fig. 18) esteja a uma altura de 0 a 3 mm (0 e 0,12 in) do chão (A, Fig. 14).
10. Se necessário, regule a altura dos flaps através dos orifícios existentes nos parafusos (C e D, Fig. 18).
11. Accione o pedal para levantar o flap dianteiro (5) e controle que o mesmo (A, Fig. 16) gire para cima de 90° (como na figura); solte o pedal e verifique que o flap volta para a posição inicial e que não permanece em posição intermédia. Se for necessário, para o regulação ou a substituição do cabo de comando do flap dianteiro, fazer referência ao Manual de assistência.
12. Monte os componentes na ordem inversa em relação à desmontagem.

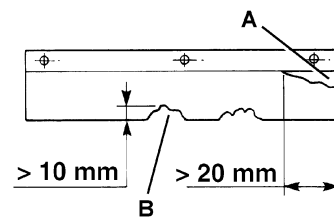


Figura 13

S311400

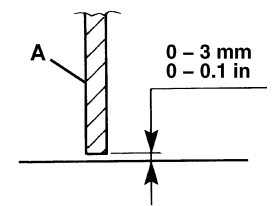


Figura 14

S311401

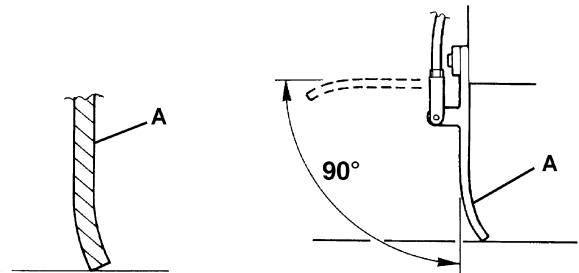


Figura 15

S311402

Figura 16

S311403

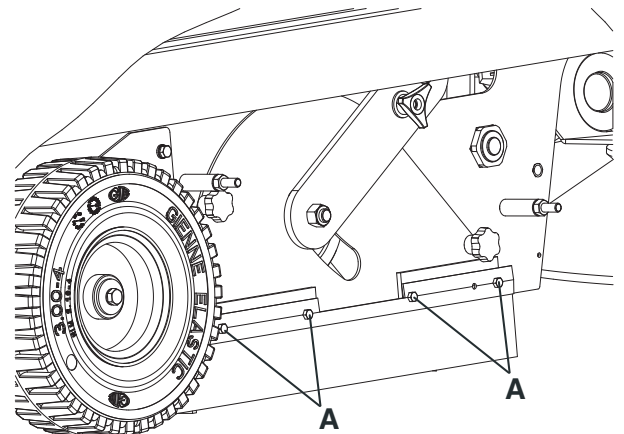


Figura 17

S311404

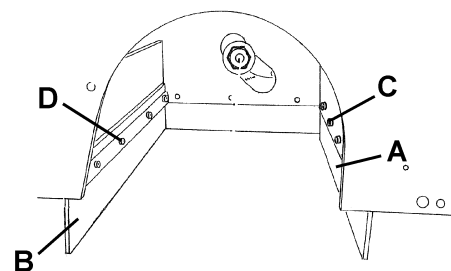


Figura 18

S311405

CARREGAMENTO DAS BATERIAS

**ADVERTÊNCIA!**

Carregue as baterias quando o sinalizador luminoso amarelo (73) ou vermelho (74) se acender ou no fim de cada trabalho. Manter as baterias carregadas aumenta a sua longevidade.

**ATENÇÃO!**

Quando as baterias estão descarregadas, carregue logo que possível, dado que este estado provoca uma redução da vida útil das mesmas.

**ATENÇÃO!**

A máquina está equipada com baterias de chumbo (WET), durante o carregamento das baterias é produzido gás hidrogénio altamente explosivo. Carregue somente em áreas bem ventiladas e longe de chamas livres.

Não fume durante o carregamento das baterias.

Mantenha o capot aberto durante todo o ciclo de carregamento das baterias.

**ATENÇÃO!**

Durante o carregamento das baterias WET preste um cuidado especial às eventuais fugas de líquido das baterias. O líquido é altamente explosivo. Em caso de contacto com a pele ou os olhos, lave abundantemente com água e consulte um médico.

1. Coloque a máquina num terreno plano e puxe o travão de estacionamento através do pedal (3) e a alavanca (4).
2. Coloque a chave de ignição (72) em "0".
3. Abra o capot (7).
4. (Só para baterias WET) controle o nível do electrólito no interior das baterias. Se necessário, encha através das tampas (45). Deixe todas as tampas (45) abertas para o respectivo carregamento. Se necessário, limpe a superfície superior das baterias.
5. Carregue as baterias em um dos seguintes modos com base na presença ou não, na máquina, do carregador de baterias electrónico (47) (opcional).

Carga das baterias com carregador de baterias externo

6. Verifique se o carregador de baterias é adequado, consultando as instruções do aparelho. A tensão nominal do carregador de baterias é 24 V.

**ADVERTÊNCIA!**

Utilizar um carregador de baterias idóneo para o tipo de baterias instaladas.

7. Desligue o conector (46) das baterias e ligue-o ao carregador de baterias externo.
8. Ligar o carregador de baterias à rede eléctrica.
9. No fim da recarga desligar o carregador de baterias da rede eléctrica e do conector (46) das baterias.
10. (Só para baterias WET) controle o nível do electrólito das baterias e feche todas as tampas (45).
11. Volte a ligar o conector (46) das baterias ao respectivo conector na máquina.
12. Feche o capot (7). A máquina está pronta a utilizar.

Carga das baterias com carregador de baterias (opcional)

13. (Só para baterias WET) controle o nível do electrólito no interior das baterias. Se necessário, encha através das tampas (45). Deixe todas as tampas (45) abertas para o respectivo carregamento. Após ter atestado o nível, limpe (se necessário) a superfície superior das baterias.
14. Ligue o cabo (48) do carregador de baterias a uma tomada eléctrica.

**ATENÇÃO!**

Controle que a tensão e a frequência indicadas nas placas de série (37) da máquina correspondem aos da rede eléctricas.

**NOTA**

Quando o carregador de baterias está ligado à rede eléctrica, todas as funções da máquina estão automaticamente bloqueadas.

15. Quando o sinalizador luminoso verde (50) se acender, as baterias estão carregadas.
16. Para mais informações sobre o funcionamento do carregador de bateria (47), consulte o Manual específico.
17. Desligue o cabo (48) do carregador de baterias da rede eléctrica e guarde-o no alojamento da máquina.
18. (Só para baterias WET) feche todas as tampas (45).
19. Feche o capot (7). A máquina está pronta a utilizar.

CONTROLO/SUBSTITUIÇÃO/REPOSIÇÃO DOS FUSÍVEIS

1. Coloque a máquina num terreno plano e puxe o travão de estacionamento através do pedal (3) e a alavanca (4).
2. Coloque a chave de ignição (72) em "0".
3. Abra o capot (7).
4. Desligue o conector (46) das baterias.

Controlo/substituição dos fusíveis lamelares

5. Remova a tampa da caixa de fusíveis (51).
6. Controle/substitua o fusível em questão entre os seguintes (Fig. 19):
 - F1: Fusível geral (circuito chave) (15 A)
 - F2: Fusível motor do dispositivo de sacudimento do filtro (25 A)
 - F3: Fusível aspirador manual (40 A) (opcional)
 - F4: Fusível do motor do sistema de aspiração (30 A)
 - F5: Fusível avisador sonoro e luz rotativa (10 A)
 - F6: Fusível luzes de trabalho (10 A) (opcional)
7. Remova a tampa da caixa de componentes eléctricos (55).
8. Controle/substitua o seguinte fusível (Fig. 20):
 - FT: Fusível sistema de tracção (70 A)

Controlo dos disjuntores

9. Controle se o fusível em questão está eventualmente desinserido entre os seguintes fusíveis, restabelecê-lo após ter verificado que o respectivo motor tenha arrefecido:
 - FA: Disjuntor motor escova central (30 A) (52)
 - FB: Disjuntor dos motores das escovas laterais (10 A) (53)

Montagem

10. Monte os componentes na ordem inversa em relação à desmontagem.

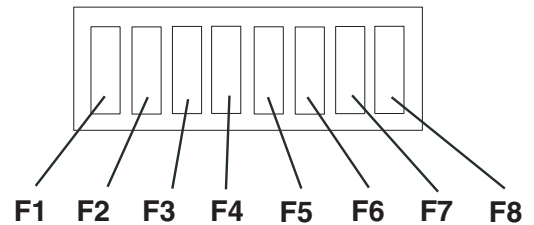


Figura 19

S311413

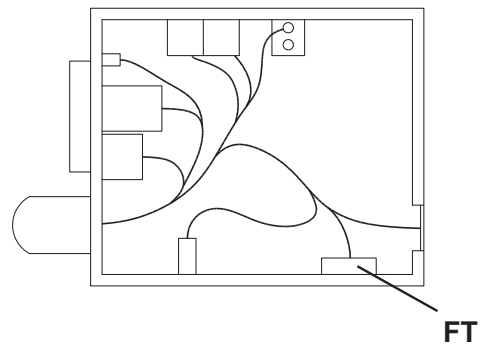


Figura 20

S311414

RESOLUÇÃO DE PROBLEMAS

Problema	Causa provável	Solução
Ao colocar a chave de ignição em "I", a máquina não arranca.	O conector das baterias (46) está ligado.	Ligue o conector das baterias.
	O fusível F1 na caixa (51) está fundido.	Substituir o fusível F1.
	O cabo (48) do carregador de bateria está ligado à rede eléctrica.	Ligue o cabo do carregador de baterias à corrente eléctrica.
Premindo o pedal (2) a máquina não se mexe.	O travão de estacionamento está engatado.	Desengate o travão de estacionamento.
	Durante o arranque da máquina com a chave (72), o pedal de marcha (2) está premido ou o operador está a sentar-se no assento de condução.	Ligar a máquina com a chave (72), após estar sentado no banco de condução e sem premir ao mesmo tempo o pedal de marcha (2).
A escova central não funciona.	O disjuntor (52) está desinserido.	Restabeleça o fusível (52) premindo o respectivo botão saliente.
As escovas laterais não funcionam.	A escova central não baixa.	Abaixar a escova central.
	O disjuntor (53) está desinserido.	Restabeleça o fusível (53) premindo o respectivo botão saliente.
A máquina funciona somente parada mas, sob esforço desliga-se e o indicador luminoso vermelho (73) acende-se.	As baterias estão descarregadas.	Recarregue as baterias. Caso o problema persistir, substitua as baterias.
As baterias têm pouca autonomia.	As baterias estão no fim da respectiva vida útil.	Substitua as baterias.
	As baterias têm pouca capacidade.	Instale bateria com maior capacidade (consulte o parágrafo Características técnicas).
O led de sinalização de avaria da placa do sistema de tracção (54) pisca.	O sistema de tracção está avariado.	Para identificar a avaria, consulte o Manual de assistência (disponível nos Centros de assistência Advance).

Para mais informações contacte os centros de assistência da Advance, os quais possuem o manual de assistência.

FIM DE VIDA

Proceda à entrega da máquina junto de um centro de tratamento autorizado.

Antes de eliminar a máquina, é necessário remover e separar os seguintes materiais e enviá-los para a triagem selectiva em conformidade com as normas ambientais em vigor:

- Baterias
- Óleo do motor
- Filtro poeiras em poliéster
- Escovas central e laterais
- Tubos e peças em material plástico
- Componentes eléctricos e electrónicos (*)

(*) Em particular, para o depósito das partes eléctricas e electrónicas, dirija-se a um centro da Advance local.



**Nilfisk
Advance**

setting standards

Nilfisk-Advance, Inc.

14600 21st Avenue North

Plymouth, MN, 55447-3408

www.nilfisk-advance.com

Phone: 800-989-2235

Fax: 800-989-6566

©2008 Nilfisk-Advance, Inc.,

Plymouth, MN 55447-3408

Printed in Italy