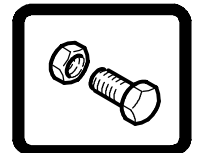




1610

Dual Technology Carpet Cleaner

Parts Manual



(S/N 10339653-)

READY SPACE®

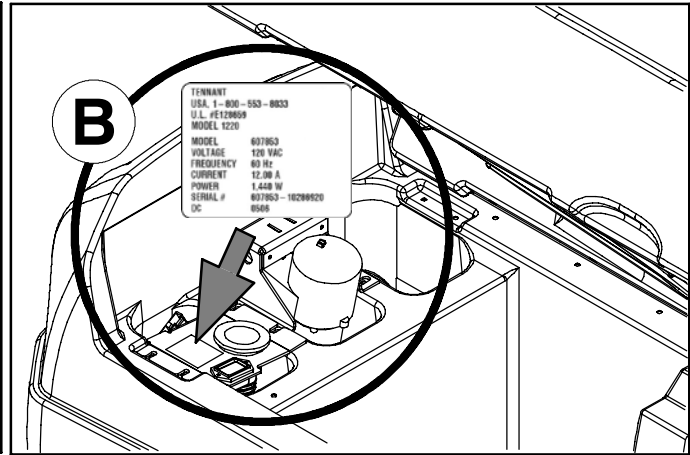
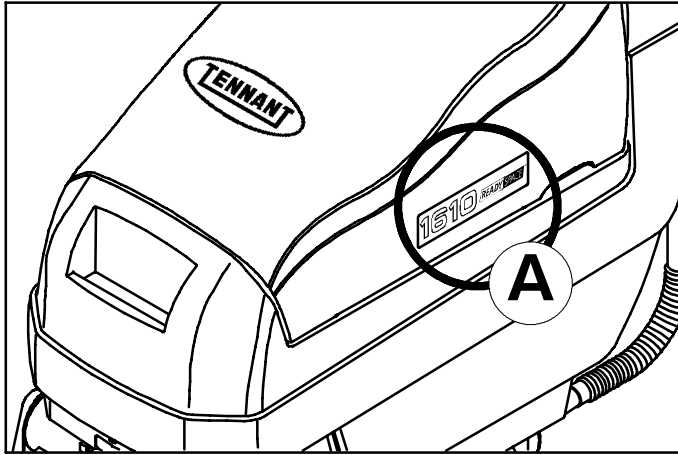
More than clean, it's ReadySpace.®

North America / International

www.tennantco.com

9003456
Rev. 03 (09-2010)





Ref	Part No.	Serial Number	Description	Qty.
1	82681	(000000-)	Bracket W/dt, Lpg Mount	1
∇ 2	63810	(000000-)	Ch Assy, Lpg Tank Mtg, W/Nut	4
▲ 3	51839	(000000-)	Mat Adjustable, Lpg Tank Mtg	2
4	49263	(000000-)	Tie, Cable	3
ⓓ 82556	(000000-001039)		Bracket, Vaporizer	1
	54930	(000000-)	Vaporizer, LPG	1

HOW TO ORDER PARTS - See diagram above

Only use TENNANT Company supplied or equivalent parts. Parts and supplies may be ordered online, by phone, by fax or by mail.

Follow the steps below to ensure prompt delivery.

1. **(A)** Identify the machine model.
2. **(B)** Identify the machine serial number from the data label.
3. **(C)** Ensure the proper serial number is used from the parts list.
4. Identify the part number and quantity. Do not order by page or reference numbers.
5. Provide your name, company name, customer ID number, billing and shipping address, phone number and purchase order number.
6. Provide detail shipping instructions.

- (D)** ∇ - identifies an assembly
 ▲ - identifies parts included in assembly
(E) ● - identifies a recommended stock item

Please fill out at time of installation for future reference.

Model No. - _____
 Serial No. - _____
 Machine Options - _____
 Sales Rep. - _____
 Sales Rep. phone no. - _____
 Customer ID Number - _____
 Installation Date - _____

Tennant Company

PO Box 1452
 Minneapolis, MN 55440
 Phone: (800) 553-8033 or (763) 513-2850

www.tennantco.com

Specifications and parts are subject to change without notice.

Copyright © 2007, 2008, 2010 TENNANT Company, Printed in U.S.A.

TABLE OF CONTENTS

<hr/>	
GENERAL RECOMMENDED MAINTENANCE ITEMS	4
REPLACEMENT ROLLERS AND BRUSHES ...	6
MULTI-MEDIA	6
BATTERY AND CHARGER GROUP	7
SOLUTION TANK GROUP	8
RECOVERY TANK GROUP	10
VACUUM MOTOR GROUP	12
CONTROL CONSOLE GROUP	14
COMPONENT PANEL GROUP	16
WHEEL GROUP (S/N 10492843-)	18
WHEEL GROUP (S/N 00000000-10492842)	20
SCRUB HEAD GROUP	22
SCRUB HEAD GROUP - CONT'D	24
SCRUB HEAD LIFT GROUP	26
READYSPACE VACUUM SHOE AND SOLUTION FLUSH LINE GROUP	28
EXTRACTION VACUUM SHOE GROUP	30
BUMPER GROUP	32
SOLUTION GROUP (S/N 10314332-) ..	34
SOLUTION GROUP - CONT'D (S/N 10314332-)	36
SOLUTION GROUP (S/N 00000000-10314331)	38
SOLUTION GROUP - CONT'D (S/N 00000000-10314331)	40
ELECTRICAL DIAGRAM	42

OPTIONS

FLOOR TOOL, LOW PRESSURE 330 mm (13 in)	46
FLOOR TOOL, LOW PRESSURE 406 mm (16 in)	48
HAND TOOL, 127 mm (5 in)	50
HAND TOOL, CREVICE 76 mm (3 in)	51
HAND TOOL, UPHOLSTERY LOW PRESSURE	52
HOSES, SOLUTION AND VACUUM	53
PUMP-UP CARPET SPRAYER	53
KIT, CARPET RAKE	54
KIT, SOLUTION SWITCH (S/N 00000000-10243220)	56

GENERAL RECOMMENDED MAINTENANCE ITEMS

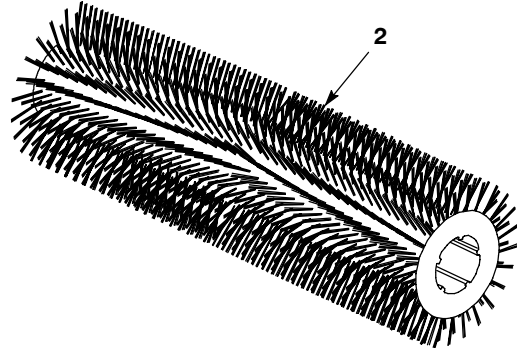
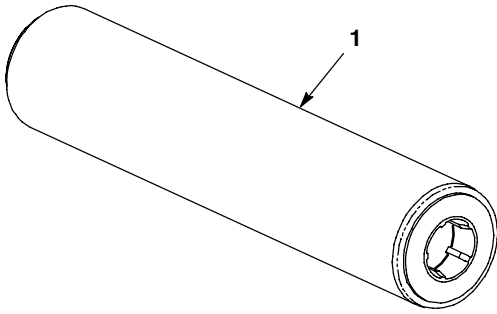
GENERAL RECOMMENDED MAINTENANCE ITEMS

Ref.	Part No.	Serial Number	Description	Qty.
	1013760	(00000000-)● Roller Assy [Soil Transfer]	2
	1008997	(00000000-)● Brush, Scb, 22l, 10sr, Nyl, Spl	2
	1049048	(00000000-)● Caster, Swivel, 4.0d 1.4w, 4hole [400lb]	2
	1052686	(10492843-)● Tire Assy, Foam, 2.8/2.5-04 2.80bc/4bolt	2
	607452	(00000000-10492842)● Wheel, 08.0d 2.00w Tpr	2
	606146	(00000000-)● Screen, Fltr, Soltn Fill, Nat	1
	605062	(00000000-)● Gasket, Cover, Soltn Fill	1
	1001608	(00000000-)● Gasket, Cover, Sq, 749mml [Bladder]	1
	630052	(00000000-)● Float, Shut-Off, (2)Ball, 1.75d	1
	626092	(00000000-)● Gasket, Vacfan, 01.9id 05.7od 0.3, Neo	1
	1035888	(10343030-)● Belt, Drive, 6Grv, 508l X 14w, [6Pj]	2
	377500	(00000000-10343029)● Belt, Synchronous, 05mm 500l[05p,Plychn]	2
	1008675	(00000000-)● Gasket, Edge, Foam, 24.00l [Fr]	2
	630453	(00000000-)● Gasket, 143mm, Fr Console, Panl	2
▽	1007428	(00000000-)● Filter, Screen, 080 Mesh, Ss Bowl, Pf06	1
▲	180632	(00000000-)● Filter, Screen, In-Line Strainer	1
	180638	(00000000-)● Filter, Screen, 125 Mesh, Sleeve, Nyl	1
	200996	(00000000-)● Filter, Screen, 100 Mesh, Check Valve	1

GENERAL RECOMMENDED MAINTENANCE ITEMS

STANDARD PARTS

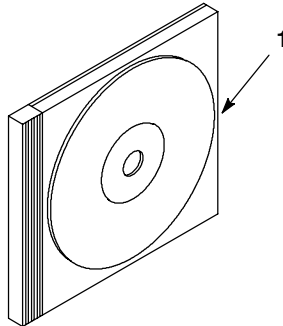
REPLACEMENT ROLLERS AND BRUSHES



Ref.	Part No.	Serial Number	Description	Qty.
1	1013760*	(00000000-)• Roller Assy [Soil Transfer]	2
2	1008997*	(00000000-)• Brush, Scb, 22l, 10sr, Nyl, Spl	2

* BRUSHES AND ROLLERS NOT AVAILABLE AS A SET OF 2. MUST ORDER 2 SEPARATE PIECES.

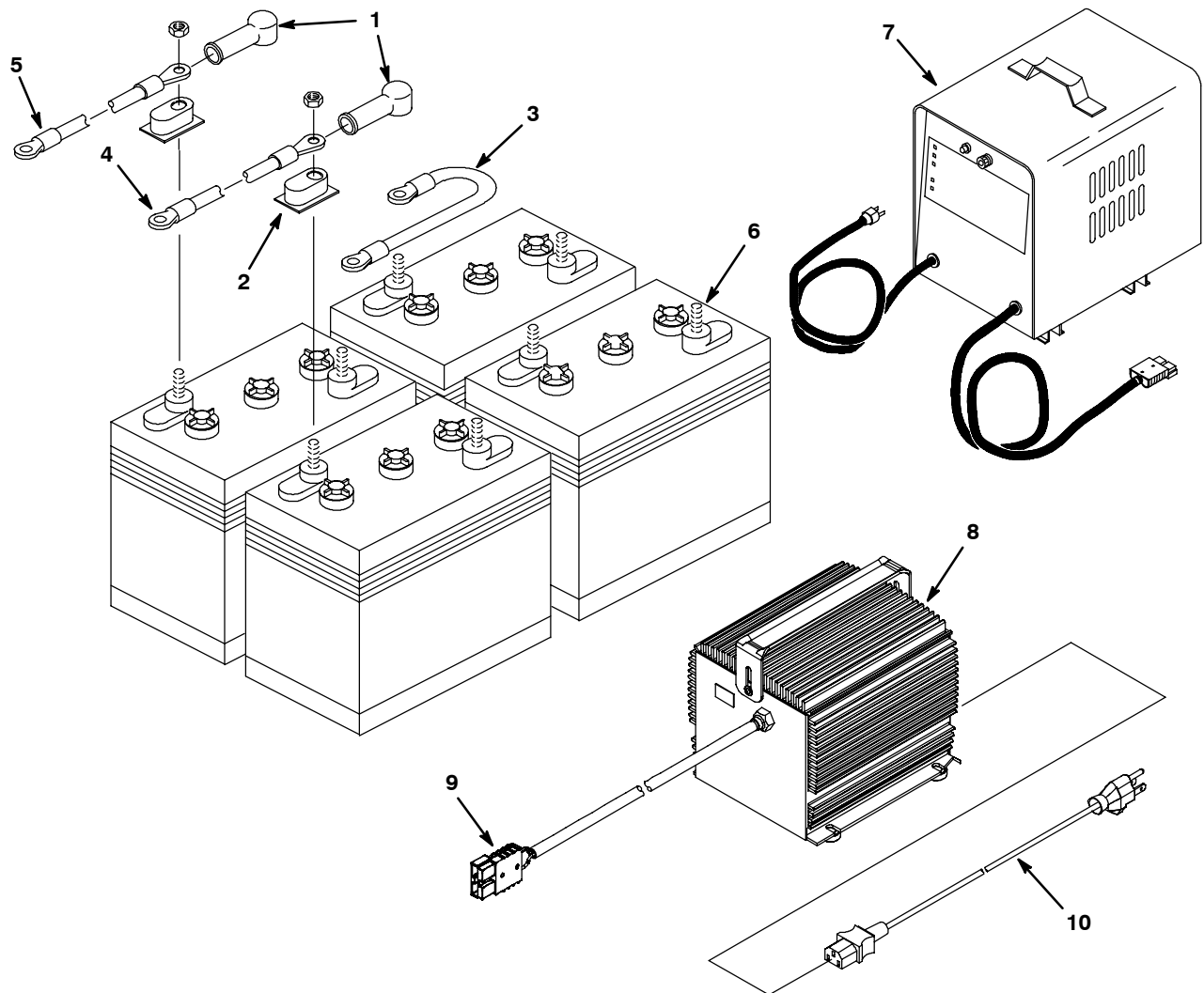
MULTI-MEDIA



Ref.	Part No.	Serial Number	Description	Qty.
1	1059837	(00000000-)• Media, Dvd, Training, Eng [1610]	1
1	1059843	(00000000-)• Media, Dvd, Training, Spn [1610]	1
1	1059846	(00000000-)• Media, Dvd, Training, Inter, Eng [1610] (Interactive)	1
1	1059852	(00000000-)• Media, Dvd, Training, Inter, Spn [1610] (Interactive)	1

● RECOMMENDED STOCK ITEMS

BATTERY AND CHARGER GROUP



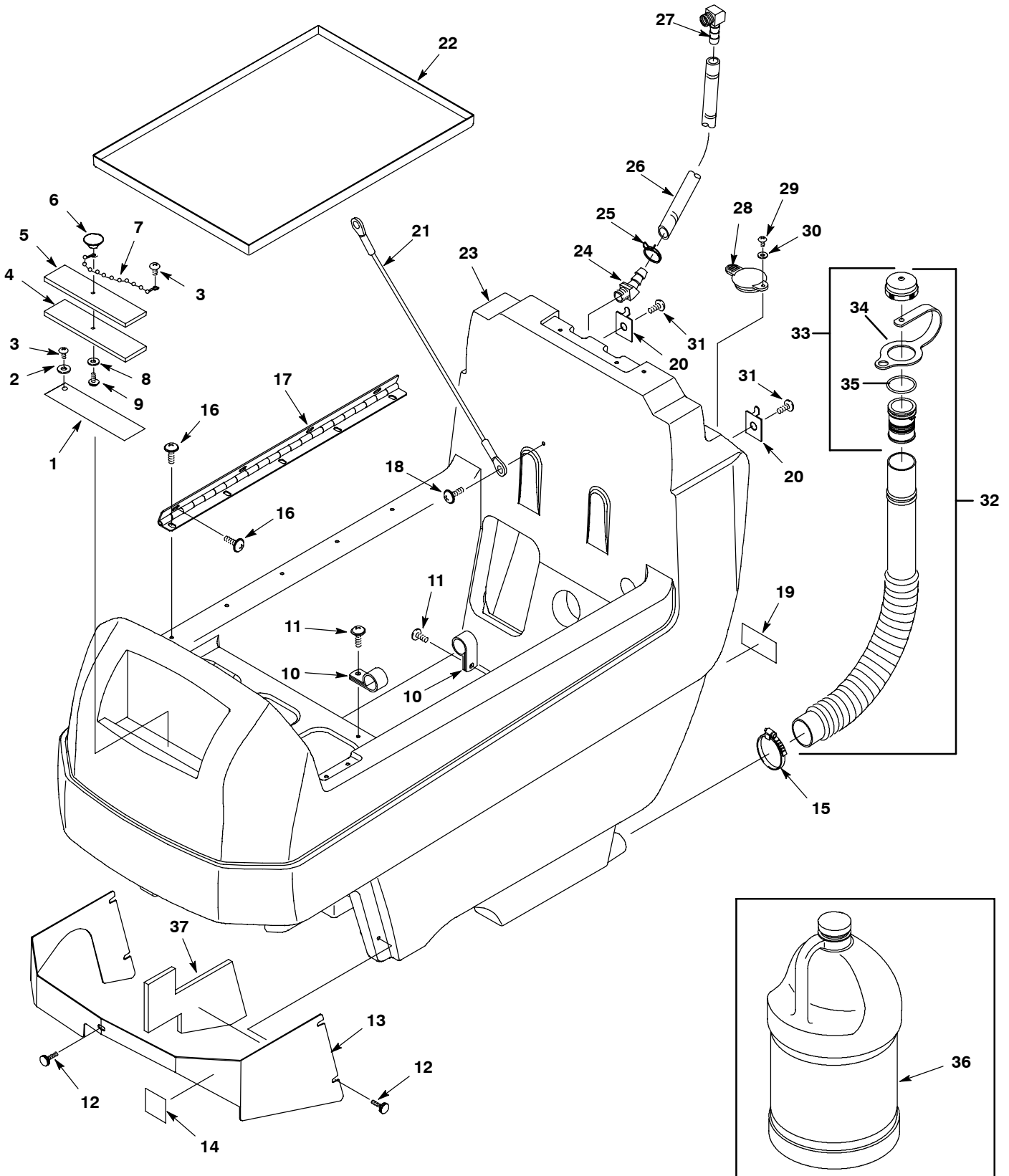
Ref.	Part No.	Serial Number	Description	Qty.	
1	611221	(00000000-	● Boot, Terminal, Battery, 25.4mm, Blk	8	
2	45962	(00000000-	● Cap, Plstc, .04 1.38 X 2.30 0.5l	8	
3	130364	(00000000-) Cable, 06ga 15.0l Blk .31ring /.38ring	3	
4	602872	(00000000-) Cable, Battery, .31 X .38 [#6redx28.0]	1	
5	602871	(00000000-) Cable, 06ga 24.0l Blk .25ring /.31ring	1	
6	10155	(00000000-) Battery, Wet, 06vdc (Japan)	4	
▽	6	606897	(00000000-) Battery Kit, 4-06vdc 0235ah	1
▲	6	222280	(00000000-) Battery, Wet, 06vdc 0235ah	4
▽	6	9001586	(00000000-) Battery Kit, 200ah, Sealed, Fi [T5, Us]	1
▲	6	1021446	(00000000-) Battery, 06vdc 0200ah [Agm]	4
7	377373	(00000000-	● Charger, 24vdc, 20a, Tj [Dual Mode] (Japan)	1	
▽	8	1029256	(00000000-	● Charger, 24vdc, 19a Var Vac 1ph 50/60hz	1
▽	8	1058164	(00000000-	● Charger, 24vdc, 19a, 1ph 50/60hz, Agm	1
▲	9	605387	(00000000-	● Connector, Anderson, 50a, Red W/O Contact	1
10	1017079	(00000000-	● Cord, Extn, 16ga /3, 010ft [Sjt]	1	

▽ ASSEMBLY

▲ INCLUDED IN ASSEMBLY

● RECOMMENDED STOCK ITEMS

SOLUTION TANK GROUP



SOLUTION TANK GROUP

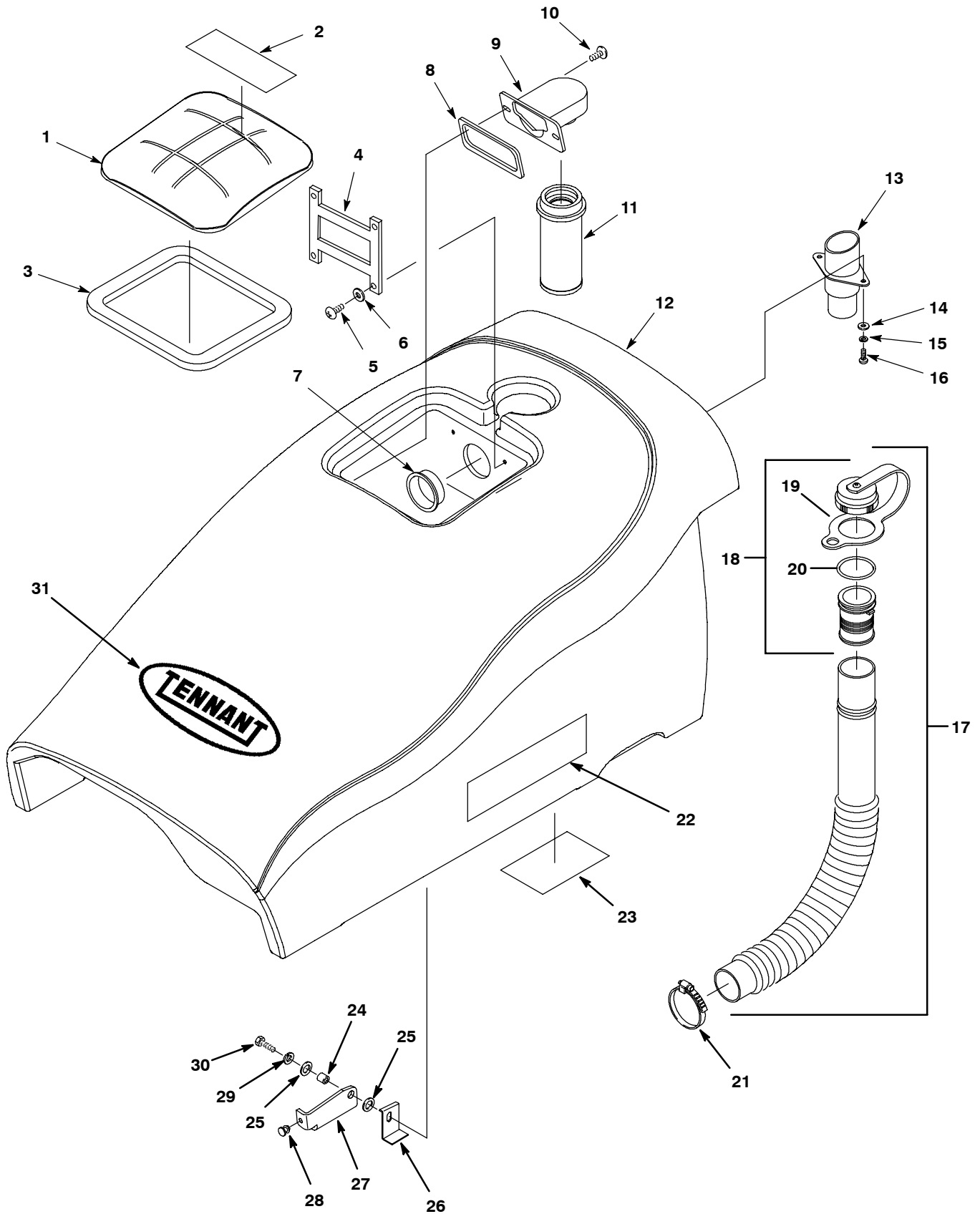
Ref.	Part No.	Serial Number	Description	Qty.
1	606146	(00000000-)● Screen, Fltr, Soltn Fill, Nat	1
2	140032	(00000000-) Washer, Flat, #6, Ss	2
3	140826	(00000000-)● Screw, Pan, #06-32 X 0.75, Ss, Fmg [Ab]	2
4	605062	(00000000-)● Gasket, Cover, Soltn Fill	1
5	605061	(00000000-)● Cover, Fill, Soltn	1
6	578301	(00000000-)● Knob, Fill Cover, Fem [10-32]	1
7	621443	(00000000-)● Chain, Ball, #10, 157mml, Ss	1
8	07514	(00000000-) Washer, Lock, Int, #10, Ss	1
9	140826	(00000000-) Screw, Pan, #06-32 X 0.75, Ss, Fmg [Ab]	1
10	606697	(00000000-) Clamp, Cable, Stl, 1.12d X 0.50w, 1hole	3
11	1019349	(00000000-) Screw, Trs, M6 X 1.00 X 16, Ss, Sems	3
12	603012	(00000000-)● Knob, Rnd, 19.0d M6 X 12, Stud, Plstc,PI	5
13	1011890	(00000000-) Shroud, Scb Head [Str]	1
14	606521	(00000000-) Label, Gen Hzrd	1
15	11531	(00000000-) Clamp, Hose, Wormdrive, 1.06-2.00d, .56w	1
16	1019349	(00000000-) Screw, Trs, M6 X 1.00 X 16, Ss, Sems	9
17	605244	(00000000-) Hinge, .25pin .07 2.0w 22.0l, Yel PI	1
18	1019349	(00000000-) Screw, Trs, M6 X 1.00 X 16, Ss, Sems	2
19	1018849	(00000000-) Label, Wand	1
20	601460	(00000000-) Clip, Hanger, Hose, .25d Hole, Clr PI	2
21	140960	(00000000-) Cable, Glv .13d 014.5l .34eye /.34eye	1
22	613971	(00000000-)● Tray, Battery, Trimmed	1
23	611344	(00000000-) Tank, Soltn, Rm-TI, Trimmed (Teal)	1
23	1024034	(00000000-) Tank, Soltn, Rm-Cphg, Trimmed (Gray)	1
24	605394	(00000000-) Fitting, Brs, E45, Bm06/Pm04 [Taped]	1
25	607775	(00000000-) Clamp, Hose, Wir, .63 - .66, Blk	1
26	606879	(00000000-) Hose, Drain, 0.62id X 23.4l, Vyl	1
27	150419	(00000000-) Fitting, Brs, E90, Bm06/Pm04 [Taped]	1
28	1012965	(00000000-) Cap, Port, Soltn Fill	1
29	1018155	(00000000-) Screw, Pan, M5 X 0.8 X16, Ss, Tcut	1
30	01683	(00000000-) Washer, Flat, 0.22b 0.50d .05, Ss [#10]	1
31	1019349	(00000000-) Screw, Trs, M6 X 1.00 X 16, Ss, Sems	2
▽	32	1010143)● Hose Assy, Drain, 1.50id X 32.3l, Blk	1
▲▽	33	1008639)● Cap, Drain Assy	1
▲▲	34	1019563)● Strap, Cap, Drain	1
▲▲	35	1008637)● Seal, Org, 1.48id 1.76od	1
	36	1017131) Detergent, Pre-Spray [1pc=1ctn=4-1gl]	1
	37	1017379) Insulation, 0.5, Ntch [Aluminized]	1

▽ ASSEMBLY

▲ INCLUDED IN ASSEMBLY

● RECOMMENDED STOCK ITEMS

RECOVERY TANK GROUP



RECOVERY TANK GROUP

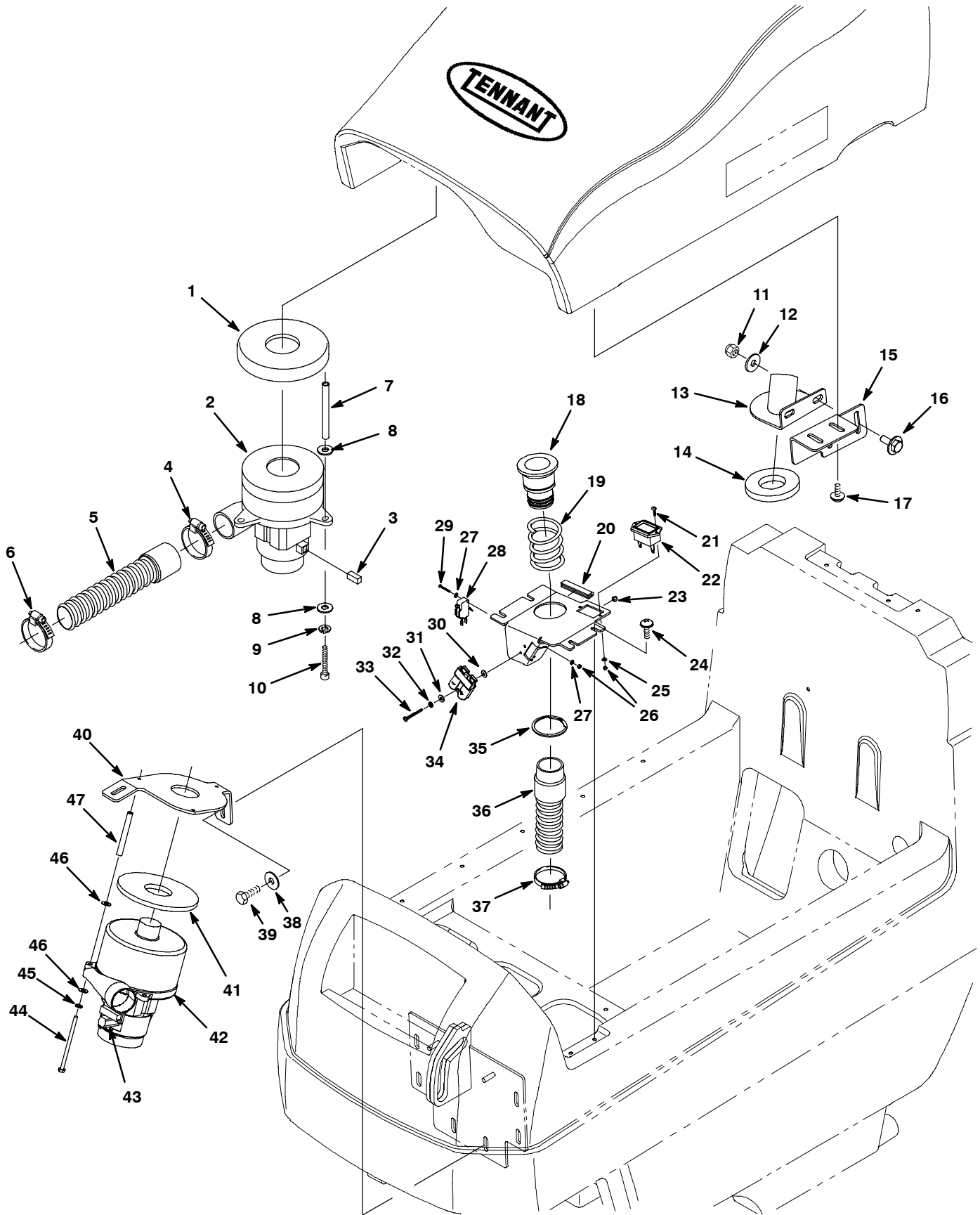
	Ref.	Part No.	Serial Number	Description	Qty.
▽	1	1008263	(00000000-)● Lid Assy, W/ Warning Label	1
▲	2	1026386	(00000000-) Label, Warning [Expl,Fire,Shk En/Fr/Es]	1
▲	3	1001608	(00000000-)● Gasket, Cover, Sq, 749mml [Bladder]	1
▽	1	1024011	(00000000-)● Assy, Lid, Warning Label, Jp (Japan)	1
▲	2	613862	(00000000-) Label, Warning, 6 X 2 Tjj[Dc Brn/Scr/Ext] (Japan)	1
▲	3	1001608	(00000000-)● Gasket, Cover, Sq, 749mml [Bladder]	1
	4	630056	(00000000-) Hinge, Cover, Tank Lid	1
	5	3701.6	(00000000-) Screw, Pan, #06-32 X 0.38, Phl Ss Shtmtl	4
	6	1009168	(00000000-) Washer, Flat, 0.17b 0.75d .04, Ss	4
	7	610979	(00000000-) Cap, Plug, 2.0inch, Red	1
	8	630255	(00000000-) Gasket, Float, Mount	1
	9	630053	(00000000-) Mount, Cage, Float [20.0 Scrubber]	1
	10	1019349	(00000000-) Screw, Trs, M6 X 1.00 X 16, Ss, Sems	2
	11	630052	(00000000-)● Float, Shut-Off, (2)Ball, 1.75d	1
	12	1001933	(00000000-) Tank, Recvy, Rm-Tl, Trimmed (Teal)	1
	12	1024036	(00000000-) Tank, Recvy, Rm-Cphg, Trimmed (Gray)	1
	13	607372	(00000000-) Adapter, Hose, Str, 1.50d / 2bolt	1
	14	200301016	(00000000-) Washer, Flat, M5.3b X 10d X 1, Pl	2
	15	1026457	(00000000-) Washer, Lock, Split, M5, Ss	2
	16	06932	(00000000-) Screw, Pan, Phl, M5 X 0.80 X 10, 4.8	2
▽	17	1010143	(00000000-)● Hose Assy, Drain, 1.50id X 32.3l, Blk	1
▲▽	18	1008639	(00000000-)● Cap, Drain Assy	1
▲▲	19	1019563	(00000000-)● Strap, Cap, Drain	1
▲▲	20	1008637	(00000000-)● Seal, Org, 1.48id 1.76od	1
	21	11531	(00000000-) Clamp, Hose, Wormdrive, 1.06-2.00d, .56w	1
	22	1017816	(00000000-) Label, Model, Lh / Rh Side [1610]	2
	23	1018666	(00000000-) Label, Battery Diagram	1
	24	611418	(00000000-) Sleeve, P/M, 0.31b 0.44d 0.1l, Stl Pl	1
	25	32490	(00000000-) Washer, Flat, 0.25, Std	2
	26	1008074	(00000000-) Bracket, Tank, Sppt, Stop, Yel Pl	1
	27	606527	(00000000-) Support, Tank, Recvy	1
	28	1014544	(00000000-) Bumper, Rbr, 0.44d X 0.19l	1
	29	140015	(00000000-) Washer, Lock, Split, 0.31, Ss	1
	30	200031486	(00000000-) Screw, Hex, M8 X 1.25 X 16	1
	31	630229	(00000000-) Label, Logo, 257mml, White [Tennant]	1

▽ ASSEMBLY

▲ INCLUDED IN ASSEMBLY

● RECOMMENDED STOCK ITEMS

VACUUM MOTOR GROUP



VACUUM MOTOR GROUP

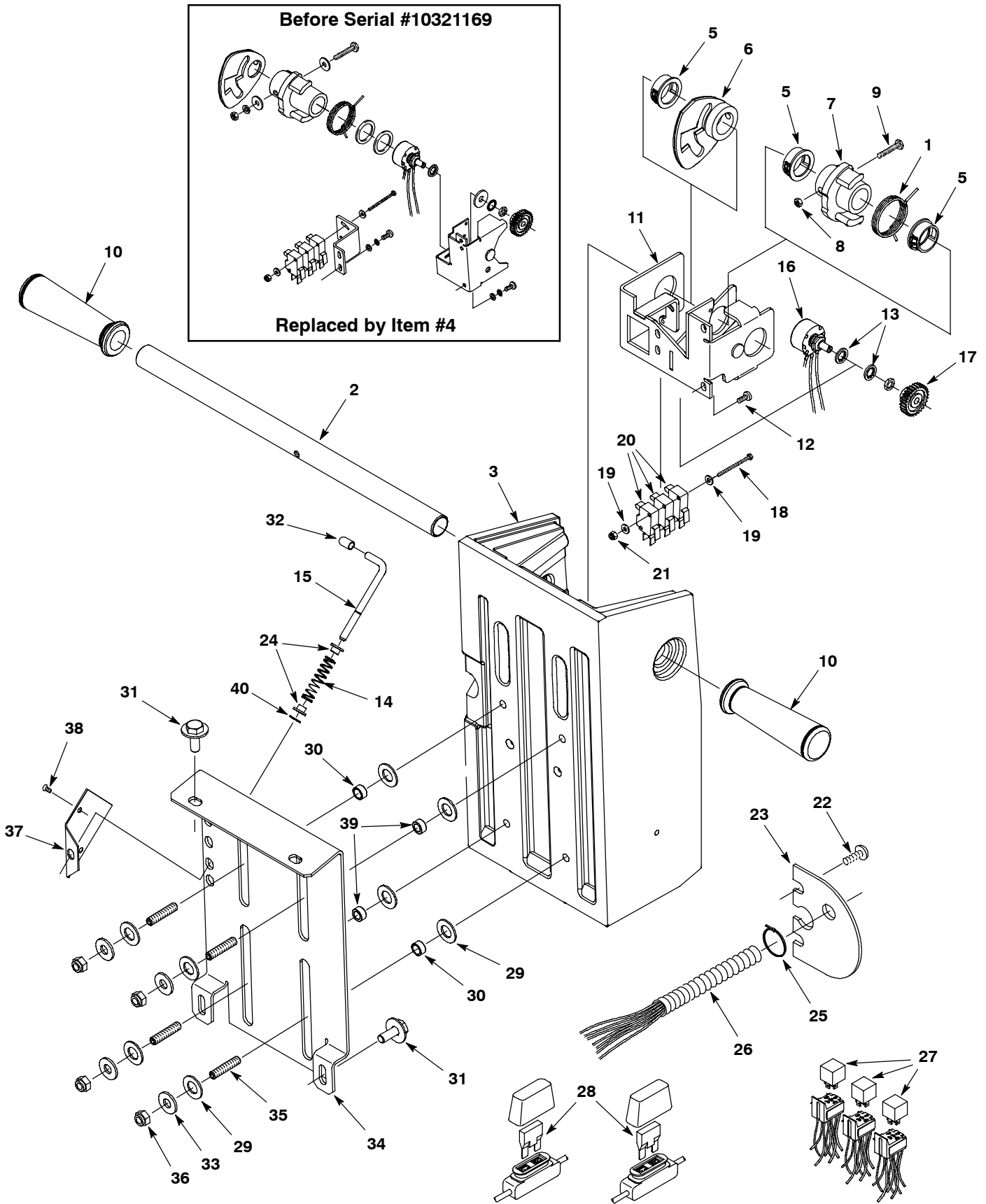
Ref.	Part No.	Serial Number	Description	Qty.
	1	626092	(00000000-) ● Gasket, Vacfan, 01.9id 05.7od 0.3, Neo	1
▽	2	1025106	(00000000-) ● Fan , Vacuum, 5.7d, 024vdc, 3 Stage [Us]	1
▲	3	190163	(00000000-) ● Brush Crbn, Motor, Ele, (1pc=1pack=2brsh)	1
	4	140308	(00000000-)) Clamp, Hose, Wormdrive, 1.31-2.25d, .50w	1
	5	613761	(00000000-) ● Hose, Vacuum, 1.50id X 009.0l, 1cuff	1
	6	11531	(00000000-)) Clamp, Hose, Wormdrive, 1.06-2.00d, .56w	1
	7	626041	(00000000-)) Spacer, 6.3mmb 9.4mmd 80.0mml, Zn	3
	8	140000	(00000000-)) Washer, Flat, 0.28b 0.62d .04, Ss	6
	9	140016	(00000000-)) Washer, Lock, Split, 0.25, Ss	3
	10	626123	(00000000-)) Screw, Hex, M6 X 1.0 X 100, 8.8	3
	11	08709	(00000000-)) Nut, Hex, Lock, M8 X 1.25, NI	2
	12	01685	(00000000-)) Washer, Flat, 0.38b 0.88d .08, Ss	2
	13	1001629	(00000000-)) Bracket, Hose, Vacuum, Recvy Tank	1
	14	100151	(00000000-) ● Gasket, Tube, Adapter	1
	15	1015336	(00000000-)) Bracket, Mtg, Vacuum Bracket	1
	16	1020341	(00000000-)) Screw, Hex, M8 X 1.25 X 20, Ss, Sems	2
	17	1019349	(00000000-)) Screw, Trs, M6 X 1.00 X 16, Ss, Sems	2
	18	630011	(00000000-)) Tube, Transition, Flng To Barb	1
	19	630267	(00000000-)) Spring, Cmpr, 2.40od .12wir 02.0l, Pl,Mw	1
	20	606889	(00000000-)) Trim, Plstc, Edge, .12 X .56 X 3.6l	1
	21	200070266	(00000000-)) Screw, Pan, M3 X 0.5 X 16, Phl, Pl	2
	22	1011282	(00000000-) ● Gauge, Hourmeter, 12/60 Vdc [Ret Mount]	1
	23	140539	(00000000-)) Nut, Hex, Lock, #06-32, Kep, Ss	2
	24	1019349	(00000000-)) Screw, Trs, M6 X 1.00 X 16, Ss, Sems	2
	25	200301012	(00000000-)) Washer, Flat, M3	2
	26	579211	(00000000-)) Nut, Hex, Lock, M3 X 0.50, Ss	4
	27	601127000	(00000000-)) Washer, Flat, M3.7b X 8d X .5, Pl	4
	28	611005	(00000000-) ● Switch, Rlr, 16a, Micro	1
	29	579213	(00000000-)) Screw, Hex, M3 X .5 X 20	2
	30	140011	(00000000-)) Washer, Flat, 0.21b 0.45d .03, Ss	2
	31	140026	(00000000-)) Washer, Flat, #06, Sae Pl	2
	32	140019	(00000000-)) Washer, Lock, Ext, #06	2
	33	140829	(00000000-)) Screw, Pan, #06-32 X 1.00, Phl, Ss	2
	34	605387	(00000000-) ● Connector, Anderson, 50a,Red W/O Contact	1
	35	630016	(00000000-)) Ring, Retaining, Ext, 1.82d	1
	36	1014172	(00000000-)) Hose, Vacuum, 1.50id X 006.0l, 1cuff	1
	37	11531	(00000000-)) Clamp, Hose, Wormdrive, 1.06-2.00d, .56w	1
	38	01685	(00000000-)) Washer, Flat, 0.38b 0.88d .08, Ss	1
	39	1015852	(00000000-)) Screw, Hex, M8 X 1.25 X 25, NI, Fl, Ss	1
	40	1013122	(00000000-)) Bracket, Motor, Vacuum [2nd]	1
	41	626092	(00000000-) ● Gasket, Vacfan, 01.9id 05.7od 0.3, Neo	1
▽	42	1007468	(00000000-) ● Fan, Vacuum, 5.7d, 024vdc, 3 Stage [B]	1
▲	43	190163	(00000000-) ● Brush Crbn, Motor, Ele, (1pc=1pack=2brsh)	1
	44	626123	(00000000-)) Screw, Hex, M6 X 1.0 X 100, 8.8	3
	45	140016	(00000000-)) Washer, Lock, Split, 0.25, Ss	3
	46	140000	(00000000-)) Washer, Flat, 0.28b 0.62d .04, Ss	6
	47	626041	(00000000-)) Spacer, 6.3mmb 9.4mmd 80.0mml, Zn	3

▽ ASSEMBLY

▲ INCLUDED IN ASSEMBLY

● RECOMMENDED STOCK ITEMS

CONTROL CONSOLE GROUP



CONTROL CONSOLE GROUP

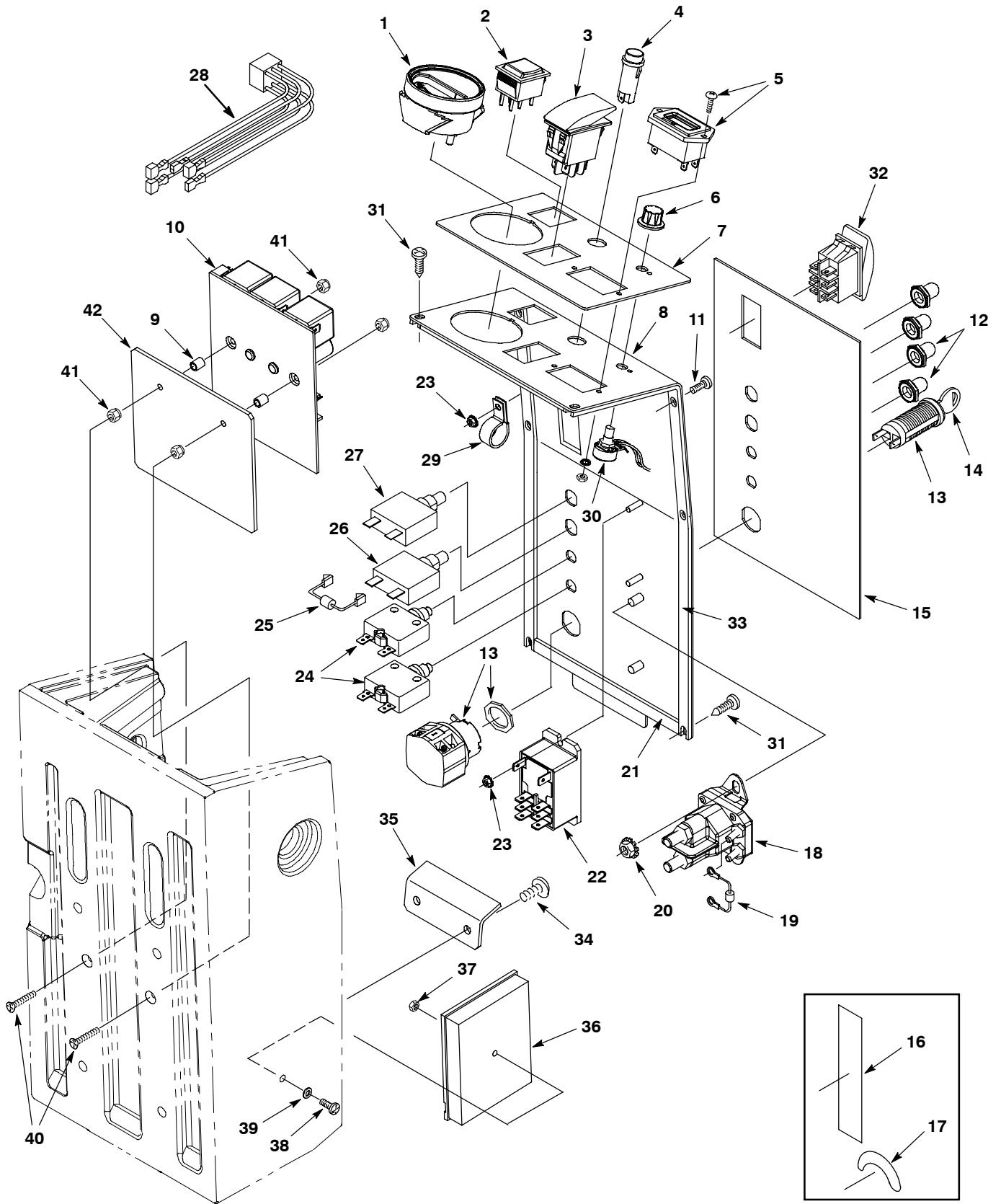
Ref.	Part No.	Serial Number	Description	Qty.	
1	630088	(00000000-) Spring, Tors, Cntr, .072, Pl, Mw	1	
2	630093	(00000000-) Handle, Bar, .875od X 15.5l	1	
3	610924	(00000000-) Housing, Cntrl, Rm-Tl, Trimmed (Teal)	1	
3	1024038	(00000000-) Housing, Cntrl, Rm-Cphg, Trimmed (Gray)	1	
▽	4	1036932	(00000000-10321168) Bracket Kit, Pot, Console	1	
▲	5	605351	(10321169-) Bushing, .88, Blk [10]	3
▲	6	1034750	(10321169-) Cam, Plate, Switch	1
▲	7	1034754	(10321169-) Hub Assy, W/ Gear 22.4id, 20.0 Scb	1
▲	8	07785	(00000000-) Nut, Hex, Std, M6 X 1.00, Ss	1
▲	9	578580	(10321169-) Screw, Hex, M6 X 1.0 X 35, Pl [Dn933]	1
▲	10	222648	(00000000-)● Grip, Handle, Rnd	2
▲	11	1034553	(10321169-) Brkt, Pot, Console	1
▲	12	607006	(00000000-) Screw, Trs, M4 X 0.70 X 12, Phl, Pl	4
▲	13	32988	(00000000-) Washer, Lock, Int, 0.38	2
14	630082	(00000000-) Spring, Cmpr, 0.42od .04wir 01.8l, Pl,Mw	1	
15	630081	(00000000-) Lever, Latch, Console Adjust	1	
16	613398	(00000000-)● Potentiometer Assy	1	
17	1026373	(00000000-) Gear, Spur, 28tooth 01.2pd 24pitch 0.3b	1	
18	600392	(00000000-) Screw, Hex, M3 X 0.5 X 40	2	
19	601127000	(00000000-) Washer, Flat, M3.7b X 8d X .5, Pl	4	
20	611005	(00000000-)● Switch, Rlr, 16a, Micro	3	
21	579211	(00000000-) Nut, Hex, Lock, M3 X 0.50, Ss	2	
22	1019349	(00000000-) Screw, Trs, M6 X 1.00 X 16, Ss, Sems	2	
23	605067	(00000000-) Retainer, Harness, Wire	1	
24	630083	(00000000-) Bushing, Latch	2	
25	130773	(00000000-) Tie, Cable, Nyl, 11.0l, .14w, 3.0 Max. D	4	
▽	26	1024872	(10243221-)● Harness, Main, 24vdc [Str, Sol Off]	1
▲	27	49309	(00000000-)● Relay, 24vdc 040a, Spdt No	3
▲	28	1036268	(00000000-)● Fuse, 035a 032vdc	2
▽	26	9001641	(00000000-10243220) Harness Kit, Wire, Main, 24vdc [Str]	1	
▲	27	49309	(00000000-)● Relay, 24vdc 040a, Spdt No	3
▲	28	1036268	(00000000-)● Fuse, 035a 032vdc	2
29	608562	(00000000-) Washer, Flat, 0.51b 0.94d .06, Nyl	8	
30	607783	(00000000-) Bearing, Sleeve, .31id X .50od X .25,Brz	2	
31	1020341	(00000000-) Screw, Hex, M8 X 1.25 X 20, Ss, Sems	4	
32	630094	(00000000-)● Cap, Vinyl, 2.26 ld X 12.7lg, Blk	1	
33	32491	(00000000-) Washer, Flat, 0.31, Std	4	
34	608563	(00000000-) Plate, Slide, Console	1	
35	607461	(00000000-) Screw, Set, M8 X 1.25 X 35, NI	4	
36	08709	(00000000-) Nut, Hex, Lock, M8 X 1.25, NI	4	
37	630087	(00000000-) Plate, Latch, Retainer	1	
38	630114	(00000000-) Screw, Flt, M4 X 0.7 X 8, 4.8	2	
39	630259	(00000000-) Bearing, 9.5id 12.7od 6.4l,Brz	2	
40	630084	(00000000-) Ring, Retaining, Ext, 4.62mm, [E-Ring]	1	

▽ ASSEMBLY

▲ INCLUDED IN ASSEMBLY

● RECOMMENDED STOCK ITEMS

COMPONENT PANEL GROUP



COMPONENT PANEL GROUP

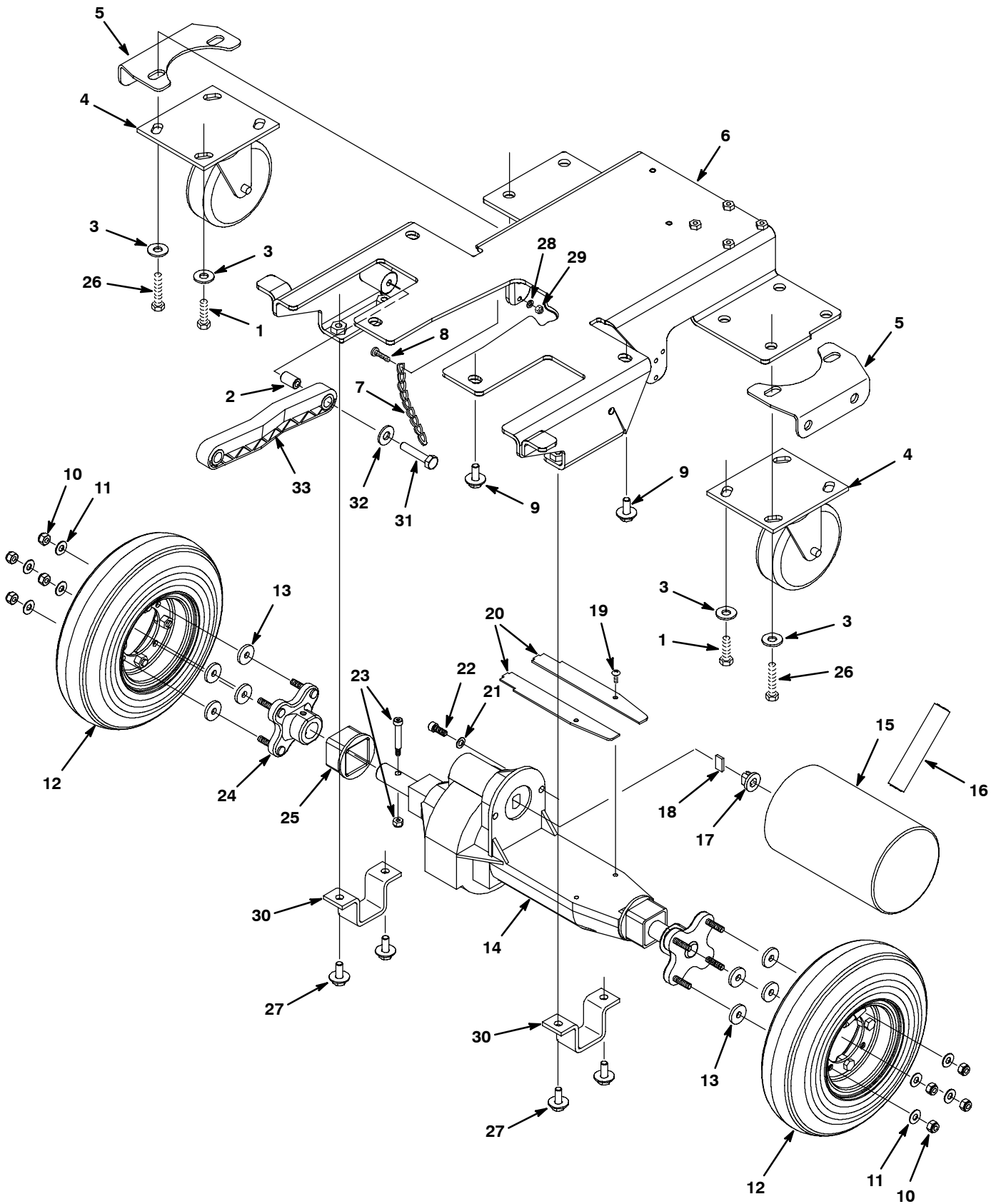
Ref.	Part No.	Serial Number	Description	Qty.	
1	1013300	(00000000-)● Gauge, Press, Brush	1	
2	1007012	(00000000-)● Switch, Rocker, Dpdt, Mom / Off / Mom	1	
3	602919	(00000000-)● Switch, Rocker, Dpdt, On / On	1	
4	130738	(00000000-)● Light, Indicator, 28vdc, Green	1	
5	603076	(00000000-)● Gauge, Discharge, Battery, 24vdc [Digit]	1	
6	630265	(00000000-)● Knob, Rnd, 0.75d 0.50l 0.25b, Plstc	1	
7	1013306	(00000000-) Label, Dash, Main	1	
8	1024803	(10243221-) Panel, Console, Soltn Off [Str]	1	
8	1012689	(00000000-10243220) Panel, Console	1	
9	610943	(00000000-) Sleeve, P/M, 0.21b 0.32d 0.4l, Stl Pl	2	
10	630104	(00000000-)● Control, Spd, 55a [Pmb]	1	
11	607006	(00000000-) Screw, Trs, M4 X 0.70 X 12, Phl, Pl	4	
12	130761	(00000000-)● Boot, Dome, Silicone, .40id .72l .38-27	2	
▽	13	130785	(00000000-)● Switch, Key, 150vac 16a	1
▲	14	607821	(00000000-)● Key, Stl, Replmt	1
15	1025014	(10243221-) Label, Panl, Console, Str	1	
16	1013304	(00000000-10243220) Label, Circuitbreaker	1	
17	604793	(00000000-10243220) Label, Keyswitch On(1) / Off(0)	1	
18	603008	(00000000-)● Relay, 24vdc, 100a, No [Trombett]	1	
19	606404	(00000000-)● Diode, Assy W/ Ring Terminals	1	
20	1007108	(00000000-) Nut, Hex, Lock, M6 X 1.00, Kep, Ext	2	
21	630453	(00000000-) Gasket, 143mm, Fr Console, Panl	2	
22	1013270	(00000000-) Relay, 24vdc, 020a [2pdt]	1	
23	1007109	(00000000-) Nut, Hex, Lock, M4 X 0.70, Kep, Ext	3	
24	1006477	(00000000-)● Circuitbreaker, 17.0a	2	
25	607394	(00000000-)● Diode, .25 Piggyback Term	1	
26	383723	(00000000-)● Circuitbreaker, 20.0a, Resetable	1	
27	383721	(00000000-)● Circuitbreaker, 10.0a	1	
28	9001951	(00000000-)● Relay Assy, Interrupter, Low Voltage	1	
29	606727	(00000000-) Clamp, Cable, Stl, 0.62d X 0.38w, 1hole	1	
30	613682	(00000000-)● Potentiometer [0-20k Spd C]	1	
31	1009324	(00000000-) Screw, Pan, #10-16 X 0.50,Phl,Blk[Ty-17]	4	
32	601107	(00000000-)● Switch, Rocker [Lighted]	1	
33	630119	(00000000-) Gasket, Console 3.1x8.0x420	2	
34	1019349	(00000000-) Screw, Trs, M6 X 1.00 X 16, Ss, Sems	2	
35	630086	(00000000-) Plate, Strain-Relief, 11ga, Plt	1	
36	1016710	(00000000-)● Module, Timer, Dual 24vdc	1	
37	33932	(00000000-) Nut, Hex, Lock, M4 X 0.70, NI, Ss	1	
38	200070354	(00000000-) Screw, Pan, M4 X 0.7 X 30, PI	1	
39	605258	(00000000-) Washer, .374 X .172 X .049, PI	1	
40	630304	(00000000-) Screw, Flt, M4 X 0.7 X 35, 4.8	2	
41	02850	(00000000-) Nut, Hex, Lock, M4 X 0.70, NI	4	
42	630128	(00000000-)● Heatsink, 11ga Alm, 104 X 120	1	

▽ ASSEMBLY

▲ INCLUDED IN ASSEMBLY

● RECOMMENDED STOCK ITEMS

WHEEL GROUP (S/N 10492843-)



WHEEL GROUP (S/N 10492843-)

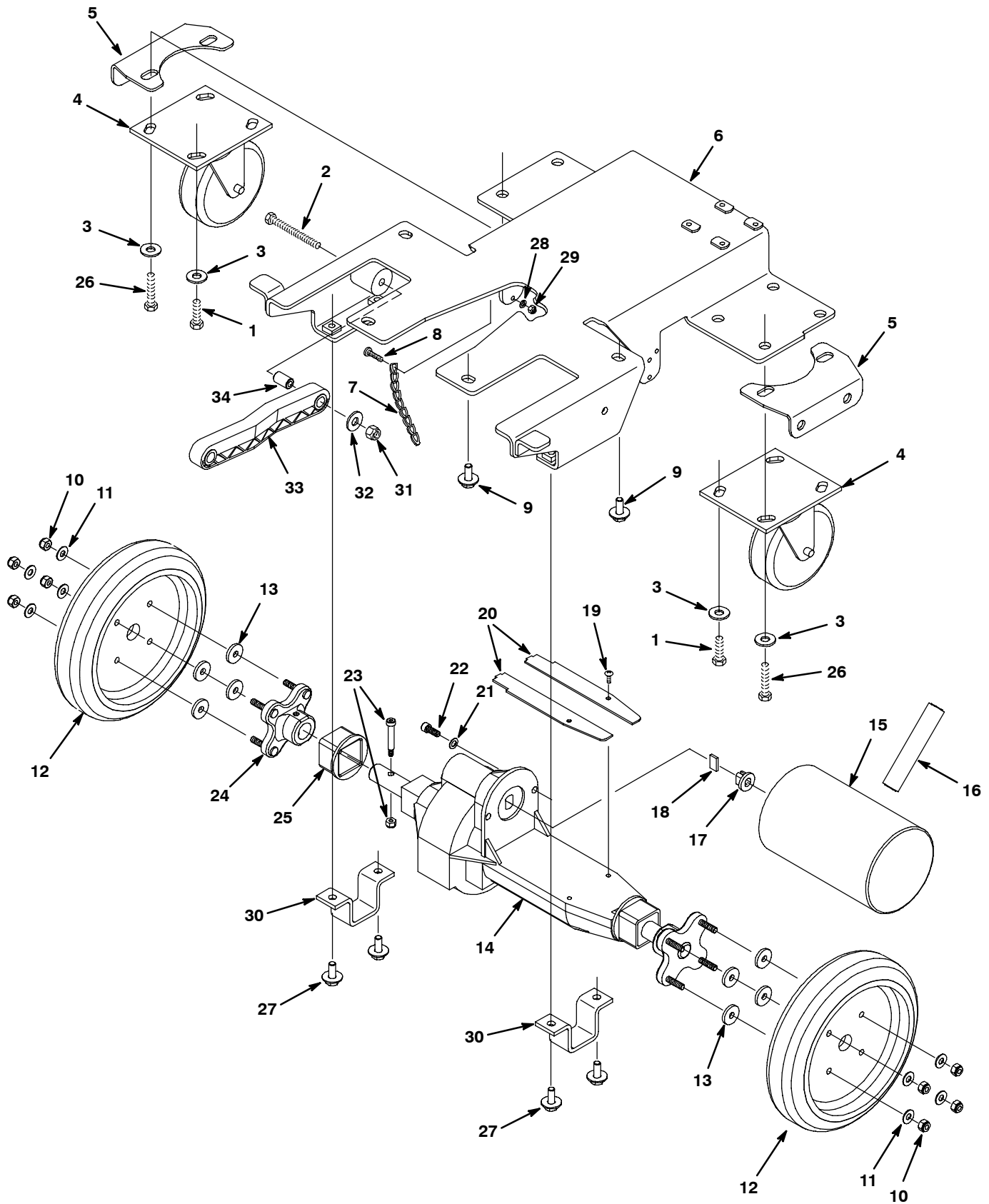
Ref.	Part No.	Serial Number	Description	Qty.
1	1015852	(00000000-) Screw, Hex, M8 X 1.25 X 25, NI, Fl, Ss	4
2	606056	(00000000-) Tube, 0.32id 0.62od 01.0l, Stl, PI	2
3	01685	(00000000-) Washer, Flat, 0.38b 0.88d .08, Ss	8
4	1049048	(00000000-)● Caster, Swivel, 4.0d 1.4w, 4hole [400lb]	2
5	1009805	(00000000-) Bracket, Tie-Down, Caster	2
6	1062687	(10492843-) Frame Wldt, Main [1610]	1
7	1017986	(10314332-) Chain, Static, 143mml	1
8	24265	(00000000-) Screw, Pan, Phl, M4 X 0.70 X 16, Ss	1
9	1020341	(00000000-) Screw, Hex, M8 X 1.25 X 20, Ss, Sems	4
10	41169	(00000000-) Nut, Hex, Lock, .25-20, NI, Ss	8
11	140000	(00000000-) Washer, Flat, 0.28b 0.62d .04, Ss	8
12	1052686	(10492843-)● Tire Assy, Foam, 2.8/2.5-04 2.80bc/4bolt	2
13	140053	(00000000-) Washer, Flat, 0.28b 0.88d .12, Ss	8
▽	1056000	(10440493-)● Transaxle, 24vdc, 116rpm	1
▲	14 612873	(00000000-) Transaxle, Replmt [Body Only]	1
▲▽	15 614165	(00000000-)● Motor Kit, 24vdc, Replmt[1013312 Trnsaxl]	1
▲▲	16 614166	(00000000-)● Brush Kit, Carbon [Qty 4]	1
▲▲	17 612874	(00000000-) Coupling, Transaxle, Replmt	1
▲▲	18 612875	(00000000-) Key, Spcl, Transaxle Replmt	1
▲▲	19 577031000	(00000000-) Screw, Pan, #08-32 X 0.50, Phl, PI	2
▲▲	20 NA	(00000000-) Cover, Shaft	2
▲▲	21 32982	(00000000-) Washer, Lock, Int, 0.25	2
▲▲	22 140868	(00000000-) Screw, Soc, .25-20 X 0.62 [Bo]	2
▲	23 1043275	(00000000-) Bolt Kit, Transaxle [Pick 2screws,2nuts]	1
▲	24 612879	(00000000-) Hub, Wheel, Transaxle Replmt	2
▲	25 612880	(00000000-) Sleeve, Transaxle, Replmt	2
	26 1016399	(00000000-) Screw, Hex, M8 X 1.25 X 30, NI, Ss	4
	27 1020341	(00000000-) Screw, Hex, M8 X 1.25 X 20, Ss, Sems	4
	28 200301014	(10314332-) Washer, Flat, M4.3b X 10.1d X 1, PI	1
	29 02850	(10314332-) Nut, Hex, Lock, M4 X 0.70, NI	1
	30 606001	(00000000-) Bracket, Transaxle, Mtg, Yel PI	2
	31 74440	(10492843-) Screw, Hex, M8 X 1.25 X 40, NI, Ss	2
	32 32491	(00000000-) Washer, Flat, 0.31, Std	2
	33 222027	(00000000-) Arm, Lift, Head [5700]	2
	N/S 130041	(00000000-) Tie, Cable, Nyl, 11.5l .19w	2

▽ ASSEMBLY

▲ INCLUDED IN ASSEMBLY

● RECOMMENDED STOCK ITEMS

WHEEL GROUP (S/N 0000000-10492842)



WHEEL GROUP (S/N 0000000-10492842)

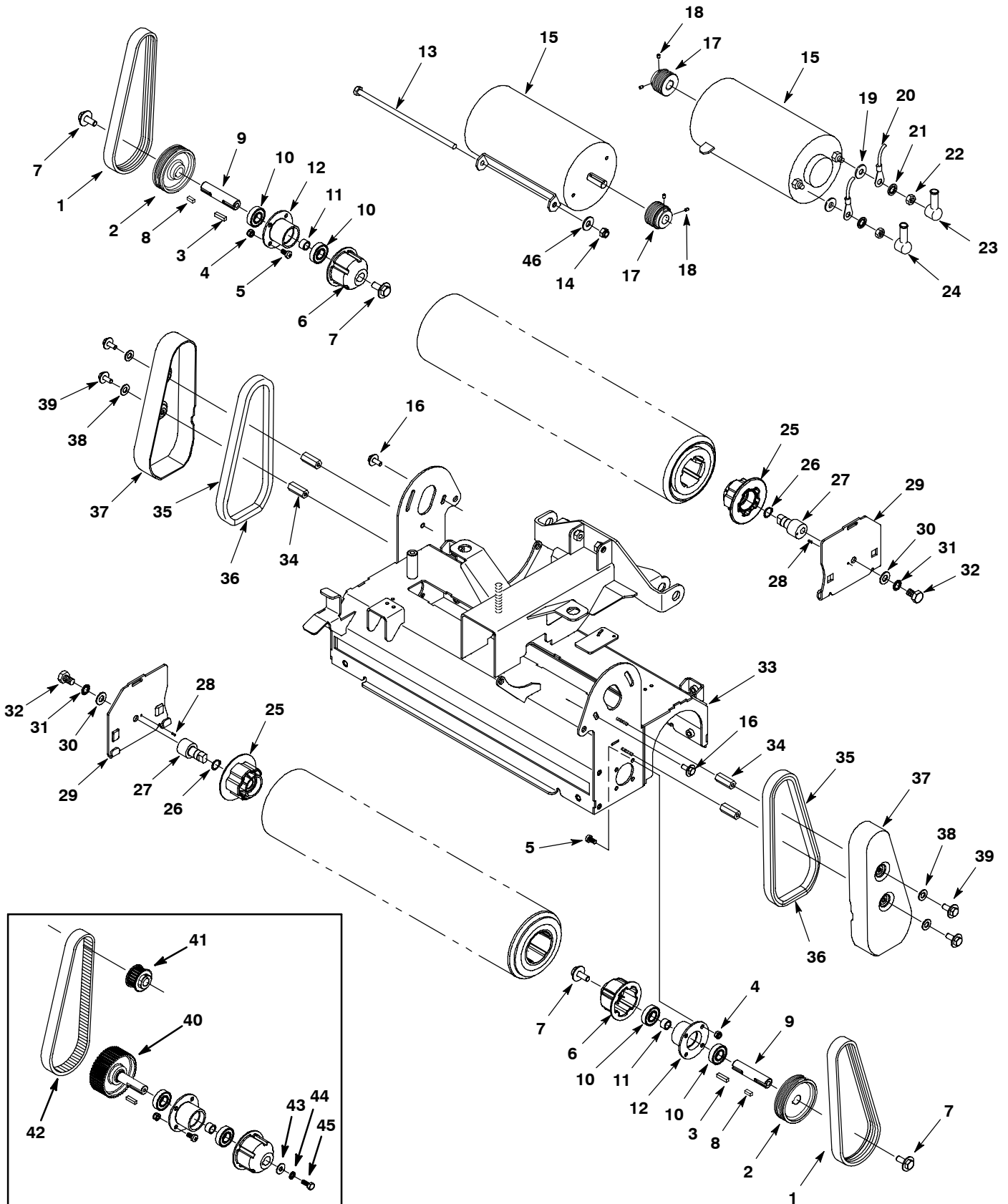
Ref.	Part No.	Serial Number	Description	Qty.	
1	1015852	(00000000-) Screw, Hex, M8 X 1.25 X 25, NI, FI, Ss	4	
2	575544000	(00000000-10492842) Screw, Hex, M8 X 1.25 X 80, PI, FI, 8.8	2	
3	01685	(00000000-) Washer, Flat, 0.38b 0.88d .08, Ss	8	
4	1049048	(00000000-)● Caster, Swivel, 4.0d 1.4w, 4hole [400lb]	2	
5	1009805	(00000000-) Bracket, Tie-Down, Caster	2	
6	1002360	(00000000-10492842) Frame, Transaxle [5400x] (Replaced By 1062687)	1	
7	1017986	(10314332-) Chain, Static, 143mml	1	
8	24265	(00000000-) Screw, Pan, Phl, M4 X 0.70 X 16, Ss	1	
9	1020341	(00000000-) Screw, Hex, M8 X 1.25 X 20, Ss, Sems	4	
10	41169	(00000000-) Nut, Hex, Lock, .25-20, NI, Ss	8	
11	140000	(00000000-) Washer, Flat, 0.28b 0.62d .04, Ss	8	
12	607452	(00000000-10492842)● Wheel, 08.0d 2.00w Tpr	2	
13	140053	(00000000-) Washer, Flat, 0.28b 0.88d .12, Ss	8	
▽	1056000	(10440493-)● Transaxle, 24vdc, 116rpm	1	
▽	1013312	(00000000-10440492)● Transaxle, 24vdc Motor, 116 Rpm (Replaced By 1056000)	1	
▲	14	612873	(00000000-) Transaxle, Replmt [Body Only]	1
▲▽	15	614165	(00000000-)● Motor Kit, 24vdc, Replmt[1013312 Trnsaxl]	1
▲▲	16	614166	(00000000-)● Brush Kit, Carbon [Qty 4]	1
▲▲	17	612874	(00000000-) Coupling, Transaxle, Replmt	1
▲▲	18	612875	(00000000-) Key, Spcl, Transaxle Replmt	1
▲▲	19	577031000	(00000000-) Screw, Pan, #08-32 X 0.50, Phl, PI	2
▲▲	20	NA	(00000000-) Cover, Shaft	2
▲▲	21	32982	(00000000-) Washer, Lock, Int, 0.25	2
▲▲	22	140868	(00000000-) Screw, Soc, .25-20 X 0.62 [Bo]	2
▲	23	1043275	(00000000-) Bolt Kit, Transaxle [Pick 2screws,2nuts]	1
▲	24	612879	(00000000-) Hub, Wheel, Transaxle Replmt	2
▲	25	612880	(00000000-) Sleeve, Transaxle, Replmt	2
	26	1016399	(00000000-) Screw, Hex, M8 X 1.25 X 30, NI, Ss	4
	27	1020341	(00000000-) Screw, Hex, M8 X 1.25 X 20, Ss, Sems	4
	28	200301014	(10314332-) Washer, Flat, M4.3b X 10.1d X 1, PI	1
	29	02850	(10314332-) Nut, Hex, Lock, M4 X 0.70, NI	1
	30	606001	(00000000-) Bracket, Transaxle, Mtg, Yel PI	2
	31	08709	(00000000-10492842) Nut, Hex, Lock, M8 X 1.25, NI	2
	32	32491	(00000000-) Washer, Flat, 0.31, Std	2
	33	222027	(00000000-) Arm, Lift, Head [5700]	2
	34	606056	(00000000-) Tube, 0.32id 0.62od 01.0l, Stl, PI	2
	N/S	130041	(00000000-) Tie, Cable, Nyl, 11.5l .19w	2

▽ ASSEMBLY

▲ INCLUDED IN ASSEMBLY

● RECOMMENDED STOCK ITEMS

SCRUB HEAD GROUP



SCRUB HEAD GROUP

Ref.	Part No.	Serial Number	Description	Qty.	
1	1035888	(10343030-)● Belt, Drive, 6Grv, 508l X 14w, [6Pj]	2	
2	1035173	(10343030-)● Sheave, 06Grv, 2.96pd, 0.59b, Alm [Pj]	2	
3	00911	(00000000-)● Key, Sq, 0.19 X 0.19, 0.75l	2	
4	08712	(00000000-) Nut, Hex, Lock, M6 X 1.00, Ss, NI	8	
5	363503	(00000000-) Screw, Pan, M6 X 1.0 X 12, Ss	8	
6	378805	(00000000-) Plug, Drive, Brush, Mach	2	
7	1020341	(00000000-) Screw, Hex, M8 X 1.25 X 20, Sems, Ss	4	
8	00961	(10343030-)● Key, Sq, 0.19 X 0.19, 0.50l	2	
9	1021050	(10343030-) Shaft, Drive	2	
10	41360	(00000000-)● Bearing, Ball, 0.59b 1.26d 0.35w[2seal]	4	
11	1002077	(00000000-) Tube, 0.59id 0.81od 00.5l	2	
12	1001792	(00000000-) Housing, Brg	2	
13	1019942	(00000000-) Screw, Hex, M8 X 1.25 X 210, 8.8	2	
14	08713	(00000000-) Nut, Hex, Lock, M8 X 1.25, NI, Ss	2	
▽	15	1042232	(10409692-)● Motor, 24vdc 0750rpm 0.70hp 14a	2
▲		1049739	(10409692-)● Brush Kit, Carbon, Motor, Replmt [4pcs]	1
▽	15	1017216	(00000000-10409691)● Motor, 24vdc 0750rpm 0.70hp 14a (Repld By 1042232)	2
▲		190152	(00000000-10409691)● Brush, Carbon [Pk=4]	1
	16	1034731	(00000000-) Screw, Hex, M6 X 1.00 X 16, Sems, Ss	4
	17	1033528	(10343030-)● Sheave, 06Grv, 1.33pd, 0.50b, Alm [Pj]	2
	18	222818	(00000000-) Screw, Set, #08-32 X 0.25, NI	4
	19	140027	(00000000-) Washer, Flat, 0.35b 0.75d .04, Ss	4
	20	606795	(00000000-) Harness, Motor, Cyl Brush	2
	21	43952	(00000000-) Washer, Lock, Int, 0.31, Ss	4
	22	07786	(00000000-) Nut, Hex, Std, M8 X 1.25, Ss	4
	23	608964	(00000000-)● Boot, 90deg .27id 0.64id 1.79l, Blk	2
	24	608963	(00000000-)● Boot, 90deg .27id 0.64id 1.79l, Red	2
▲	25	379202	(00000000-)● Plug, Idler, Brush [Sgl Brg]	2 1
▲	26	01516	(00000000-) Ring, Retaining, Ext, 0.59d, Basic	2 1
▲	27	222177	(00000000-) Shaft, Plug, Idler	2 1
▲	28	222184	(00000000-) Pin, Roll, .094d X 0.25l, .094/.097	2 1
	29	1011197	(00000000-) Door, Rlr	2
	30	32485	(00000000-) Washer, Flat, 0.38, Sae	2
	31	140022	(00000000-) Washer, Int, .38, Ss	2
	32	140276	(00000000-) Screw, Hex, M10 X 1.5 X 16, Ss	2
	33	1017420	(00000000-) Housing Wldt	1
	34	1002078	(00000000-) Spacer, 0.50hex X 1.25l, M6 Thread	4
	35	1008675	(00000000-)● Gasket, Edge, Foam, 24.00l [Fr]	2
	36	630453	(00000000-)● Gasket, 143mm, Fr Console, Panl	2
	37	1012951	(00000000-)● Cover, Belt, Trimmed	2
	38	140000	(00000000-) Washer, Flat, 0.28b 0.62d .04, Ss	4
	39	1034731	(00000000-) Screw, Hex, M6 X 1.00 X 16, Sems, Ss	4
	40	1006713	(00000000-10343029)● Sprocket, Cast, 48tooth, 5pitch	2
	41	375195	(00000000-10343029)● Sprocket, Timing, 22tooth, 0.50b, [Gt/2]	2
	42	377500	(00000000-10343029)● Belt, Synchronous, 05mm 500l[05p,Plychn]	2
	43	01684	(00000000-10343029) Washer, Flat, 0.27b 0.69d .05, Ss	2
	44	07515	(00000000-10343029) Washer, Lock, Int, 0.25, Ss	2
	45	15678	(00000000-10343029) Screw, Hex, M6 X 1.0 X 16, Ss	2
	46	01685	(00000000-) Washer, Flat, 0.38b 0.88d .08, Ss	2
▽		222752	(00000000-) Plug Assembly, Idler brush	2

00954
Motor Key

- ▽ ASSEMBLY
- ▲ INCLUDED IN ASSEMBLY
- RECOMMENDED STOCK ITEMS

SCRUB HEAD GROUP - CONT'D

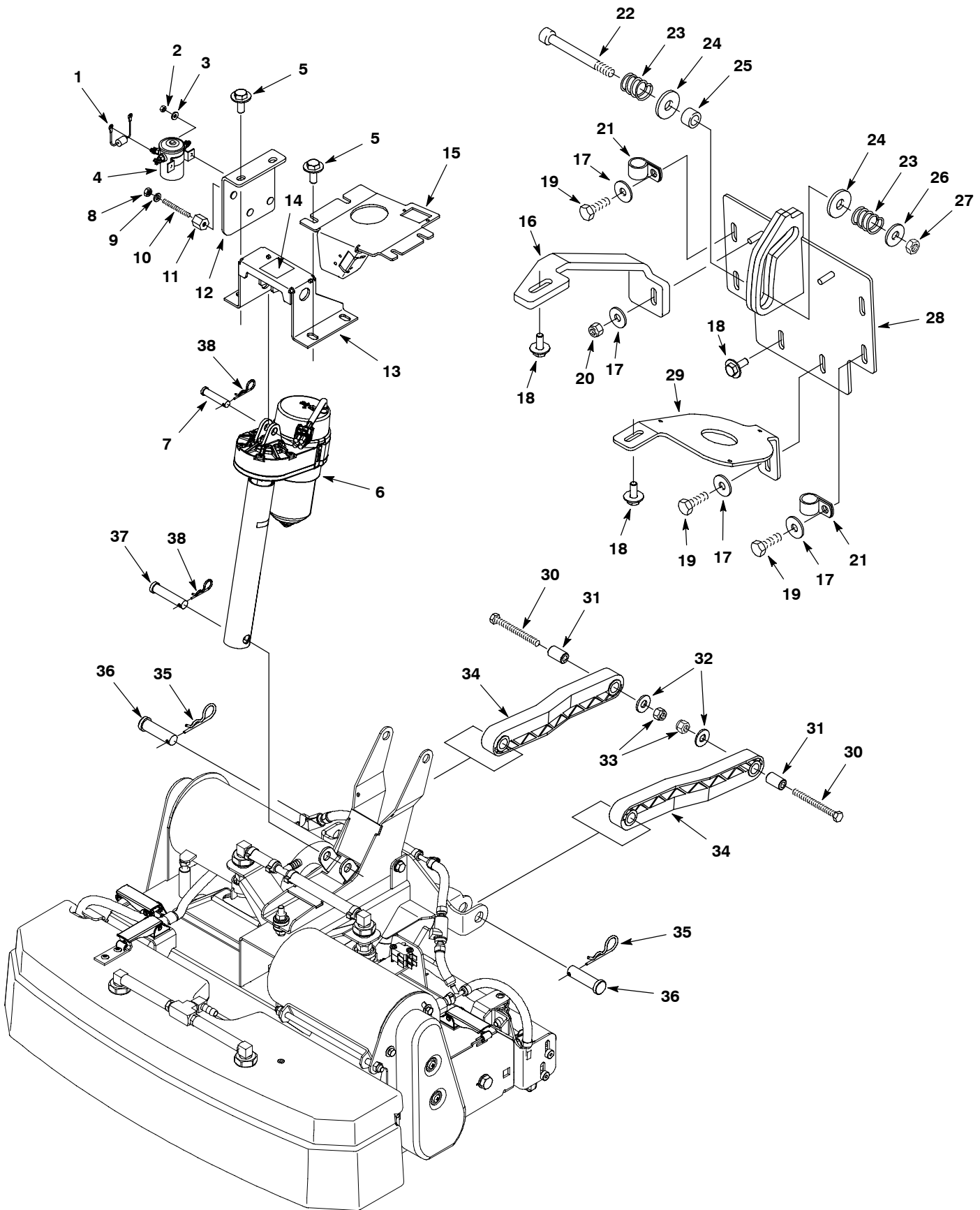
Ref.	Part No.	Serial Number	Description	Qty.
1	78122	(00000000-) Fitting, Brs, Str, Pf04/Pf04, Bh	2
2	150419	(00000000-) Fitting, Brs, E90, Bm06/Pm04 [Taped]	2
3	140301	(00000000-) Clamp, Hose, Ear, 0.62d	5
4	613473	(00000000-) Hose, Pvc, Brd, 0.38id 0.62od 02.5l,Gray	.20ft
5	160310	(00000000-) Fitting, Plstc, Tee, Bm06/Bm06/Bm06	1
6	613495	(10314332-) Hose, Pvc, Brd, 0.38id 0.62od 40.0l,Gray	3.3ft
6	613488	(00000000-10314331) Hose, Pvc, Brd, 0.38id 0.62od 24.0l,Gray	2.0ft
7	613478	(00000000-) Hose, Pvc, Brd, 0.38id 0.62od 07.0l,Gray	.50ft
8	06924	(00000000-) Screw, Pan, M3 X 0.50 X 30, 4.8	2
9	41578	(00000000-) Washer, Flat, #06, Ss	4
10	611005	(00000000-)● Switch, Rlr, 16a, Micro	2
11	579211	(00000000-) Nut, Hex, Lock, M3 X 0.50, Ss	2
12	33932	(00000000-) Nut, Hex, Lock, M4 X 0.70, NI, Ss	6
13	1006086	(00000000-) Latch [Over-Center]	3
14	1017780	(00000000-) Clip, Hanger, Hose, .17d, 2hole	2
15	579237	(00000000-) Screw, Pan, M4 X 0.7 X 12, Phl, Ss	6
16	1017420	(00000000-) Housing Wldt	1
17	1012645	(00000000-)● Shroud, Splash	2
18	575282000	(00000000-)● Fitting, Cap [Q-Jet]	2
19	575283000	(00000000-)● Fitting, Brs, Tip [11002, T-Jet]	2
20	575276000	(00000000-)● Fitting, Gasket [Quick-Jet]	2
21	575281000	(00000000-) Fitting, Spray, Body [Quick-Jet]	2
22	07786	(00000000-) Nut, Hex, Std, M8 X 1.25, Ss	2
23	578717	(00000000-) Screw, Hex, M8 X 1.25 X 50, Ss, Fl	2

▽ ASSEMBLY

▲ INCLUDED IN ASSEMBLY

● RECOMMENDED STOCK ITEMS

SCRUB HEAD LIFT GROUP



SCRUB HEAD LIFT GROUP

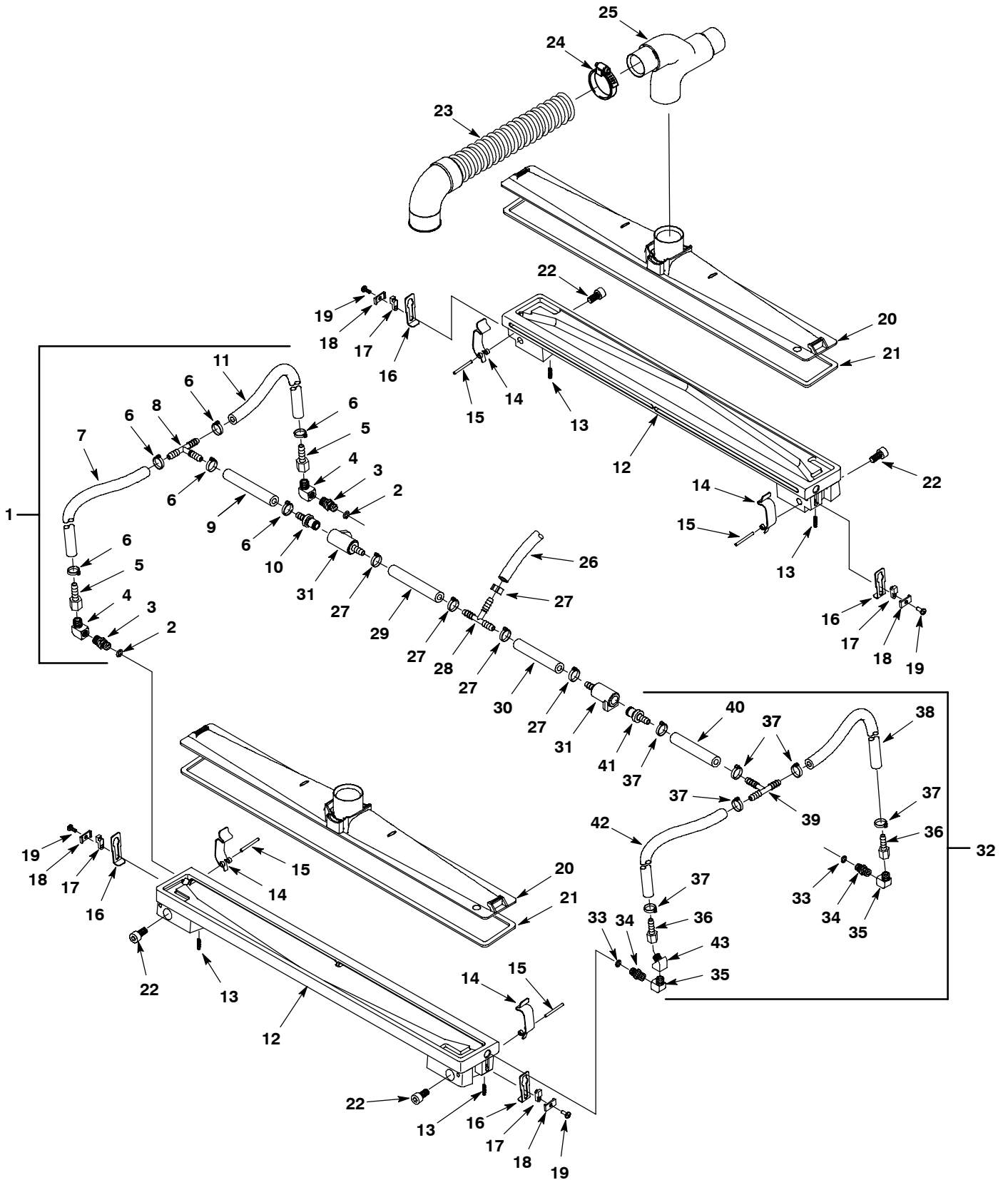
Ref.	Part No.	Serial Number	Description	Qty.
1	606404	(00000000-)● Diode, Assy W/ Ring Terminals	1
2	08708	(00000000-) Nut, Hex, Lock, M6 X 1.00, NI	2
3	32490	(00000000-) Washer, Flat, 0.25, Std	2
4	605905	(00000000-)● Solenoid, 24vdc 125a 050ohm	1
5	1020341	(00000000-) Screw, Hex, M8 X 1.25 X 20, Ss, Sems	4
6	1050454	(00000000-)● Actuator, 24vdc, 02.8strk, 0600lb	1
7	29558	(00000000-) Pin, Clevis, 0.37d X 1.50l	1
8	32520	(00000000-) Nut, Hex, Jam, .25-20	1
9	140016	(00000000-) Washer, Lock, Split, 0.25, Ss	1
10	41702	(00000000-) Rod, Thrd, Full, .25-20 01.5l	1
11	76062	(00000000-)● Stand-Off, Wir, M6, Insulator, Panel	1
12	606523	(00000000-) Bracket, Contactor	1
13	1010154	(00000000-) Bracket, Mtg, Actuator	1
14	606521	(00000000-) Label, Gen Hzrd	1
15	1014611	(00000000-) Bracket, Hose, Vacuum, Soltn Tank	1
16	611049	(00000000-) Bracket, Sppt, Rh	1
17	01685	(00000000-) Washer, Flat, 0.38b 0.88d .08, Ss	4
18	1020341	(00000000-) Screw, Hex, M8 X 1.25 X 20, Ss, Sems	5
19	1015852	(00000000-) Screw, Hex, M8 X 1.25 X 25, NI, FI, Ss	3
20	08709	(00000000-) Nut, Hex, Lock, M8 X 1.25, NI	1
21	140314	(00000000-) Clamp, Cable, Stl, 0.75d X 0.75w, 1hole	2
22	1006263	(00000000-) Bolt, Shld, .50d X 3.25, .38-16, PI	1
23	607920	(00000000-) Spring, Cmpr, 0.70od 1.0wir 01.0l, Mw	2
24	607568	(00000000-) Washer, P/M, 1.500d, 0.500b 0.25l Bnz	2
25	608198	(00000000-) Roller, Linkage, Scb Head	1
26	140046	(00000000-) Washer 1.00x.392x.090 Ss	1
27	59156	(00000000-) Nut, Hex, Lock, .38-16, NI, Ss	1
28	608199	(00000000-) Bracket, Rlr, Head Lift	1
29	1013122	(00000000-) Bracket, Motor, Vacuum [2nd]	1
30	575544000	(00000000-) Screw, Hex, M8 X 1.25 X 80, PI, FI, 8.8	2
31	606056	(00000000-) Tube, 0.32id 0.62od 01.0l, Stl, PI	2
32	32491	(00000000-) Washer, Flat, 0.31, Std	2
33	08709	(00000000-) Nut, Hex, Lock, M8 X 1.25, NI	2
34	222027	(00000000-) Arm, Lift, Head	2
35	02942	(00000000-) Pin, Cotter, Hair, 0.62d .120 Wir	2
36	222210	(00000000-) Pin, Clevis, 0.62d X 2.12l	2
37	630448	(00000000-) Pin, Clevis, 0.50d X 2.25l	1
38	140626	(00000000-) Pin, Cotter, Hair, 0.25d .125 Wir	2

▽ ASSEMBLY

▲ INCLUDED IN ASSEMBLY

● RECOMMENDED STOCK ITEMS

READYSpace VACUUM SHOE AND SOLUTION FLUSH LINE GROUP



READYSACE VACUUM SHOE AND SOLUTION FLUSH LINE GROUP

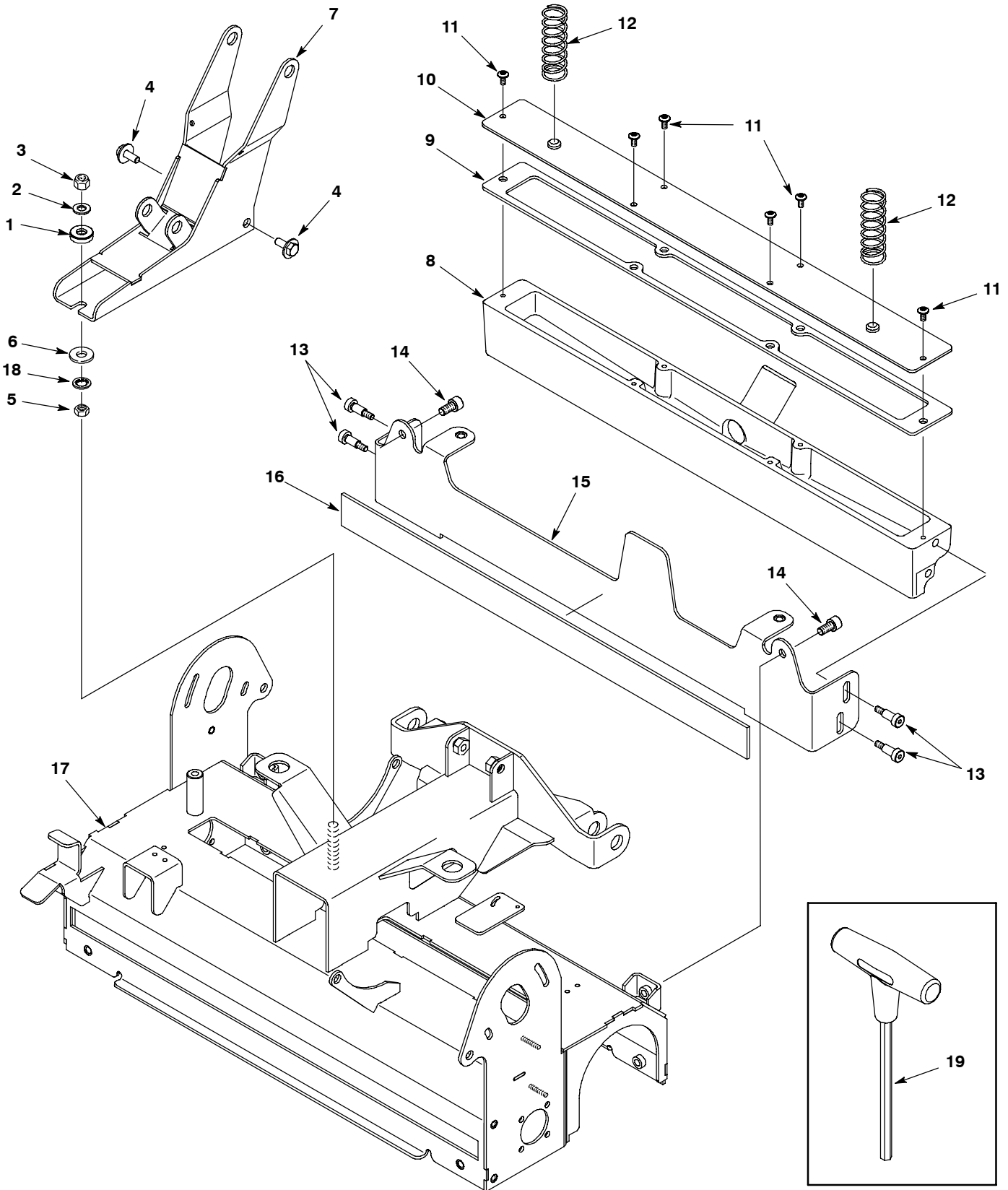
Ref.	Part No.	Serial Number	Description	Qty.
▽	1	1021845	(00000000-)● Hose Assy, Rh [Readyspace Head]	1
▲	2	1017902	(00000000-) Seal, Org, .070 X 00.24id, 75d [Viton]	2
▲	3	1017841	(00000000-) Fitting, Brs, Tip, Spcl [2505 H1/8vv]	2
▲	4	150407	(00000000-) Fitting, Brs, E90, Pf02/Pm02 [Street]	2
▲	5	150520	(00000000-) Fitting, Brs, Str, Bm04/Pf02	2
▲	6	140325	(00000000-)● Clamp, Hose, Ear, 0.50d, Ss	6
▲	7	613428	(00000000-) Hose, Pvc, Brd, 0.25id 0.50od 00.6l,Gray	.50ft
▲	8	150713	(00000000-) Fitting, Plstc, Tee, Bm04/Bm04/Bm04	1
▲	9	613427	(00000000-) Hose, Pvc, Brd, 0.25id 0.50od 03.7l,Gray	.15ft
▲	10	1017317	(00000000-) Fitting, Plstc, Str, Bm04, Cplg, Mal	1
▲	11	606244	(00000000-)● Hose, Pvc, Brd, 0.25id 0.50od 16.0l,Gray	1.3ft
▽		1017375	(00000000-) Tool Assy, Rlr [Readyspace]	2
▲	12	1017371	(00000000-) Tool, Vacuum, Str Rlr [Finish Mach'D]	2
▲	13	1017871	(00000000-) Spring, Cmpr, 0.20od .02wir 00.8l	4
▲	14	1027993	(00000000-) Clip, Cover, Vacuum	4
▲	15	1029957	(00000000-)● Pin, Roll, .133d X 1.38l, Ss	4
▲	16	1017840	(00000000-) Latch, Retaining, Nozzle	4
▲	17	1017855	(00000000-)● Key, Timing, Latch	4
▲	18	1017044	(00000000-)● Retainer, Latch	4
▲	19	49697	(00000000-) Screw, Pan, M4 X 0.7 X 10, Ss	4
▲	20	1013075	(00000000-) Cover Assy, Tool, Vacuum, Rlr	2
▲	21	1013045	(00000000-)● Gasket, 22.05 X 02.36 X .13, Pyu, Adh	2
	22	49609	(00000000-)● Screw, Soc, M8 X 1.25 X 16, 12.9	4
	23	1014171	(00000000-) Hose, Vacuum, 1.50id X 011.8l,1-E90 Cuff	1
	24	11531	(00000000-) Clamp, Hose, Wormdrive, 1.06-2.00d, .56w	1
	25	1017638	(00000000-)● Fitting Assy, Pvc, Y, F/1.50 Hose	1
	26	613437	(10314332-) Hose, Pvc, Brd, 0.25id 0.50od 33.0l,Gray	2.7ft
	26	606359	(00000000-10314331) Hose, Pvc, Brd, 0.25id 0.50od 08.0l,Gray	.67ft
	27	140325	(00000000-) Clamp, Hose, Ear, 0.50d, Ss	5
	28	150713	(00000000-) Fitting, Plstc, Tee, Bm04/Bm04/Bm04	1
	29	613429	(00000000-) Hose, Pvc, Brd, 0.25id 0.50od 10.0l,Gray	.83ft
	30	607707	(00000000-) Hose, Pvc, Brd, 0.25id 0.50od 09.5l,Gray	.54ft
	31	1002898	(00000000-)● Fitting, Plstc, Str, Bm04, Cplg, Fem	2
▽	32	1021844	(00000000-) Hose Assy, Lh [Readyspace Head]	1
▲	33	1017902	(00000000-)● Seal, Org, .070 X 00.24id, 75d [Viton]	2
▲	34	1017841	(00000000-)● Fitting, Brs, Tip, Spcl [2505 H1/8vv]	2
▲	35	150407	(00000000-) Fitting, Brs, E90, Pf02/Pm02 [Street]	2
▲	36	150520	(00000000-) Fitting, Brs, Str, Bm04/Pf02	2
▲	37	140325	(00000000-) Clamp, Hose, Ear, 0.50d, Ss	6
▲	38	607307	(00000000-) Hose, Pvc, Brd, 0.25id 0.50od 12.0l,Gray	.92ft
▲	39	150713	(00000000-) Fitting, Plstc, Tee, Bm04/Bm04/Bm04	1
▲	40	613427	(00000000-) Hose, Pvc, Brd, 0.25id 0.50od 03.7l,Gray	.15ft
▲	41	1017317	(00000000-)● Fitting, Plstc, Str, Bm04, Cplg, Mal	1
▲	42	613427	(00000000-) Hose, Pvc, Brd, 0.25id 0.50od 03.7l,Gray	.15ft
▲	43	150422	(00000000-) Fitting, Brs, E45, Pf02/Pm02, Str	1

▽ ASSEMBLY

▲ INCLUDED IN ASSEMBLY

● RECOMMENDED STOCK ITEMS

EXTRACTION VACUUM SHOE GROUP



EXTRACTION VACUUM SHOE GROUP

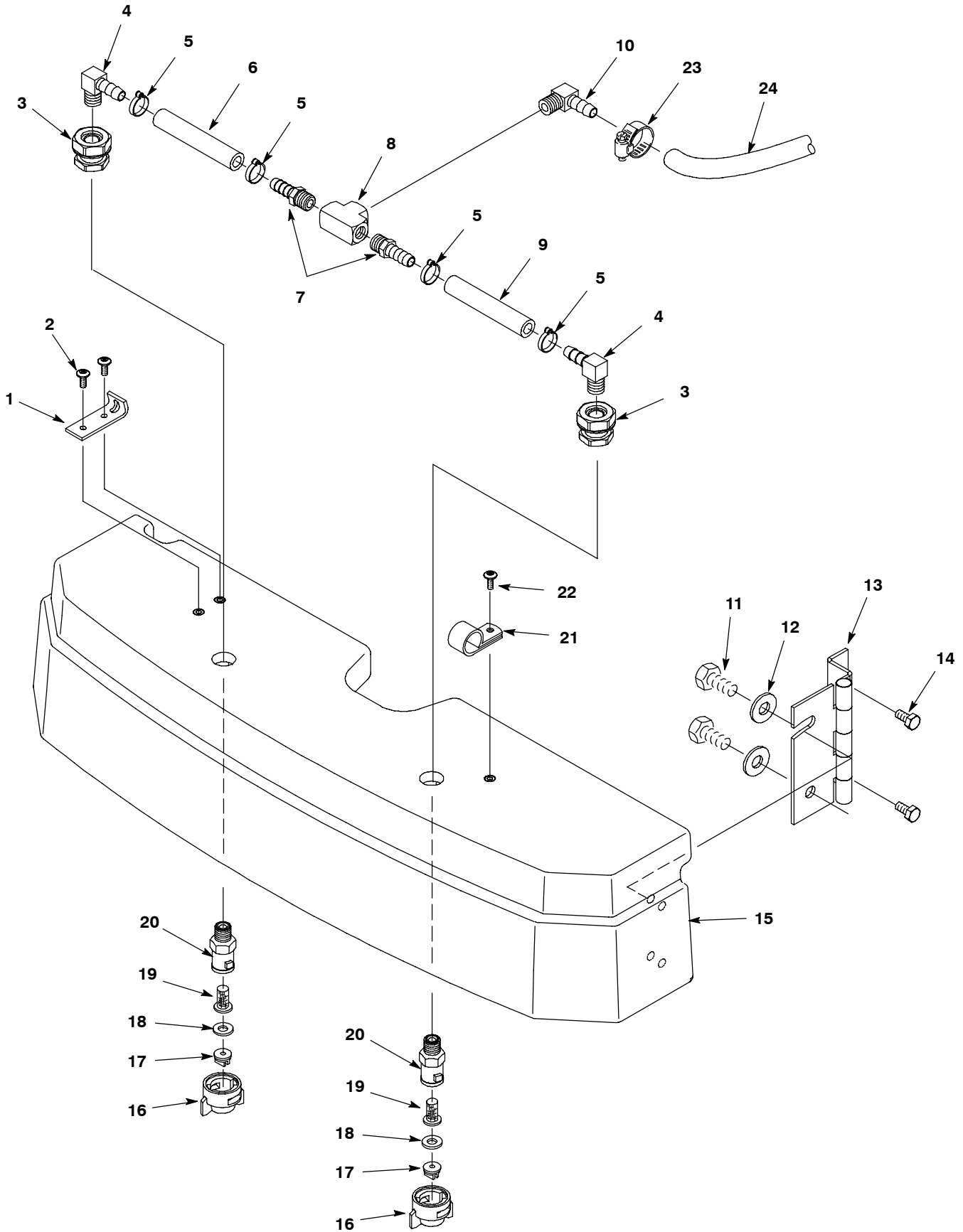
Ref.	Part No.	Serial Number	Description	Qty.
1	1006925	(00000000-) Washer, Spherical, .88od X .41id X .25th	1
2	200651019	(00000000-) Washer, Flat, M8.4b X 17d X 1.6 Ss	1
3	08713	(00000000-) Nut, Hex, Lock, M8 X 1.25, NI, Ss	1
4	1020341	(00000000-) Screw, Hex, M8 X 1.25 X 20, Ss, Sems	2
5	07786	(00000000-) Nut, Hex, Std, M8 X 1.25, Ss	1
6	01685	(00000000-) Washer, Flat, 0.38b 0.88d .08, Ss	1
7	1012711	(00000000-) Bracket, Mtg, Head	1
▽	1016835	(00000000-) Tool Assy, Floor [Extractor, Readyspace]	1
▲	8 1013440	(00000000-) Tool, Pickup, Carpet [Lo-Profile]	1
▲	9 1014090	(00000000-)● Gasket, 23.74 X 01.06 X .12, Pyu, Adh	1
▲	10 1012573	(00000000-) Plate, Cover, Carpet Tool [Lo-Pro Cast]	1
▲	11 604930	(00000000-) Screw, Trs, M5 X 0.80 X 10, Phl, Pl, NI	6
▲	12 1013867	(00000000-) Spring, Cmpr, 1.00od .09wir 03.0l	2
▲	13 1014128	(00000000-)● Bolt, Shld, 08mmd X 016mm, M06 X 1.0, Ss	4
▲	14 49609	(00000000-)● Screw, Soc, M8 X 1.25 X 16, 12.9	2
▲	15 1016725	(00000000-) Bracket, Mtg, Floor Tool [Extractor]	1
▲	16 1017007	(00000000-) Gasket, 22.44 X 01.50 X .13, Neo, Adh	1
	17 1017420	(00000000-) Housing Wldt	1
	18 43952	(00000000-10314331) Washer, Lock, Int, 0.31, Ss	1
	19 1017935	(00000000-)● Handle, Key, Hex [T-Handle]	1

▽ ASSEMBLY

▲ INCLUDED IN ASSEMBLY

● RECOMMENDED STOCK ITEMS

BUMPER GROUP



BUMPER GROUP

Ref.	Part No.	Serial Number	Description	Qty.
▽	1017659	(00000000-) Bumper Assy [Readyspace]	1
▲	1	1017470	(00000000-)● Bracket, Keeper, Latch, 2 Hole, Yel Pl	1
▲	2	609062	(00000000-) Screw, Trs, M5 X 0.80 X 12, Phl, Ss	2
▲	3	78122	(00000000-) Fitting, Brs, Str, Pf04/Pf04, Bh	2
▲	4	150419	(00000000-) Fitting, Brs, E90, Bm06/Pm04 [Taped]	2
▲	5	140301	(00000000-) Clamp, Hose, Ear, 0.62d	4
▲	6	607415	(00000000-) Hose, Pvc, Brd, 0.38id 0.62od 04.0l,Gray	.31ft
▲	7	150516	(00000000-) Fitting, Brs, Str, Bm06/Pm05	2
▲	8	150706	(00000000-) Fitting, Brs, Tee, Pf04/Pf04/Pf04	1
▲	9	607415	(00000000-) Hose, Pvc, Brd, 0.38id 0.62od 04.0l,Gray	.31ft
▲	10	150419	(00000000-) Fitting, Brs, E90, Bm06/Pm04 [Taped]	1
▲	11	15675	(00000000-) Screw, Hex, M8 X 1.25 X 16, Ss	2
▲	12	01685	(00000000-) Washer, Flat, 0.38b 0.88d .08, Ss	2
▲	13	1016999	(00000000-)● Hinge, 6mm Pin 2.5 73.5mmw 100mml, Bent	1
▲	14	09744	(00000000-) Screw, Hex, M6 X 1.0 X 12, Ss	2
▲	15	1028870	(00000000-) Bumper, Bar, Spray, Rm-Bk [Mdpe]	1
▲	16	1022715	(00000000-)● Cap, White [Quick-Jet]	2
▲	17	1013917	(00000000-)● Fitting, Brs, Tip [11005e]	2
▲	18	575276000	(00000000-)● Fitting, Gasket [Quick-Jet]	2
▲	19	575603	(00000000-)● Filter, Screen, 024 Mesh, Check Valve	2
▲	20	575281000	(00000000-) Fitting, Spray, Body [Quick-Jet]	2
	21	606727	(00000000-) Clamp, Cable, Stl, 0.62d X 0.38w, 1hole	1
	22	609062	(00000000-) Screw, Trs, M5 X 0.80 X 12, Phl, Ss	1
	23	54333	(00000000-) Clamp, Hose, Wormdrive, 0.31-0.88d, .31w	1
	24	613503	(10314332-) Hose, Pvc, Brd, 0.38id 0.62od 75.0l,Gray	6.0ft
	24	613502	(00000000-10314331) Hose, Pvc, Brd, 0.38id 0.62od 61.9l,Gray	5.1ft

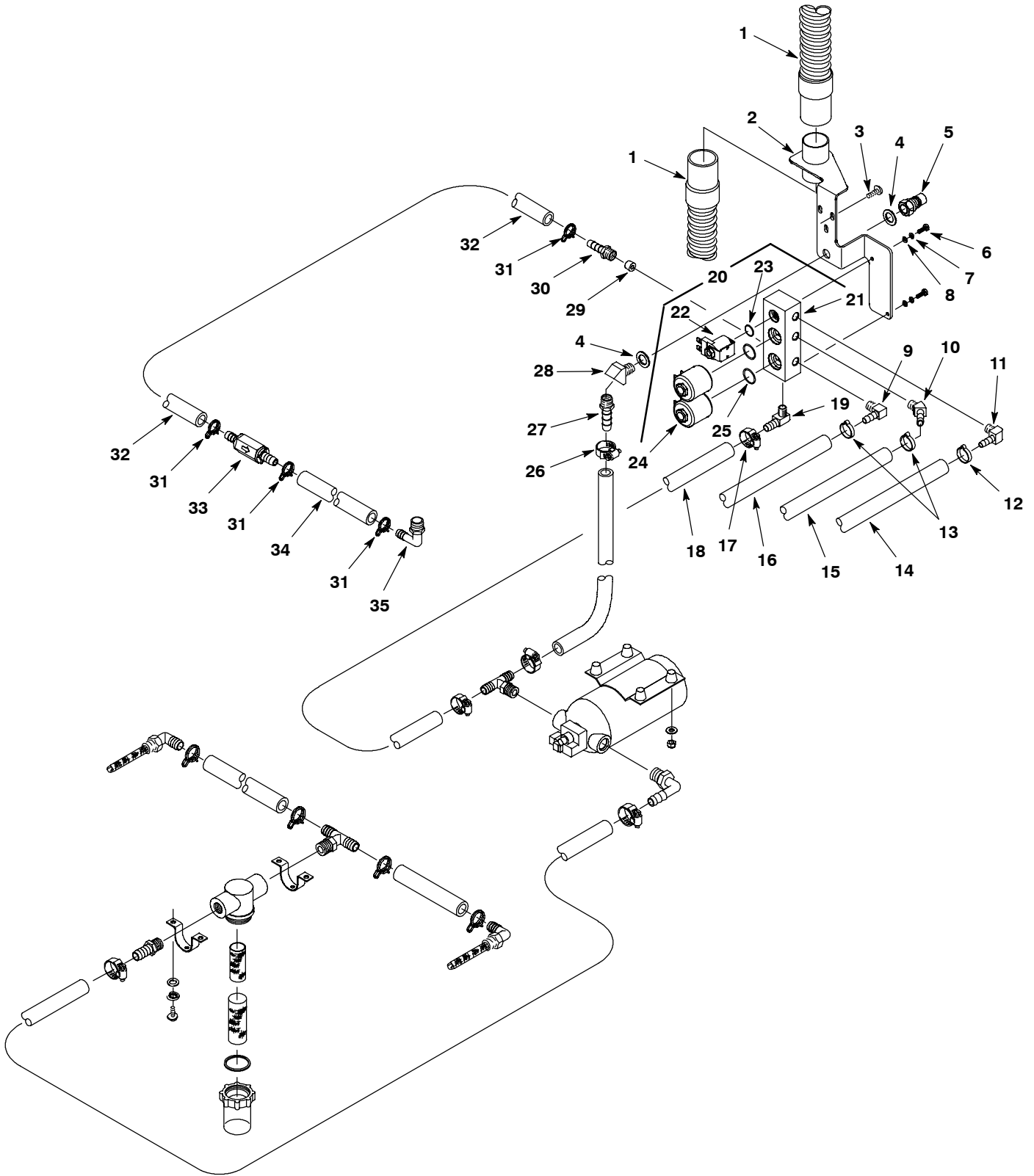
▽ ASSEMBLY

▲ INCLUDED IN ASSEMBLY

● RECOMMENDED STOCK ITEMS

SOLUTION GROUP (S/N 10314332-

)



SOLUTION GROUP (S/N 10314332-)

Ref.	Part No.	Serial Number	Description	Qty.
1	613759	(00000000-) Hose, Vacuum, 1.50id X 034.0l, 2cuff,Clr	2
2	1030215	(10314332-) Bracket, Hose, Vac, Manifold	1
3	1019349	(00000000-) Screw, Trs, M6 X 1.00 X 16, Ss, Sems	3
4	140008	(00000000-) Washer, Flat, 0.57b 1.28d .08, Ss	2
5	150933	(00000000-) Fitting, Brs, Qdc, Pm04 [Ser60]	1
6	578201000	(10314332-) Screw, Pan, #10-32 X 0.50, Phl, Pl	2
7	1026457	(10314332-) Washer, Lock, Split, M5, Ss	2
8	140011	(10314332-) Washer, Flat, 0.21b 0.45d .03, Ss	2
9	150419	(00000000-) Fitting, Brs, E90, Bm06/Pm04 [Taped]	1
10	605394	(10314332-) Fitting, Brs, E45, Bm06/Pm04 [Taped]	1
11	150418	(10314332-) Fitting, Brs, E90, Bm04/Pm04	1
12	140325	(10314332-) Clamp, Hose, Ear, 0.50d, Ss	1
13	140301	(00000000-) Clamp, Hose, Ear, 0.62d	2
14	613437	(10314332-) Hose, Pvc, Brd, 0.25id 0.50od 33.0l,Gray	2.7ft
15	613503	(10314332-) Hose, Pvc, Brd, 0.38id 0.62od 75.0l,Gray	6.0ft
16	613495	(10314332-) Hose, Pvc, Brd, 0.38id 0.62od 40.0l,Gray	3.4ft
17	54333	(00000000-) Clamp, Hose, Wormdrive, 0.31-0.88d, .31w	1
18	606887	(10314332-) Hose, Rbr, Dbl, 0.50id 0.75od 020.5l, Red	1.5ft
19	1010836	(10314332-) Fitting, Brs, E90, Bm08/Pm04	1
▽	20	1023693	(10314332-)● Valve, Solenoid 24vdc, 3 Station	1
▲	21	1034116	(10314332-)● Vr, Block, Manifold	1
▲▽	22	1034114	(10314332-)● Vr, Valve, Solenoid, 24vdc [Series 3]	1
▲▲	23	1034115	(10314332-)● Vr, Seal, Org, Solenoid [Series 3]	1
▲▽	24	1034112	(10314332-)● Vr, Valve, Solenoid Series 6, 24v	2
▲▲	25	1034113	(10314332-)● Vr, Seal, Org, Solenoid [Series 6]	2
26	63810	(00000000-) Clamp, Hose, Wormdrive, 0.56- 1.06d, .56w	1
27	150517	(00000000-) Fitting, Brs, Str, Bm08/Pm04 [Taped]	1
28	150403	(00000000-) Fitting, Brs, E45, Pf04/Pm04 [Taped]	1
29	1013823	(00000000-) Plug, Pipe, Ss 1/8npt W/ Hole	1
30	150016	(00000000-) Fitting, Brs, Str, Bm06/Pf02, Spcl	1
31	607775	(00000000-) Clamp, Hose, Wir, .63 - .66, Blk	4
32	613444	(10314332-) Hose, Pyu, Clr, 0.38id 0.62od 020.0l	1.7ft
33	210044	(00000000-)● Valve, Check, 0001psi Bm06/Bm06	1
34	606885	(10314332-) Hose, Pyu, Clr, 0.38id 0.62od 007.5l	.42ft
35	150412	(00000000-) Fitting, Plstc, E90, Bm06/Pm06	1

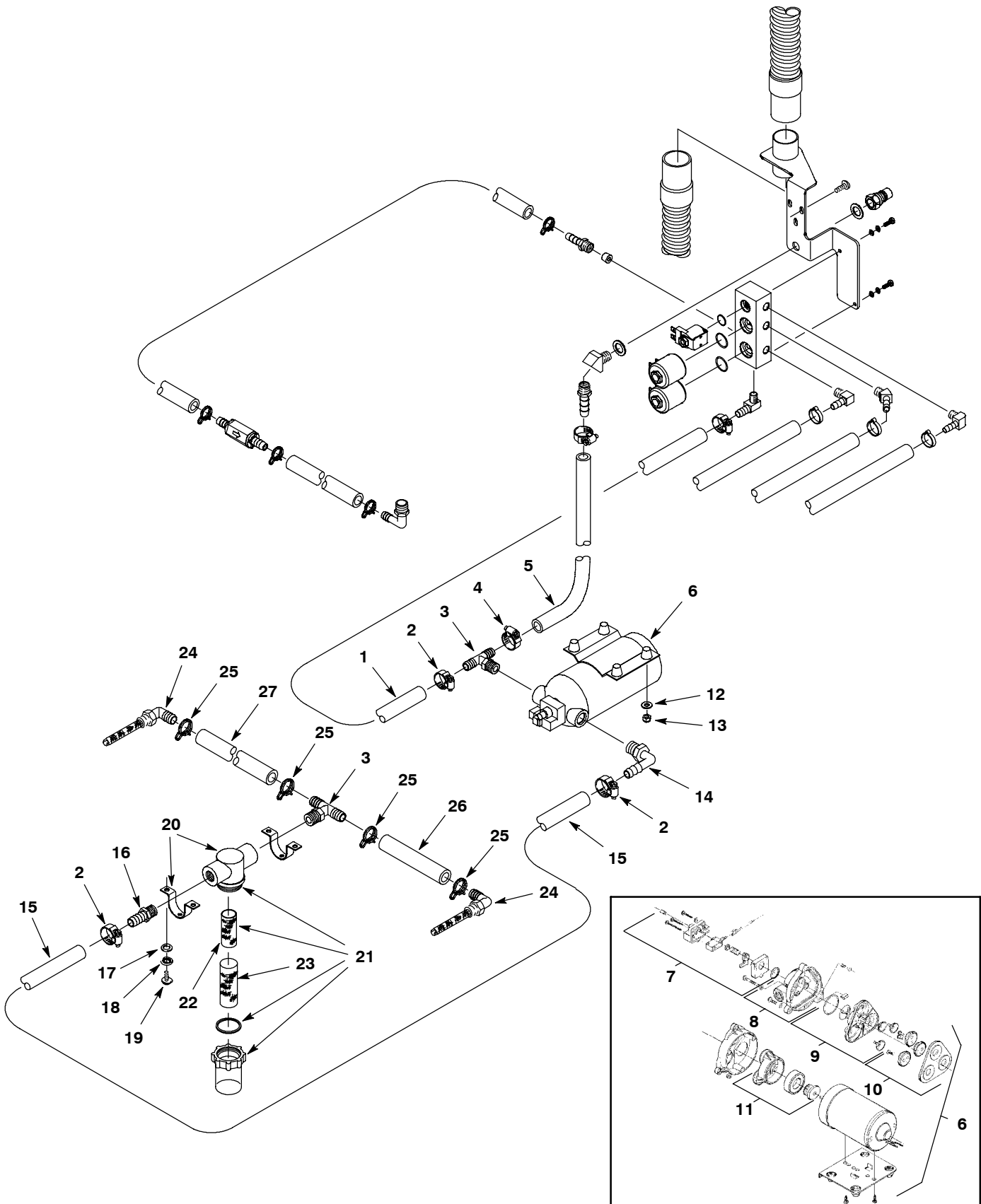
▽ ASSEMBLY

▲ INCLUDED IN ASSEMBLY

● RECOMMENDED STOCK ITEMS

SOLUTION GROUP - CONT'D (S/N 10314332-

)



SOLUTION GROUP - CONT'D (S/N 10314332-)

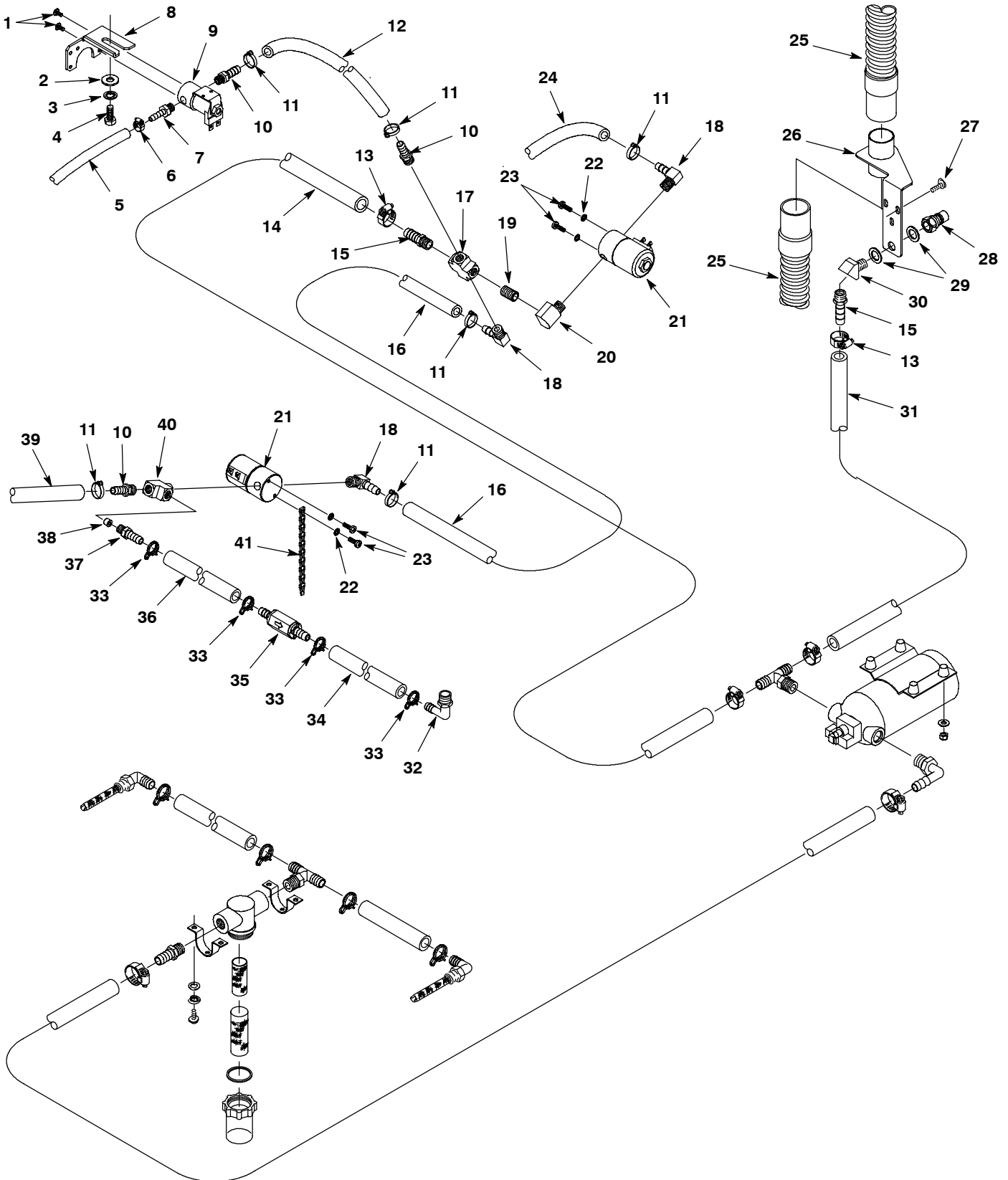
Ref.	Part No.	Serial Number	Description	Qty.
1	606887	(10314332-) Hose, Rbr, Dbl, 0.50id 0.75od 020.5l, Red	1.5ft
2	54333	(10314332-) Clamp, Hose, Wormdrive, 0.31-0.88d, .31w	3
3	605046	(00000000-) Fitting, Plstc, Tee, Bm08/Bm08/Pm06, Run	2
4	63810	(00000000-) Clamp, Hose, Wormdrive, 0.56-1.06d, .56w	1
5	613961	(00000000-) Hose, Rbr, Dbl, 0.50id 0.75od 11.0l, Red	.85ft
▽	6	603031	(00000000-) ● Pump, Soltn, Ele, 24vdc, 100psi	1
▲	7	190129	(00000000-) ● Switch, Press, Soltn Pump	1
▲	7	190172	(00000000-) ● Switch Kit, 80-100psi [Viton]	1
▲	7	190134	(00000000-) ● Diaphragm, Switch [Shurflo]	1
▲	8	190128	(00000000-) ● Housing Kit, Upper	1
▲	8	190124	(00000000-) ● Valve Kit, Check, Replmt	1
▲	9	190171	(00000000-) ● Valve Kit [Viton]	1
▲	10	190131	(00000000-) ● Service Kit [Shurflo]	1
▲	11	190130	(00000000-) ● Housing Kit, Lower [94-385-03]	1
	12	19066	(00000000-) Washer, Flat, #10	2
	13	140552	(00000000-) Nut, Hex, Lock, #10-24, Nl, Ss	2
	14	1017532	(00000000-) Fitting, Plstc, E90, Bm08/Pm06	1
	15	608176	(00000000-) Hose, Pvc, Wir, 0.50id 0.75od 015.0l,Clr	.96ft
	16	14884	(00000000-) Fitting, Brs, Str, Bm08/Pm06 [Taped]	1
	17	140011	(00000000-) Washer, Flat, 0.21b 0.45d .03, Ss	4
	18	1026457	(00000000-) Washer, Lock, Split, M5, Ss	4
	19	09200	(00000000-) Screw, Pan, Phl, M5 X 0.80 X 12, Ss	4
	20	605056	(00000000-) Bracket, Mtg, Fltr	2
▽	21	1007428	(00000000-) ● Filter, Screen, 080 Mesh, Ss Bowl, Pf06	1
▲	22	180632	(00000000-) ● Filter, Screen, In-Line Strainer	1
	23	180638	(00000000-) ● Filter, Screen, 125 Mesh, Sleeve, Nyl	1
	24	1006924	(00000000-) ● Filter, Soltn, W/ E90 Ftg	2
	25	607776	(00000000-) Clamp, Hose, Wir, .73 - .77, Silver	4
	26	613514	(00000000-) Hose, Pvc, Clr, 0.50id 0.75od 004.1l	.29ft
	27	613519	(00000000-) Hose, Pvc, Clr, 0.50id 0.75od 008.5l	.71ft

▽ ASSEMBLY

▲ INCLUDED IN ASSEMBLY

● RECOMMENDED STOCK ITEMS

SOLUTION GROUP (S/N 0000000-10314331)



SOLUTION GROUP (S/N 0000000-10314331)

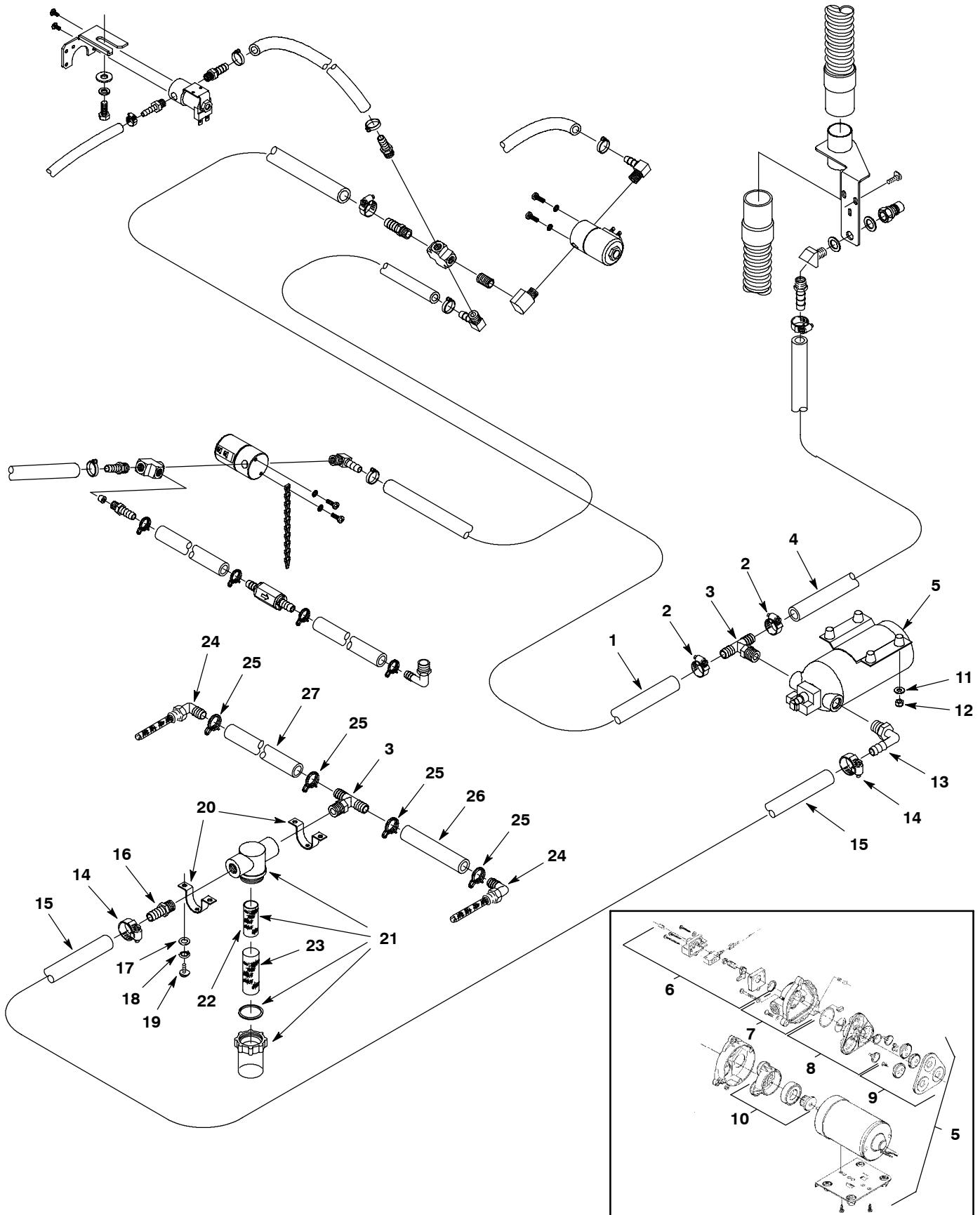
Ref.	Part No.	Serial Number	Description	Qty.
1	140801	(00000000-10314331)	Screw, Trs, #08-32 X 0.38, Phl, Ss	2
2	32491	(00000000-10314331)	Washer, Flat, 0.31, Std	1
3	43952	(00000000-10314331)	Washer, Lock, Int, 0.31, Ss	1
4	16931	(00000000-10314331)	Screw, Hex, M8 X 1.25 X 20, 8.8	1
5	606359	(00000000-10314331)	Hose, Pvc, Brd, 0.25id 0.50od 08.0l, Gray	.67ft
6	140325	(00000000-10314331)	Clamp, Hose, Ear, 0.50d, Ss	1
7	150515	(00000000-10314331)	Fitting, Brs, Str, Bm04/Pm04 [Taped]	1
8	606104	(00000000-10314331)	Bracket, Pump, Wand	1
9	607473	(00000000-10314331)	● Solenoid, Water, 24vdc [180mopsi]	1
10	150516	(00000000-10314331)	Fitting, Brs, Str, Bm06/Pm05	3
11	140301	(00000000-)	Clamp, Hose, Ear, 0.62d	6
12	613479	(00000000-10314331)	Hose, Pvc, Brd, 0.38id 0.62od 08.0l, Gray	.63ft
13	63810	(00000000-)	Clamp, Hose, Wormdrive, 0.56-1.06d, .56w	4
14	613961	(00000000-10314331)	Hose, Rbr, Dbl, 0.50id 0.75od 11.0l, Red	.67ft
15	150517	(00000000-10314331)	Fitting, Brs, Str, Bm08/Pm04 [Taped]	2
16	613479	(00000000-10314331)	Hose, Pvc, Brd, 0.38id 0.62od 08.0l, Gray	.59ft
17	150700	(00000000-10314331)	Fitting, Brs, Cross, Pf04/Pf04/Pf04/Pf04	1
18	150419	(00000000-10314331)	Fitting, Brs, E90, Bm06/Pm04 [Taped]	3
19	150615	(00000000-10314331)	Fitting, Brs, Str, Pm04, Close, T	1
20	27048	(00000000-10314331)	Fitting, Brs, E90, Pf04/Pm04	1
21	1017436	(00000000-10314331)	● Valve, Water, Solenoid, 24vdc 0150psi	2
22	07514	(00000000-10314331)	Washer, Lock, Int, #10, Ss	4
23	140841	(00000000-10314331)	Screw, Pan, #10-32 X 0.62, Phl, Ss	4
24	613502	(00000000-10314331)	Hose, Pvc, Brd, 0.38id 0.62od 61.9l, Gray	5.1ft
25	613759	(00000000-)	Hose, Vacuum, 1.50id X 034.0l, 2cuff, Clr	2
26	1001611	(00000000-10314331)	Bracket, Hose, Vacuum	1
27	1019349	(00000000-)	Screw, Trs, M6 X 1.00 X 16, Ss, Sems	3
28	150933	(00000000-)	Fitting, Brs, Qdc, Pm04 [Ser60]	1
29	140008	(00000000-)	Washer, Flat, 0.57b 1.28d .08, Ss	2
30	150403	(00000000-)	Fitting, Brs, E45, Pf04/Pm04 [Taped]	1
31	613961	(00000000-)	Hose, Rbr, Dbl, 0.50id 0.75od 11.0l, Red	.85ft
32	150412	(00000000-)	Fitting, Plstc, E90, Bm06/Pm06	1
33	607775	(00000000-)	Clamp, Hose, Wir, .63 - .66, Blk	4
34	606885	(00000000-)	Hose, Pyu, Clr, 0.38id 0.62od 007.5l	.63ft
35	210044	(00000000-)	● Valve, Check, 0001psi Bm06/Bm06	1
36	606885	(00000000-)	Hose, Pyu, Clr, 0.38id 0.62od 007.5l	.63ft
37	150016	(00000000-)	Fitting, Brs, Str, Bm06/Pf02, Spcl	1
38	1013823	(00000000-)	Plug, Pipe, Ss 1/8npt W/ Hole	1
39	613488	(00000000-10314331)	Hose, Pvc, Brd, 0.38id 0.62od 24.0l, Gray	2.0ft
40	150709	(00000000-10314331)	Fitting, Brs, Tee, Pm04/Pf04/Pf04, Run	1
41	1017986	(00000000-10314331)	Chain, Static, 143mml	1

▽ ASSEMBLY

▲ INCLUDED IN ASSEMBLY

● RECOMMENDED STOCK ITEMS

SOLUTION GROUP - CONT'D (S/N 0000000-10314331)



SOLUTION GROUP - CONT'D (S/N 00000000-10314331)

Ref.	Part No.	Serial Number	Description	Qty.	
1	613961	(00000000-10314331)	● Hose, Rbr, Dbl, 0.50id 0.75od 11.0l, Red	.67ft	
2	63810	(00000000-)) Clamp, Hose, Wormdrive, 0.56-1.06d, .56w	4	
3	605046	(00000000-)) Fitting, Plstc, Tee, Bm08/Bm08/Pm06, Run	2	
4	613961	(00000000-)) Hose, Rbr, Dbl, 0.50id 0.75od 11.0l, Red	.85ft	
▽	5	603031	(00000000-)	● Pump, Soltn, Ele, 24vdc, 100psi	1
▲	6	190129	(00000000-)	● Switch, Press, Soltn Pump	1
▲	6	190172	(00000000-)	● Switch Kit, 80-100psi [Viton]	1
▲	6	190134	(00000000-)	● Diaphragm, Switch [Shurflo]	1
▲	7	190128	(00000000-)	● Housing Kit, Upper	1
▲	7	190124	(00000000-)	● Valve Kit, Check, Replmt	1
▲	8	190171	(00000000-)	● Valve Kit [Viton]	1
▲	9	190131	(00000000-)	● Service Kit [Shurflo]	1
▲	10	190130	(00000000-)	● Housing Kit, Lower [94-385-03]	1
	11	19066	(00000000-)) Washer, Flat, #10	2
	12	140552	(00000000-)) Nut, Hex, Lock, #10-24, Nl, Ss	2
	13	1017532	(00000000-)) Fitting, Plstc, E90, Bm08/Pm06	1
	14	54333	(00000000-)) Clamp, Hose, Wormdrive, 0.31-0.88d, .31w	2
	15	608176	(00000000-)) Hose, Pvc, Wir, 0.50id 0.75od 015.0l,Clr	.96ft
	16	14884	(00000000-)) Fitting, Brs, Str, Bm08/Pm06 [Taped]	1
	17	140011	(00000000-)) Washer, Flat, 0.21b 0.45d .03, Ss	4
	18	1026457	(00000000-)) Washer, Lock, Split, M5, Ss	4
	19	09200	(00000000-)) Screw, Pan, Phl, M5 X 0.80 X 12, Ss	4
	20	605056	(00000000-)) Bracket, Mtg, Fltr	2
▽	21	1007428	(00000000-)	● Filter, Screen, 080 Mesh, Ss Bowl, Pf06	1
▲	22	180632	(00000000-)	● Filter, Screen, In-Line Strainer	1
	23	180638	(00000000-)	● Filter, Screen, 125 Mesh, Sleeve, Nyl	1
	24	1006924	(00000000-)	● Filter, Soltn, W/ E90 Ftg	2
	25	607776	(00000000-)) Clamp, Hose, Wir, .73 - .77, Silver	4
	26	613514	(00000000-)) Hose, Pvc, Clr, 0.50id 0.75od 004.1l	.29ft
	27	613519	(00000000-)) Hose, Pvc, Clr, 0.50id 0.75od 008.5l	.71ft

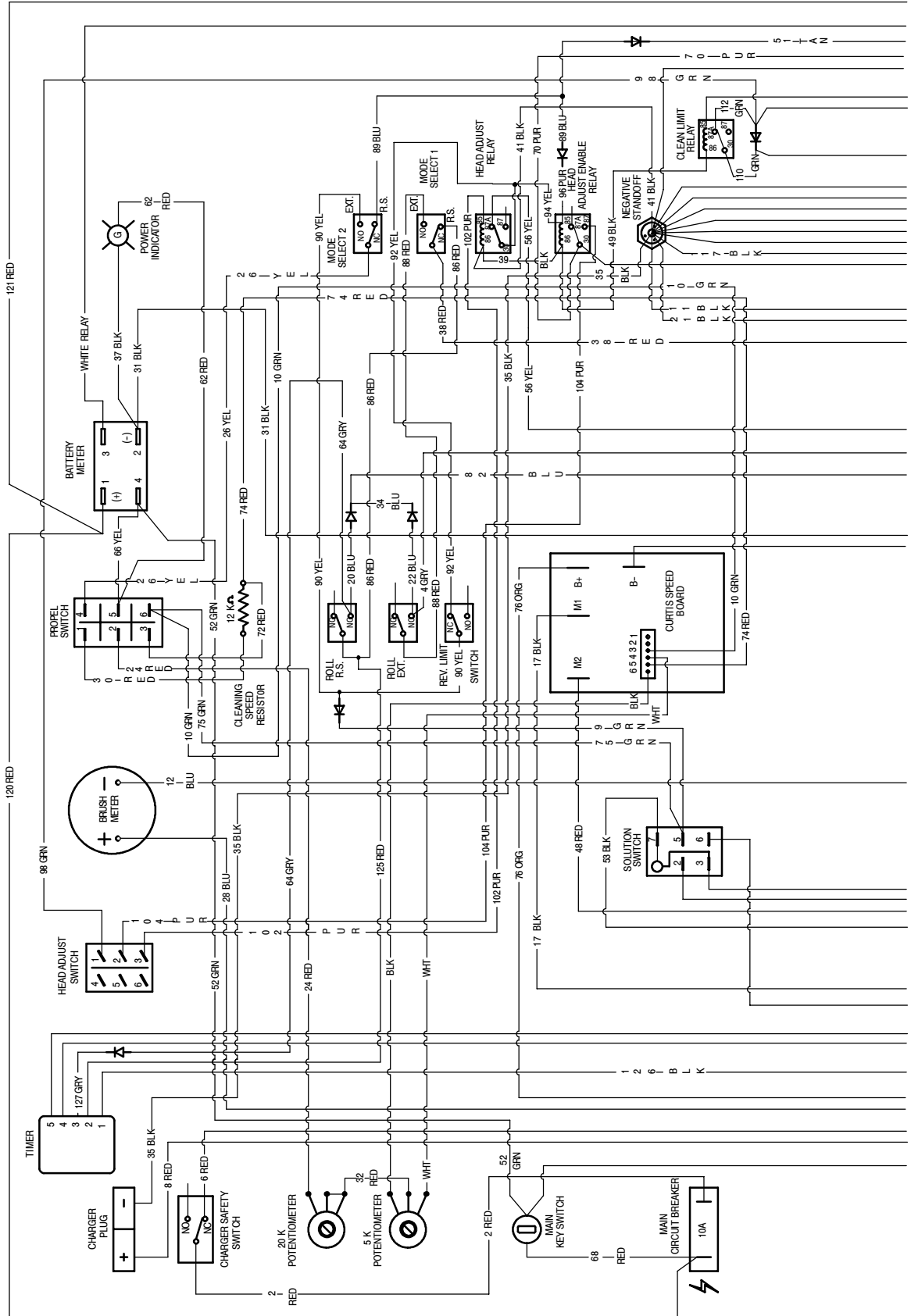
▽ ASSEMBLY

▲ INCLUDED IN ASSEMBLY

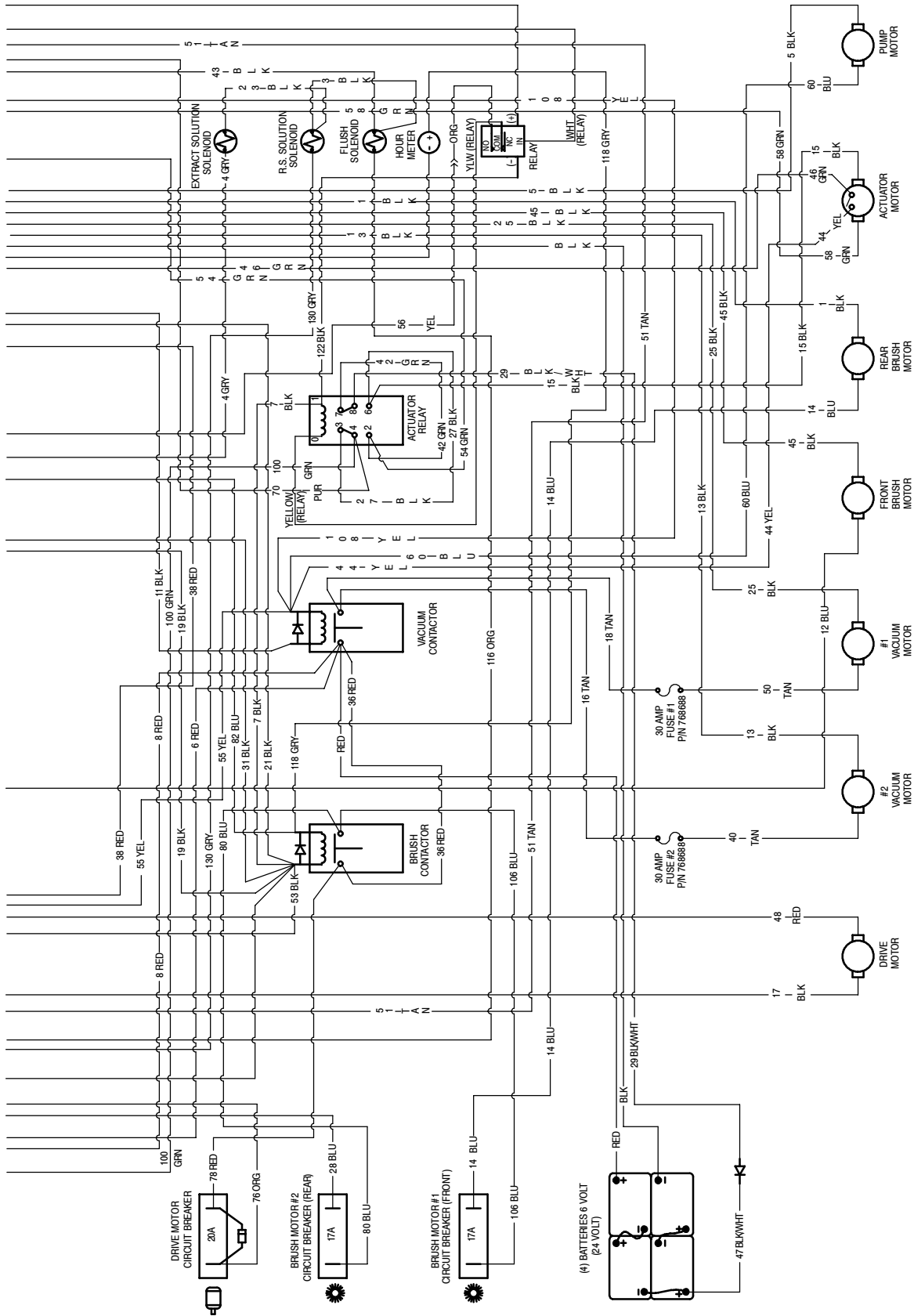
● RECOMMENDED STOCK ITEMS

ELECTRICAL DIAGRAM

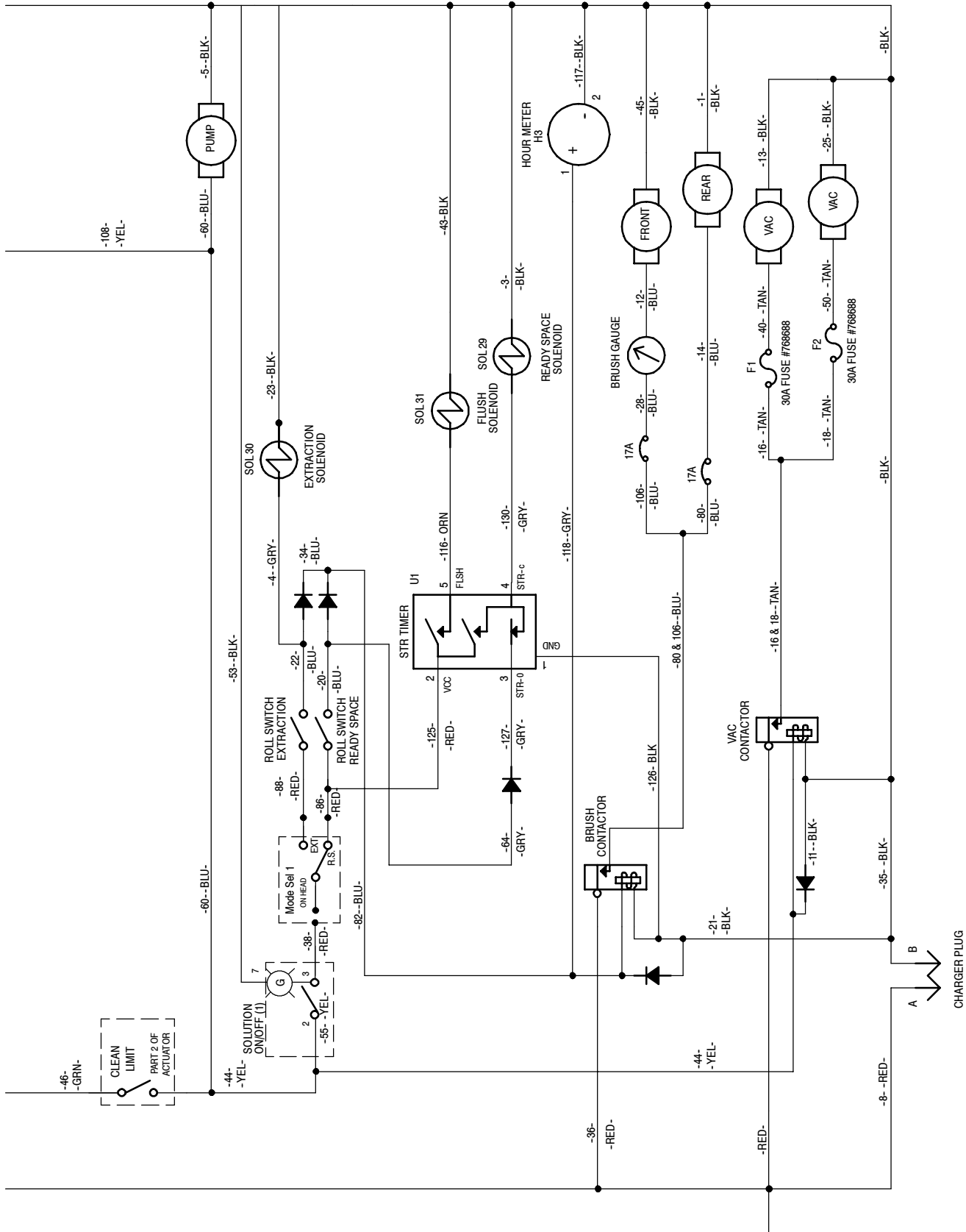
WIRING DIAGRAM



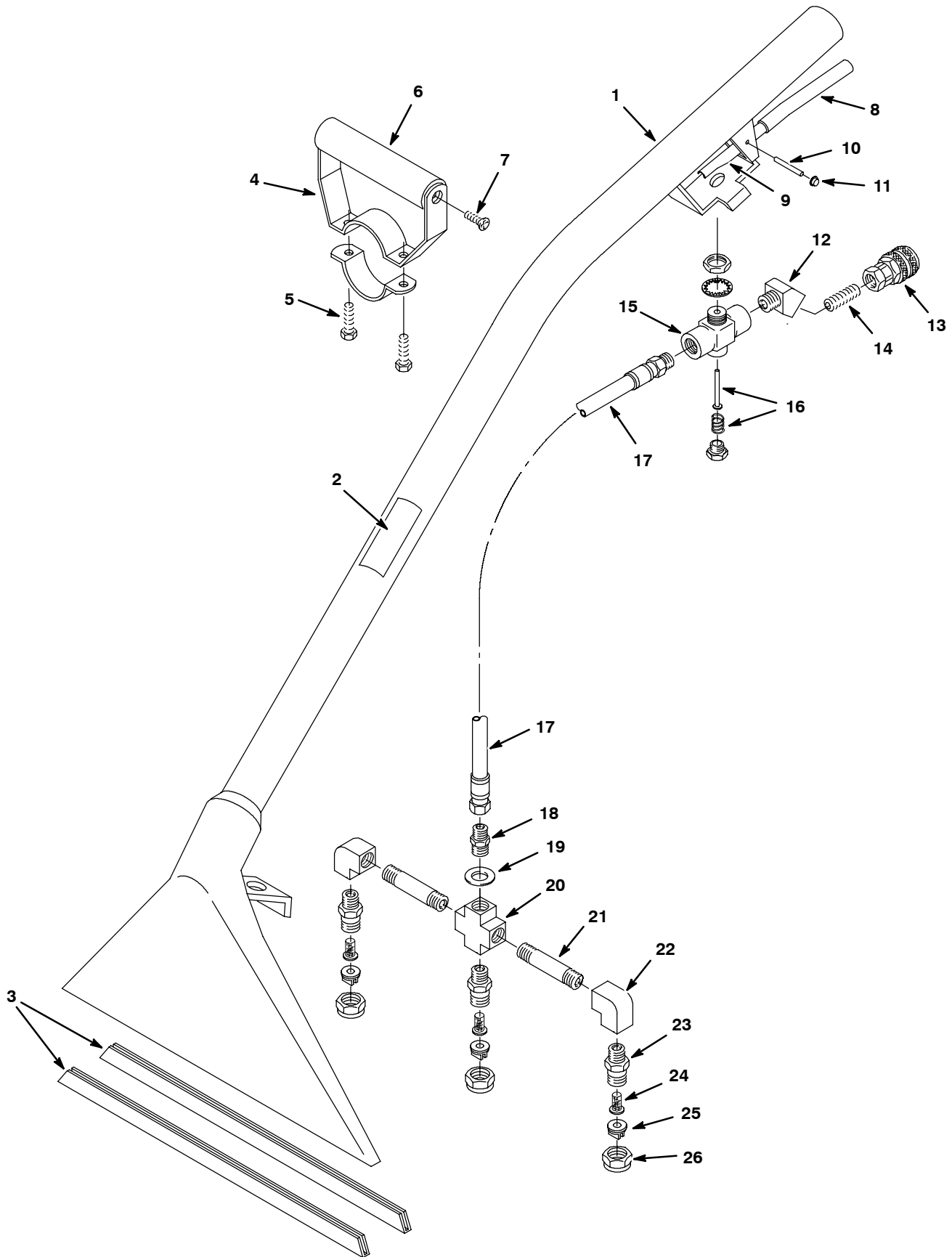
ELECTRICAL DIAGRAM



ELECTRICAL DIAGRAM



FLOOR TOOL, LOW PRESSURE 330 mm (13 in)



FLOOR TOOL, LOW PRESSURE 330 mm (13 in)

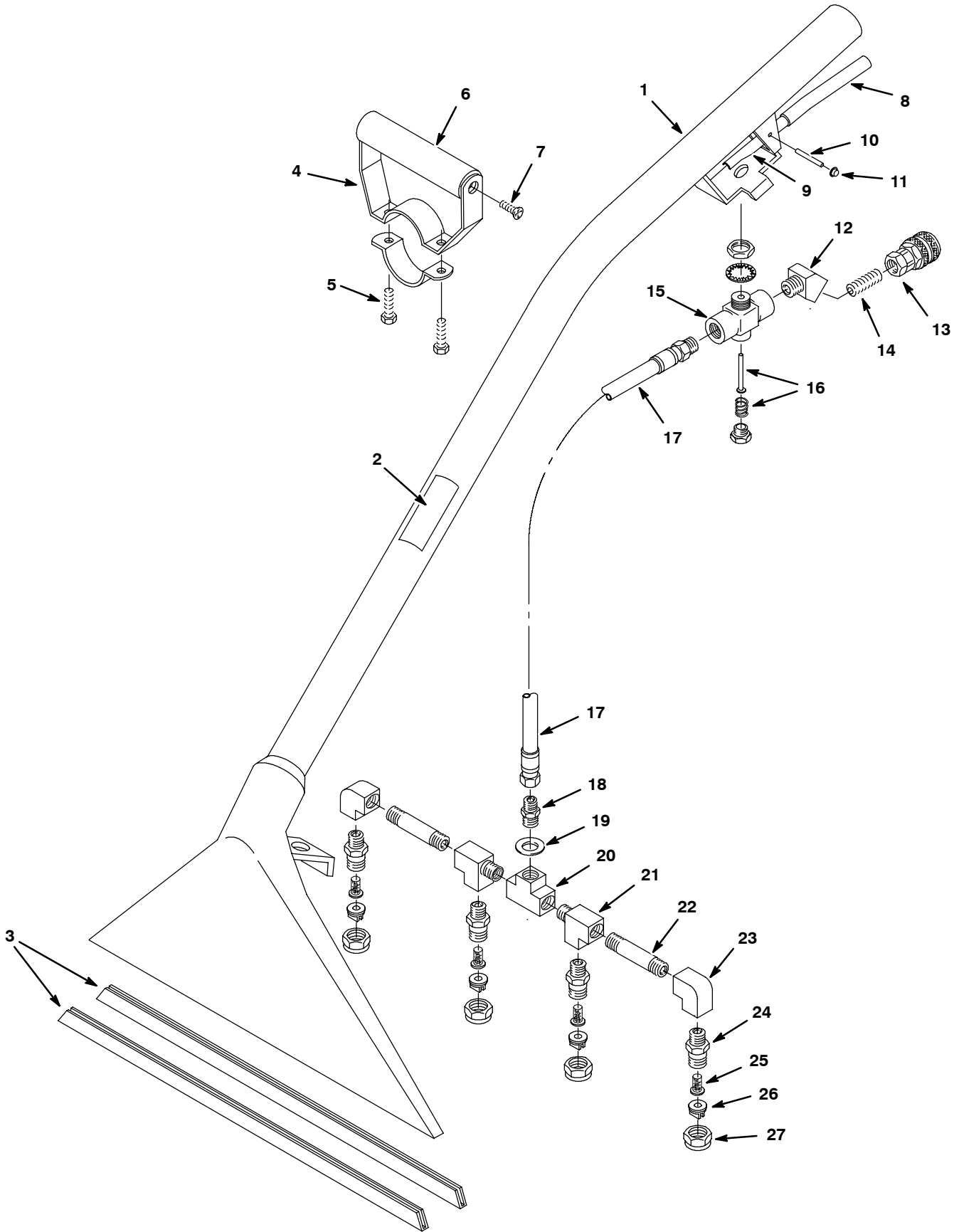
Ref.	Part No.	Serial Number	Description	Qty.
▽	600048	(00000000-)● Tool, Floor, 13.0w, 33cm [W/3 Nozzles]	1
▲	1 200403.BK	(00000000-) Tool, Pickup, Floor, 12w, Blk	1
▲	2 120846	(00000000-) Label, Low-Press Floor Tool	1
▲	3 200939	(00000000-)● Plate, Tool, Floor, 13.00 [Shoe]	2
▲▽	4 200927	(00000000-)● Grip, Hand, Adj, Complt	1
▲▲	5 01697	(00000000-) Screw, Hex, .25-20 X 0.62, Ss	2
▲▲	6 200912	(00000000-)● Grip, Handle, Foam	1
▲▲	7 140834	(00000000-) Screw, Flt, .25-20 X 0.62, Phl, Ss	2
▲	8 200809	(00000000-) Sleeve, Handle / Floor Tool	1
▲	9 200902	(00000000-) Handle, Valve [Imperial]	1
▲	10 140605	(00000000-) Pin, Handle [Imperial Eastman]	1
▲	11 140520	(00000000-) Nut, Push, .25id, Blk, PI	2
▲	12 150403	(00000000-) Fitting, Brs, E45, Pf04/Pm04 [Taped]	1
▲	13 150913	(00000000-)● Fitting, Brs, Qdc, Pf04 [Ser60]	1
▲	14 150615	(00000000-) Fitting, Brs, Str, Pm04, Close, T	1
▲▽	15 210150	(00000000-)● Valve, Water, Flow Cntrl, Pf04/Pf04	1
▲▲	16 190603	(00000000-)● Imperial Eastman Kit, Repair	1
▲	17 160170	(00000000-) Hose Assy, Wand, 47.34 [Endtoend, 42059]	1
▲	18 150606	(00000000-) Fitting, Brs, Str, Pm04/Pm04 X1.38 [Nip]	1
▲	19 140058	(00000000-) Washer, Flat, 0.54b 0.88d .06, Ss [Wand]	1
▲▽	700062	(00000000-) Bar Assy, Spray, 12inch, W/O Tip[Flr TI]	1
▲▲	20 150700	(00000000-) Fitting, Brs, Cross, Pf04/Pf04/Pf04/Pf04	1
▲▲	21 150600	(00000000-) Fitting, Brs, Nipple, .25qm X 2.0[Taped]	2
▲▲	22 150401	(00000000-) Fitting, Brs, E90, Pf04/Pf04	2
▲▲	23 200993	(00000000-) Fitting, Brs, Pm04 [Spray Body]	3
▲	24 200996	(00000000-)● Filter, Screen, 100 Mesh, Check Valve	3
▲	25 200964	(00000000-)● Fitting, Brs, Tip [11003, T-Jet]	3
▲	26 200994	(00000000-)● Cap, Nozzle, Spray [#8002]	3

▽ ASSEMBLY

▲ INCLUDED IN ASSEMBLY

● RECOMMENDED STOCK ITEMS

FLOOR TOOL, LOW PRESSURE 406 mm (16 in)



FLOOR TOOL, LOW PRESSURE 406 mm (16 in)

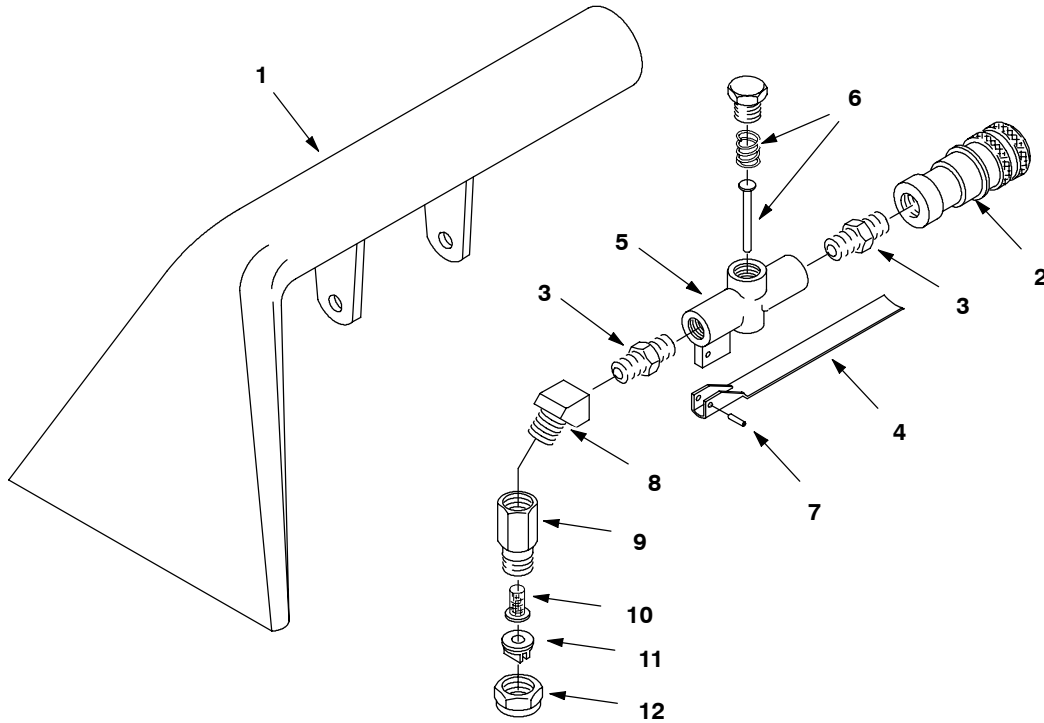
Ref.	Part No.	Serial Number	Description	Qty.
▽	200503	(00000000-)● Tool, Pickup, Floor, 16w [Lp Series 60]	1
▲	1 200411.BK	(00000000-) Tool, Pickup, Floor, 16w, Blk	1
▲	2 120846	(00000000-) Label, Low-Press Floor Tool	1
▲	3 200956	(00000000-)● Plate, Floor, 16.00, Ss [Shoe]	2
▲▽	4 200927	(00000000-)● Grip, Hand, Adj, Complt	1
▲▲	5 01697	(00000000-) Screw, Hex, .25-20 X 0.62, Ss	2
▲▲	6 200912	(00000000-)● Grip, Handle, Foam	1
▲▲	7 140834	(00000000-) Screw, Flt, .25-20 X 0.62, Phl, Ss	2
▲	8 200809	(00000000-) Sleeve, Handle / Floor Tool	1
▲	9 200902	(00000000-) Handle, Valve [Imperial]	1
▲	10 140605	(00000000-) Pin, Handle [Imperial Eastman]	1
▲	11 140520	(00000000-) Nut, Push, .25id, Blk, PI	2
▲	12 150403	(00000000-) Fitting, Brs, E45, Pf04/Pm04 [Taped]	1
▲	13 150913	(00000000-)● Fitting, Brs, Qdc, Pf04 [Ser60]	1
▲	14 150615	(00000000-) Fitting, Brs, Str, Pm04, Close, T	1
▲▽	15 210150	(00000000-)● Valve, Water, Flow Cntrl, Pf04/Pf04	1
▲▲	16 190603	(00000000-)● Imperial Eastman Kit, Repair	1
▲	17 160170	(00000000-) Hose Assy, Wand, 47.34 [Endtoend, 42059]	1
▲	18 150606	(00000000-) Fitting, Brs, Str, Pm04/Pm04 X1.38 [Nip]	1
▲	19 140058	(00000000-) Washer, Flat, 0.54b 0.88d .06, Ss [Wand]	1
▲▽	700656	(00000000-) Bar Assy, Spray, 16inch, W/O Tip	1
▲	20 150706	(00000000-) Fitting, Brs, Tee, Pf04/Pf04/Pf04	1
▲▲	21 150709	(00000000-) Fitting, Brs, Tee, Pm04/Pf04/Pf04, Run	2
▲▲	22 150600	(00000000-) Fitting, Brs, Nipple, .25qm X 2.0[Taped]	2
▲▲	23 150401	(00000000-) Fitting, Brs, E90, Pf04/Pf04	2
▲▲	24 200993	(00000000-) Fitting, Brs, Pm04 [Spray Body]	4
▲	25 200996	(00000000-)● Filter, Screen, 100 Mesh, Check Valve	4
▲	26 200964	(00000000-)● Fitting, Brs, Tip [11003, T-Jet]	4
▲	27 200994	(00000000-)● Cap, Nozzle, Spray [#8002]	4

▽ ASSEMBLY

▲ INCLUDED IN ASSEMBLY

● RECOMMENDED STOCK ITEMS

HAND TOOL, 127 mm (5 in)



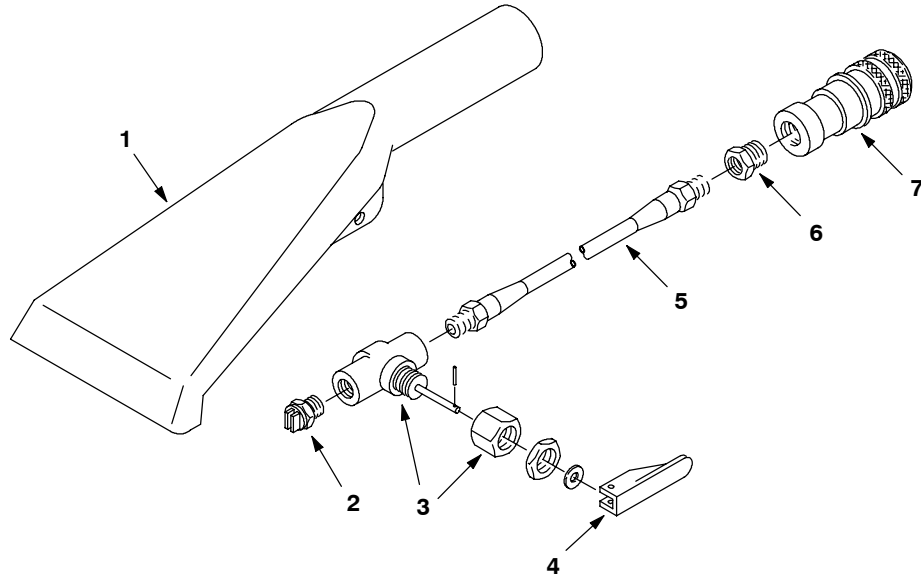
Ref.	Part No.	Serial Number	Description	Qty.
▽	200505	(00000000-	● Tool, Hand, 127mm 5.0w	1
▲	1	200431.BK) Tool, Hand, Blk	1
▲	2	150913) Fitting, Brs, Qdc, Pf04 [Ser60]	1
▲	3	150606) Fitting, Brs, Str, Pm04/Pm04 X1.38 [Nip]	2
▲	4	200905) Lever [K-Valve W/ Pin]	1
▲	5	210210	● Valve, Water, Flow Cntrl, Pf04/Pf04	1
▲	6	190600) K-Valve Kit, Repair	1
▲	7	140609) Pin, Roll, .187d X 0.56l, PI	1
▲	8	150403) Fitting, Brs, E45, Pf04/Pm04 [Taped]	1
▲	9	200992) Fitting, Brs, Str, Pf02, Swivel	1
▲	10	200996) Filter, Screen, 100 Mesh, Check Valve	1
▲	11	200965	● Fitting, Brs, Tip [8002, T-Jet]	1
▲	12	200994) Cap, Nozzle, Spray [#8002]	1

▽ ASSEMBLY

▲ INCLUDED IN ASSEMBLY

● RECOMMENDED STOCK ITEMS

HAND TOOL, CREVICE 76 mm (3 in)



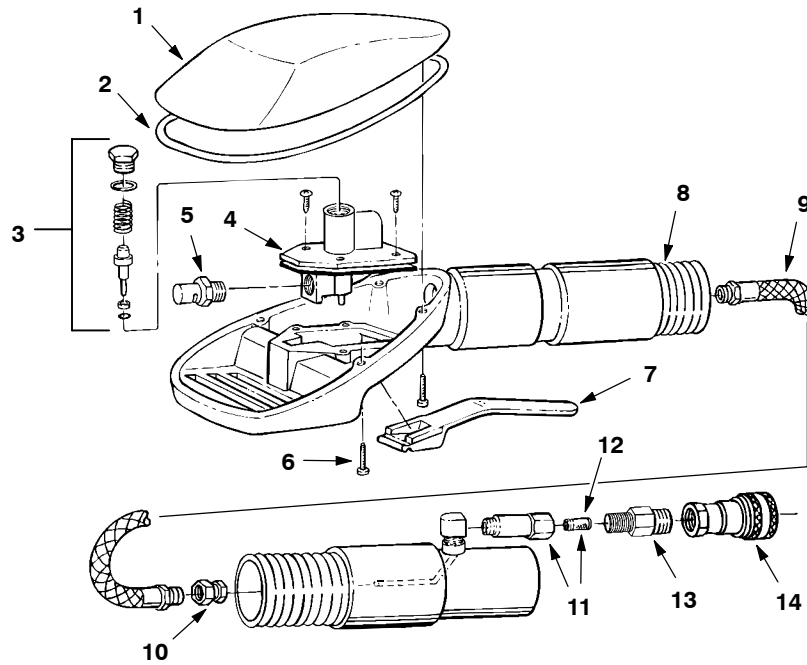
Ref.	Part No.	Serial Number	Description	Qty.
▽	200517	(00000000-)● Tool [Crevice Lp/Hp Series 60]	1
▲ 1	200436.BK	(00000000-) Tool, Blk [Crevice]	1
▲ 2	200975	(00000000-)● Fitting, Brs, Jet [.125 V-Jet]	1
▲ 3	210014	(00000000-)● Valve, Water, Toggle, Pf02, W/ Nut	1
▲ 4	210020	(00000000-) Handle, Valve [Positioner]	1
▲ 5	160106	(00000000-) Hose, Soltn, Crevice Tool	1
▲ 6	150100	(00000000-) Fitting, Brs, Str, Pf02/Pm04	1
▲ 7	150913	(00000000-) Fitting, Brs, Qdc, Pf04 [Ser60]	1

▽ ASSEMBLY

▲ INCLUDED IN ASSEMBLY

● RECOMMENDED STOCK ITEMS

HAND TOOL, UPHOLSTERY LOW PRESSURE



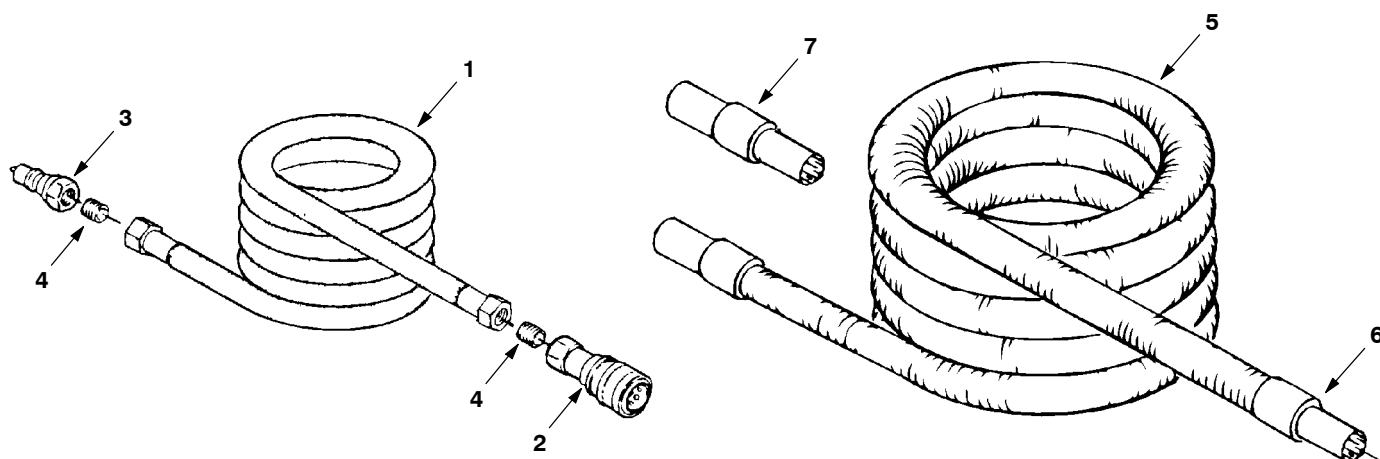
Ref.	Part No.	Serial Number	Description	Qty.
▽	200540	(00000000-	● Tool [Upholstery Lp Series 60]	1
▲	1	200845) Cover, Tool [Upholstery]	1
▲	2	200843) Gasket, Cover	1
▲	3	190631	● Service Kit [Upholstery, Lp]	1
▲	4	210226	● Valve, Water, Solenoid, 120vac Low Press	1
▲	5	200991	● Fitting, Ss, Jet, 1/8k-Jet	1
▲	6	200838) Screw, #06-32 X 0.75	4
▲	7	200840) Trigger Upholstery Tool	1
▲	8	200844	● Hose, Vacuum [Upholstery Tool W/O Cuffs]	1
▲	9	200837	● Hose [Hp Upholstery Tool]	1
▲	10	200848) Fitting, Brs [3 Pcs]	1
▲	11	200842) Filter, In-Line, Complt	1
▲	12	200841) Screen, Fltr, Inline	1
▲	13	150606) Fitting, Brs, Str, Pm04/Pm04 X1.38 [Nip]	1
▲	14	150913	● Fitting, Brs, Qdc, Pf04 [Ser60]	1

▽ ASSEMBLY

▲ INCLUDED IN ASSEMBLY

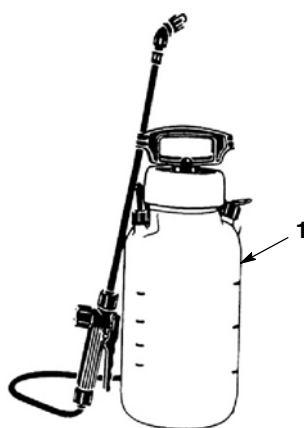
● RECOMMENDED STOCK ITEMS

HOSES, SOLUTION AND VACUUM



Ref.	Part No.	Serial Number	Description	Qty.
▽	1	160185	(00000000-) Hose, Soltn, .38id X 15ft [Series 60,Lp]	1
▽	1	160186	(00000000-) Hose, Soltn, .38id X 25ft [Series 60,Lp]	1
▽	1	160187	(00000000-) Hose, Soltn, .38id X 50ft [Series 60,Lp]	1
▲	2	150913	(00000000-) ● Fitting, Brs, Qdc, Pf04 [Ser60]	1
▲	3	150933	(00000000-) Fitting, Brs, Qdc, Pm04 [Ser60]	1
▲	4	150615	(00000000-) Fitting, Brs, Str, Pm04, Close, T	2
▽	5	160400	(00000000-) Hose, Vacuum, 1.50id X 15ft	1
▽	5	160401	(00000000-) Hose Kit, Vacuum, 1.50id X 25ft, 2cuff	1
▽	5	160402	(00000000-) Hose, Vacuum, 1.50id X 50ft	1
▲	6	160430	(00000000-) ● Cuff, 1.5d Hose, 1.5id	2
	7	12694	(00000000-) ● Fitting, Plstc, Str, Bm24/Bm24	1
	N/S	220040	(00000000-) ● Bag, Hose, Accssry, 24x36[W/Draw String]	1

PUMP-UP CARPET SPRAYER



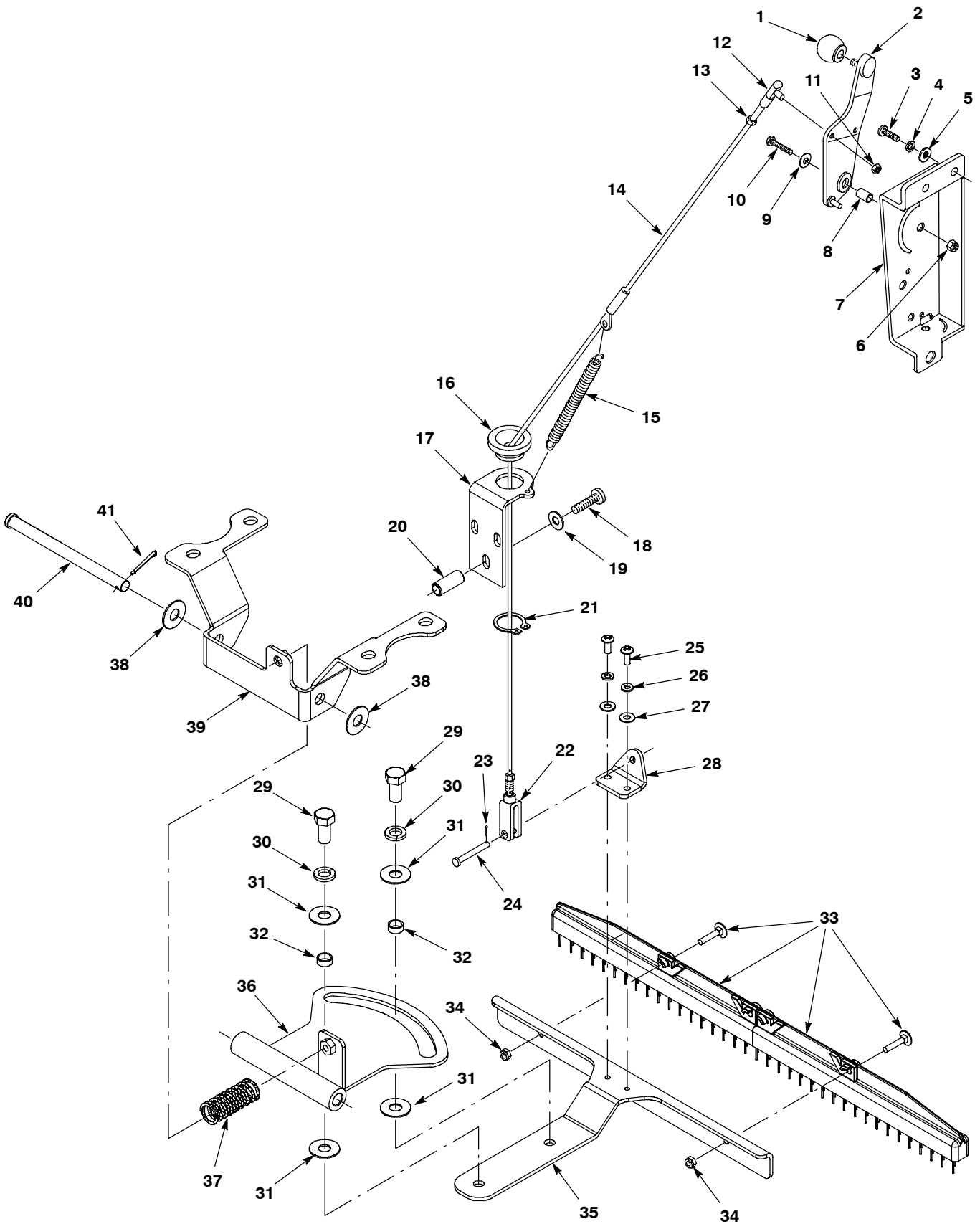
Ref.	Part No.	Serial Number	Description	Qty.
1	605848	(00000000-)	● Sprayer 2gal Pumpup Hd	1

▽ ASSEMBLY

▲ INCLUDED IN ASSEMBLY

● RECOMMENDED STOCK ITEMS

KIT, CARPET RAKE



KIT, CARPET RAKE

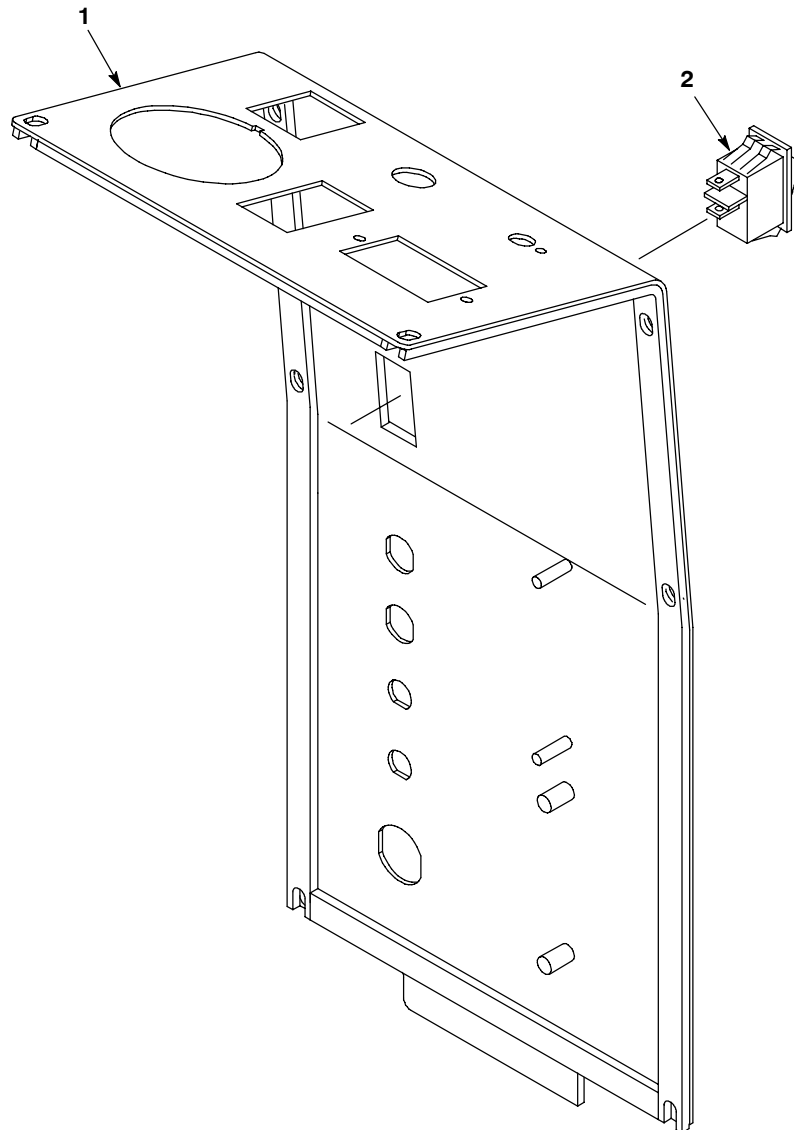
Ref.	Part No.	Serial Number	Description	Qty.
▽	9008247	(00000000-)● Kit, Rake, Carpet	1
▲	1 601425	(00000000-)● Knob, Ball, 1.50d, .38-16 Fem	1
▲	2 1010221	(00000000-) Lever, Sqge	1
▲	3 16931	(00000000-) Screw, Hex, M8 X 1.25 X 20, 8.8	3
▲	4 32984	(00000000-) Washer, Lock, Int, 0.31	3
▲	5 32491	(00000000-) Washer, Flat, 0.31, Std	3
▲	6 08709	(00000000-	Nut, Hex, Lock, M8 X 1.25, NI	1
▲	7 612834	(00000000-) Bracket, Lever, Sqge [5400]	1
▲	8 1014336	(00000000-) Sleeve, P/M, 0.33b 0.50d 0.6l, PI	1
▲	9 25732	(00000000-) Washer, Flat, 0.36b 1.25d .09, PI	1
▲	10 09011	(00000000-) Screw, Hex, M8 X 1.25 X 30, Ss	1
▲	11 13513	(00000000-) Nut, Hex, Lock, .25-28, NI	1
▲	12 069760371	(00000000-) Ball Joint, 1/4-28 Unf	1
▲	13 32899	(00000000-) Nut, Hex, Jam, .25-28	1
▲	14 1064154	(00000000-)● Cable, Lift, Sqge	1
▲	15 605063	(00000000-) Spring, Lever, Sqge	1
▲	16 1009363	(00000000-)● Bushing, Cable	1
▲	17 1064152	(00000000-) Bracket, Cable Guide	1
▲	18 608324	(00000000-) Screw, Trs, M6 X 1.00 X 40, Phl, Ss	3
▲	19 140000	(00000000-) Washer, Flat, 0.28b 0.62d .04, Ss	3
▲	20 383910	(00000000-) Sleeve, P/M, 0.32b 0.44d 1.1l [430ss]	3
▲	21 621236	(00000000-)● Ring, Retaining, Ext, 0.81d	1
▲	22 605068	(00000000-) Clevis, Adj, 0.25pin, 0.25-28 PI	1
▲	23 08170	(00000000-) Pin, Cotter, .062 X 0.50	1
▲	24 605070	(00000000-) Pin, Clevis, 0.25d X 0.79l	1
▲	25 608322	(00000000-) Screw, Trs, M6 X 1.00 X 16, Phl, Ss	2
▲	26 578244000	(00000000-) Washer M6.4x10 Lck Ss	2
▲	27 140000	(00000000-) Washer, Flat, 0.28b 0.62d .04, Ss	2
▲	28 1064153	(00000000-) Bracket, Cable, Sqge Lift	1
▲	29 140237	(00000000-) Screw, Hex, .50-13 X 1.00, Ss	2
▲	30 140024	(00000000-) Washer, Lock, Split, 0.50, Ss	2
▲	31 140045	(00000000-) Washer, Flat, 0.51b 1.25d .06, Ss	4
▲	32 140139	(00000000-) Sleeve, P/M, 0.50b 0.63d 0.3l, PI	2
▲	33 1061617	(00000000-)● Rake, Carpet (Includes Qty 4 Screws)	1
▲	34 32981	(00000000-) Nut, Hex, Lock, .25-20, NI	4
▲	35 1062208	(00000000-) Bracket, Rake, Pivot	1
▲	36 1062204	(00000000-) Wldt, Pivot, Lift, Rake	1
▲	37 45261	(00000000-) Spring, Cmpr, 0.97od .11wir 02.5l	1
▲	38 140036	(00000000-) Washer .375 Flat Sae Ss	2
▲	39 1062219	(00000000-) Bracket, Mount, Rake	1
▲	40 1064151	(00000000-) Pin, Clevis, 0.50d X 7.00l	1
▲	41 140626	(00000000-) Pin, Cotter, Hair, 0.25d .125 Wir	1

▽ ASSEMBLY

▲ INCLUDED IN ASSEMBLY

● RECOMMENDED STOCK ITEMS

KIT, SOLUTION SWITCH (S/N 0000000-10243220)



Ref.	Part No.	Serial Number	Description	Qty.
▽	9001593	(00000000-10243220	● Switch Kit, Soltn, On-Off, Retrofit[Str]	1
▲	1 1024809	(00000000-10243220) Panel, Console, Retrofit [Str]	1
▲	2 578005000	(00000000-10243220	● Switch, Rocker, Spst	1
▲	N/S 1025060	(00000000-10243220) Wire, 18ga 25.0l White .25qf /.25qf	1
▲	N/S 1025073	(00000000-10243220) Wire, 18ga 21.0l Brown .25qf /.25qm	1

▽ ASSEMBLY

▲ INCLUDED IN ASSEMBLY

● RECOMMENDED STOCK ITEMS

