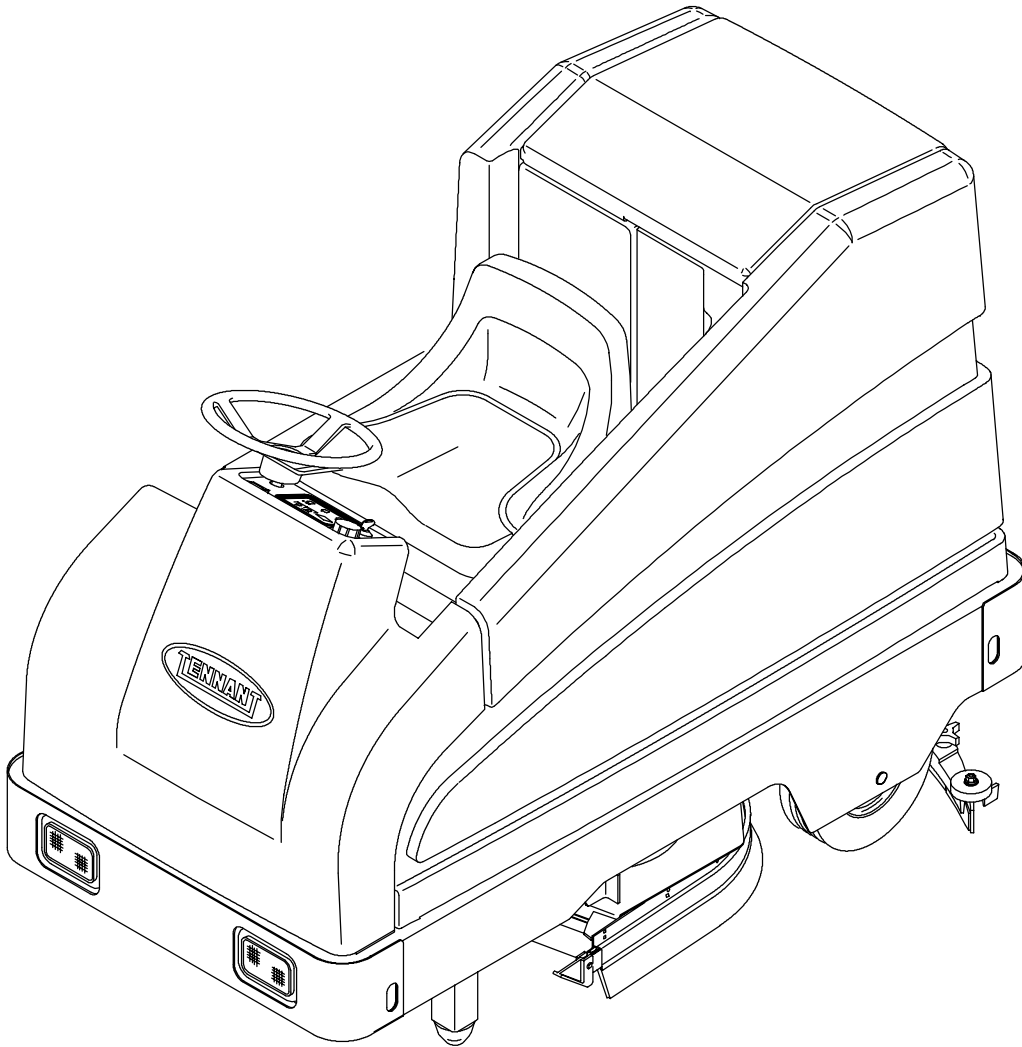




# 7200

## Service Manual



**330045**  
**Rev. 02 (3-02)**



This service manual is intended to be an aid for the disassembly and reassembly of your TENNANT Model 7200 ride on scrubber.

The set is organized into four major groups: General Information, Chassis, Scrubbing, and Electrical.

**General Information:** Safety precautions, machine transport, machine jacking, machine storage, chassis lubrication, machine specifications, and machine maintenance chart.

**Chassis:** Tire/wheel replacement, brake adjustment and replacement, steering adjustment and replacement.

**Scrubbing:** Scrub head repair/replacement, brush repair/replacement, skirt/seal repair/replacement, squeegee repair/replacement, solution and recovery tank repair/replacement, and scrubbing troubleshooting.

**Electrical:** Battery maintenance and replacement, electric motor removal, electrical schematics, diagnostics, and electrical troubleshooting.

Manual Number - 330045

Revision: 02

Published: 3-02

Copyright © 1999, 2002 TENNANT, Printed in U.S.A.

**CONTENTS**

	Page
SAFETY PRECAUTIONS .....	1-3
SPECIFICATIONS .....	1-5
GENERAL MACHINE	
DIMENSIONS/CAPACITIES .....	1-5
GENERAL MACHINE PERFORMANCE ..	1-5
POWER TYPE .....	1-6
TIRES .....	1-6
MACHINE DIMENSIONS .....	1-7
MAINTENANCE .....	1-8
PUSHING, TOWING, AND TRANSPORTING	
THE MACHINE .....	1-10
PUSHING OR TOWING THE MACHINE	1-10
TRANSPORTING THE MACHINE .....	1-10
MACHINE JACKING .....	1-13
TO JACK UP MACHINE .....	1-13
STORAGE INFORMATION .....	1-14
FREEZE PROTECTION .....	1-14
HARDWARE INFORMATION .....	1-15
STANDARD BOLT TORQUE CHART ...	1-15
METRIC BOLT TORQUE CHART .....	1-15
BOLT IDENTIFICATION .....	1-15
THREAD SEALANT AND LOCKING	
COMPOUNDS .....	1-15



## SAFETY PRECAUTIONS

The following symbols are used throughout this manual as indicated in their description:



**WARNING: To warn of hazards or unsafe practices that could result in severe personal injury or death.**

**FOR SAFETY: To identify actions that must be followed for safe operation of equipment.**

This machine is designed solely for scrubbing dirt and dust in an indoor environment. Tennant does not recommend using this machine in any other environment.

The following information signals potentially dangerous conditions to the operator or equipment. Read this manual carefully. Know when these conditions can exist. Locate all safety devices on the machine. Then, take necessary steps to train machine operating personnel. Report machine damage or faulty operation immediately. Do not use the machine if it is not in proper operating condition.



**WARNING: Batteries emit hydrogen gas. Explosion or fire can result. Keep sparks and open flame away. Keep covers open when charging.**



**WARNING: Flammable materials can cause an explosion or fire. Do not use flammable materials in tank(s).**



**WARNING: Flammable materials or reactive metals can cause an explosion or fire. Do not pickup.**

**FOR SAFETY:**

1. **Do not operate machine:**
  - Unless trained and authorized.
  - Unless operation manual is read and understood.
  - In flammable or explosive areas unless designed for use in those areas.
2. **Before starting machine:**
  - Make sure all safety devices are in place and operate properly.
  - Check brakes and steering for proper operation (if so equipped).

3. **When using machine:**
  - Go slow on inclines and slippery surfaces.
  - Use care when backing machine.
  - Follow mixing and handling instructions on chemical containers.
4. **Before leaving or servicing machine:**
  - Stop on level surface.
  - Set parking brake (if equipped).
  - Turn off machine and remove key.
5. **When servicing machine:**
  - Avoid moving parts. Do not wear loose jackets, shirts, or sleeves when working on machine.
  - Block machine tires before jacking machine up.
  - Jack machine up at designated locations only. Block machine up with jack stands.
  - Use hoist or jack that will support the weight of the machine.
  - Wear eye and ear protection when using pressurized air or water.
  - Disconnect battery connections before working on machine.
  - Avoid contact with battery acid.
  - Use Tennant supplied or equivalent replacement parts.
6. **When loading/unloading machine onto/off truck or trailer.**
  - Turn off machine.
  - Use truck or trailer that will support the weight of the machine.
  - Use winch. Do not push the machine onto/off the truck or trailer unless the load height is 380 mm (15 in) or less from the ground.
  - Set parking brake after machine is loading (option).
  - Block machine tires.
  - Tie machine down to truck or trailer.

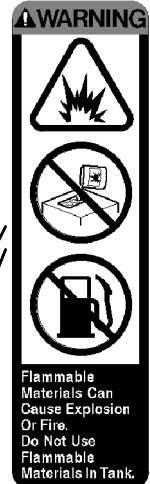
## GENERAL INFORMATION

The safety labels appear on the machine in the locations indicated. If these or any label becomes damaged or illegible, install a new label in its place.

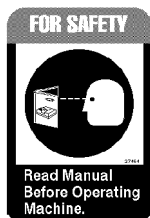
**BATTERY CHARGING LABEL - LOCATED ON AND UNDERNEATH THE SEAT SUPPORT.**



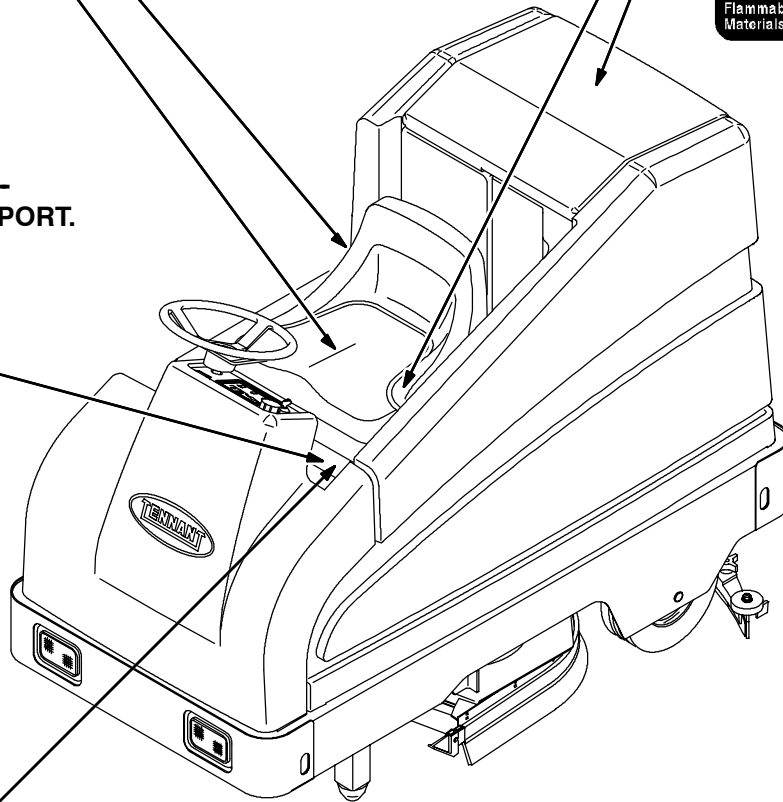
**FLAMMABLE MATERIALS LABEL - LOCATED ON THE UNDERSIDE OF THE TANK COVER AND ON THE LEFT SIDE OF THE OPERATOR COMPARTMENT.**



**FLAMMABLE SPILLS LABEL - LOCATED ON THE SEAT SUPPORT.**



**FOR SAFETY LABEL - LOCATED ON THE SEAT SUPPORT.**



350656

**SPECIFICATIONS**

**GENERAL MACHINE DIMENSIONS/CAPACITIES**

Item	Dimension/capacity
Length	1830 mm (72 in)
Length (with Pre-Sweep™)	2465 mm (97 in)
Width (less squeegee)	1020 mm (40.25 in)
Width (with squeegee)	1155 mm (45.5 in)
Height	1360 mm (53.5 in)
Height with overhead guard	2032 mm (80 in)
Disk brush diameter for side brush (option)	455 mm (18 in)
Disk brush diameter for Pre-Sweep™ (option)	380 mm (15 in)
Disk brush diameter for 700 mm (28 in) scrub head	355 mm (14 in)
Disk brush diameter for 900 mm (36 in) scrub head	455 mm (18 in)
Cylindrical sweep brush diameter for Pre-Sweep™ (option)	150 mm (6 in)
Cylindrical sweep brush length for Pre-Sweep™ (option)	810 mm (32 in)
Cylindrical scrub brush diameter	150 mm (6 in)
Cylindrical brush length for 700 mm (28 in) scrub head	700 mm (28 in)
Cylindrical brush length for 900 mm (36 in) scrub head	900 mm (36 in)
Squeegee width for 700 mm (28 in) scrub head	950 mm (37.5 in)
Squeegee width for 900 mm (36 in) scrub head	1155 mm (45.5 in)
Scrubbing path width for 700 mm (28 in) scrub head	700 mm (28 in)
Scrubbing path width for 900 mm (36 in) scrub head	900 mm (36 in)
Solution tank capacity	130 L (35 gallons)
Recovery tank capacity	210 L (55 gallons)
GVWR	1134 Kg (2500 lbs)

**GENERAL MACHINE PERFORMANCE**

Item	Measure
Aisle turnaround width	2080 mm (82 in)
Aisle turnaround width (with Pre-Sweep™)	2770 mm (109 in)
Travel Speed	9.6 Km (6 mph)
Maximum rated climb and descent angle for transport	8° @ gross weight
Maximum rated climb and descent angle for scrubbing	4°
Maximum rated climb and descent angle for trailering	11°

## GENERAL INFORMATION

### POWER TYPE

Type	Quantity	Volts	Ah Rating	Weight
Batteries	6	6	235 @ 20 hr rate	30 kg (67 lb)
	6	6	335 @ 20 hr rate	47 kg (104 lb)

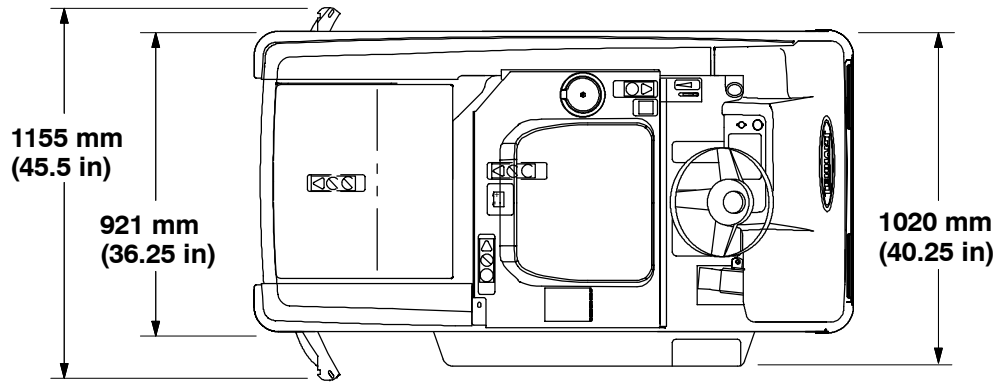
Type	Use	VDC	kW (hp)
Electric Motors	Pre-Sweep™ brush (disk)	36	0.20 (0.25)
	Pre-Sweep™ brush (cyl)	36	0.45 (0.60)
	Scrub brush (disk)	36	0.56 (0.75)
	Scrub brush (cyl)	36	0.56 (0.75)
	Vacuum fan	36	0.6 (0.8)
	Propelling	36	1.1 (1.5)

Type	VDC	amp	Hz	Phase	VAC
Chargers (Smart)	36	20	60	1	120
	36	20	50	1	230
	36	20	50	1	245
	36	30	60	1	120
	36	30	50	1	230
	36	30	50	1	245

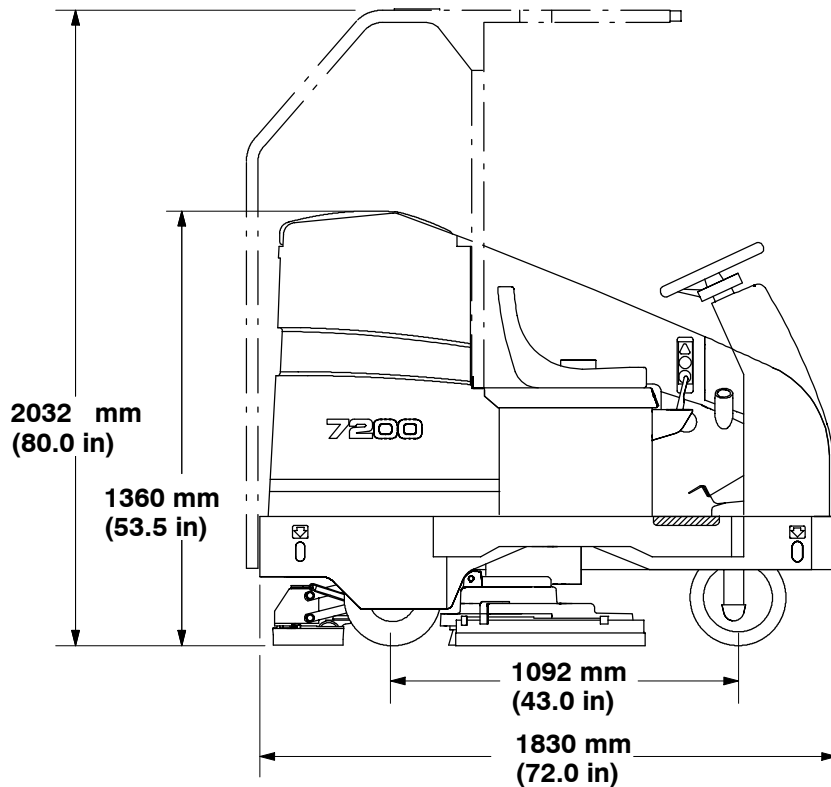
### TIRES

Location	Type	Size
Front (1)	Solid	100 mm wide x 305 mm OD (4 in wide x 12 in OD)
Rear (2)	Solid	90 mm wide x 305 mm OD (3.5 in wide x 12 in OD)

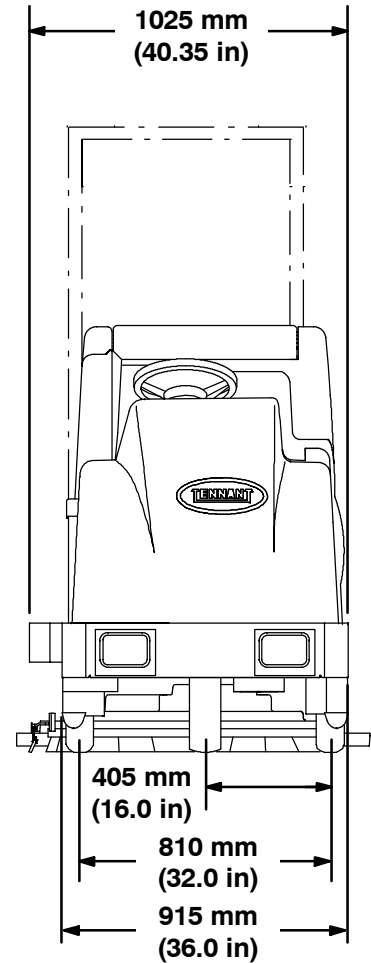




**TOP VIEW**



**SIDE VIEW**

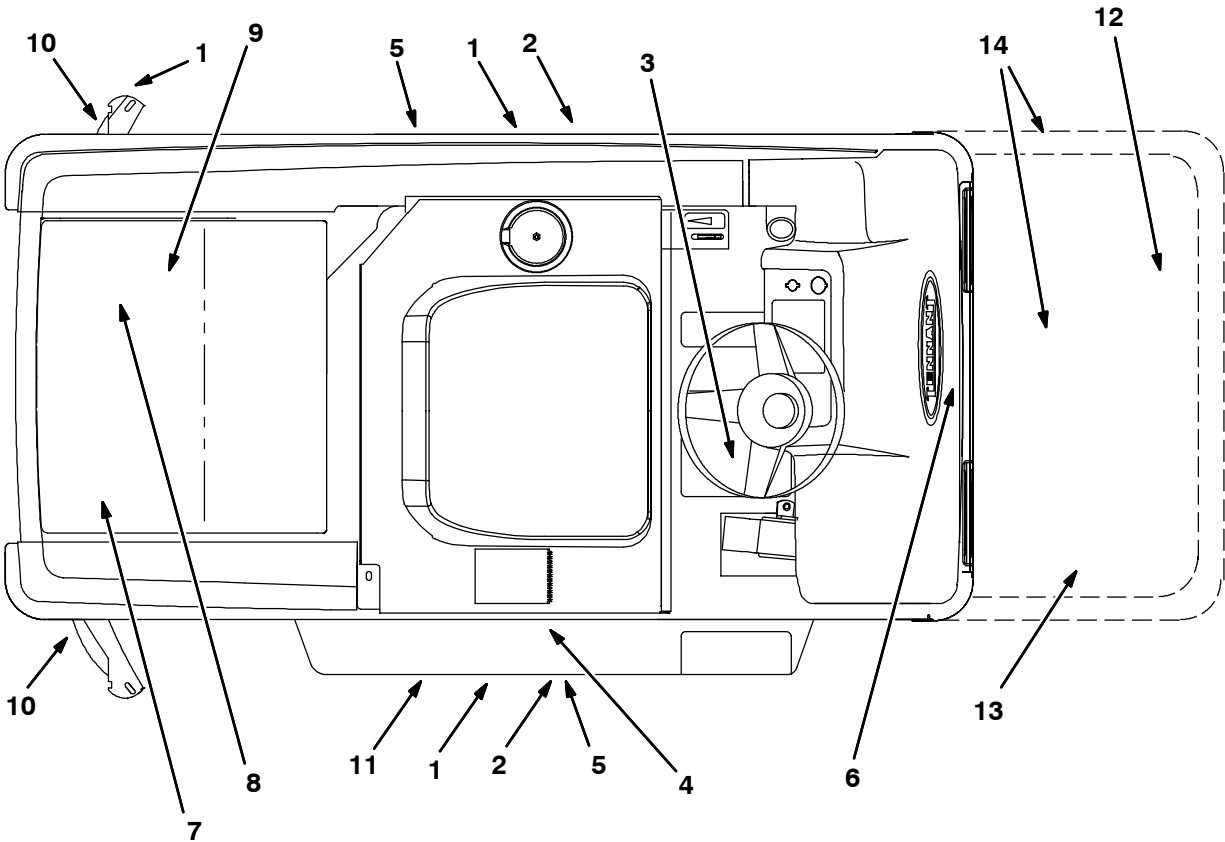


**FRONT VIEW**

350790

**MACHINE DIMENSIONS**

MAINTENANCE



350790

**MAINTENANCE CHART**

Interval	Key	Description	Procedure	Lubricant/ Fluid	No. of Service Points
Daily	1	Side and rear squeegees	Check for damage and wear	-	3
	2	Scrub brushes	Check for damage, wear, debris	-	2
	8	Recovery tank	Clean tank	-	1
	8	Recovery tank, ES™ mode	Clean ES™ filter	-	1
	7	Solution tank, ES™ mode	Clean solution supply filter	-	1
	9	Vacuum fan inlet filter	Clean	-	1
	-	Machine	Check for leaks	-	3
	11	Cylindrical brushes only: debris trough	Clean	-	1
	12	Pre-Sweep™ brushes	Check for damage and wear	-	2
	12	Pre-Sweep™ debris hopper	Clean	-	1
50 Hours	15	Pre-Sweep™ cylindrical brushes	Check taper	-	1
	5	Cylindrical scrub brushes	Check taper and rotate front to rear	-	2
	10	Squeegee caster wheels and pivot points	Lubricate	SPL	4
	4	Battery cells	Check electrolyte level	DW	3
	1	Side and rear squeegees	Check deflection and leveling	-	6
	14	Pre-Sweep™ skirts and seals	Check for damage and wear	-	4
100 Hours	5	Cylindrical scrub brush drive belts	Check tension and wear	-	2
	13	Pre-Sweep™ brush drive belts	Check tension and wear	-	2
	3	Steering caster pivot bearing	Lubricate	SPL	1
200 Hours	4	Battery terminals and cables	■Check and clean	-	12
	6	Steering gear chain	Lubricate	GL	1
500 Hours	9	Vacuum fan motor(s)	Check motor brushes	-	1
		Steering gear chain	■Check deflection	-	1
1000 Hours	5	Brush drive motors	Check motor brushes	-	2 (4)
	6	Propelling motor	Check motor brushes	-	1
	6	Rear wheel nuts	Torque wheel nuts	-	3

**LUBRICANT/FLUID**

DW . . . Distilled water

SPL . . . Special lubricant, Lubriplate EMB grease (TENNANT part no. 01433-1)

GL . . . SAE 90 weight gear lubricant

*NOTE: Also check procedures indicated (■) after the first 50 hours of operation.*

### PUSHING, TOWING, AND TRANSPORTING THE MACHINE

---

#### PUSHING OR TOWING THE MACHINE

If the machine becomes disabled, it can be pushed or towed from the front or rear.

Only push or tow the machine for a *very short distance* and do not exceed 3.2 kp/h (2 mph). It is NOT intended to be pushed or towed for a long distance or at a high speed.

**ATTENTION! Do not push or tow machine for a long distance or damage may occur to the propelling system.**

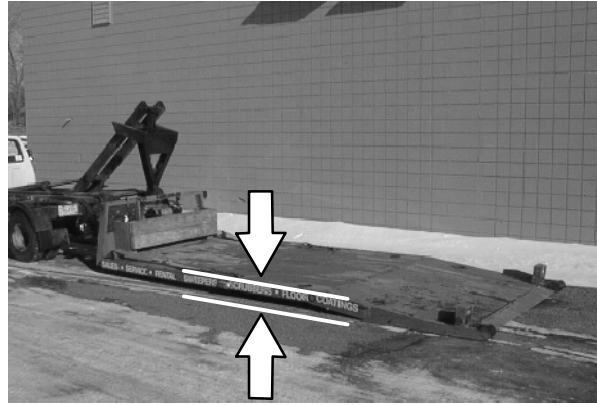
#### TRANSPORTING THE MACHINE

1. Position the rear of the machine at the loading edge of the truck or trailer.

**FOR SAFETY: Use truck or trailer that will support the weight of the machine.**

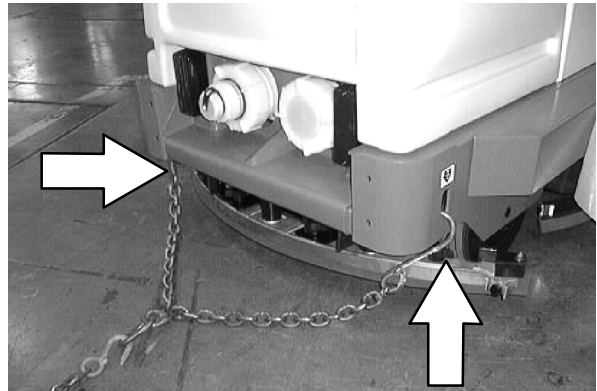
*NOTE: Empty the recovery and solution tanks before transporting the machine.*

- If the loading surface is not horizontal or is higher than 380 mm (15 in) from the ground, use a winch to load machine.  
If the loading surface is horizontal AND is 380 mm (15 in) or less from the ground, the machine may be driven onto the truck or trailer.



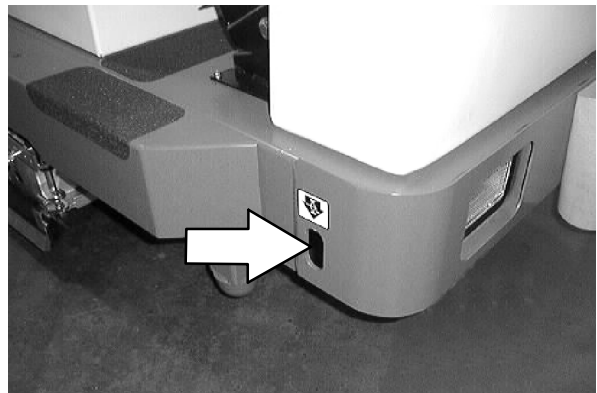
- To winch the machine onto the truck or trailer, attach the winching chains to the rear tie-down locations. The rear tie-down locations are the holes in the sides of the machine frame near the rear bumper.

**FOR SAFETY: When loading machine onto truck or trailer, use winch. Do not drive the machine onto the truck or trailer unless the loading surface is horizontal AND is 380 mm (15 in) or less from the ground.**



- Position the machine onto the truck or trailer as far as possible. If the machine starts to veer off the centerline of the truck or trailer, stop and turn the steering wheel to center the machine.
- Set the parking brake, lower the scrub head and block the machine tires. Tie down the machine to the truck or trailer before transporting.

The front tie-down locations are the holes in the front side of the machine frame.



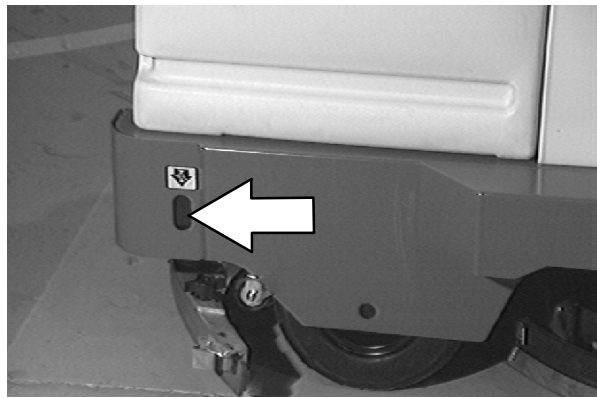
## GENERAL INFORMATION

The rear tie-down locations are the holes in the sides of the machine frame near the rear bumper.

6. If the loading surface is not horizontal or is higher than 380 mm (15 in) from the ground, use a winch to unload machine.

If the loading surface is horizontal AND is 380 mm (15 in) or less from the ground, the machine may be driven off the truck or trailer.

**FOR SAFETY: When unloading machine off truck or trailer, use winch. Do not drive the machine off the truck or trailer unless the loading surface is horizontal AND 380 mm (15 in) or less from the ground.**



## MACHINE JACKING

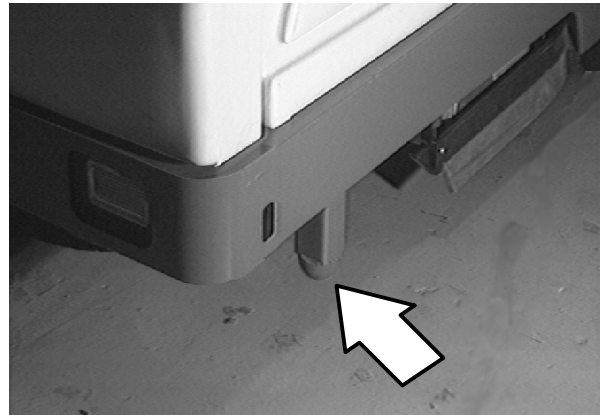
### TO JACK UP MACHINE

**FOR SAFETY: Before Leaving Or Servicing Machine; Stop On Level Surface, Set Parking Brake.**

The model 7200 can be jacked up from any of the four corners. Always empty the solution and recovery tanks before jacking.

**FOR SAFETY: When servicing machine, block machine tires before jacking machine up.**

**FOR SAFETY: When servicing machine, jack machine up at designated locations only. Block machine up with jack stands.**



7. TO JACK UP THE FRONT: Place blocks behind the rear tires when jacking up the front of the machine. Place jack stands under the machine frame after the machine is at the desired level.
8. TO JACK UP THE REAR: The front of the machine must be placed on jack stands before the rear of the machine can be jacked up. If this is not done the machine will tip or rock on the jack because of the single front tire. Place jack stands under the rear of the machine after lifting.

### STORAGE INFORMATION

---

The following steps should be taken when storing the machine for extended periods of time.

1. Drain and clean the solution and recovery tanks.

ES™ machines: Run clean water through the solution system and the ES™ solution pump.

2. Park the machine in a cool, dry area.
3. Remove the batteries, or charge them every three months.

### FREEZE PROTECTION

1. Be sure the solution tank is empty.
2. Pour 3.8 L (1 gal) of pre-mixed automotive-type windshield washer solution into the solution tank.
3. Turn the machine power on.
4. Start the solution flow. Start the power wand solution system and ES™ system to circulate the washer solution through the components.
5. The washer solution does not need to be drained from the solution tank.



**HARDWARE INFORMATION**

The following charts state standard plated hardware tightening ranges for normal assembly applications. Decrease the specified torque by 20% when using a thread lubricant. Do not substitute lower grade hardware for higher grade hardware. If higher grade hardware than specified is substituted, tighten only to the specified hardware torque value to avoid damaging the threads of the part being threaded into, as when threading into speed nuts or weldments.

*NOTE: Decrease torque by 20% when using a thread lubricant.*

Exceptions to the above chart:





Check the machine for exceptions!

**STANDARD BOLT TORQUE CHART**

Thread Size	SAE Grade 5 Torque ft lb (Nm)	SAE Grade 8 Torque ft lb (Nm)
0.25 in	7-10 (9-14)	10-13 (14-38)
0.31 in	15-20 (20-27)	20-26 (27-35)
0.38 in	27-35 (37-47)	36-47 (49-64)
0.44 in	43-56 (58-76)	53-76 (72-103)
0.50 in	65-85 (88-115)	89-116 (121-157)
0.62 in	130-170 (176-231)	117-265 (159-359)
0.75 in	215-280 (291-380)	313-407 (424-552)
1.00 in	500-650 (678-881)	757-984 (1026-1334)

*NOTE: Decrease torque by 20% when using a thread lubricant.*

**BOLT IDENTIFICATION**

Identification Grade Marking	Specification and Grade
	SAE-Grade 5
	SAE-Grade 8
	ISO-Grade 8.8
	ISO-Grade 10.9

01395

**THREAD SEALANT AND LOCKING COMPOUNDS**

Thread sealants and locking compounds may be used on this machine. They include the following:

Loctite 515 sealant – gasket forming material. TENNANT Part No. 75567, 15 oz (440 ml) cartridge.

Loctite 242 blue – medium strength thread locking compound. TENNANT Part No. 32676, 0.5 ml tube.

Loctite 271 red – high strength thread locking compound. TENNANT Part No. 19857, 0.5 ml tube.

**METRIC BOLT TORQUE CHART**

Thread Size	Class 8.8 Torque ft lb (Nm)	Class 10.9 Torque ft lb (Nm)
M4	2 (3)	3 (4)
M5	4 (5)	6 (8)
M6	7 (9)	10 (14)
M8	18 (24)	25 (34)
M10	32 (43)	47 (64)
M12	58 (79)	83 (112)
M14	94 (127)	133 (180)
M16	144 (195)	196 (265)
M20	260 (352)	336 (455)
M24	470 (637)	664 (900)



**CONTENTS**

	Page		Page
INTRODUCTION .....	2-3	PLANETARY GEAR BOX .....	2-32
SEAT .....	2-4	TO REMOVE PLANETARY GEAR	
OPERATOR SEAT .....	2-4	BOX .....	2-32
TO REMOVE SEAT ASSEMBLY ..	2-4	TO INSTALL PLANETARY GEAR	
TO INSTALL SEAT ASSEMBLY ...	2-6	BOX .....	2-34
TO ADJUST SEAT POSITION ....	2-7	TO REPLACE FRONT TIRE AND	
STATIC DRAG CHAIN .....	2-7	WHEEL ASSEMBLY .....	2-36
BRAKES AND TIRES .....	2-8	TO REPLACE FRONT DRIVE	
SERVICE BRAKES .....	2-8	ASSEMBLY OUTER WHEEL	
PARKING BRAKE .....	2-8	BEARING .....	2-40
TO ADJUST SERVICE BRAKES ..	2-9	TO REPLACE FRONT DRIVE	
TO ADJUST PARKING BRAKE ..	2-10	ASSEMBLY INNER WHEEL	
TO REPLACE DRIVE ASSEMBLY		BEARING .....	2-42
BRAKE SHOES .....	2-11	STEERING .....	2-46
REAR TIRES AND WHEELS .....	2-15	TO ADJUST STEERING CHAIN ....	2-46
TO REMOVE REAR TIRE .....	2-15	TO REPLACE STEERING CHAIN ...	2-47
TO INSTALL REAR TIRE .....	2-16	TO REPLACE LARGE STEERING	
TO REPLACE REAR WHEEL		SPROCKET .....	2-48
BEARINGS .....	2-17	TO REPLACE SMALL STEERING	
FRONT TIRE AND WHEEL, AND WHEEL		SPROCKET .....	2-50
DRIVE SUPPORT .....	2-19	TO REPLACE STEERING HOUSING	
FRONT WHEEL SUPPORT CASTER		BEARINGS .....	2-52
BEARING ASSEMBLY .....	2-19	TO REPLACE STEERING U-JOINT .	2-56
TO REMOVE FRONT DRIVE			
ASSEMBLY .....	2-20		
TO INSTALL FRONT DRIVE			
ASSEMBLY .....	2-22		
TO REPLACE DRIVE ASSEMBLY			
CASTER BEARING AND			
THRUST WASHERS .....	2-24		
TO REPLACE DRIVE ASSEMBLY			
PIVOT CONE BEARING .....	2-29		



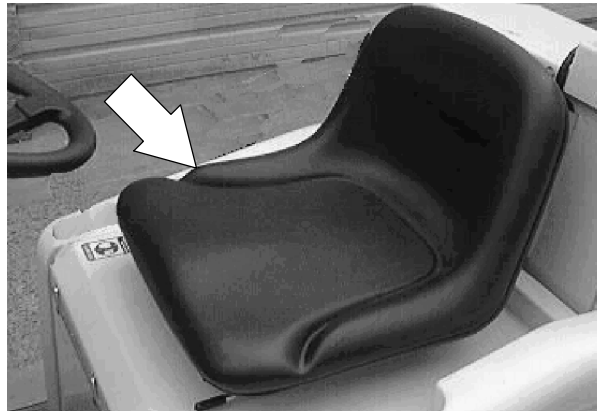
**INTRODUCTION**

This section includes information on the main chassis related components for example the seat, steering, front drive assembly, brakes and tires.

## SEAT

### OPERATOR SEAT

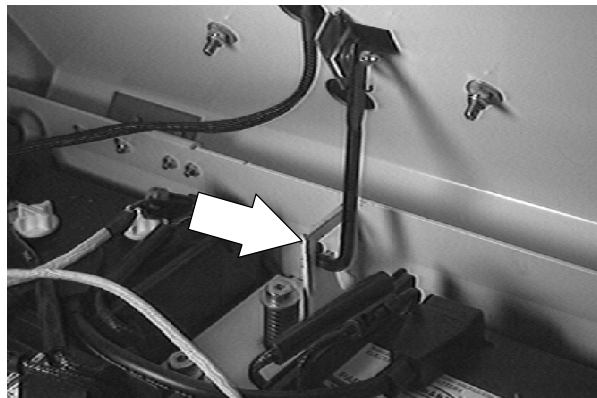
The standard operators seat is a fixed back style. The seat can be adjusted forward and backward. The operator seat is equipped with a switch that prevents the machine from propelling unless someone is sitting on it.



### TO REMOVE SEAT ASSEMBLY

**FOR SAFETY: Before Leaving Or Servicing Machine; Stop On Level Surface, Set Parking Brake.**

1. Lift the seat assembly until the prop rod is engaged.



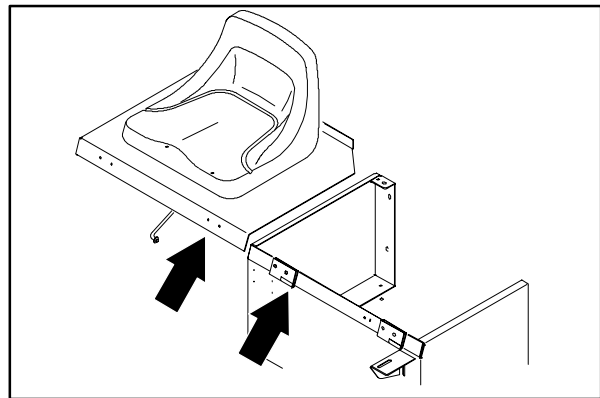
2. Unplug the seat switch wire harness plug from the main harness.



3. Lift the seat assembly slightly and remove the prop rod from the slot in the prop rod bracket.



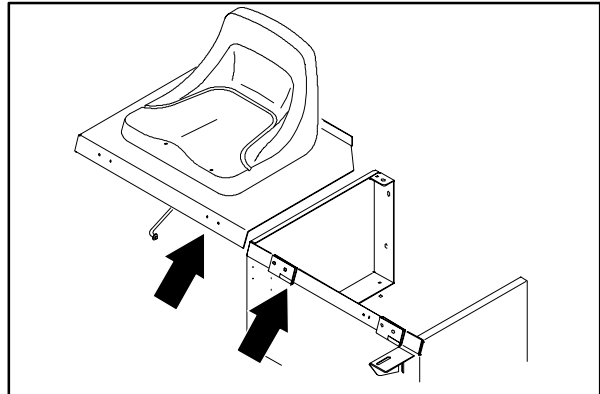
4. Slide the seat assembly to the right until it is off the two mount pins. Remove the seat assembly from the machine.



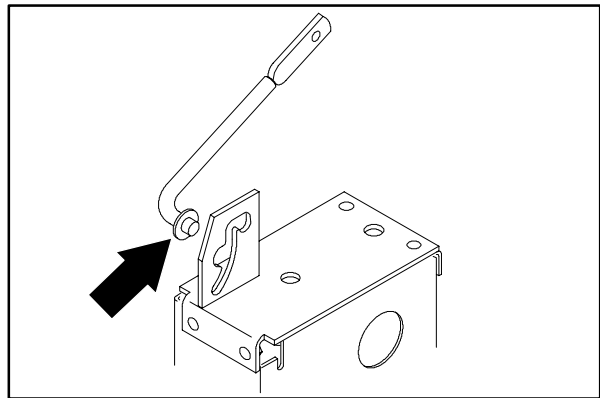
## TO INSTALL SEAT ASSEMBLY

**FOR SAFETY: Before Leaving Or Servicing Machine; Stop On Level Surface, Set Parking Brake.**

1. Position the seat assembly in the operators compartment.
2. Line up the two hinge pins on the seat assembly and seat support. Slide the seat assembly all the way on the pins.



3. Install the prop rod in the bracket slot.



4. Route the seat switch harness through the hole in the seat support plate.
5. Plug the seat switch harness into the main harness plug.



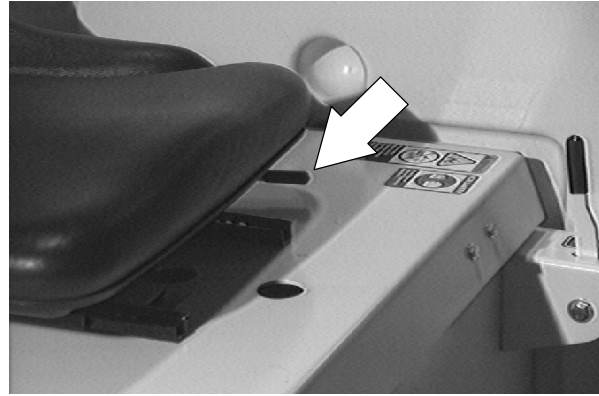
6. Disengage the prop rod and lower the seat assembly.



## TO ADJUST SEAT POSITION

**FOR SAFETY: Before Leaving Or Servicing Machine; Stop On Level Surface, Set Parking Brake.**

1. Sit down on the seat in the operators compartment.
2. Grasp the adjustment lever in the front center of the seat.
3. Push the adjustment lever to the left.
4. Move the seat forward or backward until the desired position is achieved.
5. Release the adjustment lever. The seat will now be locked in the new position.

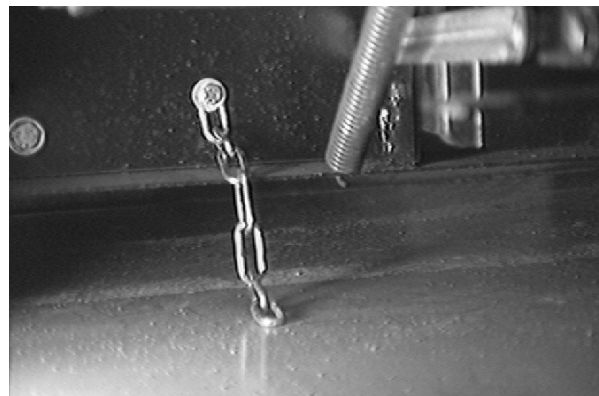


---

## STATIC DRAG CHAIN

---

The static drag chain prevents the buildup of static electricity in the machine. It is attached to the rear squeegee mount frame. Make sure the chain is in contact with the floor at all times.

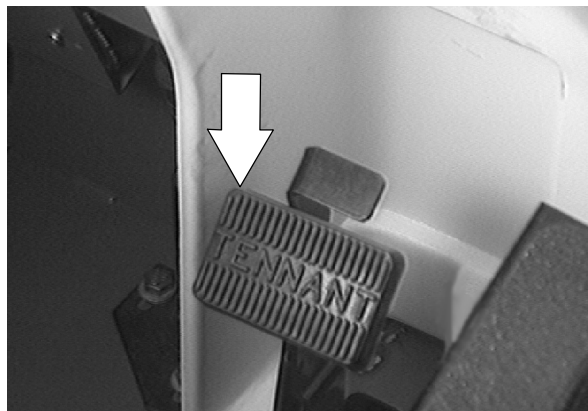


## BRAKES AND TIRES

---

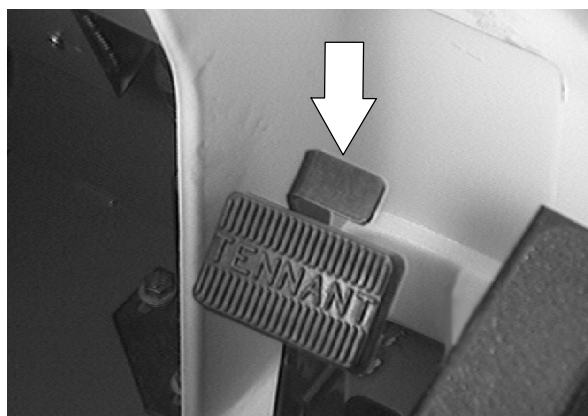
### SERVICE BRAKES

The service brake is located on the front wheel assembly. It is actuated with a foot brake pedal in the operators compartment.



### PARKING BRAKE

The parking brake is located on the front wheel assembly. It is actuated with a smaller toe lever on the top of the foot brake pedal in the operators compartment. It is deactivated by simply pushing on the foot brake pedal.

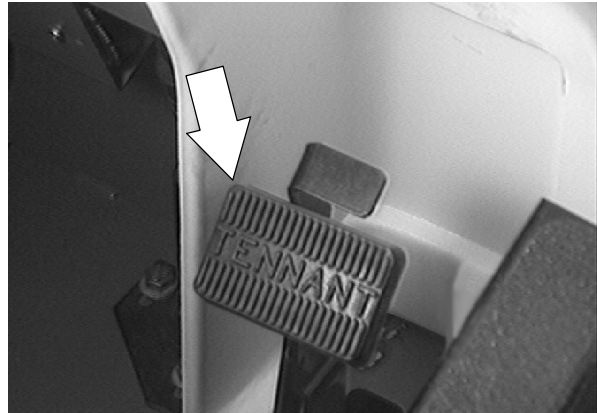


## TO ADJUST SERVICE BRAKES

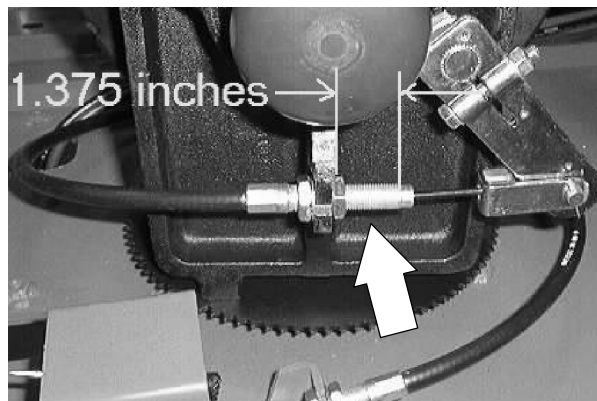
The service brakes should be adjusted when an excessive amount of brake pedal stroke is needed to stop the machine.

**FOR SAFETY: Before Leaving Or Servicing Machine; Stop On Level Surface, Block Rear Wheels.**

1. Go under the machine in the front right corner.



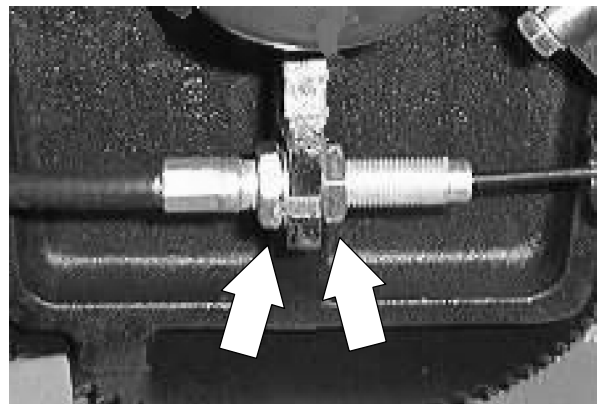
2. Locate the area where the brake cable attaches to the drive support. The beginning adjustment should be **1.375 in.** of conduit showing on the cable end.



3. Turn the steering wheel all the way to the right.

*NOTE: Spin the tire/wheel assembly to make sure the brakes are not dragging with the brake pedal NOT engaged.*

4. Loosen the two jam nuts on the brake cable, where it attaches to the drive support casting.
5. Move the cable away from the brake lever far enough to remove the slack in the pedal movement.
6. Re-tighten the two jam nuts firmly. Operate the machine and check the brake pedal for a shorter stroke.



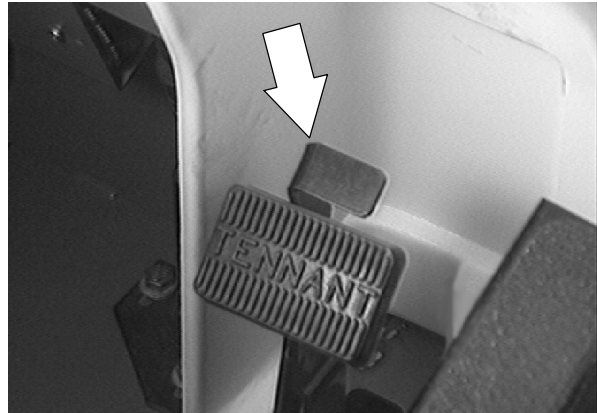
## CHASSIS

### TO ADJUST PARKING BRAKE

The parking brake should be adjusted when an excessive amount of brake pedal stroke is needed to hold the machine.

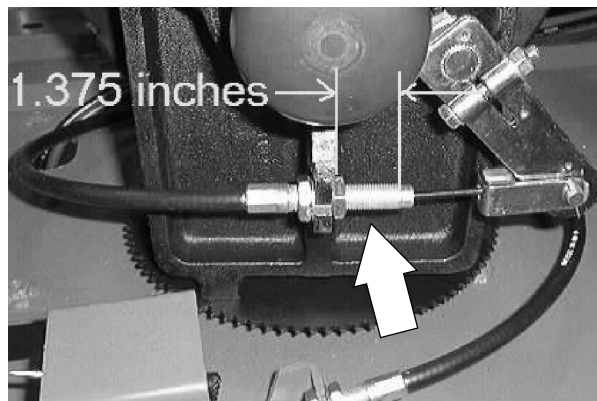
**FOR SAFETY: Before Leaving Or Servicing Machine; Stop On Level Surface, Block Rear Wheels.**

1. Go under the machine in the front right corner.

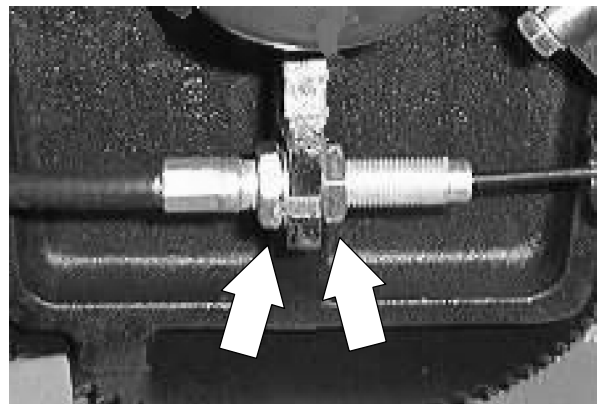


2. Locate the area where the brake cable attaches to the drive support. The beginning adjustment should be **1.375 in.** of conduit showing on the cable end.
3. Turn the steering wheel all the way to the right.

*NOTE: Spin the tire/wheel assembly to make sure the brakes are not dragging with the brake pedal NOT engaged.*



4. Loosen the two jam nuts on the brake cable, where it attaches to the drive support casting.
5. Move the cable away from the brake lever far enough to remove the slack in the pedal movement.
6. Re-tighten the two jam nuts firmly. Operate the machine and check the brake pedal for a shorter stroke.

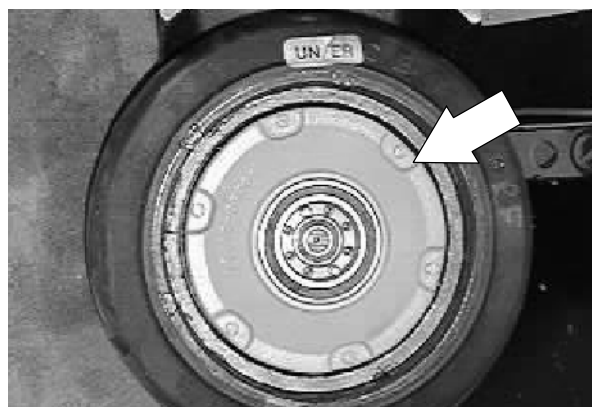
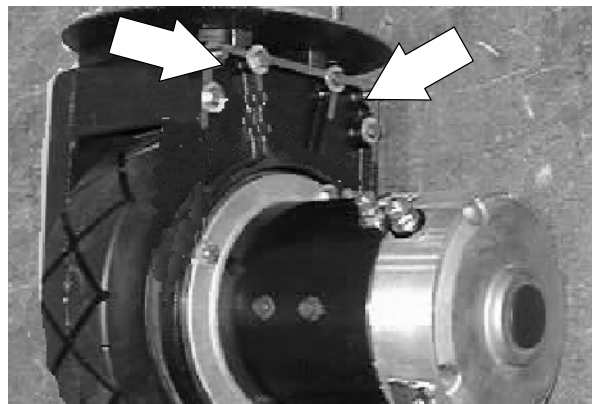
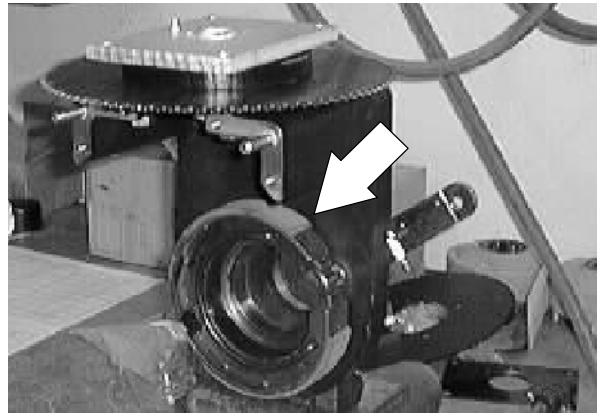


## TO REPLACE DRIVE ASSEMBLY BRAKE SHOES

The front brake shoes should be replaced when the machine no longer stops easily or the adjustment in the brake cable has been used up.

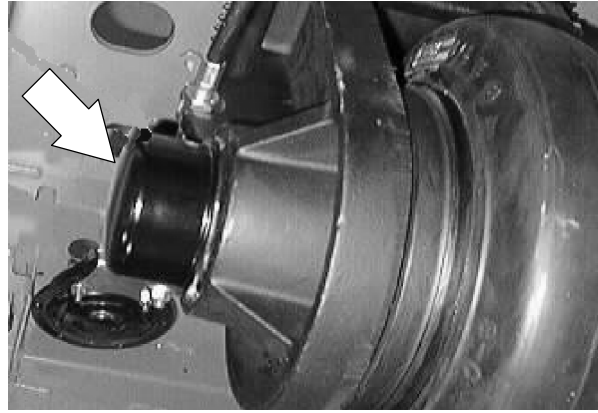
**FOR SAFETY: Before Leaving Or Servicing Machine; Stop On Level Surface, Block Rear Wheels.**

1. Raise the seat support and unplug the battery connectors.
2. Raise the front of the machine and place jack stands under the frame.
3. Mark and remove the electrical cables leading to the drive motor.
4. Remove the four hex screws holding the outer plate, motor, and planetary gear box to the main drive assembly.
5. Pull the planetary gear box, outer plate, and motor out of the drive wheel and away from the drive assembly.

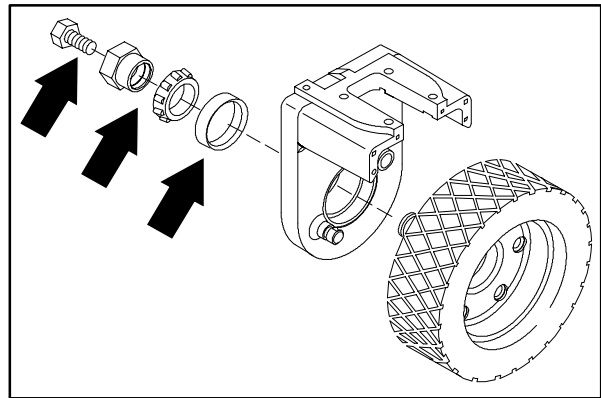


## CHASSIS

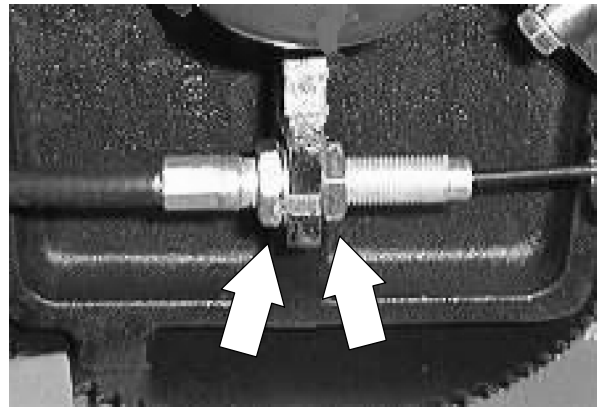
6. Go to the other side of the drive assembly and remove the hub cap. This will expose the outer bearing, hex sleeve, and lock bolt.



7. Remove the lock bolt.  
**(this is a right-hand thread screw).**
8. Remove the hex sleeve and outer bearing cone assembly.  
**(this is a left hand thread nut).**
9. The axle/tire/wheel assembly can now be removed from the drive assembly. This will expose the brake shoes.



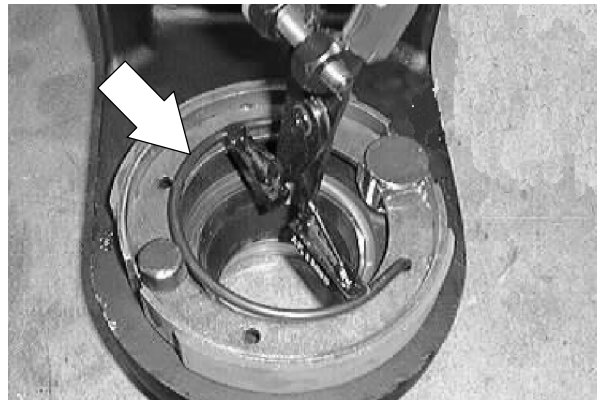
10. Loosen the two jam nuts on the brake cable, where it attaches to the drive support casting. Pull the brake cable off the drive assembly.



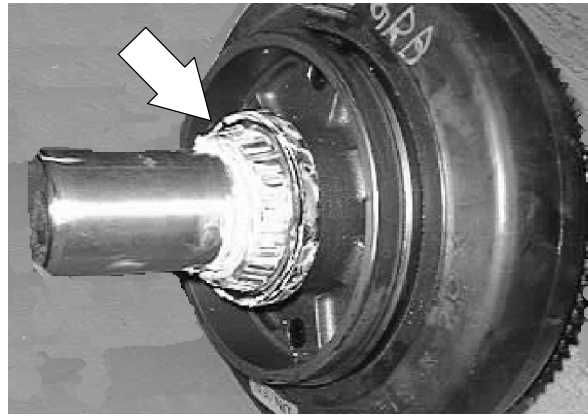
11. Remove the large "C" spring holding the two brake shoes together. Remove the brake shoes.

*NOTE: There is a great deal of tension on the "C" spring. Care must be used when spreading the spring for removal or installation.*

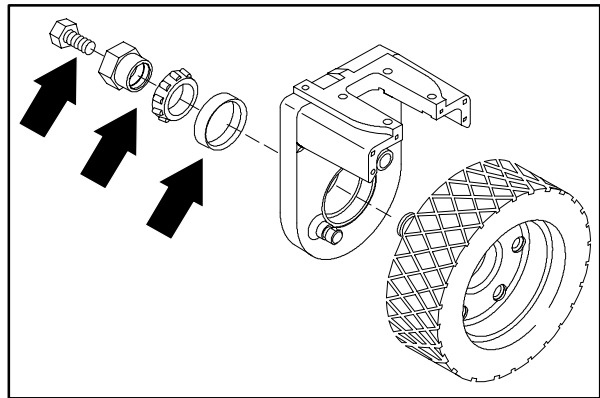
12. Install the new brake shoes on the drive assembly in the same orientation as the old ones were removed.
13. Reinstall the "C" spring on the new brake shoes.



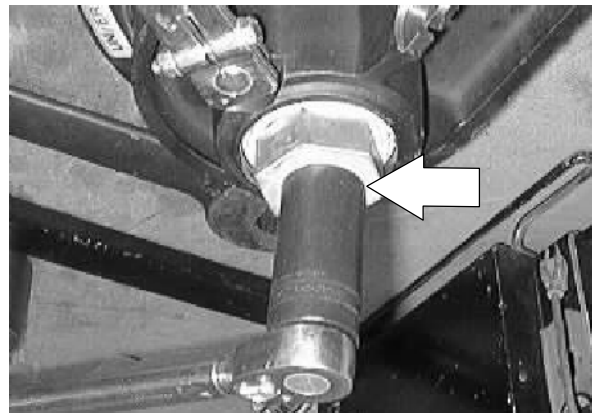
14. Reinstall the axle/tire/wheel assembly into the drive assembly. Make sure the inner and outer wheel bearings are completely greased when re-assembling.



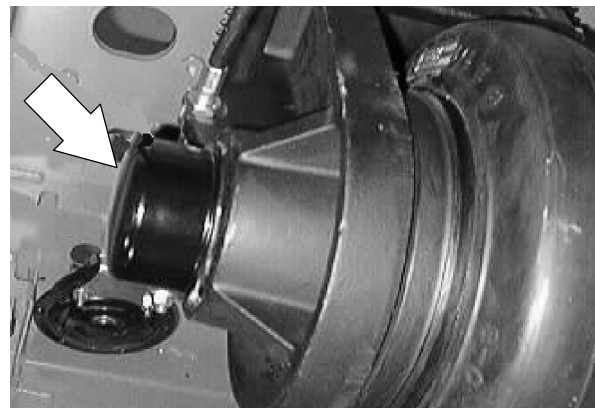
15. Reinstall the outer bearing and hex sleeve assembly (**this is a left hand thread nut**). Tighten to at least 100 ft lbs and then back off the hex sleeve to 0 ft lbs. Re-torque hex sleeve to 30 ft lbs.



16. Install the lock bolt in the end of the hex sleeve. Tighten the lock bolt to 200 Nm (150 ft lb) while holding the hex sleeve from turning.



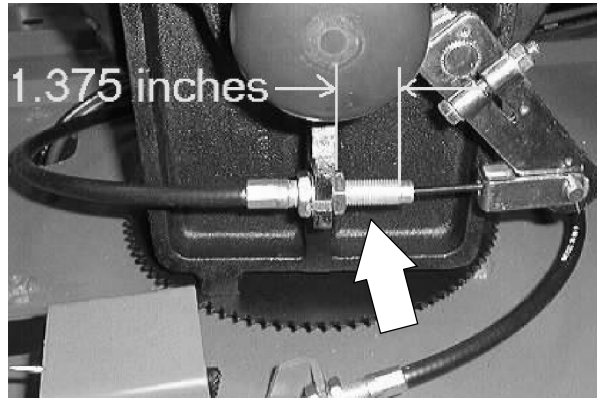
17. Reinstall the hub cap in the drive assembly.



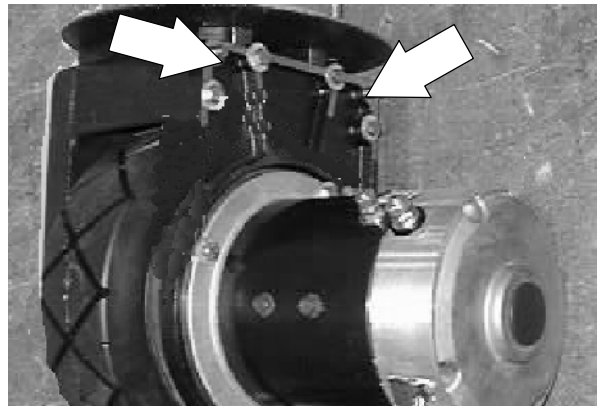
## CHASSIS

18. Locate the area where the brake cable attaches to the drive support. The beginning adjustment should be **1.375 in.** of conduit showing on the cable end.
19. Turn the steering wheel all the way to the right.

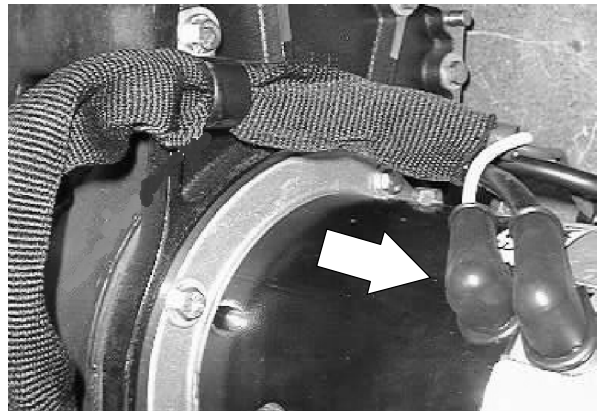
*NOTE: Spin the tire/wheel assembly to make sure the brakes are not dragging with the brake pedal NOT engaged.*



20. Go to the other side of the drive assembly and install the planetary gear box, outer plate, and motor assembly into the wheel assembly and onto the pins of the drive assembly.
21. Install the 4 hex screws and washers. Tighten to 18 - 24 Nm (15 - 20 ft lb).



22. Reconnect the electrical cables to the drive motor.
23. Remove the jack stands and lower the machine.



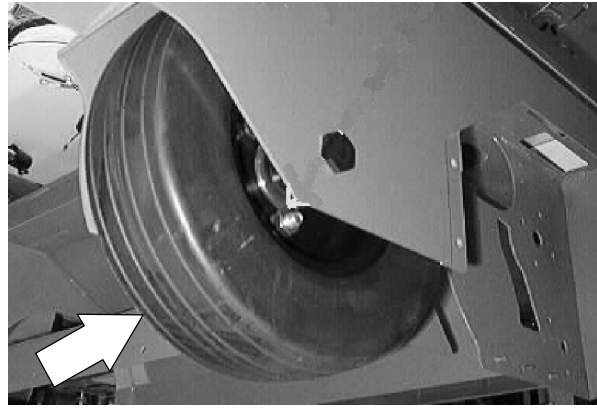
24. Reconnect the battery cables.
25. Drive the machine and check the brakes for proper operation. Adjust if necessary.





## REAR TIRES AND WHEELS

The rear tires on the model 7200 are semi-pneumatic. The rear tire and wheel assemblies are idler wheels only, they have no braking capabilities.



### TO REMOVE REAR TIRE

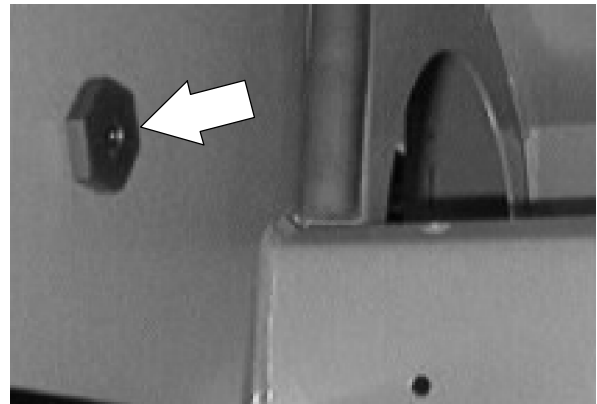
**FOR SAFETY: Before Leaving Or Servicing Machine; Stop On Level Surface, Set Parking Brake.**

1. Jack up the rear corner of the machine where the tire needs to be removed.

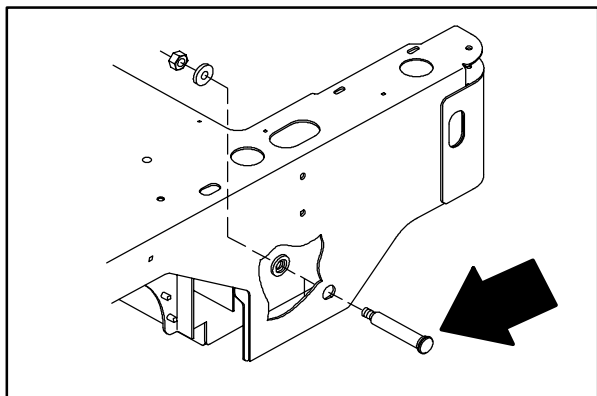
*NOTE: Do not raise both rear wheels off the floor at the same time. The machine will become unstable because of the single front tire.*



2. Go under the machine in the area of the rear tire. Locate the lock nut holding the axle shaft to the machine frame. Remove the lock nut and washer.



3. Support the tire while you pull the axle out of the wheel assembly. Drop the wheel assembly out of the machine.



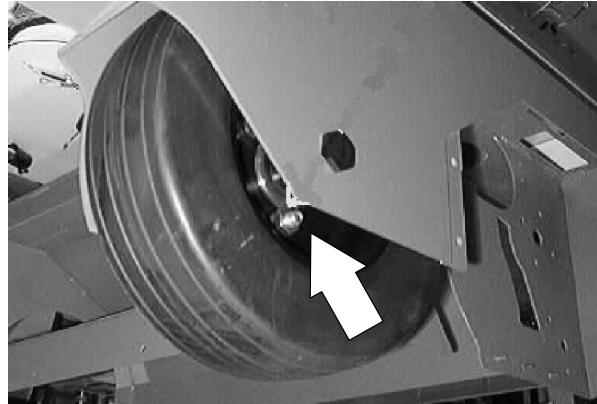
## CHASSIS

### TO INSTALL REAR TIRE

**FOR SAFETY: Before Leaving Or Servicing Machine; Stop On Level Surface, Set Parking Brake.**

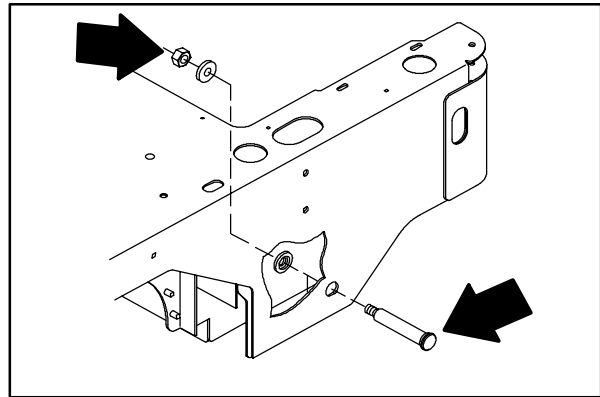
1. Position the wheel assembly in the machine. (short side of hub toward outside) Raise the tire up and align the hole in the wheel bearing with the axle hole in the frame.

*NOTE: The lug nuts must face the outside of the machine.*



2. Install the axle shaft in the machine from the outside of the frame.

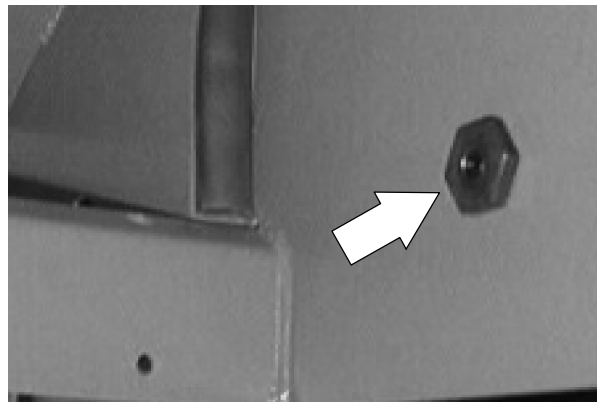
*NOTE: The axle has a flat portion that must line up with the flat in the axle mount hole.*



3. Install the washer and nut on the axle. Tighten to 68 - 81 Nm (50 - 60 ft lb).

4. Remove the jack stands and lower the machine.

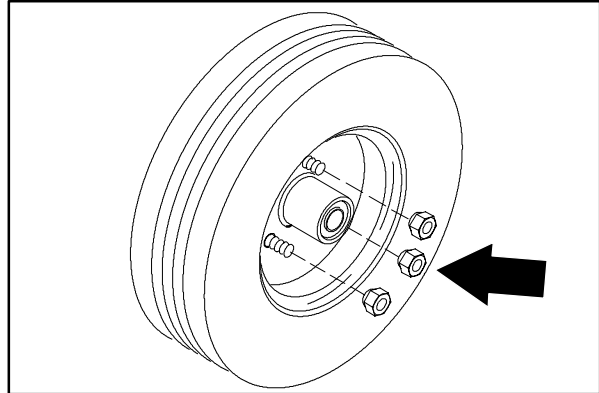
5. Drive the machine and check for proper operation.



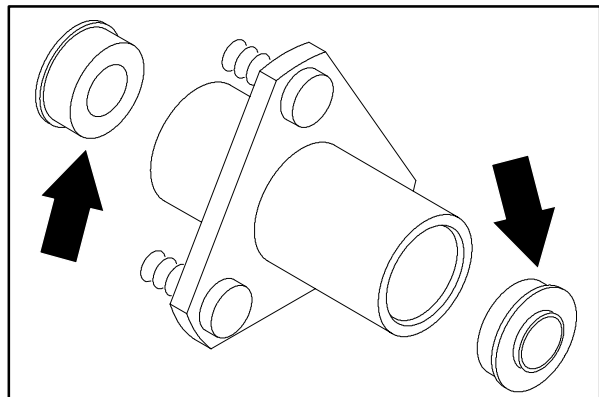
**TO REPLACE REAR WHEEL BEARINGS**

**FOR SAFETY: Before Leaving Or Servicing Machine; Stop On Level Surface, Set Parking Brake.**

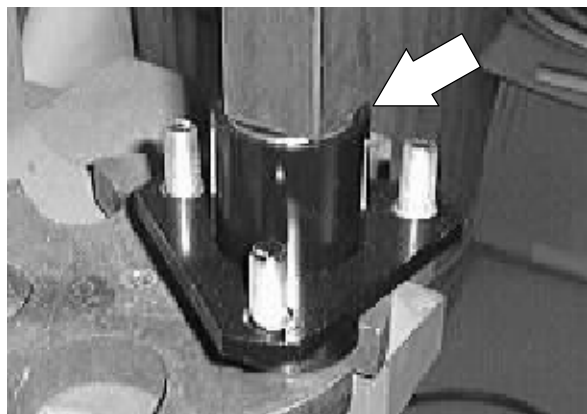
1. Remove the rear wheel assembly. See TO REMOVE REAR TIRE instructions.
2. Remove the three lug nuts holding the bearing housing to the wheel assembly. Remove the bearing housing.



3. Use a press to remove the wheel bearings from the housing.



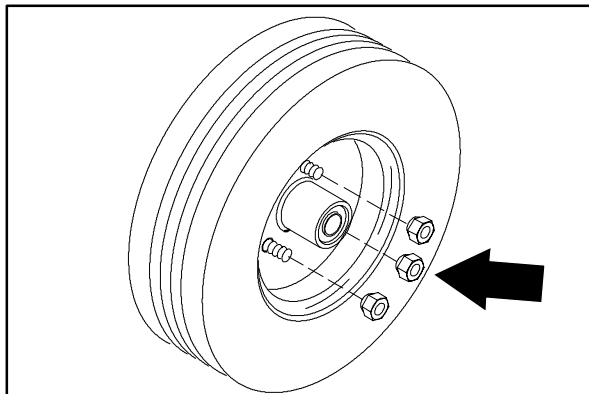
4. Press the new wheel bearings into the housing. Press the bearing in until the flange is seated on the housing.



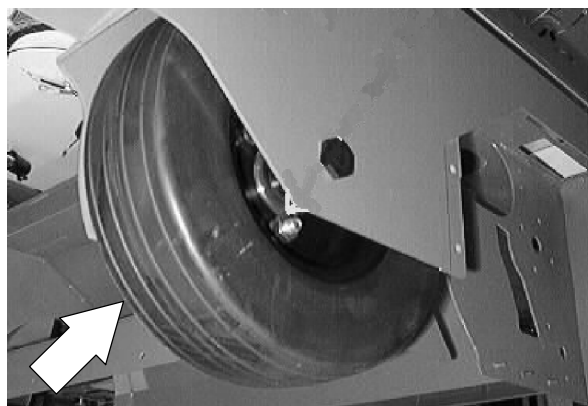
## CHASSIS

5. Reinstall the wheel on the bearing housing. (coining on wheel facing lug nuts) Tighten the three lug nuts to 58 - 76 Nm (43 - 56 ft lb).

*NOTE: The lug nuts must face the outside of the machine.*



6. Reinstall the rear wheel assembly in the machine. See TO INSTALL REAR TIRE instructions.

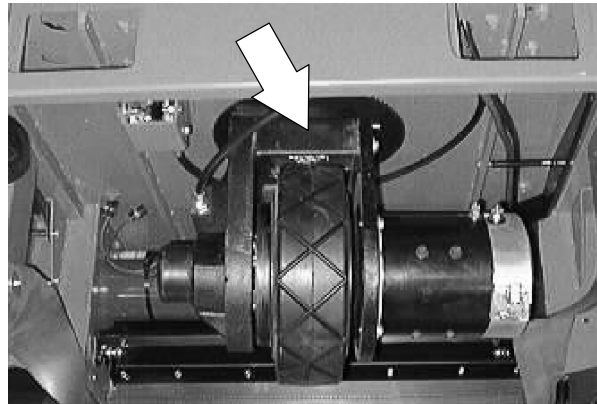


---

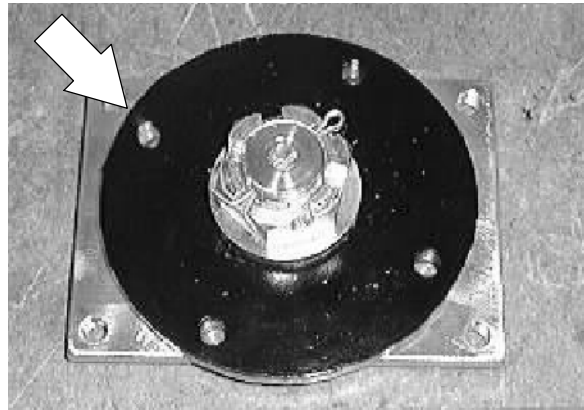
**FRONT TIRE AND WHEEL, AND WHEEL DRIVE SUPPORT**

---

The front drive assembly controls the forward and reverse movement of the machine along with the braking and steering. The brakes are actuated with a cable and uses a sprocket and chain assembly for the steering. Forward and reverse is accomplished with an electric motor and planetary gearbox.

**FRONT WHEEL SUPPORT CASTER BEARING ASSEMBLY**

The front wheel support caster bearing is located between the bottom swivel plate and the upper swivel plate weldment. The bearing is a flat needle bearing style.

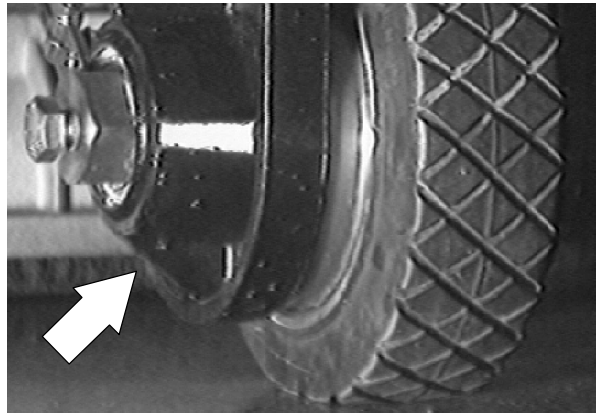


## CHASSIS

### TO REMOVE FRONT DRIVE ASSEMBLY

**FOR SAFETY: Before Leaving Or Servicing Machine; Stop On Level Surface, Set Parking Brake.**

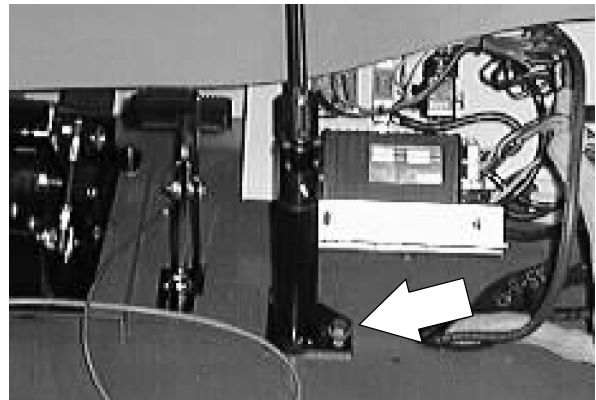
1. Raise the seat support and unplug the battery connectors.
2. Raise the front of the machine and place jack stands under the frame.



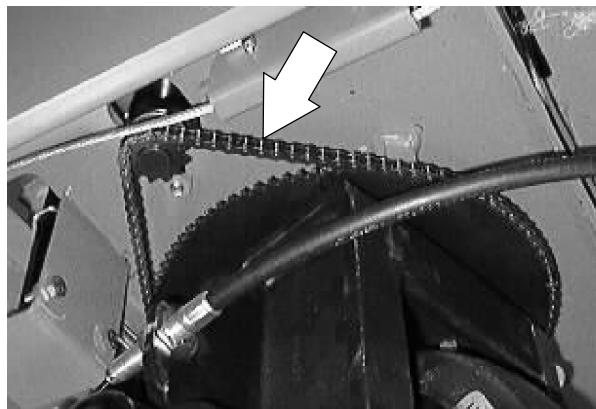
3. Mark and remove the electrical cables leading to the drive motor.



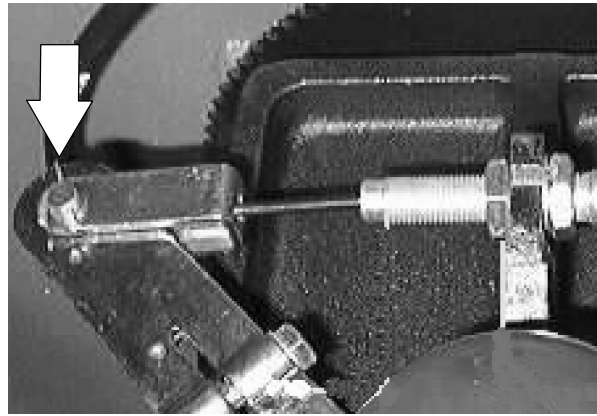
4. Go in operators compartment and loosen the lower steering shaft mount screws.



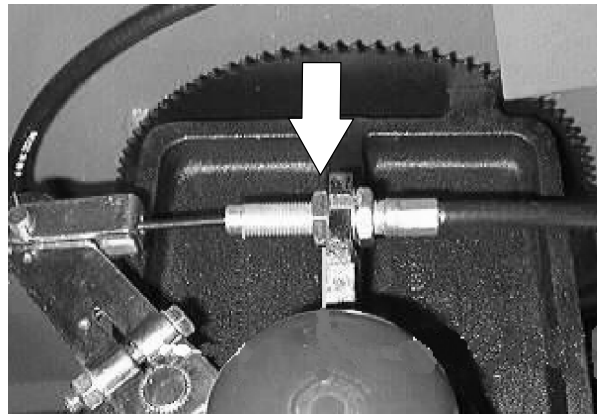
5. Pull the mount back to give the steering chain slack. Locate and remove the master link and steering chain.



- Remove the cotter pin and clevis pin from the end of the brake cable where it attaches to the lever on the wheel support.

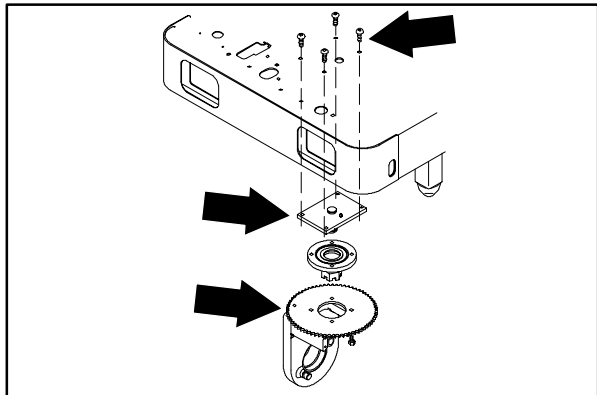


- Loosen the jam nut on the brake cable where it attaches to the wheel support. Remove the brake cable from the wheel support.



- Position a floor jack or transmission jack under the drive wheel. This will support the drive assembly when the hardware is removed.

- Go to the operators compartment and locate the 4 button head screws holding the drive assembly to the floor plate. Remove the 4 screws while supporting the drive assembly.



- Remove the drive assembly from the machine.

## CHASSIS

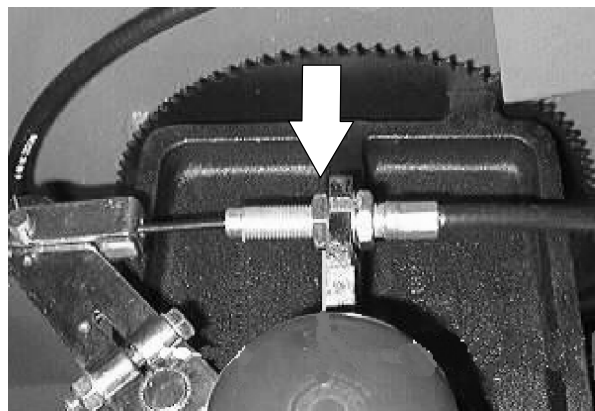
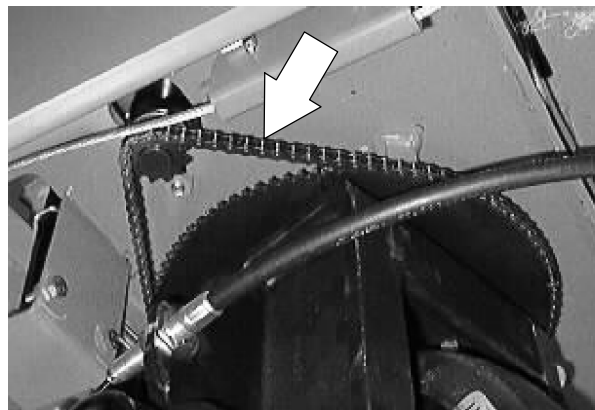
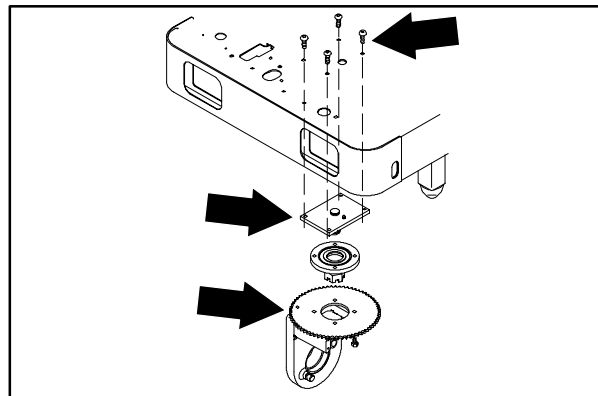
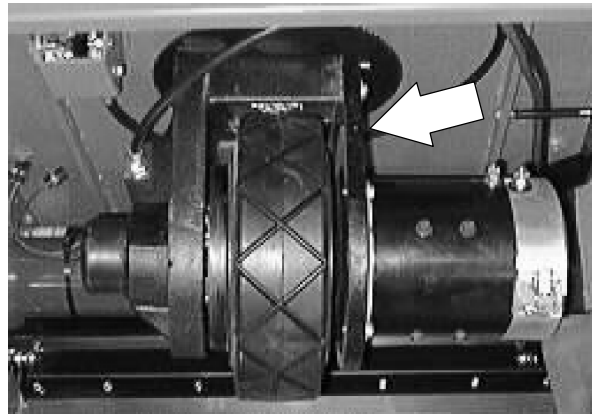
### TO INSTALL FRONT DRIVE ASSEMBLY

**FOR SAFETY: Before Leaving Or Servicing Machine; Stop On Level Surface, Set Parking Brake.**

1. Raise the seat support and unplug the battery connectors.
2. Raise the front of the machine and place jack stands under the frame.
3. Place the front drive assembly on a floor jack or transmission jack. This will support the drive assembly when installing it in the machine.
4. Position the drive assembly under the machine in front.
5. Raise the drive assembly up until the mount holes in the floor plate are aligned with the mount holes in the upper swivel plate weldment on top of the drive assembly.

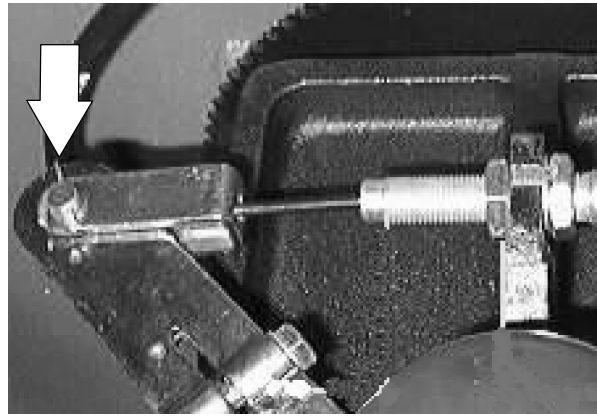
*NOTE: Make sure to position the grease zerk in the access hole in the machine floor plate.*

6. Install the four button head screws and tighten to 64 - 83 Nm (47 - 61 ft lb).
7. Reinstall the steering chain and master link. Adjust the steering chain. See TO ADJUST STEERING CHAIN instructions.
8. Reinstall the brake cable on the wheel support. Tighten the jam nut on the brake cable where it attaches to the wheel support.



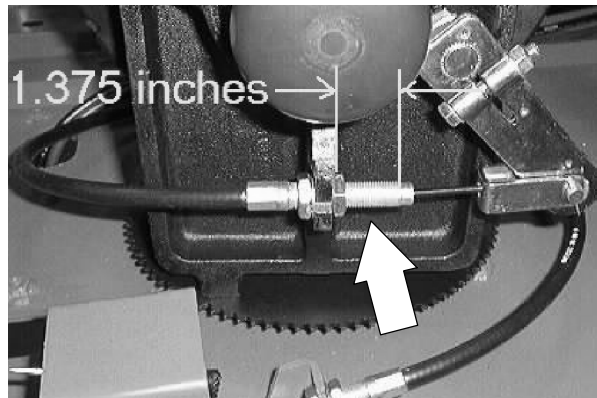


- Reinstall the cotter pin and clevis pin in the end of the brake cable where it attaches to the lever on the wheel support.

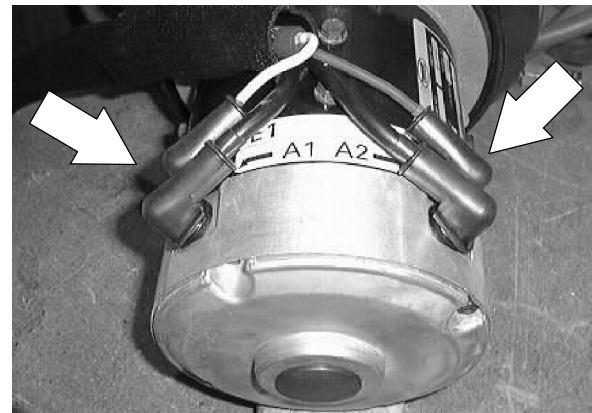


- Turn the steering wheel all the way to the right.
- Locate the area where the brake cable attaches to the drive support. The beginning adjustment should be **1.375 in.** of conduit showing on the cable end.

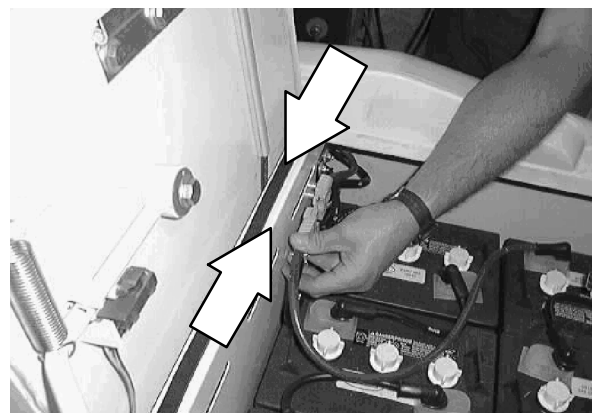
*NOTE: Spin the tire/wheel assembly to make sure the brakes are not dragging with the brake pedal NOT engaged.*



- Reinstall the electrical cables on the drive motor.
- Remove the jack stands and lower the machine.



- Reconnect the battery cables.
- Operate the machine and check for proper operation. Check the brakes for proper operation. Adjust if necessary. See TO ADJUST SERVICE BRAKES instructions.

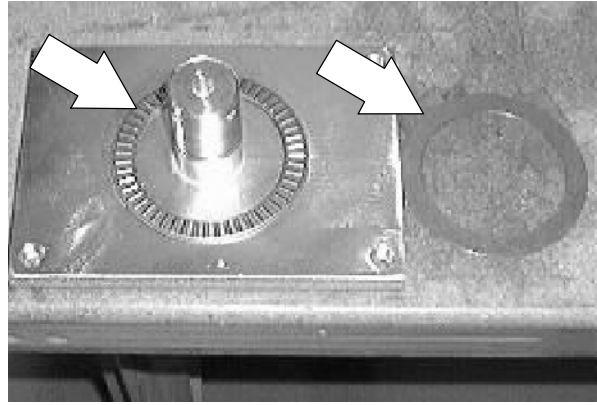


## CHASSIS

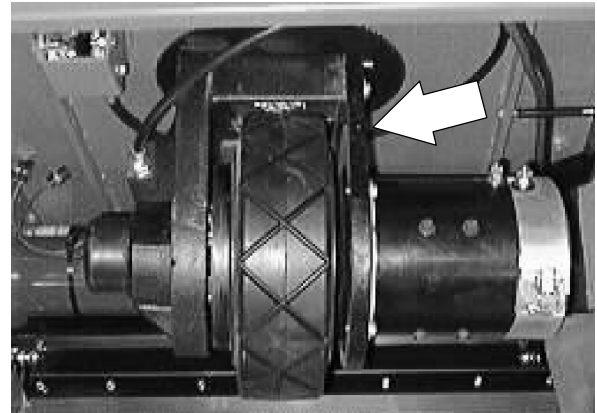
### TO REPLACE DRIVE ASSEMBLY CASTER BEARING AND THRUST WASHERS

**FOR SAFETY: Before Leaving Or Servicing Machine; Stop On Level Surface, Set Parking Brake.**

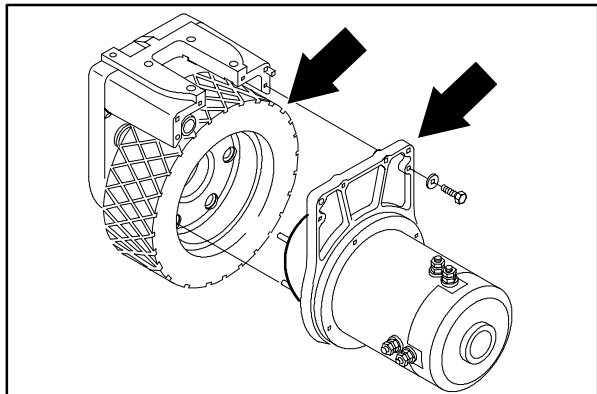
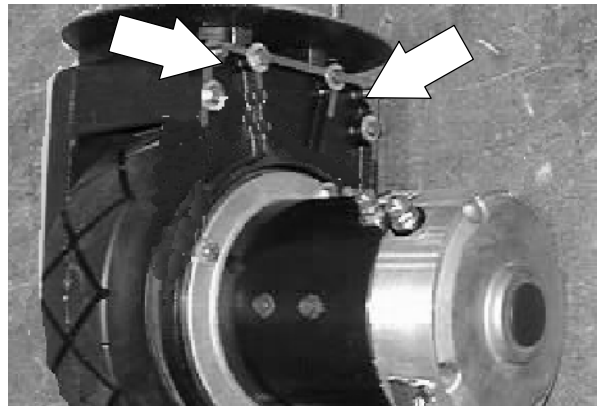
1. Remove the drive assembly from the machine. See TO REMOVE FRONT DRIVE ASSEMBLY instructions.



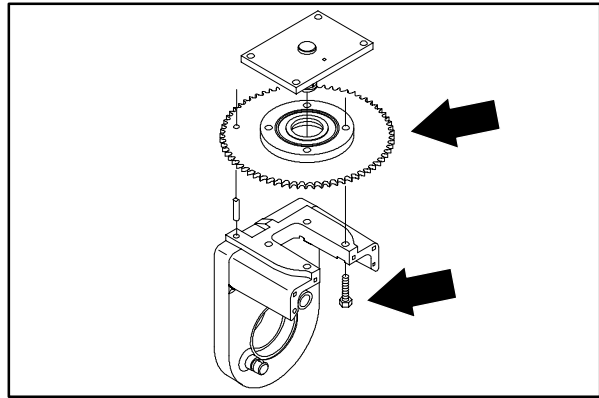
2. Remove the four hex screws holding the outer plate, motor, and planetary gear box to the main drive assembly.



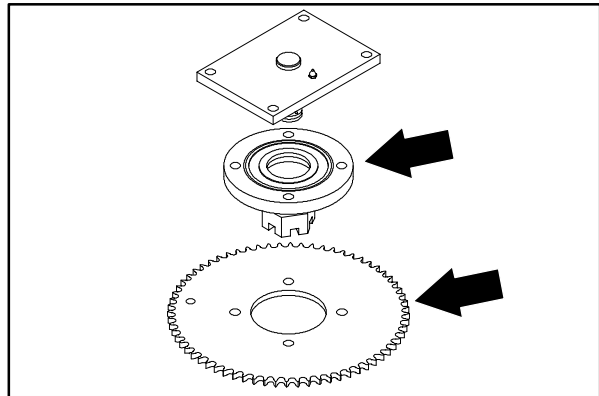
3. Pull the planetary gear box, outer plate, and motor out of the drive wheel and away from the drive assembly.



4. Remove the four hex screws holding the pivot and sprocket assembly to the drive assembly.

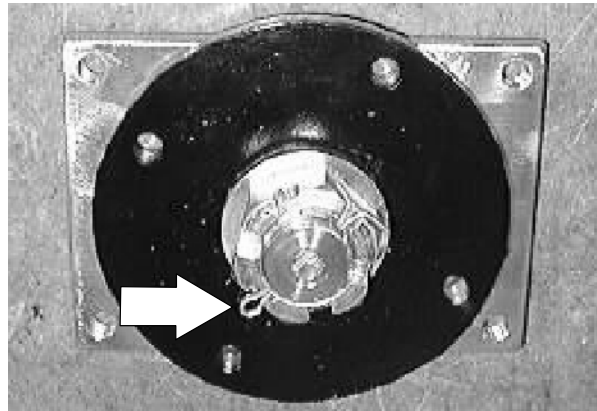


5. Remove the sprocket from the pivot assembly.

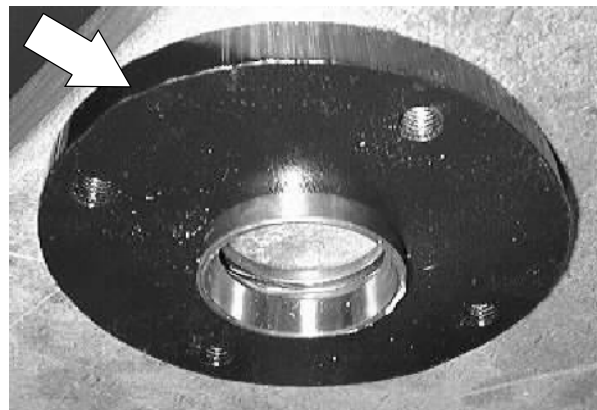


6. Remove the cotter pin and castle nut from the upper swivel plate weldment.

7. Remove the flat washer and cone bearing from the bottom swivel plate.

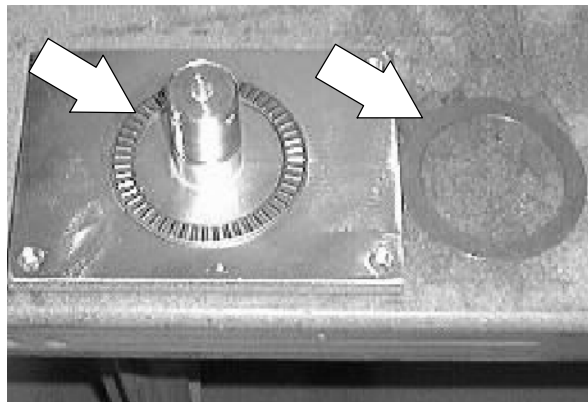


8. Lift the bottom swivel plate off the upper swivel plate weldment.

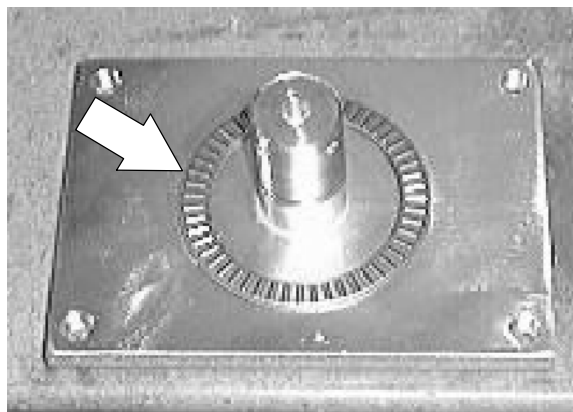


## CHASSIS

9. Remove and discard both thrust washers and the caster bearing from the upper swivel plate weldment.



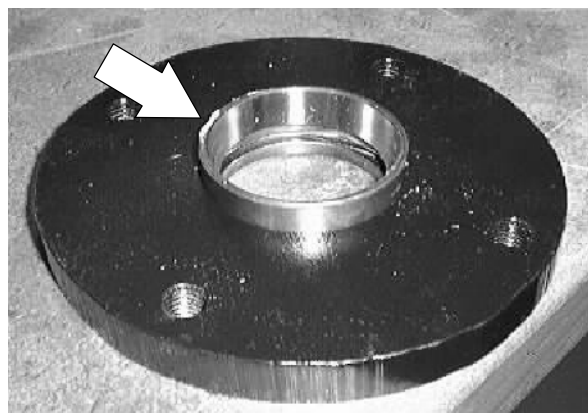
10. Apply grease on both sides of the new caster bearing.
11. Position the new caster bearing on top of the new lower thrust washer.
12. Reinstall the second new thrust washer on top of the new caster bearing.



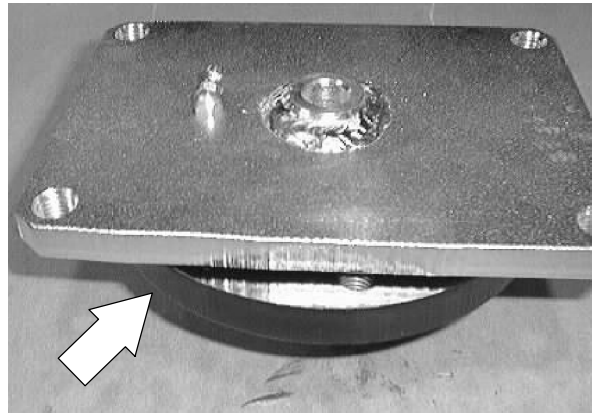
13. Reinstall the bottom swivel plate on the upper swivel plate weldment. Make sure the grease seal is in place on the upper swivel plate weldment.



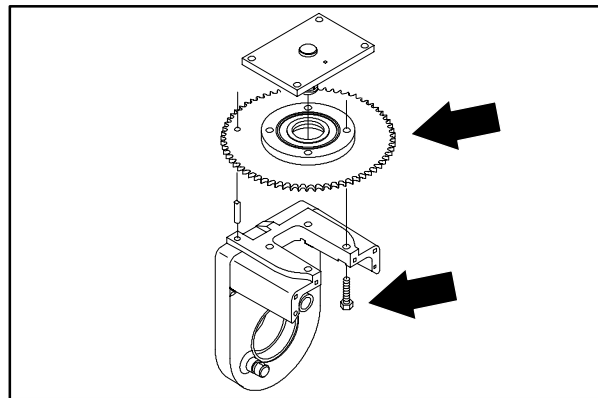
14. Reinstall the bearing cone and flat washer on the bottom swivel plate. Make sure the bearing cone is greased.



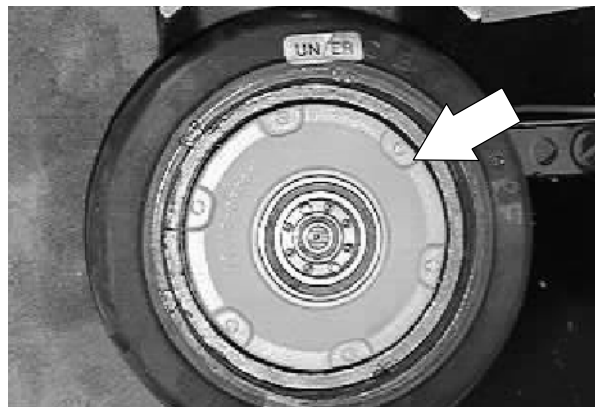
15. Reinstall the castle nut and tighten to (125 ft lbs). Then back off to the next nearest hole and install the cotter pin. Check to make sure the caster bearing can be turned by hand. Reduce torque if necessary.



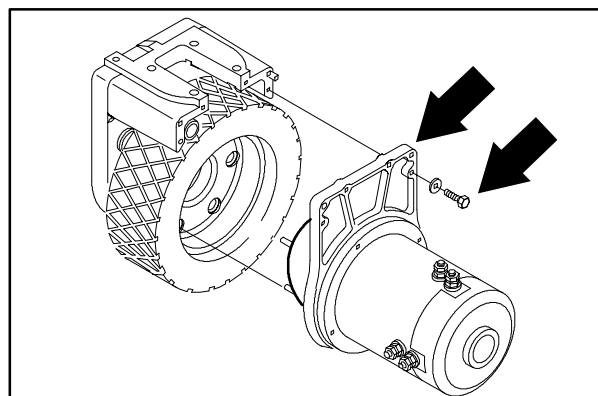
16. Reinstall the sprocket on the front drive assembly.
17. Reinstall the pivot and sprocket assembly on the drive assembly. Reinstall the four screws and tighten to 68 - 81 Nm (50 - 60 ft lb).



18. Install the planetary gear box, outer plate, and motor assembly into the wheel assembly and onto the pins of the drive assembly.

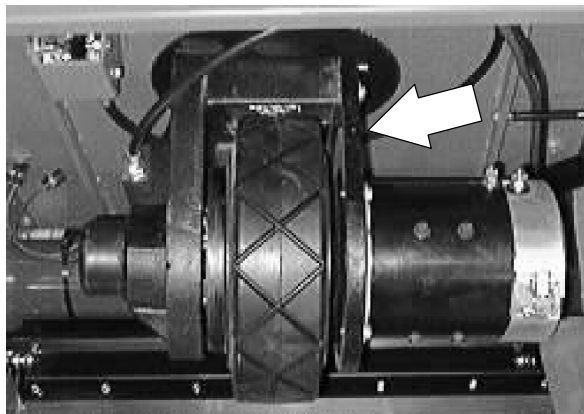


19. Install the 4 hex screws and washers. Tighten to 18 - 24 Nm (15 - 20 ft lb).



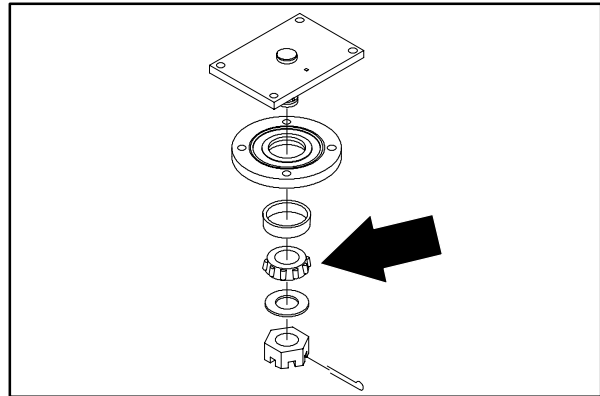
## CHASSIS

20. Reinstall the drive assembly in the machine.  
See TO INSTALL FRONT DRIVE ASSEMBLY instructions.
  
21. Operate the machine and check for smooth steering operation. Check the brakes for proper operation. Adjust if necessary. See TO ADJUST SERVICE BRAKES instructions.

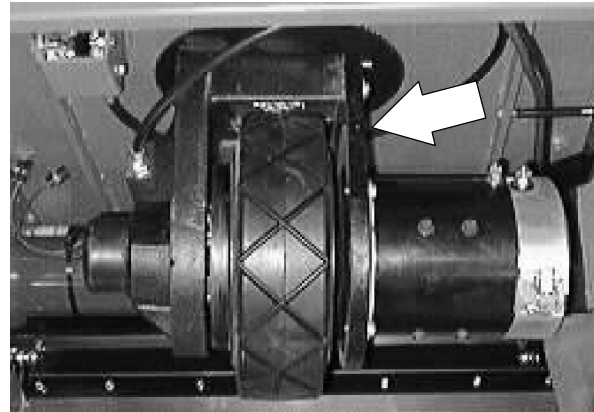


**TO REPLACE DRIVE ASSEMBLY PIVOT CONE BEARING**

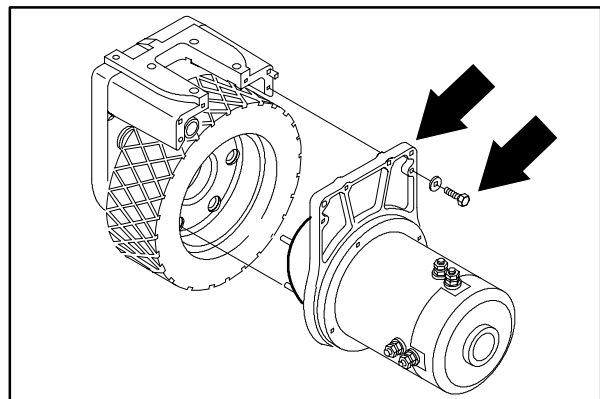
**FOR SAFETY: Before Leaving Or Servicing Machine; Stop On Level Surface, Set Parking Brake.**



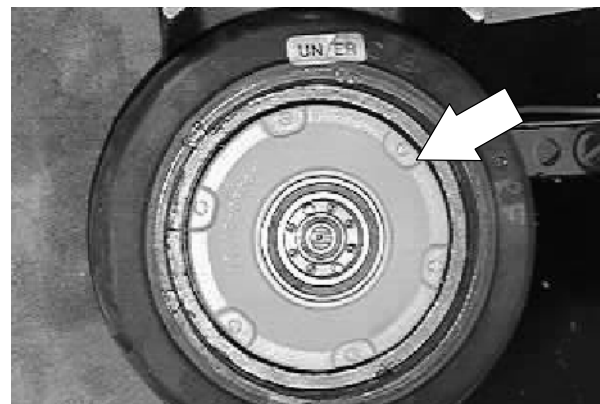
1. Remove the drive assembly from the machine. See TO REMOVE FRONT DRIVE ASSEMBLY instructions.



2. Remove the four hex screws holding the outer plate, motor, and planetary gear box to the main drive assembly.



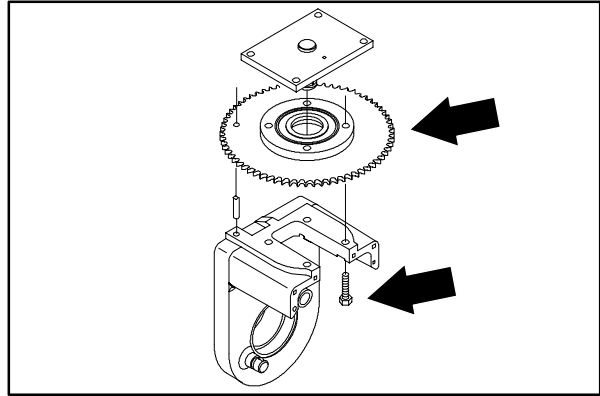
3. Pull the planetary gear box, outer plate, and motor out of the drive wheel and away from the drive assembly.



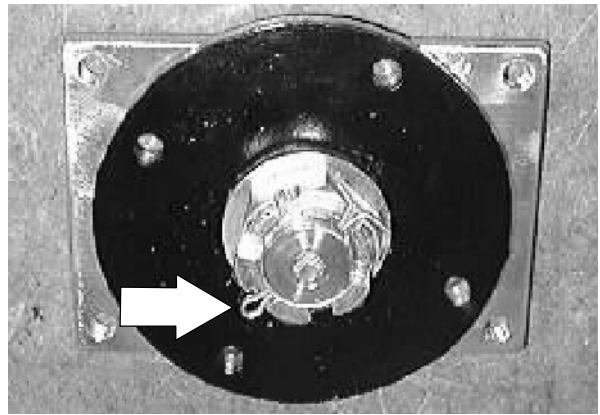
## CHASSIS

4. Remove the four hex screws holding the pivot and sprocket assembly to the drive assembly.

5. Remove the sprocket from the pivot assembly.



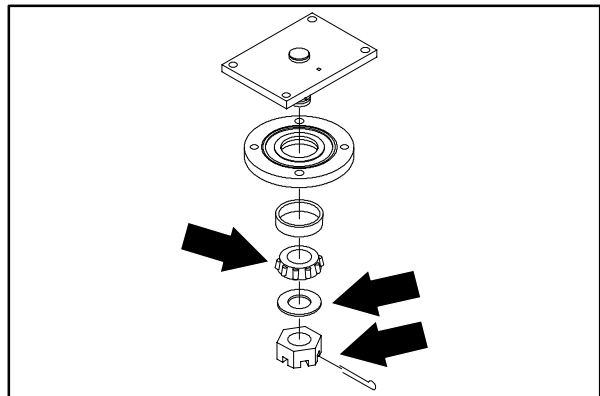
6. Remove the cotter pin and castle nut from the upper swivel plate weldment.



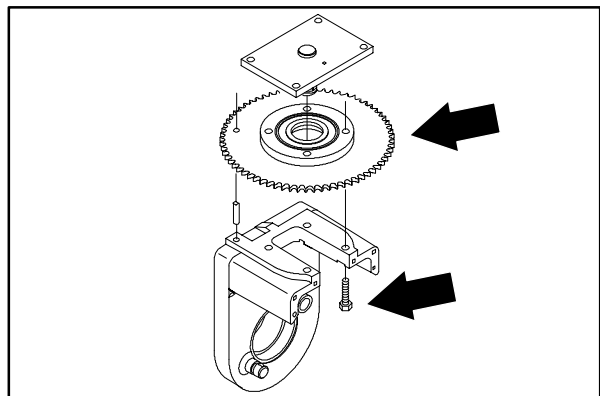
7. Remove the flat washer and old cone bearing from the bottom swivel plate.

8. Install the new cone bearing and flat washer on the bottom swivel plate. Make sure the new cone bearing is greased.

9. Reinstall the castle nut and tighten to 200 Nm (150 ft lbs). Then tighten to the next nearest hole and install the cotter pin.

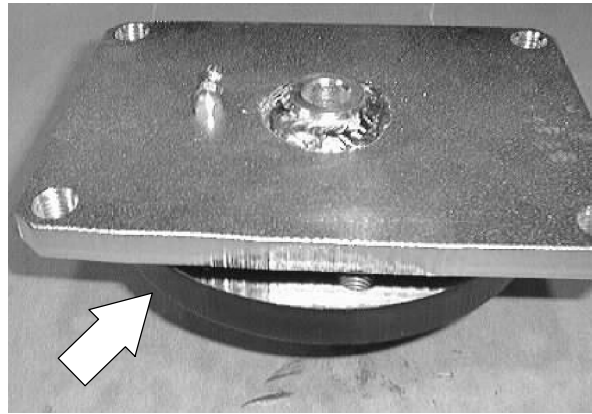


10. Reinstall the sprocket on the pivot assembly.

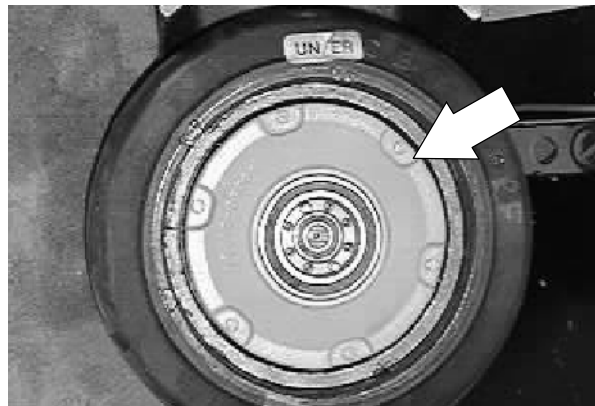




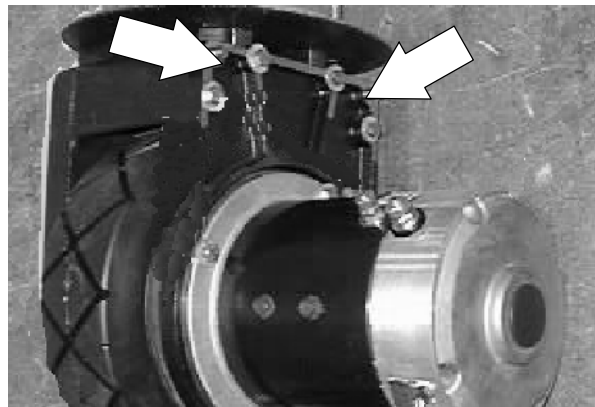
11. Reinstall the pivot and sprocket assembly on the drive assembly. Reinstall the four screws and tighten to 68 - 81 Nm (50 - 60 ft lb).



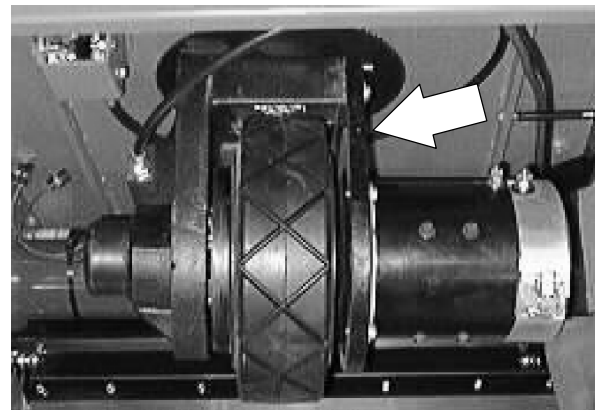
12. Install the planetary gear box, outer plate, and motor assembly into the wheel assembly and onto the pins of the drive assembly.



13. Install the 4 hex screws and washers. Tighten to 18 - 24 Nm (15 - 20 ft lb).



14. Reinstall the drive assembly in the machine. See TO INSTALL FRONT DRIVE ASSEMBLY instructions.

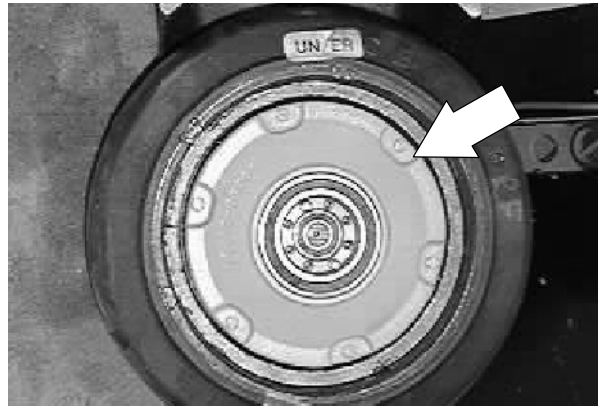


15. Operate the machine and check for smooth steering operation. Check the brakes for proper operation. Adjust if necessary. See TO ADJUST SERVICE BRAKES instructions.

## CHASSIS

### PLANETARY GEAR BOX

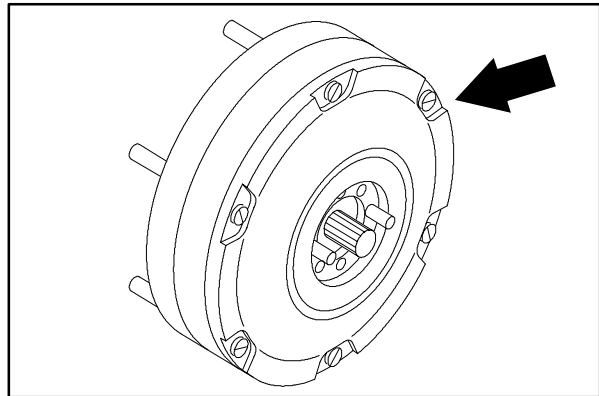
The model 7200 front drive system includes a self contained planetary gearbox. The electric drive motor provides power to the planetary gearbox which, through a gear reduction, spins the front tire.



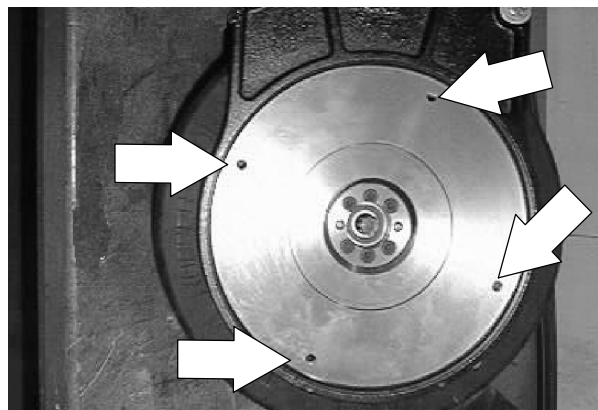
### TO REMOVE PLANETARY GEAR BOX

**FOR SAFETY: Before Leaving Or Servicing Machine; Stop On Level Surface, Set Parking Brake.**

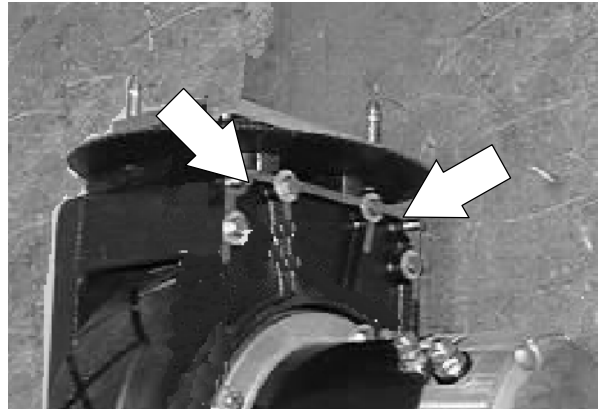
1. Raise the seat support and unplug the battery connectors.
2. Raise the front of the machine and place jack stands under the frame.
3. Mark and remove the electrical cables leading to the drive motor.



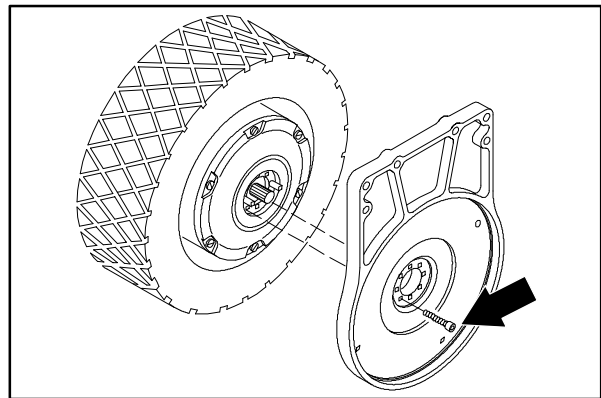
4. Remove the 4 hex screws holding the electric drive motor to the drive assembly outer plate. Remove the drive motor.



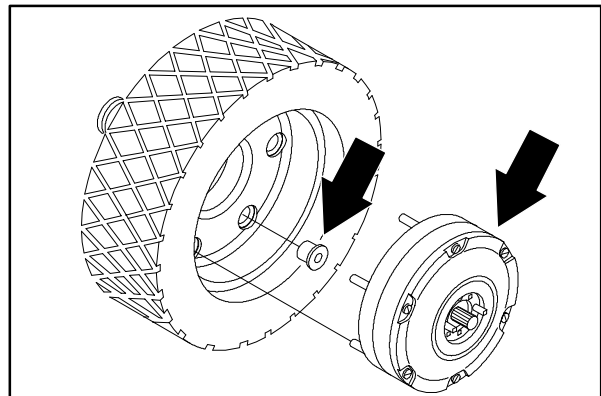
5. Remove the four hex screws holding the outer plate to the main drive assembly.



6. Remove the 6 socket screws holding the outer plate to the planetary gear box. Remove the outer plate.



7. Pull the old planetary gear box out of the drive wheel. Remove the old planetary gear box from the machine.



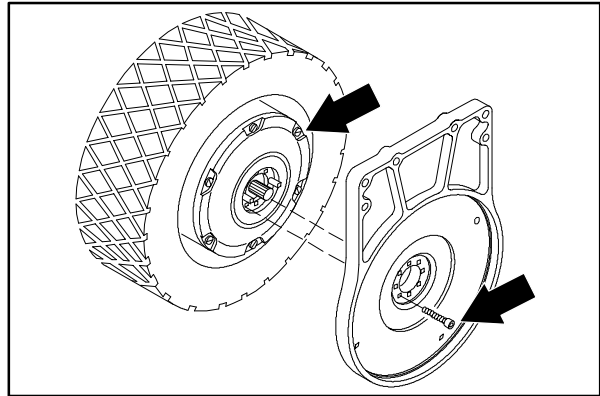
## CHASSIS

### TO INSTALL PLANETARY GEAR BOX

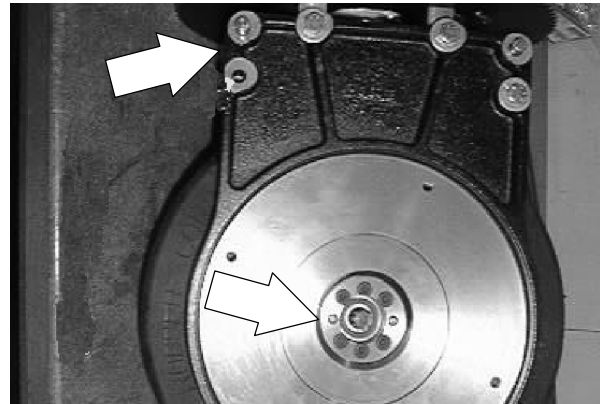
**FOR SAFETY: Before Leaving Or Servicing Machine; Stop On Level Surface, Set Parking Brake.**

1. Install the new planetary gearbox on the outer motor mount plate. Install the 6 socket screws into the planetary gear box. Torque the 6 screws to 193 - 250 Ncm (17-22 in. lbs.).

*NOTE: Do not tighten this hardware above a grade 2 torque. The planetary gearbox is made from a softer grade of cast iron and the threads could strip out.*

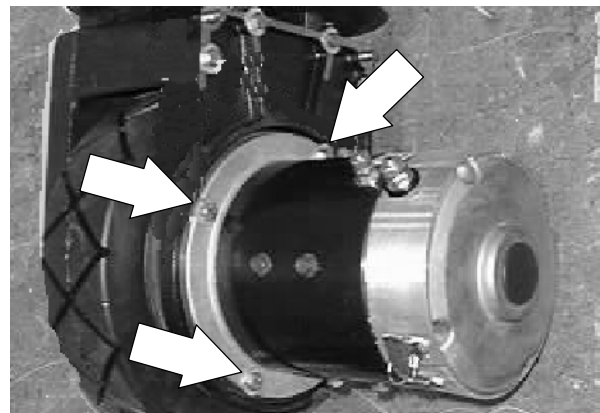


2. Reinstall the outer motor mount plate and gear box on the drive assembly. Tighten the four screws to 18 - 24 Nm (15 - 20 ft lb).

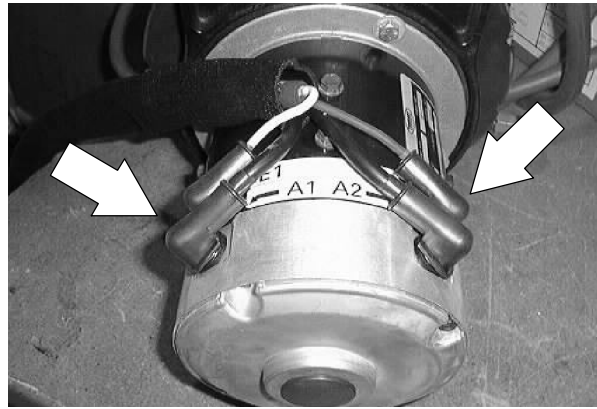


*NOTE: When installing the motor on the drive assembly, make sure the terminals are pointing up and slightly forward for proper electrical cable installation.*

3. Reinstall the electric motor on the drive assembly. Make sure to line up the splines on the motor shaft with the splines of the planetary gear box. Tighten the 4 hex screws to 18 - 24 Nm (15 - 20 ft lb).



4. Reconnect the electrical cables to the drive motor.
5. Remove the jack stands and lower the machine.



6. Reconnect the battery cables.



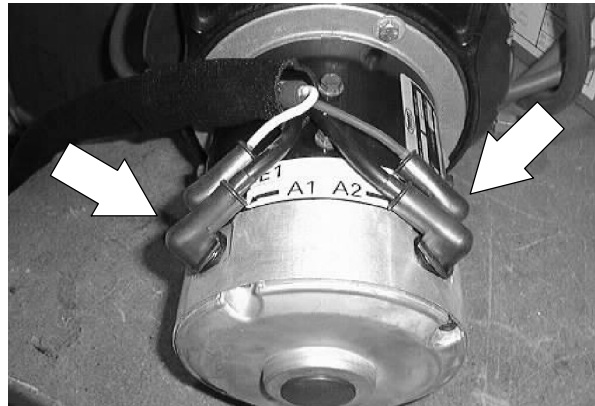
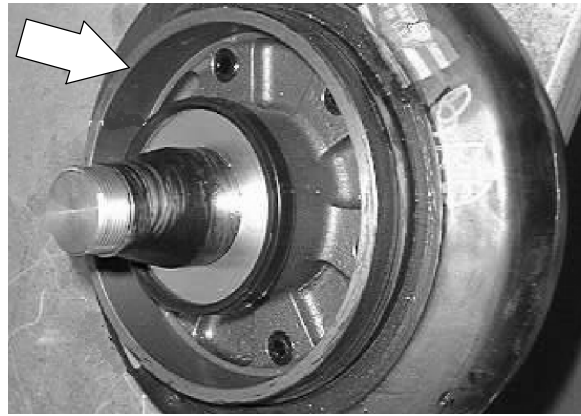
7. Operate the machine and check the new gearbox for proper operation.

## CHASSIS

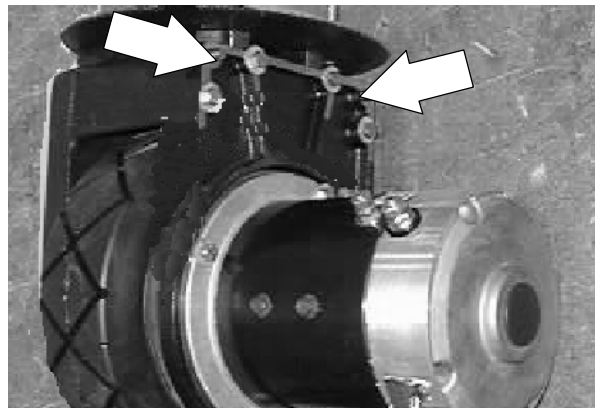
### TO REPLACE FRONT TIRE AND WHEEL ASSEMBLY

**FOR SAFETY: Before Leaving Or Servicing Machine; Stop On Level Surface, Set Parking Brake.**

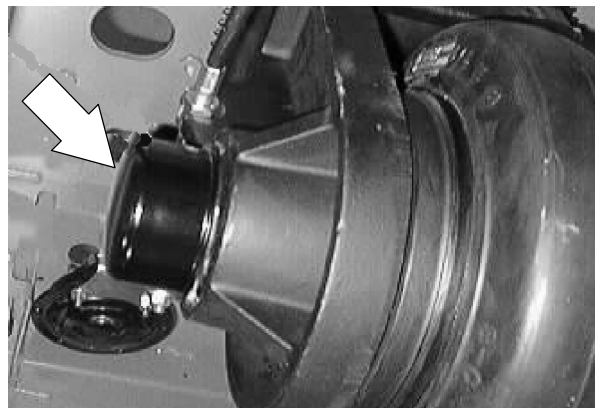
1. Raise the seat support and unplug the battery connectors.
2. Raise the front of the machine and place jack stands under the frame.
3. Mark and remove the electrical cables leading to the drive motor.



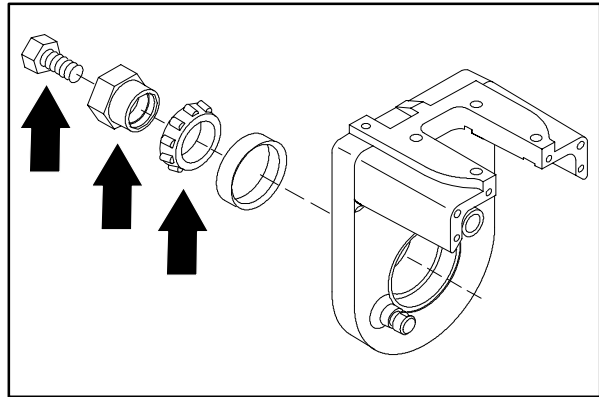
4. Remove the four hex screws holding the outer plate, motor, and planetary gear box to the main drive assembly.
5. Pull the planetary gear box, outer plate, and motor out of the drive wheel and away from the drive assembly.



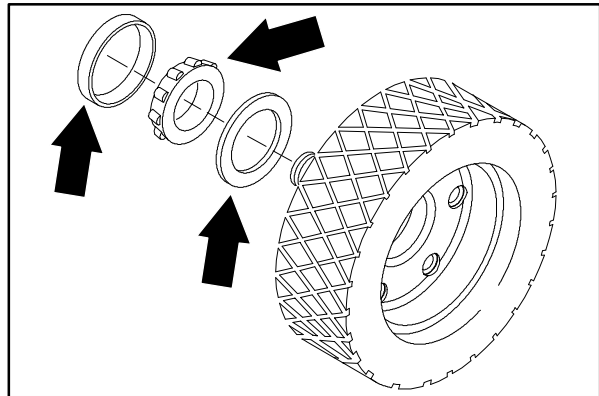
6. Go to the other side of the drive assembly and remove the hub cap. This will expose the outer bearing, hex sleeve, and lock bolt.



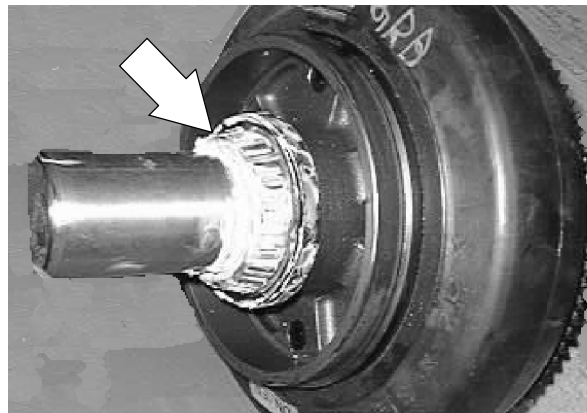
7. Remove the lock bolt.  
**(this is a right-hand thread screw).**
8. Remove the hex sleeve and outer bearing cone assembly.  
**(this is a left hand thread nut).**



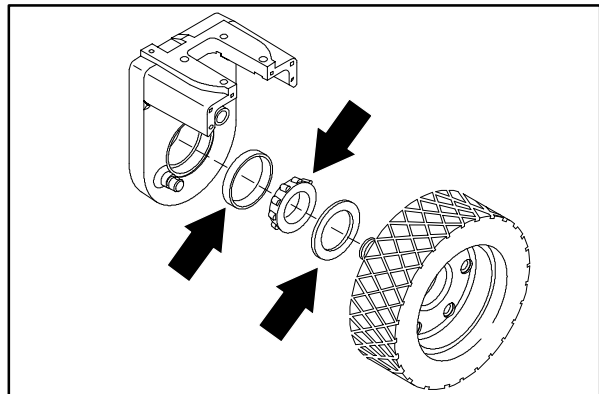
9. The inner bearing, axle shaft, and tire/wheel assembly can now be removed from the drive assembly. Use a press to remove the inner bearing from the existing tire/wheel assembly.



10. Install the inner bearing on the new tire/wheel assembly.

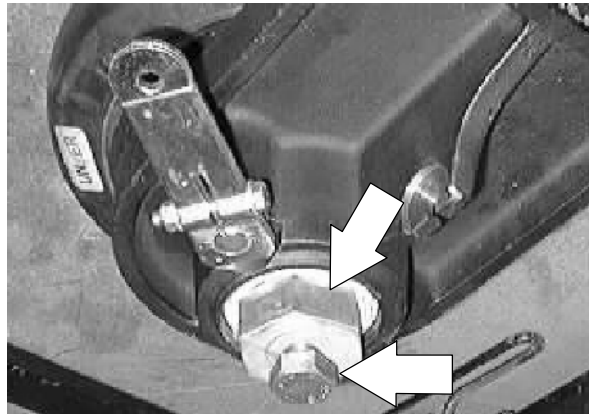


11. Reinstall the new tire/wheel assembly in the drive assembly. Make sure the inner and outer wheel bearings are completely greased when re-assembling.

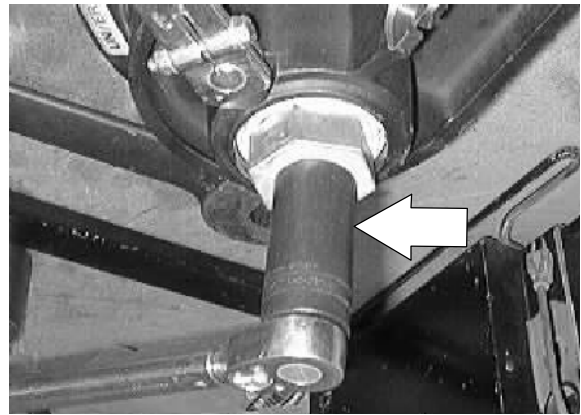


## CHASSIS

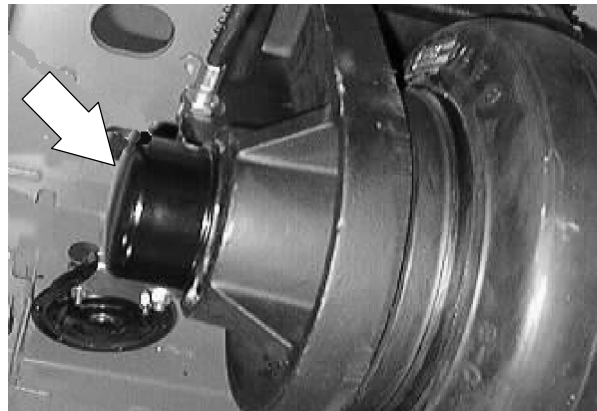
12. Reinstall the outer bearing and hex sleeve assembly. **(this is a left hand thread nut)** Tighten to at least 100 ft lbs and then back off the hex sleeve to 0 ft lbs. Re-torque hex sleeve to 30 ft lbs.



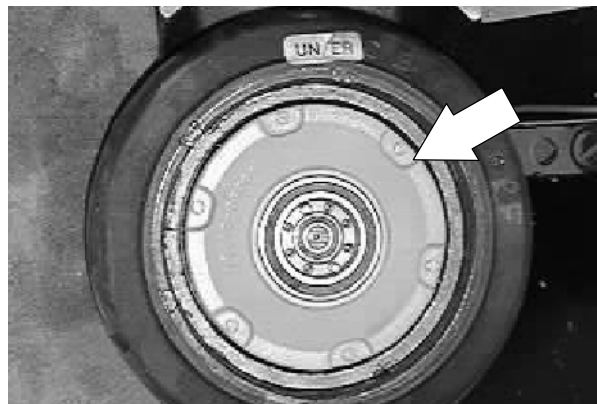
13. Install the lock bolt in the end of the hex sleeve. Tighten the lock bolt to 200 Nm (150 ft lb) while holding the hex sleeve from turning.



14. Reinstall the hub cap in the drive assembly.

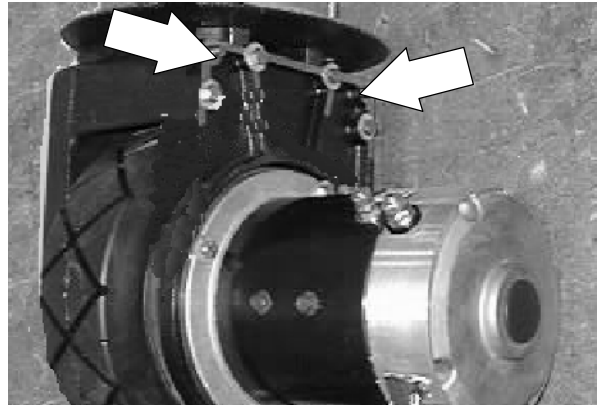


15. Go to the other side of the drive assembly. Install the planetary gear box, outer plate, and motor assembly into the wheel assembly and onto the pins of the drive assembly.

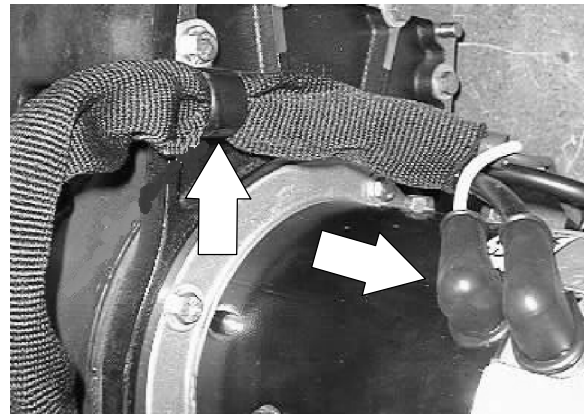




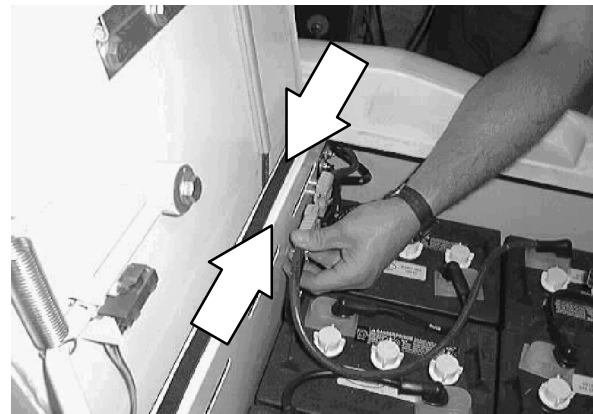
16. Install the 4 hex screws and washers.  
Tighten to 18 - 24 Nm (15 - 20 ft lb).



17. Reconnect the electrical cables to the drive motor.
18. Remove the jack stands and lower the machine.



19. Reconnect the battery cables.



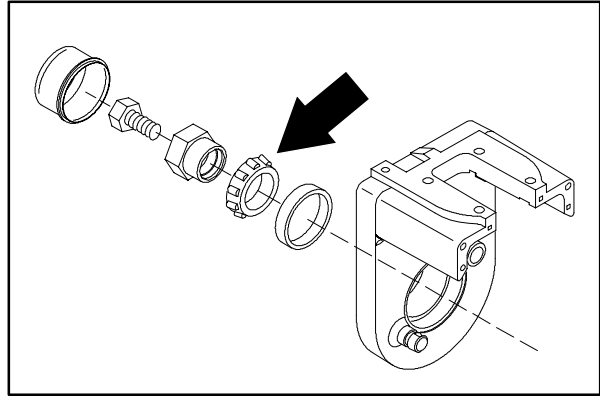
20. Drive the machine and check for proper operation.

## CHASSIS

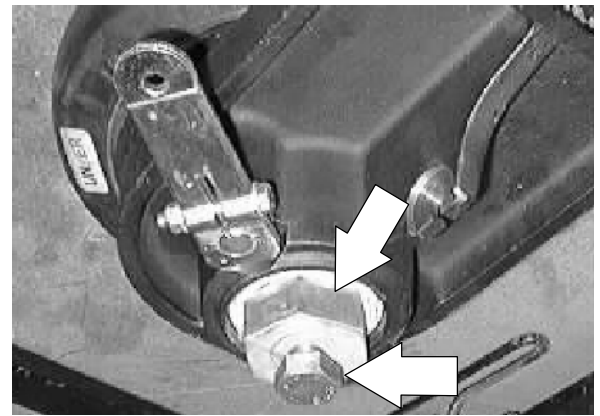
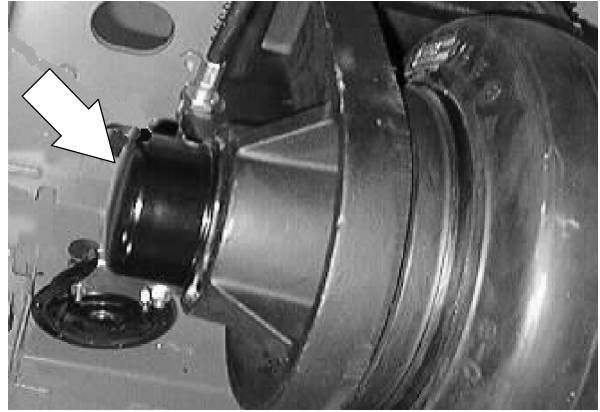
### TO REPLACE FRONT DRIVE ASSEMBLY OUTER WHEEL BEARING

**FOR SAFETY: Before Leaving Or Servicing Machine; Stop On Level Surface, Set Parking Brake.**

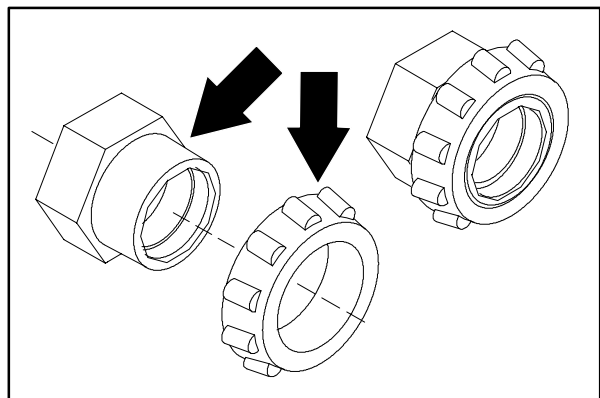
1. Raise the seat support and unplug the battery connectors.
2. Raise the front of the machine and place jack stands under the frame.
3. Go to the side of the drive assembly opposite the drive motor and remove the hub cap. This will expose the outer bearing, hex sleeve, and lock bolt.



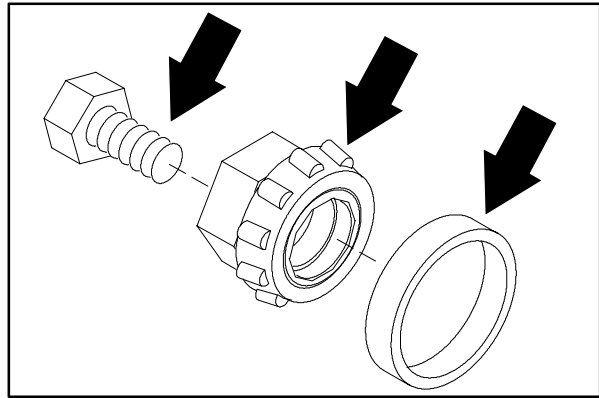
4. Remove the lock bolt.  
**(this is a right-hand thread screw).**
5. Remove the hex sleeve and outer bearing cone assembly.  
**(this is a left hand thread nut).**



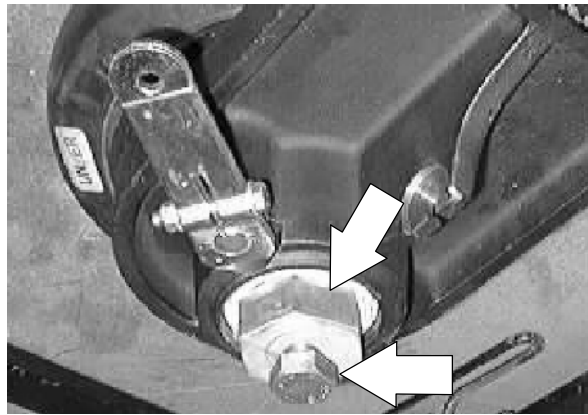
6. Use a press to remove the old outer bearing cone from the hex sleeve. Install a new outer bearing on the hex sleeve or replace the bearing and sleeve assembly. Apply grease to the new bearing.



7. Install the new outer bearing and hex sleeve assembly on the wheel shaft. **(this is a left hand thread nut)**. Tighten to at least 100 ft lbs and then back off the hex sleeve to 0 ft lbs. Re-torque hex sleeve to 30 ft lbs.

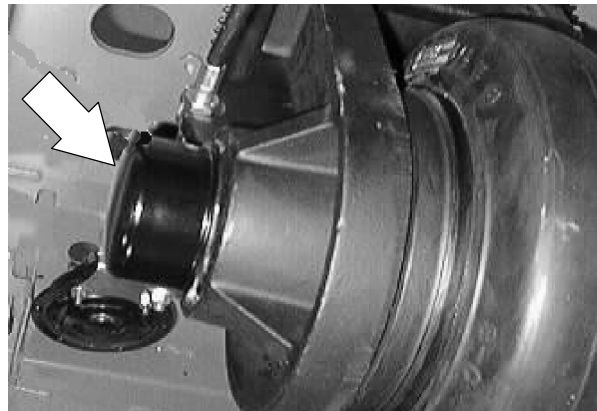


8. Install the lock bolt **(this is a right-hand thread screw)** in the end of the hex sleeve. Tighten the lock bolt to 200 Nm (150 ft lb) while holding the hex sleeve from turning.

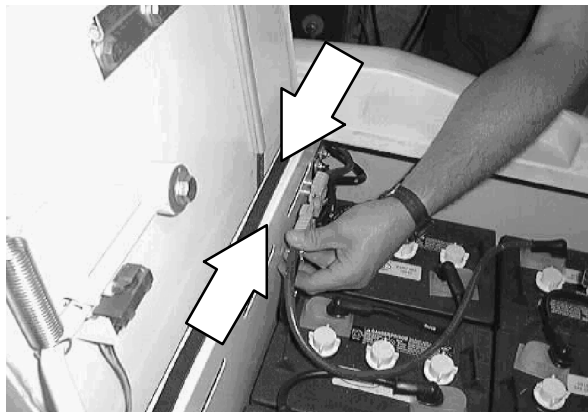


9. Reinstall the hub cap in the drive assembly.

10. Remove the jack stands and lower the machine.



11. Reconnect the battery cables.



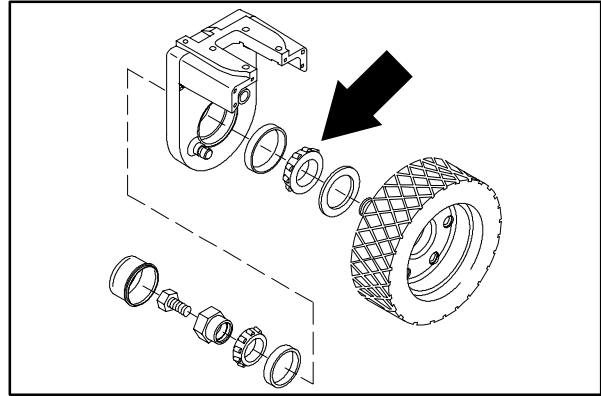
12. Drive the machine and check for proper operation.

## CHASSIS

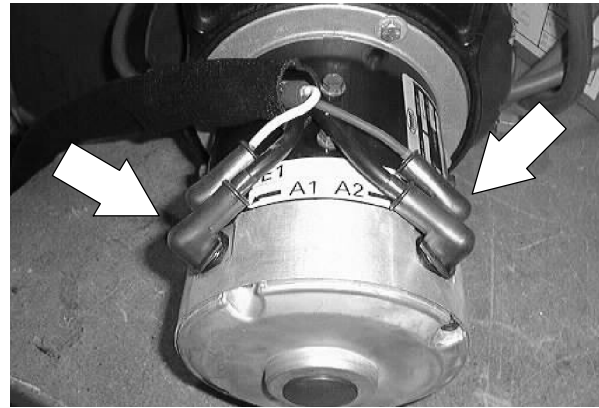
### TO REPLACE FRONT DRIVE ASSEMBLY INNER WHEEL BEARING

**FOR SAFETY: Before Leaving Or Servicing Machine; Stop On Level Surface, Set Parking Brake.**

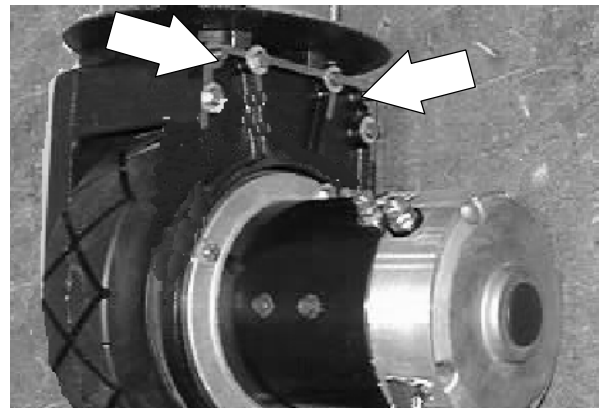
1. Raise the seat support and unplug the battery connectors.
2. Raise the front of the machine and place jack stands under the frame.



3. Mark and remove the electrical cables leading to the drive motor.

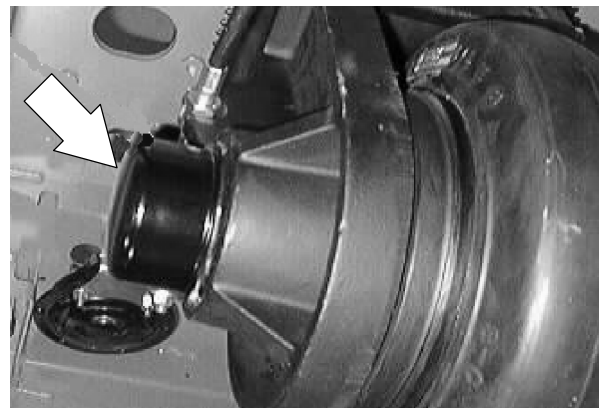


4. Remove the four hex screws holding the outer plate, motor, and planetary gear box to the main drive assembly.



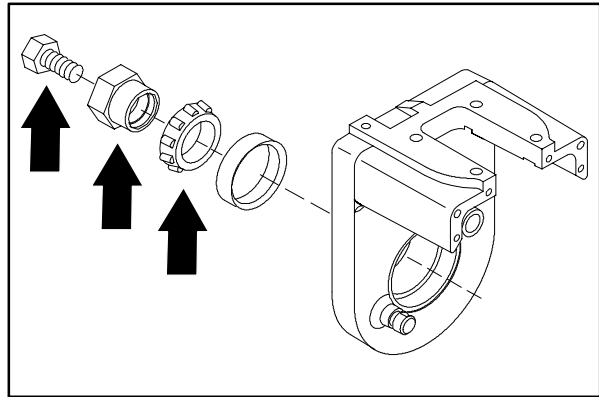
5. Pull the planetary gear box, outer plate, and motor out of the drive wheel and away from the drive assembly.

6. Go to the other side of the drive assembly and remove the hub cap. This will expose the outer bearing, hex sleeve, and lock bolt.

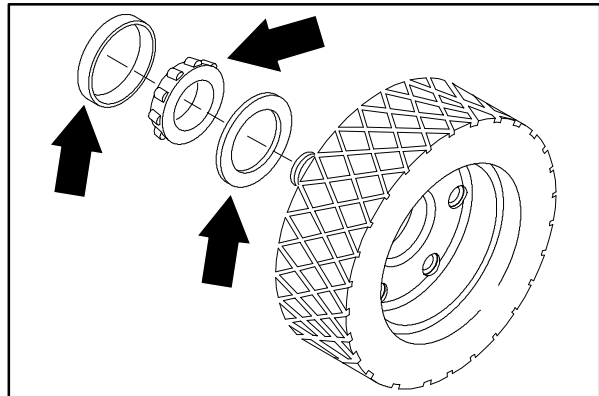


7. Remove the lock bolt.  
(this is a right-hand thread screw).

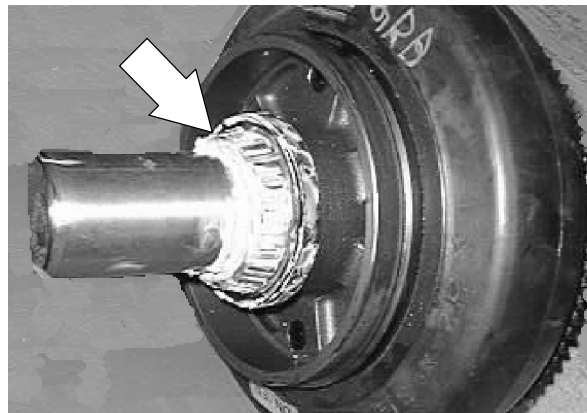
8. Remove the hex sleeve and outer bearing cone assembly.  
(this is a left hand thread nut).



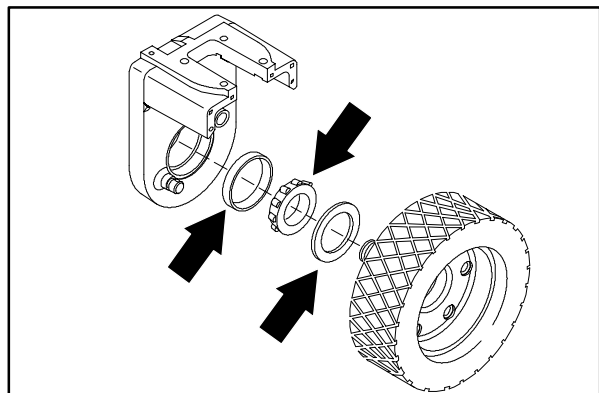
9. The inner bearing, axle shaft, and tire/wheel assembly can now be removed from the drive assembly. Use a press to remove the inner bearing from the existing tire/wheel assembly. Discard the old wheel bearing.



10. Press a new inner wheel bearing on the wheel shaft. Apply grease to the new bearing.

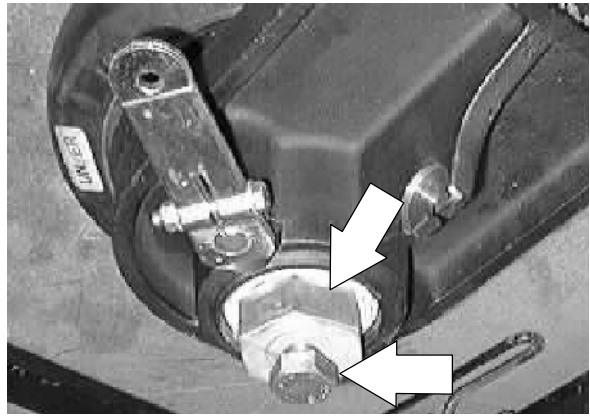


11. Reinstall the tire/wheel assembly in the drive assembly. Make sure the inner and outer wheel bearings are completely greased when re-assembling.

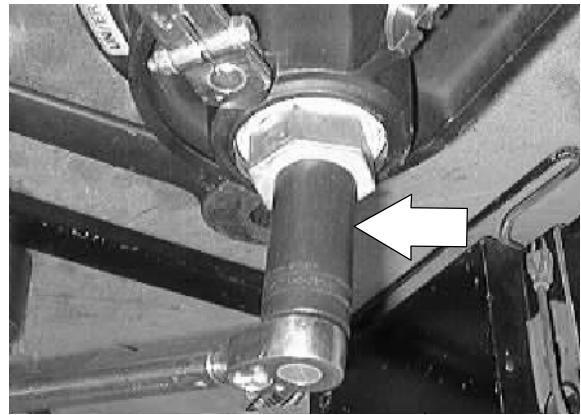


## CHASSIS

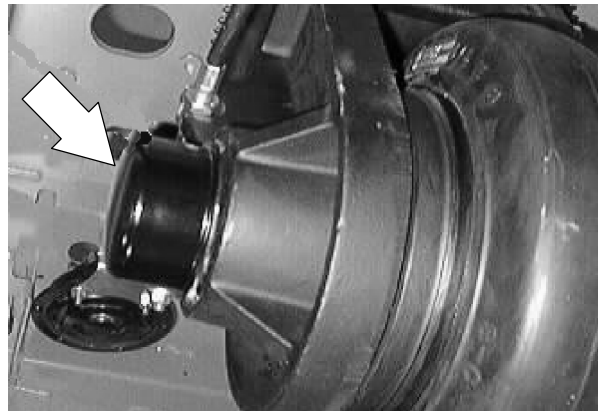
12. Reinstall the outer bearing and hex sleeve assembly. **(this is a left hand thread nut)** Tighten to at least 100 ft lbs and then back off the hex sleeve to 0 ft lbs. Re-torque hex sleeve to 30 ft lbs.



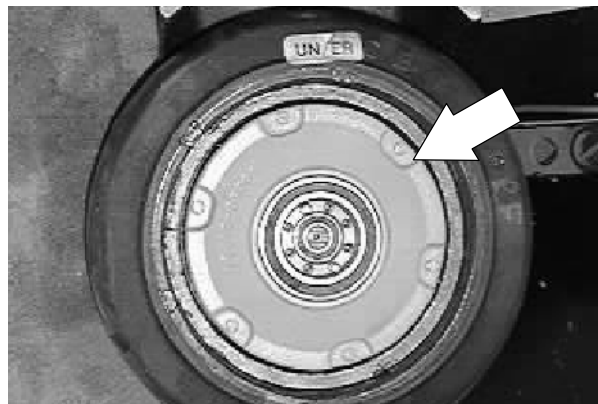
13. Install the lock bolt in the end of the hex sleeve. Tighten the lock bolt to 200 Nm (150 ft lb) while holding the hex sleeve from turning.



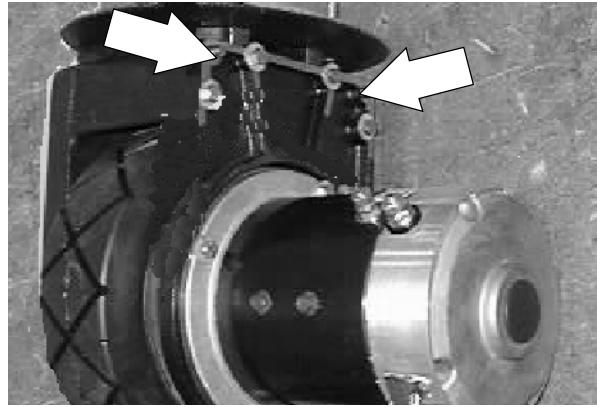
14. Reinstall the hub cap in the drive assembly.



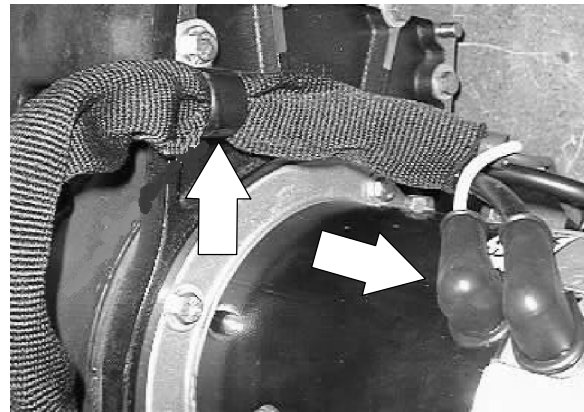
15. Go to the other side of the drive assembly. Install the planetary gear box, outer plate, and motor assembly into the wheel assembly and onto the pins of the drive assembly.



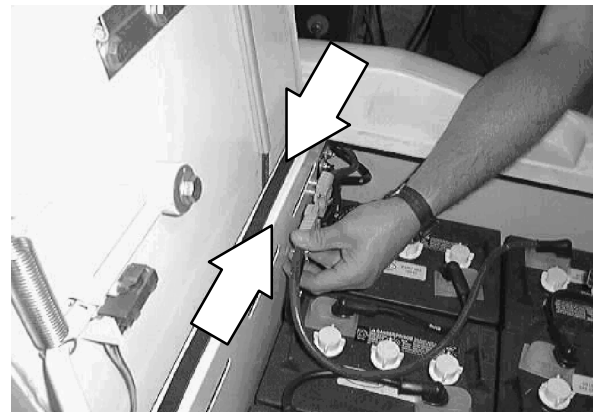
16. Install the 4 hex screws and washers.  
Tighten to 18 - 24 Nm (15 - 20 ft lb).



17. Reconnect the electrical cables to the drive motor.
18. Remove the jack stands and lower the machine.



19. Reconnect the battery cables.

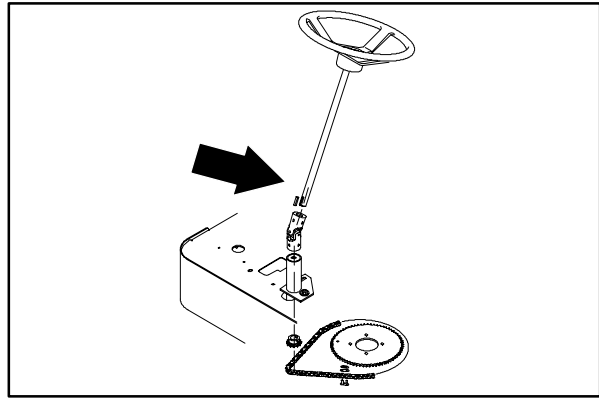


20. Drive the machine and check for proper operation.

## STEERING

The steering on the model 7200 is controlled with two sprockets and one chain. A large diameter sprocket is mounted on the top of the front drive assembly and a small diameter sprocket is mounted on the bottom of the steering shaft. The steering chain runs around both of these sprockets.

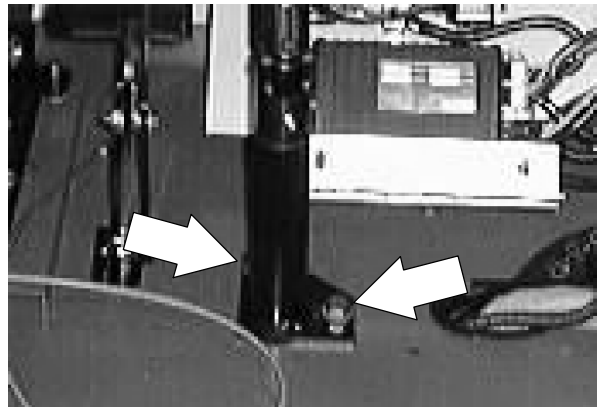
After extended use, the steering chain may stretch slightly. Any slack in the chain can be removed by following the adjustment procedure listed below.



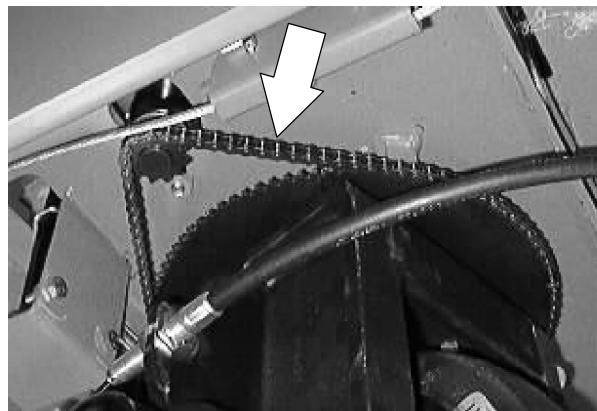
### TO ADJUST STEERING CHAIN

**FOR SAFETY: Before Leaving Or Servicing Machine; Stop On Level Surface, Set Parking Brake.**

1. Go into the operators compartment and locate the two hex screws holding the lower steering shaft bearing assembly to the floor plate. Loosen these two hex screws.



2. Push the lower steering shaft assembly forward until the slack has been removed from the steering chain. Tighten the two hex screws to 18 - 24 Nm (15 - 20 ft lb).
3. Operate the machine and check the steering for proper operation.



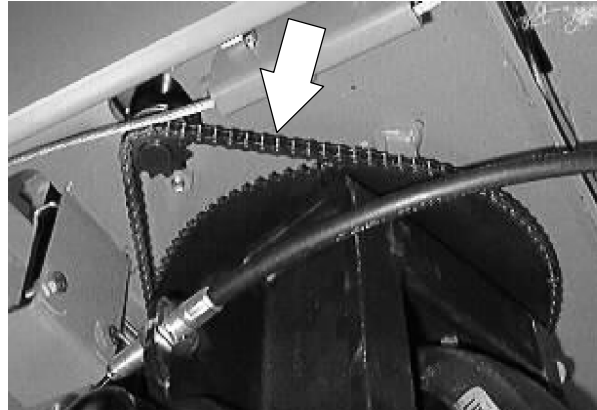
*NOTE: There is also a half link that can be removed for more adjustment.*



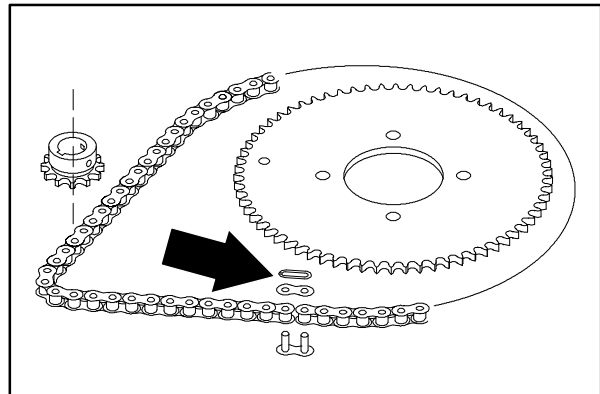
## TO REPLACE STEERING CHAIN

**FOR SAFETY: Before Leaving Or Servicing Machine; Stop On Level Surface, Set Parking Brake.**

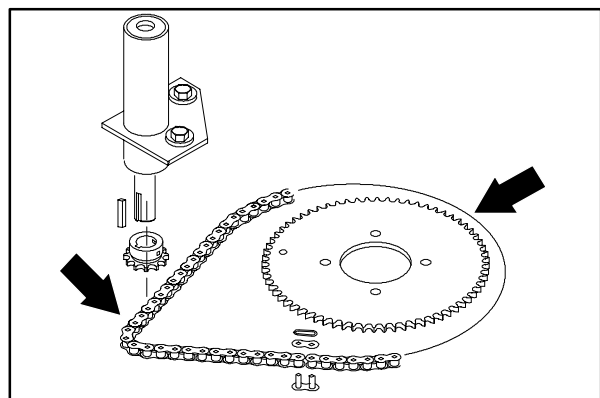
1. Raise the seat support and unplug the battery connectors.
2. Raise the front of the machine and place jack stands under the frame.
3. Go under the machine and locate the steering chain.



4. Rotate the steering wheel until the master link on the chain is accessible.
5. Remove the chain master link. Remove the steering chain from both sprockets.
6. Remove and discard the steering chain from the machine.



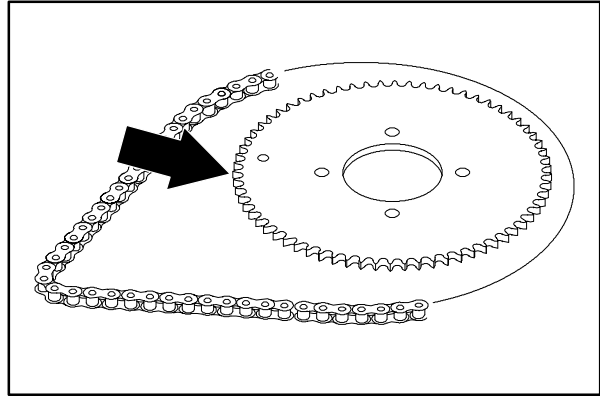
7. Route the new chain around both steering sprockets. Install the master link.
8. Remove the jack stands and lower the machine.
9. Operate the machine and check the steering for proper operation.



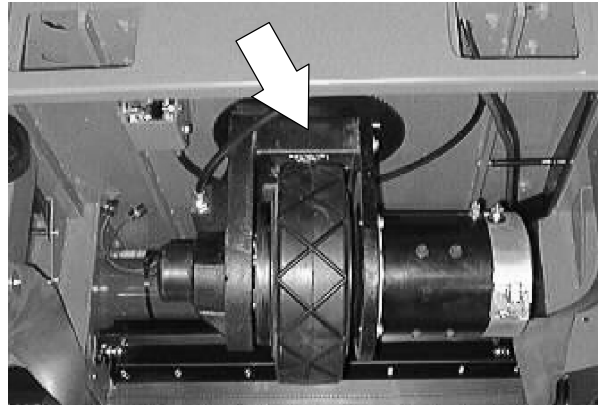
## CHASSIS

### TO REPLACE LARGE STEERING SPROCKET

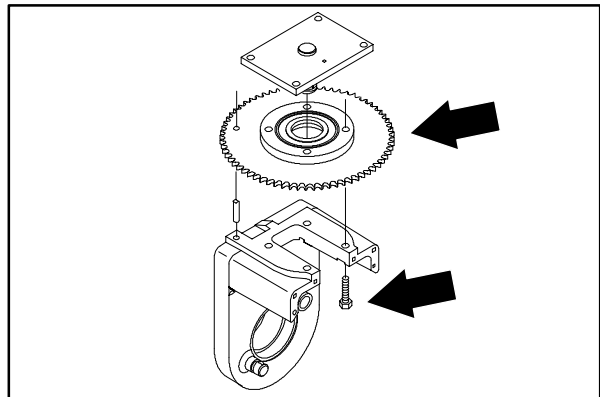
**FOR SAFETY: Before Leaving Or Servicing Machine; Stop On Level Surface, Set Parking Brake.**



1. Remove the drive assembly from the machine. See TO REMOVE FRONT DRIVE ASSEMBLY instructions.

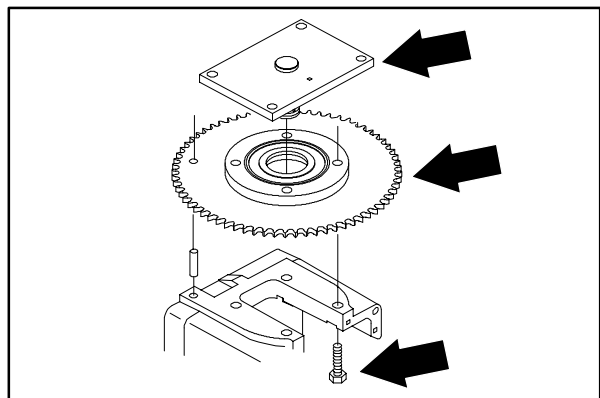


2. Remove the four hex screws holding the pivot and sprocket assembly to the drive assembly.
3. Remove the old sprocket from the pivot assembly.

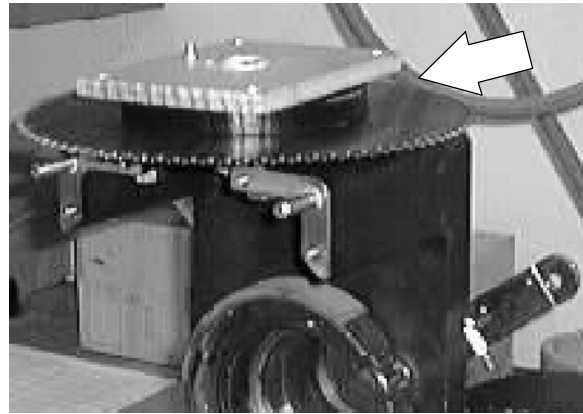


4. Install the new sprocket on the pivot assembly.

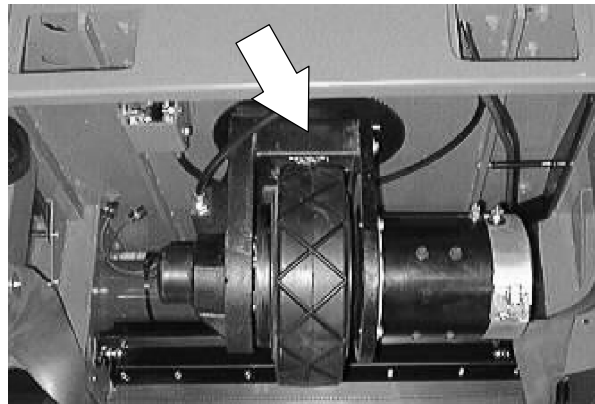
*NOTE: Make sure the roll pin in the top of the drive assembly lines up with the hole in the sprocket.*



5. Reinstall the pivot and sprocket assembly on the drive assembly. Reinstall the four screws and tighten to 68 - 81 Nm (50 - 60 ft lb).



6. Reinstall the drive assembly in the machine. See TO INSTALL FRONT DRIVE ASSEMBLY instructions.



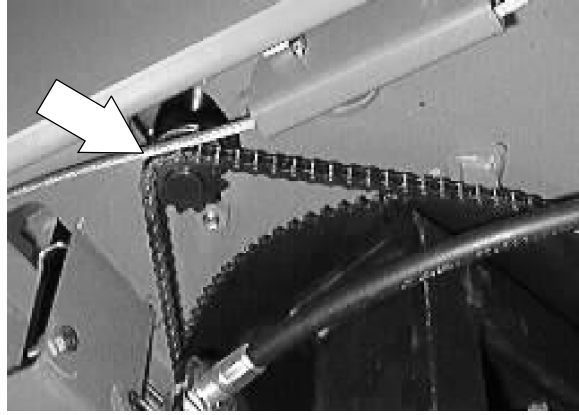
7. Operate the machine and check for smooth steering operation.

## CHASSIS

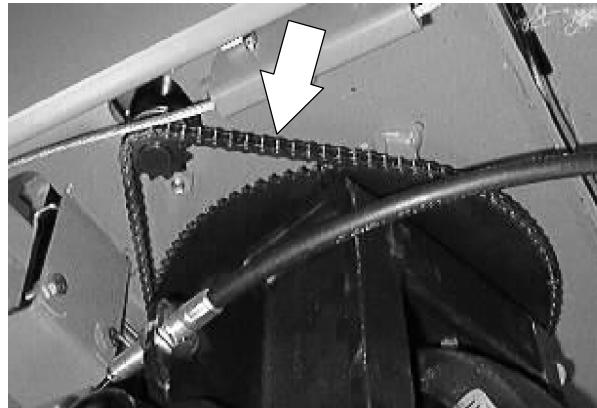
### TO REPLACE SMALL STEERING SPROCKET

**FOR SAFETY: Before Leaving Or Servicing Machine; Stop On Level Surface, Set Parking Brake.**

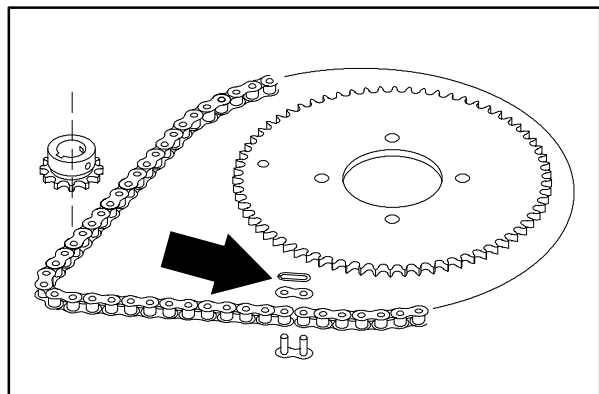
1. Raise the seat support and unplug the battery connectors.
2. Raise the front of the machine and place jack stands under the frame.
3. Go into the operators compartment and locate the lower steering shaft mount assembly. Loosen the two screws and pull the mount back to give the steering chain slack.



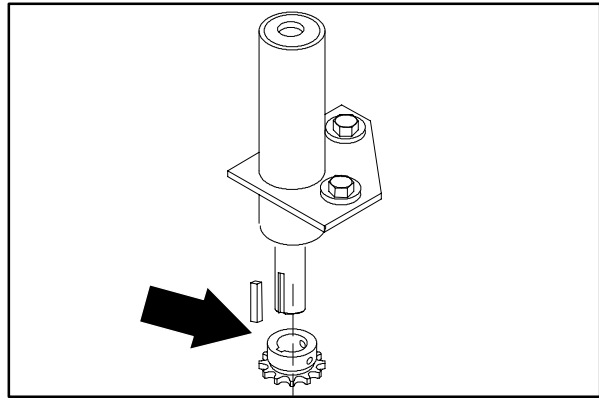
4. Go under the machine and locate the steering chain.



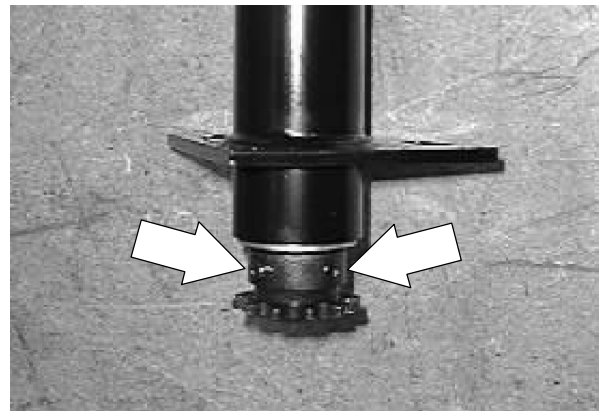
5. Rotate the steering wheel until the master link on the chain is accessible.
6. Remove the chain master link. Remove the steering chain from both sprockets.



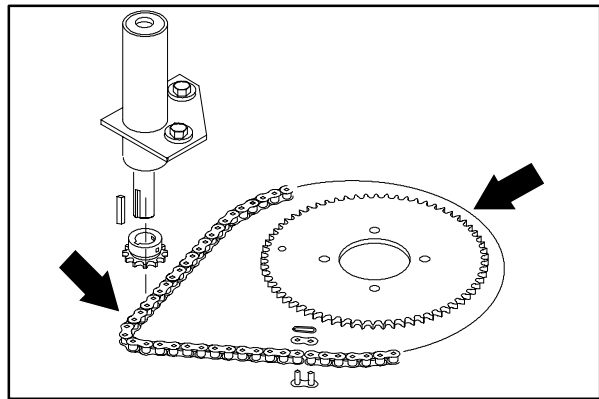
7. Loosen the set screws holding the small sprocket to the lower shaft. Slip the small sprocket off the shaft.



8. Install the new small sprocket on the lower steering shaft. Firmly tighten the set screws.



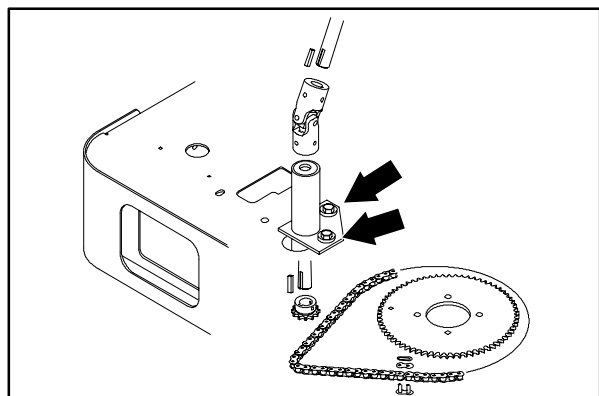
9. Route the steering chain around both steering sprockets. Install the master link.



10. Adjust the steering chain. See TO ADJUST STEERING CHAIN instructions.

11. Remove the jack stands and lower the machine.

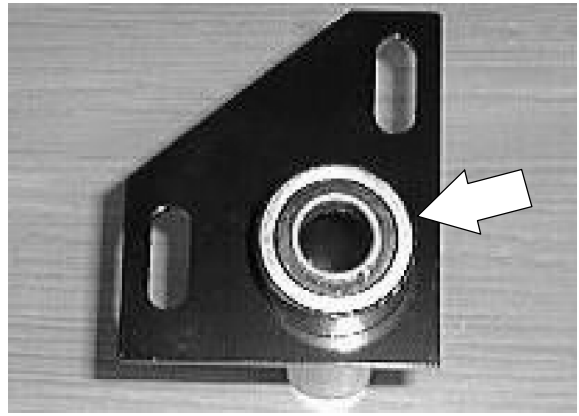
12. Operate the machine and check the steering for proper operation.



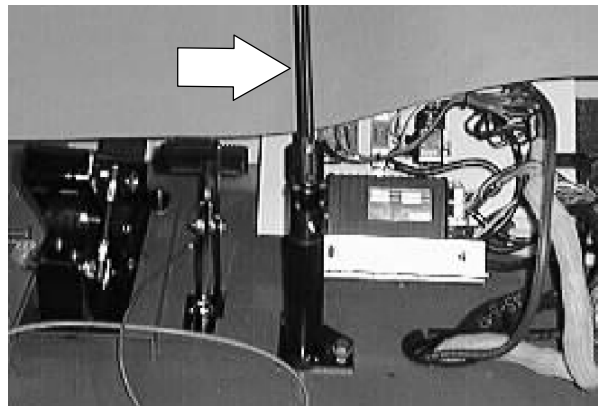
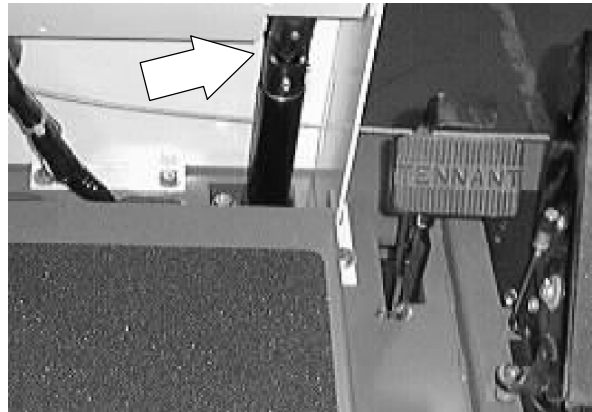
### TO REPLACE STEERING HOUSING BEARINGS

**FOR SAFETY: Before Leaving Or Servicing Machine; Stop On Level Surface, Set Parking Brake.**

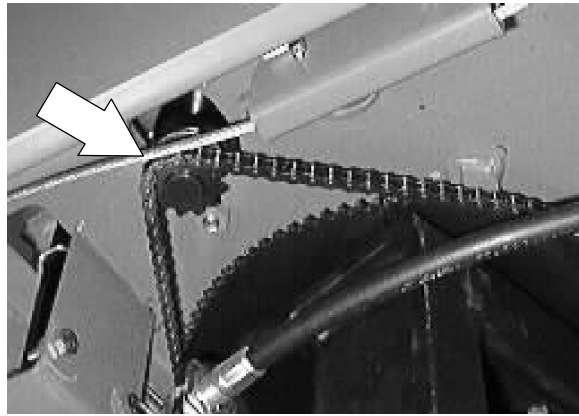
1. Jack up the front of the machine at the jack point. Install jack stands under the machine frame.
2. Turn the steering wheel all the way to the left.
3. Go to the operators compartment and locate the steering U-joint. Loosen the two set screws on the top of the steering U-joint.



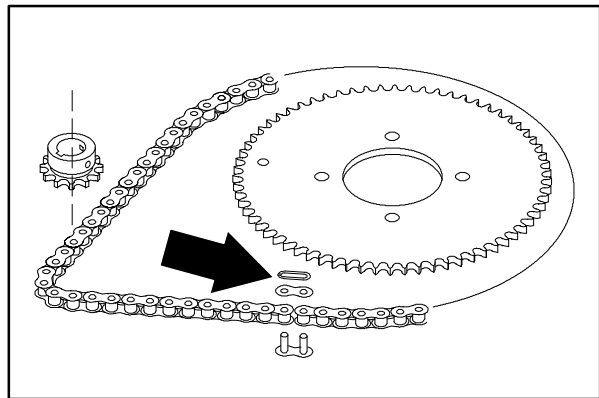
4. Pull the steering wheel and long steering shaft up and out of the top of the steering U-joint.
5. Remove the two hex screws holding the steering bearing housing to the machine frame. Push the bearing housing back in the slots.



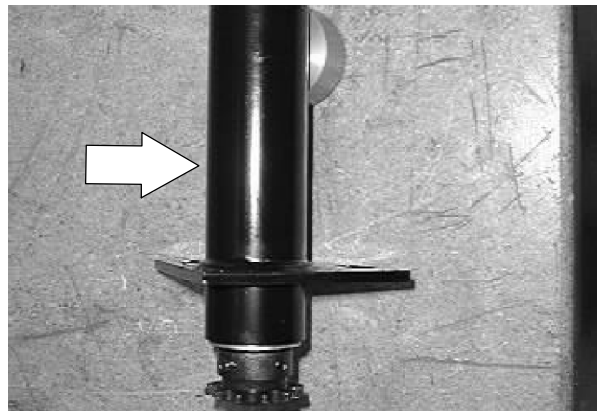
6. Go under the machine and locate the small steering chain sprocket.



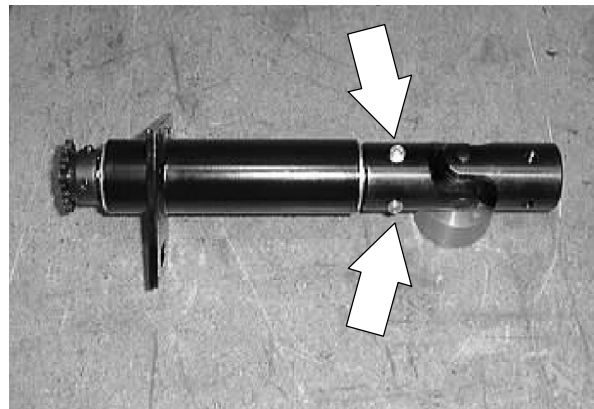
7. Locate the master link on the steering chain. Remove the master link and steering chain from the small steering sprocket.



8. Remove the steering housing from the machine.

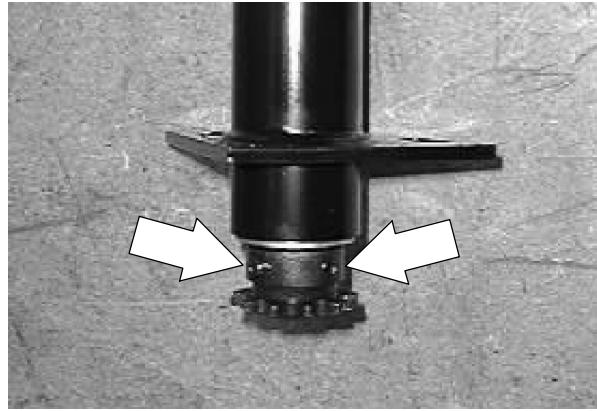


9. Loosen the two set screws holding the U-joint to the top of the short steering shaft. Remove and retain the U-joint and square key.



## CHASSIS

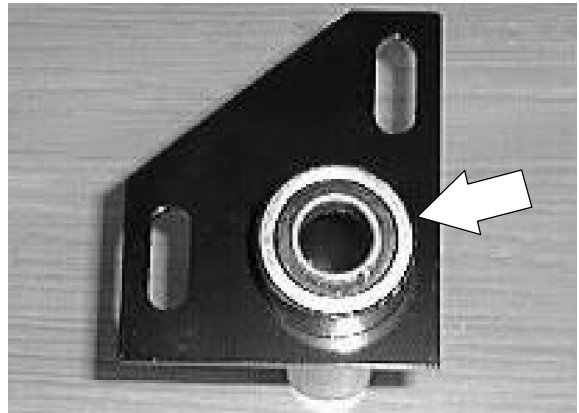
10. Loosen the set screw holding the small steering sprocket to the bottom of the short steering shaft. Remove and retain small sprocket and woodruff key.



11. Use an arbor press to press the short steering shaft and two bearings out of the housing. Discard the bearings. Retain the short shaft.

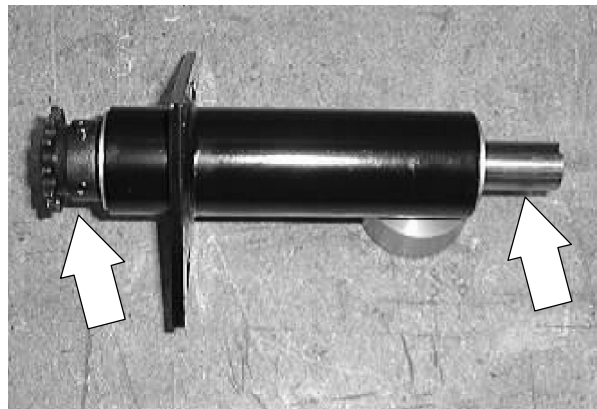
*NOTE: Note the orientation of the shaft in the housing.*

12. Use the arbor press to install the new bearings into the steering housing.

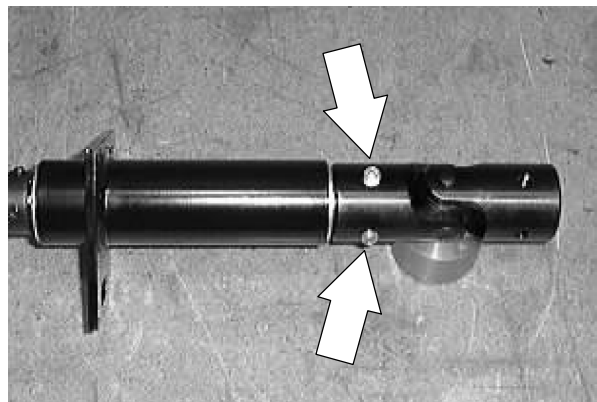


13. Use the arbor press to install the short steering shaft into the new bearings.

14. Reinstall the small steering sprocket and woodruff key on the bottom of the steering housing. Tighten the set screws tight.

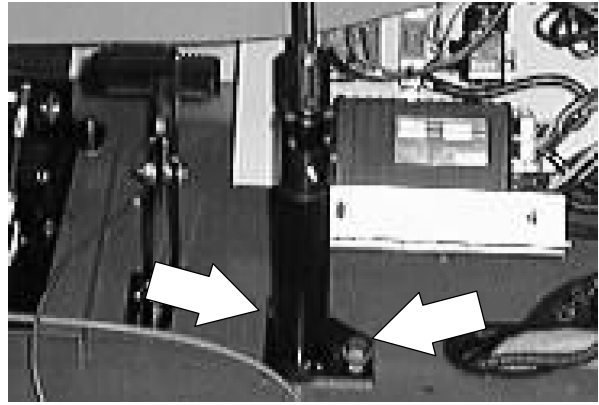


15. Reinstall the U-joint and square key on the top of the steering housing. Tighten the set screws tight.

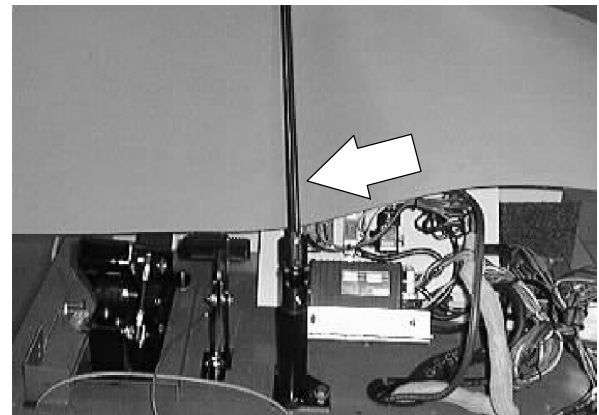




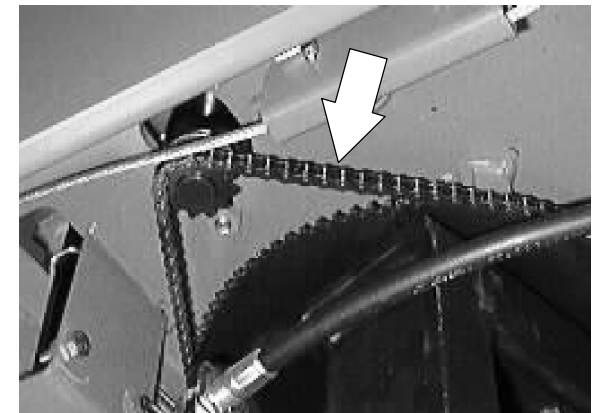
16. Reinstall the steering housing in the machine. Reinstall the two hex screws. Leave loose for now.



17. Position the long steering shaft and steering wheel into the top of the steering U-joint. Tighten the set screws tight.

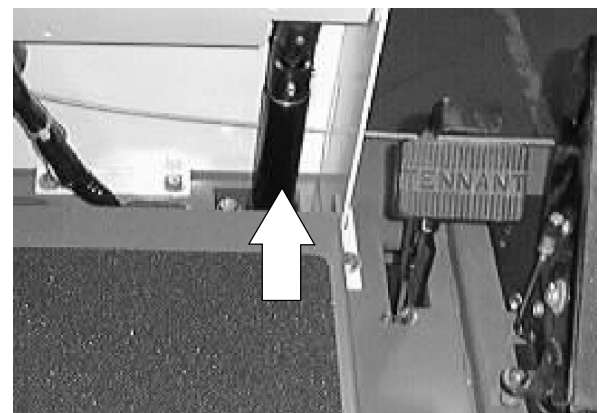


18. Go under the machine and reinstall the steering chain around the small steering sprocket. Reinstall the master link.



19. Turn the steering wheel all the way to the left and then to the right. Find the point in the rotation where the steering chain is the most tight.

20. Push the bearing housing forward in the slots. This will remove any excess slack in the steering chain. Tighten the two hex screws to 37 - 48 Nm (26 - 34 ft lb).

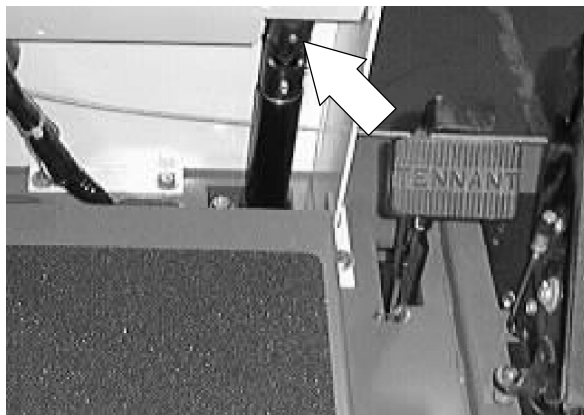


21. Remove the jack stands and lower the machine to the floor. Operate the machine and check the steering chain for proper operation.

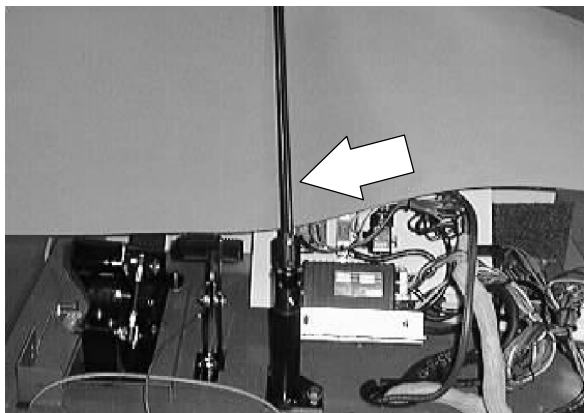
### TO REPLACE STEERING U-JOINT

**FOR SAFETY: Before Leaving Or Servicing Machine; Stop On Level Surface, Set Parking Brake.**

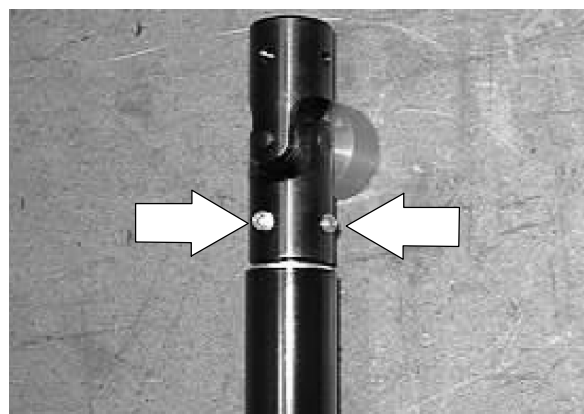
1. Jack up the front of the machine at the jack point. Install jack stands under the machine frame.
2. Go to the operators compartment and locate the steering U-joint. Loosen the two set screws on the top of the steering U-joint.



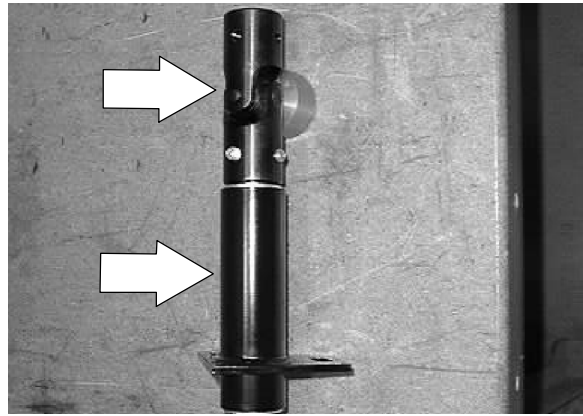
3. Pull the steering wheel and long steering shaft up and out of the top of the steering U-joint.



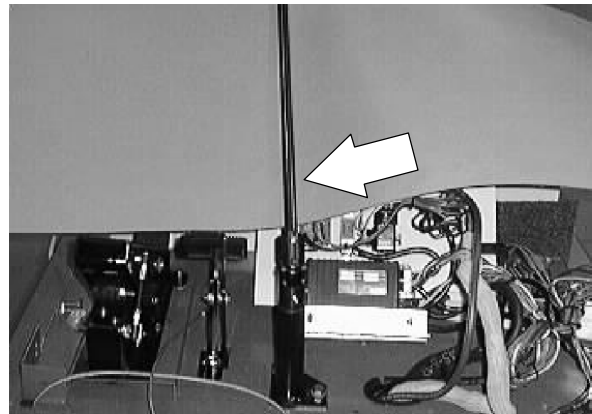
4. Loosen the two set screws holding the U-joint to the top of the short steering shaft. Remove and discard the U-joint and square key.



5. Install the new U-joint and square key on the top of the steering housing. Tighten the set screws tight.



6. Position the long steering shaft and steering wheel into the top of the steering U-joint. Tighten the set screws tight.



7. Operate the machine and check the steering U-joint for proper operation.



**CONTENTS**

	Page		Page
INTRODUCTION .....	3-3	SQUEEGEES .....	3-56
SOLUTION TANK .....	3-4	TO REMOVE REAR SQUEEGEE	
TO DRAIN AND CLEAN SOLUTION		ASSEMBLY .....	3-56
TANK WITH ES™ .....	3-5	TO INSTALL REAR SQUEEGEE	
TO REMOVE SOLUTION TANK .....	3-7	ASSEMBLY .....	3-58
TO INSTALL SOLUTION TANK .....	3-11	TO LEVEL REAR SQUEEGEE .....	3-59
RECOVERY TANK .....	3-15	TO ADJUST REAR SQUEEGEE	
TO DRAIN AND CLEAN RECOVERY		BLADE DEFLECTION .....	3-61
TANK .....	3-15	REAR SQUEEGEE CASTERS .....	3-63
TO REMOVE RECOVERY TANK .....	3-18	TO ADJUST REAR SQUEEGEE	
TO INSTALL RECOVERY TANK .....	3-22	GUIDE ROLLER .....	3-63
SCRUB HEAD .....	3-25	REAR SQUEEGEE BLADES .....	3-64
SCRUB HEAD LINKS .....	3-25	TO REPLACE OR ROTATE REAR	
TO REPLACE SCRUB HEAD LINKS .....	3-26	SQUEEGEE (REAR) BLADE .....	3-64
TO REMOVE DISC SCRUB HEAD .....	3-27	TO REPLACE OR ROTATE REAR	
TO INSTALL DISC SCRUB HEAD .....	3-29	SQUEEGEE (FRONT) BLADE .....	3-66
TO REMOVE CYLINDRICAL SCRUB		REAR SQUEEGEE WHEEL CAMS .....	3-69
HEAD .....	3-31	REAR SQUEEGEE LEVELING KNOB .....	3-69
TO INSTALL CYLINDRICAL SCRUB		TO REPLACE REAR SQUEEGEE	
HEAD .....	3-33	LIFT CABLE .....	3-70
DISC SCRUB HEAD SKIRTS .....	3-35	SIDE SQUEEGEE BLADES .....	3-73
SCRUB HEAD FLOOR SKIRTS .....	3-35	TO REPLACE SIDE SQUEEGEE	
TO ADJUST DISC SCRUB HEAD		BLADES .....	3-74
SKIRTS .....	3-35	VACUUM FAN .....	3-75
TO REPLACE DISC SCRUB HEAD		TO REMOVE VACUUM FAN	
SKIRTS .....	3-36	ASSEMBLY .....	3-75
CYLINDRICAL BRUSH HEAD DEBRIS		TO INSTALL VACUUM FAN	
TRAY .....	3-37	ASSEMBLY .....	3-77
TO REMOVE DEBRIS TRAY .....	3-37	SCRUBBING TROUBLESHOOTING .....	3-79
TO INSTALL DEBRIS TRAY .....	3-39		
TO REPLACE DEBRIS TRAY SKIRT .....	3-40		
SCRUB BRUSHES .....	3-41		
DISC SCRUB BRUSHES .....	3-41		
TO REPLACE DISC SCRUB			
BRUSHES .....	3-41		
CYLINDRICAL SCRUB BRUSHES .....	3-43		
TO REPLACE CYLINDRICAL SCRUB			
BRUSHES .....	3-43		
TO CHECK AND ADJUST			
CYLINDRICAL BRUSH PATTERN .....	3-46		
CYLINDRICAL BRUSH DRIVE BELT .....	3-49		
TO REPLACE BRUSH DRIVE BELT .....	3-49		
MANUAL SOLUTION VALVE .....	3-53		
TO REPLACE SOLUTION VALVE .....	3-53		



**INTRODUCTION**

When scrubbing, the water flows from the solution tank, through the solution valve, and down to the scrub brushes. The brushes rotate to scrub the floor. As the machine moves forward the rear squeegee wipes the dirty solution off the floor, which is then picked up and drawn into the recovery tank by the vacuum fan.

# SCRUBBING

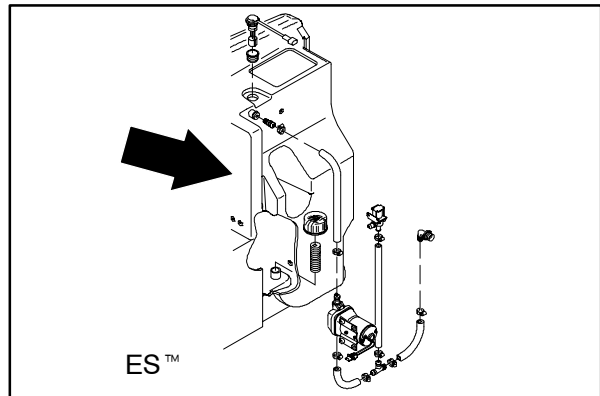
## SOLUTION TANK

The solution tank supplies the brushes with a water and detergent solution. The solution tank is located to the right of the recovery tank and behind the operators seat.

Access to the solution tank is through the opening at the top of the tank, reached by lifting up the tank cover.

The solution tank requires no regular maintenance. If detergent cakes on the bottom of the tank, remove the deposits with a strong blast of warm water. Do not use water hotter than 130° F (54° C) or use steam to clean the tank because damage may occur. A tank drain hose has been provided to allow the tank to be drained for cleaning.

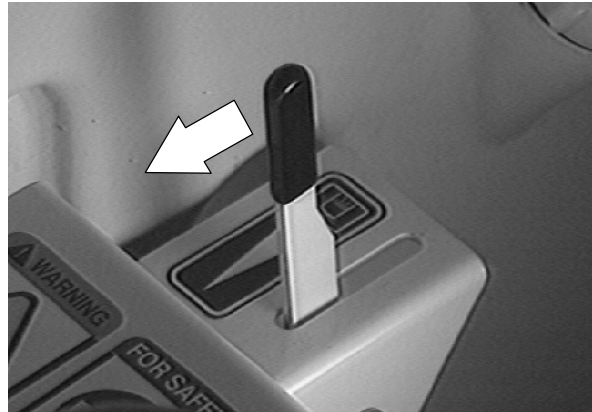
The solution tanks with ES™ should be drained and cleaned after every work shift.



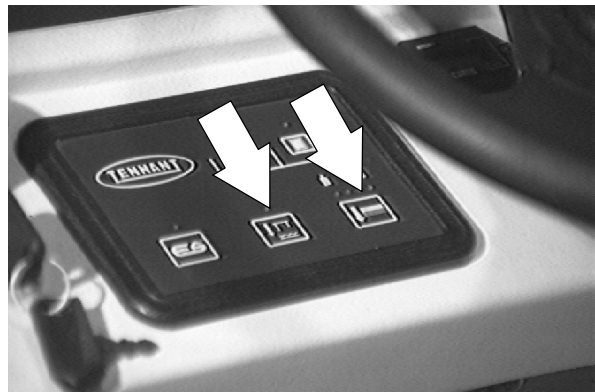


## TO DRAIN AND CLEAN SOLUTION TANK WITH ES™

1. Close the solution tank water valve.

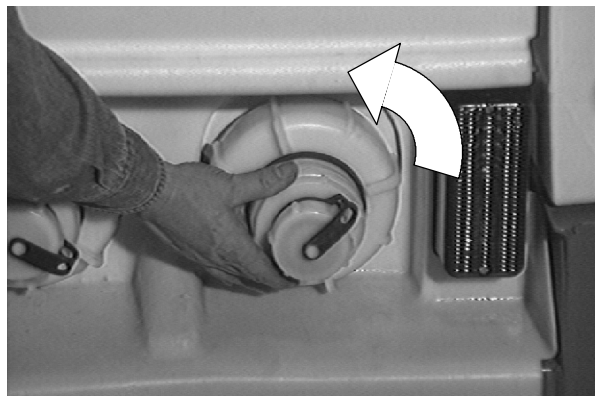


2. Raise the scrub head and rear squeegee.
3. Stop the machine next to a floor drain.
4. Shut off the machine and set the parking brake.



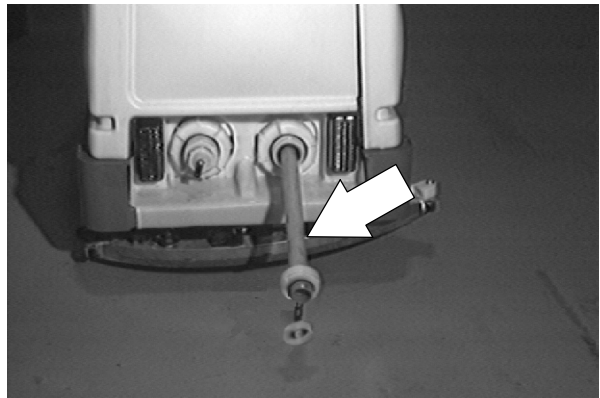
**FOR SAFETY: Before Leaving Or Servicing Machine; Stop On Level Surface, Set Parking Brake.**

5. Remove the drain hose cap from the access caps at the rear of the solution tank.



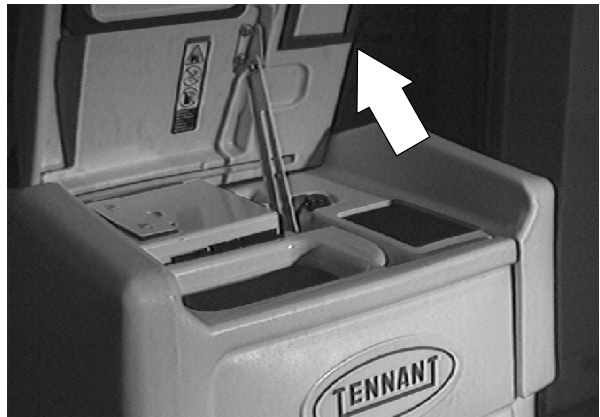
## SCRUBBING

6. Pull the tank drain hoses out and place them over the floor drain. Remove the drain cap from the end of the hose. Drain the tanks.



7. Open the tank cover.

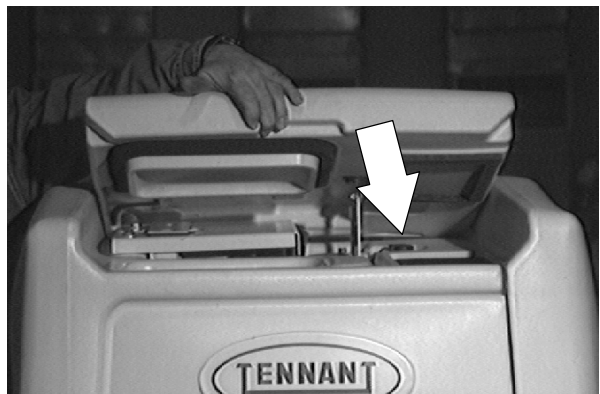
8. Spray the inside of the solution and recovery tanks with a strong blast of warm water. Do not use water hotter than 130° F (54° C) or use steam to clean the tank because damage may occur. Remove the ES™ outlet filter, clean, reinstall.



9. Check the vacuum fan filter on top of the recovery tank. Clean or replace if necessary.



10. Close the tank cover.

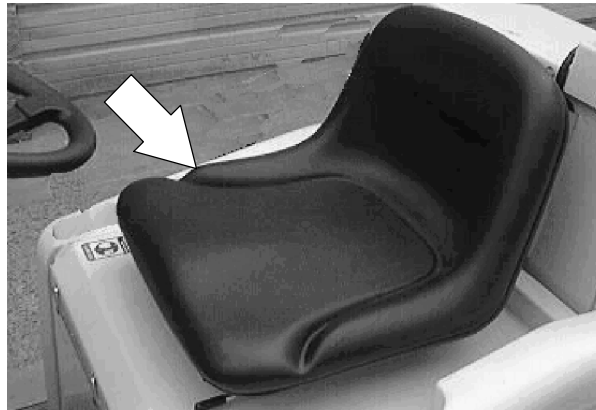


11. Replace the drain hoses in the tanks.

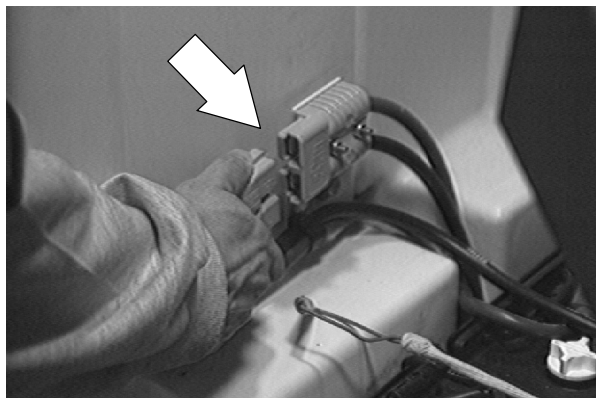
**TO REMOVE SOLUTION TANK**

**FOR SAFETY: Before Leaving Or Servicing Machine; Stop On Level Surface, Set Parking Brake.**

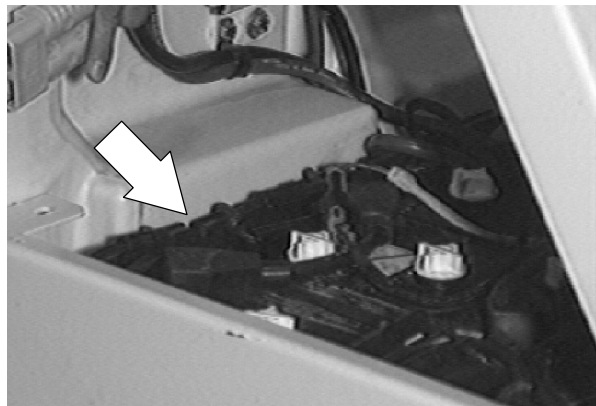
1. In order to remove the solution tank, the recovery tank must be removed first. See TO REMOVE RECOVERY TANK instructions.
2. Remove the seat assembly. See TO REMOVE SEAT ASSEMBLY instructions in CHASSIS section.



3. Disconnect the battery plug from the batteries. Remove the two screws holding the battery connector bracket to the front of the solution tank.

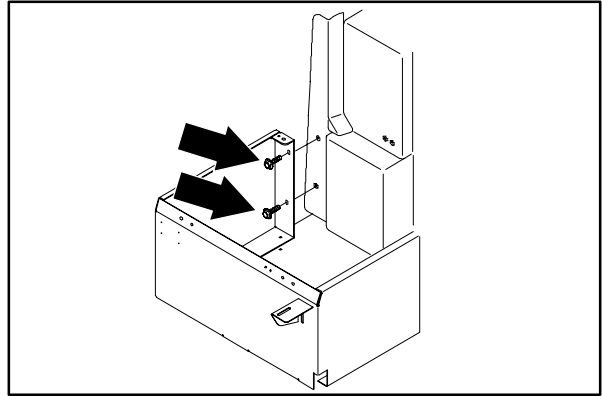


4. Remove the battery nearest the right, rear corner of the battery compartment.

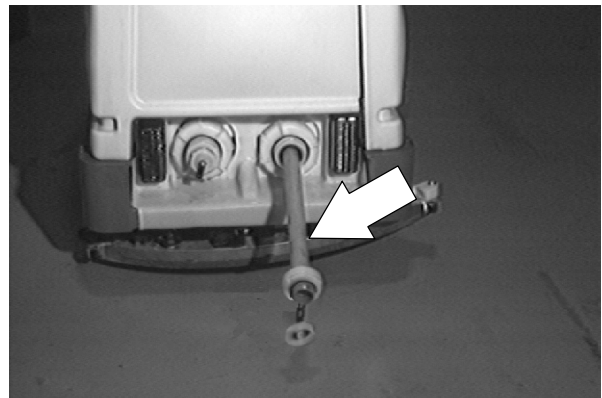


## SCRUBBING

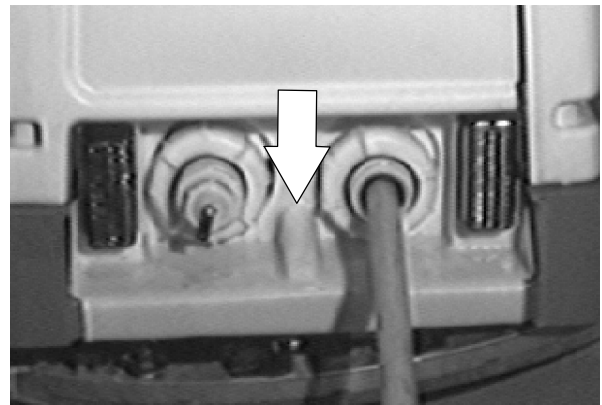
5. Remove the two screws holding the front of the solution tank to the seat support.
6. If the machine is equipped with an overhead guard--it must be removed.



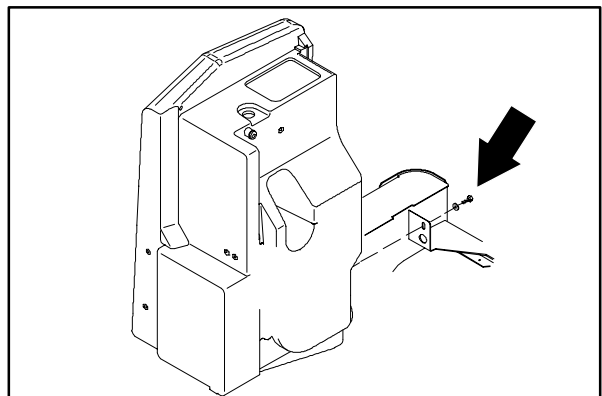
7. Make sure the solution tank is drained and the tank clean out caps removed.



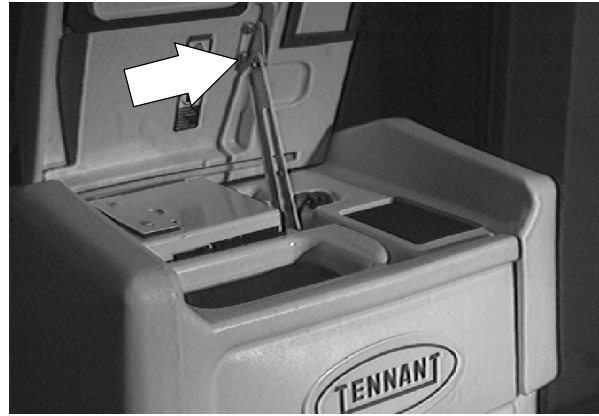
8. Remove the four hex screws holding the plastic, rear drain splash tray. Let it drop down for access to the solution tank hardware.



9. Remove the screw on the right side of the solution tank drain cap.

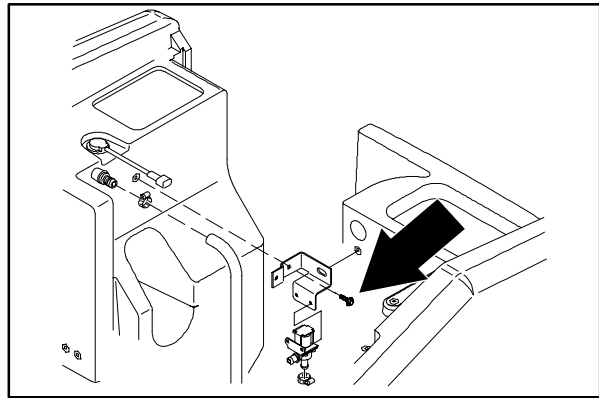


10. Open the tank cover. Remove the hardware holding the top of the prop arm to the tank cover.

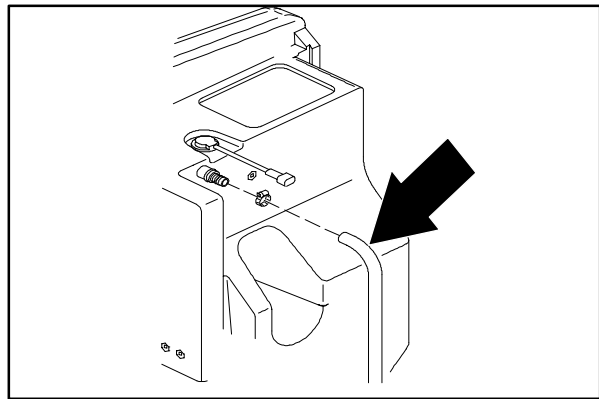


11. Remove the plastic tank cover hinge rod. Remove the tank cover from the machine.

12. Remove the hardware holding the air flush valve and bracket to the solution tank.

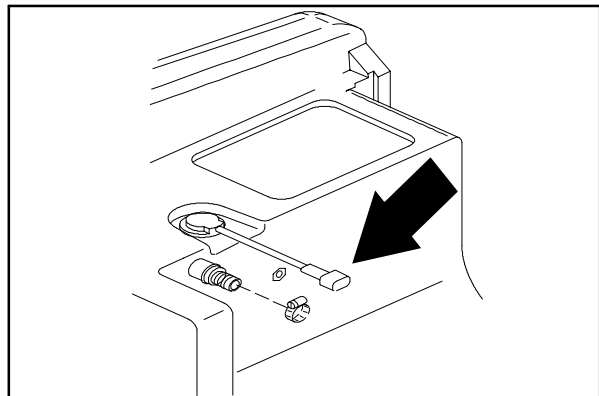


13. Disconnect the clear water hose from the top, front corner of the solution tank.



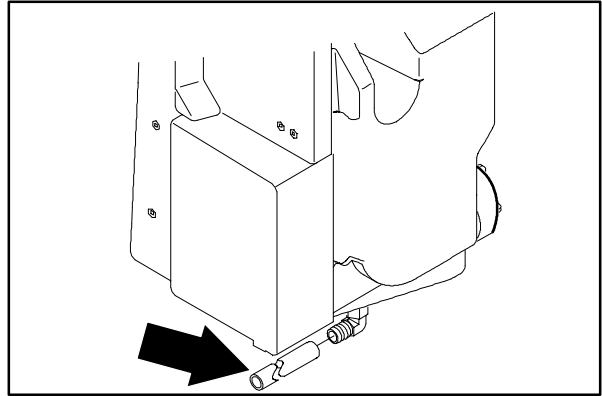
14. Disconnect the float switch electrical plug from the main harness.

**NOTE:** Make sure to note the orientation of the electrical harness before removing the solution tank. It is very important to position the harness in the same location when installing a new tank.



## SCRUBBING

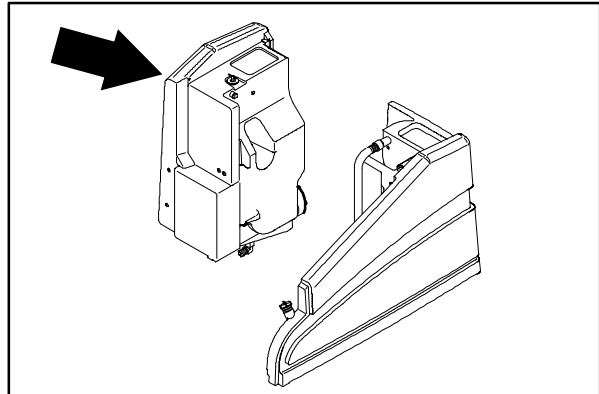
15. Lift the solution tank up far enough to access the clamp on the hose running from the bottom of the solution tank to the water valve. Loosen this clamp and remove the hose from the solution tank.
16. The solution tank can now be removed from the machine.



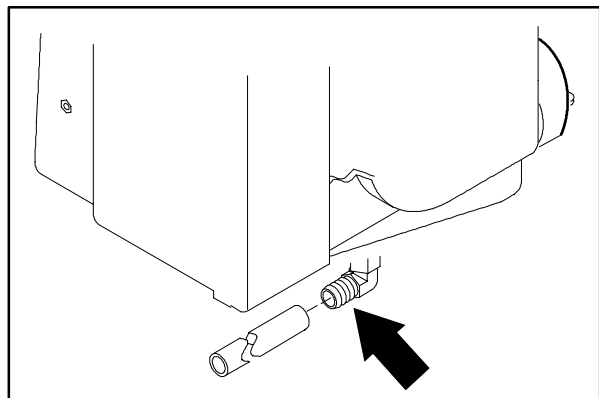
**TO INSTALL SOLUTION TANK**

**FOR SAFETY: Before Leaving Or Servicing Machine; Stop On Level Surface, Set Parking Brake.**

1. Position the solution tank on the right side edge of the machine frame.

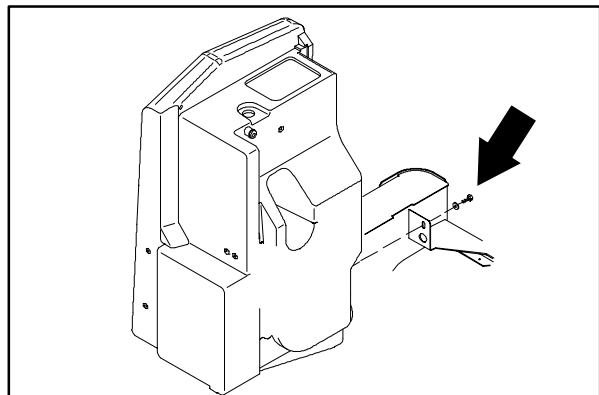


2. Connect the hose coming from the water valve to the nipple on the bottom of the solution tank. Tighten the worm drive clamp.



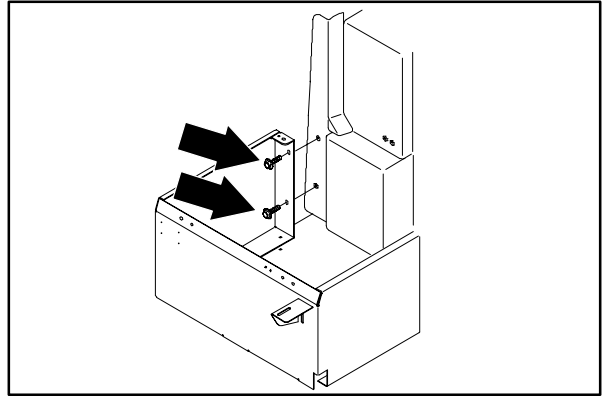
3. Drop the solution tank down in place. Be careful to route the electrical harness properly.
4. Move the tank around until all the mount holes in the tank are lined up with the holes in the frame.

5. Install the hex screw in the area to the right of the tank drain cap. Leave loose for now.

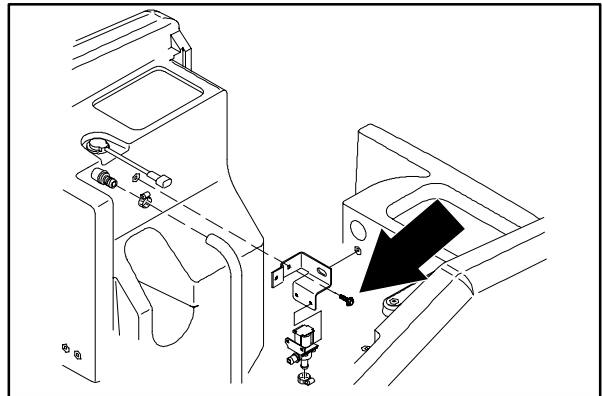


## SCRUBBING

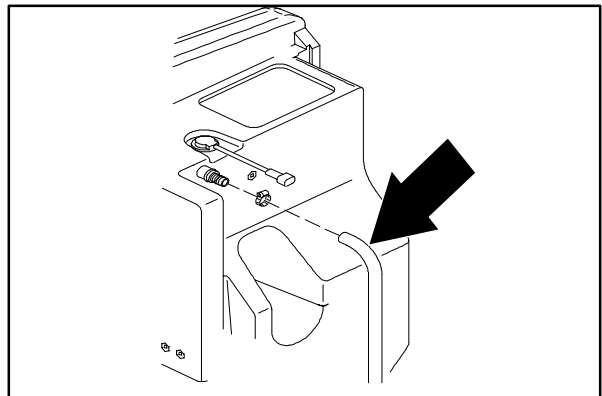
6. Install the two screws holding the front of the solution tank to the seat support. Leave loose for now.



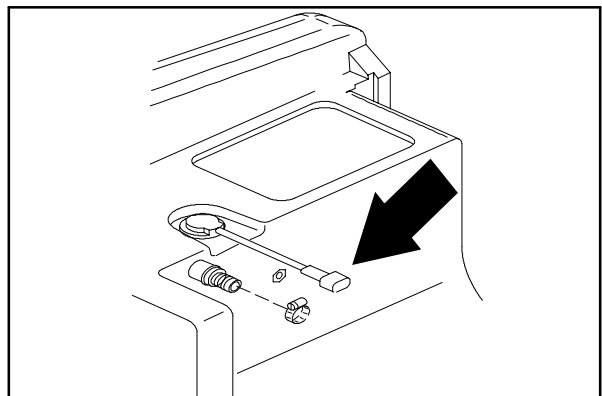
7. Install the air flush valve mount bracket on the side of the solution tank. Tighten all four screws to 18 - 24 Nm (15 - 20 ft lb).



8. Connect the water hose to the top, front nipple on the solution tank. Tighten the worm drive clamp.

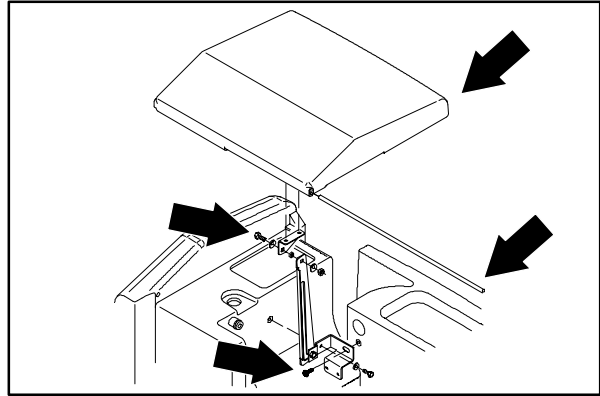


9. Connect the float switch to the main harness.

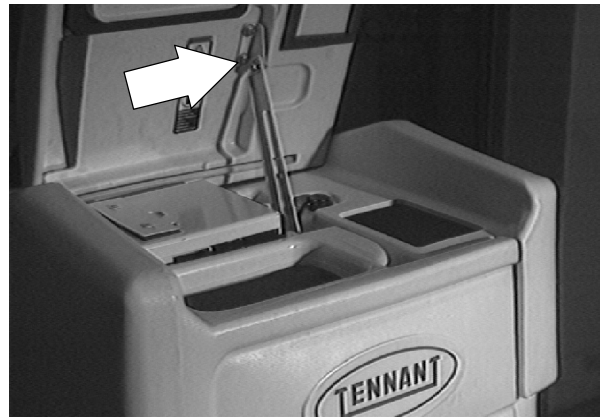




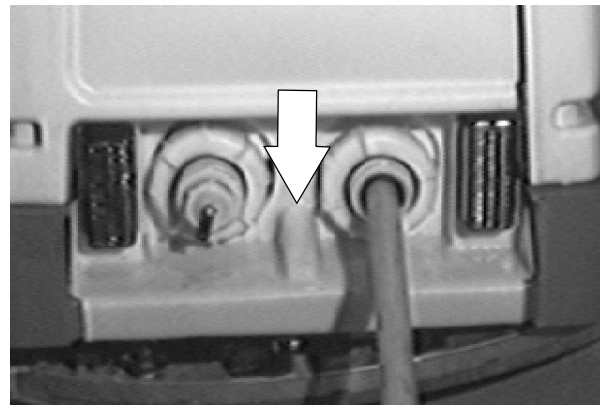
10. Reinstall the tank cover and plastic hinge rod.



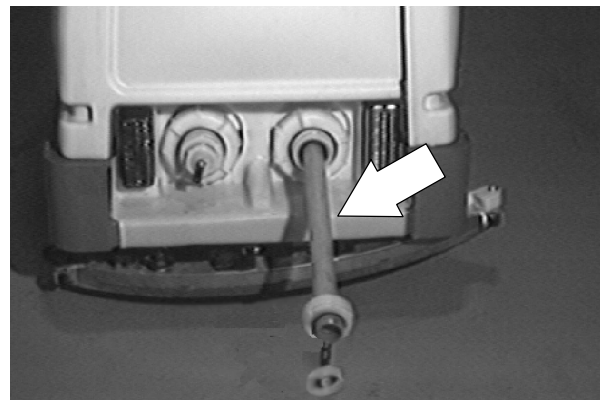
11. Reconnect the top of the prop arm to the tank cover.



12. Reinstall the plastic, rear drain splash tray over the tank drains. Tighten the four screws.

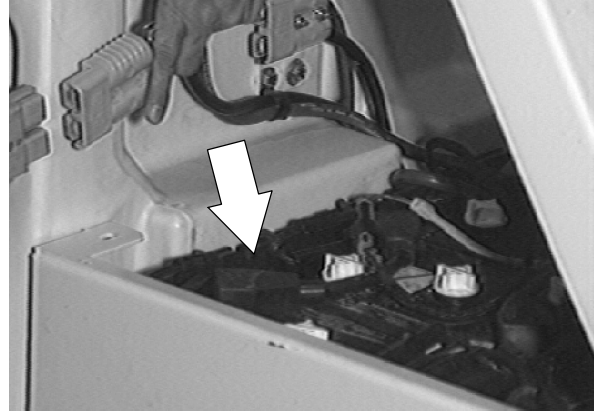


13. Reinstall the tank drain hose and caps.



## SCRUBBING

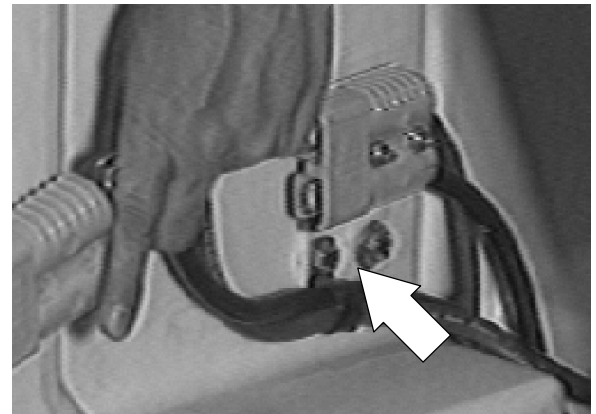
14. Reinstall the battery in the right, rear corner of the battery compartment.



15. Reinstall the battery connector mount bracket on the front of the solution tank. Tighten the two screws to 18 - 24 Nm (15 - 20 ft lb).

16. Reinstall the overhead guard if it was removed earlier.

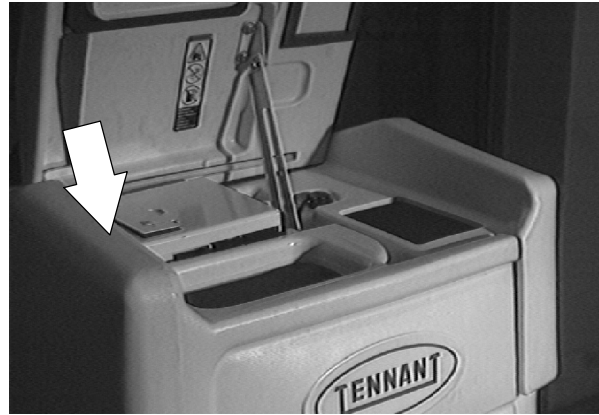
17. Operate the machine and check the solution tank for any leaks and for proper operation of the float switch.



**RECOVERY TANK**

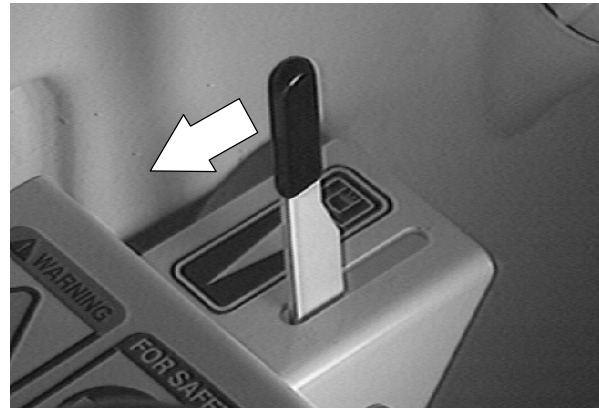
The recovery tank stores the water solution picked up by the squeegees and vacuum fan. The recovery tank is located at the left, rear corner of the machine, on the left of the solution tank.

The recovery tank should be drained and cleaned after the solution tank is empty and whenever the float switch stops the vacuum fan or the recovery full light comes on.

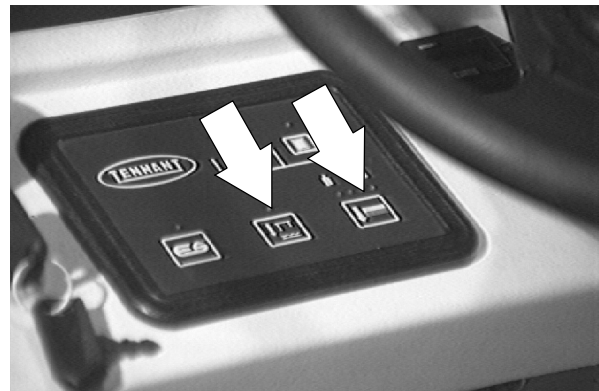


**TO DRAIN AND CLEAN RECOVERY TANK**

1. Close the solution tank water valve.



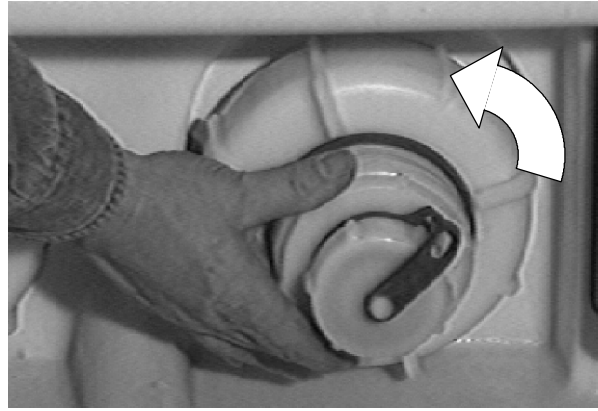
2. Raise the scrub head and rear squeegee.
3. Stop the machine next to a floor drain.
4. Shut off the machine and set the parking brake.



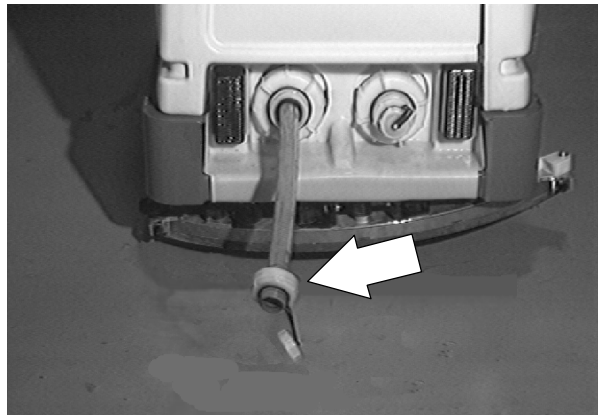
**FOR SAFETY: Before Leaving Or Servicing Machine; Stop On Level Surface, Set Parking Brake.**

## SCRUBBING

5. Remove the drain hose cap from the access caps at the rear of the recovery tank.

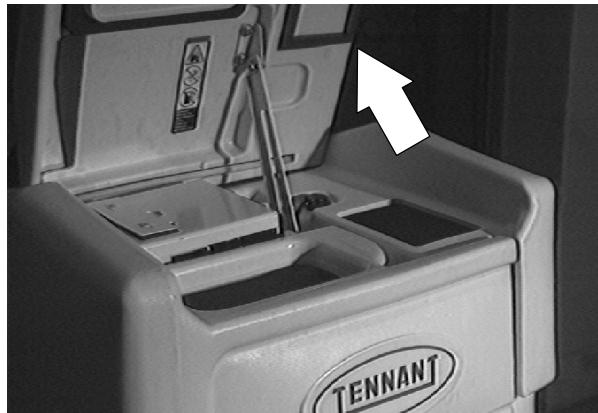


6. Pull the tank drain hoses out and place them over the floor drain. Remove the drain cap from the end of the hose. Drain the tanks.



7. Open the tank cover.

8. Spray the inside of the solution and recovery tanks with a strong blast of warm water. Do not use water hotter than 130° F (54° C) or use steam to clean the tank because damage may occur. Remove the ES™ outlet filter, clean, reinstall.



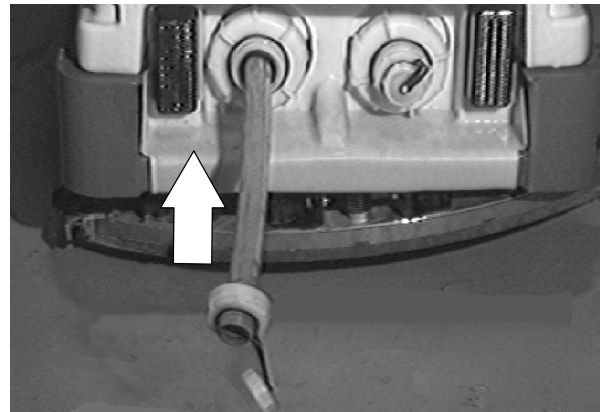
9. Check the vacuum fan filter on top of the recovery tank. Clean or replace if necessary.



10. Close the tank cover.



11. Replace the drain hoses in the tanks.

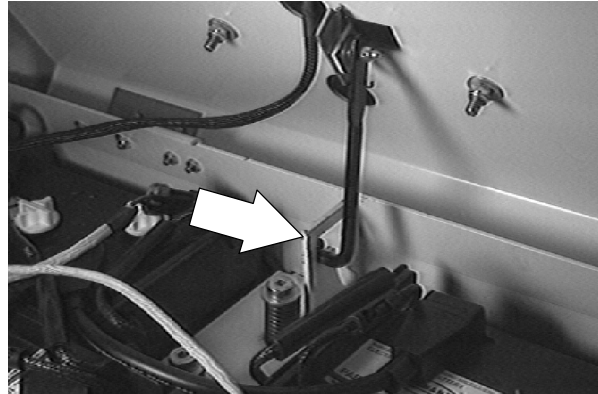


## SCRUBBING

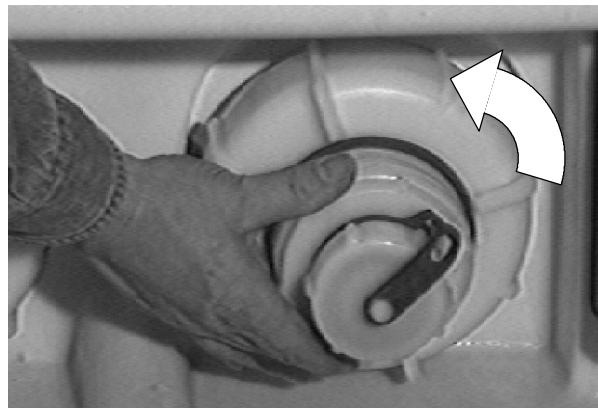
### TO REMOVE RECOVERY TANK

**FOR SAFETY: Before Leaving Or Servicing Machine; Stop On Level Surface, Set Parking Brake.**

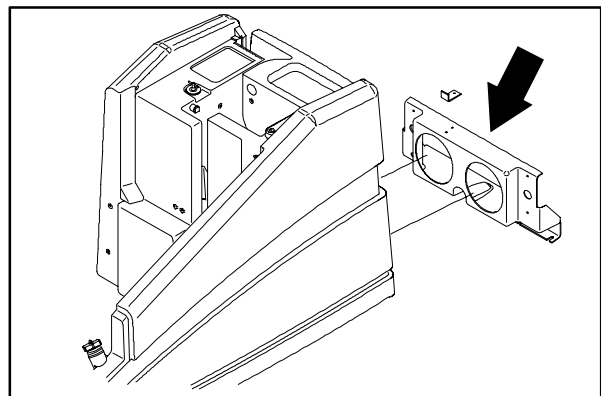
1. In order to remove the recovery tank, the solution tank hardware must be loosened or removed first. See TO REMOVE SOLUTION TANK instructions.
2. Tilt the seat support until the prop rod is engaged.
3. If the machine is equipped with an overhead guard--it must be removed.



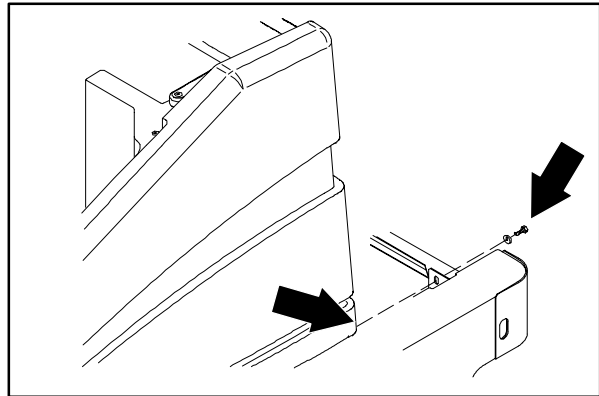
4. Make sure the recovery tank is drained and the tank clean out caps removed.



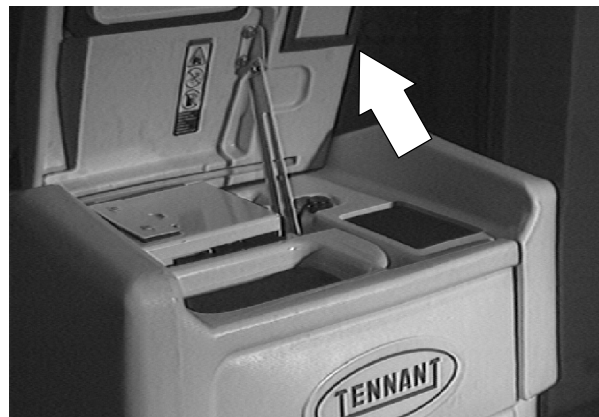
5. Remove the four hex screws holding the plastic, rear drain splash tray. Let it drop down for access to the recovery tank hardware.



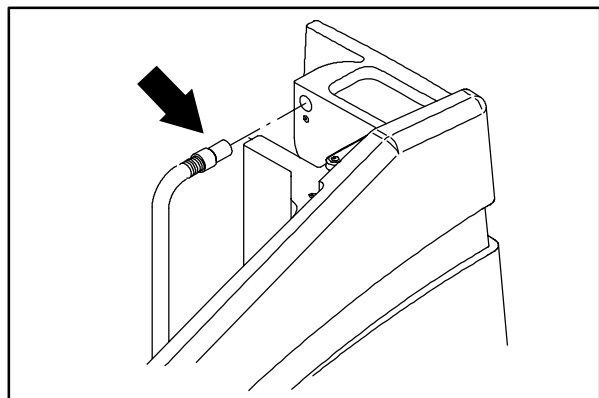
6. Remove the screw on the left side of the solution tank drain cap.



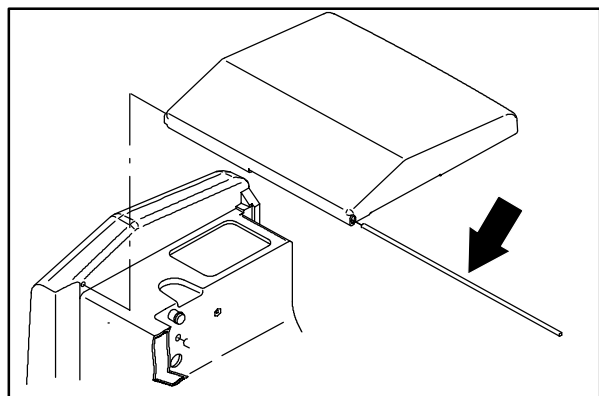
7. Open the tank cover. Remove the hardware holding the top of the prop arm to the tank cover.



8. Pull the vacuum hose out of the hole in the recovery tank.

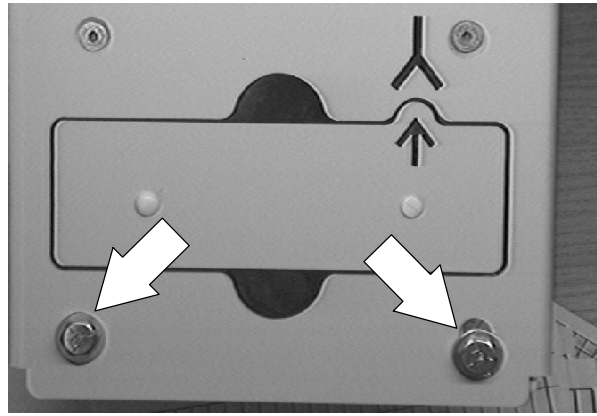


9. Remove the plastic tank cover hinge rod. Remove the tank cover from the machine.

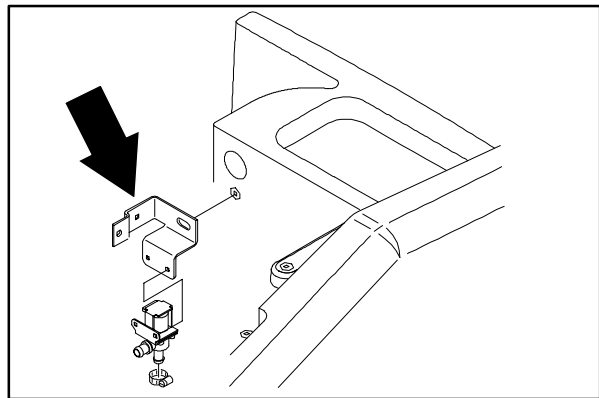


## SCRUBBING

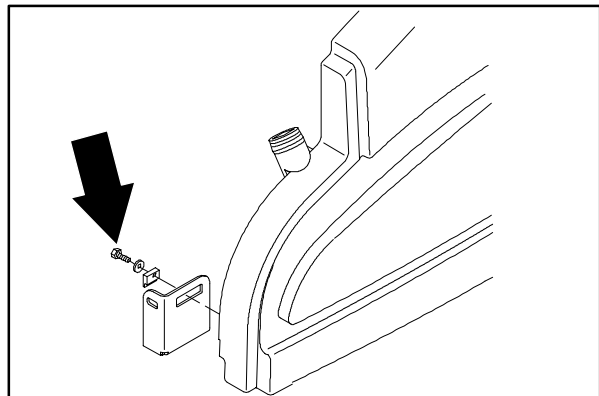
10. Remove the two screws holding the vacuum fan to the top of the recovery tank. Pull the vacuum fan up and disconnect the electrical plug. Remove the vacuum fan from the machine.



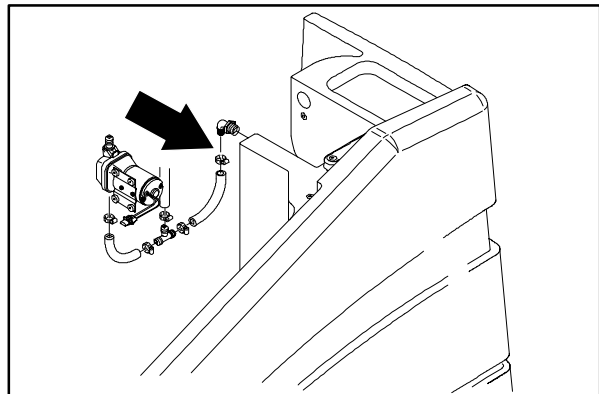
11. Remove the hardware holding the air flush valve and bracket to the recovery tank.



12. Go in the operators compartment and remove the screw from the left, front corner of the recovery tank.



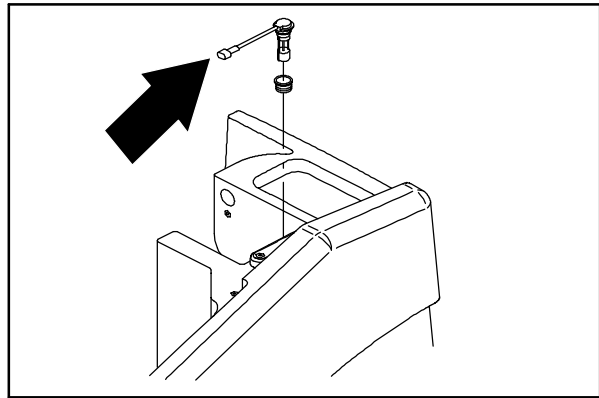
13. Pull the recovery tank up far enough to access the ES™ hose on the inside wall. Remove the hose from the recovery tank.



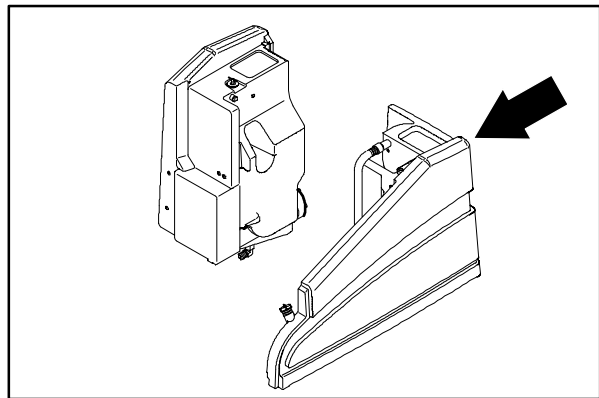


14. Disconnect the float switch electrical plug from the main harness.

*NOTE: Make sure to note the orientation of the electrical harness before removing the solution tank. It is very important to position the harness in the same location when installing a new tank.*



15. The recovery tank can now be removed from the machine.

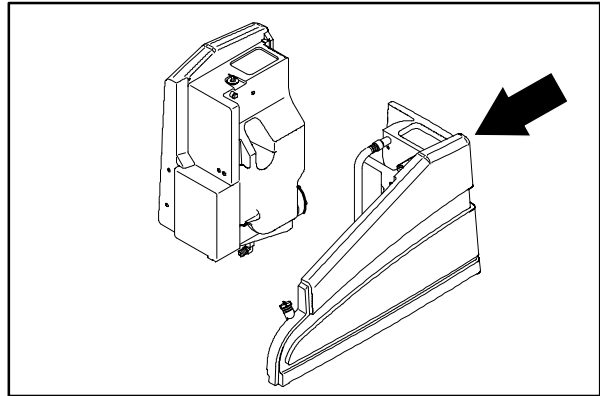


## SCRUBBING

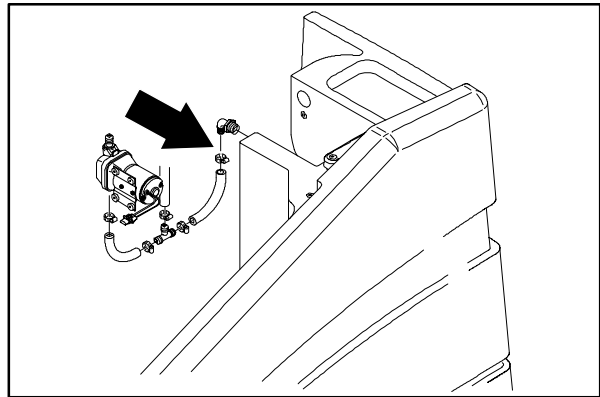
### TO INSTALL RECOVERY TANK

**FOR SAFETY: Before Leaving Or Servicing Machine; Stop On Level Surface, Set Parking Brake.**

1. Position the recovery tank on the left side edge of the machine frame.

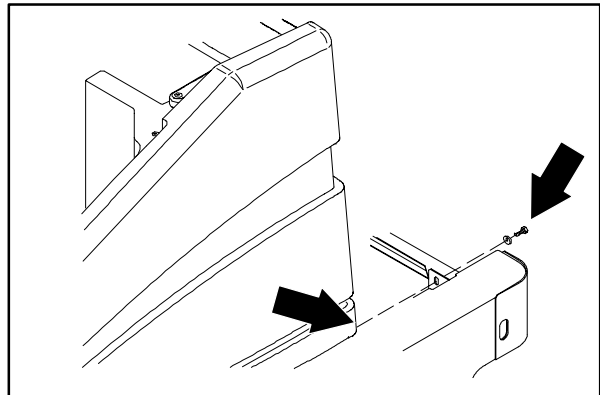


2. Connect the hose coming from the ES™ pump to the nipple on the side of the recovery tank. Tighten the worm drive clamp.



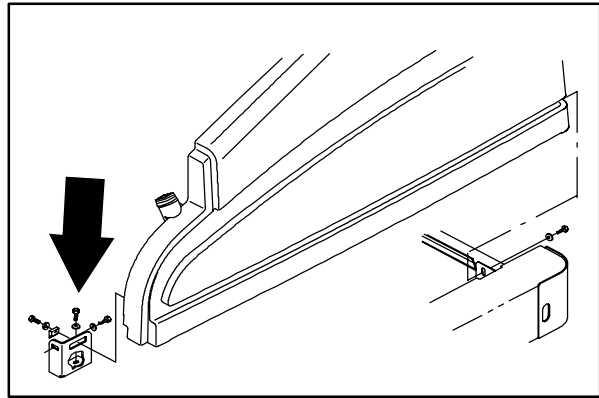
3. Drop the recovery tank down in place. Be careful to route the electrical harness properly.

4. Move the tank around until the front and back mount holes in are lined up with the holes in the frame.

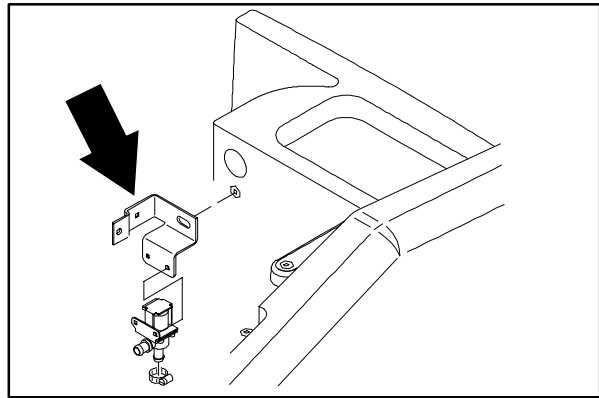


5. Install the hex screw in the area to the left of the tank drain cap. Leave loose for now.

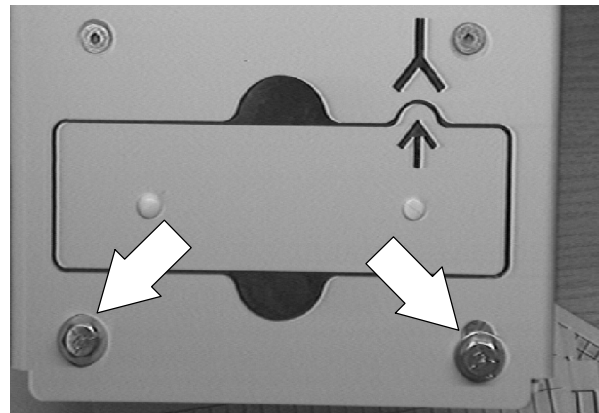
6. Install the screw holding the left front of the recovery tank to the frame in the area of the operators compartment. Leave loose for now.



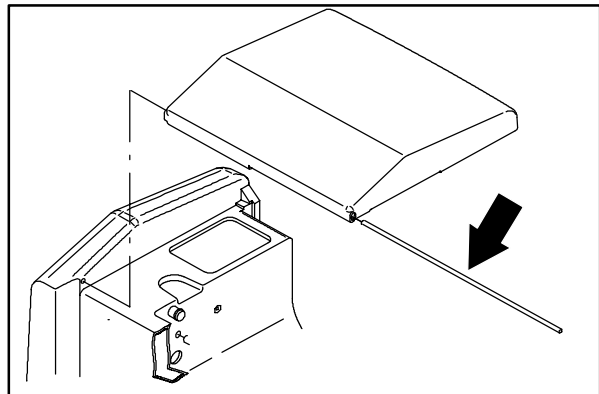
7. Install the air flush valve mount bracket on the front of the recovery tank. Tighten all three screws to 18 - 24 Nm (15 - 20 ft lb).



8. Reinstall the vacuum fan on the recovery tank. Reconnect the vacuum fan to the main electrical harness. Tighten the hardware to 18 - 24 Nm (15 - 20 ft lb).



9. Reinstall the tank cover and plastic hinge rod.

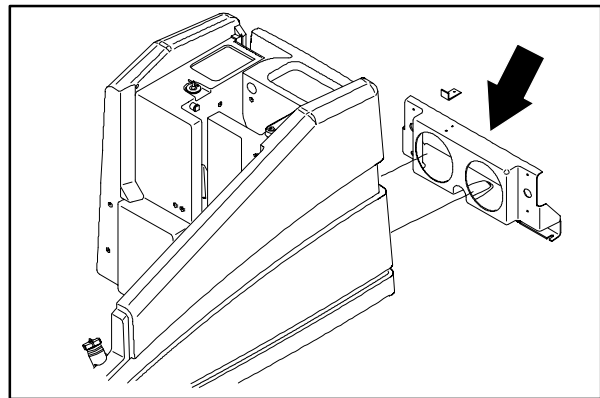


## SCRUBBING

10. Reconnect the top of the prop arm to the tank cover.



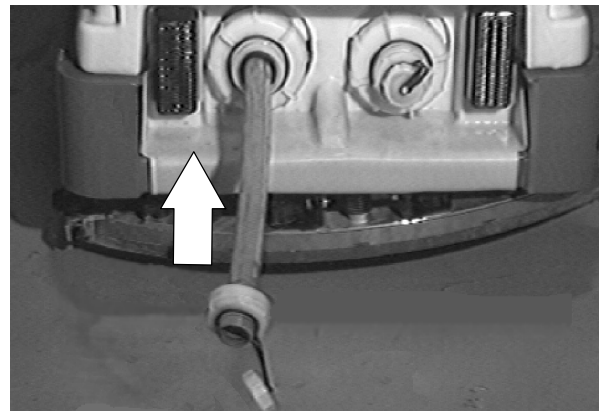
11. Reinstall the plastic, rear drain splash tray over the tank drains. Tighten the four screws.



12. Reinstall the tank drain hose and caps.

13. Reinstall the overhead guard if it was removed earlier.

14. Operate the machine and check the recovery tank for any leaks and for proper operation of the float switch.



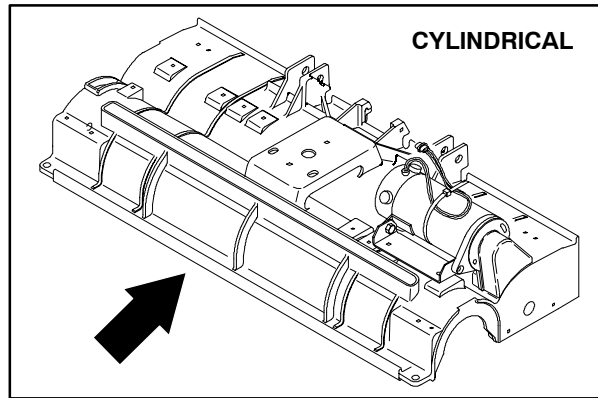
---

**SCRUB HEAD**

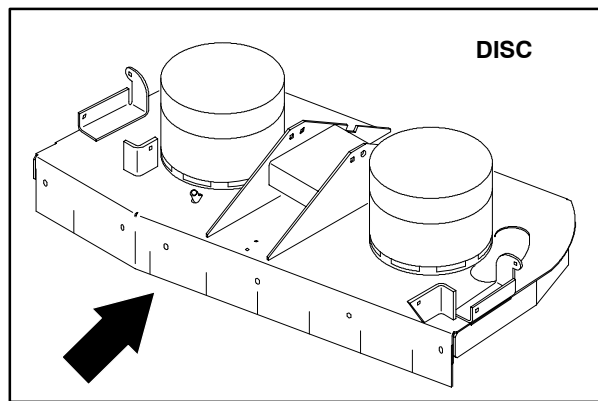
---

The model 7200 can be equipped with either a cylindrical or a disc style scrub head. The scrub head houses the scrub brushes and their drive mechanisms.

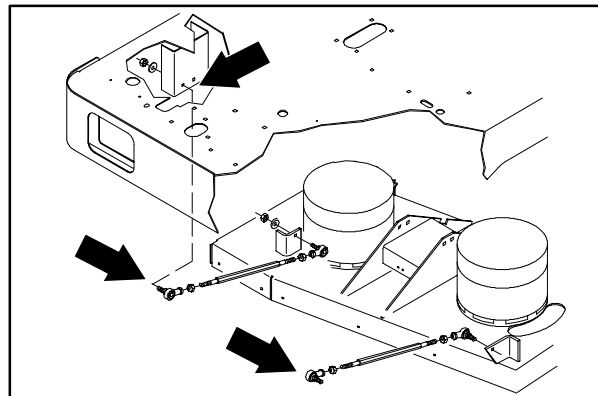
The scrub head adjustments are factory set and should not be changed unless scrub head parts are damaged or replaced.



The scrub head also includes floor skirts to control water spray. These skirts can be adjusted and need to be replaced if worn or damaged.

**SCRUB HEAD LINKS**

The scrub head links attach the scrub head frame to the machine frame. The two scrub head links allow the scrub head to follow the contour of the floor. The links have a pivot point on each end and no regular lubrication.

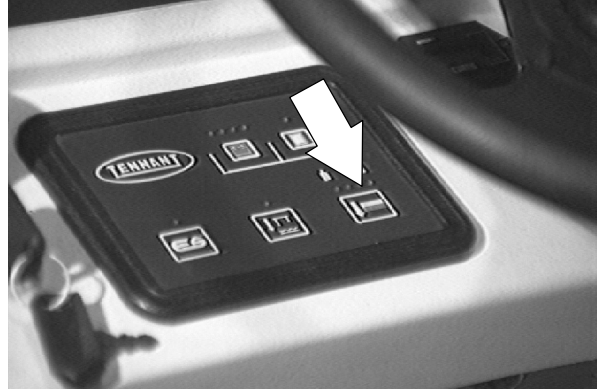


## SCRUBBING

### TO REPLACE SCRUB HEAD LINKS

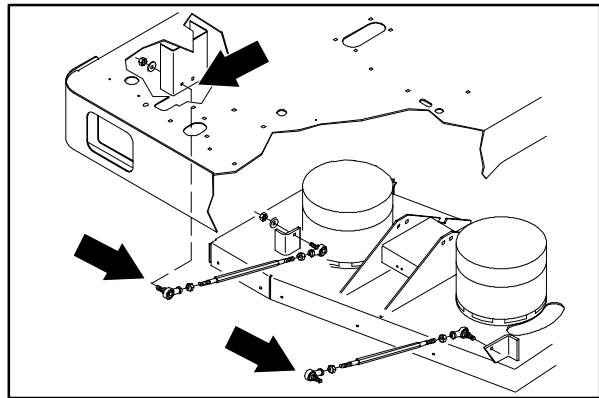
1. Start the machine and lower the scrub head to the floor. Shut off the key.

**FOR SAFETY: Before Leaving Or Servicing Machine; Stop On Level Surface, Set Parking Brake.**



2. Go under the machine on each side and remove the nyloc nut holding the scrub head links to the machine frame and scrub head frame. Remove the scrub head links from the machine.

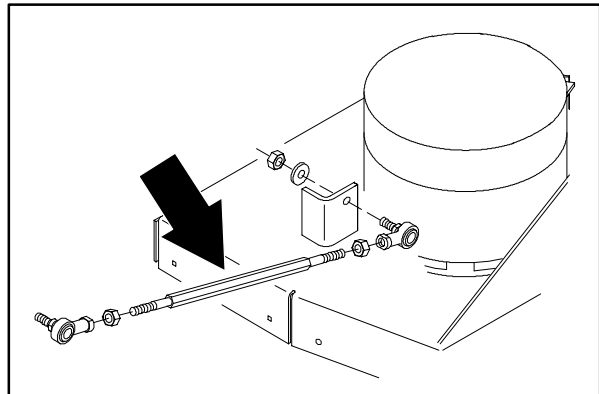
*NOTE: The measurement for the new scrub head links should be **16 inches** from the center of the front ball joint to the center of the rear balljoint.*



3. Install the new scrub head links on the machine with the ball joints facing the inside of the machine frame. Firmly tighten the four nyloc nuts.

*NOTE: Use the **front** frame hole for the **cylindrical** scrub head and the **rear** frame mount hole for the **disc** scrub head.*

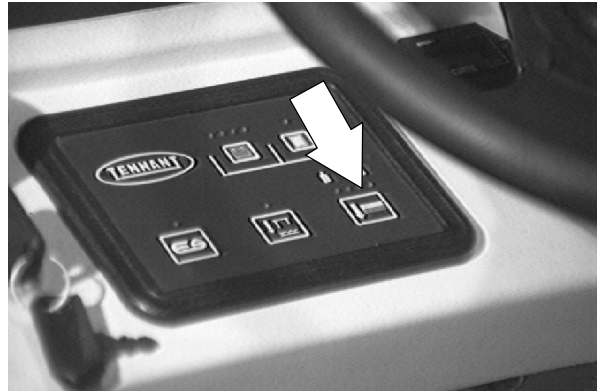
4. Start the machine and raise the scrub head. Check the scrub head links for proper operation.



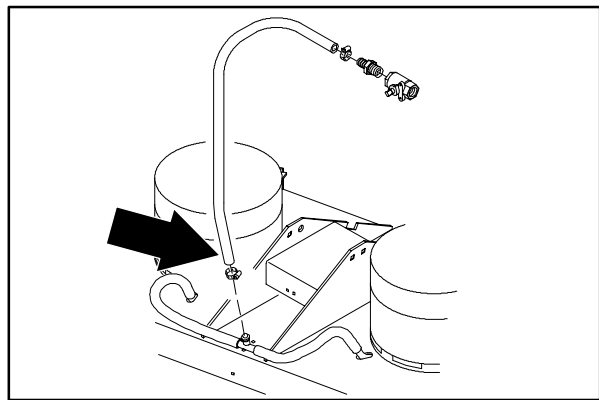
## TO REMOVE DISC SCRUB HEAD

1. Start the machine and lower the scrub head to the floor. Shut off the key.

**FOR SAFETY: Before Leaving Or Servicing Machine; Stop On Level Surface, Set Parking Brake.**

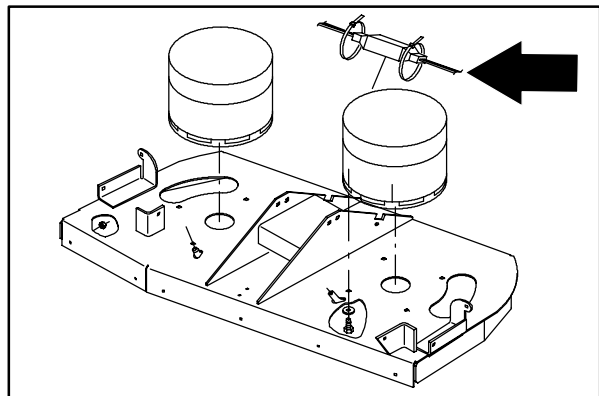


2. Disconnect the water line leading from the shut-off valve to the scrub head.



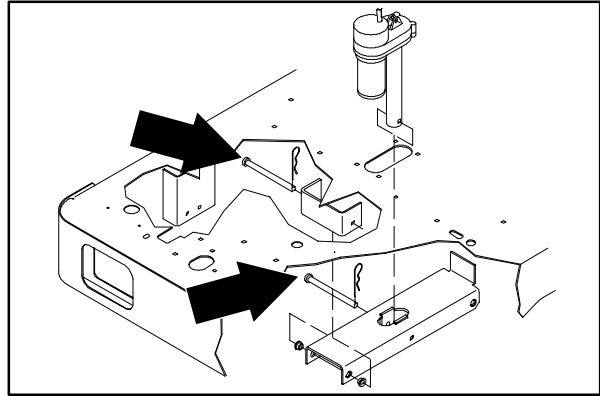
3. Disconnect the two scrub brush motors from the main electrical harness.

*NOTE: Mark the connectors for proper re-assembly.*

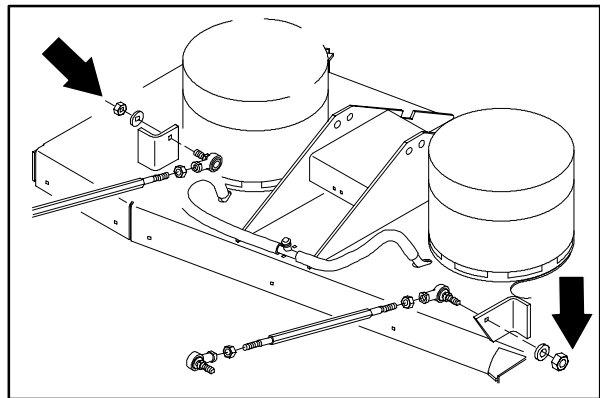


## SCRUBBING

4. Remove the cotter pin and clevis pin from the scrub head lift mechanism where it attaches to the frame and actuator.



5. Remove the nyloc nut holding the ball joint to the mount bracket on the scrub head. Do this on both sides of the scrub head.
6. Jack up the front of the machine far enough to slide the scrub head out. Install jack stands under the machine frame.
7. The scrub head can now be pulled out from under the machine frame.

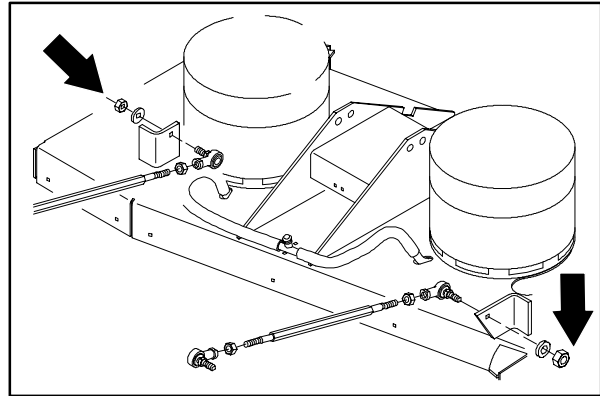




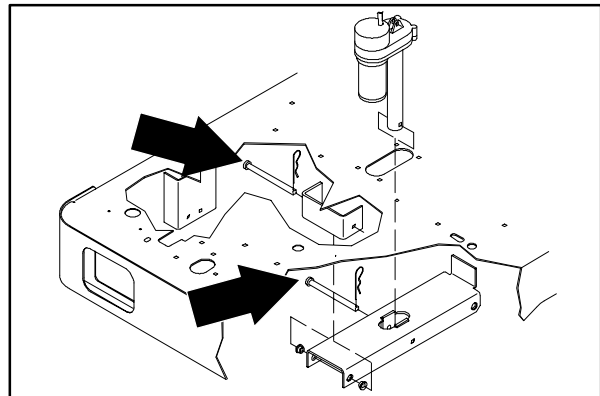
**TO INSTALL DISC SCRUB HEAD**

**FOR SAFETY: Before Leaving Or Servicing Machine; Stop On Level Surface, Set Parking Brake.**

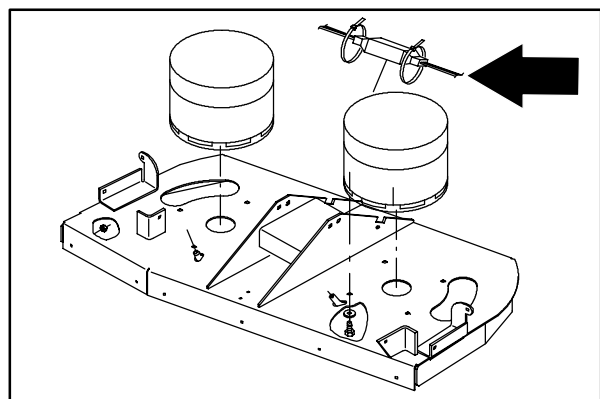
1. Slide the scrub head under the machine frame with the scrub head link mount holes facing the front.
2. Install the ball joint on the end of the scrub head link into the mount hole on the scrub head. The ball joint should be positioned so it is facing the inside of the machine frame. Do this on both sides of the machine.



3. Position the scrub head as close as possible to the center. Remove the jack stands and lower the machine until the clevis pins can be reinstalled in the front of the scrub head lift bracket and the bottom of the lift actuator.



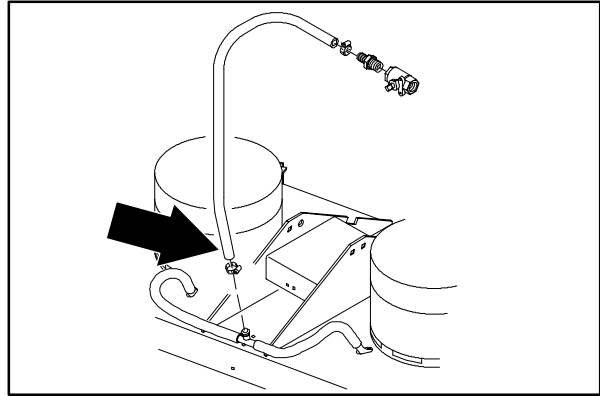
4. Reconnect the brush drive motors to the main electrical harness.



## SCRUBBING

5. Reconnect the water line to the scrub head

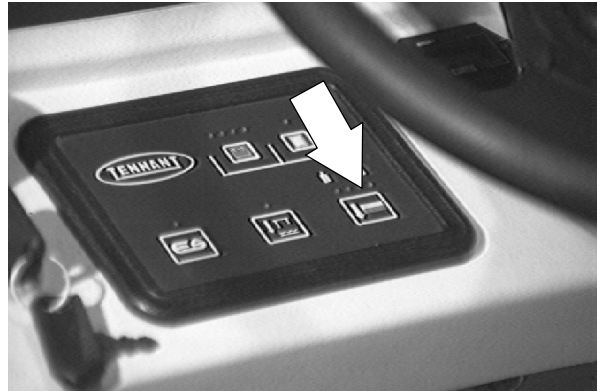
6. Start the machine and raise the scrub head. Operate the machine and check the scrub head for proper operation. Check the scrub brushes for proper rotation.



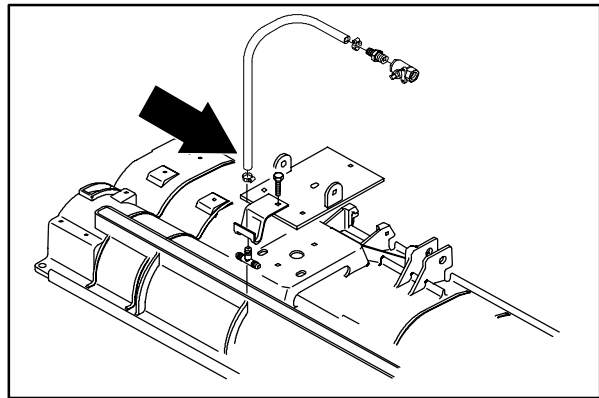
**TO REMOVE CYLINDRICAL SCRUB HEAD**

1. Start the machine and lower the scrub head to the floor. Shut off the key.

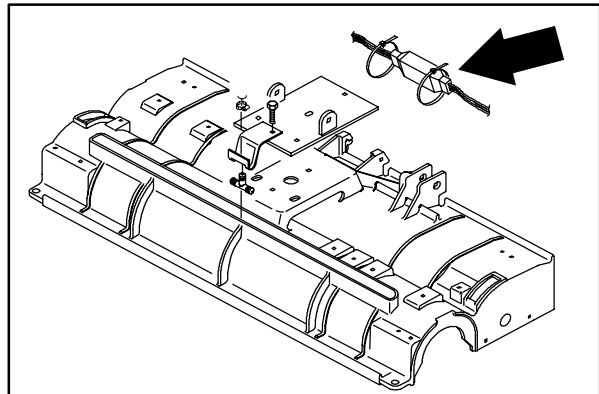
**FOR SAFETY: Before Leaving Or Servicing Machine; Stop On Level Surface, Set Parking Brake.**



2. Disconnect the water line leading from the shut off valve to the scrub head.

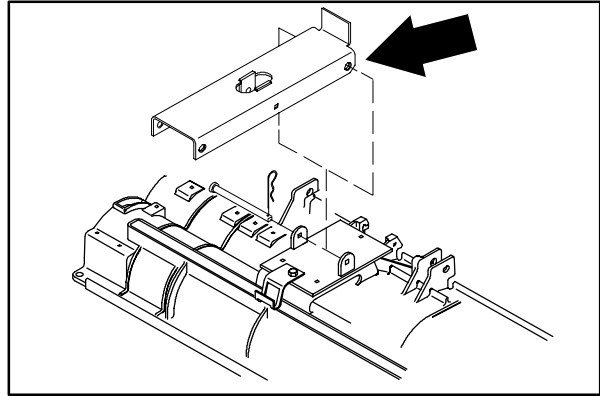


3. Disconnect the two scrub brush motors from the main electrical harness. Mark the connectors for proper re-assembly.

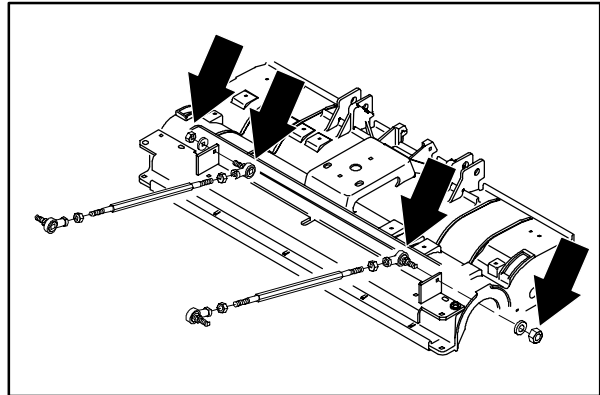


## SCRUBBING

4. Remove the cotter pin and clevis pin from the scrub head lift mechanism where it attaches to the scrub head.

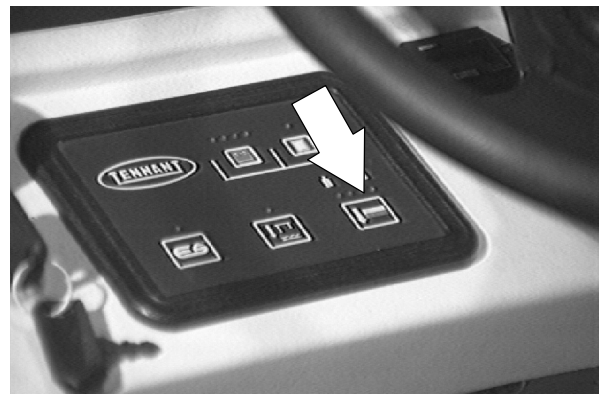


5. Remove the nyloc nut holding the ball joint to the mount bracket on the scrub head. Do this on both sides of the machine.



6. Turn on the machine and raise the scrub head lift actuator. Turn off the machine.

*NOTE: This will allow more clearance for the scrub head to slide out.*

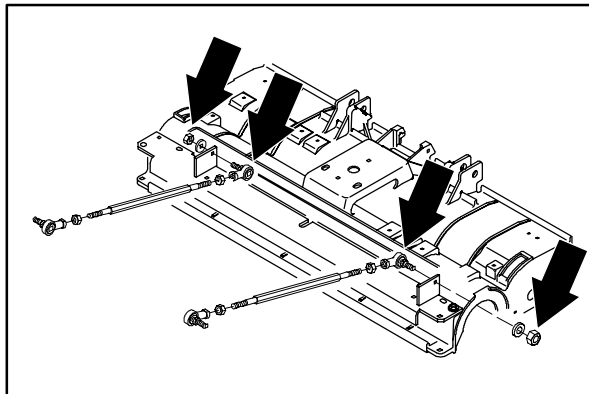


7. The scrub head can now be pulled out from under the machine frame.

## TO INSTALL CYLINDRICAL SCRUB HEAD

**FOR SAFETY: Before Leaving Or Servicing Machine; Stop On Level Surface, Set Parking Brake.**

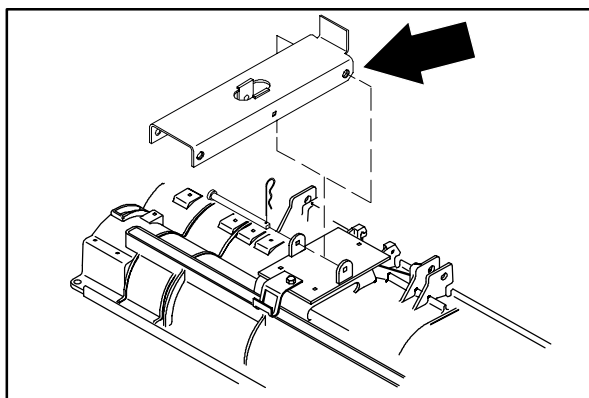
1. Slide the scrub head under the machine frame with the scrub head link mount holes facing the front.
2. Install the ball joint on the end of the scrub head link into the mount hole on the scrub head. The ball joint should be positioned so it is facing the inside of the machine frame. Do this on both sides of the machine.



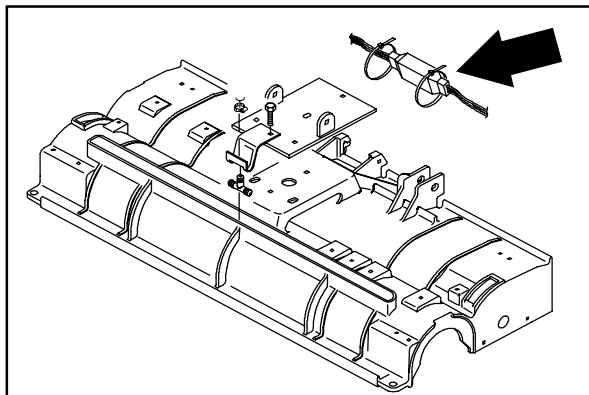
3. Position the scrub head as close as possible to the center. Turn on the machine and lower the scrub head lift actuator.

*NOTE: Do this in small increments until the mount hole in the scrub head lines up with the mount hole in the lift mechanism.*

4. Install the clevis pin and cotter pin.

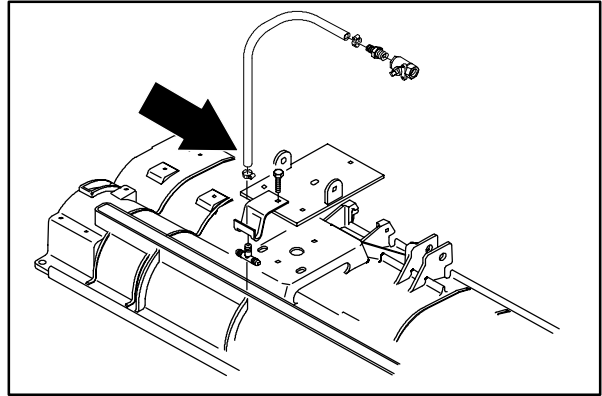


5. Reconnect the brush drive motors to the main electrical harness.

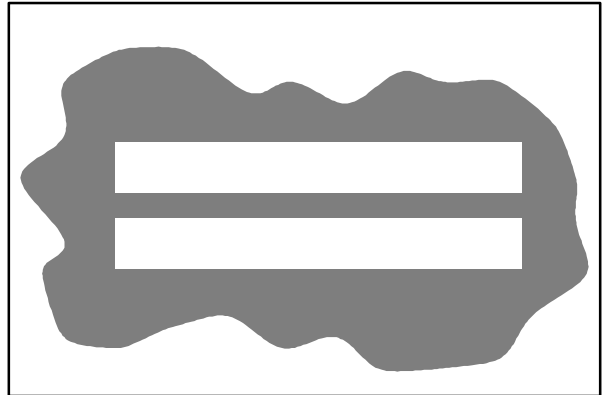


## SCRUBBING

6. Reconnect the water line to the scrub head



7. Start the machine and raise the scrub head. Operate the machine and check the scrub head for proper operation. Check the scrub brushes for pattern and proper rotation. See TO CHECK AND ADJUST CYLINDRICAL BRUSH PATTERN instructions.



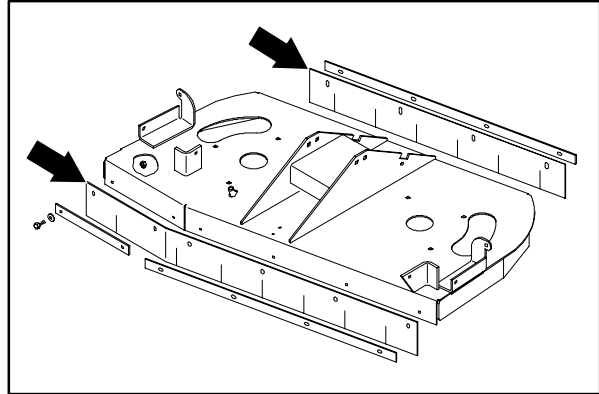
10355

**DISC SCRUB HEAD SKIRTS**

**SCRUB HEAD FLOOR SKIRTS**

The scrub head floor skirts control water spray from the brushes. The skirts are located in front and rear of the scrub head. Check these skirts for wear and damage after every 50 hours of operation.

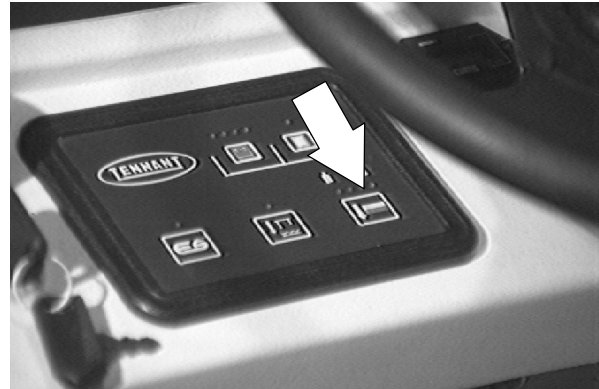
The skirts should clear the floor by 0 to 0.25 in. (0 to 6mm) when the scrub head is down. Check the floor skirt adjustment after every 50 hours of operation.



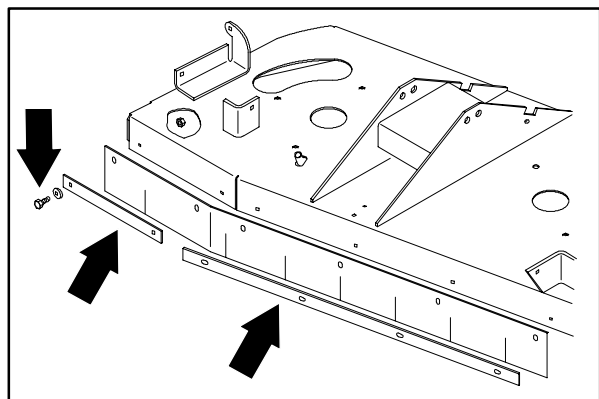
**TO ADJUST DISC SCRUB HEAD SKIRTS**

1. Start the machine and lower the scrub head to the floor. Shut off the key.

**FOR SAFETY: Before Leaving Or Servicing Machine; Stop On Level Surface, Set Parking Brake.**



2. Loosen the screws holding the retainer and skirt to the scrub head frame.
3. Position the up or down as needed to achieve 1/8 to 1/4 inch clearance from the bottom of the skirt to the floor.
4. Re-tighten the retainer screws. Operate the machine and check the scrub head skirts for proper water spray control.

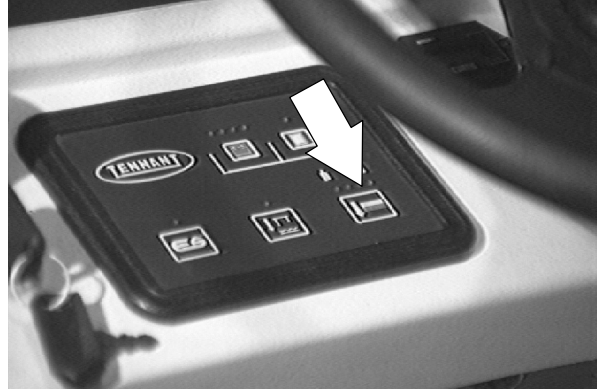


## SCRUBBING

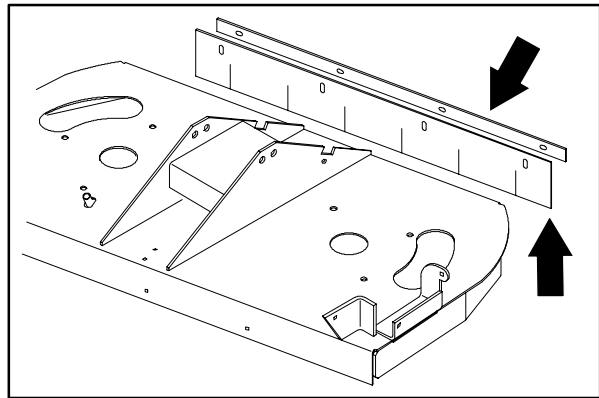
### TO REPLACE DISC SCRUB HEAD SKIRTS

1. Start the machine and lower the scrub head to the floor. Shut off the key.

**FOR SAFETY: Before Leaving Or Servicing Machine; Stop On Level Surface, Set Parking Brake.**



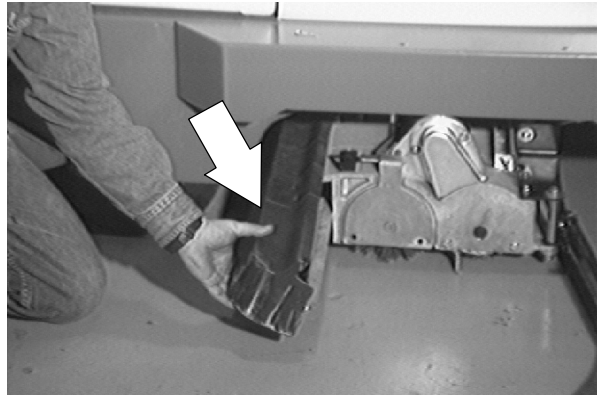
2. Remove the screws holding the retainer and skirt to the scrub head frame. Remove and discard the skirt.
3. Position the new skirt and existing retainer on the scrub head. Adjust the skirt and tighten the retainer screws. See TO ADJUST DISC SCRUB HEAD SKIRTS instructions.
4. Operate the machine and check the scrub head skirts for proper water spray control.





**CYLINDRICAL BRUSH HEAD DEBRIS TRAY**

The cylindrical style scrub head is equipped with a rear mounted debris tray. Small debris is picked up by the two cylindrical scrub brushes and deposited in the debris tray located behind the rear scrub brush. The debris tray can be easily removed and emptied.

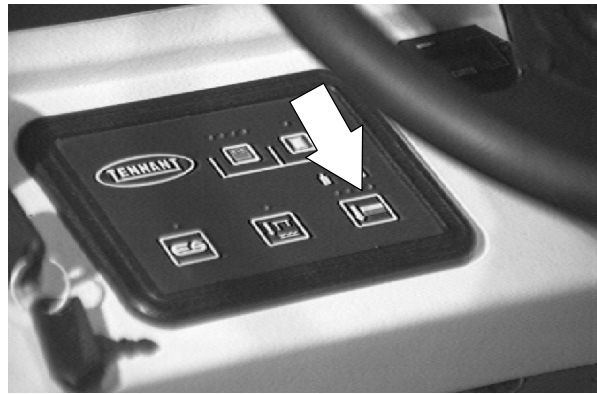


**TO REMOVE DEBRIS TRAY**

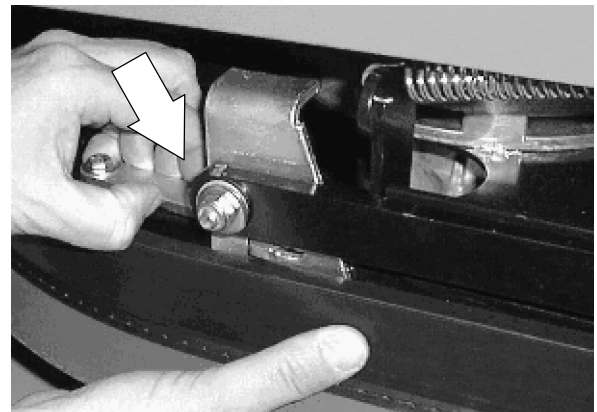
1. Start the machine and touch the scrub button. Shut off the key when the scrub head is near the floor.

*NOTE: Do not touch the directional pedal.*

**FOR SAFETY: Before Leaving Or Servicing Machine; Stop On Level Surface, Set Parking Brake.**



2. Go to the right side of the machine. Locate the scrub head side squeegee. Pull the hair pin out of the squeegee lock pin.
3. Pivot the side squeegee out, away from the scrub head.

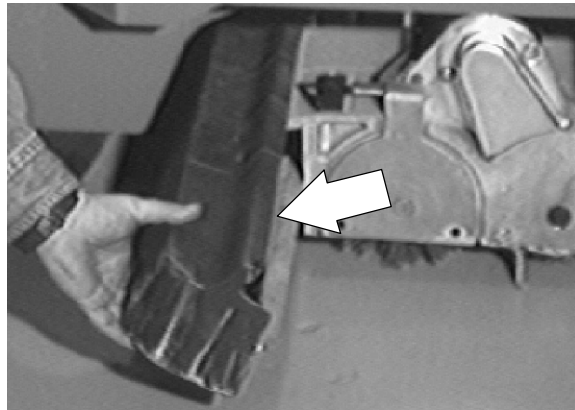


## SCRUBBING

---

4. Grasp the plastic debris tray and pivot the bottom up, away from the back of the scrub head. Pivot the debris tray far enough to allow the rubber skirt to clear the scrub head.

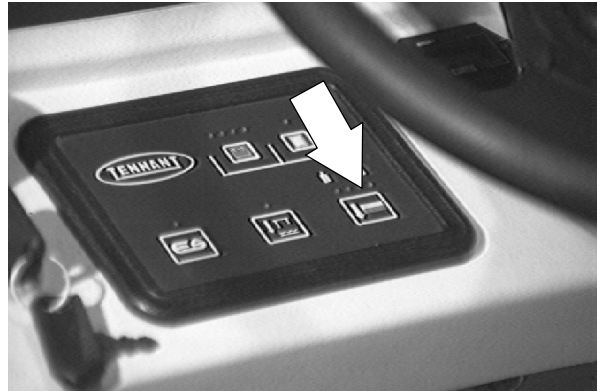
5. Pull the debris tray straight out to the right until it is free of the scrub head lip. Empty the debris tray,



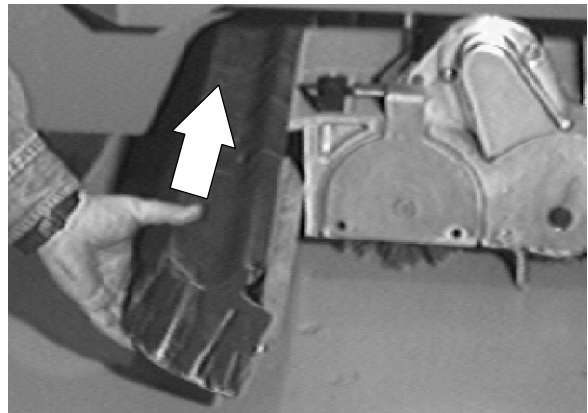
**TO INSTALL DEBRIS TRAY**

1. Lower the scrub head to the floor.

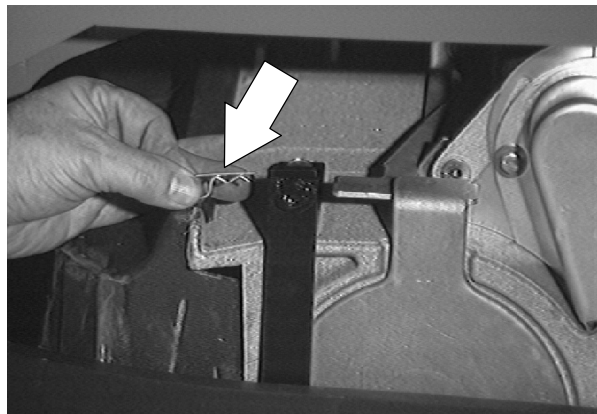
**FOR SAFETY: Before Leaving Or Servicing Machine; Stop On Level Surface, Set Parking Brake.**



2. Position the debris tray, opening facing forward, on the lip on the back of the scrub head. Push the debris tray in until it stops.



3. Swing the right hand side squeegee back to the side of the scrub head. Make sure the lock pin is positioned in the mount hole. Reinstall the hair pin.



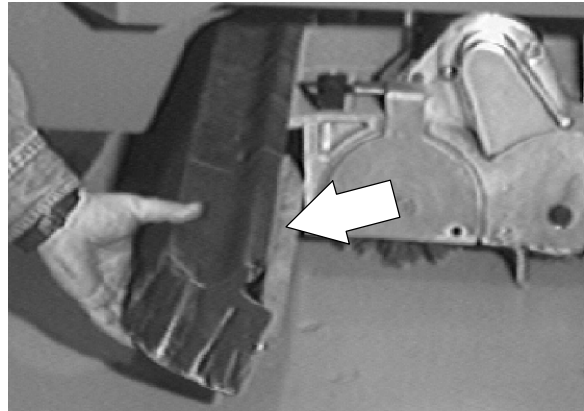
4. Start the machine and raise the scrub head.

## SCRUBBING

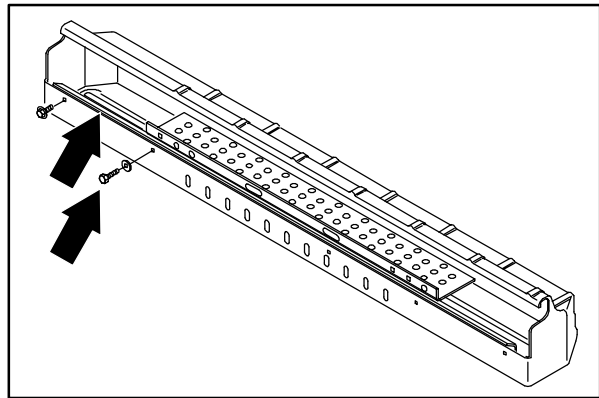
### TO REPLACE DEBRIS TRAY SKIRT

1. Remove the debris tray. See TO REMOVE DEBRIS TRAY instructions.

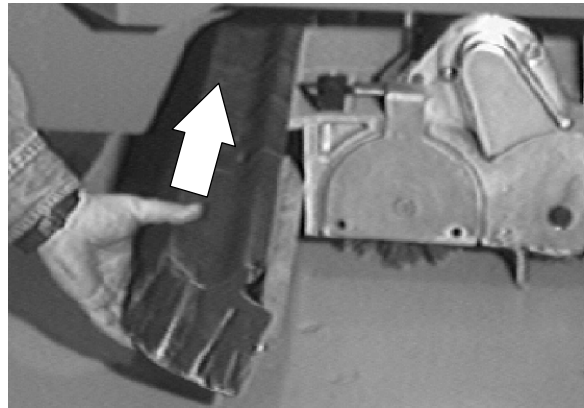
**FOR SAFETY: Before Leaving Or Servicing Machine; Stop On Level Surface, Set Parking Brake.**



2. Remove the six screws, washers, and nuts holding the debris tray skirt and retainer to the top lip of the tray. Remove the retainer and skirt. Discard the skirt.
3. Position the new debris tray skirt and existing retainer on the top lip of the tray.
4. Reinstall the hardware and hand tighten lightly.



5. Reinstall the debris tray in the machine. See TO INSTALL DEBRIS TRAY instructions.



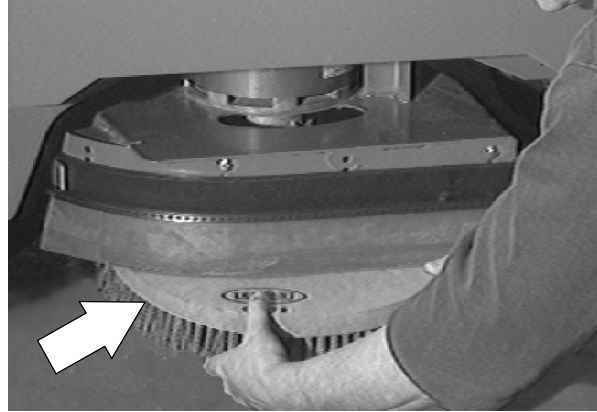
**SCRUB BRUSHES**

The machine can be equipped with either *disk* or *cylindrical* scrub brushes. Check scrub brushes daily for wire or string tangled around the brush or brush drive hub. Also check for brush damage and wear.

**DISC SCRUB BRUSHES**

The disk brushes should be replaced if a large number of bristles are missing or if bristle length is less than 10 mm (0.38 in).

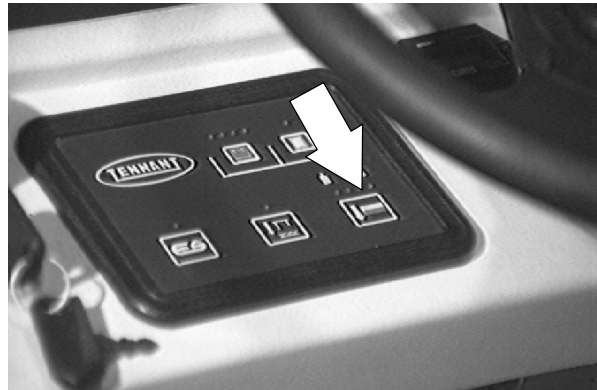
*NOTE: Replace worn brushes in pairs. Scrubbing with brushes of unequal bristle length will result in diminished scrubbing performance.*



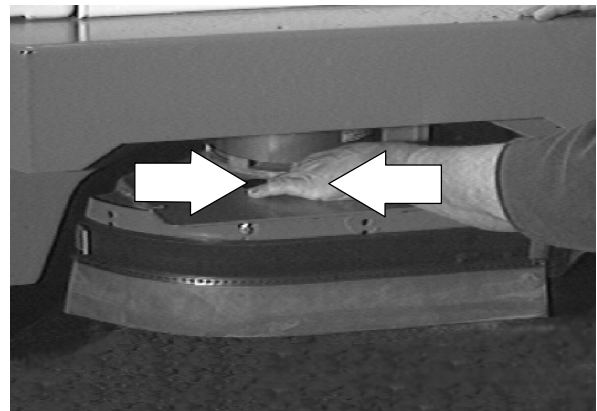
**TO REPLACE DISC SCRUB BRUSHES**

1. Raise the scrub head.
2. Turn the machine power off and set the parking brake.

**FOR SAFETY: Before Leaving Or Servicing Machine; Stop On Level Surface, Set Parking Brake.**

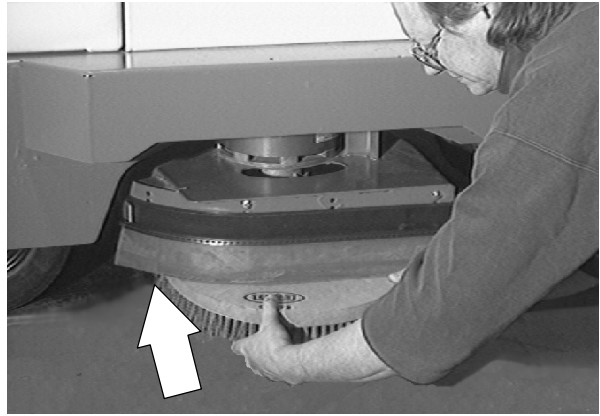


3. Turn the brush until you can see the brush spring clip.
4. Press the brush spring clip together with your thumb and index finger. The brush will drop off of the brush drive hub. Pull the brush out from under the scrub head.

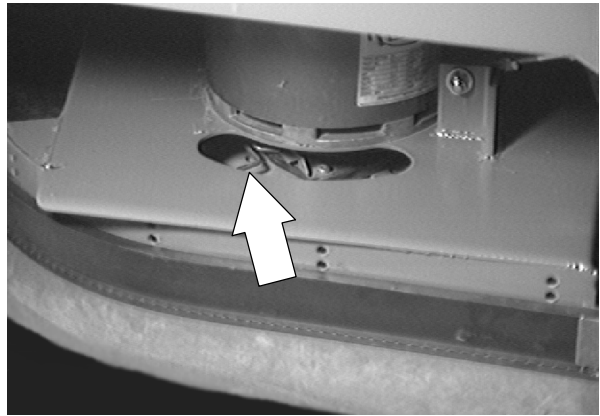


## SCRUBBING

5. Place the new scrub brush on the floor in front of the scrub head. Push the brush under the scrub head.
6. Line up the brush drive socket with the drive plug.



7. While pressing the brush spring clip together with your thumb and index finger, lift the scrub brush onto the drive plug.
8. Check to make sure the brush is securely mounted on the brush drive hub.
9. Repeat for the other brush.



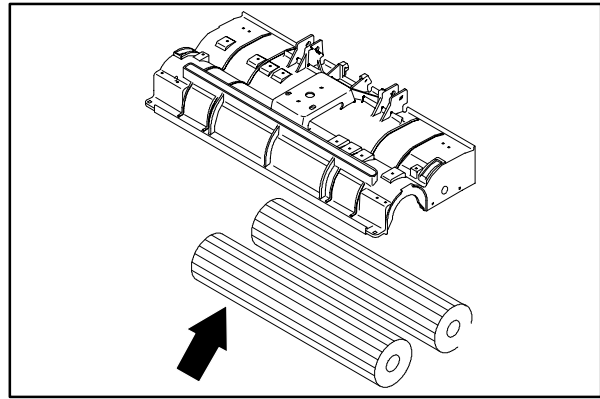
## CYLINDRICAL SCRUB BRUSHES

Check the brush taper and rotate the brushes from front-to-rear every 50 hours of machine operation for maximum brush life and best scrubbing performance.

The cylindrical brushes should be replaced if large amounts of bristles are missing, or if the remaining bristle length is less than 10 mm (0.38 in).

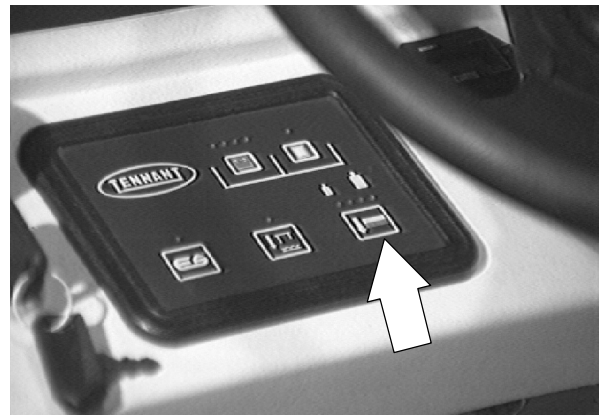
*NOTE: Replace worn brushes in pairs. Scrubbing with brushes of unequal bristle length will result in diminished scrubbing performance.*

*NOTE: Fill the solution tank before checking or adjusting the brush pattern.*



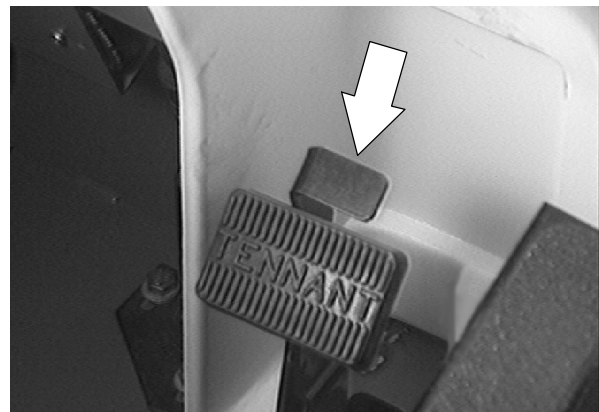
## TO REPLACE CYLINDRICAL SCRUB BRUSHES

1. Press the scrubbing switch. When the scrub head is approximately 25 mm (1 in) from the floor, turn the machine power off.



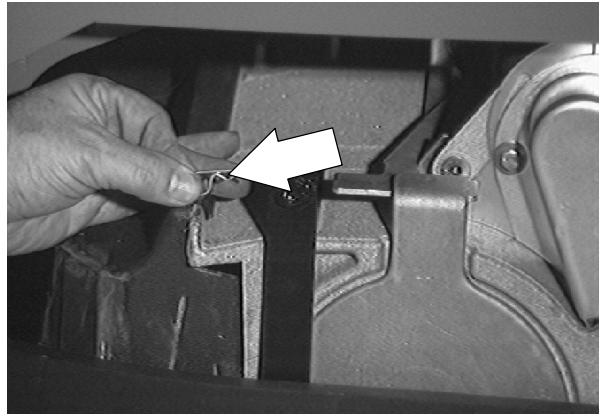
2. Set the parking brake.

**FOR SAFETY: Before Leaving Or Servicing Machine; Stop On Level Surface, Set Parking Brake.**

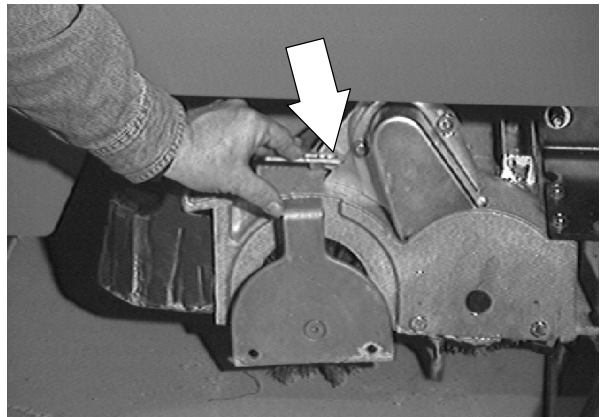


## SCRUBBING

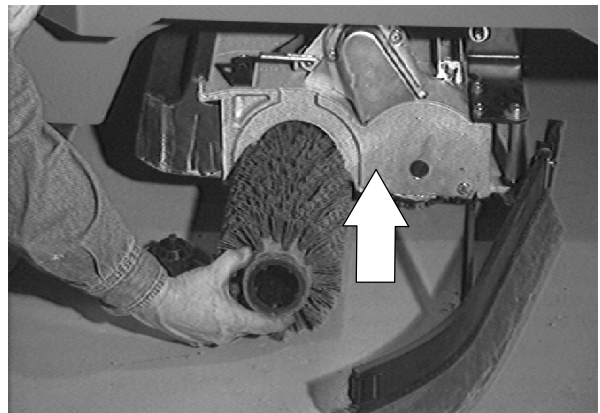
3. Remove the cotter pin that holds the side squeegee in place. Swing the squeegee away from the scrub head.



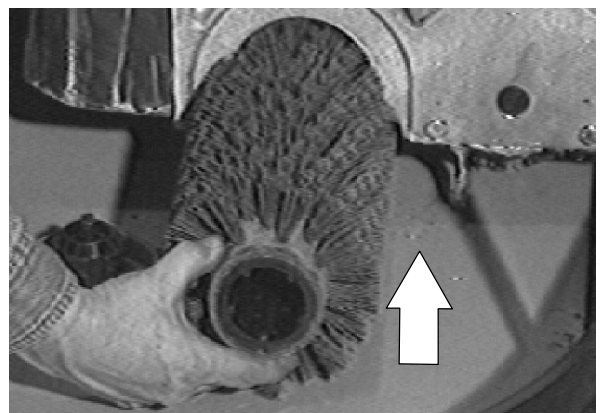
4. Push downward on the mounting spring and idler door until the top of the door releases from the scrub head. Pull the bottom of the door outward, then pull the idler door and idler plug off of the brush.



5. Pull the old brush out of the scrub head.

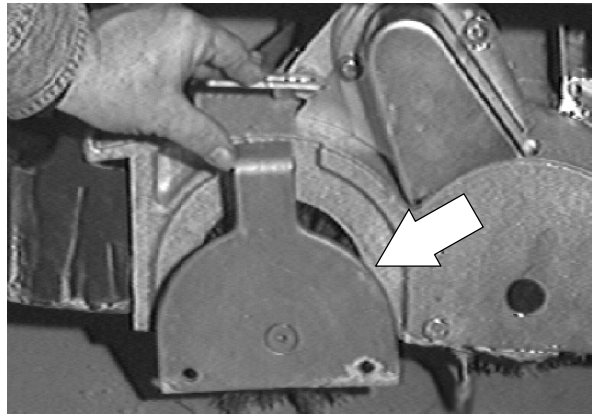


6. Position the brush with the *double row end towards you*. Guide the new brush onto the drive hub.





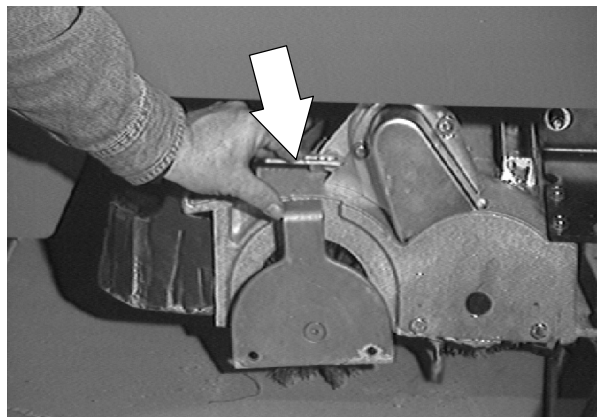
7. Insert the Idler plug (on the inside of the idler door), into the brush.



8. Push down on the door to catch the door in the scrub head, then pull up on the door to latch it into the spring.

9. Repeat for the other brush on the other side of the scrub head.

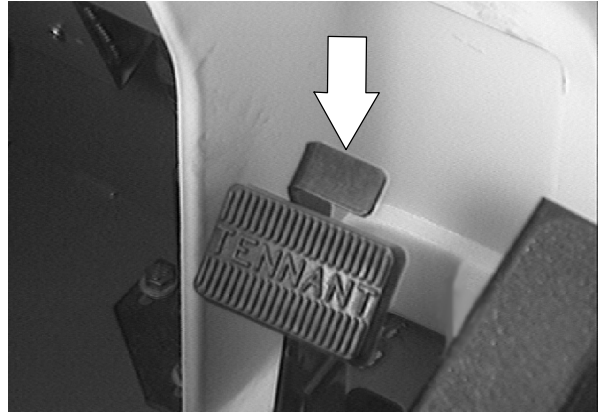
*NOTE: Each side of the scrub head is stamped with a letter. The idler door of that side of the scrub head is stamped with the same letter. Make sure the letter on the door matches the letter on the scrub head when replacing the doors.*



## SCRUBBING

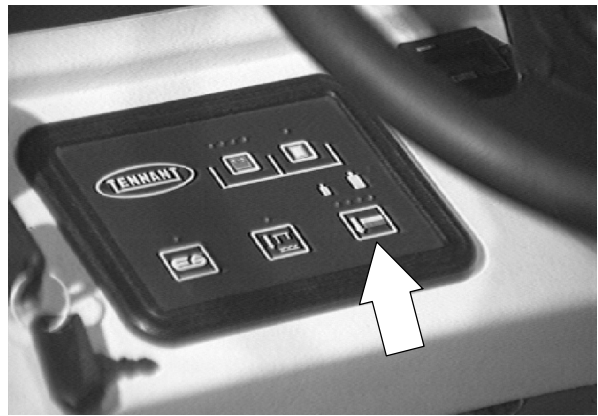
### TO CHECK AND ADJUST CYLINDRICAL BRUSH PATTERN

1. Apply chalk (or another material that will not easily blow away), to a smooth, level section of the floor.
2. Set the parking brake.

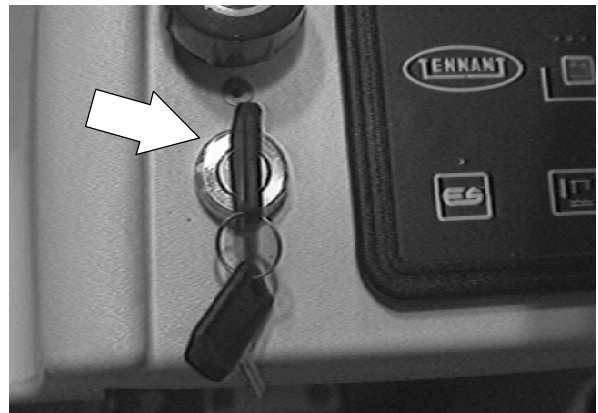


3. Lower the scrub head in the chalked area. Allow the machine to scrub in the same place for 15 to 20 seconds.

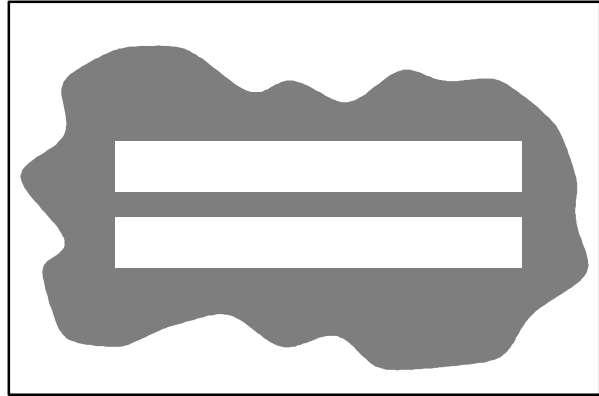
*NOTE: If chalk or other material is not available, allow the brushes to spin on the floor for two minutes. A polish mark will remain on the floor.*



4. Raise the scrub head and move the machine away from the chalked area. Turn the machine power off.

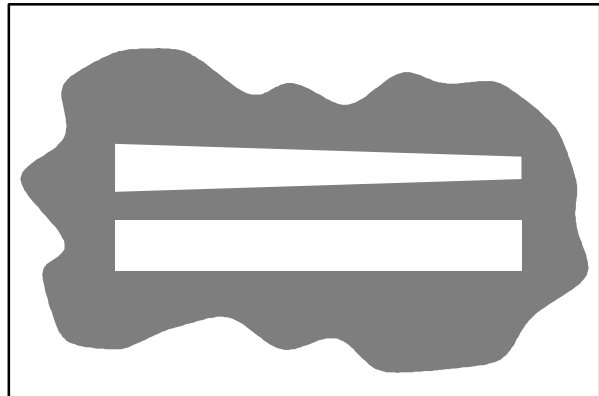


5. Observe the shape of the brush patterns. If the brush patterns have parallel sides, the brushes do not need adjustment.



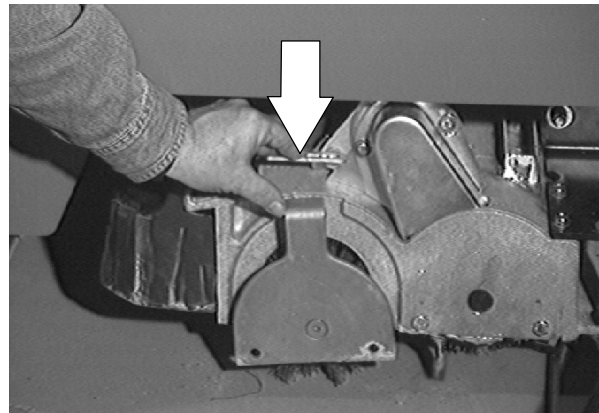
10355

- If one, or both of the brush patterns are tapered, the brushes need adjustment to straighten the brush pattern.

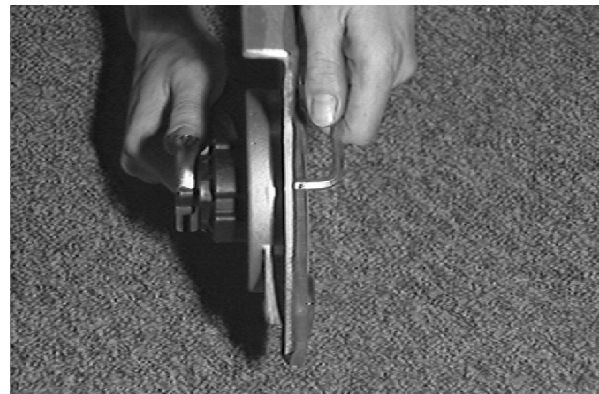


10356

1. To adjust brush taper, push downward on the mounting spring and idler door until the top of the door releases from the scrub head. Pull the bottom of the door outward, then pull the idler door and idler plug off of the brush.

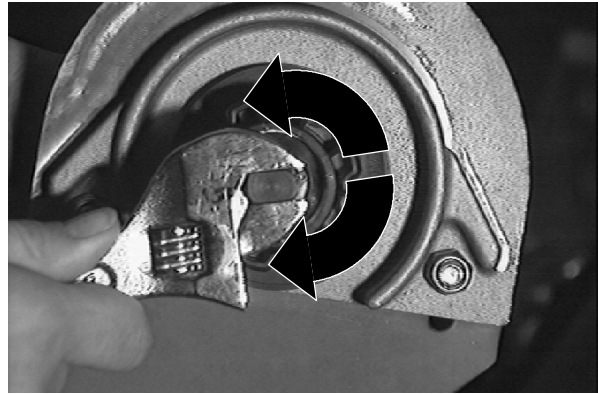


2. While holding the flat end of the idler shaft with a wrench, loosen the mounting screw on the outside of the idler door.

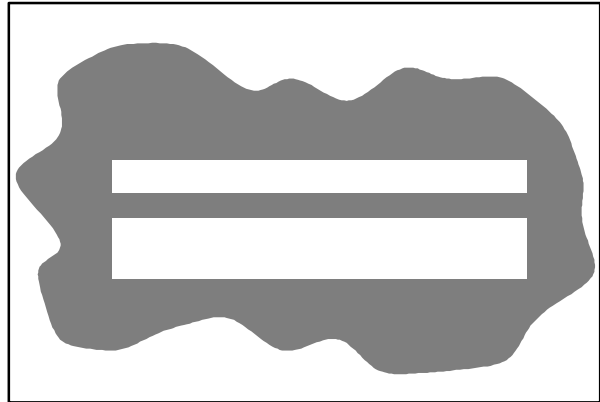


## SCRUBBING

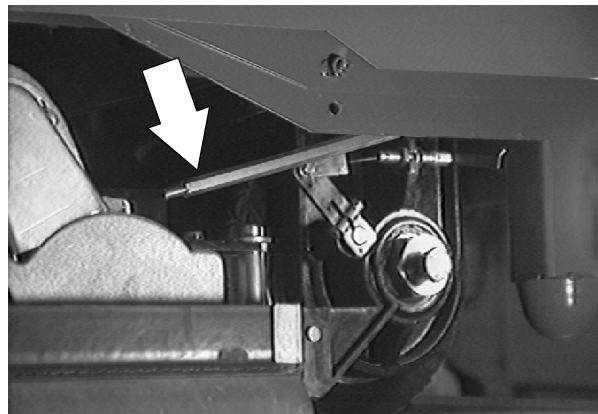
3. Turn the idler shaft to raise or lower the end of the brush as needed to straighten the brush pattern. Tighten the mounting screw.
4. Check the brush patterns again and readjust as necessary until both patterns are the same.



6. If one brush pattern is wider than the other, the scrub head needs to be leveled.



Level the scrub head by turning the scrub head links. Both scrub head links should be adjusted equally.

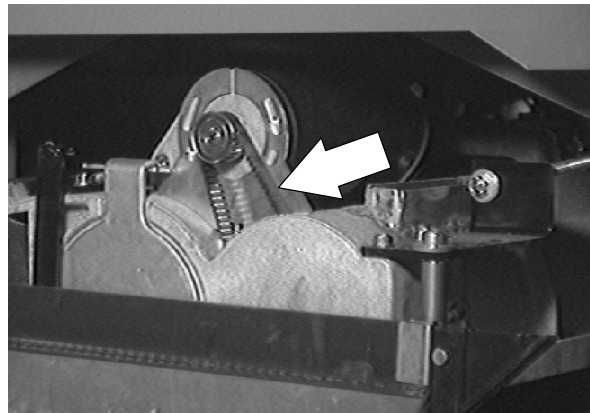


Check the brush patterns again and readjust as necessary until both patterns are the same.

**CYLINDRICAL BRUSH DRIVE BELT**

The two brush drive belts are located on the cylindrical brush scrub head. The belts drive the cylindrical brushes. Proper belt tension is a 3 mm (0.1 in) deflection from a force of 1.1 to 1.2 kg (2.5 to 2.7 lb) at the belt midpoint.

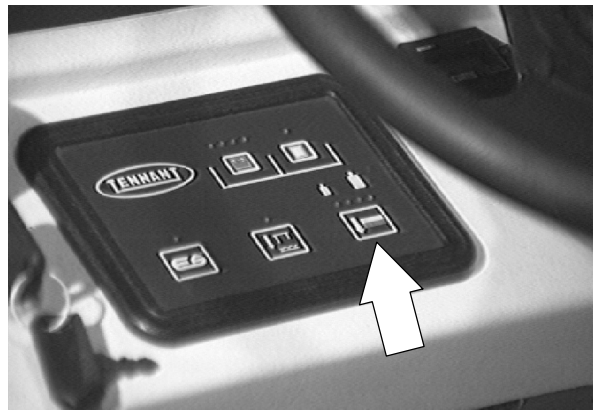
Check and adjust the belt tension every 100 hours of operation.



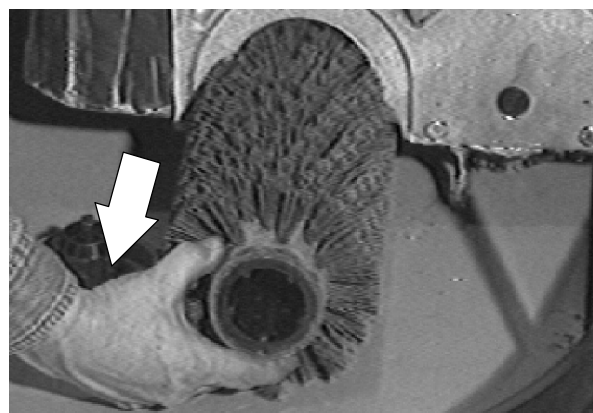
**TO REPLACE BRUSH DRIVE BELT**

1. Start the machine and lower the scrub head near the floor. Shut off the key.

**FOR SAFETY: Before Leaving Or Servicing Machine; Stop On Level Surface, Set Parking Brake.**

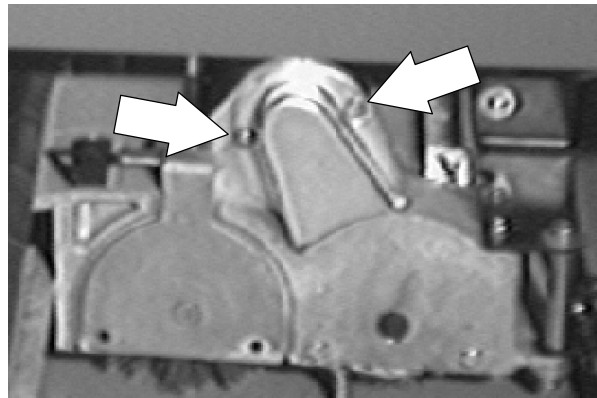


2. Remove the scrub brushes. See TO REPLACE CYLINDRICAL SCRUB BRUSHES instructions.



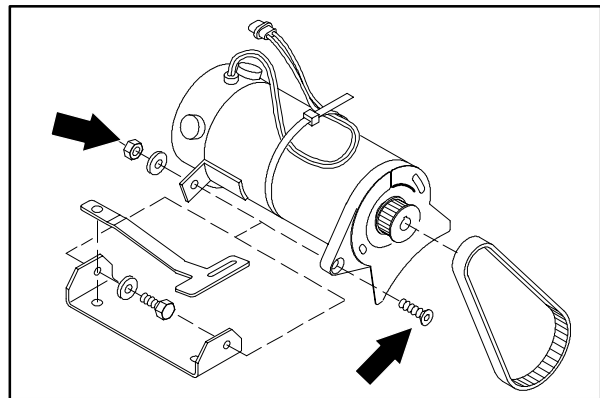
## SCRUBBING

3. Remove the two screws holding the belt cover to the scrub brush motor. Remove the belt cover from the scrub head.

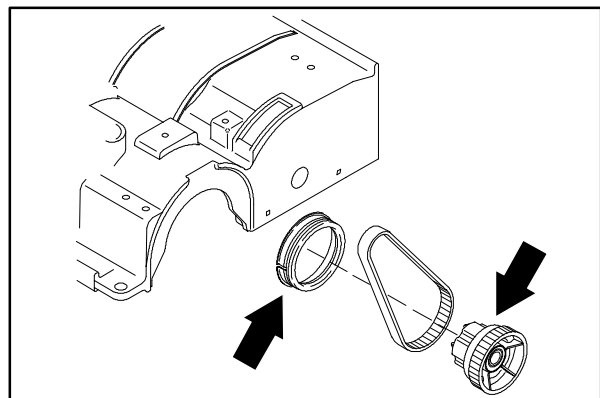


4. Loosen the two pivot bolts on the bottom of the brush motor.
5. Loosen the belt tension bolt under the brush motor. Turn the bolt down far enough to allow the belt to be slipped off the motor pulley. Push the drive belt down toward the lower brush drive plug.

*NOTE: Make sure the scrub head is slightly off the floor before attempting to remove the drive plug rubber seal.*

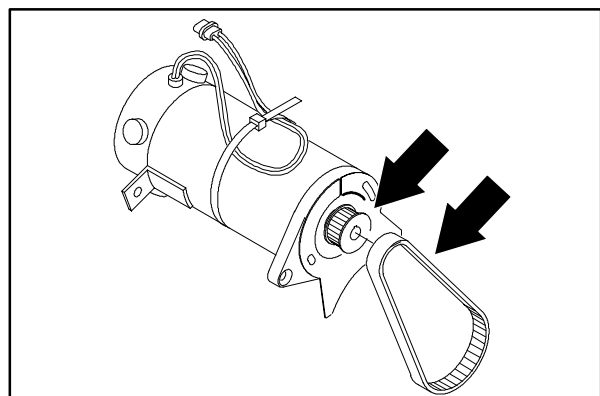


6. Cut the RTV sealant around the rubber seal. Use a needle nose pliers to remove it from the brush drive plug. Note the orientation of the seal. Remove the drive plug.

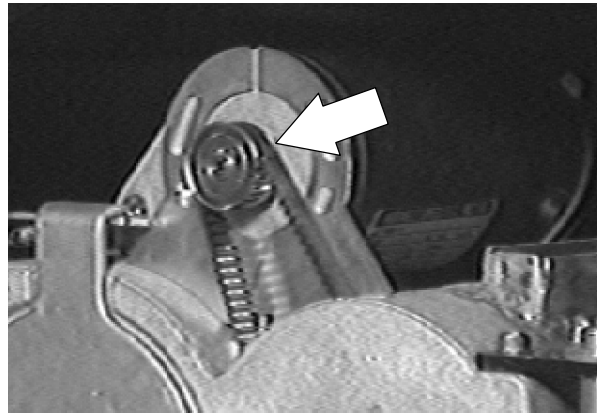


7. Remove the brush drive belt from the machine.

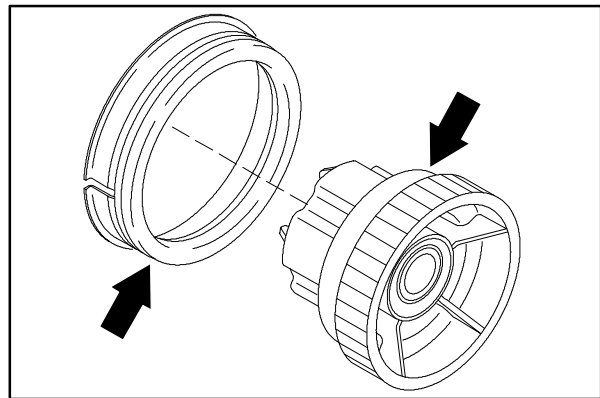
*NOTE: It is a tight fit for the belt in the area of the lower belt cover and bottom drive plug. Carefully work the belt past the lower cover--DO NOT remove the lower cover.*



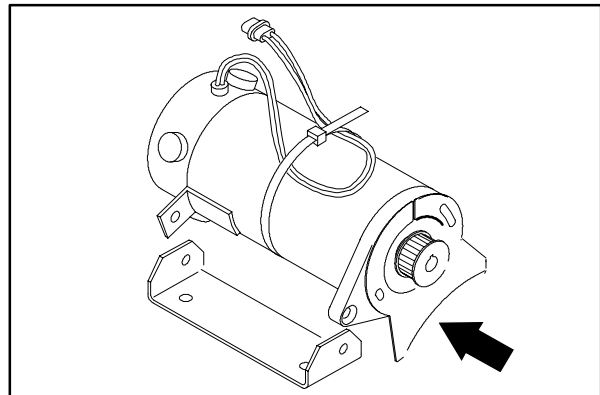
8. Slip the new drive belt into position. Push the rest of the drive belt up toward the motor belt pulley. Slip the drive belt over the motor belt pulley.



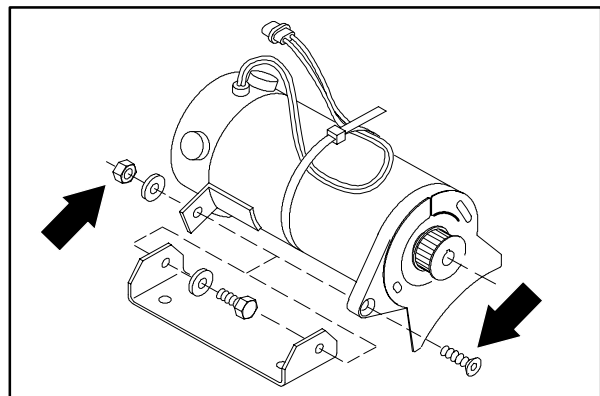
9. Reinstall the brush drive plug. Install the drive belt over the drive plug.
10. Reinstall the rubber seal on the drive plug. Note the orientation of the seal. Use RTV-Blue sealant all around the seal when installing.



11. Use the tension bolt under the drive motor to tighten the drive belt. Apply 2.5 - 2.7 lbs of force to the drive belt in the middle of the span. The belt should deflect 0.10 inch.

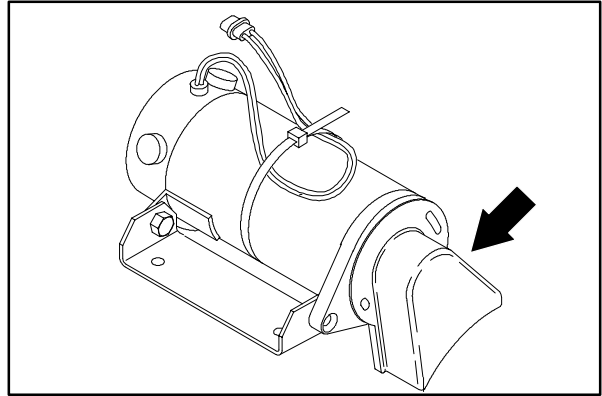


12. Tighten the drive motor pivot bolts to 18 - 24 Nm (15 - 20 ft lb). Re-check the belt tension.

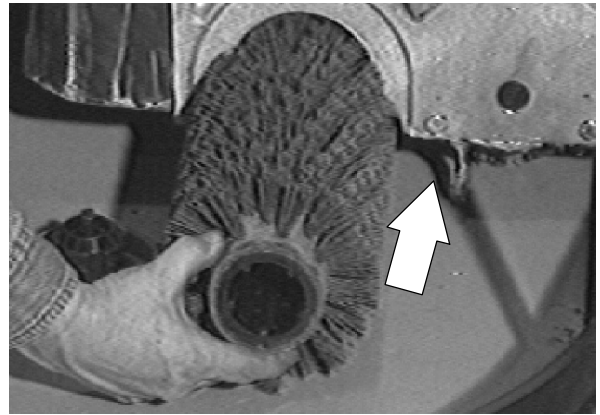


## SCRUBBING

13. Reinstall the belt cover. Tighten the screws to 11 - 14 Nm (7 - 10 ft lb).



14. Reinstall the scrub brushes. See TO REPLACE CYLINDRICAL SCRUB BRUSHES instructions.

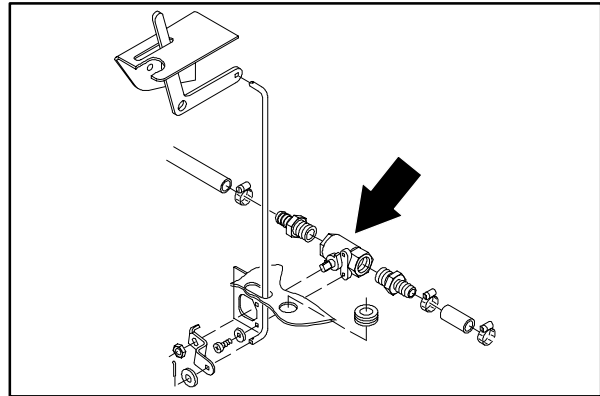


15. Operate the machine and check the scrub brushes for proper operation.



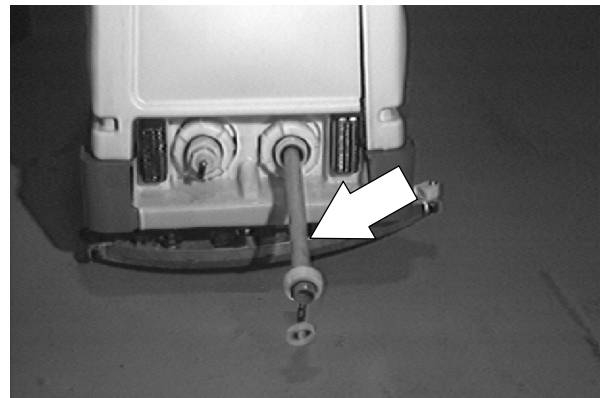
**MANUAL SOLUTION VALVE**

The manual solution valve is located under the floor plate on the left side of the machine. This valve controls the amount of water being sent to the scrub brushes. The control lever is located in the operators compartment, next to the operators left leg.



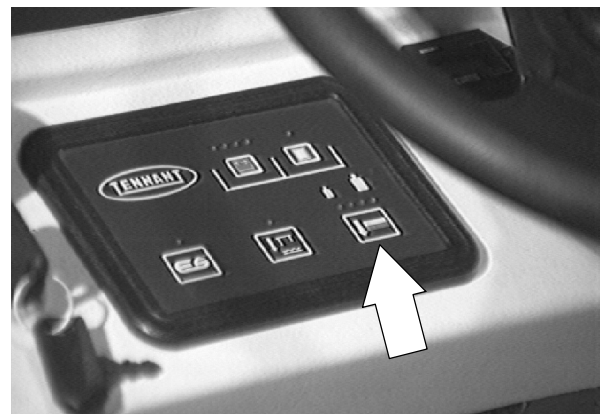
**TO REPLACE SOLUTION VALVE**

1. Drain the solution tank.



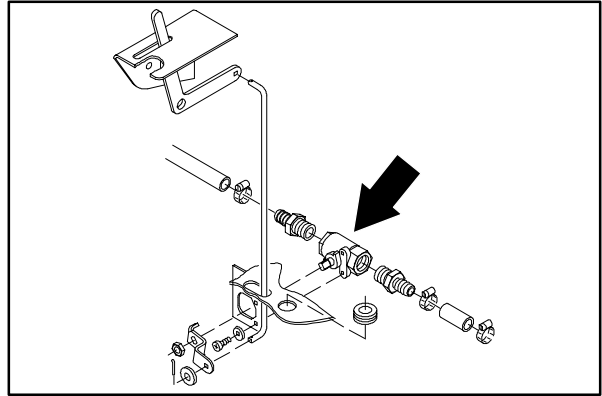
2. Lower the scrub head to the floor.

**FOR SAFETY: Before Leaving Or Servicing Machine; Stop On Level Surface, Set Parking Brake.**

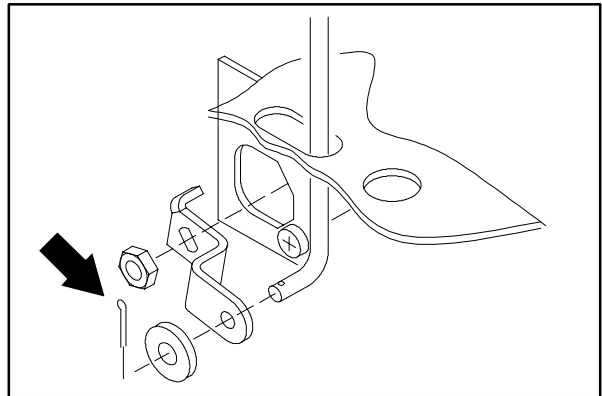


## SCRUBBING

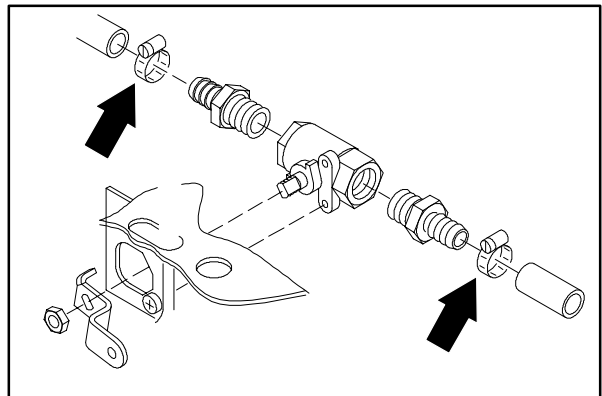
3. Go under the machine on the left side.
4. Locate the manual solution valve above the scrub head.



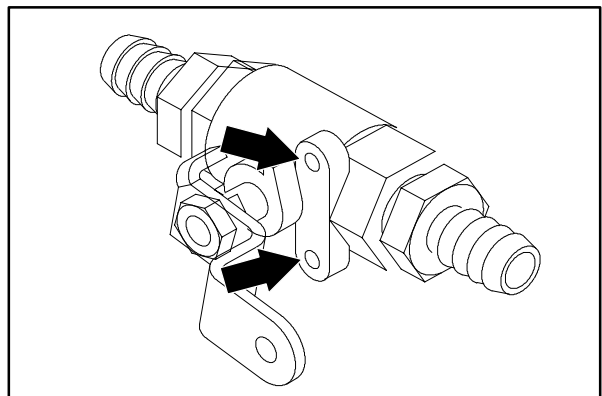
5. Remove the cotter pin from the control lever rod where it attaches to the valve. Pop the rod out of the mount hole.



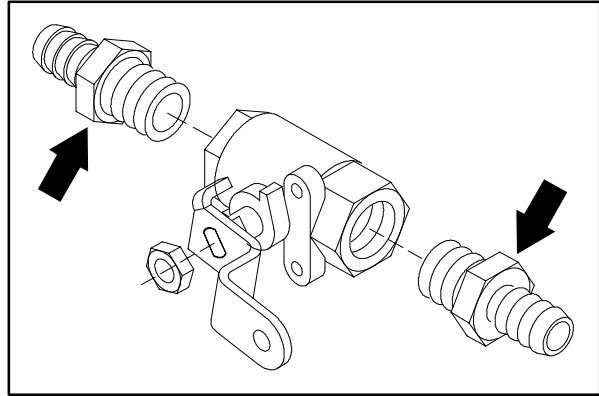
6. Loosen the worm drive clamps holding the two solution hoses to the valve fittings. Pull the hoses off the fittings.



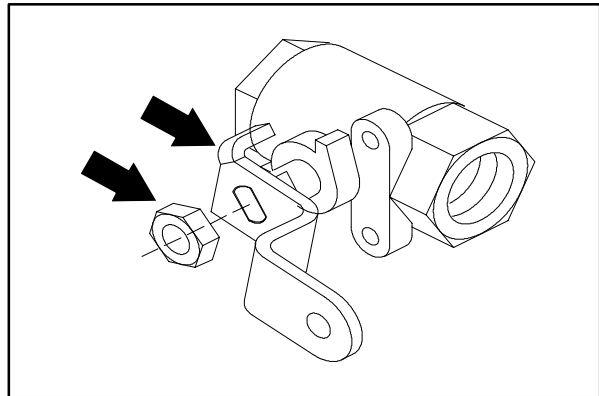
7. Remove the two screws holding the valve to the machine frame. Remove the manual valve from the machine.



8. Remove the fittings from the old valve and install in the new valve in the same orientation.



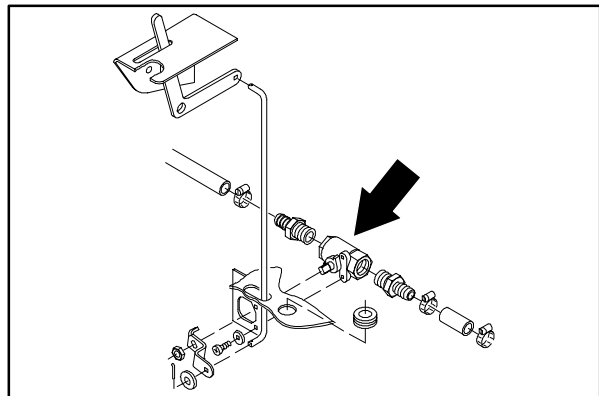
9. Remove the lever from the old valve and install it on the new valve in the same orientation.



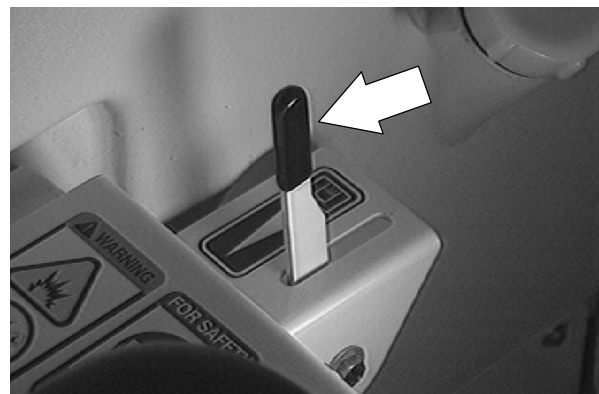
10. Install the new valve on the machine. Hand tighten the screws.

11. Reconnect the two solution hoses. Hand tighten the worm drive clamps.

12. Place the control lever rod in the mount hole and install the cotter pin.



13. Operator the machine and check the water valve for proper operation.



# SCRUBBING

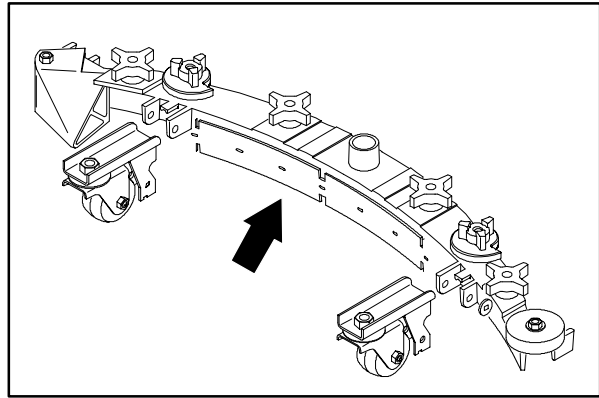
## SQUEEGEES

The rear squeegee assembly channels water into the vacuum fan suction. The front blade channels the water, and the rear blade wipes the floor.

Check the squeegee blades for damage and wear daily. Rotate or replace either of the squeegee blades if the leading edge is torn or worn half-way through the thickness of the blade.

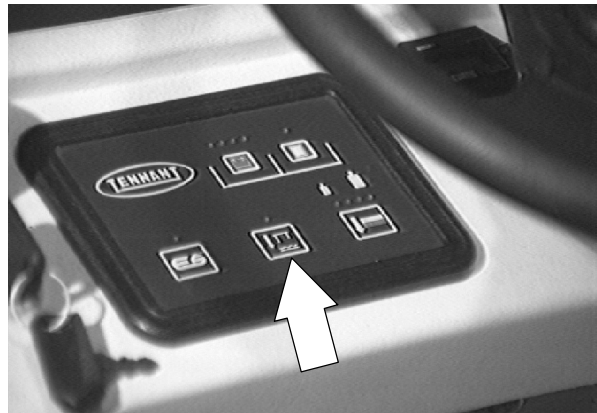
The squeegee can be adjusted for leveling and deflection. The deflection and leveling of the squeegee blades should be checked daily, or when scrubbing a different type of floor.

The squeegee assembly can be removed from the squeegee pivot to prevent damage during transport of the machine.



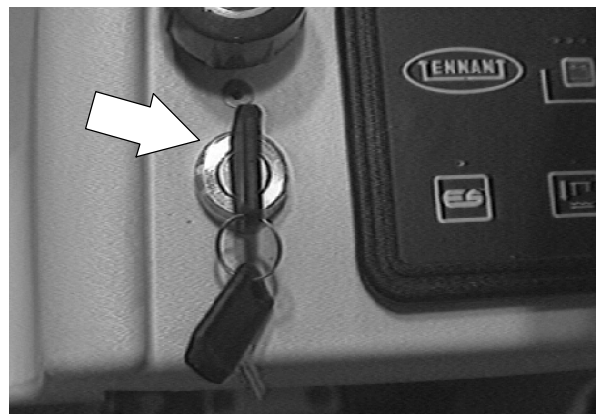
### TO REMOVE REAR SQUEEGEE ASSEMBLY

1. Lower the squeegee to approximately 25 mm (1 in.) from the floor.

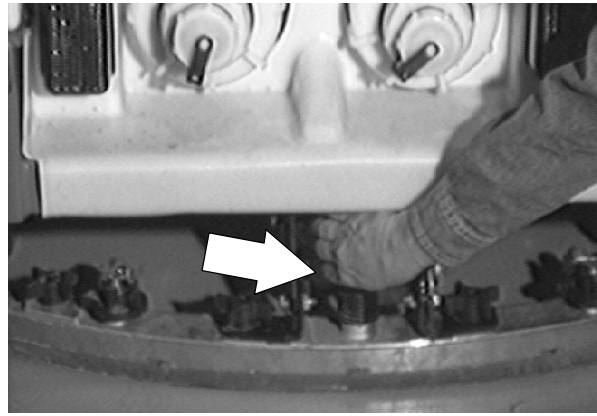


2. Turn the machine power off and set the parking brake.

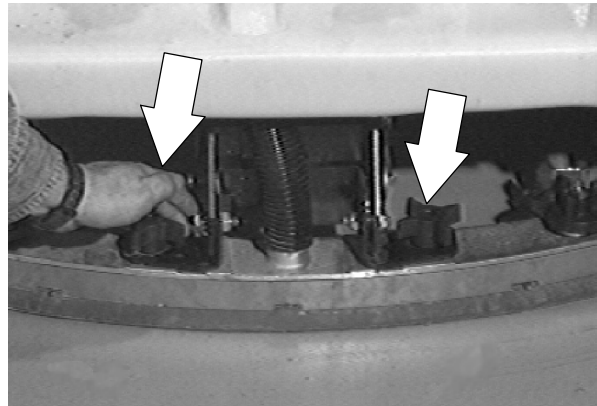
**FOR SAFETY: Before Leaving Or Servicing Machine; Stop On Level Surface, Set Parking Brake.**



3. Remove the squeegee suction hose from the squeegee.



4. Remove both squeegee mounting knobs.



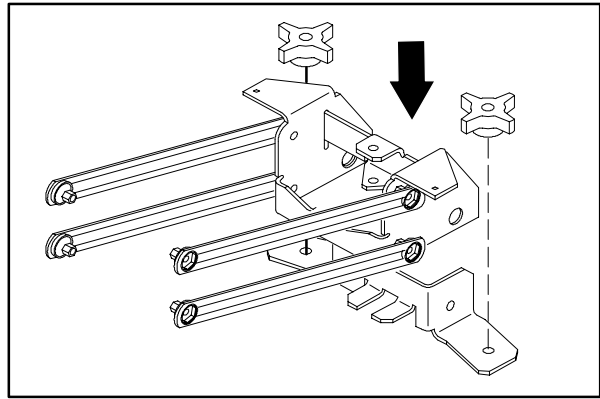
5. Pull the squeegee off the machine.

## SCRUBBING

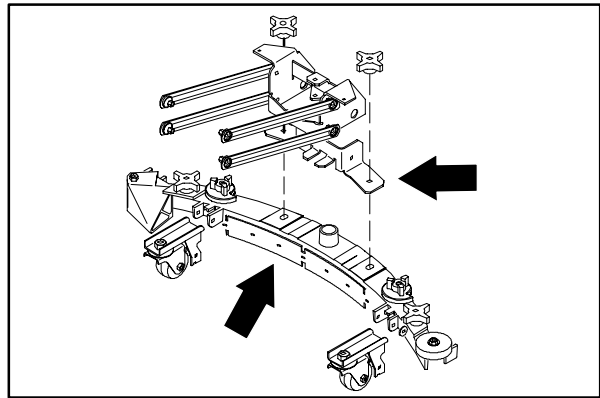
### TO INSTALL REAR SQUEEGEE ASSEMBLY

1. Make sure the squeegee pivot is lowered.

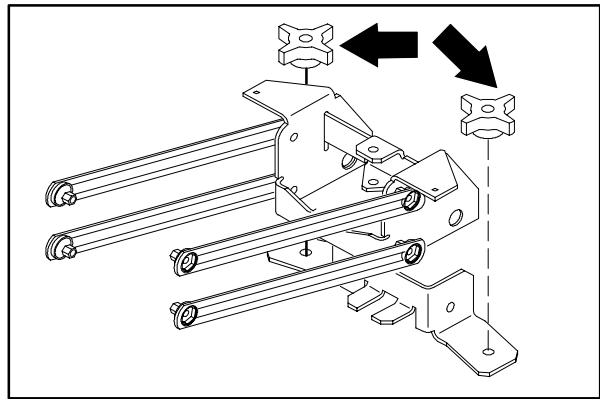
**FOR SAFETY: Before Leaving Or Servicing Machine; Stop On Level Surface, Set Parking Brake.**



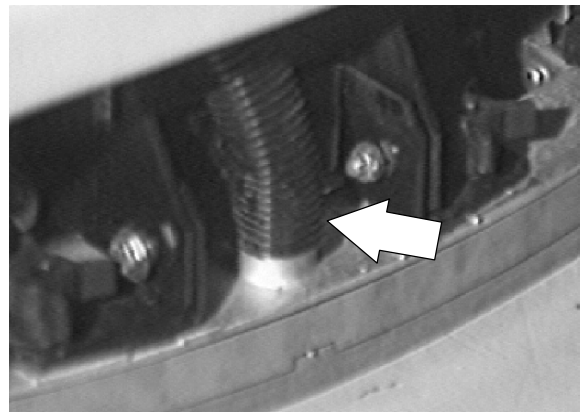
2. Place the squeegee under the squeegee pivot.
3. Push the squeegee frame onto the squeegee pivot.



4. Tighten the mounting knobs.

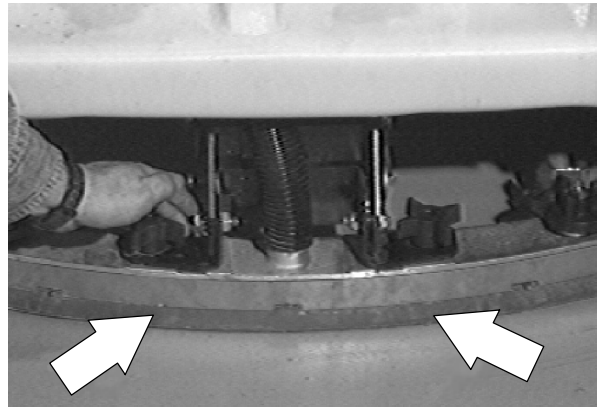


5. Push the squeegee suction hose onto the squeegee fitting.

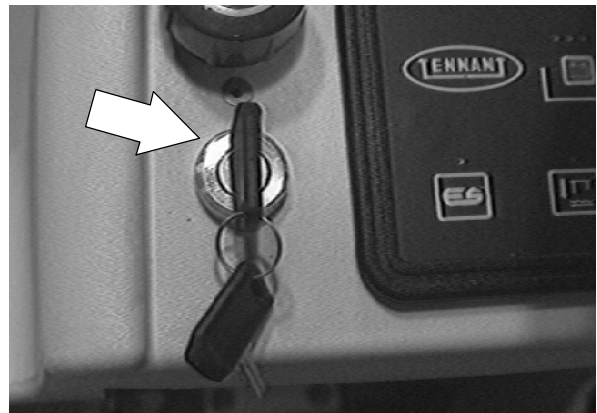


## TO LEVEL REAR SQUEEGEE

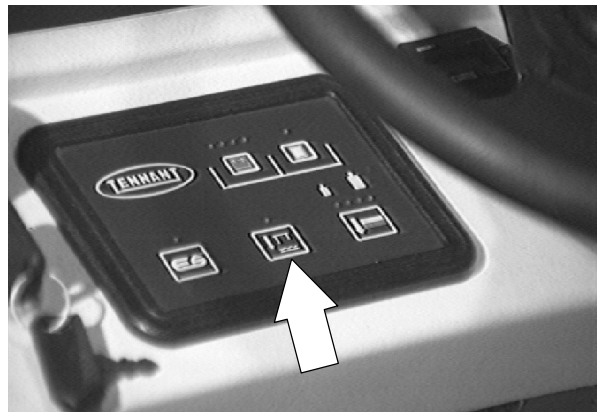
Leveling of the squeegee assures even contact for the length of the squeegee blade with the surface being scrubbed. Make sure this adjustment is done on an even, level floor.



1. Turn the machine power on.

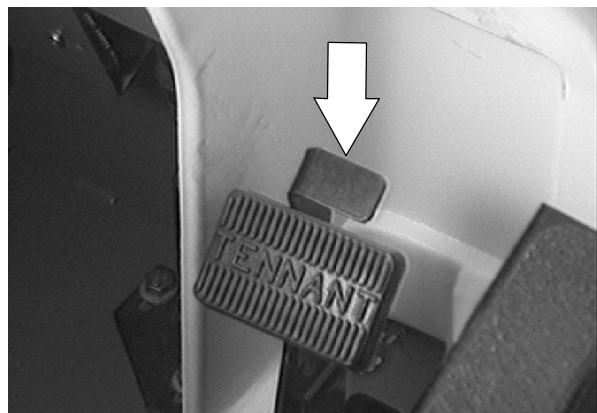


2. Lower the squeegee.



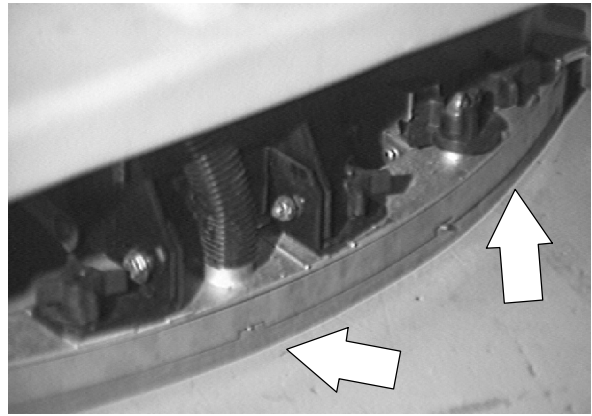
3. Drive the machine forward a few feet, then set the parking brake.

**FOR SAFETY: Before Leaving Or Servicing Machine; Stop On Level Surface, Set Parking Brake.**



## SCRUBBING

4. Look at the deflection of the squeegee over the full length of the squeegee blade.

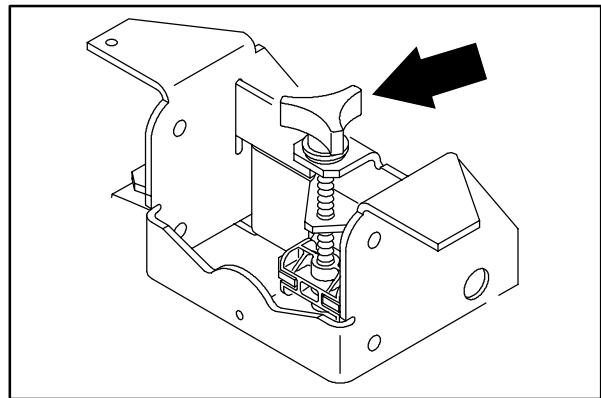


5. If the deflection is not the same over the full length of the blade, turn the squeegee leveling knob to make adjustments.

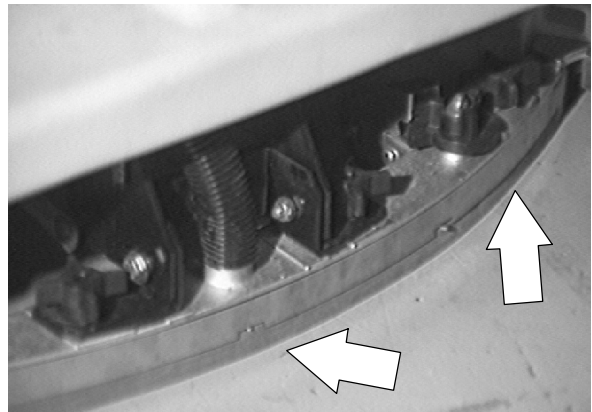
The squeegee leveling knob is located directly behind the squeegee suction hose. **DO NOT** disconnect the suction hose from the squeegee frame when leveling squeegee.

-Turn the squeegee leveling knob **counter-clockwise to increase** the deflection at the ends of the squeegee.

-Turn the squeegee leveling knob **clockwise to decrease the deflection** at the ends of the squeegee blade.



6. Drive the machine forward with the squeegee down to check the squeegee blade deflection.



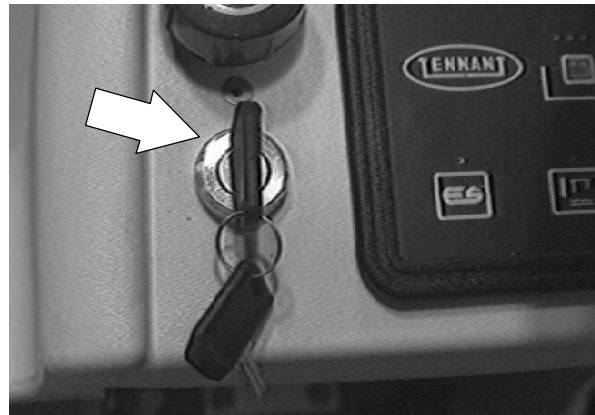
7. Readjust the squeegee blade deflection if necessary.



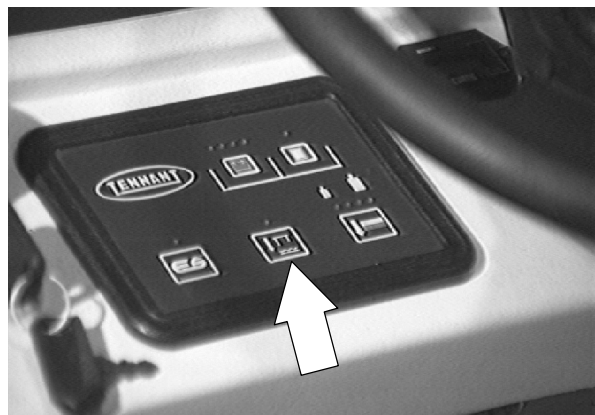
**TO ADJUST REAR SQUEEGEE BLADE DEFLECTION**

Deflection is the amount of curl the squeegee blade has when the machine moves forward while the squeegee lowered to the floor. The best deflection is when the squeegee wipes the floor just dry with a minimum amount of deflection.

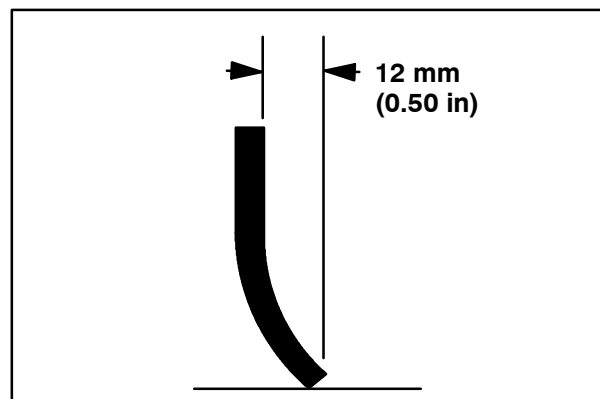
1. Turn the machine power on.



2. Lower the squeegee.



3. Drive the machine forward, and look at the deflection of the squeegee blade. The correct amount of deflection is 12 mm (0.50 in) for scrubbing smooth floors and 15 mm (0.62 in) for rough floors.



03719

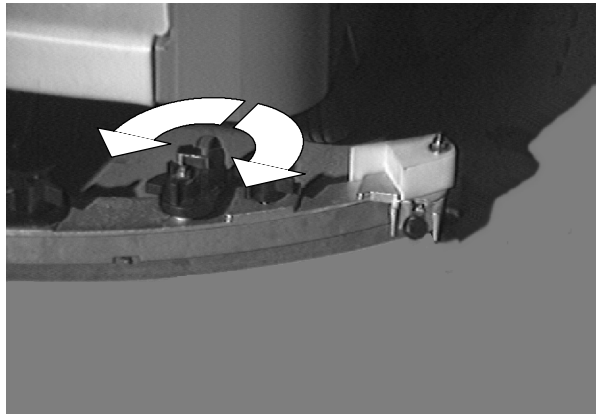
## SCRUBBING

4. Turn the machine power off.

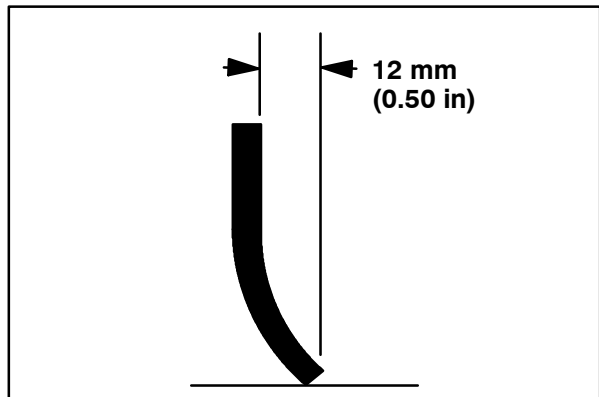


5. To adjust the amount of deflection, turn the squeegee deflection cams clockwise to decrease the blade deflection.

*NOTE: Turn the squeegee deflection cams counter-clockwise to increase blade deflection.*



6. Drive the machine forward again to check the squeegee blade deflection.

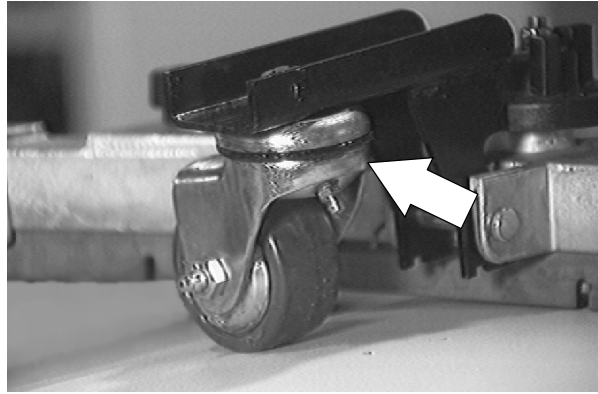


7. Readjust the squeegee blade deflection if necessary.

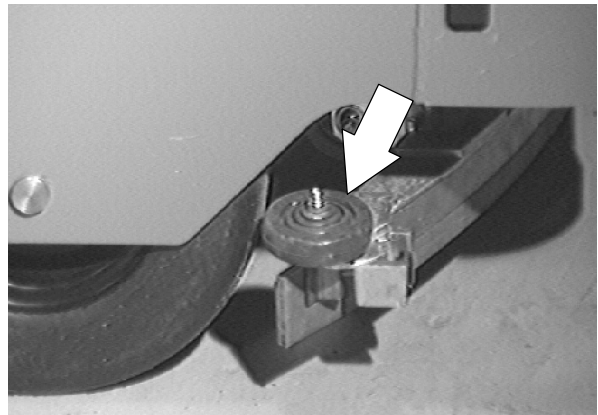
03719

**REAR SQUEEGEE CASTERS**

The rear squeegee casters each have two grease fittings. Lubricate the pivot point and caster bearing on each squeegee caster with Lubriplate EMB grease (TENNANT part no. 01433-1) every 50 hours.

**TO ADJUST REAR SQUEEGEE GUIDE ROLLER**

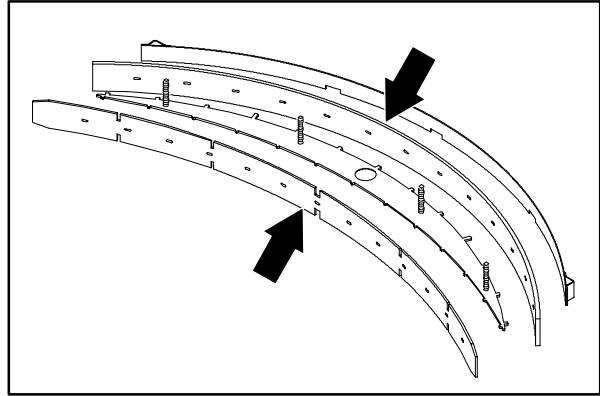
On the left end of the squeegee is a guide roller that guides the squeegee blade end along a wall. Loosen the nut at the top of the guide roller and move the roller in or out to adjust how close the end of the squeegee blade is to the wall. The squeegee blade end should be further away from the wall when the floor curves up into the wall.



## REAR SQUEEGEE BLADES

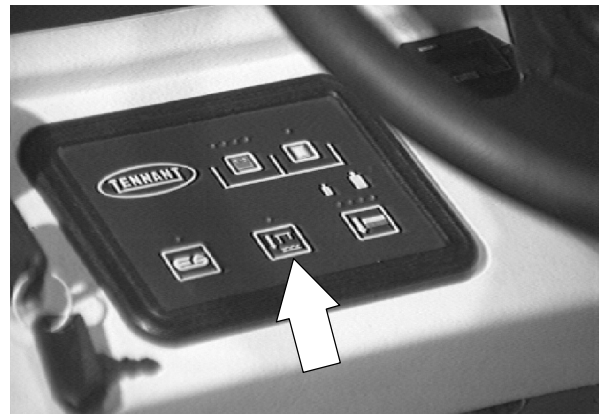
The rear squeegee has two squeegee blades, the front and rear. Each blade has four wiping edges. To use them all, start with one wiping edge. To use the next wiping edge, rotate the blade end-for-end. To use the next wiping edge, rotate the top edges down, bottom edges up. To use the last edge, rotate the blade end-for-end. Rotate squeegee blades when they become worn half-way through the thickness of the blade.

Replace damaged squeegee blades.



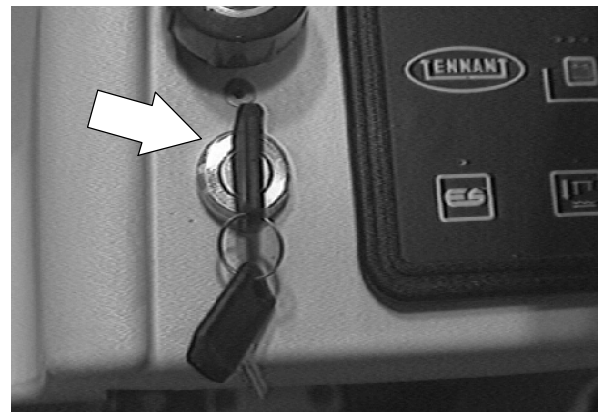
## TO REPLACE OR ROTATE REAR SQUEEGEE (REAR) BLADE

1. Make sure the squeegee is raised off the floor.

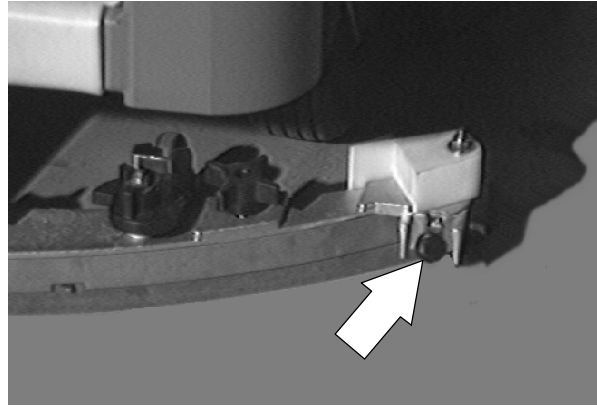


2. Turn the machine power off and set the parking brake.

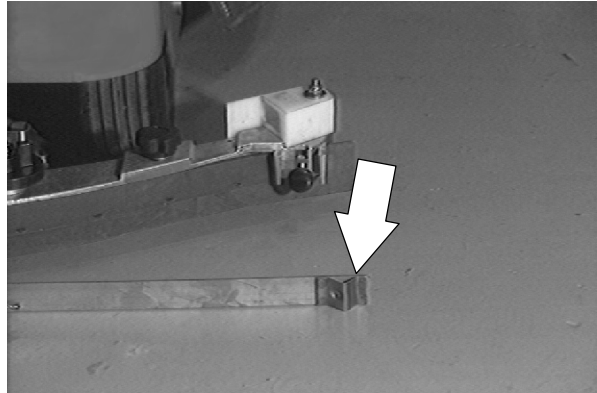
**FOR SAFETY: Before Leaving Or Servicing Machine; Stop On Level Surface, Set Parking Brake.**



3. Loosen the two retainer knobs, one at each end of the squeegee.

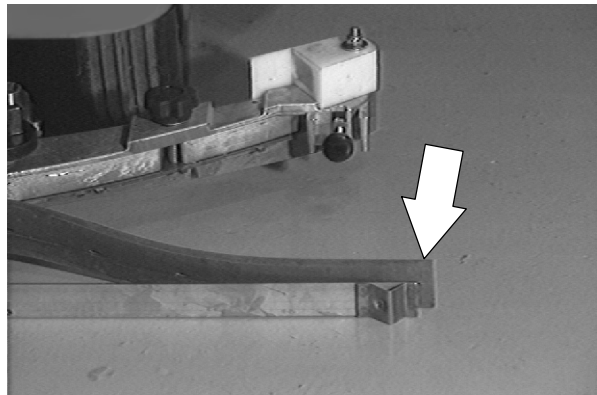


4. Pull off the rear retaining band.

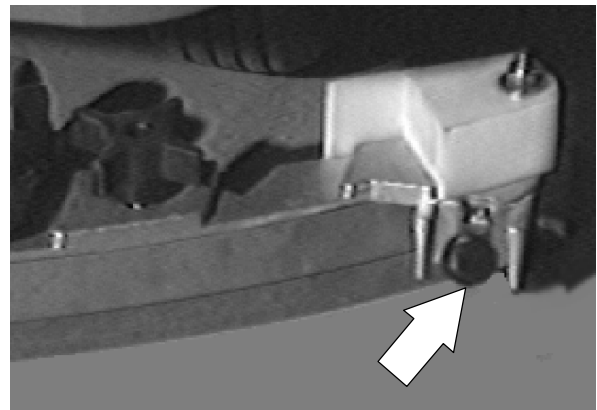


5. Pull off the rear squeegee blade.

6. Insert the rotated or new squeegee blade and then insert the retainer band.



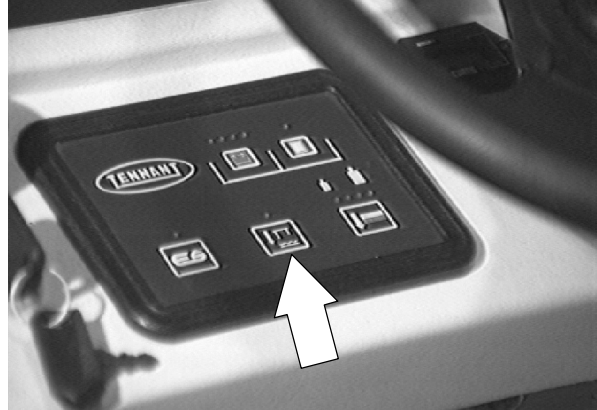
7. Tighten the two retainer knobs until the ends of the front and rear squeegee blades touch. Do not over-tighten.



## SCRUBBING

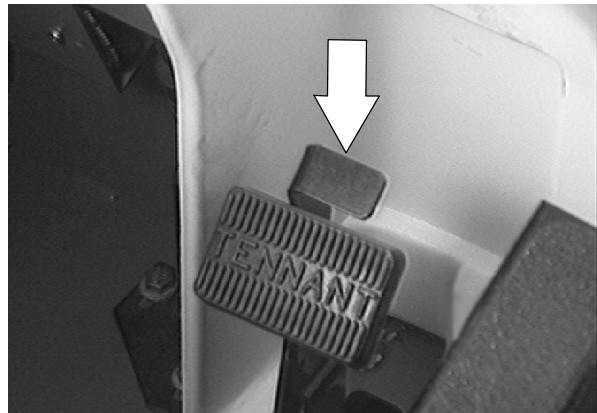
### TO REPLACE OR ROTATE REAR SQUEEGEE (FRONT) BLADE

1. Make sure the squeegee is raised off the floor.

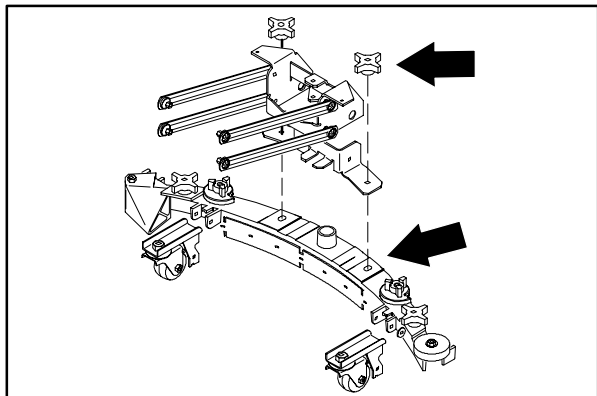


2. Turn the machine power off and set the parking brake if your machine has this option.

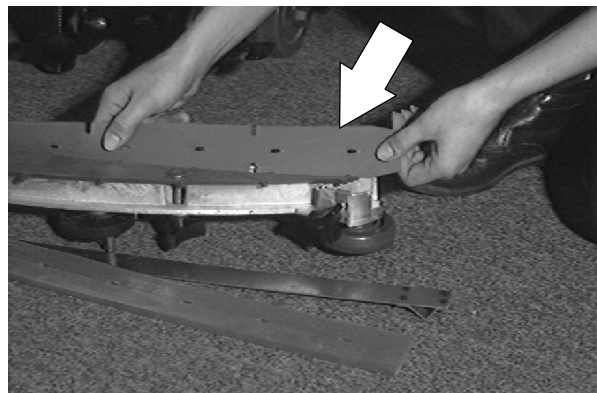
**FOR SAFETY: Before Leaving Or Servicing Machine; Stop On Level Surface, Set Parking Brake.**



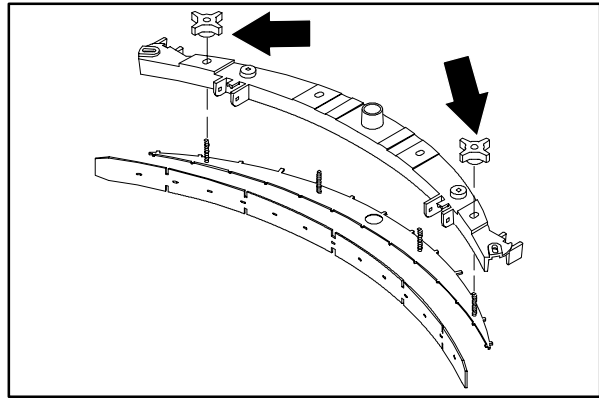
3. Remove the squeegee from the machine. See TO REMOVE SQUEEGEE ASSEMBLY instructions.



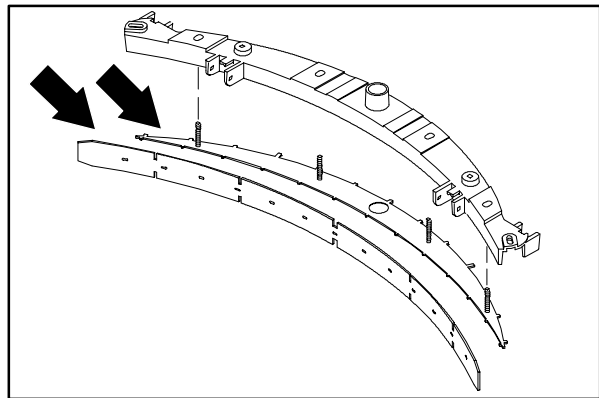
4. Remove the rear squeegee blade and retainer. See TO REPLACE OR ROTATE REAR SQUEEGEE (REAR) BLADE.



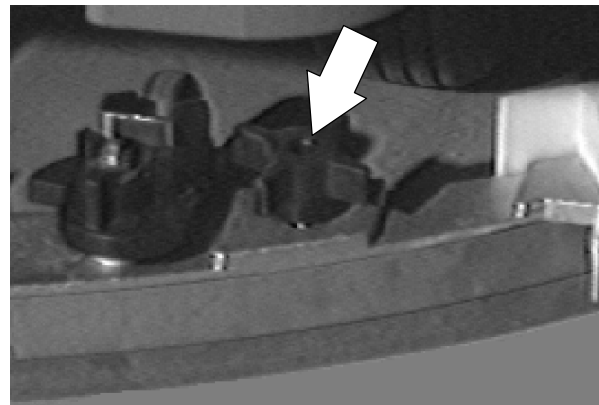
5. Loosen the two remaining knobs on top of the squeegee assembly.



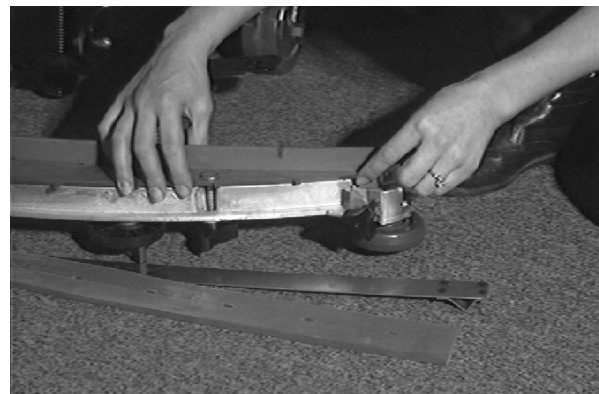
6. Pull the retainer plate back and pull out the front squeegee blade of the squeegee frame.
7. Insert the rotated or new squeegee blade in the squeegee frame, lining up the slots in the blade with the tabs on the retainer plate.



8. Push the retainer plate forward. Tighten the two outside knobs on top of the squeegee assembly.

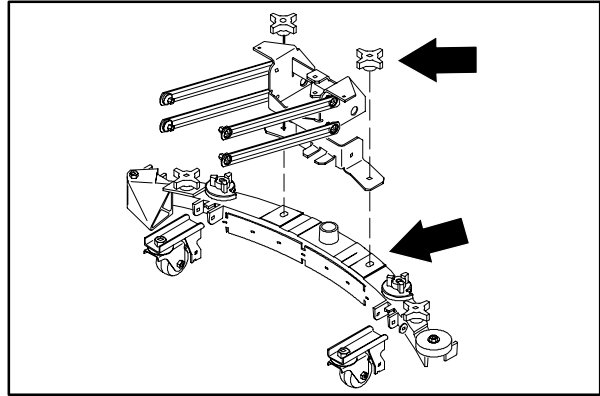


9. Insert the rear squeegee blade and retainer. Tighten the two rear blade retainer knobs until the ends of the front and rear squeegee blades touch. Do not over-tighten.

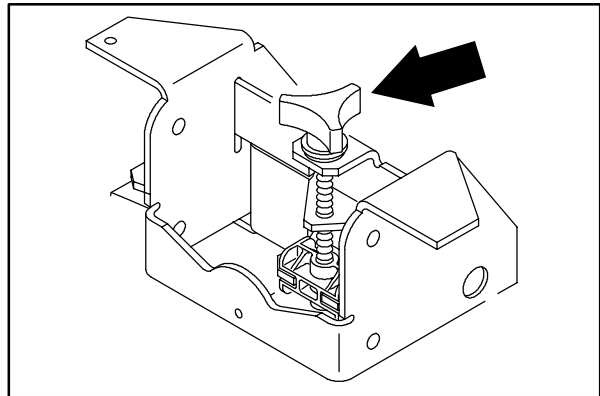


## SCRUBBING

10. Install the squeegee assembly on the squeegee pivot. See TO INSTALL SQUEEGEE ASSEMBLY instructions.



11. Adjust the squeegee blade leveling and deflection as stated in TO LEVEL SQUEEGEE and ADJUST SQUEEGEE BLADE DEFLECTION instructions.



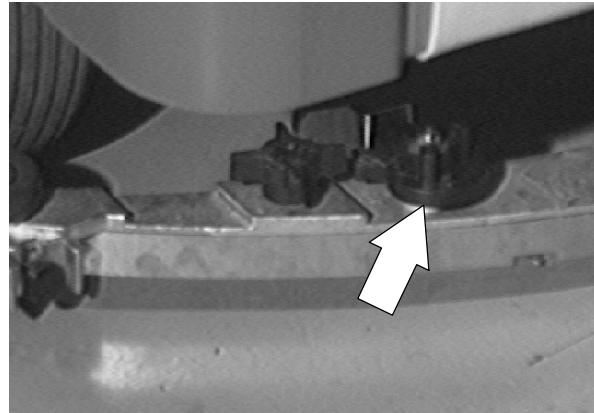


**REAR SQUEEGEE WHEEL CAMS**

The squeegee wheel cams adjust the squeegee deflection along the entire length of the squeegee. There is a wheel cam at either end of the squeegee.

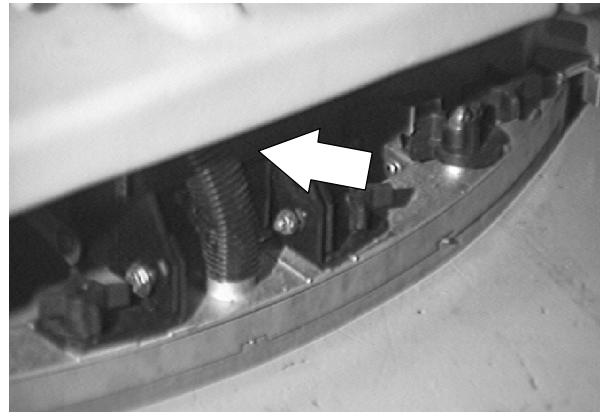
**Increase deflection:** Turn the cams counter-clockwise.

**Decrease deflection:** Turn the cams clockwise.



**REAR SQUEEGEE LEVELING KNOB**

The squeegee leveling knob adjusts the deflection at the ends of the squeegee.

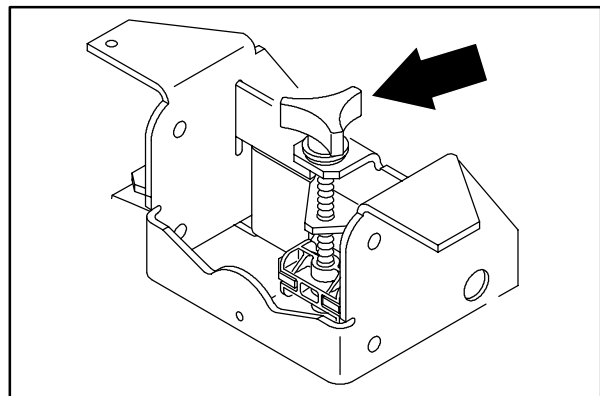


The squeegee leveling knob is located directly behind the squeegee suction hose.

**NOTE: DO NOT** disconnect the suction hose from the squeegee frame when leveling squeegee.

**Increase end deflection:** Turn the squeegee leveling knob counter-clockwise to increase the deflection at the end of the squeegees.

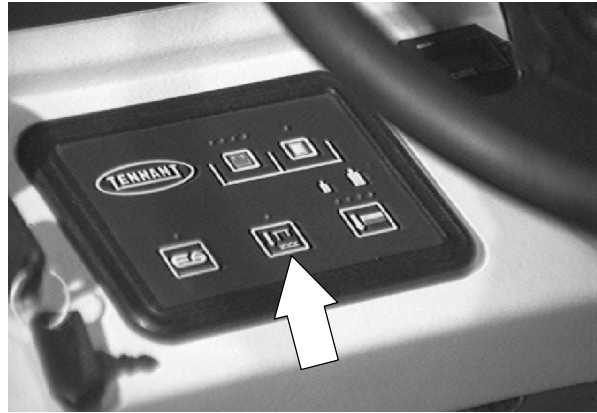
**Decrease end deflection:** Turn the squeegee leveling knob clockwise to decrease the deflection at the end of the squeegees.



## SCRUBBING

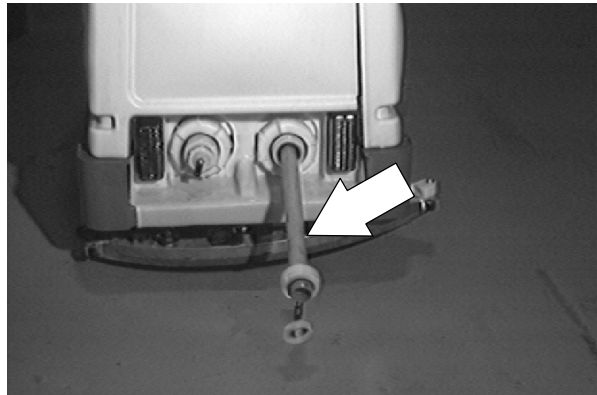
### TO REPLACE REAR SQUEEGEE LIFT CABLE

1. Lower the squeegee to the floor.

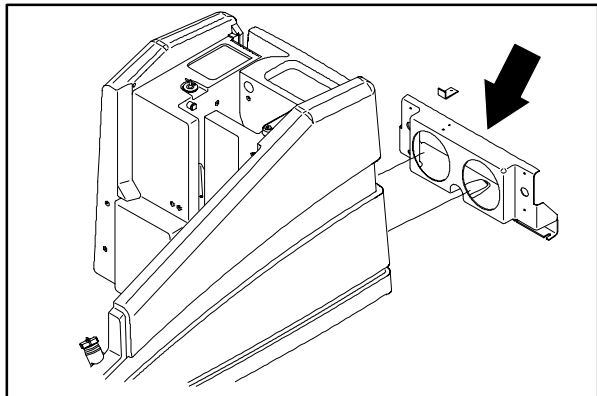


2. Make sure the solution tank is drained and the tank clean out caps removed.

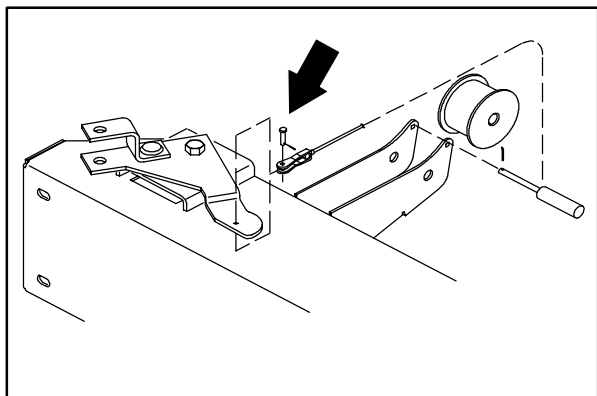
**FOR SAFETY: Before Leaving Or Servicing Machine; Stop On Level Surface, Set Parking Brake.**



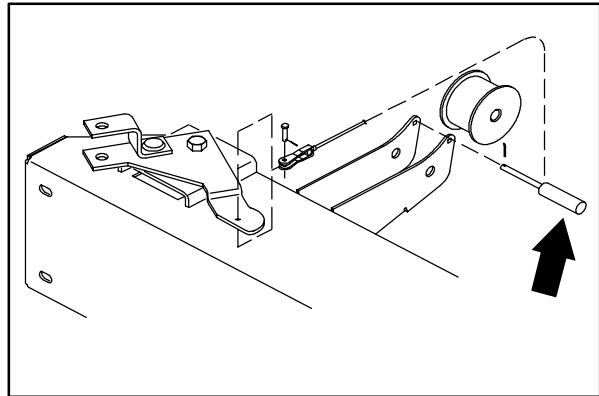
3. Remove the four hex screws holding the plastic, rear drain splash tray. Let it drop down for access to the rear squeegee lift cable.



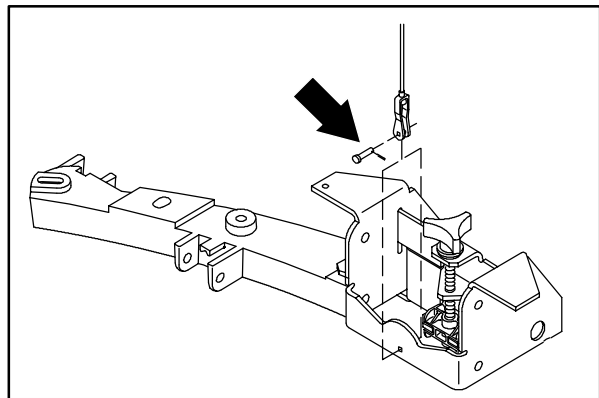
4. Locate the rear squeegee lift cable. Remove the cotter pin and clevis pin from the end of the lift cable where it attaches to the lift pivot bracket.



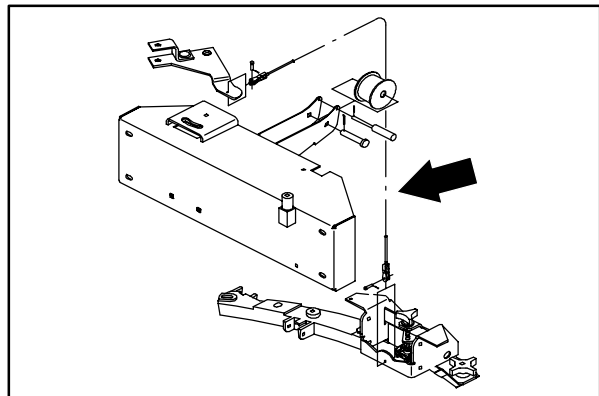
- Remove the cotter pin and long clevis pin from just behind the lift cable drum.



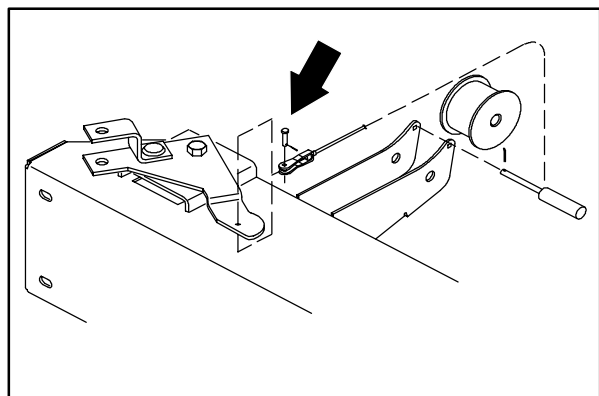
- Remove the cotter pin and clevis pin from the end of the lift cable where it attaches to the squeegee frame. Remove the cable from the machine.



- Position the new cable in the machine. Start by attaching one end of the cable to the squeegee frame. Reinstall the clevis pin and cotter pin.

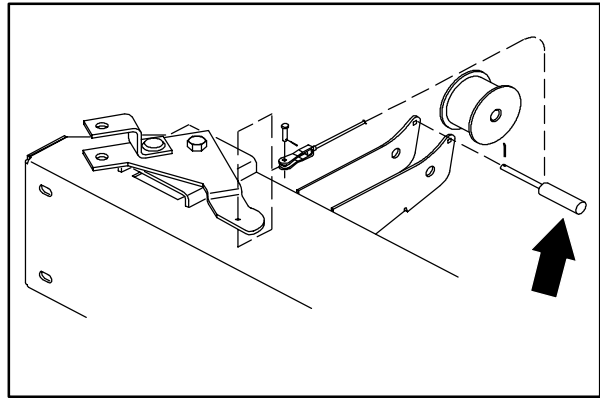


- Attach the other end of the new lift cable to the lift pivot bracket. Reinstall the clevis pin and cotter pin.

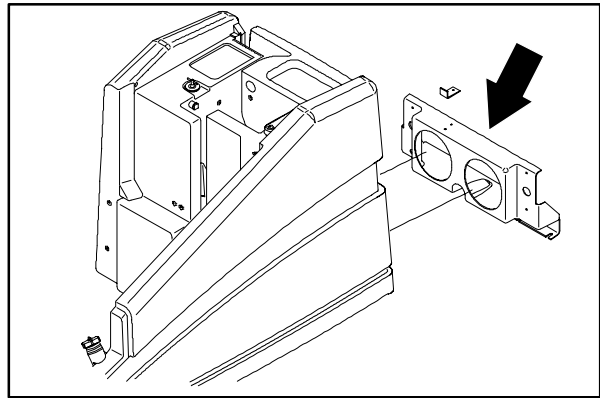


## SCRUBBING

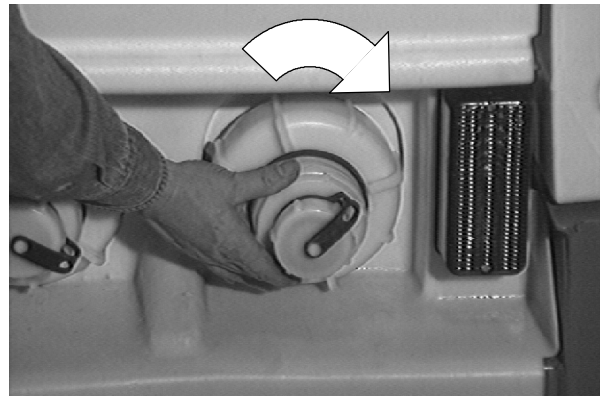
9. Reinstall the long clevis pin and cotter pin in the mount hole just behind the lift cable drum.



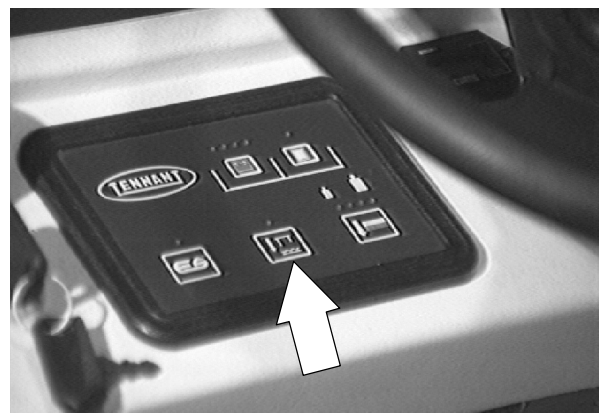
10. Reinstall the plastic, rear drain splash tray. Hand tighten the mounting hardware.



11. Reinstall the tank caps.



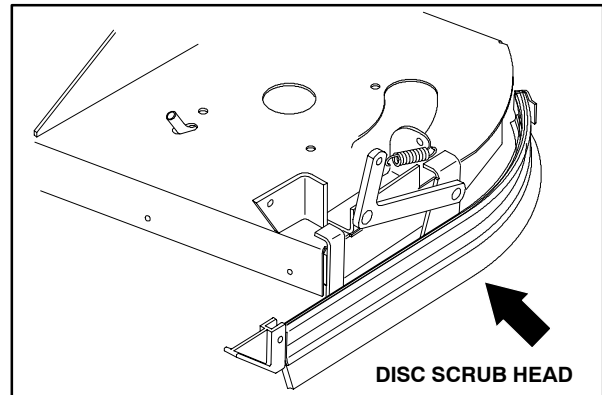
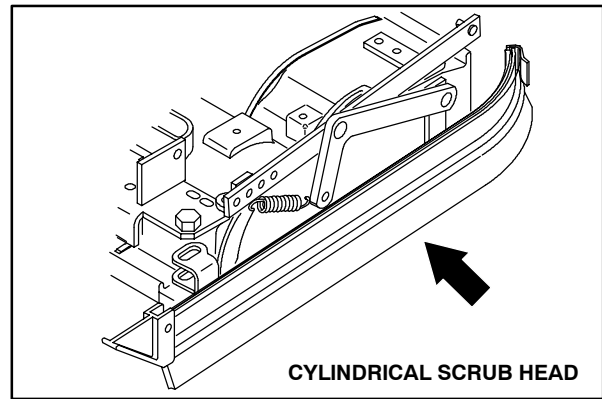
12. Start the machine and raise the rear squeegee. Check the new cable for proper operation.



**SIDE SQUEEGEE BLADES**

The side squeegees control water spray and channel water into the path of the rear squeegee. Check the side squeegees for damage and wear daily.

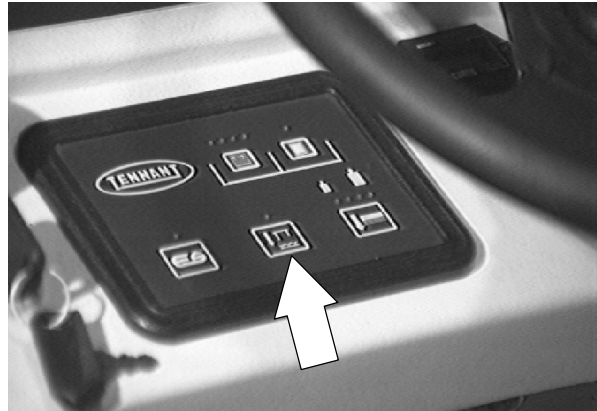
Replace the side squeegee blades if they become damaged or lose their shape. Replace the squeegee deflectors if they become worn.



## SCRUBBING

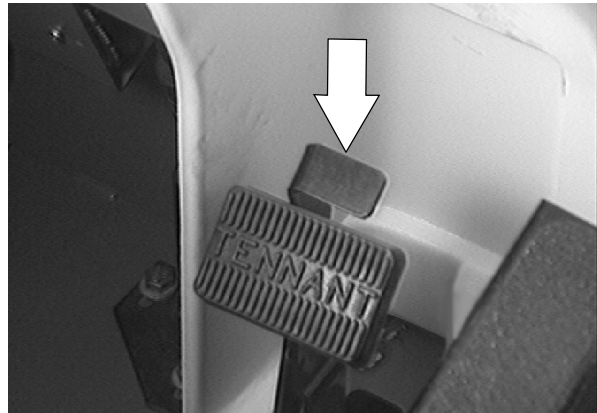
### TO REPLACE SIDE SQUEEGEE BLADES

1. Raise the scrub head.

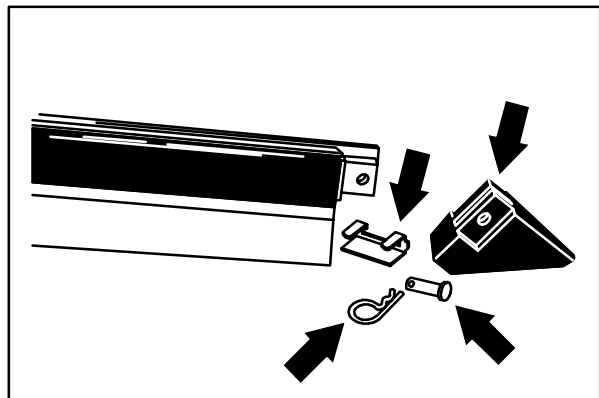


2. Turn the machine power off and set the parking brake.

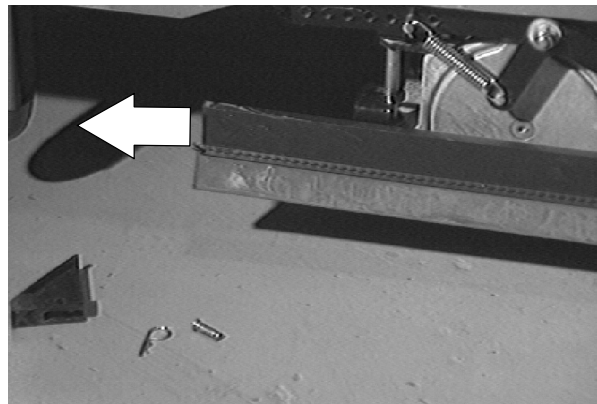
**FOR SAFETY: Before Leaving Or Servicing Machine; Stop On Level Surface, Set Parking Brake.**



3. Remove the cotter pin, clevis pin, deflector and the retainer bracket from the side squeegee.

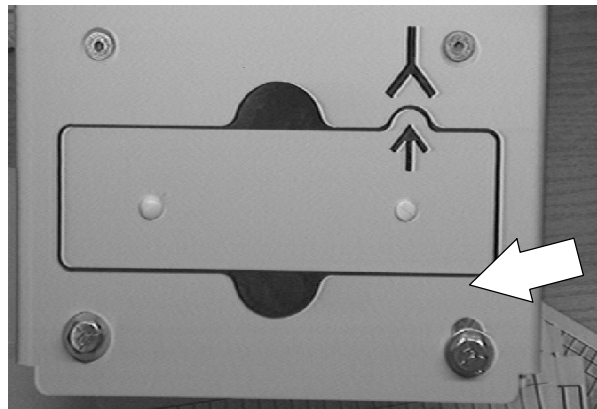


4. Pull the squeegee out of the squeegee frame.
5. Slide a new squeegee blade into the frame.
6. Replace the retainer bracket, deflector, clevis pin, and cotter pin.
7. Repeat for the side squeegee on the other side of the scrub head.



**VACUUM FAN**

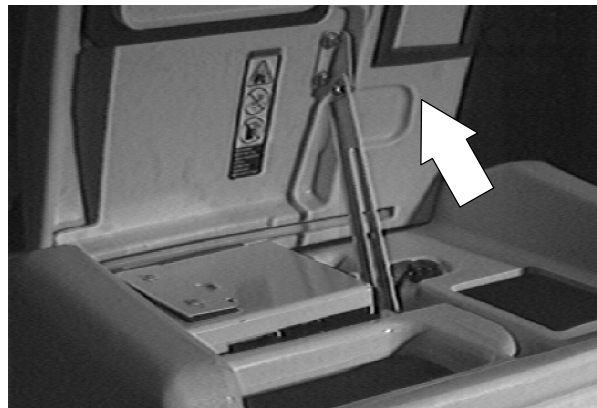
The vacuum fan, when activated, creates air flow in the recovery tank. With the recovery tank cover closed, the air flow from the vacuum fan creates vacuum at the squeegee vacuum hose. This vacuum pulls water from the lowered squeegee into the recovery tank. The vacuum fan is equipped with a easily serviceable air filter.



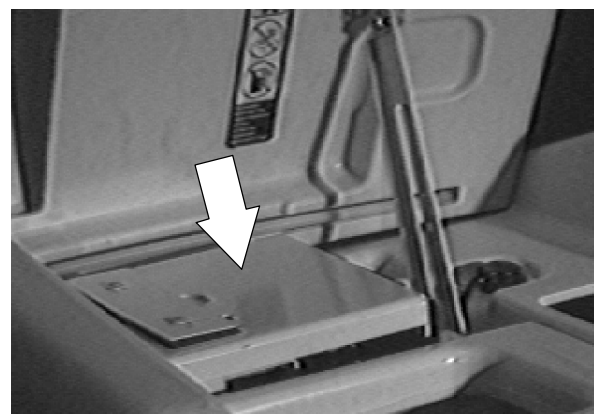
**TO REMOVE VACUUM FAN ASSEMBLY**

**FOR SAFETY: Before Leaving Or Servicing Machine; Stop On Level Surface, Set Parking Brake.**

1. Open the recovery/solution tank cover.

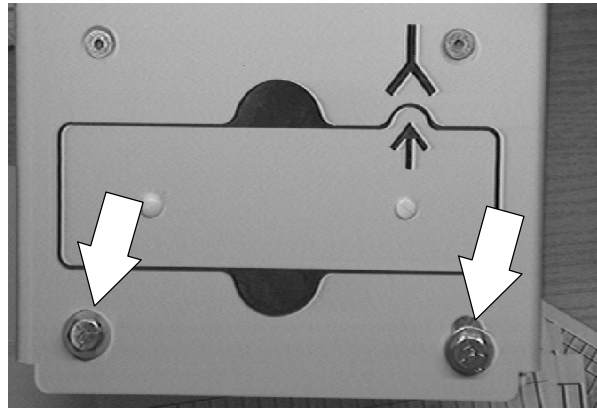


2. Locate the vacuum fan on the left, front of the recovery tank.

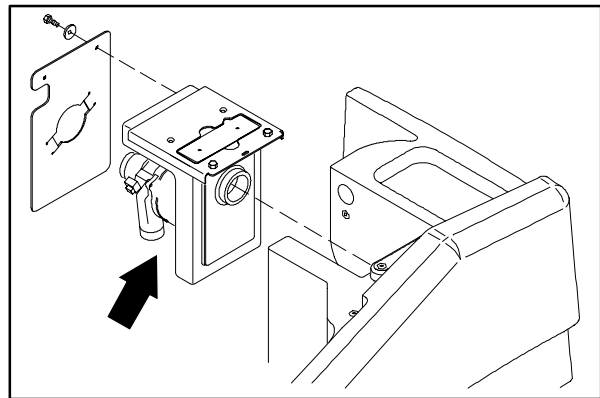


## SCRUBBING

3. Remove the two screws holding the vacuum fan to the top of the tank. Pull the vacuum fan assembly out of the top of the tank. Let it rest on the edge of the tank.
4. Disconnect the vacuum fan motor from the main electrical harness.



5. Remove the vacuum fan assembly from the machine. Be careful not to lose the rubber seal on the outlet of the vacuum housing.

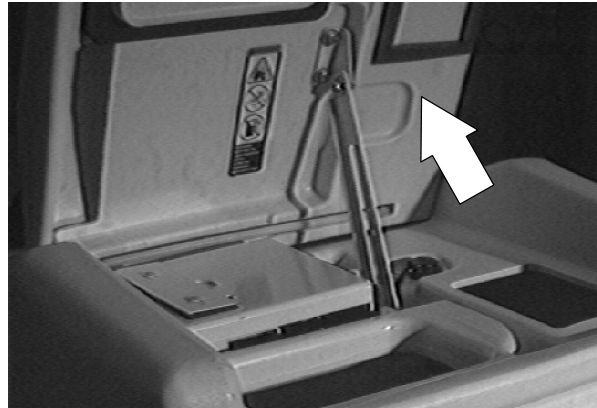




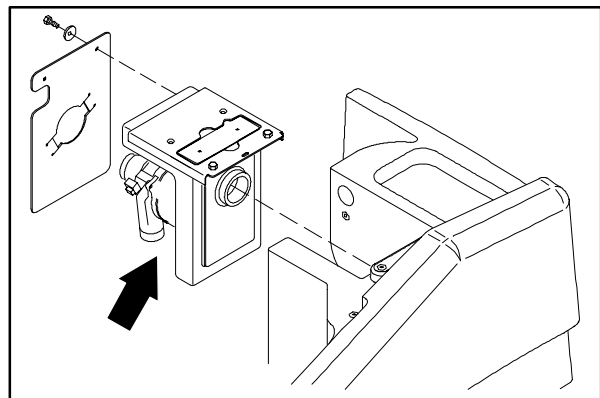
**TO INSTALL VACUUM FAN ASSEMBLY**

**FOR SAFETY: Before Leaving Or Servicing Machine; Stop On Level Surface, Set Parking Brake.**

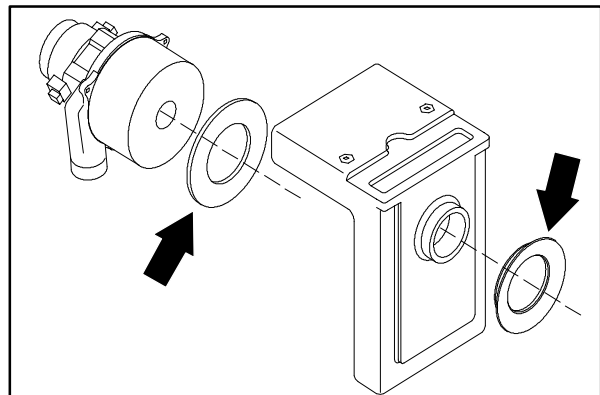
1. Open the recovery/solution tank cover.



2. Position the vacuum fan assembly on the edge of the recovery tank.
3. Connect the plug from the vacuum fan motor to the main electrical harness. See schematic in the ELECTRICAL section.

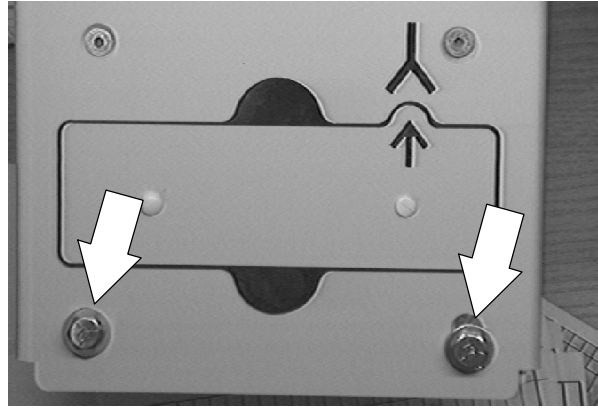


4. Drop the vacuum fan assembly straight down into the tank mounting area. Make sure the rubber seal is in place on the outlet of the vacuum housing.

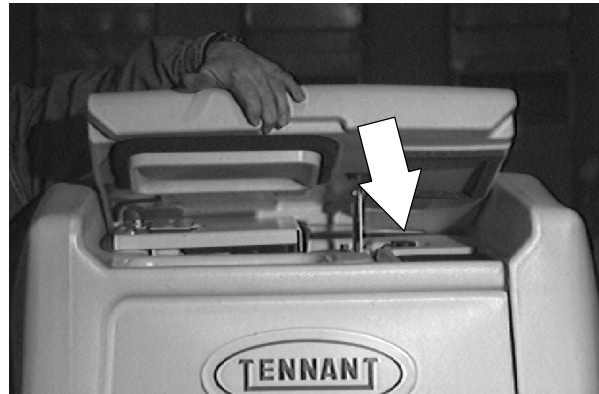


## SCRUBBING

5. Install the two screws and tighten to 18 - 24 Nm (15 - 20 ft lb).



6. Close the tank cover and operate the machine. Check the vacuum fan for proper operation.



**SCRUBBING TROUBLESHOOTING**

<b>Problem</b>	<b>Cause</b>	<b>Remedy</b>
Trailing water – poor or no water pickup	Worn squeegee blades	Rotate or replace squeegee blades
	Squeegee out of adjustment	Adjust squeegee
	Vacuum hose clogged	Flush vacuum hoses
	Vacuum fan inlet filter dirty	Clean inlet filter
	Debris caught on squeegee	Remove debris
	Vacuum hose to squeegee or recovery tank disconnected or damaged	Reconnect or replace vacuum hose
	Tank cover not completely closed	Check for obstructions
	Torn seals on recovery tank	Replace seals
Vacuum fan will not turn on	Recovery tank full	Drain recovery tank
	Foam filling recovery tank	Empty recovery tank
		Use less or change detergent
		Use a de-foamer
Vacuum fan circuit breaker tripped	Reset circuit breaker	
Little or no solution flow to the floor	Solution tank empty	Fill solution tank
	Solution control rod broken or out of adjustment	Replace and/or adjust rod
	Solution flow turned off	Turn solution flow on
	Solution supply lines plugged	Flush solution supply lines
	Solution solenoid clogged or stuck	Clean or replace
	ES™ mode (option): ES™ switch off	Turn ES™ switch on
Poor scrubbing performance	Debris caught on scrub brushes	Remove debris
	Improper detergent or brush used	Check with TENNANT representative for advice
	Worn scrub brush(es)	Replace scrub brush(es)
	Scrub brush motor circuit breaker(s) tripped	Reset circuit breaker(s)
		Reduce scrub brush down pressure
		Uneven brush pressure, level scrub head
		Broken brush drive belts on cylindrical scrub head, replace belt
		Check with TENNANT representative for advice
	Low battery charge	Charge batteries until the charger automatically turns off



## CONTENTS

	Page		Page
INTRODUCTION .....	4-3	OPERATING MODES .....	4-69
BATTERIES .....	4-4	NORMAL MODE .....	4-70
CHARGING THE BATTERIES .....	4-5	SCRUB BUTTON .....	4-70
TO REPLACE BATTERIES .....	4-8	SQUEEGEE BUTTON .....	4-71
INSTRUMENT PANEL .....	4-10	ES™ BUTTON .....	4-71
TO REPLACE TOUCH PANEL ...	4-10	OVERFLOW FLOAT .....	4-71
CONTROL PANEL .....	4-15	BATTERY GAUGE .....	4-72
TO ACCESS CONTROL PANEL .	4-15	HOUR METER .....	4-72
TO REPLACE CIRCUIT BOARD .	4-17	INTERLOCKS .....	4-72
CIRCUIT BREAKERS .....	4-20	SELF TEST MODE .....	4-74
RESETABLE CIRCUIT		SELF TEST ERROR CODES ....	4-76
BREAKERS .....	4-20	ACTUATOR GROUP, SQUEEGEE	
TO REPLACE CIRCUIT		BUTTON PRESSED .....	4-76
BREAKER .....	4-21	BRUSH MOTOR GROUP, SCRUB	
FUSES .....	4-24	BUTTON PRESSED .....	4-76
TO REPLACE FUSE .....	4-24	ACCESSORY OUTPUT GROUP	
DIRECTIONAL CONTROL PEDAL ..	4-26	ES™ BUTTON PRESSED ....	4-76
TO REPLACE MOTOR		MANUAL MODE .....	4-77
CONTROLLER .....	4-27	SCRUB BUTTON .....	4-77
TO REPLACE TAILLIGHT BULB ....	4-29	SQUEEGEE BUTTON .....	4-77
ELECTRIC MOTORS .....	4-30	ES™ BUTTON .....	4-77
TO REPLACE DRIVE MOTOR ...	4-30	INTERLOCKS .....	4-78
TO REPLACE DISC SCRUB HEAD		SCRUB BRUSH OPERATION ....	4-78
BRUSH MOTOR .....	4-32	SQUEEGEE AND VACUUM FAN	
TO REPLACE CYLINDRICAL SCRUB		OPERATION .....	4-78
HEAD BRUSH MOTOR .....	4-36	ES™ AIR FLUSH OPERATION ...	4-79
LIFT ACTUATORS .....	4-41	ES™ PUMP OPERATION .....	4-79
TO REPLACE SCRUB HEAD LIFT		INPUT DISPLAY MODE .....	4-80
ACTUATOR .....	4-42	TROUBLESHOOTING .....	4-83
TO REPLACE REAR SQUEEGEE		POWER UP TESTING .....	4-84
LIFT ACTUATOR .....	4-46	PROPEL .....	4-86
ES™ PUMP .....	4-49	ERROR CODES .....	4-86
TO REPLACE ES™ PUMP		POWER AND GROUND	
(early machines) .....	4-49	CONNECTIONS CHECK .....	4-86
TO REPLACE ES™ PUMP		THROTTLE TESTING .....	4-86
(later machines) .....	4-53	CONTROLLER INPUTS .....	4-86
SOLUTION SOLENOID VALVE .....	4-56	CONTROLLER OUTPUTS .....	4-87
TO REPLACE SOLUTION		CONTROLLER POWER SECTION ..	4-87
SOLENOID VALVE .....	4-56	MOTOR CONTROLLER LED	
VACUUM FAN .....	4-59	DIAGNOSTICS .....	4-87
TO REPLACE VACUUM FAN ....	4-60	PROGRAMMER DIAGNOSTICS .	4-88
ELECTRICAL SCHEMATIC		PROPEL .....	4-91
(000000-008237) .....	4-62	TOUCH PANEL AND RIBBON	
ELECTRICAL SCHEMATIC		TESTING .....	4-92
(008238- ) .....	4-64	VACUUM FAN (S) .....	4-94
WIRE HARNESSES GROUP		SQUEEGEE .....	4-98
(000000-008237) .....	4-66	SCRUB SYSTEM .....	4-102
		SELF TEST ERROR	
		BREAKDOWN .....	4-103
		SCRUB SYSTEM .....	4-105
		ES™ SYSTEM .....	4-106
		ES™ FILTER FLUSH SYSTEM ....	4-109



**INTRODUCTION**

The machines electrical system consists of the batteries, instrument panel, drive motor, actuators, switches, relays, and circuit breakers.

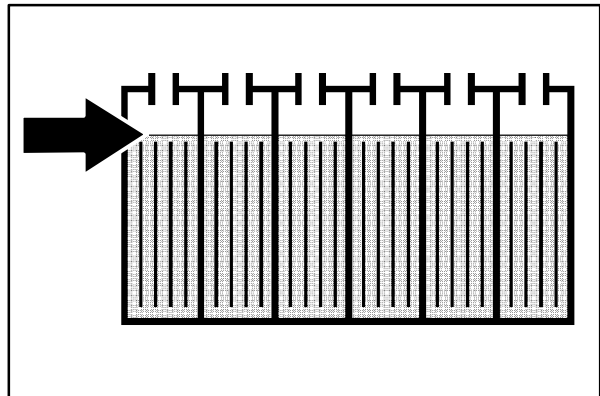
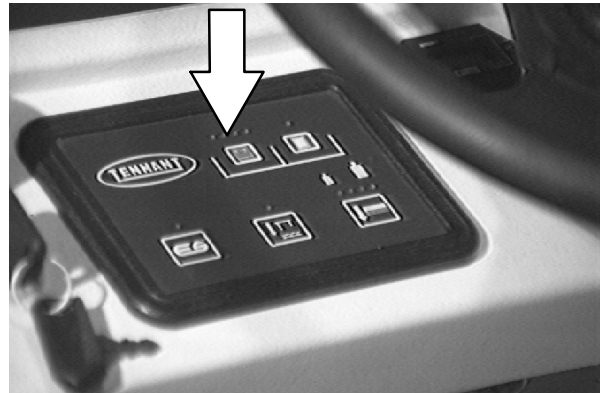
## BATTERIES

The batteries are designed to hold their power for long periods of time. The lifetime of the batteries is limited to number of charges the batteries receive. To get the most life from the batteries, recharge them immediately when the battery discharge indicator begins to blink.

After every 200 hours of use check for loose battery connections and clean the surface of the batteries, including terminals and cable clamps, using a strong solution of baking soda and water. Brush the solution sparingly over the battery tops. Do not allow any baking soda solution to enter the batteries. Use a wire brush to clean the terminal posts and the cable connectors. Wipe off all cleaning solution residue. After cleaning, apply a coating of clear battery post protectant to the terminals and the cable connectors. Keep the tops of the batteries clean and dry.

Objects made of metal can potentially short circuit the batteries. Keep all metallic objects off the batteries. Replace any worn or damaged wires.

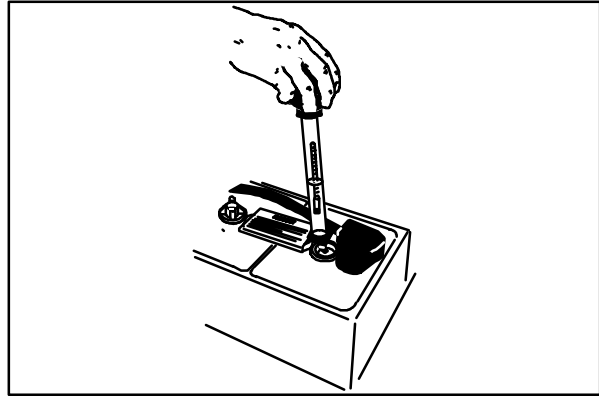
Check the electrolyte level in each battery cell before and after charging, and after every 50 hours of operation. Do not charge the batteries unless the fluid is slightly above the battery plates. If needed, add just enough distilled water to cover the plates. Never add acid to the batteries. Do not overfill. Always keep the battery caps on, except when adding water or taking hydrometer readings.





Using a hydrometer, measure the specific gravity to determine the charge level and condition of the batteries. If one or more of the battery cells test lower than the other battery cells (0.050 or more), the cell is damaged, shorted, or is near failure. Completely recharge the batteries, then retest them.

*NOTE: Do not take readings immediately after adding distilled water. If the water and acid are not thoroughly mixed, the readings may not be accurate. Check the hydrometer readings against the following chart to determine the remaining battery charge level:*



04380

SPECIFIC GRAVITY at 27° C (80° F)	BATTERY CHARGE
1.265	100% Charged
1.223	75% Charged
1.185	50% Charged
1.148	25% Charged
1.110	Discharged

*NOTE: If the readings are taken when the battery electrolyte is any temperature other than 27 C (80 F), the reading must be temperature corrected. Add or subtract to the specific gravity reading 0.004, 4 points, for each 6 C (10 F) above or below 27 C (80 F).*

### CHARGING THE BATTERIES

1. Drive the machine to a flat, dry surface.

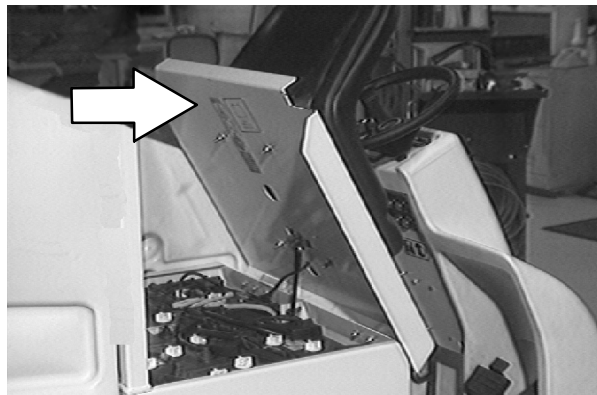
*NOTE: Make sure the area is well ventilated.*

2. Turn the machine power off and set the parking brake.

**FOR SAFETY: Before leaving or servicing machine, stop on level surface, set parking brake, turn off machine, and remove key.**

3. Lift the operator seat to access the batteries. The support arm automatically engages when the seat is lifted all the way up.

4. Check the water level in all battery cells.

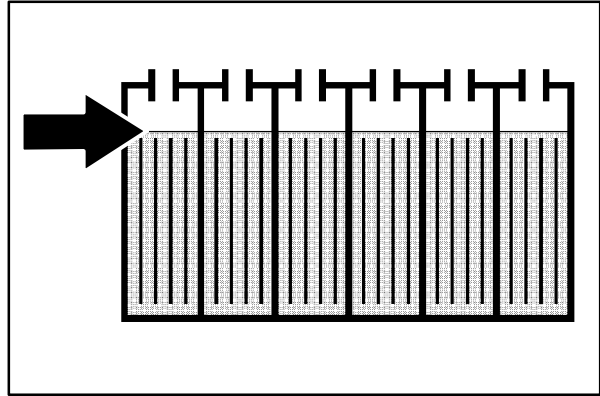


## ELECTRICAL

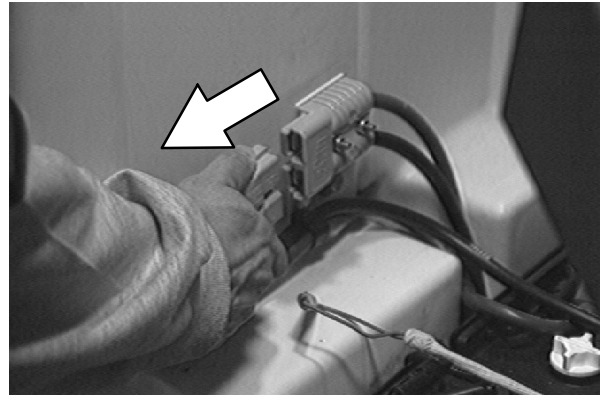
If the level is low, add just enough distilled water to cover the plates. **DO NOT OVERFILL.** The batteries can overflow during charging due to expansion.

*NOTE: Make sure the battery caps are in place while charging.*

**FOR SAFETY: When maintaining or servicing machine, avoid contact with battery acid.**



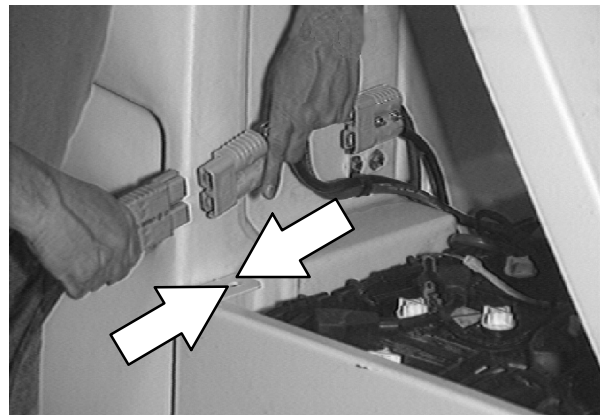
5. Unplug the machine connector from the batteries.



6. Plug the charger connector into the battery connector.



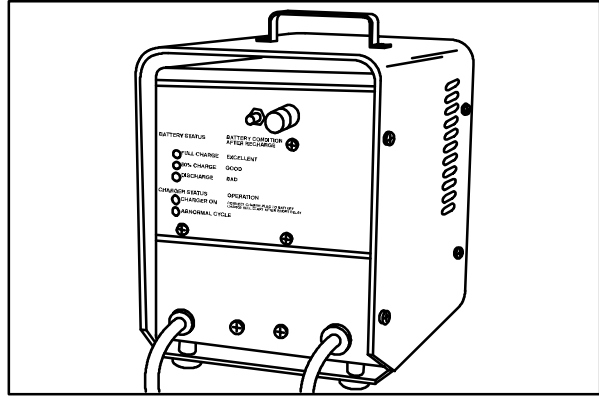
**WARNING: Batteries emit hydrogen gas. Explosion or fire can result. Keep sparks and open flame away. Keep covers open when charging.**



7. Plug the battery charger into the wall outlet.

**NOTE:** If the red "ABNORMAL CYCLE" lamp lights when the TENNANT charger is plugged into a wall outlet, the charger cannot charge the battery and there is something wrong with the battery.

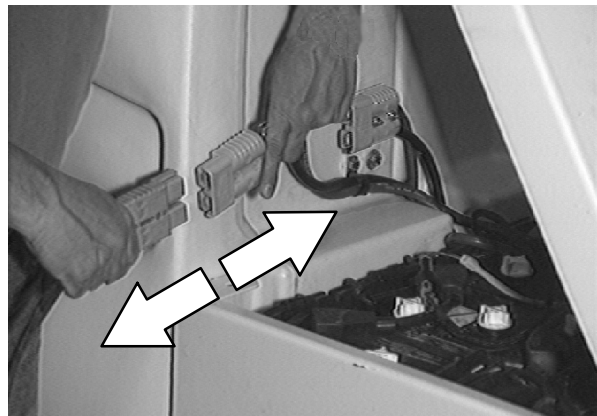
8. The TENNANT charger will start automatically. When the batteries are fully charged, the TENNANT charger will automatically turn off.
9. After the charger has turned off, unplug the charger from the wall outlet.



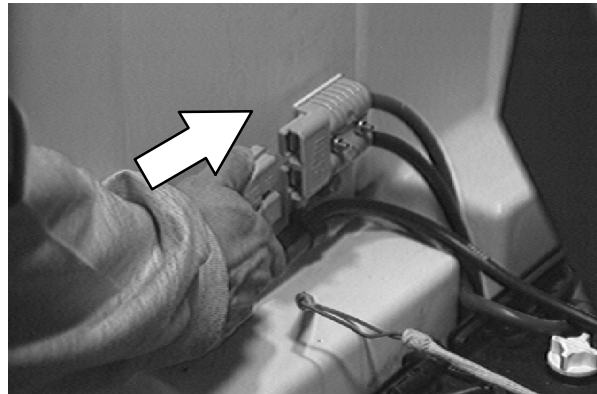
07224

10. Unplug the charger connector from the battery connector on the machine.

**FOR SAFETY: When maintaining or servicing machine, avoid contact with battery acid.**



11. Connect the battery connector to the machine connector.
12. Check the electrolyte level in each battery cell after charging. If needed, add distilled water to raise the electrolyte level to about 12 mm (0.4 in) below the bottom of the sight tubes.
13. Lower the seat support by slightly raising it while pushing the support arm inward.



## ELECTRICAL

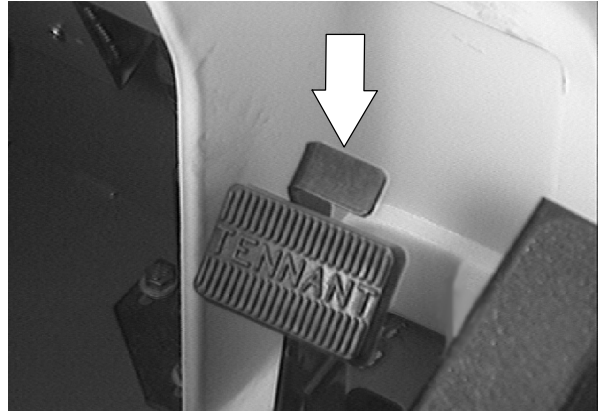
### TO REPLACE BATTERIES

1. Drive the machine to a flat, dry surface.

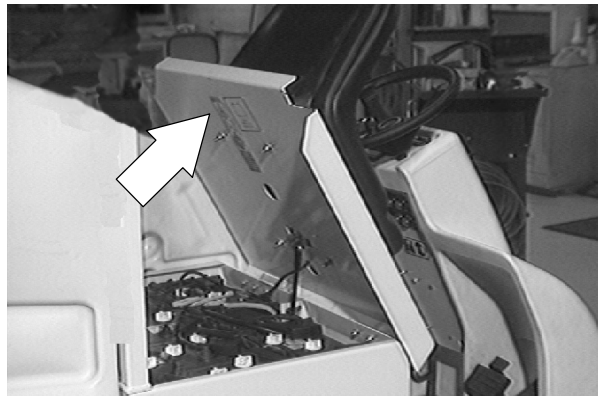
*NOTE: Make sure the area is well ventilated.*

2. Turn the machine power off and set the parking brake.

**FOR SAFETY: Before Leaving Or Servicing Machine; Stop On Level Surface, Set Parking Brake.**

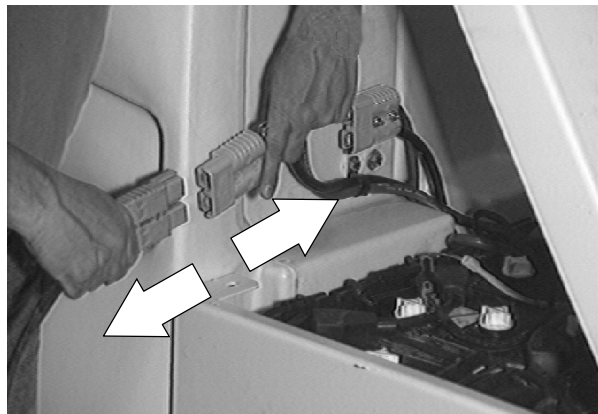


3. Lift the operator seat to access the batteries. The support arm automatically engages when the seat is lifted all the way up.



4. Un-plug the battery connector from in front of the solution tank.

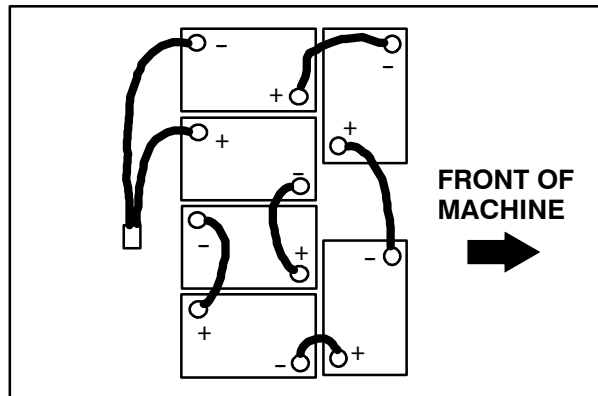
**FOR SAFETY: Disconnect Battery Connections Before Working On machine.**



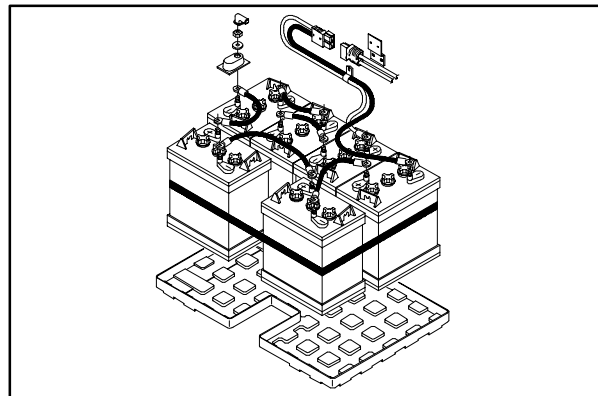
5. Pull the rubber battery cable boots back to access the cable end nuts.



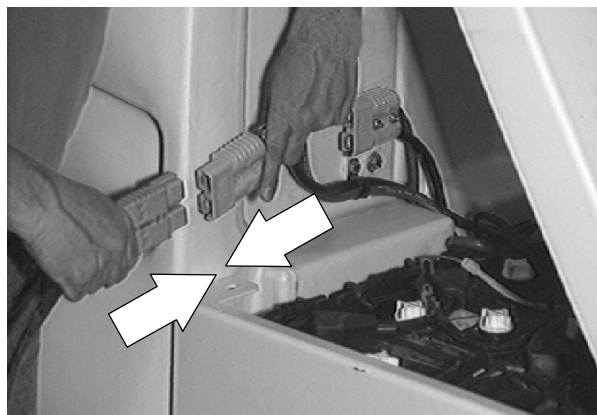
6. Remove all of the battery cables.
7. Use the built-in straps to lift and remove each battery.
8. Use a solution of baking soda and water to clean the battery compartment area.



9. Install the new batteries in the same orientation as the old batteries.
10. Reconnect all of the battery cables.
11. Check the batteries and charge if necessary. See TO CHARGE BATTERIES instructions.



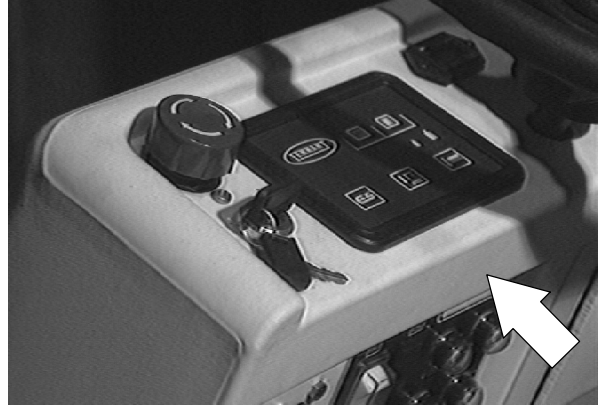
12. Reconnect the battery connector at the front of the solution tank.



13. Lower the seat support and operate the machine. Check for proper operation.

## INSTRUMENT PANEL

The instrument panel consists of a touch panel, circuit board, switches, and circuit breakers. The touch panel controls various machine functions. The indicator lights keep the operator informed on machine performance.

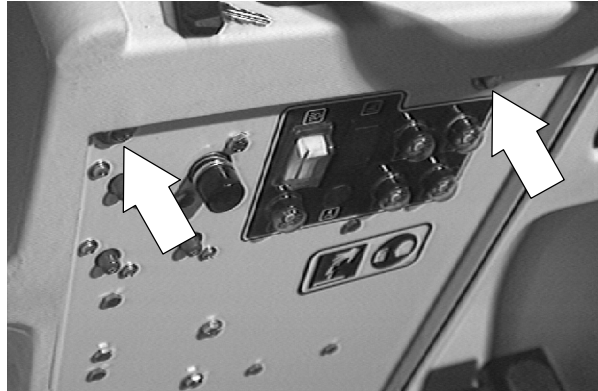


### TO REPLACE TOUCH PANEL

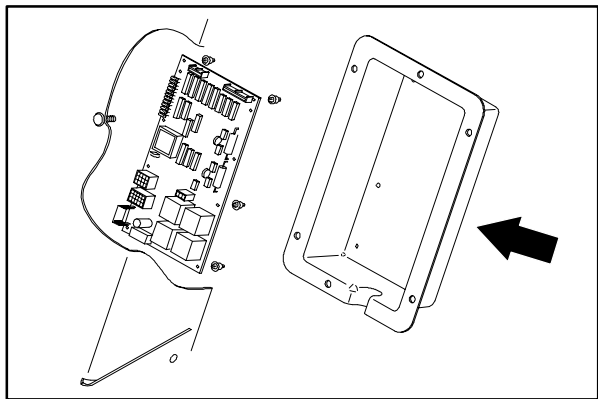
**FOR SAFETY: Before Leaving Or Servicing Machine; Stop On Level Surface, Set Parking Brake.**

1. Open the control panel. See TO ACCESS CONTROL PANEL instructions.

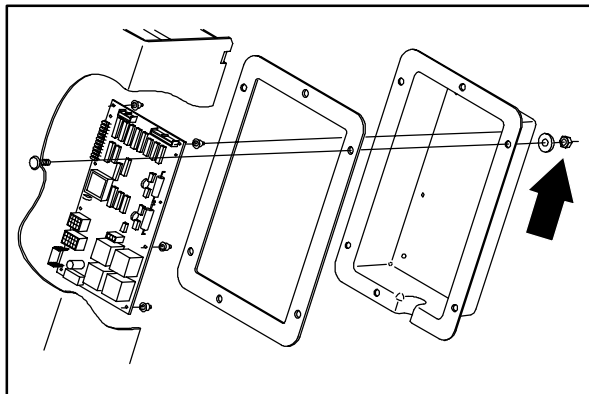
**FOR SAFETY: Disconnect Battery Connections Before Working On machine.**



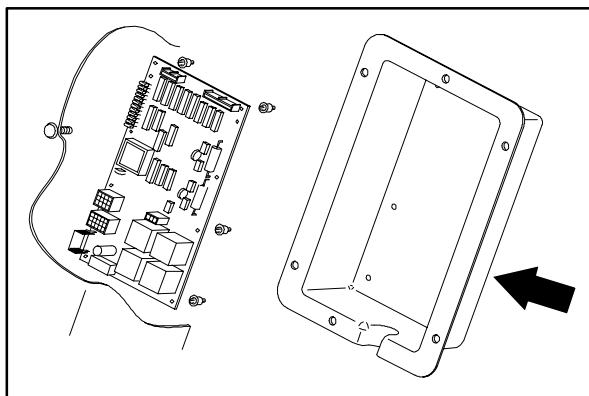
2. Locate the circuit board cover on the inside, front wall of the steering support, behind the control panel.



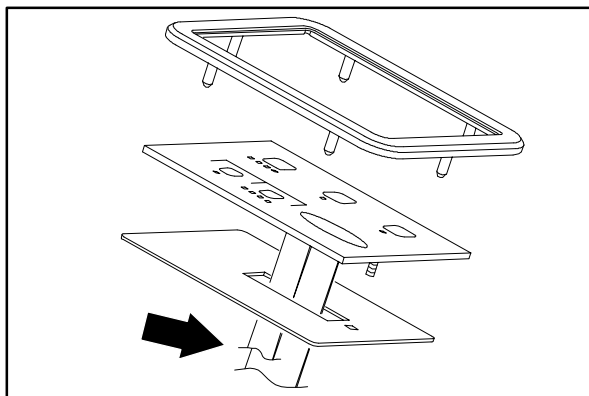
3. Remove the six nuts holding the circuit board cover onto the frame.



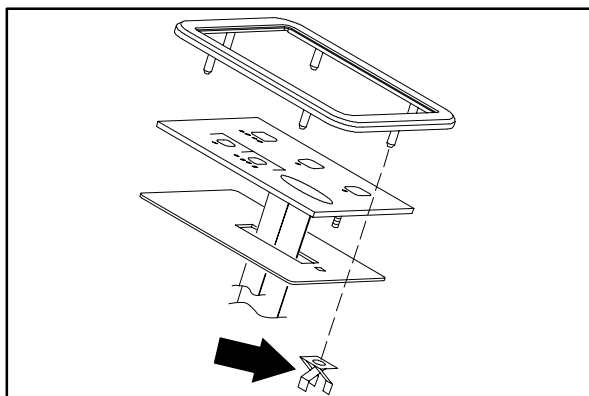
4. Pull the circuit board cover back to access the circuit board.



5. Un-plug the two ribbon cables from the circuit board.

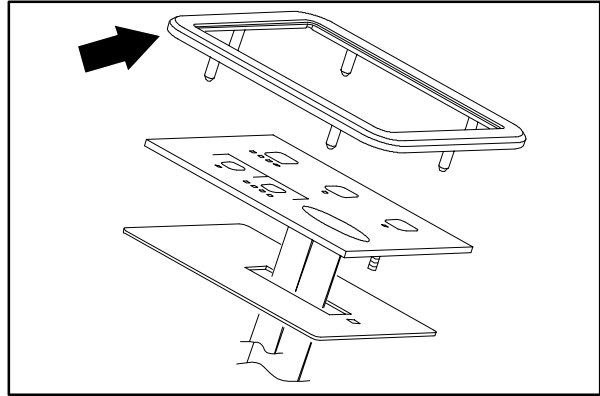


6. Locate the four touch panel lock clips on the under side of the dash panel. Remove the lock clips.



## ELECTRICAL

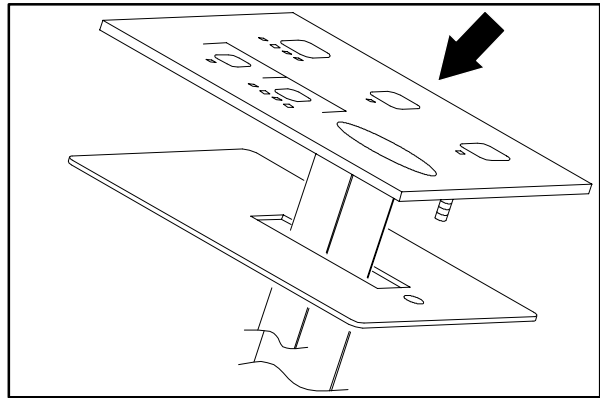
7. Pull the touch panel bezel up and remove from the machine.



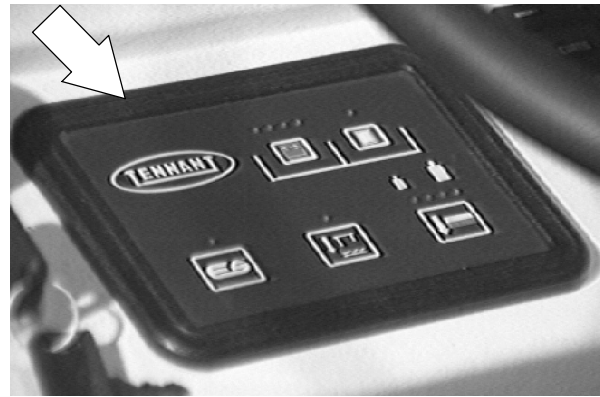
8. Remove the touch panel from the machine.

*NOTE: Be careful when removing the ribbon cables from the slot in the dash panel.*

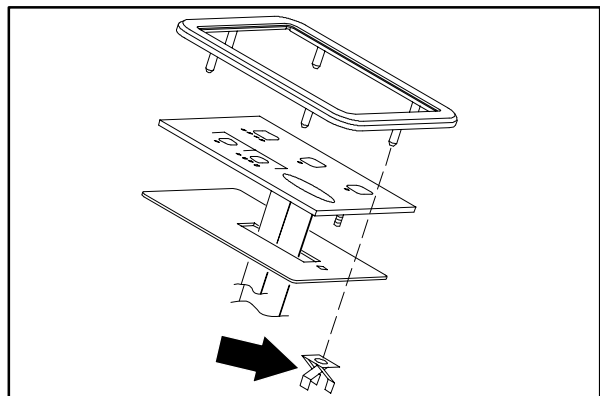
9. Position the new touch panel on the machine. Route the ribbon cable through the slot in the dash panel.



10. Place the touch panel bezel over the touch panel. Line up the posts on the bezel with the mount holes in the dash panel.

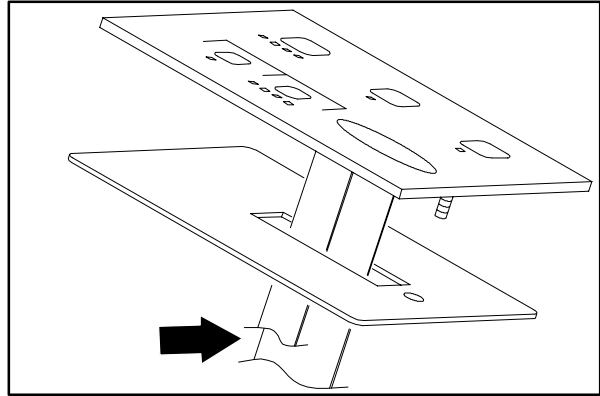


11. Install the four lock clips on the bezel posts.

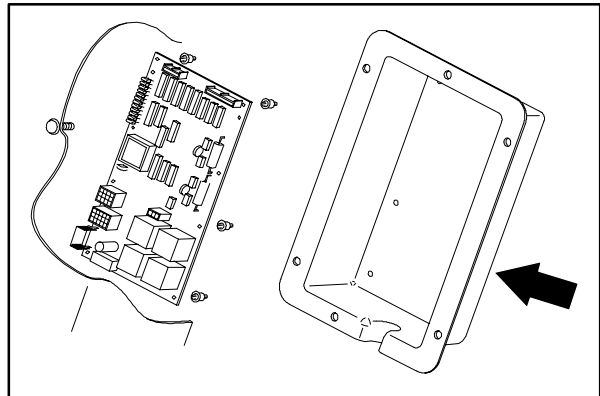




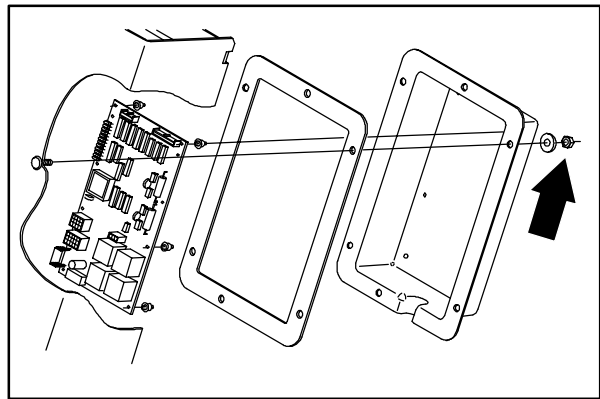
12. Connect the ribbon cables to the circuit board.



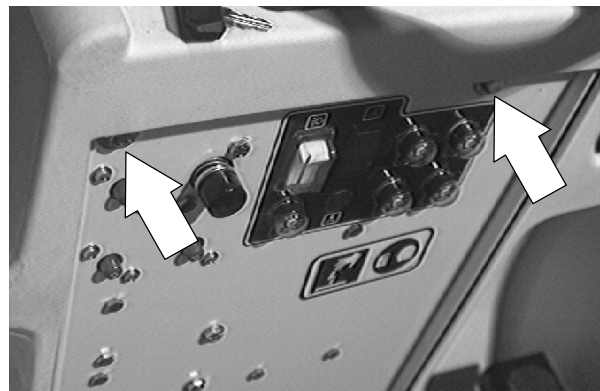
13. Position the circuit board cover back up to the inside, front wall of the steering support, behind the control panel.



14. Reinstall the six nuts on the circuit breaker cover. Hand tighten lightly.

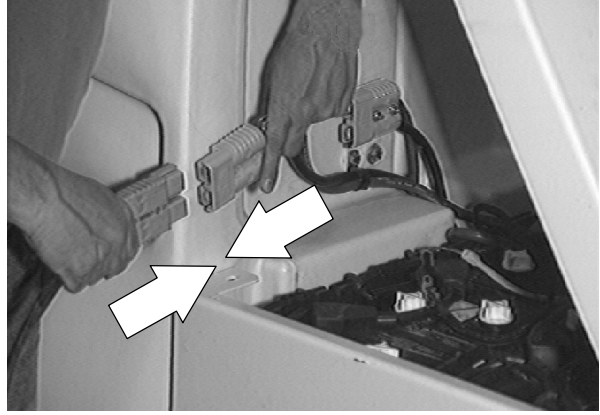


15. Pivot the control panel back in position. Reinstall the two screws and tighten to 18 - 24 Nm (15 - 20 ft lb).

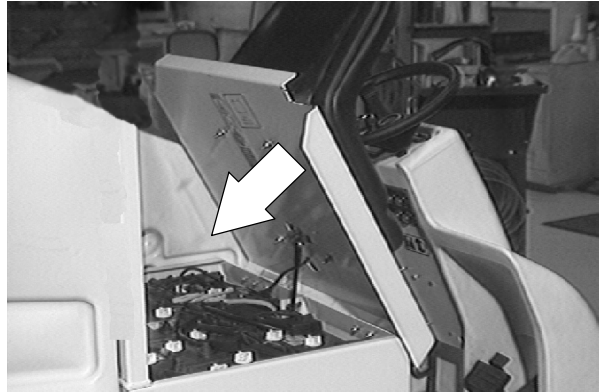


## ELECTRICAL

16. Lift the operator seat and reconnect the battery connector at the front of the solution tank.



17. Close the seat support. Start the machine and check for proper operation.

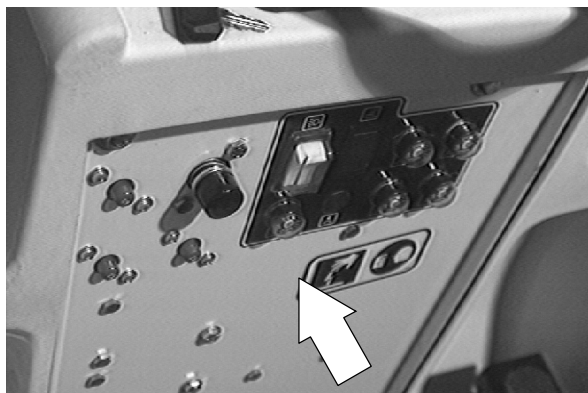


---

**CONTROL PANEL**

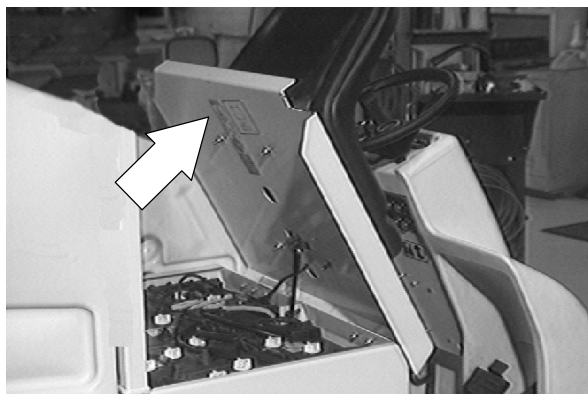
---

The control panel houses the directional controller, relays, contactors, and fuses. These components can be accessed by pivoting the control panel mount plate down against the seat support.

**TO ACCESS CONTROL PANEL**

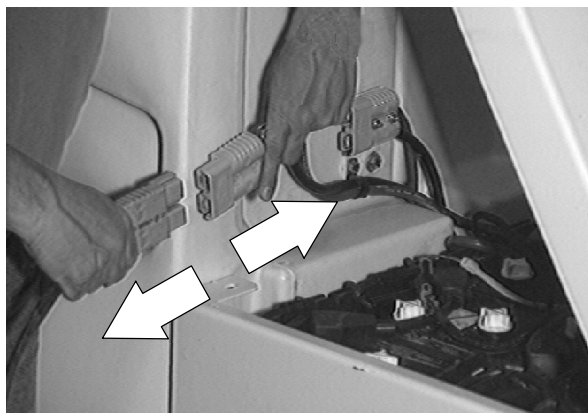
**FOR SAFETY: Before Leaving Or Servicing Machine; Stop On Level Surface, Set Parking Brake.**

1. Lift the operator seat to access the batteries. The support arm automatically engages when the seat is lifted all the way up.

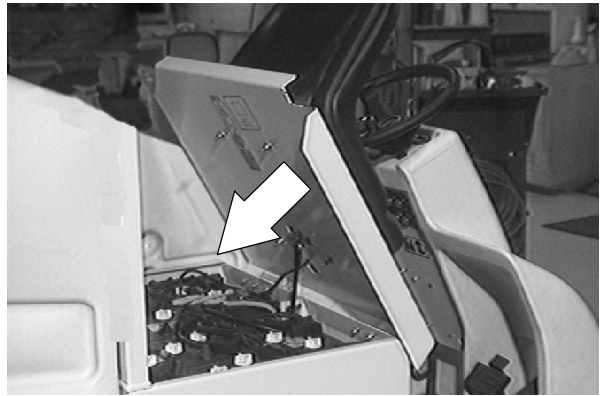


2. Un-plug the battery connector from in front of the solution tank.

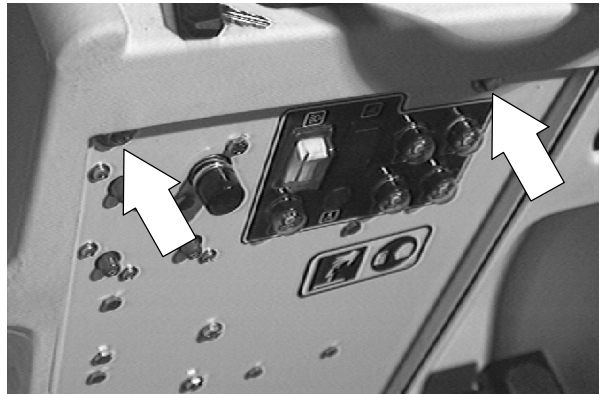
**FOR SAFETY: Disconnect Battery Connections Before Working On machine.**



3. Lower the seat support.



4. Remove the two screws at the top of the control panel mount plate.



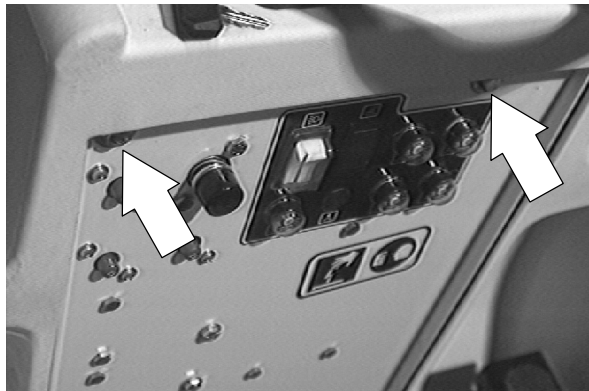
5. Pivot the mount plate down until it is resting against the seat support.

## TO REPLACE CIRCUIT BOARD

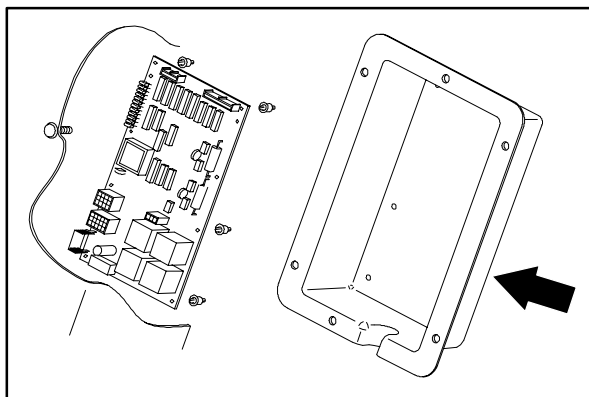
**FOR SAFETY: Before Leaving Or Servicing Machine; Stop On Level Surface, Set Parking Brake.**

1. Open the control panel. See TO ACCESS CONTROL PANEL instructions.

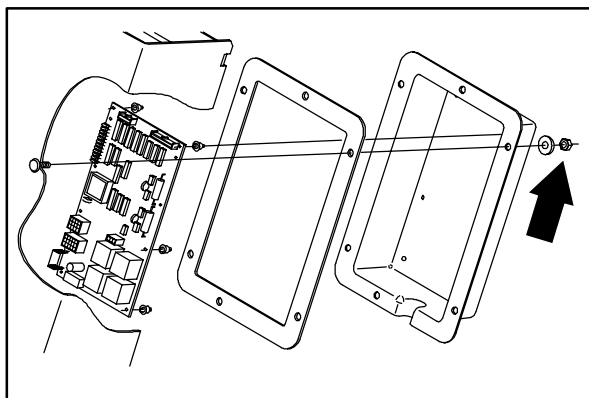
**FOR SAFETY: Disconnect Battery Connections Before Working On machine.**



2. Locate the circuit board cover on the inside, front wall of the steering support, behind the control panel.

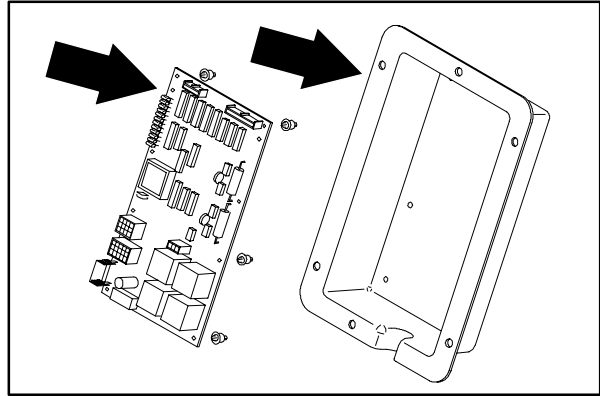


3. Remove the six nuts holding the circuit board cover on the frame.

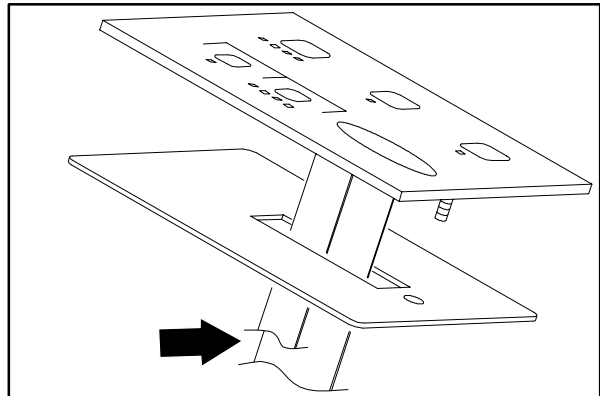


## ELECTRICAL

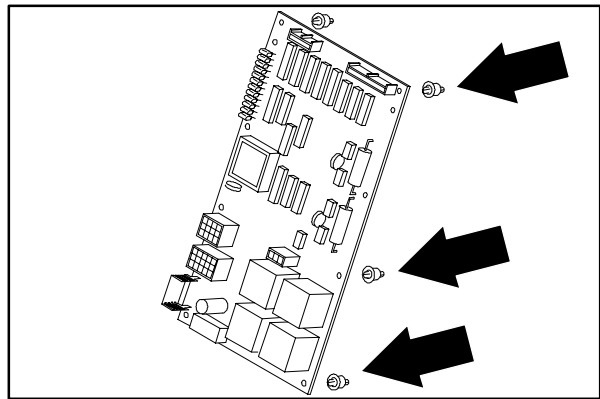
4. Pull the circuit board cover back to access the circuit board.



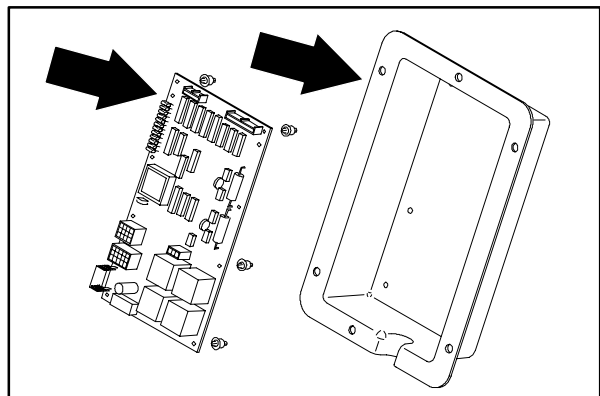
5. Un-plug the two ribbon cables from the circuit board.
6. Un-plug the three wire connectors from the circuit board.



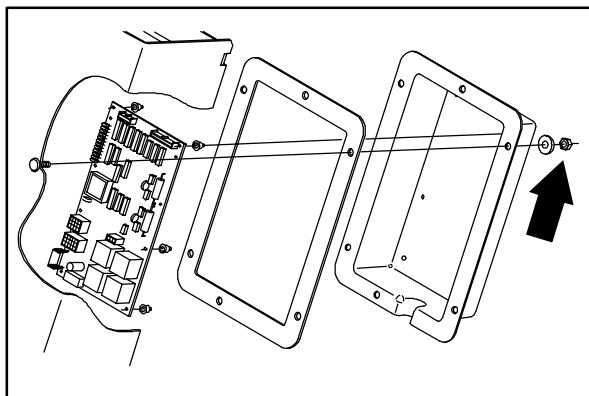
7. Pop the circuit board off the six plastic stand-offs. Remove the circuit board from the machine. Note the orientation of the circuit board.
8. Position the new circuit board on the six plastic stand-offs. Gently push the board down until the stand-off snaps in place.
9. Reconnect the three wire connectors and two ribbon cables to the new circuit board. See schematic in this section.



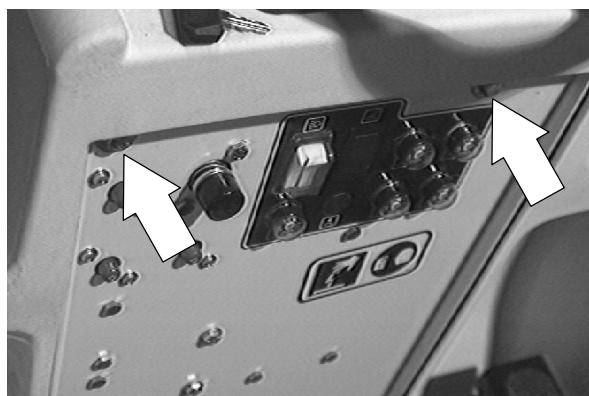
10. Position the circuit board cover back up to the inside, front wall of the steering support, behind the control panel.



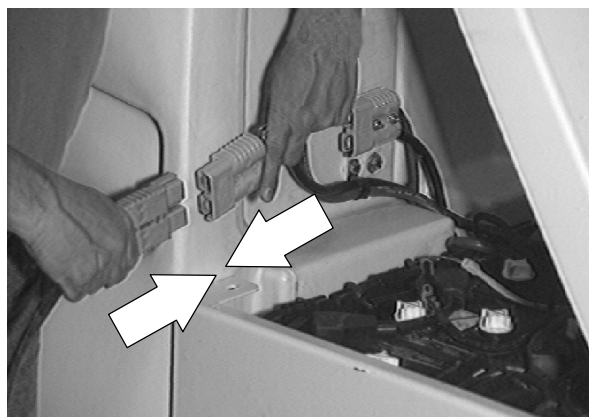
11. Reinstall the six nuts on the circuit board cover. Hand tighten lightly.



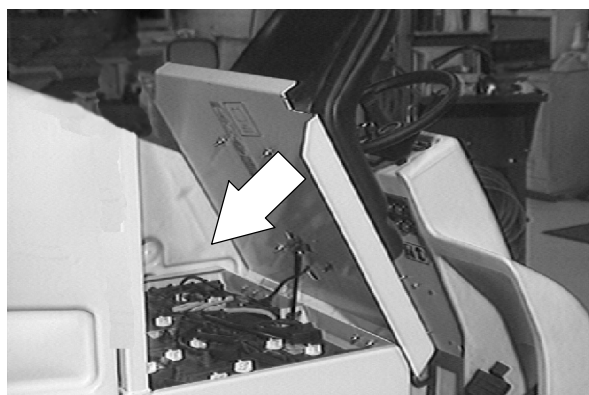
12. Pivot the control panel back in position. Reinstall the two screws and tighten to 18 - 24 Nm (15 - 20 ft lb).



13. Lift the operator seat and reconnect the battery connector at the front of the solution tank.



14. Close the seat support. Start the machine and check for proper operation.

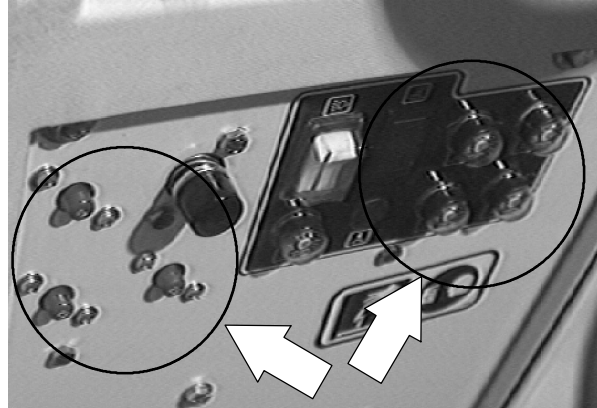


## CIRCUIT BREAKERS

### RESETABLE CIRCUIT BREAKERS

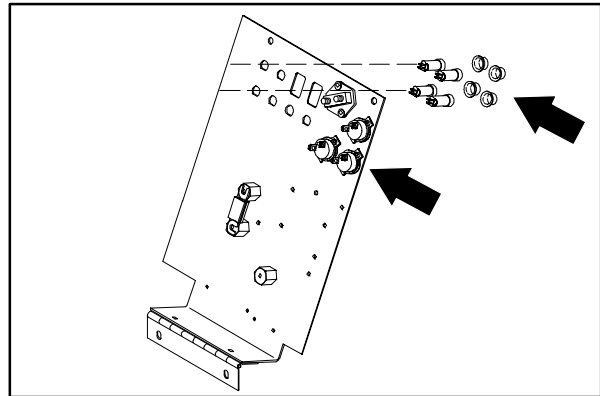
Circuit breakers are resettable electrical circuit protection devices designed to stop the flow of current in the event of a circuit overload. Once a circuit breaker is tripped, reset it manually by pressing the reset button after the breaker has cooled down.

If the overload that caused the circuit breaker to trip is still present, the circuit breaker will continue to stop current flow until the problem is corrected.



The circuit breakers are located on the operator console.

The chart below shows the circuit breakers and the electrical components they protect.



Circuit Breaker	Rating	Circuit Protected
CB1	10 A	Machine power
CB2	10 A	Battery discharge indicator
CB3	15 A	Head lights
CB4	10 A	Power wand
CB5	10 A	Horn
CB6	10 A	Instrument panel
CB7	20 A	Vacuum Fan
CB7	40 A	Heavy duty vacuum fan
CB8	25 A	Scrub brush motor
CB9	25 A	Scrub brush motor

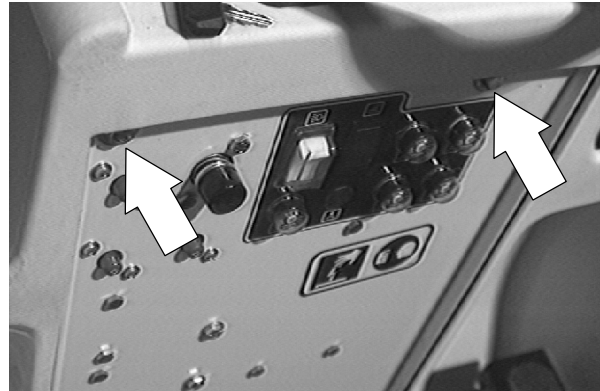


## TO REPLACE CIRCUIT BREAKER

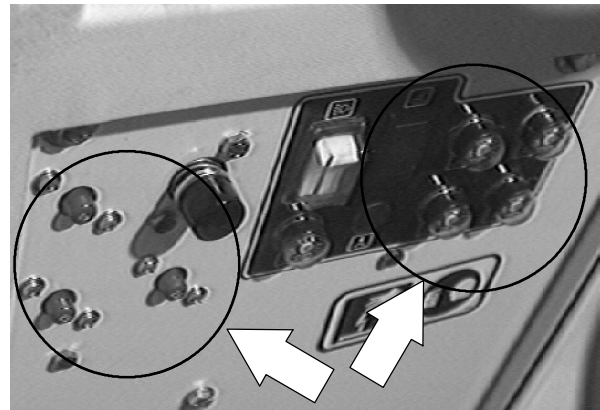
**FOR SAFETY: Before Leaving Or Servicing Machine; Stop On Level Surface, Set Parking Brake.**

1. Open the control panel. See TO ACCESS CONTROL PANEL instructions.

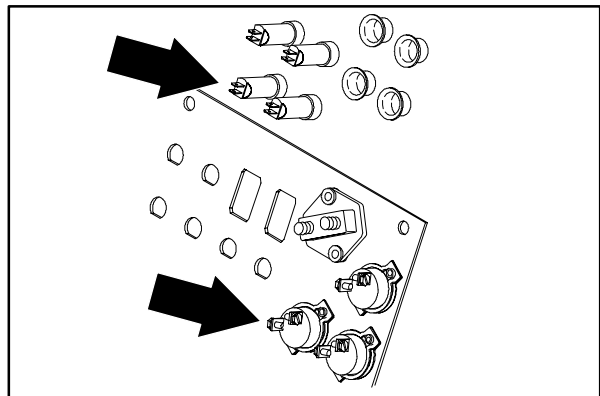
**FOR SAFETY: Disconnect Battery Connections Before Working On machine.**



2. Locate the circuit breakers on the upper edge of the control panel.

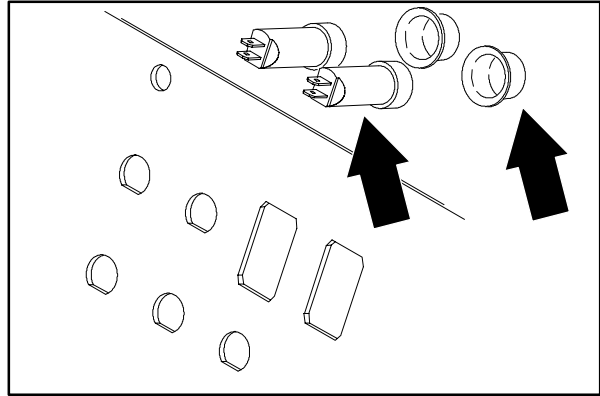


3. Locate the circuit breaker that needs changing.
4. Disconnect the wires from the back of circuit breaker.

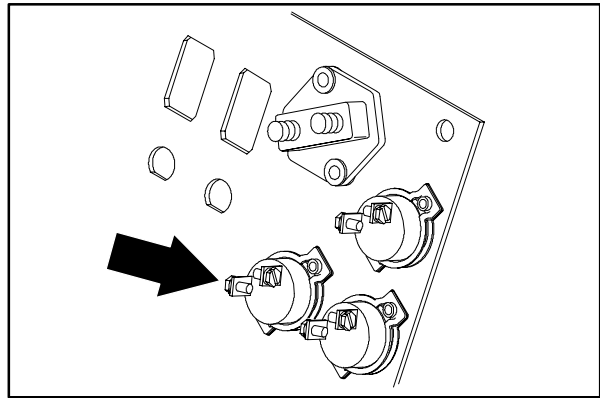


## ELECTRICAL

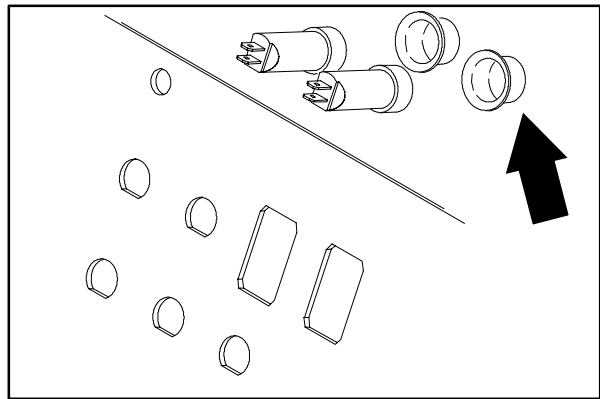
5. Remove the metal lock ring from the circuit breaker. The lock ring may have to be cut to remove, or, remove the two screws holding the CB to the panel.



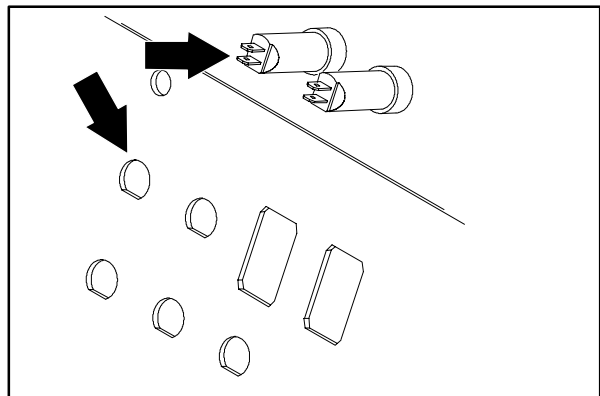
6. Push the circuit breaker out of the mount hole, or, remove the CB from the back of panel.



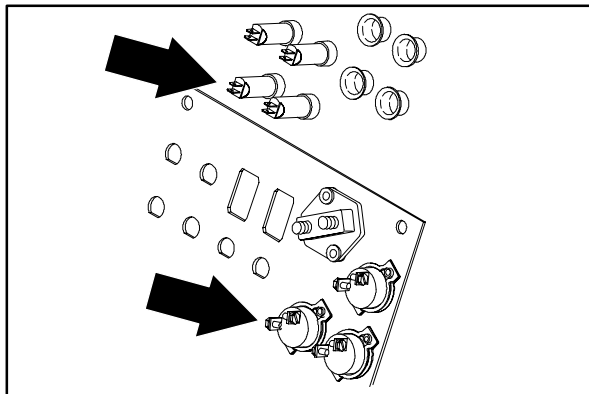
7. Remove the rubber boot from the old circuit breaker and install it on the new circuit breaker. (lower amp only)



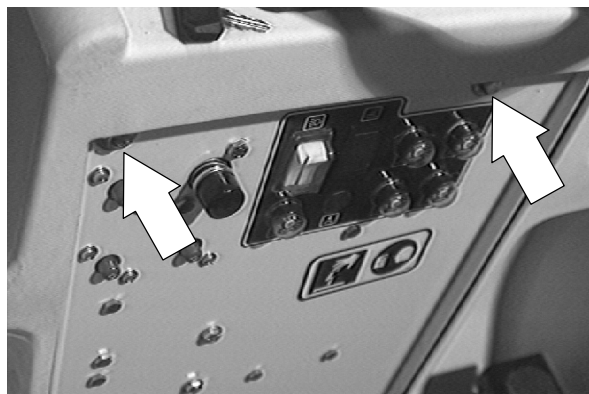
8. Position the new circuit breaker in the mount hole. Note that the circuit breaker and mount hole are "D" shaped. The circuit breaker can only be installed one way. (lower amp only)



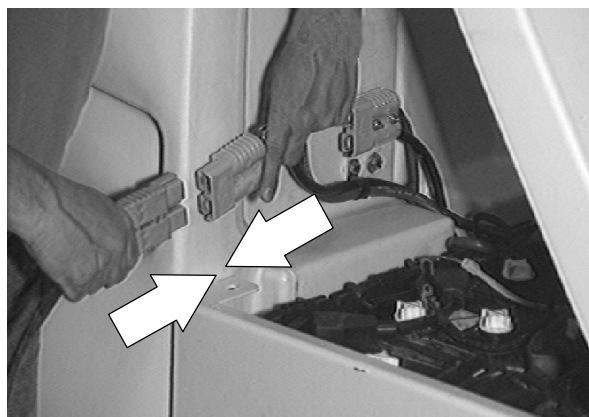
9. Install the new lock ring on the new circuit breaker, or, reinstall the two screws. Hand tighten.
10. Reconnect the wires to the back of the new circuit breaker. See the schematic in this section.



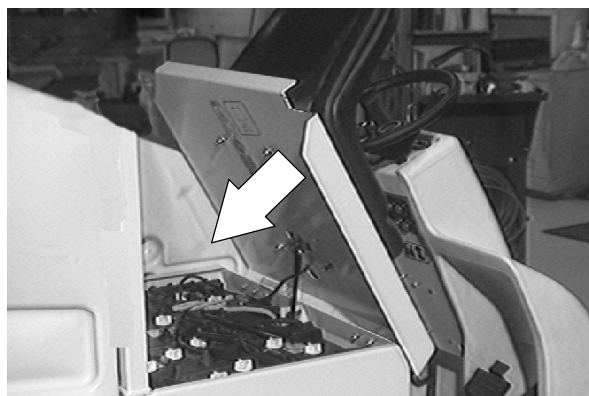
11. Pivot the control panel back in position. Reinstall the two screws and tighten to 18 - 24 Nm (15 - 20 ft lb).



12. Lift the operator seat and reconnect the battery connector at the front of the solution tank.



13. Close the seat support. Start the machine and check for proper operation.



# ELECTRICAL

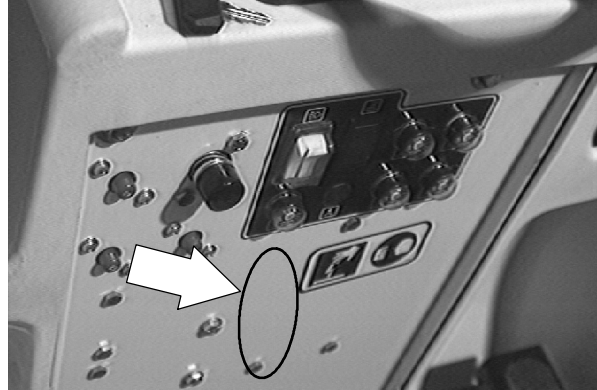
## FUSES

The fuse is a one-time protection device designed to stop the flow of current in the event of a circuit overload.

*NOTE: Always replace the fuse with a fuse of the same amperage.*

The fuse is located behind the operator console. Access the fuse by lowering the operator console.

Fuse	Rating	Circuit Protected
FU-1	80 A	Propelling

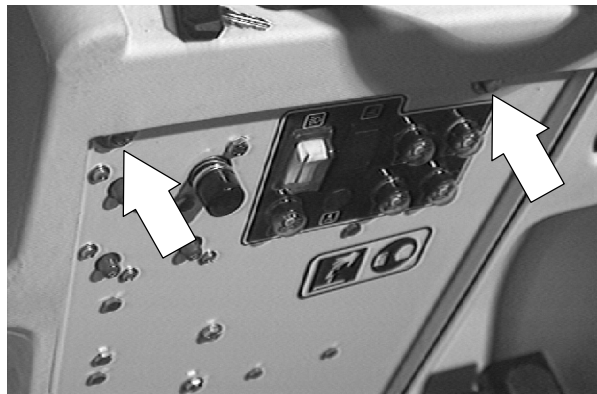


## TO REPLACE FUSE

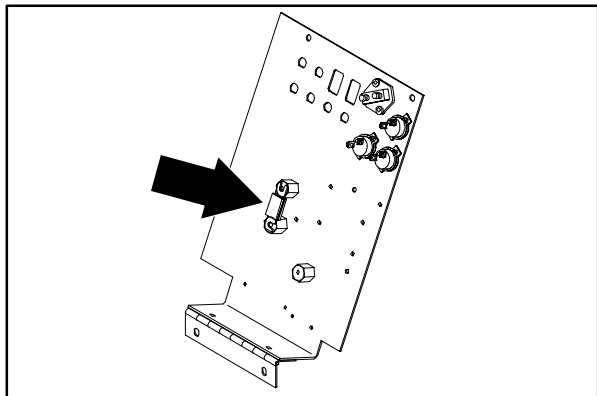
**FOR SAFETY: Before Leaving Or Servicing Machine; Stop On Level Surface, Set Parking Brake.**

1. Open the control panel. See TO ACCESS CONTROL PANEL instructions.

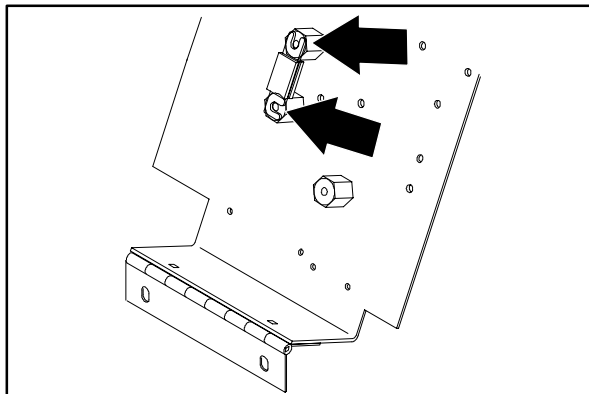
**FOR SAFETY: Disconnect Battery Connections Before Working On machine.**



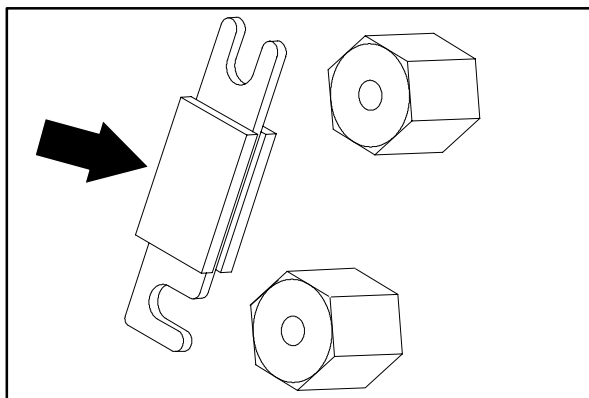
2. Locate the electrical fuse on the bottom, left side of the control panel.



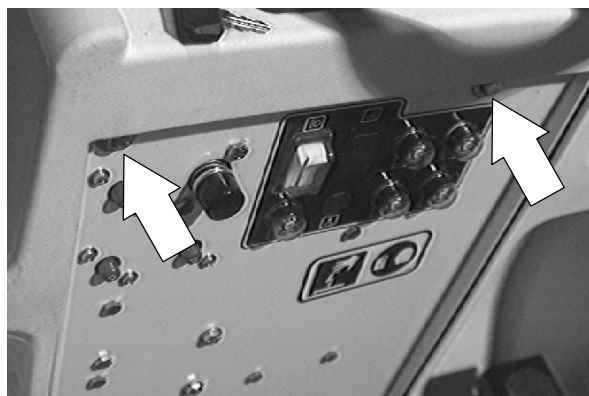
- Loosen both bolts holding the two power cables to the top and bottom of the fuse and red stand-offs.



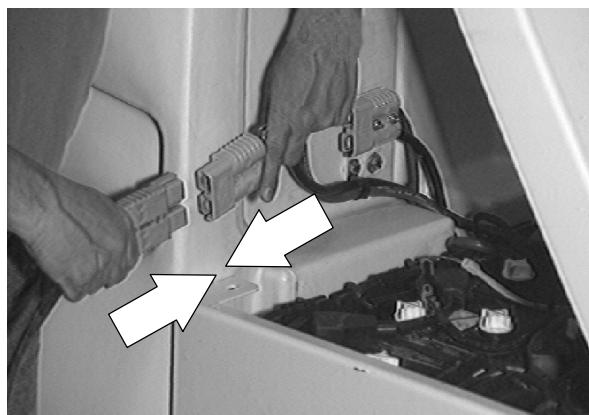
- The fuse has slots on the top and bottom. Slide the fuse up and to the side and remove.
- Position the new fuse on the two red stand-offs, under the two bolts and power cables. Hand tighten the hardware. See the schematic in this section.



- Pivot the control panel back in position. Reinstall the two screws and tighten to 18 - 24 Nm (15 - 20 ft lb).



- Lift the operator seat and reconnect the battery connector at the front of the solution tank.



- Start the machine and check for proper operation.

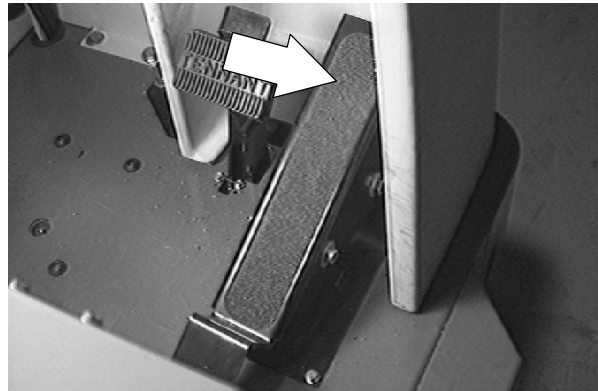
## DIRECTIONAL CONTROL PEDAL

The directional pedal controls the machine's direction of travel and propelling speed. The machine's speed is controlled by the amount of pressure placed on the pedal; the farther the pedal is pressed, the faster the machine will travel.

When the machine is moving forward and the directional pedal is reversed, the machine will coast for a short distance before changing direction. Use the brake pedal to stop the machine.

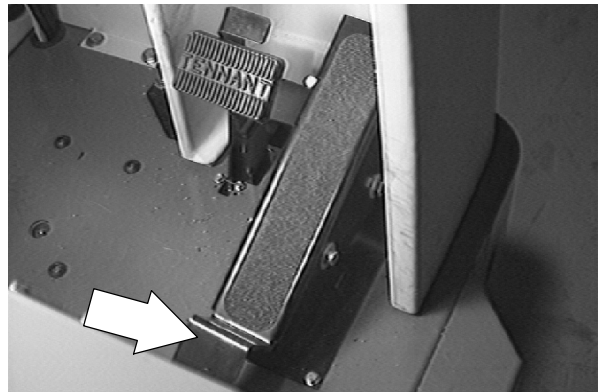
**Forward:** Press the top of the directional pedal with the upper part of your foot.

*NOTE: A machine power shut-off switch is located under the operator seat. If there is no weight on the operator seat, the machine WILL NOT propel in any direction.*



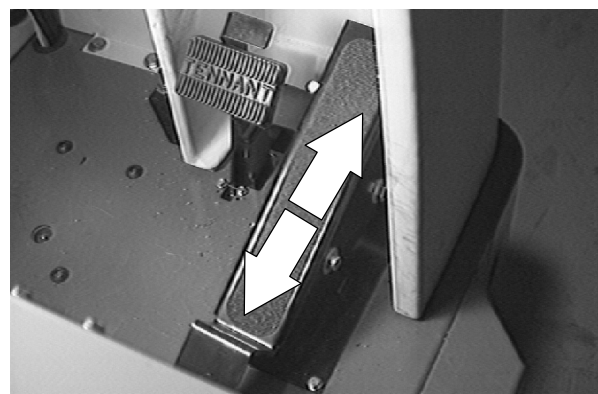
**Reverse:** Press the bottom of the directional pedal with the heel of your foot.

*NOTE: When the directional pedal is placed into the reverse position, the rear squeegee will automatically raise. After a short delay, the vacuum will stop.*



**Neutral:** The machine will automatically return to the Neutral position when you take your foot off of the directional pedal.

*NOTE: When the directional pedal returns to the neutral position the scrub head will stop. After a short delay, the scrub head will also raise.*

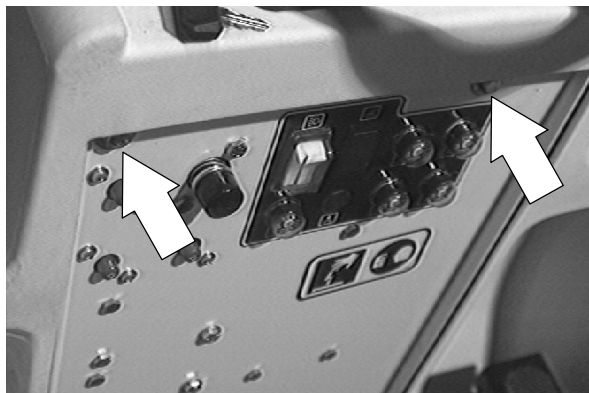


## TO REPLACE MOTOR CONTROLLER

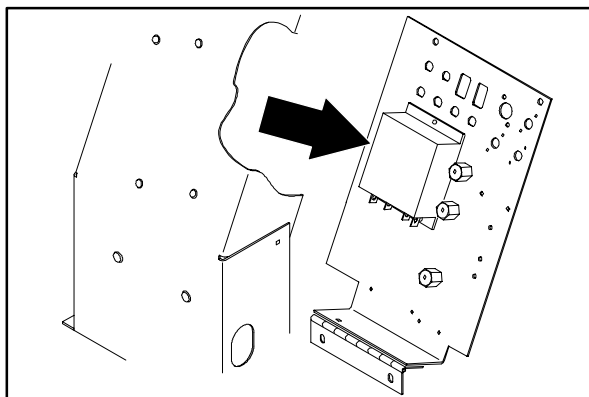
**FOR SAFETY: Before Leaving Or Servicing Machine; Stop On Level Surface, Set Parking Brake.**

1. Open the control panel. See TO ACCESS CONTROL PANEL instructions.

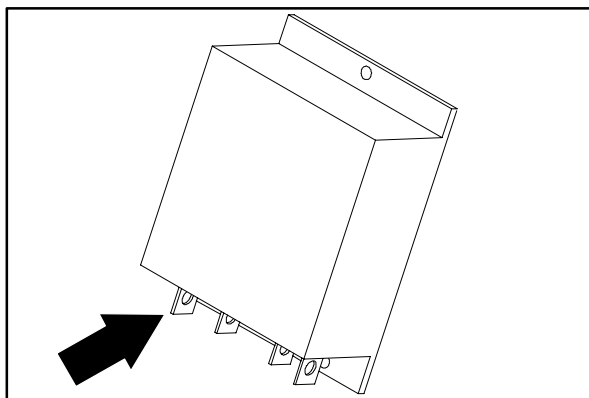
**FOR SAFETY: Disconnect Battery Connections Before Working On machine.**



2. Locate the controller box in the center of the control panel.

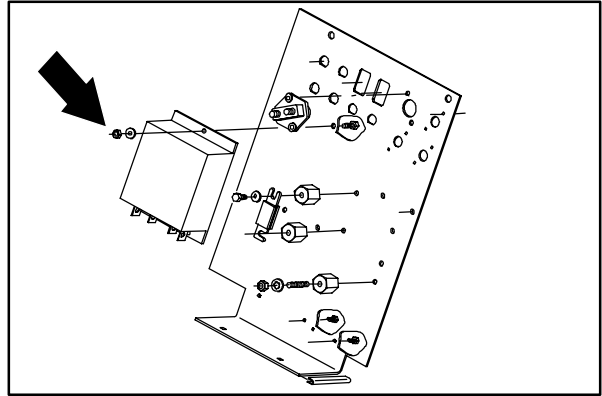


3. Disconnect the wires and power cables leading to the controller.

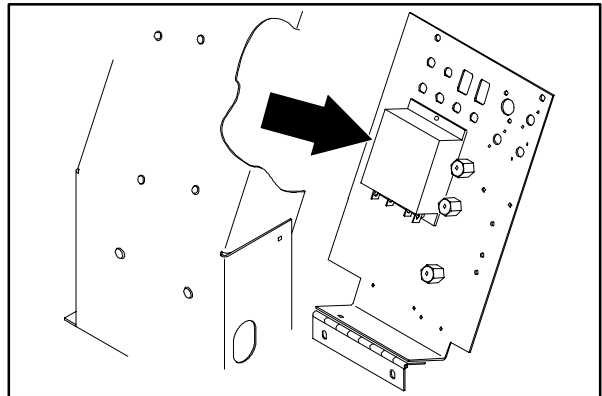


## ELECTRICAL

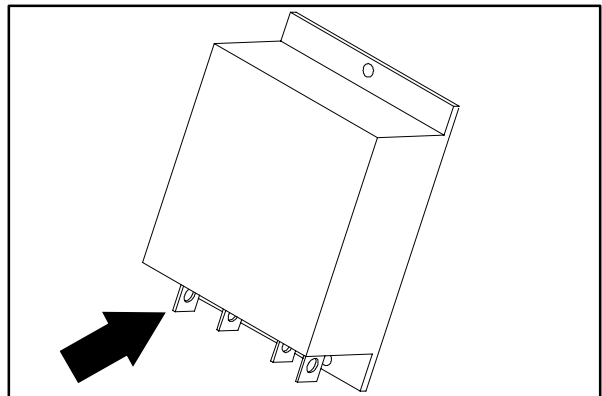
4. Remove the three screws and nuts holding the controller to the panel. Remove the controller from the machine.



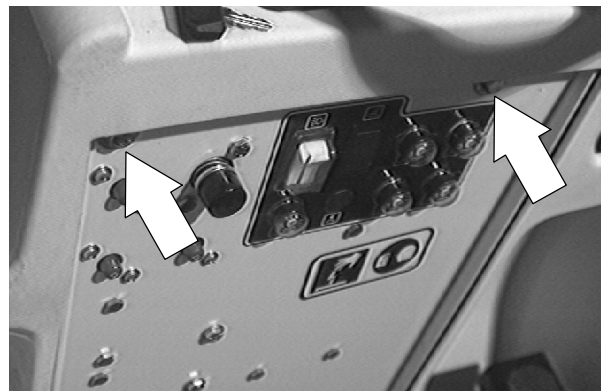
5. Position the new controller on the panel. Reinstall the screws and nuts. Hand tighten.



6. Reconnect the power cables and electrical wires to the controller. See the schematic in this section.

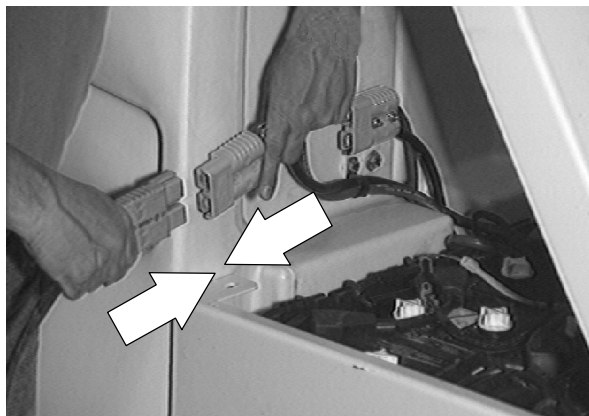


7. Pivot the control panel back in position. Reinstall the two screws and tighten to 18 - 24 Nm (15 - 20 ft lb).





8. Lift the operator seat and reconnect the battery connector at the front of the solution tank.



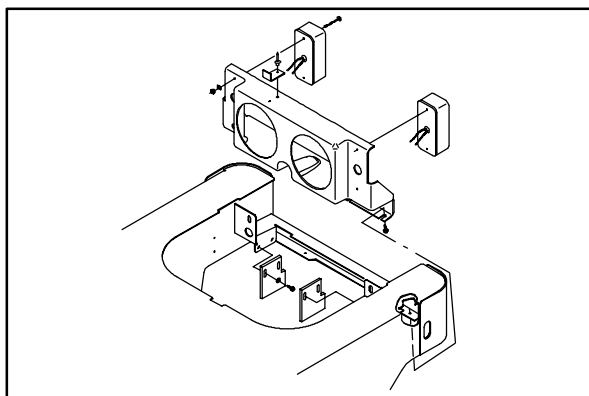
9. Start the machine and check for proper operation of the propelling.

---

**TO REPLACE TAILLIGHT BULB**

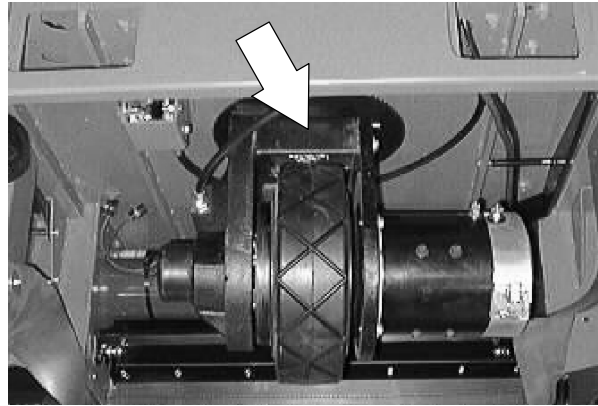
---

1. Drain the tanks, then remove tank drain caps.
2. Loosen the bottom screws holding the drip tray.
3. Rotate the tray outward from the bottom. This allows access to the taillight assembly.



## ELECTRIC MOTORS

The carbon brushes on the vacuum fan motor should be inspected after every 500 hours of machine operation. The carbon brushes on the scrub brush motors and propelling motor should be inspected after every 1000 hours of machine operation.



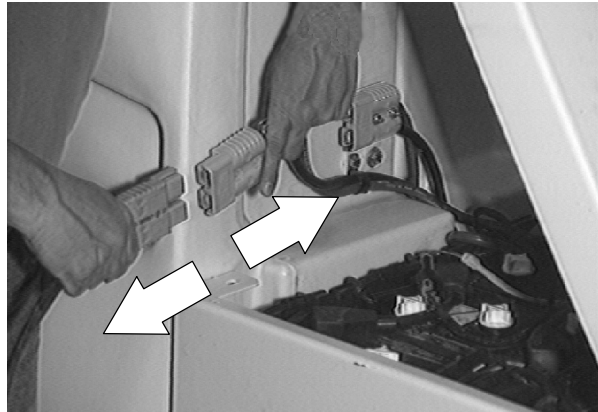
### TO REPLACE DRIVE MOTOR

**FOR SAFETY: Before Leaving Or Servicing Machine; Stop On Level Surface, Set Parking Brake.**

1. Raise the seat support and unplug the battery connectors.

**FOR SAFETY: Disconnect Battery Connections Before Working On machine.**

2. Raise the front of the machine and place jack stands under the frame.

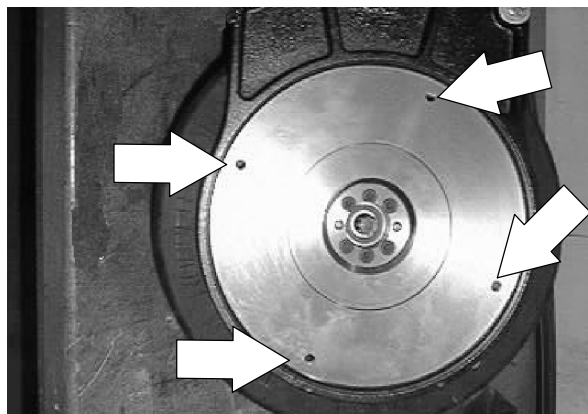


3. Mark and remove the four electrical cables leading to the drive motor.



4. Remove the 4 hex screws holding the electric drive motor to the drive assembly outer plate. Remove the drive motor.

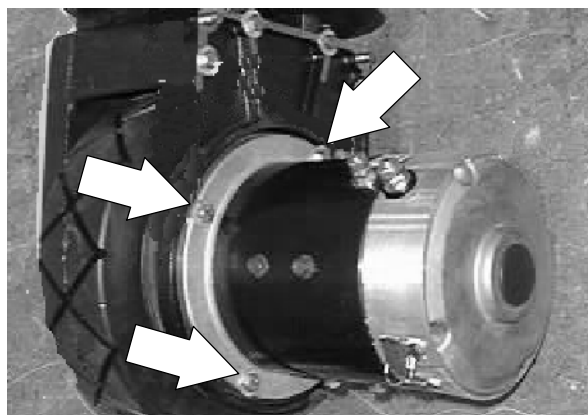
*NOTE: When installing the motor on the drive assembly, make sure the terminals are pointing up and slightly forward for proper electrical cable installation.*



5. Install the new electric motor on the drive assembly.

*NOTE: Make sure to line up the splines on the motor shaft with the splines of the planetary gear box.*

6. Tighten the 4 hex screws to 18 - 24 Nm (15 - 20 ft lb).



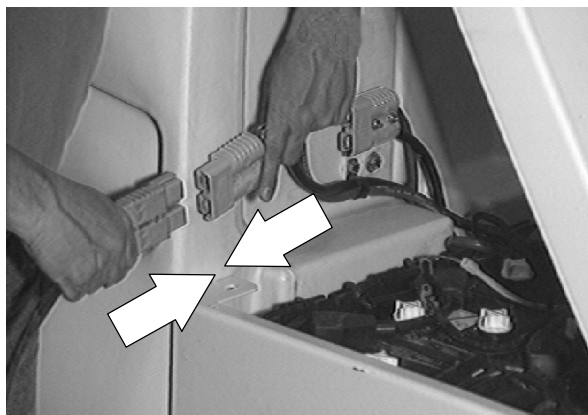
7. Reconnect the electrical cables to the drive motor. See the schematic in this section.

8. Remove the jack stands and lower the machine.



9. Reconnect the battery cables.

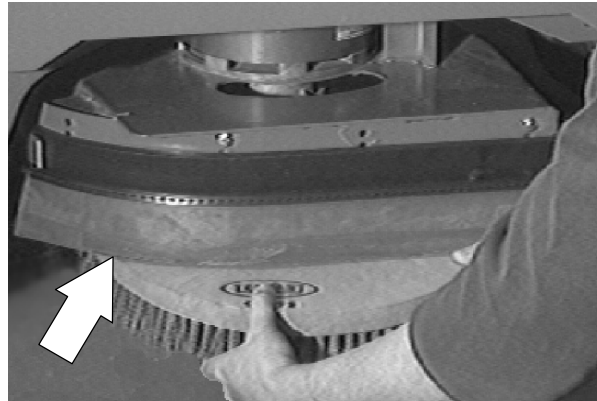
10. Drive the machine and check the new drive motor for proper operation.



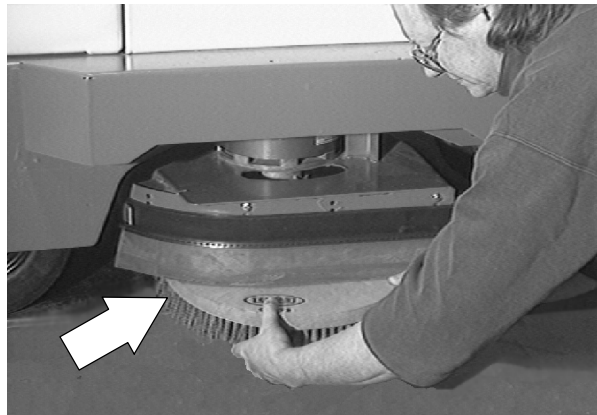
## TO REPLACE DISC SCRUB HEAD BRUSH MOTOR

**FOR SAFETY: Before Leaving Or Servicing Machine; Stop On Level Surface, Set Parking Brake.**

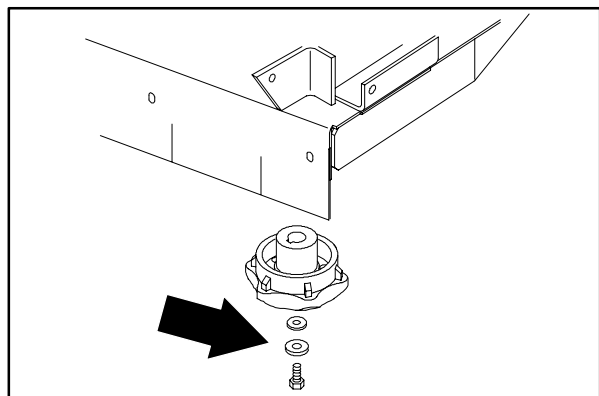
1. Remove the side squeegees. See TO REPLACE SIDE SQUEEGEE BLADES instructions in the SCRUBBING section.



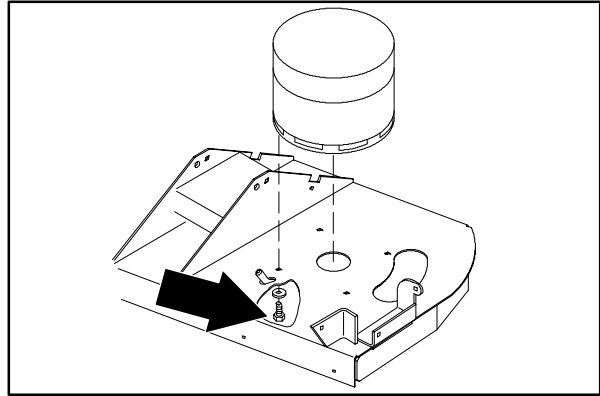
2. Remove the scrub brushes. See TO REPLACE DISC SCRUB BRUSHES instructions in the SCRUBBING section.



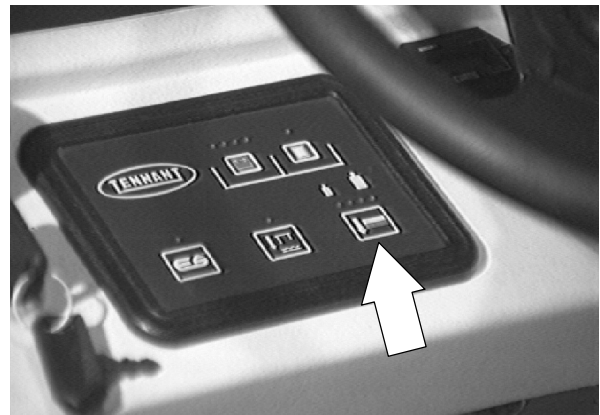
3. Go in under the scrub head and remove the screw and washer from the center of the brush drive plug.
4. Drop the drive plug down off the motor shaft. Make sure to retain the square key.



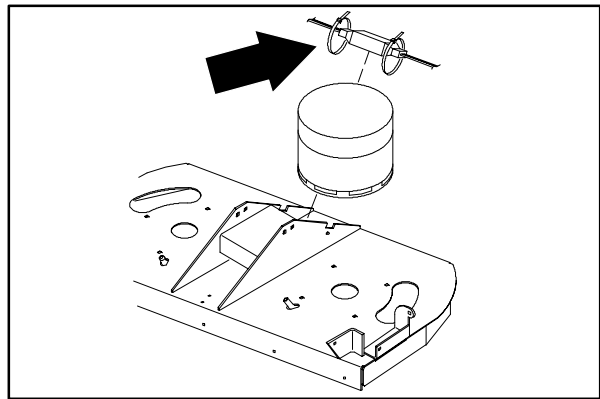
5. Remove the four screws holding the brush motor to the scrub head.



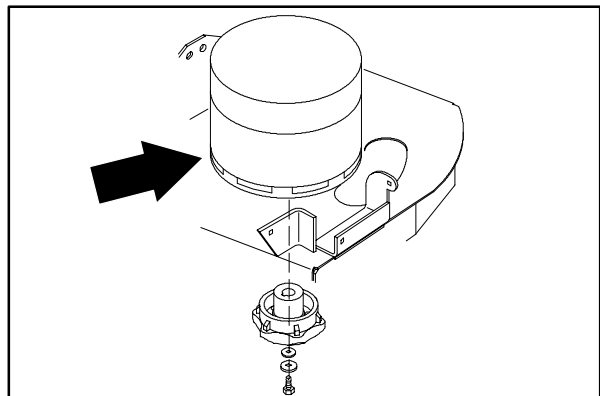
6. Start the machine and lower the scrub head. Shut off the key.



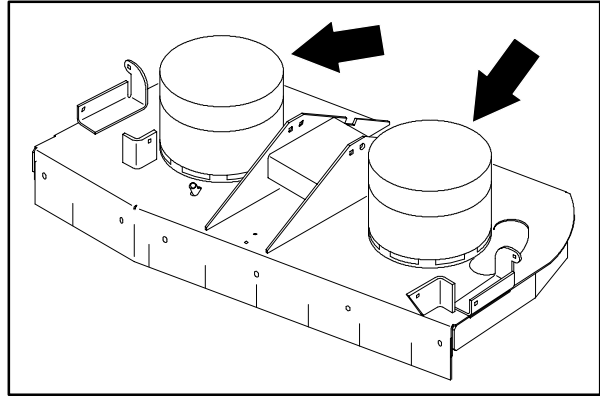
7. Go in on top of the scrub head and disconnect the scrub brush motor from the main harness. Note the orientation of wire to motor.



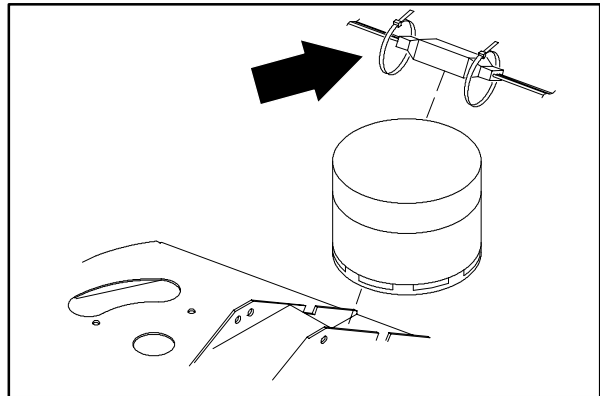
8. Lift the brush motor off the deck of the scrub head and remove it from the machine. Note the orientation of the brush motor power cable. The new motor must be orientated the same direction.



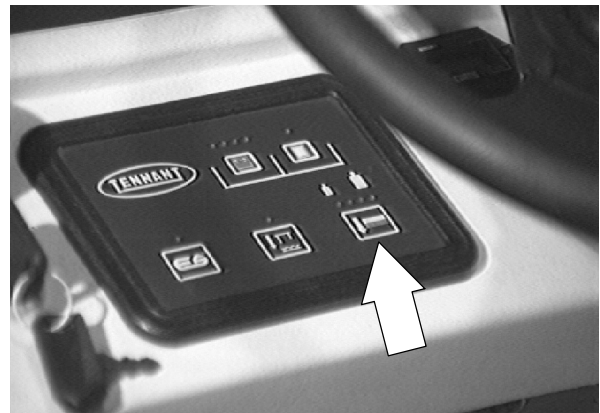
9. Position the new motor on the scrub head.



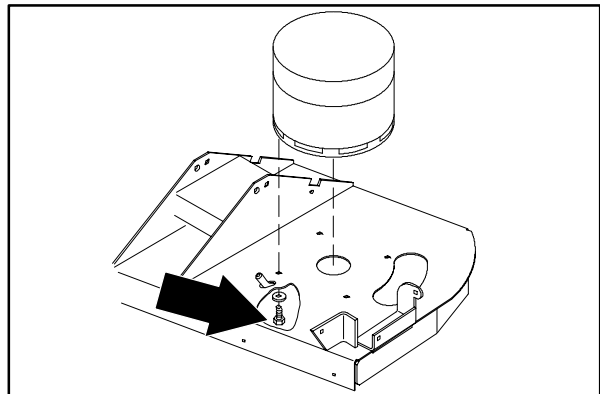
10. Reconnect the motor wires to the main electrical harness. See schematic in this section.



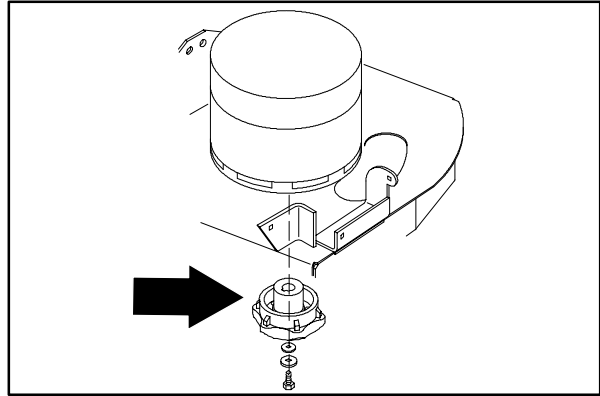
11. Start the machine and raise the scrub head. Shut off the key.



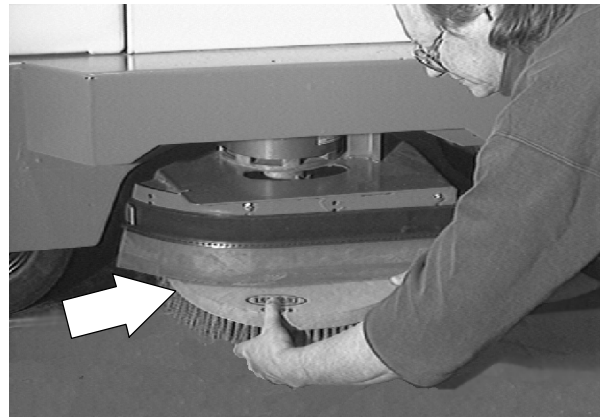
12. Rotate the brush motor until it is orientated properly and the mount holes line up with the holes in the deck of the scrub head. Install the four screws and tighten to 11 - 14 Nm (7 - 10 ft lb).



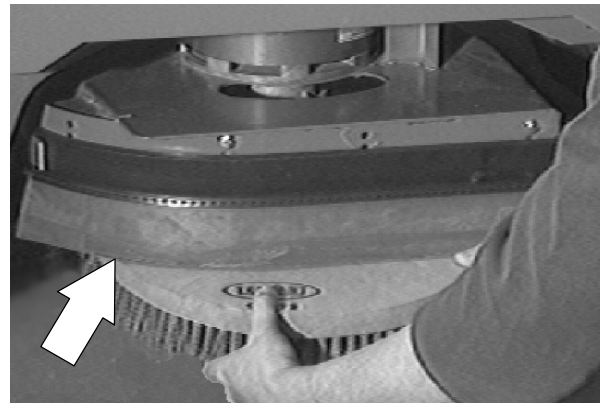
13. Install the square key and drive plug on the brush motor shaft. Install the screw and washer in the center of the drive plug. Tighten to 18 - 24 Nm (15 - 20 ft lb).



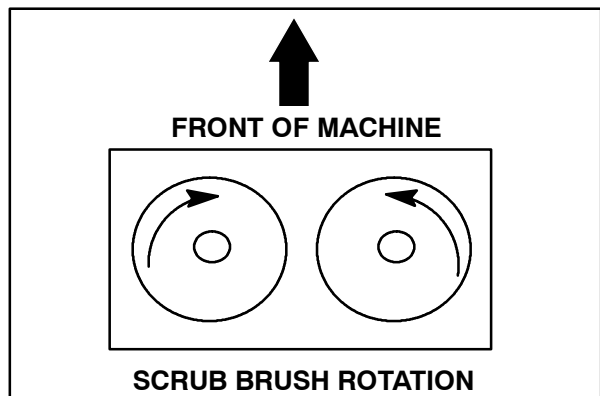
14. Reinstall the scrub brush. See TO REPLACE DISC SCRUB BRUSHES instructions in the SCRUBBING section.



15. Reinstall the side squeegees. See TO REPLACE SIDE SQUEEGEE BLADES instructions in the SCRUBBING section.



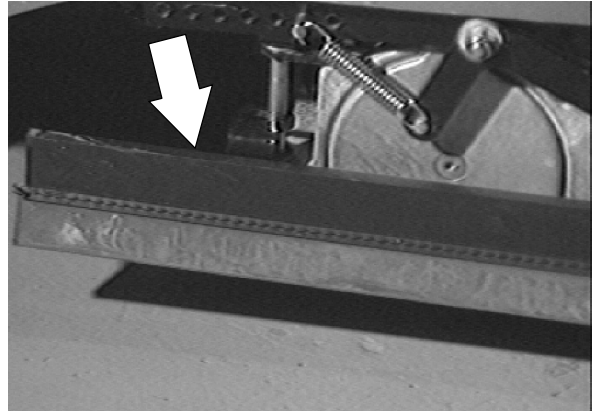
16. Start the machine and operate the scrubbing function. Check for proper operation and rotation of the new motor.



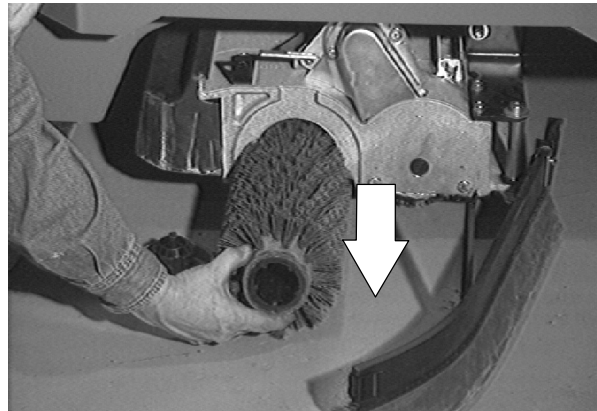
## TO REPLACE CYLINDRICAL SCRUB HEAD BRUSH MOTOR

**FOR SAFETY: Before Leaving Or Servicing Machine; Stop On Level Surface, Set Parking Brake.**

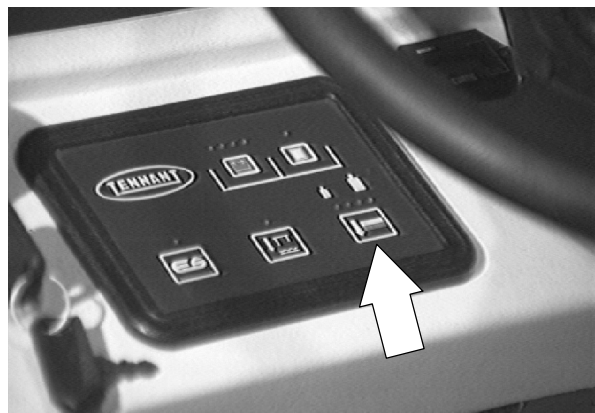
1. Remove the side squeegees. See TO REPLACE SIDE SQUEEGEE BLADES instructions in the SCRUBBING section.



2. Remove the scrub brushes. See TO REPLACE DISC SCRUB BRUSHES instructions in the SCRUBBING section.

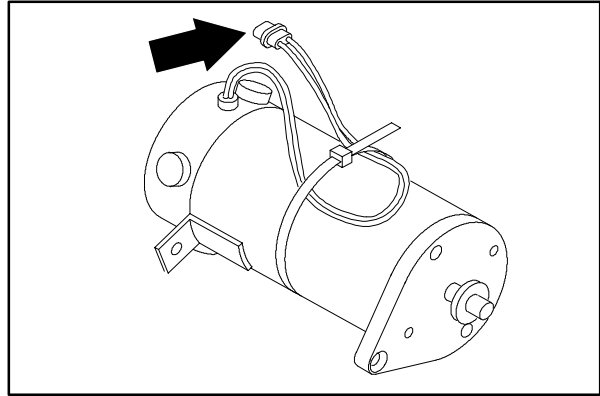


3. Start the machine and lower the scrub head. Shut off the key.

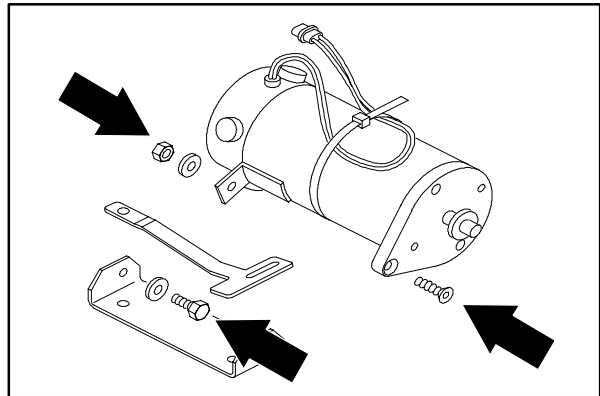




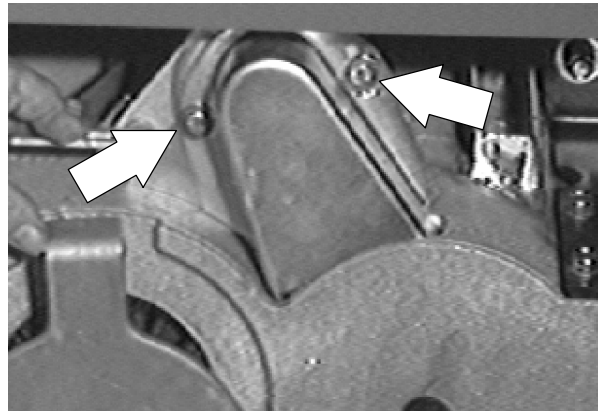
4. Go in on top of the scrub head and disconnect the scrub brush motor from the main harness. Note the orientation of wire to motor.



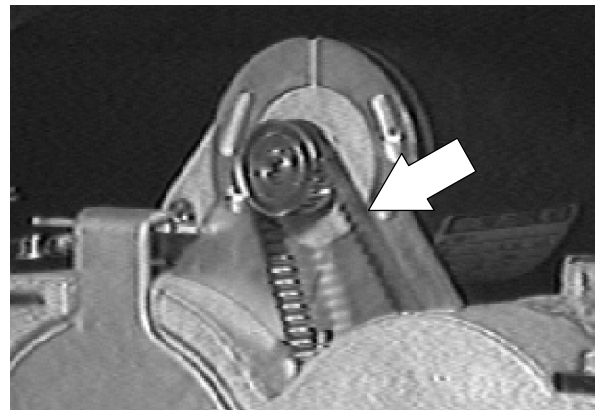
5. Loosen the front and rear pivot mount bolts on the brush motor.



6. Remove the two screws holding the brush motor belt cover to the brush motor. Remove the belt cover from the scrub head.

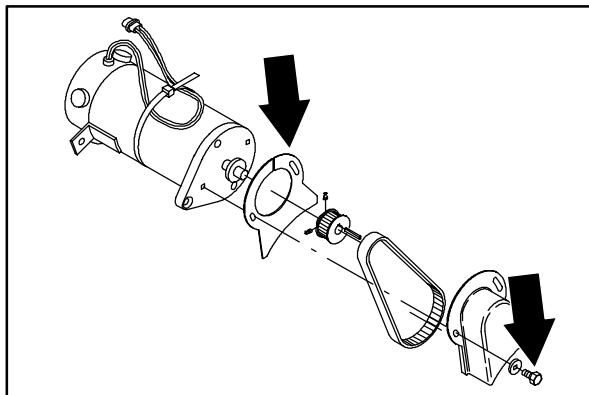


7. Loosen the jam nut on the belt tension bolt under the brush motor. Turn the tension bolt down far enough to slip the the belt off the cogged pulley.



## ELECTRICAL

8. Remove the two screws holding the brush motor to the pivot bracket. Remove the brush motor from the machine.

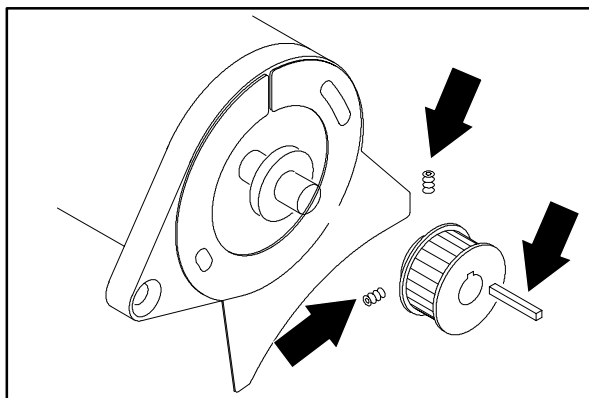


9. Loosen the set screws holding the cogged pulley to the brush motor shaft. Slide the pulley off the shaft.

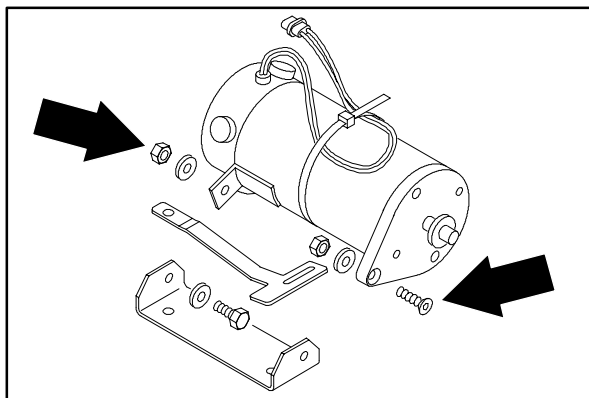
*NOTE: Do not loose the square key.*

10. Install the cogged pulley and square key onto the shaft of the new brush motor.

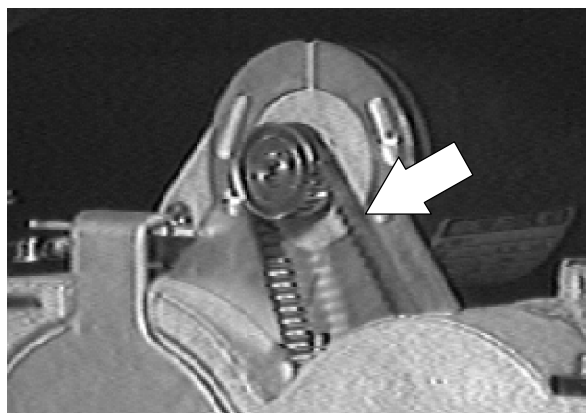
*NOTE: Leave the set screws loose for now.*



11. Position the new brush motor on the scrub head. Align the mounting holes on the motor with the holes in the pivot mount bracket. Install the two screws. Snug the hardware for now.

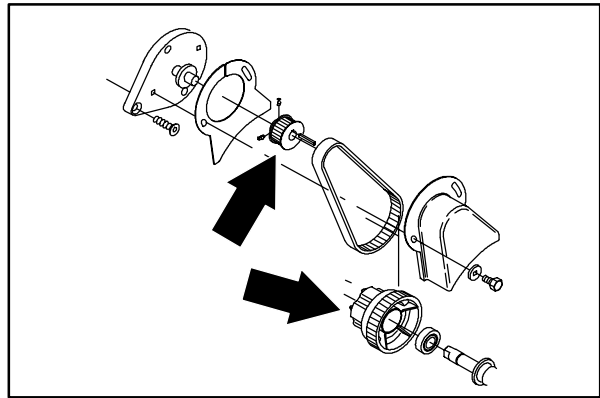


12. Slip the brush belt over the cogged pulley.



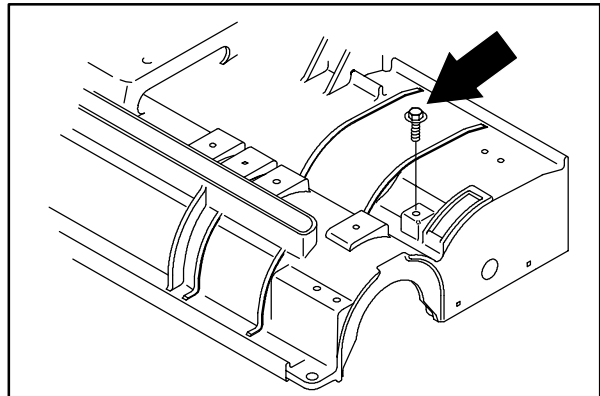
- Align the top pulley with the bottom drive plug. Make sure the belt is in the center of the top pulley. Tighten the set screws tight.

*NOTE: Use loctite 242 blue on the threads.*

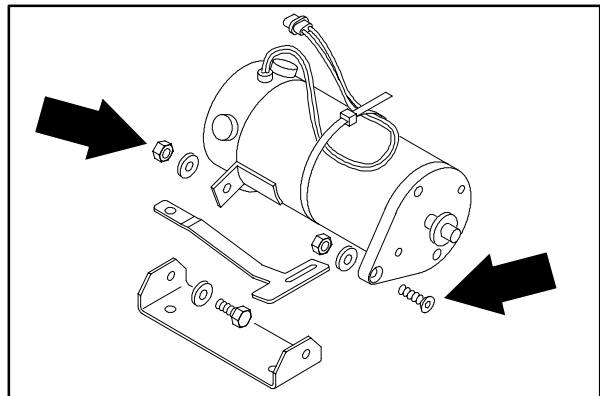


- Use the hex screw under the brush motor to tension the belt. Apply 2.5-2.7 lbs. of force at the middle of the span that is opposite belt travel.

*NOTE: There should be 0.10 inch of deflection.*

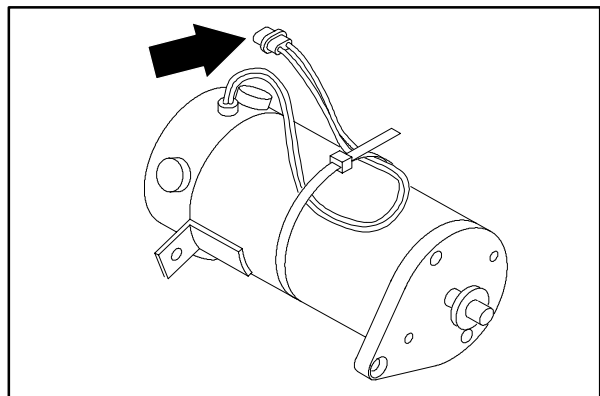


- Tighten the two motor pivot screws to 18 - 24 Nm (15 - 20 ft lb). Re-check the belt tension.



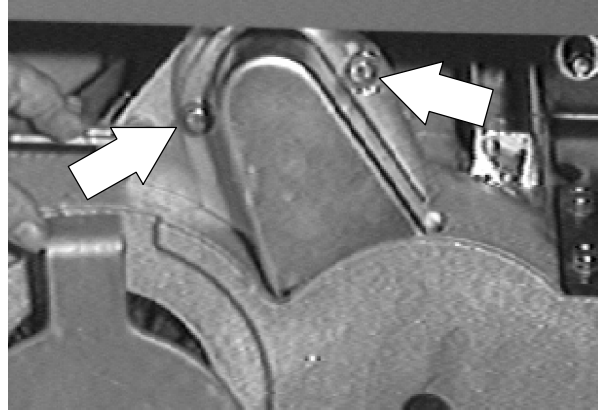
- Reconnect the brush motor into the main harness.

*NOTE: See schematic in this section.*

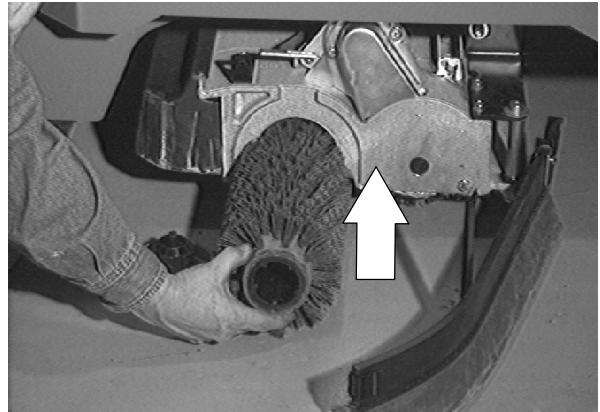


## ELECTRICAL

17. Reinstall the belt cover. Tighten the screws to 11 - 14 Nm (7 - 10 ft lb). Apply a small amount of RTV sealant on the flange of the belt cover to keep dust out of the cogs of the belt.



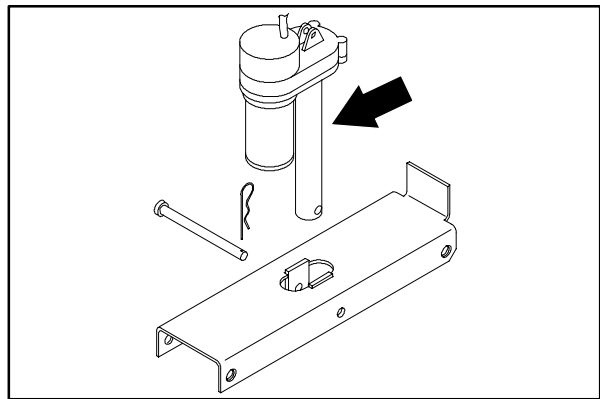
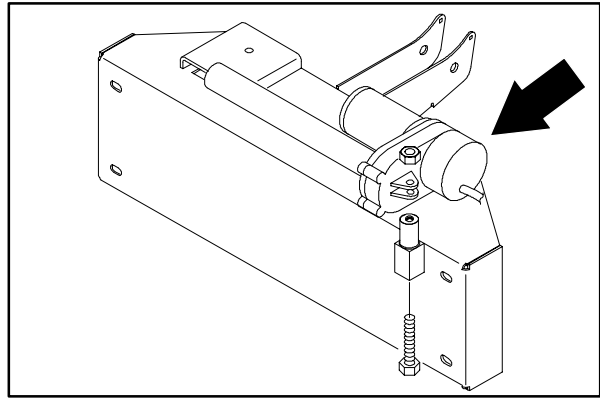
18. Reinstall the scrub brushes. See TO REPLACE CYLINDRICAL SCRUB BRUSHES instructions in the SCRUBBING section.



19. Operate the machine and check the scrub brush motor for proper operation.

**LIFT ACTUATORS**

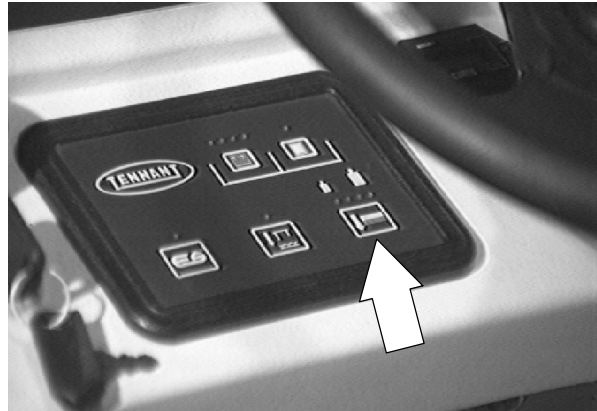
The lift actuators are electric devices that, with a push of a switch, raise and lower either the scrub head or the rear squeegee.



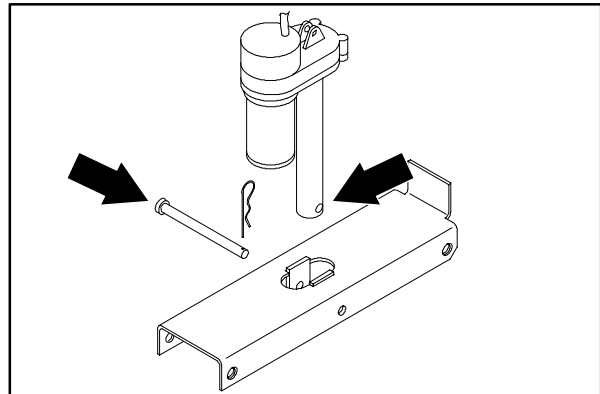
## TO REPLACE SCRUB HEAD LIFT ACTUATOR

1. Start the machine and lower the scrub head to the floor. Shut off the machine.

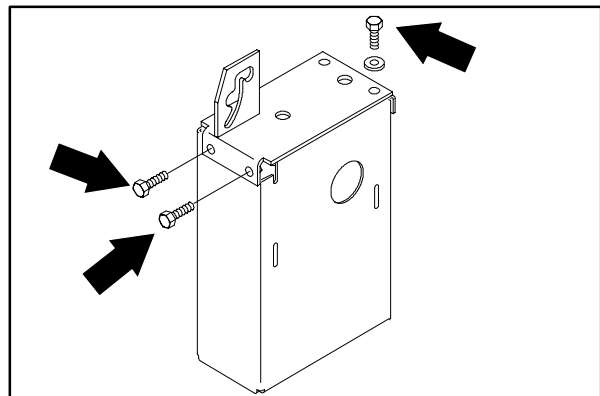
**FOR SAFETY: Before Leaving Or Servicing Machine; Stop On Level Surface, Set Parking Brake.**



2. Go in on top of the scrub head and remove the cotter pin and clevis pin from the bottom of the scrub head lift actuator tube.

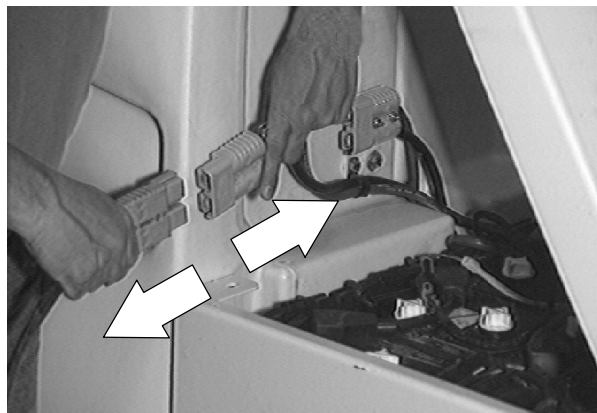


3. Go into the operators compartment and locate the two screws holding the lift actuator mount bracket to the front of the seat support. Remove the two screws.

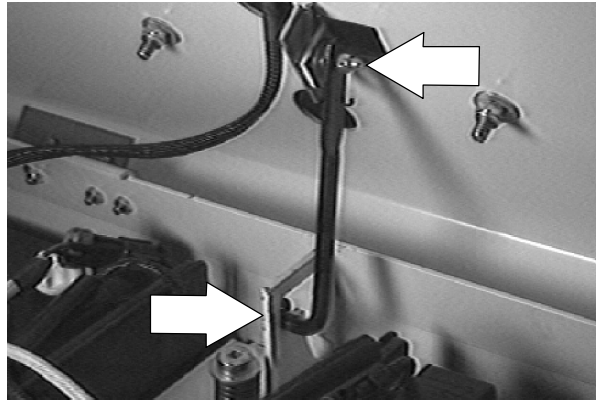


4. Raise the seat support and unplug the battery connector.

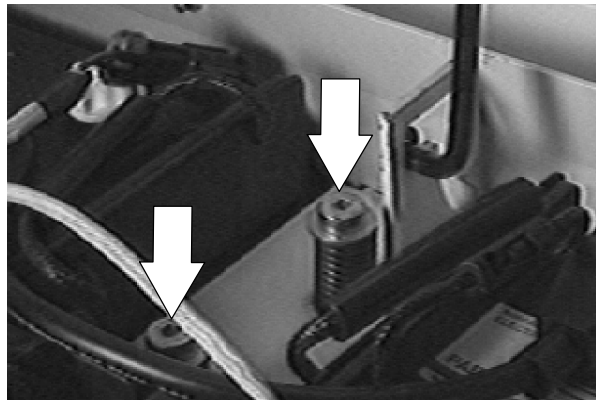
**FOR SAFETY: Disconnect Battery Connections Before Working On machine.**



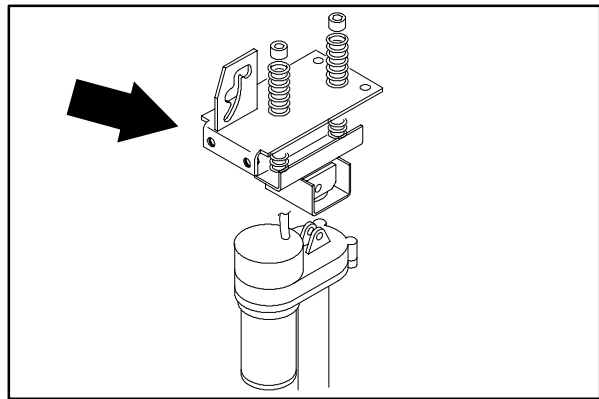
5. Tie the seat up. Remove the screw holding the seat prop rod to the bottom of the seat support. Remove the prop rod from the lock slot.



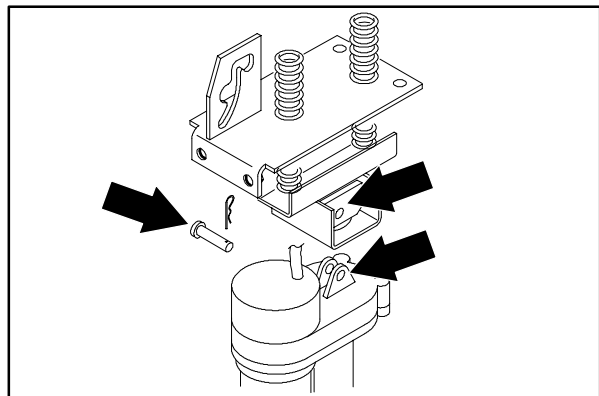
6. Locate the lift actuator spring mount bracket. Remove the two screws holding the mount bracket to the actuator mount assembly.



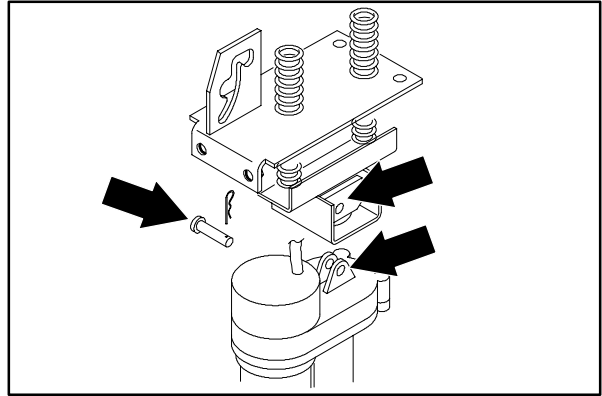
7. Lift the actuator and spring mount bracket out of the assembly and remove from the machine.



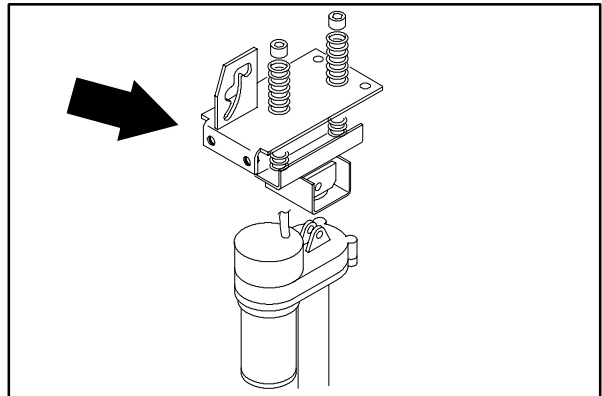
8. Remove the cotter pin and clevis pin holding the actuator to the bottom of the spring mount bracket. Remove the actuator. Note the orientation of the actuator on the bracket.



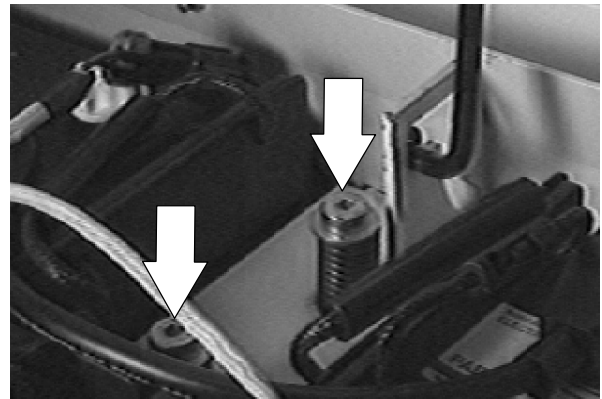
9. Position the new actuator on the spring mount bracket. Install the clevis and cotter pins.



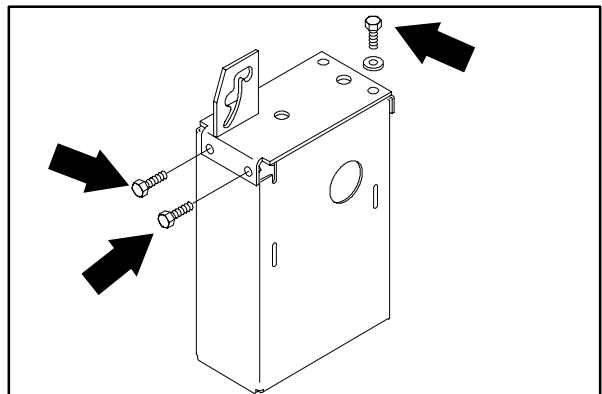
10. Position the new actuator and spring mount bracket in the machine. Slide the assembly down the into the mount bracket. Route the wires and plug in the connector. Make sure the wires are located in the slot on the of the actuator bracket before installing the spring mount bracket.



11. Reinstall the two screws in the spring mount bracket. Leave loose for now.

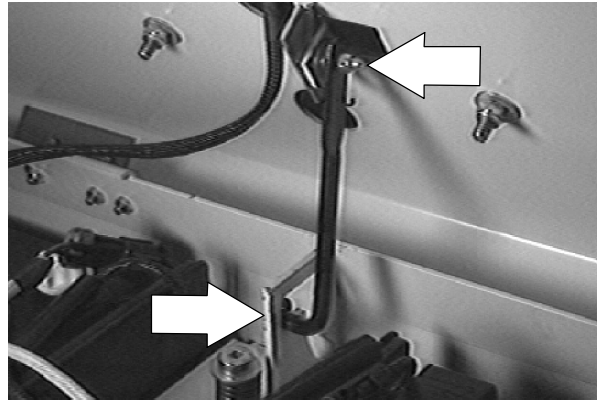


12. Go around to the front of the seat support and install the two screws that hold the front of the spring mount bracket to the seat support. Tighten all four screws to 18 - 24 Nm (15 - 20 ft lb).

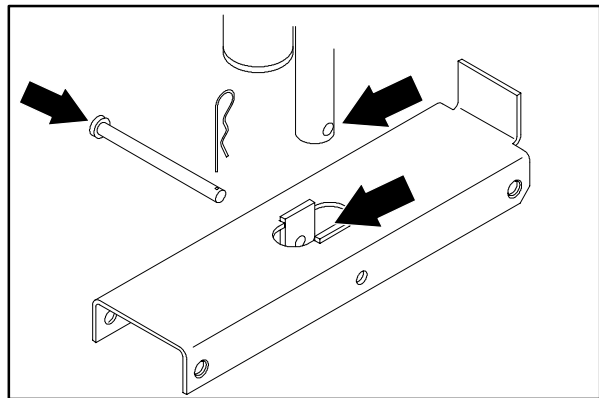




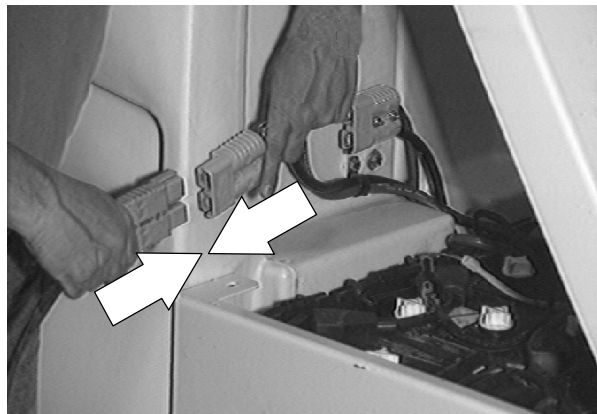
13. Reinstall the prop rod in the bracket and on the bottom of the seat support. Snug the screws and nut so the rod can still pivot.



14. Go in on top of the scrub head and install the clevis and cotter pin in the bottom of the scrub head lift actuator tube and scrub head lift bracket.



15. Raise the seat support and plug in the battery connector. Lower the seat assembly.

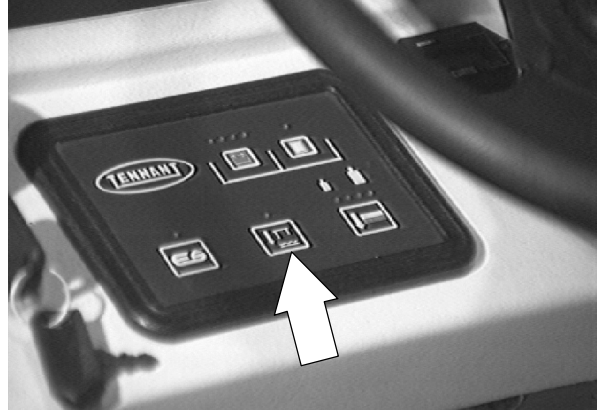


16. Operate the machine and check the scrub head lift actuator for proper operation.

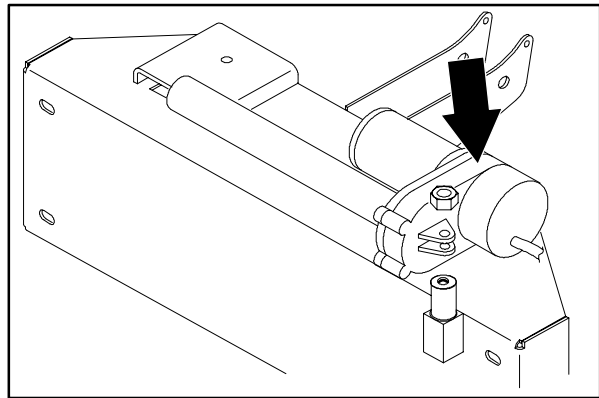
## TO REPLACE REAR SQUEEGEE LIFT ACTUATOR

1. Start the machine and lower the rear squeegee. Shut off the machine.

**FOR SAFETY: Before Leaving Or Servicing Machine; Stop On Level Surface, Set Parking Brake.**

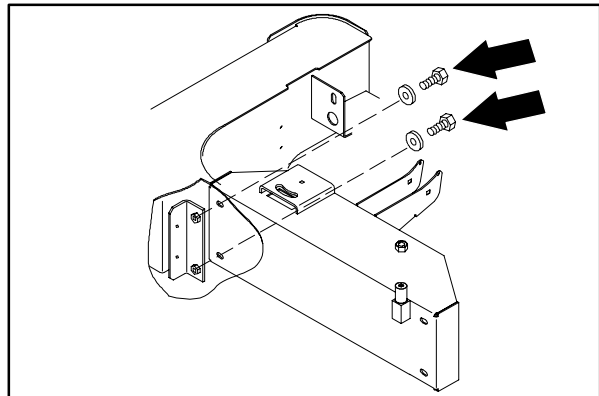


2. Disconnect the squeegee lift actuator from the main electrical harness.

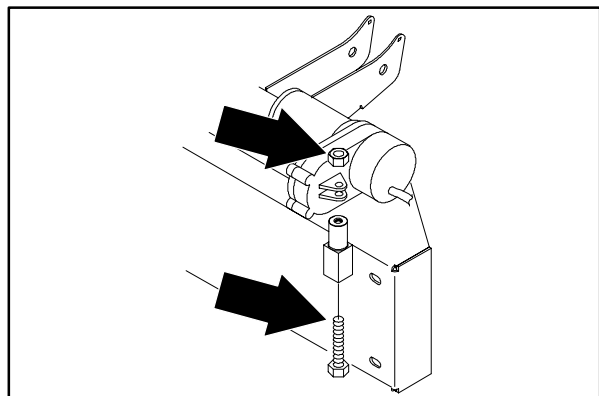


3. Locate the four screws holding the squeegee mount channel to the back of the machine.

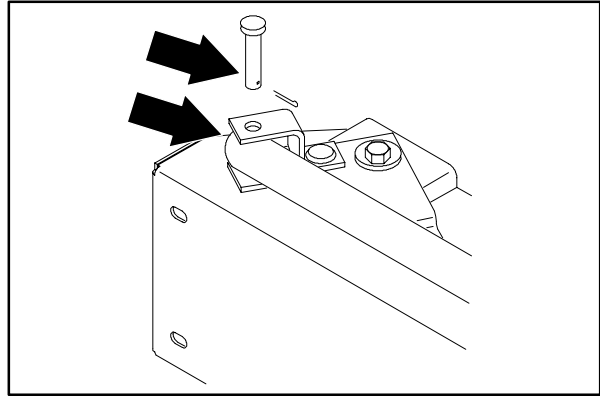
4. Remove the four screws. Let the squeegee mount channel and squeegee assembly drop down to access the lift actuator.



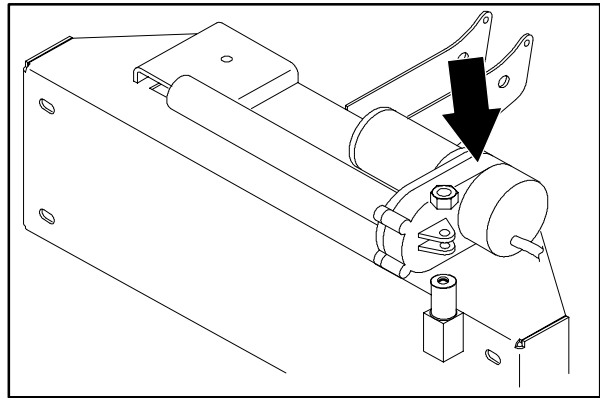
5. Remove the long hex screw and nyloc nut from the motor end of the lift actuator.



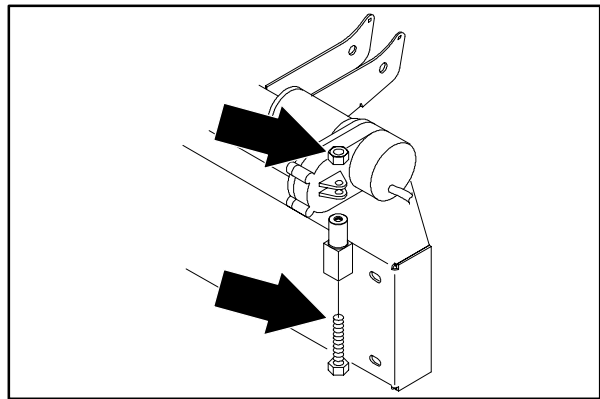
6. Remove the cotter pin and clevis from the tube end of the lift actuator.
7. Remove the actuator from the machine.



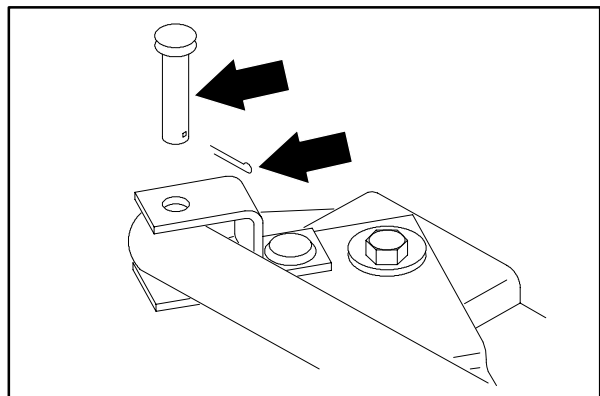
8. Position the new actuator on the squeegee weldment and the tube end into the pivot weldment.



9. Reinstall the hex screw and nut in the motor end of the lift actuator.

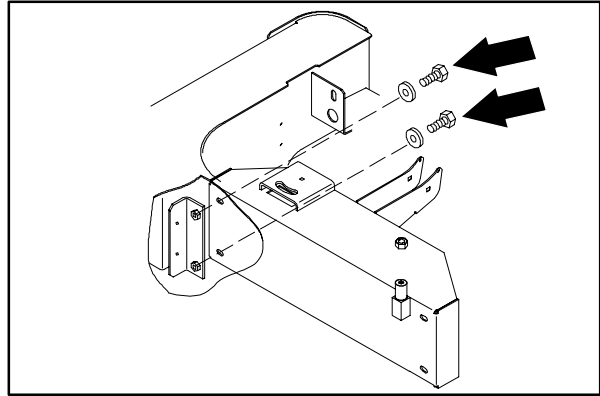


10. Reinstall the cotter pin and clevis in the tube end of the lift actuator.



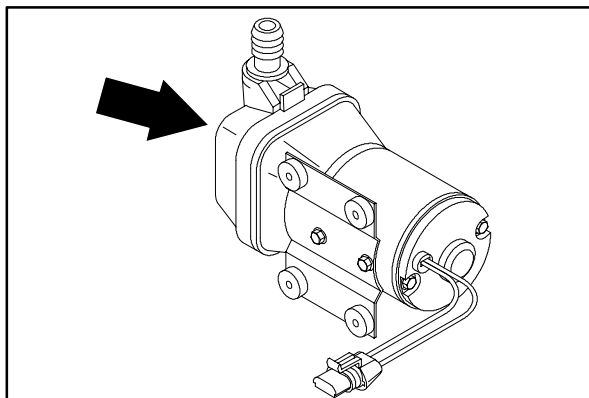
## ELECTRICAL

11. Position the squeegee mount channel and squeegee assembly back into position on the back of the machine frame. Reinstall the four screws. Tighten to 37 - 48 Nm (26 - 34 ft lb).
12. Reconnect the squeegee lift actuator to the main electrical harness. See schematic in this section.
13. Start the machine and check the rear squeegee actuator for proper operation.



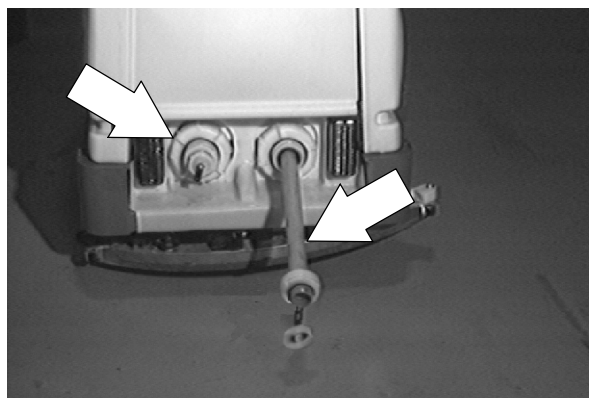
**ES™ PUMP**

The ES™ pump is used to transfer filtered water from the recovery tank to the solution tank. With the ES™ system activated, float switches in the recovery tank and solution tank are used to turn the pump on and off automatically.

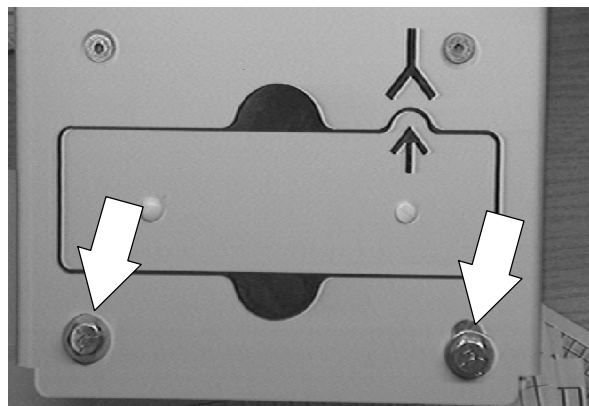
**TO REPLACE ES™ PUMP  
(early machines)**

**FOR SAFETY: Before Leaving Or Servicing Machine; Stop On Level Surface, Set Parking Brake.**

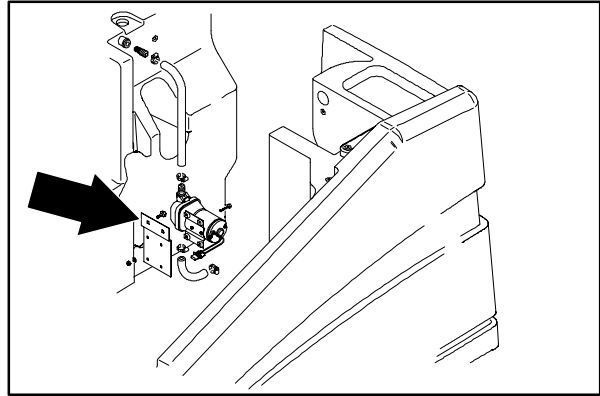
1. Make sure the solution and recovery tanks are empty.



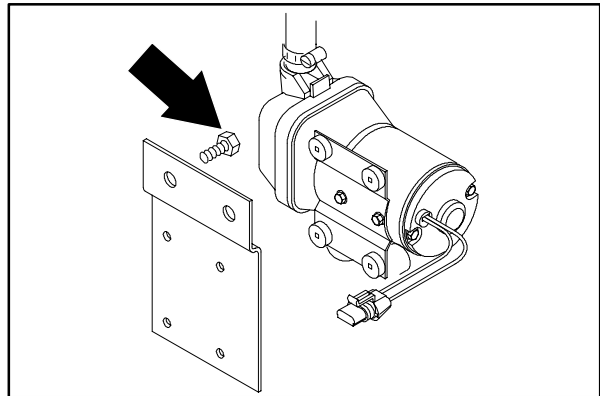
2. Remove the vacuum fan assembly. See TO REMOVE VACUUM FAN ASSEMBLY instructions.



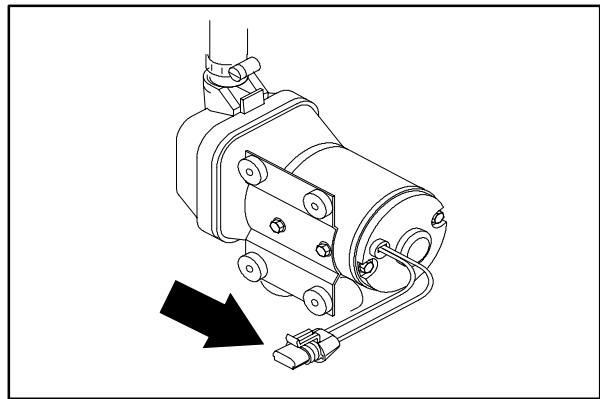
3. Locate the ES™ pump under the vacuum fan.



4. Remove the two screws holding the ES™ pump mount plate to the recovery tank. Pull the pump and plate assembly up far enough to access the hoses and wires.

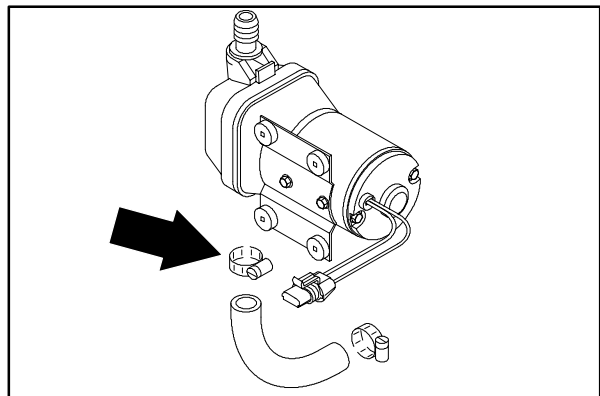


5. Disconnect the ES™ pump from the main electrical harness.

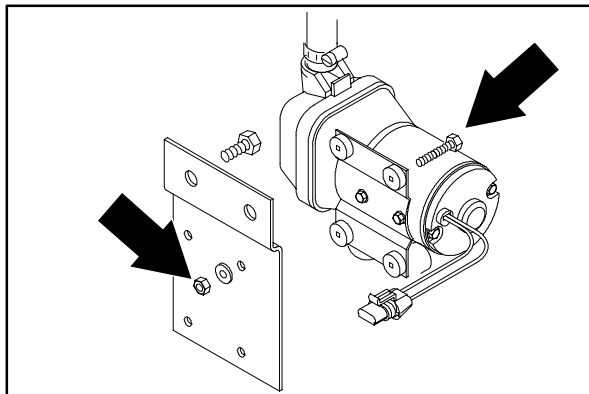


6. Loosen the worm drive clamps holding the solution hoses to the ES™ pump. Pull the hoses off the pump fittings.

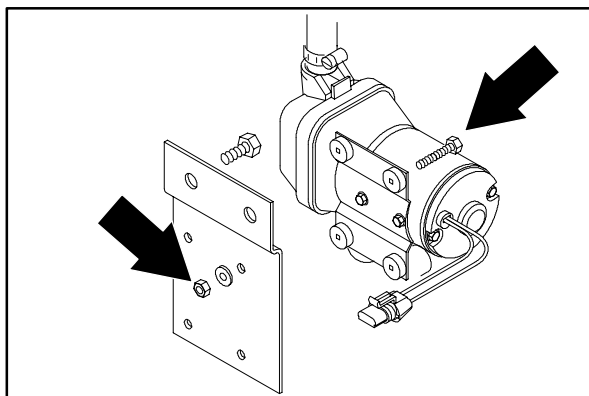
7. Pull the ES™ pump assembly out of the machine.



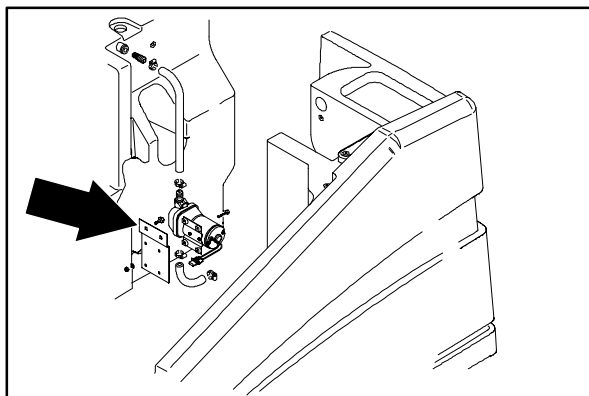
8. Remove the three screws holding the ES™ pump to the mount plate. Remove the pump.
9. Remove the plastic fittings from the old pump and install in the new pump in the same orientation.



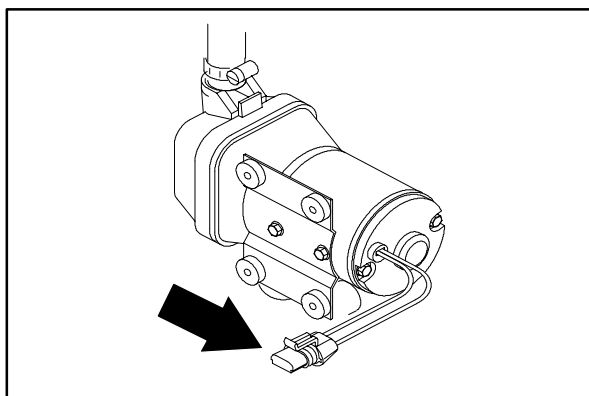
10. Install the new ES™ pump on the mount plate. Hand tighten the hardware.



11. Position the pump assembly in the tank area. Place both solution hoses on the pump fittings. Hand tighten the worm drive clamps.

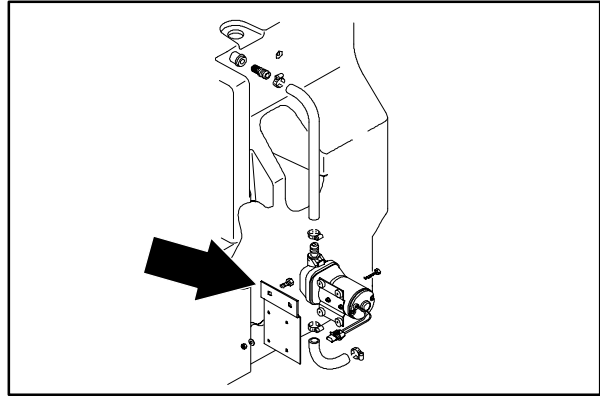


12. Reconnect the pump to the main electrical harness. See schematic in this section.

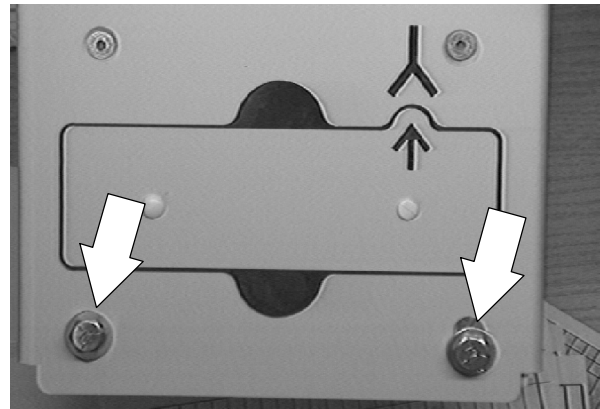


## ELECTRICAL

13. Line up the mount plate with the holes in the recovery tank. Reinstall the hardware and tighten to 18 - 24 Nm (15 - 20 ft lb).



14. Reinstall the vacuum fan assembly. See TO INSTALL VACUUM FAN ASSEMBLY instructions.



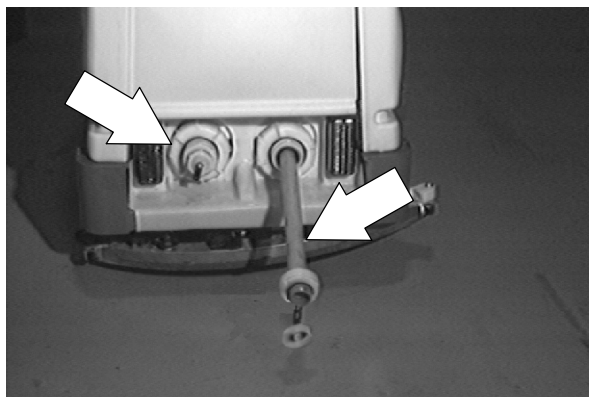
15. Operate the machine and check the ES™ pump for proper operation.



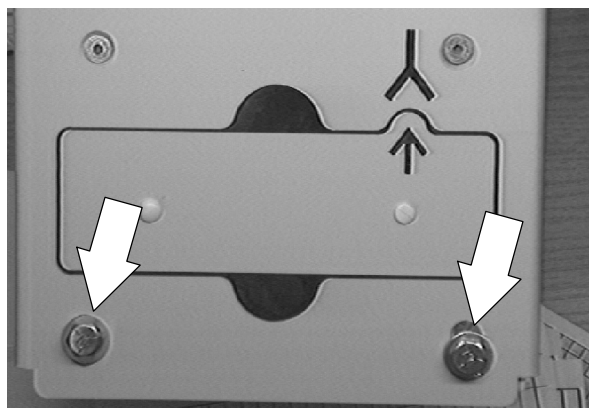
**TO REPLACE ES™ PUMP  
(later machines)**

**FOR SAFETY: Before Leaving Or  
Servicing Machine; Stop On Level  
Surface, Set Parking Brake.**

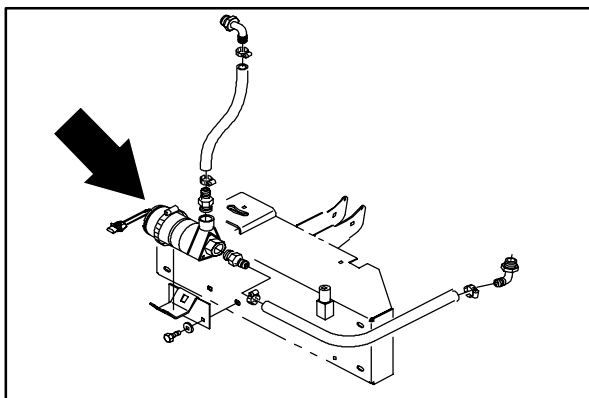
1. Make sure the solution and recovery tanks are empty.



2. Remove the vacuum fan assembly. See TO REMOVE VACUUM FAN ASSEMBLY instructions.

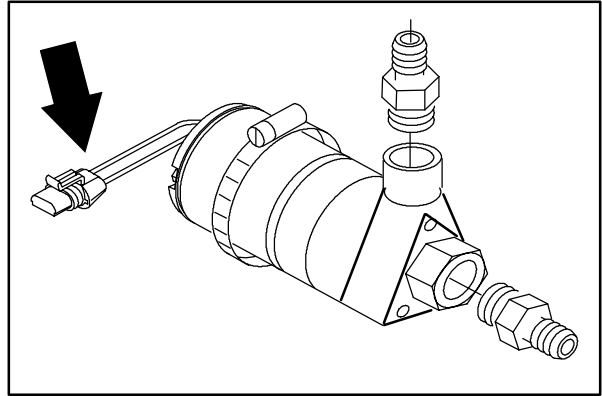


3. Locate the ES™ pump under the solution/recovery tanks, behind the rear squeegee mount frame.

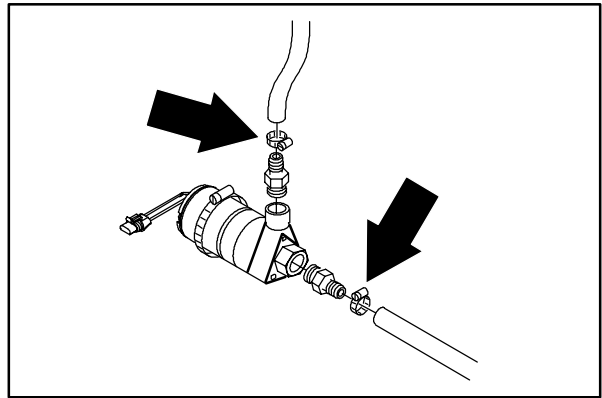


## ELECTRICAL

4. Disconnect the ES™ pump from the main electrical harness.

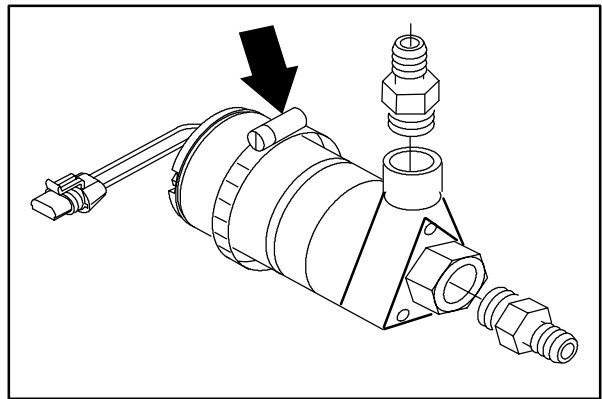


5. Loosen the worm drive clamps holding the solution hoses to the ES™ pump. Pull the hoses off the pump fittings.

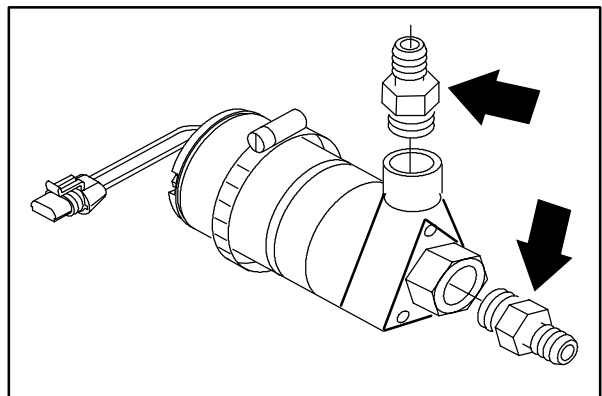


6. Loosen the large worm drive clamp holding the pump to the bracket.

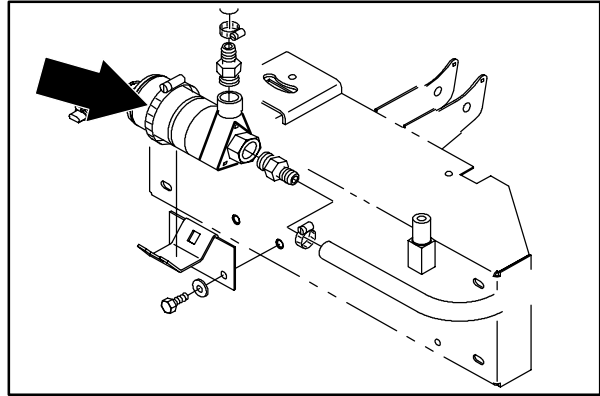
7. Pull the ES™ pump assembly out of the machine.



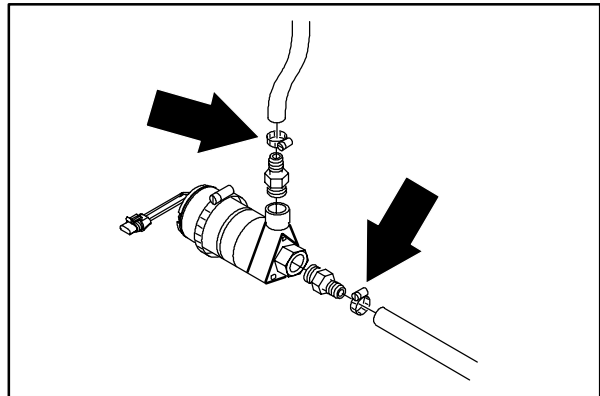
8. Remove the plastic fittings from the old pump and install in the new pump in the same orientation.



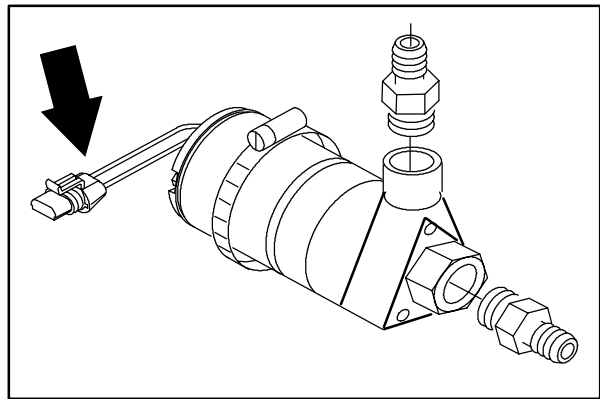
9. Install the new ES™ pump on the mount bracket. Reinstall the large worm drive clamp and hand tighten tight.



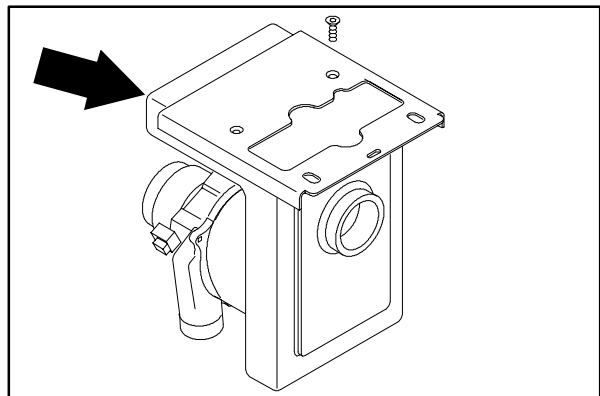
10. Place both solution hoses onto the pump fittings. Hand tighten the worm drive clamps.



11. Reconnect the pump to the main electrical harness. See schematic in this section.



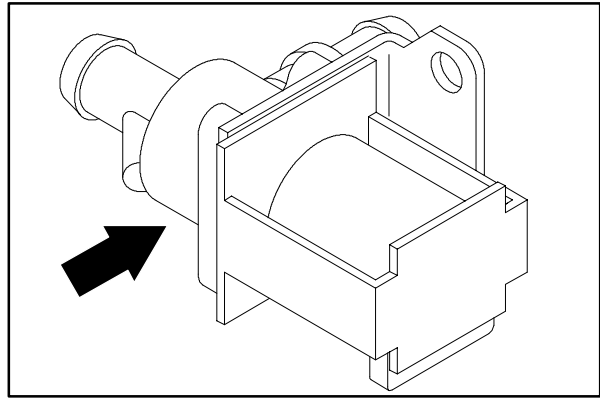
12. Reinstall the vacuum fan assembly. See TO INSTALL VACUUM FAN ASSEMBLY instructions.



13. Operate the machine and check the ES™ pump for proper operation.

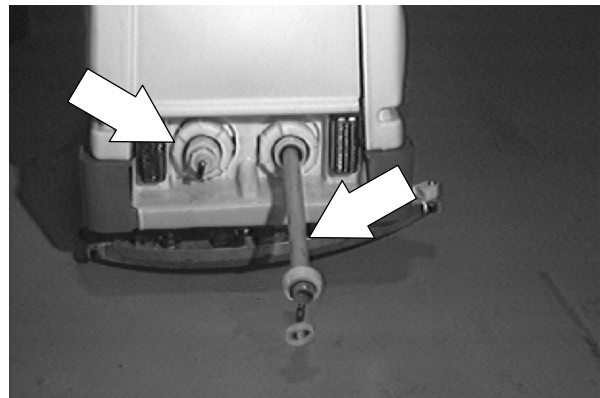
## SOLUTION SOLENOID VALVE

The solution solenoid valve is used to start and stop the flow of water to the scrub head when the machine is either propelling forward or in neutral. This valve is used along with the manual valve, which controls the amount of water that flows to the scrub head.



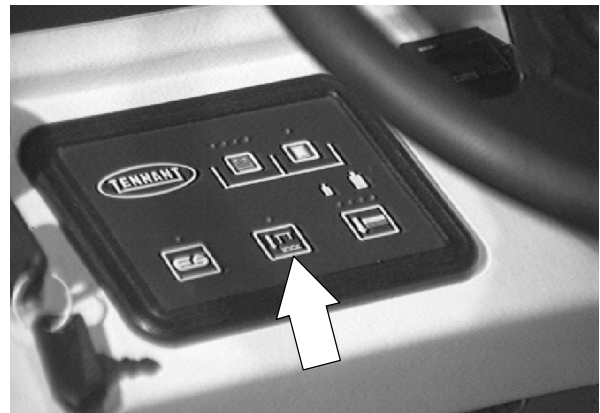
## TO REPLACE SOLUTION SOLENOID VALVE

1. Drain the solution and recovery tanks.

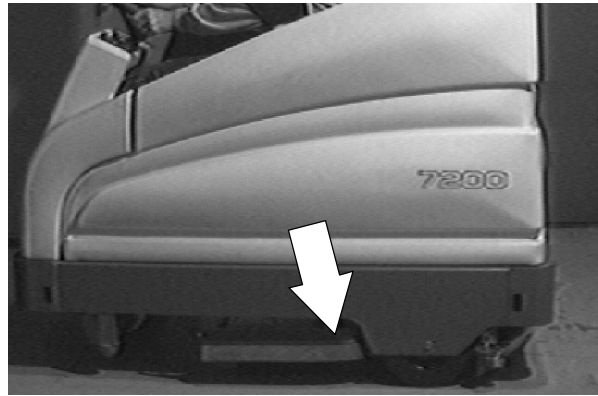


2. Start the machine and lower the scrub head. Turn off the key.

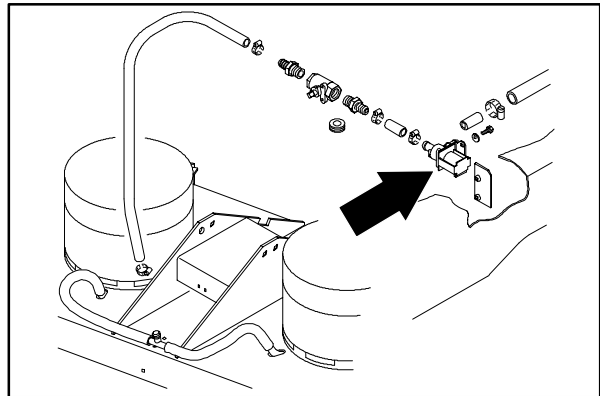
**FOR SAFETY: Before Leaving Or Servicing Machine; Stop On Level Surface, Set Parking Brake.**



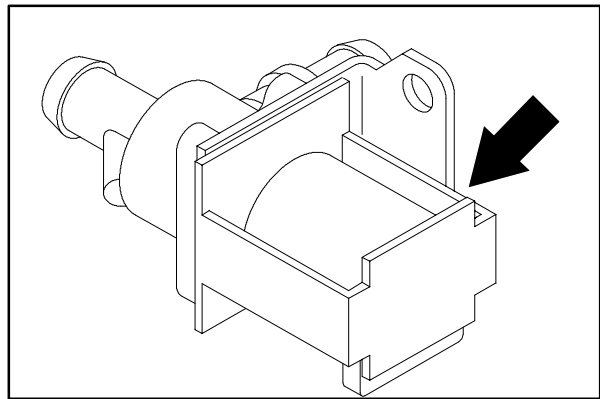
3. Go under the machine on the left side, in front of the rear tire.



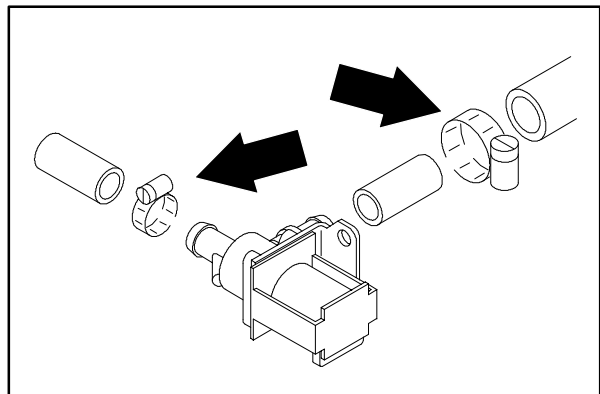
4. Locate the solution solenoid valve in the area of the manual valve.



5. Mark and disconnect the wires leading to the solenoid valve.

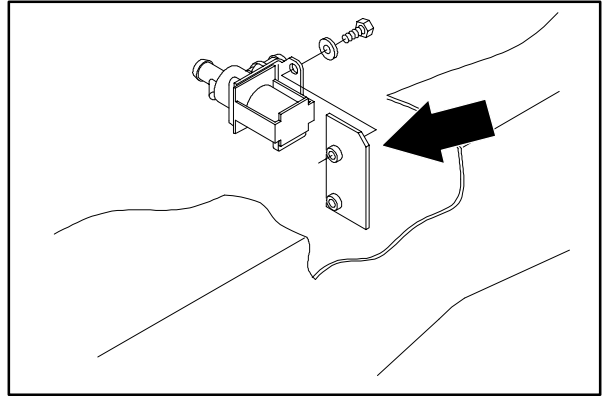


6. Loosen the two worm drive clamps holding the water hoses to the valve. Mark the hoses and pull them off the fittings.

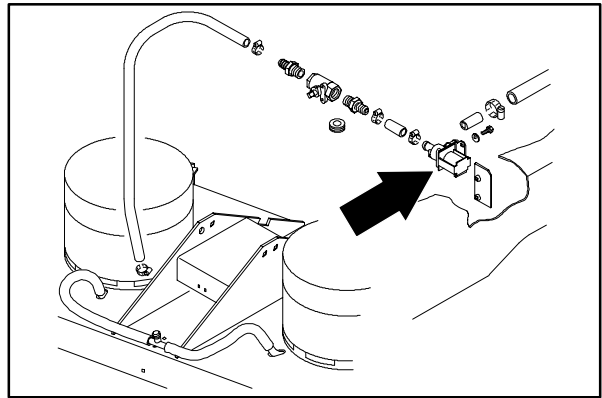


## ELECTRICAL

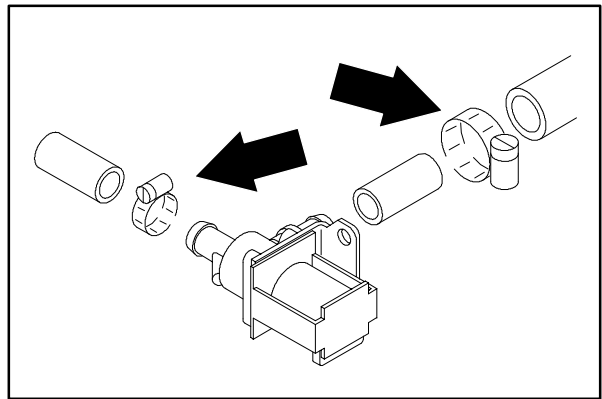
7. Remove the two screws holding the valve to the machine frame. Remove the valve from the machine.



8. Position the new solenoid valve in the machine. Reinstall the hardware and lightly hand tighten.



9. Re-connect the two water hoses to the new valve. Hand tighten the two worm drive clamps.



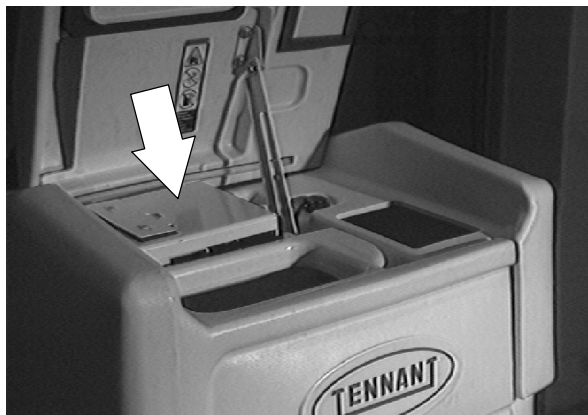
10. Re-connect the wires to the new solenoid valve. See schematic in the section.
11. Start the machine and operate. Check the new valve for proper operation.

---

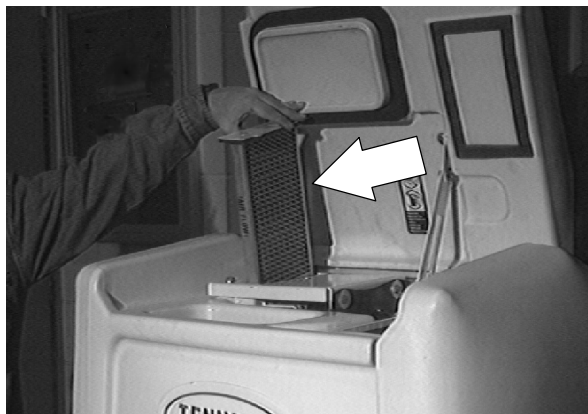
**VACUUM FAN**

---

The vacuum fan, when activated, creates air flow in the recovery tank. With the recovery tank closed, the air flow from the vacuum fan creates vacuum at the squeegee vacuum hose. This vacuum pulls water from the lowered squeegee into the recovery tank.



The vacuum fan is equipped with a easily serviceable air filter.

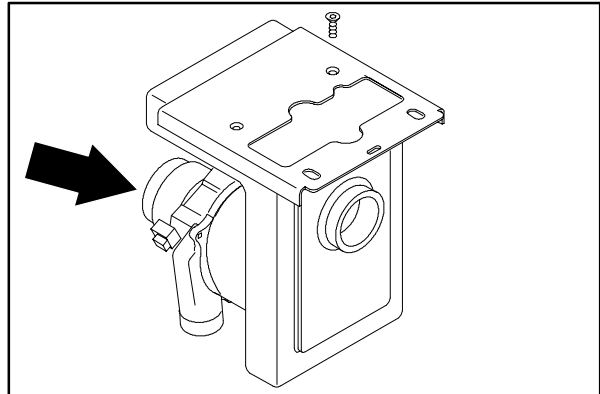


## TO REPLACE VACUUM FAN

**FOR SAFETY: Before Leaving Or Servicing Machine; Stop On Level Surface, Set Parking Brake.**

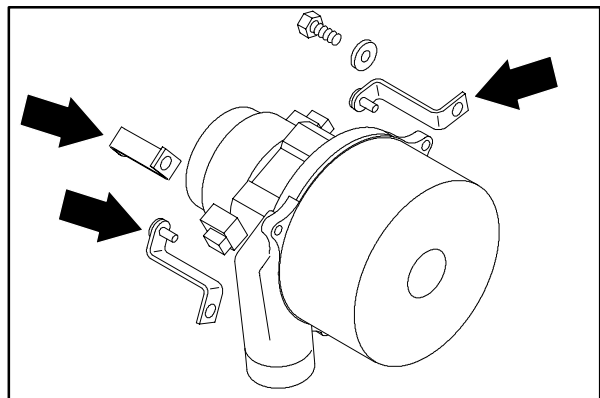
1. Remove the vacuum fan assembly from the machine. See TO REMOVE VACUUM FAN ASSEMBLY instructions in the SCRUBBING section.

*NOTE: Make sure to note the position of the vacuum fan exhaust outlet when removing the fan from the housing.*

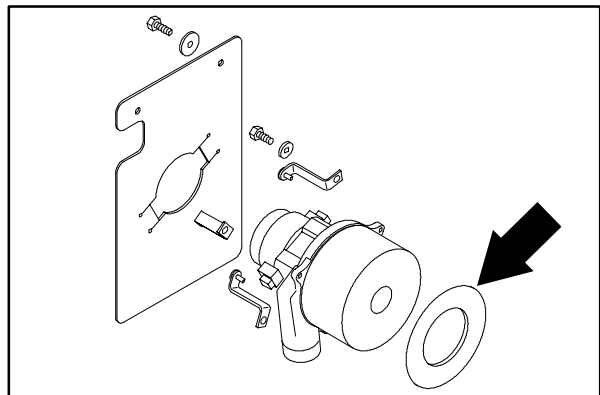


2. Remove the three screws and brackets holding the vacuum fan to the plastic housing. Remove the vacuum fan.

*NOTE: Make sure to install a gasket on the bottom of the new fan.*



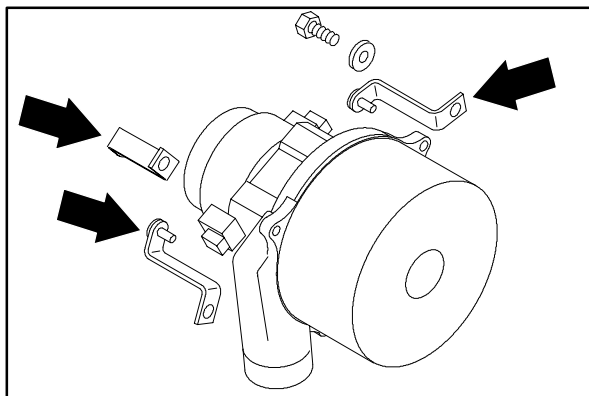
3. Position the new fan on the housing in the same orientation as the old fan.



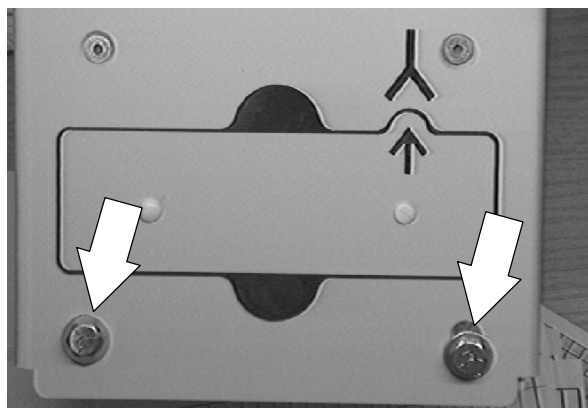


4. Reinstall the three screws and brackets. Tighten the hardware only until the gasket starts to compress.

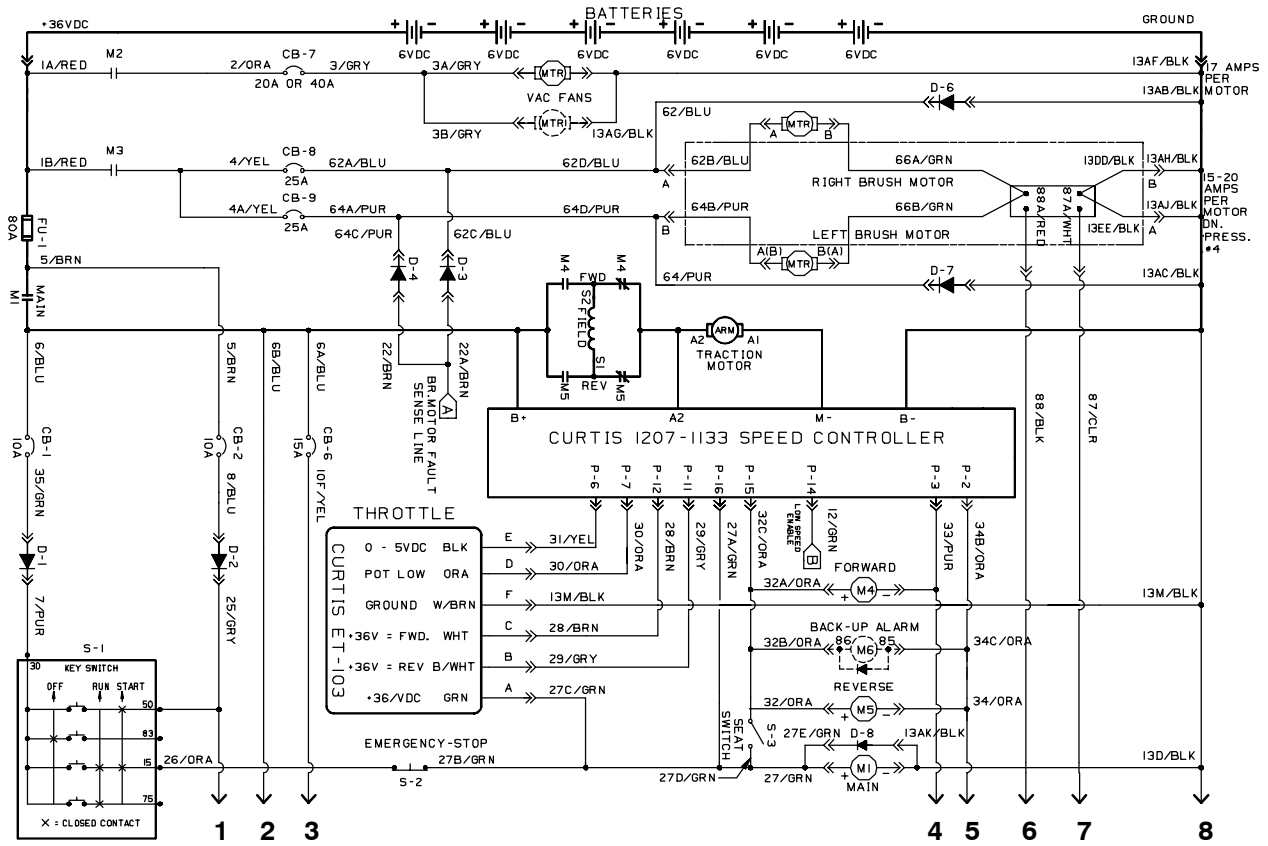
*NOTE: On a machine equipped with the HD vacuum fan option, there is two fans and three added brackets and screws.*



5. Reinstall the vacuum fan assembly in the machine. See TO INSTALL VACUUM FAN ASSEMBLY instructions in the SCRUBBING section.

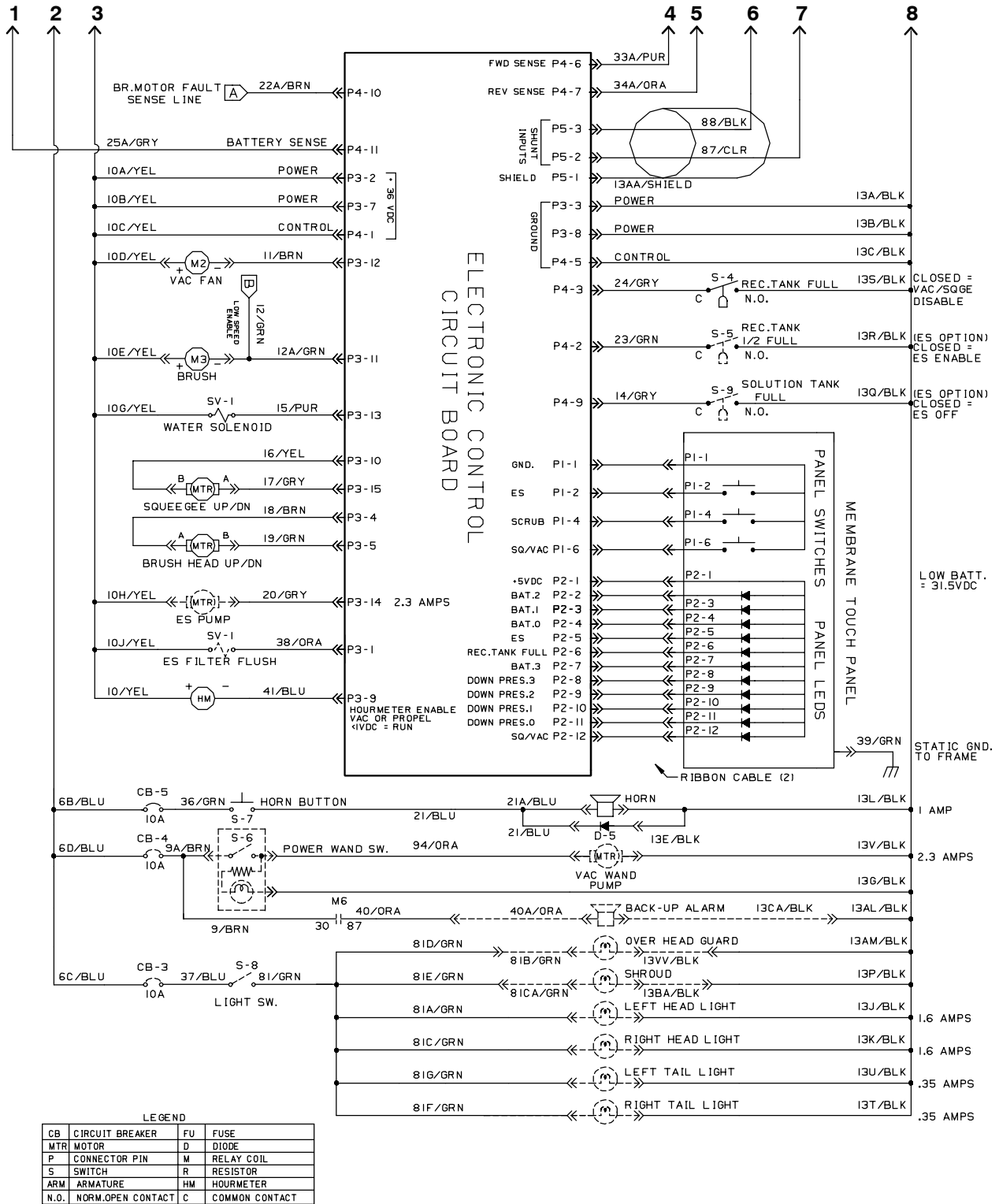


## ELECTRICAL SCHEMATIC (00000-008237)



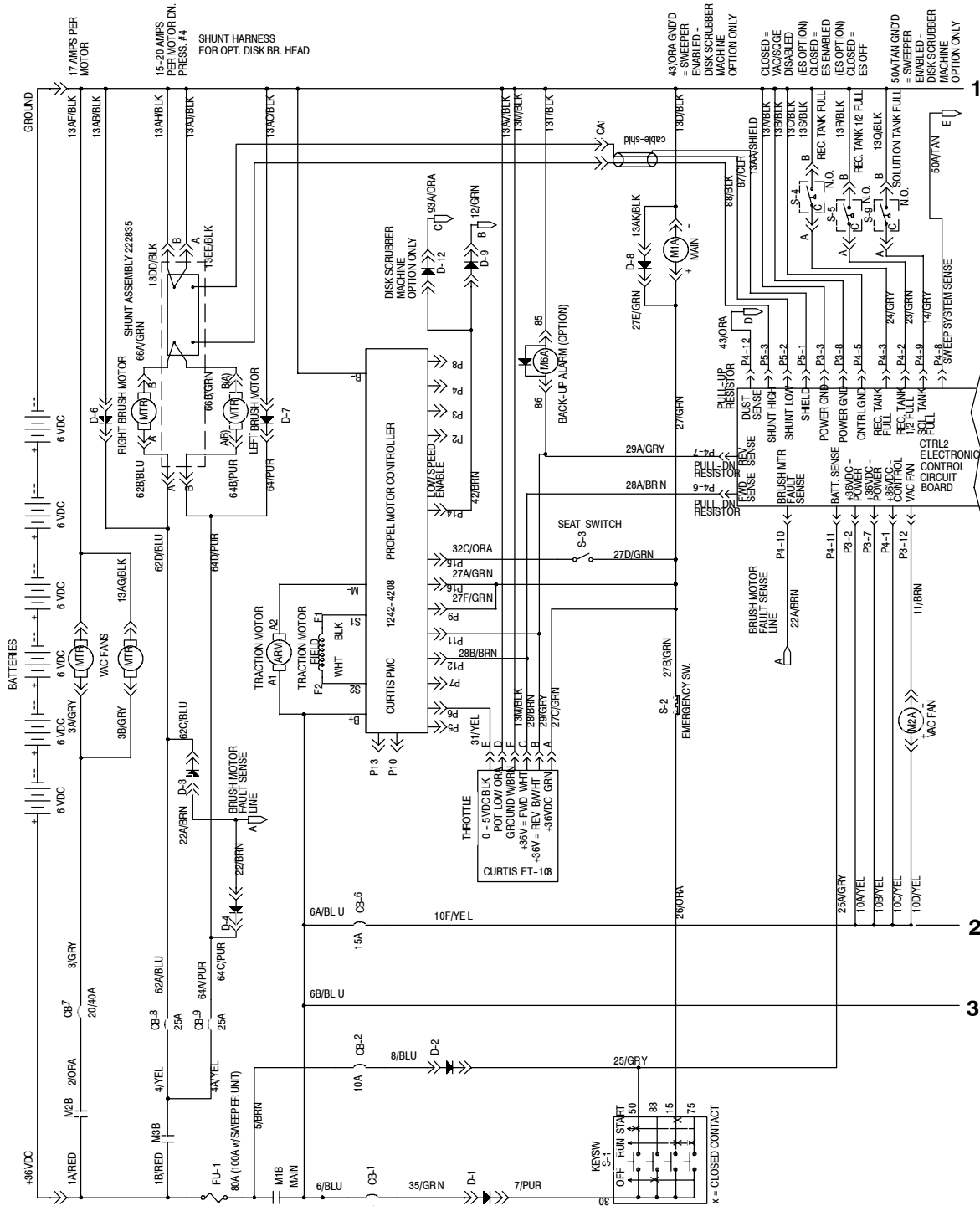
350764 - ALL

ELECTRICAL SCHEMATIC (000000-008237)



350764 - ALL

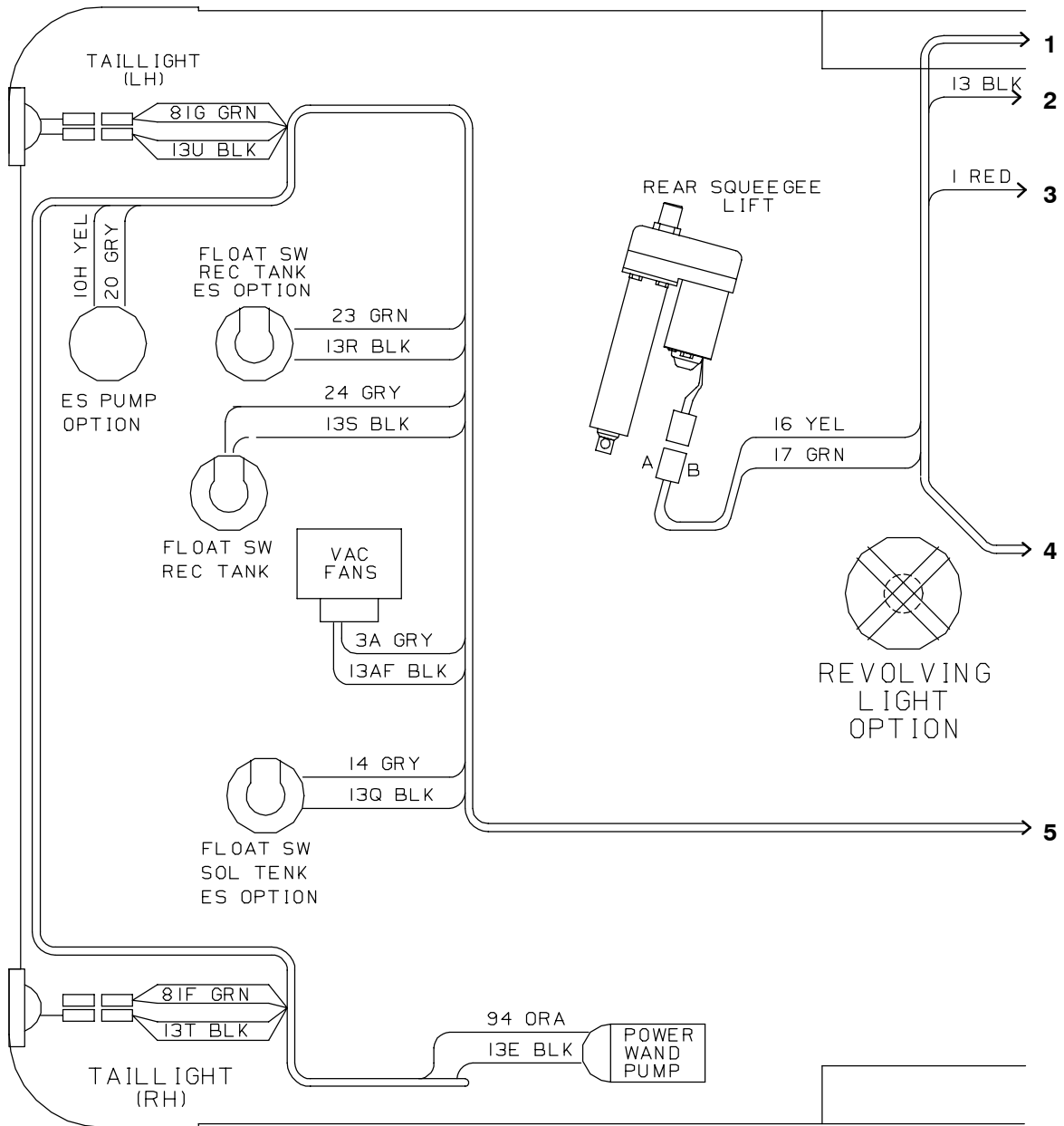
## ELECTRICAL SCHEMATIC (008238- )



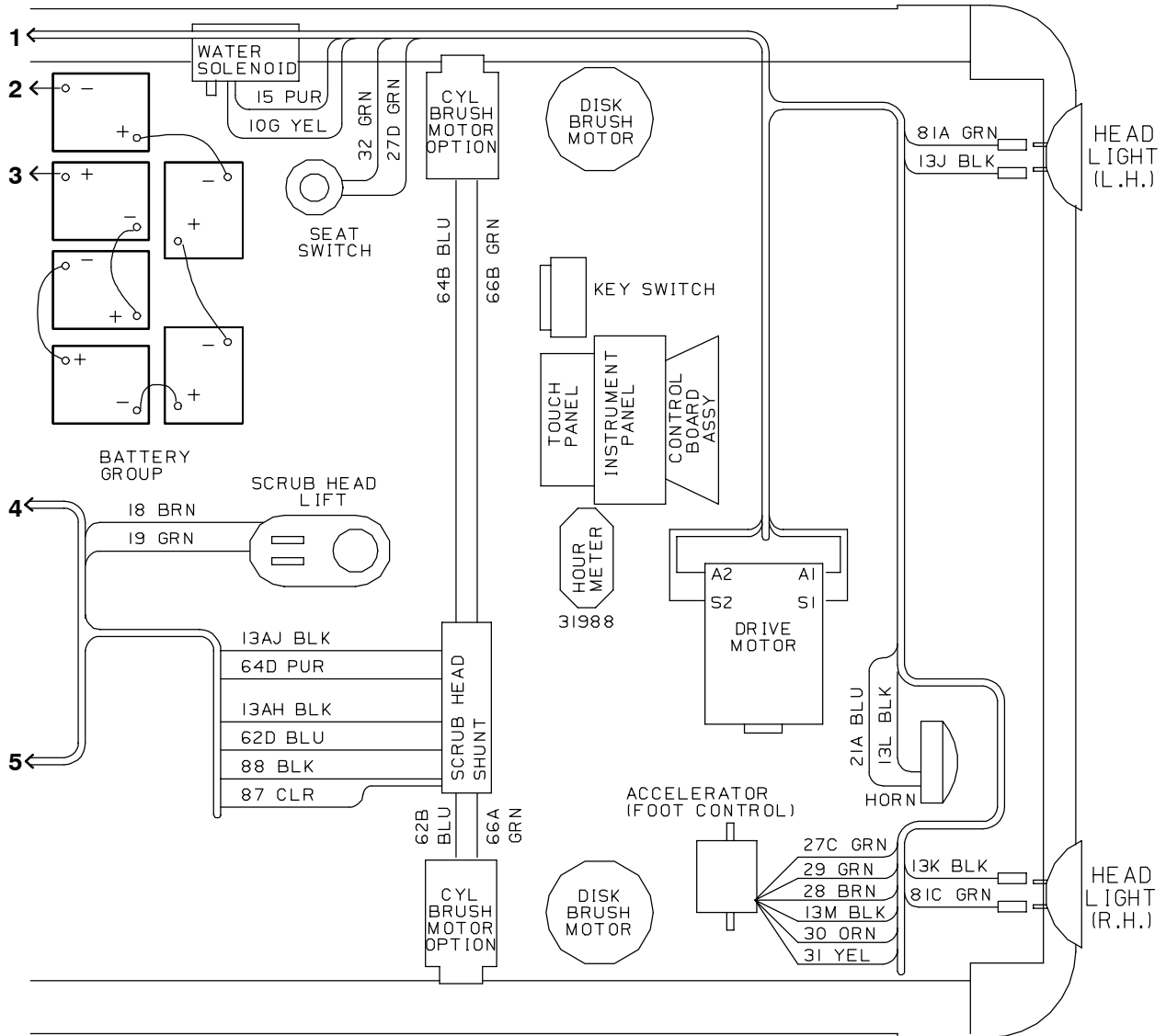
392180 - ALL



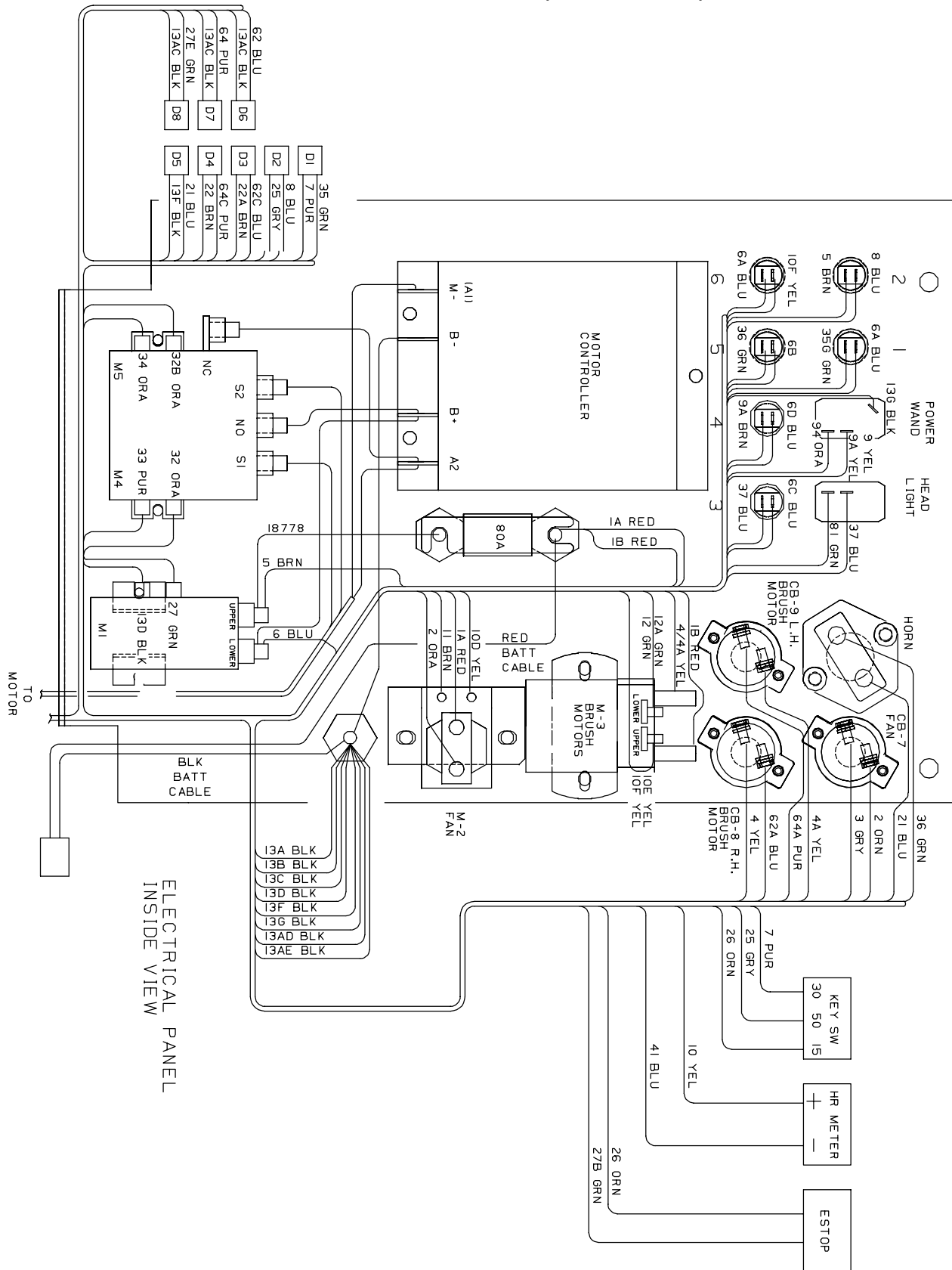
**WIRE HARNESSES GROUP (000000-008237)**



WIRE HARNESSES GROUP (000000-008237)



## WIRE HARNESSES GROUP (000000-008237)





## OPERATING MODES

The Model 7200 has 4 different operating modes. The machine operator can access each mode by pressing various buttons on the control panel, holding them, and turning on the key. The common operating modes are detailed in the following charts.

Operating Modes	Entry Sequence (how to activate)
<b>Normal Mode;</b> <i>Normal operation.</i> More info pages 4-66 thru 4-69	Default (when key is turned on)
* <b>Self Test Mode;</b> <i>Test controller, actuators, and scrub brush motor operation. In this mode, the battery LED #4 will blink.</i> More info pages 4-70 thru 4-72	1. Push and hold the Squeegee button 2. Turn on the key 3. Hold the Squeegee button for 5 seconds 4. Release the Squeegee button
* <b>Manual Mode;</b> <i>Manually operate discrete functions without interlocks. In this mode, the battery LED #3 will blink.</i> More info pages 4-73 thru 4-75	1. Push and hold the ES™ button 2. Turn on the key 3. Hold the ES™ button for 5 seconds 4. Release the ES™ button
* <b>Input Display Mode;</b> <i>Display the state of floats, limit switches, and sensors. In this mode, pressure LED #2 will blink.</i> More info pages 4-76 and 4-77	1. Push and hold the Scrub button 2. Turn on the key 3. Hold the Scrub button for 5 seconds 4. Release the Scrub button

\* **NOTE:** *There is a clear folder at the end of this manual that contains three touch panel overlays. Use each of the these overlays in their respective test mode as a technical aide during the diagnostic procedure.*

Operating Mode	Entry Sequence (how to activate)
Normal Mode; <i>Normal operation.</i>	Default (when key is turned on)

## NORMAL MODE

The purpose of the normal mode is for the general operation of the machine. The machine will normally start in this mode. What follows is a brief description of each of the operations in the normal mode.

## SCRUB BUTTON

The purpose of the scrub button is to turn the scrubbing operations on and off and adjust the scrubbing down pressure. Pressing the scrub button while the scrubbing operation is currently inactive will initiate the following actions:

1. Illuminate the LED's that indicate the default down pressure. Note: Hold the scrub button down to get another down pressure setting. See note 4 below.
2. **If the machine is not in reverse**, the vacuum fan will turn on, the squeegee will drop, and the brushes will drop. Putting the machine into reverse will raise the squeegee and, after a slight delay, turn off the vacuum fan.
3. **If the machine is in forward**, the brush head will drop, water valve will turn on, and the brushes will start turning. Putting the machine into neutral while scrubbing will turn off the brushes and, after a short delay, slightly raise the scrub head.
4. If the operator holds the scrub button after the LED's become illuminated, the machine will begin to scroll through the different scrub down pressures. The controller stores the pressure displayed as the new default after the user releases the scrub button.

Pressing and releasing the scrub button while the machine is currently in the scrub mode will initiate the following actions.

1. The scrub motors will turn off and the scrub head will start to raise.
2. The machine will delay a few seconds and the squeegee will start to raise.
3. The vacuum fan will turn off after a slight delay.

## SQUEEGEE BUTTON

Pressing the squeegee button will start or stop the water pickup operation. If the operator presses the squeegee button while the squeegee LED is currently not illuminated will cause the following actions:

1. The squeegee LED will be illuminated.
2. **If the machine is not in reverse**, the squeegee will drop and the vacuum fan will turn on. If the machine goes into reverse while the squeegee is active, the squeegee will rise. If the machine remains in reverse long enough, the vacuum fan will shut off.

Pressing the squeegee button while the squeegee LED is on will cause the following actions:

1. The squeegee LED will turn off.
2. The squeegee will raise.
3. The vacuum fan will turn off after a slight delay.

## ES™ BUTTON

Pressing the ES™ button will enable or disable the ES™ system. The ES™ system will draw water from the recovery tank, through a filter and pump it into the solution tank. If the operator has turned on the ES™ system, the recovery tank 1/2 full float is closed, and the solution tank full float (S-9) is open, the ES™ pump will begin to run. The ES™ pump will continue to run for about 30 seconds after the ES™ float becomes uncovered.

## OVERFLOW FLOAT

If the recovery tank becomes full (S-4 is closed), the overflow system will shut off the scrub and vacuum up system. If the overflow float switch becomes continuously active (about 3 seconds), the overflow light will turn on and latch. If the scrub or squeegee functions are active, they will become deactivated and the vacuum fan will turn off after a slight delay. If the operator presses the squeegee button, the squeegee will drop and the vacuum fan will run for about 30 seconds to pick up any excess water. The overflow indicator will not turn off by simply emptying the recovery tank. The overflow indicator will remain illuminated until at least one of the following action occur:

1. The overflow float switch becomes inactive (S-4 is open) and the scrub button is pushed.

Continued on next page...

2. The overflow float switch becomes inactive and the squeegee button is pushed.
3. The overflow float switch becomes inactive and an on/off/on button cycle is performed.

### BATTERY GAUGE

The battery gauge displays the state of charge of the batteries with a 4 segment LED display. When the last segment is blinking, the battery voltage is about 31-1/2 volts (80% discharge), and the batteries need charging. The scrub and squeegee functions will shut off if the operator is scrubbing at this point. If the user selects the squeegee button, squeegee will lower, and the vacuum fan will run for about 30 seconds to allow the operator to pick up any excess water. The squeegee will then lift, and the vacuum fan will shut off after a slight delay.

### HOUR METER

The hour meter logs hours if the machine is in one of the following modes.

1. Propelling
2. Vacuum fans running.

### INTERLOCKS

The 7200 has several interlocks which can inhibit or cancel machine functions.

- REVERSE - When the operator engages the reverse contactor, the following function will become inhibited:
  - SQUEEGEE will rise. When the operator disengages the reverse contactor, the squeegee function will resume.
  - VACUUM FAN will turn off after a time delay. When the operator disengages the reverse contactor, the vacuum fan operation will resume.
- NEUTRAL - When the operator disengages the forward contactors, the machine will detect neutral, and inhibit the following functions. When the machine detects the forward switch, the functions will resume.
  - WATER VALVE will turn off.
  - 5 SECOND delay.If the machine is still in neutral after the 5 second delay:
  - SCRUB BRUSHES will turn off.
  - SCRUB HEAD will raise slightly.

Continued on next page...

- **LOW BATTERY** – The machine will cancel the following functions when the last battery LED is blinking (about 31.5 volts).
  - SCRUB FUNCTION**– The scrub function will cancel as if someone toggled the scrub button. The operator cannot restart the scrub functions until the meter is reset. The operator can reset the battery gauge by unplugging the main battery connector.
  - SQUEEGEE AND VACUUM FAN**–The machine will cancel squeegee operation, as if someone toggled the squeegee button. If the operator presses the squeegee button after being canceled, the squeegee and vacuum fan will resume operation for about 30 seconds.

**The operator will reset the battery meter each time the main battery connector is removed.**

Each time the operator powers down the controller, the machine will store the current state of battery charge. When the operator powers up the machine, it will recall the last state of charge, and display it on the touch panel. If the operator disconnects the main power connector, the controller will assume the machine has been charged. The battery meter will be reset the next time the key is turned on.

- **FULL RECOVERY TANK** – The 7200 will cancel the following functions if the recovery tank float switch is turned on:
  - THE CONTROLLER will cancel scrub and squeegee operations, as if someone toggled the scrub or squeegee buttons.
  - THE TANK FULL LED will start to blink. This message will not turn off by simply emptying the recovery tank. The LED will remain blinking until the machine is powered down, or the scrub button is pushed.
- **BRUSH MOTOR ERROR** – The controller will cancel the following functions if an open breaker opens during scrub motor operation:
  - THE CONTROLLER will cancel scrub and squeegee operations, as if someone toggled the scrub or squeegee buttons. If the operator presses the squeegee button, squeegee and vacuum fan operation will resume.
  - ALL FOUR BRUSH PRESSURE LED'S will begin to blink, alerting the operator to the open breaker condition.

Operating Mode	Entry Sequence (how to activate)
<b>Self Test Mode;</b> <i>Test controller output transistors, actuators, and scrub brush motor operation. In this mode, the battery LED #4 LED will blink.</i>	<ol style="list-style-type: none"><li>1. Push and hold the Squeegee button</li><li>2. Turn on the key</li><li>3. Hold the Squeegee button for 5 seconds</li><li>4. Release the Squeegee button</li><li>5. Battery #4 LED will begin to blink</li></ol>

## SELF TEST MODE

The purpose of the Self Test Mode is to test the operation of the control board and to exercise all of its outputs. **When this mode is engaged, various motors and accessories will be engaged at full power as part of the test. Extreme care must be taken to be sure that technicians and bystanders are not injured as a result of this test.**

- **TO PREVENT INJURY, ALWAYS TURN THE MACHINE OFF AFTER THE DIAGNOSTIC MESSAGES HAVE BEEN DISPLAYED.**
- **IF THE DIAGNOSTIC MESSAGES DO NOT APPEAR, DO NOT ATTEMPT TO SERVICE THIS MACHINE WITHOUT FIRST TURNING IT OFF AND RETURNING TO ANOTHER MODE.**

The Self Test Mode tests each of the following controller board functions:

1. Squeegee actuator.
2. Scrub head actuator.
3. Scrub brush motor current.
4. Hour meter output.
5. Water valve output.
6. ES™ pump output.
7. Vacuum fan contactor output.
8. Scrub brush contactor output.
9. ES™ Air flush output.

When the operator releases the squeegee button, the controller will run the squeegee and the brush head actuators to the up positions. It will then run the following procedure:

1. Turn on the vacuum fan and lower the squeegee actuator.
2. Wait for the actuator to stall, flag error for always stalled, early stall, or never stalled.
3. Raise squeegee.
4. Drop scrub head about 2 inches.
5. Run head actuator up.
6. Wait for the actuator to stall, flag error for always stalled, early stall, or never stalled
7. Check brush motor current with brush motors off. Flag error for current sensed.
8. Turn on the brush motors.
9. Flag error for zero current, low current, or high current.
10. Turn off the brush motors.
11. Cycle and test the ES™ pump output.
12. Cycle and test the ES™ air flush output.
13. Cycle and test the Vacuum fan output.
14. Cycle and test the Scrub brush motor output.
15. Cycle and test the Hour meter output.
16. Cycle and test the water valve output.
17. Blink the squeegee light (green) for system passed, blink the overflow light (red) for system failed.

**SELF TEST ERROR CODES**

To interrogate the machine to determine the nature of a diagnostic failure, the operator must use the buttons on the instrument panel. We have associated a group of error codes to each button on the instrument panel. If the operator presses the button assigned to a group that has sensed an error, the controller will display the error code using the brush pressure LED's. If the operator presses a button assigned to a group that has not sensed an error, the controller will display no error code on the brush pressure LED's.

The error code assignments are as follows:

**ACTUATOR GROUP,  
SQUEEGEE BUTTON PRESSED**

PRESSURE 0	PRESSURE 1	PRESSURE 2	PRESSURE 3	ERROR
ON	-	-	-	No squeegee actuator zero current
-	ON	-	-	Early squeegee stall
ON	ON	-	-	No squeegee stall
-	-	ON	-	No brush actuator zero current
-	-	-	ON	Early brush stall
-	-	ON	ON	No brush stall

**BRUSH MOTOR GROUP,  
SCRUB BUTTON PRESSED**

PRESSURE 0	PRESSURE 1	PRESSURE 2	PRESSURE 3	ERROR
ON	-	-	-	No brush motor zero current
ON	ON	-	-	Zero brush motor current
ON	ON	ON	-	Low brush motor current
ON	ON	ON	ON	High brush motor current

**ACCESSORY OUTPUT GROUP  
ES™ BUTTON PRESSED**

ES™ LED	SQUEEGEE LED	PRESSURE 0	PRESSURE 1	PRESSURE 2	PRESSURE 3	ERROR
ON	-	-	-	-	-	Air Flush valve output
-	ON	-	-	-	-	Hour meter output
-	-	ON	-	-	-	Water valve output
-	-	-	ON	-	-	ES™ pump output
-	-	-	-	ON	-	Fan contactor output
-	-	-	-	-	ON	Brush contactor output



Operating Mode	Entry Sequence (how to activate)
<b>Manual Mode;</b> <i>Manually operate discrete functions without interlocks. In this mode, the battery #3 LED will blink.</i>	<ol style="list-style-type: none"> <li>1. Push and hold the ES™ button</li> <li>2. Turn on the key</li> <li>3. Hold the ES™ button for 5 seconds</li> <li>4. Release the ES™ button</li> <li>5. Battery #3 LED will begin to blink</li> </ol>

## MANUAL MODE

The purpose of the manual mode is to allow the operator to exercise individual functions on the machine. **This mode disregards the effects of various interlocks. Do not scrub with the machine in this mode.**

**FOR SAFETY: When Servicing Machine, Avoid Moving Parts. Do Not Wear Loose Jackets, Shirts, Or Sleeves.**

After entering the Manual Mode, the control buttons assume the following functions:

### SCRUB BUTTON

Pressing the Scrub button will turn on and lower the main scrub head. Holding the Scrub button while scrub is active will cause the down pressure to scroll. **The head will continue down as long as the technician holds the scrub button. Care must be exercised by the technician not to hold the button too long. The actuator can stall when fully extended. Damage to the controller board and the actuator can result from continuing to provide power to a stalled actuator.** The head will stay down with the brushes running regardless of the state of the propel pedal reverse switch. The head will automatically rise when the user turns off the brushes.

### SQUEEGEE BUTTON

Pressing the Squeegee button will turn on the vacuum fan and lower the squeegee. Reverse is ignored.

### ES™ BUTTON

Pressing the ES™ button will toggle the ES™ pump on or off. In the on position, the ES™ pump will run regardless of the state of the floats. Care should be taken not to run the ES™ pump dry for more than a few seconds. The ES™ Air flush valve will cycle on and off every 5 seconds.

Continued on next page...

## INTERLOCKS

The operator can start and stop the various functions of the 7200 scrubber using a variety of closures and interlocks. What follows are two tables for each of the three basic scrubbing functions (Scrub brushes, Squeegee and vacuum fan, and ES™ pump). One table lists the actions required for the basic function to be running. The other table lists the actions that would prevent the operation from running. If the operator satisfies all of the requirements from the first table, and none of the situations of the second table exist, the operator could expect the function to operate.

## SCRUB BRUSH OPERATION

<i>SCRUB BRUSH OPERATION ENABLED BY:</i>	<i>INDICATOR</i>
● Scrub button	● One or more scrub pressure LED's on
● Forward or reverse propel	● Forward or reverse contactors engaged

<i>SCRUB BRUSH OPERATION INHIBITED BY:</i>	<i>INDICATOR</i>
● Scrub button	● All scrub pressure LED's off
● Neutral	● Forward and reverse contactors disengaged
● Low battery	● Battery 1 LED blinking
● Open brush motor circuit breaker	● All four scrub pressure LED's blinking
● Full recovery tank	● "Recovery tank full" LED blinking

## SQUEEGEE AND VACUUM FAN OPERATION

<i>SQUEEGEE FUNCTION ENABLED BY:</i>	<i>INDICATOR</i>
● Scrub button or squeegee button	● Squeegee LED on
● Forward or neutral	● Reverse contactor disengaged

<i>SQUEEGEE FUNCTION INHIBITED BY:</i>	<i>INDICATOR</i>
● Scrub button or squeegee button	● Squeegee LED off
● Reverse	● Reverse contactor engaged
● Low battery	● Battery 1 LED blinking
● Full recovery tank	● "Recovery tank full" LED blinking

**ES™ AIR FLUSH OPERATION**

<i>ES™ AIR FLUSH VALVE ENABLED BY:</i>	<i>INDICATOR</i>
<ul style="list-style-type: none"> <li>● ES™ button and Squeegee button</li> </ul>	<ul style="list-style-type: none"> <li>● ES™ and Squeegee LED's on</li> </ul>
<ul style="list-style-type: none"> <li>● ES™ Air flush valve will open for a 5 second period, at a 45 second interval if both ES™ and Squeegee are enabled</li> </ul>	

<i>ES™ AIR FLUSH VALVE INHIBITED BY:</i>	<i>INDICATOR</i>
<ul style="list-style-type: none"> <li>● ES™ button and Squeegee button</li> </ul>	<ul style="list-style-type: none"> <li>● ES™ and Squeegee LED's off</li> </ul>

**ES™ PUMP OPERATION**

<i>ES™ PUMP ENABLED BY:</i>	<i>INDICATOR</i>
<ul style="list-style-type: none"> <li>● ES™ button</li> </ul>	<ul style="list-style-type: none"> <li>● ES™ LED on</li> </ul>
<ul style="list-style-type: none"> <li>● ES™ float covered, or ES™ 30 second timer running. The ES™ 30 second timer starts when the ES™ pump brings the solution level below the ES™ float.</li> </ul>	

<i>ES™ PUMP INHIBITED BY:</i>	<i>INDICATOR</i>
<ul style="list-style-type: none"> <li>● ES™ button</li> </ul>	<ul style="list-style-type: none"> <li>● ES™ LED off</li> </ul>
<ul style="list-style-type: none"> <li>● More than 30 seconds has passed since the ES™ float has become uncovered</li> </ul>	
<ul style="list-style-type: none"> <li>● Solution tank full float covered for more than 5 seconds</li> </ul>	

Operating Mode	Entry Sequence (how to activate)
<b>Input Display Mode;</b> <i>Display the state of floats, limit switches, and sensors. In this mode, the pressure led #2 will blink</i>	<ol style="list-style-type: none"><li>1. Push and hold the Scrub button</li><li>2. Turn on the key</li><li>3. Hold the Scrub button for 5 seconds</li><li>4. Release the Scrub button</li><li>5. Brush pressure LED #2 will begin to blink.</li></ol>

## INPUT DISPLAY MODE

The purpose of the Input Display Mode is for the technician to observe the effectiveness of various inputs and sensors on the controller board. When in this mode, the operator can scrub with the machine as normal and observe the operation of the various inputs.

When in the Input Display Mode, each of the control panel LED's are associated with one board input. When the operator activates an input, the corresponding LED will become illuminated.

The operator may activate scrub functions in this mode. The LED's on the instrument panel no longer correspond to the control status while in the Input Display Mode. For instance, in the normal mode, if the squeegee LED is on, this means that the squeegee and vacuum fan are active. In the Input Display Mode, this LED indicates that the solution tank full float is active. The buttons however, retain their normal functions. Pressing the squeegee button will turn on the squeegee, even though the LED may not turn on. The controller will temporarily display scrub pressure when the operator presses and holds the scrub button. If the operator holds the scrub button long enough, the machine will scroll slowly through the down pressures.

The assignments of LED's to inputs are as follows:

Battery 1.-When the least significant battery LED is blinking, the battery voltage is below 31.5V and the batteries are in need of a charge.

Battery 2.-When the battery 2 LED is on, the reverse contactor is active.

Battery 3.-When the battery 3 LED is on, the forward contactor is active.

Battery 4.-When the battery 4 LED is on, there is power sensed on the outputs of both brush motor circuit breakers.

Continued on next page...

- Squeegee - When the squeegee LED is on, the solution tank full float is active.
- Overflow - When the overflow LED is on, the recovery tank full float is active.
- ES™ - When the ES™ LED is on, the ES™ float is active.
- Pressure 1.-When the pressure 1 LED is on, the scrub is active, and the brush current detected is below the minimum level for the selected pressure setting.
- Pressure 2.-When the pressure 2 LED is blinking, the controller is in the input display mode.
- Pressure 3.-When the pressure 3 is on, the scrub mode is active.
- Pressure 4.-When the pressure 4 LED is on, the scrub is active, and the brush current detected is above the maximum level for the selected pressure setting.

**\* NOTE: There is a clear folder at the end of this manual that contains three touch panel overlays. Use each of the these overlays in their respective test mode as a technical aide during the diagnostic procedure.**

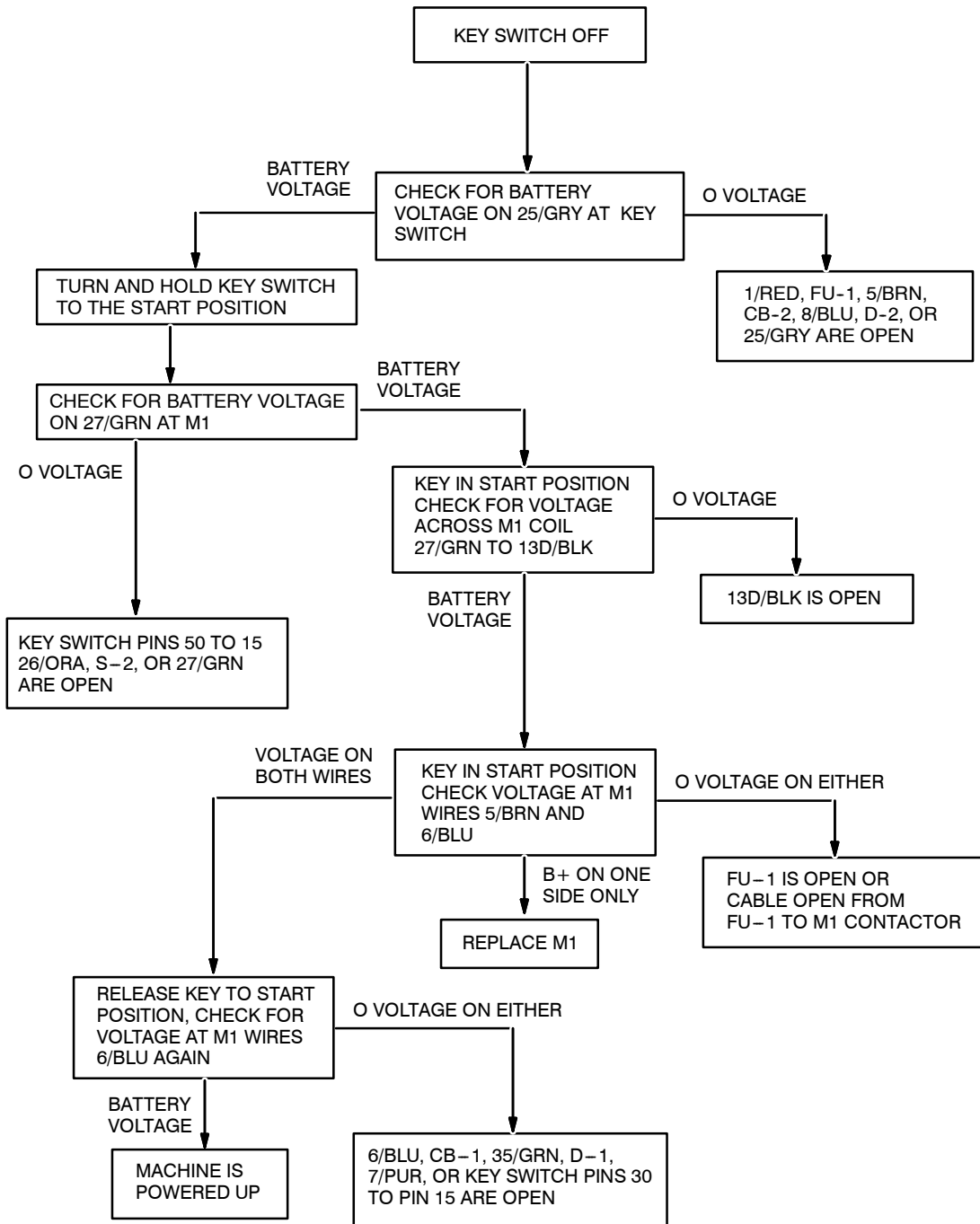


**TROUBLESHOOTING**

The troubleshooting charts that follow are organized so they lead you through the circuits. They include flow charts and instructions for you as to where to insert your test instruments.

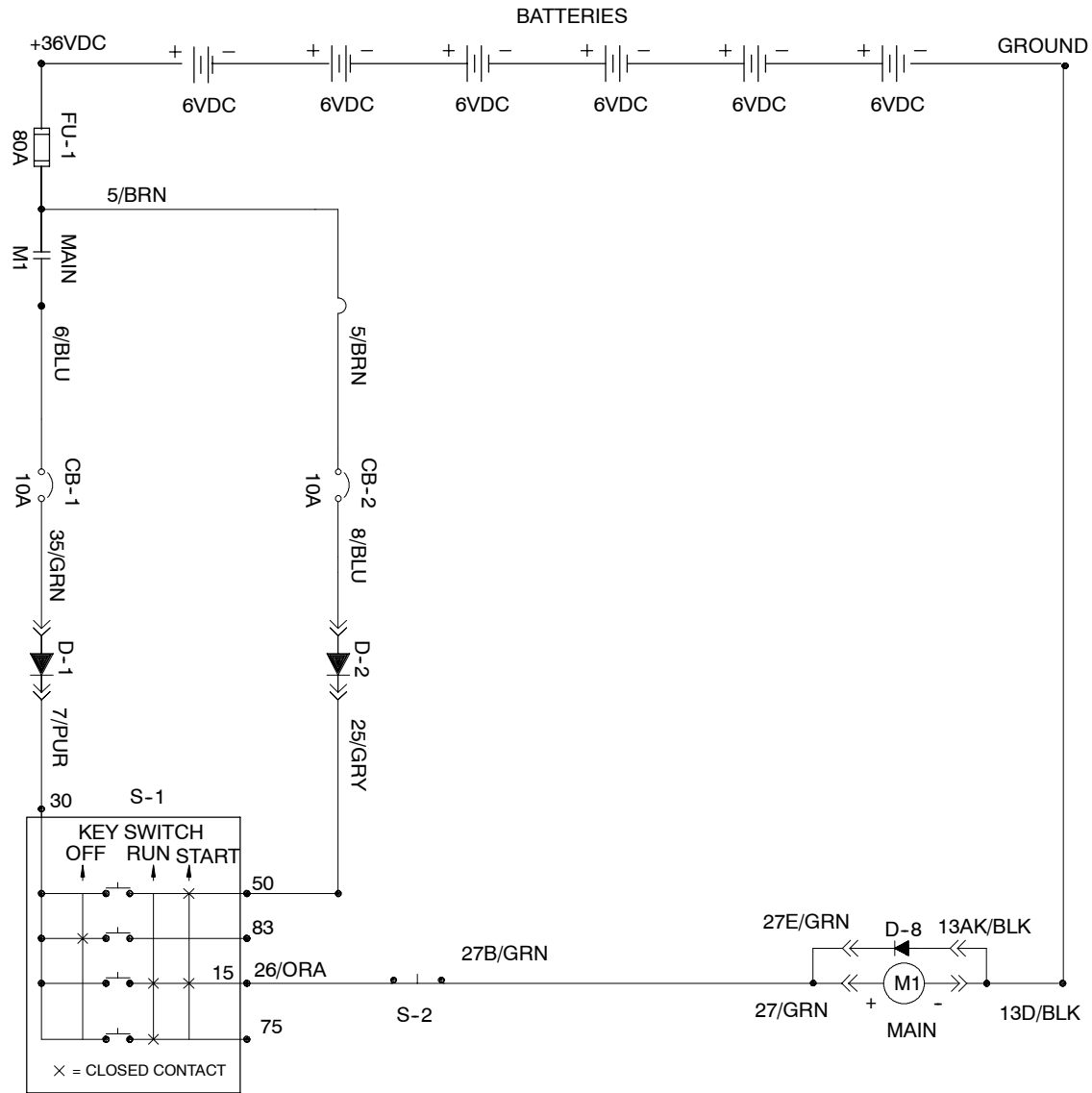
## POWER UP TESTING

- OPERATION:**
- Key switch to start position-** Current flows into key switch terminal 50  
Current flows out of key switch terminal 15, turning on M1 contactor and powering up the machine.
  - Release key to run position-** Current flows through closed M1 contacts, into key switch pin 30.  
Current flows out of key switch terminal 15, holding M1 contactor on, keeping machine powered up.
  - Key switch to off position-** M1 is turned off by key switch or emergency stop switch.  
Machine turns off.





**POWER UP TESTING**



LEGEND

CB	CIRCUIT BREAKER	FU	FUSE
MTR	MOTOR	D	DIODE
P	CONNECTOR PIN	M	RELAY COIL
S	SWITCH	R	RESISTOR
ARM	ARMATURE	HM	HOURLMETER
N.O.	NORM.OPEN CONTACT	C	COMMON CONTACT

# ELECTRICAL

## PROPEL

- OPERATION:**
- Throttle assembly gives speed and direction information to the controller.
  - Controller turns on forward or reverse contactors.
  - Controller provides variable speed control of the propel motor by pulsing M– terminal to ground. (B– terminal)

NOTE: Assume that machine has passed power up testing.

## ERROR CODES

- KEY ON:**
- Slide the cover open on the edge of the Curtis 1207–1133 motor controller.
  - Read error code displayed by blinking light on the motor controller.
  - Use the error code chart information to determine what section of the propel system to trouble shoot.
  - If you have no blinking light, check the power and ground wires to the controller before replacing the controller. (See ★ *MOTOR CONTROLLER LED DIAGNOSTICS*)

## POWER AND GROUND CONNECTIONS CHECK

VERIFY BATTERY VOLTAGE FOR THE FOLLOWING:

- 27C/GRN at the throttle
- 27A/GRN at the motor controller
- 27/GRN at M1 contactor coil
- B+ terminal of the motor controller
- Normally open terminal of M4 and M5

VERIFY GROUND CONTINUITY FOR THE FOLLOWING POINTS:

- 13M/BLK at the throttle
- B– terminal of motor controller

► *ACTIVATE THE SEAT SWITCH*

VERIFY BATTERY VOLTAGE AT THESE POINTS:

- 32C/GRN at the speed control
- 32A/GRN at M4
- 32/GRN at M5

## THROTTLE TESTING

VERIFY VOLTAGE FOR THE FOLLOWING TERMINALS:

- A = Battery voltage (input)
- B = Battery voltage in reverse (output)
- C = Battery voltage in forward (output)
- D = Potentiometer ground (input)
- E = 0 voltage in neutral, +5VDC for full forward or reverse
- F = Ground (input)

## CONTROLLER INPUTS

- P–16 = Battery voltage
- P–15 = Battery voltage when seat switch is closed
- P–11 = Battery voltage in reverse
- P–12 = Battery voltage in forward
- P–6 = 0 voltage in neutral, +5VDC for full forward or reverse
- P–14 = Ground when (M3) brush contactor is on (= low speed)
- P–14 = B+ when (M3) is off

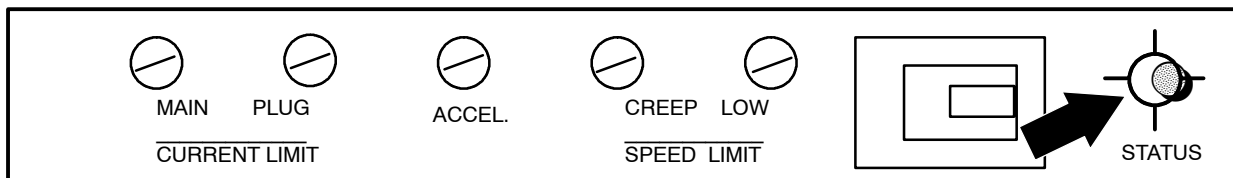
**CONTROLLER OUTPUTS**

- P-7 = Potentiometer ground for the throttle
- P-3 = Ground = Forward, B+ = Reverse or Neutral
- P-2 = Ground = Reverse, B+ = Forward or Neutral

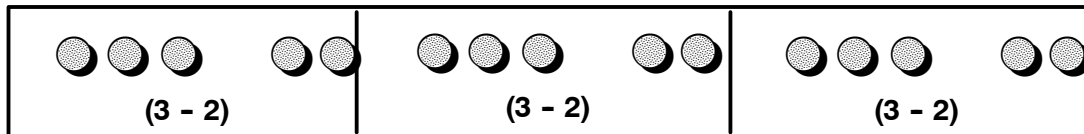
**CONTROLLER POWER SECTION**

- Check error codes for power output section
- Check all connections at the motor and motor controller
- Re-check error codes
- Replace as per the error codes

★ **MOTOR CONTROLLER LED DIAGNOSTICS:**



During normal operation, with no faults present, the Status LED flashes a single flash at approximately 1 flash per second. If the controller detects a fault, a 2-digit code (see table below) is flashed continuously until the fault is corrected. For example...code "3-2"...*Welded direction contactor...* appears as:



**TABLE 1: LED CODES**

LED CODE:	LED STATUS:	EXPLANATION:
▶ LED OFF	■ ■ ■ ■ ■ ■ ■ ■	● No power or defective controller
▶ SOLID ON	□ □ □ □ □ □ □ □	● Defective controller
▶ SINGLE FLASH	●	● Controller operational--No faults
▶ 1 - 2	● ● ●	● Hardware fail-safe error
▶ 1 - 3	● ● ● ●	● M- fault or motor output short
▶ 1 - 4	● ● ● ● ●	● Sequencing fault (SRO) *
▶ 2 - 1	● ● ●	● 5kΩ-0 or throttle wiper input fault
▶ 2 - 2	● ● ● ●	● Emergency reverse circuit check fault (BB wiring)
▶ 2 - 3	● ● ● ● ●	● High-pedal-disable-fault (HPD)

TABLE 1 continued on the next page.

**TABLE 1: LED CODES (continued)**

LED CODE:	LED STATUS:	EXPLANATION:
▶ 2 - 4	●● ●●●●	● Throttle pot low open or shorted to B+ or B-
▶ 3 - 1	●●● ●	● Contactor or shunt driver over-current
▶ 3 - 2	●●● ●●	● Welded direction contactor
▶ 3 - 3	●●● ●●●	● (reserved for future use)
▶ 3 - 4	●●● ●●●●	● Missing contactor or shunt
▶ 4 - 1	●●●● ●	● Low battery voltage
▶ 4 - 2	●●●● ●●	● Over-voltage
▶ 4 - 3	●●●● ●●●	● Thermal cutback
▶ 4 - 4	●●●● ●●●●	● (reserved for future use)

\* SRO = Static Return to Off. Verify that the throttle signal = Neutral (0 Voc on P-6) when the machine is powered up.

*NOTE: Only one fault is indicated at a time, and faults are not queued up. Operational faults--such as a fault in SRO sequencing--are cleared by cycling the brake or key switch.*

**PROGRAMMER DIAGNOSTICS**

With a programmer, diagnostics and troubleshooting is more direct than with the LED alone. The programmer presents complete diagnostic information in plain language--no codes to decipher. Faults are displayed in the Diagnostic Menu, and the status of the controller inputs/outputs is displayed in the Test Menu.

The following 4-step process is generally used for diagnosing and troubleshooting an inoperative vehicle:

1. Visually inspect the vehicle for obvious problems.
2. Diagnose the problem, using the programmer.
3. Test the circuitry with the programmer.
4. Correct the problem. Repeat the last three steps as necessary until the vehicle is operational.

**EXAMPLE:**

A vehicle that does not operate in "forward" is brought in for repair.

- Step 1.** Examine the vehicle and its wiring for any obvious problems, such as broken wires or loose connections

Continued on next page....

**Step 2.** Connect the programmer, put it in diagnostic mode, and read the display fault information. In this example, the display shows "No Faults Present" indicating that the controller has not detected anything out of the norm.

**Step 3.** Put the programmer in test mode, and observe the status of the inputs and outputs in the forward direction. In this example, the display shows that the forward switch did not close when "forward" was selected, which means the problem is either in the forward switch or the switch wiring.

**Step 4.** Check or replace the forward switch and wiring and repeat the test. If the programmer shows the forward switch closing and the vehicle now drives normally, the problem has been corrected.

*NOTE: Refer to the troubleshooting chart (table 2) for suggestions covering a wide range of possible faults.*

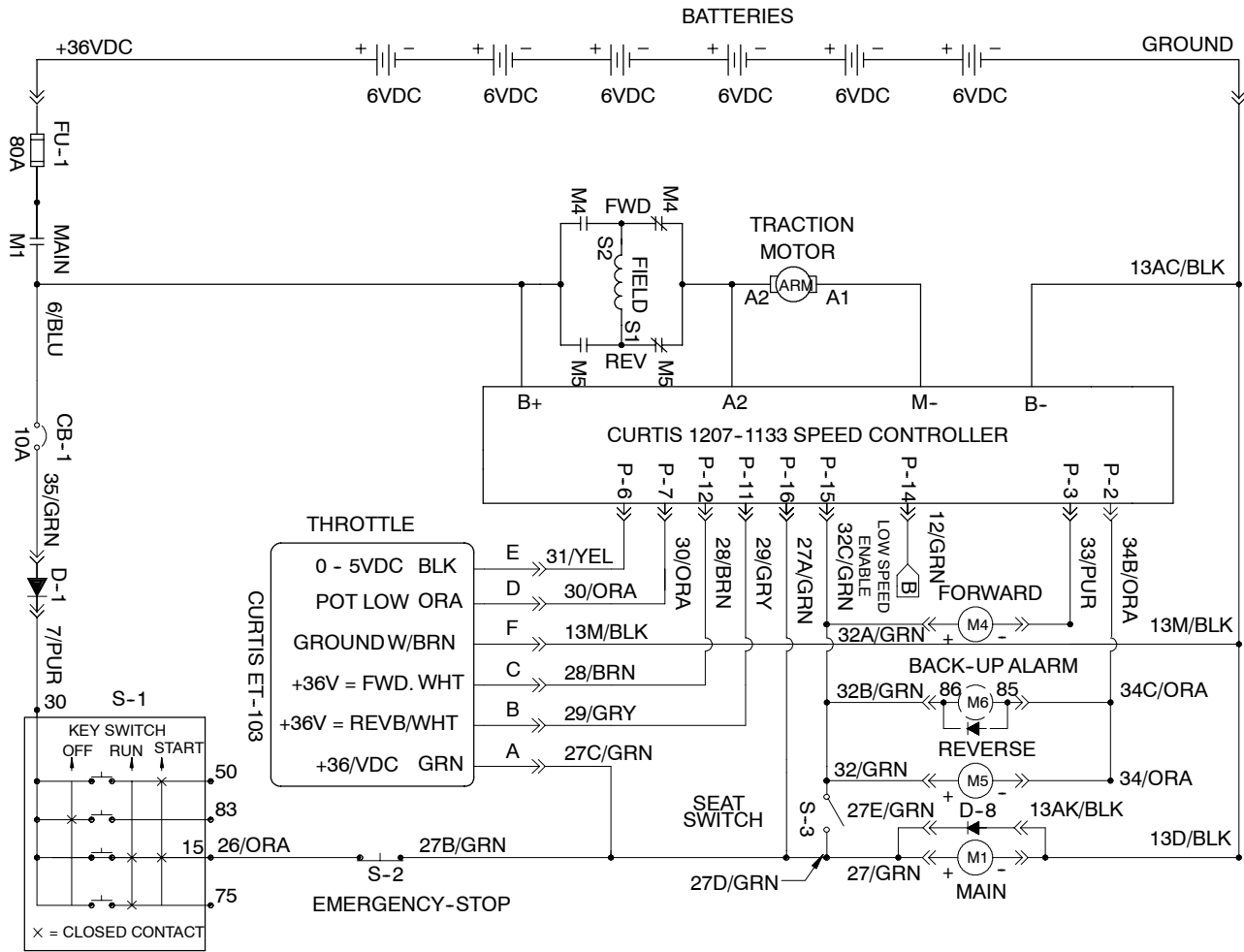
**TABLE 2: TROUBLESHOOTING CHART**

LED CODE:	PROGRAMMER LCD DISPLAY:	EXPLANATION:	POSSIBLE CAUSE:
1 - 2	HW FAILSAFE	<i>Hardware fail-safe error</i>	1. Controller defective.
1 - 3	M- FAULT	<i>M- output shorted</i>	1. M- output shorted to ground 2. Direction contactor not closing 3. Direction contactor not closing fast enough 4. Internal motor short to ground
1 - 4	SRO	<i>SRO fault</i>	1. Improper sequence of KSI, brake, and direction inputs. 2. Wrong SRO type selected 3. Brake or direction switch circuit open 4. Sequencing Delay too short
2 - 1	THROTTLE FAULT 1	<i>5k<math>\Omega</math>-0 or wiper fault</i>	1. Throttle input wire open. 2. Throttle input wire shorted to ground. 3. Throttle pot defective. 4. Wrong throttle type selected.
2 - 2	BB WIRING CHECK	<i>Emergency reverse wiring fault</i>	1. BB wire open. 2. BB check wire open.
2 - 3	HPD	<i>HPD sequencing fault</i>	1. Improper sequence of KSI, brake, throttle inputs. 2. Wrong HPD type selected. 3. Mistrusted throttle pot.

TABLE 2: TROUBLESHOOTING CHART (continued)

LED CODE:	PROGRAMMER LCD DISPLAY:	EXPLANATION:	POSSIBLE CAUSE:
2 - 4	THROTTLE FAULT 2	<i>Pot low broken or shorted</i>	<ol style="list-style-type: none"> <li>1. Pot low wire open.</li> <li>2. Pot low wire shorted.</li> <li>3. Wrong throttle type selected.</li> </ol>
3 - 1	CONT DRVR OC	<i>Driver output overcurrent</i>	<ol style="list-style-type: none"> <li>1. Direction contactor coil shorted.</li> <li>2. Shunt field shorted.</li> </ol>
3 - 2	DIR CONT WELDED	<i>Welded direction contactor</i>	<ol style="list-style-type: none"> <li>1. Direction contactor stuck closed.</li> </ol>
3 - 4	MISSING CONTACTOR	<i>Missing contactor or shunt</i>	<ol style="list-style-type: none"> <li>1. Direction contactor coil open.</li> <li>2. Direction contactor missing.</li> <li>3. Shunt field open.</li> <li>4. Wire to shunt or direction contactor.</li> </ol>
4 - 1	LOW BATTERY VOLTAGE	<i>Low battery voltage</i>	<ol style="list-style-type: none"> <li>1. Battery voltage &lt;16 volts.</li> <li>2. Corroded battery or controller terminal.</li> <li>3. Loose battery or controller terminal.</li> </ol>
4 - 2	OVERVOLTAGE	<i>Overvoltage</i>	<ol style="list-style-type: none"> <li>1. Battery voltage &gt;45 volts.</li> <li>2. Vehicle operating with charger attached.</li> </ol>
4 - 3	THERMAL CUTBACK	<i>Over-/under-temp. cutback</i>	<ol style="list-style-type: none"> <li>1. Temperature &gt;85°C or &lt;25°C.</li> <li>2. Excessive load on vehicle.</li> <li>3. Improper mounting of controller.</li> <li>4. Operation in extreme environments.</li> </ol>

PROPEL



LEGEND

CB	CIRCUIT BREAKER	FU	FUSE
MTR	MOTOR	D	DIODE
P	CONNECTOR PIN	M	RELAY COIL
S	SWITCH	R	RESISTOR
ARM	ARMATURE	HM	HOURMETER
N.O.	NORM.OPEN CONTACT	C	COMMON CONTACT

## TOUCH PANEL AND RIBBON TESTING

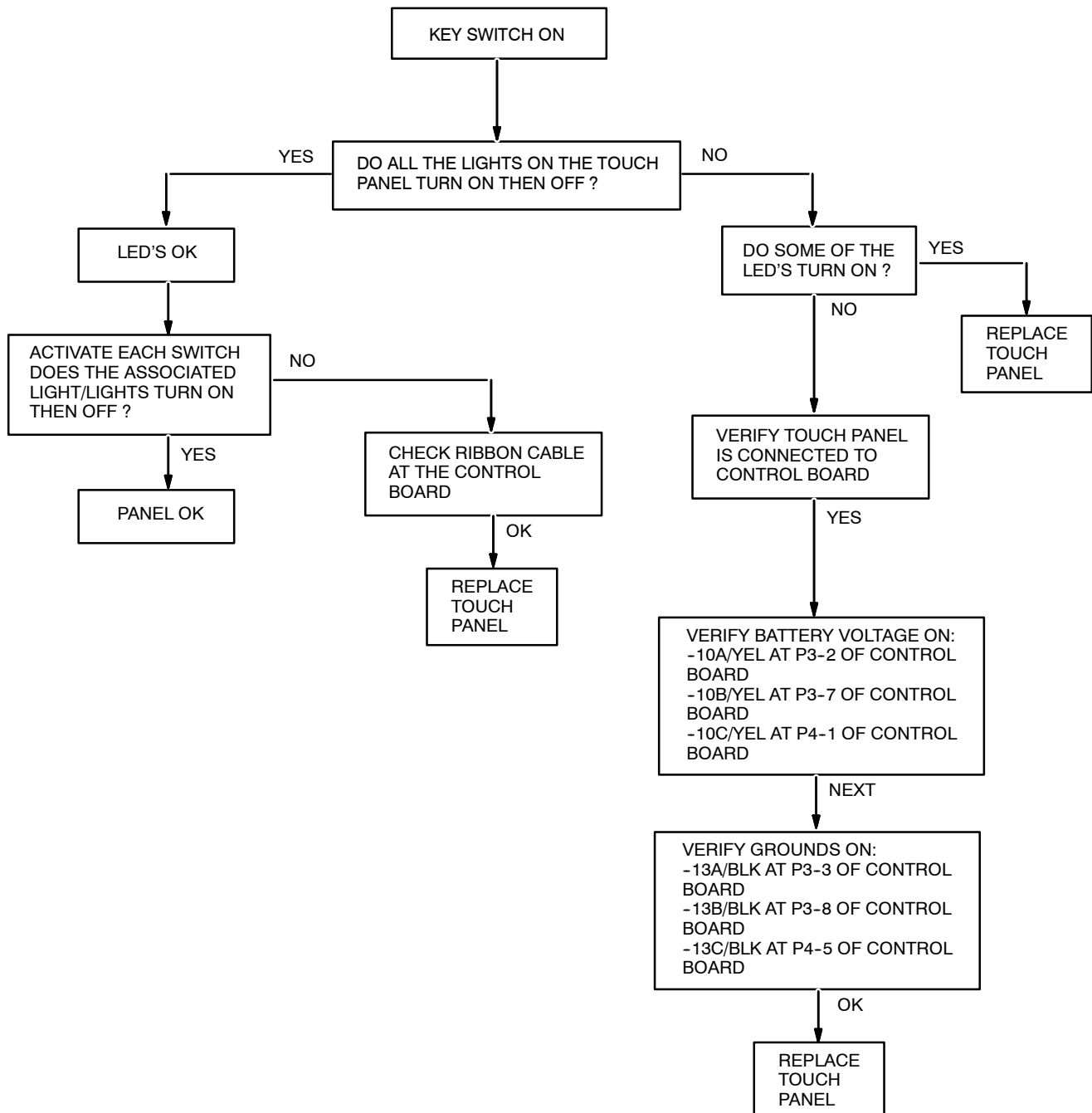
### OPERATION OF LED'S:

- P2-1 = Supplies +5VDC to each LED
- P2-2 through P2-12 will light an LED if they are pulled to ground by the control board

### OPERATION OF SWITCHES:

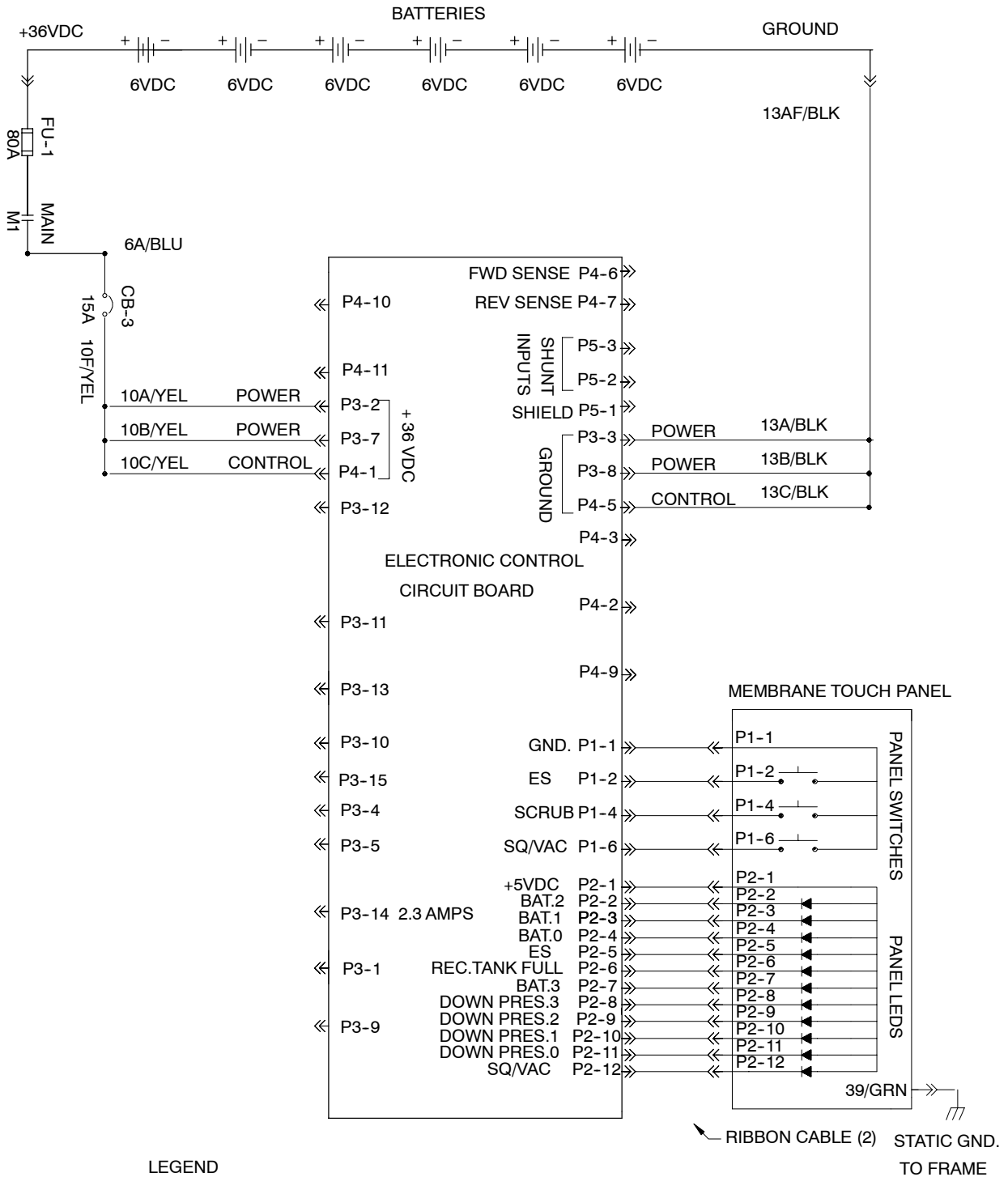
- P1-1 = Supplies ground to each switch
- P1-2 = Switched to ground when the ES switch is activated
- P1-4 = Switched to ground when the Scrub button is activated
- P1-6 = Switched to ground when the Squeegee button is activated

\* MACHINE POWERS UP AND PROPELS





**TOUCH PANEL AND RIBBON TESTING**



LEGEND

CB	CIRCUIT BREAKER	FU	FUSE
MTR	MOTOR	D	DIODE
P	CONNECTOR PIN	M	RELAY COIL
S	SWITCH	R	RESISTOR
ARM	ARMATURE	HM	HOURMETER
N.O.	NORM.OPEN CONTACT	C	COMMON CONTACT

## VACUUM FAN (S)

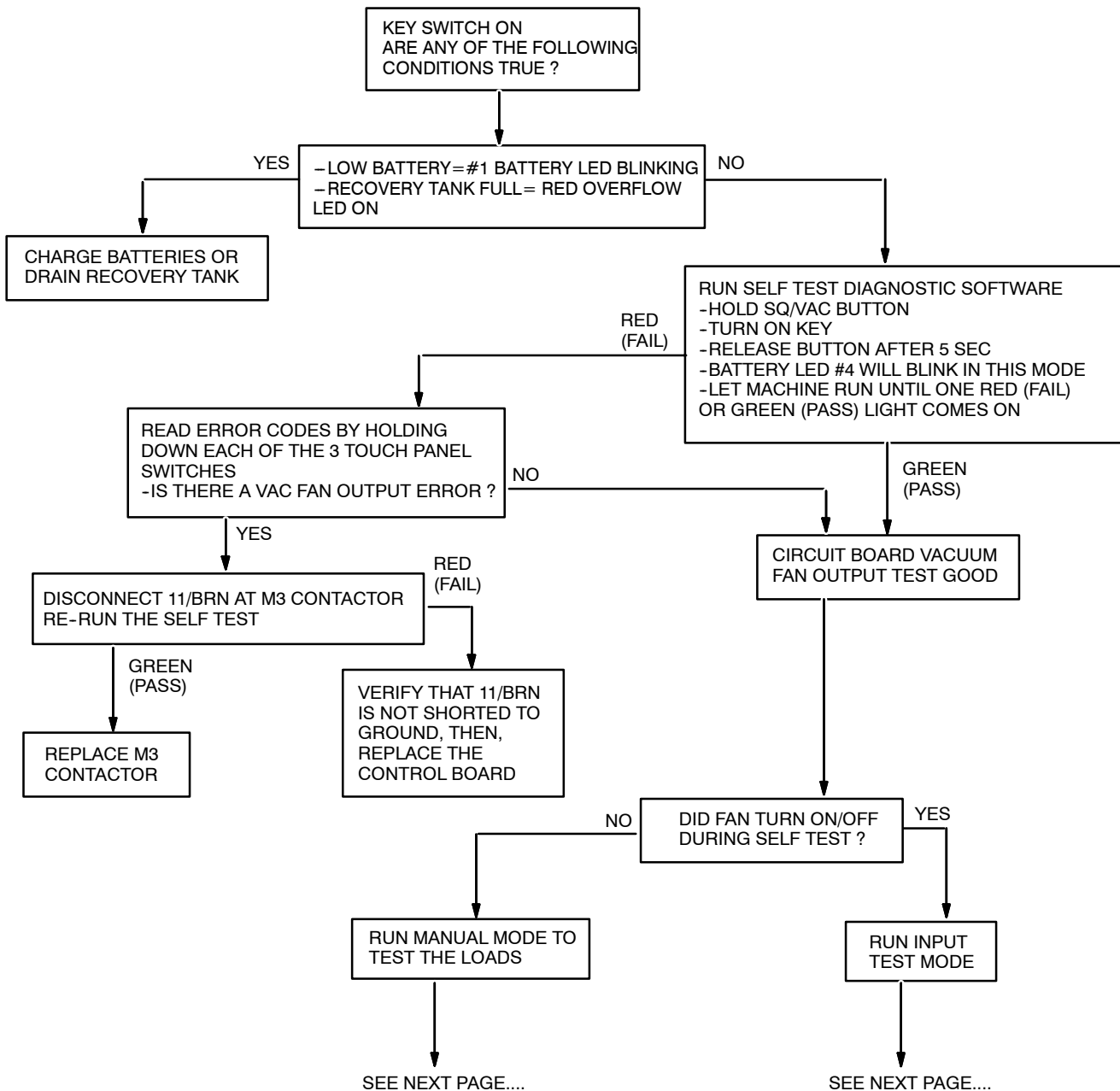
**OPERATION:** To enable the vacuum fan, the following conditions must occur–

- 1.– Vacuum fan/squeegee system selected on the touch panel
- 2.– Machine in neutral or forward position
- 3.– No "low battery" condition sensed
- 4.– No "full recovery tank" condition sensed

**VACUUM MOTOR TURNS ON:**

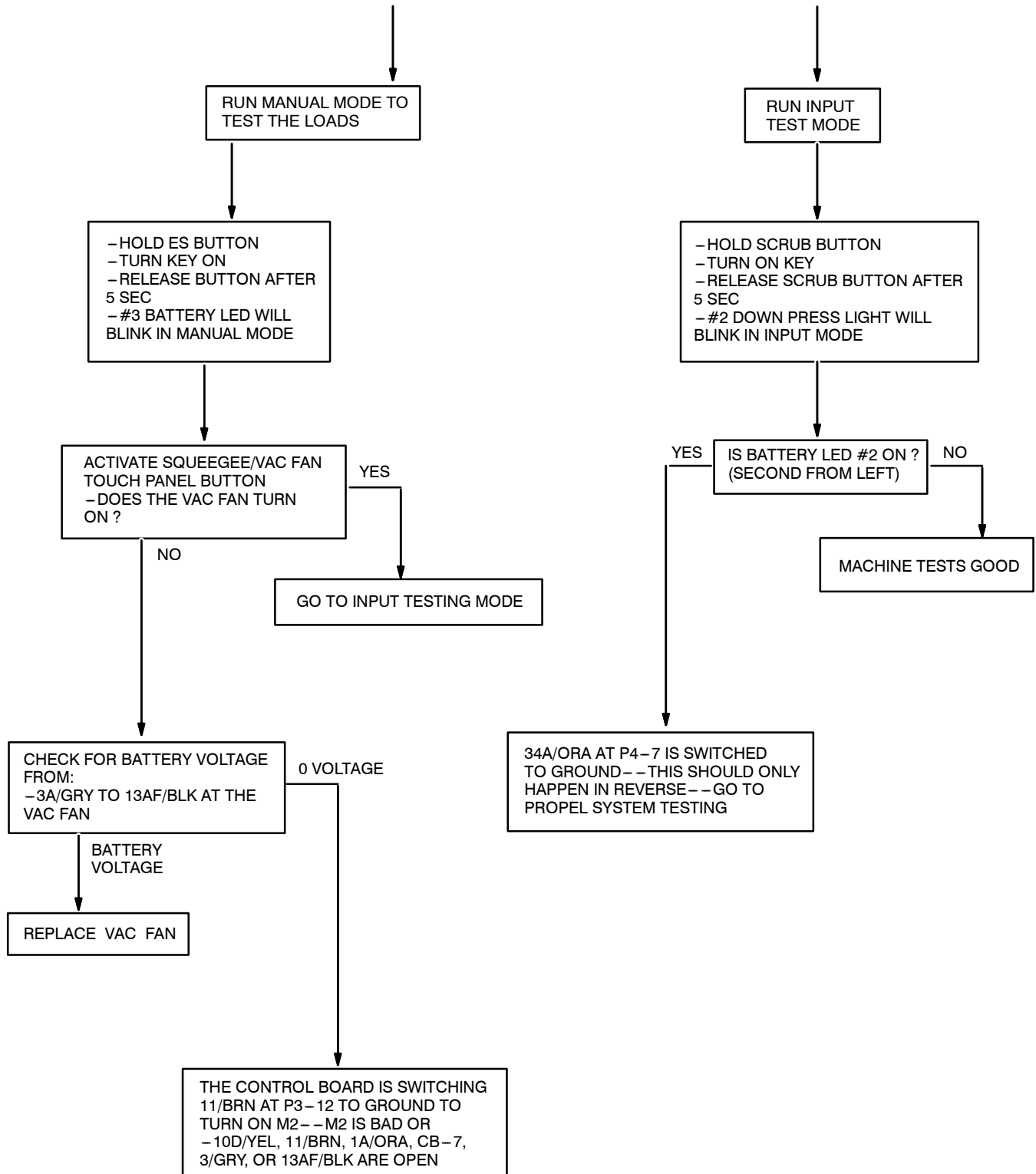
- 1.– 11/BRN is switched to ground at control board P3–12, turning on M2 contactor
- 2.– M2 contactor supplies battery voltage to the vacuum fan(s), turning them on

\* MACHINE POWERS UP, TOUCH PANEL AND PROPEL SYSTEMS TEST GOOD

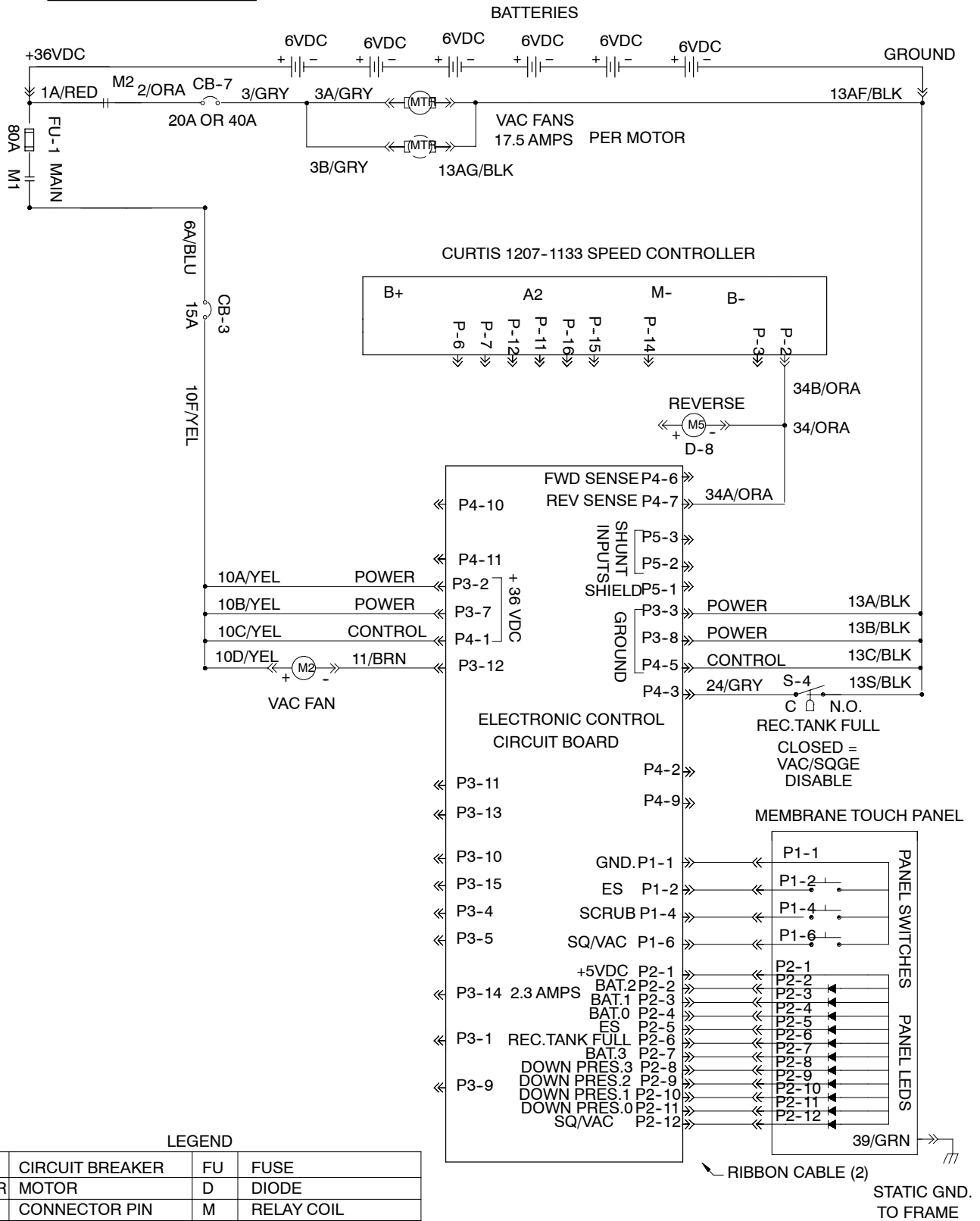


CONTINUED FROM PREVIOUS PAGE

CONTINUED FROM PREVIOUS PAGE



## VACUUM FAN (S)





## SQUEEGEE

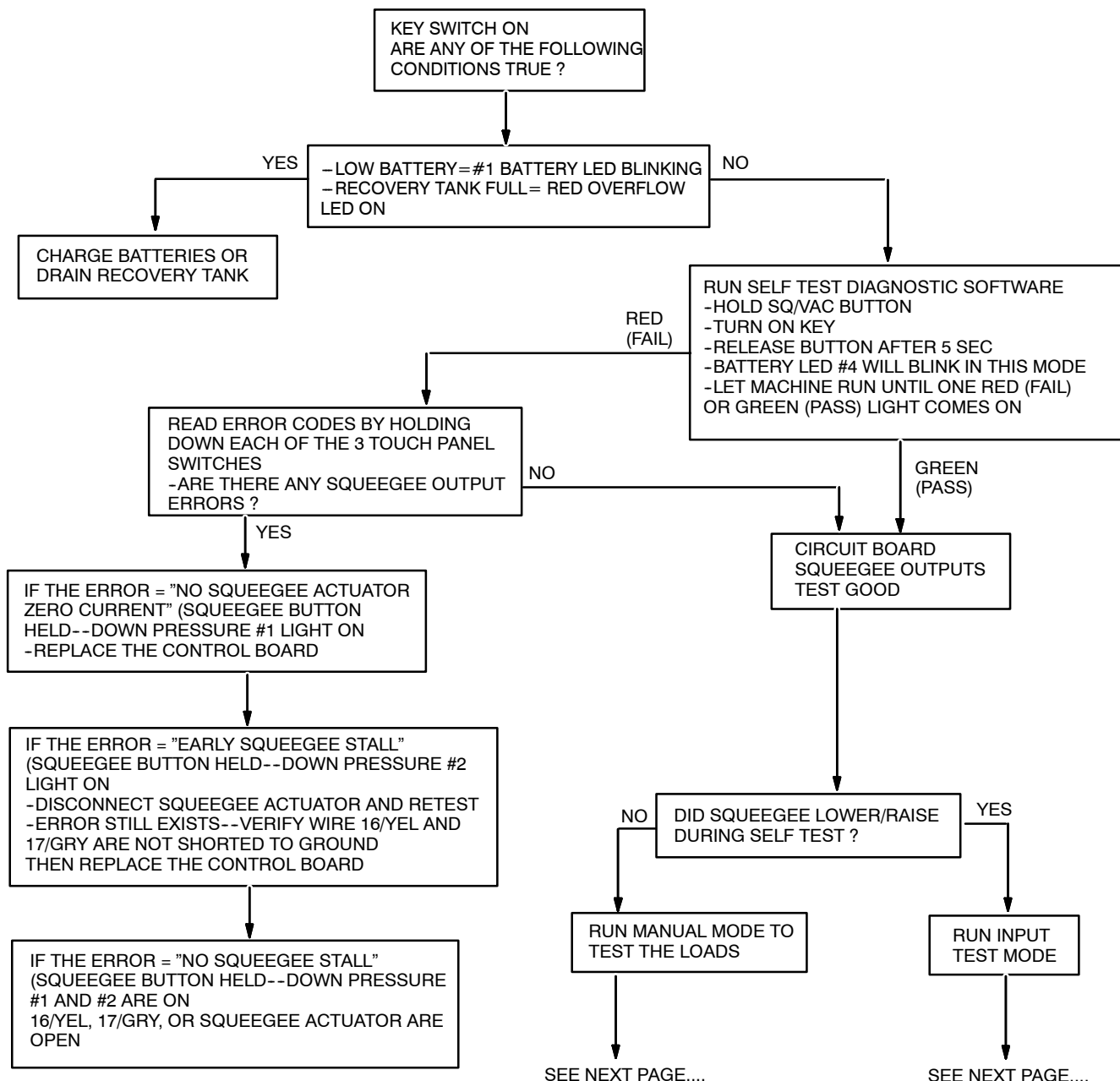
**OPERATION:** To lower the squeegee actuator, the following conditions must occur–

- 1.– Vacuum fan/squeegee system selected on the touch panel
- 2.– Machine in neutral or forward position
- 3.– No "low battery" condition sensed
- 4.– No "full recovery tank" condition sensed

**SQUEEGEE ACTUATOR EXTEND OR RETRACT:**

- 1.– 16/YEL at P3–10 and 17/GRY at P3–15 are both at battery voltage in the off position
- 2.– Is pulsed low to extend, is pulsed low to retract the squeegee actuator

\* MACHINE POWERS UP, TOUCH PANEL AND PROPEL SYSTEMS TEST GOOD



CONTINUED FROM PREVIOUS PAGE

RUN MANUAL MODE TO TEST THE LOADS

-HOLD ES BUTTON  
 -TURN KEY ON  
 -RELEASE BUTTON AFTER 5 SEC  
 -#3 BATTERY LED WILL BLINK IN MANUAL MODE

ACTIVATE SQUEEGEE/VAC FAN TOUCH PANEL BUTTON  
 -DOES THE SQUEEGEE ACTUATOR LOWER ?

YES

GO TO INPUT TESTING MODE

NO

DISCONNECT SQUEEGEE ACTUATOR  
 MEASURE VOLTAGE FROM 16/YEL TO 17/GRY AT SQUEEGEE ACTUATOR

0 VOLTAGE

BATTERY VOLTAGE OR - BATTERY VOLTAGE

REPLACE ACTUATOR

16/YEL OR 17/GRY ARE OPEN

CONTINUED FROM PREVIOUS PAGE

RUN INPUT TEST MODE

-HOLD SCRUB BUTTON  
 -TURN ON KEY  
 -RELEASE SCRUB BUTTON AFTER 5 SEC  
 -#2 DOWN PRESS LIGHT WILL BLINK IN INPUT MODE

YES

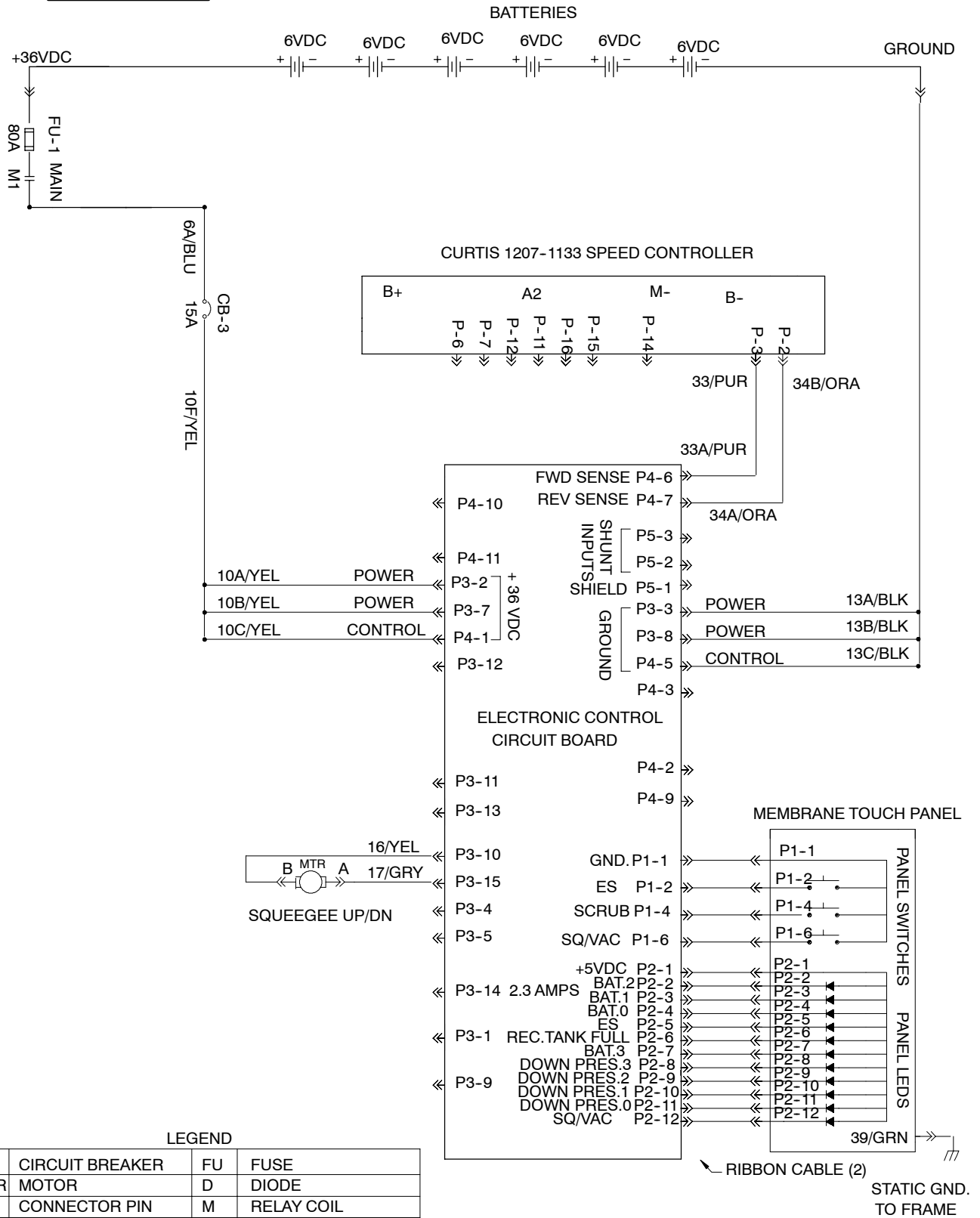
IS BATTERY LED #2 ON ?  
 (SECOND FROM LEFT)

NO

MACHINE TESTS GOOD

34A/ORA AT P4-7 IS SWITCHED TO GROUND-- THIS SHOULD ONLY HAPPEN IN REVERSE-- GO TO PROPEL SYSTEM TESTING

## SQUEEGEE



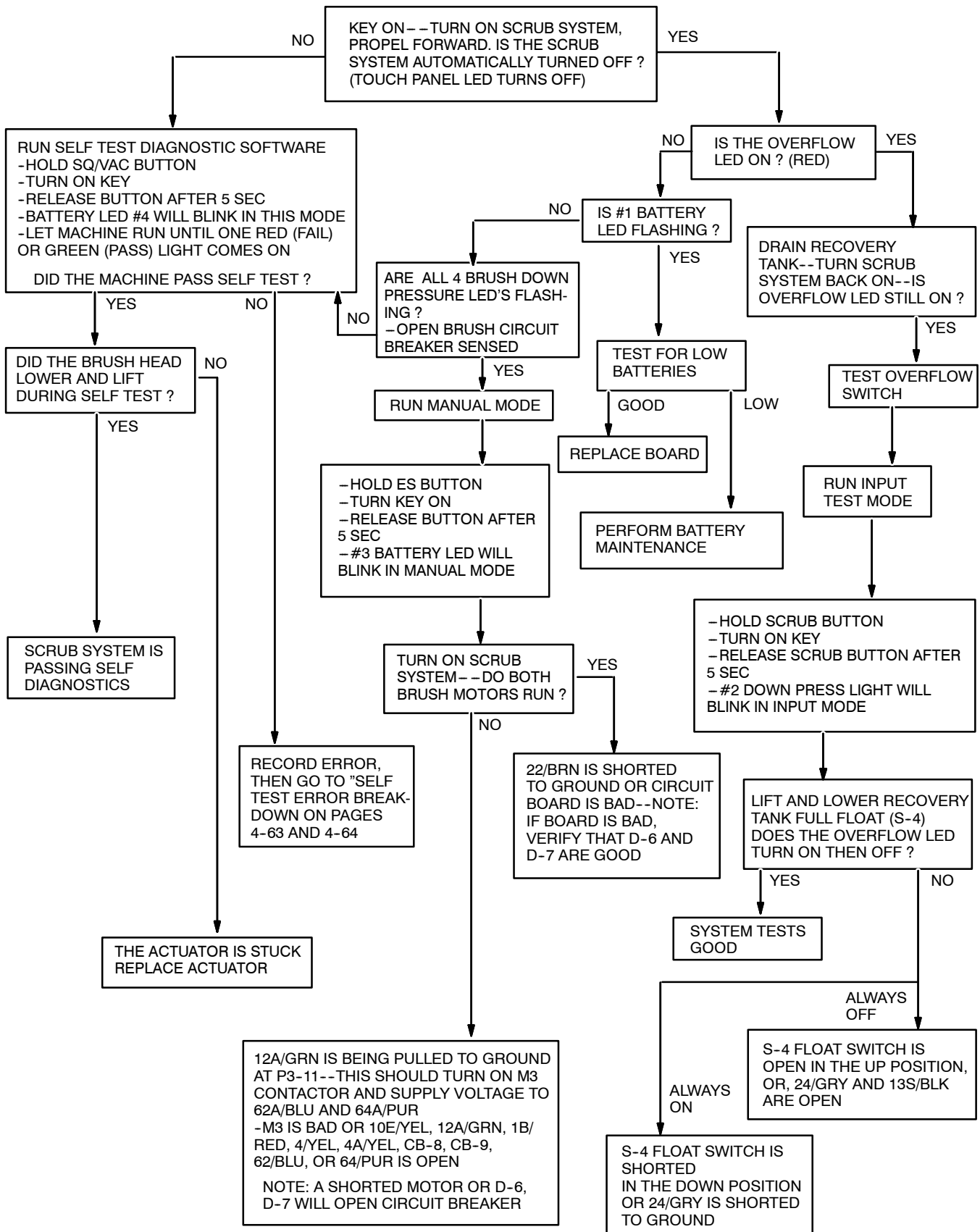




# ELECTRICAL

## SCRUB SYSTEM

\* MACHINE POWERS UP, TOUCH PANEL AND PROPEL SYSTEMS TEST GOOD



**SELF TEST ERROR  
BREAKDOWN****IF ERROR READS = "BRUSH CONTACTOR OUTPUT"**

(ES BUTTON HELD, DOWN PRESSURE LED #4 IS LIT)

- DISCONNECT 12A/GRN AT M3 AND RERUN SELF TEST
- NO ERROR NOW = REPLACE M3
- SAME ERROR STILL: DISCONNECT CONTROL BOARD, VERIFY 12A/GRN IS NOT SHORTED TO GROUND-- THEN REPLACE THE CONTROL BOARD

**IF ERROR READS = "NO BRUSH ACTUATOR ZERO  
CURRENT"**

(SQUEEGEE BUTTON HELD, DOWN PRESSURE LED #3 IS LIT)

- REPLACE THE CONTROL BOARD

**IF ERROR READS = "EARLY BRUSH STALL"**

(SQUEEGEE BUTTON HELD, DOWN PRESSURE LED #4 IS LIT)

- DISCONNECT BRUSH HEAD ACTUATOR AND RE-RUN SELF TEST
- SAVE ERROR: 18/BRN AND 19/GRN ARE SHORTED OR CONTROL BOARD IS BAD
- NOW GET "NO BRUSH STALL" ERROR: REPLACE BRUSH HEAD ACTUATOR

**IF ERROR READS = "NO BRUSH STALL"**

(SQUEEGEE BUTTON HELD, DOWN PRESSURE  
LED #3 AND #4 ARE LIT)

- 18/BRN, 19/GRN, OR THE BRUSH HEAD ACTUATOR ARE OPEN

**IF ERROR READS = "NO BRUSH MOTOR ZERO  
CURRENT"**

(SCRUB BUTTON HELD, DOWN PRESSURE LED #1 IS LIT)

- IF THE BRUSHES ARE ALWAYS ON WHEN THE KEY SWITCH IS ON: REPLACE M3 CONTACTOR
- IF THE BRUSHES TURN ON AND OFF DURING SELF TEST: THE CIRCUIT BOARD SHOULD BE REPLACED

**IF ERROR READS = "ZERO BRUSH MOTOR  
CURRENT"**

(SQUEEGEE BUTTON HELD, DOWN PRESSURE LED #2 IS LIT  
AND BRUSHES TURNED ON DURING SELF TEST)

- THE SHUNT SIGNAL IS NOT GETTING TO THE CONTROL BOARD
- CHECK WIRES 88/BLK, 87/CLR, AND THE SHUNT HARNESS CONNECTIONS
- VERIFY THAT THE SHUNT IS HOOKED UP AS PER SCHEMATIC
- REPLACE THE SHUNT AS NECESSARY

## SELF TEST ERROR BREAKDOWN

### **IF ERROR READS = "ZERO BRUSH CURRENT"**

**(AND BRUSH MOTORS DID NOT TURN ON DURING SELF TEST)**

- RUN MANUAL MODE (SEE PAGE 4-62)
- TURN ON SCRUB SYSTEM
- 12A/GRN IS BEING SWITCHED TO GROUND AT P3-11, TURNING ON M3, AND SUPPLYING VOLTAGE TO BRUSH MOTORS
- M3 IS BAD OR 12A/GRN, 10E/YEL, 1B/RED, 4/YEL, 4A/YEL, CB-8, CB-9, 64/PUR, 62/BLU, 13AH/BLK, 13AJ/BLK, OR THE SHUNT HARNESS IS OPEN
- CHECK FOR VOLTAGE FROM 62/BLU TO 66/GRN AND FROM 64/PUR TO 66/GRN AT THE BRUSH MOTORS-- IF VOLTAGE = B+ REPLACE BRUSH MOTORS
- IF VOLTAGE = 0 VOLTAGE-- GO TO STEP 6

### **IF ERROR READS = "LOW BRUSH CURRENT"**

**(SCRUB BUTTON HELD, DOWN PRESSURE LED #3 IS LIT)**

- GO INTO MANUAL MODE, TURN ON SCRUB BRUSHES-- VERIFY BOTH BRUSHES ARE OPERATING
- IF ONLY ONE MOTOR IS OPERATING: REPLACE OPEN WIRE OR MOTOR
- NOTE: CHECK FOR BROKEN BELTS ON THE CYLINDRICAL HEAD
- IF BOTH BRUSHES ARE TURNING-- IGNORE THIS ERROR
- SYSTEM IS TESTING GOOD

### **IF ERROR READS = "HIGH BRUSH CURRENT"**

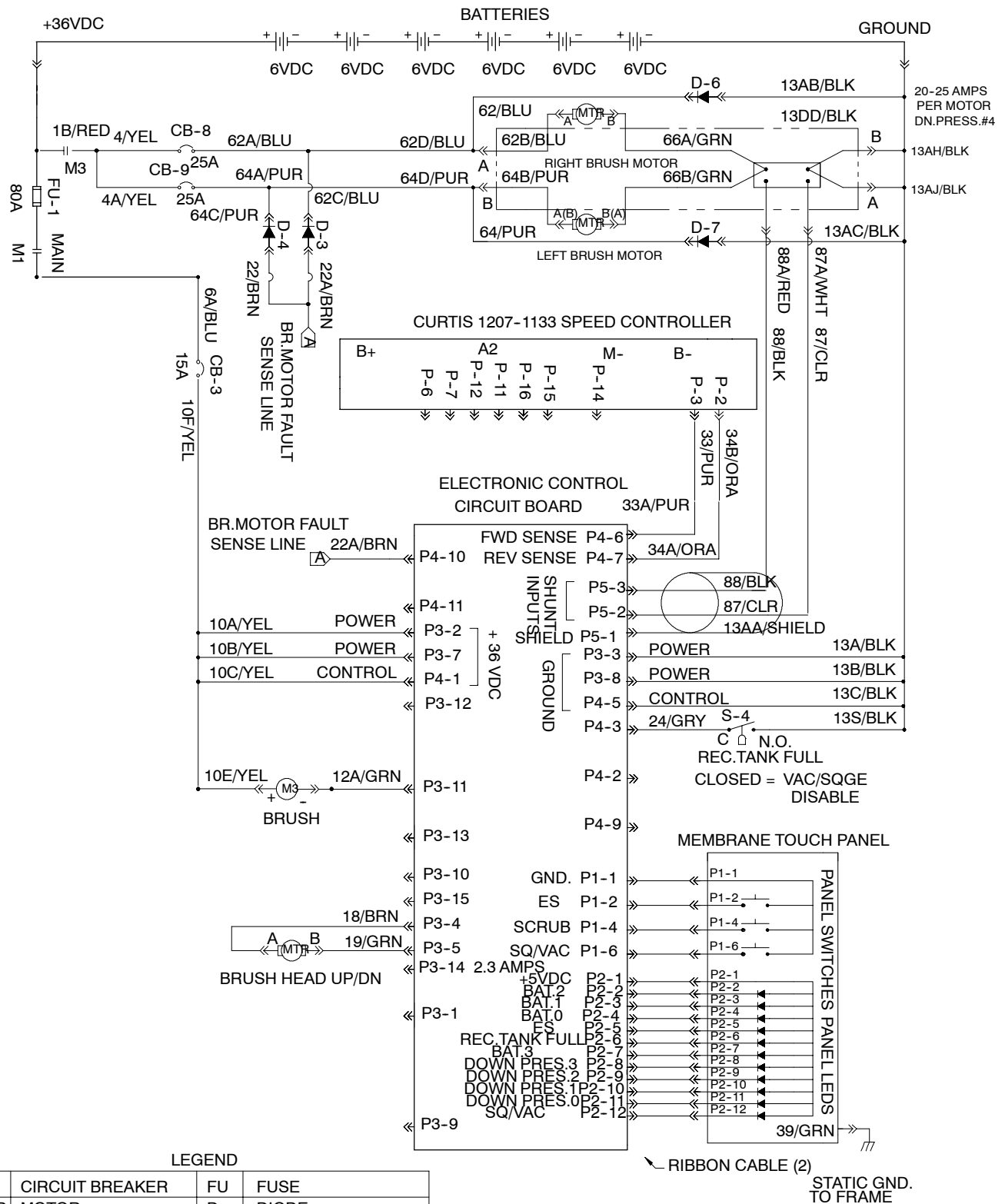
**(SCRUB BUTTON HELD, DOWN PRESSURE LED #4 IS LIT)**

- GO INTO MANUAL MODE, TURN ON SCRUB BRUSHES
- MEASURE BRUSH CURRENT WITH AMP PROBE
- REPLACE MOTORS WITH EXCESSIVE AMP DRAW

**- IF NONE OF THESE ERRORS ARE FOUND ON THE MACHINE: THE SCRUB SYSTEM IS PASSING SELF-DIAGNOSTICS**

**- DETERMINE WHAT OTHER ERROR WAS CAUSING THE SELF TEST FAILURE-- TROUBLESHOOT THAT SECTION**

## SCRUB SYSTEM



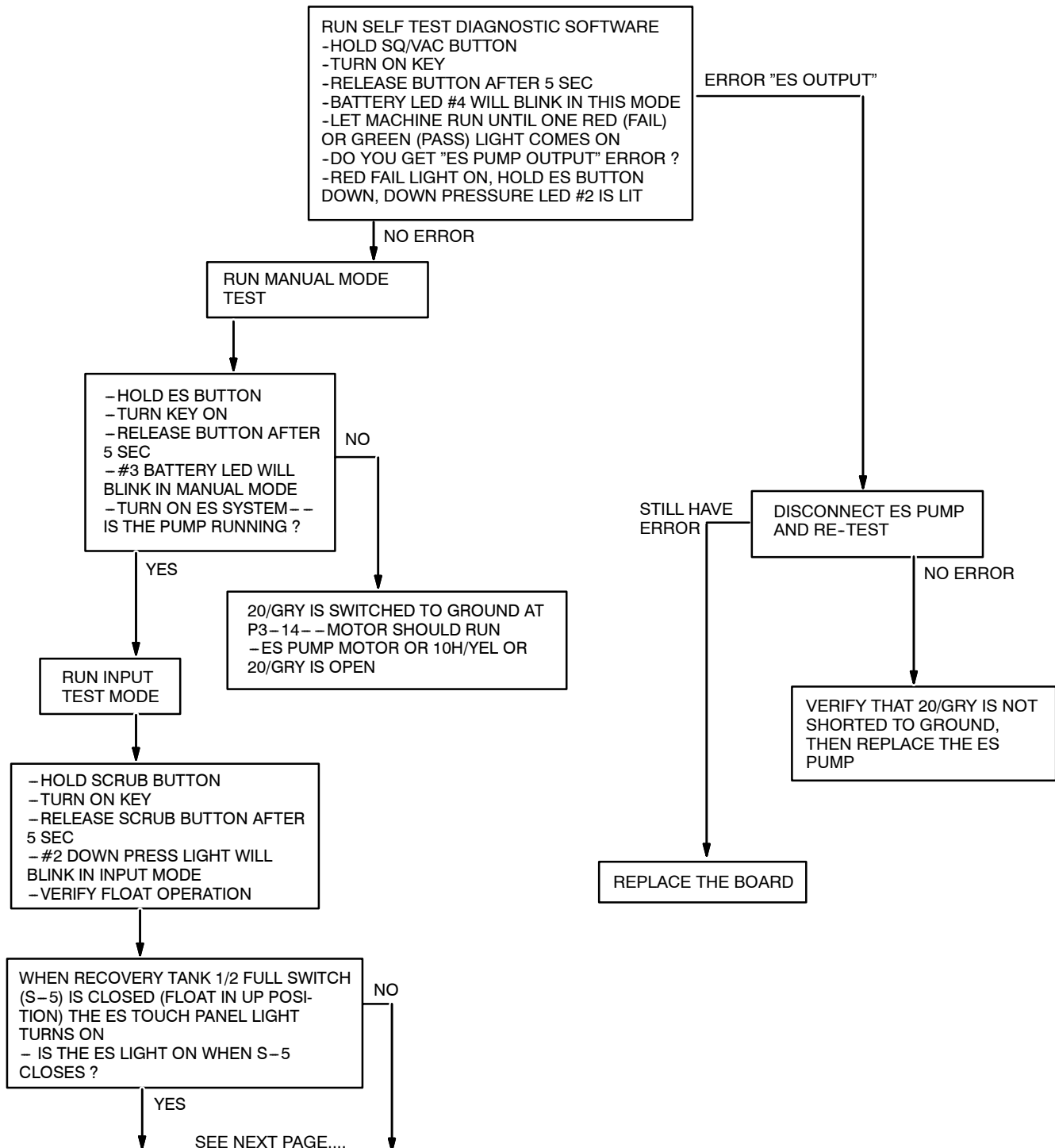
## ES™ SYSTEM

**OPERATION: When ES system selected on the touch panel and input floats are in the proper position**

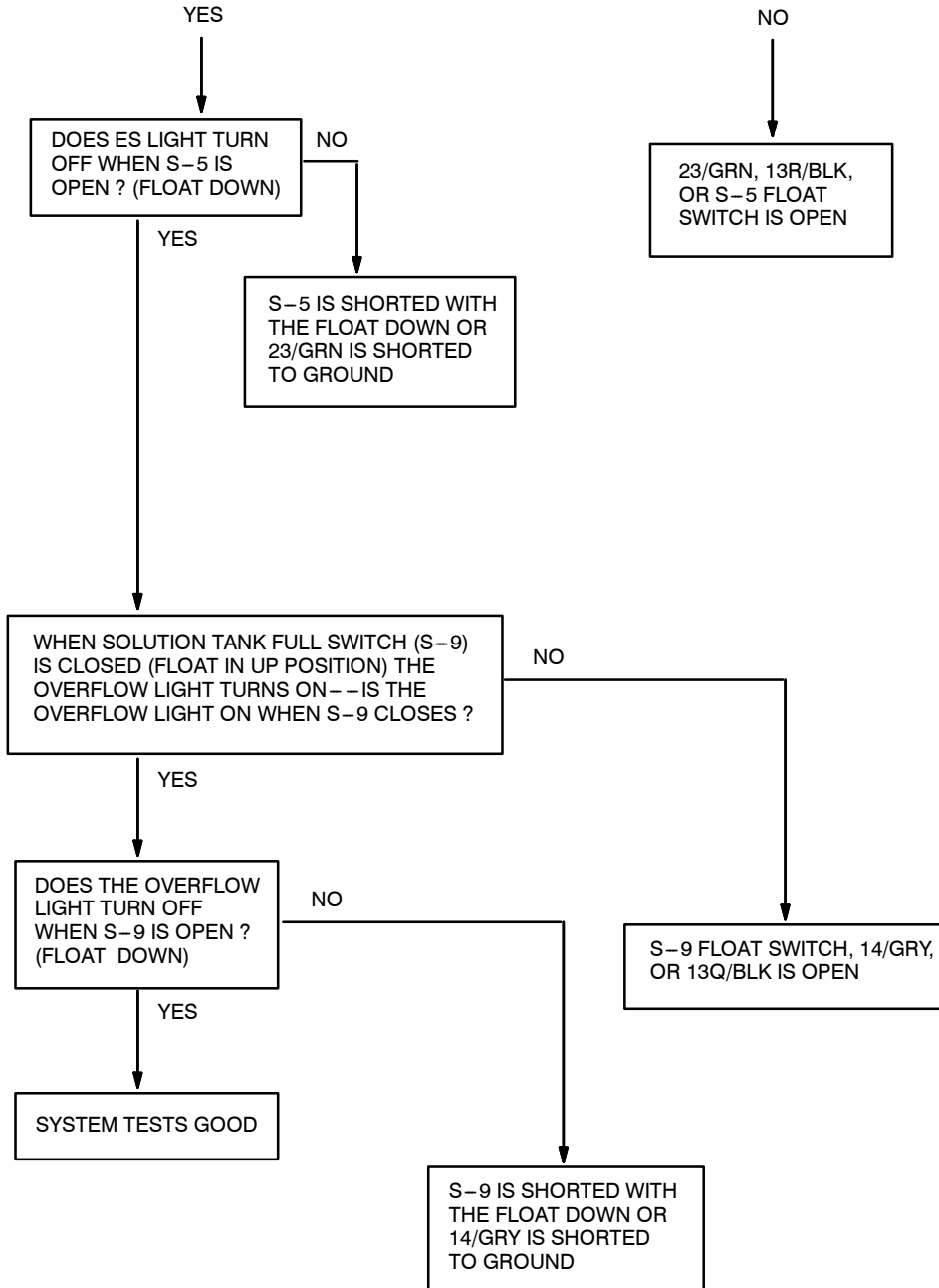
- Recovery tank is 1/2 full = S-5 is closed
- Solution tank NOT full = S-9 is opened
- P3-14 is switched to ground, turning on the ES pump

NOTE: Once ES pump is turned on, it will keep running until S-5 opens, plus 30 seconds or until S-9 closes = solution tank full

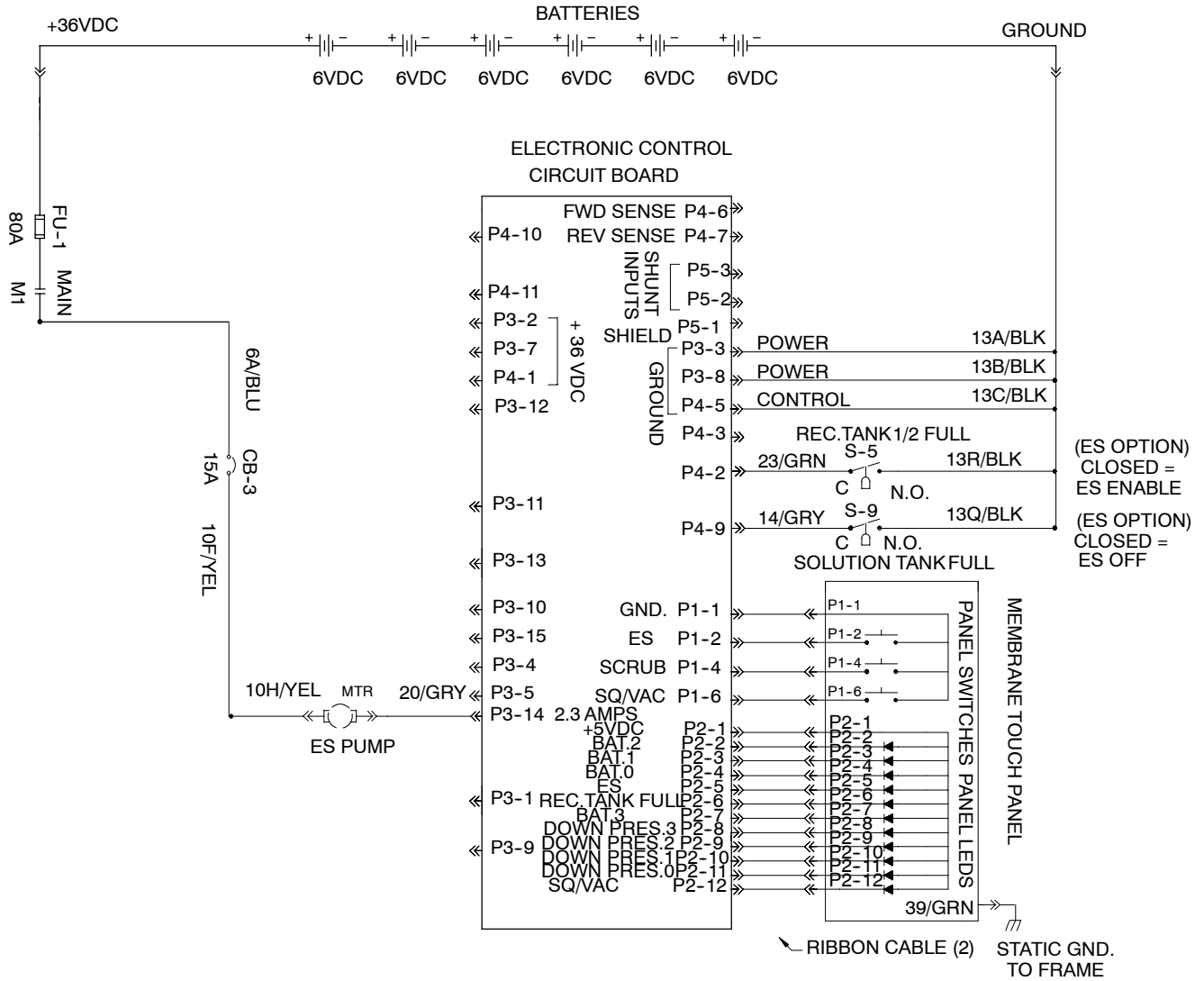
\* MACHINE POWERS UP, TOUCH PANEL AND PROPEL SYSTEMS TEST GOOD



CONTINUED FROM PREVIOUS PAGE



## ES™ SYSTEM



### LEGEND

CB	CIRCUIT BREAKER	FU	FUSE
MTR	MOTOR	D	DIODE
P	CONNECTOR PIN	M	RELAY COIL
S	SWITCH	R	RESISTOR
ARM	ARMATURE	HM	HOURMETER
N.O.	NORM.OPEN CONTACT	C	COMMON CONTACT

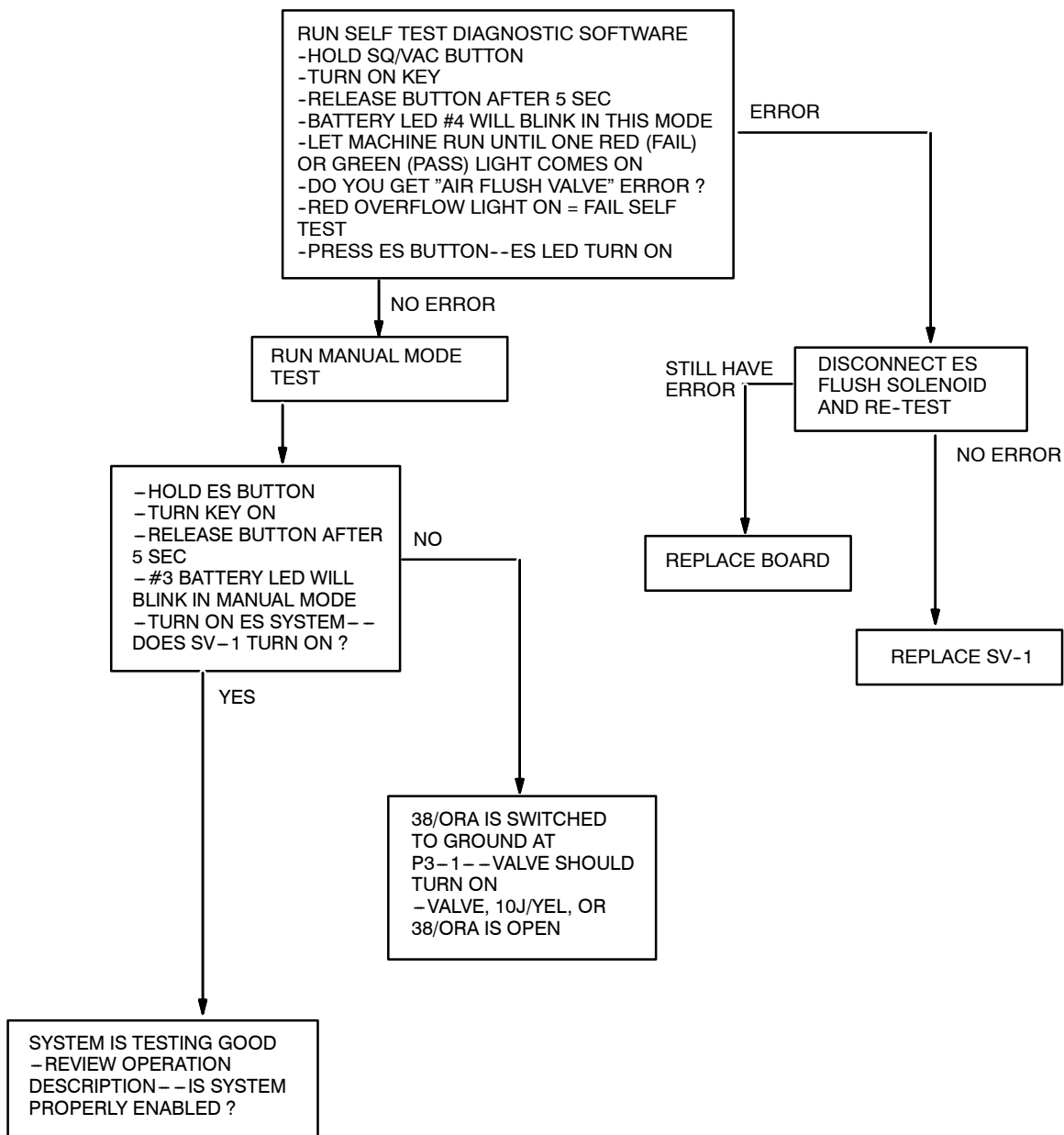


## ES™ FILTER FLUSH SYSTEM

**OPERATION: To enable the ES™ flush system--the vacuum fan and ES™ system must be turned on**

- P3-14 will switch to ground for 5 seconds every 45 seconds--turning on SV-1
- Every time SV-1 is turned on an air burst clears debris from the ES™ pump filter

\* MACHINE POWERS UP, TOUCH PANEL AND PROPEL SYSTEMS TEST GOOD









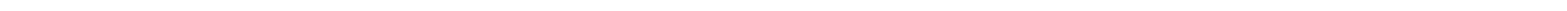
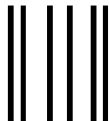
**TENNANT COMPANY**  
 Technical Publications #15  
 701 North Lilac Drive  
 P.O. Box 1452  
 Minneapolis, MN 55440-9947

POSTAGE WILL BE PAID BY ADDRESSEE

**BUSINESS REPLY MAIL**  
 FIRST CLASS MAIL PERMIT NO. 94 MINNEAPOLIS, MN

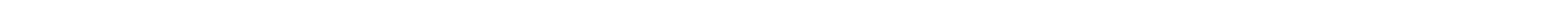


NO POSTAGE  
 NECESSARY  
 IF MAILED  
 IN THE  
 UNITED STATES



Fold along dotted lines

Tape here







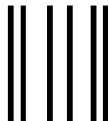
**TENNANT COMPANY**  
 Technical Publications #15  
 701 North Lilac Drive  
 P.O. Box 1452  
 Minneapolis, MN 55440-9947

POSTAGE WILL BE PAID BY ADDRESSEE

**BUSINESS REPLY MAIL**  
 FIRST CLASS MAIL PERMIT NO. 94 MINNEAPOLIS, MN



NO POSTAGE  
 NECESSARY  
 IF MAILED  
 IN THE  
 UNITED STATES



Fold along dotted lines

Tape here

