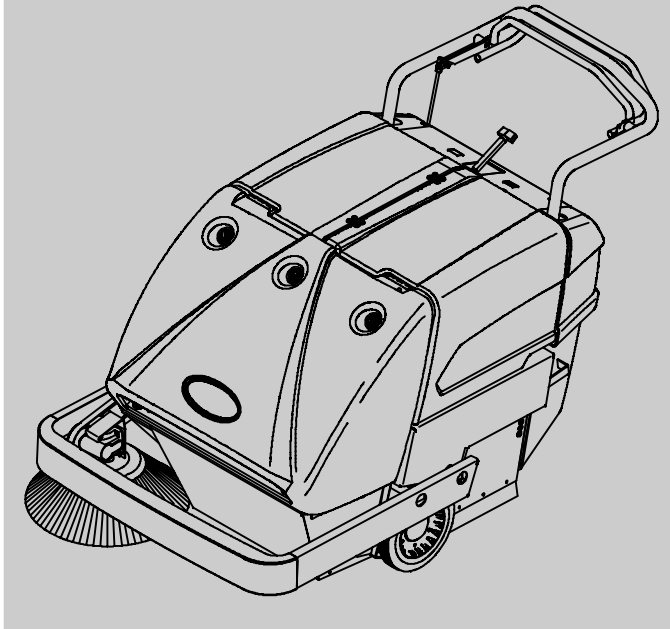
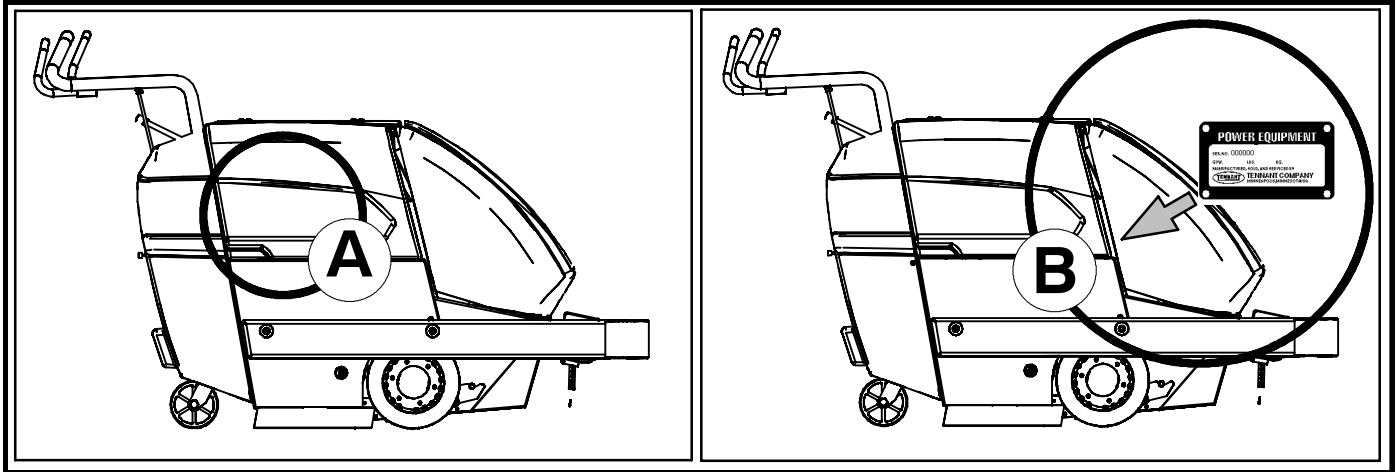




# S10

## Sweeper Service Information Manual





### **FOR REPLACEMENT PARTS**

Identify machine model and serial number.

1. **(A)** Identify the machine model.
2. **(B)** Identify the machine serial number from the data plate.

Refer to the TENNANT Parts Manual.

*NOTE: Only use TENNANT Company supplied or equivalent parts. Parts and supplies may be ordered online, by phone, by fax or by mail.*

### **Tennant Company**

PO Box 1452

Minneapolis, MN 55440

Phone: (800) 553-8033 or (763) 513-2850

[www.tennantco.com](http://www.tennantco.com)

Thermo-Sentry is a US registered and unregistered trademark of Tennant Company.

Specifications and parts are subject to change without notice.

Copyright © 2007 TENNANT, Printed in U.S.A.

<b>SAFETY PRECAUTIONS</b> .....	v
<b>GENERAL MACHINE INFORMATION</b> .....	1
GENERAL MACHINE DIMENSIONS/CAPACITIES .....	2
GENERAL MACHINE PERFORMANCE .....	2
POWER TYPE .....	2
TIRES .....	3
MACHINE DIMENSIONS .....	3
<b>MAINTENANCE &amp; REPAIR</b> .....	5
MAINTENANCE CHART .....	6
LUBRICATION .....	8
DRIVE CHAINS .....	8
DIFFERENTIAL .....	8
BRUSH ARM PIVOTS .....	8
REAR CASTER .....	8
SIDE BRUSH GEAR BOX .....	9
SELF ADJUSTING SHEAVE .....	9
BATTERIES .....	10
LEAD ACID BATTERIES .....	10
CHARGING BATTERIES .....	11
ELECTRIC MOTORS .....	13
BELTS AND CHAINS .....	13
PROPELLING BELTS .....	13
CHECKING/ADJUSTING BELT TENSION .....	13
REPLACE PROPELLING BELTS .....	15
SIDE BRUSH BELT .....	15
CHECKING/ADJUSTING BELT TENSION .....	15
REPLACE SIDE BRUSH BELT .....	16
MAIN BRUSH BELTS .....	17
REPLACE SHORT MAIN BRUSH BELT .....	17
REPLACE LONG MAIN BRUSH BELT .....	17
VACUUM FAN BELT .....	18
CHECK/ADJUST BELT TENSION .....	18
REPLACE VACUUM FAN BELT .....	18
WHEEL DRIVE CHAINS .....	19
STATIC DRAG CHAIN .....	19
BRUSHES .....	20
MAIN BRUSH .....	20
REMOVING THE MAIN BRUSH .....	20
INSTALLING THE MAIN BRUSH .....	20
CHECKING/ADJUSTING MAIN BRUSH PATTERN .....	20
SIDE BRUSH .....	21
REMOVING THE SIDE BRUSH .....	21
INSTALLING THE SIDE BRUSH .....	22
ADJUSTING THE SIDE BRUSH .....	22
DEBRIS HOPPER AND DUST FILTER .....	22
DEBRIS HOPPER .....	22
CHECKING/ADJUSTING FLOOR CLEARANCE .....	22
ADJUSTING DUST FILTER TO HOPPER SEALING .....	23
THERMO-SENTRY .....	23

DUST FILTER .....	23
REMOVING THE DUST FILTER .....	24
INSTALLING THE DUST FILTER .....	24
SKIRTS AND SEALS .....	24
HOPPER LIP SKIRT .....	24
REAR BRUSH SKIRTS .....	24
HOPPER TOP SEAL .....	25
MAIN BRUSH SKIRTS AND SEALS .....	25
PROPEL HANDLE ASSEMBLY .....	26
ADJUST PROPEL HANDLE ASSEMBLY HEIGHT .....	26
TRANSPORTING THE MACHINE .....	27
STORING MACHINE .....	27
<b>ELECTRICAL TROUBLESHOOTING INFORMATION .....</b>	<b>29</b>
ELECTRICAL SYMBOLS & ABBREVIATIONS .....	30
ELECTRICAL SCHEMATIC .....	31
WIRE HARNESS DRAWING .....	32
KEY OFF POWER DISTRIBUTION .....	33
KEY OFF POWER DISTRIBUTION (CHARGING) .....	34
KEY ON POWER DISTRIBUTION .....	35
FILTER SHAKER CIRCUIT .....	36
FILTER SHAKER SYSTEM ON .....	37

## SAFETY PRECAUTIONS

The following symbols are used throughout this manual as indicated in their description:



**WARNING: To warn of hazards or unsafe practices that could result in severe personal injury or death.**

**FOR SAFETY: To identify actions that must be followed for safe operation of equipment.**

This machine is designed solely for sweeping dirt and dust in an indoor environment. Tennant does not recommend using this machine in any other environment.

The following information signals potentially dangerous conditions to the operator or equipment. Read this manual carefully. Know when these conditions can exist. Locate all safety devices on the machine. Then, take necessary steps to train machine operating personnel. Report machine damage or faulty operation immediately. Do not use the machine if it is not in proper operating condition.



**WARNING: Batteries emit hydrogen gas. Explosion or fire can result. Keep sparks and open flame away. Keep covers open when charging.**



**WARNING: Disconnect battery cables and charger plug before servicing machine. Do not charge batteries with damaged power supply cord. Do not modify plug.**

If the charger supply cord is damaged or broken, it must be replaced by the manufacturer or its service agent or a similarly qualified person in order to avoid a hazard.



**WARNING: Heavy hopper. Do not remove without help. Can cause back strain.**

This machine is not equipped with explosion proof motors. The electric motors will spark upon start up and during operation which could cause a flash fire or explosion if machine is used in an area where flammable vapors/liquids or combustible dusts are present.

### FOR SAFETY:

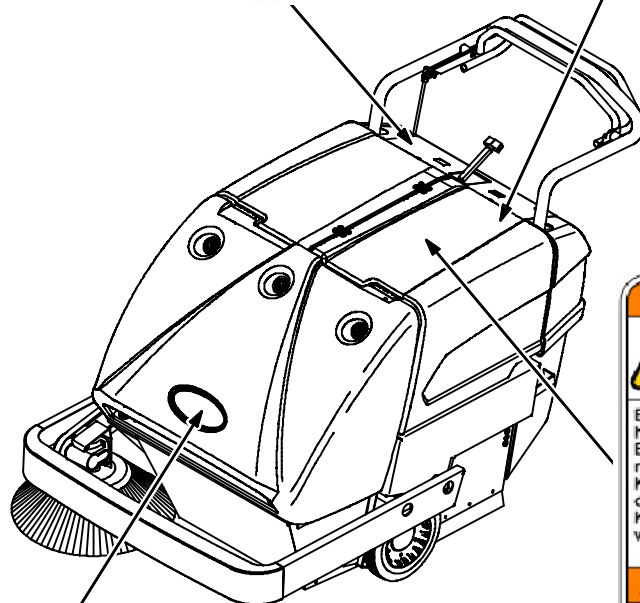
- 1. Do Not Operate Machine:**
  - Unless Trained And Authorized.
  - Unless Operation Manual Is Read And Understood.
  - In Flammable Or Explosive Areas Unless Designed For Use In Those Areas.
- 2. Before Starting Machine:**
  - Make Sure All Safety Devices Are In Place And Operate Properly.
- 3. When Using Machine:**
  - Go Slow On Grades And Slippery Surfaces.
  - Use Care When Backing Machine.
- 4. Before Leaving Or Servicing Machine:**
  - Stop On Level Surface.
  - Set Parking Brake.
  - Turn Off Machine And Remove Key.
- 5. When Servicing Machine:**
  - Avoid Moving Parts. Do Not Wear Loose Jackets, Shirts, Or Sleeves When Working On Machine.
  - Use Hoist Or Jack Of Adequate Capacity To Lift Machine.
  - Wear Eye And Ear Protection When Using Pressurized Air Or Water.
  - Disconnect Battery Connections Before Working On Machine.
  - Avoid Contact With Battery Acid.
  - Use TENNANT Supplied Or Equivalent Replacement Parts.
- 6. When loading/unloading machine onto/off truck or trailer.**
  - Turn off machine.
  - Use truck or trailer that will support the weight of the machine.
  - Use winch. Do not push the machine onto/off the truck or trailer unless the load height is 380 mm (15 in) or less from the ground.
  - Block machine tires.
  - Tie machine down to truck or trailer.

The following safety decals are mounted on the machine in the locations indicated. If these, or any decal becomes damaged or illegible, install a new decal in its place.

**FOR SAFETY LABEL - LOCATED ON THE CONTROL PANEL.**



**CHARGER CORD LABEL - LOCATED NEAR CHARGER.**



**BACK STRAIN LABEL - LOCATED ON THE TOP OF THE HOPPER.**

**BATTERY CHARGING LABEL - LOCATED ON THE LEFT SIDE PANEL.**

# GENERAL MACHINE INFORMATION

## BEFORE CONDUCTING TESTS:

- \* Read and Follow ALL Safety Warnings and Precautions as mentioned at the beginning of this manual
- \* Always unhook Battery when removing or replacing components

## DURING TESTS:

- \* Call Technical Services if Diagnostic Time Exceeds One Hour With Unknown Cause or Course of Action

NOTE: Troubleshooting charts may be shown with optional equipment. The optional equipment may not be specified in these charts. Some machines may not be equipped with all components shown.

## SPECIFICATIONS

### GENERAL MACHINE DIMENSIONS/CAPACITIES

Item	Dimension/capacity
Length	1570 mm (62 in)
Height (maximum)	990 mm-1120 mm (39 in-44 in)
Width (with out side brush)	920 mm (36.25 in)
Track-front	790 mm (31 in)
Wheel base	595 mm (23.5 in)
Main brush width	660 mm (26 in)
Main brush diameter	255 mm (10 in)
Side brush diameter	430 mm (17 in)
Sweeping path width (with side brush)	860 mm (34 in)
Hopper volume capacity	0.08 m <sup>3</sup> (2.8 cu ft)
Hopper weight capacity	68 kg (150 lb)
GVWR	345 kg (760 lb)
Dust filter (pleated panel filter element)	4.55 m <sup>2</sup> (49 sq. ft)

### GENERAL MACHINE PERFORMANCE

Item	Measure
Turning radius	1730 mm (68 in)
Travel speed forward (maximum)	4.7 Km/h (2.9 mph)
Travel speed reverse (maximum)	4.5 Km/h (2.8 mph)

### POWER TYPE

System	Drive Type
Propelling	Belt to chain
Differential	Belt
Wheel Drive	Chain
Main Brush	Belt
Side Brush	Belt
Vacuum Fan	Belt

Type	VDC	amp	Hz	Phase	VAC
Charger: Auto / Selectable AC Voltage Input	24	11	50/60	1	100-240

Type	Use	VDC	kW (hp)
Electric Motor	Propelling	24	0.75 (1)

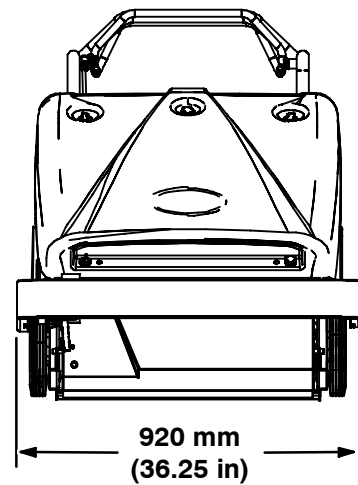
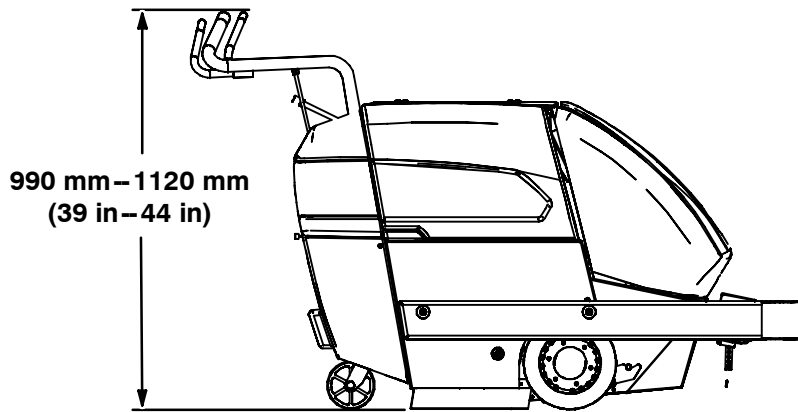
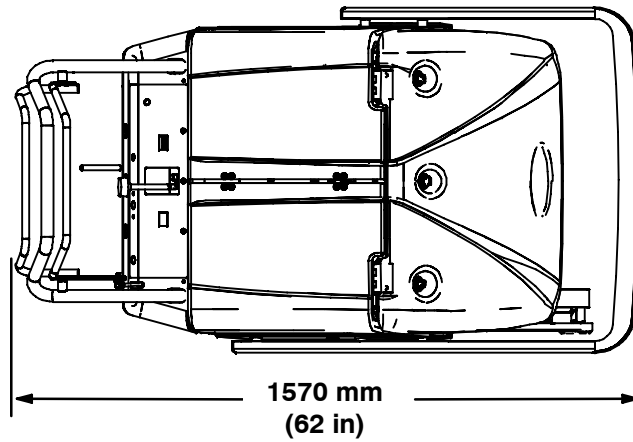
Type	Quantity	Volts	Ah Rating	Weight
Batteries	2	12	155 @ 20 hr rate	38 kg (83 lb)



**TIRES**

Location	Type	Size
Front (2)	Solid	250 mm x 51 mm (10 in x 2 in)
Rear (1)	Solid	130 mm x 38 mm (5 in x 1.5 in)

**MACHINE DIMENSIONS**



03131



# MAINTENANCE & REPAIR

## BEFORE CONDUCTING TESTS:

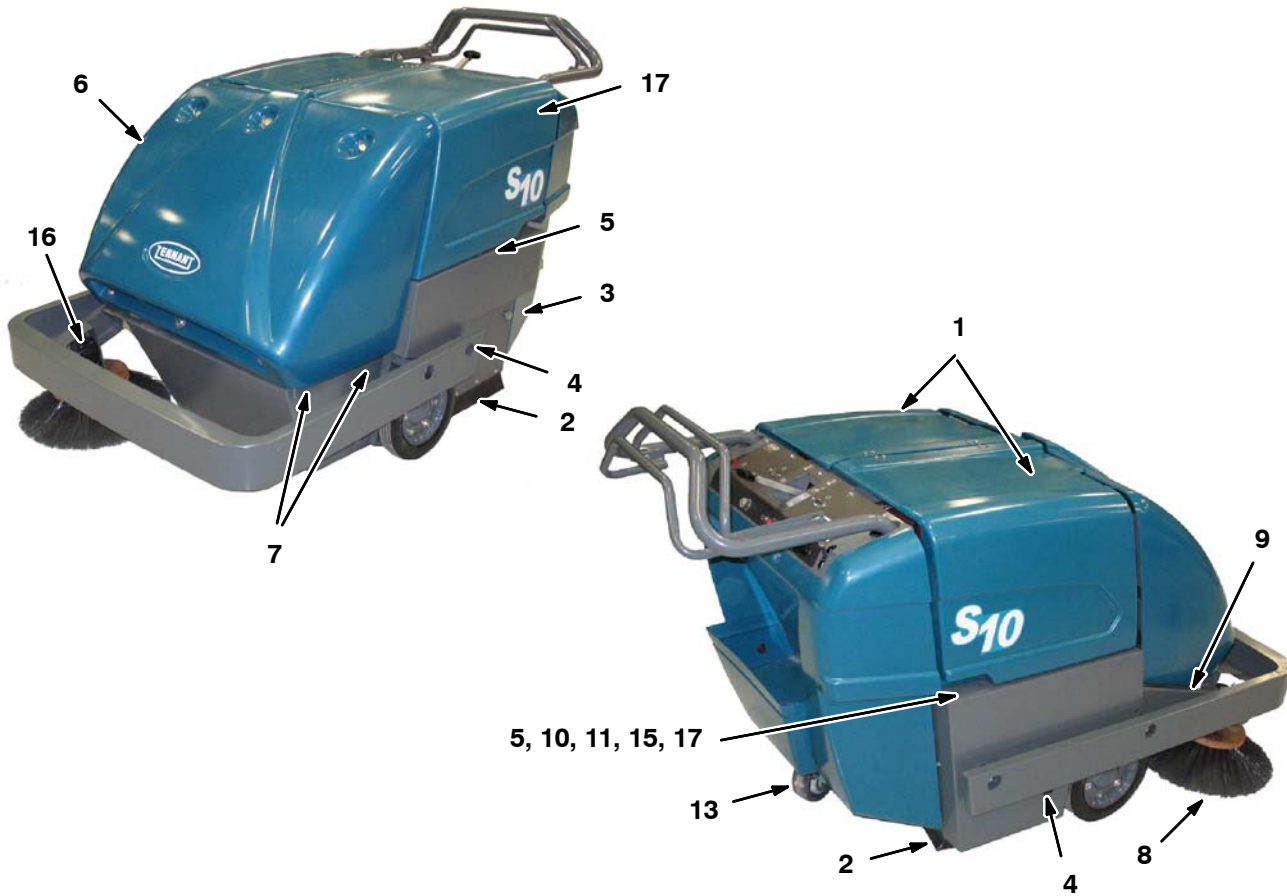
- \* Read and Follow ALL Safety Warnings and Precautions as mentioned at the beginning of this manual
- \* Always unhook Battery when removing or replacing components

## DURING TESTS:

- \* Call Technical Services if Diagnostic Time Exceeds One Hour With Unknown Cause or Course of Action

NOTE: Troubleshooting charts may be shown with optional equipment. The optional equipment may not be specified in these charts. Some machines may not be equipped with all components shown.

MAINTENANCE



MAINTENANCE CHART

Interval	Key	Description	Procedure	Lubricant/ Fluid	No. of Service Points
Daily	2	Brush skirts	Check for damage, wear, and floor clearance	-	5
	3	Main brush	Check for damage, wear, debris	-	1
	8	Side brush	Check for damage, wear, debris	-	1
	7	Hopper	Check seals for damage and wear	-	3
25 Hours	1	Battery cells	Check electrolyte level	DW	2
	3	Main brush	Check floor pattern <b>(after initial 25 hours only)</b>	-	1
	5	Drive chains	Check and adjust tension <b>(after initial 25 hours only)</b>	-	2

50 Hours	14	Vacuum fan belt	Check tension and wear	-	1
	10	Propelling belts	Check tension and wear	-	2
	10	Main brush belts	Check tension and wear	-	2
	9	Side brush belts	Check tension and wear	-	2
	8	Side brush	Check pressure	-	1
	3	Main brush	Check floor pattern Rotate end-for-end	-	1
	4	Brush arm pivots	Lubricate	SPL	2
	13	Rear caster	Lubricate	SPL	1
	7	Hopper	Check floor clearance	-	1
100 Hours	5	Drive chains	Check and adjust tension	-	2
			Lubricate	SO	2
	6	Dust filter	Clean or replace	-	1
	11	Self adjusting sheave	Lubricate	SPL	1
	1	Batteries	Clean top surface and terminals	-	2
	17	Differential	Lubricate	SPL	1
400 Hours	15	Propelling motor	Blow out dust and inspect	-	1
	16	Side brush gear box	Check lubricant level	GL	1

## LUBRICANT/FLUID

DW - Distilled water

SPL - Special lubricant, Lubriplate EMB grease, TENNANT Part No. 01433-1

SO - Spray lubricant

GL - SAE 90 Weight gear lubricant

*NOTE: More frequent intervals may be required in extremely dusty conditions.*

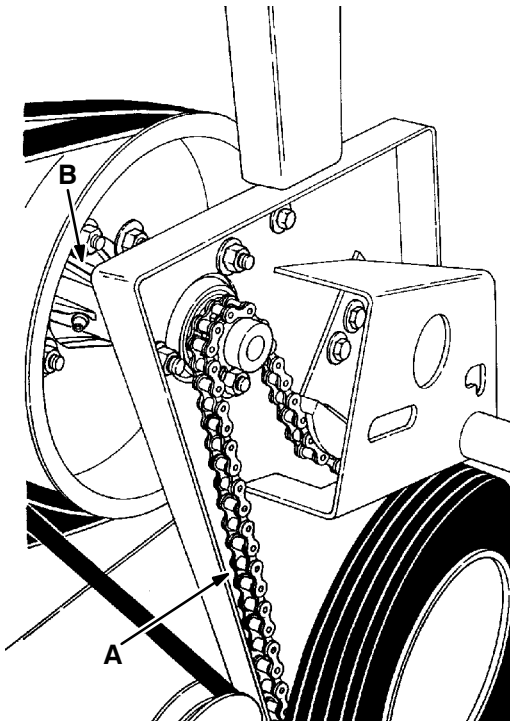
---

**LUBRICATION**


---

**DRIVE CHAINS**

Check the tension and lubricate the drive chains (A) with a penetrating-type spray lubricant after every 100 hours of operation.



**A. Drive Chain**  
**B. Differential**

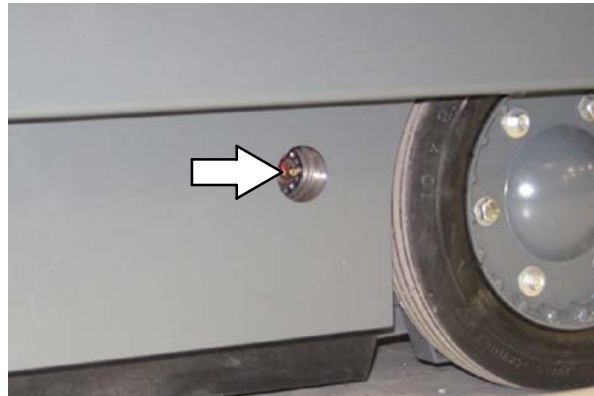
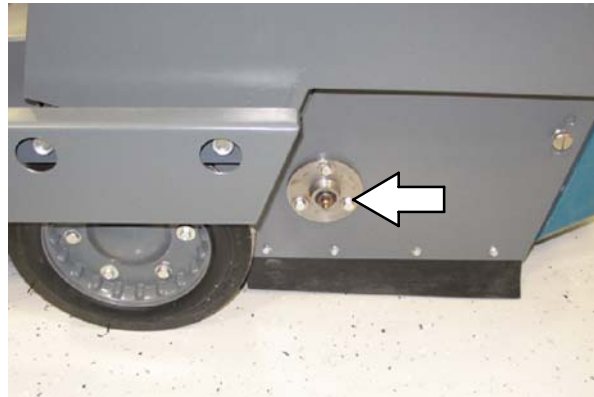
03139

**DIFFERENTIAL**

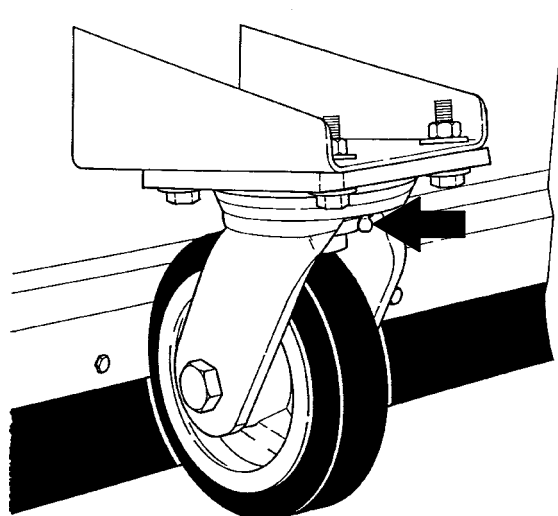
Lubricate the differential (B) every 100 hours of operation. The differential grease fitting is located on the drive shaft inside the drive sheave.

**BRUSH ARM PIVOTS**

Lubricate the brush arm pivots after every 50 hours of operation.

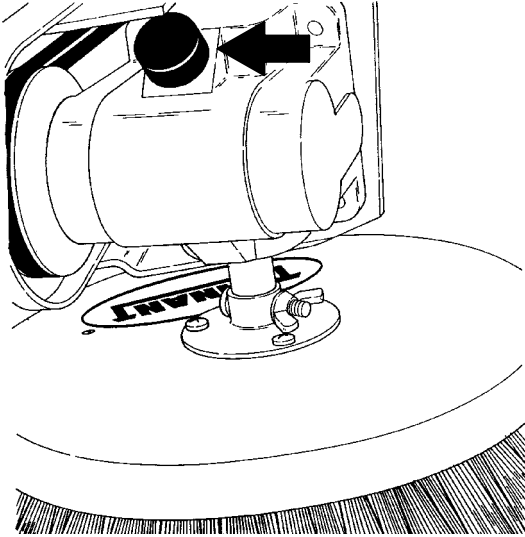
**REAR CASTER**

Lubricate the rear caster after every 50 hours of operation.



**SIDE BRUSH GEAR BOX**

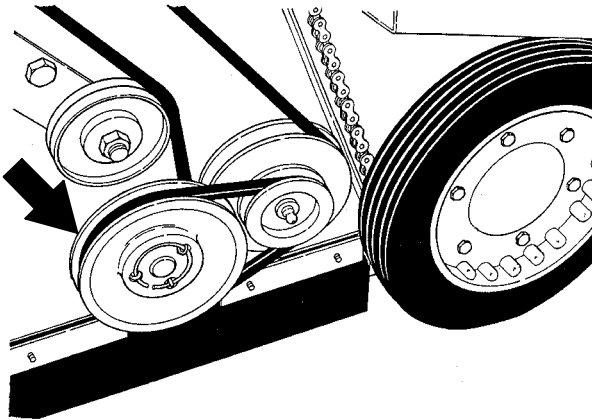
Check the side brush gear box fluid level after every 400 hours of operation. Remove the breather and fill the gear box to within 6 mm (0.25 in) of the top.



03144

**SELF ADJUSTING SHEAVE**

Lubricate the sheave shaft after every 100 hours of operation. Avoid getting oil on the belt or sheave belt surfaces.



03141

## BATTERIES

The batteries are designed to hold their power for long periods of time. The lifetime of the batteries is limited to number of charges the batteries receive. To get the most life from the batteries, recharge them immediately when the battery discharge indicator begins to blink.



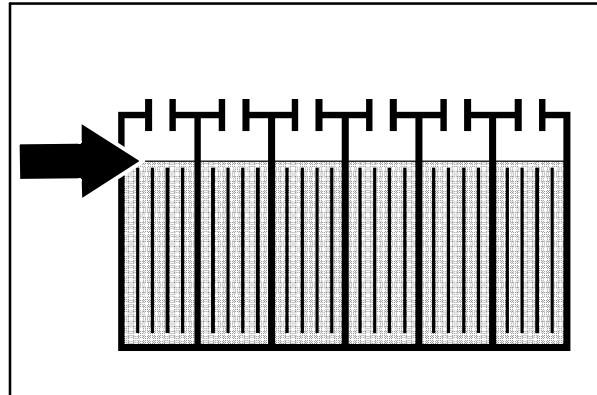
**FOR SAFETY: When servicing machine, wear protective gloves when handling batteries or battery cables. Avoid contact with battery acid.**

After every 100 hours of use check for loose battery connections and clean the surface of the batteries, including terminals and cable clamps, using a strong solution of baking soda and water. Brush the solution sparingly over the battery tops. Do not allow any baking soda solution to enter the batteries. Use a wire brush to clean the terminal posts and the cable connectors. Wipe off all cleaning solution residue. After cleaning, apply a coating of clear battery post protectant to the terminals and the cable connectors. Keep the tops of the batteries clean and dry.

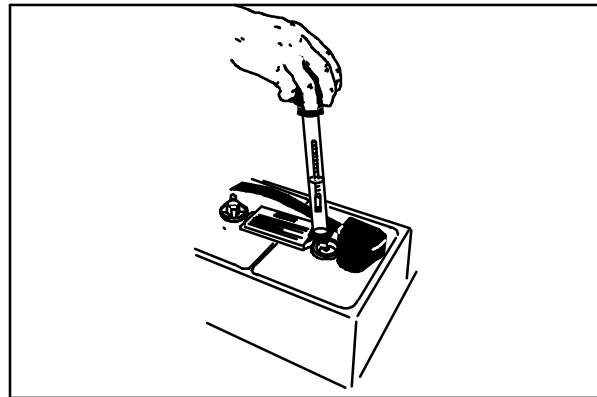
Objects made of metal can potentially short circuit the batteries. Keep all metallic objects off the batteries. Replace any worn or damaged wires. Replace any defective batteries. To dispose of batteries, contact a battery dealer or your Tennant Service representative.

## LEAD ACID BATTERIES

Check the electrolyte level in each battery cell before and after charging, and after every 25 hours of operation. Never add acid to the batteries. Add distilled water *only*. Always keep the battery caps on, except when adding water or taking hydrometer readings.



Using a hydrometer, measure the specific gravity to determine the charge level and condition of the batteries. If one or more of the battery cells test lower than the other battery cells (0.050 or more), the cell is damaged, shorted, or is near failure. Completely recharge the batteries and then retest.



04380



*NOTE: Do not take readings immediately after adding distilled water. If the water and acid are not thoroughly mixed, the readings may not be accurate. Check the hydrometer readings against the following chart to determine the remaining battery charge level:*

SPECIFIC GRAVITY at 27° C (80° F)	BATTERY CHARGE
1.265	100% Charged
1.225	75% Charged
1.190	50% Charged
1.155	25% Charged
1.120	Discharged

*NOTE: If the readings are taken when the battery electrolyte is any temperature other than 27° C (80° F), the reading must be temperature corrected. Add or subtract to the specific gravity reading 0.004, 4 points, for each 6° C (10° F) above or below 27° C (80° F).*

### CHARGING BATTERIES

The following charging instructions are intended for battery chargers supplied with the machine.

After every 50 hours check the battery charger cord for damage.

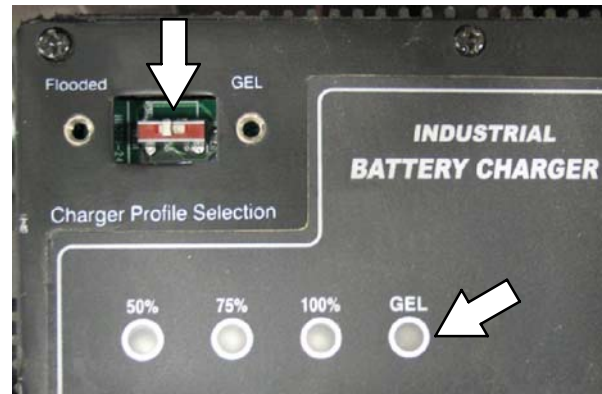
To prolong the life of the batteries only recharge the batteries if the machine was used for a total of 30 minutes or more. Do not leave batteries discharged for lengthy periods.

**⚠ WARNING: Fire Or Explosion Hazard.** Batteries emit hydrogen gas. Keep sparks and open flame away. Keep battery compartment open when charging.

**FOR SAFETY: When servicing batteries, wear protective gloves and eye protection when handling batteries and battery cables. Avoid contact with battery acid.**

Make sure the charger profile is properly set for the battery type before charging. Failure to properly set profile will result in battery damage. To determine the battery type, see battery label. Contact the battery supplier if not specified.

To verify the charger profile setting, connect the charger cord into an electrical receptacle. If the LED labeled "GEL" is on, the charger is set for Gel (sealed) batteries. If the LED is off, the charger is set for Wet/lead acid (flooded) batteries.



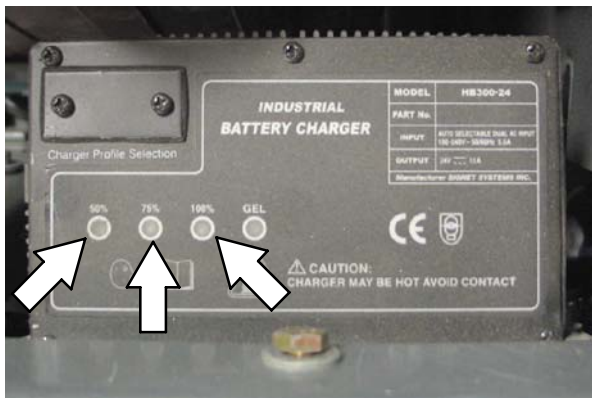
To change the charger profile, unplug the charger, remove the "Charger Profile Selection" panel, and position the switch towards the proper setting, "GEL" or "Flooded".

1. Transport the machine to a well-ventilated area for charging.

**FOR SAFETY: Before leaving or servicing machine; stop on level surface, set parking brake (if equipped), and turn off machine.**

2. If charging wet (lead acid) batteries check the fluid level before charging (See BATTERY MAINTENANCE).
3. Remove the battery compartment covers for ventilation when charging.

4. Connect the charger cord into a properly grounded electrical receptacle. The charger will start automatically within a few seconds. The LEDs will display the charging state as described in the following table.



CHARGING STATE LED DISPLAY			
Charging State	50% LED	75% LED	100% LED
0-50% charged	Blinking	Off	Off
50-75% charged	On	Blinking	Off
75-100% charged	On	On	Blinking
100% charged	On	On	On
Abnormal Cycle*	Off	Off	Blinking
Fault detected *	Blinking	Blinking	Blinking

\* See the On-board Battery Charger Fault Codes table. When a fault occurs, the charger will also sound an alarm.

LED FAULT CODE	FAULT	SOLUTION
3 LEDs blink once repeatedly	Loose charger cable connection.	Check charger cable connection.
	Loose or damaged battery cable.	Check battery cable connections.
	Defective Battery.	Replace battery.
3 LEDs blink twice repeatedly	Input voltage is out of range.	Try using a different wall outlet.
3 LEDs blink three times repeatedly	Safety thermostat exceeded maximum internal temperature.	Open battery compartment to promote air circulation or move machine to a cooler climate.
3 LEDs blink four times repeatedly	Output current exceeds a limit.	Disconnect charger cord, wait 30 seconds, then plug back in. If fault continues replace charger or contact TENNANT Service.
100% LED blinks while the 50% and 75% LEDs are off.	Abnormal cycle. Safety timer exceeded the 18 hour charging time.	Battery maintenance required or replace battery.

*NOTE: The machine will not operate once the battery charger is connected.*

5. Once the batteries are fully charged, the charger will stop supplying power, but will continue to monitor the battery voltage. The charger will restart if the batteries self-discharge.

*NOTE: The charger may take up to 30 seconds to turn off once the charger cord is disconnected. During this time, the machine will not power up. The charger cord must also be disconnected for 30 seconds before the charger can be restarted.*

6. Unplug the charger cord from the electrical receptacle and stow the cord beneath the left battery.

*NOTE: To avoid damaging the charger cord, do not pull on the cord to unplug the charger from the electrical receptacle. Use the plug to unplug the cord from the electrical receptacle.*

7. Reinstall the battery compartment covers.

## ELECTRIC MOTORS

The electric propelling motor is serviceable. The propelling motor is located underneath the battery compartment.

Blow out the dust and inspect the motor brushes in the motor after every 400 hours of operation.

If the brushes have been worn to less than 10 mm (0.38 in) in length, replace them.

If the commutator is worn or rough, the motor armature should be removed and serviced, or replaced.

## BELTS AND CHAINS

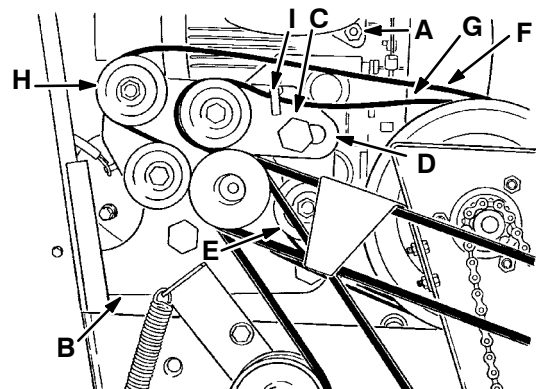
### PROPELLING BELTS

Check the propelling belts for wear and tension after every 50 hours of operation.

#### CHECKING AND ADJUSTING THE PROPELLING BELT TENSION

**FOR SAFETY: Before leaving or servicing machine; stop on level surface, set parking brake (if equipped), and turn off machine.**

1. Remove the access cover, bumper, and cover.
2. Observe the position of the clutch plate bolt (C) with no pressure on the clutch handle. It should be approximately in the center of the slot (D).
3. Press the clutch handle to tighten the forward propelling belt (G). The clutch handle should be 7 to 13 mm (0.25 to 0.50 in) from the stationary handle. Observe the position of the clutch plate bolt (C). It should not touch the end of the slot (D). If the handle and bolt are in the proper position, proceed to step 7; if not, continue with step 4 to readjust forward belt tension.



03151

- A. Motor
- B. Clutch Plate
- C. Clutch Plate Bolt
- D. Bolt Slot
- E. Forward Belt Idler Sheave
- F. Reverse Propelling Belt
- G. Forward Propelling Belt
- H. Reverse Belt Idler Sheave
- I. Belt Guide

4. Loosen the forward idler sheave bolt (E) and slide the idler sheave down to tighten the belt (G) (this also increases distance between clutch handle and stationary handle); slide the sheave up to loosen the belt (this also reduces distance between clutch handle and stationary handle).
5. Tighten the idler sheave bolt.
6. Recheck handle and bolt positions. Repeat as necessary to adjust belt tension.

*NOTE: After adjusting the forward belt, it may contact the belt guide when engaged causing a whining noise. To stop the noise, bend the guide up out of the belt's way.*

7. Pull the clutch handle to tighten the reverse propelling belt. Observe the position of the clutch plate bolt (C). It should not touch the end of the slot (D). If the bolt is in the proper position, proceed to step 11; if not, continue with step 8 to readjust reverse belt tension.

*NOTE: If the reverse belt is too tight, it will require excessive clutch handle pressure to propel machine in the forward direction. It may also cause the machine to creep backward when the handle is released. If the reverse belt is too loose, the machine will not propel backward.*

8. Loosen the reverse idler sheave bolt (H) and slide the idler sheave to the rear to tighten the belt (F); slide the sheave forward to loosen the belt.
9. Tighten the reverse idler sheave bolt (H).
10. Pull the clutch handle to recheck the position of the clutch plate bolt (C). Repeat as necessary to adjust belt tension.
11. Check steering effort. After repairing or replacing drive system parts, effort may increase due to poor alignment. To correct, do the following:
  - A. Loosen the bearing flanges as well as the split coupling bolts.
  - B. Snug one split coupling bolt.

- C. Align the propelling belts. Check for clearance between the differential and the locking collar.

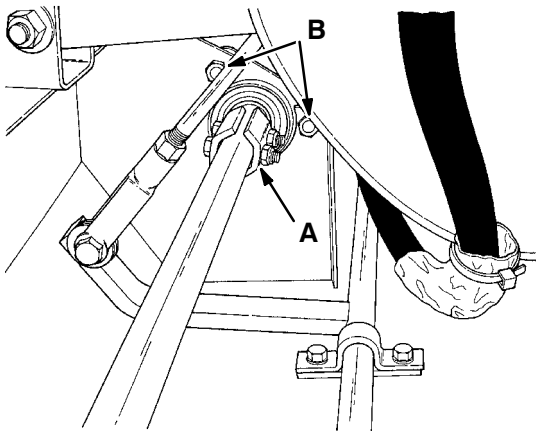
*NOTE: Minimum clearance between differential and sheave is 0.3 mm (0.010 in).*

- D. While holding belt alignment, pull the shaft away from the differential.
  - E. Tighten the center and left bearing flanges. Check for hard rotation of shaft.
  - F. Tighten the center and left bearing collars.
  - G. Pull the short differential shaft away from differential to spread the differential gears.
  - H. Tighten the right side bearing flange. Tap bearing before tightening.
  - I. Tighten the right bearing collar.
  - J. Check for free spinning of differential. Loosen the center and right bearing flanges if it is not spinning freely. Tap and retighten.
  - K. Align and tighten sprockets. Chains must be slack to minimize steering effort.
12. Reinstall the access cover, and right side cover, and bumper.

## REPLACE PROPELLING BELTS

**FOR SAFETY: Before leaving or servicing machine; stop on level surface, set parking brake (if equipped), and turn off machine.**

1. Remove the bumper and right side cover, debris hopper, and access cover.
2. Loosen the belt idler sheave bolts.
3. Slip the propelling belts off the idler sheaves.
4. Lift the filter cover.
5. Remove the differential coupling (A).



**A. Coupling**  
**B. Flange Bolts**

03147

6. Slide the old belt out through the coupling opening.
7. Slide the new belt through the coupling opening.
8. Reconnect the coupling to the differential shafts.
9. Slip the belt over the idler and motor sheaves.
10. Adjust the belt as described in *CHECK AND ADJUST PROPELLING BELT TENSION*.
11. Replace the right side cover and bumper, and the access cover.
12. Replace the debris hopper.
13. Lower the filter cover.

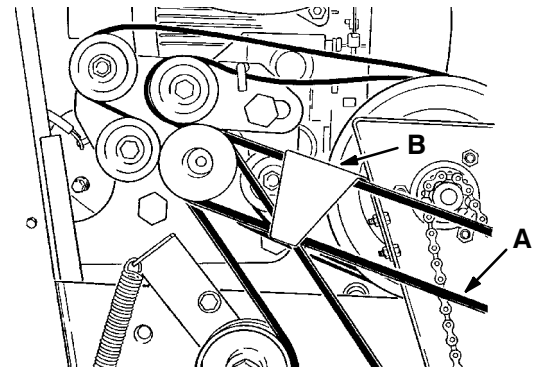
## SIDE BRUSH BELT

Check the belt for wear and tension after every 50 hours of operation.

## CHECKING AND ADJUSTING THE SIDE BRUSH BELT TENSION

**FOR SAFETY: Before leaving or servicing machine; stop on level surface, set parking brake (if equipped), and turn off machine.**

1. Lift the filter cover.
2. Remove the debris hopper.
3. Remove the access cover, and right side bumper and cover.
4. Place the side brush arm in the down position.
5. Check the belt (A) tension at a point 230 mm (9 in) from the motor shaft. The belt should deflect 20 mm (0.75 in) from a force of 3 kg (6 lb).

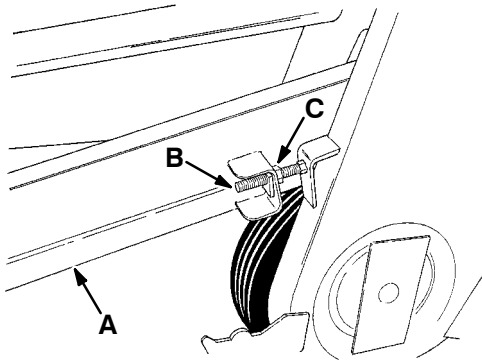


**A. Side Brush Belt**  
**B. Belt Guide**

03151

6. To adjust belt tension, loosen the button head screw through the side cover (not shown).

- Pull the side brush arm (A) out to tighten the belt.



**A. Side Brush Arm**  
**B. Stop Bolt**  
**C. Lock Nut**

03153

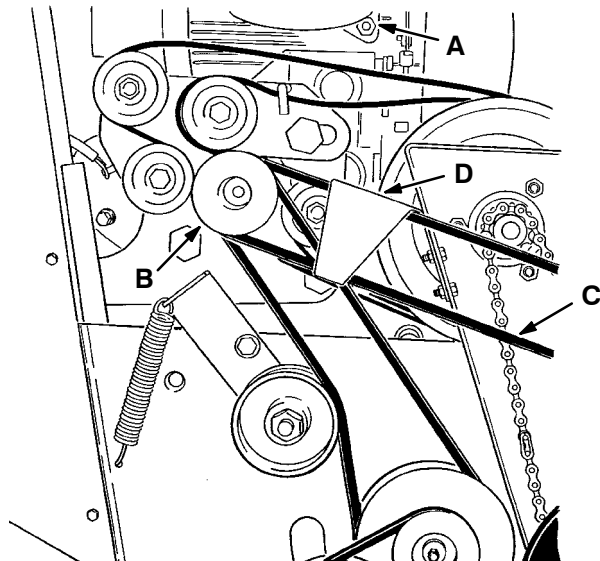
- Tighten the button head screw when the correct tension is reached.
- Adjust the stop bolt (B) so it clears the stop by 5 mm (0.06 in).
- Replace the debris hopper.
- Lower the filter cover.

#### REPLACE SIDE BRUSH BELT

**FOR SAFETY: Before leaving or servicing machine; stop on level surface, set parking brake (if equipped), and turn off machine.**

- Remove the debris hopper.
- Remove the right side bumper and cover, and access cover.
- Place the side brush arm in the raised position.
- Remove the four speed reducer mounting bolts and the speed reducer from the side brush arm.

- Slide the belt (C) off the motor sheave (B) and out of the machine.



**A. Motor**  
**B. Motor Sheave**  
**C. Side Brush Belt**  
**D. Belt Guide**

03151

- Position the new belt (C) over the motor sheave (B), under the belt guide (D), and through the side brush arm.
- Loop the belt over the speed reducer sheave and bolt the speed reducer back onto the side brush arm.
- Adjust the belt tension as described in *CHECK AND ADJUST SIDE BRUSH BELT TENSION*.
- Replace the right side bumper and cover, and access cover.
- Replace the debris hopper.

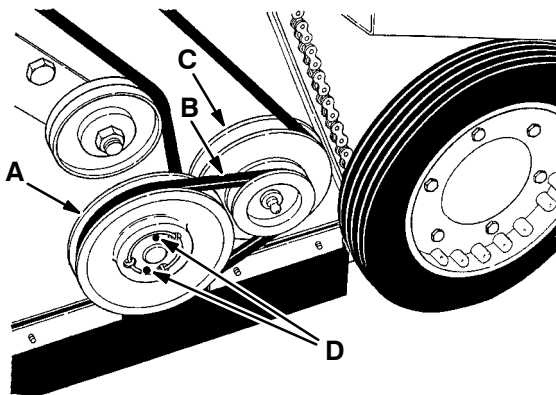
**MAIN BRUSH BELTS**

Check the main brush belts for wear after every 50 hours of operation. The short main brush belt uses a self-adjusting sheave to control belt tension and is not adjustable. The long main brush belt uses a spring tensioned idler pulley to control belt tension and is not adjustable.

**REPLACE SHORT MAIN BRUSH BELT**

**FOR SAFETY: Before leaving or servicing machine; stop on level surface, set parking brake (if equipped), and turn off machine.**

1. Remove the debris hopper.
2. Remove the right side bumper and cover, and access cover.
3. Thread two M5x0.8 screws into the two threaded holes (D) in the face of the self-adjusting sheave (A).



**A. Self-Adjusting Sheave  
B. Short Main Brush Belt  
C. Two-Step Sheave  
D. Threaded Holes**

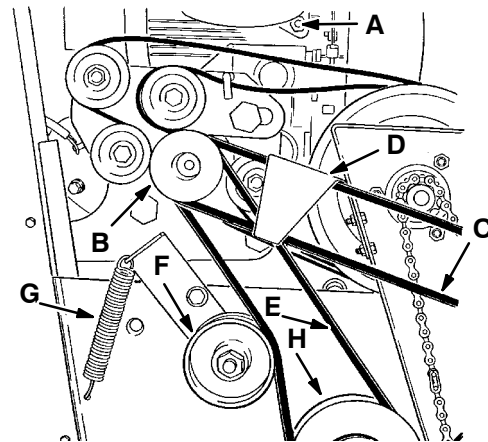
4. Evenly tighten the two screws to expand the self-adjusting sheave (A).
5. Slip the belt (B) off the sheaves (A) and (C).
6. Slide the new belt (B) over the sheaves (A) and (C).
7. Unthread the two screws.
8. Run the machine to ensure the belt (B) rests in the sheave properly.
9. Replace the right side bumper and cover, and access cover.

03141

**REPLACE LONG MAIN BRUSH BELT**

**FOR SAFETY: Before leaving or servicing machine; stop on level surface, set parking brake (if equipped), and turn off machine.**

1. Remove the short main brush belt as described in steps 1 to 5 in *REPLACE SHORT MAIN BRUSH BELT*.
2. Place the side brush arm in the raised position.
3. Slide the side brush belt (C) off the motor sheave (B).



**A. Motor  
B. Motor Sheave  
C. Side Brush Belt  
D. Belt Guide  
E. Long Main Brush Belt  
F. Belt Idler  
G. Idler Sheave Spring  
H. Two-Step Sheave**

03151

4. Disconnect the idler sheave spring (G).
5. Remove the snap ring from the two-step sheave (H) and slide the sheave off the shaft.
6. Pull belt idler (F) back and slide the long main brush belt (E) out of the machine.
7. Position the new long main brush belt (E) in the machine.
8. Reinstall the two-step sheave (H) and reconnect the idler sheave spring (G).
9. Position the side brush belt (C) over the motor sheave (B) and under the belt guide (D).

10. Slide the short main brush belt over the self-adjusting sheave and the two-step sheave.
11. Unthread the two screws separating the self-adjusting sheave.
12. Run the brush to confirm the belt is seated in the sheave.
13. Adjust the belt tension as described in *CHECK AND ADJUST SIDE BRUSH BELT TENSION*.
14. Replace the right side bumper and cover, and access cover.
15. Replace the debris hopper.

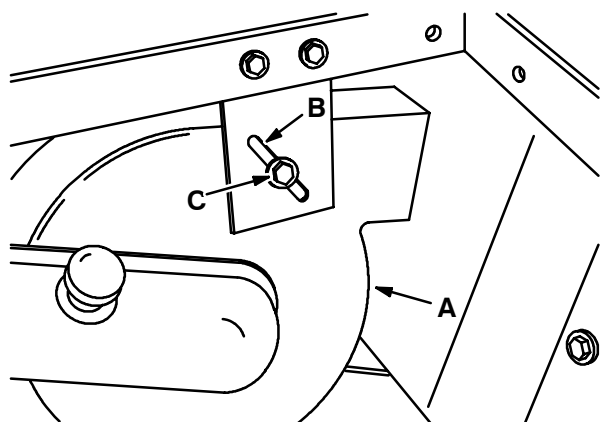
### VACUUM FAN BELT

Check the vacuum fan belt for wear and tension after every 50 hours of operation.

#### CHECK AND ADJUST VACUUM FAN BELT TENSION

**FOR SAFETY: Before leaving or servicing machine; stop on level surface, set parking brake (if equipped), and turn off machine.**

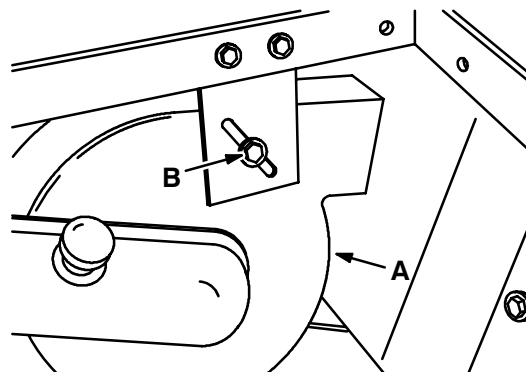
1. Remove the rear panel.
2. Check belt deflection by applying a force of 6 lb (3 kg) to the midpoint of the belt span. The belt should deflect 5 mm (0.06 in).
3. To adjust belt tension, loosen the belt adjusting stud nut (C). Pull the vacuum fan assembly (A) back to tighten the belt and tighten the stud nut.



**A. Vacuum Fan  
B. Adjustment Slot  
C. Stud Nut**

06320

4. To adjust belt tension, loosen the belt adjusting stud nut (B). Pull the vacuum fan assembly (A) up to tighten the belt and tighten the stud nut.



**A. Vacuum Fan  
B. Stud Nut**

06320

5. Tighten all nuts and recheck belt tension.
6. Replace the rear panel.

#### REPLACE VACUUM FAN BELT

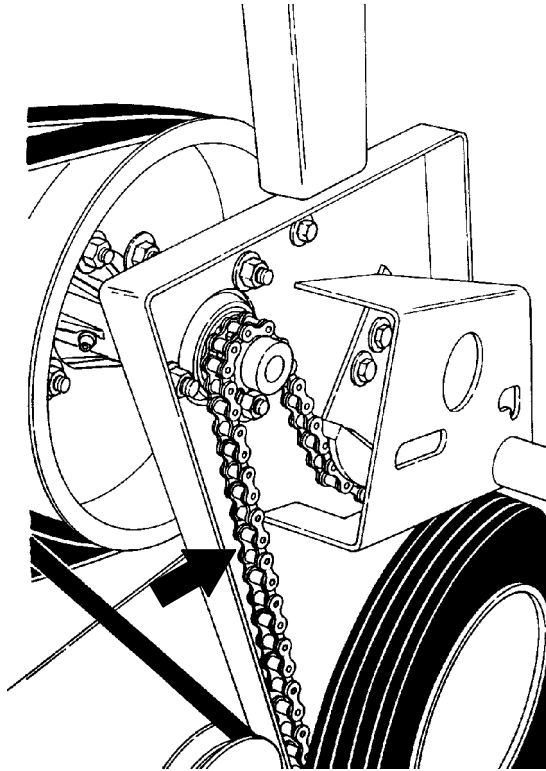
**FOR SAFETY: Before leaving or servicing machine; stop on level surface, set parking brake (if equipped), and turn off machine.**

1. Remove the rear panel.
2. Loosen the vacuum fan belt.
3. Slide the belt off the sheaves.
4. Position the new belt on the motor sheave and the vacuum fan sheave.
5. Adjust belt tension as described in *CHECK AND ADJUST VACUUM FAN BELT TENSION*.
6. Replace the rear panel.



### WHEEL DRIVE CHAINS

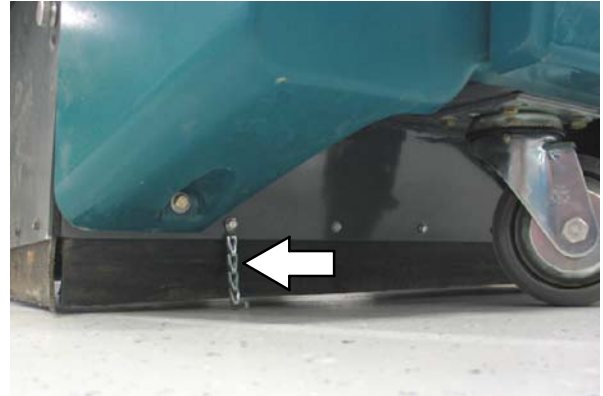
Check the chains for wear or damage and tension after the first 50 hours of operation and then after every 100 hours of operation. Lubricate the drive chains with a penetrating-type spray lubricant after every 100 hours of operation. The wheel drive chains should have 15 mm (0.5 in) slack measured midway between the sprockets.



03139

### STATIC DRAG CHAIN

A static drag chain prevents the buildup of static electricity in the machine. Check the chain for wear periodically. Make sure the chain touches the floor at all times.



---

**BRUSHES**


---

**MAIN BRUSH**

Inspect the main brush daily for wear or damage. Remove any string or wire tangled on the main brush, the main brush drive hub, or the main brush idler hub.

Rotate the main brush end-for-end after every 50 hours of operation to obtain maximum brush life. The main brush should be replaced when the remaining bristle measures 15 mm (0.5 in).

The main brush pattern should be checked after every 50 hours of operation. The main brush pattern should be 40 mm (1.5 in) wide.

**REMOVING THE MAIN BRUSH**

**FOR SAFETY: Before leaving or servicing machine; stop on level surface, set parking brake (if equipped), and turn off machine.**

1. Place the main brush lift handle in the (Main Brush Free-Float) position.
2. Open the main brush access door (D).
3. Pull the brush out of the brush compartment.

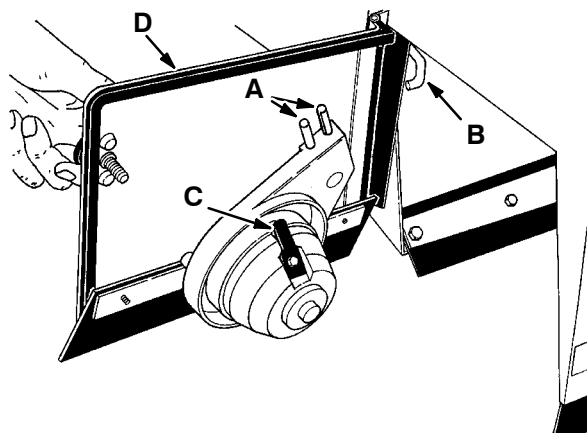
**INSTALLING THE MAIN BRUSH**

*NOTE: The hopper can be removed to aid installing the main brush into the machine. See REMOVING THE HOPPER in the OPERATION section for proper procedure for removing the hopper.*

1. Slide the brush into the brush compartment.
2. Rotate the brush until the slots on the ends of the brush engage the keys on the main brush drive hub (not shown).

*NOTE: Do not force the main brush onto the drive hub. When the main brush slots and drive hub keys are properly aligned, the main brush will easily engage the drive hub.*

3. Close and secure the main brush access door (D). **Make sure the lift arm (B) engages the idler lift arm pins (A).**



02347

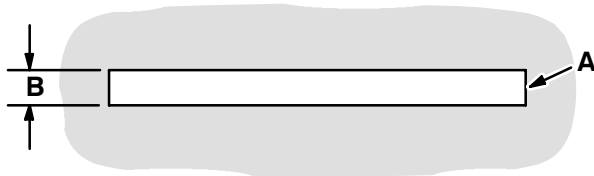
- A. Lift Arm Pins**  
**B. Lift Arm**  
**C. Idler Key**  
**D. Access Door**

4. Check and adjust main brush pattern as described in *CHECKING AND ADJUSTING THE MAIN BRUSH PATTERN*.

**CHECKING AND ADJUSTING THE MAIN BRUSH PATTERN**

1. Apply chalk or some material that will not blow away easily, to a smooth, level surface.
2. Start the motor.
3. With side brush and main brush raised, position main brush over the chalked area.
4. While holding the machine in place, move the main brush lift handle in the (Main Brush Down) position. Let the brush remain on the floor for 15 to 20 seconds.
5. Place the main brush lift handle in the (Main Brush Up) position.

6. Move the machine from the main brush polish mark.
7. Stop the motor.
8. Observe the width of the polish mark. The proper polish width is 40 mm (1.5 in).

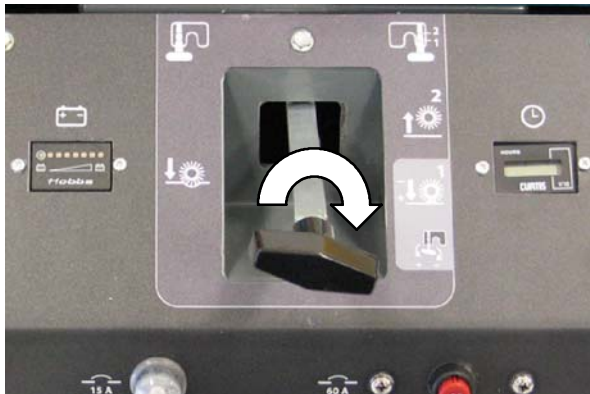


00582

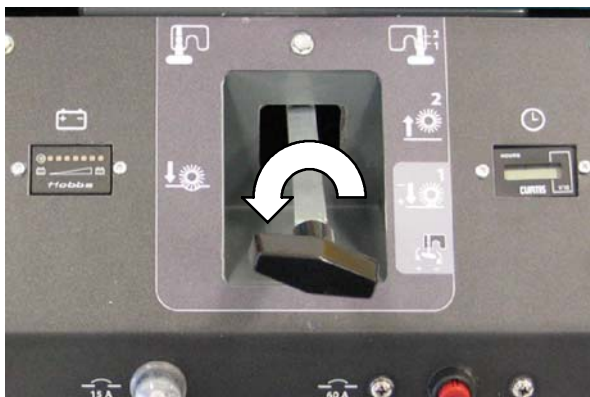
- A. Main Brush Pattern**  
**B. Polish Width**

9. Adjust the main brush width as necessary.

To reduce the polish width, turn the main brush lift handle to the right.



To widen the polish width, turn the main brush lift handle to the left.



If any adjustments are made, recheck the main brush pattern before operating the machine.

## SIDE BRUSH

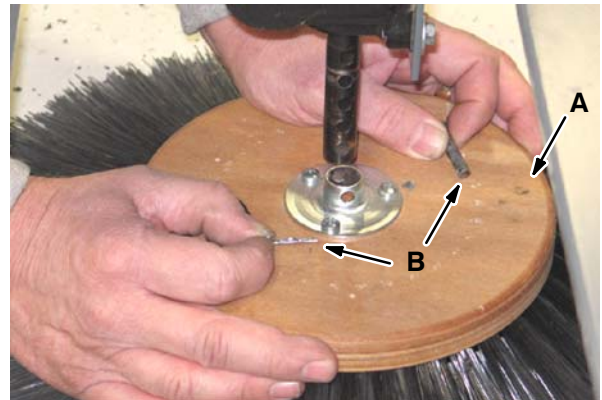
The side brush should be inspected daily for wear or damage. Remove any string or wire tangled from the side brush, side brush drive hub, or shaft. The side brush should be replaced when the remaining bristle length measures 25 mm (1 in) in length.

The side brush should be checked after every 50 hours of operation. The side brush is properly adjusted when, with the side brush arm in the raised position, there is approximately 25 mm (1 in) between the floor and the side brush bristles.

## REMOVING THE SIDE BRUSH

**FOR SAFETY: Before leaving or servicing machine; stop on level surface, set parking brake (if equipped), and turn off machine.**

1. Pull the side brush arm up into the raised position.
2. Remove the side brush mounting hardware (B).



- A. Side Brush**  
**B. Mounting Hardware**

3. Slide the side brush (A) off the drive shaft.

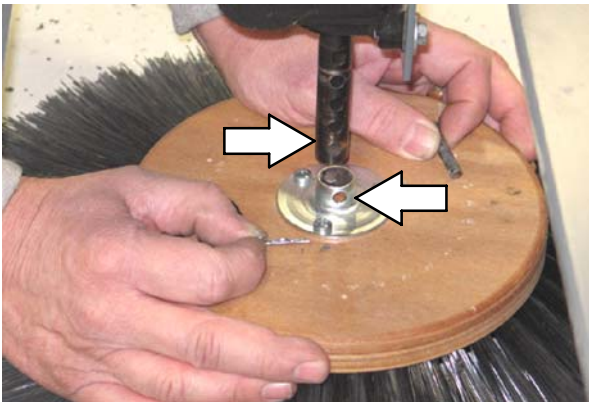
## INSTALLING THE SIDE BRUSH

1. Slide the side brush (A) onto the drive shaft.
2. Secure the side brush (A) with the mounting hardware (B).
3. Check the side brush adjustment as described in *ADJUSTING THE SIDE BRUSH*.

## ADJUSTING THE SIDE BRUSH

**FOR SAFETY: Before leaving or servicing machine; stop on level surface, set parking brake (if equipped), and turn off machine.**

1. Pull the side brush arm up into the raised position.
2. Remove the side brush mounting hardware.
3. Position the side brush on the shaft until there is approximately 25 mm (1 in) between the floor and the brush bristles.



4. Align the side brush with the drive shaft holes.
5. Secure the side brush to the drive shaft with the mounting hardware.

*NOTE: It may be necessary to readjust the side brush drive belt tension after adjusting the side brush height.*

## DEBRIS HOPPER AND DUST FILTER

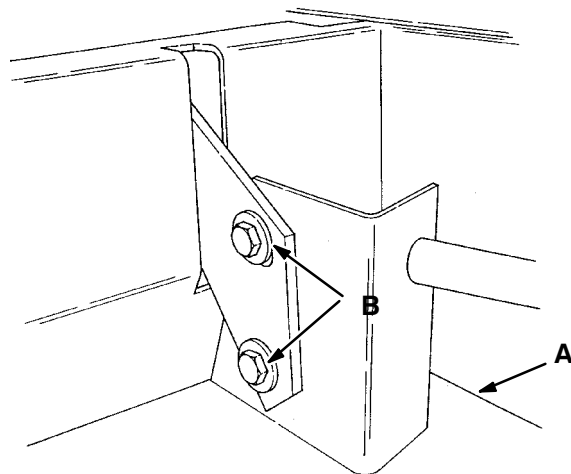
## DEBRIS HOPPER

The debris hopper should be emptied after every work shift, or when the hopper is full. The debris hopper floor clearance should be checked after every 50 hours of operation. The dust filter to hopper seal can also be adjusted to correct dusting when shaking the dust filter.

## CHECKING AND ADJUSTING THE HOPPER FLOOR CLEARANCE

**FOR SAFETY: Before leaving or servicing machine; stop on level surface, set parking brake (if equipped), and turn off machine.**

1. Empty the debris hopper and replace it on the machine.
2. The bottom rear metal edge of the hopper should clear the floor by 15 mm (0.5 in). Also, be sure the hopper is level side to side.
3. To adjust the hopper (A), loosen the hanger bracket bolts (B), reposition the hanger bracket, and retighten the hanger bracket bolts. Be sure the hopper brackets do not rub against the pivot pins preventing the hopper from floating.



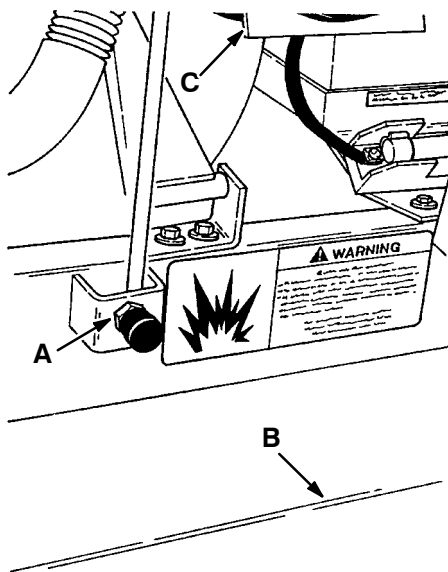
**A. Hopper**  
**B. Hanger Bracket Bolts**

03159

## ADJUSTING THE DUST FILTER TO HOPPER SEALING

**FOR SAFETY: Before leaving or servicing machine; stop on level surface, set parking brake (if equipped), and turn off machine.**

1. Lift the filter assembly.
2. Make sure stop bolt (A) is touching the filter assembly. If it is, continue with step 4. If it is not, loosen bolts and adjust the round vacuum fan seal bracket (C) back to allow the assembly to touch the stop bolt. Secure the vacuum fan seal bracket.

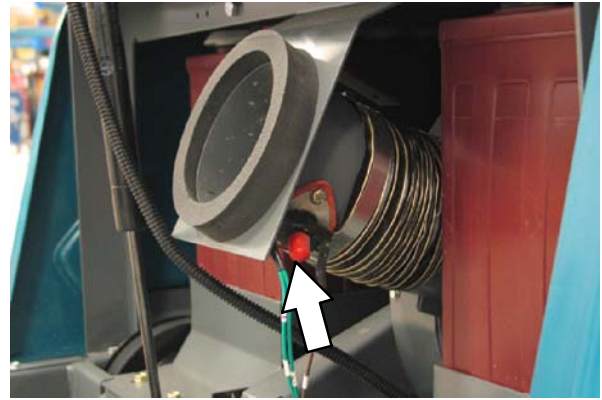


- 03541
- A. Stop Bolt
  - B. Hopper
  - C. Vacuum Fan Seal Bracket

3. Turn the filter stop bolt (A) clockwise a half turn.
4. Close the filter assembly and check the clearance between the filter cover, the hopper, and the vacuum fan seal. This can be done by placing a strip of paper between the filter cover and the hopper. When correctly adjusted, the paper will be difficult to pull out. The seal pressure should allow the hopper to float. Push the hopper down to check – it should be able to go down and return to its original position.

## THERMO-SENTRY

The Thermo-Sentry, located inside the hopper, senses the temperature of the air pulled up from the hopper. If there is a fire in the hopper, the Thermo-Sentry stops the vacuum fan and cuts off the air flow. Press the button to reset the Thermo-Sentry.



## DUST FILTER

The dust filter is located inside the dust filter compartment. The filter shaker will shake the filter for 20 seconds when the machine is powered off. Inspect and clean or replace the dust filter after every 100 hours of operation.

*NOTE: The filter shaker override switch must be in the "on" position to automatically shake the dust filter when the machine is turned off. The filter shaker override switch should be in the "on" position for most operations.*

Use one of the following methods to clean the dust filter:

- TAP – Tap the filter gently on a flat surface with the dirty side down. Do not damage the edges of the filter element or the filter will not seat properly in the filter frame.
- AIR – Blow compressed air, 240 kPa (35 psi) maximum, through the dust filter opposite the direction of the arrows on the side of the filter. This may be done with the filter in the machine. Always wear eye protection when using compressed air.

**FOR SAFETY: When servicing machine, wear eye and ear protection when using pressurized air or water.**

- **WATER** - Soak the dust filter in a water and mild detergent solution. Rinse the dust filter until it is clean. The maximum water pressure allowable is 275 kPa (40 psi). Air dry the wet dust filter; do not use compressed air.

*NOTE: Be sure the dust filter is dry before reinstalling it in the machine.*

### REMOVING THE DUST FILTER

**FOR SAFETY: Before leaving or servicing machine; stop on level surface, set parking brake (if equipped), and turn off machine.**

1. Loosen the six front filter cover screws and remove the front filter cover.
2. Remove the filter hold-down plate. Remove the dust filter.



3. Inspect and clean or replace the dust filter.

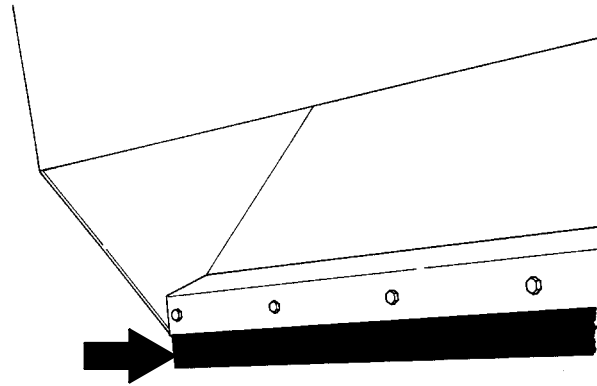
### INSTALLING THE DUST FILTER

1. Position the dust filter in the filter frame with the arrows on the side of the filter pointing away from the machine.
2. Position the filter hold-down plate on the filter.
3. Secure the front filter cover on the filter frame with the six front filter cover screws.

## SKIRTS AND SEALS

### HOPPER LIP SKIRT

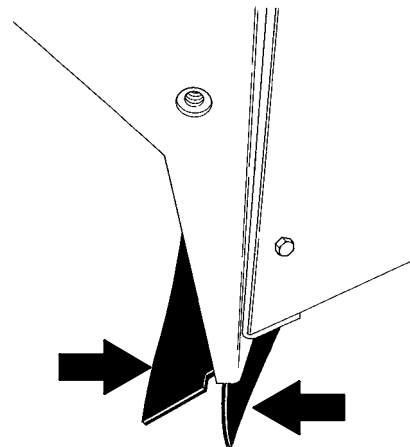
The hopper lip skirt is located on the lower rear of the hopper. The hopper lip skirt should be inspected for wear or damage daily.



02348

### REAR BRUSH SKIRTS

The rear brush skirts are located on the bottom rear of the brush compartment. The rear brush skirts should clear the floor by 2 mm (0.06 in). Inspect the skirt for wear or damage and proper floor clearance daily.

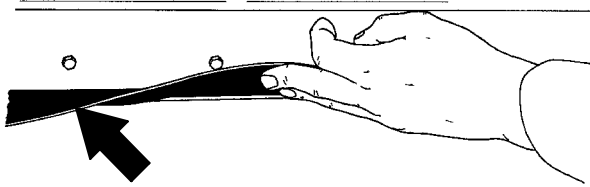


03157



### HOPPER TOP SEAL

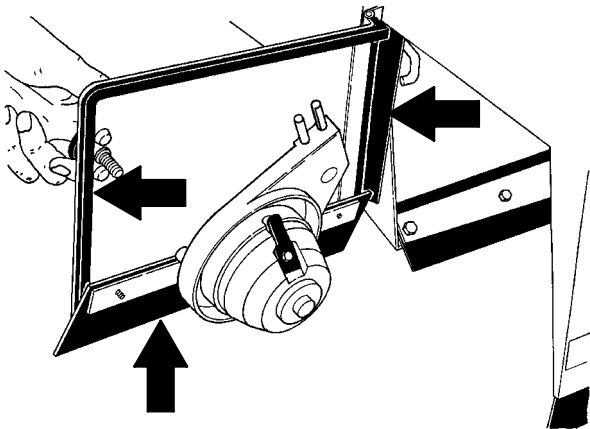
The hopper top seal is located on the front edge of the machine frame. Inspect the seal for wear or damage daily.



02349

### MAIN BRUSH SKIRTS AND SEALS

The right side seal (not shown) is mounted to the machine frame. The left side seal is mounted to the main brush access door. The main brush door seal is mounted to the door. Inspect the seals for damage and wear daily. The main brush skirts should clear the floor by 2 mm (0.06 in). Inspect the skirts for damage and wear and proper floor clearance daily.



02347

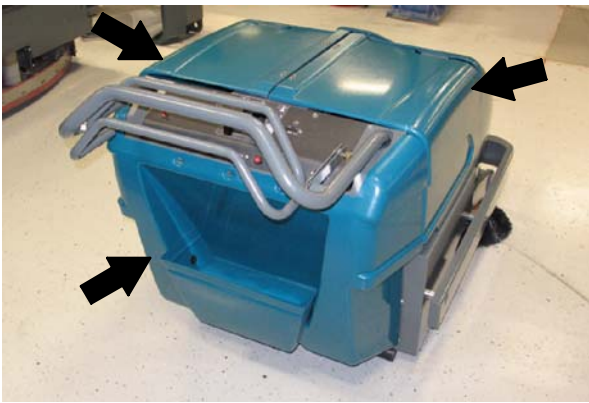
## PROPEL HANDLE ASSEMBLY

### ADJUST PROPEL HANDLE ASSEMBLY HEIGHT

The propel handle assembly height is adjustable.

**FOR SAFETY: Before leaving or servicing machine; stop on level surface, set parking brake, and turn off machine.**

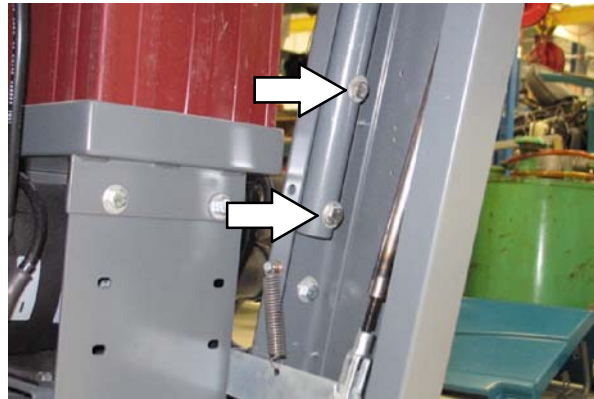
1. Remove the battery compartment covers and the rear cover. Set the covers and hardware aside.



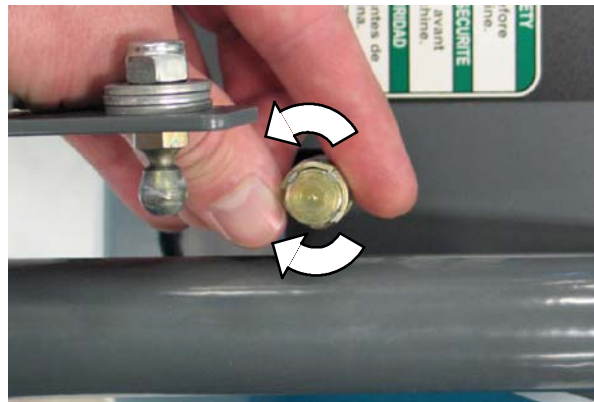
2. Slide the sleeve of the ball joint down and disconnect the ball joint from the propel handle assembly.



3. Remove the hardware holding the propel handle assembly to the frame of the machine. Set the hardware aside.



4. Raise or lower the propel handle assembly to the desired height.
5. Align the holes in the propel handle assembly with the holes in the frame of the machine and reinstall the hardware to secure the handles into place.
6. Loosen the lock nut and turn the ball joint until the propel rod assembly is at the correct length to be reinstalled onto the propel handle assembly. Tighten the lock nut.



7. Reattach the ball joint to the propel handle assembly.
8. Start and test the machine. Squeeze both propel handles to ensure the machine moves in both directions.
9. Reinstall the rear cover and battery compartment covers.



---

**TRANSPORTING AND STORING THE MACHINE**

---

**TRANSPORTING THE MACHINE**

1. Position the front of the machine at the loading edge of the truck or trailer.

**FOR SAFETY: Use Truck Or Trailer That Will Support The Weight Of The Machine.**

*NOTE: Empty the hopper before transporting the machine.*

2. Block the machine tires. Tie down the machine to the truck or trailer before transporting.
3. Secure the front of the machine by routing straps through the tie down holes and fastening it to the truck or trailer.



4. Secure the rear of the machine by wrapping straps around the stationary handle and fastening them to the truck or trailer.

03136

**STORING MACHINE**

When storing the machine for extended periods of time, the following procedures must be followed to lessen the chance of rust, sludge, or other undesirable deposits from forming.

1. Empty debris hopper.
2. Raise the main brush and side brush.
3. To prolong life of the batteries, leave charger plugged into the outlet. Be sure to remove the covers from the battery compartment.

**⚠ WARNING: Fire Or Explosion Hazard. Batteries emit hydrogen gas. Keep sparks and open flame away. Keep battery compartment open when charging.**

4. Park the machine in a cool, dry area.



# ELECTRICAL

## Troubleshooting Information

### BEFORE CONDUCTING TESTS:

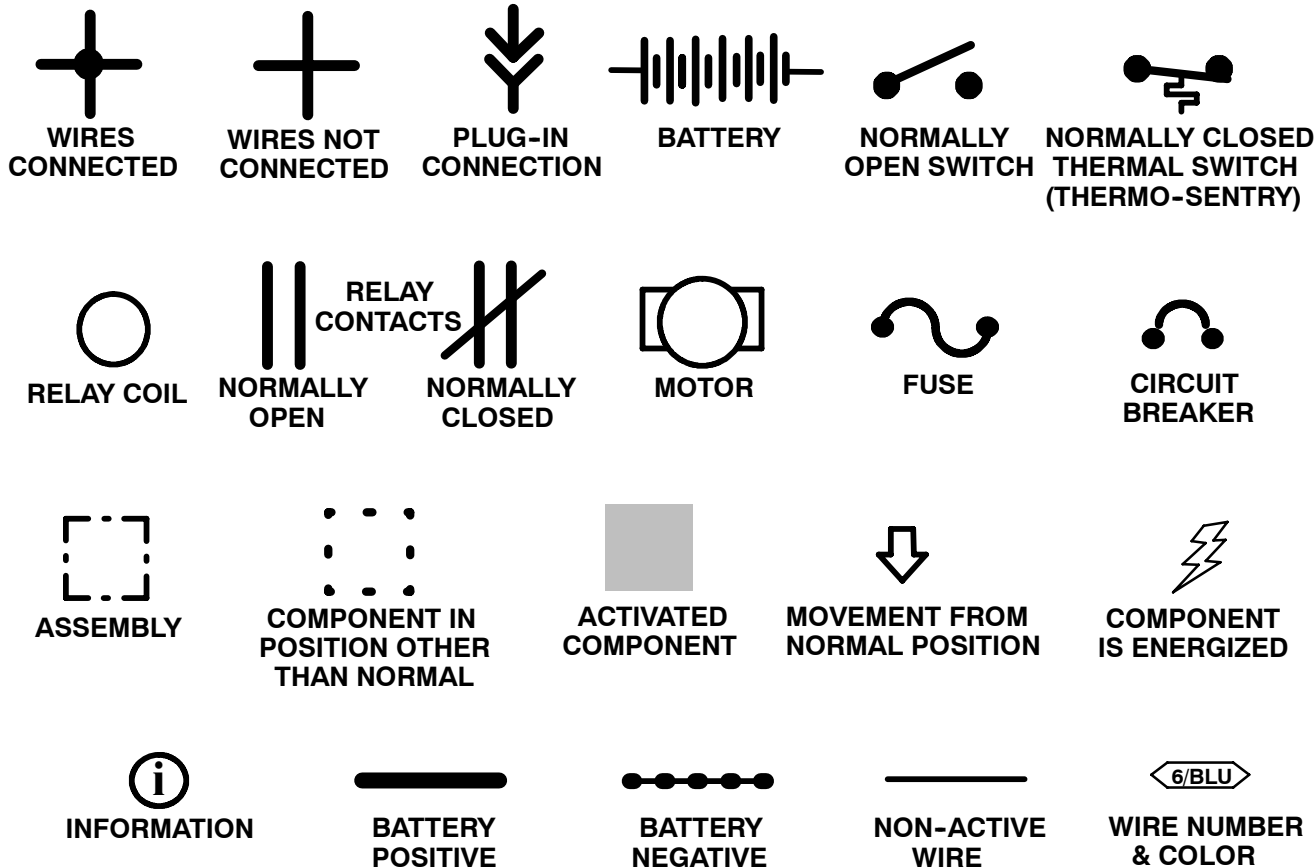
- \* Read and Follow ALL Safety Warnings and Precautions as mentioned at the beginning of this manual
- \* Always unhook Battery when removing or replacing components

### DURING TESTS:

- \* Call Technical Services if Diagnostic Time Exceeds One Hour With Unknown Cause or Course of Action

NOTE: Troubleshooting charts may be shown with optional equipment. The optional equipment may not be specified in these charts. Some machines may not be equipped with all components shown.

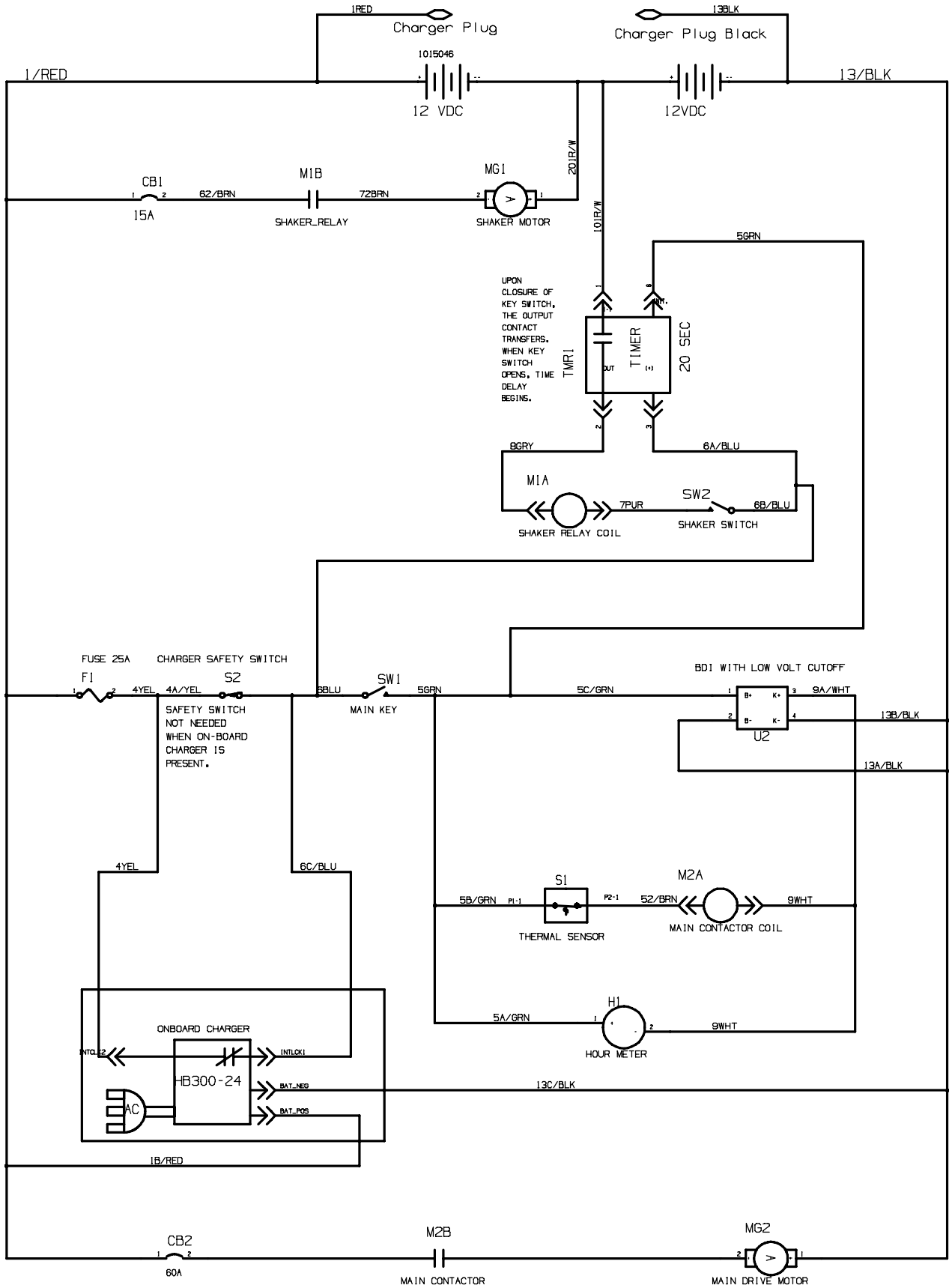
Electrical Symbols & Abbreviations



Abbreviations

A	Amps
AC	Alternating Current
BDI	Battery Discharge Indicator
CB	Circuit Breaker
F	Fuse
M	Relay Coil
MG	Motor
N.C.	Normally Closed
N.O.	Normally Open
S or SW	Switch
TMR	Timer
VDC	Volts, Direct Current

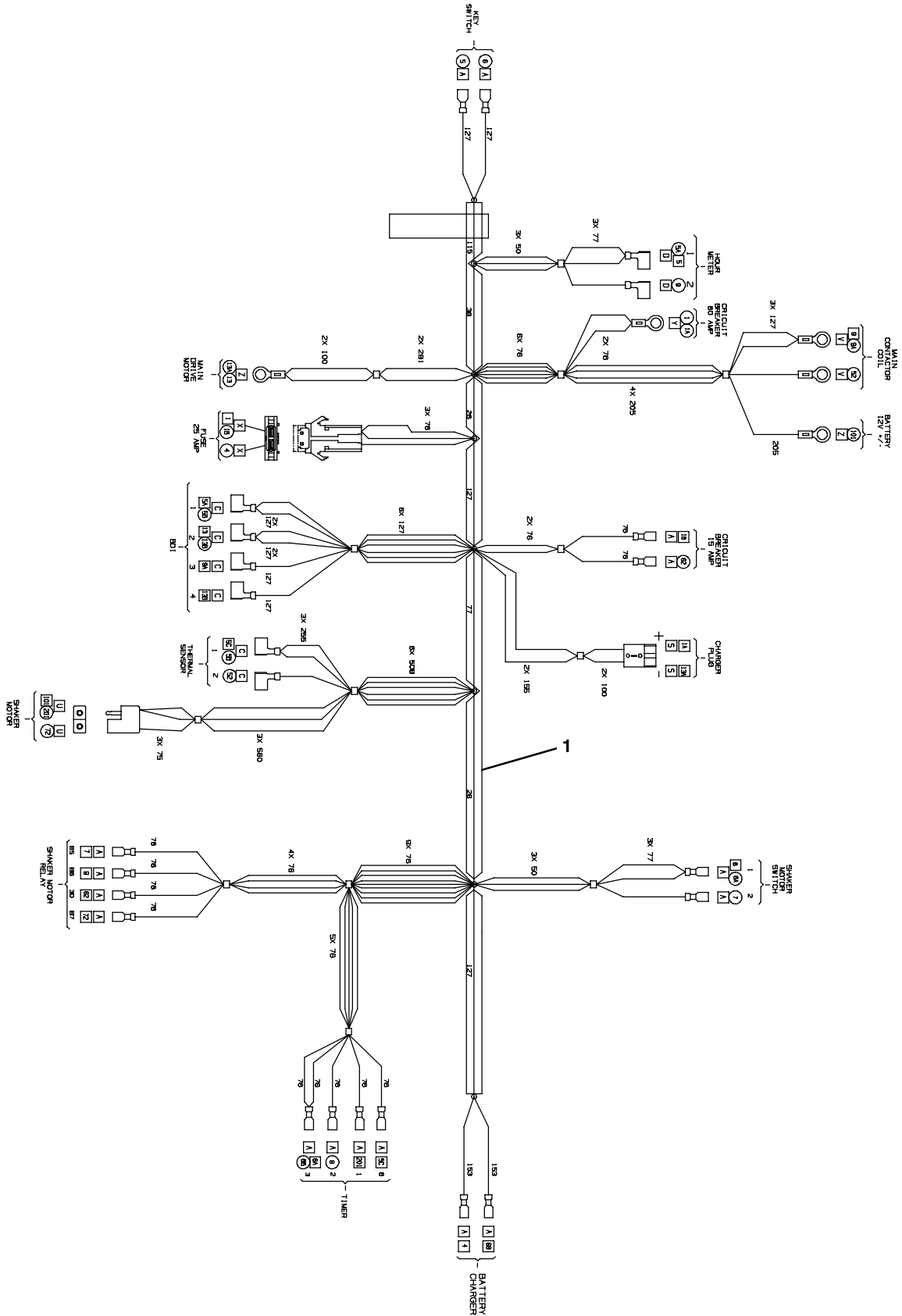
Electrical Schematic



NOTES: 1. ALL WIRES EQUAL 18AWG EXCEPT WHERE LISTED.

1040284 - ALL

Wire Harness Drawing

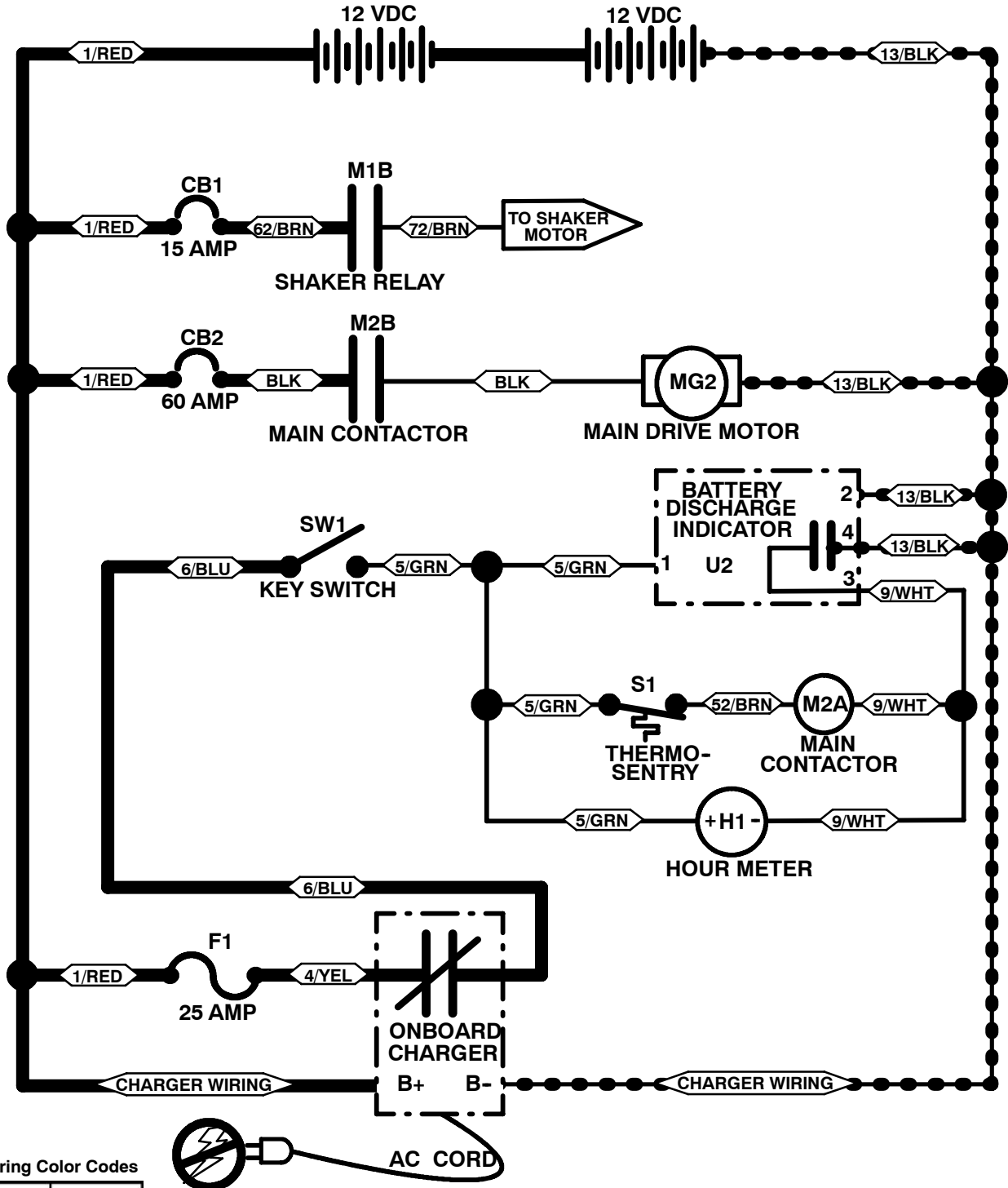


354572

Ref.	Serial Number	Description	Qty.
1	(000000- )	Harness, Main, 24vdc [S10]	1

Key OFF Power Distribution

Conditions: Key OFF, Charger OFF



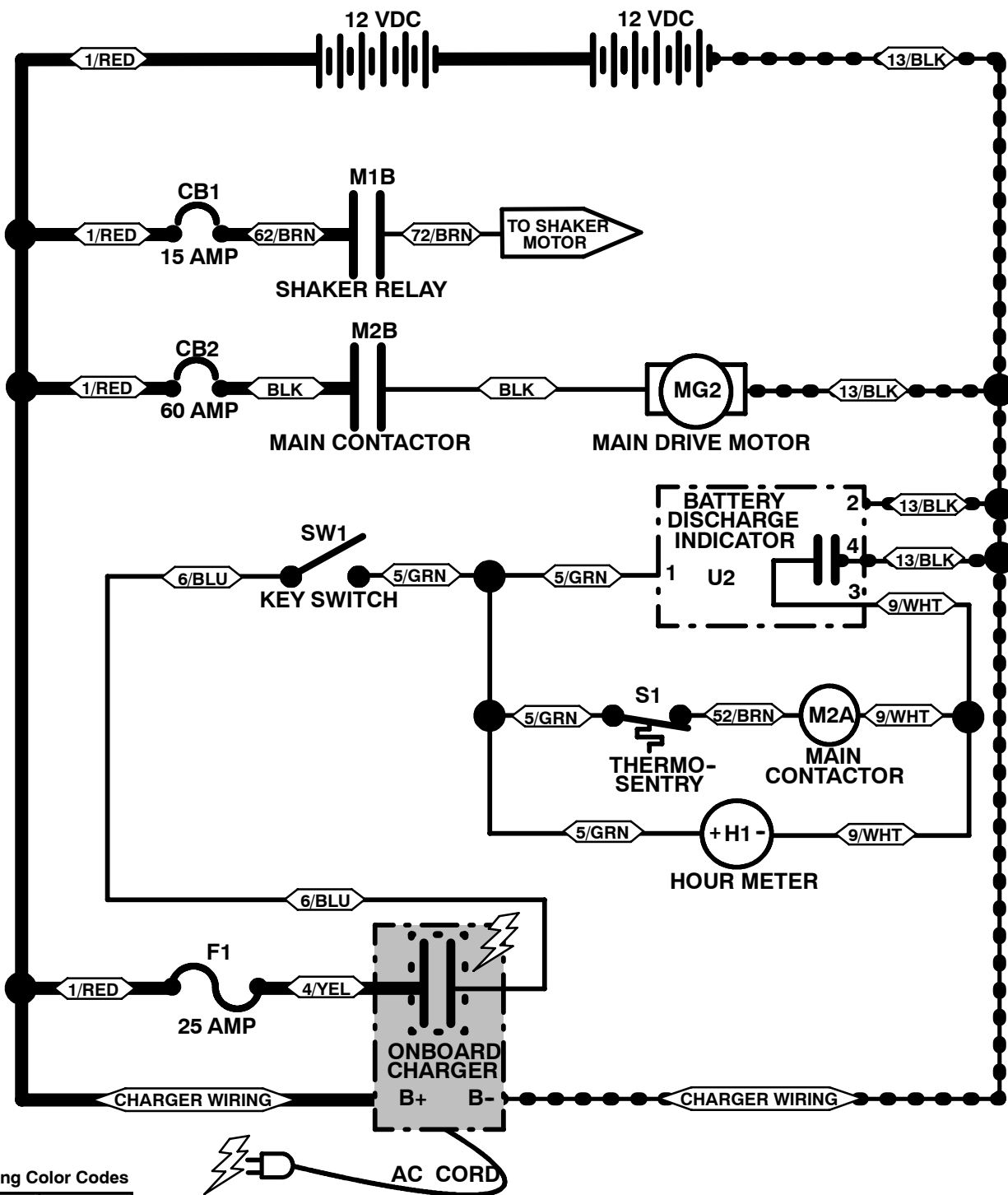
Wiring Color Codes

BLK	Black
BLU	Blue
BRN	Brown
GRN	Green
GRY	Gray
PUR	Purple
RED	Red
WHT	White
YEL	Yellow

**i** Hour Meter is ON whenever Key Switch is turned ON (unless charger is plugged in).

Key OFF Power Distribution

Conditions: Key OFF, Charger ON



Wiring Color Codes

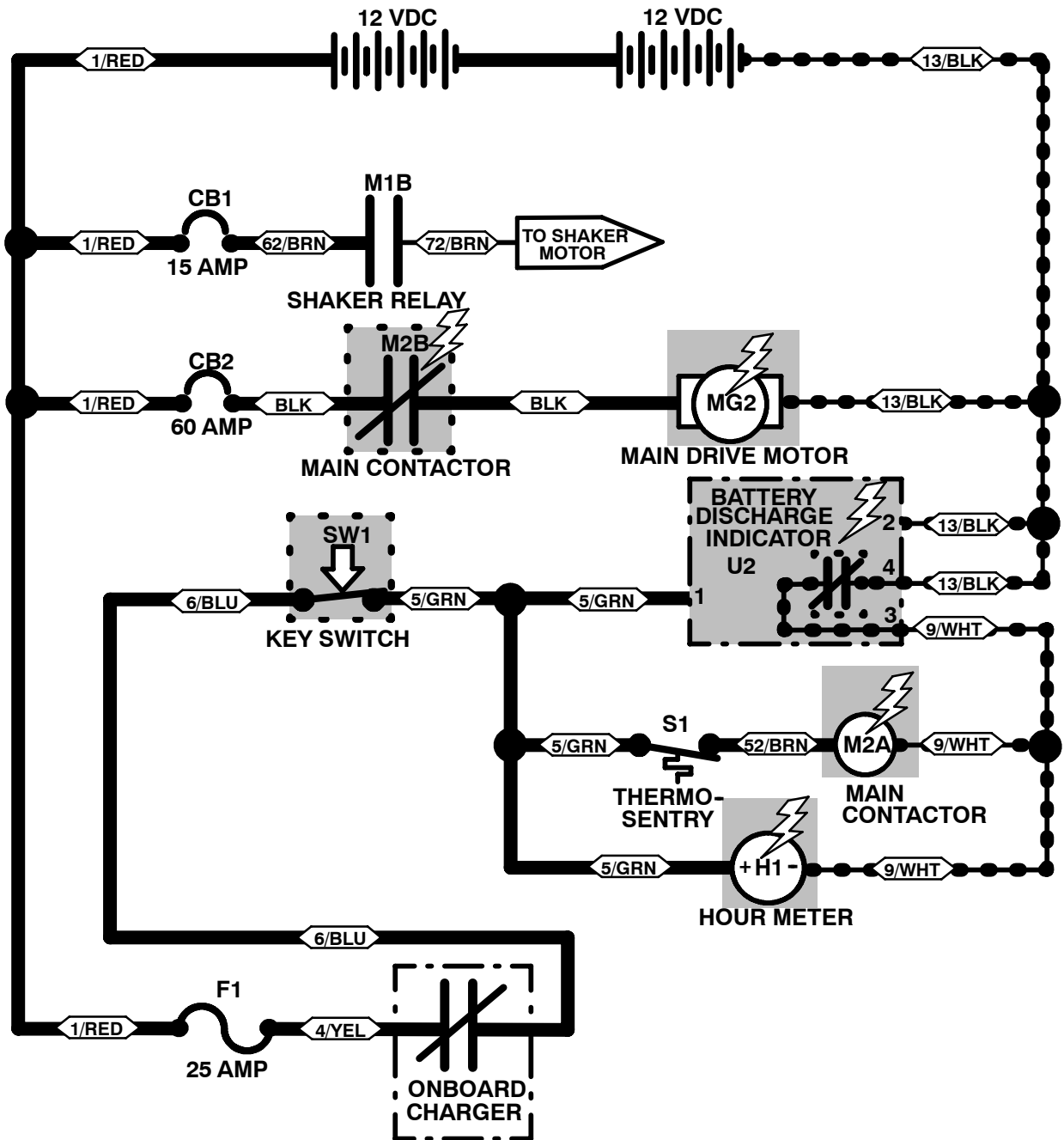
BLK	Black
BLU	Blue
BRN	Brown
GRN	Green
GRY	Gray
PUR	Purple
RED	Red
WHT	White
YEL	Yellow

**i** Hour Meter is ON whenever Key Switch is turned ON (unless charger is plugged in).



Key ON Power Distribution

Conditions: Key ON, Charger OFF



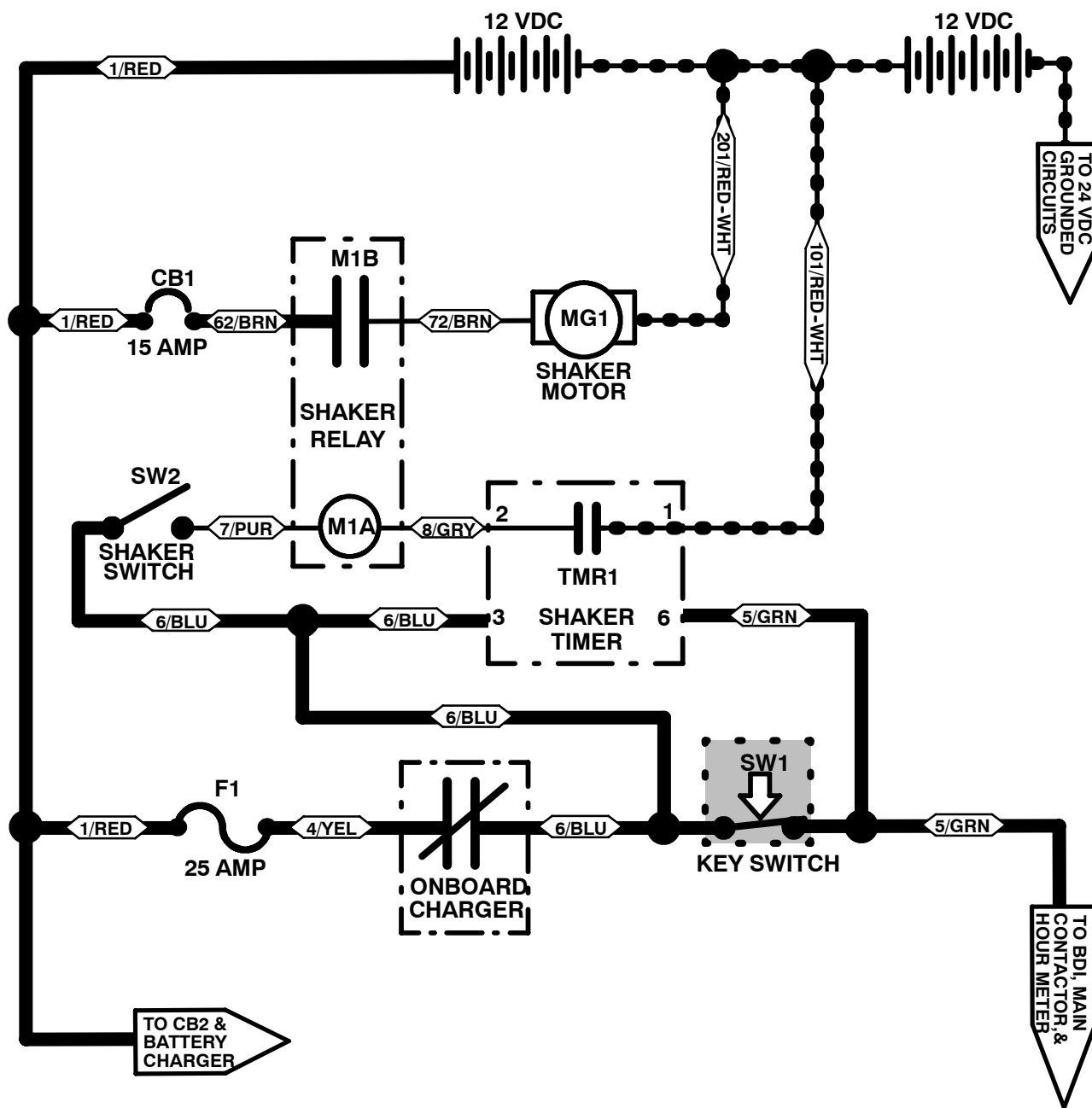
Wiring Color Codes

BLK	Black
BLU	Blue
BRN	Brown
GRN	Green
GRY	Gray
PUR	Purple
RED	Red
WHT	White
YEL	Yellow

**i** If battery voltage drops below 20.76 VDC (1.73 Volts per cell), the Battery Discharge Indicator will open pins 3 & 4, shutting the machine OFF.  
 Hour Meter is ON whenever Key Switch is turned ON (unless charger is plugged in).

Filter Shaker Circuit

Conditions: Key ON



Wiring Color Codes

BLK	Black
BLU	Blue
BRN	Brown
GRN	Green
GRY	Gray
PUR	Purple
RED	Red
WHT	White
YEL	Yellow

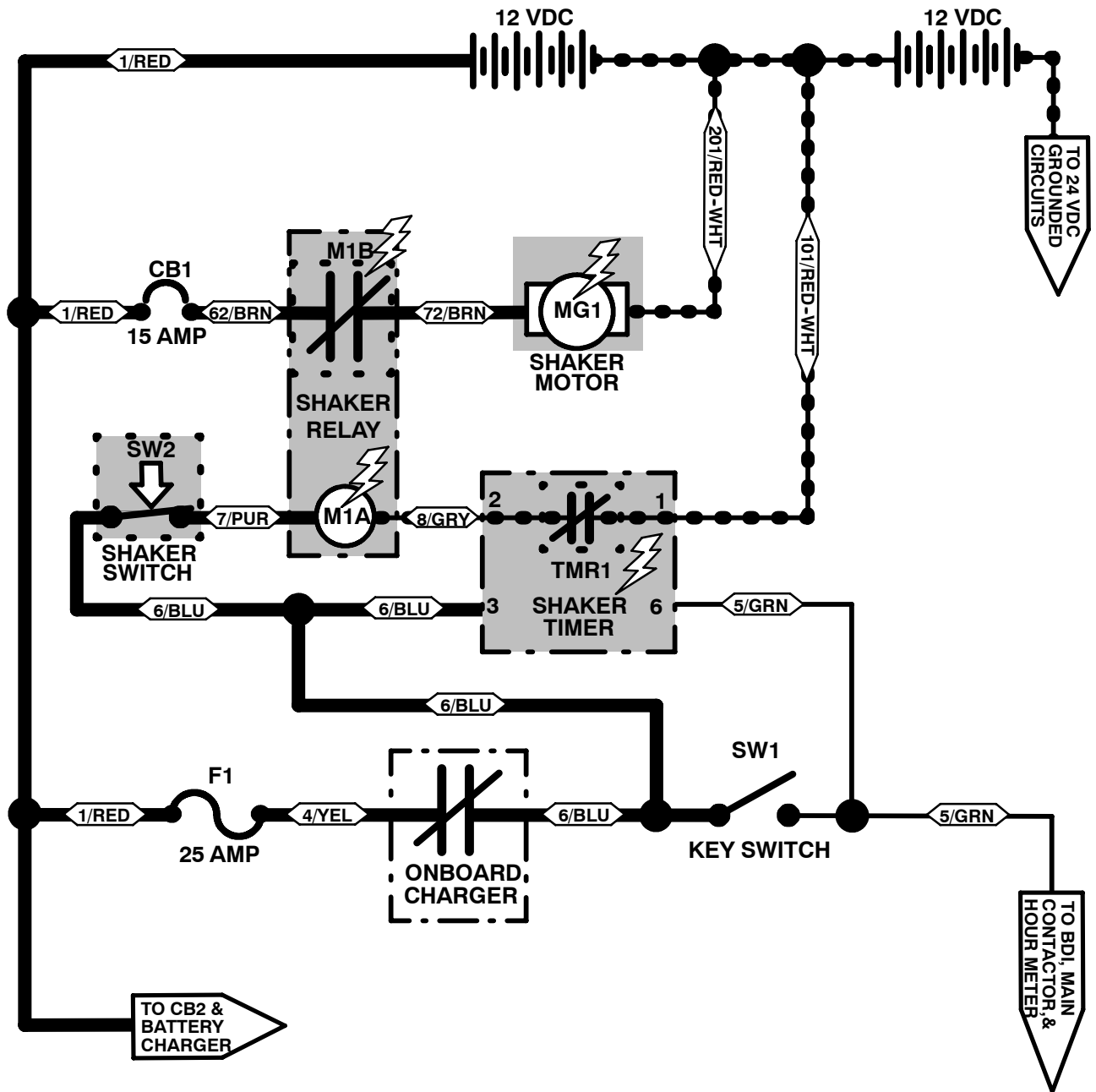
**i** The Shaker Motor (MG1), Shaker Timer (TMR1), and Shaker Relay (M1) operate on 12 VDC.

The Shaker System operates **ONLY** when Key Switch is OFF. Opening the Key Switch signals the Shaker Timer (TMR1) to begin a 20 second cycle to close the contacts between pins 1 & 2 of the Shaker Timer (TMR1).

The Shaker Switch (SW2) must be closed to allow Shaker Motor (MG1) to operate.

Filter Shaker System ON

Conditions: Key OFF (less than 20 seconds), Shaker Switch ON



Wiring Color Codes

BLK	Black
BLU	Blue
BRN	Brown
GRN	Green
GRY	Gray
PUR	Purple
RED	Red
WHT	White
YEL	Yellow



The Shaker Motor (MG1), Shaker Timer (TMR1), and Shaker Relay (M1) operate on 12 VDC.

The Shaker System operates **ONLY** when Key Switch is OFF. Opening the Key Switch signals the Shaker Timer (TMR1) to begin a 20 second cycle to close the contacts between pins 1 & 2 of the Shaker Timer (TMR1).

The Shaker Switch (SW2) must be closed to allow Shaker Motor (MG1) to operate.





## We Need Your Help...

As part of Tennant's Zero Defects Program, we want to know about errors you have found or suggestions you may have regarding our machine manuals. If you find an error or have a suggestion, please complete this postage-paid form and mail it to us. Thank you for helping us make zero defects a way of life at Tennant.

Manual No. \_\_\_\_\_ Rev. No. \_\_\_\_\_ Publish Date \_\_\_\_\_ Page \_\_\_\_\_  
Machine \_\_\_\_\_  Report Error  Suggestion

---

---

---

---

---

---

---

---

---

---

---

---

---

---

---

---

---

---

---

---

---

---

---

---

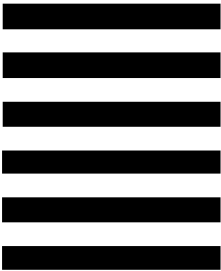
Name \_\_\_\_\_ Date \_\_\_\_\_  
Customer Number \_\_\_\_\_  
Company \_\_\_\_\_  
Address \_\_\_\_\_  
City/State/Zip Code \_\_\_\_\_



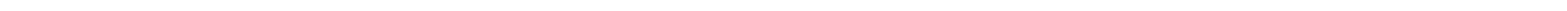
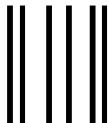
**TENNANT COMPANY**  
 Technical Publications #15  
 701 North Lilac Drive  
 P.O. Box 1452  
 Minneapolis, MN 55440-9947

POSTAGE WILL BE PAID BY ADDRESSEE

**BUSINESS REPLY MAIL**  
 FIRST CLASS MAIL PERMIT NO. 94 MINNEAPOLIS, MN

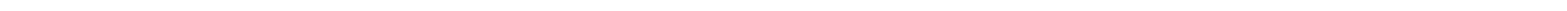


NO POSTAGE  
 NECESSARY  
 IF MAILED  
 IN THE  
 UNITED STATES



Fold along dotted lines

Tape here





# We Need Your Help...

As part of Tennant's Zero Defects Program, we want to know about errors you have found or suggestions you may have regarding our machine manuals. If you find an error or have a suggestion, please complete this postage-paid form and mail it to us. Thank you for helping us make zero defects a way of life at Tennant.

Manual No. \_\_\_\_\_ Rev. No. \_\_\_\_\_ Publish Date \_\_\_\_\_ Page \_\_\_\_\_  
Machine \_\_\_\_\_  Report Error  Suggestion

---

---

---

---

---

---

---

---

---

---

---

---

---

---

---

---

---

---

---

---

---

---

---

---

---

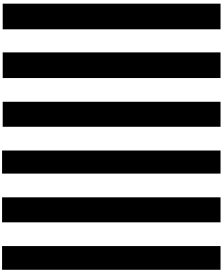
Name \_\_\_\_\_ Date \_\_\_\_\_  
Customer Number \_\_\_\_\_  
Company \_\_\_\_\_  
Address \_\_\_\_\_  
City/State/Zip Code \_\_\_\_\_



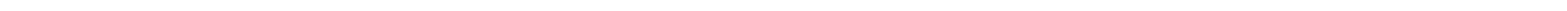
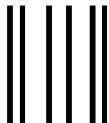
**TENNANT COMPANY**  
 Technical Publications #15  
 701 North Lilac Drive  
 P.O. Box 1452  
 Minneapolis, MN 55440-9947

POSTAGE WILL BE PAID BY ADDRESSEE

**BUSINESS REPLY MAIL**  
 FIRST CLASS MAIL PERMIT NO. 94 MINNEAPOLIS, MN



NO POSTAGE  
 NECESSARY  
 IF MAILED  
 IN THE  
 UNITED STATES



Fold along dotted lines

Tape here

