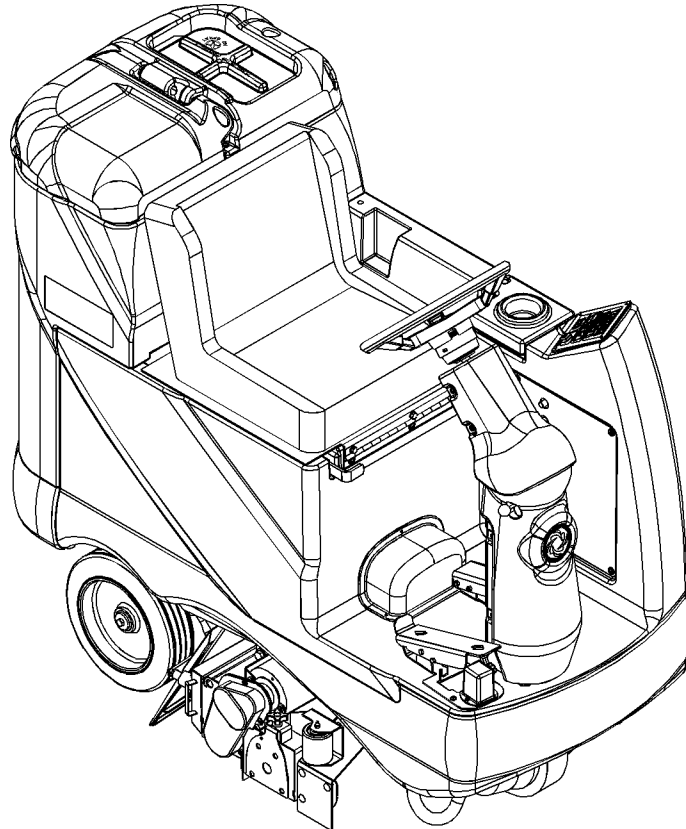


AquaRide™, AquaRide™ AXP



PARTS LIST

Advance MODELS 56314009, 56316515(AXP™)



Advance

OPTIONAL KITS AND ACCESSORIES

Item	Ref. No.	Qty	Description
Kits			
*	56314753	A/R	Kit, On-Board Charger TSBUS2004-872 / TSBUS2008-984 / TSBUS2009-1027
*	56314301	A/R	Kit, Seat Armrests
*	56314302	A/R	Kit, Warning Beacon
*	56314306	A/R	Kit, Right Side Broom
*	56314307	A/R	Kit, Scrub-N-Vac Tool Caddy (standard models only)
*	56314308	A/R	Kit, Scrub-N-Vac Tool (AXP models only)
*	56314312	A/R	Kit, Seatbelt
*	56314313	A/R	Kit, Headlight
*	56314981	A/R	Kit, Battery Watering
*	56316251	A/R	Kit, On-Board Charger AGM TSBUS2008-984 / TSBUS2009-1027

NOTE: Replacement parts for the kits listed above can be found on each kit's associated instruction sheet.

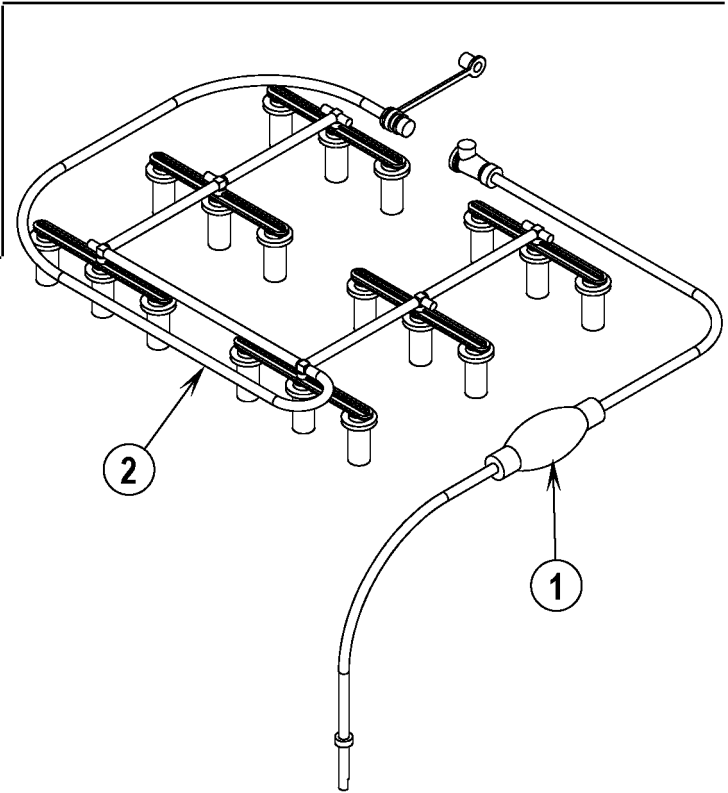
Accessories			
*	56409441	A/R	Programmer, 1311 User
*	56409823	A/R	Programmer Cable
*	56397453	A/R	Battery Fill Indicator
*#			DELETED

Optional Batteries			
*	56391391	6	Battery, 6V, 305A/H TSBUS2008-984
*	56206079	6	Battery, 6V, 235A/H TSBUS2008-984
*	56315959	6	Battery, 6V, 315 A/H AGM TSBUS2008-984

Optional Battery Chargers			
*	56395101	A/R	Battery Charger, 36VDC, Auto, 20Amp, 120VAC/60HZ
*	56388502	A/R	Battery Charger, 36VDC, Auto, 25Amp, 120VAC/60HZ
*	56388120	A/R	Battery Charger, 36VDC, Auto, 36Amp, 120VAC/60HZ
*	56372190	A/R	Battery Charger, 36VDC, 20Amp, 230VAC/50HZ
*	56388119	A/R	Battery Charger, 36VDC, 36Amp, 230VAC/50HZ

Replacement Parts			
Vacuum			
[]	56212223	1	Carbon Brush set of 2
Brush Drive			
[]	56407492	1	Brush Cap Assembly
[]	56407493	4	Brush Assembly
[]	56407494	4	Brush Cover Cap
Wheel Drive			
[]	56412320	1	Carbon Brush Cover Kit (contains 4 seal rings & 4 brush covers)
[]	56412321	1	Sealing Ring
[]	56412322	1	Bearing, Ball, Gearbox Side
[]	56412323	1	Bearing, Ball, Brush Side
[]	56412325	1	Carbon Brush Kit
[]	56412339	1	Drive Wheel
[]	56314289	1	Brake Band
[]	56314282	1	Brake Bar
Solution			
[]	56314147	1	Inline Strainer
[]	56314576	1	Maintenance Spray Nozzle #3
[]	56314577	1	Restoration Spray Nozzle #7.5

= Revised or new since last update
 [] = Not Shown
 * = Optional, Not Included



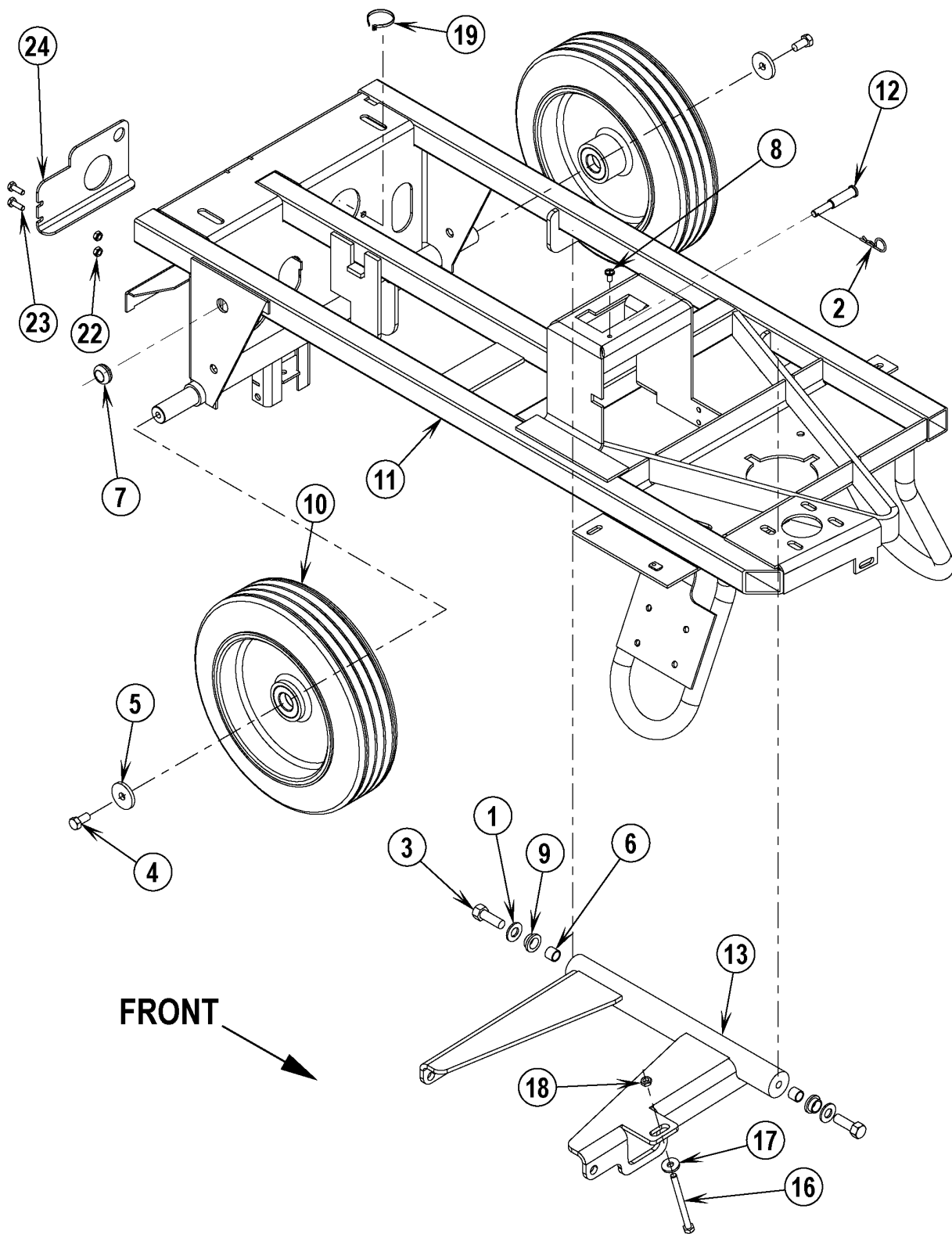
Item	Ref. No.	Qty	Description
	56314974	1	Battery Watering System (Standard AXP Models)
1	56314978	1	Pump
2	56314979	1	Manifold Assy

DESCRIPTION	PAGE
Chassis	2-3
Decal System	4-5
Detergent Injection System (AXP)	6-7
Drive & Brake Pedal Assemblies.....	8-9
Drive Wheel.....	10-11
Electrical Panel Assembly	12-13
Extract / Sweep System	14-15
Recovery System	16-17
Solution Pump Assembly	18-19
Solution Tank Assembly (standard)	20-21
Solution Tank Assembly (AXP).....	22-23
Steering Column Assembly	24-25
Wiring Diagram before SN Chart	26-27
Wiring Diagram after SN Chart	28-29

WHEN ORDERING PARTS

- * Use the numbers from the "Ref. No." columns in this parts list.
- * Specify the model and serial number of the machine.
- * Use the space below to record the model and serial number for future reference.

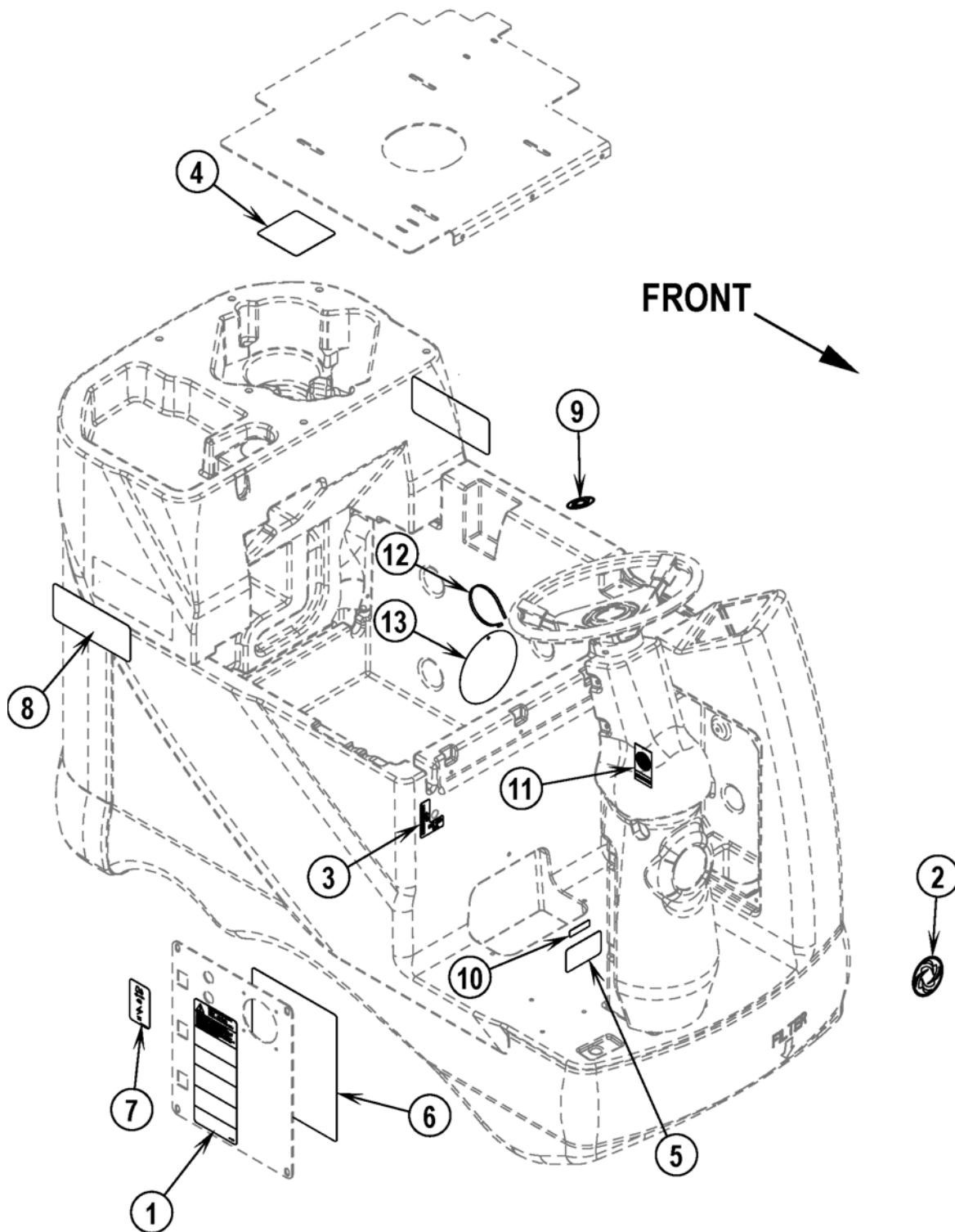
Model _____ Serial No. _____



Item	Ref. No.	Qty	Description
1	56001879	2	Wsh, Flt SAE 1/2
2	56002959	1	Pin, Cotter Hair
3	56003412	2	Scr, Hex Nyl Loc M12-1.25 x 35mm
4	56003442	2	Scr, Hex Nyl Loc M10-1.50 x 20mm
5	56367117	2	Wsh, Flt .406 x 1.50 x .1875
6	56367206	2	Bushing
7	56052338	1	Grommet
8	56009062	1	Scr, Pan Phil Thd Form 1/4-20 x .50
9	56420160	2	Bearing, Flange
10#	56601482	2	Assembly, Wheel and Bearing (each assembly includes 2 bearings)
#	56111531	4	Bearing, Ball
11	56314092	1	Weldment, Chassis
12	56314152	1	Pin, Actuator
13	56314495	1	Linkage, Arm Weldment
16	56002461	1	Scr, Hex Thd To Hd 5/16-18 x 4.00
17	56009122	1	Wsh, Flt .344 x .938 x .125
18	56009086	1	Nut, Hex Jam 5/16-18
19	56478246	1	Tie, Cable
22	56002840	2	Nut, Hex Nyl Loc-Thin 1/4-20
23	56002155	2	Scr, Hex Hd 1/4-20 x .75
24	56314204	1	Bracket, Accessory
[]	56478246	5	Tie, Cable
[]	56477613	9	Tie, Cable

= Revised or new since last update

[] = Not Shown



03-2

DECAL SYSTEM

08-11

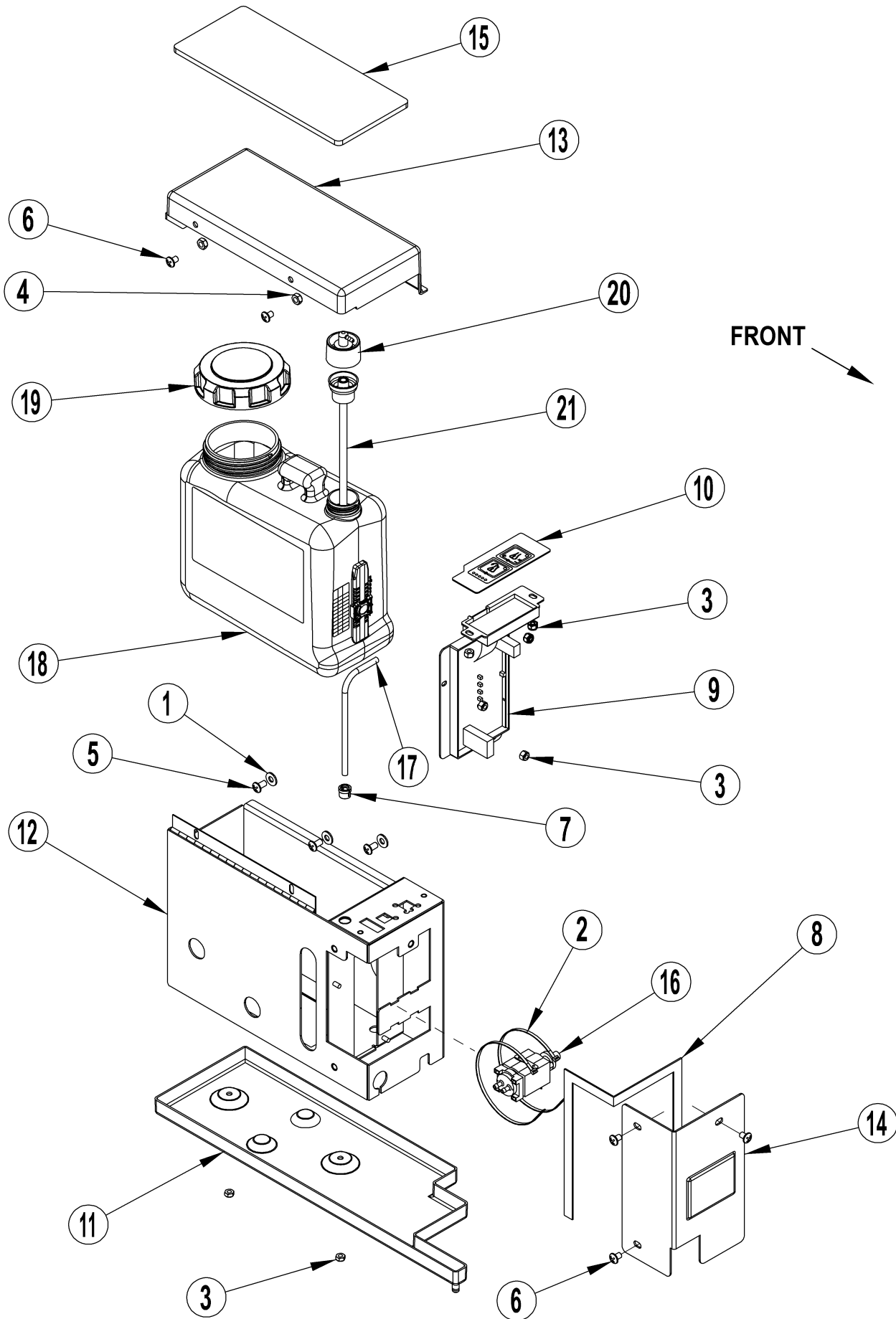
AquaRide™, AquaRide™ AXP

5

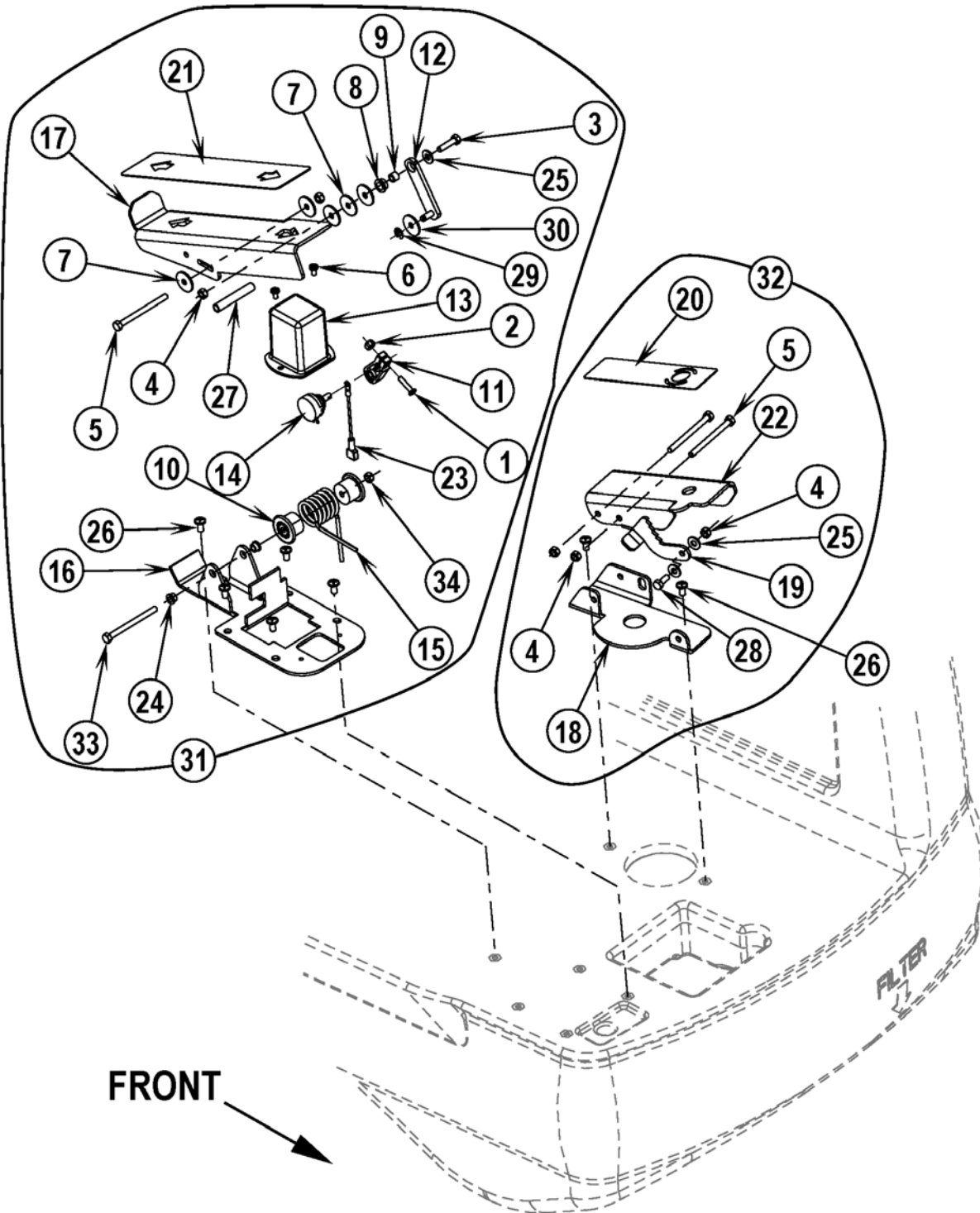
Item	Ref. No.	Qty	Description
1	56014601	1	Decal, Caution
2	56015276	1	Decal, Logo
3	56015179	1	Decal, Emergency
4	56015168	1	Decal, Battery Wiring
5	56016401	1	Decal, Parking Brake
6	56016668	1	Decal, Ladder Diagram NOTE 1
	56016747	1	Decal, Ladder Diagram NOTE 2
7	56016403	1	Decal, Circuit Breaker
8	56016669	2	Decal, AquaRide
	56016639	2	Decal, AquaRide AXP
9	56015281	1	Decal, Logo 2 Inch
10	56014450	1	Decal, Patent Number
11	56317151	1	Decal, CRI Bronze
12	56478523	1	Tie, Cable
13	56040958	1	Tag, CRI

NOTE 1: Used before SN 1837636.

NOTE 2: Used after SN 1837636.

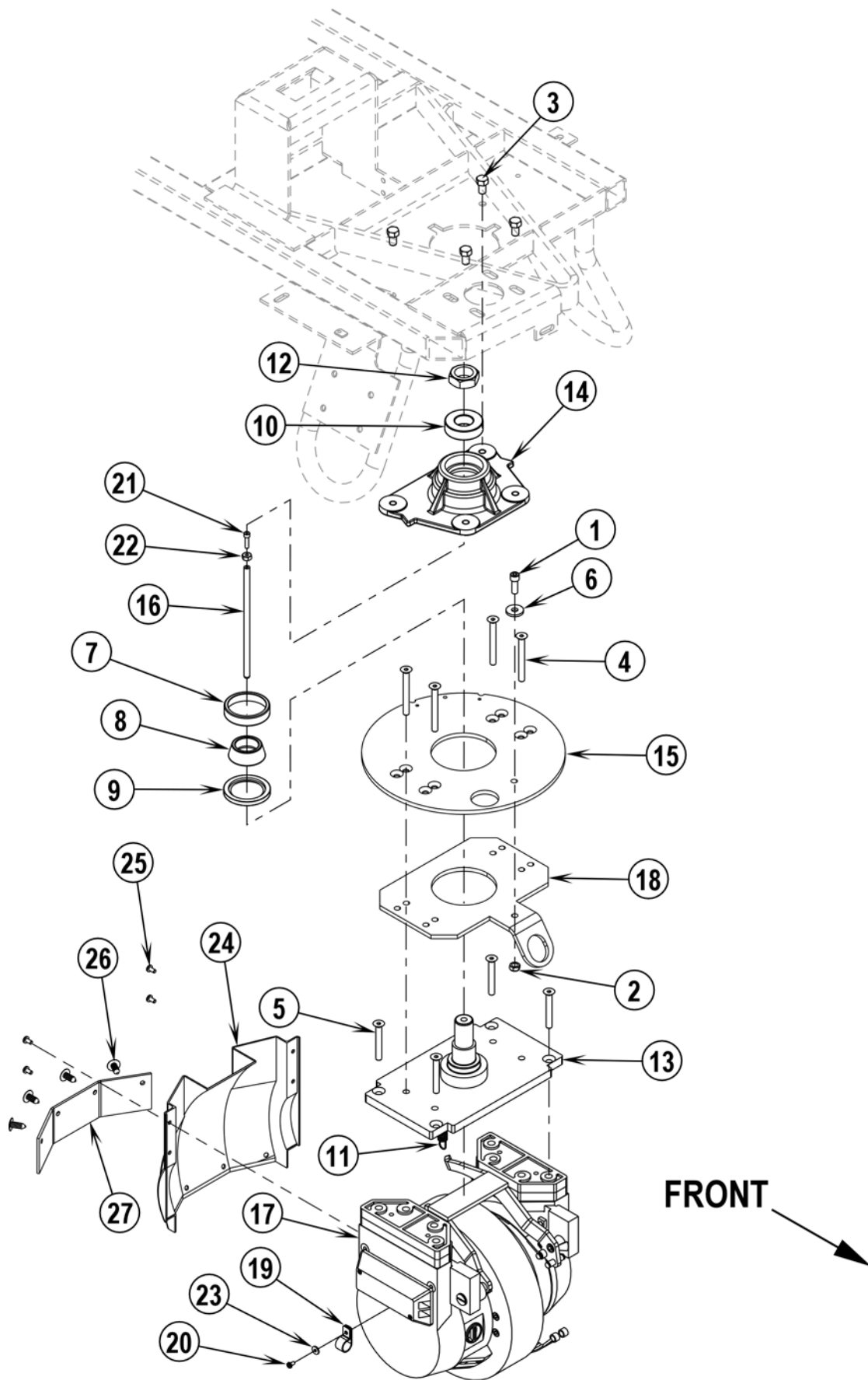


Item	Ref. No.	Qty	Description
	56316538	1	Detergent Injection Assembly (items 1-21) TSBUS2006-922
1	56009025	3	Wsh, Flt .266 x .750 x .036
2	56478523	2	Tie, Cable
3	56002832	8	Nut, Hex Nyl Loc-Thin 10-24
4	56002840	2	Nut, Hex Nyl Loc-Thin 1/4-20
5	56002145	3	Scr, Pan Phil 1/4-20 x .50
6	56003580	5	Scr, Pan Phil SS 1/4-20 x .38
7	56003699	1	Bushing, 1/4 ID Snub
8	56200754	1	Gasket, Strip
9	56316110	1	Control Assembly TSBUS2006-922 / TSBUS2007-953
10	56314938	1	Control Decal
11	56314939	1	Tray, Detergent
12	56314944	1	Weldment, Detergent Box
13	56314945	1	Cover, Detergent
14	56314946	1	Cover, Pump
15	56314953	1	Pad, Detergent
16	56314984	1	Pump, Detergent
17	56314991	1	Hose, Chem Resistant 14"
18	56315502	1	Chemical Bottle Assy.
	56315511	1	Indicator Assy
*	56315503	A/R	Chem Bottle Assy (18,19,21)
19	56315517	1	Cap, Raw
20	56315523	1	Cap, Dry Break, 1/8 Barb, 90°
21	56315527	1	Insert, Dry Break



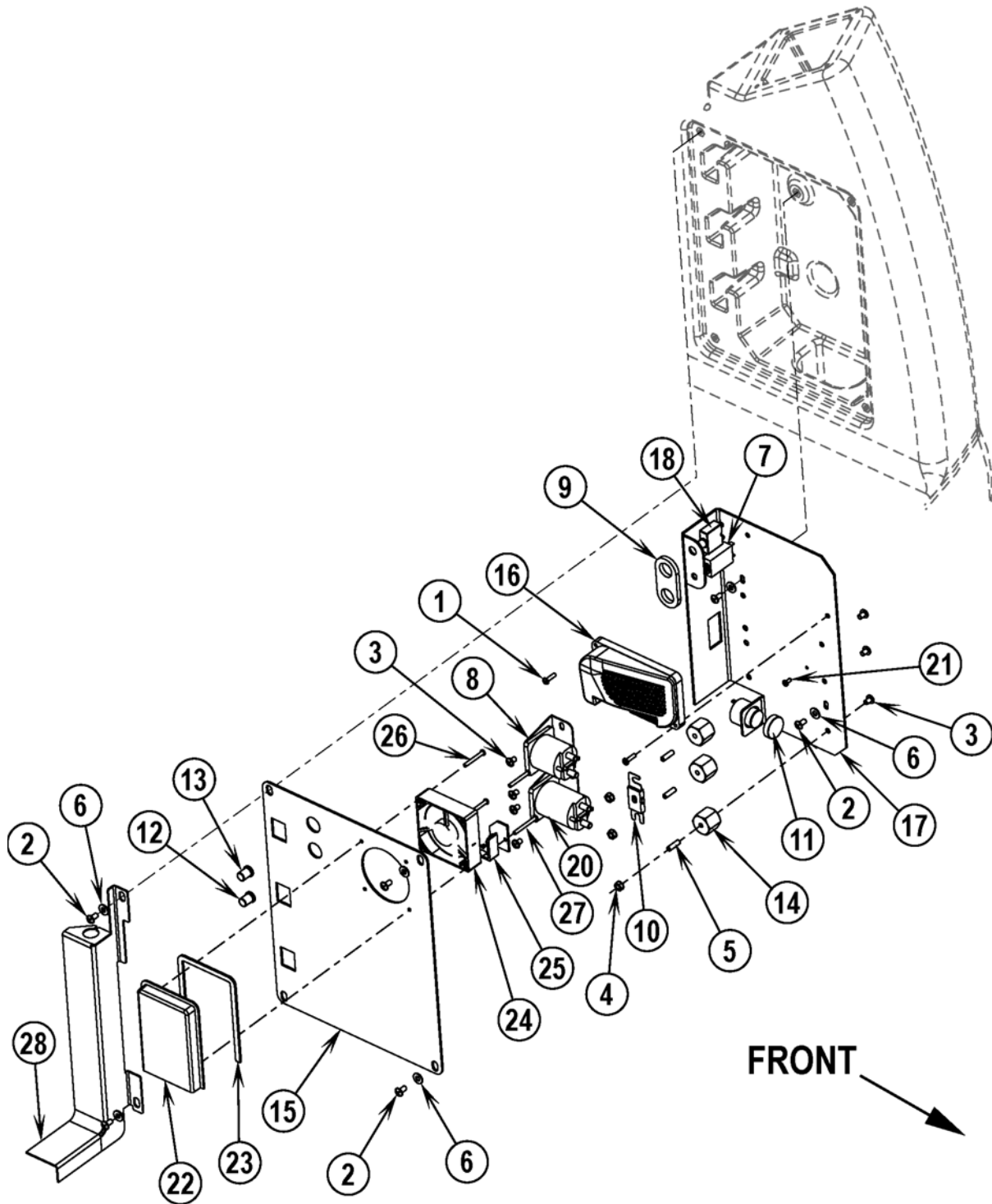
Item	Ref. No.	Qty	Description
1	56002733	1	Scr, Pan Phil 10-24 x .88
2	56002768	1	Nut, Hex Nyl Loc 10-24
3	56003358	1	Scr, Hex M6-1.00 x 25mm
4	56003403	5	Nut, Hex Nyl Loc M6-1.00
5	56003428	3	Scr, Hex M6-1.00 x 75mm
6	56009030	2	Scr, Pan Phil Thd Form 10-24 x .38
7	56009060	5	Wsh, Flt SS .260 x 1.000 x .074
8	56324505	1	Bearing, Flange
9	56380440	1	Bushing, M6 x .375 x .295
10	56380438	2	Spacer, Spring
11	56409471	1	Lever, Throttle
12	56409610	1	Link Weldment
13	56412094	1	Housing, Potentiometer
14	56454740	1	Potentiometer, 5K (R1)
15	56314037	1	Spring, Torsion
16	NA	1	Bracket, Foot Pedal NOTE 1
17	NA	1	Foot Pedal NOTE 1
18	56314677	1	Bracket, Brake TSBUS2008-1015
19	56314122	1	Lock, Brake
20	56314138	1	Mat, Pedal
21	56314176	1	Mat, Pedal
22	56314678	1	Pedal Weldment TSBUS2008-1015
23	56412331	1	Wire Assy.
24	56756318	2	Bearing, Flange
25	56002098	4	Wsh, Flt SAE 1/4
26	56003119	7	Scr, Pan Phil SS 1/4-20 x .50
27	56380439	1	Bushing
28	56003174	1	Scr, Hex Thd to Hd M6-1.0 x 16mm
29	56003268	1	Ring, Ret Ext Type E Reinf. 0.25 Dia
30	56009025	1	Wsh, Flt .266 x .750 x .036
31	56413421	1	Pedal Assy
32	56314676	1	Brake Pedal Assy TSBUS2008-1015
33	56002603	1	Scr-Hex 1/4-20 x 3.00
34	56002708	1	Nut-Hex Nyl Loc 1/4-20

NOTE 1: If you need to replace either of these items please order Pedal Assembly 56413421.



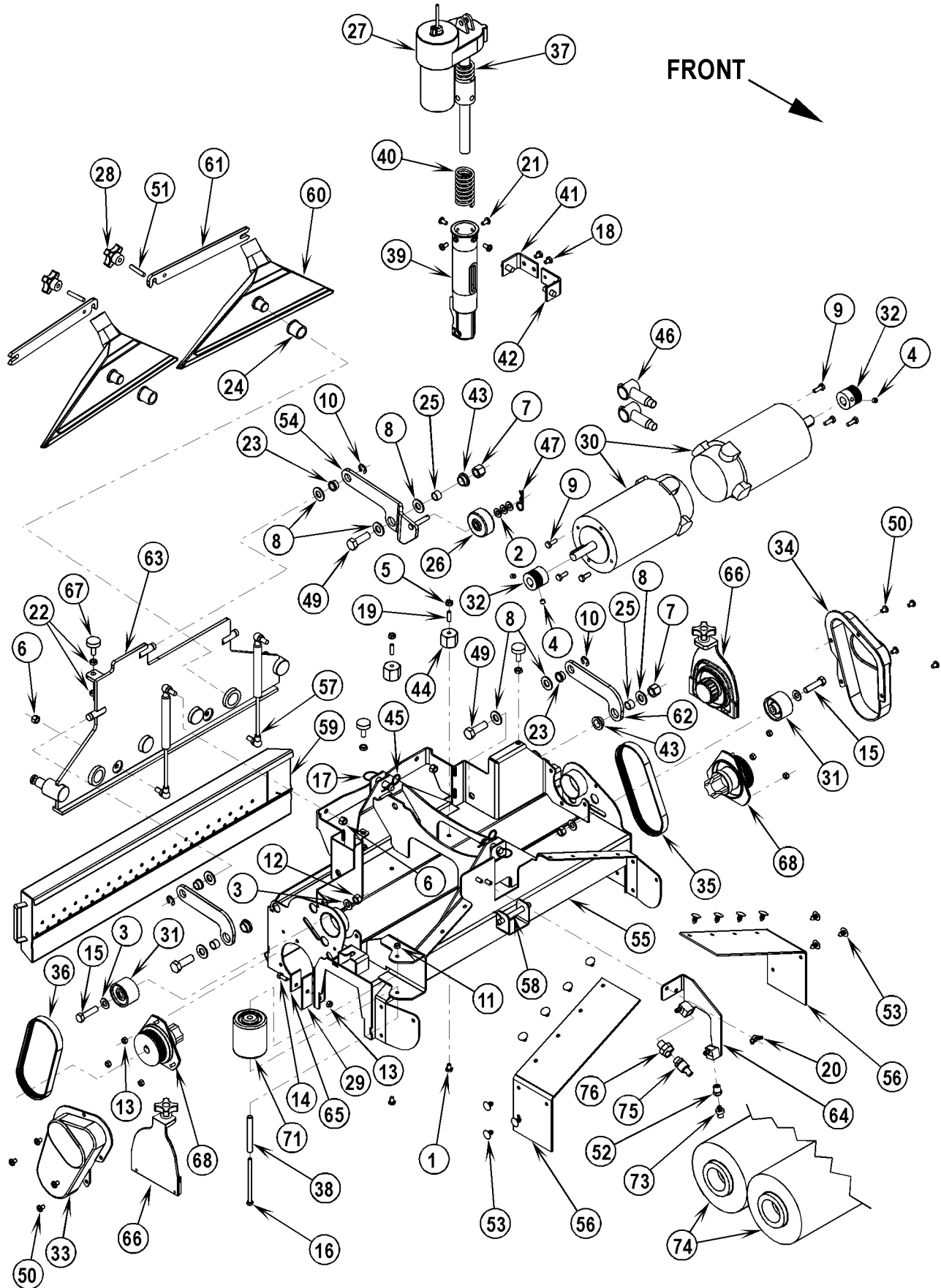
Item	Ref. No.	Qty	Description
1	56002158	1	Scr, Soc Hd 5/16-18 x .88
2	56002826	1	Nut, Hex Nyl Loc-Thin 5/16-18
3	56003040	4	Scr, Hex Hd Loc 3/8-16 x .62
4	56003273	4	Scr, Soc Hd M8-1.25 x 70mm
5	56003274	4	Scr, Soc Hd M8-1.25 x 55mm
6	56009122	1	Wsh, Flt .344 x .938 x .125
7	56158143	1	Bearing Cup
8	56158151	1	Bearing Cone
9	56171081	1	Seal, Shaft
10	56378380	1	Bearing, Ball
11	56481699	1	Spring
12	56003220	1	Nut, Hex Nyl Loc-Thin 1-14 UNF
13	56314085	1	Spindle Weldment TSBUS2006-913
14	56314032	1	Block, Bearing
15	56314116	1	Plate, Steering
16	56314157	1	Rod, Brake
17	56314602	1	Motor / Drive Wheel Assy (M3) TSBUS2004-863 / TSBUS2004-869 / TSBUS2008-1015
[]	56380507	1	Motor/Drive Wheel Kit TSBUS2008-1015
[]	56314920	1	Drive Wheel Harness Kit TSBUS2004-869
[]	56314282	1	Brake Bar
[]	56314289	1	Brake Band TSBUS2008-1015
[]	56412320	1	Carbon Brush Cover Kit (contains 4 seal rings & 4 brush covers)
[]	56412321	1	Sealing Ring
[]	56412322	1	Bearing Ball, Gearbox Side
[]	56412323	1	Bearing Ball, Brush Side
[]	56412325	1	Carbon Brush Kit
[]	56412339	1	Drive Wheel
18	56314278	1	Plate, Splash Guard TSBUS2004-871
	56314924	1	Plate, Tie Down TSBUS2004-871
19	56305317	1	Clamp, P
20	56003653	1	Scr, Pan Phil M4 x 8
21	56003611	1	Scr-Pan Phil SS SS 10-24 x .88
22	56009293	1	Nut, Hex Machine SS 10-24
23	56002006	1	Wsh, Flt SAE #6
24	56314921	1	Shield, Drive Motor TSBUS2004-871
25	56009030	4	Scr, Pan Phil Thd Form 10-24 x .38 TSBUS2004-871
26	56003263	4	Rivet, Nylon Tree Push-In (.25) TSBUS2004-871
27	56314923	1	Splash Guard TSBUS2004-871

[] = Not Shown



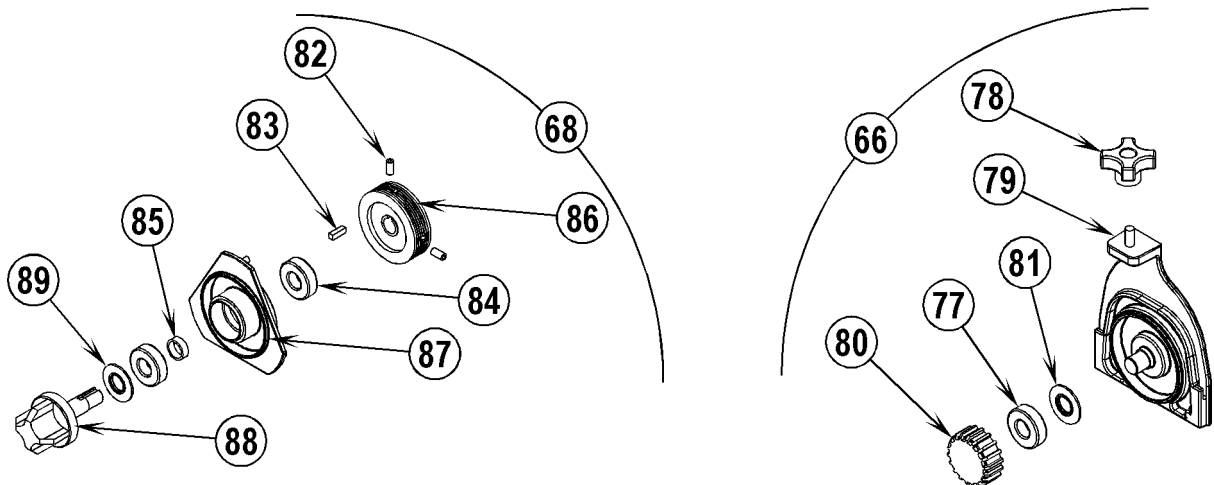
Item	Ref. No.	Qty	Description
1	56002192	2	Scr, Pan Phil 10-24 x .75
2	56003119	6	Scr, Pan Phil SS 1/4-20 x .50
3	56002462	7	Scr, Pan Phil 1/4-20 x .38
4	56002561	3	Nut, Hex W/SHPRF 1/4-20
5	56009020	3	Stud
6	56002098	6	Wsh, Flt SAE 1/4
7	56387316	1	Circuit Breaker, 10 Amp (Control Circuit / F3)
8	56395455	1	Contacto (Brush Drive / K1)
9	56407193	1	Gasket
10	56412089	1	Fuse, 150 Amp (F1)
11	56412177	1	Horn / Backup Alarm (H1)
12	56459367	1	Boot, Reset Button
13	56459369	1	Boot, Reset Button
14	56469858	3	Standoff, Insulated
15	56109535	1	Cover, Electrical TSBUS2004-855
16	56314597	1	Controller (A1) TSBUS2004-863
17	56314068	1	Electrical Panel
18	56364294	1	Circuit Breaker, 45 Amp (Wheel Drive / F2)
20#	56395453	1	Contacto (Vacuum System / K2) TSBUS2008-1020
21	56009051	1	Scr, Pan Phil Thd Form 8-32 x .38
22	56314590	1	Cover, Fan TSBUS2004-855
23	56314594	1	Gasket TSBUS2004-855
24	56314700	1	Fan Assy TSBUS2004-855
25	56314595	1	Board Holder TSBUS2004-855
26	56003199	3	Scr, Pan Phil Plastite 8-15 x 1.50 TSBUS2004-855
27	56003635	1	Scr, Pan Phil Plastite 8-15 x 1.75 TSBUS2004-855
28	56314956	1	Weldment, Harness Guide (AXP models only)

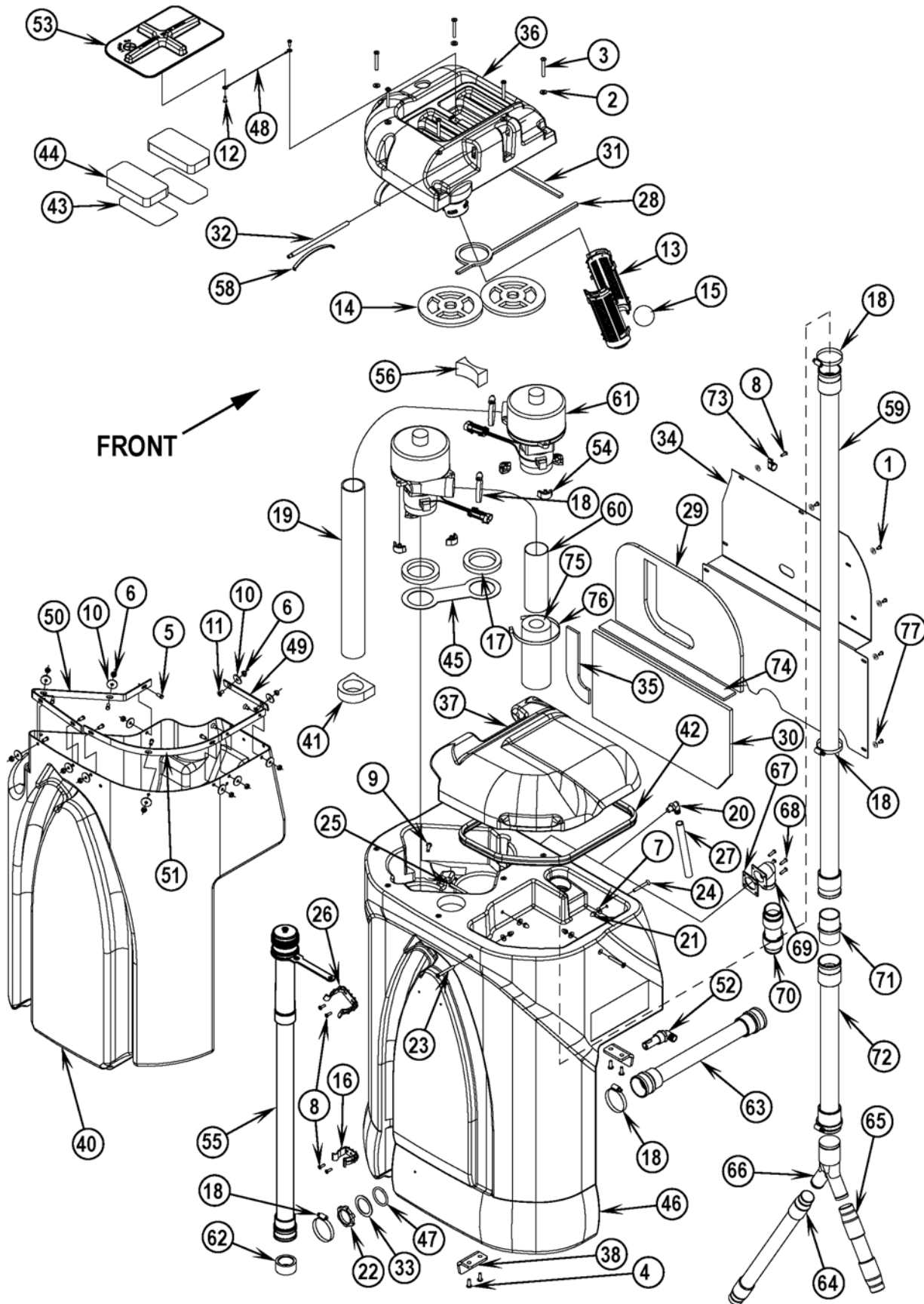
= Revised or new since last update



Item	Ref. No.	Qty	Description	Item	Ref. No.	Qty	Description
1	56001861	2	Scr,Hex Hd 1/4-20 x .38	43	56420160	3	Bearing, Flange
2	56001939	3	Wsh, Flt SAE 5/16	44	56469858	2	Standoff, Insulated
3	56002063	4	Wsh, Flt SAE 3/8	45	56003671	2	Pin, Ring .50 x 1.25
4	56002086	4	Scr, Soc Set Loc 5/16-18 x .25	46	56493357	2	Insulator, Terminal
5	56002561	2	Nut, Hex W/ Shprf 1/4-20	47	56003120	1	Pin, Cotter Hair .0915 x .375
6	56002701	4	Nut, Hex Nyl Loc 5/16-18	49	56003495	3	Scr, Hex Hd Ss 1/2-13 x 1.50
7	56002846	3	Nut, Hex Nyl Loc SS 1/2-13	50	56003603	8	Scr, Pan Phil Thd Form 1/4-20 x .38
8	56002918	9	Wsh, Flt SAE SS 1/2	51	56003665	2	Threaded Stud, Stainless
9	56002948	6	Scr,Hex Hd Loc 1/4-20 x .75	52	56212036	1	Body, Nozzle
10	56003264	3	Ring, Ret Ext Type E 0.50 Dia	53	56212241	14	Clip, Panel
11	56003403	1	Nut, Hex Nyl Loc M6-1.00	54	56314136	1	Link Arm Pivot Weldment
12	56003406	2	Nut, Hex Nyl Loc M10-1.50	55	56314143	1	Deck Weld't, Sweep/Ext
13	56003426	8	Nut, Hex Nyl Loc SS M6 x 1.0	56	56314164	2	Skirt, Extractor Deck
14	56003431	2	Scr, Hex Hd SS M6-1.0 x 16mm	57	56314206	2	Gas Spring
15	56003491	2	Scr, Hex M10-1.50 x 40mm	58	56314294	1	Pin, Hitch Cotterless
16	56003492	1	Scr, Hex M6-1.0 x 95mm	59	56314332	1	Hopper Weld't, Extractor
17	56002959	2	Pin, Cotter Hair	60	56314351	2	Shoe Weldment
18	56009019	2	Scr, Hex Thd Form 1/4-20 x .38	61	56314404	2	Strap
19	56009020	2	Stud	62	56314406	2	Link Arm, Offset
20	56009048	1	Nut, Wing Loc 1/4-20	63	56314409	1	Shoe Support Weld't
21	56009062	4	Scr, Pan Phil Thd Form 1/4-20 x .50	64	56314434	1	Nozzle Bracket Weldment
22	56009086	6	Nut, Hex Jam 5/16-18	65	56314436	2	Strap
23	56185264	3	Bearing, Flange	66	56314445	2	Idler End Assy (#77-81)
24	56250414	2	Bearing, Flange	67	56401783	3	Leg Leveler 5/16-18
25	56360627	3	Bushing	68	56407559	2	Drive End Assy (#82-89)
26	56392726	1	Wheel, Rubber	71	56412459	1	Wheel
27	56393303	1	Actuator, Motor (M1)	73	56314576	1	Nozzle, Spray #3
[]	56388520	1	Replacement Plastic Nut	74	56412191	2	Brush, Soft Nylon 28"
28	56407303	2	Knob	75	56314577	1	Nozzle, Spray #7.5
29	56407391	2	Blade	76	56314578	1	Body, Nozzle QJJA
30	56407431	2	Motor, 36Vdc, .75 HP (M7 & M8)	77	56106070	1	Bearing, Ball
[]	56410183	1	Bearing	78	56407303	1	Knob
[]	56407492	1	Brush Cap Assy	79	56315447	1	Idler Bearing Plate
[]	56407493	4	Carbon Brush Assy	80	56407551	1	Hub
[]	56407494	4	Brush Cover Cap	81	56407558	1	Washer, Bearing
[]	56314254	1	Harness, Brush Motor	82	56002119	2	Scr, Soc Set Loc 1/4-20 x .50
31	56407432	2	Idler, Belt	83	56003237	1	Key, Sq. .19 x .62
32	56407433	2	Sheave, Poly-V	84	56106070	2	Bearing, Ball
33	56407434	1	Guard, Right Belt	85	56407389	1	Spacer
34	56407435	1	Guard, Left Belt	86	56407442	1	Sheave, Poly-V
35	56407465	1	Belt, Poly V 180J6	87	56315405	1	Bearing Plate
36	56407466	1	Belt, Poly V 190J6	88	56109527	1	Spindle
37	56412071	1	Compression Spring	89	56407558	1	Washer, Bearing
38	56412176	1	Bushing				
39	56412262	1	Housing, Spring				
40	56420018	1	Compression Spring				
41	56420019	1	Nut Retainer				
42	56420020	1	Nut Retainer				

[] = Not Shown





Item	Ref. No.	Qty	Description	Item	Ref. No.	Qty	Description
1	56002043	8	Scr, Pan Phil 10-24 x .38	51	56314458	1	Strap
2	56002098	6	Wsh, Flt SAE 1/4	52	56314460	1	Elbow Assembly
3	56002108	6	Scr, Pan Phil 1/4-20 x 2.00	53	56109539	1	Lid, Vac Filter Assy
4	56002507	4	Scr, Pan Phil 1/4-20 x .75	54	56314484	6	Mount, Vibration
5	56002801	8	Scr, Hex Hd SS 1/4-20 x .50	55	56601404	1	Drainhose TSBUS2008-985
6	56002850	12	Nut, Hex Nyl Loc-Thin SS 1/4-20	*	56601411	1	Drain Hose Cap Kit
7	56002859	5	Wsh, Flt SAE SS 1/4	*	56601410	1	Drain Hose Extension
8	56002896	5	Scr, Pan Phil SS 10-24 x .62	56	56314708	1	Spacer, Foam NOTE 3
9	56003067	1	Scr, Pan Phil SS 1/4-20 x 1.00	57	56314491	1	Gasket
10	56009060	12	Wsh, Flt SS .260 x 1.000 x .074	58	56314509	1	Spring
11	56009151	4	Scr, Flt Phil SS 1/4-20 x .50	59	56314535	1	Vac Hose Assy
12	56009191	2	Scr, Pan Phil Plastite 10-14 x .50	60	56458457	1	Hose, Vac
13	56324497	2	Cage, Float	61	56397228	2	Motor, Vac 36VDC (M5 & M6)
14	56314704	2	Gasket	[]	56212223	1	Carbon Brush Set
15	56391690	1	Ball, Float	62	56410446	1	Adapter
16	56407361	1	Clamp, Plastic	63	56314114	1	Hose, Vac
17	56314760	2	Gasket, Vacuum Duct	64	56314519	1	Hose, Vac
18	56440213	7	Clamp, Hose SAE #32	65	56314524	1	Hose, Vac
19	56459937	1	Hose, Vac	66	56314557	1	Y-Tube, Weldment
20	56900069	1	Barb, 90 Elbow 1/2 x 3/8 NPT before SN 1685779	67	56391644	1	Gasket (after SN 1685778)
21	56003195	5	Nut, Acorn SS 1/4-20 High Crown	68	56003091	4	Scr, Pan Phil Plastite 10-14 x .75 (after SN 1685778)
22	56003232	1	Nut, Conduit Lock 1 1/4-12 NPS	69	56314609	1	Adaptor, Hose (after SN 1685778)
23	56003660	1	Scr, Flt Phil SS 1/4-20 x 2.25	70	56314612	1	Vac Hose (after SN 1685778)
24	56003661	2	Scr, Flt Phil SS 1/4-20 x 2.00	71	56314244	1	Coupler (after SN 1681196)
25	56003662	1	Scr, Pan Phil SS 1/4-20 x 2.25	72	56314242	1	Vacuum Hose Assy. (after SN 1681196)
26	56212236	1	Clamp, Plastic	73	56385564	1	Clamp, P (after SN 1681196)
27	56397207	1	Hose, PVC Clear 7.00 before SN 1685779	74	56314706	1	Foam, Sound NOTE 2
28	56314099	1	Gasket	75	56391807	1	Foam, Acoustical
29	56314100	1	Muffler, Top Panel	76	56477613	1	Tie, Cable
30	56314101	1	Muffler, Bottom Panel	77	56001954	9	Wsh-Flt SAE 10
31	56314103	1	Gasket				
32	56314115	1	Pin, Cover Pivot				
33	56314191	1	Washer, Flat				
34	56314749	1	Cover, Exhaust NOTE 1				
35	56314705	1	Foam, Sound				
36	56314201	1	Cover, Vac Motor				
37	56314203	1	Lid, Recovery				
38	56314220	2	Tank Mount Bracket				
39	56314251	1	Harness, Vac (Not Shown)				
40	56314279	1	Bladder				
41	56314761	1	Gasket, Hose				
42	56314371	1	Gasket				
43	56314372	2	Screen, Filter				
44	56314373	2	Filter				
45	56314377	1	Plate, Separator (2 MTR)				
46	56314379	1	Tank, Recovery				
47	56314380	1	O-Ring				
48	56314400	1	Wire Rope, 9 inch				
49	56314456	2	Strap				
50	56314457	1	Strap				

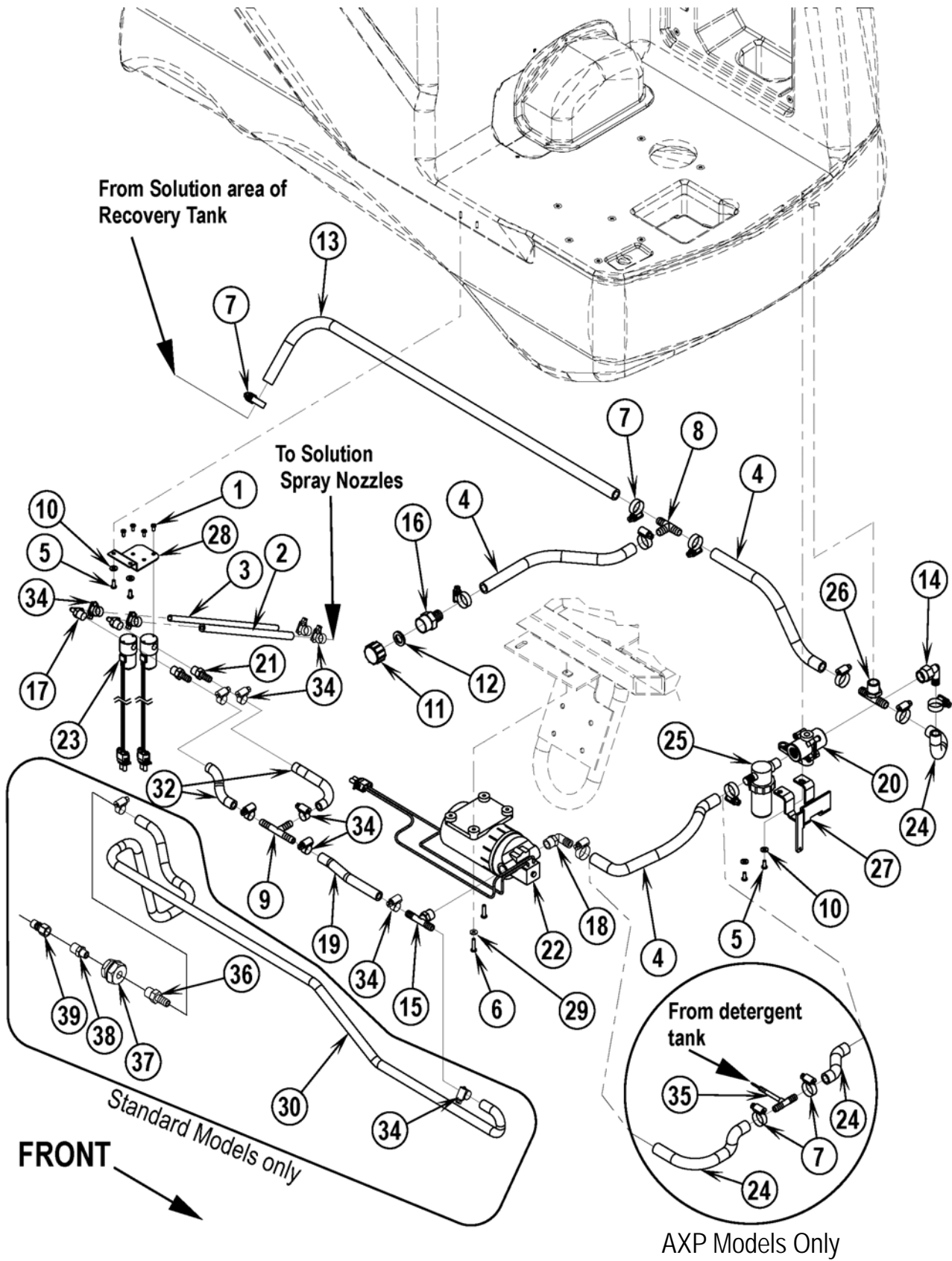
[] = Not Shown

* = Optional, Not Included

NOTE 1: 56314749 replaces previous parts 56314199 & 56314200 after April 2004.

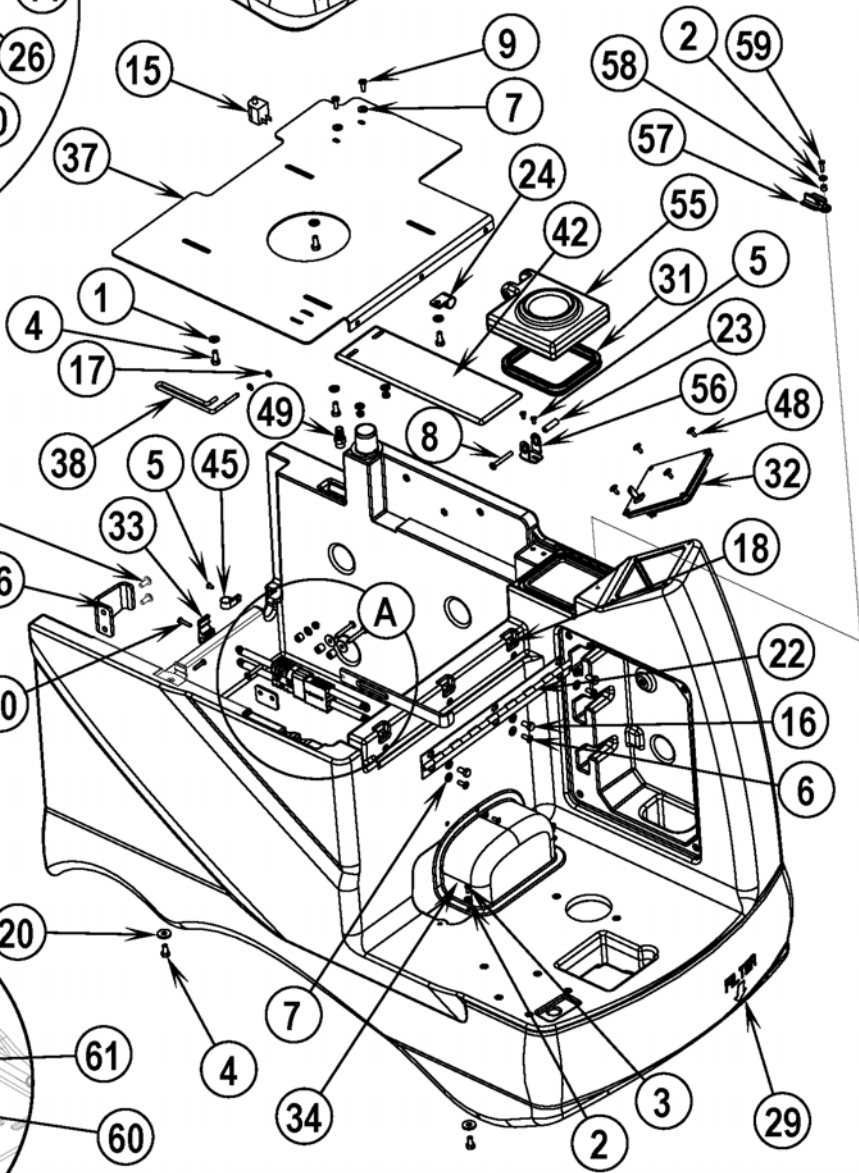
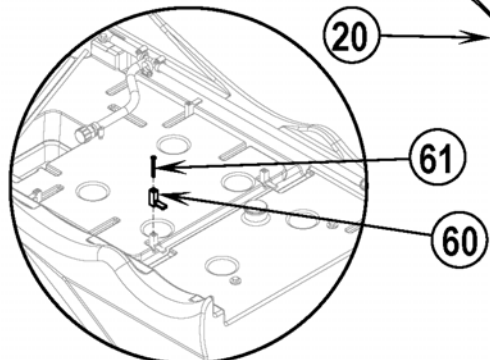
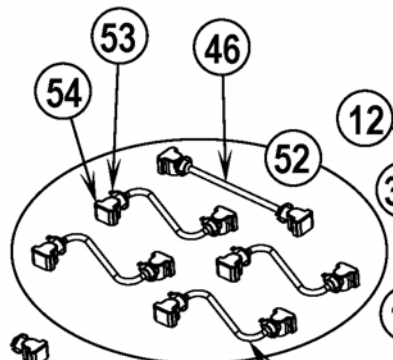
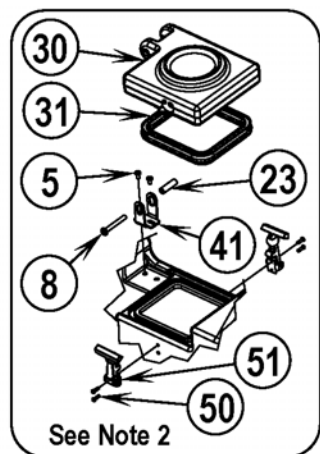
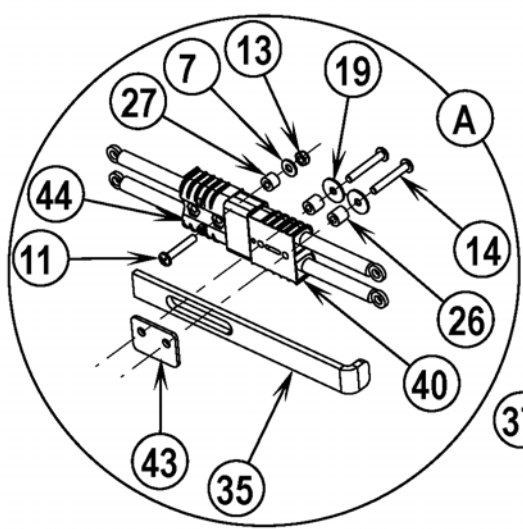
NOTE 2: 56314706 replaces previous part 56314762 after April 2004.

NOTE 3: 56314708 replaces previous part 56314500 after April 2004.



Item	Ref. No.	Qty	Description
1	56001818	4	Scr, Pan Phil 8-32 x .38
2	56264346	1	5.00 Hose
3	56220043	1	Solution Feed Hose
4	56409462	3	Hose, Spiral .50 ID x 12.00 (Qty of 2 on AXP models)
5	56002900	4	Scr, Pan Phil SS 10-24 x .50
6	56002733	2	Scr, Pan Phil 10-24 x .88
7	56219932	10	Clamp, Hose SAE #6 (Qty of 12 on AXP models)
8	56262549	1	Tee, Barb
9	56249280	1	Tee, Barb
10	56009205	4	Wsh, Flt SS #10
11	56255076	1	Cap, Pipe GHT Nylon
12	56368776	1	Washer, Rubber
13	56392663	1	Hose, Spiral .500
14	56409152	1	Barb, 90 Elbow 1/2 x 1/2 NPT
15	56412204	1	Tee, Barb 3/8 x 3/8 NPT (standard models only)
	56900035	1	Barb, 90 Elbow 3/8 x 3/8NPT (AXP models only)
16	56412273	1	Barb, Adapter 1/2 x 3/4GHT
17	56470138	2	Barb, 90 Elbow 19/64 x 1/4NPT
18	56900069	1	Barb, 90 Elbow 1/2 x 3/8NPT
19	56054293	1	Hose, Spiral .375
20	56314899	1	Valve, Ball
21	56155640	2	Barb, Adapter 3/8 x 1/4NPT
22	56212014	1	Pump 36VDC (M4) TSBUS2007-964
23	56314255	2	Valve, Solenoid 36V
24	56262180	1	Hose, Spiral .50 ID x 7.00 (Qty of 3 on AXP models)
25	56314147	1	Strainer
26	56314153	1	Tee, .5MPT x .5 Hose x .5 Hose
27	56314881	1	Bracket, Valve
28	56314197	1	Bracket, Solenoid Mount
29	56001954	2	Wsh, Flt SAE #10
30	56314432	1	Hose, Spiral .375 x 63 (standard models only)
32	56644845	2	Hose, Spiral .375
34	56756364	12	Clamp, Hose SAE #4 (Qty of 10 on AXP models)
35	56314983	1	Tee Assembly (AXP models only)
	56314982	1	Reducer, Barb
	56314977	1	Tee, Barb
	56314976	1	Hose, Chem Resistant, 2"
36	56155640	1	Barb, Adapter 3/8 x 1/4NPT (standard models only)
37	56745543	1	Adapter, Bulk Hd 1/4 (standard models only)
38	56220074	1	Nipple 1/4 to 1/8NPT (standard models only)
39	56220055	1	Plug (standard models only)

FRONT



Item	Ref. No.	Qty	Description	Item	Ref. No.	Qty	Description
1	56001939	4	Wsh, Flt SAE 5/16	42	56314532	1	Panel, Battery Box
2	56001954	4	Wsh, Flt SAE #10	43	56397189	1	Spacer
3	56002900	3	Scr, Pan Phil SS 10-24 x .50	44	56397508	1	Charge Connector Assy
4	56002035	8	Scr, Hex Hd 5/16-18 x .62	45	56442003	1	Clamp, P
5	56002043	3	Scr, Pan Phil 10-24 x .38	46	56441600	1	Cable, Battery
6	56002066	3	Scr, Pan Phil 1/4-20 x .62	47	56456460	4	Cable, Battery
7	56002098	11	Wsh, Flt SAE 1/4	48	56009206	4	Scr, Truss Phil-Blk 10-24 x .50
8	56002108	1	Scr, Pan Phil 1/4-20 x 2.00	49	56409507	1	Barb, Adapter 1/2 x 3/8 NPT (before SN 1685779)
9	56002507	2	Scr, Pan Phil 1/4-20 x .75	50	56003528	4	Scr, Pan Phil Plastite 6-18 x .50 NOTE 2
10	56002674	5	Scr, Pan Phil 10-24 x 1.00	51	56393560	2	Latch Assy NOTE 2
11	56002786	1	Scr, Pan Phil 1/4-20 x 1.50	52	56314339	1	Kit, Battery Connector (includes items 46-47, 53-54)
12	56002793	2	Scr, Pan Phil 5/16-18 x .75				NOTE 1
13	56002840	3	Nut, Hex Nyl Loc-Thin 1/4-20	53	56478246	10	Tie, Cable
14	56002997	2	Scr, Pan Phil 1/4-20 x 1.75	54	56372673	10	Boot, Battery Post
15	7-82-00050	1	Switch (S2) NOTE 7	55	56314066	1	Cover Solution Tank
16	56003178	3	Scr, Hex M8-1.25 x 16mm	56	56314619	1	Bracket, Hinge TSBUS2003-851
17	56003268	3	Ring, Ret Ext Type E Reinf. .25 Dia.	57	56314617	1	Latch, Plastic TSBUS2003-851
18	56003389	3	Nut, Hex Nyl Loc M8-1.25	58	56453849	1	Bushing .26 x .37 x .28 TSBUS2003-851
19	56009002	2	Wsh, Flt .266 x .906 x .060	59	56002192	1	Scr, Pan Phil 10-24 x .75
20	56009122	4	Wsh, Flt .344 x .938 x .125				NOTE 3 TSBUS2003-851
21	56372673	2	Boot, Battery Post	60	56314608	4	Clamp, Cable
22	56412196	1	Hinge NOTE 5	61	56002171	4	Scr, Pan Phil 10-24 x 2.00
	56314973	1	Hinge NOTE 6	*	56314119	1	Battery Spacer
23	56468553	1	Bushing, .27 x .37 x 1.30				[] = Not Shown
24	56469380	1	Clamp, P				
25	56478246	2	Tie, Cable				
26	56046309	2	Spacer, Phenolic				
27	56050872	1	Spacer, Phenolic				
28	8-69-00022	1	Seat NOTE 7				
29	56314941	1	Solution Tank TSBUS2005-896				
30	56314066	1	Cover, Solution Tank, Assy NOTE 2				
31	56314069	1	Gasket				
32	56314083	1	Control Panel Assembly (before TSBUS2006-922)				
	56316105	1	Control Panel Assembly (after TSBUS2006-922)				
[]	56396188	1	Switch, Key				
[]	56396189	1	Key, Spare				
33	56314155	5	Clamp, Cable				
34	56314975	1	Cover, Actuator Closed TSBUS2005-896				
35	56314292	1	Bar, Charge Disconnect				
36	56316526	1	Tank Mount Bracket				
37	56314221	1	Weld't, Seat Mount NOTE 4, NOTE 5				
	56314951	1	Weld't, Seat Mount NOTE 6				
38	56314223	1	Prop Rod				
[39]	56314971	1	Harness, Main (before TSBUS2006-922)				
	56316114	1	Harness, Main (after TSBUS2006-922)				
40	56314253	1	Charge Connector Assy				
41	56314264	1	Hinge Bracket (used before SN 1698112)				

NOTE 1: "Battery Connector Kit" (56314339) is included with machine.

NOTE 2: For AquaRide SE machines (between SN 1685779 & 1698112).

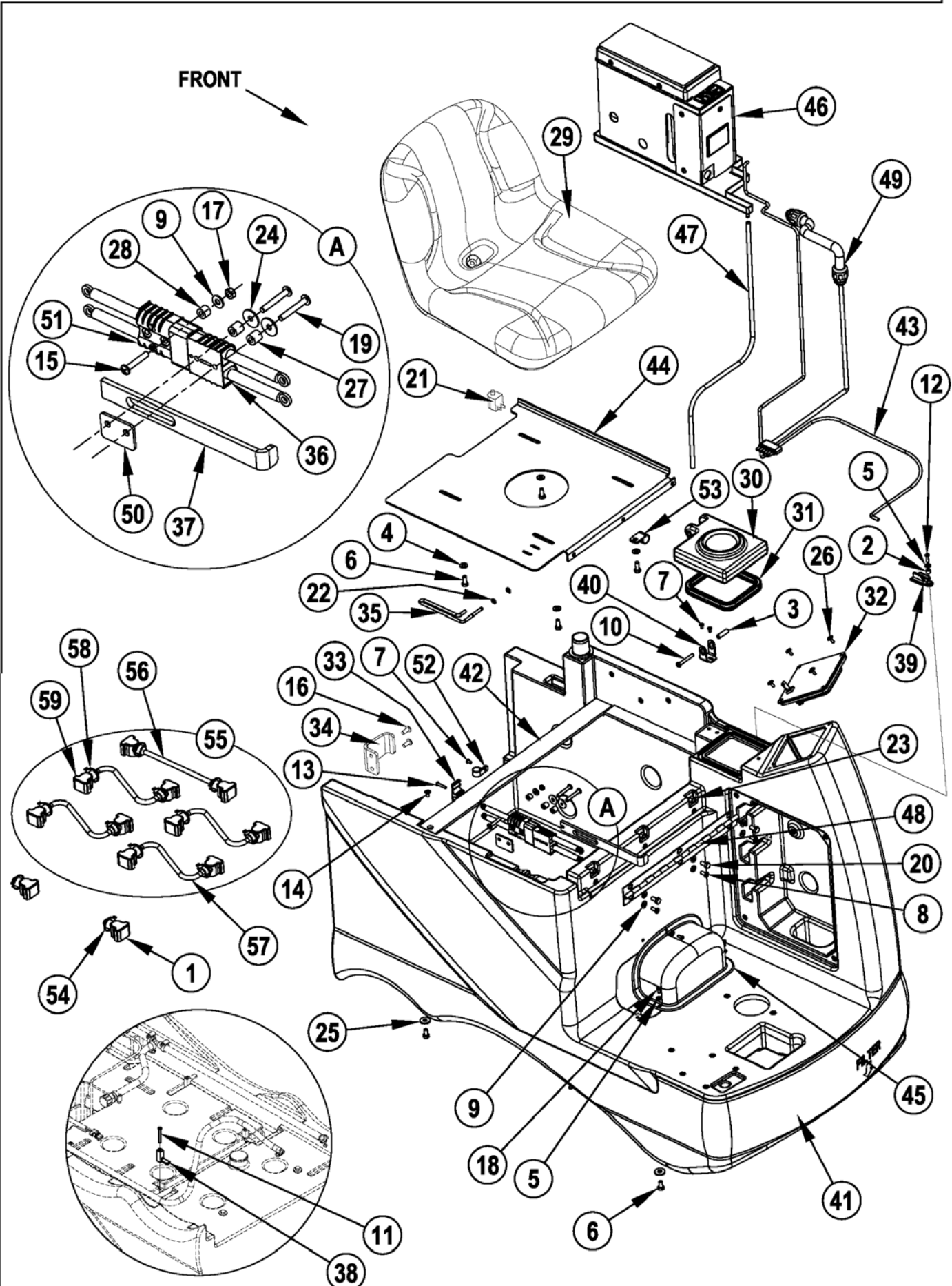
NOTE 3: Some machines use a Screw, Pan Phil Plastite 10-14 x 1.00 in this location, if there is not a tank insert.

NOTE 4: Seat Weldt 56314221 was modified as of serial #1726172 to accommodate Onboard Charger Kit 56314753.

NOTE 5: Used on machines before TSBUS2005-896.

NOTE 6: Used on machines after TSBUS2005-896.

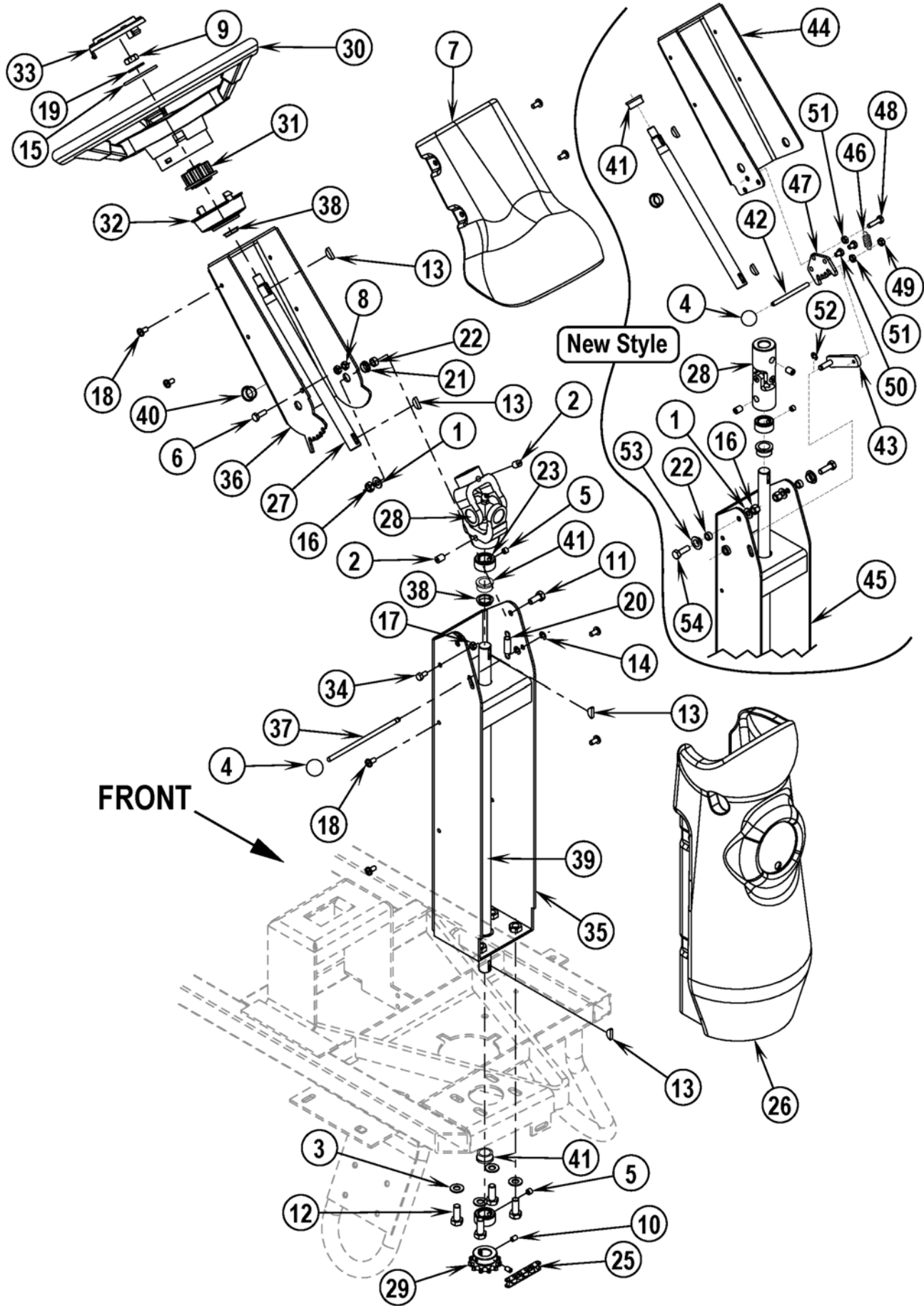
NOTE 7: Seat 56314035 is obsolete and replaced by 8-69-00022 in production. Order Seat kit 56109292 to replace in the field.



Item	Ref. No.	Qty	Description
1	56372673	2	Boot, Battery Post
2	56453849	1	Bushing .26 x .37 x .28
3	56468553	1	Bushing, .27 x .37 x 1.3
4	56001939	4	Wsh, Flt SAE 5/16
5	56001954	4	Wsh, Flt SAE #10
6	56002035	8	Scr, Hex 5/16-18 x .62
7	56002043	3	Scr, Pan Phil 10-24 x .38
8	56002066	3	Scr, Pan Phil 1/4-20 x .62
9	56002098	7	Wsh, Flt SAE 1/4
10	56002108	1	Scr, Pan Phil 1/4-20 x 2.00
11	56002171	4	Scr, Pan Phil 10-24 x 2.00
12	56002192	1	Scr, Pan Phil 10-24 x .75
13	56002674	5	Scr, Pan Phil 10-24 x 1.00
14	56002755	1	Scr, Flt Phil 1/4-20 x .50
15	56002786	1	Scr, Pan Phil 1/4-20 x 1.50
16	56002793	2	Scr, Pan Phil 5/16-18 x .75
17	56002840	1	Nut, Hex Nyl Loc-Thin 1/4-20
18	56002900	3	Scr, Pan Phil SS 10-24 x .50
19	56002997	2	Scr, Pan Phil 1/4-20 x 1.75
20	56003178	3	Scr, Hex M8-1.25 x 16mm
21	7-82-00050	1	Switch (S2) NOTE 1
22	56003268	2	Ring, Ret Ext Type E Reinf. 0.25 Dia
23	56003389	3	Nut, Hex Nyl Loc M8-1.25
24	56009002	2	Wsh, Flt .266 x .906 x .060
25	56009122	4	Wsh, Flt .344 x .938 x .125
26	56009206	4	Scr, Truss Phil-Blk 10-24 x .50
27	56046309	2	Spacer, Phenolic
28	56050872	1	Spacer, Phenolic
29	8-69-00022	1	Seat NOTE 1
30	56314066	1	Cover, Solution Tank
31	56314069	1	Gasket
32	56314083	1	Control Panel Assy. Extractor (before TSBUS2006-922)
	56316105	1	Control Panel Assembly (after TSBUS2006-922)
[]	56396188	1	Switch, Key
[]	56396189	1	Key, Spare
33	56314155	5	Clamp, Cable
34	56316526	1	Tank Mount Bracket
35	56314223	1	Prop Rod
36	56314253	1	Charge Connector Assy
37	56314292	1	Bar, Disconnect
38	56314608	4	Clamp, Cable
39	56314617	1	Latch, Plastic
40	56314619	1	Bracket, Hinge
41	56314941	1	Tank, Solution Aquaride
42	56314943	1	Brkt, Seat
43	56314947	1	Hose, Chem Resistant
44	56314949	1	Weld't, Seat Mount
45	56314960	1	Cover, Actuator
46	56316538	1	Assembly, Detergent Injection (see Detergent Injection System) TSBUS2006-922
47	56314965	1	Hose, PVC 1/4 x 3/8
48	56314973	1	Hinge
49	56314980	1	Harness, Chemical System
50	56397189	1	Spacer
51	56397508	1	Charge Connector Assy
52	56442003	1	Clamp, P
53	56469380	1	Clamp, P
54	56478246	2	Tie, Cable
55	56314339	1	Kit, Battery Connector (items 56-59)
56	56441600	1	Cable, Battery
57	56456460	4	Cable, Battery
58	56478246	10	Tie, Cable
59	56372673	10	Boot, Battery Post
*	56314119	1	Spacer, Battery
[]	56314971	1	Harness, Main (before TSBUS2006-922)
[]	56316114	1	Harness, Main (after TSBUS2006-922)

[] = Not Shown

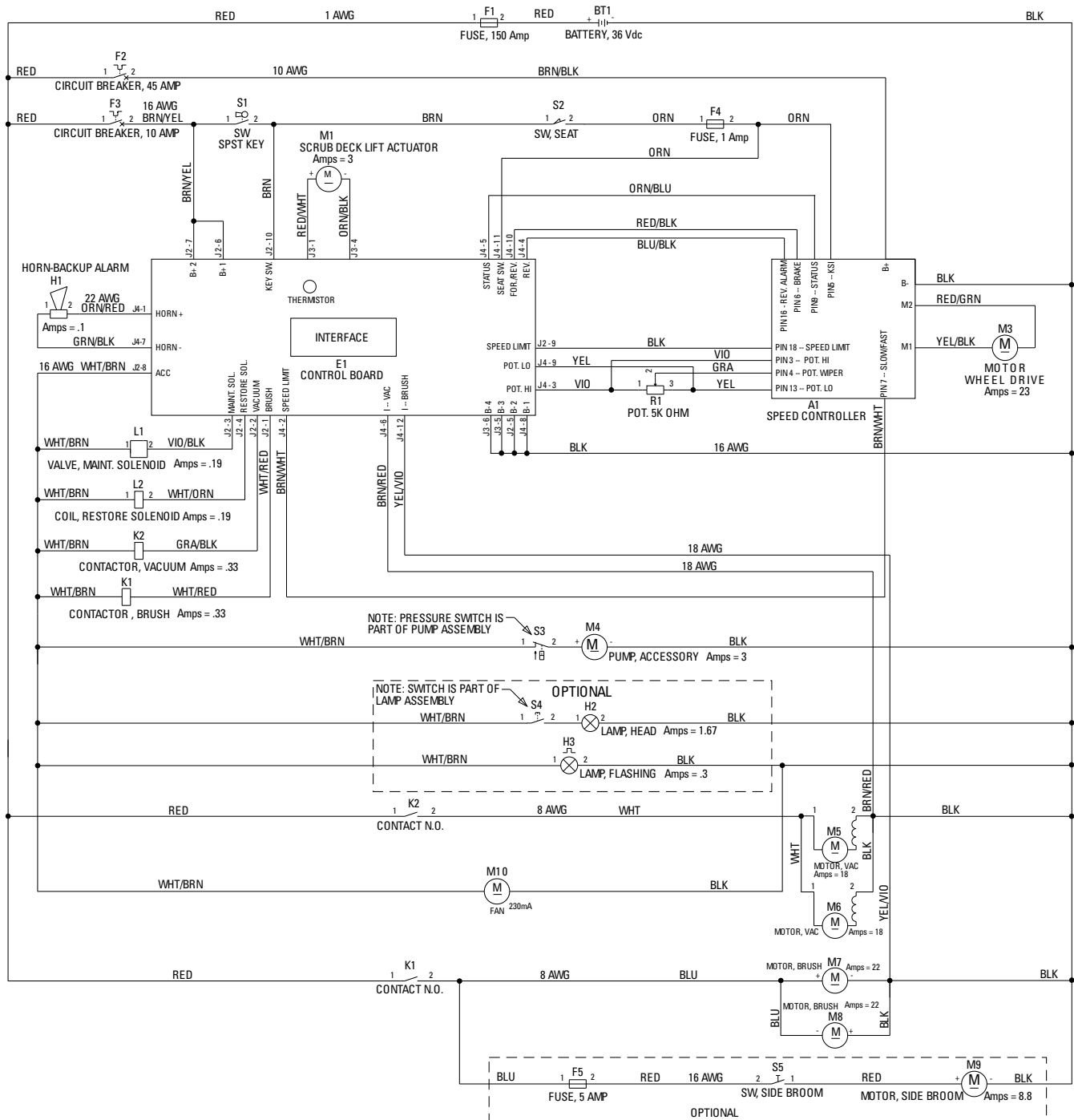
NOTE 1: Seat 56314035 is obsolete and replaced by 8-69-00022 in production. Order Seat kit 56109292 to replace in the field.



Item	Ref. No.	Qty	Description
1	56001939	2	Wsh, Flt SAE 5/16
2	56001958	2	Scr, Soc Set Loc 3/8-16 x .50
3	56002063	4	Wsh, Flt SAE 3/8
4	56440817	1	Knob
5	56002086	2	Scr, Soc Set Loc 5/16-18 x .25
6	56002155	1	Scr, Hex Hd 1/4-20 x .75 NOTE 1
7	56314296	1	Shroud, Upper Column
8	56002840	2	Nut, Hex Nyl Loc-Thin 1/4-20
9	56002843	1	Nut, Hex Nyl Loc-Thin 1/2-13
10	56002930	2	Scr, Soc Set Loc 1/4-20 x .38
11	56003179	2	Scr, Hex Thd To Hd M8-1.25 x 20mm NOTE 1
12	56003186	4	Scr, Hex Thd To Hd M10-1.50 x 25mm
13	56003228	4	Key, WDF .75 x .19
14	56003268	2	Ring, Ret Ext Type E Reinf .25 Dia NOTE 1
15	56003342	1	Wsh, Flt .88 x .25 x .13
16	56003389	2	Nut, Hex Nyl Loc M8-1.25
17	56003403	1	Nut, Hex Nyl Loc M6-1.00 NOTE 1
18	56009062	8	Scr, Pan Phil Thd Form 1/4-20 x .50
19	56001879	1	Wsh, Flt SAE 1/2
20	56245008	1	Spring, Extension NOTE 1
21	56302164	2	Bearing, Flange NOTE 1
22	56320595	2	Bushing .32 x .50 x .28
23	56367095	2	Collar, Shaft
25	56412198	1	Chain, Roller
26	56314295	1	Shroud, Lower Column
27	56420059	1	Shaft, Upper Steering
28	56454081	1	Universal Joint
29	56471148	1	Sprocket
30	56497306	1	Steering Wheel
31	56497560	1	Wheel Adapter
32	56497308	1	Cup
33	56497543	1	Cap
34	56003155	1	Scr, Hex M6-1.00 x 12mm NOTE 1
35	56314877	1	Lower Column Weldment TSBUS2005-887
36	56314093	1	Column, Steering NOTE 1
37	56314094	1	Rod, Steering lock NOTE 1
38	56314148	3	Bearing, Nyliner (qty of 1 after Sept. 2004) TSBUS2005-887 NOTE 1
39	56314195	1	Shaft, Lower Steering
40	56900041	1	Plug, Cap
41	56250414	2	Bearing, Flange (After Sept. 2004) TSBUS2005-887 (qty of 3 after serial number 1942863)
42	56413664	1	Rod NOTE 2
43	56413661	1	Steering Pawl Weldment NOTE 2
44	56413657	1	Column, Upper NOTE 2
45	56413659	1	Lower Column Weldment NOTE 2
46	56305072	1	Spring, Extension .075 NOTE 2
47	56413658	1	Ratchet, Steering Column NOTE 2
48	56002093	1	Scr, Hex 1/4-20 x 1.00 NOTE 2
49	56002840	1	Nut, Hex Nyl Loc-Thin 1/4-20 NOTE 2
50	56003039	2	Scr, Hex Hd Loc 1/4-20 x .50 NOTE 2
51	56003145	2	Nut, Hex Jam SS 1/4-20 NOTE 2
52	56003261	1	Ring, Ret Ext Type E 0.31 Dia NOTE 2
53	56413211	2	Bearing, Flange .625 x .500 x .250 NOTE 2
54	56003436	2	Scr, Hex SS M8-1.25 x 25mm NOTE 2

NOTE 1: Used on machines built before serial number 1942864.

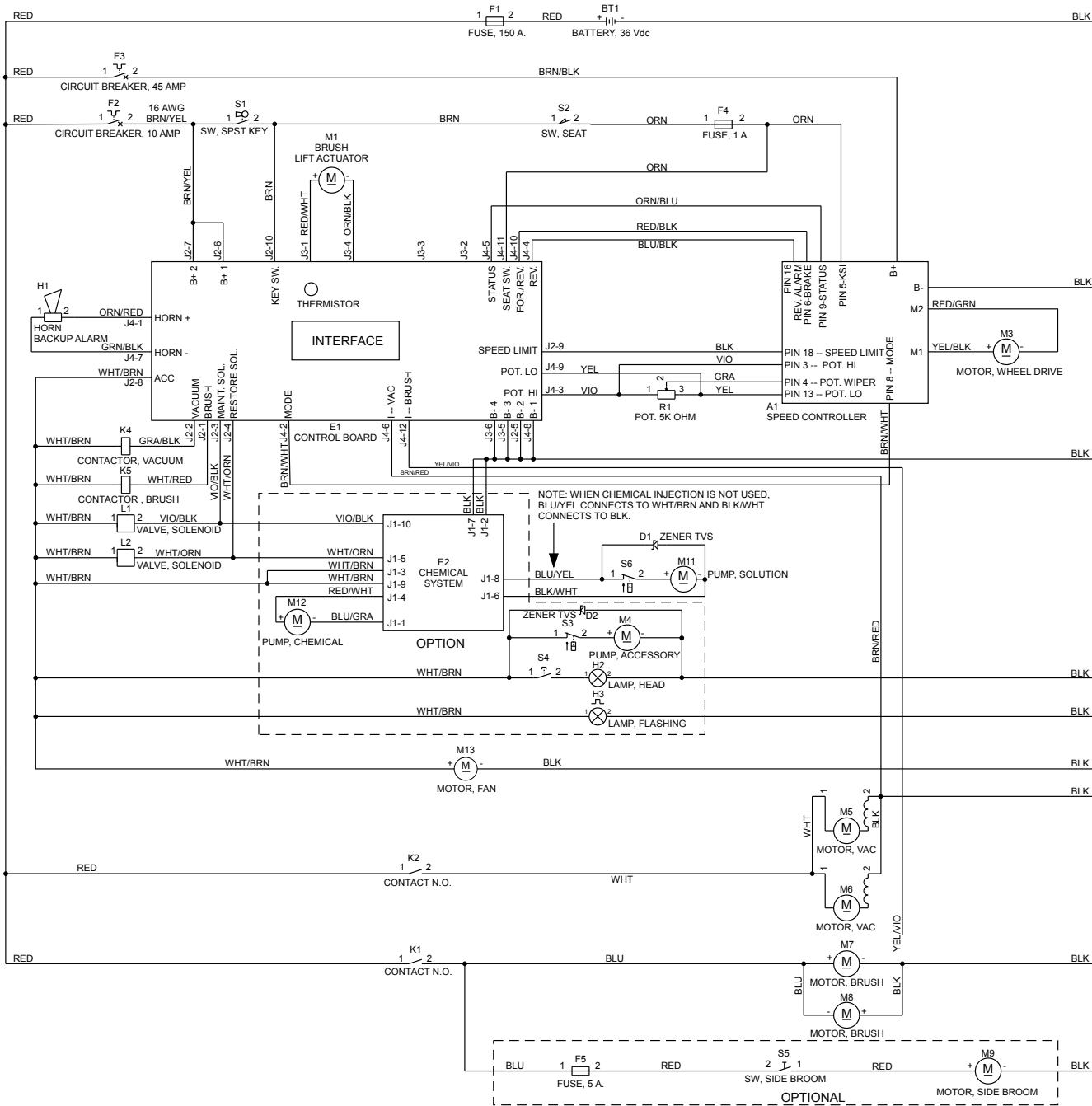
NOTE 2: Used on machines built after serial number 1942863.



Item	Ref. No.	Qty	Description
A1	56314597	1	Controller TSBUS2004-863
BT1	N/A		Battery
E1	56314083	1	Control Panel Assembly
F1	56412089	1	Fuse, 150 Amp
F2	56364294	1	Circuit Breaker, 45 Amp (Wheel Drive)
F3	56387316	1	Circuit Breaker, 10 Amp (Control Circuit)
F4	N/A	1	Fuse, 1 Amp
F5		1	Circuit Breaker, 10 Amp (Side Broom / optional)
H1	56412177	1	Horn / Backup Alarm
H2	56314063	1	Headlight (optional)
H3	56416433	1	Strobe Light (optional)
K1	56395455	1	Contact, Brush Motor
K2#	56395453	1	Contact, Vac Motor TSBUS2008-1020
L1	56314255	1	Solenoid Valve, (Maintenance)
L2	56314255	1	Solenoid Valve, (Restoration)
M1	56393303	1	Lift Actuator, Brush
[]	56388520	1	Plastic Nut
M3	56314602	1	Motor, Drive Wheel TSBUS2004-863 / TSBUS2004-869
M4	56212014	1	Motor, Pump TSBUS2007-964
M5	56397228	1	Motor, Vac 36VDC
[]	56212223	1	Carbon Brush Set
M6	56397228	1	Motor, Vac 36VDC
[]	56212223	1	Carbon Brush Set
M7	56407431	1	Motor, 36VDC, .75HP
[]	56410183	1	Bearing
[]	56407492	1	Brush Cap Assy
[]	56407493	4	Carbon Brush Assy
[]	56407494	4	Brush Cover Cap
M8	56407431	1	Motor, 36VDC, .75HP
[]	56410183	1	Bearing
[]	56407492	1	Brush Cap Assy
[]	56407493	4	Carbon Brush Assy
[]	56407494	4	Brush Cover Cap
M9		1	Motor, Side Broom (optional)
M10	56314700	1	Motor, Fan TSBUS2004-855
R1	56454740	1	Potentiometer, 5K
S1	56396188	1	Switch, Key
[]	56396189	1	Key, Spare
S2	7-82-00050	1	Switch, Seat
S3	N/A	1	Switch, Pump (part of M4)
S4	N/A	1	Switch, Headlight (part of H2)
S5		1	Switch, Side Broom (optional)

= Revised or new since last update

[] = Not Shown



REFERENCE: WIRING DIAGRAM 56316113

56016747-REV. A

Item	Ref. No.	Qty	Description
A1	56314597	1	Controller
BT1	N/A		Battery
E1	56314083	1	Control Panel Assembly (before TSBUS2006-922)
	56316105	1	Control Panel Assembly (after TSBUS2006-922)
E2	56316110	1	Control Assembly (Detergent Injection only) TSBUS2007-953
F1	56412089	1	Fuse, 150 Amp
F2	56387316	1	Circuit Breaker, 10 Amp (Control Circuit)
F3	56364294	1	Circuit Breaker, 45 Amp (Wheel Drive)
F4	N/A	1	Fuse, 1 Amp
F5		1	Circuit Breaker, 10 Amp (Side Broom / optional)
H1	56412177	1	Horn / Backup Alarm
H2	56314063	1	Headlight (optional)
H3	56416433	1	Strobe Light (optional)
K1	56395455	1	Contact, Brush Motor
K2#	56395453	1	Contact, Vac Motor TSBUS2008-1020
L1	56314255	1	Solenoid Valve, (Maintenance)
L2	56314255	1	Solenoid Valve, (Restoration)
M1	56393303	1	Lift Actuator, Brush
[]	56388520	1	Plastic Nut
M3	56314602	1	Motor, Drive Wheel
M4	56212014	1	Pump, Accessory (optional) TSBUS2007-964
M5	56397228	1	Motor, Vac 36VDC
[]	56212223	1	Carbon Brush Set
M6	56397228	1	Motor, Vac 36VDC
[]	56212223	1	Carbon Brush Set
M7	56407431	1	Motor, 36VDC, .75HP
[]	56410183	1	Bearing
[]	56407492	1	Brush Cap Assy
[]	56407493	4	Carbon Brush Assy
[]	56407494	4	Brush Cover Cap
M8	56407431	1	Motor, 36VDC, .75HP
[]	56410183	1	Bearing
[]	56407492	1	Brush Cap Assy
[]	56407493	4	Carbon Brush Assy
[]	56407494	4	Brush Cover Cap
M9	56469530	1	Motor, Side Broom (optional)
M11	56212014	1	Pump, Solution TSBUS2007-964
M12	56314984	1	Pump, Detergent (Detergent Injection only)
M13	56314700	1	Motor, Fan
R1	56454740	1	Potentiometer, 5K
S1	56396188	1	Switch, Key
[]	56396189	1	Key, Spare
S2	7-82-00050	1	Switch, Seat
S3	N/A	1	Switch, Pump (part of M4)
S4	N/A	1	Switch, Headlight (part of H2)
S5		1	Switch, Side Broom (optional)

= Revised or new since last update

[] = Not Shown



14600 21st Avenue North
Plymouth, MN 55447-3408

www.advance-us.com

Phone: 800-989-2235

Fax: 800-989-6566

©2010 Nilfisk-Advance, Inc.

A Nilfisk-Advance Brand