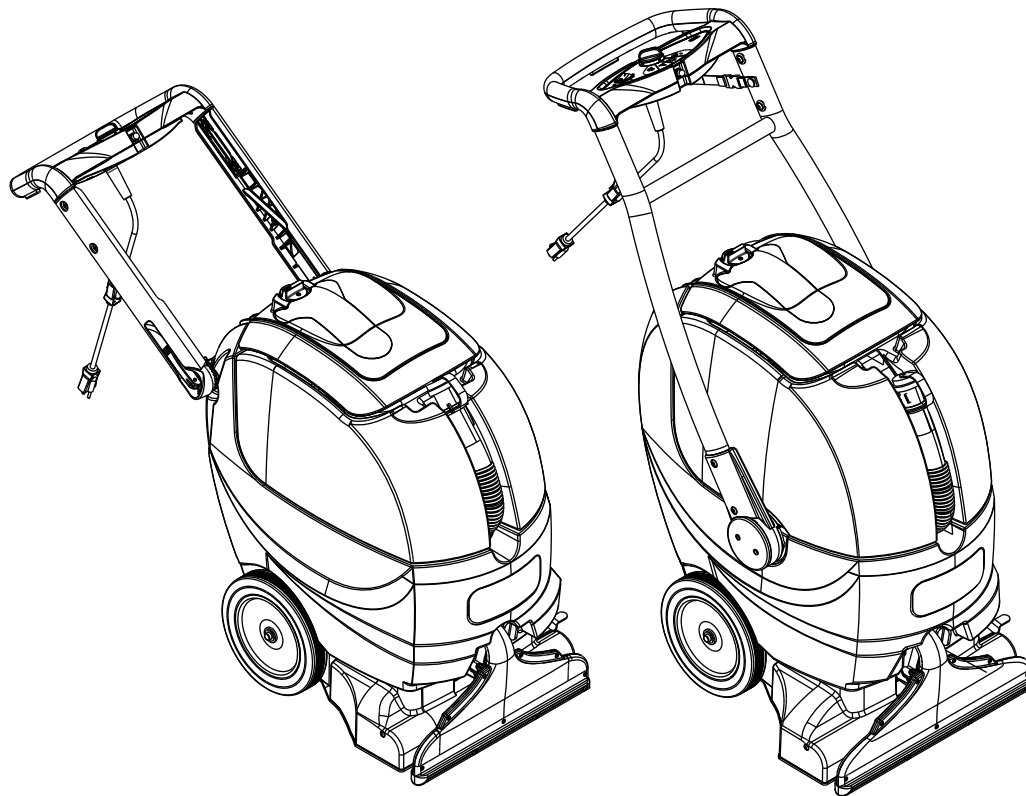


ES300 ST, ES300 XP, ES400 XLP

Parts List

7/2015 revised 1/2018 REV F
Form no. 56042641



Model No:
56265502 (ES300 ST)
56265500 (ES300 XP)
56265501 (ES400 XLP)

TABLE OF CONTENTS

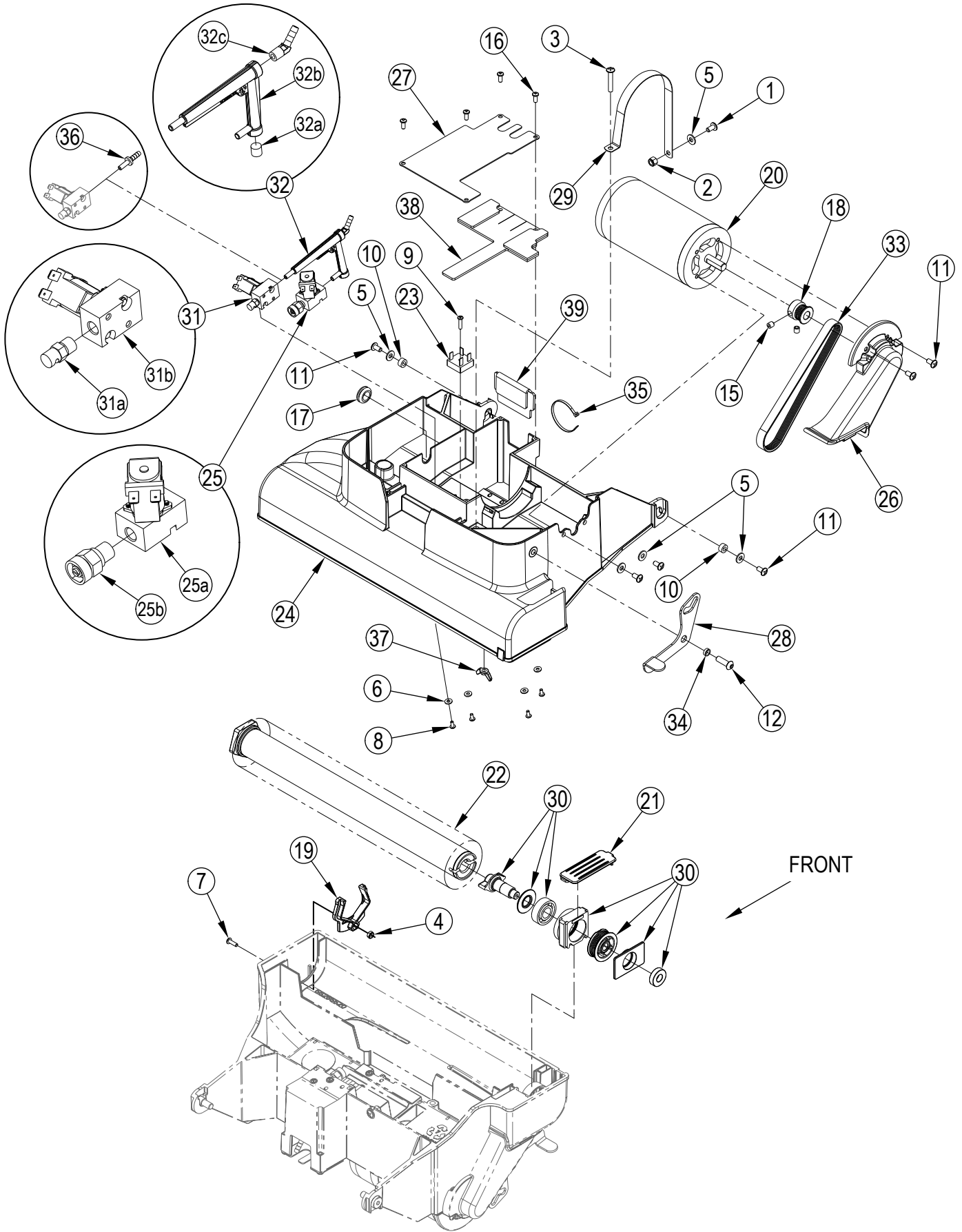
DESCRIPTION	PAGE
Base System	2-3
Decal System	4-5
Handle System 16ST	6-7
Handle System 16XP	8-9
Handle System 18XLP	10-11
Recovery System	12-13
Solution System 16ST-16XP-1.....	14-15
Solution System 16ST-16XP-2.....	16-17
Solution System 18XLP-1	18-19
Solution System 18XLP-2	20-21
Ladder Diagrams.....	22-25
Options & Accessories	26
Brush Selector Guide	27

WHEN ORDERING PARTS

- * Use the part numbers from the "Ref. No." columns in this parts list.
- * Specify the model number and serial number of the machine.
- * Use the space below to record the model number and serial number for future reference.

Model No. _____ Serial No. _____

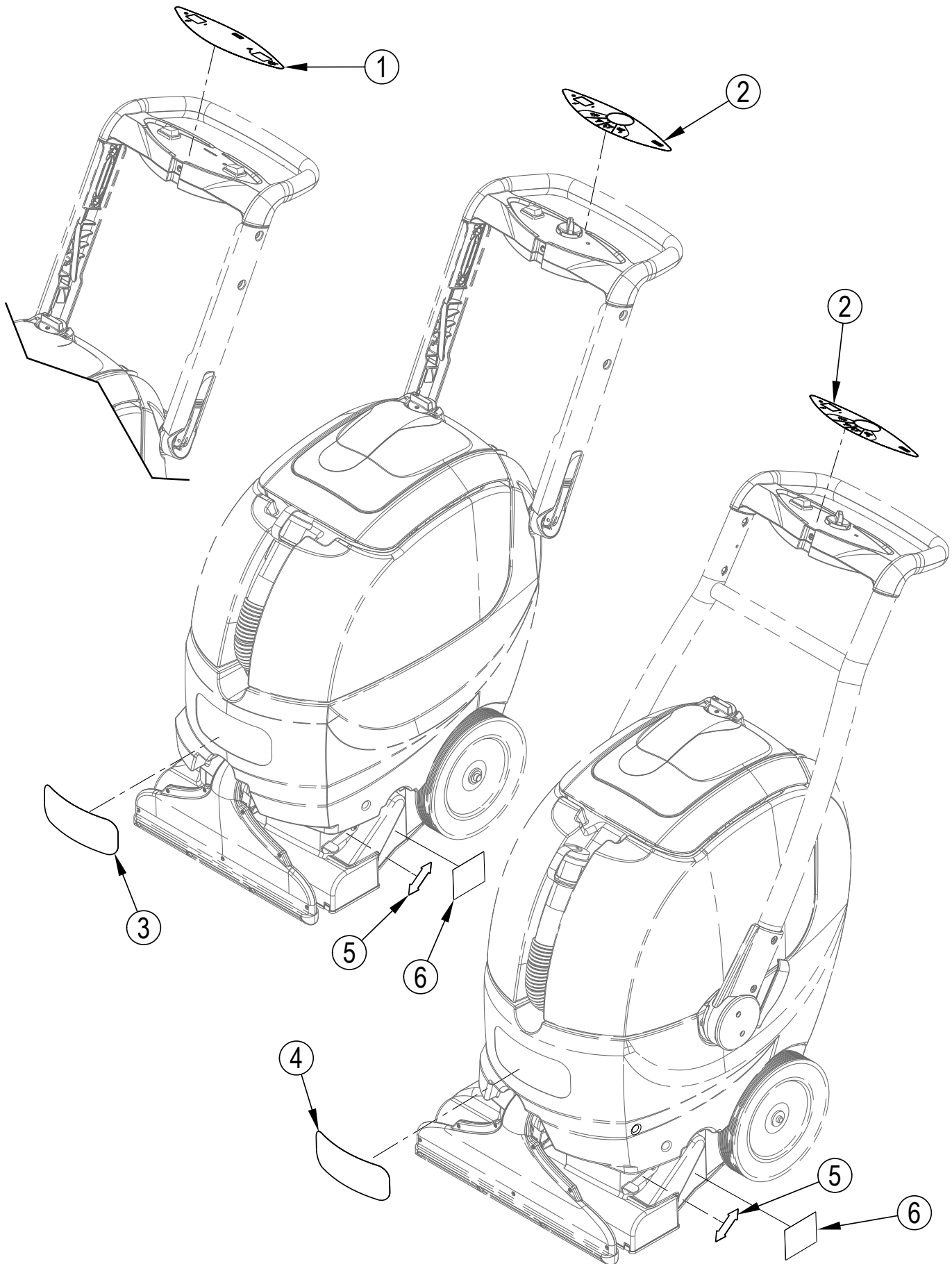
BASE SYSTEM



BASE SYSTEM

Item	Ref. No.	Qty	Description
1	56002145	1	Scr-Pan Phil 1/4-20 X .50
2	56002491	1	Nut-Hex Nyl Loc Ss 1/4-20
3	56002905	1	Scr-Pan Phil Ss 1/4-20 X 1.50
4	56002849	1	Nut, Hex Nyl Loc-Thin Ss 10-24
5	56002859	5	Wsh-Flt Sae Ss 1/4
6	56002875	4	Wsh-Flt Sae Ss #8 (qty of 2 on 16ST)
7	56002896	1	Scr-Pan Phil Ss 10-24 X .62
8	56003018	4	Scr-Pan Phil Ss 8-32 X .38 (qty of 2 on 16ST)
9	56003545	1	Scr. Pan Phil Plastite 8-10 X .75
10	56265782	2	Bushing-.26x.50x .25 Long
11	56003897	6	Scr-Pan Phil Loc Ss 1/4-20 X .50
12	56003963	1	Scr-Botton Soc Ss 5/16-18x1.00
13			DELETED
14			DELETED
15	56009131	2	Scr. Soc Set Loc 5/16-18 X .31
16	56003093	4	Scr Pan Phil Plast 8-15 X .50
17	56157376	1	Grommet
18	56262558	1	Sheave.Poly-V
19	56265043	1	Clip, Brush Retainer
20	56265075	1	Motor, 115 Vdc, 1/3 Hp M3 (16ST, 16XP, 18XLP)
21	56265091	1	Cover, Pulley
22	56265044	1	Brush Assembly 16
	56265046	1	Brush, 16
	56262649	1	Plug, Bearing (Brush Assembly 16, Brush Assembly 18)
	56262646	1	Washer, Bearing (Brush Assembly 16, Brush Assembly 18)
	56265099	1	Brush Assembly 18
	56265065	1	Brush, 18
23	56265103	1	Rectifier, 35 Amp D1
24	56265818	1	Base 16 Assembly (16ST, 16XP)
	56265819	1	Base 18 Assembly (18XLP)
25	56265570	1	Valve/Nozzle Assy-120v-Maint L2 (16XP, 18XLP only)
25a	56265560	1	Valve-Solenoid-120v
25b	56265677	1	Nozzle-Quick Veejet W/ Body
26	56265629	1	Cover-Belt
27	56265657	1	Cover-Electrical
28	56265794	1	Lever-Brush Storage
29	56265676	1	Strap-Motor
30	56265690	1	Bearing-Spindle Kit
		1	Bearing, Ball
		1	Washer,Bearing
		1	Bearing,Block
		1	Spindle,Drive
		1	Bearing Block-Drive
		1	Sheave-Poly-V-6j17
		1	Ring Ball .6693 Cv25d 1
31	56265746	1	Valve/Nozzle Assy-120v-Restore L1
31a	56265052	1	Nozzle Spray
31b	56265561	1	Valve-Solenoid-230v
32	56265762	1	Manifold Assembly (16XP, 18XLP only)
32a	56106046	1	Plug Pipe 1/8 Brass E00040
32b	56265521	1	Manifold-Nozzle
32c		1	Elbow-45deg-1/4 Barbx1/8npt
33	56315321	1	Belt, Auto Tension
34	56381818	1	Bushing .32x.44x.15
35	56478246	1	Tie, Cable
36	56265692	1	Adapter-.25 Stem-.25 Barb (16ST only)
37	56009111	1	Nut, Wing Ss 1/4-20
38	56265790	1	Gasket-Base-Elec Compartment
39	56265788	1	Gasket-Base-Rear

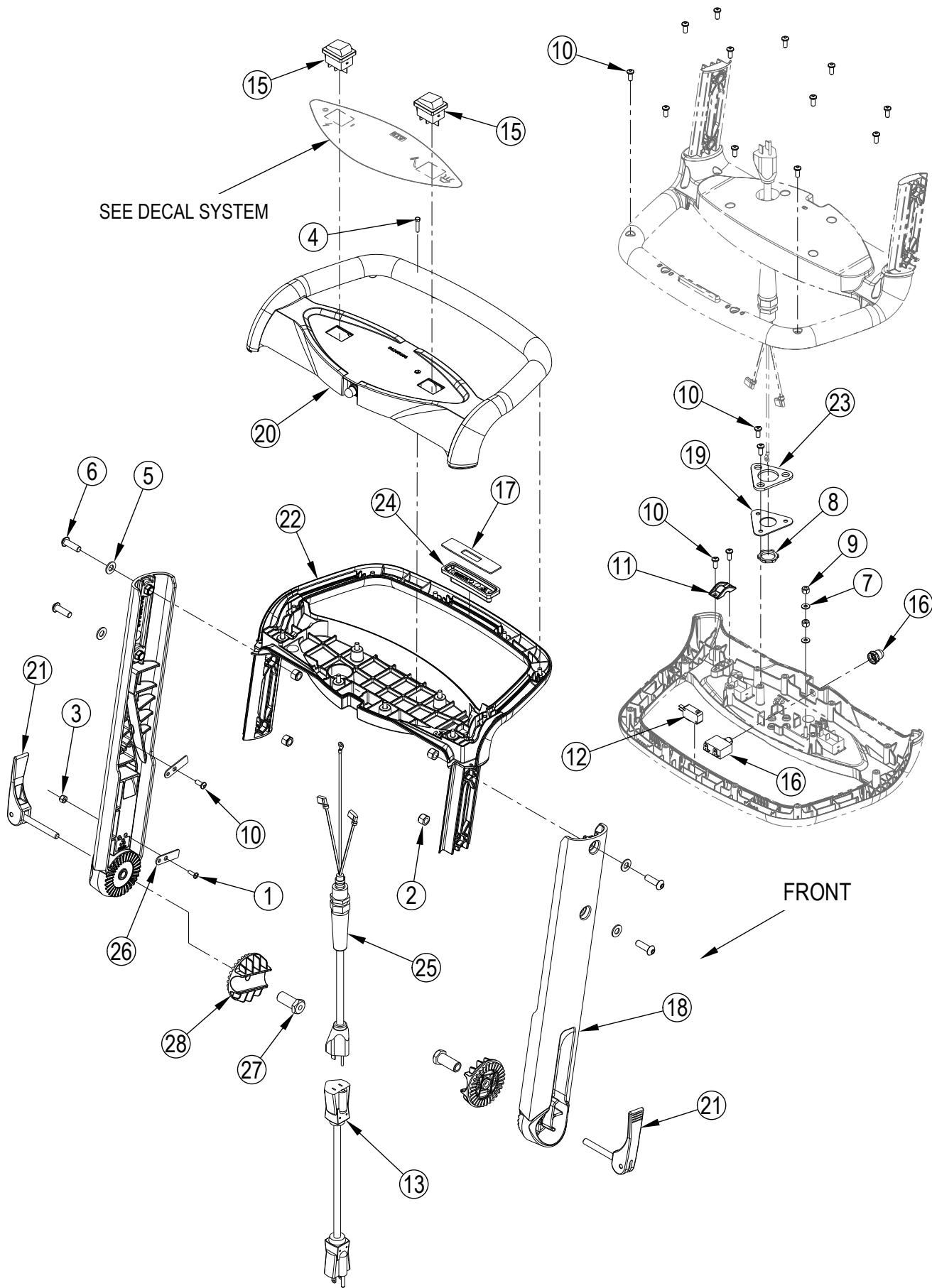
DECAL SYSTEM



DECAL SYSTEM

Item	Ref. No.	Qty	Description
1	56265727	1	Decal-Panel (ES300 ST)
2	56265567	1	Decal-Panel (ES300 XP, ES400 XLP)
3	56265728	1	Decal-ES300ST
	56265695	1	Decal-ES300XP
4	56265696	1	Decal-ES400XLP
5	56265750	1	Decal-Storage Lock (ES300 ST, ES300 XP, ES400 XLP)
6	56265792	1	Decal-Cri Gold

HANDLE SYSTEM 16ST

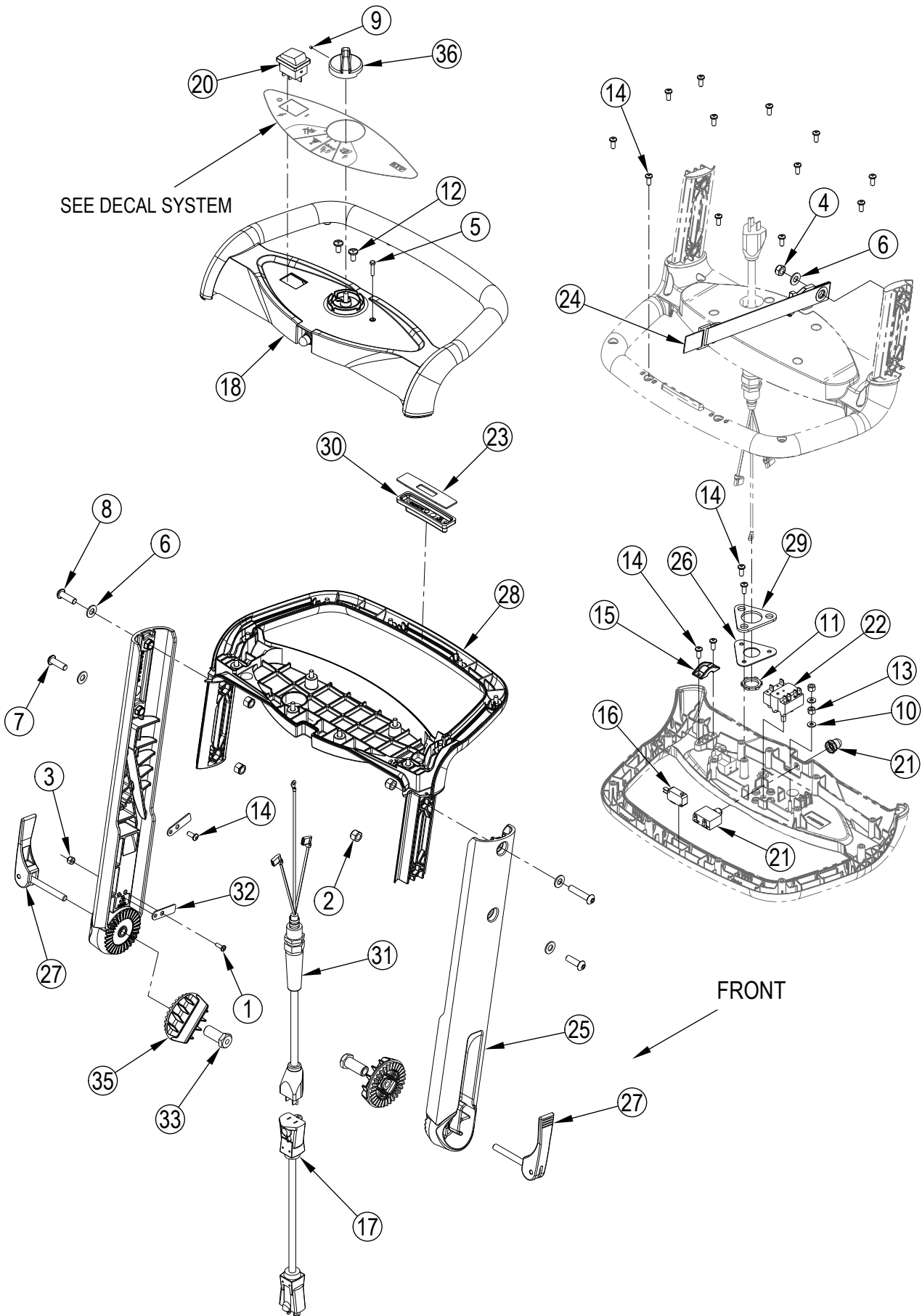


HANDLE SYSTEM 16ST

Item	Ref. No.	Qty	Description
1	56002146	1	Scr-Pan Phil 8-32 X .62
2	56002701	4	Nut, Hex Nyl Loc 5/16-18
3	56002808	1	Nut, Hex Nyl Loc 8-32
4	56002874	1	Scr- Hex Ss 8-32 X .75
5	56002938	4	Wsh-Flt Sae Ss 5/16
6	56003963	4	Scr-Botton Soc Ss 5/16-18x1.00
7	56009010	2	Wsh, Int Shprt #8
8	56009095	1	Nut, Conduit Lock 1/2-14
9	56009148	2	Nut-Hex Machine 8-32
10	56009191	17	Scr, Pan Phil Plastite 10-14 X .50
11	56264119	1	Clamp, Power Cord
12	56265098	1	Switch, Spdt Snapaction S4
13	56265112	1	Cord Set-14/3x50' Yel
[14]	56265547	1	Harness-Main
15	56265549	2	Switch-Rocker-Dpst S1
16	56265550	1	Circuit Breaker-W/Boot-5a CB1
17	56265564	1	Plate-Switch Retainer
18	56265648	2	Handle Tube-Ratchet
19	56265659	1	Plate-Cord Mounting
20	56265666	1	Handle-Top Cover-St
21	56265682	2	Lever-Locking Assembly
22	56265693	1	Handle-Bottom Cover-St
23	56265698	1	Gasket-Cord Mount
24	56265715	1	Button-Handle
25	56265718	1	Cord-Pigtail
26	56265748	2	Retainer-Harness
27	56265752	2	Bushing-Cam Adjustment
28	56265815	2	Ratchet Handle Adjuster

[] = Not Shown

HANDLE SYSTEM 16XP



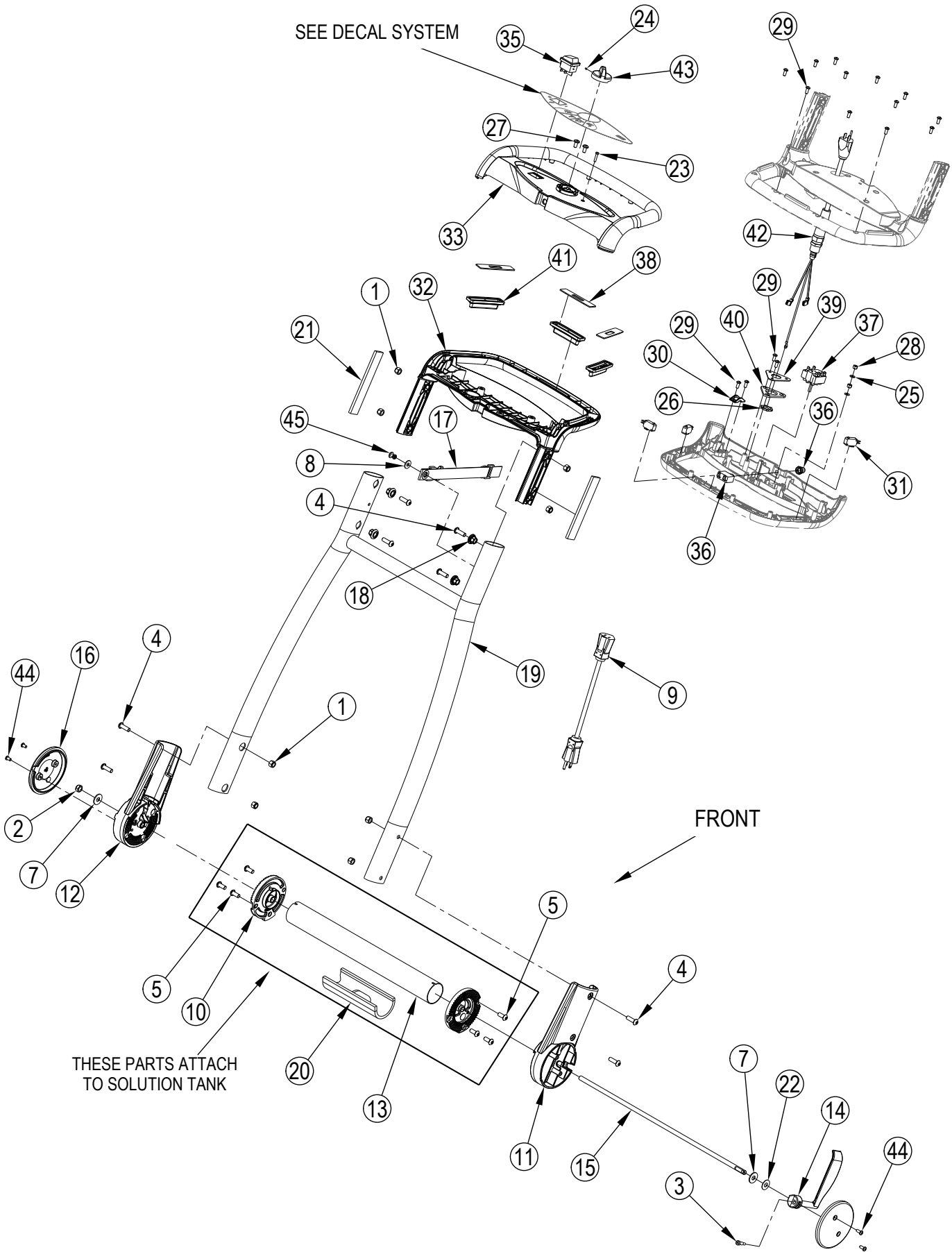
HANDLE SYSTEM 16XP

Item	Ref. No.	Qty	Description
1	56002146	1	Scr-Pan Phil 8-32 X .62
2	56002701	4	Nut, Hex Nyl Loc 5/16-18
3	56002808	1	Nut, Hex Nyl Loc 8-32
4	56002851	1	Nut, Hex Nyl Loc-Thin Ss 5/16-18
5	56002874	1	Scr- Hex Ss 8-32 X .75
6	56002938	5	Wsh-Flt Sae Ss 5/16
7	56003963	3	Scr-Botton Soc Ss 5/16-18x1.00
8	56003984	1	Scr-Button Soc Ss 5/16-18x1.50
9	56003992	1	Scr-Soc Set M3-0.5x3 Ss
10	56009010	2	Wsh, Int Shprt #8
11	56009095	1	Nut, Conduit Lock 1/2-14
12	56009129	2	Scr, Pan Phil Type B 6 X .38
13	56009148	2	Nut-Hex Machine 8-32
14	56009191	17	Scr, Pan Phil Plastite 10-14 X .50
15	56264119	1	Clamp, Power Cord
16	56265098	1	Switch, Spdt Snapaction S4
17	56265112	1	Cord Set-14/3x50' Yel
18	56265544	1	Handle-Top Cover
[19]	56265547	1	Harness-Main
20	56265549	1	Switch-Rocker-Dpst S1
21	56265550	1	Circuit Breaker-W/Boot-5a CB1
22	56265551	1	Rotary Switch S2
23	56265564	1	Plate-Switch Retainer
24	56265639	1	Strap/Buckle Assembly
25	56265648	2	Handle Tube-Ratchet
26	56265659	1	Plate-Cord Mounting
27	56265682	2	Lever-Locking Assembly
28	56265693	1	Handle-Bottom Cover-St
29	56265698	1	Gasket-Cord Mount
30	56265715	1	Button-Handle
31	56265718	1	Cord-Pigtail
32	56265748	2	Retainer-Harness
33	56265752	2	Bushing-Cam Adjustment
[34]	56265769	2	Jumper-18awg Wire
35	56265815	2	Ratchet Handle Adjuster
36	9097283000	1	Knob Control Functions

[] = Not Shown

HANDLE SYSTEM 18XLP

SEE DECAL SYSTEM

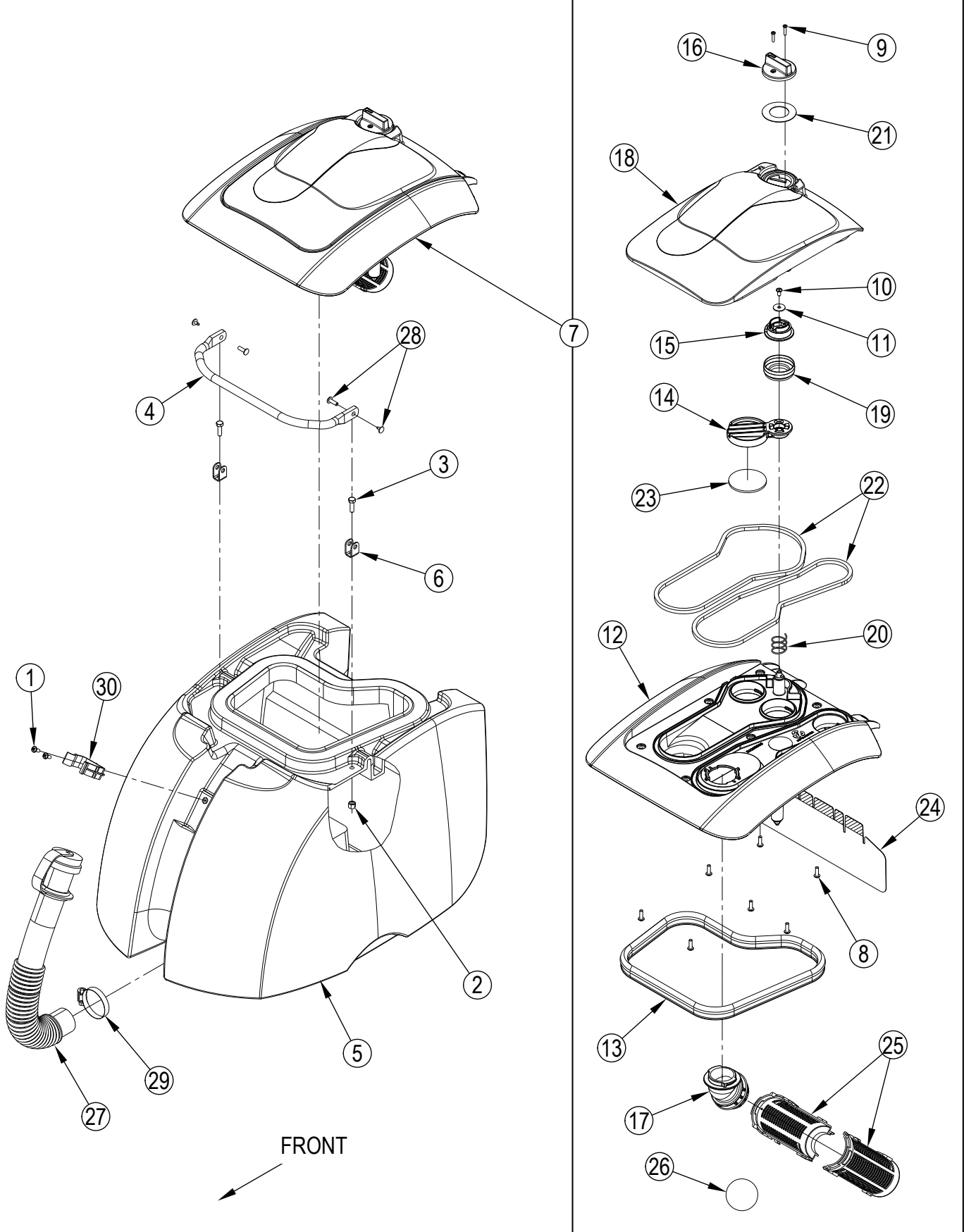


HANDLE SYSTEM 18XLP

Item	Ref. No.	Qty	Description
1	56002701	8	Nut, Hex Nyl Loc 5/16-18
2	56002852	1	Nut, Hex Nyl Loc-Thin Ss 3/8-16
3	56003624	1	Scr-Soc Shd ..25 X .50 X 10-24
4	56003963	8	Scr-Botton Soc Ss 5/16-18x1.00
5	56003994	6	Scr-Button Soc Ss 5/16-18x.75
6			Intentionally Omitted
7	56385358	2	Washer
8	56002914	1	Wsh, Flt Std Ss 1/4
9	56265112	1	Cord Set-14/3x50' Yel
10	56265525	2	Mount-Ratchet
11	56265526	1	Handle-Socket-W/Hole
12	56265527	1	Handle-Socket-W/O Hole
13	56265528	1	Sleeve-Steel-2.0 Dia
14	56265797	1	Lever-Cam
15	56265530	1	Shaft-Cam Lock
16	56265533	2	Cap-Ratchet
17	56265639	1	Strap/Buckle Assembly
18	56265658	4	Bushing-Handle
19	56265688	1	Handle Weldment
20	56265744	1	Gasket-Handle Tube
21	56265768	2	Gasket-Handle-.25 X 1.0 X 6.0
22	56632681	1	Washer, 3/8 Pl. Nylon
23	56002874	1	Scr- Hex Ss 8-32 X .75
24	56003992	1	Scr-Soc Set M3-0.5x3 Ss
25	56009010	2	Wsh, Int Shprt #8
26	56009095	1	Nut, Conduit Lock 1/2-14
27	56009129	2	Scr. Pan Phil Type B 6 X .38
28	56009148	2	Nut-Hex Machine 8-32
29	56009191	16	Scr. Pan Phil Plastite 10-14 X .50
30	56264119	1	Clamp, Power Cord
31	56265098	3	Switch, Spdt Snapaction S4 / S5 / S6
32	56265543	1	Handle-Bottom Cover
33	56265544	1	Handle-Top Cover
[34]	56265547	1	Harness-Main
35	56265549	1	Switch-Rocker-Dpst S1
36	56265550	1	Circuit Breaker-W/Boot-5a CB1
37	56265551	1	Rotary Switch S2
38	56265564	3	Plate-Switch Retainer
39	56265659	1	Plate-Cord Mounting
40	56265698	1	Gasket-Cord Mount
41	56265715	3	Button-Handle
42	56265718	1	Cord-Pigtail
43	9097283000	1	Knob Control Functions
44	56009247	4	Scr Pn Phil Plastite 10-14x.38
45	83002A	1	Rivet-1/4 Dia X .490 Pop

[] = Not Shown

RECOVERY SYSTEM



RECOVERY SYSTEM

Item	Ref. No.	Qty	Description
1	56002900	2	Scr-Pan Phil Ss 10-24 X .50
2	56003426	2	Nut, Hex Nyl Loc Ss M6-1
3	56003454	2	Scr-Hex Thd To Hd Ss M6-1 X 20mm
4	56265793	1	Handle-Tank
5	56265523	1	Recovery Tank-16 (16ST, 16XP)
	56265623	1	Recovery Tank-18 (18XLP)
6	56265630	2	Bracket-Handle Retainer
7		1	Recovery Lid Assembly
8	56002896	7	Scr-Pan Phil Ss 10-24 X .62
9	56003197	2	Scr, Pan Phil Plastite 6-18 X .62
10	56003913	1	Scr-Pan Phil Loc Ss 10-24 X .38
11	56009349	1	Wsh-Flt Ss .204 X .750 X .050
12	56265589	1	Lid-Recovery Tank
13	56265604	1	Gasket-Recovery Tank
14	56265799	1	Paddle-Valve
15	56265798	1	Actuator-Valve
16	56265795	1	Knob-Valve
17	56265654	1	Adapter-Ball Float
18	56265655	1	Cover-Recovery Lid
19	56265681	1	Seal-Diverter Valve
20	56265709	1	Spring-Compression-Ss
21	56265710	1	Seal-Selector Knob TSB-FC-2017-034
22	56265737	2	Gasket-Lid-Poron-.25x.25
23	56265738	1	Gasket-Paddle-Poron-.125x2.38
24	56265783	1	Barrier-Flexible-Lid
25	56324497	2	Cage, Float
26	56391690	1	Ball- Float
27	56265685	1	Hose Drain 1.5 Inch
28	56265747	2	Binding Post-Quick Install
29	56329145	1	Clamp- Hose Sae #24
30	56331154	1	Clamp, Plastic

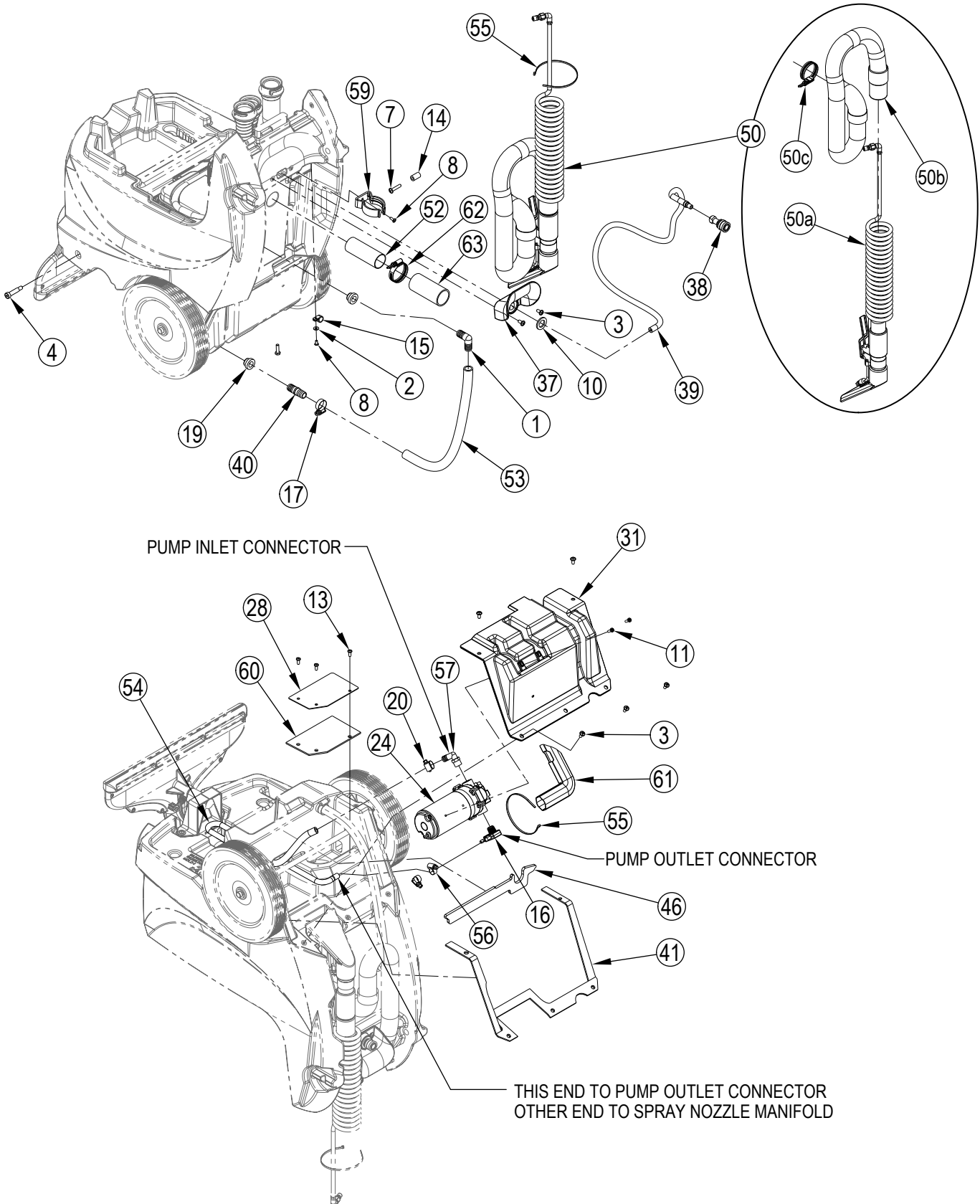
SOLUTION SYSTEM 16ST-16XP-1

Item	Ref. No.	Qty	Description	Item	Ref. No.	Qty	Description
1	832803	1	Elbow-5/8 Hose	34	56265665	1	Gasket-Vac Motor Cover
2#	56001954	6	Wsh. Flt Sae #10	35			Intentionally Omitted
3	56003897	7	Scr-Pan Phil Loc Ss 1/4-20 X .50	36	56265697	2	Wheel-10.00x1.75x.50
4	56002624	1	Scr-Soc Shd .38 X 1.25 X 5/16-18	37	56265704	1	Hook-Hose Storage
5	56329145	1	Clamp- Hose Sae #24	38	56265705	1	Socket-Quick Disconnect-1/8 Npt
6	56002914	2	Wsh. Flt Std Ss 1/4	39	56265708	1	Hose Assembly-Solution
7	56002958	2	Scr-Pan Phil Ss 1/4-20 X 1.25	40	56265712	1	Coupler-Barb-5/8
8	56003913	2	Scr-Pan Phil Loc Ss 10-24 X .38	41	56265722	1	Gasket-Back Panel
9	56003091	6	Scr. Pan Phil Plastiite 10-14 X .75	42	56265725	1	Solution Filter Assembly-16
10	56009022	1	Wsh. Flt .754 X 1.250 X .120	43	56265732	1	Gasket-Vac Exhaust Chamber
11	56009043	2	Scr Pan Phil Thd Form10-24x.75	44	56265733	1	Gasket-Vac Exhaust Port
12	56009097	2	Nut. Push Cap 1/2	45	56265734	1	Gasket-Vac Chamber-Side
13	56009191	4	Scr. Pan Phil Plastiite 10-14 X .50	46	56265735	1	Gasket-Backpanel-Bottom
14	56052237	2	Spacer. Phenolic	47	56265739	1	Gasket-Sound-Vac Hose
15	56056903	1	Clamp-P	48			Intentionally Omitted
16	56109503	1	Double Barb Assy	49	56265766	1	Hose-Spiral-.500 X 52.00
17	56112771	1	Clamp- Hose Sae #10	50	56265767	1	Hand Tool/Hoses Assembly
18	56116110	1	Seal-Inlet	50a		1	Hand Tool/Hose Assembly
19	56116721	2	Grommet-.59x.78x.62	50b	56265700	1	Hose Assembly-Hand Tool
20	56219932	2	Clamp- Hose Sae #6	50c	56265791	1	Clamp-Hose Keyed Worm Drive
21	56265057	1	Axle	51	56315141	3	Mount. Vibration
22	56265522	1	Tank-Solution-16	52	56381838	1	Tube Alum 1 1/2 Od X 4
23	56265552	1	Motor-Vacuum-120v M2	53	56265745	1	Hose-Pvc-5/8x20.60
	56265683	1	Carbon Brush Kit-Set Of 2 (for 56265552)	54	56265373	1	Hose .25x21.0 E00160 (16ST only)
24	56265554	1	Pump-115vac-120psi M1		56456560	1	Hose .25x15.0 E00160 (16XP only)
25	56265582	1	Cover-Vac Motor	55	56478523	3	Tie. Cable
26	56265583	1	Plate-Vac Motor	56	56756364	2	Clamp- Hose Sae #4
27	56265586	1	Vac Hose Assembly	57	56109566	1	Barb. 90 Elbow 1/2 X 3/8npt
28	56265617	1	Cover-Vac Inlet	58	9096595000	1	Flat Tie Holder
29	56265625	1	Hose Assembly	59		1	Clamp-Hose NOTE 1
30	56265626	1	Vac Hose Assembly-W/Elbow	60	56265789	1	Gasket-Vac-Inlet Cover
31	56265631	1	Cover-Back	61	56265787	1	Boot-Pump
32	56265646	1	Bracket-Shoe	62	56265791	1	Clamp-Hose Keyed Worm Drive
33	56265650	1	Shoe/Latch Assembly-16	63	56055989	1	Cuff Hose
33a	56009247	2	Scr. Pan Phil Plastiite 10-14x .38	64	56003221	2	Scr-Hex Loc SS 1/4-20 x .75 TSB-FC-2016-269
33b	56265538	1	Shoe Assembly-16	65#	56209261	1	Washer. Sealing 9/16
33c	56265796	1	Latch-Shoe				
33d	1326a	2	Washer Flat S.S 10 X11/1				
33e	54196a	1	Spring Extension				

= Revised or new since last update

NOTE 1: To replace, order Clamp Kit 9096380000.

SOLUTION SYSTEM 16ST-16XP-2



SOLUTION SYSTEM 16ST-16XP-2

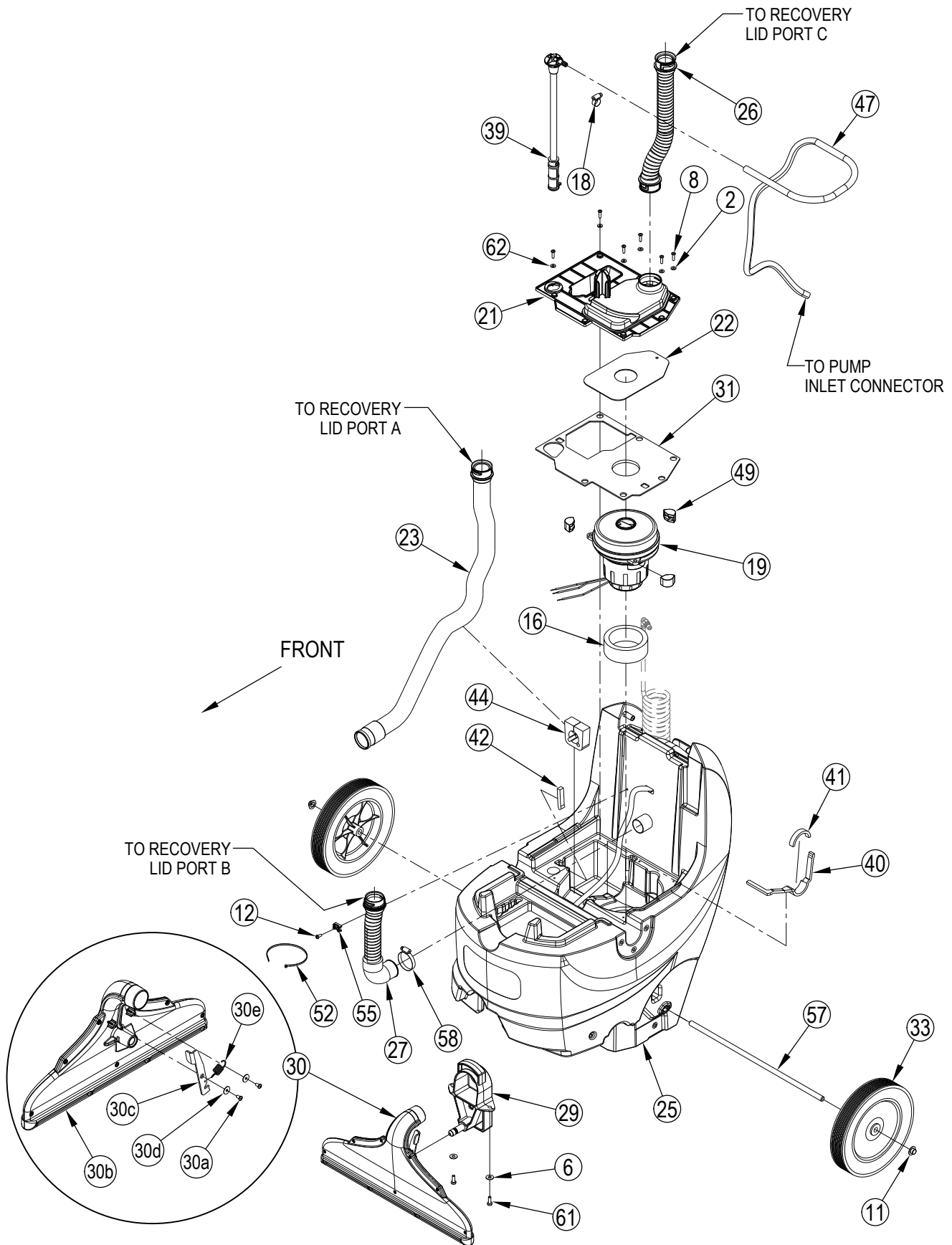
Item	Ref. No.	Qty	Description
1	832803	1	Elbow-5/8 Hose
2#	56001954	6	Wsh. Flt Sae #10
3	56003897	7	Scr-Pan Phil Loc Ss 1/4-20 X .50
4	56002624	1	Scr-Soc Shd .38 X 1.25 X 5/16-18
5	56329145	1	Clamp- Hose Sae #24
6	56002914	2	Wsh. Flt Std Ss 1/4
7	56002958	2	Scr-Pan Phil Ss 1/4-20 X 1.25
8	56003913	2	Scr-Pan Phil Loc Ss 10-24 X .38
9	56003091	6	Scr. Pan Phil Plastite 10-14 X .75
10	56009022	1	Wsh. Flt .754 X 1.250 X .120
11	56009043	2	Scr Pan Phil Thd Form10-24x.75
12	56009097	2	Nut. Push Cap 1/2
13	56009191	4	Scr. Pan Phil Plastite 10-14 X .50
14	56052237	2	Spacer, Phenolic
15	56056903	1	Clamp-P
16	56109503	1	Double Barb Assy
17	56112771	1	Clamp- Hose Sae #10
18	56116110	1	Seal-Inlet
19	56116721	2	Grommet-.59x.78x.62
20	56219932	2	Clamp- Hose Sae #6
21	56265057	1	Axle
22	56265522	1	Tank-Solution-16
23	56265552	1	Motor-Vacuum-120v M2
	56265683	1	Carbon Brush Kit-Set Of 2 (for 56265552)
24	56265554	1	Pump-115vac-120psi M1
25	56265582	1	Cover-Vac Motor
26	56265583	1	Plate-Vac Motor
27	56265586	1	Vac Hose Assembly
28	56265617	1	Cover-Vac Inlet
29	56265625	1	Hose Assembly
30	56265626	1	Vac Hose Assembly-W/Elbow
31	56265631	1	Cover-Back
32	56265646	1	Bracket-Shoe
33	56265650	1	Shoe/Latch Assembly-16
33a	56009247	2	Scr. Pan Phil Plastite 10-14x .38
33b	56265538	1	Shoe Assembly-16
33c	56265796	1	Latch-Shoe
33d	1326a	2	Washer Flat S.S 10 X11/1
33e	54196a	1	Spring Extension

Item	Ref. No.	Qty	Description
34	56265665	1	Gasket-Vac Motor Cover
35			Intentionally Omitted
36	56265697	2	Wheel-10.00x1.75x.50
37	56265704	1	Hook-Hose Storage
38	56265705	1	Socket-Quick Disconnect-1/8 Npt
39	56265708	1	Hose Assembly-Solution
40	56265712	1	Coupler-Barb-5/8
41	56265722	1	Gasket-Back Panel
42	56265725	1	Solution Filter Assembly-16
43	56265732	1	Gasket-Vac Exhaust Chamber
44	56265733	1	Gasket-Vac Exhaust Port
45	56265734	1	Gasket-Vac Chamber-Side
46	56265735	1	Gasket-Backpanel-Bottom
47	56265739	1	Gasket-Sound-Vac Hose
48			Intentionally Omitted
49	56265766	1	Hose-Spiral-.500 X 52.00
50	56265767	1	Hand Tool/Hoses Assembly
50a		1	Hand Tool/Hose Assembly
50b	56265700	1	Hose Assembly-Hand Tool
50c	56265791	1	Clamp-Hose Keyed Worm Drive
51	56315141	3	Mount, Vibration
52	56381838	1	Tube Alum 1 1/2 Od X 4
53	56265745	1	Hose-Pvc-5/8x20.60
54	56265373	1	Hose .25x21.0 E00160 (16ST only)
	56456560	1	Hose .25x15.0 E00160 (16XP only)
55	56478523	3	Tie, Cable
56	56756364	2	Clamp- Hose Sae #4
57	56109566	1	Barb, 90 Elbow 1/2 X 3/8npt
58	9096595000	1	Flat Tie Holder
59		1	Clamp-Hose NOTE 1
60	56265789	1	Gasket-Vac-Inlet Cover
61	56265787	1	Boot-Pump
62	56265791	1	Clamp-Hose Keyed Worm Drive
63	56055989	1	Cuff Hose
64	56003221	2	Scr-Hex Loc SS 1/4-20 x .75 TSB-FC-2016-269
65#	56209261	1	Washer, Sealing 9/16

= Revised or new since last update

NOTE 1: To replace, order Clamp Kit 9096380000.

SOLUTION SYSTEM 18XLP-1



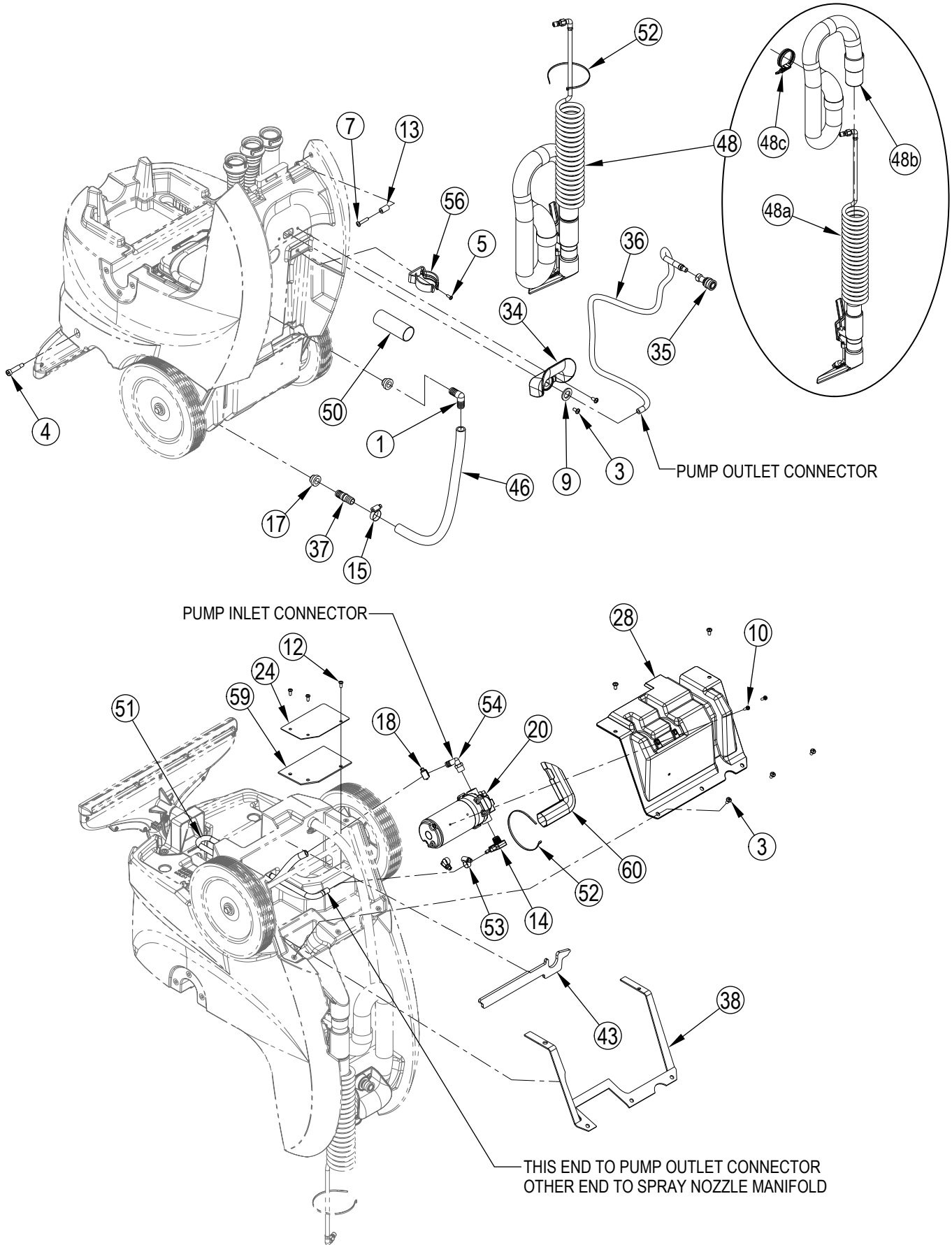
SOLUTION SYSTEM 18XLP-1

Item	Ref. No.	Qty	Description	Item	Ref. No.	Qty	Description
1	832803	1	Elbow-5/8 Hose	31	56265665	1	Gasket-Vac Motor Cover
2#	56001954	5	Wsh. Flt Sae #10	32			Intentionally Omitted
3	56003897	7	Scr-Pan Phil Loc Ss 1/4-20 X .50	33	56265697	2	Wheel-10.00x1.75x.50
4	56002624	1	Scr-Soc Shd .38 X 1.25 X 5/16-18	34	56265704	1	Hook-Hose Storage
5	56003913	1	Scr-Pan Phil Loc Ss 10-24 X .38	35	56265705	1	Socket-Quick Disconnect-1/8 Npt
6	56002914	2	Wsh. Flt Std Ss 1/4	36	56265708	1	Hose Assembly-Solution
7	56002958	2	Scr-Pan Phil Ss 1/4-20 X 1.25	37	56265712	1	Coupler-Barb-5/8
8	56003091	6	Scr. Pan Phil Plastite 10-14 X .75	38	56265722	1	Gasket-Back Panel
9	56009022	1	Wsh. Flt .754 X 1.250 X .120	39	56265726	1	Solution Filter Assembly-18
10	56009043	2	Scr Pan Phil Thd Form10-24x.75	40	56265732	1	Gasket-Vac Exhaust Chamber
11	56009097	2	Nut, Push Cap 1/2	41	56265733	1	Gasket-Vac Exhaust Port
12	56009191	4	Scr. Pan Phil Plastite 10-14 X .50	42	56265734	1	Gasket-Vac Chamber-Side
13	56052237	2	Spacer, Phenolic	43	56265735	1	Gasket-Backpanel-Bottom
14	56109503	1	Double Barb Assy	44	56265739	1	Gasket-Sound-Vac Hose
15	56112771	1	Clamp- Hose Sae #10	45			Intentionally Omitted
16	56116110	1	Seal-Inlet	46	56265745	1	Hose-Pvc-5/8x20.60
17	56116721	2	Grommet-.59x.78x.62	47	56265766	1	Hose-Spiral-.500 X 52.00
18	56219932	2	Clamp- Hose Sae #6	48	56265767	1	Hand Tool/Hoses Assembly
19	56265552	1	Motor-Vacuum-120v M2	48a		1	Hand Tool/Hose Assembly
	56265683	1	Carbon Brush Kit-Set Of 2 (for 56265552)	48b	56265700	1	Hose Assembly-Hand Tool
20	56265554	1	Pump-115vac-120psi M1	48c	56265791	1	Clamp-Hose Keyed Worm Drive
21	56265582	1	Cover-Vac Motor	49	56315141	3	Mount, Vibration
22	56265583	1	Plate-Vac Motor	50	56381838	1	Tube Alum 1 1/2 Od X 4
23	56265586	1	Vac Hose Assembly	51	56456560	1	Hose .25x15.0 E00160
24	56265617	1	Cover-Vac Inlet	52	56478523	3	Tie, Cable
25	56265622	1	Solution Tank-18	53	56756364	2	Clamp- Hose Sae #4
26	56265625	1	Hose Assembly	54	56109566	1	Barb, 90 Elbow 1/2 X 3/8npt
27	56265626	1	Vac Hose Assembly-W/Elbow	55	9096595000	1	Flat Tie Holder
28	56265631	1	Cover-Back	56		1	Clamp-Hose NOTE 1
29	56265646	1	Bracket-Shoe	57	910-1863	1	Axel Rod Zinc Plated 1/2 Ro
30	56265662	1	Shoe/Latch Assembly-18	58	56329145	1	Clamp- Hose Sae #24
30a	56009247	2	Scr. Pan Phil Plastite 10-14x .38	59	56265789	1	Gasket-Vac-Inlet Cover
30b	56265538	1	Shoe Assembly-16	60	56265787	1	Boot-Pump
30c	56265796	1	Latch-Shoe	61	56003221	2	Scr-Hex Loc SS 1/4-20 x .75 TSB-FC-2016-269
30d	1326a	2	Washer Flat S.S 10 X11/1	62#	56209261	1	Washer, Sealing 9/16
30e	54196a	1	Spring Extension				

= Revised or new since last update

NOTE 1: To replace, order Clamp Kit 9096380000.

SOLUTION SYSTEM 18XLP-2



SOLUTION SYSTEM 18XLP-2

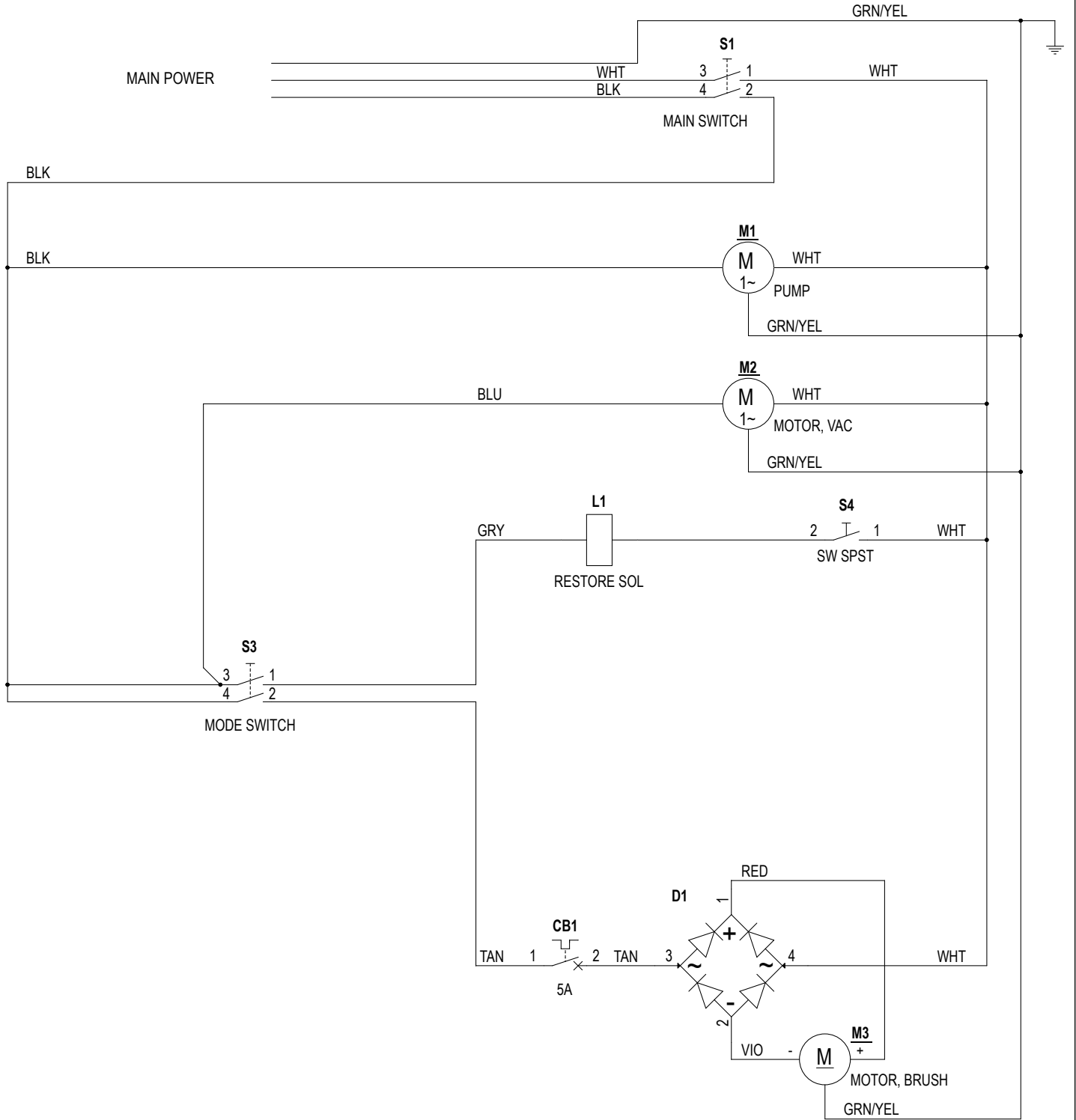
Item	Ref. No.	Qty	Description	Item	Ref. No.	Qty	Description
1	832803	1	Elbow-5/8 Hose	31	56265665	1	Gasket-Vac Motor Cover
2#	56001954	5	Wsh. Flt Sae #10	32			Intentionally Omitted
3	56003897	7	Scr-Pan Phil Loc Ss 1/4-20 X .50	33	56265697	2	Wheel-10.00x1.75x.50
4	56002624	1	Scr-Soc Shd .38 X 1.25 X 5/16-18	34	56265704	1	Hook-Hose Storage
5	56003913	1	Scr-Pan Phil Loc Ss 10-24 X .38	35	56265705	1	Socket-Quick Disconnect-1/8 Npt
6	56002914	2	Wsh. Flt Std Ss 1/4	36	56265708	1	Hose Assembly-Solution
7	56002958	2	Scr-Pan Phil Ss 1/4-20 X 1.25	37	56265712	1	Coupler-Barb-5/8
8	56003091	6	Scr. Pan Phil Plastite 10-14 X .75	38	56265722	1	Gasket-Back Panel
9	56009022	1	Wsh. Flt .754 X 1.250 X .120	39	56265726	1	Solution Filter Assembly-18
10	56009043	2	Scr Pan Phil Thd Form10-24x.75	40	56265732	1	Gasket-Vac Exhaust Chamber
11	56009097	2	Nut, Push Cap 1/2	41	56265733	1	Gasket-Vac Exhaust Port
12	56009191	4	Scr. Pan Phil Plastite 10-14 X .50	42	56265734	1	Gasket-Vac Chamber-Side
13	56052237	2	Spacer, Phenolic	43	56265735	1	Gasket-Backpanel-Bottom
14	56109503	1	Double Barb Assy	44	56265739	1	Gasket-Sound-Vac Hose
15	56112771	1	Clamp- Hose Sae #10	45			Intentionally Omitted
16	56116110	1	Seal-Inlet	46	56265745	1	Hose-Pvc-5/8x20.60
17	56116721	2	Grommet-.59x.78x.62	47	56265766	1	Hose-Spiral-.500 X 52.00
18	56219932	2	Clamp- Hose Sae #6	48	56265767	1	Hand Tool/Hoses Assembly
19	56265552	1	Motor-Vacuum-120v M2	48a		1	Hand Tool/Hose Assembly
	56265683	1	Carbon Brush Kit-Set Of 2 (for 56265552)	48b	56265700	1	Hose Assembly-Hand Tool
20	56265554	1	Pump-115vac-120psi M1	48c	56265791	1	Clamp-Hose Keyed Worm Drive
21	56265582	1	Cover-Vac Motor	49	56315141	3	Mount, Vibration
22	56265583	1	Plate-Vac Motor	50	56381838	1	Tube Alum 1 1/2 Od X 4
23	56265586	1	Vac Hose Assembly	51	56456560	1	Hose .25x15.0 E00160
24	56265617	1	Cover-Vac Inlet	52	56478523	3	Tie, Cable
25	56265622	1	Solution Tank-18	53	56756364	2	Clamp- Hose Sae #4
26	56265625	1	Hose Assembly	54	56109566	1	Barb, 90 Elbow 1/2 X 3/8npt
27	56265626	1	Vac Hose Assembly-W/Elbow	55	9096595000	1	Flat Tie Holder
28	56265631	1	Cover-Back	56		1	Clamp-Hose NOTE 1
29	56265646	1	Bracket-Shoe	57	910-1863	1	Axel Rod Zinc Plated 1/2 Ro
30	56265662	1	Shoe/Latch Assembly-18	58	56329145	1	Clamp- Hose Sae #24
30a	56009247	2	Scr. Pan Phil Plastite 10-14x .38	59	56265789	1	Gasket-Vac-Inlet Cover
30b	56265538	1	Shoe Assembly-16	60	56265787	1	Boot-Pump
30c	56265796	1	Latch-Shoe	61	56003221	2	Scr-Hex Loc SS 1/4-20 x .75 TSB-FC-2016-269
30d	1326a	2	Washer Flat S.S 10 X11/1	62#	56209261	1	Washer, Sealing 9/16
30e	54196a	1	Spring Extension				

= Revised or new since last update

NOTE 1: To replace, order Clamp Kit 9096380000.

LADDER DIAGRAM 16ST

ST MACHINE VARIANT



LADDER DIAGRAM 16ST

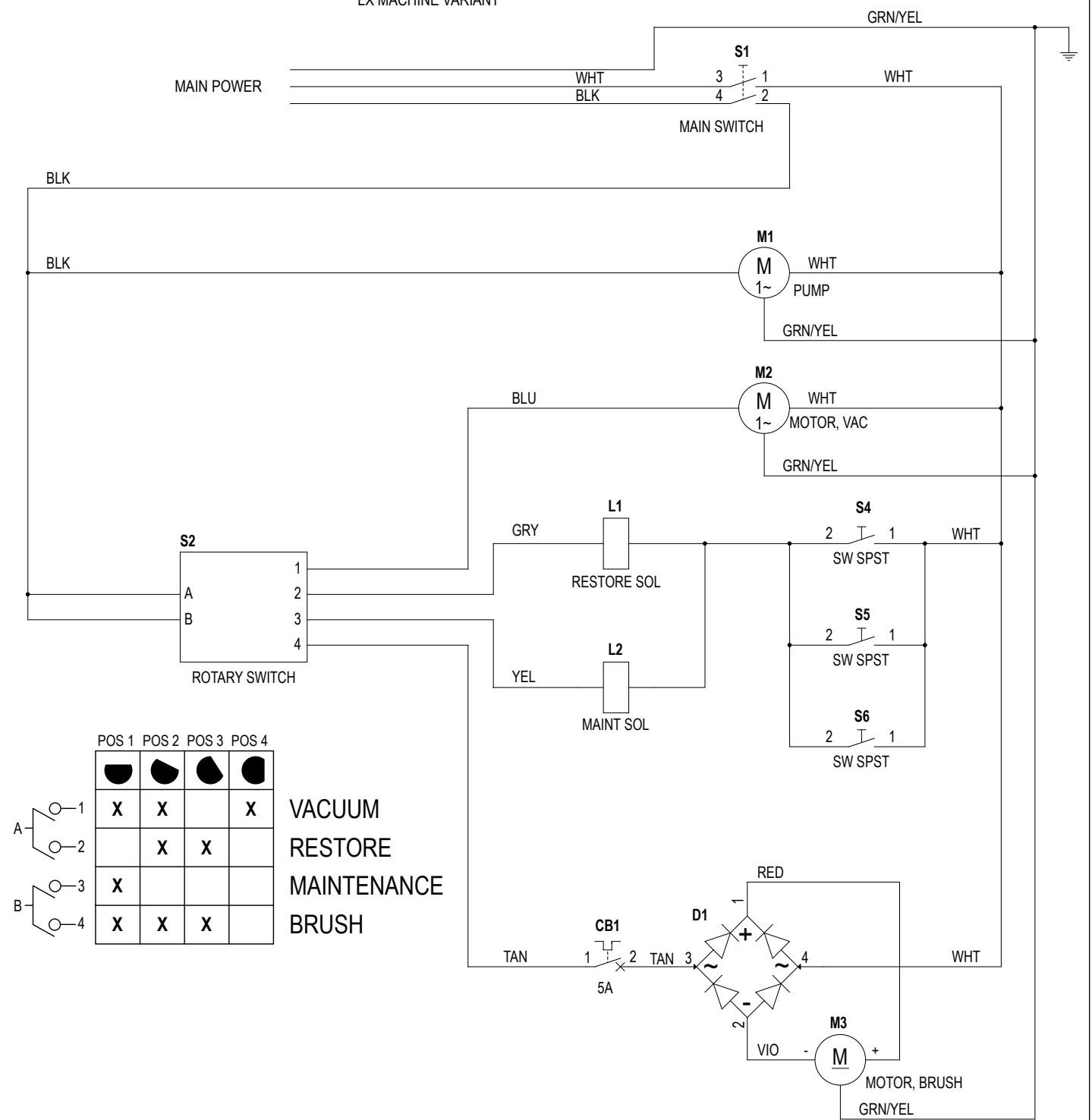
Item	Ref. No.	Qty	Description
CB1	56265550	1	Circuit Breaker, 5 Amp
D1	56265103	1	Rectifier, 35 Amp
L1	56265746	1	Valve, Solenoid 115V
M1	56265554	1	Pump-115vac-120psi
M2	56265552	1	Motor-Vacuum-120v
	56265683		Carbon Brush Kit-(Set Of 2) for 56265552
M3	56265075	1	Motor, 115 Vdc, 1/3 Hp
S1	56265549	1	Switch-Rocker-Dpst
S3	56265549	1	Switch-Rocker-Dpst
S4	56265098	1	Switch, Spdt Snapaction

Color Codes

BLK	Black
BLU	Blue
BRN	Brown
GRA	Gray
GRN	Green
ORN	Orange
PINK	Pink
RED	Red
TAN	Tan
VIO	Violet
WHT	White
YEL	Yellow

LADDER DIAGRAM 16XP-18XLP

LX MACHINE VARIANT



	POS 1	POS 2	POS 3	POS 4
A	X	X		X
B	X			

VACUUM
RESTORE
MAINTENANCE
BRUSH

LADDER DIAGRAM 16XP-18XLP

Item	Ref. No.	Qty	Description
CB1	56265550	1	Circuit Breaker, 5 Amp
D1	56265103	1	Rectifier, 35 Amp
L1	56265746	1	Valve, Solenoid 115V
L2	56265570	1	Valve/Nozzle Assy-120v-Maint
M1	56265554	1	Pump-115vac-120psi
M2	56265552	1	Motor-Vacuum-120v
	56265683		Carbon Brush Kit-(Set Of 2) for 56265552
M3	56265075	1	Motor, 115 Vdc, 1/3 Hp
S1	56265549	1	Switch-Rocker-Dpst
S2	56265551	1	Rotary Switch
S4	56265098	1	Switch, Spdt Snapaction
S5	56265098	1	Switch, Spdt Snapaction
S6	56265098	1	Switch, Spdt Snapaction

Color Codes

BLK	Black
BLU	Blue
BRN	Brown
GRA	Gray
GRN	Green
ORN	Orange
PINK	Pink
RED	Red
TAN	Tan
VIO	Violet
WHT	White
YEL	Yellow

OPTIONS & ACCESSORIES

Item	Ref. No.	Qty	Description
			Options
	56265044	1	Brush Assembly 16 TSB-FC-2017-032
	56265175	1	Brush Assembly Blue 16 Hard
	56265176	1	Brush Assembly 240 Grit 16
	56265099	1	Brush Assembly 18 TSB-FC-2017-032
	56265177	1	Brush Assembly Blue 18 Hard
	56265178	1	Brush Assembly 240 Grit 18
			Accessories
	56314402	1	Wand Assembly w/Soft and Hard Floor Tools
	56265173	1	Wand Assembly w/Soft Floor Tool
	56220070	1	Upholstery Hand Tool
	56265305	1	Drag Wand
	56265309	1	Plug Adaptor Kit
	56265174	1	15' Hose w/Waterline
	56265753	1	Hose Assy – 96 In.
	56265754	1	Hose Assy – 184 In.
	56265810	1	Hand Tool Add-On Kit
	56265814	1	Hand Tool No-Hose Add-On Kit
	56265675	1	Hard Floor Tool Assembly
	56044697	1	Literature Pack
			Brushes (See Brush Selector Guide)

BRUSH SELECTOR GUIDE

We provide brushes that will give you the best possible performance between machine and floor. Following are descriptions of the materials and their applications.

- Soft Nylon Brush:** Carpet cleaning brush also used on soft-finish floors where a more aggressive brush would leave scratch marks, or in applications requiring light cleaning.
- Stiff Nylon Brush (Blue):** Hard floor cleaning effective in cleaning most common surfaces.
- 240 Grit Brush:** Medium aggressive grit brush. Good all-around brush for medium to heavy buildup removal on hard floors.

16" BRUSHES

56265044 - Nylon
56265175 - Blue
56265176 - 240 Grit

18" BRUSHES

56265099 - Nylon
56265177 - Blue
56265178 - 240 Grit

CYLINDRICAL BRUSH APPLICATION GUIDE (SUGGESTION ONLY)

Application	Nylon	Blue	240 Grit
General Cleaning:			
Carpet Cleaning	X		
Concrete		X	X
Terrazzo	X	X	X
Ceramic/Quarry tile	X	X	X
Marble	X	X	X
Vinyl tile	X	X	X
Raised-rubber tile	X	X	X

9435 Winnetka Ave North
Minneapolis, MN 55445
www.advance-us.com
Phone: 800-989-2235
Fax: 800-989-6566
©2018 Nilfisk, Inc.

