

**Explosion
Proof/Dust
Ignition Proof
Class I Group D
Class II Group F, G**

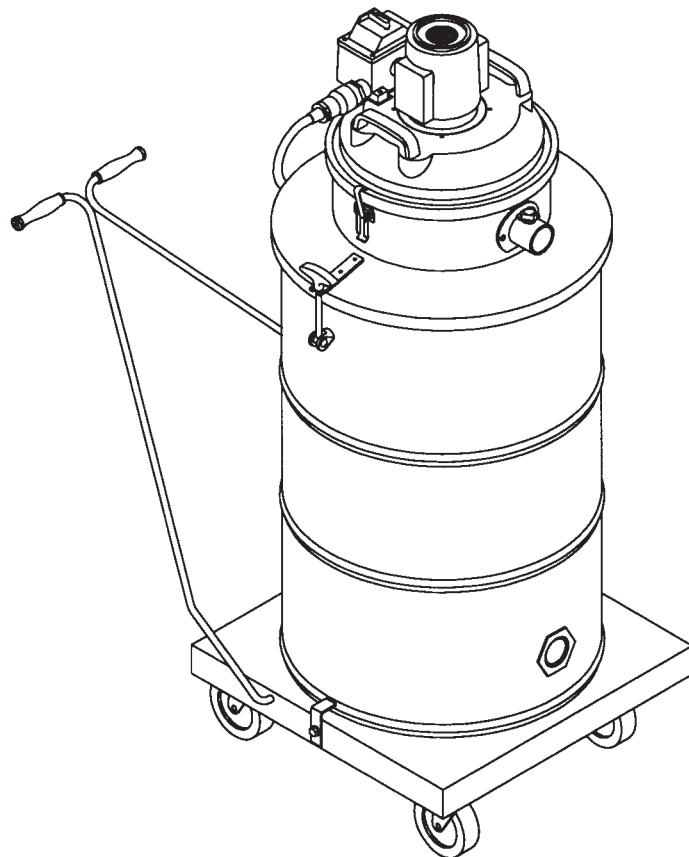
**Model:
C88055-05, 06, 07, 08**

OPERATION

SERVICE

PARTS

CARE



Revised

Minuteman[®]

INSPECTION

Carefully unpack and inspect your machine for shipping damage. Each unit is tested and thoroughly inspected before shipment, and any damage is the responsibility of the delivery carrier who should be notified immediately. Read all instructions carefully before operating.

CAUTION

To reduce the risk of ignition of Hazardous Atmospheres. Do not use in Class II, Group F locations that contain electrically conductive dusts.

WARNING

Models C88055-05 and C88055-07 dry pickup only - electric shock could occur if used outdoors or on wet surfaces.

WARNING

Models C88055-06 and C88055-08 wet and dry pickup - to avoid electric shock, use indoors only.

DANGER

This equipment is rated explosion proof and dust ignition proof only in areas listed below:

Class 1, Group D - Atmospheres containing acetic acid (glacial), acetone, acrylonitrile, ammonia, benzene, butane, 1-butanol (butyl alcohol), 2-butanol (secondary butyl alcohol, n-butyl acetate, isobutyl acetate, sec-butyl alcohol, diisobutylene, ethane, ethanol (ethyl alcohol), ethylacetate, ethyl acrylate (inhibited), ethylene diamine (anhydrous), ethylene dichloride, gasoline, heptanes, hexanes, isoprene, isopropyl ether, mesityl oxide, methane (natural gas), methanol (methyl alcohol), 3-methyl-1-butanol (isoamyl alcohol), methyl ethyl ketone, methyl isobutyl ketone, 2-methyl-1-propanol (isobutyl alcohol), 2-methyl-2-propanol (tertiary butyl alcohol), petroleum naphtha, pyridine, octanes, pentanes, 1-pentanol (amyl alcohol), propane, 1-propanol (propyl alcohol), 2-propanol (isopropyl alcohol), propylene, styrene, toluene, vinyl acetate, vinyl chloride or xylenes.

Group F - Atmospheres containing carbon black, charcoal, coal or coke dusts which have more than 8 percent total volatile material (carbon black per ASTM D1620, charcoal, coal and coke dusts per ASTM D271) or atmospheres containing these dusts sensitized by other materials so that they present an explosion hazard and having resistivity greater than 10^2 OHM--centimeter, but equal to or less than 10^8 OHM--centimeter.

Group G - Atmospheres containing flour, starch, or grain or combustible plastics or chemical dusts having resistivity greater than 10^8 OHM--centimeter.

ELECTRICAL

The machine is designed to operate on 230 volts, 10 amp, 60 hertz AC circuit. This equipment is shipped with approved 3 wire grounded 14-3, 50' STWA power supply cord. No plug is supplied. Plug and wall receptacle should be wired by a qualified electrician in accordance with the National Electrical Code Standards in regard to hazardous location, i.e. dust and vapor ignition. No extension cords should be used.

IMPORTANT SAFETY INSTRUCTIONS - SAVE THESE INSTRUCTIONS

Read all instructions before using:

1. Do not leave unattended when plugged in. Unplug from outlet when not in use and before servicing.
2. Use only for the intended use as described in this manual.

3. **Do not** operate with damaged cord or plug if equipment is not working properly, has been dropped, damaged, exposed to weather, or completely submerged, return it to Minuteman International, Inc. for examination and repair.
4. Vacuum motor has no user serviceable parts and must be returned to the original equipment manufacturer for repair.
5. Do not pull or carry by supply cord, use cord as handle, close a door on cord, or pull cord around sharp edges or corners. Keep cord away from heated surfaces.
6. Do not disconnect plug by pulling on cord. To disconnect from outlet grasp the plug - not the cord.
7. Do not operate without proper static dissipating dust bag or filters in place, nor assemble any other way than as shown in figures 1 or 2.
8. Do not use any attachment that has been changed in any way from its original design. Use no self-designed tools.
9. All lid and tank latches must be engaged before operation.

H.E.P.A. FILTER MODEL VACUUMS C88055-07 AND C88055-08

The Minuteman hazardous-duty critical filter vacuum has been designed to clean up hazardous and toxic dust of all types. A special High Efficiency Particulate Air (H.E.P.A.) filter and a series of "prefilters" used with this vacuum reduce the incidence of airborne dust that would be created by any other method of cleaning.

During the removal of hazardous toxic dust, do not sweep, scoop, shovel or in any manner handle other than vacuuming.

Do not at any time attempt to bypass, remove, substitute or by any other means change the filters recommended for use with this vacuum. Use only approved Minuteman filters and filter bags.

Do not at any time, or in any way, attempt to clean or remove dust particles that may collect or accumulate on the surface of the H.E.P.A. filter media.

Do not reverse or attempt to clean "prefilters" which have accumulated dust for the purpose of reusing them.

Hazardous materials must be disposed of properly. Never throw contaminated debris in your usual trash receptacle. Place debris in a plastic bag or can marked "HAZARDOUS MATERIALS" and take to a hazardous waste handler.

ASSEMBLY PROCEDURE FOR MODEL C88055-05 DRY ONLY

Follow assembly sequence as shown on page 4, figure 1:

1. Place tank assembly (4), part #800290, onto dolly assembly (5), part #800291, and secure in place using drum lock brackets.
2. Place adapter assembly (3), part #800292, onto tank assembly (4) and secure in place using latch handles.
3. Insert cloth filter bag (2), part #800251, into adapter assembly (3) using formed rubber gasket to center it.
4. Place lid assembly (1), part #800220, on top of adapter assembly (3) and secure in place by engaging latches.
5. Insert metal end of grounded neoprene hose, part #800276, into hose intake on adapter assembly and tighten thumb screw to secure.
6. Attach tools desired as supplied on page 17.
7. Plug power supply cable into a proper electrical outlet. You are now ready to pick up dry materials only. Reverse the procedure above to empty.

ASSEMBLY PROCEDURE FOR MODEL C88055-07 DRY ONLY WITH H.E.P.A. FILTER

Follow assembly sequence as shown on page 4, figure 2:

1. Place tank assembly (6), part #800290, onto dolly assembly (7), part #800291, and secure in place using drum lock brackets.
2. Place adapter assembly (5), part #800292, onto tank assembly (6) and secure in place using latch handles.
3. Insert cloth filter bag (4), part #800251, into adapter assembly (5) using formed rubber gasket to center it.
4. Place manometer ring (3), part #800275, on top of adapter assembly (5) and engage latches.
5. Place H.E.P.A. filter module (2), part #800266, on top of manometer ring (3) using formed rubber gasket to center it.
6. Place lid assembly (1), part #800220, on top of manometer ring (3) and secure in place by engaging latches.
7. Insert metal end of grounded neoprene hose, part #800276, into hose intake on adapter assembly and tighten thumb screw to secure.
8. Attach tools desired as supplied on page 17.
9. Plug power supply cable into a proper electrical outlet. You are now ready to pick up hazardous/toxic dry materials only. Reverse the procedure above to empty.

The manometer ring assembly (3) will indicate when the filters need cleaning or changing. The scale on the gauge indicates performance.

PROCEDURE FOR REMOVING CONTAMINATED FILTER AND FOR CLEANING OF CONTAMINATED TANK OF MODEL C88055-07 DRY ONLY WITH H.E.P.A. FILTER

For the protection of your health, always wear the proper approved or required face mask, gloves and clothing as specified by your Safety Department for your particular application.

1. Unplug machine from the power source.
2. Remove vacuum lid assembly (1) and place on a work table.
3. Remove H.E.P.A. module (2). Remove impaction prefilter (page 9, item 2) and place in a proper hazardous waste disposal container.
4. Remove manometer ring (3).
5. Gently remove cloth filter bag (4); recommended method of cleaning is by vacuuming with another H.E.P.A. vacuum.
6. Dispose of debris in tank assembly.

CAUTION: Hazardous materials, including disposable filters and prefilters, must be disposed of properly. Never throw contaminated debris in your usual trash receptacle. Place debris in proper containers as recommended by your Safety Department.

All Vacuum units should be properly tagged or labeled "HAZARDOUS MATERIAL" and should only be used by authorized, trained personnel.

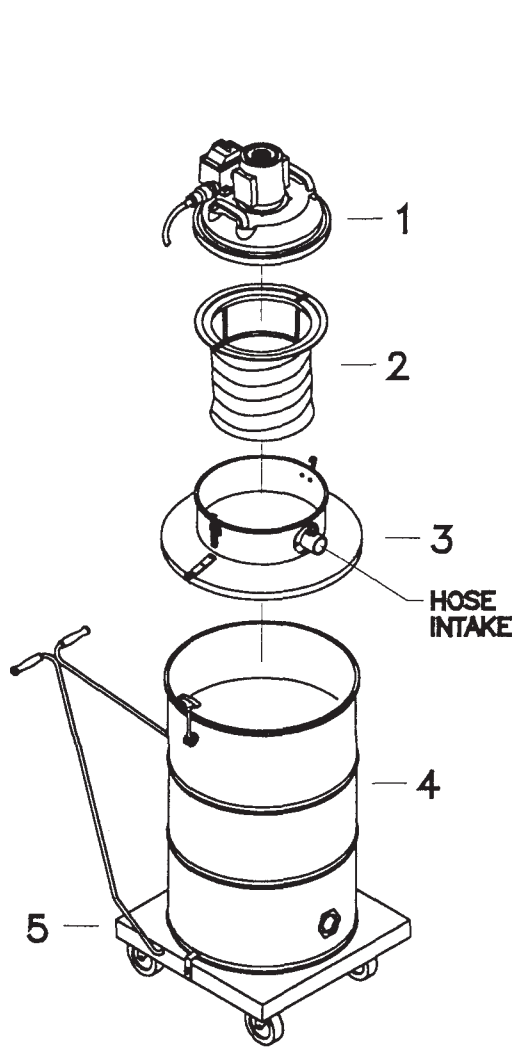


FIG. 1

C88055-05

DRY ONLY

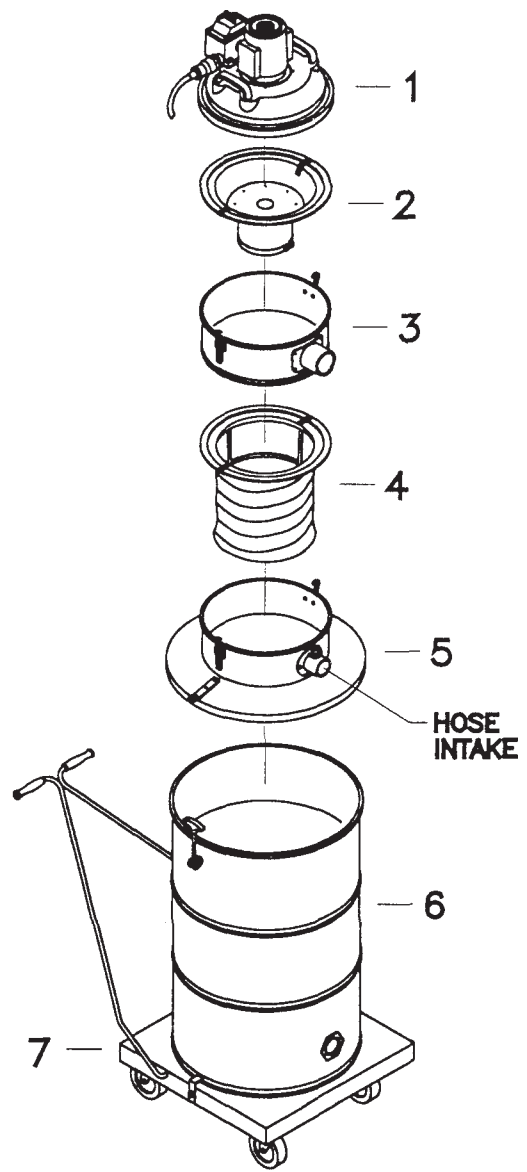


FIG. 2

C88055-07

**ASSEMBLY PROCEDURE FOR MODEL C88055-06 WET VACUUMING ONLY
WHEN USED FOR THE RECOVERY OF LIQUID HAZARDOUS MATERIALS**

Follow the assembly sequence as shown on page 6, figure 3.

1. Install dump valve (8), part #800341, into tank assembly (6), part #800290.
2. Place tank assembly (6), part #800290, onto dolly assembly (7), part #800291, and secure in place using drum lock brackets.
3. Place adapter assembly (5), part #800292, onto tank assembly (6) and secure in place using latch handles.
4. Insert liquid shut-off assembly (4), part #800263, into adapter assembly (5), using formed rubber gasket to center it.
5. Place 1 to 1 adapter (3), part #800278, onto adapter assembly (5) and secure in place by engaging latches.
6. Insert cloth filter bag (2), part #800251, into 1-to-1 adapter, using formed rubber gasket to center it.
7. Place lid assembly (1), part # 800220, on top of 1-to-1 adapter (3) and secure in place by engaging latches.
8. Insert metal end of grounded neoprene hose, part #800276, into hose intake on adapter assembly and tighten thumb screw to secure.
9. Attach tools desired as supplied on page 16.
10. Plug power supply cable into a proper electrical outlet. You are now ready to pick up hazardous wet materials.

The liquid shut-off will activate at approximately the 45 gallon level, choking of the vacuum.

PROCEDURE FOR EMPTYING TANK

1. Unplug machine from the power source.
2. Remove vacuum lid assembly (1) and place on a work table.
3. Remove and inspect cloth filter bag (2) for moisture. If bag is wet, allow to dry before reusing or replace with clean, dry filter bag, part #800251.
4. Dispose of liquid waste in accordance with required procedures.
5. Empty liquid waste from the tank by pulling up on handle of dump valve (8).

**ASSEMBLY PROCEDURE FOR MODEL C88055-08 WET VACUUMING ONLY
WHEN USED FOR THE RECOVERY OF LIQUID HAZARDOUS/TOXIC MATERIALS**

Follow the assembly sequence as shown on page 6, figure 4:

1. Install dump valve (10) part #800341, into tank assembly (8), part #800290.
2. Place tank assembly (8), part #8900290, onto dolly assembly (9), part #800291, and secure in place using drum lock brackets.
3. Place adapter assembly (7), part #800292, onto tank assembly (8) and secure in place using latch handles.
4. Insert liquid shut-off assembly (6), part #800263, into adapter assembly (5), using formed rubber gasket to center it.
5. Place 1-to-1 adapter (5), part #800278, onto adapter assembly (7) and secure in place by engaging latches.
6. Insert cloth filter bag (4), part #800251, into 1-to-1 adapter, using formed rubber gasket to center it.
7. Place manometer ring (3), part #800275, on top of 1-to-1 adapter (5) and engage latches.
8. Place H.E.P.A. filter module (2), part #800266, on top of manometer ring (3) using formed rubber gasket to center it.
9. Place lid assembly (1), part #800220, on top of manometer ring (3) and secure in place by engaging latches.
10. Insert metal end of grounded neoprene hose, part #800276, into hose intake on adapter assembly and tighten thumb screw to secure.
11. Attach tools desired as supplied on page 16.
12. Plug power supply cable into a proper electrical outlet. You are now ready to pick up hazardous/toxic wet materials.

The liquid shut-off will activate at approximately the 45 gallon level, choking off the vacuum.

The manometer ring assembly (3) will indicate when the filters need cleaning or changing. The scale on the gauge indicates performance.

**PROCEDURE FOR REMOVING CONTAMINATED FILTER AND FOR CLEANING OF CONTAMINATED TANK OF
MODEL C88055-08 WHEN USED FOR THE RECOVERY OF HAZARDOUS OR TOXIC MATERIALS**

For the protection of your health, always wear the proper approved or required face mask, gloves and clothing as specified by your Safety Department for your particular application.

1. Unplug machine from the power source.
2. Remove vacuum lid assembly (1) and place on a work table.
3. Remove H.E.P.A. module (2). Remove impaction prefilter (page 9, item 2) and place in a proper hazardous waste disposal container.
4. Remove manometer ring (3).
5. Gently remove cloth filter bag (4); recommended method of cleaning is by vacuuming with another H.E.P.A. vacuum.
6. Dispose of liquid waste in accordance with required procedures.
7. Empty liquid waste from the tank by pulling up on handle of the dump valve (10).

CAUTION: Hazardous materials, including disposable filters and prefilters, must be disposed of properly. Never throw contaminated debris in your usual trash receptacle. Place debris in proper containers as recommended by your Safety Department.

All Vacuum units should be properly tagged or labeled "HAZARDOUS MATERIAL" and should only be used by authorized, trained personnel.

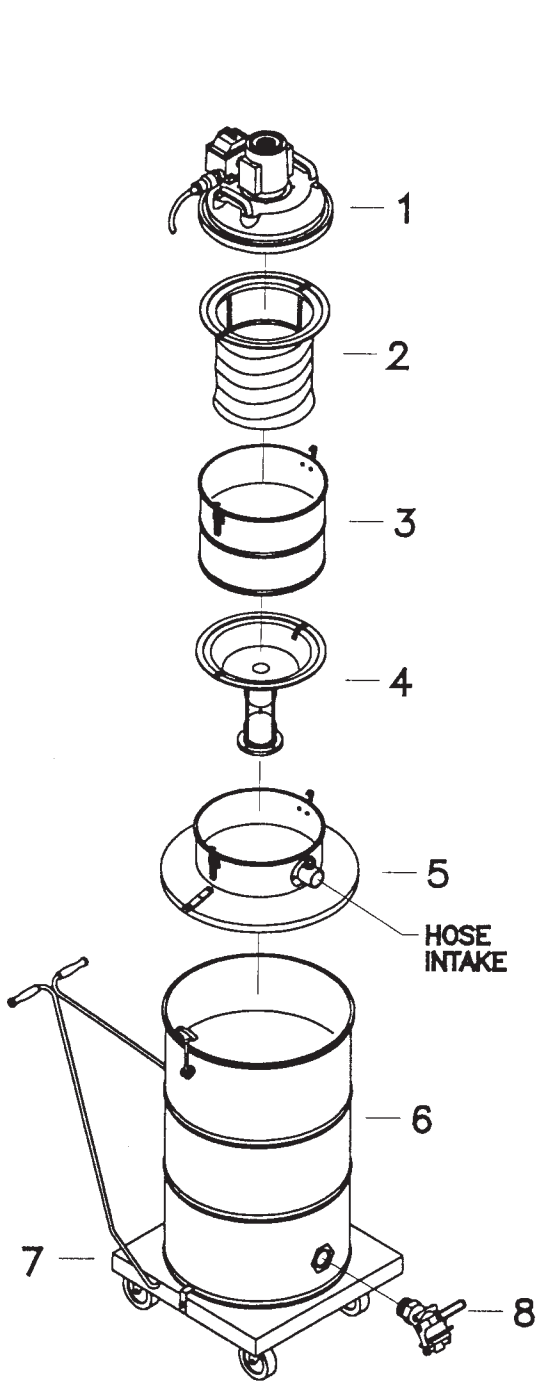


FIG. 3

C88055-06

WET & DRY

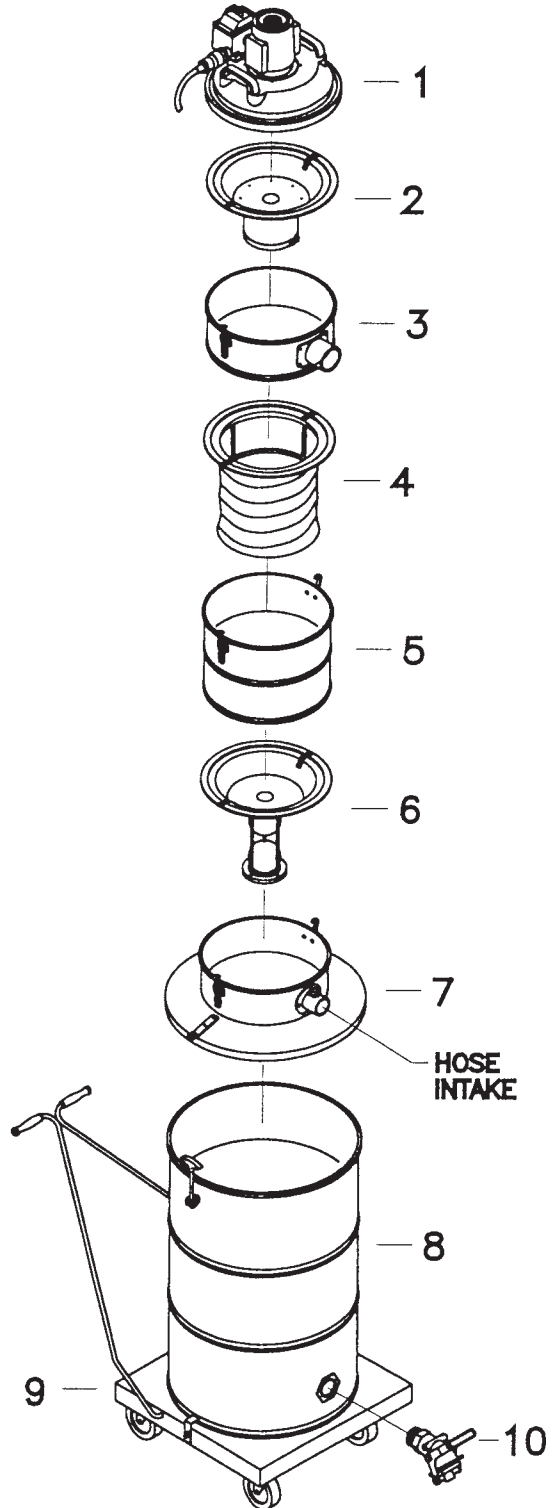
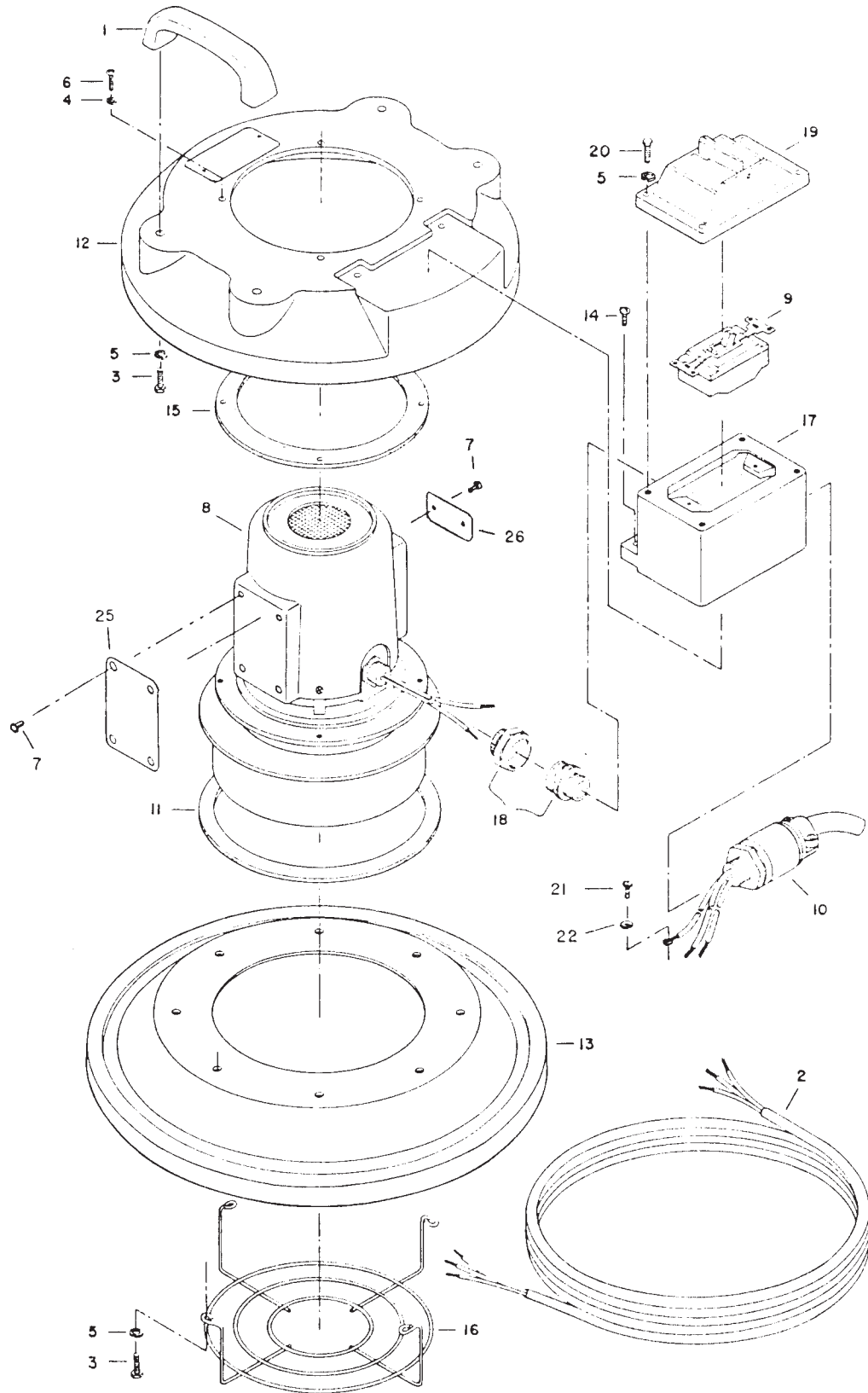


FIG. 4

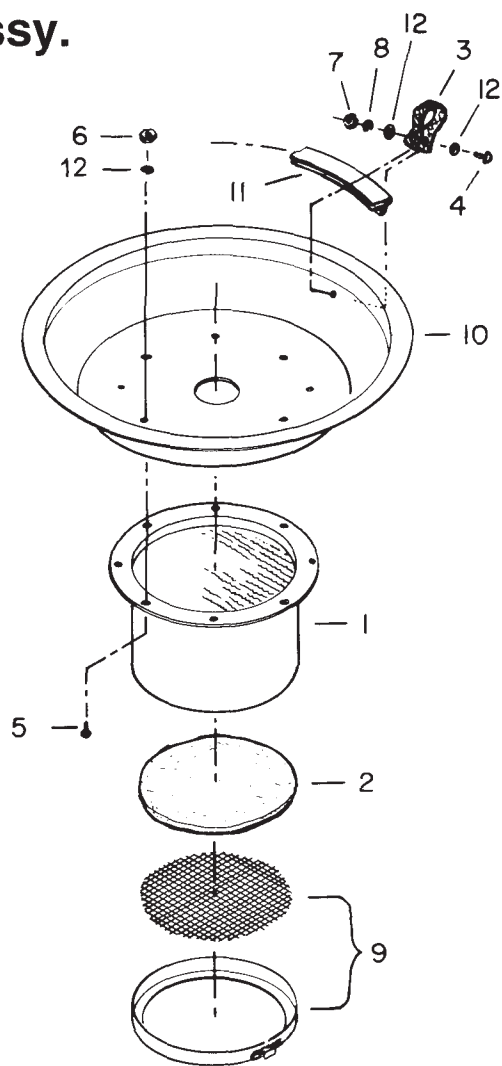
C88055-08



Parts List

ITEM	PART NO	QTY	DESCRIPTION
1	130040POL	2	Handle, Polished
2	740037	1	Grey Cord Set 14 - 3 50'
3	712562	12	BLT- HH 1/4 - 20 x .62
4	712757	6	WSR - Helical #10 SS
5	712758	16	WSR - Helical 1/4 SS
6	712530	4	SCR-MC 10 - 24 x .62 SS
7	711901	10	Rivet
8	740081	1	Motor Vac Explosion Proof 230V
9	740213	1	Switch 20A Explosion Proof
10	740214	1	Cord Conn. Explosion Proof
11	762141	1	Gasket, 7.50 x 8.87 x .19
12	800245POL	1	Motor Lid Top, Polished
13	800246POL	1	Motor Lid Bottom, Polished
14	712546	2	SCR-MC 10 - 32 x 1.00 SS
15	800248	1	Gasket 6.37 x 7.74 x .12
16	800249	1	Wire Guard, Motor
17	800259MCH	1	Switch Box Explosion Proof
18	800260	1	.50 Union Explosion Proof
19	800261	1	Lid, Switch Box Explosion Proof
20	712564	4	BLT-HH 1/4 - 20 x 1.00 SS
21	710253	1	SCR 10 - 32 x .37
22	711553	1	Lock Washer #10
25	715110	1	Warning Plate
26	715116	1	Decal, Caution
***	800220		Lid Assembly, Complete, 230V

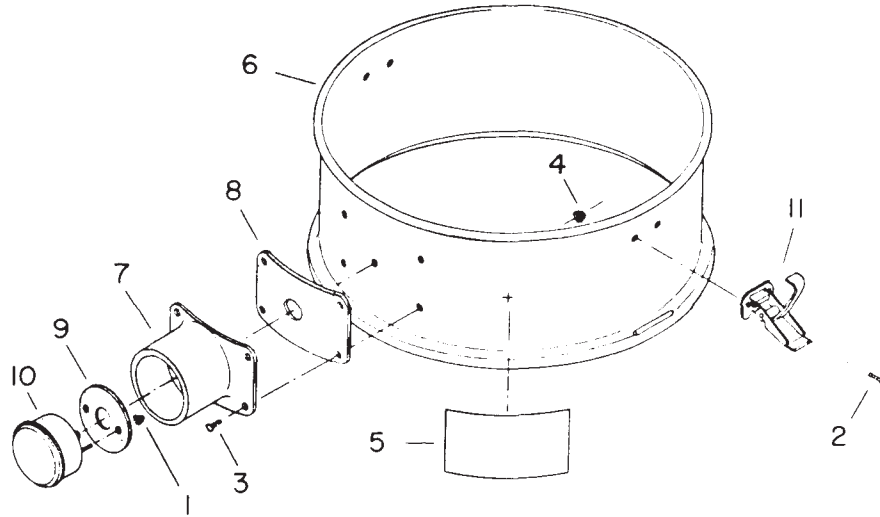
H.E.P.A. Filter Assy.



Parts List

ITEM	PART NO	QTY	DESCRIPTION
1	110010	1	HEPA Filter SM Round
2	110121PKG	1	Impact Filter 6.00 Dia.
3	740401	2	Wire, Braided Ground Strap
4	712530	2	SCR-MC 10-24 x .62 SS
5	712530	8	SCR-MC 10-24 x .62 SS
6	712638	8	Nut-Hex 10-24 SS Nyloc
7	712635	2	Nut-Hex 10-24 SS
8	712757	2	WSR-Helical #10 SS
9	750006	1	Retainer Impact Assy. Comp.
10	800265	1	HEPA Plate Exp-Proof
11	800273	1	Gasket, Bag Ring Exp.
12	712764	12	WSR-Flat #10 SS
**	800266		HEPA Filter Mod Exp-Proof Complete

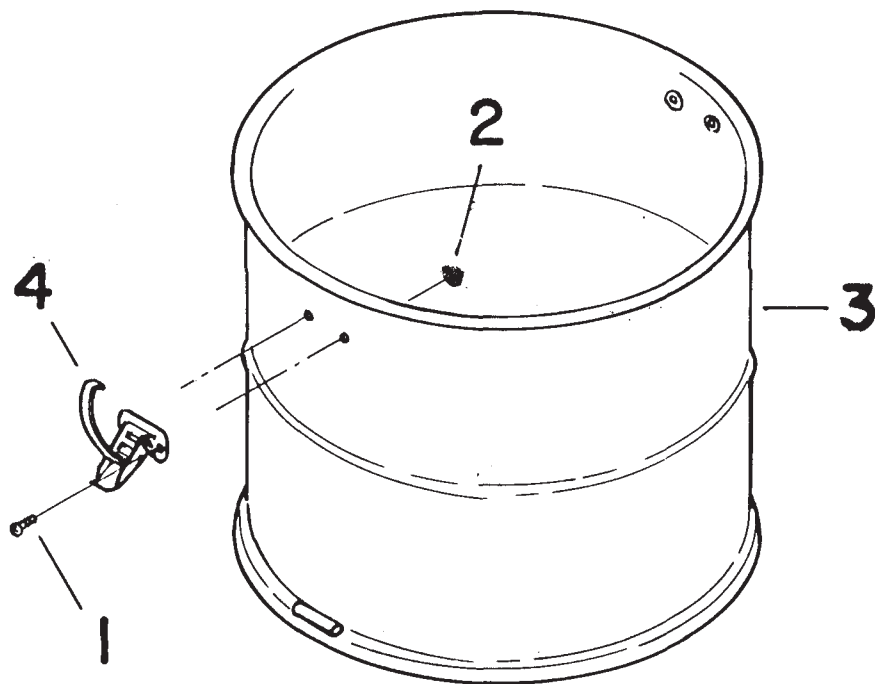
Manometer



Parts List

ITEM	PART NO	QTY	DESCRIPTION
1	711427	2	Nut-Flanged Wizz 10-32
2	712534	4	SCR-MC 10-24 x .5
3	712536	4	SCR-MC 10-24 x .62 SS
4	712638	4	Nut-Hex 10-24 SS Nyloc
5	715077	1	Decal Manometer Ins
6	760096MCH	1	Manometer Ring SS
7	760106MCH	1	Casting Gauge Mount
8	760107	1	Gasket Die Cut Square
9	760108	1	Gasket Die Cut Round
10	760109	1	Gauge Manometer Low
11	800274	2	Latch Tank, Assy. Exp.
***	800275		Manoring SS W/SS Latches Complete

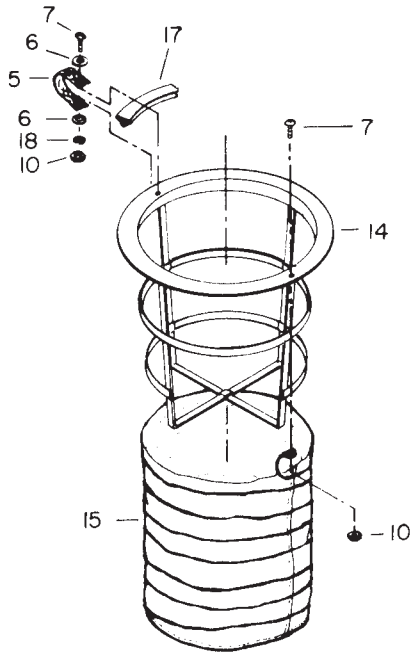
1:1 Adaptor



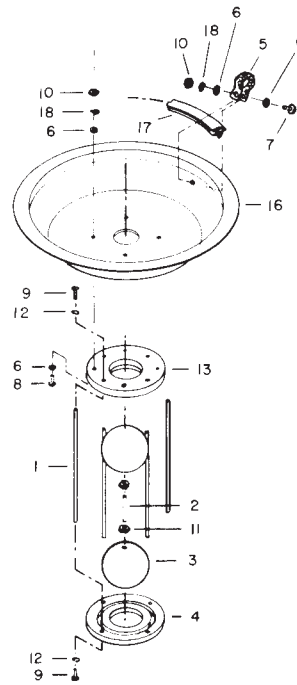
Parts List

ITEM	PART NO	QTY	DESCRIPTION
1	712534	4	SCR-MC 10-24 x .50 SS
2	712638	4	Nut-Hex 10-24 SS Nyloc
3	761188POL	1	Adaptor 1:1 SS Polished
4	800274	2	Latch, Tank Assy. Exp.
***	800278		Adaptor Ring SS Assy. Complete

**Conductive Cloth Bag Assy.
800251**

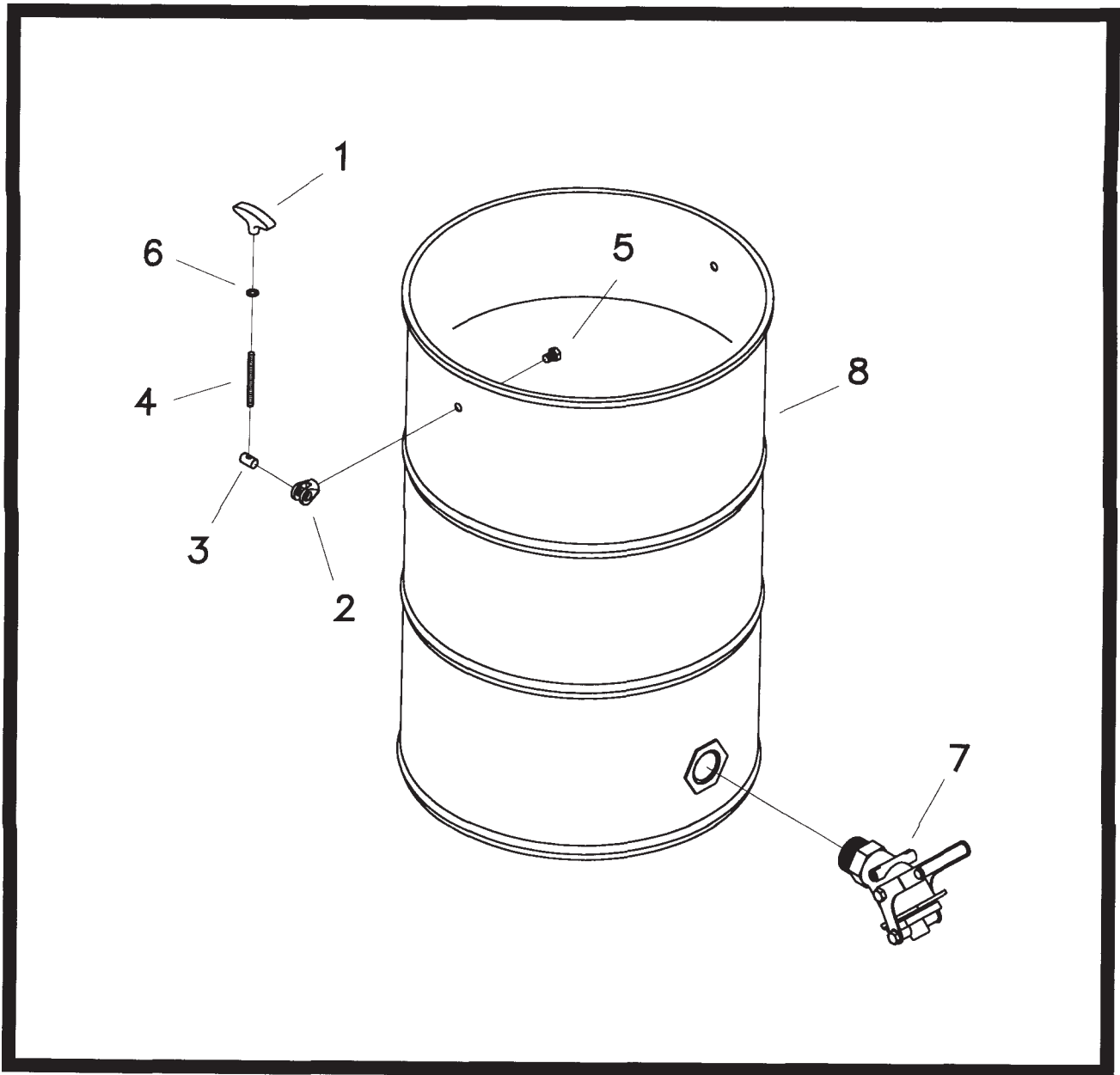


**Float Assy. Complete
800263**



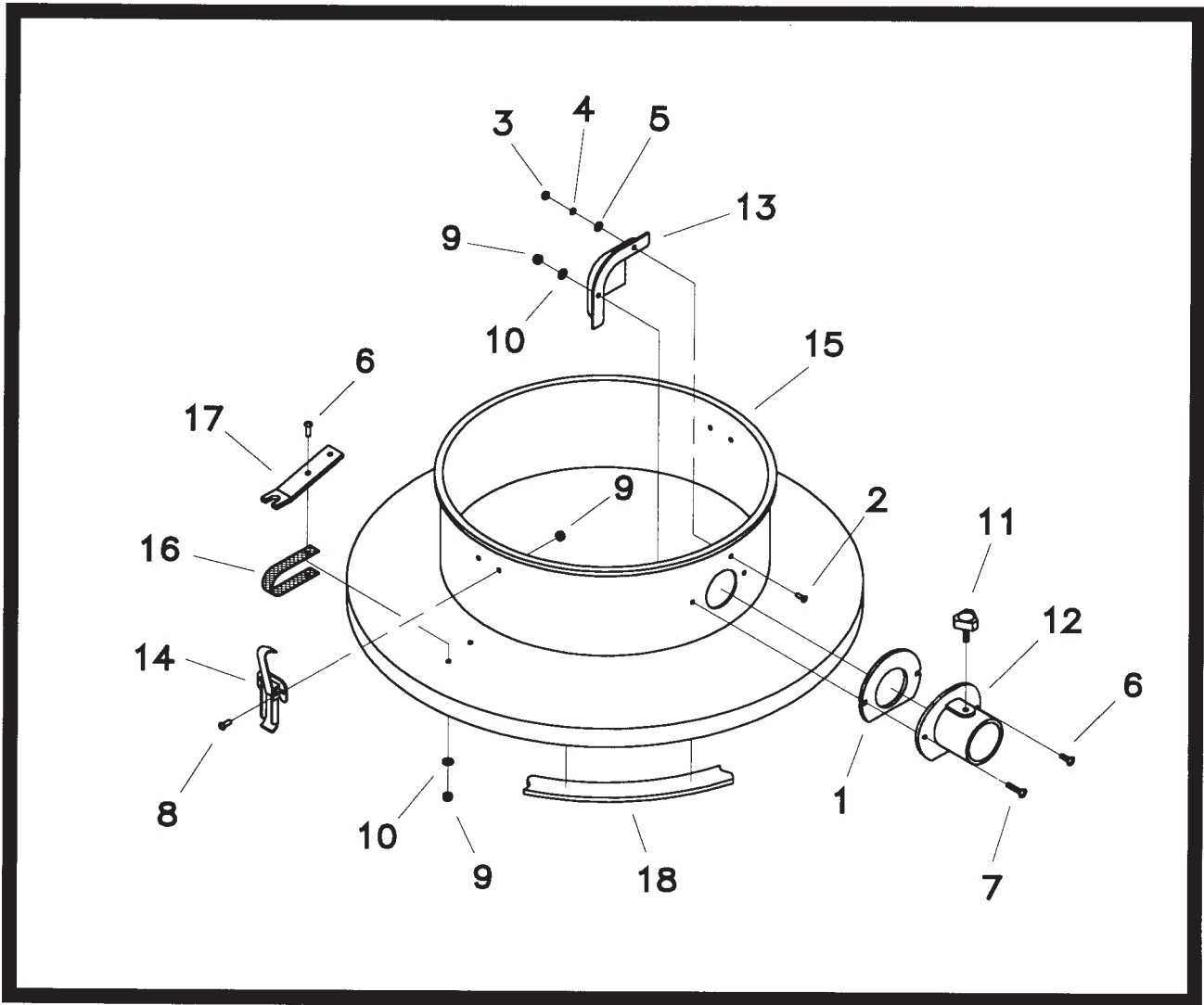
Parts List

ITEM	PART NO	QTY	DESCRIPTION
1	701012	4	Rod Spacer
2	701013	1	Stud
3	701016	2	Ball, Float 4 Dia.
4	710141	1	Plate, End Cap Liquid Shut-off
5	701204	2	Wire, Braided Grnd Strap
6	712764	4	WSR - Flat #10
7	712530	AR	SCR- MC 10 - 2 4 x .62 SS
8	712532	AR	SCR - MC 10 - 24 x 1.00 SS
9	712562	8	BLT- HH 1/4-20 x .75 SS
10	712635	AR	Nut 10-24 SS
11	712665	2	Nut - Hex 1/4-20 SS
12	712758	8	WSR - Helical 1/4 SS
13	750049	1	Plate & Tube Assembly Exp
14	750054	1	Wldmnt Bag Frame Exp
15	800252	1	Cloth Bag Conductive
16	800264	1	Shut-off Plate Exp - Proof
17	800273	1	Gasket, Bag Ring Exp
18	712757	1	WSR - Helical #10 SS



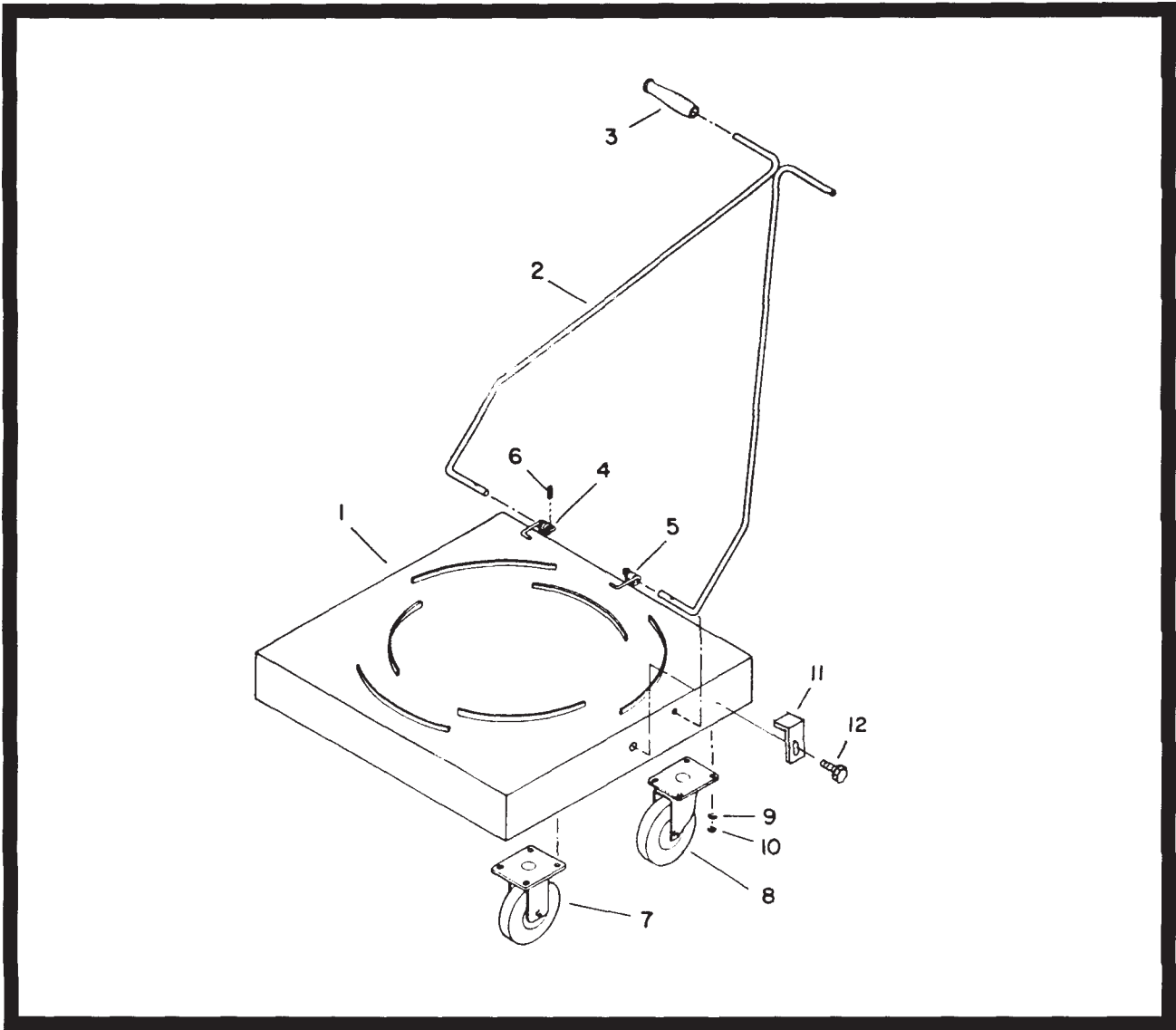
Parts List

ITEM	PART NO	QTY	DESCRIPTION
1	130015PLT	2	Handle, Tee Chrome Plated
2	130071PLT	2	Cam, Chrome Plated
3	130073PLT	2	Pin, Cam Plated
4	712033	2	Stud 3/8-16 x 4.00 ST
5	712089	2	BLT-HH 1/2-13 x .62
6	712767	2	WSR-Flat .406 x .75 SS
7	800341	1	Dump Valve 2" Brass
8	800335MCH	1	Drum 55 Gal. SS Machined
**	800290		Tank Assembly Complete



Parts List




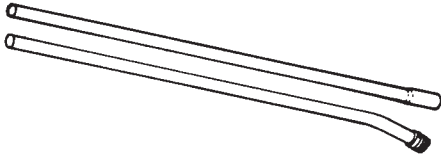
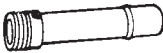


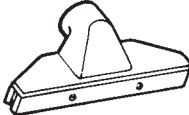
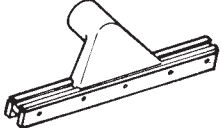
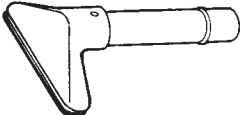
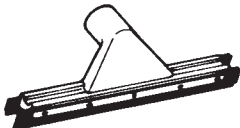
ITEM	PART NO	QTY	DESCRIPTION
1	390087	1	Gasket, Diecut
2	710530	1	SCR-MC 8-32 x .50 FH BR
3	711305	1	Nut-Hex 8-32 BR
4	711552	1	WSR-Internal Lock #8
5	711571	1	WSR-Flat #8 Brass
6	712530	5	SCR-MC 10-24 x .62 SS
7	712532	1	SCR-MC 10-24 x 1.00 SS
8	712534	4	SCR-MC 10-24 x .50 SS
9	712638	10	Nut-Hex 10-24 SS Nyloc
10	712764	6	WSR-Flat #10 SS
11	750133	1	Intake Screw, Exp. Prf.
12	760078	1	Intake
13	800253MCH	1	Intake Deflector
14	800274	2	Latch
15	800293POL	1	Adapter Ring 55G SS Polished
16	800339	2	Ground Strap
17	800340	2	Latch Plate
18	806006	1	Gasket
**	800292	1	Adapter Assembly Complete




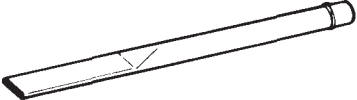
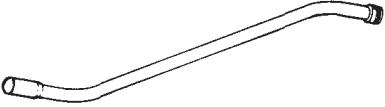
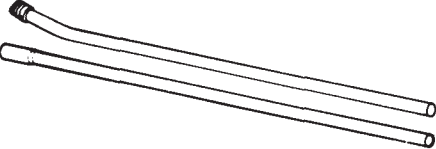
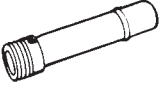


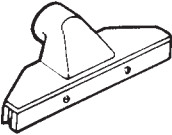
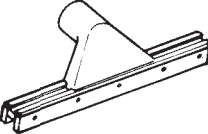
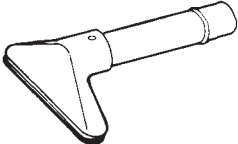
Parts List

ITEM	PART NO	QTY	DESCRIPTION
1	800330POL	1	Weldment Dolly 55 Gal. SS
2	800339POL	1	Weldment, Handle
3	900052	2	Grip, Handle
4	900080	1	Spring, Torsion RH
5	900081	1	Spring, Torsion LH
6	711642	2	Rollpin .187 x 1.00
7	7910015-1	2	Caster Rigid Conductive
8	7910014-1	2	Caster Swivel Conductive
9	712767	16	WSR-Flat .404 x .75 SS
10	712683	16	Nut-Hex 5/16-18 SS Nyloc
11	800334	2	Dolly Drom Lock Bkt. Ss
12	712083	2	BLT-Flgd. Wizz Loc 3/8-16
**	800291		Dolly Assy. 55GSS w/Cond. Whls.

Tool Kit Explosion Proof Wet/Dry 800271

A		800022 800023 800175MCH	5" Rd. Dust Brush, Alum. Complete Bristle Insert 5" Dust Brush HSG
B		800034	24" Crev Tool Aluminum, Complete
C		800267	Exp-Proof Wand Assy. 1 1/2, Complete
D		800268 800064 800269	Set Tube, High-up 10' Exp., Complete 5' Tube Lower Section 5' Section Upper Exp-Proof
E		800270	Swivel, Hose End Exp., Complete
F		800276	Hose Neo Grd Assy. 1.5 x 12, Complete
G		800285 712562 712758 800033 800193POL	6" Curved Pipe Tool, Complete BLT-HH 1/4-20 x .75 SS WSR-Helical 1/4 SS Bristle Insert Curved 6" 6" Curved Pipe Tool
H		800286 712545 712764 800187 800217 800218	12" Gulper Tool Ex Proof, Complete SCR-MC 10-32 x .87 SS WSR-Flat #10 SS Gulper Nozzle Fibre Shoe Rear Fibre Shoe Front
I		800287 710530 800003MCH 800178MCH	14" Fibre Tool Complete Screw 8/32 x 1/2 Brass Fibre Shod Tool Casting
J		800288	6" Tool w/Handle Tube, Complete
K		800280 712516 800121 800178MCH 800239 800240	14" Squeegee Ex. Prof., Complete SCR-SC 8-32 x .62 SS 14" Retaining Strip Casting, Tool MCH Blade Squeegee, Wide Blade Squeegee, Narrow

Tool Kit Explosion Proof Dry Only 800272

A		<p>800022 800023 800175MCH</p>	<p>5" Rd. Dust Brush, Alum, Complete Bristle Insert 5" Dust Brush HSG</p>
B		<p>800034</p>	<p>24" Crev Tool Aluminum, Complete</p>
C		<p>800267</p>	<p>Exp-Proof Wand Assy. 1 1/2, Complete</p>
D		<p>800268 800064 800269</p>	<p>Set Tube, High-up 10' Exp., Complete 5' Tube Lower Section 5' Section Upper Exp-Proof</p>
E		<p>800270</p>	<p>Swivel, Hose End Exp., Complete</p>
F		<p>800276</p>	<p>Hose Neo Grd Assy. 1.5 x 12, Complete</p>
G		<p>800285 712562 712758 800033 800193POL</p>	<p>6" Curved Pipe Tool, Complete BLT-HH 1/4-20 x .75 SS WSR-Helical 1/4 SS Bristle Insert Curved 6" 6" Curved Pipe Tool</p>
H		<p>800286 712545 712764 800187 800217 800218</p>	<p>12" Gulper Tool Ex Proof, Complete SCR-MC 10-32 x .87 SS WSR-Flat #10 SS Gulper Nozzle Fibre Shoe Rear Fibre Shoe Front</p>
I		<p>800287 710530 800003MCH 800178MCH</p>	<p>14" Fibre Tool Complete Screw 8/32 x 1/2 Brass Fibre Shod Tool Casting</p>
J		<p>800288</p>	<p>6" Tool w/Handle Tube, Complete</p>

LIMITED WARRANTY

Minuteman International, Inc. warrants to the original purchaser/user that this product is free from defects in workmanship and materials under normal use and service for a period of three years from date of purchase. In addition, Minuteman International, Inc. will, at its option, honor labor warranty claims for the first 12 months from date of sale, provided such claims are submitted through and approved by factory authorized repair stations. Minuteman International, Inc. will, at its option, repair or replace without charge, except for transportation costs, parts that fail under normal use and service when operated and maintained in accordance with the applicable operation and instruction manuals.

This warranty does not apply to normal wear, or to items whose life is dependent on their use and care, such as belts, cords, switches, hoses, rubber parts, electrical motor components or adjustments. Parts not manufactured by Minuteman International, Inc. such as engines, batteries, battery chargers, hydraulic pumps, and tires are covered by and subject to the warranties and/or guarantees of their manufacturers. Please contact Minuteman International, Inc. for procedures in warranty claims against these manufacturers.

Special warning to purchaser — Use of replacement filters and/or prefilters not manufactured by Minuteman International, Inc. or its designated licensees, will void all warranties expressed or implied.

A potential health hazard exists without exact original equipment replacement.

All warranted items become the sole property of Minuteman International, Inc. or its original manufacturer, whichever the case may be.

Minuteman International, Inc. disclaims any implied warranty, including the warranty of merchantability and the warranty of fitness for a particular purpose. Minuteman International, Inc. assumes no responsibility for any special, incidental or consequential damages.

This limited warranty is applicable only in the U.S.A. and Canada, and is extended only to the original user/purchaser of this product. Customers outside the U.S.A. and Canada should contact their local distributor for export warranty policies. Minuteman International, Inc. is not responsible for costs or repairs performed by persons other than those specifically authorized by Minuteman International, Inc. This warranty does not apply to damage from transportation, alterations by unauthorized persons, misuse or abuse of the equipment, use of non-compatible chemicals, or damage to property, or loss of income due to malfunctions of the product.

If a difficulty develops with this machine, you should contact the dealer from whom it was purchased.

This warranty gives you specific legal rights, and you may have other rights which vary from state to state. Some states do not allow the exclusion or limitation of special, incidental or consequential damages, or limitations on how long an implied warranty lasts, so the above exclusions and limitations may not apply to you.

Minuteman[®]

World Headquarters
Minuteman International, Inc.
111 South Rohlwing Road
Addison, Illinois 60101

(630) 627-6900
FAX (630) 627-1130

Minuteman Canada, Inc.
2210 Drew Road
Mississauga, Ontario
L5S 1B1

(905) 673-3222
FAX (905) 673-5161

987856
Printed in U.S.A.