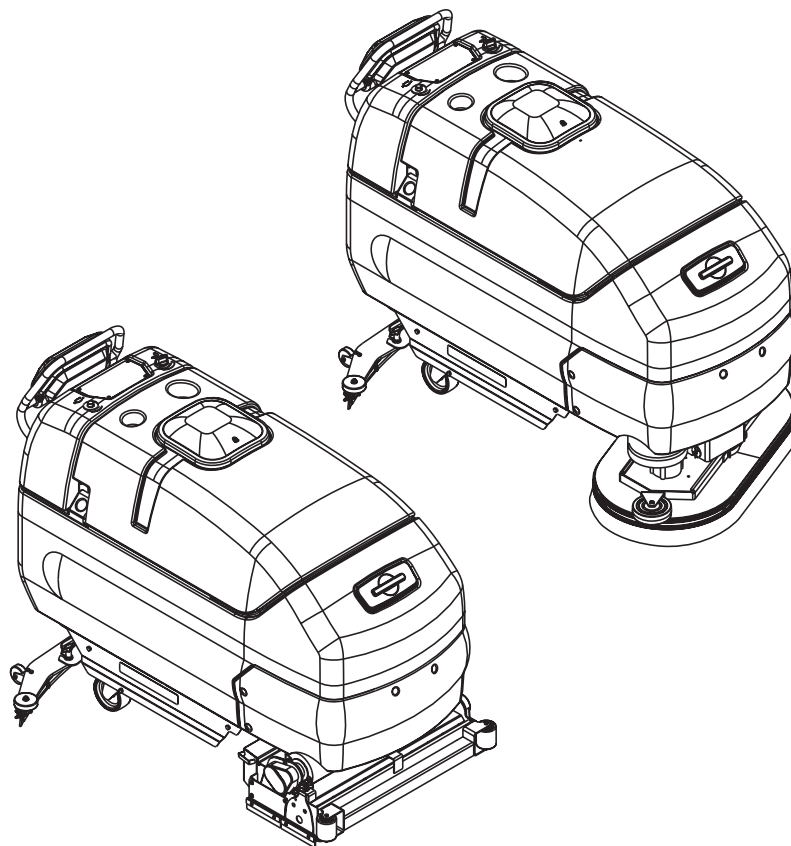


I-MAX™ 28C, 32C

BA 750C

C-MAX™ 34ST



PARTS LIST

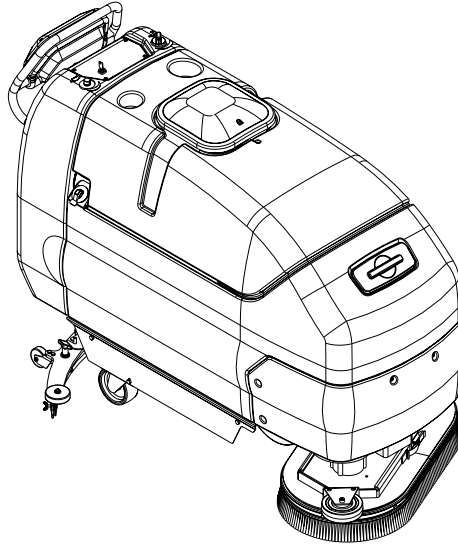
**Advance MODELS 56397400(28C), 56397401(32C)
56397403(34ST)
Nilfisk MODEL 56397402**



**Nilfisk
Advance**

setting standards

2/02 revised 8/05 FORM NO. 56042422
BOOK E SECTION 11.9.1

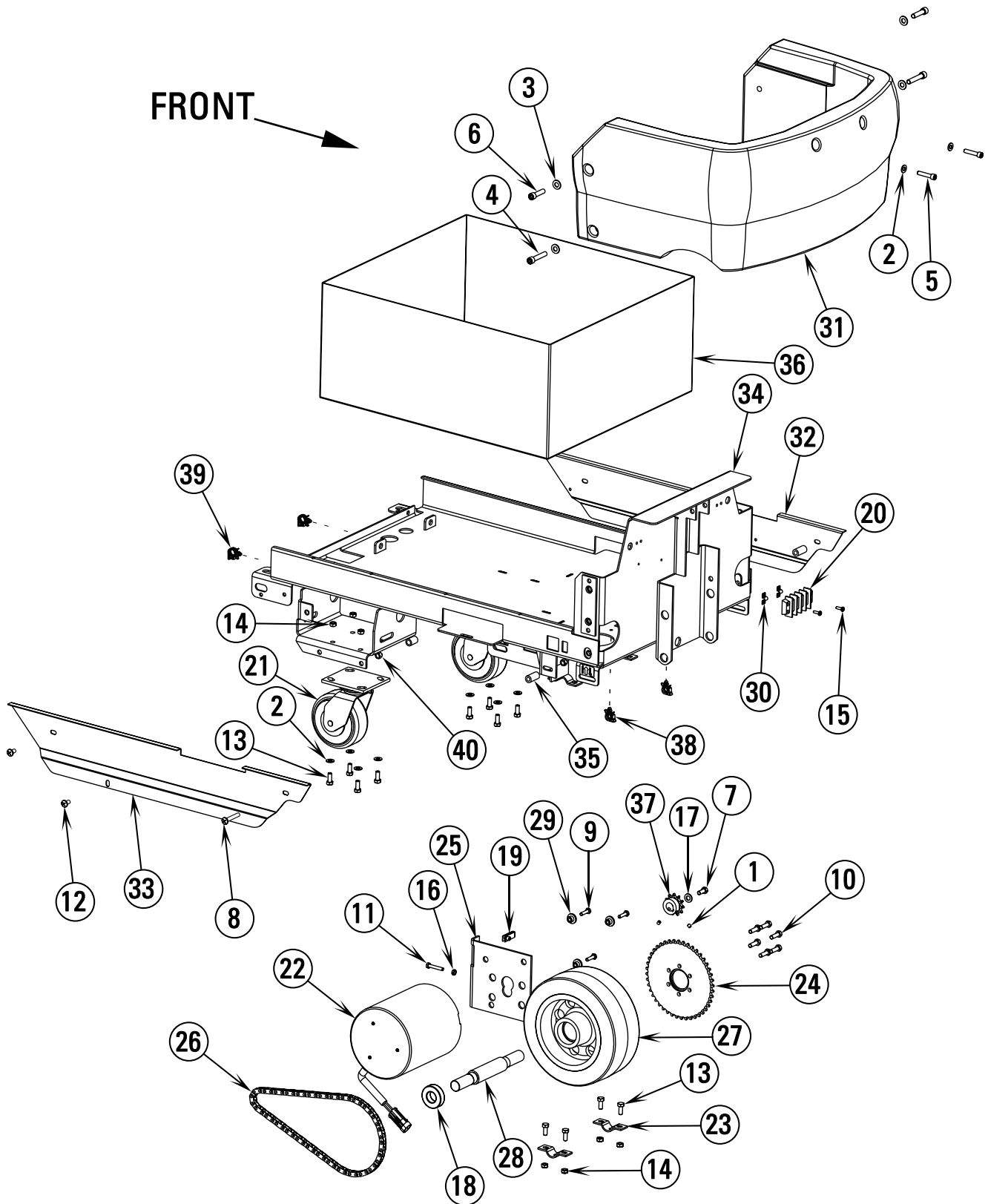


DESCRIPTION	PLAN
CHASSIS SYSTEM	E-11.9.1-3
CONTROL / ELECTRICAL SYSTEM-1	E-11.9.1-5
CONTROL / ELECTRICAL SYSTEM-2	E-11.9.1-7
HANDLE PADDLE ASSEMBLY	E-11.9.1-9
DECAL SYSTEM	E-11.9.1-11
RECOVERY SYSTEM	E-11.9.1-13
SCRUB SYSTEM-CYLINDRICAL	E-11.9.1-15
SCRUB SYSTEM-DISK	E-11.9.1-17
SCRUB SYSTEM SKIRTS-DISK	E-11.9.1-19
SOLUTION SYSTEM	E-11.9.1-21
SQUEEGEE SYSTEM	E-11.9.1-23
SQUEEGEE ASSEMBLY-I-MAX 28C / BA 750C	E-11.9.1-25
SQUEEGEE ASSEMBLY-I-MAX 32C / CMAX 34ST	E-11.9.1-27
SCHEMATIC	E-11.9.1-29
PARKING BRAKE KIT	E-11.9.1-31
INDUSTRIAL BUMPER KIT - CYLINDRICAL	E-11.9.1-33
BRUSH CLICK-OFF KIT	E-11.9.1-35
INDUSTRIAL BUMPER KIT - CMAX™ 34ST	E-11.9.1-37
BRUSH / DISC SELECTOR GUIDE (DISC)	E-11.9.1-38
BRUSH SELECTOR GUIDE (CYLINDRICAL)	E-11.9.1-39

WHEN ORDERING PARTS

- * Use the 8 digit numbers from the "Ref. No." columns in this parts list.
- * Specify the model and serial number of the machine.
- * Use the space below to record the model and serial number for future reference.

Model _____ Serial No. _____

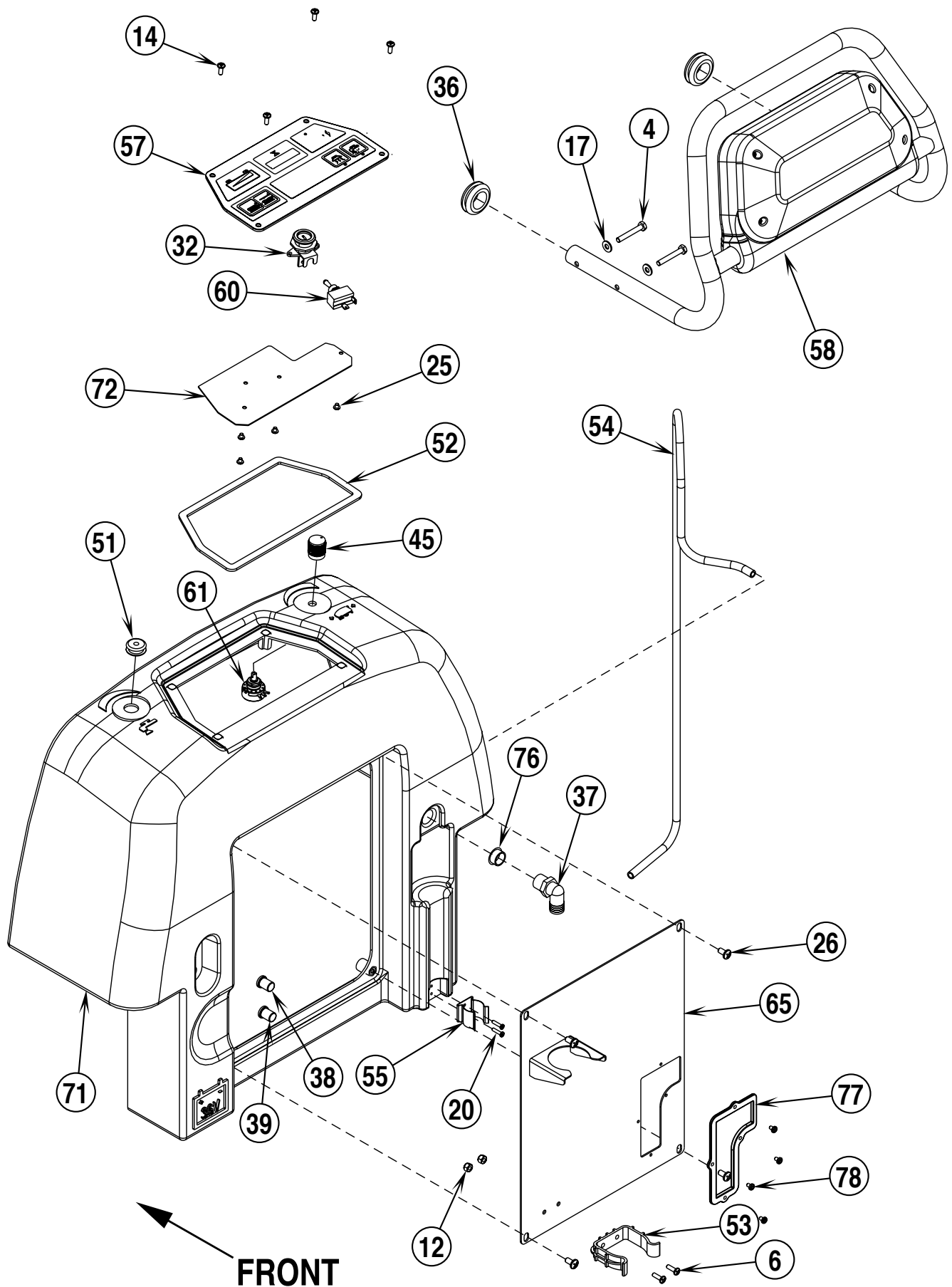


02-2	CHASSIS SYSTEM	BOOK E		
02-8	I-MAX™ 28C, 32C / CMAX™ 34ST / BA 750C	E	11.9.1	3

Item	Ref. No.	Qty	Description
1	56001841	2	Scr, Soc Set Loc 1/4-20 x .25
2	56001939	10	Wsh, Flt SAE 5/16
3	56002063	4	Wsh, Flt SAE 3/8
4	56002133	2	Scr, Soc Hd 3/8-16 x 2.00
5	56002201	2	Scr, Soc Hd 5/16-18 x 1.50
6	56002316	2	Scr, Soc Hd 3/8-16 x 1.50
7	56002667	1	Scr, Hex Hd 5/16-18 x .75
8	56003613	2	Scr, Pan Phil 5/16-18 x 2.00
9	56002883	3	Scr, Hex Hd SS 1/4-20 x 1.00
10	56003073	6	Scr, Hex Hd Loc 5/16-18 x 1.00
11	56003125	1	Scr, Hex Thd To Hd SS 1/4-20 x 1.50
12	56003003	4	Scr, Pan Phil 5/16-18 x .62
13	56003179	12	Scr, Hex Thd To Hd M8-1.25 x 20mm
14	56003389	12	Nut, Hex Nyl Loc M8-1.25
15	56009042	2	Scr, Pan Phil Thd Form 10-24 x .62
16	56009087	1	Nut, Hex Jam 1/4-20
17	56009214	1	Wsh, Flt .406 x .750 x .090
18	56479430	2	Bearing, Ball
19	56009289	1	Nut, U Multi-Thread 1/4-20
20	56026111	1	Term. Block, 4 Term. 50 Amp
21	56055658	2	Caster, Swivel
22	56212175	1	Motor, 36VDC 1/2HP
*	56026857	4	Carbon Brush
23	56396039	2	Clamp, Axle
24	56396022	1	Sprocket
25	56396267	1	Bracket, Tension-Traction Drive
26	56396276	1	Chain, #40
27	56396350	1	Wheel, 10.00 x 4.00
28	56396351	1	Axle
29	56397085	3	Bushing
30	56397184	2	Plate, Jumper
31	56397221	1	Cover, Front
32	56397281	1	Skirt, LH
33	56397282	1	Skirt, RH
34	56397501	1	Upper Chassis Weld't.
35	56397522	2	Spacer, Phenolic
36	56397548	1	Box, Batteries
37	56741122	1	Sprocket
38	56386407	2	Clip, Conduit
39	56900756	2	Clip, Conduit
40	56002701	4	Nut, Hex Nyl Loc 5/16-18
**	56396302	1	Kit, Parking Brake (All Models)
**	56396308	1	Kit, Industrial Bumper (I-MAX 28C, 32C)
**	56396318	1	Kit, Brush Click-Off 36V (All Models)
**	56396322	1	Kit, Industrial Bumper (CMAX 34ST)

* = Not Shown

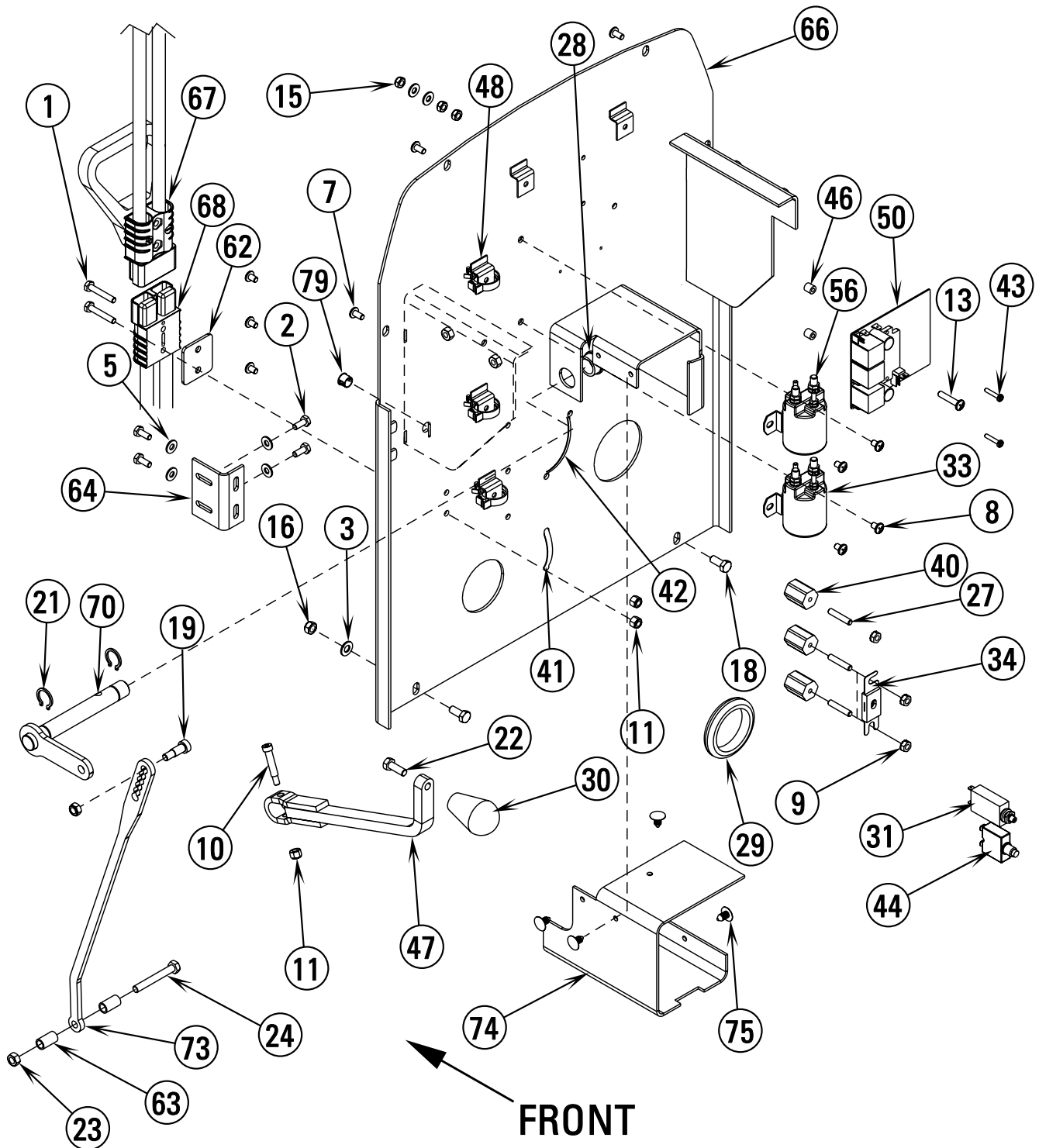
** = Optional



02-2	CONTROL / ELECTRICAL SYSTEM-1	BOOK E		
04-8	I-MAX™ 28C, 32C / CMAX™ 34ST / BA 750C	E	11.9.1	5

Item	Ref. No.	Qty	Description
4	56001967	4	Scr, Hex Hd 1/4-20 x 1.75
6	56002124	2	Scr, Pan Phil 10-24 x .62
12	56002768	2	Nut, Hex Nyl Loc 10-24
14	56002831	4	Scr, Pan Phil Blk 10-24 x .50
17	56002859	4	Wsh, Flt SAE SS 1/4
20	56003197	2	Scr, Pan Phil Plastite 6-18 x .62
25	56009055	4	Scr, Pan Phil 8-32 x .19
26	56009069	4	Scr, Pan Phil Loc 1/4-20 x .50
32	56393325	1	Bracket, Keylock
*	56393415	A/R	Replacement Key
36	56418199	2	Grommet
37	56456802	1	Barb, 90 Elbow 11/16 x 3/4NPT
38	56459367	1	Boot, Reset Button
39	56459369	1	Boot, Reset Button
45	56056596	1	Knob
51	56396149	1	Grommet
52	56396151	1	Gasket
53	56396199	1	Clamp, Plastic
54	56396204	1	Hose, PVC 1/4 x 3/8 x 48
55	56396252	1	Clip, Spring
57	56396297	1	Display Panel Assy
58	56396298	1	Paddle, Handle Assy
60	56396305	1	Switch, SPST Toggle (Main)
61	56397123	1	Potentiometer, 25K
65	56397504	1	Weld't, Panel Rear TSBUS2002-830
71	56397515	1	Cover, Rear
72	56397516	1	Control PCB Assy TSBUS2004-870
76	56900041	1	Plug, Cap
77	56396331	1	Wear Strip
78	56009036	4	Scr, Pan Phil Thd Form 8-32 x .25

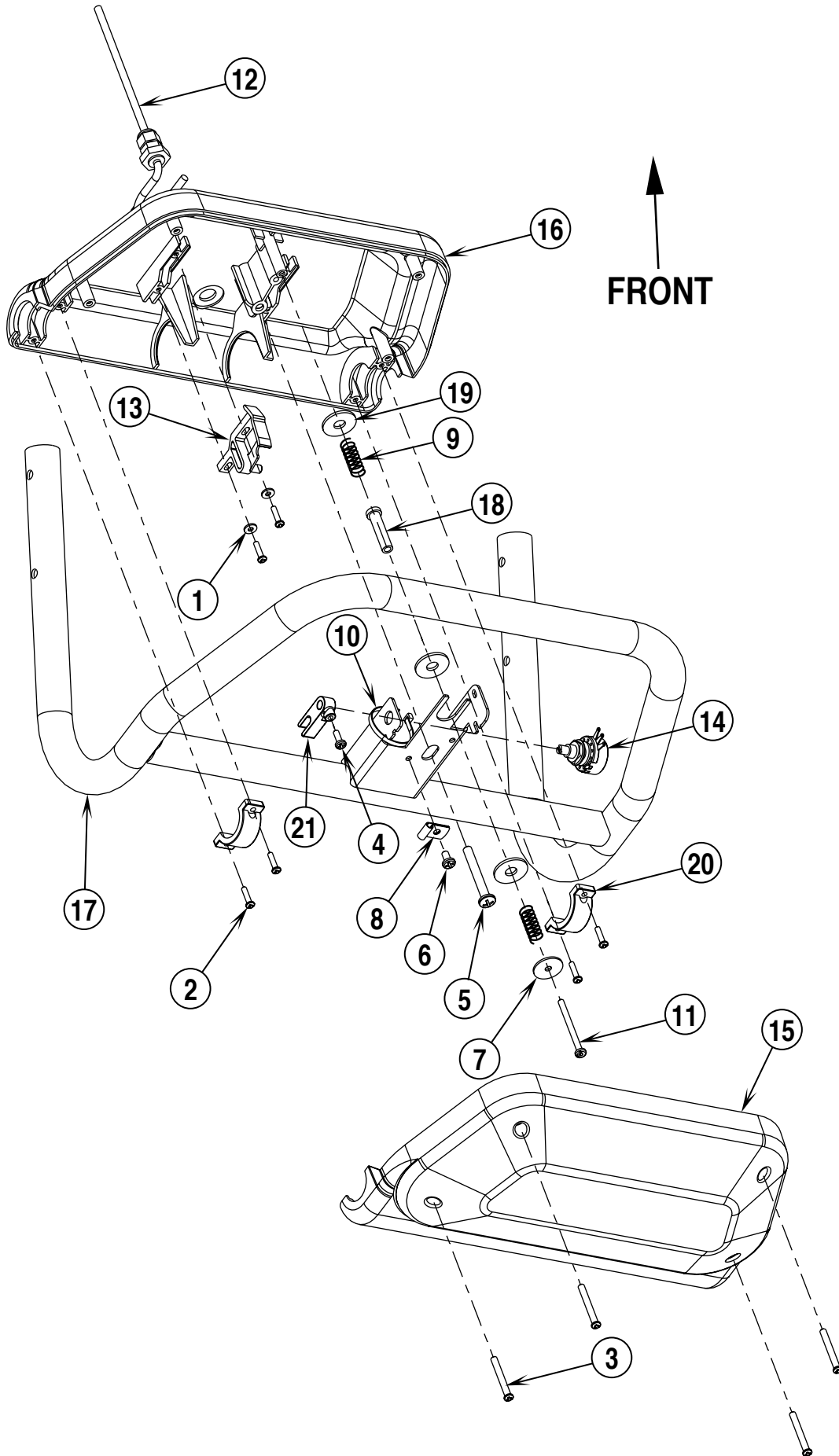
* = Not Shown



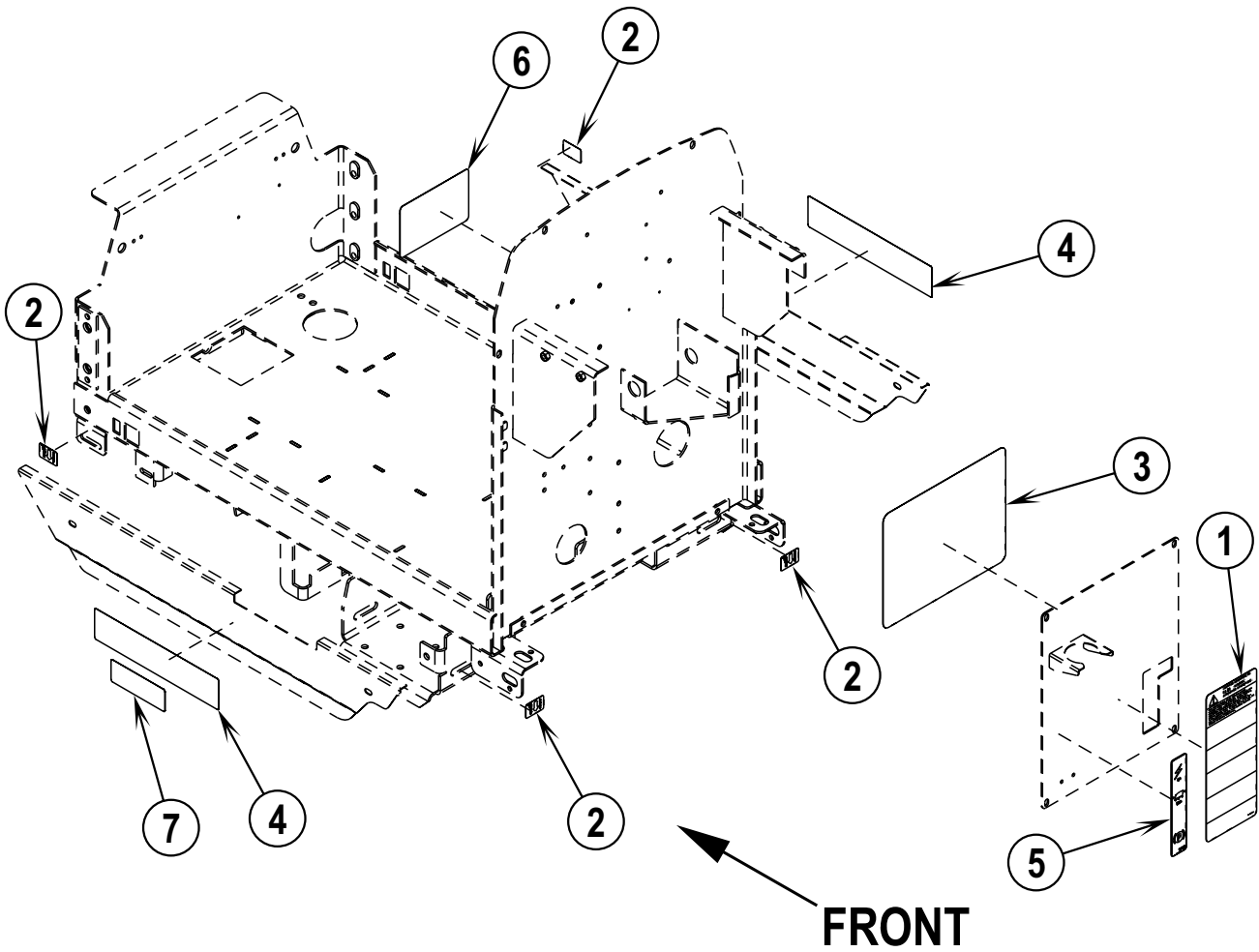
02-2	CONTROL / ELECTRICAL SYSTEM-2	BOOK E		
04-8	I-MAX™ 28C, 32C / CMAX™ 34ST / BA 750C	E	11.9.1	7

Item	Ref. No.	Qty	Description
1	56001833	2	Scr, Hex Hd 1/4-20 x 1.50
2	56001836	8	Scr, Hex Hd 1/4-20 x .62
3	56001939	2	Wsh, Flt SAE 5/16
5	56002098	10	Wsh, Flt SAE 1/4
7	56002145	4	Scr, Pan Phil 1/4-20 x .50
8	56002462	7	Scr, Pan Phil 1/4-20 x .38
9	56002561	3	Nut, Hex W/SHPRF 1/4-20
10	56002619	1	Scr, Soc Shd .31 x 1.25 x 1/4-20
11	56002708	3	Nut, Hex Nyl Loc 1/4-20
13	56002825	1	Scr, Pan Phil 1/4-20 x 1.25
15	56002840	3	Nut, Hex Nyl Loc-Thin 1/4-20
16	56002851	3	Nut, Hex Nyl Loc-Thin SS 5/16-18
18	56002956	2	Scr, Hex Hd Loc 5/16-18 x .75
19	56002962	1	Scr, Soc Shd .38 x .62 x 5/16-18
21	56003257	2	Ring, Ret Ext
22	56003335	1	Scr, Hex Loc SS 5/16-18 x .88
23	56003405	1	Nut, Hex Nyl Loc SS M8-1.25
24	56003464	1	Scr, Hex Hd SS M8-1.25 x 60mm
27	56009203	3	Stud, 1/4-20
28	56250414	2	Bearing, Flange
29	56262531	1	Grommet
30	56364527	1	Knob
31	56387328	1	Circuit Breaker, 5 Amp (Controls)
33	56395450		Contactor, 36V (Brush Motor)
34	56412089	1	Fuse, 150 Amp
40	56469858	3	Electrical Mount
41	56477613	1	Tie, Cable
42	56478523	1	Tie, Cable
43	56009034	2	Scr, Pan Phil Thd Form 8-32 x .88
44	56026198	1	Circuit Breaker, 30 Amp (Wheel Drive)
46	56057428	2	Spacer, Aluminum
47	56212035	1	Lift Lever Weld't.
48	56212190	3	Clip, Conduit
50	56393721	1	Control, DC Curtis
56	56395450	1	Contactor, 36V (Vac Motor)
62	56397189	1	Spacer
63	56397286	2	Spacer
64	56397291	2	Bracket
66	56397506	1	Weld't, Electrical Panel
67	56398000	1	Connector Assy TSBUS2003-841 (Connects to Batteries)
68	56397509	1	Connector Assy (Connects to Machine)
70	56397513	1	Weld't, Lift Shaft
73	56397532	1	Link, Squeegee Lift
74	56396324	1	Flap, Rubber
75	56212241	4	Clip, Panel
79	56323560	1	Plug, Cap
*	56456460	4	Cable Assy 4 x 12 (Battery Interconnect)
*	56416445	1	Cable Assy 4 AWG (Battery Interconnect)
*	56396304	1	Cable Assy 6 AWG
*	56372673	12	Boot, Battery Post
*	56478246	13	Tie, Cable
*	56396283	1	Harness, Main TSBUS2004-870

* = Not Shown

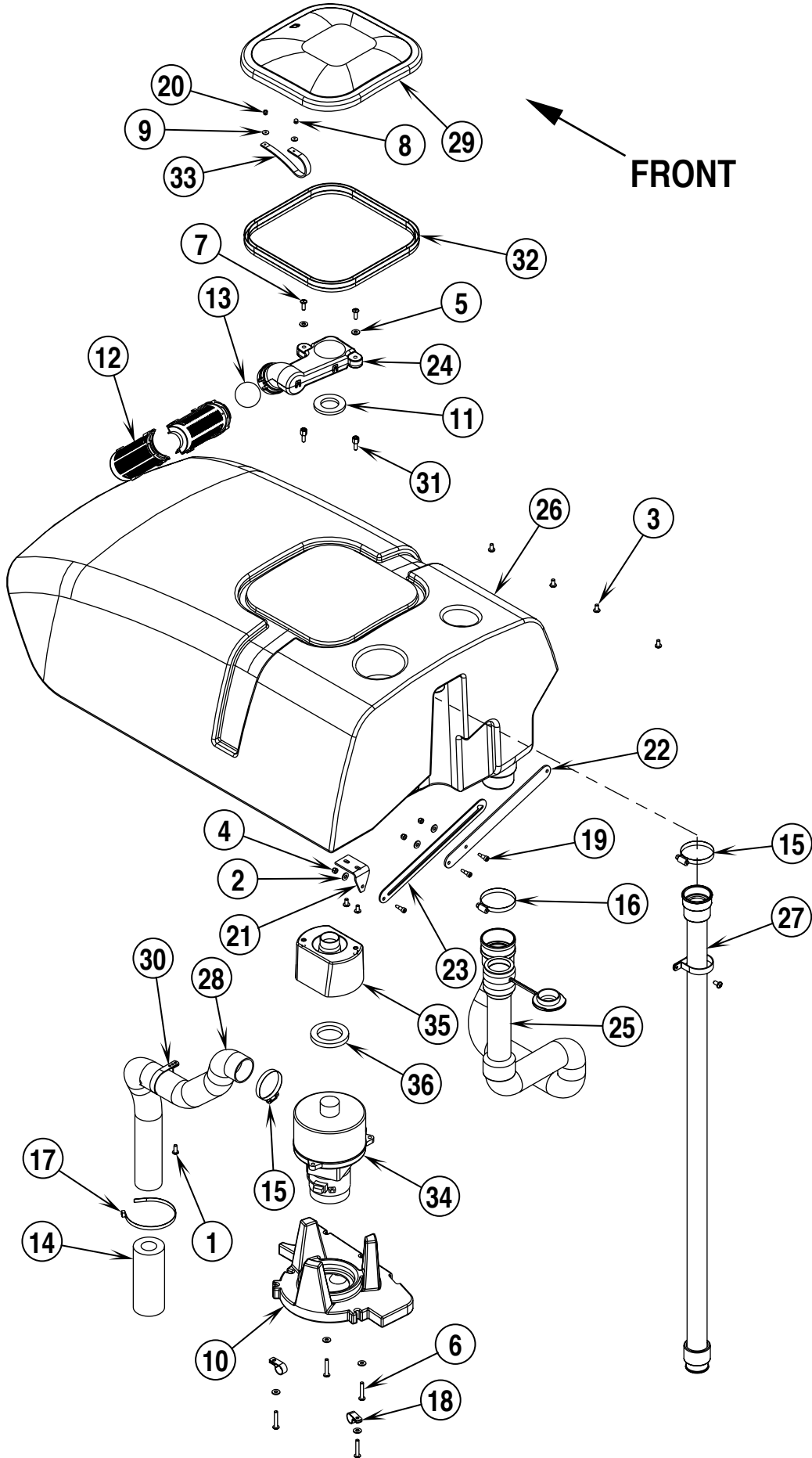


Item	Ref. No.	Qty	Description
	56396298	1	Paddle, Handle Assembly (#1-21)
1	56002006	2	Wsh, Flt SAE #6
2	56003197	6	Scr, Pan Phil Plastite 6-18 x .62
3	56003199	4	Scr, Pan Phil Plastite 8-15 x 1.50
4	56003354	1	Scr, Pan Phil M4 x 12
5	56003527	1	Scr, Pan Phil Plastite 1/4-10 x 2.00
6	56009030	1	Scr, Pan Phil Thd Form 10-24 x .38
7	56009096	1	Wsh, Flt .193 x .875 x .060
8	56220507	1	Clamp, P
9	56325654	2	Spring, Compression
10	56478246	1	Tie, Cable
11	56009287	1	Scr, Pan Phil Type B 8 x 2.00
12	56396299	1	Harness, Handle
13	56397015	1	Cam Controller
14	56397029	1	Potentiometer, 5K
15	56397030	1	Paddle, Front Molded
16	56397031	1	Paddle, Back Molded
17	56397034	1	Weldment, Handle
18	56397109	1	Sleeve
19	56397170	3	Washer, Plastic
20	56397171	2	Clamp
21	56397172	1	Potentiometer Fork



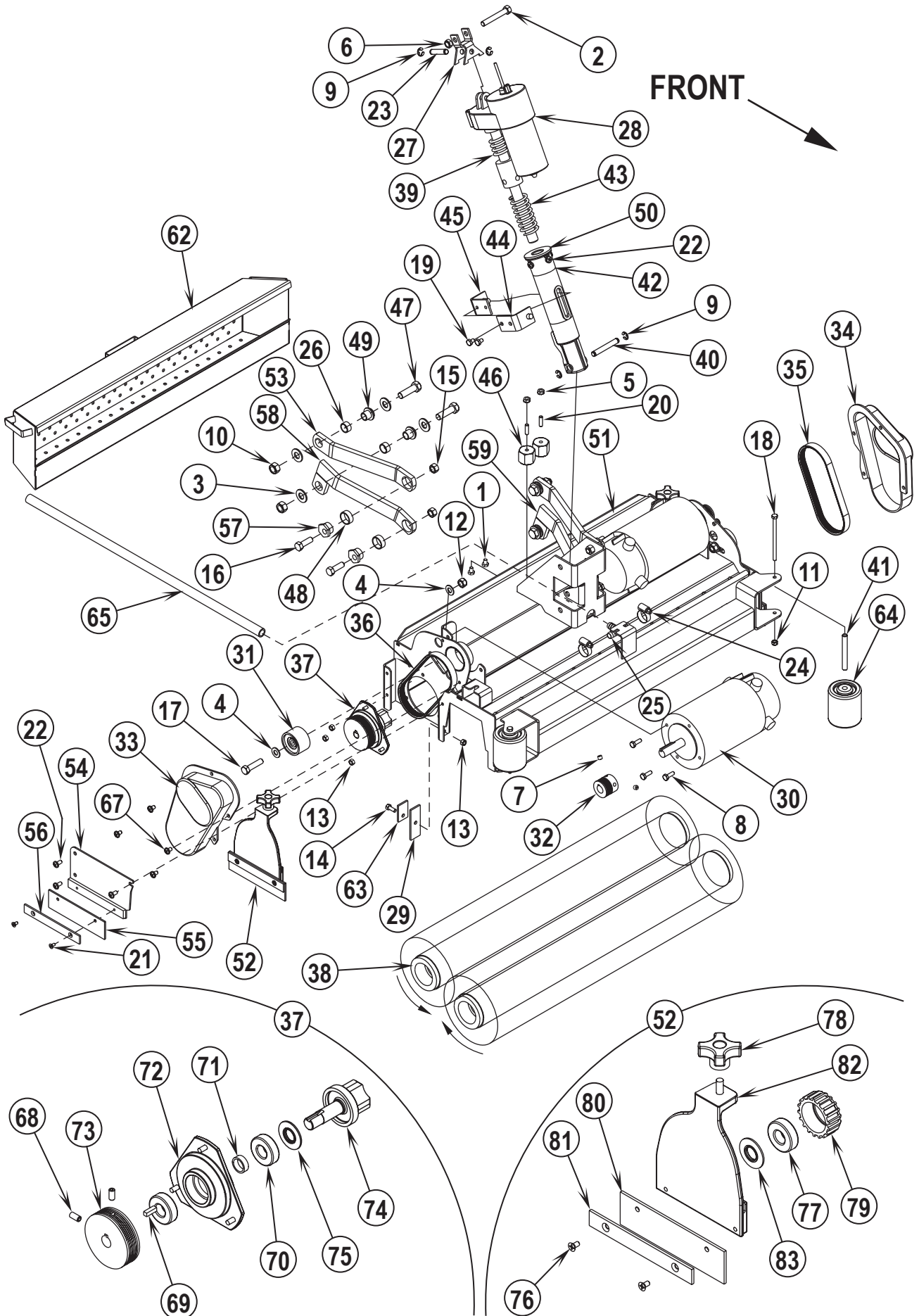
02-2	DECAL SYSTEM	BOOK E		
04-3	I-MAX™ 28C, 32C / CMAX™ 34ST / BA 750C	E	11.9.1	11

Item	Ref. No.	Qty	Description
1	56014601	1	Decal, Caution
2	56015370	4	Decal, Tie Down
3	56015048	1	Decal, Electrical Schematic
4	56015053	2	Decal, I-MAX 28C
	56015054	2	Decal, I-MAX 32C
	56015055	2	Decal, BA750C
	56016683	2	Decal, CMAX 34ST
5	56015061	1	Decal, Circuit Breaker
6	56016413	1	Decal, Battery Wiring
7	56016680	1	Decal, Smart Solutions (CMAX 34ST only)



Item	Ref. No.	Qty	Description
1	56001993	1	Scr, Pan Phil 10-24 X .50
2	56002098	3	Wsh, Flt Sae 1/4
3	56002145	7	Scr, Pan Phil 1/4-20 X .50
4	56002768	3	Nut, Hex Nyl Loc 10-24
5	56002859	6	Wsh, Flt Sae SS 1/4
6	56002905	4	Scr, Pan Phil SS 1/4-20 X 1.50
7	56003067	2	Scr, Pan Phil SS 1/4-20 X 1.00
8	56003293	1	Rivot, Pop A/S .125 x .38/.50
9	56009098	2	Wsh, Flt SS .125 x .500 x .036
10	56302141	1	Vac Motor Duct
11	56302165	1	Gasket
12	56324497	2	Cage, Float
13	56391690	1	Ball, Float
14	56391807	1	Foam, Acoustical
15	56440213	2	Clamp, Hose SAE #32
16	56456797	1	Clamp, Hose SAE #36
17	56477613	1	Tie, Cable
18	56486112	2	Clamp, P
19	56003537	3	Scr, Soc Shd .25 x .38 x 10-24
20	56003642	1	Rivot, Pop .500 x .625
21	56057504	1	Bracket, Steel
22	56057505	1	Bar
23	56057508	1	Bar, Steel
24	56302142	1	Float Duct
25	56396031	1	Drain Hose
26	56396225	1	Tank, Recovery (Advance)
	56397534	1	Tank, Recovery (Nilfisk)
27	56396287	1	Vac Hose
28	56397040	1	Vacuum Exhaust Hose
29	56397045	1	Lid
30	56397095	2	Clamp, Hose
31	56397096	2	Spacer Bolt
32	56397151	1	Gasket
33	56397167	1	Strap, Retaining
34	56397228	1	Motor, Vac 36VDC
*	56212223	1	Carbon Brush Set
35	56397303	1	Spacer, Vac Motor
36	56397307	1	Gasket, Vac

* = Not Shown

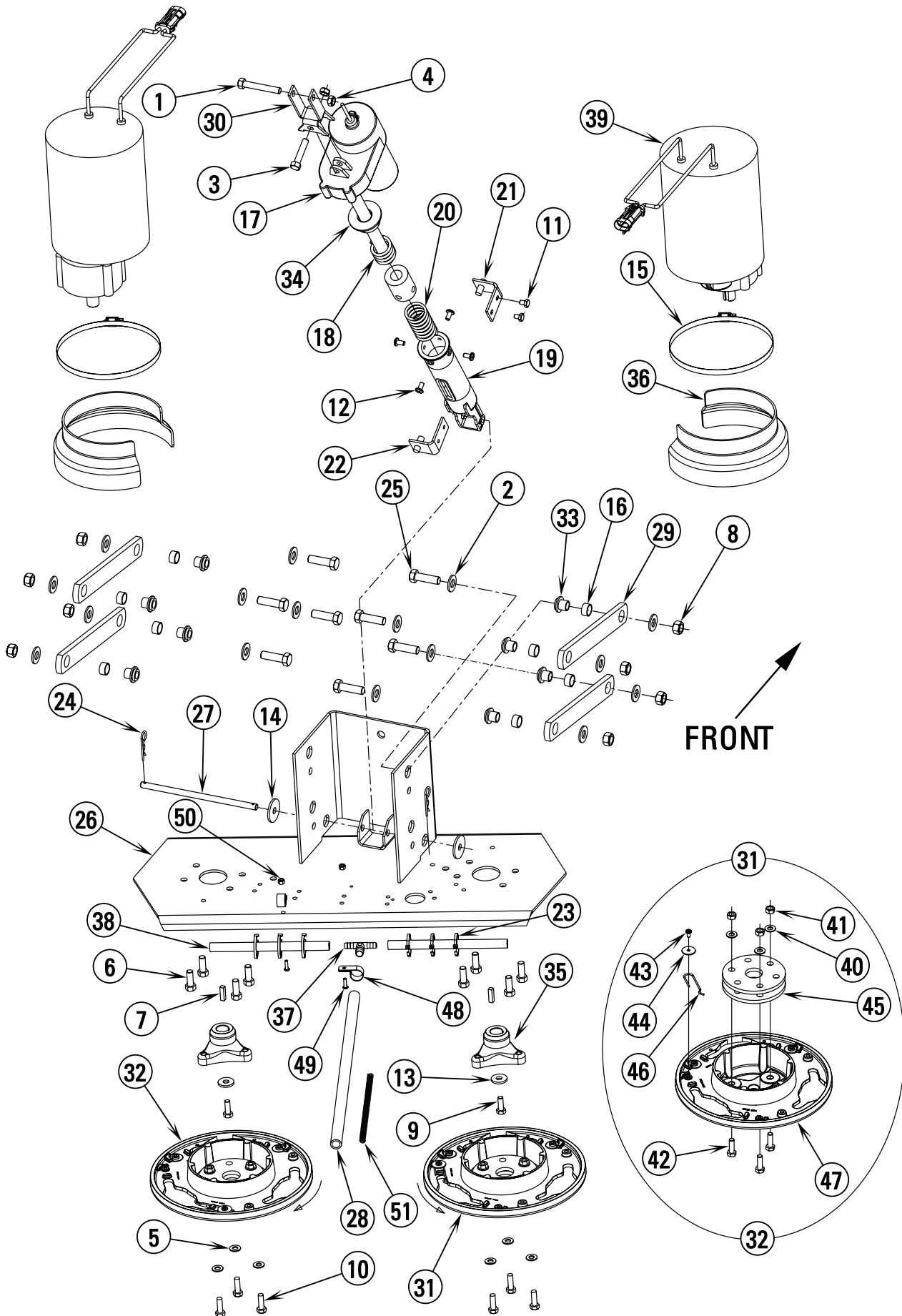


02-2	SCRUB SYSTEM-CYLINDRICAL	BOOK E		
05-8	I-MAX™ 28C, 32C / CMAX™ 34ST / BA 750C	E	11.9.1	15

Item	Ref. No.	Qty	Description	Item	Ref. No.	Qty	Description
1	56001861	2	Scr, Hex Hd 1/4-20 x .38	46	56469858	2	Standoff, Insulated
2	56001873	1	Scr, Hex Hd 3/8-16 x 2.50	47	56003637	4	Scr, Hex M12-1.75 x 40mm
3	56001879	8	Wsh, Flt SAE 1/2	48	56250694	4	Bearing, Sleeve
4	56002063	4	Wsh, Flt SAE 3/8	49	56396196	4	Bushing
5	56002561	2	Nut, Hex W/SHPRF 1/4-20	50	56396268	1	Spring Housing Guide
6	56002841	1	Nut, Hex Nyl Loc-Thin 3/8-16	51	56397410	1	Housing Weld't. 28"
7	56002086	4	Scr, Soc Set Loc 5/16-18 x .25		56397425	1	Housing Weld't. 32"
8	56002948	6	Scr, Hex Hd Loc 1/4-20 x .75	52	56397444	2	Idler End Assy (#76-83) TSBUS2002-821
9	56003262	4	Ring, Ret Ext Type E .38 dia.	53	56397412	2	Arm
10	56003312	4	Nut, Hex Nyl Loc M12-1.75	54	56397413	2	Skirt Plate Weld't.
11	56003403	2	Nut, Hex Nyl Loc M6-1.00	55	56397414	2	Blade
12	56003406	2	Nut, Hex Nyl Loc M10-1.50	56	56397415	2	Strap
13	56003426	8	Nut, Hex Nyl Loc SS M6-1.00	57	56397430	4	Bushing, Offset
14	56003431	2	Scr, Hex Hd SS M6-1.00 x 16mm	58	56397431	1	Arm Weld't, Right
15	56003438	4	Nut, Hex Nyl Loc SS M10-1.50	59	56397432	1	Arm Weld't, Left
16	56003439	4	Scr, Hex Hd SS M10-1.50 x 30mm	60	56397439	1	Cable Assy, WHT 8 x 18 (Not Shown)
17	56003491	2	Scr, Hex M10-1.50 x 40mm	61	56397440	1	Cable Assy, BLK 8 x 18 (Not Shown)
18	56003492	2	Scr, Hex M6-1.00 x 95mm	62	56397442	1	Hopper Weld't. 28"
19	56009019	2	Scr, Hex Thd Form 1/4-20 x .38		56397443	1	Hopper Weld't. 32"
20	56009020	2	Stud	63	56410214	2	Strap
21	56009040	4	Scr, Flt Phil Thd Form 10-24 x .38	64	56412459	2	Wheel
22	56009062	10	Scr, Pan Phil Thd Form 1/4-20 x .50	65	56397599	1	Hose PVC Clear
23	56104760	1	Pin	66			Intentionally Omitted
24	56219932	2	Clamp, Hose SAE #6	67	56003603	8	Scr, Pan Phil Thd Form 1/4-20 x .38
25	56262549	1	Tee, Barb				Drive End Assembly - NOTE #1
26	56370878	4	Bearing, Sleeve	68	56002119	2	Scr, Soc Set Loc 1/4-20 x .50 TSBUS2002-821
27	56392454	1	Yoke, Actuator	69	56003237	1	Key, Sq .19 x .62 TSBUS2002-821
28	56393303	1	Actuator, Motor TSBUS2004-870	70	56106070	2	Bearing, Ball TSBUS2002-821
*	56393790	2	Limit Switch	71	56407389	1	Spacer TSBUS2002-821
*	56470433	1	Carbon Brush Kit	72	56314405	1	Bearing Plate TSBUS2002-821
*	56388520	1	Plastic Nut	73	56407442	1	Sheave, Poly-V TSBUS2002-821
29	56407391	2	Blade	74	56407557	1	Spindle TSBUS2002-821
30	56407431	2	Motor, 36VDC, .75HP	75	56407558	1	Washer, Bearing TSBUS2002-821
	56417489	1	Armature				Idler End Assembly - NOTE #2
	56407490	1	Bearing (2 required per motor)	76	56009040	2	Scr, Flt Phil Thd Form 10-24 x.38 TSBUS2002-821
	56407492	1	Brush Cap Assembly	77	56106070	1	Bearing, Ball TSBUS2002-821
	56407493	4	Brush Assembly	78	56407303	1	Knob TSBUS2002-821
	56407494	4	Brush Cover Cap	79	56407551	1	Hub TSBUS2002-821
31	56407432	2	Idler, Belt	80	56397414	1	Blade TSBUS2002-821
32	56407433	2	Sheave, Poly-V	81	56397415	1	Strap TSBUS2002-821
33	56407434	1	Guard, Right Belt	82	56315447	1	Idler Bearing Plate TSBUS2002-821
34	56407435	1	Guard, Left Belt	83	56407558	1	Washer, Bearing TSBUS2002-821
35	56407465	1	Belt, Poly-V 180J6	**	56412191	2	Cyl. Brush Soft Nylon 28"
36	56407466	1	Belt, Poly-V 190J6	**	56412192	2	Cyl. Brush Hard Nylon 28"
37	56407559	2	Drive End Assy (#68-75) TSBUS2002-821	**	56412193	2	Cyl. Brush 180 Grit 28"
				**	56412194	2	Cyl. Brush 80 Grit 28"
38	56412046	2	Brush, Polypropylene 28"	**	56412195	2	Cyl. Brush 46 Grit 28"
	56407475	2	Brush, Polypropylene 32"	**			
39	56412071	1	Compression Spring	**	56407473	2	Brush, Soft Nylon 32"
40	56412088	1	Pin	**	56407474	2	Brush, Hard Nylon 32"
41	56412176	2	Bushing	**	56407476	2	Brush, 180 Grit 32"
42	56412262	1	Housing, Spring TSBUS2002-811	**	56407477	2	Brush, 80 Grit 32"
43	56420018	1	Compression Spring	**	56407478	2	Brush, 46 Grit 32"
44	56420019	1	Nut Retainer				
45	56420020	1	Nut Retainer				

* = Not Shown
** = Not Included (Optional)

NOTE #1: All quantities are for one assembly, there are two of these assemblies on the machine.
NOTE #2: All quantities are for one assembly, there are two of these assemblies on the machine.



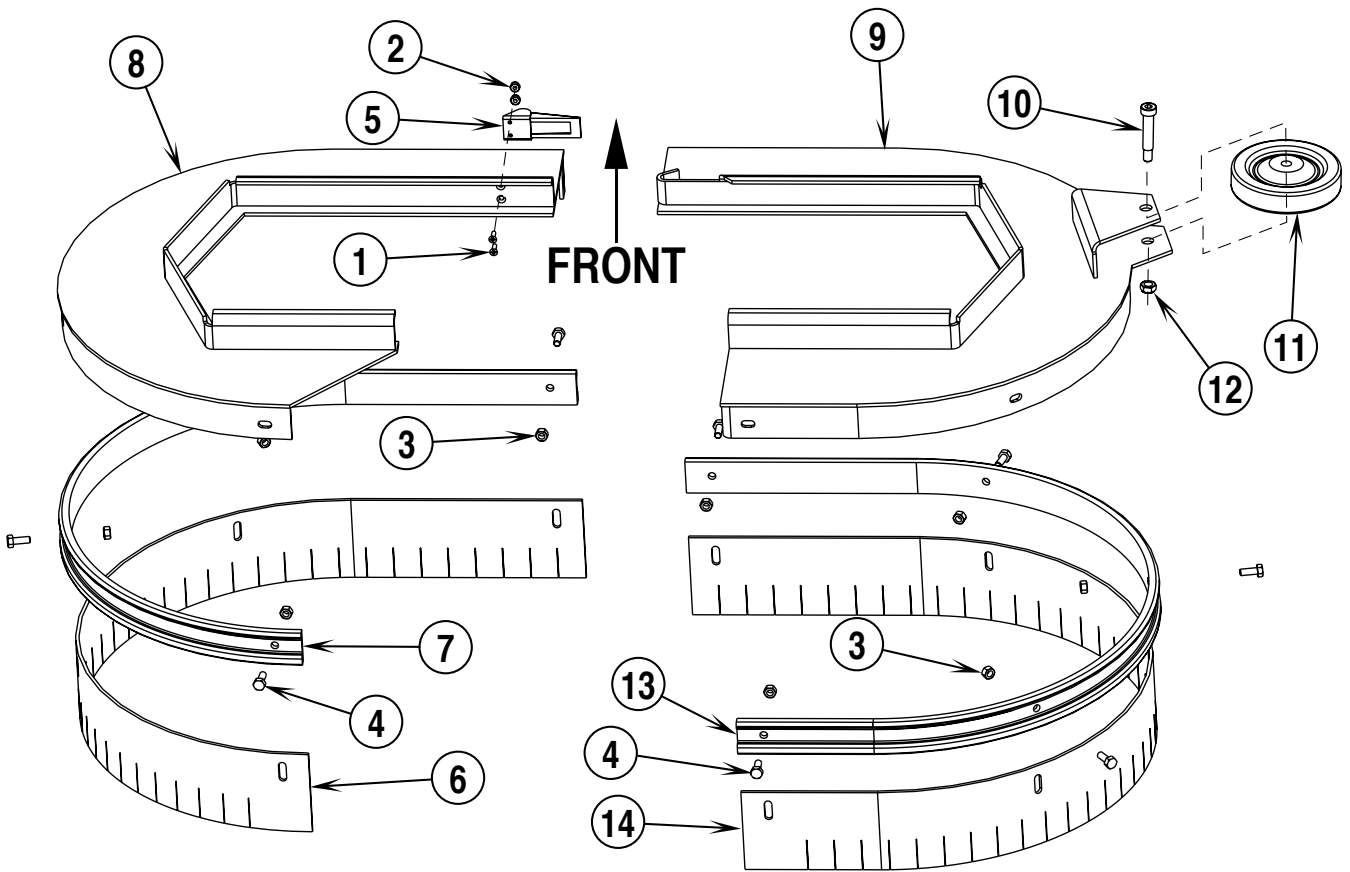
02-2	SCRUB SYSTEM-DISK	BOOK E		
04-8	I-MAX™ 28C, 32C / CMAX™ 34ST / BA 750C	E	11.9.1	17

Item	Ref. No.	Qty	Description	Item	Ref. No.	Qty	Description
1	56001873	1	Scr, Hex Hd 3/8-16 x 2.50	31	56396080	1	Lug, Counter-Clockwise (#40-47)
2	56001879	16	Wsh, Flt SAE 1/2	32	56396081	1	Lug, Clockwise (#40-47)
3	56002684	1	Scr, Hex Hd 3/8-16 x 1.75	33	56396196	8	Bushing
4	56002841	2	Nut, Hex Nyl Loc-Thin 3/8-16	34	56396268	1	Spring Housing Guide
5	56002938	6	Wsh, Flt SAE SS 5/16	35	56314031	2	Hub, Drive
6	56002947	8	Scr, Hex Hd Loc 3/8-16 x 1.00	36	56397112	2	Shroud, Motor
7	56003244	2	Key, Sq .25 x .94	37	56397300	1	Tee, Barb
8	56003312	8	Nut, Hex Nyl Loc M12-1.75	38	56397301	2	Hose, PVC
9	56003335	2	Scr, Hex Loc SS 5/16-18 x .88	39	56635645	2	Motor, 36VDC, 75HP
10	56003477	6	Scr, Hex Loc SS M8-1.00 x 25mm	*	56397090	1	Bearing B.E.
11	56009019	2	Scr, Hex Thd Form 1/4-20 x .38	*	56397135	1	Bearing F.E.
12	56009062	4	Scr, Pan Phil Thd Form 1/4-20 x .50	*	56397048	1	Brush Board Assy, W/Springs & Brushes
13	56009107	2	Wsh, Flt SS .378 x 1.00 x .120	*	56397138	4	Brush Spring
14	56009242	2	Wsh, Flt .406 x 1.50 x .125	*	56039276	4	Brush Assy
15	56355488	2	Clamp, Hose SAE #96				Lug Assemblies - NOTE #1
16	56370878	8	Bearing, Sleeve	40	56002938	3	Wsh, Flt SAE SS 5/16
17	56393303	1	Actuator, Motor TSBUS2004-870	41	56003405	3	Nut, Hex Nyl Loc SS M8-1.25
*	56393790	2	Limit Switch	42	56003436	3	Scr, Hex Hd SS M8-1.25 x 25mm
*	56470433	1	Carbon Brush Kit	43	56009030	1	Scr, Pan Phil Thd Form 10-24 x .38
*	56388520	1	Plastic Nut	44	56009096	1	Wsh, Flt .193 x .875 x .060
18	56412071	1	Compression Spring	45	56407053	2	Thermoid Disk
19	56412262	1	Housing, Spring TSBUS2002-811	46	56397081	1	Spring Retainer
20	56420018	1	Compression Spring	47	56314030	1	Brush Holder
21	56420019	1	Nut Retainer	48	56328064	2	Clamp, P
22	56420020	1	Nut Retainer	49	56003001	2	Scr, Pan Phil SS 8-32 x .62
23	56478246	6	Tie, Cable	50	56002808	2	Nut, Hex Nyl Loc 8-32
24	56003120	2	Pin, Cotter Hair .0915 x .375	51	56373686	2	Spring, Compression
25	56003637	8	Scr, Hex M12-1.75 x 40mm				(insert springs into hose item #28)
26	56035078	1	Weld't, Brush Head				
27	56056474	1	Shaft, Steel	**	56505780	2	Pad Holder
28	56172099	1	Hose, PVC Clear	**	56505781	2	MagnaGrit Brush
29	56396045	4	Arm	**	56505782	2	DynaGrit Brush
30	56396066	1	Yoke, Actuator	**	56505783	2	AgLite Grit Brush
				**	56505784	2	Prolene Brush
				**	56505785	2	ProLite Brush
				**	56505786	2	Union Mix Brush
				**	56505787	2	MidGrit Brush
				**	56505788	2	MidLite Brush
				**	56182058	2	Lock Collar, Snap
				**	56393567	2	Lock Collar, Thrd

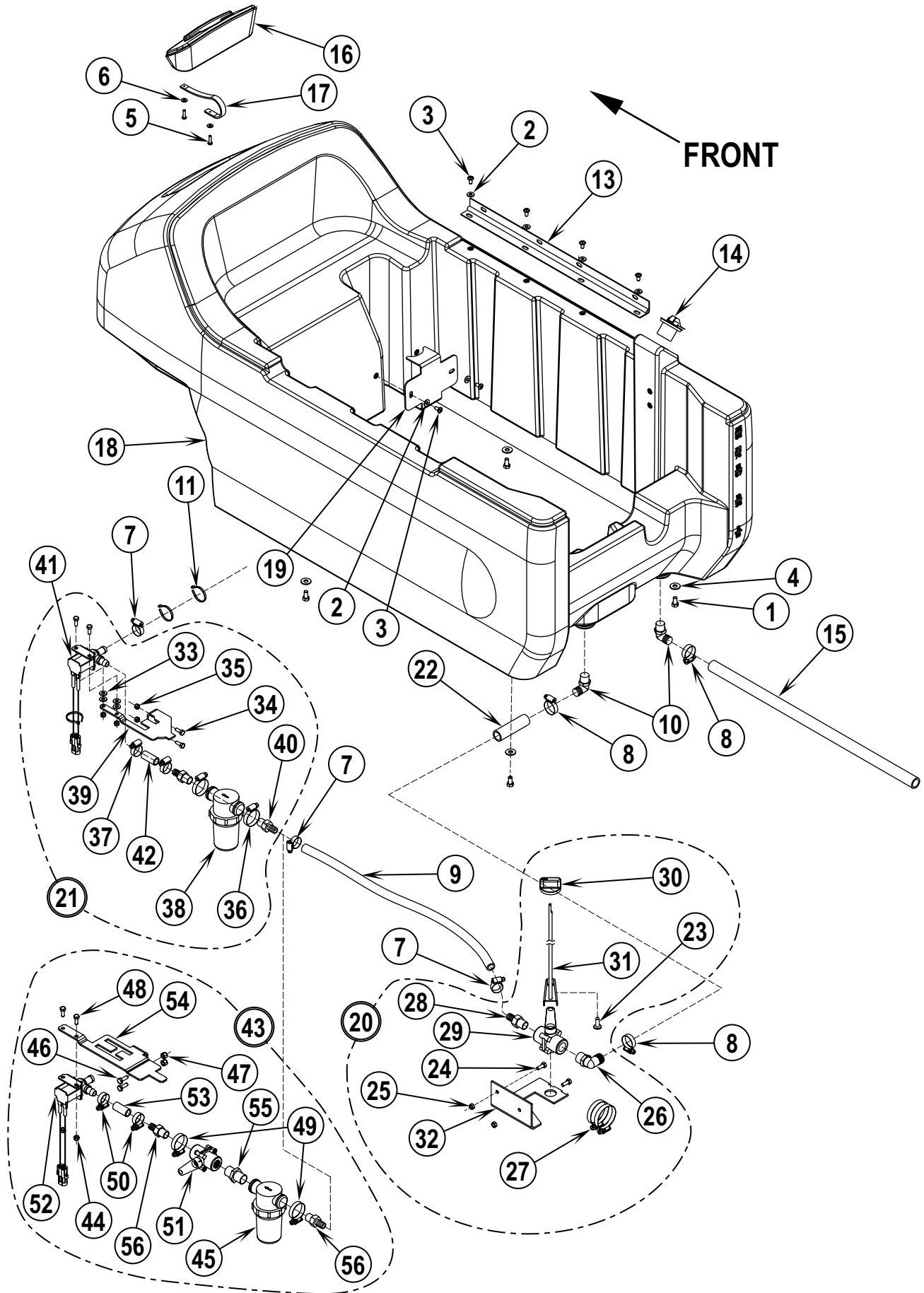
* = Not Shown

** = Not Included (optional)

NOTE #1: All quantities are for one assembly, there are two lug assemblies on the machine.



Item	Ref. No.	Qty	Description
	56397510	1	Assembly, Brush Guard Left (#1-8)
	56397511	1	Assembly, Brush Guard Right (#3, 4, 9-14)
1	56002816	2	Scr, Flt Phil 6-32 x .50
2	56002907	2	Nut, Hex Nyl Loc SS 6-32
3	56003426	9	Nut, Hex Nyl Loc SS M6-1.00
4	56003431	9	Scr, Hex Hd SS M6-1.00 x 16mm
5	56471194	1	Latch Assembly
6	56397019	1	Blade, Left
7	56397055	1	Channel, Left
8	56397531	1	Weld't, Brush Cover Left
9	56397536	1	Weld't, Brush Cover Right
10	56002625	1	Scr, Soc Shd .38 x 1.50 x 5/16-18
11	56228102	1	Wheel
12	56002826	1	Nut, Hex Nyl Loc-Thin 5/16-18
13	56397044	1	Channel, Right
14	56397014	1	Blade, Right

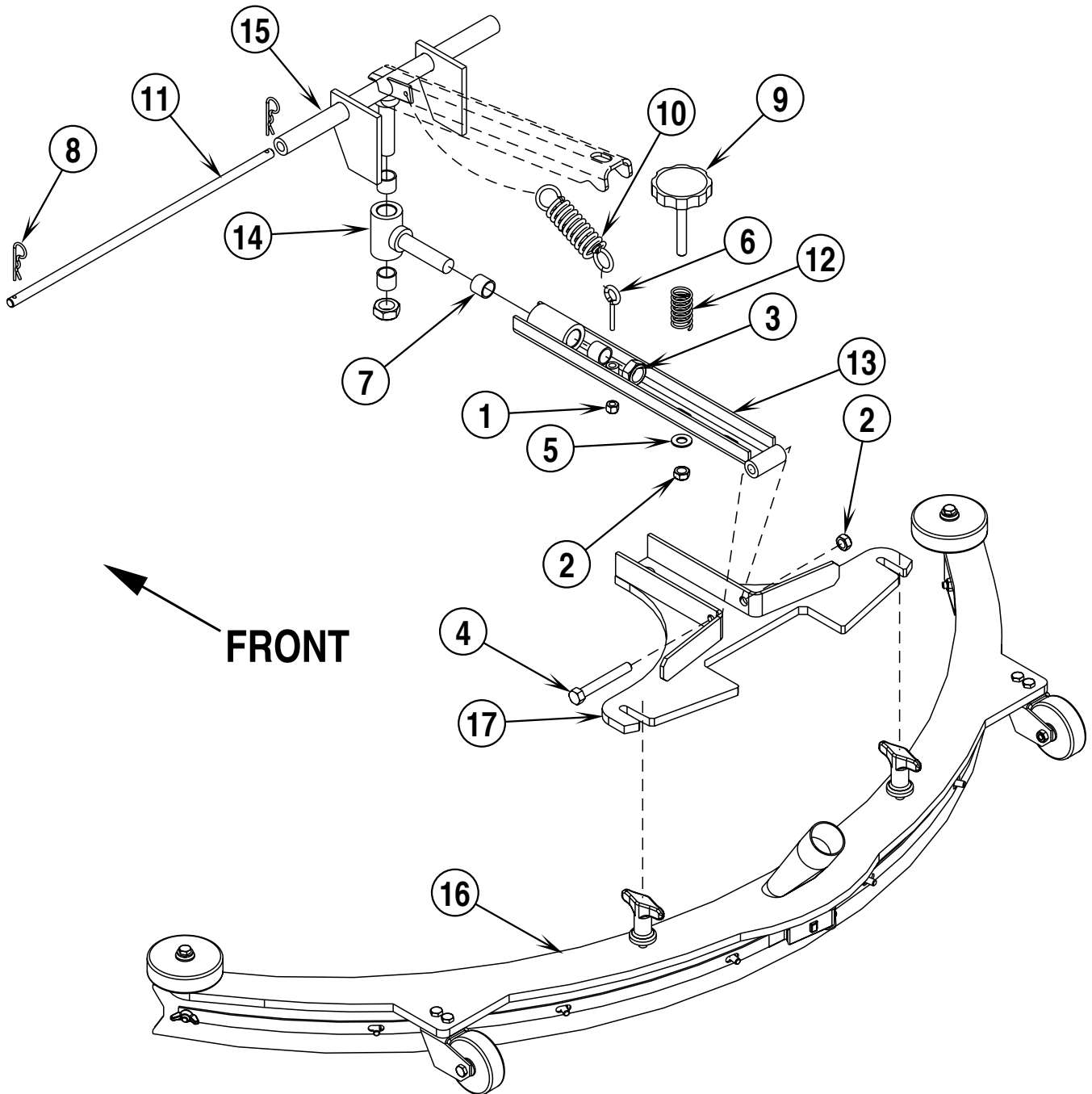


02-2	SOLUTION SYSTEM	BOOK E		
04-3	I-MAX™ 28C, 32C / CMAX™ 34ST / BA 750C	E	11.9.1	21

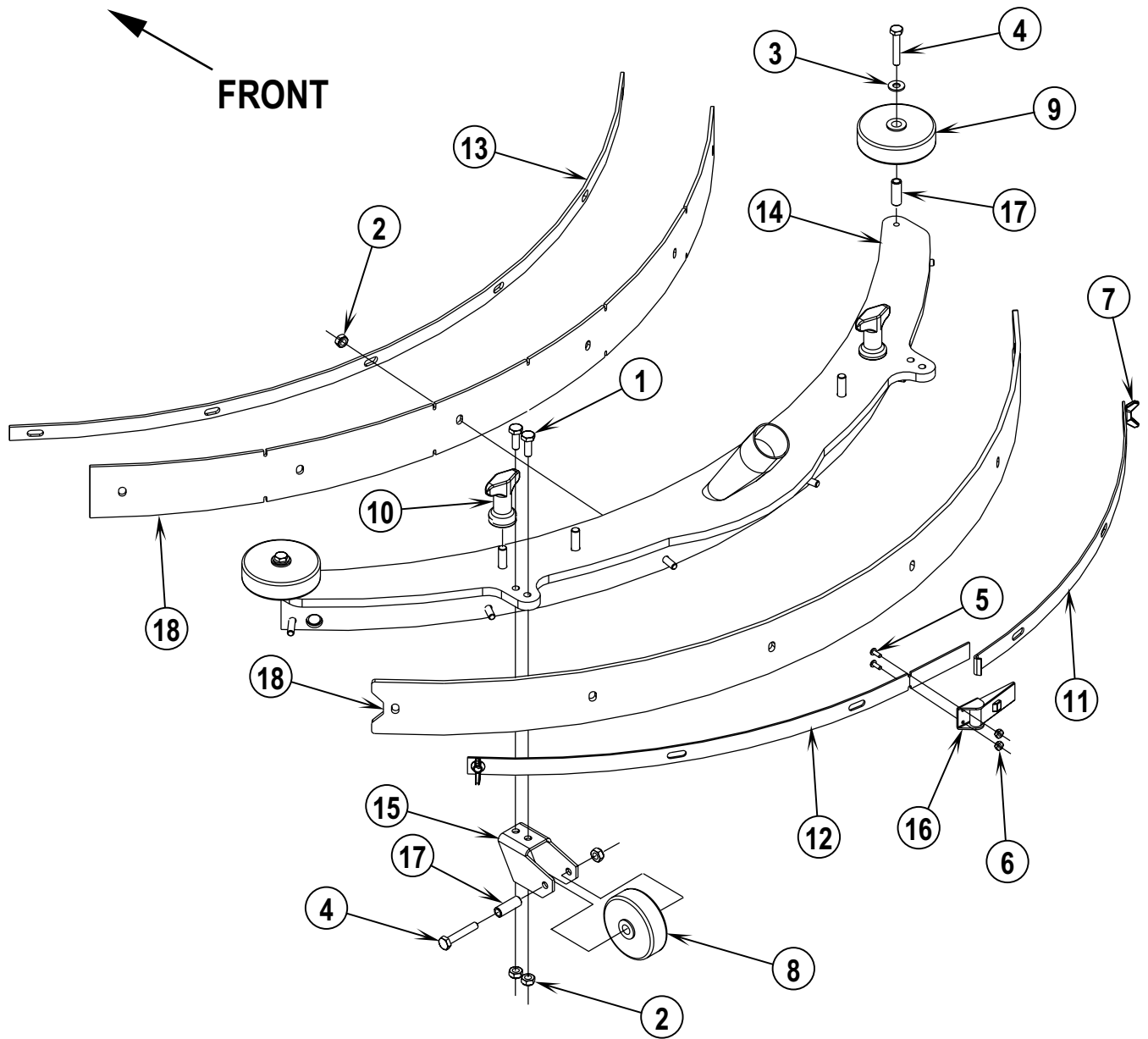
Item	Ref. No.	Qty	Description	Item	Ref. No.	Qty	Description
1	56002035	4	Scr, Hex Hd 5/16-18 x .62	43	56397496	1	Assembly, Filter (#44-56) NOTE 2
2	56002098	6	Wsh, Flt SAE 1/4	44	56003403	2	Nut, Hex Nyl Loc M6-1.00
3	56002145	6	Scr, Pan Phil 1/4-20 x .50	45	56412173	1	Solution Filter
4	56002220	4	Wsh, Flt STD 5/16	46	56002155	2	Scr, Hex Hd 1/4-20 x .75
5	56009005	2	Scr, Pan Phil SS Type B 10-16 x .75	47	56002708	2	Nut, Hex Nyl Loc 1/4-20
6	56009205	2	Wsh, Flt SS #10	48	56003174	2	Scr Hex Thd To Hd M6-1.0 x 16mm
7	56219932	3	Clamp, Hose SAE #6	49	56131601	2	Clamp, Hose SAE #16
8	56244969	3	Clamp, Hose SAE #12	50	56219932	2	Clamp, Hose SAE #6
9	56324249	1	Hose, Spiral .50 NOTE 1	51	56396508	1	Valve, Solution
	56172099	1	Hose, Clear .500 x 18" NOTE 2	52	56397215	1	Solenoid Valve Assy. 36V
10	56456802	2	Barb, 90 Elbow 11/16 x 3/4NPT	53	56397217	1	Hose, PVC Clear
11	56478246	3	Tie, Cable	54	56397495	1	Bracket, Filter
12	56051836	1	Hook (Not Shown)	55	56412182	1	Nipple, Hex 3/4-14
13	56056291	1	Hinge	56	56412184	2	Barb, Adapter 1/2 x 1/2 NPT
14	56057852	1	Plug, Expansion				
15	56261265	1	Hose, .75 Clear PVC, 25.00				
16	56397021	1	Lid, Solution				
17	56397167	1	Strap, Retaining				
18	56397220	1	Tank, Solution				
19	56397287	1	Bracket				
20	56397524	1	Water Valve Assy (#23-32)				
21	56397533	1	Assy, Filter 36V (#33-42) TSBUS2003-835 NOTE 1				
	56397214	1	Assy, Filter 36V (#33-42) TSBUS2003-835 NOTE 1				
22	56397540	1	Hose, .75				
			Water Valve Assembly				
23	56003119	1	Scr, Pan Phil SS 1/4-20 x .50				
24	56003174	2	Scr, Hex Thd To Hd M6-1.00 x 16mm				
25	56003403	2	Nut, Hex Nyl Loc M6-1.00				
26	56244985	1	Barb, 90 Elbow 3/4 x 1/2NPT				
27	56329145	2	Clamp, Hose SAE #24				
28	56412184	1	Barb, Adapter 1/2 x 1/2NPT				
29	56057830	1	Valve, Ball				
30	56396201	1	Knob				
31	56396310	1	Flow Valve Weld't.				
32	56397526	1	Bracket, Valve				
			Filter Assembly				
33	56002098	4	Wsh, Flt SAE 1/4				
34	56003174	4	Scr, Hex Thd To Hd M6-1.00 x 16mm				
35	56003403	4	Nut, Hex Nyl Loc M6-1.00				
36	56131601	2	Clamp, Hose SAE #16				
37	56219932	2	Clamp, Hose SAE #6				
38	56260905	1	Strainer TSBUS2003-835				
	56412173	1	Solution Filter TSBUS2003-835				
39	56396068	1	Filter Bracket				
40	56397145	2	Barb, Hose Female TSBUS2003-835				
	56412184	2	Barb, Adapter 1/2 x 1/2NPT TSBUS2003-835				
41	56397215	1	Solenoid Valve Assy, 36V				
42	56396330	1	Hose, PVC Clear TSBUS2003-835				
	56397217	1	Hose, PVC Clear TSBUS2003-835				

NOTE 1: Used on all cylindrical models and CMAX 34ST before SN 1735134.

NOTE 2: Only used on CMAX 34ST after SN 1735133.



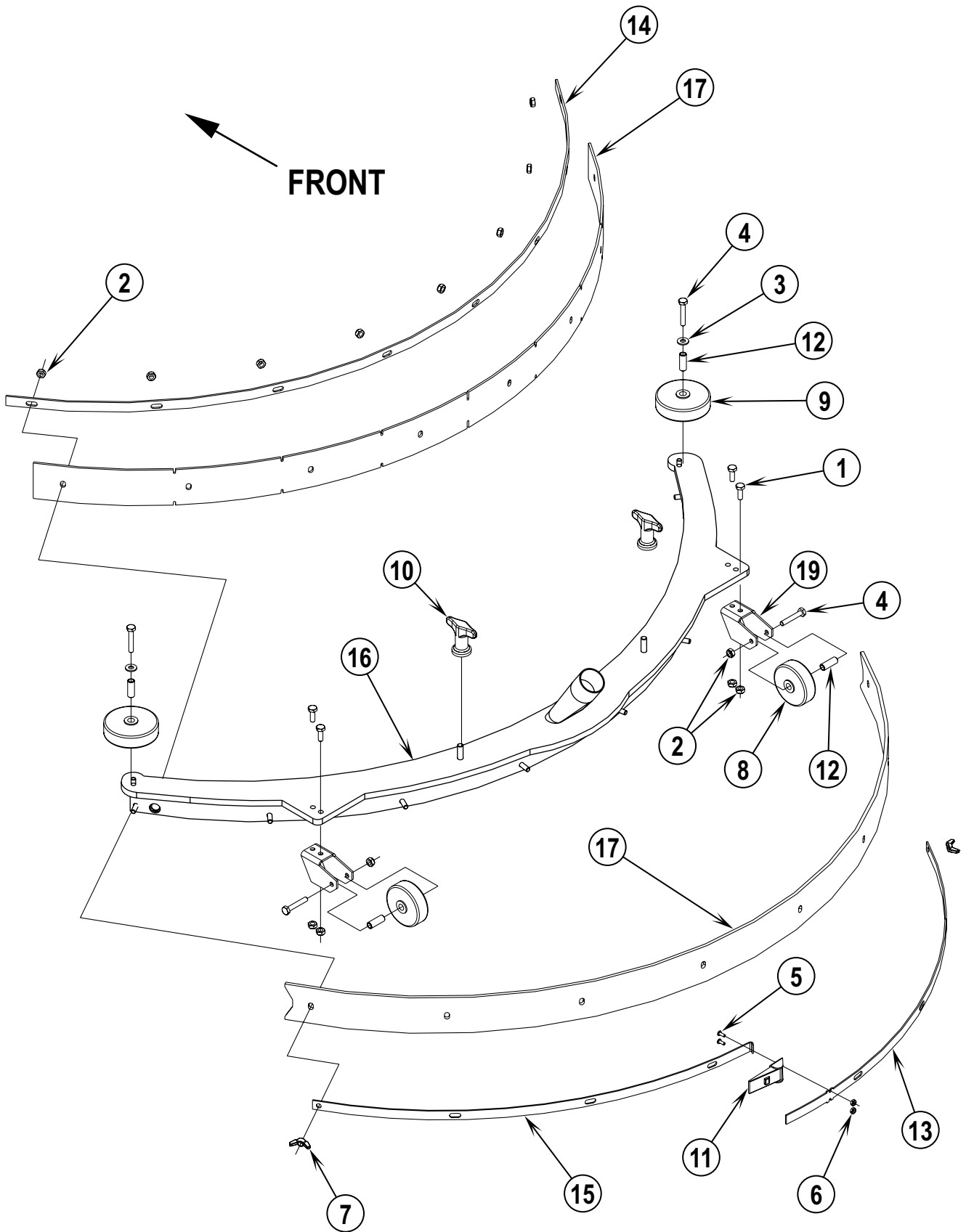
Item	Ref. No.	Qty	Description
1	56002708	1	Nut, Hex Nyl Loc 1/4-20
2	56002852	2	Nut, Hex Nyl Loc-Thin SS 3/8-16
3	56002855	2	Nut, Hex Nyl Loc-Thin SS 5/8-11
4	56002903	1	Scr, Hex Hd SS 3/8-16 x 2.75
5	56002910	1	Wsh, Flt SAE SS 3/8
6	56009220	1	Bolt, Eye 1/4-20 x 1.38
7	56367389	4	Bearing, Sleeve
8	56003120	2	Pin, Cotter Hair .0915 x .375
9	56035163	1	Adjustment Knob Assy
10	56051136	1	Spring, Ext.
11	56056371	1	Shaft .375 x 14.62
12	56056585	1	Compression Spring
13	56396076	1	Squeegee Bar Weld't.
14	56396085	1	Squeegee Pivot Weld't.
15	56397093	1	Squeegee Lift Weld't.
16	56391281	1	Squeegee Assy (BA 750C)
	56396132	1	Squeegee Assy (I-MAX 28C)
	56397227	1	Squeegee Assy (I-MAX 32C)
	56397349	1	Squeegee Assy (CMAX 34ST)
17	56397356	1	Mounting Plate Weld't.



02-2	SQUEEGEE ASSEMBLY-I-MAX 28C / BA 750C	BOOK E		
04-3	I-MAX™ 28C, 32C / CMAX™ 34ST / BA 750C	E	11.9.1	25

Item	Ref. No.	Qty	Description
	56391281	1	Squeegee Assy (BA 750C)
	56396132	1	Squeegee Assy (I-MAX 28C)
1	56002807	4	Scr, Hex Hd SS 1/4-20 x .75
2	56002850	12	Nut, Hex Nyl Loc-Thin SS 1/4-20
3	56002859	2	Wsh, Flt SAE SS 1/4
4	56002901	4	Scr, Hex Hd SS 1/4-20 x 1.50
5	56002909	2	Scr, Pan Phil SS 6-32 x .38
6	56002964	2	Nut, Hex Nyl Loc-Thin SS 6-32
7	56009048	2	Nut, Wing Loc 1/4-20
8	56324350	2	Wheel
9	56324499	2	Wheel 3.00
10	56370711	2	Nut, Thumb
11	56391286	1	Strap, Rear Right
12	56391288	1	Strap, Rear Left
13	56391290	1	Strap, Front
14	56391292	1	Tool Weldment
15	56409656	2	Bracket, Wheel
16	56471194	1	Latch
17	56471220	4	Bushing, .25 x .37 x 1.00
18	56391340	1	Blade Kit (BA 750C)
	56396172	1	Blade Kit (I-MAX 28C)
**	56391340	1	Blade Kit (Gum Rubber)
**	56391342	1	Oil Resistant Blade Kit (Neoprene)
**	56396172	1	Blade Kit (Linatex)
**	56397325	1	Blade, Front-Tile Gum
**	56397326	1	Blade, Front-Tile Linatex

** = Optional



02-2	SQUEEGEE ASSEMBLY-I-MAX 32C / CMAX 34ST	BOOK E		
04-3	I-MAX™ 28C, 32C / CMAX™ 34ST / BA 750C	E	11.9.1	27

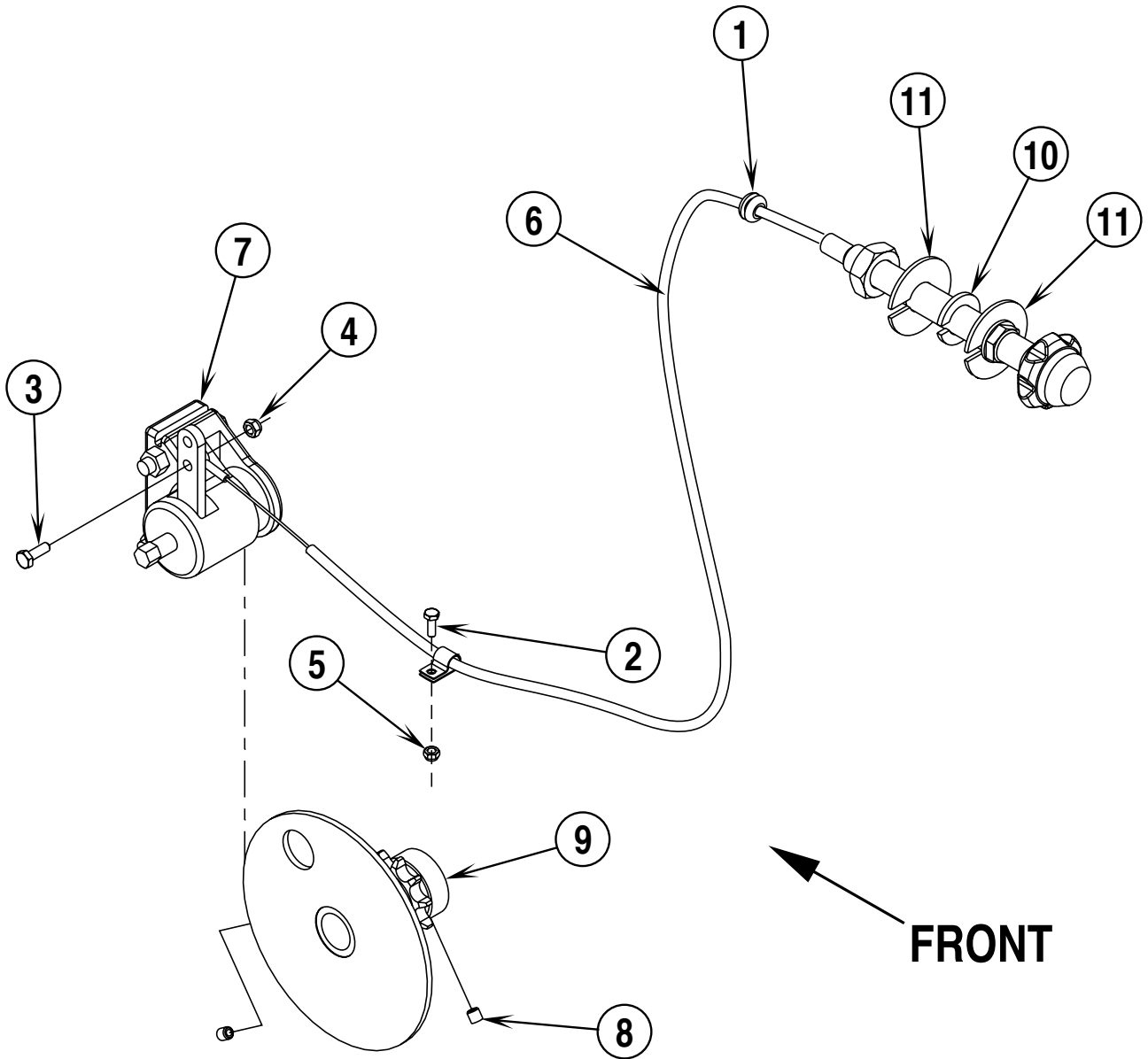
Item	Ref. No.	Qty	Description
	56397227	1	Squeegee Assy (I-MAX 32C)
	56397349	1	Squeegee Assy (CMAX 34ST)
1	56002807	4	Scr, Hex Hd SS 1/4-20 x .75
2	56002850	14	Nut, Hex Nyl Loc-Thin SS 1/4-20
3	56002859	2	Wsh, Flt SAE SS 1/4
4	56002901	4	Scr, Hex Hd SS 1/4-20 x 1.50
5	56002909	2	Scr, Pan Phil SS 6-32 x .38
6	56002964	2	Nut, Hex Nyl Loc-Thin SS 6-32
7	56009048	2	Nut, Wing Loc 1/4-20
8	56324350	2	Wheel
9	56324499	2	Wheel 3.00
10	56370711	2	Nut, Thumb
11	56471194	1	Latch Assembly
12	56471220	4	Bushing .25 x .37 x 1.0
13	56397353	1	Strap, Rear
14	56397354	1	Strap, Front
15	56397355	1	Strap, Rear
16	56397359	1	Squeegee Tool Weldment
17	56397094	1	Blade Kit (CMAX 34ST)
	56397106	1	Blade Kit (I-MAX 32C)
18			Intentionally Omitted
19	56409656	2	Bracket, Wheel
**	56397094	1	Blade Kit (Gum Rubber)
**	56397106	1	Blade Kit (Linatex)
**	56397595	1	Blade Kit (Oil Resistant)
**	56397147	1	Blade, Front-Tile Gum
**	56397148	1	Blade, Front-Tile Linatex

** = Optional

02-2	WIRING DIAGRAM	BOOK E		
04-8	I-MAX™ 28C, 32C / CMAX™ 34ST / BA 750C	E	11.9.1	29

Item	Ref. No.	Qty	Description
A1	56397516	1	Control PCB Assy TSBUS2004-870
A2	56393721	1	Control, DC Curtis
BT1	N/A	A/R	Batteries
F1	56412089	1	Fuse, 150A
F2	56387328	1	Circuit Breaker, 5A (Controls)
F3	56026198	1	Circuit Breaker, 30A (Wheel Drive)
K1	56395450	1	Contactor (Brush Motor)
	56397250	1	Contactor (Replaces K1 for Brush Remove Option)
K2	56395450	1	Contactor (Vac Motor)
K3	56396280	1	Relay (Brush Remove/Optional)
L1	56397215	1	Solution Solenoid Valve Assy
M1	56212175	1	Motor, 36VDC 1/2HP (Wheel Drive)
*	56026857	4	Carbon Brush
M2	56407431	2	Motor, 36VDC, .75HP (Left Brush / Cylindrical)
	56417489	1	Armature
	56407490	1	Bearing (2 required per motor)
	56407492	1	Brush Cap Assembly
	56407493	4	Brush Assembly
	56407494	4	Brush Cover Cap
	56635645	2	Motor, 36VDC, 75HP (Left Brush / Disk)
*	56397090	1	Bearing B.E.
*	56397135	1	Bearing F.E.
*	56397048	1	Brush Board Assy, W/Springs & Brushes
*	56397138	4	Brush Spring
*	56039276	4	Brush Assy
M3	56407431	2	Motor, 36VDC, .75HP (Right Brush / Cylindrical)
	56417489	1	Armature
	56407490	1	Bearing (2 required per motor)
	56407492	1	Brush Cap Assembly
	56407493	4	Brush Assembly
	56407494	4	Brush Cover Cap
	56635645	2	Motor, 36VDC, 75HP (Right Brush / Disk)
*	56397090	1	Bearing B.E.
*	56397135	1	Bearing F.E.
*	56397048	1	Brush Board Assy, W/Springs & Brushes
*	56397138	4	Brush Spring
*	56039276	4	Brush Assy
M4	56397228	1	Motor, Vac 36VDC
*	56212223	1	Carbon Brush Set
M5	56393303	1	Actuator, Motor (Brush Lift) TSBUS2004-870
*	56393790	2	Limit Switch
*	56470433	1	Carbon Brush Kit
*	56388520	1	Plastic Nut
R1	56397029	1	Potentiometer, 5K (Throttle)
R2	56397123	1	Potentiometer, 25K (Speed Limit)
S3	56396305	1	Switch, SPST Toggle (Main Power)
*	56396283	1	Harness, Main TSBUS2004-870
*	56396299	1	Harness, Handle
*	56456460	4	Cable Assy 4 x 12 (Battery Interconnect)
*	56416445	1	Cable Assy 4 AWG (Battery Interconnect)
*	56396304	1	Cable Assy 6 AWG
*	56398000	1	Connector Assy TSBUS2003-841 (Connects to Batteries)
*	56397509	1	Connector Assy (Connects to Machine)

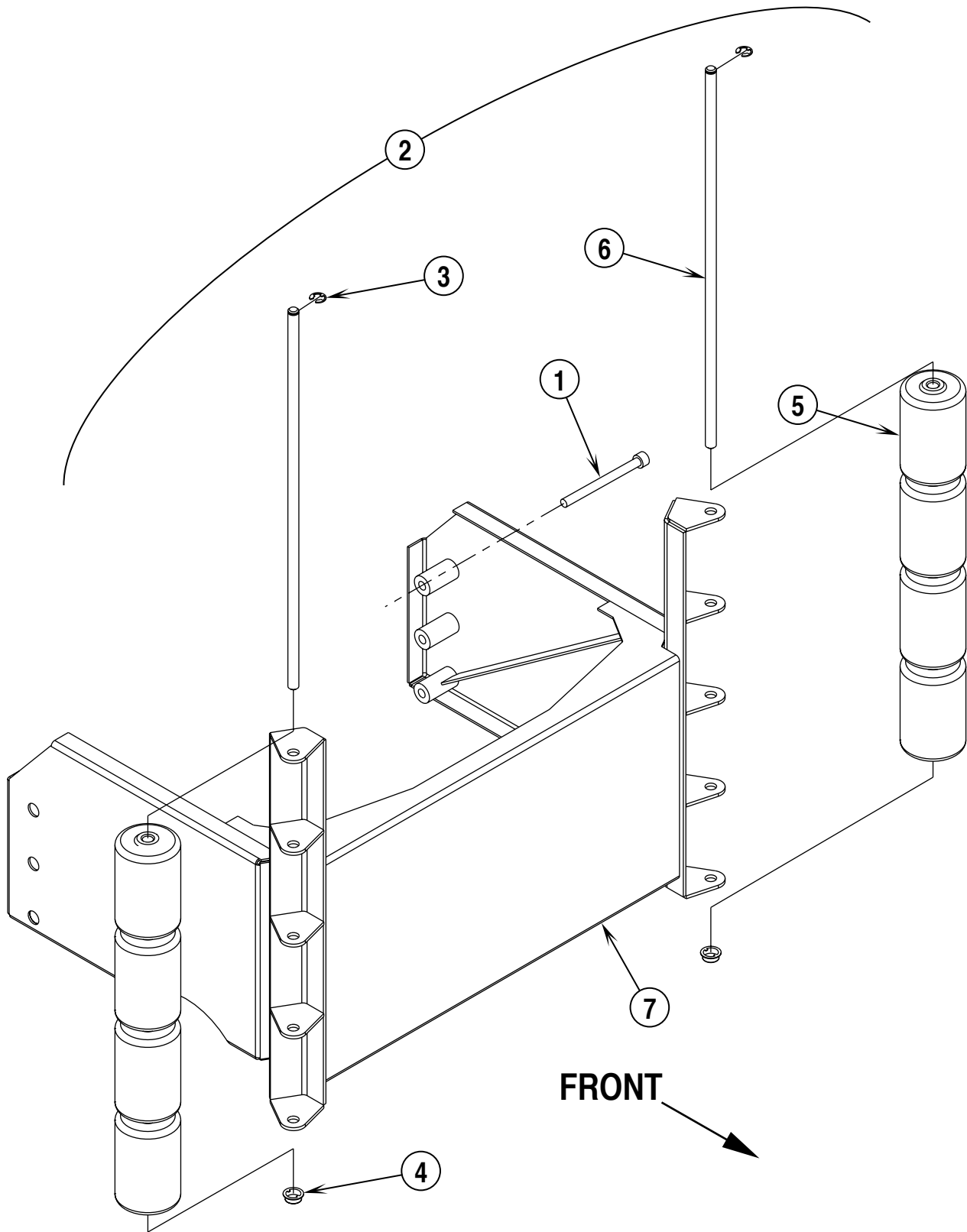
* = Not Shown



02-2	PARKING BRAKE KIT	BOOK E		
02-4	I-MAX™ 28C, 32C / CMAX™ 34ST / BA 750C	E	11.9.1	31

Item	Ref. No.	Qty	Description
	56396302	1	Kit, Parking Brake
1	56321559	1	Grommet
2	56002503	1	Scr, Hex Hd 10-24 x .50
3	56003358	1	Scr, Hex M6-1.00 x 25mm
4	56003403	1	Nut, Hex Nyl Loc M6-1.00
5	56002768	1	Nut, Hex Nyl Loc 10-24
6	56056323	1	Cable, Brake Assembly
7	56056245	1	Brake, Mechanical Caliper
8	56001841	2	Scr, Soc Set Loc 1/4-20 x .25
9	56396326	1	Sprocket Weldment
10	56396329	1	Plate, Brake Align
11	56396328	2	Plate, Brake Mount
*	56040763	1	Instruction Sheet

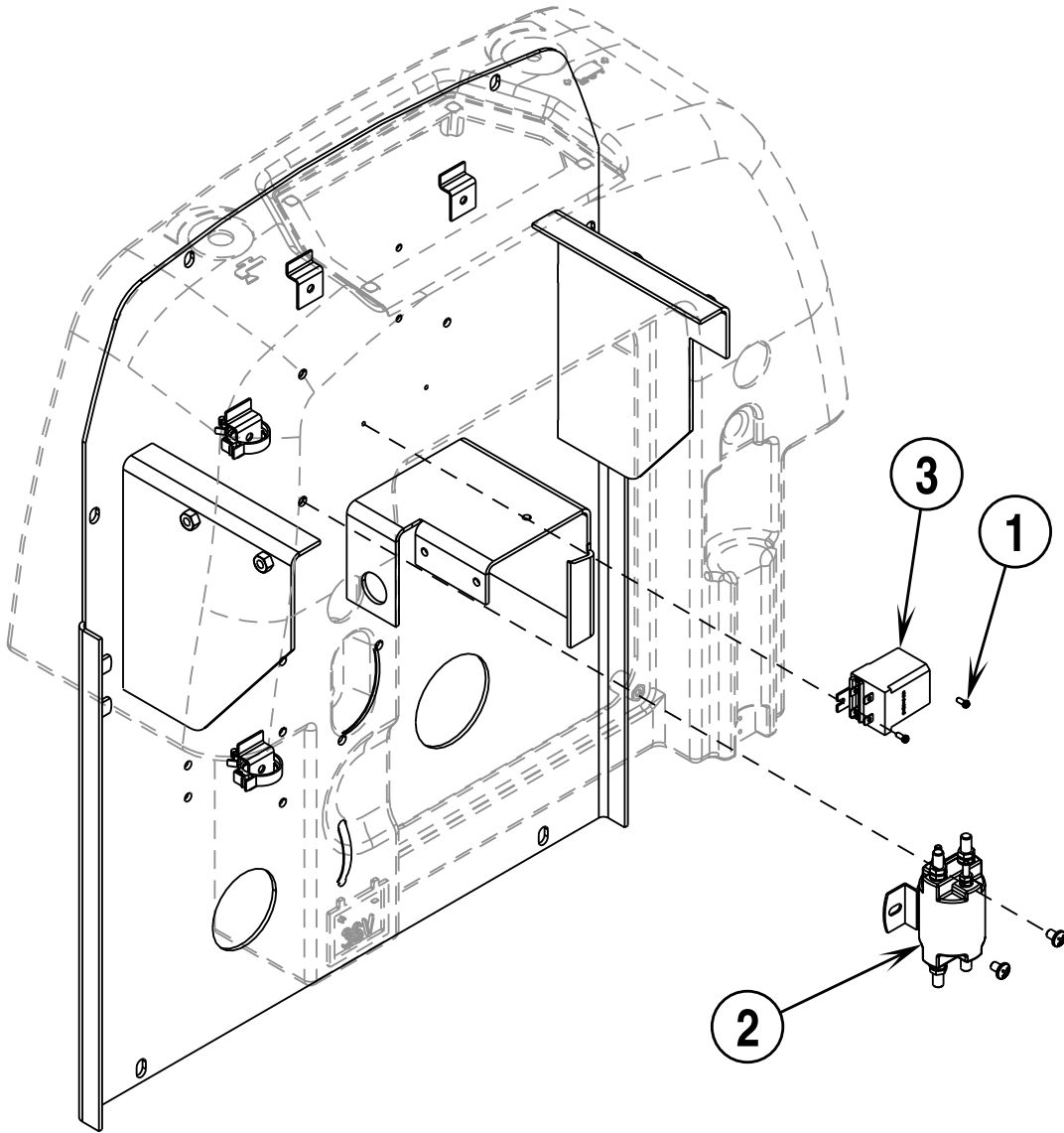
* = Not Shown



02-2	INDUSTRIAL BUMPER KIT - CYLINDRICAL	BOOK E		
02-4	I-MAX™ 28C, 32C / CMAX™ 34ST / BA 750C	E	11.9.1	33

Item	Ref. No.	Qty	Description
	56396308	1	Kit, Industrial Bumper
1	56002134	6	Scr, Soc Hd 3/8-16 x 2.25
2	56397435	1	Assembly, Industrial Bumper (#3-7)
3	56003264	2	Ring, Ret Ext Type E .50 Dia
4	56009097	2	Nut, Push Cap 1/2
5	56392102	8	Roller
6	56392809	2	Rod
7	56397436	1	Industrial Bumper Weldment
*	56040765	1	Instruction Sheet

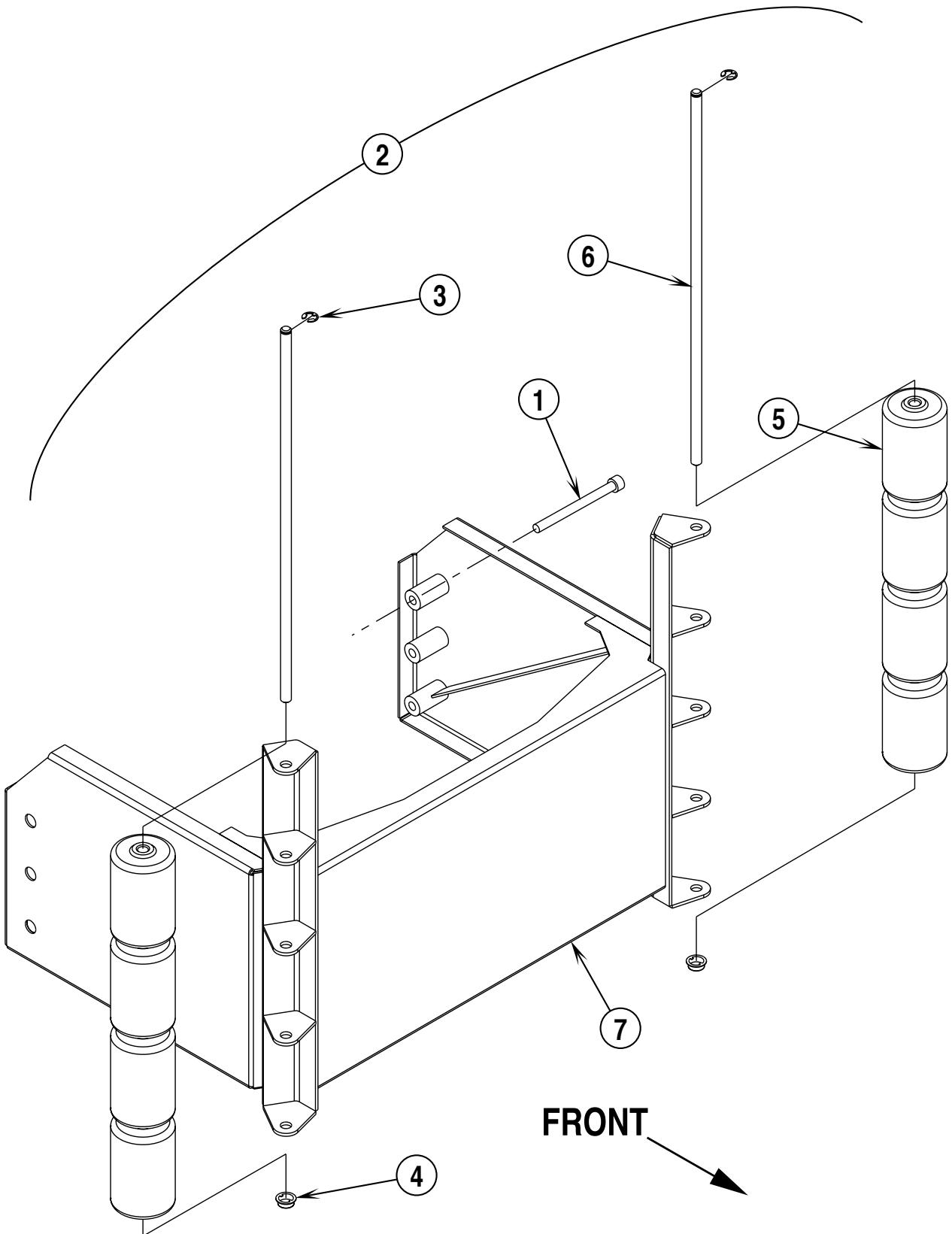
* = Not Shown



02-2	BRUSH CLICK-OFF KIT	BOOK E		
02-4	I-MAX™ 28C, 32C / CMAX™ 34ST / BA 750C	E	11.9.1	35

Item	Ref. No.	Qty	Description
	56396318	1	Kit, Brush Click-Off
1	56002539	2	Scr, Pan Phil Thd Form 6-32 x .31
2	56397250	1	Solenoid, 36V SPDT
3	56396280	1	Relay, 36V SPST
*	56040766	1	Instruction Sheet

* = Not Shown



02-2	INDUSTRIAL BUMPER KIT - CMAX™ 34ST	BOOK E		
02-4	I-MAX™ 28C, 32C / CMAX™ 34ST / BA 750C	E	11.9.1	37

Item	Ref. No.	Qty	Description
	56396322	1	Kit, Industrial Bumper
1	56002134	6	Scr, Soc Hd 3/8-16 x 2.25
2	56397239	1	Assembly, Industrial Bumper (#3-7)
3	56003264	2	Ring, Ret Ext Type E .50 Dia
4	56009097	2	Nut, Push Cap 1/2
5	56392102	8	Roller
6	56392809	2	Rod
7	56397245	1	Industrial Bumper Weldment
*	56040767	1	Instruction Sheet

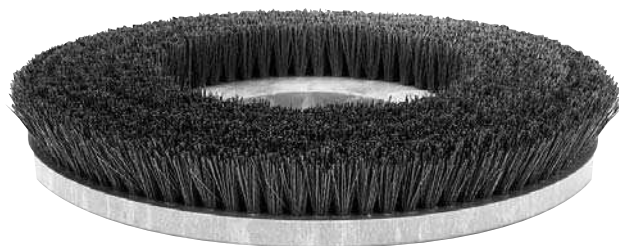
* = Not Shown

We manufacture brushes and pad holders that will give you the best possible performance between machine and floor. Following are descriptions of the materials and their applications.

- Union Mix:** Medium grade natural fibers for polishing finished floors with standard-speed equipment. Recommended for use in place of white pads.
- ProLite:** Bristles are made from light-duty polypropylene for general scrubbing when you do not want to scratch or remove finish from the floor. Recommended for use in place of red pads.
- Prolene:** Polypropylene material for medium-duty scrubbing on concrete, terrazzo and vinyl floor tile. Recommended for use in place of green or blue pads.
- Magna Grit:** For extreme heavy-duty scrubbing or stripping of floors. This brush has extra large diameter silicon carbide grit impregnated synthetic bristles. Recommended for use in place of black pads.
- Dyna Grit:** For aggressive, heavy-duty scrubbing or stripping of floors. Recommended for use in place of brown pads.
- MidLite Grit:** For general purpose scrubbing of sealed or unsealed concrete, stone, terrazzo, quarry tile and other resilient hard floor surfaces. Recommended for use in place of green or blue pads.
- MidGrit:** For general purpose scrubbing when you need a lighter action for sealed or unsealed concrete, stone, terrazzo, quarry tile and other resilient hard floor surfaces. Recommended for use in place of green or blue pads.
- AgLite Grit:** For light scrubbing when used wet; buffing or polishing when used dry on urethane coated, sealed concrete or other resilient hard surface floors. Recommended for use in place of red or white pads.
- Short Trim Pad Holder:** Made with a structural foam block and center ring for correct pad centering. It has a "shower feed" design for getting solution to the floor.

Ref. No.: CMAX 34ST BRUSHES

- 56505780 - Pad Holder
- 56505781 - Magna Grit
- 56505782 - Dyna Grit
- 56505783 - AgLite Grit
- 56505784 - Prolene
- 56505785 - ProLite
- 56505786 - Union Mix
- 56505787 - Mid Grit
- 56505788 - MidLite Grit



We manufacture brushes and pad holders that will give you the best possible performance between machine and floor. Following are descriptions of the materials and their applications.

- 46 Grit Brush:** Most aggressive grit brush. Used primarily to clean heavy buildup on concrete floors in factories, or for heavy stripping of finish.
- 80 Grit Brush:** Medium aggressive grit brush. Good all-around brush for medium to heavy buildup removal. Can also be used for general stripping operations.
- 180 Grit Brush:** Least aggressive grit brush. Used for daily cleaning of hard-finished floors.
- Polypropylene Brush:** Standard equipment brush. Low cost, yet effective in cleaning many common floor surfaces.
- Stiff Nylon Brush:** Cleaning action similar to polypropylene. More durable and wear-resistant than polypropylene.
- Soft Nylon Brush:** Least aggressive brush available. Used on soft-finish floors where a more aggressive brush would leave scratch marks, or in applications requiring very light cleaning.

Ref. No.: 28" BRUSHES

- 56412046 - Polypropylene
- 56412191 - Soft Nylon
- 56412192 - Hard Nylon
- 56412193 - 180 Grit
- 56412194 - 80 Grit
- 56412195 - 46 Grit

Ref. No.: 32" BRUSHES

- 56407473 - Soft Nylon
- 56407474 - Hard Nylon
- 56407475 - Polypropylene
- 56407476 - 180 Grit
- 56407477 - 80 Grit
- 56407478 - 46 Grit



Austria (Sales Sub)

Nilfisk-Advance GmbH	Phone: +43
Voralberger Allee 46	1616 58 30 22
A-1230 Wien	Fax: +43
info@nilfisk-advance.at	1616 58 30 40
www.nilfisk-advance.at	

Belgium (Sales Sub)

Nilfisk-Advance NV/SA	Phone: +32
Doornveld Sphere Business Park	(0)2467 60 50
Industrie Asse 3, No. 11	Fax: +32
B-1731 Zellik-Asse	(0)2463 44 16
www.nilfisk-advance.be	

Czech Republic (Sales Sub)

Nilfisk-Advance s.r.o.	Phone: +420
Lysinská 44/1863	2 44 09 09 12
143 00 Praha - Modrany	+420
Czech Republic	2 44 09 09 21 4
	Fax: +420
	2 44 40 23 93

Denmark

Nilfisk-Advance A/S	Phone: +45
Sognevej 25	43 23 81 00
DK-2605 Brøndby	Fax: +45
mail@nilfisk-advance.dk	43 43 77 00
www.nilfisk-advance.com	

Denmark (Prod. Sub)

Gerni A/S	Phone: +45
Myntevej 2	89 12 22 00
DK-8900 Randers	Fax: +45
www.gerni.com	86 43 14 81

Denmark (Sales Sub)

Nilfisk-Advance Nordic A/S	Phone: +45
Sognevej 25A	43 23 40 50
Postbox 344	Fax: +45
DK-2605 Brøndby	43 23 40 60
kundeservice@nilfisk-advance.dk	
www.nilfisk-advance.dk	

France (Sales Sub)

Nilfisk-Advance S.A.	Phone: +33
27 avenue de la Baltique	1695 98 700
Villebon sur Yvette	Fax: +33
P.B. 246	1695 98 701
F-91944 Courtaboeuf Cedex	
info@nilfisk-advance.fr	
www.nilfisk-advance.fr	

Germany (Sales Sub)

Nilfisk-Advance AG	Phone: +49
Siemensstrasse 25-27	4101 3990
Postfach 1361	Fax: +49
D-25462 Rellingen	4101 39 91 91
info@nilfisk-advance.de	
www.nilfisk-advance.de	

Greece (Sales Sub)

Nilfisk-Advance A.E.	Tel.: +30
8, Thoukididou Str.	210 963 3443
Argioupoli	Fax: +30
Gr - 164 52 Athens	210 965 0975
Greece	

Holland (Sales Sub)

Nilfisk-Advance B.V.	Phone: +31
Camerastraat 9 (2e verdieping)	36 546 07 00
1322 BB Almere	Fax: +31
Postbus 60112	36 523 51 48
1320 AC Almere	
www.nilfisk-advance.nl	

Ireland (Sales Sub)

Nilfisk-Advance Limited	Phone: +35
28 Sandyford Office Park	3 12 94 38 38
Sandyford, Dublin 18	Fax: +35
Ireland	3 12 94 38 45

Italy (Prod & Sales Sub)

CFM SpA	Phone: +39
Nilfisk-Advance Div. Guardamiglio	0377 /414021
Localita Novella III	/45 1124
I-26862 Guardamiglio (Mi)	Fax: +39
	0377 51 443

Italy (Prod & Sales Sub)

CFM S.p.A.	Phone: +39
Via Porrettana 1991	059 973 0000
I-41059 Zocca (Modena)	Fax: +39
cfm@cfm.it	059 973 0099

Norway (Sales Sub)

Nilfisk-Advance AS	Phone: +47
Ulvenveien 89C	23 06 75 00
N-0581 Oslo	Fax: +47
	23 06 75 01

Poland (Sales Sub)

Nilfisk-Advance Sp.Z.O.O.	Phone: +48
05-800 Pruszków	22 738 37 50
ul. 3-go MAJA 8	Fax: +48
Poland	22 738 37 51

Portugal (Sales Sub)

Nilfisk-Advance, Lda.	Phone: +35
Sintra Business Park	121 911 2670
Zona Industrial Da Abrunheira	Fax: +35
Edificio 1, 1o A	121 911 2679
P-2710-089 Sintra	

Russia (Sales Sub)

Nilfisk-Advance LLC	Phone: 7
Vyatskaya str. 27, bld. 7	095 783 9602
127015 Moscow	Fax: +7
Russia	095 783 9603

Spain (Sales Sub)

Nilfisk-Advance S.A.	Phone: +34
Torre D'Ara	93 741 2400
Passeig del Rengle, 5 Pl.10	Fax: +34
E-08302 Mataró (Barcelona)	93 757 8020
nilfisk@nilfisk-advance.es	

Sweden (Sales Sub)

Nilfisk -Advance A/S	Phone: +46
Sjöbjörnsvägen 5	8555 94400
Box 44045	Fax: +46
S-100 73 Stockholm	8555 94430
info@nilfisk-advance.se	
www.nilfisk-advance.se	

Sweden (Prod.)

Nilfisk-Advance A/S	Phone: +46
Åmål Branch	5321 7500
Strömsbergsgatan	Fax: +46
Box 127	5321 7595
S-662 23 Åmål	

Switzerland (Sales Sub)

Nilfisk-Advance AG	Phone: +41
Ringsstrasse 19	71 92 38 444
Kirchberg/Industrie Stelzl	Fax: +41
CH-9500 Wil	71 92 35 283
www.nilfisk-advance.ch	

UK (Sales Sub)

Nilfisk-Advance Limited	Phone: +44
Newmarket Road	1284 763163
Bury St. Edmunds	Fax: +44
UK-Suffolk IP33 3SR	1284 750 562

USA (Prod.)

Nilfisk-Advance Inc.	Phone: +1 763
14600 21.st Avenue North	745 3500
Plymouth, MN 55447-3408	Fax: +1 763
www.mn.nilfisk-advance.com	745 3718

USA (Sales Sub)

Nilfisk-Advance America Inc.	Phone: +1 610
300 Technology Drive	647 6420
Malvern, PA 19355	Fax: +1 610
www.pa.nilfisk-advance.com	647 6427

Canada (Sales Sub)

Nilfisk-Advance Canada Comp.	Phone: +1 905
396 Watline Avenue	712 3260
Mississauga, Ontario L4Z 1X2	Fax: +1 905
	712 3255

Australia (Sales Sub)

Nilfisk-Advance Pty. Ltd.	Phone: +61(0)2
48 Egerton Street	9648 2700
Silverwater, NSW 2128	Fax: +61(0)2
<i>Postal adresse:</i>	9648 2711
PO Box 6046	
Silverwater. NSW 1811	
info@nilfisk-advance.com.au	
www.nilfisk-advance.com.au	

China (Shenzhen)

Nilfisk-Advance (Shenzhen) Ltd	Phone: +86 755
Blok 3, Unit 130, 1001 Honghua Road	8359 7937 el.
Int. Commercial & Trade Center	8359 7939-42
Fuitian Free Trade Zone	Fax: +86 755
518038 Shenzhen	8359 1063
P.R. China	

China (Suzhou)

Nilfisk-Advance Professional	Phone: +86 512
Cleaning Equipment (Suzhou) Co. Ltd.	8918 5656
306 Su Hong Zhong Road, Build. 2	Fax: +86 512
Suzhou Industrial Park	8918 5666
215021 Suzhou	
P.R. China	

Hong Kong (Sales Sub)

Nilfisk-Advance Ltd.	Phone: +852
2001 HK Worsted Mills Ind'l Bldg.,	2427 5951
31-39 Wo Tong Tsui St.	Fax: +852
Kwai Chung, Hong Kong	2487 5828

Japan (Sales Sub)

Nilfisk-Advance Inc.	Phone: +8145
3-17-40-101 Chigasaki Higashi	942 7741
Tsuzuki-ku, Yokohama 224-0033	Fax: +8145
Japan	942 6545

Malaysia (Sales Sub)

Nilfisk-Advance Sdn Bhd	Phone: +60 3
No. 21, Jalan SS 25/41	7956 8188
Mayang Industrial Park	Fax: +60 3
47301 Petaling Jaya	7966 6828
Selangor, Malaysia	

New Zealand (Sales Sub)

Nilfisk-Advance Limited	Phone: +64(0)9
Danish House	525 0092
6 Rockridge Avenue	Fax: +64(0)9
Penrose 92-829	525 6440
Auckland1135	
<i>Postal adresse:</i>	
Private Bag 92 825	
Auckland	
New Zealand	

Singapore (Sales Sub)

Nilfisk-Advance Pte. Ltd.	Phone: + 65
22,Woodlands Industrial Park E1	6 7599100
Singapore 757740	Fax: +65
sales@nilfisk-advance.com.sg	7599133

Taiwan, ROC (Sales Sub)

Nilfisk-Advance Ltd.	Phone: +886
Taiwan Branch (H.K.)	2 2239 8812
1F, No. 193, Sec.2	Fax: +886
Xing Long Rd., Taipei	2 2239 8832
Taiwan, R.O.C.	

Thailand (Sales Sub)

Nilfisk-Advance Co. Ltd.	Phone: +66 2
89 Soi Chokechai-Ruammitr	275-5630
Viphavadee-Rangsit Road	Fax: +66 2
Ladyao, Jatuchak, Bangkok 10900	691-4079
Thailand	

