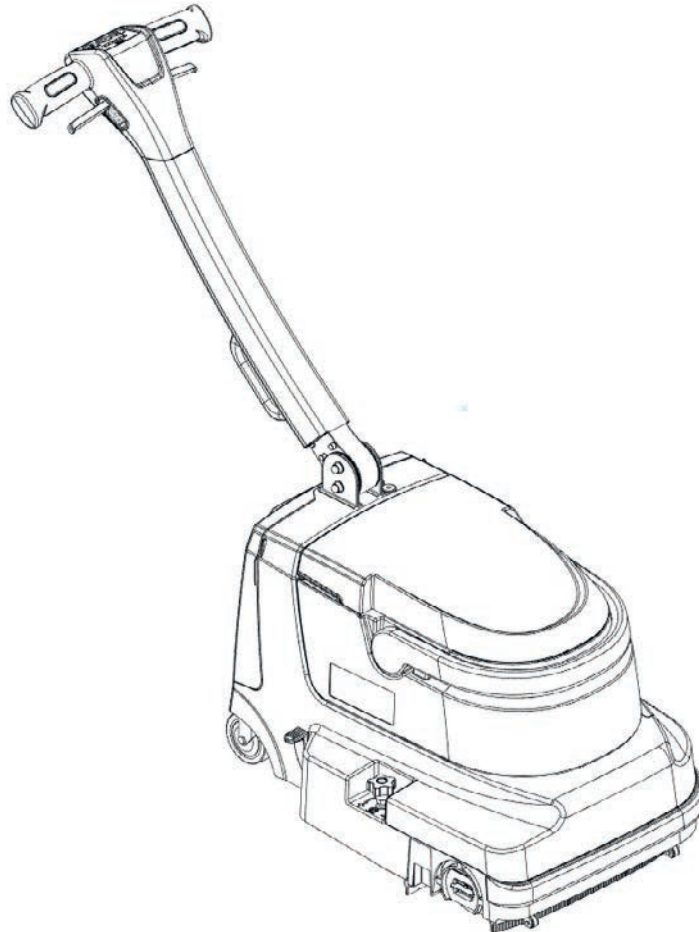


# Clarke<sup>®</sup>

## MA30 13 B



Instructions For Use - Original Instructions / Instrucciones de uso / Mode d'emploi  
Model: 9087383020



**READ THIS BOOK**



**LEA ESTE MANUAL**

**LISEZ CE MANUEL**

**EN** English (1 - 16)

**ES** Español (17 - 32)

**FR** Français (33 - 48)

This book has important information for the use and safe operation of this machine. Failure to read this book prior to operating or attempting any service or maintenance procedure to your Clarke machine could result in injury to you or to other personnel; damage to the machine or to other property could occur as well. You must have training in the operation of this machine before using it. If your operator(s) cannot read this manual, have it explained fully before attempting to operate this machine.

All directions given in this book are as seen from the operator's position on the driver's seat.



## TABLE OF CONTENTS

<b>INTRODUCTION .....</b>	<b>2</b>
MANUAL PURPOSE AND CONTENTS .....	2
TARGET .....	2
HOW TO KEEP THIS MANUAL .....	2
IDENTIFICATION DATA .....	2
OTHER REFERENCE MANUALS .....	2
SPARE PARTS AND MAINTENANCE .....	2
CHANGES AND IMPROVEMENTS .....	2
OPERATION CAPABILITIES .....	2
CONVENTIONS .....	2
<b>UNPACKING/DELIVERY .....</b>	<b>3</b>
<b>SAFETY .....</b>	<b>3</b>
VISIBLE SYMBOLS ON THE MACHINE .....	3
SYMBOLS THAT APPEAR ON THIS MANUAL .....	3
GENERAL INSTRUCTIONS .....	4
<b>TECHNICAL DATA .....</b>	<b>6</b>
<b>MACHINE DESCRIPTION .....</b>	<b>6</b>
MACHINE STRUCTURE .....	6
ACCESSORIES/OPTIONS .....	8
WIRING DIAGRAM .....	8
<b>USE/OPERATION .....</b>	<b>8</b>
CHECKING/SETTING UP A NEW MACHINE .....	8
PARK PEDAL .....	9
SOLUTION TANK FILLING .....	9
STARTING UP THE MACHINE (SCRUBBING/DRYING) .....	10
BATTERY CHARGE LEVEL .....	11
STOPPING THE MACHINE .....	11
TANK EMPTYING .....	11
MACHINE TRANSPORT/PARKING .....	11
AFTER USING THE MACHINE .....	12
MACHINE LONG INACTIVITY .....	12
REMOVING THE BATTERY .....	12
<b>MAINTENANCE .....</b>	<b>12</b>
SCHEDULED MAINTENANCE TABLE .....	12
BATTERY CHARGING .....	13
CHARGING THE BATTERY OUT OF THE MACHINE .....	13
SQUEEGEE BAR CLEANING .....	14
BRUSH AND BRUSH COMPARTMENT CLEANING .....	14
RECOVERY TANK AND COVER CLEANING .....	15
CLEANING OF THE SOLUTION FILTER, AIR FILTER, GASKETS AND RECOVERY WATER DUCT .....	15
<b>TROUBLESHOOTING .....</b>	<b>16</b>
<b>SCRAPPING .....</b>	<b>16</b>
<b>PARTS LIST .....</b>	<b>49</b>

## INTRODUCTION



### NOTE

The numbers in brackets refer to the components shown in Machine Description chapter.

## MANUAL PURPOSE AND CONTENTS

The purpose of this Manual is to provide the operator with all necessary information to use the machine properly, in a safe and autonomous way. It contains information about technical data, safety, operation, storage, maintenance, spare parts and disposal. Before performing any procedure on the machine, the operators and qualified technicians must read this Manual carefully. Contact Clarke in case of doubts concerning the interpretation of the instructions and for any further information.

## TARGET

This Manual is intended for operators and technicians qualified to perform the machine maintenance.

The operators must not perform procedures reserved for qualified technicians. Clarke will not be answerable for damages coming from the non-observance of this prohibition.

## HOW TO KEEP THIS MANUAL

The Instructions for Use Manual must be kept near the machine, inside an adequate case, away from liquids and other substances that can cause damage to it.

## IDENTIFICATION DATA

MA30 13 B is a scrubber-dryer for commercial use.

The machine serial number and model name are marked on the plate (30).

Year of production (Date code: A16 means January 2016) and product code are marked on the same plate.

This information is useful when requiring machine spare parts. Use the following table to write down the machine identification data.

MACHINE model .....
PRODUCT code .....
MACHINE serial number .....

## OTHER REFERENCE MANUALS

- Electronic battery manual
- Spare Parts List (supplied with the machine)
- Service Manual (that can be consulted at Clarke Service Centers)

## SPARE PARTS AND MAINTENANCE

All necessary operating, maintenance and repair procedures must be performed by qualified personnel or by Clarke Service Centers. Only original spare parts and accessories must be used.

Contact Clarke for service or to order spare parts and accessories, specifying the machine model, product code and serial number.

## CHANGES AND IMPROVEMENTS

Clarke constantly improves its products and reserves the right to make changes and improvements at its discretion without being obliged to apply such benefits to the machines that were previously sold.

Any change and/or addition of accessories must be approved and performed by Clarke.

## OPERATION CAPABILITIES

The MA30 13 B scrubber-dryer is used to clean (scrubbing and drying) smooth and solid floors, in commercial or industrial environment, under safe operation conditions by a qualified operator.

The scrubber-dryer cannot be used for fitted carpet and carpet cleaning.

## CONVENTIONS

Forward, backward, front, rear, left or right are intended with reference to the operator's position when in use.

## UNPACKING/DELIVERY

When the machine is delivered, check that the packing and the machine were not damaged during transportation.

In case of visible damages, keep the packing and have it checked by the carrier that delivered it. Call the carrier immediately to fill in a damage claim.

Please check that the following items have been supplied with the machine:

- Technical documents:
  - Scrubber-dryer Instructions for Use Manual
  - Scrubber-dryer Spare Parts List
- 1 x lithium ion battery
- 1 x battery charger
- 1 x cylindrical brush
- 1 x pair of squeegees



### CAUTION!

*After unpacking, carefully assemble the machine according to the instruction sheet inside the packaging.*



### WARNING!

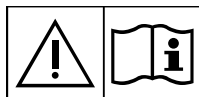
*The Products sold with this Manual contain or may contain chemicals that are known to certain governments (such as the State of California, as identified in its Proposition 65 Regulatory Warning Law) to cause cancer, birth defects or other reproductive harm. In certain locations (including the State of California) purchasers of these Products that place them in service at an employment job site or a publicly accessible space are required by regulation to make certain notices, warnings or disclosures regarding the chemicals that are or may be contained in the Products at or about such work sites. It is the purchaser's responsibility to know the content of, and to comply with, any laws and regulations relating to the use of these Products in such environments. The Manufacturer disclaims any responsibility to advise purchasers of any specific requirements that may be applicable to the use of the Products in such environments.*

## SAFETY

The following symbols indicate potentially dangerous situations. Always read this information carefully and take all necessary precautions to safeguard people and property.

The operator's cooperation is essential in order to prevent injury. No accident prevention program is effective without the total cooperation of the person responsible for the machine operation. Most of the accidents are caused by failure to comply with the simplest rules for exercising prudence.

## VISIBLE SYMBOLS ON THE MACHINE



### WARNING!

*Carefully read all the instructions before performing any operation on the machine.*

2%



### WARNING!

*Do not use the machine on slopes with a gradient exceeding the specifications.*

## SYMBOLS THAT APPEAR ON THIS MANUAL



### DANGER!

*It indicates a dangerous situation with risk of death for the operator.*



### WARNING!

*It indicates a potential risk of injury for people.*



### CAUTION!

*It indicates a caution or a remark related to important or useful functions. Pay careful attention to the paragraphs marked by this symbol.*



### NOTE

*It indicates a remark related to important or useful functions.*



### CONSULTATION

*It indicates the necessity to refer to the Instructions for Use Manual before performing any procedure.*

**GENERAL INSTRUCTIONS**

Specific warnings and cautions to inform about potential damages to people and machine are shown below.

**DANGER!**

- Before performing any maintenance, repair, cleaning or replacement procedure disconnect the battery.
- This machine must be used by properly trained operators only.
- Do not wear jewels when working near electrical components.
- Do not operate the machine near toxic, dangerous, flammable and/or explosive powders, liquids or vapors. This machine is not suitable for collecting dangerous powders.

**WARNING! (For battery and battery charger)**

- This machine is equipped with a lithium ion battery.
- Do not use any other type of batteries; only use the one supplied with the machine or its original spare part.
- Before each used, check if it's damaged.
- Do not soak in liquids.
- Do not store, use or recharge in environments with a temperature higher than +113 °F (+45 °C).
- Do not recharge with temperatures lower than +32 °F (0 °C).
- Due to the risk of short-circuit, do not store the battery with metal objects.
- If the battery is damaged, take it to Clarke Service Centre.
- Before decommissioning the machine, remove the battery.
- Store the battery charger in a dry place.
- If the battery charger or the cable are wet, do not use it.
- Before using the battery charger, make sure that the frequency and voltage values, marked on the plate, correspond to the mains voltage values.
- Do not use the battery charger in environments where there are flammable powders and/or explosive materials.
- Do not handle the battery charger by its main cable.
- Do not pull or carry the machine by the battery charger cable and never use the battery charger cable as a handle. Do not close a door on the battery charger cable, or pull the battery charger cable around sharp edges or corners. Do not run the machine on the battery charger cable.
- Keep the battery charger cable away from heated surfaces.
- Do not charge the battery if the battery charger cable or the plug are damaged.
- Do not cover the battery charger.
- Always use the battery charger supplied with the machine or the original spare part. Any other battery charger must have the same specifications indicated in the chapter Technical Characteristics and must supply a Safety Extra Low Voltage (SELV).

**WARNING!**

- Carefully read all the instructions before performing any maintenance/repair procedure.
- To reduce the risk of fire, electric shock, or injury, do not leave the machine unattended when it is plugged in. Before performing any maintenance procedure, disconnect the battery charger cable from the electrical mains.
- Do not smoke while charging the battery.
- Always protect the machine against the sun, rain and bad weather, both under operation and inactivity condition. This machine must be used indoors in dry conditions, it must not be used or kept outdoors in wet conditions.
- Before using the machine, close all doors and/or covers as shown in the Instructions for Use Manual.
- This machine is not intended for use by persons (including children) with reduced physical, sensory or mental capabilities, or lack of experience and knowledge, unless they have been given supervision or instruction concerning use of the machine by a person responsible for their safety. Children should be supervised to ensure that they do not play with the machine.
- Close attention is necessary when used near children.
- Use only as shown in this Manual. Only Clarke recommended accessories must be used.
- Check the machine carefully before each use, always check that all the components have been properly assembled before use. If the machine is not perfectly assembled it can cause damages to people and properties.
- Take all necessary precautions to prevent hair, jewels and loose clothes from being caught by the machine moving parts.

**WARNING!**

- *Do not use the machine on slopes.*
- *Do not use the machine on slopes with a gradient exceeding the specifications.*
- *Do not use the machine in particularly dusty areas.*
- *Use the machine only where a proper lighting is provided.*
- *While using this machine, take care not to cause damage to people or objects.*
- *Do not bump into shelves or scaffoldings, especially where there is a risk of falling objects.*
- *The machine operating temperature must be between +32 °F and 104 °F (0 °C and +40 °C).*
- *The machine storage temperature must be between +32 °F and 104 °F (0 °C and +40 °C).*
- *The humidity must be between 30 % and 95 %.*
- *When using floor cleaning detergents, follow the instructions on the labels of the detergent bottles.*
- *To handle floor cleaning detergents, wear suitable gloves and protections.*
- *Do not use the machine as a means of transport.*
- *Do not allow the brush to operate while the machine is stationary to avoid damaging the floor.*
- *In case of fire, use a powder fire extinguisher, not a water one.*
- *Do not tamper with the machine safety guards and follow the ordinary maintenance instructions scrupulously.*
- *Do not allow any object to enter into the openings. Do not use the machine if the openings are clogged. Always keep the openings free from dust, hairs and any other foreign material which could reduce the air flow.*
- *Do not remove or modify the plates affixed to the machine.*
- *This machine cannot be used on roads or public streets.*
- *Pay attention during machine transportation when temperature is below freezing point. The water in the recovery tank or in the hoses could freeze and seriously damage the machine.*
- *Use only the brushes supplied with the machine or those specified in the Instructions for Use Manual. Using other brushes could reduce safety.*
- *In case of machine malfunctions, ensure that these are not due to lack of maintenance. If necessary, request assistance from the authorized personnel or from an authorized Service Center.*
- *If parts must be replaced, require ORIGINAL spare parts from an Authorized Dealer or Retailer.*
- *To ensure machine proper and safe operation, the scheduled maintenance shown in the relevant chapter of this Manual, must be performed by the authorized personnel or by an authorized Service Center.*
- *Do not wash the machine with direct or pressurized water jets, or with corrosive substances.*
- *The machine must be disposed of properly, because of the presence of toxic-harmful materials (batteries, etc.), which are subject to standards that require disposal in special centers (see Scrapping chapter).*

## TECHNICAL DATA

Model	MA30 13 B
Solution and recovery water tank capacity	1.6 US gal / 1.6 US gal (6 liters / 6 liters)
Machine size (length x width x height)	25 x 16.7 x 14.7 in (630 x 425 x 400 mm)
Cleaning width	13.4 in (340 mm)
Squeegee width	14 in (360 mm)
Rear rotating wheel diameter	3 in (75 mm)
Front wheel diameter	2 in (50 mm)
Cylindrical brush diameter	3.1 in (80 mm)
Brush pressure on the ground	Max. 26.4 lb (Max. 12 Kg)
Min/max solution flow	0.04 / 0.08 gpm (0.15 / 0.3 L/min)
Sound pressure level at workstation (ISO 11201, ISO 4871, EN 60335-2-72) (LpA)	66 dB(A) ±3 dB(A)
Machine sound power level (ISO 3744, ISO 4871, EN 60335-2-72) (LwA)	83 dB(A)
Vibration level at the operator's arms (ISO 5349-1, EN 60335-2-72)	< 98.4 in/s <sup>2</sup> (< 2.5 m/s <sup>2</sup> )
Maximum gradient when working	2 %
Vacuum system motor power	0.24 hp (180 W)
Vacuum system capacity	2,132 ft H <sub>2</sub> O (650 mm H <sub>2</sub> O)
Brush motor power	180 W
Brush rotation speed	1,000 rpm
Total power draw (EN 60335-2-72)	8.5 A (0.3 kW)
IP protection class	X4
Protection class (electric)	III
Electrical system voltage	36 Vdc
Standard battery	Lithium Ion - 36 Vdc 8Ah
Battery charger output	42 Vdc 1+2 A
Operating time (EN 60335-2-72)	40 min
Weight with empty tanks	55 lb (25 Kg)
Gross vehicle weight (GVW)	71 lb (32 Kg)
Shipping weight	66 lb (30 Kg)

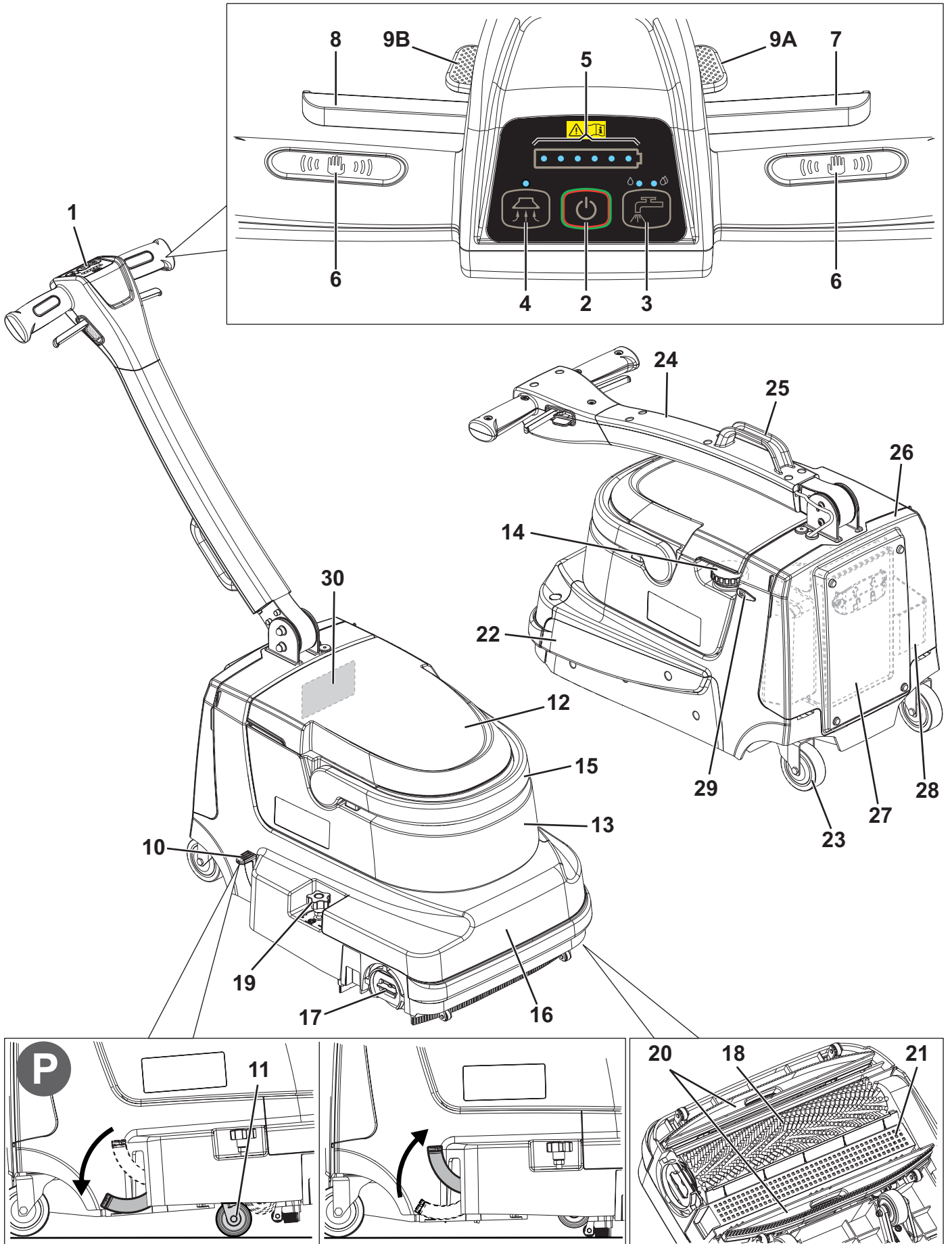
## MACHINE DESCRIPTION

### MACHINE STRUCTURE

1. Handlebar with control panel
2. Start/stop switch
3. Solution switch:
  - 1 LED on - normal cleaning with low solution flow
  - 2 LEDs on - cleaning with maximum solution flow
  - 2 LEDs flashing - solution tank empty
  - LEDs off - solution deactivated
4. Vacuum system push-button:
  - LED on - vacuum system activated
5. Battery charging symbol
  - 1 - 6 LEDs on - battery charge percentage
  - 1 LED on - battery almost flat (~ 10 min. remaining)
  - 1 LED flashing - battery flat (~ 5 min. remaining)
6. Grip handles with operator palm sensors
7. Front squeegee lifting lever
8. Handlebar inclination adjustment lever
9. Function block push-buttons:
  - A) Front squeegee lifted
  - B) Handlebar free angle
10. Park pedal:
  - Lowered - parking/movement
  - Raised - scrubbing/drying
11. Parking/handling front wheel
12. Recovery tank cover
13. Tanks (solution and recovery water) container
14. Solution tank filler plug
15. Tanks container lifting handle
16. Machine body/cleaning deck
17. Brush engagement/disengagement lever
18. Cylindrical brush
19. Brush floor pressure regulation knob
20. Squeegee bars
21. Debris collection tray
22. Brush drive belt compartment
23. Rear pivoting wheels
24. Folded handlebar
25. Transport handle
26. Battery and electronics compartment cover
27. Battery
28. Battery charger tray
29. Socket for battery charger
30. Serial number plate/technical data/conformity certification



MACHINE STRUCTURE (Continues)



P100930

**ACCESSORIES/OPTIONS**

In addition to the standard components, the machine can be equipped with the following accessories/options, according to the machine specific use:

- Cylindrical brush SOFT NYLON BLACK
- Cylindrical brush MEDIUM NYLON WHITE
- Cylindrical brush HARD GRIT 120 GREY
- Cylindrical brush MICROFIBER
- Battery + battery charger kit

For further information concerning the optional accessories, contact an authorized Retailer.

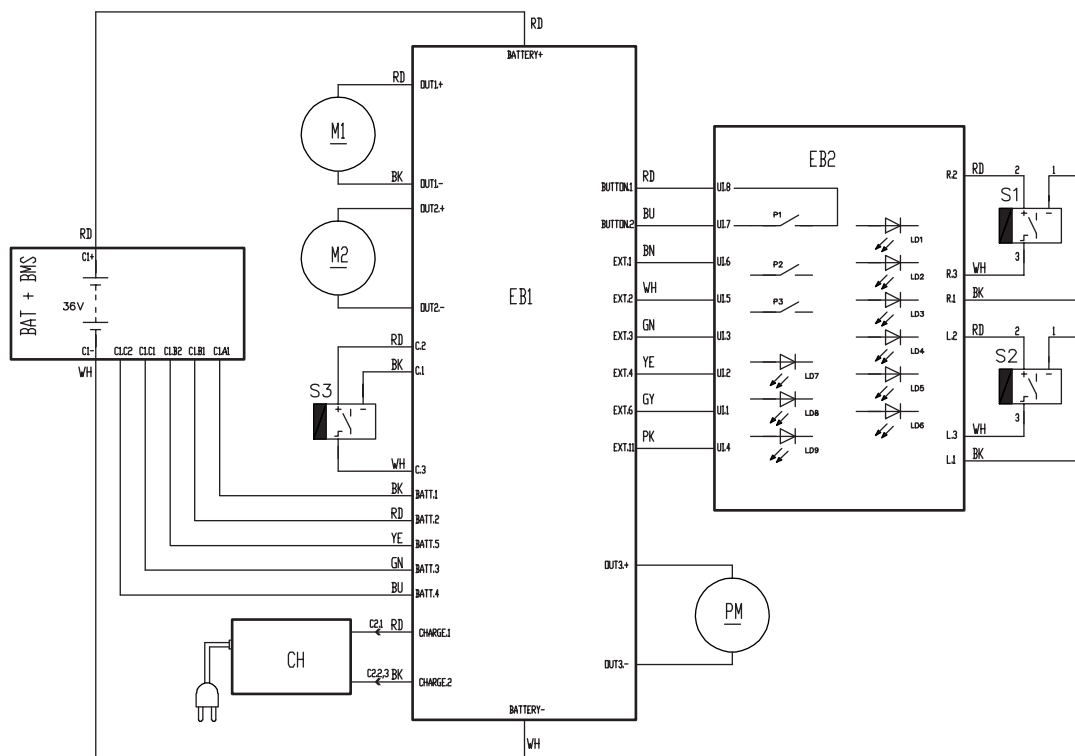
**WIRING DIAGRAM**

**Key**

BAT+BMS	Lithium ion battery + Control system
C1	Battery connector
CH	Battery charger
EB1	Function electronic board
EB2	Display electronic board
M1	Brush motor
M2	Vacuum system motor
PM	Solution pump
S1	Grip handle sensor (right)
S2	Grip handle sensor (left)
S3	Solution presence sensor

**Color codes**

BK	Black
BU	Blue
BN	Brown
GN	Green
GY	Grey
OG	Orange
PK	Pink
RD	Red
VT	Violet
WH	White
YE	Yellow



P100931

**USE/OPERATION**

**CHECKING/SETTING UP A NEW MACHINE**



**WARNING!**

*The electric components of the machine can be seriously damaged if the battery is either improperly installed. Check the battery for damage before installation.*

1. Install the battery (27), the cylindrical brush (18) and the squeegee bars (20), as shown in the instruction sheet inside the machine packaging.
2. When first using the machine, perform a full charging cycle (see the procedure in the Maintenance chapter).

## PARK PEDAL



### NOTE

*In order to facilitate the use of the park pedal (10), slightly lift the front section of the machine by gaining leverage with your hands on the handlebar (A, Fig. 1).*

### For parking/handling:

1. Putting your hands on the handlebar (A), slightly lift the front section of the machine, then press the pedal (B, Fig. 1). In this condition, the front wheels (11) are resting on the floor and the brush/squeegee unit is lifted.

### For washing/drying:

2. Putting your hands on the handlebar (A), slightly lift the front section of the machine, then lift the pedal (C). In this conditions, the front wheels (11) are retracted and the brush/squeegee unit is resting on the floor.

## SOLUTION TANK FILLING



### CAUTION!

*Use only low-foam and non-flammable detergents, intended for automatic scrubber applications.*



### WARNING!

*When using floor cleaning detergents, follow the instructions on the labels of the detergent bottles.*

*To handle floor cleaning detergents, wear suitable gloves and protections.*

1. Remove the tank cover (12).
2. Remove the cap (A, Fig. 2) on the solution tank (B).
3. Fill the solution tank (B) with water, leaving a few centimeters from the top.  
The water temperature must not exceed +104 °F (40 °C).
4. Use the measurement mark on the cap (A) to mix the solution.  
The capacity to the mark is 30 ml, equivalent to a 0.5 % solution when diluted in a full tank of water. Always follow the dilution instructions on the label of the chemical product used to prepare the solution.
5. Replace the cap (A) on the solution tank.
6. Replace the tank cover (12).



### NOTE

*Whenever the 2 LEDs on the solution push-button (3) flash, stop the machine and fill the solution tank.*

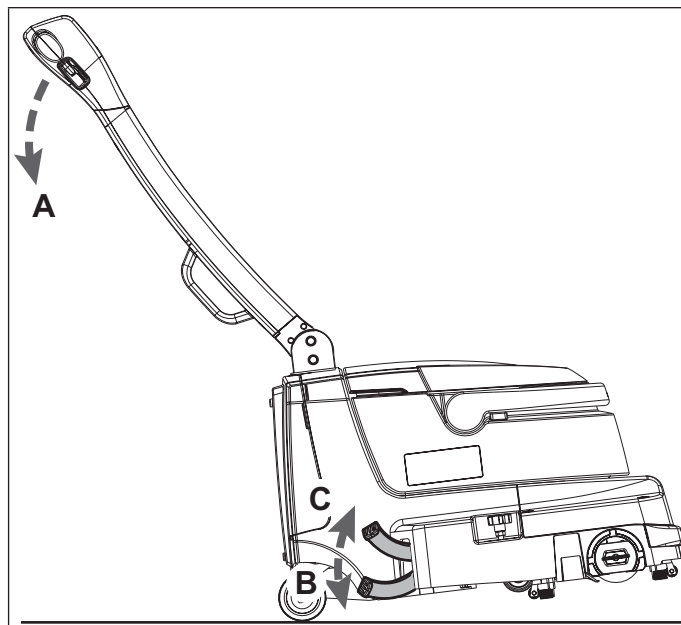


Figure 1

P100932

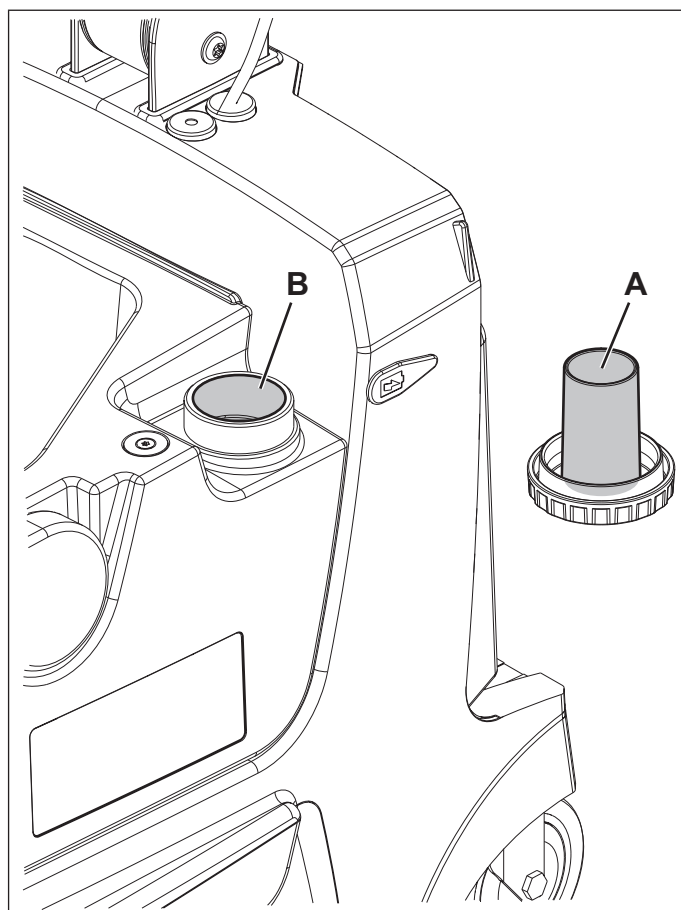


Figure 2

P100933

**STARTING UP THE MACHINE (SCRUBBING/DRYING)**

1. Press the lever (8) and turn the handlebar (1), adjusting its position and inclination as preferred.
2. Ensure that the park pedal (10) is lowered, then push the machine over to the area to be cleaned.
3. Lift the park pedal (10) to bring the brush/squeegee unit in contact with the floor.
4. Press the switch (2) to start the machine.
5. Press the solution push-button (3) according to the type of cleaning to be performed:
  - 1 LED on - for normal dirt
  - 2 LEDs on - for heavy dirt
6. Manoeuvre the machine with your hands on the grip handles (6) and start scrubbing/drying the floor.

**NOTE**

*The grip handles (6) have sensors which allow the brush and solution to be started up only when the operator has their hands on at least one of the grip handles.*

7. If necessary, deactivate the vacuum system by pressing the push-button (4, LED off), then press it again to reactivate it (LED on).
8. To collect medium-large debris, lift the front squeegee by pressing the lever (7). To keep the front squeegee lifted, press the lever (7) and lock it with the push-button (9A).
9. If necessary, in order to use the handlebar allowing it to tilt, press the lever (8) and lock it with the button (9B).

**NOTE**

*To unblock the function of the push-buttons (9A, 9B) and return to the lowered front squeegee and fixed handlebar, briefly press the squeegee lever (7) or the handlebar inclination lever (8).*

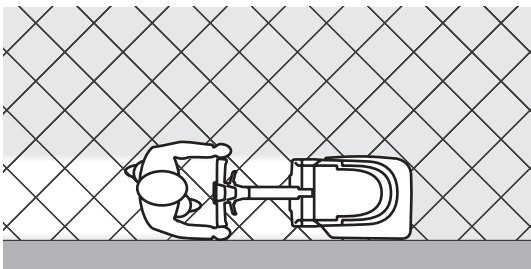
10. For floors with particularly tough dirt, the pressure of the brush on the floor can be increased by turning the knob (19) to the left. Turn the knob (19) to the right to decrease the pressure.

**NOTE**

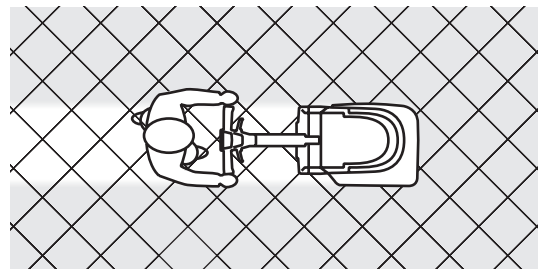
*For correct scrubbing/drying of floors at the sides of the walls, Clarke suggests to go near the walls with the right side of the machine as shown in figure 3.*

**NOTE**

*If applicable, to better dry the grout lines between the tiles, move in a diagonal direction with respect to the floor layout, as shown in figure 4.*

**Figure 3**

P100934

**Figure 4**

P100935

**CAUTION!**

*In the event of a brush motor overload, the battery symbol LEDs (5) will flash simultaneously. If the overload persists, the brush stops.*

*To start scrubbing again after a brush stop due to overload, turn off and then on the machine with the push-button (2).*

**CAUTION!**

*To avoid damaging the floor surface, turn off the brush rotation by releasing the grip handles (6) when the machine is not operating.*

**CAUTION!**

*Use always the machine with solution; avoid using the machine dry without solution for long period of time.*

## BATTERY CHARGE LEVEL

The battery charge level can be viewed on the battery icon LEDs (5).

The battery charge percentage depends on the number of LEDs lit, as shown in the figure 5.

When the first left LED flashes (15 %), the machine will only run for a few more minutes (this will depend on the characteristics of the work to perform).

## STOPPING THE MACHINE

1. Turn off the machine by pressing the switch (2).
2. Press the park pedal (10) to lift the brush/squeegee unit.



### NOTE

*If the machine is on but not working (without the operator's hands on the grip handles), it automatically turns off after 2 minutes.*

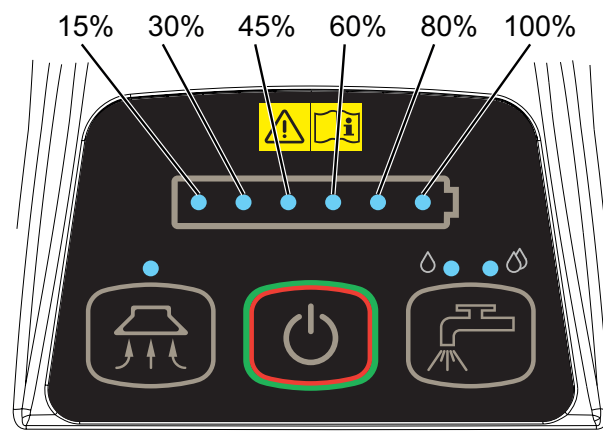


Figure 5

P100936

## TANK EMPTYING

An automatic float shut-off system turns off the vacuum system when the recovery tank is full.

The vacuum system deactivation is signaled by a sudden increase in the vacuum motor noise, and the floor is not dried.

When the recovery tank is full, empty it according to the following procedure.

### Recovery tank emptying

1. Turn the machine off and press the park pedal.
2. Drive the machine to the appointed disposal area.
3. Turn and use the handle (A, Fig. 6) to lift the tanks container (B) from the machine.
4. Remove the cover (C) and empty the recovery tank; rinse the tank with clean water at the end of the work.

### Solution tank emptying

5. Perform steps 1 to 4.
6. Remove the plug (14) and empty the solution tank. Then, rinse the tank with clean water.
7. Reinstall the tanks container (B) on the machine body (16), rotate the handle (A) to the horizontal position and reposition the tank cover (C).

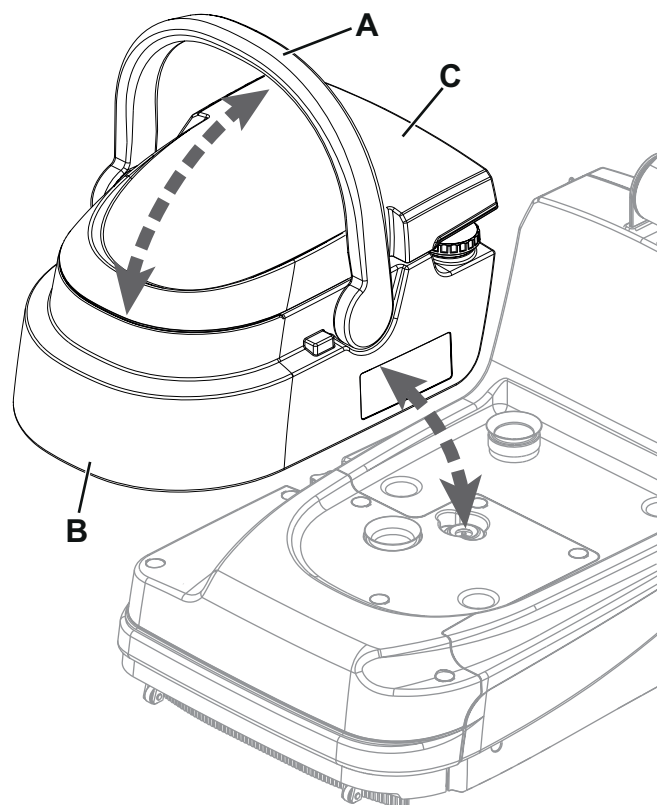


Figure 6

P100937

## MACHINE TRANSPORT/PARKING

1. Stop and turn off the machine, then press the pedal (10) to lift the brush/squeegee assembly from the floor.
2. While holding the machine in this position, drive it to the appointed parking area.
3. If necessary, in order to manually lift the machine, bend the handlebar (24) and grip the handle (25), then transport the machine to the area where it is to be parked.

**AFTER USING THE MACHINE**

After working, before leaving the machine:

1. Stop and turn off the machine, then lift the brush/squeegee unit using the pedal (10).
2. Empty the tanks (13).
3. Park the machine as shown in the figure 7; for lowering the handlebar (1) press the lever (8).
4. Remove the brush and squeegees as described in the specific paragraphs of the Maintenance chapter.
5. Charge the battery and carry out the daily maintenance (see the Maintenance chapter).
6. Store the machine in a clean and dry place.

**MACHINE LONG INACTIVITY**

If the machine is not going to be used for more than 30 days, proceed as follows:

1. Perform the procedures shown in After using the machine paragraph.
2. Remove the battery (27) from the machine as shown in the following paragraph.

**REMOVING THE BATTERY**

To remove the battery from the machine:

1. Remove the cover (26).
2. Use the battery handle (27) to lift it upwards, then remove the battery from the machine.

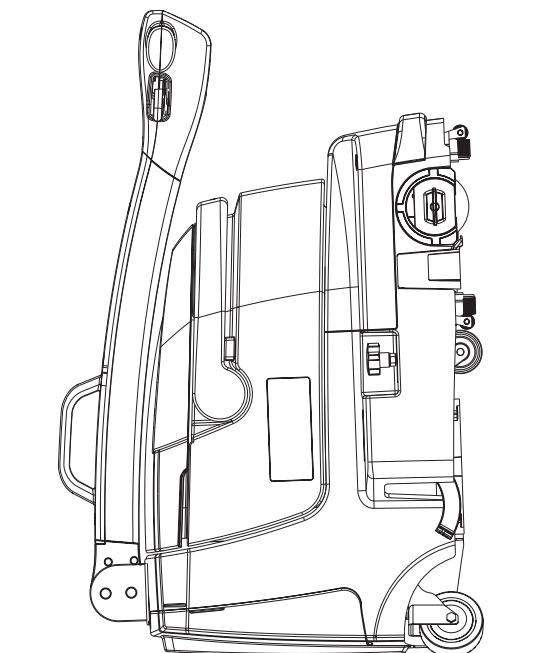


Figure 7

P100938

**MAINTENANCE**

The lifespan of the machine and its maximum operating safety are ensured by correct and regular maintenance. The following chart provides the scheduled maintenance. The intervals shown may vary according to particular working conditions.



**WARNING!**

*The procedures must be performed with the machine off and the battery disconnected. Moreover, carefully read the instructions in the Safety chapter.*

All scheduled or extraordinary maintenance procedures must be performed by qualified personnel, or by an authorized Service Center.

This Manual describes only the simplest and most common maintenance procedures.

For other maintenance procedures shown in the Scheduled Maintenance Table, refer to the Service Manual that can be consulted at any Service Center.

**SCHEDULED MAINTENANCE TABLE**

Procedure	Daily, after using the machine	Weekly	Every six months
Battery charging			
Squeegee bar cleaning			
Brush Cleaning			
Cleaning of the brush compartment and the debris collection tray			
Recovery tank and solution tank rinsing			
Cleaning of intake duct			
Cleaning of the solution dispensers			
Squeegee blades check			
Detergent filter cleaning			
Cleaning of the air filter and gaskets			
Squeegee bar replacement			

## BATTERY CHARGING



### CAUTION!

*Charge the battery when only one LED of the battery symbol is lit (5).*

*When the battery is discharged, charge is as soon as possible, as that condition makes its life shorter. Check for battery charge at least once a week.*

1. Drive the machine to the appointed recharging area.
2. Ensure that the machine is off.
3. Plug the battery charger cable plug (29) into the machine socket and the power supply cable plug into a mains socket (the mains voltage and frequency must be compatible with the battery charger values shown on the data plate).



### NOTE

*When the battery charger is connected to the electrical mains, all machine functions are automatically cut off.*

During charging, one of the 6 LEDs of the battery icon (5) will remain steadily on to indicate the percentage of charging performed, while the other LEDs (to the left of the LED which is on steadily) will flash sequentially.

4. When the 6th LED of the battery icon (5) is lit steadily, battery charging is complete.
5. Disconnect the battery charger from the mains and from the machine socket (29).
6. Open the battery compartment cover (26) and place the battery charger in its tray (28).
7. Close the battery compartment (26).

## CHARGING THE BATTERY OUT OF THE MACHINE

1. Remove the battery (27) from the machine as shown in the Removing the Battery paragraph.
2. Place the battery in the appointed recharging area.
3. Plug the battery charger cable plug (B) into the battery socket (A, Fig. 8) and the power supply cable plug into a mains socket (the mains voltage and frequency must be compatible with the battery charger values shown on the data plate).
4. During charging, one of the 6 green LEDs (C) will remain steadily on to indicate the percentage of charging performed, while the other LEDs (to the left of the LED which is on steadily) will flash sequentially.
5. When the 6th LED (C) is lit steadily, battery charging is complete.
6. Disconnect the battery charger from the mains and from the battery.



### NOTE

*When the battery is not connected to the battery charger, you can see the battery charge level by pressing the button (D) briefly. The number of green LEDs (C) turned on is proportional to the battery charge level percentage.*

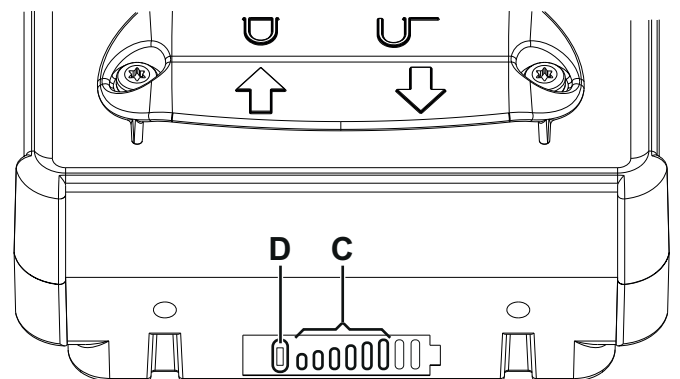
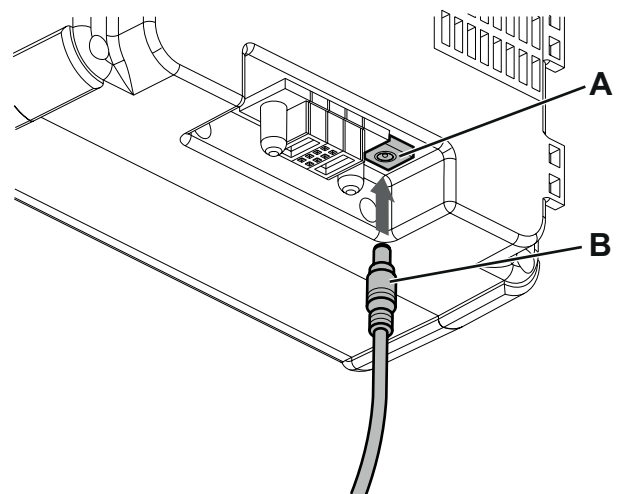


Figure 8

P100939

**SQUEEGEE BAR CLEANING****CAUTION!**

*It is advisable to wear protective gloves when cleaning the squeegee bars because there can be sharp debris.*

**NOTE**

*The squeegee bars must be clean and the blades must be in good conditions in order to get a good drying.*

**CAUTION!**

*The squeegee bars are fastened to the machine with a snap system and can be easily removed.*

1. Ensure that the machine is off.
2. Remove the tanks container (13) from the machine body using the handle (15).
3. Lift the machine deck to access the lower part of the cleaning deck (16).
4. Remove the squeegee bars (20) by pulling outwards.
5. Clean and wash the squeegee bars. In particular, clean the compartments (A, Fig. 9) and the vacuum hole (B). Check the blades for integrity, cuts and tears; if necessary replace the squeegee bars.
6. Before installing the squeegee bars, clean the recovery water duct (G, Fig. 10) thoroughly.
7. Install the squeegee bars (20) and make sure they are properly engaged.

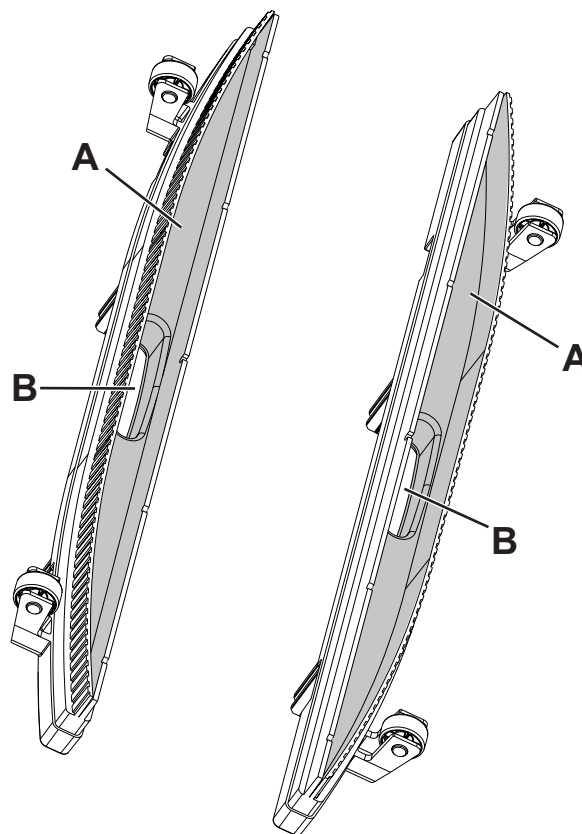


Figure 9

P100940

**BRUSH AND BRUSH COMPARTMENT CLEANING**

1. Turn the lever (A, Fig. 10) counter-clockwise and remove the brush.
2. Clean and wash the cylindrical brush (18) with water and detergent.
3. Check the brush bristles for integrity and wear; if necessary, replace the brush.
4. Carefully clean the brush compartment (B).
5. Remove the debris collection tray (C), clean it and rinse it with clean water, then put it back in its seat.
6. Disassemble the solution dispensers (D) and clean them with water and detergent, then rinse and reassemble in the relevant housings.
7. Reinstall the cylindrical brush (18) on the drive hub (E) and engage it by turning the lever (F) clockwise.

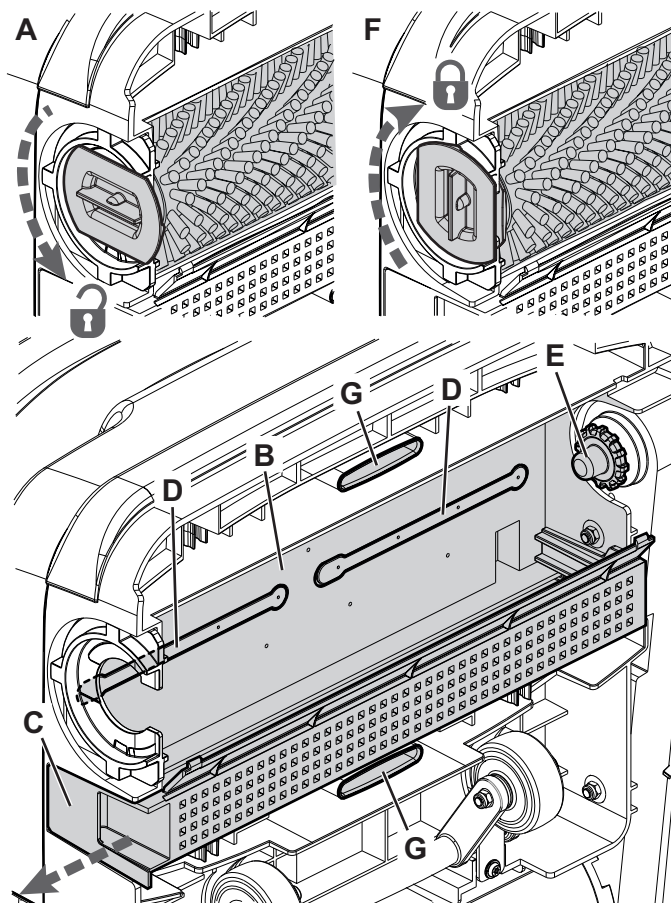


Figure 10

P100941



## RECOVERY TANK AND COVER CLEANING

1. Lift the tanks container (13) from the machine body using the handle (15).
2. Remove the cover (A, Fig. 11) and clean it with hot water.
3. Remove the suction grid (B) along with the float and clean them thoroughly.
4. If necessary, remove the body (C), then clean with care and reinstall.
5. Check the recovery tank cover gasket (D) for integrity.



### NOTE

The gasket (D) creates the vacuum in the tank that is necessary to vacuum up the recovery water.

If necessary, replace the gasket (D) by removing it from its housing on the cover. When assembling the new gasket, install the joint (E) in the area shown in the figure.

6. Check the air duct gasket (C) conditions. If necessary, replace the gasket.
7. Clean the tank compartment (G) with water and detergent, then rinse carefully.
8. Check that the seating surface (H) of the gasket (D) is clean and adequate for the gasket itself.
9. Reassemble the components.
10. If necessary wash the solution tank with clean water.

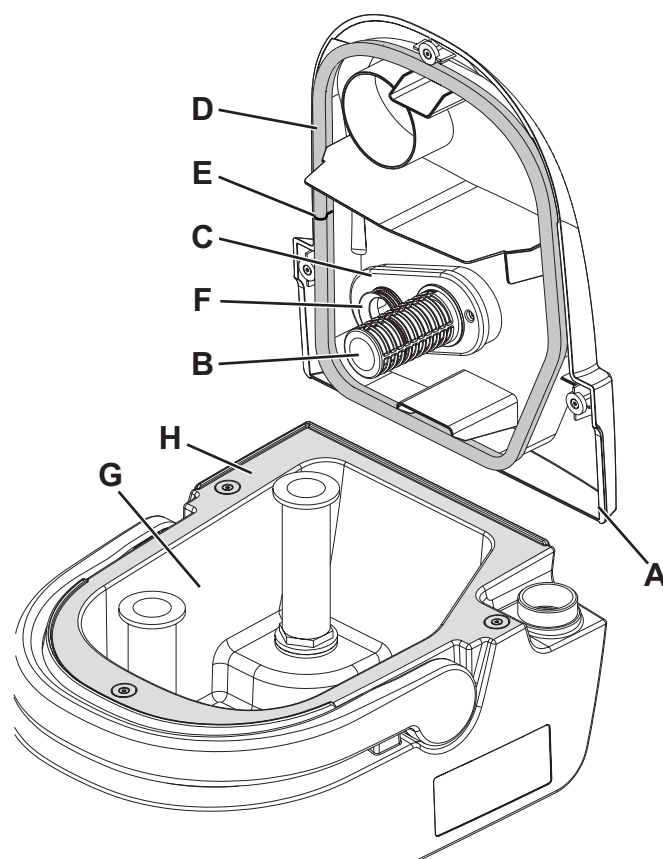


Figure 11

P100942

## CLEANING OF THE SOLUTION FILTER, AIR FILTER, GASKETS AND RECOVERY WATER DUCT

1. Remove the tanks container (13) from the machine body using the handle (15).
2. Remove the rubber gasket (A, Fig. 12), then remove the filter strainer (B).
3. Clean them and reinstall in the housing (C).
4. Remove the air filter (D) and clean it.
5. Refit the filter in the housing of the gasket (E).



### NOTE

The gaskets (E) and (F) create vacuum in the system that is necessary for vacuuming the recovery water.

6. Check and clean the gasket (E) of the vacuum system motor.
7. Check and clean the recovery water duct gasket (F).
8. Rinse the inside of the duct (G) with water.

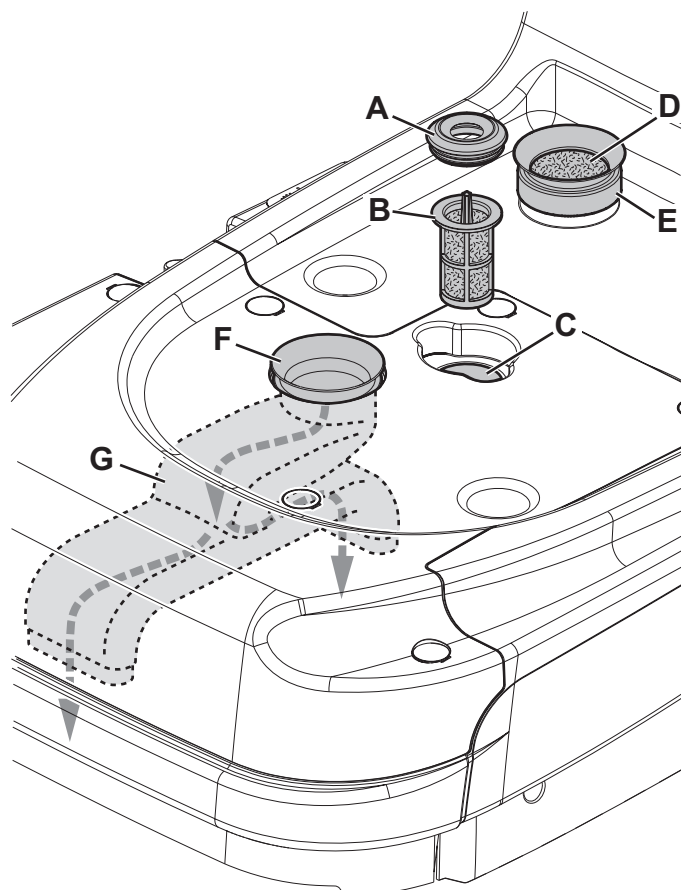


Figure 12

P100943

## TROUBLESHOOTING

Trouble	Possible Cause	Remedy
The motors do not turn on; no LED turns on.	The battery is completely discharged.	Charge the battery.
		Change the battery.
	Switch panel broken.	Replace the switch panel. (*)
	Broken grip handle sensors.	Replace the grip handle sensors. (*)
The battery LEDs flash while working	Brush motor overload.	Reduce the brush pressure on the floor.
	There are foreign materials (tangled threads, etc.) preventing the brush from rotating.	Clean the brush hub.
While running, the machine is noisy and it vibrates.	Deformed brush bristles.	Wash the brush with hot water to restore the bristles.
		Do not leave the machine parked without the transport/parking wheels.
The recovery water vacuuming is insufficient.	The recovery tank is full.	Empty the tank.
	The squeegee bars are dirty or the blades are worn or damaged.	Clean and check the squeegee bars.
	The recovery water conduit is dirty.	Clean the conduit with running water.
	The air filter is dirty.	Clean the filter.
The solution flow is insufficient. The solution push-button LEDs flash.	The solution dispensers are clogged.	Clean the solution dispensers.
	Solution tank empty.	Fill the tank.
	The solution filter is dirty.	Clean the filter.
	Water pump fault.	Replace the pump. (*)
The squeegees leave marks on the floor.	There is debris under the squeegee blades.	Remove the debris.
	The squeegee blades are worn, chipped or torn.	Replace the blades.
	Debris collection tray full.	Empty the tank.

(\*) This maintenance procedure must be performed by an authorized Clarke Service Center.

For further information, refer to the Service Manual, available at any Clarke Service Center.

## SCRAPPING

Have the machine scrapped by a qualified scrapper.

Before scrapping the machine, remove and separate the following materials, which must be disposed of properly according to the Law in force:

- Brush
- Plastic hoses and components
- Electrical and electronic components (\*)

(\*) Refer to the nearest Clarke Center especially when scrapping electrical and electronic components.

### Machine material composition and recyclability

Type	Recyclable percentage	MA30 13 B weight percentage
Aluminum	100 %	13 %
Electric motors - various	29 %	28 %
Ferrous materials	100 %	6 %
Wiring harness	80 %	5 %
Liquids	100 %	0 %
Plastic - non-recyclable material	0 %	1 %
Plastic - recyclable material	100 %	36 %
Polyethylene	92 %	9 %
Rubber	20 %	3 %

**LEA ESTE LIBRO**

Contiene información importante para el uso correcto y seguro de la máquina. Lea este libro completamente antes de arrancar la máquina o hacer cualquier operación de mantenimiento. Si no siga las instrucciones, corre el peligro de herirse o causar lesiones al personal, o causar daños importantes a la máquina o a su entorno. Antes de usar la máquina, es indispensable seguir una formación. Si Usted (o el operador) no habla español, solicite (o proporciónese) todas las informaciones necesarias. El libro está traducido en otros idiomas. Todas las indicaciones de dirección dadas en este libro están dadas desde la posición del operador en la parte de atrás de la máquina. Puede Ud. conseguir libros suplementarios dirigiéndose a su distribuidor Clarke.

**ÍNDICE**

<b>INTRODUCCIÓN.....</b>	<b>18</b>
FINALIDAD Y OBJETO DE ESTE MANUAL .....	18
DESTINATARIOS .....	18
CONSERVACIÓN DEL MANUAL .....	18
DATOS DE IDENTIFICACIÓN.....	18
OTROS MANUALES DE REFERENCIA .....	18
PIEZAS DE REPUESTO Y MANTENIMIENTO .....	18
MODIFICACIONES Y MEJORAS.....	18
CARACTERÍSTICAS DE FUNCIONAMIENTO .....	18
CONVENCIONES.....	18
<b>DESEMBALAJE/ENTREGA.....</b>	<b>19</b>
<b>SEGURIDAD .....</b>	<b>19</b>
SÍMBOLOS VISIBLES EN LA MÁQUINA .....	19
SÍMBOLOS QUE APARECEN EN EL MANUAL.....	19
INSTRUCCIONES GENERALES .....	20
<b>DATOS TÉCNICOS.....</b>	<b>22</b>
<b>DESCRIPCIÓN DE LA MÁQUINA.....</b>	<b>22</b>
ESTRUCTURA DE LA MÁQUINA.....	22
ACCESORIOS/OPCIONES.....	24
ESQUEMA ELÉCTRICO .....	24
<b>USO/FUNCIONAMIENTO.....</b>	<b>24</b>
CONTROL/PREPARACIÓN EN UNA MÁQUINA NUEVA .....	24
PEDAL APARCAMIENTO .....	25
LLENADO DEL DEPÓSITO DE LA SOLUCIÓN DETERGENTE .....	25
ARRANQUE DE LA MÁQUINA (LAVADO/SECAMIENTO) .....	26
ESTADO DE CARGA DE LA BATERÍA.....	27
PARADA DE LA MÁQUINA.....	27
VACIADO DE LOS DEPÓSITOS.....	27
TRANSPORTE/ESTACIONAMIENTO DE LA MÁQUINA.....	27
DESPUÉS DEL USO DE LA MÁQUINA .....	28
PERIODO DE LARGA INACTIVIDAD DE LA MÁQUINA.....	28
DESMONATAJE DE LA BATERÍA .....	28
<b>MANTENIMIENTO .....</b>	<b>28</b>
ESQUEMA DE MANTENIMIENTO PROGRAMADO.....	28
CARGA DE LA BATERÍA .....	29
CARGA DE LA BATERÍA DESMONTADA DE LA MÁQUINA .....	29
LIMPIEZA DE LAS BOQUILLAS .....	30
LIMPIEZA DEL CEPILLO Y DEL COMPARTIMIENTO DEL CEPILLO.....	30
LIMPIEZA DEL DEPÓSITO DEL AGUA DE RECUPERACIÓN Y DE LA TAPA.....	31
LIMPIEZA DEL FILTRO DE LA SOLUCIÓN DETERGENTE, DEL FILTRO DE AIRE, DE LAS GUARNICIONES Y DEL CONDUCTO DEL AGUA DE RECUPERACION .....	31
<b>BÚSQUEDA AVERÍAS .....</b>	<b>32</b>
<b>ELIMINACIÓN.....</b>	<b>32</b>
<b>PARTS LIST.....</b>	<b>49</b>

## INTRODUCCIÓN



NOTA

Los números entre paréntesis se refieren a los componentes ilustrados en el capítulo Descripción de la máquina.

### FINALIDAD Y OBJETO DE ESTE MANUAL

Este manual contiene todas las informaciones necesarias para que el operador utilice la máquina de forma adecuada, autónoma y segura. Incluye informaciones inherentes a los datos técnicos, la seguridad, el funcionamiento, el almacenamiento, el mantenimiento, las piezas de repuesto y la eliminación.

Antes de efectuar cualquier operación de mantenimiento, los operadores y los técnicos calificados tienen que leer cuidadosamente las instrucciones incluidas en este Manual. En caso de dudas sobre la correcta interpretación de las instrucciones, consultar Clarke para obtener explicaciones.

### DESTINATARIOS

Este manual es para los operadores y los técnicos encargados del mantenimiento de la máquina.

Los operadores no deben efectuar procedimientos reservados a los técnicos calificados. Clarke no es responsable para los daños causados a la máquina por falta de observación de esta prohibición.

### CONSERVACIÓN DEL MANUAL

El Manual de instrucciones de uso y mantenimiento debe conservarse junto a la máquina, dentro de su contenedor, lejos de líquidos y otras sustancias que podrían dañarlo.

### DATOS DE IDENTIFICACIÓN

MA30 13 B es una fregadora/secadora para uso comercial.

El número de serie y el modelo de la máquina están marcados en la placa del número de serie (30).

En la misma placa se indican también el año de fabricación (Date code: A16 significa Enero 2016) y el código del producto.

Esta información es necesaria cuando se pidan piezas de repuesto para la máquina. Usar el espacio siguiente para escribir los datos de identificación de la máquina.

Modelo MÁQUINA .....
Código del PRODUCTO .....
Número de serie MÁQUINA .....

### OTROS MANUALES DE REFERENCIA

- Manual de la batería electrónica
- Catálogo piezas de repuestos (en dotación a la máquina)
- Manual de asistencia (solo los técnicos calificados lo puede consultar cerca de los Centros de asistencia Clarke)

### PIEZAS DE REPUESTO Y MANTENIMIENTO

Para cualquier necesidad inherente al uso, mantenimiento y reparación, consultar al personal calificado o los Centros de asistencia Clarke. Se recomienda usar sólo piezas de repuesto y accesorios originales.

Para la asistencia o para pedir piezas de repuesto y accesorios acudir a Clarke, especificando siempre el modelo, el código del producto y el número de serie de la máquina.

### MODIFICACIONES Y MEJORAS

Clarke está constantemente mejorando sus productos y se reserva el derecho de realizar modificaciones y mejoras a su discreción, sin verse obligada a aplicar dichas ventajas a las máquinas vendidas previamente.

Sólo Clarke puede aprobar y efectuar cualquier modificación y/o instalación de accesorios.

### CARACTERÍSTICAS DE FUNCIONAMIENTO

La fregadora/secadora MA30 13 B es adecuada para limpiar (lavado y secamiento) suelos lisos y sólidos, en ambiente comercial o industrial, en condiciones de seguridad, por un operador calificado.

La fregadora/secadora no es adecuada para limpiar alfombras o moqueta.

### CONVENCIONES

En este manual, las indicaciones de adelante, atrás, delantero, trasero, derecho e izquierdo, se refieren al operador en posición de uso.

## DESEMBALAJE/ENTREGA

Al momento de la entrega, controlar con cuidado el embalaje y la máquina por si hayan sufrido daños durante el transporte. Si los daños son evidentes, conservar el embalaje, de forma que el transportista que lo ha entregado lo pueda inspeccionar. Contactarlo de inmediato para compilar una indemnización daños y perjuicios. Controlar que la máquina sea entregada junto a los siguientes componentes:

- Documentación técnica:
  - Manual de instrucciones de uso de la fregadora/secadora
  - Catálogo piezas de repuestos de la fregadora/secadora
- N. 1 Batería de iones de litio
- N. 1 Cargador de baterías
- N. 1 Cepillo cilíndrico
- N. 1 Par de boquillas



### ¡ADVERTENCIA!

*Tras haber desembalado la máquina, montarla siguiendo cuidadosamente las instrucciones indicadas en la hoja de instrucciones dentro del embalaje.*



### ¡ATENCIÓN!

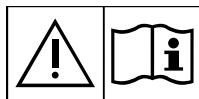
*Los Productos a la venta en este Manual contienen, o pueden contener, productos químicos reconocidos por algunos gobiernos (como el Estado de California, según lo indica en su Proposición 65, Ley de Advertencia Regulatoria) como causantes de cáncer, defectos de nacimiento u otros daños reproductivos. En algunas jurisdicciones (incluido el Estado de California), los compradores de estos Productos que los coloquen en servicio en un emplazamiento laboral o en un espacio de acceso público tienen la obligación regulatoria de realizar determinados avisos, advertencias o divulgaciones respecto de los productos químicos contenidos o posiblemente contenidos en los Productos utilizados en tal lugar. Es la responsabilidad del comprador conocer y cumplir con todas las leyes y reglamentaciones relacionadas con el uso de estos Productos en tales entornos. El Fabricante niega toda responsabilidad de informar a los compradores sobre requisitos específicos que pueden regir el uso de los Productos en tales entornos.*

## SEGURIDAD

La siguiente simbología sirve para señalar situaciones de peligro potencial. Leer siempre cuidadosamente estas informaciones y tomar las precauciones necesarias para proteger personas y cosas.

Para evitar desgracias, la cooperación del operador de la máquina es fundamental. Ningún programa de prevención de accidentes resulta eficaz sin la total cooperación de la persona directamente responsable del funcionamiento de la máquina. La mayoría de los accidentes son causados por no observar las reglas de seguridad fundamentales.

### SÍMBOLOS VISIBLES EN LA MÁQUINA



### ¡ATENCIÓN!

*Leer con cuidado todas las instrucciones antes de efectuar cualquier operación en la máquina.*

2%

### ¡ATENCIÓN!

*No usar la máquina sobre rampas o inclinaciones superiores a las especificaciones.*

### SÍMBOLOS QUE APARECEN EN EL MANUAL



### ¡PELIGRO!

*Indica un peligro con riesgo, incluso mortal, para el operador.*



### ¡ATENCIÓN!

*Indica el riesgo potencial de infortunios para las personas.*



### ¡ADVERTENCIA!

*Indica una advertencia o una nota sobre una función importante o útil.*

*Tener cuidado de las partes del texto marcadas con este símbolo.*



### NOTA

*Indica una nota sobre una función importante o útil.*



### CONSULTAS

*Indica la necesidad de consultar el Manual de instrucciones de uso antes de efectuar cualquier operación.*

**INSTRUCCIONES GENERALES**

Se describen aquí las advertencias y precauciones específicas por lo que se refiere a los potenciales riesgos de daños a la máquina o a las personas.

**¡PELIGRO!**

- *Antes de efectuar cualquier operación de limpieza, mantenimiento, sustitución de piezas o transformación para otras funciones, desconectar la batería.*
- *Sólo los operadores cualificados pueden usar esta máquina.*
- *Quitarse las joyas cuando se trabaja cerca de los componentes eléctricos.*
- *No activar la máquina en un ambiente donde haya polvo, líquidos o vapores nocivos, peligrosos, inflamables y/o explosivos: esta máquina no es adecuada para recoger polvos peligrosos.*

**¡ATENCIÓN! (para batería y cargador de baterías)**

- *Esta máquina está equipada con una batería de iones de litio.*
- *No usar otras baterías, sólo las en dotación a la máquina o el repuesto original.*
- *Antes de cada uso controlar cualquier signo de desperfecto.*
- *No sumergir en líquidos.*
- *No almacenar, usar o cargar en ambientes con temperaturas superiores a los +113 °F (+45 °C).*
- *No recargar con temperaturas inferiores a +32 °F (0 °C).*
- *A causa de riesgo de cortocircuito, no guardar la batería junto con objetos metálicos.*
- *Si la batería está dañada llevarla a un Centro de Asistencia Clarke.*
- *Antes de la eliminación de la máquina quitar la batería.*
- *Proteger y almacenar el cargador de baterías en un lugar seco.*
- *No utilizar el cargador de baterías o su cable si están mojados.*
- *Antes de utilizar el cargador de baterías asegurarse que los valores de frecuencia y voltaje indicados en su etiqueta de número de serie, correspondan a los valores de tensión de la red eléctrica.*
- *No utilizar el cargador de baterías en ambientes donde haya polvos inflamables y/o explosivos.*
- *No transportar el cargador de baterías cogiéndolo por el cable principal.*
- *No tirar o transportar la máquina por el cable del cargador de baterías; no utilizar el cable como manilla. No cerrar el cable del cargador de baterías en una puerta o tirarlo sobre bordes o ángulos afilados. No atropellar el cable del cargador de baterías con la máquina.*
- *Tener el cable del cargador de baterías lejos de superficies calientes.*
- *No recargar la máquina si el cable del cargador de baterías o el enchufe están dañados.*
- *No cubrir el cargador de baterías.*
- *Siempre utilizar el cargador de baterías en dotación con la máquina o su repuesto original. Cualquier otro cargador de baterías tiene que tener las mismas características indicadas en el capítulo Datos técnicos y tiene que proporcionar una tensión de seguridad muy baja (SELV).*

**¡ATENCIÓN!**

- *Antes de efectuar cualquier operación de mantenimiento/repación, leer cuidadosamente todas las instrucciones relacionadas.*
- *Para reducir el riesgo de incendio, electrochoque o lesiones, no dejar la máquina conectada a la red eléctrica cuando está sin custodia. Antes de efectuar las operaciones de mantenimiento, desconectar el cable del cargador de baterías de la red eléctrica.*
- *No fumar cuando se carga la batería.*
- *Proteger siempre la máquina del sol, lluvia y otras intemperies, tanto durante el funcionamiento como durante los períodos de inactividad. Almacenar la máquina en un lugar cerrado y seco: esta máquina no se debe usar o tener al exterior en condiciones de humedad.*
- *Antes de usar la máquina, cerrar todos los portillos y/o las tapas como indicado en el Manual de instrucciones de uso.*
- *El aparato no está diseñado para que lo usen personas (incluidos los niños) con reducidas capacidades físicas, mentales o sensoriales o con experiencia y/o competencias insuficientes, a no ser que lo utilicen bajo la supervisión de una persona responsable de su seguridad o que ésta les enseñe a usarlo. Los niños deben ser supervisados para asegurarse de que no jueguen con el aparato.*
- *Tener mucho cuidado cuando se utiliza cerca de niños.*
- *No usar con finalidades diferentes de aquellas indicadas en este manual. Usar sólo los accesorios recomendados por Clarke.*
- *Controlar con cuidado la máquina antes de usarla, siempre comprobar que se hayan montados correctamente todos los componentes antes de usarla. El uso de la máquina no perfectamente montada puede causar lesiones a personas y daños a los aparatos.*
- *Tomar todas las precauciones necesarias para que el pelo, las joyas y las ropas no sean capturados por las partes móviles de la máquina.*

**¡ATENCIÓN!**

- *No usar la máquina sobre pendientes.*
- *No usar la máquina sobre rampas o inclinaciones superiores a las especificaciones.*
- *No usar la máquina en ambientes demasiado polvorientos.*
- *Usar la máquina sólo en áreas con suficiente iluminación.*
- *Cuando se usa esta máquina, tener cuidado de salvaguardar la incolumidad de personas y cosas.*
- *No chocar contra estanterías o andamios de los que puedan caer objetos.*
- *La temperatura de la máquina en trabajo debe estar entre +32 °F y 104 °F (0 °C y +40 °C).*
- *La temperatura de almacenamiento de la máquina debe estar entre 0 °C y +40 °C (+32 °F y 104 °F).*
- *La humedad debe estar entre el 30 % y el 95 %.*
- *Cuando se usan detergentes, seguir las instrucciones y advertencias indicadas en las etiquetas de los frascos.*
- *Cuando se usan detergentes, usar guantes y protecciones adecuadas.*
- *No usar la máquina como vehículo de transporte.*
- *No permitir que el cepillo funcione mientras la máquina está parada en un punto para evitar posibles daños al suelo.*
- *En caso de incendio usar un extintor de polvo, no de agua.*
- *No adulterar por ninguna razón la máquina, respetar escrupulosamente las instrucciones previstas para el mantenimiento ordinario.*
- *No dejar que material extraño entre en las aperturas. No usar la máquina si las aperturas están obstruidas. Las aperturas deben mantenerse libre de polvo, hilacha, pelos y cualquier otro cuerpo extraño que pueda reducir el flujo de aire.*
- *No quitar ni modificar las placas colocadas en la máquina.*
- *Esta máquina no tiene aprobación para el uso en carreteras o vías públicas.*
- *Tener cuidado durante el traslado de la máquina en condiciones de temperatura muy baja. El agua en el depósito del agua de recuperación o en los tubos, podría congelarse y dañar la máquina.*
- *Utilizar sólo los cepillos suministrados con la máquina o los especificados en el Manual de instrucciones de uso. Utilizar otros cepillos puede perjudicar la seguridad.*
- *Cuando la máquina no funciona correctamente, asegurarse de que esto no sea causado por falta de mantenimiento. En caso contrario, pedir la intervención del personal autorizado o del Centro de asistencia autorizado.*
- *Si deben sustituirse piezas, solicitar piezas de repuesto ORIGINALES a un Concesionario y/o Revendedor autorizado.*
- *Para asegurar condiciones de funcionamiento correcto y seguro, el personal autorizado o el Centro de asistencia autorizado debe llevar a cabo el mantenimiento programado según las especificaciones indicadas en el capítulo relacionado de este manual.*
- *No lavar la máquina con chorros de agua directa o presurizada, o con sustancias corrosivas.*
- *Nunca se debe abandonar la máquina al final del ciclo vital, por la presencia de materiales tóxicos y dañinos (baterías, aceites, etc.) sujetos a normativas que exigen que se realice la eliminación en centros especiales (véase el capítulo Eliminación).*

## DATOS TÉCNICOS

Modelo	MA30 13 B
Capacidad depósito solución detergente/agua de recuperación	1,6 US gal / 1,6 US gal (6 litros / 6 litros)
Dimensiones máquina (longitud x anchura x altura)	25 x 16,7 x 14,7 in (630 x 425 x 400 mm)
Anchura de limpieza	13,4 in (340 mm)
Anchura boquillas	14 in (360 mm)
Diámetro ruedas traseras giratorias	3 in (75 mm)
Diámetro ruedas delanteras	2 in (50 mm)
Diámetro cepillo cilíndrico	3,1 in (80 mm)
Presión al suelo cepillo	Máx. 26,4 lb (Máx. 12 Kg)
Flujo de la solución detergente mín/máx	0,04 / 0,08 gpm (0,15 / 0,3 L/min)
Presión sonora a la oreja del operador (ISO 11201, ISO 4871, EN 60335-2-72) (LpA)	66 dB(A) ± 3 dB(A)
Potencia acústica emitida por la máquina (ISO 3744, ISO 4871, EN 60335-2-72) (LwA)	83 dB(A)
Nivel de vibraciones al brazo del operador (ISO 5349-1, EN 60335-2-72)	< 98,4 in/s <sup>2</sup> (< 2,5 m/s <sup>2</sup> )
Inclinación máxima de trabajo	2 %
Potencia del motor del sistema de aspiración	0,24 hp (180 W)
Vacío del sistema de aspiración	2.132 ft H <sub>2</sub> O (650 mm H <sub>2</sub> O)
Potencia motor cepillo	180 W
Velocidad de rotación cepillo	1.000 rpm
Potencia total absorbida (EN 60335-2-72)	8,5 A (0,3 kW)
Grado de protección IP	X4
Clase de protección (eléctrica)	III
Tensión del sistema eléctrico	36 Vcc
Batería estándar	Iones de litio - 36 Vcc 8Ah
Salida cargador de baterías	42 Vcc 1+2 A
Autonomía de trabajo (EN 60335-2-72)	40 min
Peso con depósitos vacíos	55 lb (25 Kg)
Peso máximo en orden de marcha (GVW)	71 lb (32 Kg)
Peso de envío	66 lb (30 Kg)

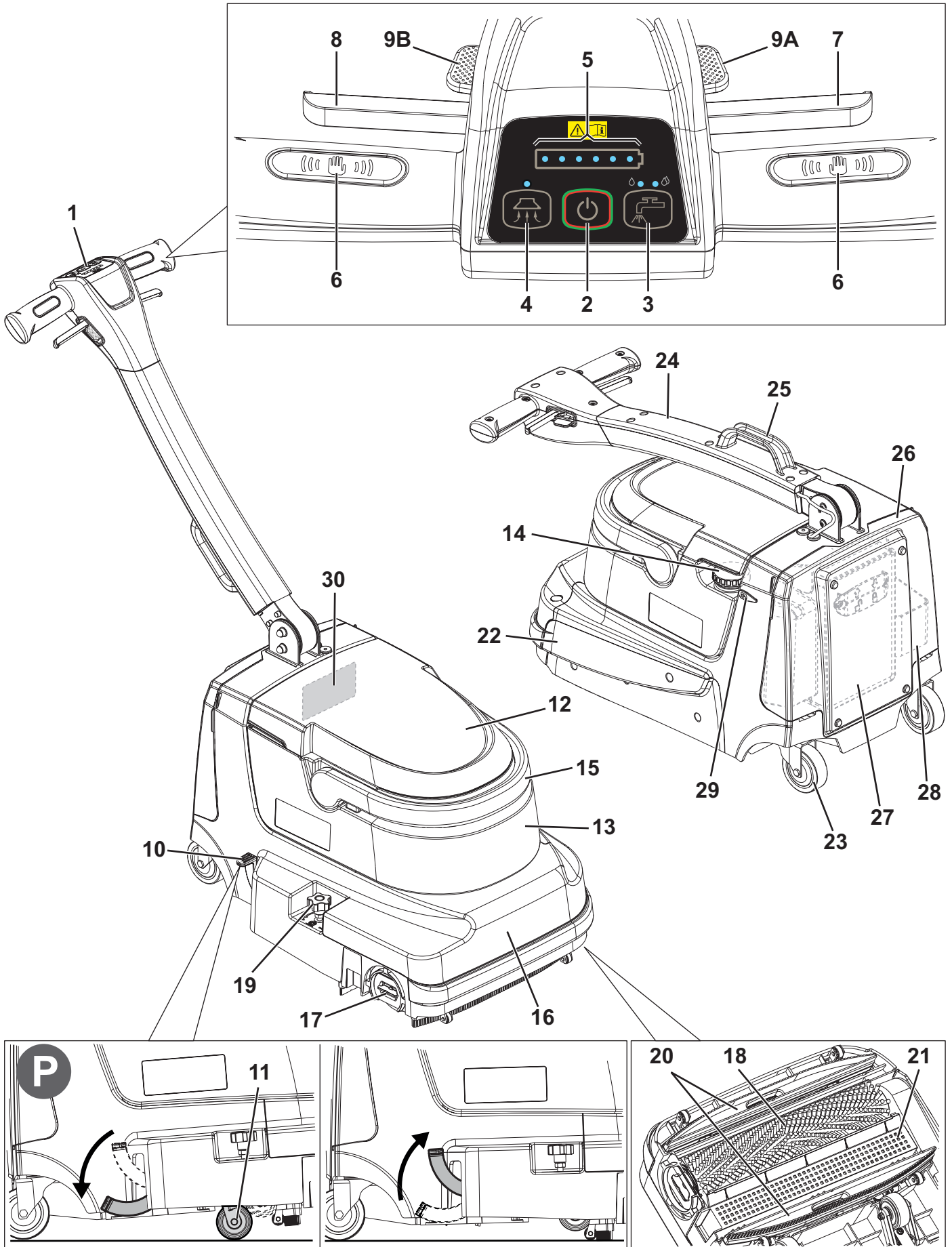
## DESCRIPCIÓN DE LA MÁQUINA

### ESTRUCTURA DE LA MÁQUINA

1. Manillar con panel de control y mandos
2. Pulsador de encendido/apagado
3. Pulsador solución detergente:
  - 1. LED encendido - para limpieza normal con mínimo flujo de la solución
  - 2. LEDs encendidos - para limpieza con máximo flujo de la solución
  - 2 LEDs parpadeantes - depósito solución detergente vacío
  - LEDs apagados - solución detergente desactivada
4. Pulsador del sistema de aspiración:
  - LED encendido - sistema de aspiración activado
5. Símbolo de carga de la batería
  - 1 ÷ 6 LEDs encendidos - porcentaje de carga de la batería
  - 1 LED encendido - batería casi descargada (~ 10 min. de autonomía)
  - 1 LED parpadeante- batería descargada (~ 5 min. de autonomía)
6. Perillas con sensores palma operador
7. Palanca levantamiento boquilla delantera
8. Palanca de ajuste de la inclinación del manillar
9. Teclas bloqueo funciones:
  - A) Boquilla delantera levantada
  - B) Manillar libre inclinación
10. Pedal aparcamiento:
  - Bajado - aparcamiento/desplazamiento
  - Levantado - lavado/secamiento
11. Ruedas anteriores de aparcamiento/desplazamiento
12. Tapa del depósito del agua de recuperación
13. Contenedor depósitos solución detergente y agua de recuperación
14. Tapón de llenado del depósito de la solución detergente
15. Manija de levantamiento del contenedor de los depósitos
16. Cuerpo máquina/cabezal limpieza
17. Palanca de enganche/desenganche del cepillo
18. Cepillo cilíndrico
19. Perilla regulación de la presión al suelo cepillo
20. Boquillas
21. Cubeta recogida residuos
22. Compartimiento correa transmisión cepillo
23. Ruedas traseras giratorias
24. Manillar recogido
25. Manija de transporte
26. Tapa del compartimento de las baterías y electrónica
27. Batería
28. Cubeta para cargador de baterías
29. Toma para cargador de baterías
30. Placa número de serie/datos técnicos/marcación de conformidad



ESTRUCTURA DE LA MÁQUINA (Sigue)



P100930

### ACCESORIOS/OPCIONES

Además de los componentes instalados en la versión estándar, la máquina puede equiparse con los siguientes accesorios/ opciones, según el uso específico:

- Cepillo cilíndrico SOFT NYLON BLACK
- Cepillo cilíndrico MEDIUM NYLON WHITE
- Cepillo cilíndrico HARD GRIT 120 GREY
- Cepillo cilíndrico MICROFIBRA
- Kit de batería + cargador de batería

Para informaciones suplementarias sobre estos accesorios opcionales, acudir al Revendedor autorizado.

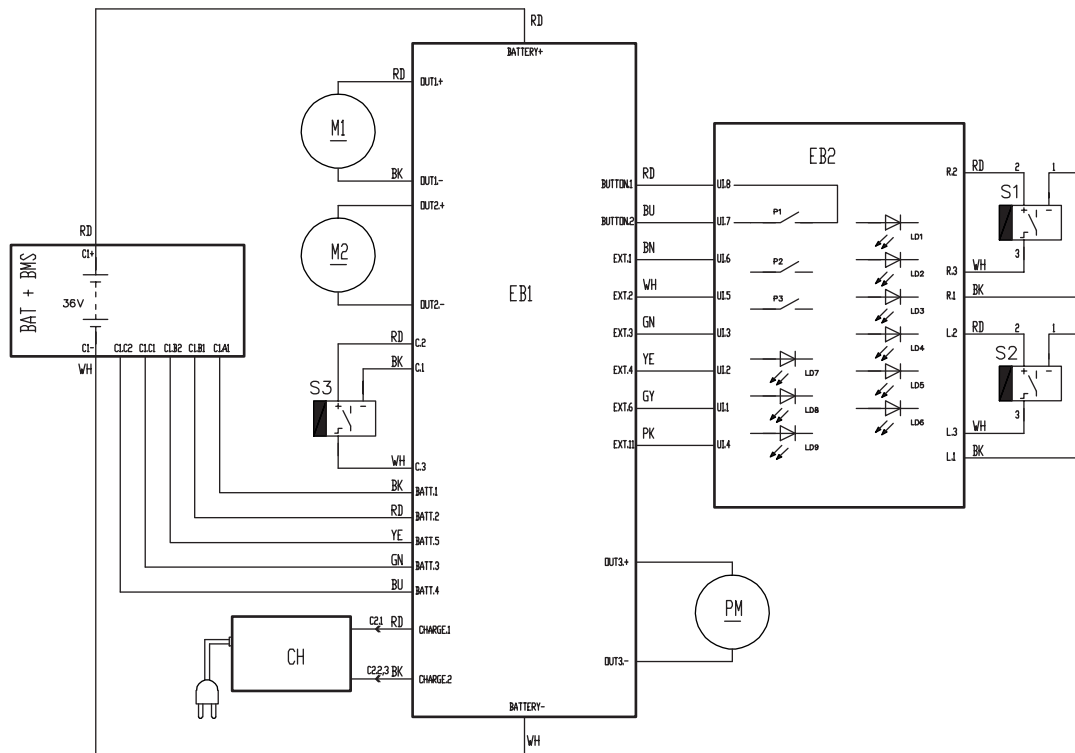
### ESQUEMA ELÉCTRICO

#### Legenda

BAT+BMS	Batería de litio + Sistema de control
C1	Conector batería
CH	Cargador de baterías
EB1	Tarjeta de funciones
EB2	Tarjeta pantalla
M1	Motor del cepillo
M2	Motor del sistema de aspiración
PM	Bomba solución detergente
S1	Sensor perilla (derecha)
S2	Sensor perilla (izquierda)
S3	Sensor presencia solución detergente

#### Códigos color

BK	Negro
BU	Azul
BN	Marrón
GN	Verde
GY	Gris
OG	Anaranjado
PK	Rosado
RD	Rojo
VT	Morado
WH	Blanco
YE	Amarillo



P100931

### USO/FUNCIONAMIENTO

#### CONTROL/PREPARACIÓN EN UNA MÁQUINA NUEVA



**¡ATENCIÓN!**

**Si no se instala correctamente la batería, los componentes eléctricos de la máquina podrían dañarse. Antes de la instalación de la batería, controlar que no esté dañada.**

1. Montar la batería (27), el cepillo cilíndrico (18) y las boquillas (20) como indicado en la hoja de instrucciones colocada dentro del embalaje de la máquina.
2. Cuando se utiliza la máquina por primera vez, efectuar un ciclo de carga completa de la batería (véase procedimiento en el capítulo Mantenimiento).

## PEDAL APARCAMIENTO



### NOTA

Para facilitar las operaciones con el pedal de aparcamiento (10), levantar ligeramente la parte delantera del cuerpo de la máquina haciendo palanca con las manos en el manillar (A, Fig. 1).

### Para aparcamiento/desplazamiento:

1. Con las manos en el manillar (A), levantar ligeramente la parte delantera del cuerpo de la máquina, luego apretar el pedal (B, Fig. 1).  
En esta condición las ruedas anteriores (11) están en contacto con el suelo y el grupo cepillo/boquillas está levantado.

### Para actividad de lavado/secado:

2. Con las manos en el manillar (A), levantar ligeramente la parte delantera del cuerpo de la máquina, luego levantar el pedal (C).  
En esta condición las ruedas anteriores (11) están retraídas y el grupo cepillo/boquilla está en contacto con el suelo.

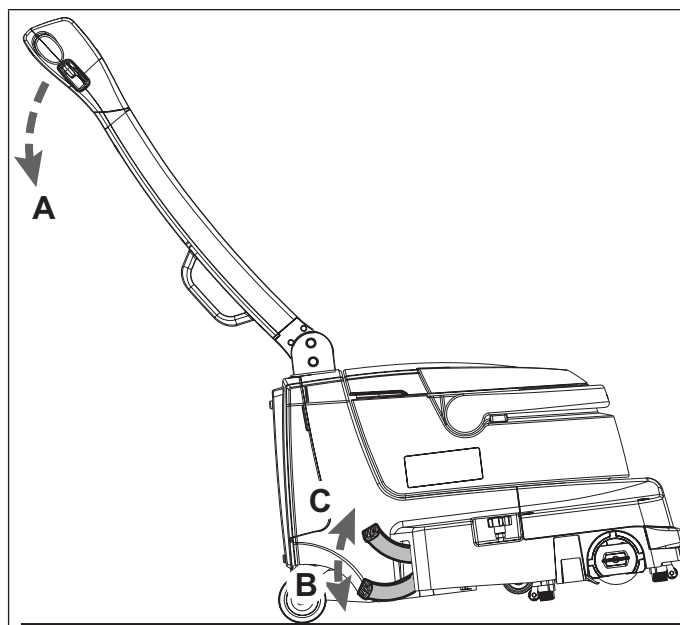


Figura 1

P100932

## LLENADO DEL DEPÓSITO DE LA SOLUCIÓN DETERGENTE



### ¡ADVERTENCIA!

Usar exclusivamente detergentes líquidos poco espumosos y no inflamables, que sean adecuados para este tipo de máquina.



### ¡ATENCIÓN!

Cuando se usan detergentes, seguir las instrucciones y advertencias indicadas en las etiquetas de los frascos.

Cuando se usan detergentes, usar guantes y protecciones adecuadas.

1. Quitar la tapa del depósito (12).
2. Quitar el tapón (A, Fig. 2) del depósito de la solución detergente (B).
3. Llenar el depósito de la solución detergente (B) con agua dejando unos centímetros del borde.  
La temperatura del agua no debe superar los 104 °F (40 °C).
4. Para componer la solución detergente usar el medidor del tapón (A).  
La capacidad del tapón es de 30 ml, igual a 0,5 % de solución diluida en el depósito llenado de agua. Seguir las instrucciones indicadas en la etiqueta para la dilución del producto químico usado para componer la solución detergente.
5. Volver a posicionar el tapón (A) en el depósito de la solución detergente.
6. Volver a posicionar la tapa del depósito (12).



### NOTA

Cada vez que los 2 LEDs del pulsador de la solución detergente (3) parpadean, parar la máquina y llenar el depósito de solución detergente.

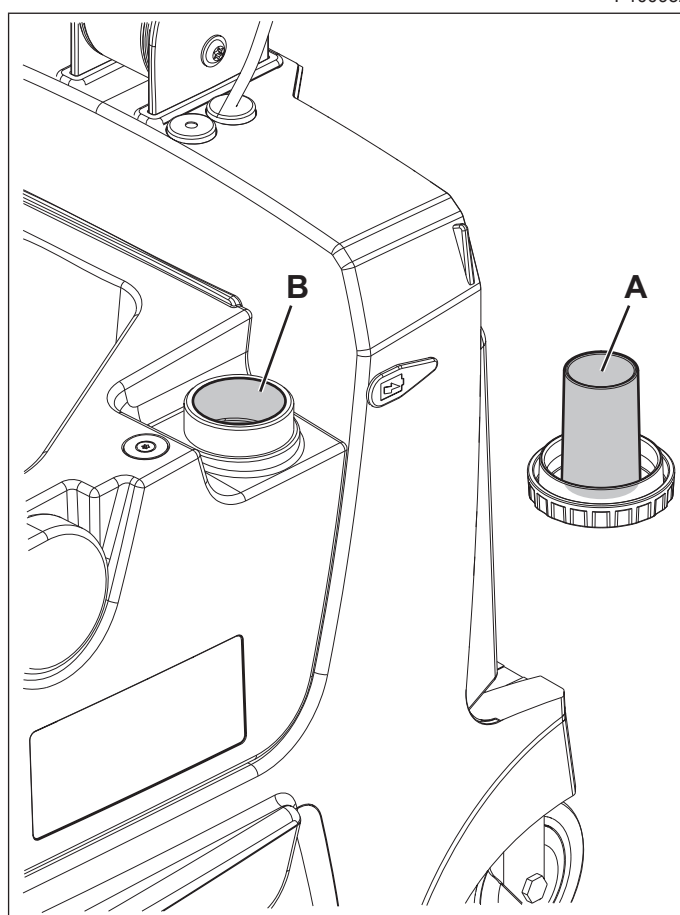


Figura 2

P100933

**ARRANQUE DE LA MÁQUINA (LAVADO/SECAMIENTO)**

1. Presionar la palanca (8) y girar el manillar (1), ajustar la posición y la inclinación del manillar según su propia comodidad.
2. Asegurarse que el pedal de aparcamiento (10) esté bajado y acercarse al lugar de trabajo empujando la máquina.
3. Levantar el pedal de aparcamiento (10) para que el grupo cepillo/boquillas esté en contacto con el suelo.
4. Apretar el pulsador (2) para arrancar la máquina.
5. Apretar el pulsador de la solución detergente (3) según el tipo de limpieza a realizar:
  - 1 LED encendido - suciedad normal
  - 2 LEDs encendidos - suciedad intensa
6. Maniobrar la máquina con las manos en las perillas (6) y empezar el trabajo de lavado/secamiento del suelo.



NOTA

*Las perillas (6) están dotadas de un sensor para el arranque del cepillo y de la solución detergente solo si el operador tiene las manos por lo menos en una de las perillas.*

7. Si necesario, desactivar el sistema de aspiración apretando el pulsador (4 LEDs apagados), volver a apretar para reactivarlo (LED encendido).
8. Para recoger residuos de medianas/grandes dimensiones, levantar la boquilla delantera apretando la palanca (7). Para que la boquilla delantera se quede constantemente levantada apretar la palanca (7) y bloquearla con la tecla (9A).
9. Si necesario, para utilizar y mantener libre la inclinación del manillar, apretar la palanca (8) y bloquearla con la tecla (9B).



NOTA

*Para desbloquear la función de las teclas (9A 9B) y volver con la boquilla delantera bajada o con el manillar en posición fija, apretar brevemente la palanca de la boquilla (7) o la palanca de inclinación del manillar (8).*

10. En caso de suelo con suciedad particularmente resistente, es posible aumentar la presión del cepillo en el suelo girando la perilla (19) en sentido antihorario. Girar la perilla (19) en sentido horario para disminuir la presión.



NOTA

*Para un correcto lavado/secamiento de los suelos en los bordes de las paredes, Clarke sugiere acercarse con el lado derecho de la máquina como indicado en la figura 3.*



NOTA

*Si posible, para un secamiento mejor entre las juntas de las baldosas, proceder diagonalmente respecto a la colocación del suelo, como indicado en la figura 4.*

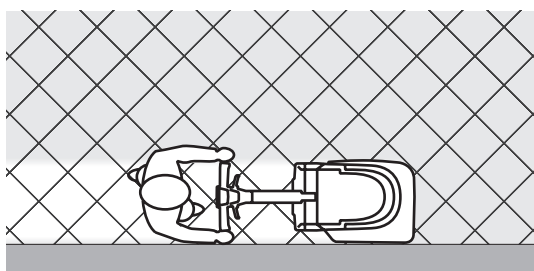


Figura 3

P100934

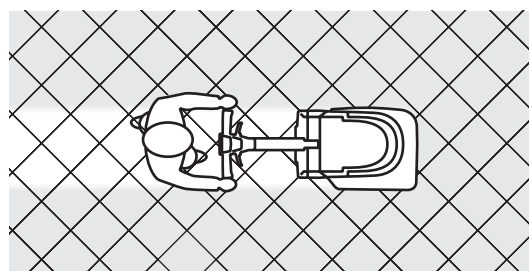


Figura 4

P100935

**¡ADVERTENCIA!**

**En caso de sobrecarga del motor del cepillo, los LEDs del símbolo de la batería (5) parpadean simultáneamente. Si la sobrecarga persiste, el cepillo se para.**

**Para empezar de nuevo el trabajo tras la parada del cepillo por causa de la sobrecarga, es necesario apagar y volver a encender la máquina con el pulsador (2).**

**¡ADVERTENCIA!**

**Para evitar que el suelo se dañe, cuando la máquina se queda parada, parar la rotación del cepillo soltando las perillas (6).**

**¡ADVERTENCIA!**

**Siempre utilizar la máquina con la solución detergente, evitar utilizarla en seco sin solución durante mucho tiempo.**

## ESTADO DE CARGA DE LA BATERÍA

El estado de carga de la batería se visualiza mediante los LEDs del símbolo de la batería (5).

El porcentaje de carga de la batería es en función de la cantidad de LEDs encendidos como indicado en la figura 5. Cuando el primer LED a la izquierda (15 %) parpadea, la autonomía residual de la máquina es de unos minutos (variables según las características del trabajo a realizar).

## PARADA DE LA MÁQUINA

1. Apagar la máquina pulsando el pulsador (2).
2. Apretar el pedal de aparcamiento (10) para levantar el grupo cepillo/boquillas.



### NOTA

La máquina que se queda encendida pero parada de cualquier actividad de trabajo (sin las manos en las perillas), se apaga automáticamente después de 2 minutos.

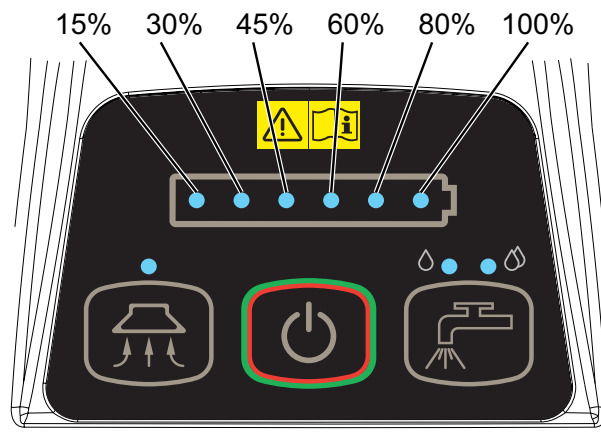


Figura 5

P100936

## VACIADO DE LOS DEPÓSITOS

Un sistema de cierre automático de flotador bloquea el sistema de aspiración cuando el depósito del agua de recuperación está lleno.

Es posible darse cuenta del bloqueo del sistema de aspiración porque de repente aumenta el ruido del motor de aspiración y el suelo no se seca.

Cuando el depósito del agua de recuperación está lleno, vaciarlo según el procedimiento siguiente.

### Vaciado del depósito del agua de recuperación

1. Apagar la máquina y apretar el pedal de aparcamiento.
2. Llevar la máquina en el área de eliminación designada.
3. Girar y empujar la manija (A, Fig. 6) para levantar el contenedor de los depósitos (B) de la máquina.
4. Quitar la tapa (C) y vaciar el depósito de agua de recuperación, al final del trabajo enjuagar el depósito con agua limpia.

### Vaciado del depósito de la solución detergente

5. Llevar a cabo los pasos de 1 a 4.
6. Desenroscar el tapón (14) y vaciar el depósito de la solución detergente. Al final del trabajo, enjuagar el depósito con agua limpia.
7. Volver a instalar el contenedor de los depósitos (B) en el cuerpo de la máquina (16) girar la manija (A) en posición horizontal y volver a posicionar la tapa del depósito (C).

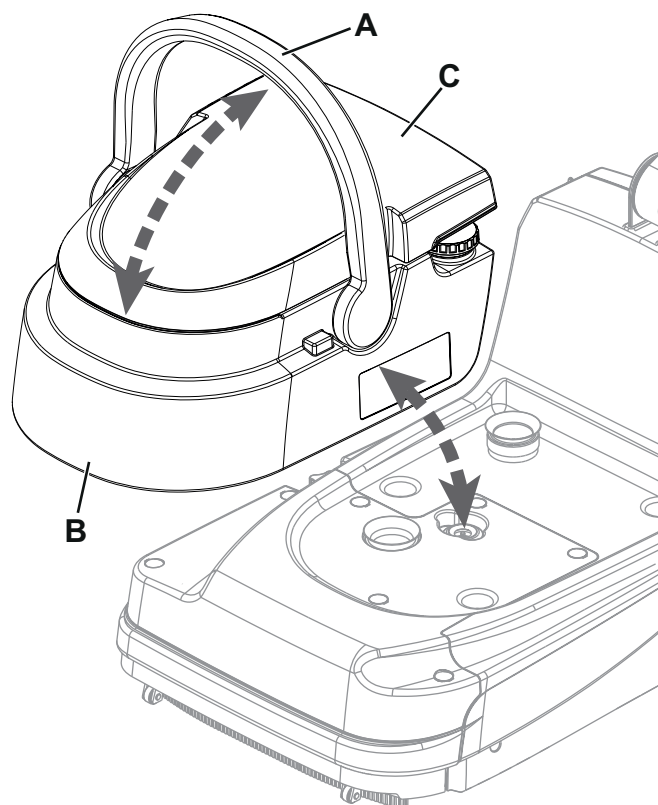


Figura 6

P100937

## TRANSPORTE/ESTACIONAMIENTO DE LA MÁQUINA

1. Parar y apagar la máquina, luego apretar el pedal (10) para levantar el grupo cepillo/boquillas del suelo.
2. Manteniendo la máquina en esta condición, empujarla en un lugar adecuado para el estacionamiento.
3. Si necesario, para levantar manualmente la máquina, plegar el manillar (24) y empujar la manija (25), llevar la máquina hasta la zona prevista para el aparcamiento.

### DESPUÉS DEL USO DE LA MÁQUINA

Cuando el trabajo está acabado, antes de alejarse de la máquina:

1. Parar y apagar la máquina, luego levantar el grupo cepillo/boquillas con el pedal (10).
2. Vaciar los depósitos (13).
3. Aparcar la máquina como indicado en la figura 7, para bajar el manillar (1) apretar la palanca (8).
4. Quitar el cepillo y las boquillas como indicado en el párrafo específico en el capítulo Mantenimiento.
5. Cargar la batería y realizar el mantenimiento cotidiano previsto (véase el capítulo Mantenimiento).
6. Almacenar la máquina en un lugar limpio y seco.

### PERIODO DE LARGA INACTIVIDAD DE LA MÁQUINA

Si se piensa que la máquina no va a ser usada durante 30 días o más, seguir las indicaciones siguientes:

1. Llevar a cabo los procedimientos indicados en el párrafo Después del uso de la máquina.
2. Quitar la batería (27) de la máquina como indicado en el párrafo siguiente.

### DESMONATAJE DE LA BATERÍA

Para desmontar la batería de la máquina:

1. Quitar la tapa (26).
2. Empuñar la manija de la batería (27) y estirarla hacia arriba, luego extraer la batería de la máquina.

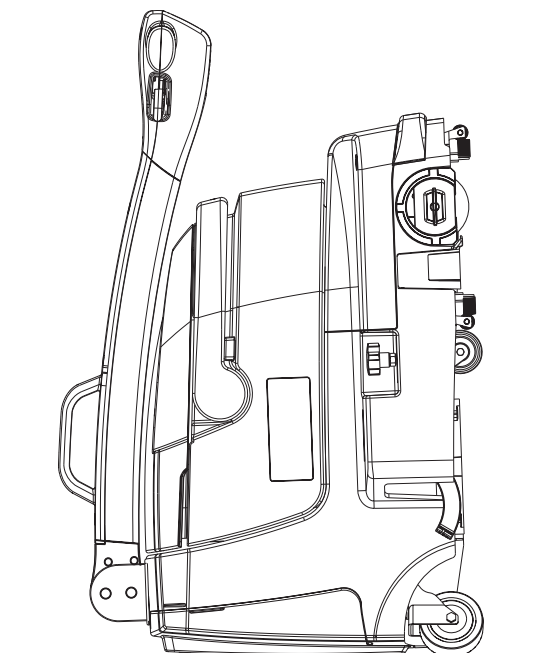


Figura 7

P100938

### MANTENIMIENTO

Un mantenimiento cuidadoso y continuo garantiza la vida útil y la seguridad de funcionamiento de la máquina.

El esquema siguiente resume el mantenimiento programado. Los períodos indicados pueden variar según las condiciones de trabajos.



**¡ATENCIÓN!**

**Las operaciones deben efectuarse con la máquina apagada y con la batería desconectada. Además, leer cuidadosamente todas las instrucciones del capítulo Seguridad.**

Todas las operaciones de mantenimiento programado o extraordinario deben ser efectuadas por el personal calificado o por un Centro de asistencia autorizado.

En este manual, después del esquema de mantenimiento programado, se describen sólo los procedimientos de mantenimiento más sencillos y frecuentes.

Para las operaciones de mantenimiento no indicadas en el esquema de mantenimiento programado y las operaciones de mantenimiento extraordinario, véase el Manual de asistencia disponible en los Centros de asistencia.

### ESQUEMA DE MANTENIMIENTO PROGRAMADO

Operación	Diaria, después del uso de la máquina	Semanaria	Semestral
Carga de la batería			
Limpieza de las boquillas			
Limpieza del cepillo			
Limpieza del compartimento cepillo y de la rejilla recoge residuos			
Aclarado del depósito de agua de recuperación y solución detergente			
Limpieza del conducto de aspiración			
Limpieza de los dosificadores de la solución detergente			
Control de los cauchos de las boquillas			
Limpieza del filtro del detergente			
Limpieza del filtro de aire y de las juntas			
Sustitución de las boquillas			

## CARGA DE LA BATERÍA



### ¡ADVERTENCIA!

*Cargar la batería cuando se queda encendido un solo LED del símbolo de la batería (5). No dejar la batería descargada durante mucho tiempo, porque su durabilidad podría reducirse. Controlar la carga de la batería por lo menos una vez por semana.*

1. Llevar la máquina en el área designada para la carga de la batería.
2. Asegurarse que la máquina esté apagada.
3. Conectar a la toma (29) en la máquina, la clavija del alimentador del cargador de baterías y el enchufe del cable a la red eléctrica (la tensión y la frecuencia de la red deben ser iguales a los valores correspondientes del cargador de baterías, indicados en su placa).



### NOTA

*Cuando el alimentador del cargador de baterías está conectado a la red eléctrica, todas las funciones de la máquina se excluyen automáticamente.*

En fase de recarga uno de los 6 LEDs del símbolo de la batería (5) se queda fijo para indicar el porcentaje de recarga realizada, mientras que los LEDs (a la izquierda del fijo) parpadean secuencialmente.

4. Cuando el 6° LED del símbolo de la batería se queda fijo (5), sin que ninguno otro LED parpadea el ciclo de carga de la batería está terminado.
5. Desconectar el alimentador del cargador de baterías de la red eléctrica y de la toma (29) en la máquina.
6. Abrir la tapa del compartimento de las baterías (26) y colocar el alimentador del cargador de baterías en la cubeta correspondiente (28).
7. Cerrar la tapa de la batería (26).

## CARGA DE LA BATERÍA DESMONTADA DE LA MÁQUINA

1. Quitar la batería (27) de la máquina como indicado en el párrafo Desmontaje de la batería.
2. Llevar la batería en el área designada para la carga.
3. Conectar a la toma de la batería (A, Fig. 8) la clavija del alimentador del cargador de baterías (B) y el enchufe del cable a la red eléctrica (la tensión y la frecuencia de la red deben ser iguales a los valores correspondientes del cargador de baterías, indicados en su placa).
4. En fase de recarga uno de los 6 LEDs verdes (C) se queda fijo para indicar el porcentaje de recarga realizada, mientras que los LEDs (a la izquierda del fijo) parpadean secuencialmente.
5. Cuando el 6° LED (C) se queda fijo, sin que ninguno otro LED parpadea, el ciclo de carga de la batería está terminado.
6. Desconectar el alimentador del cargador de baterías de la red eléctrica y de la batería.



### NOTA

*Cuando la batería no está conectada al alimentador del cargador de baterías, es posible averiguar el estado de carga apretando brevemente el pulsador (D). El número de LEDs verdes (C) encendidos es proporcional al porcentaje de carga de la batería.*

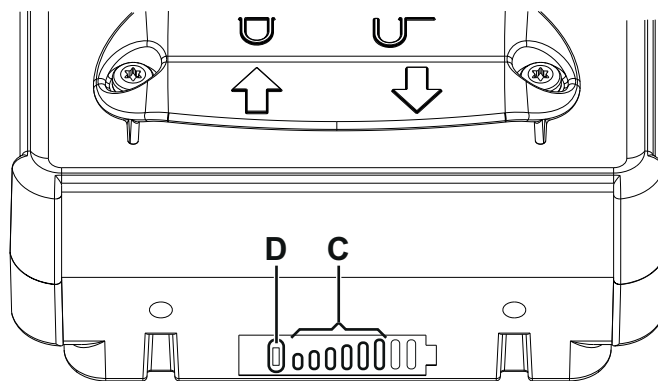
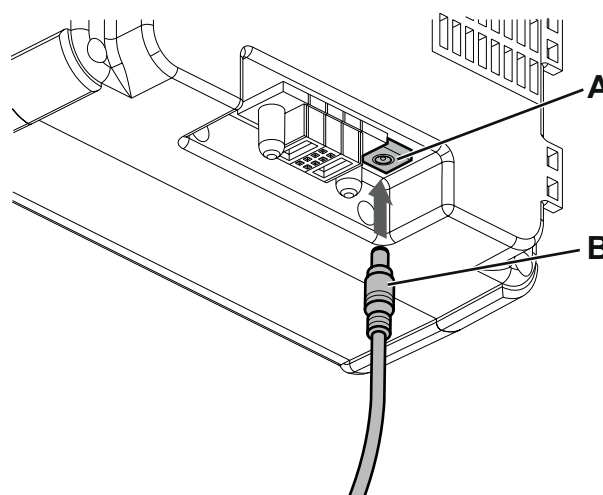


Figura 8

P100939

**LIMPIEZA DE LAS BOQUILLAS**



**¡ADVERTENCIA!**  
 Durante estas operaciones se aconseja usar guantes de trabajo, porque residuos cortantes podrían estar en las boquillas o en el cepillo.



**NOTA**  
 Para un buen secamiento, las boquillas deben estar limpias y con los cauchos en buenas condiciones.



**¡ADVERTENCIA!**  
 Las boquillas se fijan a la máquina con un mecanismo de resorte y se pueden quitar con facilidad.

1. Asegurarse que la máquina esté apagada.
2. Quitar el contenedor de los depósitos (13) del cuerpo máquina utilizando la manija (15).
3. Levantar el cuerpo de la máquina para acceder a la parte inferior del cabezal de limpieza (16).
4. Desmontar las boquillas (20) tirándolas hacia el exterior.
5. Limpiar y lavar las boquillas. Limpiar especialmente los huecos (A, Fig. 9) y el orificio de aspiración (B). Controlar que los cauchos estén en buenas condiciones, que no estén cortados o desgarrados; de lo contrario, sustituir las boquillas.
6. Antes de montar las boquillas, limpiar cuidadosamente de posible suciedad los conductos para el agua de recuperación (G, Fig. 10).
7. Montar las boquillas (20) enganchándolas por completo.

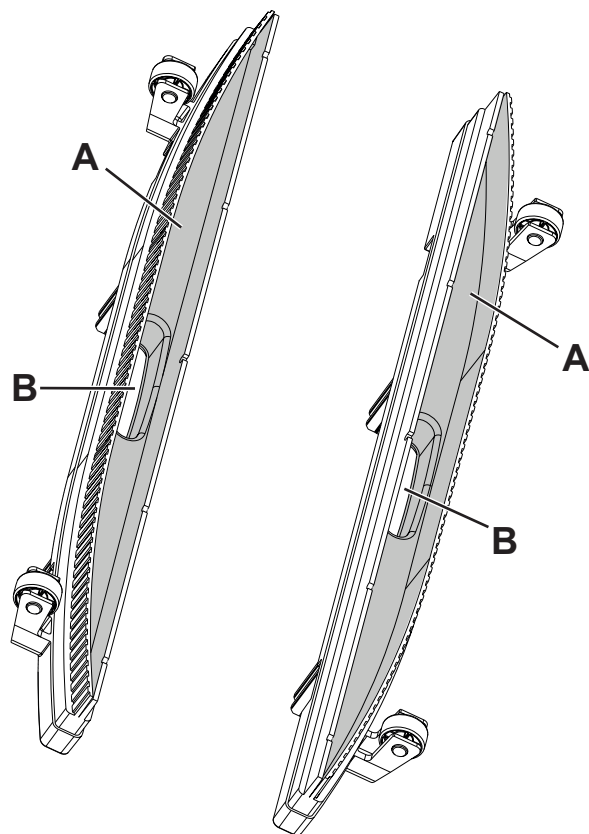


Figura 9

P100940

**LIMPIEZA DEL CEPILLO Y DEL COMPARTIMIENTO DEL CEPILLO**

1. Girar la palanca en sentido antihorario (A, Fig. 10) y quitar el cepillo.
2. Limpiar y lavar el cepillo cilíndrico (18) con agua y detergente.
3. Controlar que las cerdas del cepillo no estén dañadas o excesivamente desgastadas; de lo contrario, sustituir el cepillo.
4. Limpiar con cuidado el compartimiento del cepillo (B).
5. Extraer la Cubeta de recogida de residuos (C), limpiarla y enjuagarla con agua limpia, luego volverla a colocar en su sede.
6. Desmontar los dosificadores de la solución detergente (D) y limpiarlos con agua y detergente, luego enjuagarlos y volverlos a montar en sus alojamientos.
7. Volver a montar el cepillo cilíndrico (18) en el perno arrastrador (E) y engancharlo girando la palanca en sentido horario (F).

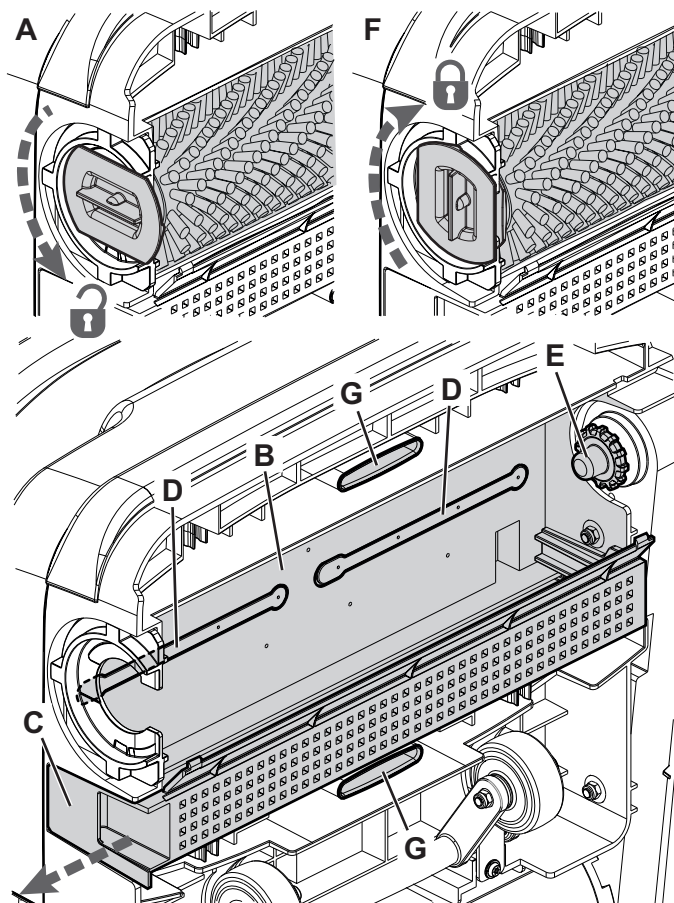


Figura 10

P100941



## LIMPIEZA DEL DEPÓSITO DEL AGUA DE RECUPERACIÓN Y DE LA TAPA

1. Levantar el contenedor de los depósitos (13) del cuerpo máquina utilizando la manija (15).
2. Quitar la tapa (A, Fig. 11) y lavarla con agua y detergente.
3. Desmontar la rejilla de aspiración (B), con el flotador y limpiarlos con cuidado.
4. Si necesario, desmontar el cuerpo (C), luego limpiar con cuidado y volver a instalar.
5. Controlar la integridad de la guarnición (D) de la tapa del depósito del agua de recuperación.



### NOTA

La guarnición (D) permite la formación de vacío en el depósito, necesaria para la aspiración del agua de recuperación.

Si necesario, sustituir la guarnición (D), quitándola de su alojamiento en la tapa. Cuando se instala la nueva guarnición, colocar la unión (E) en el área indicada en la figura.

6. Controlar la integridad de la guarnición (F) del conducto de aire. Si necesario sustituir la guarnición.
7. Lavar y limpiar con agua y detergente el compartimento (G) del depósito, luego enjuagar cuidadosamente.
8. Controlar que toda la superficie periférica de apoyo (H) de la guarnición (D) esté limpia y adecuada para la estanqueidad de la guarnición misma.
9. Volver a instalar los componentes quitados.
10. Si necesario lavar el depósito de la solución detergente con agua limpia.

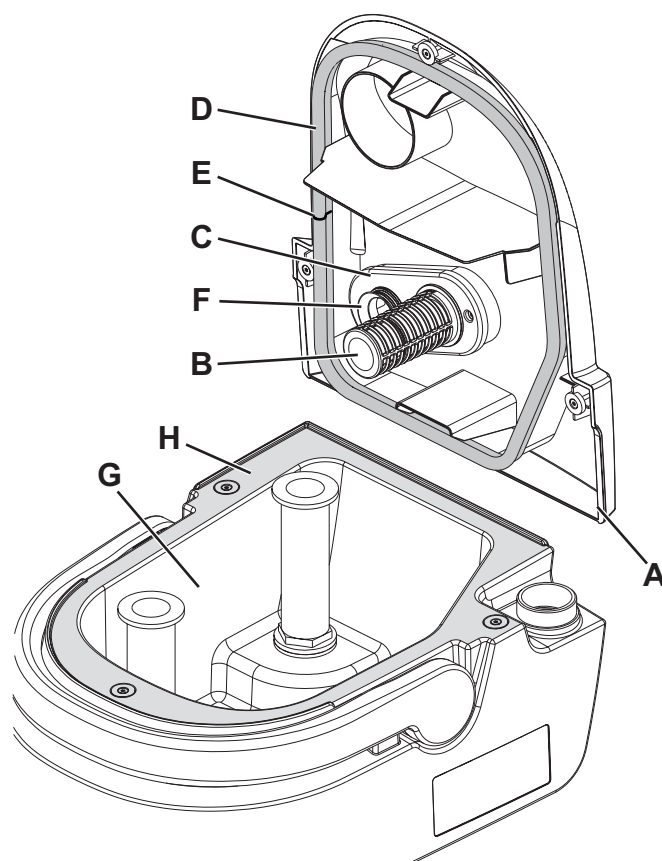


Figura 11

P100942

## LIMPIEZA DEL FILTRO DE LA SOLUCIÓN DETERGENTE, DEL FILTRO DE AIRE, DE LAS GUARNICIONES Y DEL CONDUCTO DEL AGUA DE RECUPERACION

1. Quitar el contenedor de los depósitos (13) del cuerpo máquina utilizando la manija (15).
2. Desmontar la guarnición de caucho (A, Fig. 12), luego quitar la rejilla filtrante (B).
3. Limpiarlas y montarlas en su alojamiento (C).
4. Quitar el filtro de aire (D) y limpiarlo.
5. Volver a montar el filtro en el alojamiento de la guarnición (E).



### NOTA

Las guarniciones (E) y (F) permiten la formación de vacío en el sistema, necesario para la aspiración del agua de recuperación.

6. Controlar y limpiar la guarnición (E) del motor del sistema de aspiración.
7. Controlar y limpiar la guarnición (F) del conducto del agua de recuperación.
8. Enjuagar con agua corriente el interior del conducto (G).

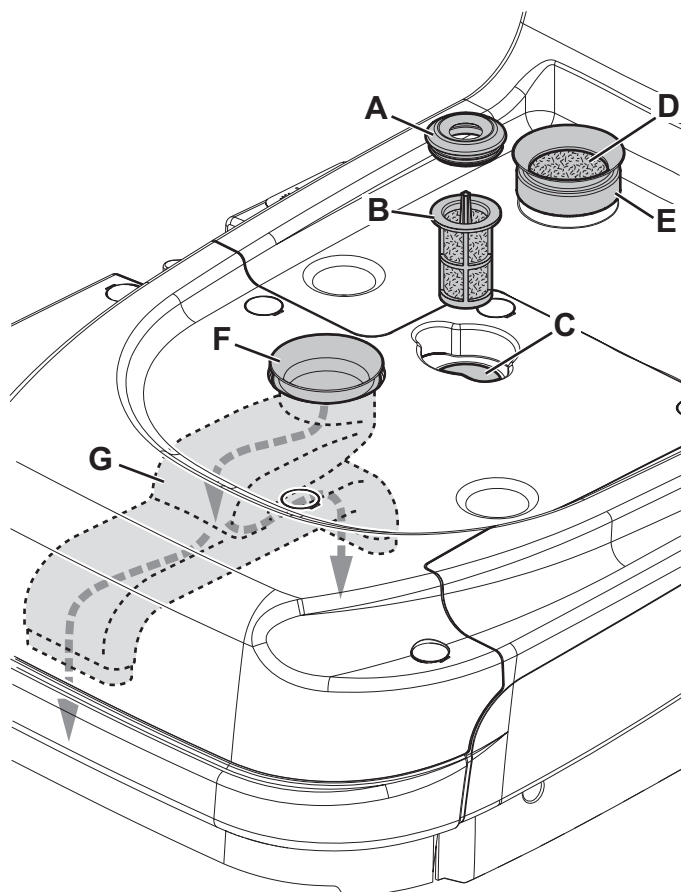


Figura 12

P100943

## BÚSQUEDA AVERÍAS

Problema	Probable causa	Remedio
Los motores no se ponen en marcha; ningún LED encendido.	La batería está completamente descargada.	Cargar la batería. Sustituir la batería.
	Panel de pulsadores roto.	Sustituir el panel de pulsadores. (*)
	Sensores perillas rotas.	Sustituir los sensores perillas. (*)
	Sobrecarga del motor del cepillo.	Reducir la presión a tierra del cepillo.
Durante el trabajo los LEDs de la batería parpadean	Cuerpos extraños (hilos enrollados, etc.) que puedan frenar la rotación del cepillo.	Limpiar el cubo del cepillo.
	Cerdas del cepillo deformadas.	Lavar el cepillo con agua caliente para restablecer las cerdas. Evitar dejar la máquina aparcada sin el auxilio de las ruedas de transporte/aparcamiento.
La aspiración del agua de recuperación es insuficiente.	Depósito del agua de recuperación lleno.	Vaciar el depósito.
	Boquillas sucias o cauchos desgastados/dañados.	Limpiar y controlar las boquillas.
	Conducto agua de recuperación sucio.	Limpiar el conducto con agua corriente.
	Filtro del aire sucio.	Limpiar el filtro.
El flujo de la solución detergente al cepillo es insuficiente. Los LEDs del pulsador de la solución detergente parpadean.	Dosificadores de la solución detergente obstruidos.	Limpiar los dosificadores de la solución detergente.
	Depósito de la solución detergente vacío.	Llenar el depósito.
	Filtro de la solución detergente sucio.	Limpiar el filtro.
	Avería bomba de agua.	Sustituir bomba. (*)
Las boquillas causan estriados en el suelo.	Residuos bajo de los cauchos de las boquillas.	Quitar los residuos.
	Cauchos de las boquillas desgastados, astillados o desgarrados.	Sustituir los cauchos.
	Cubeta recogida residuos llena.	Vaciar la cubeta.

(\*) Mantenimiento de competencia de un Centro de asistencia autorizado Clarke.

Para informaciones suplementarias consultar el Manual de asistencia cerca de los Centros de asistencia Clarke.

## ELIMINACIÓN

Eliminar la máquina en un demoledor calificado.

Antes de eliminar la máquina es necesario quitar y separar los siguientes materiales y eliminarlos según las actuales normas de higiene ambiental:

- Cepillo
- Tubos y componentes de plástico
- Componentes eléctricos y electrónicos (\*)

(\*) En particular, para la eliminación de componentes eléctricos y electrónicos, contactar con Clarke.

### Composición de material de la máquina y reciclabilidad

Tipo	% reciclable	% de peso MA30 13 B
Aluminio	100 %	13 %
Motores eléctricos - misc.	29 %	28 %
Materiales ferrosos	100 %	6 %
Cableados	80 %	5 %
Líquidos	100 %	0 %
Plástico - no reciclable	0 %	1 %
Plástico - reciclable	100 %	36 %
Polietileno	92 %	9 %
Caucho	20 %	3 %

**LISEZ CE MANUEL**

Il contient des informations importantes pour une utilisation correcte de la machine, en toute sécurité. Lisezle complètement avant de mettre la machine en marche ou d'effectuer un entretien. A défaut, vous risqueriez de vous blesser ou de blesser d'autres membres du personnel, d'endommager sérieusement la machine ou de provoquer des dégâts dans son environnement. Avant de se servir de la machine, il est indispensable d'avoir reçu une formation. Si vous-même (ou le conducteur) ne parlez pas français, veuillez demander (ou lui fournir) toutes les explications nécessaires. Des versions du manuel existent en d'autres langues. Toutes les indications de direction figurant dans ce manuel sont visualisées depuis la position du conducteur, à l'arrière de la machine. Des manuels supplémentaires peuvent être obtenus auprès de votre revendeur Clarke.

**TABLE DES MATIÈRES**

<b>INTRODUCTION</b> .....	<b>34</b>
BUT ET CONTENU DU MANUEL .....	34
DESTINATAIRES .....	34
CONSERVATION DU MANUEL.....	34
DONNÉES D'IDENTIFICATION .....	34
AUTRES MANUELS DE RÉFÉRENCE.....	34
PIÈCES DE RECHANGE ET ENTRETIEN .....	34
MODIFICATIONS ET AMÉLIORATIONS .....	34
CAPACITÉS OPÉRATIONNELLES .....	34
CONVENTIONS .....	34
<b>DÉBALLAGE / LIVRAISON</b> .....	<b>35</b>
<b>SÉCURITÉ</b> .....	<b>35</b>
SYMBOLES VISIBLES SUR LA MACHINE .....	35
SYMBOLES UTILISÉS DANS LE MANUEL.....	35
INSTRUCTIONS GÉNÉRALES.....	36
<b>CARACTÉRISTIQUES TECHNIQUES</b> .....	<b>38</b>
<b>DESCRIPTION DE LA MACHINE</b> .....	<b>38</b>
STRUCTURE DE LA MACHINE .....	38
ACCESSOIRES / OPTIONS.....	40
SCHÉMA ÉLECTRIQUE.....	40
<b>UTILISATION/FONCTIONNEMENT</b> .....	<b>40</b>
CONTRÔLE / PRÉPARATION SUR UNE MACHINE NEUVE .....	40
PÉDALE DE STATIONNEMENT .....	41
REMPLISSAGE DU RÉSERVOIR DE SOLUTION .....	41
DÉMARRAGE DE LA MACHINE (LAVAGE/SÉCHAGE).....	42
ÉTAT DE CHARGE DE LA BATTERIE .....	43
ARRÊT DE LA MACHINE .....	43
VIDANGE DES RÉSERVOIRS.....	43
TRANSPORT / STATIONNEMENT DE LA MACHINE.....	43
APRÈS L'UTILISATION DE LA MACHINE .....	44
INACTIVITÉ PROLONGÉE DE LA MACHINE .....	44
DÉPOSE DE LA BATTERIE .....	44
<b>ENTRETIEN</b> .....	<b>44</b>
PLAN D'ENTRETIEN PROGRAMMÉ.....	44
CHARGEMENT DE LA BATTERIE.....	45
RECHARGE DE LA BATTERIE DÉMONTÉE DE LA MACHINE.....	45
NETTOYAGE DES EMBOUCHURES .....	46
NETTOYAGE DE LA BROSSE ET DE LA ZONE DU LOGEMENT DE LA BROSSE.....	46
NETTOYAGE DU RÉSERVOIR DE L'EAU DE RÉCUPÉRATION ET DU COUVERCLE .....	47
NETTOYAGE DU FILTRE DE SOLUTION, DU FILTRE À AIR, DES JOINTS ET DU CONDUIT D'EAU DE RÉCUPÉRATION ..	47
<b>DÉPISTAGE DES PANNES</b> .....	<b>48</b>
<b>MISE À LA FERRAILLE</b> .....	<b>48</b>
<b>PARTS LIST</b> .....	<b>49</b>

## INTRODUCTION



### REMARQUE

Les nombres entre parenthèses se réfèrent aux composants indiqués au chapitre Description de la machine.

## BUT ET CONTENU DU MANUEL

Ce manuel se propose de fournir à l'opérateur toutes les informations nécessaires afin qu'il puisse utiliser la machine correctement et la gérer de la manière la plus autonome et sûre. Il comprend des informations concernant l'aspect technique, la sécurité, le fonctionnement, l'arrêt de la machine, l'entretien, les pièces de rechange et la mise à la ferraille.

Avant d'effectuer une opération quelconque sur la machine, les opérateurs et les techniciens qualifiés doivent lire attentivement les instructions contenues dans ce manuel. En cas de doutes sur la correcte interprétation des instructions, contacter Clarke pour avoir plus de renseignements.

## DESTINATAIRES

Ce manuel s'adresse aux opérateurs aussi bien qu'aux techniciens préposés à l'entretien de la machine.

Les opérateurs ne doivent pas exécuter les opérations réservées aux techniciens qualifiés. Clarke ne répond pas des dommages dus à l'inobservance de cette interdiction.

## CONSERVATION DU MANUEL

Le Manuel de Mode d'emploi doit être gardé près de la machine, dans une enveloppe spéciale et, surtout, loin de liquides et de tout ce qui pourrait compromettre l'état de lisibilité.

## DONNÉES D'IDENTIFICATION

La MA30 13 B est une autolaveuse à usage commercial.

Le numéro de série et le modèle de la machine sont indiqués sur la plaque (30).

La plaque indique également l'année de fabrication (le code de date : A16 signifie janvier 2016) et le code du produit.

Ces informations sont nécessaires lors de la commande des pièces de rechange de la machine. Utiliser l'espace suivant pour noter les données d'identification de la machine.

Modèle de la MACHINE .....
Code du PRODUIT .....
Numéro de série de la MACHINE .....

## AUTRES MANUELS DE RÉFÉRENCE

- Manuel de la batterie électronique
- Catalogue de pièces de rechange (livré avec la machine)
- Manuel d'entretien (consultable seulement par les techniciens préposés auprès des Services après-vente Clarke)

## PIÈCES DE RECHANGE ET ENTRETIEN

Pour toute nécessité concernant l'emploi, l'entretien et la réparation, s'adresser au personnel qualifié ou directement aux Services après-vente Clarke. N'utiliser que des pièces de rechange et accessoires d'origine.

Pour l'assistance ou la commande de pièces de rechange et d'accessoires, contacter Clarke en spécifiant toujours le modèle, le code du produit et le numéro de série.

## MODIFICATIONS ET AMÉLIORATIONS

Clarke vise à un constant perfectionnement de ses produits et se réserve le droit d'effectuer des modifications et des améliorations lorsqu'elle le considère nécessaire sans l'obligation de modifier les machines précédemment vendues.

Il est entendu que toute modification et / ou addition d'accessoires doit toujours être approuvée et réalisée par Clarke.

## CAPACITÉS OPÉRATIONNELLES

L'autolaveuse MA30 13 B est conçue et fabriquée pour le nettoyage (lavage et séchage) de sols lisses et solides en milieu commercial et industriel, en toute sécurité, par un opérateur qualifié.

L'autolaveuse n'est pas adaptée au lavage de tapis ou moquettes.

## CONVENTIONS

Toutes les références à en avant, en arrière, avant, arrière, droite ou gauche indiquées dans ce manuel doivent être considérées comme référées à l'opérateur en position de conduite.

## DÉBALLAGE / LIVRAISON

Lors de la livraison de la machine, contrôler attentivement que l'emballage et la machine n'ont pas été endommagés pendant le transport.

Si les dommages sont évidents, garder l'emballage de façon qu'il puisse être examiné par le transporteur qui l'a livré. Contacter immédiatement le transporteur pour remplir une demande de dommages-intérêts.

Contrôler que les composants suivants sont livrés avec la machine :

- Documentation technique :
  - Manuel de Mode d'emploi de l'autolaveuse
  - Catalogue de pièces de rechange de l'autolaveuse
- 1 batterie ion lithium
- 1 chargeur de batterie
- 1 brosse cylindrique
- 1 paire d'embouchures



### AVERTISSEMENT !

*Après le déballage, monter la machine en suivant avec soin les instructions de la documentation dans l'emballage.*



### AVERTISSEMENT !

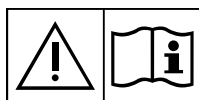
*Les Produits vendus avec le présent manuel contiennent ou peuvent contenir des produits chimiques reconnus par certains gouvernements (comme l'État de Californie, par le biais de la proposition de loi d'avertissement réglementaire 65) comme provoquant des cancers, des anomalies congénitales et autres dangers pour la reproduction. Dans certains endroits (comme l'État de Californie), les acheteurs de ces Produits, qui les utilisent sur un lieu de travail ou dans un espace public, ont l'obligation d'apposer certains avis, avertissements ou informations concernant les produits chimiques qui sont ou peuvent être contenus dans les Produits dans ces lieux ou aux alentours de ces lieux de travail. Il incombe à l'acheteur de connaître les dispositions de, et de respecter, toutes les lois et réglementations ayant trait à l'utilisation de ces Produits au sein de tels environnements. Le Fabricant décline toute responsabilité d'informer les acheteurs concernant des exigences spécifiques qui peuvent s'appliquer à l'utilisation des Produits dans de tels environnements.*

## SÉCURITÉ

On utilise les symboles suivants pour signaler les conditions de danger potentielles. Lire attentivement ces informations et prendre les précautions nécessaires pour protéger les personnes et les choses.

Pour éviter tout accident, la collaboration de l'opérateur est essentielle. Aucun programme de prévention des accidents du travail ne peut résulter efficace sans la totale collaboration de la personne directement responsable du fonctionnement de la machine. La plupart des accidents sont dus à l'inobservance des plus simples règles de prudence.

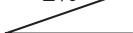
## SYMBOLES VISIBLES SUR LA MACHINE



### ATTENTION !

*Lire attentivement toutes les instructions avant toute opération dans la machine.*

2%



### ATTENTION !

*Ne pas utiliser la machine sur des surfaces ayant une pente supérieure aux valeurs indiquées.*

## SYMBOLES UTILISÉS DANS LE MANUEL



### DANGER!

*Indique une situation dangereuse exposant l'opérateur au risque de blessures graves, voire mortelles.*



### ATTENTION !

*Indique une situation exposant les personnes au risque de blessures.*



### AVERTISSEMENT !

*Indique un avertissement ou une remarque sur des fonctions clé ou utiles. Prêter la plus grande attention aux segments de texte marqués par ce symbole.*



### REMARQUE

*Indique une remarque sur des fonctions clé ou utiles.*



### CONSULTATION

*Indique la nécessité de consulter le Manuel de Mode d'emploi avant toute opération.*

**INSTRUCTIONS GÉNÉRALES**

Les avertissements et précautions spécifiques suivants informent sur les potentiels dangers de dommages matériels ou blessures.

**DANGER!**

- Avant d'effectuer toute opération de nettoyage, d'entretien et de remplacement des composants, la batterie doit être débranchée.
- Cette machine doit être utilisée uniquement par le personnel adéquatement formé.
- Ne pas porter de bijoux quand on travaille près de composants électriques.
- Ne pas opérer avec cette machine en présence de poudres, liquides ou vapeurs nuisibles, dangereux, inflammables et / ou explosifs : la machine ne doit pas être utilisée pour ramasser des matériaux dangereux.

**ATTENTION ! (pour batterie et chargeur)**

- Cette machine est équipée d'une batterie ion lithium.
- Ne pas utiliser d'autres batteries que celle qui est fournie de série avec la machine, ou que la pièce de rechange d'origine.
- Avant d'utiliser la machine, contrôler toute trace de dommage.
- Ne pas la plonger dans du liquide.
- Ne pas conserver, utiliser ou recharger dans des milieux où la température est supérieure à +113 °F (+45 °C).
- Ne pas recharger à une température inférieure à +32 °F (0 °C).
- En raison du risque de court-circuit, ne pas conserver la batterie avec des objets métalliques.
- Si la batterie est endommagée, la porter dans un Service après vente Clarke.
- Avant de mettre à machine à la ferraille, enlever la batterie.
- Protéger et conserver le chargeur en lieu sec.
- Si le chargeur ou son câble sont mouillés, ne pas les utiliser.
- Avant d'utiliser le chargeur de batterie, vérifier que les valeurs de fréquence et de tension indiquées sur son étiquette signalétique correspondent aux valeurs de tension du réseau électrique.
- Ne pas utiliser le chargeur dans des milieux qui contiennent des poussières inflammables et/ou explosives.
- Ne pas transporter le chargeur en le prenant par le câble principal.
- Ne pas utiliser le câble du chargeur de batterie pour tirer ou transporter la machine et ne pas utiliser le câble comme poignée. Ne pas fermer de porte sur le câble du chargeur de batterie, ne pas tirer le câble sur des surfaces ou coins tranchants. Ne pas faire passer la machine sur le câble du chargeur de batterie.
- Tenir le câble du chargeur de batterie éloigné des surfaces chaudes.
- Ne pas recharger si le câble du chargeur de batterie ou la fiche sont endommagés.
- Ne pas couvrir le chargeur de batterie.
- Utiliser toujours le chargeur fourni de série avec la machine ou la pièce de rechange d'origine. Tout autre chargeur de batterie doit avoir les spécifications indiquées au chapitre Caractéristiques techniques et doit fournir une très faible tension de sécurité (SELV).

**ATTENTION !**

- Avant d'effectuer toute opération d'entretien / réparation, lire attentivement toutes les instructions qui concernent l'entretien / réparation.
- Pour réduire le risque d'incendie, chocs électriques ou blessures, ne pas laisser la machine sans surveillance lorsqu'elle est branchée au réseau électrique. Débrancher le câble du chargeur de batterie du réseau électrique avant d'effectuer toute opération d'entretien.
- Ne pas fumer pendant le chargement de la batterie.
- Protéger toujours la machine du soleil, de la pluie et d'autres intempéries, pendant le fonctionnement et en état d'arrêt. Garder la machine dans un endroit couvert et sec : elle ne doit pas être utilisée ou gardée à l'extérieur, dans des conditions d'humidité.
- Avant d'utiliser la machine, fermer tous les volets et/ou carters comme indiqué sur le Manuel de Mode d'emploi.
- La machine ne doit être utilisée par des personnes (y compris les enfants) aux capacités physiques, mentales et sensorielles limitées ou dépourvues de l'expérience ou de la formation que sous la supervision ou avec les directives d'une personne responsable de leur sécurité.  
Les enfants doivent être surveillés afin de s'assurer qu'ils ne jouent pas avec la machine.
- Faire attention lorsque la machine est utilisée à proximité des enfants.
- Ne pas utiliser à des fins autres que celles prévues dans ce manuel. Utiliser seulement les accessoires recommandés par Clarke.
- Inspecter la machine avec soin avant de l'utiliser et vérifier toujours que tous les composants ont été correctement installés avant de mettre la machine en service. L'utilisation de la machine qui n'est pas installée parfaitement peut provoquer des lésions aux personnes et endommager les équipements.
- Prendre les précautions convenables afin que les cheveux, les bijoux, les parties non adhérentes des vêtements ne soient pas capturés par les parties en mouvement de la machine.

**ATTENTION !**

- *Ne pas utiliser la machine sur des surfaces en pente.*
- *Ne pas utiliser la machine sur des surfaces ayant une pente supérieure aux valeurs indiquées.*
- *Ne pas utiliser la machine dans des endroits très poussiéreux.*
- *Utiliser la machine seulement dans des endroits bien illuminés.*
- *Pendant l'utilisation de la machine, faire attention à sauvegarder l'intégrité des personnes et des choses.*
- *Ne pas heurter contre des étagères ou des échafaudages, en particulier en cas de danger de chute d'objets.*
- *La température de travail de la machine doit être comprise entre +32 °F et 104 °F (0 °C et +40 °C).*
- *La température de stockage de la machine doit être comprise entre +32 °F et 104 °F (0 °C et +40 °C).*
- *L'humidité doit être comprise entre 30 % et 95 %.*
- *Pendant l'utilisation de détergents pour le nettoyage des sols, suivre toujours les instructions et les avertissements indiqués sur les étiquettes des flacons.*
- *Avant la manipulation de détergents pour le nettoyage des sols, mettre les gants et les vêtements de protection adéquats.*
- *Ne pas utiliser la machine comme moyen de transport.*
- *Ne pas faire travailler la brosse lorsque la machine est à l'arrêt pour ne pas endommager le sol.*
- *En cas d'incendie, il est préférable d'utiliser un extincteur à poudre, plutôt qu'un extincteur à eau.*
- *Ne pas altérer pour aucune raison les protections prévues pour la machine, respecter scrupuleusement les instructions prévues pour l'entretien ordinaire.*
- *Ne pas laisser entrer d'objets dans les ouvertures. Ne pas utiliser la machine si les ouvertures sont obstruées. Garder les ouvertures de la machine libres de poussière, filasse, poils et tout autre corps étranger à même de réduire le flux d'air.*
- *Ne pas enlever ou altérer les plaques apposées sur la machine.*
- *La machine n'est pas approuvée pour l'utilisation sur la voie publique.*
- *Faire attention pendant les déplacements de la machine en conditions de températures inférieures au point de congélation. L'eau présente dans le réservoir de l'eau de récupération ou dans les tuyaux pourrait se congeler et endommager sérieusement la machine.*
- *Utiliser les brosses livrées avec la machine et celles qui sont spécifiées dans le Manuel d'utilisation. L'utilisation de brosses différentes peut compromettre la sécurité.*
- *S'assurer que les éventuelles anomalies de fonctionnement de la machine ne dépendent pas du manque d'entretien. En cas contraire, demander l'intervention du personnel autorisé ou d'un Service après-vente autorisé.*
- *En cas de remplacement de pièces, demander les pièces de rechange D'ORIGINE à un Concessionnaire ou Revendeur autorisé.*
- *Afin de garantir la sécurité et le bon fonctionnement de la machine, faire effectuer l'entretien programmé prévu au chapitre spécifique de ce manuel par du personnel autorisé ou par un Service après-vente autorisé.*
- *Ne pas laver la machine avec des jets d'eau directs ou sous pression ou avec des substances corrosives.*
- *Lors de la mise à la ferraille, la machine ne doit pas être abandonnée par la présence de matériaux toxiques (batteries, etc.), sujets à des lois qui prévoient l'élimination auprès de centres spéciaux (voir le chapitre Mise à la ferraille).*

## CARACTÉRISTIQUES TECHNIQUES

Modèle	MA30 13 B
Contenance du réservoir de solution détergente et eau de récupération	1,6 US gal / 1,6 US gal (6 litres / 6 litres)
Dimensions machine (longueur x largeur x hauteur)	25 x 16,7 x 14,7 in (630 x 425 x 400 mm)
Largeur de nettoyage	13,4 in (340 mm)
Largeur des embouchures	14 in (360 mm)
Diamètre roues arrière pivotantes	3 in (75 mm)
Diamètre roue avant	2 in (50 mm)
Diamètre de brosse cylindrique	3,1 in (80 mm)
Pression de la brosse sur le sol	Max. 26,4 lb (Max. 12 Kg)
Flux de solution min / max	0,04 / 0,08 gpm (0,15 / 0,3 L/min)
Pression acoustique à l'oreille de l'opérateur (ISO 11201, ISO 4871, EN 60335-2-72) (LpA)	66 dB(A) ± 3 dB(A)
Puissance acoustique émise par la machine (ISO 3744, ISO 4871, EN 60335-2-72) (LwA)	83 dB(A)
Niveau de vibrations au bras de l'opérateur (ISO 5349-1, EN 60335-2-72)	< 98,4 in/s <sup>2</sup> (< 2,5 m/s <sup>2</sup> )
Pente maximum d'usage	2 %
Puissance moteur système d'aspiration	0,24 hp (180 W)
Dépression système d'aspiration	2 132 ft H <sub>2</sub> O (650 mm H <sub>2</sub> O)
Puissance moteur brosse	180 W
Vitesse de rotation de la brosse	1 000 tr/mn
Puissance totale absorbée (EN 60335-2-72)	8,5 A (0,3 kW)
Degré de protection IP	X4
Classe de protection (électrique)	III
Tension système électrique	36 Vcc
Batterie standard	Ion lithium - 36 Vcc 8Ah
Sortie chargeur de batterie	42 Vcc 1 à 2 A
Autonomie de travail (EN 60335-2-72)	40 min
Poids avec réservoirs vides	55 lb (25 Kg)
Poids maximum en ordre de marche (PTC)	71 lb (32 Kg)
Poids d'expédition	66 lb (30 Kg)

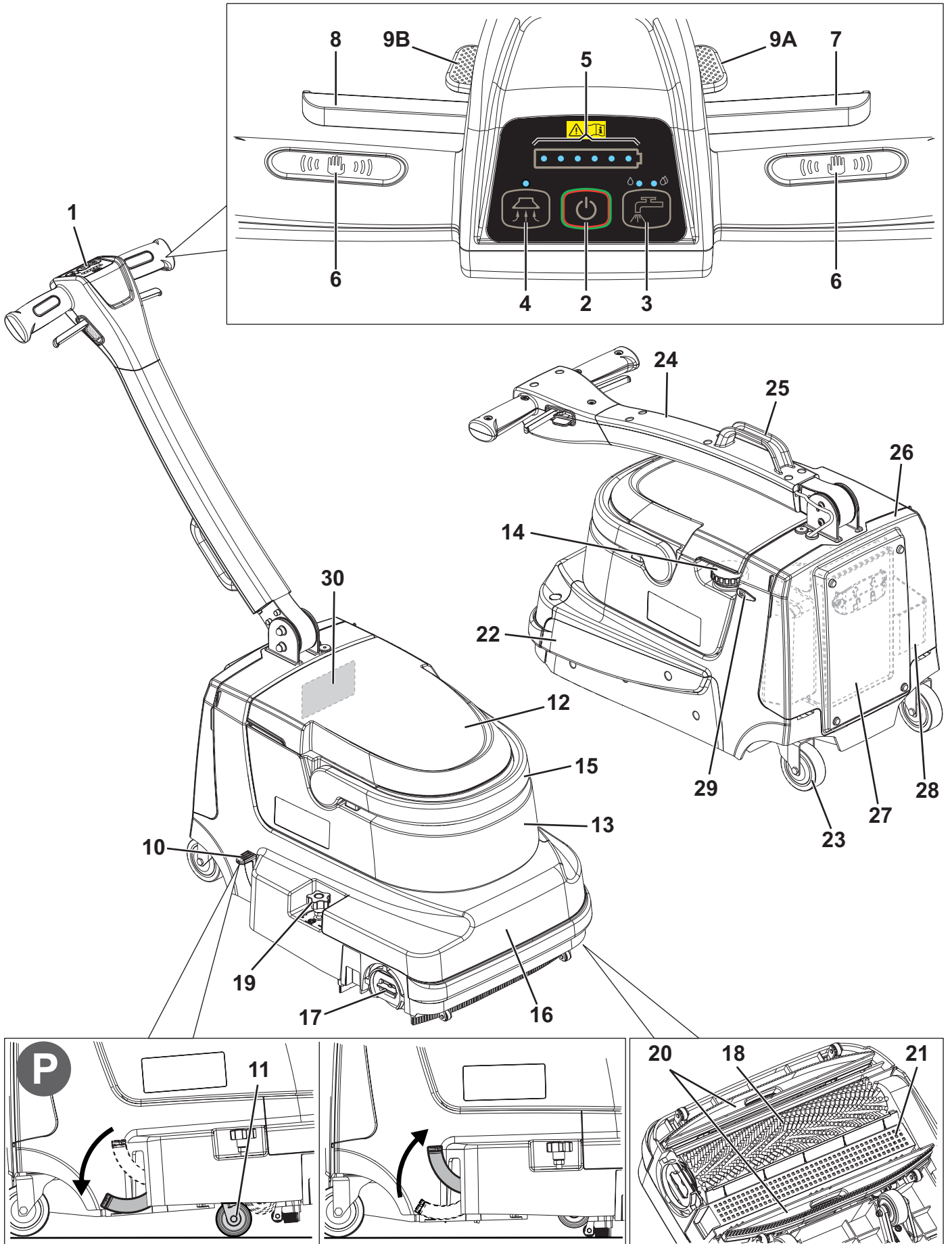
## DESCRIPTION DE LA MACHINE

### STRUCTURE DE LA MACHINE

1. Guidon avec tableau de bord
2. Bouton-poussoir de contact/arrêt
3. Bouton-poussoir de détergent :
  - 1 Del allumée - pour le nettoyage normal avec un débit de solution minimum
  - 2 Del allumées - pour le nettoyage avec un débit de solution maximum
  - 2 Del clignotantes - réservoir de détergent vide
  - Del éteintes - détergent désactivé
4. Bouton-poussoir système d'aspiration :
  - Del allumée - système d'aspiration activé
5. Symbole de charge de la batterie
  - 1 à 6 del allumées - pourcentage de charge de la batterie
  - 1 del allumée - batterie presque déchargée (~ 10 min. d'autonomie)
  - 1 del clignotante - batterie déchargée (~ 5 min. d'autonomie)
6. Poignées avec capteurs de paume de l'opérateur
7. Levier de levage d'embouchure avant
8. Levier de réglage d'inclinaison guidon
9. Touches de blocage des fonctions :
  - A) Embouchure avant soulevée
  - B) Guidon libre inclinaison
10. Pédale de stationnement :
  - Abaissée - stationnement/déplacement
  - Levée - lavage/séchage
11. Roues avant de stationnement/déplacement
12. Couvercle réservoir eau de récupération
13. Bac des réservoirs de solution et d'eau de récupération
14. Bouchon de remplissage réservoir de solution
15. Poignée de soulèvement bac des réservoirs
16. Corps de la machine/tête de nettoyage
17. Levier de décrochage/accrochage brosse
18. Brosse cylindrique
19. Poignée de réglage pression de la brosse sur le sol
20. Embouchures
21. Bac de récupération des débris
22. Logement courroie de transmission brosse
23. Roues arrière pivotantes
24. Guidon replié
25. Poignée de transport
26. Couvercle logement batterie et dispositifs électroniques
27. Batterie
28. Bac du chargeur de batterie
29. Prise pour chargeur de batterie
30. Plaque avec numéro de série / données techniques / marquage de conformité



STRUCTURE DE LA MACHINE (suite)



P100930

## ACCESSOIRES / OPTIONS

Outre les composants présents dans le modèle standard, la machine peut être équipée des accessoires optionnels suivants, selon l'emploi spécifique de la machine :

- Brosse cylindrique SOFT NYLON BLACK
- Brosse cylindrique MEDIUM NYLON WHITE
- Brosse cylindrique HARD GRIT 120 GREY
- Brosse cylindrique MICROFIBRE
- Kit batterie + chargeur de batterie

Pour de plus amples informations relatives aux accessoires optionnels susmentionnés, s'adresser au revendeur agréé.

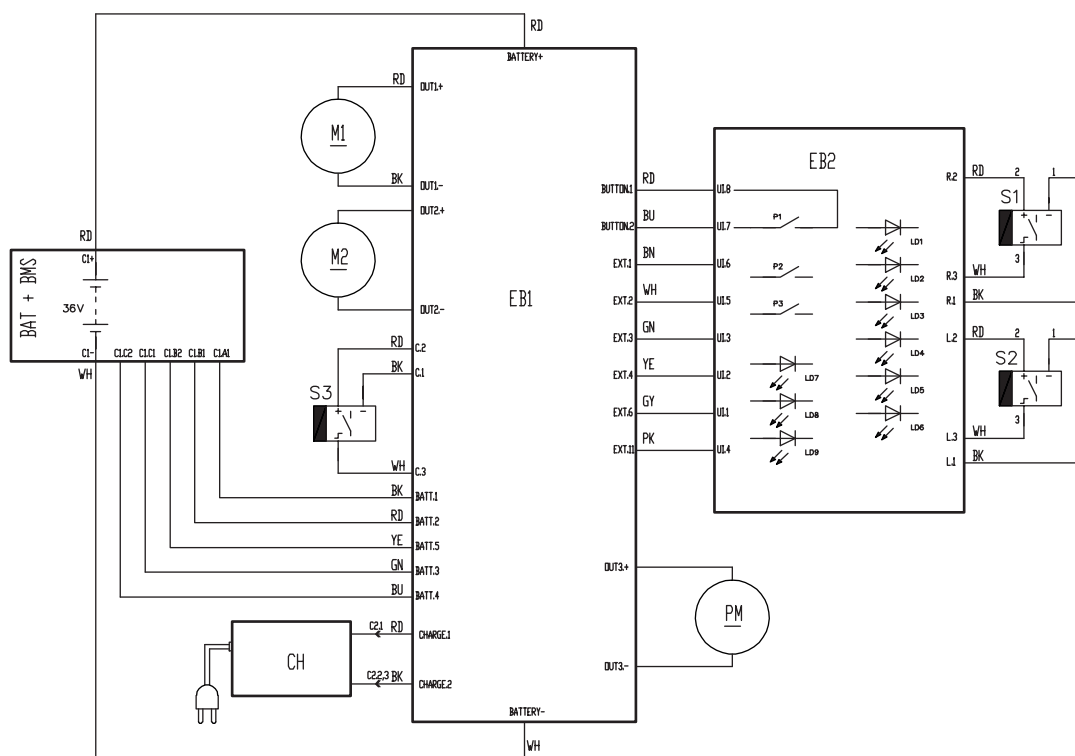
## SCHÉMA ÉLECTRIQUE

### Légende

BAT+BMS	Batterie lithium + Système de contrôle
C1	Connecteur de batterie
CH	Chargeur de batterie
EB1	Carte électronique de fonctions
EB2	Carte électronique afficheur
M1	Moteur brosse
M2	Moteur d'aspiration
PM	Pompe de solution
S1	Capteur de poignée (droite)
S2	Capteur de poignée (gauche)
S3	Capteur de présence de solution détergente

### Codes des couleurs

BK	Noir
BU	Bleu
BN	Marron
GN	Vert
GY	Gris
OG	Orange
PK	Rose
RD	Rouge
VT	Violet
WH	Blanc
YE	Jaune



P100931

## UTILISATION/FONCTIONNEMENT

### CONTRÔLE / PRÉPARATION SUR UNE MACHINE NEUVE



#### ATTENTION !

*Les composants électriques de la machine peuvent être sérieusement endommagés si la batterie n'est pas installée correctement. Contrôler la batterie avant l'installation pour vérifier qu'elle ne soit pas endommagée.*

1. Monter la batterie (27), la brosse cylindrique (18) et les barres des embouchures (20) tel qu'indiqué dans la documentation placée dans l'emballage de la machine.
2. Lors de la première utilisation de la machine, effectuer un cycle de recharge complet de la batterie (voir la procédure dans le chapitre Entretien).

## PÉDALE DE STATIONNEMENT



### REMARQUE

Pour faciliter les opérations avec la pédale de stationnement (10), lever légèrement la partie avant du corps de la machine en faisant levier avec les mains sur le guidon (A, fig. 1).

### Pour le stationnement/déplacement :

- À l'aide des mains sur le guidon (A), lever légèrement la partie avant du corps de la machine, puis pousser sur la pédale (B, fig. 1).  
Dans ces conditions, les roues avant (11) sont au contact du sol et le groupe brosse/embouchures est soulevé.

### Pour le lavage/séchage :

- À l'aide des mains sur le guidon (A), lever légèrement la partie avant du corps de la machine, puis soulever la pédale (C).  
Dans ces conditions, les roues avant (11) sont rétractées et le groupe brosse/embouchures est au contact du sol.

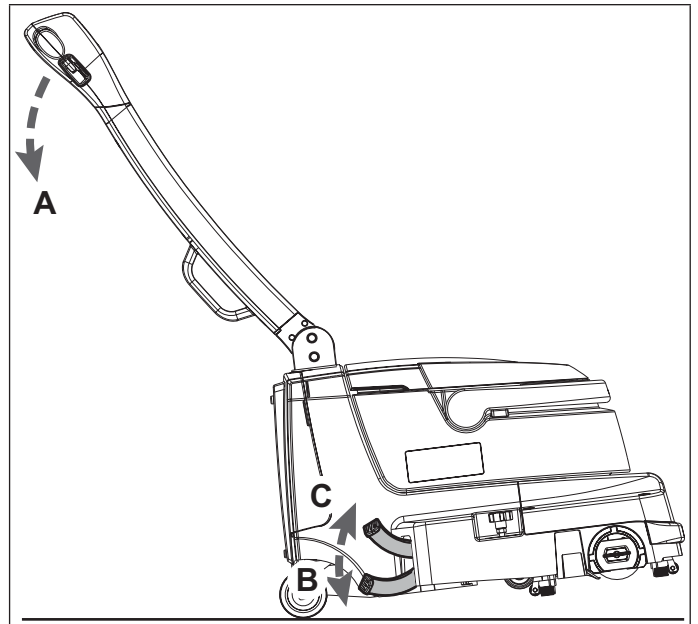


Figure 1

P100932

## REMPLISSAGE DU RÉSERVOIR DE SOLUTION



### AVERTISSEMENT !

Utiliser exclusivement des détergents liquides peu mousseux et non inflammables, adéquats pour les machines utilisées.



### ATTENTION !

Pendant l'utilisation de détergents pour le nettoyage des sols, suivre toujours les instructions et les avertissements indiqués sur les étiquettes des flacons.

Avant la manipulation de détergents pour le nettoyage des sols, mettre les gants et les vêtements de protection adéquats.

- Enlever le couvercle du réservoir (12).
- Enlever le bouchon (A, Fig. 2) du réservoir de solution (B).
- Remplir d'eau le réservoir de solution détergente (B) jusqu'à quelques centimètres du bord.  
La température de l'eau ne doit jamais être supérieure à 104 °F (40 °C).
- Pour préparer la solution, utiliser le doseur du bouchon (A).  
La contenance du bouchon est de 30 ml, c'est à dire le 0,5 % de solution diluée dans le réservoir rempli d'eau.  
Suivre toujours les instructions de dilution sur l'étiquette du conteneur du produit chimique utilisé pour la solution.
- Remettre le bouchon (A) sur le réservoir de solution.
- Remettre le couvercle du réservoir (12).



### REMARQUE

À chaque fois que les 2 del du bouton de solution (3) clignotent, arrêter la machine et remplir le réservoir de solution.

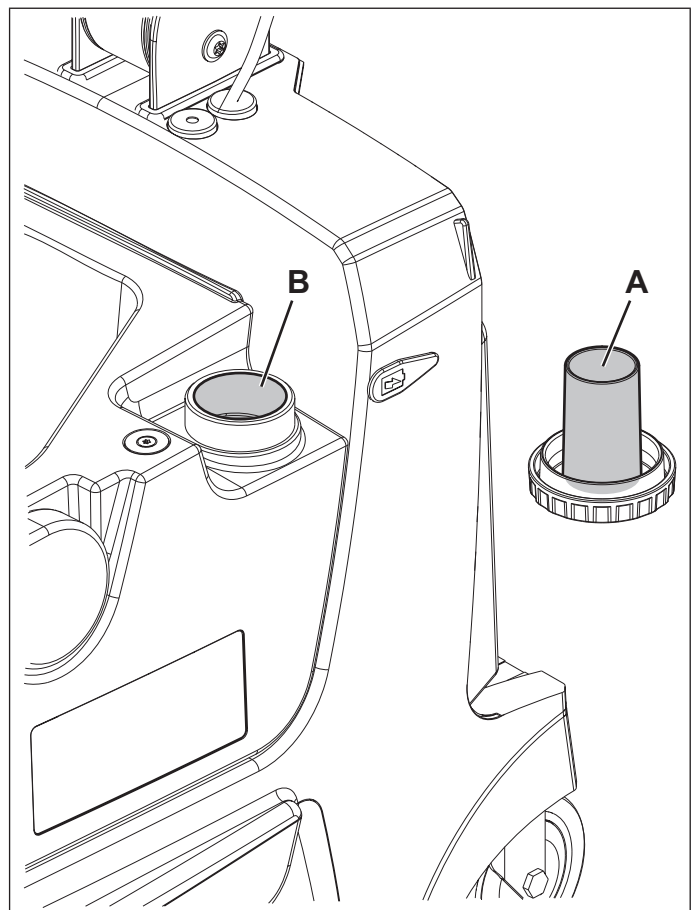


Figure 2

P100933

**DÉMARRAGE DE LA MACHINE (LAVAGE/SÉCHAGE)**

1. Pousser le levier (8) et tourner le guidon (1), régler la position et l'inclinaison du guidon pour être à l'aise.
2. Vérifier que la pédale de stationnement (10) est abaissée, puis pousser la machine jusqu'à l'endroit à nettoyer.
3. Soulever la pédale de stationnement (10) pour placer le groupe brosse/embouchures au contact du sol.
4. Appuyer sur le bouton (2) pour démarrer la machine.
5. Appuyer sur le bouton de la solution (3) en fonction du nettoyage à effectuer :
  - 1 Del allumée - en cas de saleté normale
  - 2 Del allumées - en cas de saleté intense
6. Manœuvrer la machine avec les mains sur les poignées (6) et entamer le travail de lavage/séchage du sol.

**REMARQUE**

*Les poignées (6) sont munies d'un capteur pour le démarrage de la brosse et de la solution à condition que l'opérateur garde au moins une main sur une poignée.*

7. Désactiver au besoin le système d'aspiration en poussant sur le bouton (4, del allumée), repousser pour le réactiver (del allumée).
8. Pour ramasser les débris de moyenne/grande dimension, soulever l'embouchure avant en poussant sur le levier (7). Pour garder constamment l'embouchure avant soulevée, pousser sur le levier (7) et le bloquer avec la touche (9A).
9. Au besoin, pour utiliser et maintenir l'inclinaison du guidon libre, pousser sur le levier (8) et le bloquer avec la touche (9B).

**REMARQUE**

*Pour débloquer la fonction des touches (9A, 9B) et retourner avec l'embouchure avant abaissée ou le guidon en position fixe, pousser brièvement sur le levier de l'embouchure (7) ou le levier d'inclinaison du guidon (8).*

10. Si le sol est souillé par une saleté particulièrement résistante, on peut augmenter la pression de la brosse sur le sol en tournant la poignée (19) dans le sens contraire des aiguilles d'une montre. Tourner la poignée (19) dans le sens des aiguilles d'une montre pour diminuer la pression.

**REMARQUE**

*Pour un lavage / séchage correct du sol près du mur, Clarke recommande d'approcher le côté droit de la machine, comme illustré sur la figure 3.*

**REMARQUE**

*Si possible, pour un meilleur séchage entre les joints des carreaux, avancer en diagonal par rapport à la pose du revêtement, comme sur la figure 4.*

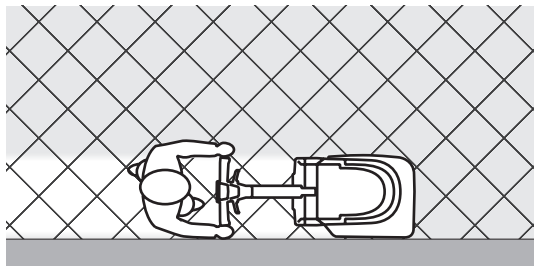


Figure 3

P100934

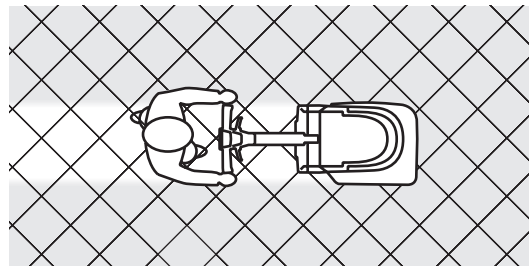


Figure 4

P100935

**AVERTISSEMENT !**

**En cas de surcharge du moteur de brosse, les dels du symbole de batterie (5) clignotent simultanément.**

**Si la surcharge persiste, la brosse s'arrête.**

**Pour reprendre le travail après l'arrêt de la brosse à cause de la surcharge, il est nécessaire d'arrêter et rallumer la machine en appuyant sur le bouton (2).**

**AVERTISSEMENT !**

**Afin d'éviter d'endommager la surface du sol à nettoyer, lorsque la machine est au repos, arrêter la rotation de la brosse en relâchant les poignées (6).**

**AVERTISSEMENT !**

**Utiliser toujours la machine avec la solution, éviter de l'utiliser longtemps à sec, sans solution.**

## ÉTAT DE CHARGE DE LA BATTERIE

L'état de charge de la batterie peut être constaté grâce aux del du symbole de batterie (5).

Le pourcentage de charge de la batterie dépend de la quantité de del allumées tel qu'indiqué à la figure 5.

Quand la première del à gauche (15 %) clignote, l'autonomie résiduelle de la machine est de quelques minutes (selon les caractéristiques du travail à accomplir).

## ARRÊT DE LA MACHINE

1. Éteindre la machine en appuyant sur le bouton-poussoir (2).
2. Pousser sur la pédale de stationnement (10) pour soulever le groupe brosse/embouchures.



### REMARQUE

*La machine allumée mais sans effectuer aucun travail (sans les mains sur les poignées) s'éteint automatiquement après 2 minutes.*

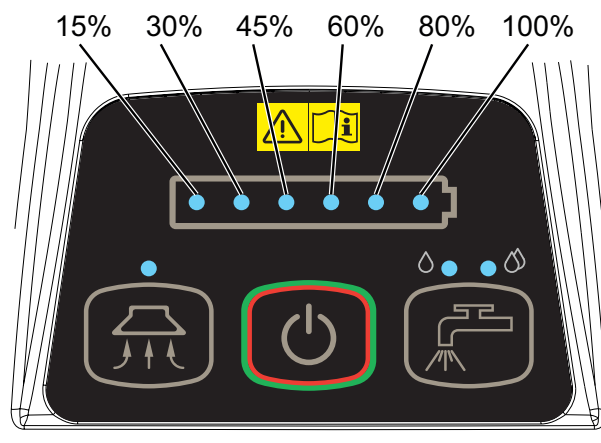


Figure 5

P100936

## VIDANGE DES RÉSERVOIRS

Un système de fermeture automatique à flotteur bloque le système d'aspiration lorsque le réservoir de l'eau de récupération est plein.

Le blocage du système d'aspiration peut être détecté grâce à l'augmentation soudaine du bruit du moteur d'aspiration ; en outre, le sol n'est pas sec.

Lorsque le réservoir de l'eau de récupération est plein, le vider en procédant comme suit.

### Vidange du réservoir de l'eau de récupération

1. Éteindre la machine et appuyer sur la pédale de stationnement.
2. Porter la machine dans la zone destinée à l'écoulement.
3. Tourner et saisir la poignée (A, Fig. 6) pour soulever le bac de réservoirs (B) de la machine.
4. Enlever le couvercle (C) et vider le réservoir d'eau de récupération, en fin de lavage, rincer le réservoir à l'eau claire.

### Vidange du réservoir de la solution

5. Exécuter les étapes de 1 à 4.
6. Dévisser le bouchon (14) et vider le réservoir de solution. En fin de travail, rincer le réservoir à l'eau claire.
7. Remettre le bac de réservoirs (B) sur le corps de la machine (16), tourner la poignée (A) en position horizontale et remettre le couvercle sur le réservoir (C).

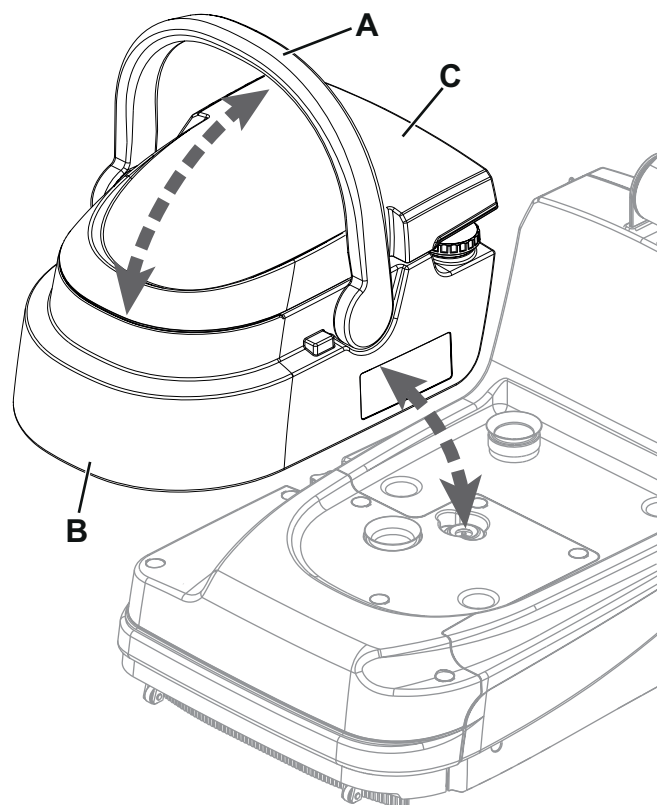


Figure 6

P100937

## TRANSPORT / STATIONNEMENT DE LA MACHINE

1. Arrêter et éteindre la machine, puis pousser sur la pédale (10) pour soulever le groupe brosse/embouchures du sol.
2. Tout en gardant la machine dans cette condition, la pousser dans le lieu de stationnement.
3. Au besoin, pour soulever manuellement la machine, replier le guidon (24) et saisir la poignée (25) puis transporter la machine jusqu'à la zone prévue pour le stationnement.

## APRÈS L'UTILISATION DE LA MACHINE

Le travail effectué, avant de laisser la machine :

1. Arrêter et éteindre la machine, puis soulever le groupe brosse/embouchures avec la pédale (10).
2. Vider les réservoirs (13).
3. Stationner la machine comme sur la figure 7 ; pour abaisser le guidon (1), pousser sur le levier (8).
4. Déposer la brosse et les embouchures comme indiqué aux paragraphes spécifiques du chapitre Entretien.
5. Charger la batterie et faire les entretiens quotidiens prévus (voir le chapitre Entretien).
6. Garder la machine dans un endroit propre et sec.

## INACTIVITÉ PROLONGÉE DE LA MACHINE

Si on prévoit de ne pas utiliser la machine pendant plus de 30 jours, il est convenable d'effectuer les opérations suivantes :

1. Effectuer les opérations prévues au paragraphe Après l'utilisation de la machine.
2. Enlever la batterie (27) de la machine comme le prévoit le paragraphe suivant.

## DÉPOSE DE LA BATTERIE

Pour démonter la batterie de la machine :

1. Enlever le couvercle (26).
2. Saisir la poignée de la batterie (27) et la tirer vers le haut, puis sortir la batterie de la machine.

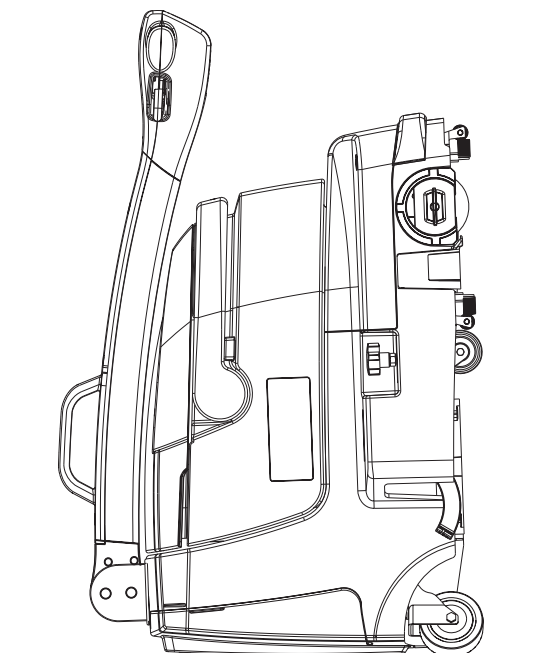


Figure 7

P100938

## ENTRETIEN

La durée de vie de la machine et sa sécurité de fonctionnement sont garanties par un entretien soigné et régulier.

Veillez trouver ci-dessous le plan récapitulatif d'entretien programmé. Les périodicités indiquées peuvent subir des variations en fonction de conditions de travail particulières.



### ATTENTION !

**Les opérations doivent être effectuées sur une machine éteinte et avec la batterie débranchée.**  
**En outre, lire attentivement toutes les instructions du chapitre Sécurité.**

Toutes les opérations d'entretien programmé ou extraordinaire doivent être effectuées par du personnel qualifié ou par un Service après-vente autorisé.

Dans ce manuel, après le plan d'entretien programmé, seulement les procédures des opérations d'entretien les plus simples et les plus récurrentes sont indiquées.

Pour les procédures des autres opérations d'entretien prévues par le plan récapitulatif d'entretien programmé et extraordinaire, se référer au manuel d'entretien consultable auprès des Services après-vente.

## PLAN D'ENTRETIEN PROGRAMMÉ

Procédure	Quotidienne, après l'utilisation de la machine	Hebdomadaire	Semestrielle
Chargement de la batterie			
Nettoyage des embouchures			
Nettoyage de la brosse			
Nettoyage du logement de la brosse et de la grille de collecte des débris			
Rinçage du réservoir de l'eau de récupération et de la solution détergente			
Nettoyage du conduit d'aspiration			
Nettoyage des doseurs de solution			
Contrôle des lamelles en caoutchouc des embouchures			
Nettoyage du filtre de solution			
Nettoyage du filtre à air et des joints			
Remplacement des embouchures			

## CHARGEMENT DE LA BATTERIE



### AVERTISSEMENT !

*Charger la batterie quand une seule del du symbole de batterie (5) reste allumée.*

*Lorsque la batterie est déchargée, la recharger dès que possible, afin de ne pas réduire sa durée de vie utile.*

*Contrôler la charge de la batterie au moins une fois par semaine.*

1. Amener la machine dans la zone destinée au chargement de la batterie.
2. Vérifier que la machine est éteinte.
3. Brancher la broche au dispositif d'alimentation du chargeur de batterie à la prise (29) sur la machine et la fiche du câble au réseau électrique (la tension et la fréquence de réseau doivent coïncider avec les valeurs correspondantes du chargeur de batterie, indiquées sur la plaque).



### REMARQUE

*Lorsque le dispositif d'alimentation du chargeur de batterie est branché au réseau électrique, toutes les fonctions de la machine sont automatiquement exclues.*

Lors de la recharge, une des 6 del du symbole de batterie (5) reste fixe pour indiquer le pourcentage de recharge effectué, tandis que les del (à gauche de la del fixe) clignotent de façon séquentielle.

4. Quand la 6e del du symbole de batterie (5) reste fixe, sans autres del clignotantes, le cycle de charge de la batterie est terminé.
5. Débrancher le dispositif d'alimentation du chargeur du réseau électrique et de la prise (29) sur la machine.
6. Ouvrir le couvercle du logement de la batterie (26) et placer le dispositif d'alimentation du chargeur dans le bac prévu à cet effet (28).
7. Fermer le couvercle de la batterie (26).

## RECHARGE DE LA BATTERIE DÉMONTÉE DE LA MACHINE

1. Enlever la batterie (27) de la machine comme le prévoit le paragraphe Dépose de la batterie.
2. Porter la batterie dans la zone destinée au chargement.
3. Brancher la broche au dispositif d'alimentation du chargeur de batterie (B) à la prise de la batterie (A, fig. 8) et la fiche du câble au réseau électrique (la tension et la fréquence de réseau doivent coïncider avec les valeurs correspondantes du chargeur de batterie, indiquées sur la plaque).
4. Lors de la recharge, une des 6 del vertes (C) reste fixe pour indiquer le pourcentage de recharge effectué, tandis que les del (à gauche de la del fixe) clignotent de façon séquentielle.
5. Quand la 6e del (C) reste fixe, sans autres del clignotantes, le cycle de charge de la batterie est terminé.
6. Débrancher le dispositif d'alimentation du chargeur du réseau électrique et de la batterie.



### REMARQUE

*Quand la batterie n'est pas branchée au dispositif d'alimentation du chargeur, on peut vérifier l'état de charge en poussant brièvement sur le bouton (D). Le nombre de Dels vertes (C) allumées est proportionnel au pourcentage de charge de la batterie.*

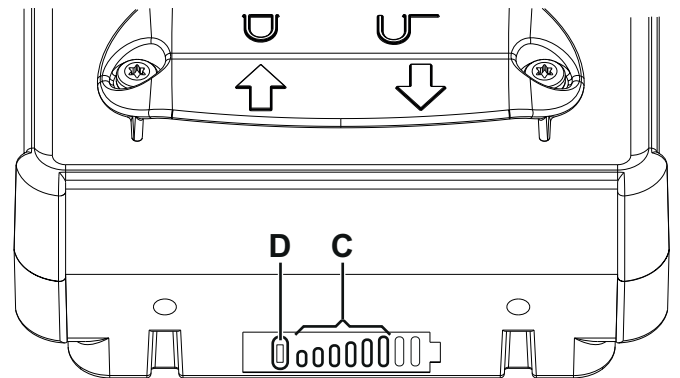
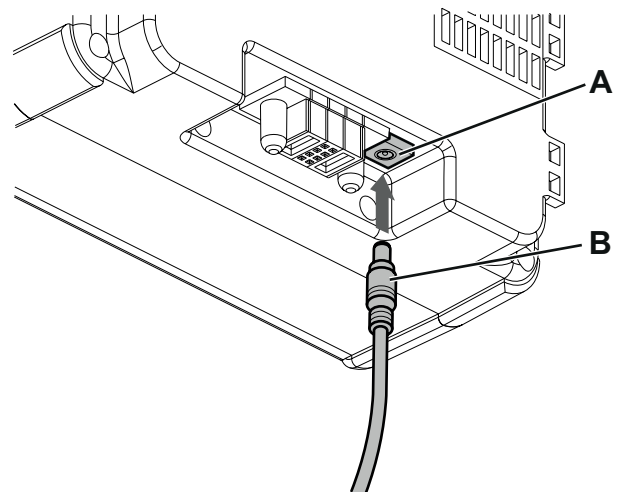


Figure 8

P100939

## NETTOYAGE DES EMBOUCHURES



### AVERTISSEMENT !

Lors du nettoyage des embouchures et de la brosse, il est conseillé de porter des gants de protection à cause de la présence éventuelle de débris tranchants.



### REMARQUE

Pour un bon assèchement, les embouchures doivent être propres et les lamelles en bon état.



### AVERTISSEMENT !

Les embouchures sont fixées à la machine à l'aide d'un système d'accrochage et elles peuvent être facilement déposées.

1. Vérifier que la machine est éteinte.
2. Déposer le bac des réservoirs (13) du corps de la machine en utilisant la poignée (15).
3. Soulever le corps de la machine jusqu'à atteindre la partie inférieure de la tête de nettoyage (16).
4. Démontez les embouchures (20) en les tirant à l'extérieur.
5. Nettoyer et laver les embouchures. Nettoyer en particulier les compartiments de convoyage (A, Fig. 9) et l'orifice d'aspiration (B). Contrôler que les lamelles soient en parfait état et ne présentent aucune coupure ou lacération, sans quoi remplacer les embouchures.
6. Avant de monter les barres des embouchures, nettoyer soigneusement les conduits pour l'eau de récupération (G, fig. 10) de toute saleté.
7. Monter les embouchures (20) et les accrocher complètement.

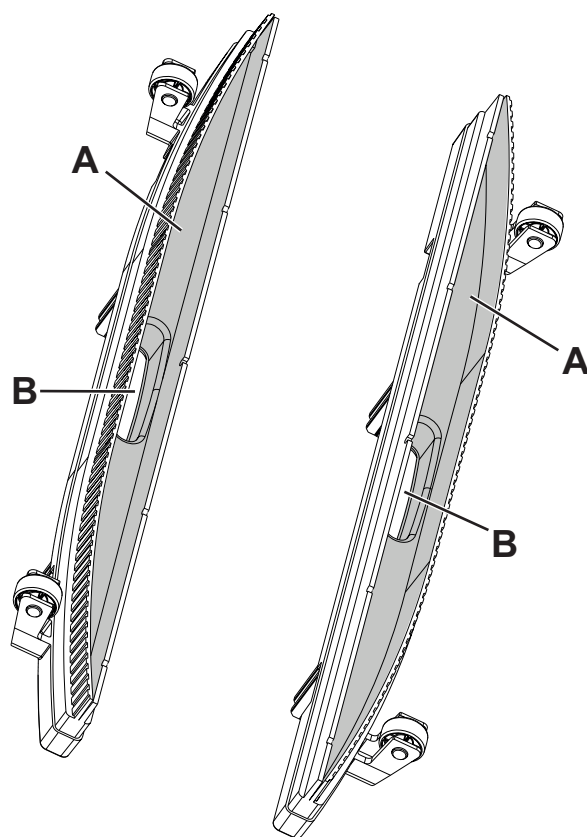


Figure 9

P100940

## NETTOYAGE DE LA BROSSE ET DE LA ZONE DU LOGEMENT DE LA BROSSE

1. Tourner le levier dans le sens contraire des aiguilles d'une montre (A, Fig. 10) et enlever la brosse.
2. Nettoyer et laver la brosse cylindrique (18) avec de l'eau et du détergent.
3. Contrôler que les poils de la brosse sont efficaces et non excessivement usés ; dans le cas contraire, remplacer la brosse.
4. Nettoyer soigneusement la zone du logement de la brosse (B).
5. Sortir le bac à débris (C), le nettoyer et le rincer à l'eau claire, puis le remettre dans son logement.
6. Démontez les doseurs de solution (D) et les nettoyer avec de l'eau et du détergent, puis les rincer et les remettre en position.
7. Remonter la brosse cylindrique (18) sur le pion d'entraînement (E) et l'accrocher en tournant le levier dans le sens des aiguilles d'une montre (F).

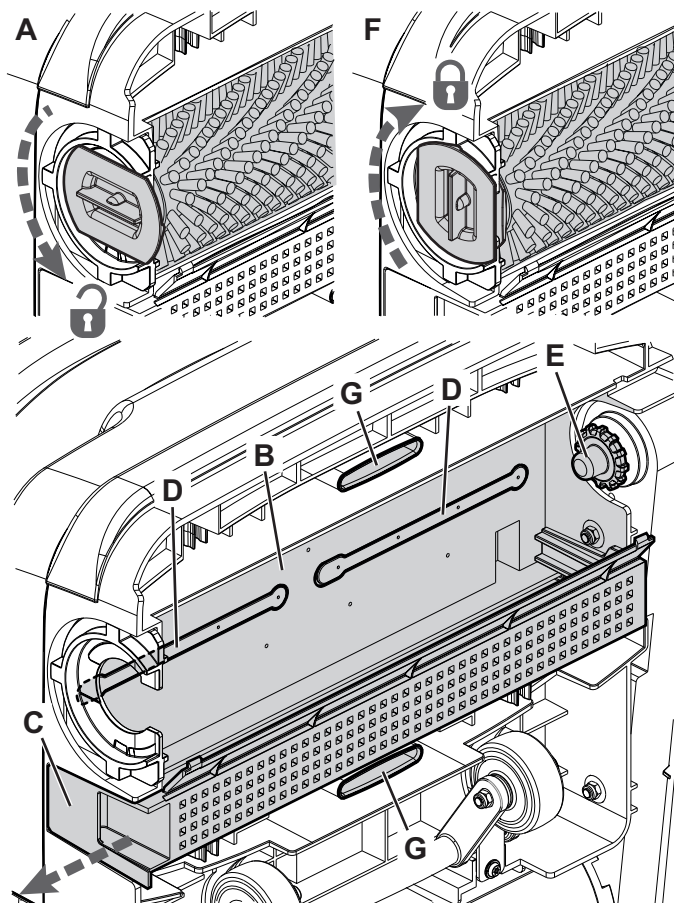


Figure 10

P100941



### NETTOYAGE DU RÉSERVOIR DE L'EAU DE RÉCUPÉRATION ET DU COUVERCLE

1. Soulever le bac des réservoirs (13) du corps de la machine en utilisant la poignée (15).
2. Enlever le couvercle (A, fig. 11) et le laver à l'eau et au détergent.
3. Démontez la grille d'aspiration (B) avec le flotteur et les nettoyer soigneusement.
4. Si besoin est, démonter le corps (C) puis nettoyer avec soin et remonter.
5. Contrôler l'intégrité du joint d'étanchéité (D) du couvercle du réservoir de l'eau de récupération.



**REMARQUE**

*Le joint d'étanchéité (D) permet la création d'une dépression dans le réservoir, nécessaire à l'aspiration de l'eau de récupération.*

Si besoin est, remplacer le joint d'étanchéité (D) en le dégageant de son logement sur le couvercle. Lors de la pose du nouveau joint d'étanchéité, positionner le raccord (E) dans la zone indiquée dans la figure.

6. Contrôler le parfait état du joint (F) du conduit d'air. Le cas échéant, remplacer le joint.
7. Laver et nettoyer à l'eau et au détergent le compartiment (G) du réservoir, puis rincer avec soin.
8. Contrôler aussi la propreté et l'efficacité de la surface d'appui (H) du joint d'étanchéité (D).
9. Installer à nouveau les composants déposés.
10. Si besoin est, laver le réservoir de solution à l'eau claire.

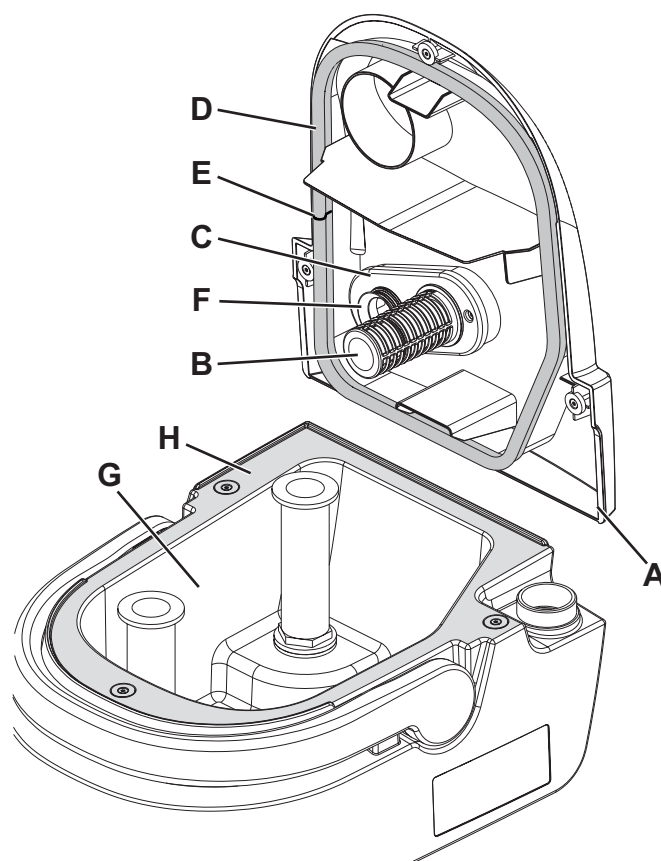


Figure 11

P100942

### NETTOYAGE DU FILTRE DE SOLUTION, DU FILTRE À AIR, DES JOINTS ET DU CONDUIT D'EAU DE RÉCUPÉRATION

1. Déposer le bac des réservoirs (13) du corps de la machine en utilisant la poignée (15).
2. Démontez le joint en caoutchouc (A, fig. 12), puis enlever la crépine filtrante (B).
3. Les nettoyer et les remettre en place (C).
4. Enlever le filtre à air (D) et le nettoyer.
5. Remonter le filtre dans le logement du joint (E).



**REMARQUE**

*Les joints (E) et (F) permettent la création d'une dépression dans le système, nécessaire à l'aspiration de l'eau de récupération.*

6. Contrôler et nettoyer le joint (E) du moteur du système d'aspiration.
7. Contrôler et nettoyer le joint (F) du conduit d'eau de récupération.
8. Rincer l'intérieur du conduit (G) à l'eau courante.

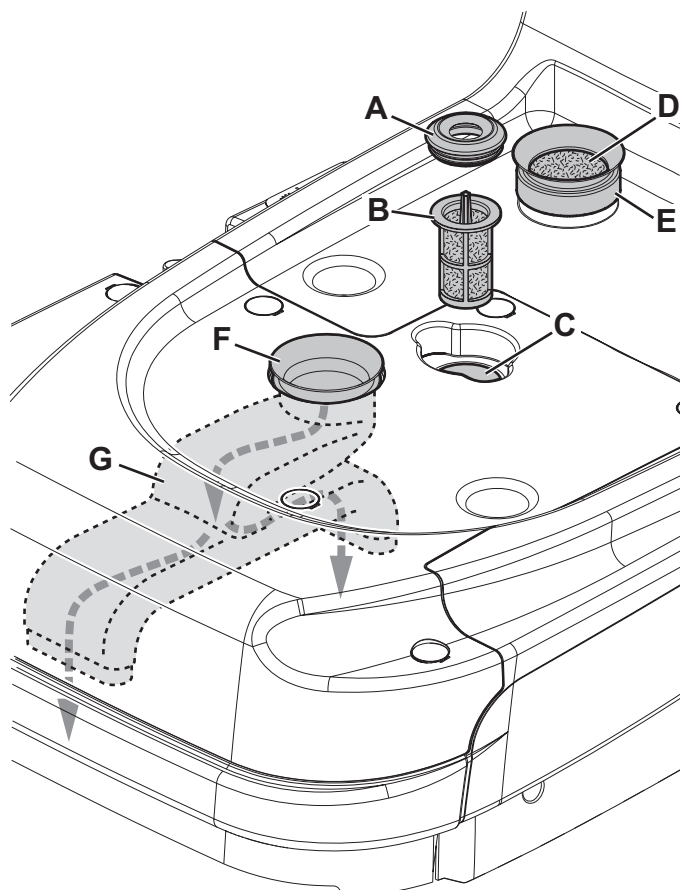


Figure 12

P100943

## DÉPISTAGE DES PANNES

Problème	Cause possible	Remède
Les moteurs ne fonctionnent pas ; aucun DEL ne s'allume.	Batterie complètement déchargée.	Charger la batterie.
		Remplacer la batterie.
	Barre des boutons-poussoirs endommagée.	Remplacer la barre des boutons-poussoirs. (*)
	Capteurs de poignées cassés.	Remplacer les capteurs de poignées. (*)
Pendant le travail, les dels de la batterie clignotent	Surcharge du moteur de la brosse.	Réduire la pression de la brosse sur le sol.
	Présence de corps étrangers (fils entortillés, etc.) qui risquent de freiner la rotation de la brosse.	Nettoyer le moyeu de la brosse.
Pendant le travail, la machine vibre et est bruyante.	Soies de la brosse déformées.	Laver la brosse à l'eau chaude pour remettre les soies en ordre.
		Éviter de laisser la machine stationnée sans l'aide des roues de transport/stationnement.
L'aspiration de l'eau de récupération est insuffisante.	Réservoir d'eau de récupération plein.	Vider le réservoir.
	Embouchures sales ou lamelles usées / endommagées.	Nettoyer et contrôler les embouchures.
	Conduit d'eau de récupération sale.	Nettoyer le conduit à l'eau courante.
	Filtre à air sale.	Nettoyer le filtre.
Le flux de solution à la brosse est insuffisant. Les dels du bouton de solution clignotent.	Doseurs de la solution colmatés.	Nettoyer les doseurs de la solution.
	Réservoir de solution détergente vide.	Remplir le réservoir.
	Filtre de solution sale.	Nettoyer le filtre.
	Panne de pompe à eau.	Remplacer la pompe. (*)
Les embouchures laissent des traces au sol.	Débris sous les lamelles en caoutchouc de les embouchures.	Enlever les débris.
	Lamelles en caoutchouc des embouchures usées, ébréchées ou déchirées.	Remplacer les lamelles en caoutchouc.
	Bac de récupération des débris plein.	Vider le bac.

(\*) Opération d'entretien de ressort d'un Service après vente agréé Clarke.

Pour de plus amples informations, se référer au manuel d'entretien consultable auprès des Services après-vente Clarke.

## MISE À LA FERRAILLE

Effectuer la mise à la ferraille de la machine auprès d'un démolisseur autorisé.

Avant d'effectuer la mise à la ferraille de la machine il est nécessaire de déposer et séparer les éléments suivants et les envoyer aux collectes sélectives, conformément aux normes d'hygiène de l'environnement en vigueur :

- Brosse
- Tuyaux et pièces en matériel plastique
- Parties électriques et électroniques (\*)

(\*) Notamment pour la mise en décharge des parties électriques et électroniques, s'adresser auprès du centre Clarke le plus proche.

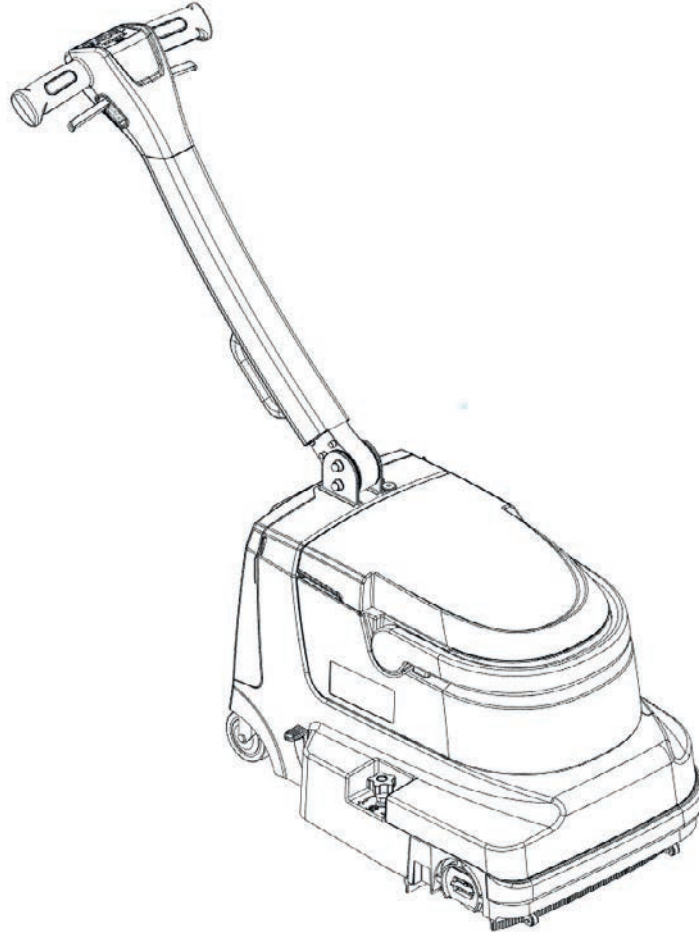
### Composition du matériel de la machine et recyclage

Type	% recyclable	% de poids MA30 13 B
Aluminium	100 %	13 %
Moteurs électriques - divers	29 %	28 %
Matériaux en fer	100 %	6 %
Câbles	80 %	5 %
Liquides	100 %	0 %
Plastique - non recyclable	0 %	1 %
Plastique - recyclable	100 %	36 %
Polyéthylène	92 %	9 %
Caoutchouc	20 %	3 %

---

# Clarke®

## MA30 13 B



### WHEN ORDERING PARTS

- Use the part numbers from the "REF. NO." columns in this parts list. If the "REF. NO." column is blank; look under the "KIT" column to identify which kit contains the part in question, then use the kit callout, for example "K1", to find the "REF. NO." for that kit.
- Specify the model and serial number of the machine.
- Use the space below to record the model and serial number for future reference.

Model

Serial No.

- \* = Optional
- # = Modified item No. or New item No.
- [] = Not shown



**TABLE OF CONTENTS**

GENERAL VIEW .....	2
SOLUTION AND RECOVERY TANK .....	4
BRUSH MOTOR .....	6
CHASSIS - FIXING AND COVER .....	8
CHASSIS - VACUUM AND REAR WHEELS.....	10
CHASSIS - SOLUTION AND VAC CHAMBER.....	12
CHASSIS - PEDAL WHEELS.....	14
HANDLE BAR.....	16
WIRING DIAGRAM .....	18
RECOMMENDED PARTS.....	20
ACCESSORIES/ OPTIONAL .....	21

**WHEN ORDERING PARTS**

- Use the part numbers from the “REF. NO.” columns in this parts list. If the “REF. NO.” column is blank; look under the “KIT” column to identify which kit contains the part in question, then use the kit callout, for example “K1”, to find the “REF. NO.” for that kit.
- Specify the model and serial number of the machine.
- Use the space below to record the model and serial number for future reference.

Model

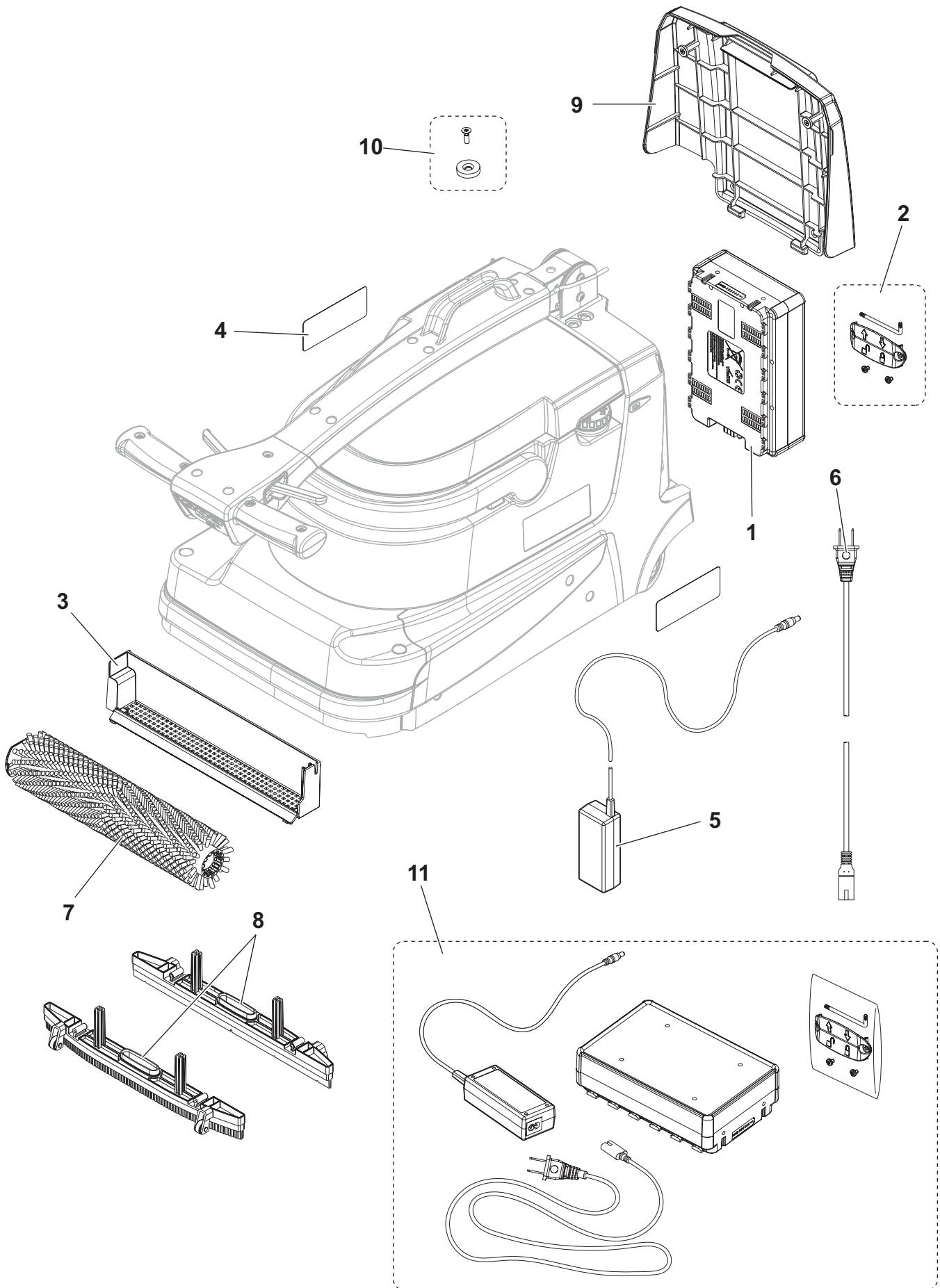
Serial No.

\* = Optional

# = Modified item No. or New item No.

[] = Not shown

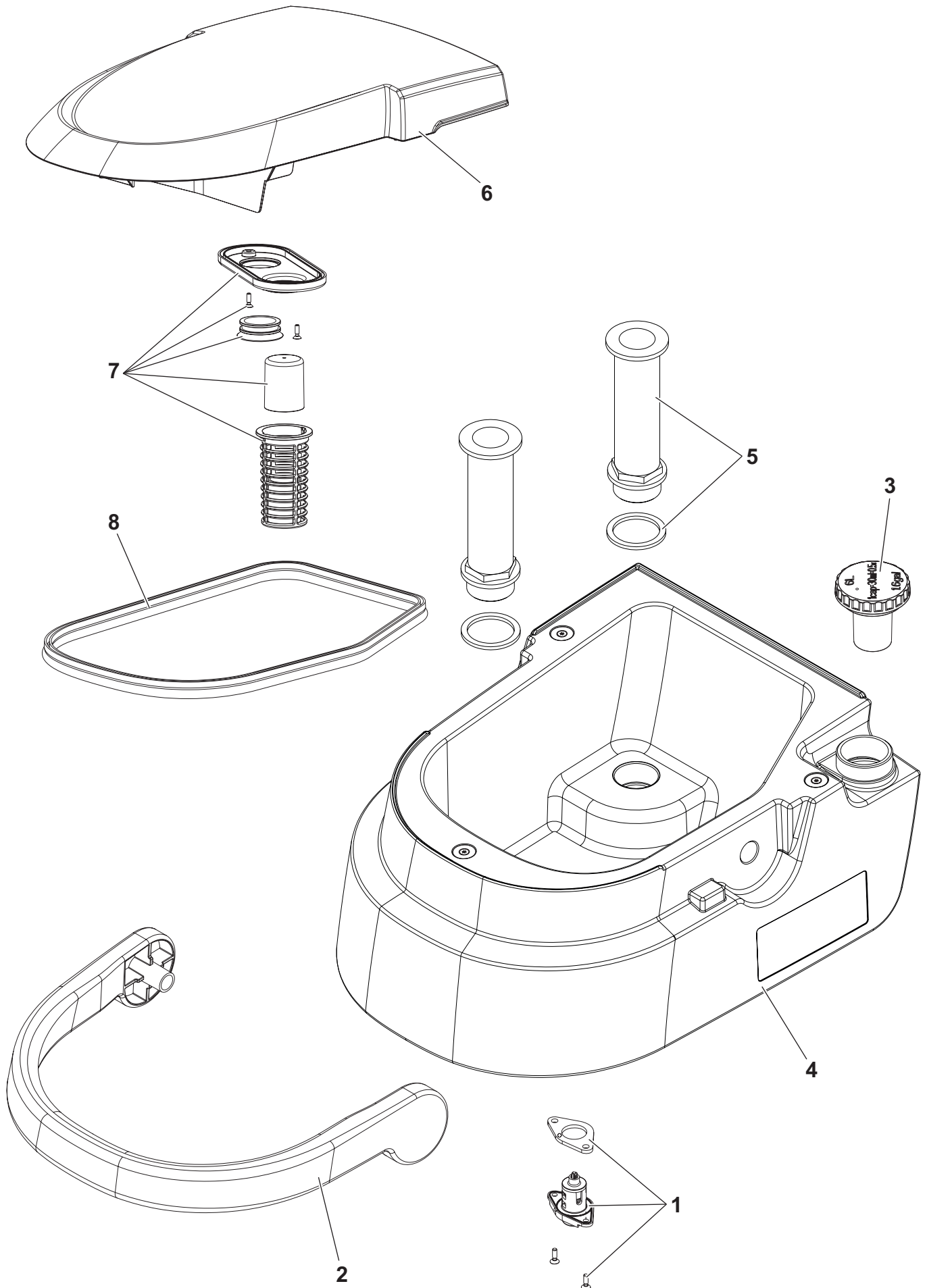
GENERAL VIEW



## GENERAL VIEW

KIT	ITEM	REF. NO.	QTY	DESCRIPTION
	1*	9100002070	1	BATTERY LI 36V 10S4P
	2	9100002059	1	HANDLE BATTERY LI
	3	9100001964	1	MINI CONTAINER PLAST. F DIRT PKD
	4	9100002025	1	DECALS CLARKE MA30 13 B KIT
	5	9100002058	1	CHARGER BATTERY LI 100-240V 1.5A
	6	9100002008	1	CABLE POWER SUPPLY US L.1000MM PKD
	7*	9100002066	1	BRUSH CYL 340MM MEDIUM NYLON WHITE
	7*	9100002067	1	BRUSH CYL 340MM HARD GRIT 320 GREY
	7*	9100002068	1	BRUSH CYL 340MM MICROFIBRE
	7*	9100002069	1	BRUSH CYL 340MM SOFT NYLON BLACK
	8*	9100002063	1	SQUEEGEE 360MM GREY RUBBER 2 PCS SET
	8*	9100002064	1	SQUEEGEE 360MM PU 2 PCS SET
	9	9100002027	1	COVER REAR BLACK KIT
	10	9100002028	1	MAGNET ROUND KIT
	11*	9100002057	1	BATTERY LI PACK US

SOLUTION AND RECOVERY TANK

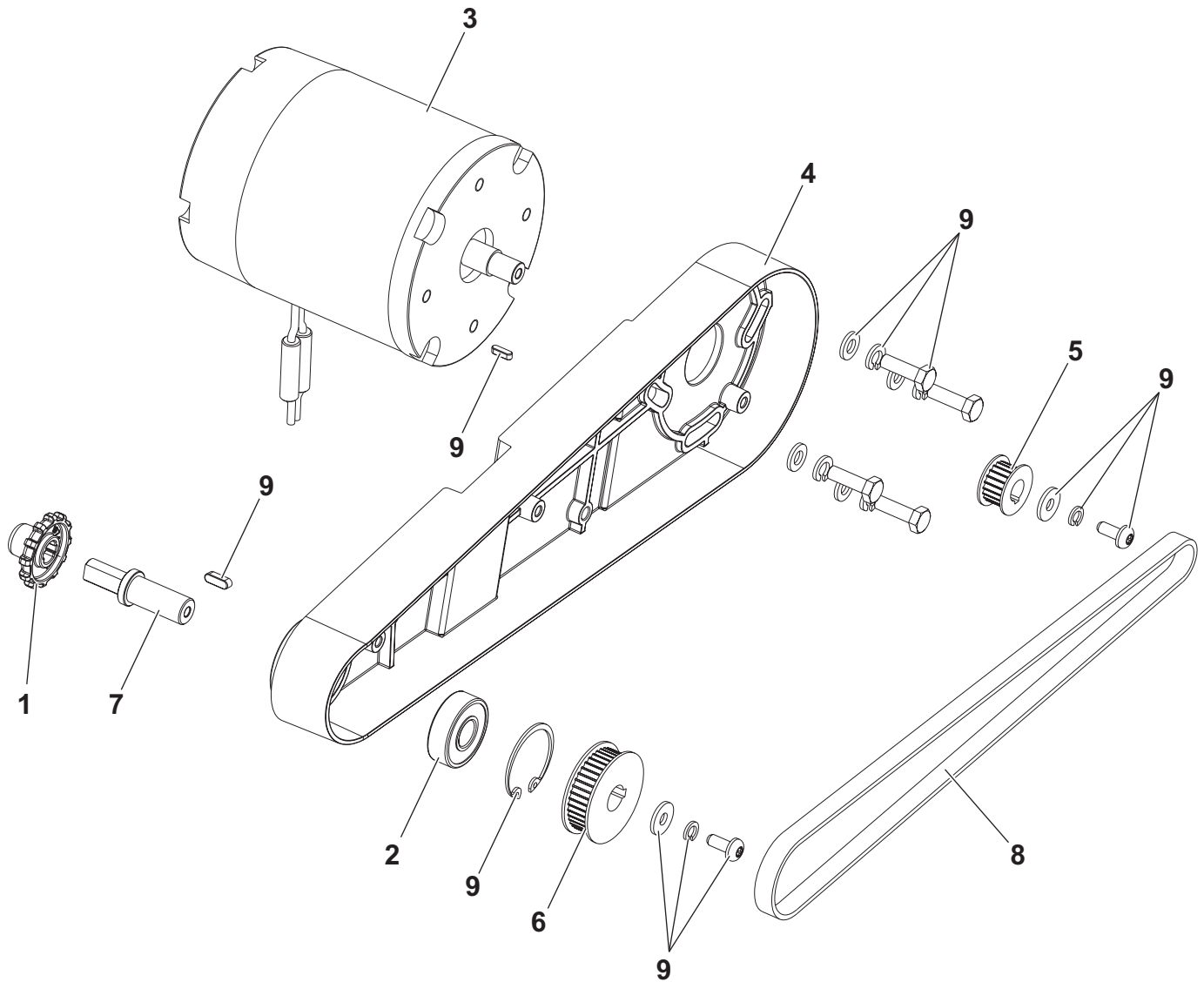




**SOLUTION AND RECOVERY TANK**

KIT	ITEM	REF. NO.	QTY	DESCRIPTION
	1	9100002029	1	VALVE F SOLUTION TANK KIT
	2	9100002012	1	HANDLE PLAST. BLACK F TANK PKD
	3	9100001990	1	CAP PLAST. F TANK PKD
	4	9100002031	1	TANK WATER PLAST. 6 LT BLUE KIT
	5	9100002032	2	PIPE PLAST. F TANK KIT
	6	9100002034	1	COVER TANK PLAST. BLUE KIT
	7	9100002035	1	CAGE FLOAT PLAST. BLACK KIT
	8	9100001993	1	GASKET BULB REINFORCED -SKEIN PKD

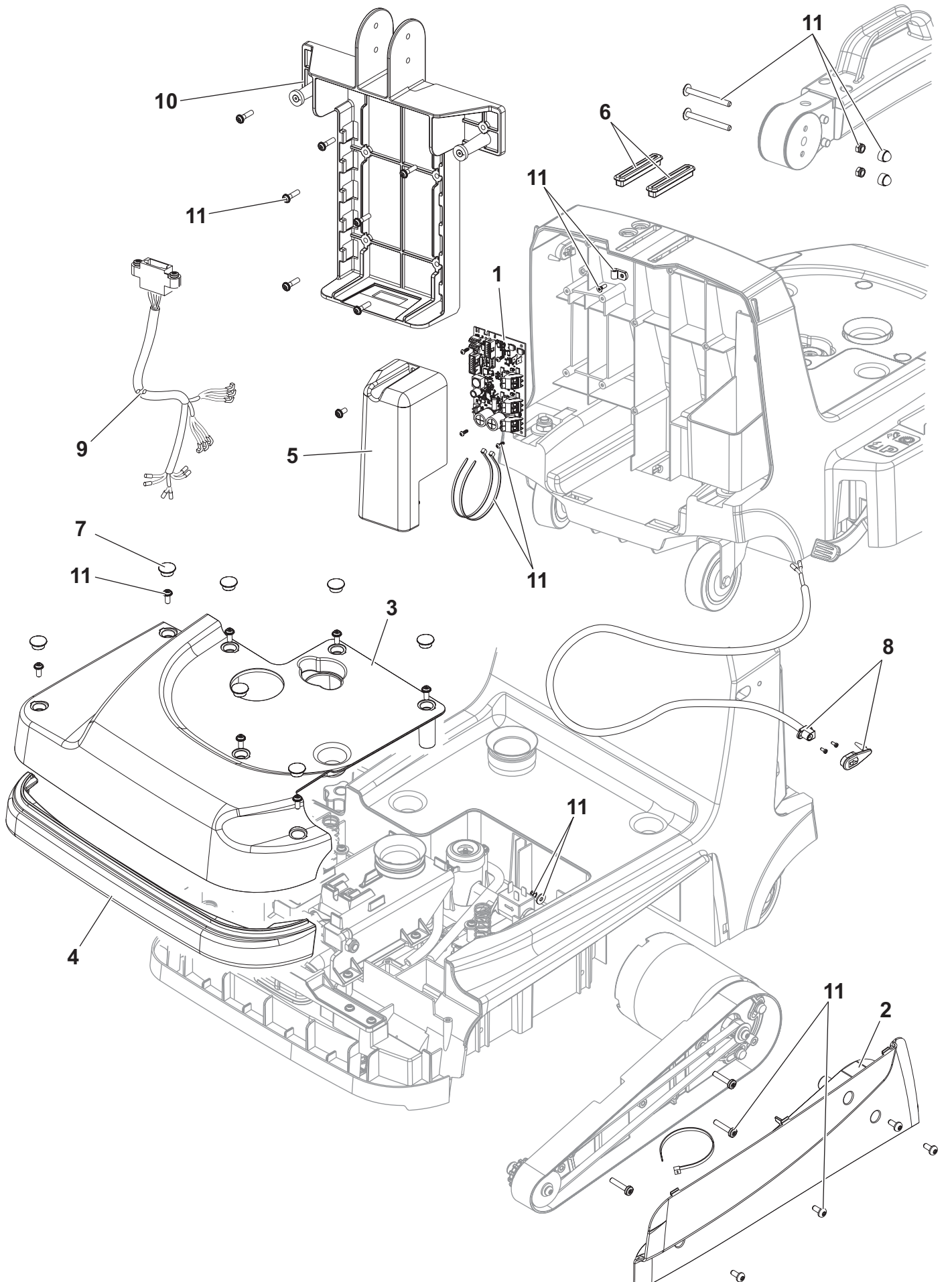
BRUSH MOTOR



**BRUSH MOTOR**

KIT	ITEM	REF. NO.	QTY	DESCRIPTION
	1	9100001957	1	HUB TRACTION BRUSH PLAST. PKD
	2	9100002018	1	BEARING BALL 6201 2RS1PKD
	3	9100001966	1	MOTOR BRUSH 180W 36V PKD
	4	9100001967	1	SUPPORT ALU F BRUSH MOTOR PKD
	5	9100001968	1	PULLEY TIMING BELT ALU HTD 20 3M 09 PKD
	6	9100001969	1	PULLEY TIMING BELT ALU HTD 40 3M 09 PKD
	7	9100001970	1	SHAFT GALV. F BRUSHPKD
	8	9100001971	1	BELT TIMING HTD/OMEGA 669 3M 09 PKD
	9	9100002036	1	HARDWARE BRUSH MOTOR KIT

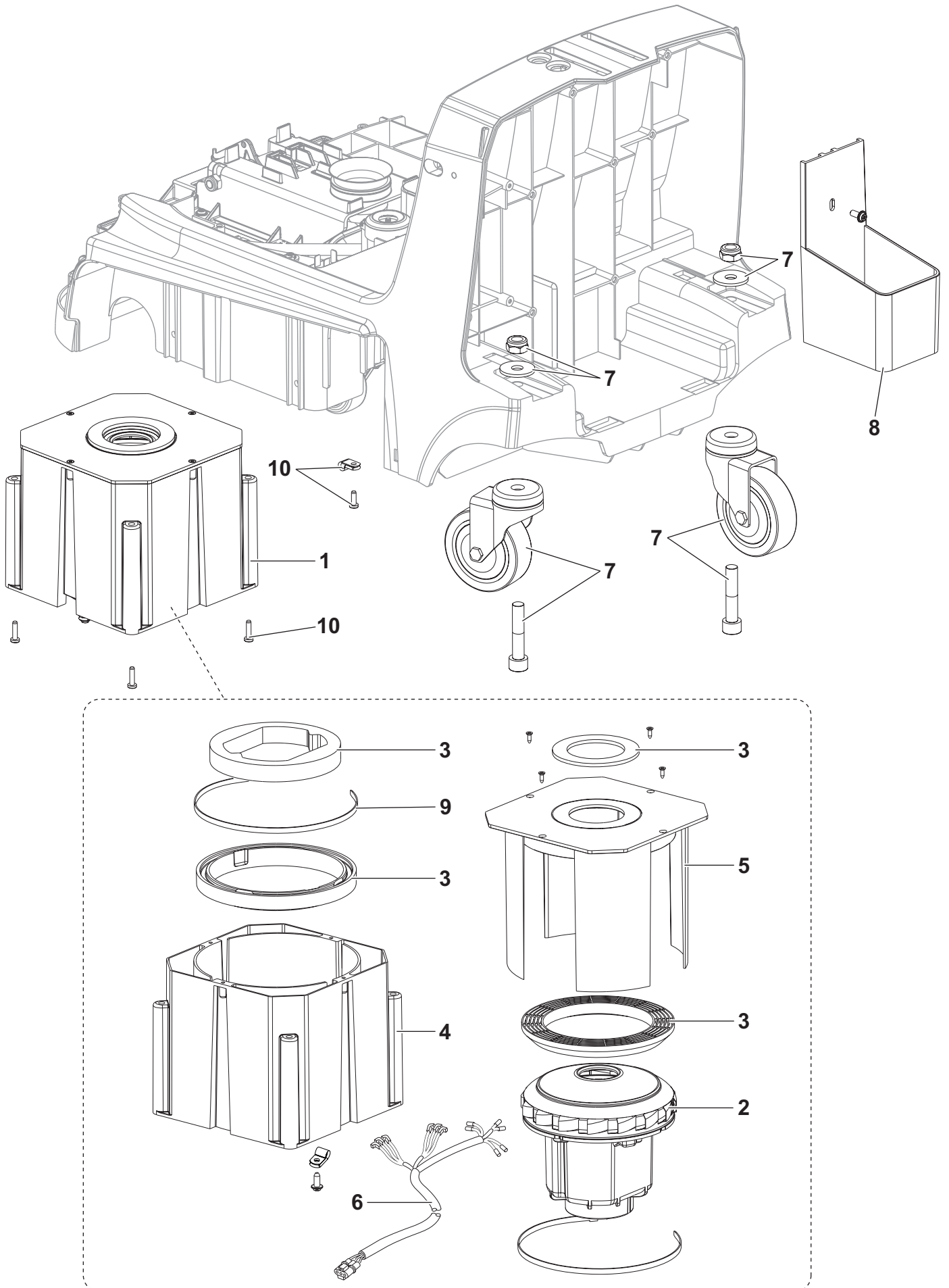
## CHASSIS - FIXING AND COVER



**CHASSIS - FIXING AND COVER**

KIT	ITEM	REF. NO.	QTY	DESCRIPTION
	1	9100001960	1	CONTROLLER MAIN MACH.P24 PROGR.PKD
	2	9100002011	1	CASING BELT PROTEC. PLAST. BLACK PKD
	3	9100002010	1	CASING UPPER PLAST. BLACK F CHASSIS PKD
	4	9100001988	1	BUMPER FRONT PLAST. PKD
	5	9100001991	1	COVER PLAST.F CONTROLLER MACH.PKD
	6	9100001994	2	GASKET RUBBER HANDLE FIXING PKD
	7	9100002019	1	CAP PLAST. D.13.25XD.18 BLACK 10 PCS SET
	8	9100002037	1	HARNESS BATTERY CHARGER KIT
	9	9100002038	1	HARNESS BATTERY KIT
	10	9100002039	1	HANDLE FIXING KIT
	11	9100002040	1	HARDWARE CHASSIS KIT

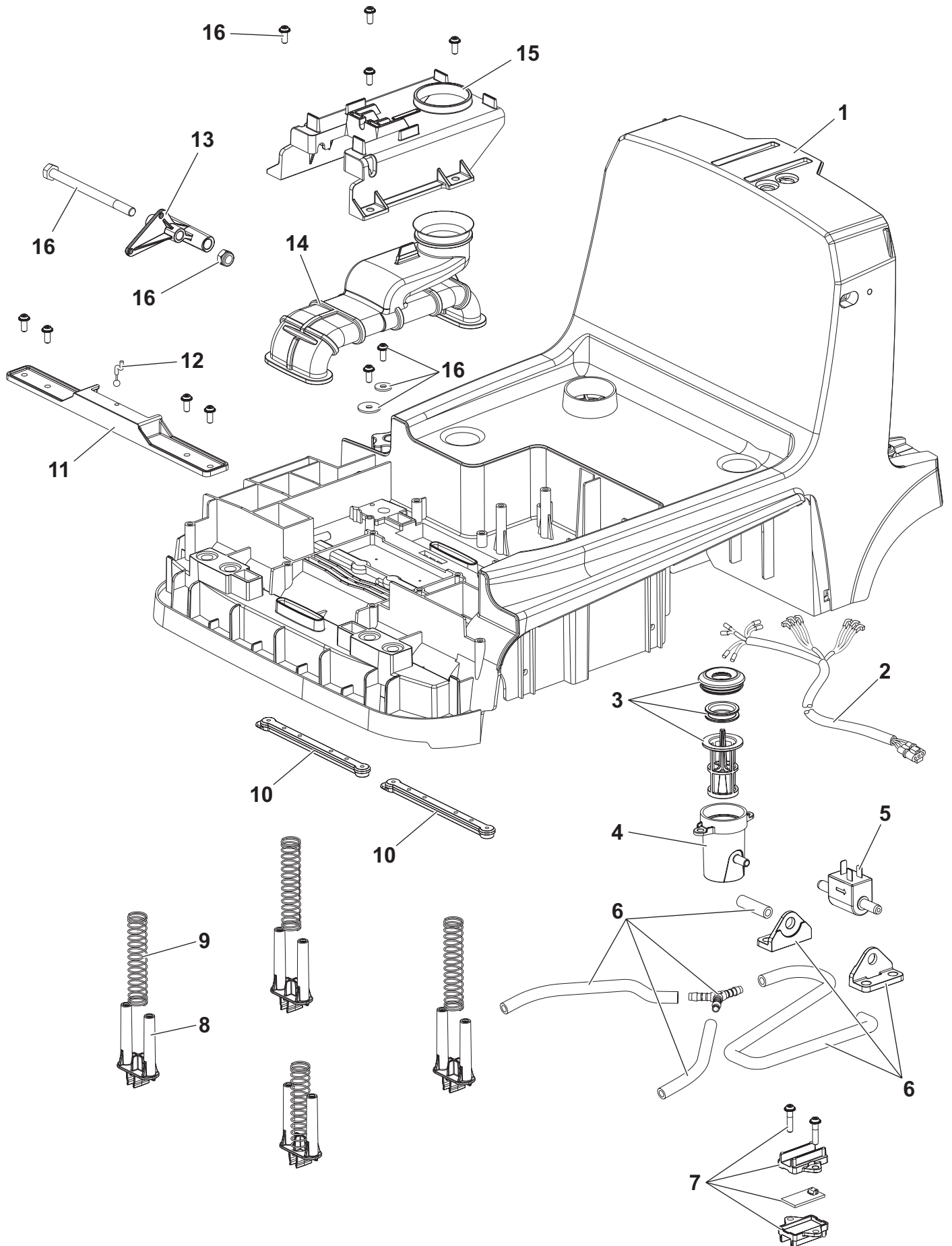
CHASSIS - VACUUM AND REAR WHEELS



**CHASSIS - VACUUM AND REAR WHEELS**

KIT	ITEM	REF. NO.	QTY	DESCRIPTION
	1	9100002041	1	MOTOR VACUUM 36V 200W KIT
	2	9100001987	1	MOTOR VACUUM 36V 200W PKD
	3	9100002042	1	SEALINGS MOTOR VACUUM KIT
	4	9100001983	1	SUPPORT EXT. PLAST. F VAC. MOTOR PKD
	5	9100001989	1	SUPPORT INT. PLAST. F VAC. MOTOR PKD
	6	9100001996	1	HARNESS VACUUM MOTOR PKD
	7	9100002045	1	WHEELS CASTOR KIT
	8	9100001992	1	CONTAINER PLAST. F BATTERY CHARGER PKD
	9	1466337000	1	TIE CABLE 4.8X430 WHITE 2 PCS SET
	10	9100002046	1	HARDWARE VACUUM AND REAR WHEELS KIT

CHASSIS - SOLUTION AND VAC CHAMBER

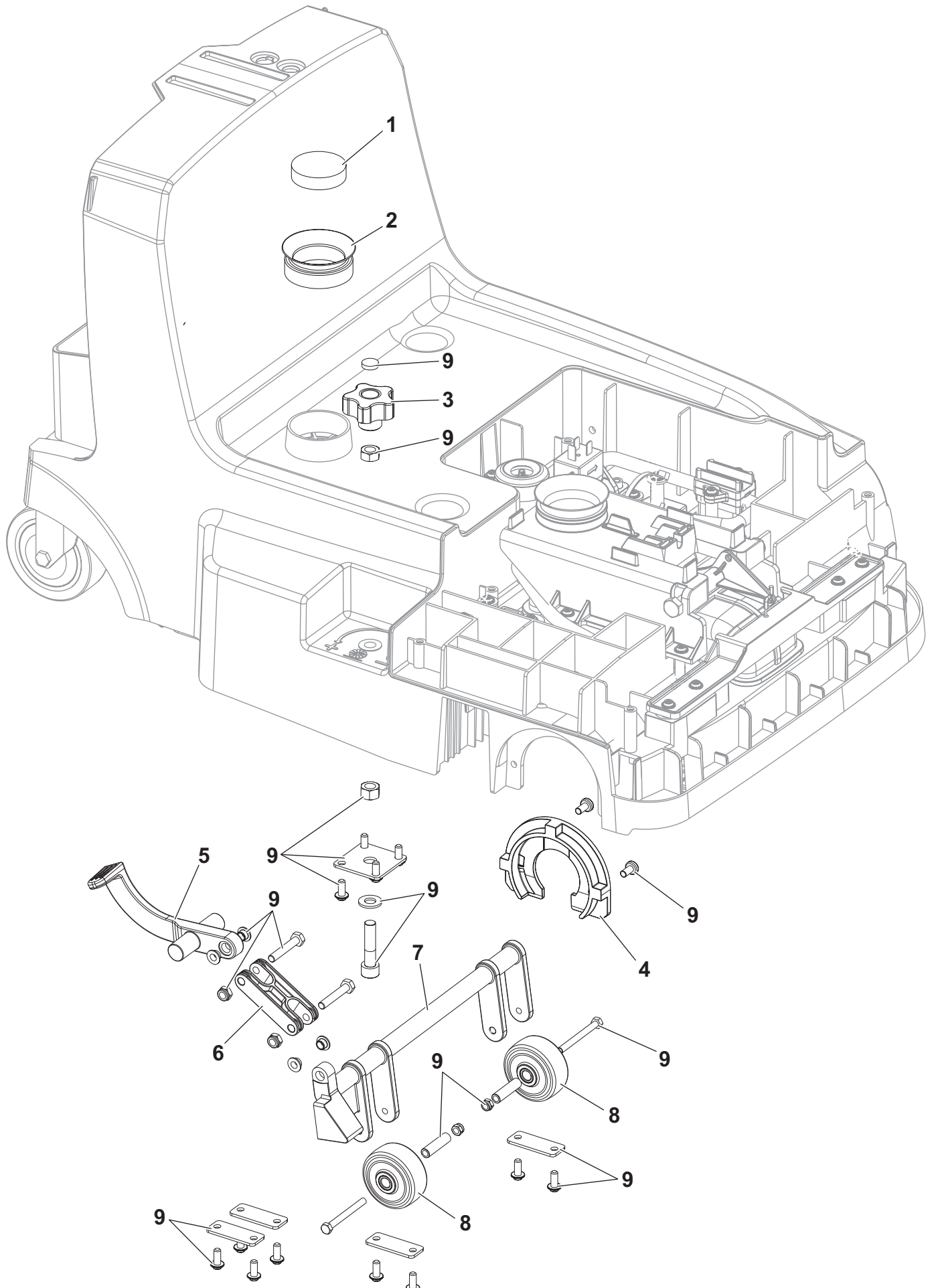




**CHASSIS - SOLUTION AND VAC CHAMBER**

KIT	ITEM	REF. NO.	QTY	DESCRIPTION
	1	9100002009	1	CHASSIS PLAST. BLACK PKD
	2	9100001995	1	HARNESS WATER PUMP PKD
	3	9100002047	1	FILTER PLAST. F WATER PUMP KIT
	4	9100001997	1	SUPPORT PLAST. F WATER FILTER PKD
	5	9100001981	1	PUMP WATER 24V 18W 21L/H PKD
	6	9100002048	1	HOSES KIT
	7	9100002049	1	SENSOR CAPACITIVE F WATER FLOW KIT
	8	9100001977	4	HOLDER SQUEEGEE PLAST. PKD
	9	9100001984	4	SPRING COMPRESS. D.E.17.6 WIRE D.1.2 PKD
	10	9100001975	2	DISPENSER WATER SPRAY SOFT PLAST. PKD
	11	9100001978	1	PLATE ALU SQUEEGEE LIFTER PKD
	12	9100001980	1	HOOK METAL F FRONT SQUEEGEE LIFT. PKD
	13	9100001979	1	ROD LIFTING SQUEEGEE PLAST. PKD
	14	9100001974	1	CHAMBER VACUUMING RUBBER PKD
	15	9100001976	1	SUPPORT PLAST. F VAC. CHAMBER PKD
	16	9100002044	1	HARDWARE SOLUTION VAC CHAMBER KIT

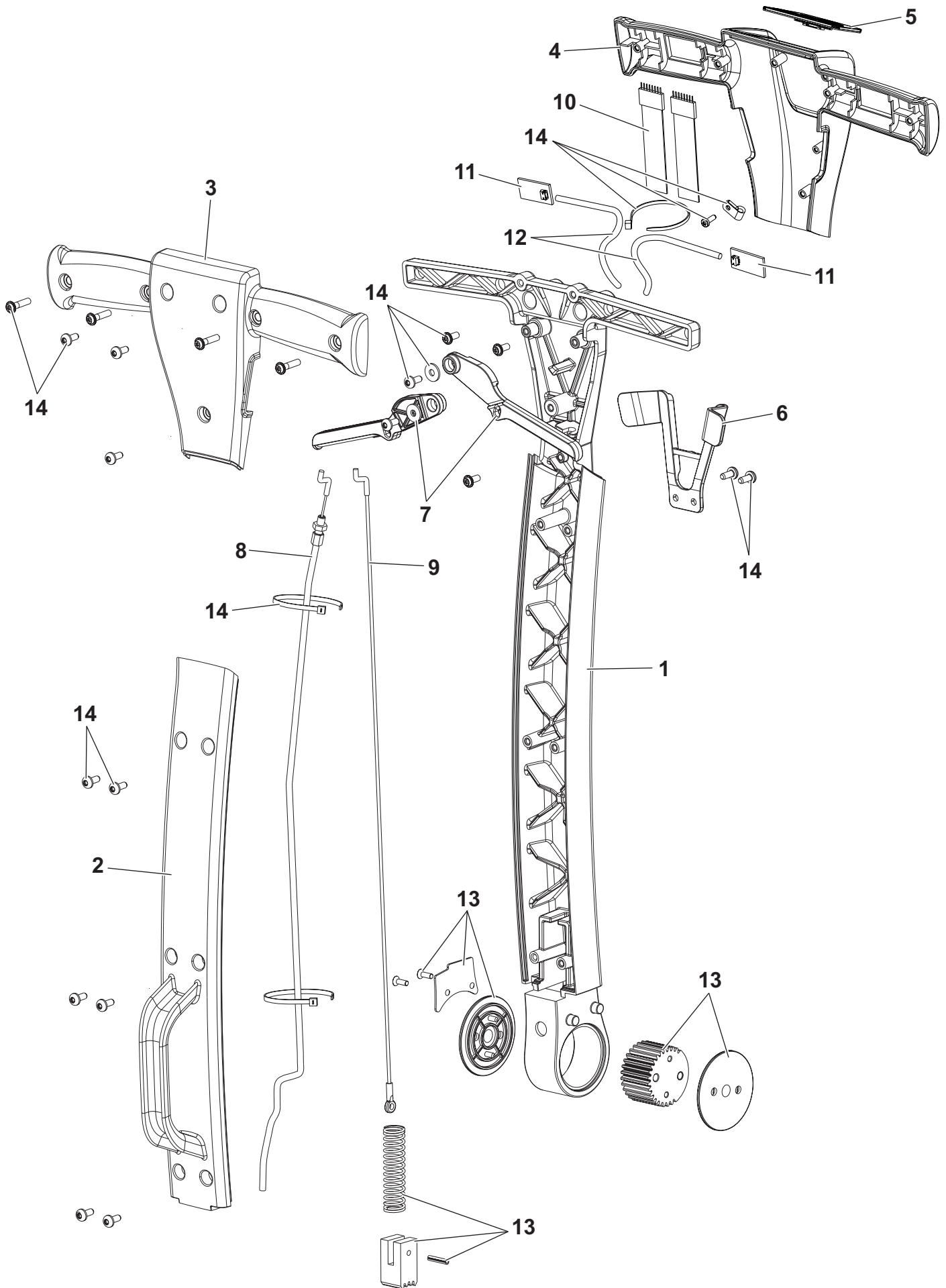
## CHASSIS - PEDAL WHEELS



**CHASSIS - PEDAL WHEELS**

KIT	ITEM	REF. NO.	QTY	DESCRIPTION
	1	9100001278	1	FILTER VACUUM MOTOR PKD
	2	9100001958	1	GASKET PKD
	3	9100002017	1	KNOB M8 PKD
	4	9100001973	1	SUPPORT ALU F BRUSH HOOKING PKD
	5	9100001982	1	LEVER PLAST. F PEDAL PKD
	6	9100001962	1	PEDAL ALU F MACHINE PARKING PKD
	7	9100001961	1	SUPPORT ALU F FIXED WHEELS PKD
	8	9100000559	2	WHEEL D.51 GREY PKD
	9	9100002043	1	HARDWARE PEDAL WHEELS KIT

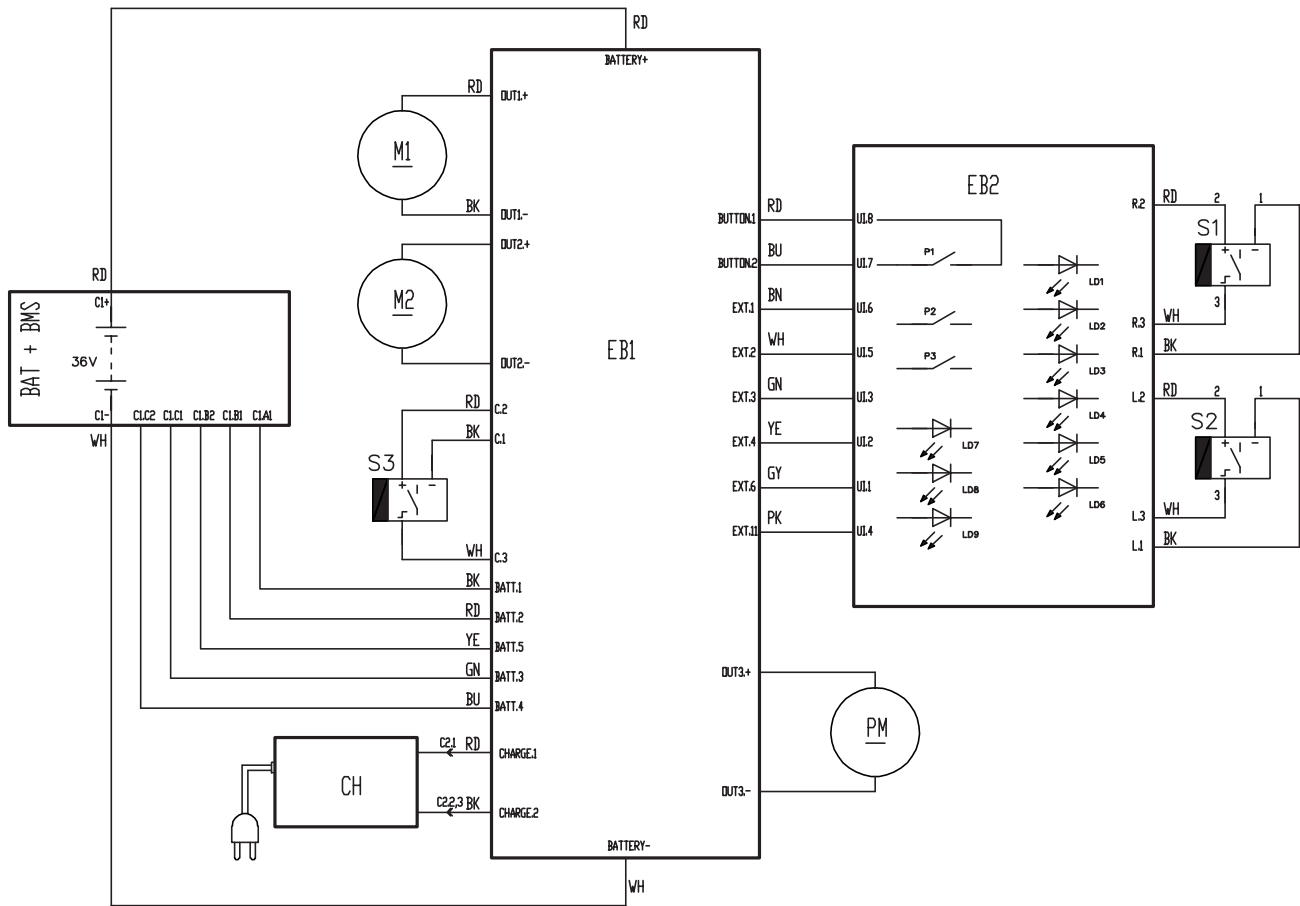
## HANDLE BAR



**HANDLE BAR**

KIT	ITEM	REF. NO.	QTY	DESCRIPTION
	1	9100001999	1	HANDLE BAR ALU PKD
	2	9100002015	1	COVER PLAST. BLUE F HANDLE PKD
	3	9100002014	1	COVER LOWER PLAST. BLUE F HANDLE PKD
	4	9100002013	1	COVER UPPER PLAST. BLUE F HANDLE PKD
	5	9100001985	1	CONTROLLER USER INTERFACE PKD
	6	9100002005	1	LOCK LEVER PLAST. PKD
	7	9100002003	2	LEVER ALU F HANDLE ADJUST. PKD
	8	9100002002	1	CABLE LIFTING SQUEEGEE PKD
	9	9100001998	1	CABLE HANDLE ADJUSTING PKD
	10	9100001986	1	HARNESS HANDLE BAR PKD
	11	9100002016	2	SENSOR CAPACITIVE PKD
	12	9100002006	2	HARNESS HANDLE BAR SENSOR PKD
	13	9100002020	1	LOCK HANDLE KIT
	14	9100002021	1	HARDWARE HANDLE BAR KIT

WIRING DIAGRAM



## WIRING DIAGRAM

KEY	REF. NO.	QTY	DESCRIPTION
BAT	9100002070	1	BATTERY LI 36V 10S4P
BMS			
C1	9100002038	1	HARNESS BATTERY KIT
CH	9100002058	1	CHARGER BATTERY LI 100-240V 1.5A
EB1	9100001960	1	CONTROLLER MAIN MACH.P24 PROGR.PKD
EB2	9100001985	1	CONTROLLER USER INTERFACE PKD
M1	9100001966	1	MOTOR BRUSH 180W 36V PKD
M2	9100001987	1	MOTOR VACUUM 36V 200W PKD
PM	9100001981	1	PUMP WATER 24V 18W 21L/H PKD
S1	9100002016	1	SENSOR CAPACITIVE PKD
S2	9100002016	1	SENSOR CAPACITIVE PKD
S3	9100002049	1	SENSOR CAPACITIVE F WATER FLOW KIT

KEY	COLOUR
BK	BLACK
BU	LIGHT BLUE
BN	BROWN
GN	GREEN
GY	GREY
OG	ORANGE

KEY	COLOUR
PK	PINK
RD	RED
VT	VIOLET
WH	WHITE
YE	YELLOW

**RECOMMENDED PARTS**

REF. NO.	QTY	DESCRIPTION
<b>NORMAL WEAR</b>		
9100002066	1	BRUSH CYL 340MM MEDIUM NYLON WHITE
9100002063	1	SQUEEGEE 360MM GREY RUBBER 2 PCS SET
<b>ORDINARY MAINTENANCE</b>		
9100001993	1	GASKET BULB REINFORCED -SKEIN PKD
9100001971	1	BELT TIMING HTD/OMEGA 669 3M 09 PKD
9100001987	1	MOTOR VACUUM 36V 200W PKD
9100001975	2	DISPENSER WATER SPRAY SOFT PLAST. PKD
9100002045	1	WHEELS CASTOR KIT
9100001981	1	PUMP WATER 24V 18W 21L/H PKD
9100000559	2	WHEEL D.51 GREY PKD
9100002002	1	CABLE LIFTING SQUEEGEE PKD
<b>EXTRAORDINARY MAINTENANCE</b>		
9100002070	1	BATTERY LI 36V 10S4P
9100002058	1	CHARGER BATTERY LI 100-240V 1.5A
9100002029	1	VALVE F SOLUTION TANK KIT
9100001957	1	HUB TRACTION BRUSH PLAST. PKD
9100001966	1	MOTOR BRUSH 180W 36V PKD
9100001960	1	CONTROLLER MAIN MACH.P24 PROGR.PKD
9100001988	1	BUMPER FRONT PLAST. PKD
9100001974	1	CHAMBER VACUUMING RUBBER PKD
9100002048	1	HOSES KIT
9100002047	1	FILTER PLAST. F WATER PUMP KIT
9100001998	1	CABLE HADLE ADJUSTING PKD
9100001985	1	CONTROLLER USER INTERFACE PKD
9100002016	2	SENSOR CAPACITIVE PKD
9100002049	1	SENSOR CAPACITIVE F WATER FLOW KIT



**ACCESSORIES/ OPTIONAL**

REF. NO.	QTY	DESCRIPTION
9100002066	1	BRUSH CYL 340MM MEDIUM NYLON WHITE
9100002067	1	BRUSH CYL 340MM HARD GRIT 320 GREY
9100002068	1	BRUSH CYL 340MM MICROFIBRE
9100002069	1	BRUSH CYL 340MM SOFT NYLON BLACK
9100002063	1	SQUEEGEE 360MM GREY RUBBER 2 PCS SET
9100002064	1	SQUEEGEE 360MM PU 2 PCS SET
9100002057	1	BATTERY LI PACK US
9100002058	1	CHARGER BATTERY LI 100-240V 1.5A
9100002070	1	BATTERY LI 36V 10S4P
9100002059	1	HANDLE BATTERY

**Clarke<sup>®</sup>**

9435 Winnetka Avenue North  
Brookly Park, MN 55445

[www.clarkeus.com](http://www.clarkeus.com)

Phone: 800-253-0367

Fax: 800-989-6566

©2016 Nilfisk, Inc..

---

**A Nilfisk Brand**