

Powr-Flite
America's Floor Care Superstore Since 1967

PARTS LIST

Automatic Scrubber MODELS: PAS14G

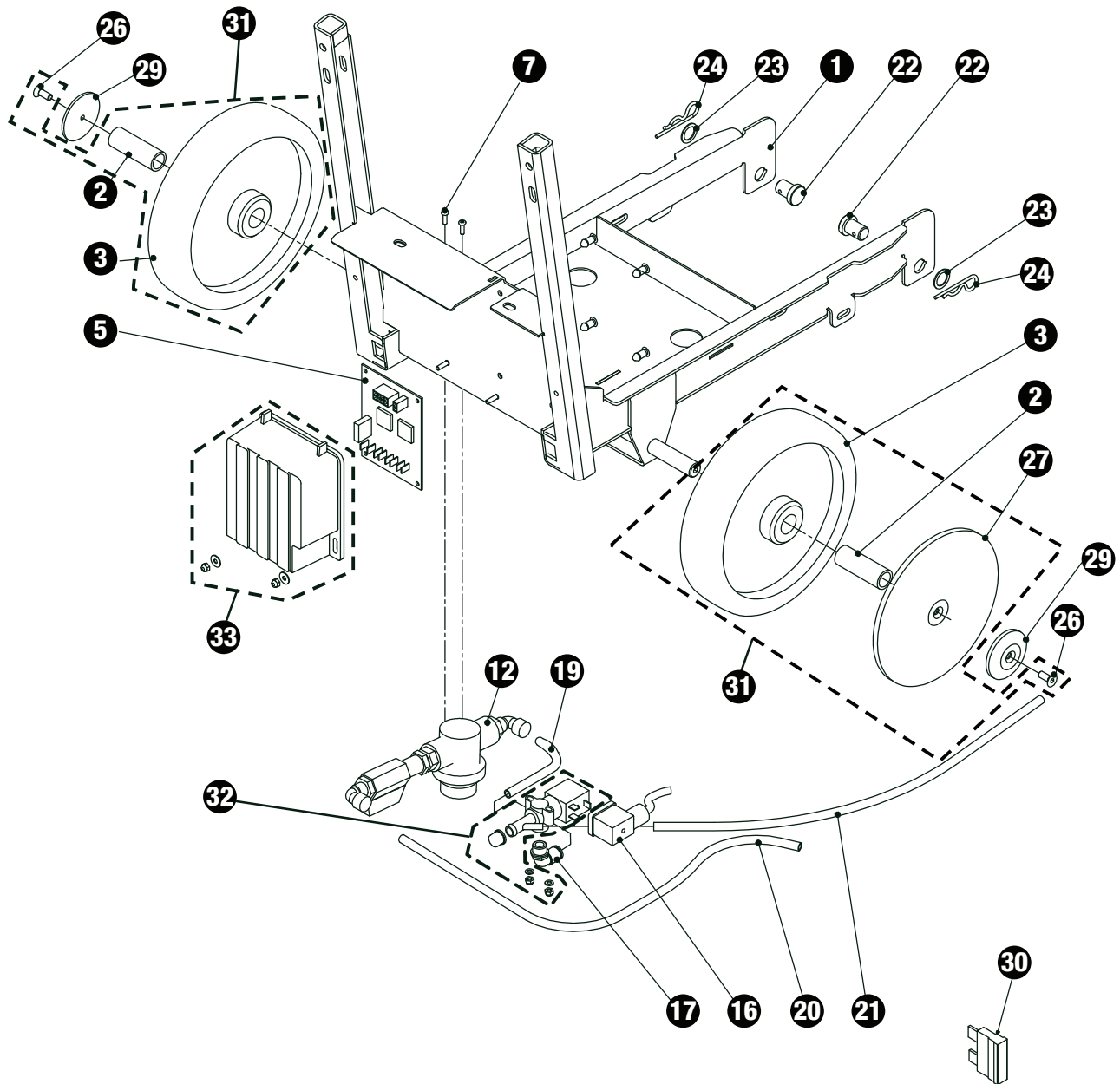


A Tacony Company
3101 Wichita Court • Ft. Worth, TX 76140-1755

PAS14G 6-2012

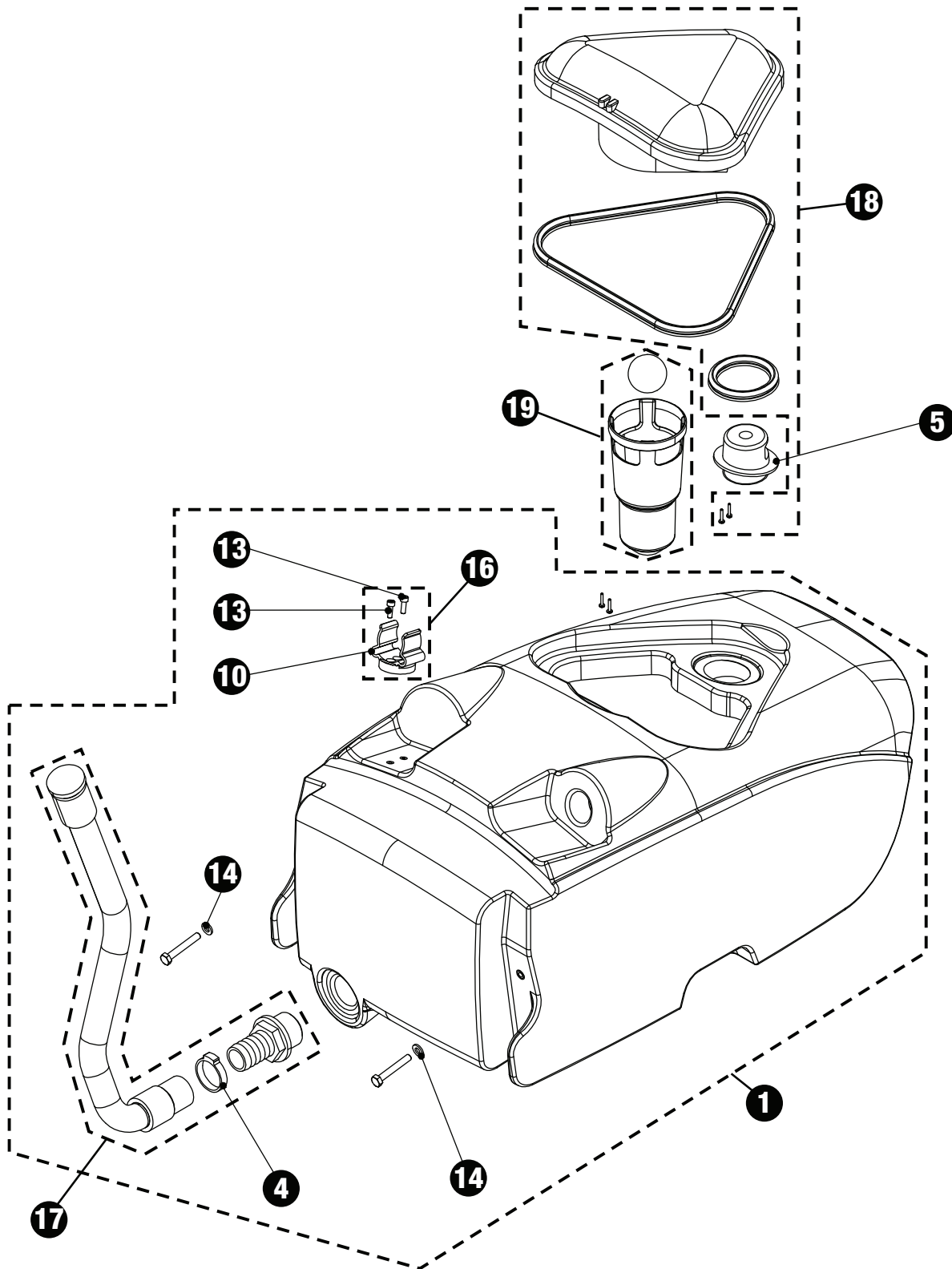
Automatic Scrubber Parts - PAS14G

CHASSIS



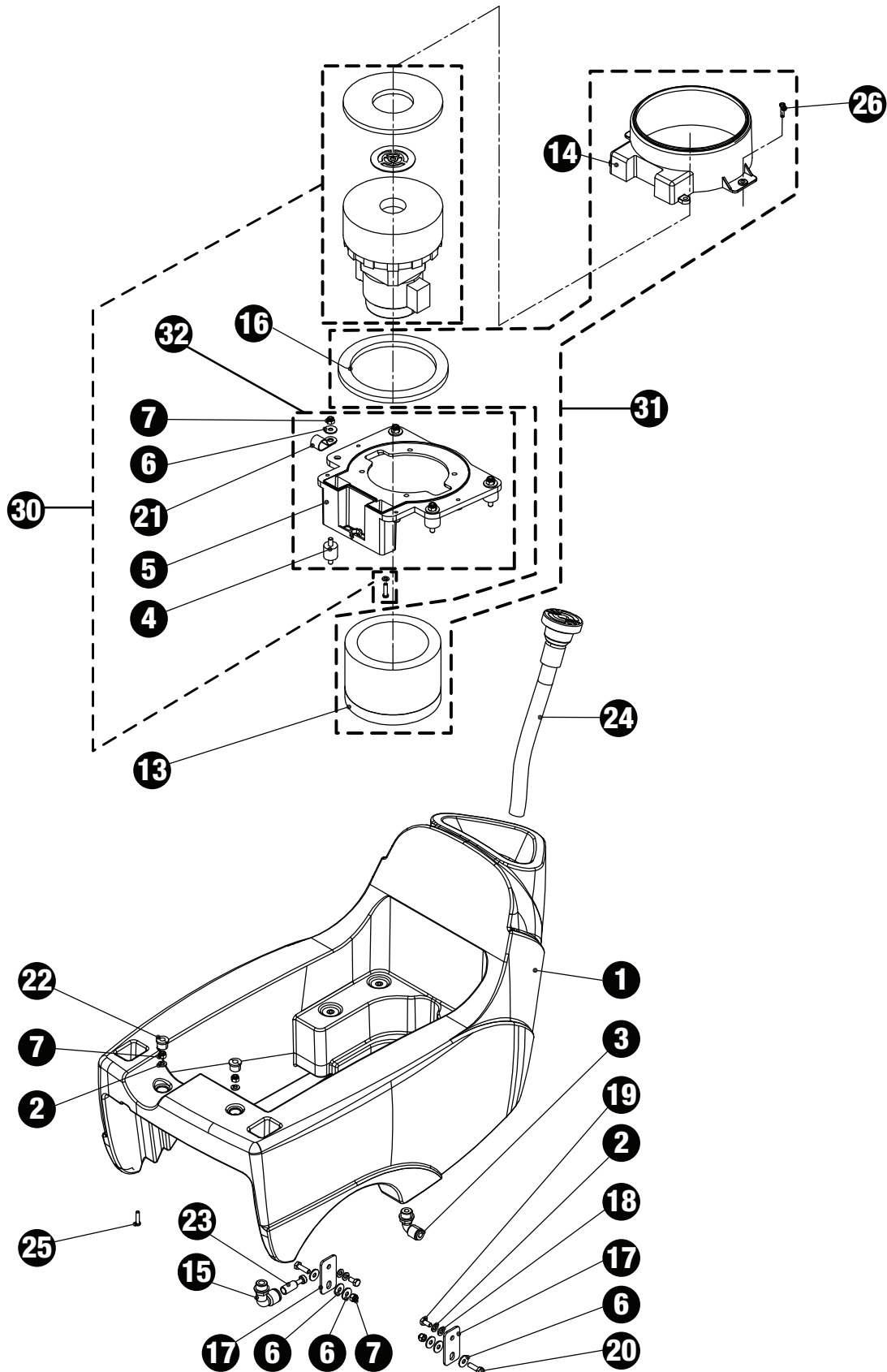
Automatic Scrubber Parts - PAS14G

RECOVERY TANK



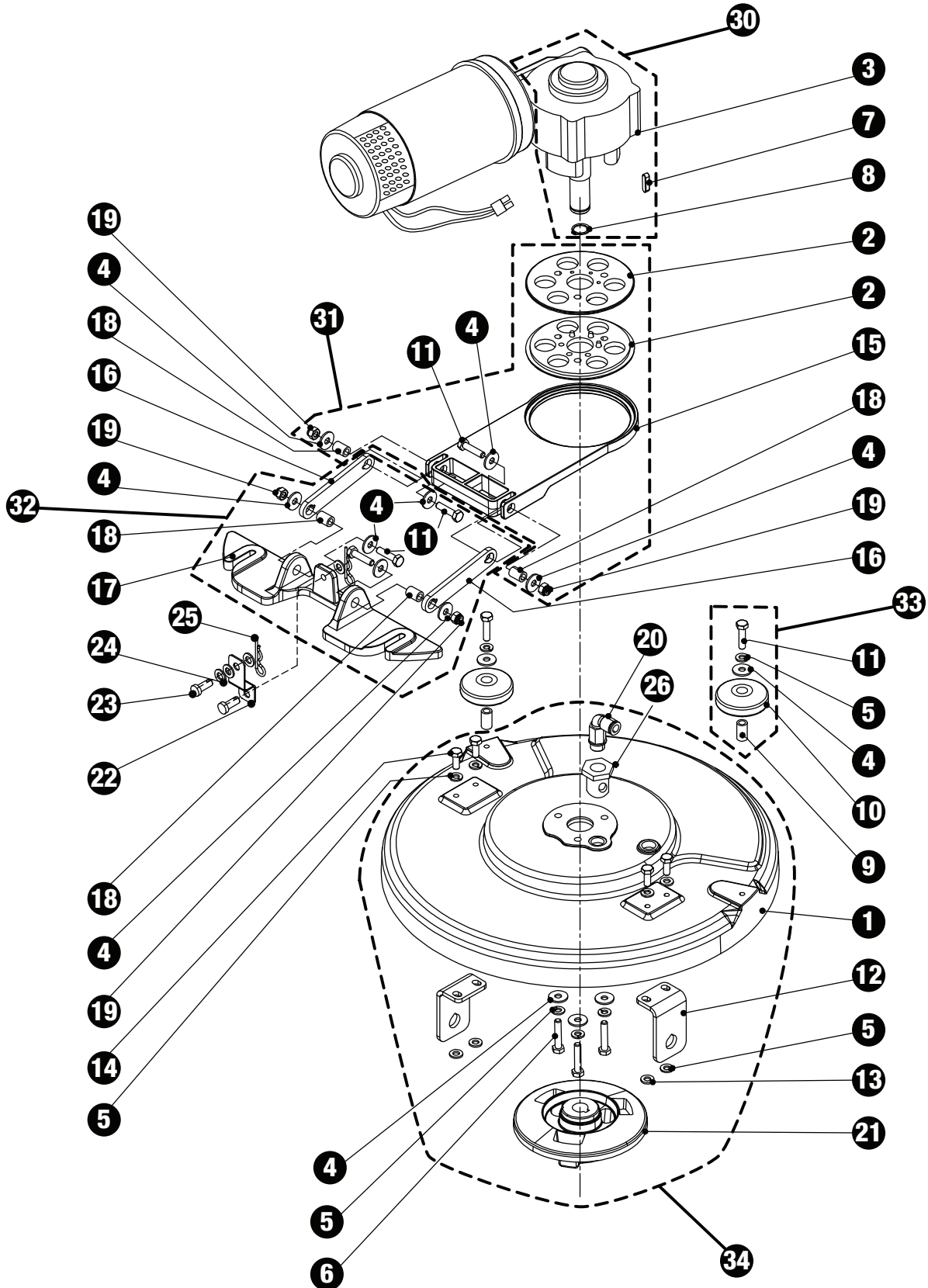
Automatic Scrubber Parts - PAS14G

SOLUTION TANK



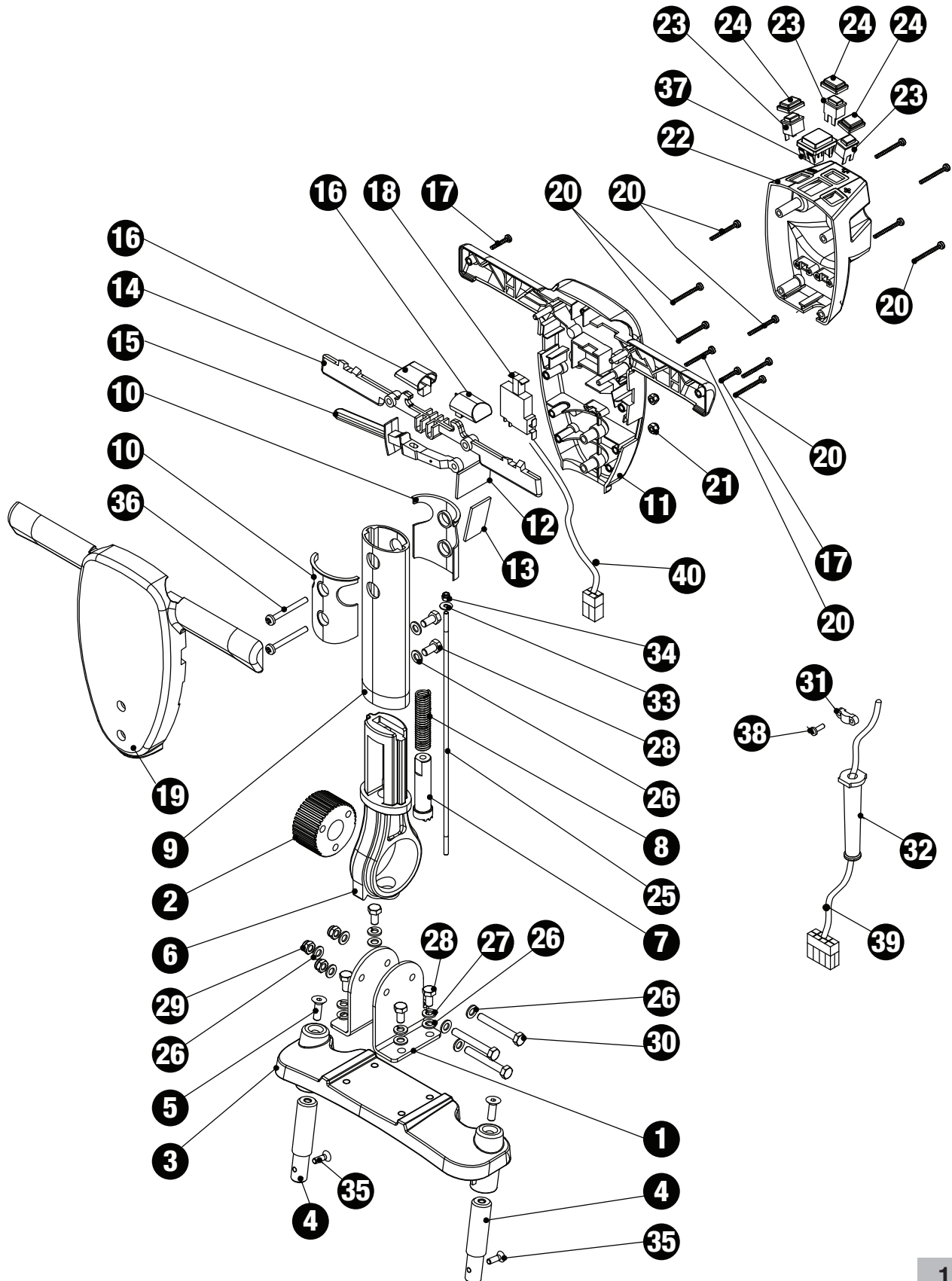
Automatic Scrubber Parts - PAS14G

BRUSH HEAD



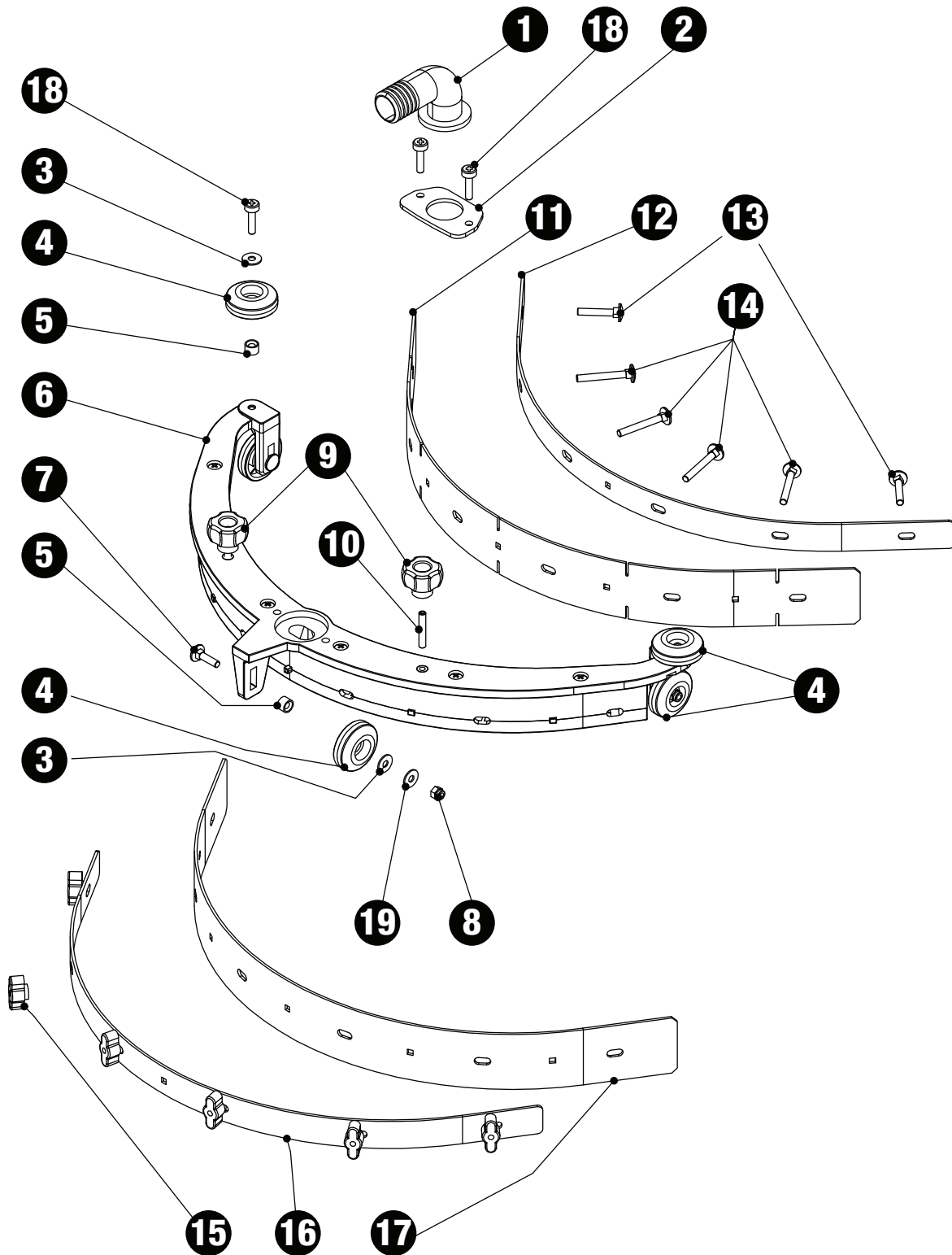
Automatic Scrubber Parts - PAS14G

HANDLE



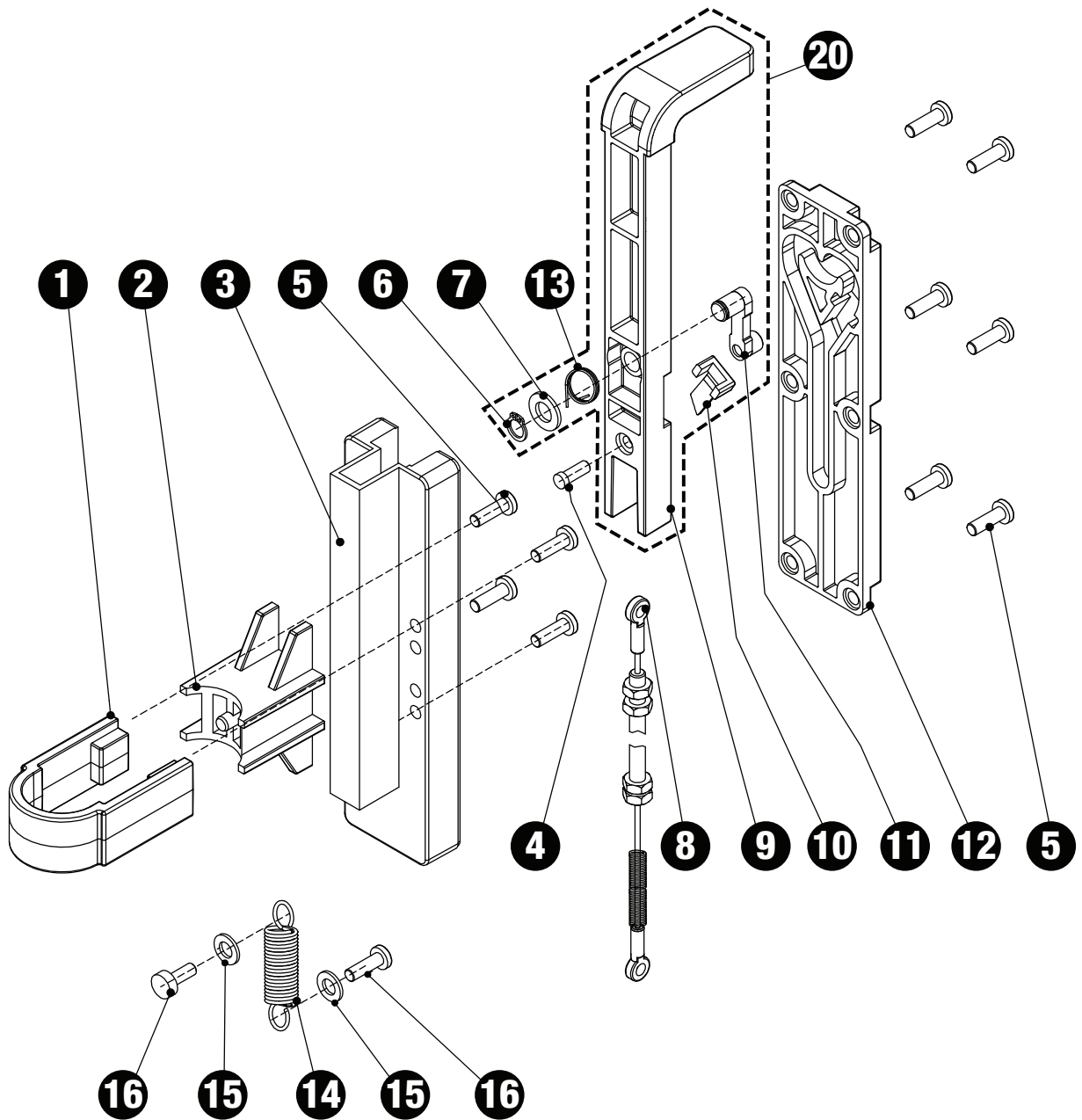
Automatic Scrubber Parts - PAS14G

SUCTION BEAM



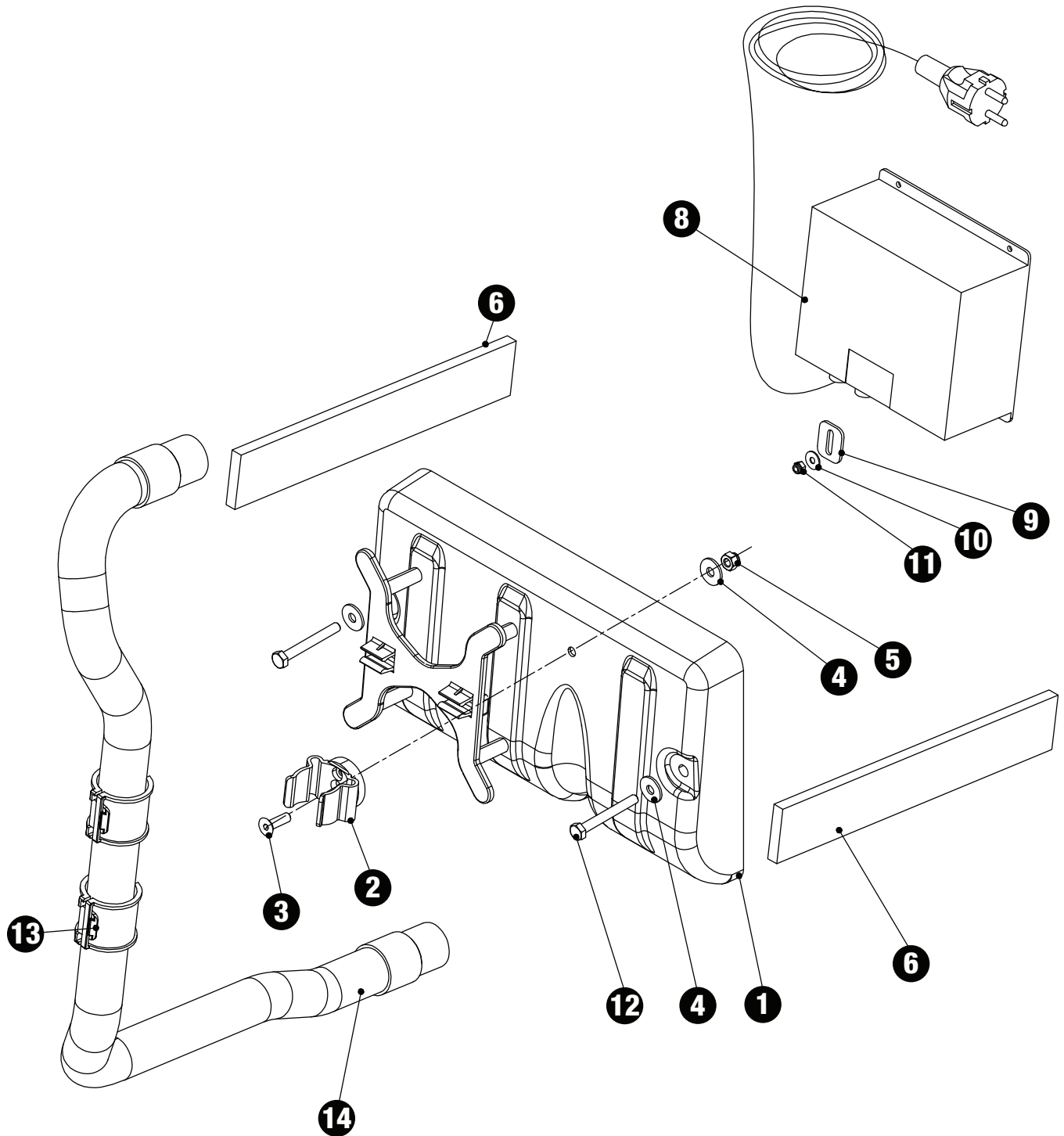
Automatic Scrubber Parts - PAS14G

SQUEEGEE LIFTING SYSTEM



Automatic Scrubber Parts - PAS14G

GEL BATTERY CHARGER SETTINGS



Automatic Scrubber Parts - PAS14G : Parts List

Ref#	Item#	Description
CHASSIS:		
1	25.0277.00	CHASSIS
2	33.0077.00	WHEEL TUBE
3	28.0027.00	WHEEL
5	95.0002.00	ELECTRONIC BOARD KIT (INCLUDES SPACER)
17	30.0101.00	CONNECTION
20	30.0132.00	SOLUTION HOSE L=360
21	30.0134.00	SOLUTION HOSE L=560
22	33.0078.00	PIN
23	27.0047.00	TRUST WASHER DIN 998
24	27.0001.00	SPLIT PIN
26	23.0018.00	SCREW M6 X 16 A2 DIN 7991
27	50.0050.00	BALL BEARING COVER
29	34.0031.00	FUSE 30A
KITS		
31	95.0026.00	WHEEL ASSY KIT, 2 PER UNIT (INCLUDES #2, 3, 26, 27)
32	95.0031.00	SOLENOID VALVE KIT
33	95.0028.00	ELECTRONIC BOARD COVER KIT
	95.0027.00	BRUSH COVER FIXING KIT (INCLUDES #20, 23, 24)
NOT ILLUSTRATED		
	95.0030.00	SOLUTION FILTER KIT

Ref#	Item#	Description
RECOVERY TANK:		
1	95.0041.01	RECOVERY TANK ASSY, BLUE
4	30.0128.00	CLAMP HCL-N
5	24.0162.00	PROTECTION CAP
10	30.0099.00	CLAMP 29-33
13	23.0080.00	SCREW M4 X 12 A2 DIN 912
14	23.0046.00	WASHER D6 A2 DIN 125A
16	95.0042.10	DRAIN HOSE CLAMP KIT (INCLUDES #10, 13)
17	95.0043.00	DRAIN HOSE KIT
18	95.0044.00	LID ASSY KIT
19	95.0045.00	FLOAT CAGE ASSY KIT

Ref#	Item#	Description
SOLUTION TANK:		
1	24.0169.00	SOLUTION TANK, BLACK
2	23.0004.00	WASHER D6 A2 DIN 127
3	30.0104.00	CONNECTION
4	39.0011.00	ANTI-VIBRATING
5	25.0200.00	HOLDER
6	23.0017.00	WASHER D6 X 18 A2 DIN 9021N
7	23.0044.00	NUT M6 A2 DIN 982
13	39.0017.00	SOUND PROOFING
15	30.0038.00	CONNECTION
17	25.0191.00	PLATE
18	23.0046.00	WASHER D6 A2 DIN 125A
19	23.0109.00	SCREW M6 X 12 A2 DIN 933
20	23.0016.00	SCREW M6 X 20 A2 DIN 933
21	30.0061.00	CLAMP
22	50.0044.00	CAP
23	30.0117.00	CAP
24	30.0024.00	FILLING HOSE
26	2508560	SCREW
30	95.0038.00	VACUUM MOTOR KIT
31	95.0039.00	VACUUM AIR FLOW AND SOUND PROOFING KIT (INCLUDES #13, 14, 16)
32	95.0040.00	VACUUM MOTOR HOLDER KIT (INCLUDES #4, 5, 6, 7, 21)

Ref#	Item#	Description
BRUSH HEAD:		
1	38.0014.00	BRUSH COVER
2	24.0140.00	FULCRUM
4	23.0017.00	WASHER D6 X 18 A2 DIN902IN
5	23.0004.00	WASHER D6 A2 DIN 127
6	23.0142.00	SCREW M6 X 30 A2 DIN 933
9	33.0073.00	BUMPER SPACER
10	39.0095.00	BUMPER
11	23.0079.00	SCREW M6 X 25 A2 DIN 933
12	25.0281.00	ANGULAR
13	23.0046.00	WASHER D6 A2 DIN 125A
14	23.0023.00	SCREW M6 X 12 A2 DIN 933
15	24.0141.00	BRACKET
16	25.0260.00	BAR
17	38.0015.00	SQUEEGEE SUPPORT
18	33.0116.00	BUSH
19	23.0044.00	NUT M6 A2 DIN 982
21	38.0019.00	MALISH CLUTCH
30	95.0032.00	BRUSH MOTOR KIT
31	95.0033.00	FULCRUM ARM ASSY KIT (INCLUDES #2, 4, 11, 15, 18, 19)
32	95.0034.00	SQUEEGEE SUPPORT KIT (INCLUDES #4, 11, 13, 16, 17, 18, 19)
33	95.0035.00	BUMPER WHEEL KIT (INCLUDES #4, 11, 13, 16, 17, 18, 19)
34	95.0035.00	BRUSH COVER ASSY (INCLUDES #1, 4, 5, 6, 12, 13, 14, 21)
NOT ILLUSTRATED		
	414DP	DRIVE BLOCK
	PB414	POLYPROPYLENE SCRUB BRUSH

Ref#	Item#	Description
HANDLE:		
1	25.0303.00	SUPPORT
2	CAS35	HANDLE ADJUSTING GEAR
3	38.0012.00	PLATE
4	33.0117.00	PIN
5	23.0045.00	SCREW M8 X 25 A2 DIN 7991
6	CAS110	ALUMINIUM KNUCKLE
7	CAS36	HANDLE ADJUSTING GEAR DOG
8	CAS22	GEAR DOG SPRING
10	CAS25	RUBBER HANDLE GASKET
11	03-6087-0067	HANDLE CASE
14	03-6090-0067	TRIGGER LEFT & RIGHT
15	03-6089-0067	GEAR LEVER
17	CAS24	SELF TAPPER
18	04-3237-0000	SWITCH
19	03-6086-0067	HANDLE CASE FRONT
20	CAS23	SELF TAPPER
21	23.0044.00	NUT M6 A2 DIN 982
22	24.0168.00	OPERATOR PANEL
23	34.0120.00	PUSH BUTTON
24	34.0121.00	PUSH BUTTON COVER
25	33.0128.00	ROD
26	23.0009.00	WASHER D8 A2 DIN 125A
27	23.0008.00	WASHER D8 A2 DIN 127
28	23.0047.00	SCREW M8 X 16 A2 DIN 933
29	23.0027.00	NUT M8 A2 DIN 982
30	23.0119.00	SCREW M8 X 60 A2 DIN 933
31	12-109	CABLE TIE
32	12-118	FAIR LEADER
33	23.0043.00	WASHER D5 X 15 A2 DIN 9021N
34	23.0041.00	NUT M5 A2 DIN 982
35	23.0024.00	SCREW M6 X 20 A2 DIN 7991
37	34.0240.00	BATTERY LEVEL INDICATOR
38	13-922	SCREW M4.5 X13
39	34.0237.00	HANDLE CABLE
40	34.0226.00	BRUSH SWITCH CABLE

Automatic Scrubber Parts - PAS14G : Parts List

Ref#	Item#	Description
SUCTION BEAM:		
1	30.0098.00	CONNECTION
2	25.0195.00	RETAINER
3	23.0043.00	WASHER
4	50.0024.00	WHEEL
5	33.0072.00	SPACER
6	22.0133.00	SQUEEGEE
7	23.0135.00	SCREW
8	23.0147.00	NUT
9	35.0023.00	KNOB
10	23.0139.00	SCREW
12	25.0262.00	FRONT RETAINER
13	23.0136.00	SCREW
14	23.0137.00	SCREW
15	35.0024.00	KNOB
16	25.0263.00	REAR RETAINER
18	2508571	SCREW
19	23.0021.00	WASHER
KITS		
	95.0052.00	BUMPER WHEEL KIT (9INCLUDES #3, 4, 5)
	95.0054.00	SQUEEGEE BLADE WHEEL KIT (INCLUDES #3, 4, 5, 7, 8)
	95.0053.00	SQUEEGEE RETAINER KIT (INCLUDES #9, 10, 12, 13, 14, 15, 16)
	95.0048.00	SQUEEGEE FRONT & REAR BLADES, PARA, 1 PAIR (INCLUDES #11, 17)
	95.0049.00	SQUEEGEE FRONT & REAR BLADES, PARA, 5 PAIR (INCLUDES #11, 17)
	95.0050.00	SQUEEGEE FRONT & REAR BLADES, ANTI-OIL, 1 PAIR (INCLUDES #11, 17)
	95.0051.00	SQUEEGEE FRONT & REAR BLADES, ANTI-OIL, 5 PAIR (INCLUDES #11, 17)
	22.0134.0	COMPLETE SQUEEGEE ASSY W/PARA BLADES (NOT ILLUSTRATED)
	22.1345.0	COMPLETE SQUEEGEE ASSY W/ANTI-OIL BLADES (NOT ILLUSTRATED)

Ref#	Item#	Description
SQUEEGEE LIFTING SYSTEM:		
1	24.0174.00	CLAMP
2	24.0175.00	SUPPORT
4	2508560	SCREW
5	2508571	SCREW
6	27.0077.00	SEEGER
7	23.0009.00	WASHER
8	37.0011.00	CABLE
13	31.004.00	SPRING
14	31.0005.00	SPRING
15	23.0034.00	WASHER d.4
16	23.0143.00	SCREW M3.5 X 13
KITS		
20	95.0057.00	LEVER LIFT (INCLUDES #6, 7, 9, 10, 11, 13)
	95.0055.00	SQUEEGEE LIFTING CABLE KIT (INCLUDES #5, 8, 14)
	95.0058.00	CLAMP AND SUPPORT KIT (INCLUDES #1, 2, 4)
	95.0059.00	LEVER ENCLOSURE KIT (INCLUDES #3, 5, 6, 7, 9, 10, 11, 12, 13, 14)

Ref#	Item#	Description
GEL BATTERY CHARGER SETTINGS:		
2	30.0099.00	CLAMP 29-33
3	23.0024.00	SCREW M6 X 20 A2 DIN 7991
4	23.0017.00	WASHER D6 X 18 A2 DIN 9021N
5	23.0044.00	NUT M6 A2 DIN 982
6	50.0025.00	BATTERY SHIM
8	18.0032.00	GEL BATTERY CHARGER 24V 4.5Ah, EURO PLUG
8	18.0033.00	GEL BATTERY CHARGER 24V 4.5Ah, USA PLUG
9	25.0256.00	FIXING PLATE
10	23.0011.00	WASHER D4 X 12 A2 DIN 9021N
11	23.0050.00	NUT M4 A2 DIN 982
12	23.0114.00	SCREW M6 X 50 A2 DIN 933

