

Powr-Flite[®]

OPERATOR'S MANUAL & PARTS LIST

Predator Automatic Scrubber Models PAS28-DX, PAS32-DXBC



**WARNING: OPERATOR MUST READ AND UNDERSTAND THIS MANUAL
COMPLETELY BEFORE OPERATING THIS EQUIPMENT.**

©Tacony, Inc., All rights reserved

Save These Instructions

PAS300A 8/2015

IMPORTANT SAFETY INSTRUCTIONS

All operators must read, understand and practice the following safety instructions. They will be repeated occasionally throughout this manual, and additional cautions may be added for specific cases.

- **CAUTION:** Operators must read and understand this manual completely before operating this equipment.
- **CAUTION:** Make sure key switch is in the “OFF” position before installing pad.
- **CAUTION:** Loose objects on the floor can become dangerous projectiles if struck by the high-speed pad. Remove them before operating this machine.
- **CAUTION:** Keep hands and feet away from revolving pad.
- **CAUTION:** Keep machine moving to prevent damage to finish or floor.
- **CAUTION:** Make sure key switch is turned “OFF” and battery connector is unplugged from machine before performing any maintenance procedures.
- **CAUTION:** Maintenance and repairs must be performed by authorized personnel.
- **CAUTION:** Battery acid can cause burns. When working on or around batteries, wear protective clothing and safety glasses. Remove metal jewelry. Do not lay tools or metal objects on top of batteries.
- **CAUTION:** Do not operate this equipment in bare feet or with open-toed shoes or sandals.
- **CAUTION:** Charging batteries generate explosive gases. ***NO SMOKING OR OPEN FLAMES OR SPARKS.*** Make sure the charger has turned off before disconnecting it from the batteries. Charge batteries in a well-ventilated area with the tanks in the raised and locked position.
- **CAUTION::** Store or park this machine on a level surface only. Remove key from switch if machine is left unattended.
- **CAUTION::** Do not operate machine or charger in areas where flammable liquids or gases are present. Do not use or pick up flammable chemicals or liquids with this machine.
- **CAUTION:** Make sure all caution, warning and instructional decals are in place and legible. Replace damaged or missing labels.
- **CAUTION:** These machines are designed for level floor operations only. ***DO NOT OPERATE*** on ramps or inclines unless adequate personnel are available for assistance.
- **CAUTION:** Do not expose electrical components to water or other liquids. To clean machine wipe down with a damp cloth.

WARNING:

DO NOT OPERATE MACHINE OR CHARGER IN AREAS WHERE FLAMMABLE LIQUIDS OR GASES ARE PRESENT.

DO NOT USE OR PICK UP FLAMMABLE CHEMICALS OR LIQUIDS WITH THIS MACHINE.

POWR-FLITE PREDATOR AUTOMATIC SCRUBBER

This manual refers to a battery powered automatic floor scrubber. Designed to be simple, easy to operate and safe, with maneuverability and automatic variable electronic drive. Routine maintenance has been simplified and reduced to the minimum to keep equipment on the job.

The customer must make sure that the operators have read the contents of this manual and that they adhere strictly to the indications listed. Powr-Flite does not accept any responsibility for damage caused to persons and/or property, or to the equipment itself if the conditions described below are not respected. This manual is an integral part of the machine; it must be carefully preserved for the lifetime of the machine, right up to the point of scrapping. Unauthorized reproduction in whole or in part of the text or diagrams is prohibited.

This manual describes a battery-powered floor cleaner and dryer. It is a model of a high power rating which puts it at the top of its class. It has been designed for ease of use, manageability and safety. Maintenance has been simplified and reduced to a minimum in order to allow even untrained staff to carry necessary servicing operations.

THE PRINCIPLE CHARACTERISTICS ARE:

- Galvanized sheet steel bodywork formed to give maximum strength at minimum weight;
- Reinforced polyethylene chassis in an elegant and indestructible design;
- Base in sheet thick 30/10 mm with polyethylene cover;
- Polyethylene tanks resistant to battery chemicals and to the most widely diffused industrial solvents;
- Polyurethane coated wheels;
- Reduction motor for brushes with lifetime purification;
- Differential motor for advancement lubricated to life;
- By Pass suction motor for liquids;
- Ergonomic control panel with protected switches;
- Nylon drying blade with para rubber wiper.

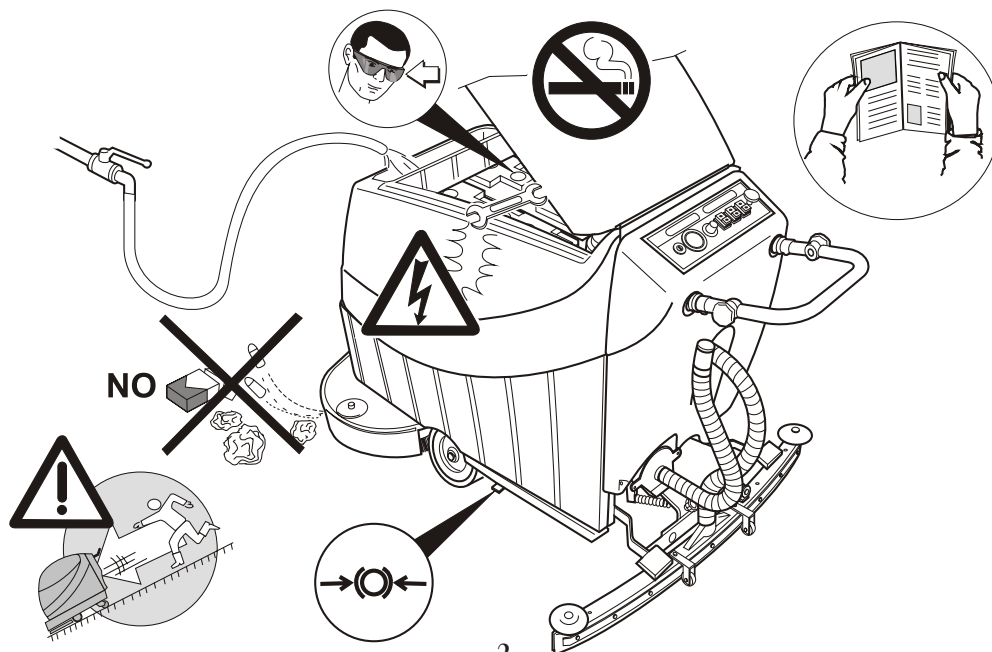
The floor cleaner is intended for cleaning and washing level floors in closed spaces using appropriate detergents. This manual serves to guarantee the correct use of the machine thus supporting the service that we offer the customer. You are advised to adhere strictly to the instructions contained in this manual since the manufacturer does not accept responsibility for any damage caused to persons or to property, or to the machine itself if it is not used in the way described here or if the safety and maintenance instructions are not followed.

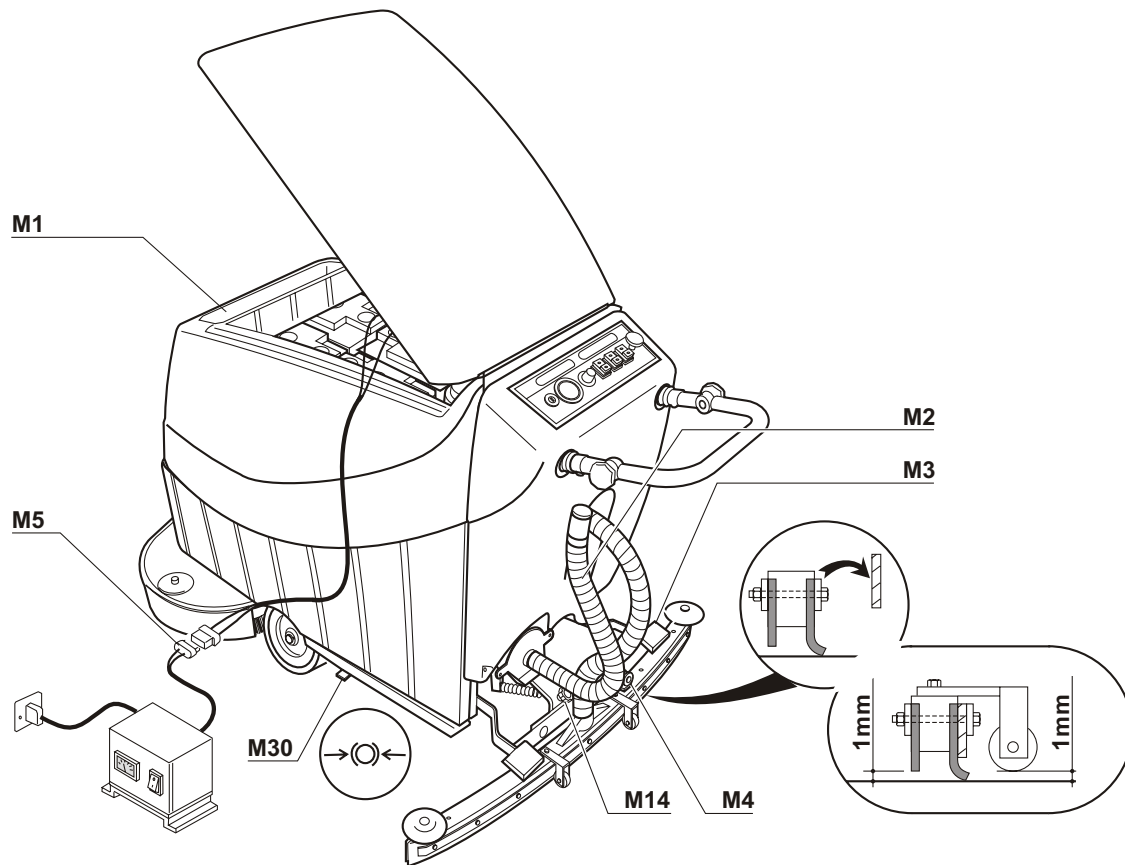
The instructions set out in this manual do not substitute the safety measures and technical specifications to be applied directly to the product for installation and operation, nor the safety regulations in force in the country where it is used or the rules of common sense. The installation or maintenance personnel must report any defects or deterioration that might compromise the safety of the machine. The standard cleaner is not equipped to operate in inflammable or explosive environments.

The personnel responsible for operating the machine must have specific professional training or must have experience of using machines of this type. In order to prevent damage to people or to property, we advise the customer to instruct adequately the operators on any risks related to the use of this machine. The operator must always make use of the protective measures prescribed by the laws of the country in which the machine is used as well as additional protection provided by the employer (safety shoes, overalls, safety glasses, etc.).

Personnel employed for the use or maintenance of the machine must be expert, knowledgeable and mature for the tasks described and must be reliable for interpreting correctly the contents of this manual and for guaranteeing safety and attention to detail in the inspections. The responsibilities of the personnel authorized to use the machine are at the discretion of the customer. Maintenance personnel must have the specific characteristics (maintenance technician) necessary for correctly interpreting diagrams and instructions.

Powr-Flite declines all responsibility for damage of any kind resulting from imprudent use by expert or inexperienced personnel who have not operated the machine in accordance with this manual. The installation must be carried out in accordance with the laws in force in the country where it is installed; Powr-Flite is not responsible for equipment upstream of the cleaner.





The customer must use exclusively original spare parts and fit them in the intended way. Do not leave any objects of any kind on the floor as they may be thrown at high speed by the brushes. Keep feet and hands clear of the moving brushes.

Ensure that the main power key switch is in the OFF position and that the batteries are disconnected before carrying out any maintenance and/or filling the tanks with detergent and/or changing the brushes.

Authorized personnel must carry out maintenance procedures.

Do not carry out any un-safe or temporary repairs or use non-original spare parts. Regularly check the wear and deterioration of the materials and, if necessary, call out your regular supplier.

When working near the batteries use protective glasses and clothing. Remove any metal object. Do not rest metal tools or equipment of any type on the batteries. Recharging the batteries produces explosive gas.

DO NOT SMOKE, LIGHT FLAMES OR MAKE SPARKS.

Recharge the batteries in a well-ventilated area and with the cover fixed in the open position. Do not draw current from the batteries with makeshift connectors, clips or contacts. Park the cleaner on a flat and level floor.

The electrical parking brake must be activated in the startup operation of the scrubber drier using the lever M30. In order to move the machine without batteries it is necessary to disarm manually the brake pulling back the lever.

ATTENTION: for safety reasons verify that the parking brake is working (pull the lever) once the batteries are connected!

The electromagnetic brake is automatically activated every time the scrubber drier is turned off

If the cleaner is left unattended remove the key from the main power switch. Do not leave the cleaner unattended particularly if children are present. Do not use or install the cleaner in places where inflammable gases or liquids are present. Do not use inflammable liquids or chemicals with this cleaner. Ensure that the instruction manual and warnings are always to hand and are legible. Replace any torn or missing pages. This machine must only be used on flat and level surfaces.

DO NOT USE IT ON IN-CLINED SURFACES without the assistance of the appropriate personnel. Do not operate the machine in bare feet, with sandals or any kind of open footwear. Do not wet electrical components with water or any other liquid. Dry the machine with a cloth.

Powr-Flite is not responsible for the disposal or production of products necessary for its operation; e.g. batteries, detergents, etc.; the customer himself must, therefore, arrange for the disposal of sub-stances harmful to the environment in accordance with the laws of the country in which it is used. The same precautions should be taken when the machine is scrapped.

The machine generates a sound pressure level in an industrial environment (warehouse/ shop floor) that is less than 80 dB and is therefore absolutely harmless for the operator. However, in other surroundings, this level may be exceeded in which case the customer must provide appropriate protection (ear defenders) as well as notices to promote their use and periodic hearing examinations.

The operator must not wear clothing with wide sleeves, laces or belts; he must not approach the machine with bare or wet feet; he must not pull out the plug by pulling the cable; must not smoke if the environment or products used do not allow it.

- For lifting and transporting use only specialized personnel (slingers, crane operators, etc.) with proper lifting gear which is suitable for the weight of the various components.
- Transport (especially by road) must be carried out with in the correct way and with the adequate means so as to protect the components (especially the electronic ones) from violent shocks, humidity, vibration, etc; the machines are supplied with wheels and therefore need to be securely anchored before beginning transportation.
- We remind you that packing material (wood, nails, paper, cellophane, metal staples, adhesive tape, straps, ropes, etc.) may cause cuts or wounds and should be handled with care. These must be removed with appropriate tools and should not be left in the care of irresponsible people (e.g. Children); the same applies to the un-packing tools (scissors, hammers, pliers, knives, etc.).
- On specific request, Powr-Flite will pack the machines appropriately but this does not eliminate the above safety notes.

During movement, suspended loads made up of machine components or parts represent a collision, risk, it is the responsibility of the customer to highlight this danger.

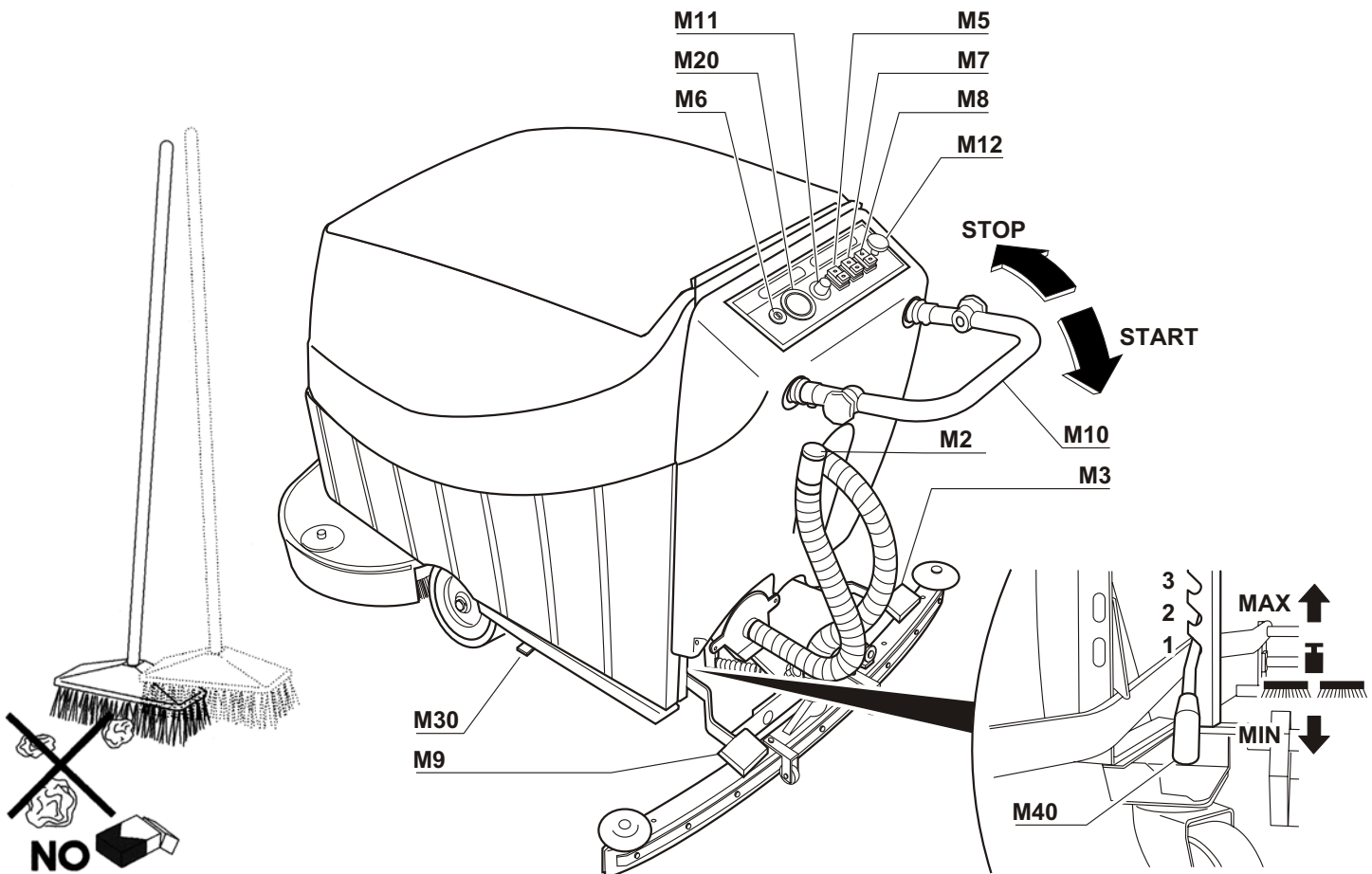
WARNING: before attempting to adjust or prepare the machine or to fill the tanks, make sure that the power supply is disconnected.

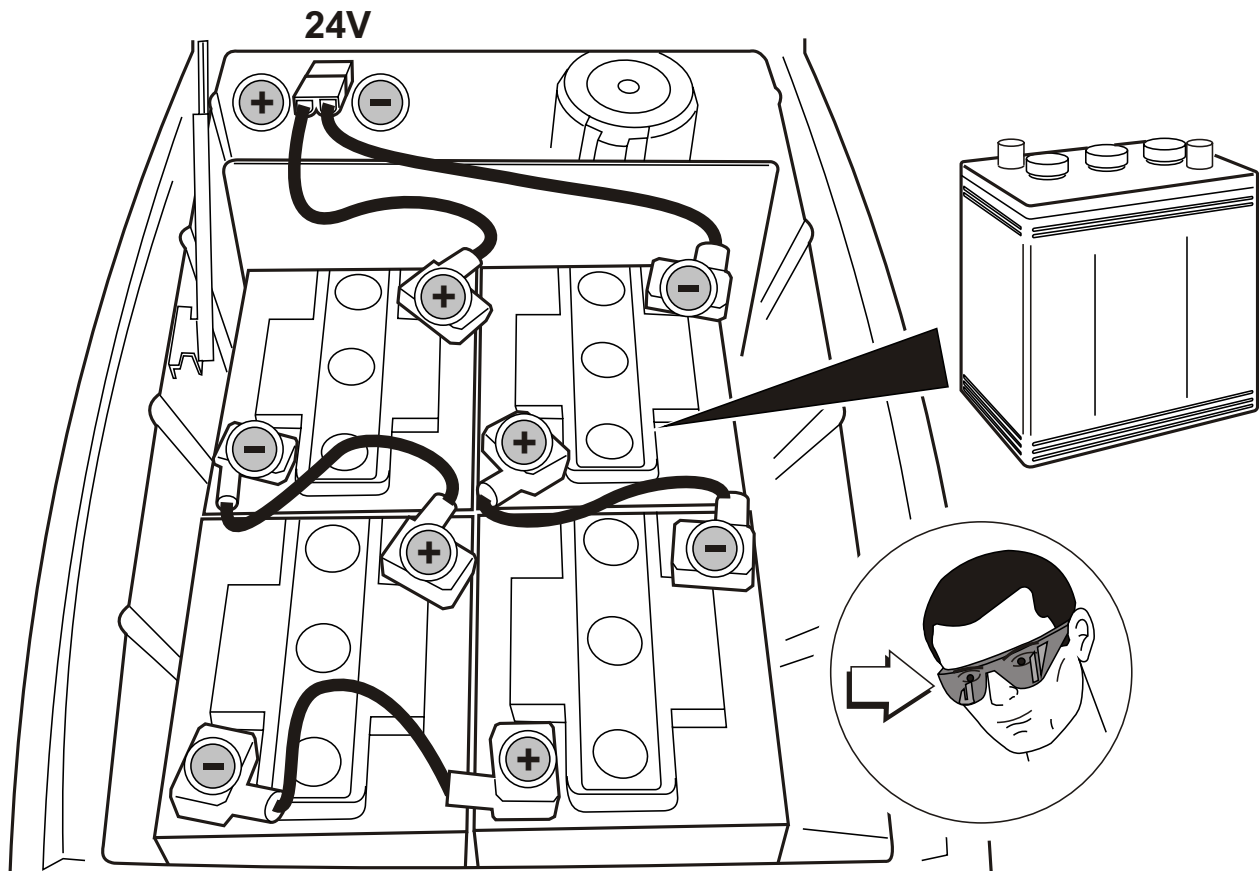
Detergent tank: The detergent tank is positioned underneath the upper cover at the front of the machine with the filter hole M1 easily accessible for easy refilling. Before filling the tank with correctly diluted detergent, empty the waste collection tank as described in the following paragraph; obviously this step is not required for the first time of filling. The capacity of the detergent tank is 80lt. Only use the quantities and dilution recommended by the detergent supplier and use only non-foaming detergents.

Waste tank: The waste tank should be emptied (preferably after each use) so as not to let the dirt settle; to do this, remove the cap covering the drain tube M2, and put in a position so that it drains. Always abide by the environmental regulations of the country where the machine is used.

Wiper blade: The floor wiper serves to finish the drying operation and it is very important to ensure it is in the correct position: lower the wiper to its working position using the foot pedal M9; level the wiper using the knobs M4 so that the black rubber strip is approximately 1/4" above the floor.

The remaining para rubber strips must wipe the floor with a certain amount of pressure; after the first few hours of operation the rubber wipers adapt themselves to the inclinations and the drying action improves. Pressing the knob M14 regulates the pressure of the wipers on the floor. When cleaning shiny or smooth floors and when there are holes (joints between tiles) it is advisable not to use the rear (lowest) rubber wiper.





Installing and recharging the batteries: The batteries are located in the appropriate compartment underneath the cover; apply a coating of grease (e.g. Vaseline) to the terminals; connect the batteries as shown in the attached diagram; make sure the terminals are securely tightened. The battery charger should be set up in the area where it is planned to leave the machine for recharging. Use the cable supplied to connect to the mains supply, normally 220 V 50 Hz; make sure that the supply voltage is the same as indicated on the battery charger itself. To charge the batteries connect the connector **M5**, which comes directly from the battery compartment, to the battery charger connector; apply voltage using the appropriate button on the charger. The charger will automatically regulate the charging current and will turn itself off when the batteries are recharged.

WARNING: The battery acid may give off harmful fumes. When working near the batteries use protective glasses and clothes.

DO NOT PLACE ANY METAL TOOLS OF ANY KIND ON THE BATTERIES. Recharging the batteries generates explosive gas. Do not smoke, light flames or make sparks. Make sure the charger is switched off before disconnecting. Recharge the batteries in a well-ventilated area and keep the cover open.

WARNING: objects lying on the floor can be thrown at high speed by the brushes, endangering people and/or property.

The area to be cleaned: In order to increase the effectiveness of the detergent, the area to be cleaned should first be swept (manually or by machine) to remove loose dirt that may quickly clog up the suction circuit.

Powering up and operation:

- Disconnect the battery charger from the machine;
- Turn the key switch, **M6**, to position 1 and press buttons **M7** and **M8**;
- Lower the brush by pressing pedal **M9**;
- Lower the floor wiper by pressing pedal **M3**;
- Regulate the flow of detergent to a minimum using knob **M12**;
- Press lever **M10**, the machine will go forward, keep pressing the button **M5**, the machine will go backward. Releasing **M10** to stop the machine
- Regulate the forward speed with potentiometer **M11**;
- Finally, use lever **M12** to regulate the dosage of detergent according to the amount of dirt and the speed of the machine, this will come with experience; at this point the floor cleaner will come with experience, at this point the floor cleaner will simultaneously clean and dry the floor:

Particularly dirty floors: Certain floors or environments require particular attention or even a second pass with the cleaner.

In this case you should make one pass with the wiper raised and the brush in the working position; in this way the detergent remains on the floor for longer and will dissolve the tougher dirt. The second pass should be made with the brush and wiper lowered and at a slower speed.

WARNING:

This machine is designed to work in closed industrial environments on level floors or on inclines no steeper than 2%. Do not use inflammable chemicals and/or explosives with this machine.

Floor wiper: Inspect and clean the floor wiper weekly and make sure to restore it to its working condition. If the drying action is not perfect after cleaning the wiper assembly, remove and re-place any worn rubber blades.

Brush: The brush must be kept in working order; to remove a worn brush proceed as follows (follow the procedure in reverse to reassemble):

- Turn off the machine (key switch in OFF position) and lift the brush with the pedal provided (M9);
- Release the catch M15 and remove the rubber spray guard;
- Turn the brush to be re-moved by hand until the coils of spring M19 are accessible;
- By closing together the coils of spring M19 with your fingers (as if you were closing a pair of scissors) the brush will free itself;

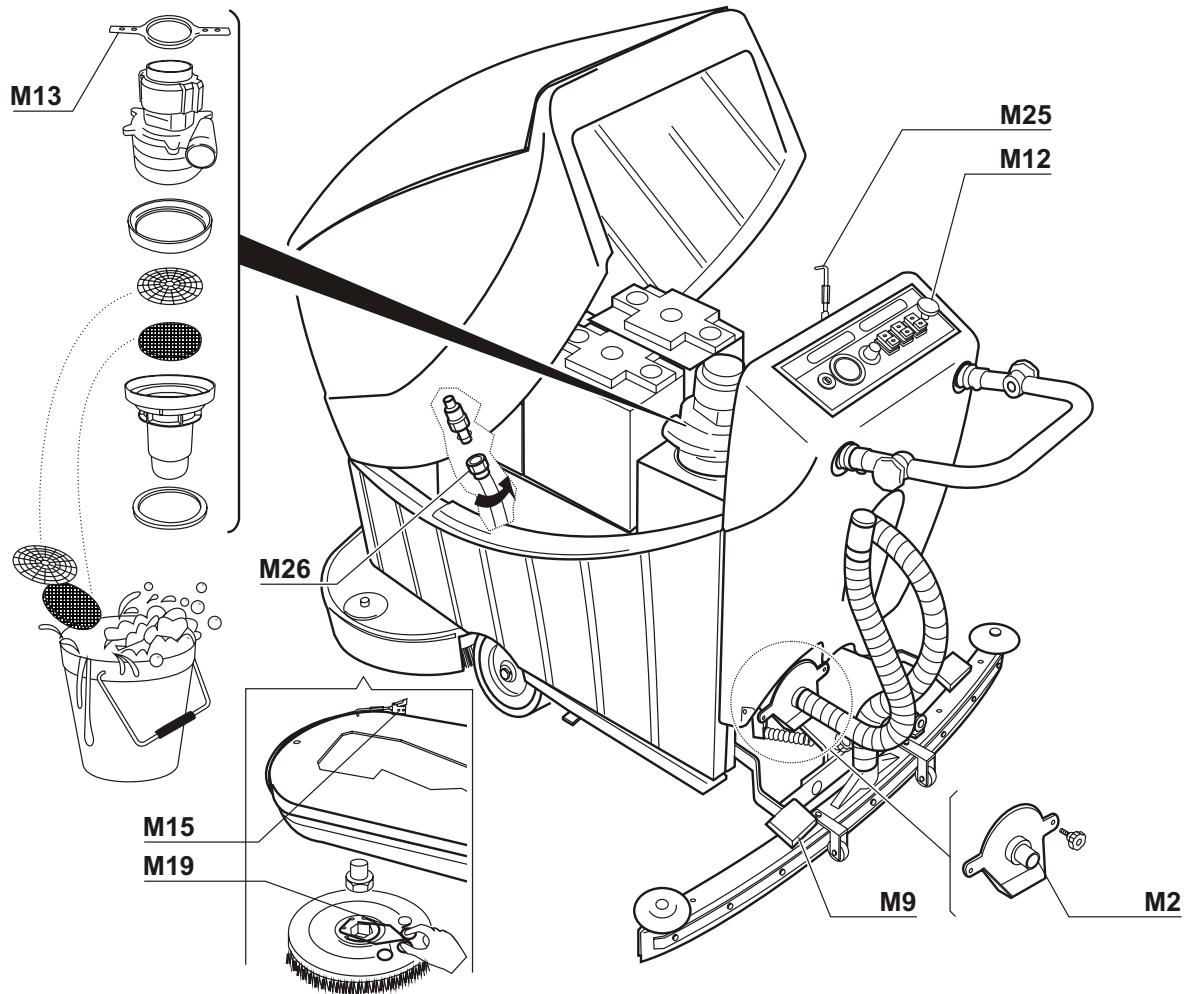
Waste Tank: clean the tank every week as follows: lift the cover; remove the motor stop ring M13 and remove the suction motor from its seat; carefully clean the filter, net and sponge, and remove the dirt which has accumulated in the tank, by water jetting. To ease the operations detach the discharge assembly M2 by unscrewing its side knobs.

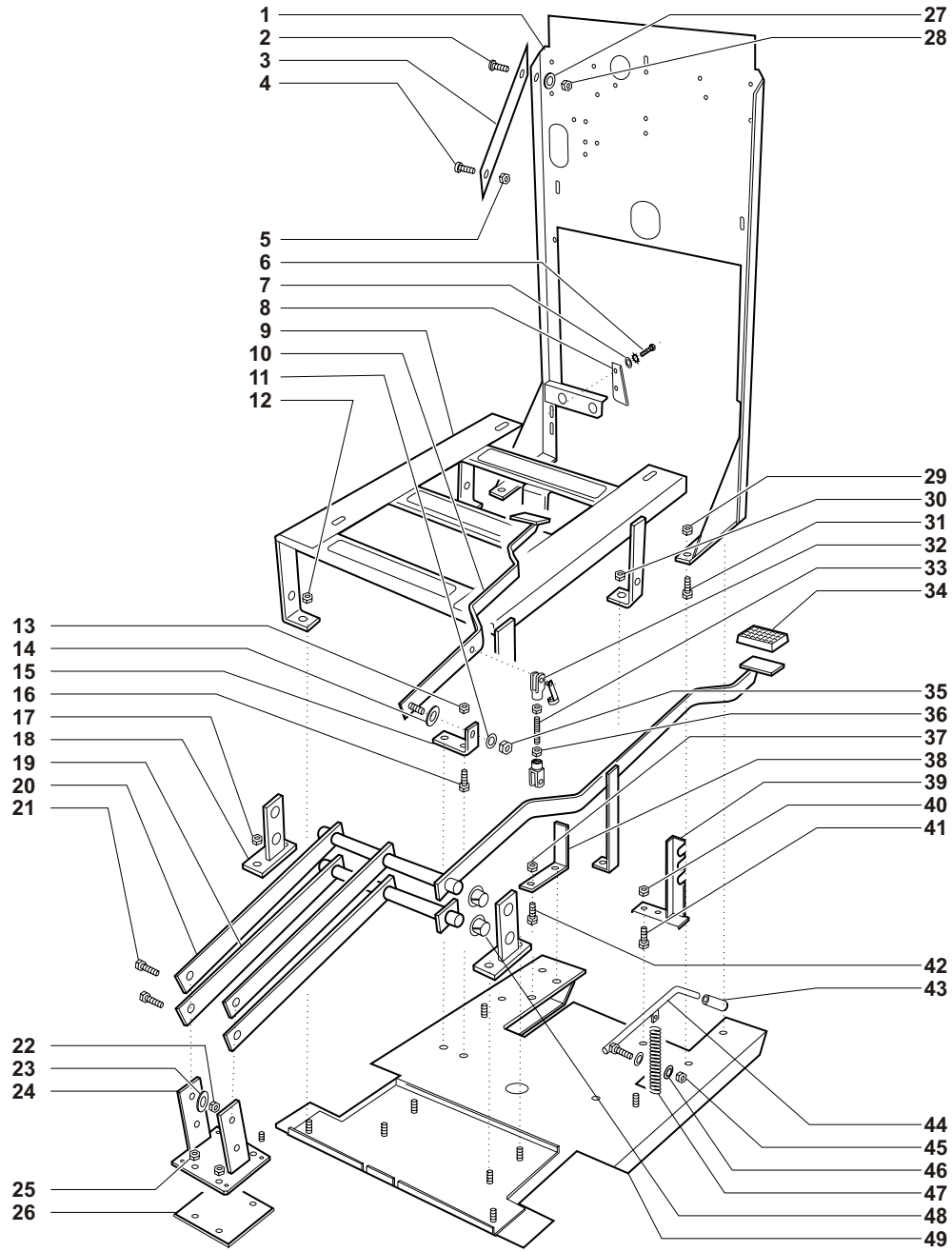
Batteries: Check the electrolyte level and top up with distilled water if drops below the level of the battery elements. Keep the batteries clean and dry with anti-static cloths. Recharging must be carried out with the cell plugs removed and the cover of the machine opened so as to allow the gases generated to escape.

In confined spaces these gases can be explosive, so recharging should be done in a well-ventilated area.

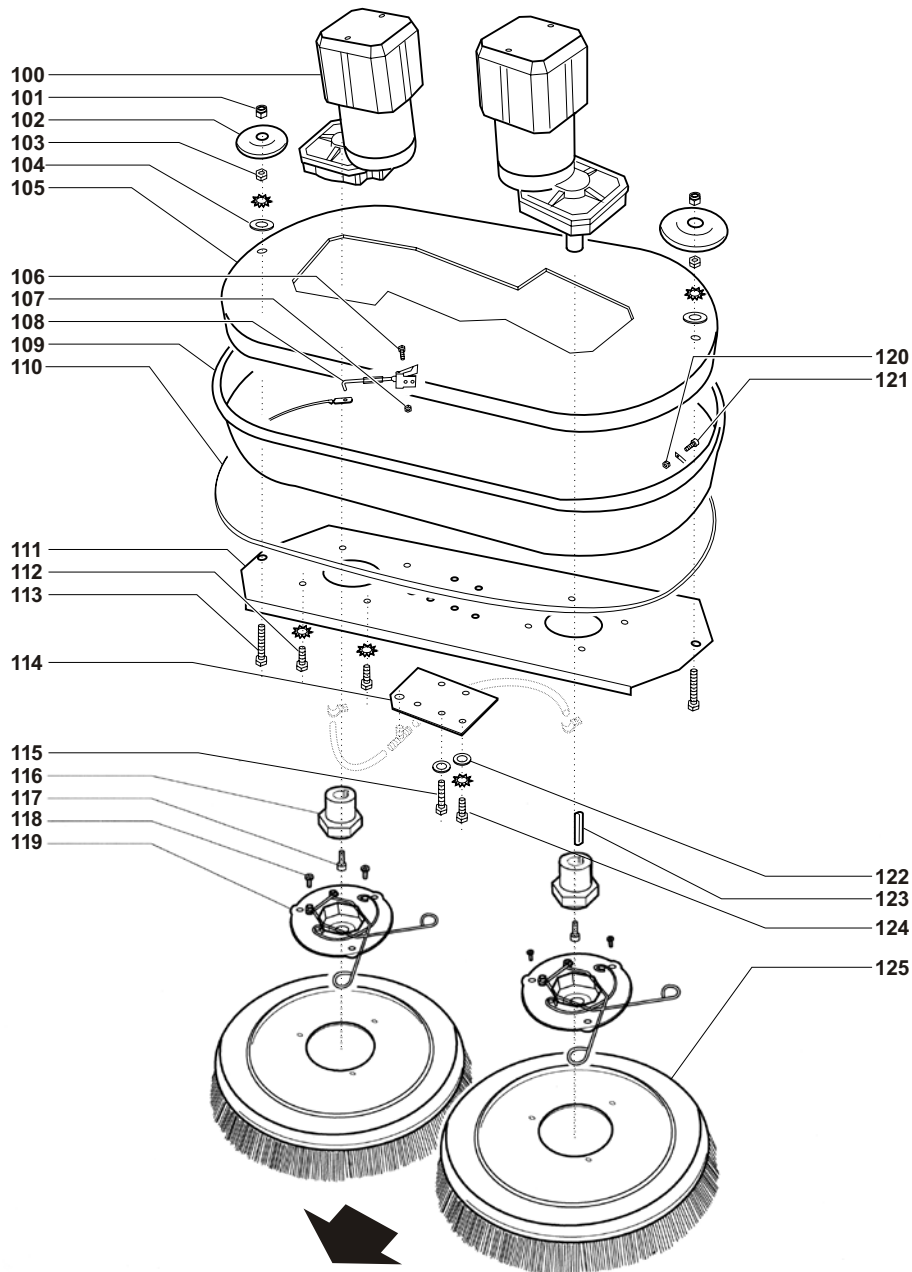
NORMS FOR BATTERIES SAFETY. It is necessary to remember that the batteries produce gas that can provoke explosions if they come in contact with flames and sparks. Do not perform reparations on a battery while it's recharging. Don't leave tools or metallic parts on the battery. Always clean up and dry the batteries; the connections must be covered with anti-acid grease or petroleum jelly. Take care that the battery tank is always cleaned.

IN CASE OF ACID LOSS FROM THE BATTERIES: replace the battery with the loss respecting the polarities and the connections shown above. For this operation use rubber gloves, apron and glasses to protect the skin and the eyes.

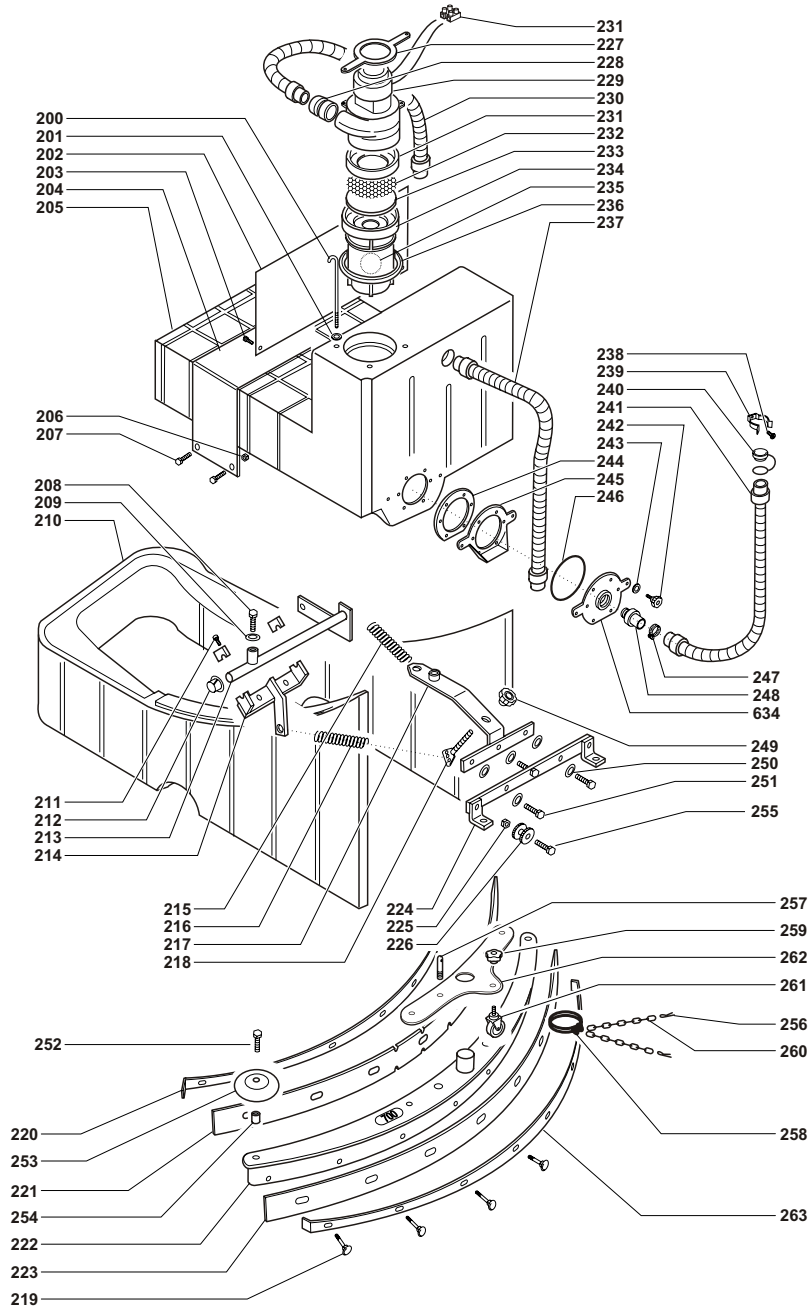




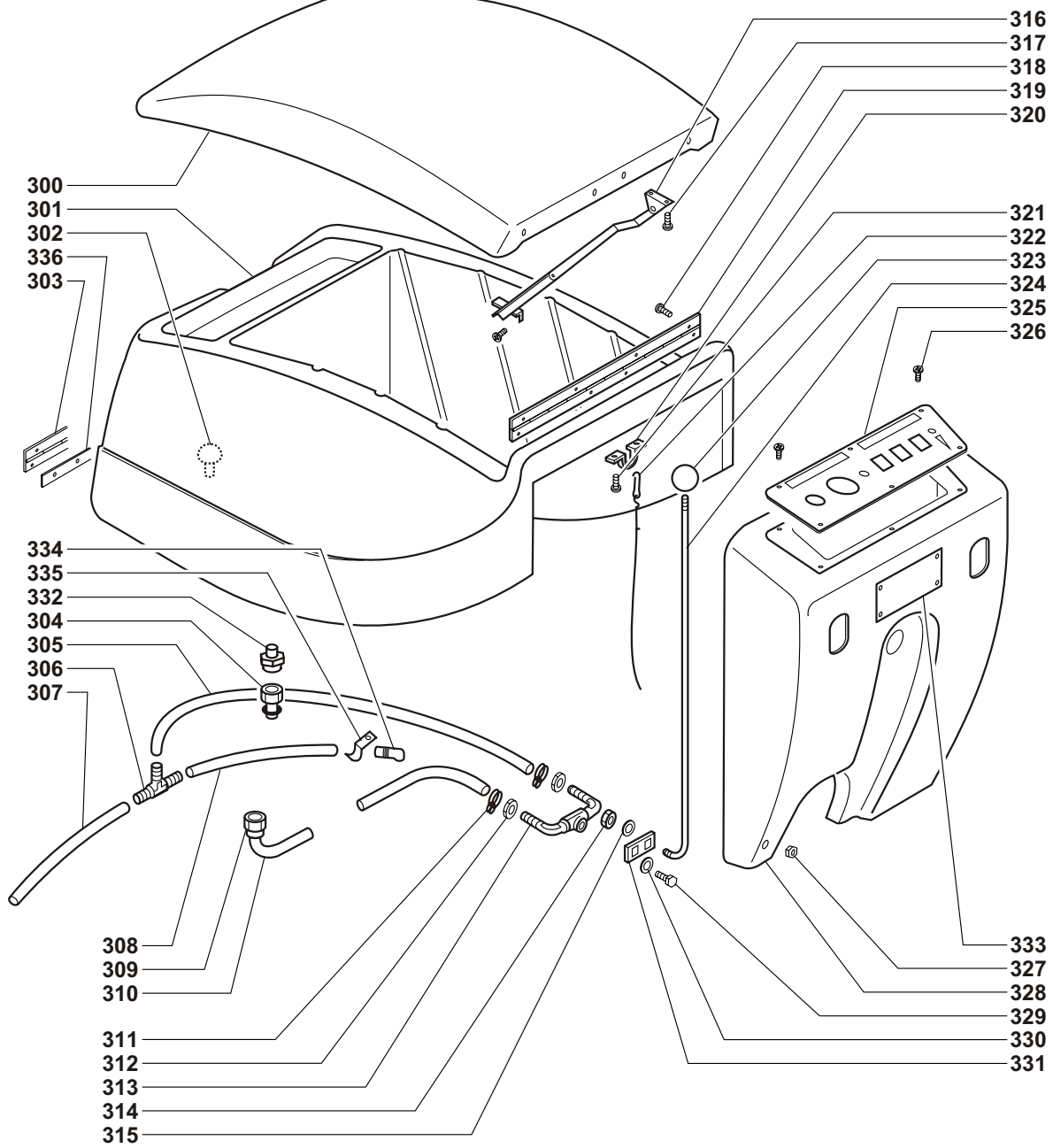
REF#	PART#	DESCRIPTION	REF#	PART#	DESCRIPTION	REF#	PART#	DESCRIPTION
1	701.001	BACK FRAME	18	PAS227	SUPPORT	35	850.310	NUT
2	701.002	SCREW	19	701.019	LEVER	36	PAS176	NUT
3	700.003	SUPPORT	20	PAS511	PEDAL	37	PAS176	NUT
4	701.004	SCREW	21	701.021	SCREW	38	PAS915	STOP
5	PAS176	NUT	22	850.310	NUT	39	701.039	BRACKET
6	430.065	SCREW	23	710.093	WASHER	40	PAS176	NUT
7	PAS208	WASHER	24	701.024	SUPPORT	41	701.016	SCREW
8	PAS259	CAM	25	PAS176	NUT	42	701.016	SCREW
9	701.009	SUPPORT	26	700.084	PLATE	43	701.043	HANDLE
10	PAS256	PEDAL	27	701.027	WASHER	44	701.044	LEVER
11	701.011	WASHER	28	701.028	NUT	45	850.310	NUT
12	PAS176	NUT	29	PAS176	NUT	46	701.011	WASHER
13	PAS176	NUT	30	PAS176	NUT	47	PAS230	SPRING
14	710.093	WASHER	31	701.016	SCREW	48	PAS502	BUSHING
15	PAS257	BRACKET	32	PAS480	FORK	49	701.049	FRAME
16	701.016	SCREW	33	PAS489	TIE ROD			
17	PAS176	NUT	34	PAS14	PEDAL COVER			



REF#	PART#	DESCRIPTION	REF#	PART#	DESCRIPTION	REF#	PART#	DESCRIPTION
100	PAS4	MOTOR REDUCER	117	CT77	SCREW	125	PAS964	STRATA-GRIT .060 DIA. 46 GRIT CONCRETE, FITS PAS32DX
101	PAS924	NUT	118	701.118	SCREW	125	PAS615	15" UNION MIX BRUSH, FITS PAS32DX
102	PAS1	BUFFER WHEEL	119	PAS6A	SUPPORT WITH SPRING	125	PAS961	DRIVE BLOCK, FITS PAS32DX
103	701.103	NUT	120	PAS510	NUT	125	PAS965	POWR-SCUFF .018 DIA. 500 GRIT GEN SCRUB, FITS PAS32DX
104	701.104	WASHER	121	PAS926	SCREW			
105	PAS322	COVER PLATE FOR PAS32DX	122	PAS188	WASHER			
105	701.105	COVER PLATE FOR PAS28DX	123	PAS101	KEY			
106	PAS335	SCREW	124	710.041	SCREW			
107	701.028	NUT	125	PAS67	POLY SCRUB, 2 BRUSHES, FITS PAS28DX			
108	PAS122	HOOK	125	PAS68	NYLO GRIT 2, BRUSHES, FITS PAS28DX"			
109	PAS921	KEEPER	125	PAS130	STRATA GRIT, 2 BRUSHES, FITS PAS28DX			
110	PAS919	SPLASH GUARD RETAINER	125	PAS94	SCRUB GRIT II, 2 BRUSHES, FITS PAS28DX			
111	PAS499	PLATE FOR PAS32DX	125	PAS613	13" UNION MIX, 2 BRUSHES, FITS PAS28DX			
111	701.111	PLATE FOR PAS28DX	125	PAS613	13" UNION MIX, 2 BRUSHES, FITS PAS28DX			
112	PAS162	SCREW	125	PAS69	PAD HOLDER, 2 BRUSHES, FITS PAS28DX			
113	PAS223	SCREW	125	PAS133	POWR-SCRUFF, 2 BRUSHES, FITS PAS28DX			
114	700.085	PLATE	125	PAS962	POLY-SCRUB .028 DIA. SCRUB BRUSH NYLON, FITS PAS32DX			
115	701.115	SCREW	125	PAS963	NYLO-GRIT .050 DIA. 80 GRIT HD, FITS PAS32DX			
116	PAS5	COUPLING						

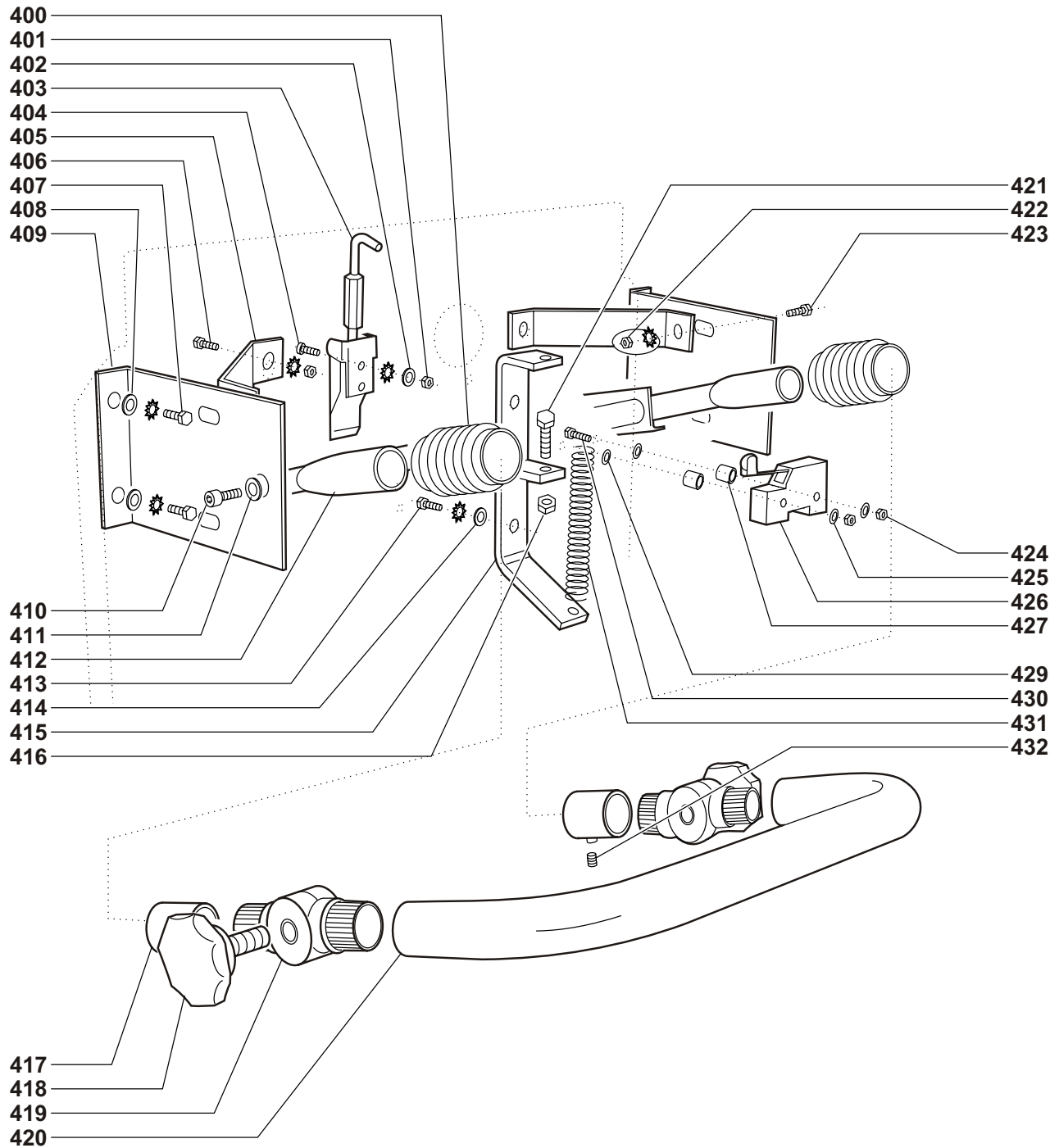


REF#	PART#	DESCRIPTION	REF#	PART#	DESCRIPTION	REF#	PART#	DESCRIPTION
200	410.105.1	TIE ROD	217	700.047.2	LEVER	234	500.068	SUPPORT
201	PAS146	WASHER	218	PAS63	TIE ROD PIN	235	500.094	FLOAT LEVEL
202	700.101.1	SCREEN	219	PAS223	SCREW	236	PAS103	SEAL
203	430.065	SCREW	220	700.262	FRONT STRIP	237	PAS80	PIPE
204	701.204	REINFORCE	221	650.209	FRONT BLADE	238	PAS324	SCREW
205	700.131	TANK	222	710.139	SQUEEGEE BODY	239	PAS38	PIPE STRAPP
206	PAS196	NUT	223	650.179	REAR BLADE	240	PAS36	PLUG
207	701.016	SCREW	224	PAS214	SUPPORT	241	PAS37	PIPE
208	710.041	SCREW	225	PAS176	NUT	242	PAS74	KNOB
209	PAS188	WASHER	226	PAS34	REGULATOR	243	PAS136	WASHER
210	701.210	CHEST	227	PAS15	LOCK RING	244	PAS70	SEAL
211	710.135	SCREW	228	PAS330	SLEEVE	245	PAS440	FIXED FLANGE
212	710.088	BUSHING	229	1995BS	MOTOR	246	PAS441	SEAL
213	700.044.1	LEVER	230	PAS37	PIPE	247	PAS2072	HOSE COLLOR
214	700.045.2	SUPPORT	231	PAS102	SEAL	248	PAS393	HOSE FITTING
215	PAS230	SPRING	232	PAS79	NET	249	PAS33	KNOB
216	PAS31	SPRING	233	PAS107	SPONGE	250	PAS212	WASHER

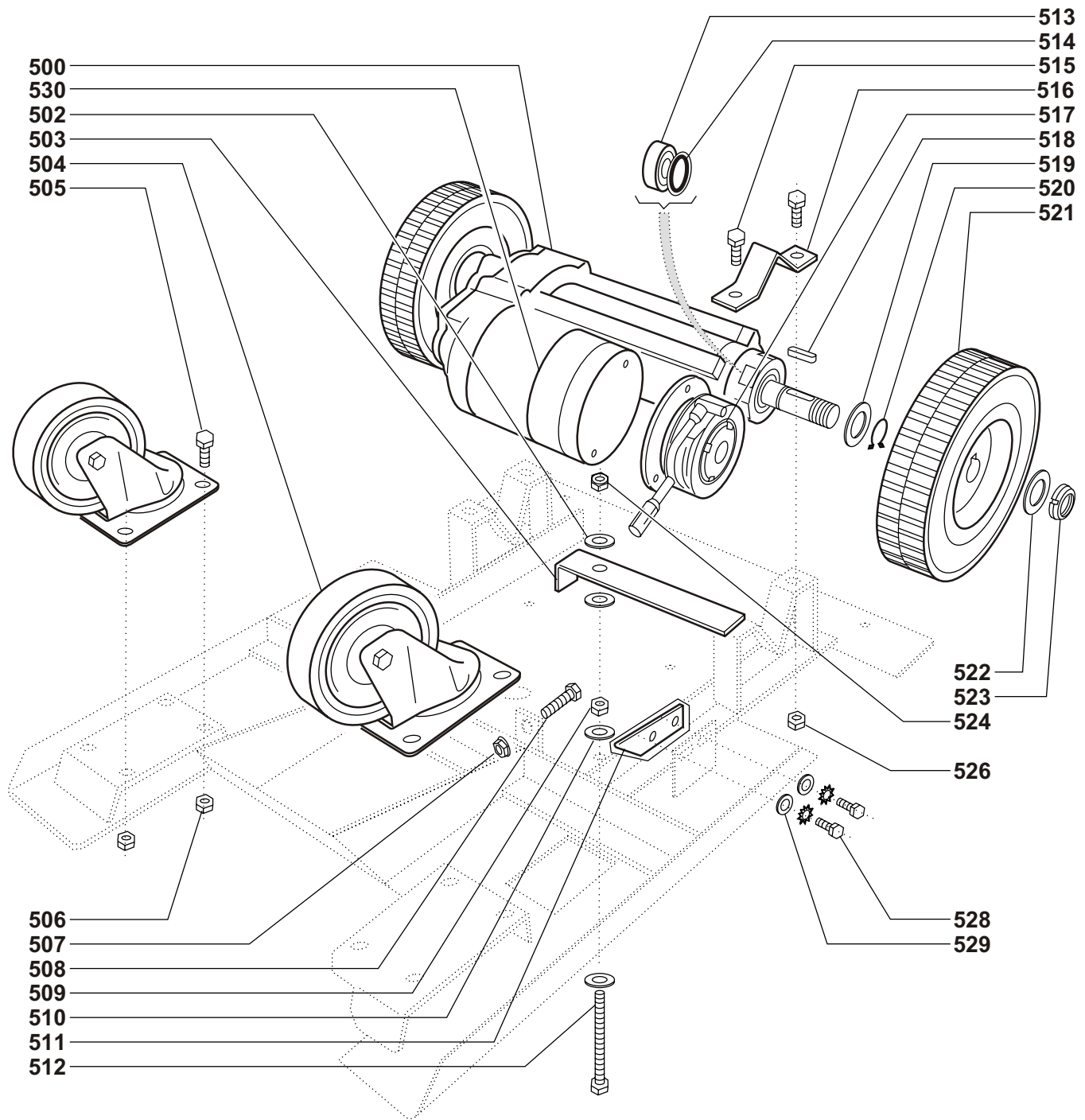


REF#	PART#	DESCRIPTION	REF#	PART#	DESCRIPTION	REF#	PART#	DESCRIPTION
251	710.168	SCREW	303	700.138	HINGE	321	430.056	SCREW
252	PAS936	SCREW	304	PAS83	QUICK CONNECTOR	322	700.160	HOOK
253	PAS1	BUFFER WHEEL	305	PAS288	PIPE	323	PAS11	KNOB
254	PAS937	NUT	306	PAS82	T - CONNECTOR	324	PAS512	ROD
255	PAS310	SCREW	307	PAS288	PIPE	325	X9278	PANEL
256	PAS959	PLIT PIN	308	PAS288	PIPE	326	PAS153	SCREW
257	PAS92	PIN	309	PAS83A	QUICK CONNECTOR	327	PAS176	NUT
258	PAS191	HOSE COLLOR	311	PX42	HOSE COLLOR	328	701.328	PANEL
259	PAS278	KNOB	312	PAS262	NUT	329	PAS271	SCREW
260	PAS382	CHAIN	313	PAS12	VALVE W/ELBOWS	330	PAS270	WASHER
261	PAS379	WHEEL	314	PAS149	NUT	331	PAS269	LEVER
263	700.283	BACK STRIP	315	PAS146	WASHER	332	PAS319	BRASS INSERT FOR TANK
*	PAS144	CREPE RUBBER	316	PAS84	SUPPORT	333	PAS504	FUSE COVER
(°)	PAS17	COMPLETE FLOAT	317	PAS153	SCREW	334	PAS2038	HOSE FITTING
300	701.300	COVER	318	700.155	SCREW	335	PAS2039	PIPE SUPPORT
301	PAS805	TANK	319	PAS110	HINGE	336	701.138.1	HINGE
302	PAS3	FILTER	320	700.158	SUPPORT			

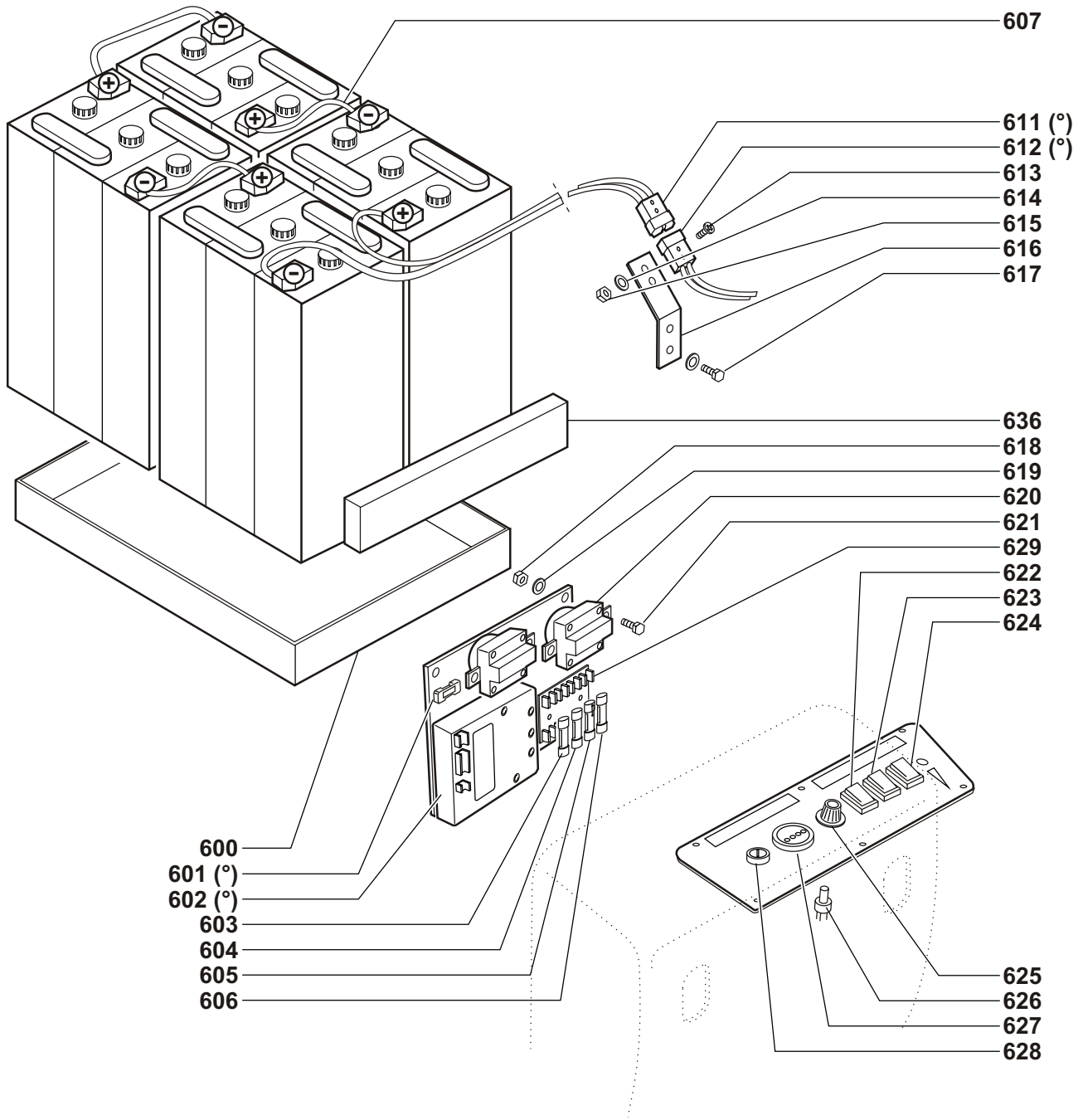
*not illustrated



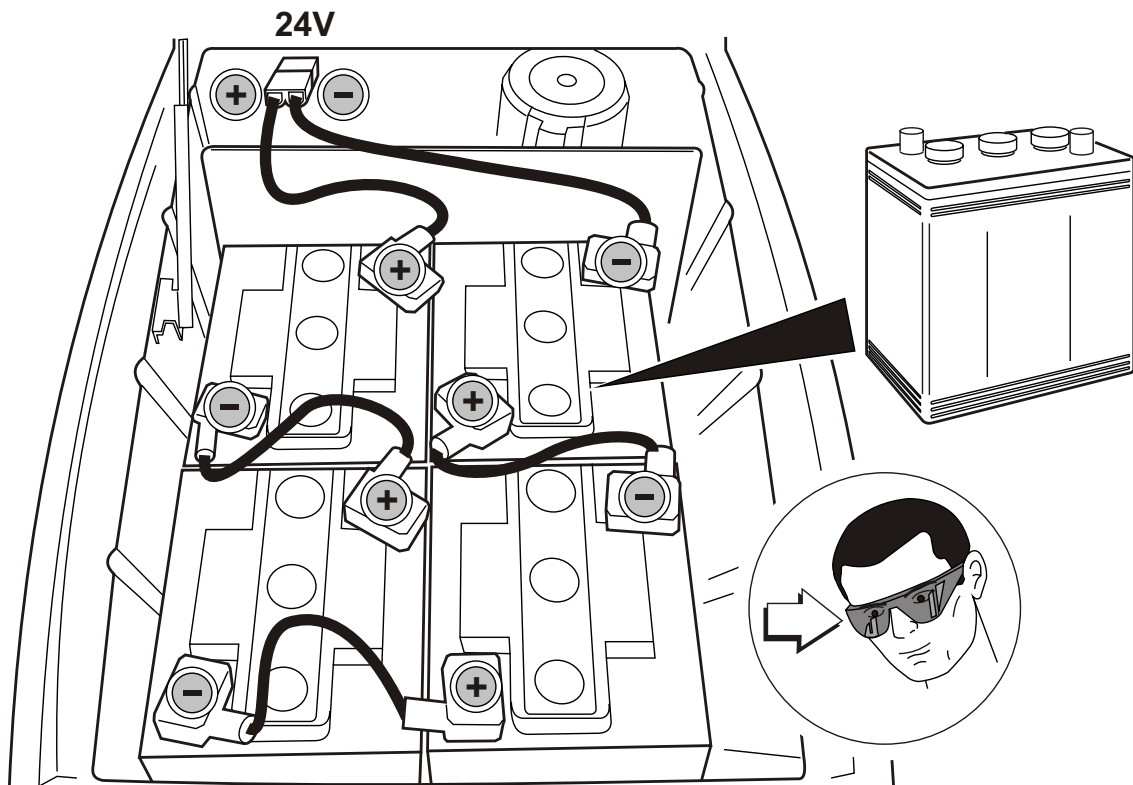
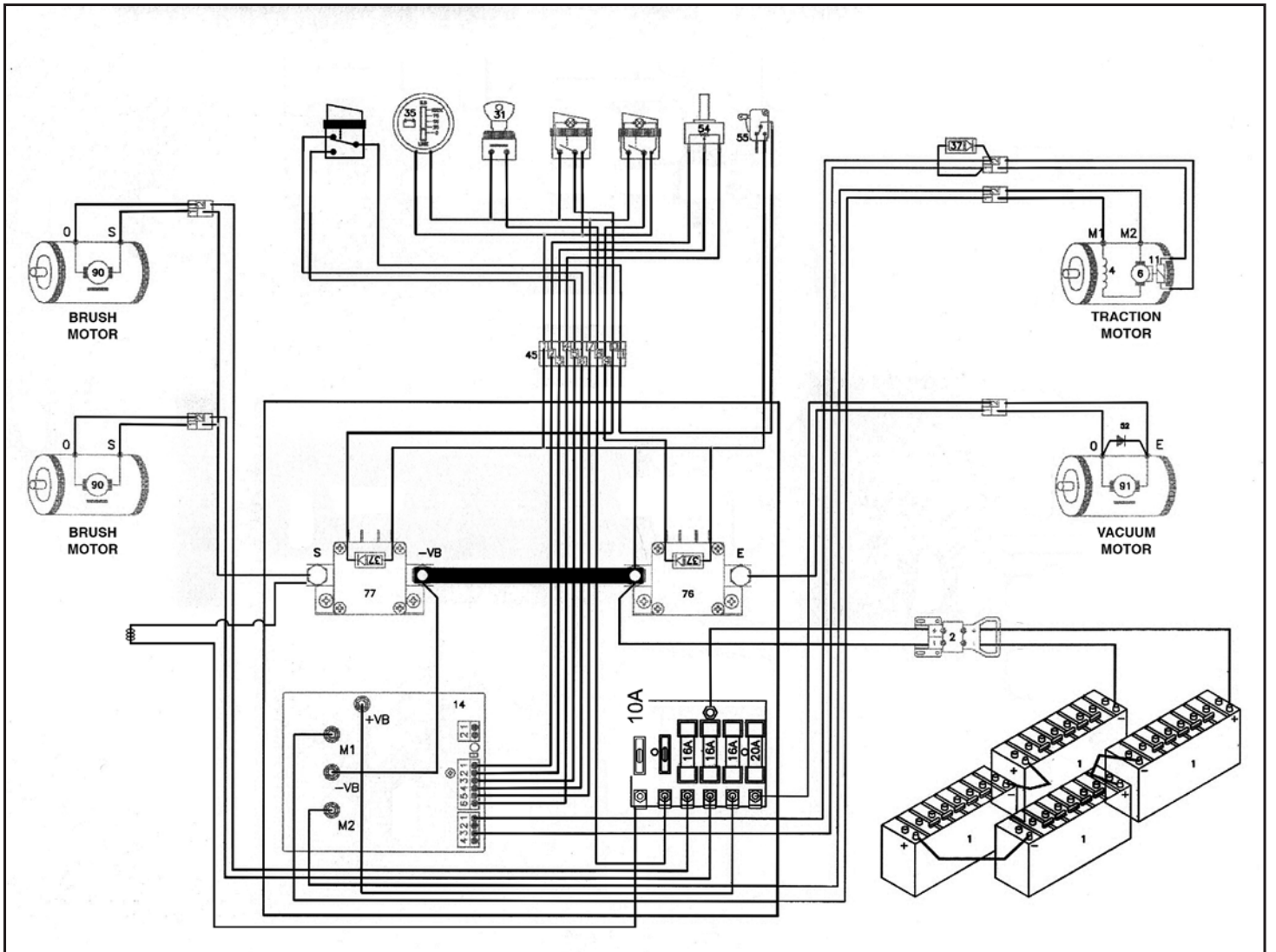
REF#	PART#	DESCRIPTION	REF#	PART#	DESCRIPTION	REF#	PART#	DESCRIPTION
400	PAS335	BELLOW	411	710.040	WASHER	422	701.422	NUT
401	701.028	NUT	412	700.174	LEVER	423	701.423	SCREW
402	701.027	WASHER	413	710.041	SCREW	424	PAS510	NUT
403	PAS122	HOOK	414	PAS188	WASHER	425	701.425	WASHER
404	PAS465	SCREW	415	PAS183	SUPPORT	426	PAS56	MICRO SWITCH
405	701.405	REINFORCE	416	PAS176	NUT	427	PAS508	SPACER
406	701.406	SCREW	417	PAS338	HANDLE	428	700.175	RUBBER
407	500.032	SCREW	418	PAS337	KNOB	429	701.425	WASHER
408	430.310	WASHER	419	PAS339	ARTCULATION	430	PAS507	SCREW
409	701.409	SQUARE	420	430.323.3	HANDLE	431	PAS172	SPRING
410	PAS167	SCREW	421	701.421	SCREW	432	PAS148	DOWEL



REF#	PART#	DESCRIPTION	REF#	PART#	DESCRIPTION	REF#	PART#	DESCRIPTION
500	701.500	MOTOR DIFFERENTIAL	510	710.040	WASHER	519	PAS356	RING
502	710.040	WASHER	511	PAS259	CAM	520	PAS491	SEEGER RING
503	701.503	LEVER	512	701.512	SCREW	521	PAS298	WHEEL
504	PAS518	SWIVEL WHEEL	513	PAS285	BEARING	522	510.246	RING
505	701.016	SCREW	514	PAS283	SEAL	523	PAS358	RING NUT
506	PAS176	NUT	515	701.115	SCREW	524	PAS176	NUT
507	PAS176	NUT	516	510.011	YOKE	526	PAS176	NUT
508	701.508	SCREW	517	PAS486	ELECTRIC BRAKE	528	701.528	SCREW
509	PAS176	NUT	518	PAS351	TANG	529	430.310	WASHER



REF#	PART#	DESCRIPTION	REF#	PART#	DESCRIPTION	REF#	PART#	DESCRIPTION
600	PAS86	VAT	612	PAS59R	CONNECTION	621	701.621	SCREW
601	PAS119	FUSE	613	430.299	SCREW	622	PAS295	REVERSE BUTTON
602	PAS294	ELECTRONIC CARD	614	430.297	WASHER	623	PAS54	SWITCH
603	PAS118	FUSE	615	430.296	NUT	624	PAS54	SWITCH
604	PAS117	FUSE	616	650.328	YOKE	625	PAS88	KNOB
605	PAS117	FUSE	617	PAS162	SCREW	626	PAS55	POTENTIOMETER
606	PAS117	FUSE	618	PAS149	NUT	627	PAS89	BATTERY INDICATOR
607	PAS141	CABLE	619	430.310	WASHER	628	PAS53	KEY SWITCH
611	PAS140	CONNECTION	620	PAS57	REMOTE CONTROL	629	PAS353	FUSE HOLDER



TROUBLESHOOTING

TROUBLES	POSSIBLE REASON	REMEDIES
The machine doesn't move	The battery is low	Charge the battery Check every element of it only if you own the right instrument
	The connector of the traction motor is disconnected or oxidized	Check the connector
	Defective handle microswitch (walk behind machine)	Check the microswitch and change it
	Motor carbons oxidized or consumed	Clean or change the motor carbons
	Traction electronic card is fault	After contacting the technician change the card
The brushes plate doesn't move on the floor	The machine doesn't move	Check the traction card
	The linear actuator is blocked or burned	Check the microswitches adjustment or change the linear actuator's motor
The brushes run and stop repeatedly	Discharged batteries	Check the batteries Check every element of it only if you own the right instrument
The brushes don't rotate	Motor carbons oxidized or consumed	Clean or change the motor carbons
	The fuse is burned	Change the fuse
	The brush power switch is oxidized or burned	Clean the power switch and/or change it
	The linear actuator doesn't allow the power switch to operate	Adjust the linear actuator microswitch
The vacuum motor doesn't work	The motor power switch is oxidized or burned	Clean the power switch and/or change it
	The fuse is burned	Change the fuse
The scrubber doesn't recover all the water	Recover tank full	Discharge the tank
	The squeegee is lifted from the floor	Lower the squeegee to the ground
	The squeegee hose is not free inside	Check and free the hose from everything is inside
	The vacuum motor filter is dirty	Clean the filter
	Squeegee blades consumed or the squeegee itself has to be adjusted	Change the rubbers and adjust properly the squeegee
The squeegee doesn't move to the floor (Automatic movement machines)	Check the vacuum motor switch on the control panel	Change the switch
The clean water doesn't drop	The clean water filter dirty	Clean the filter (inside the clean water tank)

Powr-Flite[®]

A Tacony Company

3101 Wichita Court • Ft. Worth, TX 76140-1755